



**E**UROPEAN  
**T**ELECOMMUNICATION  
**S**TANDARD

**ETS 300 607-3**

August 1998

Seventh Edition

---

Source: SMG

Reference: RE/SMG-071110PR5-3

ICS: 33.020

**Key words:** Digital cellular telecommunications system, Global System for Mobile Communication (GSM)



**Digital cellular telecommunications system (Phase 2);  
Mobile Station (MS) conformance specification;  
Part 3: Layer 3 (L3) Abstract Test Suite (ATS)  
(GSM 11.10-3 version 4.21.1)**

**ETSI**

European Telecommunications Standards Institute

**ETSI Secretariat**

**Postal address:** F-06921 Sophia Antipolis CEDEX - FRANCE

**Office address:** 650 Route des Lucioles - Sophia Antipolis - Valbonne - FRANCE

**Internet:** [secretariat@etsi.fr](mailto:secretariat@etsi.fr) - <http://www.etsi.fr> - <http://www.etsi.org>

Tel.: +33 4 92 94 42 00 - Fax: +33 4 93 65 47 16

---

**Copyright Notification:** No part may be reproduced except as authorized by written permission. The copyright and the foregoing restriction extend to reproduction in all media.

© European Telecommunications Standards Institute 1998. All rights reserved.



## Contents

Foreword .....	5
1 Scope .....	7
2 Normative references .....	7
3 Definitions and abbreviations .....	10
3.1 Definitions .....	10
3.2 Abbreviations .....	10
4 Test Suite Structure (TSS) .....	11
4.1 Test suite naming convention .....	11
4.2 Suite Overview .....	12
4.3 Test groups .....	12
4.3.1 Valid Behaviour tests (BV) .....	12
4.3.2 Invalid Behaviour/Inopportune Behaviour tests (BI-BO) .....	12
4.4 Test Step Structure .....	13
4.4.1 Preambles .....	13
4.4.2 Postambles .....	13
5 Test Purposes (TP) .....	13
5.1 TP and test case naming convention .....	13
6 Abstract test method and test configurations .....	13
6.1 Test system model .....	13
6.2 Test Method .....	14
Annex A (normative): Layer 3 Abstract Test Suite .....	15
Annex B (normative): Partial IXIT proforma .....	1429
Introduction .....	1429
B.1 Identification Summary .....	1430
B.2 Abstract Test Suite Summary .....	1430
B.3 Test Laboratory .....	1430
B.3.1 Test Laboratory Identification .....	1430
B.3.2 Accreditation status of the test service .....	1431
B.3.3 Manager of Test Laboratory .....	1431
B.3.4 Contact person of Test Laboratory .....	1431
B.3.5 Means of Testing .....	1432
B.3.6 Instructions for Completion .....	1433
B.4 Client .....	1434
B.4.1 Client Identification .....	1434
B.4.2 Client Test Manager .....	1434
B.4.3 Client Contact person .....	1434
B.4.4 Test Facilities Required .....	1435
B.5 System Under Test .....	1436
B.5.1 SUT Information .....	1436
B.5.2 Limitations of the SUT .....	1437
B.5.3 Environmental Conditions .....	1438

B.6	Ancillary Protocols .....	1439
B.6.1	Ancillary Protocols 1 .....	1439
B.6.2	Ancillary Protocols 2 .....	1439
B.7	Protocol Layer Information for L3 of Mobile Station.....	1439
B.7.1	Information provided for test purposes by the MS supplier.....	1439
B.7.2	MMI information .....	1452
B.7.3	Test house specified parameters.....	1457
Annex C:	PCTR Proforma.....	1489
Annex D (normative):	Enhanced Full Rate Abstract Test Suite .....	1490
Annex E (informative):	Cell Selection Abstract Test Suite.....	1948
History .....		2467

## Foreword

This European Telecommunication Standard (ETS) has been produced by the Special Mobile Group (SMG) of the European Telecommunications Standards Institute (ETSI).

This ETS describes the technical characteristics and methods of test for Mobile Stations (MSs), operating in the 900 MHz and 1 800 MHz frequency band (GSM 900 and DCS 1 800) within the digital cellular telecommunications system.

This ETS corresponds to GSM technical specification GSM 11.10-3 version 4.21.1.

This part of the ETS (Part 3), contains Tree and Tabular Combined Notation (TTCN) for Layer 3, signalling for MS supporting Enhanced Full Rate Speech, and cell selection conformity specifications for which Mobile Stations, within the digital cellular telecommunications system (Phase 2), are tested for compliance.

### The graphical form ATS

The TTCN.GR representation of these ATSs are contained in annex A, annex D and annex E of this ETS.

### The machine processable ATS

The electronic forms of the machine processable files (TTCN MP format) corresponding to the ATS for Layer 3 are contained in the files L3-4I1.mp (Layer 3), EF-4I1.mp (Enhanced Full Rate), and CS-4I1.mp (Cell Selection)<sup>1)</sup> on the diskettes included as a part of this ETS (Part 3).

ETS 300 607 consists of three parts, which have the following ETS numbers and titles:

ETS 300 607-1            Digital cellular telecommunications system (Phase 2);  
Mobile Station (MS) conformance specification;  
Part 1: Conformance specification  
  
Reference: GSM 11.10-1.

ETS 300 607-2            Digital cellular telecommunications system (Phase 2);  
Mobile Station (MS) conformance specification;  
Part 2: Protocol Implementation Conformance Statement (ICS)  
proforma specification  
  
Reference: GSM 11.10-2.

**ETS 300 607-3            Digital cellular telecommunications system (Phase 2);  
Mobile Station (MS) conformance specification;  
Part 3: Layer 3 (L3) Abstract Test Suite (ATS)**  
  
**Reference: GSM 11.10-3.**

<b>Transposition dates</b>	
Date of adoption of this ETS:	24 July 1998
Date of latest announcement of this ETS (doa):	31 October 1998
Date of latest publication of new National Standard or endorsement of this ETS (dop/e):	30 April 1999
Date of withdrawal of any conflicting National Standard (dow):	30 April 1999

1) This file is located in an archive file named 6073\_E7.ZIP. Other file formats are available on request.

Blank page

## 1 Scope

This European Telecommunication Standard (ETS) specifies the Abstract Test Suite (ATS) and partial IXIT proforma for the Network Layer (Layer 3) at the mobile radio interface of the GSM or DCS (Phase 2) mobile stations (MS) conforming to the ETSs for the Radio Resource management, the Mobility Management, the circuit-switched Call Control, the Supplementary Services and Short Message Services for the digital cellular telecommunications systems (Phase 2).

The ISO standards for the methodology of conformance testing are used as the basis for the test specifications.

## 2 Normative references

This ETS incorporates by dated and undated reference, provisions from other publications. These normative references are cited at the appropriate places in the text and the publications are listed hereafter. For dated references, subsequent amendments to or revisions of any of these publications apply to this ETS only when incorporated in it by amendment or revision. For undated references, the latest edition of the publication referred to applies.

- [1] ISO/IEC 9646-1: "Information Technology-OSI- Conformance Testing Methodology and Framework, Part 1: General Concepts".
- [2] ISO/IEC 9646-2: "Information Technology-OSI- Conformance Testing Methodology and Framework, Part 2: Abstract Test Suite Specification".
- [3] ISO/IEC 9646-3: "Information Technology-OSI- Conformance Testing Methodology and Framework, Part 3: The Tree and Tabular Combined Notation".
- [4] ISO/IEC 9646-5: "Information Technology-OSI- Conformance Testing Methodology and Framework, Part 5: Requirements on test laboratories and clients for the conformance assessment process".
- [5] ISO/IEC 8824: "Information Technology-OSI- Specification of Abstract Syntax Notation One (ASN.1)".
- [6] ISO/IEC 8825: "Information Technology-OSI- Specification of Basic Encoding Rules for Abstract Syntax Notation One (ASN.1)".
- [7] ITU-T Recommendation Q.773: "Specifications of Signalling System No.7; Transaction capabilities formats and encoding".
- [8] ETS 300 287: "Integrated Services Digital Network (ISDN); Signalling System No.7, Transaction Capabilities Application Part (TCAP) version 2".
- [9] ETS 300 406 (January 1995): "Methods for Testing and Specification (MTS); Protocol and profile conformance testing specifications; Standardization methodology".
- [10] ETS 300 501 (GSM 02.02 Version 4.2.2): "Digital cellular telecommunication system (Phase 2); Bearer Services (BS) supported by a GSM Public Land Mobile Network (PLMN)".
- [11] ETS 300 502 (GSM 02.03 Version 4.3.1): "Digital cellular telecommunication system (Phase 2); Teleservices supported by a GSM Public Land Mobile Network (PLMN)".
- [12] ETS 300 504 Edition 4 (GSM 02.06 Version 4.5.1): "Digital cellular telecommunication system (Phase 2); Types of Mobile Stations (MS)".
- [13] ETS 300 505 Edition 3 (GSM 02.07 Version 4.8.1): "Digital cellular telecommunication system (Phase 2); Mobile Station (MS) features".

- [14] ETS 300 511 Edition 2 (GSM 02.30 Version 4.13.0): "Digital cellular telecommunication system (Phase 2); Man-Machine Interface (MMI) of the Mobile Station (MS)".
- [15] ETS 300 523 Edition 2 (GSM 03.03 Version 4.9.0): "Digital cellular telecommunication system (Phase 2); Numbering, addressing and identification".
- [16] ETS 300 527 Edition 2 (GSM 03.09 Version 4.6.0): "Digital cellular telecommunications system (Phase 2); Handover procedures".
- [17] ETS 300 528 (GSM 03.10 Version 4.3.1): "Digital cellular telecommunications system (Phase 2); GSM Public Land Mobile Network (PLMN) connection types".
- [18] ETS 300 529 Edition 3 (GSM 03.11 Version 4.10.1): "Digital cellular telecommunication system (Phase 2); Technical realization of supplementary services".
- [19] ETS 300 530 (GSM 03.12 Version 4.4.2): "Digital cellular telecommunications system (Phase 2); Location registration procedures".
- [20] ETS 300 532 (GSM 03.14 Version 4.1.1): "Digital cellular telecommunications system (Phase 2); Support of Dual Tone Multi-Frequency signalling (DTMF) via the GSM system".
- [21] ETS 300 535 Edition 4 (GSM 03.22 Version 4.11.0): "Digital cellular telecommunication system (Phase 2); Functions related to Mobile Station (MS) in idle mode".
- [22] ETS 300 536 Edition 4 (GSM 03.40 Version 4.13.0): "Digital cellular telecommunication system (Phase 2); Technical realization of the Short Message Service (SMS) Point to Point (PP)".
- [23] ETS 300 537 Edition 2 (GSM 03.41 Version 4.11.0): "Digital cellular telecommunication system (Phase 2); Technical realization of Short Message Service Cell Broadcast (SMSCB)".
- [24] ETS 300 550 (GSM 04.01 Version 4.0.4): "Digital cellular telecommunications system (Phase 2); Mobile Station - Base Station System (MS - BSS) interface General aspects and principles".
- [25] ETS 300 552 (GSM 04.03 Version 4.1.1): "Digital cellular telecommunications system (Phase 2); Mobile Station - Base Station System (MS - BSS) interface Channel structures and access capabilities".
- [26] ETS 300 553 (GSM 04.04 Version 4.0.4): "Digital cellular telecommunication system (Phase 2); layer 1 General requirements".
- [27] ETS 300 554 (GSM 04.05 Version 4.0.3): "Digital cellular telecommunication system (Phase 2); Data Link (DL) layer General aspects".
- [28] ETS 300 555 (GSM 04.06 Version 4.4.0): "Digital cellular telecommunication system (Phase 2); Mobile Station - Base Station System (MS - BSS) interface Data Link (DL) layer specification".
- [29] ETS 300 556 (GSM 04.07 Version 4.3.1): "Digital cellular telecommunication system (Phase 2); Mobile radio interface signalling layer 3 General aspects".
- [30] ETS 300 557 Edition 9 (GSM 04.08 Version 4.19.1): "Digital cellular telecommunication system (Phase 2); Mobile radio interface layer 3 specification".



- [31] ETS 300 558 Edition 2 (GSM 04.10 Version 4.10.1): "Digital cellular telecommunication system (Phase 2); Mobile radio interface layer 3 Supplementary services specification General aspects".
- [32] ETS 300 559 Edition 4 (GSM 04.11 Version 4.10.0): "Digital cellular telecommunication system (Phase 2); Point-to-Point (PP) Short Message Service (SMS) support on mobile radio interface".
- [33] ETS 300 560 Edition 3 (GSM 04.12 Version 4.6.0): "Digital cellular telecommunication system (Phase 2); Short Message Service Cell Broadcast (SMSCB) support on the mobile radio interface".
- [34] ETS 300 564 Edition 3 (GSM 04.80 Version 4.11.1): "Digital cellular telecommunication system (Phase 2); Mobile radio interface layer 3 supplementary services specification Formats and coding".
- [35] ETS 300 565 (GSM 04.81 Version 4.4.1): "Digital cellular telecommunication system (Phase 2); Line identification supplementary services - Stage 3".
- [36] ETS 300 566 Edition 2 (GSM 04.82 Version 4.9.1): "Digital cellular telecommunication system (Phase 2); Call Forwarding (CF) supplementary services - Stage 3".
- [37] ETS 300 567 Edition 2 (GSM 04.83 Version 4.6.1): "Digital cellular telecommunication system (Phase 2); Call Waiting (CW) and Call Hold (HOLD) supplementary services - Stage 3".
- [38] ETS 300 568 (GSM 04.84 Version 4.3.2): "Digital cellular telecommunication system (Phase 2); MultiParty (MPTY) supplementary services - Stage 3".
- [39] ETS 300 569 Edition 2 (GSM 04.85 Version 4.1.1): "Digital cellular telecommunications system (Phase 2); Closed User Group (CUG) supplementary services - Stage 3".
- [40] ETS 300 570 (GSM 04.86 Version 4.5.2): "Digital cellular telecommunication system (Phase 2); Advice of Charge (AoC) supplementary services - Stage 3".
- [41] ETS 300 571 Edition 2 (GSM 04.88 Version 4.7.1): "Digital cellular telecommunication system (Phase 2); Call Barring (CB) supplementary services - Stage 3".
- [42] ETS 300 572 (GSM 04.90 Version 4.1.1): "Digital cellular telecommunication system (Phase 2); Unstructured supplementary services operation - Stage 3".
- [43] ETS 300 573 Edition 4 (GSM 05.01 Version 4.6.0): "Digital cellular telecommunications system (Phase 2); Physical layer on the radio path General description".
- [44] ETS 300 574 Edition 6 (GSM 05.02 Version 4.9.1): "Digital cellular telecommunication system (Phase 2); Multiplexing and multiple access on the radio path".
- [45] ETS 300 575 Edition 4 (GSM 05.03 Version 4.5.1): "Digital cellular telecommunication system (Phase 2); Channel coding".
- [46] ETS 300 576 (GSM 05.04 Version 4.0.3): "Digital cellular telecommunication system (Phase 2); Modulation".
- [47] ETS 300 577 Edition 13 (GSM 05.05 Version 4.21.0): "Digital cellular telecommunication system (Phase 2); Radio transmission and reception".
- [48] ETS 300 578 Edition 12 (GSM 05.08 Version 4.21.0): "Digital cellular telecommunication system (Phase 2); Radio subsystem link control".

- [49] ETS 300 579 Edition 6 (GSM 05.10 Version 4.9.0): "Digital cellular telecommunication system (Phase 2); Radio subsystem synchronisation".
- [50] ETS 300 582 Edition 4 (GSM 07.01 Version 4.10.0): "Digital cellular telecommunication system (Phase 2); General on Terminal Adaptation Functions (TAF) for Mobile Stations (MS)".
- [51] ETS 300 590 Edition 5 (GSM 08.08 Version 4.11.0): "Digital cellular telecommunications system (Phase 2); Mobile-services Switching Centre - Base Station System (MSC - BSS) interface Layer 3 specification".
- [52] ETS 300 596 Edition 4 (GSM 08.58 Version 4.9.0): "Digital cellular telecommunications system (Phase 2); Base Station Controller - Base Transceiver Station (BSC - BTS) interface Layer 3 specification".
- [53] ETS 300 599 Edition 7 (GSM 09.02 Version 4.17.0): "Digital cellular telecommunication system (Phase 2); Mobile Application Part (MAP) specification".
- [54] ETS 300 607-1 Edition 7 (GSM 11.10-1 Version 4.20.0): "Digital cellular telecommunications system (Phase 2); Mobile Station (MS) conformance specification; Part 1: Conformance specification".
- [55] ETS 300 607-2 Edition 2 (GSM 11.10-2 Version 4.15.0): "Digital cellular telecommunications system (Phase 2); Mobile Station (MS) conformance specification; Part 2: Protocol Implementation Conformance Statement (PICS) Proforma specification".

### 3 Definitions and abbreviations

#### 3.1 Definitions

For the purposes of this ETS, the following definitions apply:

**Abstract Test Suite (ATS):** Refer to ISO/IEC 9646-1 [1].

**Implementation Under Test (IUT):** Refer to ISO/IEC 9646-1 [1].

**Partial Protocol Implementation eXtra Information for Testing (IXIT):** Refer to ISO/IEC 9646-1 [1].

**Point of Controls and Observations (PCO):** Refer to ISO/IEC 9646-1 [1].

**Protocol Implementation Conformance Statement (ICS):** Refer to ISO/IEC 9646-1 [1].

**System Under Test (SUT):** Refer to ISO/IEC 9646-1 [1].

#### 3.2 Abbreviations

For the purposes of this ETS, the following abbreviations apply:

ATS	Abstract Test Suite
BI	Invalid Behaviour tests
BO	Inopportune Behaviour tests
BV	Valid Behaviour tests
CA	CApability tests
EDP-N	Event Detection Point - Notification
EDP-R	Event Detection Point - Request
ETS	European Telecommunication Standard
FE	Functional Entity
FSM	Finite State Machine
ICS	Implementation Conformance Statement
IUT	Implementation Under Test

IXIT	Implementation eXtra Information for Testing
PDU	Protocol Data Unit
SUT	System Under Test
TP	Test Purpose
TSS	Test Suite Structure

Further abbreviations used within GSM related ETS may be found in ETR 100.

Abbreviations for test case group names may be found in figure 1 and 2.

## 4 Test Suite Structure (TSS)

### 4.1 Test suite naming convention

The test group identifier for each group and subgroup is built according to the scheme in figure 1.

Identifier:	L3<c><s><g0><g1><g2><nn>
<c> = category:	BIT BIT, Basic Interconnection tests (not used) CA CA, Capability tests (not used) BV BV, Valid Behaviour tests BI-BO BI and BO, Invalid and Inopportune Behaviour tests
<g0> = group:	IN Initial tests ID Idle mode tests RR Radio Resource management MM Mobility Management CC Call Control SP Structured Procedures SS Supplementary services LLF Lower Layer Failures UUE Unknown, Unforeseen or erroneous Elements
<g1> = group:	CR Channel Request AT IMSI detach and IMSI attach SMT Sequenced MM / CC message transfer EC Establishment Cause IA Immediate assignment PG Test of paging MR Test of measurement report ASS Test of the channel HO Test of handover FR Test of frequency redefinition CMM Test of the channel mode modify procedure CY Test of ciphering mode setting CM Test of classmark CHR Test of channel release START Test of starting time IDAU Identification and authentication LU Location updating CON MM connection CCSMO State Machine Verification, Mobile Originating Call CCSMT State Machine Verification, Mobile Terminating Call SMICF State machine verification, In Call Functions CRE Call Re-establishment UUS User to user signalling UPD Unknown protocol discriminator TIS TI and skip indicator UMT Undefined or unexpected message type UIE Unforeseen information elements in the non-imperative NMIE Non-semantic mandatory IE errors CNR Unknown IE, comprehension not required SB Spare bits

<g2> = group:	AC	Handover / successful / active call
	CUE	Handover / successful / call under establishment
	FSY	Handover / successful / active call / finely synchronized
	PRS	Pre-synchronized handovers
	PRF	Protocol failures
	ACC	Location updating / accepted
	REJ	Location updating / rejected
	ABN	Location updating / abnormal cases
	REL	Location updating / release
	PER	Location updating / periodic
	HPER	Location updating / periodic HPLMN search
	IWAT	Location updating / interworking of attach and periodic
	EST	MM connection / establishment
	EXP	MM connection / expiry
	NWAB	MM connection / abortion by the network
	FRQP	MM connection / follow-on request pending
	U0	Mobile Originating Call U0 State
	U0.1	Mobile Originating Call U0.1 MM Connection pending
	U1	Mobile Originating Call U1 State
	U3	Mobile Originating Call U3 State
	U4	Mobile Originating Call U4 State
	U10	Mobile Originating Call U10 State
	U11	Mobile Originating Call U11 State
	U12	Mobile Originating Call U12 State
	U19	Mobile Originating Call U19 State
	U0	Mobile Terminating Call U0 State
	U6	Mobile Terminating Call U6 State
	U9	Mobile Terminating Call U9 State
	U7	Mobile Terminating Call U7 State
	U8	Mobile Terminating Call U8 State
	DTMF	State machine verification, In Call Functions / transfer
	CHC	State machine verification, In Call Functions /
	TICM	State machine verification, In Call Functions / in-
	OICM	State machine verification, In Call Functions / in-

Figure 1: Test group identifier naming convention scheme

4.2 Suite Overview

Figure 2 shows the structure of the test suites for L3.

L3 ATS									
BV							BI/O		
IN	ID	RR	MM	CC	SP	SS	SMS	LLF	UUE

Figure 2: Test suite structure of the L3 tests

4.3 Test groups

4.3.1 Valid Behaviour tests (BV)

Predefined state transitions are considered as valid. The test purposes in the valid behaviour test subgroup cover the verification of the normal and exceptional procedures of the various Finite State Machines (FSMs), i.e. a valid behaviour test is a test where the message sequence and the message contents are considered as valid.

4.3.2 Invalid Behaviour/Inopportune Behaviour tests (BI-BO)

This test sub group verifies that the Implementation Under Test (IUT) is able to react properly having received an invalid Protocol Data Unit (PDU) or in the case an inopportune protocol event occurs. An invalid PDU is defined as a syntactically incorrect message. An inopportune event is syntactically correct but occurs when it is not expected, e.g. a correctly coded operation is received in a wrong state (the IUT may respond Error UnexpectedComponentSequence).

## 4.4 Test Step Structure

### 4.4.1 Preambles

The preamble is defined for each test purpose.

### 4.4.2 Postambles

After each test case the IUT shall be brought to the state as defined in the postamble for each test purpose.

## 5 Test Purposes (TP)

For each conformance requirement a Test Purpose (TP) is defined. The test purposes are specified in the ATS Dynamic part (annex A).

### 5.1 TP and test case naming convention

In order clearly to map the conformance requirements specified in the prETS 300 607-1 and TTCN test cases in the ATS, the section numbers in the prETS 300 607-1 are used as test case names.

The identifier of each TP is identical to the name of the implemented TTCN test case.

"Test Purpose Identifier" = "Test Case Name" = TPI = TC\_NN\_A\_B\_C\_D\_E, where NN, A, B, C, D and E are digits used in the corresponding section numbers of prETS 300 607-1. For example, the test case name TC\_26\_5\_6\_2 is the TTCN specification corresponding to the conformance requirements in the section 26.5.6.1.2 in the prETS 300 607-1. In case where the section has been implemented in more than one test case sub numbering has been introduced. For example, the section 26.7.4.2.4 of prETS 300 607-1, Location updating/rejected/national roaming testing is split into 5 test cases. The corresponding TCs are identified as TC\_26\_7\_4\_2\_4\_1, TC\_26\_7\_4\_2\_4\_2, TC\_26\_7\_4\_2\_4\_3, TC\_26\_7\_4\_2\_4\_4 and TC\_26\_7\_4\_2\_4\_5, respectively.

## 6 Abstract test method and test configurations

The distributed test method applies to the L3 MS testing. The test method uses a lower tester and a Man-Machine Interface (MMI) as an upper tester at the SUT.

### 6.1 Test system model

The model of the L3 test system is based on the original protocol architecture at the air interface. The test system consists conceptually of a lower tester LT, the L3 test programme (executable test suite), a L2 radio link emulator, a management functional unit, the L1 service provider and a TRx set (see figure 1).

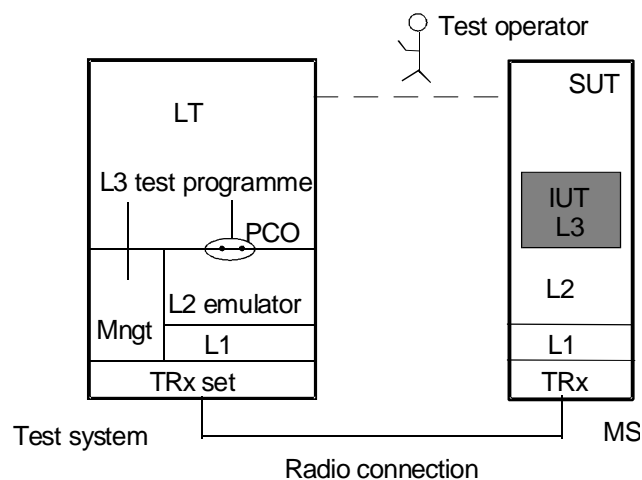


Figure 3: Test system and distributed test method

The LT provides the test environment and for test execution and the means of control and observation at the L3 lower service boundary within the test system.

The L3 TTCN test specification uses the three LT interfaces to communicate with the MS, the system under test, and with the other parts of the test system:

- Interface to the L2 emulator via the PCO;
- Interface to the management functional unit via TTCN test suite operations;
- Interface to the MS Man-Machine Interface (MMI) via a test operator.

## 6.2 Test Method

The PCO in the LT is defined as L2 SAP (SAP 0 + 3). The PCO has two FIFO queues (data buffers) to store all sending and receiving test events. The L2 primitives in the ATS which constitute mainly the interface to the L2 emulator are specified via the L2 primitives. In order to simulate multicell testing as required in some test cases, the defined primitives are able to address individual cells of the test system and the logic channels of each cell for the L3 message exchanges. The L2 emulator together with the underlying L1 and the TRx set support all message exchanges via correct radio links.

The management function unit has three management functions:

- L2 and L1 management;
- Channel management;
- TRx management;

The interface to the management function unit is presented in the ATS via a set of test suite operations. The major functions of the test suite management operations are:

- To load configuration parameters necessary for the test system.
- To control and get the necessary values of radio resources/ channels for tests.

The SUT (MS) has a more or less standardized MMI, such as keys, digital display, tones, etc. The ATS uses such kind of functions to provoke some procedures or to observe simple results at the SUT side. A human operator is needed during the test. The test system shall have an interface to the human operator to enable the test co-ordination.

**Annex A (normative): Layer 3 Abstract Test Suite****Suite overview****Suite structure**

<b>Test Suite Structure</b>	
<b>Suite Name:</b>	GSM_L3_MS_v4210
<b>Standards Ref:</b>	ETS 300 557
<b>PICS Ref:</b>	
<b>PIXIT Ref:</b>	
<b>Test Method(s):</b>	Distributed Single Layer Test Method
<b>Comments:</b>	Version 4.21.0

<b>Structure and Objectives</b>			
Test Group Reference	Selection Ref	Test Group Objective	Page Nr
GSM_L3_MS_v4210/General/	SelExpr_0000	To verify the supported and non-supported services.	664
GSM_L3_MS_v4210/InitialTest/	SelExpr_0100	To verify random access procedure, IMSI attach and detach procedure, sequenced MM/CC message transfer and establishment causes.	679
GSM_L3_MS_v4210/IdleMode/	SelExpr_0200	To verify MS functions in idle mode	705
GSM_L3_MS_v4210/BiBo/	SelExpr_0300	To verify the MS handling unknown, unforeseen and erroneous protocol data, and parallel transactions	708
GSM_L3_MS_v4210/RR/	SelExpr_0400	To verify the elementary procedures for radio resource management	746
GSM_L3_MS_v4210/MM/	SelExpr_0500	To verify the elementary procedures of mobility management.	908
GSM_L3_MS_v4210/CC/	SelExpr_0600	To verify the circuit switched call control functions.	973
GSM_L3_MS_v4210/StructureProc/	SelExpr_0700	To verify the structured procedures.	1081
GSM_L3_MS_v4210/EGSMsignalling/	SelExpr_1000	To verify the different procedures which may be impacted when some channel uses E- GSM frequencies.	1103
GSM_L3_MS_v4210/SS/	SelExpr_0800	To verify the functions of supplementary services.	1126
GSM_L3_MS_v4210/SM/	SelExpr_0900	To verify the functions of short message service.	1219
<b>Detailed Comments:</b>			

## Test case index

Test Case Index				
Test Group Reference	Test Case Id	Selection ref	Description	Page Nr
GSM_L3_MS_v4210/General/	TC_11_1_1	SelExpr_0002	Verification of support and non-support of services (MT).	661
GSM_L3_MS_v4210/General/	TC_11_1_2	SelExpr_0007	Verification of support and non-support of services (MO).	663
GSM_L3_MS_v4210/General/	TC_11_2	SelExpr_0002	Verification of support of the single numbering scheme.	668
GSM_L3_MS_v4210/General/	TC_11_3	SelExpr_0003	Verification of non-support of services. (Advice of Charge Charging, AOCC)	669
GSM_L3_MS_v4210/General/	TC_11_4	SelExpr_0004	Verification of non-support of services. (Call Hold)	672
GSM_L3_MS_v4210/General/	TC_11_5	SelExpr_0005	Verification of non-support of services. (MultiParty)	673
GSM_L3_MS_v4210/General/	TC_11_6	SelExpr_0006	Verification of non-support of feature. (Fixed dialling number)	675
GSM_L3_MS_v4210/InitialTest/	TC_26_2_1_1	SelExpr_0101	Initial Layer 3 tests - Channel request / initial time.	676
GSM_L3_MS_v4210/InitialTest/	TC_26_2_1_2	SelExpr_0101	11.10 Ref. ver.4.10; CR Initial Layer 3 tests - Channel request / repetition time.	678
GSM_L3_MS_v4210/InitialTest/	TC_26_2_1_3	SelExpr_0101	11.10 Ref. ver.4.10; CR: C46 Initial Layer 3 tests - Channel request / random reference.	680
GSM_L3_MS_v4210/InitialTest/	TC_26_2_2	SelExpr_0101	11.10 Ref. ver.4.10; CR IMSI detach and IMSI attach.	681
GSM_L3_MS_v4210/InitialTest/	TC_26_2_3	SelExpr_0101	11.10 Ref. ver 4.10.0; CR. 0295-6r1. CR.C62r1.	683
GSM_L3_MS_v4210/InitialTest/	TC_26_2_4_1	SelExpr_0102	Sequenced MM / CM message transfer.	685
GSM_L3_MS_v4210/InitialTest/	TC_26_2_4_2	SelExpr_0103	Establishment Cause /pr1 (TCH)	687
GSM_L3_MS_v4210/InitialTest/	TC_26_2_4_3	SelExpr_0107	Establishment Cause /pr2 ( /H)	689
GSM_L3_MS_v4210/InitialTest/	TC_26_2_4_4	SelExpr_0104	Establishment Cause /pr3 (TCH/FS)	691
GSM_L3_MS_v4210/InitialTest/	TC_26_2_4_5	SelExpr_0101	Establishment Cause /pr4 (data)	693
GSM_L3_MS_v4210/InitialTest/	TC_26_2_4_6	SelExpr_0101	Establishment Cause /pr5	696
GSM_L3_MS_v4210/InitialTest/	TC_26_2_4_7	SelExpr_0105	Establishment Cause /pr6	699
GSM_L3_MS_v4210/InitialTest/	TC_26_2_4_8	SelExpr_0106	Establishment Cause /pr7 (non-call-SS)	701
GSM_L3_MS_v4210/InitialTest/	TC_26_3_2	SelExpr_0201	Establishment Cause /pr8 (SMS/PP MO)	702
GSM_L3_MS_v4210/InitialTest/	TC_26_3_3	SelExpr_0201	MS indication of available PLMNs	703
GSM_L3_MS_v4210/InitialTest/	TC_26_3_4	SelExpr_0201	MS will send only if BSS is "on air".	704
GSM_L3_MS_v4210/InitialTest/	TC_26_5_1	SelExpr_0302	Manual mode of PLMN selection	705
GSM_L3_MS_v4210/InitialTest/	TC_26_5_2_1_1	SelExpr_0302	11.10 Ref. ver. 4.10.0; CR. 11.10-661. C64 Handling of unknown protocol discriminator	706
GSM_L3_MS_v4210/InitialTest/	TC_26_5_2_1_2	SelExpr_0302	Handling of unknown TI and skip indicator / RR	707
GSM_L3_MS_v4210/InitialTest/	TC_26_5_2_2	SelExpr_0302	TI Skip indicator / RR / RR Connection established	709
GSM_L3_MS_v4210/InitialTest/	TC_26_5_2_3	SelExpr_0301	TI and skip indicator / MM	711
GSM_L3_MS_v4210/InitialTest/	TC_26_5_3_1	SelExpr_0301	TI and skip indicator / CC	713
GSM_L3_MS_v4210/InitialTest/	TC_26_5_3_2	SelExpr_0301	Undefined or unexpected Message type / undefined message type / CC	714
GSM_L3_MS_v4210/InitialTest/	TC_26_5_3_2	SelExpr_0301	Undefined or unexpected message type / undefined message type / MM	714



GSM_L3_MS_v4210/ BiBo/	TC_26_5_3_3	SelExpr_0302	Undefined or unexpected message type / undefined message type / RR	715
GSM_L3_MS_v4210/ BiBo/	TC_26_5_3_4	SelExpr_0301	Undefined or unexpected message type / unexpected message type / CC	716
GSM_L3_MS_v4210/ BiBo/	TC_26_5_4_1	SelExpr_0302	Unforeseen info elements in non-imperative message part / duplicated info elements	717
GSM_L3_MS_v4210/ BiBo/	TC_26_5_5_1_1_1	SelExpr_0302	Non-semantic mandatory IE errors / RR / missing mandatory IE error / special case	718
GSM_L3_MS_v4210/ BiBo/	TC_26_5_5_1_1_2	SelExpr_0302	Non-semantic mandatory IE errors / RR / missing mandatory IE error / general case	719
GSM_L3_MS_v4210/ BiBo/	TC_26_5_5_1_2	SelExpr_0302	Non-semantic mandatory ie errors / RR / comprehension required	720
GSM_L3_MS_v4210/ BiBo/	TC_26_5_5_2_1	SelExpr_0301	Non-semantic mandatory IE errors / MM / syntactically incorrect mandatory IE	721
GSM_L3_MS_v4210/ BiBo/	TC_26_5_5_2_2	SelExpr_0302	Non-semantic mandatory IE errors / MM / syntactically incorrect mandatory IE 11.10 Ref. ver. 4.10.0; CR. 11.10-688	722
GSM_L3_MS_v4210/ BiBo/	TC_26_5_5_2_3	SelExpr_0302	Non-semantic mandatory IE errors / MM / syntactically incorrect mandatory IE	723
GSM_L3_MS_v4210/ BiBo/	TC_26_5_5_3_1_1	SelExpr_0301	Non-semantic mandatory IE errors / CC / missing mandatory IE / disconnect message	725
GSM_L3_MS_v4210/ BiBo/	TC_26_5_5_3_1_2	SelExpr_0301	Non-semantic mandatory IE errors / CC / missing mandatory IE / general case	726
GSM_L3_MS_v4210/ BiBo/	TC_26_5_5_3_2	SelExpr_0301	Non-semantic mandatory IE errors / CC / comprehension required	727
GSM_L3_MS_v4210/ BiBo/	TC_26_5_6_1_1	SelExpr_0302	Unknown IE, comprehension not required / MM / IE unknown in the protocol	728
GSM_L3_MS_v4210/ BiBo/	TC_26_5_6_1_2	SelExpr_0302	Unknown IE, comprehension not required / MM / IE unknown in the message	730
GSM_L3_MS_v4210/ BiBo/	TC_26_5_6_2_1	SelExpr_0301	Unknown info elements in the non-imperative message part / CC / Call establishment	731
GSM_L3_MS_v4210/ BiBo/	TC_26_5_6_2_2	SelExpr_0301	Unknown information elements in the non- imperative message part / CC / disconnect	732
GSM_L3_MS_v4210/ BiBo/	TC_26_5_6_2_3	SelExpr_0301	Unknown information elements in the non- imperative message part / CC / release	733
GSM_L3_MS_v4210/ BiBo/	TC_26_5_6_2_4	SelExpr_0301	Unknown info elements in the non-imperative message part / CC / release complete	734
GSM_L3_MS_v4210/ BiBo/	TC_26_5_6_3	SelExpr_0302	Unknown IE in the non-imperative message part, comprehension not required / RR / unknown in the protocol.	735
GSM_L3_MS_v4210/ BiBo/	TC_26_5_7_1_1	SelExpr_0302	Spare bits / RR / paging channel	736
GSM_L3_MS_v4210/ BiBo/	TC_26_5_7_1_2	SelExpr_0302	Spare bits / RR / BCCH	737
GSM_L3_MS_v4210/ BiBo/	TC_26_5_7_1_3	SelExpr_0302	pare bits / RR / AGCH	738
GSM_L3_MS_v4210/ BiBo/	TC_26_5_7_1_4	SelExpr_0302	Spare bits / RR / connected mode	739
GSM_L3_MS_v4210/ BiBo/	TC_26_5_7_2	SelExpr_0302	Spare bits / MM	740
GSM_L3_MS_v4210/ BiBo/	TC_26_5_7_3	SelExpr_0301	Spare bits / CC	741
GSM_L3_MS_v4210/ RR/	TC_26_6_1_1	SelExpr_0401	Immediate Assignment / SDCCH or TCH assignment	743
GSM_L3_MS_v4210/ RR/	TC_26_6_1_2	SelExpr_0401	Immediate Assignment / extended assignment	745
GSM_L3_MS_v4210/ RR/	TC_26_6_1_3	SelExpr_0401	Immediate Assignment / assignment rejection	748
GSM_L3_MS_v4210/ RR/	TC_26_6_1_4	SelExpr_0401	Immediate Assignment / ignore assignment	751
GSM_L3_MS_v4210/ RR/	TC_26_6_1_5	SelExpr_0401	Immediate Assignment after immediate assignment reject	753
GSM_L3_MS_v4210/ RR/	TC_26_6_2_1_1	SelExpr_0401	Paging / normal / type 1	754
GSM_L3_MS_v4210/ RR/	TC_26_6_2_1_2	SelExpr_0401	Paging / normal / type 2	756
GSM_L3_MS_v4210/ RR/	TC_26_6_2_1_3	SelExpr_0401	Paging / normal / type 3	758
GSM_L3_MS_v4210/ RR/	TC_26_6_2_2	SelExpr_0401	Paging / extended	760
GSM_L3_MS_v4210/	TC_26_6_2_3_1	SelExpr_0401	Paging / reorganisation / procedure 1	764

RR/ GSM_L3_MS_v4210/ RR/	TC_26_6_2_3_2	SelExpr_0401	Paging / reorganisation / procedure 2	766
GSM_L3_MS_v4210/ RR/	TC_26_6_2_4	SelExpr_0401	Paging / same as before	768
GSM_L3_MS_v4210/ RR/	TC_26_6_2_5	SelExpr_0401	Multislot CCCH handling	769
GSM_L3_MS_v4210/ RR/	TC_26_6_3_1	SelExpr_0402	Measurement / no neighbour	771
GSM_L3_MS_v4210/ RR/	TC_26_6_3_2	SelExpr_0402	Measurement / all neighbours present	773
GSM_L3_MS_v4210/ RR/	TC_26_6_3_3	SelExpr_0402	Measurement / barred cells and non-permitted NCCs	775
GSM_L3_MS_v4210/ RR/	TC_26_6_3_4	SelExpr_0402	Measurement / DTX	777
GSM_L3_MS_v4210/ RR/	TC_26_6_3_5	SelExpr_0402	Measurement / frequency formats	781
GSM_L3_MS_v4210/ RR/	TC_26_6_4_1	SelExpr_0401	Dedicated assignment / Successful case	784
GSM_L3_MS_v4210/ RR/	TC_26_6_4_2_1	SelExpr_0402	Dedicated assignment / failure / failure during active state	790
GSM_L3_MS_v4210/ RR/	TC_26_6_4_2_2	SelExpr_0401	Dedicated assignment / failure / general case	792
GSM_L3_MS_v4210/ RR/	TC_26_6_5_1	SelExpr_0402	Handover / successful / active call / non-synchronized	794
GSM_L3_MS_v4210/ RR/	TC_26_6_5_2_1	SelExpr_0410	Retransmit L3-msg during non synchr. HO from SDCCH/4_nonFH to TCH/F_FH.	799
GSM_L3_MS_v4210/ RR/	TC_26_6_5_2_2	SelExpr_0408	Retransmit L3-msg during non synchr. HO from SDCCH/4_nonFH to TCH/H_FH.	801
GSM_L3_MS_v4210/ RR/	TC_26_6_5_2_3	SelExpr_0410	Retransmit L3-msg during non synchr. HO from SDCCH/4_nonFH to SDCCH/8_FH.	803
GSM_L3_MS_v4210/ RR/	TC_26_6_5_2_4	SelExpr_0410	Retransmit L3-msg during non synchr. HO from SDCCH/8_nonFH in cell A to SDCCH/8_FH in cellB.	805
GSM_L3_MS_v4210/ RR/	TC_26_6_5_2_5	SelExpr_0408	Retransmit L3-msg during non synchr. HO from TCH/F_NonFH in cell A to TCH/H_NonFH in cellB.	808
GSM_L3_MS_v4210/ RR/	TC_26_6_5_2_6	SelExpr_0408	Retransmit L3-msg during non synchr. HO from TCH/H_FH in cell A to TCH/F_FH in cellB.	810
GSM_L3_MS_v4210/ RR/	TC_26_6_5_2_7	SelExpr_0410	Retransmit L3-msg during non synchr. HO from TCH/F_FH in cell A to TCH/F_FH in cellB.	812
GSM_L3_MS_v4210/ RR/	TC_26_6_5_2_8	SelExpr_0410	Retransmit L3-msg during non synchr. HO from TCH/SDCCH8_FH in cell A to TCH/F_NonFH in cellB.	814
GSM_L3_MS_v4210/ RR/	TC_26_6_5_2_9	SelExpr_0410	Retransmit L3-msg during non synchr. HO from SDCCH8_NoFH in cell A to TCH/F_FH in cellB.	816
GSM_L3_MS_v4210/ RR/	TC_26_6_5_2_10	SelExpr_0408	Retransmit L3-msg during non synchr. HO from TCH/SDCCH8_NoFH in cell A to TCH/H_FH in cellB.	818
GSM_L3_MS_v4210/ RR/	TC_26_6_5_3_1	SelExpr_0402	synchronised HO from TCH/F_FH in cellA to TCH/F_nonFH in cellB.	820
GSM_L3_MS_v4210/ RR/	TC_26_6_5_3_2	SelExpr_0408	synchronised HO from TCH/H_FH in cellA to TCH/H_nonFH in cellB.	822
GSM_L3_MS_v4210/ RR/	TC_26_6_5_4_1	SelExpr_0410	Handover/ successful/ call under establishment/ finely synchronized (HO: SDCCH8/FH -> SDCCH/8_FH)	824
GSM_L3_MS_v4210/ RR/	TC_26_6_5_4_2	SelExpr_0410	Handover/ successful/ call under establishment/ finely synchronized (HO: SDCCH8/FH -> SDCCH/4_noFH)	826
GSM_L3_MS_v4210/ RR/	TC_26_6_5_4_3	SelExpr_0410	Handover/ successful/ call under establishment/ finely synchronized (HO: TCH/F_NoFH -> TCH/F_FH)	828
GSM_L3_MS_v4210/ RR/	TC_26_6_5_4_4	SelExpr_0410	Handover/ successful/ call under establishment/ finely synchronized (HO: SDCCH8_NoFH -> TCH/F_NoFH)	830
GSM_L3_MS_v4210/ RR/	TC_26_6_5_5_1	SelExpr_0402	Handover / successful / active call / pre-synchronised / Timing Advance IE not included	832

GSM_L3_MS_v4210/ RR/	TC_26_6_5_5_2	SelExpr_0410	Handover / successful / call being estab. / pre-synch. /Tim. Advance IE is included / reporting of obsrvd. time diff requested	835
GSM_L3_MS_v4210/ RR/	TC_26_6_5_6	SelExpr_0409	Handover / successful / active call / pseudo - synchronised	838
GSM_L3_MS_v4210/ RR/	TC_26_6_5_7	SelExpr_0402	Handover / successful / active call / non-synchronised / reporting of obsrvd. Time diff requested	841
GSM_L3_MS_v4210/ RR/	TC_26_6_5_8	SelExpr_0402	Handover / L3-failure 11.10 Ref. ver.4.10.0; CR 11.10-720	843
GSM_L3_MS_v4210/ RR/	TC_26_6_5_9	SelExpr_0402	Handover / L1-failure 11.10 Ref. ver.4.10.0; CR 11.10-720	845
GSM_L3_MS_v4210/ RR/	TC_26_6_6_1	SelExpr_0401	Frequency redefinition	848
GSM_L3_MS_v4210/ RR/	TC_26_6_7_1	SelExpr_0403	Channel mode modify / full rate	852
GSM_L3_MS_v4210/ RR/	TC_26_6_7_2	SelExpr_0404	Channel mode modify / half rate 11.10 Ref ver. 4.10.0;CR.0295-17r1; 11.10-780	855
GSM_L3_MS_v4210/ RR/	TC_26_6_8_1	SelExpr_0405	Ciphering mode / start ciphering	858
GSM_L3_MS_v4210/ RR/	TC_26_6_8_2	SelExpr_0402	Ciphering mode / no ciphering	860
GSM_L3_MS_v4210/ RR/	TC_26_6_8_3	SelExpr_0405	Ciphering mode / old cipher key	861
GSM_L3_MS_v4210/ RR/	TC_26_6_8_4	SelExpr_0401	Ciphering mode / Change of mode, algorithm and key	862
GSM_L3_MS_v4210/ RR/	TC_26_6_8_5	SelExpr_0401	Ciphering mode / IMEI request 11.10 REF. VER.4.10.0; CR. C92	869
GSM_L3_MS_v4210/ RR/	TC_26_6_11_1	SelExpr_0406	Test of Classmark change	870
GSM_L3_MS_v4210/ RR/	TC_26_6_11_2	SelExpr_0401	Test of Classmark Interrogation	872
GSM_L3_MS_v4210/ RR/	TC_26_6_12_1	SelExpr_0401	Channel release / SDCCH	873
GSM_L3_MS_v4210/ RR/	TC_26_6_12_2	SelExpr_0401	Channel release / SDCCH - no L2 ACK	875
GSM_L3_MS_v4210/ RR/	TC_26_6_12_3	SelExpr_0403	Channel release / TCH-F	877
GSM_L3_MS_v4210/ RR/	TC_26_6_12_4	SelExpr_0403	Channel release / TCH-F - no L2 ACK	879
GSM_L3_MS_v4210/ RR/	TC_26_6_13_1	SelExpr_0401	Dedicated assignment with starting time / successful case / time not elapsed	881
GSM_L3_MS_v4210/ RR/	TC_26_6_13_2	SelExpr_0401	Dedicated assignment with starting time / successful case / time elapsed	883
GSM_L3_MS_v4210/ RR/	TC_26_6_13_3	SelExpr_0401	Dedicated assignment with starting time and frequency redefinition/ failure case / time not elapsed	885
GSM_L3_MS_v4210/ RR/	TC_26_6_13_4	SelExpr_0401	Dedicated assignment with starting time and frequency redefinition/ failure case / time elapsed	887
GSM_L3_MS_v4210/ RR/	TC_26_6_13_5	SelExpr_0401	Handover with starting time / successful case / time not elapsed	889
GSM_L3_MS_v4210/ RR/	TC_26_6_13_6	SelExpr_0401	Handover with starting time / successful case / time elapsed	892
GSM_L3_MS_v4210/ RR/	TC_26_6_13_7	SelExpr_0401	Handover with starting time and frequency redefinition / failure case / time not elapsed	895
GSM_L3_MS_v4210/ RR/	TC_26_6_13_8	SelExpr_0401	Handover with starting time and frequency redefinition / failure case / time elapsed	898
GSM_L3_MS_v4210/ RR/	TC_26_6_13_9	SelExpr_0401	Immediate assignment with starting time / successful case / time not elapsed	901
GSM_L3_MS_v4210/ RR/	TC_26_6_13_10	SelExpr_0401	Immediate assignment with starting time / successful case / time elapsed	903
GSM_L3_MS_v4210/ MM/	TC_26_7_1	SelExpr_0501	TMSI reallocation.	905
GSM_L3_MS_v4210/ MM/	TC_26_7_2_1	SelExpr_0501	Authentication accepted.	906
GSM_L3_MS_v4210/ MM/	TC_26_7_2_2	SelExpr_0501	Authentication Reject	907
GSM_L3_MS_v4210/ MM/	TC_26_7_3_1	SelExpr_0501	General identification with IMSI and TMSI in non ciphered mode and IMEI in ciphered	909

GSM_L3_MS_v4210/ MM/	TC_26_7_3_2	SelExpr_0501	mode. Handling of IMSI shorter than the maximum length.	910
GSM_L3_MS_v4210/ MM/	TC_26_7_4_1	SelExpr_0501	Location Updating Accepted	913
GSM_L3_MS_v4210/ MM/	TC_26_7_4_2_1	SelExpr_0501	Location Update Reject with the cause "IMSI unknown in HLR", "illegal MS" or "Illegal ME".	915
GSM_L3_MS_v4210/ MM/	TC_26_7_4_2_2_1	SelExpr_0501	Location Update Rejected with the cause "PLMN not allowed" - test 1.	917
GSM_L3_MS_v4210/ MM/	TC_26_7_4_2_2_2	SelExpr_0501	Location Update Rejected with the cause "PLM not allowed" - test 2.	919
GSM_L3_MS_v4210/ MM/	TC_26_7_4_2_3	SelExpr_0501	Location Update Rejected with the cause "Location area not allowed".	921
GSM_L3_MS_v4210/ MM/	TC_26_7_4_2_4_1	SelExpr_0501	Location Updating / rejected / roaming / procedure1	923
GSM_L3_MS_v4210/ MM/	TC_26_7_4_2_4_2	SelExpr_0501	Location Updating / rejected / roaming / procedure2	924
GSM_L3_MS_v4210/ MM/	TC_26_7_4_2_4_3	SelExpr_0501	Location Updating / rejected / roaming / procedure3	926
GSM_L3_MS_v4210/ MM/	TC_26_7_4_2_4_4	SelExpr_0501	Location Updating / rejected / roaming / procedure4	928
GSM_L3_MS_v4210/ MM/	TC_26_7_4_2_4_5	SelExpr_0502	Location Updating / rejected / roaming / procedure5	929
GSM_L3_MS_v4210/ MM/	TC_26_7_4_3_1	SelExpr_0501	Location Updating / abnormal cases / random access fails	930
GSM_L3_MS_v4210/ MM/	TC_26_7_4_3_2	SelExpr_0501	Location updating / abnormal cases / attempt counter less or equal to 4, LAI different	932
GSM_L3_MS_v4210/ MM/	TC_26_7_4_3_3	SelExpr_0501	Location Updating/Abnormal cases/Attempt Counter Equal to 4	936
GSM_L3_MS_v4210/ MM/	TC_26_7_4_3_4	SelExpr_0501	Location updating/Abnormal cases/Attempt Counter Equal to 4, stored LAI equal to broadcast LAI	940
GSM_L3_MS_v4210/ MM/	TC_26_7_4_4	SelExpr_0502	To verify that the MS aborts the RR-connection at the expiry of timer T3240.	945
GSM_L3_MS_v4210/ MM/	TC_26_7_4_5_1	SelExpr_0501	Periodic Updating Procedure/ Change of T3212 value.	946
GSM_L3_MS_v4210/ MM/	TC_26_7_4_5_2	SelExpr_0501	Periodic Updating Procedure/ Reset of T3212 after receiving of the first L3 message.	948
GSM_L3_MS_v4210/ MM/	TC_26_7_4_5_3	SelExpr_0501	Periodic Updating Procedure/ Reset of T3212 after generic LUP or IMSI attach procedure	950
GSM_L3_MS_v4210/ MM/	TC_26_7_4_5_4_1	SelExpr_0501	Location updating/ periodic HPLMN search/ MS waits time T.	951
GSM_L3_MS_v4210/ MM/	TC_26_7_4_5_4_2	SelExpr_0501	Location updating/ periodic HPLMN search/ MS in manual mode.	952
GSM_L3_MS_v4210/ MM/	TC_26_7_4_5_4_3	SelExpr_0501	Location updating/ periodic HPLMN search/ MS waits at least two minutes	953
GSM_L3_MS_v4210/ MM/	TC_26_7_4_6	SelExpr_0501	Location updating/ interworking of attach and periodic.	955
GSM_L3_MS_v4210/ MM/	TC_26_7_5_2	SelExpr_0501	MM connection/ establishment with cipher.	958
GSM_L3_MS_v4210/ MM/	TC_26_7_5_3	SelExpr_0501	MM connection/ establishment without cipher.	960
GSM_L3_MS_v4210/ MM/	TC_26_7_5_4	SelExpr_0501	MM connection/ establishment rejected.	961
GSM_L3_MS_v4210/ MM/	TC_26_7_5_5	SelExpr_0501	MM connection/ establishment rejected cause 4.	962
GSM_L3_MS_v4210/ MM/	TC_26_7_5_6	SelExpr_0501	MM connection/ expiry T3230	963
GSM_L3_MS_v4210/ MM/	TC_26_7_5_7_1	SelExpr_0501	MM connection/ abortion by the network/ cause #6	964
GSM_L3_MS_v4210/ MM/	TC_26_7_5_7_2	SelExpr_0504	MM connection/ abortion by the network/ cause not equal #6	966
GSM_L3_MS_v4210/ MM/	TC_26_7_5_8_1	SelExpr_0501	MM connection / follow-on request pending / test1	967
GSM_L3_MS_v4210/ MM/	TC_26_7_5_8_2	SelExpr_0501	MM connection / follow-on request pending / test2	968
GSM_L3_MS_v4210/ MM/	TC_26_7_5_8_3	SelExpr_0501	MM connection / follow-on request pending / test3	969
GSM_L3_MS_v4210/ CC/	TC_26_8_1_2_1_1	SelExpr_0601	Outgoing call// U10 null state.	970
GSM_L3_MS_v4210/	TC_26_8_1_2_2_1	SelExpr_0601	Outgoing call / U0.1 MM connection pending /	971

CC/			CM service rejected	
GSM_L3_MS_v4210/ CC/	TC_26_8_1_2_2_2	SelExpr_0601	Outgoing call / U0.1 MM connection pending / CM service accepted	972
GSM_L3_MS_v4210/ CC/	TC_26_8_1_2_2_3	SelExpr_0601	Outgoing call / U0.1 MM connection pending / lower layer failure	973
GSM_L3_MS_v4210/ CC/	TC_26_8_1_2_3_1	SelExpr_0601	Outgoing call / U1 call initiated / receiving CALL PROCEEDING	974
GSM_L3_MS_v4210/ CC/	TC_26_8_1_2_3_2	SelExpr_0601	Outgoing call / U1 call initiated / rejecting with RELEASE COMPLETE	975
GSM_L3_MS_v4210/ CC/	TC_26_8_1_2_3_3	SelExpr_0601	Outgoing call / U1 call initiated / T303 expiry	976
GSM_L3_MS_v4210/ CC/	TC_26_8_1_2_3_4	SelExpr_0601	Outgoing call / U1 call initiated / lower layer failure	977
GSM_L3_MS_v4210/ CC/	TC_26_8_1_2_3_5	SelExpr_0601	Outgoing call / U1 call initiated / receiving ALERTING	978
GSM_L3_MS_v4210/ CC/	TC_26_8_1_2_3_6	SelExpr_0601	Outgoing call / U1 call initiated / entering state U10	979
GSM_L3_MS_v4210/ CC/	TC_26_8_1_2_3_7	SelExpr_0601	Outgoing call / U1 call initiated / unknown message received	980
GSM_L3_MS_v4210/ CC/	TC_26_8_1_2_4_1	SelExpr_0601	Outgoing call / U3 MS originating call proceeding / ALERTING received	981
GSM_L3_MS_v4210/ CC/	TC_26_8_1_2_4_2	SelExpr_0601	Outgoing call / U3 MS originating call proceeding / CONNECT received	982
GSM_L3_MS_v4210/ CC/	TC_26_8_1_2_4_3	SelExpr_0601	Outgoing call / U3 MS origintg. call proceeding / PROGRESS received without in band information.	983
GSM_L3_MS_v4210/ CC/	TC_26_8_1_2_4_4	SelExpr_0601	Outgoing call / U3 MS originating call proceeding / PROGRESS with in band information	984
GSM_L3_MS_v4210/ CC/	TC_26_8_1_2_4_5	SelExpr_0601	Outgoing call / U3 MS originating call proceeding / DISCONNECT with in band tones	986
GSM_L3_MS_v4210/ CC/	TC_26_8_1_2_4_6	SelExpr_0601	Outgoing call / U3 MS originating call proceeding / DISCONNECT without in band tones	987
GSM_L3_MS_v4210/ CC/	TC_26_8_1_2_4_7	SelExpr_0601	Outgoing call / U3 MS originating call proceeding / RELEASE received	988
GSM_L3_MS_v4210/ CC/	TC_26_8_1_2_4_8	SelExpr_0601	Outgoing call / U3 MS originating call proceeding / termination requested by the user	989
GSM_L3_MS_v4210/ CC/	TC_26_8_1_2_4_9	SelExpr_0601	Outgoing call / U3 MS originating call proceeding / traffic channel allocation	990
GSM_L3_MS_v4210/ CC/	TC_26_8_1_2_4_10	SelExpr_0601	Outgoing call / U3 MS originating call proceeding / timer T310 timeout	991
GSM_L3_MS_v4210/ CC/	TC_26_8_1_2_4_11	SelExpr_0601	Outgoing call / U3 MS originating call proceeding / lower layer failure	992
GSM_L3_MS_v4210/ CC/	TC_26_8_1_2_4_12	SelExpr_0601	Outgoing call / U3 MS originating call proceeding / unknown message received	993
GSM_L3_MS_v4210/ CC/	TC_26_8_1_2_4_13	SelExpr_0605	Outgoing call / U3 MS originating call proceeding / Internal alerting indication	994
GSM_L3_MS_v4210/ CC/	TC_26_8_1_2_5_1	SelExpr_0601	Outgoing call / U4 call delivered / CONNECT received	995
GSM_L3_MS_v4210/ CC/	TC_26_8_1_2_5_2	SelExpr_0601	Outgoing call / U4 call delivered / termination requested by the user	996
GSM_L3_MS_v4210/ CC/	TC_26_8_1_2_5_3	SelExpr_0601	Outgoing call / U4 call delivered / DISCONNECT with in band tones	997
GSM_L3_MS_v4210/ CC/	TC_26_8_1_2_5_4	SelExpr_0601	Outgoing call / U4 call delivered / DISCONNECT without in band tones	998
GSM_L3_MS_v4210/ CC/	TC_26_8_1_2_5_5	SelExpr_0601	Outgoing call / U4 call delivered / RELEASE received	999
GSM_L3_MS_v4210/ CC/	TC_26_8_1_2_5_6	SelExpr_0601	Outgoing call / U4 call delivered / lower layer failure	1000
GSM_L3_MS_v4210/ CC/	TC_26_8_1_2_5_7	SelExpr_0601	Outgoing call / U4 call delivered / traffic channel allocation	1001
GSM_L3_MS_v4210/ CC/	TC_26_8_1_2_5_8	SelExpr_0601	Outgoing call / U4 call delivered / unknown message received	1002
GSM_L3_MS_v4210/ CC/	TC_26_8_1_2_6_1	SelExpr_0601	U10 call active / termination requested by the user	1003
GSM_L3_MS_v4210/ CC/	TC_26_8_1_2_6_2	SelExpr_0601	10 call active / RELEASE received	1004
GSM_L3_MS_v4210/	TC_26_8_1_2_6_3	SelExpr_0601	U10 call active / DISCONNECT with in band	1005

CC/			tones	
GSM_L3_MS_v4210/ CC/	TC_26_8_1_2_6_4	SelExpr_0601	U10 call active / DISCONNECT without in band tones	1006
GSM_L3_MS_v4210/ CC/	TC_26_8_1_2_6_5	SelExpr_0601	U10 call active / RELEASE COMPLETE received	1007
GSM_L3_MS_v4210/ CC/	TC_26_8_1_2_6_6	SelExpr_0601	U10 call active / SETUP received	1008
GSM_L3_MS_v4210/ CC/	TC_26_8_1_2_7_1	SelExpr_0601	U11 disconnect request / clear collision	1009
GSM_L3_MS_v4210/ CC/	TC_26_8_1_2_7_2	SelExpr_0601	U11 disconnect request / RELEASE received	1010
GSM_L3_MS_v4210/ CC/	TC_26_8_1_2_7_3	SelExpr_0601	U11 disconnect request / timer T305 timeout	1011
GSM_L3_MS_v4210/ CC/	TC_26_8_1_2_7_4	SelExpr_0601	U11 disconnect request / lower layer failure	1012
GSM_L3_MS_v4210/ CC/	TC_26_8_1_2_7_5	SelExpr_0601	U11 disconnect request / unknown message received	1013
GSM_L3_MS_v4210/ CC/	TC_26_8_1_2_8_1	SelExpr_0604	U12 disconnect indication / call releasing requested by the user	1014
GSM_L3_MS_v4210/ CC/	TC_26_8_1_2_8_2	SelExpr_0604	U12 disconnect indication / RELEASE received	1015
GSM_L3_MS_v4210/ CC/	TC_26_8_1_2_8_3	SelExpr_0604	U12 disconnect indication / lower layer failure	1016
GSM_L3_MS_v4210/ CC/	TC_26_8_1_2_8_4	SelExpr_0604	U12 disconnect indication / unknown message received	1017
GSM_L3_MS_v4210/ CC/	TC_26_8_1_2_9_1	SelExpr_0601	Outgoing call / U19 release request / timer T308 timeout	1018
GSM_L3_MS_v4210/ CC/	TC_26_8_1_2_9_2	SelExpr_0601	Outgoing call / U19 release request / 2nd timer T308 timeout	1019
GSM_L3_MS_v4210/ CC/	TC_26_8_1_2_9_3	SelExpr_0601	Outgoing call / U19 release request / RELEASE received	1020
GSM_L3_MS_v4210/ CC/	TC_26_8_1_2_9_4	SelExpr_0601	Outgoing call / U19 release request / RELEASE COMPLETE received	1021
GSM_L3_MS_v4210/ CC/	TC_26_8_1_2_9_5	SelExpr_0601	Outgoing call / U19 release request / lower layer failure	1022
GSM_L3_MS_v4210/ CC/	TC_26_8_1_3_1_1	SelExpr_0600	Incoming call / U0 null state / SETUP received with a non supported bearer capability	1023
GSM_L3_MS_v4210/ CC/	TC_26_8_1_3_2_1	SelExpr_0603	Incoming call / U6 call present / automatic call rejection	1024
GSM_L3_MS_v4210/ CC/	TC_26_8_1_3_3_1	SelExpr_0606	Incoming call / U9 mobile terminating call confirmed / alerting or immediate connecting 11.10 Ref. ver. 4.10.0; CR.	1025
GSM_L3_MS_v4210/ CC/	TC_26_8_1_3_3_2	SelExpr_0602	Incoming call / U9 mobile terminating call confirmed / TCH assignment	1026
GSM_L3_MS_v4210/ CC/	TC_26_8_1_3_3_3	SelExpr_0602	Incoming call / U9 mobile terminating call confirmed / termination requested by the user	1027
GSM_L3_MS_v4210/ CC/	TC_26_8_1_3_3_4	SelExpr_0602	Incoming call / U9 mobile terminating call confirmed / DISCONNECT received	1028
GSM_L3_MS_v4210/ CC/	TC_26_8_1_3_3_5	SelExpr_0602	Incoming call / U9 mobile terminating call confirmed / RELEASE received	1029
GSM_L3_MS_v4210/ CC/	TC_26_8_1_3_3_6	SelExpr_0602	Incoming call / U9 mobile terminating call confirmed / lower layer failure	1030
GSM_L3_MS_v4210/ CC/	TC_26_8_1_3_3_7	SelExpr_0602	Incoming call / U9 mobile terminating call confirmed / unknown message received	1031
GSM_L3_MS_v4210/ CC/	TC_26_8_1_3_4_1	SelExpr_0602	Incoming call / U7 call received / call accepted	1032
GSM_L3_MS_v4210/ CC/	TC_26_8_1_3_4_2	SelExpr_0602	Incoming call / U7 call received / termination requested by the user 11.10 Ref. ver. 4.10.0; CR.	1033
GSM_L3_MS_v4210/ CC/	TC_26_8_1_3_4_3	SelExpr_0602	Incoming call / U7 call received / DISCONNECT received	1034
GSM_L3_MS_v4210/ CC/	TC_26_8_1_3_4_4	SelExpr_0602	Incoming call / U7 call received / RELEASE received	1035
GSM_L3_MS_v4210/ CC/	TC_26_8_1_3_4_5	SelExpr_0602	Incoming call / U7 call received / lower layer failure	1036
GSM_L3_MS_v4210/ CC/	TC_26_8_1_3_4_6	SelExpr_0602	Incoming call / U7 call received / unknown message received	1037
GSM_L3_MS_v4210/ CC/	TC_26_8_1_3_4_7	SelExpr_0602	Incoming call / U7 call received / TCH assignment	1038

GSM_L3_MS_v4210/ CC/	TC_26_8_1_3_4_8	SelExpr_0602	Incoming call / U7 call received / RELEASE COMPLETE received	1039
GSM_L3_MS_v4210/ CC/	TC_26_8_1_3_5_1	SelExpr_0602	Incoming call / U8 connect request / CONNECT acknowledged	1040
GSM_L3_MS_v4210/ CC/	TC_26_8_1_3_5_2	SelExpr_0602	Incoming call / U8 connect request / timer T313 timeout	1041
GSM_L3_MS_v4210/ CC/	TC_26_8_1_3_5_3	SelExpr_0602	Incoming call / U8 connect request / termination requested by the user	1042
GSM_L3_MS_v4210/ CC/	TC_26_8_1_3_5_4	SelExpr_0602	Incoming call / U8 connect request / DISCONNECT received with in-band information	1043
GSM_L3_MS_v4210/ CC/	TC_26_8_1_3_5_5	SelExpr_0602	Incoming call / U8 connect request / DISCONNECT received without in-band information	1044
GSM_L3_MS_v4210/ CC/	TC_26_8_1_3_5_6	SelExpr_0602	Incoming call / U8 connect request / RELEASE received	1045
GSM_L3_MS_v4210/ CC/	TC_26_8_1_3_5_7	SelExpr_0602	Incoming call / U8 connect request / lower layer failure	1046
GSM_L3_MS_v4210/ CC/	TC_26_8_1_3_5_8	SelExpr_0602	Incoming call / U8 connect request / TCH assignment	1047
GSM_L3_MS_v4210/ CC/	TC_26_8_1_3_5_9	SelExpr_0602	Incoming call / U8 connect request / unknown message received	1048
GSM_L3_MS_v4210/ CC/	TC_26_8_1_4_1_1	SelExpr_0604	In-call functions / DTMF information transfer / basic procedure	1049
GSM_L3_MS_v4210/ CC/	TC_26_8_1_4_2_1	SelExpr_0606	In-call functions / User notification / MS terminated	1051
GSM_L3_MS_v4210/ CC/	TC_26_8_1_4_3_1	SelExpr_0606	In-call functions / Channel changes / A successful channel change in active state/ Handover and assignment command	1052
GSM_L3_MS_v4210/ CC/	TC_26_8_1_4_3_2	SelExpr_0606	In-call functions / Channel changes / An unsuccessful channel change in active mode/ Handover and assignment command	1055
GSM_L3_MS_v4210/ CC/	TC_26_8_1_4_4_1	SelExpr_0607	In-call functions / MS terminated in-call modification / modify when new mode is not supported	1057
GSM_L3_MS_v4210/ CC/	TC_26_8_1_4_5_1	SelExpr_0607	In-call functions / MS originated in-call modification / A successful case of modifying	1059
GSM_L3_MS_v4210/ CC/	TC_26_8_1_4_5_2	SelExpr_0607	In-call functions / MS originated in-call modification / modify rejected	1060
GSM_L3_MS_v4210/ CC/	TC_26_8_1_4_5_3	SelExpr_0607	In-call functions / MS originated in-call modification / an abnormal case of acceptance	1061
GSM_L3_MS_v4210/ CC/	TC_26_8_1_4_5_4	SelExpr_0607	In-call functions / MS originated in-call modification / an abnormal case of rejection	1062
GSM_L3_MS_v4210/ CC/	TC_26_8_1_4_5_5	SelExpr_0607	In-call functions / MS originated in-call modification / timeout of timer T323	1063
GSM_L3_MS_v4210/ CC/	TC_26_8_1_4_5_6	SelExpr_0607	In-call functions / MS originated in-call modification / A successful channel change in state mobile originating modify	1064
GSM_L3_MS_v4210/ CC/	TC_26_8_1_4_5_7	SelExpr_0607	In-call functions / MS originated in-call modification / An unsuccessful channel change in state mobile originating modify	1066
GSM_L3_MS_v4210/ CC/	TC_26_8_1_4_5_8	SelExpr_0607	In-call functions / MS originated in-call modification / unknown message received	1068
GSM_L3_MS_v4210/ CC/	TC_26_8_1_4_5_9	SelExpr_0607	In-call functions / MS originated in-call modification / a release complete received	1069
GSM_L3_MS_v4210/ CC/	TC_26_8_2_1	SelExpr_0601	Call Re-establishment / Call Present, re-establishment allowed	1070
GSM_L3_MS_v4210/ CC/	TC_26_8_2_2	SelExpr_0601	Call Re-establishment / Call Present, re-establishment not allowed 11.10 Ref. ver. 4.10.0; CR.	1073
GSM_L3_MS_v4210/ CC/	TC_26_8_2_3	SelExpr_0601	Call Re-establishment / Call under establishment, transmission stopped 11.10 Ref. ver. 4.10.0; CR.	1075
GSM_L3_MS_v4210/ CC/	TC_26_8_3	SelExpr_0606	User to user signalling	1076
GSM_L3_MS_v4210/ StructureProc/	TC_26_9_2	SelExpr_0701	Structured procedures / MS originated call / early assignment	1078
GSM_L3_MS_v4210/ StructureProc/	TC_26_9_3	SelExpr_0701	Structured procedures / MS originated call / late assignment	1081
GSM_L3_MS_v4210/	TC_26_9_4	SelExpr_0701	Structured procedures / MS terminated call /	1084

StructureProc/ GSM_L3_MS_v4210/ StructureProc/	TC_26_9_5	SelExpr_0701	early assignment	1088
GSM_L3_MS_v4210/ StructureProc/	TC_26_9_6_1_1	SelExpr_0702	Structured procedures / MS terminated call / late assignment	1091
GSM_L3_MS_v4210/ StructureProc/	TC_26_9_6_1_2	SelExpr_0703	Structured procedures / emergency call / idle updated / preferred channel rate	1094
GSM_L3_MS_v4210/ StructureProc/	TC_26_9_6_2_1	SelExpr_0702	Structured procedures / emergency call / idle updated, non-preferred channel rate	1097
GSM_L3_MS_v4210/ StructureProc/	TC_26_9_6_2_2	SelExpr_0702	Structured procedures / emergency call / idle, no IMSI / accept case	1099
GSM_L3_MS_v4210/ EGSM_Signalling/	TC_26_10_2_1	SelExpr_1001	Structured procedures / emergency call / idle, no IMSI / reject case	1100
GSM_L3_MS_v4210/ EGSM_Signalling/	TC_26_10_2_2	SelExpr_1000	E-GSM signalling/ RR / measurement	1104
GSM_L3_MS_v4210/ EGSM_Signalling/	TC_26_10_2_3	SelExpr_1000	E-GSM signalling/ RR / immediate assignment	1106
GSM_L3_MS_v4210/ EGSM_Signalling/	TC_26_10_2_4_1	SelExpr_1001	E-GSM signalling/ RR / channel assignment procedure	1110
GSM_L3_MS_v4210/ EGSM_Signalling/	TC_26_10_2_4_2	SelExpr_1001	E-GSM signalling/ RR / Handover / successful case	1114
GSM_L3_MS_v4210/ EGSM_Signalling/	TC_26_10_2_5	SelExpr_1000	E-GSM signalling/ RR / Handover / layer 1 failure	1116
GSM_L3_MS_v4210/ EGSM_Signalling/	TC_26_10_3_1	SelExpr_1002	E-GSM signalling/ RR / frequency redefinition	1119
GSM_L3_MS_v4210/ EGSM_Signalling/	TC_26_10_3_2	SelExpr_1003	E-GSM signalling/ structured procedure / mobile originating call	1121
GSM_L3_MS_v4210/ SS/	TC_31_2_1_1_1	SelExpr_0809	E-GSM signalling/ structured procedure / emergency call	1123
GSM_L3_MS_v4210/ SS/	TC_31_2_1_1_2	SelExpr_0810	Call forwarding supplementary services / Registration - Reg. accepted	1125
GSM_L3_MS_v4210/ SS/	TC_31_2_1_2_1	SelExpr_0811	Call forwarding supplementary services / Registration - Reg. rejected	1128
GSM_L3_MS_v4210/ SS/	TC_31_2_1_2_2	SelExpr_0809	Call forwarding supplementary services / Erasure by the subscriber - Erasure Accepted	1130
GSM_L3_MS_v4210/ SS/	TC_31_2_1_3	SelExpr_0810	Call forwarding supplementary services / Erasure by the subscriber - Erasure rejected	1132
GSM_L3_MS_v4210/ SS/	TC_31_2_1_4	SelExpr_0811	Call forwarding supplementary services / Activation	1134
GSM_L3_MS_v4210/ SS/	TC_31_2_1_6_1	SelExpr_0811	Call forwarding supplementary services / Deactivation	1136
GSM_L3_MS_v4210/ SS/	TC_31_2_1_6_2	SelExpr_0812	Call forwarding supplementary services / Interrogation - Interrogation Accepted	1138
GSM_L3_MS_v4210/ SS/	TC_31_2_1_7_1_1	SelExpr_0813	Call forwarding supplementary services / Interrogation - Interrogation Rejected	1140
GSM_L3_MS_v4210/ SS/	TC_31_2_1_7_1_2	SelExpr_0810	Normal operation - Served mobile subscriber side / Notification during an incoming call	1142
GSM_L3_MS_v4210/ SS/	TC_31_2_1_7_2	SelExpr_0810	Normal operation / served mobile subscriber side / Notification during outgoing call	1144
GSM_L3_MS_v4210/ SS/	TC_31_6_1_1	SelExpr_0802	Normal operation / Forwarded-to mobile subscriber side	1146
GSM_L3_MS_v4210/ SS/	TC_31_6_1_2	SelExpr_0802	AOC time related charging / MS originated call	1148
GSM_L3_MS_v4210/ SS/	TC_31_6_1_5	SelExpr_0802	AOC time related charging / MS terminated call	1150
GSM_L3_MS_v4210/ SS/	TC_31_6_1_6	SelExpr_0802	Change in charging information during a call	1152
GSM_L3_MS_v4210/ SS/	TC_31_6_1_7	SelExpr_0819	Different formats of charging information	1155
GSM_L3_MS_v4210/ SS/	TC_31_6_1_8	SelExpr_0820	OC on a Call Hold call	1157
GSM_L3_MS_v4210/ SS/	TC_31_6_2_1	SelExpr_0818	AOC on a MultiParty call	1159
GSM_L3_MS_v4210/ SS/	TC_31_6_2_2	SelExpr_0821	Charge Storage - Removal of SIM during an active call	1161
GSM_L3_MS_v4210/ SS/	TC_31_6_2_3	SelExpr_0802	Charge Storage - Interruption of power supply during an active call	1162
GSM_L3_MS_v4210/ SS/	TC_31_6_2_4	SelExpr_0802	Charge Storage - MS going out of coverage during an active AOCC Call	1163
GSM_L3_MS_v4210/ SS/	TC_31_6_2_5	SelExpr_0802	Charge Storage - ACMM operation / Mobile Originating	1166
GSM_L3_MS_v4210/ SS/			Charge Storage - ACMM operation / Mobile Terminating	



GSM_L3_MS_v4210/ SS/	TC_31_8_1_1	SelExpr_0801	Call restriction supplementary services / Registration of a password/ Registration accepted	1169
GSM_L3_MS_v4210/ SS/	TC_31_8_1_2_1	SelExpr_0801	Rejection after invoke of the RegisterPassword operation	1171
GSM_L3_MS_v4210/ SS/	TC_31_8_1_2_2	SelExpr_0801	Rejection after password check with negative result	1173
GSM_L3_MS_v4210/ SS/	TC_31_8_1_2_3	SelExpr_0801	Rejection after new password mismatch	1175
GSM_L3_MS_v4210/ SS/	TC_31_8_3_1	SelExpr_0814	Activation accepted	1177
GSM_L3_MS_v4210/ SS/	TC_31_8_3_2_1	SelExpr_0803	Rejection after invoke of ActivateSS operation	1180
GSM_L3_MS_v4210/ SS/	TC_31_8_3_2_2	SelExpr_0804	Rejection after use of password procedure	1182
GSM_L3_MS_v4210/ SS/	TC_31_8_4_1	SelExpr_0801	Deactivation accepted	1184
GSM_L3_MS_v4210/ SS/	TC_31_8_4_2_1	SelExpr_0808	Deactivation rejected / Rejection after invoke of DeactivateSS operation	1187
GSM_L3_MS_v4210/ SS/	TC_31_8_4_2_2	SelExpr_0805	Deactivation rejected / Rejection after use of password procedure	1189
GSM_L3_MS_v4210/ SS/	TC_31_8_6_1	SelExpr_0806	Interrogation / Interrogation accepted	1191
GSM_L3_MS_v4210/ SS/	TC_31_8_6_2	SelExpr_0807	Interrogation / Interrogation rejected	1194
GSM_L3_MS_v4210/ SS/	TC_31_8_7	SelExpr_0808	Normal operation	1197
GSM_L3_MS_v4210/ SS/	TC_31_9_1_1	SelExpr_0816	mobile station initiated / unstructured supplementary service request accepted	1199
GSM_L3_MS_v4210/ SS/	TC_31_9_1_2	SelExpr_0817	mobile station initiated / unstructured supplementary service data request rejected	1203
GSM_L3_MS_v4210/ SS/	TC_31_9_2_1	SelExpr_0817	network initiated / unstructured supplementary service request accepted	1208
GSM_L3_MS_v4210/ SS/	TC_31_9_2_2	SelExpr_0817	network initiated / unstructured supplementary service request rejected	1210
GSM_L3_MS_v4210/ SS/	TC_31_9_2_3	SelExpr_0817	network initiated / unstructured supplementary service data notification accepted	1211
GSM_L3_MS_v4210/ SS/	TC_31_9_2_4	SelExpr_0817	network initiated / unstructured supplementary service data notification rejected	1213
GSM_L3_MS_v4210/ SS/	TC_31_10	SelExpr_0815	MMI input for USSD	1214
GSM_L3_MS_v4210/ SM/	TC_34_2_1	SelExpr_0901	Short message service / SMS point to point - SMS mobile terminated	1216
GSM_L3_MS_v4210/ SM/	TC_34_2_2	SelExpr_0902	Short message service / SMS point to point - SMS mobile originated	1220
GSM_L3_MS_v4210/ SM/	TC_34_2_3	SelExpr_0903	Short message service / SMS point to point - Test of the memory available notification	1224
GSM_L3_MS_v4210/ SM/	TC_34_2_4	SelExpr_0904	Short message service / Test of the status report capabilities and of SMS-COMMAND	1229
GSM_L3_MS_v4210/ SM/	TC_34_2_5_1	SelExpr_0905	Short message service / Test of message class 0 to 3 - Test of Class 0 Short Messages	1232
GSM_L3_MS_v4210/ SM/	TC_34_2_5_2	SelExpr_0906	Short message service / Test of message class 0 to 3 - Test of Class 1 Short Messages	1234
GSM_L3_MS_v4210/ SM/	TC_34_2_5_3	SelExpr_0907	Short message service / Test of message class 0 to 3 - Test of Class 2 Short Messages	1236
GSM_L3_MS_v4210/ SM/	TC_34_2_7	SelExpr_0908	Short message service / Test of the replace mechanism for SM type 1-7	1238
GSM_L3_MS_v4210/ SM/	TC_34_2_8	SelExpr_0909	Short message service / Test of the reply path scheme	1240
GSM_L3_MS_v4210/ SM/	TC_34_3	SelExpr_0900	Short message service cell broadcast	1243

**Detailed Comments:**

## Test step index

Test Step Index			
Test Step Group Reference	Test Step Id	Description	Page Nr
GSM_L3_MS_v4210/management/	StopAllBCCH	To stop the RF transmission of all BCCH channels in all active cells.	1243
GSM_L3_MS_v4210/management/	Stopmaindcch	To stop the transmission of main dcch channel.	1243
GSM_L3_MS_v4210/management/Ch Config/	CCConfigTCH		1244
GSM_L3_MS_v4210/management/Ch Config/	CCConfigTCH_B		1244
GSM_L3_MS_v4210/management/Ch Config/	CCConfigTCH_nociph		1245
GSM_L3_MS_v4210/management/Ch Config/	CCConfigTCH_pwr		1246
GSM_L3_MS_v4210/management/Ch Config/	Config_CBMS_A_1	To set a physical channel and map FCCH, SCH, BCCH, CCCH, SDCCH4 and CBCH onto the physical channel which represents cell A.	1247
GSM_L3_MS_v4210/management/Ch Config/	Config_FACCHF_A_1	To set one physical channel used as TCHF_ACCH's of cell A.	1247
GSM_L3_MS_v4210/management/Ch Config/	Config_FACCHF_A_2	To set one physical channel used as TCHF_ACCH's for instance 2 of cell A.	1247
GSM_L3_MS_v4210/management/Ch Config/	Config_FACCHF_B_1	To set one physical channel used as TCHF_ACCH's of cell B.	1248
GSM_L3_MS_v4210/management/Ch Config/	Config_FACCHF_H_1	To set one physical channel used as TCHF_ACCH's of cell H.	1248
GSM_L3_MS_v4210/management/Ch Config/	Config_FACCHH_A_1	To set one physical channel used as TCHH_ACCH's of cell A.	1248
GSM_L3_MS_v4210/management/Ch Config/	Config_FACCHH_A_2	To set one physical channel used as TCHH_ACCH's of cell A.	1249
GSM_L3_MS_v4210/management/Ch Config/	Config_FACCHH_B_1	To set one physical channel used as TCHH_ACCH's of cell B.	1249
GSM_L3_MS_v4210/management/Ch Config/	Config_BCCH_CCCH_A_1	To set a physical channel and map FCCH, SCH, BCCH and CCCH onto the physical channel which represents cell A.	1249
GSM_L3_MS_v4210/management/Ch Config/	Config_BCCH_CCCH_A_2	To set a physical channel and map the second BCCH, CCCH onto the physical channel which represents cell A.	1250
GSM_L3_MS_v4210/management/Ch Config/	Config_BCCH_CCCH_A_3	To set a physical channel and map the third BCCH, CCCH onto the physical channel which represents cell A.	1250
GSM_L3_MS_v4210/management/Ch Config/	Config_BCCH_CCCH_A_4	To set a physical channel and map the fourth BCCH, CCCH onto the physical channel which represents cell A.	1250
GSM_L3_MS_v4210/management/Ch Config/	Config_BCCH_CCCH_B_1	To set a physical channel and map FCCH, SCH, BCCH and CCCH onto the physical channel which represents cell B.	1251
GSM_L3_MS_v4210/management/Ch Config/	Config_BCCH_CCCH_B_ho_1	To set a physical channel and map FCCH, SCH, BCCH and CCCH onto the physical channel which represents cell B with controllable td and fn.	1251
GSM_L3_MS_v4210/management/Ch Config/	Config_SDCCH4_A_1	To set a physical channel and map FCCH, SCH, BCCH, CCCH and SDCCH4 onto the physical channel which represents cell A.	1251
GSM_L3_MS_v4210/management/Ch Config/	Config_SDCCH4_B_1	To set a physical channel and map FCCH, SCH, BCCH, CCCH and SDCCH4 onto the physical channel which represents cell B.	1252
GSM_L3_MS_v4210/management/Ch Config/	Config_SDCCH4_B_ho_1	To set a physical channel and map FCCH, SCH, BCCH, CCCH and SDCCH4 onto the physical channel which represents cell B with controllable td and fn.	1252
GSM_L3_MS_v4210/management/Ch Config/	Config_SDCCH4_C_1	To set a physical channel and map FCCH, SCH, BCCH, CCCH and SDCCH4 onto the physical channel which represents cell C	1253
GSM_L3_MS_v4210/management/Ch Config/	Config_SDCCH4_D_1	To set a physical channel and map FCCH, SCH, BCCH, CCCH and SDCCH4 onto the physical channel which represents cell D	1253
GSM_L3_MS_v4210/management/Ch Config/	Config_SDCCH4_E_1	To set a physical channel and map FCCH, SCH, BCCH, CCCH and SDCCH4 onto the physical channel which represents cell E	1254
GSM_L3_MS_v4210/management/Ch Config/	Config_SDCCH4_F_1	To set a physical channel and map FCCH, SCH, BCCH, CCCH and SDCCH4 onto the physical	1254

GSM_L3_MS_v4210/management/Ch Config/	Config_SDCCH4_G_1	channel which represents cell F To set a physical channel and map FCCH, SCH, BCCH, CCCH and SDCCH4 onto the physical channel which represents cell G	1255
GSM_L3_MS_v4210/management/Ch Config/	Config_SDCCH4_H_1	To set a physical channel and map FCCH, SCH, BCCH, CCCH and SDCCH4 onto the physical channel which represents cell H	1255
GSM_L3_MS_v4210/management/Ch Config/	Config_SDCCH8_A_1	To set one physical channel used as SDCCH8 channel for instance 1 of cell A.	1256
GSM_L3_MS_v4210/management/Ch Config/	Config_SDCCH8_A_2	To set one physical channel used as SDCCH8 channel for instance 2 of cell A.	1256
GSM_L3_MS_v4210/management/Ch Config/	Config_SDCCH8_B_1	To set one physical channel used as SDCCH8 channel for instance 1 of cell B.	1257
GSM_L3_MS_v4210/management/Ch Config/	CombinedBCCH_A_C BMS	To set a physical channel and map FCCH, SCH, BCCH, CCCH and SDCCH4 onto the physical channel which represents cell A.	1257
GSM_L3_MS_v4210/management/Ch Config/	CombinedBCCH_A	To set a physical channel and map FCCH, SCH, BCCH, CCCH and SDCCH4 onto the physical channel which represents cell A.	1258
GSM_L3_MS_v4210/management/Ch Config/	CombinedBCCH_B	To set a physical channel and map FCCH, SCH, BCCH, CCCH and SDCCH4 onto the physical channel which represents cell B.	1258
GSM_L3_MS_v4210/management/Ch Config/	CombinedBCCH_B_h o	To set a physical channel and map FCCH, SCH, BCCH, CCCH and SDCCH4 onto the physical channel which represents cell B.	1258
GSM_L3_MS_v4210/management/Ch Config/	CombinedBCCH_C	To set a physical channel and map FCCH, SCH, BCCH, CCCH and SDCCH4 onto the physical channel which represents cell C.	1259
GSM_L3_MS_v4210/management/Ch Config/	CombinedBCCH_D	To set a physical channel and map FCCH, SCH, BCCH, CCCH and SDCCH4 onto the physical channel which represents cell D.	1259
GSM_L3_MS_v4210/management/Ch Config/	CombinedBCCH_E	To set a physical channel and map FCCH, SCH, BCCH, CCCH and SDCCH4 onto the physical channel which represents cell E.	1259
GSM_L3_MS_v4210/management/Ch Config/	CombinedBCCH_F	To set a physical channel and map FCCH, SCH, BCCH, CCCH and SDCCH4 onto the physical channel which represents cell F.	1260
GSM_L3_MS_v4210/management/Ch Config/	CombinedBCCH_G	To set a physical channel and map FCCH, SCH, BCCH, CCCH and SDCCH4 onto the physical channel which represents cell G.	1260
GSM_L3_MS_v4210/management/Ch Config/	CombinedBCCH_G_s p	To set a physical channel and map FCCH, SCH, BCCH, CCCH and SDCCH4 onto the physical channel which represents cell G.	1261
GSM_L3_MS_v4210/management/Ch Config/	CombinedBCCH_H	To set a physical channel and map FCCH, SCH, BCCH, CCCH and SDCCH4 onto the physical channel which represents cell H.	1261
GSM_L3_MS_v4210/management/Ch Config/	NonCombinedBCCH_A	To set one physical channel used as FCHH_SCH_BCCH_CCCH for cell A.	1262
GSM_L3_MS_v4210/management/Ch Config/	NonCombinedBCCH_A_2	To set a physical channel and map the second BCCH, CCCH onto the physical channel which represents cell A.	1262
GSM_L3_MS_v4210/management/Ch Config/	NonCombinedBCCH_A_3	To set a physical channel and map the third BCCH, CCCH onto the physical channel which represents cell A.	1262
GSM_L3_MS_v4210/management/Ch Config/	NonCombinedBCCH_A_4	To set a physical channel and map the fourth BCCH, CCCH onto the physical channel which represents cell A.	1263
GSM_L3_MS_v4210/management/Ch Config/	NonCombinedBCCH_B	To set a physical channel and map FCCH, SCH, BCCH, CCCH onto the physical channel which represents cell B for RR testing.	1263
GSM_L3_MS_v4210/management/Ch Config/	NonCombinedBCCH_B_h o	To set a physical channel and map FCCH, SCH, BCCH, CCCH onto the physical channel which represents cell B for RR testing.	1264
GSM_L3_MS_v4210/management/Ch Config/	FullRateCh_A_1	To set one physical channel used as TCHF_ACCH's for instance 1 of cell A.	1264
GSM_L3_MS_v4210/management/Ch Config/	FullRateCh_A_1_nociph	To set one physical channel used as TCHF_ACCH's for instance 1 of cell A.	1265
GSM_L3_MS_v4210/management/Ch Config/	FullRateCh_A_2	To set one physical channel used as TCHF_ACCH's for instance 2 of cell A for TC_26_6_13_1.	1265
GSM_L3_MS_v4210/management/Ch Config/	FullRateCh_A_2_nociph	To set one physical channel used as TCHF_ACCH's for instance 2 of cell A for TC_26_6_13_1.	1265
GSM_L3_MS_v4210/management/Ch Config/	FullRateCh_B_1	To set one physical channel used as TCHF_ACCH's for instance 1 of cell B.	1266

GSM_L3_MS_v4210/management/Ch Config/	FullRateCh_B_1_noci ph	To set one physical channel used as TCHF_ACCH's for instance 1 of cell B.	1266
GSM_L3_MS_v4210/management/Ch Config/	HalfRateCh_A_1	To set one physical channel used as TCHH_ACCH's for instance 1 of cell A.	1266
GSM_L3_MS_v4210/management/Ch Config/	HalfRateCh_A_1_noci ph	To set one physical channel used as TCHH_ACCH's for instance 1 of cell A.	1267
GSM_L3_MS_v4210/management/Ch Config/	HalfRateCh_A_2	To set one physical channel used as TCHH_ACCH's for instance 2 of cell A for TC_26_6_13_1.	1267
GSM_L3_MS_v4210/management/Ch Config/	HalfRateCh_A_2_noci ph	To set one physical channel used as TCHH_ACCH's for instance 2 of cell A for TC_26_6_13_1.	1268
GSM_L3_MS_v4210/management/Ch Config/	HalfRateCh_B_1	To set one physical channel used as TCHH_ACCH's for instance 1 of cell B	1268
GSM_L3_MS_v4210/management/Ch Config/	HalfRateCh_B_1_noci ph	To set one physical channel used as TCHH_ACCH's for instance 1 of cell B	1269
GSM_L3_MS_v4210/management/Ch Config/	SDCCH8_A_1	To set one physical channel used as SDCCH8 channel for instance 1 of cell A.	1269
GSM_L3_MS_v4210/management/Ch Config/	SDCCH8_A_1_noci ph	To set one physical channel used as SDCCH8 channel for instance 1 of cell A.	1269
GSM_L3_MS_v4210/management/Ch Config/	SDCCH8_A_2_noci ph	To set one physical channel used as hopping SDCCH8 channel for instance 2 of cell A, for TC_26_6_13_1.	1270
GSM_L3_MS_v4210/management/Ch Config/	SDCCH8_B_1	To set one physical channel used as hopping SDCCH8 channel for instance 1 of cell B .	1270
GSM_L3_MS_v4210/management/Ch Config/	SDCCH8_B_1_noci ph	To set one physical channel used as hopping SDCCH8 channel for instance 1 of cell B For TC_26_6_13_5.	1271
GSM_L3_MS_v4210/Miscellaneous/	Adjust_gsmanddcs_p overlvl		1271
GSM_L3_MS_v4210/Miscellaneous/	AOC_CHK_FAC	Check the receive of FACILITY within one second at AOCC	1272
GSM_L3_MS_v4210/Miscellaneous/	AssCh_complete		1272
GSM_L3_MS_v4210/Miscellaneous/	AssCh_failure		1273
GSM_L3_MS_v4210/Miscellaneous/	AssCmdGen		1274
GSM_L3_MS_v4210/Miscellaneous/	AssCmdGen_fh		1275
GSM_L3_MS_v4210/Miscellaneous/	Authentication	To execute the authentication procedure.	1275
GSM_L3_MS_v4210/Miscellaneous/	CallProcGen	To generate a CALL PROCEEDING message .	1276
GSM_L3_MS_v4210/Miscellaneous/	CCAssignTCH		1277
GSM_L3_MS_v4210/Miscellaneous/	CCCH_group_Paging _group		1278
GSM_L3_MS_v4210/Miscellaneous/	CCEstablishMO_SDC CH4		1279
GSM_L3_MS_v4210/Miscellaneous/	CCEstablishMO_TCH		1279
GSM_L3_MS_v4210/Miscellaneous/	CCEstablishMT_SDC CH4		1279
GSM_L3_MS_v4210/Miscellaneous/	CCEstablishMT_TCH		1280
GSM_L3_MS_v4210/Miscellaneous/	CC_Est_MT_Call		1280
GSM_L3_MS_v4210/Miscellaneous/	CC_EstMsTermCall		1281
GSM_L3_MS_v4210/Miscellaneous/	CCModifyTCH		1281
GSM_L3_MS_v4210/Miscellaneous/	CCPage		1282
GSM_L3_MS_v4210/Miscellaneous/	CCstatuschk_01	To check whether the MS under test is in the CC state `st`.	1282
GSM_L3_MS_v4210/Miscellaneous/	CCstatuschk_02	To check whether the MS under test is in the CC state `st`.	1282
GSM_L3_MS_v4210/Miscellaneous/	CCstatuschk_03	To check whether the MS under test is in the CC state `st`.	1283
GSM_L3_MS_v4210/Miscellaneous/	CCstatuschk_05	To check whether the MS under test is in the CC state `st`.	1283
GSM_L3_MS_v4210/Miscellaneous/	Check_hoaccPwr		1284
GSM_L3_MS_v4210/Miscellaneous/	Check_hoaccTiming		1285
GSM_L3_MS_v4210/Miscellaneous/	Check_Time		1285
GSM_L3_MS_v4210/Miscellaneous/	CheckMTDif		1285
GSM_L3_MS_v4210/Miscellaneous/	CheckTlslStateU0		1286
GSM_L3_MS_v4210/Miscellaneous/	ChkMsrmtRpt		1286
GSM_L3_MS_v4210/Miscellaneous/	Ciphering_off	To switch off the ciphering. In presteps the ciphering shall be switched on.	1287
GSM_L3_MS_v4210/Miscellaneous/	Ciphering_on	To switch on the ciphering.	1287
GSM_L3_MS_v4210/Miscellaneous/	CMsrvcRq	To request a CM service	1287
GSM_L3_MS_v4210/Miscellaneous/	DTMFSignalling	To handle DTMF signalling initiated by the MS, which sends 'n' tones to the network.	1288

GSM_L3_MS_v4210/Miscellaneous/ GSM_L3_MS_v4210/Miscellaneous/	EstablishFacMO FnArith		1288 1289
GSM_L3_MS_v4210/Miscellaneous/	IdentityRequest	To calculate the difference of two frame numbers `fn1` and `fn`. The test step uses TCV_Cnt1, TCV_Cnt2, TCV_K and TCV_Time.	1289
GSM_L3_MS_v4210/Miscellaneous/	ImsiAttach	To execute the identity procedure depending on the given identity type. Used var's: TCV_ch, TCV_tmsi	1290
GSM_L3_MS_v4210/Miscellaneous/	ImsiAttachIni		1291
GSM_L3_MS_v4210/Miscellaneous/	ImsiAttachNoReaction		1292
GSM_L3_MS_v4210/Miscellaneous/	ImsiDetach		1293
GSM_L3_MS_v4210/Miscellaneous/	ImsiDetachNoReaction		1294
GSM_L3_MS_v4210/Miscellaneous/	InCallModi1		1294
GSM_L3_MS_v4210/Miscellaneous/	MM_LUP	To execute the Location Update Procedure. The parameter lup_mi is the actual mi of MS before MM_LUP.	1295
GSM_L3_MS_v4210/Miscellaneous/	MM_LUP2	To execute the Location Update Procedure. The parameter lup_mi is the actual mi of MS before MM_LUP.	1295
GSM_L3_MS_v4210/Miscellaneous/	MM_LUP3	To execute the normal Location Update Procedure. No check of parameter.	1295
GSM_L3_MS_v4210/Miscellaneous/	MM_LupAndStop	To execute the initialisation of the Location Update Procedure.	1296
GSM_L3_MS_v4210/Miscellaneous/	MM_LupAuthRpt	To initialise Location Update and repeated Authentication procedures till T3210 times out.	1296
GSM_L3_MS_v4210/Miscellaneous/	MM_LUPauth1	To execute the Location Update Procedure with authentication. Check of the parameter LAI, MScClassMark and Mobile Identity is not required and are not checked.	1297
GSM_L3_MS_v4210/Miscellaneous/	MM_LUPauth2	To execute the Location Update Procedure with authentication. Checking of the parameter LAI, MScClassMark and Mobile Identity is required.	1297
GSM_L3_MS_v4210/Miscellaneous/	MM_LUP_imsi	To execute the Location Update Procedure only for IMSI. The parameter lup_mi is the actual mi of MS before MM_LUP. It is called by TC_26_7_4_3_1.	1298
GSM_L3_MS_v4210/Miscellaneous/	MM_LupInit	To execute the initialisation of the Location Update Procedure.	1298
GSM_L3_MS_v4210/Miscellaneous/	MM_LupInit2	To execute the initialisation of the Location Update Procedure.	1299
GSM_L3_MS_v4210/Miscellaneous/	MM_LupInit3	To execute the initialisation of the Location Update Procedure.	1299
GSM_L3_MS_v4210/Miscellaneous/	MM_LupInit4	To execute the initialisation of the Location Update Procedure.	1300
GSM_L3_MS_v4210/Miscellaneous/	MM_LupInit5	To execute the initialisation of the Location Update Procedure.	1300
GSM_L3_MS_v4210/Miscellaneous/	MM_LupInit6	To execute the initialisation of the Location Update Procedure.	1301
GSM_L3_MS_v4210/Miscellaneous/	MM_LUP_tmsirealloc	To execute the Location Update Procedure. The parameter expectedlup_mi is the actual mi of MS before MM_LUP. The expectedlup_mi is not used in this teststep, it is not required to check it. The test step is called in TC_26_7_1.	1301
GSM_L3_MS_v4210/Miscellaneous/	MM_LUPper	To execute the periodic Location Update Procedure.	1301
GSM_L3_MS_v4210/Miscellaneous/	MM_LUPper2	To execute the periodic Location Update Procedure.	1302
GSM_L3_MS_v4210/Miscellaneous/	MM_LUPperauth	To execute the periodic Location Update Procedure.	1302
GSM_L3_MS_v4210/Miscellaneous/	MM_LUPperrej	To execute the periodic Location Update Procedure.	1302
GSM_L3_MS_v4210/Miscellaneous/	MM_LUPperrej2	To execute the Location Update Procedure, which shall be rejected.	1303
GSM_L3_MS_v4210/Miscellaneous/	MM_LUPperrej3	To execute the Location Updating Procedure, which shall be stopped with channel release.	1303
GSM_L3_MS_v4210/Miscellaneous/	MM_LupRej	To execute the Location Update Procedure, which shall be rejected.	1303
GSM_L3_MS_v4210/Miscellaneous/	MM_LupRej2	To execute the Location Update Procedure, which shall be rejected.	1304
GSM_L3_MS_v4210/Miscellaneous/	MM_PwrOrSimOff		1304
GSM_L3_MS_v4210/Miscellaneous/	MM_PwrOrSimOn		1304
GSM_L3_MS_v4210/Miscellaneous/	MM_check_ecall1	To check, if MS execute the emergency call.	1305

GSM_L3_MS_v4210/Miscellaneous/	MM_check_ecall2	To check, if MS execute the emergency call with IMSI	1306
GSM_L3_MS_v4210/Miscellaneous/	MM_no_cmservices	To check, if MS doesn't execute a MO CM connection procedure.	1306
GSM_L3_MS_v4210/Miscellaneous/	MM_no_paging	To check, if MS doesn't initiate a RR connection. The duration of the checking is set in given par.	1307
GSM_L3_MS_v4210/Miscellaneous/	NoReaction	To check whether MS doesn't initiate any RR connections.	1307
GSM_L3_MS_v4210/Miscellaneous/	RR_hocomp1	To finish the HO-procedure in non-synchronized HO cases.	1308
GSM_L3_MS_v4210/Miscellaneous/	RR_hocomp3	To finish the HO-procedure in synchronized HO cases.	1309
GSM_L3_MS_v4210/Miscellaneous/	RRmtcallprepare	To establish a full rate call with non hopping in cell A for GSM900 and DCS1800. IUT should be in idle updated state.	1309
GSM_L3_MS_v4210/Miscellaneous/	RcvSetupOrEsetup		1310
GSM_L3_MS_v4210/Miscellaneous/	SendSeqNo_chk	check sending sequence number.	1310
GSM_L3_MS_v4210/Miscellaneous/	SelectPagingCh		1311
GSM_L3_MS_v4210/Miscellaneous/	Set_CellChDescr	To set the cell channel description	1312
GSM_L3_MS_v4210/Miscellaneous/	SetupRcvMo2		1312
GSM_L3_MS_v4210/Miscellaneous/	Switchcell		1312
GSM_L3_MS_v4210/Miscellaneous/	SvcSupportedChk	To check whether the Basic Service svc is supported against PICS answers.	1313
GSM_L3_MS_v4210/Miscellaneous/	Timadv_Pwrlvl_chk	To check the power level and the timing advance in L1 head.	1314
GSM_L3_MS_v4210/Miscellaneous/	TmsiReallocation	To execute the TMSI reallocation procedure. Used var's: TCV_ch	1314
GSM_L3_MS_v4210/Miscellaneous/	Varinit_tch		1314
GSM_L3_MS_v4210/Miscellaneous/	Varinit_fix		1315
GSM_L3_MS_v4210/Miscellaneous/	Wait		1315
GSM_L3_MS_v4210/Miscellaneous/	WaitForInService	To wait until the MS enters the Idle and updated state.	1315
GSM_L3_MS_v4210/Miscellaneous/SysInfo/	ChgLAC_A	To change the LAC of cell A.	1316
GSM_L3_MS_v4210/Miscellaneous/SysInfo/	ChgLAC_B	To change the LAC of cell B.	1316
GSM_L3_MS_v4210/Miscellaneous/SysInfo/	ChgLAI_C	To change the LAI of cell C to HPLMN.	1317
GSM_L3_MS_v4210/Miscellaneous/SysInfo/	SysInfoSending_cbms	To send system information messages for the CBMS tests.	1318
GSM_L3_MS_v4210/Miscellaneous/SysInfo/	SysInfoSending_fh	To send system information messages for the L3 tests. The following parameters specified by input parameters.	1319
GSM_L3_MS_v4210/Miscellaneous/SysInfo/	SysInfoSending_nfh	To send system information messages with default parameters defined for L3 tests for which no other special parameters indicated.	1320
GSM_L3_MS_v4210/Miscellaneous/SysInfo/	SysInfoSending_nfhCb	To send system information messages with default parameters defined for L3 tests except that the cell is barred.	1322
GSM_L3_MS_v4210/Miscellaneous/SysInfo/	SysInfoSending_e	Sending of Systeminformation for cell A in EGSM test case TC_26_10_2_2.	1323
GSM_L3_MS_v4210/Miscellaneous/SysInfo/	SysInfo_SacchSending	To send SYSTEM INFORMATION 5 and 6 messages defined by parameters 'sysinfo5_pdu' and 'sysinfo6_pdu' in the parametrised 'ch' channel.	1324
GSM_L3_MS_v4210/Miscellaneous/SysInfo/	SysInfo_5bisSending	To send SYSTEM INFORMATION 5bis message defined by parameters 'sysinfo5bis_pdu' in the parametrised 'ch' channel.	1324
GSM_L3_MS_v4210/Miscellaneous/SysInfo/	SetNECI	To set the NECI =1.	1325
GSM_L3_MS_v4210/Miscellaneous/SysInfo/	SetATT	To set the ATT flag to "MS's in the cell should apply IMSI attach and detach procedure"	1326
GSM_L3_MS_v4210/OperatorOP/	InitCall	To initiate a call of the basic service 'srv'.	1327
GSM_L3_MS_v4210/OperatorOP/	InitCM		1327
GSM_L3_MS_v4210/OperatorOP/	InitNonCallSupp	To attempt a non call related supplementary service at the MS under test.	1327
GSM_L3_MS_v4210/OperatorOP/	AtrmpShortMsg	To attempt an MO short message service transaction at the MS under test.	1327
GSM_L3_MS_v4210/OperatorOP/	CheckUssdStringDisplayed	To check whether the correct USSD String is displayed on the MS	1328
GSM_L3_MS_v4210/OperatorOP/	PLMNsCHK	To check whether the MS presents a list of available PLMNs.	1328

GSM_L3_MS_v4210/OperatorOP/ GSM_L3_MS_v4210/Postambles/	RFtransCHK PostLinkRelEnd	To check whether the MS transmits any radio signal. To release the RR connection and bring the MS back to Idle state.	1328 1328
GSM_L3_MS_v4210/Postambles/	PostMainLinkRel	This teststep decides the final verdict and therefor it shall be used only at the end of testcases. To release the main signalling link `ch`, and bring the MS back to Idle state.	1329
GSM_L3_MS_v4210/Postambles/	ChanRel	To release the RR connection on the channel TCV_ch and bring the MS back to Idle state.	1329
GSM_L3_MS_v4210/Postambles/	ChanRel_P	To release the RR connection on the channel TCV_chmaindcch and bring the MS back to Idle state.	1329
GSM_L3_MS_v4210/Postambles/	ChanRel_end	This teststep decides the verdict (P). To release the RR connection and bring the MS back to Idle state.	1329
GSM_L3_MS_v4210/Postambles/	RmvForbiddenPlmn	This teststep decides the final verdict and therefor it shall be used only at the end of testcases. To remove a forbidden PLMN (C_PLMN_2) of cell B in the list on SIM.	1330
GSM_L3_MS_v4210/Postambles/ GSM_L3_MS_v4210/Preambles/	RmvForbiddenPlmn1 BasicServiceMO	1. This test step generates an appropriate MO SETUP message according to the IXIT parameters of Bearer services/Teleservices for an MO call. 2. The detailed algorithms for Bcap derivation for each Bearer service/Teleservice are described in test steps BS2xMO, BS3xMO, BS4xMO, BS5xMO, BS61or81MO, TS61MO and TS62MO.	1330 1331
GSM_L3_MS_v4210/Preambles/	BasicServiceMOorTelephony	To get a MO SETUP message with right BC IE.	1333
GSM_L3_MS_v4210/Preambles/	BasicServiceMT	1. This test step generates an appropriate MT SETUP message according to the IXIT parameters of Bearer services/Teleservices for an MT call. If possible the test step generates a 2nd MT SETUP message for TC_11_1_1. 2. The Bearer Capability in the 2nd SETUP message is chosen in such a way that as many parameters as possible are different from the Bcap in the first MT SETUP message. The detailed algorithms for Bcap derivation for each Bearer service/Teleservice are described in test steps BS2xMT, BS3xMT, BS61or81MT, TS61MT and TS62MT.	1334
GSM_L3_MS_v4210/Preambles/	BasicServiceMTorTelephony	To get a MT SETUP message with right BC IE.	1335
GSM_L3_MS_v4210/Preambles/	BS2xMO	MO SETUP message with right Bcap for BS2x service.	1336
GSM_L3_MS_v4210/Preambles/	BS2xMT	MT SETUP message with right Bcap for BS2x service.	1339
GSM_L3_MS_v4210/Preambles/	BS3xMO	MO SETUP message with right Bcap for BS3x service.	1342
GSM_L3_MS_v4210/Preambles/	BS3xMT	MT SETUP message with right Bcap for BS3x service.	1346
GSM_L3_MS_v4210/Preambles/	BS4xMO	MO SETUP message with right Bcap for BS4x service.	1351
GSM_L3_MS_v4210/Preambles/	BS5xMO	MO SETUP message with right Bcap for BS5x service.	1353
GSM_L3_MS_v4210/Preambles/	BS61or81MO	To get a MO SETUP message with right BC IE for BS61 or BS81 service.	1354
GSM_L3_MS_v4210/Preambles/	BS61or81MT	To get a MT SETUP message with right BC IE for BS61 or BS81 service.	1358
GSM_L3_MS_v4210/Preambles/	CallCfmGen	generate a CALL CONFIRMED for CALL CONFIRMED message verifying	1363
GSM_L3_MS_v4210/Preambles/	Chmod	To assign correct values to the test case variables TCV_ChMod and TCV_ChModb.	1369
GSM_L3_MS_v4210/Preambles/	Est_MO_Call	To establish a MO call in any cell.	1370
GSM_L3_MS_v4210/Preambles/	Est_MO_Call_init	To initiate a mobile originating call for the supported bearer capability. Only in HO cases.	1371
GSM_L3_MS_v4210/Preambles/	Est_MT_Call_FH	To establish a call with FH (in CELL A or B).	1373
GSM_L3_MS_v4210/Preambles/	Est_MT_CallNonFH	To establish a call with non hopping.	1373
GSM_L3_MS_v4210/Preambles/	IdleUpdated	This test step is called at the preamble of each test case.	1374
GSM_L3_MS_v4210/Preambles/	PreEnterIdleState_r02	To broadcast SYSTEM INFORMATION messages 2, 3, 4, 5 and 6 with some options in cell A, and wait for the SUT (MS) entering the Idle updated state. 2	1382

		parameters: max retransmission, and tx integer can be set/assigned and legal combination of CCCH-CONF, BS-AG-BLKS-RES, BS-PA-MFRMS are specified by parameter `ccd`.	
GSM_L3_MS_v4210/Preambles/	PreEnterCCstateU01_21	To bring the MS into CC state U0.1 by procedure in table 26.8.1.2/1. This is used in CC testing.	1383
GSM_L3_MS_v4210/Preambles/	PreEnterCCstateU1_21	To bring the MS into CC state U1 by procedure in table 26.8.1.2/1. This is used in CC testing.	1384
GSM_L3_MS_v4210/Preambles/	PreEnterCCstateU1_22	To bring the MS into CC state U1 by procedure in table 26.8.1.2/2. This is used in CC testing.	1384
GSM_L3_MS_v4210/Preambles/	PreEnterCCstateU1_22Timer	To bring the MS into CC state U1 by procedure in table 26.8.1.2/2. This is used in CC testing.	1385
GSM_L3_MS_v4210/Preambles/	PreEnterCCstateU1_24	To bring the MS into CC state U1 by procedure in table 26.8.1.2/4. This is used in CC testing.	1385
GSM_L3_MS_v4210/Preambles/	PreEnterCCstateU1	To establish a mobile originating call and put the MS under test in the CC state U1.	1386
GSM_L3_MS_v4210/Preambles/	PreEnterCCstateU3	To establish a mobile originating call and put the MS under test in the CC state U3.	1386
GSM_L3_MS_v4210/Preambles/	PreEnterCCstateU3_21	To bring the MS into CC state U3 by procedure in table 26.8.1.2/1. This is used in CC testing.	1387
GSM_L3_MS_v4210/Preambles/	PreEnterCCstateU3_22	To bring the MS into CC state U3 by procedure in table 26.8.1.2/2. This is used in CC testing.	1387
GSM_L3_MS_v4210/Preambles/	PreEnterCCstateU3_23	To bring the MS into CC state U3 by procedure in table 26.8.1.2/3. This is used in CC testing.	1387
GSM_L3_MS_v4210/Preambles/	PreEnterCCstateU3_24	To bring the MS into CC state U3 by procedure in table 26.8.1.2/4. This is used in CC testing.	1388
GSM_L3_MS_v4210/Preambles/	PreEnterCCstateU4_21	To bring the MS into CC state U4 by procedure in table 26.8.1.2/1. This is used in CC testing.	1388
GSM_L3_MS_v4210/Preambles/	PreEnterCCstateU4_22	To bring the MS into CC state U4 by procedure in table 26.8.1.2/2. This is used in CC testing.	1388
GSM_L3_MS_v4210/Preambles/	PreEnterCCstateU4_23	To bring the MS into CC state U4 by procedure in table 26.8.1.2/3. This is used in CC testing.	1389
GSM_L3_MS_v4210/Preambles/	PreEnterCCstateU4_24	To bring the MS into CC state U4 by procedure in table 26.8.1.2/4. This is used in CC testing.	1389
GSM_L3_MS_v4210/Preambles/	PreEnterCCstateU6_32	To bring the MS into CC state U6 by procedure in table 26.8.1.3/2. This is used in CC testing.	1389
GSM_L3_MS_v4210/Preambles/	PreEnterCCstateU7_31	To bring the MS into CC state U7 by procedure in table 26.8.1.3/1. This is used in CC testing.	1390
GSM_L3_MS_v4210/Preambles/	PreEnterCCstateU7_32	To bring the MS into CC state U7 by procedure in table 26.8.1.3/2. This is used in CC testing.	1390
GSM_L3_MS_v4210/Preambles/	PreEnterCCstateU7_33	To bring the MS into CC state U7 by procedure in table 26.8.1.3/3. This is used in CC testing.	1390
GSM_L3_MS_v4210/Preambles/	PreEnterCCstateU8_31	To bring the MS into CC state U8 by procedure in table 26.8.1.3/1. This is used in CC testing.	1391
GSM_L3_MS_v4210/Preambles/	PreEnterCCstateU8_32	To bring the MS into CC state U8 by procedure in table 26.8.1.3/2. This is used in CC testing.	1391
GSM_L3_MS_v4210/Preambles/	PreEnterCCstateU8_33	To bring the MS into CC state U8 by procedure in table 26.8.1.3/3. This is used in CC testing.	1392
GSM_L3_MS_v4210/Preambles/	PreEnterCCstateU8_34_SS	Entering U8, non hopping, no ciphering.	1392
GSM_L3_MS_v4210/Preambles/	PreEnterCCstateU9_31		1393
GSM_L3_MS_v4210/Preambles/	PreEnterCCstateU9_32	To bring the MS into CC state U9 by procedure in table 26.8.1.3/2. This is used in CC testing.	1393
GSM_L3_MS_v4210/Preambles/	PreEnterCCstateU9_33	To bring the MS into CC state U9 by procedure in table 26.8.1.3/3. This is used in CC testing.	1393
GSM_L3_MS_v4210/Preambles/	PreEnterCCstateU9_34	To bring the MS into CC state U9 by procedure in table 26.8.1.3/4. This is used in CC testing.	1394
GSM_L3_MS_v4210/Preambles/	PreEnterCCstateU10	To establish a mobile terminating call for the supported bearer capability and put the MS under test in the CC state U10. The supported bearer capability is specified in the input parameter setup. With early assignment, SETUP message does not contain SIGNAL information element.	1395
GSM_L3_MS_v4210/Preambles/	PreEnterCCstateU10_late	To establish a mobile terminating call for the supported bearer capability and put the MS under test in the CC state U10. The supported bearer capability is specified in the input parameter setup. Late assignment only. The SETUP message shall contain a SIGNAL information element.	1396
GSM_L3_MS_v4210/Preambles/	PreEnterCCstateU10_r01	To establish a mobile terminating call for the supported bearer capability and put the MS in the CC	1397



GSM_L3_MS_v4210/Preambles/	PreEnterCCstateU10_21	state U10 with late assignment. To bring the MS into CC state U10 by procedure in table 26.8.1.2/1. This is used in CC testing.	1398
GSM_L3_MS_v4210/Preambles/	PreEnterCCstateU10_22	To bring the MS into CC state U10 by procedure in table 26.8.1.2/2. This is used in CC testing.	1398
GSM_L3_MS_v4210/Preambles/	PreEnterCCstateU11_23	To bring the MS into CC state U11 by procedure in table 26.8.1.2/3. This is used in CC testing.	1399
GSM_L3_MS_v4210/Preambles/	PreEnterCCstateU11_23Timer	To bring the MS into CC state U11 by procedure in table 26.8.1.2/3. This is used in CC testing.	1399
GSM_L3_MS_v4210/Preambles/	PreEnterCCstateU11_24	To bring the MS into CC state U11 by procedure in table 26.8.1.2/4. This is used in CC testing.	1400
GSM_L3_MS_v4210/Preambles/	PreEnterCCstateU12_21	To bring the MS into CC state U12 by procedure in table 26.8.1.2/1. This is used in CC testing.	1400
GSM_L3_MS_v4210/Preambles/	PreEnterCCstateU12_22	To bring the MS into CC state U12 by procedure in table 26.8.1.2/2. This is used in CC testing.	1400
GSM_L3_MS_v4210/Preambles/	PreEnterCCstateU12_23	To bring the MS into CC state U12 by procedure in table 26.8.1.2/3. This is used in CC testing.	1401
GSM_L3_MS_v4210/Preambles/	PreEnterCCstateU19_21	To bring the MS into CC state U19 by procedure in table 26.8.1.2/1. This is used in CC testing.	1401
GSM_L3_MS_v4210/Preambles/	PreEnterCCstateU19_24	To bring the MS into CC state U19 by procedure in table 26.8.1.2/4. This is used in CC testing.	1402
GSM_L3_MS_v4210/Preambles/	PreEnterCCstateU19_24Timer	To bring the MS into CC state U19 by procedure in table 26.8.1.2/4. This is used in CC testing.	1402
GSM_L3_MS_v4210/Preambles/	PreEstRRConn	To establish a RR connection on TSPX_SDCCH4SubDef	1403
GSM_L3_MS_v4210/Preambles/	PreEstRRC_MM	To establish a RR connection for MM testcases.	1403
GSM_L3_MS_v4210/Preambles/	PreModifySetup	To setup dual mode call and initiate MO incall modification.	1404
GSM_L3_MS_v4210/Preambles/	SpeechService	To select a speech service.	1404
GSM_L3_MS_v4210/Preambles/	StartCellA	To broadcast SYSTEM INFORMATION messages 2, 3, 4, 5 and 6 with default parameters in cell A, frequency hopping.	1405
GSM_L3_MS_v4210/Preambles/	StartCellA_1	To start cell A without hopping.	1405
GSM_L3_MS_v4210/Preambles/	StartCellB	To broadcast SYSTEM INFORMATION messages 2, 3, 4, 5 and 6 with default parameters in cell B.	1406
GSM_L3_MS_v4210/Preambles/	StartCellB_1	To start cell B with default parameters.	1407
GSM_L3_MS_v4210/Preambles/	StartCellB_egsm	To broadcast SYSTEM INFORMATION messages 2, 3, 4, 5 and 6 with default parameters in cell B.	1408
GSM_L3_MS_v4210/Preambles/	StartCellB_ho	To broadcast SYSTEM INFORMATION messages 2, 3, 4, 5 and 6 with default parameters in cell B. Cell B has a frame number difference 'fn' and the BCCH of cell B has a delay of 'td' bits to the BCCH of cell A.	1409
GSM_L3_MS_v4210/Preambles/	StartCellC	To broadcast SYSTEM INFORMATION messages 2, 3, 4, 5 and 6 with default parameters in cell C.	1410
GSM_L3_MS_v4210/Preambles/	Start_2cells		1410
GSM_L3_MS_v4210/Preambles/	StartMultiCells_01	To broadcast SYSTEM INFORMATION messages 2, 3, 4, 5 and 6 in multiple cells for idle mode testing.	1411
GSM_L3_MS_v4210/Preambles/	StartMultiCells_02	To broadcast SYSTEM INFORMATION messages 1, 2, 3, 4, 5 and 6 in multiple cells for measurement testing. Neighbour cells description for cell S1 is a formal parameter.	1414
GSM_L3_MS_v4210/Preambles/	StartMultiCells_02e	To broadcast SYSTEM INFORMATION messages 1, 2, 3, 4, 5 and 6 in multiple cells for measurement testing. Neighbour cells description for cell S1 is a formal parameter.	1416
GSM_L3_MS_v4210/Preambles/	StartMultiCells_03	To broadcast SYSTEM INFORMATION messages 1, 2, 3, 4, 5 and 6 in multiple cells for measurement testing. Neighbour cells description for cell S1 is a formal parameter.	1418
GSM_L3_MS_v4210/Preambles/	TS61MO	MO SETUP message with right Bcap for TS61 service.	1420
GSM_L3_MS_v4210/Preambles/	TS62MO	MO SETUP message with right Bcap for TS62 service.	1422
GSM_L3_MS_v4210/Preambles/	TS61MT	MT SETUP message with right Bcap for TS61 service.	1424
GSM_L3_MS_v4210/Preambles/	TS62MT	MT SETUP message with right Bcap for TS62 service.	1426
<b>Detailed Comments:</b>			

## Default index

Default Index			
Default Group Reference	Default Id	Description	Page Nr
GSM_L3_MS_v4210/	OtherEvents	To match unexpected events and sign final verdict for preambles.	1417
GSM_L3_MS_v4210/	OtherEventsFail	To match unexpected events and fail the test case.	1418
GSM_L3_MS_v4210/	OtherEventsFail_01	To match irrelevant CHANNEL REQUEST msg and return or match other unexpected events and fail the test case.	1419
GSM_L3_MS_v4210/	OtherEventsFail_02	To match unexpected events and fail the test case but ignore channel request messages that are sent before the lower tester has sent (and the MS received) the Immediate Assignment message.	1420
GSM_L3_MS_v4210/	OtherEvents_01	To match irrelevant messages and return	1421
GSM_L3_MS_v4210/	OtherEvents_02	To match unexpected events and sign final verdict for preambles but ignore channel request messages that are sent before the lower tester has sent (and the MS received) the Immediate Assignment message.	1422
GSM_L3_MS_v4210/	RcvHdOvAcc	To match any HANDOVER ACCESS then return to calling tree.	1423
<b>Detailed Comments:</b>			

## Declarations Part

### Test suite type definitions

### Simple type definitions

Simple Type Definitions		
Type Name	Type Definition	Comments
B_1	BITSTRING [1]	Generic type for 1 bit value
B_2	BITSTRING [2]	Generic type for 2 bits value
B_3	BITSTRING [3]	Generic type for 3 bits value
B_4	BITSTRING [4]	Generic type for 4 bits value
B_5	BITSTRING [5]	Generic type for 5 bits value
B_6	BITSTRING [6]	Generic type for 6 bits value
B_8	BITSTRING [8]	Generic type for 8 bits value
BCCHFRQ	BITSTRING [5]	position of a bcch carrier in the bcch channel list
BCC	BITSTRING [3]	BS colour code
BCDN	OCTETSTRING [1..10]	BCD numbers, GSM 04.08, 10.5.4.7, octet 4-13
BSIC	BITSTRING [6]	base station identity code
CCCH_CON	BITSTRING[3]	number of physical channels for ccch GSM 04.08, 10.5.2.11
CCSTATE	INTEGER(1,3,4,6,7,8,9,10,11,12,19,26,27)	
CellID	IA5String	Cell identifier
CHANNEL	BITSTRING [2]	needed channel type
CHMOD_VAL	BITSTRING[8]	value for channel mode GSM 04.08, 10.5.2.6, 10.5.2.7
CH_TDMA	BITSTRING[5]	channel type and TDMA offset GSM 04.08, 10.5.2.5
CI	OCTETSTRING [2]	cell identity, GSM 04.08, 10.5.1.1
CKSN	BITSTRING[3]	ciphering key sequence number(only key sequence) GSM 04.08, 10.5.1.2
CLRSUP	BITSTRING('10100001'B)	CLIR suppression GSM 04.08, 10.5.4.11a
CLRINV	BITSTRING('10100010'B)	CLIR invocation GSM 04.08, 10.5.4.11b
CMSVTYPE	BITSTRING [4]	CM service type
CP_CAU	OCTETSTRING [1]	cp cause GSM 04.11, 8.1.4.2
CPHALG	BITSTRING[3]	Ciphering algorithm identifier GSM 04.08, 10.5.2.9
CS	BITSTRING [2]	coding standard
EstMode	OCTETSTRING [1]	establish mode
EXTB	BITSTRING [1]	extension bit
FCS	HEXSTRING [2]	TP failure cause
FLWCNTL	INTEGER(0, 1, 2)	type of flow control. 0--outband flow control; 1--inband flow control; 2-- no flow control
HORF	BITSTRING [8]	handover reference
HSN	BITSTRING[6]	Hopping sequence number e.g.GSM 04.08 10.5.2.5
IDTYPE	B_4	identity type
IEI_4	BITSTRING [4]	information element identifier, type 1
IEI_8	BITSTRING [8]	information element identifier, type 2-4
L2FMSTYPE	INTEGER(1..3)	L2 frame type
LENGTH	OCTETSTRING [1]	IE length or L2 pseudo length. The L2 pseudo length is composed of a L2 pseudo length value, which is 6 bits long, and of 2 additional bits. See GSM 04.08 section 10.5.2.19
LOGICCH	IA5String	

LOGCH	IA5String	
MAC	OCTETSTRING[3]	mac, e.g. GSM 04.08 10.5.2.21
MAIO	BITSTRING[6]	MAIO,GSM 04.08 10.5.2.5
MAXTXPOW	INTEGER(0..31)	Max Tx Power Level GSM 04.08, 10.5.2.4
MR	OCTETSTRING [1]	SMS RP or TP message reference
MT	BITSTRING[8]	message type, structure of it see MT0
MTI	BITSTRING [3]	SMS RP message type indicator
NCC	BITSTRING [3]	PLMN colour code
NCCP	OCTETSTRING [1]	ncc permitted
NTI	BITSTRING('1000000'B, '10000001'B, '10000010'B)	notification indicator GSM 04.08, 10.5.4.20
PD	B_4	Protocol discriminator
PGG	BITSTRING [8]	the paging group of an MS to be paged in binary presentation
RATE	IA5String("F", "H")	
RAND	BITSTRING [128]	random number
RCSD	BITSTRING [8]	reverse call setup direction GSM 04.08, 10.5.4.22a
RelMode	OCTETSTRING [1]	release mode
REJCAU	OCTETSTRING [1]	reject cause GSM 04.08, 10.5.3.6
RPI	BITSTRING [8]	repeat indicator
RRCAU	BITSTRING [8]	RR cause GSM 04.08, 10.5.2.31
RXLEV	BITSTRING [6]	received signal strength
SAPID	OCTETSTRING [1]	sap identifier
SENDINGMODE	INTEGER(1..4)	the mode of sending two consecutive messages containing paging mode IE
SERVICES	IA5String("C_Telephony", "C_EmgCall", "C_AltSpchFax", "C_AutoFax", "C_Async300", "C_Async1200", "C_Async120075", "C_Async2400", "C_Async4800", "C_Async9600", "C_Sync1200", "C_Sync2400", "C_Sync4800", "C_Sync9600", "C_PAD300", "C_PAD1200", "C_PAD120075", "C_PAD2400", "C_PAD4800", "C_PAD9600", "C_Packet2400", "C_Packet4800", "C_Packet9600", "C_AltSpchData", "C_SpchData")	
SHOCT	B_4	spare half octet for type 1 information element GSM 04.08, 10.5.1.8
SKI	B_4	Skip indicator
SN	BITSTRING [3]	all possible slot number, GSM 04.08 10.5.2.5
SPB	B_1	spare bit
SP2B	B_2	2 spare bits
SP3B	B_3	3 spare bits
SP5B	B_5	5 spare bits
SP6B	B_6	6 spare bits
SRES	OCTETSTRING [4]	authentication response signature
TPCD	OCTETSTRING [1..157]	TP command data
TPSCTS	HEXSTRING [14]	TP service centre time stamp
TPUD	OCTETSTRING [1..140]	TP user data
TSC	B_3	Training sequence code,GSM 04.08 10.5.2.5
T1	BITSTRING [11]	
T1_	B_5	T1'
T2	B_5	
T3	BITSTRING [6]	
T3_	B_3	T3'
TI_V	B_3	TI value
TMSI_V	OCTETSTRING[4]	TMSI value is octetstring of length 4
TZONES	INTEGER(-79..79)	time zones in 15 minute steps
WI	HEXSTRING [2]	wait indication, unit in second

Detailed Comments:

**Structured Type definitions**

<b>Structured Type Definition</b>		
<b>Type Name:</b>		ACST
<b>Comments:</b>		Auxiliary states (CC information element) GSM 04.08, 10.5.4.4
Element Name	Type Definition	Comments
iei	IEI_8	
iel	LENGTH	
extb	EXTB	
sp3b	SP3B	
has	BITSTRING [2]	
mpas	BITSTRING [2]	
<b>Detailed Comments:</b>		

<b>Structured Type Definition</b>		
<b>Type Name:</b>		EFR_BCAP_3A_ETC
<b>Comments:</b>		Speech Versions preferences as supported by the EFR mobile - see GSM 04.08/10.5.4.5/octet 3a etc/"speech version indication"
Element Name	Type Definition	Comments
extb	EXTB	
cod	BITSTRING[1]	
spr2	BITSTRING[2]	
svi	BITSTRING [4]	
<b>Detailed Comments:</b>		

Structured Type Definition		
<b>Type Name:</b>	BCAP	
<b>Comments:</b>	Bearer capability (CC information element) GSM 04.08, 10.5.4.5	
Element Name	Type Definition	Comments
iei	IEI_8	
iel	LENGTH	
extb3	EXTB	
rchr	BITSTRING [2]	
cs	BITSTRING [1]	
tm	BITSTRING [1]	
itc	BITSTRING [3]	
oct_3a_etc_1	EFR_BCAP_3A_ETC	
oct_3a_etc_2	EFR_BCAP_3A_ETC	
oct_3a_etc_3	EFR_BCAP_3A_ETC	
oct_3a_etc_4	EFR_BCAP_3A_ETC	
oct_3a_etc_5	EFR_BCAP_3A_ETC	
oct_3a_etc_6	EFR_BCAP_3A_ETC	
extb4	EXTB	
spb	SPB	
strc	BITSTRING [2]	
dplxm	BITSTRING [1]	
config	BITSTRING [1]	
nirr	BITSTRING [1]	
est	BITSTRING [1]	
extb5	EXTB	
accid	BITSTRING [2]	
ra	BITSTRING [2]	
sacp	BITSTRING [3]	
extb6	EXTB	
l1id	BITSTRING [2]	
uil1	BITSTRING [4]	
sb	BITSTRING [1]	
extb6a	EXTB	
nsb	BITSTRING [1]	
nb	BITSTRING [1]	
ndb	BITSTRING [1]	
ur	BITSTRING [4]	
extb6b	EXTB	
ir	BITSTRING [2]	
nictx	BITSTRING [1]	
nicrx	BITSTRING [1]	
pi	BITSTRING [3]	
extb6c	EXTB	
ce	BITSTRING [2]	
modemt	BITSTRING [5]	
extb7	EXTB	
l2id	BITSTRING [2]	
uil2	BITSTRING [5]	
<b>Detailed Comments:</b>		

Structured Type Definition		
<b>Type Name:</b>	BLOCKTYPE	
<b>Comments:</b>	Block type, GSM 04.12, 3.3.1	
Element Name	Type Definition	Comments
spare1	SPB	
lpd	BITSTRING[2]	
lb	BITSTRING[1]	
sequence_number	BITSTRING[4]	
<b>Detailed Comments:</b>		

Structured Type Definition		
<b>Type Name:</b>	CAU	
<b>Comments:</b>	Cause (CC information element) GSM 04.08, 10.5.4.11	
Element Name	Type Definition	Comments
iei	IEI_8	
iel	LENGTH	
extb3	EXTB	
cs	CS	
spb	SPB	
location	BITSTRING [4]	
extb3a	EXTB	
rec	BITSTRING [7]	
extb4	EXTB	
cau_class	BITSTRING [3]	
cau_va	BITSTRING [4]	
cau_di	OCTETSTRING [1..28]	
<b>Detailed Comments:</b>	&COMMON_U06	

Structured Type Definition		
<b>Type Name:</b>	CCCAP	
<b>Comments:</b>	Call Control Capabilities GSM 04.08, 10.5.4.5a	
Element Name	Type Definition	Comments
iei	IEI_8	
iel	LENGTH	
spr	BITSTRING [7]	
dtmf	BITSTRING [1]	
<b>Detailed Comments:</b>		

Structured Type Definition		
<b>Type Name:</b>	CCD	
<b>Comments:</b>	Control channel description GSM 04.08, 10.5.2.11	
Element Name	Type Definition	Comments
spr1	BITSTRING [1]	
att	BITSTRING [1]	
babr	BITSTRING [3]	
ccch_con	BITSTRING [3]	
spr2	BITSTRING [5]	
bpm	BITSTRING [3]	
t3212	OCTETSTRING [1]	
<b>Detailed Comments:</b>		

Structured Type Definition		
<b>Type Name:</b>	CCHD	
<b>Comments:</b>	Cell channel description GSM 04.08, 10.5.2.1	
Element Name	Type Definition	Comments
iei	IEI_8	
rfl	OCTETSTRING [16]	
<b>Detailed Comments:</b>		

Structured Type Definition		
<b>Type Name:</b>	CD	
<b>Comments:</b>	Cell description GSM 04.08, 10.5.2.2	
Element Name	Type Definition	Comments
bcch_arfcn_h	BITSTRING [2]	
ncc	NCC	
bcc	BCC	
bcch_arfcn_l	BITSTRING [8]	
<b>Detailed Comments:</b>	The info element is two octets long.	

Structured Type Definition		
<b>Type Name:</b>	CDPN	
<b>Comments:</b>	Called party BCD number (CC information element) GSM 04.08, 10.5.4.7	
Element Name	Type Definition	Comments
iei	IEI_8	
iel	LENGTH	
tonnpi	TON_NPI	
digits	BCDN	
<b>Detailed Comments:</b>		

Structured Type Definition		
<b>Type Name:</b>	CDPS	
<b>Comments:</b>	Called party subaddress (CC information element) GSM 04.08, 10.5.4.8	
Element Name	Type Definition	Comments
iei	IEI_8	
iel	LENGTH	
subad	SUBAD	
<b>Detailed Comments:</b>		

Structured Type Definition		
<b>Type Name:</b>	CGPN	
<b>Comments:</b>	Calling party BCD number (CC information element) GSM 04.08, 10.5.4.9	
Element Name	Type Definition	Comments
iei	IEI_8	
iel	LENGTH	
tonnpi	TON_NPI	
psi	PI_SI	
digits	BCDN	
<b>Detailed Comments:</b>		

Structured Type Definition		
<b>Type Name:</b>	CGPS	
<b>Comments:</b>	Calling party subaddress (CC information element) GSM 04.08, 10.5.4.10	
Element Name	Type Definition	Comments
iei	IEI_8	
iel	LENGTH	
subad	SUBAD	
<b>Detailed Comments:</b>		



Structured Type Definition		
<b>Type Name:</b>	CHD	
<b>Comments:</b>	Channel description GSM 04.08, 10.5.2.5	
Element Name	Type Definition	Comments
iei	IEI_8	
cht_schn	BITSTRING [5]	
tn	BITSTRING [3]	
tsc	BITSTRING [3]	
hch	BITSTRING [1]	
maio	BITSTRING [6]	
hsn	BITSTRING [6]	
spr	BITSTRING [2]	
arfcn	BITSTRING [10]	
<b>Detailed Comments:</b>		

Structured Type Definition		
<b>Type Name:</b>	CHMOD	
<b>Comments:</b>	Channel mode, channel mode2 GSM 04.08, 10.5.2.6, 10.5.2.7	
Element Name	Type Definition	Comments
iei	IEI_8	
mode	B_8	
<b>Detailed Comments:</b>		

Structured Type Definition		
<b>Type Name:</b>	CHNEED	
<b>Comments:</b>	Channels needed GSM 04.08, 10.5.2.8	
Element Name	Type Definition	Comments
ch2	CHANNEL	
ch1	CHANNEL	
<b>Detailed Comments:</b>		

Structured Type Definition		
<b>Type Name:</b>	CNN	
<b>Comments:</b>	Connected number (CC information element) GSM 04.08, 10.5.4.13	
Element Name	Type Definition	Comments
iei	IEI_8	
iel	LENGTH	
tonnpi	TON_NPI	
psi	PI_SI	
digits	BCDN	
<b>Detailed Comments:</b>		

Structured Type Definition		
<b>Type Name:</b>	CNS	
<b>Comments:</b>	Connected subaddress (CC information element) GSM 04.08, 10.5.4.14	
Element Name	Type Definition	Comments
iei	IEI_8	
iel	LENGTH	
subad	SUBAD	
<b>Detailed Comments:</b>		

Structured Type Definition		
<b>Type Name:</b>	CO	
<b>Comments:</b>	Cell options (BCCH / SACCH) GSM 04.08, 10.5.2.3	
Element Name	Type Definition	Comments
sprb	BITSTRING [1]	
pwr	BITSTRING [1]	
dtx	BITSTRING [2]	
rlt	BITSTRING [4]	
<b>Detailed Comments:</b>		

Structured Type Definition		
<b>Type Name:</b>	Component_T	
<b>Comments:</b>	Component for sending (downlink) GSM 04.80, 3.6	
Element Name	Type Definition	Comments
comp_part1	OCTETSTRING	
invokeld	OCTETSTRING [1]	
comp_part2	OCTETSTRING	
comp_part3	OCTETSTRING	
comp_part4	OCTETSTRING	
comp_part5	OCTETSTRING	
comp_part6	OCTETSTRING	
comp_part7	OCTETSTRING	
comp_part8	OCTETSTRING	
comp_part9	OCTETSTRING	
comp_part10	OCTETSTRING	
comp_part11	OCTETSTRING	
comp_part12	OCTETSTRING	
<b>Detailed Comments:</b> This component is defined for the use in the downlink (from the test system to the IUT) direction.		

Structured Type Definition		
<b>Type Name:</b>	CPDATA	
<b>Comments:</b>	CP-User data element GSM 04.11, 8.1.4.1	
Element Name	Type Definition	Comments
iei	IEI_8	
iel	LENGTH	
rpack	RPACK	
rpdata	RPDATA	
rperr	RPERR	
rpsmma	RPSMMA	
<b>Detailed Comments:</b> One of the 4 types of rpdu is contained in the CPDATA.		

Structured Type Definition		
<b>Type Name:</b>	CPHMS	
<b>Comments:</b>	Cipher mode setting GSM 04.08, 10.5.2.9	
Element Name	Type Definition	Comments
iei	IEI_4	
algid	BITSTRING [3]	
sc	BITSTRING [1]	
<b>Detailed Comments:</b>		

Structured Type Definition		
<b>Type Name:</b>	CPHKSN	
<b>Comments:</b>	Ciphering key sequence number GSM 04.08, 10.5.1.2	
Element Name	Type Definition	Comments
sprb	BITSTRING [1]	
ks	BITSTRING [3]	
<b>Detailed Comments:</b>		

Structured Type Definition		
<b>Type Name:</b>	CPH_RES	
<b>Comments:</b>	Cipher response GSM 04.08, 10.5.2.10	
Element Name	Type Definition	Comments
iei	IEI_4	
sprb	BITSTRING [3]	
cr	BITSTRING [1]	
<b>Detailed Comments:</b>		

Structured Type Definition		
<b>Type Name:</b>	CSP	
<b>Comments:</b>	Cell selection parameters GSM 04.08, 10.5.2.4	
Element Name	Type Definition	Comments
crh	BITSTRING [3]	
mtmc	BITSTRING [5]	
acs	BITSTRING [1]	
neci	BITSTRING [1]	
ram	BITSTRING [6]	
<b>Detailed Comments:</b>		

Structured Type Definition		
<b>Type Name:</b>	CST	
<b>Comments:</b>	Call status (CC information element) GSM 04.08, 10.5.4.6	
Element Name	Type Definition	Comments
cs	CS	
csv	BITSTRING [6]	
<b>Detailed Comments:</b>		

Structured Type Definition		
<b>Type Name:</b>	FIE	
<b>Comments:</b>	Facility information element GSM 04.80, 3.6	
Element Name	Type Definition	Comments
iei	IEI_8	
iel	LENGTH	
components_1	Components	
components_t	Component_T	
<b>Detailed Comments:</b> When sending normally only one component is sent, but when receiving any number of components can be received even though normally we are only interested in one component during the testing.		

Structured Type Definition		
<b>Type Name:</b>	FN	
<b>Comments:</b>	The time in reference to the frame numbering corresponding to the absolute frame number modulo 42432.	
Element Name	Type Definition	Comments
t1_	T1_	
t3	T3	
t2	T2	
<b>Detailed Comments:</b>	In STRT and RQR	

Structured Type Definition		
<b>Type Name:</b>	FRQCHS	
<b>Comments:</b>	Frequency channel sequence GSM 04.08, 10.5.2.12	
Element Name	Type Definition	Comments
iei	IEI_8	
larfcn	OCTETSTRING [1]	
incs	OCTETSTRING [8]	
<b>Detailed Comments:</b>		

Structured Type Definition		
<b>Type Name:</b>	FRQL	
<b>Comments:</b>	Frequency list, frequency short list GSM 04.08, 10.5.2.5, 10.5.2.6	
Element Name	Type Definition	Comments
iei	IEI_8	
iel	LENGTH	
fl	OCTETSTRING	
<b>Detailed Comments:</b>	frequency short list has a fixed length of 10 octets and does not contain the length indicator.	

Structured Type Definition		
<b>Type Name:</b>	FRQPARA	
<b>Comments:</b>	Parameters for Description of basic physical channel in frequency domain.	
Element Name	Type Definition	Comments
hch	BITSTRING[1]	
maio	BITSTRING [6]	
hsn	BITSTRING [6]	
spr	BITSTRING [2]	
arfcn	BITSTRING [10]	
maclength	LENGTH	
mac_8n	BITSTRING [8]	
mac_7n	BITSTRING [8]	
mac_6n	BITSTRING [8]	
mac_5n	BITSTRING [8]	
mac_4n	BITSTRING [8]	
mac_3n	BITSTRING [8]	
mac_2n	BITSTRING [8]	
mac_1n	BITSTRING [8]	
flst	FRQL	
<b>Detailed Comments:</b>		

Structured Type Definition		
<b>Type Name:</b>	HLCMP	
<b>Comments:</b>	High layer compatibility (CC information element) GSM 04.08, 10.5.4.16, ITU Q.931	
Element Name	Type Definition	Comments
iei	IEI_8	
iel	LENGTH	
extb3	EXTB	
cs	BITSTRING [2]	
in	BITSTRING [3]	
pmp	BITSTRING [2]	
extb4	EXTB	
hlci	BITSTRING [7]	
extb4a	EXTB	
ehlci	BITSTRING [7]	
<b>Detailed Comments:</b>		

Structured Type Definition		
<b>Type Name:</b>	HOACC_PARA	
<b>Comments:</b>	Handover Access parameters	
Element Name	Type Definition	Comments
num_bursts	OCTETSTRING[1]	
min_mspwr	OCTETSTRING[1]	
max_mspwr	OCTETSTRING[1]	
min_msta	BITSTRING[8]	
max_msta	BITSTRING[8]	
<b>Detailed Comments:</b>		

Structured Type Definition		
<b>Type Name:</b>	IARESTOCT	
<b>Comments:</b>		
Element Name	Type Definition	Comments
iei	IEI_8	
iaroct1	OCTETSTRING[1..11]	
iaroct2	IARESTOCT	
<b>Detailed Comments:</b>		

Structured Type Definition		
<b>Type Name:</b>	IARESTOCT2	
<b>Comments:</b>		
Element Name	Type Definition	Comments
p	BITSTRING[2]	
frqparalen	BITSTRING[6]	
spbt1	BITSTRING[2]	
maio	BITSTRING[6]	
ma	OCTETSTRING[0..8]	
spbt2	OCTETSTRING[0..8]	
<b>Detailed Comments:</b>		

Structured Type Definition		
<b>Type Name:</b> KPF (keypad facility)		
<b>Comments:</b> keypad facility GSM 04.08 clause 10.5.4.17		
Element Name	Type Definition	Comments
iei	IEI_8	
extb	EXTB	
kpf_info	IA5String [1]	
<b>Detailed Comments:</b> Is extb needed?		

Structured Type Definition		
<b>Type Name:</b> L1HD		
<b>Comments:</b> Layer 1 Header		
Element Name	Type Definition	Comments
spr1	BITSTRING[3]	
mcpwrlvl	BITSTRING[5]	
spr2	BITSTRING[1]	
ta	BITSTRING[7]	
<b>Detailed Comments:</b>		

Structured Type Definition		
<b>Type Name:</b> LAI		
<b>Comments:</b> Location area identification GSM 04.08, 10.5.1.3		
Element Name	Type Definition	Comments
iei	IEI_8	
mcc	OCTETSTRING [2]	
mnc	OCTETSTRING [1]	
lac	OCTETSTRING [2]	
<b>Detailed Comments:</b>		

Structured Type Definition		
<b>Type Name:</b>	LLCMP	
<b>Comments:</b>	Low layer compatibility (CC information element) GSM 04.08, 10.5.4.18 and ETS DE/SPS-5034-1 (update of ETS 300 102-1)	
Element Name	Type Definition	Comments
iei	IEI_8	
iel	LENGTH	
extb3	EXTB	
cs	BITSTRING [2]	
itc	BITSTRING [5]	
extb3a	EXTB	
negind	BITSTRING[1]	
spb3a	SP6B	
extb4	EXTB	
tm	BITSTRING [2]	
itr	BITSTRING [5]	
extb4_1	EXTB	
rateml	BITSTRING [7]	
extb5	EXTB	
l1id	BITSTRING [2]	
uil1	BITSTRING [5]	
extb5a	EXTB	
sb	BITSTRING [1]	
neg	BITSTRING [1]	
ur	BITSTRING [5]	
extb5b1	EXTB	
ir	BITSTRING [2]	
nictx	BITSTRING [1]	
nicrx	BITSTRING [1]	
fctx	BITSTRING [1]	
fcrx	BITSTRING [1]	
spb5b1	SPB	
extb5b2	EXTB	
hdrb	BITSTRING[1]	
mfs	BITSTRING[1]	
mode	BITSTRING[1]	
llineg	BITSTRING[1]	
ass	BITSTRING[1]	
ibob	BITSTRING[1]	
spb5b2	SPB	
extb5c	EXTB	
nsb	BITSTRING [2]	
ndb	BITSTRING [2]	
pi	BITSTRING [3]	
extb5d	EXTB	
dplxm	BITSTRING [1]	
modemt	BITSTRING [6]	
extb6	EXTB	
l2id	BITSTRING [2]	
uil2	BITSTRING [5]	
extb6a1	EXTB	
modl2	BITSTRING[2]	
spb6a1	SP3B	
q933	BITSTRING [2]	
extb6a2	EXTB	
usl2pi	BITSTRING[7]	
extb6b	EXTB	
ws	BITSTRING[7]	
extb7	EXTB	
l3id	BITSTRING [2]	
uil3	BITSTRING [5]	
extb7a1	EXTB	
modl3	BITSTRING[2]	
spb7a1	SP5B	

extb7a2	EXTB	
usl3pi	BITSTRING[7]	
extb7b	EXTB	
spb7b	SP3B	
dps	BITSTRING [4]	
extb7c	EXTB	
pws	BITSTRING[7]	
<b>Detailed Comments:</b>		

Structured Type Definition		
<b>Type Name:</b>	LUT	
<b>Comments:</b>	Location updating type GSM 04.08, 10.5.3.5	
Element Name	Type Definition	Comments
foreq	BITSTRING [1]	
sprb	BITSTRING [1]	
lut	BITSTRING [2]	
<b>Detailed Comments:</b>		

Structured Type Definition		
<b>Type Name:</b>	MA	
<b>Comments:</b>	Mobile allocation GSM 04.08, 10.5.2.21	
Element Name	Type Definition	Comments
iei	IEI_8	
iel	LENGTH	
mac_8n	BITSTRING [8]	
mac_7n	BITSTRING [8]	
mac_6n	BITSTRING [8]	
mac_5n	BITSTRING [8]	
mac_4n	BITSTRING [8]	
mac_3n	BITSTRING [8]	
mac_2n	BITSTRING [8]	
mac_1n	BITSTRING [8]	
<b>Detailed Comments:</b>		

Structured Type Definition		
<b>Type Name:</b>	MI	
<b>Comments:</b>	Mobile identity GSM 04.08, 10.5.1.4	
Element Name	Type Definition	Comments
iei	IEI_8	
iel	LENGTH	
idigit_1	BITSTRING [4]	
oei	BITSTRING [1]	
toi	BITSTRING [3]	
idigits_other	OCTETSTRING [0..7]	
<b>Detailed Comments:</b>		



Structured Type Definition		
<b>Type Name:</b>	MSCLM1	
<b>Comments:</b>	mobile station classmark 1 GSM 04.08, 10.5.1.5	
Element Name	Type Definition	Comments
spr1	BITSTRING [1]	
rl	BITSTRING [2]	
spr2	BITSTRING [1]	
a5_1	BITSTRING [1]	
rfpc	BITSTRING [3]	
<b>Detailed Comments:</b>	2 octets long	

Structured Type Definition		
<b>Type Name:</b>	MSCLM2	
<b>Comments:</b>	mobile station classmark 2 GSM 04.08, 10.5.1.6	
Element Name	Type Definition	Comments
iel	LENGTH	
spr1	BITSTRING [1]	
rl	BITSTRING [2]	
spr2	BITSTRING [1]	
a5_1	BITSTRING [1]	
rfpc	BITSTRING [3]	
spr3	BITSTRING [1]	
psc	BITSTRING [1]	
sssi	BITSTRING [2]	
smc	BITSTRING [1]	
spr4	BITSTRING [2]	
fc	BITSTRING [1]	
cm3	BITSTRING [1]	
spr5	BITSTRING [5]	
a5_3	BITSTRING [1]	
a5_2	BITSTRING [1]	
<b>Detailed Comments:</b>	4 octets long	

Structured Type Definition		
<b>Type Name:</b>	MSCLM3	
<b>Comments:</b>	Mobile station classmark 3 GSM 04.08, 10.5.1.7	
Element Name	Type Definition	Comments
iei	IEI_8	
iel	LENGTH	
spr1	BITSTRING [4]	
a5_7	BITSTRING [1]	
a5_6	BITSTRING [1]	
a5_5	BITSTRING [1]	
a5_4	BITSTRING [1]	
spr2	OCTETSTRING [11]	
<b>Detailed Comments:</b>	The info element has 14 octets	

Structured Type Definition		
<b>Type Name:</b> MSRR		
<b>Comments:</b> measurement results GSM 04.08, 10.5.2.20		
Element Name	Type Definition	Comments
ba_used	BITSTRING [1]	
dtx_used	BITSTRING [1]	
rxlev_fsc	RXLEV	
spr1	BITSTRING [1]	
meas_valid	BITSTRING [1]	
rxlev_ssc	RXLEV	
spr2	BITSTRING [1]	
rxqual_fsc	BITSTRING [3]	
rxqual_ssc	BITSTRING [3]	
no_nc	BITSTRING [3]	
rxlev_nc1	RXLEV	
bcchfrq_nc1	BCCHFRQ	
bsic_nc1	BSIC	
rxlev_nc2	RXLEV	
bcchfrq_nc2	BCCHFRQ	
bsic_nc2	BSIC	
rxlev_nc3	RXLEV	
bcchfrq_nc3	BCCHFRQ	
bsic_nc3	BSIC	
rxlev_nc4	RXLEV	
bcchfrq_nc4	BCCHFRQ	
bsic_nc4	BSIC	
rxlev_nc5	RXLEV	
bcchfrq_nc5	BCCHFRQ	
bsic_nc5	BSIC	
rxlev_nc6	RXLEV	
bcchfrq_nc6	BCCHFRQ	
bsic_nc6	BSIC	
<b>Detailed Comments:</b> The info element has a fixed length of 16 octets.		

Structured Type Definition		
<b>Type Name:</b> MTDIF		
<b>Comments:</b> Mobile time difference GSM 04.08, 10.5.1.21a		
Element Name	Type Definition	Comments
iei	IEI_8	
iel	LENGTH	
value	OCTETSTRING [3]	
<b>Detailed Comments:</b>		

Structured Type Definition		
<b>Type Name:</b> NCD		
<b>Comments:</b> Neighbour cells description GSM 04.08, 10.5.2.22		
Element Name	Type Definition	Comments
rfl2	BITSTRING [2]	
extind	BITSTRING [1]	
baind	BITSTRING [1]	
rfl4	BITSTRING [4]	
rfl	OCTETSTRING [15]	
<b>Detailed Comments:</b>		

Structured Type Definition		
<b>Type Name:</b>	NCD2	
<b>Comments:</b>	Neighbour cells description2 GSM 04.08, 10.5.2.22b	
Element Name	Type Definition	Comments
b128	BITSTRING [1]	
mbrpt	BITSTRING [2]	
baind	BITSTRING [1]	
b122_124	BITSTRING [3]	
rfl1	BITSTRING [1]	
rfl	OCTETSTRING [15]	
<b>Detailed Comments:</b>		

Structured Type Definition		
<b>Type Name:</b>	PCMD	
<b>Comments:</b>	Power command and access type GSM 04.08, 10.5.2.28, 10.5.2.28a	
Element Name	Type Definition	Comments
sprb	BITSTRING [3]	
pl	BITSTRING [5]	
<b>Detailed Comments:</b>		

Structured Type Definition		
<b>Type Name:</b>	PI	
<b>Comments:</b>	Progress indicator GSM 04.08, 10.5.4.21	
Element Name	Type Definition	Comments
iei	IEI_8	
iel	LENGTH	
extb3	EXTB	
cs	BITSTRING [2]	
spb	SPB	
loc	BITSTRING [4]	
extb4	EXTB	
prd	BITSTRING [7]	
<b>Detailed Comments:</b> total 4 octets		

Structured Type Definition		
<b>Type Name:</b>	PI_SI	
<b>Comments:</b>	Presentation indicator & screening indicator GSM 04.08, 10.5.4.9, 10.5.4.13	
Element Name	Type Definition	Comments
extb	EXTB	
pi	BITSTRING [2]	
sp3b	SP3B	
si	BITSTRING [2]	
<b>Detailed Comments:</b>		

Structured Type Definition		
<b>Type Name:</b>	PM	
<b>Comments:</b>	Page mode GSM 04.08, 10.5.2.26	
Element Name	Type Definition	Comments
sprb	B_2	
pgm	B_2	
<b>Detailed Comments:</b>		

Structured Type Definition		
<b>Type Name:</b>	RACHCP	
<b>Comments:</b>	Rach control parameters GSM 04.08, 10.5.2.29	
Element Name	Type Definition	Comments
maxrtx	BITSTRING [2]	
txint	BITSTRING [4]	
cba	BITSTRING [1]	
re	BITSTRING [1]	
acc_2	BITSTRING [5]	
ec	BITSTRING [1]	
acc_1	BITSTRING [10]	
<b>Detailed Comments:</b> The info element has a fixed length of 3 octets.		

Structured Type Definition		
<b>Type Name:</b>	RPACK	
<b>Comments:</b>	SMS RP ACKNOWLEDGEMENT ms <-> n GSM 04.11, 7.3.3	
Element Name	Type Definition	Comments
sprb	SP5B	
rpmti	MTI	
rpmr	MR	
<b>Detailed Comments:</b>		

Structured Type Definition		
<b>Type Name:</b>	RPCAU	
<b>Comments:</b>	RP user data element GSM 04.11, 8.2.5.4	
Element Name	Type Definition	Comments
iei	IEI_8	
iel	LENGTH	
extb2	EXTB	
rpcau_class	BITSTRING [3]	
rpcau_va	BITSTRING [4]	
rpcau_di	OCTETSTRING [1]	
<b>Detailed Comments:</b>		

Structured Type Definition		
<b>Type Name:</b>	RPDATA	
<b>Comments:</b>	SMS RP DATA ms <-> n GSM 04.11, 7.3.1	
Element Name	Type Definition	Comments
sprb	SP5B	
rpmti	MTI	
rpmr	MR	
rpOaddr	CDPN	
rpDaddr	CDPN	
rpusrdat	RPUSRDAT	
<b>Detailed Comments:</b>		

Structured Type Definition		
<b>Type Name:</b>	RPERR	
<b>Comments:</b>	SMS RP ERROR ms <-> n GSM 04.11, 7.3.4	
Element Name	Type Definition	Comments
sprb	SP5B	
rpmti	MTI	
rpmr	MR	
rpcau	RPCAU	
rpusrdat	RPUSRDAT	
<b>Detailed Comments:</b>		

Structured Type Definition		
<b>Type Name:</b>	RPSMMA	
<b>Comments:</b>	SMS RP SMMA ms -> n GSM 04.11, 7.3.2	
Element Name	Type Definition	Comments
sprb	SP5B	
rpmti	MTI	
rpmr	MR	
<b>Detailed Comments:</b> SM memory available		

Structured Type Definition		
<b>Type Name:</b>	RPUSRDAT	
<b>Comments:</b>	RP user data element GSM 04.11, 8.2.5.3, GSM 03.40, 9.2.2	
Element Name	Type Definition	Comments
iei	IEI_8	
iel	LENGTH	
tpdeliver	SMDLVR	
tpsubmit	SMSBMT	
tpstatus_rpt	SMST_RPT	
tpcommand	SMCMD	
tpdlvr_sbmt_rpt	SMDLVR_RPT	
<b>Detailed Comments:</b> One of the six tpdus is contained in the RPUSRDATA. Since the structures of the messages SMS-Deliver-Report and SMS-Submit-Report are identical, they have been combined to tpdlvr_sbmt_rpt and therefore only five tp message types exist in this type definition.		

Structured Type Definition		
<b>Type Name:</b>	RQR	
<b>Comments:</b>	Request reference GSM 04.08, 10.5.2.30	
Element Name	Type Definition	Comments
ra	BITSTRING [8]	
fn	FN	
<b>Detailed Comments:</b>		

Structured Type Definition		
<b>Type Name:</b>	SI3RO	
<b>Comments:</b>	SI3 Rest Octets GSM 04.08, 10.5.2.34	
Element Name	Type Definition	Comments
pi	BITSTRING [1]	
cbq	BITSTRING [1]	
cro	BITSTRING [6]	
to	BITSTRING [3]	
pt	BITSTRING [5]	
poi	BITSTRING [1]	
po	BITSTRING [2]	
ti	BITSTRING [1]	
ecsc	BITSTRING [1]	
spr1	BITSTRING [3]	
spr2	BITSTRING [8]	
<b>Detailed Comments:</b> The info element has a fixed length of 4 octets.		

Structured Type Definition		
<b>Type Name:</b>	SI4RO	
<b>Comments:</b>	SI4 Rest Octets GSM 04.08, 10.5.2.35	
Element Name	Type Definition	Comments
pi	BITSTRING [1]	
cbq	BITSTRING [1]	
cro	BITSTRING [6]	
to	BITSTRING [3]	
pt	BITSTRING [5]	
poi	BITSTRING [1]	
po	BITSTRING [2]	
spr1	BITSTRING [5]	
spr2	BITSTRING [8]	
spr3	BITSTRING [8]	
spr4	BITSTRING [8]	
spr5	BITSTRING [8]	
spr6	BITSTRING [8]	
spr7	BITSTRING [8]	
spr8	BITSTRING [8]	
<b>Detailed Comments:</b> The info element has a fixed length of 10 octets.		

Structured Type Definition		
<b>Type Name:</b>	SI7RO	
<b>Comments:</b>	SI7 Rest Octets GSM 04.08, 10.5.2.36	
Element Name	Type Definition	Comments
pi	BITSTRING [1]	
cbq	BITSTRING [1]	
cro	BITSTRING [6]	
to	BITSTRING [3]	
pt	BITSTRING [5]	
poi	BITSTRING [1]	
po	BITSTRING [2]	
spr1	BITSTRING [5]	
spr2	BITSTRING [8]	
spr3	BITSTRING [8]	
spr4	BITSTRING [8]	
spr5	BITSTRING [8]	
spr6	BITSTRING [8]	
spr7	BITSTRING [8]	
spr8	BITSTRING [8]	
spr9	BITSTRING [8]	
spr10	BITSTRING [8]	
spr11	BITSTRING [8]	
spr12	BITSTRING [8]	
spr13	BITSTRING [8]	
spr14	BITSTRING [8]	
spr15	BITSTRING [8]	
spr16	BITSTRING [8]	
spr17	BITSTRING [8]	
spr18	BITSTRING [8]	
<b>Detailed Comments:</b>	The info element has a fixed length of 20 octets.	

Structured Type Definition		
<b>Type Name:</b>	SIGNAL	
<b>Comments:</b>	Signal (CC information element) GSM 04.08, 10.5.4.23	
Element Name	Type Definition	Comments
iei	IEI_8	
sigv	BITSTRING [8]	
<b>Detailed Comments:</b>		

Structured Type Definition		
<b>Type Name:</b>	SERIAL_NUMBER	
<b>Comments:</b>	Serial number for SMS CB, GSM 3.41, 9.3.2	
Element Name	Type Definition	Comments
gs	BITSTRING[2]	
message_code	BITSTRING[10]	
update_number	BITSTRING[4]	
<b>Detailed Comments:</b>		

Structured Type Definition		
<b>Type Name:</b> SMCMD		
<b>Comments:</b> SMS COMMAND, ms -> n. GSM 03.40, 9.2.2.4		
Element Name	Type Definition	Comments
sprb1	SP2B	
srr	BITSTRING[1]	
sprb2	SP3B	
mti	BITSTRING [2]	
mr	MR	
pid	TPPID	
ct	OCTETSTRING [1]	
mn	OCTETSTRING [1]	
da	TPA	
cdl	LENGTH	
cd	TPCD	
<b>Detailed Comments:</b>		

Structured Type Definition		
<b>Type Name:</b> SMDLVR		
<b>Comments:</b> SMS DELIVER, n -> ms. GSM 03.40, 9.2.2.1		
Element Name	Type Definition	Comments
rp	BITSTRING [1]	
udhi	BITSTRING [1]	
sri	BITSTRING [1]	
sprb2	SP2B	
mms	BITSTRING [1]	
mti	BITSTRING [2]	
oa	TPA	
pid	TPPID	
dcs	TPDCS	
scts	TPSCTS	
udl	LENGTH	
ud	TPUD	
<b>Detailed Comments:</b>		

Structured Type Definition		
<b>Type Name:</b> SMDLVR_RPT		
<b>Comments:</b> SMS DELIVER or SUBMIT REPORT contained in the RP ERROR PDU, n <-> ms. GSM 03.40, 9.2.2.1a, 9.2.2.2a.		
Element Name	Type Definition	Comments
sprb1	SP6B	
mti	BITSTRING [2]	
fcs	FCS	
<b>Detailed Comments:</b>		



Structured Type Definition		
<b>Type Name:</b>	SMSBMT	
<b>Comments:</b>	SMS SUBMIT, ms -> n. GSM 03.40, 9.2.2.2	
Element Name	Type Definition	Comments
rp	BITSTRING [1]	
udhi	BITSTRING [1]	
srr	BITSTRING [1]	
vpf	BITSTRING [2]	
rd	BITSTRING [1]	
mti	BITSTRING [2]	
mr	MR	
da	TPA	
pid	TPPID	
dcs	TPDCS	
vp1	OCTETSTRING [1]	
vp7	TPSCTS	
udl	LENGTH	
ud	TPUD	
<b>Detailed Comments:</b>		

Structured Type Definition		
<b>Type Name:</b>	SMSCBpack	
<b>Comments:</b>	SMS cell broadcasting packing data n -> ms. GSM 03.38, 6.1.2.2.1	
Element Name	Type Definition	Comments
block1	OCTETSTRING [16]	
block2	OCTETSTRING [22]	
block3	OCTETSTRING [22]	
block4	OCTETSTRING [22]	
<b>Detailed Comments:</b>		

Structured Type Definition		
<b>Type Name:</b>	SMST_RPT	
<b>Comments:</b>	SMS STATUS REPORT, n -> ms. GSM 03.40, 9.2.2.3	
Element Name	Type Definition	Comments
sprb1	SP5B	
mms	BITSTRING [1]	
mti	BITSTRING [2]	
mr	MR	
ra	TPA	
scts	TPSCTS	
dt	TPSCTS	
st	TPST	
<b>Detailed Comments:</b>		

Structured Type Definition		
<b>Type Name:</b>	SSVI	
<b>Comments:</b>	SS version indicator GSM 04.08, 10.5.4.24	
Element Name	Type Definition	Comments
iei	IEI_8	
iel	LENGTH	
ssv	OCTETSTRING [1]	
<b>Detailed Comments:</b>		

Structured Type Definition		
<b>Type Name:</b>	STRT	
<b>Comments:</b>	Starting time GSM 04.08, 10.5.2.38	
Element Name	Type Definition	Comments
iei	IEI_8	
fn	FN	
<b>Detailed Comments:</b>		

Structured Type Definition		
<b>Type Name:</b>	SUBAD	
<b>Comments:</b>	Subaddress GSM 04.08, 10.5.4.8, 10.5.4.10, 10.5.4.14	
Element Name	Type Definition	Comments
extb	EXTB	
tos	BITSTRING [3]	
oei	BITSTRING [1]	
sp3b	SP3B	
si	OCTETSTRING [2..23]	
<b>Detailed Comments:</b>		

Structured Type Definition		
<b>Type Name:</b>	SYNCHI	
<b>Comments:</b>	Synchronization indication GSM 04.08, 10.5.2.39	
Element Name	Type Definition	Comments
iei	IEI_4	
nci	B_1	
rot	B_1	
si	B_2	
<b>Detailed Comments:</b>		

Structured Type Definition		
<b>Type Name:</b>	TA	
<b>Comments:</b>	Timing advance GSM 04.08, 10.5.2.40	
Element Name	Type Definition	Comments
iei	IEI_8	
sprb	BITSTRING [2]	
value	BITSTRING [6]	
<b>Detailed Comments:</b>		

Structured Type Definition		
<b>Type Name:</b>	TDIF	
<b>Comments:</b>	Time difference GSM 04.08, 10.5.1.41	
Element Name	Type Definition	Comments
iei	IEI_8	
iel	LENGTH	
value	OCTETSTRING [1]	
<b>Detailed Comments:</b>		

Structured Type Definition		
<b>Type Name:</b>	TI	
<b>Comments:</b>	Transaction identifier GSM 04.08, 10.1	
Element Name	Type Definition	Comments
ti_f	BITSTRING [1]	
ti_v	TI_V	
<b>Detailed Comments:</b>		

Structured Type Definition		
<b>Type Name:</b>	TMSI	
<b>Comments:</b>	Temporary GSM 04.08, 10.5.2.42	
Element Name	Type Definition	Comments
iei	IEI_8	
tmsi_val	OCTETSTRING [4]	
<b>Detailed Comments:</b>		

Structured Type Definition		
<b>Type Name:</b>	TON_NPI	
<b>Comments:</b>	Type of number and numbering plan GSM 04.08, 10.5.4.7, 10.5.4.9, 10.5.4.13, GSM 03.40, 9.1.2.5	
Element Name	Type Definition	Comments
extb	EXTB	
ton	BITSTRING [3]	
npi	BITSTRING [4]	
<b>Detailed Comments:</b>		

Structured Type Definition		
<b>Type Name:</b>	TPA	
<b>Comments:</b>	TP address GSM 03.40, 9.1.2.5	
Element Name	Type Definition	Comments
iel	LENGTH	
tonnpi	TON_NPI	
digits	BCDN	
<b>Detailed Comments:</b>		

Structured Type Definition		
<b>Type Name:</b>	TPDCS	
<b>Comments:</b>	SMS data coding scheme GSM 03.38, 4, 5	
Element Name	Type Definition	Comments
cg	BITSTRING [4]	
code	BITSTRING [4]	
<b>Detailed Comments:</b> Identifying the coding scheme within the TP user data.		

Structured Type Definition		
<b>Type Name:</b>	TPPID	
<b>Comments:</b>	TP protocol identifier GSM 03.40, 9.2.3.9	
Element Name	Type Definition	Comments
type	BITSTRING [2]	
value	BITSTRING [6]	
<b>Detailed Comments:</b>		

Structured Type Definition		
<b>Type Name:</b>	TPST	
<b>Comments:</b>	TP status GSM 03.40, 9.2.3.15	
Element Name	Type Definition	Comments
sprb1	SPB	
value	BITSTRING [7]	
<b>Detailed Comments:</b>		

Structured Type Definition		
<b>Type Name:</b>	UNKWN	
<b>Comments:</b>	unknown IE	
Element Name	Type Definition	Comments
iei	IEI_8	
iel	LENGTH	
contents	OCTETSTRING	
<b>Detailed Comments:</b>		

Structured Type Definition		
<b>Type Name:</b>	UU	
<b>Comments:</b>	User-user GSM 04.08, 10.5.4.25	
Element Name	Type Definition	Comments
iei	IEI_8	
iel	LENGTH	
uupd	BITSTRING [8]	
uui	OCTETSTRING [1..128]	
<b>Detailed Comments:</b>		
In SETUP, ALERTING, CONNECT, DISCONNECT, RELEASE and RELEASE COMPLETE messages the uui length is of 0 - 32 bytes.		
In USER INFORMATION messages the uui length is of 1 - 128.		

## ASN1 type definitions

ASN.1 Type Definition	
<b>Type Name:</b>	Component
<b>Comments:</b>	ASN1_Encoding: BER
Type Definition	
<pre> CHOICE {   registerSSComponents          RegisterSS_Components,   eraseSSComponents            EraseSS_Components,   activateSSComponents         ActivateSS_Components,   deactivateSSComponents       DeactivateSS_Components,   interrogateSSComponents       InterrogateSS_Components,   notifySSComponents           NotifySS_Components,   registerPasswordComponents   RegisterPassword_Components,   getPasswordComponents        GetPassword_Components,   processUnstructuredSSDataComponents ProcessUnstructuredSSData_Components,   forwardCheckSSIndicationComponents ForwardCheckSSIndication_Components,   processUnstructuredSSRequestComponents ProcessUnstructuredSSRequest_Components,   unstructuredSSRequestComponents UnstructuredSSRequest_Components,   unstructuredSSNotifyComponents UnstructuredSSNotify_Components,   forwardCUGInfoComponents     ForwardCUGInfo_Components,   splitMPTYComponents          SplitMPTY_Components,   retrieveMPTYComponents        RetrieveMPTY_Components,   holdMPTYComponents           HoldMPTY_Components,   buildMPTYComponents          BuildMPTY_Components,   forwardChargeAdviceComponents ForwardChargeAdvice_Components,   generalComponents            General_Components } </pre>	
<b>Detailed Comments:</b>	Plural components as each type represents invoke, return result, return error etc.

ASN.1 Type Definition	
<b>Type Name:</b>	Components
<b>Comments:</b>	GSM 04.80, 3.6
Type Definition	
SET OF Component	
<b>Detailed Comments:</b>	<p>ASN.1 transfer encoding rules:</p> <p>BER is not wholly used for the type Components. The contents of Components, without the octets encoding the tag and the length of SET OF, is carried as the Components value.</p>

ASN.1 Type Definition	
<b>Type Name:</b>	ActivateSS_Components
<b>Comments:</b>	GSM 09.02, 14.5, 14.6.4, 14.6.6, 14.7.4, 14.7.7
Type Definition	
<pre> CHOICE {   activateSS_InvokeComp      [1] IMPLICIT SEQUENCE {     invokeID                  InvokeIDType,     localValue                 INTEGER (12),     ss_ForBS                   SS_ForBS_Code },    activateSS_ReturnResultComp [2] IMPLICIT SEQUENCE {     invokeID                  InvokeIDType,     result                    SEQUENCE {       localValue              INTEGER (12),       ss_Info                  SS_Info } },    activateSS_ReturnErrorComp CHOICE {     errorCodes                [3] IMPLICIT SEQUENCE { invokeID InvokeIDType, errorCode   ErrorLocalValues ( bearerServiceNotProvisioned   teleserviceNotProvisioned   illegalSS_Operation   dataMissing   unexpectedDataValue   negativePW_Check   numberOfPW_AttemptsViolation) },     callBarredErr              [3] IMPLICIT SEQUENCE { invokeID InvokeIDType, errorCode   ErrorLocalValues ( callBarred ), parameter   CallBarringCause },     ss_ErrorStatusErr          [3] IMPLICIT SEQUENCE { invokeID InvokeIDType, errorCode   ErrorLocalValues ( ss_ErrorStatus ), parameter   SS_Status },     ss_SubscriptionViolationeErr [3] IMPLICIT SEQUENCE { invokeID      InvokeIDType, errorCode   ErrorLocalValues (ss_SubscriptionViolation), parameter   SS_SubscriptionOption },     ss_IncompatibilityErr      [3] IMPLICIT SEQUENCE { invokeID InvokeIDType, errorCode   ErrorLocalValues ( ss_Incompatibility ), parameter   SS_IncompatibilityCause },     systemFailureErr           [3] IMPLICIT SEQUENCE { invokeID InvokeIDType, errorCode   ErrorLocalValues ( systemFailure ), parameter   NetworkResource} },    activateSS_RejectComp      [4] IMPLICIT RejectComponent } </pre>	
<b>Detailed Comments:</b>	Timer m (15 - 30 s)

<b>ASN.1 Type Definition</b>	
<b>Type Name:</b>	BuildMPTY_Components
<b>Comments:</b>	GSM 04.80, 4.2
<b>Type Definition</b>	
<pre> CHOICE {     buildMPTY_InvokeComp [1] IMPLICIT SEQUENCE {         invokeID          InvokeIDType,         localValue        INTEGER (124) },     buildMPTY_ReturnResultComp [2] IMPLICIT SEQUENCE {         invokeID          InvokeIDType,         result            SEQUENCE {             localValue    INTEGER (124) }     },     buildMPTY_ReturnErrorComp CHOICE {         errorCodes [3] IMPLICIT SEQUENCE { invokeID InvokeIDType, errorCode      ErrorLocalValues ( illegalSS_Operation   ss_NotAvailable   maxNumberOfMPTY_ParticipantsExceeded   resourcesNotAvailable ) },         ss_ErrorStatusErr [3] IMPLICIT SEQUENCE { invokeID InvokeIDType, errorCode      ErrorLocalValues ( ss_ErrorStatus ), parameter      SS_Status },         ss_IncompatibilityErr [3] IMPLICIT SEQUENCE { invokeID InvokeIDType, errorCode      ErrorLocalValues ( ss_Incompatibility ), parameter      SS_IncompatibilityCause },         systemFailureErr [3] IMPLICIT SEQUENCE { invokeID InvokeIDType, errorCode      ErrorLocalValues ( systemFailure ), parameter      NetworkResource} },     buildMPTY_RejectComp [4] IMPLICIT RejectComponent } </pre>	
<b>Detailed Comments:</b>	Timer T_buildMPTY (5 - 30 s)

<b>ASN.1 Type Definition</b>	
<b>Type Name:</b>	DeactivateSS_Components
<b>Comments:</b>	GSM 09.02, 14.5, 14.6.4, 14.6.6, 14.7.4, 14.7.7
<b>Type Definition</b>	
<pre> CHOICE {   deactivateSS_InvokeComp      [1] IMPLICIT SEQUENCE {     invokeID                    InvokeIDType,     localValue                  INTEGER (13),     ss_ForBS                    SS_ForBS_Code },    deactivateSS_ReturnResultComp [2] IMPLICIT SEQUENCE {     invokeID                    InvokeIDType,     result                      SEQUENCE {       localValue                INTEGER (13),       ss_Info                   SS_Info } },    deactivateSS_ReturnErrorComp CHOICE {     errorCodes                  [3] IMPLICIT SEQUENCE { invokeID InvokeIDType, errorCode   ErrorLocalValues ( bearerServiceNotProvisioned   teleserviceNotProvisioned   illegalSS_Operation   dataMissing   unexpectedDataValue   negativePW_Check   numberOfPW_AttemptsViolation) },     callBarredErr              [3] IMPLICIT SEQUENCE { invokeID InvokeIDType, errorCode   ErrorLocalValues ( callBarred ), parameter   CallBarringCause },     ss_ErrorStatusErr          [3] IMPLICIT SEQUENCE { invokeID InvokeIDType, errorCode   ErrorLocalValues ( ss_ErrorStatus ), parameter   SS_Status },     ss_SubscriptionViolationeErr [3] IMPLICIT SEQUENCE { invokeID      InvokeIDType, errorCode   ErrorLocalValues (ss_SubscriptionViolation), parameter   SS_SubscriptionOption },     systemFailureErr          [3] IMPLICIT SEQUENCE { invokeID InvokeIDType, errorCode   ErrorLocalValues ( systemFailure ), parameter   NetworkResource} },    deactivateSS_RejectComp      [4] IMPLICIT RejectComponent } </pre>	
<b>Detailed Comments:</b>	Timer m



<b>ASN.1 Type Definition</b>	
<b>Type Name:</b>	EraseSS_Components
<b>Comments:</b>	GSM 09.02, 14.5, 14.6.4, 14.6.6, 14.7.4, 14.7.7
<b>Type Definition</b>	
<pre> CHOICE {   eraseSS_InvokeComp      [1] IMPLICIT SEQUENCE {                                 invokeID      InvokeIDType,                                 localValue     INTEGER (11),                                 ss_ForBS      SS_ForBS_Code },   eraseSS_ReturnResultComp [2] IMPLICIT SEQUENCE {                                 invokeID      InvokeIDType,                                 result        SEQUENCE {   localValue     INTEGER (11),   ss_Info       SS_Info      } },   eraseSS_ReturnErrorComp CHOICE {                                 errorCodes    [3] IMPLICIT SEQUENCE { invokeID InvokeIDType, errorCode   ErrorLocalValues ( bearerServiceNotProvisioned   teleserviceNotProvisioned   illegalSS_Operation   dataMissing   unexpectedDataValue ) },                                 callBarredErr [3] IMPLICIT SEQUENCE { invokeID InvokeIDType, errorCode   ErrorLocalValues ( callBarred ), parameter   CallBarringCause },                                 ss_ErrorStatusErr [3] IMPLICIT SEQUENCE { invokeID InvokeIDType, errorCode   ErrorLocalValues ( ss_ErrorStatus ), parameter   SS_Status },                                 systemFailureErr [3] IMPLICIT SEQUENCE { invokeID InvokeIDType, errorCode   ErrorLocalValues ( systemFailure ), parameter   NetworkResource} },   eraseSS_RejectComp      [4] IMPLICIT RejectComponent } </pre>	
<b>Detailed Comments:</b>	Timer m

<b>ASN.1 Type Definition</b>	
<b>Type Name:</b>	ForwardChargeAdvice_Components
<b>Comments:</b>	GSM 04.80, 4.2
<b>Type Definition</b>	
<pre> CHOICE {   forwardChargeAdvice_InvokeComp      [1] IMPLICIT SEQUENCE {     invokeID                            InvokeIDType,     localValue                          INTEGER (125),     forwardChargeAdviceArg              SEQUENCE {       ss_Code                            [0] SS_Code,       chargingInformation                [1] SEQUENCE{         e1                                [1] INTEGER       (0..max10TimesUnitsPerTime)         OPTIONAL,         e2                                [2] INTEGER       (0..max10TimesTimeInterval)         OPTIONAL,         e3                                [3] INTEGER       (0..max100TimesScalingFactor)         OPTIONAL,         e4                                [4] INTEGER       (0..max10TimesIncrement)         OPTIONAL,         e5                                [5] INTEGER       (0..max10TimesIncrementPerDataInterval)         OPTIONAL,         e6                                [6] INTEGER       (0..maxNumberOfSegmentsPerDataInterval)         OPTIONAL,         e7                                [7] INTEGER       (0..max10TimesInitialTime)         OPTIONAL } } },   forwardChargeAdvice_ReturnResultComp [2] IMPLICIT SEQUENCE {     invokeID                            InvokeIDType,     result                              SEQUENCE {       localValue                        INTEGER (125) } } ,   forwardChargeAdvice_RejectComp       [4] IMPLICIT RejectComponent } </pre>	
<b>Detailed Comments:</b>	Timer T_aoc = 1 - 40 s

<b>ASN.1 Type Definition</b>	
<b>Type Name:</b>	ForwardCheckSSIndication_Components
<b>Comments:</b>	GSM 09.02, 14.5, 14.6.4, 14.6.6, 14.7.4, 14.7.7
<b>Type Definition</b>	
<pre> CHOICE {   forwardCheckSSIndication_InvokeComp [1] IMPLICIT SEQUENCE {     invokeID                            InvokeIDType,     localValue                          INTEGER (38) } ,   forwardCheckSSIndication_RejectComp [4] IMPLICIT RejectComponent } </pre>	
<b>Detailed Comments:</b>	

<b>ASN.1 Type Definition</b>	
<b>Type Name:</b>	ForwardCUGInfo_Components
<b>Comments:</b>	GSM 04.80, 4.2
<b>Type Definition</b>	
<pre> CHOICE {   forwardCUGInfo_InvokeComp            [1] IMPLICIT SEQUENCE {     invokeID                            InvokeIDType,     localValue                          INTEGER (120),     forwardCUGInfo_Arg                  SEQUENCE{       cug_Index                          [0] IMPLICIT CUG_Index     OPTIONAL,       suppressPrefCUG                    [1] IMPLICIT NULL          OPTIONAL,       suppressOA                          [2] IMPLICIT NULL     OPTIONAL } } ,   forwardCUGInfo_RejectComp            [4] IMPLICIT RejectComponent } </pre>	
<b>Detailed Comments:</b>	

<b>ASN.1 Type Definition</b>	
<b>Type Name:</b>	General_Components
<b>Comments:</b>	Non specified components must match this type definition.
<b>Type Definition</b>	
<pre> CHOICE {   general_InvokeComp          [1] IMPLICIT General_InvokeComponent,   general_ReturnResultComp [2] IMPLICIT General_ReturnResultComponent,   general_ReturnErrorComp [3] IMPLICIT General_ReturnErrorComponent,   general_RejectComp         [4] IMPLICIT RejectComponent }  -- This is the General InvokeComponent -- General_InvokeComponent ::= SEQUENCE {   invokeID          InvokeIDType,   linked_ID        [0] IMPLICIT InvokeIDType OPTIONAL,   operation_value   Operation,   argument          ANY          OPTIONAL }  -- This is the General ReturnResultComponent -- General_ReturnResultComponent ::= SEQUENCE {   invokeID          InvokeIDType,   valueAndResult SEQUENCE {     operation_value Operation,     result          ANY          } OPTIONAL }  -- This is the General ReturnErrorComponent -- General_ReturnErrorComponent ::= SEQUENCE {   invokeID InvokeIDType,   error   ANY } </pre>	
<b>Detailed Comments:</b>	

<b>ASN.1 Type Definition</b>	
<b>Type Name:</b>	GetPassword_Components
<b>Comments:</b>	GSM 09.02, 14.5, 14.6.4, 14.6.6, 14.7.4, 14.7.7
<b>Type Definition</b>	
<pre> CHOICE {   getPassword_InvokeComp [1] IMPLICIT SEQUENCE {     invokeID          InvokeIDType,     linkedID          [0] IMPLICIT InvokeIDType,     localValue        INTEGER (18),     guidanceInfo      ENUMERATED {       enterPW (0),       enterNewPW (1),       enterNewPW_Again (2) }   },   getPassword_ReturnResultComp [2] IMPLICIT SEQUENCE {     invokeID          InvokeIDType,     result            SEQUENCE {       localValue      INTEGER (18),       currentPassword Password }   },   getPassword_RejectComp [4] IMPLICIT RejectComponent } </pre>	
<b>Detailed Comments:</b>	Timer m

<b>ASN.1 Type Definition</b>	
<b>Type Name:</b>	HoldMPTY_Components
<b>Comments:</b>	GSM 04.80, 4.2
<b>Type Definition</b>	
<pre> CHOICE {   holdMPTY_InvokeComp          [1] IMPLICIT SEQUENCE {                                 invokeID          InvokeIDType,                                 localValue        INTEGER (123) },   holdMPTY_ReturnResultComp   [2] IMPLICIT SEQUENCE {                                 invokeID          InvokeIDType,                                 result            SEQUENCE {   localValue        INTEGER (123) }                                 },   holdMPTY_ReturnErrorComp    CHOICE {                                 errorCodes       [3] IMPLICIT SEQUENCE { invokeID InvokeIDType, errorCode   ErrorLocalValues ( illegalSS_Operation   facilityNotSupported ) },                                 ss_ErrorStatusErr [3] IMPLICIT SEQUENCE { invokeID InvokeIDType, errorCode   ErrorLocalValues ( ss_ErrorStatus ), parameter   SS_Status },                                 ss_IncompatibilityErr [3] IMPLICIT SEQUENCE { invokeID InvokeIDType, errorCode   ErrorLocalValues ( ss_Incompatibility ), parameter   SS_IncompatibilityCause },                                 systemFailureErr    [3] IMPLICIT SEQUENCE { invokeID InvokeIDType, errorCode   ErrorLocalValues ( systemFailure ), parameter   NetworkResource} },   holdMPTY_RejectComp          [4] IMPLICIT RejectComponent } </pre>	
<b>Detailed Comments:</b>	Timer T_holdMPTY (5 - 30 s)

<b>ASN.1 Type Definition</b>	
<b>Type Name:</b>	InterrogateSS_Components
<b>Comments:</b>	GSM 09.02, 14.5, 14.6.4, 14.6.6, 14.7.4, 14.7.7
<b>Type Definition</b>	
<pre> CHOICE {   interrogateSS_InvokeComp      [1] IMPLICIT SEQUENCE {     invokeID                    InvokeIDType,     localValue                  INTEGER (14),     ss_ForBS                    SS_ForBS_Code },    interrogateSS_ReturnResultComp [2] IMPLICIT SEQUENCE {     invokeID                    InvokeIDType,     result                      SEQUENCE {       localValue                INTEGER (14),       interrogateSS_Res         CHOICE {         ss_Status              [0] IMPLICIT       }     }   },    SS_Status,    basicServiceGroupList      [2] IMPLICIT   forwardingFeatureList      [3] IMPLICIT   cli_RestrictionInfo        [4] IMPLICIT SEQUENCE {     ss_Status   }   cliRestrictionOption      OPTIONAL } } } ,    interrogateSS_ReturnErrorComp CHOICE {     errorCodes                [3] IMPLICIT SEQUENCE { invokeID     InvokeIDType,     errorCode                  ErrorLocalValues ( bearerServiceNotProvisioned   teleserviceNotProvisioned   illegalSS_Operation   ss_NotAvailable   dataMissing   unexpectedDataValue) },     callBarredErr              [3] IMPLICIT SEQUENCE { invokeID     InvokeIDType,     errorCode                  ErrorLocalValues ( callBarred ),     parameter                  CallBarringCause },     systemFailureErr           [3] IMPLICIT SEQUENCE { invokeID     InvokeIDType,     errorCode                  ErrorLocalValues ( systemFailure ),     parameter                  NetworkResource} } },    interrogateSS_RejectComp      [4] IMPLICIT RejectComponent } </pre>	
<b>Detailed Comments:</b>	Timer m

<b>ASN.1 Type Definition</b>	
<b>Type Name:</b>	NotifySS_Components
<b>Comments:</b>	GSM 04.80, 4.2
<b>Type Definition</b>	
<pre> CHOICE {   notifySS_InvokeComp          [1] IMPLICIT SEQUENCE {     invokeID                    InvokeIDType,     localValue                  INTEGER (16),     notifySS_Arg                SEQUENCE{       ss_Code                    [1] IMPLICIT SS_Code     OPTIONAL,       ss_Status                  [4] IMPLICIT SS_Status     OPTIONAL,       ss_Notification            [5] IMPLICIT OCTET STRING     (SIZE (1)) OPTIONAL,       callIsWaiting_Indicator    [14] IMPLICIT NULL     OPTIONAL,       callOnHold_Indicator       [15] IMPLICIT ENUMERATED { callRetrieved (0), callOnHold (1) }          OPTIONAL,       mpty_Indicator             [16] IMPLICIT NULL     OPTIONAL,       cug_Index                  [17] IMPLICIT CUG_Index     OPTIONAL,       clirSuppressionRejected    [18] IMPLICIT NULL     OPTIONAL } },   notifySS_RejectComp          [4] IMPLICIT RejectComponent } </pre>	
<b>Detailed Comments:</b>	

<b>ASN.1 Type Definition</b>	
<b>Type Name:</b>	ProcessUnstructuredSSData_Components
<b>Comments:</b>	GSM 09.02, 14.5, 14.6.4, 14.6.6, 14.7.4, 14.7.7
<b>Type Definition</b>	
<pre> CHOICE {   processUnstructuredSSData_InvokeComp          [1] IMPLICIT SEQUENCE {     invokeID                    InvokeIDType,     localValue                  INTEGER (19),     ss_UserData                  SS_UserData },   processUnstructuredSSData_ReturnResultComp    [2] IMPLICIT SEQUENCE {     invokeID                    InvokeIDType,     result                      SEQUENCE {       localValue                INTEGER (19),       ss_UserData                SS_UserData } } ,   processUnstructuredSSData_ReturnErrorComp    CHOICE {     errorCodes                  [3] IMPLICIT SEQUENCE { invokeID InvokeIDType, errorCode                      ErrorLocalValues (unexpectedDataValue) },     systemFailureErr            [3] IMPLICIT SEQUENCE { invokeID InvokeIDType, errorCode                      ErrorLocalValues ( systemFailure ), parameter                      NetworkResource} },   processUnstructuredSSData_RejectComp          [4] IMPLICIT RejectComponent } </pre>	
<b>Detailed Comments:</b>	Timer m

<b>ASN.1 Type Definition</b>	
<b>Type Name:</b>	ProcessUnstructuredSSRequest_Components
<b>Comments:</b>	GSM 09.02, 14.5, 14.6.4, 14.6.6, 14.7.4, 14.7.7
<b>Type Definition</b>	
<pre> CHOICE {     processUnstructuredSSRequest_InvokeComp          [1] IMPLICIT SEQUENCE {         invokeID                                     InvokeIDType,         localValue                                   INTEGER (59),         ussd_Arg                                     USSD_Arg },      processUnstructuredSSRequest_ReturnResultComp    [2] IMPLICIT SEQUENCE {         invokeID                                     InvokeIDType,         result                                       SEQUENCE {             localValue                               INTEGER (59),             ussd_Res                                USSD_Res }     },      processUnstructuredSSRequest_ReturnErrorComp     CHOICE {         errorCodes                                  [3] IMPLICIT SEQUENCE { invokeID InvokeIDType, errorCode    ErrorLocalValues (dataMissing   unexpectedDataValue   unknownAlphabet) },         callBarredErr                              [3] IMPLICIT SEQUENCE { invokeID InvokeIDType, errorCode    ErrorLocalValues ( callBarred ), parameter    CallBarringCause },         systemFailureErr                           [3] IMPLICIT SEQUENCE { invokeID InvokeIDType, errorCode    ErrorLocalValues ( systemFailure ), parameter    NetworkResource} },      processUnstructuredSSRequest_RejectComp          [4] IMPLICIT RejectComponent     } </pre>	
<b>Detailed Comments:</b>	Timer m

<b>ASN.1 Type Definition</b>	
<b>Type Name:</b>	RegisterPassword_Components
<b>Comments:</b>	GSM 09.02, 14.5, 14.6.4, 14.6.6, 14.7.4, 14.7.7
<b>Type Definition</b>	
<pre> CHOICE {   registerPassword_InvokeComp      [1] IMPLICIT SEQUENCE {     invokeID                        InvokeIDType,     localValue                       INTEGER (17),     ss_Code                          SS_Code      },   registerPassword_ReturnResultComp [2] IMPLICIT SEQUENCE {     invokeID                        InvokeIDType,     result                          SEQUENCE {       localValue                     INTEGER (17),       newPassword                     Password      }     },   registerPassword_ReturnErrorComp CHOICE {     errorCodes                       [3] IMPLICIT SEQUENCE { invokeID InvokeIDType, errorCode   ErrorLocalValues ( dataMissing   unexpectedDataValue   negativePW_Check   numberOfPW_AttemptsViolation) }, callBarredErr [3] IMPLICIT SEQUENCE { invokeID InvokeIDType, errorCode   ErrorLocalValues ( callBarred ), parameter   CallBarringCause }, ss_SubscriptionViolationErr [3] IMPLICIT SEQUENCE { invokeID   InvokeIDType, errorCode   ErrorLocalValues (ss_SubscriptionViolation), parameter   SS_SubscriptionOption }, systemFailureErr [3] IMPLICIT SEQUENCE { invokeID InvokeIDType, errorCode   ErrorLocalValues ( systemFailure ), parameter   NetworkResource}, pw_RegistrationFailureErr [3] IMPLICIT SEQUENCE { invokeID   InvokeIDType, errorCode   ErrorLocalValues ( pw_RegistrationFailure ), parameter   PW_RegistrationFailureCause } },   registerPassword_RejectComp      [4] IMPLICIT RejectComponent } </pre>	
<b>Detailed Comments:</b>	Timer m



<b>ASN.1 Type Definition</b>	
<b>Type Name:</b>	RegisterSS_Components
<b>Comments:</b>	GSM 09.02, 14.5, 14.6.4, 14.6.6, 14.7.4, 14.7.7
<b>Type Definition</b>	
<pre> CHOICE {   registerSS_InvokeComp [1] IMPLICIT SEQUENCE {     invokeID          InvokeIDType,     localValue        INTEGER (10),     registerSS_Arg    SEQUENCE {       ss_Code          SS_Code,       basicService     BasicServiceCode     }   }   OPTIONAL,   forwardedToNumber [4] IMPLICIT AddressString   OPTIONAL,   forwardedToSubaddress [6] IMPLICIT   ISDN_SubaddressString OPTIONAL,   NoReplyConditionTime  OPTIONAL noReplyConditionTime [5] IMPLICIT   }   registerSS_ReturnResultComp [2] IMPLICIT SEQUENCE {     invokeID          InvokeIDType,     result            SEQUENCE {       localValue      INTEGER (10),       ss_Info         SS_Info     }   }   registerSS_ReturnErrorComp CHOICE {     errorCodes [3] IMPLICIT SEQUENCE { invokeID InvokeIDType, errorCode   ErrorLocalValues ( bearerServiceNotProvisioned   teleserviceNotProvisioned   illegalSS_Operation   dataMissing   unexpectedDataValue ) },     callBarredErr [3] IMPLICIT SEQUENCE { invokeID InvokeIDType, errorCode   ErrorLocalValues ( callBarred ), parameter   CallBarringCause },     ss_IncompatibilityErr [3] IMPLICIT SEQUENCE { invokeID InvokeIDType, errorCode   ErrorLocalValues ( ss_Incompatibility ), parameter   SS_IncompatibilityCause },     systemFailureErr [3] IMPLICIT SEQUENCE { invokeID InvokeIDType, errorCode   ErrorLocalValues ( systemFailure ), parameter   NetworkResource}   },   registerSS_RejectComp [4] IMPLICIT RejectComponent } </pre>	
<b>Detailed Comments:</b>	Timer m

<b>ASN.1 Type Definition</b>	
<b>Type Name:</b>	RejectComponent
<b>Comments:</b>	ITU-T Q.767
<b>Type Definition</b>	
<pre> SEQUENCE {   invokedID CHOICE {     derivable          InvokeIDType,     notDerivable      NULL   },   problem CHOICE {     generalProblem [0] IMPLICIT GeneralProblem,     invokeProblem  [1] IMPLICIT InvokeProblem,     returnResultProblem [2] IMPLICIT ReturnResultProblem,     returnErrorProblem [3] IMPLICIT ReturnErrorProblem   } } </pre>	
<b>Detailed Comments:</b>	Reject Component is not specific to any particular operation. The invokeID may be used to identify a specific operation.

<b>ASN.1 Type Definition</b>	
<b>Type Name:</b>	RetrieveEMPTY_Components
<b>Comments:</b>	GSM 04.80, 4.2
<b>Type Definition</b>	
<pre> CHOICE {   retrieveEMPTY_InvokeComp [1] IMPLICIT SEQUENCE {     invokeID          InvokeIDType,     localValue        INTEGER (122) },    retrieveEMPTY_ReturnResultComp [2] IMPLICIT SEQUENCE {     invokeID          InvokeIDType,     result            SEQUENCE {       localValue      INTEGER (122) }     },    retrieveEMPTY_ReturnErrorComp CHOICE {     errorCodes        [3] IMPLICIT SEQUENCE { invokeID InvokeIDType, errorCode           ErrorLocalValues ( illegalSS_Operation   facilityNotSupported ) },     ss_ErrorStatusErr [3] IMPLICIT SEQUENCE { invokeID InvokeIDType, errorCode           ErrorLocalValues ( ss_ErrorStatus ), parameter           SS_Status },     ss_IncompatibilityErr [3] IMPLICIT SEQUENCE { invokeID InvokeIDType, errorCode           ErrorLocalValues ( ss_Incompatibility ), parameter           SS_IncompatibilityCause },     systemFailureErr   [3] IMPLICIT SEQUENCE { invokeID InvokeIDType, errorCode           ErrorLocalValues ( systemFailure ), parameter           NetworkResource} },    retrieveEMPTY_RejectComp [4] IMPLICIT RejectComponent } </pre>	
<b>Detailed Comments:</b>	Timer T_retrieveEMPTY (5 - 30 s)

<b>ASN.1 Type Definition</b>	
<b>Type Name:</b>	SplitMPTY_Components
<b>Comments:</b>	GSM 04.80, 4.2
<b>Type Definition</b>	
<pre> CHOICE {   splitMPTY_InvokeComp      [1] IMPLICIT SEQUENCE {                                 invokeID      InvokeIDType,                                 localValue    INTEGER (121) },   splitMPTY_ReturnResultComp [2] IMPLICIT SEQUENCE {                                 invokeID      InvokeIDType,                                 result        SEQUENCE {   localValue    INTEGER (121) }                                 },   splitMPTY_ReturnErrorComp CHOICE {     errorCodes                [3] IMPLICIT SEQUENCE { invokeID InvokeIDType, errorCode    ErrorLocalValues ( illegalSS_Operation   facilityNotSupported ) },     ss_ErrorStatusErr        [3] IMPLICIT SEQUENCE { invokeID InvokeIDType, errorCode    ErrorLocalValues ( ss_ErrorStatus ), parameter    SS_Status },     ss_IncompatibilityErr    [3] IMPLICIT SEQUENCE { invokeID InvokeIDType, errorCode    ErrorLocalValues ( ss_Incompatibility ), parameter    SS_IncompatibilityCause },     systemFailureErr        [3] IMPLICIT SEQUENCE { invokeID InvokeIDType, errorCode    ErrorLocalValues ( systemFailure ), parameter    NetworkResource} },   splitMPTY_RejectComp      [4] IMPLICIT RejectComponent } </pre>	
<b>Detailed Comments:</b>	Timer T_splitMPTY (5 - 30 s)

<b>ASN.1 Type Definition</b>	
<b>Type Name:</b>	UnstructuredSSNotify_Components
<b>Comments:</b>	GSM 09.02, 14.5, 14.6.4, 14.6.6, 14.7.4, 14.7.7
<b>Type Definition</b>	
<pre> CHOICE {   unstructuredSSNotify_InvokeComp      [1] IMPLICIT SEQUENCE {     invokeID          InvokeIDType,     localValue        INTEGER (61),     ussd_Arg          USSD_Arg          },   unstructuredSSNotify_ReturnResultComp [2] IMPLICIT SEQUENCE {     invokeID          InvokeIDType,     result            SEQUENCE {       localValue      INTEGER (61) } } ,   unstructuredSSNotify_ReturnErrorComp CHOICE {     errorCodes        [3] IMPLICIT SEQUENCE { invokeID InvokeIDType, errorCode           ErrorLocalValues ( illegalSubscriber   illegalEquipment   absentSubscriber   dataMissing   unexpectedDataValue   unknownAlphabet   ussd_Busy) },     systemFailureErr  [3] IMPLICIT SEQUENCE { invokeID InvokeIDType, errorCode           ErrorLocalValues ( systemFailure ), parameter           NetworkResource} } ,   unstructuredSSNotify_RejectComp      [4] IMPLICIT RejectComponent </pre>	
<b>Detailed Comments:</b>	Timer m

<b>ASN.1 Type Definition</b>	
<b>Type Name:</b>	UnstructuredSSRequest_Components
<b>Comments:</b>	GSM 09.02, 14.5, 14.6.4, 14.6.6, 14.7.4, 14.7.7
<b>Type Definition</b>	
<pre> CHOICE {   unstructuredSSRequest_InvokeComp      [1] IMPLICIT SEQUENCE {     invokeID          InvokeIDType,     localValue        INTEGER (60),     ussd_Arg          USSD_Arg          },   unstructuredSSRequest_ReturnResultComp [2] IMPLICIT SEQUENCE {     invokeID          InvokeIDType,     result            SEQUENCE {       localValue      INTEGER (60),       ussd_Res        USSD_Res      } },   unstructuredSSRequest_ReturnErrorComp CHOICE {     errorCodes       [3] IMPLICIT SEQUENCE { invokeID InvokeIDType, errorCode           ErrorLocalValues ( illegalSubscriber   illegalEquipment   absentSubscriber   dataMissing   unexpectedDataValue   unknownAlphabet   ussd_Busy) },     systemFailureErr [3] IMPLICIT SEQUENCE { invokeID InvokeIDType, errorCode           ErrorLocalValues ( systemFailure ), parameter           NetworkResource} },   unstructuredSSRequest_RejectComp      [4] IMPLICIT RejectComponent } </pre>	
<b>Detailed Comments:</b>	Timer m

<b>ASN.1 Type Definition</b>	
<b>Type Name:</b>	AddressString
<b>Comments:</b>	GSM 09.02, 14.7.8
<b>Type Definition</b>	
OCTET STRING (SIZE ( 1 .. maxAddressLength ))	
<b>Detailed Comments:</b>	

<b>ASN.1 Type Definition</b>	
<b>Type Name:</b>	Asn1Integer
<b>Comments:</b>	INTEGER of ASN.1 type
<b>Type Definition</b>	
INTEGER	
<b>Detailed Comments:</b>	

<b>ASN.1 Type Definition</b>	
<b>Type Name:</b>	BasicServiceCode
<b>Comments:</b>	GSM 09.02, 14.7.8
<b>Type Definition</b>	
<pre> CHOICE {   bearerService [2] IMPLICIT BearerServiceCode,   teleservice   [3] IMPLICIT TeleserviceCode } </pre>	
<b>Detailed Comments:</b>	

ASN.1 Type Definition	
<b>Type Name:</b>	BasicServiceGroupList
<b>Comments:</b>	GSM 09.02, 14.7.8
Type Definition	
SEQUENCE SIZE ( 1 .. maxNumOfBasicServiceGroups ) OF BasicServiceCode	
<b>Detailed Comments:</b>	

ASN.1 Type Definition	
<b>Type Name:</b>	BearerServiceCode
<b>Comments:</b>	GSM 09.02, 14.7.10
Type Definition	
OCTET STRING (SIZE (1))	
<b>Detailed Comments:</b>	

ASN.1 Type Definition	
<b>Type Name:</b>	CallBarringCause
<b>Comments:</b>	GSM 09.02, 14.7.7
Type Definition	
<pre> ENUMERATED {     barringServiceActive          (0),     operatorBarring              (1) } </pre>	
<b>Detailed Comments:</b>	

ASN.1 Type Definition	
<b>Type Name:</b>	CallBarringFeature
<b>Comments:</b>	GSM 09.02, 14.7.4
Type Definition	
<pre> SEQUENCE {     basicService      BasicServiceCode      OPTIONAL,     ss_Status        [4] IMPLICIT SS_Status OPTIONAL } </pre>	
<b>Detailed Comments:</b>	

ASN.1 Type Definition	
<b>Type Name:</b>	CallBarringFeatureList
<b>Comments:</b>	GSM 09.02, 14.7.4
Type Definition	
SEQUENCE SIZE (1..maxNumOfBasicServiceGroups) OF CallBarringFeature	
<b>Detailed Comments:</b>	

ASN.1 Type Definition	
<b>Type Name:</b>	CallBarringInfo
<b>Comments:</b>	GSM 09.02, 14.7.4
Type Definition	
<pre> SEQUENCE {     ss_Code          SS_Code          OPTIONAL,     callBarringFeatureList CallBarringFeatureList } </pre>	
<b>Detailed Comments:</b>	

<b>ASN.1 Type Definition</b>	
<b>Type Name:</b>	CliRestrictionOption
<b>Comments:</b>	GSM 09.02, 14.7.4
<b>Type Definition</b>	
<pre> ENUMERATED {     permanent                (0),     temporaryDefaultRestricted (1),     temporaryDefaultAllowed  (2) } </pre>	
<b>Detailed Comments:</b>	

<b>ASN.1 Type Definition</b>	
<b>Type Name:</b>	CUG_Feature
<b>Comments:</b>	GSM 09.02, 14.7.4
<b>Type Definition</b>	
<pre> SEQUENCE {     basicService                BasicServiceCode OPTIONAL,     preferentialCUG_Indicator  CUG_Index          OPTIONAL,     interCUG_Restrictions      InterCUG_Restrictions } </pre>	
<b>Detailed Comments:</b>	

<b>ASN.1 Type Definition</b>	
<b>Type Name:</b>	CUG_FeatureList
<b>Comments:</b>	GSM 09.02, 14.7.4
<b>Type Definition</b>	
<pre> SEQUENCE SIZE (1.. maxNumOfBasicServiceGroups ) OF CUG_Feature </pre>	
<b>Detailed Comments:</b>	

<b>ASN.1 Type Definition</b>	
<b>Type Name:</b>	CUG_Index
<b>Comments:</b>	GSM 09.02, 14.7.4
<b>Type Definition</b>	
<pre> INTEGER (0..32767) </pre>	
<b>Detailed Comments:</b> The internal structure is defined in ETS 300 138.	

<b>ASN.1 Type Definition</b>	
<b>Type Name:</b>	CUG_Interlock
<b>Comments:</b>	GSM 09.02, 14.7.4
<b>Type Definition</b>	
<pre> OCTET STRING (SIZE (4)) </pre>	
<b>Detailed Comments:</b>	

<b>ASN.1 Type Definition</b>	
<b>Type Name:</b>	CUG_Info
<b>Comments:</b>	GSM 09.02, 14.7.4
<b>Type Definition</b>	
<pre> SEQUENCE {     cug_SubscriptionList  CUG_SubscriptionList,     cug_FeatureList       CUG_FeatureList OPTIONAL } </pre>	
<b>Detailed Comments:</b>	

<b>ASN.1 Type Definition</b>	
<b>Type Name:</b>	CUG_Subscription
<b>Comments:</b>	GSM 09.02, 14.7.4
<b>Type Definition</b>	
<pre>SEQUENCE {     cug_Index                CUG_Index,     cug_Interlock            CUG_Interlock,     intraCUG_Options        IntraCUG_Options,     basicServiceGroupList   BasicServiceGroupList OPTIONAL }</pre>	
<b>Detailed Comments:</b>	

<b>ASN.1 Type Definition</b>	
<b>Type Name:</b>	CUG_SubscriptionList
<b>Comments:</b>	GSM 09.02, 14.7.4
<b>Type Definition</b>	
SEQUENCE SIZE (1.. maxNumOfCUG ) OF CUG_Subscription	
<b>Detailed Comments:</b>	

<b>ASN.1 Type Definition</b>	
<b>Type Name:</b>	ErrorLocalValues
<b>Comments:</b>	GSM 04.80, 4.5
<b>Type Definition</b>	
<pre>INTEGER {     unknownSubscriber                (1),     illegalSubscriber                (9),     bearerServiceNotProvisioned      (10),     teleserviceNotProvisioned        (11),     illegalEquipment                 (12),     callBarred                       (13),     illegalSS_Operation              (16),     ss_ErrorStatus                   (17),     ss_NotAvailable                  (18),     ss_SubscriptionViolation          (19),     ss_Incompatibility               (20),     facilityNotSupported              (21),     absentSubscriber                  (27),     systemFailure                    (34),     dataMissing                      (35),     unexpectedDataValue               (36),     pw_RegistrationFailure            (37),     negativePW_Check                  (38),     numberOfPW_AttemptsViolation      (43),     unknownAlphabet                   (71),     ussd_Busy                         (72),     maxNumberOfMPTY_ParticipantsExceeded (126),     resourcesNotAvailable             (127) }</pre>	
<b>Detailed Comments:</b> Elements of INTEGER are global for the ATS.	

<b>ASN.1 Type Definition</b>	
<b>Type Name:</b>	ForwardingFeature
<b>Comments:</b>	GSM 09.02, 14.7.4
<b>Type Definition</b>	
<pre>SEQUENCE {     basicService                BasicServiceCode OPTIONAL,     ss_Status                    [4] IMPLICIT SS_Status OPTIONAL,     forwardedToNumber           [5] IMPLICIT ISDN_AddressString OPTIONAL,     forwardedToSubaddress       [8] IMPLICIT ISDN_SubaddressString OPTIONAL,     forwardingOptions            [6] IMPLICIT ForwardingOptions OPTIONAL,     noReplyConditionTime        [7] IMPLICIT NoReplyConditionTime OPTIONAL }</pre>	
<b>Detailed Comments:</b>	





<b>ASN.1 Type Definition</b>	
<b>Type Name:</b>	InvokeIDType
<b>Comments:</b>	ITU-T, Q.773
<b>Type Definition</b>	
INTEGER (-128 .. 127)	
<b>Detailed Comments:</b>	<p>Values:</p> <p>Sending Components: If it is an invoke component then use Test Case Variable (with default) to set value. If another invoke component is sent the TCV should be incremented beforehand. If it is a return result, error or reject component in response to a received invoke component then use TCV also, making sure the value is set to the value of the received component beforehand.</p> <p>Receiving Components: If it is an invoke comp then use '?'. If it is a return result, error or reject component in response to a sent invoke component then use TCV value (as used in sent invoke component).</p>

<b>ASN.1 Type Definition</b>	
<b>Type Name:</b>	InvokeProblem
<b>Comments:</b>	ITU-T Q.767
<b>Type Definition</b>	
TCAP_Problems (	duplicateInvokeID unrecognizedOperation mistypedArgument resourceLimitation initiatingRelease unrecognizedLinkedID linkedResponseUnexpected unexpectedLinkedOperation )
<b>Detailed Comments:</b>	Type restricted to these 8.

<b>ASN.1 Type Definition</b>	
<b>Type Name:</b>	ISDN_AddressString
<b>Comments:</b>	GSM 09.02, 14.7.8
<b>Type Definition</b>	
AddressString (SIZE ( 1 .. maxISDN_AddressLength ))	
<b>Detailed Comments:</b>	

<b>ASN.1 Type Definition</b>	
<b>Type Name:</b>	ISDN_SubaddressString
<b>Comments:</b>	GSM 09.02, 14.7.8
<b>Type Definition</b>	
OCTET STRING (SIZE ( 1 .. maxISDN_SubaddressLength ))	
<b>Detailed Comments:</b>	

<b>ASN.1 Type Definition</b>	
<b>Type Name:</b>	NetworkResource
<b>Comments:</b>	GSM 09.02, 14.7.8,
<b>Type Definition</b>	
ENUMERATED { plmn (0), hlr (1), vlr (2), pvlr (3), controllingMSC (4), vmsc (5), eir (6), rss (7) }	
<b>Detailed Comments:</b>	Elements of INTEGER are global for the ATS.

ASN.1 Type Definition	
<b>Type Name:</b>	NoReplyConditionTime
<b>Comments:</b>	GSM 09.02, 14.7.4
Type Definition	
INTEGER (5 .. 30 )	
<b>Detailed Comments:</b>	

ASN.1 Type Definition	
<b>Type Name:</b>	Operation
<b>Comments:</b>	ITU-T Q.767
Type Definition	
CHOICE { localValue INTEGER, globalValue OBJECT IDENTIFIER}	
<b>Detailed Comments:</b>	

ASN.1 Type Definition	
<b>Type Name:</b>	OverrideCategory
<b>Comments:</b>	GSM 09.02, 14.7.4
Type Definition	
ENUMERATED { overrideEnabled (0), overrideDisabled (1) }	
<b>Detailed Comments:</b>	

ASN.1 Type Definition	
<b>Type Name:</b>	Password
<b>Comments:</b>	GSM 09.02, 14.7.4
Type Definition	
NumericString (FROM ("0" "1" "2" "3" "4" "5" "6" "7" "8" "9")) (SIZE (4))	
<b>Detailed Comments:</b>	

ASN.1 Type Definition	
<b>Type Name:</b>	PW_RegistrationFailureCause
<b>Comments:</b>	GSM 09.02, 14.7.7
Type Definition	
ENUMERATED { undetermined (0), invalidFormat (1), newPasswordsMismatch (2) }	
<b>Detailed Comments:</b>	

ASN.1 Type Definition	
<b>Type Name:</b>	ReturnErrorProblem
<b>Comments:</b>	ITU-T Q.767
Type Definition	
TCAP_Problems { unrecognizedInvokeID returnErrorUnexpected unrecognizedError unexpectedError mistypedParameter }	
<b>Detailed Comments:</b> Type restricted to these 5.	

<b>ASN.1 Type Definition</b>	
<b>Type Name:</b>	ReturnResultProblem
<b>Comments:</b>	ITU-T Q.767
<b>Type Definition</b>	
TCAP_Problems	( unrecognizedInvokeID returnResultUnexpected mistypedResult )
<b>Detailed Comments:</b>	Type restricted to these three.

<b>ASN.1 Type Definition</b>	
<b>Type Name:</b>	SS_Code
<b>Comments:</b>	GSM 09.02, 14.7.5
<b>Type Definition</b>	
OCTET STRING (SIZE (1))	
<b>Detailed Comments:</b>	group (bits 8765), and specific service (bits 4321)

<b>ASN.1 Type Definition</b>	
<b>Type Name:</b>	SS_Data
<b>Comments:</b>	GSM 09.02, 14.7.4
<b>Type Definition</b>	
SEQUENCE {	
ss_Code	SS_Code OPTIONAL,
ss_Status	[4] IMPLICIT SS_Status OPTIONAL,
ss_SubscriptionOption	SS_SubscriptionOption OPTIONAL,
basicServiceGroupList	BasicServiceGroupList OPTIONAL }
<b>Detailed Comments:</b>	

<b>ASN.1 Type Definition</b>	
<b>Type Name:</b>	SS_ForBS_Code
<b>Comments:</b>	GSM 09.02, 14.7.4
<b>Type Definition</b>	
SEQUENCE {	
ss_Code	SS_Code,
basicService	BasicServiceCode OPTIONAL }
<b>Detailed Comments:</b>	

<b>ASN.1 Type Definition</b>	
<b>Type Name:</b>	SS_IncompatibilityCause
<b>Comments:</b>	GSM 09.02, 14.7.8
<b>Type Definition</b>	
SEQUENCE {	
ss_Code	[1] IMPLICIT SS_Code OPTIONAL,
basicService	BasicServiceCode OPTIONAL,
ss_Status	[4] SS_Status OPTIONAL }
<b>Detailed Comments:</b>	

<b>ASN.1 Type Definition</b>	
<b>Type Name:</b>	SS_Info
<b>Comments:</b>	GSM 09.02, 14.7.4
<b>Type Definition</b>	
CHOICE {	
forwardingInfo	[0] IMPLICIT ForwardingInfo,
callBarringInfo	[1] IMPLICIT CallBarringInfo,
cug_Info	[2] IMPLICIT CUG_Info,
ss_Data	[3] IMPLICIT SS_Data }
<b>Detailed Comments:</b>	

ASN.1 Type Definition	
<b>Type Name:</b>	SS_Status
<b>Comments:</b>	GSM 09.02, 14.7.4
Type Definition	
OCTET STRING (SIZE (1))	
<b>Detailed Comments:</b>	bits 8765: 0000 unused, bits 4: SS state information Q bit, bits 3: SS state information P bit, bits 2: SS state information R bit, bits 1: SS state information A bit.

ASN.1 Type Definition	
<b>Type Name:</b>	SS_SubscriptionOption
<b>Comments:</b>	GSM 09.02, 14.7.4
Type Definition	
CHOICE { overrideCategory           [1] IMPLICIT OverrideCategory, cliRestrictionOption      [2] IMPLICIT CliRestrictionOption }	
<b>Detailed Comments:</b>	

ASN.1 Type Definition	
<b>Type Name:</b>	SS_UserData
<b>Comments:</b>	GSM 09.02, 14.7.4
Type Definition	
IA5String (SIZE (1 .. maxSignalInfoLength))	
<b>Detailed Comments:</b>	

ASN.1 Type Definition	
<b>Type Name:</b>	TCAP_Problems
<b>Comments:</b>	ITU-T Q.767
Type Definition	
<pre> INTEGER {   unrecognizedComponent       (0),     -- GeneralProblem   unrecognizedInvokeID        (0),     -- ReturnResultProblem, ReturnErrorProblem   duplicateInvokeID           (0),     -- InvokeProblem   mistypedComponent           (1),     -- GeneralProblem   returnErrorUnexpected       (1),     -- ReturnErrorProblem   returnResultUnexpected      (1),     -- ReturnResultProblem   unrecognizedOperation       (1),     -- InvokeProblem   badlyStructuredComponent    (2),     -- GeneralProblem   unrecognizedError           (2),     -- ReturnErrorProblem   mistypedArgument            (2),     -- InvokeProblem, originally called mistypedParameter in TCAP   mistypedResult              (2),     -- ReturnResultProblem   resourceLimitation          (3),     -- InvokeProblem   unexpectedError              (3),     -- ReturnErrorProblem   mistypedParameter           (4),     -- ReturnErrorProblem   initiatingRelease           (4),     -- InvokeProblem   unrecognizedLinkedID        (5),     -- InvokeProblem   linkedResponseUnexpected    (6),     -- InvokeProblem   unexpectedLinkedOperation   (7)     -- InvokeProblem } </pre>	
<b>Detailed Comments:</b>	Errors of the same integer value are distinguished by their different parent types (General, Invoke, ReturnResult, ReturnError).

ASN.1 Type Definition	
<b>Type Name:</b>	TeleserviceCode
<b>Comments:</b>	GSM 09.02, 14.7.9
Type Definition	
OCTET STRING (SIZE (1))	
<b>Detailed Comments:</b>	

<b>ASN.1 Type Definition</b>	
<b>Type Name:</b>	USSD_Arg
<b>Comments:</b>	GSM 09.02, 14.7.4
<b>Type Definition</b>	
SEQUENCE { ussd_DataCodingScheme      USSD_DataCodingScheme, ussd_String                      USSD_String }	
<b>Detailed Comments:</b>	

<b>ASN.1 Type Definition</b>	
<b>Type Name:</b>	USSD_Res
<b>Comments:</b>	GSM 09.02, 14.7.4
<b>Type Definition</b>	
SEQUENCE { ussd_DataCodingScheme      USSD_DataCodingScheme, ussd_String                      USSD_String }	
<b>Detailed Comments:</b>	

<b>ASN.1 Type Definition</b>	
<b>Type Name:</b>	USSD_DataCodingScheme
<b>Comments:</b>	GSM 09.02, 14.7.4
<b>Type Definition</b>	
OCTET STRING (SIZE (1))	
<b>Detailed Comments:</b>	

<b>ASN.1 Type Definition</b>	
<b>Type Name:</b>	USSD_String
<b>Comments:</b>	GSM 09.02, 14.7.4
<b>Type Definition</b>	
OCTET STRING (SIZE (1..maxUSSD_StringLength))	
<b>Detailed Comments:</b>	The structure of the contents of the USSD-String is dependent on the USSD-DataCodingScheme as described in TS GSM03.38.

**Test suite operation definitions**

<b>Test Suite Operation Definition</b>	
<b>Operation Name:</b>	OC_Asn1intToOct(n:Asn1Integer; l: INTEGER)
<b>Result Type:</b>	OCTETSTRING
<b>Comments:</b>	
<b>Description</b>	
OC_Asn1intToOct converts the ASN.1 INTEGER `n` into OCTETSTRING with length = `l`.	
for example:	
OC_Asn1intToOct(14,1) = '0E'O;	
OC_Asn1intToOct(18,1) = '12'O;	
OC_Asn1intToOct(18,2) = '0012'O;	
OC_Asn1intToOct(-128,1) = '80'O (MSB (position p out of 1...p) represents -2exp(p-1) );	
OC_Asn1intToOct(-32768,2) = '8000'O (MSB (position p out of 1...p) represents -2exp(p-1) ).	
<b>Detailed Comments:</b>	

<b>Test Suite Operation Definition</b>	
<b>Operation Name:</b>	OC_Bcap(setup:SETUP_MO_PDU; callproc:CALL_PROC_PDU; mem:INTEGER)
<b>Result Type:</b>	BCAP
<b>Comments:</b>	
<b>Description</b>	
<p>OC_Bcap operation returns a bearer capability IE according the following rule:</p> <ul style="list-style-type: none"> <li>- for `mem` = 1: <ul style="list-style-type: none"> <li>- if bearer capability IE were presented in `callproc` the returned BC is the bearer capability 1 of the `callproc`;</li> <li>- otherwise, the returned bearer capability is the bearer capability 1 of the `setup`.</li> </ul> </li> <li>- for `mem` = 2: <ul style="list-style-type: none"> <li>- if bearer capability IE were presented in `callproc` the returned BC is the bearer capability 2 of the `callproc`;</li> <li>- otherwise, the returned bearer capability is the bearer capability 2 of the `setup`.</li> </ul> </li> </ul>	
<b>Detailed Comments:</b>	

<b>Test Suite Operation Definition</b>	
<b>Operation Name:</b>	OC_BinAdd(bitstr1:BITSTRING; bitstr2:BITSTRING)
<b>Result Type:</b>	BITSTRING
<b>Comments:</b>	
<b>Description</b>	
<p>OC_BinAdd operation performs binary addition of two input parameters `bitstr1` and `bitstr2`, then returns the result of the addition. These two input parameters shall have the same length, the result of the operation has the same length as the input parameters.</p> <p>for example:</p> <p>OC_BinAdd('01000'B, '00110'B) = '01110'B;  OC_BinAdd('01000'B, '00011'B) = '01011'B;  OC_BinAdd('00100'B, '00010'B) = '00110'B.</p>	
<b>Detailed Comments:</b>	

<b>Test Suite Operation Definition</b>	
<b>Operation Name:</b>	OC_Bit7(bstring: B_8)
<b>Result Type:</b>	BITSTRING
<b>Comments:</b>	The input parameter bstring is of type BITSTRING[8].
<b>Description</b>	
<p>OC_Bit7(bstring) returns the value of bit 7 in the `bstring`.</p> <p>for example:</p> <p>OC_Bit7('01010101'B) = '1'B,  OC_Bit7('10101010'B) = '0'B</p>	
<b>Detailed Comments:</b>	

<b>Test Suite Operation Definition</b>	
<b>Operation Name:</b>	OC_BCDtoInt(bcdstring:HEXSTRING; relevant_digits: INTEGER)
<b>Result Type:</b>	INTEGER
<b>Comments:</b>	
<b>Description</b>	
<p>The operation OC_BCDtoInt converts last 'relevant_digits' of an HEXSTRING containing BCD coded digits to an integer representation of these relevant digits.</p> <p>Example: OC_BCDtoInt('12345'H, 3) := 345</p>	
<b>Detailed Comments:</b>	

<b>Test Suite Operation Definition</b>	
<b>Operation Name:</b>	OC_CalledNumCHK(callednum:OCTETSTRING; dialnum:IA5String)
<b>Result Type:</b>	BOOLEAN
<b>Comments:</b>	
<b>Description</b>	
the operation OC_CalledNumCHK to check whether the called party number `callednum`, which is represented by OCTETSTRING, is the same as the dialed number `dialnum`, which is represented by IA5String. It returns TRUE if they are the same, otherwise FALSE.	
<b>Detailed Comments:</b>	

<b>Test Suite Operation Definition</b>	
<b>Operation Name:</b>	OC_ChkSRES(sres:OCTETSTRING; ki: BITSTRING; rand:BITSTRING)
<b>Result Type:</b>	BOOLEAN
<b>Comments:</b>	sres is 32 bits value.
<b>Description</b>	
OC_ChkSRES checks the input parameter `sres` according to the authentication algorithm defined in the following procedure. It returns TRUE if the `sres` is correct, otherwise it returns FALSE.	
<ul style="list-style-type: none"> <li>- firstly the `ki` XOR to the `rand` results in RES1;</li> <li>- then compare the most significant 32 bits of the RES1 with the `sres`;</li> <li>- if they are equal, the `sres` is correct and the operation returns TRUE;</li> <li>- if they are not equal, the `sres` is wrong and the operation returns FALSE.</li> </ul>	
NOTE: this procedure is the test algorithm for authentication defined by GSM.	
<b>Detailed Comments:</b>	

<b>Test Suite Operation Definition</b>	
<b>Operation Name:</b>	OC_CvntMax(max:INTEGER)
<b>Result Type:</b>	B_2
<b>Comments:</b>	
<b>Description</b>	
The allowed integer values for max are 1, 2, 4, 7 (maximum number of retransmissions). The result BITSTRING is 2 bits long. OC_CvntMax converts the input integer `max` into a BITSTRING according to the following rule:	
<ol style="list-style-type: none"> <li>1. the result is '00'B if the `max` = 1,</li> <li>2. the result is '01'B if the `max` = 2,</li> <li>3. the result is '10'B if the `max` = 4,</li> <li>4. the result is '11'B if the `max` = 7.</li> </ol>	
for example:	
OC_CvntMax(1) = '00'B, OC_CvntMax(7) = '11'B.	
<b>Detailed Comments:</b>	



<b>Test Suite Operation Definition</b>	
<b>Operation Name:</b>	OC_CnvtTx(tx:INTEGER)
<b>Result Type:</b>	B_4
<b>Comments:</b>	The result BITSTRING is 4 bits long.
<b>Description</b>	
<p>OC_CnvtTx converts the input integer `tx` into a BITSTRING according the following rule:</p> <ol style="list-style-type: none"> <li>1. the result is '0000'B if the `tx` = 3,</li> <li>2. the result is '0001'B if the `tx` = 4,</li> <li>3. the result is '0010'B if the `tx` = 5,</li> <li>4. the result is '0011'B if the `tx` = 6,</li> <li>5. the result is '0100'B if the `tx` = 7,</li> <li>6. the result is '0101'B if the `tx` = 8,</li> <li>7. the result is '0110'B if the `tx` = 9,</li> <li>8. the result is '0111'B if the `tx` = 10,</li> <li>9. the result is '1000'B if the `tx` = 11,</li> <li>10. the result is '1001'B if the `tx` = 12,</li> <li>11. the result is '1010'B if the `tx` = 14,</li> <li>12. the result is '1011'B if the `tx` = 16,</li> <li>13. the result is '1100'B if the `tx` = 20,</li> <li>14. the result is '1101'B if the `tx` = 25,</li> <li>15. the result is '1110'B if the `tx` = 32,</li> <li>16. the result is '1111'B if the `tx` = 50.</li> </ol> <p>for example:</p> <p>OC_CnvtTx(3) = '0000'B,            OC_CvntTx(5) = '0010'B.</p>	
<b>Detailed Comments:</b>	

<b>Test Suite Operation Definition</b>	
<b>Operation Name:</b>	OC_CodeSMSCBMessage(firstoct: INTEGER; lastoct: INTEGER)
<b>Result Type:</b>	OCTETSTRING
<b>Comments:</b>	
<b>Description</b>	
<p>The operation codes a part of the contents for a cell broadcast short message. The cell broadcast short message, is 82 octets long, i.e. 93 characters, each represented by 7 bits. As many as possible different characters are sent, the characters are those corresponding to the 7-bit representation of the integers 0, 1, 2, ..., 92. The bits are arranged acc. to GSM 03.38, clause 6.1.2.1.1. The result of this operation is the octetstring of the octets 'firstoct' to 'lastoct' (16 octets for the first message block, 22 octets for the 2nd, 3rd and 4th blocks), with the octets of the cell broadcast short message being numbered from 1 to 82.</p>	
<b>Detailed Comments:</b>	

<b>Test Suite Operation Definition</b>	
<b>Operation Name:</b>	OC_CodingOfUssdString(text: IA5String)
<b>Result Type:</b>	OCTETSTRING
<b>Comments:</b>	
<b>Description</b>	
<p>This operation provides the coding for a USSD String 'text' in the default alpabet, each character represented by 7 bits. The bits are arranged acc. to GSM 03.38, clause 6.1.2.2.1.</p>	
<b>Detailed Comments:</b>	

<b>Test Suite Operation Definition</b>	
<b>Operation Name:</b>	OC_ComputeSMContents(NumberOfCharacters: INTEGER)
<b>Result Type:</b>	OCTETSTRING
<b>Comments:</b>	max. 160 characters, i.e. 140 octets.
<b>Description</b>	
This operation provides a short message's contents with a specified number of characters 'NumberOfCharacters', each represented by 7 bits. As possible different characters are sent, the characters are those corresponding to the 7-bit representation of 0, 1, 2, ... up to ('NumberOfCharacters' - 1). If more than 128 characters are sent, the rest of the characters is the corresponding to 0, 1, ... up to (NumberOfCharacters - 128 - 1), e.g. for 160 characters: 0, 1, ..., 127, 0, 1, ..., 31. The bits are arranged acc. to GSM 03.38, clause 6.1.2.1.1.	
<b>Detailed Comments:</b>	

<b>Test Suite Operation Definition</b>	
<b>Operation Name:</b>	OC_ComputeSMContentsSpecText(NumbOfIA5chara: INTEGER; text: IA5String)
<b>Result Type:</b>	OCTETSTRING
<b>Comments:</b>	max. 160 characters, i.e. 140 octets.
<b>Description</b>	
This operation provides a short message's contents with a specified number of characters 'NumbOfIA5chara', each represented by 7 bits. 'text' is used as contents of the short message. If "text" contains less than 'NumberOfCharacters' characters, 'text' is repeated until the short message reaches the 'NumberOfCharacters' characters long. The bits packing is arranged according to GSM 03.38, clause 6.1.2.1.1.	
<b>Detailed Comments:</b>	

<b>Test Suite Operation Definition</b>	
<b>Operation Name:</b>	OC_CphKeyGen(ki:BITSTRING; rand:BITSTRING)
<b>Result Type:</b>	BITSTRING
<b>Comments:</b>	both ki and rand are 128 bits values, the result of the operation is 64 bits value
<b>Description</b>	
OC_CphKeyGen generates the ciphering key from the input parameters according to the following procedure:	
<ul style="list-style-type: none"> <li>- firstly the `ki` XOR to the `rand` results in RES1;</li> <li>- then discard the most significant 32 bits of the RES;</li> <li>- the next 64 bits of RES1 are the ciphering key, the operation returns this value.</li> <li>- the 32 least significant bits are not used.</li> </ul>	
<b>Detailed Comments:</b>	

<b>Test Suite Operation Definition</b>	
<b>Operation Name:</b>	OC_FirstDigi(bcddigits:HEXSTRING)
<b>Result Type:</b>	B_4
<b>Comments:</b>	
<b>Description</b>	
The input parameter bcddigits shall be a BCD string (subset of HEXSTRING), the result is a BITSTRING[4] of a binary representation of one BCD digit.	
The function of the OC_FirstDigi is to return the first (most significant) digit of the input parameter `bcddigits`.	
for example:	
OC_FirstDigi('12345') = '0001'B,	
OC_FirstDigi('012345678') = '0000'B.	
<b>Detailed Comments:</b>	

<b>Test Suite Operation Definition</b>	
<b>Operation Name:</b>	OC_FnInc(fn:FN; inc:INTEGER)
<b>Result Type:</b>	FN
<b>Comments:</b>	
<b>Description</b>	
<p>The function of OC_FnInc operation to increase frame number with `inc`. The frame number to be incremented is the input parameter `fn` in FN type and the increment `inc` is in INTEGER type, the incremented frame number is returned in FN type.</p> <pre> OC_FnInc(fn, inc) FN  fn; INTEGER inc; { int  fmin; FN  frmout;      frmmin = 51 * ((fn.t3 - fn.t2) MOD 26) + fn.t3 + 1326 * fn.t1_ ;      frmout.t1_ = ((frmmin + inc) DIV 1326) MOD 32;     frmout.t2  = (frmmin + inc) MOD 26;     frmout.t3  = (frmmin + inc) MOD 51;     return (frmout); } </pre>	
<b>Detailed Comments:</b>	

<b>Test Suite Operation Definition</b>	
<b>Operation Name:</b>	OC_GetSCTimeStamp(timezone:TZONES)
<b>Result Type:</b>	TPSCTS
<b>Comments:</b>	TPSCTS is HEXSTRING[14]
<b>Description</b>	
<p>This Operation provides the hexstring containing the service center time stamp (SCTS) according to GSM 03.40, clauses 9.2.2.1 and 9.2.3.11. The TSO reads the current time of the test systems clock and transforms the time in combination with the input parameter 'timezone' into a service center time stamp.</p> <p>Example:  1996 April 18, 15:32:46, timezone=4  OC_GetSCTimeStamp returns 69408151236440</p>	
<b>Detailed Comments:</b>	

<b>Test Suite Operation Definition</b>	
<b>Operation Name:</b>	OC_IncTmsi(tmsi:TMSI_V; inc:OCTETSTRING)
<b>Result Type:</b>	TMSI_V
<b>Comments:</b>	the `tmsi` is 4 OCTETs long
<b>Description</b>	
<p>OC_IncTmsi operation adds the two input parameters and returns the result. An overflow of addition is allowed.</p> <p>For example :</p> <pre> OC_IncTmsi('33542140'O + '01'O) = '33542141'O; OC_IncTmsi('21322140'O + '08'O) = '21322148'O. </pre>	
<b>Detailed Comments:</b>	

Test Suite Operation Definition	
<b>Operation Name:</b>	OC_InRang(tx: INTEGER; maxret:INTEGER; m: INTEGER)
<b>Result Type:</b>	BOOLEAN
<b>Comments:</b>	
Description	
The operation returns TRUE if $(m \text{ DIV } (\maxret * ((230+\maxret -1)/\maxret)))$ is inside the following interval: $[0.8 - ((tx+1)/2) \text{ DIV } tx; 1.2 - ((tx+1)/2) \text{ DIV } tx]$	
where / is integer division, DIV is float division, m, tx and maxret are input parameters of the operation.	
<b>Detailed Comments:</b>	

Test Suite Operation Definition	
<b>Operation Name:</b>	OC_IntToOct(n:INTEGER; l: INTEGER)
<b>Result Type:</b>	OCTETSTRING
<b>Comments:</b>	
Description	
OC_IntToOct converts the INTEGER `n` into OCTETSTRING with length = `l`.	
for example:	
OC_IntToOct(14,1) = '0E'O;	
OC_IntToOct(18,1) = '12'O;	
OC_IntToOct(18,2) = '0012'O.	
<b>Detailed Comments:</b>	

Test Suite Operation Definition	
<b>Operation Name:</b>	OC_LeastBits(bstring:BITSTRING; lg:INTEGER)
<b>Result Type:</b>	BITSTRING
<b>Comments:</b>	
Description	
OC_LeastBits operation returns the `lg` least significant bits of the original `bstring`.	
for example:	
OC_LeastBits('110011000101010'B, 3) = '010'B,	
OC_LeastBits('110011000101010'B, 6) = '101010'B.	
<b>Detailed Comments:</b>	

Test Suite Operation Definition	
<b>Operation Name:</b>	OC_LengthOf(identity_field :Ml)
<b>Result Type:</b>	INTEGER
<b>Comments:</b>	
Description	
OC_LengthOf operation returns the actual length of the `identity_field`, the unit of length is in OCTET.	
<b>Detailed Comments:</b>	

Test Suite Operation Definition	
<b>Operation Name:</b>	OC_LengthOfBCDN(bcdn :BCDN)
<b>Result Type:</b>	INTEGER
<b>Comments:</b>	
Description	
OC_LengthOfBCDN operation returns the actual length of an IE of type BCDN `bcdn`, the unit of length is in OCTET.	
<b>Detailed Comments:</b>	

<b>Test Suite Operation Definition</b>	
<b>Operation Name:</b>	OC_LengthOfComp(comp: Component_T)
<b>Result Type:</b>	LENGTH
<b>Comments:</b>	
<b>Description</b>	
OC_LengthOfComp operation returns the actual length of the Component_T `comp`, the unit of length is in OCTET.	
<b>Detailed Comments:</b>	

<b>Test Suite Operation Definition</b>	
<b>Operation Name:</b>	OC_LengthOfString(strg: IA5String)
<b>Result Type:</b>	INTEGER
<b>Comments:</b>	
<b>Description</b>	
OC_LengthOfString operation returns the actual length (number of characters) of the string `strg`.	
<b>Detailed Comments:</b>	

<b>Test Suite Operation Definition</b>	
<b>Operation Name:</b>	OC_LookupS(t: INTEGER; combined :BOOLEAN)
<b>Result Type:</b>	INTEGER
<b>Comments:</b>	the algorithm is derived from Table 3.1/GSM 04.08 for values of parameter S.
<b>Description</b>	
This operation returns an INTEGER according the following algorithm:	
<pre>OC_LookupS( t, comb) INTEGER t; BOOLEAN combined; {   switch (t)   { case 3:     case 8:     case 14:     case 50:       if (combined) then         return(41)       else return(55);       break;     case 4:     case 9:     case 16:       if (combined) then         return(52)       else return(76);       break;     case 5:     case 10:     case 20:       if (combined) then         return(58)       else return(109);       break;     case 6:     case 11:     case 25:       if (combined) then         return(86)       else return(163);       break;     case 7:     case 12:     case 32:       if (combined) then         return(115)       else return(217);       break;   } }</pre>	
<b>Detailed Comments:</b>	

<b>Test Suite Operation Definition</b>	
<b>Operation Name:</b>	OC_ModifyBcap(bcap:BCAP; list_indicator:INTEGER)
<b>Result Type:</b>	BCAP
<b>Comments:</b>	
<b>Description</b>	
<p>Using the following lists</p> <pre> modem_list = ('00011'B, '00111'B) transparent_list = ('00'B, '10'B, '11'B) non_transparent_list ('01'B, '10'B, '11'B) </pre> <p>OC_ModifyBcap operation returns a bearer capability IE modified from the input IE according the following rule:</p> <ul style="list-style-type: none"> <li>- for `list_indicator` = C_modemt_ce: <ul style="list-style-type: none"> <li>- copy the IE unchanged.</li> </ul> </li> <li>- for `list_indicator` = C_modemt_Tlist: <ul style="list-style-type: none"> <li>- replace the 'ce' value with the list 'transparent_list'</li> </ul> </li> <li>- for `list_indicator` = C_modemt_NTlist: <ul style="list-style-type: none"> <li>- replace the 'ce' value with the list 'non_transparent_list'</li> </ul> </li> <li>- for `list_indicator` = C_modemLlist_ce: <ul style="list-style-type: none"> <li>- replace the 'modemt' value with the list 'modem_list'.</li> </ul> </li> <li>- for `list_indicator` = C_modemLlist_Tlist: <ul style="list-style-type: none"> <li>- replace the 'modemt' value with the list 'modem_list', and replace the 'ce' value with the list 'transparent_list'</li> </ul> </li> <li>- for `list_indicator` = C_modemLlist_NTlist: <ul style="list-style-type: none"> <li>- replace the 'modemt' value with the list 'modem_list', and replace the 'ce' value with the list 'non_transparent_list'</li> </ul> </li> </ul>	
<b>Detailed Comments:</b>	

<b>Test Suite Operation Definition</b>	
<b>Operation Name:</b>	OC_MostBits(bstring:BITSTRING; lg :INTEGER)
<b>Result Type:</b>	BITSTRING
<b>Comments:</b>	
<b>Description</b>	
<p>OC_MostBits operation returns the `lg` most significant bits of the original `bstring`.</p> <p>for example:</p> <pre> OC_LeastBits('110011000101010'B, 3) = '110'B, OC_LeastBits('110011000101010'B, 6) = '110011'B. </pre>	
<b>Detailed Comments:</b>	

<b>Test Suite Operation Definition</b>	
<b>Operation Name:</b>	OC_MsrReptChk(msrres: MSRR; index:INTEGER)
<b>Result Type:</b>	BOOLEAN
<b>Comments:</b>	parameter index is used for selecting different match pattern
<b>Description</b>	
<p>OC_MsrReptChk operation checks whether the received measurement report contains correct values:</p> <ol style="list-style-type: none"> <li>1. when the `index` = 1: <pre> if set { { msrres.bcchfrq_nc1, msrres.bsic_nc1}, { msrres.bcchfrq_nc2, msrres.bsic_nc2},         { msrres.bcchfrq_nc3, msrres.bsic_nc3}, { msrres.bcchfrq_nc4, msrres.bsic_nc4},         { msrres.bcchfrq_nc5, msrres.bsic_nc5}, { msrres.bcchfrq_nc6, msrres.bsic_nc6}       } equals to set { {'0000'B, '001011'B}, {'01111'B, '001001'B},       {'10101'B, '001011'B}, {'10110'B, '001101'B},       {'11100'B, '001111'B}, {'11111'B, '001001'B}     } then the operation returns TRUE otherwise FALSE. </pre> </li> <li>2. when the `index` = 2: <pre> if set { { msrres.bcchfrq_nc1, msrres.bsic_nc1}, { msrres.bcchfrq_nc2, msrres.bsic_nc2},         { msrres.bcchfrq_nc3, msrres.bsic_nc3}, { msrres.bcchfrq_nc4, msrres.bsic_nc4},         { msrres.bcchfrq_nc5, msrres.bsic_nc5}, { msrres.bcchfrq_nc6, msrres.bsic_nc6}       } equals to set { {'0000'B, '001011'B}, {'00100'B, '001001'B},       {'00110'B, '001011'B}, {'00101'B, '001101'B},       {'00010'B, '001111'B}, {'00111'B, '001001'B}     } then the operation returns TRUE otherwise FALSE. </pre> </li> <li>3. when the `index` = 3: <pre> if set { { msrres.bcchfrq_nc1, msrres.bsic_nc1}, { msrres.bcchfrq_nc2, msrres.bsic_nc2},         { msrres.bcchfrq_nc3, msrres.bsic_nc3}, { msrres.bcchfrq_nc4, msrres.bsic_nc4},         { msrres.bcchfrq_nc5, msrres.bsic_nc5}, { msrres.bcchfrq_nc6, msrres.bsic_nc6}       } equals to set { {'00001'B, '001011'B}, {'00101'B, '001001'B},       {'00111'B, '001011'B}, {'00110'B, '001101'B},       {'00011'B, '001111'B}, {'01000'B, '001001'B}     } then the operation returns TRUE otherwise FALSE. </pre> </li> <li>4. when the `index` = 4 : <pre> if set { { msrres.bcchfrq_nc1, msrres.bsic_nc1}, { msrres.bcchfrq_nc2, msrres.bsic_nc2},         { msrres.bcchfrq_nc3, msrres.bsic_nc3}, { msrres.bcchfrq_nc4, msrres.bsic_nc4},       } equals to set { {'00000'B, '001011'B}, {'00010'B, '001111'B},       {'00001'B, '001111'B}, {'00011'B, '001001'B}     } then the operation returns TRUE otherwise FALSE. </pre> </li> <li>5. when the `index` = 5 : <pre> if set { { msrres.bcchfrq_nc1, msrres.bsic_nc1}, { msrres.bcchfrq_nc2, msrres.bsic_nc2},         { msrres.bcchfrq_nc3, msrres.bsic_nc3}, { msrres.bcchfrq_nc4, msrres.bsic_nc4},       } equals to set { {'00000'B, '001011'B}, {'00010'B, '001111'B},       {'00001'B, '001111'B}, {'00100'B, '001001'B}     } then the operation returns TRUE otherwise FALSE. </pre> </li> </ol>	



6. when the `index` = 6:
- ```

if set { { msrres.bcchfrq_nc1, msrres.bsic_nc1}, { msrres.bcchfrq_nc2, msrres.bsic_nc2},
        { msrres.bcchfrq_nc3, msrres.bsic_nc3}, { msrres.bcchfrq_nc4, msrres.bsic_nc4},
        { msrres.bcchfrq_nc5, msrres.bsic_nc5}, { msrres.bcchfrq_nc6, msrres.bsic_nc6}
      }
equals to
set { {'00000'B, '001011'B}, {'00011'B, '001001'B},
      {'00100'B, '001011'B}, {'00101'B, '001101'B},
      {'00110'B, '001111'B}, {'00111'B, '001001'B}
    }
then the operation returns TRUE otherwise FALSE.

```
7. when the `index` = 7:
- ```

if set { { msrres.bcchfrq_nc1, msrres.bsic_nc1}, { msrres.bcchfrq_nc2, msrres.bsic_nc2},
        { msrres.bcchfrq_nc3, msrres.bsic_nc3}, { msrres.bcchfrq_nc4, msrres.bsic_nc4},
        { msrres.bcchfrq_nc5, msrres.bsic_nc5}, { msrres.bcchfrq_nc6, msrres.bsic_nc6}
      }
equals to
set { {'00000'B, '001011'B}, {'00100'B, '001001'B},
      {'00110'B, '001011'B}, {'00101'B, '001101'B},
      {'00010'B, '001111'B}, {'00111'B, '001001'B}
    }
then the operation returns TRUE otherwise FALSE.

```
8. when the `index` = 8 :
- ```

if set { { msrres.bcchfrq_nc1, msrres.bsic_nc1}, { msrres.bcchfrq_nc2, msrres.bsic_nc2}
      }
equals to
set { {'00000'B, '001011'B}, {'00010'B, '001101'B}
    }
then the operation returns TRUE otherwise FALSE.

```
9. when the `index` = 9 :
- ```

if set { { msrres.bcchfrq_nc1, msrres.bsic_nc1}, { msrres.bcchfrq_nc2, msrres.bsic_nc2}
      }
equals to
set { {'00110'B, '001011'B}, {'00111'B, '001101'B}
    }
then the operation returns TRUE otherwise FALSE.

```
10. when the `index` = 10 :
- ```

if set { { msrres.bcchfrq_nc1, msrres.bsic_nc1}, { msrres.bcchfrq_nc2, msrres.bsic_nc2}
      }
equals to
set { {'00011'B, '001011'B}, {'00101'B, '001101'B}
    }
then the operation returns TRUE otherwise FALSE.

```

**Detailed Comments:**

| <b>Test Suite Operation Definition</b>                                                                                                                                                                                                                                                                                                |                                                                                                         |
|---------------------------------------------------------------------------------------------------------------------------------------------------------------------------------------------------------------------------------------------------------------------------------------------------------------------------------------|---------------------------------------------------------------------------------------------------------|
| <b>Operation Name:</b>                                                                                                                                                                                                                                                                                                                | OC_OeBit(bcddigits:HEXSTRING)                                                                           |
| <b>Result Type:</b>                                                                                                                                                                                                                                                                                                                   | BITSTRING                                                                                               |
| <b>Comments:</b>                                                                                                                                                                                                                                                                                                                      | The input parameter `bcddigits` is really BCD string (subset of HEXSTRING), the result is BITSTRING[1]. |
| Description                                                                                                                                                                                                                                                                                                                           |                                                                                                         |
| <p>The function of the OC_OeBit is as the following:</p> <ol style="list-style-type: none"> <li>1. it returns '1'B, if the length of the `bcddigits` is odd,</li> <li>2. it returns '0'B, if the length of the `bcddigits` is even.</li> </ol> <p>for example:</p> <p>OC_OeBit('12583') = '1'B,<br/> OC_OeBit('87259957') = '0'B.</p> |                                                                                                         |
| <b>Detailed Comments:</b>                                                                                                                                                                                                                                                                                                             |                                                                                                         |

| <b>Test Suite Operation Definition</b>                    |                                |
|-----------------------------------------------------------|--------------------------------|
| <b>Operation Name:</b>                                    | OC_OctToInt(ostr: OCTETSTRING) |
| <b>Result Type:</b>                                       | INTEGER                        |
| <b>Comments:</b>                                          |                                |
| Description                                               |                                |
| OC_OctToInt converts the OCTETSTRING `ostr` into INTEGER. |                                |
| <b>Detailed Comments:</b>                                 |                                |

| <b>Test Suite Operation Definition</b>                                                                                                                                                                                                                                                                                                                                                                                                                                                                                                                                                                    |                                     |
|-----------------------------------------------------------------------------------------------------------------------------------------------------------------------------------------------------------------------------------------------------------------------------------------------------------------------------------------------------------------------------------------------------------------------------------------------------------------------------------------------------------------------------------------------------------------------------------------------------------|-------------------------------------|
| <b>Operation Name:</b>                                                                                                                                                                                                                                                                                                                                                                                                                                                                                                                                                                                    | OC_OctToInvokelDType(o:OCTETSTRING) |
| <b>Result Type:</b>                                                                                                                                                                                                                                                                                                                                                                                                                                                                                                                                                                                       | InvokelDType                        |
| <b>Comments:</b>                                                                                                                                                                                                                                                                                                                                                                                                                                                                                                                                                                                          |                                     |
| Description                                                                                                                                                                                                                                                                                                                                                                                                                                                                                                                                                                                               |                                     |
| <p>OC_OctToInvokelDType converts the OCTETSTRING `o` into InvokelDType, with the MSB of `o` representing the negative value <math>-2^{\text{exp}(n-1)}</math>, for example '80'O-&gt;'10000000'B-&gt; -128. The rest of the bits can code positive values up to <math>+2^{\text{exp}(n-2)-1}</math>, for example '4F'O-&gt;'01111111'B-&gt; +127.</p> <p>for example:</p> <p>OC_OctToInvokelDType('80'O) = -128;<br/> OC_OctToInvokelDType('81'O) = -128+1 = -127;<br/> OC_OctToInvokelDType('40'O) = +64.<br/> OC_OctToInvokelDType('7F'O) = +127.<br/> OC_OctToInvokelDType('C0'O) = -128+64 = -64.</p> |                                     |
| <b>Detailed Comments:</b>                                                                                                                                                                                                                                                                                                                                                                                                                                                                                                                                                                                 |                                     |

| <b>Test Suite Operation Definition</b>                                                                                                                                                                                                                                                                                                                                                                                                                                                                                                                                                       |                                                                                                                                                                              |
|----------------------------------------------------------------------------------------------------------------------------------------------------------------------------------------------------------------------------------------------------------------------------------------------------------------------------------------------------------------------------------------------------------------------------------------------------------------------------------------------------------------------------------------------------------------------------------------------|------------------------------------------------------------------------------------------------------------------------------------------------------------------------------|
| <b>Operation Name:</b>                                                                                                                                                                                                                                                                                                                                                                                                                                                                                                                                                                       | OC_OtherDigi(bcddigits:HEXSTRING)                                                                                                                                            |
| <b>Result Type:</b>                                                                                                                                                                                                                                                                                                                                                                                                                                                                                                                                                                          | OCTETSTRING                                                                                                                                                                  |
| <b>Comments:</b>                                                                                                                                                                                                                                                                                                                                                                                                                                                                                                                                                                             | The input parameter `bcddigits` is really BCD string (subset of HEXSTRING), the result is an even BCD digits except that the next to last may either be 'F'H or a BCD digit. |
| <b>Description</b>                                                                                                                                                                                                                                                                                                                                                                                                                                                                                                                                                                           |                                                                                                                                                                              |
| <p>The function of the OC_OtherDigi is as the following:</p> <ol style="list-style-type: none"> <li>1. If the number of the `bcddigits` is odd, the operation removes the most significant digit, and then reverses the order of each pair of digits;</li> <li>2. If the number of the `bcddigits` is even, first the operation suffixes the `bcddigits` with 'F'H, then removes the most significant digit, and then reverses the order of each pair of digits.</li> </ol> <p>for example:</p> <p>OC_OtherDigi('12345') = '3254',<br/>           OC_OtherDigi('12345678') = '325476F8'.</p> |                                                                                                                                                                              |
| <b>Detailed Comments:</b>                                                                                                                                                                                                                                                                                                                                                                                                                                                                                                                                                                    |                                                                                                                                                                              |

| <b>Test Suite Operation Definition</b>                                                                                                                                                                                                                                                                                                          |                                               |
|-------------------------------------------------------------------------------------------------------------------------------------------------------------------------------------------------------------------------------------------------------------------------------------------------------------------------------------------------|-----------------------------------------------|
| <b>Operation Name:</b>                                                                                                                                                                                                                                                                                                                          | OC_PosinSet(set: Components; comp: Component) |
| <b>Result Type:</b>                                                                                                                                                                                                                                                                                                                             | INTEGER                                       |
| <b>Comments:</b>                                                                                                                                                                                                                                                                                                                                |                                               |
| <b>Description</b>                                                                                                                                                                                                                                                                                                                              |                                               |
| <p>The operation OC_PosinSet returns the position of component `comp` within the SET `set`.</p> <p>for example:</p> <p>if the set = { registerSSComponents, eraseSSComponents, activateSSComponents, deactivateSSComponents }</p> <p>OC_PosinSet(set, registerSSComponents) = 0,<br/>           OC_PosinSet(set, activateSSComponents) = 2.</p> |                                               |
| <b>Detailed Comments:</b>                                                                                                                                                                                                                                                                                                                       |                                               |

| <b>Test Suite Operation Definition</b>                                                                                                                                                                                                                                                                                                                                                                                                                                                                                                                                                                                                                                                                                                                                                                                                                                                                                                                                                                                                                                                                                                                                                                                                                                                                                                                                                                                                                                                                                                                                                                                                                                                                                                                                                                                                                                                                                                                                                                                                                                                                                                                                                                                                                                                                                                                                                                                                                                                                                                                                                                                                                                                                                                                                                                                                                                                                                                                                                                                                                                                                                                                                                                                                                                                                                                                                                                                                                                                                                                                                                                                                                                                                                                                                                                                                                                                                                                                 |                                                           |
|--------------------------------------------------------------------------------------------------------------------------------------------------------------------------------------------------------------------------------------------------------------------------------------------------------------------------------------------------------------------------------------------------------------------------------------------------------------------------------------------------------------------------------------------------------------------------------------------------------------------------------------------------------------------------------------------------------------------------------------------------------------------------------------------------------------------------------------------------------------------------------------------------------------------------------------------------------------------------------------------------------------------------------------------------------------------------------------------------------------------------------------------------------------------------------------------------------------------------------------------------------------------------------------------------------------------------------------------------------------------------------------------------------------------------------------------------------------------------------------------------------------------------------------------------------------------------------------------------------------------------------------------------------------------------------------------------------------------------------------------------------------------------------------------------------------------------------------------------------------------------------------------------------------------------------------------------------------------------------------------------------------------------------------------------------------------------------------------------------------------------------------------------------------------------------------------------------------------------------------------------------------------------------------------------------------------------------------------------------------------------------------------------------------------------------------------------------------------------------------------------------------------------------------------------------------------------------------------------------------------------------------------------------------------------------------------------------------------------------------------------------------------------------------------------------------------------------------------------------------------------------------------------------------------------------------------------------------------------------------------------------------------------------------------------------------------------------------------------------------------------------------------------------------------------------------------------------------------------------------------------------------------------------------------------------------------------------------------------------------------------------------------------------------------------------------------------------------------------------------------------------------------------------------------------------------------------------------------------------------------------------------------------------------------------------------------------------------------------------------------------------------------------------------------------------------------------------------------------------------------------------------------------------------------------------------------------------|-----------------------------------------------------------|
| <b>Operation Name:</b>                                                                                                                                                                                                                                                                                                                                                                                                                                                                                                                                                                                                                                                                                                                                                                                                                                                                                                                                                                                                                                                                                                                                                                                                                                                                                                                                                                                                                                                                                                                                                                                                                                                                                                                                                                                                                                                                                                                                                                                                                                                                                                                                                                                                                                                                                                                                                                                                                                                                                                                                                                                                                                                                                                                                                                                                                                                                                                                                                                                                                                                                                                                                                                                                                                                                                                                                                                                                                                                                                                                                                                                                                                                                                                                                                                                                                                                                                                                                 | OC_RachSlots(fn1:FN; fn2:FN; cmbn: BOOLEAN; mode:INTEGER) |
| <b>Result Type:</b>                                                                                                                                                                                                                                                                                                                                                                                                                                                                                                                                                                                                                                                                                                                                                                                                                                                                                                                                                                                                                                                                                                                                                                                                                                                                                                                                                                                                                                                                                                                                                                                                                                                                                                                                                                                                                                                                                                                                                                                                                                                                                                                                                                                                                                                                                                                                                                                                                                                                                                                                                                                                                                                                                                                                                                                                                                                                                                                                                                                                                                                                                                                                                                                                                                                                                                                                                                                                                                                                                                                                                                                                                                                                                                                                                                                                                                                                                                                                    | INTEGER                                                   |
| <b>Comments:</b>                                                                                                                                                                                                                                                                                                                                                                                                                                                                                                                                                                                                                                                                                                                                                                                                                                                                                                                                                                                                                                                                                                                                                                                                                                                                                                                                                                                                                                                                                                                                                                                                                                                                                                                                                                                                                                                                                                                                                                                                                                                                                                                                                                                                                                                                                                                                                                                                                                                                                                                                                                                                                                                                                                                                                                                                                                                                                                                                                                                                                                                                                                                                                                                                                                                                                                                                                                                                                                                                                                                                                                                                                                                                                                                                                                                                                                                                                                                                       |                                                           |
| Description                                                                                                                                                                                                                                                                                                                                                                                                                                                                                                                                                                                                                                                                                                                                                                                                                                                                                                                                                                                                                                                                                                                                                                                                                                                                                                                                                                                                                                                                                                                                                                                                                                                                                                                                                                                                                                                                                                                                                                                                                                                                                                                                                                                                                                                                                                                                                                                                                                                                                                                                                                                                                                                                                                                                                                                                                                                                                                                                                                                                                                                                                                                                                                                                                                                                                                                                                                                                                                                                                                                                                                                                                                                                                                                                                                                                                                                                                                                                            |                                                           |
| <p>OC_RachSlots calculates the number of RACH slots between frame number `fn1` and `fn2` excluding the slots in `fn1` and `fn2`, then return the result of the calculation.</p> <p>If mode=0, 'fn1' denotes the (first) frame number for sending Paging Request, while 'fn2' denotes the (first) frame number for the received Channel Request. If mode=1 'fn1' and 'fn2' denote the (first) frame number for the received two subsequent Channel Requests. Any other values for mode is not allowed.</p> <p>Since the number of RACH slots depends on the RACH being combined or not with dedicated channels, the parameter 'cmbn' is needed: TRUE --&gt; combined, FALSE--&gt; not combined.</p> <p>It is assumed that the distance between fn1 and fn2 is not more than one group of 42432 TDMA frames (modulo 42432 is used to calculate t1' of fn1 and fn2). This is equivalent to approximately 196 seconds. The 51 TDMA frames in a multiframe are numbered 0 to 50.</p> <p>fn1' := fn1 mod 51<br/> fn2' := fn2 mod 51</p> <p>CASE 1: cmbn is FALSE ('not combined')</p> <p>When 'not combined', all slots are RACH slots.</p> <p>1.1 mode=0 (sending paging message at fn1)</p> <p>The paging uses the numbered frames 6 - 9, 12 -19, 22-29, 32-39 and 42-49.</p> <p>1.1.1 If fn1 is not in the paging TDMA frame mapping, it leads testing to a test system error.<br/> IF (fn1' &lt; 6) OR (9 &lt; fn1' &lt; 12) OR (19 &lt; fn1' &lt; 22) OR (29 &lt; fn1' &lt; 32) OR (39 &lt; fn1' &lt; 42) OR (fn1' &gt;49),<br/> A test system error! The calling test case shall re-run again.<br/> OTHERWISE</p> <p>1.1.2 The number of RACH slots is equal to the number of frames between fn1 + 3 and fn2. The fn1 is added by 3 because a page message occupies 4 slots. The fn1 indicates the first slot of the paging message.<br/> IF (fn1 + 3) &lt; fn2, OC_RachSlots := fn2 - (fn1 + 3) -1 = fn2 - fn1 - 4,</p> <p>1.1.3 If fn1+3 is equal to or greater than fn2, then this is due to fn2 being in the next group of 42432 frames. In this case 42432 frames have to be added.<br/> IF fn2 &lt;= (fn1 + 3), OC_RachSlots := fn2 -fn1 - 3 + 42432 -1 = fn2 -fn1 + 42428</p> <p>1.2 mode=1 (receiving channel request at fn1)</p> <p>The number of RACH slots is equal to the number of frames between fn1 and fn2</p> <p>1.2.1 IF fn1 &lt; fn2, OC_RachSlots := fn2 - fn1 - 1,<br/> 1.2.2 IF fn2 &lt;= fn1, OC_RachSlots := fn2 -fn1 + 42432 -1 = fn2 -fn1 + 42431</p> <p>CASE 2: cmbn is TRUE ('combined')</p> <p>When combined only the slots of the numbered frames 4, 5, 14 to 36, 45 and 46 in each multiframe are RACH slots, i.e.total 27 frames per multiframe.</p> <p>2.1 mode=0 (sending paging message at fn1)</p> <p>The paging uses the numbered frames 6 - 9 and 12 -19.</p> <p>2.1.1 If fn1 is not in the paging TDMA frame mapping, it leads testing to a test system error. If fn2 is not in the RACH TDMA frame mapping, it leads testing to fail.</p> <p>IF (fn2' &lt; 4) OR (5 &lt; fn2' &lt; 14) OR (36 &lt; fn2' &lt; 45) OR (fn2' &gt; 46), OC_RachSlots := -9999<br/> IF (fn1' &lt; 6) OR (9 &lt; fn1' &lt; 12) OR (fn1' &gt;19), A test system error! The calling test case shall re-run again.<br/> OTHERWISE</p> <p>2.1.2 Calculation of the number 'c' multiframes between fn1 + 3 and fn2. If fn1 + 3 is equal to or greater than fn2, then this is due to fn2 being in the next group of 42432 frames. In this case 42432 frames have to be added. '/' shall be the integer division, i.e. the result is also integer. Fractions are discarded.</p> <p>2.1.2.1 IF (fn1 + 3) &lt; fn2, c := fn2 / 51 - (fn1 + 3) / 51<br/> 2.1.2.2 IF fn2 &lt;= (fn1 + 3), c := fn2 / 51 - (fn1 + 3) / 51 + 42432 / 51 = fn2 / 51 - (fn1 + 3) / 51 + 832</p> <p>2.1.3 Calculation of the number of frames 'a' to be subtracted according to the position of fn1' within the multiframe<br/> IF (5 &lt; fn1' &lt; 9) , a := 2</p> |                                                           |

|                                                                                                                                                                                                                                                                                                                                                                                                                                                                                                                                                                                                                                                                                                                                                                                                                                                                                                                                                                                                                                                                                                                                                                                                                                                                                                                                                                   |
|-------------------------------------------------------------------------------------------------------------------------------------------------------------------------------------------------------------------------------------------------------------------------------------------------------------------------------------------------------------------------------------------------------------------------------------------------------------------------------------------------------------------------------------------------------------------------------------------------------------------------------------------------------------------------------------------------------------------------------------------------------------------------------------------------------------------------------------------------------------------------------------------------------------------------------------------------------------------------------------------------------------------------------------------------------------------------------------------------------------------------------------------------------------------------------------------------------------------------------------------------------------------------------------------------------------------------------------------------------------------|
| <p>IF (fn1' =9),            a := 3<br/> IF (11 &lt; fn1' &lt; 20),    a := fn1' - 8</p> <p>2.2 mode=1 (receiving channel request at fn1)</p> <p>2.2.1 If fn1 or fn2 are not in the RACH TDMA frame mapping, it leads testing to fail.<br/> IF (fn2' &lt; 4) OR (5 &lt; fn2' &lt; 14) OR (36 &lt; fn2' &lt; 45) OR (fn2' &gt; 46)<br/> OR (fn1' &lt; 6) OR (9 &lt; fn1' &lt; 12) OR (fn1' &gt; 19), OC_RachSlots := -9999</p> <p>2.2.2 Calculation of the number 'c' multiframe between fn1 and fn2<br/> 2.2.2.1 IF fn1 &lt; fn2,    c := fn2 / 51 - fn1 / 51<br/> 2.2.2.2 IF fn2 &lt;= fn1    c := fn2 / 51 - fn1 / 51 + 42432 / 51 = fn2 / 51 - fn1 / 51 + 832</p> <p>2.2.3 Calculation of the number of frames 'a' to be subtracted according to the position of fn1' within the multiframe<br/> IF (3 &lt; fn1' &lt; 6:),      a:= fn1' - 3<br/> IF (13 &lt; fn1' &lt; 37),    a:= fn1' - 11<br/> IF (44 &lt; fn1' &lt; 47),    a:= fn1' - 19</p> <p>2.3 Calculation of the number of slots 'b' to be added according to the position of fn2' within the multiframe<br/> IF (3 &lt; fn2' &lt; 6:),      b:= fn2' - 4<br/> IF (13 &lt; fn2' &lt; 37),    b:= fn2' - 12<br/> IF (44 &lt; fn2' &lt; 47),    b:= fn2' - 20</p> <p>2.4 Calculation of the number of RACH slots. There are 27 RACH slots in each multiframe.<br/> OC_RachSlots := 27 * c + b - a</p> |
| <p><b>Detailed Comments:</b>      TC_26_2_1_1 uses mode=0. TC_26_2_1_2 uses mode=1.</p>                                                                                                                                                                                                                                                                                                                                                                                                                                                                                                                                                                                                                                                                                                                                                                                                                                                                                                                                                                                                                                                                                                                                                                                                                                                                           |

| <b>Test Suite Operation Definition</b>                                                               |                                   |
|------------------------------------------------------------------------------------------------------|-----------------------------------|
| <b>Operation Name:</b>                                                                               | OC_Random(n1:INTEGER; n2:INTEGER) |
| <b>Result Type:</b>                                                                                  | INTEGER                           |
| <b>Comments:</b>                                                                                     |                                   |
| <b>Description</b>                                                                                   |                                   |
| This operation randomly returns one number from the following candidates:<br>'n1', 'n1'+1, ..., 'n2' |                                   |
| <b>Detailed Comments:</b>                                                                            |                                   |

| <b>Test Suite Operation Definition</b>                                                    |                                                     |
|-------------------------------------------------------------------------------------------|-----------------------------------------------------|
| <b>Operation Name:</b>                                                                    | OC_RcsdPresent(msg:MODIFY_PDU)                      |
| <b>Result Type:</b>                                                                       | BOOLEAN                                             |
| <b>Comments:</b>                                                                          | To check if RCSD IE is present or not in Modify PDU |
| <b>Description</b>                                                                        |                                                     |
| IF RCSD IE is present in the PDU passed on input parameter return TRUE ELSE return FALSE. |                                                     |
| <b>Detailed Comments:</b>                                                                 |                                                     |

| <b>Test Suite Operation Definition</b>                                                                                                                                                                                                                                                                                                                                                                                                                                                                                                                                                                                                                                                                                                                                                                                           |                                                                                                                                                                                                                                                                                                                                                                                                                                                                                                                                                                                                                                        |
|----------------------------------------------------------------------------------------------------------------------------------------------------------------------------------------------------------------------------------------------------------------------------------------------------------------------------------------------------------------------------------------------------------------------------------------------------------------------------------------------------------------------------------------------------------------------------------------------------------------------------------------------------------------------------------------------------------------------------------------------------------------------------------------------------------------------------------|----------------------------------------------------------------------------------------------------------------------------------------------------------------------------------------------------------------------------------------------------------------------------------------------------------------------------------------------------------------------------------------------------------------------------------------------------------------------------------------------------------------------------------------------------------------------------------------------------------------------------------------|
| <b>Operation Name:</b>                                                                                                                                                                                                                                                                                                                                                                                                                                                                                                                                                                                                                                                                                                                                                                                                           | OC_SaveAndProc1(val:INTEGER; mode :INTEGER; cnt:INTEGER; cmbnd:BOOLEAN)                                                                                                                                                                                                                                                                                                                                                                                                                                                                                                                                                                |
| <b>Result Type:</b>                                                                                                                                                                                                                                                                                                                                                                                                                                                                                                                                                                                                                                                                                                                                                                                                              | BOOLEAN                                                                                                                                                                                                                                                                                                                                                                                                                                                                                                                                                                                                                                |
| <b>Comments:</b>                                                                                                                                                                                                                                                                                                                                                                                                                                                                                                                                                                                                                                                                                                                                                                                                                 | This operation is used for storing and analysing the CHANNEL REQUEST message distribution.                                                                                                                                                                                                                                                                                                                                                                                                                                                                                                                                             |
| <b>Description</b>                                                                                                                                                                                                                                                                                                                                                                                                                                                                                                                                                                                                                                                                                                                                                                                                               |                                                                                                                                                                                                                                                                                                                                                                                                                                                                                                                                                                                                                                        |
| <p>The function of this operation is defined as an pseudo C code:</p> <pre> #define SAVE 0; #define PROC 1;  OC_SaveAndProc(val, mode,cnt) INTEGER    val, mode,cnt; BOOLEAN    combined; {   static INTEGER  buf[200];   int i, j, n;   if (mode == SAVE)     { cnt = cnt mod 200;       if (cmbnd == C_NotCombined) AND (val&lt;(151 + 8)) then         { buf[cnt] = val;           return (TRUE);         }       if (cmbnd == C_Combined) AND (val&lt;(81 + 8)) then         { buf[cnt] = val;           return (TRUE);         }       else return (FALSE);     }   if (mode == PROC)     {       for (i=0, i&lt;200, i++)         { n=0;           for (j=0, j&lt;200, j++)             if (buf[j] == buf[i])               n = n+1;           if (n &gt; 41) return (FALSE);         }       return(TRUE);     } } </pre> |                                                                                                                                                                                                                                                                                                                                                                                                                                                                                                                                                                                                                                        |
| <b>Detailed Comments:</b>                                                                                                                                                                                                                                                                                                                                                                                                                                                                                                                                                                                                                                                                                                                                                                                                        | <p>This test suite operation has two operation modes :</p> <ul style="list-style-type: none"> <li>- when the mode is SAVE and the val is less than 89 for combined or 159 for non-combined, it saves the value val into internal buffer and returns TRUE, otherwise returns FALSE. 200 values will be stored in the internal buffer when the operation is invoked 200 times.</li> <li>- When the mode is PROC, it analyses the values stored in the internal buffer, if no more than 41 of them are equal the operation returns TRUE, otherwise returns FALSE. ( i.e. for all n, <math>CARD\{ k f(k) = n \} \leq 41</math>)</li> </ul> |

| <b>Test Suite Operation Definition</b>                                                                                                                                                                                                                                                                                                                                                                                                                                                                                                                                                                                            |                                                                                                                                                                                                                                                                                                                                                                                                                                                        |
|-----------------------------------------------------------------------------------------------------------------------------------------------------------------------------------------------------------------------------------------------------------------------------------------------------------------------------------------------------------------------------------------------------------------------------------------------------------------------------------------------------------------------------------------------------------------------------------------------------------------------------------|--------------------------------------------------------------------------------------------------------------------------------------------------------------------------------------------------------------------------------------------------------------------------------------------------------------------------------------------------------------------------------------------------------------------------------------------------------|
| <b>Operation Name:</b>                                                                                                                                                                                                                                                                                                                                                                                                                                                                                                                                                                                                            | OC_SaveAndProc3(val:BITSTRING; mode :INTEGER; cnt:INTEGER)                                                                                                                                                                                                                                                                                                                                                                                             |
| <b>Result Type:</b>                                                                                                                                                                                                                                                                                                                                                                                                                                                                                                                                                                                                               | BOOLEAN                                                                                                                                                                                                                                                                                                                                                                                                                                                |
| <b>Comments:</b>                                                                                                                                                                                                                                                                                                                                                                                                                                                                                                                                                                                                                  | This operation is used for storing and analysing the random reference.                                                                                                                                                                                                                                                                                                                                                                                 |
| <b>Description</b>                                                                                                                                                                                                                                                                                                                                                                                                                                                                                                                                                                                                                |                                                                                                                                                                                                                                                                                                                                                                                                                                                        |
| <p>The function of this operation is defined as an pseudo C code:</p> <pre> #define SAVE 0; #define PROC 1;  OC_SaveAndProc(val, mode,cnt) BITSTRING[8] val; INTEGER    mode,cnt; { static BITSTRING[8]  buf[7]; int i, j, n=7; if (mode == SAVE)     { cnt = cnt mod 7;       buf[cnt] = val;       return(TRUE);     } if (mode == PROC)     {     for (i=0, i&lt;6, i++)         { for (j=i+1, j&lt;7, j++)             if (buf[j] == buf[i])                 { n = n-1;                   break;                 }             }         }     if (n&gt;=4) then         return(TRUE)     else return (FALSE);     } } </pre> |                                                                                                                                                                                                                                                                                                                                                                                                                                                        |
| <b>Detailed Comments:</b>                                                                                                                                                                                                                                                                                                                                                                                                                                                                                                                                                                                                         | <p>The function of this test suite operation is :</p> <ul style="list-style-type: none"> <li>- it saves the value val into internal buffer when the mode = SAVE. 7 values will be stored in the internal buffer when the operation is invoked 7 times.</li> <li>- it compares the values stored in the internal buffer when the mode = PROC, if 4 or more than 4 of them are different the operation returns TRUE, otherwise returns FALSE.</li> </ul> |

| <b>Test Suite Operation Definition</b>                                                                                                                                                                                                                                                                                                                                                                                                                                                                                                                                                                                                                                                                                                                                                                                                                                                                                                                                                                                                                                                                                                                                                                                                                                                                                                                                                                                                                                                                                                                                                                                                                                                              |                                                                                                                                                                                                                                                                                                   |
|-----------------------------------------------------------------------------------------------------------------------------------------------------------------------------------------------------------------------------------------------------------------------------------------------------------------------------------------------------------------------------------------------------------------------------------------------------------------------------------------------------------------------------------------------------------------------------------------------------------------------------------------------------------------------------------------------------------------------------------------------------------------------------------------------------------------------------------------------------------------------------------------------------------------------------------------------------------------------------------------------------------------------------------------------------------------------------------------------------------------------------------------------------------------------------------------------------------------------------------------------------------------------------------------------------------------------------------------------------------------------------------------------------------------------------------------------------------------------------------------------------------------------------------------------------------------------------------------------------------------------------------------------------------------------------------------------------|---------------------------------------------------------------------------------------------------------------------------------------------------------------------------------------------------------------------------------------------------------------------------------------------------|
| <b>Operation Name:</b>                                                                                                                                                                                                                                                                                                                                                                                                                                                                                                                                                                                                                                                                                                                                                                                                                                                                                                                                                                                                                                                                                                                                                                                                                                                                                                                                                                                                                                                                                                                                                                                                                                                                              | OC_SaveAndRetrv(val:RQR; mode, idx, ex: INTEGER)                                                                                                                                                                                                                                                  |
| <b>Result Type:</b>                                                                                                                                                                                                                                                                                                                                                                                                                                                                                                                                                                                                                                                                                                                                                                                                                                                                                                                                                                                                                                                                                                                                                                                                                                                                                                                                                                                                                                                                                                                                                                                                                                                                                 | RQR                                                                                                                                                                                                                                                                                               |
| <b>Comments:</b>                                                                                                                                                                                                                                                                                                                                                                                                                                                                                                                                                                                                                                                                                                                                                                                                                                                                                                                                                                                                                                                                                                                                                                                                                                                                                                                                                                                                                                                                                                                                                                                                                                                                                    | This operation is used for storing and retrieving the random reference.                                                                                                                                                                                                                           |
| <b>Description</b>                                                                                                                                                                                                                                                                                                                                                                                                                                                                                                                                                                                                                                                                                                                                                                                                                                                                                                                                                                                                                                                                                                                                                                                                                                                                                                                                                                                                                                                                                                                                                                                                                                                                                  |                                                                                                                                                                                                                                                                                                   |
| <p>The function of this test suite operation is (in prose):</p> <ul style="list-style-type: none"> <li>- it saves the value val into internal buffer buff[idx] when the mode = SAVE and ex = 0. Maximum 9 values can be stored. The idx is ranged between 1-9.</li> <li>- it returns the value stored in the internal buffer buff[idx] when the mode = RETRV and ex = 0.</li> <li>- it returns a value which is different from any value stored in the buf and also different from any values which have been returned by the consecutive invocation of this operation with ex &lt;= 0, if ex &gt; 0. The idx is ranged between 10-13.</li> </ul> <p>The function of this operation is defined as an pseudo C code:</p> <pre> #define SAVE 0; #define RETRV 1;  OC_SaveAndRetrv(val, mode, idx, ex) RQR      val; INTEGER  mode, idx, ex; {   int i, j;   static RQR  buf[14];   if ((mode == SAVE) AND (ex == 0))   {     buf[idx] = val;     buf[10].ra = '00000000'B;     buf[10].fn = '00'O;     buf[11].ra = '00000000'B;     buf[11].fn = '00'O;     buf[12].ra = '00000000'B;     buf[12].fn = '00'O;     buf[13].ra = '00000000'B;     buf[13].fn = '00'O;     return (buf[10]);   }   if ((mode == RETRV) AND (ex == 0))     return (buf[idx]);   if (ex != 0)   {     buf[0].ra = buf[1].ra + '00000001'B;     buf[0].fn = buf[1].fn;     for (j=1, j &lt; 13, j++)     {       for (i=1, i &lt; 14, i++)         if (buf[0] == buf[i])           { buf[0].ra = buf[i].ra + '00000001'B;             break;           }     }     if (i == 14)     {       buf[idx].ra = buf[0].ra;       return (buf[0]);     }   }   buf[idx].ra = buf[j].ra+'00000001'B;   return (buf[idx]); } </pre> |                                                                                                                                                                                                                                                                                                   |
| <b>Detailed Comments:</b>                                                                                                                                                                                                                                                                                                                                                                                                                                                                                                                                                                                                                                                                                                                                                                                                                                                                                                                                                                                                                                                                                                                                                                                                                                                                                                                                                                                                                                                                                                                                                                                                                                                                           | <p>0. The pseudo C code gives one of the possible implementations for the OC description in prose.</p> <p>1. '00'O should be understood as equivalence of Fn_01, a TTCN structured type constraint.</p> <p>2. The OC can save maximum 13 RQR values. In SAVE mode, idx is ranged between 1-9.</p> |



3. For  $ex < > 0$ , there are maximum 13 scans. In each scan a new value is assigned to `buf[0].ra`. If there is a 'non-match' in one of the 13 scans the `buf[0]` is returned. In case of 'all-match' for the 13 scans, the pair of (`buf[i].ra + '00000001'` at the last scan, `buf[idx].fn` is returned (idx is ranged between 10 - 13).

### Test Suite Operation Definition

**Operation Name:** OC\_StartTime(frmn:FN; t, i:INTEGER)

**Result Type:** STRT

**Comments:**

#### Description

OC\_StartTime operation generates the STARTING TIME IE according to the input parameters.

(\* frmn is the current frame number,  
t is the "delay" in applying the new frequencies,  
i is the contents of the starting time IE. \*)

OC\_StartTime(frmn, t, i)

INTEGER t, i;

FN frmn;

{

int tmp;

STRT strt;

$tmp = 51 * ((frmn.t3 - frmn.t2) \text{ MOD } 26) + frmn.t3 + 1326 * frmn.t1_;$

$tmp = (tmp + t) \text{ MOD } 42432;$

$strt.fn.t1_ = (tmp \text{ DIV } 1326) \text{ MOD } 32;$

$strt.fn.t2 = tmp \text{ MOD } 26;$

$strt.fn.t3 = tmp \text{ MOD } 51;$

strt.iei = OMIT;

if (i == 1) strt.iei := '01111100'B /\* if i=1 the information element identifier shall be included \

**Detailed Comments:**

### Test Suite Operation Definition

**Operation Name:** OC\_SubOctet(src:OCTETSTRING; len :INTEGER)

**Result Type:** OCTETSTRING

**Comments:**

#### Description

OC\_SubOctet(src, len) is the octetstring of length `len` starting from the leftmost position of the source octetstring `src`.

For example : OC\_SubOctet('123456789ABCDEF'O, 4) = '12345678'O

**Detailed Comments:**

| <b>Test Suite Operation Definition</b>                                                                                                                                                                                                                                                                                                                                                                                                                                                                                                                                                                                                                                                                                                                                                                                                                                                                                                                                                                                                                                                                                                                                                                                                                                                                                                                                                                                                                                                                                                                                                                                                                                                                                                                                                                                                                                                                                                                                         |                                                        |
|--------------------------------------------------------------------------------------------------------------------------------------------------------------------------------------------------------------------------------------------------------------------------------------------------------------------------------------------------------------------------------------------------------------------------------------------------------------------------------------------------------------------------------------------------------------------------------------------------------------------------------------------------------------------------------------------------------------------------------------------------------------------------------------------------------------------------------------------------------------------------------------------------------------------------------------------------------------------------------------------------------------------------------------------------------------------------------------------------------------------------------------------------------------------------------------------------------------------------------------------------------------------------------------------------------------------------------------------------------------------------------------------------------------------------------------------------------------------------------------------------------------------------------------------------------------------------------------------------------------------------------------------------------------------------------------------------------------------------------------------------------------------------------------------------------------------------------------------------------------------------------------------------------------------------------------------------------------------------------|--------------------------------------------------------|
| <b>Operation Name:</b>                                                                                                                                                                                                                                                                                                                                                                                                                                                                                                                                                                                                                                                                                                                                                                                                                                                                                                                                                                                                                                                                                                                                                                                                                                                                                                                                                                                                                                                                                                                                                                                                                                                                                                                                                                                                                                                                                                                                                         | OC_SubchOfFacch(subch: B_1; cell:CellID; inst:INTEGER) |
| <b>Result Type:</b>                                                                                                                                                                                                                                                                                                                                                                                                                                                                                                                                                                                                                                                                                                                                                                                                                                                                                                                                                                                                                                                                                                                                                                                                                                                                                                                                                                                                                                                                                                                                                                                                                                                                                                                                                                                                                                                                                                                                                            | LOGICCH                                                |
| <b>Comments:</b>                                                                                                                                                                                                                                                                                                                                                                                                                                                                                                                                                                                                                                                                                                                                                                                                                                                                                                                                                                                                                                                                                                                                                                                                                                                                                                                                                                                                                                                                                                                                                                                                                                                                                                                                                                                                                                                                                                                                                               | subch is of type BITSTRING[1]                          |
| <b>Description</b>                                                                                                                                                                                                                                                                                                                                                                                                                                                                                                                                                                                                                                                                                                                                                                                                                                                                                                                                                                                                                                                                                                                                                                                                                                                                                                                                                                                                                                                                                                                                                                                                                                                                                                                                                                                                                                                                                                                                                             |                                                        |
| <p>OC_SubchOfFacch operation returns a logic channel identifier for FACCH subchannel indicated by the input parameters 'subch', 'cell' and 'inst', where 'subch' is the subchannel number, 'cell' is the cell identifier which the channel belongs to, 'inst' is the instance of the channel.</p> <p>for example:</p> <pre> OC_SubchOfFacch('0'B, C_CellA, 1) = C_FACCH0_A_1; OC_SubchOfFacch('1'B, C_CellA, 1) = C_FACCH1_A_1; OC_SubchOfFacch('0'B, C_CellB, 1) = C_FACCH0_B_1; OC_SubchOfFacch('1'B, C_CellB, 1) = C_FACCH1_B_1.</pre> <p>pseudo C code definition for the operation as following :</p> <pre> OC_SubchOfFacch(subch, cell, inst) BITSTRING subch; CellID cell; INTEGER inst; {   LOGICCH logch;   if (subch=='0'B &amp;&amp; cell == C_CellA)     switch (inst)     {       case 1 : logch = C_FACCH0_A_1; break;       case 2 : logch = C_FACCH0_A_2; break;       case 3 : logch = C_FACCH0_A_3; break;     }   if (subch=='0'B &amp;&amp; cell == C_CellB)     switch (inst)     {       case 1 : logch = C_FACCH0_B_1; break;       case 2 : logch = C_FACCH0_B_2; break;       case 3 : logch = C_FACCH0_B_3; break;     }   if (subch=='0'B &amp;&amp; cell == C_CellC)     switch (inst)     {       case 1 : logch = C_FACCH0_C_1; break;       case 2 : logch = C_FACCH0_C_2; break;       case 3 : logch = C_FACCH0_C_3; break;     }   if (subch=='1'B &amp;&amp; cell == C_CellA)     switch (inst)     {       case 1 : logch = C_FACCH1_A_1; break;       case 2 : logch = C_FACCH1_A_2; break;       case 3 : logch = C_FACCH1_A_3; break;     }   if (subch=='1'B &amp;&amp; cell == C_CellB)     switch (inst)     {       case 1 : logch = C_FACCH1_B_1; break;       case 2 : logch = C_FACCH1_B_2; break;       case 3 : logch = C_FACCH1_B_3; break;     }   if (subch=='1'B &amp;&amp; cell == C_CellC)     switch (inst)     {       case 1 : logch = C_FACCH1_C_1; break;       case 2 : logch = C_FACCH1_C_2; break;     } }</pre> |                                                        |

```
        case 3 : logch = C_FACCHH1_C_3; break;
    }
    return(logch);
}
```

**Detailed Comments:**

| <b>Test Suite Operation Definition</b>                                                                                                                                                                                                                                                                                                                                                                                                                                                                                                                                                                                                                                                                                                                                                                                                                                                                                                                                                                                                                                                                                                                                                                                                                                                                                                                                                                                                                                                                                                                                                                                                                                                                                                                                                                                                                                                                                                                                                           |                                                         |
|--------------------------------------------------------------------------------------------------------------------------------------------------------------------------------------------------------------------------------------------------------------------------------------------------------------------------------------------------------------------------------------------------------------------------------------------------------------------------------------------------------------------------------------------------------------------------------------------------------------------------------------------------------------------------------------------------------------------------------------------------------------------------------------------------------------------------------------------------------------------------------------------------------------------------------------------------------------------------------------------------------------------------------------------------------------------------------------------------------------------------------------------------------------------------------------------------------------------------------------------------------------------------------------------------------------------------------------------------------------------------------------------------------------------------------------------------------------------------------------------------------------------------------------------------------------------------------------------------------------------------------------------------------------------------------------------------------------------------------------------------------------------------------------------------------------------------------------------------------------------------------------------------------------------------------------------------------------------------------------------------|---------------------------------------------------------|
| <b>Operation Name:</b>                                                                                                                                                                                                                                                                                                                                                                                                                                                                                                                                                                                                                                                                                                                                                                                                                                                                                                                                                                                                                                                                                                                                                                                                                                                                                                                                                                                                                                                                                                                                                                                                                                                                                                                                                                                                                                                                                                                                                                           | OC_SubchOfSacchh(subch: B_1; cell:CellID; inst:INTEGER) |
| <b>Result Type:</b>                                                                                                                                                                                                                                                                                                                                                                                                                                                                                                                                                                                                                                                                                                                                                                                                                                                                                                                                                                                                                                                                                                                                                                                                                                                                                                                                                                                                                                                                                                                                                                                                                                                                                                                                                                                                                                                                                                                                                                              | LOGICCH                                                 |
| <b>Comments:</b>                                                                                                                                                                                                                                                                                                                                                                                                                                                                                                                                                                                                                                                                                                                                                                                                                                                                                                                                                                                                                                                                                                                                                                                                                                                                                                                                                                                                                                                                                                                                                                                                                                                                                                                                                                                                                                                                                                                                                                                 | subch is of type BITSTRING[1]                           |
| <b>Description</b>                                                                                                                                                                                                                                                                                                                                                                                                                                                                                                                                                                                                                                                                                                                                                                                                                                                                                                                                                                                                                                                                                                                                                                                                                                                                                                                                                                                                                                                                                                                                                                                                                                                                                                                                                                                                                                                                                                                                                                               |                                                         |
| <p>OC_SubchOfSacchh operation returns a logic channel identifier for SACCHH subchannel indicated by the input parameters `subch`, `cell` and `inst`, where `subch` is the subchannel number, `cell` is the cell identifier which the channel belongs to, `inst` is the instance of the channel.</p> <p>for example:</p> <pre>OC_SubchOfSacchh('0'B, C_CellA, 1) = C_SACCHH0_A_1; OC_SubchOfSacchh('1'B, C_CellA, 1) = C_SACCHH1_A_1; OC_SubchOfSacchh('0'B, C_CellB, 1) = C_SACCHH0_B_1; OC_SubchOfSacchh('1'B, C_CellB, 1) = C_SACCHH1_B_1.</pre> <p>pseudo C code definition for the operation as following :</p> <pre>OC_SubchOfSacchh(subch, cell, inst) BITSTRING subch; CellID cell; INTEGER inst; {   LOGICCH logch;   if (subch=='0'B &amp;&amp; cell == C_CellA)     switch (inst)     {       case 1 : logch = C_SACCHH0_A_1; break;       case 2 : logch = C_SACCHH0_A_2; break;       case 3 : logch = C_SACCHH0_A_3; break;     }   if (subch=='0'B &amp;&amp; cell == C_CellB)     switch (inst)     {       case 1 : logch = C_SACCHH0_B_1; break;       case 2 : logch = C_SACCHH0_B_2; break;       case 3 : logch = C_SACCHH0_B_3; break;     }   if (subch=='0'B &amp;&amp; cell == C_CellC)     switch (inst)     {       case 1 : logch = C_SACCHH0_C_1; break;       case 2 : logch = C_SACCHH0_C_2; break;       case 3 : logch = C_SACCHH0_C_3; break;     }   if (subch=='1'B &amp;&amp; cell == C_CellA)     switch (inst)     {       case 1 : logch = C_SACCHH1_A_1; break;       case 2 : logch = C_SACCHH1_A_2; break;       case 3 : logch = C_SACCHH1_A_3; break;     }   if (subch=='1'B &amp;&amp; cell == C_CellB)     switch (inst)     {       case 1 : logch = C_SACCHH1_B_1; break;       case 2 : logch = C_SACCHH1_B_2; break;       case 3 : logch = C_SACCHH1_B_3; break;     }   if (subch=='1'B &amp;&amp; cell == C_CellC)     switch (inst)     {       case 1 : logch = C_SACCHH1_C_1; break;       case 2 : logch = C_SACCHH1_C_2; break;</pre> |                                                         |

|                                                                                                  |
|--------------------------------------------------------------------------------------------------|
| <pre>         case 3 : logch = C_SACCHH1_C_3; break;       }     }     return(logch);   } </pre> |
| <b>Detailed Comments:</b>                                                                        |

| <b>Test Suite Operation Definition</b>                                                                                                                                                                                                                                                                                                                                                                                                                                                                                                                                                                                                                                                                                                                                                                                                                                                                                                                                                                                                                                                                                                                                                                                                                                                                                                                                                                                                                                                                                                   |                                           |
|------------------------------------------------------------------------------------------------------------------------------------------------------------------------------------------------------------------------------------------------------------------------------------------------------------------------------------------------------------------------------------------------------------------------------------------------------------------------------------------------------------------------------------------------------------------------------------------------------------------------------------------------------------------------------------------------------------------------------------------------------------------------------------------------------------------------------------------------------------------------------------------------------------------------------------------------------------------------------------------------------------------------------------------------------------------------------------------------------------------------------------------------------------------------------------------------------------------------------------------------------------------------------------------------------------------------------------------------------------------------------------------------------------------------------------------------------------------------------------------------------------------------------------------|-------------------------------------------|
| <b>Operation Name:</b>                                                                                                                                                                                                                                                                                                                                                                                                                                                                                                                                                                                                                                                                                                                                                                                                                                                                                                                                                                                                                                                                                                                                                                                                                                                                                                                                                                                                                                                                                                                   | OC_SubchOfSacch4(subch: B_2; cell:CellID) |
| <b>Result Type:</b>                                                                                                                                                                                                                                                                                                                                                                                                                                                                                                                                                                                                                                                                                                                                                                                                                                                                                                                                                                                                                                                                                                                                                                                                                                                                                                                                                                                                                                                                                                                      | LOGICCH                                   |
| <b>Comments:</b>                                                                                                                                                                                                                                                                                                                                                                                                                                                                                                                                                                                                                                                                                                                                                                                                                                                                                                                                                                                                                                                                                                                                                                                                                                                                                                                                                                                                                                                                                                                         |                                           |
| Description                                                                                                                                                                                                                                                                                                                                                                                                                                                                                                                                                                                                                                                                                                                                                                                                                                                                                                                                                                                                                                                                                                                                                                                                                                                                                                                                                                                                                                                                                                                              |                                           |
| <p>OC_SubchOfSacch4 operation returns a logic channel identifier for SACCHC4 subchannel indicated by the input parameters `subch` and `cell`, where `subch` is the TDMA offset, `cell` is the cell identifier which the channel belongs to.</p> <p>for example:</p> <pre> OC_SubchOfSacch4('00'B, C_CellA) = C_SACCHC40_A; OC_SubchOfSacch4('01'B, C_CellA) = C_SACCHC41_A; OC_SubchOfSacch4('10'B, C_CellA) = C_SACCHC42_A; OC_SubchOfSacch4('11'B, C_CellA) = C_SACCHC43_A; OC_SubchOfSacch4('00'B, C_CellB) = C_SACCHC40_B; OC_SubchOfSacch4('01'B, C_CellB) = C_SACCHC41_B. </pre> <p>pseudo C code definition for the operation as following :</p> <pre> OC_SubchOfSacch4(subch, cell) BITSTRING subch; CellID cell; {   LOGICCH logch;   if (cell == C_CellA)     switch (subch)     {       case '00'B : logch = C_SACCHC40_A; break;       case '01'B : logch = C_SACCHC41_A; break;       case '10'B : logch = C_SACCHC42_A; break;       case '11'B : logch = C_SACCHC43_A; break;     }   if (cell == C_CellB)     switch (subch)     {       case '00'B : logch = C_SACCHC40_B; break;       case '01'B : logch = C_SACCHC41_B; break;       case '10'B : logch = C_SACCHC42_B; break;       case '11'B : logch = C_SACCHC43_B; break;     }   if (cell == C_CellC)     switch (subch)     {       case '00'B : logch = C_SACCHC40_C; break;       case '01'B : logch = C_SACCHC41_C; break;       case '10'B : logch = C_SACCHC42_C; break;       case '11'B : logch = C_SACCHC43_C; break;     }   return(logch); } </pre> |                                           |
| <b>Detailed Comments:</b>                                                                                                                                                                                                                                                                                                                                                                                                                                                                                                                                                                                                                                                                                                                                                                                                                                                                                                                                                                                                                                                                                                                                                                                                                                                                                                                                                                                                                                                                                                                |                                           |

| <b>Test Suite Operation Definition</b>                                                                                                                                                                                                                                                                                                                                                                                                                                                                                                                                                                                                                                                                                                                                                                                                                                                                                                                                                                                                                                                                                                                                                                                                                                                                                                                                                                                                                                                                                                                                                                                                                                                                                                                                                                                                                                                                                                                                                                                                                                                                                                                                                                                                                                                                                                                                                                                                                                                                                                |                                                         |
|---------------------------------------------------------------------------------------------------------------------------------------------------------------------------------------------------------------------------------------------------------------------------------------------------------------------------------------------------------------------------------------------------------------------------------------------------------------------------------------------------------------------------------------------------------------------------------------------------------------------------------------------------------------------------------------------------------------------------------------------------------------------------------------------------------------------------------------------------------------------------------------------------------------------------------------------------------------------------------------------------------------------------------------------------------------------------------------------------------------------------------------------------------------------------------------------------------------------------------------------------------------------------------------------------------------------------------------------------------------------------------------------------------------------------------------------------------------------------------------------------------------------------------------------------------------------------------------------------------------------------------------------------------------------------------------------------------------------------------------------------------------------------------------------------------------------------------------------------------------------------------------------------------------------------------------------------------------------------------------------------------------------------------------------------------------------------------------------------------------------------------------------------------------------------------------------------------------------------------------------------------------------------------------------------------------------------------------------------------------------------------------------------------------------------------------------------------------------------------------------------------------------------------------|---------------------------------------------------------|
| <b>Operation Name:</b>                                                                                                                                                                                                                                                                                                                                                                                                                                                                                                                                                                                                                                                                                                                                                                                                                                                                                                                                                                                                                                                                                                                                                                                                                                                                                                                                                                                                                                                                                                                                                                                                                                                                                                                                                                                                                                                                                                                                                                                                                                                                                                                                                                                                                                                                                                                                                                                                                                                                                                                | OC_SubchOfSacch8(subch: B_3; cell:CellID; inst:INTEGER) |
| <b>Result Type:</b>                                                                                                                                                                                                                                                                                                                                                                                                                                                                                                                                                                                                                                                                                                                                                                                                                                                                                                                                                                                                                                                                                                                                                                                                                                                                                                                                                                                                                                                                                                                                                                                                                                                                                                                                                                                                                                                                                                                                                                                                                                                                                                                                                                                                                                                                                                                                                                                                                                                                                                                   | LOGICCH                                                 |
| <b>Comments:</b>                                                                                                                                                                                                                                                                                                                                                                                                                                                                                                                                                                                                                                                                                                                                                                                                                                                                                                                                                                                                                                                                                                                                                                                                                                                                                                                                                                                                                                                                                                                                                                                                                                                                                                                                                                                                                                                                                                                                                                                                                                                                                                                                                                                                                                                                                                                                                                                                                                                                                                                      | offset is of type BITSTRING[3]                          |
| <b>Description</b>                                                                                                                                                                                                                                                                                                                                                                                                                                                                                                                                                                                                                                                                                                                                                                                                                                                                                                                                                                                                                                                                                                                                                                                                                                                                                                                                                                                                                                                                                                                                                                                                                                                                                                                                                                                                                                                                                                                                                                                                                                                                                                                                                                                                                                                                                                                                                                                                                                                                                                                    |                                                         |
| <p>OC_SubchOfSacch8 operation returns a logic channel identifier for SACCH8 subchannel indicated by the input parameters `subch`, `cell` and `inst`, where `subch` is the TDMA offset, `cell` is the cell identifier which the channel belongs to, `inst` is the instance of the channel.</p> <p>for example:</p> <pre> OC_SubchOfSacch8('000'B, C_CellA, 1) = C_SACCHC80_A_1; OC_SubchOfSacch8('001'B, C_CellA, 1) = C_SACCHC81_A_1; OC_SubchOfSacch8('010'B, C_CellA, 1) = C_SACCHC82_A_1; OC_SubchOfSacch8('011'B, C_CellA, 1) = C_SACCHC83_A_1; OC_SubchOfSacch8('100'B, C_CellA, 1) = C_SACCHC84_A_1; OC_SubchOfSacch8('101'B, C_CellA, 1) = C_SACCHC85_A_1; OC_SubchOfSacch8('110'B, C_CellA, 1) = C_SACCHC86_A_1; OC_SubchOfSacch8('111'B, C_CellA, 1) = C_SACCHC87_A_1; OC_SubchOfSacch8('000'B, C_CellB, 1) = C_SACCHC80_B_1; OC_SubchOfSacch8('001'B, C_CellB, 1) = C_SACCHC81_B_1; OC_SubchOfSacch8('000'B, C_CellC, 2) = C_SACCHC80_C_2; OC_SubchOfSacch8('001'B, C_CellC, 2) = C_SACCHC81_C_2.</pre> <p>pseudo C code definition for the operation as following :</p> <pre> OC_SubchOfSacch8(subch, cell, inst) BITSTRING subch; CellID cell; INTEGER inst; {   LOGICCH logch;   if (inst==1 &amp;&amp; cell == C_CellA)     switch (subch)     {       case '000'B : logch = C_SACCHC80_A_1; break;       case '001'B : logch = C_SACCHC81_A_1; break;       case '010'B : logch = C_SACCHC82_A_1; break;       case '011'B : logch = C_SACCHC83_A_1; break;       case '100'B : logch = C_SACCHC84_A_1; break;       case '101'B : logch = C_SACCHC85_A_1; break;       case '110'B : logch = C_SACCHC86_A_1; break;       case '111'B : logch = C_SACCHC87_A_1; break;     }   if (inst==2 &amp;&amp; cell == C_CellA)     switch (subch)     {       case '000'B : logch = C_SACCHC80_A_2; break;       case '001'B : logch = C_SACCHC81_A_2; break;       case '010'B : logch = C_SACCHC82_A_2; break;       case '011'B : logch = C_SACCHC83_A_2; break;       case '100'B : logch = C_SACCHC84_A_2; break;       case '101'B : logch = C_SACCHC85_A_2; break;       case '110'B : logch = C_SACCHC86_A_2; break;       case '111'B : logch = C_SACCHC87_A_2; break;     }   if (inst==3 &amp;&amp; cell == C_CellA)     switch (subch)     {       case '000'B : logch = C_SACCHC80_A_3; break;       case '001'B : logch = C_SACCHC81_A_3; break;       case '010'B : logch = C_SACCHC82_A_3; break;       case '011'B : logch = C_SACCHC83_A_3; break;       case '100'B : logch = C_SACCHC84_A_3; break;</pre> |                                                         |

```

    case '101'B : logch = C_SACCHC85_A_3; break;
    case '110'B : logch = C_SACCHC86_A_3; break;
    case '111'B : logch = C_SACCHC87_A_3; break;
  }
if (inst==1 && cell == C_CellB)
  switch (subch)
  {
    case '000'B : logch = C_SACCHC80_B_1; break;
    case '001'B : logch = C_SACCHC81_B_1; break;
    case '010'B : logch = C_SACCHC82_B_1; break;
    case '011'B : logch = C_SACCHC83_B_1; break;
    case '100'B : logch = C_SACCHC84_B_1; break;
    case '101'B : logch = C_SACCHC85_B_1; break;
    case '110'B : logch = C_SACCHC86_B_1; break;
    case '111'B : logch = C_SACCHC87_B_1; break;
  }
if (inst==2 && cell == C_CellB)
  switch (subch)
  {
    case '000'B : logch = C_SACCHC80_B_2; break;
    case '001'B : logch = C_SACCHC81_B_2; break;
    case '010'B : logch = C_SACCHC82_B_2; break;
    case '011'B : logch = C_SACCHC83_B_2; break;
    case '100'B : logch = C_SACCHC84_B_2; break;
    case '101'B : logch = C_SACCHC85_B_2; break;
    case '110'B : logch = C_SACCHC86_B_2; break;
    case '111'B : logch = C_SACCHC87_B_2; break;
  }
if (inst==3 && cell == C_CellB)
  switch (subch)
  {
    case '000'B : logch = C_SACCHC80_B_3; break;
    case '001'B : logch = C_SACCHC81_B_3; break;
    case '010'B : logch = C_SACCHC82_B_3; break;
    case '011'B : logch = C_SACCHC83_B_3; break;
    case '100'B : logch = C_SACCHC84_B_3; break;
    case '101'B : logch = C_SACCHC85_B_3; break;
    case '110'B : logch = C_SACCHC86_B_3; break;
    case '111'B : logch = C_SACCHC87_B_3; break;
  }
if (inst==1 && cell == C_CellC)
  switch (subch)
  {
    case '000'B : logch = C_SACCHC80_C_1; break;
    case '001'B : logch = C_SACCHC81_C_1; break;
    case '010'B : logch = C_SACCHC82_C_1; break;
    case '011'B : logch = C_SACCHC83_C_1; break;
    case '100'B : logch = C_SACCHC84_C_1; break;
    case '101'B : logch = C_SACCHC85_C_1; break;
    case '110'B : logch = C_SACCHC86_C_1; break;
    case '111'B : logch = C_SACCHC87_C_1; break;
  }
if (inst==2 && cell == C_CellC)
  switch (subch)
  {
    case '000'B : logch = C_SACCHC80_C_2; break;
    case '001'B : logch = C_SACCHC81_C_2; break;
    case '010'B : logch = C_SACCHC82_C_2; break;
    case '011'B : logch = C_SACCHC83_C_2; break;
    case '100'B : logch = C_SACCHC84_C_2; break;
    case '101'B : logch = C_SACCHC85_C_2; break;
    case '110'B : logch = C_SACCHC86_C_2; break;
    case '111'B : logch = C_SACCHC87_C_2; break;
  }
if (inst==3 && cell == C_CellC)

```

```
switch (subch)
{
  case '000'B : logch = C_SACCHC80_C_3; break;
  case '001'B : logch = C_SACCHC81_C_3; break;
  case '010'B : logch = C_SACCHC82_C_3; break;
  case '011'B : logch = C_SACCHC83_C_3; break;
  case '100'B : logch = C_SACCHC84_C_3; break;
  case '101'B : logch = C_SACCHC85_C_3; break;
  case '110'B : logch = C_SACCHC86_C_3; break;
  case '111'B : logch = C_SACCHC87_C_3; break;
}
return(logch);
}
```

**Detailed Comments:**



| <b>Test Suite Operation Definition</b>                                                                                                                                                                                                                                                                                                                                                                                                                                                                                                                                                                                                                                                                                                                                                                                                                                                                                                                                                                                                                                                                                                                                                                                                                                                                                                                                                                                                                                                                              |                                           |
|---------------------------------------------------------------------------------------------------------------------------------------------------------------------------------------------------------------------------------------------------------------------------------------------------------------------------------------------------------------------------------------------------------------------------------------------------------------------------------------------------------------------------------------------------------------------------------------------------------------------------------------------------------------------------------------------------------------------------------------------------------------------------------------------------------------------------------------------------------------------------------------------------------------------------------------------------------------------------------------------------------------------------------------------------------------------------------------------------------------------------------------------------------------------------------------------------------------------------------------------------------------------------------------------------------------------------------------------------------------------------------------------------------------------------------------------------------------------------------------------------------------------|-------------------------------------------|
| <b>Operation Name:</b>                                                                                                                                                                                                                                                                                                                                                                                                                                                                                                                                                                                                                                                                                                                                                                                                                                                                                                                                                                                                                                                                                                                                                                                                                                                                                                                                                                                                                                                                                              | OC_SubchOfSdcch4(subch: B_2; cell:CellID) |
| <b>Result Type:</b>                                                                                                                                                                                                                                                                                                                                                                                                                                                                                                                                                                                                                                                                                                                                                                                                                                                                                                                                                                                                                                                                                                                                                                                                                                                                                                                                                                                                                                                                                                 | LOGICCH                                   |
| <b>Comments:</b>                                                                                                                                                                                                                                                                                                                                                                                                                                                                                                                                                                                                                                                                                                                                                                                                                                                                                                                                                                                                                                                                                                                                                                                                                                                                                                                                                                                                                                                                                                    |                                           |
| <b>Description</b>                                                                                                                                                                                                                                                                                                                                                                                                                                                                                                                                                                                                                                                                                                                                                                                                                                                                                                                                                                                                                                                                                                                                                                                                                                                                                                                                                                                                                                                                                                  |                                           |
| <p>OC_SubchOfSdcch4 operation returns a logic channel identifier for SDCCH4 subchannel indicated by the input parameters `subch` and `cell`, where `subch` is the TDMA offset, `cell` is the cell identifier which the channel belongs to.</p> <p>for example:</p> <pre> OC_SubchOfSdcch4('00'B, C_CellA) = C_SDCCH40_A; OC_SubchOfSdcch4('01'B, C_CellA) = C_SDCCH41_A; OC_SubchOfSdcch4('10'B, C_CellA) = C_SDCCH42_A; OC_SubchOfSdcch4('11'B, C_CellA) = C_SDCCH43_A; OC_SubchOfSdcch4('00'B, C_CellB) = C_SDCCH40_B; OC_SubchOfSdcch4('01'B, C_CellB) = C_SDCCH41_B.</pre> <p>pseudo C code definition for the operation as following :</p> <pre> OC_SubchOfSdcch4(subch, cell) BITSTRING subch; CellID cell; {   LOGICCH logch;   if (cell == C_CellA)     switch (subch)     {       case '00'B : logch = C_SDCCH40_A; break;       case '01'B : logch = C_SDCCH41_A; break;       case '10'B : logch = C_SDCCH42_A; break;       case '11'B : logch = C_SDCCH43_A; break;     }   if (cell == C_CellB)     switch (subch)     {       case '00'B : logch = C_SDCCH40_B; break;       case '01'B : logch = C_SDCCH41_B; break;       case '10'B : logch = C_SDCCH42_B; break;       case '11'B : logch = C_SDCCH43_B; break;     }   if (cell == C_CellC)     switch (subch)     {       case '00'B : logch = C_SDCCH40_C; break;       case '01'B : logch = C_SDCCH41_C; break;       case '10'B : logch = C_SDCCH42_C; break;       case '11'B : logch = C_SDCCH43_C; break;     }   return(logch); }</pre> |                                           |
| <b>Detailed Comments:</b>                                                                                                                                                                                                                                                                                                                                                                                                                                                                                                                                                                                                                                                                                                                                                                                                                                                                                                                                                                                                                                                                                                                                                                                                                                                                                                                                                                                                                                                                                           |                                           |

| <b>Test Suite Operation Definition</b>                                                                                                                                                                                                                                                                                                                                                                                                                                                                                                                                                                                                                                                                                                                                                                                                                                                                                                                                                                                                                                                                                                                                                                                                                                                                                                                                                                                                                                                                                                                                                                                                                                                                                                                                                                                                                                                                                                                                                                                                                                                                                                                                                                                                                                                                                                                                                                                                                                                                         |                                                         |
|----------------------------------------------------------------------------------------------------------------------------------------------------------------------------------------------------------------------------------------------------------------------------------------------------------------------------------------------------------------------------------------------------------------------------------------------------------------------------------------------------------------------------------------------------------------------------------------------------------------------------------------------------------------------------------------------------------------------------------------------------------------------------------------------------------------------------------------------------------------------------------------------------------------------------------------------------------------------------------------------------------------------------------------------------------------------------------------------------------------------------------------------------------------------------------------------------------------------------------------------------------------------------------------------------------------------------------------------------------------------------------------------------------------------------------------------------------------------------------------------------------------------------------------------------------------------------------------------------------------------------------------------------------------------------------------------------------------------------------------------------------------------------------------------------------------------------------------------------------------------------------------------------------------------------------------------------------------------------------------------------------------------------------------------------------------------------------------------------------------------------------------------------------------------------------------------------------------------------------------------------------------------------------------------------------------------------------------------------------------------------------------------------------------------------------------------------------------------------------------------------------------|---------------------------------------------------------|
| <b>Operation Name:</b>                                                                                                                                                                                                                                                                                                                                                                                                                                                                                                                                                                                                                                                                                                                                                                                                                                                                                                                                                                                                                                                                                                                                                                                                                                                                                                                                                                                                                                                                                                                                                                                                                                                                                                                                                                                                                                                                                                                                                                                                                                                                                                                                                                                                                                                                                                                                                                                                                                                                                         | OC_SubchOfSdcch8(subch: B_3; cell:CellID; inst:INTEGER) |
| <b>Result Type:</b>                                                                                                                                                                                                                                                                                                                                                                                                                                                                                                                                                                                                                                                                                                                                                                                                                                                                                                                                                                                                                                                                                                                                                                                                                                                                                                                                                                                                                                                                                                                                                                                                                                                                                                                                                                                                                                                                                                                                                                                                                                                                                                                                                                                                                                                                                                                                                                                                                                                                                            | LOGICCH                                                 |
| <b>Comments:</b>                                                                                                                                                                                                                                                                                                                                                                                                                                                                                                                                                                                                                                                                                                                                                                                                                                                                                                                                                                                                                                                                                                                                                                                                                                                                                                                                                                                                                                                                                                                                                                                                                                                                                                                                                                                                                                                                                                                                                                                                                                                                                                                                                                                                                                                                                                                                                                                                                                                                                               | offset is of type BITSTRING[3]                          |
| <b>Description</b>                                                                                                                                                                                                                                                                                                                                                                                                                                                                                                                                                                                                                                                                                                                                                                                                                                                                                                                                                                                                                                                                                                                                                                                                                                                                                                                                                                                                                                                                                                                                                                                                                                                                                                                                                                                                                                                                                                                                                                                                                                                                                                                                                                                                                                                                                                                                                                                                                                                                                             |                                                         |
| <p>OC_SubchOfSdcch8 operation returns a logic channel identifier for SDCCH8 subchannel indicated by the input parameters `subch`, `cell` and `inst`, where `subch` is the TDMA offset, `cell` is the cell identifier which the channel belongs to, `inst` is the instance of the channel.</p> <p>for example:</p> <pre> OC_SubchOfSdcch8('000'B, C_CellA, 1) = C_SDCCH80_A_1; OC_SubchOfSdcch8('001'B, C_CellA, 1) = C_SDCCH81_A_1; OC_SubchOfSdcch8('010'B, C_CellA, 1) = C_SDCCH82_A_1; OC_SubchOfSdcch8('011'B, C_CellA, 1) = C_SDCCH83_A_1; OC_SubchOfSdcch8('100'B, C_CellA, 1) = C_SDCCH84_A_1; OC_SubchOfSdcch8('101'B, C_CellA, 1) = C_SDCCH85_A_1; OC_SubchOfSdcch8('110'B, C_CellA, 1) = C_SDCCH86_A_1; OC_SubchOfSdcch8('111'B, C_CellA, 1) = C_SDCCH87_A_1; OC_SubchOfSdcch8('000'B, C_CellB, 1) = C_SDCCH80_B_1; OC_SubchOfSdcch8('001'B, C_CellB, 1) = C_SDCCH81_B_1; OC_SubchOfSdcch8('000'B, C_CellC, 2) = C_SDCCH80_C_2; OC_SubchOfSdcch8('001'B, C_CellC, 2) = C_SDCCH81_C_2. </pre> <p>pseudo C code definition for the operation as following :</p> <pre> OC_SubchOfSdcch8(subch, cell, inst) BITSTRING subch; CellID cell; INTEGER inst; {   LOGICCH logch;   if (inst==1 &amp;&amp; cell == C_CellA)     switch (subch)     {       case '000'B : logch = C_SDCCH80_A_1; break;       case '001'B : logch = C_SDCCH81_A_1; break;       case '010'B : logch = C_SDCCH82_A_1; break;       case '011'B : logch = C_SDCCH83_A_1; break;       case '100'B : logch = C_SDCCH84_A_1; break;       case '101'B : logch = C_SDCCH85_A_1; break;       case '110'B : logch = C_SDCCH86_A_1; break;       case '111'B : logch = C_SDCCH87_A_1; break;     }   if (inst==2 &amp;&amp; cell == C_CellA)     switch (subch)     {       case '000'B : logch = C_SDCCH80_A_2; break;       case '001'B : logch = C_SDCCH81_A_2; break;       case '010'B : logch = C_SDCCH82_A_2; break;       case '011'B : logch = C_SDCCH83_A_2; break;       case '100'B : logch = C_SDCCH84_A_2; break;       case '101'B : logch = C_SDCCH85_A_2; break;       case '110'B : logch = C_SDCCH86_A_2; break;       case '111'B : logch = C_SDCCH87_A_2; break;     }   if (inst==3 &amp;&amp; cell == C_CellA)     switch (subch)     {       case '000'B : logch = C_SDCCH80_A_3; break;       case '001'B : logch = C_SDCCH81_A_3; break;       case '010'B : logch = C_SDCCH82_A_3; break;       case '011'B : logch = C_SDCCH83_A_3; break;       case '100'B : logch = C_SDCCH84_A_3; break;     } } </pre> |                                                         |

```

    case '101'B : logch = C_SDCCH85_A_3; break;
    case '110'B : logch = C_SDCCH86_A_3; break;
    case '111'B : logch = C_SDCCH87_A_3; break;
  }
if (inst==1 && cell == C_CellB)
  switch (subch)
  {
    case '000'B : logch = C_SDCCH80_B_1; break;
    case '001'B : logch = C_SDCCH81_B_1; break;
    case '010'B : logch = C_SDCCH82_B_1; break;
    case '011'B : logch = C_SDCCH83_B_1; break;
    case '100'B : logch = C_SDCCH84_B_1; break;
    case '101'B : logch = C_SDCCH85_B_1; break;
    case '110'B : logch = C_SDCCH86_B_1; break;
    case '111'B : logch = C_SDCCH87_B_1; break;
  }
if (inst==2 && cell == C_CellB)
  switch (subch)
  {
    case '000'B : logch = C_SDCCH80_B_2; break;
    case '001'B : logch = C_SDCCH81_B_2; break;
    case '010'B : logch = C_SDCCH82_B_2; break;
    case '011'B : logch = C_SDCCH83_B_2; break;
    case '100'B : logch = C_SDCCH84_B_2; break;
    case '101'B : logch = C_SDCCH85_B_2; break;
    case '110'B : logch = C_SDCCH86_B_2; break;
    case '111'B : logch = C_SDCCH87_B_2; break;
  }
if (inst==3 && cell == C_CellB)
  switch (subch)
  {
    case '000'B : logch = C_SDCCH80_B_3; break;
    case '001'B : logch = C_SDCCH81_B_3; break;
    case '010'B : logch = C_SDCCH82_B_3; break;
    case '011'B : logch = C_SDCCH83_B_3; break;
    case '100'B : logch = C_SDCCH84_B_3; break;
    case '101'B : logch = C_SDCCH85_B_3; break;
    case '110'B : logch = C_SDCCH86_B_3; break;
    case '111'B : logch = C_SDCCH87_B_3; break;
  }
if (inst==1 && cell == C_CellC)
  switch (subch)
  {
    case '000'B : logch = C_SDCCH80_C_1; break;
    case '001'B : logch = C_SDCCH81_C_1; break;
    case '010'B : logch = C_SDCCH82_C_1; break;
    case '011'B : logch = C_SDCCH83_C_1; break;
    case '100'B : logch = C_SDCCH84_C_1; break;
    case '101'B : logch = C_SDCCH85_C_1; break;
    case '110'B : logch = C_SDCCH86_C_1; break;
    case '111'B : logch = C_SDCCH87_C_1; break;
  }
if (inst==2 && cell == C_CellC)
  switch (subch)
  {
    case '000'B : logch = C_SDCCH80_C_2; break;
    case '001'B : logch = C_SDCCH81_C_2; break;
    case '010'B : logch = C_SDCCH82_C_2; break;
    case '011'B : logch = C_SDCCH83_C_2; break;
    case '100'B : logch = C_SDCCH84_C_2; break;
    case '101'B : logch = C_SDCCH85_C_2; break;
    case '110'B : logch = C_SDCCH86_C_2; break;
    case '111'B : logch = C_SDCCH87_C_2; break;
  }
if (inst==3 && cell == C_CellC)

```

```

switch (subch)
{
  case '000'B : logch = C_SDCCH80_C_3; break;
  case '001'B : logch = C_SDCCH81_C_3; break;
  case '010'B : logch = C_SDCCH82_C_3; break;
  case '011'B : logch = C_SDCCH83_C_3; break;
  case '100'B : logch = C_SDCCH84_C_3; break;
  case '101'B : logch = C_SDCCH85_C_3; break;
  case '110'B : logch = C_SDCCH86_C_3; break;
  case '111'B : logch = C_SDCCH87_C_3; break;
}
return(logch);
}

```

**Detailed Comments:**

### Test Suite Operation Definition

**Operation Name:** OM\_2Msgs(ch:LOGICCH; pgg:PGG; mode:SENDINGMODE)**Result Type:** BOOLEAN**Comments:**

#### Description

OM\_2Msgs puts the layer 2 emulator into a special operation mode then returns. In this special mode the layer 2 emulator sends the next two consecutive messages in the following way:

- send the first message on the paging subchannel indicated by the `pgg` and `ch`;
- if the `mode` = C\_NxtButOne, send the second message in the next but one paging sub block;
- if the `mode` = C\_FmrAGB, send the second message in a former access grant block;
- if the `mode` = C\_BfReOcc, send the second message before the MS's original paging subchannel re-occurs but later than the next paging block of that CCCH (paging block not belong to the MS);
- if the `mode` = C\_NxtButOneNxt, nothing is sent in the next but one paging sub block, then send the second message in the next paging subblock of the MS's paging subchannel.

**Detailed Comments:**

| <b>Test Suite Operation Definition</b>                                                                                                                                                                                                                                                                                                                                                                                                                                                                                                                                                                                                                                                                                                                                                                                                                                                                                                                                                                                                                                                                                                                                                                                                                                                                                                                                                                                                                                                                                                                                                                                                                                                                                                                                                                                                                                                                                                                                                                                                                                                                                                                                                                                                                                                                                                                                                                                                                                                                                                                                                                                                                                                                                                                                                                                                                                                                                                                                                                                                                                                                                                                                                                                                                                                                                                                                                                                                                                                                                                                                                                                                                             |                                                                                                                                                                                                                                                                                                                                                 |                  |                  |          |                 |         |                |            |                                     |          |                 |           |                                                                                            |            |                                                                                              |            |                                     |              |                                                |              |                                                                  |               |                                                                    |              |                                                |              |                                                                  |               |                                                                    |             |                                      |              |                                        |               |                                                          |                |                                                            |            |                                      |             |                                        |               |                                                          |               |                                                            |
|--------------------------------------------------------------------------------------------------------------------------------------------------------------------------------------------------------------------------------------------------------------------------------------------------------------------------------------------------------------------------------------------------------------------------------------------------------------------------------------------------------------------------------------------------------------------------------------------------------------------------------------------------------------------------------------------------------------------------------------------------------------------------------------------------------------------------------------------------------------------------------------------------------------------------------------------------------------------------------------------------------------------------------------------------------------------------------------------------------------------------------------------------------------------------------------------------------------------------------------------------------------------------------------------------------------------------------------------------------------------------------------------------------------------------------------------------------------------------------------------------------------------------------------------------------------------------------------------------------------------------------------------------------------------------------------------------------------------------------------------------------------------------------------------------------------------------------------------------------------------------------------------------------------------------------------------------------------------------------------------------------------------------------------------------------------------------------------------------------------------------------------------------------------------------------------------------------------------------------------------------------------------------------------------------------------------------------------------------------------------------------------------------------------------------------------------------------------------------------------------------------------------------------------------------------------------------------------------------------------------------------------------------------------------------------------------------------------------------------------------------------------------------------------------------------------------------------------------------------------------------------------------------------------------------------------------------------------------------------------------------------------------------------------------------------------------------------------------------------------------------------------------------------------------------------------------------------------------------------------------------------------------------------------------------------------------------------------------------------------------------------------------------------------------------------------------------------------------------------------------------------------------------------------------------------------------------------------------------------------------------------------------------------------------|-------------------------------------------------------------------------------------------------------------------------------------------------------------------------------------------------------------------------------------------------------------------------------------------------------------------------------------------------|------------------|------------------|----------|-----------------|---------|----------------|------------|-------------------------------------|----------|-----------------|-----------|--------------------------------------------------------------------------------------------|------------|----------------------------------------------------------------------------------------------|------------|-------------------------------------|--------------|------------------------------------------------|--------------|------------------------------------------------------------------|---------------|--------------------------------------------------------------------|--------------|------------------------------------------------|--------------|------------------------------------------------------------------|---------------|--------------------------------------------------------------------|-------------|--------------------------------------|--------------|----------------------------------------|---------------|----------------------------------------------------------|----------------|------------------------------------------------------------|------------|--------------------------------------|-------------|----------------------------------------|---------------|----------------------------------------------------------|---------------|------------------------------------------------------------|
| <b>Operation Name:</b>                                                                                                                                                                                                                                                                                                                                                                                                                                                                                                                                                                                                                                                                                                                                                                                                                                                                                                                                                                                                                                                                                                                                                                                                                                                                                                                                                                                                                                                                                                                                                                                                                                                                                                                                                                                                                                                                                                                                                                                                                                                                                                                                                                                                                                                                                                                                                                                                                                                                                                                                                                                                                                                                                                                                                                                                                                                                                                                                                                                                                                                                                                                                                                                                                                                                                                                                                                                                                                                                                                                                                                                                                                             | OM_Assoc(lgch1:LOGICCH; sublgch1:LOGICCH; sublgch2:LOGICCH; sublgch3:LOGICCH; sublgch4:LOGICCH; sublgch5:LOGICCH; sublgch6:LOGICCH; sublgch7: LOGICCH; sublgch8:LOGICCH; lgch2:LOGICCH; sublgch9:LOGICCH; sublgch10:LOGICCH; sublgch11:LOGICCH; sublgch12:LOGICCH; sublgch13:LOGICCH; sublgch14:LOGICCH; sublgch15: LOGICCH; sublgch16:LOGICCH) |                  |                  |          |                 |         |                |            |                                     |          |                 |           |                                                                                            |            |                                                                                              |            |                                     |              |                                                |              |                                                                  |               |                                                                    |              |                                                |              |                                                                  |               |                                                                    |             |                                      |              |                                        |               |                                                          |                |                                                            |            |                                      |             |                                        |               |                                                          |               |                                                            |
| <b>Result Type:</b>                                                                                                                                                                                                                                                                                                                                                                                                                                                                                                                                                                                                                                                                                                                                                                                                                                                                                                                                                                                                                                                                                                                                                                                                                                                                                                                                                                                                                                                                                                                                                                                                                                                                                                                                                                                                                                                                                                                                                                                                                                                                                                                                                                                                                                                                                                                                                                                                                                                                                                                                                                                                                                                                                                                                                                                                                                                                                                                                                                                                                                                                                                                                                                                                                                                                                                                                                                                                                                                                                                                                                                                                                                                | BOOLEAN                                                                                                                                                                                                                                                                                                                                         |                  |                  |          |                 |         |                |            |                                     |          |                 |           |                                                                                            |            |                                                                                              |            |                                     |              |                                                |              |                                                                  |               |                                                                    |              |                                                |              |                                                                  |               |                                                                    |             |                                      |              |                                        |               |                                                          |                |                                                            |            |                                      |             |                                        |               |                                                          |               |                                                            |
| <b>Comments:</b>                                                                                                                                                                                                                                                                                                                                                                                                                                                                                                                                                                                                                                                                                                                                                                                                                                                                                                                                                                                                                                                                                                                                                                                                                                                                                                                                                                                                                                                                                                                                                                                                                                                                                                                                                                                                                                                                                                                                                                                                                                                                                                                                                                                                                                                                                                                                                                                                                                                                                                                                                                                                                                                                                                                                                                                                                                                                                                                                                                                                                                                                                                                                                                                                                                                                                                                                                                                                                                                                                                                                                                                                                                                   |                                                                                                                                                                                                                                                                                                                                                 |                  |                  |          |                 |         |                |            |                                     |          |                 |           |                                                                                            |            |                                                                                              |            |                                     |              |                                                |              |                                                                  |               |                                                                    |              |                                                |              |                                                                  |               |                                                                    |             |                                      |              |                                        |               |                                                          |                |                                                            |            |                                      |             |                                        |               |                                                          |               |                                                            |
| <b>Description</b>                                                                                                                                                                                                                                                                                                                                                                                                                                                                                                                                                                                                                                                                                                                                                                                                                                                                                                                                                                                                                                                                                                                                                                                                                                                                                                                                                                                                                                                                                                                                                                                                                                                                                                                                                                                                                                                                                                                                                                                                                                                                                                                                                                                                                                                                                                                                                                                                                                                                                                                                                                                                                                                                                                                                                                                                                                                                                                                                                                                                                                                                                                                                                                                                                                                                                                                                                                                                                                                                                                                                                                                                                                                 |                                                                                                                                                                                                                                                                                                                                                 |                  |                  |          |                 |         |                |            |                                     |          |                 |           |                                                                                            |            |                                                                                              |            |                                     |              |                                                |              |                                                                  |               |                                                                    |              |                                                |              |                                                                  |               |                                                                    |             |                                      |              |                                        |               |                                                          |                |                                                            |            |                                      |             |                                        |               |                                                          |               |                                                            |
| <p>OM_Assoc operation associates the sub logic channel identifiers `sublgch1` to `sublgch9` to `sublgch16` with the generic "parent" channel identifier `lgch1` and `lgch2` respectively, therefore the subchannel identifiers can refer to the corresponding channels configured by OM_ChConf operation.</p> <p>The `lgch1` can be an identifier for SDCCH4, SDCCH8, FACCH and the `lgch2` can be SACCH4, SACCH8, and SACCH.</p> <p>"dummy" in the actual parameter list means the corresponding parameter is not used.</p> <p>Naming convention for logical channel constants:</p> <p style="text-align: center;">C_&lt;channel type&gt;[&lt;rate&gt;][&lt;subchannel&gt;][&lt;cell&gt;][&lt;instance&gt;]</p> <p>e.g.: C_FACCH H 0 _C _3 =&gt; C_FACCHH0_C_3</p> <p>channel type: FCCH, SCH, BCCH, CBCH, PCH, RACH, FACCH, SACCH, SDCCH, DCCH</p> <p>rate: F(ull), H(alf), 4 (fourths, C4 for SACCH4), 8 (eighths, C8 for SACCH8).</p> <p>subchannel: H: 0, 1<br/>(C)4: 0, ..., 3<br/>(C)8: 0, ..., 7</p> <p>cell: A, ..., H</p> <p>instance: 1, ..., 3 When several channels of the same type can exist in one cell simultaneously (in different time slots and / or on different frequencies) they are identified by their instance. The parameters of ChConf are used to specify the frequency and slot of this instance of the channel type.</p> <p>Not all possible combinations of this naming syntax have been used. According to the elements that are used / omitted the name can have a special meaning.</p> <table border="0"> <tr> <td style="vertical-align: top;"><b>Examples:</b></td> <td style="vertical-align: top;"><b>Comments:</b></td> </tr> <tr> <td>C_FCCH_A</td> <td>FCCH of cell A.</td> </tr> <tr> <td>C_SCH_A</td> <td>SCH of cell A.</td> </tr> <tr> <td>C_BCCH_A_1</td> <td>First instance of a BCCH in cell A.</td> </tr> <tr> <td>C_CBCH_A</td> <td>CBCH of cell A.</td> </tr> <tr> <td>C_PCH_A_1</td> <td>First instance of a PCH in cell A (there is one instance of the PCH per BCCH in the cell).</td> </tr> <tr> <td>C_AGCH_A_1</td> <td>First instance of a AGCH in cell A (there is one instance of the AGCH per BCCH in the cell).</td> </tr> <tr> <td>C_RACH_A_1</td> <td>First instance of a RACH in cell A.</td> </tr> <tr> <td>C_FACCHF_A_1</td> <td>First instance of a full rate FACCH in cell A.</td> </tr> <tr> <td>C_FACCHH_A_1</td> <td>First instance of a half rate FACCH in cell A (all subchannels).</td> </tr> <tr> <td>C_FACCHH0_A_1</td> <td>Subchannel 0 of the first instance of a half rate FACCH in cell A.</td> </tr> <tr> <td>C_SACCHF_A_1</td> <td>First instance of a full rate SACCH in cell A.</td> </tr> <tr> <td>C_SACCHH_A_1</td> <td>First instance of a half rate SACCH in cell A (all subchannels).</td> </tr> <tr> <td>C_SACCHH1_A_1</td> <td>Subchannel 1 of the first instance of a half rate SACCH in cell A.</td> </tr> <tr> <td>C_SACCHC4_A</td> <td>SACCH/4 of cell A (all subchannels).</td> </tr> <tr> <td>C_SACCHC43_A</td> <td>Subchannel 3 of the SACCH/4 of cell A.</td> </tr> <tr> <td>C_SACCHC8_A_1</td> <td>First instance of a SACCH/8 in cell A (all subchannels).</td> </tr> <tr> <td>C_SACCHC87_A_1</td> <td>Subchannel 7 of the first instance of a SACCH/8 in cell A.</td> </tr> <tr> <td>C_SDCCH4_A</td> <td>SDCCH/4 of cell A (all subchannels).</td> </tr> <tr> <td>C_SDCCH42_A</td> <td>Subchannel 2 of the SDCCH/4 of cell A.</td> </tr> <tr> <td>C_SDCCH87_A_1</td> <td>First instance of a SDCCH/8 in cell A (all subchannels).</td> </tr> <tr> <td>C_SDCCH87_A_1</td> <td>Subchannel 7 of the first instance of a SDCCH/8 in cell A.</td> </tr> </table> |                                                                                                                                                                                                                                                                                                                                                 | <b>Examples:</b> | <b>Comments:</b> | C_FCCH_A | FCCH of cell A. | C_SCH_A | SCH of cell A. | C_BCCH_A_1 | First instance of a BCCH in cell A. | C_CBCH_A | CBCH of cell A. | C_PCH_A_1 | First instance of a PCH in cell A (there is one instance of the PCH per BCCH in the cell). | C_AGCH_A_1 | First instance of a AGCH in cell A (there is one instance of the AGCH per BCCH in the cell). | C_RACH_A_1 | First instance of a RACH in cell A. | C_FACCHF_A_1 | First instance of a full rate FACCH in cell A. | C_FACCHH_A_1 | First instance of a half rate FACCH in cell A (all subchannels). | C_FACCHH0_A_1 | Subchannel 0 of the first instance of a half rate FACCH in cell A. | C_SACCHF_A_1 | First instance of a full rate SACCH in cell A. | C_SACCHH_A_1 | First instance of a half rate SACCH in cell A (all subchannels). | C_SACCHH1_A_1 | Subchannel 1 of the first instance of a half rate SACCH in cell A. | C_SACCHC4_A | SACCH/4 of cell A (all subchannels). | C_SACCHC43_A | Subchannel 3 of the SACCH/4 of cell A. | C_SACCHC8_A_1 | First instance of a SACCH/8 in cell A (all subchannels). | C_SACCHC87_A_1 | Subchannel 7 of the first instance of a SACCH/8 in cell A. | C_SDCCH4_A | SDCCH/4 of cell A (all subchannels). | C_SDCCH42_A | Subchannel 2 of the SDCCH/4 of cell A. | C_SDCCH87_A_1 | First instance of a SDCCH/8 in cell A (all subchannels). | C_SDCCH87_A_1 | Subchannel 7 of the first instance of a SDCCH/8 in cell A. |
| <b>Examples:</b>                                                                                                                                                                                                                                                                                                                                                                                                                                                                                                                                                                                                                                                                                                                                                                                                                                                                                                                                                                                                                                                                                                                                                                                                                                                                                                                                                                                                                                                                                                                                                                                                                                                                                                                                                                                                                                                                                                                                                                                                                                                                                                                                                                                                                                                                                                                                                                                                                                                                                                                                                                                                                                                                                                                                                                                                                                                                                                                                                                                                                                                                                                                                                                                                                                                                                                                                                                                                                                                                                                                                                                                                                                                   | <b>Comments:</b>                                                                                                                                                                                                                                                                                                                                |                  |                  |          |                 |         |                |            |                                     |          |                 |           |                                                                                            |            |                                                                                              |            |                                     |              |                                                |              |                                                                  |               |                                                                    |              |                                                |              |                                                                  |               |                                                                    |             |                                      |              |                                        |               |                                                          |                |                                                            |            |                                      |             |                                        |               |                                                          |               |                                                            |
| C_FCCH_A                                                                                                                                                                                                                                                                                                                                                                                                                                                                                                                                                                                                                                                                                                                                                                                                                                                                                                                                                                                                                                                                                                                                                                                                                                                                                                                                                                                                                                                                                                                                                                                                                                                                                                                                                                                                                                                                                                                                                                                                                                                                                                                                                                                                                                                                                                                                                                                                                                                                                                                                                                                                                                                                                                                                                                                                                                                                                                                                                                                                                                                                                                                                                                                                                                                                                                                                                                                                                                                                                                                                                                                                                                                           | FCCH of cell A.                                                                                                                                                                                                                                                                                                                                 |                  |                  |          |                 |         |                |            |                                     |          |                 |           |                                                                                            |            |                                                                                              |            |                                     |              |                                                |              |                                                                  |               |                                                                    |              |                                                |              |                                                                  |               |                                                                    |             |                                      |              |                                        |               |                                                          |                |                                                            |            |                                      |             |                                        |               |                                                          |               |                                                            |
| C_SCH_A                                                                                                                                                                                                                                                                                                                                                                                                                                                                                                                                                                                                                                                                                                                                                                                                                                                                                                                                                                                                                                                                                                                                                                                                                                                                                                                                                                                                                                                                                                                                                                                                                                                                                                                                                                                                                                                                                                                                                                                                                                                                                                                                                                                                                                                                                                                                                                                                                                                                                                                                                                                                                                                                                                                                                                                                                                                                                                                                                                                                                                                                                                                                                                                                                                                                                                                                                                                                                                                                                                                                                                                                                                                            | SCH of cell A.                                                                                                                                                                                                                                                                                                                                  |                  |                  |          |                 |         |                |            |                                     |          |                 |           |                                                                                            |            |                                                                                              |            |                                     |              |                                                |              |                                                                  |               |                                                                    |              |                                                |              |                                                                  |               |                                                                    |             |                                      |              |                                        |               |                                                          |                |                                                            |            |                                      |             |                                        |               |                                                          |               |                                                            |
| C_BCCH_A_1                                                                                                                                                                                                                                                                                                                                                                                                                                                                                                                                                                                                                                                                                                                                                                                                                                                                                                                                                                                                                                                                                                                                                                                                                                                                                                                                                                                                                                                                                                                                                                                                                                                                                                                                                                                                                                                                                                                                                                                                                                                                                                                                                                                                                                                                                                                                                                                                                                                                                                                                                                                                                                                                                                                                                                                                                                                                                                                                                                                                                                                                                                                                                                                                                                                                                                                                                                                                                                                                                                                                                                                                                                                         | First instance of a BCCH in cell A.                                                                                                                                                                                                                                                                                                             |                  |                  |          |                 |         |                |            |                                     |          |                 |           |                                                                                            |            |                                                                                              |            |                                     |              |                                                |              |                                                                  |               |                                                                    |              |                                                |              |                                                                  |               |                                                                    |             |                                      |              |                                        |               |                                                          |                |                                                            |            |                                      |             |                                        |               |                                                          |               |                                                            |
| C_CBCH_A                                                                                                                                                                                                                                                                                                                                                                                                                                                                                                                                                                                                                                                                                                                                                                                                                                                                                                                                                                                                                                                                                                                                                                                                                                                                                                                                                                                                                                                                                                                                                                                                                                                                                                                                                                                                                                                                                                                                                                                                                                                                                                                                                                                                                                                                                                                                                                                                                                                                                                                                                                                                                                                                                                                                                                                                                                                                                                                                                                                                                                                                                                                                                                                                                                                                                                                                                                                                                                                                                                                                                                                                                                                           | CBCH of cell A.                                                                                                                                                                                                                                                                                                                                 |                  |                  |          |                 |         |                |            |                                     |          |                 |           |                                                                                            |            |                                                                                              |            |                                     |              |                                                |              |                                                                  |               |                                                                    |              |                                                |              |                                                                  |               |                                                                    |             |                                      |              |                                        |               |                                                          |                |                                                            |            |                                      |             |                                        |               |                                                          |               |                                                            |
| C_PCH_A_1                                                                                                                                                                                                                                                                                                                                                                                                                                                                                                                                                                                                                                                                                                                                                                                                                                                                                                                                                                                                                                                                                                                                                                                                                                                                                                                                                                                                                                                                                                                                                                                                                                                                                                                                                                                                                                                                                                                                                                                                                                                                                                                                                                                                                                                                                                                                                                                                                                                                                                                                                                                                                                                                                                                                                                                                                                                                                                                                                                                                                                                                                                                                                                                                                                                                                                                                                                                                                                                                                                                                                                                                                                                          | First instance of a PCH in cell A (there is one instance of the PCH per BCCH in the cell).                                                                                                                                                                                                                                                      |                  |                  |          |                 |         |                |            |                                     |          |                 |           |                                                                                            |            |                                                                                              |            |                                     |              |                                                |              |                                                                  |               |                                                                    |              |                                                |              |                                                                  |               |                                                                    |             |                                      |              |                                        |               |                                                          |                |                                                            |            |                                      |             |                                        |               |                                                          |               |                                                            |
| C_AGCH_A_1                                                                                                                                                                                                                                                                                                                                                                                                                                                                                                                                                                                                                                                                                                                                                                                                                                                                                                                                                                                                                                                                                                                                                                                                                                                                                                                                                                                                                                                                                                                                                                                                                                                                                                                                                                                                                                                                                                                                                                                                                                                                                                                                                                                                                                                                                                                                                                                                                                                                                                                                                                                                                                                                                                                                                                                                                                                                                                                                                                                                                                                                                                                                                                                                                                                                                                                                                                                                                                                                                                                                                                                                                                                         | First instance of a AGCH in cell A (there is one instance of the AGCH per BCCH in the cell).                                                                                                                                                                                                                                                    |                  |                  |          |                 |         |                |            |                                     |          |                 |           |                                                                                            |            |                                                                                              |            |                                     |              |                                                |              |                                                                  |               |                                                                    |              |                                                |              |                                                                  |               |                                                                    |             |                                      |              |                                        |               |                                                          |                |                                                            |            |                                      |             |                                        |               |                                                          |               |                                                            |
| C_RACH_A_1                                                                                                                                                                                                                                                                                                                                                                                                                                                                                                                                                                                                                                                                                                                                                                                                                                                                                                                                                                                                                                                                                                                                                                                                                                                                                                                                                                                                                                                                                                                                                                                                                                                                                                                                                                                                                                                                                                                                                                                                                                                                                                                                                                                                                                                                                                                                                                                                                                                                                                                                                                                                                                                                                                                                                                                                                                                                                                                                                                                                                                                                                                                                                                                                                                                                                                                                                                                                                                                                                                                                                                                                                                                         | First instance of a RACH in cell A.                                                                                                                                                                                                                                                                                                             |                  |                  |          |                 |         |                |            |                                     |          |                 |           |                                                                                            |            |                                                                                              |            |                                     |              |                                                |              |                                                                  |               |                                                                    |              |                                                |              |                                                                  |               |                                                                    |             |                                      |              |                                        |               |                                                          |                |                                                            |            |                                      |             |                                        |               |                                                          |               |                                                            |
| C_FACCHF_A_1                                                                                                                                                                                                                                                                                                                                                                                                                                                                                                                                                                                                                                                                                                                                                                                                                                                                                                                                                                                                                                                                                                                                                                                                                                                                                                                                                                                                                                                                                                                                                                                                                                                                                                                                                                                                                                                                                                                                                                                                                                                                                                                                                                                                                                                                                                                                                                                                                                                                                                                                                                                                                                                                                                                                                                                                                                                                                                                                                                                                                                                                                                                                                                                                                                                                                                                                                                                                                                                                                                                                                                                                                                                       | First instance of a full rate FACCH in cell A.                                                                                                                                                                                                                                                                                                  |                  |                  |          |                 |         |                |            |                                     |          |                 |           |                                                                                            |            |                                                                                              |            |                                     |              |                                                |              |                                                                  |               |                                                                    |              |                                                |              |                                                                  |               |                                                                    |             |                                      |              |                                        |               |                                                          |                |                                                            |            |                                      |             |                                        |               |                                                          |               |                                                            |
| C_FACCHH_A_1                                                                                                                                                                                                                                                                                                                                                                                                                                                                                                                                                                                                                                                                                                                                                                                                                                                                                                                                                                                                                                                                                                                                                                                                                                                                                                                                                                                                                                                                                                                                                                                                                                                                                                                                                                                                                                                                                                                                                                                                                                                                                                                                                                                                                                                                                                                                                                                                                                                                                                                                                                                                                                                                                                                                                                                                                                                                                                                                                                                                                                                                                                                                                                                                                                                                                                                                                                                                                                                                                                                                                                                                                                                       | First instance of a half rate FACCH in cell A (all subchannels).                                                                                                                                                                                                                                                                                |                  |                  |          |                 |         |                |            |                                     |          |                 |           |                                                                                            |            |                                                                                              |            |                                     |              |                                                |              |                                                                  |               |                                                                    |              |                                                |              |                                                                  |               |                                                                    |             |                                      |              |                                        |               |                                                          |                |                                                            |            |                                      |             |                                        |               |                                                          |               |                                                            |
| C_FACCHH0_A_1                                                                                                                                                                                                                                                                                                                                                                                                                                                                                                                                                                                                                                                                                                                                                                                                                                                                                                                                                                                                                                                                                                                                                                                                                                                                                                                                                                                                                                                                                                                                                                                                                                                                                                                                                                                                                                                                                                                                                                                                                                                                                                                                                                                                                                                                                                                                                                                                                                                                                                                                                                                                                                                                                                                                                                                                                                                                                                                                                                                                                                                                                                                                                                                                                                                                                                                                                                                                                                                                                                                                                                                                                                                      | Subchannel 0 of the first instance of a half rate FACCH in cell A.                                                                                                                                                                                                                                                                              |                  |                  |          |                 |         |                |            |                                     |          |                 |           |                                                                                            |            |                                                                                              |            |                                     |              |                                                |              |                                                                  |               |                                                                    |              |                                                |              |                                                                  |               |                                                                    |             |                                      |              |                                        |               |                                                          |                |                                                            |            |                                      |             |                                        |               |                                                          |               |                                                            |
| C_SACCHF_A_1                                                                                                                                                                                                                                                                                                                                                                                                                                                                                                                                                                                                                                                                                                                                                                                                                                                                                                                                                                                                                                                                                                                                                                                                                                                                                                                                                                                                                                                                                                                                                                                                                                                                                                                                                                                                                                                                                                                                                                                                                                                                                                                                                                                                                                                                                                                                                                                                                                                                                                                                                                                                                                                                                                                                                                                                                                                                                                                                                                                                                                                                                                                                                                                                                                                                                                                                                                                                                                                                                                                                                                                                                                                       | First instance of a full rate SACCH in cell A.                                                                                                                                                                                                                                                                                                  |                  |                  |          |                 |         |                |            |                                     |          |                 |           |                                                                                            |            |                                                                                              |            |                                     |              |                                                |              |                                                                  |               |                                                                    |              |                                                |              |                                                                  |               |                                                                    |             |                                      |              |                                        |               |                                                          |                |                                                            |            |                                      |             |                                        |               |                                                          |               |                                                            |
| C_SACCHH_A_1                                                                                                                                                                                                                                                                                                                                                                                                                                                                                                                                                                                                                                                                                                                                                                                                                                                                                                                                                                                                                                                                                                                                                                                                                                                                                                                                                                                                                                                                                                                                                                                                                                                                                                                                                                                                                                                                                                                                                                                                                                                                                                                                                                                                                                                                                                                                                                                                                                                                                                                                                                                                                                                                                                                                                                                                                                                                                                                                                                                                                                                                                                                                                                                                                                                                                                                                                                                                                                                                                                                                                                                                                                                       | First instance of a half rate SACCH in cell A (all subchannels).                                                                                                                                                                                                                                                                                |                  |                  |          |                 |         |                |            |                                     |          |                 |           |                                                                                            |            |                                                                                              |            |                                     |              |                                                |              |                                                                  |               |                                                                    |              |                                                |              |                                                                  |               |                                                                    |             |                                      |              |                                        |               |                                                          |                |                                                            |            |                                      |             |                                        |               |                                                          |               |                                                            |
| C_SACCHH1_A_1                                                                                                                                                                                                                                                                                                                                                                                                                                                                                                                                                                                                                                                                                                                                                                                                                                                                                                                                                                                                                                                                                                                                                                                                                                                                                                                                                                                                                                                                                                                                                                                                                                                                                                                                                                                                                                                                                                                                                                                                                                                                                                                                                                                                                                                                                                                                                                                                                                                                                                                                                                                                                                                                                                                                                                                                                                                                                                                                                                                                                                                                                                                                                                                                                                                                                                                                                                                                                                                                                                                                                                                                                                                      | Subchannel 1 of the first instance of a half rate SACCH in cell A.                                                                                                                                                                                                                                                                              |                  |                  |          |                 |         |                |            |                                     |          |                 |           |                                                                                            |            |                                                                                              |            |                                     |              |                                                |              |                                                                  |               |                                                                    |              |                                                |              |                                                                  |               |                                                                    |             |                                      |              |                                        |               |                                                          |                |                                                            |            |                                      |             |                                        |               |                                                          |               |                                                            |
| C_SACCHC4_A                                                                                                                                                                                                                                                                                                                                                                                                                                                                                                                                                                                                                                                                                                                                                                                                                                                                                                                                                                                                                                                                                                                                                                                                                                                                                                                                                                                                                                                                                                                                                                                                                                                                                                                                                                                                                                                                                                                                                                                                                                                                                                                                                                                                                                                                                                                                                                                                                                                                                                                                                                                                                                                                                                                                                                                                                                                                                                                                                                                                                                                                                                                                                                                                                                                                                                                                                                                                                                                                                                                                                                                                                                                        | SACCH/4 of cell A (all subchannels).                                                                                                                                                                                                                                                                                                            |                  |                  |          |                 |         |                |            |                                     |          |                 |           |                                                                                            |            |                                                                                              |            |                                     |              |                                                |              |                                                                  |               |                                                                    |              |                                                |              |                                                                  |               |                                                                    |             |                                      |              |                                        |               |                                                          |                |                                                            |            |                                      |             |                                        |               |                                                          |               |                                                            |
| C_SACCHC43_A                                                                                                                                                                                                                                                                                                                                                                                                                                                                                                                                                                                                                                                                                                                                                                                                                                                                                                                                                                                                                                                                                                                                                                                                                                                                                                                                                                                                                                                                                                                                                                                                                                                                                                                                                                                                                                                                                                                                                                                                                                                                                                                                                                                                                                                                                                                                                                                                                                                                                                                                                                                                                                                                                                                                                                                                                                                                                                                                                                                                                                                                                                                                                                                                                                                                                                                                                                                                                                                                                                                                                                                                                                                       | Subchannel 3 of the SACCH/4 of cell A.                                                                                                                                                                                                                                                                                                          |                  |                  |          |                 |         |                |            |                                     |          |                 |           |                                                                                            |            |                                                                                              |            |                                     |              |                                                |              |                                                                  |               |                                                                    |              |                                                |              |                                                                  |               |                                                                    |             |                                      |              |                                        |               |                                                          |                |                                                            |            |                                      |             |                                        |               |                                                          |               |                                                            |
| C_SACCHC8_A_1                                                                                                                                                                                                                                                                                                                                                                                                                                                                                                                                                                                                                                                                                                                                                                                                                                                                                                                                                                                                                                                                                                                                                                                                                                                                                                                                                                                                                                                                                                                                                                                                                                                                                                                                                                                                                                                                                                                                                                                                                                                                                                                                                                                                                                                                                                                                                                                                                                                                                                                                                                                                                                                                                                                                                                                                                                                                                                                                                                                                                                                                                                                                                                                                                                                                                                                                                                                                                                                                                                                                                                                                                                                      | First instance of a SACCH/8 in cell A (all subchannels).                                                                                                                                                                                                                                                                                        |                  |                  |          |                 |         |                |            |                                     |          |                 |           |                                                                                            |            |                                                                                              |            |                                     |              |                                                |              |                                                                  |               |                                                                    |              |                                                |              |                                                                  |               |                                                                    |             |                                      |              |                                        |               |                                                          |                |                                                            |            |                                      |             |                                        |               |                                                          |               |                                                            |
| C_SACCHC87_A_1                                                                                                                                                                                                                                                                                                                                                                                                                                                                                                                                                                                                                                                                                                                                                                                                                                                                                                                                                                                                                                                                                                                                                                                                                                                                                                                                                                                                                                                                                                                                                                                                                                                                                                                                                                                                                                                                                                                                                                                                                                                                                                                                                                                                                                                                                                                                                                                                                                                                                                                                                                                                                                                                                                                                                                                                                                                                                                                                                                                                                                                                                                                                                                                                                                                                                                                                                                                                                                                                                                                                                                                                                                                     | Subchannel 7 of the first instance of a SACCH/8 in cell A.                                                                                                                                                                                                                                                                                      |                  |                  |          |                 |         |                |            |                                     |          |                 |           |                                                                                            |            |                                                                                              |            |                                     |              |                                                |              |                                                                  |               |                                                                    |              |                                                |              |                                                                  |               |                                                                    |             |                                      |              |                                        |               |                                                          |                |                                                            |            |                                      |             |                                        |               |                                                          |               |                                                            |
| C_SDCCH4_A                                                                                                                                                                                                                                                                                                                                                                                                                                                                                                                                                                                                                                                                                                                                                                                                                                                                                                                                                                                                                                                                                                                                                                                                                                                                                                                                                                                                                                                                                                                                                                                                                                                                                                                                                                                                                                                                                                                                                                                                                                                                                                                                                                                                                                                                                                                                                                                                                                                                                                                                                                                                                                                                                                                                                                                                                                                                                                                                                                                                                                                                                                                                                                                                                                                                                                                                                                                                                                                                                                                                                                                                                                                         | SDCCH/4 of cell A (all subchannels).                                                                                                                                                                                                                                                                                                            |                  |                  |          |                 |         |                |            |                                     |          |                 |           |                                                                                            |            |                                                                                              |            |                                     |              |                                                |              |                                                                  |               |                                                                    |              |                                                |              |                                                                  |               |                                                                    |             |                                      |              |                                        |               |                                                          |                |                                                            |            |                                      |             |                                        |               |                                                          |               |                                                            |
| C_SDCCH42_A                                                                                                                                                                                                                                                                                                                                                                                                                                                                                                                                                                                                                                                                                                                                                                                                                                                                                                                                                                                                                                                                                                                                                                                                                                                                                                                                                                                                                                                                                                                                                                                                                                                                                                                                                                                                                                                                                                                                                                                                                                                                                                                                                                                                                                                                                                                                                                                                                                                                                                                                                                                                                                                                                                                                                                                                                                                                                                                                                                                                                                                                                                                                                                                                                                                                                                                                                                                                                                                                                                                                                                                                                                                        | Subchannel 2 of the SDCCH/4 of cell A.                                                                                                                                                                                                                                                                                                          |                  |                  |          |                 |         |                |            |                                     |          |                 |           |                                                                                            |            |                                                                                              |            |                                     |              |                                                |              |                                                                  |               |                                                                    |              |                                                |              |                                                                  |               |                                                                    |             |                                      |              |                                        |               |                                                          |                |                                                            |            |                                      |             |                                        |               |                                                          |               |                                                            |
| C_SDCCH87_A_1                                                                                                                                                                                                                                                                                                                                                                                                                                                                                                                                                                                                                                                                                                                                                                                                                                                                                                                                                                                                                                                                                                                                                                                                                                                                                                                                                                                                                                                                                                                                                                                                                                                                                                                                                                                                                                                                                                                                                                                                                                                                                                                                                                                                                                                                                                                                                                                                                                                                                                                                                                                                                                                                                                                                                                                                                                                                                                                                                                                                                                                                                                                                                                                                                                                                                                                                                                                                                                                                                                                                                                                                                                                      | First instance of a SDCCH/8 in cell A (all subchannels).                                                                                                                                                                                                                                                                                        |                  |                  |          |                 |         |                |            |                                     |          |                 |           |                                                                                            |            |                                                                                              |            |                                     |              |                                                |              |                                                                  |               |                                                                    |              |                                                |              |                                                                  |               |                                                                    |             |                                      |              |                                        |               |                                                          |                |                                                            |            |                                      |             |                                        |               |                                                          |               |                                                            |
| C_SDCCH87_A_1                                                                                                                                                                                                                                                                                                                                                                                                                                                                                                                                                                                                                                                                                                                                                                                                                                                                                                                                                                                                                                                                                                                                                                                                                                                                                                                                                                                                                                                                                                                                                                                                                                                                                                                                                                                                                                                                                                                                                                                                                                                                                                                                                                                                                                                                                                                                                                                                                                                                                                                                                                                                                                                                                                                                                                                                                                                                                                                                                                                                                                                                                                                                                                                                                                                                                                                                                                                                                                                                                                                                                                                                                                                      | Subchannel 7 of the first instance of a SDCCH/8 in cell A.                                                                                                                                                                                                                                                                                      |                  |                  |          |                 |         |                |            |                                     |          |                 |           |                                                                                            |            |                                                                                              |            |                                     |              |                                                |              |                                                                  |               |                                                                    |              |                                                |              |                                                                  |               |                                                                    |             |                                      |              |                                        |               |                                                          |                |                                                            |            |                                      |             |                                        |               |                                                          |               |                                                            |

This list covers all types of combinations used in the TTCN for the time being.

When the meaning refers to 'all' subchannels of a channel (eg. C\_FACCHH\_A\_1), it means that all active subchannels of this channel activated previously by OM\_ChConf, are associated with a logical channel identifier in the OM\_Assoc.

**Detailed Comments:**

| <b>Test Suite Operation Definition</b>                                                                                                                                                                                           |                                                                      |
|----------------------------------------------------------------------------------------------------------------------------------------------------------------------------------------------------------------------------------|----------------------------------------------------------------------|
| <b>Operation Name:</b>                                                                                                                                                                                                           | OM_BmInfo(ch:LOGICCH; mode:B_8)                                      |
| <b>Result Type:</b>                                                                                                                                                                                                              | BOOLEAN                                                              |
| <b>Comments:</b>                                                                                                                                                                                                                 | mode is of type BITSTRING[8], imode is a part of the channel mode IE |
| <b>Description</b>                                                                                                                                                                                                               |                                                                      |
| OM_BmInfo operation checks whether the MS starts transmitting Bm channel information according to the new channel mode 'mode'. The operation returns TRUE if the result of the check is correct otherwise the TSO returns FALSE. |                                                                      |
| <b>Detailed Comments:</b>                                                                                                                                                                                                        |                                                                      |

| <b>Test Suite Operation Definition</b>                                                                                                                                                                                                                                                                                                                                                                                                                                                                                                                                                                                                                                                                                                                                                                                                                                                                                                                                                                                                                                                                                                                                                                                                                                                                                                                                                                                                                                                                                                                                                                                                                                                                                                                                                                                                                                                                                                                                                                                                  |                                                                                      |
|-----------------------------------------------------------------------------------------------------------------------------------------------------------------------------------------------------------------------------------------------------------------------------------------------------------------------------------------------------------------------------------------------------------------------------------------------------------------------------------------------------------------------------------------------------------------------------------------------------------------------------------------------------------------------------------------------------------------------------------------------------------------------------------------------------------------------------------------------------------------------------------------------------------------------------------------------------------------------------------------------------------------------------------------------------------------------------------------------------------------------------------------------------------------------------------------------------------------------------------------------------------------------------------------------------------------------------------------------------------------------------------------------------------------------------------------------------------------------------------------------------------------------------------------------------------------------------------------------------------------------------------------------------------------------------------------------------------------------------------------------------------------------------------------------------------------------------------------------------------------------------------------------------------------------------------------------------------------------------------------------------------------------------------------|--------------------------------------------------------------------------------------|
| <b>Operation Name:</b>                                                                                                                                                                                                                                                                                                                                                                                                                                                                                                                                                                                                                                                                                                                                                                                                                                                                                                                                                                                                                                                                                                                                                                                                                                                                                                                                                                                                                                                                                                                                                                                                                                                                                                                                                                                                                                                                                                                                                                                                                  | OM_ChangeRFOf2Cells( cellid1:CellID; bspwr1:INTEGER; cellid2:CellID; bspwr2:INTEGER) |
| <b>Result Type:</b>                                                                                                                                                                                                                                                                                                                                                                                                                                                                                                                                                                                                                                                                                                                                                                                                                                                                                                                                                                                                                                                                                                                                                                                                                                                                                                                                                                                                                                                                                                                                                                                                                                                                                                                                                                                                                                                                                                                                                                                                                     | BOOLEAN                                                                              |
| <b>Comments:</b>                                                                                                                                                                                                                                                                                                                                                                                                                                                                                                                                                                                                                                                                                                                                                                                                                                                                                                                                                                                                                                                                                                                                                                                                                                                                                                                                                                                                                                                                                                                                                                                                                                                                                                                                                                                                                                                                                                                                                                                                                        |                                                                                      |
| <b>Description</b>                                                                                                                                                                                                                                                                                                                                                                                                                                                                                                                                                                                                                                                                                                                                                                                                                                                                                                                                                                                                                                                                                                                                                                                                                                                                                                                                                                                                                                                                                                                                                                                                                                                                                                                                                                                                                                                                                                                                                                                                                      |                                                                                      |
| <p>This TSO is used to change the RF level of the cell 'cellid1' to the RF level 'bspwr1' and the RF level of the cell 'cellid2' to the RF level 'bspwr2' [dBuVemf], then the TSO returns TRUE.</p> <p>The main use of this TSO is to force the Mobile Station (MS) to select a new cell according to the GSM 05.08 and GSM 03.22.</p> <p>For the MS to select the new cell then the path loss criterion parameter (C1) of the old will have to be less than zero (C1 &lt; 0). This criterion is defined as:</p> $C1 = (A - \max(B, 0))$ <p>when A                      - Received Level Average - (RXLEV_ACCESS_MIN)<br/>                     B                              - MS_TXPWR_MAX_CCH - P {non DCS 1800}<br/>                                                      - MS_TXPWR_MAX_CCH + POWEROFFSET - P {DCS 1800}</p> <p>RXLEV_ACCESS_MIN      - Minimum received level at the MS required for access to the system.<br/>                     MS_TXPWR_MAX_CCH    - Maximum TX power level an MS may use when accessing the system until otherwise commanded.<br/>                     POWER OFFSET         - The power offset to be used in conjunction with the MS TXPWR MAX CCH parameter by the class 3 DCS 1 800 MS.<br/>                     P                              - Maximum RF output power of the MS.</p> <p>All values are expressed in dBm.</p> <p>In most test cases MS_TXPWR_MAX_CHH and the POWER_OFFSET will be set at their minimum values thus C1 = A (B always being negative). Suitable levels of cells will be either 63 dBuV(C_E_default) ,53 dBuV(C_E_neighbourdefault) or 45 dBuV(C_E_suitable). Assuming that the MS uses a RXLEV_ACCESS_MIN between -110 and -115 dbM then to ensure that C1 &lt; 0 the test system's output needs to be set to ensure the level input detected by the MS is less than -123 dBm or lower (-115 plus an 8dB for discrimination between C1 or C2 values and 0, GSM 11.10-1 section 20). This value of -123 dBm corresponds to -10 dBuV (C_E_notsuitable)</p> |                                                                                      |
| <b>Detailed Comments:</b>                                                                                                                                                                                                                                                                                                                                                                                                                                                                                                                                                                                                                                                                                                                                                                                                                                                                                                                                                                                                                                                                                                                                                                                                                                                                                                                                                                                                                                                                                                                                                                                                                                                                                                                                                                                                                                                                                                                                                                                                               |                                                                                      |

| <b>Test Suite Operation Definition</b>                                                                                                                                                                                                                                                                                                                                                                                                                                                                                                                                                                                                                                                                                                                                                                                                                                                                                                                                                                                                                                                                                                                                                                                                                                                                                                                                                                                                                                                                                                                                                                                                                                                                                                                                                                                                                                                                                                                                                                                                                                                                                                                                                                                                                                                                                                                                                                                                                                                                                                                                                                                                                                                                                                                                                                                                                                                                                                                                                                                                                                                                                                                                                                                                                                                                                                                                                                                                                                                                                                                                                                                                                                                                                                                                                                                                                                                                                                                                                                                                                                                                                                                                                                        |                                                                                                                                                                                                                                                                                                                                                                                                           |
|---------------------------------------------------------------------------------------------------------------------------------------------------------------------------------------------------------------------------------------------------------------------------------------------------------------------------------------------------------------------------------------------------------------------------------------------------------------------------------------------------------------------------------------------------------------------------------------------------------------------------------------------------------------------------------------------------------------------------------------------------------------------------------------------------------------------------------------------------------------------------------------------------------------------------------------------------------------------------------------------------------------------------------------------------------------------------------------------------------------------------------------------------------------------------------------------------------------------------------------------------------------------------------------------------------------------------------------------------------------------------------------------------------------------------------------------------------------------------------------------------------------------------------------------------------------------------------------------------------------------------------------------------------------------------------------------------------------------------------------------------------------------------------------------------------------------------------------------------------------------------------------------------------------------------------------------------------------------------------------------------------------------------------------------------------------------------------------------------------------------------------------------------------------------------------------------------------------------------------------------------------------------------------------------------------------------------------------------------------------------------------------------------------------------------------------------------------------------------------------------------------------------------------------------------------------------------------------------------------------------------------------------------------------------------------------------------------------------------------------------------------------------------------------------------------------------------------------------------------------------------------------------------------------------------------------------------------------------------------------------------------------------------------------------------------------------------------------------------------------------------------------------------------------------------------------------------------------------------------------------------------------------------------------------------------------------------------------------------------------------------------------------------------------------------------------------------------------------------------------------------------------------------------------------------------------------------------------------------------------------------------------------------------------------------------------------------------------------------------------------------------------------------------------------------------------------------------------------------------------------------------------------------------------------------------------------------------------------------------------------------------------------------------------------------------------------------------------------------------------------------------------------------------------------------------------------------------------|-----------------------------------------------------------------------------------------------------------------------------------------------------------------------------------------------------------------------------------------------------------------------------------------------------------------------------------------------------------------------------------------------------------|
| <b>Operation Name:</b>                                                                                                                                                                                                                                                                                                                                                                                                                                                                                                                                                                                                                                                                                                                                                                                                                                                                                                                                                                                                                                                                                                                                                                                                                                                                                                                                                                                                                                                                                                                                                                                                                                                                                                                                                                                                                                                                                                                                                                                                                                                                                                                                                                                                                                                                                                                                                                                                                                                                                                                                                                                                                                                                                                                                                                                                                                                                                                                                                                                                                                                                                                                                                                                                                                                                                                                                                                                                                                                                                                                                                                                                                                                                                                                                                                                                                                                                                                                                                                                                                                                                                                                                                                                        | OM_ChConf(bspwr: INTEGER; mspwr: INTEGER; acttype: BITSTRING; chmod: CHMOD; ta: TA; slot: SN; tsc: TSC; rf: FRQPARA; chcmbn: LOGCH; td: INTEGER; fn: INTEGER; babr, cch_con, bpm: B_3; pgfil: PG1_RQ_PDU; dtxu: BITSTRING; dtxd: BITSTRING; cell: CellID; lgch1: LOGICCH; lgch2: LOGICCH; lgch3: LOGICCH; lgch4: LOGICCH; lgch5: LOGICCH; lgch6: LOGICCH; lgch7: LOGICCH; lgch8: LOGICCH; lgch9: LOGICCH) |
| <b>Result Type:</b>                                                                                                                                                                                                                                                                                                                                                                                                                                                                                                                                                                                                                                                                                                                                                                                                                                                                                                                                                                                                                                                                                                                                                                                                                                                                                                                                                                                                                                                                                                                                                                                                                                                                                                                                                                                                                                                                                                                                                                                                                                                                                                                                                                                                                                                                                                                                                                                                                                                                                                                                                                                                                                                                                                                                                                                                                                                                                                                                                                                                                                                                                                                                                                                                                                                                                                                                                                                                                                                                                                                                                                                                                                                                                                                                                                                                                                                                                                                                                                                                                                                                                                                                                                                           | BOOLEAN                                                                                                                                                                                                                                                                                                                                                                                                   |
| <b>Comments:</b>                                                                                                                                                                                                                                                                                                                                                                                                                                                                                                                                                                                                                                                                                                                                                                                                                                                                                                                                                                                                                                                                                                                                                                                                                                                                                                                                                                                                                                                                                                                                                                                                                                                                                                                                                                                                                                                                                                                                                                                                                                                                                                                                                                                                                                                                                                                                                                                                                                                                                                                                                                                                                                                                                                                                                                                                                                                                                                                                                                                                                                                                                                                                                                                                                                                                                                                                                                                                                                                                                                                                                                                                                                                                                                                                                                                                                                                                                                                                                                                                                                                                                                                                                                                              |                                                                                                                                                                                                                                                                                                                                                                                                           |
| <b>Description</b>                                                                                                                                                                                                                                                                                                                                                                                                                                                                                                                                                                                                                                                                                                                                                                                                                                                                                                                                                                                                                                                                                                                                                                                                                                                                                                                                                                                                                                                                                                                                                                                                                                                                                                                                                                                                                                                                                                                                                                                                                                                                                                                                                                                                                                                                                                                                                                                                                                                                                                                                                                                                                                                                                                                                                                                                                                                                                                                                                                                                                                                                                                                                                                                                                                                                                                                                                                                                                                                                                                                                                                                                                                                                                                                                                                                                                                                                                                                                                                                                                                                                                                                                                                                            |                                                                                                                                                                                                                                                                                                                                                                                                           |
| <p>The operation sets the configuration of a basic physical channel according to the input parameters and map logic channel combination onto it:</p> <ul style="list-style-type: none"> <li>- bspwr: base station power level in dBu;</li> <li>- mspwr: mobile station power level in "power control level";</li> <li>- acttype: type of activation: <ul style="list-style-type: none"> <li>- '000'B activation for intra-cell channel change ---- immediate assignment;</li> <li>- '001'B activation for intra-cell channel change ---- assignment;</li> <li>- '010'B activation for inter-cell channel change ---- asynchronous handover;</li> <li>- '011'B activation for inter-cell channel change ---- synchronous handover;</li> <li>- '100'B activation for additional assignment;</li> </ul> <p style="margin-left: 40px;">NOTE: the types defined above are all the same, no real difference</p> <ul style="list-style-type: none"> <li>- '101'B activation for receiving only;</li> </ul> </li> <li>- chmod: channel mode;</li> <li>- ta: timing advance ---- receive timing ta bit periods in advance of the normal receive timing if the channel is a dedicated channel ;</li> <li>- slot: time slot;</li> <li>- tsc: Training sequence code for normal bursts;</li> <li>- rf: ARFCN or hopping parameters;</li> <li>- chcmbn: logic channel combination mapping to the physical channel;</li> <li>- td: timing difference between the cell and conceptual timing reference ---- to make 2 cells with different timebase;</li> <li>- fn: initial frame number offset to the timing base counter ---- to make 2 cells with different frame numbers;</li> <li>- babr number of blocks reserved for access grant</li> <li>- cch-con CCCH/SDCCHs configuration</li> <li>- bpm multiframe period for transmission of PAGING REQUEST</li> <li>- pgfil: paging filling contents;</li> <li>- dtxu: mobile station discontinuous transmission: <ul style="list-style-type: none"> <li>- '0'B mobile station discontinuous transmission is not applied;</li> <li>- '1'B mobile station discontinuous transmission is applied;</li> </ul> </li> <li>- dtxd: base station discontinuous transmission: <ul style="list-style-type: none"> <li>- '0'B base station discontinuous transmission is not applied;</li> <li>- '1'B base station discontinuous transmission is applied;</li> </ul> </li> <li>- cell: cell identifier;</li> <li>- lgch1: logic channel identifier for the channel FCCH;</li> <li>- lgch2: logic channel identifier for the channel SCH;</li> <li>- lgch3: logic channel identifier for the channel BCCH;</li> <li>- lgch4: logic channel identifier for the channel PCH;</li> <li>- lgch5: logic channel identifier for the channel AGCH;</li> <li>- lgch6: logic channel identifier for the channel RACH;</li> <li>- lgch7: logic channel identifier for the channel FACCH or SDCCH;</li> <li>- lgch8: logic channel identifier for the channel SACCH;</li> <li>- lgch9: logic channel identifier for the channel CBCH;</li> </ul> <p>For parameters lgch1 to lgch9 "dummy" in the actual parameter list means that the corresponding parameters are not used.</p> <p>In the test cases the logic channel identifiers lgch1 to lgch9 are used to refer the logic channels configured by the operation. There are only generic identifiers for SDCCH4 or SDCCH8 or FACCHH channel and SACCHC4 or SACCHC8 or SACCHH, identifiers for subchannels of SDCCH4 or SDCCH8 or FACCHH and SACCHC4 or SACCHC8 or SACCHH are linked to the generic identifiers by OM_Assoc operation and in turn refer to the sub logic channels configured by the operation.</p> <p>Channel re-use whithiin OM_ChConf:</p> <p>When an OM_ChConf calls is made then the following rules can be applied for deciding whether or not to re-use existing physical channel.</p> <p>Decode the 'chcmbn' (channel combination) parameter to determine the new channel type.</p> <p>If new channel = "C_FCCH_SCH_BCCH_CCCH_SDCCH4_SACCHC4" (combined) or<br/> if new channel = "C_CBCH_FCCH_SCH_BCCH_CCCH_SDCCH4_SACCHC4" (combined + SMS) then re-use any existing control channel configuration with same CellID.</p> |                                                                                                                                                                                                                                                                                                                                                                                                           |

If new channel = "C\_FCCH\_SCH\_BCCH\_CCCH" (non-combined) then use any combined, combined + SMS or non-combined control channel configuration with the same CellID.

If new channel = "C\_BCCH\_CCCH\_2", "C\_BCCH\_CCCH\_3" or "C\_BCCH\_CCCH\_4" (ccch-group) then re-use any existing ccch-group control channel configuration with the same CellID and the slot, or re-use any existing combined, combined + SMS with the same CellID.

If new channel = "C\_TCHF\_ACCHF\_1", "C\_TCHF\_ACCHF\_2", "C\_TCHH\_ACCHH\_1", "C\_TCHH\_ACCHH\_2" (traffic) or "C\_SDCCH8\_SACCHC8\_1", "C\_SDCCH8\_SACCHC8\_2", "C\_SDCCH8\_SACCHC8\_3" (dedicated) then re-use any existing traffic or dedicated channel with the same channel description.

**Detailed Comments:**

### Test Suite Operation Definition

**Operation Name:** OM\_ChMdModi(ch:LOGICCH; chmod: CHMOD)

**Result Type:** BOOLEAN

**Comments:**

#### Description

OM\_ChMdModi operation passes channel mode IE for channel `ch` to lower layer emulator and requests the emulator to set the `ch` to the mode `chmod`. After the mode changed, it returns.

**Detailed Comments:**

### Test Suite Operation Definition

**Operation Name:** OM\_CphMdChg(ch:LOGICCH; cphmod: CPHMS; key:BITSTRING)

**Result Type:** BOOLEAN

**Comments:**

#### Description

OM\_CphMdChg operation passes ciphering parameters for channel `ch` to lower layer and sets the lower layer emulator into a special operation mode in which lower layer starts the 3-step ciphering mode setting sequence when the next L3 message on the channel `ch` arrives.

**Detailed Comments:**

### Test Suite Operation Definition

**Operation Name:** OM\_CphMd(ch:LOGICCH; cphmod: CPHMS; key:BITSTRING)

**Result Type:** BOOLEAN

**Comments:**

#### Description

OM\_CphMd operation passes ciphering parameters for channel `ch` to lower layer and sets the channel `ch` in the ciphering mode `cphmod`. This operation puts the channel `ch` into specified ciphering mode `cphmod` immediately without the 3-step ciphering mode setting sequence.

**Detailed Comments:**

### Test Suite Operation Definition

**Operation Name:** OM\_ComingFn(ch:LOGICCH)

**Result Type:** FN

**Comments:**

#### Description

OM\_ComingFn operation returns the frame number (FN modulo 42432) which is about 5 seconds later than current frame number and is able to carry L3 message on the channel `ch`.

**Detailed Comments:** The delay of about 5 seconds ensures that there is still enough time left for higher layer controller to prepare next TTCN send event after the OM\_ComingFn returns. the exact delay value is up to the implementor.



| <b>Test Suite Operation Definition</b>                                                                                                                                                                                                                                                                                                                                                                                                                                                                                                                                                                                                                                                                                                                                                                                                                                                                                                                                         |                                                                                                                                                                                                                                                          |
|--------------------------------------------------------------------------------------------------------------------------------------------------------------------------------------------------------------------------------------------------------------------------------------------------------------------------------------------------------------------------------------------------------------------------------------------------------------------------------------------------------------------------------------------------------------------------------------------------------------------------------------------------------------------------------------------------------------------------------------------------------------------------------------------------------------------------------------------------------------------------------------------------------------------------------------------------------------------------------|----------------------------------------------------------------------------------------------------------------------------------------------------------------------------------------------------------------------------------------------------------|
| <b>Operation Name:</b>                                                                                                                                                                                                                                                                                                                                                                                                                                                                                                                                                                                                                                                                                                                                                                                                                                                                                                                                                         | OM_Deactivate(ch1, ch2:LOGICCH)                                                                                                                                                                                                                          |
| <b>Result Type:</b>                                                                                                                                                                                                                                                                                                                                                                                                                                                                                                                                                                                                                                                                                                                                                                                                                                                                                                                                                            | BOOLEAN                                                                                                                                                                                                                                                  |
| <b>Comments:</b>                                                                                                                                                                                                                                                                                                                                                                                                                                                                                                                                                                                                                                                                                                                                                                                                                                                                                                                                                               |                                                                                                                                                                                                                                                          |
| <b>Description</b>                                                                                                                                                                                                                                                                                                                                                                                                                                                                                                                                                                                                                                                                                                                                                                                                                                                                                                                                                             |                                                                                                                                                                                                                                                          |
| <p>OM_Deactivate operation deactivates the logical channels `ch1` and `ch2`, then returns TRUE.</p> <p>The ch1 can be a DCCH or a TCH, the ch2 is the associated SACCH.</p> <p>Deactivation of an active SDCCH channel can be done by stopping transmission; this means that for the bursts on the BCCH carriers, dummy bursts shall be transmitted, for other bursts nothing shall be transmitted. Alternatively the deactivation of a SDCCH can be done by transmitting bad blocks on the SACCH with the parity bits set incorrectly. This will lead to a radio link failure in the MS.</p> <p>Deactivation of a TCH channel can be done by stopping transmission if it is non-BCCH.</p> <p>Deactivation of a SACCH_T can be done by transmitting bad blocks on the SACCH_T with the parity bits set incorrectly. The wrong channel coding on the SACCH will lead to a radio link failure in the MS after several seconds depending on the system information messages..</p> |                                                                                                                                                                                                                                                          |
| <b>Detailed Comments:</b>                                                                                                                                                                                                                                                                                                                                                                                                                                                                                                                                                                                                                                                                                                                                                                                                                                                                                                                                                      | <p>The TSO is called in</p> <p>TC_26_7_3_2, TC_26_7_4_3_2, TC_26_7_4_3_3, TC_26_7_4_3_4 on a SDCCH/4/SACCH/C4 channel in downlink,</p> <p>TC_26_2_4_1, TC_26_2_4_2, TC_26_8_2_1, TC_26_8_2_2, TC_26_8_2_3 on TCH/SACCH_T channel in both directions.</p> |

| <b>Test Suite Operation Definition</b>                                                                                                                                                                                                                                                                                                                                                                                                                                                                                                                                                                                                                                                                                                                                                                                                                                                                                                                                                                                                                                                                                                                                                                                                                                                                    |                                                                 |
|-----------------------------------------------------------------------------------------------------------------------------------------------------------------------------------------------------------------------------------------------------------------------------------------------------------------------------------------------------------------------------------------------------------------------------------------------------------------------------------------------------------------------------------------------------------------------------------------------------------------------------------------------------------------------------------------------------------------------------------------------------------------------------------------------------------------------------------------------------------------------------------------------------------------------------------------------------------------------------------------------------------------------------------------------------------------------------------------------------------------------------------------------------------------------------------------------------------------------------------------------------------------------------------------------------------|-----------------------------------------------------------------|
| <b>Operation Name:</b>                                                                                                                                                                                                                                                                                                                                                                                                                                                                                                                                                                                                                                                                                                                                                                                                                                                                                                                                                                                                                                                                                                                                                                                                                                                                                    | OM_FHCHK(ch:LOGICCH; ca:CCHD; ma:MA; cd:CHD; t :INTEGER; fn:FN) |
| <b>Result Type:</b>                                                                                                                                                                                                                                                                                                                                                                                                                                                                                                                                                                                                                                                                                                                                                                                                                                                                                                                                                                                                                                                                                                                                                                                                                                                                                       | BOOLEAN                                                         |
| <b>Comments:</b>                                                                                                                                                                                                                                                                                                                                                                                                                                                                                                                                                                                                                                                                                                                                                                                                                                                                                                                                                                                                                                                                                                                                                                                                                                                                                          |                                                                 |
| <b>Description</b>                                                                                                                                                                                                                                                                                                                                                                                                                                                                                                                                                                                                                                                                                                                                                                                                                                                                                                                                                                                                                                                                                                                                                                                                                                                                                        |                                                                 |
| <p>After the SS has been configured to start / change frequency hopping at a particular start time, this TSO instructs the SS to check whether the MS correctly uses the hopping frequencies on and after the expected start time according to the frequency parameters.</p> <p>If `t` = 0 or 32024 &lt;= `t` &lt;= 42431 the operation checks that the new frequencies starts "without delay".</p> <p>If 0 &lt; `t` &lt;= 31000 the operation checks that the new frequencies starts "on" the frame number of <math>(X + t) \bmod 42432</math>, where <math>x = 51 * ((fn.t3 - fn.t2) \bmod 26) + fn.t3 + 1326 * fn.t1</math>.</p> <p>If 31000 &lt; `t` &lt; 32024, or `t` &lt; 0 or `t` &gt; 42431 then the test has been configured incorrectly and should be re-run with a permitted value for `t`.</p> <p>This check is performed at the uplink RF burst level by sampling for a period of 3 seconds from the start time and should therefore be called immediately after the SS has been configured to start / change hopping. The operation returns TRUE if the MS behaviour is correct, otherwise it returns FALSE.</p> <p>Note: before this TSO is called, a layer 3 message must be sent to the MS to command the MS to start / change hopping using the same frequency hopping parameters.</p> |                                                                 |
| <b>Detailed Comments:</b>                                                                                                                                                                                                                                                                                                                                                                                                                                                                                                                                                                                                                                                                                                                                                                                                                                                                                                                                                                                                                                                                                                                                                                                                                                                                                 |                                                                 |

| <b>Test Suite Operation Definition</b>                                                                                                                                                                           |                                                                                                                                                                                                                                                                                                                                  |
|------------------------------------------------------------------------------------------------------------------------------------------------------------------------------------------------------------------|----------------------------------------------------------------------------------------------------------------------------------------------------------------------------------------------------------------------------------------------------------------------------------------------------------------------------------|
| <b>Operation Name:</b>                                                                                                                                                                                           | OM_FreeResource(ch :LOGICCH)                                                                                                                                                                                                                                                                                                     |
| <b>Result Type:</b>                                                                                                                                                                                              | BOOLEAN                                                                                                                                                                                                                                                                                                                          |
| <b>Comments:</b>                                                                                                                                                                                                 |                                                                                                                                                                                                                                                                                                                                  |
| <b>Description</b>                                                                                                                                                                                               |                                                                                                                                                                                                                                                                                                                                  |
| <p>OM_FreeResource operation instructs the lower layer emulator to release the resources which have been allocated to the logical channel "ch". After the resources are released the operation returns TRUE.</p> |                                                                                                                                                                                                                                                                                                                                  |
| <b>Detailed Comments:</b>                                                                                                                                                                                        | <p>In some test cases (most of them are hanhover test cases) different channels are needed while the test goes on. the purpose of the operation is to reuse lower layer resources (e.g. transceivers), which have been allocated to the previous channel, for configuring another channel required in the next testing step.</p> |

| <b>Test Suite Operation Definition</b>                                                                                                                                                                                                                                                                                                                                                                                                                                                                                                                                                                                                                                                                                                                                                                                                |                                                                      |
|---------------------------------------------------------------------------------------------------------------------------------------------------------------------------------------------------------------------------------------------------------------------------------------------------------------------------------------------------------------------------------------------------------------------------------------------------------------------------------------------------------------------------------------------------------------------------------------------------------------------------------------------------------------------------------------------------------------------------------------------------------------------------------------------------------------------------------------|----------------------------------------------------------------------|
| <b>Operation Name:</b>                                                                                                                                                                                                                                                                                                                                                                                                                                                                                                                                                                                                                                                                                                                                                                                                                | OM_FreqDef(st:STRT; ma:MA; ch :LOGICCH; chd: CHD; ca:CCHD; frmn: FN) |
| <b>Result Type:</b>                                                                                                                                                                                                                                                                                                                                                                                                                                                                                                                                                                                                                                                                                                                                                                                                                   | BOOLEAN                                                              |
| <b>Comments:</b>                                                                                                                                                                                                                                                                                                                                                                                                                                                                                                                                                                                                                                                                                                                                                                                                                      |                                                                      |
| <b>Description</b>                                                                                                                                                                                                                                                                                                                                                                                                                                                                                                                                                                                                                                                                                                                                                                                                                    |                                                                      |
| <p>OM_FreqDef operation passes the frequency hopping parameters for channel `ch` to lower layer emulator. The emulator starts using these frequency parameters at the frame number indicated by starting time `st`. The parameter `frmn` indicates a reference frame number at which the first burst of the message, FREQUENCY REDEFINITION, ASSIGNMENT COMMAND or HANDOVER COMMAND, containing starting time is sent in the concerned cell.</p> <p>If <math>0 \leq (st - frmn) \bmod 42432 \leq 31623</math>, the indicated time is the next time when frame number mod 42432 is equal to st.</p> <p>If <math>32024 \leq (st - frmn) \bmod 42432 \leq 42431</math>, the indicated time has already elapsed. After completely sending out the message containing the parameter starting time the tester starts frequency hopping.</p> |                                                                      |
| <b>Detailed Comments:</b>                                                                                                                                                                                                                                                                                                                                                                                                                                                                                                                                                                                                                                                                                                                                                                                                             |                                                                      |

| <b>Test Suite Operation Definition</b>                                                                                                                                                                                                                                                                                                                                                                                                                                                         |                             |
|------------------------------------------------------------------------------------------------------------------------------------------------------------------------------------------------------------------------------------------------------------------------------------------------------------------------------------------------------------------------------------------------------------------------------------------------------------------------------------------------|-----------------------------|
| <b>Operation Name:</b>                                                                                                                                                                                                                                                                                                                                                                                                                                                                         | OM_GetHoaccPara(ch:LOGICCH) |
| <b>Result Type:</b>                                                                                                                                                                                                                                                                                                                                                                                                                                                                            | HOACC_PARA                  |
| <b>Comments:</b>                                                                                                                                                                                                                                                                                                                                                                                                                                                                               |                             |
| <b>Description</b>                                                                                                                                                                                                                                                                                                                                                                                                                                                                             |                             |
| <p>OM_GetHoaccPara instructs the lower layer emulator to return the total number of the handover access bursts received on channel `ch`, the observed minimum and maximum power levels in dBm modulo 256 and the observed minimum and maximum timing advance in bits modulo 256. The lower layer emulator starts the observation of handover access bursts as soon as sending out a HANDOVER COMMAND message. The TSO returns an accumulative result of the observation when it is called.</p> |                             |
| <b>Detailed Comments:</b>                                                                                                                                                                                                                                                                                                                                                                                                                                                                      |                             |

| <b>Test Suite Operation Definition</b>                                                                                                      |                        |
|---------------------------------------------------------------------------------------------------------------------------------------------|------------------------|
| <b>Operation Name:</b>                                                                                                                      | OM_GetL1Hd(ch:LOGICCH) |
| <b>Result Type:</b>                                                                                                                         | L1HD                   |
| <b>Comments:</b>                                                                                                                            |                        |
| <b>Description</b>                                                                                                                          |                        |
| <p>OM_GetL1Hd instructs the L 2 emulator to read the L 1 header of the next SACCH frame received on channel `ch` and return this value.</p> |                        |
| <b>Detailed Comments:</b>                                                                                                                   |                        |

| <b>Test Suite Operation Definition</b>                                                                                                                                                                                                                                                            |                               |
|---------------------------------------------------------------------------------------------------------------------------------------------------------------------------------------------------------------------------------------------------------------------------------------------------|-------------------------------|
| <b>Operation Name:</b>                                                                                                                                                                                                                                                                            | OM_LowerLayerFail(ch:LOGICCH) |
| <b>Result Type:</b>                                                                                                                                                                                                                                                                               | BOOLEAN                       |
| <b>Comments:</b>                                                                                                                                                                                                                                                                                  |                               |
| <b>Description</b>                                                                                                                                                                                                                                                                                |                               |
| <p>This operation is to force the lower layer failure, then it returns.</p> <p>The lower layer failure can be any one of layer 1 failures or layer 2 failures.</p> <ul style="list-style-type: none"> <li>- layer 1 failure, see GSM 05.08;</li> <li>- layer 2 failure, see GSM 04.06.</li> </ul> |                               |
| <b>Detailed Comments:</b>                                                                                                                                                                                                                                                                         |                               |

| <b>Test Suite Operation Definition</b>                                                                                                                                                                                                                                                                                                                                                                                                                                                                                                                 |                                    |
|--------------------------------------------------------------------------------------------------------------------------------------------------------------------------------------------------------------------------------------------------------------------------------------------------------------------------------------------------------------------------------------------------------------------------------------------------------------------------------------------------------------------------------------------------------|------------------------------------|
| <b>Operation Name:</b>                                                                                                                                                                                                                                                                                                                                                                                                                                                                                                                                 | OM_NoL2Ack(i:INTEGER; ch: LOGICCH) |
| <b>Result Type:</b>                                                                                                                                                                                                                                                                                                                                                                                                                                                                                                                                    | BOOLEAN                            |
| <b>Comments:</b>                                                                                                                                                                                                                                                                                                                                                                                                                                                                                                                                       |                                    |
| <b>Description</b>                                                                                                                                                                                                                                                                                                                                                                                                                                                                                                                                     |                                    |
| <p>When the parameter <math>i &gt; 0</math> the layer 2 emulator is put into a special operation mode then the TSO returns. In this special mode the layer 2 emulator shall not acknowledge the 'i'th occurrence of the L2 I frame which has the more data bit "M" = 0 on the channel 'ch'.</p> <p>The layer 2 emulator resumes normal operation when</p> <ul style="list-style-type: none"> <li>- either the TSO is called again with <math>i = 0</math> on the same 'ch',</li> <li>- or a data link SABM message is received on the 'ch'.</li> </ul> |                                    |
| <b>Detailed Comments:</b>                                                                                                                                                                                                                                                                                                                                                                                                                                                                                                                              |                                    |

| <b>Test Suite Operation Definition</b>                                                                                                                                                                                                                                                 |                            |
|----------------------------------------------------------------------------------------------------------------------------------------------------------------------------------------------------------------------------------------------------------------------------------------|----------------------------|
| <b>Operation Name:</b>                                                                                                                                                                                                                                                                 | OM_NotAckSetup(ch:LOGICCH) |
| <b>Result Type:</b>                                                                                                                                                                                                                                                                    | BOOLEAN                    |
| <b>Comments:</b>                                                                                                                                                                                                                                                                       |                            |
| <b>Description</b>                                                                                                                                                                                                                                                                     |                            |
| <p>This operation puts the layer 2 emulator into a special operation mode then returns. In this special mode the layer 2 emulator will not acknowledge the last L 2 frame which carries the SETUP message, and the layer 2 emulator resumes normal operation after this L 2 frame.</p> |                            |
| <b>Detailed Comments:</b>                                                                                                                                                                                                                                                              |                            |

| <b>Test Suite Operation Definition</b>                                                                                                                                                                                                                                                                                                                                                                                                                                                                                                                                                                |                                                     |
|-------------------------------------------------------------------------------------------------------------------------------------------------------------------------------------------------------------------------------------------------------------------------------------------------------------------------------------------------------------------------------------------------------------------------------------------------------------------------------------------------------------------------------------------------------------------------------------------------------|-----------------------------------------------------|
| <b>Operation Name:</b>                                                                                                                                                                                                                                                                                                                                                                                                                                                                                                                                                                                | OM_NoUAforDISC(ch:LOGICCH)                          |
| <b>Result Type:</b>                                                                                                                                                                                                                                                                                                                                                                                                                                                                                                                                                                                   | BOOLEAN                                             |
| <b>Comments:</b>                                                                                                                                                                                                                                                                                                                                                                                                                                                                                                                                                                                      |                                                     |
| <b>Description</b>                                                                                                                                                                                                                                                                                                                                                                                                                                                                                                                                                                                    |                                                     |
| <p>OM_NoUAforDISC and OM_ResumUAforDISC are a pair of TSOs. OM_NoUAforDISC forces the L2 emulator of the tester to enter a specific mode. OM_ResumUAforDISC resumes the L2 emulator to a normal L2 operational mode.</p> <p>In the specific mode on receiving a DISC on the channel 'ch', the L2 emulator</p> <ul style="list-style-type: none"> <li>- does not respond with a UA,</li> <li>- remains in the multiple-frame established state,</li> <li>- indicates that the DISC has been received (by means of subsequent DL_RELEASE_INDICATION ASPs).</li> </ul> <p>Then the TSO returns TRUE.</p> |                                                     |
| <b>Detailed Comments:</b>                                                                                                                                                                                                                                                                                                                                                                                                                                                                                                                                                                             | The TSO is called in TC_26_6_12_2 and TC_26_6_12_4. |

| <b>Test Suite Operation Definition</b>                                                                                                                                                                                                                                                                                                                                                                                        |                                                   |
|-------------------------------------------------------------------------------------------------------------------------------------------------------------------------------------------------------------------------------------------------------------------------------------------------------------------------------------------------------------------------------------------------------------------------------|---------------------------------------------------|
| <b>Operation Name:</b>                                                                                                                                                                                                                                                                                                                                                                                                        | OM_PgFill(cellid:CellID; msg:PG1_RQ_PDU)          |
| <b>Result Type:</b>                                                                                                                                                                                                                                                                                                                                                                                                           | BOOLEAN                                           |
| <b>Comments:</b>                                                                                                                                                                                                                                                                                                                                                                                                              | The result returned by the operation is not used. |
| <b>Description</b>                                                                                                                                                                                                                                                                                                                                                                                                            |                                                   |
| <p>OM_PgFill operation sets up the contents of paging filling frame to be sent on all paging subchannels continuously. If the contents of paging filling frame in cell 'cellid' have not been set up, the operation sets the contents to 'msg'. If paging filling frame in cell 'cellid' has been set up, the operation changes the paging filling message to 'msg'. After the required action has been taken it returns.</p> |                                                   |
| <b>Detailed Comments:</b>                                                                                                                                                                                                                                                                                                                                                                                                     |                                                   |

| <b>Test Suite Operation Definition</b>                                                                                                                                                                          |                                                                                                                   |
|-----------------------------------------------------------------------------------------------------------------------------------------------------------------------------------------------------------------|-------------------------------------------------------------------------------------------------------------------|
| <b>Operation Name:</b>                                                                                                                                                                                          | OM_Reactivate(ch1, ch2:LOGICCH)                                                                                   |
| <b>Result Type:</b>                                                                                                                                                                                             | BOOLEAN                                                                                                           |
| <b>Comments:</b>                                                                                                                                                                                                |                                                                                                                   |
| <b>Description</b>                                                                                                                                                                                              |                                                                                                                   |
| The TSO OM_Reactivate reactivates the logical channels 'ch1' and 'ch2' which were previously deactivated by the OM_Deactivate. Then the TSO returns TRUE. The ch1 is an SDCCH, the ch2 is the associated SACCH. |                                                                                                                   |
| Reactivation of deactivated SDCCH/SACCH channels means to restart normal transmissions both on the SDCCH and the associated SACCH as specified in the ETS 300 574 (GSM 05.02).                                  |                                                                                                                   |
| <b>Detailed Comments:</b>                                                                                                                                                                                       | The TSO is called in TC_26_7_3_2, TC_26_7_4_3_2, TC_26_7_4_3_3, TC_26_7_4_3_4 on the SDCCH/4 / SACCH/C4 channels. |

| <b>Test Suite Operation Definition</b>                                                                                        |                         |
|-------------------------------------------------------------------------------------------------------------------------------|-------------------------|
| <b>Operation Name:</b>                                                                                                        | OM_ReturnFn(ch:LOGICCH) |
| <b>Result Type:</b>                                                                                                           | FN                      |
| <b>Comments:</b>                                                                                                              |                         |
| <b>Description</b>                                                                                                            |                         |
| OM_ReturnFn operation returns the frame number (FN modulo 42432) on which the last L3 message was sent on logic channel 'ch'. |                         |
| <b>Detailed Comments:</b>                                                                                                     |                         |

| <b>Test Suite Operation Definition</b>                                                                                                                                                              |                                                     |
|-----------------------------------------------------------------------------------------------------------------------------------------------------------------------------------------------------|-----------------------------------------------------|
| <b>Operation Name:</b>                                                                                                                                                                              | OM_ResumUAforDISC(ch:LOGICCH)                       |
| <b>Result Type:</b>                                                                                                                                                                                 | BOOLEAN                                             |
| <b>Comments:</b>                                                                                                                                                                                    |                                                     |
| <b>Description</b>                                                                                                                                                                                  |                                                     |
| OM_NoUAforDISC and OM_ResumUAforDISC are a pair of TSOs. OM_NoUAforDISC forces the L2 emulator to enter a specific mode. OM_ResumUAforDISC resumes the L2 emulator to a normal L2 operational mode. |                                                     |
| OM_ResumeUAforDISC cancels the effect of OM_NoUAforDISC, returning L2 on the channel 'ch' to normal operation in the multiple-frame established state.                                              |                                                     |
| Then the TSO returns TRUE.                                                                                                                                                                          |                                                     |
| <b>Detailed Comments:</b>                                                                                                                                                                           | The TSO is called in TC_26_6_12_2 and TC_26_6_12_4. |

| <b>Test Suite Operation Definition</b>                                                                                                                                                                                                           |                                                   |
|--------------------------------------------------------------------------------------------------------------------------------------------------------------------------------------------------------------------------------------------------|---------------------------------------------------|
| <b>Operation Name:</b>                                                                                                                                                                                                                           | OM_SendSMSCBWhilePaging(ch:LOGICCH)               |
| <b>Result Type:</b>                                                                                                                                                                                                                              | BOOLEAN                                           |
| <b>Comments:</b>                                                                                                                                                                                                                                 | The result returned by the operation is not used. |
| <b>Description</b>                                                                                                                                                                                                                               |                                                   |
| The TSO makes the lower layers send the second SMSCB message at the same time as the MS is paged.                                                                                                                                                |                                                   |
| This shall be achieved by paging the MS immediately after the first block of the CB message has been sent. The SS shall ensure that the page is transmitted on the radio interface prior to the transmission of the 4th block of the CB message. |                                                   |
| <b>Detailed Comments:</b>                                                                                                                                                                                                                        |                                                   |

| <b>Test Suite Operation Definition</b>                                                                                                                                                                                                                                                                                      |                                  |
|-----------------------------------------------------------------------------------------------------------------------------------------------------------------------------------------------------------------------------------------------------------------------------------------------------------------------------|----------------------------------|
| <b>Operation Name:</b>                                                                                                                                                                                                                                                                                                      | OM_SendNextOn(ch:LOGICCH; fn:FN) |
| <b>Result Type:</b>                                                                                                                                                                                                                                                                                                         | BOOLEAN                          |
| <b>Comments:</b>                                                                                                                                                                                                                                                                                                            |                                  |
| <b>Description</b>                                                                                                                                                                                                                                                                                                          |                                  |
| OM_SendNextOn operation sets the lower layer emulator into a special operation mode then returns. In the special mode the lower layer emulator sends the next L3 message on the indicated frame number 'fn' on the 'ch' channel. After the next L3 message is sent, the lower layer resumes normal operation automatically. |                                  |
| <b>Detailed Comments:</b>                                                                                                                                                                                                                                                                                                   |                                  |

| <b>Test Suite Operation Definition</b>                                                                                                                                                                                                                                                                                                                                                                             |                                          |
|--------------------------------------------------------------------------------------------------------------------------------------------------------------------------------------------------------------------------------------------------------------------------------------------------------------------------------------------------------------------------------------------------------------------|------------------------------------------|
| <b>Operation Name:</b>                                                                                                                                                                                                                                                                                                                                                                                             | OM_SendNextOnHO(ch:LOGICCH; cnt:INTEGER) |
| <b>Result Type:</b>                                                                                                                                                                                                                                                                                                                                                                                                | BOOLEAN                                  |
| <b>Comments:</b>                                                                                                                                                                                                                                                                                                                                                                                                   | Used in non-synchronised handover tests  |
| <b>Description</b>                                                                                                                                                                                                                                                                                                                                                                                                 |                                          |
| OM_SendNextOnHO operation sets the lower layer emulator into a special operation mode then returns. In the special mode the lower layer emulator waits for the number of Handover bursts specified by the parameter 'cnt' on channel 'ch' before sending the next L3 message. After the message is sent, the lower layer resumes normal operation automatically. The TSO does not affect any TTCN receiving event. |                                          |
| <b>Detailed Comments:</b>                                                                                                                                                                                                                                                                                                                                                                                          |                                          |

| <b>Test Suite Operation Definition</b>                                                                                                                                                                                                                                                                                                                                                                                                                                                             |                                                   |
|----------------------------------------------------------------------------------------------------------------------------------------------------------------------------------------------------------------------------------------------------------------------------------------------------------------------------------------------------------------------------------------------------------------------------------------------------------------------------------------------------|---------------------------------------------------|
| <b>Operation Name:</b>                                                                                                                                                                                                                                                                                                                                                                                                                                                                             | OM_StartMsrReport(ch:LOGICCH)                     |
| <b>Result Type:</b>                                                                                                                                                                                                                                                                                                                                                                                                                                                                                | BOOLEAN                                           |
| <b>Comments:</b>                                                                                                                                                                                                                                                                                                                                                                                                                                                                                   | The result returned by the operation is not used. |
| <b>Description</b>                                                                                                                                                                                                                                                                                                                                                                                                                                                                                 |                                                   |
| The operation starts the reporting of received MEASUREMENT REPORT message to layer 3 emulator, then it returns with value TRUE.<br>Measurement Reports shall be disable by default. By default means that the tester filters them out from the TTCN in-buffer. This operation enables the reports entering the TTCN in-buffer. The OM_StopMsrReport operation disables the reports entering the TTCN in-buffer. When starting each test case, the measurement reports are filtered out by default. |                                                   |
| <b>Detailed Comments:</b>                                                                                                                                                                                                                                                                                                                                                                                                                                                                          |                                                   |

| <b>Test Suite Operation Definition</b>                                                                                                                                                                                                                                                                                                                                    |                                                                               |
|---------------------------------------------------------------------------------------------------------------------------------------------------------------------------------------------------------------------------------------------------------------------------------------------------------------------------------------------------------------------------|-------------------------------------------------------------------------------|
| <b>Operation Name:</b>                                                                                                                                                                                                                                                                                                                                                    | OM_StopAllBCCH(cell1, cell2, cell3, cell4, cell5, cell6, cell7, cell8:CellID) |
| <b>Result Type:</b>                                                                                                                                                                                                                                                                                                                                                       | BOOLEAN                                                                       |
| <b>Comments:</b>                                                                                                                                                                                                                                                                                                                                                          | The result returned by the operation is not used.                             |
| <b>Description</b>                                                                                                                                                                                                                                                                                                                                                        |                                                                               |
| The TSO stops the RF transmission on all BCCH channels including dummy bursts in the indicated cells, but keeps the uplink CCCH reception active. After all transmission have been stopped the TSO returns TRUE.<br>If a cell in the parameter list is not in use a "dummy" value needs to be assigned to it by the calling test case.<br>The TSO is called in TC_26_3_3. |                                                                               |
| <b>Detailed Comments:</b>                                                                                                                                                                                                                                                                                                                                                 |                                                                               |

| <b>Test Suite Operation Definition</b>                                                                                                                                                                                                                                                                                                                                                                                                                                |                                                   |
|-----------------------------------------------------------------------------------------------------------------------------------------------------------------------------------------------------------------------------------------------------------------------------------------------------------------------------------------------------------------------------------------------------------------------------------------------------------------------|---------------------------------------------------|
| <b>Operation Name:</b>                                                                                                                                                                                                                                                                                                                                                                                                                                                | OM_StopCell(cell:CellID)                          |
| <b>Result Type:</b>                                                                                                                                                                                                                                                                                                                                                                                                                                                   | BOOLEAN                                           |
| <b>Comments:</b>                                                                                                                                                                                                                                                                                                                                                                                                                                                      | The result returned by the operation is not used. |
| <b>Description</b>                                                                                                                                                                                                                                                                                                                                                                                                                                                    |                                                   |
| The TSO stops completely all RF transmission of the specific cell 'cell', including the dummy bursts on other slots. After all RF transmission have been stopped the TSO returns TRUE.<br>The cell shall be deleted from the lower layer tester and therefore if the cell 'cell' is required again by the calling test case it needs to be re-configured.<br>The TSO is called in TC_26_3_4, TC_26_6_6_1, TC_26_7_4_2_2_1, TC_26_7_4_2_2_2, TC_26_7_4_6, TC_31_6_2_3. |                                                   |
| <b>Detailed Comments:</b>                                                                                                                                                                                                                                                                                                                                                                                                                                             |                                                   |

| <b>Test Suite Operation Definition</b>                                                                                                                                                                                                                                                                                                                                                                                                                                                                                       |                                                   |
|------------------------------------------------------------------------------------------------------------------------------------------------------------------------------------------------------------------------------------------------------------------------------------------------------------------------------------------------------------------------------------------------------------------------------------------------------------------------------------------------------------------------------|---------------------------------------------------|
| <b>Operation Name:</b>                                                                                                                                                                                                                                                                                                                                                                                                                                                                                                       | OM_StopMsrReport(ch:LOGICCH)                      |
| <b>Result Type:</b>                                                                                                                                                                                                                                                                                                                                                                                                                                                                                                          | BOOLEAN                                           |
| <b>Comments:</b>                                                                                                                                                                                                                                                                                                                                                                                                                                                                                                             | The result returned by the operation is not used. |
| <b>Description</b>                                                                                                                                                                                                                                                                                                                                                                                                                                                                                                           |                                                   |
| The operation stops the reporting of received MEASUREMENT REPORT message to layer 3 emulator, after measurement report stops it returns with value TRUE.<br>Measurement Reports shall be disable by default. By default means that the tester filters them out from the TTCN in-buffer. This operation disables the reports entering the TTCN in-buffer. The OM_StartMsrReport operation enables the reports entering the TTCN in-buffer. When starting each test case, the measurement reports are filtered out by default. |                                                   |
| <b>Detailed Comments:</b>                                                                                                                                                                                                                                                                                                                                                                                                                                                                                                    |                                                   |

| <b>Test Suite Operation Definition</b>                                                                                                                                                                                                                                                                                                                                                                                                                           |                              |
|------------------------------------------------------------------------------------------------------------------------------------------------------------------------------------------------------------------------------------------------------------------------------------------------------------------------------------------------------------------------------------------------------------------------------------------------------------------|------------------------------|
| <b>Operation Name:</b>                                                                                                                                                                                                                                                                                                                                                                                                                                           | OO_ACMIncCHK(para:IA5String) |
| <b>Result Type:</b>                                                                                                                                                                                                                                                                                                                                                                                                                                              | BOOLEAN                      |
| <b>Comments:</b>                                                                                                                                                                                                                                                                                                                                                                                                                                                 |                              |
| <b>Description</b>                                                                                                                                                                                                                                                                                                                                                                                                                                               |                              |
| <p>the OO_ACMIncCHK operation requests (e.g. from the control console of the test system) the test operator to read the value of ACM on SIM and check the increment of the value. Then the operator informs the test system whether the increment is as description `para`, if it is as the description the operation returns TRUE, otherwise returns FALSE.</p> <p>The value of ACM can be read either via MMI or by removing the SIM and using SIM reader.</p> |                              |
| <b>Detailed Comments:</b>                                                                                                                                                                                                                                                                                                                                                                                                                                        |                              |

| <b>Test Suite Operation Definition</b>                                                                                                                                                                                                                                                                                                                                       |               |
|------------------------------------------------------------------------------------------------------------------------------------------------------------------------------------------------------------------------------------------------------------------------------------------------------------------------------------------------------------------------------|---------------|
| <b>Operation Name:</b>                                                                                                                                                                                                                                                                                                                                                       | OO_ACMReading |
| <b>Result Type:</b>                                                                                                                                                                                                                                                                                                                                                          | BOOLEAN       |
| <b>Comments:</b>                                                                                                                                                                                                                                                                                                                                                             |               |
| <b>Description</b>                                                                                                                                                                                                                                                                                                                                                           |               |
| <p>the OO_ACMReading operation requests (e.g. from the control console of the test system) the test operator to read and note the value of ACM on SIM. After the operator finishes the action, he informs the test system and the operation returns with the value TRUE.</p> <p>The value of ACM can be read either via MMI or by removing the SIM and using SIM reader.</p> |               |
| <b>Detailed Comments:</b>                                                                                                                                                                                                                                                                                                                                                    |               |

| <b>Test Suite Operation Definition</b>                                                                                                                                                                                                                       |               |
|--------------------------------------------------------------------------------------------------------------------------------------------------------------------------------------------------------------------------------------------------------------|---------------|
| <b>Operation Name:</b>                                                                                                                                                                                                                                       | OO_ACMSetting |
| <b>Result Type:</b>                                                                                                                                                                                                                                          | BOOLEAN       |
| <b>Comments:</b>                                                                                                                                                                                                                                             |               |
| <b>Description</b>                                                                                                                                                                                                                                           |               |
| <p>the OO_ACMSetting operation requests (e.g. from the control console of the test system) the test operator to reset the ACM to zero and set the ACMmax to 2 units. After the operator finishes the action and informs the test system it returns TRUE.</p> |               |
| <b>Detailed Comments:</b>                                                                                                                                                                                                                                    |               |

| <b>Test Suite Operation Definition</b>                                                                                                                                                                                                                                                    |              |
|-------------------------------------------------------------------------------------------------------------------------------------------------------------------------------------------------------------------------------------------------------------------------------------------|--------------|
| <b>Operation Name:</b>                                                                                                                                                                                                                                                                    | OO_AddPwrAmp |
| <b>Result Type:</b>                                                                                                                                                                                                                                                                       | BOOLEAN      |
| <b>Comments:</b>                                                                                                                                                                                                                                                                          |              |
| <b>Description</b>                                                                                                                                                                                                                                                                        |              |
| <p>This operation requests (e.g. from the control console of the test system) the test operator to add power amplification at the Mobile Station under test.</p> <p>After the operator finishes the action, he informs the test system and the operation returns with the value TRUE.</p> |              |
| <b>Detailed Comments:</b>                                                                                                                                                                                                                                                                 |              |

| <b>Test Suite Operation Definition</b>                                                                                                                                                                                                                                                                                                                                                                                                                 |              |
|--------------------------------------------------------------------------------------------------------------------------------------------------------------------------------------------------------------------------------------------------------------------------------------------------------------------------------------------------------------------------------------------------------------------------------------------------------|--------------|
| <b>Operation Name:</b>                                                                                                                                                                                                                                                                                                                                                                                                                                 | OO_AltIndCHK |
| <b>Result Type:</b>                                                                                                                                                                                                                                                                                                                                                                                                                                    | BOOLEAN      |
| <b>Comments:</b>                                                                                                                                                                                                                                                                                                                                                                                                                                       |              |
| <b>Description</b>                                                                                                                                                                                                                                                                                                                                                                                                                                     |              |
| <p>This operation first requests (e.g. from the control console of the test system) the test operator to check whether the alerting indication is generated. If the operator informs (e.g. from the control console of the test system) the test system that the alerting indication is generated, the operation returns TRUE. If the operator informs the test system that the alerting indication is not generated, the operation returns FALSE.</p> |              |
| <b>Detailed Comments:</b>                                                                                                                                                                                                                                                                                                                                                                                                                              |              |

| Test Suite Operation Definition                                                                                                                                                                                                                                                                                                                                                                                                               |                 |
|-----------------------------------------------------------------------------------------------------------------------------------------------------------------------------------------------------------------------------------------------------------------------------------------------------------------------------------------------------------------------------------------------------------------------------------------------|-----------------|
| <b>Operation Name:</b>                                                                                                                                                                                                                                                                                                                                                                                                                        | OO_CalledNumCHK |
| <b>Result Type:</b>                                                                                                                                                                                                                                                                                                                                                                                                                           | BOOLEAN         |
| <b>Comments:</b>                                                                                                                                                                                                                                                                                                                                                                                                                              |                 |
| Description                                                                                                                                                                                                                                                                                                                                                                                                                                   |                 |
| This operation first requests (e.g. from the control console of the test system) the test operator to check whether the called party number is correctly displayed on the mobile station. If the operator informs (e.g. from the control console of the test system) the test system that the display is correct, the operation returns TRUE. If the operator informs the test system that the display is wrong, the operation returns FALSE. |                 |
| <b>Detailed Comments:</b>                                                                                                                                                                                                                                                                                                                                                                                                                     |                 |

| Test Suite Operation Definition                                                                                                                                                                                                                                                                                                                                                                                                              |                              |
|----------------------------------------------------------------------------------------------------------------------------------------------------------------------------------------------------------------------------------------------------------------------------------------------------------------------------------------------------------------------------------------------------------------------------------------------|------------------------------|
| <b>Operation Name:</b>                                                                                                                                                                                                                                                                                                                                                                                                                       | OO_CalledPtyNumCHK(num:CDPN) |
| <b>Result Type:</b>                                                                                                                                                                                                                                                                                                                                                                                                                          | BOOLEAN                      |
| <b>Comments:</b>                                                                                                                                                                                                                                                                                                                                                                                                                             |                              |
| Description                                                                                                                                                                                                                                                                                                                                                                                                                                  |                              |
| This operation first requests (e.g. from the control console of the test system) the test operator to check whether the called party number `num` is the one that was entered into the MS. If the operator informs (e.g. from the control console of the test system) the test system that the number is correct, the operation returns TRUE. If the operator informs the test system that the number is wrong, the operation returns FALSE. |                              |
| <b>Detailed Comments:</b>                                                                                                                                                                                                                                                                                                                                                                                                                    |                              |

| Test Suite Operation Definition                                                                                                                                                                                                                                                                                                                                                                                                                     |                            |
|-----------------------------------------------------------------------------------------------------------------------------------------------------------------------------------------------------------------------------------------------------------------------------------------------------------------------------------------------------------------------------------------------------------------------------------------------------|----------------------------|
| <b>Operation Name:</b>                                                                                                                                                                                                                                                                                                                                                                                                                              | OO_CheckAllSMPresentBut4th |
| <b>Result Type:</b>                                                                                                                                                                                                                                                                                                                                                                                                                                 | BOOLEAN                    |
| <b>Comments:</b>                                                                                                                                                                                                                                                                                                                                                                                                                                    |                            |
| Description                                                                                                                                                                                                                                                                                                                                                                                                                                         |                            |
| This operation requests (e.g. from the control console of the test system) the test operator to check if the mobile station under test has stored all short messages during the test case but not the 4th one which should have been replaced by the 5th(cf. GSM 11.10, clause 34.2.7.4). The messages are displayed. Then the operation returns.<br>TRUE: All SM present but not the 4th<br>FALSE: 4th SM present or 1st, 2nd, 3rd or 5th missing. |                            |
| <b>Detailed Comments:</b>                                                                                                                                                                                                                                                                                                                                                                                                                           |                            |

| Test Suite Operation Definition                                                                                                                                                                                                                                                                                                                                                                                                                                                                                                                                                   |                                                              |
|-----------------------------------------------------------------------------------------------------------------------------------------------------------------------------------------------------------------------------------------------------------------------------------------------------------------------------------------------------------------------------------------------------------------------------------------------------------------------------------------------------------------------------------------------------------------------------------|--------------------------------------------------------------|
| <b>Operation Name:</b>                                                                                                                                                                                                                                                                                                                                                                                                                                                                                                                                                            | OO_CheckCBSMReceived(NumbOfIA5chara: INTEGER; msg:SMSCBpack) |
| <b>Result Type:</b>                                                                                                                                                                                                                                                                                                                                                                                                                                                                                                                                                               | BOOLEAN                                                      |
| <b>Comments:</b>                                                                                                                                                                                                                                                                                                                                                                                                                                                                                                                                                                  |                                                              |
| Description                                                                                                                                                                                                                                                                                                                                                                                                                                                                                                                                                                       |                                                              |
| This operation requests (e.g. from the control console of the test system) the test operator to check whether the MS under test has correctly received the cell broadcast short message represented by 'msg'. Then the TSO returns<br>TRUE: if the CBSM has been correctly received,<br>FALSE: if non or an incorrect CBSM has been received.<br>The TSO needs to convert the 'msg' into IA5 string according to the packing character rules specified in the section 6.1.2 of ETS 300 628 (GSM 03.38). The 'NumbOfIA5chara' indicates the number of IA5 characters in the 'msg'. |                                                              |
| <b>Detailed Comments:</b>                                                                                                                                                                                                                                                                                                                                                                                                                                                                                                                                                         |                                                              |

| Test Suite Operation Definition                                                                                                                                                                                                                                                                                 |                    |
|-----------------------------------------------------------------------------------------------------------------------------------------------------------------------------------------------------------------------------------------------------------------------------------------------------------------|--------------------|
| <b>Operation Name:</b>                                                                                                                                                                                                                                                                                          | OO_CheckMCEFOOnSIM |
| <b>Result Type:</b>                                                                                                                                                                                                                                                                                             | BOOLEAN            |
| <b>Comments:</b>                                                                                                                                                                                                                                                                                                |                    |
| Description                                                                                                                                                                                                                                                                                                     |                    |
| This operation requests (e.g. from the control console of the test system) the test operator to check if the Memory Capacity Exceeded Flag has been set on the SIM simulator and to inform the test system of the result of the checking. If the checking succeeds the operation returns TRUE, FALSE otherwise. |                    |
| <b>Detailed Comments:</b>                                                                                                                                                                                                                                                                                       |                    |

| <b>Test Suite Operation Definition</b>                                                                                                                                                                                                                                                                            |                         |
|-------------------------------------------------------------------------------------------------------------------------------------------------------------------------------------------------------------------------------------------------------------------------------------------------------------------|-------------------------|
| <b>Operation Name:</b>                                                                                                                                                                                                                                                                                            | OO_CheckMCEFOOnSIMUnset |
| <b>Result Type:</b>                                                                                                                                                                                                                                                                                               | BOOLEAN                 |
| <b>Comments:</b>                                                                                                                                                                                                                                                                                                  |                         |
| <b>Description</b>                                                                                                                                                                                                                                                                                                |                         |
| This operation requests (e.g. from the control console of the test system) the test operator to check if the Memory Capacity Exceeded Flag has been unset on the SIM simulator and to inform the test system of the result of the checking. If the checking succeeds the operation returns TRUE, FALSE otherwise. |                         |
| <b>Detailed Comments:</b>                                                                                                                                                                                                                                                                                         |                         |

| <b>Test Suite Operation Definition</b>                                                                                                                                                                                                                                                                                                                                                                                                                                                                                                                                                                                                                                                                                                                  |                                                                   |
|---------------------------------------------------------------------------------------------------------------------------------------------------------------------------------------------------------------------------------------------------------------------------------------------------------------------------------------------------------------------------------------------------------------------------------------------------------------------------------------------------------------------------------------------------------------------------------------------------------------------------------------------------------------------------------------------------------------------------------------------------------|-------------------------------------------------------------------|
| <b>Operation Name:</b>                                                                                                                                                                                                                                                                                                                                                                                                                                                                                                                                                                                                                                                                                                                                  | OO_CheckMessageDisplayed(NumbOfIA5chara:INTEGER; msg:OCTETSTRING) |
| <b>Result Type:</b>                                                                                                                                                                                                                                                                                                                                                                                                                                                                                                                                                                                                                                                                                                                                     | BOOLEAN                                                           |
| <b>Comments:</b>                                                                                                                                                                                                                                                                                                                                                                                                                                                                                                                                                                                                                                                                                                                                        |                                                                   |
| <b>Description</b>                                                                                                                                                                                                                                                                                                                                                                                                                                                                                                                                                                                                                                                                                                                                      |                                                                   |
| This operation requests (e.g. from the control console of the test system) the test operator to check if the mobile station under test indicates that an SM has arrived. If the MS provides the functionality to display MT messages, it is checked that the message contents represented by 'msg' is correctly displayed. Then the operation returns<br>TRUE: if the MS indicates SM reception (and displays correct message),<br>FALSE: if the MS does not indicate SM reception (or displays incorrect message).<br>The TSO needs to convert the 'msg' into IA5 string according to the packing character rules specified in the section 6.1.2 of ETS 300 628 (GSM 03.38). The 'NumbOfIA5chara' indicates the number of IA5 characters in the 'msg'. |                                                                   |
| <b>Detailed Comments:</b>                                                                                                                                                                                                                                                                                                                                                                                                                                                                                                                                                                                                                                                                                                                               |                                                                   |

| <b>Test Suite Operation Definition</b>                                                                                                                                                                                                                                                                   |                                              |
|----------------------------------------------------------------------------------------------------------------------------------------------------------------------------------------------------------------------------------------------------------------------------------------------------------|----------------------------------------------|
| <b>Operation Name:</b>                                                                                                                                                                                                                                                                                   | OO_CheckUssdStringDisplayed(strg: IA5String) |
| <b>Result Type:</b>                                                                                                                                                                                                                                                                                      | BOOLEAN                                      |
| <b>Comments:</b>                                                                                                                                                                                                                                                                                         |                                              |
| <b>Description</b>                                                                                                                                                                                                                                                                                       |                                              |
| This operation requests (e.g. from the control console of the test system) the test operator to check if the mobile station under test displays the Ussd String 'strg'. Then the operation returns.<br>TRUE: MS displays the correct Ussd String.<br>FALSE: MS does not display the correct Ussd String. |                                              |
| <b>Detailed Comments:</b>                                                                                                                                                                                                                                                                                |                                              |

| <b>Test Suite Operation Definition</b>                                                                                                                                                                                                                                                                                                                                                                                    |                        |
|---------------------------------------------------------------------------------------------------------------------------------------------------------------------------------------------------------------------------------------------------------------------------------------------------------------------------------------------------------------------------------------------------------------------------|------------------------|
| <b>Operation Name:</b>                                                                                                                                                                                                                                                                                                                                                                                                    | OO_ConnectSIMSimulator |
| <b>Result Type:</b>                                                                                                                                                                                                                                                                                                                                                                                                       | BOOLEAN                |
| <b>Comments:</b>                                                                                                                                                                                                                                                                                                                                                                                                          |                        |
| <b>Description</b>                                                                                                                                                                                                                                                                                                                                                                                                        |                        |
| This operation requests (e.g. from the control console of the test system) the test operator to connect the SIM simulator to the mobile station under test.<br>For the contents of the SIM simulator the operator refers to the initial conditions of the test case acc. GSM 11.10, clause 34.2.3.3.<br>After the operator finishes the action, he informs the test system and the operation returns with the value TRUE. |                        |
| <b>Detailed Comments:</b>                                                                                                                                                                                                                                                                                                                                                                                                 |                        |

| <b>Test Suite Operation Definition</b>                                                                                                                             |                  |
|--------------------------------------------------------------------------------------------------------------------------------------------------------------------|------------------|
| <b>Operation Name:</b>                                                                                                                                             | OO_DepressEndKey |
| <b>Result Type:</b>                                                                                                                                                | BOOLEAN          |
| <b>Comments:</b>                                                                                                                                                   |                  |
| <b>Description</b>                                                                                                                                                 |                  |
| This operation requests (e.g. from the control console of the test system) the test operator to depress the 'END' key of the Mobile Stations keypad, then returns. |                  |
| <b>Detailed Comments:</b>                                                                                                                                          |                  |



| Test Suite Operation Definition                                                                                                                                                                                                                                                                                                                     |                  |
|-----------------------------------------------------------------------------------------------------------------------------------------------------------------------------------------------------------------------------------------------------------------------------------------------------------------------------------------------------|------------------|
| <b>Operation Name:</b>                                                                                                                                                                                                                                                                                                                              | OO_DialCalledNum |
| <b>Result Type:</b>                                                                                                                                                                                                                                                                                                                                 | BOOLEAN          |
| <b>Comments:</b>                                                                                                                                                                                                                                                                                                                                    |                  |
| Description                                                                                                                                                                                                                                                                                                                                         |                  |
| This operation requests (e.g. from the control console of the test system) the test operator to dial the called party number at the Mobile Station under test but not press the "SEND" key (i.e. not initiate the call setup).<br>After the operator finishes the action, he informs the test system and the operation returns with the value TRUE. |                  |
| <b>Detailed Comments:</b>                                                                                                                                                                                                                                                                                                                           |                  |

| Test Suite Operation Definition                                                                                                                                                                                                                                                                                                                                                                                                                                                                                                                                                                                                                                                                                                                            |                                                                        |
|------------------------------------------------------------------------------------------------------------------------------------------------------------------------------------------------------------------------------------------------------------------------------------------------------------------------------------------------------------------------------------------------------------------------------------------------------------------------------------------------------------------------------------------------------------------------------------------------------------------------------------------------------------------------------------------------------------------------------------------------------------|------------------------------------------------------------------------|
| <b>Operation Name:</b>                                                                                                                                                                                                                                                                                                                                                                                                                                                                                                                                                                                                                                                                                                                                     | OO_DisplaySMAndSendReplySM(n, NumOfIA5chara: INTEGER; msg:OCTETSTRING) |
| <b>Result Type:</b>                                                                                                                                                                                                                                                                                                                                                                                                                                                                                                                                                                                                                                                                                                                                        | OCTETSTRING                                                            |
| <b>Comments:</b>                                                                                                                                                                                                                                                                                                                                                                                                                                                                                                                                                                                                                                                                                                                                           |                                                                        |
| Description                                                                                                                                                                                                                                                                                                                                                                                                                                                                                                                                                                                                                                                                                                                                                |                                                                        |
| This operation requests (e.g. from the control console of the test system) the test operator to display the 'n'-th short message received in the arriving order and to check whether the short message contents represented by 'msg' is correctly displayed.<br>Then the TSO asks the operator to send a reply short message from the mobile.<br>After the operator finishes the action, the operation returns with the message contents sent in OCTETSTRING.<br>The TSO needs to convert the 'msg' into IA5 string and the IA5 text entered by the operator into OCTETSTRING according to the packing character rules specified in the section 6.1.2 of ETS 300 628 (GSM 03.38). The 'NumOfIA5chara' indicates the number of IA5 characters in the 'msg'. |                                                                        |
| <b>Detailed Comments:</b>                                                                                                                                                                                                                                                                                                                                                                                                                                                                                                                                                                                                                                                                                                                                  |                                                                        |

| Test Suite Operation Definition                                                                                                                                                                                                                                                                                                                                                                                                                                          |                                    |
|--------------------------------------------------------------------------------------------------------------------------------------------------------------------------------------------------------------------------------------------------------------------------------------------------------------------------------------------------------------------------------------------------------------------------------------------------------------------------|------------------------------------|
| <b>Operation Name:</b>                                                                                                                                                                                                                                                                                                                                                                                                                                                   | OO_DTMFIndCHK(character:IA5String) |
| <b>Result Type:</b>                                                                                                                                                                                                                                                                                                                                                                                                                                                      | BOOLEAN                            |
| <b>Comments:</b>                                                                                                                                                                                                                                                                                                                                                                                                                                                         |                                    |
| Description                                                                                                                                                                                                                                                                                                                                                                                                                                                              |                                    |
| This operation first requests (e.g. from the control console of the test system) the test operator to check whether the `character` is indicated by the DTMF indicator of the MS. If the operator informs (e.g. from the control console of the test system) the test system that the MS does not give the indication of `character`, the operation returns FALSE. If the operator informs the test system that the MS gives the indication, the operation returns TRUE. |                                    |
| <b>Detailed Comments:</b>                                                                                                                                                                                                                                                                                                                                                                                                                                                |                                    |

| Test Suite Operation Definition                                                                                                                                                                                                                                                  |                        |
|----------------------------------------------------------------------------------------------------------------------------------------------------------------------------------------------------------------------------------------------------------------------------------|------------------------|
| <b>Operation Name:</b>                                                                                                                                                                                                                                                           | OO_EmptyMessageStorage |
| <b>Result Type:</b>                                                                                                                                                                                                                                                              | BOOLEAN                |
| <b>Comments:</b>                                                                                                                                                                                                                                                                 |                        |
| Description                                                                                                                                                                                                                                                                      |                        |
| This operation requests (e.g. from the control console of the test system) the test operator to empty the message storage of the mobile station under test.<br>After the operator finishes the action, he informs the test system and the operation returns with the value TRUE. |                        |
| <b>Detailed Comments:</b>                                                                                                                                                                                                                                                        |                        |

| Test Suite Operation Definition                                                                                                                                                                                                                                                                                                                   |                              |
|---------------------------------------------------------------------------------------------------------------------------------------------------------------------------------------------------------------------------------------------------------------------------------------------------------------------------------------------------|------------------------------|
| <b>Operation Name:</b>                                                                                                                                                                                                                                                                                                                            | OO_EnterPswd(pswd:IA5String) |
| <b>Result Type:</b>                                                                                                                                                                                                                                                                                                                               | BOOLEAN                      |
| <b>Comments:</b>                                                                                                                                                                                                                                                                                                                                  |                              |
| Description                                                                                                                                                                                                                                                                                                                                       |                              |
| This TSO displays a message on the control console to inform the operator that he is to enter a given password (the actual password is given by 'pswd') on the mobile. The operation waits for the operator to acknowledge the request, which may be done before or after entering the password into the mobile, and then returns the value TRUE. |                              |
| <b>Detailed Comments:</b>                                                                                                                                                                                                                                                                                                                         |                              |

| <b>Test Suite Operation Definition</b>                                                                                                                                                                                                                                                                                                            |            |
|---------------------------------------------------------------------------------------------------------------------------------------------------------------------------------------------------------------------------------------------------------------------------------------------------------------------------------------------------|------------|
| <b>Operation Name:</b>                                                                                                                                                                                                                                                                                                                            | OO_HookOff |
| <b>Result Type:</b>                                                                                                                                                                                                                                                                                                                               | BOOLEAN    |
| <b>Comments:</b>                                                                                                                                                                                                                                                                                                                                  |            |
| <b>Description</b>                                                                                                                                                                                                                                                                                                                                |            |
| <p>This operation requests (e.g. from the control console of the test system) the test operator to answer the mobile terminating call at the Mobile Station under test.</p> <p>This operation waits for the operator to acknowledge the request which may be done before or after the call has been answered and then returns the value TRUE.</p> |            |
| <b>Detailed Comments:</b>                                                                                                                                                                                                                                                                                                                         |            |

| <b>Test Suite Operation Definition</b>                                                                                                                                                                                                                                                                                                                                                                                                                                                                                                                                                                                                                                      |                      |
|-----------------------------------------------------------------------------------------------------------------------------------------------------------------------------------------------------------------------------------------------------------------------------------------------------------------------------------------------------------------------------------------------------------------------------------------------------------------------------------------------------------------------------------------------------------------------------------------------------------------------------------------------------------------------------|----------------------|
| <b>Operation Name:</b>                                                                                                                                                                                                                                                                                                                                                                                                                                                                                                                                                                                                                                                      | OO_IFsetup_Telephony |
| <b>Result Type:</b>                                                                                                                                                                                                                                                                                                                                                                                                                                                                                                                                                                                                                                                         | BOOLEAN              |
| <b>Comments:</b>                                                                                                                                                                                                                                                                                                                                                                                                                                                                                                                                                                                                                                                            |                      |
| <b>Description</b>                                                                                                                                                                                                                                                                                                                                                                                                                                                                                                                                                                                                                                                          |                      |
| <p>This TSO requests (e.g. from the control console of the test system) the test operator to setup the external interface, or configuration of the MS in such a way that the MS is able to successfully receive the call for telephony service. If the MS supports both telephony without immediate connection mode and telephony with immediate connection mode, set the MS in telephony without immediate connection mode. After the operator finishes the required action and informs the test system, the TSO returns with value TRUE.</p> <p>This TSO is used in MO call test cases except TC_11_2, where this TSO is call for single-numbering scheme MT testing.</p> |                      |
| <b>Detailed Comments:</b> used for TS11 and TS12                                                                                                                                                                                                                                                                                                                                                                                                                                                                                                                                                                                                                            |                      |

| <b>Test Suite Operation Definition</b>                                                                                                                                                                                                                                                                                                                                                                                                                                                                                                                                                                                                                                                                                                                                                                                                                                                                                                                                                                                                                                                                                                                                                                                                                                                                                                                                                                                                                                                                                                                                                                                                                                                                                                                                                                                                                                                                                                                                                                                                                                                                                                                                                                                                                                                                                                                                                                                                                                                                         |                                                                               |
|----------------------------------------------------------------------------------------------------------------------------------------------------------------------------------------------------------------------------------------------------------------------------------------------------------------------------------------------------------------------------------------------------------------------------------------------------------------------------------------------------------------------------------------------------------------------------------------------------------------------------------------------------------------------------------------------------------------------------------------------------------------------------------------------------------------------------------------------------------------------------------------------------------------------------------------------------------------------------------------------------------------------------------------------------------------------------------------------------------------------------------------------------------------------------------------------------------------------------------------------------------------------------------------------------------------------------------------------------------------------------------------------------------------------------------------------------------------------------------------------------------------------------------------------------------------------------------------------------------------------------------------------------------------------------------------------------------------------------------------------------------------------------------------------------------------------------------------------------------------------------------------------------------------------------------------------------------------------------------------------------------------------------------------------------------------------------------------------------------------------------------------------------------------------------------------------------------------------------------------------------------------------------------------------------------------------------------------------------------------------------------------------------------------------------------------------------------------------------------------------------------------|-------------------------------------------------------------------------------|
| <b>Operation Name:</b>                                                                                                                                                                                                                                                                                                                                                                                                                                                                                                                                                                                                                                                                                                                                                                                                                                                                                                                                                                                                                                                                                                                                                                                                                                                                                                                                                                                                                                                                                                                                                                                                                                                                                                                                                                                                                                                                                                                                                                                                                                                                                                                                                                                                                                                                                                                                                                                                                                                                                         | OO_IFsetup_BS2xorBS3x_MO(srv:SERVICES; itc, sacp:B_3; ce:B_2; rate:IA5String) |
| <b>Result Type:</b>                                                                                                                                                                                                                                                                                                                                                                                                                                                                                                                                                                                                                                                                                                                                                                                                                                                                                                                                                                                                                                                                                                                                                                                                                                                                                                                                                                                                                                                                                                                                                                                                                                                                                                                                                                                                                                                                                                                                                                                                                                                                                                                                                                                                                                                                                                                                                                                                                                                                                            | BOOLEAN                                                                       |
| <b>Comments:</b>                                                                                                                                                                                                                                                                                                                                                                                                                                                                                                                                                                                                                                                                                                                                                                                                                                                                                                                                                                                                                                                                                                                                                                                                                                                                                                                                                                                                                                                                                                                                                                                                                                                                                                                                                                                                                                                                                                                                                                                                                                                                                                                                                                                                                                                                                                                                                                                                                                                                                               |                                                                               |
| <b>Description</b>                                                                                                                                                                                                                                                                                                                                                                                                                                                                                                                                                                                                                                                                                                                                                                                                                                                                                                                                                                                                                                                                                                                                                                                                                                                                                                                                                                                                                                                                                                                                                                                                                                                                                                                                                                                                                                                                                                                                                                                                                                                                                                                                                                                                                                                                                                                                                                                                                                                                                             |                                                                               |
| <p>This TSO requests (e.g. from the control console of the test system) the test operator to setup the external interface, or the MS configuration in such a way that the MS, when triggered, is able to initiate the call for the BS2x or BS3x service `srv` with the specified itc, sacp, ce values. After the operator finishes the required action and informs the test system, the TSO returns with value TRUE.</p> <p>This TSO is used in MO call test cases except TC_11_2, where this TSO is call for single-numbering scheme MT testing.</p> <p>Three negotiable parameters, number of stop bit, number of data bit, parity information, are asked as global IXIT paramters for all TE configurations. If necessary, the test operator refers to the manual provided by manufacturer to configure the MS.</p> <p>The possible values are:</p> <p>1) srv ----- basic service</p> <ul style="list-style-type: none"> <li>- C_Async300            Basic Service 21, Asynchronous 300 bps</li> <li>- C_Async1200        Basic Service 22, Asynchronous 1.2 kbps</li> <li>- C_Async120075     Basic Service 23, Asynchronous 1200/75 bps</li> <li>- C_Async2400        Basic Service 24, Asynchronous 2.4 kbps</li> <li>- C_Async4800        Basic Service 25, Asynchronous 4.8 kbps</li> <li>- C_Async9600        Basic Service 26, Asynchronous 9.6 kbps</li> <li>- C_Sync1200         Basic Service 31, Synchronous 1.2 kbps</li> <li>- C_Sync2400         Basic Service 32, Synchronous 2.4 kbps</li> <li>- C_Sync4800         Basic Service 33, Synchronous 4.8 kbps</li> <li>- C_Sync9600         Basic Service 34, Synchronous 9.6 kbps</li> </ul> <p>2) itc ----- information transfer capability</p> <ul style="list-style-type: none"> <li>- '001'B              unrestricted digital information</li> <li>- '010'B              3.1 kHz audio, ex PLMN</li> </ul> <p>3) sacp ----- signalling access protocol</p> <ul style="list-style-type: none"> <li>- '001'B              I.440/450</li> <li>- '010'B              X.21</li> <li>- '101'B              X.28 - non dedicated PAD</li> <li>- '110'B              X.32</li> </ul> <p>4) ce ----- connection element</p> <ul style="list-style-type: none"> <li>- '00'B                transparent</li> <li>- '01'B                non transparent</li> </ul> <p>5) rate ----- channel rate</p> <ul style="list-style-type: none"> <li>- C_Full                full rate channel</li> <li>- C_Half                half rate channel</li> </ul> |                                                                               |
| <b>Detailed Comments:</b>                                                                                                                                                                                                                                                                                                                                                                                                                                                                                                                                                                                                                                                                                                                                                                                                                                                                                                                                                                                                                                                                                                                                                                                                                                                                                                                                                                                                                                                                                                                                                                                                                                                                                                                                                                                                                                                                                                                                                                                                                                                                                                                                                                                                                                                                                                                                                                                                                                                                                      | Used for BS21, BS22, BS23, BS24, BS25, BS26, BS31, BS32, BS33, BS34           |

| <b>Test Suite Operation Definition</b>                                                                                                                                                                                                                                                                                                                                                                                                                                                                                                                                                                                                                                                                                                                                                                                                                                                                                                                                                                                                                                                                                                                                                                                                                                                                                                                                                                                                                                                                                                                                       |                                                          |
|------------------------------------------------------------------------------------------------------------------------------------------------------------------------------------------------------------------------------------------------------------------------------------------------------------------------------------------------------------------------------------------------------------------------------------------------------------------------------------------------------------------------------------------------------------------------------------------------------------------------------------------------------------------------------------------------------------------------------------------------------------------------------------------------------------------------------------------------------------------------------------------------------------------------------------------------------------------------------------------------------------------------------------------------------------------------------------------------------------------------------------------------------------------------------------------------------------------------------------------------------------------------------------------------------------------------------------------------------------------------------------------------------------------------------------------------------------------------------------------------------------------------------------------------------------------------------|----------------------------------------------------------|
| <b>Operation Name:</b>                                                                                                                                                                                                                                                                                                                                                                                                                                                                                                                                                                                                                                                                                                                                                                                                                                                                                                                                                                                                                                                                                                                                                                                                                                                                                                                                                                                                                                                                                                                                                       | OO_IFsetup_BS4x_MO(srv:SERVICES; ce:B_2; rate:IA5String) |
| <b>Result Type:</b>                                                                                                                                                                                                                                                                                                                                                                                                                                                                                                                                                                                                                                                                                                                                                                                                                                                                                                                                                                                                                                                                                                                                                                                                                                                                                                                                                                                                                                                                                                                                                          | BOOLEAN                                                  |
| <b>Comments:</b>                                                                                                                                                                                                                                                                                                                                                                                                                                                                                                                                                                                                                                                                                                                                                                                                                                                                                                                                                                                                                                                                                                                                                                                                                                                                                                                                                                                                                                                                                                                                                             |                                                          |
| <b>Description</b>                                                                                                                                                                                                                                                                                                                                                                                                                                                                                                                                                                                                                                                                                                                                                                                                                                                                                                                                                                                                                                                                                                                                                                                                                                                                                                                                                                                                                                                                                                                                                           |                                                          |
| <p>This TSO requests (e.g. from the control console of the test system) the test operator to setup the external interface, or the MS configuration in such a way that the MS, when triggered, is able to initiate the call for the BS4x service `srv` with specified ur and ce values. After the operator finishes the required action and informs the test system, the TSO returns with value TRUE.</p> <p>Three negotiable parameters, number of stop bit, number of data bit, parity information, are asked as global IXIT parameters for all TE configurations. If necessary, the test operator refers to the manual provided by manufacturer to configure the MS.</p> <p>The possible values are:</p> <p>1) srv ----- basic service</p> <ul style="list-style-type: none"> <li>- C_PAD300            Basic Service 41, PAD access 300 bps</li> <li>- C_PAD1200          Basic Service 42, PAD access 1.2 kbps</li> <li>- C_PAD120075        Basic Service 43, PAD access 1200/75 bps</li> <li>- C_PAD2400          Basic Service 44, PAD access 2.4 kbps</li> <li>- C_PAD4800          Basic Service 45, PAD access 4.8 kbps</li> <li>- C_PAD9600          Basic Service 46, PAD access 9.6 kbps</li> </ul> <p>2) ce ----- connection element</p> <ul style="list-style-type: none"> <li>- '00'B                transparent</li> <li>- '01'B                non transparent</li> </ul> <p>3) rate ----- channel rate</p> <ul style="list-style-type: none"> <li>- C_Full                full rate channel</li> <li>- C_Half                half rate channel</li> </ul> |                                                          |
| <b>Detailed Comments:</b>                                                                                                                                                                                                                                                                                                                                                                                                                                                                                                                                                                                                                                                                                                                                                                                                                                                                                                                                                                                                                                                                                                                                                                                                                                                                                                                                                                                                                                                                                                                                                    | Used for BS41, BS42, BS43, BS44, BS45, BS46              |

| <b>Test Suite Operation Definition</b>                                                                                                                                                                                                                                                                                                                                                                                                                                                                                                                                                                                                                                                                                                                                                                                                                                                                                                                                                                                                                                                                                                                                                                                                                                                                                                                                                            |                                                          |
|---------------------------------------------------------------------------------------------------------------------------------------------------------------------------------------------------------------------------------------------------------------------------------------------------------------------------------------------------------------------------------------------------------------------------------------------------------------------------------------------------------------------------------------------------------------------------------------------------------------------------------------------------------------------------------------------------------------------------------------------------------------------------------------------------------------------------------------------------------------------------------------------------------------------------------------------------------------------------------------------------------------------------------------------------------------------------------------------------------------------------------------------------------------------------------------------------------------------------------------------------------------------------------------------------------------------------------------------------------------------------------------------------|----------------------------------------------------------|
| <b>Operation Name:</b>                                                                                                                                                                                                                                                                                                                                                                                                                                                                                                                                                                                                                                                                                                                                                                                                                                                                                                                                                                                                                                                                                                                                                                                                                                                                                                                                                                            | OO_IFsetup_BS5x_MO(srv:SERVICES; ur:B_4; rate:IA5String) |
| <b>Result Type:</b>                                                                                                                                                                                                                                                                                                                                                                                                                                                                                                                                                                                                                                                                                                                                                                                                                                                                                                                                                                                                                                                                                                                                                                                                                                                                                                                                                                               | BOOLEAN                                                  |
| <b>Comments:</b>                                                                                                                                                                                                                                                                                                                                                                                                                                                                                                                                                                                                                                                                                                                                                                                                                                                                                                                                                                                                                                                                                                                                                                                                                                                                                                                                                                                  |                                                          |
| <b>Description</b>                                                                                                                                                                                                                                                                                                                                                                                                                                                                                                                                                                                                                                                                                                                                                                                                                                                                                                                                                                                                                                                                                                                                                                                                                                                                                                                                                                                |                                                          |
| <p>This TSO requests (e.g. from the control console of the test system) the test operator to setup the external interface, or the MS configuration in such a way that the MS, when triggered, is able to initiate the call for the BS5x service `srv` with the specified ur value. After the operator finishes the required action and informs the test system, the TSO returns with value TRUE.</p> <p>Three negotiable parameters, number of stop bit, number of data bit, parity information, are asked as global IXIT parameters for all TE configurations. If necessary, the test operator refers to the manual provided by manufacturer to configure the MS.</p> <p>The possible values are:</p> <p>1) srv ----- basic service</p> <ul style="list-style-type: none"> <li>- C_Packet2400        Basic Service 51, Packet access 2.4 kbps</li> <li>- C_Packet4800        Basic Service 52, Packet access 4.8 kbps</li> <li>- C_Packet9600        Basic Service 53, Packet access 9.6 kbps</li> </ul> <p>2) ur ----- user rate</p> <ul style="list-style-type: none"> <li>- '0011'B              2400 bit/s</li> <li>- '0100'B              4800 bit/s</li> <li>- '0101'B              9600 bit/s</li> </ul> <p>3) rate ----- channel rate</p> <ul style="list-style-type: none"> <li>- C_Full                full rate channel</li> <li>- C_Half                half rate channel</li> </ul> |                                                          |
| <b>Detailed Comments:</b>                                                                                                                                                                                                                                                                                                                                                                                                                                                                                                                                                                                                                                                                                                                                                                                                                                                                                                                                                                                                                                                                                                                                                                                                                                                                                                                                                                         | Used for BS51, BS52, BS53                                |

| <b>Test Suite Operation Definition</b>                                                                                                                                                                                                                                                                                                                                                                                                                                                                                                                                                                                                                                                                                                                                                                                                                                                                                                                                                                                                                                                                                                                                                                                                                                                                                                                                                                                                                                                                                                                                                                                                                                                                                                                                                                                                                                                                                                                                 |                                                                                |
|------------------------------------------------------------------------------------------------------------------------------------------------------------------------------------------------------------------------------------------------------------------------------------------------------------------------------------------------------------------------------------------------------------------------------------------------------------------------------------------------------------------------------------------------------------------------------------------------------------------------------------------------------------------------------------------------------------------------------------------------------------------------------------------------------------------------------------------------------------------------------------------------------------------------------------------------------------------------------------------------------------------------------------------------------------------------------------------------------------------------------------------------------------------------------------------------------------------------------------------------------------------------------------------------------------------------------------------------------------------------------------------------------------------------------------------------------------------------------------------------------------------------------------------------------------------------------------------------------------------------------------------------------------------------------------------------------------------------------------------------------------------------------------------------------------------------------------------------------------------------------------------------------------------------------------------------------------------------|--------------------------------------------------------------------------------|
| <b>Operation Name:</b>                                                                                                                                                                                                                                                                                                                                                                                                                                                                                                                                                                                                                                                                                                                                                                                                                                                                                                                                                                                                                                                                                                                                                                                                                                                                                                                                                                                                                                                                                                                                                                                                                                                                                                                                                                                                                                                                                                                                                 | OO_IFsetup_BS61orBS81_MO(srv:SERVICES; ur:B_4; sa:B_1; ce:B_2; rate:IA5String) |
| <b>Result Type:</b>                                                                                                                                                                                                                                                                                                                                                                                                                                                                                                                                                                                                                                                                                                                                                                                                                                                                                                                                                                                                                                                                                                                                                                                                                                                                                                                                                                                                                                                                                                                                                                                                                                                                                                                                                                                                                                                                                                                                                    | BOOLEAN                                                                        |
| <b>Comments:</b>                                                                                                                                                                                                                                                                                                                                                                                                                                                                                                                                                                                                                                                                                                                                                                                                                                                                                                                                                                                                                                                                                                                                                                                                                                                                                                                                                                                                                                                                                                                                                                                                                                                                                                                                                                                                                                                                                                                                                       |                                                                                |
| <b>Description</b>                                                                                                                                                                                                                                                                                                                                                                                                                                                                                                                                                                                                                                                                                                                                                                                                                                                                                                                                                                                                                                                                                                                                                                                                                                                                                                                                                                                                                                                                                                                                                                                                                                                                                                                                                                                                                                                                                                                                                     |                                                                                |
| <p>This TSO requests (e.g. from the control console of the test system) the test operator to setup the external interface, or the MS configuration in such a way that the MS, when triggered, is able to initiate the call for BS61 or BS81 with the specified ur, ce and sa values, and the first bearer capability is speech. After the operator finishes the required action and informs the test system, the TSO returns with value TRUE.</p> <p>This TSO is used in MO call test cases except TC_11_2, where this TSO is call for single-numbering scheme MT testing.</p> <p>Three negotiable parameters, number of stop bit, number of data bit, parity information, are asked as global IXIT parameters for all TE configurations. If necessary, the test operator refers to the manual provided by manufacturer to configure the MS.</p> <p>The possible values are:</p> <p>1) srv ----- basic service</p> <ul style="list-style-type: none"> <li>- C_AltSpchData      Basic Service 61, Alternatie Speech/data</li> <li>- C_SpchData         Basic Service 81, Speech followed by data</li> </ul> <p>2) ur ----- user rate</p> <ul style="list-style-type: none"> <li>- '0001'B            300 bit/s</li> <li>- '0010'B            1200 bit/s</li> <li>- '0111'B            1200/75 bit/s</li> <li>- '0011'B            2400 bit/s</li> <li>- '0100'B            4800 bit/s</li> <li>- '0101'B            9600 bit/s</li> </ul> <p>3) sa ----- synchronous/asynchronous</p> <ul style="list-style-type: none"> <li>- '0'B                synchronous</li> <li>- '1'B                asynchronous</li> </ul> <p>4) ce ----- connection element</p> <ul style="list-style-type: none"> <li>- '00'B              transparent</li> <li>- '01'B              non transparent</li> </ul> <p>5) rate ----- channel rate</p> <ul style="list-style-type: none"> <li>- C_Full             full rate channel</li> <li>- C_Half             half rate channel</li> </ul> |                                                                                |
| <b>Detailed Comments:</b>                                                                                                                                                                                                                                                                                                                                                                                                                                                                                                                                                                                                                                                                                                                                                                                                                                                                                                                                                                                                                                                                                                                                                                                                                                                                                                                                                                                                                                                                                                                                                                                                                                                                                                                                                                                                                                                                                                                                              | used for BS61 and BS81                                                         |

| <b>Test Suite Operation Definition</b>                                                                                                                                                                                                                                                                                                                                                                                                                                                                                                                                                                                                                                                                                                                                                                                                                                                                                                                                                                                                                                                                                                                                                                                                                                                                                                                                                                                                                                                                                                                                                                                                                                               |                                                                  |
|--------------------------------------------------------------------------------------------------------------------------------------------------------------------------------------------------------------------------------------------------------------------------------------------------------------------------------------------------------------------------------------------------------------------------------------------------------------------------------------------------------------------------------------------------------------------------------------------------------------------------------------------------------------------------------------------------------------------------------------------------------------------------------------------------------------------------------------------------------------------------------------------------------------------------------------------------------------------------------------------------------------------------------------------------------------------------------------------------------------------------------------------------------------------------------------------------------------------------------------------------------------------------------------------------------------------------------------------------------------------------------------------------------------------------------------------------------------------------------------------------------------------------------------------------------------------------------------------------------------------------------------------------------------------------------------|------------------------------------------------------------------|
| <b>Operation Name:</b>                                                                                                                                                                                                                                                                                                                                                                                                                                                                                                                                                                                                                                                                                                                                                                                                                                                                                                                                                                                                                                                                                                                                                                                                                                                                                                                                                                                                                                                                                                                                                                                                                                                               | OO_IFsetup_TS6x_MO(srv:SERVICES; ur:B_4; ce:B_2; rate:IA5String) |
| <b>Result Type:</b>                                                                                                                                                                                                                                                                                                                                                                                                                                                                                                                                                                                                                                                                                                                                                                                                                                                                                                                                                                                                                                                                                                                                                                                                                                                                                                                                                                                                                                                                                                                                                                                                                                                                  | BOOLEAN                                                          |
| <b>Comments:</b>                                                                                                                                                                                                                                                                                                                                                                                                                                                                                                                                                                                                                                                                                                                                                                                                                                                                                                                                                                                                                                                                                                                                                                                                                                                                                                                                                                                                                                                                                                                                                                                                                                                                     |                                                                  |
| <b>Description</b>                                                                                                                                                                                                                                                                                                                                                                                                                                                                                                                                                                                                                                                                                                                                                                                                                                                                                                                                                                                                                                                                                                                                                                                                                                                                                                                                                                                                                                                                                                                                                                                                                                                                   |                                                                  |
| <p>This TSO requests (e.g. from the control console of the test system) the test operator to setup the external interface, or the MS configuration in such a way that the MS, when triggered, is able to initiate the call for TS61 and TS62 with the specified ur and ce values, and the first bearer capability is speech. After the operator finishes the required action and informs the test system, the TSO returns with value TRUE.</p> <p>This TSO is used in MO call test cases except TC_11_2, where this TSO is call for single-numbering scheme MT testing.</p> <p>Three negotiable parameters, number of stop bit, number of data bit, parity information, are asked as global IXIT parameters for all TE configurations. If necessary, the test operator refers to the manual provided by manufacturer to configure the MS.</p> <p>The possible values are:</p> <p>1) srv ----- basic service</p> <ul style="list-style-type: none"> <li>- C_AltSpchFax      Teleservice 61, Alternatie Speech and Facsimile group 3</li> <li>- C_AutoFax          Teleservice 62, Automatic Facsimile group 3</li> </ul> <p>2) ur ----- user rate</p> <ul style="list-style-type: none"> <li>- '0011'B            2400 bit/s</li> <li>- '0100'B            4800 bit/s</li> <li>- '0101'B            9600 bit/s</li> </ul> <p>3) ce ----- connection element</p> <ul style="list-style-type: none"> <li>- '00'B                transparent</li> <li>- '01'B                non transparent</li> </ul> <p>4) rate ----- channel rate</p> <ul style="list-style-type: none"> <li>- C_Full                full rate channel</li> <li>- C_Half                half rate channel</li> </ul> |                                                                  |
| <b>Detailed Comments:</b>                                                                                                                                                                                                                                                                                                                                                                                                                                                                                                                                                                                                                                                                                                                                                                                                                                                                                                                                                                                                                                                                                                                                                                                                                                                                                                                                                                                                                                                                                                                                                                                                                                                            | used for TS61 and TS62                                           |

| <b>Test Suite Operation Definition</b>                                                                                                                                                                                                                                                                                                                                                                                                                                                                                                                                                                                                                            |                                           |
|-------------------------------------------------------------------------------------------------------------------------------------------------------------------------------------------------------------------------------------------------------------------------------------------------------------------------------------------------------------------------------------------------------------------------------------------------------------------------------------------------------------------------------------------------------------------------------------------------------------------------------------------------------------------|-------------------------------------------|
| <b>Operation Name:</b>                                                                                                                                                                                                                                                                                                                                                                                                                                                                                                                                                                                                                                            | OO_IFsetup_BS2x_MT(srv:SERVICES; itc:B_3) |
| <b>Result Type:</b>                                                                                                                                                                                                                                                                                                                                                                                                                                                                                                                                                                                                                                               | BOOLEAN                                   |
| <b>Comments:</b>                                                                                                                                                                                                                                                                                                                                                                                                                                                                                                                                                                                                                                                  |                                           |
| <b>Description</b>                                                                                                                                                                                                                                                                                                                                                                                                                                                                                                                                                                                                                                                |                                           |
| <p>This TSO requests (e.g. from the control console of the test system) the test operator to setup the external interface, or the MS configuration in such a way that the MS is able to successfully receive the call for the BS2x service `srv` with the specified itc value. After the operator finishes the required action and informs the test system, the TSO returns with value TRUE.</p> <p>Three negotiable parameters, number of stop bit, number of data bit, parity information, are asked as global IXIT paramters for all TE configurations. If necessary, the test operator refers to the manual provided by manufacturer to configure the MS.</p> |                                           |
| <b>Detailed Comments:</b>                                                                                                                                                                                                                                                                                                                                                                                                                                                                                                                                                                                                                                         | Used for BS21, BS22, BS24, BS25, BS26     |

| <b>Test Suite Operation Definition</b>                                                                                                                                                                                                                                                                                                                                                                                                                                                                                                                                                                                                                                  |                                                 |
|-------------------------------------------------------------------------------------------------------------------------------------------------------------------------------------------------------------------------------------------------------------------------------------------------------------------------------------------------------------------------------------------------------------------------------------------------------------------------------------------------------------------------------------------------------------------------------------------------------------------------------------------------------------------------|-------------------------------------------------|
| <b>Operation Name:</b>                                                                                                                                                                                                                                                                                                                                                                                                                                                                                                                                                                                                                                                  | OO_IFsetup_BS3x_MT(srv:SERVICES; itc, sacp:B_3) |
| <b>Result Type:</b>                                                                                                                                                                                                                                                                                                                                                                                                                                                                                                                                                                                                                                                     | BOOLEAN                                         |
| <b>Comments:</b>                                                                                                                                                                                                                                                                                                                                                                                                                                                                                                                                                                                                                                                        |                                                 |
| <b>Description</b>                                                                                                                                                                                                                                                                                                                                                                                                                                                                                                                                                                                                                                                      |                                                 |
| <p>This TSO requests (e.g. from the control console of the test system) the test operator to setup the external interface, orthe MS configuration in such a way that the MS is able to successfully receive the call for the BS3x service `srv` with specified itc and sacp values. After the operator finishes the required action and informs the test system, the TSO returns with value TRUE.</p> <p>Three negotiable parameters, number of stop bit, number of data bit, parity information, are asked as global IXIT parameters for all TE configurations. If necessary, the test operator refers to the manual provided by manufacturer to configure the MS.</p> |                                                 |
| <b>Detailed Comments:</b>                                                                                                                                                                                                                                                                                                                                                                                                                                                                                                                                                                                                                                               | Used for BS31, BS32, BS33, BS34                 |

| <b>Test Suite Operation Definition</b>                                                                                                                                                                                                                                                                                                                                                                                                                                                                                                                                                                                                                          |                                                        |
|-----------------------------------------------------------------------------------------------------------------------------------------------------------------------------------------------------------------------------------------------------------------------------------------------------------------------------------------------------------------------------------------------------------------------------------------------------------------------------------------------------------------------------------------------------------------------------------------------------------------------------------------------------------------|--------------------------------------------------------|
| <b>Operation Name:</b>                                                                                                                                                                                                                                                                                                                                                                                                                                                                                                                                                                                                                                          | OO_IFsetup_BS61orBS81_MT(srv:SERVICES; ur:B_4; sa:B_1) |
| <b>Result Type:</b>                                                                                                                                                                                                                                                                                                                                                                                                                                                                                                                                                                                                                                             | BOOLEAN                                                |
| <b>Comments:</b>                                                                                                                                                                                                                                                                                                                                                                                                                                                                                                                                                                                                                                                |                                                        |
| <b>Description</b>                                                                                                                                                                                                                                                                                                                                                                                                                                                                                                                                                                                                                                              |                                                        |
| <p>This TSO requests (e.g. from the control console of the test system) the test operator to setup the external interface, or the MS configuration in such a way that the MS is able to successfully receive the call for BS61 or BS81 with the specified ur and sa values. After the operator finishes the required action and informs the test system, the TSO returns with value TRUE.</p> <p>Three negotiable parameters, number of stop bit, number of data bit, parity information, are asked as global IXIT parameters for all TE configurations. If necessary, the test operator refers to the manual provided by manufacturer to configure the MS.</p> |                                                        |
| <b>Detailed Comments:</b>                                                                                                                                                                                                                                                                                                                                                                                                                                                                                                                                                                                                                                       | used for BS61 and BS81                                 |

| <b>Test Suite Operation Definition</b>                                                                                                                                                                                                                                                                                                                                                                                                                                                                                                                                                                                                                   |                                          |
|----------------------------------------------------------------------------------------------------------------------------------------------------------------------------------------------------------------------------------------------------------------------------------------------------------------------------------------------------------------------------------------------------------------------------------------------------------------------------------------------------------------------------------------------------------------------------------------------------------------------------------------------------------|------------------------------------------|
| <b>Operation Name:</b>                                                                                                                                                                                                                                                                                                                                                                                                                                                                                                                                                                                                                                   | OO_IFsetup_TS6x_MT(srv:SERVICES; ur:B_4) |
| <b>Result Type:</b>                                                                                                                                                                                                                                                                                                                                                                                                                                                                                                                                                                                                                                      | BOOLEAN                                  |
| <b>Comments:</b>                                                                                                                                                                                                                                                                                                                                                                                                                                                                                                                                                                                                                                         |                                          |
| <b>Description</b>                                                                                                                                                                                                                                                                                                                                                                                                                                                                                                                                                                                                                                       |                                          |
| <p>This TSO requests (e.g. from the control console of the test system) the test operator to setup the external interface, or the MS configuration in such a way that the MS is able to successfully receive the call for TS61 and TS62 with the specified ur value. After the operator finishes the required action and informs the test system, the TSO returns with value TRUE.</p> <p>Three negotiable parameters, number of stop bit, number of data bit, parity information, are asked as global IXIT parameters for all TE configurations. If necessary, the test operator refers to the manual provided by manufacturer to configure the MS.</p> |                                          |
| <b>Detailed Comments:</b>                                                                                                                                                                                                                                                                                                                                                                                                                                                                                                                                                                                                                                | used for TS61 and TS62                   |

| <b>Test Suite Operation Definition</b>                                                                                                                                                                                                                                                                                                                                                                                                                                                                                                                                                                                                                                                                                                                                                                                                                                                                                                                                                                                                                |                             |
|-------------------------------------------------------------------------------------------------------------------------------------------------------------------------------------------------------------------------------------------------------------------------------------------------------------------------------------------------------------------------------------------------------------------------------------------------------------------------------------------------------------------------------------------------------------------------------------------------------------------------------------------------------------------------------------------------------------------------------------------------------------------------------------------------------------------------------------------------------------------------------------------------------------------------------------------------------------------------------------------------------------------------------------------------------|-----------------------------|
| <b>Operation Name:</b>                                                                                                                                                                                                                                                                                                                                                                                                                                                                                                                                                                                                                                                                                                                                                                                                                                                                                                                                                                                                                                | OO_InCallModi(srv:SERVICES) |
| <b>Result Type:</b>                                                                                                                                                                                                                                                                                                                                                                                                                                                                                                                                                                                                                                                                                                                                                                                                                                                                                                                                                                                                                                   | BOOLEAN                     |
| <b>Comments:</b>                                                                                                                                                                                                                                                                                                                                                                                                                                                                                                                                                                                                                                                                                                                                                                                                                                                                                                                                                                                                                                      |                             |
| <b>Description</b>                                                                                                                                                                                                                                                                                                                                                                                                                                                                                                                                                                                                                                                                                                                                                                                                                                                                                                                                                                                                                                    |                             |
| <p>This operation requests (e.g. from the control console of the test system) the test operator to initiate a in-call modification at the Mobile Station under test, which is triggered by the calling tone identification (CNG) received by the MS, for the basic service 'srv', then returns TRUE. The calling test step can pass the 'srv' value either as TSPX or constant to the TSO.</p> <p>The possible service values include (see also test suite constant declarations):</p> <p>1) Teleservices</p> <ul style="list-style-type: none"> <li>- C_Telephony</li> <li>- C_EmgCall</li> <li>- C_AltSpchFax</li> <li>- C_AutoFax</li> </ul> <p>2) Bearer services</p> <ul style="list-style-type: none"> <li>- C_Async300, C_Async1200, C_Async120075, C_Async2400, C_Async4800, C_Async9600</li> <li>- C_Sync1200, C_Sync2400, C_Sync4800, C_Sync9600</li> <li>- C_PAD300, C_PAD1200, C_PAD120075, C_PAD2400, C_PAD4800, C_PAD9600</li> <li>- C_Packet2400, C_Packet4800, C_Packet9600</li> <li>- C_AltSpchData</li> <li>- C_SpchData</li> </ul> |                             |
| <b>Detailed Comments:</b>                                                                                                                                                                                                                                                                                                                                                                                                                                                                                                                                                                                                                                                                                                                                                                                                                                                                                                                                                                                                                             |                             |

| <b>Test Suite Operation Definition</b>                                                                                                                                                                                                                                                                                                                                                                                                                                                                                                                                                                                                                                                                                                                                                                                                                                                                                                                                                                                                                                                                                                                                                                                                                                                                                                                                                                                                                                                                                                                                                                                                                                                                                                                                                                                                                                                                                                                                                                                                                                                                                                                                                                                                                                                                                                     |                           |               |      |      |             |      |      |                |      |      |             |      |      |  |  |  |                         |      |      |                         |      |      |                      |      |      |              |      |      |               |      |      |                 |      |      |               |      |      |               |      |      |               |      |      |              |      |      |              |      |      |              |      |      |              |      |      |            |      |      |             |      |      |               |      |      |             |      |      |             |      |      |             |      |      |                |      |      |                |      |      |                |      |      |                 |      |      |              |      |      |
|--------------------------------------------------------------------------------------------------------------------------------------------------------------------------------------------------------------------------------------------------------------------------------------------------------------------------------------------------------------------------------------------------------------------------------------------------------------------------------------------------------------------------------------------------------------------------------------------------------------------------------------------------------------------------------------------------------------------------------------------------------------------------------------------------------------------------------------------------------------------------------------------------------------------------------------------------------------------------------------------------------------------------------------------------------------------------------------------------------------------------------------------------------------------------------------------------------------------------------------------------------------------------------------------------------------------------------------------------------------------------------------------------------------------------------------------------------------------------------------------------------------------------------------------------------------------------------------------------------------------------------------------------------------------------------------------------------------------------------------------------------------------------------------------------------------------------------------------------------------------------------------------------------------------------------------------------------------------------------------------------------------------------------------------------------------------------------------------------------------------------------------------------------------------------------------------------------------------------------------------------------------------------------------------------------------------------------------------|---------------------------|---------------|------|------|-------------|------|------|----------------|------|------|-------------|------|------|--|--|--|-------------------------|------|------|-------------------------|------|------|----------------------|------|------|--------------|------|------|---------------|------|------|-----------------|------|------|---------------|------|------|---------------|------|------|---------------|------|------|--------------|------|------|--------------|------|------|--------------|------|------|--------------|------|------|------------|------|------|-------------|------|------|---------------|------|------|-------------|------|------|-------------|------|------|-------------|------|------|----------------|------|------|----------------|------|------|----------------|------|------|-----------------|------|------|--------------|------|------|
| <b>Operation Name:</b>                                                                                                                                                                                                                                                                                                                                                                                                                                                                                                                                                                                                                                                                                                                                                                                                                                                                                                                                                                                                                                                                                                                                                                                                                                                                                                                                                                                                                                                                                                                                                                                                                                                                                                                                                                                                                                                                                                                                                                                                                                                                                                                                                                                                                                                                                                                     | OO_InitCall(srv:SERVICES) |               |      |      |             |      |      |                |      |      |             |      |      |  |  |  |                         |      |      |                         |      |      |                      |      |      |              |      |      |               |      |      |                 |      |      |               |      |      |               |      |      |               |      |      |              |      |      |              |      |      |              |      |      |              |      |      |            |      |      |             |      |      |               |      |      |             |      |      |             |      |      |             |      |      |                |      |      |                |      |      |                |      |      |                 |      |      |              |      |      |
| <b>Result Type:</b>                                                                                                                                                                                                                                                                                                                                                                                                                                                                                                                                                                                                                                                                                                                                                                                                                                                                                                                                                                                                                                                                                                                                                                                                                                                                                                                                                                                                                                                                                                                                                                                                                                                                                                                                                                                                                                                                                                                                                                                                                                                                                                                                                                                                                                                                                                                        | BOOLEAN                   |               |      |      |             |      |      |                |      |      |             |      |      |  |  |  |                         |      |      |                         |      |      |                      |      |      |              |      |      |               |      |      |                 |      |      |               |      |      |               |      |      |               |      |      |              |      |      |              |      |      |              |      |      |              |      |      |            |      |      |             |      |      |               |      |      |             |      |      |             |      |      |             |      |      |                |      |      |                |      |      |                |      |      |                 |      |      |              |      |      |
| <b>Comments:</b>                                                                                                                                                                                                                                                                                                                                                                                                                                                                                                                                                                                                                                                                                                                                                                                                                                                                                                                                                                                                                                                                                                                                                                                                                                                                                                                                                                                                                                                                                                                                                                                                                                                                                                                                                                                                                                                                                                                                                                                                                                                                                                                                                                                                                                                                                                                           |                           |               |      |      |             |      |      |                |      |      |             |      |      |  |  |  |                         |      |      |                         |      |      |                      |      |      |              |      |      |               |      |      |                 |      |      |               |      |      |               |      |      |               |      |      |              |      |      |              |      |      |              |      |      |              |      |      |            |      |      |             |      |      |               |      |      |             |      |      |             |      |      |             |      |      |                |      |      |                |      |      |                |      |      |                 |      |      |              |      |      |
| <b>Description</b>                                                                                                                                                                                                                                                                                                                                                                                                                                                                                                                                                                                                                                                                                                                                                                                                                                                                                                                                                                                                                                                                                                                                                                                                                                                                                                                                                                                                                                                                                                                                                                                                                                                                                                                                                                                                                                                                                                                                                                                                                                                                                                                                                                                                                                                                                                                         |                           |               |      |      |             |      |      |                |      |      |             |      |      |  |  |  |                         |      |      |                         |      |      |                      |      |      |              |      |      |               |      |      |                 |      |      |               |      |      |               |      |      |               |      |      |              |      |      |              |      |      |              |      |      |              |      |      |            |      |      |             |      |      |               |      |      |             |      |      |             |      |      |             |      |      |                |      |      |                |      |      |                |      |      |                 |      |      |              |      |      |
| <p>This operation requests (e.g. from the control console of the test system) the test operator to initiate an MS originating call for the basic service `srv`, then returns TRUE. The calling test step can pass the 'srv' value either as TSPX or constant to the TSO. The necessary MS configuration has been done in the corresponding TSO OO_IFsetup_xx...xx_MO before this TSO is called.</p> <p>The possible service values include (see also test suite constant declarations):</p> <p>1) Teleservices</p> <table border="0"> <tr><td>- C_Telephony</td><td>----</td><td>TS11</td></tr> <tr><td>- C_EmgCall</td><td>----</td><td>TS12</td></tr> <tr><td>- C_AltSpchFax</td><td>----</td><td>TS61</td></tr> <tr><td>- C_AutoFax</td><td>----</td><td>TS62</td></tr> <tr><td colspan="3"> </td></tr> <tr><td>- C_Short_Message_MT/PP</td><td>----</td><td>TS21</td></tr> <tr><td>- C_Short_Message_MO/PP</td><td>----</td><td>TS22</td></tr> <tr><td>- C_Short_Message_CB</td><td>----</td><td>TS23</td></tr> </table> <p>2) Bearer services</p> <table border="0"> <tr><td>- C_Async300</td><td>----</td><td>BS21</td></tr> <tr><td>- C_Async1200</td><td>----</td><td>BS22</td></tr> <tr><td>- C_Async120075</td><td>----</td><td>BS23</td></tr> <tr><td>- C_Async2400</td><td>----</td><td>BS24</td></tr> <tr><td>- C_Async4800</td><td>----</td><td>BS25</td></tr> <tr><td>- C_Async9600</td><td>----</td><td>BS26</td></tr> <tr><td>- C_Sync1200</td><td>----</td><td>BS31</td></tr> <tr><td>- C_Sync2400</td><td>----</td><td>BS32</td></tr> <tr><td>- C_Sync4800</td><td>----</td><td>BS33</td></tr> <tr><td>- C_Sync9600</td><td>----</td><td>BS34</td></tr> <tr><td>- C_PAD300</td><td>----</td><td>BS41</td></tr> <tr><td>- C_PAD1200</td><td>----</td><td>BS42</td></tr> <tr><td>- C_PAD120075</td><td>----</td><td>BS43</td></tr> <tr><td>- C_PAD2400</td><td>----</td><td>BS44</td></tr> <tr><td>- C_PAD4800</td><td>----</td><td>BS45</td></tr> <tr><td>- C_PAD9600</td><td>----</td><td>BS46</td></tr> <tr><td>- C_Packet2400</td><td>----</td><td>BS51</td></tr> <tr><td>- C_Packet4800</td><td>----</td><td>BS52</td></tr> <tr><td>- C_Packet9600</td><td>----</td><td>BS53</td></tr> <tr><td>- C_AltSpchData</td><td>----</td><td>BS61</td></tr> <tr><td>- C_SpchData</td><td>----</td><td>BS81</td></tr> </table> |                           | - C_Telephony | ---- | TS11 | - C_EmgCall | ---- | TS12 | - C_AltSpchFax | ---- | TS61 | - C_AutoFax | ---- | TS62 |  |  |  | - C_Short_Message_MT/PP | ---- | TS21 | - C_Short_Message_MO/PP | ---- | TS22 | - C_Short_Message_CB | ---- | TS23 | - C_Async300 | ---- | BS21 | - C_Async1200 | ---- | BS22 | - C_Async120075 | ---- | BS23 | - C_Async2400 | ---- | BS24 | - C_Async4800 | ---- | BS25 | - C_Async9600 | ---- | BS26 | - C_Sync1200 | ---- | BS31 | - C_Sync2400 | ---- | BS32 | - C_Sync4800 | ---- | BS33 | - C_Sync9600 | ---- | BS34 | - C_PAD300 | ---- | BS41 | - C_PAD1200 | ---- | BS42 | - C_PAD120075 | ---- | BS43 | - C_PAD2400 | ---- | BS44 | - C_PAD4800 | ---- | BS45 | - C_PAD9600 | ---- | BS46 | - C_Packet2400 | ---- | BS51 | - C_Packet4800 | ---- | BS52 | - C_Packet9600 | ---- | BS53 | - C_AltSpchData | ---- | BS61 | - C_SpchData | ---- | BS81 |
| - C_Telephony                                                                                                                                                                                                                                                                                                                                                                                                                                                                                                                                                                                                                                                                                                                                                                                                                                                                                                                                                                                                                                                                                                                                                                                                                                                                                                                                                                                                                                                                                                                                                                                                                                                                                                                                                                                                                                                                                                                                                                                                                                                                                                                                                                                                                                                                                                                              | ----                      | TS11          |      |      |             |      |      |                |      |      |             |      |      |  |  |  |                         |      |      |                         |      |      |                      |      |      |              |      |      |               |      |      |                 |      |      |               |      |      |               |      |      |               |      |      |              |      |      |              |      |      |              |      |      |              |      |      |            |      |      |             |      |      |               |      |      |             |      |      |             |      |      |             |      |      |                |      |      |                |      |      |                |      |      |                 |      |      |              |      |      |
| - C_EmgCall                                                                                                                                                                                                                                                                                                                                                                                                                                                                                                                                                                                                                                                                                                                                                                                                                                                                                                                                                                                                                                                                                                                                                                                                                                                                                                                                                                                                                                                                                                                                                                                                                                                                                                                                                                                                                                                                                                                                                                                                                                                                                                                                                                                                                                                                                                                                | ----                      | TS12          |      |      |             |      |      |                |      |      |             |      |      |  |  |  |                         |      |      |                         |      |      |                      |      |      |              |      |      |               |      |      |                 |      |      |               |      |      |               |      |      |               |      |      |              |      |      |              |      |      |              |      |      |              |      |      |            |      |      |             |      |      |               |      |      |             |      |      |             |      |      |             |      |      |                |      |      |                |      |      |                |      |      |                 |      |      |              |      |      |
| - C_AltSpchFax                                                                                                                                                                                                                                                                                                                                                                                                                                                                                                                                                                                                                                                                                                                                                                                                                                                                                                                                                                                                                                                                                                                                                                                                                                                                                                                                                                                                                                                                                                                                                                                                                                                                                                                                                                                                                                                                                                                                                                                                                                                                                                                                                                                                                                                                                                                             | ----                      | TS61          |      |      |             |      |      |                |      |      |             |      |      |  |  |  |                         |      |      |                         |      |      |                      |      |      |              |      |      |               |      |      |                 |      |      |               |      |      |               |      |      |               |      |      |              |      |      |              |      |      |              |      |      |              |      |      |            |      |      |             |      |      |               |      |      |             |      |      |             |      |      |             |      |      |                |      |      |                |      |      |                |      |      |                 |      |      |              |      |      |
| - C_AutoFax                                                                                                                                                                                                                                                                                                                                                                                                                                                                                                                                                                                                                                                                                                                                                                                                                                                                                                                                                                                                                                                                                                                                                                                                                                                                                                                                                                                                                                                                                                                                                                                                                                                                                                                                                                                                                                                                                                                                                                                                                                                                                                                                                                                                                                                                                                                                | ----                      | TS62          |      |      |             |      |      |                |      |      |             |      |      |  |  |  |                         |      |      |                         |      |      |                      |      |      |              |      |      |               |      |      |                 |      |      |               |      |      |               |      |      |               |      |      |              |      |      |              |      |      |              |      |      |              |      |      |            |      |      |             |      |      |               |      |      |             |      |      |             |      |      |             |      |      |                |      |      |                |      |      |                |      |      |                 |      |      |              |      |      |
|                                                                                                                                                                                                                                                                                                                                                                                                                                                                                                                                                                                                                                                                                                                                                                                                                                                                                                                                                                                                                                                                                                                                                                                                                                                                                                                                                                                                                                                                                                                                                                                                                                                                                                                                                                                                                                                                                                                                                                                                                                                                                                                                                                                                                                                                                                                                            |                           |               |      |      |             |      |      |                |      |      |             |      |      |  |  |  |                         |      |      |                         |      |      |                      |      |      |              |      |      |               |      |      |                 |      |      |               |      |      |               |      |      |               |      |      |              |      |      |              |      |      |              |      |      |              |      |      |            |      |      |             |      |      |               |      |      |             |      |      |             |      |      |             |      |      |                |      |      |                |      |      |                |      |      |                 |      |      |              |      |      |
| - C_Short_Message_MT/PP                                                                                                                                                                                                                                                                                                                                                                                                                                                                                                                                                                                                                                                                                                                                                                                                                                                                                                                                                                                                                                                                                                                                                                                                                                                                                                                                                                                                                                                                                                                                                                                                                                                                                                                                                                                                                                                                                                                                                                                                                                                                                                                                                                                                                                                                                                                    | ----                      | TS21          |      |      |             |      |      |                |      |      |             |      |      |  |  |  |                         |      |      |                         |      |      |                      |      |      |              |      |      |               |      |      |                 |      |      |               |      |      |               |      |      |               |      |      |              |      |      |              |      |      |              |      |      |              |      |      |            |      |      |             |      |      |               |      |      |             |      |      |             |      |      |             |      |      |                |      |      |                |      |      |                |      |      |                 |      |      |              |      |      |
| - C_Short_Message_MO/PP                                                                                                                                                                                                                                                                                                                                                                                                                                                                                                                                                                                                                                                                                                                                                                                                                                                                                                                                                                                                                                                                                                                                                                                                                                                                                                                                                                                                                                                                                                                                                                                                                                                                                                                                                                                                                                                                                                                                                                                                                                                                                                                                                                                                                                                                                                                    | ----                      | TS22          |      |      |             |      |      |                |      |      |             |      |      |  |  |  |                         |      |      |                         |      |      |                      |      |      |              |      |      |               |      |      |                 |      |      |               |      |      |               |      |      |               |      |      |              |      |      |              |      |      |              |      |      |              |      |      |            |      |      |             |      |      |               |      |      |             |      |      |             |      |      |             |      |      |                |      |      |                |      |      |                |      |      |                 |      |      |              |      |      |
| - C_Short_Message_CB                                                                                                                                                                                                                                                                                                                                                                                                                                                                                                                                                                                                                                                                                                                                                                                                                                                                                                                                                                                                                                                                                                                                                                                                                                                                                                                                                                                                                                                                                                                                                                                                                                                                                                                                                                                                                                                                                                                                                                                                                                                                                                                                                                                                                                                                                                                       | ----                      | TS23          |      |      |             |      |      |                |      |      |             |      |      |  |  |  |                         |      |      |                         |      |      |                      |      |      |              |      |      |               |      |      |                 |      |      |               |      |      |               |      |      |               |      |      |              |      |      |              |      |      |              |      |      |              |      |      |            |      |      |             |      |      |               |      |      |             |      |      |             |      |      |             |      |      |                |      |      |                |      |      |                |      |      |                 |      |      |              |      |      |
| - C_Async300                                                                                                                                                                                                                                                                                                                                                                                                                                                                                                                                                                                                                                                                                                                                                                                                                                                                                                                                                                                                                                                                                                                                                                                                                                                                                                                                                                                                                                                                                                                                                                                                                                                                                                                                                                                                                                                                                                                                                                                                                                                                                                                                                                                                                                                                                                                               | ----                      | BS21          |      |      |             |      |      |                |      |      |             |      |      |  |  |  |                         |      |      |                         |      |      |                      |      |      |              |      |      |               |      |      |                 |      |      |               |      |      |               |      |      |               |      |      |              |      |      |              |      |      |              |      |      |              |      |      |            |      |      |             |      |      |               |      |      |             |      |      |             |      |      |             |      |      |                |      |      |                |      |      |                |      |      |                 |      |      |              |      |      |
| - C_Async1200                                                                                                                                                                                                                                                                                                                                                                                                                                                                                                                                                                                                                                                                                                                                                                                                                                                                                                                                                                                                                                                                                                                                                                                                                                                                                                                                                                                                                                                                                                                                                                                                                                                                                                                                                                                                                                                                                                                                                                                                                                                                                                                                                                                                                                                                                                                              | ----                      | BS22          |      |      |             |      |      |                |      |      |             |      |      |  |  |  |                         |      |      |                         |      |      |                      |      |      |              |      |      |               |      |      |                 |      |      |               |      |      |               |      |      |               |      |      |              |      |      |              |      |      |              |      |      |              |      |      |            |      |      |             |      |      |               |      |      |             |      |      |             |      |      |             |      |      |                |      |      |                |      |      |                |      |      |                 |      |      |              |      |      |
| - C_Async120075                                                                                                                                                                                                                                                                                                                                                                                                                                                                                                                                                                                                                                                                                                                                                                                                                                                                                                                                                                                                                                                                                                                                                                                                                                                                                                                                                                                                                                                                                                                                                                                                                                                                                                                                                                                                                                                                                                                                                                                                                                                                                                                                                                                                                                                                                                                            | ----                      | BS23          |      |      |             |      |      |                |      |      |             |      |      |  |  |  |                         |      |      |                         |      |      |                      |      |      |              |      |      |               |      |      |                 |      |      |               |      |      |               |      |      |               |      |      |              |      |      |              |      |      |              |      |      |              |      |      |            |      |      |             |      |      |               |      |      |             |      |      |             |      |      |             |      |      |                |      |      |                |      |      |                |      |      |                 |      |      |              |      |      |
| - C_Async2400                                                                                                                                                                                                                                                                                                                                                                                                                                                                                                                                                                                                                                                                                                                                                                                                                                                                                                                                                                                                                                                                                                                                                                                                                                                                                                                                                                                                                                                                                                                                                                                                                                                                                                                                                                                                                                                                                                                                                                                                                                                                                                                                                                                                                                                                                                                              | ----                      | BS24          |      |      |             |      |      |                |      |      |             |      |      |  |  |  |                         |      |      |                         |      |      |                      |      |      |              |      |      |               |      |      |                 |      |      |               |      |      |               |      |      |               |      |      |              |      |      |              |      |      |              |      |      |              |      |      |            |      |      |             |      |      |               |      |      |             |      |      |             |      |      |             |      |      |                |      |      |                |      |      |                |      |      |                 |      |      |              |      |      |
| - C_Async4800                                                                                                                                                                                                                                                                                                                                                                                                                                                                                                                                                                                                                                                                                                                                                                                                                                                                                                                                                                                                                                                                                                                                                                                                                                                                                                                                                                                                                                                                                                                                                                                                                                                                                                                                                                                                                                                                                                                                                                                                                                                                                                                                                                                                                                                                                                                              | ----                      | BS25          |      |      |             |      |      |                |      |      |             |      |      |  |  |  |                         |      |      |                         |      |      |                      |      |      |              |      |      |               |      |      |                 |      |      |               |      |      |               |      |      |               |      |      |              |      |      |              |      |      |              |      |      |              |      |      |            |      |      |             |      |      |               |      |      |             |      |      |             |      |      |             |      |      |                |      |      |                |      |      |                |      |      |                 |      |      |              |      |      |
| - C_Async9600                                                                                                                                                                                                                                                                                                                                                                                                                                                                                                                                                                                                                                                                                                                                                                                                                                                                                                                                                                                                                                                                                                                                                                                                                                                                                                                                                                                                                                                                                                                                                                                                                                                                                                                                                                                                                                                                                                                                                                                                                                                                                                                                                                                                                                                                                                                              | ----                      | BS26          |      |      |             |      |      |                |      |      |             |      |      |  |  |  |                         |      |      |                         |      |      |                      |      |      |              |      |      |               |      |      |                 |      |      |               |      |      |               |      |      |               |      |      |              |      |      |              |      |      |              |      |      |              |      |      |            |      |      |             |      |      |               |      |      |             |      |      |             |      |      |             |      |      |                |      |      |                |      |      |                |      |      |                 |      |      |              |      |      |
| - C_Sync1200                                                                                                                                                                                                                                                                                                                                                                                                                                                                                                                                                                                                                                                                                                                                                                                                                                                                                                                                                                                                                                                                                                                                                                                                                                                                                                                                                                                                                                                                                                                                                                                                                                                                                                                                                                                                                                                                                                                                                                                                                                                                                                                                                                                                                                                                                                                               | ----                      | BS31          |      |      |             |      |      |                |      |      |             |      |      |  |  |  |                         |      |      |                         |      |      |                      |      |      |              |      |      |               |      |      |                 |      |      |               |      |      |               |      |      |               |      |      |              |      |      |              |      |      |              |      |      |              |      |      |            |      |      |             |      |      |               |      |      |             |      |      |             |      |      |             |      |      |                |      |      |                |      |      |                |      |      |                 |      |      |              |      |      |
| - C_Sync2400                                                                                                                                                                                                                                                                                                                                                                                                                                                                                                                                                                                                                                                                                                                                                                                                                                                                                                                                                                                                                                                                                                                                                                                                                                                                                                                                                                                                                                                                                                                                                                                                                                                                                                                                                                                                                                                                                                                                                                                                                                                                                                                                                                                                                                                                                                                               | ----                      | BS32          |      |      |             |      |      |                |      |      |             |      |      |  |  |  |                         |      |      |                         |      |      |                      |      |      |              |      |      |               |      |      |                 |      |      |               |      |      |               |      |      |               |      |      |              |      |      |              |      |      |              |      |      |              |      |      |            |      |      |             |      |      |               |      |      |             |      |      |             |      |      |             |      |      |                |      |      |                |      |      |                |      |      |                 |      |      |              |      |      |
| - C_Sync4800                                                                                                                                                                                                                                                                                                                                                                                                                                                                                                                                                                                                                                                                                                                                                                                                                                                                                                                                                                                                                                                                                                                                                                                                                                                                                                                                                                                                                                                                                                                                                                                                                                                                                                                                                                                                                                                                                                                                                                                                                                                                                                                                                                                                                                                                                                                               | ----                      | BS33          |      |      |             |      |      |                |      |      |             |      |      |  |  |  |                         |      |      |                         |      |      |                      |      |      |              |      |      |               |      |      |                 |      |      |               |      |      |               |      |      |               |      |      |              |      |      |              |      |      |              |      |      |              |      |      |            |      |      |             |      |      |               |      |      |             |      |      |             |      |      |             |      |      |                |      |      |                |      |      |                |      |      |                 |      |      |              |      |      |
| - C_Sync9600                                                                                                                                                                                                                                                                                                                                                                                                                                                                                                                                                                                                                                                                                                                                                                                                                                                                                                                                                                                                                                                                                                                                                                                                                                                                                                                                                                                                                                                                                                                                                                                                                                                                                                                                                                                                                                                                                                                                                                                                                                                                                                                                                                                                                                                                                                                               | ----                      | BS34          |      |      |             |      |      |                |      |      |             |      |      |  |  |  |                         |      |      |                         |      |      |                      |      |      |              |      |      |               |      |      |                 |      |      |               |      |      |               |      |      |               |      |      |              |      |      |              |      |      |              |      |      |              |      |      |            |      |      |             |      |      |               |      |      |             |      |      |             |      |      |             |      |      |                |      |      |                |      |      |                |      |      |                 |      |      |              |      |      |
| - C_PAD300                                                                                                                                                                                                                                                                                                                                                                                                                                                                                                                                                                                                                                                                                                                                                                                                                                                                                                                                                                                                                                                                                                                                                                                                                                                                                                                                                                                                                                                                                                                                                                                                                                                                                                                                                                                                                                                                                                                                                                                                                                                                                                                                                                                                                                                                                                                                 | ----                      | BS41          |      |      |             |      |      |                |      |      |             |      |      |  |  |  |                         |      |      |                         |      |      |                      |      |      |              |      |      |               |      |      |                 |      |      |               |      |      |               |      |      |               |      |      |              |      |      |              |      |      |              |      |      |              |      |      |            |      |      |             |      |      |               |      |      |             |      |      |             |      |      |             |      |      |                |      |      |                |      |      |                |      |      |                 |      |      |              |      |      |
| - C_PAD1200                                                                                                                                                                                                                                                                                                                                                                                                                                                                                                                                                                                                                                                                                                                                                                                                                                                                                                                                                                                                                                                                                                                                                                                                                                                                                                                                                                                                                                                                                                                                                                                                                                                                                                                                                                                                                                                                                                                                                                                                                                                                                                                                                                                                                                                                                                                                | ----                      | BS42          |      |      |             |      |      |                |      |      |             |      |      |  |  |  |                         |      |      |                         |      |      |                      |      |      |              |      |      |               |      |      |                 |      |      |               |      |      |               |      |      |               |      |      |              |      |      |              |      |      |              |      |      |              |      |      |            |      |      |             |      |      |               |      |      |             |      |      |             |      |      |             |      |      |                |      |      |                |      |      |                |      |      |                 |      |      |              |      |      |
| - C_PAD120075                                                                                                                                                                                                                                                                                                                                                                                                                                                                                                                                                                                                                                                                                                                                                                                                                                                                                                                                                                                                                                                                                                                                                                                                                                                                                                                                                                                                                                                                                                                                                                                                                                                                                                                                                                                                                                                                                                                                                                                                                                                                                                                                                                                                                                                                                                                              | ----                      | BS43          |      |      |             |      |      |                |      |      |             |      |      |  |  |  |                         |      |      |                         |      |      |                      |      |      |              |      |      |               |      |      |                 |      |      |               |      |      |               |      |      |               |      |      |              |      |      |              |      |      |              |      |      |              |      |      |            |      |      |             |      |      |               |      |      |             |      |      |             |      |      |             |      |      |                |      |      |                |      |      |                |      |      |                 |      |      |              |      |      |
| - C_PAD2400                                                                                                                                                                                                                                                                                                                                                                                                                                                                                                                                                                                                                                                                                                                                                                                                                                                                                                                                                                                                                                                                                                                                                                                                                                                                                                                                                                                                                                                                                                                                                                                                                                                                                                                                                                                                                                                                                                                                                                                                                                                                                                                                                                                                                                                                                                                                | ----                      | BS44          |      |      |             |      |      |                |      |      |             |      |      |  |  |  |                         |      |      |                         |      |      |                      |      |      |              |      |      |               |      |      |                 |      |      |               |      |      |               |      |      |               |      |      |              |      |      |              |      |      |              |      |      |              |      |      |            |      |      |             |      |      |               |      |      |             |      |      |             |      |      |             |      |      |                |      |      |                |      |      |                |      |      |                 |      |      |              |      |      |
| - C_PAD4800                                                                                                                                                                                                                                                                                                                                                                                                                                                                                                                                                                                                                                                                                                                                                                                                                                                                                                                                                                                                                                                                                                                                                                                                                                                                                                                                                                                                                                                                                                                                                                                                                                                                                                                                                                                                                                                                                                                                                                                                                                                                                                                                                                                                                                                                                                                                | ----                      | BS45          |      |      |             |      |      |                |      |      |             |      |      |  |  |  |                         |      |      |                         |      |      |                      |      |      |              |      |      |               |      |      |                 |      |      |               |      |      |               |      |      |               |      |      |              |      |      |              |      |      |              |      |      |              |      |      |            |      |      |             |      |      |               |      |      |             |      |      |             |      |      |             |      |      |                |      |      |                |      |      |                |      |      |                 |      |      |              |      |      |
| - C_PAD9600                                                                                                                                                                                                                                                                                                                                                                                                                                                                                                                                                                                                                                                                                                                                                                                                                                                                                                                                                                                                                                                                                                                                                                                                                                                                                                                                                                                                                                                                                                                                                                                                                                                                                                                                                                                                                                                                                                                                                                                                                                                                                                                                                                                                                                                                                                                                | ----                      | BS46          |      |      |             |      |      |                |      |      |             |      |      |  |  |  |                         |      |      |                         |      |      |                      |      |      |              |      |      |               |      |      |                 |      |      |               |      |      |               |      |      |               |      |      |              |      |      |              |      |      |              |      |      |              |      |      |            |      |      |             |      |      |               |      |      |             |      |      |             |      |      |             |      |      |                |      |      |                |      |      |                |      |      |                 |      |      |              |      |      |
| - C_Packet2400                                                                                                                                                                                                                                                                                                                                                                                                                                                                                                                                                                                                                                                                                                                                                                                                                                                                                                                                                                                                                                                                                                                                                                                                                                                                                                                                                                                                                                                                                                                                                                                                                                                                                                                                                                                                                                                                                                                                                                                                                                                                                                                                                                                                                                                                                                                             | ----                      | BS51          |      |      |             |      |      |                |      |      |             |      |      |  |  |  |                         |      |      |                         |      |      |                      |      |      |              |      |      |               |      |      |                 |      |      |               |      |      |               |      |      |               |      |      |              |      |      |              |      |      |              |      |      |              |      |      |            |      |      |             |      |      |               |      |      |             |      |      |             |      |      |             |      |      |                |      |      |                |      |      |                |      |      |                 |      |      |              |      |      |
| - C_Packet4800                                                                                                                                                                                                                                                                                                                                                                                                                                                                                                                                                                                                                                                                                                                                                                                                                                                                                                                                                                                                                                                                                                                                                                                                                                                                                                                                                                                                                                                                                                                                                                                                                                                                                                                                                                                                                                                                                                                                                                                                                                                                                                                                                                                                                                                                                                                             | ----                      | BS52          |      |      |             |      |      |                |      |      |             |      |      |  |  |  |                         |      |      |                         |      |      |                      |      |      |              |      |      |               |      |      |                 |      |      |               |      |      |               |      |      |               |      |      |              |      |      |              |      |      |              |      |      |              |      |      |            |      |      |             |      |      |               |      |      |             |      |      |             |      |      |             |      |      |                |      |      |                |      |      |                |      |      |                 |      |      |              |      |      |
| - C_Packet9600                                                                                                                                                                                                                                                                                                                                                                                                                                                                                                                                                                                                                                                                                                                                                                                                                                                                                                                                                                                                                                                                                                                                                                                                                                                                                                                                                                                                                                                                                                                                                                                                                                                                                                                                                                                                                                                                                                                                                                                                                                                                                                                                                                                                                                                                                                                             | ----                      | BS53          |      |      |             |      |      |                |      |      |             |      |      |  |  |  |                         |      |      |                         |      |      |                      |      |      |              |      |      |               |      |      |                 |      |      |               |      |      |               |      |      |               |      |      |              |      |      |              |      |      |              |      |      |              |      |      |            |      |      |             |      |      |               |      |      |             |      |      |             |      |      |             |      |      |                |      |      |                |      |      |                |      |      |                 |      |      |              |      |      |
| - C_AltSpchData                                                                                                                                                                                                                                                                                                                                                                                                                                                                                                                                                                                                                                                                                                                                                                                                                                                                                                                                                                                                                                                                                                                                                                                                                                                                                                                                                                                                                                                                                                                                                                                                                                                                                                                                                                                                                                                                                                                                                                                                                                                                                                                                                                                                                                                                                                                            | ----                      | BS61          |      |      |             |      |      |                |      |      |             |      |      |  |  |  |                         |      |      |                         |      |      |                      |      |      |              |      |      |               |      |      |                 |      |      |               |      |      |               |      |      |               |      |      |              |      |      |              |      |      |              |      |      |              |      |      |            |      |      |             |      |      |               |      |      |             |      |      |             |      |      |             |      |      |                |      |      |                |      |      |                |      |      |                 |      |      |              |      |      |
| - C_SpchData                                                                                                                                                                                                                                                                                                                                                                                                                                                                                                                                                                                                                                                                                                                                                                                                                                                                                                                                                                                                                                                                                                                                                                                                                                                                                                                                                                                                                                                                                                                                                                                                                                                                                                                                                                                                                                                                                                                                                                                                                                                                                                                                                                                                                                                                                                                               | ----                      | BS81          |      |      |             |      |      |                |      |      |             |      |      |  |  |  |                         |      |      |                         |      |      |                      |      |      |              |      |      |               |      |      |                 |      |      |               |      |      |               |      |      |               |      |      |              |      |      |              |      |      |              |      |      |              |      |      |            |      |      |             |      |      |               |      |      |             |      |      |             |      |      |             |      |      |                |      |      |                |      |      |                |      |      |                 |      |      |              |      |      |
| <b>Detailed Comments:</b>                                                                                                                                                                                                                                                                                                                                                                                                                                                                                                                                                                                                                                                                                                                                                                                                                                                                                                                                                                                                                                                                                                                                                                                                                                                                                                                                                                                                                                                                                                                                                                                                                                                                                                                                                                                                                                                                                                                                                                                                                                                                                                                                                                                                                                                                                                                  |                           |               |      |      |             |      |      |                |      |      |             |      |      |  |  |  |                         |      |      |                         |      |      |                      |      |      |              |      |      |               |      |      |                 |      |      |               |      |      |               |      |      |               |      |      |              |      |      |              |      |      |              |      |      |              |      |      |            |      |      |             |      |      |               |      |      |             |      |      |             |      |      |             |      |      |                |      |      |                |      |      |                |      |      |                 |      |      |              |      |      |

| <b>Test Suite Operation Definition</b>                                                                                                                                                                                                                                                                          |                  |
|-----------------------------------------------------------------------------------------------------------------------------------------------------------------------------------------------------------------------------------------------------------------------------------------------------------------|------------------|
| <b>Operation Name:</b>                                                                                                                                                                                                                                                                                          | OO_InitNonCallSS |
| <b>Result Type:</b>                                                                                                                                                                                                                                                                                             | BOOLEAN          |
| <b>Comments:</b>                                                                                                                                                                                                                                                                                                |                  |
| <b>Description</b>                                                                                                                                                                                                                                                                                              |                  |
| <p>This operation requests (e.g. from the control console of the test system) the test operator to initiate a non call related supplementary service which is supported by the MS.</p> <p>After the operator finishes the action, he informs the test system and the operation returns with the value TRUE.</p> |                  |
| <b>Detailed Comments:</b>                                                                                                                                                                                                                                                                                       |                  |



| <b>Test Suite Operation Definition</b>                                                                                                                                    |                              |
|---------------------------------------------------------------------------------------------------------------------------------------------------------------------------|------------------------------|
| <b>Operation Name:</b>                                                                                                                                                    | OO_InitSS(action: IA5String) |
| <b>Result Type:</b>                                                                                                                                                       | BOOLEAN                      |
| <b>Comments:</b>                                                                                                                                                          |                              |
| <b>Description</b>                                                                                                                                                        |                              |
| This operation requests (e.g. from the control console of the test system) the test operator to initiate the required supplementary service by the MMI sequence `action`. |                              |
| After the operator finishes the action, he informs the test system and the operation returns with the value TRUE.                                                         |                              |
| <b>Detailed Comments:</b>                                                                                                                                                 |                              |

| <b>Test Suite Operation Definition</b>                                                                                                                                                                                                                                                                                                                                                                                                                                                                                                      |                 |
|---------------------------------------------------------------------------------------------------------------------------------------------------------------------------------------------------------------------------------------------------------------------------------------------------------------------------------------------------------------------------------------------------------------------------------------------------------------------------------------------------------------------------------------------|-----------------|
| <b>Operation Name:</b>                                                                                                                                                                                                                                                                                                                                                                                                                                                                                                                      | OO_InServiceCHK |
| <b>Result Type:</b>                                                                                                                                                                                                                                                                                                                                                                                                                                                                                                                         | BOOLEAN         |
| <b>Comments:</b>                                                                                                                                                                                                                                                                                                                                                                                                                                                                                                                            |                 |
| <b>Description</b>                                                                                                                                                                                                                                                                                                                                                                                                                                                                                                                          |                 |
| This operation first requests (e.g. from the control console of the test system) the test operator to check whether the Mobile Station under test is in normal service state ("Idle, updated")-- listening to CCCH and BCCH and with U1 UPDATED status. If the operator informs (e.g. from the control console of the test system) the test system that the MS does not give any service indication, the operation returns FALSE. If the operator informs the test system that the MS gives service indication, the operation returns TRUE. |                 |
| <b>Detailed Comments:</b>                                                                                                                                                                                                                                                                                                                                                                                                                                                                                                                   |                 |

| <b>Test Suite Operation Definition</b>                                                                                                |         |
|---------------------------------------------------------------------------------------------------------------------------------------|---------|
| <b>Operation Name:</b>                                                                                                                | OO_Key  |
| <b>Result Type:</b>                                                                                                                   | BOOLEAN |
| <b>Comments:</b>                                                                                                                      |         |
| <b>Description</b>                                                                                                                    |         |
| This operation returns TRUE if a key of the SS' keyboard has been pressed. Otherwise it returns FALSE.                                |         |
| After OO_PressKeyWhenInService was called, the TSO is then continuously called until the test operator hits a key or a timer expires. |         |
| <b>Detailed Comments:</b>                                                                                                             |         |

| <b>Test Suite Operation Definition</b>                                                                                                                                                                                                                                 |             |
|------------------------------------------------------------------------------------------------------------------------------------------------------------------------------------------------------------------------------------------------------------------------|-------------|
| <b>Operation Name:</b>                                                                                                                                                                                                                                                 | OO_MptyCall |
| <b>Result Type:</b>                                                                                                                                                                                                                                                    | BOOLEAN     |
| <b>Comments:</b>                                                                                                                                                                                                                                                       |             |
| <b>Description</b>                                                                                                                                                                                                                                                     |             |
| This operation requests (e.g. from the control console of the test system) the test operator to enter MultiParty MMI command at the Mobile Station under test, then it returns with the value TRUE after the operator finishes the action and informs the test system. |             |
| <b>Detailed Comments:</b>                                                                                                                                                                                                                                              |             |

| <b>Test Suite Operation Definition</b>                                                                                                                                                                              |                                   |
|---------------------------------------------------------------------------------------------------------------------------------------------------------------------------------------------------------------------|-----------------------------------|
| <b>Operation Name:</b>                                                                                                                                                                                              | OO_MSSetupStoreClass1SMInMEMemory |
| <b>Result Type:</b>                                                                                                                                                                                                 | BOOLEAN                           |
| <b>Comments:</b>                                                                                                                                                                                                    |                                   |
| <b>Description</b>                                                                                                                                                                                                  |                                   |
| This operation requests (e.g. from the control console of the test system) the test operator to setup the MS under test to store class 1 SM in the ME memory (by way of MMI, as described in PICS/PIXIT statement). |                                   |
| After the operator finishes the action, he informs the test system and the operation returns with the value TRUE.                                                                                                   |                                   |
| <b>Detailed Comments:</b>                                                                                                                                                                                           |                                   |

| <b>Test Suite Operation Definition</b>                                                                                                                                                                                                                                                                                                                                                                                                                                                                                                                                         |             |
|--------------------------------------------------------------------------------------------------------------------------------------------------------------------------------------------------------------------------------------------------------------------------------------------------------------------------------------------------------------------------------------------------------------------------------------------------------------------------------------------------------------------------------------------------------------------------------|-------------|
| <b>Operation Name:</b>                                                                                                                                                                                                                                                                                                                                                                                                                                                                                                                                                         | OO_PLMNsCHK |
| <b>Result Type:</b>                                                                                                                                                                                                                                                                                                                                                                                                                                                                                                                                                            | BOOLEAN     |
| <b>Comments:</b>                                                                                                                                                                                                                                                                                                                                                                                                                                                                                                                                                               |             |
| <b>Description</b>                                                                                                                                                                                                                                                                                                                                                                                                                                                                                                                                                             |             |
| This operation first requests (e.g. from the control console of the test system) the test operator to check whether the Mobile Station presents a list of available PLMNs. The list shall include the MNC and MCC of cells 1 to 7, but not cell 8 (for GSM900) or cells 1 to 6, but not cell 7 (for DCS1800). If the operator informs (e.g. from the control console of the test system) the test system that the MS correctly presents the list, the operation returns TRUE. If the operator informs the test system that the list is incorrect, the operation returns FALSE. |             |
| <b>Detailed Comments:</b>                                                                                                                                                                                                                                                                                                                                                                                                                                                                                                                                                      |             |

| <b>Test Suite Operation Definition</b>                                                                                                                              |                    |
|---------------------------------------------------------------------------------------------------------------------------------------------------------------------|--------------------|
| <b>Operation Name:</b>                                                                                                                                              | OO_PLMNselModeAuto |
| <b>Result Type:</b>                                                                                                                                                 | BOOLEAN            |
| <b>Comments:</b>                                                                                                                                                    |                    |
| <b>Description</b>                                                                                                                                                  |                    |
| This operation switches the PLMN selection mode of the MS to automatic selection. After correctly switching of the mode the operation returns TRUE otherwise FALSE. |                    |
| <b>Detailed Comments:</b>                                                                                                                                           |                    |

| <b>Test Suite Operation Definition</b>                                                                                                                           |                   |
|------------------------------------------------------------------------------------------------------------------------------------------------------------------|-------------------|
| <b>Operation Name:</b>                                                                                                                                           | OO_PLMNselModeMan |
| <b>Result Type:</b>                                                                                                                                              | BOOLEAN           |
| <b>Comments:</b>                                                                                                                                                 |                   |
| <b>Description</b>                                                                                                                                               |                   |
| This operation switches the PLMN selection mode of the MS to manual selection. After correctly switching of the mode the operation returns TRUE otherwise FALSE. |                   |
| <b>Detailed Comments:</b>                                                                                                                                        |                   |

| <b>Test Suite Operation Definition</b>                                                                                                                                                                       |            |
|--------------------------------------------------------------------------------------------------------------------------------------------------------------------------------------------------------------|------------|
| <b>Operation Name:</b>                                                                                                                                                                                       | OO_PowerUp |
| <b>Result Type:</b>                                                                                                                                                                                          | BOOLEAN    |
| <b>Comments:</b>                                                                                                                                                                                             |            |
| <b>Description</b>                                                                                                                                                                                           |            |
| This operation requests (e.g. from the control console of the test system) the test operator to power up the Mobile Station under test and to inform after the test system, then it returns with value TRUE. |            |
| <b>Detailed Comments:</b>                                                                                                                                                                                    |            |

| <b>Test Suite Operation Definition</b>                                                                                                                                                                         |              |
|----------------------------------------------------------------------------------------------------------------------------------------------------------------------------------------------------------------|--------------|
| <b>Operation Name:</b>                                                                                                                                                                                         | OO_PowerDown |
| <b>Result Type:</b>                                                                                                                                                                                            | BOOLEAN      |
| <b>Comments:</b>                                                                                                                                                                                               |              |
| <b>Description</b>                                                                                                                                                                                             |              |
| This operation requests (e.g. from the control console of the test system) the test operator to power down the Mobile Station under test and to inform after the test system, then it returns with value TRUE. |              |
| <b>Detailed Comments:</b>                                                                                                                                                                                      |              |

| <b>Test Suite Operation Definition</b>                                                                                                                                                                                                                                                                              |                          |
|---------------------------------------------------------------------------------------------------------------------------------------------------------------------------------------------------------------------------------------------------------------------------------------------------------------------|--------------------------|
| <b>Operation Name:</b>                                                                                                                                                                                                                                                                                              | OO_PressKeyWhenInService |
| <b>Result Type:</b>                                                                                                                                                                                                                                                                                                 | BOOLEAN                  |
| <b>Comments:</b>                                                                                                                                                                                                                                                                                                    |                          |
| <b>Description</b>                                                                                                                                                                                                                                                                                                  |                          |
| This operation requests (e.g. from the control console of the test system) the test operator to press any key when the MS shows the service indicator, then returns. The return value is always TRUE.<br>Working with OO_Key together, the TSO displays a prompt to the test operator and then immediately returns. |                          |
| <b>Detailed Comments:</b>                                                                                                                                                                                                                                                                                           |                          |

| <b>Test Suite Operation Definition</b>                                                                                                                                                                                                                                                                                                                                                                                                                                                                                                                                                                                                                                                                                                              |                                                                  |
|-----------------------------------------------------------------------------------------------------------------------------------------------------------------------------------------------------------------------------------------------------------------------------------------------------------------------------------------------------------------------------------------------------------------------------------------------------------------------------------------------------------------------------------------------------------------------------------------------------------------------------------------------------------------------------------------------------------------------------------------------------|------------------------------------------------------------------|
| <b>Operation Name:</b>                                                                                                                                                                                                                                                                                                                                                                                                                                                                                                                                                                                                                                                                                                                              | OO_RecallAndDisplaySM(NumbOfIA5chara: INTEGER; msg: OCTETSTRING) |
| <b>Result Type:</b>                                                                                                                                                                                                                                                                                                                                                                                                                                                                                                                                                                                                                                                                                                                                 | BOOLEAN                                                          |
| <b>Comments:</b>                                                                                                                                                                                                                                                                                                                                                                                                                                                                                                                                                                                                                                                                                                                                    |                                                                  |
| <b>Description</b>                                                                                                                                                                                                                                                                                                                                                                                                                                                                                                                                                                                                                                                                                                                                  |                                                                  |
| This operation requests (e.g. from the control console of the test system) the test operator to recall and display an SM stored in the ME of the MS under test e.g. by means of the MMI. Then the operator checks whether the short message contents represented by 'msg' is correctly displayed. The TSO returns<br>TRUE: if SM can be recalled and displayed correctly in comparison with the 'msg',<br>FALSE: if SM can not be recalled or displayed, or displayed incorrectly in comparison with the 'msg'.<br>The TSO needs to convert the 'msg' into IA5 string according to the packing character rules specified in the section 6.1.2 of ETS 300 628 (GSM 03.38). The 'NumbOfIA5chara' indicates the number of IA5 characters in the 'msg'. |                                                                  |
| <b>Detailed Comments:</b>                                                                                                                                                                                                                                                                                                                                                                                                                                                                                                                                                                                                                                                                                                                           |                                                                  |

| <b>Test Suite Operation Definition</b>                                                                                                                                                                                                                                                                                                |                |
|---------------------------------------------------------------------------------------------------------------------------------------------------------------------------------------------------------------------------------------------------------------------------------------------------------------------------------------|----------------|
| <b>Operation Name:</b>                                                                                                                                                                                                                                                                                                                | OO_RemoveOneSM |
| <b>Result Type:</b>                                                                                                                                                                                                                                                                                                                   | BOOLEAN        |
| <b>Comments:</b>                                                                                                                                                                                                                                                                                                                      |                |
| <b>Description</b>                                                                                                                                                                                                                                                                                                                    |                |
| This operation requests (e.g. from the control console of the test system) the test operator to remove one of the SM from the message store and then to inform the test system. It does not matter which short message has been removed. After that the operation returns with value TRUE. The returned value is not used in the ATS. |                |
| <b>Detailed Comments:</b>                                                                                                                                                                                                                                                                                                             |                |

| <b>Test Suite Operation Definition</b>                                                                                                                                                                                                                 |               |
|--------------------------------------------------------------------------------------------------------------------------------------------------------------------------------------------------------------------------------------------------------|---------------|
| <b>Operation Name:</b>                                                                                                                                                                                                                                 | OO_RemvPwrAmp |
| <b>Result Type:</b>                                                                                                                                                                                                                                    | BOOLEAN       |
| <b>Comments:</b>                                                                                                                                                                                                                                       |               |
| <b>Description</b>                                                                                                                                                                                                                                     |               |
| This operation requests (e.g. from the control console of the test system) the test operator to remove the added power amplification at the Mobile Station under test and to inform after the test system, then the operation returns with value TRUE. |               |
| <b>Detailed Comments:</b>                                                                                                                                                                                                                              |               |

| <b>Test Suite Operation Definition</b>                                                                                                                                                                                                                                                                                                                                                                                                 |                |
|----------------------------------------------------------------------------------------------------------------------------------------------------------------------------------------------------------------------------------------------------------------------------------------------------------------------------------------------------------------------------------------------------------------------------------------|----------------|
| <b>Operation Name:</b>                                                                                                                                                                                                                                                                                                                                                                                                                 | OO_RFoutputCHK |
| <b>Result Type:</b>                                                                                                                                                                                                                                                                                                                                                                                                                    | BOOLEAN        |
| <b>Comments:</b>                                                                                                                                                                                                                                                                                                                                                                                                                       |                |
| <b>Description</b>                                                                                                                                                                                                                                                                                                                                                                                                                     |                |
| This operation first requests (e.g. from the control console of the test system) the test operator to check whether the Mobile Station produces any RF output. If the operator informs (e.g. from the control console of the test system) the test system that the MS does not produce any RF output, the operation returns FALSE. If the operator informs the test system that the MS produces RF output, the operation returns TRUE. |                |
| <b>Detailed Comments:</b>                                                                                                                                                                                                                                                                                                                                                                                                              |                |

| <b>Test Suite Operation Definition</b>                                                                                                                                                                                      |                                  |
|-----------------------------------------------------------------------------------------------------------------------------------------------------------------------------------------------------------------------------|----------------------------------|
| <b>Operation Name:</b>                                                                                                                                                                                                      | OO_SelPLMN(par_plmn:OCTETSTRING) |
| <b>Result Type:</b>                                                                                                                                                                                                         | BOOLEAN                          |
| <b>Comments:</b>                                                                                                                                                                                                            |                                  |
| <b>Description</b>                                                                                                                                                                                                          |                                  |
| This operation requests (e.g. from the control console of the test system) the test operator to select the given PLMN in par_plmn manually, and to inform after the test system then the operation returns with value TRUE. |                                  |
| <b>Detailed Comments:</b>                                                                                                                                                                                                   |                                  |

| <b>Test Suite Operation Definition</b>                                                                                                                                                                                                                                                                                       |                       |
|------------------------------------------------------------------------------------------------------------------------------------------------------------------------------------------------------------------------------------------------------------------------------------------------------------------------------|-----------------------|
| <b>Operation Name:</b>                                                                                                                                                                                                                                                                                                       | OO_SendMOShortMessage |
| <b>Result Type:</b>                                                                                                                                                                                                                                                                                                          | BOOLEAN               |
| <b>Comments:</b>                                                                                                                                                                                                                                                                                                             |                       |
| <b>Description</b>                                                                                                                                                                                                                                                                                                           |                       |
| This operation requests (e.g. from the control console of the test system) the test operator to send a short message from the mobile station under test.<br>The operation waits for the operator to acknowledge the request which may be done before or after sending the MO Short Message, and then returns the value TRUE. |                       |
| <b>Detailed Comments:</b>                                                                                                                                                                                                                                                                                                    |                       |

| <b>Test Suite Operation Definition</b>                                                                                                                                                                                                                                                                    |                      |
|-----------------------------------------------------------------------------------------------------------------------------------------------------------------------------------------------------------------------------------------------------------------------------------------------------------|----------------------|
| <b>Operation Name:</b>                                                                                                                                                                                                                                                                                    | OO_SendSMSCOMMANDDel |
| <b>Result Type:</b>                                                                                                                                                                                                                                                                                       | BOOLEAN              |
| <b>Comments:</b>                                                                                                                                                                                                                                                                                          |                      |
| <b>Description</b>                                                                                                                                                                                                                                                                                        |                      |
| This operation requests (e.g. from the control console of the test system) the test operator to send a SMS COMMAND message from the mobile station under test containing requiring to delete the previously submitted SM and then to inform the test system. Then, the operation returns with value TRUE. |                      |
| <b>Detailed Comments:</b>                                                                                                                                                                                                                                                                                 |                      |

| <b>Test Suite Operation Definition</b>                                                                                                                                                                                                                                                                 |                      |
|--------------------------------------------------------------------------------------------------------------------------------------------------------------------------------------------------------------------------------------------------------------------------------------------------------|----------------------|
| <b>Operation Name:</b>                                                                                                                                                                                                                                                                                 | OO_SendSMSCOMMANDEnq |
| <b>Result Type:</b>                                                                                                                                                                                                                                                                                    | BOOLEAN              |
| <b>Comments:</b>                                                                                                                                                                                                                                                                                       |                      |
| <b>Description</b>                                                                                                                                                                                                                                                                                     |                      |
| This operation requests (e.g. from the control console of the test system) the test operator to send a SMS COMMAND message from the mobile station under test containing an enquiry about the previously submitted SM and then to inform the test system. Then, the operation returns with value TRUE. |                      |
| <b>Detailed Comments:</b>                                                                                                                                                                                                                                                                              |                      |

| <b>Test Suite Operation Definition</b>                                                                                                                                                                                                                                                              |                  |
|-----------------------------------------------------------------------------------------------------------------------------------------------------------------------------------------------------------------------------------------------------------------------------------------------------|------------------|
| <b>Operation Name:</b>                                                                                                                                                                                                                                                                              | OO_SetRefuseCall |
| <b>Result Type:</b>                                                                                                                                                                                                                                                                                 | BOOLEAN          |
| <b>Comments:</b>                                                                                                                                                                                                                                                                                    |                  |
| <b>Description</b>                                                                                                                                                                                                                                                                                  |                  |
| This operation first requests (e.g. from the control console of the test system) the test operator to enable call refusal on the MS. After the operator completes the action and informs (e.g. from the control console of the test system) the test system, the operation returns with value TRUE. |                  |
| <b>Detailed Comments:</b>                                                                                                                                                                                                                                                                           |                  |

| Test Suite Operation Definition                                                                                                                                                                                                                                                                                                                                            |                               |
|----------------------------------------------------------------------------------------------------------------------------------------------------------------------------------------------------------------------------------------------------------------------------------------------------------------------------------------------------------------------------|-------------------------------|
| <b>Operation Name:</b>                                                                                                                                                                                                                                                                                                                                                     | OO_ShortKeyDepr(ch:IA5String) |
| <b>Result Type:</b>                                                                                                                                                                                                                                                                                                                                                        | BOOLEAN                       |
| <b>Comments:</b>                                                                                                                                                                                                                                                                                                                                                           |                               |
| Description                                                                                                                                                                                                                                                                                                                                                                |                               |
| This operation requests (e.g. from the control console of the test system) the test operator to cause a DTMF tone to be generated, e.g. by short depression of the key `ch` on the Mobile Station under test. The operation waits for the operator to acknowledge the request which may be done before or after generating the DTMF tone, and then returns the value TRUE. |                               |
| <b>Detailed Comments:</b>                                                                                                                                                                                                                                                                                                                                                  |                               |

| Test Suite Operation Definition                                                                                                                                                                                                                                                                                        |           |
|------------------------------------------------------------------------------------------------------------------------------------------------------------------------------------------------------------------------------------------------------------------------------------------------------------------------|-----------|
| <b>Operation Name:</b>                                                                                                                                                                                                                                                                                                 | OO_SIMIns |
| <b>Result Type:</b>                                                                                                                                                                                                                                                                                                    | BOOLEAN   |
| <b>Comments:</b>                                                                                                                                                                                                                                                                                                       |           |
| Description                                                                                                                                                                                                                                                                                                            |           |
| This operation requests (e.g. from the control console of the test system) the test operator to insert the SIM card into the Mobile Station under test. After the operator completes the action and informs (e.g. from the control console of the test system) the test system, the operation returns with value TRUE. |           |
| <b>Detailed Comments:</b>                                                                                                                                                                                                                                                                                              |           |

| Test Suite Operation Definition                                                                                                                                                                                                                                                                                          |            |
|--------------------------------------------------------------------------------------------------------------------------------------------------------------------------------------------------------------------------------------------------------------------------------------------------------------------------|------------|
| <b>Operation Name:</b>                                                                                                                                                                                                                                                                                                   | OO_SIM2Ins |
| <b>Result Type:</b>                                                                                                                                                                                                                                                                                                      | BOOLEAN    |
| <b>Comments:</b>                                                                                                                                                                                                                                                                                                         |            |
| Description                                                                                                                                                                                                                                                                                                              |            |
| This operation requests (e.g. from the control console of the test system) the test operator to insert the SIM card 2 into the Mobile Station under test. After the operator completes the action and informs (e.g. from the control console of the test system) the test system, the operation returns with value TRUE. |            |
| The SIM Card 2 shall contain the following parameter values, which are different from default values(SIM Card 1):                                                                                                                                                                                                        |            |
| IMSI= '001011234'                                                                                                                                                                                                                                                                                                        |            |
| HPLMN_search_period=6min.                                                                                                                                                                                                                                                                                                |            |
| <b>Detailed Comments:</b>                                                                                                                                                                                                                                                                                                |            |

| Test Suite Operation Definition                                                                                                                                                                                                                                                        |            |
|----------------------------------------------------------------------------------------------------------------------------------------------------------------------------------------------------------------------------------------------------------------------------------------|------------|
| <b>Operation Name:</b>                                                                                                                                                                                                                                                                 | OO_SIM3Ins |
| <b>Result Type:</b>                                                                                                                                                                                                                                                                    | BOOLEAN    |
| <b>Comments:</b>                                                                                                                                                                                                                                                                       |            |
| Description                                                                                                                                                                                                                                                                            |            |
| This operation requests (e.g. from the control console of the test system) the test operator to insert the SIM card 3 into the Mobile Station under test and turn the MS power on, after the test operator finishes the action and informs the test system it returns with value TRUE. |            |
| The SIM Card 3 shall contain fixed dialling number allocated and activated.                                                                                                                                                                                                            |            |
| <b>Detailed Comments:</b>                                                                                                                                                                                                                                                              |            |

| Test Suite Operation Definition                                                                                                                                                                                                                                                                                        |           |
|------------------------------------------------------------------------------------------------------------------------------------------------------------------------------------------------------------------------------------------------------------------------------------------------------------------------|-----------|
| <b>Operation Name:</b>                                                                                                                                                                                                                                                                                                 | OO_SIMRmv |
| <b>Result Type:</b>                                                                                                                                                                                                                                                                                                    | BOOLEAN   |
| <b>Comments:</b>                                                                                                                                                                                                                                                                                                       |           |
| Description                                                                                                                                                                                                                                                                                                            |           |
| This operation requests (e.g. from the control console of the test system) the test operator to remove the SIM card from the Mobile Station under test. After the operator completes the action and informs (e.g. from the control console of the test system) the test system, the operation returns with value TRUE. |           |
| <b>Detailed Comments:</b>                                                                                                                                                                                                                                                                                              |           |

| <b>Test Suite Operation Definition</b>                                                                                                                                                                                                                                                 |                     |
|----------------------------------------------------------------------------------------------------------------------------------------------------------------------------------------------------------------------------------------------------------------------------------------|---------------------|
| <b>Operation Name:</b>                                                                                                                                                                                                                                                                 | OO_SIMSimulAttIndOK |
| <b>Result Type:</b>                                                                                                                                                                                                                                                                    | BOOLEAN             |
| <b>Comments:</b>                                                                                                                                                                                                                                                                       |                     |
| <b>Description</b>                                                                                                                                                                                                                                                                     |                     |
| This operation requests (e.g. from the control console of the test system) the test operator to check whether the SIM simulator indicates an attempt made by the ME to store the short message in the SIM. The SIM simulator returns the status response "OK" ("90 00"). Then returns. |                     |
| Attempt indicated: TRUE                                                                                                                                                                                                                                                                |                     |
| Attempt NOT indicated: FALSE                                                                                                                                                                                                                                                           |                     |
| <b>Detailed Comments:</b>                                                                                                                                                                                                                                                              |                     |

| <b>Test Suite Operation Definition</b>                                                                                                                                                                                                                                                             |                             |
|----------------------------------------------------------------------------------------------------------------------------------------------------------------------------------------------------------------------------------------------------------------------------------------------------|-----------------------------|
| <b>Operation Name:</b>                                                                                                                                                                                                                                                                             | OO_SIMSimulAttIndMemProblem |
| <b>Result Type:</b>                                                                                                                                                                                                                                                                                | BOOLEAN                     |
| <b>Comments:</b>                                                                                                                                                                                                                                                                                   |                             |
| <b>Description</b>                                                                                                                                                                                                                                                                                 |                             |
| This operation requests (e.g. from the control console of the test system) the test operator to check whether the SIM simulator indicates an attempt made by the ME to store the short message in the SIM. The SIM simulator returns the status response "Memory Problem" ("92 40"). Then returns. |                             |
| Attempt indicated: TRUE                                                                                                                                                                                                                                                                            |                             |
| Attempt NOT indicated: FALSE                                                                                                                                                                                                                                                                       |                             |
| <b>Detailed Comments:</b>                                                                                                                                                                                                                                                                          |                             |

| <b>Test Suite Operation Definition</b>                                                                                                                                                                                                                                                                                                                                                                                                      |                             |
|---------------------------------------------------------------------------------------------------------------------------------------------------------------------------------------------------------------------------------------------------------------------------------------------------------------------------------------------------------------------------------------------------------------------------------------------|-----------------------------|
| <b>Operation Name:</b>                                                                                                                                                                                                                                                                                                                                                                                                                      | OO_SSresultCHK(svc:INTEGER) |
| <b>Result Type:</b>                                                                                                                                                                                                                                                                                                                                                                                                                         | BOOLEAN                     |
| <b>Comments:</b>                                                                                                                                                                                                                                                                                                                                                                                                                            |                             |
| <b>Description</b>                                                                                                                                                                                                                                                                                                                                                                                                                          |                             |
| This operation first requests (e.g. from the control console of the test system) the test operator to check the user indication of the result of the supplementary service `svc`. If the operator informs (e.g. from the control console of the test system) the test system that the indication is correct, the operation returns TRUE. If the operator informs the test system that the indication is wrong, the operation returns FALSE. |                             |
| <b>Detailed Comments:</b>                                                                                                                                                                                                                                                                                                                                                                                                                   |                             |

| <b>Test Suite Operation Definition</b>                                                                                                                                                                                                                                                                                                                          |             |
|-----------------------------------------------------------------------------------------------------------------------------------------------------------------------------------------------------------------------------------------------------------------------------------------------------------------------------------------------------------------|-------------|
| <b>Operation Name:</b>                                                                                                                                                                                                                                                                                                                                          | OO_SwitchOn |
| <b>Result Type:</b>                                                                                                                                                                                                                                                                                                                                             | BOOLEAN     |
| <b>Comments:</b>                                                                                                                                                                                                                                                                                                                                                |             |
| <b>Description</b>                                                                                                                                                                                                                                                                                                                                              |             |
| This operation requests (e.g. from the control console of the test system) the test operator to switch on (or if there is no switch then to restore the power to) the Mobile Station under test. After the operator completes the action and informs (e.g. from the control console of the test system) the test system, the operation returns with value TRUE. |             |
| <b>Detailed Comments:</b>                                                                                                                                                                                                                                                                                                                                       |             |

| <b>Test Suite Operation Definition</b>                                                                                                                                                                                                                                                                                                                            |              |
|-------------------------------------------------------------------------------------------------------------------------------------------------------------------------------------------------------------------------------------------------------------------------------------------------------------------------------------------------------------------|--------------|
| <b>Operation Name:</b>                                                                                                                                                                                                                                                                                                                                            | OO_SwitchOff |
| <b>Result Type:</b>                                                                                                                                                                                                                                                                                                                                               | BOOLEAN      |
| <b>Comments:</b>                                                                                                                                                                                                                                                                                                                                                  |              |
| <b>Description</b>                                                                                                                                                                                                                                                                                                                                                |              |
| This operation requests (e.g. from the control console of the test system) the test operator to switch off (or if there is no switch then to remove the power from) the Mobile Station under test. After the operator completes the action and informs (e.g. from the control console of the test system) the test system, the operation returns with value TRUE. |              |
| <b>Detailed Comments:</b>                                                                                                                                                                                                                                                                                                                                         |              |

| <b>Test Suite Operation Definition</b>                                                                                                                                                                                                                                                                                                                                                                                                                                                              |                   |
|-----------------------------------------------------------------------------------------------------------------------------------------------------------------------------------------------------------------------------------------------------------------------------------------------------------------------------------------------------------------------------------------------------------------------------------------------------------------------------------------------------|-------------------|
| <b>Operation Name:</b>                                                                                                                                                                                                                                                                                                                                                                                                                                                                              | OO_TCHThroConnCHK |
| <b>Result Type:</b>                                                                                                                                                                                                                                                                                                                                                                                                                                                                                 | BOOLEAN           |
| <b>Comments:</b>                                                                                                                                                                                                                                                                                                                                                                                                                                                                                    |                   |
| <b>Description</b>                                                                                                                                                                                                                                                                                                                                                                                                                                                                                  |                   |
| This operation first requests (e.g. from the control console of the test system) the test operator to check whether the TCH is through connected. The SS has to generate a noise pattern so that the operator can check this. If the operator informs (e.g. from the control console of the test system) the test system that the TCH is through connected, the operation returns TRUE. If the operator informs the test system that the TCH is not through connected, the operation returns FALSE. |                   |
| <b>Detailed Comments:</b>                                                                                                                                                                                                                                                                                                                                                                                                                                                                           |                   |

| <b>Test Suite Operation Definition</b>                                                                                                                                                                                                                                     |             |
|----------------------------------------------------------------------------------------------------------------------------------------------------------------------------------------------------------------------------------------------------------------------------|-------------|
| <b>Operation Name:</b>                                                                                                                                                                                                                                                     | OO_TermCall |
| <b>Result Type:</b>                                                                                                                                                                                                                                                        | BOOLEAN     |
| <b>Comments:</b>                                                                                                                                                                                                                                                           |             |
| <b>Description</b>                                                                                                                                                                                                                                                         |             |
| This operation first requests (e.g. from the control console of the test system) the test operator to terminate the ongoing call. After the operator completes the action and informs (e.g. from the control console of the test system) the test system, it returns TRUE. |             |
| <b>Detailed Comments:</b>                                                                                                                                                                                                                                                  |             |

| <b>Test Suite Operation Definition</b>                                                                                                                                                                                                  |                  |
|-----------------------------------------------------------------------------------------------------------------------------------------------------------------------------------------------------------------------------------------|------------------|
| <b>Operation Name:</b>                                                                                                                                                                                                                  | OO_TguardTimeOut |
| <b>Result Type:</b>                                                                                                                                                                                                                     | BOOLEAN          |
| <b>Comments:</b>                                                                                                                                                                                                                        |                  |
| <b>Description</b>                                                                                                                                                                                                                      |                  |
| This operation informs (e.g. from the control console of the test system) the test operator that the T_guard timer has expired during the test case leading to an inconclusive or fail verdict and returns immediately with value TRUE. |                  |
| <b>Detailed Comments:</b>                                                                                                                                                                                                               |                  |

| <b>Test Suite Operation Definition</b>                                                                                                                                                                                                                                                                                                                                                                                          |                |
|---------------------------------------------------------------------------------------------------------------------------------------------------------------------------------------------------------------------------------------------------------------------------------------------------------------------------------------------------------------------------------------------------------------------------------|----------------|
| <b>Operation Name:</b>                                                                                                                                                                                                                                                                                                                                                                                                          | OO_ToneStopCHK |
| <b>Result Type:</b>                                                                                                                                                                                                                                                                                                                                                                                                             | BOOLEAN        |
| <b>Comments:</b>                                                                                                                                                                                                                                                                                                                                                                                                                |                |
| <b>Description</b>                                                                                                                                                                                                                                                                                                                                                                                                              |                |
| This operation first requests (e.g. from the control console of the test system) the test operator to check whether the MS stops the tone generation. If the operator informs (e.g. from the control console of the test system) the test system that the MS does not stop tone generation, the operation returns FALSE. If the operator informs the test system that the MS stops tone generation, the operation returns TRUE. |                |
| Definition of "tone generation":                                                                                                                                                                                                                                                                                                                                                                                                |                |
| -During MO call: MS generates alerting tone/presents inband information sent by the network.                                                                                                                                                                                                                                                                                                                                    |                |
| -During MT call: MS generates ringing tone.                                                                                                                                                                                                                                                                                                                                                                                     |                |
| <b>Detailed Comments:</b>                                                                                                                                                                                                                                                                                                                                                                                                       |                |

## Test suite parameter declarations

| Test Suite Parameter Declarations |         |                         |                                                                |
|-----------------------------------|---------|-------------------------|----------------------------------------------------------------|
| Parameter Name                    | Type    | PICS/PIXIT Ref          | Comments                                                       |
| TSPC_24DataF                      | BOOLEAN | PICS Table A.25 Item 12 | 2.4 k full rate data mode supported                            |
| TSPC_24DataH                      | BOOLEAN | PICS Table A.25 Item 13 | 2.4 k half rate data mode supported                            |
| TSPC_48DataF                      | BOOLEAN | PICS Table A.25 Item 14 | 4.8 k full rate data mode supported                            |
| TSPC_48DataH                      | BOOLEAN | PICS Table A.25 Item 15 | 4.8 k half rate data mode supported                            |
| TSPC_96Data                       | BOOLEAN | PICS Table A.25 Item 16 | 9.6 k full rate data mode supported                            |
| TSPC_Feat_A51                     | BOOLEAN | PICS Table A.2 Item 17  | ciphering algorithm A5/1 supported                             |
| TSPC_Feat_A52                     | BOOLEAN | PICS Table A.2 Item 18  | ciphering algorithm A5/2 supported                             |
| TSPC_AddCharSet                   | BOOLEAN | PICS Table A.25 Item 47 | A, B, C, D chars supported                                     |
| TSPC_AddInfo_PseudoSynch          | BOOLEAN | PICS                    | Pseudo synchronised supported                                  |
| TSPC_AlertInd                     | BOOLEAN | PICS Table A.25 Item 49 | alerting indication to the user supported                      |
| TSPC_SvcOnTCH                     | BOOLEAN | PICS Table A.25 Item 22 | at least one service on traffic channel supported              |
| TSPC_SMS                          | BOOLEAN | PICS Table A.25 Item 31 | at least one short message service supported                   |
| TSPC_SS                           | BOOLEAN | PICS Table A.25 Item 29 | at least one supplementary service supported                   |
| TSPC_AutoAutoMode                 | BOOLEAN | PICS Table A.25 Item 48 | automatically enter automatic selection of PLMN mode supported |
| TSPC_BasCharSet                   | BOOLEAN | PICS Table A.25 Item 46 | Chars 0-9, *, # supported                                      |
| TSPC_CalledNumDisp                | BOOLEAN | PICS Table A.2 Item 1   | called number display supported                                |
| TSPC_DCS                          | BOOLEAN | PICS Table A.1 Item 3   | testing DCS1800                                                |
| TSPC_DetachOnPwrDn                | BOOLEAN | PICS Table A.25 Item 38 | detach on power down supported                                 |
| TSPC_DetachOnSIMRmv               | BOOLEAN | PICS Table A.25 Item 39 | detach on SIM remove supported                                 |
| TSPC_DisprcvSMS                   | BOOLEAN | PICS Table A.25 Item 34 | display of received SMS supported                              |
| TSPC_DualRate                     | BOOLEAN | PICS Table A.25 Item 23 | dual rate channel types supported                              |
| TSPC_EGSM                         | BOOLEAN | PICS Table A.1 Item 2   | both standard and extended GSM band supported                  |
| TSPC_EmgOnly                      | BOOLEAN | PICS Table A.25 Item 27 | the only circuit switched basic service is emergency call      |
| TSPC_followOnReq                  | BOOLEAN | PICS Table A.25 Item 53 | follow-on request procedure supported                          |
| TSPC_HalfRateData                 | BOOLEAN | PICS Table A.25 Item 6  | half rate data supported                                       |
| TSPC_HalfRateSpeech               | BOOLEAN | PICS Table A.25 Item 3  | half rate speech mode supported                                |
| TSPC_InCallMod                    | BOOLEAN | PICS Table A.25 Item 52 | In-Call modification supported                                 |
| TSPC_NoimmConn                    | BOOLEAN | PICS Table A.25 Item 51 | at least one service not support immediate connection          |
| TSPC_Feat_FND                     | BOOLEAN | PICS Table A.2 Item 21  | FND feature supported                                          |
| TSPC_NonCallSS                    | BOOLEAN | PICS Table A.25 Item 30 | non call related supplementary service supported               |
| TSPC_MTsvc                        | BOOLEAN | PICS Table A.25 Item 19 | at least one MT circuit switched basic service supported       |
| TSPC_MOsvc                        | BOOLEAN | PICS Table A.25 Item 20 | at least one MO circuit switched basic service supported       |
| TSPC_PGSM                         | BOOLEAN | PICS Table A.1 Item 1   | only standard GSM band supported                               |
| TSPC_RefusalCall                  | BOOLEAN | PICS Table A.25 Item 54 | refusal of call supported                                      |
| TSPC_ReplaceSMS                   | BOOLEAN | PICS Table A.25 Item 33 | replace SMS supported                                          |
| TSPC_ReplyProc                    | BOOLEAN | PICS Table A.25 Item 32 | (SMS) reply procedures supported                               |
| TSPC_RFAmp                        | BOOLEAN | PICS Table A.25 Item 55 | RF amplification supported                                     |
| TSPC_SDCCHOnly                    | BOOLEAN | PICS Table A.25 Item 21 | only SDCCH supported                                           |
| TSPC_Serv_SS_AoCC                 | BOOLEAN | PICS Table A.5 Item 14  | AOCC SS supported                                              |
| TSPC_Serv_SS_BAIC                 | BOOLEAN | PICS Table A.5 Item 18  | BAIC SS supported                                              |
| TSPC_Serv_SS_BI                   | BOOLEAN | PICS                    | BI SS supported                                                |



|                       |         |                         |                                                   |
|-----------------------|---------|-------------------------|---------------------------------------------------|
| TSPC_Serv_SS_BICRoam  | BOOLEAN | PICS Table A.5 Item 19  | BICRoam SS supported                              |
| TSPC_Serv_SS_BAOC     | BOOLEAN | PICS Table A.5 Item 15  | BAOC SS supported                                 |
| TSPC_Serv_SS_BOIC     | BOOLEAN | PICS Table A.5 Item 16  | BOIC SS supported                                 |
| TSPC_Serv_SS_BOICexHC | BOOLEAN | PICS Table A.5 Item 17  | BOICexHC SS supported                             |
| TSPC_Serv_SS_CFB      | BOOLEAN | PICS Table A.5 Item 6   | CFB supported                                     |
| TSPC_Serv_SS_CFNry    | BOOLEAN | PICS Table A.5 Item 7   | CFNry supported                                   |
| TSPC_Serv_SS_CFNrc    | BOOLEAN | PICS Table A.5 Item 8   | CFNrc supported                                   |
| TSPC_Serv_SS_CFU      | BOOLEAN | PICS Table A.5 Item 5   | CFU supported                                     |
| TSPC_Serv_SS_HOLD     | BOOLEAN | PICS Table A.5 Item 10  | Call Hold SS supported                            |
| TSPC_Serv_SS_MPTY     | BOOLEAN | PICS Table A.5 Item 11  | multiparty SS supported                           |
| TSPC_Serv_SS_unstruct | BOOLEAN | PICS                    | USSD supported                                    |
| TSPC_Serv_TS11        | BOOLEAN | PICS Table A.3 Item 1   | telephony supported                               |
| TSPC_Serv_TS12        | BOOLEAN | PICS Table A.3 Item 2   | emergency call supported                          |
| TSPC_Serv_TS21        | BOOLEAN | PICS Table A.3 Item 3   | SMS MT/PP supported                               |
| TSPC_Serv_TS22        | BOOLEAN | PICS Table A.3 Item 4   | SMS MO/PP supported                               |
| TSPC_Serv_TS23        | BOOLEAN | PICS Table A.3 Item 5   | SMS cell broadcast supported                      |
| TSPC_Serv_TS61        | BOOLEAN | PICS                    | alternate speech and G3 fax (TS61) supported      |
| TSPC_Serv_TS62        | BOOLEAN | PICS                    | automatic G3 fax (TS62) supported                 |
| TSPC_Serv_BS21        | BOOLEAN | PICS Table A.4 Item 1   | data circuit duplex async 300 bit/s supported     |
| TSPC_Serv_BS22        | BOOLEAN | PICS Table A.4 Item 2   | data circuit duplex async 1200 bit/s supported    |
| TSPC_Serv_BS23        | BOOLEAN | PICS Table A.4 Item 3   | data circuit duplex async 1200/75 bit/s supported |
| TSPC_Serv_BS24        | BOOLEAN | PICS Table A.4 Item 4   | data circuit duplex async 2400 bit/s supported    |
| TSPC_Serv_BS25        | BOOLEAN | PICS Table A.4 Item 5   | data circuit duplex async 4800 bit/s supported    |
| TSPC_Serv_BS26        | BOOLEAN | PICS Table A.4 Item 6   | data circuit duplex async 9600 bit/s supported    |
| TSPC_Serv_BS31        | BOOLEAN | PICS Table A.4 Item 7   | data circuit duplex sync 1200 bit/s supported     |
| TSPC_Serv_BS32        | BOOLEAN | PICS Table A.4 Item 8   | data circuit duplex sync 2400 bit/s supported     |
| TSPC_Serv_BS33        | BOOLEAN | PICS Table A.4 Item 9   | data circuit duplex sync 4800 bit/s supported     |
| TSPC_Serv_BS34        | BOOLEAN | PICS Table A.4 Item 10  | data circuit duplex sync 9600 bit/s supported     |
| TSPC_Serv_BS41        | BOOLEAN | PICS Table A.4 Item 11  | PAD access 300 bit/s supported                    |
| TSPC_Serv_BS42        | BOOLEAN | PICS Table A.4 Item 12  | PAD access 1200 bit/s supported                   |
| TSPC_Serv_BS43        | BOOLEAN | PICS Table A.4 Item 13  | PAD access 1200/75 bit/s supported                |
| TSPC_Serv_BS44        | BOOLEAN | PICS Table A.4 Item 14  | PAD access 2400 bit/s supported                   |
| TSPC_Serv_BS45        | BOOLEAN | PICS Table A.4 Item 15  | PAD access 4800 bit/s supported                   |
| TSPC_Serv_BS46        | BOOLEAN | PICS Table A.4 Item 16  | PAD access 9600 bit/s supported                   |
| TSPC_Serv_BS51        | BOOLEAN | PICS Table A.4 Item 17  | packet access 2400 bit/s supported                |
| TSPC_Serv_BS52        | BOOLEAN | PICS Table A.4 Item 18  | packet access 4800 bit/s supported                |
| TSPC_Serv_BS53        | BOOLEAN | PICS Table A.4 Item 19  | packet access 9600 bit/s supported                |
| TSPC_Serv_BS61        | BOOLEAN | PICS                    | alternate speech/data (BS61) supported            |
| TSPC_Serv_BS81        | BOOLEAN | PICS                    | speech followed data (BS81) supported             |
| TSPC_SMSStatusRepCap  | BOOLEAN | PICS Table A.25 Item 35 | SMS status report capabilities supported          |
| TSPC_StoreRcvSMSME    | BOOLEAN | PICS Table A.25 Item 37 | Storage of received SMS in ME supported           |
| TSPC_StoreRcvSMSSIM   | BOOLEAN | PICS Table A.25 Item 36 | Storage of received SMS in SIM supported          |
| TSPC_SIMRmv           | BOOLEAN | PICS Table A.25 Item 40 | SIM removable without power down supported        |
| TSPC_SwitchOnOff      | BOOLEAN | PICS Table A.2 Item 15  | switch on/off supported                           |
| TSPC_TranspDataOnly   | BOOLEAN | PICS Table A.25 Item 9  | only transparent data service supported           |
| TSPC_CC               | BOOLEAN | PICS Table A.25 Item 26 | CC protocol for at least one BC                   |

|                      |         |                         |                                                                                                                                                                                  |
|----------------------|---------|-------------------------|----------------------------------------------------------------------------------------------------------------------------------------------------------------------------------|
| TSPC_TeleSvc         | BOOLEAN | PICS Table A.25 Item 25 | supported                                                                                                                                                                        |
| TSPC_EFR             | BOOLEAN |                         | at least one teleservice supported                                                                                                                                               |
| TSPC_EFR_Speech_v2   | BOOLEAN |                         | Set to TRUE for GSM-900 Phase 2+ (EFR) MS which supports any EFR features, and FALSE otherwise.                                                                                  |
| TSPC_EFR_Speech_v3   | BOOLEAN |                         | Set to TRUE for GSM-900 Phase 2+ (EFR) MS which supports Speech Version 2 and FALSE otherwise.                                                                                   |
| TSPC_EFR_EmgCallBcap | BOOLEAN |                         | Set to TRUE if received ESETUP msg contains bearer capability IE, otherwise FALSE.                                                                                               |
| TSPC_FullRateSpeech  | BOOLEAN | PICS Table A.25 Item 2  | full rate speech mode supported                                                                                                                                                  |
| TSPC_FullRateOnly    | BOOLEAN | PICS Table A.25 Item 24 | only full rate channel type supported                                                                                                                                            |
| TSPX_AltNb           | BOOLEAN | PIXIT                   | use alternative neighbour cells description. default : FALSE                                                                                                                     |
| TSPX_TE_stopbit      | B_1     | PIXIT                   | TE conf. number stop bits. default value : '0'B, 1 bit                                                                                                                           |
| TSPX_TE_databit      | B_1     | PIXIT                   | TE conf. number data bits. default value : '1'B, 8 bits                                                                                                                          |
| TSPX_TE_FLCT         | FLWCNTL | PIXIT                   | TE flow control. default : 0, outband flow control                                                                                                                               |
| TSPX_TE_parity       | B_3     | PIXIT                   | TE conf. parity. default : '001'B, no parity                                                                                                                                     |
| TSPX_BS_21_itc1      | B_3     | PIXIT                   | itc value supported for BS21. default value : '001'B, UDI                                                                                                                        |
| TSPX_BS_21_more_itc  | BOOLEAN | PIXIT                   | more than one itc value supported by BS21. default value : FALSE, only one itc                                                                                                   |
| TSPX_BS_21_T_NT      | BOOLEAN | PIXIT                   | both T and NT supported by BS21. default value : FALSE, not support both transparent and non transparent modes                                                                   |
| TSPX_BS_21_ce        | B_2     | PIXIT                   | ce value used in MO call and if the answer to TSPX_BS_21_T_NT is FALSE, the manufacturer must precise which mode is supported by the MS. default value : '00'B, transparent mode |
| TSPX_BS_21_sacp      | B_3     | PIXIT                   | sacp value used in MO call. default value : '001'B, I440/450                                                                                                                     |
| TSPX_BS_21_itc2      | B_3     | PIXIT                   | other itc value supported by BS21, it shall be differenet from the previous one if the answer to TSPX_BS_21_more_itc is TRUE. default value : '001'B, UDI                        |
| TSPX_BS_22_itc1      | B_3     | PIXIT                   | itc value supported by BS22. default value : '010'B, 3.1kHz audio, exPLMN                                                                                                        |
| TSPX_BS_22_more_itc  | BOOLEAN | PIXIT                   | more than one itc value supported by BS22. default value : FALSE, only one itc                                                                                                   |
| TSPX_BS_22_T_NT      | BOOLEAN | PIXIT                   | both T and NT supported by BS22. default value : FALSE, not support both transparent and non transparent modes                                                                   |
| TSPX_BS_22_ce        | B_2     | PIXIT                   | ce value used in MO call and if the answer to TSPX_BS_22_T_NT is FALSE, the manufacturer must precise which mode is supported by the MS. default value : '01'B, non transparent  |
| TSPX_BS_22_sacp      | B_3     | PIXIT                   | sacp value used in MO call. default value : '001'B, I440/450                                                                                                                     |
| TSPX_BS_22_itc2      | B_3     | PIXIT                   | other itc value supported by                                                                                                                                                     |

|                     |         |       |                                                                                                                                                                             |
|---------------------|---------|-------|-----------------------------------------------------------------------------------------------------------------------------------------------------------------------------|
| TSPX_BS_23_itc      | B_3     | PIXIT | BS22, it shall be differenet from the previous one if the answer to TSPX_BS_22_more_itc is TRUE. default value : '010'B, 3.1kHz audio, exPLMN                               |
| TSPX_BS_23_T_NT     | BOOLEAN | PIXIT | itc value supported by BS23. default value : '010'B, 3.1kHz audio, exPLMN                                                                                                   |
| TSPX_BS_23_ce       | B_2     | PIXIT | both T and NT supported for BS23. default value : FALSE, not support both transparent and non transparent modes                                                             |
| TSPX_BS_23_sacp     | B_3     | PIXIT | ce value used in MO call. default value : '00'B, transparent                                                                                                                |
| TSPX_BS_24_itc1     | B_3     | PIXIT | sacp value used in MO call. default value : '001'B, I440/450                                                                                                                |
| TSPX_BS_24_more_itc | BOOLEAN | PIXIT | itc value supported by BS24. default value : '010'B, 3.1kHz audio, exPLMN                                                                                                   |
| TSPX_BS_24_T_NT     | BOOLEAN | PIXIT | more than one itc value supported by BS24. default value : FALSE, only one itc                                                                                              |
| TSPX_BS_24_ce       | B_2     | PIXIT | both T and NT supported by BS24. default value : FALSE, not support both transparent and non transparent modes                                                              |
| TSPX_BS_24_sacp     | B_3     | PIXIT | ce value used in MO call and if the answer to TSPX_BS_24_T_NT is FALSE, the manufacturer must precise which mode is supported by the MS. default value : '00'B, transparent |
| TSPX_BS_24_itc2     | B_3     | PIXIT | sacp value used in MO call. default value : '001'B, I440/450                                                                                                                |
| TSPX_BS_25_itc1     | B_3     | PIXIT | other itc value supported by BS24, it shall be differenet from the previous one if the answer to TSPX_BS_24_more_itc is TRUE. default value : '010'B, 3.1kHz audio, exPLMN  |
| TSPX_BS_25_more_itc | BOOLEAN | PIXIT | itc value supported by BS25. default value : '001'B, UDI                                                                                                                    |
| TSPX_BS_25_T_NT     | BOOLEAN | PIXIT | more than one itc value supported by BS25. default value : FALSE, only one itc                                                                                              |
| TSPX_BS_25_ce       | B_2     | PIXIT | both T and NT supported by BS25. default value : FALSE, not support both transparent and non transparent modes                                                              |
| TSPX_BS_25_sacp     | B_3     | PIXIT | ce value used in MO call and if the answer to TSPX_BS_25_T_NT is FALSE, the manufacturer must precise which mode is supported by the MS. default value : '00'B, transparent |
| TSPX_BS_25_itc2     | B_3     | PIXIT | sacp value used in MO call. default value : '001'B, I440/450                                                                                                                |
| TSPX_BS_26_itc1     | B_3     | PIXIT | other itc value supported by BS25, it shall be differenet from the previous one if the answer to TSPX_BS_25_more_itc is TRUE. default value : '001'B, UDI                   |
| TSPX_BS_26_more_itc | BOOLEAN | PIXIT | itc value supported by BS26. default value : '010'B, 3.1kHz audio, exPLMN                                                                                                   |
| TSPX_BS_26_T_NT     | BOOLEAN | PIXIT | more than one itc value supported by BS26. default value : FALSE, only one itc                                                                                              |
|                     |         |       | both T and NT supported by BS26. default value : FALSE, not support both transparent and non transparent modes                                                              |

|                      |         |       |                                                                                                                                                                             |
|----------------------|---------|-------|-----------------------------------------------------------------------------------------------------------------------------------------------------------------------------|
| TSPX_BS_26_ce        | B_2     | PIXIT | ce value used in MO call and if the answer to TSPX_BS_26_T_NT is FALSE, the manufacturer must precise which mode is supported by the MS. default value : '00'B, transparent |
| TSPX_BS_26_sacp      | B_3     | PIXIT | sacp value used in MO call. default value : '001'B, I440/450                                                                                                                |
| TSPX_BS_26_itc2      | B_3     | PIXIT | other itc value supported by BS26, it shall be differenet from the previous one if the answer to TSPX_BS_26_more_itc is TRUE. default value : '010'B, 3.1kHz audio, exPLMN  |
| TSPX_BS_31_more_itc  | BOOLEAN | PIXIT | more than one itc value supported by BS31. default value : FALSE, only one itc                                                                                              |
| TSPX_BS_31_more_sacp | BOOLEAN | PIXIT | more than one sacp value supported by BS31. default value : FALSE, only one sacp                                                                                            |
| TSPX_BS_31_itc1      | B_3     | PIXIT | itc value supported by BS31. default value : '001'B, UDI                                                                                                                    |
| TSPX_BS_31_sacp1     | B_3     | PIXIT | sacp value supported by BS31. default value : '001'B, I440/450                                                                                                              |
| TSPX_BS_31_itc2      | B_3     | PIXIT | other itc value supported by BS31, it shall be differenet from the previous one if the answer to TSPX_BS_31_more_itc is TRUE. default value : '001'B, UDI                   |
| TSPX_BS_31_sacp2     | B_3     | PIXIT | other sacp value supported by BS31, it shall be differenet from the previous one if the answer to TSPX_BS_31_more_sacp is TRUE. default value : '001'B, I440/450            |
| TSPX_BS_32_itc1      | B_3     | PIXIT | itc value supported by BS32. default value : '010'B, 3.1kHz audio, exPLMN                                                                                                   |
| TSPX_BS_32_more_itc  | BOOLEAN | PIXIT | more than one itc value supported by BS32. default value : FALSE, only one itc                                                                                              |
| TSPX_BS_32_more_sacp | BOOLEAN | PIXIT | more than one sacp value supported by BS32. default value : FALSE, only one sacp                                                                                            |
| TSPX_BS_32_sacp1     | B_3     | PIXIT | sacp value supported by BS32. default value : '110'B, X.32                                                                                                                  |
| TSPX_BS_32_X32_T_NT  | BOOLEAN | PIXIT | BS 32 both T and NT supported for X32 3.1kHz. default value : FALSE, not support both transparent and non transparent modes                                                 |
| TSPX_BS_32_X32_ce    | B_2     | PIXIT | if the answer to TSPX_BS_32_X32_T_NT is FALSE, the manufacturer must precise which mode is supported by the MS. default value : '01'B, non transparent                      |
| TSPX_BS_32_itc2      | B_3     | PIXIT | other itc value supported by BS32, it shall be differenet from the previous one if the answer to TSPX_BS_32_more_itc is TRUE. default value : '010'B, 3.1kHz audio, exPLMN  |
| TSPX_BS_32_sacp2     | B_3     | PIXIT | other sacp value supported by BS32, it shall be differenet from the previous one if the answer to TSPX_BS_32_more_sacp is TRUE. default value : '110'B, X.32                |
| TSPX_BS_33_itc1      | B_3     | PIXIT | itc value supported by BS33. default value : '001'B, UDI                                                                                                                    |
| TSPX_BS_33_more_itc  | BOOLEAN | PIXIT | more than one itc value supported by BS33. default value : FALSE, only one itc                                                                                              |

|                      |         |       |                                                                                                                                                                            |
|----------------------|---------|-------|----------------------------------------------------------------------------------------------------------------------------------------------------------------------------|
| TSPX_BS_33_more_sacp | BOOLEAN | PIXIT | more than one sacp value supported by BS33. default value : FALSE, only one sacp                                                                                           |
| TSPX_BS_33_sacp1     | B_3     | PIXIT | sacp value supported by BS33. default value : '010'B, X.21                                                                                                                 |
| TSPX_BS_33_X32_T_NT  | BOOLEAN | PIXIT | BS 33 both T and NT supported for X32 3.1kHz. default value : FALSE, not support both transparent and non transparent modes                                                |
| TSPX_BS_33_X32_ce    | B_2     | PIXIT | if the answer to TSPX_BS_33_X32_T_NT is FALSE, the manufacturer must precise which mode is supported by the MS. default value : '00'B, transparent                         |
| TSPX_BS_33_itc2      | B_3     | PIXIT | other itc value supported by BS32, it shall be differenet from the previous one if the answer to TSPX_BS_33_more_itc is TRUE. default value : '001'B, UDI                  |
| TSPX_BS_33_sacp2     | B_3     | PIXIT | other sacp value supported by BS33, it shall be differenet from the previous one if the answer to TSPX_BS_33_more_sacp is TRUE. default value : '010'B, X.21               |
| TSPX_BS_34_itc1      | B_3     | PIXIT | itc value supported by BS34. default value : '010'B, 3.1kHz audio, exPLMN                                                                                                  |
| TSPX_BS_34_more_itc  | BOOLEAN | PIXIT | more than one itc value supported by BS34. default value : FALSE, only one itc                                                                                             |
| TSPX_BS_34_more_sacp | BOOLEAN | PIXIT | more than one sacp value supported by BS34. default value : FALSE, only one sacp                                                                                           |
| TSPX_BS_34_sacp1     | B_3     | PIXIT | sacp value supported by BS34. default value : '001'B, I440/450                                                                                                             |
| TSPX_BS_34_X32_T_NT  | BOOLEAN | PIXIT | BS 34 both T and NT supported for X32 3.1kHz. default value : FALSE, not support both transparent and non transparent modes                                                |
| TSPX_BS_34_X32_ce    | B_2     | PIXIT | if the answer to TSPX_BS_34_X32_T_NT is FALSE, the manufacturer must precise which mode is supported by the MS. default value : '00'B, transparent                         |
| TSPX_BS_34_itc2      | B_3     | PIXIT | other itc value supported by BS34, it shall be differenet from the previous one if the answer to TSPX_BS_34_more_itc is TRUE. default value : '010'B, 3.1kHz audio, exPLMN |
| TSPX_BS_34_sacp2     | B_3     | PIXIT | other sacp value supported by BS34, it shall be differenet from the previous one if the answer to TSPX_BS_34_more_sacp is TRUE. default value : '001'B, I440/450           |
| TSPX_BS_41_T_NT      | BOOLEAN | PIXIT | BS41 both T and NT supported . default value : FALSE, not support both                                                                                                     |
| TSPX_BS_41_ce        | B_2     | PIXIT | ce value used in BS41 MO call. default value : '00'B, transparent                                                                                                          |
| TSPX_BS_42_T_NT      | BOOLEAN | PIXIT | BS42 both T and NT supported . default value : FALSE, not support both transparent and non transparent modes                                                               |
| TSPX_BS_42_ce        | B_2     | PIXIT | ce value used in BS42 MO call. default value : '010'B, non transparent                                                                                                     |
| TSPX_BS_43_T_NT      | BOOLEAN | PIXIT | BS43 both T and NT supported . default value : FALSE, not                                                                                                                  |

|                       |         |       |                                                                                                                                                                                                          |
|-----------------------|---------|-------|----------------------------------------------------------------------------------------------------------------------------------------------------------------------------------------------------------|
| TSPX_BS_43_ce         | B_2     | PIXIT | support both transparent and non transparent modes                                                                                                                                                       |
| TSPX_BS_44_T_NT       | BOOLEAN | PIXIT | ce value used in BS43 MO call. default value : '00'B, transparent                                                                                                                                        |
| TSPX_BS_44_ce         | B_2     | PIXIT | BS44 both T and NT supported . default value : FALSE, not support both transparent and non transparent modes                                                                                             |
| TSPX_BS_45_T_NT       | BOOLEAN | PIXIT | ce value used in BS44 MO call. default value : '00'B, transparent                                                                                                                                        |
| TSPX_BS_45_ce         | B_2     | PIXIT | BS45 both T and NT supported . default value : FALSE, not support both transparent and non transparent modes                                                                                             |
| TSPX_BS_46_T_NT       | BOOLEAN | PIXIT | ce value used in BS45 MO call. default value : '01'B, non transparent                                                                                                                                    |
| TSPX_BS_46_ce         | B_2     | PIXIT | BS46 both T and NT supported . default value : FALSE, not support both transparent and non transparent modes                                                                                             |
| TSPX_BS_61_S          | BOOLEAN | PIXIT | ce value used in BS46 MO call. default value : '00'B, transparent                                                                                                                                        |
| TSPX_BS_61_S_more_ur  | BOOLEAN | PIXIT | synchronous data supported by BS 61 . default value : TRUE, synchronous mode                                                                                                                             |
| TSPX_BS_61_S_ur1      | B_4     | PIXIT | more than one user rate for synchronous data service supported by BS61. default value : FALSE, only one user rate                                                                                        |
| TSPX_BS_61_S_ur2      | B_4     | PIXIT | usrer rate value supported for synchronous data service of BS61. default value : '0100'B, 4.8 kbit/s                                                                                                     |
| TSPX_BS_61_A          | BOOLEAN | PIXIT | another usrer rate value supported for synchronous data service of BS61. it shall be different from the previous one if the answer to TSPX_BS_61_S_more_ur is TRUE. default value : '0100'B, 4.8 kbit/s  |
| TSPX_BS_61_A_ur1      | B_4     | PIXIT | asynchronous data service supported by BS61 . default value : TRUE, asynchronous                                                                                                                         |
| TSPX_BS_61_A_ur1_T_NT | BOOLEAN | PIXIT | usrer rate value supported for asynchronous data service of BS61. default value : '0101'B, 9.6 kbit/s                                                                                                    |
| TSPX_BS_61_A_ur1_ce   | B_2     | PIXIT | both T and NT supported for the rate TSPX_BS_61_A_ur1 of BS61. default value : FALSE, not support both transparent and non transparent modes                                                             |
| TSPX_BS_61_A_more_ur  | BOOLEAN | PIXIT | if the answer to TSPX_BS_61_A_ur1_T_NT is FALSE, the manufacturer must precise which mode is supported by the MS. default value : '00'B, transparent                                                     |
| TSPX_BS_61_A_ur2      | B_4     | PIXIT | more than one user rate for asynchronous data service supported by BS61. default value : FALSE, only one user rate                                                                                       |
| TSPX_BS_61_A_ur2_T_NT | BOOLEAN | PIXIT | another usrer rate value supported for asynchronous data service of BS61. it shall be different from the previous one if the answer to TSPX_BS_61_A_more_ur is TRUE. default value : '0101'B, 9.6 kbit/s |
|                       |         |       | both T and NT supported for the rate TSPX_BS_61_A_ur2 of BS61. default value : FALSE, not                                                                                                                |

|                       |         |       |                                                                                                                                                                                                          |
|-----------------------|---------|-------|----------------------------------------------------------------------------------------------------------------------------------------------------------------------------------------------------------|
| TSPX_BS_81_S          | BOOLEAN | PIXIT | support both transparent and non transparent modes                                                                                                                                                       |
| TSPX_BS_81_S_more_ur  | BOOLEAN | PIXIT | synchronous data supported by BS 81. default value : TRUE, synchronous mode                                                                                                                              |
| TSPX_BS_81_S_ur1      | B_4     | PIXIT | more than one user rate for synchronous data service supported by BS81. default value : FALSE, only one user rate                                                                                        |
| TSPX_BS_81_S_ur2      | B_4     | PIXIT | usrer rate value supported for synchronous data service of BS81. default value : '0101'B, 9.6 kbit/s                                                                                                     |
| TSPX_BS_81_A          | BOOLEAN | PIXIT | another usrer rate value supported for synchronous data service of BS81. it shall be different from the previous one if the answer to TSPX_BS_81_S_more_ur is TRUE. default value : '0101'B, 9.6 kbit/s  |
| TSPX_BS_81_A_ur1      | B_4     | PIXIT | asynchronous data service supported by BS81. default value : TRUE, asynchronous mode                                                                                                                     |
| TSPX_BS_81_A_ur1_T_NT | BOOLEAN | PIXIT | usrer rate value supported for asynchronous data service of BS81. default value : '0100'B, 4.8 kbit/s                                                                                                    |
| TSPX_BS_81_A_ur1_ce   | B_2     | PIXIT | both T and NT supported for the rate TSPX_BS_81_A_ur1 of BS81. default value : FALSE, not support both transparent and non transparent modes                                                             |
| TSPX_BS_81_A_more_ur  | BOOLEAN | PIXIT | if the answer to TSPX_BS_81_A_ur1_T_NT is FALSE, the manufacturer must precise which mode is supported by the MS. default value : '01'B, non transparent                                                 |
| TSPX_BS_81_A_ur2      | B_4     | PIXIT | more than one user rate for asynchronous data service supported by BS81. default value : FALSE, only one user rate                                                                                       |
| TSPX_BS_81_A_ur2_T_NT | BOOLEAN | PIXIT | another usrer rate value supported for asynchronous data service of BS81. it shall be different from the previous one if the answer to TSPX_BS_81_A_more_ur is TRUE. default value : '0100'B, 4.8 kbit/s |
| TSPX_TS_61_T_NT       | BOOLEAN | PIXIT | both T and NT supported for the rate TSPX_BS_81_A_ur2 of BS81. default value : FALSE, not support both transparent and non transparent modes                                                             |
| TSPX_TS_61_ce         | B_2     | PIXIT | both T and NT supported for TS61(fax). default value : FALSE, not support both transparent and non transparent modes                                                                                     |
| TSPX_TS_61_ur1        | B_4     | PIXIT | if the answer to TSPX_TS_61_T_NT is FALSE, the manufacturer must precise which mode is supported by the MS. default value : '01'B, non transparent                                                       |
| TSPX_TS_61_more_ur    | BOOLEAN | PIXIT | user rate for TS61(fax). default value : '0101'B, 9.6 kbit/s                                                                                                                                             |
| TSPX_TS_61_ur2        | B_4     | PIXIT | more than one user rate supported for TS61. default value : FALSE, only one user rate                                                                                                                    |
|                       |         |       | another user rate for TS61, it shall be different from the previous one if the answer to TSPX_TS_61_more_ur is TRUE.                                                                                     |

|                    |           |       |                                                                                                                                                                                   |
|--------------------|-----------|-------|-----------------------------------------------------------------------------------------------------------------------------------------------------------------------------------|
| TSPX_TS_62_T_NT    | BOOLEAN   | PIXIT | default value : '0101'B, 9.6 kbit/s both T and NT supported for TS62. default value : FALSE, not support both transparent and non transparent modes                               |
| TSPX_TS_62_ce      | B_2       | PIXIT | if the answer to TSPX_TS_62_T_NT is FALSE, the manufacturer must precise which mode is supported by the MS. default value : '00'B, transparent                                    |
| TSPX_TS_62_ur1     | B_4       | PIXIT | user rate for TS62. default value : '0100'B, 4.8 kbit/s                                                                                                                           |
| TSPX_TS_62_more_ur | BOOLEAN   | PIXIT | more than one user rate supported by TS62. default value : FALSE, only one user rate                                                                                              |
| TSPX_TS_62_ur2     | B_4       | PIXIT | another user rate for TS62, it shall be different from the previous one if the answer to TSPX_TS_62_more_ur is TRUE. default value : '0100'B, 4.8 kbit/s                          |
| TSPX_DTMF          | B_1       | PIXIT | call control capabilities: value '1'B means MS supports DTMF                                                                                                                      |
| TSPX_modF          | CHMOD_VAL | PIXIT | any non signalling full rate channel mode for TC_26_6_4_1                                                                                                                         |
| TSPX_modH          | CHMOD_VAL | PIXIT | any non signalling half channel mode for TC_26_6_4_1                                                                                                                              |
| TSPX_anymod        | CHMOD_VAL | PIXIT | channel mode for TC_62_10_2_4_2. Any supported value except signalling and Full rate speech. possible values are '00000011'B' 12k data, '00001011'B 6k data, '0010011'B 3.6k data |
| TSPX_CKSNA         | CKSN      | PIXIT | cipher key sequence number                                                                                                                                                        |
| TSPX_CKSNB         | CKSN      | PIXIT | cipher key sequence number                                                                                                                                                        |
| TSPX_CKSNC         | CKSN      | PIXIT | cipher key sequence number                                                                                                                                                        |
| TSPX_CKSNDef       | CKSN      | PIXIT | default cipher key sequence number                                                                                                                                                |
| TSPX_RfPwrCap      | B_3       | PIXIT | RF power capability                                                                                                                                                               |
| TSPX_RevLevel      | B_2       | PIXIT | Revision level of classmark 1                                                                                                                                                     |
| TSPX_CiphAlgA5_1   | B_1       | PIXIT | A5/1 algorithm: '1'B : available, '0'B: not available                                                                                                                             |
| TSPX_CiphAlgA5_2   | B_1       | PIXIT | A5/2 algorithm: '1'B : available, '0'B: not available                                                                                                                             |
| TSPX_CiphAlgA5_3   | B_1       | PIXIT | A5/3 algorithm: '1'B : available, '0'B: not available                                                                                                                             |
| TSPX_CiphAlgA5_4   | B_1       | PIXIT | A5/4 algorithm: '1'B : available, '0'B: not available                                                                                                                             |
| TSPX_CiphAlgA5_5   | B_1       | PIXIT | A5/5 algorithm: '1'B : available, '0'B: not available                                                                                                                             |
| TSPX_CiphAlgA5_6   | B_1       | PIXIT | A5/6 algorithm: '1'B : available, '0'B: not available                                                                                                                             |
| TSPX_CiphAlgA5_7   | B_1       | PIXIT | A5/7 algorithm: '1'B : available, '0'B: not available                                                                                                                             |
| TSPX_pSyncCap      | B_1       | PIXIT | pseudo synchronisation capability, '0'B: not present '1'B: present                                                                                                                |
| TSPX_SSscrnInd     | B_2       | PIXIT | SS screen indicator                                                                                                                                                               |
| TSPX_SMCap         | B_1       | PIXIT | short message capability, '0'B: not present '1'B: present                                                                                                                         |
| TSPX_frqCap        | B_1       | PIXIT | frequency capability. DCS: reserved, GSM: '0'B not support extension band, '1'B support extension band                                                                            |
| TSPX_ClsMk3        | B_1       | PIXIT | classmark 3 indicator, '0'B no additional capability info, '1'B additional capability info in class mark 3                                                                        |
| TSPX_RfPwrCapAmp   | B_3       | PIXIT | RF power capability with external RF amplifier                                                                                                                                    |
| TSPX_CphAlgA       | CPHALG    | PIXIT | any supported ciphering algorithm                                                                                                                                                 |



|                 |           |       |                                                           |
|-----------------|-----------|-------|-----------------------------------------------------------|
| TSPX_CphAlgB    | CPHALG    | PIXIT | ciphering algorithm supported                             |
| TSPX_CphAlgC    | CPHALG    | PIXIT | ciphering algorithm supported                             |
| TSPX_CphAlgD    | CPHALG    | PIXIT | ciphering algorithm supported                             |
| TSPX_CphAlgE    | CPHALG    | PIXIT | ciphering algorithm supported                             |
| TSPX_CphAlgDef  | CPHALG    | PIXIT | default ciphering algorithm                               |
| TSPX_DTMFInd    | BOOLEAN   | PIXIT | DTMF indication to user supported                         |
| TSPX_NoOfHoAccA | INTEGER   | PIXIT | number of handover access bursts, value range 10 - 20     |
| TSPX_NoOfHoAccB | INTEGER   | PIXIT | number of handover access bursts, value range 10 - 20     |
| TSPX_NoOfHoAccC | INTEGER   | PIXIT | number of handover access bursts, value range 10 - 20     |
| TSPX_NoOfHoAccD | INTEGER   | PIXIT | number of handover access bursts, value range 5 - 10      |
| TSPX_NoOfHoAccE | INTEGER   | PIXIT | number of handover access bursts, value range 5 - 10      |
| TSPX_NoOfHoAccF | INTEGER   | PIXIT | number of handover access bursts, value range 5 - 10      |
| TSPX_NoOfHoAccG | INTEGER   | PIXIT | number of handover access bursts, value range 2 - 5       |
| TSPX_NoOfHoAccH | INTEGER   | PIXIT | number of handover access bursts, value range 2 - 5       |
| TSPX_NoOfHoAccI | INTEGER   | PIXIT | number of handover access bursts, value range 2 - 5       |
| TSPX_HoRefA     | HORF      | PIXIT | Hand over reference, GSM 04.08, 10.5.2.15                 |
| TSPX_HoRefB     | HORF      | PIXIT | Hand over reference, GSM 04.08, 10.5.2.15                 |
| TSPX_HoRefC     | HORF      | PIXIT | Hand over reference, GSM 04.08, 10.5.2.15                 |
| TSPX_HoRefD     | HORF      | PIXIT | Hand over reference, GSM 04.08, 10.5.2.15                 |
| TSPX_HoRefE     | HORF      | PIXIT | Hand over reference, GSM 04.08, 10.5.2.15                 |
| TSPX_HoRefF     | HORF      | PIXIT | Hand over reference, GSM 04.08, 10.5.2.15                 |
| TSPX_HoRefG     | HORF      | PIXIT | Hand over reference, GSM 04.08, 10.5.2.15                 |
| TSPX_HoRefH     | HORF      | PIXIT | Hand over reference, GSM 04.08, 10.5.2.15                 |
| TSPX_HoRefI     | HORF      | PIXIT | Hand over reference, GSM 04.08, 10.5.2.15                 |
| TSPX_HoRefJ     | HORF      | PIXIT | Hand over reference, GSM 04.08, 10.5.2.15                 |
| TSPX_HSN        | INTEGER   | PIXIT | Hopping sequence number<br>value range: 0 - 63            |
| TSPX_IMSI       | HEXSTRING | PIXIT | IMSI of the MS                                            |
| TSPX_IMEI       | HEXSTRING | PIXIT | IMEI of the MS.                                           |
| TSPX_IMEISV     | HEXSTRING | PIXIT | IMEISV of the MS.<br>Used in: TC_26_6_8_5,<br>TC_26_7_3_1 |
| TSPX_Ki         | BITSTRING | PIXIT | default authentication key used in testing                |
| TSPX_MAIO       | INTEGER   | PIXIT | mobile allocation index offset,<br>value range: 0 - 63    |
| TSPX_MaxRetrans | INTEGER   | PIXIT | Max-Retrans                                               |
| TSPX_MSTxpwrMax | MAXTXPOW  | PIXIT | maximum output power from MS                              |
| TSPX_PwrIvlA    | INTEGER   | PIXIT | power level, value between 2 to 15                        |
| TSPX_PwrIvlB    | INTEGER   | PIXIT | power level, value between 2 to 15                        |
| TSPX_PwrIvlC    | INTEGER   | PIXIT | power level, value between 2 to 15                        |
| TSPX_PwrIvlD    | INTEGER   | PIXIT | power level, value between 2 to 15                        |
| TSPX_RANDA      | RAND      | PIXIT | challenge RAND                                            |
| TSPX_RANDB      | RAND      | PIXIT | challenge RAND                                            |

|                      |         |       |                                                                                                                                                                                      |
|----------------------|---------|-------|--------------------------------------------------------------------------------------------------------------------------------------------------------------------------------------|
| TSPX_RANDC           | RAND    | PIXIT | challenge RAND                                                                                                                                                                       |
| TSPX_RANDDef         | RAND    | PIXIT | default challenge RAND                                                                                                                                                               |
| TSPX_SDCCH4SubA      | B_2     | PIXIT | TDMA offset of SDCCH/4 subchannel                                                                                                                                                    |
| TSPX_SDCCH4SubB      | B_2     | PIXIT | TDMA offset of SDCCH/4 subchannel                                                                                                                                                    |
| TSPX_SDCCH4SubC      | B_2     | PIXIT | TDMA offset of SDCCH/4 subchannel                                                                                                                                                    |
| TSPX_SDCCH4SubDef    | B_2     | PIXIT | TDMA offset of default SDCCH/4 subchannel                                                                                                                                            |
| TSPX_SDCCH8SubA      | B_3     | PIXIT | TDMA offset of SDCCH/8 subchannel                                                                                                                                                    |
| TSPX_SDCCH8SubB      | B_3     | PIXIT | TDMA offset of SDCCH/8 subchannel                                                                                                                                                    |
| TSPX_SDCCH8SubC      | B_3     | PIXIT | TDMA offset of SDCCH/8 subchannel                                                                                                                                                    |
| TSPX_SDCCH8SubD      | B_3     | PIXIT | TDMA offset of SDCCH/8 subchannel                                                                                                                                                    |
| TSPX_SDCCH8SubE      | B_3     | PIXIT | TDMA offset of SDCCH/8 subchannel                                                                                                                                                    |
| TSPX_SDCCH8SubF      | B_3     | PIXIT | TDMA offset of SDCCH/8 subchannel                                                                                                                                                    |
| TSPX_SDCCH8SubG      | B_3     | PIXIT | TDMA offset of SDCCH/8 subchannel                                                                                                                                                    |
| TSPX_SDCCH8SubDef    | B_3     | PIXIT | TDMA offset of default SDCCH/8 subchannel                                                                                                                                            |
| TSPX_TC1M            | INTEGER | PIXIT | timer value for GSM timer TC1M (for SMS)                                                                                                                                             |
| TSPX_MaxCPDataRetx   | INTEGER | PIXIT | max. number of CP data retransmissions for SMS                                                                                                                                       |
| TSPX_Immconn         | BOOLEAN | PIXIT | Immediate connect supported                                                                                                                                                          |
| TSPX_TimadvA         | INTEGER | PIXIT | timing advance                                                                                                                                                                       |
| TSPX_TimadvB         | INTEGER | PIXIT | timing advance                                                                                                                                                                       |
| TSPX_TimadvC         | INTEGER | PIXIT | timing advance                                                                                                                                                                       |
| TSPX_TmSltA          | SN      | PIXIT | time slot                                                                                                                                                                            |
| TSPX_TmSltB          | SN      | PIXIT | time slot                                                                                                                                                                            |
| TSPX_TmSltC          | SN      | PIXIT | time slot                                                                                                                                                                            |
| TSPX_TmSltD          | SN      | PIXIT | time slot                                                                                                                                                                            |
| TSPX_TmSltE          | SN      | PIXIT | time slot                                                                                                                                                                            |
| TSPX_TmSltF          | SN      | PIXIT | time slot                                                                                                                                                                            |
| TSPX_TmSltG          | SN      | PIXIT | time slot                                                                                                                                                                            |
| TSPX_TmSltDef        | SN      | PIXIT | default time slot                                                                                                                                                                    |
| TSPX_TmSltNotZero    | SN      | PIXIT | time slot, arbitrarily value, but not zero.                                                                                                                                          |
| TSPX_TmSltNotZero1   | SN      | PIXIT | time slot, arbitrarily value, but not zero and not TSPX_TmSltNotZero                                                                                                                 |
| TSPX_Txint           | INTEGER | PIXIT | Tx-Integer                                                                                                                                                                           |
| TSPX_TscA            | TSC     | PIXIT | training sequence code                                                                                                                                                               |
| TSPX_TscB            | TSC     | PIXIT | training sequence code                                                                                                                                                               |
| TSPX_TscC            | TSC     | PIXIT | training sequence code                                                                                                                                                               |
| TSPX_TscD            | TSC     | PIXIT | training sequence code                                                                                                                                                               |
| TSPX_TscE            | TSC     | PIXIT | training sequence code                                                                                                                                                               |
| TSPX_TscF            | TSC     | PIXIT | training sequence code                                                                                                                                                               |
| TSPX_TscG            | TSC     | PIXIT | training sequence code                                                                                                                                                               |
| TSPX_TscDef          | TSC     | PIXIT | default TSC                                                                                                                                                                          |
| TSPX_T3122           | WI      | PIXIT | value of timer T3122, HEXSTRING[2]                                                                                                                                                   |
| TSPX_TCHcarrierA_ho  | INTEGER | PIXIT | the value can be chosen arbitrarily from cell allocation of cell A (GSM), but not BCCH carrier .possible value is : 10, 17, 26, 34, 42, 45, 46, 52, 59, 66, 73, 74, 75, 76, 108, 114 |
| TSPX_TCHcarrierA_hod | INTEGER | PIXIT | the value can be chosen arbitrarily from cell allocation of cell A (DCS), but not BCCH carrier . possible value is : 734,741,754,759,762,766,767,773,775,779,782,791,798,829,832,8   |

|                       |             |       |                                                                                                                                                                              |
|-----------------------|-------------|-------|------------------------------------------------------------------------------------------------------------------------------------------------------------------------------|
| TSPX_TCHcarrierB      | INTEGER     | PIXIT | 44<br>TCH and SDCCH channel frequency number of cell B (GSM)                                                                                                                 |
| TSPX_TCHcarrierBd     | INTEGER     | PIXIT | TCH and SDCCH channel frequency number of cell B (DCS)                                                                                                                       |
| TSPX_TCHcarrierB_ho   | INTEGER     | PIXIT | the value can be chosen arbitrarily from cell allocation of cell B (GSM), but not BCCH carrier . possibles value is : 14,18,22,24,30,31,38,60,66,73,74,75,76,108,114         |
| TSPX_TCHcarrierB_hod  | INTEGER     | PIXIT | not BCCH carrier of cell B. the value can be chosen arbitrarily from cell allocation of cell B (DCS), which is (739,743,746,749,756,758,761,771,779,782,791,798,829,832,844) |
| TSPX_TCHcarrierB2_ho  | INTEGER     | PIXIT | Chosen arbitrarily from cell allocation B for GSM HO cases, but not BCCH carrier!                                                                                            |
| TSPX_TCHcarrierB2_hod | INTEGER     | PIXIT | Chosen arbitrarily from cell allocation B for DCS HO cases, but not BCCH carrier!                                                                                            |
| TSPX_TCHHSubA         | B_1         | PIXIT | TDMA offset of half rate subchannel                                                                                                                                          |
| TSPX_TCHHSubDef       | B_1         | PIXIT | TDMA offset of default half rate subchannel                                                                                                                                  |
| TSPX_TMSI             | TMSI_V      | PIXIT | TMSI of the MS used in test                                                                                                                                                  |
| TSPX_TMSI1            | TMSI_V      | PIXIT | another TMSI used in test which shall differ from TSPX_TMSI, TSPX_TMSI + '01'O<br>TSPX_TMSI + '02'O<br>TSPX_TMSI + '03'O                                                     |
| TSPX_Uupd             | B_8         | PIXIT | user-user protocol discriminator                                                                                                                                             |
| TSPX_UuInfo           | OCTETSTRING | PIXIT | user-user information                                                                                                                                                        |
| TSPX_k                | INTEGER     | PIXIT | timing of cell A before cell B k bit periods for TC_26_6_5_1, TC_26_6_5_2 ?, TC_26_6_5_3 ?, TC_26_6_5_4 ?.                                                                   |
| TSPX_y                | INTEGER     | PIXIT | timing advance for TC_26_6_5_3 ?, TC_26_6_5_4 ?, TC_26_6_5_5 ? . The values of TSPX_k (or TSPX_k1) and TSPX_y: $0 < (2 * TSPX_k + TSPX_y) \text{ MOD } 256 < 60$ .           |
| TSPX_k1               | INTEGER     | PIXIT | timing of cell A before cell B k bit periods for TC_26_6_5_5 ?                                                                                                               |
| TSPX_k2               | INTEGER     | PIXIT | timing of cell A before cell B k bit periods for TC_26_6_5_6                                                                                                                 |
| TSPX_y2               | INTEGER     | PIXIT | timing advance for TC_26_6_5_6, value range : 11 - 62.                                                                                                                       |
| TSPX_k3               | INTEGER     | PIXIT | timing of cell A before cell B k bit periods for TC_26_6_5_7                                                                                                                 |
| TSPX_y3               | INTEGER     | PIXIT | timing advance for TC_26_6_5_7                                                                                                                                               |
| TSPX_nPara            | INTEGER     | PIXIT | the n'th ChReq for TC_26_6_1_2, shall be choose to [1..8], MAXRETRANS for TC_26_6_1_2 is 7 (See 11.10 for more explanation).                                                 |
| TSPX_kPara            | INTEGER     | PIXIT | the k'th ChReq for TC_26_6_1_2                                                                                                                                               |
| TSPX_rPara            | INTEGER     | PIXIT | the r'th ChReq for TC_26_6_1_2                                                                                                                                               |
| TSPX_i1Para           | INTEGER     | PIXIT | for TC_26_6_1_2                                                                                                                                                              |
| TSPX_i2Para           | INTEGER     | PIXIT | for TC_26_6_1_2                                                                                                                                                              |
| TSPX_i3Para           | INTEGER     | PIXIT | the r'th ChReq for TC_26_6_1_2                                                                                                                                               |
| TSPX_n1Para           | INTEGER     | PIXIT | the n'th ChReq for TC_26_6_1_3                                                                                                                                               |
| TSPX_i4Para           | INTEGER     | PIXIT | for TC_26_6_1_3                                                                                                                                                              |
| TSPX_xPara            | INTEGER     | PIXIT | t3122 for TC_26_6_1_3                                                                                                                                                        |
| TSPX_AGBLKS1          | INTEGER     | PIXIT | BS-AG-BLKS-RES for TC_26_6_2_3_1, TC_26_6_2_1_1                                                                                                                              |

|                |           |       |                                                                                                                                        |
|----------------|-----------|-------|----------------------------------------------------------------------------------------------------------------------------------------|
| TSPX_PAMFRMS1  | INTEGER   | PIXIT | BS-PA-MFRMS for TC_26_6_2_3_1 (shall not be set to 9), TC_26_6_2_1_1                                                                   |
| TSPX_CcchConf1 | CCCH_CON  | PIXIT | paging subchannel for TC_26_6_2_3_1, TC_26_6_2_1_1                                                                                     |
| TSPX_PgSubch   | INTEGER   | PIXIT | paging subchannel for TC_26_6_2_3_1                                                                                                    |
| TSPX_AGBLKS2   | INTEGER   | PIXIT | BS-AG-BLKS-RES for TC_26_6_2_3_2, TC_26_6_2_1_2                                                                                        |
| TSPX_PAMFRMS2  | INTEGER   | PIXIT | BS-PA-MFRMS for TC_26_6_2_3_2, TC_26_6_2_1_2                                                                                           |
| TSPX_CcchConf2 | CCCH_CON  | PIXIT | paging subchannel for TC_26_6_2_3_2, TC_26_6_2_1_2                                                                                     |
| TSPX_AGBLKS3   | INTEGER   | PIXIT | BS-AG-BLKS-RES for TC_26_6_2_4, TC_26_6_2_2, TC_26_6_2_1_3                                                                             |
| TSPX_PAMFRMS3  | INTEGER   | PIXIT | BS-PA-MFRMS for TC_26_6_2_4, TC_26_6_2_2, TC_26_6_2_1_3                                                                                |
| TSPX_CcchConf3 | CCCH_CON  | PIXIT | paging subchannel for TC_26_6_2_4, TC_26_6_2_2, TC_26_6_2_1_3                                                                          |
| TSPX_AGBLKS4   | INTEGER   | PIXIT | BS-AG-BLKS-RES for TC_26_6_2_5                                                                                                         |
| TSPX_PAMFRMS4  | INTEGER   | PIXIT | BS-PA-MFRMS for TC_26_6_2_5                                                                                                            |
| TSPX_CcchConf4 | CCCH_CON  | PIXIT | paging subchannel for TC_26_6_2_5 (shall be in the set ('010', '100', '110'))                                                          |
| TSPX_Chtp1     | CH_TDMA   | PIXIT | channel type for TC_26_6_13_1, any value supported by the MS                                                                           |
| TSPX_ChMod1    | CHMOD_VAL | PIXIT | channel mode for TC_26_6_13_1, any value for the channel type of TSPX_Chtp1                                                            |
| TSPX_Maio1     | INTEGER   | PIXIT | hopping parameter for TC_26_6_13_1, its value between 0 and (the number of frequencies) -1, which is defined in TSPX_Ma1, default : 2  |
| TSPX_Ma1       | MAC       | PIXIT | mobile allocation for TC_26_6_13_1, its value shall indicate number of frequencies between 1 and 17. default : '010101'O               |
| TSPX_Hsn1      | INTEGER   | PIXIT | hopping parameter for TC_26_6_13_1. default: 1                                                                                         |
| TSPX_Maio2     | INTEGER   | PIXIT | hopping parameter for TC_26_6_13_1, its value between 0 and (the number of frequencies) -1, which is defined in TSPX_Ma2, default : 8  |
| TSPX_Ma2       | MAC       | PIXIT | mobile allocation for TC_26_6_13_1, its value shall indicate number of frequencies between 1 and 17. default : '01362A5'O              |
| TSPX_Hsn2      | INTEGER   | PIXIT | hopping parameter for TC_26_6_13_1, default : 6                                                                                        |
| TSPX_Maio3     | INTEGER   | PIXIT | hopping parameter for TC_26_6_13_1, its value between 0 and (the number of frequencies) -1, which is defined in TSPX_Ma3, default : 14 |
| TSPX_Ma3       | MAC       | PIXIT | mobile allocation for TC_26_6_13_1, its value shall indicate number of frequencies between 1 and 17. default : '01FFFA'O               |
| TSPX_Hsn3      | INTEGER   | PIXIT | hopping parameter for TC_26_6_13_1, default : 0                                                                                        |

|             |           |       |                                                                                                                                        |
|-------------|-----------|-------|----------------------------------------------------------------------------------------------------------------------------------------|
| TSPX_Chtp2  | CH_TDMA   | PIXIT | channel type for TC_26_6_13_2, any value supported by the MS                                                                           |
| TSPX_ChMod2 | CHMOD_VAL | PIXIT | channel mode for TC_26_6_13_2                                                                                                          |
| TSPX_Maio4  | INTEGER   | PIXIT | hopping parameter for TC_26_6_13_2, its value between 0 and (the number of frequencies) -1, which is defined in TSPX_Ma4, default : 3  |
| TSPX_Ma4    | MAC       | PIXIT | mobile allocation for TC_26_6_13_2, its value shall indicate number of frequencies between 1 and 17. default : '001141'O               |
| TSPX_Hsn4   | INTEGER   | PIXIT | hopping parameter for TC_26_6_13_2, default : 0                                                                                        |
| TSPX_Maio5  | INTEGER   | PIXIT | hopping parameter for TC_26_6_13_2, its value between 0 and (the number of frequencies) -1, which is defined in TSPX_Ma5, default : 9  |
| TSPX_Ma5    | MAC       | PIXIT | mobile allocation for TC_26_6_13_2, its value shall indicate number of frequencies between 1 and 17. default : '01ABCB'O               |
| TSPX_Hsn5   | INTEGER   | PIXIT | hopping parameter for TC_26_6_13_2, default : 16                                                                                       |
| TSPX_Chtp3  | CH_TDMA   | PIXIT | channel type for TC_26_6_13_3, any value supported by the MS                                                                           |
| TSPX_Maio6  | INTEGER   | PIXIT | hopping parameter for TC_26_6_13_3, its value between 0 and (the number of frequencies) -1, which is defined in TSPX_Ma6, default : 4  |
| TSPX_Ma6    | MAC       | PIXIT | mobile allocation for TC_26_6_13_3, its value shall indicate number of frequencies between 1 and 17. default : '006248'O               |
| TSPX_Hsn6   | INTEGER   | PIXIT | hopping parameter for TC_26_6_13_3, default : 4                                                                                        |
| TSPX_Maio7  | INTEGER   | PIXIT | hopping parameter for TC_26_6_13_3, its value between 0 and (the number of frequencies) -1, which is defined in TSPX_Ma7, default : 10 |
| TSPX_Ma7    | MAC       | PIXIT | mobile allocation for TC_26_6_13_3, its value shall indicate number of frequencies between 2 and 17. default : '009AFB'O               |
| TSPX_Chtp4  | CH_TDMA   | PIXIT | channel type for TC_26_6_13_3, any value supported by the MS                                                                           |
| TSPX_Maio8  | INTEGER   | PIXIT | hopping parameter for TC_26_6_13_3, its value between 0 and (the number of frequencies) -1, which is defined in TSPX_Ma8, default : 1  |
| TSPX_Ma8    | MAC       | PIXIT | mobile allocation for TC_26_6_13_3, its value shall indicate number of frequencies between 2 and 17. default : '002800'O               |
| TSPX_Hsn8   | INTEGER   | PIXIT | hopping parameter for TC_26_6_13_3, default : 40                                                                                       |
| TSPX_Maio9  | INTEGER   | PIXIT | hopping parameter for TC_26_6_13_3, its value between 0 and (the number of frequencies) -1, which is defined in TSPX_Ma9, default : 15 |
| TSPX_Ma9    | MAC       | PIXIT | mobile allocation for TC_26_6_13_3, its value shall indicate number of frequencies between 2 and 17. default :                         |

|             |           |       |                                                                                                                                         |
|-------------|-----------|-------|-----------------------------------------------------------------------------------------------------------------------------------------|
| TSPX_Hsn9   | INTEGER   | PIXIT | '01FFFB'O<br>hopping parameter for TC_26_6_13_3, default : 8                                                                            |
| TSPX_Chtp5  | CH_TDMA   | PIXIT | SDCCH8 subchannel immediately assigned, TC_26_6_13_4                                                                                    |
| TSPX_Maio10 | INTEGER   | PIXIT | hopping parameter for TC_26_6_13_4, its value between 0 and (the number of frequencies) -1, which is defined in TSPX_Ma10, default : 5  |
| TSPX_Ma10   | MAC       | PIXIT | mobile allocation for TC_26_6_13_4, its value shall indicate number of frequencies between 1 and 17. default : '01D082'O                |
| TSPX_Hsn10  | INTEGER   | PIXIT | hopping parameter for TC_26_6_13_4, default: 0                                                                                          |
| TSPX_Maio11 | INTEGER   | PIXIT | hopping parameter for TC_26_6_13_4, its value between 0 and (the number of frequencies) -1, which is defined in TSPX_Ma11, default : 11 |
| TSPX_Ma11   | MAC       | PIXIT | mobile allocation for TC_26_6_13_4, its value shall indicate number of frequencies between 2 and 17. default : '00CFF3'O                |
| TSPX_Chtp6  | CH_TDMA   | PIXIT | channel type of a non- existing channel in Assignment Cmd, TC_26_6_13_4                                                                 |
| TSPX_Maio12 | INTEGER   | PIXIT | hopping parameter for TC_26_6_13_4, its value between 0 and (the number of frequencies) -1, which is defined in TSPX_Ma12, default : 1  |
| TSPX_Ma12   | MAC       | PIXIT | mobile allocation for TC_26_6_13_4, its value shall indicate number of frequencies between 1 and 17. default : '010100'O                |
| TSPX_Hsn12  | INTEGER   | PIXIT | hopping parameter for TC_26_6_13_4, default : 39                                                                                        |
| TSPX_Maio13 | INTEGER   | PIXIT | hopping parameter for TC_26_6_13_4, its value between 0 and (the number of frequencies) -1, which is defined in TSPX_Ma13, default : 6  |
| TSPX_Ma13   | MAC       | PIXIT | mobile allocation for TC_26_6_13_4, its value shall indicate number of frequencies between 1 and 17. default : '00E690'O                |
| TSPX_Hsn13  | INTEGER   | PIXIT | hopping parameter for TC_26_6_13_4, default: 42                                                                                         |
| TSPX_Chtp7  | CH_TDMA   | PIXIT | channel type for TC_26_6_13_5                                                                                                           |
| TSPX_ChMod4 | CHMOD_VAL | PIXIT | channel mode for TC_26_6_13_5                                                                                                           |
| TSPX_Maio14 | INTEGER   | PIXIT | hopping parameter for TC_26_6_13_5, its value between 0 and (the number of frequencies) -1, which is defined in TSPX_Ma14, default : 5  |
| TSPX_Ma14   | MAC       | PIXIT | mobile allocation for TC_26_6_13_5, its value shall indicate number of frequencies between 1 and 17. default : '014A28'O                |
| TSPX_Hsn14  | INTEGER   | PIXIT | hopping parameter for TC_26_6_13_5, default : 50                                                                                        |
| TSPX_Maio15 | INTEGER   | PIXIT | hopping parameter for TC_26_6_13_5, its value between 0 and (the number of frequencies) -1, which is defined in TSPX_Ma15, default : 12 |
| TSPX_Ma15   | MAC       | PIXIT | mobile allocation for                                                                                                                   |

|             |           |       |                                                                                                                                         |
|-------------|-----------|-------|-----------------------------------------------------------------------------------------------------------------------------------------|
| TSPX_Hsn15  | INTEGER   | PIXIT | TC_26_6_13_5, its value shall indicate number of frequencies between 1 and 16. default : '00FF79'O                                      |
| TSPX_Maio16 | INTEGER   | PIXIT | hopping parameter for TC_26_6_13_5, default : 33                                                                                        |
| TSPX_Ma16   | MAC       | PIXIT | hopping parameter for TC_26_6_13_5, its value between 0 and (the number of frequencies) -1, which is defined in TSPX_Ma16, default : 2  |
| TSPX_Hsn16  | INTEGER   | PIXIT | mobile allocation for TC_26_6_13_5, its value shall indicate number of frequencies between 1 and 16. default : '001110'O                |
| TSPX_Chtp8  | CH_TDMA   | PIXIT | hopping parameter for TC_26_6_13_5, default : 21                                                                                        |
| TSPX_ChMod5 | CHMOD_VAL | PIXIT | channel type for TC_26_6_13_6                                                                                                           |
| TSPX_Maio17 | INTEGER   | PIXIT | channel mode for TC_26_6_13_6                                                                                                           |
| TSPX_Ma17   | MAC       | PIXIT | hopping parameter for TC_26_6_13_6, its value between 0 and (the number of frequencies) -1, which is defined in TSPX_Ma17, default : 7  |
| TSPX_Hsn17  | INTEGER   | PIXIT | mobile allocation for TC_26_6_13_6, its value shall indicate number of frequencies between 1 and 17. default : '00E6A1'O                |
| TSPX_Maio18 | INTEGER   | PIXIT | hopping parameter for TC_26_6_13_6, default : 22                                                                                        |
| TSPX_Ma18   | MAC       | PIXIT | hopping parameter for TC_26_6_13_6, its value between 0 and (the number of frequencies) -1, which is defined in TSPX_Ma18, default : 13 |
| TSPX_Hsn18  | INTEGER   | PIXIT | mobile allocation for TC_26_6_13_6, its value shall indicate number of frequencies between 1 and 16. default : '00FFF9'O                |
| TSPX_Maio19 | INTEGER   | PIXIT | hopping parameter for TC_26_6_13_6, default : 9                                                                                         |
| TSPX_Ma19   | MAC       | PIXIT | hopping parameter for TC_26_6_13_6, its value between 0 and (the number of frequencies) -1, which is defined in TSPX_Ma19, default : 3  |
| TSPX_Hsn19  | INTEGER   | PIXIT | mobile allocation for TC_26_6_13_6, its value shall indicate number of frequencies between 1 and 16. default : '001111'O                |
| TSPX_Chtp9  | CH_TDMA   | PIXIT | hopping parameter for TC_26_6_13_6, default : 44                                                                                        |
| TSPX_ChMod6 | CHMOD_VAL | PIXIT | channel type for TC_26_6_13_7                                                                                                           |
| TSPX_Maio20 | INTEGER   | PIXIT | channel mode for TC_26_6_13_7                                                                                                           |
| TSPX_Ma20   | MAC       | PIXIT | hopping parameter for TC_26_6_13_7, its value between 0 and (the number of frequencies) -1, which is defined in TSPX_Ma20, default : 8  |
| TSPX_Hsn20  | INTEGER   | PIXIT | mobile allocation for TC_26_6_13_7, its value shall indicate number of frequencies between 1 and 17. default : '016699'O                |
| TSPX_Maio21 | INTEGER   | PIXIT | hopping parameter for TC_26_6_13_7, default : 30                                                                                        |
|             |           |       | hopping parameter for TC_26_6_13_7, its value between 0 and (the number of frequencies) -1, which is defined in                         |

|             |           |       |                                                                                                                                                     |
|-------------|-----------|-------|-----------------------------------------------------------------------------------------------------------------------------------------------------|
| TSPX_Ma21   | MAC       | PIXIT | TSPX_Ma21, default : 14<br>mobile allocation for TC_26_6_13_7, its value shall indicate number of frequencies between 1 and 17. default : '01FEFB'O |
| TSPX_Chtp10 | CH_TDMA   | PIXIT | channel type for TC_26_6_13_7                                                                                                                       |
| TSPX_Maio22 | INTEGER   | PIXIT | hopping parameter for TC_26_6_13_7, its value between 0 and (the number of frequencies) -1, which is defined in TSPX_Ma22, default : 4              |
| TSPX_Ma22   | MAC       | PIXIT | mobile allocation for TC_26_6_13_7, its value shall indicate number of frequencies between 1 and 16. default : '006241'O                            |
| TSPX_Hsn22  | INTEGER   | PIXIT | hopping parameter for TC_26_6_13_7, default : 11                                                                                                    |
| TSPX_Maio23 | INTEGER   | PIXIT | hopping parameter for TC_26_6_13_7, its value between 0 and (the number of frequencies) -1, which is defined in TSPX_Ma23, default : 11             |
| TSPX_Ma23   | MAC       | PIXIT | mobile allocation for TC_26_6_13_7, its value shall indicate number of frequencies between 1 and 16. default : '00FF1B'O                            |
| TSPX_Hsn23  | INTEGER   | PIXIT | hopping parameter for TC_26_6_13_7, default : 60                                                                                                    |
| TSPX_Chtp11 | CH_TDMA   | PIXIT | SDCCH8 subchannel immediately assigned, TC_26_6_13_8                                                                                                |
| TSPX_ChMod7 | CHMOD_VAL | PIXIT | channel mode for TC_26_6_13_8                                                                                                                       |
| TSPX_Maio24 | INTEGER   | PIXIT | hopping parameter for TC_26_6_13_8, its value between 0 and (the number of frequencies) -1, which is defined in TSPX_Ma24, default : 9              |
| TSPX_Ma24   | MAC       | PIXIT | mobile allocation for TC_26_6_13_8, its value shall indicate number of frequencies between 1 and 17. default : '00E6E9'O                            |
| TSPX_Hsn24  | INTEGER   | PIXIT | hopping parameter for TC_26_6_13_8, default : 7                                                                                                     |
| TSPX_Maio25 | INTEGER   | PIXIT | hopping parameter for TC_26_6_13_8, its value between 0 and (the number of frequencies) -1, which is defined in TSPX_Ma25, default : 15             |
| TSPX_Ma25   | MAC       | PIXIT | mobile allocation for TC_26_6_13_8, its value shall indicate number of frequencies between 1 and 17. default : '01FFFB'O                            |
| TSPX_Chtp12 | CH_TDMA   | PIXIT | channel type of a non- existing channel in Assignment Cmd, TC_26_6_13_8                                                                             |
| TSPX_Maio26 | INTEGER   | PIXIT | hopping parameter for TC_26_6_13_8, its value between 0 and (the number of frequencies) -1, which is defined in TSPX_Ma26, default : 5              |
| TSPX_Ma26   | MAC       | PIXIT | mobile allocation for TC_26_6_13_8, its value shall indicate number of frequencies between 1 and 16. default : '009168'O                            |
| TSPX_Hsn26  | INTEGER   | PIXIT | hopping parameter for TC_26_6_13_8, default : 9                                                                                                     |
| TSPX_Maio27 | INTEGER   | PIXIT | hopping parameter for TC_26_6_13_8, its value between 0 and (the number of frequencies)                                                             |



|                    |          |       |                                                                                                                                          |
|--------------------|----------|-------|------------------------------------------------------------------------------------------------------------------------------------------|
| TSPX_Ma27          | MAC      | PIXIT | -1, which is defined in TSPX_Ma27, default : 1                                                                                           |
| TSPX_Hsn27         | INTEGER  | PIXIT | mobile allocation for TC_26_6_13_8, its value shall indicate number of frequencies between 1 and 16. default : '004080'O                 |
| TSPX_Chtp13        | CH_TDMA  | PIXIT | hopping parameter for TC_26_6_13_8, default : 38                                                                                         |
| TSPX_Tm3           | INTEGER  | PIXIT | channel type for TC_26_6_13_9                                                                                                            |
| TSPX_Maio28        | INTEGER  | PIXIT | channel mode for TC_26_6_13_9, value between 60 -100                                                                                     |
| TSPX_Ma28          | MAC      | PIXIT | hopping parameter for TC_26_6_13_9, its value between 0 and (the number of frequencies) -1, which is defined in TSPX_Ma28, default : 10  |
| TSPX_Hsn28         | INTEGER  | PIXIT | mobile allocation for TC_26_6_13_9, its value shall indicate number of frequencies between 1 and 17. default : '00EE7A'O                 |
| TSPX_Maio29        | INTEGER  | PIXIT | hopping parameter for TC_26_6_13_9, default : 11                                                                                         |
| TSPX_Ma29          | MAC      | PIXIT | hopping parameter for TC_26_6_13_9, its value between 0 and (the number of frequencies) -1, which is defined in TSPX_Ma29, default : 6   |
| TSPX_Chtp14        | CH_TDMA  | PIXIT | mobile allocation for TC_26_6_13_9, its value shall indicate number of frequencies between 1 and 17. default : '00F070'O                 |
| TSPX_Maio30        | INTEGER  | PIXIT | channel type for TC_26_6_13_10                                                                                                           |
| TSPX_Ma30          | MAC      | PIXIT | hopping parameter for TC_26_6_13_10, its value between 0 and (the number of frequencies) -1, which is defined in TSPX_Ma30, default : 11 |
| TSPX_Hsn30         | INTEGER  | PIXIT | mobile allocation for TC_26_6_13_10, its value shall indicate number of frequencies between 1 and 17. default : '017F69'O                |
| TSPX_Maio31        | INTEGER  | PIXIT | hopping parameter for TC_26_6_13_10, default : 62                                                                                        |
| TSPX_Ma31          | MAC      | PIXIT | hopping parameter for TC_26_6_13_10, its value between 0 and (the number of frequencies) -1, which is defined in TSPX_Ma31, default : 1  |
| TSPX_MOBscSvcA     | SERVICES | PIXIT | mobile allocation for TC_26_6_13_10, its value shall indicate number of frequencies between 1 and 17. default : '000101'O                |
| TSPX_MOBscSvcB     | SERVICES | PIXIT | any supported MO basic service                                                                                                           |
| TSPX_MOBscSvcC     | SERVICES | PIXIT | any supported MO basic service                                                                                                           |
| TSPX_MOBscSvcD     | SERVICES | PIXIT | any supported MO basic service                                                                                                           |
| TSPX_MOBscSvcE     | SERVICES | PIXIT | any supported MO basic service                                                                                                           |
| TSPX_MOBscSvcF     | SERVICES | PIXIT | any supported MO basic service                                                                                                           |
| TSPX_MOBscSvcG     | SERVICES | PIXIT | any supported MO basic service                                                                                                           |
| TSPX_MOBscSvcH     | SERVICES | PIXIT | any supported MO basic service                                                                                                           |
| TSPX_MOBscSvcI     | SERVICES | PIXIT | any supported MO basic service                                                                                                           |
| TSPX_MOBscSvcJ     | SERVICES | PIXIT | any supported MO basic service                                                                                                           |
| TSPX_MT_DualModSvc | SERVICES | PIXIT | any supported MO basic service                                                                                                           |
| TSPX_MT_NonSptSvc  | SERVICES | PIXIT | any supported MT dual mode service                                                                                                       |
| TSPX_MTBscSvcA     | SERVICES | PIXIT | any not supported MT basic service                                                                                                       |
|                    |          |       | any supported MT basic service                                                                                                           |

|                     |          |       |                                                                |
|---------------------|----------|-------|----------------------------------------------------------------|
| TSPX_MTBscSvcB      | SERVICES | PIXIT | any supported MT basic service                                 |
| TSPX_MTBscSvcC      | SERVICES | PIXIT | any supported MT basic service                                 |
| TSPX_MTBscSvcD      | SERVICES | PIXIT | any supported MT basic service                                 |
| TSPX_MTBscSvcE      | SERVICES | PIXIT | any supported MT basic service                                 |
| TSPX_MTBscSvcF      | SERVICES | PIXIT | any supported MT basic service                                 |
| TSPX_MTBscSvcG      | SERVICES | PIXIT | any supported MT basic service                                 |
| TSPX_MTBscSvcH      | SERVICES | PIXIT | any supported MT basic service                                 |
| TSPX_MTBscSvcI      | SERVICES | PIXIT | any supported MT basic service                                 |
| TSPX_MTBscSvcJ      | SERVICES | PIXIT | any supported MT basic service                                 |
| TSPX_MTNIC_BscSvcA  | SERVICES | PIXIT | any supported MT basic service<br>without immediate connection |
| TSPX_MTNIC_BscSvcB  | SERVICES | PIXIT | any supported MT basic service<br>without immediate connection |
| TSPX_MTNIC_BscSvcC  | SERVICES | PIXIT | any supported MT basic service<br>without immediate connection |
| TSPX_MTNIC_BscSvcD  | SERVICES | PIXIT | any supported MT basic service<br>without immediate connection |
| TSPX_MTNIC_BscSvcE  | SERVICES | PIXIT | any supported MT basic service<br>without immediate connection |
| TSPX_MTNIC_BscSvcF  | SERVICES | PIXIT | any supported MT basic service<br>without immediate connection |
| TSPX_MTNIC_BscSvcG  | SERVICES | PIXIT | any supported MT basic service<br>without immediate connection |
| TSPX_MTNIC_BscSvcH  | SERVICES | PIXIT | any supported MT basic service<br>without immediate connection |
| TSPX_MTNIC_BscSvcI  | SERVICES | PIXIT | any supported MT basic service<br>without immediate connection |
| TSPX_MTNIC_BscSvcJ  | SERVICES | PIXIT | any supported MT basic service<br>without immediate connection |
| TSPX_Telephony_Rate | RATE     | PIXIT | channel rate for TS11, default<br>value : C_Full               |
| TSPX_MOChRateA      | RATE     | PIXIT | channel rate for<br>TSPX_MOBscSvcA, default value<br>: C_Full  |
| TSPX_MOChRateB      | RATE     | PIXIT | channel rate for<br>TSPX_MOBscSvcB, default value<br>: C_Full  |
| TSPX_MOChRateC      | RATE     | PIXIT | channel rate for<br>TSPX_MOBscSvcC, default value<br>: C_Full  |
| TSPX_MOChRateD      | RATE     | PIXIT | channel rate for<br>TSPX_MOBscSvcD, default value<br>: C_Full  |
| TSPX_MOChRateE      | RATE     | PIXIT | channel rate for<br>TSPX_MOBscSvcE, default value<br>: C_Full  |
| TSPX_MOChRateF      | RATE     | PIXIT | channel rate for<br>TSPX_MOBscSvcF, default value<br>: C_Full  |
| TSPX_MOChRateG      | RATE     | PIXIT | channel rate for<br>TSPX_MOBscSvcG, default value<br>: C_Full  |
| TSPX_MOChRateH      | RATE     | PIXIT | channel rate for<br>TSPX_MOBscSvcH, default value<br>: C_Full  |
| TSPX_MOChRateI      | RATE     | PIXIT | channel rate for<br>TSPX_MOBscSvcI, default value :<br>C_Full  |
| TSPX_MOChRateJ      | RATE     | PIXIT | channel rate for<br>TSPX_MOBscSvcJ, default value<br>: C_Full  |
| TSPX_MTChRateA      | RATE     | PIXIT | channel rate for<br>TSPX_MTBscSvcA, default value<br>: C_Full  |
| TSPX_MTChRateB      | RATE     | PIXIT | channel rate for<br>TSPX_MTBscSvcB, default value<br>: C_Full  |
| TSPX_MTChRateC      | RATE     | PIXIT | channel rate for<br>TSPX_MTBscSvcC, default value<br>: C_Full  |
| TSPX_MTChRateD      | RATE     | PIXIT | channel rate for                                               |

|                           |          |       |                                                                |
|---------------------------|----------|-------|----------------------------------------------------------------|
| TSPX_MTChRateE            | RATE     | PIXIT | TSPX_MTBscSvcD, default value : C_Full                         |
| TSPX_MTChRateF            | RATE     | PIXIT | channel rate for TSPX_MTBscSvcE, default value : C_Full        |
| TSPX_MTChRateG            | RATE     | PIXIT | channel rate for TSPX_MTBscSvcF, default value : C_Full        |
| TSPX_MTChRateH            | RATE     | PIXIT | channel rate for TSPX_MTBscSvcG, default value : C_Full        |
| TSPX_MTChRateI            | RATE     | PIXIT | channel rate for TSPX_MTBscSvcH, default value : C_Full        |
| TSPX_MTChRateJ            | RATE     | PIXIT | channel rate for TSPX_MTBscSvcI, default value : C_Full        |
| TSPX_MTNIC_ChRateA        | RATE     | PIXIT | channel rate for TSPX_MTNIC_BscSvcA, default value : C_Full    |
| TSPX_MTNIC_ChRateB        | RATE     | PIXIT | channel rate for TSPX_MTNIC_BscSvcB, default value : C_Full    |
| TSPX_MTNIC_ChRateC        | RATE     | PIXIT | channel rate for TSPX_MTNIC_BscSvcC, default value : C_Full    |
| TSPX_MTNIC_ChRateD        | RATE     | PIXIT | channel rate for TSPX_MTNIC_BscSvcD, default value : C_Full    |
| TSPX_MTNIC_ChRateE        | RATE     | PIXIT | channel rate for TSPX_MTNIC_BscSvcE, default value : C_Full    |
| TSPX_MTNIC_ChRateF        | RATE     | PIXIT | channel rate for TSPX_MTNIC_BscSvcF, default value : C_Full    |
| TSPX_MTNIC_ChRateG        | RATE     | PIXIT | channel rate for TSPX_MTNIC_BscSvcG, default value : C_Full    |
| TSPX_MTNIC_ChRateH        | RATE     | PIXIT | channel rate for TSPX_MTNIC_BscSvcH, default value : C_Full    |
| TSPX_MTNIC_ChRateI        | RATE     | PIXIT | channel rate for TSPX_MTNIC_BscSvcI, default value : C_Full    |
| TSPX_MTNIC_ChRateJ        | RATE     | PIXIT | channel rate for TSPX_MTNIC_BscSvcJ, default value : C_Full    |
| TSPX_EmgCallRate          | RATE     | PIXIT | Rate for the basic service supported for MO emergency calls    |
| TSPX_MO_NonCallSS         | SERVICES | PIXIT | any supported MO non-call related supplementary service        |
| TSPX_MO_BscSvc_SMS        | SERVICES | PIXIT | any supported MO SMS calls                                     |
| TSPX_MO_DualModSvc        | SERVICES | PIXIT | any supported MO dual mode call                                |
| TSPX_MO_DualModRate       | RATE     | PIXIT | Rate for the supported MO dual mode call in TSPX_MO_DualModSvc |
| <b>Detailed Comments:</b> |          |       |                                                                |

## Test case selection expression definitions

| Test Case Selection Expression Definitions |                                                                                                                                                                                                                                                                                                                                                                                                                            |                                                                             |
|--------------------------------------------|----------------------------------------------------------------------------------------------------------------------------------------------------------------------------------------------------------------------------------------------------------------------------------------------------------------------------------------------------------------------------------------------------------------------------|-----------------------------------------------------------------------------|
| Expression Name                            | Selection Expression                                                                                                                                                                                                                                                                                                                                                                                                       | Comments                                                                    |
| SelExpr_0000                               | TRUE                                                                                                                                                                                                                                                                                                                                                                                                                       | General test group always selected                                          |
| SelExpr_0001                               | TRUE                                                                                                                                                                                                                                                                                                                                                                                                                       | always selected                                                             |
| SelExpr_0002                               | TSPC_MTsvc                                                                                                                                                                                                                                                                                                                                                                                                                 | MT circuit switched basic service supported                                 |
| SelExpr_0003                               | NOT TSPC_Serv_SS_AoCC                                                                                                                                                                                                                                                                                                                                                                                                      | AoCC not supported                                                          |
| SelExpr_0004                               | TSPC_Serv_SS_AoCC AND(NOT TSPC_Serv_SS_HOLD)                                                                                                                                                                                                                                                                                                                                                                               | AoCC supported but Call Hold not supported                                  |
| SelExpr_0005                               | TSPC_Serv_SS_AoCC AND TSPC_Serv_SS_HOLD AND(NOT TSPC_Serv_SS_MPTY)                                                                                                                                                                                                                                                                                                                                                         | AoCC and Call Hold supported but multiparty not supported                   |
| SelExpr_0006                               | NOT TSPC_Feat_FND                                                                                                                                                                                                                                                                                                                                                                                                          | FND feature not supported                                                   |
| SelExpr_0007                               | TSPC_MOsvc                                                                                                                                                                                                                                                                                                                                                                                                                 | MO circuit switched basic service supported                                 |
| SelExpr_0100                               | TRUE                                                                                                                                                                                                                                                                                                                                                                                                                       | initial test group always selected                                          |
| SelExpr_0101                               | TRUE                                                                                                                                                                                                                                                                                                                                                                                                                       | always selected                                                             |
| SelExpr_0102                               | TSPC_SvcOnTCH                                                                                                                                                                                                                                                                                                                                                                                                              | at least one service on traffic channel supported                           |
| SelExpr_0103                               | TSPC_DualRate                                                                                                                                                                                                                                                                                                                                                                                                              | half rate channel supported                                                 |
| SelExpr_0104                               | TSPC_Serv_BS21 OR TSPC_Serv_BS22 OR TSPC_Serv_BS23 OR TSPC_Serv_BS24 OR TSPC_Serv_BS25 OR TSPC_Serv_BS26 OR TSPC_Serv_BS31 OR TSPC_Serv_BS32 OR TSPC_Serv_BS33 OR TSPC_Serv_BS34 OR TSPC_Serv_BS41 OR TSPC_Serv_BS42 OR TSPC_Serv_BS43 OR TSPC_Serv_BS44 OR TSPC_Serv_BS45 OR TSPC_Serv_BS46 OR TSPC_Serv_BS51 OR TSPC_Serv_BS52 OR TSPC_Serv_BS53 OR TSPC_Serv_BS61 OR TSPC_Serv_BS81 OR TSPC_Serv_TS61 OR TSPC_Serv_TS62 | at least one data service supported                                         |
| SelExpr_0105                               | TSPC_NonCallSS                                                                                                                                                                                                                                                                                                                                                                                                             | non call related supplementary service supported                            |
| SelExpr_0106                               | TSPC_Serv_TS22                                                                                                                                                                                                                                                                                                                                                                                                             | MO short message service supported                                          |
| SelExpr_0107                               | TSPC_Serv_TS11 OR TSPC_Serv_TS12                                                                                                                                                                                                                                                                                                                                                                                           | speech supported                                                            |
| SelExpr_0200                               | TRUE                                                                                                                                                                                                                                                                                                                                                                                                                       | idleMode test group always selected                                         |
| SelExpr_0201                               | TRUE                                                                                                                                                                                                                                                                                                                                                                                                                       | always selected                                                             |
| SelExpr_0300                               | TRUE                                                                                                                                                                                                                                                                                                                                                                                                                       | BiBo test group always selected                                             |
| SelExpr_0301                               | TSPC_Serv_TS11 OR TSPC_Serv_TS12 OR SelExpr_0104                                                                                                                                                                                                                                                                                                                                                                           | CC protocol for at least one BC supported                                   |
| SelExpr_0302                               | TRUE                                                                                                                                                                                                                                                                                                                                                                                                                       | always selected                                                             |
| SelExpr_0400                               | TRUE                                                                                                                                                                                                                                                                                                                                                                                                                       | RR test group always selected                                               |
| SelExpr_0401                               | TRUE                                                                                                                                                                                                                                                                                                                                                                                                                       | always selected                                                             |
| SelExpr_0402                               | SelExpr_0301                                                                                                                                                                                                                                                                                                                                                                                                               | CC protocol for at least one BC supported                                   |
| SelExpr_0403                               | SelExpr_0301                                                                                                                                                                                                                                                                                                                                                                                                               | Full rate traffic channel supported                                         |
| SelExpr_0404                               | TSPC_DualRate                                                                                                                                                                                                                                                                                                                                                                                                              | Dual rate traffic channel supported                                         |
| SelExpr_0405                               | SelExpr_0301 AND(TSPC_Feat_A51 OR TSPC_Feat_A52)                                                                                                                                                                                                                                                                                                                                                                           | call control protocol and (A5/1 or A5/2) algorithm supported                |
| SelExpr_0406                               | SelExpr_0301 AND TSPC_RFAmp                                                                                                                                                                                                                                                                                                                                                                                                | call control protocol and RF amplification supported                        |
| SelExpr_0407                               | SelExpr_0301                                                                                                                                                                                                                                                                                                                                                                                                               | call control protocol and full rate traffic channel supported               |
| SelExpr_0408                               | SelExpr_0301 AND TSPC_DualRate                                                                                                                                                                                                                                                                                                                                                                                             | call control protocol and dual rate traffic channel supported               |
| SelExpr_0409                               | SelExpr_0301 AND TSPC_AddInfo_PseudoSynch                                                                                                                                                                                                                                                                                                                                                                                  | CC protocol for at least one BC supported and Pseudo synchronised supported |
| SelExpr_0410                               | TSPC_MOsvc                                                                                                                                                                                                                                                                                                                                                                                                                 | at least one MO circuit switched basic service supported                    |
| SelExpr_0500                               | TRUE                                                                                                                                                                                                                                                                                                                                                                                                                       | MM test group always selected                                               |
| SelExpr_0501                               | TRUE                                                                                                                                                                                                                                                                                                                                                                                                                       | always selected                                                             |
| SelExpr_0502                               | TSPC_SIMRmv                                                                                                                                                                                                                                                                                                                                                                                                                | SIM removable without power down supported                                  |
| SelExpr_0503                               | TSPC_Serv_TS11 OR TSPC_Serv_TS12                                                                                                                                                                                                                                                                                                                                                                                           | speech supported                                                            |

|              |                                                                                                              |                                                                                                                |
|--------------|--------------------------------------------------------------------------------------------------------------|----------------------------------------------------------------------------------------------------------------|
| SelExpr_0504 | TSPC_NonCallSS                                                                                               | The MS supports a non call related supplementary service operation during an active call                       |
| SelExpr_0600 | TSPC_MOsvc OR TSPC_MTsvc                                                                                     | CC test group                                                                                                  |
| SelExpr_0601 | TSPC_MOsvc AND(NOT TSPC_EmgOnly)                                                                             | at least one mobile originating circuit switched basic service supported and not only emergency call supported |
| SelExpr_0602 | (TSPC_NoimmConn) AND TSPC_MTsvc                                                                              | immediate connect not supported and at least one mobile terminated circuit switched basic service supported    |
| SelExpr_0603 | TSPC_RefusalCall AND TSPC_MTsvc                                                                              | refusal of call supported and at least one mobile terminated circuit switched basic service supported          |
| SelExpr_0604 | TSPC_Serv_TS11 OR TSPC_Serv_TS12 OR TSPC_Serv_TS61 OR TSPC_Serv_BS61 OR TSPC_Serv_BS81                       | speech supported                                                                                               |
| SelExpr_0605 | SelExpr_0604 AND TSPC_AlertInd                                                                               | speech & alerting supported                                                                                    |
| SelExpr_0606 | TSPC_MTsvc                                                                                                   | at least one mobile terminated circuit switched basic service supported                                        |
| SelExpr_0607 | TSPC_Serv_TS61 OR TSPC_Serv_BS61 OR TSPC_Serv_BS81                                                           | dual mode services supported                                                                                   |
| SelExpr_0700 | SelExpr_0301                                                                                                 | StructureProc test group                                                                                       |
| SelExpr_0701 | TSPC_Serv_TS11 OR TSPC_Serv_TS62                                                                             | at least one teleservice (except emergency call and dual service) supported                                    |
| SelExpr_0702 | TSPC_Serv_TS12                                                                                               | emergency call supported                                                                                       |
| SelExpr_0703 | TSPC_Serv_TS12 AND TSPC_DualRate                                                                             | dual rate emergency call supported                                                                             |
| SelExpr_0800 | TSPC_SS                                                                                                      | SS test group                                                                                                  |
| SelExpr_0801 | TSPC_Serv_SS_BOIC OR TSPC_Serv_SS_BAIC OR TSPC_Serv_SS_BOICexHC OR TSPC_Serv_SS_BICRoam OR TSPC_Serv_SS_BAOC | at least one of call restrictions supported                                                                    |
| SelExpr_0802 | TSPC_Serv_SS_AoCC                                                                                            | AOCC supported                                                                                                 |
| SelExpr_0803 | TSPC_Serv_SS_BOIC                                                                                            | BOIC supported                                                                                                 |
| SelExpr_0804 | TSPC_Serv_SS_BAIC                                                                                            | BAIC supported                                                                                                 |
| SelExpr_0805 | TSPC_Serv_SS_BOICexHC                                                                                        | BOICExHC supported                                                                                             |
| SelExpr_0806 | TSPC_Serv_SS_BOICexHC OR TSPC_Serv_SS_BAIC                                                                   | BOICExHC OR BAIC supported                                                                                     |
| SelExpr_0807 | TSPC_Serv_SS_BOIC OR TSPC_Serv_SS_BICRoam                                                                    | BOIC OR BICRoam supported                                                                                      |
| SelExpr_0808 | TSPC_Serv_SS_BI                                                                                              | BI supported                                                                                                   |
| SelExpr_0809 | TSPC_Serv_SS_CFNry OR TSPC_Serv_SS_CFU                                                                       | CFNry or CFU supported                                                                                         |
| SelExpr_0810 | TSPC_Serv_SS_CFB OR TSPC_Serv_SS_CFU OR TSPC_Serv_SS_CFNrc OR TSPC_Serv_SS_CFNry                             | CFB or CFU or CFNry or CFNrc supported                                                                         |
| SelExpr_0811 | TSPC_Serv_SS_CFB OR TSPC_Serv_SS_CFNrc OR TSPC_Serv_SS_CFNry                                                 | CFNry or CFNrc or CFB supported                                                                                |
| SelExpr_0812 | TSPC_Serv_SS_CFNrc OR TSPC_Serv_SS_CFB                                                                       | CFNrc or CFB supported                                                                                         |
| SelExpr_0813 | TSPC_Serv_SS_CFB                                                                                             | CFB supported                                                                                                  |
| SelExpr_0814 | TSPC_Serv_SS_BICRoam OR TSPC_Serv_SS_BAOC                                                                    | BAOC or BICRoam supported                                                                                      |
| SelExpr_0815 | TRUE                                                                                                         | always selected                                                                                                |
| SelExpr_0816 | TSPC_Serv_SS_unstruct                                                                                        | USSD supported                                                                                                 |
| SelExpr_0817 | TSPC_Serv_SS_unstruct AND SelExpr_0301                                                                       | USSD and CC protocol for at least one BC supported                                                             |
| SelExpr_0818 | TSPC_Serv_SS_AoCC AND TSPC_SIMRmv                                                                            | AOCC and SIM removable without power down supported                                                            |
| SelExpr_0819 | TSPC_Serv_SS_AoCC AND TSPC_Serv_SS_HOLD                                                                      | AOCC and Call Hold supported                                                                                   |
| SelExpr_0820 | TSPC_Serv_SS_AoCC AND TSPC_Serv_SS_MPTY                                                                      | AOCC and Multi Party service supported                                                                         |
| SelExpr_0821 | TSPC_Serv_SS_AoCC AND TSPC_SwitchOnOff                                                                       | AOCC and switch on/off supported                                                                               |
| SelExpr_0900 | TSPC_SMS                                                                                                     | SMS test group                                                                                                 |
| SelExpr_0901 | TSPC_Serv_TS21 AND SelExpr_0301                                                                              | MT/PP supported and CC protocol for at least one BC supported                                                  |

|                           |                                                                                            |                                                                                                                                                           |
|---------------------------|--------------------------------------------------------------------------------------------|-----------------------------------------------------------------------------------------------------------------------------------------------------------|
| SelExpr_0902              | TSPC_Serv_TS22 AND<br>TSPC_Serv_TS21 AND SelExpr_0301                                      | MO/PP supported and MT/PP supported<br>and CC protocol for at least one BC<br>supported                                                                   |
| SelExpr_0903              | TSPC_Serv_TS22 AND<br>TSPC_StoreRcvSMSME AND<br>TSPC_StoreRcvSMSSIM                        | MO/PP supported AND storage of SMS in<br>the ME supported AND storage of SMS in<br>the SIM supported                                                      |
| SelExpr_0904              | TSPC_Serv_TS22 AND<br>TSPC_Serv_TS21 AND<br>TSPC_SMSStatusRepCap                           | MO/PP supported AND MT/PP supported<br>AND SMS Status report capabilities<br>supported                                                                    |
| SelExpr_0905              | TSPC_Serv_TS21 AND<br>TSPC_DisprcvSMS                                                      | MT/PP supported AND display of<br>received short message supported                                                                                        |
| SelExpr_0906              | TSPC_Serv_TS21 AND<br>TSPC_DisprcvSMS<br>AND(TSPC_StoreRcvSMSME OR<br>TSPC_StoreRcvSMSSIM) | MT/PP supported AND display of<br>received short message supported AND<br>(storage of SMS in the ME supported OR<br>storage of SMS in the SIM supported ) |
| SelExpr_0907              | TSPC_Serv_TS21 AND<br>TSPC_StoreRcvSMSSIM                                                  | MT/PP supported AND display of<br>received short message supported AND<br>storage of SMS in the SIM supported                                             |
| SelExpr_0908              | TSPC_Serv_TS21 AND<br>TSPC_ReplaceSMS AND<br>TSPC_DisprcvSMS                               | MT/PP supported AND "replace short<br>message" and "display of received short<br>message" supported                                                       |
| SelExpr_0909              | TSPC_Serv_TS22 AND<br>TSPC_Serv_TS21 AND TSPC_ReplyProc<br>AND TSPC_DisprcvSMS             | MO/PP supported AND MT/PP supported<br>AND "reply procedure" and "display of<br>received short message" supported                                         |
| SelExpr_1000              | TSPC_EGSM                                                                                  | E- band supported                                                                                                                                         |
| SelExpr_1001              | SelExpr_0301                                                                               | CC protocol for at least one BC supported                                                                                                                 |
| SelExpr_1002              | TSPC_Serv_TS11 OR TSPC_Serv_TS61<br>OR TSPC_Serv_TS62                                      | telephony supported or alternate<br>speech/data supported or Teleservice<br>automatic G3 fax supported                                                    |
| SelExpr_1003              | TSPC_Serv_TS12                                                                             | emergency call supported                                                                                                                                  |
| <b>Detailed Comments:</b> |                                                                                            |                                                                                                                                                           |

Test suite constant declarations

| Test Suite Constant Declarations |         |        |                                                        |
|----------------------------------|---------|--------|--------------------------------------------------------|
| Constant Name                    | Type    | Value  | Comments                                               |
| C_arfcnA                         | INTEGER | 20     | ARFCN 20                                               |
| C_arfcn_1                        | INTEGER | 1      | ARFCN 1                                                |
| C_arfcn_2                        | INTEGER | 2      | ARFCN 2                                                |
| C_arfcn_1015                     | INTEGER | 1015   | ARFCN 1015                                             |
| C_arfcn_10                       | INTEGER | 10     | ARFCN 10                                               |
| C_arfcn_34                       | INTEGER | 34     | ARFCN 34                                               |
| C_arfcnB                         | INTEGER | 10     | ARFCN of cell B                                        |
| C_arfcnC                         | INTEGER | 30     | ARFCN 30                                               |
| C_arfcnH                         | INTEGER | 44     | ARFCN 44                                               |
| C_arfcnAd                        | INTEGER | 590    | ARFCN 590                                              |
| C_arfcnAd_1                      | INTEGER | 520    | ARFCN 520                                              |
| C_arfcnAd_2                      | INTEGER | 514    | ARFCN 514                                              |
| C_arfcnAd_3                      | INTEGER | 715    | ARFCN 715                                              |
| C_arfcnAd_4                      | INTEGER | 747    | ARFCN 747                                              |
| C_arfcnAd_5                      | INTEGER | 734    | ARFCN 734                                              |
| C_arfcnAd_6                      | INTEGER | 759    | ARFCN 759                                              |
| C_arfcnBd                        | INTEGER | 520    | ARFCN 520                                              |
| C_arfcnCd                        | INTEGER | 700    | ARFCN 700                                              |
| C_arfcnHd                        | INTEGER | 810    | ARFCN 810                                              |
| C_arfcn_tchA                     | INTEGER | 30     | ARFCN f30                                              |
| C_arfcn_tchAd                    | INTEGER | 650    | ARFCN 650                                              |
| C_arfcn_tchB                     | INTEGER | 114    | ARFCN 114                                              |
| C_arfcn_tchBd                    | INTEGER | 844    | ARFCN 844                                              |
| C_arfcnEgsm                      | INTEGER | 990    | ARFCN 990                                              |
| C_arfcnEgsm_jacmd                | INTEGER | 20     | ARFCN 20                                               |
| C_arfcnEgsm_asscmd               | INTEGER | 20     | ARFCN 20                                               |
| C_BCCHcarrierB_ho                | INTEGER | 40     | BCCH frequency number of cell B for Ho cases (GSM: 40) |
| C_BCCHcarrierB_hod               | INTEGER | 764    | BCCH frequency number of cell B for Ho cases (DCS:764) |
| C_Noarfcn                        | INTEGER | 65534  | No arfcn defined ( hopping channel)                    |
| C_ATT_0                          | INTEGER | 0      | Attach value 0                                         |
| C_ATT_1                          | INTEGER | 1      | Attach value 1                                         |
| C_NCC                            | NCC     | '001'B | Network color code                                     |
| C_NCC_0                          | NCC     | '000'B | Network color code value '000'B                        |
| C_NCC_1                          | NCC     | '001'B | Network color code value '001'B                        |
| C_NCC_2                          | NCC     | '010'B | Network color code value '010'B                        |
| C_NCC_3                          | NCC     | '011'B | Network color code value '011'B                        |
| C_NCC_4                          | NCC     | '100'B | Network color code value '100'B                        |
| C_NCC_5                          | NCC     | '101'B | Network color code value '101'B                        |
| C_NCC_6                          | NCC     | '110'B | Network color code value '110'B                        |
| C_NCC_7                          | NCC     | '111'B | Network color code value '111'B                        |
| C_NCCP_2                         | NCCP    | '02'O  | Network color code permitted value '02'O               |
| C_NCCP_10                        | NCCP    | '0A'O  | Network color code permitted value '0A'O               |
| C_BCC                            | BCC     | '101'B | Base Station color code                                |
| C_BCC_0                          | BCC     | '000'B | Base Station color code value 0                        |
| C_BCC_1                          | BCC     | '001'B | Base Station color code value 1                        |
| C_BCC_3                          | BCC     | '011'B | Base Station color code value 3                        |
| C_BCC_5                          | BCC     | '101'B | Base Station color code value 5                        |
| C_BCC_7                          | BCC     | '111'B | Base Station color code value 7                        |
| C_cch_1nonComb                   | B_3     | '000'B | cch_con = 1 basic ch non combined                      |
| C_cch_1Comb                      | B_3     | '001'B | cch_con = 1 basic ch combined                          |
| C_cch_2Comb                      | B_3     | '011'B | cch_con = 2 basic ch combined                          |
| C_cch_3Comb                      | B_3     | '101'B | cch_con = 3 basic ch combined                          |

|                |             |                                       |                                                                                                                                                                                                     |
|----------------|-------------|---------------------------------------|-----------------------------------------------------------------------------------------------------------------------------------------------------------------------------------------------------|
| C_cch_4Comb    | B_3         | '111'B                                | cch_con = 4 basic ch combined                                                                                                                                                                       |
| C_cch_2nonComb | B_3         | '010'B                                | cch_con = 2 basic chs non combined                                                                                                                                                                  |
| C_cch_3nonComb | B_3         | '100'B                                | cch_con = 3 basic chs non combined                                                                                                                                                                  |
| C_cch_4nonComb | B_3         | '110'B                                | cch_con = 4 basic chs non combined                                                                                                                                                                  |
| C_cchd_e_407   | OCTETSTRING | '8DEA0DF4CC6C4AFAFB10000000000'O      | f-list for cellchdescr using of 128 format. The coded set is {980, 981, 982, 983, 990, 991, 992, 993, 994, 1000, 1005, 1010, 1015}.<br>Length = 16<br>TC_26_10_4, k=2, c=1<br>TC_26.10.6, c=1       |
| C_cchd_e_408   | OCTETSTRING | '8A0A1CFD3EF4610E2FFFFA000000000'O    | f-list for cellchdescr using of 256 format. The coded set is {20, 40, 66, 73, 74, 75, 76, 77, 78, 79, 108, 114,115}<br>Length = 16<br>TC_26_10_4, k=2, c=2<br>TC_26.10.6, c=2                       |
| C_cchd_e_409   | OCTETSTRING | '89EA037F433C7B042BFEBFEC10000000'O   | f-list for cellchdescr using of 512 format. The coded set is {980, 981, 982, 983, 990, 991, 992, 993, 994, 1000, 1005, 1010, 1015}.<br>Length = 16<br>TC_26_10_4, k=2, c=3 TC: 26.10.6 c=3          |
| C_cchd_e_410   | OCTETSTRING | '841EEA893EF98143B1610000000000'O     | f-list for cellchdescr using of 1024 format.<br>Length = 16                                                                                                                                         |
| C_cchd_e_411   | OCTETSTRING | '8FEA703E0842100000000000000000'O     | f-list for cellchdescr using of variable bit format. The coded set is {980, 981, 982, 983, 990, 991, 992, 993, 994, 1000, 1005, 1010, 1015}.<br>Length = 16<br>TC_26_10_4, k=2, c=5 TC: 26.10.6 c=5 |
| C_cchd_e_412   | OCTETSTRING | '0002080000007F020000008000080000'O   | f-list for cellchdescr using of bit map 0 format. The coded set is {20, 40, 66, 73, 74, 75, 76, 77, 78, 79, 108, 114,115}<br>Length = 16<br>TC_26_10_4, k=2, c=6                                    |
| C_cchd_e_414   | OCTETSTRING | '0000000000000000200000200002000000'O | f-list for cellchdescr using of bit map 0 format.<br>Length = 16<br>f_list: 30, 50 ,70<br>TC: 26.10.6 c=6                                                                                           |
| C_cchd_e_415   | OCTETSTRING | '841EEA893EF98143800000000000000'O    | f-list for cellchdescr using range 1024 format. The coded set is {0, 30, 40, 66, 80, 1005, 1010, 1015}.<br>Length = 16<br>TC_26_10_4, k=2, c=4 TC: 26.10.6 c=4                                      |
| C_ChMod_s      | CHMOD_VAL   | '00000000'B                           | Mode : signalling only.                                                                                                                                                                             |
| C_ChMod_r      | CHMOD_VAL   | '00000001'B                           | Mode : speech full or half rate.                                                                                                                                                                    |
| C_ChMod_12k    | CHMOD_VAL   | '00000011'B                           | Mode : 12k radio rate.                                                                                                                                                                              |
| C_ChMod_6k     | CHMOD_VAL   | '00001011'B                           | Mode : 6k radio rate.                                                                                                                                                                               |
| C_ChMod_3k     | CHMOD_VAL   | '00010011'B                           | Mode : 3.6k radio rate.                                                                                                                                                                             |
| C_Sap0         | SAPID       | '00'O                                 | service access point 0                                                                                                                                                                              |
| C_Sap3         | SAPID       | '03'O                                 | service access point 3                                                                                                                                                                              |
| C_CellA        | CellID      | "C_CellA"                             | cell A -- cell 1                                                                                                                                                                                    |
| C_CellB        | CellID      | "C_CellB"                             | cell B -- cell 2                                                                                                                                                                                    |
| C_CellC        | CellID      | "C_CellC"                             | cell C -- cell 3                                                                                                                                                                                    |
| C_CellD        | CellID      | "C_CellD"                             | cell D -- cell 4                                                                                                                                                                                    |
| C_CellE        | CellID      | "C_CellE"                             | cell E -- cell 5                                                                                                                                                                                    |



|                      |             |                                    |                                                                                                                                                                                                                                           |
|----------------------|-------------|------------------------------------|-------------------------------------------------------------------------------------------------------------------------------------------------------------------------------------------------------------------------------------------|
| C_CellF              | CellID      | "C_CellF"                          | cell F -- cell 6                                                                                                                                                                                                                          |
| C_CellG              | CellID      | "C_CellG"                          | cell G -- cell 7                                                                                                                                                                                                                          |
| C_CellH              | CellID      | "C_CellH"                          | cell H -- cell 8                                                                                                                                                                                                                          |
| C_ci_cellA           | CI          | '0001'O                            | Cell Id for cell A                                                                                                                                                                                                                        |
| C_ci_cellB           | CI          | '0002'O                            | Cell Id for cell B                                                                                                                                                                                                                        |
| C_ci_cellC           | CI          | '0003'O                            | Cell Id for cell C                                                                                                                                                                                                                        |
| C_ci_cellD           | CI          | '0004'O                            | Cell Id for cell D                                                                                                                                                                                                                        |
| C_ci_cellE           | CI          | '0005'O                            | Cell Id for cell E                                                                                                                                                                                                                        |
| C_ci_cellF           | CI          | '0006'O                            | Cell Id for cell F                                                                                                                                                                                                                        |
| C_ci_cellG           | CI          | '0007'O                            | Cell Id for cell G                                                                                                                                                                                                                        |
| C_ci_cellH           | CI          | '0008'O                            | Cell Id for cell H                                                                                                                                                                                                                        |
| C_cks_nockey         | BITSTRING   | '111'B                             | No key available                                                                                                                                                                                                                          |
| C_E_default          | INTEGER     | 63                                 | Default field strength                                                                                                                                                                                                                    |
| C_E_neighbourdefault | INTEGER     | 53                                 | Default field strength of neighbouring cells.                                                                                                                                                                                             |
| C_E_suitable         | INTEGER     | 45                                 | Field strength of a suitable cell                                                                                                                                                                                                         |
| C_E_notsuitable      | INTEGER     | -10                                | Field strength of a not suitable cell for reselection (C1 < 0)                                                                                                                                                                            |
| C_E_notsuitable_fSel | INTEGER     | 24                                 | Field strength of a not suitable cell for selection                                                                                                                                                                                       |
| C_flist_e_401        | OCTETSTRING | '8DF68AEC00'O                      | It includes the list of f's in EGSM test cases. The coded set is {1005, 1010, 1015}, range 128 format<br>Length = 5<br>TC_26_10_4, k=1, c=1 TC: 26.10.5.1 k=1/2,c=1                                                                       |
| C_flist_e_402        | OCTETSTRING | '8A2481FF03F8'O                    | It includes the list of f's in EGSM test cases. The coded set is {73, 74, 75, 76, 77}, range 256 format.<br>Length = 6<br>TC_26_10_4, k=1, c=2 TC: 26.10.5.1 k=1/2,c=2                                                                    |
| C_flist_e_403        | OCTETSTRING | '89EA00BFC040'O                    | It includes the list of f's in EGSM test cases. The coded set is {980, 981, 982, 983}, range 512 format.<br>Length = 6<br>TC_26_10_4, k=1, c=3 TC: 26.10.5.1 k=1/2,c=3                                                                    |
| C_flist_e_404        | OCTETSTRING | '801EED02BEC0'O                    | It includes the list of f's in EGSM test cases. The coded set is {30, 40, 1010, 1015}, range 1024 format.<br>Length = 6<br>TC_26_10_4, k=1, c=4 TC: 26.10.5.1 k=1/2,c=4                                                                   |
| C_flist_e_405        | OCTETSTRING | '8FEA001E000010'O                  | It includes the list of f's in EGSM test cases. The coded set is {980, 991, 992, 993, 994, 1015}.<br>Length = 7<br>TC_26_10_4, k=1, c=5 TC: 26.10.5.1 k=1/2,c=5                                                                           |
| C_flist_e_406        | OCTETSTRING | '0000000000000020000008000080000'O | It includes the list of f's in EGSM test cases. The coded set is {20, 40, 66}, bitmap 0 format.<br>Length = 16<br>TC_26_10_4, k=1, c=6 TC: 26.10.5.1 k=2,c=6                                                                              |
| C_flist_e_407        | OCTETSTRING | '8DEA0DF4CC6C4AFAFB100000000000'O  | It includes the list of f's in EGSM test cases. The coded set is {980, 981, 982, 983, 990, 991, 992, 993, 994, 1000, 1005, 1010, 1015}, range 128 format.<br>Length = 16<br>TC_26_10_4, k=2, c=1 TC: 26.10.5.1 k=3,c=1<br>TC: 26.10.6 c=1 |
| C_flist_e_408        | OCTETSTRING | '8A0A1CFD3EF4610E2FFFFA0000'O      | It includes the list of f's in EGSM test cases. The coded set is {20,                                                                                                                                                                     |

|               |             |                                     |                                                                                                                                                                                                                                                   |
|---------------|-------------|-------------------------------------|---------------------------------------------------------------------------------------------------------------------------------------------------------------------------------------------------------------------------------------------------|
|               |             |                                     | 40, 66, 73, 74, 75, 76, 77, 78, 79, 108, 114, 115), range 256 format.<br>Length = 13<br>TC_26_10_4, k=2, c=2 TC:<br>26.10.5.1 k=3,c=2<br>TC: 26.10.6 c=2                                                                                          |
| C_flist_e_409 | OCTETSTRING | '89EA037F433C7B042BFEBFEC10000000'O | It includes the list of f's in EGSM test cases. The coded set is {980, 981, 982, 983, 990, 991, 992, 993, 994, 1000, 1005, 1010, 1015}, range 512 format.<br>Length = 16<br>TC_26_10_4, k=2, c=3 TC:<br>26.10.5.2 k=3,c=3<br>TC: 26.10.6 c=3      |
| C_flist_e_410 | OCTETSTRING | '841EEA893EF98143B161'O             | Length = 10<br>TC: 26.10.5.2 k=3,c=4                                                                                                                                                                                                              |
| C_flist_e_411 | OCTETSTRING | '8FEA703E084210'O                   | It includes the list of f's in EGSM test cases. The coded set is {980, 981, 982, 983, 990, 991, 992, 993, 994, 1000, 1005, 1010, 1015}, variable bitmap format.<br>Length = 7<br>TC_26_10_4, k=2, c=5 TC:<br>26.10.5.1 k=3,c=5<br>TC: 26.10.6 c=5 |
| C_flist_e_412 | OCTETSTRING | '0002080000007F020000008000080000'O | It includes the list of f's in EGSM test cases. The coded set is {20, 40, 66, 73, 74, 75, 76, 77, 78, 79, 108, 114, 115}, bitmap 0 format.<br>Length = 16<br>TC_26_10_4, k=2, c=6 TC:<br>26.10.5.1 k=3,c=6                                        |
| C_flist_e_415 | OCTETSTRING | '841EEA893EF9814380'O               | It includes the list of f's in EGSM test cases. The coded set is {0, 30, 40, 66, 80, 1005, 1010, 1015}, range 1024 format.<br>Length = 9<br>Format: 1024<br>TC_26_10_4, k=2, c=4 TC:<br>26.10.6 c=4                                               |
| C_flist_e_416 | OCTETSTRING | '0002080000007F020000008000080000'O | bit map 0 format. The coded set is {20, 40, 66, 73, 74, 75, 76, 77, 78, 79, 108, 114}<br>Length = 16                                                                                                                                              |
| C_BABR_0      | B_3         | '000'B                              | BABR value 0                                                                                                                                                                                                                                      |
| C_BABR_1      | B_3         | '001'B                              | BABR value 1                                                                                                                                                                                                                                      |
| C_BABR_2      | B_3         | '010'B                              | BABR value 2                                                                                                                                                                                                                                      |
| C_BPM_0       | B_3         | '000'B                              | BPM value 0, 2 multiframe                                                                                                                                                                                                                         |
| C_BPM_2       | B_3         | '010'B                              | BPM value 2, 4 multiframe                                                                                                                                                                                                                         |
| C_BPM_3       | B_3         | '011'B                              | BPM value 3, 5 multiframe                                                                                                                                                                                                                         |
| C_BPM_7       | B_3         | '111'B                              | BPM value 7, 9 multiframe                                                                                                                                                                                                                         |
| C_T3212_0     | OCTETSTRING | '00'O                               | T3212 infinite                                                                                                                                                                                                                                    |
| C_T3212_1     | OCTETSTRING | '01'O                               | T3212 6 mn / 1 deci hours                                                                                                                                                                                                                         |
| C_T3212_2     | OCTETSTRING | '02'O                               | T3212 12 mn / 2 deci hours                                                                                                                                                                                                                        |
| C_T3212_5     | OCTETSTRING | '05'O                               | T3212 30 mn / 5 deci hours                                                                                                                                                                                                                        |
| C_IMSI        | INTEGER     | 0                                   | MI type: IMSI                                                                                                                                                                                                                                     |
| C_TMSI        | INTEGER     | 1                                   | MI type: TMSI                                                                                                                                                                                                                                     |
| C_IMEI        | INTEGER     | 2                                   | MI type: IMEI                                                                                                                                                                                                                                     |
| C_IMEISV      | INTEGER     | 3                                   | MI type: IMEISV                                                                                                                                                                                                                                   |
| C_shortIMSI   | HEXSTRING   | '001011234'H                        | A short IMSI                                                                                                                                                                                                                                      |
| C_LAC_1       | OCTETSTRING | '0001'O                             | lac 1.                                                                                                                                                                                                                                            |
| C_LAC_2       | OCTETSTRING | '0002'O                             | lac 2.                                                                                                                                                                                                                                            |
| C_LAC_3       | OCTETSTRING | '0003'O                             | lac 3.                                                                                                                                                                                                                                            |
| C_LAC_4       | OCTETSTRING | '0004'O                             | lac 4.                                                                                                                                                                                                                                            |
| C_LAC_5       | OCTETSTRING | '0005'O                             | lac 5.                                                                                                                                                                                                                                            |
| C_LAC_6       | OCTETSTRING | '0006'O                             | lac 6.                                                                                                                                                                                                                                            |
| C_LAC_7       | OCTETSTRING | '0007'O                             | lac 7.                                                                                                                                                                                                                                            |
| C_LAC_8       | OCTETSTRING | '0008'O                             | lac 8.                                                                                                                                                                                                                                            |

|               |             |              |                                           |
|---------------|-------------|--------------|-------------------------------------------|
| C_LAC_spe     | OCTETSTRING | '5344'O      | lac '5344'H.                              |
| C_lacdeleted  | OCTETSTRING | 'FFFE'O      | lac value deleted.                        |
| C_MCC_1       | OCTETSTRING | '00F1'O      | MCC 1                                     |
| C_MCC_2       | OCTETSTRING | '00F2'O      | MCC 2                                     |
| C_MCC_3       | OCTETSTRING | '00F3'O      | MCC 3                                     |
| C_MCC_4       | OCTETSTRING | '00F4'O      | MCC 4                                     |
| C_MCC_5       | OCTETSTRING | '00F5'O      | MCC 5                                     |
| C_MCC_6       | OCTETSTRING | '00F6'O      | MCC 6                                     |
| C_MCC_7       | OCTETSTRING | '00F7'O      | MCC 7                                     |
| C_MCC_8       | OCTETSTRING | '00F8'O      | MCC 8                                     |
| C_MCC_9       | OCTETSTRING | '013B'O      | MCC 9                                     |
| C_Max_1       | INTEGER     | 1            | Max Retrans value 1                       |
| C_Max_2       | INTEGER     | 2            | Max Retrans value 2                       |
| C_Max_7       | INTEGER     | 7            | Max Retrans value 7                       |
| C_NECI_0      | INTEGER     | 0            | NECI value 0, not supported               |
| C_NECI_1      | INTEGER     | 1            | NECI value 1, supported                   |
| C_PLMN_1      | OCTETSTRING | '10'O        | PLMN 1 (mnc=01)                           |
| C_PLMN_2      | OCTETSTRING | '20'O        | PLMN 2 (mnc=02)                           |
| C_PLMN_3      | OCTETSTRING | '30'O        | PLMN 3 (mnc=03)                           |
| C_PLMN_4      | OCTETSTRING | 'F0'O        | PLMN 4                                    |
| C_PLMN_5      | OCTETSTRING | 'F2'O        | PLMN 5                                    |
| C_PLMN_6      | OCTETSTRING | 'F3'O        | PLMN 6                                    |
| C_PLMN_7      | OCTETSTRING | 'F4'O        | PLMN 7                                    |
| C_PLMN_8      | OCTETSTRING | 'F5'O        | PLMN 8                                    |
| C_PLMN_9      | OCTETSTRING | 'F6'O        | PLMN 9                                    |
| C_PLMN_10     | OCTETSTRING | 'F7'O        | PLMN 10                                   |
| C_PLMN_Home   | OCTETSTRING | '10'O        | PLMN 1 (mnc=01)                           |
| C_TxInt_5     | INTEGER     | 5            | Tx Integer value 5                        |
| C_TxInt_7     | INTEGER     | 7            | Tx Integer value 7                        |
| C_TxInt_10    | INTEGER     | 10           | Tx Integer value 10                       |
| C_NotCombined | BOOLEAN     | FALSE        | CCCH not combined with SDCCH              |
| C_Combined    | BOOLEAN     | TRUE         | CCCH combined with SDCCH                  |
| C_FCCH_A      | LOGICCH     | "C_FCCH_A"   | frequency correction channel of cell A(1) |
| C_FCCH_B      | LOGICCH     | "C_FCCH_B"   | frequency correction channel of cell B(2) |
| C_FCCH_C      | LOGICCH     | "C_FCCH_C"   | frequency correction channel of cell C(3) |
| C_FCCH_D      | LOGICCH     | "C_FCCH_D"   | frequency correction channel of cell D(4) |
| C_FCCH_E      | LOGICCH     | "C_FCCH_E"   | frequency correction channel of cell E(5) |
| C_FCCH_F      | LOGICCH     | "C_FCCH_F"   | frequency correction channel of cell F(6) |
| C_FCCH_G      | LOGICCH     | "C_FCCH_G"   | frequency correction channel of cell G(7) |
| C_FCCH_H      | LOGICCH     | "C_FCCH_H"   | frequency correction channel of cell H(8) |
| C_SCH_A       | LOGICCH     | "C_SCH_A"    | sync channel of cell A(1)                 |
| C_SCH_B       | LOGICCH     | "C_SCH_B"    | sync channel of cell B(2)                 |
| C_SCH_C       | LOGICCH     | "C_SCH_C"    | sync channel of cell C(3)                 |
| C_SCH_D       | LOGICCH     | "C_SCH_D"    | sync channel of cell D(4)                 |
| C_SCH_E       | LOGICCH     | "C_SCH_E"    | sync channel of cell E(5)                 |
| C_SCH_F       | LOGICCH     | "C_SCH_F"    | sync channel of cell F(6)                 |
| C_SCH_G       | LOGICCH     | "C_SCH_G"    | sync channel of cell G(7)                 |
| C_SCH_H       | LOGICCH     | "C_SCH_H"    | sync channel of cell H(8)                 |
| C_BCCH_A_1    | LOGICCH     | "C_BCCH_A_1" | 1st broadcast channel of cell A           |
| C_BCCH_A_2    | LOGICCH     | "C_BCCH_A_2" | 2nd broadcast channel of cell A           |
| C_BCCH_A_3    | LOGICCH     | "C_BCCH_A_3" | 3rd broadcast channel of cell A           |
| C_BCCH_A_4    | LOGICCH     | "C_BCCH_A_4" | 4th broadcast channel of cell A           |
| C_BCCH_B_1    | LOGICCH     | "C_BCCH_B_1" | 1st broadcast channel of cell B           |
| C_BCCH_C_1    | LOGICCH     | "C_BCCH_C_1" | 1st broadcast channel of cell C           |
| C_BCCH_D_1    | LOGICCH     | "C_BCCH_D_1" | 1st broadcast channel of cell D           |
| C_BCCH_E_1    | LOGICCH     | "C_BCCH_E_1" | 1st broadcast channel of cell E           |
| C_BCCH_F_1    | LOGICCH     | "C_BCCH_F_1" | 1st broadcast channel of cell F           |
| C_BCCH_G_1    | LOGICCH     | "C_BCCH_G_1" | 1st broadcast channel of cell G           |

|            |         |              |                                             |
|------------|---------|--------------|---------------------------------------------|
| C_BCCH_H_1 | LOGICCH | "C_BCCH_H_1" | 1st broadcast channel of cell H             |
| C_CBCH_A   | LOGICCH | "C_CBCH_A"   | Cell broadcast channel in cell A            |
| C_AGCH_A_1 | LOGICCH | "C_AGCH_A_1" | 1st down link CCCH (AGCH) of cell A         |
| C_AGCH_A_2 | LOGICCH | "C_AGCH_A_2" | 2nd down link CCCH (AGCH) of cell A         |
| C_AGCH_A_3 | LOGICCH | "C_AGCH_A_3" | 3rd down link CCCH (AGCH) of cell A         |
| C_AGCH_A_4 | LOGICCH | "C_AGCH_A_4" | 4th down link CCCH (AGCH) of cell A         |
| C_AGCH_B_1 | LOGICCH | "C_AGCH_B_1" | 1st down link CCCH (AGCH) of cell B         |
| C_AGCH_B_2 | LOGICCH | "C_AGCH_B_2" | 2nd down link CCCH (AGCH) of cell B         |
| C_AGCH_B_3 | LOGICCH | "C_AGCH_B_3" | 3rd down link CCCH (AGCH) of cell B         |
| C_AGCH_B_4 | LOGICCH | "C_AGCH_B_4" | 4th down link CCCH (AGCH) of cell B         |
| C_AGCH_C_1 | LOGICCH | "C_AGCH_C_1" | 1st down link CCCH (AGCH) of cell C         |
| C_AGCH_C_2 | LOGICCH | "C_AGCH_C_2" | 2nd down link CCCH (AGCH) of cell C         |
| C_AGCH_C_3 | LOGICCH | "C_AGCH_C_3" | 3rd down link CCCH (AGCH) of cell C         |
| C_AGCH_C_4 | LOGICCH | "C_AGCH_C_4" | 4th down link CCCH (AGCH) of cell C         |
| C_AGCH_D_1 | LOGICCH | "C_AGCH_D_1" | 1st down link CCCH (AGCH) of cell D         |
| C_AGCH_E_1 | LOGICCH | "C_AGCH_E_1" | 1st down link CCCH (AGCH) of cell E         |
| C_AGCH_F_1 | LOGICCH | "C_AGCH_F_1" | 1st down link CCCH (AGCH) of cell F         |
| C_AGCH_G_1 | LOGICCH | "C_AGCH_G_1" | 1st down link CCCH (AGCH) of cell G         |
| C_AGCH_H_1 | LOGICCH | "C_AGCH_H_1" | 1st down link CCCH (AGCH) of cell H         |
| C_PCH_A_1  | LOGICCH | "C_PCH_A_1"  | 1st down link CCCH (PCH) of cell A          |
| C_PCH_A_2  | LOGICCH | "C_PCH_A_2"  | 2nd down link CCCH (PCH) of cell A          |
| C_PCH_A_3  | LOGICCH | "C_PCH_A_3"  | 3rd down link CCCH (PCH) of cell A          |
| C_PCH_A_4  | LOGICCH | "C_PCH_A_4"  | 4th down link CCCH (PCH) of cell A          |
| C_PCH_B_1  | LOGICCH | "C_PCH_B_1"  | 1st down link CCCH (PCH) of cell B          |
| C_PCH_B_2  | LOGICCH | "C_PCH_B_2"  | 2nd down link CCCH (PCH) of cell B          |
| C_PCH_B_3  | LOGICCH | "C_PCH_B_3"  | 3rd down link CCCH (PCH) of cell B          |
| C_PCH_B_4  | LOGICCH | "C_PCH_B_4"  | 4th down link CCCH (PCH) of cell B          |
| C_PCH_C_1  | LOGICCH | "C_PCH_C_1"  | 1st down link CCCH (PCH) of cell C          |
| C_PCH_C_2  | LOGICCH | "C_PCH_C_2"  | 2nd down link CCCH (PCH) of cell C          |
| C_PCH_C_3  | LOGICCH | "C_PCH_C_3"  | 3rd down link CCCH (PCH) of cell C          |
| C_PCH_C_4  | LOGICCH | "C_PCH_C_4"  | 4th down link CCCH (PCH) of cell C          |
| C_PCH_D_1  | LOGICCH | "C_PCH_D_1"  | 1st down link CCCH (PCH and AGCH) of cell D |
| C_PCH_E_1  | LOGICCH | "C_PCH_E_1"  | 1st down link CCCH (PCH) of cell E          |
| C_PCH_F_1  | LOGICCH | "C_PCH_F_1"  | 1st down link CCCH (PCH) of cell F          |
| C_PCH_G_1  | LOGICCH | "C_PCH_G_1"  | 1st down link CCCH (PCH) of cell G          |
| C_PCH_H_1  | LOGICCH | "C_PCH_H_1"  | 1st down link CCCH (PCH) of cell H          |
| C_RACH_A_1 | LOGICCH | "C_RACH_A_1" | 1st uplink CCCH (RACH) of cell A            |

|               |         |                 |                                            |
|---------------|---------|-----------------|--------------------------------------------|
| C_RACH_A_2    | LOGICCH | "C_RACH_A_2"    | 2nd uplink CCCH (RACH) of cell A           |
| C_RACH_A_3    | LOGICCH | "C_RACH_A_3"    | 3rd uplink CCCH (RACH) of cell A           |
| C_RACH_A_4    | LOGICCH | "C_RACH_A_4"    | 4th uplink CCCH (RACH) of cell A           |
| C_RACH_B_1    | LOGICCH | "C_RACH_B_1"    | 1st uplink CCCH (RACH) of cell B           |
| C_RACH_C_1    | LOGICCH | "C_RACH_C_1"    | 1st uplink CCCH (RACH) of cell C           |
| C_RACH_D_1    | LOGICCH | "C_RACH_D_1"    | 1st uplink CCCH (RACH) of cell D           |
| C_RACH_E_1    | LOGICCH | "C_RACH_E_1"    | 1st uplink CCCH (RACH) of cell E           |
| C_RACH_F_1    | LOGICCH | "C_RACH_F_1"    | 1st uplink CCCH (RACH) of cell F           |
| C_RACH_G_1    | LOGICCH | "C_RACH_G_1"    | 1st uplink CCCH (RACH) of cell G           |
| C_RACH_H_1    | LOGICCH | "C_RACH_H_1"    | 1st uplink CCCH (RACH) of cell H           |
| C_FACCHF_A_1  | LOGICCH | "C_FACCHF_A_1"  | FACCH associated with 1st TCH/F of cell A  |
| C_FACCHF_A_2  | LOGICCH | "C_FACCHF_A_2"  | FACCH associated with 2nd TCH/F of cell A  |
| C_FACCHF_A_3  | LOGICCH | "C_FACCHF_A_3"  | FACCH associated with 3rd TCH/F of cell A  |
| C_FACCHF_B_1  | LOGICCH | "C_FACCHF_B_1"  | FACCH associated with 1st TCH/F of cell B  |
| C_FACCHF_B_2  | LOGICCH | "C_FACCHF_B_2"  | FACCH associated with 2nd TCH/F of cell B  |
| C_FACCHF_B_3  | LOGICCH | "C_FACCHF_B_3"  | FACCH associated with 3rd TCH/F of cell B  |
| C_FACCHF_C_1  | LOGICCH | "C_FACCHF_C_1"  | FACCH associated with 1st TCH/F of cell C  |
| C_FACCHF_C_2  | LOGICCH | "C_FACCHF_C_2"  | FACCH associated with 2nd TCH/F of cell C  |
| C_FACCHF_C_3  | LOGICCH | "C_FACCHF_C_3"  | FACCH associated with 3rd TCH/F of cell C  |
| C_FACCHF_H_1  | LOGICCH | "C_FACCHF_H_1"  | FACCH associated with 1st TCH/F of cell H  |
| C_FACCHH_A_1  | LOGICCH | "C_FACCHH_A_1"  | FACCH associated with 1st TCH/H of cell A  |
| C_FACCHH_A_2  | LOGICCH | "C_FACCHH_A_2"  | FACCH associated with 2nd TCH/H of cell A  |
| C_FACCHH_A_3  | LOGICCH | "C_FACCHH_A_3"  | FACCH associated with 3rd TCH/H of cell A  |
| C_FACCHH_B_1  | LOGICCH | "C_FACCHH_B_1"  | FACCH associated with 1st TCH/H of cell B  |
| C_FACCHH_B_2  | LOGICCH | "C_FACCHH_B_2"  | FACCH associated with 2nd TCH/H of cell B  |
| C_FACCHH_B_3  | LOGICCH | "C_FACCHH_B_3"  | FACCH associated with 3rd TCH/H of cell B  |
| C_FACCHH_C_1  | LOGICCH | "C_FACCHH_C_1"  | FACCH associated with 1st TCH/H of cell C  |
| C_FACCHH_C_2  | LOGICCH | "C_FACCHH_C_2"  | FACCH associated with 2nd TCH/H of cell C  |
| C_FACCHH_C_3  | LOGICCH | "C_FACCHH_C_3"  | FACCH associated with 3rd TCH/H of cell C  |
| C_FACCHH0_A_1 | LOGICCH | "C_FACCHH0_A_1" | FACCH associated with 1st TCH/H0 of cell A |
| C_FACCHH1_A_1 | LOGICCH | "C_FACCHH1_A_1" | FACCH associated with 1st TCH/H1 of cell A |
| C_FACCHH0_A_2 | LOGICCH | "C_FACCHH0_A_2" | FACCH associated with 2nd TCH/H0 of cell A |
| C_FACCHH1_A_2 | LOGICCH | "C_FACCHH1_A_2" | FACCH associated with 2nd TCH/H1 of cell A |
| C_FACCHH0_A_3 | LOGICCH | "C_FACCHH0_A_3" | FACCH associated with 3rd TCH/H0 of cell A |
| C_FACCHH1_A_3 | LOGICCH | "C_FACCHH1_A_3" | FACCH associated with 3rd TCH/H1 of cell A |
| C_FACCHH0_B_1 | LOGICCH | "C_FACCHH0_B_1" | FACCH associated with 1st TCH/H0 of cell B |
| C_FACCHH1_B_1 | LOGICCH | "C_FACCHH1_B_1" | FACCH associated with 1st TCH/H1 of cell B |
| C_FACCHH0_B_2 | LOGICCH | "C_FACCHH0_B_2" | FACCH associated with 2nd TCH/H0 of cell B |
| C_FACCHH1_B_2 | LOGICCH | "C_FACCHH1_B_2" | FACCH associated with 2nd TCH/H1 of cell B |
| C_FACCHH0_B_3 | LOGICCH | "C_FACCHH0_B_3" | FACCH associated with 3rd                  |

|               |         |                 |                                                                |
|---------------|---------|-----------------|----------------------------------------------------------------|
| C_FACCHH1_B_3 | LOGICCH | "C_FACCHH1_B_3" | TCH/H0 of cell B<br>FACCH associated with 3rd TCH/H1 of cell B |
| C_FACCHH0_C_1 | LOGICCH | "C_FACCHH0_C_1" | FACCH associated with 1st TCH/H0 of cell C                     |
| C_FACCHH1_C_1 | LOGICCH | "C_FACCHH1_C_1" | FACCH associated with 1st TCH/H1 of cell C                     |
| C_FACCHH0_C_2 | LOGICCH | "C_FACCHH0_C_2" | FACCH associated with 2nd TCH/H0 of cell C                     |
| C_FACCHH1_C_2 | LOGICCH | "C_FACCHH1_C_2" | FACCH associated with 2nd TCH/H1 of cell C                     |
| C_FACCHH0_C_3 | LOGICCH | "C_FACCHH0_C_3" | FACCH associated with 3rd TCH/H0 of cell C                     |
| C_FACCHH1_C_3 | LOGICCH | "C_FACCHH1_C_3" | FACCH associated with 3rd TCH/H1 of cell C                     |
| C_SACCH_A     | LOGICCH | "C_SACCH_A"     | all SACCHs of cell A                                           |
| C_SACCH_B     | LOGICCH | "C_SACCH_B"     | all SACCHs of cell B                                           |
| C_SACCH_C     | LOGICCH | "C_SACCH_C"     | all SACCHs of cell C                                           |
| C_SACCH_D     | LOGICCH | "C_SACCH_D"     | all SACCHs of cell D                                           |
| C_SACCH_E     | LOGICCH | "C_SACCH_E"     | all SACCHs of cell E                                           |
| C_SACCH_F     | LOGICCH | "C_SACCH_F"     | all SACCHs of cell F                                           |
| C_SACCH_G     | LOGICCH | "C_SACCH_G"     | all SACCHs of cell G                                           |
| C_SACCH_H     | LOGICCH | "C_SACCH_H"     | all SACCHs of cell H                                           |
| C_SACCHF_A_1  | LOGICCH | "C_SACCHF_A_1"  | SACCH associated with 1st TCH/F of cell A                      |
| C_SACCHF_A_2  | LOGICCH | "C_SACCHF_A_2"  | SACCH associated with 2nd TCH/F of cell A                      |
| C_SACCHF_B_1  | LOGICCH | "C_SACCHF_B_1"  | SACCH associated with 1st TCH/F of cell B                      |
| C_SACCHF_B_2  | LOGICCH | "C_SACCHF_B_2"  | SACCH associated with 2nd TCH/F of cell B                      |
| C_SACCHF_H_1  | LOGICCH | "C_SACCHF_H_1"  | SACCH associated with 1st TCH/F of cell H                      |
| C_SACCHH_A_1  | LOGICCH | "C_SACCHH_A_1"  | SACCH associated with 1st TCH/H of cell A                      |
| C_SACCHH_A_2  | LOGICCH | "C_SACCHH_A_2"  | SACCH associated with 2nd TCH/H of cell A                      |
| C_SACCHH_A_3  | LOGICCH | "C_SACCHH_A_3"  | SACCH associated with 3rd TCH/H of cell A                      |
| C_SACCHH_B_1  | LOGICCH | "C_SACCHH_B_1"  | SACCH associated with 1st TCH/H of cell B                      |
| C_SACCHH_B_2  | LOGICCH | "C_SACCHH_B_2"  | SACCH associated with 2nd TCH/H of cell B                      |
| C_SACCHH_B_3  | LOGICCH | "C_SACCHH_B_3"  | SACCH associated with 3rd TCH/H of cell B                      |
| C_SACCHH_C_1  | LOGICCH | "C_SACCHH_C_1"  | SACCH associated with 1st TCH/H of cell C                      |
| C_SACCHH_C_2  | LOGICCH | "C_SACCHH_C_2"  | SACCH associated with 2nd TCH/H of cell C                      |
| C_SACCHH_C_3  | LOGICCH | "C_SACCHH_C_3"  | SACCH associated with 3rd TCH/H of cell C                      |
| C_SACCHH0_A_1 | LOGICCH | "C_SACCHH0_A_1" | SACCH associated with 1st TCH/H_0 of cell A                    |
| C_SACCHH1_A_1 | LOGICCH | "C_SACCHH1_A_1" | SACCH associated with 1st TCH/H_1 of cell A                    |
| C_SACCHH0_A_2 | LOGICCH | "C_SACCHH0_A_2" | SACCH associated with 2nd TCH/H_0 of cell A                    |
| C_SACCHH1_A_2 | LOGICCH | "C_SACCHH1_A_2" | SACCH associated with 2nd TCH/H_1 of cell A                    |
| C_SACCHH0_A_3 | LOGICCH | "C_SACCHH0_A_3" | SACCH associated with 3rd TCH/H_0 of cell A                    |
| C_SACCHH1_A_3 | LOGICCH | "C_SACCHH1_A_3" | SACCH associated with 3rd TCH/H_1 of cell A                    |
| C_SACCHH0_B_1 | LOGICCH | "C_SACCHH0_B_1" | SACCH associated with 1st TCH/H_0 of cell B                    |
| C_SACCHH1_B_1 | LOGICCH | "C_SACCHH1_B_1" | SACCH associated with 1st TCH/H_1 of cell B                    |
| C_SACCHH0_B_2 | LOGICCH | "C_SACCHH0_B_2" | SACCH associated with 2nd TCH/H_0 of cell B                    |
| C_SACCHH1_B_2 | LOGICCH | "C_SACCHH1_B_2" | SACCH associated with 2nd TCH/H_1 of cell B                    |

|               |         |                 |                                                                  |
|---------------|---------|-----------------|------------------------------------------------------------------|
| C_SACCHH0_B_3 | LOGICCH | "C_SACCHH0_B_3" | TCH/H_1 of cell B<br>SACCH associated with 3rd TCH/H_0 of cell B |
| C_SACCHH1_B_3 | LOGICCH | "C_SACCHH1_B_3" | SACCH associated with 3rd TCH/H_1 of cell B                      |
| C_SACCHH0_C_1 | LOGICCH | "C_SACCHH0_C_1" | SACCH associated with 1st TCH/H_0 of cell C                      |
| C_SACCHH1_C_1 | LOGICCH | "C_SACCHH1_C_1" | SACCH associated with 1st TCH/H_1 of cell C                      |
| C_SACCHH0_C_2 | LOGICCH | "C_SACCHH0_C_2" | SACCH associated with 2nd TCH/H_0 of cell C                      |
| C_SACCHH1_C_2 | LOGICCH | "C_SACCHH1_C_2" | SACCH associated with 2nd TCH/H_1 of cell C                      |
| C_SACCHH0_C_3 | LOGICCH | "C_SACCHH0_C_3" | SACCH associated with 3rd TCH/H_0 of cell C                      |
| C_SACCHH1_C_3 | LOGICCH | "C_SACCHH1_C_3" | SACCH associated with 3rd TCH/H_1 of cell C                      |
| C_SACCHC4_A   | LOGICCH | "C_SACCHC4_A"   | SACCHC4 channel of cell A                                        |
| C_SACCHC4_B   | LOGICCH | "C_SACCHC4_B"   | SACCHC4 channel of cell B                                        |
| C_SACCHC4_C   | LOGICCH | "C_SACCHC4_C"   | SACCHC4 channel of cell C                                        |
| C_SACCHC4_D   | LOGICCH | "C_SACCHC4_D"   | SACCHC4 channel of cell D                                        |
| C_SACCHC4_E   | LOGICCH | "C_SACCHC4_E"   | SACCHC4 channel of cell E                                        |
| C_SACCHC4_F   | LOGICCH | "C_SACCHC4_F"   | SACCHC4 channel of cell F                                        |
| C_SACCHC4_G   | LOGICCH | "C_SACCHC4_G"   | SACCHC4 channel of cell G                                        |
| C_SACCHC4_H   | LOGICCH | "C_SACCHC4_H"   | SACCHC4 channel of cell H                                        |
| C_SACCHC40_A  | LOGICCH | "C_SACCHC40_A"  | SACCH/C4(0) associated with SDCCH/4(0) of cell A                 |
| C_SACCHC41_A  | LOGICCH | "C_SACCHC41_A"  | SACCH/C4(1) associated with SDCCH/4(1) of cell A                 |
| C_SACCHC42_A  | LOGICCH | "C_SACCHC42_A"  | SACCH/C4(2) associated with SDCCH/4(2) of cell A                 |
| C_SACCHC43_A  | LOGICCH | "C_SACCHC43_A"  | SACCH/C4(3) associated with SDCCH/4(3) of cell A                 |
| C_SACCHC40_B  | LOGICCH | "C_SACCHC40_B"  | SACCH/C4(0) associated with SDCCH/4(0) of cell B                 |
| C_SACCHC41_B  | LOGICCH | "C_SACCHC41_B"  | SACCH/C4(1) associated with SDCCH/4(1) of cell B                 |
| C_SACCHC42_B  | LOGICCH | "C_SACCHC42_B"  | SACCH/C4(2) associated with SDCCH/4(2) of cell B                 |
| C_SACCHC43_B  | LOGICCH | "C_SACCHC43_B"  | SACCH/C4(3) associated with SDCCH/4(3) of cell B                 |
| C_SACCHC40_C  | LOGICCH | "C_SACCHC40_C"  | SACCH/C4(0) associated with SDCCH/4(0) of cell C                 |
| C_SACCHC41_C  | LOGICCH | "C_SACCHC41_C"  | SACCH/C4(1) associated with SDCCH/4(1) of cell C                 |
| C_SACCHC42_C  | LOGICCH | "C_SACCHC42_C"  | SACCH/C4(2) associated with SDCCH/4(2) of cell C                 |
| C_SACCHC43_C  | LOGICCH | "C_SACCHC43_C"  | SACCH/C4(3) associated with SDCCH/4(3) of cell C                 |
| C_SACCHC40_D  | LOGICCH | "C_SACCHC40_D"  | SACCH/C4(0) associated with SDCCH/4(0) of cell D                 |
| C_SACCHC41_D  | LOGICCH | "C_SACCHC41_D"  | SACCH/C4(1) associated with SDCCH/4(1) of cell D                 |
| C_SACCHC42_D  | LOGICCH | "C_SACCHC42_D"  | SACCH/C4(2) associated with SDCCH/4(2) of cell D                 |
| C_SACCHC43_D  | LOGICCH | "C_SACCHC43_D"  | SACCH/C4(3) associated with SDCCH/4(3) of cell D                 |
| C_SACCHC40_E  | LOGICCH | "C_SACCHC40_E"  | SACCH/C4(0) associated with SDCCH/4(0) of cell E                 |
| C_SACCHC41_E  | LOGICCH | "C_SACCHC41_E"  | SACCH/C4(1) associated with SDCCH/4(1) of cell E                 |
| C_SACCHC42_E  | LOGICCH | "C_SACCHC42_E"  | SACCH/C4(2) associated with SDCCH/4(2) of cell E                 |
| C_SACCHC43_E  | LOGICCH | "C_SACCHC43_E"  | SACCH/C4(3) associated with SDCCH/4(3) of cell E                 |
| C_SACCHC40_F  | LOGICCH | "C_SACCHC40_F"  | SACCH/C4(0) associated with SDCCH/4(0) of cell F                 |
| C_SACCHC41_F  | LOGICCH | "C_SACCHC41_F"  | SACCH/C4(1) associated with SDCCH/4(1) of cell F                 |
| C_SACCHC42_F  | LOGICCH | "C_SACCHC42_F"  | SACCH/C4(2) associated with                                      |

|                |         |                  |                                                                          |
|----------------|---------|------------------|--------------------------------------------------------------------------|
| C_SACCHC43_F   | LOGICCH | "C_SACCHC43_F"   | SDCCH/4(2) of cell F<br>SACCH/C4(3) associated with SDCCH/4(3) of cell F |
| C_SACCHC40_G   | LOGICCH | "C_SACCHC40_G"   | SACCH/C4(0) associated with SDCCH/4(0) of cell G                         |
| C_SACCHC41_G   | LOGICCH | "C_SACCHC41_G"   | SACCH/C4(1) associated with SDCCH/4(1) of cell G                         |
| C_SACCHC42_G   | LOGICCH | "C_SACCHC42_G"   | SACCH/C4(2) associated with SDCCH/4(2) of cell G                         |
| C_SACCHC43_G   | LOGICCH | "C_SACCHC43_G"   | SACCH/C4(3) associated with SDCCH/4(3) of cell G                         |
| C_SACCHC40_H   | LOGICCH | "C_SACCHC40_C"   | SACCH/C4(0) associated with SDCCH/4(0) of cell H                         |
| C_SACCHC41_H   | LOGICCH | "C_SACCHC41_C"   | SACCH/C4(1) associated with SDCCH/4(1) of cell H                         |
| C_SACCHC42_H   | LOGICCH | "C_SACCHC42_C"   | SACCH/C4(2) associated with SDCCH/4(2) of cell H                         |
| C_SACCHC43_H   | LOGICCH | "C_SACCHC43_C"   | SACCH/C4(3) associated with SDCCH/4(3) of cell H                         |
| C_SACCHC8_A_1  | LOGICCH | "C_SACCHC8_A_1"  | 1st SACCH/8 channel of cell A                                            |
| C_SACCHC8_A_2  | LOGICCH | "C_SACCHC8_A_2"  | 2nd SACCH/8 channel of cell A                                            |
| C_SACCHC8_A_3  | LOGICCH | "C_SACCHC8_A_3"  | 3rd SACCH/8 channel of cell A                                            |
| C_SACCHC8_B_1  | LOGICCH | "C_SACCHC8_B_1"  | 1st SACCH/8 channel of cell B                                            |
| C_SACCHC8_B_2  | LOGICCH | "C_SACCHC8_B_2"  | 2nd SACCH/8 channel of cell B                                            |
| C_SACCHC8_B_3  | LOGICCH | "C_SACCHC8_B_3"  | 3rd SACCH/8 channel of cell B                                            |
| C_SACCHC8_C_1  | LOGICCH | "C_SACCHC8_C_1"  | 1st SACCH/8 channel of cell C                                            |
| C_SACCHC8_C_2  | LOGICCH | "C_SACCHC8_C_2"  | 2nd SACCH/8 channel of cell C                                            |
| C_SACCHC8_C_3  | LOGICCH | "C_SACCHC8_C_3"  | 3rd SACCH/8 channel of cell C                                            |
| C_SACCHC80_A_1 | LOGICCH | "C_SACCHC80_A_1" | SACCH/C8(0) associated with 1st SDCCH/8(0) of cell A                     |
| C_SACCHC81_A_1 | LOGICCH | "C_SACCHC81_A_1" | SACCH/C8(1) associated with 1st SDCCH/8(1) of cell A                     |
| C_SACCHC82_A_1 | LOGICCH | "C_SACCHC82_A_1" | SACCH/C8(2) associated with 1st SDCCH/8(2) of cell A                     |
| C_SACCHC83_A_1 | LOGICCH | "C_SACCHC83_A_1" | SACCH/C8(3) associated with 1st SDCCH/8(3) of cell A                     |
| C_SACCHC84_A_1 | LOGICCH | "C_SACCHC84_A_1" | SACCH/C8(4) associated with 1st SDCCH/8(4) of cell A                     |
| C_SACCHC85_A_1 | LOGICCH | "C_SACCHC85_A_1" | SACCH/C8(5) associated with 1st SDCCH/8(5) of cell A                     |
| C_SACCHC86_A_1 | LOGICCH | "C_SACCHC86_A_1" | SACCH/C8(6) associated with 1st SDCCH/8(6) of cell A                     |
| C_SACCHC87_A_1 | LOGICCH | "C_SACCHC87_A_1" | SACCH/C8(7) associated with 1st SDCCH/8(7) of cell A                     |
| C_SACCHC80_A_2 | LOGICCH | "C_SACCHC80_A_2" | SACCH/C8(0) associated with 2nd SDCCH/8(0) of cell A                     |
| C_SACCHC81_A_2 | LOGICCH | "C_SACCHC81_A_2" | SACCH/C8(1) associated with 2nd SDCCH/8(1) of cell A                     |
| C_SACCHC82_A_2 | LOGICCH | "C_SACCHC82_A_2" | SACCH/C8(2) associated with 2nd SDCCH/8(2) of cell A                     |
| C_SACCHC83_A_2 | LOGICCH | "C_SACCHC83_A_2" | SACCH/C8(3) associated with 2nd SDCCH/8(3) of cell A                     |
| C_SACCHC84_A_2 | LOGICCH | "C_SACCHC84_A_2" | SACCH/C8(4) associated with 2nd SDCCH/8(4) of cell A                     |
| C_SACCHC85_A_2 | LOGICCH | "C_SACCHC85_A_2" | SACCH/C8(5) associated with 2nd SDCCH/8(5) of cell A                     |
| C_SACCHC86_A_2 | LOGICCH | "C_SACCHC86_A_2" | SACCH/C8(6) associated with 2nd SDCCH/8(6) of cell A                     |
| C_SACCHC87_A_2 | LOGICCH | "C_SACCHC87_A_2" | SACCH/C8(7) associated with 2nd SDCCH/8(7) of cell A                     |
| C_SACCHC80_A_3 | LOGICCH | "C_SACCHC80_A_3" | SACCH/C8(0) associated with 3rd SDCCH/8(0) of cell A                     |
| C_SACCHC81_A_3 | LOGICCH | "C_SACCHC81_A_3" | SACCH/C8(1) associated with 3rd SDCCH/8(1) of cell A                     |
| C_SACCHC82_A_3 | LOGICCH | "C_SACCHC82_A_3" | SACCH/C8(2) associated with 3rd SDCCH/8(2) of cell A                     |
| C_SACCHC83_A_3 | LOGICCH | "C_SACCHC83_A_3" | SACCH/C8(3) associated with 3rd SDCCH/8(3) of cell A                     |
| C_SACCHC84_A_3 | LOGICCH | "C_SACCHC84_A_3" | SACCH/C8(4) associated with 3rd SDCCH/8(4) of cell A                     |



|                |         |                  |                                                      |
|----------------|---------|------------------|------------------------------------------------------|
| C_SACCHC85_A_3 | LOGICCH | "C_SACCHC85_A_3" | SACCH/C8(5) associated with 3rd SDCCH/8(5) of cell A |
| C_SACCHC86_A_3 | LOGICCH | "C_SACCHC86_A_3" | SACCH/C8(6) associated with 3rd SDCCH/8(6) of cell A |
| C_SACCHC87_A_3 | LOGICCH | "C_SACCHC87_A_3" | SACCH/C8(7) associated with 3rd SDCCH/8(7) of cell A |
| C_SACCHC80_B_1 | LOGICCH | "C_SACCHC80_B_1" | SACCH/C8(0) associated with 1st SDCCH/8(0) of cell B |
| C_SACCHC81_B_1 | LOGICCH | "C_SACCHC81_B_1" | SACCH/C8(1) associated with 1st SDCCH/8(1) of cell B |
| C_SACCHC82_B_1 | LOGICCH | "C_SACCHC82_B_1" | SACCH/C8(2) associated with 1st SDCCH/8(2) of cell B |
| C_SACCHC83_B_1 | LOGICCH | "C_SACCHC83_B_1" | SACCH/C8(3) associated with 1st SDCCH/8(3) of cell B |
| C_SACCHC84_B_1 | LOGICCH | "C_SACCHC84_B_1" | SACCH/C8(4) associated with 1st SDCCH/8(4) of cell B |
| C_SACCHC85_B_1 | LOGICCH | "C_SACCHC85_B_1" | SACCH/C8(5) associated with 1st SDCCH/8(5) of cell B |
| C_SACCHC86_B_1 | LOGICCH | "C_SACCHC86_B_1" | SACCH/C8(6) associated with 1st SDCCH/8(6) of cell B |
| C_SACCHC87_B_1 | LOGICCH | "C_SACCHC87_B_1" | SACCH/C8(7) associated with 1st SDCCH/8(7) of cell B |
| C_SACCHC80_B_2 | LOGICCH | "C_SACCHC80_B_2" | SACCH/C8(0) associated with 2nd SDCCH/8(0) of cell B |
| C_SACCHC81_B_2 | LOGICCH | "C_SACCHC81_B_2" | SACCH/C8(1) associated with 2nd SDCCH/8(1) of cell B |
| C_SACCHC82_B_2 | LOGICCH | "C_SACCHC82_B_2" | SACCH/C8(2) associated with 2nd SDCCH/8(2) of cell B |
| C_SACCHC83_B_2 | LOGICCH | "C_SACCHC83_B_2" | SACCH/C8(3) associated with 2nd SDCCH/8(3) of cell B |
| C_SACCHC84_B_2 | LOGICCH | "C_SACCHC84_B_2" | SACCH/C8(4) associated with 2nd SDCCH/8(4) of cell B |
| C_SACCHC85_B_2 | LOGICCH | "C_SACCHC85_B_2" | SACCH/C8(5) associated with 2nd SDCCH/8(5) of cell B |
| C_SACCHC86_B_2 | LOGICCH | "C_SACCHC86_B_2" | SACCH/C8(6) associated with 2nd SDCCH/8(6) of cell B |
| C_SACCHC87_B_2 | LOGICCH | "C_SACCHC87_B_2" | SACCH/C8(7) associated with 2nd SDCCH/8(7) of cell B |
| C_SACCHC80_B_3 | LOGICCH | "C_SACCHC80_B_3" | SACCH/C8(0) associated with 3rd SDCCH/8(0) of cell B |
| C_SACCHC81_B_3 | LOGICCH | "C_SACCHC81_B_3" | SACCH/C8(1) associated with 3rd SDCCH/8(1) of cell B |
| C_SACCHC82_B_3 | LOGICCH | "C_SACCHC82_B_3" | SACCH/C8(2) associated with 3rd SDCCH/8(2) of cell B |
| C_SACCHC83_B_3 | LOGICCH | "C_SACCHC83_B_3" | SACCH/C8(3) associated with 3rd SDCCH/8(3) of cell B |
| C_SACCHC84_B_3 | LOGICCH | "C_SACCHC84_B_3" | SACCH/C8(4) associated with 3rd SDCCH/8(4) of cell B |
| C_SACCHC85_B_3 | LOGICCH | "C_SACCHC85_B_3" | SACCH/C8(5) associated with 3rd SDCCH/8(5) of cell B |
| C_SACCHC86_B_3 | LOGICCH | "C_SACCHC86_B_3" | SACCH/C8(6) associated with 3rd SDCCH/8(6) of cell B |
| C_SACCHC87_B_3 | LOGICCH | "C_SACCHC87_B_3" | SACCH/C8(7) associated with 3rd SDCCH/8(7) of cell B |
| C_SACCHC80_C_1 | LOGICCH | "C_SACCHC80_C_1" | SACCH/C8(0) associated with 1st SDCCH/8(0) of cell C |
| C_SACCHC81_C_1 | LOGICCH | "C_SACCHC81_C_1" | SACCH/C8(1) associated with 1st SDCCH/8(1) of cell C |
| C_SACCHC82_C_1 | LOGICCH | "C_SACCHC82_C_1" | SACCH/C8(2) associated with 1st SDCCH/8(2) of cell C |
| C_SACCHC83_C_1 | LOGICCH | "C_SACCHC83_C_1" | SACCH/C8(3) associated with 1st SDCCH/8(3) of cell C |
| C_SACCHC84_C_1 | LOGICCH | "C_SACCHC84_C_1" | SACCH/C8(4) associated with 1st SDCCH/8(4) of cell C |
| C_SACCHC85_C_1 | LOGICCH | "C_SACCHC85_C_1" | SACCH/C8(5) associated with 1st SDCCH/8(5) of cell C |
| C_SACCHC86_C_1 | LOGICCH | "C_SACCHC86_C_1" | SACCH/C8(6) associated with 1st SDCCH/8(6) of cell C |
| C_SACCHC87_C_1 | LOGICCH | "C_SACCHC87_C_1" | SACCH/C8(7) associated with 1st SDCCH/8(7) of cell C |
| C_SACCHC80_C_2 | LOGICCH | "C_SACCHC80_C_2" | SACCH/C8(0) associated with                          |

|                |         |                  |                                                                                     |
|----------------|---------|------------------|-------------------------------------------------------------------------------------|
| C_SACCHC81_C_2 | LOGICCH | "C_SACCHC81_C_2" | 2nd SDCCH/8(0) of cell C<br>SACCH/C8(1) associated with<br>2nd SDCCH/8(1) of cell C |
| C_SACCHC82_C_2 | LOGICCH | "C_SACCHC82_C_2" | SACCH/C8(2) associated with<br>2nd SDCCH/8(2) of cell C                             |
| C_SACCHC83_C_2 | LOGICCH | "C_SACCHC83_C_2" | SACCH/C8(3) associated with<br>2nd SDCCH/8(3) of cell C                             |
| C_SACCHC84_C_2 | LOGICCH | "C_SACCHC84_C_2" | SACCH/C8(4) associated with<br>2nd SDCCH/8(4) of cell C                             |
| C_SACCHC85_C_2 | LOGICCH | "C_SACCHC85_C_2" | SACCH/C8(5) associated with<br>2nd SDCCH/8(5) of cell C                             |
| C_SACCHC86_C_2 | LOGICCH | "C_SACCHC86_C_2" | SACCH/C8(6) associated with<br>2nd SDCCH/8(6) of cell C                             |
| C_SACCHC87_C_2 | LOGICCH | "C_SACCHC87_C_2" | SACCH/C8(7) associated with<br>2nd SDCCH/8(7) of cell C                             |
| C_SACCHC80_C_3 | LOGICCH | "C_SACCHC80_C_3" | SACCH/C8(0) associated with 3rd<br>SDCCH/8(0) of cell C                             |
| C_SACCHC81_C_3 | LOGICCH | "C_SACCHC81_C_3" | SACCH/C8(1) associated with 3rd<br>SDCCH/8(1) of cell C                             |
| C_SACCHC82_C_3 | LOGICCH | "C_SACCHC82_C_3" | SACCH/C8(2) associated with 3rd<br>SDCCH/8(2) of cell C                             |
| C_SACCHC83_C_3 | LOGICCH | "C_SACCHC83_C_3" | SACCH/C8(3) associated with 3rd<br>SDCCH/8(3) of cell C                             |
| C_SACCHC84_C_3 | LOGICCH | "C_SACCHC84_C_3" | SACCH/C8(4) associated with 3rd<br>SDCCH/8(4) of cell C                             |
| C_SACCHC85_C_3 | LOGICCH | "C_SACCHC85_C_3" | SACCH/C8(5) associated with 3rd<br>SDCCH/8(5) of cell C                             |
| C_SACCHC86_C_3 | LOGICCH | "C_SACCHC86_C_3" | SACCH/C8(6) associated with 3rd<br>SDCCH/8(6) of cell C                             |
| C_SACCHC87_C_3 | LOGICCH | "C_SACCHC87_C_3" | SACCH/C8(7) associated with 3rd<br>SDCCH/8(7) of cell C                             |
| C_SDCCH4_A     | LOGICCH | "C_SDCCH4_A"     | SDCCH/4 channel of cell A                                                           |
| C_SDCCH4_B     | LOGICCH | "C_SDCCH4_B"     | SDCCH/4 channel of cell B                                                           |
| C_SDCCH4_C     | LOGICCH | "C_SDCCH4_C"     | SDCCH/4 channel of cell C                                                           |
| C_SDCCH4_D     | LOGICCH | "C_SDCCH4_D"     | SDCCH/4 channel of cell D                                                           |
| C_SDCCH4_E     | LOGICCH | "C_SDCCH4_E"     | SDCCH/4 channel of cell E                                                           |
| C_SDCCH4_F     | LOGICCH | "C_SDCCH4_F"     | SDCCH/4 channel of cell F                                                           |
| C_SDCCH4_G     | LOGICCH | "C_SDCCH4_G"     | SDCCH/4 channel of cell G                                                           |
| C_SDCCH4_H     | LOGICCH | "C_SDCCH4_H"     | SDCCH/4 channel of cell H                                                           |
| C_SDCCH40_A    | LOGICCH | "C_SDCCH40_A"    | SDCCH/4(0) of cell A                                                                |
| C_SDCCH41_A    | LOGICCH | "C_SDCCH41_A"    | SDCCH/4(1) of cell A                                                                |
| C_SDCCH42_A    | LOGICCH | "C_SDCCH42_A"    | SDCCH/4(2) of cell A                                                                |
| C_SDCCH43_A    | LOGICCH | "C_SDCCH43_A"    | SDCCH/4(3) of cell A                                                                |
| C_SDCCH40_B    | LOGICCH | "C_SDCCH40_B"    | SDCCH/4(0) of cell B                                                                |
| C_SDCCH41_B    | LOGICCH | "C_SDCCH41_B"    | SDCCH/4(1) of cell B                                                                |
| C_SDCCH42_B    | LOGICCH | "C_SDCCH42_B"    | SDCCH/4(2) of cell B                                                                |
| C_SDCCH43_B    | LOGICCH | "C_SDCCH43_B"    | SDCCH/4(3) of cell B                                                                |
| C_SDCCH40_C    | LOGICCH | "C_SDCCH40_C"    | SDCCH/4(0) of cell C                                                                |
| C_SDCCH41_C    | LOGICCH | "C_SDCCH41_C"    | SDCCH/4(1) of cell C                                                                |
| C_SDCCH42_C    | LOGICCH | "C_SDCCH42_C"    | SDCCH/4(2) of cell C                                                                |
| C_SDCCH43_C    | LOGICCH | "C_SDCCH43_C"    | SDCCH/4(3) of cell C                                                                |
| C_SDCCH40_D    | LOGICCH | "C_SDCCH40_D"    | SDCCH/4(0) of cell D                                                                |
| C_SDCCH41_D    | LOGICCH | "C_SDCCH41_D"    | SDCCH/4(1) of cell D                                                                |
| C_SDCCH42_D    | LOGICCH | "C_SDCCH42_D"    | SDCCH/4(2) of cell D                                                                |
| C_SDCCH43_D    | LOGICCH | "C_SDCCH43_D"    | SDCCH/4(3) of cell D                                                                |
| C_SDCCH40_E    | LOGICCH | "C_SDCCH40_E"    | SDCCH/4(0) of cell E                                                                |
| C_SDCCH41_E    | LOGICCH | "C_SDCCH41_E"    | SDCCH/4(1) of cell E                                                                |
| C_SDCCH42_E    | LOGICCH | "C_SDCCH42_E"    | SDCCH/4(2) of cell E                                                                |
| C_SDCCH43_E    | LOGICCH | "C_SDCCH43_E"    | SDCCH/4(3) of cell E                                                                |
| C_SDCCH40_F    | LOGICCH | "C_SDCCH40_F"    | SDCCH/4(0) of cell F                                                                |
| C_SDCCH41_F    | LOGICCH | "C_SDCCH41_F"    | SDCCH/4(1) of cell F                                                                |
| C_SDCCH42_F    | LOGICCH | "C_SDCCH42_F"    | SDCCH/4(2) of cell F                                                                |
| C_SDCCH43_F    | LOGICCH | "C_SDCCH43_F"    | SDCCH/4(3) of cell F                                                                |
| C_SDCCH40_G    | LOGICCH | "C_SDCCH40_G"    | SDCCH/4(0) of cell G                                                                |
| C_SDCCH41_G    | LOGICCH | "C_SDCCH41_G"    | SDCCH/4(1) of cell G                                                                |
| C_SDCCH42_G    | LOGICCH | "C_SDCCH42_G"    | SDCCH/4(2) of cell G                                                                |
| C_SDCCH43_G    | LOGICCH | "C_SDCCH43_G"    | SDCCH/4(3) of cell G                                                                |

|               |         |                 |                               |
|---------------|---------|-----------------|-------------------------------|
| C_SDCCH40_H   | LOGICCH | "C_SDCCH40_H"   | SDCCH/4(0) of cell H          |
| C_SDCCH41_H   | LOGICCH | "C_SDCCH41_H"   | SDCCH/4(1) of cell H          |
| C_SDCCH42_H   | LOGICCH | "C_SDCCH42_H"   | SDCCH/4(2) of cell H          |
| C_SDCCH43_H   | LOGICCH | "C_SDCCH43_H"   | SDCCH/4(3) of cell H          |
| C_SDCCH8_A_1  | LOGICCH | "C_SDCCH8_A_1"  | 1st SDCCH/8 channel of cell A |
| C_SDCCH8_A_2  | LOGICCH | "C_SDCCH8_A_2"  | 2nd SDCCH/8 channel of cell A |
| C_SDCCH8_A_3  | LOGICCH | "C_SDCCH8_A_3"  | 3rd SDCCH/8 channel of cell A |
| C_SDCCH8_B_1  | LOGICCH | "C_SDCCH8_B_1"  | 1st SDCCH/8 channel of cell B |
| C_SDCCH8_B_2  | LOGICCH | "C_SDCCH8_B_2"  | 2nd SDCCH/8 channel of cell B |
| C_SDCCH80_A_1 | LOGICCH | "C_SDCCH80_A_1" | 1st SDCCH/8(0) of cell A      |
| C_SDCCH81_A_1 | LOGICCH | "C_SDCCH81_A_1" | 1st SDCCH/8(1) of cell A      |
| C_SDCCH82_A_1 | LOGICCH | "C_SDCCH82_A_1" | 1st SDCCH/8(2) of cell A      |
| C_SDCCH83_A_1 | LOGICCH | "C_SDCCH83_A_1" | 1st SDCCH/8(3) of cell A      |
| C_SDCCH84_A_1 | LOGICCH | "C_SDCCH84_A_1" | 1st SDCCH/8(4) of cell A      |
| C_SDCCH85_A_1 | LOGICCH | "C_SDCCH85_A_1" | 1st SDCCH/8(5) of cell A      |
| C_SDCCH86_A_1 | LOGICCH | "C_SDCCH86_A_1" | 1st SDCCH/8(6) of cell A      |
| C_SDCCH87_A_1 | LOGICCH | "C_SDCCH87_A_1" | 1st SDCCH/8(7) of cell A      |
| C_SDCCH80_A_2 | LOGICCH | "C_SDCCH80_A_2" | 2nd SDCCH/8(0) of cell A      |
| C_SDCCH81_A_2 | LOGICCH | "C_SDCCH81_A_2" | 2nd SDCCH/8(1) of cell A      |
| C_SDCCH82_A_2 | LOGICCH | "C_SDCCH82_A_2" | 2nd SDCCH/8(2) of cell A      |
| C_SDCCH83_A_2 | LOGICCH | "C_SDCCH83_A_2" | 2nd SDCCH/8(3) of cell A      |
| C_SDCCH84_A_2 | LOGICCH | "C_SDCCH84_A_2" | 2nd SDCCH/8(4) of cell A      |
| C_SDCCH85_A_2 | LOGICCH | "C_SDCCH85_A_2" | 2nd SDCCH/8(5) of cell A      |
| C_SDCCH86_A_2 | LOGICCH | "C_SDCCH86_A_2" | 2nd SDCCH/8(6) of cell A      |
| C_SDCCH87_A_2 | LOGICCH | "C_SDCCH87_A_2" | 2nd SDCCH/8(7) of cell A      |
| C_SDCCH80_A_3 | LOGICCH | "C_SDCCH80_A_3" | 3rd SDCCH/8(0) of cell A      |
| C_SDCCH81_A_3 | LOGICCH | "C_SDCCH81_A_3" | 3rd SDCCH/8(1) of cell A      |
| C_SDCCH82_A_3 | LOGICCH | "C_SDCCH82_A_3" | 3rd SDCCH/8(2) of cell A      |
| C_SDCCH83_A_3 | LOGICCH | "C_SDCCH83_A_3" | 3rd SDCCH/8(3) of cell A      |
| C_SDCCH84_A_3 | LOGICCH | "C_SDCCH84_A_3" | 3rd SDCCH/8(4) of cell A      |
| C_SDCCH85_A_3 | LOGICCH | "C_SDCCH85_A_3" | 3rd SDCCH/8(5) of cell A      |
| C_SDCCH86_A_3 | LOGICCH | "C_SDCCH86_A_3" | 3rd SDCCH/8(6) of cell A      |
| C_SDCCH87_A_3 | LOGICCH | "C_SDCCH87_A_3" | 3rd SDCCH/8(7) of cell A      |
| C_SDCCH80_B_1 | LOGICCH | "C_SDCCH80_B_1" | 1st SDCCH/8(0) of cell B      |
| C_SDCCH81_B_1 | LOGICCH | "C_SDCCH81_B_1" | 1st SDCCH/8(1) of cell B      |
| C_SDCCH82_B_1 | LOGICCH | "C_SDCCH82_B_1" | 1st SDCCH/8(2) of cell B      |
| C_SDCCH83_B_1 | LOGICCH | "C_SDCCH83_B_1" | 1st SDCCH/8(3) of cell B      |
| C_SDCCH84_B_1 | LOGICCH | "C_SDCCH84_B_1" | 1st SDCCH/8(4) of cell B      |
| C_SDCCH85_B_1 | LOGICCH | "C_SDCCH85_B_1" | 1st SDCCH/8(5) of cell B      |
| C_SDCCH86_B_1 | LOGICCH | "C_SDCCH86_B_1" | 1st SDCCH/8(6) of cell B      |
| C_SDCCH87_B_1 | LOGICCH | "C_SDCCH87_B_1" | 1st SDCCH/8(7) of cell B      |
| C_SDCCH80_B_2 | LOGICCH | "C_SDCCH80_B_2" | 2nd SDCCH/8(0) of cell B      |
| C_SDCCH81_B_2 | LOGICCH | "C_SDCCH81_B_2" | 2nd SDCCH/8(1) of cell B      |
| C_SDCCH82_B_2 | LOGICCH | "C_SDCCH82_B_2" | 2nd SDCCH/8(2) of cell B      |
| C_SDCCH83_B_2 | LOGICCH | "C_SDCCH83_B_2" | 2nd SDCCH/8(3) of cell B      |
| C_SDCCH84_B_2 | LOGICCH | "C_SDCCH84_B_2" | 2nd SDCCH/8(4) of cell B      |
| C_SDCCH85_B_2 | LOGICCH | "C_SDCCH85_B_2" | 2nd SDCCH/8(5) of cell B      |
| C_SDCCH86_B_2 | LOGICCH | "C_SDCCH86_B_2" | 2nd SDCCH/8(6) of cell B      |
| C_SDCCH87_B_2 | LOGICCH | "C_SDCCH87_B_2" | 2nd SDCCH/8(7) of cell B      |
| C_SDCCH80_B_3 | LOGICCH | "C_SDCCH80_B_3" | 3rd SDCCH/8(0) of cell B      |
| C_SDCCH81_B_3 | LOGICCH | "C_SDCCH81_B_3" | 3rd SDCCH/8(1) of cell B      |
| C_SDCCH82_B_3 | LOGICCH | "C_SDCCH82_B_3" | 3rd SDCCH/8(2) of cell B      |
| C_SDCCH83_B_3 | LOGICCH | "C_SDCCH83_B_3" | 3rd SDCCH/8(3) of cell B      |
| C_SDCCH84_B_3 | LOGICCH | "C_SDCCH84_B_3" | 3rd SDCCH/8(4) of cell B      |
| C_SDCCH85_B_3 | LOGICCH | "C_SDCCH85_B_3" | 3rd SDCCH/8(5) of cell B      |
| C_SDCCH86_B_3 | LOGICCH | "C_SDCCH86_B_3" | 3rd SDCCH/8(6) of cell B      |
| C_SDCCH87_B_3 | LOGICCH | "C_SDCCH87_B_3" | 3rd SDCCH/8(7) of cell B      |
| C_SDCCH80_C_1 | LOGICCH | "C_SDCCH80_C_1" | 1st SDCCH/8(0) of cell C      |
| C_SDCCH81_C_1 | LOGICCH | "C_SDCCH81_C_1" | 1st SDCCH/8(1) of cell C      |
| C_SDCCH82_C_1 | LOGICCH | "C_SDCCH82_C_1" | 1st SDCCH/8(2) of cell C      |
| C_SDCCH83_C_1 | LOGICCH | "C_SDCCH83_C_1" | 1st SDCCH/8(3) of cell C      |
| C_SDCCH84_C_1 | LOGICCH | "C_SDCCH84_C_1" | 1st SDCCH/8(4) of cell C      |
| C_SDCCH85_C_1 | LOGICCH | "C_SDCCH85_C_1" | 1st SDCCH/8(5) of cell C      |
| C_SDCCH86_C_1 | LOGICCH | "C_SDCCH86_C_1" | 1st SDCCH/8(6) of cell C      |
| C_SDCCH87_C_1 | LOGICCH | "C_SDCCH87_C_1" | 1st SDCCH/8(7) of cell C      |

|                                                  |             |                                                    |                                                  |
|--------------------------------------------------|-------------|----------------------------------------------------|--------------------------------------------------|
| C_SDCCH80_C_2                                    | LOGICCH     | "C_SDCCH80_C_2"                                    | 2nd SDCCH/8(0) of cell C                         |
| C_SDCCH81_C_2                                    | LOGICCH     | "C_SDCCH81_C_2"                                    | 2nd SDCCH/8(1) of cell C                         |
| C_SDCCH82_C_2                                    | LOGICCH     | "C_SDCCH82_C_2"                                    | 2nd SDCCH/8(2) of cell C                         |
| C_SDCCH83_C_2                                    | LOGICCH     | "C_SDCCH83_C_2"                                    | 2nd SDCCH/8(3) of cell C                         |
| C_SDCCH84_C_2                                    | LOGICCH     | "C_SDCCH84_C_2"                                    | 2nd SDCCH/8(4) of cell C                         |
| C_SDCCH85_C_2                                    | LOGICCH     | "C_SDCCH85_C_2"                                    | 2nd SDCCH/8(5) of cell C                         |
| C_SDCCH86_C_2                                    | LOGICCH     | "C_SDCCH86_C_2"                                    | 2nd SDCCH/8(6) of cell C                         |
| C_SDCCH87_C_2                                    | LOGICCH     | "C_SDCCH87_C_2"                                    | 2nd SDCCH/8(7) of cell C                         |
| C_SDCCH80_C_3                                    | LOGICCH     | "C_SDCCH80_C_3"                                    | 3rd SDCCH/8(0) of cell C                         |
| C_SDCCH81_C_3                                    | LOGICCH     | "C_SDCCH81_C_3"                                    | 3rd SDCCH/8(1) of cell C                         |
| C_SDCCH82_C_3                                    | LOGICCH     | "C_SDCCH82_C_3"                                    | 3rd SDCCH/8(2) of cell C                         |
| C_SDCCH83_C_3                                    | LOGICCH     | "C_SDCCH83_C_3"                                    | 3rd SDCCH/8(3) of cell C                         |
| C_SDCCH84_C_3                                    | LOGICCH     | "C_SDCCH84_C_3"                                    | 3rd SDCCH/8(4) of cell C                         |
| C_SDCCH85_C_3                                    | LOGICCH     | "C_SDCCH85_C_3"                                    | 3rd SDCCH/8(5) of cell C                         |
| C_SDCCH86_C_3                                    | LOGICCH     | "C_SDCCH86_C_3"                                    | 3rd SDCCH/8(6) of cell C                         |
| C_SDCCH87_C_3                                    | LOGICCH     | "C_SDCCH87_C_3"                                    | 3rd SDCCH/8(7) of cell C                         |
| C_CHSDCCH8_FH                                    | OCTETSTRING | '00'O                                              | ch.type SDCCH8 with FH                           |
| C_CHSDCCH8_NonFH                                 | OCTETSTRING | '01'O                                              | ch.type SDCCH8 No FH                             |
| C_CHSDCCH4_NonFH                                 | OCTETSTRING | '03'O                                              | ch.type SDCCH4 NoFH                              |
| C_CHTCHF_FH                                      | OCTETSTRING | '04'O                                              | ch.type TCHF FH                                  |
| C_CHTCHF_NonFH                                   | OCTETSTRING | '05'O                                              | ch.type TCHF NonFH                               |
| C_CHTCHH_FH                                      | OCTETSTRING | '06'O                                              | ch.type TCHH FH                                  |
| C_CHTCHH_NonFH                                   | OCTETSTRING | '07'O                                              | ch.type TCHH NonFH                               |
| C_TCHF_ACCHF_1                                   | LOGCH       | "C_TCHF_ACCHF_1"                                   | first TCH/F + ACCHs type channel                 |
| C_TCHF_ACCHF_2                                   | LOGCH       | "C_TCHF_ACCHF_2"                                   | second TCH/F + ACCHs type channel                |
| C_TCHH_ACCHH_1                                   | LOGCH       | "C_TCHH_ACCHH_1"                                   | first TCH/H + ACCHs type channel                 |
| C_TCHH_ACCHH_2                                   | LOGCH       | "C_TCHH_ACCHH_2"                                   | second TCH/H + ACCHs type channel                |
| C_FCCH_SCH_BCCH_CCC<br>H                         | LOGCH       | "C_FCCH_SCH_BCCH_CCC<br>H"                         | FCCH_SCH_BCCH_CCCH type channel                  |
| C_BCCH_CCCH_2                                    | LOGCH       | "C_BCCH_CCCH_2"                                    | second BCCH_CCCH type channel                    |
| C_BCCH_CCCH_3                                    | LOGCH       | "C_BCCH_CCCH_3"                                    | third BCCH_CCCH type channel                     |
| C_BCCH_CCCH_4                                    | LOGCH       | "C_BCCH_CCCH_4"                                    | fourth BCCH_CCCH type channel                    |
| C_FCCH_SCH_BCCH_CCC<br>H_SDCCH4_SACCHC4          | LOGCH       | "C_FCCH_SCH_BCCH_CCC<br>H_SDCCH4_SACCHC4"          | combined CCCH type channel                       |
| C_CBCH_FCCH_SCH_BCC<br>H_CCCH_SDCCH4_SACCH<br>C4 | LOGCH       | "C_CBCH_FCCH_SCH_BCC<br>H_CCCH_SDCCH4_SACCH<br>C4" | combined CCCH type channel for cell broadcast SM |
| C_SDCCH8_SACCHC8_1                               | LOGCH       | "C_SDCCH8_SACCHC8_1"                               | first SDCCH/8 type channel                       |
| C_SDCCH8_SACCHC8_2                               | LOGCH       | "C_SDCCH8_SACCHC8_2"                               | second SDCCH/8 type channel                      |
| C_SDCCH8_SACCHC8_3                               | LOGCH       | "C_SDCCH8_SACCHC8_3"                               | 3rd SDCCH/8 type channel                         |
| C_S0                                             | SN          | '000'B                                             | time slot 0                                      |
| C_S2                                             | SN          | '010'B                                             | time slot 2                                      |
| C_S3                                             | SN          | '011'B                                             | time slot 3                                      |
| C_S4                                             | SN          | '100'B                                             | time slot 4                                      |
| C_S6                                             | SN          | '110'B                                             | time slot 6                                      |
| C_SAVE                                           | INTEGER     | 0                                                  | the OC_SaveAndProc saves input values            |
| C_PROC                                           | INTEGER     | 1                                                  | the OC_SvaAndProc processes saved values         |
| C_RETRV                                          | INTEGER     | 1                                                  |                                                  |
| C_U1                                             | CCSTATE     | 1                                                  | CC state U1                                      |
| C_U3                                             | CCSTATE     | 3                                                  | CC state U3                                      |
| C_U4                                             | CCSTATE     | 4                                                  | CC state U4                                      |
| C_U6                                             | CCSTATE     | 6                                                  | CC state U6                                      |
| C_U7                                             | CCSTATE     | 7                                                  | CC state U7                                      |
| C_U8                                             | CCSTATE     | 8                                                  | CC state U8                                      |
| C_U9                                             | CCSTATE     | 9                                                  | CC state U9                                      |
| C_U10                                            | CCSTATE     | 10                                                 | CC state U10                                     |
| C_U11                                            | CCSTATE     | 11                                                 | CC state U11                                     |
| C_U12                                            | CCSTATE     | 12                                                 | CC state U12                                     |
| C_U19                                            | CCSTATE     | 19                                                 | CC state U19                                     |
| C_U26                                            | CCSTATE     | 26                                                 | CC state U26                                     |

|                  |             |                 |                                                                                                                                                 |
|------------------|-------------|-----------------|-------------------------------------------------------------------------------------------------------------------------------------------------|
| C_NxtButOne      | SENDINGMODE | 1               | send the second message on the next but one paging subblock                                                                                     |
| C_FmrAGB         | SENDINGMODE | 2               | send the second message on the former access grant block                                                                                        |
| C_BfReOcc        | SENDINGMODE | 3               | send the second message before the MS's original paging subchannel re-occurs, but later than the next paging block of that CCCH                 |
| C_NxtButOneNxt   | SENDINGMODE | 4               | nothing is sent in the next but one paging sub block, then send the second message<br>in the next paging subblock of the MS's paging subchannel |
| C_CMServiceTypeE | CMSVTYPE    | '0010'B         | CM Service Type for emergency call.                                                                                                             |
| C_Telephony      | IA5String   | "C_Telephony"   | telephony service (TS11)                                                                                                                        |
| C_EmgCall        | IA5String   | "C_EmgCall"     | emergency call service (TS12)                                                                                                                   |
| C_AltSpchFax     | IA5String   | "C_AltSpchFax"  | alternate speech and G3 fax service (TS61)                                                                                                      |
| C_AutoFax        | IA5String   | "C_AutoFax"     | automatic G3 fax service (TS62)                                                                                                                 |
| C_Async300       | IA5String   | "C_Async300"    | data circuit duplex async. 300 bit/s service (BS21)                                                                                             |
| C_Async1200      | IA5String   | "C_Async1200"   | data circuit duplex async. 1200 bit/s service (BS22)                                                                                            |
| C_Async120075    | IA5String   | "C_Async120075" | data circuit duplex async. 1200/75 bit/s service (BS23)                                                                                         |
| C_Async2400      | IA5String   | "C_Async2400"   | data circuit duplex async. 2400 bit/s service (BS24)                                                                                            |
| C_Async4800      | IA5String   | "C_Async4800"   | data circuit duplex async. 4800 bit/s service (BS25)                                                                                            |
| C_Async9600      | IA5String   | "C_Async9600"   | data circuit duplex async 9600 bit/s service (BS26)                                                                                             |
| C_Sync1200       | IA5String   | "C_Sync1200"    | data circuit duplex sync. 1200 bit/s service (BS31)                                                                                             |
| C_Sync2400       | IA5String   | "C_Sync2400"    | data circuit duplex sync. 2400 bit/s service (BS32)                                                                                             |
| C_Sync4800       | IA5String   | "C_Sync4800"    | data circuit duplex sync. 4800 bit/s service (BS33)                                                                                             |
| C_Sync9600       | IA5String   | "C_Sync9600"    | data circuit duplex sync 9600 bit/s service (BS34)                                                                                              |
| C_PAD300         | IA5String   | "C_PAD300"      | PAD access 300 bit/s service (BS41)                                                                                                             |
| C_PAD1200        | IA5String   | "C_PAD1200"     | PAD access 1200 bit/s service (BS42)                                                                                                            |
| C_PAD120075      | IA5String   | "C_PAD120075"   | PAD access 1200/75 bit/s service (BS43)                                                                                                         |
| C_PAD2400        | IA5String   | "C_PAD2400"     | PAD access 2400 bit/s service (BS44)                                                                                                            |
| C_PAD4800        | IA5String   | "C_PAD4800"     | PAD access 4800 bit/s service (BS45)                                                                                                            |
| C_PAD9600        | IA5String   | "C_PAD9600"     | PAD access 9600 bit/s service (BS46)                                                                                                            |
| C_Packet2400     | IA5String   | "C_Packet2400"  | packt access 2400 bit/s service (BS51)                                                                                                          |
| C_Packet4800     | IA5String   | "C_Packet4800"  | packt access 4800 bit/s service (BS52)                                                                                                          |
| C_Packet9600     | IA5String   | "C_Packet9600"  | packt access 9600 bit/s service (BS53)                                                                                                          |
| C_AltSpchData    | IA5String   | "C_AltSpchData" | alternate speech/data service (BS61)                                                                                                            |
| C_SpchData       | IA5String   | "C_SpchData"    | speech followed data service (BS81)                                                                                                             |
| C_I              | INTEGER     | 1               | I command of L 2                                                                                                                                |
| C_one            | INTEGER     | 1               | one frequency, no hopping                                                                                                                       |
| C_Immass         | BITSTRING   | '000'B          | activation for immediate assignment                                                                                                             |
| C_Ass            | BITSTRING   | '001'B          | activation for assignment                                                                                                                       |
| C_Asynho         | BITSTRING   | '010'B          | activation for non synchronous handover                                                                                                         |
| C_Synho          | BITSTRING   | '011'B          | activation for synchronous                                                                                                                      |

|                       |           |             |                                                                             |
|-----------------------|-----------|-------------|-----------------------------------------------------------------------------|
| C_Rcv                 | BITSTRING | '101'B      | handover                                                                    |
| C_LocEndRel           | RelMode   | '01'O       | activation for receiving only                                               |
| C_MaxPwrLvlD          | INTEGER   | 15          | local end release                                                           |
| C_MaxPwrLvlG          | INTEGER   | 19          | Max power level for MS DCS                                                  |
| C_rc_conditIEerror    | REJCAU    | '64'O       | Max power level for MS GSM                                                  |
| C_rc_congestion       | REJCAU    | '16'O       | reject cause:<br>Conditional IE error                                       |
| C_rc_illegal_ms       | REJCAU    | '03'O       | reject cause:<br>congestion                                                 |
| C_rc_illegal_me       | REJCAU    | '06'O       | reject cause:<br>illegal MS                                                 |
| C_rc_imsiunknownhlr   | REJCAU    | '02'O       | reject cause:<br>illegal ME                                                 |
| C_rc_imsiunknownvlr   | REJCAU    | '04'O       | reject cause:<br>IMSI unknown in HLR                                        |
| C_rc_invalidmaninfo   | REJCAU    | '60'O       | reject cause:<br>IMSI unknown in VLR                                        |
| C_rc_LAnotallowed     | REJCAU    | '0C'O       | reject cause:<br>invalid mandatory information                              |
| C_rc_networkfailure   | REJCAU    | '11'O       | reject cause:<br>LocationArea is not allowed                                |
| C_rc_notidentified    | REJCAU    | '26'O       | reject cause:<br>network failure                                            |
| C_rc_plmn_not         | REJCAU    | '0B'O       | reject cause:<br>can not be identified                                      |
| C_rc_protocolerror    | REJCAU    | '6F'O       | reject cause:<br>PLMN not allowed                                           |
| C_rc_reqservoptnotsub | REJCAU    | '21'O       | reject cause:<br>Protocol error unspecified                                 |
| C_rc_roamingnot       | REJCAU    | '0D'O       | reject cause:<br>requested service option not<br>subscribed                 |
| C_Restablishment      | B_1       | '0'B        | reject cause:<br>Roaming not allowed                                        |
| C_noRestablishment    | B_1       | '1'B        | Restablishment allowed                                                      |
| C_SlotNU              | SN        | '111'B      | No restablishment allowed                                                   |
| C_CellReselectHys12   | INTEGER   | 6           | Slot Number not used                                                        |
| C_CellReselectHys4    | INTEGER   | 2           | Cell Reselection Hysteresis value<br>12db                                   |
| C_RI_alternate        | B_8       | '11010001'B | Cell Reselection Hysteresis value<br>4db                                    |
| C_RI_follow           | B_8       | '11010011'B | Bcap repeat indicator for alternate<br>(circular selection)                 |
| C_SIMIn               | BOOLEAN   | FALSE       | Bcap repeat indicator for<br>successive (sequential selection)              |
| C_SIMneedRmv          | BOOLEAN   | TRUE        | SIM is always inserted in a test<br>case                                    |
| C_Yes                 | BOOLEAN   | TRUE        | Removal of SIM is needed in a<br>test case (SIM is not always<br>inserted.) |
| C_No                  | BOOLEAN   | FALSE       |                                                                             |
| C_Start_Imsi          | INTEGER   | 1           | Test case body starts without<br>TMSI                                       |
| C_Start_Tmsi          | INTEGER   | 2           | Test case body starts with<br>Tmsi_01                                       |
| C_Start_TmsiOff       | INTEGER   | 5           | Test case body starts with<br>Tmsi_01. MS has been<br>deactivated.          |
| C_Start_Rej           | INTEGER   | 3           | Test case body starts with LAI<br>deleted. MS has been<br>deactivated.      |
| C_Start_PLMNnot       | INTEGER   | 4           | Test case body starts with PLMN<br>not allowed                              |
| C_Test_fh             | INTEGER   | 1           | Test case with possibly frequency<br>hopping                                |
| C_Test_nfh            | INTEGER   | 2           | Test case with no frequency<br>hopping                                      |

|                       |         |        |                                                                       |
|-----------------------|---------|--------|-----------------------------------------------------------------------|
| C_Test_egsm           | INTEGER | 3      | Test case for egsm                                                    |
| C_Test_cbms           | INTEGER | 4      | Test case for CBMS                                                    |
| C_normal_updating     | B_2     | '00'B  | normal location updating                                              |
| C_periodic_updating   | B_2     | '01'B  | periodic location updating                                            |
| C_normalOrperiodic    | B_2     | '0?'B  | periodic or normal location updating                                  |
| C_imsi_attach         | B_2     | '10'B  | location updating IMSI attach                                         |
| C_norm_period_attach  | B_2     | '??'B  | imsi attach or periodic location updating or normal location updating |
| C_normal_paging       | B_2     | '00'B  | normal page mode                                                      |
| C_extended_paging     | B_2     | '01'B  | extended paging                                                       |
| C_reorg_paging        | B_2     | '10'B  | paging reorganisation                                                 |
| C_sab_paging          | B_2     | '11'B  | same as before paging                                                 |
| C_non_synchronised    | B_2     | '00'B  | non-synchronised                                                      |
| C_synchronised        | B_2     | '01'B  | synchronised                                                          |
| C_pre_synchronised    | B_2     | '10'B  | pre-synchronised                                                      |
| C_pseudo_synchronised | B_2     | '11'B  | pseudo-synchronised                                                   |
| C_not_report_otd      | B_1     | '0'B   | not report observed time difference                                   |
| C_report_otd          | B_1     | '1'B   | report observed time difference                                       |
| C_Tzone0              | TZONES  | 0      | Time zone 0 (used in TC_34_2_1, TC_34_2_5_3)                          |
| C_Tzone1              | TZONES  | 4      | Time zone 4 (used in TC_34_2_2, TC_34_2_7)                            |
| C_Tzone2              | TZONES  | 10     | Time zone 10 (used in TC_34_2_3)                                      |
| C_Tzone3              | TZONES  | 15     | Time zone 15 (used in TC_34_2_4)                                      |
| C_Tzone4              | TZONES  | 25     | Time zone 25 (used in TC_34_2_5_1)                                    |
| C_Tzone5              | TZONES  | 35     | Time zone 35 (used in TC_34_2_5_2)                                    |
| C_Tzone6              | TZONES  | 45     | Time zone 45 (used in TC_34_2_8)                                      |
| C_T_AssCmd            | INTEGER | 900    | 600ms + 300ms(tolerance)                                              |
| C_T_Wait1stChReq      | INTEGER | 35000  | max time for full BCCH data decoding                                  |
| C_T_mrsrp             | INTEGER | 1500   | 3 times time btw 2 msr rpt.                                           |
| C_T_T3124             | INTEGER | 675    | T3124(675ms)                                                          |
| C_T_T3211plus         | INTEGER | 20000  | 20s                                                                   |
| C_T_T3212             | INTEGER | 360000 | T3212(6min)                                                           |
| C_T_T3212min          | INTEGER | 345000 | T3212(6min) - 15sec                                                   |
| C_T_T3212dif          | INTEGER | 15000  | Difference between T3212 and T3212min                                 |
| C_T_T3210min          | INTEGER | 18000  | 90 % of timer T3210 in ms                                             |
| C_T_T3210             | INTEGER | 20000  | timer T3210 in ms                                                     |
| C_T_T3211min          | INTEGER | 13500  | 90% T3211 in ms                                                       |
| C_T_T3230min          | INTEGER | 13500  | 90% T3230 in ms                                                       |
| C_T_T3240min          | INTEGER | 9000   | 90% T3240 in ms                                                       |
| C_T_T3240tol          | INTEGER | 2000   | 20% T3240 in ms                                                       |
| C_T_Wait              | INTEGER | 5000   | 5s. T3126max                                                          |
| C_T_Wait1             | INTEGER | 1000   | 1s                                                                    |
| C_T_Wait_FAC          | INTEGER | 1500   | 1.5s Facility response time (1s) + tolerance (0.5s)                   |
| C_release_time        | INTEGER | 11     | release timer value                                                   |
| C_RegCFNRy            | INTEGER | 1      | registration of call forwarding service for CFNRy (speech)            |
| C_RegCFU              | INTEGER | 2      | registration of call forwarding service for CFU (all facsimile)       |
| C_RegCF               | INTEGER | 3      | registration of call forwarding service for CF (all facsimile)        |
| C_ErsCFC              | INTEGER | 4      | erasure of call forwarding service for CFC (all facsimile)            |
| C_ErsCFNRc            | INTEGER | 5      | erasure of call forwarding service for CFNRc (all basic services)     |
| C_ErsCFNRy            | INTEGER | 6      | erasure of call forwarding service for CFNRy (all facsimile)          |

|                      |             |        |                                                                                                            |
|----------------------|-------------|--------|------------------------------------------------------------------------------------------------------------|
| C_ActCF              | INTEGER     | 7      | activation of call forwarding service for CF (all synchronous services)                                    |
| C_ActCFU             | INTEGER     | 8      | activation of call forwarding service for CFU (all basic services)                                         |
| C_DeactCFC           | INTEGER     | 9      | deactivation of call forwarding service for CFC (speech)                                                   |
| C_DeactCFNRc         | INTEGER     | 10     | deactivation of call forwarding service for CFNRc (all facsimile)                                          |
| C_InterrogCFC        | INTEGER     | 11     | interrogation of call forwarding service for CFC (Speech)                                                  |
| C_InterrogCFB        | INTEGER     | 12     | interrogation of call forwarding service for CFB (all basic services)                                      |
| C_NotifyCFB          | INTEGER     | 13     | notification of call forwarding service for CFB (incoming call is forwarded)                               |
| C_NotifyCFU          | INTEGER     | 14     | notification of call forwarding service for CFU (provisioned, registered, active)                          |
| C_NotifyCFC          | INTEGER     | 15     | notification of call forwarding service for CFC (provisioned, registered, active)                          |
| C_NotifyCFNRc        | INTEGER     | 16     | notification of call forwarding service for CFNRc (Ms not reachable)                                       |
| C_RegPswd            | INTEGER     | 17     | Registration of password for all call barring services                                                     |
| C_ActBOAC            | INTEGER     | 18     | Activation of BOAC                                                                                         |
| C_ActBICRoam         | INTEGER     | 19     | Activation of BICRoam                                                                                      |
| C_ActBOIC            | INTEGER     | 20     | Activation of BOIC                                                                                         |
| C_ActBAIC            | INTEGER     | 21     | Activation of BAIC                                                                                         |
| C_DeactBO            | INTEGER     | 22     | Deactivation of BO                                                                                         |
| C_DeactBI            | INTEGER     | 23     | Deactivation of BI                                                                                         |
| C_DeactBOICExHC      | INTEGER     | 24     | Deactivation of BOICExHC                                                                                   |
| C_NotifyBI           | INTEGER     | 25     | Notify of BI                                                                                               |
| C_InterrogBOIC       | INTEGER     | 26     | Interrogation of BOIC                                                                                      |
| C_InterrogBOICExHC   | INTEGER     | 27     | Interrogation of BOICExHC                                                                                  |
| C_Full               | IA5String   | "F"    | full rate channel                                                                                          |
| C_Half               | IA5String   | "H"    | half rate channel                                                                                          |
| C_nirr_dontcare      | B_1         | '?'B   | NIRR no meaning or requested                                                                               |
| C_Rchr_dontcare      | B_2         | '??'B  | radio channel requirement not checked                                                                      |
| C_Rchr_Full          | B_2         | '01'B  | radio channel requirement : full rate                                                                      |
| C_Rchr_DualForDualH  | B_2         | '1?'B  | radio channel requirement : dual rate support/half rate preferred or dual rate support/full rate preferred |
| C_Rchr_DualForDualH0 | B_2         | '10'B  | radio channel requirement : dual rate support/half rate preferred or dual rate support/full rate preferred |
| C_StartingTimeHO     | INTEGER     | 238    | Starting time 238 (1.1s), in TC_26_6_5_1, TC_26_6_5_4_2                                                    |
| C_StrT_1000          | INTEGER     | 1000   | Starting time 1000, in TC_26_6_13_1                                                                        |
| C_Norm               | OCTETSTRING | '00'O  | Establish mode: normal                                                                                     |
| C_Speech             | B_3         | '000'B | Info. Transfer Cap. speech                                                                                 |
| C_3100Hz             | B_3         | '010'B | Info. Transfer Cap. 3.1 kHz                                                                                |
| C_UDI                | B_3         | '001'B | Info. Transfer Cap. UDI                                                                                    |
| C_FAX3               | B_3         | '011'B | Info. Transfer Cap. FAX3                                                                                   |
| C_SDUintegrity       | B_2         | '00'B  | Structure SDU integrity                                                                                    |
| C_Unstructured       | B_2         | '11'B  | Structure Unstructured                                                                                     |
| C_struc_dontchk      | B_2         | '??'B  | Structure not checked                                                                                      |
| C_nirr_nomeaning     | B_1         | '0'B   | NIRR no meaning                                                                                            |
| C_no_rate_adaption   | B_2         | '00'B  | Rate adaption no                                                                                           |
| C_rate_adaption_V110 | B_2         | '01'B  | Rate adaption V110                                                                                         |
| C_rate_adaption_X31  | B_2         | '10'B  | Rate adaption X31 flag                                                                                     |



|                                    |             |          |                                         |
|------------------------------------|-------------|----------|-----------------------------------------|
| C_sacp_NA                          | B_3         | '001'B   | Signaling access NA<br>(sec.11.8.1.5.1) |
| C_I440_450                         | B_3         | '001'B   | Signaling access I440/450               |
| C_X21                              | B_3         | '010'B   | Signaling access X21                    |
| C_X28_unui                         | B_3         | '100'B   | Signaling access X28 U NUI              |
| C_X28_nond                         | B_3         | '101'B   | Signaling access X28 non<br>dedicated   |
| C_X32                              | B_3         | '110'B   | Signaling access X32                    |
| C_Synchronous                      | B_1         | '0'B     | Synchronous                             |
| C_Asynchronous                     | B_1         | '1'B     | Asynchronous                            |
| C_stopbit_NA                       | B_1         | '0'B     | Number of Stop bits NA                  |
| C_stopbit_dontcare                 | B_1         | '?'B     | Number of Stop bits not care            |
| C_databit_NA                       | B_1         | '1'B     | Number of Data bits not care            |
| C_databit_dontcare                 | B_1         | '?'B     | Number of Data bits NA                  |
| C_300bs                            | B_4         | '0001'B  | User rate 300 bs                        |
| C_1200bs                           | B_4         | '0010'B  | User rate 1200 bs                       |
| C_120075bs                         | B_4         | '0111'B  | User rate 1200/75 bs                    |
| C_2400bs                           | B_4         | '0011'B  | User rate 2400 bs                       |
| C_4800bs                           | B_4         | '0100'B  | User rate 4800 bs                       |
| C_9600bs                           | B_4         | '0101'B  | User rate 9600 bs                       |
| C_parity_NA                        | B_3         | '011'B   | Parity NA                               |
| C_parity_dontcare                  | B_3         | '???'B   | Parity not care                         |
| C_ir_8kbs                          | B_2         | '10'B    | Intermediate rate 8 Kbs                 |
| C_ir_16kbs                         | B_2         | '11'B    | Intermediate rate 16 Kbs                |
| C_ir_8or16kbs                      | B_2         | '1?'B    | Intermediate rate 8 or 16 Kbs           |
| C_transparent                      | B_2         | '00'B    | Connection element T                    |
| C_nottransparent                   | B_2         | '01'B    | Connection element NT                   |
| C_BothT                            | B_2         | '10'B    | Connection element both T               |
| C_BothNT                           | B_2         | '11'B    | Connection element both NT              |
| C_modemt_none                      | B_5         | '00000'B | no modem                                |
| C_modemt_V21                       | B_5         | '00001'B | modem V21                               |
| C_modemt_V22                       | B_5         | '00010'B | modem V22                               |
| C_modemt_V22bis                    | B_5         | '00011'B | modem V22bis                            |
| C_modemt_V23                       | B_5         | '00100'B | modem V23                               |
| C_modemt_V32                       | B_5         | '00110'B | modem V32                               |
| C_ISO6429                          | B_5         | '01000'B | Inband flow control                     |
| C_COPnoFLCT                        | B_5         | '01100'B | No flow control                         |
| C_X25_fct                          | B_5         | '00110'B | X25 flow control                        |
| C_Outband                          | FLWCNTL     | 0        | outband flow control                    |
| C_Inband                           | FLWCNTL     | 1        | outband flow control                    |
| C_Nocontrol                        | FLWCNTL     | 2        | outband flow control                    |
| C_uil2p_dontcare                   | B_5         | '?????'B | not checked                             |
| C_HSN_0                            | INTEGER     | 0        | cyclic hopping                          |
| C_modemt_ce                        | INTEGER     | 1        | flag value for OC_ModifyBcap            |
| C_modemt_Tlist                     | INTEGER     | 2        | flag value for OC_ModifyBcap            |
| C_modemt_NTlist                    | INTEGER     | 3        | flag value for OC_ModifyBcap            |
| C_modemlist_ce                     | INTEGER     | 4        | flag value for OC_ModifyBcap            |
| C_modemlist_Tlist                  | INTEGER     | 5        | flag value for OC_ModifyBcap            |
| C_modemlist_NTlist                 | INTEGER     | 6        | flag value for OC_ModifyBcap            |
| maxAddressLength                   | Asn1Integer | 20       |                                         |
| maxISDN_AddressLength              | Asn1Integer | 9        |                                         |
| maxISDN_SubaddressLength           | Asn1Integer | 21       |                                         |
| maxNumOfBasicServiceGroups         | Asn1Integer | 13       |                                         |
| maxNumOfCUG                        | Asn1Integer | 10       |                                         |
| maxNumberOfSegmentsPerDataInterval | Asn1Integer | 8191     |                                         |
| maxSignalInfoLength                | Asn1Integer | 200      |                                         |
| maxUSSD_StringLength               | Asn1Integer | 160      |                                         |
| max10TimesIncrement                | Asn1Integer | 8191     |                                         |
| max10TimesIncrementPerDataInterval | Asn1Integer | 8191     |                                         |
| max10TimesInitialTime              | Asn1Integer | 8191     |                                         |
| max100TimesScalingFactor           | Asn1Integer | 8191     |                                         |
| max10TimesTimeInterval             | Asn1Integer | 8191     |                                         |
| max10TimesUnitsPerTime             | Asn1Integer | 8191     |                                         |

Detailed Comments:

## Test case variable declarations

| Test Case Variable Declarations |               |                                                                                                                                                                                                                                                                                                                                                                                                                                                                                                                                        |                                                            |
|---------------------------------|---------------|----------------------------------------------------------------------------------------------------------------------------------------------------------------------------------------------------------------------------------------------------------------------------------------------------------------------------------------------------------------------------------------------------------------------------------------------------------------------------------------------------------------------------------------|------------------------------------------------------------|
| Variable Name                   | Type          | Value                                                                                                                                                                                                                                                                                                                                                                                                                                                                                                                                  | Comments                                                   |
| TCV_CC                          | BOOLEAN       | TSPC_Serv_TS11 OR<br>TSPC_Serv_TS12 OR<br>TSPC_Serv_TS61 OR<br>TSPC_Serv_TS62 OR<br>TSPC_Serv_BS21 OR<br>TSPC_Serv_BS22 OR<br>TSPC_Serv_BS23 OR<br>TSPC_Serv_BS24 OR<br>TSPC_Serv_BS25 OR<br>TSPC_Serv_BS26 OR<br>TSPC_Serv_BS31 OR<br>TSPC_Serv_BS32 OR<br>TSPC_Serv_BS33 OR<br>TSPC_Serv_BS34 OR<br>TSPC_Serv_BS41 OR<br>TSPC_Serv_BS42 OR<br>TSPC_Serv_BS43 OR<br>TSPC_Serv_BS44 OR<br>TSPC_Serv_BS45 OR<br>TSPC_Serv_BS46 OR<br>TSPC_Serv_BS51 OR<br>TSPC_Serv_BS52 OR<br>TSPC_Serv_BS53 OR<br>TSPC_Serv_BS61 OR<br>TSPC_Serv_BS81 |                                                            |
| TCV_AssCmd                      | ASS_CMD_PDU   |                                                                                                                                                                                                                                                                                                                                                                                                                                                                                                                                        | to hold ASSIGNMENT<br>COMMAND PDU                          |
| TCV_B                           | BCAP          |                                                                                                                                                                                                                                                                                                                                                                                                                                                                                                                                        | to hold bearer capability                                  |
| TCV_Bcap1                       | BCAP          |                                                                                                                                                                                                                                                                                                                                                                                                                                                                                                                                        | to hold bearer capability                                  |
| TCV_BcapMT1                     | BCAP          |                                                                                                                                                                                                                                                                                                                                                                                                                                                                                                                                        | to hold BC for MT call                                     |
| TCV_BcapMO1                     | BCAP          |                                                                                                                                                                                                                                                                                                                                                                                                                                                                                                                                        | to hold BC for MO call                                     |
| TCV_Bcap2                       | BCAP          |                                                                                                                                                                                                                                                                                                                                                                                                                                                                                                                                        | to hold bearer capability                                  |
| TCV_BcapMT2                     | BCAP          |                                                                                                                                                                                                                                                                                                                                                                                                                                                                                                                                        | to hold BC for MT call                                     |
| TCV_bs_ag_blks_res              | INTEGER       |                                                                                                                                                                                                                                                                                                                                                                                                                                                                                                                                        |                                                            |
| TCV_bs_cc_chans                 | INTEGER       |                                                                                                                                                                                                                                                                                                                                                                                                                                                                                                                                        |                                                            |
| TCV_bs_pa_mfrms                 | INTEGER       |                                                                                                                                                                                                                                                                                                                                                                                                                                                                                                                                        |                                                            |
| TCV_CalledNum                   | CDPN          |                                                                                                                                                                                                                                                                                                                                                                                                                                                                                                                                        | to hold called party number                                |
| TCV_CallProc                    | CALL_PROC_PDU |                                                                                                                                                                                                                                                                                                                                                                                                                                                                                                                                        | to hold CALL PROCEEDING PDU                                |
| TCV_CallCfm                     | CALL_CO_PDU   |                                                                                                                                                                                                                                                                                                                                                                                                                                                                                                                                        | to hold CALL CONFIRM PDU                                   |
| TCV_Cau                         | CAU           |                                                                                                                                                                                                                                                                                                                                                                                                                                                                                                                                        | to hold cause                                              |
| TCV_Cau0                        | CAU           |                                                                                                                                                                                                                                                                                                                                                                                                                                                                                                                                        | to hold cause                                              |
| TCV_CAgsm                       | CCHD          |                                                                                                                                                                                                                                                                                                                                                                                                                                                                                                                                        | To compute Cell Channel<br>Descriptor for gsm              |
| TCV_CAdcs                       | CCHD          |                                                                                                                                                                                                                                                                                                                                                                                                                                                                                                                                        | To compute Cell Channel<br>Descriptor for dcs              |
| TCV_CB1                         | OCTETSTRING   |                                                                                                                                                                                                                                                                                                                                                                                                                                                                                                                                        | store SMSCB block data                                     |
| TCV_CB2                         | OCTETSTRING   |                                                                                                                                                                                                                                                                                                                                                                                                                                                                                                                                        | store SMSCB block data                                     |
| TCV_CB3                         | OCTETSTRING   |                                                                                                                                                                                                                                                                                                                                                                                                                                                                                                                                        | store SMSCB block data                                     |
| TCV_CB4                         | OCTETSTRING   |                                                                                                                                                                                                                                                                                                                                                                                                                                                                                                                                        | store SMSCB block data                                     |
| TCV_CE                          | B_2           |                                                                                                                                                                                                                                                                                                                                                                                                                                                                                                                                        |                                                            |
| TCV_Ccchg                       | INTEGER       |                                                                                                                                                                                                                                                                                                                                                                                                                                                                                                                                        | CCCH_GROUP                                                 |
| TCV_Ccd0A                       | CCD           |                                                                                                                                                                                                                                                                                                                                                                                                                                                                                                                                        | a copy of control channel<br>description in use for cell A |
| TCV_Ccd0B                       | CCD           |                                                                                                                                                                                                                                                                                                                                                                                                                                                                                                                                        | a copy of control channel<br>description in use for cell B |
| TCV_Ccd0C                       | CCD           |                                                                                                                                                                                                                                                                                                                                                                                                                                                                                                                                        | a copy of control channel<br>description in use for cell C |
| TCV_Ccd0D                       | CCD           |                                                                                                                                                                                                                                                                                                                                                                                                                                                                                                                                        | a copy of control channel<br>description in use for cell D |
| TCV_Ccd0E                       | CCD           |                                                                                                                                                                                                                                                                                                                                                                                                                                                                                                                                        | a copy of control channel<br>description in use for cell E |
| TCV_Ccd0F                       | CCD           |                                                                                                                                                                                                                                                                                                                                                                                                                                                                                                                                        | a copy of control channel<br>description in use for cell F |
| TCV_Ccd0G                       | CCD           |                                                                                                                                                                                                                                                                                                                                                                                                                                                                                                                                        | a copy of control channel<br>description in use for cell G |
| TCV_Ccd0H                       | CCD           |                                                                                                                                                                                                                                                                                                                                                                                                                                                                                                                                        | a copy of control channel                                  |

|                |             |          |                                                                                          |
|----------------|-------------|----------|------------------------------------------------------------------------------------------|
| TCV_cchdescr   | OCTETSTRING |          | description in use for cell H<br>Frequency list of Cell Channel Descr, used in EGSM      |
| TCV_CCst       | CST         |          | to hold call status                                                                      |
| TCV_ch         | LOGICCH     | "dummy"  | to hold logic channel                                                                    |
| TCV_ch1        | LOGICCH     | "dummy"  | to hold logic channel                                                                    |
| TCV_sacch      | LOGICCH     | "dummy"  | to hold logic channel                                                                    |
| TCV_sacch_B    | LOGICCH     | "dummy"  | to hold logic channel                                                                    |
| TCV_sacch_C    | LOGICCH     | "dummy"  | to hold logic channel                                                                    |
| TCV_sacch_D    | LOGICCH     | "dummy"  | to hold logic channel                                                                    |
| TCV_sacch_E    | LOGICCH     | "dummy"  | to hold logic channel                                                                    |
| TCV_sacch_F    | LOGICCH     | "dummy"  | to hold logic channel                                                                    |
| TCV_sacch_G    | LOGICCH     | "dummy"  | to hold logic channel                                                                    |
| TCV_sacch_H    | LOGICCH     | "dummy"  | to hold logic channel                                                                    |
| TCV_sacch8     | LOGICCH     | "dummy"  | to hold logic channel                                                                    |
| TCV_sacchTch   | LOGICCH     | "dummy"  | to hold logic channel                                                                    |
| TCV_sacchTch1  | LOGICCH     | "dummy"  | to hold logic channel                                                                    |
| TCV_sacchTch_H | LOGICCH     | "dummy"  | to hold logic channel                                                                    |
| TCV_chTch      | LOGICCH     | "dummy"  | to hold logic channel                                                                    |
| TCV_chTch1     | LOGICCH     | "dummy"  | to hold logic channel                                                                    |
| TCV_chSms      | LOGICCH     | "dummy"  | to hold logic channel                                                                    |
| TCV_agch       | LOGICCH     | "dummy"  | downlink access grant channel                                                            |
| TCV_WorkingCh  | LOGICCH     | "dummy"  | to hold logic channel                                                                    |
| TCV_cellid     | CellID      |          | to hold the cell identifier                                                              |
| TCV_Char       | IA5String   |          | to hold the IA5 char.<br>corresponding to a DTMF tone                                    |
| TCV_chd1       | CHD         |          | to hold channel description IE                                                           |
| TCV_cchd1      | CCHD        |          | to hold cell channel description IE                                                      |
| TCV_ChMod      | CHMOD       |          | to hold channel mode IE                                                                  |
| TCV_ChModb     | CHMOD       |          | to hold channel mode IE for second mode in dual mode services                            |
| TCV_Tchtype    | CH_TDMA     | '00001'B | Traffic channel type and TDMA offset in channel description IE                           |
| TCV_chtype     | CH_TDMA     |          | to channel type and TDMA offset in channel description IE                                |
| TCV_cksn       | BITSTRING   |          | to hold the CKSN.                                                                        |
| TCV_Cnt        | INTEGER     |          | general loop counter                                                                     |
| TCV_Cnt1       | INTEGER     |          | general loop counter                                                                     |
| TCV_Cnt2       | INTEGER     |          | general loop counter                                                                     |
| TCV_Cntstart   | BOOLEAN     | FALSE    | general loop counter start decision                                                      |
| TCV_Cntref     | INTEGER     |          | Reference for general loop counter                                                       |
| TCV_CphAlg     | BITSTRING   |          | ciphering algorithm                                                                      |
| TCV_CphKey     | BITSTRING   |          | ciphering key                                                                            |
| TCV_CphMd      | CPHMS       |          | ciphering mode setting                                                                   |
| TCV_CPDataRetx | INTEGER     |          | Number of CP Data retransmissions for SMS                                                |
| TCV_ChRate     | IA5String   | C_Full   | to hold channel rate                                                                     |
| TCV_ChRate1    | IA5String   | C_Full   | to hold channel rate                                                                     |
| TCV_counter_c  | INTEGER     |          | loop counter c                                                                           |
| TCV_counter_k  | INTEGER     |          | loop counter k                                                                           |
| TCV_Fk         | INTEGER     |          | to hold an interval between events                                                       |
| TCV_flist      | OCTETSTRING |          | Frequency List, used in EGSM for IE "frequency list" or "frequency short list"           |
| TCV_flistl     | LENGTH      |          | Length of Frequency List, used in EGSM for IE "frequency list" or "frequency short list" |
| TCV_Fn         | FN          |          | to hold the frame number (T1', T2, T3)                                                   |
| TCV_Fn1        | FN          |          | to hold the frame number (T1', T2, T3)                                                   |
| TCV_FnAss      | FN          |          | to hold the frame number in AssCmd statement                                             |
| TCV_FnBurst    | FN          |          | to hold the frame number of first burst of handover access                               |

|                     |              |         |                                                                           |
|---------------------|--------------|---------|---------------------------------------------------------------------------|
| TCV_FollowingOctets | OCTETSTRING  |         | Contains the octets following the invoke id                               |
| TCV_HoaccPara       | HOACC_PARA   |         | Handover access timing and power                                          |
| TCV_Horf            | HORF         |         | Variable for HO reference in HO-Messages of HO cases.                     |
| TCV_HoCMD           | HO_CMD_PDU   |         | to hold handover PDU                                                      |
| TCV_Hrf             | HORF         |         | to hold handover reference                                                |
| TCV_iel             | LENGTH       |         | Length of IE                                                              |
| TCV_kcnt            | INTEGER      |         | loop counter                                                              |
| TCV_K               | INTEGER      |         |                                                                           |
| TCV_L1Head0         | L1HD         |         | to hold L 1 header                                                        |
| TCV_L1Head          | L1HD         |         | to hold L 1 header                                                        |
| TCV_lac             | OCTETSTRING  |         | to hold the lac. 2 octets                                                 |
| TCV_lacunknown      | OCTETSTRING  | '????'O | to hold a wild card lac when the lac is unknown                           |
| TCV_mccunknown      | OCTETSTRING  | '????'O | to hold a wild card mcc value                                             |
| TCV_plmnunknown     | OCTETSTRING  | '???'O  | to hold a wild card plmn value                                            |
| TCV_n               | INTEGER      |         |                                                                           |
| TCV_Neci            | BITSTRING    |         | counter                                                                   |
| TCV_M               | INTEGER      |         | to hold MAIO                                                              |
| TCV_maio            | MAIO         |         | Mobile Allocation in EGSM. It includes the 1.octet of MA                  |
| TCV_mae1            | BITSTRING    |         | Mobile Allocation in EGSM. It includes the 2.octet of MA                  |
| TCV_mae2            | BITSTRING    |         | to hold Max-retrans bitstring                                             |
| TCV_Max             | BITSTRING    |         | RP error Memory Capacity Exceeded was sent                                |
| TCV_MemCapExcd      | BOOLEAN      |         | to hold measurement results                                               |
| TCV_MsrRes          | MSRR         |         | to hold message type                                                      |
| TCV_Mt              | BITSTRING    |         | to hold message type                                                      |
| TCV_Mt1             | BITSTRING    |         | To hold Modify message                                                    |
| TCV_Modify          | MODIFY_PDU   |         | to collect useless result from some test suite operations                 |
| TCV_Null            | BOOLEAN      |         | logical channel for paging                                                |
| TCV_PgCh            | LOGICCH      | "dummy" | paging group                                                              |
| TCV_Pgg             | PGG          |         | Contains the octets previous to the invoke id                             |
| TCV_PreviousOctets  | OCTETSTRING  |         | RP error Protocol Error Unspecified was sent                              |
| TCV_ProtErrorUnspec | BOOLEAN      |         | to hold the power level                                                   |
| TCV_Pwrlvl          | BITSTRING    |         | power level for HO_CMD, used in HO cases.                                 |
| TCV_Pwrlvl_ho       | BITSTRING    |         | to hold Radio channel requirement                                         |
| TCV_Rchr            | B_2          |         | to hold the result of a test suite operation                              |
| TCV_Res             | BOOLEAN      |         | RP message reference for SMS                                              |
| TCV_Rpmr            | MR           |         | to hold the request reference                                             |
| TCV_Rqr             | RQR          |         | to hold the request reference differing from TCV_Rqr                      |
| TCV_Rqr9            | RQR          |         | to hold the request reference differing from TCV_Rqr, TCV_Rqr9            |
| TCV_Rqr10           | RQR          |         | to hold the request reference differing from TCV_Rqr, TCV_Rqr9, TCV_Rqr10 |
| TCV_Rqr11           | RQR          |         | to hold the random request reference                                      |
| TCV_Rr              | BITSTRING    |         | to hold the random reference                                              |
| TCV_Rr1             | BITSTRING    |         | to hold basicservice selected                                             |
| TCV_Service         | SERVICES     |         | to hold basicservice selected                                             |
| TCV_Service1        | SERVICES     |         | to hold the SETUP PDU (MO)                                                |
| TCV_Setup_mo        | SETUP_MO_PDU |         | to hold the SETUP PDU (MO)                                                |
| TCV_Setup_mo1       | SETUP_MO_PDU |         | to hold the SETUP PDU (MT)                                                |
| TCV_Setup_mt        | SETUP_MT_PDU |         | to hold the 2nd SETUP PDU (MT)                                            |
| TCV_Setup_mt1       | SETUP_MT_PDU |         | 2nd test required in TC_11_1_1                                            |
| TCV_2ndtest         | BOOLEAN      |         |                                                                           |

|                   |                 |                  |                                                                    |
|-------------------|-----------------|------------------|--------------------------------------------------------------------|
| TCV_Esetup        | ESETUP_PDU      |                  | to hold the emergency SETUP PDU                                    |
| TCV_Esetup1       | ESETUP_PDU      |                  | to hold the emergency SETUP PDU                                    |
| TCV_Ecall         | BOOLEAN         | FALSE            | it is set to TRUE, if the service under test is emergency call     |
| TCV_slot          | SN              |                  | To hold the default slot used during the entire TC.                |
| TCV_sl2           | SN              |                  | To hold a second working slot number.                              |
| TCV_Sres          | OCTETSTRING     |                  | to hold the SRES returned                                          |
| TCV_sysinf5       | SYSINFO5_PDU    |                  | to hold the SysInfo5 PDU                                           |
| TCV_sysinfo5      | SYSINFO5_PDU    |                  | to hold the SysInfo5 PDU for cell A                                |
| TCV_sysinfo5bis   | SYSINFO5bis_PDU |                  | to hold the SysInfo5bis PDU for cell A                             |
| TCV_sysinfo5_B    | SYSINFO5_PDU    |                  | to hold the SysInfo5 PDU for cell B                                |
| TCV_sysinfo5_C    | SYSINFO5_PDU    |                  | to hold the SysInfo5 PDU for cell c                                |
| TCV_sysinfo5_D    | SYSINFO5_PDU    |                  | to hold the SysInfo5 PDU for cell D                                |
| TCV_sysinfo5_E    | SYSINFO5_PDU    |                  | to hold the SysInfo5 PDU for cell E                                |
| TCV_sysinfo5_F    | SYSINFO5_PDU    |                  | to hold the SysInfo5 PDU for cell F                                |
| TCV_sysinfo5_G    | SYSINFO5_PDU    |                  | to hold the SysInfo5 PDU for cell G                                |
| TCV_sysinfo5_H    | SYSINFO5_PDU    |                  | to hold the SysInfo5 PDU for cell H                                |
| TCV_sysinfo5bis_A | SYSINFO5bis_PDU |                  | to hold the SysInfo5bis PDU for cell A(TC_26_10_2_4_1)             |
| TCV_sysinfo5bis_B | SYSINFO5bis_PDU |                  | to hold the SysInfo5bis PDU for cell B                             |
| TCV_sysinf6       | SYSINFO6_PDU    |                  | to hold the SysInfo6 PDU                                           |
| TCV_sysinfo6      | SYSINFO6_PDU    |                  | to hold the SysInfo6 PDU for cell A                                |
| TCV_sysinfo6_B    | SYSINFO6_PDU    |                  | to hold the SysInfo6 PDU for cell B                                |
| TCV_sysinfo6_C    | SYSINFO6_PDU    |                  | to hold the SysInfo6 PDU for cell C                                |
| TCV_sysinfo6_D    | SYSINFO6_PDU    |                  | to hold the SysInfo6 PDU for cell D                                |
| TCV_sysinfo6_E    | SYSINFO6_PDU    |                  | to hold the SysInfo6 PDU for cell E                                |
| TCV_sysinfo6_F    | SYSINFO6_PDU    |                  | to hold the SysInfo6 PDU for cell F                                |
| TCV_sysinfo6_G    | SYSINFO6_PDU    |                  | to hold the SysInfo6 PDU for cell G                                |
| TCV_sysinfo6_H    | SYSINFO6_PDU    |                  | to hold the SysInfo6 PDU for cell H                                |
| TCV_temp          | INTEGER         |                  | to hold results of expressions that are to be passed as parameters |
| TCV_temp1         | INTEGER         |                  | to hold temporary integer values                                   |
| TCV_temp2         | INTEGER         |                  | to hold temporary integer values                                   |
| TCV_ti_v          | TI_V            |                  | to hold the transaction id. value                                  |
| TCV_ti_v_2        | TI_V            |                  | to hold the transaction id. value for another transaction          |
| TCV_T             | INTEGER         |                  | to hold Tx-integer chosen randomly                                 |
| TCV_T_TwiceTC1M   | INTEGER         | TSPX_TC1M * 2000 | Twice TC1M in ms                                                   |
| TCV_chdescr_arfcn | INTEGER         |                  | ARFCN carrier of actual cell                                       |
| TCV_tch_arfcn     | INTEGER         |                  | ARFCN carrier for traffic channel                                  |
| TCV_asscmd_ts     | BITSTRING       |                  | Time slot for channel description in assignment cmd.               |
| TCV_ts            | BITSTRING       |                  | Time slot for channel description in handover cmd.                 |
| TCV_ia_ts         | BITSTRING       |                  | Time slot for channel description in immediate assignment          |
| TCV_tsc           | TSC             |                  | To hold the default training                                       |

|                 |             |         |                                                                  |
|-----------------|-------------|---------|------------------------------------------------------------------|
| TCV_Td          | OCTETSTRING |         | sequence used during the entire TC.                              |
| TCV_Time        | INTEGER     |         | to hold timing difference                                        |
| TCV_TI          | TI          |         | to hold the measured value of T310 or T305 or T308               |
| TCV_TI0         | TI          |         | to hold the transaction ID for MO calls in sending events        |
| TCV_TI1         | TI          |         | to hold the transaction ID for MO calls in receiving events      |
| TCV_TI2         | TI          |         | to hold the transaction ID                                       |
| TCV_TI3         | TI          |         | to hold the transaction ID                                       |
| TCV_tmp         | INTEGER     |         | temporary integer variable                                       |
| TCV_Tx          | BITSTRING   |         | to hold Tx bitstring                                             |
| TCV_S           | INTEGER     |         | to hold the S parameter                                          |
| TCV_Upd         | BOOLEAN     |         | to hold the information whether the MS is updated or not.        |
| TCV_UssdString  | IA5String   |         | String for USS Data                                              |
| TCV_UssdString1 | IA5String   |         | String for USS Data                                              |
| TCV_UssdString2 | IA5String   |         | String for USS Data                                              |
| TCV_Invkld      | OCTETSTRING |         | to hold SS transaction ID                                        |
| TCV_Invkld0     | OCTETSTRING |         | to hold SS transaction ID                                        |
| TCV_Invkld1     | OCTETSTRING |         | to hold SS transaction ID                                        |
| TCV_Comp        | Components  |         | to hold SS Components                                            |
| TCV_Strt        | STRT        |         | to hold starting time                                            |
| TCV_CBch        | LOGICCH     | "dummy" | Cell Broadcast channel                                           |
| TCV_Tpmr        | MR          |         | TP message reference                                             |
| TCV_TPOA1       | BCDN        |         | TP originating address digits                                    |
| TCV_TPOA2       | BCDN        |         | TP originating address digits                                    |
| TCV_TPDA        | BCDN        |         | TP destination address digits                                    |
| TCV_RPOA_MT     | BCDN        |         | RP originating address digits for MT short messages              |
| TCV_RPOA_MO     | BCDN        |         | RP originating address digits for MO short messages              |
| TCV_RPOA1       | BCDN        |         | RP originating address digits for MT short messages              |
| TCV_RPOA2       | BCDN        |         | RP originating address digits for MT short messages              |
| TCV_RPDA_MT     | BCDN        |         | RP destination address digits for MT short messages              |
| TCV_RPDA_MO     | BCDN        |         | RP destination address digits for MO short messages              |
| TCV_SMTtypeM    | INTEGER     |         | Replace short message type                                       |
| TCV_SMTtypeN    | INTEGER     |         | Replace short message type                                       |
| TCV_SMcntns     | OCTETSTRING |         | short message contents                                           |
| TCV_SMSCBpack   | SMSCBpack   |         | CB message contents                                              |
| TCV_freq        | FRQPARA     |         | to hold Freq type constraints                                    |
| TCV_srv         | SERVICES    |         | to hold MT service                                               |
| TCV_ur          | B_4         |         | to hold user rate                                                |
| TCV_itc         | B_3         |         | to hold information transfer capability                          |
| TCV_sacp        | B_3         |         | to hold service access protocol                                  |
| TCV_ce          | B_2         |         | to hold connection element                                       |
| TCV_ce1         | B_2         |         | to hold connection element                                       |
| TCV_ce3         | B_2         |         | to hold connection element                                       |
| TCV_sa          | B_1         |         | to hold synchronous/asynchronous                                 |
| TCV_ir          | B_2         |         | to hold intermediate rate                                        |
| TCV_uil1p       | B_2         |         | to hold user information layer 1 protocol                        |
| TCV_modemt      | B_5         |         | to hold modem type                                               |
| TCV_MODEM       | B_5         |         |                                                                  |
| TCV_ur2         | B_4         |         | to hold user rate for second configuration                       |
| TCV_itc2        | B_3         |         | to hold information transfer capability for second configuration |
| TCV_sacp2       | B_3         |         | to hold service access protocol for second configuration         |

|                       |         |       |                                                                           |
|-----------------------|---------|-------|---------------------------------------------------------------------------|
| TCV_strc              | B_2     |       | to hold structure                                                         |
| TCV_sa2               | B_1     |       | to hold<br>synchronous/asynchronous for<br>second configuration           |
| TCV_bcapListIndicator | INTEGER |       | flag for OC_ModifyBcap                                                    |
| TCV_supported         | BOOLEAN | FALSE | used for indicating a selected<br>service is declared supported or<br>not |
| TCV_SpecialCase       | BOOLEAN | FALSE | used for indicating whether a test<br>case tests non-supported service    |
| TCV_expta             | INTEGER |       | Expected timing advance of<br>access bursts in bits                       |
| TCV_expdbm            | INTEGER |       | Expected power level of access<br>bursts in dBm                           |
| TCV_mindbm            | INTEGER |       | Minimum received power level of<br>access bursts in dBm                   |
| TCV_maxdbm            | INTEGER |       | Maximum received power level of<br>access bursts in dBm                   |

**Detailed Comments:****PCO declarations**

| PCO Declarations |        |      |          |
|------------------|--------|------|----------|
| PCO Name         | Type   | Role | Comments |
| L                | SAP0_3 | LT   |          |

**Detailed Comments:**

1. The PCO consists of multiple SAPs: the SAP0 and SAP3.
2. The lower tester (LT) is the user of the data link layer service.
3. The SAP0 at the lower tester controlling and observing the exchange of CC, MM, RR and SS PDUs (messages) on the DCCH, SACCH and/or RACH, BCCH, CCCH channels.
4. The SAP3 at the lower tester controlling and observing the exchange of SMS PDUs (messages) on the DCCH or SACCH channels.

**Timer declarations**

| Timer Declarations |                |      |                             |
|--------------------|----------------|------|-----------------------------|
| Timer Name         | Duration       | Unit | Comments                    |
| T_dly              |                | ms   | general purpose delay timer |
| T_dly1             |                | ms   | general purpose delay timer |
| T_dly2             |                | ms   | general purpose delay timer |
| T_dlyAss           | 5000           | ms   | AssCmd timer, 1)            |
| T_guard            | 300            | s    | guard timer                 |
| T_release          | C_release_time | s    | release timer               |

**Detailed Comments:**

- 1) In order to give to the lower tester enough time to dequeue and to send out the call SETUP and the other call establishment related messages in the sending buffer before starting sending of ASSIGNMENT COMMAND message, the default value 5s is used in the test step AssCh\_complete. In the test step AssCh\_failure the timer value is set to 4s. For the TC\_26\_6\_4\_1, 600ms is used.



## ASP type definitions

## TTCN ASP Type definitions

| ASP Type Definition       |                                                                                                                                       |          |
|---------------------------|---------------------------------------------------------------------------------------------------------------------------------------|----------|
| <b>ASP Name:</b>          | DL_EstRq (DL_ESTABLISH_REQUEST)                                                                                                       |          |
| <b>PCO Type:</b>          | SAP0_3                                                                                                                                |          |
| <b>Comments:</b>          | The ASP is used to request the establishment of multiple frame operation (L3 -> L2). The normal establishment procedure is initiated. |          |
| Parameter Name            | Parameter Type                                                                                                                        | Comments |
| sapi                      | SAPID                                                                                                                                 |          |
| logic_ch                  | LOGICCH                                                                                                                               |          |
| establish_mode            | EstMode                                                                                                                               |          |
| <b>Detailed Comments:</b> |                                                                                                                                       |          |

| ASP Type Definition       |                                                                                                                                              |          |
|---------------------------|----------------------------------------------------------------------------------------------------------------------------------------------|----------|
| <b>ASP Name:</b>          | DL_EstIn (DL_ESTABLISH_INDICATION)                                                                                                           |          |
| <b>PCO Type:</b>          | SAP0_3                                                                                                                                       |          |
| <b>Comments:</b>          | The ASP is used to indicate the establishment of multiple frame operation (L2 -> L3). The normal establishment procedure has been initiated. |          |
| Parameter Name            | Parameter Type                                                                                                                               | Comments |
| sapi                      | SAPID                                                                                                                                        |          |
| logic_ch                  | LOGICCH                                                                                                                                      |          |
| establish_mode            | EstMode                                                                                                                                      |          |
| fn                        | FN                                                                                                                                           |          |
| <b>Detailed Comments:</b> |                                                                                                                                              |          |

| ASP Type Definition       |                                                                                                                                                                                                                     |          |
|---------------------------|---------------------------------------------------------------------------------------------------------------------------------------------------------------------------------------------------------------------|----------|
| <b>ASP Name:</b>          | DL_EstInCmsRq (DL_ESTABLISH_INDICATION_CM_SERVICE_REQUEST)                                                                                                                                                          |          |
| <b>PCO Type:</b>          | SAP0_3                                                                                                                                                                                                              |          |
| <b>Comments:</b>          | The ASP is used to indicate the establishment of multiple frame operation due to the receipt of the MM CM SERVICE REQUEST message (L2 -> L3). The contention resolution establishment procedure has been initiated. |          |
| Parameter Name            | Parameter Type                                                                                                                                                                                                      | Comments |
| sapi                      | SAPID                                                                                                                                                                                                               |          |
| logic_ch                  | LOGICCH                                                                                                                                                                                                             |          |
| establish_mode            | EstMode                                                                                                                                                                                                             |          |
| msg                       | CMS_RQ_PDU                                                                                                                                                                                                          |          |
| fn                        | FN                                                                                                                                                                                                                  |          |
| <b>Detailed Comments:</b> |                                                                                                                                                                                                                     |          |

| ASP Type Definition       |                                                                                                                                                                                                                            |          |
|---------------------------|----------------------------------------------------------------------------------------------------------------------------------------------------------------------------------------------------------------------------|----------|
| <b>ASP Name:</b>          | DL_EstInLupRq (DL_ESTABLISH_INDICATION_LOCATION_UPDATING_REQUEST)                                                                                                                                                          |          |
| <b>PCO Type:</b>          | SAP0_3                                                                                                                                                                                                                     |          |
| <b>Comments:</b>          | The ASP is used to indicate the establishment of multiple frame operation due to the receipt of the MM LOCATION UPDATING REQUEST message (L2 -> L3). The contention resolution establishment procedure has been initiated. |          |
| Parameter Name            | Parameter Type                                                                                                                                                                                                             | Comments |
| sapi                      | SAPID                                                                                                                                                                                                                      |          |
| logic_ch                  | LOGICCH                                                                                                                                                                                                                    |          |
| establish_mode            | EstMode                                                                                                                                                                                                                    |          |
| msg                       | LUP_RQ_PDU                                                                                                                                                                                                                 |          |
| fn                        | FN                                                                                                                                                                                                                         |          |
| <b>Detailed Comments:</b> |                                                                                                                                                                                                                            |          |

| ASP Type Definition       |                                                                                                                                                                                                                         |          |
|---------------------------|-------------------------------------------------------------------------------------------------------------------------------------------------------------------------------------------------------------------------|----------|
| <b>ASP Name:</b>          | DL_EstInImsidIn (DL_ESTABLISH_INDICATION_IMSI_DETACH_INDICATION)                                                                                                                                                        |          |
| <b>PCO Type:</b>          | SAP0_3                                                                                                                                                                                                                  |          |
| <b>Comments:</b>          | The ASP is used to indicate the establishment of multiple frame operation due to the receipt of the MM IMSI DETACH INDICATION message (L2 -> L3). The contention resolution establishment procedure has been initiated. |          |
| Parameter Name            | Parameter Type                                                                                                                                                                                                          | Comments |
| sapi                      | SAPID                                                                                                                                                                                                                   |          |
| logic_ch                  | LOGICCH                                                                                                                                                                                                                 |          |
| establish_mode            | EstMode                                                                                                                                                                                                                 |          |
| msg                       | IMSID_IN_PDU                                                                                                                                                                                                            |          |
| fn                        | FN                                                                                                                                                                                                                      |          |
| <b>Detailed Comments:</b> |                                                                                                                                                                                                                         |          |

| ASP Type Definition       |                                                                                                                                                                                                                  |          |
|---------------------------|------------------------------------------------------------------------------------------------------------------------------------------------------------------------------------------------------------------|----------|
| <b>ASP Name:</b>          | DL_EstInPgRes (DL_ESTABLISH_INDICATION_PAGING_RESPONSE)                                                                                                                                                          |          |
| <b>PCO Type:</b>          | SAP0_3                                                                                                                                                                                                           |          |
| <b>Comments:</b>          | The ASP is used to indicate the establishment of multiple frame operation due to the receipt of the RR PAGING RESPONSE message (L2 -> L3). The contention resolution establishment procedure has been initiated. |          |
| Parameter Name            | Parameter Type                                                                                                                                                                                                   | Comments |
| sapi                      | SAPID                                                                                                                                                                                                            |          |
| logic_ch                  | LOGICCH                                                                                                                                                                                                          |          |
| establish_mode            | EstMode                                                                                                                                                                                                          |          |
| msg                       | PG_RES_PDU                                                                                                                                                                                                       |          |
| fn                        | FN                                                                                                                                                                                                               |          |
| <b>Detailed Comments:</b> |                                                                                                                                                                                                                  |          |

| ASP Type Definition       |                                                                                                                                                                                                                             |          |
|---------------------------|-----------------------------------------------------------------------------------------------------------------------------------------------------------------------------------------------------------------------------|----------|
| <b>ASP Name:</b>          | DL_EstInCmreRq (DL_ESTABLISH_INDICATION_CM_REESTABLISHMENT_REQUEST)                                                                                                                                                         |          |
| <b>PCO Type:</b>          | SAP0_3                                                                                                                                                                                                                      |          |
| <b>Comments:</b>          | The ASP is used to indicate the establishment of multiple frame operation due to the receipt of the MM CM REESTABLISHMENT REQUEST message (L2 -> L3). The contention resolution establishment procedure has been initiated. |          |
| Parameter Name            | Parameter Type                                                                                                                                                                                                              | Comments |
| sapi                      | SAPID                                                                                                                                                                                                                       |          |
| logic_ch                  | LOGICCH                                                                                                                                                                                                                     |          |
| establish_mode            | EstMode                                                                                                                                                                                                                     |          |
| msg                       | CMRE_RQ_PDU                                                                                                                                                                                                                 |          |
| fn                        | FN                                                                                                                                                                                                                          |          |
| <b>Detailed Comments:</b> |                                                                                                                                                                                                                             |          |

| ASP Type Definition       |                                                                                                       |          |
|---------------------------|-------------------------------------------------------------------------------------------------------|----------|
| <b>ASP Name:</b>          | DL_EstCo (DL_ESTABLISH_CONFIRM)                                                                       |          |
| <b>PCO Type:</b>          | SAP0_3                                                                                                |          |
| <b>Comments:</b>          | The ASP is used by the L2 to inform the L3 about the establishment of multiple frame link (L2 -> L3). |          |
| Parameter Name            | Parameter Type                                                                                        | Comments |
| sapi                      | SAPID                                                                                                 |          |
| logic_ch                  | LOGICCH                                                                                               |          |
| establish_mode            | EstMode                                                                                               |          |
| <b>Detailed Comments:</b> |                                                                                                       |          |

| ASP Type Definition       |                                                                                                                                                       |          |
|---------------------------|-------------------------------------------------------------------------------------------------------------------------------------------------------|----------|
| <b>ASP Name:</b>          | DL_Relln (DL_RELEASE_INDICATION)                                                                                                                      |          |
| <b>PCO Type:</b>          | SAP0_3                                                                                                                                                |          |
| <b>Comments:</b>          | The ASP is used to indicate the termination of an established multiple frame operation or to report an unsuccessful establishment attempt (L2 -> L3). |          |
| Parameter Name            | Parameter Type                                                                                                                                        | Comments |
| sapi                      | SAPID                                                                                                                                                 |          |
| logic_ch                  | LOGICCH                                                                                                                                               |          |
| release_mode              | RelMode                                                                                                                                               |          |
| outstanding_indicator     | BOOLEAN                                                                                                                                               |          |
| fn                        | FN                                                                                                                                                    |          |
| <b>Detailed Comments:</b> | The outstanding indicator indicates whether or not there are outstanding acknowledgements or unsolved DL_DATA_REQUEST primitives.                     |          |

| ASP Type Definition       |                                                                                      |          |
|---------------------------|--------------------------------------------------------------------------------------|----------|
| <b>ASP Name:</b>          | DL_RaclnChRq (DL_RANDOM_ACCESS_INDICATION_CHANNEL_REQUEST)                           |          |
| <b>PCO Type:</b>          | SAP0_3                                                                               |          |
| <b>Comments:</b>          | The ASP is used to indicate the arrival of an RR CHANNEL REQUEST message (L2 -> L3). |          |
| Parameter Name            | Parameter Type                                                                       | Comments |
| sapi                      | SAPID                                                                                |          |
| logic_ch                  | LOGICCH                                                                              |          |
| fn                        | FN                                                                                   |          |
| msg                       | CH_RQ_PDU                                                                            |          |
| <b>Detailed Comments:</b> |                                                                                      |          |

| ASP Type Definition       |                                                                                      |          |
|---------------------------|--------------------------------------------------------------------------------------|----------|
| <b>ASP Name:</b>          | DL_RaclnHoacc (DL_RADOM_ACCESS_INDICATION_HANDOVER_ACCESS)                           |          |
| <b>PCO Type:</b>          | SAP0_3                                                                               |          |
| <b>Comments:</b>          | The ASP is used to indicate the arrival of an RR HANDOVER ACCESS message (L2 -> L3). |          |
| Parameter Name            | Parameter Type                                                                       | Comments |
| sapi                      | SAPID                                                                                |          |
| logic_ch                  | LOGICCH                                                                              |          |
| msg                       | HOACC_PDU                                                                            |          |
| fn                        | FN                                                                                   |          |
| <b>Detailed Comments:</b> |                                                                                      |          |

| ASP Type Definition       |                                                                                                                               |          |
|---------------------------|-------------------------------------------------------------------------------------------------------------------------------|----------|
| <b>ASP Name:</b>          | DL_UdatRqImmass (DL_UNIT_DATA_REQUEST_IMMEDIATE_ASSIGNMENT)                                                                   |          |
| <b>PCO Type:</b>          | SAP0_3                                                                                                                        |          |
| <b>Comments:</b>          | The ASP is used to request the transmission of the RR IMMEDIATE ASSIGNMENT message using unacknowledged operation (L3 -> L2). |          |
| Parameter Name            | Parameter Type                                                                                                                | Comments |
| sapi                      | SAPID                                                                                                                         |          |
| logic_ch                  | LOGICCH                                                                                                                       |          |
| msg                       | IMMASS_PDU                                                                                                                    |          |
| <b>Detailed Comments:</b> |                                                                                                                               |          |

| ASP Type Definition       |                                                                                                                                                        |          |
|---------------------------|--------------------------------------------------------------------------------------------------------------------------------------------------------|----------|
| <b>ASP Name:</b>          | DL_UdatRqImmass_sp (DL_UNIT_DATA_REQUEST_IMMEDIATE_ASSIGNMENT)                                                                                         |          |
| <b>PCO Type:</b>          | SAP0_3                                                                                                                                                 |          |
| <b>Comments:</b>          | The ASP is used to request the transmission of the RR IMMEDIATE ASSIGNMENT message using unacknowledged operation (L3 -> L2) on the MS paging channel. |          |
| Parameter Name            | Parameter Type                                                                                                                                         | Comments |
| sapi                      | SAPID                                                                                                                                                  |          |
| logic_ch                  | LOGICCH                                                                                                                                                |          |
| pgg                       | PGG                                                                                                                                                    |          |
| msg                       | IMMASS_PDU                                                                                                                                             |          |
| <b>Detailed Comments:</b> |                                                                                                                                                        |          |

| ASP Type Definition       |                                                                                                                                        |          |
|---------------------------|----------------------------------------------------------------------------------------------------------------------------------------|----------|
| <b>ASP Name:</b>          | DL_UdatRqImmassx (DL_UNIT_DATA_REQUEST_IMMEDIATE_ASSIGNMENT_EXTENDED)                                                                  |          |
| <b>PCO Type:</b>          | SAP0_3                                                                                                                                 |          |
| <b>Comments:</b>          | The ASP is used to request the transmission of the RR IMMEDIATE ASSIGNMENT EXTENDED message using unacknowledged operation (L3 -> L2). |          |
| Parameter Name            | Parameter Type                                                                                                                         | Comments |
| sapi                      | SAPID                                                                                                                                  |          |
| logic_ch                  | LOGICCH                                                                                                                                |          |
| msg                       | IMMASSX_PDU                                                                                                                            |          |
| <b>Detailed Comments:</b> |                                                                                                                                        |          |

| ASP Type Definition       |                                                                                                                                                                 |          |
|---------------------------|-----------------------------------------------------------------------------------------------------------------------------------------------------------------|----------|
| <b>ASP Name:</b>          | DL_UdatRqImmassx_sp<br>(DL_UNIT_DATA_REQUEST_IMMEDIATE_ASSIGNMENT_EXTENDED)                                                                                     |          |
| <b>PCO Type:</b>          | SAP0_3                                                                                                                                                          |          |
| <b>Comments:</b>          | The ASP is used to request the transmission of the RR IMMEDIATE ASSIGNMENT EXTENDED message using unacknowledged operation (L3 -> L2) on the MS paging channel. |          |
| Parameter Name            | Parameter Type                                                                                                                                                  | Comments |
| sapi                      | SAPID                                                                                                                                                           |          |
| logic_ch                  | LOGICCH                                                                                                                                                         |          |
| pgg                       | PGG                                                                                                                                                             |          |
| msg                       | IMMASSX_PDU                                                                                                                                                     |          |
| <b>Detailed Comments:</b> |                                                                                                                                                                 |          |

| ASP Type Definition       |                                                                                                                                      |          |
|---------------------------|--------------------------------------------------------------------------------------------------------------------------------------|----------|
| <b>ASP Name:</b>          | DL_UdatRqImmassRej (DL_UNIT_DATA_REQUEST_IMMEDIATE_ASSIGNMENT_REJECT)                                                                |          |
| <b>PCO Type:</b>          | SAP0_3                                                                                                                               |          |
| <b>Comments:</b>          | The ASP is used to request the transmission of the RR IMMEDIATE ASSIGNMENT REJECT message using unacknowledged operation (L3 -> L2). |          |
| Parameter Name            | Parameter Type                                                                                                                       | Comments |
| sapi                      | SAPID                                                                                                                                |          |
| logic_ch                  | LOGICCH                                                                                                                              |          |
| msg                       | IMMASS_REJ_PDU                                                                                                                       |          |
| <b>Detailed Comments:</b> |                                                                                                                                      |          |

| ASP Type Definition       |                                                                                                                                                               |          |
|---------------------------|---------------------------------------------------------------------------------------------------------------------------------------------------------------|----------|
| <b>ASP Name:</b>          | DL_UdatRqImmRej_sp (DL_UNIT_DATA_REQUEST_IMMEDIATE_ASSIGNMENT_REJECT)                                                                                         |          |
| <b>PCO Type:</b>          | SAP0_3                                                                                                                                                        |          |
| <b>Comments:</b>          | The ASP is used to request the transmission of the RR IMMEDIATE ASSIGNMENT REJECT message using unacknowledged operation (L3 -> L2) on the MS paging channel. |          |
| Parameter Name            | Parameter Type                                                                                                                                                | Comments |
| sapi                      | SAPID                                                                                                                                                         |          |
| logic_ch                  | LOGICCH                                                                                                                                                       |          |
| pgg                       | PGG                                                                                                                                                           |          |
| msg                       | IMMASS_REJ_PDU                                                                                                                                                |          |
| <b>Detailed Comments:</b> |                                                                                                                                                               |          |

| ASP Type Definition                                                              |                                                                                                                         |          |
|----------------------------------------------------------------------------------|-------------------------------------------------------------------------------------------------------------------------|----------|
| <b>ASP Name:</b>                                                                 | DL_UdatInMsrRpt (DL_DATA_INDICATION_MEASUREMENT_REPORT)                                                                 |          |
| <b>PCO Type:</b>                                                                 | SAP0_3                                                                                                                  |          |
| <b>Comments:</b>                                                                 | The ASP is used to indicate the receipt of the RR MEASUREMENT REPORT message using unacknowledged operation (L2 -> L3). |          |
| Parameter Name                                                                   | Parameter Type                                                                                                          | Comments |
| sapi                                                                             | SAPID                                                                                                                   |          |
| logic_ch                                                                         | LOGICCH                                                                                                                 |          |
| msg                                                                              | MSR_RPT_PDU                                                                                                             |          |
| fn                                                                               | FN                                                                                                                      |          |
| <b>Detailed Comments:</b> The ASPs are continuously received during the testing. |                                                                                                                         |          |

| ASP Type Definition       |                                                                                                          |          |
|---------------------------|----------------------------------------------------------------------------------------------------------|----------|
| <b>ASP Name:</b>          | DL_UdatRqSMSCBData (DL_UNIT_DATA_REQUEST_SMSCB_DATA)                                                     |          |
| <b>PCO Type:</b>          | SAP0_3                                                                                                   |          |
| <b>Comments:</b>          | The ASP is used to request the transmission of the SMSCB data using unacknowledged operation (L3 -> L2). |          |
| Parameter Name            | Parameter Type                                                                                           | Comments |
| sapi                      | SAPID                                                                                                    |          |
| logic_ch                  | LOGICCH                                                                                                  |          |
| msg                       | SMSCB_PDU                                                                                                |          |
| <b>Detailed Comments:</b> |                                                                                                          |          |

| ASP Type Definition       |                                                                                                                                |          |
|---------------------------|--------------------------------------------------------------------------------------------------------------------------------|----------|
| <b>ASP Name:</b>          | DL_UdatRqPg1Rq (DL_UNIT_DATA_REQUEST_PAGING_REQUEST_TYPE1)                                                                     |          |
| <b>PCO Type:</b>          | SAP0_3                                                                                                                         |          |
| <b>Comments:</b>          | The ASP is used to request the transmission of the RR PAGING REQUEST TYPE 1 message using unacknowledged operation (L3 -> L2). |          |
| Parameter Name            | Parameter Type                                                                                                                 | Comments |
| sapi                      | SAPID                                                                                                                          |          |
| logic_ch                  | LOGICCH                                                                                                                        |          |
| pgg                       | PGG                                                                                                                            |          |
| msg                       | PG1_RQ_PDU                                                                                                                     |          |
| <b>Detailed Comments:</b> |                                                                                                                                |          |

| ASP Type Definition       |                                                                                                                                |          |
|---------------------------|--------------------------------------------------------------------------------------------------------------------------------|----------|
| <b>ASP Name:</b>          | DL_UdatRqPg2Rq (DL_UNIT_DATA_REQUEST_PAGING_REQUEST_TYPE2)                                                                     |          |
| <b>PCO Type:</b>          | SAP0_3                                                                                                                         |          |
| <b>Comments:</b>          | The ASP is used to request the transmission of the RR PAGING REQUEST TYPE 2 message using unacknowledged operation (L3 -> L2). |          |
| Parameter Name            | Parameter Type                                                                                                                 | Comments |
| sapi                      | SAPID                                                                                                                          |          |
| logic_ch                  | LOGICCH                                                                                                                        |          |
| pgg                       | PGG                                                                                                                            |          |
| msg                       | PG2_RQ_PDU                                                                                                                     |          |
| <b>Detailed Comments:</b> |                                                                                                                                |          |

| ASP Type Definition       |                                                                                                                                |          |
|---------------------------|--------------------------------------------------------------------------------------------------------------------------------|----------|
| <b>ASP Name:</b>          | DL_UdatRqPg3Rq (DL_UNIT_DATA_REQUEST_PAGING_REQUEST_TYPE3)                                                                     |          |
| <b>PCO Type:</b>          | SAP0_3                                                                                                                         |          |
| <b>Comments:</b>          | The ASP is used to request the transmission of the RR PAGING REQUEST TYPE 3 message using unacknowledged operation (L3 -> L2). |          |
| Parameter Name            | Parameter Type                                                                                                                 | Comments |
| sapi                      | SAPID                                                                                                                          |          |
| logic_ch                  | LOGICCH                                                                                                                        |          |
| pgg                       | PGG                                                                                                                            |          |
| msg                       | PG3_RQ_PDU                                                                                                                     |          |
| <b>Detailed Comments:</b> |                                                                                                                                |          |

| ASP Type Definition       |                                                                                                                                              |          |
|---------------------------|----------------------------------------------------------------------------------------------------------------------------------------------|----------|
| <b>ASP Name:</b>          | DL_UdatRqSchinfo<br>(DL_UNIT_DATA_REQUEST_SYNCHRONIZATION_CHANNEL_INFORMATION)                                                               |          |
| <b>PCO Type:</b>          | SAP0_3                                                                                                                                       |          |
| <b>Comments:</b>          | The ASP is used to request the transmission of the RR SYNCHRONIZATION CHANNEL INFORMATION message using unacknowledged operation (L3 -> L2). |          |
| Parameter Name            | Parameter Type                                                                                                                               | Comments |
| sapi                      | SAPID                                                                                                                                        |          |
| logic_ch                  | LOGICCH                                                                                                                                      |          |
| msg                       | SCHINFO_PDU                                                                                                                                  |          |
| <b>Detailed Comments:</b> |                                                                                                                                              |          |

| ASP Type Definition       |                                                                                                                                    |          |
|---------------------------|------------------------------------------------------------------------------------------------------------------------------------|----------|
| <b>ASP Name:</b>          | DL_UdatRqSysinfo1 (DL_UNIT_DATA_REQUEST_SYSTEM_INFORMATION_TYPE1)                                                                  |          |
| <b>PCO Type:</b>          | SAP0_3                                                                                                                             |          |
| <b>Comments:</b>          | The ASP is used to request the transmission of the RR SYSTEM INFORMATION TYPE 1 message using unacknowledged operation (L3 -> L2). |          |
| Parameter Name            | Parameter Type                                                                                                                     | Comments |
| sapi                      | SAPID                                                                                                                              |          |
| logic_ch                  | LOGICCH                                                                                                                            |          |
| msg                       | SYSINFO1_PDU                                                                                                                       |          |
| <b>Detailed Comments:</b> |                                                                                                                                    |          |

| ASP Type Definition       |                                                                                                                |          |
|---------------------------|----------------------------------------------------------------------------------------------------------------|----------|
| <b>ASP Name:</b>          | DL_UdatRqSysinfo1_nh (DL_UNIT_DATA_REQUEST_SYSTEM_INFORMATION_TYPE1)                                           |          |
| <b>PCO Type:</b>          | SAP0_3                                                                                                         |          |
| <b>Comments:</b>          | The ASP is used to request the transmission of the RR SYSTEM INFORMATION TYPE 3 message in case of non hopping |          |
| Parameter Name            | Parameter Type                                                                                                 | Comments |
| sapi                      | SAPID                                                                                                          |          |
| logic_ch                  | LOGICCH                                                                                                        |          |
| msg                       | SYSINFO3_PDU                                                                                                   |          |
| <b>Detailed Comments:</b> |                                                                                                                |          |

| ASP Type Definition       |                                                                                                                                    |          |
|---------------------------|------------------------------------------------------------------------------------------------------------------------------------|----------|
| <b>ASP Name:</b>          | DL_UdatRqSysinfo2 (DL_UNIT_DATA_REQUEST_SYSTEM_INFORMATION_TYPE2)                                                                  |          |
| <b>PCO Type:</b>          | SAP0_3                                                                                                                             |          |
| <b>Comments:</b>          | The ASP is used to request the transmission of the RR SYSTEM INFORMATION TYPE 2 message using unacknowledged operation (L3 -> L2). |          |
| Parameter Name            | Parameter Type                                                                                                                     | Comments |
| sapi                      | SAPID                                                                                                                              |          |
| logic_ch                  | LOGICCH                                                                                                                            |          |
| msg                       | SYSINFO2_PDU                                                                                                                       |          |
| <b>Detailed Comments:</b> |                                                                                                                                    |          |

| ASP Type Definition       |                                                                                                                                       |          |
|---------------------------|---------------------------------------------------------------------------------------------------------------------------------------|----------|
| <b>ASP Name:</b>          | DL_UdatRqSysinfo2bis (DL_UNIT_DATA_REQUEST_SYSTEM_INFORMATION_TYPE2bis)                                                               |          |
| <b>PCO Type:</b>          | SAP0_3                                                                                                                                |          |
| <b>Comments:</b>          | The ASP is used to request the transmission of the RR SYSTEM INFORMATION TYPE 2bis message using unacknowledged operation (L3 -> L2). |          |
| Parameter Name            | Parameter Type                                                                                                                        | Comments |
| sapi                      | SAPID                                                                                                                                 |          |
| logic_ch                  | LOGICCH                                                                                                                               |          |
| msg                       | SYSINFO2bis_PDU                                                                                                                       |          |
| <b>Detailed Comments:</b> |                                                                                                                                       |          |

| ASP Type Definition       |                                                                                                                                       |          |
|---------------------------|---------------------------------------------------------------------------------------------------------------------------------------|----------|
| <b>ASP Name:</b>          | DL_UdatRqSysinfo2ter (DL_UNIT_DATA_REQUEST_SYSTEM_INFORMATION_TYPE2ter)                                                               |          |
| <b>PCO Type:</b>          | SAP0_3                                                                                                                                |          |
| <b>Comments:</b>          | The ASP is used to request the transmission of the RR SYSTEM INFORMATION TYPE 2ter message using unacknowledged operation (L3 -> L2). |          |
| Parameter Name            | Parameter Type                                                                                                                        | Comments |
| sapi                      | SAPID                                                                                                                                 |          |
| logic_ch                  | LOGICCH                                                                                                                               |          |
| msg                       | SYSINFO2ter_PDU                                                                                                                       |          |
| <b>Detailed Comments:</b> |                                                                                                                                       |          |

| ASP Type Definition       |                                                                                                                                    |          |
|---------------------------|------------------------------------------------------------------------------------------------------------------------------------|----------|
| <b>ASP Name:</b>          | DL_UdatRqSysinfo3 (DL_UNIT_DATA_REQUEST_SYSTEM_INFORMATION_TYPE3)                                                                  |          |
| <b>PCO Type:</b>          | SAP0_3                                                                                                                             |          |
| <b>Comments:</b>          | The ASP is used to request the transmission of the RR SYSTEM INFORMATION TYPE 3 message using unacknowledged operation (L3 -> L2). |          |
| Parameter Name            | Parameter Type                                                                                                                     | Comments |
| sapi                      | SAPID                                                                                                                              |          |
| logic_ch                  | LOGICCH                                                                                                                            |          |
| msg                       | SYSINFO3_PDU                                                                                                                       |          |
| <b>Detailed Comments:</b> |                                                                                                                                    |          |

| ASP Type Definition       |                                                                                                                                    |          |
|---------------------------|------------------------------------------------------------------------------------------------------------------------------------|----------|
| <b>ASP Name:</b>          | DL_UdatRqSysinfo4 (DL_UNIT_DATA_REQUEST_SYSTEM_INFORMATION_TYPE4)                                                                  |          |
| <b>PCO Type:</b>          | SAP0_3                                                                                                                             |          |
| <b>Comments:</b>          | The ASP is used to request the transmission of the RR SYSTEM INFORMATION TYPE 4 message using unacknowledged operation (L3 -> L2). |          |
| Parameter Name            | Parameter Type                                                                                                                     | Comments |
| sapi                      | SAPID                                                                                                                              |          |
| logic_ch                  | LOGICCH                                                                                                                            |          |
| msg                       | SYSINFO4_PDU                                                                                                                       |          |
| <b>Detailed Comments:</b> |                                                                                                                                    |          |

| ASP Type Definition       |                                                                                                                                    |          |
|---------------------------|------------------------------------------------------------------------------------------------------------------------------------|----------|
| <b>ASP Name:</b>          | DL_UdatRqSysinfo5 (DL_UNIT_DATA_REQUEST_SYSTEM_INFORMATION_TYPE5)                                                                  |          |
| <b>PCO Type:</b>          | SAP0_3                                                                                                                             |          |
| <b>Comments:</b>          | The ASP is used to request the transmission of the RR SYSTEM INFORMATION TYPE 5 message using unacknowledged operation (L3 -> L2). |          |
| Parameter Name            | Parameter Type                                                                                                                     | Comments |
| sapi                      | SAPID                                                                                                                              |          |
| logic_ch                  | LOGICCH                                                                                                                            |          |
| msg                       | SYSINFO5_PDU                                                                                                                       |          |
| <b>Detailed Comments:</b> |                                                                                                                                    |          |

| ASP Type Definition       |                                                                                                                                       |          |
|---------------------------|---------------------------------------------------------------------------------------------------------------------------------------|----------|
| <b>ASP Name:</b>          | DL_UdatRqSysinfo5bis (DL_UNIT_DATA_REQUEST_SYSTEM_INFORMATION_TYPE5bis)                                                               |          |
| <b>PCO Type:</b>          | SAP0_3                                                                                                                                |          |
| <b>Comments:</b>          | The ASP is used to request the transmission of the RR SYSTEM INFORMATION TYPE 5bis message using unacknowledged operation (L3 -> L2). |          |
| Parameter Name            | Parameter Type                                                                                                                        | Comments |
| sapi                      | SAPID                                                                                                                                 |          |
| logic_ch                  | LOGICCH                                                                                                                               |          |
| msg                       | SYSINFO5bis_PDU                                                                                                                       |          |
| <b>Detailed Comments:</b> |                                                                                                                                       |          |

| ASP Type Definition       |                                                                                                                                       |          |
|---------------------------|---------------------------------------------------------------------------------------------------------------------------------------|----------|
| <b>ASP Name:</b>          | DL_UdatRqSysinfo5ter (DL_UNIT_DATA_REQUEST_SYSTEM_INFORMATION_TYPE5ter)                                                               |          |
| <b>PCO Type:</b>          | SAP0_3                                                                                                                                |          |
| <b>Comments:</b>          | The ASP is used to request the transmission of the RR SYSTEM INFORMATION TYPE 5ter message using unacknowledged operation (L3 -> L2). |          |
| Parameter Name            | Parameter Type                                                                                                                        | Comments |
| sapi                      | SAPID                                                                                                                                 |          |
| logic_ch                  | LOGICCH                                                                                                                               |          |
| msg                       | SYSINFO5ter_PDU                                                                                                                       |          |
| <b>Detailed Comments:</b> |                                                                                                                                       |          |

| ASP Type Definition       |                                                                                                                                    |          |
|---------------------------|------------------------------------------------------------------------------------------------------------------------------------|----------|
| <b>ASP Name:</b>          | DL_UdatRqSysinfo6 (DL_UNIT_DATA_REQUEST_SYSTEM_INFORMATION_TYPE6)                                                                  |          |
| <b>PCO Type:</b>          | SAP0_3                                                                                                                             |          |
| <b>Comments:</b>          | The ASP is used to request the transmission of the RR SYSTEM INFORMATION TYPE 6 message using unacknowledged operation (L3 -> L2). |          |
| Parameter Name            | Parameter Type                                                                                                                     | Comments |
| sapi                      | SAPID                                                                                                                              |          |
| logic_ch                  | LOGICCH                                                                                                                            |          |
| msg                       | SYSINFO6_PDU                                                                                                                       |          |
| <b>Detailed Comments:</b> |                                                                                                                                    |          |



| ASP Type Definition       |                                                                                                                                    |          |
|---------------------------|------------------------------------------------------------------------------------------------------------------------------------|----------|
| <b>ASP Name:</b>          | DL_UdatRqSysinfo7 (DL_UNIT_DATA_REQUEST_SYSTEM_INFORMATION_TYPE7)                                                                  |          |
| <b>PCO Type:</b>          | SAP0_3                                                                                                                             |          |
| <b>Comments:</b>          | The ASP is used to request the transmission of the RR SYSTEM INFORMATION TYPE 7 message using unacknowledged operation (L3 -> L2). |          |
| Parameter Name            | Parameter Type                                                                                                                     | Comments |
| sapi                      | SAPID                                                                                                                              |          |
| logic_ch                  | LOGICCH                                                                                                                            |          |
| msg                       | SYSINFO7_PDU                                                                                                                       |          |
| <b>Detailed Comments:</b> |                                                                                                                                    |          |

| ASP Type Definition       |                                                                                                                                    |          |
|---------------------------|------------------------------------------------------------------------------------------------------------------------------------|----------|
| <b>ASP Name:</b>          | DL_UdatRqSysinfo8 (DL_UNIT_DATA_REQUEST_SYSTEM_INFORMATION_TYPE8)                                                                  |          |
| <b>PCO Type:</b>          | SAP0_3                                                                                                                             |          |
| <b>Comments:</b>          | The ASP is used to request the transmission of the RR SYSTEM INFORMATION TYPE 8 message using unacknowledged operation (L3 -> L2). |          |
| Parameter Name            | Parameter Type                                                                                                                     | Comments |
| sapi                      | SAPID                                                                                                                              |          |
| logic_ch                  | LOGICCH                                                                                                                            |          |
| msg                       | SYSINFO8_PDU                                                                                                                       |          |
| <b>Detailed Comments:</b> |                                                                                                                                    |          |

| ASP Type Definition       |                                                                                                                       |          |
|---------------------------|-----------------------------------------------------------------------------------------------------------------------|----------|
| <b>ASP Name:</b>          | DL_UdatInCImChn (DL_UdatINDICATION_CLASSMARK_CHANGE)                                                                  |          |
| <b>PCO Type:</b>          | SAP0_3                                                                                                                |          |
| <b>Comments:</b>          | The ASP is used to indicate the receipt of the RR CLASSMARK CHANGE message using unacknowledged operation (L2 -> L3). |          |
| Parameter Name            | Parameter Type                                                                                                        | Comments |
| sapi                      | SAPID                                                                                                                 |          |
| logic_ch                  | LOGICCH                                                                                                               |          |
| msg                       | CLM_CHN_PDU                                                                                                           |          |
| fn                        | FN                                                                                                                    |          |
| <b>Detailed Comments:</b> |                                                                                                                       |          |

| ASP Type Definition       |                                                                                                                           |          |
|---------------------------|---------------------------------------------------------------------------------------------------------------------------|----------|
| <b>ASP Name:</b>          | DL_DatRqAssCmd (DL_DATA_REQUEST_ASSIGNMENT_COMMAND)                                                                       |          |
| <b>PCO Type:</b>          | SAP0_3                                                                                                                    |          |
| <b>Comments:</b>          | The ASP is used to request the transmission of the RR ASSIGNMENT COMMAND message using acknowledged operation (L3 -> L2). |          |
| Parameter Name            | Parameter Type                                                                                                            | Comments |
| sapi                      | SAPID                                                                                                                     |          |
| logic_ch                  | LOGICCH                                                                                                                   |          |
| msg                       | ASS_CMD_PDU                                                                                                               |          |
| <b>Detailed Comments:</b> |                                                                                                                           |          |

| ASP Type Definition       |                                                                                                                        |          |
|---------------------------|------------------------------------------------------------------------------------------------------------------------|----------|
| <b>ASP Name:</b>          | DL_DatInAssCom (DL_DATA_INDICATION_ASSIGNMENT_COMPLETE)                                                                |          |
| <b>PCO Type:</b>          | SAP0_3                                                                                                                 |          |
| <b>Comments:</b>          | The ASP is used to indicate the receipt of the RR ASSIGNMENT COMPLETE message using acknowledged operation (L2 -> L3). |          |
| Parameter Name            | Parameter Type                                                                                                         | Comments |
| sapi                      | SAPID                                                                                                                  |          |
| logic_ch                  | LOGICCH                                                                                                                |          |
| msg                       | ASS_COM_PDU                                                                                                            |          |
| fn                        | FN                                                                                                                     |          |
| <b>Detailed Comments:</b> | The ASP is a result of the ASP DL_RESUME_REQUEST of the SUT sending the ASSIGNMENT COMPLETE message.                   |          |

| ASP Type Definition       |                                                                                                                       |          |
|---------------------------|-----------------------------------------------------------------------------------------------------------------------|----------|
| <b>ASP Name:</b>          | DL_DatInAssfl (DL_DATA_INDICATION_ASSIGNMENT_FAILURE)                                                                 |          |
| <b>PCO Type:</b>          | SAP0_3                                                                                                                |          |
| <b>Comments:</b>          | The ASP is used to indicate the receipt of the RR ASSIGNMENT FAILURE message using acknowledged operation (L2 -> L3). |          |
| Parameter Name            | Parameter Type                                                                                                        | Comments |
| sapi                      | SAPID                                                                                                                 |          |
| logic_ch                  | LOGICCH                                                                                                               |          |
| msg                       | ASSFL_PDU                                                                                                             |          |
| fn                        | FN                                                                                                                    |          |
| <b>Detailed Comments:</b> | The ASP is a result of the ASP DL_RECONNECT_REQUEST of the SUT sending the ASSIGNMEN FAILURE message.                 |          |

| ASP Type Definition       |                                                                                          |          |
|---------------------------|------------------------------------------------------------------------------------------|----------|
| <b>ASP Name:</b>          | DL_DatInCmsRq (DL_DATA_INDICATION_CM_SERVICE_REQUEST)                                    |          |
| <b>PCO Type:</b>          | SAP0_3                                                                                   |          |
| <b>Comments:</b>          | The ASP is used to indicate the receipt of the MM CM SERVICE REQUEST message (L2 -> L3). |          |
| Parameter Name            | Parameter Type                                                                           | Comments |
| sapi                      | SAPID                                                                                    |          |
| logic_ch                  | LOGICCH                                                                                  |          |
| msg                       | CMS_RQ_PDU                                                                               |          |
| fn                        | FN                                                                                       |          |
| <b>Detailed Comments:</b> |                                                                                          |          |

| ASP Type Definition       |                                                                                                                            |          |
|---------------------------|----------------------------------------------------------------------------------------------------------------------------|----------|
| <b>ASP Name:</b>          | DL_DatRqChmmo (DL_DATA_REQUEST_CHANNEL_MODE_MODIFY)                                                                        |          |
| <b>PCO Type:</b>          | SAP0_3                                                                                                                     |          |
| <b>Comments:</b>          | The ASP is used to request the transmission of the RR CHANNEL MODE MODIFY message using acknowledged operation (L3 -> L2). |          |
| Parameter Name            | Parameter Type                                                                                                             | Comments |
| sapi                      | SAPID                                                                                                                      |          |
| logic_ch                  | LOGICCH                                                                                                                    |          |
| msg                       | CHMMO_PDU                                                                                                                  |          |
| <b>Detailed Comments:</b> |                                                                                                                            |          |

| ASP Type Definition       |                                                                                                                                    |          |
|---------------------------|------------------------------------------------------------------------------------------------------------------------------------|----------|
| <b>ASP Name:</b>          | DL_DatInChmnoAck (DL_DATA_INDICATION_CHANNEL_MODE_MODIFY_ACKNOWLEDGE)                                                              |          |
| <b>PCO Type:</b>          | SAP0_3                                                                                                                             |          |
| <b>Comments:</b>          | The ASP is used to indicate the receipt of the RR CHANNEL MODE MODIFY ACKNOWLEDGE message using acknowledged operation (L2 -> L3). |          |
| Parameter Name            | Parameter Type                                                                                                                     | Comments |
| sapi                      | SAPID                                                                                                                              |          |
| logic_ch                  | LOGICCH                                                                                                                            |          |
| msg                       | CHMMO_ACK_PDU                                                                                                                      |          |
| fn                        | FN                                                                                                                                 |          |
| <b>Detailed Comments:</b> |                                                                                                                                    |          |

| ASP Type Definition       |                                                                                                                        |          |
|---------------------------|------------------------------------------------------------------------------------------------------------------------|----------|
| <b>ASP Name:</b>          | DL_DatRqChRel (DL_DATA_REQUEST_CHANNEL_RELEASE)                                                                        |          |
| <b>PCO Type:</b>          | SAP0_3                                                                                                                 |          |
| <b>Comments:</b>          | The ASP is used to request the transmission of the RR CHANNEL_RELEASE message using acknowledged operation (L3 -> L2). |          |
| Parameter Name            | Parameter Type                                                                                                         | Comments |
| sapi                      | SAPID                                                                                                                  |          |
| logic_ch                  | LOGICCH                                                                                                                |          |
| msg                       | CH_REL_PDU                                                                                                             |          |
| <b>Detailed Comments:</b> |                                                                                                                        |          |

| ASP Type Definition       |                                                                                                                        |          |
|---------------------------|------------------------------------------------------------------------------------------------------------------------|----------|
| <b>ASP Name:</b>          | DL_DatRqChRelErr (DL_DATA_REQUEST_CHANNEL_RELEASE_ERROR)                                                               |          |
| <b>PCO Type:</b>          | SAP0_3                                                                                                                 |          |
| <b>Comments:</b>          | The ASP is used to request the transmission of the RR CHANNEL_RELEASE message using acknowledged operation (L3 -> L2). |          |
| Parameter Name            | Parameter Type                                                                                                         | Comments |
| sapi                      | SAPID                                                                                                                  |          |
| logic_ch                  | LOGICCH                                                                                                                |          |
| msg                       | CH_REL_PDU_ERR                                                                                                         |          |
| <b>Detailed Comments:</b> |                                                                                                                        |          |

| ASP Type Definition       |                                                                                                                               |          |
|---------------------------|-------------------------------------------------------------------------------------------------------------------------------|----------|
| <b>ASP Name:</b>          | DL_DatRqCphmCmd (DL_DATA_REQUEST_CIPHERING_MODE_COMMAND)                                                                      |          |
| <b>PCO Type:</b>          | SAP0_3                                                                                                                        |          |
| <b>Comments:</b>          | The ASP is used to request the transmission of the RR CIPHERING_MODE_COMMAND message using acknowledged operation (L3 -> L2). |          |
| Parameter Name            | Parameter Type                                                                                                                | Comments |
| sapi                      | SAPID                                                                                                                         |          |
| logic_ch                  | LOGICCH                                                                                                                       |          |
| msg                       | CPHM_CMD_PDU                                                                                                                  |          |
| <b>Detailed Comments:</b> |                                                                                                                               |          |

| ASP Type Definition       |                                                                                                                                       |          |
|---------------------------|---------------------------------------------------------------------------------------------------------------------------------------|----------|
| <b>ASP Name:</b>          | DL_DatRqCphmCmdErr (DL_DATA_REQUEST_CIPHERING_MODE_COMMAND_ERROR)                                                                     |          |
| <b>PCO Type:</b>          | SAP0_3                                                                                                                                |          |
| <b>Comments:</b>          | The ASP is used to request the transmission of the invalid RR CIPHERING_MODE_COMMAND message using acknowledged operation (L3 -> L2). |          |
| Parameter Name            | Parameter Type                                                                                                                        | Comments |
| sapi                      | SAPID                                                                                                                                 |          |
| logic_ch                  | LOGICCH                                                                                                                               |          |
| msg                       | CPHM_CMD_PDU_ERR                                                                                                                      |          |
| <b>Detailed Comments:</b> |                                                                                                                                       |          |

| ASP Type Definition       |                                                                                                                            |          |
|---------------------------|----------------------------------------------------------------------------------------------------------------------------|----------|
| <b>ASP Name:</b>          | DL_DatInCphmCom (DL_DATA_INDICATION_CIPHERING_MODE_COMPLETE)                                                               |          |
| <b>PCO Type:</b>          | SAP0_3                                                                                                                     |          |
| <b>Comments:</b>          | The ASP is used to indicate the receipt of the RR CIPHERING MODE COMPLETE message using acknowledged operation (L2 -> L3). |          |
| Parameter Name            | Parameter Type                                                                                                             | Comments |
| sapi                      | SAPID                                                                                                                      |          |
| logic_ch                  | LOGICCH                                                                                                                    |          |
| msg                       | CPHM_COM_PDU                                                                                                               |          |
| fn                        | FN                                                                                                                         |          |
| <b>Detailed Comments:</b> |                                                                                                                            |          |

| ASP Type Definition       |                                                                                                                     |          |
|---------------------------|---------------------------------------------------------------------------------------------------------------------|----------|
| <b>ASP Name:</b>          | DL_DatInClmChn (DL_DAT_INDICATION_CLASSMARK_CHANGE)                                                                 |          |
| <b>PCO Type:</b>          | SAP0_3                                                                                                              |          |
| <b>Comments:</b>          | The ASP is used to indicate the receipt of the RR CLASSMARK CHANGE message using acknowledged operation (L2 -> L3). |          |
| Parameter Name            | Parameter Type                                                                                                      | Comments |
| sapi                      | SAPID                                                                                                               |          |
| logic_ch                  | LOGICCH                                                                                                             |          |
| msg                       | CLM_CHN_PDU                                                                                                         |          |
| fn                        | FN                                                                                                                  |          |
| <b>Detailed Comments:</b> |                                                                                                                     |          |

| ASP Type Definition       |                                                                                                                          |          |
|---------------------------|--------------------------------------------------------------------------------------------------------------------------|----------|
| <b>ASP Name:</b>          | DL_DatRqClmEnq (DL_DATA_REQUEST_CLASSMARK_ENQUIRY)                                                                       |          |
| <b>PCO Type:</b>          | SAP0_3                                                                                                                   |          |
| <b>Comments:</b>          | The ASP is used to request the transmission of the RR CLASSMARK ENQUIRY message using acknowledged operation (L3 -> L2). |          |
| Parameter Name            | Parameter Type                                                                                                           | Comments |
| sapi                      | SAPID                                                                                                                    |          |
| logic_ch                  | LOGICCH                                                                                                                  |          |
| msg                       | CLM_ENQ_PDU                                                                                                              |          |
| <b>Detailed Comments:</b> |                                                                                                                          |          |

| ASP Type Definition       |                                                                                                                               |          |
|---------------------------|-------------------------------------------------------------------------------------------------------------------------------|----------|
| <b>ASP Name:</b>          | DL_DatRqFrqre (DL_DATA_REQUEST_FREQUENCY_REDEFINITION)                                                                        |          |
| <b>PCO Type:</b>          | SAP0_3                                                                                                                        |          |
| <b>Comments:</b>          | The ASP is used to request the transmission of the RR FREQUENCY REDEFINITION message using acknowledged operation (L3 -> L2). |          |
| Parameter Name            | Parameter Type                                                                                                                | Comments |
| sapi                      | SAPID                                                                                                                         |          |
| logic_ch                  | LOGICCH                                                                                                                       |          |
| msg                       | FRQRE_PDU                                                                                                                     |          |
| <b>Detailed Comments:</b> |                                                                                                                               |          |

| ASP Type Definition       |                                                                                                                        |          |
|---------------------------|------------------------------------------------------------------------------------------------------------------------|----------|
| <b>ASP Name:</b>          | DL_DatRqHoCmd (DL_DATA_REQUEST_HANOVER_COMMAND)                                                                        |          |
| <b>PCO Type:</b>          | SAP0_3                                                                                                                 |          |
| <b>Comments:</b>          | The ASP is used to request the transmission of the RR HANOVER COMMAND message using acknowledged operation (L3 -> L2). |          |
| Parameter Name            | Parameter Type                                                                                                         | Comments |
| sapi                      | SAPID                                                                                                                  |          |
| logic_ch                  | LOGICCH                                                                                                                |          |
| msg                       | HO_CMD_PDU                                                                                                             |          |
| <b>Detailed Comments:</b> |                                                                                                                        |          |

| ASP Type Definition                                                                                                         |                                                                                                                     |          |
|-----------------------------------------------------------------------------------------------------------------------------|---------------------------------------------------------------------------------------------------------------------|----------|
| <b>ASP Name:</b>                                                                                                            | DL_DatInHoCom (DL_DATA_INDICATION_HANOVER_COMPLETE)                                                                 |          |
| <b>PCO Type:</b>                                                                                                            | SAP0_3                                                                                                              |          |
| <b>Comments:</b>                                                                                                            | The ASP is used to indicate the receipt of the RR HANOVER COMPLETE message using acknowledged operation (L2 -> L3). |          |
| Parameter Name                                                                                                              | Parameter Type                                                                                                      | Comments |
| sapi                                                                                                                        | SAPID                                                                                                               |          |
| logic_ch                                                                                                                    | LOGICCH                                                                                                             |          |
| msg                                                                                                                         | HO_COM_PDU                                                                                                          |          |
| fn                                                                                                                          | FN                                                                                                                  |          |
| <b>Detailed Comments:</b> The ASP is a result of the ASP DL_RESUME_REQUEST of the SUT sending the HANOVER COMPLETE message. |                                                                                                                     |          |

| ASP Type Definition                                                                                                           |                                                                                                                    |          |
|-------------------------------------------------------------------------------------------------------------------------------|--------------------------------------------------------------------------------------------------------------------|----------|
| <b>ASP Name:</b>                                                                                                              | DL_DatInHofl (DL_DATA_INDICATION_HANOVER_FAILURE)                                                                  |          |
| <b>PCO Type:</b>                                                                                                              | SAP0_3                                                                                                             |          |
| <b>Comments:</b>                                                                                                              | The ASP is used to indicate the receipt of the RR HANOVER FAILURE message using acknowledged operation (L2 -> L3). |          |
| Parameter Name                                                                                                                | Parameter Type                                                                                                     | Comments |
| sapi                                                                                                                          | SAPID                                                                                                              |          |
| logic_ch                                                                                                                      | LOGICCH                                                                                                            |          |
| msg                                                                                                                           | HOFL_PDU                                                                                                           |          |
| fn                                                                                                                            | FN                                                                                                                 |          |
| <b>Detailed Comments:</b> The ASP is a result of the ASP DL_RECONNECT_REQUEST of the SUT sending the HANOVER FAILURE message. |                                                                                                                    |          |

| ASP Type Definition       |                                                                                                                             |          |
|---------------------------|-----------------------------------------------------------------------------------------------------------------------------|----------|
| <b>ASP Name:</b>          | DL_DatRqPhyinfo (DL_DATA_REQUEST_PHYSICAL_INFORMATION)                                                                      |          |
| <b>PCO Type:</b>          | SAP0_3                                                                                                                      |          |
| <b>Comments:</b>          | The ASP is used to request the transmission of the RR PHYSICAL INFORMATION message using acknowledged operation (L3 -> L2). |          |
| Parameter Name            | Parameter Type                                                                                                              | Comments |
| sapi                      | SAPID                                                                                                                       |          |
| logic_ch                  | LOGICCH                                                                                                                     |          |
| msg                       | PHYINFO_PDU                                                                                                                 |          |
| <b>Detailed Comments:</b> |                                                                                                                             |          |

| ASP Type Definition       |                                                                                                           |          |
|---------------------------|-----------------------------------------------------------------------------------------------------------|----------|
| <b>ASP Name:</b>          | DL_DatInRrst (DL_DATA_INDICATION_RR_STATUS)                                                               |          |
| <b>PCO Type:</b>          | SAP0_3                                                                                                    |          |
| <b>Comments:</b>          | The ASP is used to indicate the receipt of the RR STATUS message using acknowledged operation (L2 -> L3). |          |
| Parameter Name            | Parameter Type                                                                                            | Comments |
| sapi                      | SAPID                                                                                                     |          |
| logic_ch                  | LOGICCH                                                                                                   |          |
| msg                       | RRST_PDU                                                                                                  |          |
| fn                        | FN                                                                                                        |          |
| <b>Detailed Comments:</b> |                                                                                                           |          |

| ASP Type Definition       |                                                                                                                              |          |
|---------------------------|------------------------------------------------------------------------------------------------------------------------------|----------|
| <b>ASP Name:</b>          | DL_DatRqAuthRej (DL_DATA_REQUEST_AUTHENTICATION_REJECT)                                                                      |          |
| <b>PCO Type:</b>          | SAP0_3                                                                                                                       |          |
| <b>Comments:</b>          | The ASP is used to request the transmission of the MM AUTHENTICATION REJECT message using acknowledged operation (L3 -> L2). |          |
| Parameter Name            | Parameter Type                                                                                                               | Comments |
| sapi                      | SAPID                                                                                                                        |          |
| logic_ch                  | LOGICCH                                                                                                                      |          |
| msg                       | AUTH_REJ_PDU                                                                                                                 |          |
| <b>Detailed Comments:</b> |                                                                                                                              |          |

| ASP Type Definition       |                                                                                                                               |          |
|---------------------------|-------------------------------------------------------------------------------------------------------------------------------|----------|
| <b>ASP Name:</b>          | DL_DatRqAuthRq (DL_DATA_REQUEST_AUTHENTICATION_REQUEST)                                                                       |          |
| <b>PCO Type:</b>          | SAP0_3                                                                                                                        |          |
| <b>Comments:</b>          | The ASP is used to request the transmission of the MM AUTHENTICATION REQUEST message using acknowledged operation (L3 -> L2). |          |
| Parameter Name            | Parameter Type                                                                                                                | Comments |
| sapi                      | SAPID                                                                                                                         |          |
| logic_ch                  | LOGICCH                                                                                                                       |          |
| msg                       | AUTH_RQ_PDU                                                                                                                   |          |
| <b>Detailed Comments:</b> |                                                                                                                               |          |

| ASP Type Definition       |                                                                                                                            |          |
|---------------------------|----------------------------------------------------------------------------------------------------------------------------|----------|
| <b>ASP Name:</b>          | DL_DatInAuthRes (DL_DATA_INDICATION_AUTHENTICATION_RESPONSE)                                                               |          |
| <b>PCO Type:</b>          | SAP0_3                                                                                                                     |          |
| <b>Comments:</b>          | The ASP is used to indicate the receipt of the MM AUTHENTICATION RESPONSE message using acknowledged operation (L2 -> L3). |          |
| Parameter Name            | Parameter Type                                                                                                             | Comments |
| sapi                      | SAPID                                                                                                                      |          |
| logic_ch                  | LOGICCH                                                                                                                    |          |
| msg                       | AUTH_RES_PDU                                                                                                               |          |
| fn                        | FN                                                                                                                         |          |
| <b>Detailed Comments:</b> |                                                                                                                            |          |

| ASP Type Definition       |                                                                                                                          |          |
|---------------------------|--------------------------------------------------------------------------------------------------------------------------|----------|
| <b>ASP Name:</b>          | DL_DatRqCmsAcP (DL_DATA_REQUEST_CM_SERVICE_ACCEPT)                                                                       |          |
| <b>PCO Type:</b>          | SAP0_3                                                                                                                   |          |
| <b>Comments:</b>          | The ASP is used to request the transmission of the MM CM SERVICE ACCEPT message using acknowledged operation (L3 -> L2). |          |
| Parameter Name            | Parameter Type                                                                                                           | Comments |
| sapi                      | SAPID                                                                                                                    |          |
| logic_ch                  | LOGICCH                                                                                                                  |          |
| msg                       | CMS_ACP_PDU                                                                                                              |          |
| <b>Detailed Comments:</b> |                                                                                                                          |          |

| ASP Type Definition       |                                                                                                                          |          |
|---------------------------|--------------------------------------------------------------------------------------------------------------------------|----------|
| <b>ASP Name:</b>          | DL_DatRqCmsRej (DL_DATA_REQUEST_CM_SERVICE_REJECT)                                                                       |          |
| <b>PCO Type:</b>          | SAP0_3                                                                                                                   |          |
| <b>Comments:</b>          | The ASP is used to request the transmission of the MM CM SERVICE REJECT message using acknowledged operation (L3 -> L2). |          |
| Parameter Name            | Parameter Type                                                                                                           | Comments |
| sapi                      | SAPID                                                                                                                    |          |
| logic_ch                  | LOGICCH                                                                                                                  |          |
| msg                       | CMS_REJ_PDU                                                                                                              |          |
| <b>Detailed Comments:</b> |                                                                                                                          |          |

| ASP Type Definition       |                                                                                                              |          |
|---------------------------|--------------------------------------------------------------------------------------------------------------|----------|
| <b>ASP Name:</b>          | DL_DatRqAbtr (DL_DATA_REQUEST_ABORT)                                                                         |          |
| <b>PCO Type:</b>          | SAP0_3                                                                                                       |          |
| <b>Comments:</b>          | The ASP is used to request the transmission of the MM ABORT message using acknowledged operation (L3 -> L2). |          |
| Parameter Name            | Parameter Type                                                                                               | Comments |
| sapi                      | SAPID                                                                                                        |          |
| logic_ch                  | LOGICCH                                                                                                      |          |
| msg                       | ABRT_PDU                                                                                                     |          |
| <b>Detailed Comments:</b> |                                                                                                              |          |

| ASP Type Definition       |                                                                                                                         |          |
|---------------------------|-------------------------------------------------------------------------------------------------------------------------|----------|
| <b>ASP Name:</b>          | DL_DatRqIdRq (DL_DATA_REQUEST_IDENTITY_REQUEST)                                                                         |          |
| <b>PCO Type:</b>          | SAP0_3                                                                                                                  |          |
| <b>Comments:</b>          | The ASP is used to request the transmission of the MM IDENTITY REQUEST message using acknowledged operation (L3 -> L2). |          |
| Parameter Name            | Parameter Type                                                                                                          | Comments |
| sapi                      | SAPID                                                                                                                   |          |
| logic_ch                  | LOGICCH                                                                                                                 |          |
| msg                       | ID_RQ_PDU                                                                                                               |          |
| <b>Detailed Comments:</b> |                                                                                                                         |          |

| ASP Type Definition       |                                                                                                                      |          |
|---------------------------|----------------------------------------------------------------------------------------------------------------------|----------|
| <b>ASP Name:</b>          | DL_DatInIdRes (DL_DATA_INDICATION_IDENTITY_RESPONSE)                                                                 |          |
| <b>PCO Type:</b>          | SAP0_3                                                                                                               |          |
| <b>Comments:</b>          | The ASP is used to indicate the receipt of the MM IDENTITY RESPONSE message using acknowledged operation (L2 -> L3). |          |
| Parameter Name            | Parameter Type                                                                                                       | Comments |
| sapi                      | SAPID                                                                                                                |          |
| logic_ch                  | LOGICCH                                                                                                              |          |
| msg                       | ID_RES_PDU                                                                                                           |          |
| fn                        | FN                                                                                                                   |          |
| <b>Detailed Comments:</b> |                                                                                                                      |          |

| ASP Type Definition       |                                                                                                                                 |          |
|---------------------------|---------------------------------------------------------------------------------------------------------------------------------|----------|
| <b>ASP Name:</b>          | DL_DatRqLupAcp (DL_DATA_REQUEST_LOCATION_UPDATING_ACCEPT)                                                                       |          |
| <b>PCO Type:</b>          | SAP0_3                                                                                                                          |          |
| <b>Comments:</b>          | The ASP is used to request the transmission of the MM LOCATION UPDATING ACCEPT message using acknowledged operation (L3 -> L2). |          |
| Parameter Name            | Parameter Type                                                                                                                  | Comments |
| sapi                      | SAPID                                                                                                                           |          |
| logic_ch                  | LOGICCH                                                                                                                         |          |
| msg                       | LUP_ACP_PDU                                                                                                                     |          |
| <b>Detailed Comments:</b> |                                                                                                                                 |          |

| ASP Type Definition       |                                                                                                                                 |          |
|---------------------------|---------------------------------------------------------------------------------------------------------------------------------|----------|
| <b>ASP Name:</b>          | DL_DatRqLupAcpErr (DL_DATA_REQUEST_LOCATION_UPDATING_ACCEPT_ERR)                                                                |          |
| <b>PCO Type:</b>          | SAP0_3                                                                                                                          |          |
| <b>Comments:</b>          | The ASP is used to request the transmission of the MM LOCATION UPDATING ACCEPT message using acknowledged operation (L3 -> L2). |          |
| Parameter Name            | Parameter Type                                                                                                                  | Comments |
| sapi                      | SAPID                                                                                                                           |          |
| logic_ch                  | LOGICCH                                                                                                                         |          |
| msg                       | LUP_ACP_PDU_ERR                                                                                                                 |          |
| <b>Detailed Comments:</b> |                                                                                                                                 |          |

| ASP Type Definition       |                                                                                                                                 |          |
|---------------------------|---------------------------------------------------------------------------------------------------------------------------------|----------|
| <b>ASP Name:</b>          | DL_DatRqLupRej (DL_DATA_REQUEST_LOCATION_UPDATING_REJECT)                                                                       |          |
| <b>PCO Type:</b>          | SAP0_3                                                                                                                          |          |
| <b>Comments:</b>          | The ASP is used to request the transmission of the MM LOCATION UPDATING REJECT message using acknowledged operation (L3 -> L2). |          |
| Parameter Name            | Parameter Type                                                                                                                  | Comments |
| sapi                      | SAPID                                                                                                                           |          |
| logic_ch                  | LOGICCH                                                                                                                         |          |
| msg                       | LUP_REJ_PDU                                                                                                                     |          |
| <b>Detailed Comments:</b> |                                                                                                                                 |          |

| ASP Type Definition       |                                                                                                           |          |
|---------------------------|-----------------------------------------------------------------------------------------------------------|----------|
| <b>ASP Name:</b>          | DL_DatInMmst (DL_DATA_INDICATION_MM_STATUS)                                                               |          |
| <b>PCO Type:</b>          | SAP0_3                                                                                                    |          |
| <b>Comments:</b>          | The ASP is used to indicate the receipt of the MM STATUS message using acknowledged operation (L2 -> L3). |          |
| Parameter Name            | Parameter Type                                                                                            | Comments |
| sapi                      | SAPID                                                                                                     |          |
| logic_ch                  | LOGICCH                                                                                                   |          |
| msg                       | MMST_PDU                                                                                                  |          |
| fn                        | FN                                                                                                        |          |
| <b>Detailed Comments:</b> |                                                                                                           |          |

| ASP Type Definition       |                                                                                                                                  |          |
|---------------------------|----------------------------------------------------------------------------------------------------------------------------------|----------|
| <b>ASP Name:</b>          | DL_DatRqTmsireCmd (DL_DATA_REQUEST_TMSI_REALLOCATION_COMMAND)                                                                    |          |
| <b>PCO Type:</b>          | SAP0_3                                                                                                                           |          |
| <b>Comments:</b>          | The ASP is used to request the transmission of the MM TMSI REALLOCATION COMMAND message using acknowledged operation (L3 -> L2). |          |
| Parameter Name            | Parameter Type                                                                                                                   | Comments |
| sapi                      | SAPID                                                                                                                            |          |
| logic_ch                  | LOGICCH                                                                                                                          |          |
| msg                       | TMSIRE_CMD_PDU                                                                                                                   |          |
| <b>Detailed Comments:</b> |                                                                                                                                  |          |



| ASP Type Definition       |                                                                                                                               |          |
|---------------------------|-------------------------------------------------------------------------------------------------------------------------------|----------|
| <b>ASP Name:</b>          | DL_DatInTmsireCom (DL_DATA_INDICATION_TMSI_REALLOCATION_COMPLETE)                                                             |          |
| <b>PCO Type:</b>          | SAP0_3                                                                                                                        |          |
| <b>Comments:</b>          | The ASP is used to indicate the receipt of the MM TMSI REALLOCATION COMPLETE message using acknowledged operation (L2 -> L3). |          |
| Parameter Name            | Parameter Type                                                                                                                | Comments |
| sapi                      | SAPID                                                                                                                         |          |
| logic_ch                  | LOGICCH                                                                                                                       |          |
| msg                       | TMSIRE_COM_PDU                                                                                                                |          |
| fn                        | FN                                                                                                                            |          |
| <b>Detailed Comments:</b> |                                                                                                                               |          |

| ASP Type Definition       |                                                                                                                 |          |
|---------------------------|-----------------------------------------------------------------------------------------------------------------|----------|
| <b>ASP Name:</b>          | DL_DatRqAlert (DL_DATA_REQUEST_ALERTING)                                                                        |          |
| <b>PCO Type:</b>          | SAP0_3                                                                                                          |          |
| <b>Comments:</b>          | The ASP is used to request the transmission of the CC ALERTING message using acknowledged operation (L3 -> L2). |          |
| Parameter Name            | Parameter Type                                                                                                  | Comments |
| sapi                      | SAPID                                                                                                           |          |
| logic_ch                  | LOGICCH                                                                                                         |          |
| msg                       | ALERT_PDU                                                                                                       |          |
| <b>Detailed Comments:</b> |                                                                                                                 |          |

| ASP Type Definition       |                                                                                                             |          |
|---------------------------|-------------------------------------------------------------------------------------------------------------|----------|
| <b>ASP Name:</b>          | DL_DatInAlert (DL_DATA_INDICATION_ALERTING)                                                                 |          |
| <b>PCO Type:</b>          | SAP0_3                                                                                                      |          |
| <b>Comments:</b>          | The ASP is used to indicate the receipt of the CC ALERTING message using acknowledged operation (L2 -> L3). |          |
| Parameter Name            | Parameter Type                                                                                              | Comments |
| sapi                      | SAPID                                                                                                       |          |
| logic_ch                  | LOGICCH                                                                                                     |          |
| msg                       | ALERT_PDU                                                                                                   |          |
| fn                        | FN                                                                                                          |          |
| <b>Detailed Comments:</b> |                                                                                                             |          |

| ASP Type Definition       |                                                                                                                   |          |
|---------------------------|-------------------------------------------------------------------------------------------------------------------|----------|
| <b>ASP Name:</b>          | DL_DatInCallCo (DL_DATA_INDICATION_CALL_CONFIRMED)                                                                |          |
| <b>PCO Type:</b>          | SAP0_3                                                                                                            |          |
| <b>Comments:</b>          | The ASP is used to indicate the receipt of the CC CALL CONFIRMED message using acknowledged operation (L2 -> L3). |          |
| Parameter Name            | Parameter Type                                                                                                    | Comments |
| sapi                      | SAPID                                                                                                             |          |
| logic_ch                  | LOGICCH                                                                                                           |          |
| msg                       | CALL_CO_PDU                                                                                                       |          |
| fn                        | FN                                                                                                                |          |
| <b>Detailed Comments:</b> |                                                                                                                   |          |

| ASP Type Definition       |                                                                                                                        |          |
|---------------------------|------------------------------------------------------------------------------------------------------------------------|----------|
| <b>ASP Name:</b>          | DL_DatRqCallProc (DL_DATA_REQUEST_CALL_PROCEEDING)                                                                     |          |
| <b>PCO Type:</b>          | SAP0_3                                                                                                                 |          |
| <b>Comments:</b>          | The ASP is used to request the transmission of the CC CALL PROCEEDING message using acknowledged operation (L3 -> L2). |          |
| Parameter Name            | Parameter Type                                                                                                         | Comments |
| sapi                      | SAPID                                                                                                                  |          |
| logic_ch                  | LOGICCH                                                                                                                |          |
| msg                       | CALL_PROC_PDU                                                                                                          |          |
| <b>Detailed Comments:</b> |                                                                                                                        |          |

| ASP Type Definition       |                                                                                                                |          |
|---------------------------|----------------------------------------------------------------------------------------------------------------|----------|
| <b>ASP Name:</b>          | DL_DatRqConn (DL_DATA_REQUEST_CONNECT)                                                                         |          |
| <b>PCO Type:</b>          | SAP0_3                                                                                                         |          |
| <b>Comments:</b>          | The ASP is used to request the transmission of the CC CONNECT message using acknowledged operation (L3 -> L2). |          |
| Parameter Name            | Parameter Type                                                                                                 | Comments |
| sapi                      | SAPID                                                                                                          |          |
| logic_ch                  | LOGICCH                                                                                                        |          |
| msg                       | CONN_PDU                                                                                                       |          |
| <b>Detailed Comments:</b> |                                                                                                                |          |

| ASP Type Definition       |                                                                                                                |          |
|---------------------------|----------------------------------------------------------------------------------------------------------------|----------|
| <b>ASP Name:</b>          | DL_DatRqConnErr (DL_DATA_REQUEST_CONNECT_ERR)                                                                  |          |
| <b>PCO Type:</b>          | SAP0_3                                                                                                         |          |
| <b>Comments:</b>          | The ASP is used to request the transmission of the CC CONNECT message using acknowledged operation (L3 -> L2). |          |
| Parameter Name            | Parameter Type                                                                                                 | Comments |
| sapi                      | SAPID                                                                                                          |          |
| logic_ch                  | LOGICCH                                                                                                        |          |
| msg                       | CONN_PDU_ERR                                                                                                   |          |
| <b>Detailed Comments:</b> |                                                                                                                |          |

| ASP Type Definition       |                                                                                                            |          |
|---------------------------|------------------------------------------------------------------------------------------------------------|----------|
| <b>ASP Name:</b>          | DL_DatInConn (DL_DATA_INDICATION_CONNECT)                                                                  |          |
| <b>PCO Type:</b>          | SAP0_3                                                                                                     |          |
| <b>Comments:</b>          | The ASP is used to indicate the receipt of the CC CONNECT message using acknowledged operation (L2 -> L3). |          |
| Parameter Name            | Parameter Type                                                                                             | Comments |
| sapi                      | SAPID                                                                                                      |          |
| logic_ch                  | LOGICCH                                                                                                    |          |
| msg                       | CONN_PDU                                                                                                   |          |
| fn                        | FN                                                                                                         |          |
| <b>Detailed Comments:</b> |                                                                                                            |          |

| ASP Type Definition       |                                                                                                                            |          |
|---------------------------|----------------------------------------------------------------------------------------------------------------------------|----------|
| <b>ASP Name:</b>          | DL_DatRqConnAck (DL_DATA_REQUEST_CONNECT_ACKNOWLEDGE)                                                                      |          |
| <b>PCO Type:</b>          | SAP0_3                                                                                                                     |          |
| <b>Comments:</b>          | The ASP is used to request the transmission of the CC CONNECT ACKNOWLEDGE message using acknowledged operation (L3 -> L2). |          |
| Parameter Name            | Parameter Type                                                                                                             | Comments |
| sapi                      | SAPID                                                                                                                      |          |
| logic_ch                  | LOGICCH                                                                                                                    |          |
| msg                       | CONN_ACK_PDU                                                                                                               |          |
| <b>Detailed Comments:</b> |                                                                                                                            |          |

| ASP Type Definition       |                                                                                                                          |          |
|---------------------------|--------------------------------------------------------------------------------------------------------------------------|----------|
| <b>ASP Name:</b>          | DL_DatInConnAck (DL_DATA_INDICATION_CONNECT_ACKNOWLEDGE)                                                                 |          |
| <b>PCO Type:</b>          | SAP0_3                                                                                                                   |          |
| <b>Comments:</b>          | The ASP is used to indicate the reception of the CC CONNECT ACKNOWLEDGE message using acknowledged operation (L2 -> L3). |          |
| Parameter Name            | Parameter Type                                                                                                           | Comments |
| sapi                      | SAPID                                                                                                                    |          |
| logic_ch                  | LOGICCH                                                                                                                  |          |
| msg                       | CONN_ACK_PDU                                                                                                             |          |
| fn                        | FN                                                                                                                       |          |
| <b>Detailed Comments:</b> |                                                                                                                          |          |

| ASP Type Definition       |                                                                                                                   |          |
|---------------------------|-------------------------------------------------------------------------------------------------------------------|----------|
| <b>ASP Name:</b>          | DL_DatRqDisc (DL_DATA_REQUEST_DISCONNECT)                                                                         |          |
| <b>PCO Type:</b>          | SAP0_3                                                                                                            |          |
| <b>Comments:</b>          | The ASP is used to request the transmission of the CC DISCONNECT message using acknowledged operation (L3 -> L2). |          |
| Parameter Name            | Parameter Type                                                                                                    | Comments |
| sapi                      | SAPID                                                                                                             |          |
| logic_ch                  | LOGICCH                                                                                                           |          |
| msg                       | DISC_PDU                                                                                                          |          |
| <b>Detailed Comments:</b> |                                                                                                                   |          |

| ASP Type Definition       |                                                                                                                   |          |
|---------------------------|-------------------------------------------------------------------------------------------------------------------|----------|
| <b>ASP Name:</b>          | DL_DatRqDiscErr (DL_DATA_REQUEST_DISCONNECT_ERR)                                                                  |          |
| <b>PCO Type:</b>          | SAP0_3                                                                                                            |          |
| <b>Comments:</b>          | The ASP is used to request the transmission of the CC DISCONNECT message using acknowledged operation (L3 -> L2). |          |
| Parameter Name            | Parameter Type                                                                                                    | Comments |
| sapi                      | SAPID                                                                                                             |          |
| logic_ch                  | LOGICCH                                                                                                           |          |
| msg                       | DISC_PDU_ERR                                                                                                      |          |
| <b>Detailed Comments:</b> |                                                                                                                   |          |

| ASP Type Definition       |                                                                                                               |          |
|---------------------------|---------------------------------------------------------------------------------------------------------------|----------|
| <b>ASP Name:</b>          | DL_DatInDisc (DL_DATA_INDICATION_DISCONNECT)                                                                  |          |
| <b>PCO Type:</b>          | SAP0_3                                                                                                        |          |
| <b>Comments:</b>          | The ASP is used to indicate the receipt of the CC DISCONNECT message using acknowledged operation (L2 -> L3). |          |
| Parameter Name            | Parameter Type                                                                                                | Comments |
| sapi                      | SAPID                                                                                                         |          |
| logic_ch                  | LOGICCH                                                                                                       |          |
| msg                       | DISC_PDU                                                                                                      |          |
| fn                        | FN                                                                                                            |          |
| <b>Detailed Comments:</b> |                                                                                                               |          |

| ASP Type Definition       |                                                                                                                    |          |
|---------------------------|--------------------------------------------------------------------------------------------------------------------|----------|
| <b>ASP Name:</b>          | DL_DatInESetup (DL_DATA_INDICATION_EMERGENCY_SETUP)                                                                |          |
| <b>PCO Type:</b>          | SAP0_3                                                                                                             |          |
| <b>Comments:</b>          | The ASP is used to indicate the receipt of the CC EMERGENCY_SETUP message using acknowledged operation (L2 -> L3). |          |
| Parameter Name            | Parameter Type                                                                                                     | Comments |
| sapi                      | SAPID                                                                                                              |          |
| logic_ch                  | LOGICCH                                                                                                            |          |
| msg                       | ESETUP_PDU                                                                                                         |          |
| fn                        | FN                                                                                                                 |          |
| <b>Detailed Comments:</b> |                                                                                                                    |          |

| ASP Type Definition       |                                                                                                                 |          |
|---------------------------|-----------------------------------------------------------------------------------------------------------------|----------|
| <b>ASP Name:</b>          | DL_DatRqFac (DL_DATA_REQUEST_FACILITY)                                                                          |          |
| <b>PCO Type:</b>          | SAP0_3                                                                                                          |          |
| <b>Comments:</b>          | The ASP is used to request the transmission of the CC FACILITY message using acknowledged operation (L3 -> L2). |          |
| Parameter Name            | Parameter Type                                                                                                  | Comments |
| sapi                      | SAPID                                                                                                           |          |
| logic_ch                  | LOGICCH                                                                                                         |          |
| msg                       | FAC_PDU                                                                                                         |          |
| <b>Detailed Comments:</b> |                                                                                                                 |          |

| ASP Type Definition       |                                                                                                             |          |
|---------------------------|-------------------------------------------------------------------------------------------------------------|----------|
| <b>ASP Name:</b>          | DL_DatInFac (DL_DATA_INDICATION_FACILITY)                                                                   |          |
| <b>PCO Type:</b>          | SAP0_3                                                                                                      |          |
| <b>Comments:</b>          | The ASP is used to indicate the receipt of the CC FACILITY message using acknowledged operation (L2 -> L3). |          |
| Parameter Name            | Parameter Type                                                                                              | Comments |
| sapi                      | SAPID                                                                                                       |          |
| logic_ch                  | LOGICCH                                                                                                     |          |
| msg                       | FAC_PDU                                                                                                     |          |
| fn                        | FN                                                                                                          |          |
| <b>Detailed Comments:</b> |                                                                                                             |          |

| ASP Type Definition       |                                                                                                         |          |
|---------------------------|---------------------------------------------------------------------------------------------------------|----------|
| <b>ASP Name:</b>          | DL_DatInHold (DL_DATA_INDICATION_HOLD)                                                                  |          |
| <b>PCO Type:</b>          | SAP0_3                                                                                                  |          |
| <b>Comments:</b>          | The ASP is used to indicate the receipt of the CC HOLD message using acknowledged operation (L2 -> L3). |          |
| Parameter Name            | Parameter Type                                                                                          | Comments |
| sapi                      | SAPID                                                                                                   |          |
| logic_ch                  | LOGICCH                                                                                                 |          |
| msg                       | HOLD_PDU                                                                                                |          |
| fn                        | FN                                                                                                      |          |
| <b>Detailed Comments:</b> |                                                                                                         |          |

| ASP Type Definition       |                                                                                                                         |          |
|---------------------------|-------------------------------------------------------------------------------------------------------------------------|----------|
| <b>ASP Name:</b>          | DL_DatRqHoldAck (DL_DATA_REQUEST_HOLD_ACKNOWLEDGE)                                                                      |          |
| <b>PCO Type:</b>          | SAP0_3                                                                                                                  |          |
| <b>Comments:</b>          | The ASP is used to request the transmission of the CC HOLD ACKNOWLEDGE message using acknowledged operation (L3 -> L2). |          |
| Parameter Name            | Parameter Type                                                                                                          | Comments |
| sapi                      | SAPID                                                                                                                   |          |
| logic_ch                  | LOGICCH                                                                                                                 |          |
| msg                       | HOLD_ACK_PDU                                                                                                            |          |
| <b>Detailed Comments:</b> |                                                                                                                         |          |

| ASP Type Definition       |                                                                                                               |          |
|---------------------------|---------------------------------------------------------------------------------------------------------------|----------|
| <b>ASP Name:</b>          | DL_DatRqModify (DL_DATA_REQUEST_MODIFY)                                                                       |          |
| <b>PCO Type:</b>          | SAP0_3                                                                                                        |          |
| <b>Comments:</b>          | The ASP is used to request the transmission of the CC MODIFY message using acknowledged operation (L3 -> L2). |          |
| Parameter Name            | Parameter Type                                                                                                | Comments |
| sapi                      | SAPID                                                                                                         |          |
| logic_ch                  | LOGICCH                                                                                                       |          |
| msg                       | MODIFY_PDU                                                                                                    |          |
| <b>Detailed Comments:</b> |                                                                                                               |          |

| ASP Type Definition       |                                                                                                           |          |
|---------------------------|-----------------------------------------------------------------------------------------------------------|----------|
| <b>ASP Name:</b>          | DL_DatInModify (DL_DATA_INDICATION_MODIFY)                                                                |          |
| <b>PCO Type:</b>          | SAP0_3                                                                                                    |          |
| <b>Comments:</b>          | The ASP is used to indicate the receipt of the CC MODIFY message using acknowledged operation (L2 -> L3). |          |
| Parameter Name            | Parameter Type                                                                                            | Comments |
| sapi                      | SAPID                                                                                                     |          |
| logic_ch                  | LOGICCH                                                                                                   |          |
| msg                       | MODIFY_PDU                                                                                                |          |
| fn                        | FN                                                                                                        |          |
| <b>Detailed Comments:</b> |                                                                                                           |          |

| ASP Type Definition       |                                                                                                                        |          |
|---------------------------|------------------------------------------------------------------------------------------------------------------------|----------|
| <b>ASP Name:</b>          | DL_DatRqModifyCom (DL_DATA_REQUEST_MODIFY_COMPLETE)                                                                    |          |
| <b>PCO Type:</b>          | SAP0_3                                                                                                                 |          |
| <b>Comments:</b>          | The ASP is used to request the transmission of the CC MODIFY COMPLETE message using acknowledged operation (L3 -> L2). |          |
| Parameter Name            | Parameter Type                                                                                                         | Comments |
| sapi                      | SAPID                                                                                                                  |          |
| logic_ch                  | LOGICCH                                                                                                                |          |
| msg                       | MODIFY_COM_PDU                                                                                                         |          |
| <b>Detailed Comments:</b> |                                                                                                                        |          |

| ASP Type Definition       |                                                                                                                      |          |
|---------------------------|----------------------------------------------------------------------------------------------------------------------|----------|
| <b>ASP Name:</b>          | DL_DatRqModifyRej (DL_DATA_REQUEST_MODIFY_REJECT)                                                                    |          |
| <b>PCO Type:</b>          | SAP0_3                                                                                                               |          |
| <b>Comments:</b>          | The ASP is used to request the transmission of the CC MODIFY REJECT message using acknowledged operation (L3 -> L2). |          |
| Parameter Name            | Parameter Type                                                                                                       | Comments |
| sapi                      | SAPID                                                                                                                |          |
| logic_ch                  | LOGICCH                                                                                                              |          |
| msg                       | MODIFY_REJ_PDU                                                                                                       |          |
| <b>Detailed Comments:</b> |                                                                                                                      |          |

| ASP Type Definition       |                                                                                                                  |          |
|---------------------------|------------------------------------------------------------------------------------------------------------------|----------|
| <b>ASP Name:</b>          | DL_DatInModifyRej (DL_DATA_INDICATION_MODIFY_REJECT)                                                             |          |
| <b>PCO Type:</b>          | SAP0_3                                                                                                           |          |
| <b>Comments:</b>          | The ASP is used to indicate the receipt of the CC MODIFY REJECT message using acknowledged operation (L2 -> L3). |          |
| Parameter Name            | Parameter Type                                                                                                   | Comments |
| sapi                      | SAPID                                                                                                            |          |
| logic_ch                  | LOGICCH                                                                                                          |          |
| msg                       | MODIFY_REJ_PDU                                                                                                   |          |
| fn                        | FN                                                                                                               |          |
| <b>Detailed Comments:</b> |                                                                                                                  |          |

| ASP Type Definition       |                                                                                                               |          |
|---------------------------|---------------------------------------------------------------------------------------------------------------|----------|
| <b>ASP Name:</b>          | DL_DatRqNotify (DL_DATA_REQUEST_NOTIFY)                                                                       |          |
| <b>PCO Type:</b>          | SAP0_3                                                                                                        |          |
| <b>Comments:</b>          | The ASP is used to request the transmission of the CC NOTIFY message using acknowledged operation (L3 -> L2). |          |
| Parameter Name            | Parameter Type                                                                                                | Comments |
| sapi                      | SAPID                                                                                                         |          |
| logic_ch                  | LOGICCH                                                                                                       |          |
| msg                       | NOTIFY_PDU                                                                                                    |          |
| <b>Detailed Comments:</b> |                                                                                                               |          |

| ASP Type Definition       |                                                                                                                 |          |
|---------------------------|-----------------------------------------------------------------------------------------------------------------|----------|
| <b>ASP Name:</b>          | DL_DatRqProg (DL_DATA_REQUEST_PROGRESS)                                                                         |          |
| <b>PCO Type:</b>          | SAP0_3                                                                                                          |          |
| <b>Comments:</b>          | The ASP is used to request the transmission of the CC PROGRESS message using acknowledged operation (L3 -> L2). |          |
| Parameter Name            | Parameter Type                                                                                                  | Comments |
| sapi                      | SAPID                                                                                                           |          |
| logic_ch                  | LOGICCH                                                                                                         |          |
| msg                       | PROG_PDU                                                                                                        |          |
| <b>Detailed Comments:</b> |                                                                                                                 |          |

| ASP Type Definition       |                                                                                                                 |          |
|---------------------------|-----------------------------------------------------------------------------------------------------------------|----------|
| <b>ASP Name:</b>          | DL_DatRqRegister (DL_DATA_REQUEST_REGISTER)                                                                     |          |
| <b>PCO Type:</b>          | SAP0_3                                                                                                          |          |
| <b>Comments:</b>          | The ASP is used to request the transmission of the SS REGISTER message using acknowledged operation (L3 -> L2). |          |
| Parameter Name            | Parameter Type                                                                                                  | Comments |
| sapi                      | SAPID                                                                                                           |          |
| logic_ch                  | LOGICCH                                                                                                         |          |
| msg                       | REGISTER_PDU                                                                                                    |          |
| <b>Detailed Comments:</b> |                                                                                                                 |          |

| ASP Type Definition       |                                                                                                      |          |
|---------------------------|------------------------------------------------------------------------------------------------------|----------|
| <b>ASP Name:</b>          | DL_DatInRegister (DL_DATA_INDICATION_REGISTER)                                                       |          |
| <b>PCO Type:</b>          | SAP0_3                                                                                               |          |
| <b>Comments:</b>          | The ASP is used to receive the transmission of the SS REGISTER message using acknowledged operation. |          |
| Parameter Name            | Parameter Type                                                                                       | Comments |
| sapi                      | SAPID                                                                                                |          |
| logic_ch                  | LOGICCH                                                                                              |          |
| msg                       | REGISTER_PDU                                                                                         |          |
| fn                        | FN                                                                                                   |          |
| <b>Detailed Comments:</b> |                                                                                                      |          |

| ASP Type Definition       |                                                                                                                |          |
|---------------------------|----------------------------------------------------------------------------------------------------------------|----------|
| <b>ASP Name:</b>          | DL_DatRqRel (DL_DATA_REQUEST_RELEASE)                                                                          |          |
| <b>PCO Type:</b>          | SAP0_3                                                                                                         |          |
| <b>Comments:</b>          | The ASP is used to request the transmission of the CC RELEASE message using acknowledged operation (L3 -> L2). |          |
| Parameter Name            | Parameter Type                                                                                                 | Comments |
| sapi                      | SAPID                                                                                                          |          |
| logic_ch                  | LOGICCH                                                                                                        |          |
| msg                       | REL_PDU                                                                                                        |          |
| <b>Detailed Comments:</b> |                                                                                                                |          |

| ASP Type Definition       |                                                                                                            |          |
|---------------------------|------------------------------------------------------------------------------------------------------------|----------|
| <b>ASP Name:</b>          | DL_DatInRel (DL_DATA_INDICATION_RELEASE)                                                                   |          |
| <b>PCO Type:</b>          | SAP0_3                                                                                                     |          |
| <b>Comments:</b>          | The ASP is used to indicate the receipt of the CC RELEASE message using acknowledged operation (L2 -> L3). |          |
| Parameter Name            | Parameter Type                                                                                             | Comments |
| sapi                      | SAPID                                                                                                      |          |
| logic_ch                  | LOGICCH                                                                                                    |          |
| msg                       | REL_PDU                                                                                                    |          |
| fn                        | FN                                                                                                         |          |
| <b>Detailed Comments:</b> |                                                                                                            |          |

| ASP Type Definition       |                                                                                                                         |          |
|---------------------------|-------------------------------------------------------------------------------------------------------------------------|----------|
| <b>ASP Name:</b>          | DL_DatRqRelCmp (DL_DATA_REQUEST_RELEASE_COMPLETE)                                                                       |          |
| <b>PCO Type:</b>          | SAP0_3                                                                                                                  |          |
| <b>Comments:</b>          | The ASP is used to request the transmission of the CC RELEASE COMPLETE message using acknowledged operation (L3 -> L2). |          |
| Parameter Name            | Parameter Type                                                                                                          | Comments |
| sapi                      | SAPID                                                                                                                   |          |
| logic_ch                  | LOGICCH                                                                                                                 |          |
| msg                       | REL_COM_PDU                                                                                                             |          |
| <b>Detailed Comments:</b> |                                                                                                                         |          |

| ASP Type Definition       |                                                                                                                     |          |
|---------------------------|---------------------------------------------------------------------------------------------------------------------|----------|
| <b>ASP Name:</b>          | DL_DatInRelCmp (DL_DATA_INDICATION_RELEASE_COMPLETE)                                                                |          |
| <b>PCO Type:</b>          | SAP0_3                                                                                                              |          |
| <b>Comments:</b>          | The ASP is used to indicate the receipt of the CC RELEASE COMPLETE message using acknowledged operation (L2 -> L3). |          |
| Parameter Name            | Parameter Type                                                                                                      | Comments |
| sapi                      | SAPID                                                                                                               |          |
| logic_ch                  | LOGICCH                                                                                                             |          |
| msg                       | REL_COM_PDU                                                                                                         |          |
| fn                        | FN                                                                                                                  |          |
| <b>Detailed Comments:</b> |                                                                                                                     |          |

| ASP Type Definition       |                                                                                                              |          |
|---------------------------|--------------------------------------------------------------------------------------------------------------|----------|
| <b>ASP Name:</b>          | DL_DatRqSetup (DL_DATA_REQUEST_SETUP)                                                                        |          |
| <b>PCO Type:</b>          | SAP0_3                                                                                                       |          |
| <b>Comments:</b>          | The ASP is used to request the transmission of the CC SETUP message using acknowledged operation (L3 -> L2). |          |
| Parameter Name            | Parameter Type                                                                                               | Comments |
| sapi                      | SAPID                                                                                                        |          |
| logic_ch                  | LOGICCH                                                                                                      |          |
| msg                       | SETUP_MT_PDU                                                                                                 |          |
| <b>Detailed Comments:</b> |                                                                                                              |          |

| ASP Type Definition       |                                                                                                          |          |
|---------------------------|----------------------------------------------------------------------------------------------------------|----------|
| <b>ASP Name:</b>          | DL_DatInSetup (DL_DATA_INDICATION_SETUP)                                                                 |          |
| <b>PCO Type:</b>          | SAP0_3                                                                                                   |          |
| <b>Comments:</b>          | The ASP is used to indicate the receipt of the CC SETUP message using acknowledged operation (L2 -> L3). |          |
| Parameter Name            | Parameter Type                                                                                           | Comments |
| sapi                      | SAPID                                                                                                    |          |
| logic_ch                  | LOGICCH                                                                                                  |          |
| msg                       | SETUP_MO_PDU                                                                                             |          |
| fn                        | FN                                                                                                       |          |
| <b>Detailed Comments:</b> |                                                                                                          |          |

| ASP Type Definition       |                                                                                                               |          |
|---------------------------|---------------------------------------------------------------------------------------------------------------|----------|
| <b>ASP Name:</b>          | DL_DatInStartDtmf (DL_DATA_INDICATION_START_DTMF)                                                             |          |
| <b>PCO Type:</b>          | SAP0_3                                                                                                        |          |
| <b>Comments:</b>          | The ASP is used to indicate the receipt of the CC START_DTMF message using acknowledged operation (L2 -> L3). |          |
| Parameter Name            | Parameter Type                                                                                                | Comments |
| sapi                      | SAPID                                                                                                         |          |
| logic_ch                  | LOGICCH                                                                                                       |          |
| msg                       | START_DTMF_PDU                                                                                                |          |
| fn                        | FN                                                                                                            |          |
| <b>Detailed Comments:</b> |                                                                                                               |          |



| ASP Type Definition       |                                                                                                                               |          |
|---------------------------|-------------------------------------------------------------------------------------------------------------------------------|----------|
| <b>ASP Name:</b>          | DL_DatRqStartDtmfAck (DL_DATA_REQUEST_START_DTMF_ACKNOWLEDGE)                                                                 |          |
| <b>PCO Type:</b>          | SAP0_3                                                                                                                        |          |
| <b>Comments:</b>          | The ASP is used to request the transmission of the CC START DTMF ACKNOWLEDGE message using acknowledged operation (L3 -> L2). |          |
| Parameter Name            | Parameter Type                                                                                                                | Comments |
| sapi                      | SAPID                                                                                                                         |          |
| logic_ch                  | LOGICCH                                                                                                                       |          |
| msg                       | START_DTMF_ACK_PDU                                                                                                            |          |
| <b>Detailed Comments:</b> |                                                                                                                               |          |

| ASP Type Definition       |                                                                                                                         |          |
|---------------------------|-------------------------------------------------------------------------------------------------------------------------|----------|
| <b>ASP Name:</b>          | DL_DatRqStartDtmfRej (DL_DATA_REQUEST_START_DTMF_REJCT)                                                                 |          |
| <b>PCO Type:</b>          | SAP0_3                                                                                                                  |          |
| <b>Comments:</b>          | The ASP is used to request the transmission of the CC START DTMF REJCT message using acknowledged operation (L3 -> L2). |          |
| Parameter Name            | Parameter Type                                                                                                          | Comments |
| sapi                      | SAPID                                                                                                                   |          |
| logic_ch                  | LOGICCH                                                                                                                 |          |
| msg                       | START_DTMF_REJ_PDU                                                                                                      |          |
| <b>Detailed Comments:</b> |                                                                                                                         |          |

| ASP Type Definition       |                                                                                                              |          |
|---------------------------|--------------------------------------------------------------------------------------------------------------|----------|
| <b>ASP Name:</b>          | DL_DatInStopDtmf (DL_DATA_INDICATION_STOP_DTMF)                                                              |          |
| <b>PCO Type:</b>          | SAP0_3                                                                                                       |          |
| <b>Comments:</b>          | The ASP is used to indicate the receipt of the CC STOP_DTMF message using acknowledged operation (L2 -> L3). |          |
| Parameter Name            | Parameter Type                                                                                               | Comments |
| sapi                      | SAPID                                                                                                        |          |
| logic_ch                  | LOGICCH                                                                                                      |          |
| msg                       | STOP_DTMF_PDU                                                                                                |          |
| fn                        | FN                                                                                                           |          |
| <b>Detailed Comments:</b> |                                                                                                              |          |

| ASP Type Definition       |                                                                                                                              |          |
|---------------------------|------------------------------------------------------------------------------------------------------------------------------|----------|
| <b>ASP Name:</b>          | DL_DatRqStopDtmfAck (DL_DATA_REQUEST_STOP_DTMF_ACKNOWLEDGE)                                                                  |          |
| <b>PCO Type:</b>          | SAP0_3                                                                                                                       |          |
| <b>Comments:</b>          | The ASP is used to request the transmission of the CC STOP DTMF ACKNOWLEDGE message using acknowledged operation (L3 -> L2). |          |
| Parameter Name            | Parameter Type                                                                                                               | Comments |
| sapi                      | SAPID                                                                                                                        |          |
| logic_ch                  | LOGICCH                                                                                                                      |          |
| msg                       | STOP_DTMF_ACK_PDU                                                                                                            |          |
| <b>Detailed Comments:</b> |                                                                                                                              |          |

| ASP Type Definition       |                                                                                                               |          |
|---------------------------|---------------------------------------------------------------------------------------------------------------|----------|
| <b>ASP Name:</b>          | DL_DatRqCcst (DL_DATA_REQUEST_CC_STATUS)                                                                      |          |
| <b>PCO Type:</b>          | SAP0_3                                                                                                        |          |
| <b>Comments:</b>          | The ASP is used to request the transmission of the CC STATUS message using acknowledged operation (L3 -> L2). |          |
| Parameter Name            | Parameter Type                                                                                                | Comments |
| sapi                      | SAPID                                                                                                         |          |
| logic_ch                  | LOGICCH                                                                                                       |          |
| msg                       | CCST_PDU                                                                                                      |          |
| <b>Detailed Comments:</b> |                                                                                                               |          |

| ASP Type Definition       |                                                                                                           |          |
|---------------------------|-----------------------------------------------------------------------------------------------------------|----------|
| <b>ASP Name:</b>          | DL_DatInCcst (DL_DATA_INDICATION_CC_STATUS)                                                               |          |
| <b>PCO Type:</b>          | SAP0_3                                                                                                    |          |
| <b>Comments:</b>          | The ASP is used to indicate the receipt of the CC STATUS message using acknowledged operation (L2 -> L3). |          |
| Parameter Name            | Parameter Type                                                                                            | Comments |
| sapi                      | SAPID                                                                                                     |          |
| logic_ch                  | LOGICCH                                                                                                   |          |
| msg                       | CCST_PDU                                                                                                  |          |
| fn                        | FN                                                                                                        |          |
| <b>Detailed Comments:</b> |                                                                                                           |          |

| ASP Type Definition       |                                                                                                                   |          |
|---------------------------|-------------------------------------------------------------------------------------------------------------------|----------|
| <b>ASP Name:</b>          | DL_DatRqCcstEnq (DL_DATA_REQUEST_CC_STATUS_ENQ)                                                                   |          |
| <b>PCO Type:</b>          | SAP0_3                                                                                                            |          |
| <b>Comments:</b>          | The ASP is used to request the transmission of the CC STATUS_ENQ message using acknowledged operation (L3 -> L2). |          |
| Parameter Name            | Parameter Type                                                                                                    | Comments |
| sapi                      | SAPID                                                                                                             |          |
| logic_ch                  | LOGICCH                                                                                                           |          |
| msg                       | CCST_ENQ_PDU                                                                                                      |          |
| <b>Detailed Comments:</b> |                                                                                                                   |          |

| ASP Type Definition       |                                                                                  |          |
|---------------------------|----------------------------------------------------------------------------------|----------|
| <b>ASP Name:</b>          | DL_DatRqUndefCC (DL_DATA_REQUEST)                                                |          |
| <b>PCO Type:</b>          | SAP0_3                                                                           |          |
| <b>Comments:</b>          | The ASP is used to transmit any message using acknowledged operation (L3 -> L2). |          |
| Parameter Name            | Parameter Type                                                                   | Comments |
| sapi                      | SAPID                                                                            |          |
| logic_ch                  | LOGICCH                                                                          |          |
| msg                       | CONN_PDU                                                                         |          |
| <b>Detailed Comments:</b> |                                                                                  |          |

| ASP Type Definition       |                                                                                  |          |
|---------------------------|----------------------------------------------------------------------------------|----------|
| <b>ASP Name:</b>          | DL_DatRqUndefMM (DL_DATA_REQUEST)                                                |          |
| <b>PCO Type:</b>          | SAP0_3                                                                           |          |
| <b>Comments:</b>          | The ASP is used to transmit any message using acknowledged operation (L3 -> L2). |          |
| Parameter Name            | Parameter Type                                                                   | Comments |
| sapi                      | SAPID                                                                            |          |
| logic_ch                  | LOGICCH                                                                          |          |
| msg                       | ID_RES_PDU                                                                       |          |
| <b>Detailed Comments:</b> |                                                                                  |          |

| ASP Type Definition       |                                                                                  |          |
|---------------------------|----------------------------------------------------------------------------------|----------|
| <b>ASP Name:</b>          | DL_DatRqUndefRR (DL_DATA_REQUEST)                                                |          |
| <b>PCO Type:</b>          | SAP0_3                                                                           |          |
| <b>Comments:</b>          | The ASP is used to transmit any message using acknowledged operation (L3 -> L2). |          |
| Parameter Name            | Parameter Type                                                                   | Comments |
| sapi                      | SAPID                                                                            |          |
| logic_ch                  | LOGICCH                                                                          |          |
| msg                       | PART_REL_PDU                                                                     |          |
| <b>Detailed Comments:</b> |                                                                                  |          |

| ASP Type Definition       |                                                                                  |          |
|---------------------------|----------------------------------------------------------------------------------|----------|
| <b>ASP Name:</b>          | DL_DatRqUnknown (DL_DATA_REQUEST)                                                |          |
| <b>PCO Type:</b>          | SAP0_3                                                                           |          |
| <b>Comments:</b>          | The ASP is used to transmit any message using acknowledged operation (L3 -> L2). |          |
| Parameter Name            | Parameter Type                                                                   | Comments |
| sapi                      | SAPID                                                                            |          |
| logic_ch                  | LOGICCH                                                                          |          |
| msg                       | CCST_ENQ_PDU                                                                     |          |
| <b>Detailed Comments:</b> |                                                                                  |          |

| ASP Type Definition       |                                                                                                                    |          |
|---------------------------|--------------------------------------------------------------------------------------------------------------------|----------|
| <b>ASP Name:</b>          | DL_DatInCpData (DL_DATA_INDICATION_CP_DATA)                                                                        |          |
| <b>PCO Type:</b>          | SAP0_3                                                                                                             |          |
| <b>Comments:</b>          | The ASP is used to indicate the receipt of the SMS CP DATA message using acknowledged operation (L2 -> L3) for MT. |          |
| Parameter Name            | Parameter Type                                                                                                     | Comments |
| sapi                      | SAPID                                                                                                              |          |
| logic_ch                  | LOGICCH                                                                                                            |          |
| msg                       | CP_DATA_PDU                                                                                                        |          |
| fn                        | FN                                                                                                                 |          |
| <b>Detailed Comments:</b> |                                                                                                                    |          |

| ASP Type Definition       |                                                                                                                        |          |
|---------------------------|------------------------------------------------------------------------------------------------------------------------|----------|
| <b>ASP Name:</b>          | DL_DatRqCpData (DL_DATA_REQUEST_CP_DATA)                                                                               |          |
| <b>PCO Type:</b>          | SAP0_3                                                                                                                 |          |
| <b>Comments:</b>          | The ASP is used to request the transmission of the SMS CP DATA message using acknowledged operation (L3 -> L2) for MO. |          |
| Parameter Name            | Parameter Type                                                                                                         | Comments |
| sapi                      | SAPID                                                                                                                  |          |
| logic_ch                  | LOGICCH                                                                                                                |          |
| msg                       | CP_DATA_PDU                                                                                                            |          |
| <b>Detailed Comments:</b> |                                                                                                                        |          |

| ASP Type Definition       |                                                                                                              |          |
|---------------------------|--------------------------------------------------------------------------------------------------------------|----------|
| <b>ASP Name:</b>          | DL_DatInCpDataAck (DL_DATA_INDICATION_CPDATA_ACKNOWLEDGE)                                                    |          |
| <b>PCO Type:</b>          | SAP0_3                                                                                                       |          |
| <b>Comments:</b>          | The ASP is used to indicate the receipt of the SMS CP DATA message using acknowledged operation (L2 -> L3) . |          |
| Parameter Name            | Parameter Type                                                                                               | Comments |
| sapi                      | SAPID                                                                                                        |          |
| logic_ch                  | LOGICCH                                                                                                      |          |
| msg                       | CPDATA_ACK_PDU                                                                                               |          |
| fn                        | FN                                                                                                           |          |
| <b>Detailed Comments:</b> |                                                                                                              |          |

| ASP Type Definition       |                                                                                                                         |          |
|---------------------------|-------------------------------------------------------------------------------------------------------------------------|----------|
| <b>ASP Name:</b>          | DL_DatRqCpDataAck (DL_DATA_REQUEST_CPDATA_ACKNOWLEDGE)                                                                  |          |
| <b>PCO Type:</b>          | SAP0_3                                                                                                                  |          |
| <b>Comments:</b>          | The ASP is used to request the transmission of the CP DATA ACKNOWLEDGE message using acknowledged operation (L3 -> L2). |          |
| Parameter Name            | Parameter Type                                                                                                          | Comments |
| sapi                      | SAPID                                                                                                                   |          |
| logic_ch                  | LOGICCH                                                                                                                 |          |
| msg                       | CPDATA_ACK_PDU                                                                                                          |          |
| <b>Detailed Comments:</b> |                                                                                                                         |          |

| ASP Type Definition       |                                                                                                                         |          |
|---------------------------|-------------------------------------------------------------------------------------------------------------------------|----------|
| <b>ASP Name:</b>          | DL_DatRqCpError (DL_DATA_REQUEST_CP_ERROR)                                                                              |          |
| <b>PCO Type:</b>          | SAP0_3                                                                                                                  |          |
| <b>Comments:</b>          | The ASP is used to request the transmission of the SMS CP ERROR message using acknowledged operation (L3 -> L2) for MO. |          |
| Parameter Name            | Parameter Type                                                                                                          | Comments |
| sapi                      | SAPID                                                                                                                   |          |
| logic_ch                  | LOGICCH                                                                                                                 |          |
| msg                       | CPERR_PDU                                                                                                               |          |
| <b>Detailed Comments:</b> |                                                                                                                         |          |

| ASP Type Definition       |                                                                                                                                                                          |          |
|---------------------------|--------------------------------------------------------------------------------------------------------------------------------------------------------------------------|----------|
| <b>ASP Name:</b>          | MDL_ReIRq (MDL_RELEASE_REQUEST)                                                                                                                                          |          |
| <b>PCO Type:</b>          | SAP0_3                                                                                                                                                                   |          |
| <b>Comments:</b>          | The ASP is used to request the local end termination of a previous established acknowledged mode operation (L3 -> L2). The local end termination procedure is initiated. |          |
| Parameter Name            | Parameter Type                                                                                                                                                           | Comments |
| sapi                      | SAPID                                                                                                                                                                    |          |
| logic_ch                  | LOGICCH                                                                                                                                                                  |          |
| release_mode              | RelMode                                                                                                                                                                  |          |
| <b>Detailed Comments:</b> |                                                                                                                                                                          |          |

## PDU type definitions

### TTCN PDU Type definitions

| PDU Type Definition       |                                                    |          |
|---------------------------|----------------------------------------------------|----------|
| <b>PDU Name:</b>          | ASS_CMD_PDU                                        |          |
| <b>PCO Type:</b>          | SAP0_3                                             |          |
| <b>Comments:</b>          | RR ASSSIGNMENT COMMAND n -> ms<br>GSM 04.08, 9.1.2 |          |
| Field Name                | Field Type                                         | Comments |
| ski                       | SKI                                                |          |
| rrpd                      | PD                                                 |          |
| mt                        | MT                                                 |          |
| ch1d_at                   | CHD                                                |          |
| pcmd                      | PCMD                                               |          |
| frql_at                   | FRQL                                               |          |
| cchd                      | CCHD                                               |          |
| ch1mod                    | CHMOD                                              |          |
| ch2d_at                   | CHD                                                |          |
| ch2mod                    | CHMOD                                              |          |
| ma_at                     | MA                                                 |          |
| strt                      | STRT                                               |          |
| frql_bt                   | FRQL                                               |          |
| ch1d_bt                   | CHD                                                |          |
| ch2d_bt                   | CHD                                                |          |
| frqchs_bt                 | FRQCHS                                             |          |
| ma_bt                     | MA                                                 |          |
| cphms                     | CPHMS                                              |          |
| <b>Detailed Comments:</b> |                                                    |          |

| PDU Type Definition       |                                                    |          |
|---------------------------|----------------------------------------------------|----------|
| <b>PDU Name:</b>          | ASS_COM_PDU                                        |          |
| <b>PCO Type:</b>          | SAP0_3                                             |          |
| <b>Comments:</b>          | RR ASSIGNMENT COMPLETE ms -> n<br>GSM 04.08, 9.1.3 |          |
| Field Name                | Field Type                                         | Comments |
| ski                       | SKI                                                |          |
| rrpd                      | PD                                                 |          |
| mt                        | MT                                                 |          |
| rrcau                     | RRCAU                                              |          |
| <b>Detailed Comments:</b> |                                                    |          |

| PDU Type Definition       |                                                   |          |
|---------------------------|---------------------------------------------------|----------|
| <b>PDU Name:</b>          | ASSFL_PDU                                         |          |
| <b>PCO Type:</b>          | SAP0_3                                            |          |
| <b>Comments:</b>          | RR ASSIGNMENT FAILURE ms -> n<br>GSM 04.08, 9.1.4 |          |
| Field Name                | Field Type                                        | Comments |
| ski                       | SKI                                               |          |
| rrpd                      | PD                                                |          |
| mt                        | MT                                                |          |
| rrcau                     | RRCAU                                             |          |
| <b>Detailed Comments:</b> |                                                   |          |

| PDU Type Definition       |                                                    |          |
|---------------------------|----------------------------------------------------|----------|
| <b>PDU Name:</b>          | CHMMO_PDU                                          |          |
| <b>PCO Type:</b>          | SAP0_3                                             |          |
| <b>Comments:</b>          | RR CHANNEL MODE MODIFY n -> ms<br>GSM 04.08, 9.1.5 |          |
| Field Name                | Field Type                                         | Comments |
| ski                       | SKI                                                |          |
| rrpd                      | PD                                                 |          |
| mt                        | MT                                                 |          |
| chd                       | CHD                                                |          |
| chmod                     | CHMOD                                              |          |
| <b>Detailed Comments:</b> |                                                    |          |

| PDU Type Definition       |                                                                |          |
|---------------------------|----------------------------------------------------------------|----------|
| <b>PDU Name:</b>          | CHMMO_ACK_PDU                                                  |          |
| <b>PCO Type:</b>          | SAP0_3                                                         |          |
| <b>Comments:</b>          | RR CHANNEL MODE MODIFY ACKNOWLEDGE ms -> n<br>GSM 04.08, 9.1.6 |          |
| Field Name                | Field Type                                                     | Comments |
| ski                       | SKI                                                            |          |
| rrpd                      | PD                                                             |          |
| mt                        | MT                                                             |          |
| chd                       | CHD                                                            |          |
| chmod                     | CHMOD                                                          |          |
| <b>Detailed Comments:</b> |                                                                |          |

| PDU Type Definition       |                                                |          |
|---------------------------|------------------------------------------------|----------|
| <b>PDU Name:</b>          | CH_REL_PDU                                     |          |
| <b>PCO Type:</b>          | SAP0_3                                         |          |
| <b>Comments:</b>          | RR CHANNEL RELEASE n -> ms<br>GSM 04.08, 9.1.7 |          |
| Field Name                | Field Type                                     | Comments |
| ski                       | SKI                                            |          |
| rrpd                      | PD                                             |          |
| mt                        | MT                                             |          |
| rrcau                     | RRCAU                                          |          |
| <b>Detailed Comments:</b> |                                                |          |

| PDU Type Definition       |                                                                                 |          |
|---------------------------|---------------------------------------------------------------------------------|----------|
| <b>PDU Name:</b>          | CH_REL_PDU_ERR                                                                  |          |
| <b>PCO Type:</b>          | SAP0_3                                                                          |          |
| <b>Comments:</b>          | RR CHANNEL RELEASE containing additional unknown IE n -> ms<br>GSM 04.08, 9.1.7 |          |
| Field Name                | Field Type                                                                      | Comments |
| ski                       | SKI                                                                             |          |
| rrpd                      | PD                                                                              |          |
| mt                        | MT                                                                              |          |
| rrcau                     | RRCAU                                                                           |          |
| add                       | OCTETSTRING                                                                     |          |
| <b>Detailed Comments:</b> |                                                                                 |          |

| PDU Type Definition       |                                                |          |
|---------------------------|------------------------------------------------|----------|
| <b>PDU Name:</b>          | CH_RQ_PDU                                      |          |
| <b>PCO Type:</b>          | SAP0_3                                         |          |
| <b>Comments:</b>          | RR CHANNEL REQUEST ms -> n<br>GSM 04.08, 9.1.8 |          |
| Field Name                | Field Type                                     | Comments |
| ecau_rrf                  | BITSTRING [8]                                  |          |
| <b>Detailed Comments:</b> |                                                |          |

| PDU Type Definition       |                                                       |          |
|---------------------------|-------------------------------------------------------|----------|
| <b>PDU Name:</b>          | CPHM_CMD_PDU                                          |          |
| <b>PCO Type:</b>          | SAP0_3                                                |          |
| <b>Comments:</b>          | RR CIPHERING MODE COMMAND n -> ms<br>GSM 04.08, 9.1.9 |          |
| Field Name                | Field Type                                            | Comments |
| ski                       | SKI                                                   |          |
| rrpd                      | PD                                                    |          |
| mt                        | MT                                                    |          |
| cph_res                   | CPH_RES                                               |          |
| cphms                     | CPHMS                                                 |          |
| <b>Detailed Comments:</b> |                                                       |          |

| PDU Type Definition       |                                                                          |          |
|---------------------------|--------------------------------------------------------------------------|----------|
| <b>PDU Name:</b>          | CPHM_CMD_PDU_ERR                                                         |          |
| <b>PCO Type:</b>          | SAP0_3                                                                   |          |
| <b>Comments:</b>          | RR CIPHERING MODE COMMAND with additional unknown IE<br>GSM 04.08, 9.1.9 |          |
| Field Name                | Field Type                                                               | Comments |
| ski                       | SKI                                                                      |          |
| rrpd                      | PD                                                                       |          |
| mt                        | MT                                                                       |          |
| cph_res                   | CPH_RES                                                                  |          |
| cphms                     | CPHMS                                                                    |          |
| add                       | OCTETSTRING                                                              |          |
| <b>Detailed Comments:</b> |                                                                          |          |

| PDU Type Definition       |                                                         |          |
|---------------------------|---------------------------------------------------------|----------|
| <b>PDU Name:</b>          | CPHM_COM_PDU                                            |          |
| <b>PCO Type:</b>          | SAP0_3                                                  |          |
| <b>Comments:</b>          | RR CIPHERING MODE COMPLETE ms -> n<br>GSM 04.08, 9.1.10 |          |
| Field Name                | Field Type                                              | Comments |
| ski                       | SKI                                                     |          |
| rrpd                      | PD                                                      |          |
| mt                        | MT                                                      |          |
| mei                       | MI                                                      |          |
| <b>Detailed Comments:</b> |                                                         |          |

| PDU Type Definition       |                                                  |          |
|---------------------------|--------------------------------------------------|----------|
| <b>PDU Name:</b>          | CLM_CHN_PDU                                      |          |
| <b>PCO Type:</b>          | SAP0_3                                           |          |
| <b>Comments:</b>          | RR CLASSMARK CHANGE ms -> n<br>GSM 04.08, 9.1.11 |          |
| Field Name                | Field Type                                       | Comments |
| ski                       | SKI                                              |          |
| rrpd                      | PD                                               |          |
| mt                        | MT                                               |          |
| msclm                     | MSCLM2                                           |          |
| msclm_adi                 | MSCLM3                                           |          |
| <b>Detailed Comments:</b> |                                                  |          |

| PDU Type Definition       |                                                   |          |
|---------------------------|---------------------------------------------------|----------|
| <b>PDU Name:</b>          | CLM_ENQ_PDU                                       |          |
| <b>PCO Type:</b>          | SAP0_3                                            |          |
| <b>Comments:</b>          | RR CLASSMARK ENQUIRY n -> ms<br>GSM 04.08, 9.1.12 |          |
| Field Name                | Field Type                                        | Comments |
| ski                       | SKI                                               |          |
| rrpd                      | PD                                                |          |
| mt                        | MT                                                |          |
| <b>Detailed Comments:</b> |                                                   |          |

| PDU Type Definition       |                                                         |          |
|---------------------------|---------------------------------------------------------|----------|
| <b>PDU Name:</b>          | FRQRE_PDU                                               |          |
| <b>PCO Type:</b>          | SAP0_3                                                  |          |
| <b>Comments:</b>          | RR FREQUENCY REDEFINITIONY n -> ms<br>GSM 04.08, 9.1.13 |          |
| Field Name                | Field Type                                              | Comments |
| ski                       | SKI                                                     |          |
| rrpd                      | PD                                                      |          |
| mt                        | MT                                                      |          |
| chd                       | CHD                                                     |          |
| ma                        | MA                                                      |          |
| strt                      | STRT                                                    |          |
| cchd                      | CCHD                                                    |          |
| <b>Detailed Comments:</b> |                                                         |          |

| PDU Type Definition       |                                                 |          |
|---------------------------|-------------------------------------------------|----------|
| <b>PDU Name:</b>          | HOACC_PDU                                       |          |
| <b>PCO Type:</b>          | SAP0_3                                          |          |
| <b>Comments:</b>          | RR HANDOVER ACCESS ms -> n<br>GSM 04.08, 9.1.14 |          |
| Field Name                | Field Type                                      | Comments |
| horf                      | HORF                                            |          |
| <b>Detailed Comments:</b> |                                                 |          |

| PDU Type Definition       |                                                  |          |
|---------------------------|--------------------------------------------------|----------|
| <b>PDU Name:</b>          | HO_CMD_PDU                                       |          |
| <b>PCO Type:</b>          | SAP0_3                                           |          |
| <b>Comments:</b>          | RR HANDOVER COMMAND n -> ms<br>GSM 04.08, 9.1.15 |          |
| Field Name                | Field Type                                       | Comments |
| ski                       | SKI                                              |          |
| rrpd                      | PD                                               |          |
| mt                        | MT                                               |          |
| cd                        | CD                                               |          |
| ch1d_at                   | CHD                                              |          |
| horf                      | HORF                                             |          |
| pcmd                      | PCMD                                             |          |
| synchi                    | SYNCHI                                           |          |
| frqsl_at                  | FRQL                                             |          |
| frql_at                   | FRQL                                             |          |
| cchd                      | CCHD                                             |          |
| ch1mod                    | CHMOD                                            |          |
| ch2d_at                   | CHD                                              |          |
| ch2mod                    | CHMOD                                            |          |
| frqchs_at                 | FRQCHS                                           |          |
| ma_at                     | MA                                               |          |
| strt                      | STRT                                             |          |
| rtdif                     | TDIF                                             |          |
| ta                        | TA                                               |          |
| frqsl_bt                  | FRQL                                             |          |
| frql_bt                   | FRQL                                             |          |
| ch1d_bt                   | CHD                                              |          |
| ch2d_bt                   | CHD                                              |          |
| frqchs_bt                 | FRQCHS                                           |          |
| ma_bt                     | MA                                               |          |
| cphms                     | CPHMS                                            |          |
| <b>Detailed Comments:</b> |                                                  |          |



| PDU Type Definition       |                                                   |          |
|---------------------------|---------------------------------------------------|----------|
| <b>PDU Name:</b>          | HO_COM_PDU                                        |          |
| <b>PCO Type:</b>          | SAP0_3                                            |          |
| <b>Comments:</b>          | RR HANDOVER COMPLETE ms -> n<br>GSM 04.08, 9.1.16 |          |
| Field Name                | Field Type                                        | Comments |
| ski                       | SKI                                               |          |
| rrpd                      | PD                                                |          |
| mt                        | MT                                                |          |
| rrcau                     | RRCAU                                             |          |
| motdif                    | MTDIF                                             |          |
| <b>Detailed Comments:</b> |                                                   |          |

| PDU Type Definition       |                                                  |          |
|---------------------------|--------------------------------------------------|----------|
| <b>PDU Name:</b>          | HOFL_PDU                                         |          |
| <b>PCO Type:</b>          | SAP0_3                                           |          |
| <b>Comments:</b>          | RR HANDOVER FAILURE ms -> n<br>GSM 04.08, 9.1.17 |          |
| Field Name                | Field Type                                       | Comments |
| ski                       | SKI                                              |          |
| rrpd                      | PD                                               |          |
| mt                        | MT                                               |          |
| rrcau                     | RRCAU                                            |          |
| <b>Detailed Comments:</b> |                                                  |          |

| PDU Type Definition                                                    |                                                      |          |
|------------------------------------------------------------------------|------------------------------------------------------|----------|
| <b>PDU Name:</b>                                                       | IMMASS_PDU                                           |          |
| <b>PCO Type:</b>                                                       | SAP0_3                                               |          |
| <b>Comments:</b>                                                       | RR IMMEDIATE ASSIGNMENT n -> ms<br>GSM 04.08, 9.1.18 |          |
| Field Name                                                             | Field Type                                           | Comments |
| l2_pl                                                                  | LENGTH                                               |          |
| ski                                                                    | SKI                                                  |          |
| rrpd                                                                   | PD                                                   |          |
| mt                                                                     | MT                                                   |          |
| shoct                                                                  | SHOCT                                                |          |
| pm                                                                     | PM                                                   |          |
| chd                                                                    | CHD                                                  |          |
| rqr                                                                    | RQR                                                  |          |
| ta                                                                     | TA                                                   |          |
| ma                                                                     | MA                                                   |          |
| strt                                                                   | STRT                                                 |          |
| iaroct                                                                 | IARESTOCT                                            |          |
| <b>Detailed Comments:</b> The message has a fixed length of 23 octets. |                                                      |          |

| PDU Type Definition       |                                                      |          |
|---------------------------|------------------------------------------------------|----------|
| <b>PDU Name:</b>          | IMMASSX_PDU                                          |          |
| <b>PCO Type:</b>          | SAP0_3                                               |          |
| <b>Comments:</b>          | RR IMMEDIATE ASSIGNMENT n -> ms<br>GSM 04.08, 9.1.19 |          |
| Field Name                | Field Type                                           | Comments |
| l2_pl                     | LENGTH                                               |          |
| ski                       | SKI                                                  |          |
| rrpd                      | PD                                                   |          |
| mt                        | MT                                                   |          |
| shoct                     | SHOCT                                                |          |
| pm                        | PM                                                   |          |
| chd1                      | CHD                                                  |          |
| rqr1                      | RQR                                                  |          |
| ta1                       | TA                                                   |          |
| chd2                      | CHD                                                  |          |
| rqr2                      | RQR                                                  |          |
| ta2                       | TA                                                   |          |
| ma                        | MA                                                   |          |
| strt                      | STRT                                                 |          |
| iaxroct                   | OCTETSTRING [1..4]                                   |          |
| <b>Detailed Comments:</b> | The message has a fixed length of 23 octets.         |          |

| PDU Type Definition       |                                                  |          |
|---------------------------|--------------------------------------------------|----------|
| <b>PDU Name:</b>          | IMMASS_REJ_PDU                                   |          |
| <b>PCO Type:</b>          | SAP0_3                                           |          |
| <b>Comments:</b>          | RR IMMEDIATE REJECT n -> ms<br>GSM 04.08, 9.1.20 |          |
| Field Name                | Field Type                                       | Comments |
| l2_pl                     | LENGTH                                           |          |
| ski                       | SKI                                              |          |
| rrpd                      | PD                                               |          |
| mt                        | MT                                               |          |
| shoct                     | SHOCT                                            |          |
| pm                        | PM                                               |          |
| rqr1                      | RQR                                              |          |
| wi1                       | WI                                               |          |
| rqr2                      | RQR                                              |          |
| wi2                       | WI                                               |          |
| rqr3                      | RQR                                              |          |
| wi3                       | WI                                               |          |
| rqr4                      | RQR                                              |          |
| wi4                       | WI                                               |          |
| iarroct                   | OCTETSTRING [3]                                  |          |
| <b>Detailed Comments:</b> | The message has a fixed length of 23 octets.     |          |

| PDU Type Definition       |                                                    |          |
|---------------------------|----------------------------------------------------|----------|
| <b>PDU Name:</b>          | MSR_RPT_PDU                                        |          |
| <b>PCO Type:</b>          | SAP0_3                                             |          |
| <b>Comments:</b>          | RR MEASUREMENT REPORT ms -> n<br>GSM 04.08, 9.1.21 |          |
| Field Name                | Field Type                                         | Comments |
| ski                       | SKI                                                |          |
| rrpd                      | PD                                                 |          |
| mt                        | MT                                                 |          |
| msrr                      | MSRR                                               |          |
| <b>Detailed Comments:</b> |                                                    |          |

| PDU Type Definition       |                                                      |          |
|---------------------------|------------------------------------------------------|----------|
| <b>PDU Name:</b>          | PG1_RQ_PDU                                           |          |
| <b>PCO Type:</b>          | SAP0_3                                               |          |
| <b>Comments:</b>          | RR PAGING REQUEST_TYPE1 n -> ms<br>GSM 04.08, 9.1.22 |          |
| Field Name                | Field Type                                           | Comments |
| l2_pl                     | LENGTH                                               |          |
| ski                       | SKI                                                  |          |
| rrpd                      | PD                                                   |          |
| mt                        | MT                                                   |          |
| chn_m1_2                  | CHNEED                                               |          |
| pm                        | PM                                                   |          |
| mi1                       | MI                                                   |          |
| mi2                       | MI                                                   |          |
| p1roct                    | OCTETSTRING [0..17]                                  |          |
| <b>Detailed Comments:</b> | The message has a fixed length of 23 octets.         |          |

| PDU Type Definition       |                                                      |          |
|---------------------------|------------------------------------------------------|----------|
| <b>PDU Name:</b>          | PG2_RQ_PDU                                           |          |
| <b>PCO Type:</b>          | SAP0_3                                               |          |
| <b>Comments:</b>          | RR PAGING REQUEST TYPE2 n -> ms<br>GSM 04.08, 9.1.23 |          |
| Field Name                | Field Type                                           | Comments |
| l2_pl                     | LENGTH                                               |          |
| ski                       | SKI                                                  |          |
| rrpd                      | PD                                                   |          |
| mt                        | MT                                                   |          |
| chn_m1_2                  | CHNEED                                               |          |
| pm                        | PM                                                   |          |
| mi1                       | TMSI                                                 |          |
| mi2                       | TMSI                                                 |          |
| mi3                       | MI                                                   |          |
| p2roct                    | OCTETSTRING [1..11]                                  |          |
| <b>Detailed Comments:</b> | The message has a fixed length of 23 octets.         |          |

| PDU Type Definition       |                                                                                   |          |
|---------------------------|-----------------------------------------------------------------------------------|----------|
| <b>PDU Name:</b>          | PG3_RQ_PDU                                                                        |          |
| <b>PCO Type:</b>          | SAP0_3                                                                            |          |
| <b>Comments:</b>          | RR PAGING REQUEST TYPE3 n -> ms<br>GSM 04.08, 9.1.24                              |          |
| Field Name                | Field Type                                                                        | Comments |
| l2_pl                     | LENGTH                                                                            |          |
| ski                       | SKI                                                                               |          |
| rrpd                      | PD                                                                                |          |
| mt                        | MT                                                                                |          |
| chn_m1_2                  | CHNEED                                                                            |          |
| pm                        | PM                                                                                |          |
| mi1                       | TMSI                                                                              |          |
| mi2                       | TMSI                                                                              |          |
| mi3                       | TMSI                                                                              |          |
| mi4                       | TMSI                                                                              |          |
| p3roct                    | OCTETSTRING [3]                                                                   |          |
| <b>Detailed Comments:</b> | The message has an L2 pseudo length of 19 octets and a total length of 23 octets. |          |

| PDU Type Definition       |                                                 |          |
|---------------------------|-------------------------------------------------|----------|
| <b>PDU Name:</b>          | PG_RES_PDU                                      |          |
| <b>PCO Type:</b>          | SAP0_3                                          |          |
| <b>Comments:</b>          | RR PAGING RESPONSE ms -> n<br>GSM 04.08, 9.1.25 |          |
| Field Name                | Field Type                                      | Comments |
| ski                       | SKI                                             |          |
| rrpd                      | PD                                              |          |
| mt                        | MT                                              |          |
| shoct                     | SHOCT                                           |          |
| cphksn                    | CPHKS                                           |          |
| msclm                     | MSCLM2                                          |          |
| mi                        | MI                                              |          |
| <b>Detailed Comments:</b> |                                                 |          |

| PDU Type Definition       |                                                 |          |
|---------------------------|-------------------------------------------------|----------|
| <b>PDU Name:</b>          | PART_REL_PDU                                    |          |
| <b>PCO Type:</b>          | SAP0_3                                          |          |
| <b>Comments:</b>          | RR PARTIAL RELEASE n -> ms<br>GSM 04.08, 9.1.26 |          |
| Field Name                | Field Type                                      | Comments |
| ski                       | SKI                                             |          |
| rrpd                      | PD                                              |          |
| mt                        | MT                                              |          |
| chd                       | MAC                                             |          |
| <b>Detailed Comments:</b> |                                                 |          |

| PDU Type Definition       |                                                            |          |
|---------------------------|------------------------------------------------------------|----------|
| <b>PDU Name:</b>          | PHYINFO_PDU                                                |          |
| <b>PCO Type:</b>          | SAP0_3                                                     |          |
| <b>Comments:</b>          | RR PHYSICAL INFORMATION n -> ms<br>GSM 04.08 clause 9.1.28 |          |
| Field Name                | Field Type                                                 | Comments |
| ski                       | SKI                                                        |          |
| rrpd                      | PD                                                         |          |
| mt                        | MT                                                         |          |
| ta                        | TA                                                         |          |
| <b>Detailed Comments:</b> |                                                            |          |

| PDU Type Definition       |                                         |          |
|---------------------------|-----------------------------------------|----------|
| <b>PDU Name:</b>          | RRST_PDU                                |          |
| <b>PCO Type:</b>          | SAP0_3                                  |          |
| <b>Comments:</b>          | RR STATUS n <-> ms<br>GSM 04.08, 9.1.29 |          |
| Field Name                | Field Type                              | Comments |
| ski                       | SKI                                     |          |
| rrpd                      | PD                                      |          |
| mt                        | MT                                      |          |
| rrcau                     | RRCAU                                   |          |
| <b>Detailed Comments:</b> |                                         |          |

| PDU Type Definition       |                                                                     |          |
|---------------------------|---------------------------------------------------------------------|----------|
| <b>PDU Name:</b>          | SCHINFO_PDU                                                         |          |
| <b>PCO Type:</b>          | SAP0_3                                                              |          |
| <b>Comments:</b>          | RR SYNCHRONIZATION CHANNEL INFORMATION n -> ms<br>GSM 04.08, 9.1.30 |          |
| Field Name                | Field Type                                                          | Comments |
| ncc                       | NCC                                                                 |          |
| bcc                       | BCC                                                                 |          |
| t1                        | T1                                                                  |          |
| t2                        | T2                                                                  |          |
| t3_                       | T3_                                                                 |          |
| <b>Detailed Comments:</b> | SCHINFO_PDU has a total length of 25 bits (GSM 04.04).              |          |

| PDU Type Definition       |                                                                                   |          |
|---------------------------|-----------------------------------------------------------------------------------|----------|
| <b>PDU Name:</b>          | SYSINFO1_PDU                                                                      |          |
| <b>PCO Type:</b>          | SAP0_3                                                                            |          |
| <b>Comments:</b>          | RR SYSTEM INFORMATION TYPE1 n -> ms<br>GSM 04.08, 9.1.31                          |          |
| Field Name                | Field Type                                                                        | Comments |
| l2_pl                     | LENGTH                                                                            |          |
| ski                       | SKI                                                                               |          |
| rrpd                      | PD                                                                                |          |
| mt                        | MT                                                                                |          |
| cchd                      | CCHD                                                                              |          |
| rachcp                    | RACHCP                                                                            |          |
| si1roct                   | OCTETSTRING [1]                                                                   |          |
| <b>Detailed Comments:</b> | The message has an L2 pseudo length of 21 octets and a total length of 23 octets. |          |

| PDU Type Definition       |                                                                                   |          |
|---------------------------|-----------------------------------------------------------------------------------|----------|
| <b>PDU Name:</b>          | SYSINFO2_PDU                                                                      |          |
| <b>PCO Type:</b>          | SAP0_3                                                                            |          |
| <b>Comments:</b>          | RR SYSTEM INFORMATION TYPE2 n -> ms<br>GSM 04.08, 9.1.32                          |          |
| Field Name                | Field Type                                                                        | Comments |
| l2_pl                     | LENGTH                                                                            |          |
| ski                       | SKI                                                                               |          |
| rrpd                      | PD                                                                                |          |
| mt                        | MT                                                                                |          |
| bcchfl                    | NCD                                                                               |          |
| nccp                      | NCCP                                                                              |          |
| rachcp                    | RACHCP                                                                            |          |
| <b>Detailed Comments:</b> | The message has an L2 pseudo length of 22 octets and a total length of 23 octets. |          |

| PDU Type Definition       |                                                                                                                                                                                                                                                      |          |
|---------------------------|------------------------------------------------------------------------------------------------------------------------------------------------------------------------------------------------------------------------------------------------------|----------|
| <b>PDU Name:</b>          | SYSINFO2bis_PDU                                                                                                                                                                                                                                      |          |
| <b>PCO Type:</b>          | SAP0_3                                                                                                                                                                                                                                               |          |
| <b>Comments:</b>          | RR SYSTEM INFORMATION TYPE2bis or 2ter n -> ms<br>GSM 04.08, 9.1.33, 9.1.33a                                                                                                                                                                         |          |
| Field Name                | Field Type                                                                                                                                                                                                                                           | Comments |
| l2_pl                     | LENGTH                                                                                                                                                                                                                                               |          |
| ski                       | SKI                                                                                                                                                                                                                                                  |          |
| rrpd                      | PD                                                                                                                                                                                                                                                   |          |
| mt                        | MT                                                                                                                                                                                                                                                   |          |
| xbcchfl                   | NCD                                                                                                                                                                                                                                                  |          |
| rachcp                    | RACHCP                                                                                                                                                                                                                                               |          |
| si2bisroct                | OCTETSTRING [1..4]                                                                                                                                                                                                                                   |          |
| <b>Detailed Comments:</b> | This PDU type is used both for SYSINFO2bis, as well as for 2ter.<br>The 2bis message has an L2 pseudo length of 21 octets and a total length of 23 octets.<br>The 2ter message has an L2 pseudo length of 18 octets and a total length of 23 octets. |          |

| PDU Type Definition       |                                                                                        |          |
|---------------------------|----------------------------------------------------------------------------------------|----------|
| <b>PDU Name:</b>          | SYSINFO2ter_PDU                                                                        |          |
| <b>PCO Type:</b>          | SAP0_3                                                                                 |          |
| <b>Comments:</b>          | RR SYSTEM INFORMATION 2ter n -> ms<br>GSM 04.08, 9.1.34                                |          |
| Field Name                | Field Type                                                                             | Comments |
| l2_pl                     | LENGTH                                                                                 |          |
| ski                       | SKI                                                                                    |          |
| rrpd                      | PD                                                                                     |          |
| mt                        | MT                                                                                     |          |
| xbcchfl                   | NCD2                                                                                   |          |
| si2terroct                | OCTETSTRING[4]                                                                         |          |
| <b>Detailed Comments:</b> | The 2ter message has an L2 pseudo length of 18 octets and a total length of 23 octets. |          |

| PDU Type Definition       |                                                                                   |          |
|---------------------------|-----------------------------------------------------------------------------------|----------|
| <b>PDU Name:</b>          | SYSINFO3_PDU                                                                      |          |
| <b>PCO Type:</b>          | SAP0_3                                                                            |          |
| <b>Comments:</b>          | RR SYSTEM INFORMATION TYPE3 n -> ms<br>GSM 04.08, 9.1.34                          |          |
| Field Name                | Field Type                                                                        | Comments |
| l2_pl                     | LENGTH                                                                            |          |
| ski                       | SKI                                                                               |          |
| rrpd                      | PD                                                                                |          |
| mt                        | MT                                                                                |          |
| ci                        | CI                                                                                |          |
| lai                       | LAI                                                                               |          |
| ccd                       | CCD                                                                               |          |
| co                        | CO                                                                                |          |
| csp                       | CSP                                                                               |          |
| rachcp                    | RACHCP                                                                            |          |
| si3roct                   | SI3RO                                                                             |          |
| <b>Detailed Comments:</b> | The message has an L2 pseudo length of 18 octets and a total length of 23 octets. |          |

| PDU Type Definition       |                                                          |          |
|---------------------------|----------------------------------------------------------|----------|
| <b>PDU Name:</b>          | SYSINFO4_PDU                                             |          |
| <b>PCO Type:</b>          | SAP0_3                                                   |          |
| <b>Comments:</b>          | RR SYSTEM INFORMATION TYPE4 n -> ms<br>GSM 04.08, 9.1.35 |          |
| Field Name                | Field Type                                               | Comments |
| l2_pl                     | LENGTH                                                   |          |
| ski                       | SKI                                                      |          |
| rrpd                      | PD                                                       |          |
| mt                        | MT                                                       |          |
| lai                       | LAI                                                      |          |
| csp                       | CSP                                                      |          |
| rachcp                    | RACHCP                                                   |          |
| cbchd                     | CHD                                                      |          |
| cbchma                    | MA                                                       |          |
| si4roct                   | SI4RO                                                    |          |
| <b>Detailed Comments:</b> | The message has a total length of 23 octets.             |          |

| PDU Type Definition       |                                                          |          |
|---------------------------|----------------------------------------------------------|----------|
| <b>PDU Name:</b>          | SYSINFO5_PDU                                             |          |
| <b>PCO Type:</b>          | SAP0_3                                                   |          |
| <b>Comments:</b>          | RR SYSTEM INFORMATION TYPE5 n -> ms<br>GSM 04.08, 9.1.36 |          |
| Field Name                | Field Type                                               | Comments |
| ski                       | SKI                                                      |          |
| rrpd                      | PD                                                       |          |
| mt                        | MT                                                       |          |
| bcchfl                    | NCD                                                      |          |
| <b>Detailed Comments:</b> |                                                          |          |

| PDU Type Definition       |                                                             |          |
|---------------------------|-------------------------------------------------------------|----------|
| <b>PDU Name:</b>          | SYSINFO5bis_PDU                                             |          |
| <b>PCO Type:</b>          | SAP0_3                                                      |          |
| <b>Comments:</b>          | RR SYSTEM INFORMATION TYPE5bis n -> ms<br>GSM 04.08, 9.1.38 |          |
| Field Name                | Field Type                                                  | Comments |
| ski                       | SKI                                                         |          |
| rrpd                      | PD                                                          |          |
| mt                        | MT                                                          |          |
| xbcchfl                   | NCD                                                         |          |
| <b>Detailed Comments:</b> |                                                             |          |

| PDU Type Definition       |                                                             |          |
|---------------------------|-------------------------------------------------------------|----------|
| <b>PDU Name:</b>          | SYSINFO5ter_PDU                                             |          |
| <b>PCO Type:</b>          | SAP0_3                                                      |          |
| <b>Comments:</b>          | RR SYSTEM INFORMATION TYPE5ter n -> ms<br>GSM 04.08, 9.1.39 |          |
| Field Name                | Field Type                                                  | Comments |
| ski                       | SKI                                                         |          |
| rrpd                      | PD                                                          |          |
| mt                        | MT                                                          |          |
| xbcchfl                   | NCD2                                                        |          |
| <b>Detailed Comments:</b> |                                                             |          |

| PDU Type Definition       |                                                          |          |
|---------------------------|----------------------------------------------------------|----------|
| <b>PDU Name:</b>          | SYSINFO6_PDU                                             |          |
| <b>PCO Type:</b>          | SAP0_3                                                   |          |
| <b>Comments:</b>          | RR SYSTEM INFORMATION TYPE6 n -> ms<br>GSM 04.08, 9.1.38 |          |
| Field Name                | Field Type                                               | Comments |
| ski                       | SKI                                                      |          |
| rrpd                      | PD                                                       |          |
| mt                        | MT                                                       |          |
| ci                        | CI                                                       |          |
| lai                       | LAI                                                      |          |
| co                        | CO                                                       |          |
| nccp                      | NCCP                                                     |          |
| <b>Detailed Comments:</b> |                                                          |          |

| PDU Type Definition                                                    |                                                          |          |
|------------------------------------------------------------------------|----------------------------------------------------------|----------|
| <b>PDU Name:</b>                                                       | SYSINFO7_PDU                                             |          |
| <b>PCO Type:</b>                                                       | SAP0_3                                                   |          |
| <b>Comments:</b>                                                       | RR SYSTEM INFORMATION TYPE7 n -> ms<br>GSM 04.08, 9.1.41 |          |
| Field Name                                                             | Field Type                                               | Comments |
| l2_pl                                                                  | LENGTH                                                   |          |
| ski                                                                    | SKI                                                      |          |
| rrpd                                                                   | PD                                                       |          |
| mt                                                                     | MT                                                       |          |
| si7roct                                                                | SI7RO                                                    |          |
| <b>Detailed Comments:</b> The message has a total length of 23 octets. |                                                          |          |

| PDU Type Definition                                                    |                                                          |          |
|------------------------------------------------------------------------|----------------------------------------------------------|----------|
| <b>PDU Name:</b>                                                       | SYSINFO8_PDU                                             |          |
| <b>PCO Type:</b>                                                       | SAP0_3                                                   |          |
| <b>Comments:</b>                                                       | RR SYSTEM INFORMATION TYPE8 n -> ms<br>GSM 04.08, 9.1.42 |          |
| Field Name                                                             | Field Type                                               | Comments |
| l2_pl                                                                  | LENGTH                                                   |          |
| ski                                                                    | SKI                                                      |          |
| rrpd                                                                   | PD                                                       |          |
| mt                                                                     | MT                                                       |          |
| si8roct                                                                | SI7RO                                                    |          |
| <b>Detailed Comments:</b> The message has a total length of 23 octets. |                                                          |          |

| PDU Type Definition       |                                      |          |
|---------------------------|--------------------------------------|----------|
| <b>PDU Name:</b>          | ABRT_PDU                             |          |
| <b>PCO Type:</b>          | SAP0_3                               |          |
| <b>Comments:</b>          | MM ABORT n -> ms<br>GSM 04.08, 9.2.8 |          |
| Field Name                | Field Type                           | Comments |
| ski                       | SKI                                  |          |
| mmpd                      | PD                                   |          |
| mt                        | MT                                   |          |
| rejcau                    | REJCAU                               |          |
| <b>Detailed Comments:</b> |                                      |          |



| PDU Type Definition       |                                                      |          |
|---------------------------|------------------------------------------------------|----------|
| <b>PDU Name:</b>          | AUTH_REJ_PDU                                         |          |
| <b>PCO Type:</b>          | SAP0_3                                               |          |
| <b>Comments:</b>          | MM AUTHENTICATION REJECT n -> ms<br>GSM 04.08, 9.2.1 |          |
| Field Name                | Field Type                                           | Comments |
| ski                       | SKI                                                  |          |
| mmpd                      | PD                                                   |          |
| mt                        | MT                                                   |          |
| <b>Detailed Comments:</b> |                                                      |          |

| PDU Type Definition       |                                                       |          |
|---------------------------|-------------------------------------------------------|----------|
| <b>PDU Name:</b>          | AUTH_RQ_PDU                                           |          |
| <b>PCO Type:</b>          | SAP0_3                                                |          |
| <b>Comments:</b>          | MM AUTHENTICATION REQUEST n -> ms<br>GSM 04.08, 9.2.2 |          |
| Field Name                | Field Type                                            | Comments |
| ski                       | SKI                                                   |          |
| mmpd                      | PD                                                    |          |
| mt                        | MT                                                    |          |
| shoct                     | SHOCT                                                 |          |
| cphksn                    | CPHKSJN                                               |          |
| rand                      | RAND                                                  |          |
| <b>Detailed Comments:</b> |                                                       |          |

| PDU Type Definition       |                                                        |          |
|---------------------------|--------------------------------------------------------|----------|
| <b>PDU Name:</b>          | AUTH_RES_PDU                                           |          |
| <b>PCO Type:</b>          | SAP0_3                                                 |          |
| <b>Comments:</b>          | MM AUTHENTICATION RESPONSE ms -> n<br>GSM 04.08, 9.2.3 |          |
| Field Name                | Field Type                                             | Comments |
| ski                       | SKI                                                    |          |
| mmpd                      | PD                                                     |          |
| mt                        | MT                                                     |          |
| sres                      | SRES                                                   |          |
| <b>Detailed Comments:</b> |                                                        |          |

| PDU Type Definition       |                                                           |          |
|---------------------------|-----------------------------------------------------------|----------|
| <b>PDU Name:</b>          | CMRE_RQ_PDU                                               |          |
| <b>PCO Type:</b>          | SAP0_3                                                    |          |
| <b>Comments:</b>          | MM CM REESTABLISHMENT REQUEST ms -> n<br>GSM 04.08, 9.2.4 |          |
| Field Name                | Field Type                                                | Comments |
| ski                       | SKI                                                       |          |
| mmpd                      | PD                                                        |          |
| mt                        | MT                                                        |          |
| shoct                     | SHOCT                                                     |          |
| cphksn                    | CPHKSJN                                                   |          |
| msclm                     | MSCLM2                                                    |          |
| mi                        | MI                                                        |          |
| lai                       | LAI                                                       |          |
| <b>Detailed Comments:</b> |                                                           |          |

| PDU Type Definition       |                                                  |          |
|---------------------------|--------------------------------------------------|----------|
| <b>PDU Name:</b>          | CMS_ACP_PDU                                      |          |
| <b>PCO Type:</b>          | SAP0_3                                           |          |
| <b>Comments:</b>          | MM CM SERVICE ACCEPT n -> ms<br>GSM 04.08, 9.2.5 |          |
| Field Name                | Field Type                                       | Comments |
| ski                       | SKI                                              |          |
| mmpd                      | PD                                               |          |
| mt                        | MT                                               |          |
| <b>Detailed Comments:</b> |                                                  |          |

| PDU Type Definition       |                                                  |          |
|---------------------------|--------------------------------------------------|----------|
| <b>PDU Name:</b>          | CMS_REJ_PDU                                      |          |
| <b>PCO Type:</b>          | SAP0_3                                           |          |
| <b>Comments:</b>          | MM CM SERVICE REJECT n -> ms<br>GSM 04.08, 9.2.6 |          |
| Field Name                | Field Type                                       | Comments |
| ski                       | SKI                                              |          |
| mmpd                      | PD                                               |          |
| mt                        | MT                                               |          |
| mmcau                     | REJCAU                                           |          |
| <b>Detailed Comments:</b> |                                                  |          |

| PDU Type Definition       |                                                   |          |
|---------------------------|---------------------------------------------------|----------|
| <b>PDU Name:</b>          | CMS_RQ_PDU                                        |          |
| <b>PCO Type:</b>          | SAP0_3                                            |          |
| <b>Comments:</b>          | MM CM SERVICE REQUEST ms -> n<br>GSM 04.08, 9.2.9 |          |
| Field Name                | Field Type                                        | Comments |
| ski                       | SKI                                               |          |
| mmpd                      | PD                                                |          |
| mt                        | MT                                                |          |
| cphksn                    | CPHKSN                                            |          |
| svtype                    | CMSVTYPE                                          |          |
| msclm                     | MSCLM2                                            |          |
| mi                        | MI                                                |          |
| <b>Detailed Comments:</b> |                                                   |          |

| PDU Type Definition       |                                                  |          |
|---------------------------|--------------------------------------------------|----------|
| <b>PDU Name:</b>          | ID_RQ_PDU                                        |          |
| <b>PCO Type:</b>          | SAP0_3                                           |          |
| <b>Comments:</b>          | MM IDENTITY REQUEST n -> ms<br>GSM 04.08, 9.2.10 |          |
| Field Name                | Field Type                                       | Comments |
| ski                       | SKI                                              |          |
| mmpd                      | PD                                               |          |
| mt                        | MT                                               |          |
| shoct                     | SHOCT                                            |          |
| idtype                    | IDTYPE                                           |          |
| <b>Detailed Comments:</b> |                                                  |          |

| PDU Type Definition       |                                                   |          |
|---------------------------|---------------------------------------------------|----------|
| <b>PDU Name:</b>          | ID_RES_PDU                                        |          |
| <b>PCO Type:</b>          | SAP0_3                                            |          |
| <b>Comments:</b>          | MM IDENTITY RESPONSE ms -> n<br>GSM 04.08, 9.2.11 |          |
| Field Name                | Field Type                                        | Comments |
| ski                       | SKI                                               |          |
| mmpd                      | PD                                                |          |
| mt                        | MT                                                |          |
| mi                        | MI                                                |          |
| <b>Detailed Comments:</b> |                                                   |          |

| PDU Type Definition       |                                                        |          |
|---------------------------|--------------------------------------------------------|----------|
| <b>PDU Name:</b>          | IMSID_IN_PDU                                           |          |
| <b>PCO Type:</b>          | SAP0_3                                                 |          |
| <b>Comments:</b>          | MM IMSI DETACH INDICATION ms -> n<br>GSM 04.08, 9.2.12 |          |
| Field Name                | Field Type                                             | Comments |
| ski                       | SKI                                                    |          |
| mmpd                      | PD                                                     |          |
| mt                        | MT                                                     |          |
| msclm                     | MSCLM1                                                 |          |
| mi                        | MI                                                     |          |
| <b>Detailed Comments:</b> |                                                        |          |

| PDU Type Definition       |                                                          |          |
|---------------------------|----------------------------------------------------------|----------|
| <b>PDU Name:</b>          | LUP_ACP_PDU                                              |          |
| <b>PCO Type:</b>          | SAP0_3                                                   |          |
| <b>Comments:</b>          | MM LOCATION UPDATING ACCEPT n -> ms<br>GSM 04.08, 9.2.13 |          |
| Field Name                | Field Type                                               | Comments |
| ski                       | SKI                                                      |          |
| mmpd                      | PD                                                       |          |
| mt                        | MT                                                       |          |
| lai                       | LAI                                                      |          |
| mi                        | MI                                                       |          |
| fop                       | IEI_8                                                    |          |
| <b>Detailed Comments:</b> |                                                          |          |

| PDU Type Definition       |                                                          |          |
|---------------------------|----------------------------------------------------------|----------|
| <b>PDU Name:</b>          | LUP_ACP_PDU_ERR                                          |          |
| <b>PCO Type:</b>          | SAP0_3                                                   |          |
| <b>Comments:</b>          | MM LOCATION UPDATING ACCEPT n -> ms<br>GSM 04.08, 9.2.13 |          |
| Field Name                | Field Type                                               | Comments |
| ski                       | SKI                                                      |          |
| mmpd                      | PD                                                       |          |
| mt                        | MT                                                       |          |
| lai                       | LAI                                                      |          |
| mi                        | MI                                                       |          |
| dupmi                     | MI                                                       |          |
| <b>Detailed Comments:</b> |                                                          |          |

| PDU Type Definition       |                                                          |          |
|---------------------------|----------------------------------------------------------|----------|
| <b>PDU Name:</b>          | LUP_REJ_PDU                                              |          |
| <b>PCO Type:</b>          | SAP0_3                                                   |          |
| <b>Comments:</b>          | MM LOCATION UPDATING REJECT n -> ms<br>GSM 04.08, 9.2.14 |          |
| Field Name                | Field Type                                               | Comments |
| ski                       | SKI                                                      |          |
| mmpd                      | PD                                                       |          |
| mt                        | MT                                                       |          |
| rejcau                    | REJCAU                                                   |          |
| <b>Detailed Comments:</b> |                                                          |          |

| PDU Type Definition       |                                                           |          |
|---------------------------|-----------------------------------------------------------|----------|
| <b>PDU Name:</b>          | LUP_RQ_PDU                                                |          |
| <b>PCO Type:</b>          | SAP0_3                                                    |          |
| <b>Comments:</b>          | MM LOCATION UPDATING REQUEST ms -> n<br>GSM 04.08, 9.2.15 |          |
| Field Name                | Field Type                                                | Comments |
| ski                       | SKI                                                       |          |
| mmpd                      | PD                                                        |          |
| mt                        | MT                                                        |          |
| cphksn                    | CPHKSN                                                    |          |
| lutype                    | LUT                                                       |          |
| lai                       | LAI                                                       |          |
| msclm                     | MSCLM1                                                    |          |
| mi                        | MI                                                        |          |
| <b>Detailed Comments:</b> |                                                           |          |

| PDU Type Definition       |                                         |          |
|---------------------------|-----------------------------------------|----------|
| <b>PDU Name:</b>          | MMST_PDU                                |          |
| <b>PCO Type:</b>          | SAP0_3                                  |          |
| <b>Comments:</b>          | MM STATUS n <-> ms<br>GSM 04.08, 9.2.16 |          |
| Field Name                | Field Type                              | Comments |
| ski                       | SKI                                     |          |
| mmpd                      | PD                                      |          |
| mt                        | MT                                      |          |
| rejcau                    | REJCAU                                  |          |
| <b>Detailed Comments:</b> |                                         |          |

| PDU Type Definition       |                                                           |          |
|---------------------------|-----------------------------------------------------------|----------|
| <b>PDU Name:</b>          | TMSIRE_CMD_PDU                                            |          |
| <b>PCO Type:</b>          | SAP0_3                                                    |          |
| <b>Comments:</b>          | MM TMSI REALLOCATION COMMAND n -> ms<br>GSM 04.08, 9.2.17 |          |
| Field Name                | Field Type                                                | Comments |
| ski                       | SKI                                                       |          |
| mmpd                      | PD                                                        |          |
| mt                        | MT                                                        |          |
| lai                       | LAI                                                       |          |
| mi                        | MI                                                        |          |
| <b>Detailed Comments:</b> |                                                           |          |

| PDU Type Definition       |                                                            |          |
|---------------------------|------------------------------------------------------------|----------|
| <b>PDU Name:</b>          | TMSIRE_COM_PDU                                             |          |
| <b>PCO Type:</b>          | SAP0_3                                                     |          |
| <b>Comments:</b>          | MM TMSI REALLOCATION COMPLETE ms -> n<br>GSM 04.08, 9.2.18 |          |
| Field Name                | Field Type                                                 | Comments |
| ski                       | SKI                                                        |          |
| mmpd                      | PD                                                         |          |
| mt                        | MT                                                         |          |
| <b>Detailed Comments:</b> |                                                            |          |

| PDU Type Definition       |                                          |          |
|---------------------------|------------------------------------------|----------|
| <b>PDU Name:</b>          | ALERT_PDU                                |          |
| <b>PCO Type:</b>          | SAP0_3                                   |          |
| <b>Comments:</b>          | CC ALERTING ms <-> n<br>GSM 04.08, 9.3.1 |          |
| Field Name                | Field Type                               | Comments |
| ti                        | TI                                       |          |
| ccpd                      | PD                                       |          |
| mt                        | MT                                       |          |
| fie                       | FIE                                      |          |
| pi                        | PI                                       |          |
| uu                        | UU                                       |          |
| ssvi                      | SSVI                                     |          |
| <b>Detailed Comments:</b> |                                          |          |

| PDU Type Definition       |                                               |          |
|---------------------------|-----------------------------------------------|----------|
| <b>PDU Name:</b>          | CALL_CO_PDU                                   |          |
| <b>PCO Type:</b>          | SAP0_3                                        |          |
| <b>Comments:</b>          | CC CALL CONFIRMED ms -> n<br>GSM 04.08, 9.3.2 |          |
| Field Name                | Field Type                                    | Comments |
| ti                        | TI                                            |          |
| ccpd                      | PD                                            |          |
| mt                        | MT                                            |          |
| bcri                      | RPI                                           |          |
| bcap1                     | BCAP                                          |          |
| bcap2                     | BCAP                                          |          |
| cau                       | CAU                                           |          |
| cccap                     | CCCAP                                         |          |
| <b>Detailed Comments:</b> |                                               |          |

| PDU Type Definition       |                                                |          |
|---------------------------|------------------------------------------------|----------|
| <b>PDU Name:</b>          | CALL_PROC_PDU                                  |          |
| <b>PCO Type:</b>          | SAP0_3                                         |          |
| <b>Comments:</b>          | CC CALL PROCEEDING n -> ms<br>GSM 04.08, 9.3.3 |          |
| Field Name                | Field Type                                     | Comments |
| ti                        | TI                                             |          |
| ccpd                      | PD                                             |          |
| mt                        | MT                                             |          |
| bcri                      | RPI                                            |          |
| bcap1                     | BCAP                                           |          |
| bcap2                     | BCAP                                           |          |
| fie                       | FIE                                            |          |
| pi                        | PI                                             |          |
| <b>Detailed Comments:</b> |                                                |          |

| PDU Type Definition       |                                         |          |
|---------------------------|-----------------------------------------|----------|
| <b>PDU Name:</b>          | CONN_PDU                                |          |
| <b>PCO Type:</b>          | SAP0_3                                  |          |
| <b>Comments:</b>          | CC CONNECT n <-> ms<br>GSM 04.08, 9.3.5 |          |
| Field Name                | Field Type                              | Comments |
| ti                        | TI                                      |          |
| ccpd                      | PD                                      |          |
| mt                        | MT                                      |          |
| fie                       | FIE                                     |          |
| pi                        | PI                                      |          |
| cnr                       | CNN                                     |          |
| cns                       | CNS                                     |          |
| uu                        | UU                                      |          |
| ssvi                      | SSVI                                    |          |
| <b>Detailed Comments:</b> |                                         |          |

| PDU Type Definition       |                                                |          |
|---------------------------|------------------------------------------------|----------|
| <b>PDU Name:</b>          | CONN_PDU_ERR                                   |          |
| <b>PCO Type:</b>          | SAP0_3                                         |          |
| <b>Comments:</b>          | CC CONNECT n <-> ms<br>Used as invalid message |          |
| Field Name                | Field Type                                     | Comments |
| ti                        | TI                                             |          |
| ccpd                      | PD                                             |          |
| mt                        | MT                                             |          |
| unknown                   | UNKWN                                          |          |
| <b>Detailed Comments:</b> |                                                |          |

| PDU Type Definition       |                                                     |          |
|---------------------------|-----------------------------------------------------|----------|
| <b>PDU Name:</b>          | CONN_ACK_PDU                                        |          |
| <b>PCO Type:</b>          | SAP0_3                                              |          |
| <b>Comments:</b>          | CC CONNECT ACKNOWLEDGE ms <-> n<br>GSM 04.08, 9.3.6 |          |
| Field Name                | Field Type                                          | Comments |
| ti                        | TI                                                  |          |
| ccpd                      | PD                                                  |          |
| mt                        | MT                                                  |          |
| <b>Detailed Comments:</b> |                                                     |          |

| PDU Type Definition       |                                                              |          |
|---------------------------|--------------------------------------------------------------|----------|
| <b>PDU Name:</b>          | DISC_PDU                                                     |          |
| <b>PCO Type:</b>          | SAP0_3                                                       |          |
| <b>Comments:</b>          | CC DISCONNECT ms <-> n (both directions)<br>GSM 04.08, 9.3.7 |          |
| Field Name                | Field Type                                                   | Comments |
| ti                        | TI                                                           |          |
| ccpd                      | PD                                                           |          |
| mt                        | MT                                                           |          |
| cau                       | CAU                                                          |          |
| fie                       | FIE                                                          |          |
| pi                        | PI                                                           |          |
| uu                        | UU                                                           |          |
| ssvi                      | SSVI                                                         |          |
| <b>Detailed Comments:</b> |                                                              |          |

| PDU Type Definition       |              |          |
|---------------------------|--------------|----------|
| <b>PDU Name:</b>          | DISC_PDU_ERR |          |
| <b>PCO Type:</b>          | SAP0_3       |          |
| <b>Comments:</b>          |              |          |
| Field Name                | Field Type   | Comments |
| ti                        | TI           |          |
| ccpd                      | PD           |          |
| mt                        | MT           |          |
| cau                       | CAU          |          |
| unknown                   | UNKWN        |          |
| <b>Detailed Comments:</b> |              |          |

| PDU Type Definition       |                                                |          |
|---------------------------|------------------------------------------------|----------|
| <b>PDU Name:</b>          | ESETUP_PDU                                     |          |
| <b>PCO Type:</b>          | SAP0_3                                         |          |
| <b>Comments:</b>          | CC EMERGENCY SETUP ms -> n<br>GSM 04.08, 9.3.8 |          |
| Field Name                | Field Type                                     | Comments |
| ti                        | TI                                             |          |
| ccpd                      | PD                                             |          |
| mt                        | MT                                             |          |
| bcap                      | BCAP                                           |          |
| <b>Detailed Comments:</b> |                                                |          |

| PDU Type Definition       |                                          |          |
|---------------------------|------------------------------------------|----------|
| <b>PDU Name:</b>          | FAC_PDU                                  |          |
| <b>PCO Type:</b>          | SAP0_3                                   |          |
| <b>Comments:</b>          | CC FACILITY n <-> ms<br>GSM 04.08, 9.3.9 |          |
| Field Name                | Field Type                               | Comments |
| ti                        | TI                                       |          |
| cc_sspd                   | PD                                       |          |
| mt                        | MT                                       |          |
| fie                       | FIE                                      |          |
| ssvi                      | SSVI                                     |          |
| <b>Detailed Comments:</b> |                                          |          |

| PDU Type Definition       |                                      |          |
|---------------------------|--------------------------------------|----------|
| <b>PDU Name:</b>          | HOLD_PDU                             |          |
| <b>PCO Type:</b>          | SAP0_3                               |          |
| <b>Comments:</b>          | CC HOLD ms -> n<br>GSM 04.08, 9.3.10 |          |
| Field Name                | Field Type                           | Comments |
| ti                        | TI                                   |          |
| ccpd                      | PD                                   |          |
| mt                        | MT                                   |          |
| <b>Detailed Comments:</b> |                                      |          |

| PDU Type Definition       |                                                  |          |
|---------------------------|--------------------------------------------------|----------|
| <b>PDU Name:</b>          | HOLD_ACK_PDU                                     |          |
| <b>PCO Type:</b>          | SAP0_3                                           |          |
| <b>Comments:</b>          | CC HOLD ACKNOWLEDGE n -> ms<br>GSM 04.08, 9.3.11 |          |
| Field Name                | Field Type                                       | Comments |
| ti                        | TI                                               |          |
| ccpd                      | PD                                               |          |
| mt                        | MT                                               |          |
| <b>Detailed Comments:</b> |                                                  |          |

| PDU Type Definition       |                                         |          |
|---------------------------|-----------------------------------------|----------|
| <b>PDU Name:</b>          | MODIFY_PDU                              |          |
| <b>PCO Type:</b>          | SAP0_3                                  |          |
| <b>Comments:</b>          | CC MODIFY ms <-> n<br>GSM 04.08, 9.3.13 |          |
| Field Name                | Field Type                              | Comments |
| ti                        | TI                                      |          |
| ccpd                      | PD                                      |          |
| mt                        | MT                                      |          |
| bcap                      | BCAP                                    |          |
| llcmp                     | LLCMP                                   |          |
| hlcmp                     | HLCMP                                   |          |
| rcsd                      | RCSD                                    |          |
| <b>Detailed Comments:</b> |                                         |          |

| PDU Type Definition       |                                                  |          |
|---------------------------|--------------------------------------------------|----------|
| <b>PDU Name:</b>          | MODIFY_COM_PDU                                   |          |
| <b>PCO Type:</b>          | SAP0_3                                           |          |
| <b>Comments:</b>          | CC MODIFY COMPLETE ms <-> n<br>GSM 04.08, 9.3.14 |          |
| Field Name                | Field Type                                       | Comments |
| ti                        | TI                                               |          |
| ccpd                      | PD                                               |          |
| mt                        | MT                                               |          |
| bcap                      | BCAP                                             |          |
| llcmp                     | LLCMP                                            |          |
| hlcmp                     | HLCMP                                            |          |
| rcsd                      | RCSD                                             |          |
| <b>Detailed Comments:</b> |                                                  |          |

| PDU Type Definition       |                                                |          |
|---------------------------|------------------------------------------------|----------|
| <b>PDU Name:</b>          | MODIFY_REJ_PDU                                 |          |
| <b>PCO Type:</b>          | SAP0_3                                         |          |
| <b>Comments:</b>          | CC MODIFY REJECT ms <-> n<br>GSM 04.08, 9.3.15 |          |
| Field Name                | Field Type                                     | Comments |
| ti                        | TI                                             |          |
| ccpd                      | PD                                             |          |
| mt                        | MT                                             |          |
| bcap                      | BCAP                                           |          |
| cau                       | CAU                                            |          |
| llcmp                     | LLCMP                                          |          |
| hlcmp                     | HLCMP                                          |          |
| <b>Detailed Comments:</b> |                                                |          |



| PDU Type Definition       |                                         |          |
|---------------------------|-----------------------------------------|----------|
| <b>PDU Name:</b>          | NOTIFY_PDU                              |          |
| <b>PCO Type:</b>          | SAP0_3                                  |          |
| <b>Comments:</b>          | CC NOTIFY ms <-> n<br>GSM 04.08, 9.3.16 |          |
| Field Name                | Field Type                              | Comments |
| ti                        | TI                                      |          |
| ccpd                      | PD                                      |          |
| mt                        | MT                                      |          |
| nti                       | NTI                                     |          |
| <b>Detailed Comments:</b> |                                         |          |

| PDU Type Definition       |                                        |          |
|---------------------------|----------------------------------------|----------|
| <b>PDU Name:</b>          | REGISTER_PDU                           |          |
| <b>PCO Type:</b>          | SAP0_3                                 |          |
| <b>Comments:</b>          | SS REGISTER ms <-> n<br>GSM 04.80, 2.4 |          |
| Field Name                | Field Type                             | Comments |
| ti                        | TI                                     |          |
| sspd                      | PD                                     |          |
| mt                        | MT                                     |          |
| fie                       | FIE                                    |          |
| ssvi                      | SSVI                                   |          |
| <b>Detailed Comments:</b> |                                        |          |

| PDU Type Definition       |                                          |          |
|---------------------------|------------------------------------------|----------|
| <b>PDU Name:</b>          | PROG_PDU                                 |          |
| <b>PCO Type:</b>          | SAP0_3                                   |          |
| <b>Comments:</b>          | CC PROGRESS n -> ms<br>GSM 04.08, 9.3.17 |          |
| Field Name                | Field Type                               | Comments |
| ti                        | TI                                       |          |
| ccpd                      | PD                                       |          |
| mt                        | MT                                       |          |
| pi                        | PI                                       |          |
| uu                        | UU                                       |          |
| <b>Detailed Comments:</b> |                                          |          |

| PDU Type Definition       |                                          |          |
|---------------------------|------------------------------------------|----------|
| <b>PDU Name:</b>          | REL_PDU                                  |          |
| <b>PCO Type:</b>          | SAP0_3                                   |          |
| <b>Comments:</b>          | CC RELEASE n <-> ms<br>GSM 04.08, 9.3.18 |          |
| Field Name                | Field Type                               | Comments |
| ti                        | TI                                       |          |
| ccpd                      | PD                                       |          |
| mt                        | MT                                       |          |
| cau                       | CAU                                      |          |
| cau2                      | CAU                                      |          |
| fie                       | FIE                                      |          |
| uu                        | UU                                       |          |
| ssvi                      | SSVI                                     |          |
| <b>Detailed Comments:</b> |                                          |          |

| PDU Type Definition       |                                                                         |          |
|---------------------------|-------------------------------------------------------------------------|----------|
| <b>PDU Name:</b>          | REL_COM_PDU                                                             |          |
| <b>PCO Type:</b>          | SAP0_3                                                                  |          |
| <b>Comments:</b>          | CC or SS RELEASE COMPLETE n <-> ms<br>GSM 04.08, 9.3.19; GSM 04.80, 2.5 |          |
| Field Name                | Field Type                                                              | Comments |
| ti                        | TI                                                                      |          |
| cc_sspd                   | PD                                                                      |          |
| mt                        | MT                                                                      |          |
| cau                       | CAU                                                                     |          |
| fie                       | FIE                                                                     |          |
| uu                        | UU                                                                      |          |
| ssvi                      | SSVI                                                                    |          |
| <b>Detailed Comments:</b> |                                                                         |          |

| PDU Type Definition       |                                         |          |
|---------------------------|-----------------------------------------|----------|
| <b>PDU Name:</b>          | SETUP_MO_PDU                            |          |
| <b>PCO Type:</b>          | SAP0_3                                  |          |
| <b>Comments:</b>          | CC SETUP n <- ms<br>GSM 04.08, 9.3.23.2 |          |
| Field Name                | Field Type                              | Comments |
| ti                        | TI                                      |          |
| ccpd                      | PD                                      |          |
| mt                        | MT                                      |          |
| bcri                      | RPI                                     |          |
| bcap1                     | BCAP                                    |          |
| bcap2                     | BCAP                                    |          |
| fie                       | FIE                                     |          |
| cgps                      | CGPS                                    |          |
| cdpn                      | CDPN                                    |          |
| cdps                      | CDPS                                    |          |
| llcri                     | RPI                                     |          |
| llcmp1                    | LLCMP                                   |          |
| llcmp2                    | LLCMP                                   |          |
| hlcri                     | RPI                                     |          |
| hlcmp1                    | HLCMP                                   |          |
| hlcmp2                    | HLCMP                                   |          |
| uu                        | UU                                      |          |
| ssvi                      | SSVI                                    |          |
| clirsup                   | CLRSUP                                  |          |
| clirinv                   | CLRINV                                  |          |
| cccacp                    | CCCAP                                   |          |
| <b>Detailed Comments:</b> |                                         |          |

| PDU Type Definition       |                                         |          |
|---------------------------|-----------------------------------------|----------|
| <b>PDU Name:</b>          | SETUP_MT_PDU                            |          |
| <b>PCO Type:</b>          | SAP0_3                                  |          |
| <b>Comments:</b>          | CC SETUP n -> ms<br>GSM 04.08, 9.3.23.1 |          |
| Field Name                | Field Type                              | Comments |
| ti                        | TI                                      |          |
| ccpd                      | PD                                      |          |
| mt                        | MT                                      |          |
| bcri                      | RPI                                     |          |
| bcap1                     | BCAP                                    |          |
| bcap2                     | BCAP                                    |          |
| fie                       | FIE                                     |          |
| pi                        | PI                                      |          |
| sig                       | SIGNAL                                  |          |
| cgpn                      | CGPN                                    |          |
| cgps                      | CGPS                                    |          |
| cdpn                      | CDPN                                    |          |
| cdps                      | CDPS                                    |          |
| llcri                     | RPI                                     |          |
| llcmp1                    | LLCMP                                   |          |
| llcmp2                    | LLCMP                                   |          |
| hlcri                     | RPI                                     |          |
| hlcmp1                    | HLCMP                                   |          |
| hlcmp2                    | HLCMP                                   |          |
| uu                        | UU                                      |          |
| <b>Detailed Comments:</b> |                                         |          |

| PDU Type Definition       |                                 |          |
|---------------------------|---------------------------------|----------|
| <b>PDU Name:</b>          | SMSCB_PDU                       |          |
| <b>PCO Type:</b>          | SAP0_3                          |          |
| <b>Comments:</b>          | SMSCB message<br>GSM 03.41, 9.3 |          |
| Field Name                | Field Type                      | Comments |
| blocktype                 | BLOCKTYPE                       |          |
| serial_number             | SERIAL_NUMBER                   |          |
| message_id                | OCTETSTRING[2]                  |          |
| dcs                       | TPDCS                           |          |
| page_param                | BITSTRING[8]                    |          |
| message_contents          | OCTETSTRING                     |          |
| <b>Detailed Comments:</b> |                                 |          |

| PDU Type Definition       |                                            |          |
|---------------------------|--------------------------------------------|----------|
| <b>PDU Name:</b>          | START_DTMF_PDU                             |          |
| <b>PCO Type:</b>          | SAP0_3                                     |          |
| <b>Comments:</b>          | CC START DTMF ms -> n<br>GSM 04.08, 9.3.24 |          |
| Field Name                | Field Type                                 | Comments |
| ti                        | TI                                         |          |
| ccpd                      | PD                                         |          |
| mt                        | MT                                         |          |
| kpf                       | KPF                                        |          |
| <b>Detailed Comments:</b> |                                            |          |

| PDU Type Definition       |                                                        |          |
|---------------------------|--------------------------------------------------------|----------|
| <b>PDU Name:</b>          | START_DTMF_ACK_PDU                                     |          |
| <b>PCO Type:</b>          | SAP0_3                                                 |          |
| <b>Comments:</b>          | CC START DTMF ACKNOWLEDGE n -> ms<br>GSM 04.08, 9.3.25 |          |
| Field Name                | Field Type                                             | Comments |
| ti                        | TI                                                     |          |
| ccpd                      | PD                                                     |          |
| mt                        | MT                                                     |          |
| kpf                       | KPF                                                    |          |
| <b>Detailed Comments:</b> |                                                        |          |

| PDU Type Definition       |                                                   |          |
|---------------------------|---------------------------------------------------|----------|
| <b>PDU Name:</b>          | START_DTMF_REJ_PDU                                |          |
| <b>PCO Type:</b>          | SAP0_3                                            |          |
| <b>Comments:</b>          | CC START DTMF REJECT n -> ms<br>GSM 04.08, 9.3.26 |          |
| Field Name                | Field Type                                        | Comments |
| ti                        | TI                                                |          |
| ccpd                      | PD                                                |          |
| mt                        | MT                                                |          |
| cau                       | CAU                                               |          |
| <b>Detailed Comments:</b> |                                                   |          |

| PDU Type Definition       |                                         |          |
|---------------------------|-----------------------------------------|----------|
| <b>PDU Name:</b>          | CCST_PDU                                |          |
| <b>PCO Type:</b>          | SAP0_3                                  |          |
| <b>Comments:</b>          | CC STATUS n <-> ms<br>GSM 04.08, 9.3.27 |          |
| Field Name                | Field Type                              | Comments |
| ti                        | TI                                      |          |
| ccpd                      | PD                                      |          |
| mt                        | MT                                      |          |
| cau                       | CAU                                     |          |
| cst                       | CST                                     |          |
| acst                      | ACST                                    |          |
| <b>Detailed Comments:</b> |                                         |          |

| PDU Type Definition       |                                                 |          |
|---------------------------|-------------------------------------------------|----------|
| <b>PDU Name:</b>          | CCST_ENQ_PDU                                    |          |
| <b>PCO Type:</b>          | SAP0_3                                          |          |
| <b>Comments:</b>          | CC STATUS ENQUIRY ms <-> n<br>GSM 04.08, 9.3.28 |          |
| Field Name                | Field Type                                      | Comments |
| ti                        | TI                                              |          |
| ccpd                      | PD                                              |          |
| mt                        | MT                                              |          |
| <b>Detailed Comments:</b> |                                                 |          |

| PDU Type Definition       |                                           |          |
|---------------------------|-------------------------------------------|----------|
| <b>PDU Name:</b>          | STOP_DTMF_PDU                             |          |
| <b>PCO Type:</b>          | SAP0_3                                    |          |
| <b>Comments:</b>          | CC STOP DTMF ms -> n<br>GSM 04.08, 9.3.29 |          |
| Field Name                | Field Type                                | Comments |
| ti                        | TI                                        |          |
| ccpd                      | PD                                        |          |
| mt                        | MT                                        |          |
| <b>Detailed Comments:</b> |                                           |          |

| PDU Type Definition       |                                                       |          |
|---------------------------|-------------------------------------------------------|----------|
| <b>PDU Name:</b>          | STOP_DTMF_ACK_PDU                                     |          |
| <b>PCO Type:</b>          | SAP0_3                                                |          |
| <b>Comments:</b>          | CC STOP DTMF acknowledge n -> ms<br>GSM 04.08, 9.3.30 |          |
| Field Name                | Field Type                                            | Comments |
| ti                        | TI                                                    |          |
| ccpd                      | PD                                                    |          |
| mt                        | MT                                                    |          |
| <b>Detailed Comments:</b> |                                                       |          |

| PDU Type Definition                                                                                                                                                               |                                          |          |
|-----------------------------------------------------------------------------------------------------------------------------------------------------------------------------------|------------------------------------------|----------|
| <b>PDU Name:</b>                                                                                                                                                                  | CP_DATA_PDU                              |          |
| <b>PCO Type:</b>                                                                                                                                                                  | SAP0_3                                   |          |
| <b>Comments:</b>                                                                                                                                                                  | SMS CP DATA ms <-> n<br>GSM 04.11, 7.2.1 |          |
| Field Name                                                                                                                                                                        | Field Type                               | Comments |
| ti                                                                                                                                                                                | TI                                       |          |
| smspd                                                                                                                                                                             | PD                                       |          |
| mt                                                                                                                                                                                | MT                                       |          |
| CPdata                                                                                                                                                                            | CPDATA                                   |          |
| <b>Detailed Comments:</b> CPDATA contains RPDU - RP_ACK or RP_ERROR, either returning to the MS in case of MO, or reporting the outcome of a MT messaging attempt in case of MT . |                                          |          |

| PDU Type Definition       |                                                  |          |
|---------------------------|--------------------------------------------------|----------|
| <b>PDU Name:</b>          | CPDATA_ACK_PDU                                   |          |
| <b>PCO Type:</b>          | SAP0_3                                           |          |
| <b>Comments:</b>          | CP DATA ACKNOWLEDGE ms <-> n<br>GSM 04.11, 7.2.2 |          |
| Field Name                | Field Type                                       | Comments |
| ti                        | TI                                               |          |
| smspd                     | PD                                               |          |
| mt                        | MT                                               |          |
| <b>Detailed Comments:</b> |                                                  |          |

| PDU Type Definition                                                                                                                                                               |            |          |
|-----------------------------------------------------------------------------------------------------------------------------------------------------------------------------------|------------|----------|
| Field Name                                                                                                                                                                        | Field Type | Comments |
| <b>PDU Name:</b> CPERR_PDU                                                                                                                                                        |            |          |
| <b>PCO Type:</b> SAP0_3                                                                                                                                                           |            |          |
| <b>Comments:</b> CP_ERROR n <-> ms<br>GSM 04.11, 7.2.3                                                                                                                            |            |          |
| Field Name                                                                                                                                                                        | Field Type | Comments |
| ti                                                                                                                                                                                | TI         |          |
| smspd                                                                                                                                                                             | PD         |          |
| mt                                                                                                                                                                                | MT         |          |
| cp_cause                                                                                                                                                                          | CP_CAU     |          |
| <b>Detailed Comments:</b> CP_UDAT contains RPDU, RP_ACK or RP_ERROR, either returning to the MS in case of MO, or reporting the outcome of a MT messaging attempt in case of MT . |            |          |

## Constraints Part

### Test suite type constraint declarations

### Structured type constraint declarations

| Structured Type Constraint |                                                                                                                                               |          |
|----------------------------|-----------------------------------------------------------------------------------------------------------------------------------------------|----------|
| <b>Constraint Name:</b>    | Bcap_MO(rchr1:B_2; itc1:B_3; strc1:B_2; nirr:B_1; ra1 :B_2; sacp:B_3; sb, nsb1, ndb1:B_1; ur1:B_4; ir1:B_2; parity:B_3; ce1:B_2; modemt1:B_5) |          |
| <b>Structured Type:</b>    | BCAP                                                                                                                                          |          |
| <b>Derivation Path:</b>    |                                                                                                                                               |          |
| <b>Comments:</b>           | BS bearer capability without OCTET 7 for direction ms -> n                                                                                    |          |
| Element Name               | Element Value                                                                                                                                 | Comments |
| iei                        | '00000100'B                                                                                                                                   |          |
| iel                        | '07'O                                                                                                                                         |          |
| extb3                      | '1'B                                                                                                                                          |          |
| rchr                       | rchr1                                                                                                                                         |          |
| cs                         | '0'B                                                                                                                                          |          |
| tm                         | '0'B                                                                                                                                          |          |
| itc                        | itc1                                                                                                                                          |          |
| oct_3a_etc_1               | -                                                                                                                                             |          |
| oct_3a_etc_2               | -                                                                                                                                             |          |
| oct_3a_etc_3               | -                                                                                                                                             |          |
| oct_3a_etc_4               | -                                                                                                                                             |          |
| oct_3a_etc_5               | -                                                                                                                                             |          |
| oct_3a_etc_6               | -                                                                                                                                             |          |
| extb4                      | '1'B                                                                                                                                          |          |
| spb                        | '0'B                                                                                                                                          |          |
| strc                       | strc1                                                                                                                                         |          |
| dplxm                      | '1'B                                                                                                                                          |          |
| config                     | '0'B                                                                                                                                          |          |
| nirr                       | nirr                                                                                                                                          |          |
| est                        | '0'B                                                                                                                                          |          |
| extb5                      | '1'B                                                                                                                                          |          |
| accid                      | '00'B                                                                                                                                         |          |
| ra                         | ra1                                                                                                                                           |          |
| sacp                       | sacp                                                                                                                                          |          |
| extb6                      | '0'B                                                                                                                                          |          |
| l1id                       | '01'B                                                                                                                                         |          |
| uil1                       | '0000'B                                                                                                                                       |          |
| sb                         | sb                                                                                                                                            |          |
| extb6a                     | '0'B                                                                                                                                          |          |
| nsb                        | nsb1                                                                                                                                          |          |
| nb                         | '0'B                                                                                                                                          |          |
| ndb                        | ndb1                                                                                                                                          |          |
| ur                         | ur1                                                                                                                                           |          |
| extb6b                     | '0'B                                                                                                                                          |          |
| ir                         | ir1                                                                                                                                           |          |
| nictx                      | '0'B                                                                                                                                          |          |
| nicrx                      | '0'B                                                                                                                                          |          |
| pi                         | parity                                                                                                                                        |          |
| extb6c                     | '1'B                                                                                                                                          |          |
| ce                         | ce1                                                                                                                                           |          |
| modemt                     | modemt1                                                                                                                                       |          |
| extb7                      | -                                                                                                                                             |          |
| l2id                       | -                                                                                                                                             |          |
| uil2                       | -                                                                                                                                             |          |
| <b>Detailed Comments:</b>  |                                                                                                                                               |          |

| <b>Structured Type Constraint</b> |                                                                                                                                                                                                                                                                                                                                                                    |          |
|-----------------------------------|--------------------------------------------------------------------------------------------------------------------------------------------------------------------------------------------------------------------------------------------------------------------------------------------------------------------------------------------------------------------|----------|
| <b>Constraint Name:</b>           | Bcap_NoIEI(iei:LENGTH; extb3:EXTB; rchr:B_2; cs:B_1; tm:B_1; itc:B_3; extb4:EXTB; spb:SPB; strc:B_2; dplxm:B_1; config:B_1; nirr:B_1; est:B_1; extb5:EXTB; accid:B_2; ra:B_2; sacp:B_3; extb6:EXTB; l1id:B_2; uil1:B_4; sb:B_1; extb6a:EXTB; nsb:B_1; nb:B_1; ndb:B_1; ur:B_4; extb6b:EXTB; ir:B_2; nictx:B_1; nicrx:B_1; pi:B_3; extb6c:EXTB; ce:B_2; modemt:B_5) |          |
| <b>Structured Type:</b>           | BCAP                                                                                                                                                                                                                                                                                                                                                               |          |
| <b>Derivation Path:</b>           |                                                                                                                                                                                                                                                                                                                                                                    |          |
| <b>Comments:</b>                  | BS bearer capability without iei for modify, modify ack and modify complete message                                                                                                                                                                                                                                                                                |          |
| Element Name                      | Element Value                                                                                                                                                                                                                                                                                                                                                      | Comments |
| iei                               | -                                                                                                                                                                                                                                                                                                                                                                  |          |
| iel                               | iel                                                                                                                                                                                                                                                                                                                                                                |          |
| extb3                             | extb3                                                                                                                                                                                                                                                                                                                                                              |          |
| rchr                              | rchr                                                                                                                                                                                                                                                                                                                                                               |          |
| cs                                | cs                                                                                                                                                                                                                                                                                                                                                                 |          |
| tm                                | tm                                                                                                                                                                                                                                                                                                                                                                 |          |
| itc                               | itc                                                                                                                                                                                                                                                                                                                                                                |          |
| oct_3a_etc_1                      | -                                                                                                                                                                                                                                                                                                                                                                  |          |
| oct_3a_etc_2                      | -                                                                                                                                                                                                                                                                                                                                                                  |          |
| oct_3a_etc_3                      | -                                                                                                                                                                                                                                                                                                                                                                  |          |
| oct_3a_etc_4                      | -                                                                                                                                                                                                                                                                                                                                                                  |          |
| oct_3a_etc_5                      | -                                                                                                                                                                                                                                                                                                                                                                  |          |
| oct_3a_etc_6                      | -                                                                                                                                                                                                                                                                                                                                                                  |          |
| extb4                             | extb4                                                                                                                                                                                                                                                                                                                                                              |          |
| spb                               | spb                                                                                                                                                                                                                                                                                                                                                                |          |
| strc                              | strc                                                                                                                                                                                                                                                                                                                                                               |          |
| dplxm                             | dplxm                                                                                                                                                                                                                                                                                                                                                              |          |
| config                            | config                                                                                                                                                                                                                                                                                                                                                             |          |
| nirr                              | nirr                                                                                                                                                                                                                                                                                                                                                               |          |
| est                               | est                                                                                                                                                                                                                                                                                                                                                                |          |
| extb5                             | extb5                                                                                                                                                                                                                                                                                                                                                              |          |
| accid                             | accid                                                                                                                                                                                                                                                                                                                                                              |          |
| ra                                | ra                                                                                                                                                                                                                                                                                                                                                                 |          |
| sacp                              | sacp                                                                                                                                                                                                                                                                                                                                                               |          |
| extb6                             | extb6                                                                                                                                                                                                                                                                                                                                                              |          |
| l1id                              | l1id                                                                                                                                                                                                                                                                                                                                                               |          |
| uil1                              | uil1                                                                                                                                                                                                                                                                                                                                                               |          |
| sb                                | sb                                                                                                                                                                                                                                                                                                                                                                 |          |
| extb6a                            | extb6a                                                                                                                                                                                                                                                                                                                                                             |          |
| nsb                               | nsb                                                                                                                                                                                                                                                                                                                                                                |          |
| nb                                | nb                                                                                                                                                                                                                                                                                                                                                                 |          |
| ndb                               | ndb                                                                                                                                                                                                                                                                                                                                                                |          |
| ur                                | ur                                                                                                                                                                                                                                                                                                                                                                 |          |
| extb6b                            | extb6b                                                                                                                                                                                                                                                                                                                                                             |          |
| ir                                | ir                                                                                                                                                                                                                                                                                                                                                                 |          |
| nictx                             | nictx                                                                                                                                                                                                                                                                                                                                                              |          |
| nicrx                             | nicrx                                                                                                                                                                                                                                                                                                                                                              |          |
| pi                                | pi                                                                                                                                                                                                                                                                                                                                                                 |          |
| extb6c                            | extb6c                                                                                                                                                                                                                                                                                                                                                             |          |
| ce                                | ce                                                                                                                                                                                                                                                                                                                                                                 |          |
| modemt                            | modemt                                                                                                                                                                                                                                                                                                                                                             |          |
| extb7                             | -                                                                                                                                                                                                                                                                                                                                                                  |          |
| l2id                              | -                                                                                                                                                                                                                                                                                                                                                                  |          |
| uil2                              | -                                                                                                                                                                                                                                                                                                                                                                  |          |
| <b>Detailed Comments:</b>         |                                                                                                                                                                                                                                                                                                                                                                    |          |



| <b>Structured Type Constraint</b> |                                                                                                                                        |          |
|-----------------------------------|----------------------------------------------------------------------------------------------------------------------------------------|----------|
| <b>Constraint Name:</b>           | Bcap_MT(itc1:B_3; strc1:B_2; nirr:B_1; ra1 :B_2; sacp:B_3; sb:B_1; nbsb, nbdb:B_1; ur1:B_4; ir1:B_2; parity:B_3; ce1:B_2; modemt1:B_5) |          |
| <b>Structured Type:</b>           | BCAP                                                                                                                                   |          |
| <b>Derivation Path:</b>           |                                                                                                                                        |          |
| <b>Comments:</b>                  | BS bearer capability for direction n->ms                                                                                               |          |
| Element Name                      | Element Value                                                                                                                          | Comments |
| iei                               | '00000100'B                                                                                                                            |          |
| iel                               | '07'O                                                                                                                                  |          |
| extb3                             | '1'B                                                                                                                                   |          |
| rchr                              | '01'B                                                                                                                                  |          |
| cs                                | '0'B                                                                                                                                   |          |
| tm                                | '0'B                                                                                                                                   |          |
| itc                               | itc1                                                                                                                                   |          |
| oct_3a_etc_1                      | -                                                                                                                                      |          |
| oct_3a_etc_2                      | -                                                                                                                                      |          |
| oct_3a_etc_3                      | -                                                                                                                                      |          |
| oct_3a_etc_4                      | -                                                                                                                                      |          |
| oct_3a_etc_5                      | -                                                                                                                                      |          |
| oct_3a_etc_6                      | -                                                                                                                                      |          |
| extb4                             | '1'B                                                                                                                                   |          |
| spb                               | '0'B                                                                                                                                   |          |
| strc                              | strc1                                                                                                                                  |          |
| dplxm                             | '1'B                                                                                                                                   |          |
| config                            | '0'B                                                                                                                                   |          |
| nirr                              | nirr                                                                                                                                   |          |
| est                               | '0'B                                                                                                                                   |          |
| extb5                             | '1'B                                                                                                                                   |          |
| accid                             | '00'B                                                                                                                                  |          |
| ra                                | ra1                                                                                                                                    |          |
| sacp                              | sacp                                                                                                                                   |          |
| extb6                             | '0'B                                                                                                                                   |          |
| l1id                              | '01'B                                                                                                                                  |          |
| uil1                              | '0000'B                                                                                                                                |          |
| sb                                | sb                                                                                                                                     |          |
| extb6a                            | '0'B                                                                                                                                   |          |
| nsb                               | nbsb                                                                                                                                   |          |
| nb                                | '0'B                                                                                                                                   |          |
| ndb                               | nbdb                                                                                                                                   |          |
| ur                                | ur1                                                                                                                                    |          |
| extb6b                            | '0'B                                                                                                                                   |          |
| ir                                | ir1                                                                                                                                    |          |
| nictx                             | '0'B                                                                                                                                   |          |
| nicrx                             | '0'B                                                                                                                                   |          |
| pi                                | parity                                                                                                                                 |          |
| extb6c                            | '1'B                                                                                                                                   |          |
| ce                                | ce1                                                                                                                                    |          |
| modemt                            | modemt1                                                                                                                                |          |
| extb7                             | -                                                                                                                                      |          |
| l2id                              | -                                                                                                                                      |          |
| uil2                              | -                                                                                                                                      |          |
| <b>Detailed Comments:</b>         |                                                                                                                                        |          |

| <b>Structured Type Constraint</b> |                                                                                                                                                          |          |
|-----------------------------------|----------------------------------------------------------------------------------------------------------------------------------------------------------|----------|
| <b>Constraint Name:</b>           | BcapX_MO(rchr1:B_2; itc1:B_3; strc1:B_2; nirr:B_1; ra1 :B_2; sacp:B_3; sb, nsb1, ndb1:B_1; ur1:B_4; ir1:B_2; parity:B_3; ce1:B_2; modemt1:B_5; fctl:B_5) |          |
| <b>Structured Type:</b>           | BCAP                                                                                                                                                     |          |
| <b>Derivation Path:</b>           |                                                                                                                                                          |          |
| <b>Comments:</b>                  | BS bearer capability with OCTET 7 for direction ms -> n                                                                                                  |          |
| Element Name                      | Element Value                                                                                                                                            | Comments |
| iei                               | '00000100'B                                                                                                                                              |          |
| iel                               | ('07'O, '08'O)                                                                                                                                           |          |
| extb3                             | '1'B                                                                                                                                                     |          |
| rchr                              | rchr1                                                                                                                                                    |          |
| cs                                | '0'B                                                                                                                                                     |          |
| tm                                | '0'B                                                                                                                                                     |          |
| itc                               | itc1                                                                                                                                                     |          |
| oct_3a_etc_1                      | -                                                                                                                                                        |          |
| oct_3a_etc_2                      | -                                                                                                                                                        |          |
| oct_3a_etc_3                      | -                                                                                                                                                        |          |
| oct_3a_etc_4                      | -                                                                                                                                                        |          |
| oct_3a_etc_5                      | -                                                                                                                                                        |          |
| oct_3a_etc_6                      | -                                                                                                                                                        |          |
| extb4                             | '1'B                                                                                                                                                     |          |
| spb                               | '0'B                                                                                                                                                     |          |
| strc                              | strc1                                                                                                                                                    |          |
| dplx                              | '1'B                                                                                                                                                     |          |
| config                            | '0'B                                                                                                                                                     |          |
| nirr                              | nirr                                                                                                                                                     |          |
| est                               | '0'B                                                                                                                                                     |          |
| extb5                             | '1'B                                                                                                                                                     |          |
| accid                             | '00'B                                                                                                                                                    |          |
| ra                                | ra1                                                                                                                                                      |          |
| sacp                              | sacp                                                                                                                                                     |          |
| extb6                             | '0'B                                                                                                                                                     |          |
| l1id                              | '01'B                                                                                                                                                    |          |
| uil1                              | '0000'B                                                                                                                                                  |          |
| sb                                | sb                                                                                                                                                       |          |
| extb6a                            | '0'B                                                                                                                                                     |          |
| nsb                               | nsb1                                                                                                                                                     |          |
| nb                                | '0'B                                                                                                                                                     |          |
| ndb                               | ndb1                                                                                                                                                     |          |
| ur                                | ur1                                                                                                                                                      |          |
| extb6b                            | '0'B                                                                                                                                                     |          |
| ir                                | ir1                                                                                                                                                      |          |
| nictx                             | '0'B                                                                                                                                                     |          |
| nicrx                             | '0'B                                                                                                                                                     |          |
| pi                                | parity                                                                                                                                                   |          |
| extb6c                            | '1'B                                                                                                                                                     |          |
| ce                                | ce1                                                                                                                                                      |          |
| modemt                            | modemt1                                                                                                                                                  |          |
| extb7                             | '1'B IF_PRESENT                                                                                                                                          |          |
| l2id                              | '10'B IF_PRESENT                                                                                                                                         |          |
| uil2                              | fctl IF_PRESENT                                                                                                                                          |          |
| <b>Detailed Comments:</b>         |                                                                                                                                                          |          |

| Structured Type Constraint |                                                                                                                                                   |          |
|----------------------------|---------------------------------------------------------------------------------------------------------------------------------------------------|----------|
| <b>Constraint Name:</b>    | BcapX_MT(itc1:B_3; strc1:B_2; nirr:B_1; ra1 :B_2; sacp:B_3; sb:B_1; nbsb, nbdb:B_1; ur1:B_4; ir1:B_2; parity:B_3; ce1:B_2; modemt1:B_5; flct:B_5) |          |
| <b>Structured Type:</b>    | BCAP                                                                                                                                              |          |
| <b>Derivation Path:</b>    |                                                                                                                                                   |          |
| <b>Comments:</b>           | BS bearer capability for direction n->ms BS 21, .. 26, except BS23                                                                                |          |
| Element Name               | Element Value                                                                                                                                     | Comments |
| iei                        | '00000100'B                                                                                                                                       |          |
| iel                        | '08'O                                                                                                                                             |          |
| extb3                      | '1'B                                                                                                                                              |          |
| rchr                       | '01'B                                                                                                                                             |          |
| cs                         | '0'B                                                                                                                                              |          |
| tm                         | '0'B                                                                                                                                              |          |
| itc                        | itc1                                                                                                                                              |          |
| oct_3a_etc_1               | -                                                                                                                                                 |          |
| oct_3a_etc_2               | -                                                                                                                                                 |          |
| oct_3a_etc_3               | -                                                                                                                                                 |          |
| oct_3a_etc_4               | -                                                                                                                                                 |          |
| oct_3a_etc_5               | -                                                                                                                                                 |          |
| oct_3a_etc_6               | -                                                                                                                                                 |          |
| extb4                      | '1'B                                                                                                                                              |          |
| spb                        | '0'B                                                                                                                                              |          |
| strc                       | strc1                                                                                                                                             |          |
| dplx                       | '1'B                                                                                                                                              |          |
| config                     | '0'B                                                                                                                                              |          |
| nirr                       | nirr                                                                                                                                              |          |
| est                        | '0'B                                                                                                                                              |          |
| extb5                      | '1'B                                                                                                                                              |          |
| accid                      | '00'B                                                                                                                                             |          |
| ra                         | ra1                                                                                                                                               |          |
| sacp                       | sacp                                                                                                                                              |          |
| extb6                      | '0'B                                                                                                                                              |          |
| l1id                       | '01'B                                                                                                                                             |          |
| uil1                       | '0000'B                                                                                                                                           |          |
| sb                         | sb                                                                                                                                                |          |
| extb6a                     | '0'B                                                                                                                                              |          |
| nbsb                       | nbsb                                                                                                                                              |          |
| nb                         | '0'B                                                                                                                                              |          |
| ndb                        | nbdb                                                                                                                                              |          |
| ur                         | ur1                                                                                                                                               |          |
| extb6b                     | '0'B                                                                                                                                              |          |
| ir                         | ir1                                                                                                                                               |          |
| nictx                      | '0'B                                                                                                                                              |          |
| nicrx                      | '0'B                                                                                                                                              |          |
| pi                         | parity                                                                                                                                            |          |
| extb6c                     | '1'B                                                                                                                                              |          |
| ce                         | ce1                                                                                                                                               |          |
| modemt                     | modemt1                                                                                                                                           |          |
| extb7                      | '1'B                                                                                                                                              |          |
| l2id                       | '10'B                                                                                                                                             |          |
| uil2                       | flct                                                                                                                                              |          |
| <b>Detailed Comments:</b>  |                                                                                                                                                   |          |

| Structured Type Constraint |                                                              |          |
|----------------------------|--------------------------------------------------------------|----------|
| <b>Constraint Name:</b>    | Bcap_02                                                      |          |
| <b>Structured Type:</b>    | BCAP                                                         |          |
| <b>Derivation Path:</b>    | Bcap_Speech_MT.                                              |          |
| <b>Comments:</b>           | invalid information element, length = 1, arbitrary contents. |          |
| Element Name               | Element Value                                                | Comments |
| iei                        | -                                                            |          |
| iel                        | '01'O                                                        |          |
| extb3                      | '1'B                                                         |          |
| rchr                       | '11'B                                                        |          |
| cs                         | '0'B                                                         |          |
| tm                         | '1'B                                                         |          |
| itc                        | '110'B                                                       |          |
| <b>Detailed Comments:</b>  |                                                              |          |

| Structured Type Constraint |                                                  |          |
|----------------------------|--------------------------------------------------|----------|
| <b>Constraint Name:</b>    | Bcap_Speech_Efr_MO(rcr:B_2)                      |          |
| <b>Structured Type:</b>    | BCAP                                             |          |
| <b>Derivation Path:</b>    |                                                  |          |
| <b>Comments:</b>           | EFR speech bearer capability for direction ms->n |          |
| Element Name               | Element Value                                    | Comments |
| iei                        | '00000100'B                                      |          |
| iel                        | ('03'O, '04'O, '05'O, '06'O, '07'O)              |          |
| extb3                      | '0'B                                             |          |
| rchr                       | rcr                                              |          |
| cs                         | '0'B                                             |          |
| tm                         | '0'B                                             |          |
| itc                        | '000'B                                           |          |
| oct_3a_etc_1               | ?                                                |          |
| oct_3a_etc_2               | ?                                                |          |
| oct_3a_etc_3               | *                                                |          |
| oct_3a_etc_4               | *                                                |          |
| oct_3a_etc_5               | *                                                |          |
| oct_3a_etc_6               | *                                                |          |
| extb4                      | -                                                |          |
| spb                        | -                                                |          |
| strc                       | -                                                |          |
| dplxm                      | -                                                |          |
| config                     | -                                                |          |
| nirr                       | -                                                |          |
| est                        | -                                                |          |
| extb5                      | -                                                |          |
| accid                      | -                                                |          |
| ra                         | -                                                |          |
| sacp                       | -                                                |          |
| extb6                      | -                                                |          |
| l1id                       | -                                                |          |
| uil1                       | -                                                |          |
| sb                         | -                                                |          |
| extb6a                     | -                                                |          |
| nsb                        | -                                                |          |
| nb                         | -                                                |          |
| ndb                        | -                                                |          |
| ur                         | -                                                |          |
| extb6b                     | -                                                |          |
| ir                         | -                                                |          |
| nictx                      | -                                                |          |
| nicrx                      | -                                                |          |
| pi                         | -                                                |          |
| extb6c                     | -                                                |          |
| ce                         | -                                                |          |
| modemt                     | -                                                |          |
| extb7                      | -                                                |          |
| l2id                       | -                                                |          |
| uil2                       | -                                                |          |
| <b>Detailed Comments:</b>  |                                                  |          |

| <b>Structured Type Constraint</b> |                                               |          |
|-----------------------------------|-----------------------------------------------|----------|
| <b>Constraint Name:</b>           | Bcap_Speech_MO(rcr:B_2)                       |          |
| <b>Structured Type:</b>           | BCAP                                          |          |
| <b>Derivation Path:</b>           |                                               |          |
| <b>Comments:</b>                  | speech bearer capability for direction ms->n. |          |
| Element Name                      | Element Value                                 | Comments |
| iei                               | '00000100'B                                   |          |
| iel                               | '01'O                                         |          |
| extb3                             | '1'B                                          |          |
| rchr                              | rcr                                           |          |
| cs                                | '0'B                                          |          |
| tm                                | '0'B                                          |          |
| itc                               | '000'B                                        |          |
| oct_3a_etc_1                      | -                                             |          |
| oct_3a_etc_2                      | -                                             |          |
| oct_3a_etc_3                      | -                                             |          |
| oct_3a_etc_4                      | -                                             |          |
| oct_3a_etc_5                      | -                                             |          |
| oct_3a_etc_6                      | -                                             |          |
| extb4                             | -                                             |          |
| spb                               | -                                             |          |
| strc                              | -                                             |          |
| dplxm                             | -                                             |          |
| config                            | -                                             |          |
| nirr                              | -                                             |          |
| est                               | -                                             |          |
| extb5                             | -                                             |          |
| accid                             | -                                             |          |
| ra                                | -                                             |          |
| sacp                              | -                                             |          |
| extb6                             | -                                             |          |
| l1id                              | -                                             |          |
| uil1                              | -                                             |          |
| sb                                | -                                             |          |
| extb6a                            | -                                             |          |
| nsb                               | -                                             |          |
| nb                                | -                                             |          |
| ndb                               | -                                             |          |
| ur                                | -                                             |          |
| extb6b                            | -                                             |          |
| ir                                | -                                             |          |
| nictx                             | -                                             |          |
| nicrx                             | -                                             |          |
| pi                                | -                                             |          |
| extb6c                            | -                                             |          |
| ce                                | -                                             |          |
| modemt                            | -                                             |          |
| extb7                             | -                                             |          |
| l2id                              | -                                             |          |
| uil2                              | -                                             |          |
| <b>Detailed Comments:</b>         |                                               |          |

| Structured Type Constraint |                                              |          |
|----------------------------|----------------------------------------------|----------|
| <b>Constraint Name:</b>    | Bcap_Speech_MT                               |          |
| <b>Structured Type:</b>    | BCAP                                         |          |
| <b>Derivation Path:</b>    |                                              |          |
| <b>Comments:</b>           | speech bearer capability for direction n->ms |          |
| Element Name               | Element Value                                | Comments |
| iei                        | '00000100'B                                  |          |
| iel                        | '01'O                                        |          |
| extb3                      | '1'B                                         |          |
| rchr                       | '01'B                                        |          |
| cs                         | '0'B                                         |          |
| tm                         | '0'B                                         |          |
| itc                        | '000'B                                       |          |
| oct_3a_etc_1               | -                                            |          |
| oct_3a_etc_2               | -                                            |          |
| oct_3a_etc_3               | -                                            |          |
| oct_3a_etc_4               | -                                            |          |
| oct_3a_etc_5               | -                                            |          |
| oct_3a_etc_6               | -                                            |          |
| extb4                      | -                                            |          |
| spb                        | -                                            |          |
| strc                       | -                                            |          |
| dplxm                      | -                                            |          |
| config                     | -                                            |          |
| nirr                       | -                                            |          |
| est                        | -                                            |          |
| extb5                      | -                                            |          |
| accid                      | -                                            |          |
| ra                         | -                                            |          |
| sacp                       | -                                            |          |
| extb6                      | -                                            |          |
| l1id                       | -                                            |          |
| uil1                       | -                                            |          |
| sb                         | -                                            |          |
| extb6a                     | -                                            |          |
| nsb                        | -                                            |          |
| nb                         | -                                            |          |
| ndb                        | -                                            |          |
| ur                         | -                                            |          |
| extb6b                     | -                                            |          |
| ir                         | -                                            |          |
| nictx                      | -                                            |          |
| nicrx                      | -                                            |          |
| pi                         | -                                            |          |
| extb6c                     | -                                            |          |
| ce                         | -                                            |          |
| modemt                     | -                                            |          |
| extb7                      | -                                            |          |
| l2id                       | -                                            |          |
| uil2                       | -                                            |          |
| <b>Detailed Comments:</b>  |                                              |          |

| Structured Type Constraint |                                                |          |
|----------------------------|------------------------------------------------|----------|
| <b>Constraint Name:</b>    | Blocktype_01(seqnum: BITSTRING; lb: BITSTRING) |          |
| <b>Structured Type:</b>    | BLOCKTYPE                                      |          |
| <b>Derivation Path:</b>    |                                                |          |
| <b>Comments:</b>           | Block type,<br>GSM 04.12, 3.3.1                |          |
| Element Name               | Element Value                                  | Comments |
| spare1                     | '0'B                                           |          |
| lpd                        | '01'B                                          |          |
| lb                         | lb                                             |          |
| sequence_number            | seqnum                                         |          |
| <b>Detailed Comments:</b>  |                                                |          |

| Structured Type Constraint |                                                        |          |
|----------------------------|--------------------------------------------------------|----------|
| <b>Constraint Name:</b>    | BcchFreqLst_Omit                                       |          |
| <b>Structured Type:</b>    | NCD                                                    |          |
| <b>Derivation Path:</b>    |                                                        |          |
| <b>Comments:</b>           | Omit Bcch Frequency list (Neighbour cells description) |          |
| Element Name               | Element Value                                          | Comments |
| rfl2                       | -                                                      |          |
| extind                     | -                                                      |          |
| baind                      | -                                                      |          |
| rfl4                       | -                                                      |          |
| rfl                        | -                                                      |          |
| <b>Detailed Comments:</b>  |                                                        |          |

| Structured Type Constraint |                                                                                                                                            |          |
|----------------------------|--------------------------------------------------------------------------------------------------------------------------------------------|----------|
| <b>Constraint Name:</b>    | BcchFreqLst_01                                                                                                                             |          |
| <b>Structured Type:</b>    | NCD                                                                                                                                        |          |
| <b>Derivation Path:</b>    |                                                                                                                                            |          |
| <b>Comments:</b>           | Default neighbour cells description for SYSTEM INFORMATION 2 and 5 under GSM900 with the ARFCN list = {10, 20, 40, 80, 90, 100, 110, 120}. |          |
| Element Name               | Element Value                                                                                                                              | Comments |
| rfl2                       | '00'B                                                                                                                                      |          |
| extind                     | '0'B                                                                                                                                       |          |
| baind                      | '0'B                                                                                                                                       |          |
| rfl4                       | '0000'B                                                                                                                                    |          |
| rfl                        | '802008020080000000008000080200'O                                                                                                          |          |
| <b>Detailed Comments:</b>  |                                                                                                                                            |          |

| Structured Type Constraint |                                                                                                                                        |          |
|----------------------------|----------------------------------------------------------------------------------------------------------------------------------------|----------|
| <b>Constraint Name:</b>    | BcchFreqLst_02                                                                                                                         |          |
| <b>Structured Type:</b>    | NCD                                                                                                                                    |          |
| <b>Derivation Path:</b>    | BcchFreqLst_01.                                                                                                                        |          |
| <b>Comments:</b>           | Alternative neighbour cells description for SYSTEM INFORMATION 2 and 5 under GSM900.<br>These are ARFCNs 15, 85, 95, 105, 115, and 122 |          |
| Element Name               | Element Value                                                                                                                          | Comments |
| rfl4                       | '0010'B                                                                                                                                |          |
| rfl                        | '04010040100000000000000004000'O                                                                                                       |          |
| <b>Detailed Comments:</b>  |                                                                                                                                        |          |



| Structured Type Constraint |                                                                                                                                                 |          |
|----------------------------|-------------------------------------------------------------------------------------------------------------------------------------------------|----------|
| <b>Constraint Name:</b>    | BcchFreqLst_03                                                                                                                                  |          |
| <b>Structured Type:</b>    | NCD                                                                                                                                             |          |
| <b>Derivation Path:</b>    |                                                                                                                                                 |          |
| <b>Comments:</b>           | Default neighbour cells description for SYSTEM INFORMATION 2 and 5 for DCS1800 for cell B with the ARFCN list = {520, 600, 700, 780, 810, 870}. |          |
| Element Name               | Element Value                                                                                                                                   | Comments |
| rfl2                       | '10'B                                                                                                                                           |          |
| extind                     | '0'B                                                                                                                                            |          |
| baind                      | '0'B                                                                                                                                            |          |
| rfl4                       | '1001'B                                                                                                                                         |          |
| rfl                        | '04412C168E44000000000000000000'O                                                                                                               |          |
| <b>Detailed Comments:</b>  |                                                                                                                                                 |          |

| Structured Type Constraint |                                                                                     |          |
|----------------------------|-------------------------------------------------------------------------------------|----------|
| <b>Constraint Name:</b>    | BcchFreqLst_04                                                                      |          |
| <b>Structured Type:</b>    | NCD                                                                                 |          |
| <b>Derivation Path:</b>    | BcchFreqLst_01.                                                                     |          |
| <b>Comments:</b>           | Alternative neighbour cells description for SYSTEM INFORMATION 2 and 5 for DCS1800. |          |
| Element Name               | Element Value                                                                       | Comments |
| rfl2                       | '10'B                                                                               |          |
| extind                     | '0'B                                                                                |          |
| baind                      | '0'B                                                                                |          |
| rfl4                       | '1001'B                                                                             |          |
| rfl                        | '09412C168E44000000000000000000'O                                                   |          |
| <b>Detailed Comments:</b>  |                                                                                     |          |

| Structured Type Constraint |                                                                                             |          |
|----------------------------|---------------------------------------------------------------------------------------------|----------|
| <b>Constraint Name:</b>    | BcchFreqLst_05                                                                              |          |
| <b>Structured Type:</b>    | NCD                                                                                         |          |
| <b>Derivation Path:</b>    |                                                                                             |          |
| <b>Comments:</b>           | cells description for SYSTEM INFORMATION 2 and 5 of cell 1 for idle mode testing of GSM900. |          |
| Element Name               | Element Value                                                                               | Comments |
| rfl2                       | '00'B                                                                                       |          |
| extind                     | '0'B                                                                                        |          |
| baind                      | '0'B                                                                                        |          |
| rfl4                       | '1000'B                                                                                     |          |
| rfl                        | '000001001000030000004000000040'O                                                           |          |
| <b>Detailed Comments:</b>  |                                                                                             |          |

| Structured Type Constraint |                                                                                             |          |
|----------------------------|---------------------------------------------------------------------------------------------|----------|
| <b>Constraint Name:</b>    | BcchFreqLst_06                                                                              |          |
| <b>Structured Type:</b>    | NCD                                                                                         |          |
| <b>Derivation Path:</b>    | BcchFreqLst_05.                                                                             |          |
| <b>Comments:</b>           | cells description for SYSTEM INFORMATION 2 and 5 of cell 2 for idle mode testing of GSM900. |          |
| Element Name               | Element Value                                                                               | Comments |
| rfl4                       | '0100'B                                                                                     |          |
| rfl                        | '0000020020000C0000008000000080'O                                                           |          |
| <b>Detailed Comments:</b>  |                                                                                             |          |

| Structured Type Constraint |                                                                                             |          |
|----------------------------|---------------------------------------------------------------------------------------------|----------|
| <b>Constraint Name:</b>    | BcchFreqLst_07                                                                              |          |
| <b>Structured Type:</b>    | NCD                                                                                         |          |
| <b>Derivation Path:</b>    | BcchFreqLst_05.                                                                             |          |
| <b>Comments:</b>           | cells description for SYSTEM INFORMATION 2 and 5 of cell 3 for idle mode testing of GSM900. |          |
| Element Name               | Element Value                                                                               | Comments |
| rfl4                       | '0010'B                                                                                     |          |
| rfl                        | '000004004000300000010000000100'O                                                           |          |
| <b>Detailed Comments:</b>  |                                                                                             |          |

| Structured Type Constraint |                                                                                             |          |
|----------------------------|---------------------------------------------------------------------------------------------|----------|
| <b>Constraint Name:</b>    | BcchFreqLst_08                                                                              |          |
| <b>Structured Type:</b>    | NCD                                                                                         |          |
| <b>Derivation Path:</b>    | BcchFreqLst_05.                                                                             |          |
| <b>Comments:</b>           | cells description for SYSTEM INFORMATION 2 and 5 of cell 4 for idle mode testing of GSM900. |          |
| Element Name               | Element Value                                                                               | Comments |
| rfl4                       | '0001'B                                                                                     |          |
| rfl                        | '000008008000C00000020000000200'O                                                           |          |
| <b>Detailed Comments:</b>  |                                                                                             |          |

| Structured Type Constraint |                                                                                             |          |
|----------------------------|---------------------------------------------------------------------------------------------|----------|
| <b>Constraint Name:</b>    | BcchFreqLst_09                                                                              |          |
| <b>Structured Type:</b>    | NCD                                                                                         |          |
| <b>Derivation Path:</b>    | BcchFreqLst_05.                                                                             |          |
| <b>Comments:</b>           | cells description for SYSTEM INFORMATION 2 and 5 of cell 5 for idle mode testing of GSM900. |          |
| Element Name               | Element Value                                                                               | Comments |
| rfl4                       | '0000'B                                                                                     |          |
| rfl                        | '800010010003000000040000000400'O                                                           |          |
| <b>Detailed Comments:</b>  |                                                                                             |          |

| Structured Type Constraint |                                                                                             |          |
|----------------------------|---------------------------------------------------------------------------------------------|----------|
| <b>Constraint Name:</b>    | BcchFreqLst_10                                                                              |          |
| <b>Structured Type:</b>    | NCD                                                                                         |          |
| <b>Derivation Path:</b>    | BcchFreqLst_05.                                                                             |          |
| <b>Comments:</b>           | cells description for SYSTEM INFORMATION 2 and 5 of cell 6 for idle mode testing of GSM900. |          |
| Element Name               | Element Value                                                                               | Comments |
| rfl4                       | '0000'B                                                                                     |          |
| rfl                        | '40002002000C000000080000000800'O                                                           |          |
| <b>Detailed Comments:</b>  |                                                                                             |          |

| Structured Type Constraint |                                                                                             |          |
|----------------------------|---------------------------------------------------------------------------------------------|----------|
| <b>Constraint Name:</b>    | BcchFreqLst_11                                                                              |          |
| <b>Structured Type:</b>    | NCD                                                                                         |          |
| <b>Derivation Path:</b>    | BcchFreqLst_05.                                                                             |          |
| <b>Comments:</b>           | cells description for SYSTEM INFORMATION 2 and 5 of cell 7 for idle mode testing of GSM900. |          |
| Element Name               | Element Value                                                                               | Comments |
| rfl4                       | '0000'B                                                                                     |          |
| rfl                        | '200040040030000000100000001000'O                                                           |          |
| <b>Detailed Comments:</b>  |                                                                                             |          |

| Structured Type Constraint |                                                                                             |          |
|----------------------------|---------------------------------------------------------------------------------------------|----------|
| <b>Constraint Name:</b>    | BcchFreqLst_12                                                                              |          |
| <b>Structured Type:</b>    | NCD                                                                                         |          |
| <b>Derivation Path:</b>    | BcchFreqLst_05.                                                                             |          |
| <b>Comments:</b>           | cells description for SYSTEM INFORMATION 2 and 5 of cell 8 for idle mode testing of GSM900. |          |
| Element Name               | Element Value                                                                               | Comments |
| rfl4                       | '1000'B                                                                                     |          |
| rfl                        | '00000000000000000000000000000000'O                                                         |          |
| <b>Detailed Comments:</b>  |                                                                                             |          |

| Structured Type Constraint |                                                                                              |          |
|----------------------------|----------------------------------------------------------------------------------------------|----------|
| <b>Constraint Name:</b>    | BcchFreqLst_13                                                                               |          |
| <b>Structured Type:</b>    | NCD                                                                                          |          |
| <b>Derivation Path:</b>    | BcchFreqLst_01.                                                                              |          |
| <b>Comments:</b>           | cells description for SYSTEM INFORMATION 2 and 5 of cell 1 for idle mode testing of DCS1800. |          |
| Element Name               | Element Value                                                                                | Comments |
| rfl2                       | '10'B                                                                                        |          |
| rfl4                       | '1001'B                                                                                      |          |
| rfl                        | '042DE8EDB149B80000000000000000'O                                                            |          |
| <b>Detailed Comments:</b>  |                                                                                              |          |

| Structured Type Constraint |                                                                                              |          |
|----------------------------|----------------------------------------------------------------------------------------------|----------|
| <b>Constraint Name:</b>    | BcchFreqLst_14                                                                               |          |
| <b>Structured Type:</b>    | NCD                                                                                          |          |
| <b>Derivation Path:</b>    | BcchFreqLst_01.                                                                              |          |
| <b>Comments:</b>           | cells description for SYSTEM INFORMATION 2 and 5 of cell 2 for idle mode testing of DCS1800. |          |
| Element Name               | Element Value                                                                                | Comments |
| rfl2                       | '10'B                                                                                        |          |
| rfl4                       | '1001'B                                                                                      |          |
| rfl                        | '04AE28ECF0CBB80000000000000000'O                                                            |          |
| <b>Detailed Comments:</b>  |                                                                                              |          |

| Structured Type Constraint |                                                                                              |          |
|----------------------------|----------------------------------------------------------------------------------------------|----------|
| <b>Constraint Name:</b>    | BcchFreqLst_15                                                                               |          |
| <b>Structured Type:</b>    | NCD                                                                                          |          |
| <b>Derivation Path:</b>    | BcchFreqLst_01.                                                                              |          |
| <b>Comments:</b>           | cells description for SYSTEM INFORMATION 2 and 5 of cell 3 for idle mode testing of DCS1800. |          |
| Element Name               | Element Value                                                                                | Comments |
| rfl2                       | '10'B                                                                                        |          |
| rfl4                       | '1001'B                                                                                      |          |
| rfl                        | '052E68EC304DB80000000000000000'O                                                            |          |
| <b>Detailed Comments:</b>  |                                                                                              |          |

| Structured Type Constraint |                                                                                              |          |
|----------------------------|----------------------------------------------------------------------------------------------|----------|
| <b>Constraint Name:</b>    | BcchFreqLst_16                                                                               |          |
| <b>Structured Type:</b>    | NCD                                                                                          |          |
| <b>Derivation Path:</b>    | BcchFreqLst_01.                                                                              |          |
| <b>Comments:</b>           | cells description for SYSTEM INFORMATION 2 and 5 of cell 4 for idle mode testing of DCS1800. |          |
| Element Name               | Element Value                                                                                | Comments |
| rfl2                       | '10'B                                                                                        |          |
| rfl4                       | '1001'B                                                                                      |          |
| rfl                        | '05AEA8EB6FCFB80000000000000000'O                                                            |          |
| <b>Detailed Comments:</b>  |                                                                                              |          |

| Structured Type Constraint |                                                                                              |          |
|----------------------------|----------------------------------------------------------------------------------------------|----------|
| <b>Constraint Name:</b>    | BcchFreqLst_17                                                                               |          |
| <b>Structured Type:</b>    | NCD                                                                                          |          |
| <b>Derivation Path:</b>    | BcchFreqLst_01.                                                                              |          |
| <b>Comments:</b>           | cells description for SYSTEM INFORMATION 2 and 5 of cell 5 for idle mode testing of DCS1800. |          |
| Element Name               | Element Value                                                                                | Comments |
| rfl2                       | '10'B                                                                                        |          |
| rfl4                       | '1001'B                                                                                      |          |
| rfl                        | '062F6869EF53B80000000000000000'O                                                            |          |
| <b>Detailed Comments:</b>  |                                                                                              |          |

| Structured Type Constraint |                                                                                              |          |
|----------------------------|----------------------------------------------------------------------------------------------|----------|
| <b>Constraint Name:</b>    | BcchFreqLst_18                                                                               |          |
| <b>Structured Type:</b>    | NCD                                                                                          |          |
| <b>Derivation Path:</b>    | BcchFreqLst_01.                                                                              |          |
| <b>Comments:</b>           | cells description for SYSTEM INFORMATION 2 and 5 of cell 6 for idle mode testing of DCS1800. |          |
| Element Name               | Element Value                                                                                | Comments |
| rfl2                       | '10'B                                                                                        |          |
| rfl4                       | '1001'B                                                                                      |          |
| rfl                        | '06AF28E9EED3B80000000000000000'O                                                            |          |
| <b>Detailed Comments:</b>  |                                                                                              |          |

| Structured Type Constraint |                                                                                              |          |
|----------------------------|----------------------------------------------------------------------------------------------|----------|
| <b>Constraint Name:</b>    | BcchFreqLst_19                                                                               |          |
| <b>Structured Type:</b>    | NCD                                                                                          |          |
| <b>Derivation Path:</b>    | BcchFreqLst_01.                                                                              |          |
| <b>Comments:</b>           | cells description for SYSTEM INFORMATION 2 and 5 of cell 7 for idle mode testing of DCS1800. |          |
| Element Name               | Element Value                                                                                | Comments |
| rfl2                       | '10'B                                                                                        |          |
| rfl4                       | '1001'B                                                                                      |          |
| rfl                        | '072F5FE900D5480000000000000000'O                                                            |          |
| <b>Detailed Comments:</b>  |                                                                                              |          |

| Structured Type Constraint |                                                                                                                                          |          |
|----------------------------|------------------------------------------------------------------------------------------------------------------------------------------|----------|
| <b>Constraint Name:</b>    | BcchFreqLst_20                                                                                                                           |          |
| <b>Structured Type:</b>    | NCD                                                                                                                                      |          |
| <b>Derivation Path:</b>    | BcchFreqLst_01.                                                                                                                          |          |
| <b>Comments:</b>           | Neighbour cells description for SYSTEM INFORMATION 5 for measurement testing. Empty BA list, format is bitmap 0, IE carries complete BA. |          |
| Element Name               | Element Value                                                                                                                            | Comments |
| baind                      | '1'B                                                                                                                                     |          |
| rfl                        | '00000000000000000000000000000000'O                                                                                                      |          |
| <b>Detailed Comments:</b>  |                                                                                                                                          |          |



| Structured Type Constraint |                                                                                                                                                              |          |
|----------------------------|--------------------------------------------------------------------------------------------------------------------------------------------------------------|----------|
| <b>Constraint Name:</b>    | BcchFreqLst_26                                                                                                                                               |          |
| <b>Structured Type:</b>    | NCD                                                                                                                                                          |          |
| <b>Derivation Path:</b>    |                                                                                                                                                              |          |
| <b>Comments:</b>           | Neighbour cells description for SYSTEM INFORMATION 5bis for GSM900. ARFCN 500 belongs to the BA list, format is 1024 range, IE carries only a part of the BA |          |
| Element Name               | Element Value                                                                                                                                                | Comments |
| rfl2                       | '10'B                                                                                                                                                        |          |
| extind                     | '1'B                                                                                                                                                         |          |
| baind                      | '1'B                                                                                                                                                         |          |
| rfl4                       | '0001'B                                                                                                                                                      |          |
| rfl                        | 'F400000000000000000000000000000000'O                                                                                                                        |          |
| <b>Detailed Comments:</b>  |                                                                                                                                                              |          |

| Structured Type Constraint |                                                                                                                                                                     |          |
|----------------------------|---------------------------------------------------------------------------------------------------------------------------------------------------------------------|----------|
| <b>Constraint Name:</b>    | BcchFreqLst_27                                                                                                                                                      |          |
| <b>Structured Type:</b>    | NCD                                                                                                                                                                 |          |
| <b>Derivation Path:</b>    |                                                                                                                                                                     |          |
| <b>Comments:</b>           | Neighbour cells description for SYSTEM INFORMATION 5 for DCS1800. BA list = {514, 530, 549, 602, 665, 686, 762, 810}, format is 1024 range, IE carries complete BA. |          |
| Element Name               | Element Value                                                                                                                                                       | Comments |
| rfl2                       | '10'B                                                                                                                                                               |          |
| extind                     | '0'B                                                                                                                                                                |          |
| baind                      | '1'B                                                                                                                                                                |          |
| rfl4                       | '0010'B                                                                                                                                                             |          |
| rfl                        | '99C6187B6D0D4C380000000000000000'O                                                                                                                                 |          |
| <b>Detailed Comments:</b>  |                                                                                                                                                                     |          |

| Structured Type Constraint |                                                                                                                                                                                                                                                                          |          |
|----------------------------|--------------------------------------------------------------------------------------------------------------------------------------------------------------------------------------------------------------------------------------------------------------------------|----------|
| <b>Constraint Name:</b>    | BcchFreqLst_28                                                                                                                                                                                                                                                           |          |
| <b>Structured Type:</b>    | NCD                                                                                                                                                                                                                                                                      |          |
| <b>Derivation Path:</b>    |                                                                                                                                                                                                                                                                          |          |
| <b>Comments:</b>           | Neighbour cells description for SYSTEM INFORMATION 5 for measurement testing. BA list = {2, 4, 5, 6, 7, 8, 9, 10, 11, 12, 13, 14, 16, 17, 18, 19, 20, 21, 22, 23, 24, 26, 28, 29, 30, 32, 34, 35, 36, 38, 40, 44}, format is bitmap 0, IE carries only a part of the BA. |          |
| Element Name               | Element Value                                                                                                                                                                                                                                                            | Comments |
| rfl2                       | '00'B                                                                                                                                                                                                                                                                    |          |
| extind                     | '1'B                                                                                                                                                                                                                                                                     |          |
| baind                      | '1'B                                                                                                                                                                                                                                                                     |          |
| rfl4                       | '0000'B                                                                                                                                                                                                                                                                  |          |
| rfl                        | '000000000000000000000008AEBAFFBFFA'O                                                                                                                                                                                                                                    |          |
| <b>Detailed Comments:</b>  |                                                                                                                                                                                                                                                                          |          |

| Structured Type Constraint |                                                                                                                                                                                    |          |
|----------------------------|------------------------------------------------------------------------------------------------------------------------------------------------------------------------------------|----------|
| <b>Constraint Name:</b>    | BcchFreqLst_29                                                                                                                                                                     |          |
| <b>Structured Type:</b>    | NCD                                                                                                                                                                                |          |
| <b>Derivation Path:</b>    |                                                                                                                                                                                    |          |
| <b>Comments:</b>           | Neighbour cells description for SYSTEM INFORMATION 5 for DCS1800 measurement testing. BA list = {549, 602, 665, 686, 810}. Format is range 1024, IE carries only a part of the BA. |          |
| Element Name               | Element Value                                                                                                                                                                      | Comments |
| rfl2                       | '10'B                                                                                                                                                                              |          |
| extind                     | '1'B                                                                                                                                                                               |          |
| baind                      | '1'B                                                                                                                                                                               |          |
| rfl4                       | '0010'B                                                                                                                                                                            |          |
| rfl                        | '99E0A472E10000000000000000000000'O                                                                                                                                                |          |
| <b>Detailed Comments:</b>  |                                                                                                                                                                                    |          |

| Structured Type Constraint |                                                                                                                                                            |          |
|----------------------------|------------------------------------------------------------------------------------------------------------------------------------------------------------|----------|
| <b>Constraint Name:</b>    | BcchFreqLst_30                                                                                                                                             |          |
| <b>Structured Type:</b>    | NCD                                                                                                                                                        |          |
| <b>Derivation Path:</b>    |                                                                                                                                                            |          |
| <b>Comments:</b>           | Neighbour cells description for SYSTEM INFORMATION 5bis for measurement testing. BA list {0, 800}, format is range 1024, IE carries only a part of the BA. |          |
| Element Name               | Element Value                                                                                                                                              | Comments |
| rfl2                       | '10'B                                                                                                                                                      |          |
| extind                     | '1'B                                                                                                                                                       |          |
| baind                      | '1'B                                                                                                                                                       |          |
| rfl4                       | '0111'B                                                                                                                                                    |          |
| rfl                        | '20000000000000000000000000000000'O                                                                                                                        |          |
| <b>Detailed Comments:</b>  |                                                                                                                                                            |          |

| Structured Type Constraint |                                                                                                                                                                                 |          |
|----------------------------|---------------------------------------------------------------------------------------------------------------------------------------------------------------------------------|----------|
| <b>Constraint Name:</b>    | BcchFreqLst_31                                                                                                                                                                  |          |
| <b>Structured Type:</b>    | NCD                                                                                                                                                                             |          |
| <b>Derivation Path:</b>    |                                                                                                                                                                                 |          |
| <b>Comments:</b>           | Neighbour cells description for SYSTEM INFORMATION 5 for DCS1800 measurement testing. BA list {20, 514, 530, 549, 762}, format is range 1024, IE carries only a part of the BA. |          |
| Element Name               | Element Value                                                                                                                                                                   | Comments |
| rfl2                       | '10'B                                                                                                                                                                           |          |
| extind                     | '1'B                                                                                                                                                                            |          |
| baind                      | '1'B                                                                                                                                                                            |          |
| rfl4                       | '0000'B                                                                                                                                                                         |          |
| rfl                        | '1473FF8AFC00000000000000000000'O                                                                                                                                               |          |
| <b>Detailed Comments:</b>  |                                                                                                                                                                                 |          |

| Structured Type Constraint |                                                                                                                                                                         |          |
|----------------------------|-------------------------------------------------------------------------------------------------------------------------------------------------------------------------|----------|
| <b>Constraint Name:</b>    | BcchFreqLst_32                                                                                                                                                          |          |
| <b>Structured Type:</b>    | NCD                                                                                                                                                                     |          |
| <b>Derivation Path:</b>    |                                                                                                                                                                         |          |
| <b>Comments:</b>           | Neighbour cells description for SYSTEM INFORMATION 5 for DCS1800 measurement testing. BA list {514, 549, 602, 665, 810 }, format is range 1024, IE carries complete BA. |          |
| Element Name               | Element Value                                                                                                                                                           | Comments |
| rfl2                       | '10'B                                                                                                                                                                   |          |
| extind                     | '0'B                                                                                                                                                                    |          |
| baind                      | '1'B                                                                                                                                                                    |          |
| rfl4                       | '0000'B                                                                                                                                                                 |          |
| rfl                        | '5AE5B4375BC00000000000000000000'O                                                                                                                                      |          |
| <b>Detailed Comments:</b>  |                                                                                                                                                                         |          |

| Structured Type Constraint |                                                                                                                                                       |          |
|----------------------------|-------------------------------------------------------------------------------------------------------------------------------------------------------|----------|
| <b>Constraint Name:</b>    | BcchFreqLst_33                                                                                                                                        |          |
| <b>Structured Type:</b>    | NCD                                                                                                                                                   |          |
| <b>Derivation Path:</b>    |                                                                                                                                                       |          |
| <b>Comments:</b>           | Neighbour cells description for SYSTEM INFORMATION 5 for GSM900. BA list = {2, 14, 20, 38, 44}, format is bitmap 0, IE carries only a part of the BA. |          |
| Element Name               | Element Value                                                                                                                                         | Comments |
| rfl2                       | '00'B                                                                                                                                                 |          |
| extind                     | '1'B                                                                                                                                                  |          |
| baind                      | '1'B                                                                                                                                                  |          |
| rfl4                       | '0000'B                                                                                                                                               |          |
| rfl                        | '0000000000000000000000000000000082000082002'O                                                                                                        |          |
| <b>Detailed Comments:</b>  |                                                                                                                                                       |          |

| Structured Type Constraint |                                                                                                                                                                              |          |
|----------------------------|------------------------------------------------------------------------------------------------------------------------------------------------------------------------------|----------|
| <b>Constraint Name:</b>    | BcchFreqLst_34                                                                                                                                                               |          |
| <b>Structured Type:</b>    | NCD                                                                                                                                                                          |          |
| <b>Derivation Path:</b>    |                                                                                                                                                                              |          |
| <b>Comments:</b>           | Neighbour cells description for SYSTEM INFORMATION 5 for DCS1800 measurement testing.<br>BA list = {549, 602, 810 }, format is range 1024, IE carries only a part of the BA. |          |
| Element Name               | Element Value                                                                                                                                                                | Comments |
| rfl2                       | '10'B                                                                                                                                                                        |          |
| extind                     | '1'B                                                                                                                                                                         |          |
| baind                      | '1'B                                                                                                                                                                         |          |
| rfl4                       | '0010'B                                                                                                                                                                      |          |
| rfl                        | '5AE5B4000000000000000000000000'O                                                                                                                                            |          |
| <b>Detailed Comments:</b>  |                                                                                                                                                                              |          |

| Structured Type Constraint |                                                                                                                                                                         |          |
|----------------------------|-------------------------------------------------------------------------------------------------------------------------------------------------------------------------|----------|
| <b>Constraint Name:</b>    | BcchFreqLst_34d                                                                                                                                                         |          |
| <b>Structured Type:</b>    | NCD                                                                                                                                                                     |          |
| <b>Derivation Path:</b>    |                                                                                                                                                                         |          |
| <b>Comments:</b>           | Neighbour cells description for SYSTEM INFORMATION 5 for DCS1800 measurement testing.<br>BA list = {514, 665 }, format is range 1024, IE carries only a part of the BA. |          |
| Element Name               | Element Value                                                                                                                                                           | Comments |
| rfl2                       | '10'B                                                                                                                                                                   |          |
| extind                     | '1'B                                                                                                                                                                    |          |
| baind                      | '1'B                                                                                                                                                                    |          |
| rfl4                       | '0010'B                                                                                                                                                                 |          |
| rfl                        | '99B480000000000000000000000000'O                                                                                                                                       |          |
| <b>Detailed Comments:</b>  |                                                                                                                                                                         |          |

| Structured Type Constraint |                                                                               |          |
|----------------------------|-------------------------------------------------------------------------------|----------|
| <b>Constraint Name:</b>    | BcchFreqLst_35                                                                |          |
| <b>Structured Type:</b>    | NCD                                                                           |          |
| <b>Derivation Path:</b>    | BcchFreqLst_01.                                                               |          |
| <b>Comments:</b>           | Neighbour cells description for SYSTEM INFORMATION 5 for measurement testing. |          |
| Element Name               | Element Value                                                                 | Comments |
| baind                      | '1'B                                                                          |          |
| rfl                        | '0000000000000000000000082082082082'O                                         |          |
| <b>Detailed Comments:</b>  |                                                                               |          |

| Structured Type Constraint |                                                                               |          |
|----------------------------|-------------------------------------------------------------------------------|----------|
| <b>Constraint Name:</b>    | BcchFreqLst_36                                                                |          |
| <b>Structured Type:</b>    | NCD                                                                           |          |
| <b>Derivation Path:</b>    | BcchFreqLst_01.                                                               |          |
| <b>Comments:</b>           | Neighbour cells description for SYSTEM INFORMATION 5 for measurement testing. |          |
| Element Name               | Element Value                                                                 | Comments |
| extind                     | '1'B                                                                          |          |
| baind                      | '1'B                                                                          |          |
| rfl                        | '0000000000000000000000082082082002'O                                         |          |
| <b>Detailed Comments:</b>  |                                                                               |          |



| Structured Type Constraint |                                                                               |          |
|----------------------------|-------------------------------------------------------------------------------|----------|
| <b>Constraint Name:</b>    | BcchFreqLst_37                                                                |          |
| <b>Structured Type:</b>    | NCD                                                                           |          |
| <b>Derivation Path:</b>    |                                                                               |          |
| <b>Comments:</b>           | Neighbour cells description for SYSTEM INFORMATION 5 for measurement testing. |          |
| Element Name               | Element Value                                                                 | Comments |
| rfl2                       | '00'B                                                                         |          |
| extind                     | '1'B                                                                          |          |
| baind                      | '1'B                                                                          |          |
| rfl4                       | '0000'B                                                                       |          |
| rfl                        | '00000000000000000000000000000000A2'O                                         |          |
| <b>Detailed Comments:</b>  | only used in TC_26_6_3_5                                                      |          |

| Structured Type Constraint |                                                                   |          |
|----------------------------|-------------------------------------------------------------------|----------|
| <b>Constraint Name:</b>    | BcchFreqLst_38                                                    |          |
| <b>Structured Type:</b>    | NCD                                                               |          |
| <b>Derivation Path:</b>    |                                                                   |          |
| <b>Comments:</b>           | Neighbour cells description for SYSTEM INFORMATION 5 for DCS1800. |          |
| Element Name               | Element Value                                                     | Comments |
| rfl2                       | '10'B                                                             |          |
| extind                     | '1'B                                                              |          |
| baind                      | '1'B                                                              |          |
| rfl4                       | '0110'B                                                           |          |
| rfl                        | 'CBA3BEB89A9048C000000000000000'O                                 |          |
| <b>Detailed Comments:</b>  |                                                                   |          |

| Structured Type Constraint |                                                                   |          |
|----------------------------|-------------------------------------------------------------------|----------|
| <b>Constraint Name:</b>    | BcchFreqLst_39                                                    |          |
| <b>Structured Type:</b>    | NCD                                                               |          |
| <b>Derivation Path:</b>    |                                                                   |          |
| <b>Comments:</b>           | Neighbour cells description for SYSTEM INFORMATION 5 for DCS1800. |          |
| Element Name               | Element Value                                                     | Comments |
| rfl2                       | '10'B                                                             |          |
| extind                     | '1'B                                                              |          |
| baind                      | '1'B                                                              |          |
| rfl4                       | '1111'B                                                           |          |
| rfl                        | 'E28000000010000014500000000000'O                                 |          |
| <b>Detailed Comments:</b>  |                                                                   |          |

| Structured Type Constraint |                                                                   |          |
|----------------------------|-------------------------------------------------------------------|----------|
| <b>Constraint Name:</b>    | BcchFreqLst_40                                                    |          |
| <b>Structured Type:</b>    | NCD                                                               |          |
| <b>Derivation Path:</b>    |                                                                   |          |
| <b>Comments:</b>           | Neighbour cells description for SYSTEM INFORMATION 5 for DCS1800. |          |
| Element Name               | Element Value                                                     | Comments |
| rfl2                       | '10'B                                                             |          |
| extind                     | '1'B                                                              |          |
| baind                      | '1'B                                                              |          |
| rfl4                       | '1101'B                                                           |          |
| rfl                        | '5B9458000000000000000000000000'O                                 |          |
| <b>Detailed Comments:</b>  |                                                                   |          |

| Structured Type Constraint |                                                                      |          |
|----------------------------|----------------------------------------------------------------------|----------|
| <b>Constraint Name:</b>    | BcchFreqLst_41                                                       |          |
| <b>Structured Type:</b>    | NCD                                                                  |          |
| <b>Derivation Path:</b>    |                                                                      |          |
| <b>Comments:</b>           | Neighbour cells description for SYSTEM INFORMATION 5 BIS for GSM900. |          |
| Element Name               | Element Value                                                        | Comments |
| rfl2                       | '10'B                                                                |          |
| extind                     | '1'B                                                                 |          |
| baind                      | '1'B                                                                 |          |
| rfl4                       | '1001'B                                                              |          |
| rfl                        | '097BBA32AE888C0000000000000000'O                                    |          |
| <b>Detailed Comments:</b>  |                                                                      |          |

| Structured Type Constraint |                                                                  |          |
|----------------------------|------------------------------------------------------------------|----------|
| <b>Constraint Name:</b>    | BcchFreqLst_42                                                   |          |
| <b>Structured Type:</b>    | NCD                                                              |          |
| <b>Derivation Path:</b>    |                                                                  |          |
| <b>Comments:</b>           | Neighbour cells description for SYSTEM INFORMATION 5 for GSM900. |          |
| Element Name               | Element Value                                                    | Comments |
| rfl2                       | '10'B                                                            |          |
| extind                     | '1'B                                                             |          |
| baind                      | '1'B                                                             |          |
| rfl4                       | '1000'B                                                          |          |
| rfl                        | 'FA0787AE4B8800000000000000000'O                                 |          |
| <b>Detailed Comments:</b>  |                                                                  |          |

| Structured Type Constraint |                                                                  |          |
|----------------------------|------------------------------------------------------------------|----------|
| <b>Constraint Name:</b>    | BcchFreqLst_43                                                   |          |
| <b>Structured Type:</b>    | NCD                                                              |          |
| <b>Derivation Path:</b>    |                                                                  |          |
| <b>Comments:</b>           | Neighbour cells description for SYSTEM INFORMATION 5 for GSM900. |          |
| Element Name               | Element Value                                                    | Comments |
| rfl2                       | '10'B                                                            |          |
| extind                     | '1'B                                                             |          |
| baind                      | '1'B                                                             |          |
| rfl4                       | '1111'B                                                          |          |
| rfl                        | 'E28000000010000014400000000000'O                                |          |
| <b>Detailed Comments:</b>  |                                                                  |          |

| Structured Type Constraint |                                                                   |          |
|----------------------------|-------------------------------------------------------------------|----------|
| <b>Constraint Name:</b>    | BcchFreqLst_44                                                    |          |
| <b>Structured Type:</b>    | NCD                                                               |          |
| <b>Derivation Path:</b>    |                                                                   |          |
| <b>Comments:</b>           | Neighbour cells description for SYSTEM INFORMATION 5 for DCS1800. |          |
| Element Name               | Element Value                                                     | Comments |
| rfl2                       | '10'B                                                             |          |
| extind                     | '1'B                                                              |          |
| baind                      | '1'B                                                              |          |
| rfl4                       | '1011'B                                                           |          |
| rfl                        | '97E8E80CEF800000000000000000'O                                   |          |
| <b>Detailed Comments:</b>  |                                                                   |          |

| Structured Type Constraint |                                                                                            |          |
|----------------------------|--------------------------------------------------------------------------------------------|----------|
| <b>Constraint Name:</b>    | BcchFreqLst_45                                                                             |          |
| <b>Structured Type:</b>    | NCD                                                                                        |          |
| <b>Derivation Path:</b>    | BcchFreqLst_01.                                                                            |          |
| <b>Comments:</b>           | Default neighbour cells description of cell B for SYSTEM INFORMATION 2 and 5 under GSM900. |          |
| Element Name               | Element Value                                                                              | Comments |
| rfl                        | '80200802008000000000000000000000200'O                                                     |          |
| <b>Detailed Comments:</b>  |                                                                                            |          |

| Structured Type Constraint |                                                                                                                                      |          |
|----------------------------|--------------------------------------------------------------------------------------------------------------------------------------|----------|
| <b>Constraint Name:</b>    | BcchFreqLst_46                                                                                                                       |          |
| <b>Structured Type:</b>    | NCD                                                                                                                                  |          |
| <b>Derivation Path:</b>    |                                                                                                                                      |          |
| <b>Comments:</b>           | Default neighbour cells description for SYSTEM INFORMATION 2bis and 5bis in cell A under EGSMwith the ARFCN list = {988, 990, 1003}. |          |
| Element Name               | Element Value                                                                                                                        | Comments |
| rfl2                       | '10'B                                                                                                                                |          |
| extind                     | '1'B                                                                                                                                 |          |
| baind                      | '0'B                                                                                                                                 |          |
| rfl4                       | '1011'B                                                                                                                              |          |
| rfl                        | 'EE07F300000000000000000000000000'O                                                                                                  |          |
| <b>Detailed Comments:</b>  |                                                                                                                                      |          |

| Structured Type Constraint |                                                                                                                                        |          |
|----------------------------|----------------------------------------------------------------------------------------------------------------------------------------|----------|
| <b>Constraint Name:</b>    | BcchFreqLst_47                                                                                                                         |          |
| <b>Structured Type:</b>    | NCD                                                                                                                                    |          |
| <b>Derivation Path:</b>    |                                                                                                                                        |          |
| <b>Comments:</b>           | Default neighbour cells description for SYSTEM INFORMATION 2bis and 5bis in cell B under EGSMwith the ARFCN list = {1005, 1010, 1015}. |          |
| Element Name               | Element Value                                                                                                                          | Comments |
| rfl2                       | '10'B                                                                                                                                  |          |
| extind                     | '1'B                                                                                                                                   |          |
| baind                      | '0'B                                                                                                                                   |          |
| rfl4                       | '1101'B                                                                                                                                |          |
| rfl                        | 'F68AEC00000000000000000000000000'O                                                                                                    |          |
| <b>Detailed Comments:</b>  |                                                                                                                                        |          |

| Structured Type Constraint |                                                                                                                                                                                   |          |
|----------------------------|-----------------------------------------------------------------------------------------------------------------------------------------------------------------------------------|----------|
| <b>Constraint Name:</b>    | BcchFreqLst_48                                                                                                                                                                    |          |
| <b>Structured Type:</b>    | NCD                                                                                                                                                                               |          |
| <b>Derivation Path:</b>    |                                                                                                                                                                                   |          |
| <b>Comments:</b>           | Default neighbour cells description for SYSTEM INFORMATION 2 and 5 for DCS1800 for cell B in RR, MM and SMS test cases with the ARFCN list = {520, 590, 600, 700, 780, 810, 870}. |          |
| Element Name               | Element Value                                                                                                                                                                     | Comments |
| rfl2                       | '10'B                                                                                                                                                                             |          |
| extind                     | '0'B                                                                                                                                                                              |          |
| baind                      | '0'B                                                                                                                                                                              |          |
| rfl4                       | '1001'B                                                                                                                                                                           |          |
| rfl                        | '04411307BB00C8000000000000000000'O                                                                                                                                               |          |
| <b>Detailed Comments:</b>  |                                                                                                                                                                                   |          |

| Structured Type Constraint |                                                                                                                                                  |          |
|----------------------------|--------------------------------------------------------------------------------------------------------------------------------------------------|----------|
| <b>Constraint Name:</b>    | BcchFreqLst_50                                                                                                                                   |          |
| <b>Structured Type:</b>    | NCD                                                                                                                                              |          |
| <b>Derivation Path:</b>    | BcchFreqLst_25.                                                                                                                                  |          |
| <b>Comments:</b>           | Neighbour cells description without channel for SYSTEM INFORMATION 5 for DCS1800. Empty BA-list. Format is bitmap 0, IE carries the complete BA. |          |
| Element Name               | Element Value                                                                                                                                    | Comments |
| extind                     | '0'B                                                                                                                                             |          |
| <b>Detailed Comments:</b>  |                                                                                                                                                  |          |

| Structured Type Constraint |                                                                                                                                                                         |          |
|----------------------------|-------------------------------------------------------------------------------------------------------------------------------------------------------------------------|----------|
| <b>Constraint Name:</b>    | BcchFreqLst_51                                                                                                                                                          |          |
| <b>Structured Type:</b>    | NCD                                                                                                                                                                     |          |
| <b>Derivation Path:</b>    |                                                                                                                                                                         |          |
| <b>Comments:</b>           | Neighbour cells description for SYSTEM INFORMATION 5 for DCS1800 measurement testing. BA list { 514, 530, 762}, format is range 1024, IE carries only a part of the BA. |          |
| Element Name               | Element Value                                                                                                                                                           | Comments |
| rfl2                       | '10'B                                                                                                                                                                   |          |
| extind                     | '1'B                                                                                                                                                                    |          |
| baind                      | '1'B                                                                                                                                                                    |          |
| rfl4                       | '0010'B                                                                                                                                                                 |          |
| rfl                        | '12F83A00000000000000000000000000'O                                                                                                                                     |          |
| <b>Detailed Comments:</b>  |                                                                                                                                                                         |          |

| Structured Type Constraint |                                                                                                                                                                  |          |
|----------------------------|------------------------------------------------------------------------------------------------------------------------------------------------------------------|----------|
| <b>Constraint Name:</b>    | BcchFreqLst_52                                                                                                                                                   |          |
| <b>Structured Type:</b>    | NCD                                                                                                                                                              |          |
| <b>Derivation Path:</b>    | BcchFreqLst_33.                                                                                                                                                  |          |
| <b>Comments:</b>           | Neighbour cells description for SYSTEM INFORMATION 5 of cell B for EGSM. BA list = {10, 36, 40, 114, 118}, format is bitmap 0, IE carries only a part of the BA. |          |
| Element Name               | Element Value                                                                                                                                                    | Comments |
| baind                      | '0'B                                                                                                                                                             |          |
| rfl4                       | '0000'B                                                                                                                                                          |          |
| rfl                        | '22000000000000000000000008800000200'O                                                                                                                           |          |
| <b>Detailed Comments:</b>  |                                                                                                                                                                  |          |

| Structured Type Constraint |                                                                                         |          |
|----------------------------|-----------------------------------------------------------------------------------------|----------|
| <b>Constraint Name:</b>    | BcchFreqLst_e201                                                                        |          |
| <b>Structured Type:</b>    | NCD                                                                                     |          |
| <b>Derivation Path:</b>    | BcchFreqLst_01.                                                                         |          |
| <b>Comments:</b>           | Default neighbour cells description any cell for SYSTEM INFORMATION 2 and 5 under EGSM. |          |
| Element Name               | Element Value                                                                           | Comments |
| rfl                        | '038C0D0C000000000000000000000000'O                                                     |          |
| <b>Detailed Comments:</b>  |                                                                                         |          |

| Structured Type Constraint |                                                                                         |          |
|----------------------------|-----------------------------------------------------------------------------------------|----------|
| <b>Constraint Name:</b>    | BcchFreqLst_e202                                                                        |          |
| <b>Structured Type:</b>    | NCD                                                                                     |          |
| <b>Derivation Path:</b>    | BcchFreqLst_01.                                                                         |          |
| <b>Comments:</b>           | Default neighbour cells description any cell for SYSTEM INFORMATION 2 and 5 under EGSM. |          |
| Element Name               | Element Value                                                                           | Comments |
| rfl                        | '058DEF07FE000000000000000000000'O                                                      |          |
| <b>Detailed Comments:</b>  |                                                                                         |          |

| Structured Type Constraint |                                                                                         |          |
|----------------------------|-----------------------------------------------------------------------------------------|----------|
| <b>Constraint Name:</b>    | BcchFreqLst_e203                                                                        |          |
| <b>Structured Type:</b>    | NCD                                                                                     |          |
| <b>Derivation Path:</b>    | BcchFreqLst_01.                                                                         |          |
| <b>Comments:</b>           | Default neighbour cells description any cell for SYSTEM INFORMATION 2 and 5 under EGSM. |          |
| Element Name               | Element Value                                                                           | Comments |
| rfl                        | '078904797F83F98000000000000000'O                                                       |          |
| <b>Detailed Comments:</b>  |                                                                                         |          |

| Structured Type Constraint |                                                                                         |          |
|----------------------------|-----------------------------------------------------------------------------------------|----------|
| <b>Constraint Name:</b>    | BcchFreqLst_e204                                                                        |          |
| <b>Structured Type:</b>    | NCD                                                                                     |          |
| <b>Derivation Path:</b>    | BcchFreqLst_01.                                                                         |          |
| <b>Comments:</b>           | Default neighbour cells description any cell for SYSTEM INFORMATION 2 and 5 under EGSM. |          |
| Element Name               | Element Value                                                                           | Comments |
| rfl                        | '0987EDFF0E3CFD0000000000000000'O                                                       |          |
| <b>Detailed Comments:</b>  |                                                                                         |          |

| Structured Type Constraint |                                                                                         |          |
|----------------------------|-----------------------------------------------------------------------------------------|----------|
| <b>Constraint Name:</b>    | BcchFreqLst_e205                                                                        |          |
| <b>Structured Type:</b>    | NCD                                                                                     |          |
| <b>Derivation Path:</b>    | BcchFreqLst_01.                                                                         |          |
| <b>Comments:</b>           | Default neighbour cells description any cell for SYSTEM INFORMATION 2 and 5 under EGSM. |          |
| Element Name               | Element Value                                                                           | Comments |
| rfl                        | '078E00000020020000000000000000'O                                                       |          |
| <b>Detailed Comments:</b>  |                                                                                         |          |

| Structured Type Constraint |                                                                                         |          |
|----------------------------|-----------------------------------------------------------------------------------------|----------|
| <b>Constraint Name:</b>    | BcchFreqLst_e206                                                                        |          |
| <b>Structured Type:</b>    | NCD                                                                                     |          |
| <b>Derivation Path:</b>    | BcchFreqLst_01.                                                                         |          |
| <b>Comments:</b>           | Default neighbour cells description any cell for SYSTEM INFORMATION 2 and 5 under EGSM. |          |
| Element Name               | Element Value                                                                           | Comments |
| rfl                        | '100000000000000000000000000000200'O                                                    |          |
| <b>Detailed Comments:</b>  |                                                                                         |          |

| Structured Type Constraint |                                                                                         |          |
|----------------------------|-----------------------------------------------------------------------------------------|----------|
| <b>Constraint Name:</b>    | BcchFreqLst_e207                                                                        |          |
| <b>Structured Type:</b>    | NCD                                                                                     |          |
| <b>Derivation Path:</b>    | BcchFreqLst_01.                                                                         |          |
| <b>Comments:</b>           | Default neighbour cells description any cell for SYSTEM INFORMATION 2 and 5 under EGSM. |          |
| Element Name               | Element Value                                                                           | Comments |
| rfl                        | '078904797F83F98000000000000000'O                                                       |          |
| <b>Detailed Comments:</b>  |                                                                                         |          |

| Structured Type Constraint |                                                                                         |          |
|----------------------------|-----------------------------------------------------------------------------------------|----------|
| <b>Constraint Name:</b>    | BcchFreqLst_e208                                                                        |          |
| <b>Structured Type:</b>    | NCD                                                                                     |          |
| <b>Derivation Path:</b>    | BcchFreqLst_01.                                                                         |          |
| <b>Comments:</b>           | Default neighbour cells description any cell for SYSTEM INFORMATION 2 and 5 under EGSM. |          |
| Element Name               | Element Value                                                                           | Comments |
| rfl                        | '058C0026D000000000000000000000'O                                                       |          |
| <b>Detailed Comments:</b>  |                                                                                         |          |

| Structured Type Constraint |                                                                                         |          |
|----------------------------|-----------------------------------------------------------------------------------------|----------|
| <b>Constraint Name:</b>    | BcchFreqLst_e209                                                                        |          |
| <b>Structured Type:</b>    | NCD                                                                                     |          |
| <b>Derivation Path:</b>    | BcchFreqLst_01.                                                                         |          |
| <b>Comments:</b>           | Default neighbour cells description any cell for SYSTEM INFORMATION 2 and 5 under EGSM. |          |
| Element Name               | Element Value                                                                           | Comments |
| rfl                        | '058A00137400000000000000000000'O                                                       |          |
| <b>Detailed Comments:</b>  |                                                                                         |          |

| Structured Type Constraint |                                                                                         |          |
|----------------------------|-----------------------------------------------------------------------------------------|----------|
| <b>Constraint Name:</b>    | BcchFreqLst_e210                                                                        |          |
| <b>Structured Type:</b>    | NCD                                                                                     |          |
| <b>Derivation Path:</b>    | BcchFreqLst_01.                                                                         |          |
| <b>Comments:</b>           | Default neighbour cells description any cell for SYSTEM INFORMATION 2 and 5 under EGSM. |          |
| Element Name               | Element Value                                                                           | Comments |
| rfl                        | '0583E8100500000000000000000000'O                                                       |          |
| <b>Detailed Comments:</b>  |                                                                                         |          |

| Structured Type Constraint |                                                                                         |          |
|----------------------------|-----------------------------------------------------------------------------------------|----------|
| <b>Constraint Name:</b>    | BcchFreqLst_e211                                                                        |          |
| <b>Structured Type:</b>    | NCD                                                                                     |          |
| <b>Derivation Path:</b>    | BcchFreqLst_01.                                                                         |          |
| <b>Comments:</b>           | Default neighbour cells description any cell for SYSTEM INFORMATION 2 and 5 under EGSM. |          |
| Element Name               | Element Value                                                                           | Comments |
| rfl                        | '058FBA020014000000000000000000'O                                                       |          |
| <b>Detailed Comments:</b>  |                                                                                         |          |

| Structured Type Constraint |                                                                                         |          |
|----------------------------|-----------------------------------------------------------------------------------------|----------|
| <b>Constraint Name:</b>    | BcchFreqLst_e212                                                                        |          |
| <b>Structured Type:</b>    | NCD                                                                                     |          |
| <b>Derivation Path:</b>    | BcchFreqLst_01.                                                                         |          |
| <b>Comments:</b>           | Default neighbour cells description any cell for SYSTEM INFORMATION 2 and 5 under EGSM. |          |
| Element Name               | Element Value                                                                           | Comments |
| rfl                        | '06890478FCC0000000000000000000'O                                                       |          |
| <b>Detailed Comments:</b>  |                                                                                         |          |







| Structured Type Constraint                                            |                                               |          |
|-----------------------------------------------------------------------|-----------------------------------------------|----------|
| <b>Constraint Name:</b>                                               | Ca3_g01                                       |          |
| <b>Structured Type:</b>                                               | CCHD                                          |          |
| <b>Derivation Path:</b>                                               |                                               |          |
| <b>Comments:</b>                                                      | 12 ARFCNs for GSM of TC_26_6_6_1              |          |
| Element Name                                                          | Element Value                                 | Comments |
| iei                                                                   | '01100010'B                                   |          |
| rfl                                                                   | '00000000000000000000000000000000E0F0F1'<br>O |          |
| <b>Detailed Comments:</b> ca_pgsm(3) = 12, B_ARFCN = 21, not in MA(3) |                                               |          |

| Structured Type Constraint                                             |                                         |          |
|------------------------------------------------------------------------|-----------------------------------------|----------|
| <b>Constraint Name:</b>                                                | Ca3_g02                                 |          |
| <b>Structured Type:</b>                                                | CCHD                                    |          |
| <b>Derivation Path:</b>                                                |                                         |          |
| <b>Comments:</b>                                                       | 12 ARFCNs for GSM of TC_26_6_6_1        |          |
| Element Name                                                           | Element Value                           | Comments |
| iei                                                                    | '01100010'B                             |          |
| rfl                                                                    | '00010001010001012001010001018080'<br>O |          |
| <b>Detailed Comments:</b> ca_pgsm(3) = 12, B_ARFCN = 121, not in MA(3) |                                         |          |

| Structured Type Constraint                                             |                                         |          |
|------------------------------------------------------------------------|-----------------------------------------|----------|
| <b>Constraint Name:</b>                                                | Ca3_g03                                 |          |
| <b>Structured Type:</b>                                                | CCHD                                    |          |
| <b>Derivation Path:</b>                                                |                                         |          |
| <b>Comments:</b>                                                       | 12 ARFCNs for GSM of TC_26_6_6_1        |          |
| Element Name                                                           | Element Value                           | Comments |
| iei                                                                    | '01100010'B                             |          |
| rfl                                                                    | '00C0008000C000C000C000C000000010'<br>O |          |
| <b>Detailed Comments:</b> ca_pgsm(3) = 12, B_ARFCN = 103, not in MA(3) |                                         |          |

| Structured Type Constraint                                            |                                         |          |
|-----------------------------------------------------------------------|-----------------------------------------|----------|
| <b>Constraint Name:</b>                                               | Ca3_g04                                 |          |
| <b>Structured Type:</b>                                               | CCHD                                    |          |
| <b>Derivation Path:</b>                                               |                                         |          |
| <b>Comments:</b>                                                      | 12 ARFCNs for GSM of TC_26_6_6_1        |          |
| Element Name                                                          | Element Value                           | Comments |
| iei                                                                   | '01100010'B                             |          |
| rfl                                                                   | '00000000080018180000180018001880'<br>O |          |
| <b>Detailed Comments:</b> ca_pgsm(3) = 12, B_ARFCN = 93, not in MA(3) |                                         |          |

| Structured Type Constraint                                            |                                         |          |
|-----------------------------------------------------------------------|-----------------------------------------|----------|
| <b>Constraint Name:</b>                                               | Ca3_g05                                 |          |
| <b>Structured Type:</b>                                               | CCHD                                    |          |
| <b>Derivation Path:</b>                                               |                                         |          |
| <b>Comments:</b>                                                      | 12 ARFCNs for GSM of TC_26_6_6_1        |          |
| Element Name                                                          | Element Value                           | Comments |
| iei                                                                   | '01100010'B                             |          |
| rfl                                                                   | '00000000002000240024002401240024'<br>O |          |
| <b>Detailed Comments:</b> ca_pgsm(3) = 12, B_ARFCN = 83, not in MA(3) |                                         |          |

| Structured Type Constraint |                                             |          |
|----------------------------|---------------------------------------------|----------|
| <b>Constraint Name:</b>    | Ca3_g06                                     |          |
| <b>Structured Type:</b>    | CCHD                                        |          |
| <b>Derivation Path:</b>    |                                             |          |
| <b>Comments:</b>           | 12 ARFCNs for GSM of TC_26_6_6_1            |          |
| Element Name               | Element Value                               | Comments |
| iei                        | '01100010'B                                 |          |
| rfl                        | '00300300003000000300300003000000'<br>O     |          |
| <b>Detailed Comments:</b>  | ca_pgsm(3) = 12, B_ARFCN = 45, not in MA(3) |          |

| Structured Type Constraint |                                             |          |
|----------------------------|---------------------------------------------|----------|
| <b>Constraint Name:</b>    | Ca3_g07                                     |          |
| <b>Structured Type:</b>    | CCHD                                        |          |
| <b>Derivation Path:</b>    |                                             |          |
| <b>Comments:</b>           | 12 ARFCNs for GSM of TC_26_6_6_1            |          |
| Element Name               | Element Value                               | Comments |
| iei                        | '01100010'B                                 |          |
| rfl                        | '00101000100000080800080810128080'<br>O     |          |
| <b>Detailed Comments:</b>  | ca_pgsm(3) = 12, B_ARFCN = 85, not in MA(3) |          |

| Structured Type Constraint |                                             |          |
|----------------------------|---------------------------------------------|----------|
| <b>Constraint Name:</b>    | Ca3_g08                                     |          |
| <b>Structured Type:</b>    | CCHD                                        |          |
| <b>Derivation Path:</b>    |                                             |          |
| <b>Comments:</b>           | 12 ARFCNs for GSM of TC_26_6_6_1            |          |
| Element Name               | Element Value                               | Comments |
| iei                        | '01100010'B                                 |          |
| rfl                        | '0F00000000000380000002000000F0'<br>O       |          |
| <b>Detailed Comments:</b>  | ca_pgsm(3) = 12, B_ARFCN = 67, not in MA(3) |          |

| Structured Type Constraint |                                             |          |
|----------------------------|---------------------------------------------|----------|
| <b>Constraint Name:</b>    | Ca3_g09                                     |          |
| <b>Structured Type:</b>    | CCHD                                        |          |
| <b>Derivation Path:</b>    |                                             |          |
| <b>Comments:</b>           | 12 ARFCNs for GSM of TC_26_6_6_1            |          |
| Element Name               | Element Value                               | Comments |
| iei                        | '01100010'B                                 |          |
| rfl                        | '008181000000040460000000008181'<br>O       |          |
| <b>Detailed Comments:</b>  | ca_pgsm(3) = 12, B_ARFCN = 66, not in MA(3) |          |

| Structured Type Constraint |                                                              |          |
|----------------------------|--------------------------------------------------------------|----------|
| <b>Constraint Name:</b>    | Ca2_d01                                                      |          |
| <b>Structured Type:</b>    | CCHD                                                         |          |
| <b>Derivation Path:</b>    |                                                              |          |
| <b>Comments:</b>           | 30 ARFCNs for DCS of TC_26_6_6_1.                            |          |
| Element Name               | Element Value                                                | Comments |
| iei                        | '01100010'B                                                  |          |
| rfl                        | '8F5E00000000000000001FFFFFFF'<br>O                          |          |
| <b>Detailed Comments:</b>  | ca_dcs(2) = 30, Org_ARFCN = 700, B_ARFCN = 804, not in MA(2) |          |

| Structured Type Constraint                                                             |                                        |          |
|----------------------------------------------------------------------------------------|----------------------------------------|----------|
| <b>Constraint Name:</b>                                                                | Ca2_d02                                |          |
| <b>Structured Type:</b>                                                                | CCHD                                   |          |
| <b>Derivation Path:</b>                                                                |                                        |          |
| <b>Comments:</b>                                                                       | 30 ARFCNs for DCS of TC_26_6_6_1       |          |
| Element Name                                                                           | Element Value                          | Comments |
| iei                                                                                    | '01100010'B                            |          |
| rfl                                                                                    | '8F5E7FFF00FF00F0000E00000000000'<br>O |          |
| <b>Detailed Comments:</b> ca_dcs(2) = 30, Org_ARFCN = 700, B_ARFCN = 705, not in MA(2) |                                        |          |

| Structured Type Constraint                                                             |                                         |          |
|----------------------------------------------------------------------------------------|-----------------------------------------|----------|
| <b>Constraint Name:</b>                                                                | Ca2_d03                                 |          |
| <b>Structured Type:</b>                                                                | CCHD                                    |          |
| <b>Derivation Path:</b>                                                                |                                         |          |
| <b>Comments:</b>                                                                       | 30 ARFCNs for DCS of TC_26_6_6_1        |          |
| Element Name                                                                           | Element Value                           | Comments |
| iei                                                                                    | '01100010'B                             |          |
| rfl                                                                                    | '8F5E3C00FF00FF00FF00180000000000'<br>O |          |
| <b>Detailed Comments:</b> ca_dcs(2) = 30, Org_ARFCN = 700, B_ARFCN = 703, not in MA(2) |                                         |          |

| Structured Type Constraint                                                             |                                        |          |
|----------------------------------------------------------------------------------------|----------------------------------------|----------|
| <b>Constraint Name:</b>                                                                | Ca2_d04                                |          |
| <b>Structured Type:</b>                                                                | CCHD                                   |          |
| <b>Derivation Path:</b>                                                                |                                        |          |
| <b>Comments:</b>                                                                       | 30 ARFCNs for DCS of TC_26_6_6_1       |          |
| Element Name                                                                           | Element Value                          | Comments |
| iei                                                                                    | '01100010'B                            |          |
| rfl                                                                                    | '8F5E000000000F0000F000FF5455554'<br>O |          |
| <b>Detailed Comments:</b> ca_dcs(2) = 30, Org_ARFCN = 700, B_ARFCN = 759, not in MA(2) |                                        |          |

| Structured Type Constraint                                                             |                                         |          |
|----------------------------------------------------------------------------------------|-----------------------------------------|----------|
| <b>Constraint Name:</b>                                                                | Ca2_d05                                 |          |
| <b>Structured Type:</b>                                                                | CCHD                                    |          |
| <b>Derivation Path:</b>                                                                |                                         |          |
| <b>Comments:</b>                                                                       | 30 ARFCNs for DCS of TC_26_6_6_1        |          |
| Element Name                                                                           | Element Value                           | Comments |
| iei                                                                                    | '01100010'B                             |          |
| rfl                                                                                    | '8F5E2828282B0000FFFF000010101010'<br>O |          |
| <b>Detailed Comments:</b> ca_dcs(2) = 30, Org_ARFCN = 700, B_ARFCN = 730, not in MA(2) |                                         |          |

| Structured Type Constraint                                                             |                                     |          |
|----------------------------------------------------------------------------------------|-------------------------------------|----------|
| <b>Constraint Name:</b>                                                                | Ca2_d06                             |          |
| <b>Structured Type:</b>                                                                | CCHD                                |          |
| <b>Derivation Path:</b>                                                                |                                     |          |
| <b>Comments:</b>                                                                       | 30 ARFCNs for DCS of TC_26_6_6_1    |          |
| Element Name                                                                           | Element Value                       | Comments |
| iei                                                                                    | '01100010'B                         |          |
| rfl                                                                                    | '8F5E00FF0020222222222222007E'<br>O |          |
| <b>Detailed Comments:</b> ca_dcs(2) = 30, Org_ARFCN = 700, B_ARFCN = 794, not in MA(2) |                                     |          |

| Structured Type Constraint |                                                              |          |
|----------------------------|--------------------------------------------------------------|----------|
| <b>Constraint Name:</b>    | Ca2_d07                                                      |          |
| <b>Structured Type:</b>    | CCHD                                                         |          |
| <b>Derivation Path:</b>    |                                                              |          |
| <b>Comments:</b>           | 30 ARFCNs for DCS of TC_26_6_6_1                             |          |
| Element Name               | Element Value                                                | Comments |
| iei                        | '01100010'B                                                  |          |
| rfl                        | '8F5E032B2B2B20000000000000000000'<br>O                      |          |
| <b>Detailed Comments:</b>  | ca_dcs(2) = 30, Org_ARFCN = 700, B_ARFCN = 734, not in MA(2) |          |

| Structured Type Constraint |                                                              |          |
|----------------------------|--------------------------------------------------------------|----------|
| <b>Constraint Name:</b>    | Ca2_d08                                                      |          |
| <b>Structured Type:</b>    | CCHD                                                         |          |
| <b>Derivation Path:</b>    |                                                              |          |
| <b>Comments:</b>           | 30 ARFCNs for DCS of TC_26_6_6_1                             |          |
| Element Name               | Element Value                                                | Comments |
| iei                        | '01100010'B                                                  |          |
| rfl                        | '8F5E405050501404F404000F00000000'<br>O                      |          |
| <b>Detailed Comments:</b>  | ca_dcs(2) = 30, Org_ARFCN = 700, B_ARFCN = 779, not in MA(2) |          |

| Structured Type Constraint |                                                              |          |
|----------------------------|--------------------------------------------------------------|----------|
| <b>Constraint Name:</b>    | Ca2_d09                                                      |          |
| <b>Structured Type:</b>    | CCHD                                                         |          |
| <b>Derivation Path:</b>    |                                                              |          |
| <b>Comments:</b>           | 30 ARFCNs for DCS of TC_26_6_6_1                             |          |
| Element Name               | Element Value                                                | Comments |
| iei                        | '01100010'B                                                  |          |
| rfl                        | '8F5E00F000F00078000C808FA0A0202F'<br>O                      |          |
| <b>Detailed Comments:</b>  | ca_dcs(2) = 30, Org_ARFCN = 700, B_ARFCN = 744, not in MA(2) |          |

| Structured Type Constraint |                                                              |          |
|----------------------------|--------------------------------------------------------------|----------|
| <b>Constraint Name:</b>    | Ca3_d01                                                      |          |
| <b>Structured Type:</b>    | CCHD                                                         |          |
| <b>Derivation Path:</b>    |                                                              |          |
| <b>Comments:</b>           | 12 ARFCNs for DCS of TC_26_6_6_1                             |          |
| Element Name               | Element Value                                                | Comments |
| iei                        | '01100010'B                                                  |          |
| rfl                        | '8F5E000000000000000000000000F0F0F0'<br>O                    |          |
| <b>Detailed Comments:</b>  | ca_dcs(3) = 12, Org_ARFCN = 700, B_ARFCN = 804, not in MA(3) |          |

| Structured Type Constraint |                                                              |          |
|----------------------------|--------------------------------------------------------------|----------|
| <b>Constraint Name:</b>    | Ca3_d02                                                      |          |
| <b>Structured Type:</b>    | CCHD                                                         |          |
| <b>Derivation Path:</b>    |                                                              |          |
| <b>Comments:</b>           | 12 ARFCNs for DCS of TC_26_6_6_1                             |          |
| Element Name               | Element Value                                                | Comments |
| iei                        | '01100010'B                                                  |          |
| rfl                        | '8F5E7F00F80000000000000000000000'<br>O                      |          |
| <b>Detailed Comments:</b>  | ca_dcs(3) = 12, Org_ARFCN = 700, B_ARFCN = 705, not in MA(3) |          |

| Structured Type Constraint |                                                              |          |
|----------------------------|--------------------------------------------------------------|----------|
| <b>Constraint Name:</b>    | Ca3_d03                                                      |          |
| <b>Structured Type:</b>    | CCHD                                                         |          |
| <b>Derivation Path:</b>    |                                                              |          |
| <b>Comments:</b>           | 12 ARFCNs for DCS of TC_26_6_6_1                             |          |
| Element Name               | Element Value                                                | Comments |
| iei                        | '01100010'B                                                  |          |
| rfl                        | '8F5E5000600C0030000C003000000000'<br>O                      |          |
| <b>Detailed Comments:</b>  | ca_dcs(3) = 12, Org_ARFCN = 700, B_ARFCN = 703, not in MA(3) |          |

| Structured Type Constraint |                                                              |          |
|----------------------------|--------------------------------------------------------------|----------|
| <b>Constraint Name:</b>    | Ca3_d04                                                      |          |
| <b>Structured Type:</b>    | CCHD                                                         |          |
| <b>Derivation Path:</b>    |                                                              |          |
| <b>Comments:</b>           | 12 ARFCNs for DCS of TC_26_6_6_1                             |          |
| Element Name               | Element Value                                                | Comments |
| iei                        | '01100010'B                                                  |          |
| rfl                        | '8F5E00000000000004F0000640300C00'<br>O                      |          |
| <b>Detailed Comments:</b>  | ca_dcs(3) = 12, Org_ARFCN = 700, B_ARFCN = 759, not in MA(3) |          |

| Structured Type Constraint |                                                              |          |
|----------------------------|--------------------------------------------------------------|----------|
| <b>Constraint Name:</b>    | Ca3_d05                                                      |          |
| <b>Structured Type:</b>    | CCHD                                                         |          |
| <b>Derivation Path:</b>    |                                                              |          |
| <b>Comments:</b>           | 12 ARFCNs for DCS of TC_26_6_6_1                             |          |
| Element Name               | Element Value                                                | Comments |
| iei                        | '01100010'B                                                  |          |
| rfl                        | '8F5E0060103300000240400000040400'<br>O                      |          |
| <b>Detailed Comments:</b>  | ca_dcs(3) = 12, Org_ARFCN = 700, B_ARFCN = 730, not in MA(3) |          |

| Structured Type Constraint |                                                              |          |
|----------------------------|--------------------------------------------------------------|----------|
| <b>Constraint Name:</b>    | Ca3_d06                                                      |          |
| <b>Structured Type:</b>    | CCHD                                                         |          |
| <b>Derivation Path:</b>    |                                                              |          |
| <b>Comments:</b>           | 12 ARFCNs for DCS of TC_26_6_6_1                             |          |
| Element Name               | Element Value                                                | Comments |
| iei                        | '01100010'B                                                  |          |
| rfl                        | '8F5E0000002000200000080802025858'<br>O                      |          |
| <b>Detailed Comments:</b>  | ca_dcs(3) = 12, Org_ARFCN = 700, B_ARFCN = 794, not in MA(3) |          |

| Structured Type Constraint |                                                              |          |
|----------------------------|--------------------------------------------------------------|----------|
| <b>Constraint Name:</b>    | Ca3_d07                                                      |          |
| <b>Structured Type:</b>    | CCHD                                                         |          |
| <b>Derivation Path:</b>    |                                                              |          |
| <b>Comments:</b>           | 12 ARFCNs for DCS of TC_26_6_6_1                             |          |
| Element Name               | Element Value                                                | Comments |
| iei                        | '01100010'B                                                  |          |
| rfl                        | '8F5E000808006000004848080808000'<br>O                       |          |
| <b>Detailed Comments:</b>  | ca_dcs(3) = 12, Org_ARFCN = 700, B_ARFCN = 734, not in MA(3) |          |

| Structured Type Constraint                                                             |                                          |          |
|----------------------------------------------------------------------------------------|------------------------------------------|----------|
| <b>Constraint Name:</b>                                                                | Ca3_d08                                  |          |
| <b>Structured Type:</b>                                                                | CCHD                                     |          |
| <b>Derivation Path:</b>                                                                |                                          |          |
| <b>Comments:</b>                                                                       | 12 ARFCNs for DCS of TC_26_6_6_1         |          |
| Element Name                                                                           | Element Value                            | Comments |
| iei                                                                                    | '01100010'B                              |          |
| rfl                                                                                    | '8F5E00F00000000000000000F40404F40'<br>O |          |
| <b>Detailed Comments:</b> ca_dcs(3) = 12, Org_ARFCN = 700, B_ARFCN = 779, not in MA(3) |                                          |          |

| Structured Type Constraint                                                             |                                         |          |
|----------------------------------------------------------------------------------------|-----------------------------------------|----------|
| <b>Constraint Name:</b>                                                                | Ca3_d09                                 |          |
| <b>Structured Type:</b>                                                                | CCHD                                    |          |
| <b>Derivation Path:</b>                                                                |                                         |          |
| <b>Comments:</b>                                                                       | 12 ARFCNs for DCS of TC_26_6_6_1        |          |
| Element Name                                                                           | Element Value                           | Comments |
| iei                                                                                    | '01100010'B                             |          |
| rfl                                                                                    | '8F5E0020030404180000202020060000'<br>O |          |
| <b>Detailed Comments:</b> ca_dcs(3) = 12, Org_ARFCN = 700, B_ARFCN = 744, not in MA(3) |                                         |          |

| Structured Type Constraint |               |          |
|----------------------------|---------------|----------|
| <b>Constraint Name:</b>    | CallCntrlCap  |          |
| <b>Structured Type:</b>    | CCCAP         |          |
| <b>Derivation Path:</b>    |               |          |
| <b>Comments:</b>           | CC state 'st' |          |
| Element Name               | Element Value | Comments |
| iei                        | '00010101'B   |          |
| iel                        | '01'O         |          |
| spr                        | '0000000'B    |          |
| dtmf                       | TSPX_DTMF     |          |
| <b>Detailed Comments:</b>  |               |          |

| Structured Type Constraint |                          |          |
|----------------------------|--------------------------|----------|
| <b>Constraint Name:</b>    | CallState_01(st:INTEGER) |          |
| <b>Structured Type:</b>    | CST                      |          |
| <b>Derivation Path:</b>    |                          |          |
| <b>Comments:</b>           | CC state 'st'            |          |
| Element Name               | Element Value            | Comments |
| cs                         | '11'B                    |          |
| csv                        | INT_TO_BIT(st, 6)        |          |
| <b>Detailed Comments:</b>  |                          |          |

| Structured Type Constraint |                                                                           |          |
|----------------------------|---------------------------------------------------------------------------|----------|
| <b>Constraint Name:</b>    | Cause_Def                                                                 |          |
| <b>Structured Type:</b>    | CAU                                                                       |          |
| <b>Derivation Path:</b>    |                                                                           |          |
| <b>Comments:</b>           | cause information element with any valid cause value, any valid location. |          |
| Element Name               | Element Value                                                             | Comments |
| iei                        | -                                                                         |          |
| iel                        | ?                                                                         |          |
| extb3                      | '1'B                                                                      |          |
| cs                         | '11'B                                                                     |          |
| spb                        | '0'B                                                                      |          |
| location                   | ('0000'B, '0001'B, '0010'B, '0011'B, '0100'B, '0101'B, '0111'B, '1010'B)  |          |
| extb3a                     | -                                                                         |          |
| rec                        | -                                                                         |          |
| extb4                      | ?                                                                         |          |
| cau_class                  | ?                                                                         |          |
| cau_va                     | ?                                                                         |          |
| cau_di                     | *                                                                         |          |
| <b>Detailed Comments:</b>  |                                                                           |          |

| Structured Type Constraint |                                                                    |          |
|----------------------------|--------------------------------------------------------------------|----------|
| <b>Constraint Name:</b>    | Cause_01                                                           |          |
| <b>Structured Type:</b>    | CAU                                                                |          |
| <b>Derivation Path:</b>    |                                                                    |          |
| <b>Comments:</b>           | cause information element with cause value = #16, location = user. |          |
| Element Name               | Element Value                                                      | Comments |
| iei                        | -                                                                  |          |
| iel                        | '02'O                                                              |          |
| extb3                      | '1'B                                                               |          |
| cs                         | '11'B                                                              |          |
| spb                        | '0'B                                                               |          |
| location                   | '0000'B                                                            |          |
| extb3a                     | -                                                                  |          |
| rec                        | -                                                                  |          |
| extb4                      | '1'B                                                               |          |
| cau_class                  | '001'B                                                             |          |
| cau_va                     | '0000'B                                                            |          |
| cau_di                     | -                                                                  |          |
| <b>Detailed Comments:</b>  |                                                                    |          |

| Structured Type Constraint |                                                                                           |          |
|----------------------------|-------------------------------------------------------------------------------------------|----------|
| <b>Constraint Name:</b>    | Cause_01iei                                                                               |          |
| <b>Structured Type:</b>    | CAU                                                                                       |          |
| <b>Derivation Path:</b>    | Cause_01.                                                                                 |          |
| <b>Comments:</b>           | optional (IEI present) cause information element with cause value = #16, location = user. |          |
| Element Name               | Element Value                                                                             | Comments |
| iei                        | '00001000'B                                                                               |          |
| <b>Detailed Comments:</b>  |                                                                                           |          |

| Structured Type Constraint |                 |          |
|----------------------------|-----------------|----------|
| <b>Constraint Name:</b>    | Cause_02        |          |
| <b>Structured Type:</b>    | CAU             |          |
| <b>Derivation Path:</b>    | Cause_01.       |          |
| <b>Comments:</b>           | cause value #97 |          |
| Element Name               | Element Value   | Comments |
| iel                        | ?               |          |
| location                   | ?               |          |
| extb4                      | ?               |          |
| cau_class                  | '110'B          |          |
| cau_va                     | '0001'B         |          |
| cau_di                     | *               |          |
| <b>Detailed Comments:</b>  |                 |          |

| Structured Type Constraint |                                                              |          |
|----------------------------|--------------------------------------------------------------|----------|
| <b>Constraint Name:</b>    | Cause_03                                                     |          |
| <b>Structured Type:</b>    | CAU                                                          |          |
| <b>Derivation Path:</b>    | Cause_01.Cause_02.                                           |          |
| <b>Comments:</b>           | cause #98 -- message type not compatible with protocol state |          |
| Element Name               | Element Value                                                | Comments |
| cau_va                     | '0010'B                                                      |          |
| <b>Detailed Comments:</b>  |                                                              |          |

| Structured Type Constraint |                                                         |          |
|----------------------------|---------------------------------------------------------|----------|
| <b>Constraint Name:</b>    | Cause_04                                                |          |
| <b>Structured Type:</b>    | CAU                                                     |          |
| <b>Derivation Path:</b>    | Cause_01.Cause_02.                                      |          |
| <b>Comments:</b>           | The cause value is #96 -- invalid mandatory information |          |
| Element Name               | Element Value                                           | Comments |
| cau_va                     | '0000'B                                                 |          |
| <b>Detailed Comments:</b>  |                                                         |          |

| Structured Type Constraint |                                                         |          |
|----------------------------|---------------------------------------------------------|----------|
| <b>Constraint Name:</b>    | Cause_04iei                                             |          |
| <b>Structured Type:</b>    | CAU                                                     |          |
| <b>Derivation Path:</b>    |                                                         |          |
| <b>Comments:</b>           | The cause value is #96 -- invalid mandatory information |          |
| Element Name               | Element Value                                           | Comments |
| iei                        | '00001000'B                                             |          |
| iel                        | ?                                                       |          |
| extb3                      | '1'B                                                    |          |
| cs                         | '11'B                                                   |          |
| spb                        | '0'B                                                    |          |
| location                   | ?                                                       |          |
| extb3a                     | -                                                       |          |
| rec                        | -                                                       |          |
| extb4                      | ?                                                       |          |
| cau_class                  | '110'B                                                  |          |
| cau_va                     | '0000'B                                                 |          |
| cau_di                     | *                                                       |          |
| <b>Detailed Comments:</b>  |                                                         |          |



| Structured Type Constraint |                                                           |          |
|----------------------------|-----------------------------------------------------------|----------|
| <b>Constraint Name:</b>    | Cause_06                                                  |          |
| <b>Structured Type:</b>    | CAU                                                       |          |
| <b>Derivation Path:</b>    | Cause_01.                                                 |          |
| <b>Comments:</b>           | Cause information element containing arbitrary spare bits |          |
| Element Name               | Element Value                                             | Comments |
| spb                        | '1'B                                                      |          |
| cau_class                  | '000'B                                                    |          |
| cau_va                     | '0001'B                                                   |          |
| <b>Detailed Comments:</b>  |                                                           |          |

| Structured Type Constraint |                                                   |          |
|----------------------------|---------------------------------------------------|----------|
| <b>Constraint Name:</b>    | Cause_07                                          |          |
| <b>Structured Type:</b>    | CAU                                               |          |
| <b>Derivation Path:</b>    | Cause_01.                                         |          |
| <b>Comments:</b>           | cause information element with cause value = #81. |          |
| Element Name               | Element Value                                     | Comments |
| iei                        | '00001000'B                                       |          |
| iel                        | ?                                                 |          |
| location                   | ?                                                 |          |
| extb4                      | ?                                                 |          |
| cau_class                  | '101'B                                            |          |
| cau_va                     | '0001'B                                           |          |
| cau_di                     | *                                                 |          |
| <b>Detailed Comments:</b>  |                                                   |          |

| Structured Type Constraint |                       |          |
|----------------------------|-----------------------|----------|
| <b>Constraint Name:</b>    | Cause_08              |          |
| <b>Structured Type:</b>    | CAU                   |          |
| <b>Derivation Path:</b>    |                       |          |
| <b>Comments:</b>           | used as an unknown IE |          |
| Element Name               | Element Value         | Comments |
| iei                        | '00100100'B           |          |
| iel                        | '01'O                 |          |
| extb3                      | '1'B                  |          |
| cs                         | '11'B                 |          |
| spb                        | '1'B                  |          |
| location                   | '1111'B               |          |
| extb3a                     | -                     |          |
| rec                        | -                     |          |
| extb4                      | -                     |          |
| cau_class                  | -                     |          |
| cau_va                     | -                     |          |
| cau_di                     | -                     |          |
| <b>Detailed Comments:</b>  |                       |          |

| Structured Type Constraint |                       |          |
|----------------------------|-----------------------|----------|
| <b>Constraint Name:</b>    | Cause_09              |          |
| <b>Structured Type:</b>    | CAU                   |          |
| <b>Derivation Path:</b>    | Cause_08.             |          |
| <b>Comments:</b>           | used as an unknown IE |          |
| Element Name               | Element Value         | Comments |
| iei                        | '01111101'B           |          |
| iel                        | '01'O                 |          |
| extb3                      | '1'B                  |          |
| cs                         | '11'B                 |          |
| spb                        | '0'B                  |          |
| location                   | '1110'B               |          |
| <b>Detailed Comments:</b>  |                       |          |

| Structured Type Constraint |                                                                   |          |
|----------------------------|-------------------------------------------------------------------|----------|
| <b>Constraint Name:</b>    | Cause_10                                                          |          |
| <b>Structured Type:</b>    | CAU                                                               |          |
| <b>Derivation Path:</b>    |                                                                   |          |
| <b>Comments:</b>           | cause information element with cause value = #1, location = user. |          |
| Element Name               | Element Value                                                     | Comments |
| iei                        | '00001000'B                                                       |          |
| iel                        | '02'O                                                             |          |
| extb3                      | '1'B                                                              |          |
| cs                         | '11'B                                                             |          |
| spb                        | '0'B                                                              |          |
| location                   | '0000'B                                                           |          |
| extb3a                     | -                                                                 |          |
| rec                        | -                                                                 |          |
| extb4                      | '1'B                                                              |          |
| cau_class                  | '000'B                                                            |          |
| cau_va                     | '0001'B                                                           |          |
| cau_di                     | -                                                                 |          |
| <b>Detailed Comments:</b>  |                                                                   |          |

| Structured Type Constraint |                                                   |          |
|----------------------------|---------------------------------------------------|----------|
| <b>Constraint Name:</b>    | Cause_11                                          |          |
| <b>Structured Type:</b>    | CAU                                               |          |
| <b>Derivation Path:</b>    |                                                   |          |
| <b>Comments:</b>           | cause information element with cause value = #31. |          |
| Element Name               | Element Value                                     | Comments |
| iei                        | '00001000'B                                       |          |
| iel                        | '02'O                                             |          |
| extb3                      | '1'B                                              |          |
| cs                         | '11'B                                             |          |
| spb                        | '0'B                                              |          |
| location                   | '0000'B                                           |          |
| extb3a                     | -                                                 |          |
| rec                        | -                                                 |          |
| extb4                      | '1'B                                              |          |
| cau_class                  | '001'B                                            |          |
| cau_va                     | '1111'B                                           |          |
| cau_di                     | -                                                 |          |
| <b>Detailed Comments:</b>  |                                                   |          |

| Structured Type Constraint |                                                   |          |
|----------------------------|---------------------------------------------------|----------|
| <b>Constraint Name:</b>    | Cause_12                                          |          |
| <b>Structured Type:</b>    | CAU                                               |          |
| <b>Derivation Path:</b>    |                                                   |          |
| <b>Comments:</b>           | cause information element with cause value = #88. |          |
| Element Name               | Element Value                                     | Comments |
| iei                        | '00001000'B                                       |          |
| iel                        | '02'O                                             |          |
| extb3                      | '1'B                                              |          |
| cs                         | '11'B                                             |          |
| spb                        | '0'B                                              |          |
| location                   | '????'B                                           |          |
| extb3a                     | -                                                 |          |
| rec                        | -                                                 |          |
| extb4                      | '1'B                                              |          |
| cau_class                  | '101'B                                            |          |
| cau_va                     | '1000'B                                           |          |
| cau_di                     | -                                                 |          |
| <b>Detailed Comments:</b>  |                                                   |          |

| Structured Type Constraint |                                                   |          |
|----------------------------|---------------------------------------------------|----------|
| <b>Constraint Name:</b>    | Cause_13                                          |          |
| <b>Structured Type:</b>    | CAU                                               |          |
| <b>Derivation Path:</b>    |                                                   |          |
| <b>Comments:</b>           | cause information element with cause value = #21. |          |
| Element Name               | Element Value                                     | Comments |
| iei                        | '00001000'B                                       |          |
| iel                        | '02'O                                             |          |
| extb3                      | '1'B                                              |          |
| cs                         | '11'B                                             |          |
| spb                        | '0'B                                              |          |
| location                   | '????'B                                           |          |
| extb3a                     | -                                                 |          |
| rec                        | -                                                 |          |
| extb4                      | '1'B                                              |          |
| cau_class                  | '001'B                                            |          |
| cau_va                     | '0101'B                                           |          |
| cau_di                     | -                                                 |          |
| <b>Detailed Comments:</b>  |                                                   |          |

| Structured Type Constraint |                                                    |          |
|----------------------------|----------------------------------------------------|----------|
| <b>Constraint Name:</b>    | Cause_14                                           |          |
| <b>Structured Type:</b>    | CAU                                                |          |
| <b>Derivation Path:</b>    |                                                    |          |
| <b>Comments:</b>           | cause information element with cause value = #102. |          |
| Element Name               | Element Value                                      | Comments |
| iei                        | '00001000'B                                        |          |
| iel                        | ?                                                  |          |
| extb3                      | '1'B                                               |          |
| cs                         | '11'B                                              |          |
| spb                        | '0'B                                               |          |
| location                   | '????'B                                            |          |
| extb3a                     | -                                                  |          |
| rec                        | -                                                  |          |
| extb4                      | ?                                                  |          |
| cau_class                  | '110'B                                             |          |
| cau_va                     | '0110'B                                            |          |
| cau_di                     | *                                                  |          |
| <b>Detailed Comments:</b>  |                                                    |          |

| Structured Type Constraint |                                                            |          |
|----------------------------|------------------------------------------------------------|----------|
| <b>Constraint Name:</b>    | Cause_15                                                   |          |
| <b>Structured Type:</b>    | CAU                                                        |          |
| <b>Derivation Path:</b>    |                                                            |          |
| <b>Comments:</b>           | cause information element with cause value = #47, n -> ms. |          |
| Element Name               | Element Value                                              | Comments |
| iei                        | -                                                          |          |
| iel                        | '02'O                                                      |          |
| extb3                      | '1'B                                                       |          |
| cs                         | '11'B                                                      |          |
| spb                        | '0'B                                                       |          |
| location                   | '0010'B                                                    |          |
| extb3a                     | -                                                          |          |
| rec                        | -                                                          |          |
| extb4                      | '1'B                                                       |          |
| cau_class                  | '010'B                                                     |          |
| cau_va                     | '1111'B                                                    |          |
| cau_di                     | -                                                          |          |
| <b>Detailed Comments:</b>  |                                                            |          |

| Structured Type Constraint |                                                                                                      |          |
|----------------------------|------------------------------------------------------------------------------------------------------|----------|
| <b>Constraint Name:</b>    | Cause_16                                                                                             |          |
| <b>Structured Type:</b>    | CAU                                                                                                  |          |
| <b>Derivation Path:</b>    |                                                                                                      |          |
| <b>Comments:</b>           | cause information element with cause value = #58 bearer capability not presently available, n -> ms. |          |
| Element Name               | Element Value                                                                                        | Comments |
| iei                        | -                                                                                                    |          |
| iel                        | '02'O                                                                                                |          |
| extb3                      | '1'B                                                                                                 |          |
| cs                         | '11'B                                                                                                |          |
| spb                        | '0'B                                                                                                 |          |
| location                   | '0010'B                                                                                              |          |
| extb3a                     | -                                                                                                    |          |
| rec                        | -                                                                                                    |          |
| extb4                      | '1'B                                                                                                 |          |
| cau_class                  | '011'B                                                                                               |          |
| cau_va                     | '1010'B                                                                                              |          |
| cau_di                     | -                                                                                                    |          |
| <b>Detailed Comments:</b>  |                                                                                                      |          |

| Structured Type Constraint |                                                                                             |          |
|----------------------------|---------------------------------------------------------------------------------------------|----------|
| <b>Constraint Name:</b>    | Cause_17                                                                                    |          |
| <b>Structured Type:</b>    | CAU                                                                                         |          |
| <b>Derivation Path:</b>    |                                                                                             |          |
| <b>Comments:</b>           | optional (IEI present) cause information element with cause value = #17 user busy. ms -> n. |          |
| Element Name               | Element Value                                                                               | Comments |
| iei                        | '00001000'B                                                                                 |          |
| iel                        | ?                                                                                           |          |
| extb3                      | '1'B                                                                                        |          |
| cs                         | '11'B                                                                                       |          |
| spb                        | '0'B                                                                                        |          |
| location                   | '????'B                                                                                     |          |
| extb3a                     | -                                                                                           |          |
| rec                        | -                                                                                           |          |
| extb4                      | ?                                                                                           |          |
| cau_class                  | '001'B                                                                                      |          |
| cau_va                     | '0001'B                                                                                     |          |
| cau_di                     | *                                                                                           |          |
| <b>Detailed Comments:</b>  |                                                                                             |          |

| Structured Type Constraint |                                                                                       |          |
|----------------------------|---------------------------------------------------------------------------------------|----------|
| <b>Constraint Name:</b>    | Cause_18                                                                              |          |
| <b>Structured Type:</b>    | CAU                                                                                   |          |
| <b>Derivation Path:</b>    |                                                                                       |          |
| <b>Comments:</b>           | cause information element with cause value = #30 response to status enquiry. ms -> n. |          |
| Element Name               | Element Value                                                                         | Comments |
| iei                        | -                                                                                     |          |
| iel                        | ?                                                                                     |          |
| extb3                      | '1'B                                                                                  |          |
| cs                         | '11'B                                                                                 |          |
| spb                        | '0'B                                                                                  |          |
| location                   | '????'B                                                                               |          |
| extb3a                     | -                                                                                     |          |
| rec                        | -                                                                                     |          |
| extb4                      | ?                                                                                     |          |
| cau_class                  | '001'B                                                                                |          |
| cau_va                     | '1110'B                                                                               |          |
| cau_di                     | *                                                                                     |          |
| <b>Detailed Comments:</b>  |                                                                                       |          |

| Structured Type Constraint |                                                   |          |
|----------------------------|---------------------------------------------------|----------|
| <b>Constraint Name:</b>    | Cause_22                                          |          |
| <b>Structured Type:</b>    | CAU                                               |          |
| <b>Derivation Path:</b>    |                                                   |          |
| <b>Comments:</b>           | cause information element with cause value = #81. |          |
| Element Name               | Element Value                                     | Comments |
| iei                        | '00001000'B                                       |          |
| iel                        | '02'O                                             |          |
| extb3                      | '1'B                                              |          |
| cs                         | '11'B                                             |          |
| spb                        | '0'B                                              |          |
| location                   | '????'B                                           |          |
| extb3a                     | -                                                 |          |
| rec                        | -                                                 |          |
| extb4                      | '1'B                                              |          |
| cau_class                  | '101'B                                            |          |
| cau_va                     | '0001'B                                           |          |
| cau_di                     | -                                                 |          |
| <b>Detailed Comments:</b>  |                                                   |          |

| Structured Type Constraint |                                                    |          |
|----------------------------|----------------------------------------------------|----------|
| <b>Constraint Name:</b>    | Cause_23                                           |          |
| <b>Structured Type:</b>    | CAU                                                |          |
| <b>Derivation Path:</b>    |                                                    |          |
| <b>Comments:</b>           | cause information element with cause value = #102. |          |
| Element Name               | Element Value                                      | Comments |
| iei                        | '00001000'B                                        |          |
| iel                        | '02'O                                              |          |
| extb3                      | '1'B                                               |          |
| cs                         | '11'B                                              |          |
| spb                        | '0'B                                               |          |
| location                   | '0000'B                                            |          |
| extb3a                     | -                                                  |          |
| rec                        | -                                                  |          |
| extb4                      | '1'B                                               |          |
| cau_class                  | '110'B                                             |          |
| cau_va                     | '0110'B                                            |          |
| cau_di                     | -                                                  |          |
| <b>Detailed Comments:</b>  |                                                    |          |

| Structured Type Constraint |                                                                          |          |
|----------------------------|--------------------------------------------------------------------------|----------|
| <b>Constraint Name:</b>    | Cause_26                                                                 |          |
| <b>Structured Type:</b>    | CAU                                                                      |          |
| <b>Derivation Path:</b>    |                                                                          |          |
| <b>Comments:</b>           | cause information element with cause value = #16, location = user. n->ms |          |
| Element Name               | Element Value                                                            | Comments |
| iei                        | '00001000'B                                                              |          |
| iel                        | '02'O                                                                    |          |
| extb3                      | '1'B                                                                     |          |
| cs                         | '11'B                                                                    |          |
| spb                        | '0'B                                                                     |          |
| location                   | '0000'B                                                                  |          |
| extb3a                     | -                                                                        |          |
| rec                        | -                                                                        |          |
| extb4                      | '1'B                                                                     |          |
| cau_class                  | '001'B                                                                   |          |
| cau_va                     | '0000'B                                                                  |          |
| cau_di                     | -                                                                        |          |
| <b>Detailed Comments:</b>  |                                                                          |          |

| Structured Type Constraint |                         |          |
|----------------------------|-------------------------|----------|
| <b>Constraint Name:</b>    | Cause_27                |          |
| <b>Structured Type:</b>    | CAU                     |          |
| <b>Derivation Path:</b>    | Cause_26.               |          |
| <b>Comments:</b>           | cause value #88, ms->n. |          |
| Element Name               | Element Value           | Comments |
| iel                        | ?                       |          |
| location                   | ?                       |          |
| extb4                      | ?                       |          |
| cau_class                  | '101'B                  |          |
| cau_va                     | '1000'B                 |          |
| cau_di                     | *                       |          |
| <b>Detailed Comments:</b>  |                         |          |

| Structured Type Constraint |                                                                                |          |
|----------------------------|--------------------------------------------------------------------------------|----------|
| <b>Constraint Name:</b>    | Cause_28                                                                       |          |
| <b>Structured Type:</b>    | CAU                                                                            |          |
| <b>Derivation Path:</b>    |                                                                                |          |
| <b>Comments:</b>           | cause information element with cause value = #29 'facility rejected', n -> ms. |          |
| Element Name               | Element Value                                                                  | Comments |
| iei                        | '00001000'B                                                                    |          |
| iel                        | '02'O                                                                          |          |
| extb3                      | '1'B                                                                           |          |
| cs                         | '11'B                                                                          |          |
| spb                        | '0'B                                                                           |          |
| location                   | '0010'B                                                                        |          |
| extb3a                     | -                                                                              |          |
| rec                        | -                                                                              |          |
| extb4                      | '1'B                                                                           |          |
| cau_class                  | '001'B                                                                         |          |
| cau_va                     | '1101'B                                                                        |          |
| cau_di                     | -                                                                              |          |
| <b>Detailed Comments:</b>  |                                                                                |          |

| Structured Type Constraint |               |          |
|----------------------------|---------------|----------|
| <b>Constraint Name:</b>    | Cdpn_01       |          |
| <b>Structured Type:</b>    | CDPN          |          |
| <b>Derivation Path:</b>    |               |          |
| <b>Comments:</b>           |               |          |
| Element Name               | Element Value | Comments |
| iei                        | '01011110'B   |          |
| iel                        | '02'O         |          |
| tonnpi                     | TonNpi_02     |          |
| digits                     | '01'O         |          |
| <b>Detailed Comments:</b>  |               |          |

| Structured Type Constraint |               |          |
|----------------------------|---------------|----------|
| <b>Constraint Name:</b>    | Cdps_01       |          |
| <b>Structured Type:</b>    | CDPS          |          |
| <b>Derivation Path:</b>    |               |          |
| <b>Comments:</b>           |               |          |
| Element Name               | Element Value | Comments |
| iei                        | '01101101'B   |          |
| iel                        | '03'O         |          |
| subad                      | SubAdd_01     |          |
| <b>Detailed Comments:</b>  |               |          |

| Structured Type Constraint |                 |          |
|----------------------------|-----------------|----------|
| <b>Constraint Name:</b>    | CellChDes_Omit  |          |
| <b>Structured Type:</b>    | CCHD            |          |
| <b>Derivation Path:</b>    |                 |          |
| <b>Comments:</b>           | Omit descriptor |          |
| Element Name               | Element Value   | Comments |
| iei                        | -               |          |
| rfl                        | -               |          |
| <b>Detailed Comments:</b>  |                 |          |

| Structured Type Constraint |                                         |          |
|----------------------------|-----------------------------------------|----------|
| <b>Constraint Name:</b>    | CellChDes_01                            |          |
| <b>Structured Type:</b>    | CCHD                                    |          |
| <b>Derivation Path:</b>    |                                         |          |
| <b>Comments:</b>           | ARFCN = 124                             |          |
| Element Name               | Element Value                           | Comments |
| iei                        | '01100010'B                             |          |
| rfl                        | '38000000000000000000000000000000'<br>O |          |
| <b>Detailed Comments:</b>  |                                         |          |

| Structured Type Constraint |                                         |          |
|----------------------------|-----------------------------------------|----------|
| <b>Constraint Name:</b>    | CellChDes_01d                           |          |
| <b>Structured Type:</b>    | CCHD                                    |          |
| <b>Derivation Path:</b>    |                                         |          |
| <b>Comments:</b>           | ARFCN = 801                             |          |
| Element Name               | Element Value                           | Comments |
| iei                        | '01100010'B                             |          |
| rfl                        | 'BF908000000000000000000000000000'<br>O |          |
| <b>Detailed Comments:</b>  |                                         |          |

| Structured Type Constraint |                                                                        |          |
|----------------------------|------------------------------------------------------------------------|----------|
| <b>Constraint Name:</b>    | CellChDes_02                                                           |          |
| <b>Structured Type:</b>    | CCHD                                                                   |          |
| <b>Derivation Path:</b>    |                                                                        |          |
| <b>Comments:</b>           | for cell A in RR testing of GSM 900 with the ARFCN_list={20,30,50,70}. |          |
| Element Name               | Element Value                                                          | Comments |
| iei                        | -                                                                      |          |
| rfl                        | '00000000000000200002000020080000'<br>O                                |          |
| <b>Detailed Comments:</b>  |                                                                        |          |

| Structured Type Constraint |                                                                                  |          |
|----------------------------|----------------------------------------------------------------------------------|----------|
| <b>Constraint Name:</b>    | CellChDes_03                                                                     |          |
| <b>Structured Type:</b>    | CCHD                                                                             |          |
| <b>Derivation Path:</b>    |                                                                                  |          |
| <b>Comments:</b>           | for cell A in RR testing of DCS1800 with the ARFCN list = {590, 650, 750, 850}.. |          |
| Element Name               | Element Value                                                                    | Comments |
| iei                        | -                                                                                |          |
| rfl                        | '89272827190000000000000000000000'<br>O                                          |          |
| <b>Detailed Comments:</b>  |                                                                                  |          |

| Structured Type Constraint |                                        |          |
|----------------------------|----------------------------------------|----------|
| <b>Constraint Name:</b>    | CellChDes_04                           |          |
| <b>Structured Type:</b>    | CCHD                                   |          |
| <b>Derivation Path:</b>    |                                        |          |
| <b>Comments:</b>           | for cell B in RR testing of GSM 900.   |          |
| Element Name               | Element Value                          | Comments |
| iei                        | -                                      |          |
| rfl                        | '0000000000000000000000000000200'<br>O |          |
| <b>Detailed Comments:</b>  |                                        |          |











| Structured Type Constraint |                                                                                      |          |
|----------------------------|--------------------------------------------------------------------------------------|----------|
| <b>Constraint Name:</b>    | CellChDes_19                                                                         |          |
| <b>Structured Type:</b>    | CCHD                                                                                 |          |
| <b>Derivation Path:</b>    |                                                                                      |          |
| <b>Comments:</b>           | Frequency list for EGSM test case TC_26_10_2_2: 0, 30, 40, 66, 80, 1005, 1010, 1015. |          |
| Element Name               | Element Value                                                                        | Comments |
| iei                        | -                                                                                    |          |
| rfl                        | '841EEA893EF981438000000000000000'                                                   |          |
|                            | O                                                                                    |          |
| <b>Detailed Comments:</b>  |                                                                                      |          |

| Structured Type Constraint |                                                                                                                                                   |          |
|----------------------------|---------------------------------------------------------------------------------------------------------------------------------------------------|----------|
| <b>Constraint Name:</b>    | CellChDes_20_A                                                                                                                                    |          |
| <b>Structured Type:</b>    | CCHD                                                                                                                                              |          |
| <b>Derivation Path:</b>    | CellChDes_01.                                                                                                                                     |          |
| <b>Comments:</b>           | Cell Channel Description for cell A in RR testing of GSM 900 HO cases with the ARFCN_list={10,17,20,26,34,42,45,46,52,59,66,73,74,75,76,108,114}. |          |
| Element Name               | Element Value                                                                                                                                     | Comments |
| rfl                        | '0002080000000F220408320222090200'                                                                                                                |          |
|                            | O                                                                                                                                                 |          |
| <b>Detailed Comments:</b>  |                                                                                                                                                   |          |

| Structured Type Constraint |                                                                                                                                                     |          |
|----------------------------|-----------------------------------------------------------------------------------------------------------------------------------------------------|----------|
| <b>Constraint Name:</b>    | CellChDes_20_Aman                                                                                                                                   |          |
| <b>Structured Type:</b>    | CCHD                                                                                                                                                |          |
| <b>Derivation Path:</b>    |                                                                                                                                                     |          |
| <b>Comments:</b>           | Cell Channel Description for any cell in RR testing of GSM 900 HO cases with the ARFCN_list={10,17,20,26,34,42,45,46,52,59,66,73,74,75,76,108,114}. |          |
| Element Name               | Element Value                                                                                                                                       | Comments |
| iei                        | -                                                                                                                                                   |          |
| rfl                        | '0002080000000F020408320202090200'                                                                                                                  |          |
|                            | O                                                                                                                                                   |          |
| <b>Detailed Comments:</b>  |                                                                                                                                                     |          |

| Structured Type Constraint |                                                                                                                                                                                   |          |
|----------------------------|-----------------------------------------------------------------------------------------------------------------------------------------------------------------------------------|----------|
| <b>Constraint Name:</b>    | CellChDes_201_Ad                                                                                                                                                                  |          |
| <b>Structured Type:</b>    | CCHD                                                                                                                                                                              |          |
| <b>Derivation Path:</b>    |                                                                                                                                                                                   |          |
| <b>Comments:</b>           | Cell Channel Description for cell A in RR testing of DCS1800 HO cases with the ARFCN_list={734,741,747,754,759,762,766,767,773,775,779,782,791,798,829,832,844} using 256 format. |          |
| Element Name               | Element Value                                                                                                                                                                     | Comments |
| iei                        | -                                                                                                                                                                                 |          |
| rfl                        | '8B6F14F32FC602C59EFA5499940000'                                                                                                                                                  |          |
|                            | O                                                                                                                                                                                 |          |
| <b>Detailed Comments:</b>  |                                                                                                                                                                                   |          |

| Structured Type Constraint |                                                                                                                                                                                                                                           |          |
|----------------------------|-------------------------------------------------------------------------------------------------------------------------------------------------------------------------------------------------------------------------------------------|----------|
| <b>Constraint Name:</b>    | CellChDes_202_Ad                                                                                                                                                                                                                          |          |
| <b>Structured Type:</b>    | CCHD                                                                                                                                                                                                                                      |          |
| <b>Derivation Path:</b>    | CellChDes_01.                                                                                                                                                                                                                             |          |
| <b>Comments:</b>           | Cell Channel Description for cell A in RR testing of DCS1800 HO cases with the Complete Cell Allocation of Cell A in 512 format.<br>ARFCN_list={734,741,747,754,759,762,766,767,773,775,779,782,791,798,829,832,844}<br>using 512 format. |          |
| Element Name               | Element Value                                                                                                                                                                                                                             | Comments |
| rfl                        | '896F0A7CC5FC700A8B9F7FF45246334<br>0'O                                                                                                                                                                                                   |          |
| <b>Detailed Comments:</b>  |                                                                                                                                                                                                                                           |          |

| Structured Type Constraint |                                                                                                                                                                  |          |
|----------------------------|------------------------------------------------------------------------------------------------------------------------------------------------------------------|----------|
| <b>Constraint Name:</b>    | CellChDes_203_Ad                                                                                                                                                 |          |
| <b>Structured Type:</b>    | CCHD                                                                                                                                                             |          |
| <b>Derivation Path:</b>    | CellChDes_01.                                                                                                                                                    |          |
| <b>Comments:</b>           | Cell Channel Description for cell A in TC_26_6_13 with the ARFCN_list={734,741,747,754,759,762,766,767,773,775,779,782,791,798,829,832,844}<br>using 256 format. |          |
| Element Name               | Element Value                                                                                                                                                    | Comments |
| iei                        | -                                                                                                                                                                |          |
| rfl                        | '8B6F1473F32FC602C59EFA54999400<br>0'O                                                                                                                           |          |
| <b>Detailed Comments:</b>  |                                                                                                                                                                  |          |

| Structured Type Constraint |                                                                                                                                                                                                                                     |          |
|----------------------------|-------------------------------------------------------------------------------------------------------------------------------------------------------------------------------------------------------------------------------------|----------|
| <b>Constraint Name:</b>    | CellChDes_202_Adman                                                                                                                                                                                                                 |          |
| <b>Structured Type:</b>    | CCHD                                                                                                                                                                                                                                |          |
| <b>Derivation Path:</b>    | CellChDes_01.                                                                                                                                                                                                                       |          |
| <b>Comments:</b>           | Cell Channel Description for cell A in RR testing of DCS1800 HO cases with the Complete Cell Allocation of Cell A in HO cases using 512 format.<br>ARFCN_list={734,741,747,754,759,762,766,767,773,775,779,782,791,798,829,832,844} |          |
| Element Name               | Element Value                                                                                                                                                                                                                       | Comments |
| iei                        | -                                                                                                                                                                                                                                   |          |
| rfl                        | '896F0A7CC5FC700A8B9F7FF45246334<br>0'O                                                                                                                                                                                             |          |
| <b>Detailed Comments:</b>  |                                                                                                                                                                                                                                     |          |

| Structured Type Constraint |                                                                                                                                                |          |
|----------------------------|------------------------------------------------------------------------------------------------------------------------------------------------|----------|
| <b>Constraint Name:</b>    | CellChDes_20_B                                                                                                                                 |          |
| <b>Structured Type:</b>    | CCHD                                                                                                                                           |          |
| <b>Derivation Path:</b>    | CellChDes_01.                                                                                                                                  |          |
| <b>Comments:</b>           | for cell B in RR testing of GSM 900 HO cases with the complete Cell Allocation ARFCN_list={14,18,22,24,30,31,38,40,60,66,73,74,75,76,108,114}. |          |
| Element Name               | Element Value                                                                                                                                  | Comments |
| rfl                        | '000208000000F02080000A060A22000'<br>O                                                                                                         |          |
| <b>Detailed Comments:</b>  |                                                                                                                                                |          |

| Structured Type Constraint |                                                                                                                                                |          |
|----------------------------|------------------------------------------------------------------------------------------------------------------------------------------------|----------|
| <b>Constraint Name:</b>    | CellChDes_20_Bman                                                                                                                              |          |
| <b>Structured Type:</b>    | CCHD                                                                                                                                           |          |
| <b>Derivation Path:</b>    |                                                                                                                                                |          |
| <b>Comments:</b>           | for cell B in RR testing of GSM 900 HO cases with the complete Cell Allocation ARFCN_list={14,18,22,24,30,31,38,40,60,66,73,74,75,76,108,114}. |          |
| Element Name               | Element Value                                                                                                                                  | Comments |
| iei                        | -                                                                                                                                              |          |
| rfl                        | '000208000000F0208000A060A22000'<br>O                                                                                                          |          |
| <b>Detailed Comments:</b>  |                                                                                                                                                |          |

| Structured Type Constraint |                                                                                                   |          |
|----------------------------|---------------------------------------------------------------------------------------------------|----------|
| <b>Constraint Name:</b>    | CellChDes_20_Be(par_rfl:OCTETSTRING)                                                              |          |
| <b>Structured Type:</b>    | CCHD                                                                                              |          |
| <b>Derivation Path:</b>    |                                                                                                   |          |
| <b>Comments:</b>           | for cell B in RR testing of EGSM HO cases with the complete Cell Allocation ARFCN_list={par_rfl}. |          |
| Element Name               | Element Value                                                                                     | Comments |
| iei                        | '01100010'B                                                                                       |          |
| rfl                        | par_rfl                                                                                           |          |
| <b>Detailed Comments:</b>  |                                                                                                   |          |

| Structured Type Constraint |                                                                                                                                                                               |          |
|----------------------------|-------------------------------------------------------------------------------------------------------------------------------------------------------------------------------|----------|
| <b>Constraint Name:</b>    | CellChDes_201_Bd                                                                                                                                                              |          |
| <b>Structured Type:</b>    | CCHD                                                                                                                                                                          |          |
| <b>Derivation Path:</b>    |                                                                                                                                                                               |          |
| <b>Comments:</b>           | Cell Channel Description for cell B in RR testing of DCS1800 HO cases with the ARFCN_list={739,743,746,749,756,758,761,764,771,779,782,791,798,829,832,844} using 256 format. |          |
| Element Name               | Element Value                                                                                                                                                                 | Comments |
| iei                        | -                                                                                                                                                                             |          |
| rfl                        | '8A71907137B602C5DEF7A348D800000'<br>O                                                                                                                                        |          |
| <b>Detailed Comments:</b>  |                                                                                                                                                                               |          |

| Structured Type Constraint |                                                                                                                                                            |          |
|----------------------------|------------------------------------------------------------------------------------------------------------------------------------------------------------|----------|
| <b>Constraint Name:</b>    | CellChDes_20_B0d                                                                                                                                           |          |
| <b>Structured Type:</b>    | CCHD                                                                                                                                                       |          |
| <b>Derivation Path:</b>    |                                                                                                                                                            |          |
| <b>Comments:</b>           | the complete Cell Allocation List_ARFCN= complete cell allocation of cell B in HO cases. {739,743,746,749,756,758,761,764,771,779,782,791,798,829,832,844} |          |
| Element Name               | Element Value                                                                                                                                              | Comments |
| iei                        | '01100010'B                                                                                                                                                |          |
| rfl                        | '8F718920524080900810000000240040'<br>O                                                                                                                    |          |
| <b>Detailed Comments:</b>  |                                                                                                                                                            |          |

| Structured Type Constraint |                                                                                                 |          |
|----------------------------|-------------------------------------------------------------------------------------------------|----------|
| <b>Constraint Name:</b>    | CellChDes_21_B                                                                                  |          |
| <b>Structured Type:</b>    | CCHD                                                                                            |          |
| <b>Derivation Path:</b>    | CellChDes_01.                                                                                   |          |
| <b>Comments:</b>           | for any cell in RR testing of GSM 900 HO cases with the ARFCN_list={40,66,73,74,75,76,108,114}. |          |
| Element Name               | Element Value                                                                                   | Comments |
| rfl                        | '0002080000000F00040000800000000'<br>O                                                          |          |
| <b>Detailed Comments:</b>  |                                                                                                 |          |

| Structured Type Constraint |                                                                                                        |          |
|----------------------------|--------------------------------------------------------------------------------------------------------|----------|
| <b>Constraint Name:</b>    | CellChDes_21_Bd                                                                                        |          |
| <b>Structured Type:</b>    | CCHD                                                                                                   |          |
| <b>Derivation Path:</b>    | CellChDes_01.                                                                                          |          |
| <b>Comments:</b>           | for cell B in RR testing of GSM 900 HO cases with the List_ARFCN={761,764,771,779,782,791,798,829,832} |          |
| Element Name               | Element Value                                                                                          | Comments |
| rfl                        | '897C87BD09BC61060F9000000000000'<br>'O                                                                |          |
| <b>Detailed Comments:</b>  |                                                                                                        |          |

| Structured Type Constraint |                                            |          |
|----------------------------|--------------------------------------------|----------|
| <b>Constraint Name:</b>    | CellChDes_22                               |          |
| <b>Structured Type:</b>    | CCHD                                       |          |
| <b>Derivation Path:</b>    |                                            |          |
| <b>Comments:</b>           | for cell A in EGSM testing: 20, 30, 50, 70 |          |
| Element Name               | Element Value                              | Comments |
| iei                        | -                                          |          |
| rfl                        | '00000000000000200002000020080000'<br>O    |          |
| <b>Detailed Comments:</b>  |                                            |          |

| Structured Type Constraint |                                                                                               |          |
|----------------------------|-----------------------------------------------------------------------------------------------|----------|
| <b>Constraint Name:</b>    | CellChDes_23A                                                                                 |          |
| <b>Structured Type:</b>    | CCHD                                                                                          |          |
| <b>Derivation Path:</b>    |                                                                                               |          |
| <b>Comments:</b>           | for cell A in EGSM testing, TC_26_10_2_4_1 : 20, 40, 66, 73, 74, 75, 76, 77, 78, 79, 108, 114 |          |
| Element Name               | Element Value                                                                                 | Comments |
| iei                        | -                                                                                             |          |
| rfl                        | '0002080000007F020000008000080000'<br>O                                                       |          |
| <b>Detailed Comments:</b>  |                                                                                               |          |

| Structured Type Constraint |                                                                     |          |
|----------------------------|---------------------------------------------------------------------|----------|
| <b>Constraint Name:</b>    | CellChDes_23B                                                       |          |
| <b>Structured Type:</b>    | CCHD                                                                |          |
| <b>Derivation Path:</b>    |                                                                     |          |
| <b>Comments:</b>           | for cell A in EGSM testing, TC_26_10_2_4_1 : 10, 12, 40, 60, 62, 63 |          |
| Element Name               | Element Value                                                       | Comments |
| iei                        | -                                                                   |          |
| rfl                        | '0000000000000004800008000000A00'<br>O                              |          |
| <b>Detailed Comments:</b>  |                                                                     |          |



| Structured Type Constraint |                                                                                                        |          |
|----------------------------|--------------------------------------------------------------------------------------------------------|----------|
| <b>Constraint Name:</b>    | CellChDes_r01                                                                                          |          |
| <b>Structured Type:</b>    | CCHD                                                                                                   |          |
| <b>Derivation Path:</b>    |                                                                                                        |          |
| <b>Comments:</b>           | for cell A in RR testing of DCS1800 with the ARFCN_list={773, 775, 779, 782, 791, 798, 829, 832, 844}. |          |
| Element Name               | Element Value                                                                                          | Comments |
| iei                        | '01100010'B                                                                                            |          |
| rfl                        | '8D8299C22EF52CC0000000000000000000'<br>O                                                              |          |
| <b>Detailed Comments:</b>  |                                                                                                        |          |

| Structured Type Constraint |                                                                     |          |
|----------------------------|---------------------------------------------------------------------|----------|
| <b>Constraint Name:</b>    | CellChDes_r02                                                       |          |
| <b>Structured Type:</b>    | CCHD                                                                |          |
| <b>Derivation Path:</b>    |                                                                     |          |
| <b>Comments:</b>           | for cell A in RR testing of GSM 900 with the ARFCN_list={741, 747}. |          |
| Element Name               | Element Value                                                       | Comments |
| iei                        | '01100010'B                                                         |          |
| rfl                        | '8F728200000000000000000000000000'<br>O                             |          |
| <b>Detailed Comments:</b>  |                                                                     |          |

| Structured Type Constraint |                                                                                                         |          |
|----------------------------|---------------------------------------------------------------------------------------------------------|----------|
| <b>Constraint Name:</b>    | CellChDes_r03                                                                                           |          |
| <b>Structured Type:</b>    | CCHD                                                                                                    |          |
| <b>Derivation Path:</b>    |                                                                                                         |          |
| <b>Comments:</b>           | for cell A in RR testing of GSM 900 with the ARFCN_list={45, 46, 52, 59, 66, 73, 74, 75, 76, 108, 114}. |          |
| Element Name               | Element Value                                                                                           | Comments |
| iei                        | '01100010'B                                                                                             |          |
| rfl                        | '0002080000000000F0204083000000000'<br>O                                                                |          |
| <b>Detailed Comments:</b>  |                                                                                                         |          |

| Structured Type Constraint |                                                                   |          |
|----------------------------|-------------------------------------------------------------------|----------|
| <b>Constraint Name:</b>    | CellChDes_r04                                                     |          |
| <b>Structured Type:</b>    | CCHD                                                              |          |
| <b>Derivation Path:</b>    |                                                                   |          |
| <b>Comments:</b>           | for cell A in RR testing of GSM 900 with the ARFCN_list={17, 20}. |          |
| Element Name               | Element Value                                                     | Comments |
| iei                        | '01100010'B                                                       |          |
| rfl                        | '0000000000000000000000000000000090000'<br>O                      |          |
| <b>Detailed Comments:</b>  |                                                                   |          |

| Structured Type Constraint |                                                |          |
|----------------------------|------------------------------------------------|----------|
| <b>Constraint Name:</b>    | CellDescrp(ncc1, bcc1:B_3; par_arfcn: INTEGER) |          |
| <b>Structured Type:</b>    | CD                                             |          |
| <b>Derivation Path:</b>    |                                                |          |
| <b>Comments:</b>           | BCCH channel for Cell A                        |          |
| Element Name               | Element Value                                  | Comments |
| bcch_arfcn_h               | OC_MostBits( INT_TO_BIT( par_arfcn, 10), 2)    |          |
| ncc                        | ncc1                                           |          |
| bcc                        | bcc1                                           |          |
| bcch_arfcn_l               | OC_LeastBits( INT_TO_BIT( par_arfcn, 10), 8)   |          |
| <b>Detailed Comments:</b>  |                                                |          |

| Structured Type Constraint |               |          |
|----------------------------|---------------|----------|
| <b>Constraint Name:</b>    | CellOpt_01    |          |
| <b>Structured Type:</b>    | CO            |          |
| <b>Derivation Path:</b>    |               |          |
| <b>Comments:</b>           |               |          |
| Element Name               | Element Value | Comments |
| sprb                       | '0'B          |          |
| pwrc                       | '0'B          |          |
| dtx                        | '10'B         |          |
| rit                        | '0001'B       |          |
| <b>Detailed Comments:</b>  |               |          |

| Structured Type Constraint |                                     |          |
|----------------------------|-------------------------------------|----------|
| <b>Constraint Name:</b>    | CellOpt_02                          |          |
| <b>Structured Type:</b>    | CO                                  |          |
| <b>Derivation Path:</b>    |                                     |          |
| <b>Comments:</b>           | parameters from 26.3.1 of GSM 11.10 |          |
| Element Name               | Element Value                       | Comments |
| sprb                       | '0'B                                |          |
| pwrc                       | '0'B                                |          |
| dtx                        | '10'B                               |          |
| rit                        | '0101'B                             |          |
| <b>Detailed Comments:</b>  |                                     |          |

| Structured Type Constraint |                             |          |
|----------------------------|-----------------------------|----------|
| <b>Constraint Name:</b>    | CellOpt_03                  |          |
| <b>Structured Type:</b>    | CO                          |          |
| <b>Derivation Path:</b>    |                             |          |
| <b>Comments:</b>           | used in measurement testing |          |
| Element Name               | Element Value               | Comments |
| sprb                       | '0'B                        |          |
| pwrc                       | '1'B                        |          |
| dtx                        | '01'B                       |          |
| rit                        | '0001'B                     |          |
| <b>Detailed Comments:</b>  |                             |          |

| Structured Type Constraint |                          |          |
|----------------------------|--------------------------|----------|
| <b>Constraint Name:</b>    | CellOpt_04               |          |
| <b>Structured Type:</b>    | CO                       |          |
| <b>Derivation Path:</b>    |                          |          |
| <b>Comments:</b>           | spare bit is set to '1'B |          |
| Element Name               | Element Value            | Comments |
| sprb                       | '1'B                     |          |
| pwrC                       | '0'B                     |          |
| dtX                        | '10'B                    |          |
| rlt                        | '0001'B                  |          |
| <b>Detailed Comments:</b>  |                          |          |

| Structured Type Constraint |               |          |
|----------------------------|---------------|----------|
| <b>Constraint Name:</b>    | CellOpt_05    |          |
| <b>Structured Type:</b>    | CO            |          |
| <b>Derivation Path:</b>    |               |          |
| <b>Comments:</b>           |               |          |
| Element Name               | Element Value | Comments |
| sprb                       | '0'B          |          |
| pwrC                       | '0'B          |          |
| dtX                        | '10'B         |          |
| rlt                        | '1111'B       |          |
| <b>Detailed Comments:</b>  |               |          |

| Structured Type Constraint |                          |          |
|----------------------------|--------------------------|----------|
| <b>Constraint Name:</b>    | CellOpt_06               |          |
| <b>Structured Type:</b>    | CO                       |          |
| <b>Derivation Path:</b>    | CellOpt_04.              |          |
| <b>Comments:</b>           | spare bit is set to '1'B |          |
| Element Name               | Element Value            | Comments |
| pwrC                       | '1'B                     |          |
| <b>Detailed Comments:</b>  |                          |          |

| Structured Type Constraint |                                          |          |
|----------------------------|------------------------------------------|----------|
| <b>Constraint Name:</b>    | CellSelPara(crh, mtmc:INTEGER; neci:B_1) |          |
| <b>Structured Type:</b>    | CSP                                      |          |
| <b>Derivation Path:</b>    |                                          |          |
| <b>Comments:</b>           | Default value.                           |          |
| Element Name               | Element Value                            | Comments |
| crh                        | INT_TO_BIT(crh, 3)                       |          |
| mtmc                       | INT_TO_BIT(mtmc, 5)                      |          |
| acs                        | '0'B                                     |          |
| neci                       | neci                                     |          |
| ram                        | '000000'B                                |          |
| <b>Detailed Comments:</b>  |                                          |          |

| Structured Type Constraint |                           |          |
|----------------------------|---------------------------|----------|
| <b>Constraint Name:</b>    | CellSelPara_01            |          |
| <b>Structured Type:</b>    | CSP                       |          |
| <b>Derivation Path:</b>    |                           |          |
| <b>Comments:</b>           | Default value for GSM900. |          |
| Element Name               | Element Value             | Comments |
| crh                        | '110'B                    |          |
| mtmc                       | '10011'B                  |          |
| acs                        | '0'B                      |          |
| neci                       | '0'B                      |          |
| ram                        | '000000'B                 |          |
| <b>Detailed Comments:</b>  |                           |          |

| Structured Type Constraint |                            |          |
|----------------------------|----------------------------|----------|
| <b>Constraint Name:</b>    | CellSelPara_04             |          |
| <b>Structured Type:</b>    | CSP                        |          |
| <b>Derivation Path:</b>    | CellSelPara_01.            |          |
| <b>Comments:</b>           | Default value for DCS1800. |          |
| Element Name               | Element Value              | Comments |
| mtmc                       | '01111'B                   |          |
| <b>Detailed Comments:</b>  |                            |          |

| Structured Type Constraint |                                                    |          |
|----------------------------|----------------------------------------------------|----------|
| <b>Constraint Name:</b>    | Cgpn_01                                            |          |
| <b>Structured Type:</b>    | CGPN                                               |          |
| <b>Derivation Path:</b>    |                                                    |          |
| <b>Comments:</b>           | calling party BCD number with arbitrary spare bits |          |
| Element Name               | Element Value                                      | Comments |
| iei                        | '01011100'B                                        |          |
| iel                        | '03'O                                              |          |
| tonnpi                     | TonNpi_01                                          |          |
| pis                        | PiSi_01                                            |          |
| digits                     | '01'O                                              |          |
| <b>Detailed Comments:</b>  |                                                    |          |

| Structured Type Constraint |               |          |
|----------------------------|---------------|----------|
| <b>Constraint Name:</b>    | Cgps_01       |          |
| <b>Structured Type:</b>    | CGPS          |          |
| <b>Derivation Path:</b>    |               |          |
| <b>Comments:</b>           |               |          |
| Element Name               | Element Value | Comments |
| iei                        | '01011101'B   |          |
| iel                        | '03'O         |          |
| subad                      | SubAdd_01     |          |
| <b>Detailed Comments:</b>  |               |          |

| Structured Type Constraint |                                                                    |          |
|----------------------------|--------------------------------------------------------------------|----------|
| <b>Constraint Name:</b>    | ChDescrp_nfh(type:CH_TDMA; slot:SN; tsc:TSC; par_arfcn: INTEGER)   |          |
| <b>Structured Type:</b>    | CHD                                                                |          |
| <b>Derivation Path:</b>    |                                                                    |          |
| <b>Comments:</b>           | Channel description for CC testing, non hopping, no starting time. |          |
| Element Name               | Element Value                                                      | Comments |
| iei                        | -                                                                  |          |
| cht_schn                   | type                                                               |          |
| tn                         | slot                                                               |          |
| tsc                        | tsc                                                                |          |
| hch                        | '0'B                                                               |          |
| maio                       | -                                                                  |          |
| hsn                        | -                                                                  |          |
| spr                        | '00'B                                                              |          |
| arfcn                      | INT_TO_BIT(par_arfcn, 10)                                          |          |
| <b>Detailed Comments:</b>  |                                                                    |          |

| Structured Type Constraint |                                                                              |          |
|----------------------------|------------------------------------------------------------------------------|----------|
| <b>Constraint Name:</b>    | ChDescrp_nfhiei(type:CH_TDMA; slot:SN; tsc:TSC; par_arfcn: INTEGER)          |          |
| <b>Structured Type:</b>    | CHD                                                                          |          |
| <b>Derivation Path:</b>    |                                                                              |          |
| <b>Comments:</b>           | Channel description for CC testing, non hopping, no starting time, with iei. |          |
| Element Name               | Element Value                                                                | Comments |
| iei                        | '01100100'B                                                                  |          |
| cht_schn                   | type                                                                         |          |
| tn                         | slot                                                                         |          |
| tsc                        | tsc                                                                          |          |
| hch                        | '0'B                                                                         |          |
| maio                       | -                                                                            |          |
| hsn                        | -                                                                            |          |
| spr                        | '00'B                                                                        |          |
| arfcn                      | INT_TO_BIT(par_arfcn, 10)                                                    |          |
| <b>Detailed Comments:</b>  |                                                                              |          |

| Structured Type Constraint |                                                                                           |          |
|----------------------------|-------------------------------------------------------------------------------------------|----------|
| <b>Constraint Name:</b>    | ChDescrp_fh( par_chtype: CH_TDMA; ts_ccch: SN; tsc:TSC; maio:MAIO; hsn:HSN)               |          |
| <b>Structured Type:</b>    | CHD                                                                                       |          |
| <b>Derivation Path:</b>    |                                                                                           |          |
| <b>Comments:</b>           | A derived constraint for <<Channel description >>ie with TCH/F freq. hopping in any CELL. |          |
| Element Name               | Element Value                                                                             | Comments |
| iei                        | -                                                                                         |          |
| cht_schn                   | par_chtype                                                                                |          |
| tn                         | ts_ccch                                                                                   |          |
| tsc                        | tsc                                                                                       |          |
| hch                        | '1'B                                                                                      |          |
| maio                       | maio                                                                                      |          |
| hsn                        | hsn                                                                                       |          |
| spr                        | -                                                                                         |          |
| arfcn                      | -                                                                                         |          |
| <b>Detailed Comments:</b>  |                                                                                           |          |

| Structured Type Constraint |                                                                                           |          |
|----------------------------|-------------------------------------------------------------------------------------------|----------|
| <b>Constraint Name:</b>    | ChDescrp_fhiei( par_chtype: CH_TDMA; ts_ccch: SN; tsc:TSC; maio:MAIO; hsn:HSN)            |          |
| <b>Structured Type:</b>    | CHD                                                                                       |          |
| <b>Derivation Path:</b>    |                                                                                           |          |
| <b>Comments:</b>           | A derived constraint for <<Channel description >>ie with TCH/F freq. hopping in any CELL. |          |
| Element Name               | Element Value                                                                             | Comments |
| iei                        | '01100100'B                                                                               |          |
| cht_schn                   | par_chtype                                                                                |          |
| tn                         | ts_ccch                                                                                   |          |
| tsc                        | tsc                                                                                       |          |
| hch                        | '1'B                                                                                      |          |
| maio                       | maio                                                                                      |          |
| hsn                        | hsn                                                                                       |          |
| spr                        | -                                                                                         |          |
| arfcn                      | -                                                                                         |          |
| <b>Detailed Comments:</b>  |                                                                                           |          |

| Structured Type Constraint |                                                                   |          |
|----------------------------|-------------------------------------------------------------------|----------|
| <b>Constraint Name:</b>    | ChDescrp_sdcch8_fh(slot:SN; tsc:TSC; sch:B_3; maio:MAIO; hsn:HSN) |          |
| <b>Structured Type:</b>    | CHD                                                               |          |
| <b>Derivation Path:</b>    |                                                                   |          |
| <b>Comments:</b>           | Channel description for SDCCH8.                                   |          |
| Element Name               | Element Value                                                     | Comments |
| iei                        | -                                                                 |          |
| cht_schn                   | INT_TO_BIT((8 + BIT_TO_INT( sch)), 5)                             |          |
| tn                         | slot                                                              |          |
| tsc                        | tsc                                                               |          |
| hch                        | '1'B                                                              |          |
| maio                       | maio                                                              |          |
| hsn                        | hsn                                                               |          |
| spr                        | -                                                                 |          |
| arfcn                      | -                                                                 |          |
| <b>Detailed Comments:</b>  |                                                                   |          |

| Structured Type Constraint |                                                                 |          |
|----------------------------|-----------------------------------------------------------------|----------|
| <b>Constraint Name:</b>    | ChDescrp_sdcch8_nfh(slot:SN; tsc:TSC; subch:B_3; arfcn:INTEGER) |          |
| <b>Structured Type:</b>    | CHD                                                             |          |
| <b>Derivation Path:</b>    |                                                                 |          |
| <b>Comments:</b>           | Channel description for SDCCH8 in cell A for RR test.           |          |
| Element Name               | Element Value                                                   | Comments |
| iei                        | -                                                               |          |
| cht_schn                   | INT_TO_BIT((8 + BIT_TO_INT(subch)), 5)                          |          |
| tn                         | slot                                                            |          |
| tsc                        | tsc                                                             |          |
| hch                        | '0'B                                                            |          |
| maio                       | -                                                               |          |
| hsn                        | -                                                               |          |
| spr                        | '00'B                                                           |          |
| arfcn                      | INT_TO_BIT(arfcn, 10)                                           |          |
| <b>Detailed Comments:</b>  |                                                                 |          |

| Structured Type Constraint |                                                        |          |
|----------------------------|--------------------------------------------------------|----------|
| <b>Constraint Name:</b>    | ChDescrp_tchf_fh(slot:SN; tsc:TSC; maio:MAIO; hsn:HSN) |          |
| <b>Structured Type:</b>    | CHD                                                    |          |
| <b>Derivation Path:</b>    |                                                        |          |
| <b>Comments:</b>           | Channel description for TCH/F in cell A for RR test.   |          |
| Element Name               | Element Value                                          | Comments |
| iei                        | -                                                      |          |
| cht_schn                   | '00001'B                                               |          |
| tn                         | slot                                                   |          |
| tsc                        | tsc                                                    |          |
| hch                        | '1'B                                                   |          |
| maio                       | maio                                                   |          |
| hsn                        | hsn                                                    |          |
| spr                        | -                                                      |          |
| arfcn                      | -                                                      |          |
| <b>Detailed Comments:</b>  | Used in TC_26_6_4_1 only                               |          |

| Structured Type Constraint |                                                                    |          |
|----------------------------|--------------------------------------------------------------------|----------|
| <b>Constraint Name:</b>    | ChDescrp_tchh_fh( slot:SN; tsc:TSC; subch:B_1; maio:MAIO; hsn:HSN) |          |
| <b>Structured Type:</b>    | CHD                                                                |          |
| <b>Derivation Path:</b>    |                                                                    |          |
| <b>Comments:</b>           | Channel description for TCH/H in cell A for RR test.               |          |
| Element Name               | Element Value                                                      | Comments |
| iei                        | -                                                                  |          |
| cht_schn                   | INT_TO_BIT((2 + BIT_TO_INT(subch)),<br>5)                          |          |
| tn                         | slot                                                               |          |
| tsc                        | tsc                                                                |          |
| hch                        | '1'B                                                               |          |
| maio                       | maio                                                               |          |
| hsn                        | hsn                                                                |          |
| spr                        | -                                                                  |          |
| arfcn                      | -                                                                  |          |
| <b>Detailed Comments:</b>  | Used in TC_26_6_4_1 only                                           |          |

| Structured Type Constraint |                                                                |          |
|----------------------------|----------------------------------------------------------------|----------|
| <b>Constraint Name:</b>    | ChDescrp_tchh_nfh( slot:SN; tsc:TSC; subch:B_1; arfcn:INTEGER) |          |
| <b>Structured Type:</b>    | CHD                                                            |          |
| <b>Derivation Path:</b>    |                                                                |          |
| <b>Comments:</b>           | Channel description for TCH/F in cell A for RR test.           |          |
| Element Name               | Element Value                                                  | Comments |
| iei                        | -                                                              |          |
| cht_schn                   | INT_TO_BIT(( 2 + BIT_TO_INT( subch)),<br>5)                    |          |
| tn                         | slot                                                           |          |
| tsc                        | tsc                                                            |          |
| hch                        | '0'B                                                           |          |
| maio                       | -                                                              |          |
| hsn                        | -                                                              |          |
| spr                        | '00'B                                                          |          |
| arfcn                      | INT_TO_BIT( arfcn, 10)                                         |          |
| <b>Detailed Comments:</b>  |                                                                |          |

| Structured Type Constraint |                  |          |
|----------------------------|------------------|----------|
| <b>Constraint Name:</b>    | ChMod( mode:B_8) |          |
| <b>Structured Type:</b>    | CHMOD            |          |
| <b>Derivation Path:</b>    |                  |          |
| <b>Comments:</b>           |                  |          |
| Element Name               | Element Value    | Comments |
| iei<br>mode                | -<br>mode        |          |
| <b>Detailed Comments:</b>  |                  |          |

| Structured Type Constraint |                             |          |
|----------------------------|-----------------------------|----------|
| <b>Constraint Name:</b>    | ChMod_r01                   |          |
| <b>Structured Type:</b>    | CHMOD                       |          |
| <b>Derivation Path:</b>    |                             |          |
| <b>Comments:</b>           | for TC_26_6_13_1 after time |          |
| Element Name               | Element Value               | Comments |
| iei<br>mode                | '01100011'B<br>TSPX_ChMod1  |          |
| <b>Detailed Comments:</b>  |                             |          |

| Structured Type Constraint |                             |          |
|----------------------------|-----------------------------|----------|
| <b>Constraint Name:</b>    | ChMod_r02                   |          |
| <b>Structured Type:</b>    | CHMOD                       |          |
| <b>Derivation Path:</b>    |                             |          |
| <b>Comments:</b>           | for TC_26_6_13_2 after time |          |
| Element Name               | Element Value               | Comments |
| iei<br>mode                | '01100011'B<br>TSPX_ChMod2  |          |
| <b>Detailed Comments:</b>  |                             |          |

| Structured Type Constraint |                  |          |
|----------------------------|------------------|----------|
| <b>Constraint Name:</b>    | ChMod_r03        |          |
| <b>Structured Type:</b>    | CHMOD            |          |
| <b>Derivation Path:</b>    | ChMod_r01.       |          |
| <b>Comments:</b>           | for TC_26_6_13_5 |          |
| Element Name               | Element Value    | Comments |
| mode                       | TSPX_ChMod4      |          |
| <b>Detailed Comments:</b>  |                  |          |

| Structured Type Constraint |                  |          |
|----------------------------|------------------|----------|
| <b>Constraint Name:</b>    | ChMod_r04        |          |
| <b>Structured Type:</b>    | CHMOD            |          |
| <b>Derivation Path:</b>    | ChMod_r01.       |          |
| <b>Comments:</b>           | for TC_26_6_13_6 |          |
| Element Name               | Element Value    | Comments |
| mode                       | TSPX_ChMod5      |          |
| <b>Detailed Comments:</b>  |                  |          |



| Structured Type Constraint |                  |          |
|----------------------------|------------------|----------|
| <b>Constraint Name:</b>    | ChMod_r05        |          |
| <b>Structured Type:</b>    | CHMOD            |          |
| <b>Derivation Path:</b>    | ChMod_r01.       |          |
| <b>Comments:</b>           | for TC_26_6_13_7 |          |
| Element Name               | Element Value    | Comments |
| mode                       | TSPX_ChMod6      |          |
| <b>Detailed Comments:</b>  |                  |          |

| Structured Type Constraint |                  |          |
|----------------------------|------------------|----------|
| <b>Constraint Name:</b>    | ChMod_r06        |          |
| <b>Structured Type:</b>    | CHMOD            |          |
| <b>Derivation Path:</b>    | ChMod_r01.       |          |
| <b>Comments:</b>           | for TC_26_6_13_8 |          |
| Element Name               | Element Value    | Comments |
| mode                       | TSPX_ChMod7      |          |
| <b>Detailed Comments:</b>  |                  |          |

| Structured Type Constraint |                 |          |
|----------------------------|-----------------|----------|
| <b>Constraint Name:</b>    | ChMod_sign      |          |
| <b>Structured Type:</b>    | CHMOD           |          |
| <b>Derivation Path:</b>    |                 |          |
| <b>Comments:</b>           | signalling only |          |
| Element Name               | Element Value   | Comments |
| iei                        | -               |          |
| mode                       | C_ChMod_s       |          |
| <b>Detailed Comments:</b>  |                 |          |

| Structured Type Constraint |                 |          |
|----------------------------|-----------------|----------|
| <b>Constraint Name:</b>    | ChMod_sign_iei  |          |
| <b>Structured Type:</b>    | CHMOD           |          |
| <b>Derivation Path:</b>    |                 |          |
| <b>Comments:</b>           | signalling only |          |
| Element Name               | Element Value   | Comments |
| iei                        | '01100011'B     |          |
| mode                       | C_ChMod_s       |          |
| <b>Detailed Comments:</b>  |                 |          |

| Structured Type Constraint |                           |          |
|----------------------------|---------------------------|----------|
| <b>Constraint Name:</b>    | ChMod_speech              |          |
| <b>Structured Type:</b>    | CHMOD                     |          |
| <b>Derivation Path:</b>    | ChMod_sign.               |          |
| <b>Comments:</b>           | speech full or half rate. |          |
| Element Name               | Element Value             | Comments |
| mode                       | C_ChMod_r                 |          |
| <b>Detailed Comments:</b>  |                           |          |

| Structured Type Constraint |                           |          |
|----------------------------|---------------------------|----------|
| <b>Constraint Name:</b>    | ChMod_speech_iei          |          |
| <b>Structured Type:</b>    | CHMOD                     |          |
| <b>Derivation Path:</b>    |                           |          |
| <b>Comments:</b>           | speech full or half rate. |          |
| Element Name               | Element Value             | Comments |
| iei                        | '01100011'B               |          |
| mode                       | C_ChMod_r                 |          |
| <b>Detailed Comments:</b>  |                           |          |

| Structured Type Constraint |                                                     |          |
|----------------------------|-----------------------------------------------------|----------|
| <b>Constraint Name:</b>    | ChMod_12k                                           |          |
| <b>Structured Type:</b>    | CHMOD                                               |          |
| <b>Derivation Path:</b>    | ChMod_sign.                                         |          |
| <b>Comments:</b>           | data 9.6 kb/s full rate, ( 12.0 kb/s air interface) |          |
| Element Name               | Element Value                                       | Comments |
| mode                       | C_ChMod_12k                                         |          |
| <b>Detailed Comments:</b>  |                                                     |          |

| Structured Type Constraint |                                                   |          |
|----------------------------|---------------------------------------------------|----------|
| <b>Constraint Name:</b>    | ChMod_6k                                          |          |
| <b>Structured Type:</b>    | CHMOD                                             |          |
| <b>Derivation Path:</b>    | ChMod_sign.                                       |          |
| <b>Comments:</b>           | data 4.8 kb/s full rate, (6.0 kb/s air interface) |          |
| Element Name               | Element Value                                     | Comments |
| mode                       | C_ChMod_6k                                        |          |
| <b>Detailed Comments:</b>  |                                                   |          |

| Structured Type Constraint |                                                   |          |
|----------------------------|---------------------------------------------------|----------|
| <b>Constraint Name:</b>    | ChMod_3k                                          |          |
| <b>Structured Type:</b>    | CHMOD                                             |          |
| <b>Derivation Path:</b>    | ChMod_sign.                                       |          |
| <b>Comments:</b>           | data 2.4 kb/s full rate, (3.6 kb/s air interface) |          |
| Element Name               | Element Value                                     | Comments |
| mode                       | C_ChMod_3k                                        |          |
| <b>Detailed Comments:</b>  |                                                   |          |

| Structured Type Constraint |                                       |          |
|----------------------------|---------------------------------------|----------|
| <b>Constraint Name:</b>    | ChMod_rcv                             |          |
| <b>Structured Type:</b>    | CHMOD                                 |          |
| <b>Derivation Path:</b>    | ChMod_sign.                           |          |
| <b>Comments:</b>           | used only in the OM_ChConf operation, |          |
| Element Name               | Element Value                         | Comments |
| mode                       | '11111111'B                           |          |
| <b>Detailed Comments:</b>  |                                       |          |

| Structured Type Constraint |                    |          |
|----------------------------|--------------------|----------|
| <b>Constraint Name:</b>    | ChMod_omit         |          |
| <b>Structured Type:</b>    | CHMOD              |          |
| <b>Derivation Path:</b>    |                    |          |
| <b>Comments:</b>           | parametrised mode. |          |
| Element Name               | Element Value      | Comments |
| iei                        | -                  |          |
| mode                       | -                  |          |
| <b>Detailed Comments:</b>  |                    |          |

| Structured Type Constraint |               |          |
|----------------------------|---------------|----------|
| <b>Constraint Name:</b>    | Chneed_01     |          |
| <b>Structured Type:</b>    | CHNEED        |          |
| <b>Derivation Path:</b>    |               |          |
| <b>Comments:</b>           | any channel   |          |
| Element Name               | Element Value | Comments |
| ch2                        | '00'B         |          |
| ch1                        | '00'B         |          |
| <b>Detailed Comments:</b>  |               |          |

| Structured Type Constraint |                       |          |
|----------------------------|-----------------------|----------|
| <b>Constraint Name:</b>    | Chneed_02             |          |
| <b>Structured Type:</b>    | CHNEED                |          |
| <b>Derivation Path:</b>    |                       |          |
| <b>Comments:</b>           | SDCCH channel needed. |          |
| Element Name               | Element Value         | Comments |
| ch2                        | '00'B                 |          |
| ch1                        | '01'B                 |          |
| <b>Detailed Comments:</b>  |                       |          |

| Structured Type Constraint |                       |          |
|----------------------------|-----------------------|----------|
| <b>Constraint Name:</b>    | Chneed_03             |          |
| <b>Structured Type:</b>    | CHNEED                |          |
| <b>Derivation Path:</b>    |                       |          |
| <b>Comments:</b>           | TCH/F channel needed. |          |
| Element Name               | Element Value         | Comments |
| ch2                        | '00'B                 |          |
| ch1                        | '10'B                 |          |
| <b>Detailed Comments:</b>  |                       |          |

| Structured Type Constraint |                           |          |
|----------------------------|---------------------------|----------|
| <b>Constraint Name:</b>    | Chneed_04                 |          |
| <b>Structured Type:</b>    | CHNEED                    |          |
| <b>Derivation Path:</b>    |                           |          |
| <b>Comments:</b>           | Dual rate channel needed. |          |
| Element Name               | Element Value             | Comments |
| ch2                        | '00'B                     |          |
| ch1                        | '11'B                     |          |
| <b>Detailed Comments:</b>  |                           |          |

| Structured Type Constraint |               |          |
|----------------------------|---------------|----------|
| <b>Constraint Name:</b>    | CiphRes_01    |          |
| <b>Structured Type:</b>    | CPH_RES       |          |
| <b>Derivation Path:</b>    |               |          |
| <b>Comments:</b>           |               |          |
| Element Name               | Element Value | Comments |
| iei                        | -             |          |
| sprb                       | '000'B        |          |
| cr                         | '0'B          |          |
| <b>Detailed Comments:</b>  |               |          |

| Structured Type Constraint |               |          |
|----------------------------|---------------|----------|
| <b>Constraint Name:</b>    | CiphRes_02    |          |
| <b>Structured Type:</b>    | CPH_RES       |          |
| <b>Derivation Path:</b>    |               |          |
| <b>Comments:</b>           |               |          |
| Element Name               | Element Value | Comments |
| iei                        | -             |          |
| sprb                       | '000'B        |          |
| cr                         | '1'B          |          |
| <b>Detailed Comments:</b>  |               |          |

| Structured Type Constraint |                  |          |
|----------------------------|------------------|----------|
| <b>Constraint Name:</b>    | ClassMark1       |          |
| <b>Structured Type:</b>    | MSCLM1           |          |
| <b>Derivation Path:</b>    |                  |          |
| <b>Comments:</b>           |                  |          |
| Element Name               | Element Value    | Comments |
| spr1                       | '0'B             |          |
| rl                         | TSPX_RevLevel    |          |
| spr2                       | '0'B             |          |
| a5_1                       | TSPX_CiphAlgA5_1 |          |
| rfpc                       | TSPX_RfPwrCap    |          |
| <b>Detailed Comments:</b>  |                  |          |

| Structured Type Constraint |                  |          |
|----------------------------|------------------|----------|
| <b>Constraint Name:</b>    | ClassMark2       |          |
| <b>Structured Type:</b>    | MSCLM2           |          |
| <b>Derivation Path:</b>    |                  |          |
| <b>Comments:</b>           |                  |          |
| Element Name               | Element Value    | Comments |
| iel                        | '03'O            |          |
| spr1                       | '0'B             |          |
| rl                         | TSPX_RevLevel    |          |
| spr2                       | '0'B             |          |
| a5_1                       | TSPX_CiphAlgA5_1 |          |
| rfpc                       | TSPX_RfPwrCap    |          |
| spr3                       | '0'B             |          |
| psc                        | TSPX_pSyncCap    |          |
| sssi                       | TSPX_SSscrnInd   |          |
| smc                        | TSPX_SMCap       |          |
| spr4                       | '00'B            |          |
| fc                         | TSPX_frqCap      |          |
| cm3                        | TSPX_ClsMk3      |          |
| spr5                       | '00000'B         |          |
| a5_3                       | TSPX_CiphAlgA5_3 |          |
| a5_2                       | TSPX_CiphAlgA5_2 |          |
| <b>Detailed Comments:</b>  |                  |          |

| Structured Type Constraint |                  |          |
|----------------------------|------------------|----------|
| <b>Constraint Name:</b>    | ClassMark2Amp    |          |
| <b>Structured Type:</b>    | MSCLM2           |          |
| <b>Derivation Path:</b>    |                  |          |
| <b>Comments:</b>           |                  |          |
| Element Name               | Element Value    | Comments |
| iel                        | '03'O            |          |
| spr1                       | '0'B             |          |
| rl                         | TSPX_RevLevel    |          |
| spr2                       | '0'B             |          |
| a5_1                       | TSPX_CiphAlgA5_1 |          |
| rfpc                       | TSPX_RfPwrCapAmp |          |
| spr3                       | '0'B             |          |
| psc                        | TSPX_pSyncCap    |          |
| sssi                       | TSPX_SSscrnInd   |          |
| smc                        | TSPX_SMCap       |          |
| spr4                       | '00'B            |          |
| fc                         | TSPX_frqCap      |          |
| cm3                        | TSPX_ClsMk3      |          |
| spr5                       | '00000'B         |          |
| a5_3                       | TSPX_CiphAlgA5_3 |          |
| a5_2                       | TSPX_CiphAlgA5_2 |          |
| <b>Detailed Comments:</b>  |                  |          |

| Structured Type Constraint |                         |          |
|----------------------------|-------------------------|----------|
| <b>Constraint Name:</b>    | ClassMark3              |          |
| <b>Structured Type:</b>    | MSCLM3                  |          |
| <b>Derivation Path:</b>    |                         |          |
| <b>Comments:</b>           |                         |          |
| Element Name               | Element Value           | Comments |
| iei                        | '00100000'B             |          |
| iel                        | '0D'O                   |          |
| spr1                       | '0000'B                 |          |
| a5_7                       | TSPX_CiphAlgA5_7        |          |
| a5_6                       | TSPX_CiphAlgA5_6        |          |
| a5_5                       | TSPX_CiphAlgA5_5        |          |
| a5_4                       | TSPX_CiphAlgA5_4        |          |
| spr2                       | '00000000000000000000'O |          |
| <b>Detailed Comments:</b>  |                         |          |

| Structured Type Constraint |                                                                                             |          |
|----------------------------|---------------------------------------------------------------------------------------------|----------|
| <b>Constraint Name:</b>    | CntrlChDscrp_inv                                                                            |          |
| <b>Structured Type:</b>    | CCD                                                                                         |          |
| <b>Derivation Path:</b>    |                                                                                             |          |
| <b>Comments:</b>           | One CCCH combined with SDCCH and attach/detach not allowed. Some spare bits are set to '1'B |          |
| Element Name               | Element Value                                                                               | Comments |
| spr1                       | '1'B                                                                                        |          |
| att                        | '0'B                                                                                        |          |
| babr                       | '000'B                                                                                      |          |
| ccch_con                   | '001'B                                                                                      |          |
| spr2                       | '01100'B                                                                                    |          |
| bpm                        | '011'B                                                                                      |          |
| t3212                      | '00'O                                                                                       |          |
| <b>Detailed Comments:</b>  |                                                                                             |          |

| Structured Type Constraint |                                                                       |          |
|----------------------------|-----------------------------------------------------------------------|----------|
| <b>Constraint Name:</b>    | CntrlChDscrp(att: INTEGER; babr, cch_con, bpm:B_3; timer:OCTETSTRING) |          |
| <b>Structured Type:</b>    | CCD                                                                   |          |
| <b>Derivation Path:</b>    |                                                                       |          |
| <b>Comments:</b>           | Generic Control channel descriptor.                                   |          |
| Element Name               | Element Value                                                         | Comments |
| spr1                       | '0'B                                                                  |          |
| att                        | INT_TO_BIT(att,1)                                                     |          |
| babr                       | babr                                                                  |          |
| ccch_con                   | cch_con                                                               |          |
| spr2                       | '00000'B                                                              |          |
| bpm                        | bpm                                                                   |          |
| t3212                      | timer                                                                 |          |
| <b>Detailed Comments:</b>  |                                                                       |          |

| Structured Type Constraint |                        |          |
|----------------------------|------------------------|----------|
| <b>Constraint Name:</b>    | CphKeySN_01( cksn:B_3) |          |
| <b>Structured Type:</b>    | CPHKS                  |          |
| <b>Derivation Path:</b>    |                        |          |
| <b>Comments:</b>           |                        |          |
| Element Name               | Element Value          | Comments |
| sprb                       | '0'B                   |          |
| ks                         | cksn                   |          |
| <b>Detailed Comments:</b>  |                        |          |

| Structured Type Constraint |                                                                            |          |
|----------------------------|----------------------------------------------------------------------------|----------|
| <b>Constraint Name:</b>    | CphKeySN_02                                                                |          |
| <b>Structured Type:</b>    | CPHKSN                                                                     |          |
| <b>Derivation Path:</b>    |                                                                            |          |
| <b>Comments:</b>           | An invalid ciphering key sequence number containing spare bit set to '1'B. |          |
| Element Name               | Element Value                                                              | Comments |
| sprb                       | '1'B                                                                       |          |
| ks                         | '000'B                                                                     |          |
| <b>Detailed Comments:</b>  |                                                                            |          |

| Structured Type Constraint |                                       |          |
|----------------------------|---------------------------------------|----------|
| <b>Constraint Name:</b>    | CphKeySN_06                           |          |
| <b>Structured Type:</b>    | CPHKSN                                |          |
| <b>Derivation Path:</b>    |                                       |          |
| <b>Comments:</b>           | ciphering key sequence number no key. |          |
| Element Name               | Element Value                         | Comments |
| sprb                       | '0'B                                  |          |
| ks                         | '111'B                                |          |
| <b>Detailed Comments:</b>  |                                       |          |

| Structured Type Constraint |                             |          |
|----------------------------|-----------------------------|----------|
| <b>Constraint Name:</b>    | CphKeySN_07(par: BITSTRING) |          |
| <b>Structured Type:</b>    | CPHKSN                      |          |
| <b>Derivation Path:</b>    |                             |          |
| <b>Comments:</b>           |                             |          |
| Element Name               | Element Value               | Comments |
| sprb                       | '0'B                        |          |
| ks                         | par                         |          |
| <b>Detailed Comments:</b>  |                             |          |

| Structured Type Constraint |               |          |
|----------------------------|---------------|----------|
| <b>Constraint Name:</b>    | CphMod_omit   |          |
| <b>Structured Type:</b>    | CPHMS         |          |
| <b>Derivation Path:</b>    |               |          |
| <b>Comments:</b>           |               |          |
| Element Name               | Element Value | Comments |
| iei                        | -             |          |
| algid                      | -             |          |
| sc                         | -             |          |
| <b>Detailed Comments:</b>  |               |          |

| Structured Type Constraint |                |          |
|----------------------------|----------------|----------|
| <b>Constraint Name:</b>    | CphMod_01      |          |
| <b>Structured Type:</b>    | CPHMS          |          |
| <b>Derivation Path:</b>    |                |          |
| <b>Comments:</b>           |                |          |
| Element Name               | Element Value  | Comments |
| iei                        | -              |          |
| algid                      | TSPX_CphAlgDef |          |
| sc                         | '1'B           |          |
| <b>Detailed Comments:</b>  |                |          |

| Structured Type Constraint |               |          |
|----------------------------|---------------|----------|
| <b>Constraint Name:</b>    | CphMod_02     |          |
| <b>Structured Type:</b>    | CPHMS         |          |
| <b>Derivation Path:</b>    | CphMod_01.    |          |
| <b>Comments:</b>           | No ciphering  |          |
| Element Name               | Element Value | Comments |
| sc                         | '0'B          |          |
| <b>Detailed Comments:</b>  |               |          |

| Structured Type Constraint |                |          |
|----------------------------|----------------|----------|
| <b>Constraint Name:</b>    | CphMod_02iei   |          |
| <b>Structured Type:</b>    | CPHMS          |          |
| <b>Derivation Path:</b>    |                |          |
| <b>Comments:</b>           | No ciphering   |          |
| Element Name               | Element Value  | Comments |
| iei                        | '1001'B        |          |
| algid                      | TSPX_CphAlgDef |          |
| sc                         | '0'B           |          |
| <b>Detailed Comments:</b>  |                |          |

| Structured Type Constraint |               |          |
|----------------------------|---------------|----------|
| <b>Constraint Name:</b>    | CphMod_03     |          |
| <b>Structured Type:</b>    | CPHMS         |          |
| <b>Derivation Path:</b>    |               |          |
| <b>Comments:</b>           |               |          |
| Element Name               | Element Value | Comments |
| iei                        | -             |          |
| algid                      | '000'B        |          |
| sc                         | '1'B          |          |
| <b>Detailed Comments:</b>  |               |          |

| Structured Type Constraint |                                                        |          |
|----------------------------|--------------------------------------------------------|----------|
| <b>Constraint Name:</b>    | CphMod_04(alg:BITSTRING)                               |          |
| <b>Structured Type:</b>    | CPHMS                                                  |          |
| <b>Derivation Path:</b>    |                                                        |          |
| <b>Comments:</b>           | starting ciphering with the ciphering algorithm `alg`. |          |
| Element Name               | Element Value                                          | Comments |
| iei                        | -                                                      |          |
| algid                      | alg                                                    |          |
| sc                         | '1'B                                                   |          |
| <b>Detailed Comments:</b>  |                                                        |          |

| Structured Type Constraint |                                                        |          |
|----------------------------|--------------------------------------------------------|----------|
| <b>Constraint Name:</b>    | CphMod_04iei(alg:BITSTRING)                            |          |
| <b>Structured Type:</b>    | CPHMS                                                  |          |
| <b>Derivation Path:</b>    |                                                        |          |
| <b>Comments:</b>           | starting ciphering with the ciphering algorithm `alg`. |          |
| Element Name               | Element Value                                          | Comments |
| iei                        | '1001'B                                                |          |
| algid                      | alg                                                    |          |
| sc                         | '1'B                                                   |          |
| <b>Detailed Comments:</b>  |                                                        |          |



| Structured Type Constraint |                                                                              |          |
|----------------------------|------------------------------------------------------------------------------|----------|
| <b>Constraint Name:</b>    | facilityIErcv( comp:Component)                                               |          |
| <b>Structured Type:</b>    | FIE                                                                          |          |
| <b>Derivation Path:</b>    |                                                                              |          |
| <b>Comments:</b>           | A received FIE may contain several components, but at least contains "comp". |          |
| Element Name               | Element Value                                                                | Comments |
| iei                        | -                                                                            |          |
| iel                        | ?                                                                            |          |
| components_1               | Comps_01( comp)                                                              |          |
| components_t               | -                                                                            |          |
| <b>Detailed Comments:</b>  |                                                                              |          |

| Structured Type Constraint |                                                                              |          |
|----------------------------|------------------------------------------------------------------------------|----------|
| <b>Constraint Name:</b>    | facilityIErcviei( comp:Component)                                            |          |
| <b>Structured Type:</b>    | FIE                                                                          |          |
| <b>Derivation Path:</b>    |                                                                              |          |
| <b>Comments:</b>           | A received FIE may contain several components, but at least contains "comp". |          |
| Element Name               | Element Value                                                                | Comments |
| iei                        | '00011100'B                                                                  |          |
| iel                        | ?                                                                            |          |
| components_1               | Comps_01( comp)                                                              |          |
| components_t               | -                                                                            |          |
| <b>Detailed Comments:</b>  |                                                                              |          |

| Structured Type Constraint |                                   |          |
|----------------------------|-----------------------------------|----------|
| <b>Constraint Name:</b>    | facilityIEtsnd( comp:Component_T) |          |
| <b>Structured Type:</b>    | FIE                               |          |
| <b>Derivation Path:</b>    |                                   |          |
| <b>Comments:</b>           |                                   |          |
| Element Name               | Element Value                     | Comments |
| iei                        | -                                 |          |
| iel                        | OC_LengthOfComp( comp)            |          |
| components_1               | -                                 |          |
| components_t               | comp                              |          |
| <b>Detailed Comments:</b>  |                                   |          |

| Structured Type Constraint |                                      |          |
|----------------------------|--------------------------------------|----------|
| <b>Constraint Name:</b>    | facilityIEtsndiei( comp:Component_T) |          |
| <b>Structured Type:</b>    | FIE                                  |          |
| <b>Derivation Path:</b>    |                                      |          |
| <b>Comments:</b>           |                                      |          |
| Element Name               | Element Value                        | Comments |
| iei                        | '00011100'B                          |          |
| iel                        | OC_LengthOfComp( comp)               |          |
| components_1               | -                                    |          |
| components_t               | comp                                 |          |
| <b>Detailed Comments:</b>  |                                      |          |

| Structured Type Constraint |                                     |          |
|----------------------------|-------------------------------------|----------|
| <b>Constraint Name:</b>    | Fn_01                               |          |
| <b>Structured Type:</b>    | FN                                  |          |
| <b>Derivation Path:</b>    |                                     |          |
| <b>Comments:</b>           | not pertaining to the MS under test |          |
| Element Name               | Element Value                       | Comments |
| t1_                        | '00000'B                            |          |
| t3                         | '000000'B                           |          |
| t2                         | '00000'B                            |          |
| <b>Detailed Comments:</b>  |                                     |          |

| Structured Type Constraint |                         |          |
|----------------------------|-------------------------|----------|
| <b>Constraint Name:</b>    | FreqBCCH(arfcn:INTEGER) |          |
| <b>Structured Type:</b>    | FRQPARA                 |          |
| <b>Derivation Path:</b>    |                         |          |
| <b>Comments:</b>           | Broadcast channel.      |          |
| Element Name               | Element Value           | Comments |
| hch                        | '0'B                    |          |
| maio                       | -                       |          |
| hsn                        | -                       |          |
| spr                        | '00'B                   |          |
| arfcn                      | INT_TO_BIT( arfcn, 10)  |          |
| maclength                  | '00'O                   |          |
| mac_8n                     | -                       |          |
| mac_7n                     | -                       |          |
| mac_6n                     | -                       |          |
| mac_5n                     | -                       |          |
| mac_4n                     | -                       |          |
| mac_3n                     | -                       |          |
| mac_2n                     | -                       |          |
| mac_1n                     | -                       |          |
| flst                       | -                       |          |
| <b>Detailed Comments:</b>  |                         |          |

| Structured Type Constraint |                |          |
|----------------------------|----------------|----------|
| <b>Constraint Name:</b>    | Freqchseq_omit |          |
| <b>Structured Type:</b>    | FRQCHS         |          |
| <b>Derivation Path:</b>    |                |          |
| <b>Comments:</b>           |                |          |
| Element Name               | Element Value  | Comments |
| iei                        | -              |          |
| larfcn                     | -              |          |
| incs                       | -              |          |
| <b>Detailed Comments:</b>  |                |          |

| Structured Type Constraint |                                                                        |          |
|----------------------------|------------------------------------------------------------------------|----------|
| <b>Constraint Name:</b>    | Freqchseq_01                                                           |          |
| <b>Structured Type:</b>    | FRQCHS                                                                 |          |
| <b>Derivation Path:</b>    |                                                                        |          |
| <b>Comments:</b>           | Frequency channel sequence with the f_list={40,66,73,74,75,76,108,114} |          |
| Element Name               | Element Value                                                          | Comments |
| iei                        | '01101001'B                                                            |          |
| larfcn                     | '28'O                                                                  |          |
| incs                       | '0B71110026000000'O                                                    |          |
| <b>Detailed Comments:</b>  |                                                                        |          |

| Structured Type Constraint |                                                                                                                             |          |
|----------------------------|-----------------------------------------------------------------------------------------------------------------------------|----------|
| <b>Constraint Name:</b>    | Freqchseq_02                                                                                                                |          |
| <b>Structured Type:</b>    | FRQCHS                                                                                                                      |          |
| <b>Derivation Path:</b>    |                                                                                                                             |          |
| <b>Comments:</b>           | Frequency channel sequence with the List_ARFCN={14,18,22,24,30,31,38,40,66,73,74,75,76,108}<br>cross reference: Frql_20_B72 |          |
| Element Name               | Element Value                                                                                                               | Comments |
| iei                        | '01101001'B                                                                                                                 |          |
| larfcn                     | '0E'O                                                                                                                       |          |
| incls                      | '44261720B7111002'O                                                                                                         |          |
| <b>Detailed Comments:</b>  |                                                                                                                             |          |

| Structured Type Constraint |                                                         |          |
|----------------------------|---------------------------------------------------------|----------|
| <b>Constraint Name:</b>    | Freqchseq_03                                            |          |
| <b>Structured Type:</b>    | FRQCHS                                                  |          |
| <b>Derivation Path:</b>    |                                                         |          |
| <b>Comments:</b>           | Frequency channel sequence with the List_ARFCN={14,114} |          |
| Element Name               | Element Value                                           | Comments |
| iei                        | '01101001'B                                             |          |
| larfcn                     | '0E'O                                                   |          |
| incls                      | '000000A000000000'O                                     |          |
| <b>Detailed Comments:</b>  |                                                         |          |

| Structured Type Constraint |                                                         |          |
|----------------------------|---------------------------------------------------------|----------|
| <b>Constraint Name:</b>    | Freqchseq_04                                            |          |
| <b>Structured Type:</b>    | FRQCHS                                                  |          |
| <b>Derivation Path:</b>    |                                                         |          |
| <b>Comments:</b>           | Frequency channel sequence with the List_ARFCN={40,114} |          |
| Element Name               | Element Value                                           | Comments |
| iei                        | '01101001'B                                             |          |
| larfcn                     | '28'O                                                   |          |
| incls                      | '0000E00000000000'O                                     |          |
| <b>Detailed Comments:</b>  |                                                         |          |

| Structured Type Constraint |                                                                  |          |
|----------------------------|------------------------------------------------------------------|----------|
| <b>Constraint Name:</b>    | Freqchseq_05                                                     |          |
| <b>Structured Type:</b>    | FRQCHS                                                           |          |
| <b>Derivation Path:</b>    |                                                                  |          |
| <b>Comments:</b>           | Frequency channel sequence with the List_ARFCN={66, 75, 76, 108} |          |
| Element Name               | Element Value                                                    | Comments |
| iei                        | '01101001'B                                                      |          |
| larfcn                     | '42'O                                                            |          |
| incls                      | '9100200000000000'O                                              |          |
| <b>Detailed Comments:</b>  |                                                                  |          |

| Structured Type Constraint |                                                                                                                      |          |
|----------------------------|----------------------------------------------------------------------------------------------------------------------|----------|
| <b>Constraint Name:</b>    | Freqchseq_06                                                                                                         |          |
| <b>Structured Type:</b>    | FRQCHS                                                                                                               |          |
| <b>Derivation Path:</b>    |                                                                                                                      |          |
| <b>Comments:</b>           | Frequency channel sequence with the<br>List_ARFCN={14,18,22,24,30,31,38,53,66,73,74,75,76,108,114}<br>see Frql_20_B5 |          |
| Element Name               | Element Value                                                                                                        | Comments |
| iei                        | '01101001'B                                                                                                          |          |
| larfcn                     | '0E'O                                                                                                                |          |
| incs                       | '442617FD71110026'O                                                                                                  |          |
| <b>Detailed Comments:</b>  |                                                                                                                      |          |

| Structured Type Constraint |                                                                                        |          |
|----------------------------|----------------------------------------------------------------------------------------|----------|
| <b>Constraint Name:</b>    | Freqchseq_22                                                                           |          |
| <b>Structured Type:</b>    | FRQCHS                                                                                 |          |
| <b>Derivation Path:</b>    |                                                                                        |          |
| <b>Comments:</b>           | Frequency channel sequence with the List_ARFCN={10,17,20,26,59,66,73,74,75,76,108,114} |          |
| Element Name               | Element Value                                                                          | Comments |
| iei                        | '01101001'B                                                                            |          |
| larfcn                     | '0A'O                                                                                  |          |
| incs                       | '7360037711100260'O                                                                    |          |
| <b>Detailed Comments:</b>  |                                                                                        |          |

| Structured Type Constraint |                                               |          |
|----------------------------|-----------------------------------------------|----------|
| <b>Constraint Name:</b>    | FreqTCH( arfcn:INTEGER)                       |          |
| <b>Structured Type:</b>    | FRQPARA                                       |          |
| <b>Derivation Path:</b>    |                                               |          |
| <b>Comments:</b>           | Default Traffic channel non frequency hopping |          |
| Element Name               | Element Value                                 | Comments |
| hch                        | '0'B                                          |          |
| maio                       | -                                             |          |
| hsn                        | -                                             |          |
| spr                        | '00'B                                         |          |
| arfcn                      | INT_TO_BIT( arfcn, 10)                        |          |
| maclength                  | '00'O                                         |          |
| mac_8n                     | -                                             |          |
| mac_7n                     | -                                             |          |
| mac_6n                     | -                                             |          |
| mac_5n                     | -                                             |          |
| mac_4n                     | -                                             |          |
| mac_3n                     | -                                             |          |
| mac_2n                     | -                                             |          |
| mac_1n                     | -                                             |          |
| flst                       | -                                             |          |
| <b>Detailed Comments:</b>  |                                               |          |

| Structured Type Constraint |                                                     |          |
|----------------------------|-----------------------------------------------------|----------|
| <b>Constraint Name:</b>    | FreqTCH_omit                                        |          |
| <b>Structured Type:</b>    | FRQPARA                                             |          |
| <b>Derivation Path:</b>    |                                                     |          |
| <b>Comments:</b>           | Omitted FRQPARA when not needed in parameters list. |          |
| Element Name               | Element Value                                       | Comments |
| hch                        | -                                                   |          |
| maio                       | -                                                   |          |
| hsn                        | -                                                   |          |
| spr                        | -                                                   |          |
| arfcn                      | -                                                   |          |
| maclength                  | -                                                   |          |
| mac_8n                     | -                                                   |          |
| mac_7n                     | -                                                   |          |
| mac_6n                     | -                                                   |          |
| mac_5n                     | -                                                   |          |
| mac_4n                     | -                                                   |          |
| mac_3n                     | -                                                   |          |
| mac_2n                     | -                                                   |          |
| mac_1n                     | -                                                   |          |
| flst                       | -                                                   |          |
| <b>Detailed Comments:</b>  |                                                     |          |

| Structured Type Constraint |                                                              |          |
|----------------------------|--------------------------------------------------------------|----------|
| <b>Constraint Name:</b>    | FreqTCHa1                                                    |          |
| <b>Structured Type:</b>    | FRQPARA                                                      |          |
| <b>Derivation Path:</b>    |                                                              |          |
| <b>Comments:</b>           | Traffic channel for cell A, ARFCN = 124 hopping, for GSM900. |          |
| Element Name               | Element Value                                                | Comments |
| hch                        | '1'B                                                         |          |
| maio                       | '000000'B                                                    |          |
| hsn                        | '111111'B                                                    |          |
| spr                        | -                                                            |          |
| arfcn                      | -                                                            |          |
| maclength                  | '01'O                                                        |          |
| mac_8n                     | '00000001'B                                                  |          |
| mac_7n                     | -                                                            |          |
| mac_6n                     | -                                                            |          |
| mac_5n                     | -                                                            |          |
| mac_4n                     | -                                                            |          |
| mac_3n                     | -                                                            |          |
| mac_2n                     | -                                                            |          |
| mac_1n                     | -                                                            |          |
| flst                       | Frql_04                                                      |          |
| <b>Detailed Comments:</b>  |                                                              |          |

| Structured Type Constraint |                                                              |          |
|----------------------------|--------------------------------------------------------------|----------|
| <b>Constraint Name:</b>    | FreqTCHa2                                                    |          |
| <b>Structured Type:</b>    | FRQPARA                                                      |          |
| <b>Derivation Path:</b>    | FreqTCHa1.                                                   |          |
| <b>Comments:</b>           | Traffic channel for cell A, ARFCN = 801 hopping, for DCS1800 |          |
| Element Name               | Element Value                                                | Comments |
| flst                       | Frql_05                                                      |          |
| <b>Detailed Comments:</b>  |                                                              |          |

| Structured Type Constraint |                                                             |          |
|----------------------------|-------------------------------------------------------------|----------|
| <b>Constraint Name:</b>    | FreqTCHa3                                                   |          |
| <b>Structured Type:</b>    | FRQPARA                                                     |          |
| <b>Derivation Path:</b>    |                                                             |          |
| <b>Comments:</b>           | Traffic channel for cell A, hopping, GSM900 for TC_26_6_4_1 |          |
| Element Name               | Element Value                                               | Comments |
| hch                        | '1'B                                                        |          |
| maio                       | '000001'B                                                   |          |
| hsn                        | '000001'B                                                   |          |
| spr                        | -                                                           |          |
| arfcn                      | -                                                           |          |
| maclength                  | '02'O                                                       |          |
| mac_8n                     | '00000011'B                                                 |          |
| mac_7n                     | '11111111'B                                                 |          |
| mac_6n                     | -                                                           |          |
| mac_5n                     | -                                                           |          |
| mac_4n                     | -                                                           |          |
| mac_3n                     | -                                                           |          |
| mac_2n                     | -                                                           |          |
| mac_1n                     | -                                                           |          |
| flst                       | Frql_10                                                     |          |
| <b>Detailed Comments:</b>  |                                                             |          |

| Structured Type Constraint |                                                              |          |
|----------------------------|--------------------------------------------------------------|----------|
| <b>Constraint Name:</b>    | FreqTCHa4                                                    |          |
| <b>Structured Type:</b>    | FRQPARA                                                      |          |
| <b>Derivation Path:</b>    |                                                              |          |
| <b>Comments:</b>           | Traffic channel for cell A, hopping, DCS1800 for TC_26_6_4_1 |          |
| Element Name               | Element Value                                                | Comments |
| hch                        | '1'B                                                         |          |
| maio                       | '000000'B                                                    |          |
| hsn                        | '101000'B                                                    |          |
| spr                        | -                                                            |          |
| arfcn                      | -                                                            |          |
| maclength                  | '01'O                                                        |          |
| mac_8n                     | '00000001'B                                                  |          |
| mac_7n                     | -                                                            |          |
| mac_6n                     | -                                                            |          |
| mac_5n                     | -                                                            |          |
| mac_4n                     | -                                                            |          |
| mac_3n                     | -                                                            |          |
| mac_2n                     | -                                                            |          |
| mac_1n                     | -                                                            |          |
| flst                       | Frql_15                                                      |          |
| <b>Detailed Comments:</b>  |                                                              |          |

| Structured Type Constraint |                                                             |          |
|----------------------------|-------------------------------------------------------------|----------|
| <b>Constraint Name:</b>    | FreqTCHa5                                                   |          |
| <b>Structured Type:</b>    | FRQPARA                                                     |          |
| <b>Derivation Path:</b>    |                                                             |          |
| <b>Comments:</b>           | Traffic channel for cell A, hopping, GSM900 for TC_26_6_4_1 |          |
| Element Name               | Element Value                                               | Comments |
| hch                        | '1'B                                                        |          |
| maio                       | '000101'B                                                   |          |
| hsn                        | '000000'B                                                   |          |
| spr                        | -                                                           |          |
| arfcn                      | -                                                           |          |
| maclength                  | '01'O                                                       |          |
| mac_8n                     | '00111111'B                                                 |          |
| mac_7n                     | -                                                           |          |
| mac_6n                     | -                                                           |          |
| mac_5n                     | -                                                           |          |
| mac_4n                     | -                                                           |          |
| mac_3n                     | -                                                           |          |
| mac_2n                     | -                                                           |          |
| mac_1n                     | -                                                           |          |
| flst                       | FrqL_09                                                     |          |
| <b>Detailed Comments:</b>  |                                                             |          |

| Structured Type Constraint |                                                             |          |
|----------------------------|-------------------------------------------------------------|----------|
| <b>Constraint Name:</b>    | FreqTCHa6                                                   |          |
| <b>Structured Type:</b>    | FRQPARA                                                     |          |
| <b>Derivation Path:</b>    |                                                             |          |
| <b>Comments:</b>           | Traffic channel for cell A, hopping, GSM900 for TC_26_6_4_1 |          |
| Element Name               | Element Value                                               | Comments |
| hch                        | '1'B                                                        |          |
| maio                       | '000011'B                                                   |          |
| hsn                        | '001000'B                                                   |          |
| spr                        | -                                                           |          |
| arfcn                      | -                                                           |          |
| maclength                  | '02'O                                                       |          |
| mac_8n                     | '00000001'B                                                 |          |
| mac_7n                     | '11000111'B                                                 |          |
| mac_6n                     | -                                                           |          |
| mac_5n                     | -                                                           |          |
| mac_4n                     | -                                                           |          |
| mac_3n                     | -                                                           |          |
| mac_2n                     | -                                                           |          |
| mac_1n                     | -                                                           |          |
| flst                       | FrqL_14                                                     |          |
| <b>Detailed Comments:</b>  |                                                             |          |

| Structured Type Constraint |                                                             |          |
|----------------------------|-------------------------------------------------------------|----------|
| <b>Constraint Name:</b>    | FreqTCHa7                                                   |          |
| <b>Structured Type:</b>    | FRQPARA                                                     |          |
| <b>Derivation Path:</b>    |                                                             |          |
| <b>Comments:</b>           | Traffic channel for cell A, hopping, GSM900 for TC_26_6_4_1 |          |
| Element Name               | Element Value                                               | Comments |
| hch                        | '1'B                                                        |          |
| maio                       | '000011'B                                                   |          |
| hsn                        | '001000'B                                                   |          |
| spr                        | -                                                           |          |
| arfcn                      | -                                                           |          |
| maclength                  | '02'O                                                       |          |
| mac_8n                     | '00000111'B                                                 |          |
| mac_7n                     | '11100011'B                                                 |          |
| mac_6n                     | -                                                           |          |
| mac_5n                     | -                                                           |          |
| mac_4n                     | -                                                           |          |
| mac_3n                     | -                                                           |          |
| mac_2n                     | -                                                           |          |
| mac_1n                     | -                                                           |          |
| flst                       | Frql_11                                                     |          |
| <b>Detailed Comments:</b>  |                                                             |          |

| Structured Type Constraint |                                                              |          |
|----------------------------|--------------------------------------------------------------|----------|
| <b>Constraint Name:</b>    | FreqTCHa8                                                    |          |
| <b>Structured Type:</b>    | FRQPARA                                                      |          |
| <b>Derivation Path:</b>    |                                                              |          |
| <b>Comments:</b>           | Traffic channel for cell A, hopping, DCS1800 for TC_26_6_4_1 |          |
| Element Name               | Element Value                                                | Comments |
| hch                        | '1'B                                                         |          |
| maio                       | '000001'B                                                    |          |
| hsn                        | '000001'B                                                    |          |
| spr                        | -                                                            |          |
| arfcn                      | -                                                            |          |
| maclength                  | '02'O                                                        |          |
| mac_8n                     | '00000011'B                                                  |          |
| mac_7n                     | '11111111'B                                                  |          |
| mac_6n                     | -                                                            |          |
| mac_5n                     | -                                                            |          |
| mac_4n                     | -                                                            |          |
| mac_3n                     | -                                                            |          |
| mac_2n                     | -                                                            |          |
| mac_1n                     | -                                                            |          |
| flst                       | Frql_13                                                      |          |
| <b>Detailed Comments:</b>  |                                                              |          |



| Structured Type Constraint |                                                             |          |
|----------------------------|-------------------------------------------------------------|----------|
| <b>Constraint Name:</b>    | FreqTCHa9                                                   |          |
| <b>Structured Type:</b>    | FRQPARA                                                     |          |
| <b>Derivation Path:</b>    |                                                             |          |
| <b>Comments:</b>           | Traffic channel for cell A, hopping, GSM900 for TC_26_6_4_1 |          |
| Element Name               | Element Value                                               | Comments |
| hch                        | '1'B                                                        |          |
| maio                       | '000101'B                                                   |          |
| hsn                        | '000000'B                                                   |          |
| spr                        | -                                                           |          |
| arfcn                      | -                                                           |          |
| maclength                  | '01'O                                                       |          |
| mac_8n                     | '00111111'B                                                 |          |
| mac_7n                     | -                                                           |          |
| mac_6n                     | -                                                           |          |
| mac_5n                     | -                                                           |          |
| mac_4n                     | -                                                           |          |
| mac_3n                     | -                                                           |          |
| mac_2n                     | -                                                           |          |
| mac_1n                     | -                                                           |          |
| flst                       | Frql_08                                                     |          |
| <b>Detailed Comments:</b>  |                                                             |          |

| Structured Type Constraint |                                                             |          |
|----------------------------|-------------------------------------------------------------|----------|
| <b>Constraint Name:</b>    | FreqTCHa10                                                  |          |
| <b>Structured Type:</b>    | FRQPARA                                                     |          |
| <b>Derivation Path:</b>    |                                                             |          |
| <b>Comments:</b>           | Traffic channel for cell A, hopping, GSM900 for TC_26_6_4_1 |          |
| Element Name               | Element Value                                               | Comments |
| hch                        | '1'B                                                        |          |
| maio                       | '000000'B                                                   |          |
| hsn                        | '101000'B                                                   |          |
| spr                        | -                                                           |          |
| arfcn                      | -                                                           |          |
| maclength                  | '01'O                                                       |          |
| mac_8n                     | '00000001'B                                                 |          |
| mac_7n                     | -                                                           |          |
| mac_6n                     | -                                                           |          |
| mac_5n                     | -                                                           |          |
| mac_4n                     | -                                                           |          |
| mac_3n                     | -                                                           |          |
| mac_2n                     | -                                                           |          |
| mac_1n                     | -                                                           |          |
| flst                       | Frql_12                                                     |          |
| <b>Detailed Comments:</b>  |                                                             |          |

| Structured Type Constraint |                                                             |          |
|----------------------------|-------------------------------------------------------------|----------|
| <b>Constraint Name:</b>    | FreqTCHa_21g                                                |          |
| <b>Structured Type:</b>    | FRQPARA                                                     |          |
| <b>Derivation Path:</b>    |                                                             |          |
| <b>Comments:</b>           | GSM 900 traffic channel of cell A, hopping for TC_26_5_6_3. |          |
| Element Name               | Element Value                                               | Comments |
| hch                        | '1'B                                                        |          |
| maio                       | '000000'B                                                   |          |
| hsn                        | '000000'B                                                   |          |
| spr                        | -                                                           |          |
| arfcn                      | -                                                           |          |
| maclength                  | '01'O                                                       |          |
| mac_8n                     | '00000010'B                                                 |          |
| mac_7n                     | -                                                           |          |
| mac_6n                     | -                                                           |          |
| mac_5n                     | -                                                           |          |
| mac_4n                     | -                                                           |          |
| mac_3n                     | -                                                           |          |
| mac_2n                     | -                                                           |          |
| mac_1n                     | -                                                           |          |
| flst                       | Frql_38                                                     |          |
| <b>Detailed Comments:</b>  |                                                             |          |

| Structured Type Constraint |                                                              |          |
|----------------------------|--------------------------------------------------------------|----------|
| <b>Constraint Name:</b>    | FreqTCHa_21d                                                 |          |
| <b>Structured Type:</b>    | FRQPARA                                                      |          |
| <b>Derivation Path:</b>    |                                                              |          |
| <b>Comments:</b>           | DCS 1800 traffic channel of cell A, hopping for TC_26_5_6_3. |          |
| Element Name               | Element Value                                                | Comments |
| hch                        | '1'B                                                         |          |
| maio                       | '000000'B                                                    |          |
| hsn                        | '000000'B                                                    |          |
| spr                        | -                                                            |          |
| arfcn                      | -                                                            |          |
| maclength                  | '01'O                                                        |          |
| mac_8n                     | '00000010'B                                                  |          |
| mac_7n                     | -                                                            |          |
| mac_6n                     | -                                                            |          |
| mac_5n                     | -                                                            |          |
| mac_4n                     | -                                                            |          |
| mac_3n                     | -                                                            |          |
| mac_2n                     | -                                                            |          |
| mac_1n                     | -                                                            |          |
| flst                       | Frql_38d                                                     |          |
| <b>Detailed Comments:</b>  |                                                              |          |

| Structured Type Constraint |                                                                                          |          |
|----------------------------|------------------------------------------------------------------------------------------|----------|
| <b>Constraint Name:</b>    | FreqTCH_ef1(par_ma: BITSTRING; par_freqlist: OCTETSTRING; par_flist: LENGTH; n :INTEGER) |          |
| <b>Structured Type:</b>    | FRQPARA                                                                                  |          |
| <b>Derivation Path:</b>    |                                                                                          |          |
| <b>Comments:</b>           | Broadcast channel of cell A for EGSM.                                                    |          |
| Element Name               | Element Value                                                                            | Comments |
| hch                        | '1'B                                                                                     |          |
| maio                       | INT_TO_BIT((TSPX_MAIO MOD n), 6)                                                         |          |
| hsn                        | INT_TO_BIT(TSPX_HSN, 6)                                                                  |          |
| spr                        | -                                                                                        |          |
| arfcn                      | -                                                                                        |          |
| maclength                  | '01'O                                                                                    |          |
| mac_8n                     | par_ma                                                                                   |          |
| mac_7n                     | -                                                                                        |          |
| mac_6n                     | -                                                                                        |          |
| mac_5n                     | -                                                                                        |          |
| mac_4n                     | -                                                                                        |          |
| mac_3n                     | -                                                                                        |          |
| mac_2n                     | -                                                                                        |          |
| mac_1n                     | -                                                                                        |          |
| flist                      | Frql_20_egsm(par_freqlist, par_flist)                                                    |          |
| <b>Detailed Comments:</b>  |                                                                                          |          |

| Structured Type Constraint |                                                                                                               |          |
|----------------------------|---------------------------------------------------------------------------------------------------------------|----------|
| <b>Constraint Name:</b>    | FreqTCH_ef2(par_ma1: BITSTRING; par_ma2: BITSTRING; par_freqlist: OCTETSTRING; par_flist: LENGTH; n :INTEGER) |          |
| <b>Structured Type:</b>    | FRQPARA                                                                                                       |          |
| <b>Derivation Path:</b>    |                                                                                                               |          |
| <b>Comments:</b>           | Broadcast channel of cell A for EGSM.                                                                         |          |
| Element Name               | Element Value                                                                                                 | Comments |
| hch                        | '1'B                                                                                                          |          |
| maio                       | INT_TO_BIT((TSPX_MAIO MOD n), 6)                                                                              |          |
| hsn                        | INT_TO_BIT(TSPX_HSN, 6)                                                                                       |          |
| spr                        | -                                                                                                             |          |
| arfcn                      | -                                                                                                             |          |
| maclength                  | '02'O                                                                                                         |          |
| mac_8n                     | par_ma2                                                                                                       |          |
| mac_7n                     | par_ma1                                                                                                       |          |
| mac_6n                     | -                                                                                                             |          |
| mac_5n                     | -                                                                                                             |          |
| mac_4n                     | -                                                                                                             |          |
| mac_3n                     | -                                                                                                             |          |
| mac_2n                     | -                                                                                                             |          |
| mac_1n                     | -                                                                                                             |          |
| flist                      | Frql_20_egsm(par_freqlist, par_flist)                                                                         |          |
| <b>Detailed Comments:</b>  |                                                                                                               |          |

| Structured Type Constraint |                                              |          |
|----------------------------|----------------------------------------------|----------|
| <b>Constraint Name:</b>    | FreqTCHa_hof1                                |          |
| <b>Structured Type:</b>    | FRQPARA                                      |          |
| <b>Derivation Path:</b>    |                                              |          |
| <b>Comments:</b>           | a hopping traffic channel of cell A for GSM. |          |
| Element Name               | Element Value                                | Comments |
| hch                        | '1'B                                         |          |
| maio                       | INT_TO_BIT((TSPX_MAIO MOD 12), 6)            |          |
| hsn                        | INT_TO_BIT(TSPX_HSN, 6)                      |          |
| spr                        | -                                            |          |
| arfcn                      | -                                            |          |
| maclength                  | '02'O                                        |          |
| mac_8n                     | '00001111'B                                  |          |
| mac_7n                     | '11111111'B                                  |          |
| mac_6n                     | -                                            |          |
| mac_5n                     | -                                            |          |
| mac_4n                     | -                                            |          |
| mac_3n                     | -                                            |          |
| mac_2n                     | -                                            |          |
| mac_1n                     | -                                            |          |
| flst                       | Frql_20_A                                    |          |
| <b>Detailed Comments:</b>  |                                              |          |

| Structured Type Constraint |                                         |          |
|----------------------------|-----------------------------------------|----------|
| <b>Constraint Name:</b>    | FreqTCHa_hof1d                          |          |
| <b>Structured Type:</b>    | FRQPARA                                 |          |
| <b>Derivation Path:</b>    |                                         |          |
| <b>Comments:</b>           | a hopping channel of cell A for DCS1800 |          |
| Element Name               | Element Value                           | Comments |
| hch                        | '1'B                                    |          |
| maio                       | INT_TO_BIT((TSPX_MAIO MOD 9), 6)        |          |
| hsn                        | INT_TO_BIT(TSPX_HSN, 6)                 |          |
| spr                        | -                                       |          |
| arfcn                      | -                                       |          |
| maclength                  | '02'O                                   |          |
| mac_8n                     | '00000001'B                             |          |
| mac_7n                     | '11111111'B                             |          |
| mac_6n                     | -                                       |          |
| mac_5n                     | -                                       |          |
| mac_4n                     | -                                       |          |
| mac_3n                     | -                                       |          |
| mac_2n                     | -                                       |          |
| mac_1n                     | -                                       |          |
| flst                       | Frql_20_Ad                              |          |
| <b>Detailed Comments:</b>  |                                         |          |

| Structured Type Constraint |                                                                              |          |
|----------------------------|------------------------------------------------------------------------------|----------|
| <b>Constraint Name:</b>    | FreqTCHa_hof2                                                                |          |
| <b>Structured Type:</b>    | FRQPARA                                                                      |          |
| <b>Derivation Path:</b>    |                                                                              |          |
| <b>Comments:</b>           | a hopping full rate channel of cell A, but only one frequency (114) for GSM. |          |
| Element Name               | Element Value                                                                | Comments |
| hch                        | '1'B                                                                         |          |
| maio                       | '000000'B                                                                    |          |
| hsn                        | '000000'B                                                                    |          |
| spr                        | -                                                                            |          |
| arfcn                      | -                                                                            |          |
| maclength                  | '03'O                                                                        |          |
| mac_8n                     | '00000001'B                                                                  |          |
| mac_7n                     | '00000000'B                                                                  |          |
| mac_6n                     | '00000000'B                                                                  |          |
| mac_5n                     | -                                                                            |          |
| mac_4n                     | -                                                                            |          |
| mac_3n                     | -                                                                            |          |
| mac_2n                     | -                                                                            |          |
| mac_1n                     | -                                                                            |          |
| flst                       | Frql_20_A0                                                                   |          |
| <b>Detailed Comments:</b>  |                                                                              |          |

| Structured Type Constraint |                                                                             |          |
|----------------------------|-----------------------------------------------------------------------------|----------|
| <b>Constraint Name:</b>    | FreqTCHa_hof2d                                                              |          |
| <b>Structured Type:</b>    | FRQPARA                                                                     |          |
| <b>Derivation Path:</b>    |                                                                             |          |
| <b>Comments:</b>           | a hopping full rate channel of cell A but only one frequency (844) for DCS. |          |
| Element Name               | Element Value                                                               | Comments |
| hch                        | '1'B                                                                        |          |
| maio                       | '000000'B                                                                   |          |
| hsn                        | '000000'B                                                                   |          |
| spr                        | -                                                                           |          |
| arfcn                      | -                                                                           |          |
| maclength                  | '03'O                                                                       |          |
| mac_8n                     | '00000001'B                                                                 |          |
| mac_7n                     | '00000000'B                                                                 |          |
| mac_6n                     | '00000000'B                                                                 |          |
| mac_5n                     | -                                                                           |          |
| mac_4n                     | -                                                                           |          |
| mac_3n                     | -                                                                           |          |
| mac_2n                     | -                                                                           |          |
| mac_1n                     | -                                                                           |          |
| flst                       | Frql_20_A0d                                                                 |          |
| <b>Detailed Comments:</b>  |                                                                             |          |

| Structured Type Constraint |                                                                                                                  |          |
|----------------------------|------------------------------------------------------------------------------------------------------------------|----------|
| <b>Constraint Name:</b>    | FreqTCHa_hof3                                                                                                    |          |
| <b>Structured Type:</b>    | FRQPARA                                                                                                          |          |
| <b>Derivation Path:</b>    |                                                                                                                  |          |
| <b>Comments:</b>           | a hopping channel of cell A with hopping frequencies :<br>{10,17,20,26,34,42,45,46,52,59,66,73,74,75,76,108,114} |          |
| Element Name               | Element Value                                                                                                    | Comments |
| hch                        | '1'B                                                                                                             |          |
| maio                       | INT_TO_BIT((TSPX_MAIO MOD 17), 6)                                                                                |          |
| hsn                        | INT_TO_BIT(TSPX_HSN, 6)                                                                                          |          |
| spr                        | -                                                                                                                |          |
| arfcn                      | -                                                                                                                |          |
| maclength                  | '03'O                                                                                                            |          |
| mac_8n                     | '00000001'B                                                                                                      |          |
| mac_7n                     | '11111111'B                                                                                                      |          |
| mac_6n                     | '11111111'B                                                                                                      |          |
| mac_5n                     | -                                                                                                                |          |
| mac_4n                     | -                                                                                                                |          |
| mac_3n                     | -                                                                                                                |          |
| mac_2n                     | -                                                                                                                |          |
| mac_1n                     | -                                                                                                                |          |
| flst                       | Frql_20_A0                                                                                                       |          |
| <b>Detailed Comments:</b>  |                                                                                                                  |          |

| Structured Type Constraint |                                                                                  |          |
|----------------------------|----------------------------------------------------------------------------------|----------|
| <b>Constraint Name:</b>    | FreqTCHa_hof3d                                                                   |          |
| <b>Structured Type:</b>    | FRQPARA                                                                          |          |
| <b>Derivation Path:</b>    |                                                                                  |          |
| <b>Comments:</b>           | a hopping channel of cell A. Indicating complete Cell Allocation of Cell A (DCS) |          |
| Element Name               | Element Value                                                                    | Comments |
| hch                        | '1'B                                                                             |          |
| maio                       | INT_TO_BIT((TSPX_MAIO MOD 17), 6)                                                |          |
| hsn                        | INT_TO_BIT(TSPX_HSN, 6)                                                          |          |
| spr                        | -                                                                                |          |
| arfcn                      | -                                                                                |          |
| maclength                  | '03'O                                                                            |          |
| mac_8n                     | '00000001'B                                                                      |          |
| mac_7n                     | '11111111'B                                                                      |          |
| mac_6n                     | '11111111'B                                                                      |          |
| mac_5n                     | -                                                                                |          |
| mac_4n                     | -                                                                                |          |
| mac_3n                     | -                                                                                |          |
| mac_2n                     | -                                                                                |          |
| mac_1n                     | -                                                                                |          |
| flst                       | Frql_20_A0d                                                                      |          |
| <b>Detailed Comments:</b>  |                                                                                  |          |

| Structured Type Constraint |                                                                                                                           |          |
|----------------------------|---------------------------------------------------------------------------------------------------------------------------|----------|
| <b>Constraint Name:</b>    | FreqTCHa_hof4                                                                                                             |          |
| <b>Structured Type:</b>    | FRQPARA                                                                                                                   |          |
| <b>Derivation Path:</b>    | FreqTCHa_hof3.                                                                                                            |          |
| <b>Comments:</b>           | a hopping channel of cell A with hopping frequencies : {10, 17, 26, 34, 42, 45, 46, 52, 59, 66, 73, 74, 75, 76, 108, 114} |          |
| Element Name               | Element Value                                                                                                             | Comments |
| hch                        | '1'B                                                                                                                      |          |
| maio                       | INT_TO_BIT((TSPX_MAIO MOD 16), 6)                                                                                         |          |
| hsn                        | INT_TO_BIT(C_HSN_0, 6)                                                                                                    |          |
| mac_6n                     | '11111011'B                                                                                                               |          |
| <b>Detailed Comments:</b>  |                                                                                                                           |          |

| Structured Type Constraint |                                                                                                                                                       |          |
|----------------------------|-------------------------------------------------------------------------------------------------------------------------------------------------------|----------|
| <b>Constraint Name:</b>    | FreqTCHa_hof4d                                                                                                                                        |          |
| <b>Structured Type:</b>    | FRQPARA                                                                                                                                               |          |
| <b>Derivation Path:</b>    | FreqTCHa_hof3d.                                                                                                                                       |          |
| <b>Comments:</b>           | a hopping channel of cell A. Indicating complete Cell Allocation of Cell A (DCS)<br>{734,741,754,759,762,766,767,773,775,779,782,791,798,829,832,844} |          |
| Element Name               | Element Value                                                                                                                                         | Comments |
| maio                       | INT_TO_BIT((TSPX_MAIO MOD 17), 6)                                                                                                                     |          |
| hsn                        | INT_TO_BIT( C_HSN_0, 6)                                                                                                                               |          |
| mac_6n                     | '11111111'B                                                                                                                                           |          |
| <b>Detailed Comments:</b>  |                                                                                                                                                       |          |

| Structured Type Constraint |                                   |          |
|----------------------------|-----------------------------------|----------|
| <b>Constraint Name:</b>    | FreqTCHb_hof1                     |          |
| <b>Structured Type:</b>    | FRQPARA                           |          |
| <b>Derivation Path:</b>    |                                   |          |
| <b>Comments:</b>           | Broadcast channel of cell B.      |          |
| Element Name               | Element Value                     | Comments |
| hch                        | '1'B                              |          |
| maio                       | INT_TO_BIT((TSPX_MAIO MOD 12), 6) |          |
| hsn                        | INT_TO_BIT(TSPX_HSN, 6)           |          |
| spr                        | -                                 |          |
| arfcn                      | -                                 |          |
| maclength                  | '02'O                             |          |
| mac_8n                     | '00001111'B                       |          |
| mac_7n                     | '11111111'B                       |          |
| mac_6n                     | -                                 |          |
| mac_5n                     | -                                 |          |
| mac_4n                     | -                                 |          |
| mac_3n                     | -                                 |          |
| mac_2n                     | -                                 |          |
| mac_1n                     | -                                 |          |
| flst                       | Frql_20_B3                        |          |
| <b>Detailed Comments:</b>  |                                   |          |

| Structured Type Constraint |                                                 |          |
|----------------------------|-------------------------------------------------|----------|
| <b>Constraint Name:</b>    | FreqTCHb_hof1d                                  |          |
| <b>Structured Type:</b>    | FRQPARA                                         |          |
| <b>Derivation Path:</b>    |                                                 |          |
| <b>Comments:</b>           | Broadcast channel of cell B for hopping DCS1800 |          |
| Element Name               | Element Value                                   | Comments |
| hch                        | '1'B                                            |          |
| maio                       | INT_TO_BIT((TSPX_MAIO MOD 12), 6)               |          |
| hsn                        | INT_TO_BIT(TSPX_HSN, 6)                         |          |
| spr                        | -                                               |          |
| arfcn                      | -                                               |          |
| maclength                  | '02'O                                           |          |
| mac_8n                     | '00001111'B                                     |          |
| mac_7n                     | '11111111'B                                     |          |
| mac_6n                     | -                                               |          |
| mac_5n                     | -                                               |          |
| mac_4n                     | -                                               |          |
| mac_3n                     | -                                               |          |
| mac_2n                     | -                                               |          |
| mac_1n                     | -                                               |          |
| flst                       | Frql_20_B3d                                     |          |
| <b>Detailed Comments:</b>  |                                                 |          |

| Structured Type Constraint |                                  |          |
|----------------------------|----------------------------------|----------|
| <b>Constraint Name:</b>    | FreqTCHb_hof2                    |          |
| <b>Structured Type:</b>    | FRQPARA                          |          |
| <b>Derivation Path:</b>    |                                  |          |
| <b>Comments:</b>           | a hopping traffic channel        |          |
| Element Name               | Element Value                    | Comments |
| hch                        | '1'B                             |          |
| maio                       | INT_TO_BIT((TSPX_MAIO MOD 8), 6) |          |
| hsn                        | INT_TO_BIT(TSPX_HSN, 6)          |          |
| spr                        | -                                |          |
| arfcn                      | -                                |          |
| maclength                  | '01'O                            |          |
| mac_8n                     | '11111111'B                      |          |
| mac_7n                     | -                                |          |
| mac_6n                     | -                                |          |
| mac_5n                     | -                                |          |
| mac_4n                     | -                                |          |
| mac_3n                     | -                                |          |
| mac_2n                     | -                                |          |
| mac_1n                     | -                                |          |
| flst                       | Frql_20_B4                       |          |
| <b>Detailed Comments:</b>  |                                  |          |

| Structured Type Constraint |                                                 |          |
|----------------------------|-------------------------------------------------|----------|
| <b>Constraint Name:</b>    | FreqTCHb_hof2d                                  |          |
| <b>Structured Type:</b>    | FRQPARA                                         |          |
| <b>Derivation Path:</b>    |                                                 |          |
| <b>Comments:</b>           | Broadcast channel of cell B for hopping DCS1800 |          |
| Element Name               | Element Value                                   | Comments |
| hch                        | '1'B                                            |          |
| maio                       | INT_TO_BIT((TSPX_MAIO MOD 8), 6)                |          |
| hsn                        | INT_TO_BIT(TSPX_HSN, 6)                         |          |
| spr                        | -                                               |          |
| arfcn                      | -                                               |          |
| maclength                  | '01'O                                           |          |
| mac_8n                     | '11111111'B                                     |          |
| mac_7n                     | -                                               |          |
| mac_6n                     | -                                               |          |
| mac_5n                     | -                                               |          |
| mac_4n                     | -                                               |          |
| mac_3n                     | -                                               |          |
| mac_2n                     | -                                               |          |
| mac_1n                     | -                                               |          |
| flst                       | Frql_20_B4d                                     |          |
| <b>Detailed Comments:</b>  |                                                 |          |



| Structured Type Constraint |                                   |          |
|----------------------------|-----------------------------------|----------|
| <b>Constraint Name:</b>    | FreqTCHb_hof3                     |          |
| <b>Structured Type:</b>    | FRQPARA                           |          |
| <b>Derivation Path:</b>    |                                   |          |
| <b>Comments:</b>           |                                   |          |
| Element Name               | Element Value                     | Comments |
| hch                        | '1'B                              |          |
| maio                       | INT_TO_BIT((TSPX_MAIO MOD 15), 6) |          |
| hsn                        | INT_TO_BIT(TSPX_HSN, 6)           |          |
| spr                        | -                                 |          |
| arfcn                      | -                                 |          |
| maclength                  | '02'O                             |          |
| mac_8n                     | '01111111'B                       |          |
| mac_7n                     | '11111111'B                       |          |
| mac_6n                     | -                                 |          |
| mac_5n                     | -                                 |          |
| mac_4n                     | -                                 |          |
| mac_3n                     | -                                 |          |
| mac_2n                     | -                                 |          |
| mac_1n                     | -                                 |          |
| flst                       | Frql_20_B5                        |          |
| <b>Detailed Comments:</b>  |                                   |          |

| Structured Type Constraint |                                   |          |
|----------------------------|-----------------------------------|----------|
| <b>Constraint Name:</b>    | FreqTCHb_hof3d                    |          |
| <b>Structured Type:</b>    | FRQPARA                           |          |
| <b>Derivation Path:</b>    |                                   |          |
| <b>Comments:</b>           |                                   |          |
| Element Name               | Element Value                     | Comments |
| hch                        | '1'B                              |          |
| maio                       | INT_TO_BIT((TSPX_MAIO MOD 11), 6) |          |
| hsn                        | INT_TO_BIT(TSPX_HSN, 6)           |          |
| spr                        | -                                 |          |
| arfcn                      | -                                 |          |
| maclength                  | '02'O                             |          |
| mac_8n                     | '00000111'B                       |          |
| mac_7n                     | '11111111'B                       |          |
| mac_6n                     | -                                 |          |
| mac_5n                     | -                                 |          |
| mac_4n                     | -                                 |          |
| mac_3n                     | -                                 |          |
| mac_2n                     | -                                 |          |
| mac_1n                     | -                                 |          |
| flst                       | Frql_20_B5d                       |          |
| <b>Detailed Comments:</b>  |                                   |          |

| Structured Type Constraint |                                  |          |
|----------------------------|----------------------------------|----------|
| <b>Constraint Name:</b>    | FreqTCHb_hof4                    |          |
| <b>Structured Type:</b>    | FRQPARA                          |          |
| <b>Derivation Path:</b>    |                                  |          |
| <b>Comments:</b>           |                                  |          |
| Element Name               | Element Value                    | Comments |
| hch                        | '1'B                             |          |
| maio                       | INT_TO_BIT((TSPX_MAIO MOD 3), 6) |          |
| hsn                        | INT_TO_BIT(TSPX_HSN, 6)          |          |
| spr                        | -                                |          |
| arfcn                      | -                                |          |
| maclength                  | '01'O                            |          |
| mac_8n                     | '00011100'B                      |          |
| mac_7n                     | -                                |          |
| mac_6n                     | -                                |          |
| mac_5n                     | -                                |          |
| mac_4n                     | -                                |          |
| mac_3n                     | -                                |          |
| mac_2n                     | -                                |          |
| mac_1n                     | -                                |          |
| flst                       | Frql_20_B4                       |          |
| <b>Detailed Comments:</b>  |                                  |          |

| Structured Type Constraint |                                  |          |
|----------------------------|----------------------------------|----------|
| <b>Constraint Name:</b>    | FreqTCHb_hof4d                   |          |
| <b>Structured Type:</b>    | FRQPARA                          |          |
| <b>Derivation Path:</b>    |                                  |          |
| <b>Comments:</b>           | TC_26_6_5_2_2                    |          |
| Element Name               | Element Value                    | Comments |
| hch                        | '1'B                             |          |
| maio                       | INT_TO_BIT((TSPX_MAIO MOD 3), 6) |          |
| hsn                        | INT_TO_BIT(TSPX_HSN, 6)          |          |
| spr                        | -                                |          |
| arfcn                      | -                                |          |
| maclength                  | '02'O                            |          |
| mac_8n                     | '00000000'B                      |          |
| mac_7n                     | '11100000'B                      |          |
| mac_6n                     | -                                |          |
| mac_5n                     | -                                |          |
| mac_4n                     | -                                |          |
| mac_3n                     | -                                |          |
| mac_2n                     | -                                |          |
| mac_1n                     | -                                |          |
| flst                       | Frql_20_B6d                      |          |
| <b>Detailed Comments:</b>  |                                  |          |

| Structured Type Constraint |                                             |          |
|----------------------------|---------------------------------------------|----------|
| <b>Constraint Name:</b>    | FreqTCHb_hof5                               |          |
| <b>Structured Type:</b>    | FRQPARA                                     |          |
| <b>Derivation Path:</b>    |                                             |          |
| <b>Comments:</b>           | full rate hopping channel of cell B for GSM |          |
| Element Name               | Element Value                               | Comments |
| hch                        | '1'B                                        |          |
| maio                       | INT_TO_BIT((TSPX_MAIO MOD 5), 6)            |          |
| hsn                        | INT_TO_BIT(TSPX_HSN, 6)                     |          |
| spr                        | -                                           |          |
| arfcn                      | -                                           |          |
| maclength                  | '01'O                                       |          |
| mac_8n                     | '10100111'B                                 |          |
| mac_7n                     | -                                           |          |
| mac_6n                     | -                                           |          |
| mac_5n                     | -                                           |          |
| mac_4n                     | -                                           |          |
| mac_3n                     | -                                           |          |
| mac_2n                     | -                                           |          |
| mac_1n                     | -                                           |          |
| flst                       | Frql_20_B0                                  |          |
| <b>Detailed Comments:</b>  |                                             |          |

| Structured Type Constraint |                                               |          |
|----------------------------|-----------------------------------------------|----------|
| <b>Constraint Name:</b>    | FreqTCHb_hof5d                                |          |
| <b>Structured Type:</b>    | FRQPARA                                       |          |
| <b>Derivation Path:</b>    |                                               |          |
| <b>Comments:</b>           | a full rate hopping channel of cell B for DCS |          |
| Element Name               | Element Value                                 | Comments |
| hch                        | '1'B                                          |          |
| maio                       | INT_TO_BIT((TSPX_MAIO MOD 9), 6)              |          |
| hsn                        | INT_TO_BIT(TSPX_HSN, 6)                       |          |
| spr                        | -                                             |          |
| arfcn                      | -                                             |          |
| maclength                  | '02'O                                         |          |
| mac_8n                     | '00000001'B                                   |          |
| mac_7n                     | '11111111'B                                   |          |
| mac_6n                     | -                                             |          |
| mac_5n                     | -                                             |          |
| mac_4n                     | -                                             |          |
| mac_3n                     | -                                             |          |
| mac_2n                     | -                                             |          |
| mac_1n                     | -                                             |          |
| flst                       | Frql_20_B9d                                   |          |
| <b>Detailed Comments:</b>  |                                               |          |

| Structured Type Constraint |                                  |          |
|----------------------------|----------------------------------|----------|
| <b>Constraint Name:</b>    | FreqTCHb_hof6                    |          |
| <b>Structured Type:</b>    | FRQPARA                          |          |
| <b>Derivation Path:</b>    |                                  |          |
| <b>Comments:</b>           |                                  |          |
| Element Name               | Element Value                    | Comments |
| hch                        | '1'B                             |          |
| maio                       | INT_TO_BIT((TSPX_MAIO MOD 2), 6) |          |
| hsn                        | INT_TO_BIT(TSPX_HSN, 6)          |          |
| spr                        | -                                |          |
| arfcn                      | -                                |          |
| maclength                  | '02'O                            |          |
| mac_8n                     | '10000000'B                      |          |
| mac_7n                     | '00000001'B                      |          |
| mac_6n                     | -                                |          |
| mac_5n                     | -                                |          |
| mac_4n                     | -                                |          |
| mac_3n                     | -                                |          |
| mac_2n                     | -                                |          |
| mac_1n                     | -                                |          |
| flst                       | Frql_20_B0                       |          |
| <b>Detailed Comments:</b>  |                                  |          |

| Structured Type Constraint |                                  |          |
|----------------------------|----------------------------------|----------|
| <b>Constraint Name:</b>    | FreqTCHb_hof6d                   |          |
| <b>Structured Type:</b>    | FRQPARA                          |          |
| <b>Derivation Path:</b>    |                                  |          |
| <b>Comments:</b>           |                                  |          |
| Element Name               | Element Value                    | Comments |
| hch                        | '1'B                             |          |
| maio                       | INT_TO_BIT((TSPX_MAIO MOD 3), 6) |          |
| hsn                        | '000000'B                        |          |
| spr                        | -                                |          |
| arfcn                      | -                                |          |
| maclength                  | '02'O                            |          |
| mac_8n                     | '00000110'B                      |          |
| mac_7n                     | '10000000'B                      |          |
| mac_6n                     | -                                |          |
| mac_5n                     | -                                |          |
| mac_4n                     | -                                |          |
| mac_3n                     | -                                |          |
| mac_2n                     | -                                |          |
| mac_1n                     | -                                |          |
| flst                       | Frql_20_B8d                      |          |
| <b>Detailed Comments:</b>  |                                  |          |

| Structured Type Constraint |                                  |          |
|----------------------------|----------------------------------|----------|
| <b>Constraint Name:</b>    | FreqTCHb_hof7                    |          |
| <b>Structured Type:</b>    | FRQPARA                          |          |
| <b>Derivation Path:</b>    |                                  |          |
| <b>Comments:</b>           | channel of cell B.               |          |
| Element Name               | Element Value                    | Comments |
| hch                        | '1'B                             |          |
| maio                       | INT_TO_BIT((TSPX_MAIO MOD 2), 6) |          |
| hsn                        | INT_TO_BIT(TSPX_HSN, 6)          |          |
| spr                        | -                                |          |
| arfcn                      | -                                |          |
| maclength                  | '02'O                            |          |
| mac_8n                     | '10000000'B                      |          |
| mac_7n                     | '10000000'B                      |          |
| mac_6n                     | -                                |          |
| mac_5n                     | -                                |          |
| mac_4n                     | -                                |          |
| mac_3n                     | -                                |          |
| mac_2n                     | -                                |          |
| mac_1n                     | -                                |          |
| flst                       | Frql_20_B0                       |          |
| <b>Detailed Comments:</b>  |                                  |          |

| Structured Type Constraint |                                   |          |
|----------------------------|-----------------------------------|----------|
| <b>Constraint Name:</b>    | FreqTCHb_hof7d                    |          |
| <b>Structured Type:</b>    | FRQPARA                           |          |
| <b>Derivation Path:</b>    |                                   |          |
| <b>Comments:</b>           |                                   |          |
| Element Name               | Element Value                     | Comments |
| hch                        | '1'B                              |          |
| maio                       | INT_TO_BIT((TSPX_MAIO MOD 15), 6) |          |
| hsn                        | INT_TO_BIT(C_HSN_0, 6)            |          |
| spr                        | -                                 |          |
| arfcn                      | -                                 |          |
| maclength                  | '02'O                             |          |
| mac_8n                     | '01111111'B                       |          |
| mac_7n                     | '11111111'B                       |          |
| mac_6n                     | -                                 |          |
| mac_5n                     | -                                 |          |
| mac_4n                     | -                                 |          |
| mac_3n                     | -                                 |          |
| mac_2n                     | -                                 |          |
| mac_1n                     | -                                 |          |
| flst                       | Frql_20_11d                       |          |
| <b>Detailed Comments:</b>  |                                   |          |

| Structured Type Constraint |                                                                    |          |
|----------------------------|--------------------------------------------------------------------|----------|
| <b>Constraint Name:</b>    | FreqTCHb_hof8                                                      |          |
| <b>Structured Type:</b>    | FRQPARA                                                            |          |
| <b>Derivation Path:</b>    |                                                                    |          |
| <b>Comments:</b>           | traffic channel of cell B. Hopping on List_ARFCN={66, 75, 76, 108} |          |
| Element Name               | Element Value                                                      | Comments |
| hch                        | '1'B                                                               |          |
| maio                       | INT_TO_BIT((TSPX_MAIO MOD 4), 6)                                   |          |
| hsn                        | INT_TO_BIT(TSPX_HSN, 6)                                            |          |
| spr                        | -                                                                  |          |
| arfcn                      | -                                                                  |          |
| maclength                  | '02'O                                                              |          |
| mac_8n                     | '01110010'B                                                        |          |
| mac_7n                     | '00000000'B                                                        |          |
| mac_6n                     | -                                                                  |          |
| mac_5n                     | -                                                                  |          |
| mac_4n                     | -                                                                  |          |
| mac_3n                     | -                                                                  |          |
| mac_2n                     | -                                                                  |          |
| mac_1n                     | -                                                                  |          |
| flst                       | Frql_20_B0                                                         |          |
| <b>Detailed Comments:</b>  |                                                                    |          |

| Structured Type Constraint |                                                     |          |
|----------------------------|-----------------------------------------------------|----------|
| <b>Constraint Name:</b>    | FreqTCHb_hof8d                                      |          |
| <b>Structured Type:</b>    | FRQPARA                                             |          |
| <b>Derivation Path:</b>    |                                                     |          |
| <b>Comments:</b>           | traffic channel of cell B. List_ARFCN={758,761,771} |          |
| Element Name               | Element Value                                       | Comments |
| hch                        | '1'B                                                |          |
| maio                       | INT_TO_BIT((TSPX_MAIO MOD 3), 6)                    |          |
| hsn                        | INT_TO_BIT(TSPX_HSN, 6)                             |          |
| spr                        | -                                                   |          |
| arfcn                      | -                                                   |          |
| maclength                  | '01'O                                               |          |
| mac_8n                     | '00000111'B                                         |          |
| mac_7n                     | -                                                   |          |
| mac_6n                     | -                                                   |          |
| mac_5n                     | -                                                   |          |
| mac_4n                     | -                                                   |          |
| mac_3n                     | -                                                   |          |
| mac_2n                     | -                                                   |          |
| mac_1n                     | -                                                   |          |
| flst                       | Frql_20_B12d                                        |          |
| <b>Detailed Comments:</b>  |                                                     |          |

| Structured Type Constraint |                                             |          |
|----------------------------|---------------------------------------------|----------|
| <b>Constraint Name:</b>    | FreqTCHb_hof9                               |          |
| <b>Structured Type:</b>    | FRQPARA                                     |          |
| <b>Derivation Path:</b>    |                                             |          |
| <b>Comments:</b>           | full rate hopping channel of cell B for GSM |          |
| Element Name               | Element Value                               | Comments |
| hch                        | '1'B                                        |          |
| maio                       | INT_TO_BIT((TSPX_MAIO MOD 16), 6)           |          |
| hsn                        | INT_TO_BIT(TSPX_HSN, 6)                     |          |
| spr                        | -                                           |          |
| arfcn                      | -                                           |          |
| maclength                  | '02'O                                       |          |
| mac_8n                     | '11111111'B                                 |          |
| mac_7n                     | '11111111'B                                 |          |
| mac_6n                     | -                                           |          |
| mac_5n                     | -                                           |          |
| mac_4n                     | -                                           |          |
| mac_3n                     | -                                           |          |
| mac_2n                     | -                                           |          |
| mac_1n                     | -                                           |          |
| flst                       | Frql_20_B2                                  |          |
| <b>Detailed Comments:</b>  |                                             |          |

| Structured Type Constraint |                                               |          |
|----------------------------|-----------------------------------------------|----------|
| <b>Constraint Name:</b>    | FreqTCHb_hof9d                                |          |
| <b>Structured Type:</b>    | FRQPARA                                       |          |
| <b>Derivation Path:</b>    |                                               |          |
| <b>Comments:</b>           | a full rate hopping channel of cell B for DCS |          |
| Element Name               | Element Value                                 | Comments |
| hch                        | '1'B                                          |          |
| maio                       | INT_TO_BIT((TSPX_MAIO MOD 13), 6)             |          |
| hsn                        | INT_TO_BIT(TSPX_HSN, 6)                       |          |
| spr                        | -                                             |          |
| arfcn                      | -                                             |          |
| maclength                  | '02'O                                         |          |
| mac_8n                     | '00111111'B                                   |          |
| mac_7n                     | '10111111'B                                   |          |
| mac_6n                     | -                                             |          |
| mac_5n                     | -                                             |          |
| mac_4n                     | -                                             |          |
| mac_3n                     | -                                             |          |
| mac_2n                     | -                                             |          |
| mac_1n                     | -                                             |          |
| flst                       | Frql_20_B0d                                   |          |
| <b>Detailed Comments:</b>  |                                               |          |

| Structured Type Constraint |                                               |          |
|----------------------------|-----------------------------------------------|----------|
| <b>Constraint Name:</b>    | FreqSDCCHa_hof1                               |          |
| <b>Structured Type:</b>    | FRQPARA                                       |          |
| <b>Derivation Path:</b>    |                                               |          |
| <b>Comments:</b>           | hopping with {73,74,75} of cell allocation A. |          |
| Element Name               | Element Value                                 | Comments |
| hch                        | '1'B                                          |          |
| maio                       | INT_TO_BIT((TSPX_MAIO MOD 3), 6)              |          |
| hsn                        | INT_TO_BIT(TSPX_HSN, 6)                       |          |
| spr                        | -                                             |          |
| arfcn                      | -                                             |          |
| maclength                  | '03'O                                         |          |
| mac_8n                     | '00000000'B                                   |          |
| mac_7n                     | '00111000'B                                   |          |
| mac_6n                     | '00000000'B                                   |          |
| mac_5n                     | -                                             |          |
| mac_4n                     | -                                             |          |
| mac_3n                     | -                                             |          |
| mac_2n                     | -                                             |          |
| mac_1n                     | -                                             |          |
| flst                       | Frql_20_A0                                    |          |
| <b>Detailed Comments:</b>  |                                               |          |

| Structured Type Constraint |                                                                      |          |
|----------------------------|----------------------------------------------------------------------|----------|
| <b>Constraint Name:</b>    | FreqSDCCHa_hof1d                                                     |          |
| <b>Structured Type:</b>    | FRQPARA                                                              |          |
| <b>Derivation Path:</b>    |                                                                      |          |
| <b>Comments:</b>           | a hopping channel of cell A with {773,775,779} of cell allocation A. |          |
| Element Name               | Element Value                                                        | Comments |
| hch                        | '1'B                                                                 |          |
| maio                       | INT_TO_BIT((TSPX_MAIO MOD 3), 6)                                     |          |
| hsn                        | INT_TO_BIT(TSPX_HSN, 6)                                              |          |
| spr                        | -                                                                    |          |
| arfcn                      | -                                                                    |          |
| maclength                  | '03'O                                                                |          |
| mac_8n                     | '00000000'B                                                          |          |
| mac_7n                     | '00000111'B                                                          |          |
| mac_6n                     | '00000000'B                                                          |          |
| mac_5n                     | -                                                                    |          |
| mac_4n                     | -                                                                    |          |
| mac_3n                     | -                                                                    |          |
| mac_2n                     | -                                                                    |          |
| mac_1n                     | -                                                                    |          |
| flst                       | Frql_20_A0d                                                          |          |
| <b>Detailed Comments:</b>  |                                                                      |          |



| Structured Type Constraint |                                                                                                                |          |
|----------------------------|----------------------------------------------------------------------------------------------------------------|----------|
| <b>Constraint Name:</b>    | FreqSDCCHa_hof2                                                                                                |          |
| <b>Structured Type:</b>    | FRQPARA                                                                                                        |          |
| <b>Derivation Path:</b>    |                                                                                                                |          |
| <b>Comments:</b>           | a hopping channel with hopping frequencies are the Complete Cell Allocation of cell A except for BCCH. For GSM |          |
| Element Name               | Element Value                                                                                                  | Comments |
| hch                        | '1'B                                                                                                           |          |
| maio                       | INT_TO_BIT((TSPX_MAIO MOD 16), 6)                                                                              |          |
| hsn                        | INT_TO_BIT(TSPX_HSN, 6)                                                                                        |          |
| spr                        | -                                                                                                              |          |
| arfcn                      | -                                                                                                              |          |
| maclength                  | '03'O                                                                                                          |          |
| mac_8n                     | '00000001'B                                                                                                    |          |
| mac_7n                     | '11111111'B                                                                                                    |          |
| mac_6n                     | '11111011'B                                                                                                    |          |
| mac_5n                     | -                                                                                                              |          |
| mac_4n                     | -                                                                                                              |          |
| mac_3n                     | -                                                                                                              |          |
| mac_2n                     | -                                                                                                              |          |
| mac_1n                     | -                                                                                                              |          |
| flst                       | Frql_20_A0                                                                                                     |          |
| <b>Detailed Comments:</b>  |                                                                                                                |          |

| Structured Type Constraint |                                                                                                                           |          |
|----------------------------|---------------------------------------------------------------------------------------------------------------------------|----------|
| <b>Constraint Name:</b>    | FreqSDCCHa_hof2d                                                                                                          |          |
| <b>Structured Type:</b>    | FRQPARA                                                                                                                   |          |
| <b>Derivation Path:</b>    |                                                                                                                           |          |
| <b>Comments:</b>           | a hopping channel of cell A. the hopping frequencies are the Complete Cell Allocation of cell A except for BCCH. For DCS. |          |
| Element Name               | Element Value                                                                                                             | Comments |
| hch                        | '1'B                                                                                                                      |          |
| maio                       | INT_TO_BIT((TSPX_MAIO MOD 16), 6)                                                                                         |          |
| hsn                        | INT_TO_BIT(TSPX_HSN, 6)                                                                                                   |          |
| spr                        | -                                                                                                                         |          |
| arfcn                      | -                                                                                                                         |          |
| maclength                  | '03'O                                                                                                                     |          |
| mac_8n                     | '00000001'B                                                                                                               |          |
| mac_7n                     | '11111111'B                                                                                                               |          |
| mac_6n                     | '11111011'B                                                                                                               |          |
| mac_5n                     | -                                                                                                                         |          |
| mac_4n                     | -                                                                                                                         |          |
| mac_3n                     | -                                                                                                                         |          |
| mac_2n                     | -                                                                                                                         |          |
| mac_1n                     | -                                                                                                                         |          |
| flst                       | Frql_20_A0d                                                                                                               |          |
| <b>Detailed Comments:</b>  |                                                                                                                           |          |

| Structured Type Constraint |                                                                                     |          |
|----------------------------|-------------------------------------------------------------------------------------|----------|
| <b>Constraint Name:</b>    | FreqSDCCHa_hof3                                                                     |          |
| <b>Structured Type:</b>    | FRQPARA                                                                             |          |
| <b>Derivation Path:</b>    |                                                                                     |          |
| <b>Comments:</b>           | hopping channel with the Complete Cell Allocation of cell A except 20 and 52.(GSNM) |          |
| Element Name               | Element Value                                                                       | Comments |
| hch                        | '1'B                                                                                |          |
| maio                       | INT_TO_BIT((TSPX_MAIO MOD 15), 6)                                                   |          |
| hsn                        | '000000'B                                                                           |          |
| spr                        | -                                                                                   |          |
| arfcn                      | -                                                                                   |          |
| maclength                  | '03'O                                                                               |          |
| mac_8n                     | '00000001'B                                                                         |          |
| mac_7n                     | '11111110'B                                                                         |          |
| mac_6n                     | '11111011'B                                                                         |          |
| mac_5n                     | -                                                                                   |          |
| mac_4n                     | -                                                                                   |          |
| mac_3n                     | -                                                                                   |          |
| mac_2n                     | -                                                                                   |          |
| mac_1n                     | -                                                                                   |          |
| flst                       | Frql_20_A0                                                                          |          |
| <b>Detailed Comments:</b>  |                                                                                     |          |

| Structured Type Constraint |                                                                                                         |          |
|----------------------------|---------------------------------------------------------------------------------------------------------|----------|
| <b>Constraint Name:</b>    | FreqSDCCHa_hof3d                                                                                        |          |
| <b>Structured Type:</b>    | FRQPARA                                                                                                 |          |
| <b>Derivation Path:</b>    |                                                                                                         |          |
| <b>Comments:</b>           | hopping channel of cell A with the Complete Cell Allocation of cell A with except 747 and 767.<br>(DCS) |          |
| Element Name               | Element Value                                                                                           | Comments |
| hch                        | '1'B                                                                                                    |          |
| maio                       | INT_TO_BIT((TSPX_MAIO MOD 15), 6)                                                                       |          |
| hsn                        | '000000'B                                                                                               |          |
| spr                        | -                                                                                                       |          |
| arfcn                      | -                                                                                                       |          |
| maclength                  | '03'O                                                                                                   |          |
| mac_8n                     | '00000001'B                                                                                             |          |
| mac_7n                     | '11111111'B                                                                                             |          |
| mac_6n                     | '01111011'B                                                                                             |          |
| mac_5n                     | -                                                                                                       |          |
| mac_4n                     | -                                                                                                       |          |
| mac_3n                     | -                                                                                                       |          |
| mac_2n                     | -                                                                                                       |          |
| mac_1n                     | -                                                                                                       |          |
| flst                       | Frql_20_A0d                                                                                             |          |
| <b>Detailed Comments:</b>  |                                                                                                         |          |

| Structured Type Constraint |                                   |          |
|----------------------------|-----------------------------------|----------|
| <b>Constraint Name:</b>    | FreqSDCCH8b_hof1                  |          |
| <b>Structured Type:</b>    | FRQPARA                           |          |
| <b>Derivation Path:</b>    |                                   |          |
| <b>Comments:</b>           | hopping SDCCH8 channel            |          |
| Element Name               | Element Value                     | Comments |
| hch                        | '1'B                              |          |
| maio                       | INT_TO_BIT((TSPX_MAIO MOD 15), 6) |          |
| hsn                        | INT_TO_BIT(TSPX_HSN, 6)           |          |
| spr                        | -                                 |          |
| arfcn                      | -                                 |          |
| maclength                  | '02'O                             |          |
| mac_8n                     | '01111111'B                       |          |
| mac_7n                     | '11111111'B                       |          |
| mac_6n                     | -                                 |          |
| mac_5n                     | -                                 |          |
| mac_4n                     | -                                 |          |
| mac_3n                     | -                                 |          |
| mac_2n                     | -                                 |          |
| mac_1n                     | -                                 |          |
| flst                       | Frql_20_B7                        |          |
| <b>Detailed Comments:</b>  |                                   |          |

| Structured Type Constraint |                                  |          |
|----------------------------|----------------------------------|----------|
| <b>Constraint Name:</b>    | FreqSDCCH8b_hof1d                |          |
| <b>Structured Type:</b>    | FRQPARA                          |          |
| <b>Derivation Path:</b>    |                                  |          |
| <b>Comments:</b>           | hopping SDCCH8 channel           |          |
| Element Name               | Element Value                    | Comments |
| hch                        | '1'B                             |          |
| maio                       | INT_TO_BIT((TSPX_MAIO MOD 2), 6) |          |
| hsn                        | '000000'B                        |          |
| spr                        | -                                |          |
| arfcn                      | -                                |          |
| maclength                  | '01'O                            |          |
| mac_8n                     | '00000011'B                      |          |
| mac_7n                     | -                                |          |
| mac_6n                     | -                                |          |
| mac_5n                     | -                                |          |
| mac_4n                     | -                                |          |
| mac_3n                     | -                                |          |
| mac_2n                     | -                                |          |
| mac_1n                     | -                                |          |
| flst                       | Frql_20_B7d                      |          |
| <b>Detailed Comments:</b>  |                                  |          |

| Structured Type Constraint |                                   |          |
|----------------------------|-----------------------------------|----------|
| <b>Constraint Name:</b>    | FreqSDCCH8b_hof2                  |          |
| <b>Structured Type:</b>    | FRQPARA                           |          |
| <b>Derivation Path:</b>    |                                   |          |
| <b>Comments:</b>           | hopping SDCCH8 channel            |          |
| Element Name               | Element Value                     | Comments |
| hch                        | '1'B                              |          |
| maio                       | INT_TO_BIT((TSPX_MAIO MOD 14), 6) |          |
| hsn                        | INT_TO_BIT(TSPX_HSN, 6)           |          |
| spr                        | -                                 |          |
| arfcn                      | -                                 |          |
| maclength                  | '02'O                             |          |
| mac_8n                     | '00111111'B                       |          |
| mac_7n                     | '11111111'B                       |          |
| mac_6n                     | -                                 |          |
| mac_5n                     | -                                 |          |
| mac_4n                     | -                                 |          |
| mac_3n                     | -                                 |          |
| mac_2n                     | -                                 |          |
| mac_1n                     | -                                 |          |
| flst                       | Frql_20_B72                       |          |
| <b>Detailed Comments:</b>  |                                   |          |

| Structured Type Constraint |                                                                                                                |          |
|----------------------------|----------------------------------------------------------------------------------------------------------------|----------|
| <b>Constraint Name:</b>    | FreqSDCCH8b_hof2d                                                                                              |          |
| <b>Structured Type:</b>    | FRQPARA                                                                                                        |          |
| <b>Derivation Path:</b>    |                                                                                                                |          |
| <b>Comments:</b>           | hopping SDCCH8 channel in cell B, hopping frequencies are the complete cell allocation of cell B ( 512 format) |          |
| Element Name               | Element Value                                                                                                  | Comments |
| hch                        | '1'B                                                                                                           |          |
| maio                       | INT_TO_BIT((TSPX_MAIO MOD 16), 6)                                                                              |          |
| hsn                        | INT_TO_BIT( C_HSN_0, 6)                                                                                        |          |
| spr                        | -                                                                                                              |          |
| arfcn                      | -                                                                                                              |          |
| maclength                  | '02'O                                                                                                          |          |
| mac_8n                     | '11111111'B                                                                                                    |          |
| mac_7n                     | '11111111'B                                                                                                    |          |
| mac_6n                     | -                                                                                                              |          |
| mac_5n                     | -                                                                                                              |          |
| mac_4n                     | -                                                                                                              |          |
| mac_3n                     | -                                                                                                              |          |
| mac_2n                     | -                                                                                                              |          |
| mac_1n                     | -                                                                                                              |          |
| flst                       | Frql_20_B0d                                                                                                    |          |
| <b>Detailed Comments:</b>  |                                                                                                                |          |

| Structured Type Constraint |                                                                      |          |
|----------------------------|----------------------------------------------------------------------|----------|
| <b>Constraint Name:</b>    | FreqSDCCH8b_hof3                                                     |          |
| <b>Structured Type:</b>    | FRQPARA                                                              |          |
| <b>Derivation Path:</b>    |                                                                      |          |
| <b>Comments:</b>           | hopping SDCCH8 channel including complete cell allocation of cell B. |          |
| Element Name               | Element Value                                                        | Comments |
| hch                        | '1'B                                                                 |          |
| maio                       | INT_TO_BIT((TSPX_MAIO MOD 16), 6)                                    |          |
| hsn                        | INT_TO_BIT( C_HSN_0, 6)                                              |          |
| spr                        | -                                                                    |          |
| arfcn                      | -                                                                    |          |
| maclength                  | '02'O                                                                |          |
| mac_8n                     | '11111111'B                                                          |          |
| mac_7n                     | '11111111'B                                                          |          |
| mac_6n                     | -                                                                    |          |
| mac_5n                     | -                                                                    |          |
| mac_4n                     | -                                                                    |          |
| mac_3n                     | -                                                                    |          |
| mac_2n                     | -                                                                    |          |
| mac_1n                     | -                                                                    |          |
| flst                       | Frql_20_B0                                                           |          |
| <b>Detailed Comments:</b>  |                                                                      |          |

| Structured Type Constraint |                                                        |          |
|----------------------------|--------------------------------------------------------|----------|
| <b>Constraint Name:</b>    | FreqSDCCH8_rg1                                         |          |
| <b>Structured Type:</b>    | FRQPARA                                                |          |
| <b>Derivation Path:</b>    |                                                        |          |
| <b>Comments:</b>           | hopping SDCCH8 channel of TC_26_6_13_1 for GSM .       |          |
| Element Name               | Element Value                                          | Comments |
| hch                        | '1'B                                                   |          |
| maio                       | INT_TO_BIT(TSPX_Maio1, 6)                              |          |
| hsn                        | INT_TO_BIT(TSPX_Hsn1, 6)                               |          |
| spr                        | -                                                      |          |
| arfcn                      | -                                                      |          |
| maclength                  | '03'O                                                  |          |
| mac_8n                     | INT_TO_BIT((OC_OctToInt(TSPX_Ma1) / 65536), 8)         |          |
| mac_7n                     | INT_TO_BIT(((OC_OctToInt(TSPX_Ma1) / 256) MOD 256), 8) |          |
| mac_6n                     | INT_TO_BIT((OC_OctToInt(TSPX_Ma1) MOD 256), 8)         |          |
| mac_5n                     | -                                                      |          |
| mac_4n                     | -                                                      |          |
| mac_3n                     | -                                                      |          |
| mac_2n                     | -                                                      |          |
| mac_1n                     | -                                                      |          |
| flst                       | Frql_20_A0                                             |          |
| <b>Detailed Comments:</b>  |                                                        |          |

| Structured Type Constraint |                                                        |          |
|----------------------------|--------------------------------------------------------|----------|
| <b>Constraint Name:</b>    | FreqSDCCH8_rg2                                         |          |
| <b>Structured Type:</b>    | FRQPARA                                                |          |
| <b>Derivation Path:</b>    | FreqSDCCH8_rg1.                                        |          |
| <b>Comments:</b>           | hopping SDCCH8 channel of TC_26_6_13_2 for GSM .       |          |
| Element Name               | Element Value                                          | Comments |
| maio                       | INT_TO_BIT(TSPX_Maio4, 6)                              |          |
| hsn                        | INT_TO_BIT(TSPX_Hsn4, 6)                               |          |
| mac_8n                     | INT_TO_BIT((OC_OctToInt(TSPX_Ma4) / 65536), 8)         |          |
| mac_7n                     | INT_TO_BIT(((OC_OctToInt(TSPX_Ma4) / 256) MOD 256), 8) |          |
| mac_6n                     | INT_TO_BIT((OC_OctToInt(TSPX_Ma4) MOD 256), 8)         |          |
| <b>Detailed Comments:</b>  |                                                        |          |

| Structured Type Constraint |                                                  |          |
|----------------------------|--------------------------------------------------|----------|
| <b>Constraint Name:</b>    | FreqSDCCH8_rd1                                   |          |
| <b>Structured Type:</b>    | FRQPARA                                          |          |
| <b>Derivation Path:</b>    | FreqSDCCH8_rg1.                                  |          |
| <b>Comments:</b>           | hopping SDCCH8 channel of TC_26_6_13_1 for DCS . |          |
| Element Name               | Element Value                                    | Comments |
| flst                       | Frql_20_A1d                                      |          |
| <b>Detailed Comments:</b>  |                                                  |          |

| Structured Type Constraint |                                                  |          |
|----------------------------|--------------------------------------------------|----------|
| <b>Constraint Name:</b>    | FreqSDCCH8_rd2                                   |          |
| <b>Structured Type:</b>    | FRQPARA                                          |          |
| <b>Derivation Path:</b>    | FreqSDCCH8_rg1.FreqSDCCH8_rg2.                   |          |
| <b>Comments:</b>           | hopping SDCCH8 channel of TC_26_6_13_2 for DCS . |          |
| Element Name               | Element Value                                    | Comments |
| flst                       | Frql_20_A1d                                      |          |
| <b>Detailed Comments:</b>  |                                                  |          |

| Structured Type Constraint |                                                   |          |
|----------------------------|---------------------------------------------------|----------|
| <b>Constraint Name:</b>    | FreqSDCCH8_e                                      |          |
| <b>Structured Type:</b>    | FRQPARA                                           |          |
| <b>Derivation Path:</b>    |                                                   |          |
| <b>Comments:</b>           | hopping SDCCH8 channel of TC_26_6_10_3 for EGSM . |          |
| Element Name               | Element Value                                     | Comments |
| hch                        | '0'B                                              |          |
| maio                       | -                                                 |          |
| hsn                        | -                                                 |          |
| spr                        | '00'B                                             |          |
| arfcn                      | INT_TO_BIT(40, 10)                                |          |
| maclength                  | '00'O                                             |          |
| mac_8n                     | -                                                 |          |
| mac_7n                     | -                                                 |          |
| mac_6n                     | -                                                 |          |
| mac_5n                     | -                                                 |          |
| mac_4n                     | -                                                 |          |
| mac_3n                     | -                                                 |          |
| mac_2n                     | -                                                 |          |
| mac_1n                     | -                                                 |          |
| flst                       | -                                                 |          |
| <b>Detailed Comments:</b>  |                                                   |          |

| Structured Type Constraint |                                             |          |
|----------------------------|---------------------------------------------|----------|
| <b>Constraint Name:</b>    | FreqSDCCH8_e1                               |          |
| <b>Structured Type:</b>    | FRQPARA                                     |          |
| <b>Derivation Path:</b>    |                                             |          |
| <b>Comments:</b>           | SDCCH8 channel of TC_26_6_10_2_2 for EGSM . |          |
| Element Name               | Element Value                               | Comments |
| hch                        | '0'B                                        |          |
| maio                       | -                                           |          |
| hsn                        | -                                           |          |
| spr                        | '00'B                                       |          |
| arfcn                      | INT_TO_BIT(1015, 10)                        |          |
| maclength                  | '00'O                                       |          |
| mac_8n                     | -                                           |          |
| mac_7n                     | -                                           |          |
| mac_6n                     | -                                           |          |
| mac_5n                     | -                                           |          |
| mac_4n                     | -                                           |          |
| mac_3n                     | -                                           |          |
| mac_2n                     | -                                           |          |
| mac_1n                     | -                                           |          |
| flst                       | -                                           |          |
| <b>Detailed Comments:</b>  |                                             |          |

| Structured Type Constraint |                                                                                       |          |
|----------------------------|---------------------------------------------------------------------------------------|----------|
| <b>Constraint Name:</b>    | FreqSDCCH8_e2                                                                         |          |
| <b>Structured Type:</b>    | FRQPARA                                                                               |          |
| <b>Derivation Path:</b>    |                                                                                       |          |
| <b>Comments:</b>           | hopping with<br>indicates to the ARFCN_list={0, 80, 1005, 1010} of cell allocation A. |          |
| Element Name               | Element Value                                                                         | Comments |
| hch                        | '1'B                                                                                  |          |
| maio                       | INT_TO_BIT((TSPX_MAIO MOD 4), 6)                                                      |          |
| hsn                        | INT_TO_BIT(TSPX_HSN, 6)                                                               |          |
| spr                        | -                                                                                     |          |
| arfcn                      | -                                                                                     |          |
| maclength                  | '01'O                                                                                 |          |
| mac_8n                     | '10111000'B                                                                           |          |
| mac_7n                     | -                                                                                     |          |
| mac_6n                     | -                                                                                     |          |
| mac_5n                     | -                                                                                     |          |
| mac_4n                     | -                                                                                     |          |
| mac_3n                     | -                                                                                     |          |
| mac_2n                     | -                                                                                     |          |
| mac_1n                     | -                                                                                     |          |
| flst                       | Frql_20_A0E                                                                           |          |
| <b>Detailed Comments:</b>  |                                                                                       |          |

| Structured Type Constraint |                                                        |          |
|----------------------------|--------------------------------------------------------|----------|
| <b>Constraint Name:</b>    | Freq_rg2                                               |          |
| <b>Structured Type:</b>    | FRQPARA                                                |          |
| <b>Derivation Path:</b>    | FreqSDCCH8_rg1.                                        |          |
| <b>Comments:</b>           | hopping channel of TC_26_6_13_1 for GSM , before time. |          |
| Element Name               | Element Value                                          | Comments |
| maio                       | INT_TO_BIT(TSPX_Maio3, 6)                              |          |
| hsn                        | INT_TO_BIT(TSPX_Hsn3, 6)                               |          |
| mac_8n                     | INT_TO_BIT((OC_OctToInt(TSPX_Ma3) / 65536), 8)         |          |
| mac_7n                     | INT_TO_BIT(((OC_OctToInt(TSPX_Ma3) / 256) MOD 256), 8) |          |
| mac_6n                     | INT_TO_BIT((OC_OctToInt(TSPX_Ma3) MOD 256), 8)         |          |
| <b>Detailed Comments:</b>  |                                                        |          |

| Structured Type Constraint |                                                       |          |
|----------------------------|-------------------------------------------------------|----------|
| <b>Constraint Name:</b>    | Freq_rd2                                              |          |
| <b>Structured Type:</b>    | FRQPARA                                               |          |
| <b>Derivation Path:</b>    | FreqSDCCH8_rg1.Freq_rg2.                              |          |
| <b>Comments:</b>           | hopping channel of TC_26_6_13_1 for DCS, before time. |          |
| Element Name               | Element Value                                         | Comments |
| flst                       | Frql_20_A1d                                           |          |
| <b>Detailed Comments:</b>  |                                                       |          |

| Structured Type Constraint |                                                        |          |
|----------------------------|--------------------------------------------------------|----------|
| <b>Constraint Name:</b>    | Freq_rg4                                               |          |
| <b>Structured Type:</b>    | FRQPARA                                                |          |
| <b>Derivation Path:</b>    | FreqSDCCH8_rg1.                                        |          |
| <b>Comments:</b>           | hopping channel of TC_26_6_13_2 for GSM, after time.   |          |
| Element Name               | Element Value                                          | Comments |
| maio                       | INT_TO_BIT(TSPX_Maio5, 6)                              |          |
| hsn                        | INT_TO_BIT(TSPX_Hsn5, 6)                               |          |
| mac_8n                     | INT_TO_BIT((OC_OctToInt(TSPX_Ma5) / 65536), 8)         |          |
| mac_7n                     | INT_TO_BIT(((OC_OctToInt(TSPX_Ma5) / 256) MOD 256), 8) |          |
| mac_6n                     | INT_TO_BIT((OC_OctToInt(TSPX_Ma5) MOD 256), 8)         |          |
| <b>Detailed Comments:</b>  |                                                        |          |

| Structured Type Constraint |                                                      |          |
|----------------------------|------------------------------------------------------|----------|
| <b>Constraint Name:</b>    | Freq_rd4                                             |          |
| <b>Structured Type:</b>    | FRQPARA                                              |          |
| <b>Derivation Path:</b>    | FreqSDCCH8_rg1.Freq_rg4.                             |          |
| <b>Comments:</b>           | hopping channel of TC_26_6_13_2 for DCS, after time. |          |
| Element Name               | Element Value                                        | Comments |
| flst                       | Frql_20_A1d                                          |          |
| <b>Detailed Comments:</b>  |                                                      |          |



| Structured Type Constraint |                                                                |          |
|----------------------------|----------------------------------------------------------------|----------|
| <b>Constraint Name:</b>    | Freq_rg5                                                       |          |
| <b>Structured Type:</b>    | FRQPARA                                                        |          |
| <b>Derivation Path:</b>    |                                                                |          |
| <b>Comments:</b>           | hopping channel of TC_26_6_13_3 for GSM, immediate assignment. |          |
| Element Name               | Element Value                                                  | Comments |
| hch                        | '1'B                                                           |          |
| maio                       | INT_TO_BIT(TSPX_Maio6, 6)                                      |          |
| hsn                        | INT_TO_BIT(TSPX_Hsn6, 6)                                       |          |
| spr                        | -                                                              |          |
| arfcn                      | -                                                              |          |
| maclength                  | '03'O                                                          |          |
| mac_8n                     | INT_TO_BIT((OC_OctToInt(TSPX_Ma6) / 65536), 8)                 |          |
| mac_7n                     | INT_TO_BIT(((OC_OctToInt(TSPX_Ma6) / 256) MOD 256), 8)         |          |
| mac_6n                     | INT_TO_BIT((OC_OctToInt(TSPX_Ma6) MOD 256), 8)                 |          |
| mac_5n                     | -                                                              |          |
| mac_4n                     | -                                                              |          |
| mac_3n                     | -                                                              |          |
| mac_2n                     | -                                                              |          |
| mac_1n                     | -                                                              |          |
| flst                       | Frql_20_A0                                                     |          |
| <b>Detailed Comments:</b>  |                                                                |          |

| Structured Type Constraint |                                                                |          |
|----------------------------|----------------------------------------------------------------|----------|
| <b>Constraint Name:</b>    | Freq_rd5                                                       |          |
| <b>Structured Type:</b>    | FRQPARA                                                        |          |
| <b>Derivation Path:</b>    | Freq_rg5.                                                      |          |
| <b>Comments:</b>           | hopping channel of TC_26_6_13_3 for DCS, immediate assignment. |          |
| Element Name               | Element Value                                                  | Comments |
| flst                       | Frql_20_A1d                                                    |          |
| <b>Detailed Comments:</b>  |                                                                |          |

| Structured Type Constraint |                                                                |          |
|----------------------------|----------------------------------------------------------------|----------|
| <b>Constraint Name:</b>    | Freq_rg7                                                       |          |
| <b>Structured Type:</b>    | FRQPARA                                                        |          |
| <b>Derivation Path:</b>    | FreqSDCCH8_rg1.                                                |          |
| <b>Comments:</b>           | hopping channel of TC_26_6_13_4 for GSM, immediate assignment. |          |
| Element Name               | Element Value                                                  | Comments |
| maio                       | INT_TO_BIT(TSPX_Maio10, 6)                                     |          |
| hsn                        | INT_TO_BIT(TSPX_Hsn10, 6)                                      |          |
| mac_8n                     | INT_TO_BIT((OC_OctToInt(TSPX_Ma10) / 65536), 8)                |          |
| mac_7n                     | INT_TO_BIT(((OC_OctToInt(TSPX_Ma10) / 256) MOD 256), 8)        |          |
| mac_6n                     | INT_TO_BIT((OC_OctToInt(TSPX_Ma10) MOD 256), 8)                |          |
| <b>Detailed Comments:</b>  |                                                                |          |

| Structured Type Constraint |                                                                |          |
|----------------------------|----------------------------------------------------------------|----------|
| <b>Constraint Name:</b>    | Freq_rd7                                                       |          |
| <b>Structured Type:</b>    | FRQPARA                                                        |          |
| <b>Derivation Path:</b>    | FreqSDCCH8_rg1.Freq_rg7.                                       |          |
| <b>Comments:</b>           | hopping channel of TC_26_6_13_4 for DCS, immediate assignment. |          |
| Element Name               | Element Value                                                  | Comments |
| flst                       | Frql_20_A1d                                                    |          |
| <b>Detailed Comments:</b>  |                                                                |          |

| Structured Type Constraint |                                                     |          |
|----------------------------|-----------------------------------------------------|----------|
| <b>Constraint Name:</b>    | Freq_rg8                                            |          |
| <b>Structured Type:</b>    | FRQPARA                                             |          |
| <b>Derivation Path:</b>    |                                                     |          |
| <b>Comments:</b>           | hopping channel of TC_26_4_2_2 for GSM, assignment. |          |
| Element Name               | Element Value                                       | Comments |
| hch                        | '1'B                                                |          |
| maio                       | '000000'B                                           |          |
| hsn                        | '000100'B                                           |          |
| spr                        | -                                                   |          |
| arfcn                      | -                                                   |          |
| maclength                  | '01'O                                               |          |
| mac_8n                     | '00001110'B                                         |          |
| mac_7n                     | -                                                   |          |
| mac_6n                     | -                                                   |          |
| mac_5n                     | -                                                   |          |
| mac_4n                     | -                                                   |          |
| mac_3n                     | -                                                   |          |
| mac_2n                     | -                                                   |          |
| mac_1n                     | -                                                   |          |
| flst                       | Frql_07                                             |          |
| <b>Detailed Comments:</b>  |                                                     |          |

| Structured Type Constraint |                                                                 |          |
|----------------------------|-----------------------------------------------------------------|----------|
| <b>Constraint Name:</b>    | Freq_rd8                                                        |          |
| <b>Structured Type:</b>    | FRQPARA                                                         |          |
| <b>Derivation Path:</b>    | Freq_rg8.                                                       |          |
| <b>Comments:</b>           | hopping channel of TC_26_6_4_2_2 for DCS, immediate assignment. |          |
| Element Name               | Element Value                                                   | Comments |
| flst                       | Frql_17                                                         |          |
| <b>Detailed Comments:</b>  |                                                                 |          |

| Structured Type Constraint |                                                                       |          |
|----------------------------|-----------------------------------------------------------------------|----------|
| <b>Constraint Name:</b>    | Freq_rg9                                                              |          |
| <b>Structured Type:</b>    | FRQPARA                                                               |          |
| <b>Derivation Path:</b>    | FreqSDCCH8_rg1.                                                       |          |
| <b>Comments:</b>           | hopping channel of TC_26_6_13_5 for GSM, immediate assignment. cell A |          |
| Element Name               | Element Value                                                         | Comments |
| maio                       | INT_TO_BIT(TSPX_Maio14, 6)                                            |          |
| hsn                        | INT_TO_BIT(TSPX_Hsn14, 6)                                             |          |
| mac_8n                     | INT_TO_BIT(((OC_OctToInt(TSPX_Ma14) / 65536), 8)                      |          |
| mac_7n                     | INT_TO_BIT((((OC_OctToInt(TSPX_Ma14) / 256) MOD 256), 8)              |          |
| mac_6n                     | INT_TO_BIT(((OC_OctToInt(TSPX_Ma14) MOD 256), 8)                      |          |
| <b>Detailed Comments:</b>  |                                                                       |          |

| Structured Type Constraint |                                                                |          |
|----------------------------|----------------------------------------------------------------|----------|
| <b>Constraint Name:</b>    | Freq_rd9                                                       |          |
| <b>Structured Type:</b>    | FRQPARA                                                        |          |
| <b>Derivation Path:</b>    | FreqSDCCH8_rg1.Freq_rg9.                                       |          |
| <b>Comments:</b>           | hopping channel of TC_26_6_13_5 for DCS, immediate assignment. |          |
| Element Name               | Element Value                                                  | Comments |
| flst                       | Frql_20_A1d                                                    |          |
| <b>Detailed Comments:</b>  |                                                                |          |

| Structured Type Constraint |                                                                                |          |
|----------------------------|--------------------------------------------------------------------------------|----------|
| <b>Constraint Name:</b>    | Freq_rg10                                                                      |          |
| <b>Structured Type:</b>    | FRQPARA                                                                        |          |
| <b>Derivation Path:</b>    |                                                                                |          |
| <b>Comments:</b>           | hopping channel of TC_26_6_13_5 for GSM, hanfover command after time in Cell B |          |
| Element Name               | Element Value                                                                  | Comments |
| hch                        | '1'B                                                                           |          |
| maio                       | INT_TO_BIT(TSPX_Maio15, 6)                                                     |          |
| hsn                        | INT_TO_BIT(TSPX_Hsn15, 6)                                                      |          |
| spr                        | -                                                                              |          |
| arfcn                      | -                                                                              |          |
| maclength                  | '03'O                                                                          |          |
| mac_8n                     | INT_TO_BIT((OC_OctToInt(TSPX_Ma15) / 65536), 8)                                |          |
| mac_7n                     | INT_TO_BIT(((OC_OctToInt(TSPX_Ma15) / 256) MOD 256), 8)                        |          |
| mac_6n                     | INT_TO_BIT((OC_OctToInt(TSPX_Ma15) MOD 256), 8)                                |          |
| mac_5n                     | -                                                                              |          |
| mac_4n                     | -                                                                              |          |
| mac_3n                     | -                                                                              |          |
| mac_2n                     | -                                                                              |          |
| mac_1n                     | -                                                                              |          |
| flst                       | Frql_20_B0                                                                     |          |
| <b>Detailed Comments:</b>  |                                                                                |          |

| Structured Type Constraint |                                                                                 |          |
|----------------------------|---------------------------------------------------------------------------------|----------|
| <b>Constraint Name:</b>    | Freq_rg11                                                                       |          |
| <b>Structured Type:</b>    | FRQPARA                                                                         |          |
| <b>Derivation Path:</b>    | Freq_rg10.                                                                      |          |
| <b>Comments:</b>           | hopping channel of TC_26_6_13_5 for GSM, hanfover command before time in Cell B |          |
| Element Name               | Element Value                                                                   | Comments |
| maio                       | INT_TO_BIT(TSPX_Maio16, 6)                                                      |          |
| hsn                        | INT_TO_BIT(TSPX_Hsn16, 6)                                                       |          |
| mac_8n                     | INT_TO_BIT((OC_OctToInt(TSPX_Ma16) / 65536), 8)                                 |          |
| mac_7n                     | INT_TO_BIT(((OC_OctToInt(TSPX_Ma16) / 256) MOD 256), 8)                         |          |
| mac_6n                     | INT_TO_BIT((OC_OctToInt(TSPX_Ma16) MOD 256), 8)                                 |          |
| <b>Detailed Comments:</b>  |                                                                                 |          |

| Structured Type Constraint |                                                                                 |          |
|----------------------------|---------------------------------------------------------------------------------|----------|
| <b>Constraint Name:</b>    | Freq_rd11                                                                       |          |
| <b>Structured Type:</b>    | FRQPARA                                                                         |          |
| <b>Derivation Path:</b>    | Freq_rg10.Freq_rg11.                                                            |          |
| <b>Comments:</b>           | hopping channel of TC_26_6_13_5 for DCS, handover command before time in Cell B |          |
| Element Name               | Element Value                                                                   | Comments |
| flst                       | Frql_20_B1d                                                                     |          |
| <b>Detailed Comments:</b>  |                                                                                 |          |

| Structured Type Constraint |                                                                       |          |
|----------------------------|-----------------------------------------------------------------------|----------|
| <b>Constraint Name:</b>    | Freq_rg12                                                             |          |
| <b>Structured Type:</b>    | FRQPARA                                                               |          |
| <b>Derivation Path:</b>    | FreqSDCCH8_rg1.                                                       |          |
| <b>Comments:</b>           | hopping channel of TC_26_6_13_6 for GSM, immediate assignment. cell A |          |
| Element Name               | Element Value                                                         | Comments |
| maio                       | INT_TO_BIT(TSPX_Maio17, 6)                                            |          |
| hsn                        | INT_TO_BIT(TSPX_Hsn17, 6)                                             |          |
| mac_8n                     | INT_TO_BIT((OC_OctToInt(TSPX_Ma17) / 65536), 8)                       |          |
| mac_7n                     | INT_TO_BIT(((OC_OctToInt(TSPX_Ma17) / 256) MOD 256), 8)               |          |
| mac_6n                     | INT_TO_BIT((OC_OctToInt(TSPX_Ma17) MOD 256), 8)                       |          |
| <b>Detailed Comments:</b>  |                                                                       |          |

| Structured Type Constraint |                                                                       |          |
|----------------------------|-----------------------------------------------------------------------|----------|
| <b>Constraint Name:</b>    | Freq_rd12                                                             |          |
| <b>Structured Type:</b>    | FRQPARA                                                               |          |
| <b>Derivation Path:</b>    | FreqSDCCH8_rg1.Freq_rg12.                                             |          |
| <b>Comments:</b>           | hopping channel of TC_26_6_13_6 for DCS, immediate assignment. Cell A |          |
| Element Name               | Element Value                                                         | Comments |
| flst                       | Frql_20_A1d                                                           |          |
| <b>Detailed Comments:</b>  |                                                                       |          |

| Structured Type Constraint |                                                                                |          |
|----------------------------|--------------------------------------------------------------------------------|----------|
| <b>Constraint Name:</b>    | Freq_rg13                                                                      |          |
| <b>Structured Type:</b>    | FRQPARA                                                                        |          |
| <b>Derivation Path:</b>    | Freq_rg10.                                                                     |          |
| <b>Comments:</b>           | hopping channel of TC_26_6_13_6 for GSM, hanfover command after time in Cell B |          |
| Element Name               | Element Value                                                                  | Comments |
| maio                       | INT_TO_BIT(TSPX_Maio18, 6)                                                     |          |
| hsn                        | INT_TO_BIT(TSPX_Hsn18, 6)                                                      |          |
| mac_8n                     | INT_TO_BIT((OC_OctToInt(TSPX_Ma18) / 65536), 8)                                |          |
| mac_7n                     | INT_TO_BIT(((OC_OctToInt(TSPX_Ma18) / 256) MOD 256), 8)                        |          |
| mac_6n                     | INT_TO_BIT((OC_OctToInt(TSPX_Ma18) MOD 256), 8)                                |          |
| <b>Detailed Comments:</b>  |                                                                                |          |

| Structured Type Constraint |                                                                                |          |
|----------------------------|--------------------------------------------------------------------------------|----------|
| <b>Constraint Name:</b>    | Freq_rd13                                                                      |          |
| <b>Structured Type:</b>    | FRQPARA                                                                        |          |
| <b>Derivation Path:</b>    | Freq_rg10.                                                                     |          |
| <b>Comments:</b>           | hopping channel of TC_26_6_13_6 for DCS, handover command after time in Cell B |          |
| Element Name               | Element Value                                                                  | Comments |
| flst                       | Frql_20_B1d                                                                    |          |
| <b>Detailed Comments:</b>  |                                                                                |          |

| Structured Type Constraint |                                                                |          |
|----------------------------|----------------------------------------------------------------|----------|
| <b>Constraint Name:</b>    | Freq_rg14                                                      |          |
| <b>Structured Type:</b>    | FRQPARA                                                        |          |
| <b>Derivation Path:</b>    | FreqSDCCH8_rg1.                                                |          |
| <b>Comments:</b>           | hopping channel of TC_26_6_13_7 for GSM, immediate assignment. |          |
| Element Name               | Element Value                                                  | Comments |
| maio                       | INT_TO_BIT(TSPX_Maio20, 6)                                     |          |
| hsn                        | INT_TO_BIT(TSPX_Hsn20, 6)                                      |          |
| mac_8n                     | INT_TO_BIT((OC_OctToInt(TSPX_Ma20) / 65536), 8)                |          |
| mac_7n                     | INT_TO_BIT(((OC_OctToInt(TSPX_Ma20) / 256) MOD 256), 8)        |          |
| mac_6n                     | INT_TO_BIT((OC_OctToInt(TSPX_Ma20) MOD 256), 8)                |          |
| <b>Detailed Comments:</b>  |                                                                |          |

| Structured Type Constraint |                                                                |          |
|----------------------------|----------------------------------------------------------------|----------|
| <b>Constraint Name:</b>    | Freq_rd14                                                      |          |
| <b>Structured Type:</b>    | FRQPARA                                                        |          |
| <b>Derivation Path:</b>    | FreqSDCCH8_rg1.Freq_rg14.                                      |          |
| <b>Comments:</b>           | hopping channel of TC_26_6_13_7 for DCS, immediate assignment. |          |
| Element Name               | Element Value                                                  | Comments |
| flst                       | Frql_20_A1d                                                    |          |
| <b>Detailed Comments:</b>  |                                                                |          |

| Structured Type Constraint |                                                                |          |
|----------------------------|----------------------------------------------------------------|----------|
| <b>Constraint Name:</b>    | Freq_rg15                                                      |          |
| <b>Structured Type:</b>    | FRQPARA                                                        |          |
| <b>Derivation Path:</b>    | FreqSDCCH8_rg1.                                                |          |
| <b>Comments:</b>           | hopping channel of TC_26_6_13_8 for GSM, immediate assignment. |          |
| Element Name               | Element Value                                                  | Comments |
| maio                       | INT_TO_BIT(TSPX_Maio24, 6)                                     |          |
| hsn                        | INT_TO_BIT(TSPX_Hsn24, 6)                                      |          |
| mac_8n                     | INT_TO_BIT((OC_OctToInt(TSPX_Ma24) / 65536), 8)                |          |
| mac_7n                     | INT_TO_BIT(((OC_OctToInt(TSPX_Ma24) / 256) MOD 256), 8)        |          |
| mac_6n                     | INT_TO_BIT((OC_OctToInt(TSPX_Ma24) MOD 256), 8)                |          |
| <b>Detailed Comments:</b>  |                                                                |          |

| Structured Type Constraint |                                                                |          |
|----------------------------|----------------------------------------------------------------|----------|
| <b>Constraint Name:</b>    | Freq_rd15                                                      |          |
| <b>Structured Type:</b>    | FRQPARA                                                        |          |
| <b>Derivation Path:</b>    | FreqSDCCH8_rg1.Freq_rg15.                                      |          |
| <b>Comments:</b>           | hopping channel of TC_26_6_13_8 for DCS, immediate assignment. |          |
| Element Name               | Element Value                                                  | Comments |
| flst                       | Frql_20_A1d                                                    |          |
| <b>Detailed Comments:</b>  |                                                                |          |

| Structured Type Constraint |                                                                            |          |
|----------------------------|----------------------------------------------------------------------------|----------|
| <b>Constraint Name:</b>    | Freq_rg16                                                                  |          |
| <b>Structured Type:</b>    | FRQPARA                                                                    |          |
| <b>Derivation Path:</b>    | FreqSDCCH8_rg1.                                                            |          |
| <b>Comments:</b>           | hopping channel of TC_26_6_13_9 for GSM, immediate assignment before time. |          |
| Element Name               | Element Value                                                              | Comments |
| maio                       | INT_TO_BIT(TSPX_Maio29, 6)                                                 |          |
| hsn                        | INT_TO_BIT(TSPX_Hsn28, 6)                                                  |          |
| mac_8n                     | INT_TO_BIT((OC_OctToInt(TSPX_Ma29) / 65536), 8)                            |          |
| mac_7n                     | INT_TO_BIT(((OC_OctToInt(TSPX_Ma29) / 256) MOD 256), 8)                    |          |
| mac_6n                     | INT_TO_BIT((OC_OctToInt(TSPX_Ma29) MOD 256), 8)                            |          |
| <b>Detailed Comments:</b>  |                                                                            |          |

| Structured Type Constraint |                                                                            |          |
|----------------------------|----------------------------------------------------------------------------|----------|
| <b>Constraint Name:</b>    | Freq_rd16                                                                  |          |
| <b>Structured Type:</b>    | FRQPARA                                                                    |          |
| <b>Derivation Path:</b>    | FreqSDCCH8_rg1.Freq_rg16.                                                  |          |
| <b>Comments:</b>           | hopping channel of TC_26_6_13_8 for DCS, immediate assignment before time. |          |
| Element Name               | Element Value                                                              | Comments |
| flst                       | Frql_20_A1d                                                                |          |
| <b>Detailed Comments:</b>  |                                                                            |          |

| Structured Type Constraint |                                                                            |          |
|----------------------------|----------------------------------------------------------------------------|----------|
| <b>Constraint Name:</b>    | Freq_rg17                                                                  |          |
| <b>Structured Type:</b>    | FRQPARA                                                                    |          |
| <b>Derivation Path:</b>    | FreqSDCCH8_rg1.                                                            |          |
| <b>Comments:</b>           | hopping channel of TC_26_6_13_10 for GSM, immediate assignment after time. |          |
| Element Name               | Element Value                                                              | Comments |
| maio                       | INT_TO_BIT(TSPX_Maio30, 6)                                                 |          |
| hsn                        | INT_TO_BIT(TSPX_Hsn30, 6)                                                  |          |
| mac_8n                     | INT_TO_BIT((OC_OctToInt(TSPX_Ma30) / 65536), 8)                            |          |
| mac_7n                     | INT_TO_BIT(((OC_OctToInt(TSPX_Ma30) / 256) MOD 256), 8)                    |          |
| mac_6n                     | INT_TO_BIT((OC_OctToInt(TSPX_Ma30) MOD 256), 8)                            |          |
| <b>Detailed Comments:</b>  |                                                                            |          |

| Structured Type Constraint |                                                                           |          |
|----------------------------|---------------------------------------------------------------------------|----------|
| <b>Constraint Name:</b>    | Freq_rd17                                                                 |          |
| <b>Structured Type:</b>    | FRQPARA                                                                   |          |
| <b>Derivation Path:</b>    | FreqSDCCH8_rg1.Freq_rg17.                                                 |          |
| <b>Comments:</b>           | hopping channel of TC_26_6_13_8 for DCS, immediate assignment after time. |          |
| Element Name               | Element Value                                                             | Comments |
| flst                       | Frql_20_A1d                                                               |          |
| <b>Detailed Comments:</b>  |                                                                           |          |

| Structured Type Constraint |                                                               |          |
|----------------------------|---------------------------------------------------------------|----------|
| <b>Constraint Name:</b>    | Freq_rg18                                                     |          |
| <b>Structured Type:</b>    | FRQPARA                                                       |          |
| <b>Derivation Path:</b>    |                                                               |          |
| <b>Comments:</b>           | hopping channel of TC_26_6_6_1 for GSM, immediate assignment. |          |
| Element Name               | Element Value                                                 | Comments |
| hch                        | '1'B                                                          |          |
| maio                       | '001001'B                                                     |          |
| hsn                        | '000000'B                                                     |          |
| spr                        | -                                                             |          |
| arfcn                      | -                                                             |          |
| maclength                  | '08'O                                                         |          |
| mac_8n                     | '00000000'B                                                   |          |
| mac_7n                     | '00000000'B                                                   |          |
| mac_6n                     | '00000000'B                                                   |          |
| mac_5n                     | '00000000'B                                                   |          |
| mac_4n                     | '00000000'B                                                   |          |
| mac_3n                     | '00000000'B                                                   |          |
| mac_2n                     | '00111111'B                                                   |          |
| mac_1n                     | '11111110'B                                                   |          |
| flst                       | Frql_20                                                       |          |
| <b>Detailed Comments:</b>  |                                                               |          |

| Structured Type Constraint |                                                               |          |
|----------------------------|---------------------------------------------------------------|----------|
| <b>Constraint Name:</b>    | Freq_rd18                                                     |          |
| <b>Structured Type:</b>    | FRQPARA                                                       |          |
| <b>Derivation Path:</b>    | Freq_rg18.                                                    |          |
| <b>Comments:</b>           | hopping channel of TC_26_6_6_1 for DCS, immediate assignment. |          |
| Element Name               | Element Value                                                 | Comments |
| flst                       | Frql_29                                                       |          |
| <b>Detailed Comments:</b>  |                                                               |          |

| Structured Type Constraint |                                                               |          |
|----------------------------|---------------------------------------------------------------|----------|
| <b>Constraint Name:</b>    | Freq_rg19                                                     |          |
| <b>Structured Type:</b>    | FRQPARA                                                       |          |
| <b>Derivation Path:</b>    | Freq_rg18.                                                    |          |
| <b>Comments:</b>           | hopping channel of TC_26_6_6_1 for GSM, immediate assignment. |          |
| Element Name               | Element Value                                                 | Comments |
| mac_8n                     | '10000000'B                                                   |          |
| mac_7n                     | '00000000'B                                                   |          |
| mac_6n                     | '00000000'B                                                   |          |
| mac_5n                     | '10000000'B                                                   |          |
| mac_4n                     | '00100000'B                                                   |          |
| mac_3n                     | '00000000'B                                                   |          |
| mac_2n                     | '00000000'B                                                   |          |
| mac_1n                     | '00000101'B                                                   |          |
| flst                       | Frql_21                                                       |          |
| <b>Detailed Comments:</b>  |                                                               |          |

| Structured Type Constraint |                                                               |          |
|----------------------------|---------------------------------------------------------------|----------|
| <b>Constraint Name:</b>    | Freq_rd19                                                     |          |
| <b>Structured Type:</b>    | FRQPARA                                                       |          |
| <b>Derivation Path:</b>    | Freq_rg18.Freq_rg19.                                          |          |
| <b>Comments:</b>           | hopping channel of TC_26_6_6_1 for DCS, immediate assignment. |          |
| Element Name               | Element Value                                                 | Comments |
| flst                       | Frql_30                                                       |          |
| <b>Detailed Comments:</b>  |                                                               |          |

| Structured Type Constraint |                                                               |          |
|----------------------------|---------------------------------------------------------------|----------|
| <b>Constraint Name:</b>    | Freq_rg20                                                     |          |
| <b>Structured Type:</b>    | FRQPARA                                                       |          |
| <b>Derivation Path:</b>    | Freq_rg18.                                                    |          |
| <b>Comments:</b>           | hopping channel of TC_26_6_6_1 for GSM, immediate assignment. |          |
| Element Name               | Element Value                                                 | Comments |
| mac_8n                     | '01000000'B                                                   |          |
| mac_7n                     | '00000000'B                                                   |          |
| mac_6n                     | '00000000'B                                                   |          |
| mac_5n                     | '00000010'B                                                   |          |
| mac_4n                     | '00000000'B                                                   |          |
| mac_3n                     | '00000000'B                                                   |          |
| mac_2n                     | '00000000'B                                                   |          |
| mac_1n                     | '01100101'B                                                   |          |
| flst                       | Frql_22                                                       |          |
| <b>Detailed Comments:</b>  |                                                               |          |

| Structured Type Constraint |                                                               |          |
|----------------------------|---------------------------------------------------------------|----------|
| <b>Constraint Name:</b>    | Freq_rd20                                                     |          |
| <b>Structured Type:</b>    | FRQPARA                                                       |          |
| <b>Derivation Path:</b>    | Freq_rg18.Freq_rg20.                                          |          |
| <b>Comments:</b>           | hopping channel of TC_26_6_6_1 for DCS, immediate assignment. |          |
| Element Name               | Element Value                                                 | Comments |
| flst                       | Frql_31                                                       |          |
| <b>Detailed Comments:</b>  |                                                               |          |



| Structured Type Constraint |                                                               |          |
|----------------------------|---------------------------------------------------------------|----------|
| <b>Constraint Name:</b>    | Freq_rg21                                                     |          |
| <b>Structured Type:</b>    | FRQPARA                                                       |          |
| <b>Derivation Path:</b>    | Freq_rg18.                                                    |          |
| <b>Comments:</b>           | hopping channel of TC_26_6_6_1 for GSM, immediate assignment. |          |
| Element Name               | Element Value                                                 | Comments |
| mac_8n                     | '00000001'B                                                   |          |
| mac_7n                     | '00000000'B                                                   |          |
| mac_6n                     | '01000010'B                                                   |          |
| mac_5n                     | '00000000'B                                                   |          |
| mac_4n                     | '00000000'B                                                   |          |
| mac_3n                     | '00000001'B                                                   |          |
| mac_2n                     | '01110000'B                                                   |          |
| mac_1n                     | '00000000'B                                                   |          |
| flst                       | Frql_23                                                       |          |
| <b>Detailed Comments:</b>  |                                                               |          |

| Structured Type Constraint                                                                    |                                                               |          |
|-----------------------------------------------------------------------------------------------|---------------------------------------------------------------|----------|
| <b>Constraint Name:</b>                                                                       | Freq_rd21                                                     |          |
| <b>Structured Type:</b>                                                                       | FRQPARA                                                       |          |
| <b>Derivation Path:</b>                                                                       | Freq_rg18.Freq_rg21.                                          |          |
| <b>Comments:</b>                                                                              | hopping channel of TC_26_6_6_1 for DCS, immediate assignment. |          |
| Element Name                                                                                  | Element Value                                                 | Comments |
| flst                                                                                          | Frql_32                                                       |          |
| <b>Detailed Comments:</b> ARFCN's: 717, ..., 724, 733, ..., 744, 757, ..., 760, 773, ..., 812 |                                                               |          |

| Structured Type Constraint |                                                               |          |
|----------------------------|---------------------------------------------------------------|----------|
| <b>Constraint Name:</b>    | Freq_rg22                                                     |          |
| <b>Structured Type:</b>    | FRQPARA                                                       |          |
| <b>Derivation Path:</b>    | Freq_rg18.                                                    |          |
| <b>Comments:</b>           | hopping channel of TC_26_6_6_1 for GSM, immediate assignment. |          |
| Element Name               | Element Value                                                 | Comments |
| mac_8n                     | '01001000'B                                                   |          |
| mac_7n                     | '00000000'B                                                   |          |
| mac_6n                     | '00000000'B                                                   |          |
| mac_5n                     | '00000000'B                                                   |          |
| mac_4n                     | '00000000'B                                                   |          |
| mac_3n                     | '00001101'B                                                   |          |
| mac_2n                     | '01000100'B                                                   |          |
| mac_1n                     | '00000001'B                                                   |          |
| flst                       | Frql_24                                                       |          |
| <b>Detailed Comments:</b>  |                                                               |          |

| Structured Type Constraint                                                                                                                                                                                               |                                                               |          |
|--------------------------------------------------------------------------------------------------------------------------------------------------------------------------------------------------------------------------|---------------------------------------------------------------|----------|
| <b>Constraint Name:</b>                                                                                                                                                                                                  | Freq_rd22                                                     |          |
| <b>Structured Type:</b>                                                                                                                                                                                                  | FRQPARA                                                       |          |
| <b>Derivation Path:</b>                                                                                                                                                                                                  | Freq_rg18.Freq_rg22.                                          |          |
| <b>Comments:</b>                                                                                                                                                                                                         | hopping channel of TC_26_6_6_1 for DCS, immediate assignment. |          |
| Element Name                                                                                                                                                                                                             | Element Value                                                 | Comments |
| flst                                                                                                                                                                                                                     | Frql_33                                                       |          |
| <b>Detailed Comments:</b> 64 ARFCN's: 702, ..., 732, 749, 750, 754, ..., 756, 758, 762, ..., 764, 766, 770, ..., 772, 774, 778, ..., 780, 782, 786, ..., 788, 790, 794, ..., 796, 798, 802, ..., 804, 806, 810, ..., 812 |                                                               |          |

| Structured Type Constraint |                                                               |          |
|----------------------------|---------------------------------------------------------------|----------|
| <b>Constraint Name:</b>    | Freq_rg23                                                     |          |
| <b>Structured Type:</b>    | FRQPARA                                                       |          |
| <b>Derivation Path:</b>    | Freq_rg18.                                                    |          |
| <b>Comments:</b>           | hopping channel of TC_26_6_6_1 for GSM, immediate assignment. |          |
| Element Name               | Element Value                                                 | Comments |
| mac_8n                     | '11111111'B                                                   |          |
| mac_7n                     | '10000000'B                                                   |          |
| mac_6n                     | '00000000'B                                                   |          |
| mac_5n                     | '00000000'B                                                   |          |
| mac_4n                     | '00000000'B                                                   |          |
| mac_3n                     | '00000000'B                                                   |          |
| mac_2n                     | '00011111'B                                                   |          |
| mac_1n                     | '00000000'B                                                   |          |
| flst                       | Frql_25                                                       |          |
| <b>Detailed Comments:</b>  |                                                               |          |

| Structured Type Constraint                                                                                                                                                                                                |                                                               |          |
|---------------------------------------------------------------------------------------------------------------------------------------------------------------------------------------------------------------------------|---------------------------------------------------------------|----------|
| <b>Constraint Name:</b>                                                                                                                                                                                                   | Freq_rd23                                                     |          |
| <b>Structured Type:</b>                                                                                                                                                                                                   | FRQPARA                                                       |          |
| <b>Derivation Path:</b>                                                                                                                                                                                                   | Freq_rg18.Freq_rg23.                                          |          |
| <b>Comments:</b>                                                                                                                                                                                                          | hopping channel of TC_26_6_6_1 for DCS, immediate assignment. |          |
| Element Name                                                                                                                                                                                                              | Element Value                                                 | Comments |
| flst                                                                                                                                                                                                                      | Frql_34                                                       |          |
| <b>Detailed Comments:</b>                                                                                                                                                                                                 |                                                               |          |
| ARFCN's: 707, 709, ..., 713, 715, 717, ..., 721, 723, 725, ..., 729, 731, 733, ..., 737, 739, 741, ..., 745, 747, 749, ..., 753, 755, 757, ..., 761, 763, 765, ..., 769, 771, 779, 787, 795, 798, ..., 803, 806, ..., 811 |                                                               |          |

| Structured Type Constraint |                                                               |          |
|----------------------------|---------------------------------------------------------------|----------|
| <b>Constraint Name:</b>    | Freq_rg24                                                     |          |
| <b>Structured Type:</b>    | FRQPARA                                                       |          |
| <b>Derivation Path:</b>    | Freq_rg18.                                                    |          |
| <b>Comments:</b>           | hopping channel of TC_26_6_6_1 for GSM, immediate assignment. |          |
| Element Name               | Element Value                                                 | Comments |
| mac_8n                     | '11111000'B                                                   |          |
| mac_7n                     | '00000000'B                                                   |          |
| mac_6n                     | '00000000'B                                                   |          |
| mac_5n                     | '00000000'B                                                   |          |
| mac_4n                     | '00000000'B                                                   |          |
| mac_3n                     | '00000000'B                                                   |          |
| mac_2n                     | '00011111'B                                                   |          |
| mac_1n                     | '00000000'B                                                   |          |
| flst                       | Frql_26                                                       |          |
| <b>Detailed Comments:</b>  |                                                               |          |

| Structured Type Constraint                                                                                                                                                             |                                                               |          |
|----------------------------------------------------------------------------------------------------------------------------------------------------------------------------------------|---------------------------------------------------------------|----------|
| <b>Constraint Name:</b>                                                                                                                                                                | Freq_rd24                                                     |          |
| <b>Structured Type:</b>                                                                                                                                                                | FRQPARA                                                       |          |
| <b>Derivation Path:</b>                                                                                                                                                                | Freq_rg18.Freq_rg24.                                          |          |
| <b>Comments:</b>                                                                                                                                                                       | hopping channel of TC_26_6_6_1 for DCS, immediate assignment. |          |
| Element Name                                                                                                                                                                           | Element Value                                                 | Comments |
| flst                                                                                                                                                                                   | Frql_35                                                       |          |
| <b>Detailed Comments:</b>                                                                                                                                                              |                                                               |          |
| ARFCN's: 705, ..., 736, 749, 751, 753, 755, 757, 759, 761, 763, 765, 767, 769, 771, 773, 775, 777, 779, 781, 783, 785, 787, 789, 791, 793, 795, 797, 799, 801, 803, 805, 807, 809, 811 |                                                               |          |

| Structured Type Constraint |                                                               |          |
|----------------------------|---------------------------------------------------------------|----------|
| <b>Constraint Name:</b>    | Freq_rg25                                                     |          |
| <b>Structured Type:</b>    | FRQPARA                                                       |          |
| <b>Derivation Path:</b>    | Freq_rg18.                                                    |          |
| <b>Comments:</b>           | hopping channel of TC_26_6_6_1 for GSM, immediate assignment. |          |
| Element Name               | Element Value                                                 | Comments |
| mac_8n                     | '00000000'B                                                   |          |
| mac_7n                     | '00000000'B                                                   |          |
| mac_6n                     | '00000000'B                                                   |          |
| mac_5n                     | '00000000'B                                                   |          |
| mac_4n                     | '00000000'B                                                   |          |
| mac_3n                     | '00001111'B                                                   |          |
| mac_2n                     | '11111110'B                                                   |          |
| mac_1n                     | '00000000'B                                                   |          |
| flst                       | Frql_27                                                       |          |
| <b>Detailed Comments:</b>  |                                                               |          |

| Structured Type Constraint                                                                                                                                                                                |                                                               |          |
|-----------------------------------------------------------------------------------------------------------------------------------------------------------------------------------------------------------|---------------------------------------------------------------|----------|
| <b>Constraint Name:</b>                                                                                                                                                                                   | Freq_rd25                                                     |          |
| <b>Structured Type:</b>                                                                                                                                                                                   | FRQPARA                                                       |          |
| <b>Derivation Path:</b>                                                                                                                                                                                   | Freq_rg18.Freq_rg25.                                          |          |
| <b>Comments:</b>                                                                                                                                                                                          | hopping channel of TC_26_6_6_1 for DCS, immediate assignment. |          |
| Element Name                                                                                                                                                                                              | Element Value                                                 | Comments |
| flst                                                                                                                                                                                                      | Frql_36                                                       |          |
| <b>Detailed Comments:</b>                                                                                                                                                                                 |                                                               |          |
| ARFCN's: 702, 704, 706, 708, 710, 712, 714, 716, 718, 720, 722, 724, 726, 728, 730, 732, 734, 76, 738, 740, 742, 744, 746, 748, 750, 852, 754, 756, 758, 760, 762, 764, ..., 780, 789, ..., 796, 805, 812 |                                                               |          |

| Structured Type Constraint |                                                               |          |
|----------------------------|---------------------------------------------------------------|----------|
| <b>Constraint Name:</b>    | Freq_rg26                                                     |          |
| <b>Structured Type:</b>    | FRQPARA                                                       |          |
| <b>Derivation Path:</b>    |                                                               |          |
| <b>Comments:</b>           | hopping channel of TC_26_6_6_1 for GSM, immediate assignment. |          |
| Element Name               | Element Value                                                 | Comments |
| hch                        | '1'B                                                          |          |
| maio                       | '001001'B                                                     |          |
| hsn                        | '000000'B                                                     |          |
| spr                        | -                                                             |          |
| arfcn                      | -                                                             |          |
| maclength                  | '08'O                                                         |          |
| mac_8n                     | '11111111'B                                                   |          |
| mac_7n                     | '11110000'B                                                   |          |
| mac_6n                     | '00000000'B                                                   |          |
| mac_5n                     | '00000000'B                                                   |          |
| mac_4n                     | '00000000'B                                                   |          |
| mac_3n                     | '00000000'B                                                   |          |
| mac_2n                     | '00000000'B                                                   |          |
| mac_1n                     | '00000000'B                                                   |          |
| flst                       | Frql_28                                                       |          |
| <b>Detailed Comments:</b>  |                                                               |          |

| Structured Type Constraint |                                                               |          |
|----------------------------|---------------------------------------------------------------|----------|
| <b>Constraint Name:</b>    | Freq_rd26                                                     |          |
| <b>Structured Type:</b>    | FRQPARA                                                       |          |
| <b>Derivation Path:</b>    |                                                               |          |
| <b>Comments:</b>           | hopping channel of TC_26_6_6_1 for DCS, immediate assignment. |          |
| Element Name               | Element Value                                                 | Comments |
| hch                        | '1'B                                                          |          |
| maio                       | '001001'B                                                     |          |
| hsn                        | '000000'B                                                     |          |
| spr                        | -                                                             |          |
| arfcn                      | -                                                             |          |
| maclength                  | '08'O                                                         |          |
| mac_8n                     | '11111111'B                                                   |          |
| mac_7n                     | '11110000'B                                                   |          |
| mac_6n                     | '00000000'B                                                   |          |
| mac_5n                     | '00000000'B                                                   |          |
| mac_4n                     | '00000000'B                                                   |          |
| mac_3n                     | '00000000'B                                                   |          |
| mac_2n                     | '00000000'B                                                   |          |
| mac_1n                     | '00000000'B                                                   |          |
| flst                       | Frql_37                                                       |          |
| <b>Detailed Comments:</b>  | ARFCN's: 717, ..., 748, 765, ..., 796                         |          |

| Structured Type Constraint |                                                   |          |
|----------------------------|---------------------------------------------------|----------|
| <b>Constraint Name:</b>    | Frql(par_flist, par_flistl:LENGTH)                |          |
| <b>Structured Type:</b>    | FRQL                                              |          |
| <b>Derivation Path:</b>    |                                                   |          |
| <b>Comments:</b>           | parameterized frequency list information element. |          |
| Element Name               | Element Value                                     | Comments |
| iei                        | '00000101'B                                       |          |
| iel                        | par_flistl                                        |          |
| fl                         | par_flist                                         |          |
| <b>Detailed Comments:</b>  |                                                   |          |

| Structured Type Constraint |               |          |
|----------------------------|---------------|----------|
| <b>Constraint Name:</b>    | Frql_omit     |          |
| <b>Structured Type:</b>    | FRQL          |          |
| <b>Derivation Path:</b>    |               |          |
| <b>Comments:</b>           |               |          |
| Element Name               | Element Value | Comments |
| iei                        | -             |          |
| iel                        | -             |          |
| fl                         | -             |          |
| <b>Detailed Comments:</b>  |               |          |

| Structured Type Constraint |                                                         |          |
|----------------------------|---------------------------------------------------------|----------|
| <b>Constraint Name:</b>    | Frql_short(flist:OCTETSTRING)                           |          |
| <b>Structured Type:</b>    | FRQL                                                    |          |
| <b>Derivation Path:</b>    |                                                         |          |
| <b>Comments:</b>           | parameterized frequency short list information element. |          |
| Element Name               | Element Value                                           | Comments |
| iei                        | '00000010'B                                             |          |
| iel                        | -                                                       |          |
| fl                         | flist                                                   |          |
| <b>Detailed Comments:</b>  |                                                         |          |

| Structured Type Constraint |                                                   |          |
|----------------------------|---------------------------------------------------|----------|
| <b>Constraint Name:</b>    | Frql_01                                           |          |
| <b>Structured Type:</b>    | FRQL                                              |          |
| <b>Derivation Path:</b>    |                                                   |          |
| <b>Comments:</b>           | coded as length = 1 and unrecognised IE contents. |          |
| Element Name               | Element Value                                     | Comments |
| iei                        | -                                                 |          |
| iel                        | '01'O                                             |          |
| fl                         | '00'O                                             |          |
| <b>Detailed Comments:</b>  |                                                   |          |

| Structured Type Constraint |                                                   |          |
|----------------------------|---------------------------------------------------|----------|
| <b>Constraint Name:</b>    | Frql_02                                           |          |
| <b>Structured Type:</b>    | FRQL                                              |          |
| <b>Derivation Path:</b>    |                                                   |          |
| <b>Comments:</b>           | coded as length = 1 and unrecognised IE contents. |          |
| Element Name               | Element Value                                     | Comments |
| iei                        | '11011010'B                                       |          |
| iel                        | -                                                 |          |
| fl                         | -                                                 |          |
| <b>Detailed Comments:</b>  |                                                   |          |

| Structured Type Constraint                      |                                                                                |          |
|-------------------------------------------------|--------------------------------------------------------------------------------|----------|
| <b>Constraint Name:</b>                         | Frql_04                                                                        |          |
| <b>Structured Type:</b>                         | FRQL                                                                           |          |
| <b>Derivation Path:</b>                         |                                                                                |          |
| <b>Comments:</b>                                | frequency list for GSM900 hopping channel with only one frequency, ARFCN = 124 |          |
| Element Name                                    | Element Value                                                                  | Comments |
| iei                                             | '00000101'B                                                                    |          |
| iel                                             | '10'O                                                                          |          |
| fl                                              | '08000000000000000000000000000000'O                                            |          |
| <b>Detailed Comments:</b> used in TC_26_5_7_1_4 |                                                                                |          |

| Structured Type Constraint                      |                                                                               |          |
|-------------------------------------------------|-------------------------------------------------------------------------------|----------|
| <b>Constraint Name:</b>                         | Frql_05                                                                       |          |
| <b>Structured Type:</b>                         | FRQL                                                                          |          |
| <b>Derivation Path:</b>                         |                                                                               |          |
| <b>Comments:</b>                                | frequency list for DCS1800 hopping channel with only one frequency ARFCN 801. |          |
| Element Name                                    | Element Value                                                                 | Comments |
| iei                                             | '00000101'B                                                                   |          |
| iel                                             | '03'O                                                                         |          |
| fl                                              | '8F9080'O                                                                     |          |
| <b>Detailed Comments:</b> used in TC_26_5_7_1_4 |                                                                               |          |

| Structured Type Constraint |                                           |          |
|----------------------------|-------------------------------------------|----------|
| <b>Constraint Name:</b>    | FrqI_07                                   |          |
| <b>Structured Type:</b>    | FRQL                                      |          |
| <b>Derivation Path:</b>    |                                           |          |
| <b>Comments:</b>           | ARFCNs 20, 30, 50, 70                     |          |
| Element Name               | Element Value                             | Comments |
| iei                        | '00000101'B                               |          |
| iel                        | '10'O                                     |          |
| fl                         | '0000000000000000200002000020080000'<br>O |          |
| <b>Detailed Comments:</b>  |                                           |          |

| Structured Type Constraint |                                         |          |
|----------------------------|-----------------------------------------|----------|
| <b>Constraint Name:</b>    | FrqI_08                                 |          |
| <b>Structured Type:</b>    | FRQL                                    |          |
| <b>Derivation Path:</b>    |                                         |          |
| <b>Comments:</b>           | ARFCNs 10, 34, 52, 73, 108, 114.        |          |
| Element Name               | Element Value                           | Comments |
| iei                        | '00000101'B                             |          |
| iel                        | '10'O                                   |          |
| fl                         | '00020800000001000008000200000200'<br>O |          |
| <b>Detailed Comments:</b>  |                                         |          |

| Structured Type Constraint |                                          |          |
|----------------------------|------------------------------------------|----------|
| <b>Constraint Name:</b>    | FrqI_09                                  |          |
| <b>Structured Type:</b>    | FRQL                                     |          |
| <b>Derivation Path:</b>    |                                          |          |
| <b>Comments:</b>           | ARFCNs 734, 741, 759, 766, 773, 832, 844 |          |
| Element Name               | Element Value                            | Comments |
| iei                        | '00000101'B                              |          |
| iel                        | '10'O                                    |          |
| fl                         | '82FEF390BE71448300000000000000000'<br>O |          |
| <b>Detailed Comments:</b>  |                                          |          |

| Structured Type Constraint |                                               |          |
|----------------------------|-----------------------------------------------|----------|
| <b>Constraint Name:</b>    | FrqI_10                                       |          |
| <b>Structured Type:</b>    | FRQL                                          |          |
| <b>Derivation Path:</b>    |                                               |          |
| <b>Comments:</b>           | ARFCNs 10, 17, 20, 26, 34, 42, 45, 46, 52, 59 |          |
| Element Name               | Element Value                                 | Comments |
| iei                        | '00000101'B                                   |          |
| iel                        | '10'O                                         |          |
| fl                         | '0000000000000000408320202090200'<br>O        |          |
| <b>Detailed Comments:</b>  |                                               |          |







| Structured Type Constraint |                                                                                                                                                                                                                                             |          |
|----------------------------|---------------------------------------------------------------------------------------------------------------------------------------------------------------------------------------------------------------------------------------------|----------|
| <b>Constraint Name:</b>    | Frql_20_A0d                                                                                                                                                                                                                                 |          |
| <b>Structured Type:</b>    | FRQL                                                                                                                                                                                                                                        |          |
| <b>Derivation Path:</b>    |                                                                                                                                                                                                                                             |          |
| <b>Comments:</b>           | Complete Cell Allocation of Cell A in HO cases using 512 format.<br>frequency list, after time for a target cell used in HO_case in cell A for DCS1800.<br>List_ARFCN={734,741,747,754,759,762,766,767,773,775,779,782,791,798,829,832,844} |          |
| Element Name               | Element Value                                                                                                                                                                                                                               | Comments |
| iei                        | '00000101'B                                                                                                                                                                                                                                 |          |
| iel                        | '10'O                                                                                                                                                                                                                                       |          |
| fl                         | '896F0A7CC5FC700A8B9F7FF45246334<br>0'O                                                                                                                                                                                                     |          |
| <b>Detailed Comments:</b>  |                                                                                                                                                                                                                                             |          |

| Structured Type Constraint |                                                          |          |
|----------------------------|----------------------------------------------------------|----------|
| <b>Constraint Name:</b>    | Frql_20_egsm(par_flist: OCTETSTRING; par_flistl: LENGTH) |          |
| <b>Structured Type:</b>    | FRQL                                                     |          |
| <b>Derivation Path:</b>    |                                                          |          |
| <b>Comments:</b>           | Complete Cell Allocation in EGSM cases.                  |          |
| Element Name               | Element Value                                            | Comments |
| iei                        | '00000101'B                                              |          |
| iel                        | par_flistl                                               |          |
| fl                         | par_flist                                                |          |
| <b>Detailed Comments:</b>  |                                                          |          |

| Structured Type Constraint |                                                                                                             |          |
|----------------------------|-------------------------------------------------------------------------------------------------------------|----------|
| <b>Constraint Name:</b>    | Frql_20_A                                                                                                   |          |
| <b>Structured Type:</b>    | FRQL                                                                                                        |          |
| <b>Derivation Path:</b>    |                                                                                                             |          |
| <b>Comments:</b>           | frequency list, after time used in HO_case in cell A.<br>List_ARFCN={10,17,20,26,59,66,73,74,75,76,108,114} |          |
| Element Name               | Element Value                                                                                               | Comments |
| iei                        | '00000101'B                                                                                                 |          |
| iel                        | '10'O                                                                                                       |          |
| fl                         | '000208000000F020400000002090200'<br>O                                                                      |          |
| <b>Detailed Comments:</b>  |                                                                                                             |          |

| Structured Type Constraint |                                                                                                                                           |          |
|----------------------------|-------------------------------------------------------------------------------------------------------------------------------------------|----------|
| <b>Constraint Name:</b>    | Frql_20_Ad                                                                                                                                |          |
| <b>Structured Type:</b>    | FRQL                                                                                                                                      |          |
| <b>Derivation Path:</b>    |                                                                                                                                           |          |
| <b>Comments:</b>           | frequency list used in HO_case in cell A for DCS1800 using 256 format for the List_ARFCN={747,<br>775, 779, 782, 791, 798, 829, 832, 844} |          |
| Element Name               | Element Value                                                                                                                             | Comments |
| iei                        | '00000101'B                                                                                                                               |          |
| iel                        | '09'O                                                                                                                                     |          |
| fl                         | '8B7599F045EFA499C0'O                                                                                                                     |          |
| <b>Detailed Comments:</b>  |                                                                                                                                           |          |

| Structured Type Constraint |                                                                                                                                                                                                       |          |
|----------------------------|-------------------------------------------------------------------------------------------------------------------------------------------------------------------------------------------------------|----------|
| <b>Constraint Name:</b>    | FrqI_20_A1d                                                                                                                                                                                           |          |
| <b>Structured Type:</b>    | FRQL                                                                                                                                                                                                  |          |
| <b>Derivation Path:</b>    |                                                                                                                                                                                                       |          |
| <b>Comments:</b>           | frequency list, after time for cell B used in TC_26_6_13 for cell A (DCS) using 256 format for the List_ARFCN = {734, 741, 747, 754, 759, 762, 766, 767, 773, 775, 779, 782, 791, 798, 829, 832, 844} |          |
| Element Name               | Element Value                                                                                                                                                                                         | Comments |
| iei                        | '00000101'B                                                                                                                                                                                           |          |
| iel                        | '0F'O                                                                                                                                                                                                 |          |
| fl                         | '8B6F1473F32FC602C59EFFA5499940'<br>O                                                                                                                                                                 |          |
| <b>Detailed Comments:</b>  |                                                                                                                                                                                                       |          |

| Structured Type Constraint |                                                                                                                       |          |
|----------------------------|-----------------------------------------------------------------------------------------------------------------------|----------|
| <b>Constraint Name:</b>    | FrqI_20_A2                                                                                                            |          |
| <b>Structured Type:</b>    | FRQL                                                                                                                  |          |
| <b>Derivation Path:</b>    |                                                                                                                       |          |
| <b>Comments:</b>           | Complete Cell Allocation of cell A in HO cases.<br>ARFCN_list={10,17,20,26,34,42,45,46,52,59,66,73,74,75,76,108,114}. |          |
| Element Name               | Element Value                                                                                                         | Comments |
| iei                        | '00000101'B                                                                                                           |          |
| iel                        | '10'O                                                                                                                 |          |
| fl                         | '0002080000000F020408320202090200'<br>O                                                                               |          |
| <b>Detailed Comments:</b>  |                                                                                                                       |          |

| Structured Type Constraint |                                                                                                                                                                                                                                             |          |
|----------------------------|---------------------------------------------------------------------------------------------------------------------------------------------------------------------------------------------------------------------------------------------|----------|
| <b>Constraint Name:</b>    | FrqI_20_A2d                                                                                                                                                                                                                                 |          |
| <b>Structured Type:</b>    | FRQL                                                                                                                                                                                                                                        |          |
| <b>Derivation Path:</b>    |                                                                                                                                                                                                                                             |          |
| <b>Comments:</b>           | Complete Cell Allocation of Cell A in HO cases using 512 format.<br>frequency list, after time for a target cell used in HO_case in cell A for DCS1800.<br>List_ARFCN={734,741,747,754,759,762,766,767,773,775,779,782,791,798,829,832,844} |          |
| Element Name               | Element Value                                                                                                                                                                                                                               | Comments |
| iei                        | '00000101'B                                                                                                                                                                                                                                 |          |
| iel                        | '10'O                                                                                                                                                                                                                                       |          |
| fl                         | '896F0A7CC5FC700A8B9F7FF45246334'<br>0'O                                                                                                                                                                                                    |          |
| <b>Detailed Comments:</b>  |                                                                                                                                                                                                                                             |          |

| Structured Type Constraint |                                                                                                                                   |          |
|----------------------------|-----------------------------------------------------------------------------------------------------------------------------------|----------|
| <b>Constraint Name:</b>    | FrqI_20_B0                                                                                                                        |          |
| <b>Structured Type:</b>    | FRQL                                                                                                                              |          |
| <b>Derivation Path:</b>    |                                                                                                                                   |          |
| <b>Comments:</b>           | Complete Cell Allocation of cell B in HO cases.<br>all of the CA: ARFCN_list={14,18,22,24,30,31,38,40,60,66,73,74,75,76,108,114}. |          |
| Element Name               | Element Value                                                                                                                     | Comments |
| iei                        | '00000101'B                                                                                                                       |          |
| iel                        | '10'O                                                                                                                             |          |
| fl                         | '0002080000000F02080000A060A22000'<br>O                                                                                           |          |
| <b>Detailed Comments:</b>  |                                                                                                                                   |          |

| Structured Type Constraint |                                                                                                                                                                                           |          |
|----------------------------|-------------------------------------------------------------------------------------------------------------------------------------------------------------------------------------------|----------|
| <b>Constraint Name:</b>    | Frql_20_B0d                                                                                                                                                                               |          |
| <b>Structured Type:</b>    | FRQL                                                                                                                                                                                      |          |
| <b>Derivation Path:</b>    |                                                                                                                                                                                           |          |
| <b>Comments:</b>           | frequency list, after time for cell B using 512 format.<br>List_ARFCN= complete cell allocation of cell B in HO cases.<br>739,743,746,749,756,758,761,764,771,779,782,791,798,829,832,844 |          |
| Element Name               | Element Value                                                                                                                                                                             | Comments |
| iei                        | '00000101'B                                                                                                                                                                               |          |
| iel                        | '0F'O                                                                                                                                                                                     |          |
| fl                         | '8971883C46FB700A8BDF7DF4324330'<br>O                                                                                                                                                     |          |
| <b>Detailed Comments:</b>  |                                                                                                                                                                                           |          |

| Structured Type Constraint |                                                                                                       |          |
|----------------------------|-------------------------------------------------------------------------------------------------------|----------|
| <b>Constraint Name:</b>    | Frql_20_B1                                                                                            |          |
| <b>Structured Type:</b>    | FRQL                                                                                                  |          |
| <b>Derivation Path:</b>    |                                                                                                       |          |
| <b>Comments:</b>           | frequency list, after time for cell B.<br>List_ARFCN={14,18,22,24,30,31,38,53,66,73,74,75,76,108,114} |          |
| Element Name               | Element Value                                                                                         | Comments |
| iei                        | '00000101'B                                                                                           |          |
| iel                        | '10'O                                                                                                 |          |
| fl                         | '000208000000F020010002060222000'<br>O                                                                |          |
| <b>Detailed Comments:</b>  |                                                                                                       |          |

| Structured Type Constraint |                                                                                                                                                    |          |
|----------------------------|----------------------------------------------------------------------------------------------------------------------------------------------------|----------|
| <b>Constraint Name:</b>    | Frql_20_B1d                                                                                                                                        |          |
| <b>Structured Type:</b>    | FRQL                                                                                                                                               |          |
| <b>Derivation Path:</b>    |                                                                                                                                                    |          |
| <b>Comments:</b>           | frequency list, used in TC_26_6_13 for cell B. List_ARFCN =<br>{739,743,746,749,756,758,761,764,771,779,782,791,798,829,832,844} using 256 format. |          |
| Element Name               | Element Value                                                                                                                                      | Comments |
| iei                        | '00000101'B                                                                                                                                        |          |
| iel                        | '0D'O                                                                                                                                              |          |
| fl                         | '8A71907137B602C5DEF7A348D8'O                                                                                                                      |          |
| <b>Detailed Comments:</b>  |                                                                                                                                                    |          |

| Structured Type Constraint |                                                                                                                                                          |          |
|----------------------------|----------------------------------------------------------------------------------------------------------------------------------------------------------|----------|
| <b>Constraint Name:</b>    | Frql_20_B2                                                                                                                                               |          |
| <b>Structured Type:</b>    | FRQL                                                                                                                                                     |          |
| <b>Derivation Path:</b>    |                                                                                                                                                          |          |
| <b>Comments:</b>           | frequency list, after time for cell B. Complete Cell Allocation of cell B in HO cases.<br>List_ARFCN={14,18,22,24,30,31,38,40,60,66,73,74,75,76,108,114} |          |
| Element Name               | Element Value                                                                                                                                            | Comments |
| iei                        | '00000101'B                                                                                                                                              |          |
| iel                        | '10'O                                                                                                                                                    |          |
| fl                         | '000208000000F02080000A060A22000'<br>O                                                                                                                   |          |
| <b>Detailed Comments:</b>  |                                                                                                                                                          |          |

| Structured Type Constraint |                                                                                           |          |
|----------------------------|-------------------------------------------------------------------------------------------|----------|
| <b>Constraint Name:</b>    | FrqI_20_B3                                                                                |          |
| <b>Structured Type:</b>    | FRQL                                                                                      |          |
| <b>Derivation Path:</b>    |                                                                                           |          |
| <b>Comments:</b>           | frequency list, after time for cell B. List_ARFCN={14,18,22,24,60,66,73,74,75,76,108,114} |          |
| Element Name               | Element Value                                                                             | Comments |
| iei                        | '00000101'B                                                                               |          |
| iel                        | '10'O                                                                                     |          |
| fl                         | '0002080000000F02080000000A22000'<br>O                                                    |          |
| <b>Detailed Comments:</b>  |                                                                                           |          |

| Structured Type Constraint |                                                                                      |          |
|----------------------------|--------------------------------------------------------------------------------------|----------|
| <b>Constraint Name:</b>    | FrqI_20_B4                                                                           |          |
| <b>Structured Type:</b>    | FRQL                                                                                 |          |
| <b>Derivation Path:</b>    |                                                                                      |          |
| <b>Comments:</b>           | frequency list, after time for cell B. List_ARFCN={40, 66, 73, 74, 75, 76, 108, 114} |          |
| Element Name               | Element Value                                                                        | Comments |
| iei                        | '00000101'B                                                                          |          |
| iel                        | '10'O                                                                                |          |
| fl                         | '0002080000000F02000000800000000'<br>O                                               |          |
| <b>Detailed Comments:</b>  |                                                                                      |          |

| Structured Type Constraint |                                                                                                                                     |          |
|----------------------------|-------------------------------------------------------------------------------------------------------------------------------------|----------|
| <b>Constraint Name:</b>    | FrqI_20_B3d                                                                                                                         |          |
| <b>Structured Type:</b>    | FRQL                                                                                                                                |          |
| <b>Derivation Path:</b>    |                                                                                                                                     |          |
| <b>Comments:</b>           | frequency list, after time for cell B using 1024 format.<br>List_ARFCN={749, 758, 761, 764, 771, 779, 782, 791, 798, 829, 832, 844} |          |
| Element Name               | Element Value                                                                                                                       | Comments |
| iei                        | '00000101'B                                                                                                                         |          |
| iel                        | '0D'O                                                                                                                               |          |
| fl                         | '830EF70BFEB843C3FBF9F1D018'O                                                                                                       |          |
| <b>Detailed Comments:</b>  |                                                                                                                                     |          |

| Structured Type Constraint |                                                                                                                     |          |
|----------------------------|---------------------------------------------------------------------------------------------------------------------|----------|
| <b>Constraint Name:</b>    | FrqI_20_B4d                                                                                                         |          |
| <b>Structured Type:</b>    | FRQL                                                                                                                |          |
| <b>Derivation Path:</b>    |                                                                                                                     |          |
| <b>Comments:</b>           | frequency list, after time for cell B. variable bit map format. List_ARFCN={764, 779, 782, 791, 798, 829, 832, 844} |          |
| Element Name               | Element Value                                                                                                       | Comments |
| iei                        | '00000101'B                                                                                                         |          |
| iel                        | '0D'O                                                                                                               |          |
| fl                         | '8F7E0001201020000000480080'O                                                                                       |          |
| <b>Detailed Comments:</b>  |                                                                                                                     |          |

| Structured Type Constraint |                                                                                                       |          |
|----------------------------|-------------------------------------------------------------------------------------------------------|----------|
| <b>Constraint Name:</b>    | Frql_20_B5                                                                                            |          |
| <b>Structured Type:</b>    | FRQL                                                                                                  |          |
| <b>Derivation Path:</b>    |                                                                                                       |          |
| <b>Comments:</b>           | frequency list, after time for cell B.<br>List_ARFCN={14,18,22,24,30,31,38,53,66,73,74,75,76,108,114} |          |
| Element Name               | Element Value                                                                                         | Comments |
| iei                        | '00000101'B                                                                                           |          |
| iel                        | '10'O                                                                                                 |          |
| fl                         | '000208000000F020010002060A22000'<br>O                                                                |          |
| <b>Detailed Comments:</b>  |                                                                                                       |          |

| Structured Type Constraint |                                                                                                              |          |
|----------------------------|--------------------------------------------------------------------------------------------------------------|----------|
| <b>Constraint Name:</b>    | Frql_20_B5d                                                                                                  |          |
| <b>Structured Type:</b>    | FRQL                                                                                                         |          |
| <b>Derivation Path:</b>    |                                                                                                              |          |
| <b>Comments:</b>           | frequency list, after time for cell B.<br>List_ARFCN={756, 758, 761, 771, 779, 782, 791, 798, 829, 832, 844} |          |
| Element Name               | Element Value                                                                                                | Comments |
| iei                        | '00000101'B                                                                                                  |          |
| iel                        | '09'O                                                                                                        |          |
| fl                         | '8D7A23B07B3D7FD4D0'O                                                                                        |          |
| <b>Detailed Comments:</b>  |                                                                                                              |          |

| Structured Type Constraint |                                                                                                              |          |
|----------------------------|--------------------------------------------------------------------------------------------------------------|----------|
| <b>Constraint Name:</b>    | Frql_20_B6d                                                                                                  |          |
| <b>Structured Type:</b>    | FRQL                                                                                                         |          |
| <b>Derivation Path:</b>    |                                                                                                              |          |
| <b>Comments:</b>           | frequency list, after time for cell B.<br>List_ARFCN={761,764,771,779,782,791,798,829,832} range 512 format. |          |
| Element Name               | Element Value                                                                                                | Comments |
| iei                        | '00000101'B                                                                                                  |          |
| iel                        | '0A'O                                                                                                        |          |
| fl                         | '897C87BD09BC61060F90'O                                                                                      |          |
| <b>Detailed Comments:</b>  |                                                                                                              |          |

| Structured Type Constraint |                                                                                                       |          |
|----------------------------|-------------------------------------------------------------------------------------------------------|----------|
| <b>Constraint Name:</b>    | Frql_20_B7                                                                                            |          |
| <b>Structured Type:</b>    | FRQL                                                                                                  |          |
| <b>Derivation Path:</b>    |                                                                                                       |          |
| <b>Comments:</b>           | frequency list, after time for cell B.<br>List_ARFCN={14,18,22,24,30,31,38,60,66,73,74,75,76,108,114} |          |
| Element Name               | Element Value                                                                                         | Comments |
| iei                        | '00000101'B                                                                                           |          |
| iel                        | '10'O                                                                                                 |          |
| fl                         | '000208000000F020800002060A22000'<br>O                                                                |          |
| <b>Detailed Comments:</b>  |                                                                                                       |          |

| Structured Type Constraint |                                                                                                 |          |
|----------------------------|-------------------------------------------------------------------------------------------------|----------|
| <b>Constraint Name:</b>    | Frql_20_B72                                                                                     |          |
| <b>Structured Type:</b>    | FRQL                                                                                            |          |
| <b>Derivation Path:</b>    |                                                                                                 |          |
| <b>Comments:</b>           | frequency list, after time for cell B. List_ARFCN={14,18,22,24,30,31,38,40,66,73,74,75, 76,108} |          |
| Element Name               | Element Value                                                                                   | Comments |
| iei                        | '00000101'B                                                                                     |          |
| iel                        | '10'O                                                                                           |          |
| fl                         | '0000080000000F02000000A060A22000'<br>O                                                         |          |
| <b>Detailed Comments:</b>  |                                                                                                 |          |

| Structured Type Constraint |                                                                                        |          |
|----------------------------|----------------------------------------------------------------------------------------|----------|
| <b>Constraint Name:</b>    | Frql_20_B7d                                                                            |          |
| <b>Structured Type:</b>    | FRQL                                                                                   |          |
| <b>Derivation Path:</b>    |                                                                                        |          |
| <b>Comments:</b>           | frequency short list, after time for cell B using 128 format.<br>List_ARFCN={746, 779} |          |
| Element Name               | Element Value                                                                          | Comments |
| iei                        | '00000010'B                                                                            |          |
| iel                        | '03'O                                                                                  |          |
| fl                         | '8D7521'O                                                                              |          |
| <b>Detailed Comments:</b>  |                                                                                        |          |

| Structured Type Constraint |                                                                                                                                                                                            |          |
|----------------------------|--------------------------------------------------------------------------------------------------------------------------------------------------------------------------------------------|----------|
| <b>Constraint Name:</b>    | Frql_20_B8d                                                                                                                                                                                |          |
| <b>Structured Type:</b>    | FRQL                                                                                                                                                                                       |          |
| <b>Derivation Path:</b>    |                                                                                                                                                                                            |          |
| <b>Comments:</b>           | frequency list, after time for cell B using 1024 format.<br>List_ARFCN= complete cell allocation of cell B in HO cases.<br>739,743,746,749,756,758,761,764,771,779,782,791,798,829,832,844 |          |
| Element Name               | Element Value                                                                                                                                                                              | Comments |
| iei                        | '00000101'B                                                                                                                                                                                |          |
| iel                        | '10'O                                                                                                                                                                                      |          |
| fl                         | '8303F886FDBC0148BEFDFBF41890633'<br>C'O                                                                                                                                                   |          |
| <b>Detailed Comments:</b>  |                                                                                                                                                                                            |          |

| Structured Type Constraint |                                                                                                            |          |
|----------------------------|------------------------------------------------------------------------------------------------------------|----------|
| <b>Constraint Name:</b>    | Frql_20_B9d                                                                                                |          |
| <b>Structured Type:</b>    | FRQL                                                                                                       |          |
| <b>Derivation Path:</b>    |                                                                                                            |          |
| <b>Comments:</b>           | frequency list, after time for cell B using 256 format<br>List_ARFCN={746,749,756,761,764,798,829,832,844} |          |
| Element Name               | Element Value                                                                                              | Comments |
| iei                        | '00000101'B                                                                                                |          |
| iel                        | '09'O                                                                                                      |          |
| fl                         | '8B751A5B45DFA19990'O                                                                                      |          |
| <b>Detailed Comments:</b>  |                                                                                                            |          |

| Structured Type Constraint |                                                                                   |          |
|----------------------------|-----------------------------------------------------------------------------------|----------|
| <b>Constraint Name:</b>    | Frql_20_B10d                                                                      |          |
| <b>Structured Type:</b>    | FRQL                                                                              |          |
| <b>Derivation Path:</b>    |                                                                                   |          |
| <b>Comments:</b>           | frequency list, after time for cell B using range 256 format, ARFCN={764,779,782} |          |
| Element Name               | Element Value                                                                     | Comments |
| iei                        | '00000101'B                                                                       |          |
| iel                        | '05'O                                                                             |          |
| fl                         | '8B7E097D00'O                                                                     |          |
| <b>Detailed Comments:</b>  |                                                                                   |          |

| Structured Type Constraint |                                                                                                                                                     |          |
|----------------------------|-----------------------------------------------------------------------------------------------------------------------------------------------------|----------|
| <b>Constraint Name:</b>    | Frql_20_11d                                                                                                                                         |          |
| <b>Structured Type:</b>    | FRQL                                                                                                                                                |          |
| <b>Derivation Path:</b>    |                                                                                                                                                     |          |
| <b>Comments:</b>           | frequency list, after time for cell B using variable bit map format for<br>List_ARFCN={739,743,746,749,756,758,764,771,779,782,791,798,829,832,844} |          |
| Element Name               | Element Value                                                                                                                                       | Comments |
| iei                        | '00000101'B                                                                                                                                         |          |
| iel                        | '0F'O                                                                                                                                               |          |
| fl                         | '8F718920504080900810000000240040'<br>O                                                                                                             |          |
| <b>Detailed Comments:</b>  |                                                                                                                                                     |          |

| Structured Type Constraint |                                                                                       |          |
|----------------------------|---------------------------------------------------------------------------------------|----------|
| <b>Constraint Name:</b>    | Frql_20_B12d                                                                          |          |
| <b>Structured Type:</b>    | FRQL                                                                                  |          |
| <b>Derivation Path:</b>    |                                                                                       |          |
| <b>Comments:</b>           | frequency short list, after time for cell B using 128 format List_ARFCN={758,761,771} |          |
| Element Name               | Element Value                                                                         | Comments |
| iei                        | '00000010'B                                                                           |          |
| iel                        | '04'O                                                                                 |          |
| fl                         | '8D7B0DD8'O                                                                           |          |
| <b>Detailed Comments:</b>  |                                                                                       |          |

| Structured Type Constraint |                                                                                                                         |          |
|----------------------------|-------------------------------------------------------------------------------------------------------------------------|----------|
| <b>Constraint Name:</b>    | Frql_20_A0E                                                                                                             |          |
| <b>Structured Type:</b>    | FRQL                                                                                                                    |          |
| <b>Derivation Path:</b>    |                                                                                                                         |          |
| <b>Comments:</b>           | Complete Cell Allocation of cell A in EGSM cases using of 1024 format.<br>ARFCN_list={0, 30, 40, 66, 1005, 1010, 1015}. |          |
| Element Name               | Element Value                                                                                                           | Comments |
| iei                        | '00000101'B                                                                                                             |          |
| iel                        | '10'O                                                                                                                   |          |
| fl                         | '841EEA893EF98143800000000000000'<br>O                                                                                  |          |
| <b>Detailed Comments:</b>  |                                                                                                                         |          |







| Structured Type Constraint |                                                |          |
|----------------------------|------------------------------------------------|----------|
| <b>Constraint Name:</b>    | Frql_29                                        |          |
| <b>Structured Type:</b>    | FRQL                                           |          |
| <b>Derivation Path:</b>    |                                                |          |
| <b>Comments:</b>           | ARFCNs = 749, ..., 812, for DCS of TC_26_6_6_1 |          |
| Element Name               | Element Value                                  | Comments |
| iei                        | '00000101'B                                    |          |
| iel                        | '10'O                                          |          |
| fl                         | '8F5E800000000000FFFFFFFFFFFFFFF'O             |          |
| <b>Detailed Comments:</b>  | Org_ARFCN = 701, B_ARFCN = 805, not in MA(1)   |          |

| Structured Type Constraint |                                                |          |
|----------------------------|------------------------------------------------|----------|
| <b>Constraint Name:</b>    | Frql_30                                        |          |
| <b>Structured Type:</b>    | FRQL                                           |          |
| <b>Derivation Path:</b>    |                                                |          |
| <b>Comments:</b>           | ARFCNs = 749, ..., 812, for DCS of TC_26_6_6_1 |          |
| Element Name               | Element Value                                  | Comments |
| iei                        | '00000101'B                                    |          |
| iel                        | '10'O                                          |          |
| fl                         | '8F5EFFFFFFFFFFFFFFF80000000000'O              |          |
| <b>Detailed Comments:</b>  | Org_ARFCN = 701, B_ARFCN = 706, not in MA(1)   |          |

| Structured Type Constraint |                                                                                             |          |
|----------------------------|---------------------------------------------------------------------------------------------|----------|
| <b>Constraint Name:</b>    | Frql_31                                                                                     |          |
| <b>Structured Type:</b>    | FRQL                                                                                        |          |
| <b>Derivation Path:</b>    |                                                                                             |          |
| <b>Comments:</b>           | ARFCNs = 702, 704, ..., 812, 733, 741, 749, 757, 765, 773, 781, 789, for DCS of TC_26_6_6_1 |          |
| Element Name               | Element Value                                                                               | Comments |
| iei                        | '00000101'B                                                                                 |          |
| iel                        | '10'O                                                                                       |          |
| fl                         | '8F5ED5555555D5D5D5D5D5D55555'O                                                             |          |
| <b>Detailed Comments:</b>  | Org_ARFCN = 701, B_ARFCN = 704, not in MA(1)                                                |          |

| Structured Type Constraint |                                                                                             |          |
|----------------------------|---------------------------------------------------------------------------------------------|----------|
| <b>Constraint Name:</b>    | Frql_32                                                                                     |          |
| <b>Structured Type:</b>    | FRQL                                                                                        |          |
| <b>Derivation Path:</b>    |                                                                                             |          |
| <b>Comments:</b>           | ARFCNs = 717, ..., 724, 733, ..., 744, 757, ..., 760, 773, ..., 812, for DCS of TC_26_6_6_1 |          |
| Element Name               | Element Value                                                                               | Comments |
| iei                        | '00000101'B                                                                                 |          |
| iel                        | '10'O                                                                                       |          |
| fl                         | '8F5E8000FF00FF00F000FFFFFFFFF'O                                                            |          |
| <b>Detailed Comments:</b>  | Org_ARFCN = 701, B_ARFCN = 760, not in MA(1)                                                |          |





| Structured Type Constraint |                                                                                       |          |
|----------------------------|---------------------------------------------------------------------------------------|----------|
| <b>Constraint Name:</b>    | Hlcmp_NotApplicable                                                                   |          |
| <b>Structured Type:</b>    | HLCMP                                                                                 |          |
| <b>Derivation Path:</b>    |                                                                                       |          |
| <b>Comments:</b>           | High Layer Compatibility IE wich is not applicable for a specific service (empty IE). |          |
| Element Name               | Element Value                                                                         | Comments |
| iei                        | '01111101'B                                                                           |          |
| iel                        | '00'O                                                                                 |          |
| extb3                      | -                                                                                     |          |
| cs                         | -                                                                                     |          |
| in                         | -                                                                                     |          |
| pmp                        | -                                                                                     |          |
| extb4                      | -                                                                                     |          |
| hlci                       | -                                                                                     |          |
| extb4a                     | -                                                                                     |          |
| ehlci                      | -                                                                                     |          |
| <b>Detailed Comments:</b>  |                                                                                       |          |

| Structured Type Constraint |                                                 |          |
|----------------------------|-------------------------------------------------|----------|
| <b>Constraint Name:</b>    | Hlcmp_TS61                                      |          |
| <b>Structured Type:</b>    | HLCMP                                           |          |
| <b>Derivation Path:</b>    |                                                 |          |
| <b>Comments:</b>           | High Layer Compatibility IE for teleservice 61. |          |
| Element Name               | Element Value                                   | Comments |
| iei                        | '01111101'B                                     |          |
| iel                        | '02'O                                           |          |
| extb3                      | '1'B                                            |          |
| cs                         | '00'B                                           |          |
| in                         | '100'B                                          |          |
| pmp                        | '01'B                                           |          |
| extb4                      | '?'B                                            |          |
| hlci                       | '0000100'B                                      |          |
| extb4a                     | *                                               |          |
| ehlci                      | *                                               |          |
| <b>Detailed Comments:</b>  |                                                 |          |

| Structured Type Constraint |                                                 |          |
|----------------------------|-------------------------------------------------|----------|
| <b>Constraint Name:</b>    | Hlcmp_TS62                                      |          |
| <b>Structured Type:</b>    | HLCMP                                           |          |
| <b>Derivation Path:</b>    |                                                 |          |
| <b>Comments:</b>           | High Layer Compatibility IE for teleservice 62. |          |
| Element Name               | Element Value                                   | Comments |
| iei                        | '01111101'B                                     |          |
| iel                        | '02'O                                           |          |
| extb3                      | '1'B                                            |          |
| cs                         | '00'B                                           |          |
| in                         | '100'B                                          |          |
| pmp                        | '01'B                                           |          |
| extb4                      | '?'B                                            |          |
| hlci                       | '0000100'B                                      |          |
| extb4a                     | *                                               |          |
| ehlci                      | *                                               |          |
| <b>Detailed Comments:</b>  |                                                 |          |



| Structured Type Constraint |                        |          |
|----------------------------|------------------------|----------|
| <b>Constraint Name:</b>    | laRestOct_04           |          |
| <b>Structured Type:</b>    | IARESTOCT              |          |
| <b>Derivation Path:</b>    |                        |          |
| <b>Comments:</b>           | used in TC_26_6_13_10. |          |
| Element Name               | Element Value          | Comments |
| iei                        | -                      |          |
| iaroct1                    | -                      |          |
| iaroct2                    | laRestOct2_02          |          |
| <b>Detailed Comments:</b>  |                        |          |

| Structured Type Constraint |                           |          |
|----------------------------|---------------------------|----------|
| <b>Constraint Name:</b>    | laRestOct_05              |          |
| <b>Structured Type:</b>    | IARESTOCT                 |          |
| <b>Derivation Path:</b>    |                           |          |
| <b>Comments:</b>           |                           |          |
| Element Name               | Element Value             | Comments |
| iei                        | -                         |          |
| iaroct1                    | '1A4C6B8EAF37B21A2D5B65'O |          |
| iaroct2                    | -                         |          |
| <b>Detailed Comments:</b>  |                           |          |

| Structured Type Constraint |               |          |
|----------------------------|---------------|----------|
| <b>Constraint Name:</b>    | laRestOct_06  |          |
| <b>Structured Type:</b>    | IARESTOCT     |          |
| <b>Derivation Path:</b>    |               |          |
| <b>Comments:</b>           |               |          |
| Element Name               | Element Value | Comments |
| iei                        | -             |          |
| iaroct1                    | '2B2B2B'O     |          |
| iaroct2                    | -             |          |
| <b>Detailed Comments:</b>  |               |          |

| Structured Type Constraint |                     |          |
|----------------------------|---------------------|----------|
| <b>Constraint Name:</b>    | laRestOct_08        |          |
| <b>Structured Type:</b>    | IARESTOCT           |          |
| <b>Derivation Path:</b>    |                     |          |
| <b>Comments:</b>           |                     |          |
| Element Name               | Element Value       | Comments |
| iei                        | -                   |          |
| iaroct1                    | '2B2B2B2B2B2B2B2B'O |          |
| iaroct2                    | -                   |          |
| <b>Detailed Comments:</b>  |                     |          |

| Structured Type Constraint |                            |          |
|----------------------------|----------------------------|----------|
| <b>Constraint Name:</b>    | IaRestOct2_01              |          |
| <b>Structured Type:</b>    | IARESTOCT2                 |          |
| <b>Derivation Path:</b>    |                            |          |
| <b>Comments:</b>           |                            |          |
| Element Name               | Element Value              | Comments |
| p                          | '10'B                      |          |
| frqparalen                 | '000100'B                  |          |
| spbt1                      | '00'B                      |          |
| maio                       | INT_TO_BIT(TSPX_Maio29, 6) |          |
| ma                         | TSPX_Ma29                  |          |
| spbt2                      | -                          |          |
| <b>Detailed Comments:</b>  |                            |          |

| Structured Type Constraint |                            |          |
|----------------------------|----------------------------|----------|
| <b>Constraint Name:</b>    | IaRestOct2_02              |          |
| <b>Structured Type:</b>    | IARESTOCT2                 |          |
| <b>Derivation Path:</b>    |                            |          |
| <b>Comments:</b>           |                            |          |
| Element Name               | Element Value              | Comments |
| p                          | '10'B                      |          |
| frqparalen                 | '000100'B                  |          |
| spbt1                      | '00'B                      |          |
| maio                       | INT_TO_BIT(TSPX_Maio31, 6) |          |
| ma                         | TSPX_Ma31                  |          |
| spbt2                      | -                          |          |
| <b>Detailed Comments:</b>  |                            |          |

| Structured Type Constraint |                                |          |
|----------------------------|--------------------------------|----------|
| <b>Constraint Name:</b>    | KeyPad_01(character:IA5String) |          |
| <b>Structured Type:</b>    | KPF                            |          |
| <b>Derivation Path:</b>    |                                |          |
| <b>Comments:</b>           |                                |          |
| Element Name               | Element Value                  | Comments |
| iei                        | '00101100'B                    |          |
| extb                       | '0'B                           |          |
| kpf_info                   | character                      |          |
| <b>Detailed Comments:</b>  |                                |          |

| Structured Type Constraint |               |          |
|----------------------------|---------------|----------|
| <b>Constraint Name:</b>    | KeyPad_02     |          |
| <b>Structured Type:</b>    | KPF           |          |
| <b>Derivation Path:</b>    |               |          |
| <b>Comments:</b>           |               |          |
| Element Name               | Element Value | Comments |
| iei                        | '00101100'B   |          |
| extb                       | '0'B          |          |
| kpf_info                   | ?             |          |
| <b>Detailed Comments:</b>  |               |          |



| Structured Type Constraint |                                                                        |          |
|----------------------------|------------------------------------------------------------------------|----------|
| <b>Constraint Name:</b>    | Llcmp_AnyOrOmit                                                        |          |
| <b>Structured Type:</b>    | LLCMP                                                                  |          |
| <b>Derivation Path:</b>    |                                                                        |          |
| <b>Comments:</b>           | High Layer Compatibility IE which has any or omit value in all fields. |          |
| Element Name               | Element Value                                                          | Comments |
| iei                        | '01111100'B IF_PRESENT                                                 |          |
| iel                        | *                                                                      |          |
| extb3                      | *                                                                      |          |
| cs                         | *                                                                      |          |
| itc                        | *                                                                      |          |
| extb3a                     | *                                                                      |          |
| negind                     | *                                                                      |          |
| spb3a                      | *                                                                      |          |
| extb4                      | *                                                                      |          |
| tm                         | *                                                                      |          |
| itr                        | *                                                                      |          |
| extb4_1                    | *                                                                      |          |
| rateml                     | *                                                                      |          |
| extb5                      | *                                                                      |          |
| l1id                       | *                                                                      |          |
| uil1                       | *                                                                      |          |
| extb5a                     | *                                                                      |          |
| sb                         | *                                                                      |          |
| neg                        | *                                                                      |          |
| ur                         | *                                                                      |          |
| extb5b1                    | *                                                                      |          |
| ir                         | *                                                                      |          |
| nictx                      | *                                                                      |          |
| nicrx                      | *                                                                      |          |
| fctx                       | *                                                                      |          |
| fcrx                       | *                                                                      |          |
| spb5b1                     | *                                                                      |          |
| extb5b2                    | *                                                                      |          |
| hdrb                       | *                                                                      |          |
| mfs                        | *                                                                      |          |
| mode                       | *                                                                      |          |
| llineg                     | *                                                                      |          |
| ass                        | *                                                                      |          |
| ibob                       | *                                                                      |          |
| spb5b2                     | *                                                                      |          |
| extb5c                     | *                                                                      |          |
| nsb                        | *                                                                      |          |
| ndb                        | *                                                                      |          |
| pi                         | *                                                                      |          |
| extb5d                     | *                                                                      |          |
| dplxm                      | *                                                                      |          |
| modemt                     | *                                                                      |          |
| extb6                      | *                                                                      |          |
| l2id                       | *                                                                      |          |
| uil2                       | *                                                                      |          |
| extb6a1                    | *                                                                      |          |
| modl2                      | *                                                                      |          |
| spb6a1                     | *                                                                      |          |
| q933                       | *                                                                      |          |
| extb6a2                    | *                                                                      |          |
| usl2pi                     | *                                                                      |          |
| extb6b                     | *                                                                      |          |
| ws                         | *                                                                      |          |
| extb7                      | *                                                                      |          |
| l3id                       | *                                                                      |          |
| uil3                       | *                                                                      |          |
| extb7a1                    | *                                                                      |          |
| modl3                      | *                                                                      |          |

|         |   |  |
|---------|---|--|
| spb7a1  | * |  |
| extb7a2 | * |  |
| usl3pi  | * |  |
| extb7b  | * |  |
| spb7b   | * |  |
| dps     | * |  |
| extb7c  | * |  |
| pws     | * |  |

**Detailed Comments:**

| Structured Type Constraint |                                                                                        |          |
|----------------------------|----------------------------------------------------------------------------------------|----------|
| <b>Constraint Name:</b>    | Llcmp_NotApplicable                                                                    |          |
| <b>Structured Type:</b>    | LLCMP                                                                                  |          |
| <b>Derivation Path:</b>    |                                                                                        |          |
| <b>Comments:</b>           | High Layer Compatibility IE which is not applicable for a specific service (empty IE). |          |
| Element Name               | Element Value                                                                          | Comments |
| iei                        | '01111100'B                                                                            |          |
| iel                        | '00'O                                                                                  |          |
| extb3                      | -                                                                                      |          |
| cs                         | -                                                                                      |          |
| itc                        | -                                                                                      |          |
| extb3a                     | -                                                                                      |          |
| negind                     | -                                                                                      |          |
| spb3a                      | -                                                                                      |          |
| extb4                      | -                                                                                      |          |
| tm                         | -                                                                                      |          |
| itr                        | -                                                                                      |          |
| extb4_1                    | -                                                                                      |          |
| rateml                     | -                                                                                      |          |
| extb5                      | -                                                                                      |          |
| l1id                       | -                                                                                      |          |
| uil1                       | -                                                                                      |          |
| extb5a                     | -                                                                                      |          |
| sb                         | -                                                                                      |          |
| neg                        | -                                                                                      |          |
| ur                         | -                                                                                      |          |
| extb5b1                    | -                                                                                      |          |
| ir                         | -                                                                                      |          |
| nictx                      | -                                                                                      |          |
| nicrx                      | -                                                                                      |          |
| fctx                       | -                                                                                      |          |
| fcrx                       | -                                                                                      |          |
| spb5b1                     | -                                                                                      |          |
| extb5b2                    | -                                                                                      |          |
| hdrb                       | -                                                                                      |          |
| mfs                        | -                                                                                      |          |
| mode                       | -                                                                                      |          |
| llineg                     | -                                                                                      |          |
| ass                        | -                                                                                      |          |
| ibob                       | -                                                                                      |          |
| spb5b2                     | -                                                                                      |          |
| extb5c                     | -                                                                                      |          |
| nsb                        | -                                                                                      |          |
| ndb                        | -                                                                                      |          |
| pi                         | -                                                                                      |          |
| extb5d                     | -                                                                                      |          |
| dplxm                      | -                                                                                      |          |
| modemt                     | -                                                                                      |          |
| extb6                      | -                                                                                      |          |
| l2id                       | -                                                                                      |          |
| uil2                       | -                                                                                      |          |
| extb6a1                    | -                                                                                      |          |
| modl2                      | -                                                                                      |          |
| spb6a1                     | -                                                                                      |          |
| q933                       | -                                                                                      |          |
| extb6a2                    | -                                                                                      |          |
| usl2pi                     | -                                                                                      |          |
| extb6b                     | -                                                                                      |          |
| ws                         | -                                                                                      |          |
| extb7                      | -                                                                                      |          |
| l3id                       | -                                                                                      |          |
| uil3                       | -                                                                                      |          |
| extb7a1                    | -                                                                                      |          |
| modl3                      | -                                                                                      |          |

|         |   |  |
|---------|---|--|
| spb7a1  | - |  |
| extb7a2 | - |  |
| usl3pi  | - |  |
| extb7b  | - |  |
| spb7b   | - |  |
| dps     | - |  |
| extb7c  | - |  |
| pws     | - |  |

**Detailed Comments:**

| Structured Type Constraint |                                                                     |          |
|----------------------------|---------------------------------------------------------------------|----------|
| <b>Constraint Name:</b>    | Llcmp_BS2xOrBS4x_UDI                                                |          |
| <b>Structured Type:</b>    | LLCMP                                                               |          |
| <b>Derivation Path:</b>    |                                                                     |          |
| <b>Comments:</b>           | Lower Layer Compatibility IE for a setup PDU, B.2.2.1 of GSM 07.01. |          |
| Element Name               | Element Value                                                       | Comments |
| iei                        | '01111100'B                                                         |          |
| iel                        | ('06'O, '07'O, '08'O, '09'O, '0A'O, '0B'O, '0C'O, '0D'O, '0E'O)     |          |
| extb3                      | '?'B                                                                |          |
| cs                         | '00'B                                                               |          |
| itc                        | '01000'B                                                            |          |
| extb3a                     | '1'B IF_PRESENT                                                     |          |
| negind                     | *                                                                   |          |
| spb3a                      | '000000'B IF_PRESENT                                                |          |
| extb4                      | '1'B                                                                |          |
| tm                         | '00'B                                                               |          |
| itr                        | '10000'B                                                            |          |
| extb4_1                    | -                                                                   |          |
| rateml                     | -                                                                   |          |
| extb5                      | '0'B                                                                |          |
| l1id                       | '01'B                                                               |          |
| uil1                       | '00001'B                                                            |          |
| extb5a                     | '0'B                                                                |          |
| sb                         | '1'B                                                                |          |
| neg                        | '0'B                                                                |          |
| ur                         | ('00010'B, '00011'B, '00101'B, '01000'B, '10111'B, '11110'B)        |          |
| extb5b1                    | '0'B                                                                |          |
| ir                         | ('01'B, '10'B)                                                      |          |
| nictx                      | '?'B                                                                |          |
| nicrx                      | '?'B                                                                |          |
| fctx                       | '0'B                                                                |          |
| fcrx                       | '0'B                                                                |          |
| spb5b1                     | '0'B                                                                |          |
| extb5b2                    | -                                                                   |          |
| hdrb                       | -                                                                   |          |
| mfs                        | -                                                                   |          |
| mode                       | -                                                                   |          |
| llineg                     | -                                                                   |          |
| ass                        | -                                                                   |          |
| ibob                       | -                                                                   |          |
| spb5b2                     | -                                                                   |          |
| extb5c                     | '?'B                                                                |          |
| nsb                        | ('01'B, '11'B)                                                      |          |
| ndb                        | ('10'B, '11'B)                                                      |          |
| pi                         | ('000'B, '010'B, '011'B, '100'B, '101'B)                            |          |
| extb5d                     | '1'B IF_PRESENT                                                     |          |
| dplxm                      | *                                                                   |          |
| modemt                     | *                                                                   |          |
| extb6                      | *                                                                   |          |
| l2id                       | *                                                                   |          |
| uil2                       | *                                                                   |          |
| extb6a1                    | *                                                                   |          |
| modl2                      | *                                                                   |          |
| spb6a1                     | *                                                                   |          |
| q933                       | *                                                                   |          |
| extb6a2                    | *                                                                   |          |
| usl2pi                     | *                                                                   |          |
| extb6b                     | *                                                                   |          |
| ws                         | *                                                                   |          |
| extb7                      | *                                                                   |          |
| l3id                       | *                                                                   |          |
| uil3                       | *                                                                   |          |

|                           |                                                                                                               |  |
|---------------------------|---------------------------------------------------------------------------------------------------------------|--|
| extb7a1                   | *                                                                                                             |  |
| modl3                     | *                                                                                                             |  |
| spb7a1                    | *                                                                                                             |  |
| extb7a2                   | *                                                                                                             |  |
| usl3pi                    | *                                                                                                             |  |
| extb7b                    | *                                                                                                             |  |
| spb7b                     | *                                                                                                             |  |
| dps                       | *                                                                                                             |  |
| extb7c                    | *                                                                                                             |  |
| pws                       | *                                                                                                             |  |
| <b>Detailed Comments:</b> | Corresponding to the Bearer Services 21 ... 26, 41 ... 46 Unrestrict digital information transfer capability. |  |

| <b>Structured Type Constraint</b> |                                                                                                                                           |          |
|-----------------------------------|-------------------------------------------------------------------------------------------------------------------------------------------|----------|
| <b>Constraint Name:</b>           | Llcmp_BS2xOrBS61aOrBS81a_3100                                                                                                             |          |
| <b>Structured Type:</b>           | LLCMP                                                                                                                                     |          |
| <b>Derivation Path:</b>           | Llcmp_BS2xOrBS4x_UDI.                                                                                                                     |          |
| <b>Comments:</b>                  | Lower Layer Compatibility IE for a setup PDU, B.2.2.2 of GSM 07.01.                                                                       |          |
| Element Name                      | Element Value                                                                                                                             | Comments |
| iel                               | ('07'O,'08'O,'09'O,'0A'O,'0B'O,'0C'O,'0D'O,'0E'O)                                                                                         |          |
| extb3                             | '?'B                                                                                                                                      |          |
| cs                                | '00'B                                                                                                                                     |          |
| itc                               | '10000'B                                                                                                                                  |          |
| extb4                             | '1'B                                                                                                                                      |          |
| tm                                | '00'B                                                                                                                                     |          |
| itr                               | '10000'B                                                                                                                                  |          |
| extb5                             | '0'B                                                                                                                                      |          |
| l1id                              | '01'B                                                                                                                                     |          |
| uil1                              | '00011'B                                                                                                                                  |          |
| extb5a                            | '0'B                                                                                                                                      |          |
| sb                                | ?                                                                                                                                         |          |
| neg                               | ?                                                                                                                                         |          |
| ur                                | ?                                                                                                                                         |          |
| extb5b1                           | '0'B                                                                                                                                      |          |
| ir                                | ?                                                                                                                                         |          |
| nictx                             | ?                                                                                                                                         |          |
| nicrx                             | ?                                                                                                                                         |          |
| fctx                              | ?                                                                                                                                         |          |
| fcrx                              | ?                                                                                                                                         |          |
| spb5b1                            | '0'B                                                                                                                                      |          |
| extb5c                            | '0'B                                                                                                                                      |          |
| nsb                               | ?                                                                                                                                         |          |
| ndb                               | ?                                                                                                                                         |          |
| pi                                | ?                                                                                                                                         |          |
| extb5d                            | '1'B                                                                                                                                      |          |
| dplxm                             | ?                                                                                                                                         |          |
| modemt                            | ('010001'B,'010010'B,'010011'B,'010100'B,'010111'B,'011100'B)                                                                             |          |
| <b>Detailed Comments:</b>         | Corresponding to the Bearer Services 21 ... 26, 61 Asynchronous or 81 Asynchronous 3.1 kHz audio ex-PLMN information transfer capability. |          |

| Structured Type Constraint |                                                                                                      |          |
|----------------------------|------------------------------------------------------------------------------------------------------|----------|
| <b>Constraint Name:</b>    | Llcmp_BS3x_UDI                                                                                       |          |
| <b>Structured Type:</b>    | LLCMP                                                                                                |          |
| <b>Derivation Path:</b>    | Llcmp_BS2xOrBS4x_UDI.                                                                                |          |
| <b>Comments:</b>           | Lower Layer Compatibility IE for a setup PDU, B.2.3.1 of GSM 07.01.                                  |          |
| Element Name               | Element Value                                                                                        | Comments |
| iel                        | ('05'O, '06'O, '07'O, '08'O, '09'O, '0A'O, '0B'O, '0C'O, '0D'O, '0E'O)                               |          |
| extb3                      | '?B                                                                                                  |          |
| cs                         | '00'B                                                                                                |          |
| itc                        | '01000'B                                                                                             |          |
| extb4                      | '1'B                                                                                                 |          |
| tm                         | '00'B                                                                                                |          |
| itr                        | '10000'B                                                                                             |          |
| extb5                      | '0'B                                                                                                 |          |
| l1id                       | '01'B                                                                                                |          |
| uil1                       | ('00001'B, '01001'B)                                                                                 |          |
| extb5a                     | '0'B                                                                                                 |          |
| sb                         | '0'B                                                                                                 |          |
| neg                        | '0'B                                                                                                 |          |
| ur                         | ('00010'B, '00011'B, '00101'B, '01000'B)                                                             |          |
| extb5b1                    | '?B                                                                                                  |          |
| ir                         | ('01'B, '10'B)                                                                                       |          |
| nictx                      | '?B                                                                                                  |          |
| nicrx                      | '?B                                                                                                  |          |
| fctx                       | '?B                                                                                                  |          |
| fcrx                       | '?B                                                                                                  |          |
| spb5b1                     | '0'B                                                                                                 |          |
| extb5c                     | '0'B IF_PRESENT                                                                                      |          |
| nsb                        | *                                                                                                    |          |
| ndb                        | *                                                                                                    |          |
| pi                         | *                                                                                                    |          |
| extb5d                     | '1'B IF_PRESENT                                                                                      |          |
| dplxm                      | *                                                                                                    |          |
| modemt                     | *                                                                                                    |          |
| extb6                      | *                                                                                                    |          |
| l2id                       | '10'B IF_PRESENT                                                                                     |          |
| uil2                       | ('00110'B, '00111'B) IF_PRESENT                                                                      |          |
| extb7                      | *                                                                                                    |          |
| l3id                       | '11'B IF_PRESENT                                                                                     |          |
| uil3                       | ('00110'B, '00111'B) IF_PRESENT                                                                      |          |
| <b>Detailed Comments:</b>  | Corresponding to the Bearer Services 31 ... 34 unrestricted digital information transfer capability. |          |

| <b>Structured Type Constraint</b> |                                                                                                                                |          |
|-----------------------------------|--------------------------------------------------------------------------------------------------------------------------------|----------|
| <b>Constraint Name:</b>           | Llcmp_BS3xOrBS61sOrBS81s_3100                                                                                                  |          |
| <b>Structured Type:</b>           | LLCMP                                                                                                                          |          |
| <b>Derivation Path:</b>           | Llcmp_BS2xOrBS4x_UDI.                                                                                                          |          |
| <b>Comments:</b>                  | Lower Layer Compatibility IE for a setup PDU, B.2.3.2 of GSM 07.01.                                                            |          |
| Element Name                      | Element Value                                                                                                                  | Comments |
| iel                               | ('03'O, '04'O, '08'O, '09'O, '0A'O, '0B'O, '0C'O, '0D'O, '0E'O)                                                                |          |
| extb3                             | '?'B                                                                                                                           |          |
| cs                                | '00'B                                                                                                                          |          |
| itc                               | '10000'B                                                                                                                       |          |
| extb4                             | '1'B                                                                                                                           |          |
| tm                                | '00'B                                                                                                                          |          |
| itr                               | '10000'B                                                                                                                       |          |
| extb5                             | '?'B                                                                                                                           |          |
| l1id                              | '01'B                                                                                                                          |          |
| uil1                              | '00011'B                                                                                                                       |          |
| extb5a                            | '0'B IF_PRESENT                                                                                                                |          |
| sb                                | *                                                                                                                              |          |
| neg                               | *                                                                                                                              |          |
| ur                                | *                                                                                                                              |          |
| extb5b1                           | *                                                                                                                              |          |
| ir                                | *                                                                                                                              |          |
| nictx                             | *                                                                                                                              |          |
| nicrx                             | *                                                                                                                              |          |
| fctx                              | *                                                                                                                              |          |
| fcrx                              | *                                                                                                                              |          |
| spb5b1                            | *                                                                                                                              |          |
| extb5c                            | '0'B IF_PRESENT                                                                                                                |          |
| nsb                               | *                                                                                                                              |          |
| ndb                               | *                                                                                                                              |          |
| pi                                | *                                                                                                                              |          |
| extb5d                            | '1'B IF_PRESENT                                                                                                                |          |
| dplxm                             | *                                                                                                                              |          |
| modemt                            | ('010010'B, '010011'B, '010111'B, '011100'B) IF_PRESENT                                                                        |          |
| extb6                             | *                                                                                                                              |          |
| l2id                              | '10'B IF_PRESENT                                                                                                               |          |
| uil2                              | ('00110'B, '00111'B) IF_PRESENT                                                                                                |          |
| extb7                             | *                                                                                                                              |          |
| l3id                              | '11'B IF_PRESENT                                                                                                               |          |
| uil3                              | ('00110'B, '00111'B) IF_PRESENT                                                                                                |          |
| <b>Detailed Comments:</b>         | Corresponding to the Bearer Services 31 ... 34, 61 Synchronous or 81 Synchronous 3.1kHz audio information transfer capability. |          |



| Structured Type Constraint |                                                                                                      |          |
|----------------------------|------------------------------------------------------------------------------------------------------|----------|
| <b>Constraint Name:</b>    | Llcmp_BS5x                                                                                           |          |
| <b>Structured Type:</b>    | LLCMP                                                                                                |          |
| <b>Derivation Path:</b>    | Llcmp_BS2xOrBS4x_UDI.                                                                                |          |
| <b>Comments:</b>           | Lower Layer Compatibility IE for a setup PDU, B.2.5.1 of GSM 07.01.                                  |          |
| Element Name               | Element Value                                                                                        | Comments |
| iel                        | ('06'O,'07'O,'08'O,'09'O,'0A'O,'0B'O,'0C'O,'0D'O,'0E'O)                                              |          |
| extb3                      | '?'B                                                                                                 |          |
| cs                         | '00'B                                                                                                |          |
| itc                        | '01000'B                                                                                             |          |
| extb4                      | '1'B                                                                                                 |          |
| tm                         | '00'B                                                                                                |          |
| itr                        | '10000'B                                                                                             |          |
| extb5                      | '0'B                                                                                                 |          |
| l1id                       | '01'B                                                                                                |          |
| uil1                       | '01001'B                                                                                             |          |
| extb5a                     | '?'B                                                                                                 |          |
| sb                         | '0'B                                                                                                 |          |
| neg                        | '0'B                                                                                                 |          |
| ur                         | ('00011'B,'00101'B,'01000'B)                                                                         |          |
| extb5b1                    | *                                                                                                    |          |
| ir                         | *                                                                                                    |          |
| nictx                      | *                                                                                                    |          |
| nicrx                      | *                                                                                                    |          |
| fctx                       | *                                                                                                    |          |
| fcrx                       | *                                                                                                    |          |
| spb5b1                     | *                                                                                                    |          |
| extb5c                     | *                                                                                                    |          |
| nsb                        | *                                                                                                    |          |
| ndb                        | *                                                                                                    |          |
| pi                         | *                                                                                                    |          |
| extb5d                     | *                                                                                                    |          |
| dplxm                      | *                                                                                                    |          |
| modemt                     | *                                                                                                    |          |
| extb6                      | ?                                                                                                    |          |
| l2id                       | '10'B                                                                                                |          |
| uil2                       | ('00110'B,'00111'B)                                                                                  |          |
| extb7                      | ?                                                                                                    |          |
| l3id                       | '11'B                                                                                                |          |
| uil3                       | ('00110'B,'00111'B)                                                                                  |          |
| <b>Detailed Comments:</b>  | Corresponding to the Bearer Services 51 ... 53 unrestricted digital information transfer capability. |          |

| Structured Type Constraint |                    |          |
|----------------------------|--------------------|----------|
| <b>Constraint Name:</b>    | LocAreald_anyomit  |          |
| <b>Structured Type:</b>    | LAI                |          |
| <b>Derivation Path:</b>    |                    |          |
| <b>Comments:</b>           | Omitted constraint |          |
| Element Name               | Element Value      | Comments |
| iei                        | *                  |          |
| mcc                        | *                  |          |
| mnc                        | *                  |          |
| lac                        | *                  |          |
| <b>Detailed Comments:</b>  |                    |          |

| Structured Type Constraint |                                      |          |
|----------------------------|--------------------------------------|----------|
| <b>Constraint Name:</b>    | LocAreald(mcc, mnc, lac:OCTETSTRING) |          |
| <b>Structured Type:</b>    | LAI                                  |          |
| <b>Derivation Path:</b>    |                                      |          |
| <b>Comments:</b>           | Cell A default value for L3 test     |          |
| Element Name               | Element Value                        | Comments |
| iei                        | -                                    |          |
| mcc                        | mcc                                  |          |
| mnc                        | mnc                                  |          |
| lac                        | lac                                  |          |
| <b>Detailed Comments:</b>  |                                      |          |

| Structured Type Constraint |                                         |          |
|----------------------------|-----------------------------------------|----------|
| <b>Constraint Name:</b>    | LocArealdiei(mcc, mnc, lac:OCTETSTRING) |          |
| <b>Structured Type:</b>    | LAI                                     |          |
| <b>Derivation Path:</b>    |                                         |          |
| <b>Comments:</b>           | Cell A default value for L3 test        |          |
| Element Name               | Element Value                           | Comments |
| iei                        | '00010011'B                             |          |
| mcc                        | mcc                                     |          |
| mnc                        | mnc                                     |          |
| lac                        | lac                                     |          |
| <b>Detailed Comments:</b>  |                                         |          |

| Structured Type Constraint |                        |          |
|----------------------------|------------------------|----------|
| <b>Constraint Name:</b>    | LocUpType( locup:B_2)  |          |
| <b>Structured Type:</b>    | LUT                    |          |
| <b>Derivation Path:</b>    |                        |          |
| <b>Comments:</b>           | location updating type |          |
| Element Name               | Element Value          | Comments |
| foreq                      | '?'B                   |          |
| sprb                       | '0'B                   |          |
| lut                        | locup                  |          |
| <b>Detailed Comments:</b>  |                        |          |

| Structured Type Constraint |                                                                         |          |
|----------------------------|-------------------------------------------------------------------------|----------|
| <b>Constraint Name:</b>    | Ma1_g01                                                                 |          |
| <b>Structured Type:</b>    | MA                                                                      |          |
| <b>Derivation Path:</b>    |                                                                         |          |
| <b>Comments:</b>           | Used in TC_26_6_6_1 for GSM and DCS, cell allocation contains 64 ARFCHs |          |
| Element Name               | Element Value                                                           | Comments |
| iei                        | -                                                                       |          |
| iel                        | '08'O                                                                   |          |
| mac_8n                     | '00000000'B                                                             |          |
| mac_7n                     | '00000000'B                                                             |          |
| mac_6n                     | '00000000'B                                                             |          |
| mac_5n                     | '00000000'B                                                             |          |
| mac_4n                     | '00000000'B                                                             |          |
| mac_3n                     | '00000000'B                                                             |          |
| mac_2n                     | '00111111'B                                                             |          |
| mac_1n                     | '11111110'B                                                             |          |
| <b>Detailed Comments:</b>  |                                                                         |          |

| Structured Type Constraint |                                                                         |          |
|----------------------------|-------------------------------------------------------------------------|----------|
| <b>Constraint Name:</b>    | Ma1_g02                                                                 |          |
| <b>Structured Type:</b>    | MA                                                                      |          |
| <b>Derivation Path:</b>    |                                                                         |          |
| <b>Comments:</b>           | Used in TC_26_6_6_1 for GSM and DCS, cell allocation contains 64 ARFCHs |          |
| Element Name               | Element Value                                                           | Comments |
| iei                        | -                                                                       |          |
| iel                        | '08'O                                                                   |          |
| mac_8n                     | '10000000'B                                                             |          |
| mac_7n                     | '00000000'B                                                             |          |
| mac_6n                     | '00000000'B                                                             |          |
| mac_5n                     | '10000000'B                                                             |          |
| mac_4n                     | '00100000'B                                                             |          |
| mac_3n                     | '00000000'B                                                             |          |
| mac_2n                     | '00000000'B                                                             |          |
| mac_1n                     | '00000101'B                                                             |          |
| <b>Detailed Comments:</b>  |                                                                         |          |

| Structured Type Constraint |                                                                         |          |
|----------------------------|-------------------------------------------------------------------------|----------|
| <b>Constraint Name:</b>    | Ma1_g03                                                                 |          |
| <b>Structured Type:</b>    | MA                                                                      |          |
| <b>Derivation Path:</b>    |                                                                         |          |
| <b>Comments:</b>           | Used in TC_26_6_6_1 for GSM and DCS, cell allocation contains 64 ARFCHs |          |
| Element Name               | Element Value                                                           | Comments |
| iei                        | -                                                                       |          |
| iel                        | '08'O                                                                   |          |
| mac_8n                     | '01000000'B                                                             |          |
| mac_7n                     | '00000000'B                                                             |          |
| mac_6n                     | '00000000'B                                                             |          |
| mac_5n                     | '00000010'B                                                             |          |
| mac_4n                     | '00000000'B                                                             |          |
| mac_3n                     | '00000000'B                                                             |          |
| mac_2n                     | '00000000'B                                                             |          |
| mac_1n                     | '01100101'B                                                             |          |
| <b>Detailed Comments:</b>  |                                                                         |          |

| Structured Type Constraint |                                                                         |          |
|----------------------------|-------------------------------------------------------------------------|----------|
| <b>Constraint Name:</b>    | Ma1_g04                                                                 |          |
| <b>Structured Type:</b>    | MA                                                                      |          |
| <b>Derivation Path:</b>    |                                                                         |          |
| <b>Comments:</b>           | Used in TC_26_6_6_1 for GSM and DCS, cell allocation contains 64 ARFCHs |          |
| Element Name               | Element Value                                                           | Comments |
| iei                        | -                                                                       |          |
| iel                        | '08'O                                                                   |          |
| mac_8n                     | '00000001'B                                                             |          |
| mac_7n                     | '00000000'B                                                             |          |
| mac_6n                     | '01000010'B                                                             |          |
| mac_5n                     | '00000000'B                                                             |          |
| mac_4n                     | '00000000'B                                                             |          |
| mac_3n                     | '00000001'B                                                             |          |
| mac_2n                     | '01110000'B                                                             |          |
| mac_1n                     | '00000000'B                                                             |          |
| <b>Detailed Comments:</b>  |                                                                         |          |

| Structured Type Constraint |                                                                         |          |
|----------------------------|-------------------------------------------------------------------------|----------|
| <b>Constraint Name:</b>    | Ma1_g05                                                                 |          |
| <b>Structured Type:</b>    | MA                                                                      |          |
| <b>Derivation Path:</b>    |                                                                         |          |
| <b>Comments:</b>           | Used in TC_26_6_6_1 for GSM and DCS, cell allocation contains 64 ARFCHs |          |
| Element Name               | Element Value                                                           | Comments |
| iei                        | -                                                                       |          |
| iel                        | '08'O                                                                   |          |
| mac_8n                     | '01001000'B                                                             |          |
| mac_7n                     | '00000000'B                                                             |          |
| mac_6n                     | '00000000'B                                                             |          |
| mac_5n                     | '00000000'B                                                             |          |
| mac_4n                     | '00000000'B                                                             |          |
| mac_3n                     | '00001101'B                                                             |          |
| mac_2n                     | '01000100'B                                                             |          |
| mac_1n                     | '00000001'B                                                             |          |
| <b>Detailed Comments:</b>  |                                                                         |          |

| Structured Type Constraint |                                                                         |          |
|----------------------------|-------------------------------------------------------------------------|----------|
| <b>Constraint Name:</b>    | Ma1_g06                                                                 |          |
| <b>Structured Type:</b>    | MA                                                                      |          |
| <b>Derivation Path:</b>    |                                                                         |          |
| <b>Comments:</b>           | Used in TC_26_6_6_1 for GSM and DCS, cell allocation contains 64 ARFCHs |          |
| Element Name               | Element Value                                                           | Comments |
| iei                        | -                                                                       |          |
| iel                        | '08'O                                                                   |          |
| mac_8n                     | '11111111'B                                                             |          |
| mac_7n                     | '10000000'B                                                             |          |
| mac_6n                     | '00000000'B                                                             |          |
| mac_5n                     | '00000000'B                                                             |          |
| mac_4n                     | '00000000'B                                                             |          |
| mac_3n                     | '00000000'B                                                             |          |
| mac_2n                     | '00011111'B                                                             |          |
| mac_1n                     | '00000000'B                                                             |          |
| <b>Detailed Comments:</b>  |                                                                         |          |

| Structured Type Constraint |                                                                         |          |
|----------------------------|-------------------------------------------------------------------------|----------|
| <b>Constraint Name:</b>    | Ma1_g07                                                                 |          |
| <b>Structured Type:</b>    | MA                                                                      |          |
| <b>Derivation Path:</b>    |                                                                         |          |
| <b>Comments:</b>           | Used in TC_26_6_6_1 for GSM and DCS, cell allocation contains 64 ARFCHs |          |
| Element Name               | Element Value                                                           | Comments |
| iei                        | -                                                                       |          |
| iel                        | '08'O                                                                   |          |
| mac_8n                     | '11111000'B                                                             |          |
| mac_7n                     | '00000000'B                                                             |          |
| mac_6n                     | '00000000'B                                                             |          |
| mac_5n                     | '00000000'B                                                             |          |
| mac_4n                     | '00000000'B                                                             |          |
| mac_3n                     | '00000000'B                                                             |          |
| mac_2n                     | '00011111'B                                                             |          |
| mac_1n                     | '00000000'B                                                             |          |
| <b>Detailed Comments:</b>  |                                                                         |          |

| Structured Type Constraint |                                                                         |          |
|----------------------------|-------------------------------------------------------------------------|----------|
| <b>Constraint Name:</b>    | Ma1_g08                                                                 |          |
| <b>Structured Type:</b>    | MA                                                                      |          |
| <b>Derivation Path:</b>    |                                                                         |          |
| <b>Comments:</b>           | Used in TC_26_6_6_1 for GSM and DCS, cell allocation contains 64 ARFCHs |          |
| Element Name               | Element Value                                                           | Comments |
| iei                        | -                                                                       |          |
| iel                        | '08'O                                                                   |          |
| mac_8n                     | '00000000'B                                                             |          |
| mac_7n                     | '00000000'B                                                             |          |
| mac_6n                     | '00000000'B                                                             |          |
| mac_5n                     | '00000000'B                                                             |          |
| mac_4n                     | '00000000'B                                                             |          |
| mac_3n                     | '00001111'B                                                             |          |
| mac_2n                     | '11111110'B                                                             |          |
| mac_1n                     | '00000000'B                                                             |          |
| <b>Detailed Comments:</b>  |                                                                         |          |

| Structured Type Constraint |                                                                         |          |
|----------------------------|-------------------------------------------------------------------------|----------|
| <b>Constraint Name:</b>    | Ma1_g09                                                                 |          |
| <b>Structured Type:</b>    | MA                                                                      |          |
| <b>Derivation Path:</b>    |                                                                         |          |
| <b>Comments:</b>           | Used in TC_26_6_6_1 for GSM and DCS, cell allocation contains 64 ARFCHs |          |
| Element Name               | Element Value                                                           | Comments |
| iei                        | -                                                                       |          |
| iel                        | '08'O                                                                   |          |
| mac_8n                     | '11111111'B                                                             |          |
| mac_7n                     | '11110000'B                                                             |          |
| mac_6n                     | '00000000'B                                                             |          |
| mac_5n                     | '00000000'B                                                             |          |
| mac_4n                     | '00000000'B                                                             |          |
| mac_3n                     | '00000000'B                                                             |          |
| mac_2n                     | '00000000'B                                                             |          |
| mac_1n                     | '00000000'B                                                             |          |
| <b>Detailed Comments:</b>  |                                                                         |          |

| Structured Type Constraint |                                                                         |          |
|----------------------------|-------------------------------------------------------------------------|----------|
| <b>Constraint Name:</b>    | Ma2_g01                                                                 |          |
| <b>Structured Type:</b>    | MA                                                                      |          |
| <b>Derivation Path:</b>    |                                                                         |          |
| <b>Comments:</b>           | Used in TC_26_6_6_1 for GSM and DCS, cell allocation contains 30 ARFCHs |          |
| Element Name               | Element Value                                                           | Comments |
| iei                        | -                                                                       |          |
| iel                        | '04'O                                                                   |          |
| mac_8n                     | '00111111'B                                                             |          |
| mac_7n                     | '11111100'B                                                             |          |
| mac_6n                     | '00000000'B                                                             |          |
| mac_5n                     | '00000000'B                                                             |          |
| mac_4n                     | -                                                                       |          |
| mac_3n                     | -                                                                       |          |
| mac_2n                     | -                                                                       |          |
| mac_1n                     | -                                                                       |          |
| <b>Detailed Comments:</b>  |                                                                         |          |

| Structured Type Constraint |                                                                         |          |
|----------------------------|-------------------------------------------------------------------------|----------|
| <b>Constraint Name:</b>    | Ma2_g02                                                                 |          |
| <b>Structured Type:</b>    | MA                                                                      |          |
| <b>Derivation Path:</b>    |                                                                         |          |
| <b>Comments:</b>           | Used in TC_26_6_6_1 for GSM and DCS, cell allocation contains 30 ARFCHs |          |
| Element Name               | Element Value                                                           | Comments |
| iei                        | -                                                                       |          |
| iel                        | '04'O                                                                   |          |
| mac_8n                     | '00000000'B                                                             |          |
| mac_7n                     | '00000000'B                                                             |          |
| mac_6n                     | '00000000'B                                                             |          |
| mac_5n                     | '00001111'B                                                             |          |
| mac_4n                     | -                                                                       |          |
| mac_3n                     | -                                                                       |          |
| mac_2n                     | -                                                                       |          |
| mac_1n                     | -                                                                       |          |
| <b>Detailed Comments:</b>  |                                                                         |          |

| Structured Type Constraint |                                                                         |          |
|----------------------------|-------------------------------------------------------------------------|----------|
| <b>Constraint Name:</b>    | Ma2_g03                                                                 |          |
| <b>Structured Type:</b>    | MA                                                                      |          |
| <b>Derivation Path:</b>    |                                                                         |          |
| <b>Comments:</b>           | Used in TC_26_6_6_1 for GSM and DCS, cell allocation contains 30 ARFCHs |          |
| Element Name               | Element Value                                                           | Comments |
| iei                        | -                                                                       |          |
| iel                        | '04'O                                                                   |          |
| mac_8n                     | '00000000'B                                                             |          |
| mac_7n                     | '00011111'B                                                             |          |
| mac_6n                     | '00000000'B                                                             |          |
| mac_5n                     | '00000000'B                                                             |          |
| mac_4n                     | -                                                                       |          |
| mac_3n                     | -                                                                       |          |
| mac_2n                     | -                                                                       |          |
| mac_1n                     | -                                                                       |          |
| <b>Detailed Comments:</b>  |                                                                         |          |

| Structured Type Constraint |                                                                         |          |
|----------------------------|-------------------------------------------------------------------------|----------|
| <b>Constraint Name:</b>    | Ma2_g04                                                                 |          |
| <b>Structured Type:</b>    | MA                                                                      |          |
| <b>Derivation Path:</b>    |                                                                         |          |
| <b>Comments:</b>           | Used in TC_26_6_6_1 for GSM and DCS, cell allocation contains 30 ARFCHs |          |
| Element Name               | Element Value                                                           | Comments |
| iei                        | -                                                                       |          |
| iel                        | '04'O                                                                   |          |
| mac_8n                     | '00000000'B                                                             |          |
| mac_7n                     | '00001010'B                                                             |          |
| mac_6n                     | '10101010'B                                                             |          |
| mac_5n                     | '00000000'B                                                             |          |
| mac_4n                     | -                                                                       |          |
| mac_3n                     | -                                                                       |          |
| mac_2n                     | -                                                                       |          |
| mac_1n                     | -                                                                       |          |
| <b>Detailed Comments:</b>  |                                                                         |          |

| Structured Type Constraint |                                                                         |          |
|----------------------------|-------------------------------------------------------------------------|----------|
| <b>Constraint Name:</b>    | Ma2_g05                                                                 |          |
| <b>Structured Type:</b>    | MA                                                                      |          |
| <b>Derivation Path:</b>    |                                                                         |          |
| <b>Comments:</b>           | Used in TC_26_6_6_1 for GSM and DCS, cell allocation contains 30 ARFCHs |          |
| Element Name               | Element Value                                                           | Comments |
| iei                        | -                                                                       |          |
| iel                        | '04'O                                                                   |          |
| mac_8n                     | '00010101'B                                                             |          |
| mac_7n                     | '01000000'B                                                             |          |
| mac_6n                     | '00000000'B                                                             |          |
| mac_5n                     | '10101000'B                                                             |          |
| mac_4n                     | -                                                                       |          |
| mac_3n                     | -                                                                       |          |
| mac_2n                     | -                                                                       |          |
| mac_1n                     | -                                                                       |          |
| <b>Detailed Comments:</b>  |                                                                         |          |

| Structured Type Constraint |                                                                         |          |
|----------------------------|-------------------------------------------------------------------------|----------|
| <b>Constraint Name:</b>    | Ma2_g06                                                                 |          |
| <b>Structured Type:</b>    | MA                                                                      |          |
| <b>Derivation Path:</b>    |                                                                         |          |
| <b>Comments:</b>           | Used in TC_26_6_6_1 for GSM and DCS, cell allocation contains 30 ARFCHs |          |
| Element Name               | Element Value                                                           | Comments |
| iei                        | -                                                                       |          |
| iel                        | '04'O                                                                   |          |
| mac_8n                     | '00011010'B                                                             |          |
| mac_7n                     | '10100000'B                                                             |          |
| mac_6n                     | '00000000'B                                                             |          |
| mac_5n                     | '00011100'B                                                             |          |
| mac_4n                     | -                                                                       |          |
| mac_3n                     | -                                                                       |          |
| mac_2n                     | -                                                                       |          |
| mac_1n                     | -                                                                       |          |
| <b>Detailed Comments:</b>  |                                                                         |          |

| Structured Type Constraint |                                                                         |          |
|----------------------------|-------------------------------------------------------------------------|----------|
| <b>Constraint Name:</b>    | Ma2_g07                                                                 |          |
| <b>Structured Type:</b>    | MA                                                                      |          |
| <b>Derivation Path:</b>    |                                                                         |          |
| <b>Comments:</b>           | Used in TC_26_6_6_1 for GSM and DCS, cell allocation contains 30 ARFCHs |          |
| Element Name               | Element Value                                                           | Comments |
| iei                        | -                                                                       |          |
| iel                        | '04'O                                                                   |          |
| mac_8n                     | '00011100'B                                                             |          |
| mac_7n                     | '00000011'B                                                             |          |
| mac_6n                     | '10011100'B                                                             |          |
| mac_5n                     | '00000000'B                                                             |          |
| mac_4n                     | -                                                                       |          |
| mac_3n                     | -                                                                       |          |
| mac_2n                     | -                                                                       |          |
| mac_1n                     | -                                                                       |          |
| <b>Detailed Comments:</b>  |                                                                         |          |

| Structured Type Constraint |                                                                         |          |
|----------------------------|-------------------------------------------------------------------------|----------|
| <b>Constraint Name:</b>    | Ma2_g08                                                                 |          |
| <b>Structured Type:</b>    | MA                                                                      |          |
| <b>Derivation Path:</b>    |                                                                         |          |
| <b>Comments:</b>           | Used in TC_26_6_6_1 for GSM and DCS, cell allocation contains 30 ARFCHs |          |
| Element Name               | Element Value                                                           | Comments |
| iei                        | -                                                                       |          |
| iel                        | '04'O                                                                   |          |
| mac_8n                     | '00000001'B                                                             |          |
| mac_7n                     | '00100100'B                                                             |          |
| mac_6n                     | '10010000'B                                                             |          |
| mac_5n                     | '00011111'B                                                             |          |
| mac_4n                     | -                                                                       |          |
| mac_3n                     | -                                                                       |          |
| mac_2n                     | -                                                                       |          |
| mac_1n                     | -                                                                       |          |
| <b>Detailed Comments:</b>  |                                                                         |          |

| Structured Type Constraint |                                                                         |          |
|----------------------------|-------------------------------------------------------------------------|----------|
| <b>Constraint Name:</b>    | Ma2_g09                                                                 |          |
| <b>Structured Type:</b>    | MA                                                                      |          |
| <b>Derivation Path:</b>    |                                                                         |          |
| <b>Comments:</b>           | Used in TC_26_6_6_1 for GSM and DCS, cell allocation contains 30 ARFCHs |          |
| Element Name               | Element Value                                                           | Comments |
| iei                        | -                                                                       |          |
| iel                        | '04'O                                                                   |          |
| mac_8n                     | '00110000'B                                                             |          |
| mac_7n                     | '00000011'B                                                             |          |
| mac_6n                     | '11010000'B                                                             |          |
| mac_5n                     | '00001111'B                                                             |          |
| mac_4n                     | -                                                                       |          |
| mac_3n                     | -                                                                       |          |
| mac_2n                     | -                                                                       |          |
| mac_1n                     | -                                                                       |          |
| <b>Detailed Comments:</b>  |                                                                         |          |

| Structured Type Constraint |                                                                         |          |
|----------------------------|-------------------------------------------------------------------------|----------|
| <b>Constraint Name:</b>    | Ma3_g01                                                                 |          |
| <b>Structured Type:</b>    | MA                                                                      |          |
| <b>Derivation Path:</b>    |                                                                         |          |
| <b>Comments:</b>           | Used in TC_26_6_6_1 for GSM and DCS, cell allocation contains 12 ARFCHs |          |
| Element Name               | Element Value                                                           | Comments |
| iei                        | -                                                                       |          |
| iel                        | '02'O                                                                   |          |
| mac_8n                     | '00001110'B                                                             |          |
| mac_7n                     | '11111111'B                                                             |          |
| mac_6n                     | -                                                                       |          |
| mac_5n                     | -                                                                       |          |
| mac_4n                     | -                                                                       |          |
| mac_3n                     | -                                                                       |          |
| mac_2n                     | -                                                                       |          |
| mac_1n                     | -                                                                       |          |
| <b>Detailed Comments:</b>  |                                                                         |          |



| Structured Type Constraint |                                                                         |          |
|----------------------------|-------------------------------------------------------------------------|----------|
| <b>Constraint Name:</b>    | Ma3_g02                                                                 |          |
| <b>Structured Type:</b>    | MA                                                                      |          |
| <b>Derivation Path:</b>    |                                                                         |          |
| <b>Comments:</b>           | Used in TC_26_6_6_1 for GSM and DCS, cell allocation contains 12 ARFCHs |          |
| Element Name               | Element Value                                                           | Comments |
| iei                        | -                                                                       |          |
| iel                        | '02'O                                                                   |          |
| mac_8n                     | '00000100'B                                                             |          |
| mac_7n                     | '00000011'B                                                             |          |
| mac_6n                     | -                                                                       |          |
| mac_5n                     | -                                                                       |          |
| mac_4n                     | -                                                                       |          |
| mac_3n                     | -                                                                       |          |
| mac_2n                     | -                                                                       |          |
| mac_1n                     | -                                                                       |          |
| <b>Detailed Comments:</b>  |                                                                         |          |

| Structured Type Constraint |                                                                         |          |
|----------------------------|-------------------------------------------------------------------------|----------|
| <b>Constraint Name:</b>    | Ma3_g03                                                                 |          |
| <b>Structured Type:</b>    | MA                                                                      |          |
| <b>Derivation Path:</b>    |                                                                         |          |
| <b>Comments:</b>           | Used in TC_26_6_6_1 for GSM and DCS, cell allocation contains 12 ARFCHs |          |
| Element Name               | Element Value                                                           | Comments |
| iei                        | -                                                                       |          |
| iel                        | '02'O                                                                   |          |
| mac_8n                     | '00001010'B                                                             |          |
| mac_7n                     | '10100000'B                                                             |          |
| mac_6n                     | -                                                                       |          |
| mac_5n                     | -                                                                       |          |
| mac_4n                     | -                                                                       |          |
| mac_3n                     | -                                                                       |          |
| mac_2n                     | -                                                                       |          |
| mac_1n                     | -                                                                       |          |
| <b>Detailed Comments:</b>  |                                                                         |          |

| Structured Type Constraint |                                                                         |          |
|----------------------------|-------------------------------------------------------------------------|----------|
| <b>Constraint Name:</b>    | Ma3_g04                                                                 |          |
| <b>Structured Type:</b>    | MA                                                                      |          |
| <b>Derivation Path:</b>    |                                                                         |          |
| <b>Comments:</b>           | Used in TC_26_6_6_1 for GSM and DCS, cell allocation contains 12 ARFCHs |          |
| Element Name               | Element Value                                                           | Comments |
| iei                        | -                                                                       |          |
| iel                        | '02'O                                                                   |          |
| mac_8n                     | '00000111'B                                                             |          |
| mac_7n                     | '11000000'B                                                             |          |
| mac_6n                     | -                                                                       |          |
| mac_5n                     | -                                                                       |          |
| mac_4n                     | -                                                                       |          |
| mac_3n                     | -                                                                       |          |
| mac_2n                     | -                                                                       |          |
| mac_1n                     | -                                                                       |          |
| <b>Detailed Comments:</b>  |                                                                         |          |

| Structured Type Constraint |                                                                         |          |
|----------------------------|-------------------------------------------------------------------------|----------|
| <b>Constraint Name:</b>    | Ma3_g05                                                                 |          |
| <b>Structured Type:</b>    | MA                                                                      |          |
| <b>Derivation Path:</b>    |                                                                         |          |
| <b>Comments:</b>           | Used in TC_26_6_6_1 for GSM and DCS, cell allocation contains 12 ARFCHs |          |
| Element Name               | Element Value                                                           | Comments |
| iei                        | -                                                                       |          |
| iel                        | '02'O                                                                   |          |
| mac_8n                     | '00001010'B                                                             |          |
| mac_7n                     | '10010101'B                                                             |          |
| mac_6n                     | -                                                                       |          |
| mac_5n                     | -                                                                       |          |
| mac_4n                     | -                                                                       |          |
| mac_3n                     | -                                                                       |          |
| mac_2n                     | -                                                                       |          |
| mac_1n                     | -                                                                       |          |
| <b>Detailed Comments:</b>  |                                                                         |          |

| Structured Type Constraint |                                                                         |          |
|----------------------------|-------------------------------------------------------------------------|----------|
| <b>Constraint Name:</b>    | Ma3_g06                                                                 |          |
| <b>Structured Type:</b>    | MA                                                                      |          |
| <b>Derivation Path:</b>    |                                                                         |          |
| <b>Comments:</b>           | Used in TC_26_6_6_1 for GSM and DCS, cell allocation contains 12 ARFCHs |          |
| Element Name               | Element Value                                                           | Comments |
| iei                        | -                                                                       |          |
| iel                        | '02'O                                                                   |          |
| mac_8n                     | '00001111'B                                                             |          |
| mac_7n                     | '00001011'B                                                             |          |
| mac_6n                     | -                                                                       |          |
| mac_5n                     | -                                                                       |          |
| mac_4n                     | -                                                                       |          |
| mac_3n                     | -                                                                       |          |
| mac_2n                     | -                                                                       |          |
| mac_1n                     | -                                                                       |          |
| <b>Detailed Comments:</b>  |                                                                         |          |

| Structured Type Constraint |                                                                         |          |
|----------------------------|-------------------------------------------------------------------------|----------|
| <b>Constraint Name:</b>    | Ma3_g07                                                                 |          |
| <b>Structured Type:</b>    | MA                                                                      |          |
| <b>Derivation Path:</b>    |                                                                         |          |
| <b>Comments:</b>           | Used in TC_26_6_6_1 for GSM and DCS, cell allocation contains 12 ARFCHs |          |
| Element Name               | Element Value                                                           | Comments |
| iei                        | -                                                                       |          |
| iel                        | '02'O                                                                   |          |
| mac_8n                     | '00001010'B                                                             |          |
| mac_7n                     | '11110011'B                                                             |          |
| mac_6n                     | -                                                                       |          |
| mac_5n                     | -                                                                       |          |
| mac_4n                     | -                                                                       |          |
| mac_3n                     | -                                                                       |          |
| mac_2n                     | -                                                                       |          |
| mac_1n                     | -                                                                       |          |
| <b>Detailed Comments:</b>  |                                                                         |          |

| Structured Type Constraint |                                                                         |          |
|----------------------------|-------------------------------------------------------------------------|----------|
| <b>Constraint Name:</b>    | Ma3_g08                                                                 |          |
| <b>Structured Type:</b>    | MA                                                                      |          |
| <b>Derivation Path:</b>    |                                                                         |          |
| <b>Comments:</b>           | Used in TC_26_6_6_1 for GSM and DCS, cell allocation contains 12 ARFCHs |          |
| Element Name               | Element Value                                                           | Comments |
| iei                        | -                                                                       |          |
| iel                        | '02'O                                                                   |          |
| mac_8n                     | '00001111'B                                                             |          |
| mac_7n                     | '00101111'B                                                             |          |
| mac_6n                     | -                                                                       |          |
| mac_5n                     | -                                                                       |          |
| mac_4n                     | -                                                                       |          |
| mac_3n                     | -                                                                       |          |
| mac_2n                     | -                                                                       |          |
| mac_1n                     | -                                                                       |          |
| <b>Detailed Comments:</b>  |                                                                         |          |

| Structured Type Constraint |                                                                         |          |
|----------------------------|-------------------------------------------------------------------------|----------|
| <b>Constraint Name:</b>    | Ma3_g09                                                                 |          |
| <b>Structured Type:</b>    | MA                                                                      |          |
| <b>Derivation Path:</b>    |                                                                         |          |
| <b>Comments:</b>           | Used in TC_26_6_6_1 for GSM and DCS, cell allocation contains 12 ARFCHs |          |
| Element Name               | Element Value                                                           | Comments |
| iei                        | -                                                                       |          |
| iel                        | '02'O                                                                   |          |
| mac_8n                     | '00001111'B                                                             |          |
| mac_7n                     | '10111110'B                                                             |          |
| mac_6n                     | -                                                                       |          |
| mac_5n                     | -                                                                       |          |
| mac_4n                     | -                                                                       |          |
| mac_3n                     | -                                                                       |          |
| mac_2n                     | -                                                                       |          |
| mac_1n                     | -                                                                       |          |
| <b>Detailed Comments:</b>  |                                                                         |          |

| Structured Type Constraint |                                     |          |
|----------------------------|-------------------------------------|----------|
| <b>Constraint Name:</b>    | Mi_01                               |          |
| <b>Structured Type:</b>    | MI                                  |          |
| <b>Derivation Path:</b>    |                                     |          |
| <b>Comments:</b>           | used as a comprehension required IE |          |
| Element Name               | Element Value                       | Comments |
| iei                        | '00000000'B                         |          |
| iel                        | '01'O                               |          |
| idigit_1                   | '1110'B                             |          |
| oei                        | '1'B                                |          |
| toi                        | '111'B                              |          |
| idigits_other              | -                                   |          |
| <b>Detailed Comments:</b>  |                                     |          |

| Structured Type Constraint |                         |          |
|----------------------------|-------------------------|----------|
| <b>Constraint Name:</b>    | Mi_02                   |          |
| <b>Structured Type:</b>    | MI                      |          |
| <b>Derivation Path:</b>    |                         |          |
| <b>Comments:</b>           | used as an unknown IEI. |          |
| Element Name               | Element Value           | Comments |
| iei                        | '10101110'B             |          |
| iel                        | -                       |          |
| idigit_1                   | -                       |          |
| oei                        | -                       |          |
| toi                        | -                       |          |
| idigits_other              | -                       |          |
| <b>Detailed Comments:</b>  | used in TC_26_5_6_1_1.  |          |

| Structured Type Constraint |                       |          |
|----------------------------|-----------------------|----------|
| <b>Constraint Name:</b>    | Mi_05                 |          |
| <b>Structured Type:</b>    | MI                    |          |
| <b>Derivation Path:</b>    |                       |          |
| <b>Comments:</b>           | used as an unknown IE |          |
| Element Name               | Element Value         | Comments |
| iei                        | '00000010'B           |          |
| iel                        | 'E0'O                 |          |
| idigit_1                   | '1001'B               |          |
| oei                        | '0'B                  |          |
| toi                        | '000'B                |          |
| idigits_other              | -                     |          |
| <b>Detailed Comments:</b>  |                       |          |

| Structured Type Constraint |                         |          |
|----------------------------|-------------------------|----------|
| <b>Constraint Name:</b>    | Mi_06                   |          |
| <b>Structured Type:</b>    | MI                      |          |
| <b>Derivation Path:</b>    |                         |          |
| <b>Comments:</b>           | used as an unknown IEI. |          |
| Element Name               | Element Value           | Comments |
| iei                        | '00010011'B             |          |
| iel                        | '02'O                   |          |
| idigit_1                   | '1010'B                 |          |
| oei                        | '0'B                    |          |
| toi                        | '111'B                  |          |
| idigits_other              | '78'O                   |          |
| <b>Detailed Comments:</b>  | used in TC_26_5_6_1_2.  |          |

| Structured Type Constraint |                         |          |
|----------------------------|-------------------------|----------|
| <b>Constraint Name:</b>    | Milmei_01               |          |
| <b>Structured Type:</b>    | MI                      |          |
| <b>Derivation Path:</b>    |                         |          |
| <b>Comments:</b>           | IMEI                    |          |
| Element Name               | Element Value           | Comments |
| iei                        | -                       |          |
| iel                        | '08'O                   |          |
| idigit_1                   | OC_FirstDigi(TSPX_IMEI) |          |
| oei                        | '1'B                    |          |
| toi                        | '010'B                  |          |
| idigits_other              | OC_OtherDigi(TSPX_IMEI) |          |
| <b>Detailed Comments:</b>  |                         |          |

| Structured Type Constraint |                           |          |
|----------------------------|---------------------------|----------|
| <b>Constraint Name:</b>    | Milmeisv_01               |          |
| <b>Structured Type:</b>    | MI                        |          |
| <b>Derivation Path:</b>    |                           |          |
| <b>Comments:</b>           | TSPX_IMEISV               |          |
| Element Name               | Element Value             | Comments |
| iei                        | -                         |          |
| iel                        | '09'O                     |          |
| idigit_1                   | OC_FirstDigi(TSPX_IMEISV) |          |
| oei                        | '0'B                      |          |
| toi                        | '011'B                    |          |
| idigits_other              | OC_OtherDigi(TSPX_IMEISV) |          |
| <b>Detailed Comments:</b>  |                           |          |

| Structured Type Constraint |                           |          |
|----------------------------|---------------------------|----------|
| <b>Constraint Name:</b>    | Milmeisv_01iei            |          |
| <b>Structured Type:</b>    | MI                        |          |
| <b>Derivation Path:</b>    |                           |          |
| <b>Comments:</b>           | TSPX_IMEISV               |          |
| Element Name               | Element Value             | Comments |
| iei                        | '00010111'B               |          |
| iel                        | '09'O                     |          |
| idigit_1                   | OC_FirstDigi(TSPX_IMEISV) |          |
| oei                        | '0'B                      |          |
| toi                        | '011'B                    |          |
| idigits_other              | OC_OtherDigi(TSPX_IMEISV) |          |
| <b>Detailed Comments:</b>  |                           |          |

| Structured Type Constraint |                                                   |          |
|----------------------------|---------------------------------------------------|----------|
| <b>Constraint Name:</b>    | Milmsi_01                                         |          |
| <b>Structured Type:</b>    | MI                                                |          |
| <b>Derivation Path:</b>    |                                                   |          |
| <b>Comments:</b>           | the TSPX_IMSI is the IMSI of the MS under test    |          |
| Element Name               | Element Value                                     | Comments |
| iei                        | -                                                 |          |
| iel                        | OC_IntToOct(((<br>LENGTH_OF(TSPX_IMSI))/2 + 1),1) |          |
| idigit_1                   | OC_FirstDigi(TSPX_IMSI)                           |          |
| oei                        | OC_OeBit(TSPX_IMSI)                               |          |
| toi                        | '001'B                                            |          |
| idigits_other              | OC_OtherDigi(TSPX_IMSI)                           |          |
| <b>Detailed Comments:</b>  |                                                   |          |

| Structured Type Constraint |                                                   |          |
|----------------------------|---------------------------------------------------|----------|
| <b>Constraint Name:</b>    | Milmsi_01iei                                      |          |
| <b>Structured Type:</b>    | MI                                                |          |
| <b>Derivation Path:</b>    |                                                   |          |
| <b>Comments:</b>           | the TSPX_IMSI is the IMSI of the MS under test    |          |
| Element Name               | Element Value                                     | Comments |
| iei                        | '00010111'B                                       |          |
| iel                        | OC_IntToOct(((<br>LENGTH_OF(TSPX_IMSI))/2 + 1),1) |          |
| idigit_1                   | OC_FirstDigi(TSPX_IMSI)                           |          |
| oei                        | OC_OeBit(TSPX_IMSI)                               |          |
| toi                        | '001'B                                            |          |
| idigits_other              | OC_OtherDigi(TSPX_IMSI)                           |          |
| <b>Detailed Comments:</b>  |                                                   |          |

| Structured Type Constraint |                                                                                                                              |          |
|----------------------------|------------------------------------------------------------------------------------------------------------------------------|----------|
| <b>Constraint Name:</b>    | Milmsi_02                                                                                                                    |          |
| <b>Structured Type:</b>    | MI                                                                                                                           |          |
| <b>Derivation Path:</b>    |                                                                                                                              |          |
| <b>Comments:</b>           | This constraint is used in paging filling message. No mobile is paged (Type of identity is set to '000'B, i.e. no identity). |          |
| Element Name               | Element Value                                                                                                                | Comments |
| iei                        | -                                                                                                                            |          |
| iel                        | '01'O                                                                                                                        |          |
| idigit_1                   | '1111'B                                                                                                                      |          |
| oei                        | '0'B                                                                                                                         |          |
| toi                        | '000'B                                                                                                                       |          |
| idigits_other              | -                                                                                                                            |          |
| <b>Detailed Comments:</b>  |                                                                                                                              |          |

| Structured Type Constraint                                   |                                                                                                   |          |
|--------------------------------------------------------------|---------------------------------------------------------------------------------------------------|----------|
| <b>Constraint Name:</b>                                      | Milmsi_31                                                                                         |          |
| <b>Structured Type:</b>                                      | MI                                                                                                |          |
| <b>Derivation Path:</b>                                      |                                                                                                   |          |
| <b>Comments:</b>                                             | An another IMSI differing from Milmsi_01for RR testing, which is shorter than the maximum length. |          |
| Element Name                                                 | Element Value                                                                                     | Comments |
| iei                                                          | -                                                                                                 |          |
| iel                                                          | '05'O                                                                                             |          |
| idigit_1                                                     | '0000'B                                                                                           |          |
| oei                                                          | '1'B                                                                                              |          |
| toi                                                          | '001'B                                                                                            |          |
| idigits_other                                                | '10102143'O                                                                                       |          |
| <b>Detailed Comments:</b> IMSI has 9 digits: '00 10 11 23 4' |                                                                                                   |          |

| Structured Type Constraint                                                                                                    |                                                                                                   |          |
|-------------------------------------------------------------------------------------------------------------------------------|---------------------------------------------------------------------------------------------------|----------|
| <b>Constraint Name:</b>                                                                                                       | Milmsi_31iei                                                                                      |          |
| <b>Structured Type:</b>                                                                                                       | MI                                                                                                |          |
| <b>Derivation Path:</b>                                                                                                       |                                                                                                   |          |
| <b>Comments:</b>                                                                                                              | An another IMSI differing from Milmsi_01for RR testing, which is shorter than the maximum length. |          |
| Element Name                                                                                                                  | Element Value                                                                                     | Comments |
| iei                                                                                                                           | '00010111'B                                                                                       |          |
| iel                                                                                                                           | '05'O                                                                                             |          |
| idigit_1                                                                                                                      | '0000'B                                                                                           |          |
| oei                                                                                                                           | '1'B                                                                                              |          |
| toi                                                                                                                           | '001'B                                                                                            |          |
| idigits_other                                                                                                                 | '10102143'O                                                                                       |          |
| <b>Detailed Comments:</b> IMSI has 9 digits: '00 10 11 23 4'. The iei appears in the messages, e.g. location updating accept. |                                                                                                   |          |

| Structured Type Constraint |                                                          |          |
|----------------------------|----------------------------------------------------------|----------|
| <b>Constraint Name:</b>    | Milmsi_r01                                               |          |
| <b>Structured Type:</b>    | MI                                                       |          |
| <b>Derivation Path:</b>    |                                                          |          |
| <b>Comments:</b>           | An another IMSI differing from Milmsi_01 for RR testing. |          |
| Element Name               | Element Value                                            | Comments |
| iei                        | -                                                        |          |
| iel                        | '07'O                                                    |          |
| idigit_1                   | '0000'B                                                  |          |
| oei                        | '1'B                                                     |          |
| toi                        | '001'B                                                   |          |
| idigits_other              | '981032547698'O                                          |          |
| <b>Detailed Comments:</b>  | IMSI has 13 digits: '08 90 12 34 56 78 9'                |          |

| Structured Type Constraint |                                                          |          |
|----------------------------|----------------------------------------------------------|----------|
| <b>Constraint Name:</b>    | Milmsi_r01iei                                            |          |
| <b>Structured Type:</b>    | MI                                                       |          |
| <b>Derivation Path:</b>    |                                                          |          |
| <b>Comments:</b>           | An another IMSI differing from Milmsi_01 for RR testing. |          |
| Element Name               | Element Value                                            | Comments |
| iei                        | '00010111'B                                              |          |
| iel                        | '07'O                                                    |          |
| idigit_1                   | '0000'B                                                  |          |
| oei                        | '1'B                                                     |          |
| toi                        | '001'B                                                   |          |
| idigits_other              | '981032547698'O                                          |          |
| <b>Detailed Comments:</b>  | IMSI has 13 digits: '08 90 12 34 56 78 9'                |          |

| Structured Type Constraint |                       |          |
|----------------------------|-----------------------|----------|
| <b>Constraint Name:</b>    | MiMsi_omit            |          |
| <b>Structured Type:</b>    | MI                    |          |
| <b>Derivation Path:</b>    |                       |          |
| <b>Comments:</b>           | omit MSI for testing. |          |
| Element Name               | Element Value         | Comments |
| iei                        | -                     |          |
| iel                        | -                     |          |
| idigit_1                   | -                     |          |
| oei                        | -                     |          |
| toi                        | -                     |          |
| idigits_other              | -                     |          |
| <b>Detailed Comments:</b>  |                       |          |

| Structured Type Constraint |                           |          |
|----------------------------|---------------------------|----------|
| <b>Constraint Name:</b>    | MiTmsi_01                 |          |
| <b>Structured Type:</b>    | MI                        |          |
| <b>Derivation Path:</b>    |                           |          |
| <b>Comments:</b>           | default TMSI for testing. |          |
| Element Name               | Element Value             | Comments |
| iei                        | -                         |          |
| iel                        | '05'O                     |          |
| idigit_1                   | '1111'B                   |          |
| oei                        | '0'B                      |          |
| toi                        | '100'B                    |          |
| idigits_other              | TSPX_TMSI                 |          |
| <b>Detailed Comments:</b>  |                           |          |

| Structured Type Constraint |                           |          |
|----------------------------|---------------------------|----------|
| <b>Constraint Name:</b>    | MiTmsi_01iei              |          |
| <b>Structured Type:</b>    | MI                        |          |
| <b>Derivation Path:</b>    |                           |          |
| <b>Comments:</b>           | default TMSI for testing. |          |
| Element Name               | Element Value             | Comments |
| iei                        | '00010111'B               |          |
| iel                        | '05'O                     |          |
| idigit_1                   | '1111'B                   |          |
| oei                        | '0'B                      |          |
| toi                        | '100'B                    |          |
| idigits_other              | TSPX_TMSI                 |          |
| <b>Detailed Comments:</b>  |                           |          |

| Structured Type Constraint |               |          |
|----------------------------|---------------|----------|
| <b>Constraint Name:</b>    | MiTmsi_02     |          |
| <b>Structured Type:</b>    | MI            |          |
| <b>Derivation Path:</b>    |               |          |
| <b>Comments:</b>           | A new TMSI    |          |
| Element Name               | Element Value | Comments |
| iei                        | -             |          |
| iel                        | '05'O         |          |
| idigit_1                   | '1111'B       |          |
| oei                        | '0'B          |          |
| toi                        | '100'B        |          |
| idigits_other              | TSPX_TMSI1    |          |
| <b>Detailed Comments:</b>  |               |          |

| Structured Type Constraint |               |          |
|----------------------------|---------------|----------|
| <b>Constraint Name:</b>    | MiTmsi_02iei  |          |
| <b>Structured Type:</b>    | MI            |          |
| <b>Derivation Path:</b>    |               |          |
| <b>Comments:</b>           | A new TMSI    |          |
| Element Name               | Element Value | Comments |
| iei                        | '00010111'B   |          |
| iel                        | '05'O         |          |
| idigit_1                   | '1111'B       |          |
| oei                        | '0'B          |          |
| toi                        | '100'B        |          |
| idigits_other              | TSPX_TMSI1    |          |
| <b>Detailed Comments:</b>  |               |          |

| Structured Type Constraint                                                                 |                               |          |
|--------------------------------------------------------------------------------------------|-------------------------------|----------|
| <b>Constraint Name:</b>                                                                    | MiTmsi_r01                    |          |
| <b>Structured Type:</b>                                                                    | MI                            |          |
| <b>Derivation Path:</b>                                                                    |                               |          |
| <b>Comments:</b>                                                                           | A TMSI differs from MiTmsi_01 |          |
| Element Name                                                                               | Element Value                 | Comments |
| iei                                                                                        | -                             |          |
| iel                                                                                        | '05'O                         |          |
| idigit_1                                                                                   | '1111'B                       |          |
| oei                                                                                        | '0'B                          |          |
| toi                                                                                        | '100'B                        |          |
| idigits_other                                                                              | OC_IncTmsi(TSPX_TMSI, '01'O)  |          |
| <b>Detailed Comments:</b> Note: the TSPX_TMSI + '01'O shall not be identical to TSPX_TMSI1 |                               |          |



| Structured Type Constraint |                                                     |          |
|----------------------------|-----------------------------------------------------|----------|
| <b>Constraint Name:</b>    | MiTmsi_r02                                          |          |
| <b>Structured Type:</b>    | MI                                                  |          |
| <b>Derivation Path:</b>    |                                                     |          |
| <b>Comments:</b>           | default TMSI for testing with toi setting to no id. |          |
| Element Name               | Element Value                                       | Comments |
| iei                        | -                                                   |          |
| iel                        | '05'O                                               |          |
| idigit_1                   | '1111'B                                             |          |
| oei                        | '0'B                                                |          |
| toi                        | '000'B                                              |          |
| idigits_other              | TSPX_TMSI                                           |          |
| <b>Detailed Comments:</b>  |                                                     |          |

| Structured Type Constraint |                                                     |          |
|----------------------------|-----------------------------------------------------|----------|
| <b>Constraint Name:</b>    | MiTmsi_r02iei                                       |          |
| <b>Structured Type:</b>    | MI                                                  |          |
| <b>Derivation Path:</b>    |                                                     |          |
| <b>Comments:</b>           | default TMSI for testing with toi setting to no id. |          |
| Element Name               | Element Value                                       | Comments |
| iei                        | '00010111'B                                         |          |
| iel                        | '05'O                                               |          |
| idigit_1                   | '1111'B                                             |          |
| oei                        | '0'B                                                |          |
| toi                        | '000'B                                              |          |
| idigits_other              | TSPX_TMSI                                           |          |
| <b>Detailed Comments:</b>  |                                                     |          |

| Structured Type Constraint |               |          |
|----------------------------|---------------|----------|
| <b>Constraint Name:</b>    | MoblAllc_01   |          |
| <b>Structured Type:</b>    | MA            |          |
| <b>Derivation Path:</b>    |               |          |
| <b>Comments:</b>           | non hopping   |          |
| Element Name               | Element Value | Comments |
| iei                        | -             |          |
| iel                        | '00'O         |          |
| mac_8n                     | -             |          |
| mac_7n                     | -             |          |
| mac_6n                     | -             |          |
| mac_5n                     | -             |          |
| mac_4n                     | -             |          |
| mac_3n                     | -             |          |
| mac_2n                     | -             |          |
| mac_1n                     | -             |          |
| <b>Detailed Comments:</b>  |               |          |

| Structured Type Constraint |               |          |
|----------------------------|---------------|----------|
| <b>Constraint Name:</b>    | MoblAllc_02   |          |
| <b>Structured Type:</b>    | MA            |          |
| <b>Derivation Path:</b>    | MoblAllc_01.  |          |
| <b>Comments:</b>           | hopping       |          |
| Element Name               | Element Value | Comments |
| iei                        | '01110010'B   |          |
| iel                        | '01'O         |          |
| mac_8n                     | '00000010'B   |          |
| <b>Detailed Comments:</b>  |               |          |

| Structured Type Constraint |                                |          |
|----------------------------|--------------------------------|----------|
| <b>Constraint Name:</b>    | MoblAllc_04                    |          |
| <b>Structured Type:</b>    | MA                             |          |
| <b>Derivation Path:</b>    |                                |          |
| <b>Comments:</b>           | hopping used in TC_26_6_4_2_2. |          |
| Element Name               | Element Value                  | Comments |
| iei                        | '01110010'B                    |          |
| iel                        | '01'O                          |          |
| mac_8n                     | '00001110'B                    |          |
| mac_7n                     | -                              |          |
| mac_6n                     | -                              |          |
| mac_5n                     | -                              |          |
| mac_4n                     | -                              |          |
| mac_3n                     | -                              |          |
| mac_2n                     | -                              |          |
| mac_1n                     | -                              |          |
| <b>Detailed Comments:</b>  |                                |          |

| Structured Type Constraint |                                                                                                                                                                     |          |
|----------------------------|---------------------------------------------------------------------------------------------------------------------------------------------------------------------|----------|
| <b>Constraint Name:</b>    | MoblAllc_20_A0                                                                                                                                                      |          |
| <b>Structured Type:</b>    | MA                                                                                                                                                                  |          |
| <b>Derivation Path:</b>    |                                                                                                                                                                     |          |
| <b>Comments:</b>           | hopping with 0001 1111 1111 1111 1111<br>indicates all of the frequencies in CA of cell A with<br>ARFCN_list={10,17,20,26,34,42,45,46,52,59,66,73,74,75,76,108,114} |          |
| Element Name               | Element Value                                                                                                                                                       | Comments |
| iei                        | -                                                                                                                                                                   |          |
| iel                        | '03'O                                                                                                                                                               |          |
| mac_8n                     | '00000001'B                                                                                                                                                         |          |
| mac_7n                     | '11111111'B                                                                                                                                                         |          |
| mac_6n                     | '11111111'B                                                                                                                                                         |          |
| mac_5n                     | -                                                                                                                                                                   |          |
| mac_4n                     | -                                                                                                                                                                   |          |
| mac_3n                     | -                                                                                                                                                                   |          |
| mac_2n                     | -                                                                                                                                                                   |          |
| mac_1n                     | -                                                                                                                                                                   |          |
| <b>Detailed Comments:</b>  |                                                                                                                                                                     |          |

| Structured Type Constraint |                                                                                                                                                                 |          |
|----------------------------|-----------------------------------------------------------------------------------------------------------------------------------------------------------------|----------|
| <b>Constraint Name:</b>    | MoblAllc_20_A1                                                                                                                                                  |          |
| <b>Structured Type:</b>    | MA                                                                                                                                                              |          |
| <b>Derivation Path:</b>    |                                                                                                                                                                 |          |
| <b>Comments:</b>           | indicates all of the frequencies in CA of cell A with<br>ARFCN_list={10,17,20,26,34,42,45,46,52,59,66,73,74,75,76,108,114} except for the BCCH<br>frequency 20. |          |
| Element Name               | Element Value                                                                                                                                                   | Comments |
| iei                        | '01110010'B                                                                                                                                                     |          |
| iel                        | '03'O                                                                                                                                                           |          |
| mac_8n                     | '00000001'B                                                                                                                                                     |          |
| mac_7n                     | '11111111'B                                                                                                                                                     |          |
| mac_6n                     | '11111011'B                                                                                                                                                     |          |
| mac_5n                     | -                                                                                                                                                               |          |
| mac_4n                     | -                                                                                                                                                               |          |
| mac_3n                     | -                                                                                                                                                               |          |
| mac_2n                     | -                                                                                                                                                               |          |
| mac_1n                     | -                                                                                                                                                               |          |
| <b>Detailed Comments:</b>  |                                                                                                                                                                 |          |

| Structured Type Constraint |                                                                                                                                                             |          |
|----------------------------|-------------------------------------------------------------------------------------------------------------------------------------------------------------|----------|
| <b>Constraint Name:</b>    | MobiAllc_20_A3d                                                                                                                                             |          |
| <b>Structured Type:</b>    | MA                                                                                                                                                          |          |
| <b>Derivation Path:</b>    |                                                                                                                                                             |          |
| <b>Comments:</b>           | indicates all of the frequencies in CA of cell A<br>ARFCN_list={734,741,747,754,759,762,766,767,773,775,779,782,791,798,829,832,844} except<br>747 and 767. |          |
| Element Name               | Element Value                                                                                                                                               | Comments |
| iei                        | -                                                                                                                                                           |          |
| iel                        | '03'O                                                                                                                                                       |          |
| mac_8n                     | '00000001'B                                                                                                                                                 |          |
| mac_7n                     | '11111111'B                                                                                                                                                 |          |
| mac_6n                     | '01111011'B                                                                                                                                                 |          |
| mac_5n                     | -                                                                                                                                                           |          |
| mac_4n                     | -                                                                                                                                                           |          |
| mac_3n                     | -                                                                                                                                                           |          |
| mac_2n                     | -                                                                                                                                                           |          |
| mac_1n                     | -                                                                                                                                                           |          |
| <b>Detailed Comments:</b>  |                                                                                                                                                             |          |

| Structured Type Constraint |                                                                                                             |          |
|----------------------------|-------------------------------------------------------------------------------------------------------------|----------|
| <b>Constraint Name:</b>    | MobiAllc_252                                                                                                |          |
| <b>Structured Type:</b>    | MA                                                                                                          |          |
| <b>Derivation Path:</b>    |                                                                                                             |          |
| <b>Comments:</b>           | hopping with 0001 1100<br>indicates ARFCN_list={40,66,73,74,75,76,108,114}<br>to the ARFCN_list={73,74,75}. |          |
| Element Name               | Element Value                                                                                               | Comments |
| iei                        | '01110010'B                                                                                                 |          |
| iel                        | '01'O                                                                                                       |          |
| mac_8n                     | '00011100'B                                                                                                 |          |
| mac_7n                     | -                                                                                                           |          |
| mac_6n                     | -                                                                                                           |          |
| mac_5n                     | -                                                                                                           |          |
| mac_4n                     | -                                                                                                           |          |
| mac_3n                     | -                                                                                                           |          |
| mac_2n                     | -                                                                                                           |          |
| mac_1n                     | -                                                                                                           |          |
| <b>Detailed Comments:</b>  |                                                                                                             |          |

| Structured Type Constraint |                                                                                                               |          |
|----------------------------|---------------------------------------------------------------------------------------------------------------|----------|
| <b>Constraint Name:</b>    | MobiAllc_252d                                                                                                 |          |
| <b>Structured Type:</b>    | MA                                                                                                            |          |
| <b>Derivation Path:</b>    |                                                                                                               |          |
| <b>Comments:</b>           | hopping with 0111 0000 0<br>List_ARFCN={761,764,771,779,782,791,798,829,832} to the ARFCN_list={791,798,829}. |          |
| Element Name               | Element Value                                                                                                 | Comments |
| iei                        | '01110010'B                                                                                                   |          |
| iel                        | '02'O                                                                                                         |          |
| mac_8n                     | '00000000'B                                                                                                   |          |
| mac_7n                     | '11100000'B                                                                                                   |          |
| mac_6n                     | -                                                                                                             |          |
| mac_5n                     | -                                                                                                             |          |
| mac_4n                     | -                                                                                                             |          |
| mac_3n                     | -                                                                                                             |          |
| mac_2n                     | -                                                                                                             |          |
| mac_1n                     | -                                                                                                             |          |
| <b>Detailed Comments:</b>  |                                                                                                               |          |

| Structured Type Constraint |                                                                                     |          |
|----------------------------|-------------------------------------------------------------------------------------|----------|
| <b>Constraint Name:</b>    | MoblAllc_22                                                                         |          |
| <b>Structured Type:</b>    | MA                                                                                  |          |
| <b>Derivation Path:</b>    |                                                                                     |          |
| <b>Comments:</b>           | hopping with all of f's from cell allocation of cell B with except of {764,832,844} |          |
| Element Name               | Element Value                                                                       | Comments |
| iei                        | '01110010'B                                                                         |          |
| iel                        | '02'O                                                                               |          |
| mac_8n                     | '00111111'B                                                                         |          |
| mac_7n                     | '01111111'B                                                                         |          |
| mac_6n                     | -                                                                                   |          |
| mac_5n                     | -                                                                                   |          |
| mac_4n                     | -                                                                                   |          |
| mac_3n                     | -                                                                                   |          |
| mac_2n                     | -                                                                                   |          |
| mac_1n                     | -                                                                                   |          |
| <b>Detailed Comments:</b>  |                                                                                     |          |

| Structured Type Constraint |                                                                              |          |
|----------------------------|------------------------------------------------------------------------------|----------|
| <b>Constraint Name:</b>    | MoblAllc_281                                                                 |          |
| <b>Structured Type:</b>    | MA                                                                           |          |
| <b>Derivation Path:</b>    |                                                                              |          |
| <b>Comments:</b>           | hopping with<br>indicates to the ARFCN_list={73,74,75} of cell allocation A. |          |
| Element Name               | Element Value                                                                | Comments |
| iei                        | -                                                                            |          |
| iel                        | '03'O                                                                        |          |
| mac_8n                     | '00000000'B                                                                  |          |
| mac_7n                     | '00111000'B                                                                  |          |
| mac_6n                     | '00000000'B                                                                  |          |
| mac_5n                     | -                                                                            |          |
| mac_4n                     | -                                                                            |          |
| mac_3n                     | -                                                                            |          |
| mac_2n                     | -                                                                            |          |
| mac_1n                     | -                                                                            |          |
| <b>Detailed Comments:</b>  |                                                                              |          |

| Structured Type Constraint |                                                                                 |          |
|----------------------------|---------------------------------------------------------------------------------|----------|
| <b>Constraint Name:</b>    | MoblAllc_281d                                                                   |          |
| <b>Structured Type:</b>    | MA                                                                              |          |
| <b>Derivation Path:</b>    |                                                                                 |          |
| <b>Comments:</b>           | hopping with<br>indicates to the ARFCN_list={773,775,779} of cell allocation A. |          |
| Element Name               | Element Value                                                                   | Comments |
| iei                        | -                                                                               |          |
| iel                        | '03'O                                                                           |          |
| mac_8n                     | '00000000'B                                                                     |          |
| mac_7n                     | '00000111'B                                                                     |          |
| mac_6n                     | '00000000'B                                                                     |          |
| mac_5n                     | -                                                                               |          |
| mac_4n                     | -                                                                               |          |
| mac_3n                     | -                                                                               |          |
| mac_2n                     | -                                                                               |          |
| mac_1n                     | -                                                                               |          |
| <b>Detailed Comments:</b>  |                                                                                 |          |

| Structured Type Constraint |                                                                                                                                 |          |
|----------------------------|---------------------------------------------------------------------------------------------------------------------------------|----------|
| <b>Constraint Name:</b>    | MoblAllc_281e                                                                                                                   |          |
| <b>Structured Type:</b>    | MA                                                                                                                              |          |
| <b>Derivation Path:</b>    |                                                                                                                                 |          |
| <b>Comments:</b>           | hopping sequence with EGSM frequencies. The frequencies which are used in the mobile hopping sequence are {0, 80, 1005, 1010} . |          |
| Element Name               | Element Value                                                                                                                   | Comments |
| iei                        | -                                                                                                                               |          |
| iel                        | '01'O                                                                                                                           |          |
| mac_8n                     | '10111000'B                                                                                                                     |          |
| mac_7n                     | -                                                                                                                               |          |
| mac_6n                     | -                                                                                                                               |          |
| mac_5n                     | -                                                                                                                               |          |
| mac_4n                     | -                                                                                                                               |          |
| mac_3n                     | -                                                                                                                               |          |
| mac_2n                     | -                                                                                                                               |          |
| mac_1n                     | -                                                                                                                               |          |
| <b>Detailed Comments:</b>  |                                                                                                                                 |          |

| Structured Type Constraint |                                                                                                                                            |          |
|----------------------------|--------------------------------------------------------------------------------------------------------------------------------------------|----------|
| <b>Constraint Name:</b>    | MoblAllc_281e2                                                                                                                             |          |
| <b>Structured Type:</b>    | MA                                                                                                                                         |          |
| <b>Derivation Path:</b>    |                                                                                                                                            |          |
| <b>Comments:</b>           | hopping with<br>indicates to the ARFCN_list={20,66,78} of E-GSM cell allocation with<br>ARFCN_List={20,40,66,73,74,75,76,77,78,79,108,114} |          |
| Element Name               | Element Value                                                                                                                              | Comments |
| iei                        | -                                                                                                                                          |          |
| iel                        | '02'O                                                                                                                                      |          |
| mac_8n                     | '00000001'B                                                                                                                                |          |
| mac_7n                     | '00000101'B                                                                                                                                |          |
| mac_6n                     | -                                                                                                                                          |          |
| mac_5n                     | -                                                                                                                                          |          |
| mac_4n                     | -                                                                                                                                          |          |
| mac_3n                     | -                                                                                                                                          |          |
| mac_2n                     | -                                                                                                                                          |          |
| mac_1n                     | -                                                                                                                                          |          |
| <b>Detailed Comments:</b>  |                                                                                                                                            |          |

| Structured Type Constraint |                                                                                            |          |
|----------------------------|--------------------------------------------------------------------------------------------|----------|
| <b>Constraint Name:</b>    | MoblAllc_282                                                                               |          |
| <b>Structured Type:</b>    | MA                                                                                         |          |
| <b>Derivation Path:</b>    |                                                                                            |          |
| <b>Comments:</b>           | hopping with<br>indicates to the Complete Cell Allocation of cell A with except for BCCH-f |          |
| Element Name               | Element Value                                                                              | Comments |
| iei                        | -                                                                                          |          |
| iel                        | '03'O                                                                                      |          |
| mac_8n                     | '00000001'B                                                                                |          |
| mac_7n                     | '11111111'B                                                                                |          |
| mac_6n                     | '11111011'B                                                                                |          |
| mac_5n                     | -                                                                                          |          |
| mac_4n                     | -                                                                                          |          |
| mac_3n                     | -                                                                                          |          |
| mac_2n                     | -                                                                                          |          |
| mac_1n                     | -                                                                                          |          |
| <b>Detailed Comments:</b>  |                                                                                            |          |

| Structured Type Constraint |                                                                                                     |          |
|----------------------------|-----------------------------------------------------------------------------------------------------|----------|
| <b>Constraint Name:</b>    | MoblAllc_20_B1                                                                                      |          |
| <b>Structured Type:</b>    | MA                                                                                                  |          |
| <b>Derivation Path:</b>    |                                                                                                     |          |
| <b>Comments:</b>           | hopping with 1111 1111 1111 1111<br>ARFCN_list={14,18,22,24,30,31,38,40,60,66,73,74,75,76,108,114}. |          |
| Element Name               | Element Value                                                                                       | Comments |
| iei                        | -                                                                                                   |          |
| iel                        | '02'O                                                                                               |          |
| mac_8n                     | '11111111'B                                                                                         |          |
| mac_7n                     | '11111111'B                                                                                         |          |
| mac_6n                     | -                                                                                                   |          |
| mac_5n                     | -                                                                                                   |          |
| mac_4n                     | -                                                                                                   |          |
| mac_3n                     | -                                                                                                   |          |
| mac_2n                     | -                                                                                                   |          |
| mac_1n                     | -                                                                                                   |          |
| <b>Detailed Comments:</b>  |                                                                                                     |          |

| Structured Type Constraint |                                           |          |
|----------------------------|-------------------------------------------|----------|
| <b>Constraint Name:</b>    | MoblAllc_20_B1iei                         |          |
| <b>Structured Type:</b>    | MA                                        |          |
| <b>Derivation Path:</b>    |                                           |          |
| <b>Comments:</b>           | hopping with ARFCN_list={14,18,22,31,40}. |          |
| Element Name               | Element Value                             | Comments |
| iei                        | '01110010'B                               |          |
| iel                        | '01'O                                     |          |
| mac_8n                     | '10100111'B                               |          |
| mac_7n                     | -                                         |          |
| mac_6n                     | -                                         |          |
| mac_5n                     | -                                         |          |
| mac_4n                     | -                                         |          |
| mac_3n                     | -                                         |          |
| mac_2n                     | -                                         |          |
| mac_1n                     | -                                         |          |
| <b>Detailed Comments:</b>  |                                           |          |

| Structured Type Constraint |                                    |          |
|----------------------------|------------------------------------|----------|
| <b>Constraint Name:</b>    | MoblAllc_20_Be1(par_ma: BITSTRING) |          |
| <b>Structured Type:</b>    | MA                                 |          |
| <b>Derivation Path:</b>    |                                    |          |
| <b>Comments:</b>           | hopping with par_ma                |          |
| Element Name               | Element Value                      | Comments |
| iei                        | -                                  |          |
| iel                        | '01'O                              |          |
| mac_8n                     | par_ma                             |          |
| mac_7n                     | -                                  |          |
| mac_6n                     | -                                  |          |
| mac_5n                     | -                                  |          |
| mac_4n                     | -                                  |          |
| mac_3n                     | -                                  |          |
| mac_2n                     | -                                  |          |
| mac_1n                     | -                                  |          |
| <b>Detailed Comments:</b>  |                                    |          |

| Structured Type Constraint |                                       |          |
|----------------------------|---------------------------------------|----------|
| <b>Constraint Name:</b>    | MoblAllc_20_Be1iei(par_ma: BITSTRING) |          |
| <b>Structured Type:</b>    | MA                                    |          |
| <b>Derivation Path:</b>    | MoblAllc_20_Be1.                      |          |
| <b>Comments:</b>           | hopping with par_ma                   |          |
| Element Name               | Element Value                         | Comments |
| iei                        | '01110010'B                           |          |
| <b>Detailed Comments:</b>  |                                       |          |

| Structured Type Constraint |                                                         |          |
|----------------------------|---------------------------------------------------------|----------|
| <b>Constraint Name:</b>    | MoblAllc_20_Be2(par_ma1: BITSTRING; par_ma2: BITSTRING) |          |
| <b>Structured Type:</b>    | MA                                                      |          |
| <b>Derivation Path:</b>    |                                                         |          |
| <b>Comments:</b>           | hopping with par_ma1 and par_ma2                        |          |
| Element Name               | Element Value                                           | Comments |
| iei                        | -                                                       |          |
| iel                        | '02'O                                                   |          |
| mac_8n                     | par_ma1                                                 |          |
| mac_7n                     | par_ma2                                                 |          |
| mac_6n                     | -                                                       |          |
| mac_5n                     | -                                                       |          |
| mac_4n                     | -                                                       |          |
| mac_3n                     | -                                                       |          |
| mac_2n                     | -                                                       |          |
| mac_1n                     | -                                                       |          |
| <b>Detailed Comments:</b>  |                                                         |          |

| Structured Type Constraint |                                                            |          |
|----------------------------|------------------------------------------------------------|----------|
| <b>Constraint Name:</b>    | MoblAllc_20_Be2iei(par_ma1: BITSTRING; par_ma2: BITSTRING) |          |
| <b>Structured Type:</b>    | MA                                                         |          |
| <b>Derivation Path:</b>    |                                                            |          |
| <b>Comments:</b>           | hopping with par_ma1 and par_ma2                           |          |
| Element Name               | Element Value                                              | Comments |
| iei                        | '01110010'B                                                |          |
| iel                        | '02'O                                                      |          |
| mac_8n                     | par_ma1                                                    |          |
| mac_7n                     | par_ma2                                                    |          |
| mac_6n                     | -                                                          |          |
| mac_5n                     | -                                                          |          |
| mac_4n                     | -                                                          |          |
| mac_3n                     | -                                                          |          |
| mac_2n                     | -                                                          |          |
| mac_1n                     | -                                                          |          |
| <b>Detailed Comments:</b>  |                                                            |          |

| Structured Type Constraint |                                                                                    |          |
|----------------------------|------------------------------------------------------------------------------------|----------|
| <b>Constraint Name:</b>    | MoblAllc_20_A2                                                                     |          |
| <b>Structured Type:</b>    | MA                                                                                 |          |
| <b>Derivation Path:</b>    |                                                                                    |          |
| <b>Comments:</b>           | hopping with default Cell Allocation of HO cases and only one frequency in hopping |          |
| Element Name               | Element Value                                                                      | Comments |
| iei                        | -                                                                                  |          |
| iel                        | '03'O                                                                              |          |
| mac_8n                     | '00000001'B                                                                        |          |
| mac_7n                     | '00000000'B                                                                        |          |
| mac_6n                     | '00000000'B                                                                        |          |
| mac_5n                     | -                                                                                  |          |
| mac_4n                     | -                                                                                  |          |
| mac_3n                     | -                                                                                  |          |
| mac_2n                     | -                                                                                  |          |
| mac_1n                     | -                                                                                  |          |
| <b>Detailed Comments:</b>  |                                                                                    |          |

| Structured Type Constraint |                                                                                                                                                                                              |          |
|----------------------------|----------------------------------------------------------------------------------------------------------------------------------------------------------------------------------------------|----------|
| <b>Constraint Name:</b>    | MoblAllc_20_A2iei                                                                                                                                                                            |          |
| <b>Structured Type:</b>    | MA                                                                                                                                                                                           |          |
| <b>Derivation Path:</b>    |                                                                                                                                                                                              |          |
| <b>Comments:</b>           | hopping with 1000 0000 0000 0000<br>indicates from default Cell Allocation of HO cases with the<br>ARFCN_List={10,17,20,26,34,42,45,46,52,59,66,73,74,75,76,108,114} the<br>ARFCN_list={114} |          |
| Element Name               | Element Value                                                                                                                                                                                | Comments |
| iei                        | '01110010'B                                                                                                                                                                                  |          |
| iel                        | '03'O                                                                                                                                                                                        |          |
| mac_8n                     | '00000001'B                                                                                                                                                                                  |          |
| mac_7n                     | '00000000'B                                                                                                                                                                                  |          |
| mac_6n                     | '00000000'B                                                                                                                                                                                  |          |
| mac_5n                     | -                                                                                                                                                                                            |          |
| mac_4n                     | -                                                                                                                                                                                            |          |
| mac_3n                     | -                                                                                                                                                                                            |          |
| mac_2n                     | -                                                                                                                                                                                            |          |
| mac_1n                     | -                                                                                                                                                                                            |          |
| <b>Detailed Comments:</b>  |                                                                                                                                                                                              |          |

| Structured Type Constraint |                                                                                                                                         |          |
|----------------------------|-----------------------------------------------------------------------------------------------------------------------------------------|----------|
| <b>Constraint Name:</b>    | MoblAllc_20_A3                                                                                                                          |          |
| <b>Structured Type:</b>    | MA                                                                                                                                      |          |
| <b>Derivation Path:</b>    |                                                                                                                                         |          |
| <b>Comments:</b>           | indicates all of the frequencies in CA of cell A<br>ARFCN_list={10,17,20,26,34,42,45,46,52,59,66,73,74,75,76,108,114} except 20 and 52. |          |
| Element Name               | Element Value                                                                                                                           | Comments |
| iei                        | -                                                                                                                                       |          |
| iel                        | '03'O                                                                                                                                   |          |
| mac_8n                     | '00000001'B                                                                                                                             |          |
| mac_7n                     | '11111110'B                                                                                                                             |          |
| mac_6n                     | '11111011'B                                                                                                                             |          |
| mac_5n                     | -                                                                                                                                       |          |
| mac_4n                     | -                                                                                                                                       |          |
| mac_3n                     | -                                                                                                                                       |          |
| mac_2n                     | -                                                                                                                                       |          |
| mac_1n                     | -                                                                                                                                       |          |
| <b>Detailed Comments:</b>  |                                                                                                                                         |          |



| Structured Type Constraint            |               |          |
|---------------------------------------|---------------|----------|
| <b>Constraint Name:</b> MoblAllc_omit |               |          |
| <b>Structured Type:</b> MA            |               |          |
| <b>Derivation Path:</b>               |               |          |
| <b>Comments:</b>                      |               |          |
| Element Name                          | Element Value | Comments |
| iei                                   | -             |          |
| iel                                   | -             |          |
| mac_8n                                | -             |          |
| mac_7n                                | -             |          |
| mac_6n                                | -             |          |
| mac_5n                                | -             |          |
| mac_4n                                | -             |          |
| mac_3n                                | -             |          |
| mac_2n                                | -             |          |
| mac_1n                                | -             |          |
| <b>Detailed Comments:</b>             |               |          |

| Structured Type Constraint           |               |          |
|--------------------------------------|---------------|----------|
| <b>Constraint Name:</b> MoblAllc_r01 |               |          |
| <b>Structured Type:</b> MA           |               |          |
| <b>Derivation Path:</b>              |               |          |
| <b>Comments:</b>                     |               |          |
| Element Name                         | Element Value | Comments |
| iei                                  | '01110010'B   |          |
| iel                                  | '02'O         |          |
| mac_8n                               | '0000011'B    |          |
| mac_7n                               | '11111101'B   |          |
| mac_6n                               | -             |          |
| mac_5n                               | -             |          |
| mac_4n                               | -             |          |
| mac_3n                               | -             |          |
| mac_2n                               | -             |          |
| mac_1n                               | -             |          |
| <b>Detailed Comments:</b>            |               |          |

| Structured Type Constraint           |               |          |
|--------------------------------------|---------------|----------|
| <b>Constraint Name:</b> MoblAllc_r02 |               |          |
| <b>Structured Type:</b> MA           |               |          |
| <b>Derivation Path:</b>              |               |          |
| <b>Comments:</b>                     |               |          |
| Element Name                         | Element Value | Comments |
| iei                                  | '01110010'B   |          |
| iel                                  | '02'O         |          |
| mac_8n                               | '00000111'B   |          |
| mac_7n                               | '11100011'B   |          |
| mac_6n                               | -             |          |
| mac_5n                               | -             |          |
| mac_4n                               | -             |          |
| mac_3n                               | -             |          |
| mac_2n                               | -             |          |
| mac_1n                               | -             |          |
| <b>Detailed Comments:</b>            |               |          |

| Structured Type Constraint |               |          |
|----------------------------|---------------|----------|
| <b>Constraint Name:</b>    | MoblAllc_r03  |          |
| <b>Structured Type:</b>    | MA            |          |
| <b>Derivation Path:</b>    | MoblAllc_r01. |          |
| <b>Comments:</b>           |               |          |
| Element Name               | Element Value | Comments |
| iel                        | '01'O         |          |
| mac_8n                     | '00000001'B   |          |
| mac_7n                     | -             |          |
| <b>Detailed Comments:</b>  |               |          |

| Structured Type Constraint |               |          |
|----------------------------|---------------|----------|
| <b>Constraint Name:</b>    | MoblAllc_r04  |          |
| <b>Structured Type:</b>    | MA            |          |
| <b>Derivation Path:</b>    |               |          |
| <b>Comments:</b>           |               |          |
| Element Name               | Element Value | Comments |
| iei                        | '01110010'B   |          |
| iel                        | '02'O         |          |
| mac_8n                     | '00000001'B   |          |
| mac_7n                     | '11000111'B   |          |
| mac_6n                     | -             |          |
| mac_5n                     | -             |          |
| mac_4n                     | -             |          |
| mac_3n                     | -             |          |
| mac_2n                     | -             |          |
| mac_1n                     | -             |          |
| <b>Detailed Comments:</b>  |               |          |

| Structured Type Constraint |                                                        |          |
|----------------------------|--------------------------------------------------------|----------|
| <b>Constraint Name:</b>    | MoblAllc_r05                                           |          |
| <b>Structured Type:</b>    | MA                                                     |          |
| <b>Derivation Path:</b>    | MoblAllc_r01.                                          |          |
| <b>Comments:</b>           | used in TC_26_6_13_1 for immediate assignment command  |          |
| Element Name               | Element Value                                          | Comments |
| iei                        | -                                                      |          |
| iel                        | '03'O                                                  |          |
| mac_8n                     | INT_TO_BIT((OC_OctToInt(TSPX_Ma1) / 65536), 8)         |          |
| mac_7n                     | INT_TO_BIT(((OC_OctToInt(TSPX_Ma1) / 256) MOD 256), 8) |          |
| mac_6n                     | INT_TO_BIT((OC_OctToInt(TSPX_Ma1) MOD 256), 8)         |          |
| mac_5n                     | -                                                      |          |
| mac_4n                     | -                                                      |          |
| mac_3n                     | -                                                      |          |
| mac_2n                     | -                                                      |          |
| mac_1n                     | -                                                      |          |
| <b>Detailed Comments:</b>  |                                                        |          |

| Structured Type Constraint |                                                        |          |
|----------------------------|--------------------------------------------------------|----------|
| <b>Constraint Name:</b>    | MobilAllc_r06                                          |          |
| <b>Structured Type:</b>    | MA                                                     |          |
| <b>Derivation Path:</b>    |                                                        |          |
| <b>Comments:</b>           | used in TC_26_6_13_1 after time                        |          |
| Element Name               | Element Value                                          | Comments |
| iei                        | '01110010'B                                            |          |
| iel                        | '03'O                                                  |          |
| mac_8n                     | INT_TO_BIT((OC_OctToInt(TSPX_Ma2) / 65536), 8)         |          |
| mac_7n                     | INT_TO_BIT(((OC_OctToInt(TSPX_Ma2) / 256) MOD 256), 8) |          |
| mac_6n                     | INT_TO_BIT((OC_OctToInt(TSPX_Ma2) MOD 256), 8)         |          |
| mac_5n                     | -                                                      |          |
| mac_4n                     | -                                                      |          |
| mac_3n                     | -                                                      |          |
| mac_2n                     | -                                                      |          |
| mac_1n                     | -                                                      |          |
| <b>Detailed Comments:</b>  |                                                        |          |

| Structured Type Constraint |                                                        |          |
|----------------------------|--------------------------------------------------------|----------|
| <b>Constraint Name:</b>    | MobilAllc_r07                                          |          |
| <b>Structured Type:</b>    | MA                                                     |          |
| <b>Derivation Path:</b>    |                                                        |          |
| <b>Comments:</b>           | used in TC_26_6_13_1 and TC_26_6_13_2 before time      |          |
| Element Name               | Element Value                                          | Comments |
| iei                        | '01110010'B                                            |          |
| iel                        | '03'O                                                  |          |
| mac_8n                     | INT_TO_BIT((OC_OctToInt(TSPX_Ma3) / 65536), 8)         |          |
| mac_7n                     | INT_TO_BIT(((OC_OctToInt(TSPX_Ma3) / 256) MOD 256), 8) |          |
| mac_6n                     | INT_TO_BIT((OC_OctToInt(TSPX_Ma3) MOD 256), 8)         |          |
| mac_5n                     | -                                                      |          |
| mac_4n                     | -                                                      |          |
| mac_3n                     | -                                                      |          |
| mac_2n                     | -                                                      |          |
| mac_1n                     | -                                                      |          |
| <b>Detailed Comments:</b>  |                                                        |          |

| Structured Type Constraint |                                                        |          |
|----------------------------|--------------------------------------------------------|----------|
| <b>Constraint Name:</b>    | MobilAllc_r08                                          |          |
| <b>Structured Type:</b>    | MA                                                     |          |
| <b>Derivation Path:</b>    | MobilAllc_r01.MobilAllc_r05.                           |          |
| <b>Comments:</b>           | used in TC_26_6_13_2 for immediate assignment command  |          |
| Element Name               | Element Value                                          | Comments |
| mac_8n                     | INT_TO_BIT((OC_OctToInt(TSPX_Ma4) / 65536), 8)         |          |
| mac_7n                     | INT_TO_BIT(((OC_OctToInt(TSPX_Ma4) / 256) MOD 256), 8) |          |
| mac_6n                     | INT_TO_BIT((OC_OctToInt(TSPX_Ma4) MOD 256), 8)         |          |
| <b>Detailed Comments:</b>  |                                                        |          |

| Structured Type Constraint |                                                        |          |
|----------------------------|--------------------------------------------------------|----------|
| <b>Constraint Name:</b>    | MobilAllc_r09                                          |          |
| <b>Structured Type:</b>    | MA                                                     |          |
| <b>Derivation Path:</b>    |                                                        |          |
| <b>Comments:</b>           | used in TC_26_6_13_2 after time                        |          |
| Element Name               | Element Value                                          | Comments |
| iei                        | '01110010'B                                            |          |
| iel                        | '03'O                                                  |          |
| mac_8n                     | INT_TO_BIT((OC_OctToInt(TSPX_Ma5) / 65536), 8)         |          |
| mac_7n                     | INT_TO_BIT(((OC_OctToInt(TSPX_Ma5) / 256) MOD 256), 8) |          |
| mac_6n                     | INT_TO_BIT((OC_OctToInt(TSPX_Ma5) MOD 256), 8)         |          |
| mac_5n                     | -                                                      |          |
| mac_4n                     | -                                                      |          |
| mac_3n                     | -                                                      |          |
| mac_2n                     | -                                                      |          |
| mac_1n                     | -                                                      |          |
| <b>Detailed Comments:</b>  |                                                        |          |

| Structured Type Constraint |                                                        |          |
|----------------------------|--------------------------------------------------------|----------|
| <b>Constraint Name:</b>    | MobilAllc_r10                                          |          |
| <b>Structured Type:</b>    | MA                                                     |          |
| <b>Derivation Path:</b>    | MobilAllc_r01.MobilAllc_r05.                           |          |
| <b>Comments:</b>           | used in TC_26_6_13_3 for immediate assignment          |          |
| Element Name               | Element Value                                          | Comments |
| mac_8n                     | INT_TO_BIT((OC_OctToInt(TSPX_Ma6) / 65536), 8)         |          |
| mac_7n                     | INT_TO_BIT(((OC_OctToInt(TSPX_Ma6) / 256) MOD 256), 8) |          |
| mac_6n                     | INT_TO_BIT((OC_OctToInt(TSPX_Ma6) MOD 256), 8)         |          |
| <b>Detailed Comments:</b>  |                                                        |          |

| Structured Type Constraint |                                                        |          |
|----------------------------|--------------------------------------------------------|----------|
| <b>Constraint Name:</b>    | MobilAllc_r11                                          |          |
| <b>Structured Type:</b>    | MA                                                     |          |
| <b>Derivation Path:</b>    |                                                        |          |
| <b>Comments:</b>           | used in TC_26_6_13_3 for frequency redefinition        |          |
| Element Name               | Element Value                                          | Comments |
| iei                        | -                                                      |          |
| iel                        | '03'O                                                  |          |
| mac_8n                     | INT_TO_BIT((OC_OctToInt(TSPX_Ma7) / 65536), 8)         |          |
| mac_7n                     | INT_TO_BIT(((OC_OctToInt(TSPX_Ma7) / 256) MOD 256), 8) |          |
| mac_6n                     | INT_TO_BIT((OC_OctToInt(TSPX_Ma7) MOD 256), 8)         |          |
| mac_5n                     | -                                                      |          |
| mac_4n                     | -                                                      |          |
| mac_3n                     | -                                                      |          |
| mac_2n                     | -                                                      |          |
| mac_1n                     | -                                                      |          |
| <b>Detailed Comments:</b>  |                                                        |          |

| Structured Type Constraint |                                                        |          |
|----------------------------|--------------------------------------------------------|----------|
| <b>Constraint Name:</b>    | MoblAllc_r12                                           |          |
| <b>Structured Type:</b>    | MA                                                     |          |
| <b>Derivation Path:</b>    | MoblAllc_r11.                                          |          |
| <b>Comments:</b>           | used in TC_26_6_13_3 for assignment command after time |          |
| Element Name               | Element Value                                          | Comments |
| iei                        | '01110010'B                                            |          |
| mac_8n                     | INT_TO_BIT((OC_OctToInt(TSPX_Ma8) / 65536), 8)         |          |
| mac_7n                     | INT_TO_BIT(((OC_OctToInt(TSPX_Ma8) / 256) MOD 256), 8) |          |
| mac_6n                     | INT_TO_BIT((OC_OctToInt(TSPX_Ma8) MOD 256), 8)         |          |
| <b>Detailed Comments:</b>  |                                                        |          |

| Structured Type Constraint |                                                         |          |
|----------------------------|---------------------------------------------------------|----------|
| <b>Constraint Name:</b>    | MoblAllc_r13                                            |          |
| <b>Structured Type:</b>    | MA                                                      |          |
| <b>Derivation Path:</b>    |                                                         |          |
| <b>Comments:</b>           | used in TC_26_6_13_3 for assignment command before time |          |
| Element Name               | Element Value                                           | Comments |
| iei                        | '01110010'B                                             |          |
| iel                        | '03'O                                                   |          |
| mac_8n                     | INT_TO_BIT((OC_OctToInt(TSPX_Ma9) / 65536), 8)          |          |
| mac_7n                     | INT_TO_BIT(((OC_OctToInt(TSPX_Ma9) / 256) MOD 256), 8)  |          |
| mac_6n                     | INT_TO_BIT((OC_OctToInt(TSPX_Ma9) MOD 256), 8)          |          |
| mac_5n                     | -                                                       |          |
| mac_4n                     | -                                                       |          |
| mac_3n                     | -                                                       |          |
| mac_2n                     | -                                                       |          |
| mac_1n                     | -                                                       |          |
| <b>Detailed Comments:</b>  |                                                         |          |

| Structured Type Constraint |                                                         |          |
|----------------------------|---------------------------------------------------------|----------|
| <b>Constraint Name:</b>    | MoblAllc_r14                                            |          |
| <b>Structured Type:</b>    | MA                                                      |          |
| <b>Derivation Path:</b>    | MoblAllc_r01.MoblAllc_r05.                              |          |
| <b>Comments:</b>           | used in TC_26_6_13_4 for immediate assignment           |          |
| Element Name               | Element Value                                           | Comments |
| mac_8n                     | INT_TO_BIT((OC_OctToInt(TSPX_Ma10) / 65536), 8)         |          |
| mac_7n                     | INT_TO_BIT(((OC_OctToInt(TSPX_Ma10) / 256) MOD 256), 8) |          |
| mac_6n                     | INT_TO_BIT((OC_OctToInt(TSPX_Ma10) MOD 256), 8)         |          |
| <b>Detailed Comments:</b>  |                                                         |          |

| Structured Type Constraint |                                                         |          |
|----------------------------|---------------------------------------------------------|----------|
| <b>Constraint Name:</b>    | MoblAllc_r15                                            |          |
| <b>Structured Type:</b>    | MA                                                      |          |
| <b>Derivation Path:</b>    | MoblAllc_r01.MoblAllc_r05.                              |          |
| <b>Comments:</b>           | used in TC_26_6_13_4 for frequency redefinition         |          |
| Element Name               | Element Value                                           | Comments |
| mac_8n                     | INT_TO_BIT((OC_OctToInt(TSPX_Ma11) / 65536), 8)         |          |
| mac_7n                     | INT_TO_BIT(((OC_OctToInt(TSPX_Ma11) / 256) MOD 256), 8) |          |
| mac_6n                     | INT_TO_BIT((OC_OctToInt(TSPX_Ma11) MOD 256), 8)         |          |
| <b>Detailed Comments:</b>  |                                                         |          |

| Structured Type Constraint |                                                         |          |
|----------------------------|---------------------------------------------------------|----------|
| <b>Constraint Name:</b>    | MoblAllc_r16                                            |          |
| <b>Structured Type:</b>    | MA                                                      |          |
| <b>Derivation Path:</b>    |                                                         |          |
| <b>Comments:</b>           | used in TC_26_6_13_4 for assignment command after time  |          |
| Element Name               | Element Value                                           | Comments |
| iei                        | '01110010'B                                             |          |
| iel                        | '03'O                                                   |          |
| mac_8n                     | INT_TO_BIT((OC_OctToInt(TSPX_Ma12) / 65536), 8)         |          |
| mac_7n                     | INT_TO_BIT(((OC_OctToInt(TSPX_Ma12) / 256) MOD 256), 8) |          |
| mac_6n                     | INT_TO_BIT((OC_OctToInt(TSPX_Ma12) MOD 256), 8)         |          |
| mac_5n                     | -                                                       |          |
| mac_4n                     | -                                                       |          |
| mac_3n                     | -                                                       |          |
| mac_2n                     | -                                                       |          |
| mac_1n                     | -                                                       |          |
| <b>Detailed Comments:</b>  |                                                         |          |

| Structured Type Constraint |                                                         |          |
|----------------------------|---------------------------------------------------------|----------|
| <b>Constraint Name:</b>    | MoblAllc_r17                                            |          |
| <b>Structured Type:</b>    | MA                                                      |          |
| <b>Derivation Path:</b>    |                                                         |          |
| <b>Comments:</b>           | used in TC_26_6_13_4 for assignment command before time |          |
| Element Name               | Element Value                                           | Comments |
| iei                        | '01110010'B                                             |          |
| iel                        | '03'O                                                   |          |
| mac_8n                     | INT_TO_BIT((OC_OctToInt(TSPX_Ma13) / 65536), 8)         |          |
| mac_7n                     | INT_TO_BIT(((OC_OctToInt(TSPX_Ma13) / 256) MOD 256), 8) |          |
| mac_6n                     | INT_TO_BIT((OC_OctToInt(TSPX_Ma13) MOD 256), 8)         |          |
| mac_5n                     | -                                                       |          |
| mac_4n                     | -                                                       |          |
| mac_3n                     | -                                                       |          |
| mac_2n                     | -                                                       |          |
| mac_1n                     | -                                                       |          |
| <b>Detailed Comments:</b>  |                                                         |          |

| Structured Type Constraint |                                                         |          |
|----------------------------|---------------------------------------------------------|----------|
| <b>Constraint Name:</b>    | MoblAllc_r18                                            |          |
| <b>Structured Type:</b>    | MA                                                      |          |
| <b>Derivation Path:</b>    | MoblAllc_r01.MoblAllc_r05.                              |          |
| <b>Comments:</b>           | used in TC_26_6_13_5 for immediate assignment           |          |
| Element Name               | Element Value                                           | Comments |
| mac_8n                     | INT_TO_BIT((OC_OctToInt(TSPX_Ma14) / 65536), 8)         |          |
| mac_7n                     | INT_TO_BIT(((OC_OctToInt(TSPX_Ma14) / 256) MOD 256), 8) |          |
| mac_6n                     | INT_TO_BIT((OC_OctToInt(TSPX_Ma14) MOD 256), 8)         |          |
| <b>Detailed Comments:</b>  |                                                         |          |

| Structured Type Constraint |                                                         |          |
|----------------------------|---------------------------------------------------------|----------|
| <b>Constraint Name:</b>    | MoblAllc_r20                                            |          |
| <b>Structured Type:</b>    | MA                                                      |          |
| <b>Derivation Path:</b>    | MoblAllc_r01.MoblAllc_r05.                              |          |
| <b>Comments:</b>           | used in TC_26_6_13_5 for handover before time           |          |
| Element Name               | Element Value                                           | Comments |
| mac_8n                     | INT_TO_BIT((OC_OctToInt(TSPX_Ma16) / 65536), 8)         |          |
| mac_7n                     | INT_TO_BIT(((OC_OctToInt(TSPX_Ma16) / 256) MOD 256), 8) |          |
| mac_6n                     | INT_TO_BIT((OC_OctToInt(TSPX_Ma16) MOD 256), 8)         |          |
| <b>Detailed Comments:</b>  |                                                         |          |

| Structured Type Constraint |                                                         |          |
|----------------------------|---------------------------------------------------------|----------|
| <b>Constraint Name:</b>    | MoblAllc_r21                                            |          |
| <b>Structured Type:</b>    | MA                                                      |          |
| <b>Derivation Path:</b>    | MoblAllc_r01.MoblAllc_r05.                              |          |
| <b>Comments:</b>           | used in TC_26_6_13_6 for immediate assignment           |          |
| Element Name               | Element Value                                           | Comments |
| mac_8n                     | INT_TO_BIT((OC_OctToInt(TSPX_Ma17) / 65536), 8)         |          |
| mac_7n                     | INT_TO_BIT(((OC_OctToInt(TSPX_Ma17) / 256) MOD 256), 8) |          |
| mac_6n                     | INT_TO_BIT((OC_OctToInt(TSPX_Ma17) MOD 256), 8)         |          |
| <b>Detailed Comments:</b>  |                                                         |          |

| Structured Type Constraint |                                                         |          |
|----------------------------|---------------------------------------------------------|----------|
| <b>Constraint Name:</b>    | MoblAllc_r22                                            |          |
| <b>Structured Type:</b>    | MA                                                      |          |
| <b>Derivation Path:</b>    | MoblAllc_r01.MoblAllc_r05.                              |          |
| <b>Comments:</b>           | used in TC_26_6_13_6 for handover after time            |          |
| Element Name               | Element Value                                           | Comments |
| mac_8n                     | INT_TO_BIT((OC_OctToInt(TSPX_Ma18) / 65536), 8)         |          |
| mac_7n                     | INT_TO_BIT(((OC_OctToInt(TSPX_Ma18) / 256) MOD 256), 8) |          |
| mac_6n                     | INT_TO_BIT((OC_OctToInt(TSPX_Ma18) MOD 256), 8)         |          |
| <b>Detailed Comments:</b>  |                                                         |          |

| Structured Type Constraint |                                                         |          |
|----------------------------|---------------------------------------------------------|----------|
| <b>Constraint Name:</b>    | MoblAllc_r23                                            |          |
| <b>Structured Type:</b>    | MA                                                      |          |
| <b>Derivation Path:</b>    | MoblAllc_r01.MoblAllc_r05.                              |          |
| <b>Comments:</b>           | used in TC_26_6_13_6 for handover before time           |          |
| Element Name               | Element Value                                           | Comments |
| mac_8n                     | INT_TO_BIT((OC_OctToInt(TSPX_Ma19) / 65536), 8)         |          |
| mac_7n                     | INT_TO_BIT(((OC_OctToInt(TSPX_Ma19) / 256) MOD 256), 8) |          |
| mac_6n                     | INT_TO_BIT((OC_OctToInt(TSPX_Ma19) MOD 256), 8)         |          |
| <b>Detailed Comments:</b>  |                                                         |          |

| Structured Type Constraint |                                                         |          |
|----------------------------|---------------------------------------------------------|----------|
| <b>Constraint Name:</b>    | MoblAllc_r24                                            |          |
| <b>Structured Type:</b>    | MA                                                      |          |
| <b>Derivation Path:</b>    | MoblAllc_r01.MoblAllc_r05.                              |          |
| <b>Comments:</b>           | used in TC_26_6_13_7 for immediate assignment           |          |
| Element Name               | Element Value                                           | Comments |
| mac_8n                     | INT_TO_BIT((OC_OctToInt(TSPX_Ma20) / 65536), 8)         |          |
| mac_7n                     | INT_TO_BIT(((OC_OctToInt(TSPX_Ma20) / 256) MOD 256), 8) |          |
| mac_6n                     | INT_TO_BIT((OC_OctToInt(TSPX_Ma20) MOD 256), 8)         |          |
| <b>Detailed Comments:</b>  |                                                         |          |

| Structured Type Constraint |                                                         |          |
|----------------------------|---------------------------------------------------------|----------|
| <b>Constraint Name:</b>    | MoblAllc_r25                                            |          |
| <b>Structured Type:</b>    | MA                                                      |          |
| <b>Derivation Path:</b>    | MoblAllc_r01.MoblAllc_r05.                              |          |
| <b>Comments:</b>           | used in TC_26_6_13_7 for frequency redefinition         |          |
| Element Name               | Element Value                                           | Comments |
| mac_8n                     | INT_TO_BIT((OC_OctToInt(TSPX_Ma21) / 65536), 8)         |          |
| mac_7n                     | INT_TO_BIT(((OC_OctToInt(TSPX_Ma21) / 256) MOD 256), 8) |          |
| mac_6n                     | INT_TO_BIT((OC_OctToInt(TSPX_Ma21) MOD 256), 8)         |          |
| <b>Detailed Comments:</b>  |                                                         |          |

| Structured Type Constraint |                                                         |          |
|----------------------------|---------------------------------------------------------|----------|
| <b>Constraint Name:</b>    | MoblAllc_r26                                            |          |
| <b>Structured Type:</b>    | MA                                                      |          |
| <b>Derivation Path:</b>    | MoblAllc_r01.MoblAllc_r05.                              |          |
| <b>Comments:</b>           | used in TC_26_6_13_7 for HANDOVER COMMAND after time    |          |
| Element Name               | Element Value                                           | Comments |
| mac_8n                     | INT_TO_BIT((OC_OctToInt(TSPX_Ma22) / 65536), 8)         |          |
| mac_7n                     | INT_TO_BIT(((OC_OctToInt(TSPX_Ma22) / 256) MOD 256), 8) |          |
| mac_6n                     | INT_TO_BIT((OC_OctToInt(TSPX_Ma22) MOD 256), 8)         |          |
| <b>Detailed Comments:</b>  |                                                         |          |



| Structured Type Constraint |                                                         |          |
|----------------------------|---------------------------------------------------------|----------|
| <b>Constraint Name:</b>    | MoblAllc_r27                                            |          |
| <b>Structured Type:</b>    | MA                                                      |          |
| <b>Derivation Path:</b>    | MoblAllc_r01.MoblAllc_r05.                              |          |
| <b>Comments:</b>           | used in TC_26_6_13_7 for HANDOVER COMMAND before time   |          |
| Element Name               | Element Value                                           | Comments |
| mac_8n                     | INT_TO_BIT((OC_OctToInt(TSPX_Ma23) / 65536), 8)         |          |
| mac_7n                     | INT_TO_BIT(((OC_OctToInt(TSPX_Ma23) / 256) MOD 256), 8) |          |
| mac_6n                     | INT_TO_BIT((OC_OctToInt(TSPX_Ma23) MOD 256), 8)         |          |
| <b>Detailed Comments:</b>  |                                                         |          |

| Structured Type Constraint |                                                         |          |
|----------------------------|---------------------------------------------------------|----------|
| <b>Constraint Name:</b>    | MoblAllc_r28                                            |          |
| <b>Structured Type:</b>    | MA                                                      |          |
| <b>Derivation Path:</b>    | MoblAllc_r01.MoblAllc_r05.                              |          |
| <b>Comments:</b>           | used in TC_26_6_13_8 for immediate assignment           |          |
| Element Name               | Element Value                                           | Comments |
| mac_8n                     | INT_TO_BIT((OC_OctToInt(TSPX_Ma24) / 65536), 8)         |          |
| mac_7n                     | INT_TO_BIT(((OC_OctToInt(TSPX_Ma24) / 256) MOD 256), 8) |          |
| mac_6n                     | INT_TO_BIT((OC_OctToInt(TSPX_Ma24) MOD 256), 8)         |          |
| <b>Detailed Comments:</b>  |                                                         |          |

| Structured Type Constraint |                                                         |          |
|----------------------------|---------------------------------------------------------|----------|
| <b>Constraint Name:</b>    | MoblAllc_r29                                            |          |
| <b>Structured Type:</b>    | MA                                                      |          |
| <b>Derivation Path:</b>    | MoblAllc_r01.MoblAllc_r05.                              |          |
| <b>Comments:</b>           | used in TC_26_6_13_8 for frequency redefinition         |          |
| Element Name               | Element Value                                           | Comments |
| mac_8n                     | INT_TO_BIT((OC_OctToInt(TSPX_Ma25) / 65536), 8)         |          |
| mac_7n                     | INT_TO_BIT(((OC_OctToInt(TSPX_Ma25) / 256) MOD 256), 8) |          |
| mac_6n                     | INT_TO_BIT((OC_OctToInt(TSPX_Ma25) MOD 256), 8)         |          |
| <b>Detailed Comments:</b>  |                                                         |          |

| Structured Type Constraint |                                                         |          |
|----------------------------|---------------------------------------------------------|----------|
| <b>Constraint Name:</b>    | MoblAllc_r30                                            |          |
| <b>Structured Type:</b>    | MA                                                      |          |
| <b>Derivation Path:</b>    | MoblAllc_r01.MoblAllc_r05.                              |          |
| <b>Comments:</b>           | used in TC_26_6_13_8 for HANDOVER COMMAND after time    |          |
| Element Name               | Element Value                                           | Comments |
| mac_8n                     | INT_TO_BIT((OC_OctToInt(TSPX_Ma26) / 65536), 8)         |          |
| mac_7n                     | INT_TO_BIT(((OC_OctToInt(TSPX_Ma26) / 256) MOD 256), 8) |          |
| mac_6n                     | INT_TO_BIT((OC_OctToInt(TSPX_Ma26) MOD 256), 8)         |          |
| <b>Detailed Comments:</b>  |                                                         |          |

| Structured Type Constraint |                                                         |          |
|----------------------------|---------------------------------------------------------|----------|
| <b>Constraint Name:</b>    | MoblAllc_r31                                            |          |
| <b>Structured Type:</b>    | MA                                                      |          |
| <b>Derivation Path:</b>    | MoblAllc_r01.MoblAllc_r05.                              |          |
| <b>Comments:</b>           | used in TC_26_6_13_8 for HANDOVER COMMAND before time   |          |
| Element Name               | Element Value                                           | Comments |
| mac_8n                     | INT_TO_BIT((OC_OctToInt(TSPX_Ma27) / 65536), 8)         |          |
| mac_7n                     | INT_TO_BIT(((OC_OctToInt(TSPX_Ma27) / 256) MOD 256), 8) |          |
| mac_6n                     | INT_TO_BIT((OC_OctToInt(TSPX_Ma27) MOD 256), 8)         |          |
| <b>Detailed Comments:</b>  |                                                         |          |

| Structured Type Constraint |                                                           |          |
|----------------------------|-----------------------------------------------------------|----------|
| <b>Constraint Name:</b>    | MoblAllc_r32                                              |          |
| <b>Structured Type:</b>    | MA                                                        |          |
| <b>Derivation Path:</b>    | MoblAllc_r01.MoblAllc_r05.                                |          |
| <b>Comments:</b>           | used in TC_26_6_13_9 for immediate assignment, after time |          |
| Element Name               | Element Value                                             | Comments |
| mac_8n                     | INT_TO_BIT((OC_OctToInt(TSPX_Ma28) / 65536), 8)           |          |
| mac_7n                     | INT_TO_BIT(((OC_OctToInt(TSPX_Ma28) / 256) MOD 256), 8)   |          |
| mac_6n                     | INT_TO_BIT((OC_OctToInt(TSPX_Ma28) MOD 256), 8)           |          |
| <b>Detailed Comments:</b>  |                                                           |          |

| Structured Type Constraint |                                                         |          |
|----------------------------|---------------------------------------------------------|----------|
| <b>Constraint Name:</b>    | MoblAllc_r33                                            |          |
| <b>Structured Type:</b>    | MA                                                      |          |
| <b>Derivation Path:</b>    | MoblAllc_r01.MoblAllc_r05.                              |          |
| <b>Comments:</b>           | used in TC_26_6_13_10 for immediate assignment          |          |
| Element Name               | Element Value                                           | Comments |
| mac_8n                     | INT_TO_BIT((OC_OctToInt(TSPX_Ma30) / 65536), 8)         |          |
| mac_7n                     | INT_TO_BIT(((OC_OctToInt(TSPX_Ma30) / 256) MOD 256), 8) |          |
| mac_6n                     | INT_TO_BIT((OC_OctToInt(TSPX_Ma30) MOD 256), 8)         |          |
| <b>Detailed Comments:</b>  |                                                         |          |

| Structured Type Constraint |                                                             |          |
|----------------------------|-------------------------------------------------------------|----------|
| <b>Constraint Name:</b>    | MsrResult_01                                                |          |
| <b>Structured Type:</b>    | MSRR                                                        |          |
| <b>Derivation Path:</b>    |                                                             |          |
| <b>Comments:</b>           | A measurement results IE containing no measurement results. |          |
| Element Name               | Element Value                                               | Comments |
| ba_used                    | '1'B                                                        |          |
| dtx_used                   | '0'B                                                        |          |
| rxlev_fsc                  | ?                                                           |          |
| spr1                       | '0'B                                                        |          |
| meas_valid                 | '0'B                                                        |          |
| rxlev_ssc                  | ?                                                           |          |
| spr2                       | '0'B                                                        |          |
| rxqual_fsc                 | ?                                                           |          |
| rxqual_ssc                 | ?                                                           |          |
| no_nc                      | ('000'B, '111'B)                                            |          |
| rxlev_nc1                  | '000000'B                                                   |          |
| bcchfrq_nc1                | '00000'B                                                    |          |
| bsic_nc1                   | '000000'B                                                   |          |
| rxlev_nc2                  | '000000'B                                                   |          |
| bcchfrq_nc2                | '00000'B                                                    |          |
| bsic_nc2                   | '000000'B                                                   |          |
| rxlev_nc3                  | '000000'B                                                   |          |
| bcchfrq_nc3                | '00000'B                                                    |          |
| bsic_nc3                   | '000000'B                                                   |          |
| rxlev_nc4                  | '000000'B                                                   |          |
| bcchfrq_nc4                | '00000'B                                                    |          |
| bsic_nc4                   | '000000'B                                                   |          |
| rxlev_nc5                  | '000000'B                                                   |          |
| bcchfrq_nc5                | '00000'B                                                    |          |
| bsic_nc5                   | '000000'B                                                   |          |
| rxlev_nc6                  | '000000'B                                                   |          |
| bcchfrq_nc6                | '00000'B                                                    |          |
| bsic_nc6                   | '000000'B                                                   |          |
| <b>Detailed Comments:</b>  |                                                             |          |

| Structured Type Constraint |                                              |          |
|----------------------------|----------------------------------------------|----------|
| <b>Constraint Name:</b>    | MsrResult_02                                 |          |
| <b>Structured Type:</b>    | MSRR                                         |          |
| <b>Derivation Path:</b>    |                                              |          |
| <b>Comments:</b>           | A measurement results IE matching any value. |          |
| Element Name               | Element Value                                | Comments |
| ba_used                    | ?                                            |          |
| dtx_used                   | '0'B                                         |          |
| rxlev_fsc                  | ?                                            |          |
| spr1                       | '0'B                                         |          |
| meas_valid                 | ?                                            |          |
| rxlev_ssc                  | ?                                            |          |
| spr2                       | '0'B                                         |          |
| rxqual_fsc                 | ?                                            |          |
| rxqual_ssc                 | ?                                            |          |
| no_nc                      | ?                                            |          |
| rxlev_nc1                  | *                                            |          |
| bcchfrq_nc1                | *                                            |          |
| bsic_nc1                   | *                                            |          |
| rxlev_nc2                  | *                                            |          |
| bcchfrq_nc2                | *                                            |          |
| bsic_nc2                   | *                                            |          |
| rxlev_nc3                  | *                                            |          |
| bcchfrq_nc3                | *                                            |          |
| bsic_nc3                   | *                                            |          |
| rxlev_nc4                  | *                                            |          |
| bcchfrq_nc4                | *                                            |          |
| bsic_nc4                   | *                                            |          |
| rxlev_nc5                  | *                                            |          |
| bcchfrq_nc5                | *                                            |          |
| bsic_nc5                   | *                                            |          |
| rxlev_nc6                  | *                                            |          |
| bcchfrq_nc6                | *                                            |          |
| bsic_nc6                   | *                                            |          |
| <b>Detailed Comments:</b>  |                                              |          |

| Structured Type Constraint |                                                            |          |
|----------------------------|------------------------------------------------------------|----------|
| <b>Constraint Name:</b>    | MsrResult_03                                               |          |
| <b>Structured Type:</b>    | MSRR                                                       |          |
| <b>Derivation Path:</b>    |                                                            |          |
| <b>Comments:</b>           | A measurement results IE containing 6 measurement results. |          |
| Element Name               | Element Value                                              | Comments |
| ba_used                    | '1'B                                                       |          |
| dtx_used                   | '0'B                                                       |          |
| rxlev_fsc                  | ?                                                          |          |
| spr1                       | '0'B                                                       |          |
| meas_valid                 | '0'B                                                       |          |
| rxlev_ssc                  | ?                                                          |          |
| spr2                       | '0'B                                                       |          |
| rxqual_fsc                 | ?                                                          |          |
| rxqual_ssc                 | ?                                                          |          |
| no_nc                      | '110'B                                                     |          |
| rxlev_nc1                  | ?                                                          |          |
| bcchfrq_nc1                | ?                                                          |          |
| bsic_nc1                   | ?                                                          |          |
| rxlev_nc2                  | ?                                                          |          |
| bcchfrq_nc2                | ?                                                          |          |
| bsic_nc2                   | ?                                                          |          |
| rxlev_nc3                  | ?                                                          |          |
| bcchfrq_nc3                | ?                                                          |          |
| bsic_nc3                   | ?                                                          |          |
| rxlev_nc4                  | ?                                                          |          |
| bcchfrq_nc4                | ?                                                          |          |
| bsic_nc4                   | ?                                                          |          |
| rxlev_nc5                  | ?                                                          |          |
| bcchfrq_nc5                | ?                                                          |          |
| bsic_nc5                   | ?                                                          |          |
| rxlev_nc6                  | ?                                                          |          |
| bcchfrq_nc6                | ?                                                          |          |
| bsic_nc6                   | ?                                                          |          |
| <b>Detailed Comments:</b>  |                                                            |          |

| Structured Type Constraint |                                                                     |          |
|----------------------------|---------------------------------------------------------------------|----------|
| <b>Constraint Name:</b>    | MsrResult_03e1                                                      |          |
| <b>Structured Type:</b>    | MSRR                                                                |          |
| <b>Derivation Path:</b>    |                                                                     |          |
| <b>Comments:</b>           | A measurement results IE containing 6 measurement results for EGSM. |          |
| Element Name               | Element Value                                                       | Comments |
| ba_used                    | '1'B                                                                |          |
| dtx_used                   | '0'B                                                                |          |
| rxlev_fsc                  | ?                                                                   |          |
| spr1                       | '0'B                                                                |          |
| meas_valid                 | '0'B                                                                |          |
| rxlev_ssc                  | ?                                                                   |          |
| spr2                       | '0'B                                                                |          |
| rxqual_fsc                 | ?                                                                   |          |
| rxqual_ssc                 | ?                                                                   |          |
| no_nc                      | '110'B                                                              |          |
| rxlev_nc1                  | ?                                                                   |          |
| bcchfrq_nc1                | '00001'B                                                            |          |
| bsic_nc1                   | '001011'B                                                           |          |
| rxlev_nc2                  | ?                                                                   |          |
| bcchfrq_nc2                | '00010'B                                                            |          |
| bsic_nc2                   | '001111'B                                                           |          |
| rxlev_nc3                  | ?                                                                   |          |
| bcchfrq_nc3                | '00100'B                                                            |          |
| bsic_nc3                   | '001101'B                                                           |          |
| rxlev_nc4                  | ?                                                                   |          |
| bcchfrq_nc4                | '00101'B                                                            |          |
| bsic_nc4                   | '001001'B                                                           |          |
| rxlev_nc5                  | ?                                                                   |          |
| bcchfrq_nc5                | '00110'B                                                            |          |
| bsic_nc5                   | '001111'B                                                           |          |
| rxlev_nc6                  | ?                                                                   |          |
| bcchfrq_nc6                | '00111'B                                                            |          |
| bsic_nc6                   | '001101'B                                                           |          |
| <b>Detailed Comments:</b>  |                                                                     |          |

| Structured Type Constraint |                                                                     |          |
|----------------------------|---------------------------------------------------------------------|----------|
| <b>Constraint Name:</b>    | MsrResult_03e2                                                      |          |
| <b>Structured Type:</b>    | MSRR                                                                |          |
| <b>Derivation Path:</b>    |                                                                     |          |
| <b>Comments:</b>           | A measurement results IE containing 6 measurement results for EGSM. |          |
| Element Name               | Element Value                                                       | Comments |
| ba_used                    | '1'B                                                                |          |
| dtx_used                   | '0'B                                                                |          |
| rxlev_fsc                  | ?                                                                   |          |
| spr1                       | '0'B                                                                |          |
| meas_valid                 | '0'B                                                                |          |
| rxlev_ssc                  | ?                                                                   |          |
| spr2                       | '0'B                                                                |          |
| rxqual_fsc                 | ?                                                                   |          |
| rxqual_ssc                 | ?                                                                   |          |
| no_nc                      | '110'B                                                              |          |
| rxlev_nc1                  | ?                                                                   |          |
| bcchfrq_nc1                | '00010'B                                                            |          |
| bsic_nc1                   | '001011'B                                                           |          |
| rxlev_nc2                  | ?                                                                   |          |
| bcchfrq_nc2                | '00011'B                                                            |          |
| bsic_nc2                   | '001111'B                                                           |          |
| rxlev_nc3                  | ?                                                                   |          |
| bcchfrq_nc3                | '00100'B                                                            |          |
| bsic_nc3                   | '001101'B                                                           |          |
| rxlev_nc4                  | ?                                                                   |          |
| bcchfrq_nc4                | '00101'B                                                            |          |
| bsic_nc4                   | '001001'B                                                           |          |
| rxlev_nc5                  | ?                                                                   |          |
| bcchfrq_nc5                | '00110'B                                                            |          |
| bsic_nc5                   | '001111'B                                                           |          |
| rxlev_nc6                  | ?                                                                   |          |
| bcchfrq_nc6                | '00001'B                                                            |          |
| bsic_nc6                   | '001100'B                                                           |          |
| <b>Detailed Comments:</b>  |                                                                     |          |

| <b>Structured Type Constraint</b> |                                                                     |          |
|-----------------------------------|---------------------------------------------------------------------|----------|
| <b>Constraint Name:</b>           | MsrResult_03e3                                                      |          |
| <b>Structured Type:</b>           | MSRR                                                                |          |
| <b>Derivation Path:</b>           |                                                                     |          |
| <b>Comments:</b>                  | A measurement results IE containing 6 measurement results for EGSM. |          |
| Element Name                      | Element Value                                                       | Comments |
| ba_used                           | '1'B                                                                |          |
| dtx_used                          | '0'B                                                                |          |
| rxlev_fsc                         | ?                                                                   |          |
| spr1                              | '0'B                                                                |          |
| meas_valid                        | '0'B                                                                |          |
| rxlev_ssc                         | ?                                                                   |          |
| spr2                              | '0'B                                                                |          |
| rxqual_fsc                        | ?                                                                   |          |
| rxqual_ssc                        | ?                                                                   |          |
| no_nc                             | '110'B                                                              |          |
| rxlev_nc1                         | ?                                                                   |          |
| bcchfrq_nc1                       | '00010'B                                                            |          |
| bsic_nc1                          | '001011'B                                                           |          |
| rxlev_nc2                         | ?                                                                   |          |
| bcchfrq_nc2                       | '00011'B                                                            |          |
| bsic_nc2                          | '001111'B                                                           |          |
| rxlev_nc3                         | ?                                                                   |          |
| bcchfrq_nc3                       | '00110'B                                                            |          |
| bsic_nc3                          | '001001'B                                                           |          |
| rxlev_nc4                         | ?                                                                   |          |
| bcchfrq_nc4                       | '01000'B                                                            |          |
| bsic_nc4                          | '001111'B                                                           |          |
| rxlev_nc5                         | ?                                                                   |          |
| bcchfrq_nc5                       | '01000'B                                                            |          |
| bsic_nc5                          | '001101'B                                                           |          |
| rxlev_nc6                         | ?                                                                   |          |
| bcchfrq_nc6                       | '00001'B                                                            |          |
| bsic_nc6                          | '001100'B                                                           |          |
| <b>Detailed Comments:</b>         |                                                                     |          |



| <b>Structured Type Constraint</b> |                                                                     |          |
|-----------------------------------|---------------------------------------------------------------------|----------|
| <b>Constraint Name:</b>           | MsrResult_03e4                                                      |          |
| <b>Structured Type:</b>           | MSRR                                                                |          |
| <b>Derivation Path:</b>           |                                                                     |          |
| <b>Comments:</b>                  | A measurement results IE containing 6 measurement results for EGSM. |          |
| Element Name                      | Element Value                                                       | Comments |
| ba_used                           | '1'B                                                                |          |
| dtx_used                          | '0'B                                                                |          |
| rxlev_fsc                         | ?                                                                   |          |
| spr1                              | '0'B                                                                |          |
| meas_valid                        | '0'B                                                                |          |
| rxlev_ssc                         | ?                                                                   |          |
| spr2                              | '0'B                                                                |          |
| rxqual_fsc                        | ?                                                                   |          |
| rxqual_ssc                        | ?                                                                   |          |
| no_nc                             | '110'B                                                              |          |
| rxlev_nc1                         | ?                                                                   |          |
| bcchfrq_nc1                       | '00010'B                                                            |          |
| bsic_nc1                          | '001011'B                                                           |          |
| rxlev_nc2                         | ?                                                                   |          |
| bcchfrq_nc2                       | '00011'B                                                            |          |
| bsic_nc2                          | '001111'B                                                           |          |
| rxlev_nc3                         | ?                                                                   |          |
| bcchfrq_nc3                       | '00110'B                                                            |          |
| bsic_nc3                          | '001101'B                                                           |          |
| rxlev_nc4                         | ?                                                                   |          |
| bcchfrq_nc4                       | '00111'B                                                            |          |
| bsic_nc4                          | '001001'B                                                           |          |
| rxlev_nc5                         | ?                                                                   |          |
| bcchfrq_nc5                       | '01000'B                                                            |          |
| bsic_nc5                          | '001111'B                                                           |          |
| rxlev_nc6                         | ?                                                                   |          |
| bcchfrq_nc6                       | '00001'B                                                            |          |
| bsic_nc6                          | '001100'B                                                           |          |
| <b>Detailed Comments:</b>         |                                                                     |          |

| Structured Type Constraint |                                                                     |          |
|----------------------------|---------------------------------------------------------------------|----------|
| <b>Constraint Name:</b>    | MsrResult_03e5                                                      |          |
| <b>Structured Type:</b>    | MSRR                                                                |          |
| <b>Derivation Path:</b>    |                                                                     |          |
| <b>Comments:</b>           | A measurement results IE containing 6 measurement results for EGSM. |          |
| Element Name               | Element Value                                                       | Comments |
| ba_used                    | '1'B                                                                |          |
| dtx_used                   | '0'B                                                                |          |
| rxlev_fsc                  | ?                                                                   |          |
| spr1                       | '0'B                                                                |          |
| meas_valid                 | '0'B                                                                |          |
| rxlev_ssc                  | ?                                                                   |          |
| spr2                       | '0'B                                                                |          |
| rxqual_fsc                 | ?                                                                   |          |
| rxqual_ssc                 | ?                                                                   |          |
| no_nc                      | '110'B                                                              |          |
| rxlev_nc1                  | ?                                                                   |          |
| bcchfrq_nc1                | '00010'B                                                            |          |
| bsic_nc1                   | '001011'B                                                           |          |
| rxlev_nc2                  | ?                                                                   |          |
| bcchfrq_nc2                | '00011'B                                                            |          |
| bsic_nc2                   | '001111'B                                                           |          |
| rxlev_nc3                  | ?                                                                   |          |
| bcchfrq_nc3                | '00101'B                                                            |          |
| bsic_nc3                   | '001101'B                                                           |          |
| rxlev_nc4                  | ?                                                                   |          |
| bcchfrq_nc4                | '00110'B                                                            |          |
| bsic_nc4                   | '001001'B                                                           |          |
| rxlev_nc5                  | ?                                                                   |          |
| bcchfrq_nc5                | '00111'B                                                            |          |
| bsic_nc5                   | '001111'B                                                           |          |
| rxlev_nc6                  | ?                                                                   |          |
| bcchfrq_nc6                | '00001'B                                                            |          |
| bsic_nc6                   | '001100'B                                                           |          |
| <b>Detailed Comments:</b>  |                                                                     |          |

| Structured Type Constraint |                                                            |          |
|----------------------------|------------------------------------------------------------|----------|
| <b>Constraint Name:</b>    | MsrResult_04                                               |          |
| <b>Structured Type:</b>    | MSRR                                                       |          |
| <b>Derivation Path:</b>    | MsrResult_03.                                              |          |
| <b>Comments:</b>           | A measurement results IE containing 4 measurement results. |          |
| Element Name               | Element Value                                              | Comments |
| no_nc                      | '100'B                                                     |          |
| bcchfrq_nc1                | ('00000'B, '00001'B, '00011'B, '00100'B)                   |          |
| bsic_nc1                   | ('001011'B, '001111'B, '001001'B)                          |          |
| bcchfrq_nc2                | ('00000'B, '00001'B, '00011'B, '00100'B)                   |          |
| bsic_nc2                   | ('001011'B, '001111'B, '001001'B)                          |          |
| bcchfrq_nc3                | ('00000'B, '00001'B, '00011'B, '00100'B)                   |          |
| bsic_nc3                   | ('001011'B, '001111'B, '001001'B)                          |          |
| bcchfrq_nc4                | ('00000'B, '00001'B, '00011'B, '00100'B)                   |          |
| bsic_nc4                   | ('001011'B, '001111'B, '001001'B)                          |          |
| rxlev_nc5                  | '000000'B                                                  |          |
| bcchfrq_nc5                | '00000'B                                                   |          |
| bsic_nc5                   | '000000'B                                                  |          |
| rxlev_nc6                  | '000000'B                                                  |          |
| bcchfrq_nc6                | '00000'B                                                   |          |
| bsic_nc6                   | '000000'B                                                  |          |
| <b>Detailed Comments:</b>  |                                                            |          |

| Structured Type Constraint |                                                                    |          |
|----------------------------|--------------------------------------------------------------------|----------|
| <b>Constraint Name:</b>    | MsrResult_04e                                                      |          |
| <b>Structured Type:</b>    | MSRR                                                               |          |
| <b>Derivation Path:</b>    | MsrResult_03.                                                      |          |
| <b>Comments:</b>           | A measurement results IE containing 3 measurement results for EGSM |          |
| Element Name               | Element Value                                                      | Comments |
| no_nc                      | '100'B                                                             |          |
| rxlev_nc1                  | ?                                                                  |          |
| bcchfrq_nc1                | '00001'B                                                           |          |
| bsic_nc1                   | '001011'B                                                          |          |
| rxlev_nc2                  | ?                                                                  |          |
| bcchfrq_nc2                | '00011'B                                                           |          |
| bsic_nc2                   | '001101'B                                                          |          |
| rxlev_nc3                  | ?                                                                  |          |
| bcchfrq_nc3                | '00110'B                                                           |          |
| bsic_nc3                   | '001001'B                                                          |          |
| <b>Detailed Comments:</b>  |                                                                    |          |

| Structured Type Constraint |                                                                             |          |
|----------------------------|-----------------------------------------------------------------------------|----------|
| <b>Constraint Name:</b>    | MsrResult_05                                                                |          |
| <b>Structured Type:</b>    | MSRR                                                                        |          |
| <b>Derivation Path:</b>    | MsrResult_03.                                                               |          |
| <b>Comments:</b>           | A measurement results IE containing 6 measurement results and DTX was used. |          |
| Element Name               | Element Value                                                               | Comments |
| dtx_used                   | '1'B                                                                        |          |
| bcchfrq_nc1                | ('00000'B, '00011'B, '00100'B, '00101'B, '00110'B, '00111'B)                |          |
| bsic_nc1                   | ('001011'B, '001101'B, '001111'B, '001001'B)                                |          |
| bcchfrq_nc2                | ('00000'B, '00011'B, '00100'B, '00101'B, '00110'B, '00111'B)                |          |
| bsic_nc2                   | ('001011'B, '001101'B, '001111'B, '001001'B)                                |          |
| bcchfrq_nc3                | ('00000'B, '00011'B, '00100'B, '00101'B, '00110'B, '00111'B)                |          |
| bsic_nc3                   | ('001011'B, '001101'B, '001111'B, '001001'B)                                |          |
| bcchfrq_nc4                | ('00001'B, '00100'B, '00101'B, '00110'B, '00111'B, '01000'B)                |          |
| bsic_nc4                   | ('001011'B, '001101'B, '001111'B, '001001'B)                                |          |
| bcchfrq_nc5                | ('00001'B, '00100'B, '00101'B, '00110'B, '00111'B, '01000'B)                |          |
| bsic_nc5                   | ('001011'B, '001101'B, '001111'B, '001001'B)                                |          |
| bcchfrq_nc6                | ('00001'B, '00100'B, '00101'B, '00110'B, '00111'B, '01000'B)                |          |
| bsic_nc6                   | ('001011'B, '001101'B, '001111'B, '001001'B)                                |          |
| <b>Detailed Comments:</b>  |                                                                             |          |

| Structured Type Constraint |                                                                                   |          |
|----------------------------|-----------------------------------------------------------------------------------|----------|
| <b>Constraint Name:</b>    | MsrResult_06                                                                      |          |
| <b>Structured Type:</b>    | MSRR                                                                              |          |
| <b>Derivation Path:</b>    | MsrResult_03.MsrResult_05.                                                        |          |
| <b>Comments:</b>           | A measurement results IE containing 6 measurement results and DTX is not checked. |          |
| Element Name               | Element Value                                                                     | Comments |
| dtx_used                   | ?                                                                                 |          |
| <b>Detailed Comments:</b>  |                                                                                   |          |

| Structured Type Constraint |                                                            |          |
|----------------------------|------------------------------------------------------------|----------|
| <b>Constraint Name:</b>    | MsrResult_07                                               |          |
| <b>Structured Type:</b>    | MSRR                                                       |          |
| <b>Derivation Path:</b>    | MsrResult_03.                                              |          |
| <b>Comments:</b>           | A measurement results IE containing 2 measurement results. |          |
| Element Name               | Element Value                                              | Comments |
| ba_used                    | '1'B                                                       |          |
| dtx_used                   | '0'B                                                       |          |
| rxlev_fsc                  | ?                                                          |          |
| spr1                       | '0'B                                                       |          |
| meas_valid                 | '0'B                                                       |          |
| rxlev_ssc                  | ?                                                          |          |
| spr2                       | '0'B                                                       |          |
| rxqual_fsc                 | ?                                                          |          |
| rxqual_ssc                 | ?                                                          |          |
| no_nc                      | '010'B                                                     |          |
| rxlev_nc1                  | ?                                                          |          |
| bcchfrq_nc1                | ('00000'B, '00010'B)                                       |          |
| bsic_nc1                   | ('001011'B, '001101'B)                                     |          |
| rxlev_nc2                  | ?                                                          |          |
| bcchfrq_nc2                | ('00000'B, '00010'B)                                       |          |
| bsic_nc2                   | ('001011'B, '001101'B)                                     |          |
| rxlev_nc3                  | '000000'B                                                  |          |
| bcchfrq_nc3                | '00000'B                                                   |          |
| bsic_nc3                   | '000000'B                                                  |          |
| rxlev_nc4                  | '000000'B                                                  |          |
| bcchfrq_nc4                | '00000'B                                                   |          |
| bsic_nc4                   | '000000'B                                                  |          |
| rxlev_nc5                  | '000000'B                                                  |          |
| bcchfrq_nc5                | '00000'B                                                   |          |
| bsic_nc5                   | '000000'B                                                  |          |
| rxlev_nc6                  | '000000'B                                                  |          |
| bcchfrq_nc6                | '00000'B                                                   |          |
| bsic_nc6                   | '000000'B                                                  |          |
| <b>Detailed Comments:</b>  |                                                            |          |

| Structured Type Constraint |                               |          |
|----------------------------|-------------------------------|----------|
| <b>Constraint Name:</b>    | Pcmd_19(powerlevel:BITSTRING) |          |
| <b>Structured Type:</b>    | PCMD                          |          |
| <b>Derivation Path:</b>    |                               |          |
| <b>Comments:</b>           |                               |          |
| Element Name               | Element Value                 | Comments |
| sprb                       | '000'B                        |          |
| pl                         | powerlevel                    |          |
| <b>Detailed Comments:</b>  |                               |          |

| Structured Type Constraint |                                                              |          |
|----------------------------|--------------------------------------------------------------|----------|
| <b>Constraint Name:</b>    | Pcmd_20( powerlevel:B_5)                                     |          |
| <b>Structured Type:</b>    | PCMD                                                         |          |
| <b>Derivation Path:</b>    |                                                              |          |
| <b>Comments:</b>           | PowerCmd used in synchronized and non synchronized HO cases. |          |
| Element Name               | Element Value                                                | Comments |
| sprb                       | '011'B                                                       |          |
| pl                         | powerlevel                                                   |          |
| <b>Detailed Comments:</b>  |                                                              |          |

| Structured Type Constraint |                                                    |          |
|----------------------------|----------------------------------------------------|----------|
| <b>Constraint Name:</b>    | PiSi_01                                            |          |
| <b>Structured Type:</b>    | PI_SI                                              |          |
| <b>Derivation Path:</b>    |                                                    |          |
| <b>Comments:</b>           | calling party BCD number with arbitrary spare bits |          |
| Element Name               | Element Value                                      | Comments |
| extb                       | '1'B                                               |          |
| pi                         | '00'B                                              |          |
| sp3b                       | '110'B                                             |          |
| si                         | '00'B                                              |          |
| <b>Detailed Comments:</b>  |                                                    |          |

| Structured Type Constraint |                    |          |
|----------------------------|--------------------|----------|
| <b>Constraint Name:</b>    | Pm( pgm:B_2)       |          |
| <b>Structured Type:</b>    | PM                 |          |
| <b>Derivation Path:</b>    |                    |          |
| <b>Comments:</b>           | normal paging mode |          |
| Element Name               | Element Value      | Comments |
| sprb                       | '00'B              |          |
| pgm                        | pgm                |          |
| <b>Detailed Comments:</b>  |                    |          |

| Structured Type Constraint |                                               |          |
|----------------------------|-----------------------------------------------|----------|
| <b>Constraint Name:</b>    | Pm_02                                         |          |
| <b>Structured Type:</b>    | PM                                            |          |
| <b>Derivation Path:</b>    |                                               |          |
| <b>Comments:</b>           | normal paging mode with arbitrary spare bits. |          |
| Element Name               | Element Value                                 | Comments |
| sprb                       | '11'B                                         |          |
| pgm                        | '00'B                                         |          |
| <b>Detailed Comments:</b>  |                                               |          |

| Structured Type Constraint |                                                                                       |          |
|----------------------------|---------------------------------------------------------------------------------------|----------|
| <b>Constraint Name:</b>    | ProcessUSSData_02( Invkid :OCTETSTRING; prevbits: OCTETSTRING; follbits: OCTETSTRING) |          |
| <b>Structured Type:</b>    | Component_T                                                                           |          |
| <b>Derivation Path:</b>    |                                                                                       |          |
| <b>Comments:</b>           | Return Result for Process Unstructured SS Data                                        |          |
| Element Name               | Element Value                                                                         | Comments |
| comp_part1                 | prevbits                                                                              |          |
| invokeld                   | Invkid                                                                                |          |
| comp_part2                 | follbits                                                                              |          |
| comp_part3                 | -                                                                                     |          |
| comp_part4                 | -                                                                                     |          |
| comp_part5                 | -                                                                                     |          |
| comp_part6                 | -                                                                                     |          |
| comp_part7                 | -                                                                                     |          |
| comp_part8                 | -                                                                                     |          |
| comp_part9                 | -                                                                                     |          |
| comp_part10                | -                                                                                     |          |
| comp_part11                | -                                                                                     |          |
| comp_part12                | -                                                                                     |          |
| <b>Detailed Comments:</b>  |                                                                                       |          |

| Structured Type Constraint |                                                                                          |          |
|----------------------------|------------------------------------------------------------------------------------------|----------|
| <b>Constraint Name:</b>    | ProcessUSSRequest_02( Invkid :OCTETSTRING; prevbits: OCTETSTRING; follbits: OCTETSTRING) |          |
| <b>Structured Type:</b>    | Component_T                                                                              |          |
| <b>Derivation Path:</b>    |                                                                                          |          |
| <b>Comments:</b>           | Reject or Return Error for Process Unstructured SS request                               |          |
| Element Name               | Element Value                                                                            | Comments |
| comp_part1                 | prevbits                                                                                 |          |
| invokeld                   | Invkid                                                                                   |          |
| comp_part2                 | follbits                                                                                 |          |
| comp_part3                 | -                                                                                        |          |
| comp_part4                 | -                                                                                        |          |
| comp_part5                 | -                                                                                        |          |
| comp_part6                 | -                                                                                        |          |
| comp_part7                 | -                                                                                        |          |
| comp_part8                 | -                                                                                        |          |
| comp_part9                 | -                                                                                        |          |
| comp_part10                | -                                                                                        |          |
| comp_part11                | -                                                                                        |          |
| comp_part12                | -                                                                                        |          |
| <b>Detailed Comments:</b>  |                                                                                          |          |

| Structured Type Constraint |                             |          |
|----------------------------|-----------------------------|----------|
| <b>Constraint Name:</b>    | ProgInd_omit                |          |
| <b>Structured Type:</b>    | PI                          |          |
| <b>Derivation Path:</b>    |                             |          |
| <b>Comments:</b>           | Omitted Progress Indicator. |          |
| Element Name               | Element Value               | Comments |
| iei                        | -                           |          |
| iel                        | -                           |          |
| extb3                      | -                           |          |
| cs                         | -                           |          |
| spb                        | -                           |          |
| loc                        | -                           |          |
| extb4                      | -                           |          |
| prd                        | -                           |          |
| <b>Detailed Comments:</b>  |                             |          |

| Structured Type Constraint |                                                                             |          |
|----------------------------|-----------------------------------------------------------------------------|----------|
| <b>Constraint Name:</b>    | ProgInd_01                                                                  |          |
| <b>Structured Type:</b>    | PI                                                                          |          |
| <b>Derivation Path:</b>    |                                                                             |          |
| <b>Comments:</b>           | Progress Indicator with progress description #8 (inband info now available) |          |
| Element Name               | Element Value                                                               | Comments |
| iei                        | '00011110'B                                                                 |          |
| iel                        | '02'O                                                                       |          |
| extb3                      | '1'B                                                                        |          |
| cs                         | '11'B                                                                       |          |
| spb                        | '1'B                                                                        |          |
| loc                        | '0000'B                                                                     |          |
| extb4                      | '1'B                                                                        |          |
| prd                        | '0001000'B                                                                  |          |
| <b>Detailed Comments:</b>  |                                                                             |          |

| Structured Type Constraint |                                                      |          |
|----------------------------|------------------------------------------------------|----------|
| <b>Constraint Name:</b>    | ProgInd_02                                           |          |
| <b>Structured Type:</b>    | PI                                                   |          |
| <b>Derivation Path:</b>    |                                                      |          |
| <b>Comments:</b>           | Progress Indicator containing progress indicator #4. |          |
| Element Name               | Element Value                                        | Comments |
| iei                        | -                                                    |          |
| iel                        | '02'O                                                |          |
| extb3                      | '1'B                                                 |          |
| cs                         | '11'B                                                |          |
| spb                        | '0'B                                                 |          |
| loc                        | '0001'B                                              |          |
| extb4                      | '1'B                                                 |          |
| prd                        | '0000100'B                                           |          |
| <b>Detailed Comments:</b>  |                                                      |          |

| Structured Type Constraint |                                                      |          |
|----------------------------|------------------------------------------------------|----------|
| <b>Constraint Name:</b>    | ProgInd_03                                           |          |
| <b>Structured Type:</b>    | PI                                                   |          |
| <b>Derivation Path:</b>    |                                                      |          |
| <b>Comments:</b>           | Progress Indicator containing progress indicator #8. |          |
| Element Name               | Element Value                                        | Comments |
| iei                        | -                                                    |          |
| iel                        | '02'O                                                |          |
| extb3                      | '1'B                                                 |          |
| cs                         | '11'B                                                |          |
| spb                        | '0'B                                                 |          |
| loc                        | '0001'B                                              |          |
| extb4                      | '1'B                                                 |          |
| prd                        | '0001000'B                                           |          |
| <b>Detailed Comments:</b>  |                                                      |          |

| Structured Type Constraint |                                                      |          |
|----------------------------|------------------------------------------------------|----------|
| <b>Constraint Name:</b>    | ProgInd_03iei                                        |          |
| <b>Structured Type:</b>    | PI                                                   |          |
| <b>Derivation Path:</b>    |                                                      |          |
| <b>Comments:</b>           | Progress Indicator containing progress indicator #8. |          |
| Element Name               | Element Value                                        | Comments |
| iei                        | '00011110'B                                          |          |
| iel                        | '02'O                                                |          |
| extb3                      | '1'B                                                 |          |
| cs                         | '11'B                                                |          |
| spb                        | '0'B                                                 |          |
| loc                        | '0001'B                                              |          |
| extb4                      | '1'B                                                 |          |
| prd                        | '0001000'B                                           |          |
| <b>Detailed Comments:</b>  |                                                      |          |

| Structured Type Constraint |                                             |          |
|----------------------------|---------------------------------------------|----------|
| <b>Constraint Name:</b>    | RachCntrlPara(maxtx:B_2; txint:B_4; re:B_1) |          |
| <b>Structured Type:</b>    | RACHCP                                      |          |
| <b>Derivation Path:</b>    |                                             |          |
| <b>Comments:</b>           | Default value for L 3 testing.              |          |
| Element Name               | Element Value                               | Comments |
| maxrtx                     | maxtx                                       |          |
| txint                      | txint                                       |          |
| cba                        | '0'B                                        |          |
| re                         | re                                          |          |
| acc_2                      | '00000'B                                    |          |
| ec                         | '0'B                                        |          |
| acc_1                      | '0000000000'B                               |          |
| <b>Detailed Comments:</b>  |                                             |          |

| Structured Type Constraint |                                |          |
|----------------------------|--------------------------------|----------|
| <b>Constraint Name:</b>    | RachCntrlPara_01               |          |
| <b>Structured Type:</b>    | RACHCP                         |          |
| <b>Derivation Path:</b>    |                                |          |
| <b>Comments:</b>           | Default value for L 3 testing. |          |
| Element Name               | Element Value                  | Comments |
| maxrtx                     | '00'B                          |          |
| txint                      | '0010'B                        |          |
| cba                        | '0'B                           |          |
| re                         | '0'B                           |          |
| acc_2                      | '00000'B                       |          |
| ec                         | '0'B                           |          |
| acc_1                      | '0000000000'B                  |          |
| <b>Detailed Comments:</b>  |                                |          |

| Structured Type Constraint |                                                  |          |
|----------------------------|--------------------------------------------------|----------|
| <b>Constraint Name:</b>    | RachCntrlPara_r01                                |          |
| <b>Structured Type:</b>    | RACHCP                                           |          |
| <b>Derivation Path:</b>    |                                                  |          |
| <b>Comments:</b>           | Call reestablishment is not allowed in the cell. |          |
| Element Name               | Element Value                                    | Comments |
| maxrtx                     | '00'B                                            |          |
| txint                      | '0010'B                                          |          |
| cba                        | '0'B                                             |          |
| re                         | '1'B                                             |          |
| acc_2                      | '00000'B                                         |          |
| ec                         | '0'B                                             |          |
| acc_1                      | '0000000000'B                                    |          |
| <b>Detailed Comments:</b>  |                                                  |          |



| Structured Type Constraint |                                                                     |          |
|----------------------------|---------------------------------------------------------------------|----------|
| <b>Constraint Name:</b>    | RegisterSSRslt_01(id:OCTETSTRING)                                   |          |
| <b>Structured Type:</b>    | Component_T                                                         |          |
| <b>Derivation Path:</b>    |                                                                     |          |
| <b>Comments:</b>           |                                                                     |          |
| Element Name               | Element Value                                                       | Comments |
| comp_part1                 | 'A2210201'O                                                         |          |
| invokeld                   | id                                                                  |          |
| comp_part2                 | '301C02010AA01704012A301230208301<br>1084010785058100342143870105'O |          |
| comp_part3                 | -                                                                   |          |
| comp_part4                 | -                                                                   |          |
| comp_part5                 | -                                                                   |          |
| comp_part6                 | -                                                                   |          |
| comp_part7                 | -                                                                   |          |
| comp_part8                 | -                                                                   |          |
| comp_part9                 | -                                                                   |          |
| comp_part10                | -                                                                   |          |
| comp_part11                | -                                                                   |          |
| comp_part12                | -                                                                   |          |
| <b>Detailed Comments:</b>  |                                                                     |          |

| Structured Type Constraint |                                                                                        |          |
|----------------------------|----------------------------------------------------------------------------------------|----------|
| <b>Constraint Name:</b>    | RegisterSSRslt_02(id:OCTETSTRING)                                                      |          |
| <b>Structured Type:</b>    | Component_T                                                                            |          |
| <b>Derivation Path:</b>    |                                                                                        |          |
| <b>Comments:</b>           |                                                                                        |          |
| Element Name               | Element Value                                                                          | Comments |
| comp_part1                 | 'A2800201'O                                                                            |          |
| invokeld                   | id                                                                                     |          |
| comp_part2                 | '308002010AA0800401213080308083016<br>0840107850581003421430000000000000<br>00000000'O |          |
| comp_part3                 | -                                                                                      |          |
| comp_part4                 | -                                                                                      |          |
| comp_part5                 | -                                                                                      |          |
| comp_part6                 | -                                                                                      |          |
| comp_part7                 | -                                                                                      |          |
| comp_part8                 | -                                                                                      |          |
| comp_part9                 | -                                                                                      |          |
| comp_part10                | -                                                                                      |          |
| comp_part11                | -                                                                                      |          |
| comp_part12                | -                                                                                      |          |
| <b>Detailed Comments:</b>  |                                                                                        |          |

| Structured Type Constraint |                                  |          |
|----------------------------|----------------------------------|----------|
| <b>Constraint Name:</b>    | RegisterSSErr_01(id:OCTETSTRING) |          |
| <b>Structured Type:</b>    | Component_T                      |          |
| <b>Derivation Path:</b>    |                                  |          |
| <b>Comments:</b>           |                                  |          |
| Element Name               | Element Value                    | Comments |
| comp_part1                 | 'A3060201'O                      |          |
| invokeld                   | id                               |          |
| comp_part2                 | '02010A'O                        |          |
| comp_part3                 | -                                |          |
| comp_part4                 | -                                |          |
| comp_part5                 | -                                |          |
| comp_part6                 | -                                |          |
| comp_part7                 | -                                |          |
| comp_part8                 | -                                |          |
| comp_part9                 | -                                |          |
| comp_part10                | -                                |          |
| comp_part11                | -                                |          |
| comp_part12                | -                                |          |
| <b>Detailed Comments:</b>  |                                  |          |

| Structured Type Constraint |                                  |          |
|----------------------------|----------------------------------|----------|
| <b>Constraint Name:</b>    | RegisterSSRej_01(id:OCTETSTRING) |          |
| <b>Structured Type:</b>    | Component_T                      |          |
| <b>Derivation Path:</b>    |                                  |          |
| <b>Comments:</b>           |                                  |          |
| Element Name               | Element Value                    | Comments |
| comp_part1                 | 'A4800201'O                      |          |
| invokeld                   | id                               |          |
| comp_part2                 | '8101030000'O                    |          |
| comp_part3                 | -                                |          |
| comp_part4                 | -                                |          |
| comp_part5                 | -                                |          |
| comp_part6                 | -                                |          |
| comp_part7                 | -                                |          |
| comp_part8                 | -                                |          |
| comp_part9                 | -                                |          |
| comp_part10                | -                                |          |
| comp_part11                | -                                |          |
| comp_part12                | -                                |          |
| <b>Detailed Comments:</b>  |                                  |          |

| Structured Type Constraint |                                    |          |
|----------------------------|------------------------------------|----------|
| <b>Constraint Name:</b>    | RegPasswdSSRslt_01(id:OCTETSTRING) |          |
| <b>Structured Type:</b>    | Component_T                        |          |
| <b>Derivation Path:</b>    |                                    |          |
| <b>Comments:</b>           |                                    |          |
| Element Name               | Element Value                      | Comments |
| comp_part1                 | 'A2800201'O                        |          |
| invokeld                   | id                                 |          |
| comp_part2                 | '308002011112043938373600000000'O  |          |
| comp_part3                 | -                                  |          |
| comp_part4                 | -                                  |          |
| comp_part5                 | -                                  |          |
| comp_part6                 | -                                  |          |
| comp_part7                 | -                                  |          |
| comp_part8                 | -                                  |          |
| comp_part9                 | -                                  |          |
| comp_part10                | -                                  |          |
| comp_part11                | -                                  |          |
| comp_part12                | -                                  |          |
| <b>Detailed Comments:</b>  |                                    |          |

| Structured Type Constraint |                                   |          |
|----------------------------|-----------------------------------|----------|
| <b>Constraint Name:</b>    | RegPasswdSSErr_01(id:OCTETSTRING) |          |
| <b>Structured Type:</b>    | Component_T                       |          |
| <b>Derivation Path:</b>    |                                   |          |
| <b>Comments:</b>           |                                   |          |
| Element Name               | Element Value                     | Comments |
| comp_part1                 | 'A3060201'O                       |          |
| invokeld                   | id                                |          |
| comp_part2                 | '020113'O                         |          |
| comp_part3                 | -                                 |          |
| comp_part4                 | -                                 |          |
| comp_part5                 | -                                 |          |
| comp_part6                 | -                                 |          |
| comp_part7                 | -                                 |          |
| comp_part8                 | -                                 |          |
| comp_part9                 | -                                 |          |
| comp_part10                | -                                 |          |
| comp_part11                | -                                 |          |
| comp_part12                | -                                 |          |
| <b>Detailed Comments:</b>  |                                   |          |

| Structured Type Constraint |                                   |          |
|----------------------------|-----------------------------------|----------|
| <b>Constraint Name:</b>    | RegPasswdSSErr_02(id:OCTETSTRING) |          |
| <b>Structured Type:</b>    | Component_T                       |          |
| <b>Derivation Path:</b>    |                                   |          |
| <b>Comments:</b>           |                                   |          |
| Element Name               | Element Value                     | Comments |
| comp_part1                 | 'A3800201'O                       |          |
| invokeld                   | id                                |          |
| comp_part2                 | '0201260000'O                     |          |
| comp_part3                 | -                                 |          |
| comp_part4                 | -                                 |          |
| comp_part5                 | -                                 |          |
| comp_part6                 | -                                 |          |
| comp_part7                 | -                                 |          |
| comp_part8                 | -                                 |          |
| comp_part9                 | -                                 |          |
| comp_part10                | -                                 |          |
| comp_part11                | -                                 |          |
| comp_part12                | -                                 |          |
| <b>Detailed Comments:</b>  |                                   |          |

| Structured Type Constraint |                                   |          |
|----------------------------|-----------------------------------|----------|
| <b>Constraint Name:</b>    | RegPasswdSSErr_03(id:OCTETSTRING) |          |
| <b>Structured Type:</b>    | Component_T                       |          |
| <b>Derivation Path:</b>    |                                   |          |
| <b>Comments:</b>           |                                   |          |
| Element Name               | Element Value                     | Comments |
| comp_part1                 | 'A3090201'O                       |          |
| invokeld                   | id                                |          |
| comp_part2                 | '0201250A0102'O                   |          |
| comp_part3                 | -                                 |          |
| comp_part4                 | -                                 |          |
| comp_part5                 | -                                 |          |
| comp_part6                 | -                                 |          |
| comp_part7                 | -                                 |          |
| comp_part8                 | -                                 |          |
| comp_part9                 | -                                 |          |
| comp_part10                | -                                 |          |
| comp_part11                | -                                 |          |
| comp_part12                | -                                 |          |
| <b>Detailed Comments:</b>  |                                   |          |

| Structured Type Constraint |                                |          |
|----------------------------|--------------------------------|----------|
| <b>Constraint Name:</b>    | SI3RestOctetDef                |          |
| <b>Structured Type:</b>    | SI3RO                          |          |
| <b>Derivation Path:</b>    |                                |          |
| <b>Comments:</b>           | Default value for L 3 testing. |          |
| Element Name               | Element Value                  | Comments |
| pi                         | '0'B                           |          |
| cbq                        | '0'B                           |          |
| cro                        | '101011'B                      |          |
| to                         | '001'B                         |          |
| pt                         | '01011'B                       |          |
| poi                        | '0'B                           |          |
| po                         | '01'B                          |          |
| ti                         | '0'B                           |          |
| ecsc                       | '1'B                           |          |
| spr1                       | '011'B                         |          |
| spr2                       | '00101011'B                    |          |
| <b>Detailed Comments:</b>  |                                |          |

| Structured Type Constraint |                                     |          |
|----------------------------|-------------------------------------|----------|
| <b>Constraint Name:</b>    | SI3RestOctet_inv                    |          |
| <b>Structured Type:</b>    | SI3RO                               |          |
| <b>Derivation Path:</b>    |                                     |          |
| <b>Comments:</b>           | Invalid rest octet (not all '2B'O). |          |
| Element Name               | Element Value                       | Comments |
| pi                         | '0'B                                |          |
| cbq                        | '0'B                                |          |
| cro                        | '101011'B                           |          |
| to                         | '001'B                              |          |
| pt                         | '01011'B                            |          |
| poi                        | '0'B                                |          |
| po                         | '01'B                               |          |
| ti                         | '0'B                                |          |
| ecsc                       | '1'B                                |          |
| spr1                       | '011'B                              |          |
| spr2                       | '11101110'B                         |          |
| <b>Detailed Comments:</b>  |                                     |          |

| Structured Type Constraint |                                |          |
|----------------------------|--------------------------------|----------|
| <b>Constraint Name:</b>    | SI4RestOctetDef                |          |
| <b>Structured Type:</b>    | SI4RO                          |          |
| <b>Derivation Path:</b>    |                                |          |
| <b>Comments:</b>           | Default value for L 3 testing. |          |
| Element Name               | Element Value                  | Comments |
| pi                         | '0'B                           |          |
| cbq                        | '0'B                           |          |
| cro                        | '101011'B                      |          |
| to                         | '001'B                         |          |
| pt                         | '01011'B                       |          |
| poi                        | '0'B                           |          |
| po                         | '01'B                          |          |
| spr1                       | '01011'B                       |          |
| spr2                       | '00101011'B                    |          |
| spr3                       | '00101011'B                    |          |
| spr4                       | '00101011'B                    |          |
| spr5                       | '00101011'B                    |          |
| spr6                       | '00101011'B                    |          |
| spr7                       | '00101011'B                    |          |
| spr8                       | '00101011'B                    |          |
| <b>Detailed Comments:</b>  |                                |          |

| Structured Type Constraint |                                        |          |
|----------------------------|----------------------------------------|----------|
| <b>Constraint Name:</b>    | SI4RestOctet_CBMS                      |          |
| <b>Structured Type:</b>    | SI4RO                                  |          |
| <b>Derivation Path:</b>    |                                        |          |
| <b>Comments:</b>           | Rest octets for SMSCB SysInf4 message. |          |
| Element Name               | Element Value                          | Comments |
| pi                         | '0'B                                   |          |
| cbq                        | '0'B                                   |          |
| cro                        | '101011'B                              |          |
| to                         | '001'B                                 |          |
| pt                         | '01011'B                               |          |
| poi                        | '0'B                                   |          |
| po                         | '01'B                                  |          |
| spr1                       | '01011'B                               |          |
| spr2                       | '00101011'B                            |          |
| spr3                       | -                                      |          |
| spr4                       | -                                      |          |
| spr5                       | -                                      |          |
| spr6                       | -                                      |          |
| spr7                       | -                                      |          |
| spr8                       | -                                      |          |
| <b>Detailed Comments:</b>  |                                        |          |

| Structured Type Constraint |                                     |          |
|----------------------------|-------------------------------------|----------|
| <b>Constraint Name:</b>    | SI4RestOctet_inv                    |          |
| <b>Structured Type:</b>    | SI4RO                               |          |
| <b>Derivation Path:</b>    |                                     |          |
| <b>Comments:</b>           | Invalid rest octet (not all '2B'O). |          |
| Element Name               | Element Value                       | Comments |
| pi                         | '0'B                                |          |
| cbq                        | '0'B                                |          |
| cro                        | '101011'B                           |          |
| to                         | '001'B                              |          |
| pt                         | '01011'B                            |          |
| poi                        | '0'B                                |          |
| po                         | '01'B                               |          |
| spr1                       | '01011'B                            |          |
| spr2                       | '00101011'B                         |          |
| spr3                       | '00101011'B                         |          |
| spr4                       | '00101011'B                         |          |
| spr5                       | '00101011'B                         |          |
| spr6                       | '00101011'B                         |          |
| spr7                       | '00101011'B                         |          |
| spr8                       | '11101110'B                         |          |
| <b>Detailed Comments:</b>  |                                     |          |

| Structured Type Constraint |                                                    |          |
|----------------------------|----------------------------------------------------|----------|
| <b>Constraint Name:</b>    | SerialNumber_01                                    |          |
| <b>Structured Type:</b>    | SERIAL_NUMBER                                      |          |
| <b>Derivation Path:</b>    |                                                    |          |
| <b>Comments:</b>           | Serial number for first SMS CB,<br>GSM 3.41, 9.3.2 |          |
| Element Name               | Element Value                                      | Comments |
| gs                         | '00'B                                              |          |
| message_code               | '0000000000'B                                      |          |
| update_number              | '0000'B                                            |          |
| <b>Detailed Comments:</b>  |                                                    |          |

| Structured Type Constraint |                                                     |          |
|----------------------------|-----------------------------------------------------|----------|
| <b>Constraint Name:</b>    | SerialNumber_02                                     |          |
| <b>Structured Type:</b>    | SERIAL_NUMBER                                       |          |
| <b>Derivation Path:</b>    |                                                     |          |
| <b>Comments:</b>           | Serial number for second SMS CB,<br>GSM 3.41, 9.3.2 |          |
| Element Name               | Element Value                                       | Comments |
| gs                         | '00'B                                               |          |
| message_code               | '0000000001'B                                       |          |
| update_number              | '0000'B                                             |          |
| <b>Detailed Comments:</b>  |                                                     |          |

| Structured Type Constraint |                                                                                                 |          |
|----------------------------|-------------------------------------------------------------------------------------------------|----------|
| <b>Constraint Name:</b>    | SerialNumber_03                                                                                 |          |
| <b>Structured Type:</b>    | SERIAL_NUMBER                                                                                   |          |
| <b>Derivation Path:</b>    |                                                                                                 |          |
| <b>Comments:</b>           | Serial number for third SMSCB, same message code as second SMSCB but updated<br>GSM 3.41, 9.3.2 |          |
| Element Name               | Element Value                                                                                   | Comments |
| gs                         | '00'B                                                                                           |          |
| message_code               | '0000000001'B                                                                                   |          |
| update_number              | '0001'B                                                                                         |          |
| <b>Detailed Comments:</b>  |                                                                                                 |          |

| Structured Type Constraint |                                                                                                          |          |
|----------------------------|----------------------------------------------------------------------------------------------------------|----------|
| <b>Constraint Name:</b>    | USSDReq_01( Invkid :OCTETSTRING; prevbits: OCTETSTRING; follbits: OCTETSTRING;<br>ussdString: IA5String) |          |
| <b>Structured Type:</b>    | Component_T                                                                                              |          |
| <b>Derivation Path:</b>    |                                                                                                          |          |
| <b>Comments:</b>           | ReturnResult for Process Unstructured SS request                                                         |          |
| Element Name               | Element Value                                                                                            | Comments |
| comp_part1                 | prevbits                                                                                                 |          |
| invokeld                   | Invkid                                                                                                   |          |
| comp_part2                 | follbits                                                                                                 |          |
| comp_part3                 | OC_CodingOfUssdString(ussdString)                                                                        |          |
| comp_part4                 | -                                                                                                        |          |
| comp_part5                 | -                                                                                                        |          |
| comp_part6                 | -                                                                                                        |          |
| comp_part7                 | -                                                                                                        |          |
| comp_part8                 | -                                                                                                        |          |
| comp_part9                 | -                                                                                                        |          |
| comp_part10                | -                                                                                                        |          |
| comp_part11                | -                                                                                                        |          |
| comp_part12                | -                                                                                                        |          |
| <b>Detailed Comments:</b>  |                                                                                                          |          |

| Structured Type Constraint |                                                        |          |
|----------------------------|--------------------------------------------------------|----------|
| <b>Constraint Name:</b>    | USSDReq_03(Invkid :OCTETSTRING; ussdstring: IA5String) |          |
| <b>Structured Type:</b>    | Component_T                                            |          |
| <b>Derivation Path:</b>    |                                                        |          |
| <b>Comments:</b>           | Invoke for UnstructuredSS-Request                      |          |
| Element Name               | Element Value                                          | Comments |
| comp_part1                 | 'A11E0201'O                                            |          |
| invokeld                   | Invkid                                                 |          |
| comp_part2                 | '02013C0F'O                                            |          |
| comp_part3                 | OC_CodingOfUssdString(ussdstring)                      |          |
| comp_part4                 | -                                                      |          |
| comp_part5                 | -                                                      |          |
| comp_part6                 | -                                                      |          |
| comp_part7                 | -                                                      |          |
| comp_part8                 | -                                                      |          |
| comp_part9                 | -                                                      |          |
| comp_part10                | -                                                      |          |
| comp_part11                | -                                                      |          |
| comp_part12                | -                                                      |          |
| <b>Detailed Comments:</b>  |                                                        |          |



| Structured Type Constraint |                                 |          |
|----------------------------|---------------------------------|----------|
| <b>Constraint Name:</b>    | USSDReq_06(Invkid :OCTETSTRING) |          |
| <b>Structured Type:</b>    | Component_T                     |          |
| <b>Derivation Path:</b>    |                                 |          |
| <b>Comments:</b>           | Unstructured SS - Request       |          |
| Element Name               | Element Value                   | Comments |
| comp_part1                 | 'A2030201'O                     |          |
| invokeld                   | Invkid                          |          |
| comp_part2                 | -                               |          |
| comp_part3                 | -                               |          |
| comp_part4                 | -                               |          |
| comp_part5                 | -                               |          |
| comp_part6                 | -                               |          |
| comp_part7                 | -                               |          |
| comp_part8                 | -                               |          |
| comp_part9                 | -                               |          |
| comp_part10                | -                               |          |
| comp_part11                | -                               |          |
| comp_part12                | -                               |          |
| <b>Detailed Comments:</b>  |                                 |          |

| Structured Type Constraint |                                                             |          |
|----------------------------|-------------------------------------------------------------|----------|
| <b>Constraint Name:</b>    | EraseSSRslt_01(id:OCTETSTRING)                              |          |
| <b>Structured Type:</b>    | Component_T                                                 |          |
| <b>Derivation Path:</b>    |                                                             |          |
| <b>Comments:</b>           |                                                             |          |
| Element Name               | Element Value                                               | Comments |
| comp_part1                 | 'A21D0201'O                                                 |          |
| invokeld                   | id                                                          |          |
| comp_part2                 | '301802010BA0800401283080308083016<br>0840104000000000000'O |          |
| comp_part3                 | -                                                           |          |
| comp_part4                 | -                                                           |          |
| comp_part5                 | -                                                           |          |
| comp_part6                 | -                                                           |          |
| comp_part7                 | -                                                           |          |
| comp_part8                 | -                                                           |          |
| comp_part9                 | -                                                           |          |
| comp_part10                | -                                                           |          |
| comp_part11                | -                                                           |          |
| comp_part12                | -                                                           |          |
| <b>Detailed Comments:</b>  |                                                             |          |

| Structured Type Constraint |                                       |          |
|----------------------------|---------------------------------------|----------|
| <b>Constraint Name:</b>    | EraseSSRslt_02(id:OCTETSTRING)        |          |
| <b>Structured Type:</b>    | Component_T                           |          |
| <b>Derivation Path:</b>    |                                       |          |
| <b>Comments:</b>           |                                       |          |
| Element Name               | Element Value                         | Comments |
| comp_part1                 | 'A2140201'O                           |          |
| invokeld                   | id                                    |          |
| comp_part2                 | '300F02010BA00A04012B30053003840104'O |          |
| comp_part3                 | -                                     |          |
| comp_part4                 | -                                     |          |
| comp_part5                 | -                                     |          |
| comp_part6                 | -                                     |          |
| comp_part7                 | -                                     |          |
| comp_part8                 | -                                     |          |
| comp_part9                 | -                                     |          |
| comp_part10                | -                                     |          |
| comp_part11                | -                                     |          |
| comp_part12                | -                                     |          |
| <b>Detailed Comments:</b>  |                                       |          |

| Structured Type Constraint |                               |          |
|----------------------------|-------------------------------|----------|
| <b>Constraint Name:</b>    | EraseSSErr_01(id:OCTETSTRING) |          |
| <b>Structured Type:</b>    | Component_T                   |          |
| <b>Derivation Path:</b>    |                               |          |
| <b>Comments:</b>           |                               |          |
| Element Name               | Element Value                 | Comments |
| comp_part1                 | 'A3060201'O                   |          |
| invokeld                   | id                            |          |
| comp_part2                 | '02010B'O                     |          |
| comp_part3                 | -                             |          |
| comp_part4                 | -                             |          |
| comp_part5                 | -                             |          |
| comp_part6                 | -                             |          |
| comp_part7                 | -                             |          |
| comp_part8                 | -                             |          |
| comp_part9                 | -                             |          |
| comp_part10                | -                             |          |
| comp_part11                | -                             |          |
| comp_part12                | -                             |          |
| <b>Detailed Comments:</b>  |                               |          |

| Structured Type Constraint |                               |          |
|----------------------------|-------------------------------|----------|
| <b>Constraint Name:</b>    | EraseSSRej_01(id:OCTETSTRING) |          |
| <b>Structured Type:</b>    | Component_T                   |          |
| <b>Derivation Path:</b>    |                               |          |
| <b>Comments:</b>           |                               |          |
| Element Name               | Element Value                 | Comments |
| comp_part1                 | 'A4800201'O                   |          |
| invokeld                   | id                            |          |
| comp_part2                 | '8101030000'O                 |          |
| comp_part3                 | -                             |          |
| comp_part4                 | -                             |          |
| comp_part5                 | -                             |          |
| comp_part6                 | -                             |          |
| comp_part7                 | -                             |          |
| comp_part8                 | -                             |          |
| comp_part9                 | -                             |          |
| comp_part10                | -                             |          |
| comp_part11                | -                             |          |
| comp_part12                | -                             |          |
| <b>Detailed Comments:</b>  |                               |          |

| Structured Type Constraint |                                                     |          |
|----------------------------|-----------------------------------------------------|----------|
| <b>Constraint Name:</b>    | ActivateSSRslt_01(id:OCTETSTRING)                   |          |
| <b>Structured Type:</b>    | Component_T                                         |          |
| <b>Derivation Path:</b>    |                                                     |          |
| <b>Comments:</b>           | CF all synchronous services                         |          |
| Element Name               | Element Value                                       | Comments |
| comp_part1                 | 'A2800201'O                                         |          |
| invokeld                   | id                                                  |          |
| comp_part2                 | '301402010CA0800401203008300682016884010700000000'O |          |
| comp_part3                 | -                                                   |          |
| comp_part4                 | -                                                   |          |
| comp_part5                 | -                                                   |          |
| comp_part6                 | -                                                   |          |
| comp_part7                 | -                                                   |          |
| comp_part8                 | -                                                   |          |
| comp_part9                 | -                                                   |          |
| comp_part10                | -                                                   |          |
| comp_part11                | -                                                   |          |
| comp_part12                | -                                                   |          |
| <b>Detailed Comments:</b>  |                                                     |          |

| Structured Type Constraint |                                               |          |
|----------------------------|-----------------------------------------------|----------|
| <b>Constraint Name:</b>    | ActivateSSRslt_02(id:OCTETSTRING)             |          |
| <b>Structured Type:</b>    | Component_T                                   |          |
| <b>Derivation Path:</b>    |                                               |          |
| <b>Comments:</b>           | CFU all basic services                        |          |
| Element Name               | Element Value                                 | Comments |
| comp_part1                 | 'A2180201'O                                   |          |
| invokeld                   | id                                            |          |
| comp_part2                 | '308002010CA0800401213005300384010700000000'O |          |
| comp_part3                 | -                                             |          |
| comp_part4                 | -                                             |          |
| comp_part5                 | -                                             |          |
| comp_part6                 | -                                             |          |
| comp_part7                 | -                                             |          |
| comp_part8                 | -                                             |          |
| comp_part9                 | -                                             |          |
| comp_part10                | -                                             |          |
| comp_part11                | -                                             |          |
| comp_part12                | -                                             |          |
| <b>Detailed Comments:</b>  |                                               |          |

| Structured Type Constraint |                                                     |          |
|----------------------------|-----------------------------------------------------|----------|
| <b>Constraint Name:</b>    | ActivateSSRslt_03(id:OCTETSTRING)                   |          |
| <b>Structured Type:</b>    | Component_T                                         |          |
| <b>Derivation Path:</b>    |                                                     |          |
| <b>Comments:</b>           | BAOC all synchronous services                       |          |
| Element Name               | Element Value                                       | Comments |
| comp_part1                 | 'A21B0201'O                                         |          |
| invokeld                   | id                                                  |          |
| comp_part2                 | '308002010CA1800401923008300682016884010700000000'O |          |
| comp_part3                 | -                                                   |          |
| comp_part4                 | -                                                   |          |
| comp_part5                 | -                                                   |          |
| comp_part6                 | -                                                   |          |
| comp_part7                 | -                                                   |          |
| comp_part8                 | -                                                   |          |
| comp_part9                 | -                                                   |          |
| comp_part10                | -                                                   |          |
| comp_part11                | -                                                   |          |
| comp_part12                | -                                                   |          |
| <b>Detailed Comments:</b>  |                                                     |          |

| Structured Type Constraint |                                               |          |
|----------------------------|-----------------------------------------------|----------|
| <b>Constraint Name:</b>    | ActivateSSRslt_04(id:OCTETSTRING)             |          |
| <b>Structured Type:</b>    | Component_T                                   |          |
| <b>Derivation Path:</b>    |                                               |          |
| <b>Comments:</b>           | BICRoam for all basic service groups.         |          |
| Element Name               | Element Value                                 | Comments |
| comp_part1                 | 'A2180201'O                                   |          |
| invokeld                   | id                                            |          |
| comp_part2                 | '301302010CA10E04019B3080308084010700000000'O |          |
| comp_part3                 | -                                             |          |
| comp_part4                 | -                                             |          |
| comp_part5                 | -                                             |          |
| comp_part6                 | -                                             |          |
| comp_part7                 | -                                             |          |
| comp_part8                 | -                                             |          |
| comp_part9                 | -                                             |          |
| comp_part10                | -                                             |          |
| comp_part11                | -                                             |          |
| comp_part12                | -                                             |          |
| <b>Detailed Comments:</b>  |                                               |          |

| Structured Type Constraint |                                  |          |
|----------------------------|----------------------------------|----------|
| <b>Constraint Name:</b>    | ActivateSSErr_01(id:OCTETSTRING) |          |
| <b>Structured Type:</b>    | Component_T                      |          |
| <b>Derivation Path:</b>    |                                  |          |
| <b>Comments:</b>           | BOIC                             |          |
| Element Name               | Element Value                    | Comments |
| comp_part1                 | 'A3060201'O                      |          |
| invokeld                   | id                               |          |
| comp_part2                 | '020113'O                        |          |
| comp_part3                 | -                                |          |
| comp_part4                 | -                                |          |
| comp_part5                 | -                                |          |
| comp_part6                 | -                                |          |
| comp_part7                 | -                                |          |
| comp_part8                 | -                                |          |
| comp_part9                 | -                                |          |
| comp_part10                | -                                |          |
| comp_part11                | -                                |          |
| comp_part12                | -                                |          |
| <b>Detailed Comments:</b>  |                                  |          |

| Structured Type Constraint |                                  |          |
|----------------------------|----------------------------------|----------|
| <b>Constraint Name:</b>    | ActivateSSErr_02(id:OCTETSTRING) |          |
| <b>Structured Type:</b>    | Component_T                      |          |
| <b>Derivation Path:</b>    |                                  |          |
| <b>Comments:</b>           | BOIC                             |          |
| Element Name               | Element Value                    | Comments |
| comp_part1                 | 'A3800201'O                      |          |
| invokeld                   | id                               |          |
| comp_part2                 | '0201260000'O                    |          |
| comp_part3                 | -                                |          |
| comp_part4                 | -                                |          |
| comp_part5                 | -                                |          |
| comp_part6                 | -                                |          |
| comp_part7                 | -                                |          |
| comp_part8                 | -                                |          |
| comp_part9                 | -                                |          |
| comp_part10                | -                                |          |
| comp_part11                | -                                |          |
| comp_part12                | -                                |          |
| <b>Detailed Comments:</b>  |                                  |          |

| Structured Type Constraint |                                                     |          |
|----------------------------|-----------------------------------------------------|----------|
| <b>Constraint Name:</b>    | DeactivateSSRslt_01(id:OCTETSTRING)                 |          |
| <b>Structured Type:</b>    | Component_T                                         |          |
| <b>Derivation Path:</b>    |                                                     |          |
| <b>Comments:</b>           | CFC speech                                          |          |
| Element Name               | Element Value                                       | Comments |
| comp_part1                 | 'A21B0201'O                                         |          |
| invokeld                   | id                                                  |          |
| comp_part2                 | '301602010DA0800401283080300683011084010600000000'O |          |
| comp_part3                 | -                                                   |          |
| comp_part4                 | -                                                   |          |
| comp_part5                 | -                                                   |          |
| comp_part6                 | -                                                   |          |
| comp_part7                 | -                                                   |          |
| comp_part8                 | -                                                   |          |
| comp_part9                 | -                                                   |          |
| comp_part10                | -                                                   |          |
| comp_part11                | -                                                   |          |
| comp_part12                | -                                                   |          |
| <b>Detailed Comments:</b>  |                                                     |          |

| Structured Type Constraint |                                                 |          |
|----------------------------|-------------------------------------------------|----------|
| <b>Constraint Name:</b>    | DeactivateSSRslt_02(id:OCTETSTRING)             |          |
| <b>Structured Type:</b>    | Component_T                                     |          |
| <b>Derivation Path:</b>    |                                                 |          |
| <b>Comments:</b>           | CFNRc all facsimile                             |          |
| Element Name               | Element Value                                   | Comments |
| comp_part1                 | 'A2190201'O                                     |          |
| invokeld                   | id                                              |          |
| comp_part2                 | '301402010DA00F04012B300A30808301608401060000'O |          |
| comp_part3                 | -                                               |          |
| comp_part4                 | -                                               |          |
| comp_part5                 | -                                               |          |
| comp_part6                 | -                                               |          |
| comp_part7                 | -                                               |          |
| comp_part8                 | -                                               |          |
| comp_part9                 | -                                               |          |
| comp_part10                | -                                               |          |
| comp_part11                | -                                               |          |
| comp_part12                | -                                               |          |
| <b>Detailed Comments:</b>  |                                                 |          |

| Structured Type Constraint |                                     |          |
|----------------------------|-------------------------------------|----------|
| <b>Constraint Name:</b>    | DeactivateSSRslt_03(id:OCTETSTRING) |          |
| <b>Structured Type:</b>    | Component_T                         |          |
| <b>Derivation Path:</b>    |                                     |          |
| <b>Comments:</b>           | DeactivateSSRslt for Speech         |          |
| Element Name               | Element Value                       | Comments |
| comp_part1                 | 'A2800201'O                         |          |
| invokeld                   | id                                  |          |
| comp_part2                 | '300C02010DA107300530038301100000'O |          |
| comp_part3                 | -                                   |          |
| comp_part4                 | -                                   |          |
| comp_part5                 | -                                   |          |
| comp_part6                 | -                                   |          |
| comp_part7                 | -                                   |          |
| comp_part8                 | -                                   |          |
| comp_part9                 | -                                   |          |
| comp_part10                | -                                   |          |
| comp_part11                | -                                   |          |
| comp_part12                | -                                   |          |
| <b>Detailed Comments:</b>  |                                     |          |

| Structured Type Constraint |                                     |          |
|----------------------------|-------------------------------------|----------|
| <b>Constraint Name:</b>    | DeactivateSSRslt_04(id:OCTETSTRING) |          |
| <b>Structured Type:</b>    | Component_T                         |          |
| <b>Derivation Path:</b>    |                                     |          |
| <b>Comments:</b>           | DeactivateSSRslt for all facsimile  |          |
| Element Name               | Element Value                       | Comments |
| comp_part1                 | 'A2800201'O                         |          |
| invokeld                   | id                                  |          |
| comp_part2                 | '300C02010DA107300530038301600000'  |          |
|                            | O                                   |          |
| comp_part3                 | -                                   |          |
| comp_part4                 | -                                   |          |
| comp_part5                 | -                                   |          |
| comp_part6                 | -                                   |          |
| comp_part7                 | -                                   |          |
| comp_part8                 | -                                   |          |
| comp_part9                 | -                                   |          |
| comp_part10                | -                                   |          |
| comp_part11                | -                                   |          |
| comp_part12                | -                                   |          |
| <b>Detailed Comments:</b>  |                                     |          |

| Structured Type Constraint |                                    |          |
|----------------------------|------------------------------------|----------|
| <b>Constraint Name:</b>    | DeactivateSSErr_01(id:OCTETSTRING) |          |
| <b>Structured Type:</b>    | Component_T                        |          |
| <b>Derivation Path:</b>    |                                    |          |
| <b>Comments:</b>           |                                    |          |
| Element Name               | Element Value                      | Comments |
| comp_part1                 | 'A3800201'O                        |          |
| invokeld                   | id                                 |          |
| comp_part2                 | '0201130000'O                      |          |
| comp_part3                 | -                                  |          |
| comp_part4                 | -                                  |          |
| comp_part5                 | -                                  |          |
| comp_part6                 | -                                  |          |
| comp_part7                 | -                                  |          |
| comp_part8                 | -                                  |          |
| comp_part9                 | -                                  |          |
| comp_part10                | -                                  |          |
| comp_part11                | -                                  |          |
| comp_part12                | -                                  |          |
| <b>Detailed Comments:</b>  |                                    |          |



| Structured Type Constraint |                                    |          |
|----------------------------|------------------------------------|----------|
| <b>Constraint Name:</b>    | DeactivateSSErr_02(id:OCTETSTRING) |          |
| <b>Structured Type:</b>    | Component_T                        |          |
| <b>Derivation Path:</b>    |                                    |          |
| <b>Comments:</b>           |                                    |          |
| Element Name               | Element Value                      | Comments |
| comp_part1                 | 'A3060201'O                        |          |
| invokeld                   | id                                 |          |
| comp_part2                 | '020126'O                          |          |
| comp_part3                 | -                                  |          |
| comp_part4                 | -                                  |          |
| comp_part5                 | -                                  |          |
| comp_part6                 | -                                  |          |
| comp_part7                 | -                                  |          |
| comp_part8                 | -                                  |          |
| comp_part9                 | -                                  |          |
| comp_part10                | -                                  |          |
| comp_part11                | -                                  |          |
| comp_part12                | -                                  |          |
| <b>Detailed Comments:</b>  |                                    |          |

| Structured Type Constraint |                                                                                     |          |
|----------------------------|-------------------------------------------------------------------------------------|----------|
| <b>Constraint Name:</b>    | FwdChAdvSS_01                                                                       |          |
| <b>Structured Type:</b>    | Component_T                                                                         |          |
| <b>Derivation Path:</b>    |                                                                                     |          |
| <b>Comments:</b>           | AoC- Charging                                                                       |          |
| Element Name               | Element Value                                                                       | Comments |
| comp_part1                 | 'A1270201'O                                                                         |          |
| invokeld                   | '00'O                                                                               |          |
| comp_part2                 | '02017D3080800172A11881013C820200<br>8C830164840200FA85010086010087020<br>2580000'O |          |
| comp_part3                 | -                                                                                   |          |
| comp_part4                 | -                                                                                   |          |
| comp_part5                 | -                                                                                   |          |
| comp_part6                 | -                                                                                   |          |
| comp_part7                 | -                                                                                   |          |
| comp_part8                 | -                                                                                   |          |
| comp_part9                 | -                                                                                   |          |
| comp_part10                | -                                                                                   |          |
| comp_part11                | -                                                                                   |          |
| comp_part12                | -                                                                                   |          |
| <b>Detailed Comments:</b>  |                                                                                     |          |

| Structured Type Constraint |                                                                                 |          |
|----------------------------|---------------------------------------------------------------------------------|----------|
| <b>Constraint Name:</b>    | FwdChAdvSS_02                                                                   |          |
| <b>Structured Type:</b>    | Component_T                                                                     |          |
| <b>Derivation Path:</b>    |                                                                                 |          |
| <b>Comments:</b>           | AoC- Charging                                                                   |          |
| Element Name               | Element Value                                                                   | Comments |
| comp_part1                 | 'A1250201'O                                                                     |          |
| invokeld                   | '00'O                                                                           |          |
| comp_part2                 | '02017D3080800172A1168101008201008<br>30164840203E885010086010087010000<br>00'O |          |
| comp_part3                 | -                                                                               |          |
| comp_part4                 | -                                                                               |          |
| comp_part5                 | -                                                                               |          |
| comp_part6                 | -                                                                               |          |
| comp_part7                 | -                                                                               |          |
| comp_part8                 | -                                                                               |          |
| comp_part9                 | -                                                                               |          |
| comp_part10                | -                                                                               |          |
| comp_part11                | -                                                                               |          |
| comp_part12                | -                                                                               |          |
| <b>Detailed Comments:</b>  |                                                                                 |          |

| Structured Type Constraint |                                                                                         |          |
|----------------------------|-----------------------------------------------------------------------------------------|----------|
| <b>Constraint Name:</b>    | FwdChAdvSS_03                                                                           |          |
| <b>Structured Type:</b>    | Component_T                                                                             |          |
| <b>Derivation Path:</b>    |                                                                                         |          |
| <b>Comments:</b>           | AoC- Charging                                                                           |          |
| Element Name               | Element Value                                                                           | Comments |
| comp_part1                 | 'A1290201'O                                                                             |          |
| invokeld                   | '00'O                                                                                   |          |
| comp_part2                 | '02017D3080800172A11A810209C48202<br>00A0830200C8840213888501008601008<br>70202580000'O |          |
| comp_part3                 | -                                                                                       |          |
| comp_part4                 | -                                                                                       |          |
| comp_part5                 | -                                                                                       |          |
| comp_part6                 | -                                                                                       |          |
| comp_part7                 | -                                                                                       |          |
| comp_part8                 | -                                                                                       |          |
| comp_part9                 | -                                                                                       |          |
| comp_part10                | -                                                                                       |          |
| comp_part11                | -                                                                                       |          |
| comp_part12                | -                                                                                       |          |
| <b>Detailed Comments:</b>  |                                                                                         |          |

| Structured Type Constraint |                                                                       |          |
|----------------------------|-----------------------------------------------------------------------|----------|
| <b>Constraint Name:</b>    | FwdChAdvSS_04                                                         |          |
| <b>Structured Type:</b>    | Component_T                                                           |          |
| <b>Derivation Path:</b>    |                                                                       |          |
| <b>Comments:</b>           | AoC- Charging                                                         |          |
| Element Name               | Element Value                                                         | Comments |
| comp_part1                 | 'A1240201'O                                                           |          |
| invokeld                   | '00'O                                                                 |          |
| comp_part2                 | '02017D3080800172A11581010A82010A83016484010085016486010A87010A0000'O |          |
| comp_part3                 | -                                                                     |          |
| comp_part4                 | -                                                                     |          |
| comp_part5                 | -                                                                     |          |
| comp_part6                 | -                                                                     |          |
| comp_part7                 | -                                                                     |          |
| comp_part8                 | -                                                                     |          |
| comp_part9                 | -                                                                     |          |
| comp_part10                | -                                                                     |          |
| comp_part11                | -                                                                     |          |
| comp_part12                | -                                                                     |          |
| <b>Detailed Comments:</b>  |                                                                       |          |

| Structured Type Constraint |                                                                             |          |
|----------------------------|-----------------------------------------------------------------------------|----------|
| <b>Constraint Name:</b>    | FwdChAdvSS_05                                                               |          |
| <b>Structured Type:</b>    | Component_T                                                                 |          |
| <b>Derivation Path:</b>    |                                                                             |          |
| <b>Comments:</b>           | AoC- Charging                                                               |          |
| Element Name               | Element Value                                                               | Comments |
| comp_part1                 | 'A1270201'O                                                                 |          |
| invokeld                   | '00'O                                                                       |          |
| comp_part2                 | '02017D3080800172A11881017D8202012C830164840200FA85016486010A8702012C0000'O |          |
| comp_part3                 | -                                                                           |          |
| comp_part4                 | -                                                                           |          |
| comp_part5                 | -                                                                           |          |
| comp_part6                 | -                                                                           |          |
| comp_part7                 | -                                                                           |          |
| comp_part8                 | -                                                                           |          |
| comp_part9                 | -                                                                           |          |
| comp_part10                | -                                                                           |          |
| comp_part11                | -                                                                           |          |
| comp_part12                | -                                                                           |          |
| <b>Detailed Comments:</b>  |                                                                             |          |

| Structured Type Constraint |                                                                               |          |
|----------------------------|-------------------------------------------------------------------------------|----------|
| <b>Constraint Name:</b>    | FwdChAdvSS_06                                                                 |          |
| <b>Structured Type:</b>    | Component_T                                                                   |          |
| <b>Derivation Path:</b>    |                                                                               |          |
| <b>Comments:</b>           | AoC- Charging                                                                 |          |
| Element Name               | Element Value                                                                 | Comments |
| comp_part1                 | 'A1240201'O                                                                   |          |
| invokeld                   | '00'O                                                                         |          |
| comp_part2                 | '02017D3080800172A1158101008201008<br>301008401008501008601008701000000'<br>O |          |
| comp_part3                 | -                                                                             |          |
| comp_part4                 | -                                                                             |          |
| comp_part5                 | -                                                                             |          |
| comp_part6                 | -                                                                             |          |
| comp_part7                 | -                                                                             |          |
| comp_part8                 | -                                                                             |          |
| comp_part9                 | -                                                                             |          |
| comp_part10                | -                                                                             |          |
| comp_part11                | -                                                                             |          |
| comp_part12                | -                                                                             |          |
| <b>Detailed Comments:</b>  |                                                                               |          |

| Structured Type Constraint |                                                                                 |          |
|----------------------------|---------------------------------------------------------------------------------|----------|
| <b>Constraint Name:</b>    | FwdChAdvSS_07                                                                   |          |
| <b>Structured Type:</b>    | Component_T                                                                     |          |
| <b>Derivation Path:</b>    |                                                                                 |          |
| <b>Comments:</b>           | AoC- Charging                                                                   |          |
| Element Name               | Element Value                                                                   | Comments |
| comp_part1                 | 'A1250201'O                                                                     |          |
| invokeld                   | '00'O                                                                           |          |
| comp_part2                 | '02017D3080800172A1168101008201008<br>30164840203E885010086010087010000<br>00'O |          |
| comp_part3                 | -                                                                               |          |
| comp_part4                 | -                                                                               |          |
| comp_part5                 | -                                                                               |          |
| comp_part6                 | -                                                                               |          |
| comp_part7                 | -                                                                               |          |
| comp_part8                 | -                                                                               |          |
| comp_part9                 | -                                                                               |          |
| comp_part10                | -                                                                               |          |
| comp_part11                | -                                                                               |          |
| comp_part12                | -                                                                               |          |
| <b>Detailed Comments:</b>  |                                                                                 |          |

| Structured Type Constraint |                                                                                     |          |
|----------------------------|-------------------------------------------------------------------------------------|----------|
| <b>Constraint Name:</b>    | FwdChAdvSS_08                                                                       |          |
| <b>Structured Type:</b>    | Component_T                                                                         |          |
| <b>Derivation Path:</b>    |                                                                                     |          |
| <b>Comments:</b>           | AoC- Charging                                                                       |          |
| Element Name               | Element Value                                                                       | Comments |
| comp_part1                 | 'A1270201'O                                                                         |          |
| invokeld                   | '00'O                                                                               |          |
| comp_part2                 | '02017D3080800172A11881013C820200<br>8C830164840200FA85010086010087020<br>2580000'O |          |
| comp_part3                 | -                                                                                   |          |
| comp_part4                 | -                                                                                   |          |
| comp_part5                 | -                                                                                   |          |
| comp_part6                 | -                                                                                   |          |
| comp_part7                 | -                                                                                   |          |
| comp_part8                 | -                                                                                   |          |
| comp_part9                 | -                                                                                   |          |
| comp_part10                | -                                                                                   |          |
| comp_part11                | -                                                                                   |          |
| comp_part12                | -                                                                                   |          |
| <b>Detailed Comments:</b>  |                                                                                     |          |

| Structured Type Constraint |                                                                               |          |
|----------------------------|-------------------------------------------------------------------------------|----------|
| <b>Constraint Name:</b>    | FwdChAdvSS_09                                                                 |          |
| <b>Structured Type:</b>    | Component_T                                                                   |          |
| <b>Derivation Path:</b>    |                                                                               |          |
| <b>Comments:</b>           | AoC- Charging                                                                 |          |
| Element Name               | Element Value                                                                 | Comments |
| comp_part1                 | 'A1240201'O                                                                   |          |
| invokeld                   | '00'O                                                                         |          |
| comp_part2                 | '02017D3080800172A11581010A82010A<br>83016484010085010086010087010A000<br>0'O |          |
| comp_part3                 | -                                                                             |          |
| comp_part4                 | -                                                                             |          |
| comp_part5                 | -                                                                             |          |
| comp_part6                 | -                                                                             |          |
| comp_part7                 | -                                                                             |          |
| comp_part8                 | -                                                                             |          |
| comp_part9                 | -                                                                             |          |
| comp_part10                | -                                                                             |          |
| comp_part11                | -                                                                             |          |
| comp_part12                | -                                                                             |          |
| <b>Detailed Comments:</b>  |                                                                               |          |

| Structured Type Constraint |                                                                                     |          |
|----------------------------|-------------------------------------------------------------------------------------|----------|
| <b>Constraint Name:</b>    | FwdChAdvSS_10                                                                       |          |
| <b>Structured Type:</b>    | Component_T                                                                         |          |
| <b>Derivation Path:</b>    |                                                                                     |          |
| <b>Comments:</b>           | AoC- Charging                                                                       |          |
| Element Name               | Element Value                                                                       | Comments |
| comp_part1                 | 'A1270201'O                                                                         |          |
| invokeld                   | '00'O                                                                               |          |
| comp_part2                 | '02017D3080800172A11881017D820201<br>2C830164840200FA85010086010087020<br>12C0000'O |          |
| comp_part3                 | -                                                                                   |          |
| comp_part4                 | -                                                                                   |          |
| comp_part5                 | -                                                                                   |          |
| comp_part6                 | -                                                                                   |          |
| comp_part7                 | -                                                                                   |          |
| comp_part8                 | -                                                                                   |          |
| comp_part9                 | -                                                                                   |          |
| comp_part10                | -                                                                                   |          |
| comp_part11                | -                                                                                   |          |
| comp_part12                | -                                                                                   |          |
| <b>Detailed Comments:</b>  |                                                                                     |          |

| Structured Type Constraint |                                                                                   |          |
|----------------------------|-----------------------------------------------------------------------------------|----------|
| <b>Constraint Name:</b>    | FwdChAdvSS_11                                                                     |          |
| <b>Structured Type:</b>    | Component_T                                                                       |          |
| <b>Derivation Path:</b>    |                                                                                   |          |
| <b>Comments:</b>           | AoC- Charging                                                                     |          |
| Element Name               | Element Value                                                                     | Comments |
| comp_part1                 | 'A1260201'O                                                                       |          |
| invokeld                   | '00'O                                                                             |          |
| comp_part2                 | '02017D3080800172A1178101648202011<br>883016484016485010086010087020258<br>0000'O |          |
| comp_part3                 | -                                                                                 |          |
| comp_part4                 | -                                                                                 |          |
| comp_part5                 | -                                                                                 |          |
| comp_part6                 | -                                                                                 |          |
| comp_part7                 | -                                                                                 |          |
| comp_part8                 | -                                                                                 |          |
| comp_part9                 | -                                                                                 |          |
| comp_part10                | -                                                                                 |          |
| comp_part11                | -                                                                                 |          |
| comp_part12                | -                                                                                 |          |
| <b>Detailed Comments:</b>  |                                                                                   |          |

| Structured Type Constraint |                                                                                   |          |
|----------------------------|-----------------------------------------------------------------------------------|----------|
| <b>Constraint Name:</b>    | FwdChAdvSS_12                                                                     |          |
| <b>Structured Type:</b>    | Component_T                                                                       |          |
| <b>Derivation Path:</b>    |                                                                                   |          |
| <b>Comments:</b>           | AoC- Charging                                                                     |          |
| Element Name               | Element Value                                                                     | Comments |
| comp_part1                 | 'A1260201'O                                                                       |          |
| invokeld                   | '00'O                                                                             |          |
| comp_part2                 | '02017D3080800172A1178101648202008<br>C83016484013285010086010087020258<br>0000'O |          |
| comp_part3                 | -                                                                                 |          |
| comp_part4                 | -                                                                                 |          |
| comp_part5                 | -                                                                                 |          |
| comp_part6                 | -                                                                                 |          |
| comp_part7                 | -                                                                                 |          |
| comp_part8                 | -                                                                                 |          |
| comp_part9                 | -                                                                                 |          |
| comp_part10                | -                                                                                 |          |
| comp_part11                | -                                                                                 |          |
| comp_part12                | -                                                                                 |          |
| <b>Detailed Comments:</b>  |                                                                                   |          |

| Structured Type Constraint |                                                                                 |          |
|----------------------------|---------------------------------------------------------------------------------|----------|
| <b>Constraint Name:</b>    | FwdChAdvSS_13                                                                   |          |
| <b>Structured Type:</b>    | Component_T                                                                     |          |
| <b>Derivation Path:</b>    |                                                                                 |          |
| <b>Comments:</b>           | AoC- Charging                                                                   |          |
| Element Name               | Element Value                                                                   | Comments |
| comp_part1                 | 'A1250201'O                                                                     |          |
| invokeld                   | '00'O                                                                           |          |
| comp_part2                 | '02017D3080800172A1168101648202019<br>083016484010085010086010087010000<br>00'O |          |
| comp_part3                 | -                                                                               |          |
| comp_part4                 | -                                                                               |          |
| comp_part5                 | -                                                                               |          |
| comp_part6                 | -                                                                               |          |
| comp_part7                 | -                                                                               |          |
| comp_part8                 | -                                                                               |          |
| comp_part9                 | -                                                                               |          |
| comp_part10                | -                                                                               |          |
| comp_part11                | -                                                                               |          |
| comp_part12                | -                                                                               |          |
| <b>Detailed Comments:</b>  |                                                                                 |          |

| Structured Type Constraint |                                                     |          |
|----------------------------|-----------------------------------------------------|----------|
| <b>Constraint Name:</b>    | FwdChAdvSS_14                                       |          |
| <b>Structured Type:</b>    | Component_T                                         |          |
| <b>Derivation Path:</b>    |                                                     |          |
| <b>Comments:</b>           | AoC- Charging                                       |          |
| Element Name               | Element Value                                       | Comments |
| comp_part1                 | 'A1190201'O                                         |          |
| invokeld                   | '00'O                                               |          |
| comp_part2                 | '02017D3011800172A1808101648202019<br>08301640000'O |          |
| comp_part3                 | -                                                   |          |
| comp_part4                 | -                                                   |          |
| comp_part5                 | -                                                   |          |
| comp_part6                 | -                                                   |          |
| comp_part7                 | -                                                   |          |
| comp_part8                 | -                                                   |          |
| comp_part9                 | -                                                   |          |
| comp_part10                | -                                                   |          |
| comp_part11                | -                                                   |          |
| comp_part12                | -                                                   |          |
| <b>Detailed Comments:</b>  |                                                     |          |

| Structured Type Constraint |                                                                                 |          |
|----------------------------|---------------------------------------------------------------------------------|----------|
| <b>Constraint Name:</b>    | FwdChAdvSS_15                                                                   |          |
| <b>Structured Type:</b>    | Component_T                                                                     |          |
| <b>Derivation Path:</b>    |                                                                                 |          |
| <b>Comments:</b>           | AoC- Charging                                                                   |          |
| Element Name               | Element Value                                                                   | Comments |
| comp_part1                 | 'A1250201'O                                                                     |          |
| invokeld                   | '00'O                                                                           |          |
| comp_part2                 | '02017D3080800172A1168101468202019<br>083016484010085010086010087010000<br>00'O |          |
| comp_part3                 | -                                                                               |          |
| comp_part4                 | -                                                                               |          |
| comp_part5                 | -                                                                               |          |
| comp_part6                 | -                                                                               |          |
| comp_part7                 | -                                                                               |          |
| comp_part8                 | -                                                                               |          |
| comp_part9                 | -                                                                               |          |
| comp_part10                | -                                                                               |          |
| comp_part11                | -                                                                               |          |
| comp_part12                | -                                                                               |          |
| <b>Detailed Comments:</b>  |                                                                                 |          |



| Structured Type Constraint |                                                                                   |          |
|----------------------------|-----------------------------------------------------------------------------------|----------|
| <b>Constraint Name:</b>    | FwdChAdvSS_16                                                                     |          |
| <b>Structured Type:</b>    | Component_T                                                                       |          |
| <b>Derivation Path:</b>    |                                                                                   |          |
| <b>Comments:</b>           | AoC- Charging                                                                     |          |
| Element Name               | Element Value                                                                     | Comments |
| comp_part1                 | 'A1260201'O                                                                       |          |
| invokeld                   | '00'O                                                                             |          |
| comp_part2                 | '02017D3080800172A1178102008282020<br>190830164840100850100860100870100<br>0000'O |          |
| comp_part3                 | -                                                                                 |          |
| comp_part4                 | -                                                                                 |          |
| comp_part5                 | -                                                                                 |          |
| comp_part6                 | -                                                                                 |          |
| comp_part7                 | -                                                                                 |          |
| comp_part8                 | -                                                                                 |          |
| comp_part9                 | -                                                                                 |          |
| comp_part10                | -                                                                                 |          |
| comp_part11                | -                                                                                 |          |
| comp_part12                | -                                                                                 |          |
| <b>Detailed Comments:</b>  |                                                                                   |          |

| Structured Type Constraint |                                                                                   |          |
|----------------------------|-----------------------------------------------------------------------------------|----------|
| <b>Constraint Name:</b>    | FwdChAdvSS_17                                                                     |          |
| <b>Structured Type:</b>    | Component_T                                                                       |          |
| <b>Derivation Path:</b>    |                                                                                   |          |
| <b>Comments:</b>           | AoC- Charging                                                                     |          |
| Element Name               | Element Value                                                                     | Comments |
| comp_part1                 | 'A1260201'O                                                                       |          |
| invokeld                   | '00'O                                                                             |          |
| comp_part2                 | '02017D3080800172A117810200BE8202<br>019083016484010085010086010087010<br>00000'O |          |
| comp_part3                 | -                                                                                 |          |
| comp_part4                 | -                                                                                 |          |
| comp_part5                 | -                                                                                 |          |
| comp_part6                 | -                                                                                 |          |
| comp_part7                 | -                                                                                 |          |
| comp_part8                 | -                                                                                 |          |
| comp_part9                 | -                                                                                 |          |
| comp_part10                | -                                                                                 |          |
| comp_part11                | -                                                                                 |          |
| comp_part12                | -                                                                                 |          |
| <b>Detailed Comments:</b>  |                                                                                   |          |

| Structured Type Constraint |                                                                                   |          |
|----------------------------|-----------------------------------------------------------------------------------|----------|
| <b>Constraint Name:</b>    | FwdChAdvSS_18                                                                     |          |
| <b>Structured Type:</b>    | Component_T                                                                       |          |
| <b>Derivation Path:</b>    |                                                                                   |          |
| <b>Comments:</b>           | AoC- Charging                                                                     |          |
| Element Name               | Element Value                                                                     | Comments |
| comp_part1                 | 'A1260201'O                                                                       |          |
| invokeld                   | '00'O                                                                             |          |
| comp_part2                 | '02017D3080800172A1178102012282020<br>190830164840100850100860100870100<br>0000'O |          |
| comp_part3                 | -                                                                                 |          |
| comp_part4                 | -                                                                                 |          |
| comp_part5                 | -                                                                                 |          |
| comp_part6                 | -                                                                                 |          |
| comp_part7                 | -                                                                                 |          |
| comp_part8                 | -                                                                                 |          |
| comp_part9                 | -                                                                                 |          |
| comp_part10                | -                                                                                 |          |
| comp_part11                | -                                                                                 |          |
| comp_part12                | -                                                                                 |          |
| <b>Detailed Comments:</b>  |                                                                                   |          |

| Structured Type Constraint |                                                                                 |          |
|----------------------------|---------------------------------------------------------------------------------|----------|
| <b>Constraint Name:</b>    | FwdChAdvSS_19                                                                   |          |
| <b>Structured Type:</b>    | Component_T                                                                     |          |
| <b>Derivation Path:</b>    |                                                                                 |          |
| <b>Comments:</b>           | AoC- Charging                                                                   |          |
| Element Name               | Element Value                                                                   | Comments |
| comp_part1                 | 'A1800201'O                                                                     |          |
| invokeld                   | '00'O                                                                           |          |
| comp_part2                 | '02017D301B800172A116810164820202<br>268301648401648501008601008701640<br>000'O |          |
| comp_part3                 | -                                                                               |          |
| comp_part4                 | -                                                                               |          |
| comp_part5                 | -                                                                               |          |
| comp_part6                 | -                                                                               |          |
| comp_part7                 | -                                                                               |          |
| comp_part8                 | -                                                                               |          |
| comp_part9                 | -                                                                               |          |
| comp_part10                | -                                                                               |          |
| comp_part11                | -                                                                               |          |
| comp_part12                | -                                                                               |          |
| <b>Detailed Comments:</b>  |                                                                                 |          |

| Structured Type Constraint |                                                                                 |          |
|----------------------------|---------------------------------------------------------------------------------|----------|
| <b>Constraint Name:</b>    | FwdChAdvSS_20                                                                   |          |
| <b>Structured Type:</b>    | Component_T                                                                     |          |
| <b>Derivation Path:</b>    |                                                                                 |          |
| <b>Comments:</b>           | AoC- Charging                                                                   |          |
| Element Name               | Element Value                                                                   | Comments |
| comp_part1                 | 'A1800201'O                                                                     |          |
| invokeld                   | '00'O                                                                           |          |
| comp_part2                 | '02017D301B800172A11681010A820201<br>2C8301648401008501008601008701000<br>000'O |          |
| comp_part3                 | -                                                                               |          |
| comp_part4                 | -                                                                               |          |
| comp_part5                 | -                                                                               |          |
| comp_part6                 | -                                                                               |          |
| comp_part7                 | -                                                                               |          |
| comp_part8                 | -                                                                               |          |
| comp_part9                 | -                                                                               |          |
| comp_part10                | -                                                                               |          |
| comp_part11                | -                                                                               |          |
| comp_part12                | -                                                                               |          |
| <b>Detailed Comments:</b>  |                                                                                 |          |

| Structured Type Constraint |                                                                               |          |
|----------------------------|-------------------------------------------------------------------------------|----------|
| <b>Constraint Name:</b>    | FwdChAdvSS_21                                                                 |          |
| <b>Structured Type:</b>    | Component_T                                                                   |          |
| <b>Derivation Path:</b>    |                                                                               |          |
| <b>Comments:</b>           | AoC- Charging, charging value is 0.                                           |          |
| Element Name               | Element Value                                                                 | Comments |
| comp_part1                 | 'A1800201'O                                                                   |          |
| invokeld                   | '00'O                                                                         |          |
| comp_part2                 | '02017D301A800172A115810100820100<br>830100840100850100860100870100000<br>0'O |          |
| comp_part3                 | -                                                                             |          |
| comp_part4                 | -                                                                             |          |
| comp_part5                 | -                                                                             |          |
| comp_part6                 | -                                                                             |          |
| comp_part7                 | -                                                                             |          |
| comp_part8                 | -                                                                             |          |
| comp_part9                 | -                                                                             |          |
| comp_part10                | -                                                                             |          |
| comp_part11                | -                                                                             |          |
| comp_part12                | -                                                                             |          |
| <b>Detailed Comments:</b>  |                                                                               |          |

| Structured Type Constraint |                                    |          |
|----------------------------|------------------------------------|----------|
| <b>Constraint Name:</b>    | GetPasswdSS_01(linkid:OCTETSTRING) |          |
| <b>Structured Type:</b>    | Component_T                        |          |
| <b>Derivation Path:</b>    |                                    |          |
| <b>Comments:</b>           | getpassword                        |          |
| Element Name               | Element Value                      | Comments |
| comp_part1                 | 'A10C0201'O                        |          |
| invokeld                   | '00'O                              |          |
| comp_part2                 | '8001'O                            |          |
| comp_part3                 | linkid                             |          |
| comp_part4                 | '0201120A0100'O                    |          |
| comp_part5                 | -                                  |          |
| comp_part6                 | -                                  |          |
| comp_part7                 | -                                  |          |
| comp_part8                 | -                                  |          |
| comp_part9                 | -                                  |          |
| comp_part10                | -                                  |          |
| comp_part11                | -                                  |          |
| comp_part12                | -                                  |          |
| <b>Detailed Comments:</b>  |                                    |          |

| Structured Type Constraint |                                    |          |
|----------------------------|------------------------------------|----------|
| <b>Constraint Name:</b>    | GetPasswdSS_02(linkid:OCTETSTRING) |          |
| <b>Structured Type:</b>    | Component_T                        |          |
| <b>Derivation Path:</b>    |                                    |          |
| <b>Comments:</b>           | getpassword (enter new password)   |          |
| Element Name               | Element Value                      | Comments |
| comp_part1                 | 'A10C0201'O                        |          |
| invokeld                   | '00'O                              |          |
| comp_part2                 | '8001'O                            |          |
| comp_part3                 | linkid                             |          |
| comp_part4                 | '0201120A0101'O                    |          |
| comp_part5                 | -                                  |          |
| comp_part6                 | -                                  |          |
| comp_part7                 | -                                  |          |
| comp_part8                 | -                                  |          |
| comp_part9                 | -                                  |          |
| comp_part10                | -                                  |          |
| comp_part11                | -                                  |          |
| comp_part12                | -                                  |          |
| <b>Detailed Comments:</b>  |                                    |          |

| Structured Type Constraint |                                        |          |
|----------------------------|----------------------------------------|----------|
| <b>Constraint Name:</b>    | GetPasswdSS_03(linkid:OCTETSTRING)     |          |
| <b>Structured Type:</b>    | Component_T                            |          |
| <b>Derivation Path:</b>    |                                        |          |
| <b>Comments:</b>           | getpassword (enter new password again) |          |
| Element Name               | Element Value                          | Comments |
| comp_part1                 | 'A10C0201'O                            |          |
| invokeld                   | '00'O                                  |          |
| comp_part2                 | '8001'O                                |          |
| comp_part3                 | linkid                                 |          |
| comp_part4                 | '0201120A0102'O                        |          |
| comp_part5                 | -                                      |          |
| comp_part6                 | -                                      |          |
| comp_part7                 | -                                      |          |
| comp_part8                 | -                                      |          |
| comp_part9                 | -                                      |          |
| comp_part10                | -                                      |          |
| comp_part11                | -                                      |          |
| comp_part12                | -                                      |          |
| <b>Detailed Comments:</b>  |                                        |          |

| Structured Type Constraint |                                      |          |
|----------------------------|--------------------------------------|----------|
| <b>Constraint Name:</b>    | InterrogateSSRslt_01(id:OCTETSTRING) |          |
| <b>Structured Type:</b>    | Component_T                          |          |
| <b>Derivation Path:</b>    |                                      |          |
| <b>Comments:</b>           | CFB all basic services               |          |
| Element Name               | Element Value                        | Comments |
| comp_part1                 | 'A20D0201'O                          |          |
| invokeld                   | id                                   |          |
| comp_part2                 | '308002010E8001040000'O              |          |
| comp_part3                 | -                                    |          |
| comp_part4                 | -                                    |          |
| comp_part5                 | -                                    |          |
| comp_part6                 | -                                    |          |
| comp_part7                 | -                                    |          |
| comp_part8                 | -                                    |          |
| comp_part9                 | -                                    |          |
| comp_part10                | -                                    |          |
| comp_part11                | -                                    |          |
| comp_part12                | -                                    |          |
| <b>Detailed Comments:</b>  |                                      |          |

| Structured Type Constraint |                                                     |          |
|----------------------------|-----------------------------------------------------|----------|
| <b>Constraint Name:</b>    | InterrogateSSRslt_02(id:OCTETSTRING)                |          |
| <b>Structured Type:</b>    | Component_T                                         |          |
| <b>Derivation Path:</b>    |                                                     |          |
| <b>Comments:</b>           | CFNRy Speech                                        |          |
| Element Name               | Element Value                                       | Comments |
| comp_part1                 | 'A2190201'O                                         |          |
| invokeld                   | id                                                  |          |
| comp_part2                 | '301402010EA30F300D83011184010785<br>058100342143'O |          |
| comp_part3                 | -                                                   |          |
| comp_part4                 | -                                                   |          |
| comp_part5                 | -                                                   |          |
| comp_part6                 | -                                                   |          |
| comp_part7                 | -                                                   |          |
| comp_part8                 | -                                                   |          |
| comp_part9                 | -                                                   |          |
| comp_part10                | -                                                   |          |
| comp_part11                | -                                                   |          |
| comp_part12                | -                                                   |          |
| <b>Detailed Comments:</b>  |                                                     |          |

| Structured Type Constraint |                                      |          |
|----------------------------|--------------------------------------|----------|
| <b>Constraint Name:</b>    | InterrogateSSRslt_03(id:OCTETSTRING) |          |
| <b>Structured Type:</b>    | Component_T                          |          |
| <b>Derivation Path:</b>    |                                      |          |
| <b>Comments:</b>           | BAIC                                 |          |
| Element Name               | Element Value                        | Comments |
| comp_part1                 | 'A20D0201'O                          |          |
| invokeld                   | id                                   |          |
| comp_part2                 | '300802010EA203830111'O              |          |
| comp_part3                 | -                                    |          |
| comp_part4                 | -                                    |          |
| comp_part5                 | -                                    |          |
| comp_part6                 | -                                    |          |
| comp_part7                 | -                                    |          |
| comp_part8                 | -                                    |          |
| comp_part9                 | -                                    |          |
| comp_part10                | -                                    |          |
| comp_part11                | -                                    |          |
| comp_part12                | -                                    |          |
| <b>Detailed Comments:</b>  |                                      |          |

| Structured Type Constraint |                                       |          |
|----------------------------|---------------------------------------|----------|
| <b>Constraint Name:</b>    | InterrogateSSRsl_t_04(id:OCTETSTRING) |          |
| <b>Structured Type:</b>    | Component_T                           |          |
| <b>Derivation Path:</b>    |                                       |          |
| <b>Comments:</b>           | BAIC                                  |          |
| Element Name               | Element Value                         | Comments |
| comp_part1                 | 'A20B0201'O                           |          |
| invokeld                   | id                                    |          |
| comp_part2                 | '300602010E800107'O                   |          |
| comp_part3                 | -                                     |          |
| comp_part4                 | -                                     |          |
| comp_part5                 | -                                     |          |
| comp_part6                 | -                                     |          |
| comp_part7                 | -                                     |          |
| comp_part8                 | -                                     |          |
| comp_part9                 | -                                     |          |
| comp_part10                | -                                     |          |
| comp_part11                | -                                     |          |
| comp_part12                | -                                     |          |
| <b>Detailed Comments:</b>  |                                       |          |

| Structured Type Constraint |                                     |          |
|----------------------------|-------------------------------------|----------|
| <b>Constraint Name:</b>    | InterrogateSSErr_01(id:OCTETSTRING) |          |
| <b>Structured Type:</b>    | Component_T                         |          |
| <b>Derivation Path:</b>    |                                     |          |
| <b>Comments:</b>           | CFNRc                               |          |
| Element Name               | Element Value                       | Comments |
| comp_part1                 | 'A3060201'O                         |          |
| invokeld                   | id                                  |          |
| comp_part2                 | '020112'O                           |          |
| comp_part3                 | -                                   |          |
| comp_part4                 | -                                   |          |
| comp_part5                 | -                                   |          |
| comp_part6                 | -                                   |          |
| comp_part7                 | -                                   |          |
| comp_part8                 | -                                   |          |
| comp_part9                 | -                                   |          |
| comp_part10                | -                                   |          |
| comp_part11                | -                                   |          |
| comp_part12                | -                                   |          |
| <b>Detailed Comments:</b>  |                                     |          |

| Structured Type Constraint |                                     |          |
|----------------------------|-------------------------------------|----------|
| <b>Constraint Name:</b>    | InterrogateSSErr_02(id:OCTETSTRING) |          |
| <b>Structured Type:</b>    | Component_T                         |          |
| <b>Derivation Path:</b>    |                                     |          |
| <b>Comments:</b>           |                                     |          |
| Element Name               | Element Value                       | Comments |
| comp_part1                 | 'A3800201'O                         |          |
| invokeld                   | id                                  |          |
| comp_part2                 | '0201120000'O                       |          |
| comp_part3                 | -                                   |          |
| comp_part4                 | -                                   |          |
| comp_part5                 | -                                   |          |
| comp_part6                 | -                                   |          |
| comp_part7                 | -                                   |          |
| comp_part8                 | -                                   |          |
| comp_part9                 | -                                   |          |
| comp_part10                | -                                   |          |
| comp_part11                | -                                   |          |
| comp_part12                | -                                   |          |
| <b>Detailed Comments:</b>  |                                     |          |

| Structured Type Constraint |                                     |          |
|----------------------------|-------------------------------------|----------|
| <b>Constraint Name:</b>    | InterrogateSSRej_01(id:OCTETSTRING) |          |
| <b>Structured Type:</b>    | Component_T                         |          |
| <b>Derivation Path:</b>    |                                     |          |
| <b>Comments:</b>           |                                     |          |
| Element Name               | Element Value                       | Comments |
| comp_part1                 | 'A4800201'O                         |          |
| invokeld                   | id                                  |          |
| comp_part2                 | '8101030000'O                       |          |
| comp_part3                 | -                                   |          |
| comp_part4                 | -                                   |          |
| comp_part5                 | -                                   |          |
| comp_part6                 | -                                   |          |
| comp_part7                 | -                                   |          |
| comp_part8                 | -                                   |          |
| comp_part9                 | -                                   |          |
| comp_part10                | -                                   |          |
| comp_part11                | -                                   |          |
| comp_part12                | -                                   |          |
| <b>Detailed Comments:</b>  |                                     |          |



| Structured Type Constraint |                                     |          |
|----------------------------|-------------------------------------|----------|
| <b>Constraint Name:</b>    | InterrogateSSRej_02(id:OCTETSTRING) |          |
| <b>Structured Type:</b>    | Component_T                         |          |
| <b>Derivation Path:</b>    |                                     |          |
| <b>Comments:</b>           |                                     |          |
| Element Name               | Element Value                       | Comments |
| comp_part1                 | 'A4060201'O                         |          |
| invokeld                   | id                                  |          |
| comp_part2                 | '810103'O                           |          |
| comp_part3                 | -                                   |          |
| comp_part4                 | -                                   |          |
| comp_part5                 | -                                   |          |
| comp_part6                 | -                                   |          |
| comp_part7                 | -                                   |          |
| comp_part8                 | -                                   |          |
| comp_part9                 | -                                   |          |
| comp_part10                | -                                   |          |
| comp_part11                | -                                   |          |
| comp_part12                | -                                   |          |
| <b>Detailed Comments:</b>  |                                     |          |

| Structured Type Constraint |                               |          |
|----------------------------|-------------------------------|----------|
| <b>Constraint Name:</b>    | NotificationSS_01             |          |
| <b>Structured Type:</b>    | Component_T                   |          |
| <b>Derivation Path:</b>    |                               |          |
| <b>Comments:</b>           | incoming call forwarded.      |          |
| Element Name               | Element Value                 | Comments |
| comp_part1                 | 'A1100201'O                   |          |
| invokeld                   | '01'O                         |          |
| comp_part2                 | '02011030808101298501020000'O |          |
| comp_part3                 | -                             |          |
| comp_part4                 | -                             |          |
| comp_part5                 | -                             |          |
| comp_part6                 | -                             |          |
| comp_part7                 | -                             |          |
| comp_part8                 | -                             |          |
| comp_part9                 | -                             |          |
| comp_part10                | -                             |          |
| comp_part11                | -                             |          |
| comp_part12                | -                             |          |
| <b>Detailed Comments:</b>  |                               |          |

| Structured Type Constraint |                                        |          |
|----------------------------|----------------------------------------|----------|
| <b>Constraint Name:</b>    | NotificationSS_02                      |          |
| <b>Structured Type:</b>    | Component_T                            |          |
| <b>Derivation Path:</b>    |                                        |          |
| <b>Comments:</b>           | CFU provisioned, registered and active |          |
| Element Name               | Element Value                          | Comments |
| comp_part1                 | 'A1800201'O                            |          |
| invokeld                   | '00'O                                  |          |
| comp_part2                 | '02011030068101218401070000'O          |          |
| comp_part3                 | -                                      |          |
| comp_part4                 | -                                      |          |
| comp_part5                 | -                                      |          |
| comp_part6                 | -                                      |          |
| comp_part7                 | -                                      |          |
| comp_part8                 | -                                      |          |
| comp_part9                 | -                                      |          |
| comp_part10                | -                                      |          |
| comp_part11                | -                                      |          |
| comp_part12                | -                                      |          |
| <b>Detailed Comments:</b>  |                                        |          |

| Structured Type Constraint |                                        |          |
|----------------------------|----------------------------------------|----------|
| <b>Constraint Name:</b>    | NotificationSS_03                      |          |
| <b>Structured Type:</b>    | Component_T                            |          |
| <b>Derivation Path:</b>    |                                        |          |
| <b>Comments:</b>           | CFC provisioned, registered and active |          |
| Element Name               | Element Value                          | Comments |
| comp_part1                 | 'A1100201'O                            |          |
| invokeld                   | '01'O                                  |          |
| comp_part2                 | '02011030808101288401070000'O          |          |
| comp_part3                 | -                                      |          |
| comp_part4                 | -                                      |          |
| comp_part5                 | -                                      |          |
| comp_part6                 | -                                      |          |
| comp_part7                 | -                                      |          |
| comp_part8                 | -                                      |          |
| comp_part9                 | -                                      |          |
| comp_part10                | -                                      |          |
| comp_part11                | -                                      |          |
| comp_part12                | -                                      |          |
| <b>Detailed Comments:</b>  |                                        |          |

| Structured Type Constraint |                               |          |
|----------------------------|-------------------------------|----------|
| <b>Constraint Name:</b>    | NotificationSS_04             |          |
| <b>Structured Type:</b>    | Component_T                   |          |
| <b>Derivation Path:</b>    |                               |          |
| <b>Comments:</b>           | CFNRc forwarded call          |          |
| Element Name               | Element Value                 | Comments |
| comp_part1                 | 'A1800201'O                   |          |
| invokeld                   | '00'O                         |          |
| comp_part2                 | '020110300681012B8501010000'O |          |
| comp_part3                 | -                             |          |
| comp_part4                 | -                             |          |
| comp_part5                 | -                             |          |
| comp_part6                 | -                             |          |
| comp_part7                 | -                             |          |
| comp_part8                 | -                             |          |
| comp_part9                 | -                             |          |
| comp_part10                | -                             |          |
| comp_part11                | -                             |          |
| comp_part12                | -                             |          |
| <b>Detailed Comments:</b>  |                               |          |

| Structured Type Constraint |                           |          |
|----------------------------|---------------------------|----------|
| <b>Constraint Name:</b>    | NotificationSS_05         |          |
| <b>Structured Type:</b>    | Component_T               |          |
| <b>Derivation Path:</b>    |                           |          |
| <b>Comments:</b>           | BI                        |          |
| Element Name               | Element Value             | Comments |
| comp_part1                 | 'A10E0201'O               |          |
| invokeld                   | '00'O                     |          |
| comp_part2                 | '0201103006810199840107'O |          |
| comp_part3                 | -                         |          |
| comp_part4                 | -                         |          |
| comp_part5                 | -                         |          |
| comp_part6                 | -                         |          |
| comp_part7                 | -                         |          |
| comp_part8                 | -                         |          |
| comp_part9                 | -                         |          |
| comp_part10                | -                         |          |
| comp_part11                | -                         |          |
| comp_part12                | -                         |          |
| <b>Detailed Comments:</b>  |                           |          |

| Structured Type Constraint |                                                               |          |
|----------------------------|---------------------------------------------------------------|----------|
| <b>Constraint Name:</b>    | NotificationSS_06(Invkid :OCTETSTRING; ussdstring: IA5String) |          |
| <b>Structured Type:</b>    | Component_T                                                   |          |
| <b>Derivation Path:</b>    |                                                               |          |
| <b>Comments:</b>           | UnstructuredSS-Notify                                         |          |
| Element Name               | Element Value                                                 | Comments |
| comp_part1                 | 'A1140201'O                                                   |          |
| invokeld                   | Invkid                                                        |          |
| comp_part2                 | '02013D0F'O                                                   |          |
| comp_part3                 | OC_CodingOfUssdString(ussdstring)                             |          |
| comp_part4                 | -                                                             |          |
| comp_part5                 | -                                                             |          |
| comp_part6                 | -                                                             |          |
| comp_part7                 | -                                                             |          |
| comp_part8                 | -                                                             |          |
| comp_part9                 | -                                                             |          |
| comp_part10                | -                                                             |          |
| comp_part11                | -                                                             |          |
| comp_part12                | -                                                             |          |
| <b>Detailed Comments:</b>  |                                                               |          |

| Structured Type Constraint |                                        |          |
|----------------------------|----------------------------------------|----------|
| <b>Constraint Name:</b>    | NotificationSS_08(Invkid :OCTETSTRING) |          |
| <b>Structured Type:</b>    | Component_T                            |          |
| <b>Derivation Path:</b>    |                                        |          |
| <b>Comments:</b>           | UnstructuredSS-Notify                  |          |
| Element Name               | Element Value                          | Comments |
| comp_part1                 | 'A2030201'O                            |          |
| invokeld                   | Invkid                                 |          |
| comp_part2                 | -                                      |          |
| comp_part3                 | -                                      |          |
| comp_part4                 | -                                      |          |
| comp_part5                 | -                                      |          |
| comp_part6                 | -                                      |          |
| comp_part7                 | -                                      |          |
| comp_part8                 | -                                      |          |
| comp_part9                 | -                                      |          |
| comp_part10                | -                                      |          |
| comp_part11                | -                                      |          |
| comp_part12                | -                                      |          |
| <b>Detailed Comments:</b>  |                                        |          |

| Structured Type Constraint |                                    |          |
|----------------------------|------------------------------------|----------|
| <b>Constraint Name:</b>    | BuildMptySSRslt_01(id:OCTETSTRING) |          |
| <b>Structured Type:</b>    | Component_T                        |          |
| <b>Derivation Path:</b>    |                                    |          |
| <b>Comments:</b>           | ReturnResult for buildMPTY         |          |
| Element Name               | Element Value                      | Comments |
| comp_part1                 | 'A2800201'O                        |          |
| invokeld                   | id                                 |          |
| comp_part2                 | '0000'O                            |          |
| comp_part3                 | -                                  |          |
| comp_part4                 | -                                  |          |
| comp_part5                 | -                                  |          |
| comp_part6                 | -                                  |          |
| comp_part7                 | -                                  |          |
| comp_part8                 | -                                  |          |
| comp_part9                 | -                                  |          |
| comp_part10                | -                                  |          |
| comp_part11                | -                                  |          |
| comp_part12                | -                                  |          |
| <b>Detailed Comments:</b>  |                                    |          |

| Structured Type Constraint |                |          |
|----------------------------|----------------|----------|
| <b>Constraint Name:</b>    | RelTmdDif_omit |          |
| <b>Structured Type:</b>    | TDIF           |          |
| <b>Derivation Path:</b>    |                |          |
| <b>Comments:</b>           |                |          |
| Element Name               | Element Value  | Comments |
| iei                        | -              |          |
| iel                        | -              |          |
| value                      | -              |          |
| <b>Detailed Comments:</b>  |                |          |

| Structured Type Constraint |                                         |          |
|----------------------------|-----------------------------------------|----------|
| <b>Constraint Name:</b>    | RelTmdDif_01(ta_a: INTEGER)             |          |
| <b>Structured Type:</b>    | TDIF                                    |          |
| <b>Derivation Path:</b>    |                                         |          |
| <b>Comments:</b>           | ta_a: timing advance value in cell A.   |          |
| Element Name               | Element Value                           | Comments |
| iei                        | '01111011'B                             |          |
| iel                        | '01'O                                   |          |
| value                      | OC_IntToOct(((2*ta_a + 10) MOD 256), 1) |          |
| <b>Detailed Comments:</b>  |                                         |          |

| Structured Type Constraint |                                      |          |
|----------------------------|--------------------------------------|----------|
| <b>Constraint Name:</b>    | Rqr1(Rr: BITSTRING; Fn: FN)          |          |
| <b>Structured Type:</b>    | RQR                                  |          |
| <b>Derivation Path:</b>    |                                      |          |
| <b>Comments:</b>           | not address the MS under test        |          |
| Element Name               | Element Value                        | Comments |
| ra                         | INT_TO_BIT(( BIT_TO_INT(Rr) + 1), 8) |          |
| fn                         | OC_FnInc( Fn, 2)                     |          |
| <b>Detailed Comments:</b>  |                                      |          |

| Structured Type Constraint |                              |          |
|----------------------------|------------------------------|----------|
| <b>Constraint Name:</b>    | Rqr2(Rr: BITSTRING; Fn: FN)  |          |
| <b>Structured Type:</b>    | RQR                          |          |
| <b>Derivation Path:</b>    |                              |          |
| <b>Comments:</b>           | To address the MS under test |          |
| Element Name               | Element Value                | Comments |
| ra                         | Rr                           |          |
| fn                         | Fn                           |          |
| <b>Detailed Comments:</b>  |                              |          |

| Structured Type Constraint |                                     |          |
|----------------------------|-------------------------------------|----------|
| <b>Constraint Name:</b>    | Rqr3                                |          |
| <b>Structured Type:</b>    | RQR                                 |          |
| <b>Derivation Path:</b>    |                                     |          |
| <b>Comments:</b>           | not pertaining to the MS under test |          |
| Element Name               | Element Value                       | Comments |
| ra                         | '00000000'B                         |          |
| fn                         | Fn_01                               |          |
| <b>Detailed Comments:</b>  |                                     |          |

| Structured Type Constraint |                                       |          |
|----------------------------|---------------------------------------|----------|
| <b>Constraint Name:</b>    | Signal_01                             |          |
| <b>Structured Type:</b>    | SIGNAL                                |          |
| <b>Derivation Path:</b>    |                                       |          |
| <b>Comments:</b>           | signal value is arbitrarily selected. |          |
| Element Name               | Element Value                         | Comments |
| iei                        | '00110100'B                           |          |
| sigv                       | '00000000'B                           |          |
| <b>Detailed Comments:</b>  |                                       |          |

| Structured Type Constraint |                                                |          |
|----------------------------|------------------------------------------------|----------|
| <b>Constraint Name:</b>    | Signal_02                                      |          |
| <b>Structured Type:</b>    | SIGNAL                                         |          |
| <b>Derivation Path:</b>    |                                                |          |
| <b>Comments:</b>           | Signal IE with value #7 "call waiting tone on" |          |
| Element Name               | Element Value                                  | Comments |
| iei                        | '00110100'B                                    |          |
| sigv                       | '00000111'B                                    |          |
| <b>Detailed Comments:</b>  |                                                |          |

| Structured Type Constraint |                      |          |
|----------------------------|----------------------|----------|
| <b>Constraint Name:</b>    | StartingTm_01(fn:FN) |          |
| <b>Structured Type:</b>    | STRT                 |          |
| <b>Derivation Path:</b>    |                      |          |
| <b>Comments:</b>           |                      |          |
| Element Name               | Element Value        | Comments |
| iei                        | '01111101'B          |          |
| fn                         | fn                   |          |
| <b>Detailed Comments:</b>  |                      |          |

| Structured Type Constraint |                 |          |
|----------------------------|-----------------|----------|
| <b>Constraint Name:</b>    | StartingTm_omit |          |
| <b>Structured Type:</b>    | STRT            |          |
| <b>Derivation Path:</b>    |                 |          |
| <b>Comments:</b>           |                 |          |
| Element Name               | Element Value   | Comments |
| iei                        | -               |          |
| fn                         | -               |          |
| <b>Detailed Comments:</b>  |                 |          |

| Structured Type Constraint |                                 |          |
|----------------------------|---------------------------------|----------|
| <b>Constraint Name:</b>    | SubAdd_01                       |          |
| <b>Structured Type:</b>    | SUBAD                           |          |
| <b>Derivation Path:</b>    |                                 |          |
| <b>Comments:</b>           | containing arbitrary spare bits |          |
| Element Name               | Element Value                   | Comments |
| extb                       | '1'B                            |          |
| tos                        | '000'B                          |          |
| oei                        | '0'B                            |          |
| sp3b                       | '111'B                          |          |
| si                         | '5001'O                         |          |
| <b>Detailed Comments:</b>  |                                 |          |

| Structured Type Constraint |               |          |
|----------------------------|---------------|----------|
| <b>Constraint Name:</b>    | Synchi_omit   |          |
| <b>Structured Type:</b>    | SYNCHI        |          |
| <b>Derivation Path:</b>    |               |          |
| <b>Comments:</b>           |               |          |
| Element Name               | Element Value | Comments |
| iei                        | -             |          |
| nci                        | -             |          |
| rot                        | -             |          |
| si                         | -             |          |
| <b>Detailed Comments:</b>  |               |          |

| Structured Type Constraint |                          |          |
|----------------------------|--------------------------|----------|
| <b>Constraint Name:</b>    | Synchi( rot:B_1; si:B_2) |          |
| <b>Structured Type:</b>    | SYNCHI                   |          |
| <b>Derivation Path:</b>    |                          |          |
| <b>Comments:</b>           |                          |          |
| Element Name               | Element Value            | Comments |
| iei                        | '1101'B                  |          |
| nci                        | '0'B                     |          |
| rot                        | rot                      |          |
| si                         | si                       |          |
| <b>Detailed Comments:</b>  |                          |          |

| Structured Type Constraint |                                        |          |
|----------------------------|----------------------------------------|----------|
| <b>Constraint Name:</b>    | Synchi_01                              |          |
| <b>Structured Type:</b>    | SYNCHI                                 |          |
| <b>Derivation Path:</b>    |                                        |          |
| <b>Comments:</b>           | coded as a comprehension required IEI. |          |
| Element Name               | Element Value                          | Comments |
| iei                        | '0000'B                                |          |
| nci                        | '0'B                                   |          |
| rot                        | '0'B                                   |          |
| si                         | '00'B                                  |          |
| <b>Detailed Comments:</b>  |                                        |          |

| Structured Type Constraint |                                    |          |
|----------------------------|------------------------------------|----------|
| <b>Constraint Name:</b>    | TimingAdv( bits:INTEGER)           |          |
| <b>Structured Type:</b>    | TA                                 |          |
| <b>Derivation Path:</b>    |                                    |          |
| <b>Comments:</b>           | Time Advance value is pameterized. |          |
| Element Name               | Element Value                      | Comments |
| iei                        | -                                  |          |
| sprb                       | '00'B                              |          |
| value                      | INT_TO_BIT(bits, 6)                |          |
| <b>Detailed Comments:</b>  |                                    |          |

| Structured Type Constraint |                              |          |
|----------------------------|------------------------------|----------|
| <b>Constraint Name:</b>    | TimingAdv_iei( bits:INTEGER) |          |
| <b>Structured Type:</b>    | TA                           |          |
| <b>Derivation Path:</b>    |                              |          |
| <b>Comments:</b>           | 0 time advance.              |          |
| Element Name               | Element Value                | Comments |
| iei                        | '01111101'B                  |          |
| sprb                       | '00'B                        |          |
| value                      | INT_TO_BIT(bits, 6)          |          |
| <b>Detailed Comments:</b>  |                              |          |

| Structured Type Constraint |                                 |          |
|----------------------------|---------------------------------|----------|
| <b>Constraint Name:</b>    | TimingAdv_inv                   |          |
| <b>Structured Type:</b>    | TA                              |          |
| <b>Derivation Path:</b>    |                                 |          |
| <b>Comments:</b>           | containing arbitrary spare bits |          |
| Element Name               | Element Value                   | Comments |
| iei                        | -                               |          |
| sprb                       | '11'B                           |          |
| value                      | '000000'B                       |          |
| <b>Detailed Comments:</b>  |                                 |          |



| Structured Type Constraint |                                      |          |
|----------------------------|--------------------------------------|----------|
| <b>Constraint Name:</b>    | TimingAdv_omit                       |          |
| <b>Structured Type:</b>    | TA                                   |          |
| <b>Derivation Path:</b>    |                                      |          |
| <b>Comments:</b>           | Time Advance value is parameterized. |          |
| Element Name               | Element Value                        | Comments |
| iei                        | -                                    |          |
| sprb                       | -                                    |          |
| value                      | -                                    |          |
| <b>Detailed Comments:</b>  |                                      |          |

| Structured Type Constraint |                                                                 |          |
|----------------------------|-----------------------------------------------------------------|----------|
| <b>Constraint Name:</b>    | TI_01                                                           |          |
| <b>Structured Type:</b>    | TI                                                              |          |
| <b>Derivation Path:</b>    |                                                                 |          |
| <b>Comments:</b>           | used by the MS in the transaction initiated by the test system. |          |
| Element Name               | Element Value                                                   | Comments |
| ti_f                       | '1'B                                                            |          |
| ti_v                       | '000'B                                                          |          |
| <b>Detailed Comments:</b>  |                                                                 |          |

| Structured Type Constraint |                                                                                  |          |
|----------------------------|----------------------------------------------------------------------------------|----------|
| <b>Constraint Name:</b>    | TI_02                                                                            |          |
| <b>Structured Type:</b>    | TI                                                                               |          |
| <b>Derivation Path:</b>    |                                                                                  |          |
| <b>Comments:</b>           | used in the messages sent to the MS in the transaction initiated by test system. |          |
| Element Name               | Element Value                                                                    | Comments |
| ti_f                       | '0'B                                                                             |          |
| ti_v                       | '000'B                                                                           |          |
| <b>Detailed Comments:</b>  |                                                                                  |          |

| Structured Type Constraint |                                                                                  |          |
|----------------------------|----------------------------------------------------------------------------------|----------|
| <b>Constraint Name:</b>    | TI_03                                                                            |          |
| <b>Structured Type:</b>    | TI                                                                               |          |
| <b>Derivation Path:</b>    |                                                                                  |          |
| <b>Comments:</b>           | used in the messages sent to the MS in the transaction initiated by test system. |          |
| Element Name               | Element Value                                                                    | Comments |
| ti_f                       | '0'B                                                                             |          |
| ti_v                       | '110'B                                                                           |          |
| <b>Detailed Comments:</b>  |                                                                                  |          |

| Structured Type Constraint |                 |          |
|----------------------------|-----------------|----------|
| <b>Constraint Name:</b>    | TI_04           |          |
| <b>Structured Type:</b>    | TI              |          |
| <b>Derivation Path:</b>    |                 |          |
| <b>Comments:</b>           | arbitrary value |          |
| Element Name               | Element Value   | Comments |
| ti_f                       | '0'B            |          |
| ti_v                       | '011'B          |          |
| <b>Detailed Comments:</b>  |                 |          |

| Structured Type Constraint |                                                                 |          |
|----------------------------|-----------------------------------------------------------------|----------|
| <b>Constraint Name:</b>    | TI_05                                                           |          |
| <b>Structured Type:</b>    | TI                                                              |          |
| <b>Derivation Path:</b>    |                                                                 |          |
| <b>Comments:</b>           | used by the MS in the transaction initiated by the test system. |          |
| Element Name               | Element Value                                                   | Comments |
| ti_f                       | '1'B                                                            |          |
| ti_v                       | '110'B                                                          |          |
| <b>Detailed Comments:</b>  |                                                                 |          |

| Structured Type Constraint |               |          |
|----------------------------|---------------|----------|
| <b>Constraint Name:</b>    | TI_06         |          |
| <b>Structured Type:</b>    | TI            |          |
| <b>Derivation Path:</b>    |               |          |
| <b>Comments:</b>           |               |          |
| Element Name               | Element Value | Comments |
| ti_f                       | '0'B          |          |
| ti_v                       | '111'B        |          |
| <b>Detailed Comments:</b>  |               |          |

| Structured Type Constraint |                                                                             |          |
|----------------------------|-----------------------------------------------------------------------------|----------|
| <b>Constraint Name:</b>    | TI_07(ti :TI_V)                                                             |          |
| <b>Structured Type:</b>    | TI                                                                          |          |
| <b>Derivation Path:</b>    |                                                                             |          |
| <b>Comments:</b>           | used in the messages sent to the MS in the transaction initiated by the MS. |          |
| Element Name               | Element Value                                                               | Comments |
| ti_f                       | '0'B                                                                        |          |
| ti_v                       | ti                                                                          |          |
| <b>Detailed Comments:</b>  |                                                                             |          |

| Structured Type Constraint |                                                                                           |          |
|----------------------------|-------------------------------------------------------------------------------------------|----------|
| <b>Constraint Name:</b>    | TI_08(ti:TI_V)                                                                            |          |
| <b>Structured Type:</b>    | TI                                                                                        |          |
| <b>Derivation Path:</b>    |                                                                                           |          |
| <b>Comments:</b>           | used in the messages sent to the MS in the transaction initiated by the system simulator. |          |
| Element Name               | Element Value                                                                             | Comments |
| ti_f                       | '1'B                                                                                      |          |
| ti_v                       | ti                                                                                        |          |
| <b>Detailed Comments:</b>  |                                                                                           |          |

| Structured Type Constraint |                                                        |          |
|----------------------------|--------------------------------------------------------|----------|
| <b>Constraint Name:</b>    | TI_09                                                  |          |
| <b>Structured Type:</b>    | TI                                                     |          |
| <b>Derivation Path:</b>    |                                                        |          |
| <b>Comments:</b>           | used by the MS in the transaction initiated by the MS. |          |
| Element Name               | Element Value                                          | Comments |
| ti_f                       | '0'B                                                   |          |
| ti_v                       | ?                                                      |          |
| <b>Detailed Comments:</b>  |                                                        |          |

| Structured Type Constraint |               |          |
|----------------------------|---------------|----------|
| <b>Constraint Name:</b>    | Tmsi_01       |          |
| <b>Structured Type:</b>    | TMSI          |          |
| <b>Derivation Path:</b>    |               |          |
| <b>Comments:</b>           |               |          |
| Element Name               | Element Value | Comments |
| iei                        | -             |          |
| tmsi_val                   | TSPX_TMSI     |          |
| <b>Detailed Comments:</b>  |               |          |

| Structured Type Constraint                                                                 |                              |          |
|--------------------------------------------------------------------------------------------|------------------------------|----------|
| <b>Constraint Name:</b>                                                                    | Tmsi_r01                     |          |
| <b>Structured Type:</b>                                                                    | TMSI                         |          |
| <b>Derivation Path:</b>                                                                    |                              |          |
| <b>Comments:</b>                                                                           |                              |          |
| Element Name                                                                               | Element Value                | Comments |
| iei                                                                                        | -                            |          |
| tmsi_val                                                                                   | OC_IncTmsi(TSPX_TMSI, '01'O) |          |
| <b>Detailed Comments:</b> Note: the TSPX_TMSI + '01'O shall not be identical to TSPX_TMSI1 |                              |          |

| Structured Type Constraint                                                                 |                              |          |
|--------------------------------------------------------------------------------------------|------------------------------|----------|
| <b>Constraint Name:</b>                                                                    | Tmsi_r03                     |          |
| <b>Structured Type:</b>                                                                    | TMSI                         |          |
| <b>Derivation Path:</b>                                                                    |                              |          |
| <b>Comments:</b>                                                                           |                              |          |
| Element Name                                                                               | Element Value                | Comments |
| iei                                                                                        | -                            |          |
| tmsi_val                                                                                   | OC_IncTmsi(TSPX_TMSI, '02'O) |          |
| <b>Detailed Comments:</b> Note: the TSPX_TMSI + '02'O shall not be identical to TSPX_TMSI1 |                              |          |

| Structured Type Constraint                                                                 |                              |          |
|--------------------------------------------------------------------------------------------|------------------------------|----------|
| <b>Constraint Name:</b>                                                                    | Tmsi_r04                     |          |
| <b>Structured Type:</b>                                                                    | TMSI                         |          |
| <b>Derivation Path:</b>                                                                    |                              |          |
| <b>Comments:</b>                                                                           |                              |          |
| Element Name                                                                               | Element Value                | Comments |
| iei                                                                                        | -                            |          |
| tmsi_val                                                                                   | OC_IncTmsi(TSPX_TMSI, '03'O) |          |
| <b>Detailed Comments:</b> Note: the TSPX_TMSI + '03'O shall not be identical to TSPX_TMSI1 |                              |          |

| Structured Type Constraint                                                                 |                              |          |
|--------------------------------------------------------------------------------------------|------------------------------|----------|
| <b>Constraint Name:</b>                                                                    | Tmsi_r05                     |          |
| <b>Structured Type:</b>                                                                    | TMSI                         |          |
| <b>Derivation Path:</b>                                                                    |                              |          |
| <b>Comments:</b>                                                                           |                              |          |
| Element Name                                                                               | Element Value                | Comments |
| iei                                                                                        | -                            |          |
| tmsi_val                                                                                   | OC_IncTmsi(TSPX_TMSI, '04'O) |          |
| <b>Detailed Comments:</b> Note: the TSPX_TMSI + '04'O shall not be identical to TSPX_TMSI1 |                              |          |

| Structured Type Constraint |               |          |
|----------------------------|---------------|----------|
| <b>Constraint Name:</b>    | TonNpi_01     |          |
| <b>Structured Type:</b>    | TON_NPI       |          |
| <b>Derivation Path:</b>    |               |          |
| <b>Comments:</b>           |               |          |
| Element Name               | Element Value | Comments |
| extb                       | '0'B          |          |
| ton                        | '000'B        |          |
| npi                        | '0000'B       |          |
| <b>Detailed Comments:</b>  |               |          |

| Structured Type Constraint |               |          |
|----------------------------|---------------|----------|
| <b>Constraint Name:</b>    | TonNpi_02     |          |
| <b>Structured Type:</b>    | TON_NPI       |          |
| <b>Derivation Path:</b>    |               |          |
| <b>Comments:</b>           |               |          |
| Element Name               | Element Value | Comments |
| extb                       | '1'B          |          |
| ton                        | '000'B        |          |
| npi                        | '0000'B       |          |
| <b>Detailed Comments:</b>  |               |          |

| Structured Type Constraint |               |          |
|----------------------------|---------------|----------|
| <b>Constraint Name:</b>    | TonNpi_03     |          |
| <b>Structured Type:</b>    | TON_NPI       |          |
| <b>Derivation Path:</b>    |               |          |
| <b>Comments:</b>           |               |          |
| Element Name               | Element Value | Comments |
| extb                       | '1'B          |          |
| ton                        | '001'B        |          |
| npi                        | '0001'B       |          |
| <b>Detailed Comments:</b>  |               |          |

| Structured Type Constraint |               |          |
|----------------------------|---------------|----------|
| <b>Constraint Name:</b>    | TonNpi_04     |          |
| <b>Structured Type:</b>    | TON_NPI       |          |
| <b>Derivation Path:</b>    |               |          |
| <b>Comments:</b>           |               |          |
| Element Name               | Element Value | Comments |
| extb                       | '1'B          |          |
| ton                        | ?             |          |
| npi                        | ?             |          |
| <b>Detailed Comments:</b>  |               |          |

| Structured Type Constraint |                                                 |          |
|----------------------------|-------------------------------------------------|----------|
| <b>Constraint Name:</b>    | UnknownIE_01                                    |          |
| <b>Structured Type:</b>    | UNKWN                                           |          |
| <b>Derivation Path:</b>    |                                                 |          |
| <b>Comments:</b>           | An invalid IE coded as comprehension required . |          |
| Element Name               | Element Value                                   | Comments |
| iei                        | '00000000'B                                     |          |
| iel                        | '01'O                                           |          |
| contents                   | '54'O                                           |          |
| <b>Detailed Comments:</b>  |                                                 |          |

| Structured Type Constraint |                                     |          |
|----------------------------|-------------------------------------|----------|
| <b>Constraint Name:</b>    | UnknownIE_02                        |          |
| <b>Structured Type:</b>    | UNKWN                               |          |
| <b>Derivation Path:</b>    |                                     |          |
| <b>Comments:</b>           | An invalid FIE coded as unknown IE. |          |
| Element Name               | Element Value                       | Comments |
| iei                        | '01001100'B                         |          |
| iel                        | '01'O                               |          |
| contents                   | 'FF'O                               |          |
| <b>Detailed Comments:</b>  |                                     |          |

| Structured Type Constraint |                   |          |
|----------------------------|-------------------|----------|
| <b>Constraint Name:</b>    | UnknownIE         |          |
| <b>Structured Type:</b>    | CHD               |          |
| <b>Derivation Path:</b>    |                   |          |
| <b>Comments:</b>           | used as unkown IE |          |
| Element Name               | Element Value     | Comments |
| iei                        | '01101001'B       |          |
| cht_schn                   | '00000'B          |          |
| tn                         | '010'B            |          |
| tsc                        | '101'B            |          |
| hch                        | '1'B              |          |
| maio                       | '001100'B         |          |
| hsn                        | '101010'B         |          |
| spr                        | -                 |          |
| arfcn                      | -                 |          |
| <b>Detailed Comments:</b>  |                   |          |

| Structured Type Constraint |                                                                                   |          |
|----------------------------|-----------------------------------------------------------------------------------|----------|
| <b>Constraint Name:</b>    | CpData_01(tpoa1, rpoa_mt:BCDN; rpmr: MR; timezone:TZONES)                         |          |
| <b>Structured Type:</b>    | CPDATA                                                                            |          |
| <b>Derivation Path:</b>    |                                                                                   |          |
| <b>Comments:</b>           |                                                                                   |          |
| Element Name               | Element Value                                                                     | Comments |
| iei                        | -                                                                                 |          |
| iel                        | OC_IntToOct(( 159 +<br>OC_LengthOfBCDN( toa1) +<br>OC_LengthOfBCDN( rpoa_mt)), 1) |          |
| rpack                      | -                                                                                 |          |
| rpdata                     | RpData_01( rpoa_mt, toa1, rpmr,<br>timezone)                                      |          |
| rperr                      | -                                                                                 |          |
| rpsmma                     | -                                                                                 |          |
| <b>Detailed Comments:</b>  |                                                                                   |          |

| Structured Type Constraint |                     |          |
|----------------------------|---------------------|----------|
| <b>Constraint Name:</b>    | CpData_02(rpmr: MR) |          |
| <b>Structured Type:</b>    | CPDATA              |          |
| <b>Derivation Path:</b>    |                     |          |
| <b>Comments:</b>           |                     |          |
| Element Name               | Element Value       | Comments |
| iei                        | -                   |          |
| iel                        | ?                   |          |
| rpack                      | RpAck_01(rpmr)      |          |
| rpdata                     | -                   |          |
| rperr                      | -                   |          |
| rpsmma                     | -                   |          |
| <b>Detailed Comments:</b>  |                     |          |

| Structured Type Constraint |                       |          |
|----------------------------|-----------------------|----------|
| <b>Constraint Name:</b>    | CpData_03(rpd:RPDATA) |          |
| <b>Structured Type:</b>    | CPDATA                |          |
| <b>Derivation Path:</b>    |                       |          |
| <b>Comments:</b>           |                       |          |
| Element Name               | Element Value         | Comments |
| iei                        | -                     |          |
| iel                        | ?                     |          |
| rpack                      | -                     |          |
| rpdata                     | rpd                   |          |
| rperr                      | -                     |          |
| rpsmma                     | -                     |          |
| <b>Detailed Comments:</b>  |                       |          |

| Structured Type Constraint |                     |          |
|----------------------------|---------------------|----------|
| <b>Constraint Name:</b>    | CpData_04(rpmr: MR) |          |
| <b>Structured Type:</b>    | CPDATA              |          |
| <b>Derivation Path:</b>    |                     |          |
| <b>Comments:</b>           |                     |          |
| Element Name               | Element Value       | Comments |
| iei                        | -                   |          |
| iel                        | '02'O               |          |
| rpack                      | RpAck_02(rpmr)      |          |
| rpdata                     | -                   |          |
| rperr                      | -                   |          |
| rpsmma                     | -                   |          |
| <b>Detailed Comments:</b>  |                     |          |

| Structured Type Constraint |                                                                            |          |
|----------------------------|----------------------------------------------------------------------------|----------|
| <b>Constraint Name:</b>    | CpData_05(tpoa1, rpoa_mt:BCDN; rpmr: MR; timezone:TZONES)                  |          |
| <b>Structured Type:</b>    | CPDATA                                                                     |          |
| <b>Derivation Path:</b>    |                                                                            |          |
| <b>Comments:</b>           |                                                                            |          |
| Element Name               | Element Value                                                              | Comments |
| iei                        | -                                                                          |          |
| iel                        | OC_IntToOct((159 + OC_LengthOfBCDN(tpoa1) + OC_LengthOfBCDN( rpoa_mt)), 1) |          |
| rpack                      | -                                                                          |          |
| rpdata                     | RpData_05( rpoa_mt, topa1, rpmr, timezone)                                 |          |
| rperr                      | -                                                                          |          |
| rpsmma                     | -                                                                          |          |
| <b>Detailed Comments:</b>  |                                                                            |          |

| Structured Type Constraint |                                                                            |          |
|----------------------------|----------------------------------------------------------------------------|----------|
| <b>Constraint Name:</b>    | CpData_06(tpoa1, rpoa_mt:BCDN; rpmr: MR; timezone:TZONES)                  |          |
| <b>Structured Type:</b>    | CPDATA                                                                     |          |
| <b>Derivation Path:</b>    |                                                                            |          |
| <b>Comments:</b>           |                                                                            |          |
| Element Name               | Element Value                                                              | Comments |
| iei                        | -                                                                          |          |
| iel                        | OC_IntToOct((159 + OC_LengthOfBCDN(tpoa1) + OC_LengthOfBCDN( rpoa_mt)), 1) |          |
| rpack                      | -                                                                          |          |
| rpdata                     | RpData_06( rpoa_mt, topa1, rpmr, timezone)                                 |          |
| rperr                      | -                                                                          |          |
| rpsmma                     | -                                                                          |          |
| <b>Detailed Comments:</b>  |                                                                            |          |

| Structured Type Constraint |                                       |          |
|----------------------------|---------------------------------------|----------|
| <b>Constraint Name:</b>    | CpData_07(rpmr: MR)                   |          |
| <b>Structured Type:</b>    | CPDATA                                |          |
| <b>Derivation Path:</b>    |                                       |          |
| <b>Comments:</b>           | RP Error: Protocol Error, unspecified |          |
| Element Name               | Element Value                         | Comments |
| iei                        | -                                     |          |
| iel                        | ?                                     |          |
| rpack                      | -                                     |          |
| rpdata                     | -                                     |          |
| rperr                      | RpError_01(rpmr)                      |          |
| rpsmma                     | -                                     |          |
| <b>Detailed Comments:</b>  |                                       |          |

| Structured Type Constraint |                                      |          |
|----------------------------|--------------------------------------|----------|
| <b>Constraint Name:</b>    | CpData_08(rpmr: MR)                  |          |
| <b>Structured Type:</b>    | CPDATA                               |          |
| <b>Derivation Path:</b>    |                                      |          |
| <b>Comments:</b>           | RP Error: Memory Capability Exceeded |          |
| Element Name               | Element Value                        | Comments |
| iei                        | -                                    |          |
| iel                        | ?                                    |          |
| rpack                      | -                                    |          |
| rpdata                     | -                                    |          |
| rperr                      | RpError_02(rpmr)                     |          |
| rpsmma                     | -                                    |          |
| <b>Detailed Comments:</b>  |                                      |          |

| Structured Type Constraint |               |          |
|----------------------------|---------------|----------|
| <b>Constraint Name:</b>    | CpData_09     |          |
| <b>Structured Type:</b>    | CPDATA        |          |
| <b>Derivation Path:</b>    |               |          |
| <b>Comments:</b>           | RP_SMAA       |          |
| Element Name               | Element Value | Comments |
| iei                        | -             |          |
| iel                        | ?             |          |
| rpack                      | -             |          |
| rpdata                     | -             |          |
| rperr                      | -             |          |
| rpsmma                     | RpSMMA_01     |          |
| <b>Detailed Comments:</b>  |               |          |

| Structured Type Constraint |                                                                                    |          |
|----------------------------|------------------------------------------------------------------------------------|----------|
| <b>Constraint Name:</b>    | CpData_10(tpoa1, rpoa_mt:BCDN; rpmr: MR; timezone:TZONES)                          |          |
| <b>Structured Type:</b>    | CPDATA                                                                             |          |
| <b>Derivation Path:</b>    |                                                                                    |          |
| <b>Comments:</b>           |                                                                                    |          |
| Element Name               | Element Value                                                                      | Comments |
| iei                        | -                                                                                  |          |
| iel                        | OC_IntToOct(( 159 +<br>OC_LengthOfBCDN( tpoa1) +<br>OC_LengthOfBCDN( rpoa_mt)), 1) |          |
| rpack                      | -                                                                                  |          |
| rpdata                     | RpData_07( rpoa_mt, tpoa1, rpmr,<br>timezone)                                      |          |
| rperr                      | -                                                                                  |          |
| rpsmma                     | -                                                                                  |          |
| <b>Detailed Comments:</b>  |                                                                                    |          |



| Structured Type Constraint |                                                                           |          |
|----------------------------|---------------------------------------------------------------------------|----------|
| <b>Constraint Name:</b>    | CpData_12(tpda, rpoa_mt:BCDN; tpmr: MR; rpmr: MR; timezone:TZONES)        |          |
| <b>Structured Type:</b>    | CPDATA                                                                    |          |
| <b>Derivation Path:</b>    |                                                                           |          |
| <b>Comments:</b>           | n -> ms, RP DATA(SMS-STATUS-REPORT)                                       |          |
| Element Name               | Element Value                                                             | Comments |
| iei                        | -                                                                         |          |
| iel                        | OC_IntToOct(( 25 + OC_LengthOfBCDN(tpda) + OC_LengthOfBCDN( rpoa_mt)), 1) |          |
| rpack                      | -                                                                         |          |
| rpdata                     | RpData_09( rpoa_mt, tpda, tpmr, rpmr, timezone)                           |          |
| rperr                      | -                                                                         |          |
| rpsmma                     | -                                                                         |          |
| <b>Detailed Comments:</b>  |                                                                           |          |

| Structured Type Constraint |                                                                                                    |          |
|----------------------------|----------------------------------------------------------------------------------------------------|----------|
| <b>Constraint Name:</b>    | CpData_15(tpoa1: BCDN; rpoa_mt: BCDN; smtype: INTEGER; text: IA5String; rpmr: MR; timezone:TZONES) |          |
| <b>Structured Type:</b>    | CPDATA                                                                                             |          |
| <b>Derivation Path:</b>    |                                                                                                    |          |
| <b>Comments:</b>           |                                                                                                    |          |
| Element Name               | Element Value                                                                                      | Comments |
| iei                        | -                                                                                                  |          |
| iel                        | OC_IntToOct(( 159 + OC_LengthOfBCDN( tpoa1) + OC_LengthOfBCDN( rpoa_mt)), 1)                       |          |
| rpack                      | -                                                                                                  |          |
| rpdata                     | RpData_12( tpoa1, rpoa_mt, smtype, text, rpmr, timezone)                                           |          |
| rperr                      | -                                                                                                  |          |
| rpsmma                     | -                                                                                                  |          |
| <b>Detailed Comments:</b>  |                                                                                                    |          |

| Structured Type Constraint |                                                                                   |          |
|----------------------------|-----------------------------------------------------------------------------------|----------|
| <b>Constraint Name:</b>    | CpData_16(tpoa1: BCDN; rpoa_mt: BCDN; text: IA5String; rpmr: MR; timezone:TZONES) |          |
| <b>Structured Type:</b>    | CPDATA                                                                            |          |
| <b>Derivation Path:</b>    |                                                                                   |          |
| <b>Comments:</b>           |                                                                                   |          |
| Element Name               | Element Value                                                                     | Comments |
| iei                        | -                                                                                 |          |
| iel                        | OC_IntToOct(( 159 + OC_LengthOfBCDN( tpoa1) + OC_LengthOfBCDN( rpoa_mt)), 1)      |          |
| rpack                      | -                                                                                 |          |
| rpdata                     | RpData_13( tpoa1, rpoa_mt, text, rpmr, timezone)                                  |          |
| rperr                      | -                                                                                 |          |
| rpsmma                     | -                                                                                 |          |
| <b>Detailed Comments:</b>  |                                                                                   |          |

| Structured Type Constraint |                                       |          |
|----------------------------|---------------------------------------|----------|
| <b>Constraint Name:</b>    | CpData_17(tpda,rpda:BCDN; tpud: TPUD) |          |
| <b>Structured Type:</b>    | CPDATA                                |          |
| <b>Derivation Path:</b>    |                                       |          |
| <b>Comments:</b>           |                                       |          |
| Element Name               | Element Value                         | Comments |
| iei                        | -                                     |          |
| iel                        | ?                                     |          |
| rpack                      | -                                     |          |
| rpdata                     | RpData_14(tpda, rpda,tpud)            |          |
| rperr                      | -                                     |          |
| rpsmma                     | -                                     |          |
| <b>Detailed Comments:</b>  |                                       |          |

| Structured Type Constraint |                                                           |          |
|----------------------------|-----------------------------------------------------------|----------|
| <b>Constraint Name:</b>    | RpData_01(rpoa_mt, tpoa1:BCDN; rpmr: MR; timezone:TZONES) |          |
| <b>Structured Type:</b>    | RPDATA                                                    |          |
| <b>Derivation Path:</b>    |                                                           |          |
| <b>Comments:</b>           | n->ms                                                     |          |
| Element Name               | Element Value                                             | Comments |
| sprb                       | '00000'B                                                  |          |
| rpmti                      | '001'B                                                    |          |
| rpmr                       | rpmr                                                      |          |
| rpOaddr                    | RpOrigAddr_01(rpoa_mt)                                    |          |
| rpDaddr                    | RpDestAddr_01                                             |          |
| rpusrdat                   | RpUsrData_01(tpoa1, timezone)                             |          |
| <b>Detailed Comments:</b>  |                                                           |          |

| Structured Type Constraint |               |          |
|----------------------------|---------------|----------|
| <b>Constraint Name:</b>    | RpData_03     |          |
| <b>Structured Type:</b>    | RPDATA        |          |
| <b>Derivation Path:</b>    |               |          |
| <b>Comments:</b>           | ms->n         |          |
| Element Name               | Element Value | Comments |
| sprb                       | '00000'B      |          |
| rpmti                      | '000'B        |          |
| rpmr                       | ?             |          |
| rpOaddr                    | RpOrigAddr_02 |          |
| rpDaddr                    | RpDestAddr_02 |          |
| rpusrdat                   | RpUsrData_02  |          |
| <b>Detailed Comments:</b>  |               |          |

| Structured Type Constraint |                                                           |          |
|----------------------------|-----------------------------------------------------------|----------|
| <b>Constraint Name:</b>    | RpData_05(rpoa_mt, tpoa1:BCDN; rpmr: MR; timezone:TZONES) |          |
| <b>Structured Type:</b>    | RPDATA                                                    |          |
| <b>Derivation Path:</b>    |                                                           |          |
| <b>Comments:</b>           | n->ms                                                     |          |
| Element Name               | Element Value                                             | Comments |
| sprb                       | '00000'B                                                  |          |
| rpmti                      | '001'B                                                    |          |
| rpmr                       | rpmr                                                      |          |
| rpOaddr                    | RpOrigAddr_01(rpoa_mt)                                    |          |
| rpDaddr                    | RpDestAddr_01                                             |          |
| rpusrdat                   | RpUsrData_03(tpoa1, timezone)                             |          |
| <b>Detailed Comments:</b>  |                                                           |          |

| Structured Type Constraint |                                                           |          |
|----------------------------|-----------------------------------------------------------|----------|
| <b>Constraint Name:</b>    | RpData_06(rpoa_mt, tpoa1:BCDN; rpmr: MR; timezone:TZONES) |          |
| <b>Structured Type:</b>    | RPDATA                                                    |          |
| <b>Derivation Path:</b>    |                                                           |          |
| <b>Comments:</b>           | n->ms                                                     |          |
| Element Name               | Element Value                                             | Comments |
| sprb                       | '00000'B                                                  |          |
| rpmti                      | '001'B                                                    |          |
| rpmr                       | rpmr                                                      |          |
| rpOaddr                    | RpOrigAddr_01(rpoa_mt)                                    |          |
| rpDaddr                    | RpDestAddr_01                                             |          |
| rpusrdat                   | RpUsrData_04(tpoa1, timezone)                             |          |
| <b>Detailed Comments:</b>  |                                                           |          |

| Structured Type Constraint |                                                            |          |
|----------------------------|------------------------------------------------------------|----------|
| <b>Constraint Name:</b>    | RpData_07( rpoa_mt, tpoa1:BCDN; rpmr: MR; timezone:TZONES) |          |
| <b>Structured Type:</b>    | RPDATA                                                     |          |
| <b>Derivation Path:</b>    |                                                            |          |
| <b>Comments:</b>           | n->ms                                                      |          |
| Element Name               | Element Value                                              | Comments |
| sprb                       | '00000'B                                                   |          |
| rpmti                      | '001'B                                                     |          |
| rpmr                       | rpmr                                                       |          |
| rpOaddr                    | RpOrigAddr_01(rpoa_mt)                                     |          |
| rpDaddr                    | RpDestAddr_01                                              |          |
| rpusrdat                   | RpUsrData_05(tpoa1, timezone)                              |          |
| <b>Detailed Comments:</b>  |                                                            |          |

| Structured Type Constraint |                                |          |
|----------------------------|--------------------------------|----------|
| <b>Constraint Name:</b>    | RpData_08                      |          |
| <b>Structured Type:</b>    | RPDATA                         |          |
| <b>Derivation Path:</b>    |                                |          |
| <b>Comments:</b>           | ms->n, status report requested |          |
| Element Name               | Element Value                  | Comments |
| sprb                       | '00000'B                       |          |
| rpmti                      | '000'B                         |          |
| rpmr                       | ?                              |          |
| rpOaddr                    | RpOrigAddr_02                  |          |
| rpDaddr                    | RpDestAddr_02                  |          |
| rpusrdat                   | RpUsrData_06                   |          |
| <b>Detailed Comments:</b>  |                                |          |

| Structured Type Constraint |                                                                    |          |
|----------------------------|--------------------------------------------------------------------|----------|
| <b>Constraint Name:</b>    | RpData_09(rpoa_mt, tpda:BCDN; tpmr: MR; rpmr: MR; timezone:TZONES) |          |
| <b>Structured Type:</b>    | RPDATA                                                             |          |
| <b>Derivation Path:</b>    |                                                                    |          |
| <b>Comments:</b>           | n->ms, RP DATA(SMS-STATUS-REPORT)                                  |          |
| Element Name               | Element Value                                                      | Comments |
| sprb                       | '00000'B                                                           |          |
| rpmti                      | '001'B                                                             |          |
| rpmr                       | rpmr                                                               |          |
| rpOaddr                    | RpOrigAddr_01(rpoa_mt)                                             |          |
| rpDaddr                    | RpDestAddr_01                                                      |          |
| rpusrdat                   | RpUsrData_07(tpda, tpmr, timezone)                                 |          |
| <b>Detailed Comments:</b>  |                                                                    |          |

| Structured Type Constraint |                                           |          |
|----------------------------|-------------------------------------------|----------|
| <b>Constraint Name:</b>    | RpData_11(rpmr: MR; tpcom:SMCMD)          |          |
| <b>Structured Type:</b>    | RPDATA                                    |          |
| <b>Derivation Path:</b>    |                                           |          |
| <b>Comments:</b>           | ms->n, RP data( SMS-COMMAND( Delete))     |          |
| Element Name               | Element Value                             | Comments |
| sprb                       | '00000'B                                  |          |
| rpmti                      | '000'B                                    |          |
| rpmr                       | OC_IntToOct(( OC_OctToInt( rpmr) + 1), 1) |          |
| rpOaddr                    | RpOrigAddr_02                             |          |
| rpDaddr                    | RpDestAddr_02                             |          |
| rpusrdat                   | RpUsrData_09( tpcom)                      |          |
| <b>Detailed Comments:</b>  |                                           |          |

| Structured Type Constraint |                                                                                                    |          |
|----------------------------|----------------------------------------------------------------------------------------------------|----------|
| <b>Constraint Name:</b>    | RpData_12(tpoa1: BCDN; rpoa_mt: BCDN; smtype: INTEGER; text: IA5String; rpmr: MR; timezone:TZONES) |          |
| <b>Structured Type:</b>    | RPDATA                                                                                             |          |
| <b>Derivation Path:</b>    |                                                                                                    |          |
| <b>Comments:</b>           | n->ms                                                                                              |          |
| Element Name               | Element Value                                                                                      | Comments |
| sprb                       | '00000'B                                                                                           |          |
| rpmti                      | '001'B                                                                                             |          |
| rpmr                       | rpmr                                                                                               |          |
| rpOaddr                    | RpOrigAddr_03(rpoa_mt)                                                                             |          |
| rpDaddr                    | RpDestAddr_01                                                                                      |          |
| rpusrdat                   | RpUsrData_10(tpoa1, smtype, text, timezone)                                                        |          |
| <b>Detailed Comments:</b>  |                                                                                                    |          |

| Structured Type Constraint |                                                                                  |          |
|----------------------------|----------------------------------------------------------------------------------|----------|
| <b>Constraint Name:</b>    | RpData_13(tpoa: BCDN; rpoa_mt: BCDN; text: IA5String; rpmr: MR; timezone:TZONES) |          |
| <b>Structured Type:</b>    | RPDATA                                                                           |          |
| <b>Derivation Path:</b>    |                                                                                  |          |
| <b>Comments:</b>           | n->ms                                                                            |          |
| Element Name               | Element Value                                                                    | Comments |
| sprb                       | '00000'B                                                                         |          |
| rpmti                      | '001'B                                                                           |          |
| rpmr                       | rpmr                                                                             |          |
| rpOaddr                    | RpOrigAddr_03(rpoa_mt)                                                           |          |
| rpDaddr                    | RpDestAddr_01                                                                    |          |
| rpusrdat                   | RpUsrData_11(tpoa, text, timezone)                                               |          |
| <b>Detailed Comments:</b>  |                                                                                  |          |

| Structured Type Constraint |                                               |          |
|----------------------------|-----------------------------------------------|----------|
| <b>Constraint Name:</b>    | RpData_14(tpda: BCDN; rpda: BCDN; tpud: TPUD) |          |
| <b>Structured Type:</b>    | RPDATA                                        |          |
| <b>Derivation Path:</b>    |                                               |          |
| <b>Comments:</b>           | ms->n                                         |          |
| Element Name               | Element Value                                 | Comments |
| sprb                       | '00000'B                                      |          |
| rpmti                      | '000'B                                        |          |
| rpmr                       | ?                                             |          |
| rpOaddr                    | RpOrigAddr_02                                 |          |
| rpDaddr                    | RpDestAddr_03(rpda)                           |          |
| rpusrdat                   | RpUsrData_12(tpda,tpud)                       |          |
| <b>Detailed Comments:</b>  |                                               |          |

| Structured Type Constraint |                    |          |
|----------------------------|--------------------|----------|
| <b>Constraint Name:</b>    | RpAck_01(rpmr: MR) |          |
| <b>Structured Type:</b>    | RPACK              |          |
| <b>Derivation Path:</b>    |                    |          |
| <b>Comments:</b>           | ms->n              |          |
| Element Name               | Element Value      | Comments |
| sprb                       | '00000'B           |          |
| rpmti                      | '010'B             |          |
| rpmr                       | rpmr               |          |
| <b>Detailed Comments:</b>  |                    |          |

| Structured Type Constraint |                    |          |
|----------------------------|--------------------|----------|
| <b>Constraint Name:</b>    | RpAck_02(rpmr: MR) |          |
| <b>Structured Type:</b>    | RPACK              |          |
| <b>Derivation Path:</b>    |                    |          |
| <b>Comments:</b>           | RP_ACK n->ms       |          |
| Element Name               | Element Value      | Comments |
| sprb                       | '00000'B           |          |
| rpmti                      | '011'B             |          |
| rpmr                       | rpmr               |          |
| <b>Detailed Comments:</b>  |                    |          |

| Structured Type Constraint |                             |          |
|----------------------------|-----------------------------|----------|
| <b>Constraint Name:</b>    | RpError_01(rpmr: MR)        |          |
| <b>Structured Type:</b>    | RPERR                       |          |
| <b>Derivation Path:</b>    |                             |          |
| <b>Comments:</b>           | Protocol error, unspecified |          |
| Element Name               | Element Value               | Comments |
| sprb                       | '00000'B                    |          |
| rpmti                      | '100'B                      |          |
| rpmr                       | rpmr                        |          |
| rpcau                      | RpCause_01                  |          |
| rpusrdat                   | -                           |          |
| <b>Detailed Comments:</b>  |                             |          |

| Structured Type Constraint |                          |          |
|----------------------------|--------------------------|----------|
| <b>Constraint Name:</b>    | RpError_02(rpmr: MR)     |          |
| <b>Structured Type:</b>    | RPERR                    |          |
| <b>Derivation Path:</b>    |                          |          |
| <b>Comments:</b>           | Memory Capacity Exceeded |          |
| Element Name               | Element Value            | Comments |
| sprb                       | '00000'B                 |          |
| rpmti                      | '100'B                   |          |
| rpmr                       | rpmr                     |          |
| rpcau                      | RpCause_02               |          |
| rpusrdat                   | -                        |          |
| <b>Detailed Comments:</b>  |                          |          |

| Structured Type Constraint |                                                       |          |
|----------------------------|-------------------------------------------------------|----------|
| <b>Constraint Name:</b>    | RpCause_01                                            |          |
| <b>Structured Type:</b>    | RPCAU                                                 |          |
| <b>Derivation Path:</b>    |                                                       |          |
| <b>Comments:</b>           | ms->n, Protocol error, unspecified, cuase number 111. |          |
| Element Name               | Element Value                                         | Comments |
| iei                        | -                                                     |          |
| iel                        | ?                                                     |          |
| extb2                      | '0'B                                                  |          |
| rpcau_class                | '110'B                                                |          |
| rpcau_va                   | '1111'B                                               |          |
| rpcau_di                   | *                                                     |          |
| <b>Detailed Comments:</b>  |                                                       |          |

| Structured Type Constraint |                                                   |          |
|----------------------------|---------------------------------------------------|----------|
| <b>Constraint Name:</b>    | RpCause_02                                        |          |
| <b>Structured Type:</b>    | RPCAU                                             |          |
| <b>Derivation Path:</b>    |                                                   |          |
| <b>Comments:</b>           | ms->n, Memory Capacity Exceeded, cause number 22. |          |
| Element Name               | Element Value                                     | Comments |
| iei                        | -                                                 |          |
| iel                        | ?                                                 |          |
| extb2                      | '0'B                                              |          |
| rpcau_class                | '001'B                                            |          |
| rpcau_va                   | '0110'B                                           |          |
| rpcau_di                   | *                                                 |          |
| <b>Detailed Comments:</b>  |                                                   |          |

| Structured Type Constraint |               |          |
|----------------------------|---------------|----------|
| <b>Constraint Name:</b>    | RpSMMA_01     |          |
| <b>Structured Type:</b>    | RPSMMA        |          |
| <b>Derivation Path:</b>    |               |          |
| <b>Comments:</b>           | ms->n         |          |
| Element Name               | Element Value | Comments |
| sprb                       | '00000'B      |          |
| rpmti                      | '110'B        |          |
| rpmr                       | ?             |          |
| <b>Detailed Comments:</b>  |               |          |

| Structured Type Constraint |                                                     |          |
|----------------------------|-----------------------------------------------------|----------|
| <b>Constraint Name:</b>    | RpUsrData_01(tpoa1:BCDN; timezone:TZONES)           |          |
| <b>Structured Type:</b>    | RPUSRDAT                                            |          |
| <b>Derivation Path:</b>    |                                                     |          |
| <b>Comments:</b>           |                                                     |          |
| Element Name               | Element Value                                       | Comments |
| iei                        | -                                                   |          |
| iel                        | OC_IntToOct(( 153 +<br>OC_LengthOfBCDN( tpoa1)), 1) |          |
| tpdeliver                  | TpDeliver_01( tpoa1, timezone)                      |          |
| tpsubmit                   | -                                                   |          |
| tpstatus_rpt               | -                                                   |          |
| tpcommand                  | -                                                   |          |
| tpdlvr_sbmt_rpt            | -                                                   |          |
| <b>Detailed Comments:</b>  |                                                     |          |

| Structured Type Constraint |               |          |
|----------------------------|---------------|----------|
| <b>Constraint Name:</b>    | RpUsrData_02  |          |
| <b>Structured Type:</b>    | RPUSRDAT      |          |
| <b>Derivation Path:</b>    |               |          |
| <b>Comments:</b>           |               |          |
| Element Name               | Element Value | Comments |
| iei                        | -             |          |
| iel                        | ?             |          |
| tpdeliver                  | -             |          |
| tpsubmit                   | TpSubmit_01   |          |
| tpstatus_rpt               | -             |          |
| tpcommand                  | -             |          |
| tpdlvr_sbmt_rpt            | -             |          |
| <b>Detailed Comments:</b>  |               |          |

| Structured Type Constraint |                                                  |          |
|----------------------------|--------------------------------------------------|----------|
| <b>Constraint Name:</b>    | RpUsrData_03(tpoa1:BCDN; timezone:TZONES)        |          |
| <b>Structured Type:</b>    | RPUSRDAT                                         |          |
| <b>Derivation Path:</b>    |                                                  |          |
| <b>Comments:</b>           |                                                  |          |
| Element Name               | Element Value                                    | Comments |
| iei                        | -                                                |          |
| iel                        | OC_IntToOct((153+OC_LengthOfBCDN(t<br>poa1)), 1) |          |
| tpdeliver                  | TpDeliver_02(tpoa1, timezone)                    |          |
| tpsubmit                   | -                                                |          |
| tpstatus_rpt               | -                                                |          |
| tpcommand                  | -                                                |          |
| tpdlvr_sbmt_rpt            | -                                                |          |
| <b>Detailed Comments:</b>  |                                                  |          |

| Structured Type Constraint |                                                     |          |
|----------------------------|-----------------------------------------------------|----------|
| <b>Constraint Name:</b>    | RpUsrData_04(tpoa1:BCDN; timezone:TZONES)           |          |
| <b>Structured Type:</b>    | RPUSRDAT                                            |          |
| <b>Derivation Path:</b>    |                                                     |          |
| <b>Comments:</b>           |                                                     |          |
| Element Name               | Element Value                                       | Comments |
| iei                        | -                                                   |          |
| iel                        | OC_IntToOct(( 153 +<br>OC_LengthOfBCDN( tpoa1)), 1) |          |
| tpdeliver                  | TpDeliver_03(tpoa1, timezone)                       |          |
| tpsubmit                   | -                                                   |          |
| tpstatus_rpt               | -                                                   |          |
| tpcommand                  | -                                                   |          |
| tpdlvr_sbmt_rpt            | -                                                   |          |
| <b>Detailed Comments:</b>  |                                                     |          |

| Structured Type Constraint |                                                  |          |
|----------------------------|--------------------------------------------------|----------|
| <b>Constraint Name:</b>    | RpUsrData_05(tpoa1:BCDN; timezone:TZONES)        |          |
| <b>Structured Type:</b>    | RPUSRDAT                                         |          |
| <b>Derivation Path:</b>    |                                                  |          |
| <b>Comments:</b>           |                                                  |          |
| Element Name               | Element Value                                    | Comments |
| iei                        | -                                                |          |
| iel                        | OC_IntToOct((153+OC_LengthOfBCDN(t<br>poa1)), 1) |          |
| tpdeliver                  | TpDeliver_04(tpoa1, timezone)                    |          |
| tpsubmit                   | -                                                |          |
| tpstatus_rpt               | -                                                |          |
| tpcommand                  | -                                                |          |
| tpdlvr_sbmt_rpt            | -                                                |          |
| <b>Detailed Comments:</b>  |                                                  |          |

| Structured Type Constraint |               |          |
|----------------------------|---------------|----------|
| <b>Constraint Name:</b>    | RpUsrData_06  |          |
| <b>Structured Type:</b>    | RPUSRDAT      |          |
| <b>Derivation Path:</b>    |               |          |
| <b>Comments:</b>           |               |          |
| Element Name               | Element Value | Comments |
| iei                        | -             |          |
| iel                        | ?             |          |
| tpdeliver                  | -             |          |
| tpsubmit                   | TpSubmit_02   |          |
| tpstatus_rpt               | -             |          |
| tpcommand                  | -             |          |
| tpdlvr_sbmt_rpt            | -             |          |
| <b>Detailed Comments:</b>  |               |          |



| Structured Type Constraint |                                                   |          |
|----------------------------|---------------------------------------------------|----------|
| <b>Constraint Name:</b>    | RpUsrData_07( tpda:BCDN; mr: MR; timezone:TZONES) |          |
| <b>Structured Type:</b>    | RPUSRDAT                                          |          |
| <b>Derivation Path:</b>    |                                                   |          |
| <b>Comments:</b>           |                                                   |          |
| Element Name               | Element Value                                     | Comments |
| iei                        | -                                                 |          |
| iel                        | OC_IntToOct(( 19 + OC_LengthOfBCDN(tpda)), 1)     |          |
| tpdeliver                  | -                                                 |          |
| tpsubmit                   | -                                                 |          |
| tpstatus_rpt               | TpStatusReport_01( tpda, mr, timezone)            |          |
| tpcommand                  | -                                                 |          |
| tpdlvr_sbmt_rpt            | -                                                 |          |
| <b>Detailed Comments:</b>  |                                                   |          |

| Structured Type Constraint |                           |          |
|----------------------------|---------------------------|----------|
| <b>Constraint Name:</b>    | RpUsrData_09(tpcom:SMCMD) |          |
| <b>Structured Type:</b>    | RPUSRDAT                  |          |
| <b>Derivation Path:</b>    |                           |          |
| <b>Comments:</b>           | SMS-COMMAND(Delete)       |          |
| Element Name               | Element Value             | Comments |
| iei                        | -                         |          |
| iel                        | ?                         |          |
| tpdeliver                  | -                         |          |
| tpsubmit                   | -                         |          |
| tpstatus_rpt               | -                         |          |
| tpcommand                  | tpcom                     |          |
| tpdlvr_sbmt_rpt            | -                         |          |
| <b>Detailed Comments:</b>  |                           |          |

| Structured Type Constraint |                                                                              |          |
|----------------------------|------------------------------------------------------------------------------|----------|
| <b>Constraint Name:</b>    | RpUsrData_10(tpoa1: BCDN; smtype: INTEGER; text: IA5String; timezone:TZONES) |          |
| <b>Structured Type:</b>    | RPUSRDAT                                                                     |          |
| <b>Derivation Path:</b>    |                                                                              |          |
| <b>Comments:</b>           |                                                                              |          |
| Element Name               | Element Value                                                                | Comments |
| iei                        | -                                                                            |          |
| iel                        | OC_IntToOct((153+OC_LengthOfBCDN(tpoa1)), 1)                                 |          |
| tpdeliver                  | TpDeliver_05(tpoa1, smtype, text, timezone)                                  |          |
| tpsubmit                   | -                                                                            |          |
| tpstatus_rpt               | -                                                                            |          |
| tpcommand                  | -                                                                            |          |
| tpdlvr_sbmt_rpt            | -                                                                            |          |
| <b>Detailed Comments:</b>  |                                                                              |          |

| Structured Type Constraint |                                                             |          |
|----------------------------|-------------------------------------------------------------|----------|
| <b>Constraint Name:</b>    | RpUsrData_11(tpoa1: BCDN; text: IA5String; timezone:TZONES) |          |
| <b>Structured Type:</b>    | RPUSRDAT                                                    |          |
| <b>Derivation Path:</b>    |                                                             |          |
| <b>Comments:</b>           |                                                             |          |
| Element Name               | Element Value                                               | Comments |
| iei                        | -                                                           |          |
| iel                        | OC_IntToOct(((153+OC_LengthOfBCDN(tpoa1)), 1)               |          |
| tpdeliver                  | TpDeliver_06(tpoa1, text, timezone)                         |          |
| tpsubmit                   | -                                                           |          |
| tpstatus_rpt               | -                                                           |          |
| tpcommand                  | -                                                           |          |
| tpdlvr_sbmt_rpt            | -                                                           |          |
| <b>Detailed Comments:</b>  |                                                             |          |

| Structured Type Constraint |                                      |          |
|----------------------------|--------------------------------------|----------|
| <b>Constraint Name:</b>    | RpUsrData_12(tpda: BCDN; tpud: TPUD) |          |
| <b>Structured Type:</b>    | RPUSRDAT                             |          |
| <b>Derivation Path:</b>    |                                      |          |
| <b>Comments:</b>           |                                      |          |
| Element Name               | Element Value                        | Comments |
| iei                        | -                                    |          |
| iel                        | ?                                    |          |
| tpdeliver                  | -                                    |          |
| tpsubmit                   | TpSubmit_03(tpda,tpud)               |          |
| tpstatus_rpt               | -                                    |          |
| tpcommand                  | -                                    |          |
| tpdlvr_sbmt_rpt            | -                                    |          |
| <b>Detailed Comments:</b>  |                                      |          |

| Structured Type Constraint |                                           |          |
|----------------------------|-------------------------------------------|----------|
| <b>Constraint Name:</b>    | TpDeliver_01(tpoa1:BCDN; timezone:TZONES) |          |
| <b>Structured Type:</b>    | SMDLVR                                    |          |
| <b>Derivation Path:</b>    |                                           |          |
| <b>Comments:</b>           |                                           |          |
| Element Name               | Element Value                             | Comments |
| rp                         | '0'B                                      |          |
| udhi                       | '0'B                                      |          |
| sri                        | '0'B                                      |          |
| sprb2                      | '00'B                                     |          |
| mms                        | '0'B                                      |          |
| mti                        | '00'B                                     |          |
| oa                         | SmOrigAddr_01(tpoa1)                      |          |
| pid                        | Tppid_01                                  |          |
| dcs                        | Tpdcs_01                                  |          |
| scts                       | OC_GetSCTimeStamp(timezone)               |          |
| udl                        | 'A'O                                      |          |
| ud                         | OC_ComputeSMContents(160)                 |          |
| <b>Detailed Comments:</b>  |                                           |          |

| <b>Structured Type Constraint</b> |                                           |          |
|-----------------------------------|-------------------------------------------|----------|
| <b>Constraint Name:</b>           | TpDeliver_02(tpoa1:BCDN; timezone:TZONES) |          |
| <b>Structured Type:</b>           | SMDLVR                                    |          |
| <b>Derivation Path:</b>           |                                           |          |
| <b>Comments:</b>                  |                                           |          |
| Element Name                      | Element Value                             | Comments |
| rp                                | '0'B                                      |          |
| udhi                              | '0'B                                      |          |
| sri                               | '0'B                                      |          |
| sprb2                             | '00'B                                     |          |
| mms                               | '0'B                                      |          |
| mti                               | '00'B                                     |          |
| oa                                | SmOrigAddr_01(tpoa1)                      |          |
| pid                               | Tppid_01                                  |          |
| dcs                               | Tpdcs_02                                  |          |
| scts                              | OC_GetSCTimeStamp(timezone)               |          |
| udl                               | 'A0'O                                     |          |
| ud                                | OC_ComputeSMContents(160)                 |          |
| <b>Detailed Comments:</b>         |                                           |          |

| <b>Structured Type Constraint</b> |                                           |          |
|-----------------------------------|-------------------------------------------|----------|
| <b>Constraint Name:</b>           | TpDeliver_03(tpoa1:BCDN; timezone:TZONES) |          |
| <b>Structured Type:</b>           | SMDLVR                                    |          |
| <b>Derivation Path:</b>           |                                           |          |
| <b>Comments:</b>                  |                                           |          |
| Element Name                      | Element Value                             | Comments |
| rp                                | '0'B                                      |          |
| udhi                              | '0'B                                      |          |
| sri                               | '0'B                                      |          |
| sprb2                             | '00'B                                     |          |
| mms                               | '0'B                                      |          |
| mti                               | '00'B                                     |          |
| oa                                | SmOrigAddr_01(tpoa1)                      |          |
| pid                               | Tppid_01                                  |          |
| dcs                               | Tpdcs_03                                  |          |
| scts                              | OC_GetSCTimeStamp(timezone)               |          |
| udl                               | 'A0'O                                     |          |
| ud                                | OC_ComputeSMContents(160)                 |          |
| <b>Detailed Comments:</b>         |                                           |          |

| <b>Structured Type Constraint</b> |                                           |          |
|-----------------------------------|-------------------------------------------|----------|
| <b>Constraint Name:</b>           | TpDeliver_04(tpoa1:BCDN; timezone:TZONES) |          |
| <b>Structured Type:</b>           | SMDLVR                                    |          |
| <b>Derivation Path:</b>           |                                           |          |
| <b>Comments:</b>                  |                                           |          |
| Element Name                      | Element Value                             | Comments |
| rp                                | '0'B                                      |          |
| udhi                              | '0'B                                      |          |
| sri                               | '0'B                                      |          |
| sprb2                             | '00'B                                     |          |
| mms                               | '0'B                                      |          |
| mti                               | '00'B                                     |          |
| oa                                | SmOrigAddr_01(tpoa1)                      |          |
| pid                               | Tppid_01                                  |          |
| dcs                               | Tpdcs_04                                  |          |
| scts                              | OC_GetSCTimeStamp(timezone)               |          |
| udl                               | 'A0'O                                     |          |
| ud                                | OC_ComputeSMContents(160)                 |          |
| <b>Detailed Comments:</b>         |                                           |          |

| Structured Type Constraint |                                                                             |          |
|----------------------------|-----------------------------------------------------------------------------|----------|
| <b>Constraint Name:</b>    | TpDeliver_05(tpoa: BCDN; smtype: INTEGER; text: IA5String; timezone:TZONES) |          |
| <b>Structured Type:</b>    | SMDLVR                                                                      |          |
| <b>Derivation Path:</b>    |                                                                             |          |
| <b>Comments:</b>           |                                                                             |          |
| Element Name               | Element Value                                                               | Comments |
| rp                         | '0'B                                                                        |          |
| udhi                       | '0'B                                                                        |          |
| sri                        | '0'B                                                                        |          |
| sprb2                      | '00'B                                                                       |          |
| mms                        | '1'B                                                                        |          |
| mti                        | '00'B                                                                       |          |
| oa                         | SmOrigAddr_02( tpoa)                                                        |          |
| pid                        | Tppid_02( smtype)                                                           |          |
| dcs                        | Tpdcs_01                                                                    |          |
| scts                       | OC_GetSCTimeStamp( timezone)                                                |          |
| udl                        | 'A0'O                                                                       |          |
| ud                         | OC_ComputeSMContentsSpecText( 160, text)                                    |          |
| <b>Detailed Comments:</b>  |                                                                             |          |

| Structured Type Constraint |                                                            |          |
|----------------------------|------------------------------------------------------------|----------|
| <b>Constraint Name:</b>    | TpDeliver_06(tpoa: BCDN; text: IA5String; timezone:TZONES) |          |
| <b>Structured Type:</b>    | SMDLVR                                                     |          |
| <b>Derivation Path:</b>    |                                                            |          |
| <b>Comments:</b>           |                                                            |          |
| Element Name               | Element Value                                              | Comments |
| rp                         | '1'B                                                       |          |
| udhi                       | '0'B                                                       |          |
| sri                        | '0'B                                                       |          |
| sprb2                      | '00'B                                                      |          |
| mms                        | '1'B                                                       |          |
| mti                        | '00'B                                                      |          |
| oa                         | SmOrigAddr_02( tpoa)                                       |          |
| pid                        | Tppid_01                                                   |          |
| dcs                        | Tpdcs_01                                                   |          |
| scts                       | OC_GetSCTimeStamp( timezone)                               |          |
| udl                        | 'A0'O                                                      |          |
| ud                         | OC_ComputeSMContentsSpecText( 160, text)                   |          |
| <b>Detailed Comments:</b>  |                                                            |          |

| Structured Type Constraint |               |          |
|----------------------------|---------------|----------|
| <b>Constraint Name:</b>    | TpSubmit_01   |          |
| <b>Structured Type:</b>    | SMSBMT        |          |
| <b>Derivation Path:</b>    |               |          |
| <b>Comments:</b>           |               |          |
| Element Name               | Element Value | Comments |
| rp                         | ?             |          |
| udhi                       | ?             |          |
| srr                        | ?             |          |
| vpf                        | ?             |          |
| rd                         | ?             |          |
| mti                        | '01'B         |          |
| mr                         | ?             |          |
| da                         | SmDestAddr_01 |          |
| pid                        | Tppid_01      |          |
| dcs                        | Tpdcs_01      |          |
| vp1                        | ?             |          |
| vp7                        | -             |          |
| udl                        | ?             |          |
| ud                         | ?             |          |
| <b>Detailed Comments:</b>  |               |          |

| Structured Type Constraint |                         |          |
|----------------------------|-------------------------|----------|
| <b>Constraint Name:</b>    | TpSubmit_02             |          |
| <b>Structured Type:</b>    | SMSBMT                  |          |
| <b>Derivation Path:</b>    |                         |          |
| <b>Comments:</b>           | status report requested |          |
| Element Name               | Element Value           | Comments |
| rp                         | '0'B                    |          |
| udhi                       | ?                       |          |
| srr                        | '1'B                    |          |
| vpf                        | ?                       |          |
| rd                         | ?                       |          |
| mti                        | '01'B                   |          |
| mr                         | ?                       |          |
| da                         | SmDestAddr_01           |          |
| pid                        | Tppid_01                |          |
| dcs                        | Tpdcs_01                |          |
| vp1                        | ?                       |          |
| vp7                        | -                       |          |
| udl                        | ?                       |          |
| ud                         | ?                       |          |
| <b>Detailed Comments:</b>  |                         |          |

| Structured Type Constraint |                                     |          |
|----------------------------|-------------------------------------|----------|
| <b>Constraint Name:</b>    | TpSubmit_03(tpda: BCDN; tpud: TPUD) |          |
| <b>Structured Type:</b>    | SMSBMT                              |          |
| <b>Derivation Path:</b>    |                                     |          |
| <b>Comments:</b>           |                                     |          |
| Element Name               | Element Value                       | Comments |
| rp                         | ?                                   |          |
| udhi                       | ?                                   |          |
| srr                        | ?                                   |          |
| vpf                        | '10'B                               |          |
| rd                         | ?                                   |          |
| mti                        | '01'B                               |          |
| mr                         | ?                                   |          |
| da                         | SmDestAddr_02(tpda)                 |          |
| pid                        | Tppid_01                            |          |
| dcs                        | Tpdcs_01                            |          |
| vp1                        | 'A7'O                               |          |
| vp7                        | -                                   |          |
| udl                        | ?                                   |          |
| ud                         | tpud                                |          |
| <b>Detailed Comments:</b>  |                                     |          |

| Structured Type Constraint |                                                        |          |
|----------------------------|--------------------------------------------------------|----------|
| <b>Constraint Name:</b>    | TpStatusReport_01( tpda:BCDN; mr: MR; timezone:TZONES) |          |
| <b>Structured Type:</b>    | SMST_RPT                                               |          |
| <b>Derivation Path:</b>    |                                                        |          |
| <b>Comments:</b>           |                                                        |          |
| Element Name               | Element Value                                          | Comments |
| sprb1                      | '0000'B                                                |          |
| mms                        | '1'B                                                   |          |
| mti                        | '10'B                                                  |          |
| mr                         | mr                                                     |          |
| ra                         | SmDestAddr_02( tpda)                                   |          |
| scts                       | OC_GetSCTimeStamp( timezone)                           |          |
| dt                         | OC_GetSCTimeStamp( timezone)                           |          |
| st                         | TpStatus_01                                            |          |
| <b>Detailed Comments:</b>  |                                                        |          |

| Structured Type Constraint |                                                                                                                |          |
|----------------------------|----------------------------------------------------------------------------------------------------------------|----------|
| <b>Constraint Name:</b>    | SmOrigAddr_01(tpoa1:BCDN)                                                                                      |          |
| <b>Structured Type:</b>    | TPA                                                                                                            |          |
| <b>Derivation Path:</b>    |                                                                                                                |          |
| <b>Comments:</b>           | international number coded E.164 (GSM 11.10, 34.2.1.3, specific message contents). Used in SMS-DELIVER (n->ms) |          |
| Element Name               | Element Value                                                                                                  | Comments |
| iel                        | OC_IntToOct(((OC_LengthOfBCDN(tpoa1) * 2), 1)                                                                  |          |
| tonnpi                     | TonNpi_03                                                                                                      |          |
| digits                     | tpoa1                                                                                                          |          |
| <b>Detailed Comments:</b>  |                                                                                                                |          |

| Structured Type Constraint |                                                                                                                |          |
|----------------------------|----------------------------------------------------------------------------------------------------------------|----------|
| <b>Constraint Name:</b>    | SmOrigAddr_02(tpoa: BCDN)                                                                                      |          |
| <b>Structured Type:</b>    | TPA                                                                                                            |          |
| <b>Derivation Path:</b>    |                                                                                                                |          |
| <b>Comments:</b>           | international number coded E.164 (GSM 11.10, 34.2.1.3, specific message contents). Used in SMS-DELIVER (n->ms) |          |
| Element Name               | Element Value                                                                                                  | Comments |
| iel                        | OC_IntToOct((OC_LengthOfBCDN( tpoa) * 2), 1)                                                                   |          |
| tonnpi                     | TonNpi_03                                                                                                      |          |
| digits                     | tpoa                                                                                                           |          |
| <b>Detailed Comments:</b>  |                                                                                                                |          |

| Structured Type Constraint |                                                                                                               |          |
|----------------------------|---------------------------------------------------------------------------------------------------------------|----------|
| <b>Constraint Name:</b>    | SmDestAddr_01                                                                                                 |          |
| <b>Structured Type:</b>    | TPA                                                                                                           |          |
| <b>Derivation Path:</b>    |                                                                                                               |          |
| <b>Comments:</b>           | international number coded E.164 (GSM 11.10, 34.2.1.3, specific message contents). Used in SMS-SUBMIT (ms->n) |          |
| Element Name               | Element Value                                                                                                 | Comments |
| iel                        | ?                                                                                                             |          |
| tonnpi                     | TonNpi_04                                                                                                     |          |
| digits                     | ?                                                                                                             |          |
| <b>Detailed Comments:</b>  |                                                                                                               |          |

| Structured Type Constraint |                                                                                                               |          |
|----------------------------|---------------------------------------------------------------------------------------------------------------|----------|
| <b>Constraint Name:</b>    | SmDestAddr_02(tpda: BCDN)                                                                                     |          |
| <b>Structured Type:</b>    | TPA                                                                                                           |          |
| <b>Derivation Path:</b>    |                                                                                                               |          |
| <b>Comments:</b>           | international number coded E.164 (GSM 11.10, 34.2.1.3, specific message contents). Used in SMS-SUBMIT (ms->n) |          |
| Element Name               | Element Value                                                                                                 | Comments |
| iel                        | OC_IntToOct(( OC_LengthOfBCDN( tpda) * 2), 1)                                                                 |          |
| tonnpi                     | TonNpi_03                                                                                                     |          |
| digits                     | tpda                                                                                                          |          |
| <b>Detailed Comments:</b>  |                                                                                                               |          |

| Structured Type Constraint |                                                                                                      |          |
|----------------------------|------------------------------------------------------------------------------------------------------|----------|
| <b>Constraint Name:</b>    | RpOrigAddr_01(rpoa_mt: BCDN)                                                                         |          |
| <b>Structured Type:</b>    | CDPN                                                                                                 |          |
| <b>Derivation Path:</b>    |                                                                                                      |          |
| <b>Comments:</b>           | Called party BCD number (CC information element)<br>GSM 04.08, 10.5.4.7. Used in SMS-DELIVER (n->ms) |          |
| Element Name               | Element Value                                                                                        | Comments |
| iei                        | -                                                                                                    |          |
| iel                        | OC_IntToOct(( OC_LengthOfBCDN( rpoa_mt) + 1), 1)                                                     |          |
| tonnpi                     | TonNpi_03                                                                                            |          |
| digits                     | rpoa_mt                                                                                              |          |
| <b>Detailed Comments:</b>  |                                                                                                      |          |

| Structured Type Constraint |                                                                                                     |          |
|----------------------------|-----------------------------------------------------------------------------------------------------|----------|
| <b>Constraint Name:</b>    | RpOrigAddr_02                                                                                       |          |
| <b>Structured Type:</b>    | CDPN                                                                                                |          |
| <b>Derivation Path:</b>    |                                                                                                     |          |
| <b>Comments:</b>           | Called party BCD number (CC information element)<br>GSM 04.08, 10.5.4.7. Used in SMS-SUBMIT (ms->n) |          |
| Element Name               | Element Value                                                                                       | Comments |
| iei                        | -                                                                                                   |          |
| iel                        | '00'O                                                                                               |          |
| tonnpi                     | -                                                                                                   |          |
| digits                     | -                                                                                                   |          |
| <b>Detailed Comments:</b>  |                                                                                                     |          |

| Structured Type Constraint |                                                                                                      |          |
|----------------------------|------------------------------------------------------------------------------------------------------|----------|
| <b>Constraint Name:</b>    | RpOrigAddr_03(rpoa: BCDN)                                                                            |          |
| <b>Structured Type:</b>    | CDPN                                                                                                 |          |
| <b>Derivation Path:</b>    |                                                                                                      |          |
| <b>Comments:</b>           | Called party BCD number (CC information element)<br>GSM 04.08, 10.5.4.7. Used in SMS-DELIVER (n->ms) |          |
| Element Name               | Element Value                                                                                        | Comments |
| iei                        | -                                                                                                    |          |
| iel                        | OC_IntToOct((OC_LengthOfBCDN( rpoa<br>+ 1), 1)                                                       |          |
| tonnpi                     | TonNpi_03                                                                                            |          |
| digits                     | rpoa                                                                                                 |          |
| <b>Detailed Comments:</b>  |                                                                                                      |          |

| Structured Type Constraint |                                                                                                      |          |
|----------------------------|------------------------------------------------------------------------------------------------------|----------|
| <b>Constraint Name:</b>    | RpDestAddr_01                                                                                        |          |
| <b>Structured Type:</b>    | CDPN                                                                                                 |          |
| <b>Derivation Path:</b>    |                                                                                                      |          |
| <b>Comments:</b>           | Called party BCD number (CC information element)<br>GSM 04.08, 10.5.4.7. Used in SMS-DELIVER (n->ms) |          |
| Element Name               | Element Value                                                                                        | Comments |
| iei                        | -                                                                                                    |          |
| iel                        | '00'O                                                                                                |          |
| tonnpi                     | -                                                                                                    |          |
| digits                     | -                                                                                                    |          |
| <b>Detailed Comments:</b>  |                                                                                                      |          |

| Structured Type Constraint |                                                                                                     |          |
|----------------------------|-----------------------------------------------------------------------------------------------------|----------|
| <b>Constraint Name:</b>    | RpDestAddr_02                                                                                       |          |
| <b>Structured Type:</b>    | CDPN                                                                                                |          |
| <b>Derivation Path:</b>    |                                                                                                     |          |
| <b>Comments:</b>           | Called party BCD number (CC information element)<br>GSM 04.08, 10.5.4.7. Used in SMS-SUBMIT (ms->n) |          |
| Element Name               | Element Value                                                                                       | Comments |
| iei                        | -                                                                                                   |          |
| iel                        | ('02'O, '03'O, '04'O, '05'O, '06'O, '07'O,<br>'08'O, '09'O, '0A'O, '0B'O)                           |          |
| tonnpi                     | *                                                                                                   |          |
| digits                     | *                                                                                                   |          |
| <b>Detailed Comments:</b>  |                                                                                                     |          |



| Structured Type Constraint |                                                                         |          |
|----------------------------|-------------------------------------------------------------------------|----------|
| <b>Constraint Name:</b>    | RpDestAddr_03(rpda: BCDN)                                               |          |
| <b>Structured Type:</b>    | CDPN                                                                    |          |
| <b>Derivation Path:</b>    |                                                                         |          |
| <b>Comments:</b>           | Called party BCD number (CC information element)<br>GSM 04.08, 10.5.4.7 |          |
| Element Name               | Element Value                                                           | Comments |
| iei                        | -                                                                       |          |
| iel                        | ?                                                                       |          |
| tonnpi                     | ?                                                                       |          |
| digits                     | rpda                                                                    |          |
| <b>Detailed Comments:</b>  |                                                                         |          |

| Structured Type Constraint |                                        |          |
|----------------------------|----------------------------------------|----------|
| <b>Constraint Name:</b>    | SMSCBdata(b1, b2, b3, b4: OCTETSTRING) |          |
| <b>Structured Type:</b>    | SMSCBpack                              |          |
| <b>Derivation Path:</b>    |                                        |          |
| <b>Comments:</b>           | SMS cell broadcasting packing data     |          |
| Element Name               | Element Value                          | Comments |
| block1                     | b1                                     |          |
| block2                     | b2                                     |          |
| block3                     | b3                                     |          |
| block4                     | b4                                     |          |
| <b>Detailed Comments:</b>  |                                        |          |

| Structured Type Constraint |                                                               |          |
|----------------------------|---------------------------------------------------------------|----------|
| <b>Constraint Name:</b>    | Tppid_01                                                      |          |
| <b>Structured Type:</b>    | TPPID                                                         |          |
| <b>Derivation Path:</b>    |                                                               |          |
| <b>Comments:</b>           | TP protocol identifier, GSM 03.40, 9.2.3.9<br>default value 0 |          |
| Element Name               | Element Value                                                 | Comments |
| type                       | '00'B                                                         |          |
| value                      | '000000'B                                                     |          |
| <b>Detailed Comments:</b>  |                                                               |          |

| Structured Type Constraint |                                                               |          |
|----------------------------|---------------------------------------------------------------|----------|
| <b>Constraint Name:</b>    | Tppid_02(smtype: INTEGER)                                     |          |
| <b>Structured Type:</b>    | TPPID                                                         |          |
| <b>Derivation Path:</b>    |                                                               |          |
| <b>Comments:</b>           | TP protocol identifier, GSM 03.40, 9.2.3.9<br>default value 0 |          |
| Element Name               | Element Value                                                 | Comments |
| type                       | '01'B                                                         |          |
| value                      | INT_TO_BIT(smtype, 6)                                         |          |
| <b>Detailed Comments:</b>  |                                                               |          |

| Structured Type Constraint |                                                               |          |
|----------------------------|---------------------------------------------------------------|----------|
| <b>Constraint Name:</b>    | Tpdc5_01                                                      |          |
| <b>Structured Type:</b>    | TPDCS                                                         |          |
| <b>Derivation Path:</b>    |                                                               |          |
| <b>Comments:</b>           | SMS data coding scheme, GSM 03.38, 4, 5<br>default value is 0 |          |
| Element Name               | Element Value                                                 | Comments |
| cg                         | '0000'B                                                       |          |
| code                       | '0000'B                                                       |          |
| <b>Detailed Comments:</b>  |                                                               |          |

| Structured Type Constraint |                                                    |          |
|----------------------------|----------------------------------------------------|----------|
| <b>Constraint Name:</b>    | Tpdc5_02                                           |          |
| <b>Structured Type:</b>    | TPDCS                                              |          |
| <b>Derivation Path:</b>    |                                                    |          |
| <b>Comments:</b>           | SMS data coding scheme, GSM 03.38, 4, 5<br>class 2 |          |
| Element Name               | Element Value                                      | Comments |
| cg                         | '1111'B                                            |          |
| code                       | '0010'B                                            |          |
| <b>Detailed Comments:</b>  |                                                    |          |

| Structured Type Constraint |                                                    |          |
|----------------------------|----------------------------------------------------|----------|
| <b>Constraint Name:</b>    | Tpdc5_03                                           |          |
| <b>Structured Type:</b>    | TPDCS                                              |          |
| <b>Derivation Path:</b>    |                                                    |          |
| <b>Comments:</b>           | SMS data coding scheme, GSM 03.38, 4, 5<br>class 1 |          |
| Element Name               | Element Value                                      | Comments |
| cg                         | '1111'B                                            |          |
| code                       | '0001'B                                            |          |
| <b>Detailed Comments:</b>  |                                                    |          |

| Structured Type Constraint |                                                    |          |
|----------------------------|----------------------------------------------------|----------|
| <b>Constraint Name:</b>    | Tpdc5_04                                           |          |
| <b>Structured Type:</b>    | TPDCS                                              |          |
| <b>Derivation Path:</b>    |                                                    |          |
| <b>Comments:</b>           | SMS data coding scheme, GSM 03.38, 4, 5<br>class 0 |          |
| Element Name               | Element Value                                      | Comments |
| cg                         | '1111'B                                            |          |
| code                       | '0000'B                                            |          |
| <b>Detailed Comments:</b>  |                                                    |          |

| Structured Type Constraint |                                                                      |          |
|----------------------------|----------------------------------------------------------------------|----------|
| <b>Constraint Name:</b>    | Tpdc5_05                                                             |          |
| <b>Structured Type:</b>    | TPDCS                                                                |          |
| <b>Derivation Path:</b>    |                                                                      |          |
| <b>Comments:</b>           | SMS data coding scheme, GSM 03.38, 4, 5<br>default alphabet, english |          |
| Element Name               | Element Value                                                        | Comments |
| cg                         | '0000'B                                                              |          |
| code                       | '0001'B                                                              |          |
| <b>Detailed Comments:</b>  |                                                                      |          |

| Structured Type Constraint |                                   |          |
|----------------------------|-----------------------------------|----------|
| <b>Constraint Name:</b>    | TpStatus_01                       |          |
| <b>Structured Type:</b>    | TPST                              |          |
| <b>Derivation Path:</b>    |                                   |          |
| <b>Comments:</b>           | Short message received by the SME |          |
| Element Name               | Element Value                     | Comments |
| sprb1                      | '0'B                              |          |
| value                      | '000000'B                         |          |
| <b>Detailed Comments:</b>  |                                   |          |

| Structured Type Constraint |                                                       |          |
|----------------------------|-------------------------------------------------------|----------|
| <b>Constraint Name:</b>    | TpCommand_01(tpmr: MR)                                |          |
| <b>Structured Type:</b>    | SMCMD                                                 |          |
| <b>Derivation Path:</b>    |                                                       |          |
| <b>Comments:</b>           | Enquiry related to previously submitted short message |          |
| Element Name               | Element Value                                         | Comments |
| sprb1                      | '00'B                                                 |          |
| srr                        | '0'B                                                  |          |
| sprb2                      | '000'B                                                |          |
| mti                        | '10'B                                                 |          |
| mr                         | OC_IntToOct( OC_OctToInt( tpmr) + 1, 1)               |          |
| pid                        | Tppid_01                                              |          |
| ct                         | '00'O                                                 |          |
| mn                         | ?                                                     |          |
| da                         | ?                                                     |          |
| cdl                        | ?                                                     |          |
| cd                         | ?                                                     |          |
| <b>Detailed Comments:</b>  |                                                       |          |

| Structured Type Constraint |                                           |          |
|----------------------------|-------------------------------------------|----------|
| <b>Constraint Name:</b>    | TpCommand_02(tpmr: MR)                    |          |
| <b>Structured Type:</b>    | SMCMD                                     |          |
| <b>Derivation Path:</b>    |                                           |          |
| <b>Comments:</b>           | Delete previously submitted short message |          |
| Element Name               | Element Value                             | Comments |
| sprb1                      | '00'B                                     |          |
| srr                        | '0'B                                      |          |
| sprb2                      | '000'B                                    |          |
| mti                        | '10'B                                     |          |
| mr                         | OC_IntToOct(OC_OctToInt(tpmr) + 1, 1)     |          |
| pid                        | Tppid_01                                  |          |
| ct                         | '02'O                                     |          |
| mn                         | ?                                         |          |
| da                         | ?                                         |          |
| cdl                        | ?                                         |          |
| cd                         | ?                                         |          |
| <b>Detailed Comments:</b>  |                                           |          |

| Structured Type Constraint |                 |          |
|----------------------------|-----------------|----------|
| <b>Constraint Name:</b>    | UuInfo_omit     |          |
| <b>Structured Type:</b>    | UU              |          |
| <b>Derivation Path:</b>    |                 |          |
| <b>Comments:</b>           | Omitted UuInfo. |          |
| Element Name               | Element Value   | Comments |
| iei                        | -               |          |
| iel                        | -               |          |
| uupd                       | -               |          |
| uui                        | -               |          |
| <b>Detailed Comments:</b>  |                 |          |

| Structured Type Constraint |                                              |          |
|----------------------------|----------------------------------------------|----------|
| <b>Constraint Name:</b>    | UuInfo                                       |          |
| <b>Structured Type:</b>    | UU                                           |          |
| <b>Derivation Path:</b>    |                                              |          |
| <b>Comments:</b>           | Delete previously submitted short message    |          |
| Element Name               | Element Value                                | Comments |
| iei                        | '01111110'B                                  |          |
| iel                        | OC_IntToOct(1+<br>LENGTH_OF(TSPX_UuInfo), 1) |          |
| uupd                       | TSPX_Uupd                                    |          |
| uui                        | TSPX_UuInfo                                  |          |
| <b>Detailed Comments:</b>  |                                              |          |

**ASN1 type constraints**

| ASN.1 Type Constraint Declaration |                             |            |
|-----------------------------------|-----------------------------|------------|
| <b>Constraint Name:</b>           | ActivateSS_01               |            |
| <b>ASN.1 Type:</b>                | Component                   |            |
| <b>Derivation Path:</b>           |                             |            |
| <b>Comments:</b>                  | CF all synchronous services |            |
| Constraint Value                  |                             |            |
| activateSSComponents              | activateSS_InvokeComp       | {          |
| ?,                                |                             | invokeID   |
| 12,                               |                             | localValue |
| {                                 |                             | ss_ForBS   |
| ss_Code                           | '20'H,                      |            |
| basicService                      | bearerService               | '68'H      |
| }                                 |                             | }          |
| <b>Detailed Comments:</b>         |                             |            |

| <b>ASN.1 Type Constraint Declaration</b> |                        |
|------------------------------------------|------------------------|
| <b>Constraint Name:</b>                  | ActivateSS_02          |
| <b>ASN.1 Type:</b>                       | Component              |
| <b>Derivation Path:</b>                  |                        |
| <b>Comments:</b>                         | CFU all basic services |
| <b>Constraint Value</b>                  |                        |
| activateSSComponents                     | activateSS_InvokeComp  |
| ?,                                       | {                      |
| 12,                                      | invokeID               |
|                                          | localValue             |
|                                          | ss_ForBS               |
| {                                        |                        |
| ss_Code                                  | '21'H                  |
| }                                        | }                      |
| <b>Detailed Comments:</b>                |                        |

| <b>ASN.1 Type Constraint Declaration</b> |                               |
|------------------------------------------|-------------------------------|
| <b>Constraint Name:</b>                  | ActivateSS_03                 |
| <b>ASN.1 Type:</b>                       | Component                     |
| <b>Derivation Path:</b>                  |                               |
| <b>Comments:</b>                         | BAOC all synchronous services |
| <b>Constraint Value</b>                  |                               |
| activateSSComponents                     | activateSS_InvokeComp         |
| ?,                                       | {                             |
| 12,                                      | invokeID                      |
|                                          | localValue                    |
|                                          | ss_ForBS                      |
| {                                        |                               |
| ss_Code                                  | '92'H,                        |
| basicService                             | bearerService                 |
|                                          | '68'H                         |
| }                                        | }                             |
| <b>Detailed Comments:</b>                |                               |

| <b>ASN.1 Type Constraint Declaration</b> |                       |
|------------------------------------------|-----------------------|
| <b>Constraint Name:</b>                  | ActivateSS_04         |
| <b>ASN.1 Type:</b>                       | Component             |
| <b>Derivation Path:</b>                  |                       |
| <b>Comments:</b>                         | BIC-Roam              |
| <b>Constraint Value</b>                  |                       |
| activateSSComponents                     | activateSS_InvokeComp |
| ?,                                       | {                     |
| 12,                                      | invokeID              |
|                                          | localValue            |
|                                          | ss_ForBS              |
| {                                        |                       |
| ss_Code                                  | '9B'H -- BIC-Roam     |
| }                                        | }                     |
| <b>Detailed Comments:</b>                |                       |

| <b>ASN.1 Type Constraint Declaration</b> |                       |
|------------------------------------------|-----------------------|
| <b>Constraint Name:</b>                  | ActivateSS_05         |
| <b>ASN.1 Type:</b>                       | Component             |
| <b>Derivation Path:</b>                  |                       |
| <b>Comments:</b>                         | BOIC                  |
| <b>Constraint Value</b>                  |                       |
| activateSSComponents                     | activateSS_InvokeComp |
| ?,                                       | {                     |
| 12,                                      | invokeID              |
| {                                        | localValue            |
| ss_Code                                  | ss_ForBS              |
| '93'H                                    | }                     |
| }                                        | }                     |
| <b>Detailed Comments:</b>                |                       |

| <b>ASN.1 Type Constraint Declaration</b> |                       |
|------------------------------------------|-----------------------|
| <b>Constraint Name:</b>                  | ActivateSS_06         |
| <b>ASN.1 Type:</b>                       | Component             |
| <b>Derivation Path:</b>                  |                       |
| <b>Comments:</b>                         | BAIC                  |
| <b>Constraint Value</b>                  |                       |
| activateSSComponents                     | activateSS_InvokeComp |
| ?,                                       | {                     |
| 12,                                      | invokeID              |
| {                                        | localValue            |
| ss_Code                                  | ss_ForBS              |
| '9A'H                                    | }                     |
| }                                        | }                     |
| <b>Detailed Comments:</b>                |                       |

| <b>ASN.1 Type Constraint Declaration</b> |                          |
|------------------------------------------|--------------------------|
| <b>Constraint Name:</b>                  | BldMptySS_01             |
| <b>ASN.1 Type:</b>                       | Component                |
| <b>Derivation Path:</b>                  |                          |
| <b>Comments:</b>                         | build multiparty request |
| <b>Constraint Value</b>                  |                          |
| buildMPTYComponents                      | buildMPTY_InvokeComp     |
| ?,                                       | {                        |
| 124                                      | invokeID                 |
|                                          | localValue               |
|                                          | }                        |
|                                          | }                        |
| <b>Detailed Comments:</b>                |                          |

| <b>ASN.1 Type Constraint Declaration</b> |                                                                              |
|------------------------------------------|------------------------------------------------------------------------------|
| <b>Constraint Name:</b>                  | Comps_01( comp:Component)                                                    |
| <b>ASN.1 Type:</b>                       | Components                                                                   |
| <b>Derivation Path:</b>                  |                                                                              |
| <b>Comments:</b>                         | A received FIE may contain several components, but at least contains "comp". |
| <b>Constraint Value</b>                  |                                                                              |
| SUPERSET({ comp})                        |                                                                              |
| <b>Detailed Comments:</b>                |                                                                              |

| <b>ASN.1 Type Constraint Declaration</b> |                         |
|------------------------------------------|-------------------------|
| <b>Constraint Name:</b>                  | DeactivateSS_01         |
| <b>ASN.1 Type:</b>                       | Component               |
| <b>Derivation Path:</b>                  |                         |
| <b>Comments:</b>                         | CFC for speech          |
| <b>Constraint Value</b>                  |                         |
| deactivateSSComponents                   | deactivateSS_InvokeComp |
| ?,                                       | {                       |
| 13,                                      | invokeID                |
|                                          | localValue              |
|                                          | ss_ForBS                |
| {                                        |                         |
| ss_Code       '28'H,                     |                         |
| basicService   teleservice   '10'H       |                         |
| }                                        | }                       |
| <b>Detailed Comments:</b>                |                         |

| <b>ASN.1 Type Constraint Declaration</b> |                         |
|------------------------------------------|-------------------------|
| <b>Constraint Name:</b>                  | DeactivateSS_02         |
| <b>ASN.1 Type:</b>                       | Component               |
| <b>Derivation Path:</b>                  |                         |
| <b>Comments:</b>                         | CFNRc for all facsimile |
| <b>Constraint Value</b>                  |                         |
| deactivateSSComponents                   | deactivateSS_InvokeComp |
| ?,                                       | {                       |
| 13,                                      | invokeID                |
|                                          | localValue              |
|                                          | ss_ForBS                |
| {                                        |                         |
| ss_Code       '2B'H,                     |                         |
| basicService   teleservice   '60'H       |                         |
| }                                        | }                       |
| <b>Detailed Comments:</b>                |                         |

| <b>ASN.1 Type Constraint Declaration</b>                                   |                                                     |
|----------------------------------------------------------------------------|-----------------------------------------------------|
| <b>Constraint Name:</b>                                                    | DeactivateSS_03                                     |
| <b>ASN.1 Type:</b>                                                         | Component                                           |
| <b>Derivation Path:</b>                                                    |                                                     |
| <b>Comments:</b>                                                           | deactivation for barring                            |
| <b>Constraint Value</b>                                                    |                                                     |
| deactivateSSComponents                                                     | deactivateSS_InvokeComp                             |
| <pre> ?, 13, { ss_Code      '90'H, basicService teleservice '10'H } </pre> | <pre> {   invokeID   localValue   ss_ForBS } </pre> |
| <b>Detailed Comments:</b>                                                  |                                                     |

| <b>ASN.1 Type Constraint Declaration</b>                                   |                                                     |
|----------------------------------------------------------------------------|-----------------------------------------------------|
| <b>Constraint Name:</b>                                                    | DeactivateSS_04                                     |
| <b>ASN.1 Type:</b>                                                         | Component                                           |
| <b>Derivation Path:</b>                                                    |                                                     |
| <b>Comments:</b>                                                           | deactivation for barring of outgoing calls          |
| <b>Constraint Value</b>                                                    |                                                     |
| deactivateSSComponents                                                     | deactivateSS_InvokeComp                             |
| <pre> ?, 13, { ss_Code      '91'H, basicService teleservice '60'H } </pre> | <pre> {   invokeID   localValue   ss_ForBS } </pre> |
| <b>Detailed Comments:</b>                                                  |                                                     |

| <b>ASN.1 Type Constraint Declaration</b>   |                                                     |
|--------------------------------------------|-----------------------------------------------------|
| <b>Constraint Name:</b>                    | DeactivateSS_05                                     |
| <b>ASN.1 Type:</b>                         | Component                                           |
| <b>Derivation Path:</b>                    |                                                     |
| <b>Comments:</b>                           | deactivation for barring of incoming calls          |
| <b>Constraint Value</b>                    |                                                     |
| deactivateSSComponents                     | deactivateSS_InvokeComp                             |
| <pre> ?, 13, { ss_Code      '99'H } </pre> | <pre> {   invokeID   localValue   ss_ForBS } </pre> |
| <b>Detailed Comments:</b>                  |                                                     |



| <b>ASN.1 Type Constraint Declaration</b> |                           |
|------------------------------------------|---------------------------|
| <b>Constraint Name:</b>                  | DeactivateSS_06           |
| <b>ASN.1 Type:</b>                       | Component                 |
| <b>Derivation Path:</b>                  |                           |
| <b>Comments:</b>                         | deactivation for BOICExHC |
| <b>Constraint Value</b>                  |                           |
| deactivateSSComponents                   | deactivateSS_InvokeComp   |
| ?,                                       | {                         |
| 13,                                      | invokeID                  |
|                                          | localValue                |
|                                          | ss_ForBS                  |
| {                                        |                           |
| ss_Code       '94'H                      |                           |
| }                                        | }                         |
| <b>Detailed Comments:</b>                |                           |

| <b>ASN.1 Type Constraint Declaration</b> |                       |
|------------------------------------------|-----------------------|
| <b>Constraint Name:</b>                  | EraseSS_01            |
| <b>ASN.1 Type:</b>                       | Component             |
| <b>Derivation Path:</b>                  |                       |
| <b>Comments:</b>                         | CFC for all facsimile |
| <b>Constraint Value</b>                  |                       |
| eraseSSComponents                        | eraseSS_InvokeComp    |
| ?,                                       | {                     |
| 11,                                      | invokeID              |
|                                          | localValue            |
|                                          | ss_ForBS              |
| {                                        |                       |
| ss_Code       '28'H,                     |                       |
| basicService   teleservice   '60'H       |                       |
| }                                        | }                     |
| <b>Detailed Comments:</b>                |                       |

| <b>ASN.1 Type Constraint Declaration</b> |                              |
|------------------------------------------|------------------------------|
| <b>Constraint Name:</b>                  | EraseSS_02                   |
| <b>ASN.1 Type:</b>                       | Component                    |
| <b>Derivation Path:</b>                  |                              |
| <b>Comments:</b>                         | CFNRc for all basic services |
| <b>Constraint Value</b>                  |                              |
| eraseSSComponents                        | eraseSS_InvokeComp           |
| ?,                                       | {                            |
| 11,                                      | invokeID                     |
|                                          | localValue                   |
|                                          | ss_ForBS                     |
| {                                        |                              |
| ss_Code       '2B'H                      |                              |
| }                                        | }                            |
| <b>Detailed Comments:</b>                |                              |

| <b>ASN.1 Type Constraint Declaration</b>                                   |                                                     |
|----------------------------------------------------------------------------|-----------------------------------------------------|
| <b>Constraint Name:</b>                                                    | EraseSS_03                                          |
| <b>ASN.1 Type:</b>                                                         | Component                                           |
| <b>Derivation Path:</b>                                                    |                                                     |
| <b>Comments:</b>                                                           | CFU for speech                                      |
| <b>Constraint Value</b>                                                    |                                                     |
| eraseSSComponents                                                          | eraseSS_InvokeComp                                  |
| <pre> ?, 11, { ss_Code      '21'H, basicService teleservice '10'H } </pre> | <pre> {   invokeID   localValue   ss_ForBS } </pre> |
| <b>Detailed Comments:</b>                                                  |                                                     |

| <b>ASN.1 Type Constraint Declaration</b>                                   |                                                     |
|----------------------------------------------------------------------------|-----------------------------------------------------|
| <b>Constraint Name:</b>                                                    | EraseSS_04                                          |
| <b>ASN.1 Type:</b>                                                         | Component                                           |
| <b>Derivation Path:</b>                                                    |                                                     |
| <b>Comments:</b>                                                           | CFNRy for all facsimile                             |
| <b>Constraint Value</b>                                                    |                                                     |
| eraseSSComponents                                                          | eraseSS_InvokeComp                                  |
| <pre> ?, 11, { ss_Code      '2A'H, basicService teleservice '60'H } </pre> | <pre> {   invokeID   localValue   ss_ForBS } </pre> |
| <b>Detailed Comments:</b>                                                  |                                                     |

| <b>ASN.1 Type Constraint Declaration</b> |                                      |
|------------------------------------------|--------------------------------------|
| <b>Constraint Name:</b>                  | FwdChAdvRslt_01                      |
| <b>ASN.1 Type:</b>                       | Component                            |
| <b>Derivation Path:</b>                  |                                      |
| <b>Comments:</b>                         |                                      |
| <b>Constraint Value</b>                  |                                      |
| forwardChargeAdviceComponents            | forwardChargeAdvice_ReturnResultComp |
| <pre> { 0, * } </pre>                    | <pre> {   invokeID   result } </pre> |
| <b>Detailed Comments:</b>                |                                      |

| <b>ASN.1 Type Constraint Declaration</b> |                              |
|------------------------------------------|------------------------------|
| <b>Constraint Name:</b>                  | GetPasswdRslt_01             |
| <b>ASN.1 Type:</b>                       | Component                    |
| <b>Derivation Path:</b>                  |                              |
| <b>Comments:</b>                         |                              |
| <b>Constraint Value</b>                  |                              |
| getPasswordComponents                    | getPassword_ReturnResultComp |
| 0,                                       | {<br>invokeID<br>result<br>} |
| localValue           18,                 |                              |
| currentPassword    "1234"                | }                            |
| <b>Detailed Comments:</b>                |                              |

| <b>ASN.1 Type Constraint Declaration</b> |                              |
|------------------------------------------|------------------------------|
| <b>Constraint Name:</b>                  | GetPasswdRslt_02             |
| <b>ASN.1 Type:</b>                       | Component                    |
| <b>Derivation Path:</b>                  |                              |
| <b>Comments:</b>                         |                              |
| <b>Constraint Value</b>                  |                              |
| getPasswordComponents                    | getPassword_ReturnResultComp |
| 0,                                       | {<br>invokeID<br>result<br>} |
| localValue           18,                 |                              |
| currentPassword    "9876"                | }                            |
| <b>Detailed Comments:</b>                |                              |

| <b>ASN.1 Type Constraint Declaration</b> |                              |
|------------------------------------------|------------------------------|
| <b>Constraint Name:</b>                  | GetPasswdRslt_03             |
| <b>ASN.1 Type:</b>                       | Component                    |
| <b>Derivation Path:</b>                  |                              |
| <b>Comments:</b>                         |                              |
| <b>Constraint Value</b>                  |                              |
| getPasswordComponents                    | getPassword_ReturnResultComp |
| 0,                                       | {<br>invokeID<br>result<br>} |
| localValue           18,                 |                              |
| currentPassword    "9877"                | }                            |
| <b>Detailed Comments:</b>                |                              |

| <b>ASN.1 Type Constraint Declaration</b> |                            |
|------------------------------------------|----------------------------|
| <b>Constraint Name:</b>                  | InterrogateSS_01           |
| <b>ASN.1 Type:</b>                       | Component                  |
| <b>Derivation Path:</b>                  |                            |
| <b>Comments:</b>                         | CFB for all basic services |
| <b>Constraint Value</b>                  |                            |
| interrogateSSComponents                  | interrogateSS_InvokeComp { |
| invokeID                                 | ?,                         |
| localValue                               | 14,                        |
| ss_ForBS                                 | {                          |
| ss_Code                                  | '29'H                      |
|                                          | }                          |
|                                          | }                          |
| <b>Detailed Comments:</b>                |                            |

| <b>ASN.1 Type Constraint Declaration</b> |                            |
|------------------------------------------|----------------------------|
| <b>Constraint Name:</b>                  | InterrogateSS_02           |
| <b>ASN.1 Type:</b>                       | Component                  |
| <b>Derivation Path:</b>                  |                            |
| <b>Comments:</b>                         | CFNRy for Speech           |
| <b>Constraint Value</b>                  |                            |
| interrogateSSComponents                  | interrogateSS_InvokeComp { |
| ?,                                       | invokeID                   |
| 14,                                      | localValue                 |
| {                                        | ss_ForBS                   |
| ss_Code                                  | '2A'H, --CNFRy             |
| basicService teleservice                 | '10'H                      |
| }                                        | }                          |
|                                          | }                          |
| <b>Detailed Comments:</b>                |                            |

| <b>ASN.1 Type Constraint Declaration</b> |                              |
|------------------------------------------|------------------------------|
| <b>Constraint Name:</b>                  | InterrogateSS_03             |
| <b>ASN.1 Type:</b>                       | Component                    |
| <b>Derivation Path:</b>                  |                              |
| <b>Comments:</b>                         | CFNRc for all basic services |
| <b>Constraint Value</b>                  |                              |
| interrogateSSComponents                  | interrogateSS_InvokeComp {   |
| ?,                                       | invokeID                     |
| 14,                                      | localValue                   |
| {                                        | ss_ForBS                     |
| ss_Code                                  | '2B'H                        |
| }                                        | }                            |
|                                          | }                            |
| <b>Detailed Comments:</b>                |                              |

| <b>ASN.1 Type Constraint Declaration</b> |                          |
|------------------------------------------|--------------------------|
| <b>Constraint Name:</b>                  | InterrogateSS_04         |
| <b>ASN.1 Type:</b>                       | Component                |
| <b>Derivation Path:</b>                  |                          |
| <b>Comments:</b>                         | CFB for all facsimile    |
| <b>Constraint Value</b>                  |                          |
| interrogateSSComponents                  | interrogateSS_InvokeComp |
| ?,                                       | {                        |
| 14,                                      | invokeID                 |
|                                          | localValue               |
|                                          | ss_ForBS                 |
| {                                        |                          |
| ss_Code       '29'H,                     |                          |
| basicService   teleservice   '60'H       |                          |
| }                                        | }                        |
| <b>Detailed Comments:</b>                |                          |

| <b>ASN.1 Type Constraint Declaration</b> |                          |
|------------------------------------------|--------------------------|
| <b>Constraint Name:</b>                  | InterrogateSS_05         |
| <b>ASN.1 Type:</b>                       | Component                |
| <b>Derivation Path:</b>                  |                          |
| <b>Comments:</b>                         | BICRoam                  |
| <b>Constraint Value</b>                  |                          |
| interrogateSSComponents                  | interrogateSS_InvokeComp |
| ?,                                       | {                        |
| 14,                                      | invokeID                 |
|                                          | localValue               |
|                                          | ss_ForBS                 |
| {                                        |                          |
| ss_Code       '9B'H                      |                          |
| }                                        | }                        |
| <b>Detailed Comments:</b>                |                          |

| <b>ASN.1 Type Constraint Declaration</b> |                          |
|------------------------------------------|--------------------------|
| <b>Constraint Name:</b>                  | InterrogateSS_06         |
| <b>ASN.1 Type:</b>                       | Component                |
| <b>Derivation Path:</b>                  |                          |
| <b>Comments:</b>                         | BOIC                     |
| <b>Constraint Value</b>                  |                          |
| interrogateSSComponents                  | interrogateSS_InvokeComp |
| ?,                                       | {                        |
| 14,                                      | invokeID                 |
|                                          | localValue               |
|                                          | ss_ForBS                 |
| {                                        |                          |
| ss_Code       '93'H                      |                          |
| }                                        | }                        |
| <b>Detailed Comments:</b>                |                          |

| <b>ASN.1 Type Constraint Declaration</b>   |                                                     |
|--------------------------------------------|-----------------------------------------------------|
| <b>Constraint Name:</b>                    | InterrogateSS_07                                    |
| <b>ASN.1 Type:</b>                         | Component                                           |
| <b>Derivation Path:</b>                    |                                                     |
| <b>Comments:</b>                           | BAIC                                                |
| <b>Constraint Value</b>                    |                                                     |
| interrogateSSComponents                    | interrogateSS_InvokeComp                            |
| <pre> ?, 14, { ss_Code      '9A'H } </pre> | <pre> {   invokeID   localValue   ss_ForBS } </pre> |
| <b>Detailed Comments:</b>                  |                                                     |

| <b>ASN.1 Type Constraint Declaration</b>   |                                                     |
|--------------------------------------------|-----------------------------------------------------|
| <b>Constraint Name:</b>                    | InterrogateSS_08                                    |
| <b>ASN.1 Type:</b>                         | Component                                           |
| <b>Derivation Path:</b>                    |                                                     |
| <b>Comments:</b>                           | BOICExHC                                            |
| <b>Constraint Value</b>                    |                                                     |
| interrogateSSComponents                    | interrogateSS_InvokeComp                            |
| <pre> ?, 14, { ss_Code      '94'H } </pre> | <pre> {   invokeID   localValue   ss_ForBS } </pre> |
| <b>Detailed Comments:</b>                  |                                                     |

| <b>ASN.1 Type Constraint Declaration</b>                      |                                            |
|---------------------------------------------------------------|--------------------------------------------|
| <b>Constraint Name:</b>                                       | NotificationSS_07(Invkid: OCTETSTRING)     |
| <b>ASN.1 Type:</b>                                            | Component                                  |
| <b>Derivation Path:</b>                                       |                                            |
| <b>Comments:</b>                                              |                                            |
| <b>Constraint Value</b>                                       |                                            |
| unstructuredSSNotifyComponents                                | unstructuredSSNotify_ReturnResultComp      |
| <pre> OC_OctToInvokeIDType(Invkid), localValue      61 </pre> | <pre> {   invokeID   result {   } } </pre> |
| <b>Detailed Comments:</b>                                     |                                            |

| <b>ASN.1 Type Constraint Declaration</b> |                                        |
|------------------------------------------|----------------------------------------|
| <b>Constraint Name:</b>                  | NotificationSS_09(Invkid: OCTETSTRING) |
| <b>ASN.1 Type:</b>                       | Component                              |
| <b>Derivation Path:</b>                  |                                        |
| <b>Comments:</b>                         |                                        |
| <b>Constraint Value</b>                  |                                        |
| unstructuredSSNotifyComponents           | unstructuredSSNotify_ReturnErrorComp   |
|                                          | errorCodes                             |
|                                          | {                                      |
|                                          | invokeID                               |
| OC_OctToInvokeIDType(Invkid),            | errorCode                              |
| ussd_Busy                                | }                                      |
| <b>Detailed Comments:</b>                |                                        |

| <b>ASN.1 Type Constraint Declaration</b> |                                               |
|------------------------------------------|-----------------------------------------------|
| <b>Constraint Name:</b>                  | RegisterSS_01                                 |
| <b>ASN.1 Type:</b>                       | Component                                     |
| <b>Derivation Path:</b>                  |                                               |
| <b>Comments:</b>                         | CFNRy Speech                                  |
| <b>Constraint Value</b>                  |                                               |
| registerSSComponents                     | registerSS_InvokeComp {                       |
| invokeID                                 | ?,                                            |
| localValue                               | 10,                                           |
| registerSS_Arg {                         |                                               |
| ss_Code                                  | '2A'H,                                        |
| basicService teleservice                 | '10'H,                                        |
| forwardedToNumber                        | '8100342143'H,                                |
|                                          | -- Unknown Number/ISDN telephony + '00431234' |
| noReplyConditionTime                     | 5                                             |
| }                                        |                                               |
| }                                        | }                                             |
| <b>Detailed Comments:</b>                |                                               |

| <b>ASN.1 Type Constraint Declaration</b> |                                               |
|------------------------------------------|-----------------------------------------------|
| <b>Constraint Name:</b>                  | RegisterSS_02                                 |
| <b>ASN.1 Type:</b>                       | Component                                     |
| <b>Derivation Path:</b>                  |                                               |
| <b>Comments:</b>                         | CFU                                           |
| <b>Constraint Value</b>                  |                                               |
| registerSSComponents                     | registerSS_InvokeComp {                       |
| invokeID                                 | ?,                                            |
| localValue                               | 10,                                           |
| registerSS_Arg {                         |                                               |
| ss_Code                                  | '21'H,                                        |
| basicService teleservice                 | '60'H,                                        |
| forwardedToNumber                        | '8100342143'H                                 |
|                                          | -- Unknown Number/ISDN telephony + '00431234' |
| }                                        |                                               |
| }                                        | }                                             |
| <b>Detailed Comments:</b>                |                                               |

| <b>ASN.1 Type Constraint Declaration</b> |                                                                                                                                                                                                                                                                                                           |
|------------------------------------------|-----------------------------------------------------------------------------------------------------------------------------------------------------------------------------------------------------------------------------------------------------------------------------------------------------------|
| <b>Constraint Name:</b>                  | RegisterSS_03                                                                                                                                                                                                                                                                                             |
| <b>ASN.1 Type:</b>                       | Component                                                                                                                                                                                                                                                                                                 |
| <b>Derivation Path:</b>                  |                                                                                                                                                                                                                                                                                                           |
| <b>Comments:</b>                         | CFB                                                                                                                                                                                                                                                                                                       |
| <b>Constraint Value</b>                  |                                                                                                                                                                                                                                                                                                           |
| registerSSComponents                     | registerSS_InvokeComp {<br>invokeID                   ?,<br>localValue                10,<br>registerSS_Arg            {<br>ss_Code                '29'H,<br>basicService   bearerService    '60'H,<br>forwardedToNumber    '8100342143'H<br>-- Unknown Number/ISDN telephony + '00431234'<br>}<br>}<br>} |
| <b>Detailed Comments:</b>                |                                                                                                                                                                                                                                                                                                           |

| <b>ASN.1 Type Constraint Declaration</b> |                                                                                                                                                                                                                                                                                                         |
|------------------------------------------|---------------------------------------------------------------------------------------------------------------------------------------------------------------------------------------------------------------------------------------------------------------------------------------------------------|
| <b>Constraint Name:</b>                  | RegisterSS_04                                                                                                                                                                                                                                                                                           |
| <b>ASN.1 Type:</b>                       | Component                                                                                                                                                                                                                                                                                               |
| <b>Derivation Path:</b>                  |                                                                                                                                                                                                                                                                                                         |
| <b>Comments:</b>                         | CF for all facsimile                                                                                                                                                                                                                                                                                    |
| <b>Constraint Value</b>                  |                                                                                                                                                                                                                                                                                                         |
| registerSSComponents                     | registerSS_InvokeComp {<br>invokeID                   ?,<br>localValue                10,<br>registerSS_Arg            {<br>ss_Code                '20'H,<br>basicService   teleservice    '60'H,<br>forwardedToNumber    '8100342143'H<br>-- Unknown Number/ISDN telephony + '00431234'<br>}<br>}<br>} |
| <b>Detailed Comments:</b>                |                                                                                                                                                                                                                                                                                                         |

| <b>ASN.1 Type Constraint Declaration</b> |                                                               |
|------------------------------------------|---------------------------------------------------------------|
| <b>Constraint Name:</b>                  | RegPasswdSS_01                                                |
| <b>ASN.1 Type:</b>                       | Component                                                     |
| <b>Derivation Path:</b>                  |                                                               |
| <b>Comments:</b>                         | All call restriction services.                                |
| <b>Constraint Value</b>                  |                                                               |
| registerPasswordComponents               | registerPassword_InvokeComp {<br>?,<br>17,<br>'90'H<br>}<br>} |
| <b>Detailed Comments:</b>                |                                                               |



| <b>ASN.1 Type Constraint Declaration</b> |                                          |
|------------------------------------------|------------------------------------------|
| <b>Constraint Name:</b>                  | ProcessUSSData_01(ussdString: IA5String) |
| <b>ASN.1 Type:</b>                       | Component                                |
| <b>Derivation Path:</b>                  |                                          |
| <b>Comments:</b>                         |                                          |
| <b>Constraint Value</b>                  |                                          |
| processUnstructuredSSDataComponents      | processUnstructuredSSData_InvokeComp     |
| ?,                                       | {                                        |
|                                          | invokeID                                 |
| 19,                                      | localValue                               |
| ussdString                               | ss_UserData                              |
|                                          | }                                        |
| <b>Detailed Comments:</b>                |                                          |

| <b>ASN.1 Type Constraint Declaration</b> |                                          |
|------------------------------------------|------------------------------------------|
| <b>Constraint Name:</b>                  | ProcessUSSDReq_01(ussdString: IA5String) |
| <b>ASN.1 Type:</b>                       | Component                                |
| <b>Derivation Path:</b>                  |                                          |
| <b>Comments:</b>                         |                                          |
| <b>Constraint Value</b>                  |                                          |
| processUnstructuredSSRequestComponents   | processUnstructuredSSRequest_InvokeComp  |
| ?,                                       | {                                        |
|                                          | invokeID                                 |
| 59,                                      | localValue                               |
|                                          | ussd_Arg                                 |
| {                                        |                                          |
| ussd_DataCodingScheme                    | 'F0'O,                                   |
| ussd_String                              | OC_CodingOfUssdString(ussdString)        |
| }                                        | }                                        |
| <b>Detailed Comments:</b>                |                                          |

| <b>ASN.1 Type Constraint Declaration</b> |                                                         |
|------------------------------------------|---------------------------------------------------------|
| <b>Constraint Name:</b>                  | USSDReq_04( Invkid :OCTETSTRING; ussdString: IA5String) |
| <b>ASN.1 Type:</b>                       | Component                                               |
| <b>Derivation Path:</b>                  |                                                         |
| <b>Comments:</b>                         | ReturnResult for Unstructured SS request                |
| <b>Constraint Value</b>                  |                                                         |
| unstructuredSSRequestComponents          | unstructuredSSRequest_ReturnResultComp                  |
| OC_OctToInvokeIDType( Invkid) ,          | {                                                       |
|                                          | invokeID                                                |
|                                          | result                                                  |
|                                          | {                                                       |
| localValue                               | 60,                                                     |
| ussd_Res                                 |                                                         |
| {                                        |                                                         |
| ussd_DataCodingScheme                    | 'F0'O,                                                  |
| ussd_String                              | OC_CodingOfUssdString(ussdString)                       |
| }                                        | }                                                       |
|                                          | }                                                       |
| <b>Detailed Comments:</b>                |                                                         |

| <b>ASN.1 Type Constraint Declaration</b> |                                                                       |
|------------------------------------------|-----------------------------------------------------------------------|
| <b>Constraint Name:</b>                  | USSDReq_05( Invkid :OCTETSTRING)                                      |
| <b>ASN.1 Type:</b>                       | Component                                                             |
| <b>Derivation Path:</b>                  |                                                                       |
| <b>Comments:</b>                         | Return Error for UnstructuredSS-Request with the error code USSD Busy |
| <b>Constraint Value</b>                  |                                                                       |
| unstructuredSSRequestComponents          | unstructuredSSRequest_ReturnErrorComp<br>errorCodes                   |
| OC_OctToInvokeIDType( Invkid ) ,         | { invokeID                                                            |
| ussd_Busy                                | errorCode                                                             |
|                                          | }                                                                     |
| <b>Detailed Comments:</b>                |                                                                       |

**ASP constraint declarations****TTCN ASP constraint declarations**

| <b>ASP Constraint Declaration</b> |                                   |          |
|-----------------------------------|-----------------------------------|----------|
| <b>Constraint Name:</b>           | Abort( ch: LOGICCH; pdu:ABRT_PDU) |          |
| <b>ASP Type:</b>                  | DL_DatRqAbrt                      |          |
| <b>Derivation Path:</b>           |                                   |          |
| <b>Comments:</b>                  | To send an Abort message.         |          |
| Parameter Name                    | Parameter Value                   | Comments |
| sapi                              | C_Sap0                            |          |
| logic_ch                          | ch                                |          |
| msg                               | pdu                               |          |
| <b>Detailed Comments:</b>         |                                   |          |

| <b>ASP Constraint Declaration</b> |                                |          |
|-----------------------------------|--------------------------------|----------|
| <b>Constraint Name:</b>           | AlertRcv(pdu: ALERT_PDU)       |          |
| <b>ASP Type:</b>                  | DL_DatInAlert                  |          |
| <b>Derivation Path:</b>           |                                |          |
| <b>Comments:</b>                  | To receive an ALERTING message |          |
| Parameter Name                    | Parameter Value                | Comments |
| sapi                              | C_Sap0                         |          |
| logic_ch                          | ?                              |          |
| msg                               | pdu                            |          |
| fn                                | ?                              |          |
| <b>Detailed Comments:</b>         |                                |          |

| <b>ASP Constraint Declaration</b> |                                       |          |
|-----------------------------------|---------------------------------------|----------|
| <b>Constraint Name:</b>           | AlertSnd( ch:LOGICCH; pdu: ALERT_PDU) |          |
| <b>ASP Type:</b>                  | DL_DatRqAlert                         |          |
| <b>Derivation Path:</b>           |                                       |          |
| <b>Comments:</b>                  | To send an ALERTING message           |          |
| Parameter Name                    | Parameter Value                       | Comments |
| sapi                              | C_Sap0                                |          |
| logic_ch                          | ch                                    |          |
| msg                               | pdu                                   |          |
| <b>Detailed Comments:</b>         |                                       |          |

| ASP Constraint Declaration |                                                                            |          |
|----------------------------|----------------------------------------------------------------------------|----------|
| <b>Constraint Name:</b>    | AssCmd(ch:LOGICCH; pdu: ASS_CMD_PDU)                                       |          |
| <b>ASP Type:</b>           | DL_DatRqAssCmd                                                             |          |
| <b>Derivation Path:</b>    |                                                                            |          |
| <b>Comments:</b>           | To send an ASSIGNMENT COMMAND message which is assigned in send statement. |          |
| Parameter Name             | Parameter Value                                                            | Comments |
| sapi                       | C_Sap0                                                                     |          |
| logic_ch                   | ch                                                                         |          |
| msg                        | pdu                                                                        |          |
| <b>Detailed Comments:</b>  |                                                                            |          |

| ASP Constraint Declaration |                                                   |          |
|----------------------------|---------------------------------------------------|----------|
| <b>Constraint Name:</b>    | AssCmp(ch:LOGICCH; pdu:ASS_COM_PDU)               |          |
| <b>ASP Type:</b>           | DL_DatInAssCom                                    |          |
| <b>Derivation Path:</b>    |                                                   |          |
| <b>Comments:</b>           | To match any received ASSIGNMENT COMPLETE message |          |
| Parameter Name             | Parameter Value                                   | Comments |
| sapi                       | C_Sap0                                            |          |
| logic_ch                   | ch                                                |          |
| msg                        | pdu                                               |          |
| fn                         | ?                                                 |          |
| <b>Detailed Comments:</b>  |                                                   |          |

| ASP Constraint Declaration |                          |          |
|----------------------------|--------------------------|----------|
| <b>Constraint Name:</b>    | AssFI_02(ch:LOGICCH)     |          |
| <b>ASP Type:</b>           | DL_DatInAssfl            |          |
| <b>Derivation Path:</b>    |                          |          |
| <b>Comments:</b>           | protocol error undefined |          |
| Parameter Name             | Parameter Value          | Comments |
| sapi                       | C_Sap0                   |          |
| logic_ch                   | ch                       |          |
| msg                        | AssgnFI_02               |          |
| fn                         | ?                        |          |
| <b>Detailed Comments:</b>  |                          |          |

| ASP Constraint Declaration |                            |          |
|----------------------------|----------------------------|----------|
| <b>Constraint Name:</b>    | AssFI_any_cau(ch: LOGICCH) |          |
| <b>ASP Type:</b>           | DL_DatInAssfl              |          |
| <b>Derivation Path:</b>    |                            |          |
| <b>Comments:</b>           |                            |          |
| Parameter Name             | Parameter Value            | Comments |
| sapi                       | C_Sap0                     |          |
| logic_ch                   | ch                         |          |
| msg                        | AssgnFI_01                 |          |
| fn                         | ?                          |          |
| <b>Detailed Comments:</b>  |                            |          |

| ASP Constraint Declaration |                                                                |          |
|----------------------------|----------------------------------------------------------------|----------|
| <b>Constraint Name:</b>    | AuthReq(ch: LOGICCH; pdu: AUTH_RQ_PDU)                         |          |
| <b>ASP Type:</b>           | DL_DatRqAuthRq                                                 |          |
| <b>Derivation Path:</b>    |                                                                |          |
| <b>Comments:</b>           | To send an AUTHENTICATION REQUEST message with default values. |          |
| Parameter Name             | Parameter Value                                                | Comments |
| sapi                       | C_Sap0                                                         |          |
| logic_ch                   | ch                                                             |          |
| msg                        | pdu                                                            |          |
| <b>Detailed Comments:</b>  |                                                                |          |

| ASP Constraint Declaration |                                                                           |          |
|----------------------------|---------------------------------------------------------------------------|----------|
| <b>Constraint Name:</b>    | AuthReq_inv_01(ch: LOGICCH; rand:RAND)                                    |          |
| <b>ASP Type:</b>           | DL_DatRqAuthRq                                                            |          |
| <b>Derivation Path:</b>    |                                                                           |          |
| <b>Comments:</b>           | To send an AUTHENTICATION REQUEST message containing arbitrary spare bits |          |
| Parameter Name             | Parameter Value                                                           | Comments |
| sapi                       | C_Sap0                                                                    |          |
| logic_ch                   | ch                                                                        |          |
| msg                        | AuthRequest_inv_01( rand)                                                 |          |
| <b>Detailed Comments:</b>  |                                                                           |          |

| ASP Constraint Declaration |                                                               |          |
|----------------------------|---------------------------------------------------------------|----------|
| <b>Constraint Name:</b>    | AuthRejSnd( ch: LOGICCH; pdu:AUTH_REJ_PDU)                    |          |
| <b>ASP Type:</b>           | DL_DatRqAuthRej                                               |          |
| <b>Derivation Path:</b>    |                                                               |          |
| <b>Comments:</b>           | To send an AUTHENTICATION REJECT message with default values. |          |
| Parameter Name             | Parameter Value                                               | Comments |
| sapi                       | C_Sap0                                                        |          |
| logic_ch                   | ch                                                            |          |
| msg                        | pdu                                                           |          |
| <b>Detailed Comments:</b>  |                                                               |          |

| ASP Constraint Declaration |                                                                                |          |
|----------------------------|--------------------------------------------------------------------------------|----------|
| <b>Constraint Name:</b>    | AuthRes(pdu: AUTH_RES_PDU)                                                     |          |
| <b>ASP Type:</b>           | DL_DatInAuthRes                                                                |          |
| <b>Derivation Path:</b>    |                                                                                |          |
| <b>Comments:</b>           | To match any received AUTHENTICATION RESPONSE message which contains any SRES. |          |
| Parameter Name             | Parameter Value                                                                | Comments |
| sapi                       | C_Sap0                                                                         |          |
| logic_ch                   | ?                                                                              |          |
| msg                        | pdu                                                                            |          |
| fn                         | ?                                                                              |          |
| <b>Detailed Comments:</b>  |                                                                                |          |

| ASP Constraint Declaration |                                         |          |
|----------------------------|-----------------------------------------|----------|
| <b>Constraint Name:</b>    | CallCfm( pdu: CALL_CO_PDU)              |          |
| <b>ASP Type:</b>           | DL_DatInCallCo                          |          |
| <b>Derivation Path:</b>    |                                         |          |
| <b>Comments:</b>           | To receive a CC CALL CONFIRMED message. |          |
| Parameter Name             | Parameter Value                         | Comments |
| sapi                       | C_Sap0                                  |          |
| logic_ch                   | ?                                       |          |
| msg                        | pdu                                     |          |
| fn                         | ?                                       |          |
| <b>Detailed Comments:</b>  |                                         |          |

| ASP Constraint Declaration |                                           |          |
|----------------------------|-------------------------------------------|----------|
| <b>Constraint Name:</b>    | CallProc(ch: LOGICCH; pdu: CALL_PROC_PDU) |          |
| <b>ASP Type:</b>           | DL_DatRqCallProc                          |          |
| <b>Derivation Path:</b>    |                                           |          |
| <b>Comments:</b>           | To send a CALL PROCEEDING message.        |          |
| Parameter Name             | Parameter Value                           | Comments |
| sapi                       | C_Sap0                                    |          |
| logic_ch                   | ch                                        |          |
| msg                        | pdu                                       |          |
| <b>Detailed Comments:</b>  |                                           |          |

| ASP Constraint Declaration |                                                    |          |
|----------------------------|----------------------------------------------------|----------|
| <b>Constraint Name:</b>    | CCStRcv(ch: LOGICCH; pdu:CCST_PDU)                 |          |
| <b>ASP Type:</b>           | DL_DatInCcst                                       |          |
| <b>Derivation Path:</b>    |                                                    |          |
| <b>Comments:</b>           | To match any received STATUS message with TI = Ti. |          |
| Parameter Name             | Parameter Value                                    | Comments |
| sapi                       | C_Sap0                                             |          |
| logic_ch                   | ch                                                 |          |
| msg                        | pdu                                                |          |
| fn                         | ?                                                  |          |
| <b>Detailed Comments:</b>  |                                                    |          |

| ASP Constraint Declaration |                                                                           |          |
|----------------------------|---------------------------------------------------------------------------|----------|
| <b>Constraint Name:</b>    | CCStSnd(ch: LOGICCH; pdu:CCST_PDU)                                        |          |
| <b>ASP Type:</b>           | DL_DatRqCcst                                                              |          |
| <b>Derivation Path:</b>    |                                                                           |          |
| <b>Comments:</b>           | To send a CC STATUS message without mandatory cause IE and call state IE. |          |
| Parameter Name             | Parameter Value                                                           | Comments |
| sapi                       | C_Sap0                                                                    |          |
| logic_ch                   | ch                                                                        |          |
| msg                        | pdu                                                                       |          |
| <b>Detailed Comments:</b>  |                                                                           |          |

| ASP Constraint Declaration |                                          |          |
|----------------------------|------------------------------------------|----------|
| <b>Constraint Name:</b>    | CCStESnd(ch: LOGICCH; pdu: CCST_ENQ_PDU) |          |
| <b>ASP Type:</b>           | DL_DatRqCstEnq                           |          |
| <b>Derivation Path:</b>    |                                          |          |
| <b>Comments:</b>           | To send a STATUS ENQUIRY message.        |          |
| Parameter Name             | Parameter Value                          | Comments |
| sapi                       | C_Sap0                                   |          |
| logic_ch                   | ch                                       |          |
| msg                        | pdu                                      |          |
| <b>Detailed Comments:</b>  |                                          |          |

| ASP Constraint Declaration |                                            |          |
|----------------------------|--------------------------------------------|----------|
| <b>Constraint Name:</b>    | ChmmoAckRcv(ch:LOGICCH; msg:CHMMO_ACK_PDU) |          |
| <b>ASP Type:</b>           | DL_DatInChmmoAck                           |          |
| <b>Derivation Path:</b>    |                                            |          |
| <b>Comments:</b>           |                                            |          |
| Parameter Name             | Parameter Value                            | Comments |
| sapi                       | C_Sap0                                     |          |
| logic_ch                   | ch                                         |          |
| msg                        | msg                                        |          |
| fn                         | ?                                          |          |
| <b>Detailed Comments:</b>  |                                            |          |

| ASP Constraint Declaration |                                        |          |
|----------------------------|----------------------------------------|----------|
| <b>Constraint Name:</b>    | ChmmoReqSnd(ch:LOGICCH; msg:CHMMO_PDU) |          |
| <b>ASP Type:</b>           | DL_DatRqChmmo                          |          |
| <b>Derivation Path:</b>    |                                        |          |
| <b>Comments:</b>           |                                        |          |
| Parameter Name             | Parameter Value                        | Comments |
| sapi                       | C_Sap0                                 |          |
| logic_ch                   | ch                                     |          |
| msg                        | msg                                    |          |
| <b>Detailed Comments:</b>  |                                        |          |

| ASP Constraint Declaration |                                     |          |
|----------------------------|-------------------------------------|----------|
| <b>Constraint Name:</b>    | ChRel(ch: LOGICCH; pdu: CH_REL_PDU) |          |
| <b>ASP Type:</b>           | DL_DatRqChRel                       |          |
| <b>Derivation Path:</b>    |                                     |          |
| <b>Comments:</b>           | To send a CHANNEL RELEASE message.  |          |
| Parameter Name             | Parameter Value                     | Comments |
| sapi                       | C_Sap0                              |          |
| logic_ch                   | ch                                  |          |
| msg                        | pdu                                 |          |
| <b>Detailed Comments:</b>  |                                     |          |

| ASP Constraint Declaration |                                                                                       |          |
|----------------------------|---------------------------------------------------------------------------------------|----------|
| <b>Constraint Name:</b>    | ChRel_inv( ch:LOGICCH)                                                                |          |
| <b>ASP Type:</b>           | DL_DatRqChRelErr                                                                      |          |
| <b>Derivation Path:</b>    |                                                                                       |          |
| <b>Comments:</b>           | To send a CHANNEL RELEASE message containing additional IE unknown in the RR protocol |          |
| Parameter Name             | Parameter Value                                                                       | Comments |
| sapi                       | C_Sap0                                                                                |          |
| logic_ch                   | ch                                                                                    |          |
| msg                        | ChRelease_inv_03                                                                      |          |
| <b>Detailed Comments:</b>  | used in TC_26_5_6_3                                                                   |          |

| ASP Constraint Declaration |                                                              |          |
|----------------------------|--------------------------------------------------------------|----------|
| <b>Constraint Name:</b>    | ChReq(pdu: CH_RQ_PDU)                                        |          |
| <b>ASP Type:</b>           | DL_RaInChRq                                                  |          |
| <b>Derivation Path:</b>    |                                                              |          |
| <b>Comments:</b>           | To receive a primitive containing a CHANNEL REQUEST message. |          |
| Parameter Name             | Parameter Value                                              | Comments |
| sapi                       | C_Sap0                                                       |          |
| logic_ch                   | ?                                                            |          |
| fn                         | ?                                                            |          |
| msg                        | pdu                                                          |          |
| <b>Detailed Comments:</b>  |                                                              |          |

| ASP Constraint Declaration |                                                |          |
|----------------------------|------------------------------------------------|----------|
| <b>Constraint Name:</b>    | ChReq_01(ch:LOGICCH; pdu:CH_RQ_PDU)            |          |
| <b>ASP Type:</b>           | DL_RaInChRq                                    |          |
| <b>Derivation Path:</b>    |                                                |          |
| <b>Comments:</b>           | To receive a CHANNEL REQUEST message in cell B |          |
| Parameter Name             | Parameter Value                                | Comments |
| sapi                       | C_Sap0                                         |          |
| logic_ch                   | ch                                             |          |
| fn                         | ?                                              |          |
| msg                        | pdu                                            |          |
| <b>Detailed Comments:</b>  |                                                |          |

| ASP Constraint Declaration |                                                                                                       |          |
|----------------------------|-------------------------------------------------------------------------------------------------------|----------|
| <b>Constraint Name:</b>    | ClassChgURcv( pdu:CLM_CHN_PDU)                                                                        |          |
| <b>ASP Type:</b>           | DL_UdatInCImChn                                                                                       |          |
| <b>Derivation Path:</b>    |                                                                                                       |          |
| <b>Comments:</b>           | to match a received CLASSMARK CHANGE message containing classmark2 indicating original rf power class |          |
| Parameter Name             | Parameter Value                                                                                       | Comments |
| sapi                       | C_Sap0                                                                                                |          |
| logic_ch                   | ?                                                                                                     |          |
| msg                        | pdu                                                                                                   |          |
| fn                         | ?                                                                                                     |          |
| <b>Detailed Comments:</b>  |                                                                                                       |          |

| ASP Constraint Declaration |                                                                                                                                |          |
|----------------------------|--------------------------------------------------------------------------------------------------------------------------------|----------|
| <b>Constraint Name:</b>    | ClassChgDRcv( pdu:CLM_CHN_PDU)                                                                                                 |          |
| <b>ASP Type:</b>           | DL_DatInCImChn                                                                                                                 |          |
| <b>Derivation Path:</b>    |                                                                                                                                |          |
| <b>Comments:</b>           | to match a received CLASSMARK CHANGE message containing classmark2 indicating original rf power class and possible classmark3. |          |
| Parameter Name             | Parameter Value                                                                                                                | Comments |
| sapi                       | C_Sap0                                                                                                                         |          |
| logic_ch                   | ?                                                                                                                              |          |
| msg                        | pdu                                                                                                                            |          |
| fn                         | ?                                                                                                                              |          |
| <b>Detailed Comments:</b>  |                                                                                                                                |          |

| ASP Constraint Declaration |                            |          |
|----------------------------|----------------------------|----------|
| <b>Constraint Name:</b>    | ClassMkEnq_01(ch: LOGICCH) |          |
| <b>ASP Type:</b>           | DL_DatRqCImEnq             |          |
| <b>Derivation Path:</b>    |                            |          |
| <b>Comments:</b>           |                            |          |
| Parameter Name             | Parameter Value            | Comments |
| sapi                       | C_Sap0                     |          |
| logic_ch                   | ch                         |          |
| msg                        | ClassMarkEnq_01            |          |
| <b>Detailed Comments:</b>  |                            |          |

| ASP Constraint Declaration |                                      |          |
|----------------------------|--------------------------------------|----------|
| <b>Constraint Name:</b>    | CmreReq_02(mi:MI; lai:LAI; cksn:B_3) |          |
| <b>ASP Type:</b>           | DL_EstInCmreRq                       |          |
| <b>Derivation Path:</b>    |                                      |          |
| <b>Comments:</b>           |                                      |          |
| Parameter Name             | Parameter Value                      | Comments |
| sapi                       | C_Sap0                               |          |
| logic_ch                   | ?                                    |          |
| establish_mode             | ?                                    |          |
| msg                        | CMReEstReq_02( mi, lai, cksn)        |          |
| fn                         | ?                                    |          |
| <b>Detailed Comments:</b>  |                                      |          |

| ASP Constraint Declaration |                                        |          |
|----------------------------|----------------------------------------|----------|
| <b>Constraint Name:</b>    | CMSerAcp(ch:LOGICCH; pdu: CMS_ACP_PDU) |          |
| <b>ASP Type:</b>           | DL_DatRqCmsAcp                         |          |
| <b>Derivation Path:</b>    |                                        |          |
| <b>Comments:</b>           | To send a CM service accept message.   |          |
| Parameter Name             | Parameter Value                        | Comments |
| sapi                       | C_Sap0                                 |          |
| logic_ch                   | ch                                     |          |
| msg                        | pdu                                    |          |
| <b>Detailed Comments:</b>  |                                        |          |



| ASP Constraint Declaration |                                                               |          |
|----------------------------|---------------------------------------------------------------|----------|
| <b>Constraint Name:</b>    | CMSerRej(ch:LOGICCH; pdu: CMS_REJ_PDU)                        |          |
| <b>ASP Type:</b>           | DL_DatRqCmsRej                                                |          |
| <b>Derivation Path:</b>    |                                                               |          |
| <b>Comments:</b>           | reject cause = "service or option not available, unspecified" |          |
| Parameter Name             | Parameter Value                                               | Comments |
| sapi                       | C_Sap0                                                        |          |
| logic_ch                   | ch                                                            |          |
| msg                        | pdu                                                           |          |
| <b>Detailed Comments:</b>  |                                                               |          |

| ASP Constraint Declaration |                                          |          |
|----------------------------|------------------------------------------|----------|
| <b>Constraint Name:</b>    | CMSerReq(pdu: CMS_RQ_PDU)                |          |
| <b>ASP Type:</b>           | DL_EstInCmsRq                            |          |
| <b>Derivation Path:</b>    |                                          |          |
| <b>Comments:</b>           | To receive a CM SERVICE REQUEST message. |          |
| Parameter Name             | Parameter Value                          | Comments |
| sapi                       | C_Sap0                                   |          |
| logic_ch                   | ?                                        |          |
| establish_mode             | ?                                        |          |
| msg                        | pdu                                      |          |
| fn                         | ?                                        |          |
| <b>Detailed Comments:</b>  |                                          |          |

| ASP Constraint Declaration |                                                  |          |
|----------------------------|--------------------------------------------------|----------|
| <b>Constraint Name:</b>    | CMSerDatReq( pdu:CMS_RQ_PDU)                     |          |
| <b>ASP Type:</b>           | DL_DatInCmsRq                                    |          |
| <b>Derivation Path:</b>    |                                                  |          |
| <b>Comments:</b>           | To match any received CM SERVICE REQUEST message |          |
| Parameter Name             | Parameter Value                                  | Comments |
| sapi                       | C_Sap0                                           |          |
| logic_ch                   | ?                                                |          |
| msg                        | pdu                                              |          |
| fn                         | ?                                                |          |
| <b>Detailed Comments:</b>  |                                                  |          |

| ASP Constraint Declaration |                                          |          |
|----------------------------|------------------------------------------|----------|
| <b>Constraint Name:</b>    | ConnAckRcv(pdu: CONN_ACK_PDU)            |          |
| <b>ASP Type:</b>           | DL_DatInConnAck                          |          |
| <b>Derivation Path:</b>    |                                          |          |
| <b>Comments:</b>           | To receive a CONNECT ACKNOWLEDGE message |          |
| Parameter Name             | Parameter Value                          | Comments |
| sapi                       | C_Sap0                                   |          |
| logic_ch                   | ?                                        |          |
| msg                        | pdu                                      |          |
| fn                         | ?                                        |          |
| <b>Detailed Comments:</b>  |                                          |          |

| ASP Constraint Declaration |                                           |          |
|----------------------------|-------------------------------------------|----------|
| <b>Constraint Name:</b>    | ConnAckSnd(ch:LOGICCH; pdu: CONN_ACK_PDU) |          |
| <b>ASP Type:</b>           | DL_DatRqConnAck                           |          |
| <b>Derivation Path:</b>    |                                           |          |
| <b>Comments:</b>           | To send a CONNECT ACKNOWLEDGE message.    |          |
| Parameter Name             | Parameter Value                           | Comments |
| sapi                       | C_Sap0                                    |          |
| logic_ch                   | ch                                        |          |
| msg                        | pdu                                       |          |
| <b>Detailed Comments:</b>  |                                           |          |

| ASP Constraint Declaration |                                                                                         |          |
|----------------------------|-----------------------------------------------------------------------------------------|----------|
| <b>Constraint Name:</b>    | Conn_invSnd( ch:LOGICCH; pdu:CONN_PDU_ERR)                                              |          |
| <b>ASP Type:</b>           | DL_DatRqConnErr                                                                         |          |
| <b>Derivation Path:</b>    |                                                                                         |          |
| <b>Comments:</b>           | To send a CC CONNECT message containing a mandatory IE coded as comprehension required. |          |
| Parameter Name             | Parameter Value                                                                         | Comments |
| sapi                       | C_Sap0                                                                                  |          |
| logic_ch                   | ch                                                                                      |          |
| msg                        | pdu                                                                                     |          |
| <b>Detailed Comments:</b>  |                                                                                         |          |

| ASP Constraint Declaration |                                  |          |
|----------------------------|----------------------------------|----------|
| <b>Constraint Name:</b>    | ConnRcv(pdu: CONN_PDU)           |          |
| <b>ASP Type:</b>           | DL_DatInConn                     |          |
| <b>Derivation Path:</b>    |                                  |          |
| <b>Comments:</b>           | To receive a CC CONNECT message. |          |
| Parameter Name             | Parameter Value                  | Comments |
| sapi                       | C_Sap0                           |          |
| logic_ch                   | ?                                |          |
| msg                        | pdu                              |          |
| fn                         | ?                                |          |
| <b>Detailed Comments:</b>  |                                  |          |

| ASP Constraint Declaration |                                     |          |
|----------------------------|-------------------------------------|----------|
| <b>Constraint Name:</b>    | ConnSnd(ch: LOGICCH; pdu: CONN_PDU) |          |
| <b>ASP Type:</b>           | DL_DatRqConn                        |          |
| <b>Derivation Path:</b>    |                                     |          |
| <b>Comments:</b>           | To send a CC CONNECT message.       |          |
| Parameter Name             | Parameter Value                     | Comments |
| sapi                       | C_Sap0                              |          |
| logic_ch                   | ch                                  |          |
| msg                        | pdu                                 |          |
| <b>Detailed Comments:</b>  |                                     |          |

| ASP Constraint Declaration |                                           |          |
|----------------------------|-------------------------------------------|----------|
| <b>Constraint Name:</b>    | CphCmd(ch: LOGICCH; pdu: CPHM_CMD_PDU)    |          |
| <b>ASP Type:</b>           | DL_DatRqCphmCmd                           |          |
| <b>Derivation Path:</b>    |                                           |          |
| <b>Comments:</b>           | To send a CIPHERING MODE COMMAND message. |          |
| Parameter Name             | Parameter Value                           | Comments |
| sapi                       | C_Sap0                                    |          |
| logic_ch                   | ch                                        |          |
| msg                        | pdu                                       |          |
| <b>Detailed Comments:</b>  |                                           |          |

| ASP Constraint Declaration |                                                                           |          |
|----------------------------|---------------------------------------------------------------------------|----------|
| <b>Constraint Name:</b>    | CphCmd_inv(ch:LOGICCH; pdu:CPHM_CMD_PDU_ERR)                              |          |
| <b>ASP Type:</b>           | DL_DatRqCphmCmdErr                                                        |          |
| <b>Derivation Path:</b>    |                                                                           |          |
| <b>Comments:</b>           | To send a CIPHERING MODE COMMAND message containing additional unknown IE |          |
| Parameter Name             | Parameter Value                                                           | Comments |
| sapi                       | C_Sap0                                                                    |          |
| logic_ch                   | ch                                                                        |          |
| msg                        | CphModeCmd_inv_03                                                         |          |
| <b>Detailed Comments:</b>  |                                                                           |          |

| ASP Constraint Declaration |                                               |          |
|----------------------------|-----------------------------------------------|----------|
| <b>Constraint Name:</b>    | CphCom(pdu: CPHM_COM_PDU)                     |          |
| <b>ASP Type:</b>           | DL_DatInCphmCom                               |          |
| <b>Derivation Path:</b>    |                                               |          |
| <b>Comments:</b>           | To receive a CIPHERING MODE COMPLETE message. |          |
| Parameter Name             | Parameter Value                               | Comments |
| sapi                       | C_Sap0                                        |          |
| logic_ch                   | ?                                             |          |
| msg                        | pdu                                           |          |
| fn                         | ?                                             |          |
| <b>Detailed Comments:</b>  |                                               |          |

| ASP Constraint Declaration |                                                                                          |          |
|----------------------------|------------------------------------------------------------------------------------------|----------|
| <b>Constraint Name:</b>    | Disc_inv(ch: LOGICCH; pdu:DISC_PDU)                                                      |          |
| <b>ASP Type:</b>           | DL_DatRqDisc                                                                             |          |
| <b>Derivation Path:</b>    |                                                                                          |          |
| <b>Comments:</b>           | To send a DISCONNECT message containing the transaction ID not refer to the active call. |          |
| Parameter Name             | Parameter Value                                                                          | Comments |
| sapi                       | C_Sap0                                                                                   |          |
| logic_ch                   | ch                                                                                       |          |
| msg                        | pdu                                                                                      |          |
| <b>Detailed Comments:</b>  |                                                                                          |          |

| ASP Constraint Declaration |                                                     |          |
|----------------------------|-----------------------------------------------------|----------|
| <b>Constraint Name:</b>    | Disc_inv_err(ch:LOGICCH; pdu:DISC_PDU_ERR)          |          |
| <b>ASP Type:</b>           | DL_DatRqDiscErr                                     |          |
| <b>Derivation Path:</b>    |                                                     |          |
| <b>Comments:</b>           | To send a DISCONNECT message containing unknown IEI |          |
| Parameter Name             | Parameter Value                                     | Comments |
| sapi                       | C_Sap0                                              |          |
| logic_ch                   | ch                                                  |          |
| msg                        | pdu                                                 |          |
| <b>Detailed Comments:</b>  |                                                     |          |

| ASP Constraint Declaration |                                         |          |
|----------------------------|-----------------------------------------|----------|
| <b>Constraint Name:</b>    | DiscRcv(ch:LOGICCH; pdu: DISC_PDU)      |          |
| <b>ASP Type:</b>           | DL_DatInDisc                            |          |
| <b>Derivation Path:</b>    |                                         |          |
| <b>Comments:</b>           | To match a received DISCONNECT message. |          |
| Parameter Name             | Parameter Value                         | Comments |
| sapi                       | C_Sap0                                  |          |
| logic_ch                   | ch                                      |          |
| msg                        | pdu                                     |          |
| fn                         | ?                                       |          |
| <b>Detailed Comments:</b>  |                                         |          |

| ASP Constraint Declaration |                                    |          |
|----------------------------|------------------------------------|----------|
| <b>Constraint Name:</b>    | DiscSnd(ch:LOGICCH; pdu: DISC_PDU) |          |
| <b>ASP Type:</b>           | DL_DatRqDisc                       |          |
| <b>Derivation Path:</b>    |                                    |          |
| <b>Comments:</b>           | To send a DISCONNECT message.      |          |
| Parameter Name             | Parameter Value                    | Comments |
| sapi                       | C_Sap0                             |          |
| logic_ch                   | ch                                 |          |
| msg                        | pdu                                |          |
| <b>Detailed Comments:</b>  |                                    |          |

| ASP Constraint Declaration |                                                                                                       |          |
|----------------------------|-------------------------------------------------------------------------------------------------------|----------|
| <b>Constraint Name:</b>    | DLEstCo( ch:LOGICCH)                                                                                  |          |
| <b>ASP Type:</b>           | DL_EstCo                                                                                              |          |
| <b>Derivation Path:</b>    |                                                                                                       |          |
| <b>Comments:</b>           | The ASP is used by the L2 to inform the L3 about the establishment of multiple frame link (L2 -> L3). |          |
| Parameter Name             | Parameter Value                                                                                       | Comments |
| sapi                       | C_Sap3                                                                                                |          |
| logic_ch                   | ch                                                                                                    |          |
| establish_mode             | C_Norm                                                                                                |          |
| <b>Detailed Comments:</b>  |                                                                                                       |          |

| ASP Constraint Declaration |                                               |          |
|----------------------------|-----------------------------------------------|----------|
| <b>Constraint Name:</b>    | DLEstRq( ch:LOGICCH)                          |          |
| <b>ASP Type:</b>           | DL_EstRq                                      |          |
| <b>Derivation Path:</b>    |                                               |          |
| <b>Comments:</b>           | Request of a layer 2 connection establishment |          |
| Parameter Name             | Parameter Value                               | Comments |
| sapi                       | C_Sap3                                        |          |
| logic_ch                   | ch                                            |          |
| establish_mode             | C_Norm                                        |          |
| <b>Detailed Comments:</b>  |                                               |          |

| ASP Constraint Declaration |                                                  |          |
|----------------------------|--------------------------------------------------|----------|
| <b>Constraint Name:</b>    | DLEstInd(ch :LOGICCH)                            |          |
| <b>ASP Type:</b>           | DL_EstIn                                         |          |
| <b>Derivation Path:</b>    |                                                  |          |
| <b>Comments:</b>           | Indication of a layer 2 connection establishment |          |
| Parameter Name             | Parameter Value                                  | Comments |
| sapi                       | C_Sap0                                           |          |
| logic_ch                   | ch                                               |          |
| establish_mode             | ?                                                |          |
| fn                         | ?                                                |          |
| <b>Detailed Comments:</b>  |                                                  |          |

| ASP Constraint Declaration |                                                             |          |
|----------------------------|-------------------------------------------------------------|----------|
| <b>Constraint Name:</b>    | DLEstInd_2(ch:LOGICCH)                                      |          |
| <b>ASP Type:</b>           | DL_EstIn                                                    |          |
| <b>Derivation Path:</b>    |                                                             |          |
| <b>Comments:</b>           | Indication of a layer 2 connection establishment for SAPI 3 |          |
| Parameter Name             | Parameter Value                                             | Comments |
| sapi                       | C_Sap3                                                      |          |
| logic_ch                   | ch                                                          |          |
| establish_mode             | ?                                                           |          |
| fn                         | ?                                                           |          |
| <b>Detailed Comments:</b>  |                                                             |          |

| ASP Constraint Declaration |                                                                 |          |
|----------------------------|-----------------------------------------------------------------|----------|
| <b>Constraint Name:</b>    | DLRelInd_01                                                     |          |
| <b>ASP Type:</b>           | DL_RelIn                                                        |          |
| <b>Derivation Path:</b>    |                                                                 |          |
| <b>Comments:</b>           | Layer 2 indication of the layer 2 connection has been released. |          |
| Parameter Name             | Parameter Value                                                 | Comments |
| sapi                       | C_Sap0                                                          |          |
| logic_ch                   | ?                                                               |          |
| release_mode               | ?                                                               |          |
| outstanding_indicator      | ?                                                               |          |
| fn                         | ?                                                               |          |
| <b>Detailed Comments:</b>  |                                                                 |          |

| ASP Constraint Declaration |                                                                 |          |
|----------------------------|-----------------------------------------------------------------|----------|
| <b>Constraint Name:</b>    | DLRelInd_02                                                     |          |
| <b>ASP Type:</b>           | DL_Relln                                                        |          |
| <b>Derivation Path:</b>    |                                                                 |          |
| <b>Comments:</b>           | Layer 2 indication of the layer 2 connection has been released. |          |
| Parameter Name             | Parameter Value                                                 | Comments |
| sapi                       | C_Sap0                                                          |          |
| logic_ch                   | ?                                                               |          |
| release_mode               | C_LocEndRel                                                     |          |
| outstanding_indicator      | ?                                                               |          |
| fn                         | ?                                                               |          |
| <b>Detailed Comments:</b>  |                                                                 |          |

| ASP Constraint Declaration |                                             |          |
|----------------------------|---------------------------------------------|----------|
| <b>Constraint Name:</b>    | ESetupRcv(pdu: ESETUP_PDU)                  |          |
| <b>ASP Type:</b>           | DL_DatInESetup                              |          |
| <b>Derivation Path:</b>    |                                             |          |
| <b>Comments:</b>           | To receive an emergency call SETUP message. |          |
| Parameter Name             | Parameter Value                             | Comments |
| sapi                       | C_Sap0                                      |          |
| logic_ch                   | ?                                           |          |
| msg                        | pdu                                         |          |
| fn                         | ?                                           |          |
| <b>Detailed Comments:</b>  |                                             |          |

| ASP Constraint Declaration |                                                                   |          |
|----------------------------|-------------------------------------------------------------------|----------|
| <b>Constraint Name:</b>    | FacilityRcv(fac:FAC_PDU)                                          |          |
| <b>ASP Type:</b>           | DL_DatInFac                                                       |          |
| <b>Derivation Path:</b>    |                                                                   |          |
| <b>Comments:</b>           | To receive a FACILITY message containing build multiparty request |          |
| Parameter Name             | Parameter Value                                                   | Comments |
| sapi                       | C_Sap0                                                            |          |
| logic_ch                   | ?                                                                 |          |
| msg                        | fac                                                               |          |
| fn                         | ?                                                                 |          |
| <b>Detailed Comments:</b>  |                                                                   |          |

| ASP Constraint Declaration |                                              |          |
|----------------------------|----------------------------------------------|----------|
| <b>Constraint Name:</b>    | FacilitySnd( ch:LOGICCH; fac:FAC_PDU)        |          |
| <b>ASP Type:</b>           | DL_DatRqFac                                  |          |
| <b>Derivation Path:</b>    |                                              |          |
| <b>Comments:</b>           | To send the FACILITY message passed by 'fac' |          |
| Parameter Name             | Parameter Value                              | Comments |
| sapi                       | C_Sap0                                       |          |
| logic_ch                   | ch                                           |          |
| msg                        | fac                                          |          |
| <b>Detailed Comments:</b>  |                                              |          |

| ASP Constraint Declaration |                                        |          |
|----------------------------|----------------------------------------|----------|
| <b>Constraint Name:</b>    | FrqRedfSnd( ch:LOGICCH; pdu:FRQRE_PDU) |          |
| <b>ASP Type:</b>           | DL_DatRqFrqre                          |          |
| <b>Derivation Path:</b>    |                                        |          |
| <b>Comments:</b>           |                                        |          |
| Parameter Name             | Parameter Value                        | Comments |
| sapi                       | C_Sap0                                 |          |
| logic_ch                   | ch                                     |          |
| msg                        | pdu                                    |          |
| <b>Detailed Comments:</b>  |                                        |          |

| ASP Constraint Declaration |                                                                                  |          |
|----------------------------|----------------------------------------------------------------------------------|----------|
| <b>Constraint Name:</b>    | HndOvSnd(ch:LOGICCH; msg:HO_CMD_PDU)                                             |          |
| <b>ASP Type:</b>           | DL_DatRqHoCmd                                                                    |          |
| <b>Derivation Path:</b>    |                                                                                  |          |
| <b>Comments:</b>           | To send a HANDOVER COMMAND indicating a finely synchronised intra cell handover. |          |
| Parameter Name             | Parameter Value                                                                  | Comments |
| sapi                       | C_Sap0                                                                           |          |
| logic_ch                   | ch                                                                               |          |
| msg                        | msg                                                                              |          |
| <b>Detailed Comments:</b>  |                                                                                  |          |

| ASP Constraint Declaration |                                          |          |
|----------------------------|------------------------------------------|----------|
| <b>Constraint Name:</b>    | HndOvAcc_01                              |          |
| <b>ASP Type:</b>           | DL_RaInHoacc                             |          |
| <b>Derivation Path:</b>    |                                          |          |
| <b>Comments:</b>           | To received any HANDOVER ACCESS message. |          |
| Parameter Name             | Parameter Value                          | Comments |
| sapi                       | C_Sap0                                   |          |
| logic_ch                   | ?                                        |          |
| msg                        | HandOverAcc_01                           |          |
| fn                         | ?                                        |          |
| <b>Detailed Comments:</b>  |                                          |          |

| ASP Constraint Declaration |                                                          |          |
|----------------------------|----------------------------------------------------------|----------|
| <b>Constraint Name:</b>    | HndOvAccRcv(ch: LOGICCH; msg:HOACC_PDU)                  |          |
| <b>ASP Type:</b>           | DL_RaInHoacc                                             |          |
| <b>Derivation Path:</b>    |                                                          |          |
| <b>Comments:</b>           | To received any HANDOVER ACCESS message on channel `ch`. |          |
| Parameter Name             | Parameter Value                                          | Comments |
| sapi                       | C_Sap0                                                   |          |
| logic_ch                   | ch                                                       |          |
| msg                        | msg                                                      |          |
| fn                         | ?                                                        |          |
| <b>Detailed Comments:</b>  |                                                          |          |

| ASP Constraint Declaration |                                                                       |          |
|----------------------------|-----------------------------------------------------------------------|----------|
| <b>Constraint Name:</b>    | HndOvFIRcv(ch:LOGICCH; msg :HOFL_PDU)                                 |          |
| <b>ASP Type:</b>           | DL_DatInHofl                                                          |          |
| <b>Derivation Path:</b>    |                                                                       |          |
| <b>Comments:</b>           | To match a received HANDOVER FAILURE message containing any RR cause. |          |
| Parameter Name             | Parameter Value                                                       | Comments |
| sapi                       | C_Sap0                                                                |          |
| logic_ch                   | ch                                                                    |          |
| msg                        | msg                                                                   |          |
| fn                         | ?                                                                     |          |
| <b>Detailed Comments:</b>  |                                                                       |          |

| ASP Constraint Declaration |                                                         |          |
|----------------------------|---------------------------------------------------------|----------|
| <b>Constraint Name:</b>    | HndOvCmpRcv(ch:LOGICCH; msg:HO_COM_PDU)                 |          |
| <b>ASP Type:</b>           | DL_DatInHoCom                                           |          |
| <b>Derivation Path:</b>    |                                                         |          |
| <b>Comments:</b>           | To receive any HANDOVER COMPLETE message on channel ch. |          |
| Parameter Name             | Parameter Value                                         | Comments |
| sapi                       | C_Sap0                                                  |          |
| logic_ch                   | ch                                                      |          |
| msg                        | msg                                                     |          |
| fn                         | ?                                                       |          |
| <b>Detailed Comments:</b>  |                                                         |          |

| ASP Constraint Declaration |                              |          |
|----------------------------|------------------------------|----------|
| <b>Constraint Name:</b>    | HoldRcv( pdu:HOLD_PDU)       |          |
| <b>ASP Type:</b>           | DL_DatInHold                 |          |
| <b>Derivation Path:</b>    |                              |          |
| <b>Comments:</b>           | To receive any HOLD message. |          |
| Parameter Name             | Parameter Value              | Comments |
| sapi                       | C_Sap0                       |          |
| logic_ch                   | ?                            |          |
| msg                        | pdu                          |          |
| fn                         | ?                            |          |
| <b>Detailed Comments:</b>  |                              |          |

| ASP Constraint Declaration |                                           |          |
|----------------------------|-------------------------------------------|----------|
| <b>Constraint Name:</b>    | HoldAckSnd( ch:LOGICCH; pdu:HOLD_ACK_PDU) |          |
| <b>ASP Type:</b>           | DL_DatRqHoldAck                           |          |
| <b>Derivation Path:</b>    |                                           |          |
| <b>Comments:</b>           |                                           |          |
| Parameter Name             | Parameter Value                           | Comments |
| sapi                       | C_Sap0                                    |          |
| logic_ch                   | ch                                        |          |
| msg                        | pdu                                       |          |
| <b>Detailed Comments:</b>  |                                           |          |



| ASP Constraint Declaration |                                   |          |
|----------------------------|-----------------------------------|----------|
| <b>Constraint Name:</b>    | IDReq(ch:LOGICCH; pdu: ID_RQ_PDU) |          |
| <b>ASP Type:</b>           | DL_DatRqldRq                      |          |
| <b>Derivation Path:</b>    |                                   |          |
| <b>Comments:</b>           | To send IDENTITY REQUEST message  |          |
| Parameter Name             | Parameter Value                   | Comments |
| sapi                       | C_Sap0                            |          |
| logic_ch                   | ch                                |          |
| msg                        | pdu                               |          |
| <b>Detailed Comments:</b>  |                                   |          |

| ASP Constraint Declaration |                                         |          |
|----------------------------|-----------------------------------------|----------|
| <b>Constraint Name:</b>    | IDRes(pdu: ID_RES_PDU)                  |          |
| <b>ASP Type:</b>           | DL_DatInIdRes                           |          |
| <b>Derivation Path:</b>    |                                         |          |
| <b>Comments:</b>           | To receive a IDENTITY RESPONSE message. |          |
| Parameter Name             | Parameter Value                         | Comments |
| sapi                       | C_Sap0                                  |          |
| logic_ch                   | ?                                       |          |
| msg                        | pdu                                     |          |
| fn                         | ?                                       |          |
| <b>Detailed Comments:</b>  |                                         |          |

| ASP Constraint Declaration |                                          |          |
|----------------------------|------------------------------------------|----------|
| <b>Constraint Name:</b>    | ImmAss(ch: LOGICCH; pdu: IMMASS_PDU)     |          |
| <b>ASP Type:</b>           | DL_UdatRqImm                             |          |
| <b>Derivation Path:</b>    |                                          |          |
| <b>Comments:</b>           | To send an IMMEDIATE ASSIGNMENT message. |          |
| Parameter Name             | Parameter Value                          | Comments |
| sapi                       | C_Sap0                                   |          |
| logic_ch                   | ch                                       |          |
| msg                        | pdu                                      |          |
| <b>Detailed Comments:</b>  |                                          |          |

| ASP Constraint Declaration |                                                                   |          |
|----------------------------|-------------------------------------------------------------------|----------|
| <b>Constraint Name:</b>    | ImmAssSp(ch:LOGICCH; pgg:PGG; msg:IMMASS_PDU)                     |          |
| <b>ASP Type:</b>           | DL_UdatRqImm_sp                                                   |          |
| <b>Derivation Path:</b>    |                                                                   |          |
| <b>Comments:</b>           | To send an IMMEDIATE ASSIGNMENT message on the MS paging channel. |          |
| Parameter Name             | Parameter Value                                                   | Comments |
| sapi                       | C_Sap0                                                            |          |
| logic_ch                   | ch                                                                |          |
| pgg                        | pgg                                                               |          |
| msg                        | msg                                                               |          |
| <b>Detailed Comments:</b>  |                                                                   |          |

| ASP Constraint Declaration |                                                                                               |          |
|----------------------------|-----------------------------------------------------------------------------------------------|----------|
| <b>Constraint Name:</b>    | ImmAssX( ch:LOGICCH; pdu:IMMASSX_PDU)                                                         |          |
| <b>ASP Type:</b>           | DL_UdatRqImmssx                                                                               |          |
| <b>Derivation Path:</b>    |                                                                                               |          |
| <b>Comments:</b>           | To send an IMMEDIATE ASSIGNMENT EXTENDED message which assigns the SDCCH/4 channel for the MS |          |
| Parameter Name             | Parameter Value                                                                               | Comments |
| sapi                       | C_Sap0                                                                                        |          |
| logic_ch                   | ch                                                                                            |          |
| msg                        | pdu                                                                                           |          |
| <b>Detailed Comments:</b>  | The request reference (Rr, Fn) is used for the MS1, whilst (Rr_9, Fn_9) for MS2.              |          |

| ASP Constraint Declaration |                                                                            |          |
|----------------------------|----------------------------------------------------------------------------|----------|
| <b>Constraint Name:</b>    | ImmAssXSp(ch:LOGICCH; pgg:PGG; msg:IMMASSX_PDU)                            |          |
| <b>ASP Type:</b>           | DL_UdatRqImmssx_sp                                                         |          |
| <b>Derivation Path:</b>    |                                                                            |          |
| <b>Comments:</b>           | To send an IMMEDIATE ASSIGNMENT EXTENDED message on the MS paging channel. |          |
| Parameter Name             | Parameter Value                                                            | Comments |
| sapi                       | C_Sap0                                                                     |          |
| logic_ch                   | ch                                                                         |          |
| pgg                        | pgg                                                                        |          |
| msg                        | msg                                                                        |          |
| <b>Detailed Comments:</b>  |                                                                            |          |

| ASP Constraint Declaration |                                                                                                               |          |
|----------------------------|---------------------------------------------------------------------------------------------------------------|----------|
| <b>Constraint Name:</b>    | ImmAssRej( ch:LOGICCH; pdu:IMMASS_REJ_PDU)                                                                    |          |
| <b>ASP Type:</b>           | DL_UdatRqImmssRej                                                                                             |          |
| <b>Derivation Path:</b>    |                                                                                                               |          |
| <b>Comments:</b>           | To send an IMMEDIATE ASSIGNMENT REJECT message containing normal paging mode and wait indication = 0 seconds. |          |
| Parameter Name             | Parameter Value                                                                                               | Comments |
| sapi                       | C_Sap0                                                                                                        |          |
| logic_ch                   | ch                                                                                                            |          |
| msg                        | pdu                                                                                                           |          |
| <b>Detailed Comments:</b>  |                                                                                                               |          |

| ASP Constraint Declaration |                                                                          |          |
|----------------------------|--------------------------------------------------------------------------|----------|
| <b>Constraint Name:</b>    | ImmAssRejSp( ch:LOGICCH; pgg:PGG; msg:IMMASS_REJ_PDU)                    |          |
| <b>ASP Type:</b>           | DL_UdatRqImmssRej_sp                                                     |          |
| <b>Derivation Path:</b>    |                                                                          |          |
| <b>Comments:</b>           | To send an IMMEDIATE ASSIGNMENT REJECT message on the MS paging channel. |          |
| Parameter Name             | Parameter Value                                                          | Comments |
| sapi                       | C_Sap0                                                                   |          |
| logic_ch                   | ch                                                                       |          |
| pgg                        | pgg                                                                      |          |
| msg                        | msg                                                                      |          |
| <b>Detailed Comments:</b>  | Only used in TC_26_6_2_4                                                 |          |

| ASP Constraint Declaration |                                                                                                                   |          |
|----------------------------|-------------------------------------------------------------------------------------------------------------------|----------|
| <b>Constraint Name:</b>    | ImsiDet( pdu:IMSID_IN_PDU)                                                                                        |          |
| <b>ASP Type:</b>           | DL_EstInImsidIn                                                                                                   |          |
| <b>Derivation Path:</b>    |                                                                                                                   |          |
| <b>Comments:</b>           | To match a received IMSI DETACH INDICATION message matching any MS classmark1 value and any mobile identity value |          |
| Parameter Name             | Parameter Value                                                                                                   | Comments |
| sapi                       | C_Sap0                                                                                                            |          |
| logic_ch                   | ?                                                                                                                 |          |
| establish_mode             | ?                                                                                                                 |          |
| msg                        | pdu                                                                                                               |          |
| fn                         | ?                                                                                                                 |          |
| <b>Detailed Comments:</b>  |                                                                                                                   |          |

| ASP Constraint Declaration |                                                                                               |          |
|----------------------------|-----------------------------------------------------------------------------------------------|----------|
| <b>Constraint Name:</b>    | LocAcp( ch:LOGICCH; pdu:LUP_ACP_PDU)                                                          |          |
| <b>ASP Type:</b>           | DL_DatRqLupAcp                                                                                |          |
| <b>Derivation Path:</b>    |                                                                                               |          |
| <b>Comments:</b>           | To send a LOCATION UPDATING ACCEPT message with a new mobile identity TMSI and location area. |          |
| Parameter Name             | Parameter Value                                                                               | Comments |
| sapi                       | C_Sap0                                                                                        |          |
| logic_ch                   | ch                                                                                            |          |
| msg                        | pdu                                                                                           |          |
| <b>Detailed Comments:</b>  |                                                                                               |          |

| ASP Constraint Declaration |                                                                               |          |
|----------------------------|-------------------------------------------------------------------------------|----------|
| <b>Constraint Name:</b>    | LocAcp_inv( ch: LOGICCH; mi1, mi2:MI; mcc, mnc, lac:OCTETSTRING)              |          |
| <b>ASP Type:</b>           | DL_DatRqLupAcpErr                                                             |          |
| <b>Derivation Path:</b>    |                                                                               |          |
| <b>Comments:</b>           | To send a LOCATION UPDATING ACCEPT message with duplicated mobile identities. |          |
| Parameter Name             | Parameter Value                                                               | Comments |
| sapi                       | C_Sap0                                                                        |          |
| logic_ch                   | ch                                                                            |          |
| msg                        | LocUpdtAcp_inv_01( mi1, mi2, mcc, mnc, lac)                                   |          |
| <b>Detailed Comments:</b>  |                                                                               |          |

| ASP Constraint Declaration |                                                                                                        |          |
|----------------------------|--------------------------------------------------------------------------------------------------------|----------|
| <b>Constraint Name:</b>    | LocUp( ch: LOGICCH; pdu:LUP_RQ_PDU)                                                                    |          |
| <b>ASP Type:</b>           | DL_EstInLupRq                                                                                          |          |
| <b>Derivation Path:</b>    |                                                                                                        |          |
| <b>Comments:</b>           | To match a received LOCATION UPDATING REQUEST message containing location updating type = IMSI attach. |          |
| Parameter Name             | Parameter Value                                                                                        | Comments |
| sapi                       | C_Sap0                                                                                                 |          |
| logic_ch                   | ch                                                                                                     |          |
| establish_mode             | ?                                                                                                      |          |
| msg                        | pdu                                                                                                    |          |
| fn                         | ?                                                                                                      |          |
| <b>Detailed Comments:</b>  |                                                                                                        |          |

| ASP Constraint Declaration |                                                                                                                  |          |
|----------------------------|------------------------------------------------------------------------------------------------------------------|----------|
| <b>Constraint Name:</b>    | LocRej( ch: LOGICCH; pdu:LUP_REJ_PDU)                                                                            |          |
| <b>ASP Type:</b>           | DL_DatRqLupRej                                                                                                   |          |
| <b>Derivation Path:</b>    |                                                                                                                  |          |
| <b>Comments:</b>           | To send a LOCATION UPDATING REJECT message containing the reject cause IMSI unknown in HLR.<br>Used var's:<br>ch |          |
| Parameter Name             | Parameter Value                                                                                                  | Comments |
| sapi                       | C_Sap0                                                                                                           |          |
| logic_ch                   | ch                                                                                                               |          |
| msg                        | pdu                                                                                                              |          |
| <b>Detailed Comments:</b>  |                                                                                                                  |          |

| ASP Constraint Declaration |                        |          |
|----------------------------|------------------------|----------|
| <b>Constraint Name:</b>    | MDLRelReq(ch :LOGICCH) |          |
| <b>ASP Type:</b>           | MDL_RelRq              |          |
| <b>Derivation Path:</b>    |                        |          |
| <b>Comments:</b>           |                        |          |
| Parameter Name             | Parameter Value        | Comments |
| sapi                       | C_Sap0                 |          |
| logic_ch                   | ch                     |          |
| release_mode               | C_LocEndRel            |          |
| <b>Detailed Comments:</b>  |                        |          |

| ASP Constraint Declaration |                                       |          |
|----------------------------|---------------------------------------|----------|
| <b>Constraint Name:</b>    | ModifySnd(ch:LOGICCH; msg:MODIFY_PDU) |          |
| <b>ASP Type:</b>           | DL_DatRqModify                        |          |
| <b>Derivation Path:</b>    |                                       |          |
| <b>Comments:</b>           |                                       |          |
| Parameter Name             | Parameter Value                       | Comments |
| sapi                       | C_Sap0                                |          |
| logic_ch                   | ch                                    |          |
| msg                        | msg                                   |          |
| <b>Detailed Comments:</b>  |                                       |          |

| ASP Constraint Declaration |                           |          |
|----------------------------|---------------------------|----------|
| <b>Constraint Name:</b>    | ModifyRcv(msg:MODIFY_PDU) |          |
| <b>ASP Type:</b>           | DL_DatInModify            |          |
| <b>Derivation Path:</b>    |                           |          |
| <b>Comments:</b>           |                           |          |
| Parameter Name             | Parameter Value           | Comments |
| sapi                       | C_Sap0                    |          |
| logic_ch                   | ?                         |          |
| msg                        | msg                       |          |
| fn                         | ?                         |          |
| <b>Detailed Comments:</b>  |                           |          |

| ASP Constraint Declaration |                                              |          |
|----------------------------|----------------------------------------------|----------|
| <b>Constraint Name:</b>    | ModifyCmpSnd(ch:LOGICCH; msg:MODIFY_COM_PDU) |          |
| <b>ASP Type:</b>           | DL_DatRqModifyCom                            |          |
| <b>Derivation Path:</b>    |                                              |          |
| <b>Comments:</b>           | n -> ms                                      |          |
| Parameter Name             | Parameter Value                              | Comments |
| sapi                       | C_Sap0                                       |          |
| logic_ch                   | ch                                           |          |
| msg                        | msg                                          |          |
| <b>Detailed Comments:</b>  |                                              |          |

| ASP Constraint Declaration |                                                |          |
|----------------------------|------------------------------------------------|----------|
| <b>Constraint Name:</b>    | ModifyRejRqSnd(ch:LOGICCH; msg:MODIFY_REJ_PDU) |          |
| <b>ASP Type:</b>           | DL_DatRqModifyRej                              |          |
| <b>Derivation Path:</b>    |                                                |          |
| <b>Comments:</b>           |                                                |          |
| Parameter Name             | Parameter Value                                | Comments |
| sapi                       | C_Sap0                                         |          |
| logic_ch                   | ch                                             |          |
| msg                        | msg                                            |          |
| <b>Detailed Comments:</b>  |                                                |          |

| ASP Constraint Declaration |                                              |          |
|----------------------------|----------------------------------------------|----------|
| <b>Constraint Name:</b>    | ModifyRejRcv(ch:LOGICCH; msg:MODIFY_REJ_PDU) |          |
| <b>ASP Type:</b>           | DL_DatInModifyRej                            |          |
| <b>Derivation Path:</b>    |                                              |          |
| <b>Comments:</b>           |                                              |          |
| Parameter Name             | Parameter Value                              | Comments |
| sapi                       | C_Sap0                                       |          |
| logic_ch                   | ch                                           |          |
| msg                        | msg                                          |          |
| fn                         | ?                                            |          |
| <b>Detailed Comments:</b>  |                                              |          |

| ASP Constraint Declaration |                                                                   |          |
|----------------------------|-------------------------------------------------------------------|----------|
| <b>Constraint Name:</b>    | MMSt( pdu:MMST_PDU)                                               |          |
| <b>ASP Type:</b>           | DL_DatInMmst                                                      |          |
| <b>Derivation Path:</b>    |                                                                   |          |
| <b>Comments:</b>           | To receive a MM STATUS message containing reject cause value #97. |          |
| Parameter Name             | Parameter Value                                                   | Comments |
| sapi                       | C_Sap0                                                            |          |
| logic_ch                   | ?                                                                 |          |
| msg                        | pdu                                                               |          |
| fn                         | ?                                                                 |          |
| <b>Detailed Comments:</b>  |                                                                   |          |

| ASP Constraint Declaration |                                                              |          |
|----------------------------|--------------------------------------------------------------|----------|
| <b>Constraint Name:</b>    | MsrRept( pdu:MSR_RPT_PDU)                                    |          |
| <b>ASP Type:</b>           | DL_UdatInMsrRpt                                              |          |
| <b>Derivation Path:</b>    |                                                              |          |
| <b>Comments:</b>           | To receive a measurement report without measurement results. |          |
| Parameter Name             | Parameter Value                                              | Comments |
| sapi                       | C_Sap0                                                       |          |
| logic_ch                   | ?                                                            |          |
| msg                        | pdu                                                          |          |
| fn                         | ?                                                            |          |
| <b>Detailed Comments:</b>  |                                                              |          |

| ASP Constraint Declaration |                                                                                            |          |
|----------------------------|--------------------------------------------------------------------------------------------|----------|
| <b>Constraint Name:</b>    | NotifySnd(ch:LOGICCH; msg:NOTIFY_PDU)                                                      |          |
| <b>ASP Type:</b>           | DL_DatRqNotify                                                                             |          |
| <b>Derivation Path:</b>    |                                                                                            |          |
| <b>Comments:</b>           | To send a NOTIFY message to the MS. The message contains any valid notification indicator. |          |
| Parameter Name             | Parameter Value                                                                            | Comments |
| sapi                       | C_Sap0                                                                                     |          |
| logic_ch                   | ch                                                                                         |          |
| msg                        | msg                                                                                        |          |
| <b>Detailed Comments:</b>  |                                                                                            |          |

| ASP Constraint Declaration |                                                                                                                                                                                                                                                  |          |
|----------------------------|--------------------------------------------------------------------------------------------------------------------------------------------------------------------------------------------------------------------------------------------------|----------|
| <b>Constraint Name:</b>    | PgReq1(ch:LOGICCH; pgg:PGG; pg1_req_pdu: PG1_RQ_PDU)                                                                                                                                                                                             |          |
| <b>ASP Type:</b>           | DL_UdatRqPg1Rq                                                                                                                                                                                                                                   |          |
| <b>Derivation Path:</b>    |                                                                                                                                                                                                                                                  |          |
| <b>Comments:</b>           | To send a PAGING REQUEST TYPE 1 message to the paging group indicated by the parameter pgg which is derived from system parameters. The PAGING REQUEST TYPE1 message requests normal paging mode, any channel and for the MS identity TSPX_TMSI. |          |
| Parameter Name             | Parameter Value                                                                                                                                                                                                                                  | Comments |
| sapi                       | C_Sap0                                                                                                                                                                                                                                           |          |
| logic_ch                   | ch                                                                                                                                                                                                                                               |          |
| pgg                        | pgg                                                                                                                                                                                                                                              |          |
| msg                        | pg1_req_pdu                                                                                                                                                                                                                                      |          |
| <b>Detailed Comments:</b>  |                                                                                                                                                                                                                                                  |          |

| ASP Constraint Declaration |                                                                                                                                                                                                                                                  |          |
|----------------------------|--------------------------------------------------------------------------------------------------------------------------------------------------------------------------------------------------------------------------------------------------|----------|
| <b>Constraint Name:</b>    | PgReq2(ch:LOGICCH; pgg:PGG; pg2_req_pdu: PG2_RQ_PDU)                                                                                                                                                                                             |          |
| <b>ASP Type:</b>           | DL_UdatRqPg2Rq                                                                                                                                                                                                                                   |          |
| <b>Derivation Path:</b>    |                                                                                                                                                                                                                                                  |          |
| <b>Comments:</b>           | To send a PAGING REQUEST TYPE 1 message to the paging group indicated by the parameter pgg which is derived from system parameters. The PAGING REQUEST TYPE1 message requests normal paging mode, any channel and for the MS identity TSPX_TMSI. |          |
| Parameter Name             | Parameter Value                                                                                                                                                                                                                                  | Comments |
| sapi                       | C_Sap0                                                                                                                                                                                                                                           |          |
| logic_ch                   | ch                                                                                                                                                                                                                                               |          |
| pgg                        | pgg                                                                                                                                                                                                                                              |          |
| msg                        | pg2_req_pdu                                                                                                                                                                                                                                      |          |
| <b>Detailed Comments:</b>  |                                                                                                                                                                                                                                                  |          |

| ASP Constraint Declaration |                                                                                                                                                                                                                                                  |          |
|----------------------------|--------------------------------------------------------------------------------------------------------------------------------------------------------------------------------------------------------------------------------------------------|----------|
| <b>Constraint Name:</b>    | PgReq3(ch:LOGICCH; pgg:PGG; pg3_req_pdu: PG3_RQ_PDU)                                                                                                                                                                                             |          |
| <b>ASP Type:</b>           | DL_UdatRqPg3Rq                                                                                                                                                                                                                                   |          |
| <b>Derivation Path:</b>    |                                                                                                                                                                                                                                                  |          |
| <b>Comments:</b>           | To send a PAGING REQUEST TYPE 1 message to the paging group indicated by the parameter pgg which is derived from system parameters. The PAGING REQUEST TYPE1 message requests normal paging mode, any channel and for the MS identity TSPX_TMSI. |          |
| Parameter Name             | Parameter Value                                                                                                                                                                                                                                  | Comments |
| sapi                       | C_Sap0                                                                                                                                                                                                                                           |          |
| logic_ch                   | ch                                                                                                                                                                                                                                               |          |
| pgg                        | pgg                                                                                                                                                                                                                                              |          |
| msg                        | pg3_req_pdu                                                                                                                                                                                                                                      |          |
| <b>Detailed Comments:</b>  |                                                                                                                                                                                                                                                  |          |

| ASP Constraint Declaration |                                       |          |
|----------------------------|---------------------------------------|----------|
| <b>Constraint Name:</b>    | PagingRes(pdu: PG_RES_PDU)            |          |
| <b>ASP Type:</b>           | DL_EstInPgRes                         |          |
| <b>Derivation Path:</b>    |                                       |          |
| <b>Comments:</b>           | To receive a PAGING RESPONSE message. |          |
| Parameter Name             | Parameter Value                       | Comments |
| sapi                       | C_Sap0                                |          |
| logic_ch                   | ?                                     |          |
| establish_mode             | ?                                     |          |
| msg                        | pdu                                   |          |
| fn                         | ?                                     |          |
| <b>Detailed Comments:</b>  |                                       |          |

| ASP Constraint Declaration |                                                                    |          |
|----------------------------|--------------------------------------------------------------------|----------|
| <b>Constraint Name:</b>    | PgRes( ch:LOGICCH; pdu:PG_RES_PDU)                                 |          |
| <b>ASP Type:</b>           | DL_EstInPgRes                                                      |          |
| <b>Derivation Path:</b>    |                                                                    |          |
| <b>Comments:</b>           | To match any received PAGING RESPONSE message on the channel `ch`. |          |
| Parameter Name             | Parameter Value                                                    | Comments |
| sapi                       | C_Sap0                                                             |          |
| logic_ch                   | ch                                                                 |          |
| establish_mode             | ?                                                                  |          |
| msg                        | pdu                                                                |          |
| fn                         | ?                                                                  |          |
| <b>Detailed Comments:</b>  |                                                                    |          |

| ASP Constraint Declaration |                                |          |
|----------------------------|--------------------------------|----------|
| <b>Constraint Name:</b>    | PhyInfo_01(ch: LOGICCH; ta:TA) |          |
| <b>ASP Type:</b>           | DL_DatRqPhyinfo                |          |
| <b>Derivation Path:</b>    |                                |          |
| <b>Comments:</b>           |                                |          |
| Parameter Name             | Parameter Value                | Comments |
| sapi                       | C_Sap0                         |          |
| logic_ch                   | ch                             |          |
| msg                        | Phyinfo_01(ta)                 |          |
| <b>Detailed Comments:</b>  |                                |          |

| ASP Constraint Declaration |                                     |          |
|----------------------------|-------------------------------------|----------|
| <b>Constraint Name:</b>    | Progress(ch:LOGICCH; pdu: PROG_PDU) |          |
| <b>ASP Type:</b>           | DL_DatRqProg                        |          |
| <b>Derivation Path:</b>    |                                     |          |
| <b>Comments:</b>           | To send a PROGRESS message.         |          |
| Parameter Name             | Parameter Value                     | Comments |
| sapi                       | C_Sap0                              |          |
| logic_ch                   | ch                                  |          |
| msg                        | pdu                                 |          |
| <b>Detailed Comments:</b>  |                                     |          |

| ASP Constraint Declaration |                                           |          |
|----------------------------|-------------------------------------------|----------|
| <b>Constraint Name:</b>    | Register_01(ch:LOGICCH; reg:REGISTER_PDU) |          |
| <b>ASP Type:</b>           | DL_DatInRegister                          |          |
| <b>Derivation Path:</b>    |                                           |          |
| <b>Comments:</b>           | To receive any Register message.          |          |
| Parameter Name             | Parameter Value                           | Comments |
| sapi                       | C_Sap0                                    |          |
| logic_ch                   | ch                                        |          |
| msg                        | reg                                       |          |
| fn                         | ?                                         |          |
| <b>Detailed Comments:</b>  |                                           |          |

| ASP Constraint Declaration |                               |          |
|----------------------------|-------------------------------|----------|
| <b>Constraint Name:</b>    | Register_03(reg:REGISTER_PDU) |          |
| <b>ASP Type:</b>           | DL_DatInRegister              |          |
| <b>Derivation Path:</b>    |                               |          |
| <b>Comments:</b>           | CFNRy                         |          |
| Parameter Name             | Parameter Value               | Comments |
| sapi                       | C_Sap0                        |          |
| logic_ch                   | ?                             |          |
| msg                        | reg                           |          |
| fn                         | ?                             |          |
| <b>Detailed Comments:</b>  |                               |          |

| ASP Constraint Declaration |                                                                        |          |
|----------------------------|------------------------------------------------------------------------|----------|
| <b>Constraint Name:</b>    | RegisterReq(ch: LOGICCH; reg:REGISTER_PDU)                             |          |
| <b>ASP Type:</b>           | DL_DatRqRegister                                                       |          |
| <b>Derivation Path:</b>    |                                                                        |          |
| <b>Comments:</b>           | To send a REGISTER message containing Invoke for UnstructuredSS-Notify |          |
| Parameter Name             | Parameter Value                                                        | Comments |
| sapi                       | C_Sap0                                                                 |          |
| logic_ch                   | ch                                                                     |          |
| msg                        | reg                                                                    |          |
| <b>Detailed Comments:</b>  |                                                                        |          |



| ASP Constraint Declaration |                                  |          |
|----------------------------|----------------------------------|----------|
| <b>Constraint Name:</b>    | ReleaseRcv(pdu: REL_PDU)         |          |
| <b>ASP Type:</b>           | DL_DatInRel                      |          |
| <b>Derivation Path:</b>    |                                  |          |
| <b>Comments:</b>           | To receive a CC RELEASE message. |          |
| Parameter Name             | Parameter Value                  | Comments |
| sapi                       | C_Sap0                           |          |
| logic_ch                   | ?                                |          |
| msg                        | pdu                              |          |
| fn                         | ?                                |          |
| <b>Detailed Comments:</b>  |                                  |          |

| ASP Constraint Declaration |                                       |          |
|----------------------------|---------------------------------------|----------|
| <b>Constraint Name:</b>    | ReleaseSnd(ch: LOGICCH; pdu: REL_PDU) |          |
| <b>ASP Type:</b>           | DL_DatRqRel                           |          |
| <b>Derivation Path:</b>    |                                       |          |
| <b>Comments:</b>           | To send a RELEASE message.            |          |
| Parameter Name             | Parameter Value                       | Comments |
| sapi                       | C_Sap0                                |          |
| logic_ch                   | ch                                    |          |
| msg                        | pdu                                   |          |
| <b>Detailed Comments:</b>  |                                       |          |

| ASP Constraint Declaration |                                        |          |
|----------------------------|----------------------------------------|----------|
| <b>Constraint Name:</b>    | RelComRcv(pdu: REL_COM_PDU)            |          |
| <b>ASP Type:</b>           | DL_DatInRelCmp                         |          |
| <b>Derivation Path:</b>    |                                        |          |
| <b>Comments:</b>           | To receive a RELEASE COMPLETE message. |          |
| Parameter Name             | Parameter Value                        | Comments |
| sapi                       | C_Sap0                                 |          |
| logic_ch                   | ?                                      |          |
| msg                        | pdu                                    |          |
| fn                         | ?                                      |          |
| <b>Detailed Comments:</b>  |                                        |          |

| ASP Constraint Declaration |                                         |          |
|----------------------------|-----------------------------------------|----------|
| <b>Constraint Name:</b>    | RelComSnd(ch:LOGICCH; pdu: REL_COM_PDU) |          |
| <b>ASP Type:</b>           | DL_DatRqRelCmp                          |          |
| <b>Derivation Path:</b>    |                                         |          |
| <b>Comments:</b>           | To send a RELEASE COMPLETE message.     |          |
| Parameter Name             | Parameter Value                         | Comments |
| sapi                       | C_Sap0                                  |          |
| logic_ch                   | ch                                      |          |
| msg                        | pdu                                     |          |
| <b>Detailed Comments:</b>  |                                         |          |

| ASP Constraint Declaration |                                                                |          |
|----------------------------|----------------------------------------------------------------|----------|
| <b>Constraint Name:</b>    | RrStatusRcv( ch:LOGICCH; pdu:RRST_PDU)                         |          |
| <b>ASP Type:</b>           | DL_DatInRrst                                                   |          |
| <b>Derivation Path:</b>    |                                                                |          |
| <b>Comments:</b>           | To match a received RR STATUS message containing any RR cause. |          |
| Parameter Name             | Parameter Value                                                | Comments |
| sapi                       | C_Sap0                                                         |          |
| logic_ch                   | ch                                                             |          |
| msg                        | pdu                                                            |          |
| fn                         | ?                                                              |          |
| <b>Detailed Comments:</b>  |                                                                |          |

| ASP Constraint Declaration |                                      |          |
|----------------------------|--------------------------------------|----------|
| <b>Constraint Name:</b>    | SMSCBReq( ch:LOGICCH; pdu:SMSCB_PDU) |          |
| <b>ASP Type:</b>           | DL_UdatRqSMSCBData                   |          |
| <b>Derivation Path:</b>    |                                      |          |
| <b>Comments:</b>           | To send a SMSCB message, first block |          |
| Parameter Name             | Parameter Value                      | Comments |
| sapi                       | C_Sap3                               |          |
| logic_ch                   | ch                                   |          |
| msg                        | pdu                                  |          |
| <b>Detailed Comments:</b>  |                                      |          |

| ASP Constraint Declaration |                             |          |
|----------------------------|-----------------------------|----------|
| <b>Constraint Name:</b>    | SetupRcv(pdu: SETUP_MO_PDU) |          |
| <b>ASP Type:</b>           | DL_DatInSetup               |          |
| <b>Derivation Path:</b>    |                             |          |
| <b>Comments:</b>           | To receive a SETUP message. |          |
| Parameter Name             | Parameter Value             | Comments |
| sapi                       | C_Sap0                      |          |
| logic_ch                   | ?                           |          |
| msg                        | pdu                         |          |
| fn                         | ?                           |          |
| <b>Detailed Comments:</b>  |                             |          |

| ASP Constraint Declaration |                                                                   |          |
|----------------------------|-------------------------------------------------------------------|----------|
| <b>Constraint Name:</b>    | SetupSnd(ch: LOGICCH; setup:SETUP_MT_PDU)                         |          |
| <b>ASP Type:</b>           | DL_DatRqSetup                                                     |          |
| <b>Derivation Path:</b>    |                                                                   |          |
| <b>Comments:</b>           | To send a SETUP message which is the input parameter of this ASP. |          |
| Parameter Name             | Parameter Value                                                   | Comments |
| sapi                       | C_Sap0                                                            |          |
| logic_ch                   | ch                                                                |          |
| msg                        | setup                                                             |          |
| <b>Detailed Comments:</b>  |                                                                   |          |

| <b>ASP Constraint Declaration</b> |                                  |          |
|-----------------------------------|----------------------------------|----------|
| <b>Constraint Name:</b>           | StartDTMFRcv(msg:START_DTMF_PDU) |          |
| <b>ASP Type:</b>                  | DL_DatInStartDtmf                |          |
| <b>Derivation Path:</b>           |                                  |          |
| <b>Comments:</b>                  |                                  |          |
| Parameter Name                    | Parameter Value                  | Comments |
| sapi                              | C_Sap0                           |          |
| logic_ch                          | ?                                |          |
| msg                               | msg                              |          |
| fn                                | ?                                |          |
| <b>Detailed Comments:</b>         |                                  |          |

| <b>ASP Constraint Declaration</b> |                                                     |          |
|-----------------------------------|-----------------------------------------------------|----------|
| <b>Constraint Name:</b>           | StartDTMFAckSnd(ch:LOGICCH; msg:START_DTMF_ACK_PDU) |          |
| <b>ASP Type:</b>                  | DL_DatRqStartDtmfAck                                |          |
| <b>Derivation Path:</b>           |                                                     |          |
| <b>Comments:</b>                  |                                                     |          |
| Parameter Name                    | Parameter Value                                     | Comments |
| sapi                              | C_Sap0                                              |          |
| logic_ch                          | ch                                                  |          |
| msg                               | msg                                                 |          |
| <b>Detailed Comments:</b>         |                                                     |          |

| <b>ASP Constraint Declaration</b> |                                                      |          |
|-----------------------------------|------------------------------------------------------|----------|
| <b>Constraint Name:</b>           | StartDTMFRejSnd(ch: LOGICCH; msg:START_DTMF_REJ_PDU) |          |
| <b>ASP Type:</b>                  | DL_DatRqStartDtmfRej                                 |          |
| <b>Derivation Path:</b>           |                                                      |          |
| <b>Comments:</b>                  |                                                      |          |
| Parameter Name                    | Parameter Value                                      | Comments |
| sapi                              | C_Sap0                                               |          |
| logic_ch                          | ch                                                   |          |
| msg                               | msg                                                  |          |
| <b>Detailed Comments:</b>         |                                                      |          |

| <b>ASP Constraint Declaration</b> |                                |          |
|-----------------------------------|--------------------------------|----------|
| <b>Constraint Name:</b>           | StopDTMFRcv(msg:STOP_DTMF_PDU) |          |
| <b>ASP Type:</b>                  | DL_DatInStopDtmf               |          |
| <b>Derivation Path:</b>           |                                |          |
| <b>Comments:</b>                  |                                |          |
| Parameter Name                    | Parameter Value                | Comments |
| sapi                              | C_Sap0                         |          |
| logic_ch                          | ?                              |          |
| msg                               | msg                            |          |
| fn                                | ?                              |          |
| <b>Detailed Comments:</b>         |                                |          |

| ASP Constraint Declaration |                                                    |          |
|----------------------------|----------------------------------------------------|----------|
| <b>Constraint Name:</b>    | StopDTMFAckSnd(ch: LOGICCH; msg:STOP_DTMF_ACK_PDU) |          |
| <b>ASP Type:</b>           | DL_DatRqStopDtmfAck                                |          |
| <b>Derivation Path:</b>    |                                                    |          |
| <b>Comments:</b>           |                                                    |          |
| Parameter Name             | Parameter Value                                    | Comments |
| sapi                       | C_Sap0                                             |          |
| logic_ch                   | ch                                                 |          |
| msg                        | msg                                                |          |
| <b>Detailed Comments:</b>  |                                                    |          |

| ASP Constraint Declaration |                                                                      |          |
|----------------------------|----------------------------------------------------------------------|----------|
| <b>Constraint Name:</b>    | Synclnfo(ch:LOGICCH; bcc:BCC; ncc:NCC)                               |          |
| <b>ASP Type:</b>           | DL_UdatRqSchinfo                                                     |          |
| <b>Derivation Path:</b>    |                                                                      |          |
| <b>Comments:</b>           | To send SYNCHRONIZATION INFORMATION message with default parameters. |          |
| Parameter Name             | Parameter Value                                                      | Comments |
| sapi                       | C_Sap0                                                               |          |
| logic_ch                   | ch                                                                   |          |
| msg                        | Synclnfor( bcc, ncc)                                                 |          |
| <b>Detailed Comments:</b>  |                                                                      |          |

| ASP Constraint Declaration |                                                                       |          |
|----------------------------|-----------------------------------------------------------------------|----------|
| <b>Constraint Name:</b>    | Syslnfo1(ch:LOGICCH; cchd:CCHD; maxtx:B_2; txint:B_4; re:B_1)         |          |
| <b>ASP Type:</b>           | DL_UdatRqSysinfo1                                                     |          |
| <b>Derivation Path:</b>    |                                                                       |          |
| <b>Comments:</b>           | To send SYSTEM INFORMATION TYPE 1 in cell A for RR testing of GSM900. |          |
| Parameter Name             | Parameter Value                                                       | Comments |
| sapi                       | C_Sap0                                                                |          |
| logic_ch                   | ch                                                                    |          |
| msg                        | Syslnf1(cchd, maxtx, txint, re)                                       |          |
| <b>Detailed Comments:</b>  |                                                                       |          |

| ASP Constraint Declaration |                                                                                                                                      |          |
|----------------------------|--------------------------------------------------------------------------------------------------------------------------------------|----------|
| <b>Constraint Name:</b>    | Syslnfo1_nh(ch:LOGICCH; ci:CI; mcc, mnc, lac:OCTETSTRING; ccd:CCD; co:CO; crh, mtmc:INTEGER; neci:B_1; maxtx:B_2; txint:B_4; re:B_1) |          |
| <b>ASP Type:</b>           | DL_UdatRqSysinfo1_nh                                                                                                                 |          |
| <b>Derivation Path:</b>    |                                                                                                                                      |          |
| <b>Comments:</b>           |                                                                                                                                      |          |
| Parameter Name             | Parameter Value                                                                                                                      | Comments |
| sapi                       | C_Sap0                                                                                                                               |          |
| logic_ch                   | ch                                                                                                                                   |          |
| msg                        | Syslnf3(ci, mcc, mnc, lac, ccd, co, crh, mtmc, neci, maxtx, txint, re)                                                               |          |
| <b>Detailed Comments:</b>  |                                                                                                                                      |          |

| ASP Constraint Declaration |                                                                                                                            |          |
|----------------------------|----------------------------------------------------------------------------------------------------------------------------|----------|
| <b>Constraint Name:</b>    | SysInfo2(ch: LOGICCH; bcchfl: NCD; maxtx:B_2; txint:B_4; re:B_1; nccp:NCCP)                                                |          |
| <b>ASP Type:</b>           | DL_UdatRqSysinfo2                                                                                                          |          |
| <b>Derivation Path:</b>    |                                                                                                                            |          |
| <b>Comments:</b>           | To send the default SYSTEM INFORMATION TYPE 2 message containing default neighbour cells description in cell B for GSM900. |          |
| Parameter Name             | Parameter Value                                                                                                            | Comments |
| sapi                       | C_Sap0                                                                                                                     |          |
| logic_ch                   | ch                                                                                                                         |          |
| msg                        | SysInf2(bcchfl, maxtx, txint, re, nccp)                                                                                    |          |
| <b>Detailed Comments:</b>  |                                                                                                                            |          |

| ASP Constraint Declaration |                                                                                      |          |
|----------------------------|--------------------------------------------------------------------------------------|----------|
| <b>Constraint Name:</b>    | SysInfo2bis(ch: LOGICCH; bcchflegsm: NCD)                                            |          |
| <b>ASP Type:</b>           | DL_UdatRqSysinfo2bis                                                                 |          |
| <b>Derivation Path:</b>    |                                                                                      |          |
| <b>Comments:</b>           | SYSTEM INFORMATION 2bis in cell A under EGSM with the ARFCN list = {988, 990, 1003}. |          |
| Parameter Name             | Parameter Value                                                                      | Comments |
| sapi                       | C_Sap0                                                                               |          |
| logic_ch                   | ch                                                                                   |          |
| msg                        | SysInf2bis(bcchflegsm)                                                               |          |
| <b>Detailed Comments:</b>  |                                                                                      |          |

| ASP Constraint Declaration |                                                                                                                                   |          |
|----------------------------|-----------------------------------------------------------------------------------------------------------------------------------|----------|
| <b>Constraint Name:</b>    | SysInfo3(ch:LOGICCH; ci:CI; mcc, mnc, lac:OCTETSTRING; ccd:CCD; co:CO; crh, mtmc:INTEGER; neci:B_1; maxtx:B_2; txint:B_4; re:B_1) |          |
| <b>ASP Type:</b>           | DL_UdatRqSysinfo3                                                                                                                 |          |
| <b>Derivation Path:</b>    |                                                                                                                                   |          |
| <b>Comments:</b>           |                                                                                                                                   |          |
| Parameter Name             | Parameter Value                                                                                                                   | Comments |
| sapi                       | C_Sap0                                                                                                                            |          |
| logic_ch                   | ch                                                                                                                                |          |
| msg                        | SysInf3(ci, mcc, mnc, lac, ccd, co, crh, mtmc, neci, maxtx, txint, re)                                                            |          |
| <b>Detailed Comments:</b>  |                                                                                                                                   |          |

| ASP Constraint Declaration |                                                                                                           |          |
|----------------------------|-----------------------------------------------------------------------------------------------------------|----------|
| <b>Constraint Name:</b>    | SysInfo3_inv_01( mcc, mnc, lac:OCTETSTRING)                                                               |          |
| <b>ASP Type:</b>           | DL_UdatRqSysinfo3                                                                                         |          |
| <b>Derivation Path:</b>    |                                                                                                           |          |
| <b>Comments:</b>           | To send a SYSTEM INFORMATION message containing new location area and rest octets which are not all '2B'O |          |
| Parameter Name             | Parameter Value                                                                                           | Comments |
| sapi                       | C_Sap0                                                                                                    |          |
| logic_ch                   | C_BCCH_A_1                                                                                                |          |
| msg                        | SysInf3_inv_01( mcc, mnc, lac)                                                                            |          |
| <b>Detailed Comments:</b>  |                                                                                                           |          |

| ASP Constraint Declaration |                                                                                                            |          |
|----------------------------|------------------------------------------------------------------------------------------------------------|----------|
| <b>Constraint Name:</b>    | SysInfo4(ch:LOGICCH; mcc, mnc, lac:OCTETSTRING; crh, mtmc:INTEGER; neci:B_1; maxtx:B_2; txint:B_4; re:B_1) |          |
| <b>ASP Type:</b>           | DL_UdatRqSysinfo4                                                                                          |          |
| <b>Derivation Path:</b>    |                                                                                                            |          |
| <b>Comments:</b>           | To send a default SYSTEM INFORMATION TYPE 4 message                                                        |          |
| Parameter Name             | Parameter Value                                                                                            | Comments |
| sapi                       | C_Sap0                                                                                                     |          |
| logic_ch                   | ch                                                                                                         |          |
| msg                        | SysInf4(mcc, mnc, lac, crh, mtmc, neci, maxtx, txint, re)                                                  |          |
| <b>Detailed Comments:</b>  |                                                                                                            |          |

| ASP Constraint Declaration |                                                                                                                            |          |
|----------------------------|----------------------------------------------------------------------------------------------------------------------------|----------|
| <b>Constraint Name:</b>    | SysInfo4_CBMS(ch:LOGICCH; mcc, mnc, lac:OCTETSTRING; crh, mtmc:INTEGER; neci:B_1; maxtx:B_2; txint:B_4; re:B_1; cbchd:CHD) |          |
| <b>ASP Type:</b>           | DL_UdatRqSysinfo4                                                                                                          |          |
| <b>Derivation Path:</b>    |                                                                                                                            |          |
| <b>Comments:</b>           | To send a SYSTEM INFORMATION TYPE 4 message for SMSCB with the values or GSM 11.10, 34.3                                   |          |
| Parameter Name             | Parameter Value                                                                                                            | Comments |
| sapi                       | C_Sap0                                                                                                                     |          |
| logic_ch                   | ch                                                                                                                         |          |
| msg                        | SysInf4_CBMS(mcc, mnc, lac, crh, mtmc, neci, maxtx, txint, re, cbchd)                                                      |          |
| <b>Detailed Comments:</b>  |                                                                                                                            |          |

| ASP Constraint Declaration |                                                                                     |          |
|----------------------------|-------------------------------------------------------------------------------------|----------|
| <b>Constraint Name:</b>    | SysInfo4_inv_01( mcc, mnc, lac:OCTETSTRING)                                         |          |
| <b>ASP Type:</b>           | DL_UdatRqSysinfo4                                                                   |          |
| <b>Derivation Path:</b>    |                                                                                     |          |
| <b>Comments:</b>           | To send a SYSTEM INFORMATION message containing rest octets which are not all '2B'O |          |
| Parameter Name             | Parameter Value                                                                     | Comments |
| sapi                       | C_Sap0                                                                              |          |
| logic_ch                   | C_BCCH_A_1                                                                          |          |
| msg                        | SysInf4_inv_01( mcc, mnc, lac)                                                      |          |
| <b>Detailed Comments:</b>  |                                                                                     |          |

| ASP Constraint Declaration |                                                     |          |
|----------------------------|-----------------------------------------------------|----------|
| <b>Constraint Name:</b>    | SysInfo5(sacch: LOGICCH; sysinfo5_pdu:SYSINFO5_PDU) |          |
| <b>ASP Type:</b>           | DL_UdatRqSysinfo5                                   |          |
| <b>Derivation Path:</b>    |                                                     |          |
| <b>Comments:</b>           | To send a SYSTEM INFORMATION TYPE 5 message.        |          |
| Parameter Name             | Parameter Value                                     | Comments |
| sapi                       | C_Sap0                                              |          |
| logic_ch                   | sacch                                               |          |
| msg                        | sysinfo5_pdu                                        |          |
| <b>Detailed Comments:</b>  |                                                     |          |

| <b>ASP Constraint Declaration</b> |                                                              |          |
|-----------------------------------|--------------------------------------------------------------|----------|
| <b>Constraint Name:</b>           | SysInfo5bis(sacch: LOGICCH; sysinfo5bis_pdu:SYSINFO5bis_PDU) |          |
| <b>ASP Type:</b>                  | DL_UdatRqSysinfo5bis                                         |          |
| <b>Derivation Path:</b>           |                                                              |          |
| <b>Comments:</b>                  | To send a SYSTEM INFORMATION TYPE 5bis message.              |          |
| Parameter Name                    | Parameter Value                                              | Comments |
| sapi                              | C_Sap0                                                       |          |
| logic_ch                          | sacch                                                        |          |
| msg                               | sysinfo5bis_pdu                                              |          |
| <b>Detailed Comments:</b>         |                                                              |          |

| <b>ASP Constraint Declaration</b> |                                                     |          |
|-----------------------------------|-----------------------------------------------------|----------|
| <b>Constraint Name:</b>           | SysInfo6(sacch: LOGICCH; sysinfo6_pdu:SYSINFO6_PDU) |          |
| <b>ASP Type:</b>                  | DL_UdatRqSysinfo6                                   |          |
| <b>Derivation Path:</b>           |                                                     |          |
| <b>Comments:</b>                  | To send a SYSTEM INFORMATION TYPE 6 message.        |          |
| Parameter Name                    | Parameter Value                                     | Comments |
| sapi                              | C_Sap0                                              |          |
| logic_ch                          | sacch                                               |          |
| msg                               | sysinfo6_pdu                                        |          |
| <b>Detailed Comments:</b>         |                                                     |          |

| <b>ASP Constraint Declaration</b> |                                                                |          |
|-----------------------------------|----------------------------------------------------------------|----------|
| <b>Constraint Name:</b>           | TmsiReallocSnd( par:MI; ch:LOGICCH; mcc, mnc, lac:OCTETSTRING) |          |
| <b>ASP Type:</b>                  | DL_DatRqTmsireCmd                                              |          |
| <b>Derivation Path:</b>           |                                                                |          |
| <b>Comments:</b>                  | To send a TMSI REALLOCATION COMMAND message.                   |          |
| Parameter Name                    | Parameter Value                                                | Comments |
| sapi                              | C_Sap0                                                         |          |
| logic_ch                          | ch                                                             |          |
| msg                               | TmsiReallocCmd(par, mcc, mnc, lac)                             |          |
| <b>Detailed Comments:</b>         |                                                                |          |

| <b>ASP Constraint Declaration</b> |                                                  |          |
|-----------------------------------|--------------------------------------------------|----------|
| <b>Constraint Name:</b>           | TmsiReallocCmp( ch:LOGICCH)                      |          |
| <b>ASP Type:</b>                  | DL_DatInTmsireCom                                |          |
| <b>Derivation Path:</b>           |                                                  |          |
| <b>Comments:</b>                  | To receive a TMSI REALLOCATION COMPLETE message. |          |
| Parameter Name                    | Parameter Value                                  | Comments |
| sapi                              | C_Sap0                                           |          |
| logic_ch                          | ch                                               |          |
| msg                               | TmsiReallocComp                                  |          |
| fn                                | ?                                                |          |
| <b>Detailed Comments:</b>         |                                                  |          |

| ASP Constraint Declaration |                                      |          |
|----------------------------|--------------------------------------|----------|
| <b>Constraint Name:</b>    | UndefCC( ch: LOGICCH; pdu: CONN_PDU) |          |
| <b>ASP Type:</b>           | DL_DatRqUndefCC                      |          |
| <b>Derivation Path:</b>    |                                      |          |
| <b>Comments:</b>           | To send an undefined Layer 3 message |          |
| Parameter Name             | Parameter Value                      | Comments |
| sapi                       | C_Sap0                               |          |
| logic_ch                   | ch                                   |          |
| msg                        | pdu                                  |          |
| <b>Detailed Comments:</b>  |                                      |          |

| ASP Constraint Declaration |                                      |          |
|----------------------------|--------------------------------------|----------|
| <b>Constraint Name:</b>    | UndefMM( ch:LOGICCH; pdu:ID_RES_PDU) |          |
| <b>ASP Type:</b>           | DL_DatRqUndefMM                      |          |
| <b>Derivation Path:</b>    |                                      |          |
| <b>Comments:</b>           | To send an undefined MM message      |          |
| Parameter Name             | Parameter Value                      | Comments |
| sapi                       | C_Sap0                               |          |
| logic_ch                   | ch                                   |          |
| msg                        | pdu                                  |          |
| <b>Detailed Comments:</b>  |                                      |          |

| ASP Constraint Declaration |                                         |          |
|----------------------------|-----------------------------------------|----------|
| <b>Constraint Name:</b>    | UndefRR( ch: LOGICCH; pdu:PART_REL_PDU) |          |
| <b>ASP Type:</b>           | DL_DatRqUndefRR                         |          |
| <b>Derivation Path:</b>    |                                         |          |
| <b>Comments:</b>           | To send an undefined RR message         |          |
| Parameter Name             | Parameter Value                         | Comments |
| sapi                       | C_Sap0                                  |          |
| logic_ch                   | ch                                      |          |
| msg                        | pdu                                     |          |
| <b>Detailed Comments:</b>  |                                         |          |

| ASP Constraint Declaration |                                                                        |          |
|----------------------------|------------------------------------------------------------------------|----------|
| <b>Constraint Name:</b>    | Unknown( ch: LOGICCH; pdu: CCST_ENQ_PDU)                               |          |
| <b>ASP Type:</b>           | DL_DatRqUnknown                                                        |          |
| <b>Derivation Path:</b>    |                                                                        |          |
| <b>Comments:</b>           | To send an unknown CC message which is coded like a CC STATUS ENQUIRY. |          |
| Parameter Name             | Parameter Value                                                        | Comments |
| sapi                       | C_Sap0                                                                 |          |
| logic_ch                   | ch                                                                     |          |
| msg                        | pdu                                                                    |          |
| <b>Detailed Comments:</b>  |                                                                        |          |



| ASP Constraint Declaration |                                                                                                                    |          |
|----------------------------|--------------------------------------------------------------------------------------------------------------------|----------|
| <b>Constraint Name:</b>    | DatInCpData( ch:LOGICCH; message:CP_DATA_PDU)                                                                      |          |
| <b>ASP Type:</b>           | DL_DatInCpData                                                                                                     |          |
| <b>Derivation Path:</b>    |                                                                                                                    |          |
| <b>Comments:</b>           | The ASP is used to indicate the receipt of the SMS CP DATA message using acknowledged operation (L2 -> L3) for MT. |          |
| Parameter Name             | Parameter Value                                                                                                    | Comments |
| sapi                       | C_Sap3                                                                                                             |          |
| logic_ch                   | ch                                                                                                                 |          |
| msg                        | message                                                                                                            |          |
| fn                         | ?                                                                                                                  |          |
| <b>Detailed Comments:</b>  |                                                                                                                    |          |

| ASP Constraint Declaration |                                                                                                            |          |
|----------------------------|------------------------------------------------------------------------------------------------------------|----------|
| <b>Constraint Name:</b>    | DatRqCpData(message:CP_DATA_PDU; ch: LOGICCH)                                                              |          |
| <b>ASP Type:</b>           | DL_DatRqCpData                                                                                             |          |
| <b>Derivation Path:</b>    |                                                                                                            |          |
| <b>Comments:</b>           | ASP to request the transmission of the SMS CP DATA message using acknowledged operation (L3 -> L2) for MO. |          |
| Parameter Name             | Parameter Value                                                                                            | Comments |
| sapi                       | C_Sap3                                                                                                     |          |
| logic_ch                   | ch                                                                                                         |          |
| msg                        | message                                                                                                    |          |
| <b>Detailed Comments:</b>  |                                                                                                            |          |

| ASP Constraint Declaration |                                                                                                              |          |
|----------------------------|--------------------------------------------------------------------------------------------------------------|----------|
| <b>Constraint Name:</b>    | DatInCpDataAck(message:CPDATA_ACK_PDU)                                                                       |          |
| <b>ASP Type:</b>           | DL_DatInCpDataAck                                                                                            |          |
| <b>Derivation Path:</b>    |                                                                                                              |          |
| <b>Comments:</b>           | The ASP is used to indicate the receipt of the SMS CP DATA message using acknowledged operation (L2 -> L3) . |          |
| Parameter Name             | Parameter Value                                                                                              | Comments |
| sapi                       | C_Sap3                                                                                                       |          |
| logic_ch                   | ?                                                                                                            |          |
| msg                        | message                                                                                                      |          |
| fn                         | ?                                                                                                            |          |
| <b>Detailed Comments:</b>  |                                                                                                              |          |

| ASP Constraint Declaration |                                                                                                                 |          |
|----------------------------|-----------------------------------------------------------------------------------------------------------------|----------|
| <b>Constraint Name:</b>    | DatRqCpDataAck(message:CPDATA_ACK_PDU; ch: LOGICCH)                                                             |          |
| <b>ASP Type:</b>           | DL_DatRqCpDataAck                                                                                               |          |
| <b>Derivation Path:</b>    |                                                                                                                 |          |
| <b>Comments:</b>           | The ASP is used to request the transmission of the SMS CP DATA message using acknowledged operation (L3 -> L2). |          |
| Parameter Name             | Parameter Value                                                                                                 | Comments |
| sapi                       | C_Sap3                                                                                                          |          |
| logic_ch                   | ch                                                                                                              |          |
| msg                        | message                                                                                                         |          |
| <b>Detailed Comments:</b>  |                                                                                                                 |          |

| ASP Constraint Declaration |                                                                                                             |          |
|----------------------------|-------------------------------------------------------------------------------------------------------------|----------|
| <b>Constraint Name:</b>    | DatRqCpError(message:CPERR_PDU; ch: LOGICCH)                                                                |          |
| <b>ASP Type:</b>           | DL_DatRqCpError                                                                                             |          |
| <b>Derivation Path:</b>    |                                                                                                             |          |
| <b>Comments:</b>           | ASP to request the transmission of the SMS CP ERROR message using acknowledged operation (L3 -> L2) for MO. |          |
| Parameter Name             | Parameter Value                                                                                             | Comments |
| sapi                       | C_Sap3                                                                                                      |          |
| logic_ch                   | ch                                                                                                          |          |
| msg                        | message                                                                                                     |          |
| <b>Detailed Comments:</b>  |                                                                                                             |          |

### PDU constraint declarations

### TTCN PDU constraint declarations

| PDU Constraint Declaration |                                                                          |          |
|----------------------------|--------------------------------------------------------------------------|----------|
| <b>Constraint Name:</b>    | Alerting_01(Ti :TI)                                                      |          |
| <b>PDU Type:</b>           | ALERT_PDU                                                                |          |
| <b>Derivation Path:</b>    |                                                                          |          |
| <b>Comments:</b>           | An ALERTING message containing mandatory IE's only to be sent to the MS. |          |
| Field Name                 | Field Value                                                              | Comments |
| ti                         | Ti                                                                       |          |
| ccpd                       | '0011'B                                                                  |          |
| mt                         | '00000001'B                                                              |          |
| fie                        | -                                                                        |          |
| pi                         | -                                                                        |          |
| uu                         | -                                                                        |          |
| ssvi                       | -                                                                        |          |
| <b>Detailed Comments:</b>  |                                                                          |          |

| PDU Constraint Declaration |                                                                  |          |
|----------------------------|------------------------------------------------------------------|----------|
| <b>Constraint Name:</b>    | Alerting_04(Ti :TI; fie:FIE)                                     |          |
| <b>PDU Type:</b>           | ALERT_PDU                                                        |          |
| <b>Derivation Path:</b>    |                                                                  |          |
| <b>Comments:</b>           | An ALERTING message containing facility IE to be sent to the MS. |          |
| Field Name                 | Field Value                                                      | Comments |
| ti                         | Ti                                                               |          |
| ccpd                       | '0011'B                                                          |          |
| mt                         | '00000001'B                                                      |          |
| fie                        | fie                                                              |          |
| pi                         | -                                                                |          |
| uu                         | -                                                                |          |
| ssvi                       | -                                                                |          |
| <b>Detailed Comments:</b>  |                                                                  |          |

| PDU Constraint Declaration |                                       |          |
|----------------------------|---------------------------------------|----------|
| <b>Constraint Name:</b>    | AlertingInd_01( ti:Ti)                |          |
| <b>PDU Type:</b>           | ALERT_PDU                             |          |
| <b>Derivation Path:</b>    |                                       |          |
| <b>Comments:</b>           | To match an received ALERTING message |          |
| Field Name                 | Field Value                           | Comments |
| ti                         | ti                                    |          |
| ccpd                       | '0011'B                               |          |
| mt                         | '0?000001'B                           |          |
| fie                        | *                                     |          |
| pi                         | -                                     |          |
| uu                         | *                                     |          |
| ssvi                       | *                                     |          |
| <b>Detailed Comments:</b>  |                                       |          |

| PDU Constraint Declaration |                                       |          |
|----------------------------|---------------------------------------|----------|
| <b>Constraint Name:</b>    | AlertingInd_02(Ti:Ti)                 |          |
| <b>PDU Type:</b>           | ALERT_PDU                             |          |
| <b>Derivation Path:</b>    |                                       |          |
| <b>Comments:</b>           | To match an received ALERTING message |          |
| Field Name                 | Field Value                           | Comments |
| ti                         | Ti                                    |          |
| ccpd                       | '0011'B                               |          |
| mt                         | '0?000001'B                           |          |
| fie                        | *                                     |          |
| pi                         | -                                     |          |
| uu                         | *                                     |          |
| ssvi                       | *                                     |          |
| <b>Detailed Comments:</b>  |                                       |          |

| PDU Constraint Declaration |                                                                                                                                             |          |
|----------------------------|---------------------------------------------------------------------------------------------------------------------------------------------|----------|
| <b>Constraint Name:</b>    | AsgnCmd_fh( slot:SN; tsc:TSC; chtype:CH_TDMA; par_pwlvl:INTEGER; maio:MAIO; hsn:HSN; frql:FRQL; Cchd:CCHD; chmod:CHMOD; ma:MA; Cphms:CPHMS) |          |
| <b>PDU Type:</b>           | ASS_CMD_PDU                                                                                                                                 |          |
| <b>Derivation Path:</b>    |                                                                                                                                             |          |
| <b>Comments:</b>           | An ASSIGNMENT COMMAND message for hopping without starting time.                                                                            |          |
| Field Name                 | Field Value                                                                                                                                 | Comments |
| ski                        | '0000'B                                                                                                                                     |          |
| rrpd                       | '0110'B                                                                                                                                     |          |
| mt                         | '00101110'B                                                                                                                                 |          |
| ch1d_at                    | ChDescrp_fh(chtype, slot, tsc, maio, hsn)                                                                                                   |          |
| pcmd                       | Pcmd_19(INT_TO_BIT(par_pwlvl, 5))                                                                                                           |          |
| frql_at                    | frql                                                                                                                                        |          |
| cchd                       | Cchd                                                                                                                                        |          |
| ch1mod                     | chmod                                                                                                                                       |          |
| ch2d_at                    | -                                                                                                                                           |          |
| ch2mod                     | -                                                                                                                                           |          |
| ma_at                      | ma                                                                                                                                          |          |
| strt                       | -                                                                                                                                           |          |
| frql_bt                    | -                                                                                                                                           |          |
| ch1d_bt                    | -                                                                                                                                           |          |
| ch2d_bt                    | -                                                                                                                                           |          |
| frqchs_bt                  | -                                                                                                                                           |          |
| ma_bt                      | -                                                                                                                                           |          |
| cphms                      | Cphms                                                                                                                                       |          |
| <b>Detailed Comments:</b>  |                                                                                                                                             |          |

| PDU Constraint Declaration |                                                                                                                        |          |
|----------------------------|------------------------------------------------------------------------------------------------------------------------|----------|
| <b>Constraint Name:</b>    | AsgnCmd_nfh( type:CH_TDMA; slot:SN; tsc:TSC; par_pwlvl, arfcn:INTEGER; cchd:CCHD; chmod:CHMOD; strt:STRT; cphms:CPHMS) |          |
| <b>PDU Type:</b>           | ASS_CMD_PDU                                                                                                            |          |
| <b>Derivation Path:</b>    |                                                                                                                        |          |
| <b>Comments:</b>           | An ASSIGNMENT COMMAND message. The channel mode and type are specified as parameters.                                  |          |
| Field Name                 | Field Value                                                                                                            | Comments |
| ski                        | '0000'B                                                                                                                |          |
| rrpd                       | '0110'B                                                                                                                |          |
| mt                         | '00101110'B                                                                                                            |          |
| ch1d_at                    | ChDescrp_nfh( type, slot, tsc, arfcn)                                                                                  |          |
| pcmd                       | Pcmd_19(INT_TO_BIT(par_pwlvl, 5))                                                                                      |          |
| frql_at                    | -                                                                                                                      |          |
| cchd                       | cchd                                                                                                                   |          |
| ch1mod                     | chmod                                                                                                                  |          |
| ch2d_at                    | -                                                                                                                      |          |
| ch2mod                     | -                                                                                                                      |          |
| ma_at                      | -                                                                                                                      |          |
| strt                       | strt                                                                                                                   |          |
| frql_bt                    | -                                                                                                                      |          |
| ch1d_bt                    | -                                                                                                                      |          |
| ch2d_bt                    | -                                                                                                                      |          |
| frqchs_bt                  | -                                                                                                                      |          |
| ma_bt                      | -                                                                                                                      |          |
| cphms                      | cphms                                                                                                                  |          |
| <b>Detailed Comments:</b>  | used iin CC testing                                                                                                    |          |

| PDU Constraint Declaration |                                                                                                                                  |          |
|----------------------------|----------------------------------------------------------------------------------------------------------------------------------|----------|
| <b>Constraint Name:</b>    | AsgnCmd_tchf_fh( slot:SN; tsc:TSC; par_pwlvl:INTEGER; maio:MAIO; hsn:HSN; frql:FRQL; cchd:CCHD; chmod:CHMOD; ma:MA; cphms:CPHMS) |          |
| <b>PDU Type:</b>           | ASS_CMD_PDU                                                                                                                      |          |
| <b>Derivation Path:</b>    |                                                                                                                                  |          |
| <b>Comments:</b>           | An ASSIGNMENT COMMAND message                                                                                                    |          |
| Field Name                 | Field Value                                                                                                                      | Comments |
| ski                        | '0000'B                                                                                                                          |          |
| rrpd                       | '0110'B                                                                                                                          |          |
| mt                         | '00101110'B                                                                                                                      |          |
| ch1d_at                    | ChDescrp_tchf_fh( slot, tsc, maio, hsn)                                                                                          |          |
| pcmd                       | Pcmd_19(INT_TO_BIT(par_pwlvl, 5))                                                                                                |          |
| frql_at                    | frql                                                                                                                             |          |
| cchd                       | cchd                                                                                                                             |          |
| ch1mod                     | chmod                                                                                                                            |          |
| ch2d_at                    | -                                                                                                                                |          |
| ch2mod                     | -                                                                                                                                |          |
| ma_at                      | ma                                                                                                                               |          |
| strt                       | -                                                                                                                                |          |
| frql_bt                    | -                                                                                                                                |          |
| ch1d_bt                    | -                                                                                                                                |          |
| ch2d_bt                    | -                                                                                                                                |          |
| frqchs_bt                  | -                                                                                                                                |          |
| ma_bt                      | -                                                                                                                                |          |
| cphms                      | cphms                                                                                                                            |          |
| <b>Detailed Comments:</b>  |                                                                                                                                  |          |

| PDU Constraint Declaration |                                                                                                                                             |          |
|----------------------------|---------------------------------------------------------------------------------------------------------------------------------------------|----------|
| <b>Constraint Name:</b>    | AsgnCmd_tchh_fh( subch:B_1; slot:SN; tsc:TSC; par_pwlvl:INTEGER; maio:MAIO; hsn:HSN; frql:FRQL; cchd:CCHD; chmod:CHMOD; ma:MA; cphms:CPHMS) |          |
| <b>PDU Type:</b>           | ASS_CMD_PDU                                                                                                                                 |          |
| <b>Derivation Path:</b>    |                                                                                                                                             |          |
| <b>Comments:</b>           | An ASSIGNMENT COMMAND message                                                                                                               |          |
| Field Name                 | Field Value                                                                                                                                 | Comments |
| ski                        | '0000'B                                                                                                                                     |          |
| rrpd                       | '0110'B                                                                                                                                     |          |
| mt                         | '00101110'B                                                                                                                                 |          |
| ch1d_at                    | ChDescrp_tchh_fh( slot, tsc, subch, maio, hsn)                                                                                              |          |
| pcmd                       | Pcmd_19(INT_TO_BIT(par_pwlvl, 5))                                                                                                           |          |
| frql_at                    | frql                                                                                                                                        |          |
| cchd                       | cchd                                                                                                                                        |          |
| ch1mod                     | chmod                                                                                                                                       |          |
| ch2d_at                    | -                                                                                                                                           |          |
| ch2mod                     | -                                                                                                                                           |          |
| ma_at                      | ma                                                                                                                                          |          |
| strt                       | -                                                                                                                                           |          |
| frql_bt                    | -                                                                                                                                           |          |
| ch1d_bt                    | -                                                                                                                                           |          |
| ch2d_bt                    | -                                                                                                                                           |          |
| frqchs_bt                  | -                                                                                                                                           |          |
| ma_bt                      | -                                                                                                                                           |          |
| cphms                      | cphms                                                                                                                                       |          |
| <b>Detailed Comments:</b>  |                                                                                                                                             |          |

| PDU Constraint Declaration |                                                                                                             |          |
|----------------------------|-------------------------------------------------------------------------------------------------------------|----------|
| <b>Constraint Name:</b>    | AsgnCmd_tchh_nfh( subch:B_1; slot:SN; tsc:TSC; par_pwlvl, arfcn:INTEGER; cchd:CCHD; chmod:CHMOD; strt:STRT) |          |
| <b>PDU Type:</b>           | ASS_CMD_PDU                                                                                                 |          |
| <b>Derivation Path:</b>    |                                                                                                             |          |
| <b>Comments:</b>           | An ASSIGNMENT COMMAND message                                                                               |          |
| Field Name                 | Field Value                                                                                                 | Comments |
| ski                        | '0000'B                                                                                                     |          |
| rrpd                       | '0110'B                                                                                                     |          |
| mt                         | '00101110'B                                                                                                 |          |
| ch1d_at                    | ChDescrp_tchh_nfh( slot, tsc, subch, arfcn)                                                                 |          |
| pcmd                       | Pcmd_19(INT_TO_BIT(par_pwlvl, 5))                                                                           |          |
| frql_at                    | -                                                                                                           |          |
| cchd                       | cchd                                                                                                        |          |
| ch1mod                     | chmod                                                                                                       |          |
| ch2d_at                    | -                                                                                                           |          |
| ch2mod                     | -                                                                                                           |          |
| ma_at                      | -                                                                                                           |          |
| strt                       | strt                                                                                                        |          |
| frql_bt                    | -                                                                                                           |          |
| ch1d_bt                    | -                                                                                                           |          |
| ch2d_bt                    | -                                                                                                           |          |
| frqchs_bt                  | -                                                                                                           |          |
| ma_bt                      | -                                                                                                           |          |
| cphms                      | -                                                                                                           |          |
| <b>Detailed Comments:</b>  |                                                                                                             |          |

| PDU Constraint Declaration |                                                                                                              |          |
|----------------------------|--------------------------------------------------------------------------------------------------------------|----------|
| <b>Constraint Name:</b>    | AsgnCmd_22_Ae1(ts_ccch: BITSTRING; par_chtype:CH_TDMA; par_flist:OCTETSTRING; par_flistl: LENGTH; n:INTEGER) |          |
| <b>PDU Type:</b>           | ASS_CMD_PDU                                                                                                  |          |
| <b>Derivation Path:</b>    |                                                                                                              |          |
| <b>Comments:</b>           | An ASSIGNMENT COMMAND message assigning TCH/F non FH channel in cell A for EGSM.                             |          |
| Field Name                 | Field Value                                                                                                  | Comments |
| ski                        | '0000'B                                                                                                      |          |
| rrpd                       | '0110'B                                                                                                      |          |
| mt                         | '00101110'B                                                                                                  |          |
| ch1d_at                    | ChDescrp_fh( par_chtype, ts_ccch, TSPX_TscDef, INT_TO_BIT((TSPX_MAIO MOD n),6), INT_TO_BIT(TSPX_HSN, 6))     |          |
| pcmd                       | Pcmd_19('01001'B)                                                                                            |          |
| frql_at                    | Frql_20_egsm(par_flist, par_flistl)                                                                          |          |
| cchd                       | -                                                                                                            |          |
| ch1mod                     | -                                                                                                            |          |
| ch2d_at                    | -                                                                                                            |          |
| ch2mod                     | -                                                                                                            |          |
| ma_at                      | -                                                                                                            |          |
| strt                       | -                                                                                                            |          |
| frql_bt                    | -                                                                                                            |          |
| ch1d_bt                    | -                                                                                                            |          |
| ch2d_bt                    | -                                                                                                            |          |
| frqchs_bt                  | -                                                                                                            |          |
| ma_bt                      | -                                                                                                            |          |
| cphms                      | -                                                                                                            |          |
| <b>Detailed Comments:</b>  |                                                                                                              |          |

| PDU Constraint Declaration |                                                                                                            |          |
|----------------------------|------------------------------------------------------------------------------------------------------------|----------|
| <b>Constraint Name:</b>    | AsgnCmd_22_Ae2(ts_ccch: BITSTRING; par_chtype:CH_TDMA; par_cchd: OCTETSTRING; par_ma:BITSTRING; n:INTEGER) |          |
| <b>PDU Type:</b>           | ASS_CMD_PDU                                                                                                |          |
| <b>Derivation Path:</b>    |                                                                                                            |          |
| <b>Comments:</b>           | An ASSIGNMENT COMMAND message assigning TCH/F non FH channel in cell A for EGSM.                           |          |
| Field Name                 | Field Value                                                                                                | Comments |
| ski                        | '0000'B                                                                                                    |          |
| rrpd                       | '0110'B                                                                                                    |          |
| mt                         | '00101110'B                                                                                                |          |
| ch1d_at                    | ChDescrp_fh( par_chtype, ts_ccch, TSPX_TscDef, INT_TO_BIT((TSPX_MAIO MOD n),6), INT_TO_BIT(TSPX_HSN, 6))   |          |
| pcmd                       | Pcmd_19('01001'B)                                                                                          |          |
| frql_at                    | -                                                                                                          |          |
| cchd                       | CellChDes_20_Be(par_cchd)                                                                                  |          |
| ch1mod                     | -                                                                                                          |          |
| ch2d_at                    | -                                                                                                          |          |
| ch2mod                     | -                                                                                                          |          |
| ma_at                      | MobAllc_20_Be1iei(par_ma)                                                                                  |          |
| strt                       | -                                                                                                          |          |
| frql_bt                    | -                                                                                                          |          |
| ch1d_bt                    | -                                                                                                          |          |
| ch2d_bt                    | -                                                                                                          |          |
| frqchs_bt                  | -                                                                                                          |          |
| ma_bt                      | -                                                                                                          |          |
| cphms                      | -                                                                                                          |          |
| <b>Detailed Comments:</b>  |                                                                                                            |          |

| PDU Constraint Declaration |                                                                                                                                |          |
|----------------------------|--------------------------------------------------------------------------------------------------------------------------------|----------|
| <b>Constraint Name:</b>    | AsgnCmd_22_Ae3(ts_ccch: BITSTRING; par_chtype:CH_TDMA; par_cchd: OCTETSTRING; par_ma1:BITSTRING; par_ma2:BITSTRING; n:INTEGER) |          |
| <b>PDU Type:</b>           | ASS_CMD_PDU                                                                                                                    |          |
| <b>Derivation Path:</b>    |                                                                                                                                |          |
| <b>Comments:</b>           | An ASSIGNMENT COMMAND message assigning TCH/F non FH channel in cell A for EGSM.                                               |          |
| Field Name                 | Field Value                                                                                                                    | Comments |
| ski                        | '0000'B                                                                                                                        |          |
| rrpd                       | '0110'B                                                                                                                        |          |
| mt                         | '00101110'B                                                                                                                    |          |
| ch1d_at                    | ChDescrp_fh( par_chtype, ts_ccch, TSPX_TscDef, INT_TO_BIT((TSPX_MAIO MOD n),6), INT_TO_BIT(TSPX_HSN, 6))                       |          |
| pcmd                       | Pcmd_19('01001'B)                                                                                                              |          |
| frql_at                    | -                                                                                                                              |          |
| cchd                       | CellChDes_20_Be(par_cchd)                                                                                                      |          |
| ch1mod                     | -                                                                                                                              |          |
| ch2d_at                    | -                                                                                                                              |          |
| ch2mod                     | -                                                                                                                              |          |
| ma_at                      | MoblAllc_20_Be2iei(par_ma1, par_ma2)                                                                                           |          |
| strt                       | -                                                                                                                              |          |
| frql_bt                    | -                                                                                                                              |          |
| ch1d_bt                    | -                                                                                                                              |          |
| ch2d_bt                    | -                                                                                                                              |          |
| frqchs_bt                  | -                                                                                                                              |          |
| ma_bt                      | -                                                                                                                              |          |
| cphms                      | -                                                                                                                              |          |
| <b>Detailed Comments:</b>  |                                                                                                                                |          |

| PDU Constraint Declaration |                                                                  |          |
|----------------------------|------------------------------------------------------------------|----------|
| <b>Constraint Name:</b>    | AsgnCmd_inv_01(slot:SN; tsc:TSC)                                 |          |
| <b>PDU Type:</b>           | ASS_CMD_PDU                                                      |          |
| <b>Derivation Path:</b>    |                                                                  |          |
| <b>Comments:</b>           | An ASSIGNMENT COMMAND message containing invalid skip identifier |          |
| Field Name                 | Field Value                                                      | Comments |
| ski                        | '0100'B                                                          |          |
| rrpd                       | '0110'B                                                          |          |
| mt                         | '00101110'B                                                      |          |
| ch1d_at                    | ChDescrp_nfh( '00001'B, slot, tsc, C_arfcnA)                     |          |
| pcmd                       | Pcmd_19('01001'B)                                                |          |
| frql_at                    | -                                                                |          |
| cchd                       | -                                                                |          |
| ch1mod                     | -                                                                |          |
| ch2d_at                    | -                                                                |          |
| ch2mod                     | -                                                                |          |
| ma_at                      | -                                                                |          |
| strt                       | -                                                                |          |
| frql_bt                    | -                                                                |          |
| ch1d_bt                    | -                                                                |          |
| ch2d_bt                    | -                                                                |          |
| frqchs_bt                  | -                                                                |          |
| ma_bt                      | -                                                                |          |
| cphms                      | -                                                                |          |
| <b>Detailed Comments:</b>  |                                                                  |          |

| PDU Constraint Declaration |                                                                                                   |          |
|----------------------------|---------------------------------------------------------------------------------------------------|----------|
| <b>Constraint Name:</b>    | AsgnCmd_r14(slot:SN; tsc:TSC; strt:STRT)                                                          |          |
| <b>PDU Type:</b>           | ASS_CMD_PDU                                                                                       |          |
| <b>Derivation Path:</b>    |                                                                                                   |          |
| <b>Comments:</b>           | An ASSIGNMENT COMMAND message defined by PIXIT                                                    |          |
| Field Name                 | Field Value                                                                                       | Comments |
| ski                        | '0000'B                                                                                           |          |
| rrpd                       | '0110'B                                                                                           |          |
| mt                         | '00101110'B                                                                                       |          |
| ch1d_at                    | ChDescrp_fh( TSPX_Chtp1, slot, tsc,<br>INT_TO_BIT(TSPX_Maio2, 6),<br>INT_TO_BIT(TSPX_Hsn2, 6))    |          |
| pcmd                       | Pcmd_19( INT_TO_BIT( TSPX_PwrlvIA,<br>5))                                                         |          |
| frql_at                    | -                                                                                                 |          |
| cchd                       | -                                                                                                 |          |
| ch1mod                     | ChMod_r01                                                                                         |          |
| ch2d_at                    | -                                                                                                 |          |
| ch2mod                     | -                                                                                                 |          |
| ma_at                      | MoblAllc_r06                                                                                      |          |
| strt                       | strt                                                                                              |          |
| frql_bt                    | -                                                                                                 |          |
| ch1d_bt                    | ChDescrp_fhiei( TSPX_Chtp1, slot, tsc,<br>INT_TO_BIT(TSPX_Maio3, 6),<br>INT_TO_BIT(TSPX_Hsn3, 6)) |          |
| ch2d_bt                    | -                                                                                                 |          |
| frqchs_bt                  | -                                                                                                 |          |
| ma_bt                      | MoblAllc_r07                                                                                      |          |
| cphms                      | -                                                                                                 |          |
| <b>Detailed Comments:</b>  | used in TC_26_6_13_1 only.                                                                        |          |

| PDU Constraint Declaration |                                                                                                     |          |
|----------------------------|-----------------------------------------------------------------------------------------------------|----------|
| <b>Constraint Name:</b>    | AsgnCmd_r15(slot:SN; tsc:TSC; slot2:SN; tsc2:TSC; strt:STRT)                                        |          |
| <b>PDU Type:</b>           | ASS_CMD_PDU                                                                                         |          |
| <b>Derivation Path:</b>    |                                                                                                     |          |
| <b>Comments:</b>           | An ASSIGNMENT COMMAND message defined by PIXIT                                                      |          |
| Field Name                 | Field Value                                                                                         | Comments |
| ski                        | '0000'B                                                                                             |          |
| rrpd                       | '0110'B                                                                                             |          |
| mt                         | '00101110'B                                                                                         |          |
| ch1d_at                    | ChDescrp_fh( TSPX_Chtp2, slot, tsc,<br>INT_TO_BIT(TSPX_Maio5, 6),<br>INT_TO_BIT(TSPX_Hsn5, 6))      |          |
| pcmd                       | Pcmd_19( INT_TO_BIT( TSPX_PwrlvIB,<br>5))                                                           |          |
| frql_at                    | -                                                                                                   |          |
| cchd                       | -                                                                                                   |          |
| ch1mod                     | ChMod_r02                                                                                           |          |
| ch2d_at                    | -                                                                                                   |          |
| ch2mod                     | -                                                                                                   |          |
| ma_at                      | MoblAllc_r09                                                                                        |          |
| strt                       | strt                                                                                                |          |
| frql_bt                    | -                                                                                                   |          |
| ch1d_bt                    | ChDescrp_fhiei( TSPX_Chtp2, slot2, tsc2,<br>INT_TO_BIT(TSPX_Maio3, 6),<br>INT_TO_BIT(TSPX_Hsn3, 6)) |          |
| ch2d_bt                    | -                                                                                                   |          |
| frqchs_bt                  | -                                                                                                   |          |
| ma_bt                      | MoblAllc_r07                                                                                        |          |
| cphms                      | -                                                                                                   |          |
| <b>Detailed Comments:</b>  | used in TC_26_6_13_2 only.                                                                          |          |



| PDU Constraint Declaration |                                                                                                   |          |
|----------------------------|---------------------------------------------------------------------------------------------------|----------|
| <b>Constraint Name:</b>    | AsgnCmd_r16(slot:SN; tsc:TSC; str:STRT)                                                           |          |
| <b>PDU Type:</b>           | ASS_CMD_PDU                                                                                       |          |
| <b>Derivation Path:</b>    |                                                                                                   |          |
| <b>Comments:</b>           | An ASSIGNMENT COMMAND message defined by PIXIT                                                    |          |
| Field Name                 | Field Value                                                                                       | Comments |
| ski                        | '0000'B                                                                                           |          |
| rrpd                       | '0110'B                                                                                           |          |
| mt                         | '00101110'B                                                                                       |          |
| ch1d_at                    | ChDescrp_fh( TSPX_Chtp4, slot, tsc,<br>INT_TO_BIT(TSPX_Maio8, 6),<br>INT_TO_BIT(TSPX_Hsn8, 6))    |          |
| pcmd                       | Pcmd_19( INT_TO_BIT( TSPX_PwrlvIC,<br>5))                                                         |          |
| frql_at                    | -                                                                                                 |          |
| cchd                       | -                                                                                                 |          |
| ch1mod                     | ChMod_r01                                                                                         |          |
| ch2d_at                    | -                                                                                                 |          |
| ch2mod                     | -                                                                                                 |          |
| ma_at                      | MoblAlc_r12                                                                                       |          |
| strt                       | strt                                                                                              |          |
| frql_bt                    | -                                                                                                 |          |
| ch1d_bt                    | ChDescrp_fhiei( TSPX_Chtp4, slot, tsc,<br>INT_TO_BIT(TSPX_Maio9, 6),<br>INT_TO_BIT(TSPX_Hsn9, 6)) |          |
| ch2d_bt                    | -                                                                                                 |          |
| frqchs_bt                  | -                                                                                                 |          |
| ma_bt                      | MoblAlc_r13                                                                                       |          |
| cphms                      | -                                                                                                 |          |
| <b>Detailed Comments:</b>  | used in TC_26_6_13_3 only.                                                                        |          |

| PDU Constraint Declaration |                                                                                                     |          |
|----------------------------|-----------------------------------------------------------------------------------------------------|----------|
| <b>Constraint Name:</b>    | AsgnCmd_r17(slot:SN; tsc:TSC; str:STRT)                                                             |          |
| <b>PDU Type:</b>           | ASS_CMD_PDU                                                                                         |          |
| <b>Derivation Path:</b>    |                                                                                                     |          |
| <b>Comments:</b>           | An ASSIGNMENT COMMAND message defined by PIXIT                                                      |          |
| Field Name                 | Field Value                                                                                         | Comments |
| ski                        | '0000'B                                                                                             |          |
| rrpd                       | '0110'B                                                                                             |          |
| mt                         | '00101110'B                                                                                         |          |
| ch1d_at                    | ChDescrp_fh( TSPX_Chtp6, slot, tsc,<br>INT_TO_BIT(TSPX_Maio12, 6),<br>INT_TO_BIT(TSPX_Hsn12, 6))    |          |
| pcmd                       | Pcmd_19( INT_TO_BIT( TSPX_PwrlvID,<br>5))                                                           |          |
| frql_at                    | -                                                                                                   |          |
| cchd                       | -                                                                                                   |          |
| ch1mod                     | ChMod_sign_iei                                                                                      |          |
| ch2d_at                    | -                                                                                                   |          |
| ch2mod                     | -                                                                                                   |          |
| ma_at                      | MoblAlc_r16                                                                                         |          |
| strt                       | strt                                                                                                |          |
| frql_bt                    | -                                                                                                   |          |
| ch1d_bt                    | ChDescrp_fhiei( TSPX_Chtp6, slot, tsc,<br>INT_TO_BIT(TSPX_Maio13, 6),<br>INT_TO_BIT(TSPX_Hsn13, 6)) |          |
| ch2d_bt                    | -                                                                                                   |          |
| frqchs_bt                  | -                                                                                                   |          |
| ma_bt                      | MoblAlc_r17                                                                                         |          |
| cphms                      | -                                                                                                   |          |
| <b>Detailed Comments:</b>  | used in TC_26_6_13_3 only.                                                                          |          |

| PDU Constraint Declaration |                                                      |          |
|----------------------------|------------------------------------------------------|----------|
| <b>Constraint Name:</b>    | AsgnCmp_02                                           |          |
| <b>PDU Type:</b>           | ASS_COM_PDU                                          |          |
| <b>Derivation Path:</b>    |                                                      |          |
| <b>Comments:</b>           | An ASSIGNMENT COMPLETE message containing any cause. |          |
| Field Name                 | Field Value                                          | Comments |
| ski                        | '0000'B                                              |          |
| rrpd                       | '0110'B                                              |          |
| mt                         | '00101001'B                                          |          |
| rrcau                      | ?                                                    |          |
| <b>Detailed Comments:</b>  |                                                      |          |

| PDU Constraint Declaration |             |          |
|----------------------------|-------------|----------|
| <b>Constraint Name:</b>    | AssgnFI_01  |          |
| <b>PDU Type:</b>           | ASSFL_PDU   |          |
| <b>Derivation Path:</b>    |             |          |
| <b>Comments:</b>           |             |          |
| Field Name                 | Field Value | Comments |
| ski                        | '0000'B     |          |
| rrpd                       | '0110'B     |          |
| mt                         | '00101111'B |          |
| rrcau                      | ?           |          |
| <b>Detailed Comments:</b>  |             |          |

| PDU Constraint Declaration |             |          |
|----------------------------|-------------|----------|
| <b>Constraint Name:</b>    | AssgnFI_02  |          |
| <b>PDU Type:</b>           | ASSFL_PDU   |          |
| <b>Derivation Path:</b>    | AssgnFI_01. |          |
| <b>Comments:</b>           | #6F         |          |
| Field Name                 | Field Value | Comments |
| rrcau                      | '01101111'B |          |
| <b>Detailed Comments:</b>  |             |          |

| PDU Constraint Declaration |                                                                        |          |
|----------------------------|------------------------------------------------------------------------|----------|
| <b>Constraint Name:</b>    | Abortmsg_01(par: REJCAU)                                               |          |
| <b>PDU Type:</b>           | ABRT_PDU                                                               |          |
| <b>Derivation Path:</b>    |                                                                        |          |
| <b>Comments:</b>           | An ABORT message with reject cause which should be given as parameter. |          |
| Field Name                 | Field Value                                                            | Comments |
| ski                        | '0000'B                                                                |          |
| mmpd                       | '0101'B                                                                |          |
| mt                         | '00101001'B                                                            |          |
| rejcau                     | par                                                                    |          |
| <b>Detailed Comments:</b>  |                                                                        |          |

| PDU Constraint Declaration |                                                                                                                           |          |
|----------------------------|---------------------------------------------------------------------------------------------------------------------------|----------|
| <b>Constraint Name:</b>    | AuthRequest(cksn: B_3; rand:RAND)                                                                                         |          |
| <b>PDU Type:</b>           | AUTH_RQ_PDU                                                                                                               |          |
| <b>Derivation Path:</b>    |                                                                                                                           |          |
| <b>Comments:</b>           | An AUTHENTICATION REQUEST message containing default ciphering key sequence number and default challenge RAND from PIXIT. |          |
| Field Name                 | Field Value                                                                                                               | Comments |
| ski                        | '0000'B                                                                                                                   |          |
| mmpd                       | '0101'B                                                                                                                   |          |
| mt                         | '00010010'B                                                                                                               |          |
| shoct                      | '0000'B                                                                                                                   |          |
| cphksn                     | CphKeySN_07(cksn)                                                                                                         |          |
| rand                       | rand                                                                                                                      |          |
| <b>Detailed Comments:</b>  |                                                                                                                           |          |

| PDU Constraint Declaration |                                                                           |          |
|----------------------------|---------------------------------------------------------------------------|----------|
| <b>Constraint Name:</b>    | AuthRequest_inv_01( rand:RAND)                                            |          |
| <b>PDU Type:</b>           | AUTH_RQ_PDU                                                               |          |
| <b>Derivation Path:</b>    |                                                                           |          |
| <b>Comments:</b>           | An invalid AUTHENTICATION REQUEST message containing arbitrary spare bits |          |
| Field Name                 | Field Value                                                               | Comments |
| ski                        | '0000'B                                                                   |          |
| mmpd                       | '0101'B                                                                   |          |
| mt                         | '00010010'B                                                               |          |
| shoct                      | '0101'B                                                                   |          |
| cphksn                     | CphKeySN_02                                                               |          |
| rand                       | rand                                                                      |          |
| <b>Detailed Comments:</b>  |                                                                           |          |

| PDU Constraint Declaration |                                   |          |
|----------------------------|-----------------------------------|----------|
| <b>Constraint Name:</b>    | AuthReject_01                     |          |
| <b>PDU Type:</b>           | AUTH_REJ_PDU                      |          |
| <b>Derivation Path:</b>    |                                   |          |
| <b>Comments:</b>           | An AUTHENTICATION REJECT message. |          |
| Field Name                 | Field Value                       | Comments |
| ski                        | '0000'B                           |          |
| mmpd                       | '0101'B                           |          |
| mt                         | '00010001'B                       |          |
| <b>Detailed Comments:</b>  |                                   |          |

| PDU Constraint Declaration |                                                       |          |
|----------------------------|-------------------------------------------------------|----------|
| <b>Constraint Name:</b>    | AuthResponse                                          |          |
| <b>PDU Type:</b>           | AUTH_RES_PDU                                          |          |
| <b>Derivation Path:</b>    |                                                       |          |
| <b>Comments:</b>           | An AUTHENTICATION RESPONSE message matching any SRES. |          |
| Field Name                 | Field Value                                           | Comments |
| ski                        | '0000'B                                               |          |
| mmpd                       | '0101'B                                               |          |
| mt                         | '0?010100'B                                           |          |
| sres                       | ?                                                     |          |
| <b>Detailed Comments:</b>  |                                                       |          |

| PDU Constraint Declaration |                                                |          |
|----------------------------|------------------------------------------------|----------|
| <b>Constraint Name:</b>    | CallConfirm_01( ti:TI)                         |          |
| <b>PDU Type:</b>           | CALL_CO_PDU                                    |          |
| <b>Derivation Path:</b>    |                                                |          |
| <b>Comments:</b>           | a CALL CONFIRMED message with TI parameterized |          |
| Field Name                 | Field Value                                    | Comments |
| ti                         | ti                                             |          |
| ccpd                       | '0011'B                                        |          |
| mt                         | '0?001000'B                                    |          |
| bcri                       | *                                              |          |
| bcap1                      | *                                              |          |
| bcap2                      | *                                              |          |
| cau                        | -                                              |          |
| cccap                      | *                                              |          |
| <b>Detailed Comments:</b>  |                                                |          |

| PDU Constraint Declaration |                                          |          |
|----------------------------|------------------------------------------|----------|
| <b>Constraint Name:</b>    | CallConfirm_02(Ti:TI)                    |          |
| <b>PDU Type:</b>           | CALL_CO_PDU                              |          |
| <b>Derivation Path:</b>    |                                          |          |
| <b>Comments:</b>           | a CALL CONFIRMED message with cause #17. |          |
| Field Name                 | Field Value                              | Comments |
| ti                         | Ti                                       |          |
| ccpd                       | '0011'B                                  |          |
| mt                         | '0?001000'B                              |          |
| bcri                       | *                                        |          |
| bcap1                      | *                                        |          |
| bcap2                      | *                                        |          |
| cau                        | Cause_17                                 |          |
| cccap                      | *                                        |          |
| <b>Detailed Comments:</b>  |                                          |          |

| PDU Constraint Declaration |                                                               |          |
|----------------------------|---------------------------------------------------------------|----------|
| <b>Constraint Name:</b>    | CallConfirm_03( ti:TI)                                        |          |
| <b>PDU Type:</b>           | CALL_CO_PDU                                                   |          |
| <b>Derivation Path:</b>    |                                                               |          |
| <b>Comments:</b>           | a CALL CONFIRMED message with bcap1 presented but not checked |          |
| Field Name                 | Field Value                                                   | Comments |
| ti                         | ti                                                            |          |
| ccpd                       | '0011'B                                                       |          |
| mt                         | '0?001000'B                                                   |          |
| bcri                       | *                                                             |          |
| bcap1                      | ?                                                             |          |
| bcap2                      | *                                                             |          |
| cau                        | -                                                             |          |
| cccap                      | *                                                             |          |
| <b>Detailed Comments:</b>  |                                                               |          |

| PDU Constraint Declaration |                                                          |          |
|----------------------------|----------------------------------------------------------|----------|
| <b>Constraint Name:</b>    | CallConfirm_04( ti:TI; Bcap1:BCAP)                       |          |
| <b>PDU Type:</b>           | CALL_CO_PDU                                              |          |
| <b>Derivation Path:</b>    |                                                          |          |
| <b>Comments:</b>           | a CALL CONFIRMED message with TI and bcap1 parameterized |          |
| Field Name                 | Field Value                                              | Comments |
| ti                         | ti                                                       |          |
| ccpd                       | '0011'B                                                  |          |
| mt                         | '0?001000'B                                              |          |
| bcri                       | -                                                        |          |
| bcap1                      | Bcap1                                                    |          |
| bcap2                      | -                                                        |          |
| cau                        | -                                                        |          |
| cccap                      | *                                                        |          |
| <b>Detailed Comments:</b>  |                                                          |          |

| PDU Constraint Declaration |                                                   |          |
|----------------------------|---------------------------------------------------|----------|
| <b>Constraint Name:</b>    | CallConfirm_05( ti:TI; ri:RPI; Bcap1, Bcap2:BCAP) |          |
| <b>PDU Type:</b>           | CALL_CO_PDU                                       |          |
| <b>Derivation Path:</b>    |                                                   |          |
| <b>Comments:</b>           | a CALL CONFIRMED message with TI parameterized    |          |
| Field Name                 | Field Value                                       | Comments |
| ti                         | ti                                                |          |
| ccpd                       | '0011'B                                           |          |
| mt                         | '0?001000'B                                       |          |
| bcri                       | ri                                                |          |
| bcap1                      | Bcap1                                             |          |
| bcap2                      | Bcap2                                             |          |
| cau                        | -                                                 |          |
| cccap                      | *                                                 |          |
| <b>Detailed Comments:</b>  |                                                   |          |

| PDU Constraint Declaration |                                                                         |          |
|----------------------------|-------------------------------------------------------------------------|----------|
| <b>Constraint Name:</b>    | CallConfirm_20( ti:TI)                                                  |          |
| <b>PDU Type:</b>           | CALL_CO_PDU                                                             |          |
| <b>Derivation Path:</b>    |                                                                         |          |
| <b>Comments:</b>           | a CALL CONFIRMED message without bearer capability information elements |          |
| Field Name                 | Field Value                                                             | Comments |
| ti                         | ti                                                                      |          |
| ccpd                       | '0011'B                                                                 |          |
| mt                         | '0?001000'B                                                             |          |
| bcri                       | -                                                                       |          |
| bcap1                      | -                                                                       |          |
| bcap2                      | -                                                                       |          |
| cau                        | -                                                                       |          |
| cccap                      | *                                                                       |          |
| <b>Detailed Comments:</b>  |                                                                         |          |

| PDU Constraint Declaration |                                          |          |
|----------------------------|------------------------------------------|----------|
| <b>Constraint Name:</b>    | CallConfirm_Efr_20( ti:TI)               |          |
| <b>PDU Type:</b>           | CALL_CO_PDU                              |          |
| <b>Derivation Path:</b>    |                                          |          |
| <b>Comments:</b>           | a CALL CONFIRMED message for EFR Mobiles |          |
| Field Name                 | Field Value                              | Comments |
| ti                         | ti                                       |          |
| ccpd                       | '0011'B                                  |          |
| mt                         | '0?001000'B                              |          |
| bcri                       | -                                        |          |
| bcap1                      | *                                        |          |
| bcap2                      | -                                        |          |
| cau                        | -                                        |          |
| cccap                      | *                                        |          |
| <b>Detailed Comments:</b>  |                                          |          |

| PDU Constraint Declaration |                                                      |          |
|----------------------------|------------------------------------------------------|----------|
| <b>Constraint Name:</b>    | CallProced_01(Ti:TI)                                 |          |
| <b>PDU Type:</b>           | CALL_PROC_PDU                                        |          |
| <b>Derivation Path:</b>    |                                                      |          |
| <b>Comments:</b>           | An CALL PROCEEDING message with mandatory IE's only. |          |
| Field Name                 | Field Value                                          | Comments |
| ti                         | Ti                                                   |          |
| ccpd                       | '0011'B                                              |          |
| mt                         | '00000010'B                                          |          |
| bcri                       | -                                                    |          |
| bcap1                      | -                                                    |          |
| bcap2                      | -                                                    |          |
| fie                        | -                                                    |          |
| pi                         | -                                                    |          |
| <b>Detailed Comments:</b>  |                                                      |          |

| PDU Constraint Declaration |                                                         |          |
|----------------------------|---------------------------------------------------------|----------|
| <b>Constraint Name:</b>    | CallProced_03                                           |          |
| <b>PDU Type:</b>           | CALL_PROC_PDU                                           |          |
| <b>Derivation Path:</b>    |                                                         |          |
| <b>Comments:</b>           | An CALL PROCEEDING message templet used for CallProcGen |          |
| Field Name                 | Field Value                                             | Comments |
| ti                         | ?                                                       |          |
| ccpd                       | '0011'B                                                 |          |
| mt                         | '00000010'B                                             |          |
| bcri                       | -                                                       |          |
| bcap1                      | -                                                       |          |
| bcap2                      | -                                                       |          |
| fie                        | -                                                       |          |
| pi                         | -                                                       |          |
| <b>Detailed Comments:</b>  |                                                         |          |

| PDU Constraint Declaration |                                |          |
|----------------------------|--------------------------------|----------|
| <b>Constraint Name:</b>    | CallProced_inv_02(Ti:Ti)       |          |
| <b>PDU Type:</b>           | CALL_PROC_PDU                  |          |
| <b>Derivation Path:</b>    |                                |          |
| <b>Comments:</b>           | used as an invalid CC message. |          |
| Field Name                 | Field Value                    | Comments |
| ti                         | Ti                             |          |
| ccpd                       | '0011'B                        |          |
| mt                         | '00000010'B                    |          |
| bcri                       | '01011110'B                    |          |
| bcap1                      | Bcap_02                        |          |
| bcap2                      | -                              |          |
| fie                        | -                              |          |
| pi                         | -                              |          |
| <b>Detailed Comments:</b>  |                                |          |

| PDU Constraint Declaration |                                                      |          |
|----------------------------|------------------------------------------------------|----------|
| <b>Constraint Name:</b>    | CCStatus_01(Ti:Ti)                                   |          |
| <b>PDU Type:</b>           | CCST_PDU                                             |          |
| <b>Derivation Path:</b>    |                                                      |          |
| <b>Comments:</b>           | A CC STATUS message to match any received CC STATUS. |          |
| Field Name                 | Field Value                                          | Comments |
| ti                         | Ti                                                   |          |
| ccpd                       | '0011'B                                              |          |
| mt                         | '0?111101'B                                          |          |
| cau                        | ?                                                    |          |
| cst                        | ?                                                    |          |
| acst                       | *                                                    |          |
| <b>Detailed Comments:</b>  |                                                      |          |

| PDU Constraint Declaration |                                             |          |
|----------------------------|---------------------------------------------|----------|
| <b>Constraint Name:</b>    | CCStatus_02( ti:Ti)                         |          |
| <b>PDU Type:</b>           | CCST_PDU                                    |          |
| <b>Derivation Path:</b>    |                                             |          |
| <b>Comments:</b>           | A STATUS message containing cause value #97 |          |
| Field Name                 | Field Value                                 | Comments |
| ti                         | ti                                          |          |
| ccpd                       | '0011'B                                     |          |
| mt                         | '0?111101'B                                 |          |
| cau                        | Cause_02                                    |          |
| cst                        | ?                                           |          |
| acst                       | *                                           |          |
| <b>Detailed Comments:</b>  |                                             |          |

| PDU Constraint Declaration |                                              |          |
|----------------------------|----------------------------------------------|----------|
| <b>Constraint Name:</b>    | CCStatus_03(Ti:Ti)                           |          |
| <b>PDU Type:</b>           | CCST_PDU                                     |          |
| <b>Derivation Path:</b>    | CCStatus_01.                                 |          |
| <b>Comments:</b>           | CC STATUS message containing cause value #98 |          |
| Field Name                 | Field Value                                  | Comments |
| ti                         | Ti                                           |          |
| cau                        | Cause_03                                     |          |
| <b>Detailed Comments:</b>  |                                              |          |

| PDU Constraint Declaration |                                                |          |
|----------------------------|------------------------------------------------|----------|
| <b>Constraint Name:</b>    | CCStatus_04(Ti:Ti)                             |          |
| <b>PDU Type:</b>           | CCST_PDU                                       |          |
| <b>Derivation Path:</b>    | CCStatus_01.                                   |          |
| <b>Comments:</b>           | A CC STATUS message containing cause value #96 |          |
| Field Name                 | Field Value                                    | Comments |
| ti                         | Ti                                             |          |
| cau                        | Cause_04                                       |          |
| <b>Detailed Comments:</b>  |                                                |          |

| PDU Constraint Declaration |                                                                                         |          |
|----------------------------|-----------------------------------------------------------------------------------------|----------|
| <b>Constraint Name:</b>    | CCStatus_08(Ti:Ti; st:INTEGER)                                                          |          |
| <b>PDU Type:</b>           | CCST_PDU                                                                                |          |
| <b>Derivation Path:</b>    |                                                                                         |          |
| <b>Comments:</b>           | A CC STATUS message to match a received CC STATUS containing CC state 'st', cause = #97 |          |
| Field Name                 | Field Value                                                                             | Comments |
| ti                         | Ti                                                                                      |          |
| ccpd                       | '0011'B                                                                                 |          |
| mt                         | '0?111101'B                                                                             |          |
| cau                        | Cause_02                                                                                |          |
| cst                        | CallState_01(st)                                                                        |          |
| acst                       | *                                                                                       |          |
| <b>Detailed Comments:</b>  |                                                                                         |          |

| PDU Constraint Declaration |                                                                                           |          |
|----------------------------|-------------------------------------------------------------------------------------------|----------|
| <b>Constraint Name:</b>    | CCStatus_14(Ti:Ti; st:INTEGER)                                                            |          |
| <b>PDU Type:</b>           | CCST_PDU                                                                                  |          |
| <b>Derivation Path:</b>    |                                                                                           |          |
| <b>Comments:</b>           | A CC STATUS message to match a received CC STATUS containing CC state = 'st', cause = #30 |          |
| Field Name                 | Field Value                                                                               | Comments |
| ti                         | Ti                                                                                        |          |
| ccpd                       | '0011'B                                                                                   |          |
| mt                         | '0?111101'B                                                                               |          |
| cau                        | Cause_18                                                                                  |          |
| cst                        | CallState_01(st)                                                                          |          |
| acst                       | *                                                                                         |          |
| <b>Detailed Comments:</b>  |                                                                                           |          |

| PDU Constraint Declaration |                                                                   |          |
|----------------------------|-------------------------------------------------------------------|----------|
| <b>Constraint Name:</b>    | CCStatus_inv_01( ti:Ti)                                           |          |
| <b>PDU Type:</b>           | CCST_PDU                                                          |          |
| <b>Derivation Path:</b>    |                                                                   |          |
| <b>Comments:</b>           | A CC STATUS message without mandatory cause IE and call state IE. |          |
| Field Name                 | Field Value                                                       | Comments |
| ti                         | ti                                                                |          |
| ccpd                       | '0011'B                                                           |          |
| mt                         | '00111101'B                                                       |          |
| cau                        | -                                                                 |          |
| cst                        | -                                                                 |          |
| acst                       | -                                                                 |          |
| <b>Detailed Comments:</b>  |                                                                   |          |



| PDU Constraint Declaration |                          |          |
|----------------------------|--------------------------|----------|
| <b>Constraint Name:</b>    | CCStatusEq_01(Ti:Ti)     |          |
| <b>PDU Type:</b>           | CCST_ENQ_PDU             |          |
| <b>Derivation Path:</b>    |                          |          |
| <b>Comments:</b>           | A STATUS ENQUIRY message |          |
| Field Name                 | Field Value              | Comments |
| ti                         | Ti                       |          |
| ccpd                       | '0011'B                  |          |
| mt                         | '00110100'B              |          |
| <b>Detailed Comments:</b>  |                          |          |

| PDU Constraint Declaration |                                    |          |
|----------------------------|------------------------------------|----------|
| <b>Constraint Name:</b>    | ChmomoAck_01(chmd:CHMOD; chd: CHD) |          |
| <b>PDU Type:</b>           | CHMMO_ACK_PDU                      |          |
| <b>Derivation Path:</b>    |                                    |          |
| <b>Comments:</b>           |                                    |          |
| Field Name                 | Field Value                        | Comments |
| ski                        | '0000'B                            |          |
| rrpd                       | '0110'B                            |          |
| mt                         | '00010111'B                        |          |
| chd                        | chd                                |          |
| chmod                      | chmd                               |          |
| <b>Detailed Comments:</b>  |                                    |          |

| PDU Constraint Declaration |                                   |          |
|----------------------------|-----------------------------------|----------|
| <b>Constraint Name:</b>    | ChmomoAck_02(chmd:CHMOD; chd:CHD) |          |
| <b>PDU Type:</b>           | CHMMO_ACK_PDU                     |          |
| <b>Derivation Path:</b>    |                                   |          |
| <b>Comments:</b>           |                                   |          |
| Field Name                 | Field Value                       | Comments |
| ski                        | '0000'B                           |          |
| rrpd                       | '0110'B                           |          |
| mt                         | '00010111'B                       |          |
| chd                        | chd                               |          |
| chmod                      | chmd                              |          |
| <b>Detailed Comments:</b>  |                                   |          |

| PDU Constraint Declaration |                                                                        |          |
|----------------------------|------------------------------------------------------------------------|----------|
| <b>Constraint Name:</b>    | ChmomoAck_08(type:CH_TDMA; chmd:B_8; slot:SN; tsc :TSC; arfcn:INTEGER) |          |
| <b>PDU Type:</b>           | CHMMO_ACK_PDU                                                          |          |
| <b>Derivation Path:</b>    |                                                                        |          |
| <b>Comments:</b>           |                                                                        |          |
| Field Name                 | Field Value                                                            | Comments |
| ski                        | '0000'B                                                                |          |
| rrpd                       | '0110'B                                                                |          |
| mt                         | '00010111'B                                                            |          |
| chd                        | ChDescrp_nfh(type, slot, tsc, arfcn)                                   |          |
| chmod                      | ChMod(chmd)                                                            |          |
| <b>Detailed Comments:</b>  |                                                                        |          |

| PDU Constraint Declaration |                                                                  |          |
|----------------------------|------------------------------------------------------------------|----------|
| <b>Constraint Name:</b>    | ChmomoReq_01(chmd:CHMOD; chd:CHD)                                |          |
| <b>PDU Type:</b>           | CHMMO_PDU                                                        |          |
| <b>Derivation Path:</b>    |                                                                  |          |
| <b>Comments:</b>           | the channel being modified is default full rate traffic channel. |          |
| Field Name                 | Field Value                                                      | Comments |
| ski                        | '0000'B                                                          |          |
| rrpd                       | '0110'B                                                          |          |
| mt                         | '00010000'B                                                      |          |
| chd                        | chd                                                              |          |
| chmod                      | chmd                                                             |          |
| <b>Detailed Comments:</b>  |                                                                  |          |

| PDU Constraint Declaration |                                   |          |
|----------------------------|-----------------------------------|----------|
| <b>Constraint Name:</b>    | ChmomoReq_02(chmd:CHMOD; chd:CHD) |          |
| <b>PDU Type:</b>           | CHMMO_PDU                         |          |
| <b>Derivation Path:</b>    |                                   |          |
| <b>Comments:</b>           |                                   |          |
| Field Name                 | Field Value                       | Comments |
| ski                        | '0000'B                           |          |
| rrpd                       | '0110'B                           |          |
| mt                         | '00010000'B                       |          |
| chd                        | chd                               |          |
| chmod                      | chmd                              |          |
| <b>Detailed Comments:</b>  |                                   |          |

| PDU Constraint Declaration |                                                                            |          |
|----------------------------|----------------------------------------------------------------------------|----------|
| <b>Constraint Name:</b>    | ChmomoReq_07(type: CH_TDMA; chmd: B_8; slot: SN; tsc: TSC; arfcn: INTEGER) |          |
| <b>PDU Type:</b>           | CHMMO_PDU                                                                  |          |
| <b>Derivation Path:</b>    |                                                                            |          |
| <b>Comments:</b>           |                                                                            |          |
| Field Name                 | Field Value                                                                | Comments |
| ski                        | '0000'B                                                                    |          |
| rrpd                       | '0110'B                                                                    |          |
| mt                         | '00010000'B                                                                |          |
| chd                        | ChDescrp_nfh(type, slot, tsc, arfcn)                                       |          |
| chmod                      | ChMod(chmd)                                                                |          |
| <b>Detailed Comments:</b>  |                                                                            |          |

| PDU Constraint Declaration |                                                        |          |
|----------------------------|--------------------------------------------------------|----------|
| <b>Constraint Name:</b>    | ChRelease_01                                           |          |
| <b>PDU Type:</b>           | CH_REL_PDU                                             |          |
| <b>Derivation Path:</b>    |                                                        |          |
| <b>Comments:</b>           | A CHANNEL RELEASE message with RR cause = normal event |          |
| Field Name                 | Field Value                                            | Comments |
| ski                        | '0000'B                                                |          |
| rrpd                       | '0110'B                                                |          |
| mt                         | '00001101'B                                            |          |
| rrcau                      | '00000000'B                                            |          |
| <b>Detailed Comments:</b>  |                                                        |          |

| PDU Constraint Declaration |                                                                  |          |
|----------------------------|------------------------------------------------------------------|----------|
| <b>Constraint Name:</b>    | ChRelease_inv_01                                                 |          |
| <b>PDU Type:</b>           | CH_REL_PDU                                                       |          |
| <b>Derivation Path:</b>    | ChRelease_01.                                                    |          |
| <b>Comments:</b>           | An invalid CHANNEL RELEASE message without mandatory IE RR cause |          |
| Field Name                 | Field Value                                                      | Comments |
| rrcau                      | -                                                                |          |
| <b>Detailed Comments:</b>  |                                                                  |          |

| PDU Constraint Declaration |                                                                  |          |
|----------------------------|------------------------------------------------------------------|----------|
| <b>Constraint Name:</b>    | ChRelease_inv_02                                                 |          |
| <b>PDU Type:</b>           | CH_REL_PDU                                                       |          |
| <b>Derivation Path:</b>    | ChRelease_01.                                                    |          |
| <b>Comments:</b>           | A CHANNEL RELEASE message containing incorrect skip indicator 6. |          |
| Field Name                 | Field Value                                                      | Comments |
| ski                        | '0110'B                                                          |          |
| <b>Detailed Comments:</b>  |                                                                  |          |

| PDU Constraint Declaration |                                                                               |          |
|----------------------------|-------------------------------------------------------------------------------|----------|
| <b>Constraint Name:</b>    | ChRelease_inv_03                                                              |          |
| <b>PDU Type:</b>           | CH_REL_PDU_ERR                                                                |          |
| <b>Derivation Path:</b>    |                                                                               |          |
| <b>Comments:</b>           | A CHANNEL RELEASE message containing additional IE unknown in the RR protocol |          |
| Field Name                 | Field Value                                                                   | Comments |
| ski                        | '0000'B                                                                       |          |
| rrpd                       | '0110'B                                                                       |          |
| mt                         | '00001101'B                                                                   |          |
| rrcau                      | '00000000'B                                                                   |          |
| add                        | '6205AA55EF6701'O                                                             |          |
| <b>Detailed Comments:</b>  |                                                                               |          |

| PDU Constraint Declaration |                                                                              |          |
|----------------------------|------------------------------------------------------------------------------|----------|
| <b>Constraint Name:</b>    | ChRequest_01                                                                 |          |
| <b>PDU Type:</b>           | CH_RQ_PDU                                                                    |          |
| <b>Derivation Path:</b>    |                                                                              |          |
| <b>Comments:</b>           | A CHANNEL REQUEST message containing establishment cause = answer to paging. |          |
| Field Name                 | Field Value                                                                  | Comments |
| ecau_rrf                   | '100?????'B                                                                  |          |
| <b>Detailed Comments:</b>  |                                                                              |          |

| PDU Constraint Declaration |                                               |          |
|----------------------------|-----------------------------------------------|----------|
| <b>Constraint Name:</b>    | ChRequest_02                                  |          |
| <b>PDU Type:</b>           | CH_RQ_PDU                                     |          |
| <b>Derivation Path:</b>    |                                               |          |
| <b>Comments:</b>           | To match any received CHANNEL REQUEST message |          |
| Field Name                 | Field Value                                   | Comments |
| ecau_rrf                   | '????????'B                                   |          |
| <b>Detailed Comments:</b>  |                                               |          |

| PDU Constraint Declaration |                                                                                                                                                     |          |
|----------------------------|-----------------------------------------------------------------------------------------------------------------------------------------------------|----------|
| <b>Constraint Name:</b>    | ChRequest_03                                                                                                                                        |          |
| <b>PDU Type:</b>           | CH_RQ_PDU                                                                                                                                           |          |
| <b>Derivation Path:</b>    |                                                                                                                                                     |          |
| <b>Comments:</b>           | To match the received CHANNEL REQUEST message containing establishment cause = '0001'B,<br>"other procedures which can be completed with an SDCCH". |          |
| Field Name                 | Field Value                                                                                                                                         | Comments |
| ecau_rrf                   | '0001????'B                                                                                                                                         |          |
| <b>Detailed Comments:</b>  |                                                                                                                                                     |          |

| PDU Constraint Declaration |                                                                                                                                                                                                                                           |          |
|----------------------------|-------------------------------------------------------------------------------------------------------------------------------------------------------------------------------------------------------------------------------------------|----------|
| <b>Constraint Name:</b>    | ChRequest_04                                                                                                                                                                                                                              |          |
| <b>PDU Type:</b>           | CH_RQ_PDU                                                                                                                                                                                                                                 |          |
| <b>Derivation Path:</b>    |                                                                                                                                                                                                                                           |          |
| <b>Comments:</b>           | To match the received CHANNEL REQUEST message which originates a call (establishment cause = '111'B), "Originating call and TCH/F is needed, or IMSI detach, SMS or SS procedures that can be completed with an SDCCH and NECI set to 0". |          |
| Field Name                 | Field Value                                                                                                                                                                                                                               | Comments |
| ecau_rrf                   | '111????'B                                                                                                                                                                                                                                |          |
| <b>Detailed Comments:</b>  |                                                                                                                                                                                                                                           |          |

| PDU Constraint Declaration |                                                                                                                                                                                                             |          |
|----------------------------|-------------------------------------------------------------------------------------------------------------------------------------------------------------------------------------------------------------|----------|
| <b>Constraint Name:</b>    | ChRequest_05                                                                                                                                                                                                |          |
| <b>PDU Type:</b>           | CH_RQ_PDU                                                                                                                                                                                                   |          |
| <b>Derivation Path:</b>    |                                                                                                                                                                                                             |          |
| <b>Comments:</b>           | To match the received CHANNEL REQUEST message containing establishment cause = '0100'B, "Originating speech call from dual-rate mobile station when TCH/H is sufficient and the network sets NECI bit to 1" |          |
| Field Name                 | Field Value                                                                                                                                                                                                 | Comments |
| ecau_rrf                   | '0100????'B                                                                                                                                                                                                 |          |
| <b>Detailed Comments:</b>  |                                                                                                                                                                                                             |          |

| PDU Constraint Declaration |                                                                                                                       |          |
|----------------------------|-----------------------------------------------------------------------------------------------------------------------|----------|
| <b>Constraint Name:</b>    | ChRequest_06                                                                                                          |          |
| <b>PDU Type:</b>           | CH_RQ_PDU                                                                                                             |          |
| <b>Derivation Path:</b>    |                                                                                                                       |          |
| <b>Comments:</b>           | To match the received CHANNEL REQUEST message which originates a half rate data call (establishment cause = '0101'B). |          |
| Field Name                 | Field Value                                                                                                           | Comments |
| ecau_rrf                   | '0101????'B                                                                                                           |          |
| <b>Detailed Comments:</b>  |                                                                                                                       |          |

| PDU Constraint Declaration |                                                                                   |          |
|----------------------------|-----------------------------------------------------------------------------------|----------|
| <b>Constraint Name:</b>    | ChRequest_07                                                                      |          |
| <b>PDU Type:</b>           | CH_RQ_PDU                                                                         |          |
| <b>Derivation Path:</b>    |                                                                                   |          |
| <b>Comments:</b>           | To match the received CHANNEL REQUEST message with establishment cause = '0010'B. |          |
| Field Name                 | Field Value                                                                       | Comments |
| ecau_rrf                   | '0010????'B                                                                       |          |
| <b>Detailed Comments:</b>  |                                                                                   |          |

| PDU Constraint Declaration |                                                                                   |          |
|----------------------------|-----------------------------------------------------------------------------------|----------|
| <b>Constraint Name:</b>    | ChRequest_08                                                                      |          |
| <b>PDU Type:</b>           | CH_RQ_PDU                                                                         |          |
| <b>Derivation Path:</b>    |                                                                                   |          |
| <b>Comments:</b>           | To match the received CHANNEL REQUEST message with establishment cause = '0011'B. |          |
| Field Name                 | Field Value                                                                       | Comments |
| ecau_rrf                   | '0011????'B                                                                       |          |
| <b>Detailed Comments:</b>  |                                                                                   |          |

| PDU Constraint Declaration |                                                                                  |          |
|----------------------------|----------------------------------------------------------------------------------|----------|
| <b>Constraint Name:</b>    | ChRequest_09                                                                     |          |
| <b>PDU Type:</b>           | CH_RQ_PDU                                                                        |          |
| <b>Derivation Path:</b>    |                                                                                  |          |
| <b>Comments:</b>           | To match the received CHANNEL REQUEST message with establishment cause = '000'B. |          |
| Field Name                 | Field Value                                                                      | Comments |
| ecau_rrf                   | '000?????'B                                                                      |          |
| <b>Detailed Comments:</b>  |                                                                                  |          |

| PDU Constraint Declaration |                                                              |          |
|----------------------------|--------------------------------------------------------------|----------|
| <b>Constraint Name:</b>    | ChRequest_10                                                 |          |
| <b>PDU Type:</b>           | CH_RQ_PDU                                                    |          |
| <b>Derivation Path:</b>    |                                                              |          |
| <b>Comments:</b>           | A CHANNEL REQUEST message with establishment cause = '110'B. |          |
| Field Name                 | Field Value                                                  | Comments |
| ecau_rrf                   | '110?????'B                                                  |          |
| <b>Detailed Comments:</b>  |                                                              |          |

| PDU Constraint Declaration |                                                                                     |          |
|----------------------------|-------------------------------------------------------------------------------------|----------|
| <b>Constraint Name:</b>    | ChRequest_11                                                                        |          |
| <b>PDU Type:</b>           | CH_RQ_PDU                                                                           |          |
| <b>Derivation Path:</b>    |                                                                                     |          |
| <b>Comments:</b>           | To match the received CHANNEL REQUEST message with establishment cause = '011010'B. |          |
| Field Name                 | Field Value                                                                         | Comments |
| ecau_rrf                   | '011010??'B                                                                         |          |
| <b>Detailed Comments:</b>  |                                                                                     |          |

| PDU Constraint Declaration |                                                                                  |          |
|----------------------------|----------------------------------------------------------------------------------|----------|
| <b>Constraint Name:</b>    | ChRequest_12                                                                     |          |
| <b>PDU Type:</b>           | CH_RQ_PDU                                                                        |          |
| <b>Derivation Path:</b>    |                                                                                  |          |
| <b>Comments:</b>           | To match the received CHANNEL REQUEST message with establishment cause = '100'B. |          |
| Field Name                 | Field Value                                                                      | Comments |
| ecau_rrf                   | '100?????'B                                                                      |          |
| <b>Detailed Comments:</b>  |                                                                                  |          |

| PDU Constraint Declaration |                                                                                                        |                 |
|----------------------------|--------------------------------------------------------------------------------------------------------|-----------------|
| <b>Constraint Name:</b>    | ChRequest_13                                                                                           |                 |
| <b>PDU Type:</b>           | CH_RQ_PDU                                                                                              |                 |
| <b>Derivation Path:</b>    |                                                                                                        |                 |
| <b>Comments:</b>           | To match the received CHANNEL REQUEST message with establishment cause = '100'B or '0010'B or '0001'B. |                 |
| <b>Field Name</b>          | <b>Field Value</b>                                                                                     | <b>Comments</b> |
| ecau_rrf                   | ('100?????'B, '0010?????'B, '0001?????'B)                                                              |                 |
| <b>Detailed Comments:</b>  |                                                                                                        |                 |

| PDU Constraint Declaration |                                                                                                        |                 |
|----------------------------|--------------------------------------------------------------------------------------------------------|-----------------|
| <b>Constraint Name:</b>    | ChRequest_14                                                                                           |                 |
| <b>PDU Type:</b>           | CH_RQ_PDU                                                                                              |                 |
| <b>Derivation Path:</b>    |                                                                                                        |                 |
| <b>Comments:</b>           | To match the received CHANNEL REQUEST message with establishment cause = '100'B or '0011'B or '0001'B. |                 |
| <b>Field Name</b>          | <b>Field Value</b>                                                                                     | <b>Comments</b> |
| ecau_rrf                   | ('100?????'B, '0011?????'B, '0001?????'B)                                                              |                 |
| <b>Detailed Comments:</b>  |                                                                                                        |                 |

| PDU Constraint Declaration |                                                                                                                                                             |                 |
|----------------------------|-------------------------------------------------------------------------------------------------------------------------------------------------------------|-----------------|
| <b>Constraint Name:</b>    | ChRequest_15                                                                                                                                                |                 |
| <b>PDU Type:</b>           | CH_RQ_PDU                                                                                                                                                   |                 |
| <b>Derivation Path:</b>    |                                                                                                                                                             |                 |
| <b>Comments:</b>           | To match the received CHANNEL REQUEST message with establishment cause = '111'B or '0100'B or '0101'B --- initiate outgoing call or SDCCH other procedures. |                 |
| <b>Field Name</b>          | <b>Field Value</b>                                                                                                                                          | <b>Comments</b> |
| ecau_rrf                   | ('111?????'B, '0100?????'B, '0101?????'B, '101?????'B, '0001?????'B)                                                                                        |                 |
| <b>Detailed Comments:</b>  |                                                                                                                                                             |                 |

| PDU Constraint Declaration |                                                                                                     |                 |
|----------------------------|-----------------------------------------------------------------------------------------------------|-----------------|
| <b>Constraint Name:</b>    | ChRequest_16                                                                                        |                 |
| <b>PDU Type:</b>           | CH_RQ_PDU                                                                                           |                 |
| <b>Derivation Path:</b>    |                                                                                                     |                 |
| <b>Comments:</b>           | To match the received CHANNEL REQUEST message with establishment cause = '101'B for emergency call. |                 |
| <b>Field Name</b>          | <b>Field Value</b>                                                                                  | <b>Comments</b> |
| ecau_rrf                   | '101?????'B                                                                                         |                 |
| <b>Detailed Comments:</b>  |                                                                                                     |                 |

| PDU Constraint Declaration |                                                                                  |                 |
|----------------------------|----------------------------------------------------------------------------------|-----------------|
| <b>Constraint Name:</b>    | ChRequest_17                                                                     |                 |
| <b>PDU Type:</b>           | CH_RQ_PDU                                                                        |                 |
| <b>Derivation Path:</b>    |                                                                                  |                 |
| <b>Comments:</b>           | A CHANNEL REQUEST message containing establishment cause = 100, 0010, 0011, 0001 |                 |
| <b>Field Name</b>          | <b>Field Value</b>                                                               | <b>Comments</b> |
| ecau_rrf                   | ('100?????'B, '0010?????'B, '0011?????'B, '0001?????'B)                          |                 |
| <b>Detailed Comments:</b>  |                                                                                  |                 |

| PDU Constraint Declaration |                                                                                   |          |
|----------------------------|-----------------------------------------------------------------------------------|----------|
| <b>Constraint Name:</b>    | ChRequest_18                                                                      |          |
| <b>PDU Type:</b>           | CH_RQ_PDU                                                                         |          |
| <b>Derivation Path:</b>    |                                                                                   |          |
| <b>Comments:</b>           | To match the received CHANNEL REQUEST message with establishment cause = '0000'B. |          |
| Field Name                 | Field Value                                                                       | Comments |
| ecau_rrf                   | '0000????'B                                                                       |          |
| <b>Detailed Comments:</b>  |                                                                                   |          |

| PDU Constraint Declaration |                                                                                                                      |          |
|----------------------------|----------------------------------------------------------------------------------------------------------------------|----------|
| <b>Constraint Name:</b>    | ChRequest_19                                                                                                         |          |
| <b>PDU Type:</b>           | CH_RQ_PDU                                                                                                            |          |
| <b>Derivation Path:</b>    |                                                                                                                      |          |
| <b>Comments:</b>           | To match the received CHANNEL REQUEST message with establishment cause = '111'B or '101'B --- initiate outgoing call |          |
| Field Name                 | Field Value                                                                                                          | Comments |
| ecau_rrf                   | ('111????'B, '101????'B)                                                                                             |          |
| <b>Detailed Comments:</b>  |                                                                                                                      |          |

| PDU Constraint Declaration |                                                                                   |          |
|----------------------------|-----------------------------------------------------------------------------------|----------|
| <b>Constraint Name:</b>    | ClassChange_01                                                                    |          |
| <b>PDU Type:</b>           | CLM_CHN_PDU                                                                       |          |
| <b>Derivation Path:</b>    |                                                                                   |          |
| <b>Comments:</b>           | CLASSMARK CHANGE message containing classmark2 indicating original rf power class |          |
| Field Name                 | Field Value                                                                       | Comments |
| ski                        | '0000'B                                                                           |          |
| rrpd                       | '0110'B                                                                           |          |
| mt                         | '00010110'B                                                                       |          |
| msclm                      | ClassMark2                                                                        |          |
| msclm_adi                  | -                                                                                 |          |
| <b>Detailed Comments:</b>  |                                                                                   |          |

| PDU Constraint Declaration |                                                                                                                     |          |
|----------------------------|---------------------------------------------------------------------------------------------------------------------|----------|
| <b>Constraint Name:</b>    | ClassChange_02                                                                                                      |          |
| <b>PDU Type:</b>           | CLM_CHN_PDU                                                                                                         |          |
| <b>Derivation Path:</b>    | ClassChange_01.                                                                                                     |          |
| <b>Comments:</b>           | CLASSMARK CHANGE message containing classmark2 indicating new rf power class due to addition of power amplification |          |
| Field Name                 | Field Value                                                                                                         | Comments |
| msclm                      | ClassMark2Amp                                                                                                       |          |
| <b>Detailed Comments:</b>  |                                                                                                                     |          |

| PDU Constraint Declaration |                                                                                                            |          |
|----------------------------|------------------------------------------------------------------------------------------------------------|----------|
| <b>Constraint Name:</b>    | ClassChange_03                                                                                             |          |
| <b>PDU Type:</b>           | CLM_CHN_PDU                                                                                                |          |
| <b>Derivation Path:</b>    | ClassChange_01.                                                                                            |          |
| <b>Comments:</b>           | CLASSMARK CHANGE message containing classmark2 indicating original rf power class and possible classmark3. |          |
| Field Name                 | Field Value                                                                                                | Comments |
| msclm                      | ClassMark2                                                                                                 |          |
| msclm_adi                  | ClassMark3 IF_PRESENT                                                                                      |          |
| <b>Detailed Comments:</b>  |                                                                                                            |          |

| PDU Constraint Declaration |                 |          |
|----------------------------|-----------------|----------|
| <b>Constraint Name:</b>    | ClassMarkEnq_01 |          |
| <b>PDU Type:</b>           | CLM_ENQ_PDU     |          |
| <b>Derivation Path:</b>    |                 |          |
| <b>Comments:</b>           |                 |          |
| Field Name                 | Field Value     | Comments |
| ski                        | '0000'B         |          |
| rrpd                       | '0110'B         |          |
| mt                         | '00010011'B     |          |
| <b>Detailed Comments:</b>  |                 |          |

| PDU Constraint Declaration |                                         |          |
|----------------------------|-----------------------------------------|----------|
| <b>Constraint Name:</b>    | CMReEstReq_02(mi:MI; lai:LAI; cksn:B_3) |          |
| <b>PDU Type:</b>           | CMRE_RQ_PDU                             |          |
| <b>Derivation Path:</b>    |                                         |          |
| <b>Comments:</b>           |                                         |          |
| Field Name                 | Field Value                             | Comments |
| ski                        | '0000'B                                 |          |
| mmpd                       | '0101'B                                 |          |
| mt                         | '0?101000'B                             |          |
| shoct                      | '0000'B                                 |          |
| cphksn                     | CphKeySN_01( cksn)                      |          |
| msclm                      | ClassMark2                              |          |
| mi                         | mi                                      |          |
| lai                        | lai IF_PRESENT                          |          |
| <b>Detailed Comments:</b>  |                                         |          |

| PDU Constraint Declaration |                             |          |
|----------------------------|-----------------------------|----------|
| <b>Constraint Name:</b>    | CMServiceAcp_01             |          |
| <b>PDU Type:</b>           | CMS_ACP_PDU                 |          |
| <b>Derivation Path:</b>    |                             |          |
| <b>Comments:</b>           | a CM SERVICE ACCEPT message |          |
| Field Name                 | Field Value                 | Comments |
| ski                        | '0000'B                     |          |
| mmpd                       | '0101'B                     |          |
| mt                         | '00100001'B                 |          |
| <b>Detailed Comments:</b>  |                             |          |

| PDU Constraint Declaration |                                                               |          |
|----------------------------|---------------------------------------------------------------|----------|
| <b>Constraint Name:</b>    | CMServiceRej_01                                               |          |
| <b>PDU Type:</b>           | CMS_REJ_PDU                                                   |          |
| <b>Derivation Path:</b>    |                                                               |          |
| <b>Comments:</b>           | reject cause = 'service or option not available, unspecified" |          |
| Field Name                 | Field Value                                                   | Comments |
| ski                        | '0000'B                                                       |          |
| mmpd                       | '0101'B                                                       |          |
| mt                         | '00100010'B                                                   |          |
| mmcau                      | '20'O                                                         |          |
| <b>Detailed Comments:</b>  |                                                               |          |



| PDU Constraint Declaration |                                    |          |
|----------------------------|------------------------------------|----------|
| <b>Constraint Name:</b>    | CMServiceRej_02                    |          |
| <b>PDU Type:</b>           | CMS_REJ_PDU                        |          |
| <b>Derivation Path:</b>    |                                    |          |
| <b>Comments:</b>           | reject cause = "IMEI not accepted" |          |
| Field Name                 | Field Value                        | Comments |
| ski                        | '0000'B                            |          |
| mmpd                       | '0101'B                            |          |
| mt                         | '00100010'B                        |          |
| mmcau                      | '05'O                              |          |
| <b>Detailed Comments:</b>  |                                    |          |

| PDU Constraint Declaration |                                               |          |
|----------------------------|-----------------------------------------------|----------|
| <b>Constraint Name:</b>    | CMServiceRej_03                               |          |
| <b>PDU Type:</b>           | CMS_REJ_PDU                                   |          |
| <b>Derivation Path:</b>    |                                               |          |
| <b>Comments:</b>           | reject cause = "Service Option not supported" |          |
| Field Name                 | Field Value                                   | Comments |
| ski                        | '0000'B                                       |          |
| mmpd                       | '0101'B                                       |          |
| mt                         | '00100010'B                                   |          |
| mmcau                      | '20'O                                         |          |
| <b>Detailed Comments:</b>  |                                               |          |

| PDU Constraint Declaration |                                  |          |
|----------------------------|----------------------------------|----------|
| <b>Constraint Name:</b>    | CMServiceRej_04                  |          |
| <b>PDU Type:</b>           | CMS_REJ_PDU                      |          |
| <b>Derivation Path:</b>    |                                  |          |
| <b>Comments:</b>           | reject cause = 'network failure' |          |
| Field Name                 | Field Value                      | Comments |
| ski                        | '0000'B                          |          |
| mmpd                       | '0101'B                          |          |
| mt                         | '00100010'B                      |          |
| mmcau                      | '11'O                            |          |
| <b>Detailed Comments:</b>  |                                  |          |

| PDU Constraint Declaration |                                                               |          |
|----------------------------|---------------------------------------------------------------|----------|
| <b>Constraint Name:</b>    | CMServiceRej_30(par: REJCAU)                                  |          |
| <b>PDU Type:</b>           | CMS_REJ_PDU                                                   |          |
| <b>Derivation Path:</b>    |                                                               |          |
| <b>Comments:</b>           | reject cause = 'service or option not available, unsepcified' |          |
| Field Name                 | Field Value                                                   | Comments |
| ski                        | '0000'B                                                       |          |
| mmpd                       | '0101'B                                                       |          |
| mt                         | '00100010'B                                                   |          |
| mmcau                      | par                                                           |          |
| <b>Detailed Comments:</b>  |                                                               |          |

| PDU Constraint Declaration |                                                  |          |
|----------------------------|--------------------------------------------------|----------|
| <b>Constraint Name:</b>    | CMServiceReq_01                                  |          |
| <b>PDU Type:</b>           | CMS_RQ_PDU                                       |          |
| <b>Derivation Path:</b>    |                                                  |          |
| <b>Comments:</b>           | To match any received CM SERVICE REQUEST message |          |
| Field Name                 | Field Value                                      | Comments |
| ski                        | '0000'B                                          |          |
| mmpd                       | '0101'B                                          |          |
| mt                         | '0?100100'B                                      |          |
| cphksn                     | ?                                                |          |
| svtype                     | ?                                                |          |
| msclm                      | ?                                                |          |
| mi                         | ?                                                |          |
| <b>Detailed Comments:</b>  |                                                  |          |

| PDU Constraint Declaration |                                                                                                                          |          |
|----------------------------|--------------------------------------------------------------------------------------------------------------------------|----------|
| <b>Constraint Name:</b>    | CMServiceReq_02                                                                                                          |          |
| <b>PDU Type:</b>           | CMS_RQ_PDU                                                                                                               |          |
| <b>Derivation Path:</b>    | CMServiceReq_01.                                                                                                         |          |
| <b>Comments:</b>           | To match a received CM SERVICE REQUEST message containing mobile station classmark 2 indicating new RF power capability. |          |
| Field Name                 | Field Value                                                                                                              | Comments |
| msclm                      | ClassMark2Amp                                                                                                            |          |
| <b>Detailed Comments:</b>  |                                                                                                                          |          |

| PDU Constraint Declaration |                                                                                                                                                                                                 |          |
|----------------------------|-------------------------------------------------------------------------------------------------------------------------------------------------------------------------------------------------|----------|
| <b>Constraint Name:</b>    | CMServiceReq_04                                                                                                                                                                                 |          |
| <b>PDU Type:</b>           | CMS_RQ_PDU                                                                                                                                                                                      |          |
| <b>Derivation Path:</b>    | CMServiceReq_01.                                                                                                                                                                                |          |
| <b>Comments:</b>           | To match a received CM SERVICE REQUEST message containing CM service type = "Mobile originating call establishment or packet mode connection establishment" or " emergency call establishment". |          |
| Field Name                 | Field Value                                                                                                                                                                                     | Comments |
| svtype                     | ('0001'B, '0010'B)                                                                                                                                                                              |          |
| <b>Detailed Comments:</b>  |                                                                                                                                                                                                 |          |

| PDU Constraint Declaration |                                                                                |          |
|----------------------------|--------------------------------------------------------------------------------|----------|
| <b>Constraint Name:</b>    | CMServiceReq_05(mi:MI)                                                         |          |
| <b>PDU Type:</b>           | CMS_RQ_PDU                                                                     |          |
| <b>Derivation Path:</b>    |                                                                                |          |
| <b>Comments:</b>           | To match any received CM SERVICE REQUEST message for emergency call with IMEI. |          |
| Field Name                 | Field Value                                                                    | Comments |
| ski                        | '0000'B                                                                        |          |
| mmpd                       | '0101'B                                                                        |          |
| mt                         | '0?100100'B                                                                    |          |
| cphksn                     | ?                                                                              |          |
| svtype                     | C_CMServiceTypeE                                                               |          |
| msclm                      | ?                                                                              |          |
| mi                         | mi                                                                             |          |
| <b>Detailed Comments:</b>  |                                                                                |          |

| PDU Constraint Declaration |                                                                                                 |          |
|----------------------------|-------------------------------------------------------------------------------------------------|----------|
| <b>Constraint Name:</b>    | CMServiceReq_06( cksn:B_3)                                                                      |          |
| <b>PDU Type:</b>           | CMS_RQ_PDU                                                                                      |          |
| <b>Derivation Path:</b>    |                                                                                                 |          |
| <b>Comments:</b>           | To match any received CM SERVICE REQUEST message for emergency call with TMSI and correct CKSN. |          |
| Field Name                 | Field Value                                                                                     | Comments |
| ski                        | '0000'B                                                                                         |          |
| mmpd                       | '0101'B                                                                                         |          |
| mt                         | '0?100100'B                                                                                     |          |
| cphksn                     | CphKeySN_01( cksn)                                                                              |          |
| svtype                     | C_CMServiceTypeE                                                                                |          |
| msclm                      | ?                                                                                               |          |
| mi                         | MiTmsi_01                                                                                       |          |
| <b>Detailed Comments:</b>  |                                                                                                 |          |

| PDU Constraint Declaration |                                                                                                                          |          |
|----------------------------|--------------------------------------------------------------------------------------------------------------------------|----------|
| <b>Constraint Name:</b>    | CMServiceReq_07                                                                                                          |          |
| <b>PDU Type:</b>           | CMS_RQ_PDU                                                                                                               |          |
| <b>Derivation Path:</b>    | CMServiceReq_01.                                                                                                         |          |
| <b>Comments:</b>           | To match any received CM SERVICE REQUEST message for emergency call with IMEI and CKSN indicating "no key is available". |          |
| Field Name                 | Field Value                                                                                                              | Comments |
| cphksn                     | CphKeySN_06                                                                                                              |          |
| svtype                     | C_CMServiceTypeE                                                                                                         |          |
| msclm                      | ClassMark2                                                                                                               |          |
| mi                         | Milmei_01                                                                                                                |          |
| <b>Detailed Comments:</b>  |                                                                                                                          |          |

| PDU Constraint Declaration |                                                                                                 |          |
|----------------------------|-------------------------------------------------------------------------------------------------|----------|
| <b>Constraint Name:</b>    | CMServiceReq_08                                                                                 |          |
| <b>PDU Type:</b>           | CMS_RQ_PDU                                                                                      |          |
| <b>Derivation Path:</b>    | CMServiceReq_01.                                                                                |          |
| <b>Comments:</b>           | To match the received CM SERVICE REQUEST message indicating " supplementary service activation" |          |
| Field Name                 | Field Value                                                                                     | Comments |
| svtype                     | '1000'B                                                                                         |          |
| <b>Detailed Comments:</b>  |                                                                                                 |          |

| PDU Constraint Declaration |                                                                                       |          |
|----------------------------|---------------------------------------------------------------------------------------|----------|
| <b>Constraint Name:</b>    | CMServiceReq_09                                                                       |          |
| <b>PDU Type:</b>           | CMS_RQ_PDU                                                                            |          |
| <b>Derivation Path:</b>    | CMServiceReq_01.                                                                      |          |
| <b>Comments:</b>           | To match the received CM SERVICE REQUEST message indicating " short message transfer" |          |
| Field Name                 | Field Value                                                                           | Comments |
| svtype                     | '0100'B                                                                               |          |
| <b>Detailed Comments:</b>  |                                                                                       |          |

| PDU Constraint Declaration |                                                  |          |
|----------------------------|--------------------------------------------------|----------|
| <b>Constraint Name:</b>    | CMServiceReq_30(parexpected_mi: MI)              |          |
| <b>PDU Type:</b>           | CMS_RQ_PDU                                       |          |
| <b>Derivation Path:</b>    |                                                  |          |
| <b>Comments:</b>           | To match any received CM SERVICE REQUEST message |          |
| Field Name                 | Field Value                                      | Comments |
| ski                        | '0000'B                                          |          |
| mmpd                       | '0101'B                                          |          |
| mt                         | '0?100100'B                                      |          |
| cphksn                     | ?                                                |          |
| svtype                     | ?                                                |          |
| msclm                      | ?                                                |          |
| mi                         | parexpected_mi                                   |          |
| <b>Detailed Comments:</b>  |                                                  |          |

| PDU Constraint Declaration |                                                      |          |
|----------------------------|------------------------------------------------------|----------|
| <b>Constraint Name:</b>    | CMServiceReq_31(parexpected_mi: MI; cksn: BITSTRING) |          |
| <b>PDU Type:</b>           | CMS_RQ_PDU                                           |          |
| <b>Derivation Path:</b>    |                                                      |          |
| <b>Comments:</b>           | To match any received CM SERVICE REQUEST message     |          |
| Field Name                 | Field Value                                          | Comments |
| ski                        | '0000'B                                              |          |
| mmpd                       | '0101'B                                              |          |
| mt                         | '0?100100'B                                          |          |
| cphksn                     | CphKeySN_07(cksn)                                    |          |
| svtype                     | C_CMServiceTypeE                                     |          |
| msclm                      | ?                                                    |          |
| mi                         | parexpected_mi                                       |          |
| <b>Detailed Comments:</b>  |                                                      |          |

| PDU Constraint Declaration |                                                      |          |
|----------------------------|------------------------------------------------------|----------|
| <b>Constraint Name:</b>    | CMServiceReq_32(parexpected_mi: MI; cksn: BITSTRING) |          |
| <b>PDU Type:</b>           | CMS_RQ_PDU                                           |          |
| <b>Derivation Path:</b>    |                                                      |          |
| <b>Comments:</b>           | To match any received CM SERVICE REQUEST message     |          |
| Field Name                 | Field Value                                          | Comments |
| ski                        | '0000'B                                              |          |
| mmpd                       | '0101'B                                              |          |
| mt                         | '0?100100'B                                          |          |
| cphksn                     | CphKeySN_07(cksn)                                    |          |
| svtype                     | ?                                                    |          |
| msclm                      | ?                                                    |          |
| mi                         | parexpected_mi                                       |          |
| <b>Detailed Comments:</b>  |                                                      |          |

| PDU Constraint Declaration |                                                |          |
|----------------------------|------------------------------------------------|----------|
| <b>Constraint Name:</b>    | Connect_01( ti:TI)                             |          |
| <b>PDU Type:</b>           | CONN_PDU                                       |          |
| <b>Derivation Path:</b>    |                                                |          |
| <b>Comments:</b>           | CC CONNECT message matching any received value |          |
| Field Name                 | Field Value                                    | Comments |
| ti                         | ti                                             |          |
| ccpd                       | '0011'B                                        |          |
| mt                         | '0?000111'B                                    |          |
| fie                        | *                                              |          |
| pi                         | -                                              |          |
| cnn                        | -                                              |          |
| cns                        | *                                              |          |
| uu                         | *                                              |          |
| ssvi                       | *                                              |          |
| <b>Detailed Comments:</b>  |                                                |          |

| PDU Constraint Declaration |                                                    |          |
|----------------------------|----------------------------------------------------|----------|
| <b>Constraint Name:</b>    | Connect_02(Ti:TI)                                  |          |
| <b>PDU Type:</b>           | CONN_PDU                                           |          |
| <b>Derivation Path:</b>    |                                                    |          |
| <b>Comments:</b>           | CC CONNECT message containing mandatory IE's only. |          |
| Field Name                 | Field Value                                        | Comments |
| ti                         | Ti                                                 |          |
| ccpd                       | '0011'B                                            |          |
| mt                         | '00000111'B                                        |          |
| fie                        | -                                                  |          |
| pi                         | -                                                  |          |
| cnn                        | -                                                  |          |
| cns                        | -                                                  |          |
| uu                         | -                                                  |          |
| ssvi                       | -                                                  |          |
| <b>Detailed Comments:</b>  |                                                    |          |

| PDU Constraint Declaration |                                           |          |
|----------------------------|-------------------------------------------|----------|
| <b>Constraint Name:</b>    | Connect_05(Ti:TI; fie:FIE)                |          |
| <b>PDU Type:</b>           | CONN_PDU                                  |          |
| <b>Derivation Path:</b>    |                                           |          |
| <b>Comments:</b>           | CC CONNECT message containing faciliy IE. |          |
| Field Name                 | Field Value                               | Comments |
| ti                         | Ti                                        |          |
| ccpd                       | '0011'B                                   |          |
| mt                         | '00000111'B                               |          |
| fie                        | fie                                       |          |
| pi                         | -                                         |          |
| cnn                        | -                                         |          |
| cns                        | -                                         |          |
| uu                         | -                                         |          |
| ssvi                       | -                                         |          |
| <b>Detailed Comments:</b>  |                                           |          |

| PDU Constraint Declaration |                                                                                       |          |
|----------------------------|---------------------------------------------------------------------------------------|----------|
| <b>Constraint Name:</b>    | Connect_inv_01(Ti:TI)                                                                 |          |
| <b>PDU Type:</b>           | CONN_PDU_ERR                                                                          |          |
| <b>Derivation Path:</b>    |                                                                                       |          |
| <b>Comments:</b>           | An invalid CONNECT message containing an optional IE coded as comprehension required. |          |
| Field Name                 | Field Value                                                                           | Comments |
| ti                         | Ti                                                                                    |          |
| ccpd                       | '0011'B                                                                               |          |
| mt                         | '00000111'B                                                                           |          |
| unknown                    | UnknownIE_01                                                                          |          |
| <b>Detailed Comments:</b>  |                                                                                       |          |

| PDU Constraint Declaration |                                       |          |
|----------------------------|---------------------------------------|----------|
| <b>Constraint Name:</b>    | ConnectAck_01( ti:TI)                 |          |
| <b>PDU Type:</b>           | CONN_ACK_PDU                          |          |
| <b>Derivation Path:</b>    |                                       |          |
| <b>Comments:</b>           | A CONNECT ACKNOWLEDGE message n -> ms |          |
| Field Name                 | Field Value                           | Comments |
| ti                         | ti                                    |          |
| ccpd                       | '0011'B                               |          |
| mt                         | '00001111'B                           |          |
| <b>Detailed Comments:</b>  |                                       |          |

| PDU Constraint Declaration |                               |          |
|----------------------------|-------------------------------|----------|
| <b>Constraint Name:</b>    | ConnectAck_02(Ti:TI)          |          |
| <b>PDU Type:</b>           | CONN_ACK_PDU                  |          |
| <b>Derivation Path:</b>    |                               |          |
| <b>Comments:</b>           | A CONNECT ACKNOWLEDGE message |          |
| Field Name                 | Field Value                   | Comments |
| ti                         | Ti                            |          |
| ccpd                       | '0011'B                       |          |
| mt                         | '0?001111'B                   |          |
| <b>Detailed Comments:</b>  |                               |          |

| PDU Constraint Declaration |                                                                                 |          |
|----------------------------|---------------------------------------------------------------------------------|----------|
| <b>Constraint Name:</b>    | CphModeCmd_01                                                                   |          |
| <b>PDU Type:</b>           | CPHM_CMD_PDU                                                                    |          |
| <b>Derivation Path:</b>    |                                                                                 |          |
| <b>Comments:</b>           | CIPHERING MODE COMMAND message, the cipherring algorithm is specified by PIXIT. |          |
| Field Name                 | Field Value                                                                     | Comments |
| ski                        | '0000'B                                                                         |          |
| rrpd                       | '0110'B                                                                         |          |
| mt                         | '00110101'B                                                                     |          |
| cph_res                    | CiphRes_01                                                                      |          |
| cphms                      | CphMod_01                                                                       |          |
| <b>Detailed Comments:</b>  |                                                                                 |          |

| PDU Constraint Declaration |                                                   |          |
|----------------------------|---------------------------------------------------|----------|
| <b>Constraint Name:</b>    | CphModeCmd_02                                     |          |
| <b>PDU Type:</b>           | CPHM_CMD_PDU                                      |          |
| <b>Derivation Path:</b>    | CphModeCmd_01.                                    |          |
| <b>Comments:</b>           | CIPHERING MODE COMMAND message with no ciphering. |          |
| Field Name                 | Field Value                                       | Comments |
| cphms                      | CphMod_02                                         |          |
| <b>Detailed Comments:</b>  |                                                   |          |

| PDU Constraint Declaration |                                                                                                                    |          |
|----------------------------|--------------------------------------------------------------------------------------------------------------------|----------|
| <b>Constraint Name:</b>    | CphModeCmd_03                                                                                                      |          |
| <b>PDU Type:</b>           | CPHM_CMD_PDU                                                                                                       |          |
| <b>Derivation Path:</b>    | CphModeCmd_01.                                                                                                     |          |
| <b>Comments:</b>           | CIPHERING MODE COMMAND message with no ciphering and IMEI included, the ciphering algorithm is specified by PIXIT. |          |
| Field Name                 | Field Value                                                                                                        | Comments |
| cph_res                    | CiphRes_02                                                                                                         |          |
| cphms                      | CphMod_02                                                                                                          |          |
| <b>Detailed Comments:</b>  |                                                                                                                    |          |

| PDU Constraint Declaration |                                                                    |          |
|----------------------------|--------------------------------------------------------------------|----------|
| <b>Constraint Name:</b>    | CphModeCmd_inv_01                                                  |          |
| <b>PDU Type:</b>           | CPHM_CMD_PDU                                                       |          |
| <b>Derivation Path:</b>    | CphModeCmd_01.                                                     |          |
| <b>Comments:</b>           | Invalid CIPHERING MODE COMMAND message with mandatory IE's missing |          |
| Field Name                 | Field Value                                                        | Comments |
| cph_res                    | -                                                                  |          |
| cphms                      | -                                                                  |          |
| <b>Detailed Comments:</b>  |                                                                    |          |

| PDU Constraint Declaration |                                                                     |          |
|----------------------------|---------------------------------------------------------------------|----------|
| <b>Constraint Name:</b>    | CphModeCmd_inv_02                                                   |          |
| <b>PDU Type:</b>           | CPHM_CMD_PDU                                                        |          |
| <b>Derivation Path:</b>    | CphModeCmd_01.                                                      |          |
| <b>Comments:</b>           | CIPHERING MODE COMMAND message containing incorrect skip identifier |          |
| Field Name                 | Field Value                                                         | Comments |
| ski                        | '0011'B                                                             |          |
| <b>Detailed Comments:</b>  |                                                                     |          |

| PDU Constraint Declaration |                                                      |          |
|----------------------------|------------------------------------------------------|----------|
| <b>Constraint Name:</b>    | CphModeCmd_inv_03                                    |          |
| <b>PDU Type:</b>           | CPHM_CMD_PDU_ERR                                     |          |
| <b>Derivation Path:</b>    |                                                      |          |
| <b>Comments:</b>           | CIPHERING MODE COMMAND message containing unknown IE |          |
| Field Name                 | Field Value                                          | Comments |
| ski                        | '0000'B                                              |          |
| rrpd                       | '0110'B                                              |          |
| mt                         | '00110101'B                                          |          |
| cph_res                    | CiphRes_01                                           |          |
| cphms                      | CphMod_03                                            |          |
| add                        | '92'O                                                |          |
| <b>Detailed Comments:</b>  |                                                      |          |

| PDU Constraint Declaration |                                                       |          |
|----------------------------|-------------------------------------------------------|----------|
| <b>Constraint Name:</b>    | CphModeCmp_01                                         |          |
| <b>PDU Type:</b>           | CPHM_COM_PDU                                          |          |
| <b>Derivation Path:</b>    |                                                       |          |
| <b>Comments:</b>           | To match any received CIPHERING MODE COMPLETE message |          |
| Field Name                 | Field Value                                           | Comments |
| ski                        | '0000'B                                               |          |
| rrpd                       | '0110'B                                               |          |
| mt                         | '00110010'B                                           |          |
| mei                        | *                                                     |          |
| <b>Detailed Comments:</b>  |                                                       |          |

| PDU Constraint Declaration |                                                                   |          |
|----------------------------|-------------------------------------------------------------------|----------|
| <b>Constraint Name:</b>    | CphModeCmp_02                                                     |          |
| <b>PDU Type:</b>           | CPHM_COM_PDU                                                      |          |
| <b>Derivation Path:</b>    | CphModeCmp_01.                                                    |          |
| <b>Comments:</b>           | To match a received CIPHERING MODE COMPLETE message without IMEI. |          |
| Field Name                 | Field Value                                                       | Comments |
| mei                        | -                                                                 |          |
| <b>Detailed Comments:</b>  |                                                                   |          |

| PDU Constraint Declaration |                                                                      |          |
|----------------------------|----------------------------------------------------------------------|----------|
| <b>Constraint Name:</b>    | CphModeCmp_03                                                        |          |
| <b>PDU Type:</b>           | CPHM_COM_PDU                                                         |          |
| <b>Derivation Path:</b>    |                                                                      |          |
| <b>Comments:</b>           | To match a received CIPHERING MODE COMPLETE message containing IMEI. |          |
| Field Name                 | Field Value                                                          | Comments |
| ski                        | '0000'B                                                              |          |
| rrpd                       | '0110'B                                                              |          |
| mt                         | '00110010'B                                                          |          |
| mei                        | Milmeisv_01iei                                                       |          |
| <b>Detailed Comments:</b>  |                                                                      |          |

| PDU Constraint Declaration |                                                                                         |          |
|----------------------------|-----------------------------------------------------------------------------------------|----------|
| <b>Constraint Name:</b>    | DisconnS(Ti:Ti; cau:CAU; progind:PI; uuinf:UU)                                          |          |
| <b>PDU Type:</b>           | DISC_PDU                                                                                |          |
| <b>Derivation Path:</b>    |                                                                                         |          |
| <b>Comments:</b>           | A DISCONNECT message that contains cause = normal clearing and progress indicator = #8. |          |
| Field Name                 | Field Value                                                                             | Comments |
| ti                         | Ti                                                                                      |          |
| ccpd                       | '0011'B                                                                                 |          |
| mt                         | '00100101'B                                                                             |          |
| cau                        | cau                                                                                     |          |
| fie                        | -                                                                                       |          |
| pi                         | progind                                                                                 |          |
| uu                         | uuinf                                                                                   |          |
| ssvi                       | -                                                                                       |          |
| <b>Detailed Comments:</b>  |                                                                                         |          |



| PDU Constraint Declaration |                                                                   |          |
|----------------------------|-------------------------------------------------------------------|----------|
| <b>Constraint Name:</b>    | DisconnR(Ti:TI; cau:CAU)                                          |          |
| <b>PDU Type:</b>           | DISC_PDU                                                          |          |
| <b>Derivation Path:</b>    |                                                                   |          |
| <b>Comments:</b>           | A default DISCONNECT message matching parametrised value ms -> n. |          |
| Field Name                 | Field Value                                                       | Comments |
| ti                         | Ti                                                                |          |
| ccpd                       | '0011'B                                                           |          |
| mt                         | '0?100101'B                                                       |          |
| cau                        | cau                                                               |          |
| fie                        | *                                                                 |          |
| pi                         | *                                                                 |          |
| uu                         | *                                                                 |          |
| ssvi                       | *                                                                 |          |
| <b>Detailed Comments:</b>  |                                                                   |          |

| PDU Constraint Declaration |                                                                                                                                                           |          |
|----------------------------|-----------------------------------------------------------------------------------------------------------------------------------------------------------|----------|
| <b>Constraint Name:</b>    | Disconn_10(Ti:TI)                                                                                                                                         |          |
| <b>PDU Type:</b>           | DISC_PDU                                                                                                                                                  |          |
| <b>Derivation Path:</b>    |                                                                                                                                                           |          |
| <b>Comments:</b>           | To match a received DISCONNECT message containing transaction identifier = Ti , cause #68 and facility_IE45 for ForarwdChargeAdvice ReturnResult ms -> n. |          |
| Field Name                 | Field Value                                                                                                                                               | Comments |
| ti                         | Ti                                                                                                                                                        |          |
| ccpd                       | '0011'B                                                                                                                                                   |          |
| mt                         | '0?100101'B                                                                                                                                               |          |
| cau                        | Cause_Def                                                                                                                                                 |          |
| fie                        | facilityIErcviei( FwdChAdvRslt_01)                                                                                                                        |          |
| pi                         | *                                                                                                                                                         |          |
| uu                         | *                                                                                                                                                         |          |
| ssvi                       | *                                                                                                                                                         |          |
| <b>Detailed Comments:</b>  |                                                                                                                                                           |          |

| PDU Constraint Declaration |                                                                                                                            |          |
|----------------------------|----------------------------------------------------------------------------------------------------------------------------|----------|
| <b>Constraint Name:</b>    | Disconn_inv_01( ti:TI)                                                                                                     |          |
| <b>PDU Type:</b>           | DISC_PDU                                                                                                                   |          |
| <b>Derivation Path:</b>    |                                                                                                                            |          |
| <b>Comments:</b>           | A DISCONNECT message containing cause value #16 and location = user, the transaction ID does not refer to the active call. |          |
| Field Name                 | Field Value                                                                                                                | Comments |
| ti                         | ti                                                                                                                         |          |
| ccpd                       | '0011'B                                                                                                                    |          |
| mt                         | '00100101'B                                                                                                                |          |
| cau                        | Cause_01                                                                                                                   |          |
| fie                        | -                                                                                                                          |          |
| pi                         | -                                                                                                                          |          |
| uu                         | -                                                                                                                          |          |
| ssvi                       | -                                                                                                                          |          |
| <b>Detailed Comments:</b>  |                                                                                                                            |          |

| PDU Constraint Declaration |                                                                            |          |
|----------------------------|----------------------------------------------------------------------------|----------|
| <b>Constraint Name:</b>    | Disconn_inv_02( ti:TI)                                                     |          |
| <b>PDU Type:</b>           | DISC_PDU                                                                   |          |
| <b>Derivation Path:</b>    |                                                                            |          |
| <b>Comments:</b>           | A DISCONNECT message in which the mandatory IE cause is missing. (N -> MS) |          |
| Field Name                 | Field Value                                                                | Comments |
| ti                         | ti                                                                         |          |
| ccpd                       | '0011'B                                                                    |          |
| mt                         | '00100101'B                                                                |          |
| cau                        | -                                                                          |          |
| fie                        | -                                                                          |          |
| pi                         | -                                                                          |          |
| uu                         | -                                                                          |          |
| ssvi                       | -                                                                          |          |
| <b>Detailed Comments:</b>  |                                                                            |          |

| PDU Constraint Declaration |                                                                   |          |
|----------------------------|-------------------------------------------------------------------|----------|
| <b>Constraint Name:</b>    | Disconn_inv_03( ti :TI)                                           |          |
| <b>PDU Type:</b>           | DISC_PDU_ERR                                                      |          |
| <b>Derivation Path:</b>    |                                                                   |          |
| <b>Comments:</b>           | An invalid DISCONNECT message which contains optional unknown IEI |          |
| Field Name                 | Field Value                                                       | Comments |
| ti                         | ti                                                                |          |
| ccpd                       | '0011'B                                                           |          |
| mt                         | '00100101'B                                                       |          |
| cau                        | Cause_01                                                          |          |
| unknown                    | UnknownIE_02                                                      |          |
| <b>Detailed Comments:</b>  |                                                                   |          |

| PDU Constraint Declaration |                                                               |          |
|----------------------------|---------------------------------------------------------------|----------|
| <b>Constraint Name:</b>    | Disconn_inv_04( ti :TI)                                       |          |
| <b>PDU Type:</b>           | DISC_PDU                                                      |          |
| <b>Derivation Path:</b>    |                                                               |          |
| <b>Comments:</b>           | An invalid DISCONNECT message containing arbitrary spare bits |          |
| Field Name                 | Field Value                                                   | Comments |
| ti                         | ti                                                            |          |
| ccpd                       | '0011'B                                                       |          |
| mt                         | '00100101'B                                                   |          |
| cau                        | Cause_06                                                      |          |
| fie                        | -                                                             |          |
| pi                         | ProgInd_01                                                    |          |
| uu                         | -                                                             |          |
| ssvi                       | -                                                             |          |
| <b>Detailed Comments:</b>  |                                                               |          |

| PDU Constraint Declaration |                                                                                                       |          |
|----------------------------|-------------------------------------------------------------------------------------------------------|----------|
| <b>Constraint Name:</b>    | FacilityPdu_05(Ti:TI)                                                                                 |          |
| <b>PDU Type:</b>           | FAC_PDU                                                                                               |          |
| <b>Derivation Path:</b>    |                                                                                                       |          |
| <b>Comments:</b>           | FACILITY message, call dependent, used in TC_11_3, containing any facility information element ms->n. |          |
| Field Name                 | Field Value                                                                                           | Comments |
| ti                         | Ti                                                                                                    |          |
| cc_sspd                    | '0011'B                                                                                               |          |
| mt                         | '0?111010'B                                                                                           |          |
| fie                        | ?                                                                                                     |          |
| ssvi                       | *                                                                                                     |          |
| <b>Detailed Comments:</b>  |                                                                                                       |          |

| PDU Constraint Declaration |                                           |          |
|----------------------------|-------------------------------------------|----------|
| <b>Constraint Name:</b>    | FacilityPdu_25(Ti:TI; fie:FIE)            |          |
| <b>PDU Type:</b>           | FAC_PDU                                   |          |
| <b>Derivation Path:</b>    |                                           |          |
| <b>Comments:</b>           | FACILITY message, call dependent, n -> ms |          |
| Field Name                 | Field Value                               | Comments |
| ti                         | Ti                                        |          |
| cc_sspd                    | '0011'B                                   |          |
| mt                         | '00111010'B                               |          |
| fie                        | fie                                       |          |
| ssvi                       | -                                         |          |
| <b>Detailed Comments:</b>  |                                           |          |

| PDU Constraint Declaration |                                             |          |
|----------------------------|---------------------------------------------|----------|
| <b>Constraint Name:</b>    | FacilityPdu_25_ci(Ti:TI; fie:FIE)           |          |
| <b>PDU Type:</b>           | FAC_PDU                                     |          |
| <b>Derivation Path:</b>    |                                             |          |
| <b>Comments:</b>           | FACILITY message, call independent, n -> ms |          |
| Field Name                 | Field Value                                 | Comments |
| ti                         | Ti                                          |          |
| cc_sspd                    | '1011'B                                     |          |
| mt                         | '00111010'B                                 |          |
| fie                        | fie                                         |          |
| ssvi                       | -                                           |          |
| <b>Detailed Comments:</b>  |                                             |          |

| PDU Constraint Declaration |                                          |          |
|----------------------------|------------------------------------------|----------|
| <b>Constraint Name:</b>    | FacilityPdu_26(Ti:TI; fie:FIE)           |          |
| <b>PDU Type:</b>           | FAC_PDU                                  |          |
| <b>Derivation Path:</b>    |                                          |          |
| <b>Comments:</b>           | FACILITY message, call dependent ms -> n |          |
| Field Name                 | Field Value                              | Comments |
| ti                         | Ti                                       |          |
| cc_sspd                    | '0011'B                                  |          |
| mt                         | '0?111010'B                              |          |
| fie                        | fie                                      |          |
| ssvi                       | *                                        |          |
| <b>Detailed Comments:</b>  |                                          |          |

| PDU Constraint Declaration |                                            |          |
|----------------------------|--------------------------------------------|----------|
| <b>Constraint Name:</b>    | FacilityPdu_26_ci(Ti:TI; fie:FIE)          |          |
| <b>PDU Type:</b>           | FAC_PDU                                    |          |
| <b>Derivation Path:</b>    |                                            |          |
| <b>Comments:</b>           | FACILITY message, call independent ms -> n |          |
| Field Name                 | Field Value                                | Comments |
| ti                         | Ti                                         |          |
| cc_sspd                    | '1011'B                                    |          |
| mt                         | '0?111010'B                                |          |
| fie                        | fie                                        |          |
| ssvi                       | *                                          |          |
| <b>Detailed Comments:</b>  |                                            |          |

| PDU Constraint Declaration |                                                    |          |
|----------------------------|----------------------------------------------------|----------|
| <b>Constraint Name:</b>    | FreqRedef_01(chd:CHD; ma:MA; strt:STRT; cchd:CCHD) |          |
| <b>PDU Type:</b>           | FRQRE_PDU                                          |          |
| <b>Derivation Path:</b>    |                                                    |          |
| <b>Comments:</b>           |                                                    |          |
| Field Name                 | Field Value                                        | Comments |
| ski                        | '0000'B                                            |          |
| rrpd                       | '0110'B                                            |          |
| mt                         | '00010100'B                                        |          |
| chd                        | chd                                                |          |
| ma                         | ma                                                 |          |
| strt                       | strt                                               |          |
| cchd                       | cchd                                               |          |
| <b>Detailed Comments:</b>  |                                                    |          |

| PDU Constraint Declaration |                                                                                                                          |          |
|----------------------------|--------------------------------------------------------------------------------------------------------------------------|----------|
| <b>Constraint Name:</b>    | FreqRedef_20(ts_ccch: BITSTRING; par_chtype:CH_TDMA; par_cchd: OCTETSTRING; par_ma:BITSTRING; par_stime:STRT; n:INTEGER) |          |
| <b>PDU Type:</b>           | FRQRE_PDU                                                                                                                |          |
| <b>Derivation Path:</b>    |                                                                                                                          |          |
| <b>Comments:</b>           | Frequency Redefinition                                                                                                   |          |
| Field Name                 | Field Value                                                                                                              | Comments |
| ski                        | '0000'B                                                                                                                  |          |
| rrpd                       | '0110'B                                                                                                                  |          |
| mt                         | '00010100'B                                                                                                              |          |
| chd                        | ChDescrp_fh( par_chtype, ts_ccch, TSPX_TscDef, INT_TO_BIT((TSPX_MAIO MOD n), 6), INT_TO_BIT(TSPX_HSN, 6))                |          |
| ma                         | MoblAllc_20_Be1(par_ma)                                                                                                  |          |
| strt                       | par_stime                                                                                                                |          |
| cchd                       | CellChDes_20_Be(par_cchd)                                                                                                |          |
| <b>Detailed Comments:</b>  |                                                                                                                          |          |

| PDU Constraint Declaration |                                                                                                           |          |
|----------------------------|-----------------------------------------------------------------------------------------------------------|----------|
| <b>Constraint Name:</b>    | FreqRedef_21(ts_ccch: BITSTRING; par_chtype:CH_TDMA; par_ma:BITSTRING; par_stime:STRT; n:INTEGER)         |          |
| <b>PDU Type:</b>           | FRQRE_PDU                                                                                                 |          |
| <b>Derivation Path:</b>    |                                                                                                           |          |
| <b>Comments:</b>           | Frequency Redefinition                                                                                    |          |
| Field Name                 | Field Value                                                                                               | Comments |
| ski                        | '0000'B                                                                                                   |          |
| rrpd                       | '0110'B                                                                                                   |          |
| mt                         | '00010100'B                                                                                               |          |
| chd                        | ChDescrp_fh( par_chtype, ts_ccch, TSPX_TscDef, INT_TO_BIT((TSPX_MAIO MOD n), 6), INT_TO_BIT(TSPX_HSN, 6)) |          |
| ma                         | MoblAlc_20_Be1(par_ma)                                                                                    |          |
| strt                       | par_stime                                                                                                 |          |
| cchd                       | -                                                                                                         |          |
| <b>Detailed Comments:</b>  |                                                                                                           |          |

| PDU Constraint Declaration |                                                                                                                                               |          |
|----------------------------|-----------------------------------------------------------------------------------------------------------------------------------------------|----------|
| <b>Constraint Name:</b>    | FreqRedef_22( ts_ccch: BITSTRING; par_chtype:CH_TDMA; par_cchd: OCTETSTRING; par_ma1:BITSTRING; par_ma2:BITSTRING; par_stime:STRT; n:INTEGER) |          |
| <b>PDU Type:</b>           | FRQRE_PDU                                                                                                                                     |          |
| <b>Derivation Path:</b>    |                                                                                                                                               |          |
| <b>Comments:</b>           | Frequency Redefinition                                                                                                                        |          |
| Field Name                 | Field Value                                                                                                                                   | Comments |
| ski                        | '0000'B                                                                                                                                       |          |
| rrpd                       | '0110'B                                                                                                                                       |          |
| mt                         | '00010100'B                                                                                                                                   |          |
| chd                        | ChDescrp_fh( par_chtype, ts_ccch, TSPX_TscDef, INT_TO_BIT((TSPX_MAIO MOD n), 6), INT_TO_BIT(TSPX_HSN, 6))                                     |          |
| ma                         | MoblAlc_20_Be2(par_ma1, par_ma2)                                                                                                              |          |
| strt                       | par_stime                                                                                                                                     |          |
| cchd                       | CellChDes_20_Be(par_cchd)                                                                                                                     |          |
| <b>Detailed Comments:</b>  |                                                                                                                                               |          |

| PDU Constraint Declaration |                                               |          |
|----------------------------|-----------------------------------------------|----------|
| <b>Constraint Name:</b>    | HandOverAcc_01                                |          |
| <b>PDU Type:</b>           | HOACC_PDU                                     |          |
| <b>Derivation Path:</b>    |                                               |          |
| <b>Comments:</b>           | To match any received HANDOVER ACCESS message |          |
| Field Name                 | Field Value                                   | Comments |
| horf                       | ?                                             |          |
| <b>Detailed Comments:</b>  |                                               |          |

| PDU Constraint Declaration |                                                                                |          |
|----------------------------|--------------------------------------------------------------------------------|----------|
| <b>Constraint Name:</b>    | HandOverAcc_02(horef:HORF)                                                     |          |
| <b>PDU Type:</b>           | HOACC_PDU                                                                      |          |
| <b>Derivation Path:</b>    |                                                                                |          |
| <b>Comments:</b>           | To match a received HANDOVER ACCESS message with handover reference ` horef` . |          |
| Field Name                 | Field Value                                                                    | Comments |
| horf                       | horf                                                                           |          |
| <b>Detailed Comments:</b>  |                                                                                |          |

| PDU Constraint Declaration |                                                                                                                                                                               |          |
|----------------------------|-------------------------------------------------------------------------------------------------------------------------------------------------------------------------------|----------|
| <b>Constraint Name:</b>    | HandOverCmd_nfh( type:CH_TDMA; slot:SN; tsc:TSC; ncc, bcc:B_3; sdccharfcn, tcharfcn:INTEGER; horf:HORF; pwlv:B_5; synchi:SYNCHI; chmod:CHMOD; rtdif:TDIF; ta:TA; cphms:CPHMS) |          |
| <b>PDU Type:</b>           | HO_CMD_PDU                                                                                                                                                                    |          |
| <b>Derivation Path:</b>    |                                                                                                                                                                               |          |
| <b>Comments:</b>           | An HANDOVER COMMAND indicating finely synchronised intra cell handover.                                                                                                       |          |
| Field Name                 | Field Value                                                                                                                                                                   | Comments |
| ski                        | '0000'B                                                                                                                                                                       |          |
| rrpd                       | '0110'B                                                                                                                                                                       |          |
| mt                         | '00101011'B                                                                                                                                                                   |          |
| cd                         | CellDescrp( ncc, bcc, sdccharfcn)                                                                                                                                             |          |
| ch1d_at                    | ChDescrp_nfh( type, slot, tsc, tcharfcn)                                                                                                                                      |          |
| horf                       | horf                                                                                                                                                                          |          |
| pcmd                       | Pcmd_20( pwlv)                                                                                                                                                                |          |
| synchi                     | synchi                                                                                                                                                                        |          |
| frqsl_at                   | -                                                                                                                                                                             |          |
| frql_at                    | -                                                                                                                                                                             |          |
| cchd                       | -                                                                                                                                                                             |          |
| ch1mod                     | chmod                                                                                                                                                                         |          |
| ch2d_at                    | -                                                                                                                                                                             |          |
| ch2mod                     | -                                                                                                                                                                             |          |
| frqchs_at                  | -                                                                                                                                                                             |          |
| ma_at                      | -                                                                                                                                                                             |          |
| strt                       | -                                                                                                                                                                             |          |
| rtdif                      | rtdif                                                                                                                                                                         |          |
| ta                         | ta                                                                                                                                                                            |          |
| frqsl_bt                   | -                                                                                                                                                                             |          |
| frql_bt                    | -                                                                                                                                                                             |          |
| ch1d_bt                    | -                                                                                                                                                                             |          |
| ch2d_bt                    | -                                                                                                                                                                             |          |
| frqchs_bt                  | -                                                                                                                                                                             |          |
| ma_bt                      | -                                                                                                                                                                             |          |
| cphms                      | cphms                                                                                                                                                                         |          |
| <b>Detailed Comments:</b>  |                                                                                                                                                                               |          |

| PDU Constraint Declaration |                                                                                                                                                                                                                                  |          |
|----------------------------|----------------------------------------------------------------------------------------------------------------------------------------------------------------------------------------------------------------------------------|----------|
| <b>Constraint Name:</b>    | HandOverCmd_fh( type:CH_TDMA; slot:SN; tsc:TSC; ncc, bcc:B_3; sdccharfcn, mod, hsn:INTEGER; horf:HORF; pwlv:B_5; synchi:SYNCHI; frql1, frql2:FRQL; cchd:CCHD; chmod:CHMOD; frqchs:FRQCHS; ma:MA; rtdif:TDIF; ta:TA; cphms:CPHMS) |          |
| <b>PDU Type:</b>           | HO_CMD_PDU                                                                                                                                                                                                                       |          |
| <b>Derivation Path:</b>    |                                                                                                                                                                                                                                  |          |
| <b>Comments:</b>           | A derived HANOVER COMMAND containing TCH/F_FH in non synchronized new CELL A.                                                                                                                                                    |          |
| Field Name                 | Field Value                                                                                                                                                                                                                      | Comments |
| ski                        | '0000'B                                                                                                                                                                                                                          |          |
| rrpd                       | '0110'B                                                                                                                                                                                                                          |          |
| mt                         | '00101011'B                                                                                                                                                                                                                      |          |
| cd                         | CellDescrp( ncc, bcc, sdccharfcn)                                                                                                                                                                                                |          |
| ch1d_at                    | ChDescrp_fh( type, slot, tsc, INT_TO_BIT(( TSPX_MAIO MOD mod), 6), INT_TO_BIT( hsn, 6))                                                                                                                                          |          |
| horf                       | horf                                                                                                                                                                                                                             |          |
| pcmd                       | Pcmd_20( pwlv)                                                                                                                                                                                                                   |          |
| synchi                     | synchi                                                                                                                                                                                                                           |          |
| frqsl_at                   | frql1                                                                                                                                                                                                                            |          |
| frql_at                    | frql2                                                                                                                                                                                                                            |          |
| cchd                       | cchd                                                                                                                                                                                                                             |          |
| ch1mod                     | chmod                                                                                                                                                                                                                            |          |
| ch2d_at                    | -                                                                                                                                                                                                                                |          |
| ch2mod                     | -                                                                                                                                                                                                                                |          |
| frqchs_at                  | frqchs                                                                                                                                                                                                                           |          |
| ma_at                      | ma                                                                                                                                                                                                                               |          |
| strt                       | -                                                                                                                                                                                                                                |          |
| rtdif                      | rtdif                                                                                                                                                                                                                            |          |
| ta                         | ta                                                                                                                                                                                                                               |          |
| frqsl_bt                   | -                                                                                                                                                                                                                                |          |
| frql_bt                    | -                                                                                                                                                                                                                                |          |
| ch1d_bt                    | -                                                                                                                                                                                                                                |          |
| ch2d_bt                    | -                                                                                                                                                                                                                                |          |
| frqchs_bt                  | -                                                                                                                                                                                                                                |          |
| ma_bt                      | -                                                                                                                                                                                                                                |          |
| cphms                      | cphms                                                                                                                                                                                                                            |          |
| <b>Detailed Comments:</b>  |                                                                                                                                                                                                                                  |          |

| PDU Constraint Declaration |                                                                                                                                                                                                                   |          |
|----------------------------|-------------------------------------------------------------------------------------------------------------------------------------------------------------------------------------------------------------------|----------|
| <b>Constraint Name:</b>    | HandOverCmd(ncc, bcc:B_3; slot:SN; tsc:TSC; cchd:CCHD; strt:STRT; arfcn: INTEGER; type:CH_TDMA; maio1, maio2, hsn1, hsn2:INTEGER; horf:HORF; pwlvl:INTEGER; synchi:SYNCHI; chmod:CHMOD; ma1, ma2:MA; cphms:CPHMS) |          |
| <b>PDU Type:</b>           | HO_CMD_PDU                                                                                                                                                                                                        |          |
| <b>Derivation Path:</b>    |                                                                                                                                                                                                                   |          |
| <b>Comments:</b>           | non synchronised, no ciphering for GSM                                                                                                                                                                            |          |
| Field Name                 | Field Value                                                                                                                                                                                                       | Comments |
| ski                        | '0000'B                                                                                                                                                                                                           |          |
| rrpd                       | '0110'B                                                                                                                                                                                                           |          |
| mt                         | '00101011'B                                                                                                                                                                                                       |          |
| cd                         | CellDescrp(ncc, bcc, arfcn)                                                                                                                                                                                       |          |
| ch1d_at                    | ChDescrp_fh( type, slot, tsc, INT_TO_BIT( maio1, 6), INT_TO_BIT( hsn1, 6))                                                                                                                                        |          |
| horf                       | horf                                                                                                                                                                                                              |          |
| pcmd                       | Pcmd_19( INT_TO_BIT( pwlvl, 5))                                                                                                                                                                                   |          |
| synchi                     | synchi                                                                                                                                                                                                            |          |
| frqsl_at                   | -                                                                                                                                                                                                                 |          |
| frql_at                    | -                                                                                                                                                                                                                 |          |
| cchd                       | cchd                                                                                                                                                                                                              |          |
| ch1mod                     | chmod                                                                                                                                                                                                             |          |
| ch2d_at                    | -                                                                                                                                                                                                                 |          |
| ch2mod                     | -                                                                                                                                                                                                                 |          |
| frqchs_at                  | -                                                                                                                                                                                                                 |          |
| ma_at                      | ma1                                                                                                                                                                                                               |          |
| strt                       | strt                                                                                                                                                                                                              |          |
| rtdif                      | -                                                                                                                                                                                                                 |          |
| ta                         | -                                                                                                                                                                                                                 |          |
| frqsl_bt                   | -                                                                                                                                                                                                                 |          |
| frql_bt                    | -                                                                                                                                                                                                                 |          |
| ch1d_bt                    | ChDescrp_fhiei( type, slot, tsc, INT_TO_BIT( maio2, 6), INT_TO_BIT( hsn2, 6))                                                                                                                                     |          |
| ch2d_bt                    | -                                                                                                                                                                                                                 |          |
| frqchs_bt                  | -                                                                                                                                                                                                                 |          |
| ma_bt                      | ma2                                                                                                                                                                                                               |          |
| cphms                      | cphms                                                                                                                                                                                                             |          |
| <b>Detailed Comments:</b>  | used in TC_26_6_13_5 only.                                                                                                                                                                                        |          |



| PDU Constraint Declaration |                                                                   |          |
|----------------------------|-------------------------------------------------------------------|----------|
| <b>Constraint Name:</b>    | HandOverCmd_inv_01(slot:SN; tsc:TSC; ncc, bcc:B_3; arfcn:INTEGER) |          |
| <b>PDU Type:</b>           | HO_CMD_PDU                                                        |          |
| <b>Derivation Path:</b>    |                                                                   |          |
| <b>Comments:</b>           | An invalid HANOVER COMMAND containing incorrect skip indicator.   |          |
| Field Name                 | Field Value                                                       | Comments |
| ski                        | '0101'B                                                           |          |
| rrpd                       | '0110'B                                                           |          |
| mt                         | '00101011'B                                                       |          |
| cd                         | CellDescrp( ncc, bcc, arfcn)                                      |          |
| ch1d_at                    | ChDescrp_nfh('00001'B, slot, tsc, arfcn)                          |          |
| horf                       | '00000001'B                                                       |          |
| pcmd                       | Pcmd_19('01000'B)                                                 |          |
| synchi                     | -                                                                 |          |
| frqsl_at                   | -                                                                 |          |
| frql_at                    | -                                                                 |          |
| cchd                       | -                                                                 |          |
| ch1mod                     | -                                                                 |          |
| ch2d_at                    | -                                                                 |          |
| ch2mod                     | -                                                                 |          |
| frqchs_at                  | -                                                                 |          |
| ma_at                      | -                                                                 |          |
| strt                       | -                                                                 |          |
| rtdif                      | -                                                                 |          |
| ta                         | -                                                                 |          |
| frqsl_bt                   | -                                                                 |          |
| frql_bt                    | -                                                                 |          |
| ch1d_bt                    | -                                                                 |          |
| ch2d_bt                    | -                                                                 |          |
| frqchs_bt                  | -                                                                 |          |
| ma_bt                      | -                                                                 |          |
| cphms                      | -                                                                 |          |
| <b>Detailed Comments:</b>  |                                                                   |          |

| PDU Constraint Declaration |                                                                                                       |          |
|----------------------------|-------------------------------------------------------------------------------------------------------|----------|
| <b>Constraint Name:</b>    | HandOverCmd_inv_02(slot:SN; tsc:TSC; ncc, bcc:B_3; arfcn:INTEGER)                                     |          |
| <b>PDU Type:</b>           | HO_CMD_PDU                                                                                            |          |
| <b>Derivation Path:</b>    |                                                                                                       |          |
| <b>Comments:</b>           | HANDOVER COMMAND which contains, in the non-imperative part, an IE encoded as comprehension required. |          |
| Field Name                 | Field Value                                                                                           | Comments |
| ski                        | '0000'B                                                                                               |          |
| rrpd                       | '0110'B                                                                                               |          |
| mt                         | '00101011'B                                                                                           |          |
| cd                         | CellDescrp( ncc, bcc, arfcn)                                                                          |          |
| ch1d_at                    | ChDescrp_nfh('00001'B, slot, tsc, C_arfcnA)                                                           |          |
| horf                       | '00000001'B                                                                                           |          |
| pcmd                       | Pcmd_19('01000'B)                                                                                     |          |
| synchi                     | Synchi_01                                                                                             |          |
| frqsl_at                   | Frql_01                                                                                               |          |
| frql_at                    | -                                                                                                     |          |
| cchd                       | -                                                                                                     |          |
| ch1mod                     | -                                                                                                     |          |
| ch2d_at                    | -                                                                                                     |          |
| ch2mod                     | -                                                                                                     |          |
| frqchs_at                  | -                                                                                                     |          |
| ma_at                      | -                                                                                                     |          |
| strt                       | -                                                                                                     |          |
| rtdif                      | -                                                                                                     |          |
| ta                         | -                                                                                                     |          |
| frqsl_bt                   | -                                                                                                     |          |
| frql_bt                    | -                                                                                                     |          |
| ch1d_bt                    | -                                                                                                     |          |
| ch2d_bt                    | -                                                                                                     |          |
| frqchs_bt                  | -                                                                                                     |          |
| ma_bt                      | -                                                                                                     |          |
| cphms                      | -                                                                                                     |          |
| <b>Detailed Comments:</b>  |                                                                                                       |          |

| PDU Constraint Declaration |                                                  |          |
|----------------------------|--------------------------------------------------|----------|
| <b>Constraint Name:</b>    | HandOverCmp_01                                   |          |
| <b>PDU Type:</b>           | HO_COM_PDU                                       |          |
| <b>Derivation Path:</b>    |                                                  |          |
| <b>Comments:</b>           | To match any received HANDOVER COMPLETE message. |          |
| Field Name                 | Field Value                                      | Comments |
| ski                        | '0000'B                                          |          |
| rrpd                       | '0110'B                                          |          |
| mt                         | '00101100'B                                      |          |
| rrcau                      | ?                                                |          |
| motdif                     | *                                                |          |
| <b>Detailed Comments:</b>  |                                                  |          |

| PDU Constraint Declaration |                                                            |          |
|----------------------------|------------------------------------------------------------|----------|
| <b>Constraint Name:</b>    | HandOverCmp_20                                             |          |
| <b>PDU Type:</b>           | HO_COM_PDU                                                 |          |
| <b>Derivation Path:</b>    |                                                            |          |
| <b>Comments:</b>           | A basic received constraint for HANDOVER COMPLETE message. |          |
| Field Name                 | Field Value                                                | Comments |
| ski                        | '0000'B                                                    |          |
| rrpd                       | '0110'B                                                    |          |
| mt                         | '00101100'B                                                |          |
| rrcau                      | '00000000'B                                                |          |
| motdif                     | *                                                          |          |
| <b>Detailed Comments:</b>  |                                                            |          |

| PDU Constraint Declaration |                                                   |          |
|----------------------------|---------------------------------------------------|----------|
| <b>Constraint Name:</b>    | HandOvFail_01                                     |          |
| <b>PDU Type:</b>           | HOFL_PDU                                          |          |
| <b>Derivation Path:</b>    |                                                   |          |
| <b>Comments:</b>           | A HANDOVER FAILURE message matching any RR cause. |          |
| Field Name                 | Field Value                                       | Comments |
| ski                        | '0000'B                                           |          |
| rrpd                       | '0110'B                                           |          |
| mt                         | '00101000'B                                       |          |
| rrcau                      | ?                                                 |          |
| <b>Detailed Comments:</b>  |                                                   |          |

| PDU Constraint Declaration |                                                                    |          |
|----------------------------|--------------------------------------------------------------------|----------|
| <b>Constraint Name:</b>    | HandOvFail_02                                                      |          |
| <b>PDU Type:</b>           | HOFL_PDU                                                           |          |
| <b>Derivation Path:</b>    |                                                                    |          |
| <b>Comments:</b>           | A HANDOVER FAILURE message matching any abnormal release RR cause. |          |
| Field Name                 | Field Value                                                        | Comments |
| ski                        | '0000'B                                                            |          |
| rrpd                       | '0110'B                                                            |          |
| mt                         | '00101000'B                                                        |          |
| rrcau                      | ('00000001'B, '00000010'B, '00000011'B, '00000100'B, '01101111'B)  |          |
| <b>Detailed Comments:</b>  |                                                                    |          |

| PDU Constraint Declaration |                   |          |
|----------------------------|-------------------|----------|
| <b>Constraint Name:</b>    | Holdpdu_01(Ti:Ti) |          |
| <b>PDU Type:</b>           | HOLD_PDU          |          |
| <b>Derivation Path:</b>    |                   |          |
| <b>Comments:</b>           |                   |          |
| Field Name                 | Field Value       | Comments |
| ti                         | Ti                |          |
| ccpd                       | '0011'B           |          |
| mt                         | '0?011000'B       |          |
| <b>Detailed Comments:</b>  |                   |          |

| PDU Constraint Declaration |                      |          |
|----------------------------|----------------------|----------|
| <b>Constraint Name:</b>    | HoldAckpdu_01(Ti:TI) |          |
| <b>PDU Type:</b>           | HOLD_ACK_PDU         |          |
| <b>Derivation Path:</b>    |                      |          |
| <b>Comments:</b>           |                      |          |
| Field Name                 | Field Value          | Comments |
| ti                         | Ti                   |          |
| ccpd                       | '0011'B              |          |
| mt                         | '00011001'B          |          |
| <b>Detailed Comments:</b>  |                      |          |

| PDU Constraint Declaration |                                                                |          |
|----------------------------|----------------------------------------------------------------|----------|
| <b>Constraint Name:</b>    | IDResponse_01                                                  |          |
| <b>PDU Type:</b>           | ID_RES_PDU                                                     |          |
| <b>Derivation Path:</b>    |                                                                |          |
| <b>Comments:</b>           | An IDENTITY RESPONSE message which matches any mobile identity |          |
| Field Name                 | Field Value                                                    | Comments |
| ski                        | '0000'B                                                        |          |
| mmpd                       | '0101'B                                                        |          |
| mt                         | '0?011001'B                                                    |          |
| mi                         | ?                                                              |          |
| <b>Detailed Comments:</b>  |                                                                |          |

| PDU Constraint Declaration |                                                                      |          |
|----------------------------|----------------------------------------------------------------------|----------|
| <b>Constraint Name:</b>    | IDResponse_02                                                        |          |
| <b>PDU Type:</b>           | ID_RES_PDU                                                           |          |
| <b>Derivation Path:</b>    | IDResponse_01.                                                       |          |
| <b>Comments:</b>           | An IDENTITY RESPONSE message which matches TMSI of the MS under test |          |
| Field Name                 | Field Value                                                          | Comments |
| mi                         | MiTmsi_01                                                            |          |
| <b>Detailed Comments:</b>  |                                                                      |          |

| PDU Constraint Declaration |                                                                               |          |
|----------------------------|-------------------------------------------------------------------------------|----------|
| <b>Constraint Name:</b>    | IDResponse_30(par:MI)                                                         |          |
| <b>PDU Type:</b>           | ID_RES_PDU                                                                    |          |
| <b>Derivation Path:</b>    |                                                                               |          |
| <b>Comments:</b>           | An IDENTITY RESPONSE message which matches the given MI of the MS under test. |          |
| Field Name                 | Field Value                                                                   | Comments |
| ski                        | '0000'B                                                                       |          |
| mmpd                       | '0101'B                                                                       |          |
| mt                         | '0?011001'B                                                                   |          |
| mi                         | par                                                                           |          |
| <b>Detailed Comments:</b>  |                                                                               |          |

| PDU Constraint Declaration |                                                           |          |
|----------------------------|-----------------------------------------------------------|----------|
| <b>Constraint Name:</b>    | IDRequest_01(type:B_4)                                    |          |
| <b>PDU Type:</b>           | ID_RQ_PDU                                                 |          |
| <b>Derivation Path:</b>    |                                                           |          |
| <b>Comments:</b>           | An IDENTITY REQUEST message with specified identity type. |          |
| Field Name                 | Field Value                                               | Comments |
| ski                        | '0000'B                                                   |          |
| mmpd                       | '0101'B                                                   |          |
| mt                         | '00011000'B                                               |          |
| shoct                      | '0000'B                                                   |          |
| idtype                     | type                                                      |          |
| <b>Detailed Comments:</b>  |                                                           |          |

| PDU Constraint Declaration |                                                                    |          |
|----------------------------|--------------------------------------------------------------------|----------|
| <b>Constraint Name:</b>    | IDRequest_inv_01(skip :INTEGER)                                    |          |
| <b>PDU Type:</b>           | ID_RQ_PDU                                                          |          |
| <b>Derivation Path:</b>    |                                                                    |          |
| <b>Comments:</b>           | An invalid IDENTITY REQUEST message with incorrect skip indicator. |          |
| Field Name                 | Field Value                                                        | Comments |
| ski                        | INT_TO_BIT(skip, 4)                                                |          |
| mmpd                       | '0101'B                                                            |          |
| mt                         | '00011000'B                                                        |          |
| shoct                      | '0000'B                                                            |          |
| idtype                     | '0001'B                                                            |          |
| <b>Detailed Comments:</b>  |                                                                    |          |

| PDU Constraint Declaration |                                                                                           |          |
|----------------------------|-------------------------------------------------------------------------------------------|----------|
| <b>Constraint Name:</b>    | IDRequest_inv_02                                                                          |          |
| <b>PDU Type:</b>           | ID_RQ_PDU                                                                                 |          |
| <b>Derivation Path:</b>    |                                                                                           |          |
| <b>Comments:</b>           | An invalid IDENTITY REQUEST message of which the identity type is coded as reserved value |          |
| Field Name                 | Field Value                                                                               | Comments |
| ski                        | '0000'B                                                                                   |          |
| mmpd                       | '0101'B                                                                                   |          |
| mt                         | '00011000'B                                                                               |          |
| shoct                      | '0000'B                                                                                   |          |
| idtype                     | '1111'B                                                                                   |          |
| <b>Detailed Comments:</b>  |                                                                                           |          |

| PDU Constraint Declaration |                                                                     |          |
|----------------------------|---------------------------------------------------------------------|----------|
| <b>Constraint Name:</b>    | IDRequest_inv_03                                                    |          |
| <b>PDU Type:</b>           | ID_RQ_PDU                                                           |          |
| <b>Derivation Path:</b>    |                                                                     |          |
| <b>Comments:</b>           | An invalid IDENTITY REQUEST message containing arbitrary spare bits |          |
| Field Name                 | Field Value                                                         | Comments |
| ski                        | '0000'B                                                             |          |
| mmpd                       | '0101'B                                                             |          |
| mt                         | '00011000'B                                                         |          |
| shoct                      | '1010'B                                                             |          |
| idtype                     | '1100'B                                                             |          |
| <b>Detailed Comments:</b>  |                                                                     |          |

| PDU Constraint Declaration |                                                                                           |          |
|----------------------------|-------------------------------------------------------------------------------------------|----------|
| <b>Constraint Name:</b>    | ImmAsgn_01Def(Rr: BITSTRING; Fn: FN; sub:B_2; slot:SN; tsc:TSC; par_arfcn:INTEGER; ta:TA) |          |
| <b>PDU Type:</b>           | IMMASS_PDU                                                                                |          |
| <b>Derivation Path:</b>    |                                                                                           |          |
| <b>Comments:</b>           | An IMMEDIATE ASSIGNMENT message to assign SDCCH/4 channel.                                |          |
| Field Name                 | Field Value                                                                               | Comments |
| l2_pl                      | '2D'O                                                                                     |          |
| ski                        | '0000'B                                                                                   |          |
| rrpd                       | '0110'B                                                                                   |          |
| mt                         | '00111111'B                                                                               |          |
| shoct                      | '0000'B                                                                                   |          |
| pm                         | Pm( C_normal_paging)                                                                      |          |
| chd                        | ChDescrp_nfh( INT_TO_BIT(( 4 +<br>BIT_TO_INT( sub)), 5), slot, tsc,<br>par_arfcn)         |          |
| rqr                        | Rqr2(Rr, Fn)                                                                              |          |
| ta                         | ta                                                                                        |          |
| ma                         | MoblAlc_01                                                                                |          |
| strt                       | -                                                                                         |          |
| iaroct                     | laRestOct_01                                                                              |          |
| <b>Detailed Comments:</b>  |                                                                                           |          |

| PDU Constraint Declaration                         |                                                                        |          |
|----------------------------------------------------|------------------------------------------------------------------------|----------|
| <b>Constraint Name:</b>                            | ImmAsgn_02(Rr: BITSTRING; Fn: FN; ta:TA; chd:CHD; ma:MA)               |          |
| <b>PDU Type:</b>                                   | IMMASS_PDU                                                             |          |
| <b>Derivation Path:</b>                            |                                                                        |          |
| <b>Comments:</b>                                   | An IMMEDIATE ASSIGNMENT message to assign a frequency hopping channel. |          |
| Field Name                                         | Field Value                                                            | Comments |
| l2_pl                                              | '4D'O                                                                  |          |
| ski                                                | '0000'B                                                                |          |
| rrpd                                               | '0110'B                                                                |          |
| mt                                                 | '00111111'B                                                            |          |
| shoct                                              | '0000'B                                                                |          |
| pm                                                 | Pm( C_normal_paging)                                                   |          |
| chd                                                | chd                                                                    |          |
| rqr                                                | Rqr2(Rr, Fn)                                                           |          |
| ta                                                 | ta                                                                     |          |
| ma                                                 | ma                                                                     |          |
| strt                                               | -                                                                      |          |
| iaroct                                             | laRestOct_06                                                           |          |
| <b>Detailed Comments:</b> Used only in TC_26_6_6_1 |                                                                        |          |

| PDU Constraint Declaration |                                                                                                     |          |
|----------------------------|-----------------------------------------------------------------------------------------------------|----------|
| <b>Constraint Name:</b>    | ImmAsgn_nfh(Rr: BITSTRING; Fn: FN; type: CH_TDMA; slot:SN; tsc:TSC; ta:TA; arfcn: INTEGER; pgm:B_2) |          |
| <b>PDU Type:</b>           | IMMASS_PDU                                                                                          |          |
| <b>Derivation Path:</b>    |                                                                                                     |          |
| <b>Comments:</b>           | An IMMEDIATE ASSIGNMENT message to assign TCH/F or TCH/H channel.                                   |          |
| Field Name                 | Field Value                                                                                         | Comments |
| l2_pl                      | '2D'O                                                                                               |          |
| ski                        | '0000'B                                                                                             |          |
| rrpd                       | '0110'B                                                                                             |          |
| mt                         | '00111111'B                                                                                         |          |
| shoct                      | '0000'B                                                                                             |          |
| pm                         | Pm( pgm)                                                                                            |          |
| chd                        | ChDescrp_nfh(type, slot, tsc, arfcn)                                                                |          |
| rqr                        | Rqr2(Rr, Fn)                                                                                        |          |
| ta                         | ta                                                                                                  |          |
| ma                         | MoblAlc_01                                                                                          |          |
| strt                       | -                                                                                                   |          |
| iaroct                     | laRestOct_01                                                                                        |          |
| <b>Detailed Comments:</b>  |                                                                                                     |          |

| PDU Constraint Declaration |                                                                                                                          |          |
|----------------------------|--------------------------------------------------------------------------------------------------------------------------|----------|
| <b>Constraint Name:</b>    | ImmAsgn_221( Rr:BITSTRING; Fn:FN; ts_ccch:SN; tsc:TSC; par_chtype:CH_TDMA; maio:MAIO; hsn:HSN; ta:TA; ma:MA; iel:LENGTH) |          |
| <b>PDU Type:</b>           | IMMASS_PDU                                                                                                               |          |
| <b>Derivation Path:</b>    |                                                                                                                          |          |
| <b>Comments:</b>           | An IMMEDIATE ASSIGNMENT message.                                                                                         |          |
| Field Name                 | Field Value                                                                                                              | Comments |
| l2_pl                      | OC_IntToOct((( 11 + OC_OctToInt( iel)) * 4) + 1, 1)                                                                      |          |
| ski                        | '0000'B                                                                                                                  |          |
| rrpd                       | '0110'B                                                                                                                  |          |
| mt                         | '00111111'B                                                                                                              |          |
| shoct                      | '0000'B                                                                                                                  |          |
| pm                         | Pm( C_normal_paging)                                                                                                     |          |
| chd                        | ChDescrp_fh( par_chtype, ts_ccch, tsc, maio, hsn)                                                                        |          |
| rqr                        | Rqr2(Rr, Fn)                                                                                                             |          |
| ta                         | ta                                                                                                                       |          |
| ma                         | ma                                                                                                                       |          |
| strt                       | -                                                                                                                        |          |
| iaroct                     | laRestOct( iel)                                                                                                          |          |
| <b>Detailed Comments:</b>  |                                                                                                                          |          |

| PDU Constraint Declaration |                                                                                 |          |
|----------------------------|---------------------------------------------------------------------------------|----------|
| <b>Constraint Name:</b>    | ImmAsgn_27(Rr: BITSTRING; Fn: FN;ts_ccch: BITSTRING; par_arfcn: INTEGER; ta:TA) |          |
| <b>PDU Type:</b>           | IMMASS_PDU                                                                      |          |
| <b>Derivation Path:</b>    |                                                                                 |          |
| <b>Comments:</b>           | An IMMEDIATE ASSIGNMENT message to assign SDCCH/8 NonFH channel in any cell.    |          |
| Field Name                 | Field Value                                                                     | Comments |
| l2_pl                      | '2D'O                                                                           |          |
| ski                        | '0000'B                                                                         |          |
| rrpd                       | '0110'B                                                                         |          |
| mt                         | '00111111'B                                                                     |          |
| shoct                      | '0000'B                                                                         |          |
| pm                         | Pm( C_normal_paging)                                                            |          |
| chd                        | ChDescrip_sdcch8_nfh( ts_ccch,<br>TSPX_TscDef, TSPX_SDCCH8SubDef,<br>par_arfcn) |          |
| rqr                        | Rqr2(Rr, Fn)                                                                    |          |
| ta                         | ta                                                                              |          |
| ma                         | MoblAlc_01                                                                      |          |
| strt                       | -                                                                               |          |
| iaroct                     | laRestOct_01                                                                    |          |
| <b>Detailed Comments:</b>  |                                                                                 |          |

| PDU Constraint Declaration |                                                                                               |          |
|----------------------------|-----------------------------------------------------------------------------------------------|----------|
| <b>Constraint Name:</b>    | ImmAsgn_E_01(Rr: BITSTRING; Fn: FN;ts_ccch: BITSTRING; tsc:TSC; par_arfcn: INTEGER;<br>ta:TA) |          |
| <b>PDU Type:</b>           | IMMASS_PDU                                                                                    |          |
| <b>Derivation Path:</b>    |                                                                                               |          |
| <b>Comments:</b>           | An IMMEDIATE ASSIGNMENT message to assign SDCCH/8 NonFH channel in any cell.                  |          |
| Field Name                 | Field Value                                                                                   | Comments |
| l2_pl                      | '2D'O                                                                                         |          |
| ski                        | '0000'B                                                                                       |          |
| rrpd                       | '0110'B                                                                                       |          |
| mt                         | '00111111'B                                                                                   |          |
| shoct                      | '0000'B                                                                                       |          |
| pm                         | Pm( C_normal_paging)                                                                          |          |
| chd                        | ChDescrip_sdcch8_nfh( ts_ccch, tsc,<br>TSPX_SDCCH8SubA, par_arfcn)                            |          |
| rqr                        | Rqr2(Rr, Fn)                                                                                  |          |
| ta                         | ta                                                                                            |          |
| ma                         | MoblAlc_01                                                                                    |          |
| strt                       | -                                                                                             |          |
| iaroct                     | laRestOct_01                                                                                  |          |
| <b>Detailed Comments:</b>  |                                                                                               |          |



| PDU Constraint Declaration |                                                                                                                       |          |
|----------------------------|-----------------------------------------------------------------------------------------------------------------------|----------|
| <b>Constraint Name:</b>    | ImmAsgn_E_02(Rr: BITSTRING; Fn: FN;ts_ccch: BITSTRING; tsc:TSC; ta:TA)                                                |          |
| <b>PDU Type:</b>           | IMMASS_PDU                                                                                                            |          |
| <b>Derivation Path:</b>    |                                                                                                                       |          |
| <b>Comments:</b>           | An IMMEDIATE ASSIGNMENT message to assign SDCCH/8 FH channel in EGSM cases.                                           |          |
| Field Name                 | Field Value                                                                                                           | Comments |
| l2_pl                      | '31'O                                                                                                                 |          |
| ski                        | '0000'B                                                                                                               |          |
| rrpd                       | '0110'B                                                                                                               |          |
| mt                         | '00111111'B                                                                                                           |          |
| shoct                      | '0000'B                                                                                                               |          |
| pm                         | Pm( C_normal_paging)                                                                                                  |          |
| chd                        | ChDescrp_sdcch8_fh(ts_ccch, tsc,<br>TSPX_SDCCH8SubB,<br>INT_TO_BIT((TSPX_MAIO MOD 4), 6),<br>INT_TO_BIT(TSPX_HSN, 6)) |          |
| rqr                        | Rqr2(Rr, Fn)                                                                                                          |          |
| ta                         | ta                                                                                                                    |          |
| ma                         | MoblAlc_281e                                                                                                          |          |
| strt                       | -                                                                                                                     |          |
| iaroct                     | laRestOct_02                                                                                                          |          |
| <b>Detailed Comments:</b>  |                                                                                                                       |          |

| PDU Constraint Declaration |                                                                                             |          |
|----------------------------|---------------------------------------------------------------------------------------------|----------|
| <b>Constraint Name:</b>    | ImmAsgn_inv_01(Rr :BITSTRING; Fn:FN; slot:SN; tsc:TSC; arfcn:INTEGER; ta:TA)                |          |
| <b>PDU Type:</b>           | IMMASS_PDU                                                                                  |          |
| <b>Derivation Path:</b>    |                                                                                             |          |
| <b>Comments:</b>           | An invalid IMMEDIATE ASSIGNMENT message with unknown skip indicator ('0001'B)               |          |
| Field Name                 | Field Value                                                                                 | Comments |
| l2_pl                      | '2D'O                                                                                       |          |
| ski                        | '0001'B                                                                                     |          |
| rrpd                       | '0110'B                                                                                     |          |
| mt                         | '00111111'B                                                                                 |          |
| shoct                      | '0000'B                                                                                     |          |
| pm                         | Pm( C_normal_paging)                                                                        |          |
| chd                        | ChDescrp_nfh( INT_TO_BIT(( 4 +<br>BIT_TO_INT( TSPX_SDCCH4SubDef)),<br>5), slot, tsc, arfcn) |          |
| rqr                        | Rqr2(Rr, Fn)                                                                                |          |
| ta                         | ta                                                                                          |          |
| ma                         | MoblAlc_01                                                                                  |          |
| strt                       | -                                                                                           |          |
| iaroct                     | laRestOct_01                                                                                |          |
| <b>Detailed Comments:</b>  |                                                                                             |          |

| PDU Constraint Declaration |                                                                                             |          |
|----------------------------|---------------------------------------------------------------------------------------------|----------|
| <b>Constraint Name:</b>    | ImmAsgn_inv_04(Rr:BITSTRING; Fn:FN; slot:SN; tsc:TSC; ta:TA; arfcn:INTEGER)                 |          |
| <b>PDU Type:</b>           | IMMASS_PDU                                                                                  |          |
| <b>Derivation Path:</b>    |                                                                                             |          |
| <b>Comments:</b>           | An invalid IMMEDIATE ASSIGNMENT message containing arbitrary spare bits                     |          |
| Field Name                 | Field Value                                                                                 | Comments |
| l2_pl                      | '2D'O                                                                                       |          |
| ski                        | '0000'B                                                                                     |          |
| rrpd                       | '0110'B                                                                                     |          |
| mt                         | '00111111'B                                                                                 |          |
| shoct                      | '1010'B                                                                                     |          |
| pm                         | Pm_02                                                                                       |          |
| chd                        | ChDescrp_nfh( INT_TO_BIT(( 4 +<br>BIT_TO_INT( TSPX_SDCCH4SubDef)),<br>5), slot, tsc, arfcn) |          |
| rqr                        | Rqr2(Rr, Fn)                                                                                |          |
| ta                         | ta                                                                                          |          |
| ma                         | MoblAlc_01                                                                                  |          |
| strt                       | -                                                                                           |          |
| iaroct                     | laRestOct_05                                                                                |          |
| <b>Detailed Comments:</b>  |                                                                                             |          |

| PDU Constraint Declaration |                                                |          |
|----------------------------|------------------------------------------------|----------|
| <b>Constraint Name:</b>    | ImmAsgn_r(chd:CHD; Rr:BITSTRING; Fn:FN; ta:TA) |          |
| <b>PDU Type:</b>           | IMMASS_PDU                                     |          |
| <b>Derivation Path:</b>    |                                                |          |
| <b>Comments:</b>           | An IMMEDIATE ASSIGNMENT message.               |          |
| Field Name                 | Field Value                                    | Comments |
| l2_pl                      | '2D'O                                          |          |
| ski                        | '0000'B                                        |          |
| rrpd                       | '0110'B                                        |          |
| mt                         | '00111111'B                                    |          |
| shoct                      | '0000'B                                        |          |
| pm                         | Pm( C_normal_paging)                           |          |
| chd                        | chd                                            |          |
| rqr                        | Rqr2(Rr, Fn)                                   |          |
| ta                         | ta                                             |          |
| ma                         | MoblAlc_01                                     |          |
| strt                       | -                                              |          |
| iaroct                     | laRestOct_01                                   |          |
| <b>Detailed Comments:</b>  |                                                |          |

| PDU Constraint Declaration |                                                                                     |          |
|----------------------------|-------------------------------------------------------------------------------------|----------|
| <b>Constraint Name:</b>    | ImmAsgn_r02(Rr: BITSTRING; Fn: FN; sub:B_3; slot:SN; tsc:TSC; ta:TA; arfcn:INTEGER) |          |
| <b>PDU Type:</b>           | IMMASS_PDU                                                                          |          |
| <b>Derivation Path:</b>    |                                                                                     |          |
| <b>Comments:</b>           | An IMMEDIATE ASSIGNMENT message to assign SDCCH/8 channel.                          |          |
| Field Name                 | Field Value                                                                         | Comments |
| l2_pl                      | '2D'O                                                                               |          |
| ski                        | '0000'B                                                                             |          |
| rrpd                       | '0110'B                                                                             |          |
| mt                         | '00111111'B                                                                         |          |
| shoct                      | '0000'B                                                                             |          |
| pm                         | Pm( C_normal_paging)                                                                |          |
| chd                        | ChDescrp_sdcch8_nfh( slot, tsc, sub, arfcn)                                         |          |
| rqr                        | Rqr2(Rr, Fn)                                                                        |          |
| ta                         | ta                                                                                  |          |
| ma                         | MoblAlc_01                                                                          |          |
| strt                       | -                                                                                   |          |
| iaroct                     | laRestOct_01                                                                        |          |
| <b>Detailed Comments:</b>  |                                                                                     |          |

| PDU Constraint Declaration |                                                                                                |          |
|----------------------------|------------------------------------------------------------------------------------------------|----------|
| <b>Constraint Name:</b>    | ImmAsgn_r13(Rr: BITSTRING; Fn: FN; chd:CHD; ta:TA)                                             |          |
| <b>PDU Type:</b>           | IMMASS_PDU                                                                                     |          |
| <b>Derivation Path:</b>    |                                                                                                |          |
| <b>Comments:</b>           | An IMMEDIATE ASSIGNMENT message to assign TCH/F channel with a time advance of 30 bit periods. |          |
| Field Name                 | Field Value                                                                                    | Comments |
| l2_pl                      | '2D'O                                                                                          |          |
| ski                        | '0000'B                                                                                        |          |
| rrpd                       | '0110'B                                                                                        |          |
| mt                         | '00111111'B                                                                                    |          |
| shoct                      | '0000'B                                                                                        |          |
| pm                         | Pm( C_normal_paging)                                                                           |          |
| chd                        | chd                                                                                            |          |
| rqr                        | Rqr2(Rr, Fn)                                                                                   |          |
| ta                         | ta                                                                                             |          |
| ma                         | MoblAlc_01                                                                                     |          |
| strt                       | -                                                                                              |          |
| iaroct                     | laRestOct_01                                                                                   |          |
| <b>Detailed Comments:</b>  |                                                                                                |          |

| PDU Constraint Declaration |                                                                                                |          |
|----------------------------|------------------------------------------------------------------------------------------------|----------|
| <b>Constraint Name:</b>    | ImmAsgn_r14(Rr: BITSTRING; Fn: FN; chd:CHD; ta:TA)                                             |          |
| <b>PDU Type:</b>           | IMMASS_PDU                                                                                     |          |
| <b>Derivation Path:</b>    |                                                                                                |          |
| <b>Comments:</b>           | An IMMEDIATE ASSIGNMENT message to assign TCH/H channel with a time advance of 30 bit periods. |          |
| Field Name                 | Field Value                                                                                    | Comments |
| l2_pl                      | '2D'O                                                                                          |          |
| ski                        | '0000'B                                                                                        |          |
| rrpd                       | '0110'B                                                                                        |          |
| mt                         | '00111111'B                                                                                    |          |
| shoct                      | '0000'B                                                                                        |          |
| pm                         | Pm( C_normal_paging)                                                                           |          |
| chd                        | chd                                                                                            |          |
| rqr                        | Rqr2(Rr, Fn)                                                                                   |          |
| ta                         | ta                                                                                             |          |
| ma                         | MoblAllc_01                                                                                    |          |
| strt                       | -                                                                                              |          |
| iaroct                     | laRestOct_01                                                                                   |          |
| <b>Detailed Comments:</b>  |                                                                                                |          |

| PDU Constraint Declaration |                                                                                                              |          |
|----------------------------|--------------------------------------------------------------------------------------------------------------|----------|
| <b>Constraint Name:</b>    | ImmAsgn_r27(Rr: BITSTRING; Fn: FN; slot:SN; tsc:TSC; ta:TA)                                                  |          |
| <b>PDU Type:</b>           | IMMASS_PDU                                                                                                   |          |
| <b>Derivation Path:</b>    |                                                                                                              |          |
| <b>Comments:</b>           | An IMMEDIATE ASSIGNMENT message to assign SDCCH/8 channel for TC_26_6_13_1.                                  |          |
| Field Name                 | Field Value                                                                                                  | Comments |
| l2_pl                      | '39'O                                                                                                        |          |
| ski                        | '0000'B                                                                                                      |          |
| rrpd                       | '0110'B                                                                                                      |          |
| mt                         | '00111111'B                                                                                                  |          |
| shoct                      | '0000'B                                                                                                      |          |
| pm                         | Pm( C_normal_paging)                                                                                         |          |
| chd                        | ChDescrp_sdcch8_fh(slot, tsc,<br>TSPX_SDCCH8SubA,<br>INT_TO_BIT(TSPX_Maio1, 6),<br>INT_TO_BIT(TSPX_Hsn1, 6)) |          |
| rqr                        | Rqr2(Rr, Fn)                                                                                                 |          |
| ta                         | ta                                                                                                           |          |
| ma                         | MoblAllc_r05                                                                                                 |          |
| strt                       | -                                                                                                            |          |
| iaroct                     | laRestOct_08                                                                                                 |          |
| <b>Detailed Comments:</b>  |                                                                                                              |          |

| PDU Constraint Declaration |                                                                                                              |          |
|----------------------------|--------------------------------------------------------------------------------------------------------------|----------|
| <b>Constraint Name:</b>    | ImmAsgn_r28(Rr: BITSTRING; Fn: FN; slot:SN; tsc:TSC; ta:TA)                                                  |          |
| <b>PDU Type:</b>           | IMMASS_PDU                                                                                                   |          |
| <b>Derivation Path:</b>    |                                                                                                              |          |
| <b>Comments:</b>           | An IMMEDIATE ASSIGNMENT message to assign SDCCH/8 channel for TC_26_6_13_2 .                                 |          |
| Field Name                 | Field Value                                                                                                  | Comments |
| l2_pl                      | '39'O                                                                                                        |          |
| ski                        | '0000'B                                                                                                      |          |
| rrpd                       | '0110'B                                                                                                      |          |
| mt                         | '00111111'B                                                                                                  |          |
| shoct                      | '0000'B                                                                                                      |          |
| pm                         | Pm( C_normal_paging)                                                                                         |          |
| chd                        | ChDescrp_sdcch8_fh(slot, tsc,<br>TSPX_SDCCH8SubB,<br>INT_TO_BIT(TSPX_Maio4, 6),<br>INT_TO_BIT(TSPX_Hsn4, 6)) |          |
| rqr                        | Rqr2(Rr, Fn)                                                                                                 |          |
| ta                         | ta                                                                                                           |          |
| ma                         | MoblAllic_r08                                                                                                |          |
| strt                       | -                                                                                                            |          |
| iaroct                     | laRestOct_08                                                                                                 |          |
| <b>Detailed Comments:</b>  |                                                                                                              |          |

| PDU Constraint Declaration |                                                                                                |          |
|----------------------------|------------------------------------------------------------------------------------------------|----------|
| <b>Constraint Name:</b>    | ImmAsgn_r29(Rr: BITSTRING; Fn: FN; slot:SN; tsc:TSC; ta:TA)                                    |          |
| <b>PDU Type:</b>           | IMMASS_PDU                                                                                     |          |
| <b>Derivation Path:</b>    |                                                                                                |          |
| <b>Comments:</b>           | An IMMEDIATE ASSIGNMENT message to assign the channel defined by PIXIT for TC_26_6_13_3.       |          |
| Field Name                 | Field Value                                                                                    | Comments |
| l2_pl                      | '39'O                                                                                          |          |
| ski                        | '0000'B                                                                                        |          |
| rrpd                       | '0110'B                                                                                        |          |
| mt                         | '00111111'B                                                                                    |          |
| shoct                      | '0000'B                                                                                        |          |
| pm                         | Pm( C_normal_paging)                                                                           |          |
| chd                        | ChDescrp_fh( TSPX_Chtp3, slot, tsc,<br>INT_TO_BIT(TSPX_Maio6, 6),<br>INT_TO_BIT(TSPX_Hsn6, 6)) |          |
| rqr                        | Rqr2(Rr, Fn)                                                                                   |          |
| ta                         | ta                                                                                             |          |
| ma                         | MoblAllic_r10                                                                                  |          |
| strt                       | -                                                                                              |          |
| iaroct                     | laRestOct_08                                                                                   |          |
| <b>Detailed Comments:</b>  |                                                                                                |          |

| PDU Constraint Declaration |                                                                                                  |          |
|----------------------------|--------------------------------------------------------------------------------------------------|----------|
| <b>Constraint Name:</b>    | ImmAsgn_r30(Rr: BITSTRING; Fn: FN; slot:SN; tsc:TSC; ta:TA)                                      |          |
| <b>PDU Type:</b>           | IMMASS_PDU                                                                                       |          |
| <b>Derivation Path:</b>    |                                                                                                  |          |
| <b>Comments:</b>           | An IMMEDIATE ASSIGNMENT message for TC_26_6_13_4.                                                |          |
| Field Name                 | Field Value                                                                                      | Comments |
| l2_pl                      | '39'O                                                                                            |          |
| ski                        | '0000'B                                                                                          |          |
| rrpd                       | '0110'B                                                                                          |          |
| mt                         | '00111111'B                                                                                      |          |
| shoct                      | '0000'B                                                                                          |          |
| pm                         | Pm( C_normal_paging)                                                                             |          |
| chd                        | ChDescrp_fh( TSPX_Chtp5, slot, tsc,<br>INT_TO_BIT(TSPX_Maio10, 6),<br>INT_TO_BIT(TSPX_Hsn10, 6)) |          |
| rqr                        | Rqr2(Rr, Fn)                                                                                     |          |
| ta                         | ta                                                                                               |          |
| ma                         | MoblAllc_r14                                                                                     |          |
| strt                       | -                                                                                                |          |
| iaroct                     | laRestOct_08                                                                                     |          |
| <b>Detailed Comments:</b>  |                                                                                                  |          |

| PDU Constraint Declaration |                                                                                                                |          |
|----------------------------|----------------------------------------------------------------------------------------------------------------|----------|
| <b>Constraint Name:</b>    | ImmAsgn_r31(Rr: BITSTRING; Fn: FN; slot:SN; tsc:TSC; ta:TA)                                                    |          |
| <b>PDU Type:</b>           | IMMASS_PDU                                                                                                     |          |
| <b>Derivation Path:</b>    |                                                                                                                |          |
| <b>Comments:</b>           | An IMMEDIATE ASSIGNMENT message to assign SDCCH/8 channel for TC_26_6_13_5.                                    |          |
| Field Name                 | Field Value                                                                                                    | Comments |
| l2_pl                      | '39'O                                                                                                          |          |
| ski                        | '0000'B                                                                                                        |          |
| rrpd                       | '0110'B                                                                                                        |          |
| mt                         | '00111111'B                                                                                                    |          |
| shoct                      | '0000'B                                                                                                        |          |
| pm                         | Pm( C_normal_paging)                                                                                           |          |
| chd                        | ChDescrp_sdcch8_fh(slot, tsc,<br>TSPX_SDCCH8SubB,<br>INT_TO_BIT(TSPX_Maio14, 6),<br>INT_TO_BIT(TSPX_Hsn14, 6)) |          |
| rqr                        | Rqr2(Rr, Fn)                                                                                                   |          |
| ta                         | ta                                                                                                             |          |
| ma                         | MoblAllc_r18                                                                                                   |          |
| strt                       | -                                                                                                              |          |
| iaroct                     | laRestOct_08                                                                                                   |          |
| <b>Detailed Comments:</b>  |                                                                                                                |          |

| PDU Constraint Declaration |                                                                                                                |          |
|----------------------------|----------------------------------------------------------------------------------------------------------------|----------|
| <b>Constraint Name:</b>    | ImmAsgn_r32(Rr: BITSTRING; Fn: FN; slot:SN; tsc:TSC; ta:TA)                                                    |          |
| <b>PDU Type:</b>           | IMMASS_PDU                                                                                                     |          |
| <b>Derivation Path:</b>    |                                                                                                                |          |
| <b>Comments:</b>           | An IMMEDIATE ASSIGNMENT message to assign SDCCH/8 channel for TC_26_6_13_6.                                    |          |
| Field Name                 | Field Value                                                                                                    | Comments |
| l2_pl                      | '39'O                                                                                                          |          |
| ski                        | '0000'B                                                                                                        |          |
| rrpd                       | '0110'B                                                                                                        |          |
| mt                         | '00111111'B                                                                                                    |          |
| shoct                      | '0000'B                                                                                                        |          |
| pm                         | Pm( C_normal_paging)                                                                                           |          |
| chd                        | ChDescrp_sdcch8_fh(slot, tsc,<br>TSPX_SDCCH8SubC,<br>INT_TO_BIT(TSPX_Maio17, 6),<br>INT_TO_BIT(TSPX_Hsn17, 6)) |          |
| rqr                        | Rqr2(Rr, Fn)                                                                                                   |          |
| ta                         | ta                                                                                                             |          |
| ma                         | MoblAllic_r21                                                                                                  |          |
| strt                       | -                                                                                                              |          |
| iaroct                     | laRestOct_08                                                                                                   |          |
| <b>Detailed Comments:</b>  |                                                                                                                |          |

| PDU Constraint Declaration |                                                                                                  |          |
|----------------------------|--------------------------------------------------------------------------------------------------|----------|
| <b>Constraint Name:</b>    | ImmAsgn_r33(Rr: BITSTRING; Fn: FN; slot:SN; tsc:TSC; ta:TA)                                      |          |
| <b>PDU Type:</b>           | IMMASS_PDU                                                                                       |          |
| <b>Derivation Path:</b>    |                                                                                                  |          |
| <b>Comments:</b>           | An IMMEDIATE ASSIGNMENT message to assign the channel defined by PIXIT for TC_26_6_13_7.         |          |
| Field Name                 | Field Value                                                                                      | Comments |
| l2_pl                      | '39'O                                                                                            |          |
| ski                        | '0000'B                                                                                          |          |
| rrpd                       | '0110'B                                                                                          |          |
| mt                         | '00111111'B                                                                                      |          |
| shoct                      | '0000'B                                                                                          |          |
| pm                         | Pm( C_normal_paging)                                                                             |          |
| chd                        | ChDescrp_fh( TSPX_Chtp9, slot, tsc,<br>INT_TO_BIT(TSPX_Maio20, 6),<br>INT_TO_BIT(TSPX_Hsn20, 6)) |          |
| rqr                        | Rqr2(Rr, Fn)                                                                                     |          |
| ta                         | ta                                                                                               |          |
| ma                         | MoblAllic_r24                                                                                    |          |
| strt                       | -                                                                                                |          |
| iaroct                     | laRestOct_08                                                                                     |          |
| <b>Detailed Comments:</b>  |                                                                                                  |          |

| PDU Constraint Declaration |                                                                                                   |          |
|----------------------------|---------------------------------------------------------------------------------------------------|----------|
| <b>Constraint Name:</b>    | ImmAsgn_r34(Rr: BITSTRING; Fn: FN; slot:SN; tsc:TSC; ta:TA)                                       |          |
| <b>PDU Type:</b>           | IMMASS_PDU                                                                                        |          |
| <b>Derivation Path:</b>    |                                                                                                   |          |
| <b>Comments:</b>           | An IMMEDIATE ASSIGNMENT message to assign the channel defined by PIXIT for TC_26_6_13_8.          |          |
| Field Name                 | Field Value                                                                                       | Comments |
| l2_pl                      | '39'O                                                                                             |          |
| ski                        | '0000'B                                                                                           |          |
| rrpd                       | '0110'B                                                                                           |          |
| mt                         | '00111111'B                                                                                       |          |
| shoct                      | '0000'B                                                                                           |          |
| pm                         | Pm( C_normal_paging)                                                                              |          |
| chd                        | ChDescrp_fh( TSPX_Chtp11, slot, tsc,<br>INT_TO_BIT(TSPX_Maio24, 6),<br>INT_TO_BIT(TSPX_Hsn24, 6)) |          |
| rqr                        | Rqr2(Rr, Fn)                                                                                      |          |
| ta                         | ta                                                                                                |          |
| ma                         | MoblAllc_r28                                                                                      |          |
| strt                       | -                                                                                                 |          |
| iaroct                     | laRestOct_08                                                                                      |          |
| <b>Detailed Comments:</b>  |                                                                                                   |          |

| PDU Constraint Declaration |                                                                                                   |          |
|----------------------------|---------------------------------------------------------------------------------------------------|----------|
| <b>Constraint Name:</b>    | ImmAsgn_r35(Rr: BITSTRING; Fn: FN; slot:SN; tsc:TSC; ta:TA; starttm:STRT)                         |          |
| <b>PDU Type:</b>           | IMMASS_PDU                                                                                        |          |
| <b>Derivation Path:</b>    |                                                                                                   |          |
| <b>Comments:</b>           | An IMMEDIATE ASSIGNMENT message to assign the channel defined by PIXIT for TC_26_6_13_9.          |          |
| Field Name                 | Field Value                                                                                       | Comments |
| l2_pl                      | '45'O                                                                                             |          |
| ski                        | '0000'B                                                                                           |          |
| rrpd                       | '0110'B                                                                                           |          |
| mt                         | '00111111'B                                                                                       |          |
| shoct                      | '0000'B                                                                                           |          |
| pm                         | Pm( C_normal_paging)                                                                              |          |
| chd                        | ChDescrp_fh( TSPX_Chtp13, slot, tsc,<br>INT_TO_BIT(TSPX_Maio28, 6),<br>INT_TO_BIT(TSPX_Hsn28, 6)) |          |
| rqr                        | Rqr2(Rr, Fn)                                                                                      |          |
| ta                         | ta                                                                                                |          |
| ma                         | MoblAllc_r32                                                                                      |          |
| strt                       | starttm                                                                                           |          |
| iaroct                     | laRestOct_03                                                                                      |          |
| <b>Detailed Comments:</b>  |                                                                                                   |          |



| PDU Constraint Declaration |                                                                                                   |          |
|----------------------------|---------------------------------------------------------------------------------------------------|----------|
| <b>Constraint Name:</b>    | ImmAsgn_r36(Rr: BITSTRING; Fn: FN; slot:SN; tsc:TSC; ta:TA; starttm:STRT)                         |          |
| <b>PDU Type:</b>           | IMMASS_PDU                                                                                        |          |
| <b>Derivation Path:</b>    |                                                                                                   |          |
| <b>Comments:</b>           | An IMMEDIATE ASSIGNMENT message to assign the channel defined by PIXIT for TC_26_6_13_10.         |          |
| Field Name                 | Field Value                                                                                       | Comments |
| l2_pl                      | '45'O                                                                                             |          |
| ski                        | '0000'B                                                                                           |          |
| rrpd                       | '0110'B                                                                                           |          |
| mt                         | '00111111'B                                                                                       |          |
| shoct                      | '0000'B                                                                                           |          |
| pm                         | Pm( C_normal_paging)                                                                              |          |
| chd                        | ChDescrp_fh( TSPX_Chtp14, slot, tsc,<br>INT_TO_BIT(TSPX_Maio30, 6),<br>INT_TO_BIT(TSPX_Hsn30, 6)) |          |
| rqr                        | Rqr2(Rr, Fn)                                                                                      |          |
| ta                         | ta                                                                                                |          |
| ma                         | MoblAllc_r33                                                                                      |          |
| strt                       | starttm                                                                                           |          |
| iaroct                     | laRestOct_04                                                                                      |          |
| <b>Detailed Comments:</b>  |                                                                                                   |          |

| PDU Constraint Declaration |                                                                                          |          |
|----------------------------|------------------------------------------------------------------------------------------|----------|
| <b>Constraint Name:</b>    | ImmAsgn_sdcch8(Rr: BITSTRING; Fn: FN; slot:SN; tsc:TSC; subch:B_3; arfcn:INTEGER; ta:TA) |          |
| <b>PDU Type:</b>           | IMMASS_PDU                                                                               |          |
| <b>Derivation Path:</b>    |                                                                                          |          |
| <b>Comments:</b>           | An IMMEDIATE ASSIGNMENT message to assign SDCCH8 channel                                 |          |
| Field Name                 | Field Value                                                                              | Comments |
| l2_pl                      | '2D'O                                                                                    |          |
| ski                        | '0000'B                                                                                  |          |
| rrpd                       | '0110'B                                                                                  |          |
| mt                         | '00111111'B                                                                              |          |
| shoct                      | '0000'B                                                                                  |          |
| pm                         | Pm( C_normal_paging)                                                                     |          |
| chd                        | ChDescrp_sdcch8_nfh(slot, tsc, subch,<br>arfcn)                                          |          |
| rqr                        | Rqr2(Rr, Fn)                                                                             |          |
| ta                         | ta                                                                                       |          |
| ma                         | MoblAllc_01                                                                              |          |
| strt                       | -                                                                                        |          |
| iaroct                     | laRestOct_01                                                                             |          |
| <b>Detailed Comments:</b>  |                                                                                          |          |

| PDU Constraint Declaration |                                                                                            |          |
|----------------------------|--------------------------------------------------------------------------------------------|----------|
| <b>Constraint Name:</b>    | ImmAsgnX_01(Rr: BITSTRING; Fn: FN; sub1, sub2:B_3; slot:SN; tsc:TSC; ta:TA; arfcn:INTEGER) |          |
| <b>PDU Type:</b>           | IMMASSX_PDU                                                                                |          |
| <b>Derivation Path:</b>    |                                                                                            |          |
| <b>Comments:</b>           | An IMMEDIATE ASSIGNMENT EXTENDED message to assign SDCCH/8 channel.                        |          |
| Field Name                 | Field Value                                                                                | Comments |
| l2_pl                      | '49'O                                                                                      |          |
| ski                        | '0000'B                                                                                    |          |
| rrpd                       | '0110'B                                                                                    |          |
| mt                         | '00111001'B                                                                                |          |
| shoct                      | '0000'B                                                                                    |          |
| pm                         | Pm( C_extended_paging)                                                                     |          |
| chd1                       | ChDescrp_sdcch8_nfh( slot, tsc, sub1, arfcn)                                               |          |
| rqr1                       | Rqr2(Rr, Fn)                                                                               |          |
| ta1                        | ta                                                                                         |          |
| chd2                       | ChDescrp_sdcch8_nfh( slot, tsc, sub2, arfcn)                                               |          |
| rqr2                       | Rqr2(Rr, Fn)                                                                               |          |
| ta2                        | ta                                                                                         |          |
| ma                         | MobAllc_01                                                                                 |          |
| strt                       | -                                                                                          |          |
| iaxroct                    | '2B2B2B2B'O                                                                                |          |
| <b>Detailed Comments:</b>  |                                                                                            |          |

| PDU Constraint Declaration |                                                                                                                                                      |          |
|----------------------------|------------------------------------------------------------------------------------------------------------------------------------------------------|----------|
| <b>Constraint Name:</b>    | ImmAsgnX_02( slot:SN; tsc:TSC; ta:TA; arfcn:INTEGER)                                                                                                 |          |
| <b>PDU Type:</b>           | IMMASSX_PDU                                                                                                                                          |          |
| <b>Derivation Path:</b>    |                                                                                                                                                      |          |
| <b>Comments:</b>           | An IMMEDIATE ASSIGNMENT EXTENDED message containing paging mode = paging reorganisation and Request References that do not pertain to MS under test. |          |
| Field Name                 | Field Value                                                                                                                                          | Comments |
| l2_pl                      | '49'O                                                                                                                                                |          |
| ski                        | '0000'B                                                                                                                                              |          |
| rrpd                       | '0110'B                                                                                                                                              |          |
| mt                         | '00111001'B                                                                                                                                          |          |
| shoct                      | '0000'B                                                                                                                                              |          |
| pm                         | Pm( C_reorg_paging)                                                                                                                                  |          |
| chd1                       | ChDescrp_sdcch8_nfh( slot, tsc, TSPX_SDCCH8SubA, arfcn)                                                                                              |          |
| rqr1                       | Rqr3                                                                                                                                                 |          |
| ta1                        | ta                                                                                                                                                   |          |
| chd2                       | ChDescrp_sdcch8_nfh( slot, tsc, TSPX_SDCCH8SubB, C_arfcnA)                                                                                           |          |
| rqr2                       | Rqr3                                                                                                                                                 |          |
| ta2                        | ta                                                                                                                                                   |          |
| ma                         | MobAllc_01                                                                                                                                           |          |
| strt                       | -                                                                                                                                                    |          |
| iaxroct                    | '2B2B2B2B'O                                                                                                                                          |          |
| <b>Detailed Comments:</b>  |                                                                                                                                                      |          |

| PDU Constraint Declaration |                                                                                                                                                      |          |
|----------------------------|------------------------------------------------------------------------------------------------------------------------------------------------------|----------|
| <b>Constraint Name:</b>    | ImmAsgnX_03( slot:SN; tsc:TSC; ta:TA; arfcn:INTEGER)                                                                                                 |          |
| <b>PDU Type:</b>           | IMMASSX_PDU                                                                                                                                          |          |
| <b>Derivation Path:</b>    |                                                                                                                                                      |          |
| <b>Comments:</b>           | An IMMEDIATE ASSIGNMENT EXTENDED message containing paging mode = paging reorganisation and Request References that do not pertain to MS under test. |          |
| Field Name                 | Field Value                                                                                                                                          | Comments |
| l2_pl                      | '49'O                                                                                                                                                |          |
| ski                        | '0000'B                                                                                                                                              |          |
| rrpd                       | '0110'B                                                                                                                                              |          |
| mt                         | '00111001'B                                                                                                                                          |          |
| shoct                      | '0000'B                                                                                                                                              |          |
| pm                         | Pm( C_reorg_paging)                                                                                                                                  |          |
| chd1                       | ChDescrp_sdcch8_nfh( slot, tsc, TSPX_SDCCH8SubA, arfcn)                                                                                              |          |
| rqr1                       | Rqr3                                                                                                                                                 |          |
| ta1                        | ta                                                                                                                                                   |          |
| chd2                       | ChDescrp_sdcch8_nfh( slot, tsc, TSPX_SDCCH8SubB, 30)                                                                                                 |          |
| rqr2                       | Rqr3                                                                                                                                                 |          |
| ta2                        | ta                                                                                                                                                   |          |
| ma                         | MoblAllc_01                                                                                                                                          |          |
| strt                       | -                                                                                                                                                    |          |
| iaxroct                    | '2B2B2B2B'O                                                                                                                                          |          |
| <b>Detailed Comments:</b>  |                                                                                                                                                      |          |

| PDU Constraint Declaration |                                                                                                                                                      |          |
|----------------------------|------------------------------------------------------------------------------------------------------------------------------------------------------|----------|
| <b>Constraint Name:</b>    | ImmAsgnX_04( slot:SN; tsc:TSC; ta:TA; arfcn:INTEGER)                                                                                                 |          |
| <b>PDU Type:</b>           | IMMASSX_PDU                                                                                                                                          |          |
| <b>Derivation Path:</b>    |                                                                                                                                                      |          |
| <b>Comments:</b>           | An IMMEDIATE ASSIGNMENT EXTENDED message containing paging mode = paging reorganisation and Request References that do not pertain to MS under test. |          |
| Field Name                 | Field Value                                                                                                                                          | Comments |
| l2_pl                      | '49'O                                                                                                                                                |          |
| ski                        | '0000'B                                                                                                                                              |          |
| rrpd                       | '0110'B                                                                                                                                              |          |
| mt                         | '00111001'B                                                                                                                                          |          |
| shoct                      | '0000'B                                                                                                                                              |          |
| pm                         | Pm( C_reorg_paging)                                                                                                                                  |          |
| chd1                       | ChDescrp_sdcch8_nfh( slot, tsc, TSPX_SDCCH8SubA, arfcn)                                                                                              |          |
| rqr1                       | Rqr3                                                                                                                                                 |          |
| ta1                        | ta                                                                                                                                                   |          |
| chd2                       | ChDescrp_sdcch8_nfh( slot, tsc, TSPX_SDCCH8SubB, 30)                                                                                                 |          |
| rqr2                       | Rqr3                                                                                                                                                 |          |
| ta2                        | ta                                                                                                                                                   |          |
| ma                         | MoblAllc_01                                                                                                                                          |          |
| strt                       | -                                                                                                                                                    |          |
| iaxroct                    | '2B2B2B2B'O                                                                                                                                          |          |
| <b>Detailed Comments:</b>  |                                                                                                                                                      |          |

| PDU Constraint Declaration |                                                                                                        |          |
|----------------------------|--------------------------------------------------------------------------------------------------------|----------|
| <b>Constraint Name:</b>    | ImmAsgnX_r01(Rr: BITSTRING; Fn: FN; Rr_9: BITSTRING; Fn_9: FN; slot:SN; tsc:TSC; ta:TA; arfcn:INTEGER) |          |
| <b>PDU Type:</b>           | IMMASSX_PDU                                                                                            |          |
| <b>Derivation Path:</b>    |                                                                                                        |          |
| <b>Comments:</b>           | An IMMEDIATE ASSIGNMENT message to assign SDCCH/4 channel.                                             |          |
| Field Name                 | Field Value                                                                                            | Comments |
| l2_pl                      | '49'O                                                                                                  |          |
| ski                        | '0000'B                                                                                                |          |
| rrpd                       | '0110'B                                                                                                |          |
| mt                         | '00111001'B                                                                                            |          |
| shoct                      | '0000'B                                                                                                |          |
| pm                         | Pm( C_normal_paging)                                                                                   |          |
| chd1                       | ChDescrp_nfh( INT_TO_BIT(( 4 + BIT_TO_INT( TSPX_SDCCH4SubA)), 5), slot, tsc, arfcn)                    |          |
| rqr1                       | Rqr2(Rr, Fn)                                                                                           |          |
| ta1                        | ta                                                                                                     |          |
| chd2                       | ChDescrp_nfh( INT_TO_BIT(( 4 + BIT_TO_INT( TSPX_SDCCH4SubB)), 5), slot, tsc, arfcn)                    |          |
| rqr2                       | Rqr2(Rr_9, Fn_9)                                                                                       |          |
| ta2                        | ta                                                                                                     |          |
| ma                         | MobAllc_01                                                                                             |          |
| strt                       | -                                                                                                      |          |
| iaxroct                    | '2B2B2B2B'O                                                                                            |          |
| <b>Detailed Comments:</b>  |                                                                                                        |          |

| PDU Constraint Declaration |                                                                                                        |          |
|----------------------------|--------------------------------------------------------------------------------------------------------|----------|
| <b>Constraint Name:</b>    | ImmAsgnX_r02(Rr: BITSTRING; Fn: FN; Rr_9: BITSTRING; Fn_9: FN; slot:SN; tsc:TSC; ta:TA; arfcn:INTEGER) |          |
| <b>PDU Type:</b>           | IMMASSX_PDU                                                                                            |          |
| <b>Derivation Path:</b>    |                                                                                                        |          |
| <b>Comments:</b>           | An IMMEDIATE ASSIGNMENT message to assign SDCCH/8 channel.                                             |          |
| Field Name                 | Field Value                                                                                            | Comments |
| l2_pl                      | '49'O                                                                                                  |          |
| ski                        | '0000'B                                                                                                |          |
| rrpd                       | '0110'B                                                                                                |          |
| mt                         | '00111001'B                                                                                            |          |
| shoct                      | '0000'B                                                                                                |          |
| pm                         | Pm( C_normal_paging)                                                                                   |          |
| chd1                       | ChDescrp_sdcch8_nfh( slot, tsc, TSPX_SDCCH8SubB, arfcn)                                                |          |
| rqr1                       | Rqr2(Rr, Fn)                                                                                           |          |
| ta1                        | ta                                                                                                     |          |
| chd2                       | ChDescrp_sdcch8_nfh( slot, tsc, TSPX_SDCCH8SubC, arfcn)                                                |          |
| rqr2                       | Rqr2(Rr_9, Fn_9)                                                                                       |          |
| ta2                        | ta                                                                                                     |          |
| ma                         | MobAllc_01                                                                                             |          |
| strt                       | -                                                                                                      |          |
| iaxroct                    | '2B2B2B2B'O                                                                                            |          |
| <b>Detailed Comments:</b>  |                                                                                                        |          |

| PDU Constraint Declaration |                                                                                             |          |
|----------------------------|---------------------------------------------------------------------------------------------|----------|
| <b>Constraint Name:</b>    | ImmAsgnX_r03(Rr: BITSTRING; Fn: FN; sub1, sub2:B_2; slot:SN; tsc:TSC; ta:TA; arfcn:INTEGER) |          |
| <b>PDU Type:</b>           | IMMASSX_PDU                                                                                 |          |
| <b>Derivation Path:</b>    |                                                                                             |          |
| <b>Comments:</b>           | An IMMEDIATE ASSIGNMENT message to assign SDCCH/4 channel.                                  |          |
| Field Name                 | Field Value                                                                                 | Comments |
| l2_pl                      | '49'O                                                                                       |          |
| ski                        | '0000'B                                                                                     |          |
| rrpd                       | '0110'B                                                                                     |          |
| mt                         | '00111001'B                                                                                 |          |
| shoct                      | '0000'B                                                                                     |          |
| pm                         | Pm( C_extended_paging)                                                                      |          |
| chd1                       | ChDescrp_nfh( INT_TO_BIT(( 4 + BIT_TO_INT( sub1)), 5), slot, tsc, arfcn)                    |          |
| rqr1                       | Rqr2(Rr, Fn)                                                                                |          |
| ta1                        | ta                                                                                          |          |
| chd2                       | ChDescrp_nfh( INT_TO_BIT(( 4 + BIT_TO_INT( sub2)), 5), slot, tsc, arfcn)                    |          |
| rqr2                       | Rqr2(Rr, Fn)                                                                                |          |
| ta2                        | ta                                                                                          |          |
| ma                         | MoblAllc_01                                                                                 |          |
| strt                       | -                                                                                           |          |
| iaxroct                    | '2B2B2B2B'O                                                                                 |          |
| <b>Detailed Comments:</b>  |                                                                                             |          |

| PDU Constraint Declaration |                                                                       |          |
|----------------------------|-----------------------------------------------------------------------|----------|
| <b>Constraint Name:</b>    | ImmAsgnRej_01(Rr: BITSTRING; Fn: FN)                                  |          |
| <b>PDU Type:</b>           | IMMASS_REJ_PDU                                                        |          |
| <b>Derivation Path:</b>    |                                                                       |          |
| <b>Comments:</b>           | An IMMEDIATE ASSIGNMENT REJECT message containing normal paging mode. |          |
| Field Name                 | Field Value                                                           | Comments |
| l2_pl                      | '4D'O                                                                 |          |
| ski                        | '0000'B                                                               |          |
| rrpd                       | '0110'B                                                               |          |
| mt                         | '00111010'B                                                           |          |
| shoct                      | '0000'B                                                               |          |
| pm                         | Pm( C_normal_paging)                                                  |          |
| rqr1                       | Rqr2(Rr, Fn)                                                          |          |
| wi1                        | '00'H                                                                 |          |
| rqr2                       | Rqr2(Rr, Fn)                                                          |          |
| wi2                        | '00'H                                                                 |          |
| rqr3                       | Rqr2(Rr, Fn)                                                          |          |
| wi3                        | '00'H                                                                 |          |
| rqr4                       | Rqr2(Rr, Fn)                                                          |          |
| wi4                        | '00'H                                                                 |          |
| iarroct                    | '2B2B2B'O                                                             |          |
| <b>Detailed Comments:</b>  |                                                                       |          |

| PDU Constraint Declaration |                                                                                                               |          |
|----------------------------|---------------------------------------------------------------------------------------------------------------|----------|
| <b>Constraint Name:</b>    | ImmAsgnRej_02(Rr:BITSTRING; Fn: FN)                                                                           |          |
| <b>PDU Type:</b>           | IMMASS_REJ_PDU                                                                                                |          |
| <b>Derivation Path:</b>    |                                                                                                               |          |
| <b>Comments:</b>           | An IMMEDIATE ASSIGNMENT REJECT message in which only the third request reference addresses the MS under test. |          |
| Field Name                 | Field Value                                                                                                   | Comments |
| l2_pl                      | '4D'O                                                                                                         |          |
| ski                        | '0000'B                                                                                                       |          |
| rrpd                       | '0110'B                                                                                                       |          |
| mt                         | '00111010'B                                                                                                   |          |
| shoct                      | '0000'B                                                                                                       |          |
| pm                         | Pm( C_normal_paging)                                                                                          |          |
| rqr1                       | Rqr1(Rr, Fn)                                                                                                  |          |
| wi1                        | '02'H                                                                                                         |          |
| rqr2                       | Rqr1(Rr, Fn)                                                                                                  |          |
| wi2                        | '02'H                                                                                                         |          |
| rqr3                       | Rqr2(Rr, Fn)                                                                                                  |          |
| wi3                        | '00'H                                                                                                         |          |
| rqr4                       | Rqr1(Rr, Fn)                                                                                                  |          |
| wi4                        | '02'H                                                                                                         |          |
| iarroct                    | '2B2B2B'O                                                                                                     |          |
| <b>Detailed Comments:</b>  |                                                                                                               |          |

| PDU Constraint Declaration |                                                                                                       |          |
|----------------------------|-------------------------------------------------------------------------------------------------------|----------|
| <b>Constraint Name:</b>    | ImmAsgnRej_03(Rr: BITSTRING; Fn: FN)                                                                  |          |
| <b>PDU Type:</b>           | IMMASS_REJ_PDU                                                                                        |          |
| <b>Derivation Path:</b>    | ImmAsgnRej_01.                                                                                        |          |
| <b>Comments:</b>           | An IMMEDIATE ASSIGNMENT REJECT message containing normal paging mode and wait indication = 5 seconds. |          |
| Field Name                 | Field Value                                                                                           | Comments |
| rqr1                       | Rqr2(Rr, Fn)                                                                                          |          |
| wi1                        | '05'H                                                                                                 |          |
| rqr2                       | Rqr2(Rr, Fn)                                                                                          |          |
| wi2                        | '05'H                                                                                                 |          |
| rqr3                       | Rqr2(Rr, Fn)                                                                                          |          |
| wi3                        | '05'H                                                                                                 |          |
| rqr4                       | Rqr2(Rr, Fn)                                                                                          |          |
| wi4                        | '05'H                                                                                                 |          |
| iarroct                    | '2B2B2B'O                                                                                             |          |
| <b>Detailed Comments:</b>  |                                                                                                       |          |

| PDU Constraint Declaration |                                                                                                       |          |
|----------------------------|-------------------------------------------------------------------------------------------------------|----------|
| <b>Constraint Name:</b>    | ImmAsgnRej_04(Rr: BITSTRING; Fn: FN)                                                                  |          |
| <b>PDU Type:</b>           | IMMASS_REJ_PDU                                                                                        |          |
| <b>Derivation Path:</b>    | ImmAsgnRej_01.                                                                                        |          |
| <b>Comments:</b>           | An IMMEDIATE ASSIGNMENT REJECT message containing normal paging mode and wait indication = 6 seconds. |          |
| Field Name                 | Field Value                                                                                           | Comments |
| rqr1                       | Rqr2(Rr, Fn)                                                                                          |          |
| wi1                        | '06'H                                                                                                 |          |
| rqr2                       | Rqr2(Rr, Fn)                                                                                          |          |
| wi2                        | '06'H                                                                                                 |          |
| rqr3                       | Rqr2(Rr, Fn)                                                                                          |          |
| wi3                        | '06'H                                                                                                 |          |
| rqr4                       | Rqr2(Rr, Fn)                                                                                          |          |
| wi4                        | '06'H                                                                                                 |          |
| iarroct                    | '2B2B2B'O                                                                                             |          |
| <b>Detailed Comments:</b>  |                                                                                                       |          |

| PDU Constraint Declaration |                                                                                              |          |
|----------------------------|----------------------------------------------------------------------------------------------|----------|
| <b>Constraint Name:</b>    | ImmAsgnRej_inv_01(Rr: BITSTRING; Fn: FN)                                                     |          |
| <b>PDU Type:</b>           | IMMASS_REJ_PDU                                                                               |          |
| <b>Derivation Path:</b>    | ImmAsgnRej_01.                                                                               |          |
| <b>Comments:</b>           | An invalid IMMEDIATE ASSIGNMENT REJECT message with skip indicator = 2, reject time = 255 s. |          |
| Field Name                 | Field Value                                                                                  | Comments |
| ski                        | '0010'B                                                                                      |          |
| rqr1                       | Rqr2(Rr, Fn)                                                                                 |          |
| wi1                        | 'FF'H                                                                                        |          |
| rqr2                       | Rqr2(Rr, Fn)                                                                                 |          |
| wi2                        | 'FF'H                                                                                        |          |
| rqr3                       | Rqr2(Rr, Fn)                                                                                 |          |
| wi3                        | 'FF'H                                                                                        |          |
| rqr4                       | Rqr2(Rr, Fn)                                                                                 |          |
| wi4                        | 'FF'H                                                                                        |          |
| <b>Detailed Comments:</b>  |                                                                                              |          |

| PDU Constraint Declaration |                                                                                |          |
|----------------------------|--------------------------------------------------------------------------------|----------|
| <b>Constraint Name:</b>    | ImmAsgnRej_inv_02(Rr: BITSTRING; Fn: FN)                                       |          |
| <b>PDU Type:</b>           | IMMASS_REJ_PDU                                                                 |          |
| <b>Derivation Path:</b>    | ImmAsgnRej_01.                                                                 |          |
| <b>Comments:</b>           | An invalid IMMEDIATE ASSIGNMENT REJECT message containing arbitrary spare bits |          |
| Field Name                 | Field Value                                                                    | Comments |
| shoct                      | '1010'B                                                                        |          |
| pm                         | Pm( C_normal_paging)                                                           |          |
| rqr1                       | Rqr2(Rr, Fn)                                                                   |          |
| rqr2                       | Rqr2(Rr, Fn)                                                                   |          |
| wi2                        | TSPX_T3122                                                                     |          |
| rqr3                       | Rqr2(Rr, Fn)                                                                   |          |
| wi3                        | TSPX_T3122                                                                     |          |
| rqr4                       | Rqr2(Rr, Fn)                                                                   |          |
| wi4                        | TSPX_T3122                                                                     |          |
| iarroct                    | '010101'O                                                                      |          |
| <b>Detailed Comments:</b>  |                                                                                |          |

| PDU Constraint Declaration |                                                                                                                              |          |
|----------------------------|------------------------------------------------------------------------------------------------------------------------------|----------|
| <b>Constraint Name:</b>    | ImmAsgnRej_r01(rqr1, rqr2, rqr3, rqr4: RQR; t1, t2: INTEGER)                                                                 |          |
| <b>PDU Type:</b>           | IMMASS_REJ_PDU                                                                                                               |          |
| <b>Derivation Path:</b>    |                                                                                                                              |          |
| <b>Comments:</b>           | An IMMEDIATE ASSIGNMENT REJECT message in which only the second and the third request reference addresses the MS under test. |          |
| Field Name                 | Field Value                                                                                                                  | Comments |
| l2_pl                      | '4D'O                                                                                                                        |          |
| ski                        | '0000'B                                                                                                                      |          |
| rrpd                       | '0110'B                                                                                                                      |          |
| mt                         | '00111010'B                                                                                                                  |          |
| shoct                      | '0000'B                                                                                                                      |          |
| pm                         | Pm( C_normal_paging)                                                                                                         |          |
| rqr1                       | rqr1                                                                                                                         |          |
| wi1                        | '00'H                                                                                                                        |          |
| rqr2                       | rqr2                                                                                                                         |          |
| wi2                        | INT_TO_HEX(t1, 2)                                                                                                            |          |
| rqr3                       | rqr3                                                                                                                         |          |
| wi3                        | INT_TO_HEX(t2, 2)                                                                                                            |          |
| rqr4                       | rqr4                                                                                                                         |          |
| wi4                        | '00'H                                                                                                                        |          |
| iarroct                    | '2B2B2B'O                                                                                                                    |          |
| <b>Detailed Comments:</b>  |                                                                                                                              |          |

| PDU Constraint Declaration |                                                                       |          |
|----------------------------|-----------------------------------------------------------------------|----------|
| <b>Constraint Name:</b>    | ImmAsgnRej_r02(Rr: BITSTRING; Fn: FN)                                 |          |
| <b>PDU Type:</b>           | IMMASS_REJ_PDU                                                        |          |
| <b>Derivation Path:</b>    |                                                                       |          |
| <b>Comments:</b>           | An IMMEDIATE ASSIGNMENT REJECT message containing normal paging mode. |          |
| Field Name                 | Field Value                                                           | Comments |
| l2_pl                      | '4D'O                                                                 |          |
| ski                        | '0000'B                                                               |          |
| rrpd                       | '0110'B                                                               |          |
| mt                         | '00111010'B                                                           |          |
| shoct                      | '0000'B                                                               |          |
| pm                         | Pm( C_normal_paging)                                                  |          |
| rqr1                       | Rqr2(Rr, Fn)                                                          |          |
| wi1                        | '00'H                                                                 |          |
| rqr2                       | Rqr1(Rr, Fn)                                                          |          |
| wi2                        | '00'H                                                                 |          |
| rqr3                       | Rqr1(Rr, Fn)                                                          |          |
| wi3                        | '00'H                                                                 |          |
| rqr4                       | Rqr1(Rr, Fn)                                                          |          |
| wi4                        | '00'H                                                                 |          |
| iarroct                    | '2B2B2B'O                                                             |          |
| <b>Detailed Comments:</b>  |                                                                       |          |

| PDU Constraint Declaration |                                                                                                                                                                            |          |
|----------------------------|----------------------------------------------------------------------------------------------------------------------------------------------------------------------------|----------|
| <b>Constraint Name:</b>    | ImmAsgnRej_r04                                                                                                                                                             |          |
| <b>PDU Type:</b>           | IMMASS_REJ_PDU                                                                                                                                                             |          |
| <b>Derivation Path:</b>    |                                                                                                                                                                            |          |
| <b>Comments:</b>           | An IMMEDIATE ASSIGNMENT REJECT message containing paging mode = "extended paging" and wait indication = 0 seconds. The Request References do not pertain to MS under test. |          |
| Field Name                 | Field Value                                                                                                                                                                | Comments |
| l2_pl                      | '4D'O                                                                                                                                                                      |          |
| ski                        | '0000'B                                                                                                                                                                    |          |
| rrpd                       | '0110'B                                                                                                                                                                    |          |
| mt                         | '00111010'B                                                                                                                                                                |          |
| shoct                      | '0000'B                                                                                                                                                                    |          |
| pm                         | Pm( C_extended_paging)                                                                                                                                                     |          |
| rqr1                       | Rqr3                                                                                                                                                                       |          |
| wi1                        | '00'H                                                                                                                                                                      |          |
| rqr2                       | Rqr3                                                                                                                                                                       |          |
| wi2                        | '00'H                                                                                                                                                                      |          |
| rqr3                       | Rqr3                                                                                                                                                                       |          |
| wi3                        | '00'H                                                                                                                                                                      |          |
| rqr4                       | Rqr3                                                                                                                                                                       |          |
| wi4                        | '00'H                                                                                                                                                                      |          |
| iarroct                    | '2B2B2B'O                                                                                                                                                                  |          |
| <b>Detailed Comments:</b>  |                                                                                                                                                                            |          |



| PDU Constraint Declaration |                                                                                               |          |
|----------------------------|-----------------------------------------------------------------------------------------------|----------|
| <b>Constraint Name:</b>    | ImsiDetach_01                                                                                 |          |
| <b>PDU Type:</b>           | IMSID_IN_PDU                                                                                  |          |
| <b>Derivation Path:</b>    |                                                                                               |          |
| <b>Comments:</b>           | IMSI DETACH INDICATION message matching any MS classmark1 value and any mobile identity value |          |
| Field Name                 | Field Value                                                                                   | Comments |
| ski                        | '0000'B                                                                                       |          |
| mmpd                       | '0101'B                                                                                       |          |
| mt                         | '0?000001'B                                                                                   |          |
| msclm                      | ?                                                                                             |          |
| mi                         | ?                                                                                             |          |
| <b>Detailed Comments:</b>  |                                                                                               |          |

| PDU Constraint Declaration |                                                                                 |          |
|----------------------------|---------------------------------------------------------------------------------|----------|
| <b>Constraint Name:</b>    | ImsiDetach_30(par:MI)                                                           |          |
| <b>PDU Type:</b>           | IMSID_IN_PDU                                                                    |          |
| <b>Derivation Path:</b>    |                                                                                 |          |
| <b>Comments:</b>           | IMSI DETACH INDICATION message matching any MS classmark1 value and given IMSI. |          |
| Field Name                 | Field Value                                                                     | Comments |
| ski                        | '0000'B                                                                         |          |
| mmpd                       | '0101'B                                                                         |          |
| mt                         | '0?000001'B                                                                     |          |
| msclm                      | ?                                                                               |          |
| mi                         | par                                                                             |          |
| <b>Detailed Comments:</b>  |                                                                                 |          |

| PDU Constraint Declaration |                                                                                                  |          |
|----------------------------|--------------------------------------------------------------------------------------------------|----------|
| <b>Constraint Name:</b>    | LocUpdtAcp(mcc, mnc, lac:OCTETSTRING)                                                            |          |
| <b>PDU Type:</b>           | LUP_ACP_PDU                                                                                      |          |
| <b>Derivation Path:</b>    |                                                                                                  |          |
| <b>Comments:</b>           | A LOCATION UPDATING ACCEPT message without mobile identity and LAI of PLMN2. LAC set in TCV_lac. |          |
| Field Name                 | Field Value                                                                                      | Comments |
| ski                        | '0000'B                                                                                          |          |
| mmpd                       | '0101'B                                                                                          |          |
| mt                         | '00000010'B                                                                                      |          |
| lai                        | LocAreald(mcc, mnc, lac)                                                                         |          |
| mi                         | -                                                                                                |          |
| fop                        | -                                                                                                |          |
| <b>Detailed Comments:</b>  |                                                                                                  |          |

| PDU Constraint Declaration |                                                       |          |
|----------------------------|-------------------------------------------------------|----------|
| <b>Constraint Name:</b>    | LocUpdtAcp_01(newmi: MI; mcc, mnc, lac:OCTETSTRING)   |          |
| <b>PDU Type:</b>           | LUP_ACP_PDU                                           |          |
| <b>Derivation Path:</b>    |                                                       |          |
| <b>Comments:</b>           | To assign a new TMSI with or without mobile identity. |          |
| Field Name                 | Field Value                                           | Comments |
| ski                        | '0000'B                                               |          |
| mmpd                       | '0101'B                                               |          |
| mt                         | '00000010'B                                           |          |
| lai                        | LocAreald(mcc, mnc, lac)                              |          |
| mi                         | newmi                                                 |          |
| fop                        | -                                                     |          |
| <b>Detailed Comments:</b>  |                                                       |          |

| PDU Constraint Declaration |                                           |          |
|----------------------------|-------------------------------------------|----------|
| <b>Constraint Name:</b>    | LocUpdtAcp_02( mcc, mnc, lac:OCTETSTRING) |          |
| <b>PDU Type:</b>           | LUP_ACP_PDU                               |          |
| <b>Derivation Path:</b>    |                                           |          |
| <b>Comments:</b>           | To assign a new TMSI.                     |          |
| Field Name                 | Field Value                               | Comments |
| ski                        | '0000'B                                   |          |
| mmpd                       | '0101'B                                   |          |
| mt                         | '00000010'B                               |          |
| lai                        | LocAreald(mcc, mnc, lac)                  |          |
| mi                         | -                                         |          |
| fop                        | '10100001'B                               |          |
| <b>Detailed Comments:</b>  |                                           |          |

| PDU Constraint Declaration |                                                                                   |          |
|----------------------------|-----------------------------------------------------------------------------------|----------|
| <b>Constraint Name:</b>    | LocUpdtAcp_inv_01(mi1, mi2:MI; mcc, mnc, lac:OCTETSTRING)                         |          |
| <b>PDU Type:</b>           | LUP_ACP_PDU_ERR                                                                   |          |
| <b>Derivation Path:</b>    |                                                                                   |          |
| <b>Comments:</b>           | Invalid LOCATION UPDATING ACCEPT message containing duplicated mobile identifier. |          |
| Field Name                 | Field Value                                                                       | Comments |
| ski                        | '0000'B                                                                           |          |
| mmpd                       | '0101'B                                                                           |          |
| mt                         | '00000010'B                                                                       |          |
| lai                        | LocAreald( mcc, mnc, lac)                                                         |          |
| mi                         | mi1                                                                               |          |
| dupmi                      | mi2                                                                               |          |
| <b>Detailed Comments:</b>  |                                                                                   |          |

| PDU Constraint Declaration |                                                                        |          |
|----------------------------|------------------------------------------------------------------------|----------|
| <b>Constraint Name:</b>    | LocUpdtReq_01( locup:B_2)                                              |          |
| <b>PDU Type:</b>           | LUP_RQ_PDU                                                             |          |
| <b>Derivation Path:</b>    |                                                                        |          |
| <b>Comments:</b>           | A LOCATION UPDATING REQUEST message containing location updating type. |          |
| Field Name                 | Field Value                                                            | Comments |
| ski                        | '0000'B                                                                |          |
| mmpd                       | '0101'B                                                                |          |
| mt                         | '0?001000'B                                                            |          |
| cphksn                     | ?                                                                      |          |
| lutype                     | LocUpType( locup)                                                      |          |
| lai                        | ?                                                                      |          |
| msclm                      | ?                                                                      |          |
| mi                         | ?                                                                      |          |
| <b>Detailed Comments:</b>  |                                                                        |          |

| PDU Constraint Declaration |                                                    |          |
|----------------------------|----------------------------------------------------|----------|
| <b>Constraint Name:</b>    | LocUpdtReq_04( locup:B_2; par:MI)                  |          |
| <b>PDU Type:</b>           | LUP_RQ_PDU                                         |          |
| <b>Derivation Path:</b>    |                                                    |          |
| <b>Comments:</b>           | LOCATION UPDATING REQUEST message containing TMSI. |          |
| Field Name                 | Field Value                                        | Comments |
| ski                        | '0000'B                                            |          |
| mmpd                       | '0101'B                                            |          |
| mt                         | '0?001000'B                                        |          |
| cphksn                     | ?                                                  |          |
| lutype                     | LocUpType(locup)                                   |          |
| lai                        | ?                                                  |          |
| msclm                      | ?                                                  |          |
| mi                         | par                                                |          |
| <b>Detailed Comments:</b>  |                                                    |          |

| PDU Constraint Declaration |                                                 |          |
|----------------------------|-------------------------------------------------|----------|
| <b>Constraint Name:</b>    | LocUpdtReq_05                                   |          |
| <b>PDU Type:</b>           | LUP_RQ_PDU                                      |          |
| <b>Derivation Path:</b>    |                                                 |          |
| <b>Comments:</b>           | to match any LOCATION UPDATING REQUEST message. |          |
| Field Name                 | Field Value                                     | Comments |
| ski                        | '0000'B                                         |          |
| mmpd                       | '0101'B                                         |          |
| mt                         | '0?001000'B                                     |          |
| cphksn                     | ?                                               |          |
| lutype                     | ?                                               |          |
| lai                        | ?                                               |          |
| msclm                      | ?                                               |          |
| mi                         | ?                                               |          |
| <b>Detailed Comments:</b>  |                                                 |          |

| PDU Constraint Declaration |                                                                              |          |
|----------------------------|------------------------------------------------------------------------------|----------|
| <b>Constraint Name:</b>    | LocUpdtReq_31(par:MI; mcc, mnc, lac:OCTETSTRING; locup:B_2; cksn: BITSTRING) |          |
| <b>PDU Type:</b>           | LUP_RQ_PDU                                                                   |          |
| <b>Derivation Path:</b>    |                                                                              |          |
| <b>Comments:</b>           | A parameterised LOCATION UPDATING REQUEST message                            |          |
| Field Name                 | Field Value                                                                  | Comments |
| ski                        | '0000'B                                                                      |          |
| mmpd                       | '0101'B                                                                      |          |
| mt                         | '0?001000'B                                                                  |          |
| cphksn                     | CphKeySN_07(cksn)                                                            |          |
| lutype                     | LocUpType(locup)                                                             |          |
| lai                        | LocAreald(mcc, mnc, lac)                                                     |          |
| msclm                      | ClassMark1                                                                   |          |
| mi                         | par                                                                          |          |
| <b>Detailed Comments:</b>  |                                                                              |          |

| PDU Constraint Declaration |                                     |          |
|----------------------------|-------------------------------------|----------|
| <b>Constraint Name:</b>    | LocUpdtRej_01(par:REJCAU)           |          |
| <b>PDU Type:</b>           | LUP_REJ_PDU                         |          |
| <b>Derivation Path:</b>    |                                     |          |
| <b>Comments:</b>           | A LOCATION UPDATING REJECT message. |          |
| Field Name                 | Field Value                         | Comments |
| ski                        | '0000'B                             |          |
| mmpd                       | '0101'B                             |          |
| mt                         | '00000100'B                         |          |
| rejcau                     | par                                 |          |
| <b>Detailed Comments:</b>  |                                     |          |

| PDU Constraint Declaration |                                                                                                      |          |
|----------------------------|------------------------------------------------------------------------------------------------------|----------|
| <b>Constraint Name:</b>    | MMstatus_01                                                                                          |          |
| <b>PDU Type:</b>           | MMST_PDU                                                                                             |          |
| <b>Derivation Path:</b>    |                                                                                                      |          |
| <b>Comments:</b>           | A MM STATUS message containing reject cause value #97-- message type non-existent or not implemented |          |
| Field Name                 | Field Value                                                                                          | Comments |
| ski                        | '0000'B                                                                                              |          |
| mmpd                       | '0101'B                                                                                              |          |
| mt                         | '0?110001'B                                                                                          |          |
| rejcau                     | '61'O                                                                                                |          |
| <b>Detailed Comments:</b>  |                                                                                                      |          |

| PDU Constraint Declaration |                                                   |          |
|----------------------------|---------------------------------------------------|----------|
| <b>Constraint Name:</b>    | MMstatus_02                                       |          |
| <b>PDU Type:</b>           | MMST_PDU                                          |          |
| <b>Derivation Path:</b>    | MMstatus_01.                                      |          |
| <b>Comments:</b>           | cause value = #96-- invalid mandatory information |          |
| Field Name                 | Field Value                                       | Comments |
| rejcau                     | '60'O                                             |          |
| <b>Detailed Comments:</b>  |                                                   |          |

| PDU Constraint Declaration |                                                                          |          |
|----------------------------|--------------------------------------------------------------------------|----------|
| <b>Constraint Name:</b>    | MMstatus_03                                                              |          |
| <b>PDU Type:</b>           | MMST_PDU                                                                 |          |
| <b>Derivation Path:</b>    | MMstatus_01.                                                             |          |
| <b>Comments:</b>           | cause value = #98 -- message type not compatible with the protocol state |          |
| Field Name                 | Field Value                                                              | Comments |
| rejcau                     | '62'O                                                                    |          |
| <b>Detailed Comments:</b>  |                                                                          |          |

| PDU Constraint Declaration |                               |          |
|----------------------------|-------------------------------|----------|
| <b>Constraint Name:</b>    | ModifyComp_02(Ti:TI; bc:BCAP) |          |
| <b>PDU Type:</b>           | MODIFY_COM_PDU                |          |
| <b>Derivation Path:</b>    |                               |          |
| <b>Comments:</b>           | n -> ms                       |          |
| Field Name                 | Field Value                   | Comments |
| ti                         | Ti                            |          |
| ccpd                       | '0011'B                       |          |
| mt                         | '00011111'B                   |          |
| bcap                       | bc                            |          |
| llcmp                      | -                             |          |
| hlcmp                      | -                             |          |
| rscsd                      | ?                             |          |
| <b>Detailed Comments:</b>  |                               |          |

| PDU Constraint Declaration |                               |          |
|----------------------------|-------------------------------|----------|
| <b>Constraint Name:</b>    | ModifyComp_03(Ti:TI; bc:BCAP) |          |
| <b>PDU Type:</b>           | MODIFY_COM_PDU                |          |
| <b>Derivation Path:</b>    |                               |          |
| <b>Comments:</b>           | n -> ms                       |          |
| Field Name                 | Field Value                   | Comments |
| ti                         | Ti                            |          |
| ccpd                       | '0011'B                       |          |
| mt                         | '00011111'B                   |          |
| bcap                       | bc                            |          |
| llcmp                      | -                             |          |
| hlcmp                      | -                             |          |
| rscsd                      | -                             |          |
| <b>Detailed Comments:</b>  |                               |          |

| PDU Constraint Declaration |                              |          |
|----------------------------|------------------------------|----------|
| <b>Constraint Name:</b>    | ModifyInd_01(Ti:TI; bc:BCAP) |          |
| <b>PDU Type:</b>           | MODIFY_PDU                   |          |
| <b>Derivation Path:</b>    |                              |          |
| <b>Comments:</b>           |                              |          |
| Field Name                 | Field Value                  | Comments |
| ti                         | Ti                           |          |
| ccpd                       | '0011'B                      |          |
| mt                         | '0?010111'B                  |          |
| bcap                       | bc                           |          |
| llcmp                      | *                            |          |
| hlcmp                      | *                            |          |
| rscsd                      | *                            |          |
| <b>Detailed Comments:</b>  |                              |          |

| PDU Constraint Declaration |                              |          |
|----------------------------|------------------------------|----------|
| <b>Constraint Name:</b>    | ModifyReq_01(Ti:TI; bc:BCAP) |          |
| <b>PDU Type:</b>           | MODIFY_PDU                   |          |
| <b>Derivation Path:</b>    |                              |          |
| <b>Comments:</b>           |                              |          |
| Field Name                 | Field Value                  | Comments |
| ti                         | Ti                           |          |
| ccpd                       | '0011'B                      |          |
| mt                         | '00010111'B                  |          |
| bcap                       | bc                           |          |
| llcmp                      | -                            |          |
| hlcmp                      | -                            |          |
| rscd                       | -                            |          |
| <b>Detailed Comments:</b>  |                              |          |

| PDU Constraint Declaration |                             |          |
|----------------------------|-----------------------------|----------|
| <b>Constraint Name:</b>    | ModifyRj_01(Ti:TI; bc:BCAP) |          |
| <b>PDU Type:</b>           | MODIFY_REJ_PDU              |          |
| <b>Derivation Path:</b>    |                             |          |
| <b>Comments:</b>           |                             |          |
| Field Name                 | Field Value                 | Comments |
| ti                         | Ti                          |          |
| ccpd                       | '0011'B                     |          |
| mt                         | '0?010011'B                 |          |
| bcap                       | bc                          |          |
| cau                        | ?                           |          |
| llcmp                      | *                           |          |
| hlcmp                      | *                           |          |
| <b>Detailed Comments:</b>  |                             |          |

| PDU Constraint Declaration |                                                   |          |
|----------------------------|---------------------------------------------------|----------|
| <b>Constraint Name:</b>    | ModifyRjRq_01(Ti:TI; bc:BCAP)                     |          |
| <b>PDU Type:</b>           | MODIFY_REJ_PDU                                    |          |
| <b>Derivation Path:</b>    |                                                   |          |
| <b>Comments:</b>           | cause = bearer capability not presently available |          |
| Field Name                 | Field Value                                       | Comments |
| ti                         | Ti                                                |          |
| ccpd                       | '0011'B                                           |          |
| mt                         | '00010011'B                                       |          |
| bcap                       | bc                                                |          |
| cau                        | Cause_16                                          |          |
| llcmp                      | -                                                 |          |
| hlcmp                      | -                                                 |          |
| <b>Detailed Comments:</b>  |                                                   |          |

| PDU Constraint Declaration |                                                  |          |
|----------------------------|--------------------------------------------------|----------|
| <b>Constraint Name:</b>    | MsrReport_01                                     |          |
| <b>PDU Type:</b>           | MSR_RPT_PDU                                      |          |
| <b>Derivation Path:</b>    |                                                  |          |
| <b>Comments:</b>           | A measurement report without measurement results |          |
| Field Name                 | Field Value                                      | Comments |
| ski                        | '0000'B                                          |          |
| rrpd                       | '0110'B                                          |          |
| mt                         | '00010101'B                                      |          |
| msrr                       | MsrResult_01                                     |          |
| <b>Detailed Comments:</b>  |                                                  |          |

| PDU Constraint Declaration |                                                      |          |
|----------------------------|------------------------------------------------------|----------|
| <b>Constraint Name:</b>    | MsrReport_02                                         |          |
| <b>PDU Type:</b>           | MSR_RPT_PDU                                          |          |
| <b>Derivation Path:</b>    |                                                      |          |
| <b>Comments:</b>           | A measurement report match any received MSR_RPT_PDU. |          |
| Field Name                 | Field Value                                          | Comments |
| ski                        | '0000'B                                              |          |
| rrpd                       | '0110'B                                              |          |
| mt                         | '00010101'B                                          |          |
| msrr                       | MsrResult_02                                         |          |
| <b>Detailed Comments:</b>  |                                                      |          |

| PDU Constraint Declaration |                                                                   |          |
|----------------------------|-------------------------------------------------------------------|----------|
| <b>Constraint Name:</b>    | MsrReport_03                                                      |          |
| <b>PDU Type:</b>           | MSR_RPT_PDU                                                       |          |
| <b>Derivation Path:</b>    |                                                                   |          |
| <b>Comments:</b>           | A measurement report containing results for 6 strongest carriers. |          |
| Field Name                 | Field Value                                                       | Comments |
| ski                        | '0000'B                                                           |          |
| rrpd                       | '0110'B                                                           |          |
| mt                         | '00010101'B                                                       |          |
| msrr                       | MsrResult_03                                                      |          |
| <b>Detailed Comments:</b>  |                                                                   |          |

| PDU Constraint Declaration |                                                                   |          |
|----------------------------|-------------------------------------------------------------------|----------|
| <b>Constraint Name:</b>    | MsrReport_03e(par_measres: MSRR)                                  |          |
| <b>PDU Type:</b>           | MSR_RPT_PDU                                                       |          |
| <b>Derivation Path:</b>    |                                                                   |          |
| <b>Comments:</b>           | A measurement report containing results for 6 strongest carriers. |          |
| Field Name                 | Field Value                                                       | Comments |
| ski                        | '0000'B                                                           |          |
| rrpd                       | '0110'B                                                           |          |
| mt                         | '00010101'B                                                       |          |
| msrr                       | par_measres                                                       |          |
| <b>Detailed Comments:</b>  |                                                                   |          |

| PDU Constraint Declaration |                                                       |          |
|----------------------------|-------------------------------------------------------|----------|
| <b>Constraint Name:</b>    | MsrReport_04                                          |          |
| <b>PDU Type:</b>           | MSR_RPT_PDU                                           |          |
| <b>Derivation Path:</b>    |                                                       |          |
| <b>Comments:</b>           | A measurement report containing 4 strongest carriers. |          |
| Field Name                 | Field Value                                           | Comments |
| ski                        | '0000'B                                               |          |
| rrpd                       | '0110'B                                               |          |
| mt                         | '00010101'B                                           |          |
| msrr                       | MsrResult_04                                          |          |
| <b>Detailed Comments:</b>  |                                                       |          |

| PDU Constraint Declaration |                                                       |          |
|----------------------------|-------------------------------------------------------|----------|
| <b>Constraint Name:</b>    | MsrReport_04e                                         |          |
| <b>PDU Type:</b>           | MSR_RPT_PDU                                           |          |
| <b>Derivation Path:</b>    |                                                       |          |
| <b>Comments:</b>           | A measurement report containing 4 strongest carriers. |          |
| Field Name                 | Field Value                                           | Comments |
| ski                        | '0000'B                                               |          |
| rrpd                       | '0110'B                                               |          |
| mt                         | '00010101'B                                           |          |
| msrr                       | MsrResult_04e                                         |          |
| <b>Detailed Comments:</b>  |                                                       |          |

| PDU Constraint Declaration |                                                                        |          |
|----------------------------|------------------------------------------------------------------------|----------|
| <b>Constraint Name:</b>    | MsrReport_05                                                           |          |
| <b>PDU Type:</b>           | MSR_RPT_PDU                                                            |          |
| <b>Derivation Path:</b>    |                                                                        |          |
| <b>Comments:</b>           | A measurement report containing 6 strongest carriers and DTX was used. |          |
| Field Name                 | Field Value                                                            | Comments |
| ski                        | '0000'B                                                                |          |
| rrpd                       | '0110'B                                                                |          |
| mt                         | '00010101'B                                                            |          |
| msrr                       | MsrResult_05                                                           |          |
| <b>Detailed Comments:</b>  |                                                                        |          |

| PDU Constraint Declaration |                                                                              |          |
|----------------------------|------------------------------------------------------------------------------|----------|
| <b>Constraint Name:</b>    | MsrReport_06                                                                 |          |
| <b>PDU Type:</b>           | MSR_RPT_PDU                                                                  |          |
| <b>Derivation Path:</b>    |                                                                              |          |
| <b>Comments:</b>           | A measurement report containing 6 strongest carriers and DTX is not checked. |          |
| Field Name                 | Field Value                                                                  | Comments |
| ski                        | '0000'B                                                                      |          |
| rrpd                       | '0110'B                                                                      |          |
| mt                         | '00010101'B                                                                  |          |
| msrr                       | MsrResult_06                                                                 |          |
| <b>Detailed Comments:</b>  |                                                                              |          |

| PDU Constraint Declaration |                                                                           |          |
|----------------------------|---------------------------------------------------------------------------|----------|
| <b>Constraint Name:</b>    | MsrReport_07                                                              |          |
| <b>PDU Type:</b>           | MSR_RPT_PDU                                                               |          |
| <b>Derivation Path:</b>    |                                                                           |          |
| <b>Comments:</b>           | A measurement report containing 2 strongest carriers and DTX is not used. |          |
| Field Name                 | Field Value                                                               | Comments |
| ski                        | '0000'B                                                                   |          |
| rrpd                       | '0110'B                                                                   |          |
| mt                         | '00010101'B                                                               |          |
| msrr                       | MsrResult_07                                                              |          |
| <b>Detailed Comments:</b>  |                                                                           |          |



| PDU Constraint Declaration |                                                       |          |
|----------------------------|-------------------------------------------------------|----------|
| <b>Constraint Name:</b>    | NotifiReq_01(Ti:Ti)                                   |          |
| <b>PDU Type:</b>           | NOTIFY_PDU                                            |          |
| <b>Derivation Path:</b>    |                                                       |          |
| <b>Comments:</b>           | Containing any valid notification indicator. n -> ms. |          |
| Field Name                 | Field Value                                           | Comments |
| ti                         | Ti                                                    |          |
| ccpd                       | '0011'B                                               |          |
| mt                         | '00111110'B                                           |          |
| nti                        | '10000000'B                                           |          |
| <b>Detailed Comments:</b>  |                                                       |          |

| PDU Constraint Declaration |                                                |          |
|----------------------------|------------------------------------------------|----------|
| <b>Constraint Name:</b>    | PagingRes_01                                   |          |
| <b>PDU Type:</b>           | PG_RES_PDU                                     |          |
| <b>Derivation Path:</b>    |                                                |          |
| <b>Comments:</b>           | To match any received PAGING RESPONSE message. |          |
| Field Name                 | Field Value                                    | Comments |
| ski                        | '0000'B                                        |          |
| rrpd                       | '0110'B                                        |          |
| mt                         | '00100111'B                                    |          |
| shoct                      | '0000'B                                        |          |
| cphksn                     | ?                                              |          |
| msclm                      | ?                                              |          |
| mi                         | ?                                              |          |
| <b>Detailed Comments:</b>  |                                                |          |

| PDU Constraint Declaration |                                                                                     |          |
|----------------------------|-------------------------------------------------------------------------------------|----------|
| <b>Constraint Name:</b>    | PagingRes_03( cksn:B_3)                                                             |          |
| <b>PDU Type:</b>           | PG_RES_PDU                                                                          |          |
| <b>Derivation Path:</b>    |                                                                                     |          |
| <b>Comments:</b>           | To match a received PAGING RESPONSE message with default TMSI, CKSN and classmark2. |          |
| Field Name                 | Field Value                                                                         | Comments |
| ski                        | '0000'B                                                                             |          |
| rrpd                       | '0110'B                                                                             |          |
| mt                         | '00100111'B                                                                         |          |
| shoct                      | '0000'B                                                                             |          |
| cphksn                     | CphKeySN_01( cksn)                                                                  |          |
| msclm                      | ClassMark2                                                                          |          |
| mi                         | MiTmsi_01                                                                           |          |
| <b>Detailed Comments:</b>  |                                                                                     |          |

| PDU Constraint Declaration |                                                          |          |
|----------------------------|----------------------------------------------------------|----------|
| <b>Constraint Name:</b>    | PagingRes_r01                                            |          |
| <b>PDU Type:</b>           | PG_RES_PDU                                               |          |
| <b>Derivation Path:</b>    | PagingRes_01.                                            |          |
| <b>Comments:</b>           | To match any received PAGING RESPONSE message, RR tests. |          |
| Field Name                 | Field Value                                              | Comments |
| mi                         | MiTmsi_01                                                |          |
| <b>Detailed Comments:</b>  |                                                          |          |











| PDU Constraint Declaration |                                                                                                                                                             |          |
|----------------------------|-------------------------------------------------------------------------------------------------------------------------------------------------------------|----------|
| <b>Constraint Name:</b>    | PgReqTp1_r04                                                                                                                                                |          |
| <b>PDU Type:</b>           | PG1_RQ_PDU                                                                                                                                                  |          |
| <b>Derivation Path:</b>    | PgReqTp1_01.                                                                                                                                                |          |
| <b>Comments:</b>           | An PAGING REQUEST TYPE1 message requesting any channel with normal paging mode, the mobile identity is TMSI, but the identity type is set to 'no identity'. |          |
| Field Name                 | Field Value                                                                                                                                                 | Comments |
| mi1                        | MiTmsi_r02                                                                                                                                                  |          |
| <b>Detailed Comments:</b>  |                                                                                                                                                             |          |

| PDU Constraint Declaration |                                                                                                                         |          |
|----------------------------|-------------------------------------------------------------------------------------------------------------------------|----------|
| <b>Constraint Name:</b>    | PgReqTp2_01                                                                                                             |          |
| <b>PDU Type:</b>           | PG2_RQ_PDU                                                                                                              |          |
| <b>Derivation Path:</b>    |                                                                                                                         |          |
| <b>Comments:</b>           | An PAGING REQUEST TYPE2 message requesting any channel with normal paging mode, the mobile identity is TMSI of the IUT. |          |
| Field Name                 | Field Value                                                                                                             | Comments |
| l2_pl                      | '2D'O                                                                                                                   |          |
| ski                        | '0000'B                                                                                                                 |          |
| rrpd                       | '0110'B                                                                                                                 |          |
| mt                         | '00100010'B                                                                                                             |          |
| chn_m1_2                   | Chneed_01                                                                                                               |          |
| pm                         | Pm( C_normal_paging)                                                                                                    |          |
| mi1                        | Tmsi_01                                                                                                                 |          |
| mi2                        | Tmsi_r01                                                                                                                |          |
| mi3                        | -                                                                                                                       |          |
| p2roct                     | '2B2B2B2B2B2B2B2B2B2B'O                                                                                                 |          |
| <b>Detailed Comments:</b>  |                                                                                                                         |          |

| PDU Constraint Declaration |                                                                                                                        |          |
|----------------------------|------------------------------------------------------------------------------------------------------------------------|----------|
| <b>Constraint Name:</b>    | PgReqTp2_02                                                                                                            |          |
| <b>PDU Type:</b>           | PG2_RQ_PDU                                                                                                             |          |
| <b>Derivation Path:</b>    |                                                                                                                        |          |
| <b>Comments:</b>           | An PAGING REQUEST TYPE2 message requesting any channel with extended paging mode and not addressing the MS under test. |          |
| Field Name                 | Field Value                                                                                                            | Comments |
| l2_pl                      | '2D'O                                                                                                                  |          |
| ski                        | '0000'B                                                                                                                |          |
| rrpd                       | '0110'B                                                                                                                |          |
| mt                         | '00100010'B                                                                                                            |          |
| chn_m1_2                   | Chneed_01                                                                                                              |          |
| pm                         | Pm( C_extended_paging)                                                                                                 |          |
| mi1                        | Tmsi_r01                                                                                                               |          |
| mi2                        | Tmsi_r03                                                                                                               |          |
| mi3                        | -                                                                                                                      |          |
| p2roct                     | '2B2B2B2B2B2B2B2B2B2B'O                                                                                                |          |
| <b>Detailed Comments:</b>  |                                                                                                                        |          |

| PDU Constraint Declaration |                                                                                                                                 |          |
|----------------------------|---------------------------------------------------------------------------------------------------------------------------------|----------|
| <b>Constraint Name:</b>    | PgReqTp2_03                                                                                                                     |          |
| <b>PDU Type:</b>           | PG2_RQ_PDU                                                                                                                      |          |
| <b>Derivation Path:</b>    |                                                                                                                                 |          |
| <b>Comments:</b>           | An PAGING REQUEST TYPE2 message requesting any channel with paging reorganisation mode, the mobile identity is TMSI of the IUT. |          |
| Field Name                 | Field Value                                                                                                                     | Comments |
| l2_pl                      | '2D'O                                                                                                                           |          |
| ski                        | '0000'B                                                                                                                         |          |
| rrpd                       | '0110'B                                                                                                                         |          |
| mt                         | '00100010'B                                                                                                                     |          |
| chn_m1_2                   | Chneed_01                                                                                                                       |          |
| pm                         | Pm( C_reorg_paging)                                                                                                             |          |
| mi1                        | Tmsi_01                                                                                                                         |          |
| mi2                        | Tmsi_r01                                                                                                                        |          |
| mi3                        | -                                                                                                                               |          |
| p2roct                     | '2B2B2B2B2B2B2B2B2B2B'O                                                                                                         |          |
| <b>Detailed Comments:</b>  |                                                                                                                                 |          |

| PDU Constraint Declaration |                                                                                                                                 |          |
|----------------------------|---------------------------------------------------------------------------------------------------------------------------------|----------|
| <b>Constraint Name:</b>    | PgReqTp2_04                                                                                                                     |          |
| <b>PDU Type:</b>           | PG2_RQ_PDU                                                                                                                      |          |
| <b>Derivation Path:</b>    |                                                                                                                                 |          |
| <b>Comments:</b>           | An PAGING REQUEST TYPE2 message requesting any channel with same as before paging mode, the mobile identity is TMSI of the IUT. |          |
| Field Name                 | Field Value                                                                                                                     | Comments |
| l2_pl                      | '2D'O                                                                                                                           |          |
| ski                        | '0000'B                                                                                                                         |          |
| rrpd                       | '0110'B                                                                                                                         |          |
| mt                         | '00100010'B                                                                                                                     |          |
| chn_m1_2                   | Chneed_01                                                                                                                       |          |
| pm                         | Pm( C_sab_paging)                                                                                                               |          |
| mi1                        | Tmsi_01                                                                                                                         |          |
| mi2                        | Tmsi_r01                                                                                                                        |          |
| mi3                        | -                                                                                                                               |          |
| p2roct                     | '2B2B2B2B2B2B2B2B2B2B'O                                                                                                         |          |
| <b>Detailed Comments:</b>  |                                                                                                                                 |          |

| PDU Constraint Declaration |                                                                                                                                                                  |          |
|----------------------------|------------------------------------------------------------------------------------------------------------------------------------------------------------------|----------|
| <b>Constraint Name:</b>    | PgReqTp2_r01                                                                                                                                                     |          |
| <b>PDU Type:</b>           | PG2_RQ_PDU                                                                                                                                                       |          |
| <b>Derivation Path:</b>    |                                                                                                                                                                  |          |
| <b>Comments:</b>           | An PAGING REQUEST TYPE2 message requesting any channel with normal paging mode, the 1st mobile identity is TMSI of the IUT. The 2nd one addresses an another MS. |          |
| Field Name                 | Field Value                                                                                                                                                      | Comments |
| l2_pl                      | '2D'O                                                                                                                                                            |          |
| ski                        | '0000'B                                                                                                                                                          |          |
| rrpd                       | '0110'B                                                                                                                                                          |          |
| mt                         | '00100010'B                                                                                                                                                      |          |
| chn_m1_2                   | Chneed_01                                                                                                                                                        |          |
| pm                         | Pm( C_normal_paging)                                                                                                                                             |          |
| mi1                        | Tmsi_01                                                                                                                                                          |          |
| mi2                        | Tmsi_r01                                                                                                                                                         |          |
| mi3                        | -                                                                                                                                                                |          |
| p2roct                     | '2B2B2B2B2B2B2B2B2B2B'O                                                                                                                                          |          |
| <b>Detailed Comments:</b>  |                                                                                                                                                                  |          |



| PDU Constraint Declaration |                                                                                                                                                                  |          |
|----------------------------|------------------------------------------------------------------------------------------------------------------------------------------------------------------|----------|
| <b>Constraint Name:</b>    | PgReqTp2_r02                                                                                                                                                     |          |
| <b>PDU Type:</b>           | PG2_RQ_PDU                                                                                                                                                       |          |
| <b>Derivation Path:</b>    |                                                                                                                                                                  |          |
| <b>Comments:</b>           | An PAGING REQUEST TYPE2 message requesting any channel with normal paging mode, the 2nd mobile identity is TMSI of the IUT. The 1st one addresses an another MS. |          |
| Field Name                 | Field Value                                                                                                                                                      | Comments |
| l2_pl                      | '2D'O                                                                                                                                                            |          |
| ski                        | '0000'B                                                                                                                                                          |          |
| rrpd                       | '0110'B                                                                                                                                                          |          |
| mt                         | '00100010'B                                                                                                                                                      |          |
| chn_m1_2                   | Chneed_01                                                                                                                                                        |          |
| pm                         | Pm( C_normal_paging)                                                                                                                                             |          |
| mi1                        | Tmsi_r01                                                                                                                                                         |          |
| mi2                        | Tmsi_01                                                                                                                                                          |          |
| mi3                        | -                                                                                                                                                                |          |
| p2roct                     | '2B2B2B2B2B2B2B2B2B2B'O                                                                                                                                          |          |
| <b>Detailed Comments:</b>  |                                                                                                                                                                  |          |

| PDU Constraint Declaration |                                                                                                                                                                      |          |
|----------------------------|----------------------------------------------------------------------------------------------------------------------------------------------------------------------|----------|
| <b>Constraint Name:</b>    | PgReqTp2_r03                                                                                                                                                         |          |
| <b>PDU Type:</b>           | PG2_RQ_PDU                                                                                                                                                           |          |
| <b>Derivation Path:</b>    |                                                                                                                                                                      |          |
| <b>Comments:</b>           | An PAGING REQUEST TYPE2 message requesting any channel with normal paging mode, the 3 mobile identity is TMSI of the IUT. The 1st and 2nd one address an another MS. |          |
| Field Name                 | Field Value                                                                                                                                                          | Comments |
| l2_pl                      | '49'O                                                                                                                                                                |          |
| ski                        | '0000'B                                                                                                                                                              |          |
| rrpd                       | '0110'B                                                                                                                                                              |          |
| mt                         | '00100010'B                                                                                                                                                          |          |
| chn_m1_2                   | Chneed_01                                                                                                                                                            |          |
| pm                         | Pm( C_normal_paging)                                                                                                                                                 |          |
| mi1                        | Tmsi_r03                                                                                                                                                             |          |
| mi2                        | Tmsi_r01                                                                                                                                                             |          |
| mi3                        | MiTmsi_01iei                                                                                                                                                         |          |
| p2roct                     | '2B2B2B2B'O                                                                                                                                                          |          |
| <b>Detailed Comments:</b>  |                                                                                                                                                                      |          |

| PDU Constraint Declaration |                                                                                                                                                                            |          |
|----------------------------|----------------------------------------------------------------------------------------------------------------------------------------------------------------------------|----------|
| <b>Constraint Name:</b>    | PgReqTp2_r04                                                                                                                                                               |          |
| <b>PDU Type:</b>           | PG2_RQ_PDU                                                                                                                                                                 |          |
| <b>Derivation Path:</b>    |                                                                                                                                                                            |          |
| <b>Comments:</b>           | An PAGING REQUEST TYPE2 message requesting any channel with normal paging mode, the 1st and 2nd mobile identity addresses an another MS. The 3rd one is IMSI of the IUT. . |          |
| Field Name                 | Field Value                                                                                                                                                                | Comments |
| l2_pl                      | OC_IntToOct(((11 +<br>OC_LengthOf(Milmsi_01iei)) * 4) + 1, 1)                                                                                                              |          |
| ski                        | '0000'B                                                                                                                                                                    |          |
| rrpd                       | '0110'B                                                                                                                                                                    |          |
| mt                         | '00100010'B                                                                                                                                                                |          |
| chn_m1_2                   | Chneed_01                                                                                                                                                                  |          |
| pm                         | Pm( C_normal_paging)                                                                                                                                                       |          |
| mi1                        | Tmsi_r03                                                                                                                                                                   |          |
| mi2                        | Tmsi_r01                                                                                                                                                                   |          |
| mi3                        | Milmsi_01iei                                                                                                                                                               |          |
| p2roct                     | OC_SubOctet('2B2B2B2B2B2B2B2B2B2B2B2B2B2B'O, 11 - OC_LengthOf(Milmsi_01iei))                                                                                               |          |
| <b>Detailed Comments:</b>  |                                                                                                                                                                            |          |

| PDU Constraint Declaration |                                                                                                                                                                                             |          |
|----------------------------|---------------------------------------------------------------------------------------------------------------------------------------------------------------------------------------------|----------|
| <b>Constraint Name:</b>    | PgReqTp2_r05                                                                                                                                                                                |          |
| <b>PDU Type:</b>           | PG2_RQ_PDU                                                                                                                                                                                  |          |
| <b>Derivation Path:</b>    |                                                                                                                                                                                             |          |
| <b>Comments:</b>           | An PAGING REQUEST TYPE2 message requesting any channel with normal paging mode, the 3 mobile identity is TMSI of the IUT with the type of no id. The 1st and 2nd one address an another MS. |          |
| Field Name                 | Field Value                                                                                                                                                                                 | Comments |
| l2_pl                      | '49'O                                                                                                                                                                                       |          |
| ski                        | '0000'B                                                                                                                                                                                     |          |
| rrpd                       | '0110'B                                                                                                                                                                                     |          |
| mt                         | '00100010'B                                                                                                                                                                                 |          |
| chn_m1_2                   | Chneed_01                                                                                                                                                                                   |          |
| pm                         | Pm( C_normal_paging)                                                                                                                                                                        |          |
| mi1                        | Tmsi_r03                                                                                                                                                                                    |          |
| mi2                        | Tmsi_r01                                                                                                                                                                                    |          |
| mi3                        | MiTmsi_r02iei                                                                                                                                                                               |          |
| p2roct                     | '2B2B2B2B'O                                                                                                                                                                                 |          |
| <b>Detailed Comments:</b>  |                                                                                                                                                                                             |          |

| PDU Constraint Declaration |                                                                                                                                                                            |          |
|----------------------------|----------------------------------------------------------------------------------------------------------------------------------------------------------------------------|----------|
| <b>Constraint Name:</b>    | PgReqTp2_r06                                                                                                                                                               |          |
| <b>PDU Type:</b>           | PG2_RQ_PDU                                                                                                                                                                 |          |
| <b>Derivation Path:</b>    |                                                                                                                                                                            |          |
| <b>Comments:</b>           | An PAGING REQUEST TYPE2 message requesting any channel with normal paging mode, the 1st and 2nd mobile identity addresses an another MS. The 3rd one is IMSI of the IUT. . |          |
| Field Name                 | Field Value                                                                                                                                                                | Comments |
| l2_pl                      | OC_IntToOct(((11 + OC_LengthOf(Milmsi_01iei)) * 4) + 1, 1)                                                                                                                 |          |
| ski                        | '0000'B                                                                                                                                                                    |          |
| rrpd                       | '0110'B                                                                                                                                                                    |          |
| mt                         | '00100010'B                                                                                                                                                                |          |
| chn_m1_2                   | Chneed_01                                                                                                                                                                  |          |
| pm                         | Pm( C_extended_paging)                                                                                                                                                     |          |
| mi1                        | Tmsi_r03                                                                                                                                                                   |          |
| mi2                        | Tmsi_r01                                                                                                                                                                   |          |
| mi3                        | Milmsi_01iei                                                                                                                                                               |          |
| p2roct                     | OC_SubOctet('2B2B2B2B2B2B2B2B2B2B'O, 11 - OC_LengthOf(Milmsi_01iei))                                                                                                       |          |
| <b>Detailed Comments:</b>  |                                                                                                                                                                            |          |

| PDU Constraint Declaration |                                                                                                                        |          |
|----------------------------|------------------------------------------------------------------------------------------------------------------------|----------|
| <b>Constraint Name:</b>    | PgReqTp3_01                                                                                                            |          |
| <b>PDU Type:</b>           | PG3_RQ_PDU                                                                                                             |          |
| <b>Derivation Path:</b>    |                                                                                                                        |          |
| <b>Comments:</b>           | An PAGING REQUEST TYPE3 message requesting any channel with extended paging mode and not addressing the MS under test. |          |
| Field Name                 | Field Value                                                                                                            | Comments |
| l2_pl                      | '4D'O                                                                                                                  |          |
| ski                        | '0000'B                                                                                                                |          |
| rrpd                       | '0110'B                                                                                                                |          |
| mt                         | '00100100'B                                                                                                            |          |
| chn_m1_2                   | Chneed_01                                                                                                              |          |
| pm                         | Pm( C_extended_paging)                                                                                                 |          |
| mi1                        | Tmsi_r05                                                                                                               |          |
| mi2                        | Tmsi_r01                                                                                                               |          |
| mi3                        | Tmsi_r03                                                                                                               |          |
| mi4                        | Tmsi_r04                                                                                                               |          |
| p3roct                     | '2B2B2B'O                                                                                                              |          |
| <b>Detailed Comments:</b>  | Only used in 26_6_2_2 within Pg_Req3_01.                                                                               |          |

| PDU Constraint Declaration |                                                                            |          |
|----------------------------|----------------------------------------------------------------------------|----------|
| <b>Constraint Name:</b>    | PgReqTp3_02                                                                |          |
| <b>PDU Type:</b>           | PG3_RQ_PDU                                                                 |          |
| <b>Derivation Path:</b>    |                                                                            |          |
| <b>Comments:</b>           | An PAGING REQUEST TYPE3 message containing paging mode = "same as before". |          |
| Field Name                 | Field Value                                                                | Comments |
| l2_pl                      | '4D'O                                                                      |          |
| ski                        | '0000'B                                                                    |          |
| rrpd                       | '0110'B                                                                    |          |
| mt                         | '00100100'B                                                                |          |
| chn_m1_2                   | Chneed_01                                                                  |          |
| pm                         | Pm( C_sab_paging)                                                          |          |
| mi1                        | Tmsi_r05                                                                   |          |
| mi2                        | Tmsi_r01                                                                   |          |
| mi3                        | Tmsi_r03                                                                   |          |
| mi4                        | Tmsi_r04                                                                   |          |
| p3roct                     | '2B2B2B'O                                                                  |          |
| <b>Detailed Comments:</b>  | Only used in TC_26_6_2_4 within Pg_Req3_02                                 |          |

| PDU Constraint Declaration |                                                                           |          |
|----------------------------|---------------------------------------------------------------------------|----------|
| <b>Constraint Name:</b>    | PgReqTp3_03                                                               |          |
| <b>PDU Type:</b>           | PG3_RQ_PDU                                                                |          |
| <b>Derivation Path:</b>    |                                                                           |          |
| <b>Comments:</b>           | An PAGING REQUEST TYPE3 message containing paging mode = "normal paging". |          |
| Field Name                 | Field Value                                                               | Comments |
| l2_pl                      | '4D'O                                                                     |          |
| ski                        | '0000'B                                                                   |          |
| rrpd                       | '0110'B                                                                   |          |
| mt                         | '00100100'B                                                               |          |
| chn_m1_2                   | Chneed_01                                                                 |          |
| pm                         | Pm( C_normal_paging)                                                      |          |
| mi1                        | Tmsi_r05                                                                  |          |
| mi2                        | Tmsi_r01                                                                  |          |
| mi3                        | Tmsi_r03                                                                  |          |
| mi4                        | Tmsi_r04                                                                  |          |
| p3roct                     | '2B2B2B'O                                                                 |          |
| <b>Detailed Comments:</b>  |                                                                           |          |

| PDU Constraint Declaration |                                                                                                                                                                           |          |
|----------------------------|---------------------------------------------------------------------------------------------------------------------------------------------------------------------------|----------|
| <b>Constraint Name:</b>    | PgReqTp3_r01                                                                                                                                                              |          |
| <b>PDU Type:</b>           | PG3_RQ_PDU                                                                                                                                                                |          |
| <b>Derivation Path:</b>    |                                                                                                                                                                           |          |
| <b>Comments:</b>           | An PAGING REQUEST TYPE3 message requesting any channel with normal paging mode, the 1st mobile identity is TMSI of the IUT. The 2nd, 3rd and 4th one address another MSs. |          |
| Field Name                 | Field Value                                                                                                                                                               | Comments |
| l2_pl                      | '4D'O                                                                                                                                                                     |          |
| ski                        | '0000'B                                                                                                                                                                   |          |
| rrpd                       | '0110'B                                                                                                                                                                   |          |
| mt                         | '00100100'B                                                                                                                                                               |          |
| chn_m1_2                   | Chneed_01                                                                                                                                                                 |          |
| pm                         | Pm( C_normal_paging)                                                                                                                                                      |          |
| mi1                        | Tmsi_01                                                                                                                                                                   |          |
| mi2                        | Tmsi_r01                                                                                                                                                                  |          |
| mi3                        | Tmsi_r03                                                                                                                                                                  |          |
| mi4                        | Tmsi_r04                                                                                                                                                                  |          |
| p3roct                     | '2B2B2B'O                                                                                                                                                                 |          |
| <b>Detailed Comments:</b>  |                                                                                                                                                                           |          |

| PDU Constraint Declaration |                                                                                                                                                                           |          |
|----------------------------|---------------------------------------------------------------------------------------------------------------------------------------------------------------------------|----------|
| <b>Constraint Name:</b>    | PgReqTp3_r02                                                                                                                                                              |          |
| <b>PDU Type:</b>           | PG3_RQ_PDU                                                                                                                                                                |          |
| <b>Derivation Path:</b>    | PgReqTp3_r01.                                                                                                                                                             |          |
| <b>Comments:</b>           | An PAGING REQUEST TYPE3 message requesting any channel with normal paging mode, the 2nd mobile identity is TMSI of the IUT. The 1st, 3rd and 4th one address another MSs. |          |
| Field Name                 | Field Value                                                                                                                                                               | Comments |
| mi1                        | Tmsi_r01                                                                                                                                                                  |          |
| mi2                        | Tmsi_01                                                                                                                                                                   |          |
| <b>Detailed Comments:</b>  |                                                                                                                                                                           |          |

| PDU Constraint Declaration |                                                                                                                                                                           |          |
|----------------------------|---------------------------------------------------------------------------------------------------------------------------------------------------------------------------|----------|
| <b>Constraint Name:</b>    | PgReqTp3_r03                                                                                                                                                              |          |
| <b>PDU Type:</b>           | PG3_RQ_PDU                                                                                                                                                                |          |
| <b>Derivation Path:</b>    | PgReqTp3_r01.                                                                                                                                                             |          |
| <b>Comments:</b>           | An PAGING REQUEST TYPE3 message requesting any channel with normal paging mode, the 3rd mobile identity is TMSI of the IUT. The 1st, 2nd and 4th one address another MSs. |          |
| Field Name                 | Field Value                                                                                                                                                               | Comments |
| mi1                        | Tmsi_r03                                                                                                                                                                  |          |
| mi3                        | Tmsi_01                                                                                                                                                                   |          |
| <b>Detailed Comments:</b>  |                                                                                                                                                                           |          |

| PDU Constraint Declaration |                                                                                                                                                                           |          |
|----------------------------|---------------------------------------------------------------------------------------------------------------------------------------------------------------------------|----------|
| <b>Constraint Name:</b>    | PgReqTp3_r04                                                                                                                                                              |          |
| <b>PDU Type:</b>           | PG3_RQ_PDU                                                                                                                                                                |          |
| <b>Derivation Path:</b>    | PgReqTp3_r01.                                                                                                                                                             |          |
| <b>Comments:</b>           | An PAGING REQUEST TYPE3 message requesting any channel with normal paging mode, the 4th mobile identity is TMSI of the IUT. The 1st, 2nd and 3rd one address another MSs. |          |
| Field Name                 | Field Value                                                                                                                                                               | Comments |
| mi1                        | Tmsi_r04                                                                                                                                                                  |          |
| mi4                        | Tmsi_01                                                                                                                                                                   |          |
| <b>Detailed Comments:</b>  |                                                                                                                                                                           |          |

| PDU Constraint Declaration |                                                                                                                                                                           |          |
|----------------------------|---------------------------------------------------------------------------------------------------------------------------------------------------------------------------|----------|
| <b>Constraint Name:</b>    | PgReqTp3_r05                                                                                                                                                              |          |
| <b>PDU Type:</b>           | PG3_RQ_PDU                                                                                                                                                                |          |
| <b>Derivation Path:</b>    |                                                                                                                                                                           |          |
| <b>Comments:</b>           | An PAGING REQUEST TYPE3 message requesting any channel with normal paging mode, the 1st mobile identity is TMSI of the IUT. The 2nd, 3rd and 4th one address another MSs. |          |
| Field Name                 | Field Value                                                                                                                                                               | Comments |
| l2_pl                      | '4D'O                                                                                                                                                                     |          |
| ski                        | '0000'B                                                                                                                                                                   |          |
| rrpd                       | '0110'B                                                                                                                                                                   |          |
| mt                         | '00100100'B                                                                                                                                                               |          |
| chn_m1_2                   | Chneed_01                                                                                                                                                                 |          |
| pm                         | Pm( C_extended_paging)                                                                                                                                                    |          |
| mi1                        | Tmsi_01                                                                                                                                                                   |          |
| mi2                        | Tmsi_r01                                                                                                                                                                  |          |
| mi3                        | Tmsi_r03                                                                                                                                                                  |          |
| mi4                        | Tmsi_r04                                                                                                                                                                  |          |
| p3roct                     | '2B2B2B'O                                                                                                                                                                 |          |
| <b>Detailed Comments:</b>  |                                                                                                                                                                           |          |

| PDU Constraint Declaration                 |             |          |
|--------------------------------------------|-------------|----------|
| <b>Constraint Name:</b> Phyinfor_01(ta:TA) |             |          |
| <b>PDU Type:</b> PHYINFO_PDU               |             |          |
| <b>Derivation Path:</b>                    |             |          |
| <b>Comments:</b>                           |             |          |
| Field Name                                 | Field Value | Comments |
| ski                                        | '0000'B     |          |
| rrpd                                       | '0110'B     |          |
| mt                                         | '00101101'B |          |
| ta                                         | ta          |          |
| <b>Detailed Comments:</b>                  |             |          |

| PDU Constraint Declaration                 |             |          |
|--------------------------------------------|-------------|----------|
| <b>Constraint Name:</b> Progress_01(Ti:TI) |             |          |
| <b>PDU Type:</b> PROG_PDU                  |             |          |
| <b>Derivation Path:</b>                    |             |          |
| <b>Comments:</b>                           |             |          |
| Field Name                                 | Field Value | Comments |
| ti                                         | Ti          |          |
| ccpd                                       | '0011'B     |          |
| mt                                         | '00000011'B |          |
| pi                                         | ProgInd_02  |          |
| uu                                         | -           |          |
| <b>Detailed Comments:</b>                  |             |          |

| PDU Constraint Declaration                 |             |          |
|--------------------------------------------|-------------|----------|
| <b>Constraint Name:</b> Progress_02(Ti:TI) |             |          |
| <b>PDU Type:</b> PROG_PDU                  |             |          |
| <b>Derivation Path:</b>                    |             |          |
| <b>Comments:</b>                           |             |          |
| Field Name                                 | Field Value | Comments |
| ti                                         | Ti          |          |
| ccpd                                       | '0011'B     |          |
| mt                                         | '00000011'B |          |
| pi                                         | ProgInd_03  |          |
| uu                                         | -           |          |
| <b>Detailed Comments:</b>                  |             |          |

| PDU Constraint Declaration                              |                    |          |
|---------------------------------------------------------|--------------------|----------|
| <b>Constraint Name:</b> RegisterPdu_01                  |                    |          |
| <b>PDU Type:</b> REGISTER_PDU                           |                    |          |
| <b>Derivation Path:</b>                                 |                    |          |
| <b>Comments:</b> To match any received REGISTER message |                    |          |
| Field Name                                              | Field Value        | Comments |
| ti                                                      | ?                  |          |
| sspd                                                    | ('1011'B, '0011'B) |          |
| mt                                                      | '0?111011'B        |          |
| fie                                                     | ?                  |          |
| ssvi                                                    | *                  |          |
| <b>Detailed Comments:</b>                               |                    |          |

| PDU Constraint Declaration |                                                                                |          |
|----------------------------|--------------------------------------------------------------------------------|----------|
| <b>Constraint Name:</b>    | RegisterPdu_03( fie:FIE)                                                       |          |
| <b>PDU Type:</b>           | REGISTER_PDU                                                                   |          |
| <b>Derivation Path:</b>    |                                                                                |          |
| <b>Comments:</b>           | To match a received REGISTER message invoking registration of CFRNy for Speech |          |
| Field Name                 | Field Value                                                                    | Comments |
| ti                         | ?                                                                              |          |
| sspd                       | '1011'B                                                                        |          |
| mt                         | '0?111011'B                                                                    |          |
| fie                        | fie                                                                            |          |
| ssvi                       | *                                                                              |          |
| <b>Detailed Comments:</b>  |                                                                                |          |

| PDU Constraint Declaration |                                                                        |          |
|----------------------------|------------------------------------------------------------------------|----------|
| <b>Constraint Name:</b>    | RegisterPdu_34(Ti:TI; fie:FIE)                                         |          |
| <b>PDU Type:</b>           | REGISTER_PDU                                                           |          |
| <b>Derivation Path:</b>    |                                                                        |          |
| <b>Comments:</b>           | To send a REGISTER message containing Invoke for UnstructuredSS-Notify |          |
| Field Name                 | Field Value                                                            | Comments |
| ti                         | Ti                                                                     |          |
| sspd                       | '1011'B                                                                |          |
| mt                         | '00111011'B                                                            |          |
| fie                        | fie                                                                    |          |
| ssvi                       | -                                                                      |          |
| <b>Detailed Comments:</b>  |                                                                        |          |

| PDU Constraint Declaration |                                                                                       |          |
|----------------------------|---------------------------------------------------------------------------------------|----------|
| <b>Constraint Name:</b>    | Release_01( ti:TI)                                                                    |          |
| <b>PDU Type:</b>           | REL_PDU                                                                               |          |
| <b>Derivation Path:</b>    |                                                                                       |          |
| <b>Comments:</b>           | A CC RELEASE message containing cause #96, used to match received CC RELEASE message. |          |
| Field Name                 | Field Value                                                                           | Comments |
| ti                         | ti                                                                                    |          |
| ccpd                       | '0011'B                                                                               |          |
| mt                         | '0?101101'B                                                                           |          |
| cau                        | Cause_04iei                                                                           |          |
| cau2                       | *                                                                                     |          |
| fie                        | *                                                                                     |          |
| uu                         | *                                                                                     |          |
| ssvi                       | *                                                                                     |          |
| <b>Detailed Comments:</b>  |                                                                                       |          |

| PDU Constraint Declaration |                                                                |          |
|----------------------------|----------------------------------------------------------------|----------|
| <b>Constraint Name:</b>    | Release_02                                                     |          |
| <b>PDU Type:</b>           | REL_PDU                                                        |          |
| <b>Derivation Path:</b>    |                                                                |          |
| <b>Comments:</b>           | A CC RELEASE message to match any received CC RELEASE message. |          |
| Field Name                 | Field Value                                                    | Comments |
| ti                         | ?                                                              |          |
| ccpd                       | '0011'B                                                        |          |
| mt                         | '0?101101'B                                                    |          |
| cau                        | *                                                              |          |
| cau2                       | *                                                              |          |
| fie                        | *                                                              |          |
| uu                         | *                                                              |          |
| ssvi                       | *                                                              |          |
| <b>Detailed Comments:</b>  |                                                                |          |

| PDU Constraint Declaration |                                                                 |          |
|----------------------------|-----------------------------------------------------------------|----------|
| <b>Constraint Name:</b>    | Release_03(Ti:TI)                                               |          |
| <b>PDU Type:</b>           | REL_PDU                                                         |          |
| <b>Derivation Path:</b>    |                                                                 |          |
| <b>Comments:</b>           | A CC RELEASE message containing cause #31 to be sent to the MS. |          |
| Field Name                 | Field Value                                                     | Comments |
| ti                         | Ti                                                              |          |
| ccpd                       | '0011'B                                                         |          |
| mt                         | '00101101'B                                                     |          |
| cau                        | Cause_11                                                        |          |
| cau2                       | -                                                               |          |
| fie                        | -                                                               |          |
| uu                         | -                                                               |          |
| ssvi                       | -                                                               |          |
| <b>Detailed Comments:</b>  |                                                                 |          |

| PDU Constraint Declaration |                            |          |
|----------------------------|----------------------------|----------|
| <b>Constraint Name:</b>    | Release_05(Ti:TI; Cau:CAU) |          |
| <b>PDU Type:</b>           | REL_PDU                    |          |
| <b>Derivation Path:</b>    |                            |          |
| <b>Comments:</b>           | A CC RELEASE message.      |          |
| Field Name                 | Field Value                | Comments |
| ti                         | Ti                         |          |
| ccpd                       | '0011'B                    |          |
| mt                         | '0?101101'B                |          |
| cau                        | Cau                        |          |
| cau2                       | Cause_14 IF_PRESENT        |          |
| fie                        | *                          |          |
| uu                         | *                          |          |
| ssvi                       | *                          |          |
| <b>Detailed Comments:</b>  |                            |          |

| PDU Constraint Declaration |                                                                                       |          |
|----------------------------|---------------------------------------------------------------------------------------|----------|
| <b>Constraint Name:</b>    | Release_06(Ti:TI)                                                                     |          |
| <b>PDU Type:</b>           | REL_PDU                                                                               |          |
| <b>Derivation Path:</b>    |                                                                                       |          |
| <b>Comments:</b>           | A CC RELEASE message containing cause #16 and second cause #102 to be sent to the MS. |          |
| Field Name                 | Field Value                                                                           | Comments |
| ti                         | Ti                                                                                    |          |
| ccpd                       | '0011'B                                                                               |          |
| mt                         | '00101101'B                                                                           |          |
| cau                        | Cause_01iei                                                                           |          |
| cau2                       | Cause_23                                                                              |          |
| fie                        | -                                                                                     |          |
| uu                         | -                                                                                     |          |
| ssvi                       | -                                                                                     |          |
| <b>Detailed Comments:</b>  |                                                                                       |          |

| PDU Constraint Declaration |                                                                                    |          |
|----------------------------|------------------------------------------------------------------------------------|----------|
| <b>Constraint Name:</b>    | Release_08(Ti:TI)                                                                  |          |
| <b>PDU Type:</b>           | REL_PDU                                                                            |          |
| <b>Derivation Path:</b>    |                                                                                    |          |
| <b>Comments:</b>           | A CC RELEASE message with mandatory IE's only used in structured procedures test . |          |
| Field Name                 | Field Value                                                                        | Comments |
| ti                         | Ti                                                                                 |          |
| ccpd                       | '0011'B                                                                            |          |
| mt                         | '00101101'B                                                                        |          |
| cau                        | -                                                                                  |          |
| cau2                       | -                                                                                  |          |
| fie                        | -                                                                                  |          |
| uu                         | -                                                                                  |          |
| ssvi                       | -                                                                                  |          |
| <b>Detailed Comments:</b>  |                                                                                    |          |

| PDU Constraint Declaration |                                                                                            |          |
|----------------------------|--------------------------------------------------------------------------------------------|----------|
| <b>Constraint Name:</b>    | Release_10(Ti:TI)                                                                          |          |
| <b>PDU Type:</b>           | REL_PDU                                                                                    |          |
| <b>Derivation Path:</b>    |                                                                                            |          |
| <b>Comments:</b>           | A CC RELEASE message used to match any received CC RELEASE message with a controllable TI. |          |
| Field Name                 | Field Value                                                                                | Comments |
| ti                         | Ti                                                                                         |          |
| ccpd                       | '0011'B                                                                                    |          |
| mt                         | '0?101101'B                                                                                |          |
| cau                        | *                                                                                          |          |
| cau2                       | *                                                                                          |          |
| fie                        | *                                                                                          |          |
| uu                         | *                                                                                          |          |
| ssvi                       | *                                                                                          |          |
| <b>Detailed Comments:</b>  |                                                                                            |          |



| PDU Constraint Declaration |                                                                  |          |
|----------------------------|------------------------------------------------------------------|----------|
| <b>Constraint Name:</b>    | ReleaseCmpRcv(Ti :TI; cau:CAU)                                   |          |
| <b>PDU Type:</b>           | REL_COM_PDU                                                      |          |
| <b>Derivation Path:</b>    |                                                                  |          |
| <b>Comments:</b>           | A RELEASE COMPLETE message containing cause value = #81. ms -> n |          |
| Field Name                 | Field Value                                                      | Comments |
| ti                         | Ti                                                               |          |
| cc_sspd                    | '0011'B                                                          |          |
| mt                         | '0?101010'B                                                      |          |
| cau                        | cau                                                              |          |
| fie                        | *                                                                |          |
| uu                         | *                                                                |          |
| ssvi                       | *                                                                |          |
| <b>Detailed Comments:</b>  |                                                                  |          |

| PDU Constraint Declaration |                                                                |          |
|----------------------------|----------------------------------------------------------------|----------|
| <b>Constraint Name:</b>    | ReleaseCmp_02( ti:TI)                                          |          |
| <b>PDU Type:</b>           | REL_COM_PDU                                                    |          |
| <b>Derivation Path:</b>    |                                                                |          |
| <b>Comments:</b>           | A RELEASE COMPLETE message containing cause value #16. n -> ms |          |
| Field Name                 | Field Value                                                    | Comments |
| ti                         | ti                                                             |          |
| cc_sspd                    | '0011'B                                                        |          |
| mt                         | '00101010'B                                                    |          |
| cau                        | Cause_26                                                       |          |
| fie                        | -                                                              |          |
| uu                         | -                                                              |          |
| ssvi                       | -                                                              |          |
| <b>Detailed Comments:</b>  |                                                                |          |

| PDU Constraint Declaration |                                        |          |
|----------------------------|----------------------------------------|----------|
| <b>Constraint Name:</b>    | ReleaseCmp_03(Ti:TI)                   |          |
| <b>PDU Type:</b>           | REL_COM_PDU                            |          |
| <b>Derivation Path:</b>    |                                        |          |
| <b>Comments:</b>           | To match any received RELEASE message. |          |
| Field Name                 | Field Value                            | Comments |
| ti                         | Ti                                     |          |
| cc_sspd                    | '0011'B                                |          |
| mt                         | '0?101010'B                            |          |
| cau                        | *                                      |          |
| fie                        | *                                      |          |
| uu                         | *                                      |          |
| ssvi                       | *                                      |          |
| <b>Detailed Comments:</b>  |                                        |          |

| PDU Constraint Declaration |                                                               |          |
|----------------------------|---------------------------------------------------------------|----------|
| <b>Constraint Name:</b>    | ReleaseCmp_04(Ti:TI)                                          |          |
| <b>PDU Type:</b>           | REL_COM_PDU                                                   |          |
| <b>Derivation Path:</b>    |                                                               |          |
| <b>Comments:</b>           | A RELEASE COMPLETE message containing cause value #1. n -> ms |          |
| Field Name                 | Field Value                                                   | Comments |
| ti                         | Ti                                                            |          |
| cc_sspd                    | '0011'B                                                       |          |
| mt                         | '00101010'B                                                   |          |
| cau                        | Cause_10                                                      |          |
| fie                        | -                                                             |          |
| uu                         | -                                                             |          |
| ssvi                       | -                                                             |          |
| <b>Detailed Comments:</b>  |                                                               |          |

| PDU Constraint Declaration |                                                                  |          |
|----------------------------|------------------------------------------------------------------|----------|
| <b>Constraint Name:</b>    | ReleaseCmp_07(Ti:TI)                                             |          |
| <b>PDU Type:</b>           | REL_COM_PDU                                                      |          |
| <b>Derivation Path:</b>    |                                                                  |          |
| <b>Comments:</b>           | A RELEASE COMPLETE message containing cause value = #88. ms -> n |          |
| Field Name                 | Field Value                                                      | Comments |
| ti                         | Ti                                                               |          |
| cc_sspd                    | '0011'B                                                          |          |
| mt                         | '0?101010'B                                                      |          |
| cau                        | Cause_27                                                         |          |
| fie                        | *                                                                |          |
| uu                         | *                                                                |          |
| ssvi                       | *                                                                |          |
| <b>Detailed Comments:</b>  |                                                                  |          |

| PDU Constraint Declaration |                                                                   |          |
|----------------------------|-------------------------------------------------------------------|----------|
| <b>Constraint Name:</b>    | ReleaseCmp_08(Ti :TI)                                             |          |
| <b>PDU Type:</b>           | REL_COM_PDU                                                       |          |
| <b>Derivation Path:</b>    |                                                                   |          |
| <b>Comments:</b>           | A RELEASE COMPLETE message containing mandatory IEs only. n -> ms |          |
| Field Name                 | Field Value                                                       | Comments |
| ti                         | Ti                                                                |          |
| cc_sspd                    | '0011'B                                                           |          |
| mt                         | '00101010'B                                                       |          |
| cau                        | -                                                                 |          |
| fie                        | -                                                                 |          |
| uu                         | -                                                                 |          |
| ssvi                       | -                                                                 |          |
| <b>Detailed Comments:</b>  |                                                                   |          |

| PDU Constraint Declaration |                                                            |          |
|----------------------------|------------------------------------------------------------|----------|
| <b>Constraint Name:</b>    | ReleaseCmp_09(Ti:TI; fie:FIE)                              |          |
| <b>PDU Type:</b>           | REL_COM_PDU                                                |          |
| <b>Derivation Path:</b>    |                                                            |          |
| <b>Comments:</b>           | A RELEASE COMPLETE message containing facility IE. n -> ms |          |
| Field Name                 | Field Value                                                | Comments |
| ti                         | Ti                                                         |          |
| cc_sspd                    | '1011'B                                                    |          |
| mt                         | '00101010'B                                                |          |
| cau                        | -                                                          |          |
| fie                        | fie                                                        |          |
| uu                         | -                                                          |          |
| ssvi                       | -                                                          |          |
| <b>Detailed Comments:</b>  |                                                            |          |

| PDU Constraint Declaration |                                                                  |          |
|----------------------------|------------------------------------------------------------------|----------|
| <b>Constraint Name:</b>    | ReleaseCmp_10(Ti:TI)                                             |          |
| <b>PDU Type:</b>           | REL_COM_PDU                                                      |          |
| <b>Derivation Path:</b>    |                                                                  |          |
| <b>Comments:</b>           | A RELEASE COMPLETE message containing cause value = #17. ms -> n |          |
| Field Name                 | Field Value                                                      | Comments |
| ti                         | Ti                                                               |          |
| cc_sspd                    | '0011'B                                                          |          |
| mt                         | '0?101010'B                                                      |          |
| cau                        | Cause_17                                                         |          |
| fie                        | *                                                                |          |
| uu                         | *                                                                |          |
| ssvi                       | *                                                                |          |
| <b>Detailed Comments:</b>  |                                                                  |          |

| PDU Constraint Declaration |                                                                              |          |
|----------------------------|------------------------------------------------------------------------------|----------|
| <b>Constraint Name:</b>    | ReleaseCmp_25(Ti:TI)                                                         |          |
| <b>PDU Type:</b>           | REL_COM_PDU                                                                  |          |
| <b>Derivation Path:</b>    |                                                                              |          |
| <b>Comments:</b>           | To match a received RELEASE message which may or may not contain facility IE |          |
| Field Name                 | Field Value                                                                  | Comments |
| ti                         | Ti                                                                           |          |
| cc_sspd                    | '0011'B                                                                      |          |
| mt                         | '0?101010'B                                                                  |          |
| cau                        | *                                                                            |          |
| fie                        | facilityIErcviei( FwdChAdvRslt_01)<br>IF_PRESENT                             |          |
| uu                         | *                                                                            |          |
| ssvi                       | *                                                                            |          |
| <b>Detailed Comments:</b>  |                                                                              |          |

| PDU Constraint Declaration |                                                                                         |          |
|----------------------------|-----------------------------------------------------------------------------------------|----------|
| <b>Constraint Name:</b>    | ReleaseCmp_42(Ti:TI)                                                                    |          |
| <b>PDU Type:</b>           | REL_COM_PDU                                                                             |          |
| <b>Derivation Path:</b>    |                                                                                         |          |
| <b>Comments:</b>           | To send a RELEASE COMPLETE message containing cause 'facility rejected' and without FIE |          |
| Field Name                 | Field Value                                                                             | Comments |
| ti                         | Ti                                                                                      |          |
| cc_sspd                    | '1011'B                                                                                 |          |
| mt                         | '00101010'B                                                                             |          |
| cau                        | Cause_28                                                                                |          |
| fie                        | -                                                                                       |          |
| uu                         | -                                                                                       |          |
| ssvi                       | -                                                                                       |          |
| <b>Detailed Comments:</b>  |                                                                                         |          |

| PDU Constraint Declaration |                                                                  |          |
|----------------------------|------------------------------------------------------------------|----------|
| <b>Constraint Name:</b>    | ReleaseCmp_47(Ti:TI)                                             |          |
| <b>PDU Type:</b>           | REL_COM_PDU                                                      |          |
| <b>Derivation Path:</b>    |                                                                  |          |
| <b>Comments:</b>           | To send a RELEASE COMPLETE message without cause and without FIE |          |
| Field Name                 | Field Value                                                      | Comments |
| ti                         | Ti                                                               |          |
| cc_sspd                    | '1011'B                                                          |          |
| mt                         | '00101010'B                                                      |          |
| cau                        | -                                                                |          |
| fie                        | -                                                                |          |
| uu                         | -                                                                |          |
| ssvi                       | -                                                                |          |
| <b>Detailed Comments:</b>  |                                                                  |          |

| PDU Constraint Declaration |                                                                                                                       |          |
|----------------------------|-----------------------------------------------------------------------------------------------------------------------|----------|
| <b>Constraint Name:</b>    | ReleaseCmp_49(Ti:TI; Invkid:OCTETSTRING)                                                                              |          |
| <b>PDU Type:</b>           | REL_COM_PDU                                                                                                           |          |
| <b>Derivation Path:</b>    |                                                                                                                       |          |
| <b>Comments:</b>           | To receive a RELEASE COMPLETE message containing Return Error for UnstructuredSS-Notify with the error code USSD Busy |          |
| Field Name                 | Field Value                                                                                                           | Comments |
| ti                         | Ti                                                                                                                    |          |
| cc_sspd                    | '1011'B                                                                                                               |          |
| mt                         | '0?101010'B                                                                                                           |          |
| cau                        | *                                                                                                                     |          |
| fie                        | facility Ercviei( NotificationSS_09( Invkid))                                                                         |          |
| uu                         | -                                                                                                                     |          |
| ssvi                       | -                                                                                                                     |          |
| <b>Detailed Comments:</b>  |                                                                                                                       |          |

| PDU Constraint Declaration |                                                                                                                        |          |
|----------------------------|------------------------------------------------------------------------------------------------------------------------|----------|
| <b>Constraint Name:</b>    | ReleaseCmp_50(Ti:TI; Invkid:OCTETSTRING)                                                                               |          |
| <b>PDU Type:</b>           | REL_COM_PDU                                                                                                            |          |
| <b>Derivation Path:</b>    |                                                                                                                        |          |
| <b>Comments:</b>           | To receive a RELEASE COMPLETE message containing Return Error for UnstructuredSS-Request with the error code USSD Busy |          |
| Field Name                 | Field Value                                                                                                            | Comments |
| ti                         | Ti                                                                                                                     |          |
| cc_sspd                    | '1011'B                                                                                                                |          |
| mt                         | '0?101010'B                                                                                                            |          |
| cau                        | *                                                                                                                      |          |
| fie                        | facility Ercviei( USSDReq_05( Invkid))                                                                                 |          |
| uu                         | -                                                                                                                      |          |
| ssvi                       | -                                                                                                                      |          |
| <b>Detailed Comments:</b>  |                                                                                                                        |          |

| PDU Constraint Declaration |                                                                                  |          |
|----------------------------|----------------------------------------------------------------------------------|----------|
| <b>Constraint Name:</b>    | ReleaseCmp_52( ti:TI)                                                            |          |
| <b>PDU Type:</b>           | REL_COM_PDU                                                                      |          |
| <b>Derivation Path:</b>    |                                                                                  |          |
| <b>Comments:</b>           | A RELEASE COMPLETE message containing cause value #81 and TI = '1110'B. ms -> n. |          |
| Field Name                 | Field Value                                                                      | Comments |
| ti                         | ti                                                                               |          |
| cc_sspd                    | '0011'B                                                                          |          |
| mt                         | '0?101010'B                                                                      |          |
| cau                        | Cause_22                                                                         |          |
| fie                        | -                                                                                |          |
| uu                         | -                                                                                |          |
| ssvi                       | -                                                                                |          |
| <b>Detailed Comments:</b>  |                                                                                  |          |

| PDU Constraint Declaration |                                                                     |          |
|----------------------------|---------------------------------------------------------------------|----------|
| <b>Constraint Name:</b>    | ReleaseCmp_inv_02( ti:TI)                                           |          |
| <b>PDU Type:</b>           | REL_COM_PDU                                                         |          |
| <b>Derivation Path:</b>    |                                                                     |          |
| <b>Comments:</b>           | An invalid RELEASE COMPLETE message containing unknown optional IEI |          |
| Field Name                 | Field Value                                                         | Comments |
| ti                         | ti                                                                  |          |
| cc_sspd                    | '0011'B                                                             |          |
| mt                         | '00101010'B                                                         |          |
| cau                        | Cause_08                                                            |          |
| fie                        | -                                                                   |          |
| uu                         | -                                                                   |          |
| ssvi                       | -                                                                   |          |
| <b>Detailed Comments:</b>  |                                                                     |          |

| PDU Constraint Declaration |                                                            |          |
|----------------------------|------------------------------------------------------------|----------|
| <b>Constraint Name:</b>    | ReleaseReq_inv_01(Ti:TI)                                   |          |
| <b>PDU Type:</b>           | REL_PDU                                                    |          |
| <b>Derivation Path:</b>    |                                                            |          |
| <b>Comments:</b>           | An invalid RELEASE message containing unknown optional IE. |          |
| Field Name                 | Field Value                                                | Comments |
| ti                         | Ti                                                         |          |
| ccpd                       | '0011'B                                                    |          |
| mt                         | '00101101'B                                                |          |
| cau                        | Cause_09                                                   |          |
| cau2                       | -                                                          |          |
| fie                        | -                                                          |          |
| uu                         | -                                                          |          |
| ssvi                       | -                                                          |          |
| <b>Detailed Comments:</b>  |                                                            |          |

| PDU Constraint Declaration |                                              |          |
|----------------------------|----------------------------------------------|----------|
| <b>Constraint Name:</b>    | RRStatus_01                                  |          |
| <b>PDU Type:</b>           | RRST_PDU                                     |          |
| <b>Derivation Path:</b>    |                                              |          |
| <b>Comments:</b>           | A RR STATUS message containing any RR cause. |          |
| Field Name                 | Field Value                                  | Comments |
| ski                        | '0000'B                                      |          |
| rrpd                       | '0110'B                                      |          |
| mt                         | '00010010'B                                  |          |
| rrcau                      | ?                                            |          |
| <b>Detailed Comments:</b>  |                                              |          |

| PDU Constraint Declaration |                                                                             |          |
|----------------------------|-----------------------------------------------------------------------------|----------|
| <b>Constraint Name:</b>    | RRStatus_02                                                                 |          |
| <b>PDU Type:</b>           | RRST_PDU                                                                    |          |
| <b>Derivation Path:</b>    | RRStatus_01.                                                                |          |
| <b>Comments:</b>           | RR STATUS message containing cause value #96--invalid mandatory information |          |
| Field Name                 | Field Value                                                                 | Comments |
| rrcau                      | '01100000'B                                                                 |          |
| <b>Detailed Comments:</b>  |                                                                             |          |

| PDU Constraint Declaration |                                                                                              |          |
|----------------------------|----------------------------------------------------------------------------------------------|----------|
| <b>Constraint Name:</b>    | RRStatus_03                                                                                  |          |
| <b>PDU Type:</b>           | RRST_PDU                                                                                     |          |
| <b>Derivation Path:</b>    | RRStatus_01.                                                                                 |          |
| <b>Comments:</b>           | A RR STATUS message containing cause value #97--message type non-existent or not implemented |          |
| Field Name                 | Field Value                                                                                  | Comments |
| rrcau                      | '01100001'B                                                                                  |          |
| <b>Detailed Comments:</b>  |                                                                                              |          |

| PDU Constraint Declaration |                                                               |          |
|----------------------------|---------------------------------------------------------------|----------|
| <b>Constraint Name:</b>    | Setup_01( ti:TI)                                              |          |
| <b>PDU Type:</b>           | SETUP_MT_PDU                                                  |          |
| <b>Derivation Path:</b>    |                                                               |          |
| <b>Comments:</b>           | A SETUP message containing speech bearer capability. n -> ms. |          |
| Field Name                 | Field Value                                                   | Comments |
| ti                         | ti                                                            |          |
| ccpd                       | '0011'B                                                       |          |
| mt                         | '00000101'B                                                   |          |
| bcri                       | -                                                             |          |
| bcap1                      | Bcap_Speech_MT                                                |          |
| bcap2                      | -                                                             |          |
| fie                        | -                                                             |          |
| pi                         | -                                                             |          |
| sig                        | -                                                             |          |
| cgpn                       | -                                                             |          |
| cgps                       | -                                                             |          |
| cdpn                       | -                                                             |          |
| cdps                       | -                                                             |          |
| llcri                      | -                                                             |          |
| llcmp1                     | -                                                             |          |
| llcmp2                     | -                                                             |          |
| hlcri                      | -                                                             |          |
| hlcmp1                     | -                                                             |          |
| hlcmp2                     | -                                                             |          |
| uu                         | -                                                             |          |
| <b>Detailed Comments:</b>  |                                                               |          |

| PDU Constraint Declaration |                                                              |          |
|----------------------------|--------------------------------------------------------------|----------|
| <b>Constraint Name:</b>    | Setup_02( bcap: BCAP)                                        |          |
| <b>PDU Type:</b>           | SETUP_MO_PDU                                                 |          |
| <b>Derivation Path:</b>    |                                                              |          |
| <b>Comments:</b>           | A SETUP message containing speech bearer capability. ms -> n |          |
| Field Name                 | Field Value                                                  | Comments |
| ti                         | ?                                                            |          |
| ccpd                       | '0011'B                                                      |          |
| mt                         | '0?000101'B                                                  |          |
| bcri                       | -                                                            |          |
| bcap1                      | bcap                                                         |          |
| bcap2                      | -                                                            |          |
| fie                        | *                                                            |          |
| cgps                       | *                                                            |          |
| cdpn                       | ?                                                            |          |
| cdps                       | *                                                            |          |
| llcri                      | *                                                            |          |
| llcmp1                     | *                                                            |          |
| llcmp2                     | *                                                            |          |
| hlcri                      | *                                                            |          |
| hlcmp1                     | *                                                            |          |
| hlcmp2                     | *                                                            |          |
| uu                         | *                                                            |          |
| ssvi                       | *                                                            |          |
| clirsup                    | *                                                            |          |
| clirinv                    | *                                                            |          |
| cccacp                     | *                                                            |          |
| <b>Detailed Comments:</b>  |                                                              |          |

| PDU Constraint Declaration |                                                                             |          |
|----------------------------|-----------------------------------------------------------------------------|----------|
| <b>Constraint Name:</b>    | Setup_03( ti:TI)                                                            |          |
| <b>PDU Type:</b>           | SETUP_MT_PDU                                                                |          |
| <b>Derivation Path:</b>    |                                                                             |          |
| <b>Comments:</b>           | A SETUP message with mandatory IE's only. This is default for BIBO testing. |          |
| Field Name                 | Field Value                                                                 | Comments |
| ti                         | ti                                                                          |          |
| ccpd                       | '0011'B                                                                     |          |
| mt                         | '00000101'B                                                                 |          |
| bcri                       | -                                                                           |          |
| bcap1                      | -                                                                           |          |
| bcap2                      | -                                                                           |          |
| fie                        | -                                                                           |          |
| pi                         | -                                                                           |          |
| sig                        | -                                                                           |          |
| cgpn                       | -                                                                           |          |
| cgps                       | -                                                                           |          |
| cdpn                       | -                                                                           |          |
| cdps                       | -                                                                           |          |
| llcri                      | -                                                                           |          |
| llcmp1                     | -                                                                           |          |
| llcmp2                     | -                                                                           |          |
| hlcri                      | -                                                                           |          |
| hlcmp1                     | -                                                                           |          |
| hlcmp2                     | -                                                                           |          |
| uu                         | -                                                                           |          |
| <b>Detailed Comments:</b>  |                                                                             |          |

| PDU Constraint Declaration |                                                                                |          |
|----------------------------|--------------------------------------------------------------------------------|----------|
| <b>Constraint Name:</b>    | Setup_04( bcap: BCAP)                                                          |          |
| <b>PDU Type:</b>           | ESETUP_PDU                                                                     |          |
| <b>Derivation Path:</b>    |                                                                                |          |
| <b>Comments:</b>           | A Emergency call SETUP message with/without speech bearer capability. ms -> n. |          |
| Field Name                 | Field Value                                                                    | Comments |
| ti                         | ?                                                                              |          |
| ccpd                       | '0011'B                                                                        |          |
| mt                         | '0?001110'B                                                                    |          |
| bcap                       | bcap IF_PRESENT                                                                |          |
| <b>Detailed Comments:</b>  |                                                                                |          |



| PDU Constraint Declaration |                                                                                                                                                       |          |
|----------------------------|-------------------------------------------------------------------------------------------------------------------------------------------------------|----------|
| <b>Constraint Name:</b>    | Setup_10_UDI(bcap: BCAP; llc1:LLCMP; hlc1:HLCMP)                                                                                                      |          |
| <b>PDU Type:</b>           | SETUP_MO_PDU                                                                                                                                          |          |
| <b>Derivation Path:</b>    |                                                                                                                                                       |          |
| <b>Comments:</b>           | A SETUP message containing bearer capability supported by the mobile station, used for Unrestricted digital information transfer capability. ms -> n. |          |
| Field Name                 | Field Value                                                                                                                                           | Comments |
| ti                         | ?                                                                                                                                                     |          |
| ccpd                       | '0011'B                                                                                                                                               |          |
| mt                         | '0?000101'B                                                                                                                                           |          |
| bcri                       | -                                                                                                                                                     |          |
| bcap1                      | bcap                                                                                                                                                  |          |
| bcap2                      | -                                                                                                                                                     |          |
| fie                        | *                                                                                                                                                     |          |
| cgps                       | *                                                                                                                                                     |          |
| cdpn                       | ?                                                                                                                                                     |          |
| cdps                       | *                                                                                                                                                     |          |
| llcri                      | -                                                                                                                                                     |          |
| llcmp1                     | llc1                                                                                                                                                  |          |
| llcmp2                     | -                                                                                                                                                     |          |
| hlcri                      | -                                                                                                                                                     |          |
| hlcmp1                     | hlc1 IF_PRESENT                                                                                                                                       |          |
| hlcmp2                     | -                                                                                                                                                     |          |
| uu                         | *                                                                                                                                                     |          |
| ssvi                       | *                                                                                                                                                     |          |
| clirsup                    | *                                                                                                                                                     |          |
| clirinv                    | *                                                                                                                                                     |          |
| cccap                      | CallCntrlCap IF_PRESENT                                                                                                                               |          |
| <b>Detailed Comments:</b>  |                                                                                                                                                       |          |

| PDU Constraint Declaration |                                                                                                                                                |          |
|----------------------------|------------------------------------------------------------------------------------------------------------------------------------------------|----------|
| <b>Constraint Name:</b>    | Setup_10_3100(bcap: BCAP; llc1:LLCMP; hlc1:HLCMP)                                                                                              |          |
| <b>PDU Type:</b>           | SETUP_MO_PDU                                                                                                                                   |          |
| <b>Derivation Path:</b>    |                                                                                                                                                |          |
| <b>Comments:</b>           | A SETUP message containing bearer capability supported by the mobile station. used for 3.1 kHz audio information transfer capability. ms -> n. |          |
| Field Name                 | Field Value                                                                                                                                    | Comments |
| ti                         | ?                                                                                                                                              |          |
| ccpd                       | '0011'B                                                                                                                                        |          |
| mt                         | '0?000101'B                                                                                                                                    |          |
| bcri                       | -                                                                                                                                              |          |
| bcap1                      | bcap                                                                                                                                           |          |
| bcap2                      | -                                                                                                                                              |          |
| fie                        | *                                                                                                                                              |          |
| cgps                       | *                                                                                                                                              |          |
| cdpn                       | ?                                                                                                                                              |          |
| cdps                       | *                                                                                                                                              |          |
| llcri                      | -                                                                                                                                              |          |
| llcmp1                     | llc1 IF_PRESENT                                                                                                                                |          |
| llcmp2                     | -                                                                                                                                              |          |
| hlcri                      | -                                                                                                                                              |          |
| hlcmp1                     | hlc1 IF_PRESENT                                                                                                                                |          |
| hlcmp2                     | -                                                                                                                                              |          |
| uu                         | *                                                                                                                                              |          |
| ssvi                       | *                                                                                                                                              |          |
| clirsup                    | *                                                                                                                                              |          |
| clirinv                    | *                                                                                                                                              |          |
| cccap                      | CallCntrlCap IF_PRESENT                                                                                                                        |          |
| <b>Detailed Comments:</b>  |                                                                                                                                                |          |

| PDU Constraint Declaration |                                                                                                                                                      |          |
|----------------------------|------------------------------------------------------------------------------------------------------------------------------------------------------|----------|
| <b>Constraint Name:</b>    | Setup_11_3100(bcri1: RPI; bcap, bcap2nd: BCAP; llc1, llc2:LLCMP; llcri1, hlcri1:RPI; hlc1, hlc2:HLCMP)                                               |          |
| <b>PDU Type:</b>           | SETUP_MO_PDU                                                                                                                                         |          |
| <b>Derivation Path:</b>    |                                                                                                                                                      |          |
| <b>Comments:</b>           | A SETUP message containing two bearer capabilities supported by the mobile station, used for 3.1 kHz audio information transfer capability. ms -> n. |          |
| Field Name                 | Field Value                                                                                                                                          | Comments |
| ti                         | ?                                                                                                                                                    |          |
| ccpd                       | '0011'B                                                                                                                                              |          |
| mt                         | '0?000101'B                                                                                                                                          |          |
| bcri                       | bcri1                                                                                                                                                |          |
| bcap1                      | bcap                                                                                                                                                 |          |
| bcap2                      | bcap2nd                                                                                                                                              |          |
| fie                        | *                                                                                                                                                    |          |
| cgps                       | *                                                                                                                                                    |          |
| cdpn                       | ?                                                                                                                                                    |          |
| cdps                       | *                                                                                                                                                    |          |
| llcri                      | llcri1 IF_PRESENT                                                                                                                                    |          |
| llcmp1                     | llc1 IF_PRESENT                                                                                                                                      |          |
| llcmp2                     | llc2 IF_PRESENT                                                                                                                                      |          |
| hlcri                      | hlcri1 IF_PRESENT                                                                                                                                    |          |
| hlcmp1                     | hlc1 IF_PRESENT                                                                                                                                      |          |
| hlcmp2                     | hlc2 IF_PRESENT                                                                                                                                      |          |
| uu                         | *                                                                                                                                                    |          |
| ssvi                       | *                                                                                                                                                    |          |
| clirsup                    | *                                                                                                                                                    |          |
| clirinv                    | *                                                                                                                                                    |          |
| cccacp                     | CallCntrlCap IF_PRESENT                                                                                                                              |          |
| <b>Detailed Comments:</b>  |                                                                                                                                                      |          |

| PDU Constraint Declaration |                                                                               |          |
|----------------------------|-------------------------------------------------------------------------------|----------|
| <b>Constraint Name:</b>    | Setup_20(par: BCAP; ti:TI)                                                    |          |
| <b>PDU Type:</b>           | SETUP_MT_PDU                                                                  |          |
| <b>Derivation Path:</b>    |                                                                               |          |
| <b>Comments:</b>           | A SETUP message containing bearer capability supported by the mobile station. |          |
| Field Name                 | Field Value                                                                   | Comments |
| ti                         | ti                                                                            |          |
| ccpd                       | '0011'B                                                                       |          |
| mt                         | '00000101'B                                                                   |          |
| bcri                       | -                                                                             |          |
| bcap1                      | par                                                                           |          |
| bcap2                      | -                                                                             |          |
| fie                        | -                                                                             |          |
| pi                         | -                                                                             |          |
| sig                        | -                                                                             |          |
| cgpn                       | -                                                                             |          |
| cgps                       | -                                                                             |          |
| cdpn                       | -                                                                             |          |
| cdps                       | -                                                                             |          |
| llcri                      | -                                                                             |          |
| llcmp1                     | -                                                                             |          |
| llcmp2                     | -                                                                             |          |
| hlcri                      | -                                                                             |          |
| hlcmp1                     | -                                                                             |          |
| hlcmp2                     | -                                                                             |          |
| uu                         | -                                                                             |          |
| <b>Detailed Comments:</b>  |                                                                               |          |

| PDU Constraint Declaration |                                                                                     |          |
|----------------------------|-------------------------------------------------------------------------------------|----------|
| <b>Constraint Name:</b>    | Setup_21(par1:RPI; par2, par3 :BCAP; ti:TI)                                         |          |
| <b>PDU Type:</b>           | SETUP_MT_PDU                                                                        |          |
| <b>Derivation Path:</b>    |                                                                                     |          |
| <b>Comments:</b>           | A SETUP message containing two bearer capabilities supported by the mobile station. |          |
| Field Name                 | Field Value                                                                         | Comments |
| ti                         | ti                                                                                  |          |
| ccpd                       | '0011'B                                                                             |          |
| mt                         | '00000101'B                                                                         |          |
| bcri                       | par1                                                                                |          |
| bcap1                      | par2                                                                                |          |
| bcap2                      | par3                                                                                |          |
| fie                        | -                                                                                   |          |
| pi                         | -                                                                                   |          |
| sig                        | -                                                                                   |          |
| cgpn                       | -                                                                                   |          |
| cgps                       | -                                                                                   |          |
| cdpn                       | -                                                                                   |          |
| cdps                       | -                                                                                   |          |
| llcri                      | -                                                                                   |          |
| llcmp1                     | -                                                                                   |          |
| llcmp2                     | -                                                                                   |          |
| hlcri                      | -                                                                                   |          |
| hlcmp1                     | -                                                                                   |          |
| hlcmp2                     | -                                                                                   |          |
| uu                         | -                                                                                   |          |
| <b>Detailed Comments:</b>  |                                                                                     |          |

| PDU Constraint Declaration |                                                            |          |
|----------------------------|------------------------------------------------------------|----------|
| <b>Constraint Name:</b>    | Setup_inv_01( ti:TI)                                       |          |
| <b>PDU Type:</b>           | SETUP_MT_PDU                                               |          |
| <b>Derivation Path:</b>    |                                                            |          |
| <b>Comments:</b>           | A SETUP message with ti_f value = 1 as an invalid message. |          |
| Field Name                 | Field Value                                                | Comments |
| ti                         | ti                                                         |          |
| ccpd                       | '0011'B                                                    |          |
| mt                         | '00000101'B                                                |          |
| bcri                       | -                                                          |          |
| bcap1                      | -                                                          |          |
| bcap2                      | -                                                          |          |
| fie                        | -                                                          |          |
| pi                         | -                                                          |          |
| sig                        | -                                                          |          |
| cgpn                       | -                                                          |          |
| cgps                       | -                                                          |          |
| cdpn                       | -                                                          |          |
| cdps                       | -                                                          |          |
| llcri                      | -                                                          |          |
| llcmp1                     | -                                                          |          |
| llcmp2                     | -                                                          |          |
| hlcri                      | -                                                          |          |
| hlcmp1                     | -                                                          |          |
| hlcmp2                     | -                                                          |          |
| uu                         | -                                                          |          |
| <b>Detailed Comments:</b>  |                                                            |          |

| PDU Constraint Declaration |                                                    |          |
|----------------------------|----------------------------------------------------|----------|
| <b>Constraint Name:</b>    | Setup_inv_02( ti:TI)                               |          |
| <b>PDU Type:</b>           | SETUP_MT_PDU                                       |          |
| <b>Derivation Path:</b>    |                                                    |          |
| <b>Comments:</b>           | An invalid SETUP message with arbitrary spare bits |          |
| Field Name                 | Field Value                                        | Comments |
| ti                         | ti                                                 |          |
| ccpd                       | '0011'B                                            |          |
| mt                         | '00000101'B                                        |          |
| bcric                      | -                                                  |          |
| bcap1                      | -                                                  |          |
| bcap2                      | -                                                  |          |
| fi                         | -                                                  |          |
| pi                         | -                                                  |          |
| sig                        | Signal_01                                          |          |
| cgpn                       | Cgpn_01                                            |          |
| cgps                       | Cgps_01                                            |          |
| cdpn                       | Cdpn_01                                            |          |
| cdps                       | Cdps_01                                            |          |
| llcri                      | -                                                  |          |
| llcmp1                     | -                                                  |          |
| llcmp2                     | -                                                  |          |
| hlcri                      | -                                                  |          |
| hlcmp1                     | -                                                  |          |
| hlcmp2                     | -                                                  |          |
| uu                         | -                                                  |          |
| <b>Detailed Comments:</b>  |                                                    |          |

| PDU Constraint Declaration |                                      |          |
|----------------------------|--------------------------------------|----------|
| <b>Constraint Name:</b>    | SMSCB_01(sernum: SERIAL_NUMBER)      |          |
| <b>PDU Type:</b>           | SMSCB_PDU                            |          |
| <b>Derivation Path:</b>    |                                      |          |
| <b>Comments:</b>           | To send a SMSCB message, first block |          |
| Field Name                 | Field Value                          | Comments |
| blocktype                  | Blocktype_01('0000'B, '0'B)          |          |
| serial_number              | sernum                               |          |
| message_id                 | '0000'O                              |          |
| dcs                        | Tpdcs_05                             |          |
| page_param                 | '00010001'B                          |          |
| message_contents           | OC_CodeSMSCBMessage(1, 16)           |          |
| <b>Detailed Comments:</b>  |                                      |          |

| PDU Constraint Declaration |                                                                                |          |
|----------------------------|--------------------------------------------------------------------------------|----------|
| <b>Constraint Name:</b>    | SMSCB_02(seqnum, lb: BITSTRING; firstoct: INTEGER; lastoct: INTEGER)           |          |
| <b>PDU Type:</b>           | SMSCB_PDU                                                                      |          |
| <b>Derivation Path:</b>    |                                                                                |          |
| <b>Comments:</b>           | To send a SMSCB message, second to fourth block (depending on sequence number) |          |
| Field Name                 | Field Value                                                                    | Comments |
| blocktype                  | Blocktype_01(seqnum, lb)                                                       |          |
| serial_number              | -                                                                              |          |
| message_id                 | -                                                                              |          |
| dcs                        | -                                                                              |          |
| page_param                 | -                                                                              |          |
| message_contents           | OC_CodeSMSCBMessage(firstoct, lastoct)                                         |          |
| <b>Detailed Comments:</b>  |                                                                                |          |

| PDU Constraint Declaration |                                     |          |
|----------------------------|-------------------------------------|----------|
| <b>Constraint Name:</b>    | SetupInd_01                         |          |
| <b>PDU Type:</b>           | SETUP_MO_PDU                        |          |
| <b>Derivation Path:</b>    |                                     |          |
| <b>Comments:</b>           | To match any received SETUP message |          |
| Field Name                 | Field Value                         | Comments |
| ti                         | Tl_09                               |          |
| ccpd                       | '0011'B                             |          |
| mt                         | '0?000101'B                         |          |
| bcri                       | *                                   |          |
| bcap1                      | ?                                   |          |
| bcap2                      | *                                   |          |
| fie                        | *                                   |          |
| cgps                       | *                                   |          |
| cdpn                       | ?                                   |          |
| cdps                       | *                                   |          |
| llcri                      | *                                   |          |
| llcmp1                     | *                                   |          |
| llcmp2                     | *                                   |          |
| hlcri                      | *                                   |          |
| hlcmp1                     | *                                   |          |
| hlcmp2                     | *                                   |          |
| uu                         | *                                   |          |
| ssvi                       | *                                   |          |
| clirsup                    | *                                   |          |
| clirinv                    | *                                   |          |
| cccap                      | CallCntrlCap IF_PRESENT             |          |
| <b>Detailed Comments:</b>  |                                     |          |

| PDU Constraint Declaration |                                          |          |
|----------------------------|------------------------------------------|----------|
| <b>Constraint Name:</b>    | StartDtmf_01(Ti:TI; character:IA5String) |          |
| <b>PDU Type:</b>           | START_DTMF_PDU                           |          |
| <b>Derivation Path:</b>    |                                          |          |
| <b>Comments:</b>           |                                          |          |
| Field Name                 | Field Value                              | Comments |
| ti                         | Ti                                       |          |
| ccpd                       | '0011'B                                  |          |
| mt                         | '0?110101'B                              |          |
| kpf                        | KeyPad_01(character)                     |          |
| <b>Detailed Comments:</b>  |                                          |          |

| PDU Constraint Declaration |                     |          |
|----------------------------|---------------------|----------|
| <b>Constraint Name:</b>    | StartDtmf_02(Ti:TI) |          |
| <b>PDU Type:</b>           | START_DTMF_PDU      |          |
| <b>Derivation Path:</b>    |                     |          |
| <b>Comments:</b>           |                     |          |
| Field Name                 | Field Value         | Comments |
| ti                         | Ti                  |          |
| ccpd                       | '0011'B             |          |
| mt                         | '0?110101'B         |          |
| kpf                        | KeyPad_02           |          |
| <b>Detailed Comments:</b>  |                     |          |

| PDU Constraint Declaration |                                             |          |
|----------------------------|---------------------------------------------|----------|
| <b>Constraint Name:</b>    | StartDtmfAck_01(Ti:TI; character:IA5String) |          |
| <b>PDU Type:</b>           | START_DTMF_ACK_PDU                          |          |
| <b>Derivation Path:</b>    |                                             |          |
| <b>Comments:</b>           |                                             |          |
| Field Name                 | Field Value                                 | Comments |
| ti                         | Ti                                          |          |
| ccpd                       | '0011'B                                     |          |
| mt                         | '00110110'B                                 |          |
| kpf                        | KeyPad_01(character)                        |          |
| <b>Detailed Comments:</b>  |                                             |          |

| PDU Constraint Declaration |                        |          |
|----------------------------|------------------------|----------|
| <b>Constraint Name:</b>    | StartDtmfRej_01(Ti:TI) |          |
| <b>PDU Type:</b>           | START_DTMF_REJ_PDU     |          |
| <b>Derivation Path:</b>    |                        |          |
| <b>Comments:</b>           |                        |          |
| Field Name                 | Field Value            | Comments |
| ti                         | Ti                     |          |
| ccpd                       | '0011'B                |          |
| mt                         | '00110111'B            |          |
| cau                        | Cause_15               |          |
| <b>Detailed Comments:</b>  |                        |          |

| PDU Constraint Declaration |                    |          |
|----------------------------|--------------------|----------|
| <b>Constraint Name:</b>    | StopDtmf_01(Ti:TI) |          |
| <b>PDU Type:</b>           | STOP_DTMF_PDU      |          |
| <b>Derivation Path:</b>    |                    |          |
| <b>Comments:</b>           |                    |          |
| Field Name                 | Field Value        | Comments |
| ti                         | Ti                 |          |
| ccpd                       | '0011'B            |          |
| mt                         | '0?110001'B        |          |
| <b>Detailed Comments:</b>  |                    |          |

| PDU Constraint Declaration |                       |          |
|----------------------------|-----------------------|----------|
| <b>Constraint Name:</b>    | StopDtmfAck_01(Ti:TI) |          |
| <b>PDU Type:</b>           | STOP_DTMF_ACK_PDU     |          |
| <b>Derivation Path:</b>    |                       |          |
| <b>Comments:</b>           |                       |          |
| Field Name                 | Field Value           | Comments |
| ti                         | Ti                    |          |
| ccpd                       | '0011'B               |          |
| mt                         | '00110010'B           |          |
| <b>Detailed Comments:</b>  |                       |          |

| PDU Constraint Declaration |                                                                                                                                                                                                                                                                                                                                                                                                                                                       |          |
|----------------------------|-------------------------------------------------------------------------------------------------------------------------------------------------------------------------------------------------------------------------------------------------------------------------------------------------------------------------------------------------------------------------------------------------------------------------------------------------------|----------|
| <b>Constraint Name:</b>    | SyncInfor( bcc:BCC; ncc:NCC)                                                                                                                                                                                                                                                                                                                                                                                                                          |          |
| <b>PDU Type:</b>           | SCHINFO_PDU                                                                                                                                                                                                                                                                                                                                                                                                                                           |          |
| <b>Derivation Path:</b>    |                                                                                                                                                                                                                                                                                                                                                                                                                                                       |          |
| <b>Comments:</b>           |                                                                                                                                                                                                                                                                                                                                                                                                                                                       |          |
| Field Name                 | Field Value                                                                                                                                                                                                                                                                                                                                                                                                                                           | Comments |
| ncc                        | ncc                                                                                                                                                                                                                                                                                                                                                                                                                                                   |          |
| bcc                        | bcc                                                                                                                                                                                                                                                                                                                                                                                                                                                   |          |
| t1                         | ?                                                                                                                                                                                                                                                                                                                                                                                                                                                     |          |
| t2                         | ?                                                                                                                                                                                                                                                                                                                                                                                                                                                     |          |
| t3_                        | ?                                                                                                                                                                                                                                                                                                                                                                                                                                                     |          |
| <b>Detailed Comments:</b>  | 1. The values of t1, t2 and t3_ shall be correctly set by the L2 simulation module when this message is sent to air on the synchronization channel. It is assumed that there is a set of timebase counters in the L2 module, these counters run continuously and keep the correct timeslot number SN and TDMA frame number FN as long as the test system is poweron , the T1, T2, T3' (values for t1, t2 and t3_) can be derived from these counters. |          |

| PDU Constraint Declaration |                                                        |          |
|----------------------------|--------------------------------------------------------|----------|
| <b>Constraint Name:</b>    | SysInf1(cchd:CCHD; maxtx:B_2; txint:B_4; re:B_1)       |          |
| <b>PDU Type:</b>           | SYSINFO1_PDU                                           |          |
| <b>Derivation Path:</b>    |                                                        |          |
| <b>Comments:</b>           | Default parameters for cell A in RR testing of GSM 900 |          |
| Field Name                 | Field Value                                            | Comments |
| l2_pl                      | '55'O                                                  |          |
| ski                        | '0000'B                                                |          |
| rrpd                       | '0110'B                                                |          |
| mt                         | '00011001'B                                            |          |
| cchd                       | cchd                                                   |          |
| rachcp                     | RachCntrlPara(maxtx, txint, re)                        |          |
| si1roct                    | '2B'O                                                  |          |
| <b>Detailed Comments:</b>  |                                                        |          |

| PDU Constraint Declaration |                                                                         |          |
|----------------------------|-------------------------------------------------------------------------|----------|
| <b>Constraint Name:</b>    | SysInf2(bcchfl: NCD; maxtx:B_2; txint:B_4; re:B_1; nccp:NCCP)           |          |
| <b>PDU Type:</b>           | SYSINFO2_PDU                                                            |          |
| <b>Derivation Path:</b>    |                                                                         |          |
| <b>Comments:</b>           | SYSTEM INFORMATION TYPE2 containing default neighbour cells description |          |
| Field Name                 | Field Value                                                             | Comments |
| l2_pl                      | '59'O                                                                   |          |
| ski                        | '0000'B                                                                 |          |
| rrpd                       | '0110'B                                                                 |          |
| mt                         | '00011010'B                                                             |          |
| bcchfl                     | bcchfl                                                                  |          |
| nccp                       | nccp                                                                    |          |
| rachcp                     | RachCntrlPara(maxtx, txint, re)                                         |          |
| <b>Detailed Comments:</b>  |                                                                         |          |

| PDU Constraint Declaration |                                                                                      |          |
|----------------------------|--------------------------------------------------------------------------------------|----------|
| <b>Constraint Name:</b>    | SysInf2bis(bcchflegsm: NCD)                                                          |          |
| <b>PDU Type:</b>           | SYSINFO2bis_PDU                                                                      |          |
| <b>Derivation Path:</b>    |                                                                                      |          |
| <b>Comments:</b>           | SYSTEM INFORMATION 2bis in cell A under EGSM with the ARFCN list = {988, 990, 1003}. |          |
| Field Name                 | Field Value                                                                          | Comments |
| l2_pl                      | '55'O                                                                                |          |
| ski                        | '0000'B                                                                              |          |
| rrpd                       | '0110'B                                                                              |          |
| mt                         | '00000010'B                                                                          |          |
| xbcchfl                    | bcchflegsm                                                                           |          |
| rachcp                     | RachCntrlPara_r01                                                                    |          |
| si2bisroct                 | '00'O                                                                                |          |
| <b>Detailed Comments:</b>  |                                                                                      |          |

| PDU Constraint Declaration |                                                                                                                      |          |
|----------------------------|----------------------------------------------------------------------------------------------------------------------|----------|
| <b>Constraint Name:</b>    | SysInf3(ci:CI; mcc, mnc, lac:OCTETSTRING; ccd:CCD; co:CO; crh, mtmc:INTEGER; neci:B_1; maxtx:B_2; txint:B_4; re:B_1) |          |
| <b>PDU Type:</b>           | SYSINFO3_PDU                                                                                                         |          |
| <b>Derivation Path:</b>    |                                                                                                                      |          |
| <b>Comments:</b>           | CCCH combined or not with SDCCH                                                                                      |          |
| Field Name                 | Field Value                                                                                                          | Comments |
| l2_pl                      | '49'O                                                                                                                |          |
| ski                        | '0000'B                                                                                                              |          |
| rrpd                       | '0110'B                                                                                                              |          |
| mt                         | '00011011'B                                                                                                          |          |
| ci                         | ci                                                                                                                   |          |
| lai                        | LocAreaId(mcc, mnc, lac)                                                                                             |          |
| ccd                        | ccd                                                                                                                  |          |
| co                         | co                                                                                                                   |          |
| csp                        | CellSelPara(crh, mtmc, neci)                                                                                         |          |
| rachcp                     | RachCntrlPara(maxtx, txint, re)                                                                                      |          |
| si3roct                    | SI3RestOctetDef                                                                                                      |          |
| <b>Detailed Comments:</b>  |                                                                                                                      |          |

| PDU Constraint Declaration |                                                                                             |          |
|----------------------------|---------------------------------------------------------------------------------------------|----------|
| <b>Constraint Name:</b>    | SysInf3_inv_01( mcc, mnc, lac:OCTETSTRING)                                                  |          |
| <b>PDU Type:</b>           | SYSINFO3_PDU                                                                                |          |
| <b>Derivation Path:</b>    |                                                                                             |          |
| <b>Comments:</b>           | An invalid SYSTEM INFORMATION TYPE 3 message containing rest octets which are not all '2B'O |          |
| Field Name                 | Field Value                                                                                 | Comments |
| l2_pl                      | '49'O                                                                                       |          |
| ski                        | '0000'B                                                                                     |          |
| rrpd                       | '0110'B                                                                                     |          |
| mt                         | '00011011'B                                                                                 |          |
| ci                         | C_ci_cellA                                                                                  |          |
| lai                        | LocAreaId( mcc, mnc, lac)                                                                   |          |
| ccd                        | CntrlChDscrp_inv                                                                            |          |
| co                         | CellOpt_04                                                                                  |          |
| csp                        | CellSelPara_01                                                                              |          |
| rachcp                     | RachCntrlPara_01                                                                            |          |
| si3roct                    | SI3RestOctet_inv                                                                            |          |
| <b>Detailed Comments:</b>  |                                                                                             |          |



| PDU Constraint Declaration |                                                                                               |          |
|----------------------------|-----------------------------------------------------------------------------------------------|----------|
| <b>Constraint Name:</b>    | SysInf4(mcc, mnc, lac:OCTETSTRING; crh, mtmc:INTEGER; neci:B_1; maxtx:B_2; txint:B_4; re:B_1) |          |
| <b>PDU Type:</b>           | SYSINFO4_PDU                                                                                  |          |
| <b>Derivation Path:</b>    |                                                                                               |          |
| <b>Comments:</b>           | A SYSTEM INFORMATION TYPE 4 message containing default values                                 |          |
| Field Name                 | Field Value                                                                                   | Comments |
| l2_pl                      | '31'O                                                                                         |          |
| ski                        | '0000'B                                                                                       |          |
| rrpd                       | '0110'B                                                                                       |          |
| mt                         | '00011100'B                                                                                   |          |
| lai                        | LocAreald(mcc, mnc, lac)                                                                      |          |
| csp                        | CellSelPara(crh, mtmc, neci)                                                                  |          |
| rachcp                     | RachCntrlPara(maxtx, txint, re)                                                               |          |
| cbchd                      | -                                                                                             |          |
| cbchma                     | -                                                                                             |          |
| si4roct                    | SI4RestOctetDef                                                                               |          |
| <b>Detailed Comments:</b>  |                                                                                               |          |

| PDU Constraint Declaration |                                                                                                               |          |
|----------------------------|---------------------------------------------------------------------------------------------------------------|----------|
| <b>Constraint Name:</b>    | SysInf4_CBMS(mcc, mnc, lac:OCTETSTRING; crh, mtmc:INTEGER; neci:B_1; maxtx:B_2; txint:B_4; re:B_1; cbchd:CHD) |          |
| <b>PDU Type:</b>           | SYSINFO4_PDU                                                                                                  |          |
| <b>Derivation Path:</b>    |                                                                                                               |          |
| <b>Comments:</b>           | To send a SYSTEM INFORMATION TYPE 4 message for SMSCB with the values of GSM 11.10, 34.3                      |          |
| Field Name                 | Field Value                                                                                                   | Comments |
| l2_pl                      | '49'O                                                                                                         |          |
| ski                        | '0000'B                                                                                                       |          |
| rrpd                       | '0110'B                                                                                                       |          |
| mt                         | '00011100'B                                                                                                   |          |
| lai                        | LocAreald(mcc, mnc, lac)                                                                                      |          |
| csp                        | CellSelPara(crh, mtmc, neci)                                                                                  |          |
| rachcp                     | RachCntrlPara(maxtx, txint, re)                                                                               |          |
| cbchd                      | cbchd                                                                                                         |          |
| cbchma                     | -                                                                                                             |          |
| si4roct                    | SI4RestOctet_CBMS                                                                                             |          |
| <b>Detailed Comments:</b>  |                                                                                                               |          |

| PDU Constraint Declaration |                                                                                      |          |
|----------------------------|--------------------------------------------------------------------------------------|----------|
| <b>Constraint Name:</b>    | SysInf4_inv_01( mcc, mnc, lac:OCTETSTRING)                                           |          |
| <b>PDU Type:</b>           | SYSINFO4_PDU                                                                         |          |
| <b>Derivation Path:</b>    |                                                                                      |          |
| <b>Comments:</b>           | An invalid SYSTEM INFORMATION message containing rest octets which are not all '2B'O |          |
| Field Name                 | Field Value                                                                          | Comments |
| l2_pl                      | '31'O                                                                                |          |
| ski                        | '0000'B                                                                              |          |
| rrpd                       | '0110'B                                                                              |          |
| mt                         | '00011100'B                                                                          |          |
| lai                        | LocAreald( mcc, mnc, lac)                                                            |          |
| csp                        | CellSelPara_01                                                                       |          |
| rachcp                     | RachCntrlPara_01                                                                     |          |
| cbchd                      | -                                                                                    |          |
| cbchma                     | -                                                                                    |          |
| si4roct                    | SI4RestOctet_inv                                                                     |          |
| <b>Detailed Comments:</b>  |                                                                                      |          |

| PDU Constraint Declaration |                                                                                     |          |
|----------------------------|-------------------------------------------------------------------------------------|----------|
| <b>Constraint Name:</b>    | SysInf5(bcchfl: NCD)                                                                |          |
| <b>PDU Type:</b>           | SYSINFO5_PDU                                                                        |          |
| <b>Derivation Path:</b>    |                                                                                     |          |
| <b>Comments:</b>           | SYSTEM INFORMATION TYPE 5 containing default neighbour cells description for GSM900 |          |
| Field Name                 | Field Value                                                                         | Comments |
| ski                        | '0000'B                                                                             |          |
| rrpd                       | '0110'B                                                                             |          |
| mt                         | '00011101'B                                                                         |          |
| bcchfl                     | bcchfl                                                                              |          |
| <b>Detailed Comments:</b>  |                                                                                     |          |

| PDU Constraint Declaration |                                                                                                           |          |
|----------------------------|-----------------------------------------------------------------------------------------------------------|----------|
| <b>Constraint Name:</b>    | SysInf5bis(bcchfl: NCD)                                                                                   |          |
| <b>PDU Type:</b>           | SYSINFO5bis_PDU                                                                                           |          |
| <b>Derivation Path:</b>    |                                                                                                           |          |
| <b>Comments:</b>           | SYSTEM INFORMATION TYPE 5bis containing partial neighbour cells description with 1 frequency for DCS1800. |          |
| Field Name                 | Field Value                                                                                               | Comments |
| ski                        | '0000'B                                                                                                   |          |
| rrpd                       | '0110'B                                                                                                   |          |
| mt                         | '00000101'B                                                                                               |          |
| xbcchfl                    | bcchfl                                                                                                    |          |
| <b>Detailed Comments:</b>  |                                                                                                           |          |

| PDU Constraint Declaration |                                                                                   |          |
|----------------------------|-----------------------------------------------------------------------------------|----------|
| <b>Constraint Name:</b>    | SysInf6(ci:CI; mcc, mnc, lac:OCTETSTRING; co:CO)                                  |          |
| <b>PDU Type:</b>           | SYSINFO6_PDU                                                                      |          |
| <b>Derivation Path:</b>    |                                                                                   |          |
| <b>Comments:</b>           | A SYSTEM INFORMATION TYPE 6 message containing default parameters for RR testing. |          |
| Field Name                 | Field Value                                                                       | Comments |
| ski                        | '0000'B                                                                           |          |
| rrpd                       | '0110'B                                                                           |          |
| mt                         | '00011110'B                                                                       |          |
| ci                         | ci                                                                                |          |
| lai                        | LocAreald(mcc, mnc, lac)                                                          |          |
| co                         | co                                                                                |          |
| nccp                       | '02'O                                                                             |          |
| <b>Detailed Comments:</b>  |                                                                                   |          |

| PDU Constraint Declaration |                                                    |          |
|----------------------------|----------------------------------------------------|----------|
| <b>Constraint Name:</b>    | TmsiReallocCmd(par:MI; mcc, mnc, lac: OCTETSTRING) |          |
| <b>PDU Type:</b>           | TMSIRE_CMD_PDU                                     |          |
| <b>Derivation Path:</b>    |                                                    |          |
| <b>Comments:</b>           | TMSI REALLOCATION COMMAND message.                 |          |
| Field Name                 | Field Value                                        | Comments |
| ski                        | '0000'B                                            |          |
| mmpd                       | '0101'B                                            |          |
| mt                         | '00011010'B                                        |          |
| lai                        | LocAreald(mcc, mnc, lac)                           |          |
| mi                         | par                                                |          |
| <b>Detailed Comments:</b>  |                                                    |          |

| PDU Constraint Declaration |                                     |          |
|----------------------------|-------------------------------------|----------|
| <b>Constraint Name:</b>    | TmsiReallocComp                     |          |
| <b>PDU Type:</b>           | TMSIRE_COM_PDU                      |          |
| <b>Derivation Path:</b>    |                                     |          |
| <b>Comments:</b>           | TMSI REALLOCATION COMPLETE message. |          |
| Field Name                 | Field Value                         | Comments |
| ski                        | '0000'B                             |          |
| mmpd                       | '0101'B                             |          |
| mt                         | '0?011011'B                         |          |
| <b>Detailed Comments:</b>  |                                     |          |

| PDU Constraint Declaration |                                 |          |
|----------------------------|---------------------------------|----------|
| <b>Constraint Name:</b>    | UndefCC_02(Ti:Ti)               |          |
| <b>PDU Type:</b>           | CONN_PDU                        |          |
| <b>Derivation Path:</b>    |                                 |          |
| <b>Comments:</b>           | This is an undefined CC message |          |
| Field Name                 | Field Value                     | Comments |
| ti                         | Ti                              |          |
| ccpd                       | '0011'B                         |          |
| mt                         | '00111111'B                     |          |
| fi                         | -                               |          |
| pi                         | -                               |          |
| cnn                        | -                               |          |
| cns                        | -                               |          |
| uu                         | -                               |          |
| ssvi                       | -                               |          |
| <b>Detailed Comments:</b>  |                                 |          |

| PDU Constraint Declaration |                                 |          |
|----------------------------|---------------------------------|----------|
| <b>Constraint Name:</b>    | UndefMM_01                      |          |
| <b>PDU Type:</b>           | ID_RES_PDU                      |          |
| <b>Derivation Path:</b>    |                                 |          |
| <b>Comments:</b>           | This is an undefined MM message |          |
| Field Name                 | Field Value                     | Comments |
| ski                        | '0000'B                         |          |
| mmpd                       | '0101'B                         |          |
| mt                         | '00100101'B                     |          |
| mi                         | Mi_05                           |          |
| <b>Detailed Comments:</b>  |                                 |          |

| PDU Constraint Declaration |                         |          |
|----------------------------|-------------------------|----------|
| <b>Constraint Name:</b>    | UndefRR_01              |          |
| <b>PDU Type:</b>           | PART_REL_PDU            |          |
| <b>Derivation Path:</b>    |                         |          |
| <b>Comments:</b>           | An undefined RR message |          |
| Field Name                 | Field Value             | Comments |
| ski                        | '0000'B                 |          |
| rrpd                       | '0110'B                 |          |
| mt                         | '00100101'B             |          |
| chd                        | '02E090'O               |          |
| <b>Detailed Comments:</b>  |                         |          |

| PDU Constraint Declaration |                                         |          |
|----------------------------|-----------------------------------------|----------|
| <b>Constraint Name:</b>    | UnknownMsg_01( ti:TI)                   |          |
| <b>PDU Type:</b>           | CCST_ENQ_PDU                            |          |
| <b>Derivation Path:</b>    |                                         |          |
| <b>Comments:</b>           | CC STATUS ENQUIRY alike unknown message |          |
| Field Name                 | Field Value                             | Comments |
| ti                         | ti                                      |          |
| ccpd                       | '0000'B                                 |          |
| mt                         | '00110100'B                             |          |
| <b>Detailed Comments:</b>  |                                         |          |

| PDU Constraint Declaration |                                                                        |          |
|----------------------------|------------------------------------------------------------------------|----------|
| <b>Constraint Name:</b>    | UnknownMsg_02( ti:TI)                                                  |          |
| <b>PDU Type:</b>           | CCST_ENQ_PDU                                                           |          |
| <b>Derivation Path:</b>    |                                                                        |          |
| <b>Comments:</b>           | CC STATUS ENQUIRY alike unknown message with arbitrary transaction ID. |          |
| Field Name                 | Field Value                                                            | Comments |
| ti                         | ti                                                                     |          |
| ccpd                       | '0000'B                                                                |          |
| mt                         | '00110100'B                                                            |          |
| <b>Detailed Comments:</b>  |                                                                        |          |

| PDU Constraint Declaration |                             |          |
|----------------------------|-----------------------------|----------|
| <b>Constraint Name:</b>    | CpDataAckPdu_01(ti:TI)      |          |
| <b>PDU Type:</b>           | CPDATA_ACK_PDU              |          |
| <b>Derivation Path:</b>    |                             |          |
| <b>Comments:</b>           | CP DATA ACKNOWLEDGE ms -> n |          |
| Field Name                 | Field Value                 | Comments |
| ti                         | ti                          |          |
| smspd                      | '1001'B                     |          |
| mt                         | '00000100'B                 |          |
| <b>Detailed Comments:</b>  |                             |          |

| PDU Constraint Declaration |                             |          |
|----------------------------|-----------------------------|----------|
| <b>Constraint Name:</b>    | CpDataAckPdu_02(ti :TI)     |          |
| <b>PDU Type:</b>           | CPDATA_ACK_PDU              |          |
| <b>Derivation Path:</b>    |                             |          |
| <b>Comments:</b>           | CP DATA ACKNOWLEDGE n -> ms |          |
| Field Name                 | Field Value                 | Comments |
| ti                         | ti                          |          |
| smspd                      | '1001'B                     |          |
| mt                         | '00000100'B                 |          |
| <b>Detailed Comments:</b>  |                             |          |

| PDU Constraint Declaration |                                     |          |
|----------------------------|-------------------------------------|----------|
| <b>Constraint Name:</b>    | CpDataAckPdu_03(ti:TI)              |          |
| <b>PDU Type:</b>           | CPDATA_ACK_PDU                      |          |
| <b>Derivation Path:</b>    |                                     |          |
| <b>Comments:</b>           | CP DATA ACKNOWLEDGE n -> ms, MO-SMS |          |
| Field Name                 | Field Value                         | Comments |
| ti                         | ti                                  |          |
| smspd                      | '1001'B                             |          |
| mt                         | '00000100'B                         |          |
| <b>Detailed Comments:</b>  |                                     |          |

| PDU Constraint Declaration |                               |          |
|----------------------------|-------------------------------|----------|
| <b>Constraint Name:</b>    | CpErrPdu_01(ti:TI)            |          |
| <b>PDU Type:</b>           | CPERR_PDU                     |          |
| <b>Derivation Path:</b>    |                               |          |
| <b>Comments:</b>           | CP ERROR n -> ms<br>GSM 04.11 |          |
| Field Name                 | Field Value                   | Comments |
| ti                         | ti                            |          |
| smspd                      | '1001'B                       |          |
| mt                         | '00010000'B                   |          |
| cp_cause                   | '11'O                         |          |
| <b>Detailed Comments:</b>  |                               |          |

| PDU Constraint Declaration |                                                        |          |
|----------------------------|--------------------------------------------------------|----------|
| <b>Constraint Name:</b>    | CpDataPdu_01( ti:TI; cpdat:CPDATA)                     |          |
| <b>PDU Type:</b>           | CP_DATA_PDU                                            |          |
| <b>Derivation Path:</b>    |                                                        |          |
| <b>Comments:</b>           | CP DATA n -> ms, RP DATA, TP-DCS set to 0<br>GSM 04.11 |          |
| Field Name                 | Field Value                                            | Comments |
| ti                         | ti                                                     |          |
| smspd                      | '1001'B                                                |          |
| mt                         | '00000001'B                                            |          |
| CPdata                     | cpdat                                                  |          |
| <b>Detailed Comments:</b>  |                                                        |          |

| PDU Constraint Declaration |                                              |          |
|----------------------------|----------------------------------------------|----------|
| <b>Constraint Name:</b>    | CpDataPdu_02( ti:TI; cpdat:CPDATA)           |          |
| <b>PDU Type:</b>           | CP_DATA_PDU                                  |          |
| <b>Derivation Path:</b>    |                                              |          |
| <b>Comments:</b>           | CP DATA ms -> n, RP Acknowledge<br>GSM 04.11 |          |
| Field Name                 | Field Value                                  | Comments |
| ti                         | ti                                           |          |
| smspd                      | '1001'B                                      |          |
| mt                         | '00000001'B                                  |          |
| CPdata                     | cpdat                                        |          |
| <b>Detailed Comments:</b>  |                                              |          |

| PDU Constraint Declaration |                                                                                    |          |
|----------------------------|------------------------------------------------------------------------------------|----------|
| <b>Constraint Name:</b>    | CpDataPdu_03( cpdat:CPDATA)                                                        |          |
| <b>PDU Type:</b>           | CP_DATA_PDU                                                                        |          |
| <b>Derivation Path:</b>    |                                                                                    |          |
| <b>Comments:</b>           | CP DATA ms -> n, RP data, TP-DCS set to 0, no status report requested<br>GSM 04.11 |          |
| Field Name                 | Field Value                                                                        | Comments |
| ti                         | TI_09                                                                              |          |
| smspd                      | '1001'B                                                                            |          |
| mt                         | '00000001'B                                                                        |          |
| CPdata                     | cpdat                                                                              |          |
| <b>Detailed Comments:</b>  |                                                                                    |          |

| PDU Constraint Declaration |                                              |          |
|----------------------------|----------------------------------------------|----------|
| <b>Constraint Name:</b>    | CpDataPdu_04                                 |          |
| <b>PDU Type:</b>           | CP_DATA_PDU                                  |          |
| <b>Derivation Path:</b>    |                                              |          |
| <b>Comments:</b>           | CP DATA n -> ms, RP Acknowledge<br>GSM 04.11 |          |
| Field Name                 | Field Value                                  | Comments |
| ti                         | TI_09                                        |          |
| smspd                      | '1001'B                                      |          |
| mt                         | '00000001'B                                  |          |
| CPdata                     | ?                                            |          |
| <b>Detailed Comments:</b>  |                                              |          |

| PDU Constraint Declaration |                              |          |
|----------------------------|------------------------------|----------|
| <b>Constraint Name:</b>    | CpDataPdu_any                |          |
| <b>PDU Type:</b>           | CP_DATA_PDU                  |          |
| <b>Derivation Path:</b>    |                              |          |
| <b>Comments:</b>           | CP DATA ms -> n<br>GSM 04.11 |          |
| Field Name                 | Field Value                  | Comments |
| ti                         | ?                            |          |
| smspd                      | '1001'B                      |          |
| mt                         | '00000001'B                  |          |
| CPdata                     | ?                            |          |
| <b>Detailed Comments:</b>  |                              |          |

| PDU Constraint Declaration |                                                                                                              |          |
|----------------------------|--------------------------------------------------------------------------------------------------------------|----------|
| <b>Constraint Name:</b>    | CpDataPdu_16(tpoa1: BCDN; rpoa_mt: BCDN; smtype: INTEGER; text: IA5String; ti:TI; rpmr: MR; timezone:TZONES) |          |
| <b>PDU Type:</b>           | CP_DATA_PDU                                                                                                  |          |
| <b>Derivation Path:</b>    |                                                                                                              |          |
| <b>Comments:</b>           | CP DATA n -> ms, RP DATA, TP-DCS set to 0<br>GSM 04.11                                                       |          |
| Field Name                 | Field Value                                                                                                  | Comments |
| ti                         | ti                                                                                                           |          |
| smspd                      | '1001'B                                                                                                      |          |
| mt                         | '00000001'B                                                                                                  |          |
| CPdata                     | CpData_15(tpoa1, rpoa_mt, smtype, text, rpmr, timezone)                                                      |          |
| <b>Detailed Comments:</b>  |                                                                                                              |          |

| PDU Constraint Declaration |                                                                                             |          |
|----------------------------|---------------------------------------------------------------------------------------------|----------|
| <b>Constraint Name:</b>    | CpDataPdu_17(tpoa1: BCDN; rpoa_mt: BCDN; text: IA5String; ti:TI; rpmr: MR; timezone:TZONES) |          |
| <b>PDU Type:</b>           | CP_DATA_PDU                                                                                 |          |
| <b>Derivation Path:</b>    |                                                                                             |          |
| <b>Comments:</b>           | CP DATA n -> ms, RP DATA, TP-DCS set to 0<br>GSM 04.11                                      |          |
| Field Name                 | Field Value                                                                                 | Comments |
| ti                         | ti                                                                                          |          |
| smspd                      | '1001'B                                                                                     |          |
| mt                         | '00000001'B                                                                                 |          |
| CPdata                     | CpData_16(tpoa1, rpoa_mt, text, rpmr, timezone)                                             |          |
| <b>Detailed Comments:</b>  |                                                                                             |          |

| PDU Constraint Declaration |                                                                                    |          |
|----------------------------|------------------------------------------------------------------------------------|----------|
| <b>Constraint Name:</b>    | CpDataPdu_18( tpda, rpda:BCDN; tpud:TPUD)                                          |          |
| <b>PDU Type:</b>           | CP_DATA_PDU                                                                        |          |
| <b>Derivation Path:</b>    |                                                                                    |          |
| <b>Comments:</b>           | CP DATA ms -> n, RP data, TP-DCS set to 0, no status report requested<br>GSM 04.11 |          |
| Field Name                 | Field Value                                                                        | Comments |
| ti                         | TI_09                                                                              |          |
| smspd                      | '1001'B                                                                            |          |
| mt                         | '00000001'B                                                                        |          |
| CPdata                     | CpData_17(tpda, rpda,tpud)                                                         |          |
| <b>Detailed Comments:</b>  |                                                                                    |          |

## Dynamic Part

### Test Cases

#### Test Group General

| Test Case Dynamic Behaviour |       |                                                                                                                                                                                                                                                                                                                                                                                                                                                                                                                                                                                                                                                                                                                                                 |      |   |          |
|-----------------------------|-------|-------------------------------------------------------------------------------------------------------------------------------------------------------------------------------------------------------------------------------------------------------------------------------------------------------------------------------------------------------------------------------------------------------------------------------------------------------------------------------------------------------------------------------------------------------------------------------------------------------------------------------------------------------------------------------------------------------------------------------------------------|------|---|----------|
| <b>Test Case Name:</b>      |       | TC_11_1_1                                                                                                                                                                                                                                                                                                                                                                                                                                                                                                                                                                                                                                                                                                                                       |      |   |          |
| <b>Group:</b>               |       | GSM_L3_MS_v4210/General/                                                                                                                                                                                                                                                                                                                                                                                                                                                                                                                                                                                                                                                                                                                        |      |   |          |
| <b>Purpose:</b>             |       | <p>1. To verify that the MS, for the case of the Multinumbering scheme or ISDN, accepts a SETUP message, where the Information Elements for Bearer Capability are compatible with the Bearer Services / Teleservices declared as supported by the MS, by sending a CALL CONFIRMED message.</p> <p>This is verified for all Mobile Terminated Bearer Services / Teleservices declared as supported by the MS.</p> <p>2. To verify that the MS in the "Null" state, U0, when receiving a SETUP message containing incompatible Information Elements for Bearer Capability will respond with a RELEASE COMPLETE message.</p> <p>This is verified for all Mobile Terminated Bearer Services / Teleservices not declared as supported by the MS.</p> |      |   |          |
| <b>Default:</b>             |       | OtherEventsFail                                                                                                                                                                                                                                                                                                                                                                                                                                                                                                                                                                                                                                                                                                                                 |      |   |          |
| Nr                          | Label | Behaviour Description                                                                                                                                                                                                                                                                                                                                                                                                                                                                                                                                                                                                                                                                                                                           | CRef | V | Comments |
| 1                           |       | START T_guard(1800)                                                                                                                                                                                                                                                                                                                                                                                                                                                                                                                                                                                                                                                                                                                             |      |   |          |
| 2                           |       | +IdleUpdated( C_E_default, C_CellA, C_SCH_A, C_BCCH_A_1, C_Immss, C_S0, C_SlotNU, C_SlotNU, C_SlotNU, C_BCC, C_TxInt_5, C_Max_1, C_NECI_0, C_ATT_0, TimingAdv( 0), C_BABR_0, C_cch_1Comb, C_BPM_3, C_T3212_0, C_ci_cellA, C_MCC_1, C_PLMN_1, C_LAC_1, CellOpt_01, CellChDes_Omit, CellChDes_Omit, C_CellReselectHys12, C_MaxPwrLvlG, C_MaxPwrLvlD, BcchFreqLst_45, BcchFreqLst_02, BcchFreqLst_03, BcchFreqLst_04, C_Restablishment, C_BCC, C_NCC, C_Start_Tmsi, TSPX_SDCCH4SubDef, TSPX_CKSNDDef, TSPX_RANDDef, C_arfcnA, C_arfcnAd, TSPX_IMSI, C_Test_nfh, C_NCCP_2)                                                                                                                                                                          |      |   |          |
| 3                           |       | (TCV_SpecialCase := C_Yes)                                                                                                                                                                                                                                                                                                                                                                                                                                                                                                                                                                                                                                                                                                                      |      |   |          |
| 4                           |       | +testTS11                                                                                                                                                                                                                                                                                                                                                                                                                                                                                                                                                                                                                                                                                                                                       |      |   |          |
| 5                           |       | +testBs2x                                                                                                                                                                                                                                                                                                                                                                                                                                                                                                                                                                                                                                                                                                                                       |      |   |          |
| 6                           |       | +testBS3x                                                                                                                                                                                                                                                                                                                                                                                                                                                                                                                                                                                                                                                                                                                                       |      |   |          |
| 7                           |       | +testBS61                                                                                                                                                                                                                                                                                                                                                                                                                                                                                                                                                                                                                                                                                                                                       |      |   |          |
| 8                           |       | +testBS81                                                                                                                                                                                                                                                                                                                                                                                                                                                                                                                                                                                                                                                                                                                                       |      |   |          |
| 9                           |       | +testTS62                                                                                                                                                                                                                                                                                                                                                                                                                                                                                                                                                                                                                                                                                                                                       |      |   |          |
| 10                          |       | [NOT TSPC_Serv_TS62 OR TSPC_Serv_TS61]                                                                                                                                                                                                                                                                                                                                                                                                                                                                                                                                                                                                                                                                                                          |      |   |          |
| 11                          |       | +testTS61                                                                                                                                                                                                                                                                                                                                                                                                                                                                                                                                                                                                                                                                                                                                       |      |   |          |
| 12                          |       | [TSPC_Serv_TS62 AND NOT TSPC_Serv_TS61]                                                                                                                                                                                                                                                                                                                                                                                                                                                                                                                                                                                                                                                                                                         |      |   |          |
|                             |       | <b>testTS11</b>                                                                                                                                                                                                                                                                                                                                                                                                                                                                                                                                                                                                                                                                                                                                 |      |   |          |
| 13                          |       | +test( C_Telephony, TSPC_Serv_TS11)                                                                                                                                                                                                                                                                                                                                                                                                                                                                                                                                                                                                                                                                                                             |      |   |          |
|                             |       | <b>testTS61</b>                                                                                                                                                                                                                                                                                                                                                                                                                                                                                                                                                                                                                                                                                                                                 |      |   |          |
| 14                          |       | +test( C_AltSpchFax, TSPC_Serv_TS61)                                                                                                                                                                                                                                                                                                                                                                                                                                                                                                                                                                                                                                                                                                            |      |   |          |
|                             |       | <b>testTS62</b>                                                                                                                                                                                                                                                                                                                                                                                                                                                                                                                                                                                                                                                                                                                                 |      |   |          |
| 15                          |       | +test( C_AutoFax, TSPC_Serv_TS62)                                                                                                                                                                                                                                                                                                                                                                                                                                                                                                                                                                                                                                                                                                               |      |   |          |
|                             |       | <b>testBs2x</b>                                                                                                                                                                                                                                                                                                                                                                                                                                                                                                                                                                                                                                                                                                                                 |      |   |          |
| 16                          |       | +test( C_Async300, TSPC_Serv_BS21)                                                                                                                                                                                                                                                                                                                                                                                                                                                                                                                                                                                                                                                                                                              |      |   |          |
| 17                          |       | +test( C_Async1200, TSPC_Serv_BS22)                                                                                                                                                                                                                                                                                                                                                                                                                                                                                                                                                                                                                                                                                                             |      |   |          |
| 18                          |       | +test( C_Async2400, TSPC_Serv_BS24)                                                                                                                                                                                                                                                                                                                                                                                                                                                                                                                                                                                                                                                                                                             |      |   |          |
| 19                          |       | +test( C_Async4800, TSPC_Serv_BS25)                                                                                                                                                                                                                                                                                                                                                                                                                                                                                                                                                                                                                                                                                                             |      |   |          |



|                           |            |                                                                                                                  |                                   |     |    |
|---------------------------|------------|------------------------------------------------------------------------------------------------------------------|-----------------------------------|-----|----|
| 20                        |            | +test( C_Async9600, TSPC_Serv_BS26)                                                                              |                                   |     |    |
|                           |            | <b>testBS3x</b>                                                                                                  |                                   |     |    |
| 21                        |            | +test( C_Sync1200, TSPC_Serv_BS31)                                                                               |                                   |     |    |
| 22                        |            | +test( C_Sync2400, TSPC_Serv_BS32)                                                                               |                                   |     |    |
| 23                        |            | +test( C_Sync4800, TSPC_Serv_BS33)                                                                               |                                   |     |    |
| 24                        |            | +test( C_Sync9600, TSPC_Serv_BS34)                                                                               |                                   |     |    |
|                           |            | <b>testBS61</b>                                                                                                  |                                   |     |    |
| 25                        |            | +test( C_AltSpchData, TSPC_Serv_BS61)                                                                            |                                   |     |    |
|                           |            | <b>testBS81</b>                                                                                                  |                                   |     |    |
| 26                        |            | +test( C_SpchData, TSPC_Serv_BS81)                                                                               |                                   |     |    |
|                           |            | <b>test( srv:SERVICES; supported:BOOLEAN)</b>                                                                    |                                   |     |    |
| 27                        |            | +BasicServiceMT( srv, C_Full)                                                                                    |                                   |     |    |
| 28                        |            | +SetupAndCheck(supported)                                                                                        |                                   |     |    |
| 29                        |            | [TCV_2ndtest AND supported]                                                                                      |                                   |     |    |
| 30                        |            | (TCV_Setup_mt := TCV_Setup_mt1)                                                                                  |                                   |     |    |
| 31                        |            | +local_IFsetup(srv)                                                                                              |                                   |     |    |
| 32                        |            | +SetupAndCheck( TRUE)                                                                                            |                                   |     |    |
| 33                        |            | [NOT TCV_2ndtest OR NOT supported]                                                                               |                                   |     |    |
|                           |            | <b>SetupAndCheck(supported:BOOLEAN)</b>                                                                          |                                   |     |    |
| 34                        |            | +PreEstRRConn( TCV_slot, TCV_tsc, TimingAdv( 0))                                                                 |                                   |     |    |
| 35                        |            | +Authentication( TCV_ch, TSPX_CKSNDf, TSPX_RANDDef)                                                              |                                   |     |    |
| 36                        |            | +Ciphering_on( TCV_ch)                                                                                           |                                   |     |    |
| 37                        |            | LIDL_DatRqSetup                                                                                                  | SetupSnd(TCV_ch, TCV_Setup_mt)    |     |    |
| 38                        |            | +check( supported)                                                                                               |                                   |     |    |
| 39                        |            | +PostMainLinkRel(TCV_ch)                                                                                         |                                   |     |    |
| 40                        |            | (TCV_Null := OM_CphMd(TCV_ch, CphMod_02, TCV_CphKey))                                                            |                                   |     | 3. |
|                           |            | <b>check( supported:BOOLEAN)</b>                                                                                 |                                   |     |    |
| 41                        |            | [supported]                                                                                                      |                                   |     | 1. |
| 42                        | L_000<br>1 | L?DL_DatInCallCo                                                                                                 | CallCfm( CallConfirm_01( TI_01))  | (P) |    |
| 43                        |            | [NOT supported]                                                                                                  |                                   |     | 2. |
| 44                        | L_000<br>2 | L?DL_DatInRelCmp                                                                                                 | RelComRcv( ReleaseCmp_07( TI_01)) | (P) |    |
|                           |            | <b>local_IFsetup(srv:SERVICES)</b>                                                                               |                                   |     |    |
| 45                        |            | [(srv = C_AltSpchFax) OR (srv = C_AutoFax)]                                                                      |                                   |     |    |
| 46                        |            | (TCV_Null := OO_IFsetup_TS6x_MT(srv, TCV_ur2))                                                                   |                                   |     |    |
| 47                        |            | [(srv = C_Async300) OR (srv = C_Async1200) OR (srv = C_Async2400) OR (srv = C_Async4800) OR (srv = C_Async9600)] |                                   |     |    |
| 48                        |            | (TCV_Null := OO_IFsetup_BS2x_MT(srv, TCV_itc2))                                                                  |                                   |     |    |
| 49                        |            | [(srv = C_Sync1200) OR (srv = C_Sync2400) OR (srv = C_Sync4800) OR (srv = C_Sync9600)]                           |                                   |     |    |
| 50                        |            | (TCV_Null := OO_IFsetup_BS3x_MT(srv, TCV_itc2, TCV_sacp2))                                                       |                                   |     |    |
| 51                        |            | [(srv = C_AltSpchData) OR (srv = C_SpchData)]                                                                    |                                   |     |    |
| 52                        |            | (TCV_Null := OO_IFsetup_BS61orBS81_MT(srv, TCV_ur2, TCV_sa2))                                                    |                                   |     |    |
| <b>Detailed Comments:</b> |            | 1. To test the supported basic service.                                                                          |                                   |     |    |
|                           |            | 2. To test the non-supported basic service.                                                                      |                                   |     |    |
|                           |            | 3. To set the channel back to non-ciphering mode for next test execution.                                        |                                   |     |    |

### Test Case Dynamic Behaviour

|                        |                                                                                                                                                                                                                                                                                                                                                                                                                                                                                 |
|------------------------|---------------------------------------------------------------------------------------------------------------------------------------------------------------------------------------------------------------------------------------------------------------------------------------------------------------------------------------------------------------------------------------------------------------------------------------------------------------------------------|
| <b>Test Case Name:</b> | TC_11_1_2                                                                                                                                                                                                                                                                                                                                                                                                                                                                       |
| <b>Group:</b>          | GSM_L3_MS_v4210/General/                                                                                                                                                                                                                                                                                                                                                                                                                                                        |
| <b>Purpose:</b>        | <p>1. To verify that the MS generates a SETUP message which includes a single or multiple Bearer Capability and a single LLC, according to the actual configuration on the MS.</p> <p>This is verified for all Mobile Originated Bearer Services / Teleservices described in GSM 07.01 and declared as supported by the MS.</p> <p>2. To verify that the MS includes a correctly encoded Repeat Indicator if it includes multiple Bearer Capabilities in the SETUP message.</p> |
| <b>Default:</b>        | OtherEventsFail                                                                                                                                                                                                                                                                                                                                                                                                                                                                 |

| Nr | Label | Behaviour Description                                                                                                                                                                                                                                                                                                                                                                                                                                                                                                                                                  | CRef | V | Comments |
|----|-------|------------------------------------------------------------------------------------------------------------------------------------------------------------------------------------------------------------------------------------------------------------------------------------------------------------------------------------------------------------------------------------------------------------------------------------------------------------------------------------------------------------------------------------------------------------------------|------|---|----------|
| 1  |       | START T_guard(6000)                                                                                                                                                                                                                                                                                                                                                                                                                                                                                                                                                    |      |   |          |
| 2  |       | +IdleUpdated( C_E_default, C_CellA, C_SCH_A, C_BCCH_A_1, C_Immss, C_S0, C_SlotNU, C_SlotNU, C_SlotNU, C_BCC, C_TxInt_5, C_Max_1, C_NECI_0, C_ATT_0, TimingAdv( 0), C_BABR_0, C_cch_1Comb, C_BPM_3, C_T3212_0, C_ci_cellA, C_MCC_1, C_PLMN_1, C_LAC_1, CellOpt_01, CellChDes_Omit, CellChDes_Omit, C_CellReselectHys12, C_MaxPwrLvIG, C_MaxPwrLvID, BcchFreqLst_45, BcchFreqLst_02, BcchFreqLst_03, BcchFreqLst_04, C_Restablishment, C_BCC, C_NCC, C_Start_Tmsi, TSPX_SDCCH4SubDef, TSPX_CKSNDDef, TSPX_RANDDef, C_arfcnA, C_arfcnAd, TSPX_IMSI, C_Test_nfh, C_NCCP_2) |      |   |          |
| 3  |       | +testTS11                                                                                                                                                                                                                                                                                                                                                                                                                                                                                                                                                              |      |   |          |
| 4  |       | +testTS12                                                                                                                                                                                                                                                                                                                                                                                                                                                                                                                                                              |      |   |          |
| 5  |       | +testTS61                                                                                                                                                                                                                                                                                                                                                                                                                                                                                                                                                              |      |   |          |
| 6  |       | +testTS62                                                                                                                                                                                                                                                                                                                                                                                                                                                                                                                                                              |      |   |          |
| 7  |       | +testBS21                                                                                                                                                                                                                                                                                                                                                                                                                                                                                                                                                              |      |   |          |
| 8  |       | +testBS22                                                                                                                                                                                                                                                                                                                                                                                                                                                                                                                                                              |      |   |          |
| 9  |       | +testBS23                                                                                                                                                                                                                                                                                                                                                                                                                                                                                                                                                              |      |   |          |
| 10 |       | +testBS24                                                                                                                                                                                                                                                                                                                                                                                                                                                                                                                                                              |      |   |          |
| 11 |       | +testBS25                                                                                                                                                                                                                                                                                                                                                                                                                                                                                                                                                              |      |   |          |
| 12 |       | +testBS26                                                                                                                                                                                                                                                                                                                                                                                                                                                                                                                                                              |      |   |          |
| 13 |       | +continue                                                                                                                                                                                                                                                                                                                                                                                                                                                                                                                                                              |      |   |          |
|    |       | <b>continue</b>                                                                                                                                                                                                                                                                                                                                                                                                                                                                                                                                                        |      |   |          |
| 14 |       | +testBS31                                                                                                                                                                                                                                                                                                                                                                                                                                                                                                                                                              |      |   |          |
| 15 |       | +testBS32                                                                                                                                                                                                                                                                                                                                                                                                                                                                                                                                                              |      |   |          |
| 16 |       | +testBS33                                                                                                                                                                                                                                                                                                                                                                                                                                                                                                                                                              |      |   |          |
| 17 |       | +testBS34                                                                                                                                                                                                                                                                                                                                                                                                                                                                                                                                                              |      |   |          |
| 18 |       | +testBS41                                                                                                                                                                                                                                                                                                                                                                                                                                                                                                                                                              |      |   |          |
| 19 |       | +testBS42                                                                                                                                                                                                                                                                                                                                                                                                                                                                                                                                                              |      |   |          |
| 20 |       | +testBS43                                                                                                                                                                                                                                                                                                                                                                                                                                                                                                                                                              |      |   |          |
| 21 |       | +testBS44                                                                                                                                                                                                                                                                                                                                                                                                                                                                                                                                                              |      |   |          |
| 22 |       | +testBS45                                                                                                                                                                                                                                                                                                                                                                                                                                                                                                                                                              |      |   |          |
| 23 |       | +testBS46                                                                                                                                                                                                                                                                                                                                                                                                                                                                                                                                                              |      |   |          |
| 24 |       | +testBS51                                                                                                                                                                                                                                                                                                                                                                                                                                                                                                                                                              |      |   |          |
| 25 |       | +testBS52                                                                                                                                                                                                                                                                                                                                                                                                                                                                                                                                                              |      |   |          |
| 26 |       | +testBS53                                                                                                                                                                                                                                                                                                                                                                                                                                                                                                                                                              |      |   |          |
| 27 |       | +testBS61                                                                                                                                                                                                                                                                                                                                                                                                                                                                                                                                                              |      |   |          |
| 28 |       | +testBS81                                                                                                                                                                                                                                                                                                                                                                                                                                                                                                                                                              |      |   |          |
|    |       | <b>testTS11</b>                                                                                                                                                                                                                                                                                                                                                                                                                                                                                                                                                        |      |   |          |
| 29 |       | [TSPC_Serv_TS11]                                                                                                                                                                                                                                                                                                                                                                                                                                                                                                                                                       |      |   |          |
| 30 |       | +check(C_Telephony)                                                                                                                                                                                                                                                                                                                                                                                                                                                                                                                                                    |      |   | TS11     |
| 31 |       | [NOT TSPC_Serv_TS11]                                                                                                                                                                                                                                                                                                                                                                                                                                                                                                                                                   |      |   |          |
|    |       | <b>testTS12</b>                                                                                                                                                                                                                                                                                                                                                                                                                                                                                                                                                        |      |   |          |
| 32 |       | [TSPC_Serv_TS12]                                                                                                                                                                                                                                                                                                                                                                                                                                                                                                                                                       |      |   |          |
| 33 |       | +check(C_EmgCall)                                                                                                                                                                                                                                                                                                                                                                                                                                                                                                                                                      |      |   | TS12     |
| 34 |       | [NOT TSPC_Serv_TS12]                                                                                                                                                                                                                                                                                                                                                                                                                                                                                                                                                   |      |   |          |

|    |                       |      |  |
|----|-----------------------|------|--|
| 35 | <b>testTS61</b>       |      |  |
| 36 | [TSPC_Serv_TS61]      |      |  |
| 37 | +check(C_AltSpchFax)  | TS61 |  |
|    | [NOT TSPC_Serv_TS61]  |      |  |
|    | <b>testTS62</b>       |      |  |
| 38 | [TSPC_Serv_TS62]      |      |  |
| 39 | +check(C_AutoFax)     | TS62 |  |
| 40 | [NOT TSPC_Serv_TS62]  |      |  |
|    | <b>testBS21</b>       |      |  |
| 41 | [TSPC_Serv_BS21]      |      |  |
| 42 | +check(C_Async300)    | BS21 |  |
| 43 | [NOT TSPC_Serv_BS21]  |      |  |
|    | <b>testBS22</b>       |      |  |
| 44 | [TSPC_Serv_BS22]      |      |  |
| 45 | +check(C_Async1200)   | BS22 |  |
| 46 | [NOT TSPC_Serv_BS22]  |      |  |
|    | <b>testBS23</b>       |      |  |
| 47 | [TSPC_Serv_BS23]      |      |  |
| 48 | +check(C_Async120075) | BS23 |  |
| 49 | [NOT TSPC_Serv_BS23]  |      |  |
|    | <b>testBS24</b>       |      |  |
| 50 | [TSPC_Serv_BS24]      |      |  |
| 51 | +check(C_Async2400)   | BS24 |  |
| 52 | [NOT TSPC_Serv_BS24]  |      |  |
|    | <b>testBS25</b>       |      |  |
| 53 | [TSPC_Serv_BS25]      |      |  |
| 54 | +check(C_Async4800)   | BS25 |  |
| 55 | [NOT TSPC_Serv_BS25]  |      |  |
|    | <b>testBS26</b>       |      |  |
| 56 | [TSPC_Serv_BS26]      |      |  |
| 57 | +check(C_Async9600)   | BS26 |  |
| 58 | [NOT TSPC_Serv_BS26]  |      |  |
|    | <b>testBS31</b>       |      |  |
| 59 | [TSPC_Serv_BS31]      |      |  |
| 60 | +check(C_Sync1200)    | BS31 |  |
| 61 | [NOT TSPC_Serv_BS31]  |      |  |
|    | <b>testBS32</b>       |      |  |
| 62 | [TSPC_Serv_BS32]      |      |  |
| 63 | +check(C_Sync2400)    | BS32 |  |
| 64 | [NOT TSPC_Serv_BS32]  |      |  |
|    | <b>testBS33</b>       |      |  |
| 65 | [TSPC_Serv_BS33]      |      |  |
| 66 | +check(C_Sync4800)    | BS33 |  |
| 67 | [NOT TSPC_Serv_BS33]  |      |  |
|    | <b>testBS34</b>       |      |  |
| 68 | [TSPC_Serv_BS34]      |      |  |
| 69 | +check(C_Sync9600)    | BS34 |  |
| 70 | [NOT TSPC_Serv_BS34]  |      |  |
|    | <b>testBS41</b>       |      |  |
| 71 | [TSPC_Serv_BS41]      |      |  |
| 72 | +check(C_PAD300)      | BS41 |  |
| 73 | [NOT TSPC_Serv_BS41]  |      |  |

|     |                                                                                  |                                                                                                                                                              |                         |
|-----|----------------------------------------------------------------------------------|--------------------------------------------------------------------------------------------------------------------------------------------------------------|-------------------------|
| 74  | <b>testBS42</b>                                                                  |                                                                                                                                                              |                         |
| 75  | [TSPC_Serv_BS42]                                                                 |                                                                                                                                                              |                         |
| 76  | +check(C_PAD1200)                                                                | BS42                                                                                                                                                         |                         |
| 76  | [NOT TSPC_Serv_BS42]                                                             |                                                                                                                                                              |                         |
|     | <b>testBS43</b>                                                                  |                                                                                                                                                              |                         |
| 77  | [TSPC_Serv_BS43]                                                                 |                                                                                                                                                              |                         |
| 78  | +check(C_PAD120075)                                                              | BS43                                                                                                                                                         |                         |
| 79  | [NOT TSPC_Serv_BS43]                                                             |                                                                                                                                                              |                         |
|     | <b>testBS44</b>                                                                  |                                                                                                                                                              |                         |
| 80  | [TSPC_Serv_BS44]                                                                 |                                                                                                                                                              |                         |
| 81  | +check(C_PAD2400)                                                                | BS44                                                                                                                                                         |                         |
| 82  | [NOT TSPC_Serv_BS44]                                                             |                                                                                                                                                              |                         |
|     | <b>testBS45</b>                                                                  |                                                                                                                                                              |                         |
| 83  | [TSPC_Serv_BS45]                                                                 |                                                                                                                                                              |                         |
| 84  | +check(C_PAD4800)                                                                | BS45                                                                                                                                                         |                         |
| 85  | [NOT TSPC_Serv_BS45]                                                             |                                                                                                                                                              |                         |
|     | <b>testBS46</b>                                                                  |                                                                                                                                                              |                         |
| 86  | [TSPC_Serv_BS46]                                                                 |                                                                                                                                                              |                         |
| 87  | +check(C_PAD9600)                                                                | BS46                                                                                                                                                         |                         |
| 88  | [NOT TSPC_Serv_BS46]                                                             |                                                                                                                                                              |                         |
|     | <b>testBS51</b>                                                                  |                                                                                                                                                              |                         |
| 89  | [TSPC_Serv_BS51]                                                                 |                                                                                                                                                              |                         |
| 90  | +check(C_Packet2400)                                                             | BS51                                                                                                                                                         |                         |
| 91  | [NOT TSPC_Serv_BS51]                                                             |                                                                                                                                                              |                         |
|     | <b>testBS52</b>                                                                  |                                                                                                                                                              |                         |
| 92  | [TSPC_Serv_BS52]                                                                 |                                                                                                                                                              |                         |
| 93  | +check(C_Packet4800)                                                             | BS52                                                                                                                                                         |                         |
| 94  | [NOT TSPC_Serv_BS52]                                                             |                                                                                                                                                              |                         |
|     | <b>testBS53</b>                                                                  |                                                                                                                                                              |                         |
| 95  | [TSPC_Serv_BS53]                                                                 |                                                                                                                                                              |                         |
| 96  | +check(C_Packet9600)                                                             | BS53                                                                                                                                                         |                         |
| 97  | [NOT TSPC_Serv_BS53]                                                             |                                                                                                                                                              |                         |
|     | <b>testBS61</b>                                                                  |                                                                                                                                                              |                         |
| 98  | [TSPC_Serv_BS61]                                                                 |                                                                                                                                                              |                         |
| 99  | +check(C_AltSpchData)                                                            | BS61                                                                                                                                                         |                         |
| 100 | [NOT TSPC_Serv_BS61]                                                             |                                                                                                                                                              |                         |
|     | <b>testBS81</b>                                                                  |                                                                                                                                                              |                         |
| 101 | [TSPC_Serv_BS81]                                                                 |                                                                                                                                                              |                         |
| 102 | +check(C_SpchData)                                                               | BS81                                                                                                                                                         |                         |
| 103 | [NOT TSPC_Serv_BS81]                                                             |                                                                                                                                                              |                         |
|     | <b>check(srv:SERVICES)</b>                                                       |                                                                                                                                                              |                         |
| 104 | +BasicServiceMO(srv, C_Full)                                                     |                                                                                                                                                              |                         |
| 105 | +InitCall(srv)                                                                   |                                                                                                                                                              |                         |
| 106 | L?DL_RaInChRq (TCV_Rr := DL_RaInChRq.<br>msg.ecau_rrf, TCV_Fn := DL_RaInChRq.fn) | ChReq(<br>ChRequest_15)                                                                                                                                      |                         |
| 107 | ACTIVATE(OtherEventsFail_02)                                                     |                                                                                                                                                              | To match ChReq retrans. |
| 108 | L!DL_UdatRqImmass                                                                | ImmAss( TCV_agch,<br>ImmAsgn_01Def(<br>TCV_Rr, TCV_Fn,<br>TSPX_SDCCH4SubD<br>ef, TCV_slot,<br>TCV_tsc,<br>TCV_chdescr_arfcn,<br>TimingAdv( 0)))<br>CMSerReq( |                         |
| 109 | L?DL_EstInCmsRq                                                                  |                                                                                                                                                              |                         |

|     |            |                                                                                                                                                          |                  |     |                                    |
|-----|------------|----------------------------------------------------------------------------------------------------------------------------------------------------------|------------------|-----|------------------------------------|
| 110 |            | ACTIVATE(OtherEventsFail)                                                                                                                                | CMSERVICEReq_01) |     | Restore Normal default             |
| 111 |            | +Authentication(TCV_ch, TCV_cksn,<br>TSPX_RANDDef)                                                                                                       |                  |     |                                    |
| 112 |            | +Ciphering_on(TCV_ch)                                                                                                                                    |                  |     |                                    |
| 113 |            | +ltree_SetupChk(srv)                                                                                                                                     |                  |     |                                    |
| 114 |            | +PostMainLinkRel(TCV_ch)                                                                                                                                 |                  |     |                                    |
| 115 |            | (TCV_Null :=<br>OM_CphMd(TCV_ch,<br>CphMod_02, TCV_CphKey))                                                                                              |                  |     |                                    |
|     |            | <b>ltree_SetupChk(srv1:SERVICES)</b>                                                                                                                     |                  |     |                                    |
| 116 |            | +RcvSetupOrEsetup(TCV_Setup_mo, TCV_Esetup,<br>TCV_Ecall)                                                                                                |                  |     |                                    |
| 117 | L_000<br>3 | [(srv1 = C_Telephony) OR (srv1 = C_EmgCall)]                                                                                                             |                  | (P) | no further check for TS11,<br>TS12 |
| 118 | L_000<br>4 | [(srv1 = C_Packet2400) OR (srv1 = C_Packet4800)<br>OR (srv1 = C_Packet9600)]                                                                             |                  | (P) | no further check for BS5x          |
| 119 |            | [(srv1 = C_Async300) OR (srv1 = C_Async1200)<br>OR (srv1 = C_Async120075) OR (srv1 =<br>C_Async2400) OR (srv1 = C_Async4800) OR (srv1<br>= C_Async9600)] |                  |     |                                    |
| 120 |            | +local_BS2x_more_chk(srv1)                                                                                                                               |                  |     | further check for BS2x             |
| 121 |            | [(srv1 = C_Sync1200) OR (srv1 = C_Sync2400) OR<br>(srv1 = C_Sync4800) OR (srv1 = C_Sync9600)]                                                            |                  |     |                                    |
| 122 |            | +local_BS3x_more_chk(srv1)                                                                                                                               |                  |     | further check for BS3x             |
| 123 |            | [(srv1 = C_PAD300) OR (srv1 = C_PAD1200) OR<br>(srv1 = C_PAD120075) OR (srv1 = C_PAD2400)<br>OR (srv1 = C_PAD4800) OR (srv1 = C_PAD9600)]                |                  |     |                                    |
| 124 |            | +local_BS4x_more_chk(srv1)                                                                                                                               |                  |     | further check for BS4x             |
| 125 |            | [srv1 = C_AltSpchData]                                                                                                                                   |                  |     |                                    |
| 126 |            | +local_BS61orBS81_more_chk(TSPX_BS_61_A_<br>ur1_T_NT)                                                                                                    |                  |     | further check for BS61             |
| 127 |            | [srv1 = C_SpchData]                                                                                                                                      |                  |     |                                    |
| 128 |            | +local_BS61orBS81_more_chk(TSPX_BS_81_A_<br>ur1_T_NT)                                                                                                    |                  |     | further check for BS81             |
| 129 | L_000<br>5 | [(srv1 = C_AltSpchFax) OR (srv1 = C_AutoFax)]                                                                                                            |                  | (P) | no further check for TS61,<br>TS62 |
|     |            | <b>local_BS4x_more_chk(srv2:SERVICES)</b>                                                                                                                |                  |     |                                    |
| 130 |            | [srv2 = C_PAD300]                                                                                                                                        |                  |     |                                    |
| 131 |            | +local_ce_strc_ir_chk( TSPX_BS_41_ce,<br>TSPX_BS_41_T_NT)                                                                                                |                  |     |                                    |
| 132 |            | [srv2 = C_PAD1200]                                                                                                                                       |                  |     |                                    |
| 133 |            | +local_ce_strc_ir_chk( TSPX_BS_42_ce,<br>TSPX_BS_42_T_NT)                                                                                                |                  |     |                                    |
| 134 |            | [srv2 = C_PAD120075]                                                                                                                                     |                  |     |                                    |
| 135 |            | +local_ce_strc_ir_chk( TSPX_BS_43_ce,<br>TSPX_BS_43_T_NT)                                                                                                |                  |     |                                    |
| 136 |            | [srv2 = C_PAD2400]                                                                                                                                       |                  |     |                                    |
| 137 |            | +local_ce_strc_ir_chk( TSPX_BS_44_ce,<br>TSPX_BS_44_T_NT)                                                                                                |                  |     |                                    |
| 138 |            | [srv2 = C_PAD4800]                                                                                                                                       |                  |     |                                    |
| 139 |            | +local_ce_strc_ir_chk( TSPX_BS_45_ce,<br>TSPX_BS_45_T_NT)                                                                                                |                  |     |                                    |
| 140 |            | [srv2 = C_PAD9600]                                                                                                                                       |                  |     |                                    |
| 141 |            | +local_ce_strc_ir_chk( TSPX_BS_46_ce,<br>TSPX_BS_46_T_NT)                                                                                                |                  |     |                                    |
|     |            | <b>local_BS2x_more_chk(srv3:SERVICES)</b>                                                                                                                |                  |     |                                    |
| 142 |            | [srv3 = C_Async300]                                                                                                                                      |                  |     |                                    |
| 143 |            | +local_ce_strc_ir_chk( TSPX_BS_21_ce,<br>TSPX_BS_21_T_NT)                                                                                                |                  |     |                                    |
| 144 |            | [srv3 = C_Async1200]                                                                                                                                     |                  |     |                                    |
| 145 |            | +local_ce_strc_ir_chk( TSPX_BS_22_ce,<br>TSPX_BS_22_T_NT)                                                                                                |                  |     |                                    |
| 146 |            | [srv3 = C_Async120075]                                                                                                                                   |                  |     |                                    |
| 147 |            | +local_ce_strc_ir_chk( TSPX_BS_23_ce,<br>TSPX_BS_23_T_NT)                                                                                                |                  |     |                                    |

|     |            |                                                                                                                                             |     |                         |
|-----|------------|---------------------------------------------------------------------------------------------------------------------------------------------|-----|-------------------------|
| 148 |            | [srv3 = C_Async2400]                                                                                                                        |     |                         |
| 149 |            | +local_ce_strc_ir_chk( TSPX_BS_24_ce,<br>TSPX_BS_24_T_NT)                                                                                   |     |                         |
| 150 |            | [srv3 = C_Async4800]                                                                                                                        |     |                         |
| 151 |            | +local_ce_strc_ir_chk( TSPX_BS_25_ce,<br>TSPX_BS_25_T_NT)                                                                                   |     |                         |
| 152 |            | [srv3 = C_Async9600]                                                                                                                        |     |                         |
| 153 |            | +local_ce_strc_ir_chk( TSPX_BS_26_ce,<br>TSPX_BS_26_T_NT)                                                                                   |     |                         |
|     |            | <b>local_BS3x_more_chk(srv4:SERVICES)</b>                                                                                                   |     |                         |
| 154 | L_000<br>6 | [srv4 = C_Sync1200]                                                                                                                         | (P) | no further check        |
| 155 |            | [srv4 = C_Sync2400]                                                                                                                         |     |                         |
| 156 | L_000<br>7 | [( NOT TSPX_BS_32_X32_T_NT)<br>OR(TSPX_BS_32_itc1 <> C_3100Hz)<br>OR(TSPX_BS_32_sacp1 <> C_X32) OR(<br>TSPX_BS_32_X32_ce <> C_transparent)] | (P) | no further check        |
| 157 |            | [TSPX_BS_32_X32_T_NT AND (TSPX_BS_32_itc1<br>= C_3100Hz) AND (TSPX_BS_32_sacp1 = C_X32)<br>AND ( TSPX_BS_32_X32_ce = C_transparent)]        |     |                         |
| 158 |            | +local_ce_strc_ir_chk( TSPX_BS_32_X32_ce,<br>TSPX_BS_32_X32_T_NT)                                                                           |     |                         |
| 159 |            | [srv4 = C_Sync4800]                                                                                                                         |     |                         |
| 160 | L_000<br>8 | [( NOT TSPX_BS_33_X32_T_NT)<br>OR(TSPX_BS_33_itc1 <> C_3100Hz)<br>OR(TSPX_BS_33_sacp1 <> C_X32) OR(<br>TSPX_BS_33_X32_ce <> C_transparent)] | (P) | no further check        |
| 161 |            | [TSPX_BS_33_X32_T_NT AND (TSPX_BS_33_itc1<br>= C_3100Hz) AND (TSPX_BS_33_sacp1 = C_X32)<br>AND ( TSPX_BS_33_X32_ce = C_transparent)]        |     |                         |
| 162 |            | +local_ce_strc_ir_chk( TSPX_BS_33_X32_ce,<br>TSPX_BS_33_X32_T_NT)                                                                           |     |                         |
| 163 |            | [srv4 = C_Sync9600]                                                                                                                         |     |                         |
| 164 | L_000<br>9 | [( NOT TSPX_BS_34_X32_T_NT)<br>OR(TSPX_BS_34_itc1 <> C_3100Hz)<br>OR(TSPX_BS_34_sacp1 <> C_X32) OR(<br>TSPX_BS_34_X32_ce <> C_transparent)] | (P) | no further check        |
| 165 |            | [TSPX_BS_34_X32_T_NT AND (TSPX_BS_34_itc1<br>= C_3100Hz) AND (TSPX_BS_34_sacp1 = C_X32)<br>AND ( TSPX_BS_34_X32_ce = C_transparent)]        |     |                         |
| 166 |            | +local_ce_strc_ir_chk( TSPX_BS_34_X32_ce,<br>TSPX_BS_34_X32_T_NT)                                                                           |     |                         |
|     |            | <b>local_ce_strc_ir_chk(ce:B_2; both:BOOLEAN)</b>                                                                                           |     |                         |
| 167 | L_001<br>0 | [(NOT both) OR ( both AND( TCV_ce =<br>C_nottransparent))]                                                                                  | (P) | no further check needed |
| 168 |            | [both AND ( TCV_ce = C_transparent)]                                                                                                        |     |                         |
| 169 |            | (TCV_ce := TCV_Setup_mo1.bcap2.ce, TCV_ir :=<br>TCV_Setup_mo1.bcap2.ir, TCV_strc :=<br>TCV_Setup_mo1.bcap2.strc)                            |     |                         |
| 170 | L_001<br>1 | [TCV_ce = C_nottransparent]                                                                                                                 | (F) |                         |
| 171 |            | [TCV_ce = C_transparent]                                                                                                                    |     |                         |
| 172 | L_001<br>2 | [TCV_strc <> C_Unstructured]                                                                                                                | (F) |                         |
| 173 | L_001<br>3 | [TCV_strc = C_Unstructured]                                                                                                                 | (P) |                         |
| 174 |            | [(TCV_ce <> C_transparent) AND(TCV_ce <><br>C_nottransparent)]                                                                              |     |                         |
| 175 | L_001<br>4 | [(TCV_ir = C_ir_16kbs) AND (TCV_strc =<br>C_SDUintegrity)]                                                                                  | (P) |                         |
| 176 | L_001<br>5 | [(TCV_ir <> C_ir_16kbs) OR(TCV_strc <><br>C_SDUintegrity)]                                                                                  | (F) |                         |
|     |            | <b>local_BS61orBS81_more_chk(both1:BOOLEAN)</b>                                                                                             |     |                         |
| 177 | L_001<br>6 | [TCV_sa <> C_Asynchronous]                                                                                                                  | (P) | no further check needed |
| 178 |            | [TCV_sa =C_Asynchronous]                                                                                                                    |     |                         |
| 179 |            | +local_ce_strc_ir_chk( TCV_ce, both1)                                                                                                       |     |                         |

## Detailed Comments:

## Test Case Dynamic Behaviour

|                        |                                                                                                                                                                                                                                                                                                                                                                                                                                                                                                                                                                                                                                                                            |
|------------------------|----------------------------------------------------------------------------------------------------------------------------------------------------------------------------------------------------------------------------------------------------------------------------------------------------------------------------------------------------------------------------------------------------------------------------------------------------------------------------------------------------------------------------------------------------------------------------------------------------------------------------------------------------------------------------|
| <b>Test Case Name:</b> | TC_11_2                                                                                                                                                                                                                                                                                                                                                                                                                                                                                                                                                                                                                                                                    |
| <b>Group:</b>          | GSM_L3_MS_v4210/General/                                                                                                                                                                                                                                                                                                                                                                                                                                                                                                                                                                                                                                                   |
| <b>Purpose:</b>        | <p>1. To verify that the MS, for the case of the Single Numbering Scheme, accepts a SETUP message, where the Information Elements for Bearer Capability and Lower and Higher Layer Compatibility are not present by sending a CALL CONFIRMED message which includes the single or multiple Bearer Capabilities, according to the actual configuration on the MS.</p> <p>This is verified for one Mobile Terminated Bearer Services / Teleservices described in GSM 07.01 and declared as supported by the MS.</p> <p>2. To verify that the MS includes a correctly encoded Repeat Indicator if it includes multiple Bearer Capabilities in the CALL CONFIRMED message.</p> |
| <b>Default:</b>        | OtherEventsFail                                                                                                                                                                                                                                                                                                                                                                                                                                                                                                                                                                                                                                                            |

| Nr | Label | Behaviour Description                                                                                                                                                                                                                                                                                                                                                                                                                                                                                                                                                                                                | CRef                                   | V   | Comments |
|----|-------|----------------------------------------------------------------------------------------------------------------------------------------------------------------------------------------------------------------------------------------------------------------------------------------------------------------------------------------------------------------------------------------------------------------------------------------------------------------------------------------------------------------------------------------------------------------------------------------------------------------------|----------------------------------------|-----|----------|
| 1  |       | START T_guard(300)                                                                                                                                                                                                                                                                                                                                                                                                                                                                                                                                                                                                   |                                        |     |          |
| 2  |       | +CallCfmGen( TSPX_MTBscSvcD,<br>TSPX_MTChRateD)                                                                                                                                                                                                                                                                                                                                                                                                                                                                                                                                                                      |                                        |     | 1.       |
| 3  |       | +IdleUpdated( C_E_default, C_CellA, C_SCH_A,<br>C_BCCH_A_1, C_Immass, C_S0, C_SlotNU,<br>C_SlotNU, C_SlotNU, C_BCC, C_TxInt_5,<br>C_Max_1, C_NECl_0, C_ATT_0, TimingAdv( 0),<br>C_BABR_0, C_cch_1Comb, C_BPM_3,<br>C_T3212_0, C_ci_cellA, C_MCC_1, C_PLMN_1,<br>C_LAC_1, CellOpt_01, CellChDes_Omit,<br>CellChDes_Omit, C_CellReselectHys12,<br>C_MaxPwrLvlG, C_MaxPwrLvlD,<br>BcchFreqLst_45, BcchFreqLst_02,<br>BcchFreqLst_03, BcchFreqLst_04,<br>C_Restablishment, C_BCC, C_NCC,<br>C_Start_Tmsi, TSPX_SDCCH4SubDef,<br>TSPX_CKSNDDef, TSPX_RANDDef, C_arfcnA,<br>C_arfcnAd, TSPX_IMSI, C_Test_nfh,<br>C_NCCP_2) |                                        |     | 2.       |
| 4  |       | +RRmtcallprepare( TimingAdv( 0),<br>TSPX_RANDDef)                                                                                                                                                                                                                                                                                                                                                                                                                                                                                                                                                                    |                                        |     |          |
| 5  |       | LIDL_DatRqSetup                                                                                                                                                                                                                                                                                                                                                                                                                                                                                                                                                                                                      | SetupSnd( TCV_ch,<br>Setup_03( TI_02)) |     | 3.       |
| 6  | L_001 | L?DL_DatInCallCo                                                                                                                                                                                                                                                                                                                                                                                                                                                                                                                                                                                                     | CallCfm(<br>TCV_CallCfm)               | (P) | 4.       |
| 7  |       | +PostMainLinkRel(TCV_ch)                                                                                                                                                                                                                                                                                                                                                                                                                                                                                                                                                                                             |                                        |     |          |
| 8  |       | (TCV_Null := OM_CphMd( TCV_ch,<br>CphMod_02, TCV_CphKey))                                                                                                                                                                                                                                                                                                                                                                                                                                                                                                                                                            |                                        |     |          |

|                           |                                                                                                                                                                                                                                                                                                                                                                                                                                                                          |
|---------------------------|--------------------------------------------------------------------------------------------------------------------------------------------------------------------------------------------------------------------------------------------------------------------------------------------------------------------------------------------------------------------------------------------------------------------------------------------------------------------------|
| <b>Detailed Comments:</b> | <ol style="list-style-type: none"> <li>1. To generate a CALL COMKFIRMED based on the required basic service and IXIT parameters, and ask operator to configure the MS for the required basic service.</li> <li>2. To setup physical channel for BCCH,CCCH and SDCCH4 channels.</li> <li>3. To send a SETUP_PDU without bearer capabilities and lower and higher layer compatibilities.</li> <li>4. To check whether the received CALL COMFIRM PDU is correct.</li> </ol> |
|---------------------------|--------------------------------------------------------------------------------------------------------------------------------------------------------------------------------------------------------------------------------------------------------------------------------------------------------------------------------------------------------------------------------------------------------------------------------------------------------------------------|

### Test Case Dynamic Behaviour

|                        |                                                                                                                                                                                                                                                                                                                                                                                                                                                                                                                                                                                                                                                                                                                                                                                                                                                                                                                                                                                                                                                                                     |
|------------------------|-------------------------------------------------------------------------------------------------------------------------------------------------------------------------------------------------------------------------------------------------------------------------------------------------------------------------------------------------------------------------------------------------------------------------------------------------------------------------------------------------------------------------------------------------------------------------------------------------------------------------------------------------------------------------------------------------------------------------------------------------------------------------------------------------------------------------------------------------------------------------------------------------------------------------------------------------------------------------------------------------------------------------------------------------------------------------------------|
| <b>Test Case Name:</b> | TC_11_3                                                                                                                                                                                                                                                                                                                                                                                                                                                                                                                                                                                                                                                                                                                                                                                                                                                                                                                                                                                                                                                                             |
| <b>Group:</b>          | GSM_L3_MS_v4210/General/                                                                                                                                                                                                                                                                                                                                                                                                                                                                                                                                                                                                                                                                                                                                                                                                                                                                                                                                                                                                                                                            |
| <b>Purpose:</b>        | <p>1. To verify that an MS claiming to not support AOCC and in the outgoing call / U4 call delivered state, on receipt of a CONNECT message containing AOCC information acknowledges the CONNECT message but ignores and does not acknowledge the AOCC information sent within the CONNECT.</p> <p>2. To verify that an MS claiming to not support AOCC and in the outgoing call / U4 call delivered state, on receipt of a FACILITY message containing AOCC information ignores and does not acknowledge the AOCC information contained within the FACILITY.</p> <p>3. To verify that an MS claiming to not support AOCC and in the incoming call / U9 call confirmed state, on receipt of a FACILITY message containing AOCC information ignores and does not acknowledge the AOCC information contained within the FACILITY.</p> <p>4. To verify that an MS claiming to not support AOCC and in the U10 call active state, on receipt of a FACILITY message containing AOCC information ignores and does not acknowledge the AOCC information contained within the FACILITY.</p> |
| <b>Default:</b>        | OtherEventsFail                                                                                                                                                                                                                                                                                                                                                                                                                                                                                                                                                                                                                                                                                                                                                                                                                                                                                                                                                                                                                                                                     |

| Nr | Label      | Behaviour Description                                                                                                                                                                                                                                                                                                                                                                                                                                                                                                                                                | CRef                                                                     | V   | Comments |
|----|------------|----------------------------------------------------------------------------------------------------------------------------------------------------------------------------------------------------------------------------------------------------------------------------------------------------------------------------------------------------------------------------------------------------------------------------------------------------------------------------------------------------------------------------------------------------------------------|--------------------------------------------------------------------------|-----|----------|
| 1  |            | START T_guard(600)                                                                                                                                                                                                                                                                                                                                                                                                                                                                                                                                                   |                                                                          |     |          |
| 2  |            | +BasicServiceMO(TSPX_MOBscSvcB, TSPX_MOChRateB)                                                                                                                                                                                                                                                                                                                                                                                                                                                                                                                      |                                                                          |     |          |
| 3  |            | +IdleUpdated( C_E_default, C_CellA, C_SCH_A, C_BCCH_A_1, C_Immss, C_S0, C_SlotNU, C_SlotNU, C_SlotNU, C_BCC, C_TxInt_5, C_Max_1, C_NECI_0, C_ATT_0, TimingAdv( 0), C_BABR_0, C_cch_1Comb, C_BPM_3, C_T3212_0, C_ci_cellA, C_MCC_1, C_PLMN_1, C_LAC_1, CellOpt_01, CellChDes_Omit, CellChDes_Omit, C_CellReselectHys12, C_MaxPwrLvIG, C_MaxPwrLvID, BcchFreqLst_45, BcchFreqLst_02, BcchFreqLst_03, BcchFreqLst_04, C_Restablishment, C_BCC, C_NCC, C_Start_Tmsi, TSPX_SDCCH4SubDef, TSPX_CKSNDf, TSPX_RANDDef, C_arfcnA, C_arfcnAd, TSPX_IMSI, C_Test_nfh, C_NCCP_2) |                                                                          |     |          |
| 4  |            | +CCConfigTCH(TSPX_TCHHSubDef, C_Ass, TSPX_TmSlitDef, TSPX_TscDef, TimingAdv( 0), C_BABR_0, C_cch_1Comb, C_BPM_3, TCV_ChMod.mode, FreqTCH_omit, FreqTCH_omit, C_arfcn_tchA, C_arfcn_tchAd)                                                                                                                                                                                                                                                                                                                                                                            |                                                                          |     | 1.       |
| 5  |            | +test1                                                                                                                                                                                                                                                                                                                                                                                                                                                                                                                                                               |                                                                          |     | 2.       |
| 6  |            | +test2                                                                                                                                                                                                                                                                                                                                                                                                                                                                                                                                                               |                                                                          |     | 3.       |
| 7  |            | +test3                                                                                                                                                                                                                                                                                                                                                                                                                                                                                                                                                               |                                                                          |     | 4.       |
| 8  |            | +test4                                                                                                                                                                                                                                                                                                                                                                                                                                                                                                                                                               |                                                                          |     | 5.       |
| 9  |            | <b>test1</b>                                                                                                                                                                                                                                                                                                                                                                                                                                                                                                                                                         |                                                                          |     |          |
| 10 |            | +ltree_estMOcall_U4<br>L!DL_DatRqConn START T_dly(15000)                                                                                                                                                                                                                                                                                                                                                                                                                                                                                                             | ConnSnd(TCV_chTch, Connect_05(TCV_TI, facilityIEtsndiei(FwdChAdvSS_01))) |     |          |
| 11 |            | L?DL_DatInConnAck                                                                                                                                                                                                                                                                                                                                                                                                                                                                                                                                                    | ConnAckRcv(ConnectAck_02(TCV_TIO))                                       |     |          |
| 12 | L_001<br>8 | L?DL_DatInFac CANCEL T_dly                                                                                                                                                                                                                                                                                                                                                                                                                                                                                                                                           | FacilityRcv(FacilityPdu_05(TCV_TIO))                                     | (F) |          |
| 13 |            | +release( TCV_chTch)                                                                                                                                                                                                                                                                                                                                                                                                                                                                                                                                                 |                                                                          |     |          |
| 14 | L_001<br>9 | ?TIMEOUT T_dly                                                                                                                                                                                                                                                                                                                                                                                                                                                                                                                                                       |                                                                          | (P) |          |
| 15 |            | +release( TCV_chTch)                                                                                                                                                                                                                                                                                                                                                                                                                                                                                                                                                 |                                                                          |     |          |
| 16 | L_002<br>0 | L?DL_DatInFac CANCEL T_dly                                                                                                                                                                                                                                                                                                                                                                                                                                                                                                                                           | FacilityRcv(FacilityPdu_05(TCV_TIO))                                     | (F) |          |
| 17 |            | +release( TCV_chTch)                                                                                                                                                                                                                                                                                                                                                                                                                                                                                                                                                 |                                                                          |     |          |
| 18 | L_002      | ?TIMEOUT T_dly                                                                                                                                                                                                                                                                                                                                                                                                                                                                                                                                                       |                                                                          | (P) |          |



|    |            |                                                                                                                        |                                                                               |     |                         |
|----|------------|------------------------------------------------------------------------------------------------------------------------|-------------------------------------------------------------------------------|-----|-------------------------|
| 19 | 1          | +release( TCV_chTch)                                                                                                   |                                                                               |     |                         |
|    |            | <b>test2</b>                                                                                                           |                                                                               |     |                         |
| 20 |            | +ltree_estMOcall_U4                                                                                                    |                                                                               |     |                         |
| 21 |            | LIDL_DatRqFac START T_dly(15000)                                                                                       | FacilitySnd(TCV_chTch, FacilityPdu_25(TCV_TI, facilityIEtsnd(FwdChAdvSS_01))) |     |                         |
| 22 | L_002<br>2 | L?DL_DatInFac CANCEL T_dly                                                                                             | FacilityRcv(FacilityPdu_05(TCV_TIO))                                          | (F) |                         |
| 23 |            | +release( TCV_chTch)                                                                                                   |                                                                               |     |                         |
| 24 | L_002<br>3 | ?TIMEOUT T_dly                                                                                                         |                                                                               | (P) |                         |
| 25 |            | +release( TCV_chTch)                                                                                                   |                                                                               |     |                         |
|    |            | <b>test3</b>                                                                                                           |                                                                               |     |                         |
| 26 |            | +BasicServiceMT( TSPX_MTBscSvcA, TSPX_MTChRateA)                                                                       |                                                                               |     |                         |
| 27 |            | +RRmtcallprepare( TimingAdv( 0), TSPX_RANDDef)                                                                         |                                                                               |     |                         |
| 28 |            | LIDL_DatRqSetup (TCV_TI.ti_f := '0'B, TCV_TI.ti_v := '000'B)                                                           | SetupSnd(TCV_ch, TCV_Setup_mt)                                                |     |                         |
| 29 |            | L?DL_DatInCallCo                                                                                                       | CallCfm(CallConfirm_01(TI_01))                                                |     |                         |
| 30 |            | LIDL_DatRqFac START T_dly(15000)                                                                                       | FacilitySnd(TCV_ch, FacilityPdu_25(TI_02, facilityIEtsnd(FwdChAdvSS_01)))     |     |                         |
| 31 | L_002<br>4 | L?DL_DatInFac CANCEL T_dly                                                                                             | FacilityRcv(FacilityPdu_05(TI_01))                                            | (F) |                         |
| 32 |            | +release( TCV_ch)                                                                                                      |                                                                               |     |                         |
| 33 | L_002<br>5 | ?TIMEOUT T_dly                                                                                                         |                                                                               | (P) |                         |
| 34 |            | +release( TCV_ch)                                                                                                      |                                                                               |     |                         |
|    |            | <b>test4</b>                                                                                                           |                                                                               |     |                         |
| 35 |            | +BasicServiceMO( TSPX_MOBscSvcB, TSPX_MOChRateB)                                                                       |                                                                               |     |                         |
| 36 |            | +Est_MO_Call( TimingAdv( 0), TCV_ChRate, TSPX_RANDDef, TSPX_SDCCH4SubDef, TSPX_TmSltDef, TSPX_TscDef, TSPX_TCHHSubDef) |                                                                               |     |                         |
| 37 |            | LIDL_DatRqFac START T_dly(15000)                                                                                       | FacilitySnd(TCV_chTch, FacilityPdu_25(TCV_TI, facilityIEtsnd(FwdChAdvSS_01))) |     |                         |
| 38 | L_002<br>6 | L?DL_DatInFac CANCEL T_dly                                                                                             | FacilityRcv(FacilityPdu_05(TCV_TIO))                                          | (F) |                         |
| 39 |            | +PostMainLinkRel(TCV_chTch)                                                                                            |                                                                               |     |                         |
| 40 | L_002<br>7 | ?TIMEOUT T_dly                                                                                                         |                                                                               | (P) |                         |
| 41 |            | +PostMainLinkRel(TCV_chTch)                                                                                            |                                                                               |     |                         |
|    |            | <b>release( ch: LOGICCH)</b>                                                                                           |                                                                               |     |                         |
| 42 |            | +PostMainLinkRel( ch)                                                                                                  |                                                                               |     |                         |
| 43 |            | (TCV_Null := OM_CphMd( TCV_ch, CphMod_02, TCV_CphKey))                                                                 |                                                                               |     |                         |
|    |            | <b>ltree_estMOcall_U4</b>                                                                                              |                                                                               |     |                         |
| 44 |            | +InitCall( TCV_Service)                                                                                                |                                                                               |     |                         |
| 45 |            | L?DL_RaInChRq ( TCV_Rr := DL_RaInChRq, msg.ecau_rrf, TCV_Fn := DL_RaInChRq.fn)                                         | ChReq(ChRequest_15)                                                           |     |                         |
| 46 |            | ACTIVATE( OtherEventsFail_02)                                                                                          |                                                                               |     | To match ChReq retrans. |

|    |                                                                                   |                                                                                                                           |                        |
|----|-----------------------------------------------------------------------------------|---------------------------------------------------------------------------------------------------------------------------|------------------------|
| 47 | LIDL_UdatRqImm                                                                    | ImmAss( TCV_agch, ImmAsgn_01Def( TCV_Rr, TCV_Fn, TSPX_SDCCH4SubDef, TCV_slot, TCV_tsc, TCV_chdescr_arfcn, TimingAdv( 0))) |                        |
| 48 | L?DL_EstInCmsRq                                                                   | CMSerReq( CMServiceReq_01)                                                                                                |                        |
| 49 | ACTIVATE( OtherEventsFail)                                                        |                                                                                                                           | Restore Normal default |
| 50 | +Authentication( TCV_ch, TSPX_CKSNDDef, TSPX_RANDDef)                             |                                                                                                                           |                        |
| 51 | +Cipherring_on( TCV_ch)                                                           |                                                                                                                           |                        |
| 52 | +RcvSetupOrEsetup( TCV_Setup_mo, TCV_Esetup, TCV_Ecall)                           |                                                                                                                           |                        |
| 53 | LIDL_DatRqCallProc                                                                | CallProc( TCV_ch, TCV_CallProc)                                                                                           |                        |
| 54 | LIDL_DatRqAlert                                                                   | AlertSnd( TCV_ch, Alerting_01( TCV_TI))                                                                                   |                        |
| 55 | +AssCmdGen( TCV_cellid, TCV_ChRate, TSPX_TmSlitDef, TSPX_TscDef, TSPX_TCHHSubDef) |                                                                                                                           |                        |
| 56 | +AssCh_complete( TCV_ch, TCV_chTch, TCV_AssCmd)                                   |                                                                                                                           |                        |

**Detailed Comments:**

1. To setup physical channels for BCCH, CCCH, SDCCH4 and traffic channels.
2. To verify non-supported AOCC information carried by CONNECT message in the case of MO call state U4.
3. To verify non-supported AOCC information carried by FACILITY message in the case of MO call state U4.
4. To verify non-supported AOCC information carried by FACILITY message in the case of MT call state U9.
5. To verify non-supported AOCC information carried by FACILITY message in the case of MO call state U10.

| Test Case Dynamic Behaviour |            |                                                                                                                                                                                                                                                                                                                                                                                                                                                                                                                                                                       |                                |     |          |
|-----------------------------|------------|-----------------------------------------------------------------------------------------------------------------------------------------------------------------------------------------------------------------------------------------------------------------------------------------------------------------------------------------------------------------------------------------------------------------------------------------------------------------------------------------------------------------------------------------------------------------------|--------------------------------|-----|----------|
| <b>Test Case Name:</b>      |            | TC_11_4                                                                                                                                                                                                                                                                                                                                                                                                                                                                                                                                                               |                                |     |          |
| <b>Group:</b>               |            | GSM_L3_MS_v4210/General/                                                                                                                                                                                                                                                                                                                                                                                                                                                                                                                                              |                                |     |          |
| <b>Purpose:</b>             |            | To verify that an MS claiming to not support the Call Hold supplementary service and in the U10 call active state, reacts in the following manner when the appropriate call hold MMI command is entered: <ul style="list-style-type: none"> <li>- MS fails to put the first call on hold</li> <li>- MS fails to place the second call.</li> <li>- Optionally provides some indication to the user of an error.</li> </ul>                                                                                                                                             |                                |     |          |
| <b>Default:</b>             |            | OtherEvents_01                                                                                                                                                                                                                                                                                                                                                                                                                                                                                                                                                        |                                |     |          |
| <b>Comments:</b>            |            | other irrelevant messages will be discarded by the default tree.                                                                                                                                                                                                                                                                                                                                                                                                                                                                                                      |                                |     |          |
| Nr                          | Label      | Behaviour Description                                                                                                                                                                                                                                                                                                                                                                                                                                                                                                                                                 | CRef                           | V   | Comments |
| 1                           |            | START T_guard(300)                                                                                                                                                                                                                                                                                                                                                                                                                                                                                                                                                    |                                |     |          |
| 2                           |            | +BasicServiceMO( TSPX_MOBscSvcC, TSPX_MOChRateC)                                                                                                                                                                                                                                                                                                                                                                                                                                                                                                                      |                                |     |          |
| 3                           |            | +IdleUpdated( C_E_default, C_CellA, C_SCH_A, C_BCCH_A_1, C_Immass, C_S0, C_SlotNU, C_SlotNU, C_SlotNU, C_BCC, C_TxInt_5, C_Max_1, C_NECl_0, C_ATT_0, TimingAdv( 0), C_BABR_0, C_cch_1Comb, C_BPM_3, C_T3212_0, C_ci_cellA, C_MCC_1, C_PLMN_1, C_LAC_1, CellOpt_01, CellChDes_Omit, CellChDes_Omit, C_CellReselectHys12, C_MaxPwrLvlG, C_MaxPwrLvlD, BcchFreqLst_45, BcchFreqLst_02, BcchFreqLst_03, BcchFreqLst_04, C_Restablishment, C_BCC, C_NCC, C_Start_Tmsi, TSPX_SDCCH4SubDef, TSPX_CKSNDf, TSPX_RANDDef, C_arfcnA, C_arfcnAd, TSPX_IMSI, C_Test_nfh, C_NCCP_2) |                                |     |          |
| 4                           |            | +CCConfigTCH( TSPX_TCHHSubDef, C_Ass, TSPX_TmSlitDef, TSPX_TscDef, TimingAdv( 0), C_BABR_0, C_cch_1Comb, C_BPM_3, TCV_ChMod.mode, FreqTCH_omit, FreqTCH_omit, C_arfcn_tchA, C_arfcn_tchAd)                                                                                                                                                                                                                                                                                                                                                                            |                                |     | 1.       |
| 5                           |            | +Est_MO_Call( TimingAdv( 0), TCV_ChRate, TSPX_RANDDef, TSPX_SDCCH4SubDef, TSPX_TmSlitDef, TSPX_TscDef, TSPX_TCHHSubDef)                                                                                                                                                                                                                                                                                                                                                                                                                                               |                                |     | 2.       |
| 6                           |            | +InitCall(TCV_Service)                                                                                                                                                                                                                                                                                                                                                                                                                                                                                                                                                |                                |     | 3.       |
| 7                           |            | START T_dly( 3000)                                                                                                                                                                                                                                                                                                                                                                                                                                                                                                                                                    |                                |     |          |
| 8                           | L_002<br>8 | L?DL_DatInHold CANCEL T_dly                                                                                                                                                                                                                                                                                                                                                                                                                                                                                                                                           | HoldRcv( Holdpdu_01( TCV_TIO)) | (F) | 4.       |
| 9                           |            | +PostMainLinkRel( TCV_chTch)                                                                                                                                                                                                                                                                                                                                                                                                                                                                                                                                          |                                |     |          |
| 10                          | L_002<br>9 | ?TIMEOUT T_dly                                                                                                                                                                                                                                                                                                                                                                                                                                                                                                                                                        |                                | (P) | 5.       |
| 11                          |            | +PostMainLinkRel( TCV_chTch)                                                                                                                                                                                                                                                                                                                                                                                                                                                                                                                                          |                                |     |          |
| <b>Detailed Comments:</b>   |            | <ol style="list-style-type: none"> <li>1. To setup physical channels for BCCH, CCCH, SDCCH4 and traffic channels.</li> <li>2. To bring the MS into U10 state of mobile originating call.</li> <li>3. To enter hold MMI command.</li> <li>4. The MS sends out HOLD message, fail.</li> <li>5. Within 3 seconds there is no HOLD message, pass.</li> </ol>                                                                                                                                                                                                              |                                |     |          |

| Test Case Dynamic Behaviour |       |                                                                                                                                                                                                                                                                                                                                                                                                                                                                                                                                                                                                                      |                                                         |   |          |
|-----------------------------|-------|----------------------------------------------------------------------------------------------------------------------------------------------------------------------------------------------------------------------------------------------------------------------------------------------------------------------------------------------------------------------------------------------------------------------------------------------------------------------------------------------------------------------------------------------------------------------------------------------------------------------|---------------------------------------------------------|---|----------|
| <b>Test Case Name:</b>      |       | TC_11_5                                                                                                                                                                                                                                                                                                                                                                                                                                                                                                                                                                                                              |                                                         |   |          |
| <b>Group:</b>               |       | GSM_L3_MS_v4210/General/                                                                                                                                                                                                                                                                                                                                                                                                                                                                                                                                                                                             |                                                         |   |          |
| <b>Purpose:</b>             |       | To verify that an MS claiming to not support the MultiParty supplementary service and in the U10 call active state with one call and another call on hold, reacts in the following manner when the appropriate MultiParty MMI command is entered:<br>- Fails to combine the three parties in a MultiParty call.<br>- Optionally provides some indication to the user of an error.                                                                                                                                                                                                                                    |                                                         |   |          |
| <b>Default:</b>             |       | OtherEvents_01                                                                                                                                                                                                                                                                                                                                                                                                                                                                                                                                                                                                       |                                                         |   |          |
| <b>Comments:</b>            |       | other irrelevant messages will be discarded by the default tree.                                                                                                                                                                                                                                                                                                                                                                                                                                                                                                                                                     |                                                         |   |          |
| Nr                          | Label | Behaviour Description                                                                                                                                                                                                                                                                                                                                                                                                                                                                                                                                                                                                | CRef                                                    | V | Comments |
| 1                           |       | START T_guard(300)                                                                                                                                                                                                                                                                                                                                                                                                                                                                                                                                                                                                   |                                                         |   |          |
| 2                           |       | +BasicServiceMO(TSPX_MOBscSvcD,<br>TSPX_MOChRateD)                                                                                                                                                                                                                                                                                                                                                                                                                                                                                                                                                                   |                                                         |   |          |
| 3                           |       | +IdleUpdated( C_E_default, C_CellA, C_SCH_A,<br>C_BCCH_A_1, C_Immass, C_S0, C_SlotNU,<br>C_SlotNU, C_SlotNU, C_BCC, C_TxInt_5,<br>C_Max_1, C_NECI_0, C_ATT_0, TimingAdv( 0),<br>C_BABR_0, C_cch_1Comb, C_BPM_3,<br>C_T3212_0, C_ci_cellA, C_MCC_1, C_PLMN_1,<br>C_LAC_1, CellOpt_01, CellChDes_Omit,<br>CellChDes_Omit, C_CellReselectHys12,<br>C_MaxPwrLvlG, C_MaxPwrLvlD,<br>BcchFreqLst_45, BcchFreqLst_02,<br>BcchFreqLst_03, BcchFreqLst_04,<br>C_Restablishment, C_BCC, C_NCC,<br>C_Start_Tmsi, TSPX_SDCCH4SubDef,<br>TSPX_CKSNDDef, TSPX_RANDDef, C_arfcnA,<br>C_arfcnAd, TSPX_IMSI, C_Test_nfh,<br>C_NCCP_2) |                                                         |   |          |
| 4                           |       | +CCConfigTCH( TSPX_TCHHSubDef, C_Ass,<br>TSPX_TmSlitDef, TSPX_TscDef, TimingAdv( 0),<br>C_BABR_0, C_cch_1Comb, C_BPM_3,<br>TCV_ChMod.mode, FreqTCH_omit,<br>FreqTCH_omit, C_arfcn_tchA, C_arfcn_tchAd)                                                                                                                                                                                                                                                                                                                                                                                                               |                                                         |   | 1.       |
| 5                           |       | +Est_MO_Call( TimingAdv( 0), TCV_ChRate,<br>TSPX_RANDDef, TSPX_SDCCH4SubDef,<br>TSPX_TmSlitDef, TSPX_TscDef,<br>TSPX_TCHHSubDef)                                                                                                                                                                                                                                                                                                                                                                                                                                                                                     |                                                         |   | 2.       |
| 6                           |       | +InitCall(TCV_Service)                                                                                                                                                                                                                                                                                                                                                                                                                                                                                                                                                                                               |                                                         |   | 7.       |
| 7                           |       | L?DL_DatInHold                                                                                                                                                                                                                                                                                                                                                                                                                                                                                                                                                                                                       | HoldRcv(<br>Holdpdu_01(<br>TCV_TI0))                    |   |          |
| 8                           |       | LIDL_DatRqHoldAck                                                                                                                                                                                                                                                                                                                                                                                                                                                                                                                                                                                                    | HoldAckSnd(<br>TCV_chTch,<br>HoldAckpdu_01(<br>TCV_TI)) |   |          |
| 9                           |       | L?DL_DatInCmsRq                                                                                                                                                                                                                                                                                                                                                                                                                                                                                                                                                                                                      | CMSerDatReq(<br>CMServiceReq_01)                        |   |          |
| 10                          |       | LIDL_DatRqCmsAcp                                                                                                                                                                                                                                                                                                                                                                                                                                                                                                                                                                                                     | CMSerAcp(<br>TCV_chTch,<br>CMServiceAcp_01)             |   |          |
| 11                          |       | +SetupRcvMo2( SetupInd_01)                                                                                                                                                                                                                                                                                                                                                                                                                                                                                                                                                                                           |                                                         |   |          |
| 12                          |       | +continue                                                                                                                                                                                                                                                                                                                                                                                                                                                                                                                                                                                                            |                                                         |   |          |
| 13                          |       | <b>continue</b><br>LIDL_DatRqCallProc                                                                                                                                                                                                                                                                                                                                                                                                                                                                                                                                                                                | CallProc(TCV_chTch,<br>TCV_CallProc)                    |   |          |
| 14                          |       | LIDL_DatRqAlert                                                                                                                                                                                                                                                                                                                                                                                                                                                                                                                                                                                                      | AlertSnd(<br>TCV_chTch,<br>Alerting_01(<br>TCV_TI2))    |   |          |
| 15                          |       | LIDL_DatRqConn                                                                                                                                                                                                                                                                                                                                                                                                                                                                                                                                                                                                       | ConnSnd(<br>TCV_chTch,<br>Connect_02(<br>TCV_TI2))      |   |          |
| 16                          |       | L?DL_DatInConnAck                                                                                                                                                                                                                                                                                                                                                                                                                                                                                                                                                                                                    | ConnAckRcv(<br>ConnectAck_02(<br>TCV_TI1))              |   | 3.       |
| 17                          |       | (TCV_Null := OO_MptyCall())                                                                                                                                                                                                                                                                                                                                                                                                                                                                                                                                                                                          |                                                         |   | 4.       |
| 18                          |       | START T_dly(3000)                                                                                                                                                                                                                                                                                                                                                                                                                                                                                                                                                                                                    |                                                         |   |          |

|    |            |                             |                                                                                  |     |    |
|----|------------|-----------------------------|----------------------------------------------------------------------------------|-----|----|
| 19 | L_003<br>0 | L?DL_DatInFac CANCEL T_dly  | FacilityRcv(<br>FacilityPdu_26(<br>TCV_TI0,<br>facilityIercv(<br>BldMptySS_01))) | (F) | 5. |
| 20 |            | +PostMainLinkRel(TCV_chTch) |                                                                                  |     |    |
| 21 | L_003<br>1 | L?DL_DatInFac CANCEL T_dly  | FacilityRcv(<br>FacilityPdu_26(<br>TCV_TI1,<br>facilityIercv(<br>BldMptySS_01))) | (F) | 5. |
| 22 |            | +PostMainLinkRel(TCV_chTch) |                                                                                  |     |    |
| 23 | L_003<br>2 | ?TIMEOUT T_dly              |                                                                                  | (P) | 6. |
| 24 |            | +PostMainLinkRel(TCV_chTch) |                                                                                  |     |    |

**Detailed Comments:**

1. To setup physical channels for BCCH, CCCH, SDCCH4 and traffic channels.
2. To bring the MS into U10 state of mobile originating call.
3. The first call is on hold and second call is in active state.
4. To enter MultiParty MMI command.
5. The MS sends out FACILITY message, fail.
6. Within 3 seconds there is no FACILITY message, pass.
7. To initiate the second call.

| Test Case Dynamic Behaviour                                                                                                                                                                                                                                                                                                                                      |            |                                                                                                                                                                                                                                                                                                                                                                                                                                                                                                                                                                                                                      |                                              |     |          |
|------------------------------------------------------------------------------------------------------------------------------------------------------------------------------------------------------------------------------------------------------------------------------------------------------------------------------------------------------------------|------------|----------------------------------------------------------------------------------------------------------------------------------------------------------------------------------------------------------------------------------------------------------------------------------------------------------------------------------------------------------------------------------------------------------------------------------------------------------------------------------------------------------------------------------------------------------------------------------------------------------------------|----------------------------------------------|-----|----------|
| <b>Test Case Name:</b> TC_11_6                                                                                                                                                                                                                                                                                                                                   |            |                                                                                                                                                                                                                                                                                                                                                                                                                                                                                                                                                                                                                      |                                              |     |          |
| <b>Group:</b> GSM_L3_MS_v4210/General/                                                                                                                                                                                                                                                                                                                           |            |                                                                                                                                                                                                                                                                                                                                                                                                                                                                                                                                                                                                                      |                                              |     |          |
| <b>Purpose:</b><br>1. To verify that an MS claiming to not support FDN and that has a SIM with FDN allocated and activated inserted in it refuses an attempt to make an outgoing call made by the user.<br><br>2. To verify that an MS claiming to not support FDN and that has a SIM with FDN allocated and activated inserted in it does not answer to paging. |            |                                                                                                                                                                                                                                                                                                                                                                                                                                                                                                                                                                                                                      |                                              |     |          |
| <b>Default:</b> OtherEventsFail                                                                                                                                                                                                                                                                                                                                  |            |                                                                                                                                                                                                                                                                                                                                                                                                                                                                                                                                                                                                                      |                                              |     |          |
| Nr                                                                                                                                                                                                                                                                                                                                                               | Label      | Behaviour Description                                                                                                                                                                                                                                                                                                                                                                                                                                                                                                                                                                                                | CRef                                         | V   | Comments |
| 1                                                                                                                                                                                                                                                                                                                                                                |            | START T_guard(300)                                                                                                                                                                                                                                                                                                                                                                                                                                                                                                                                                                                                   |                                              |     |          |
| 2                                                                                                                                                                                                                                                                                                                                                                |            | +BasicServiceMO( TSPX_MOBscSvcE,<br>TSPX_MOChRateE)                                                                                                                                                                                                                                                                                                                                                                                                                                                                                                                                                                  |                                              |     |          |
| 3                                                                                                                                                                                                                                                                                                                                                                |            | +IdleUpdated( C_E_default, C_CellA, C_SCH_A,<br>C_BCCH_A_1, C_Immasc, C_S0, C_SlotNU,<br>C_SlotNU, C_SlotNU, C_BCC, C_TxInt_5,<br>C_Max_1, C_NECI_0, C_ATT_0, TimingAdv( 0),<br>C_BABR_0, C_cch_1Comb, C_BPM_3,<br>C_T3212_0, C_ci_cellA, C_MCC_1, C_PLMN_1,<br>C_LAC_1, CellOpt_01, CellChDes_Omit,<br>CellChDes_Omit, C_CellReselectHys12,<br>C_MaxPwrLvIG, C_MaxPwrLvID,<br>BcchFreqLst_45, BcchFreqLst_02,<br>BcchFreqLst_03, BcchFreqLst_04,<br>C_Restablishment, C_BCC, C_NCC,<br>C_Start_Tmsi, TSPX_SDCCH4SubDef,<br>TSPX_CKSNDDef, TSPX_RANDDef, C_arfcnA,<br>C_arfcnAd, TSPX_IMSI, C_Test_nfh,<br>C_NCCP_2) |                                              |     | 1.       |
| 4                                                                                                                                                                                                                                                                                                                                                                |            | (TCV_Null := OO_SIM3Ins())                                                                                                                                                                                                                                                                                                                                                                                                                                                                                                                                                                                           |                                              |     | 2.       |
| 5                                                                                                                                                                                                                                                                                                                                                                |            | +InitCall(TCV_Service)                                                                                                                                                                                                                                                                                                                                                                                                                                                                                                                                                                                               |                                              |     | 3.       |
| 6                                                                                                                                                                                                                                                                                                                                                                |            | START T_dly( 3000)                                                                                                                                                                                                                                                                                                                                                                                                                                                                                                                                                                                                   |                                              |     |          |
| 7                                                                                                                                                                                                                                                                                                                                                                | L_003<br>3 | L?DL_RaInChRq CANCEL T_dly                                                                                                                                                                                                                                                                                                                                                                                                                                                                                                                                                                                           | ChReq(<br>ChRequest_02)                      | (F) |          |
| 8                                                                                                                                                                                                                                                                                                                                                                |            | START T_dly( C_T_Wait)                                                                                                                                                                                                                                                                                                                                                                                                                                                                                                                                                                                               |                                              |     | 4.       |
| 9                                                                                                                                                                                                                                                                                                                                                                |            | ?TIMEOUT T_dly                                                                                                                                                                                                                                                                                                                                                                                                                                                                                                                                                                                                       |                                              |     |          |
| 10                                                                                                                                                                                                                                                                                                                                                               |            | +continue                                                                                                                                                                                                                                                                                                                                                                                                                                                                                                                                                                                                            |                                              |     |          |
| 11                                                                                                                                                                                                                                                                                                                                                               | L_003<br>4 | ?TIMEOUT T_dly                                                                                                                                                                                                                                                                                                                                                                                                                                                                                                                                                                                                       |                                              | (P) |          |
| 12                                                                                                                                                                                                                                                                                                                                                               |            | +continue                                                                                                                                                                                                                                                                                                                                                                                                                                                                                                                                                                                                            |                                              |     |          |
| 13                                                                                                                                                                                                                                                                                                                                                               |            | <b>continue</b><br>L!DL_UdatRqPg1Rq (DL_UdatRqPg1Rq.pgg :=<br>TCV_Pgg)                                                                                                                                                                                                                                                                                                                                                                                                                                                                                                                                               | PgReq1(TCV_PgCh,<br>TCV_Pgg,<br>PgReqTp1_01) |     | 5.       |
| 14                                                                                                                                                                                                                                                                                                                                                               |            | START T_dly( 3000)                                                                                                                                                                                                                                                                                                                                                                                                                                                                                                                                                                                                   |                                              |     |          |
| 15                                                                                                                                                                                                                                                                                                                                                               | L_003<br>5 | L?DL_RaInChRq CANCEL T_dly                                                                                                                                                                                                                                                                                                                                                                                                                                                                                                                                                                                           | ChReq(<br>ChRequest_02)                      | (F) |          |
| 16                                                                                                                                                                                                                                                                                                                                                               | L_003<br>6 | ?TIMEOUT T_dly                                                                                                                                                                                                                                                                                                                                                                                                                                                                                                                                                                                                       |                                              | (P) | 6.       |
| <b>Detailed Comments:</b>                                                                                                                                                                                                                                                                                                                                        |            |                                                                                                                                                                                                                                                                                                                                                                                                                                                                                                                                                                                                                      |                                              |     |          |
| 1. To setup a physical channel as BCCH, CCCH and SDCCH4.                                                                                                                                                                                                                                                                                                         |            |                                                                                                                                                                                                                                                                                                                                                                                                                                                                                                                                                                                                                      |                                              |     |          |
| 2. To insert the SIM with FDN allocated and activated, the power on the MS.                                                                                                                                                                                                                                                                                      |            |                                                                                                                                                                                                                                                                                                                                                                                                                                                                                                                                                                                                                      |                                              |     |          |
| 3. To attempt an outgoing CM connection.                                                                                                                                                                                                                                                                                                                         |            |                                                                                                                                                                                                                                                                                                                                                                                                                                                                                                                                                                                                                      |                                              |     |          |
| 4. To wait the MS back to idle.                                                                                                                                                                                                                                                                                                                                  |            |                                                                                                                                                                                                                                                                                                                                                                                                                                                                                                                                                                                                                      |                                              |     |          |
| 5. To page the MS.                                                                                                                                                                                                                                                                                                                                               |            |                                                                                                                                                                                                                                                                                                                                                                                                                                                                                                                                                                                                                      |                                              |     |          |
| 6. No CHANNEL REQUEST, pass                                                                                                                                                                                                                                                                                                                                      |            |                                                                                                                                                                                                                                                                                                                                                                                                                                                                                                                                                                                                                      |                                              |     |          |

## Test Group InitialTest

| Test Case Dynamic Behaviour                                                                                                                                                                                                                                                                                          |            |                                                                                                                                                                                                                                                                                                                                                                                                                                                                                                                                                                        |                                        |     |          |
|----------------------------------------------------------------------------------------------------------------------------------------------------------------------------------------------------------------------------------------------------------------------------------------------------------------------|------------|------------------------------------------------------------------------------------------------------------------------------------------------------------------------------------------------------------------------------------------------------------------------------------------------------------------------------------------------------------------------------------------------------------------------------------------------------------------------------------------------------------------------------------------------------------------------|----------------------------------------|-----|----------|
| <b>Test Case Name:</b> TC_26_2_1_1                                                                                                                                                                                                                                                                                   |            |                                                                                                                                                                                                                                                                                                                                                                                                                                                                                                                                                                        |                                        |     |          |
| <b>Group:</b> GSM_L3_MS_v4210/InitialTest/                                                                                                                                                                                                                                                                           |            |                                                                                                                                                                                                                                                                                                                                                                                                                                                                                                                                                                        |                                        |     |          |
| <b>Purpose:</b>                                                                                                                                                                                                                                                                                                      |            |                                                                                                                                                                                                                                                                                                                                                                                                                                                                                                                                                                        |                                        |     |          |
| 1) To verify that the MS answers to a PAGING message by sending a CHANNEL REQUEST message within 0.7 seconds after reception of the PAGING message.                                                                                                                                                                  |            |                                                                                                                                                                                                                                                                                                                                                                                                                                                                                                                                                                        |                                        |     |          |
| 2) To verify that the MS does not always use the same delay between reception of paging message and sending of the CHANNEL REQUEST message. If an MS uses a fixed delay, there is a high probability that different MSs of the same product series use the same delay. There would then be a high risk of collision. |            |                                                                                                                                                                                                                                                                                                                                                                                                                                                                                                                                                                        |                                        |     |          |
| <b>Default:</b> OtherEventsFail_01                                                                                                                                                                                                                                                                                   |            |                                                                                                                                                                                                                                                                                                                                                                                                                                                                                                                                                                        |                                        |     |          |
| <b>Comments:</b> The default tree OtherEventsFail_01 throws away any possible retransmitted channel request messages.                                                                                                                                                                                                |            |                                                                                                                                                                                                                                                                                                                                                                                                                                                                                                                                                                        |                                        |     |          |
| Nr                                                                                                                                                                                                                                                                                                                   | Label      | Behaviour Description                                                                                                                                                                                                                                                                                                                                                                                                                                                                                                                                                  | CRef                                   | V   | Comments |
| 1                                                                                                                                                                                                                                                                                                                    |            | START T_guard(1800)                                                                                                                                                                                                                                                                                                                                                                                                                                                                                                                                                    |                                        |     |          |
| 2                                                                                                                                                                                                                                                                                                                    |            | +IdleUpdated( C_E_default, C_CellA, C_SCH_A, C_BCCH_A_1, C_Immss, C_S0, C_SlotNU, C_SlotNU, C_SlotNU, C_BCC, C_TxInt_5, C_Max_1, C_NECI_0, C_ATT_0, TimingAdv( 0), C_BABR_0, TSPX_CcchConf1, C_BPM_3, C_T3212_0, C_ci_cellA, C_MCC_1, C_PLMN_1, C_LAC_1, CellOpt_01, CellChDes_Omit, CellChDes_Omit, C_CellReselectHys12, C_MaxPwrLvIG, C_MaxPwrLvID, BcchFreqLst_45, BcchFreqLst_02, BcchFreqLst_03, BcchFreqLst_04, C_Restablishment, C_BCC, C_NCC, C_Start_Tmsi, TSPX_SDCCH4SubDef, TSPX_CKSNDf, TSPX_RANDDf, C_arfcnA, C_arfcnAd, TSPX_IMSI, C_Test_nfh, C_NCCP_2) |                                        |     |          |
| 3                                                                                                                                                                                                                                                                                                                    |            | +localtree                                                                                                                                                                                                                                                                                                                                                                                                                                                                                                                                                             |                                        |     |          |
|                                                                                                                                                                                                                                                                                                                      |            | <b>localtree</b>                                                                                                                                                                                                                                                                                                                                                                                                                                                                                                                                                       |                                        |     |          |
| 4                                                                                                                                                                                                                                                                                                                    |            | (TCV_Cnt :=0)                                                                                                                                                                                                                                                                                                                                                                                                                                                                                                                                                          |                                        |     |          |
| 5                                                                                                                                                                                                                                                                                                                    | body       | REPEAT localtree1 UNTIL [TCV_Cnt = 200]                                                                                                                                                                                                                                                                                                                                                                                                                                                                                                                                |                                        |     |          |
| 6                                                                                                                                                                                                                                                                                                                    |            | (TCV_Res := OC_SaveAndProc1( TCV_Fk, C_PROC, TCV_Cnt, TCV_Upd))                                                                                                                                                                                                                                                                                                                                                                                                                                                                                                        |                                        |     | 1.       |
| 7                                                                                                                                                                                                                                                                                                                    | L_003<br>7 | [NOT TCV_Res]                                                                                                                                                                                                                                                                                                                                                                                                                                                                                                                                                          |                                        | (F) | 2.       |
| 8                                                                                                                                                                                                                                                                                                                    | L_003<br>8 | [TCV_Res]                                                                                                                                                                                                                                                                                                                                                                                                                                                                                                                                                              |                                        | (P) |          |
|                                                                                                                                                                                                                                                                                                                      |            | <b>localtree1</b>                                                                                                                                                                                                                                                                                                                                                                                                                                                                                                                                                      |                                        |     |          |
| 9                                                                                                                                                                                                                                                                                                                    |            | L!DL_UdatRqPg1Rq                                                                                                                                                                                                                                                                                                                                                                                                                                                                                                                                                       | PgReq1(TCV_PgCh, TCV_Pgg, PgReqTp1_01) |     |          |
| 10                                                                                                                                                                                                                                                                                                                   |            | L?DL_RacInChRq( TCV_Rr := DL_RacInChRq.msg.ecau_rrf, TCV_Fn := DL_RacInChRq.fn)                                                                                                                                                                                                                                                                                                                                                                                                                                                                                        | ChReq( ChRequest_17)                   |     |          |
| 11                                                                                                                                                                                                                                                                                                                   |            | START T_dly( C_T_Wait)                                                                                                                                                                                                                                                                                                                                                                                                                                                                                                                                                 |                                        |     |          |
|                                                                                                                                                                                                                                                                                                                      |            | (TCV_Fn1 := OM_ReturnFn( TCV_PgCh), TCV_Fk := OC_RachSlots( TCV_Fn1, TCV_Fn, TCV_Upd, 0))                                                                                                                                                                                                                                                                                                                                                                                                                                                                              |                                        |     | 4.       |
| 12                                                                                                                                                                                                                                                                                                                   | L_003<br>9 | [TCV_Fk < -9990]                                                                                                                                                                                                                                                                                                                                                                                                                                                                                                                                                       |                                        | (F) | 7.       |
| 13                                                                                                                                                                                                                                                                                                                   |            | (TCV_Cnt := 200)                                                                                                                                                                                                                                                                                                                                                                                                                                                                                                                                                       |                                        |     |          |
| 14                                                                                                                                                                                                                                                                                                                   |            | CANCEL T_dly                                                                                                                                                                                                                                                                                                                                                                                                                                                                                                                                                           |                                        |     |          |
| 15                                                                                                                                                                                                                                                                                                                   |            | [TCV_Fk >= 0]                                                                                                                                                                                                                                                                                                                                                                                                                                                                                                                                                          |                                        |     |          |
| 16                                                                                                                                                                                                                                                                                                                   |            | (TCV_Res := OC_SaveAndProc1( TCV_Fk, C_SAVE, TCV_Cnt, TCV_Upd))                                                                                                                                                                                                                                                                                                                                                                                                                                                                                                        |                                        |     | 5.       |
| 17                                                                                                                                                                                                                                                                                                                   | L_004<br>0 | [NOT TCV_Res]                                                                                                                                                                                                                                                                                                                                                                                                                                                                                                                                                          |                                        | (F) | 6.       |
| 18                                                                                                                                                                                                                                                                                                                   |            | (TCV_Cnt := 200)                                                                                                                                                                                                                                                                                                                                                                                                                                                                                                                                                       |                                        |     |          |
| 19                                                                                                                                                                                                                                                                                                                   |            | CANCEL T_dly                                                                                                                                                                                                                                                                                                                                                                                                                                                                                                                                                           |                                        |     |          |
| 20                                                                                                                                                                                                                                                                                                                   | L_004<br>1 | [TCV_Res]                                                                                                                                                                                                                                                                                                                                                                                                                                                                                                                                                              |                                        | (P) |          |
| 21                                                                                                                                                                                                                                                                                                                   |            | L!DL_UdatRqImmssRej (TCV_Cnt := TCV_Cnt+1)                                                                                                                                                                                                                                                                                                                                                                                                                                                                                                                             | ImmAssRej( TCV_agch,                   |     |          |

|                                                                                                                                                                                                                                                                                                                                                                                                                                                                                                               |  |                                   |  |
|---------------------------------------------------------------------------------------------------------------------------------------------------------------------------------------------------------------------------------------------------------------------------------------------------------------------------------------------------------------------------------------------------------------------------------------------------------------------------------------------------------------|--|-----------------------------------|--|
| 22                                                                                                                                                                                                                                                                                                                                                                                                                                                                                                            |  | ImmAsgnRej_01(<br>TCV_Rr, TCV_Fn) |  |
| <b>Detailed Comments:</b> <ul style="list-style-type: none"><li>1. To analyse the delay of channel request msg.</li><li>2. The channel request messages are not spread equally.</li><li>3. To get the frame number on which paging request was sent.</li><li>4. To calculate the rach slots between paging request and channel request.</li><li>5. To record the delay of channel request msg.</li><li>6. MS is too slow to answer a paging msg.</li><li>7. Rach TDMA frame mapping is not correct.</li></ul> |  |                                   |  |



| Test Case Dynamic Behaviour |       |                                                                                                                                                                                                                                                                                                                                                                                                                                                                                                                                                                                                                                                                                                                                                                                  |      |   |          |
|-----------------------------|-------|----------------------------------------------------------------------------------------------------------------------------------------------------------------------------------------------------------------------------------------------------------------------------------------------------------------------------------------------------------------------------------------------------------------------------------------------------------------------------------------------------------------------------------------------------------------------------------------------------------------------------------------------------------------------------------------------------------------------------------------------------------------------------------|------|---|----------|
| <b>Test Case Name:</b>      |       | TC_26_2_1_2                                                                                                                                                                                                                                                                                                                                                                                                                                                                                                                                                                                                                                                                                                                                                                      |      |   |          |
| <b>Group:</b>               |       | GSM_L3_MS_v4210/InitialTest/                                                                                                                                                                                                                                                                                                                                                                                                                                                                                                                                                                                                                                                                                                                                                     |      |   |          |
| <b>Purpose:</b>             |       | <p>1) To verify that the MS spreads retransmission of a CHANNEL REQUEST message with equal probability on Tx-Integer time slots and correctly applies the fixed delay when the following conditions apply:</p> <ul style="list-style-type: none"> <li>- the CCCH is combined or not combined with SDCCHs;</li> <li>- the maximum number of retransmissions is equal to one of the following values: 1, 2, 4, 7, according to the value of TSPX_MaxRetrans.</li> <li>- Tx-Integer is put to any of the allowed values among those which are greater or equal to 6, according to the value of TSPX_Txint.</li> </ul> <p>2) To verify that the MS retransmits exactly Max_Retrans times a CHANNEL REQUEST message if the network never responds to the CHANNEL REQUEST message.</p> |      |   |          |
| <b>Default:</b>             |       | OtherEventsFail                                                                                                                                                                                                                                                                                                                                                                                                                                                                                                                                                                                                                                                                                                                                                                  |      |   |          |
| Nr                          | Label | Behaviour Description                                                                                                                                                                                                                                                                                                                                                                                                                                                                                                                                                                                                                                                                                                                                                            | CRef | V | Comments |
| 1                           |       | (TCV_K := ((230 + TSPX_MaxRetrans-1) / TSPX_MaxRetrans), TCV_T := 10 + ((C_T_Wait/1000) + 1), TCV_T := (TCV_T * TCV_K) * 2)                                                                                                                                                                                                                                                                                                                                                                                                                                                                                                                                                                                                                                                      |      |   | 1.       |
| 2                           |       | START T_guard(TCV_T)                                                                                                                                                                                                                                                                                                                                                                                                                                                                                                                                                                                                                                                                                                                                                             |      |   |          |
| 3                           |       | (TCV_Cnt1 := 0)                                                                                                                                                                                                                                                                                                                                                                                                                                                                                                                                                                                                                                                                                                                                                                  |      |   |          |
| 4                           |       | REPEAT ltree_main UNTIL [TCV_Cnt1 = 2]                                                                                                                                                                                                                                                                                                                                                                                                                                                                                                                                                                                                                                                                                                                                           |      |   |          |
|                             |       | <b>ltree_main</b>                                                                                                                                                                                                                                                                                                                                                                                                                                                                                                                                                                                                                                                                                                                                                                |      |   |          |
| 5                           |       | [TCV_Cnt1 = 0]                                                                                                                                                                                                                                                                                                                                                                                                                                                                                                                                                                                                                                                                                                                                                                   |      |   |          |
| 6                           |       | +IdleUpdated( C_E_default, C_CellA, C_SCH_A, C_BCCH_A_1, C_Immass, C_S0, C_SlotNU, C_SlotNU, C_SlotNU, C_BCC, TSPX_Txint, TSPX_MaxRetrans, C_NECI_0, C_ATT_0, TimingAdv(0), C_BABR_0, C_cch_1Comb, C_BPM_3, C_T3212_0, C_ci_cellA, C_MCC_1, C_PLMN_1, C_LAC_1, CellOpt_01, CellChDes_Omit, CellChDes_Omit, C_CellReselectHys12, C_MaxPwrLvlG, C_MaxPwrLvlD, BcchFreqLst_45, BcchFreqLst_02, BcchFreqLst_03, BcchFreqLst_04, C_Restablishment, C_BCC, C_NCC, C_Start_Tmsi, TSPX_SDCCH4SubDef, TSPX_CKSNDDef, TSPX_RANDDef, C_arfcnA, C_arfcnAd, TSPX_IMSI, C_Test_nfh, C_NCCP_2)                                                                                                                                                                                                  |      |   |          |
| 7                           |       | (TCV_S := OC_LookupS( TSPX_Txint, TCV_Upd))                                                                                                                                                                                                                                                                                                                                                                                                                                                                                                                                                                                                                                                                                                                                      |      |   | 2.       |
| 8                           |       | +localtree( TCV_Upd)                                                                                                                                                                                                                                                                                                                                                                                                                                                                                                                                                                                                                                                                                                                                                             |      |   |          |
| 9                           |       | (TCV_Cnt1 := TCV_Cnt1 + 1)                                                                                                                                                                                                                                                                                                                                                                                                                                                                                                                                                                                                                                                                                                                                                       |      |   |          |
| 10                          |       | [TCV_Cnt1 = 1]                                                                                                                                                                                                                                                                                                                                                                                                                                                                                                                                                                                                                                                                                                                                                                   |      |   |          |
| 11                          |       | (TCV_slot := C_S0, TCV_tsc := C_BCC, TCV_Upd := C_NotCombined)                                                                                                                                                                                                                                                                                                                                                                                                                                                                                                                                                                                                                                                                                                                   |      |   |          |
| 12                          |       | +NonCombinedBCCH_A( C_E_default, C_MaxPwrLvlG, C_MaxPwrLvlD, C_arfcnA, C_arfcnAd, C_Immass, C_S0, C_BCC, TimingAdv(0), C_BABR_0, C_cch_1nonComb, C_BPM_3)                                                                                                                                                                                                                                                                                                                                                                                                                                                                                                                                                                                                                        |      |   |          |
| 13                          |       | +SysInfoSending_nfh( C_SCH_A, C_BCCH_A_1, TSPX_Txint, TSPX_MaxRetrans, C_NECI_0, C_ATT_0, C_BABR_0, C_cch_1nonComb, C_BPM_3, C_T3212_0, C_ci_cellA, C_MCC_1, C_PLMN_1, C_LAC_1, CellOpt_01, C_CellReselectHys12, C_MaxPwrLvlG, C_MaxPwrLvlD, BcchFreqLst_45, BcchFreqLst_02, BcchFreqLst_03, BcchFreqLst_04, C_Restablishment, C_BCC, C_NCC, C_NCCP_2)                                                                                                                                                                                                                                                                                                                                                                                                                           |      |   |          |
| 14                          |       | (TCV_Ccd0A := TCV_Ccd0H, TCV_sysinfo5 := TCV_sysinfo5, TCV_sysinfo6 := TCV_sysinfo6)                                                                                                                                                                                                                                                                                                                                                                                                                                                                                                                                                                                                                                                                                             |      |   |          |
| 15                          |       | +Varinit_fix( C_CellA, C_LAC_1, TSPX_SDCCH4SubDef, TSPX_CKSNDDef, TSPX_RANDDef, C_arfcnA, C_arfcnAd,                                                                                                                                                                                                                                                                                                                                                                                                                                                                                                                                                                                                                                                                             |      |   |          |

|    |       |                                             |                  |     |
|----|-------|---------------------------------------------|------------------|-----|
| 16 |       | TCV_Ccd0A, TSPX_IMSI)                       |                  |     |
| 17 |       | START T_dly( C_T_Wait)                      |                  |     |
| 18 |       | ?TIMEOUT T_dly                              |                  |     |
| 19 |       | (TCV_S := OC_LookupS(                       |                  | 2.  |
| 20 |       | TSPX_Txint, TCV_Upd))                       |                  |     |
|    |       | +localtree( TCV_Upd)                        |                  |     |
|    |       | (TCV_Cnt1 := TCV_Cnt1 + 1)                  |                  |     |
|    |       | <b>localtree(mode: BOOLEAN)</b>             |                  |     |
| 21 |       | (TCV_kcnt := 0, TCV_M :=0)                  |                  |     |
| 22 |       | REPEAT localtree1(mode) UNTIL [TCV_kcnt     |                  |     |
| 23 |       | =TCV_K]                                     |                  |     |
| 24 | L_004 | (TCV_Res :=OC_InRang( TSPX_Txint,           |                  | (P) |
| 25 | 2     | TSPX_MaxRetrans, TCV_M))                    |                  |     |
|    |       | [TCV_Res]                                   |                  | (F) |
|    | L_004 | [NOT TCV_Res]                               |                  |     |
|    | 3     |                                             |                  |     |
|    |       | <b>localtree1(mode: BOOLEAN)</b>            |                  |     |
| 26 |       | !IDL_UdatRqPg1Rq                            | PgReq1(TCV_PgCh, | 3.  |
|    |       |                                             | TCV_Pgg,         |     |
|    |       |                                             | PgReqTp1_01)     |     |
| 27 |       | L?DL_RaInChRq (TCV_Rr := DL_RaInChRq.       | ChReq(           |     |
|    |       | msg.ecau_rrf, TCV_Fn1 := DL_RaInChRq.fn)    | ChRequest_17)    |     |
| 28 |       | (TCV_Cnt :=0)                               |                  |     |
| 29 |       | REPEAT localtree2( mode) UNTIL [TCV_Cnt =   |                  |     |
|    |       | TSPX_MaxRetrans]                            |                  |     |
| 30 |       | +localtree3                                 |                  |     |
| 31 |       | ?TIMEOUT T_dly                              |                  |     |
| 32 |       | (TCV_kcnt := TCV_kcnt +1)                   |                  |     |
|    |       | <b>localtree2(mode: BOOLEAN)</b>            |                  |     |
| 33 |       | CANCEL T_dly                                |                  |     |
| 34 |       | L?DL_RaInChRq (TCV_Rr := DL_RaInChRq.       | ChReq(           |     |
|    |       | msg.ecau_rrf, TCV_Fn := DL_RaInChRq.fn)     | ChRequest_17)    |     |
|    |       | START T_dly( C_T_Wait)                      |                  |     |
| 35 |       | (TCV_Fk := OC_RachSlots( TCV_Fn1, TCV_Fn,   |                  | 4.  |
|    |       | mode, 1), TCV_Fn1 := TCV_Fn, TCV_Cnt :=     |                  |     |
|    |       | TCV_Cnt+1)                                  |                  |     |
| 36 | L_004 | [(TCV_Fk >= TCV_S) AND (TCV_Fk <=           | (P)              | 5.  |
|    | 4     | (TCV_S+TSPX_Txint- 1))]                     |                  |     |
|    |       | [TCV_Fk >= ( TCV_S +( TSPX_Txint + 1) / 2)] |                  |     |
| 37 |       | (TCV_M := TCV_M + 1)                        |                  |     |
| 38 |       | [TCV_Fk <( TCV_S +( TSPX_Txint + 1) / 2)]   |                  |     |
| 39 |       |                                             |                  |     |
| 40 | L_004 | [(TCV_Fk < TCV_S) OR(TCV_Fk >(              | (F)              | 6.  |
|    | 5     | TCV_S+TSPX_Txint - 1))]                     |                  |     |
|    |       | <b>localtree3</b>                           |                  |     |
| 41 | L_004 | [TCV_kcnt = TCV_K]                          | (P)              |     |
|    | 6     |                                             |                  |     |
| 42 |       | [TCV_kcnt < TCV_K]                          |                  |     |
| 43 |       | !IDL_UdatRqImmRej                           | ImmAssRej(       |     |
|    |       |                                             | TCV_agch,        |     |
|    |       |                                             | ImmAsgnRej_02(   |     |
|    |       |                                             | TCV_Rr, TCV_Fn)) |     |

**Detailed Comments:**

1. To setup the timeout value for guard timer, each excuton of one sequence= 10s.
2. To generate the required parameters.
3. To start the measuring.
4. To get the number of the CCCH RACH slots between the moment where the last CHANNEL REQUEST received and the reception of the new CHANNEL REQUEST.
5. The f(i, k) is in the set {S, S+1, ...S+T-1}.
6. The f(i, k) is not in the set {S, S+1, ...S+T-1}, fail.

| Test Case Dynamic Behaviour |            |                                                                                                                                                                                                                                                                                                                                                                                                                                                                                                                                                                          |                                        |   |          |
|-----------------------------|------------|--------------------------------------------------------------------------------------------------------------------------------------------------------------------------------------------------------------------------------------------------------------------------------------------------------------------------------------------------------------------------------------------------------------------------------------------------------------------------------------------------------------------------------------------------------------------------|----------------------------------------|---|----------|
| <b>Test Case Name:</b>      |            | TC_26_2_1_3                                                                                                                                                                                                                                                                                                                                                                                                                                                                                                                                                              |                                        |   |          |
| <b>Group:</b>               |            | GSM_L3_MS_v4210/InitialTest/                                                                                                                                                                                                                                                                                                                                                                                                                                                                                                                                             |                                        |   |          |
| <b>Purpose:</b>             |            | To verify that an MS produces different random references for a CHANNEL REQUEST. If a MS always produces the same random reference, it makes possible that different MSs of the same product series produce the same random reference.                                                                                                                                                                                                                                                                                                                                   |                                        |   |          |
| <b>Default:</b>             |            | OtherEventsFail                                                                                                                                                                                                                                                                                                                                                                                                                                                                                                                                                          |                                        |   |          |
| Nr                          | Label      | Behaviour Description                                                                                                                                                                                                                                                                                                                                                                                                                                                                                                                                                    | CRef                                   | V | Comments |
| 1                           |            | START T_guard(360)                                                                                                                                                                                                                                                                                                                                                                                                                                                                                                                                                       |                                        |   |          |
| 2                           |            | +IdleUpdated( C_E_default, C_CellA, C_SCH_A, C_BCCH_A_1, C_Immass, C_S0, C_SlotNU, C_SlotNU, C_SlotNU, C_BCC, C_TxInt_5, C_Max_1, C_NECI_0, C_ATT_0, TimingAdv( 0), C_BABR_0, C_cch_1nonComb, C_BPM_3, C_T3212_1, C_ci_cellA, C_MCC_1, C_PLMN_1, C_LAC_1, CellOpt_01, CellChDes_Omit, CellChDes_Omit, C_CellReselectHys12, C_MaxPwrLvIG, C_MaxPwrLvID, BcchFreqLst_45, BcchFreqLst_02, BcchFreqLst_03, BcchFreqLst_04, C_Restablishment, C_BCC, C_NCC, C_Start_Tmsi, TSPX_SDCCH4SubDef, TSPX_CKSNDf, TSPX_RANDDef, C_arfcnA, C_arfcnAd, TSPX_IMSI, C_Test_nfh, C_NCCP_2) |                                        |   |          |
| 3                           |            | +localtree                                                                                                                                                                                                                                                                                                                                                                                                                                                                                                                                                               |                                        |   |          |
|                             |            | <b>localtree</b>                                                                                                                                                                                                                                                                                                                                                                                                                                                                                                                                                         |                                        |   |          |
| 4                           |            | (TCV_Cnt := 0)                                                                                                                                                                                                                                                                                                                                                                                                                                                                                                                                                           |                                        |   |          |
| 5                           | body       | REPEAT localtree1 UNTIL [TCV_Cnt = 7]                                                                                                                                                                                                                                                                                                                                                                                                                                                                                                                                    |                                        |   |          |
| 6                           |            | (TCV_Res := OC_SaveAndProc3( TCV_Rr, C_PROC, TCV_Cnt))                                                                                                                                                                                                                                                                                                                                                                                                                                                                                                                   |                                        |   | 1.       |
| 7                           | L_004<br>7 | [TCV_Res]                                                                                                                                                                                                                                                                                                                                                                                                                                                                                                                                                                |                                        | P |          |
| 8                           | L_004<br>8 | [NOT TCV_Res]                                                                                                                                                                                                                                                                                                                                                                                                                                                                                                                                                            |                                        | F | 2.       |
|                             |            | <b>localtree1</b>                                                                                                                                                                                                                                                                                                                                                                                                                                                                                                                                                        |                                        |   |          |
| 9                           |            | L!DL_UdatRqPg1Rq                                                                                                                                                                                                                                                                                                                                                                                                                                                                                                                                                         | PgReq1(TCV_PgCh, TCV_Pgg, PgReqTp1_01) |   |          |
| 10                          |            | L?DL_RaInChRq (TCV_Rr := DL_RaInChRq.msg.ecau_rrf)                                                                                                                                                                                                                                                                                                                                                                                                                                                                                                                       | ChReq( ChRequest_17)                   |   |          |
| 11                          |            | (TCV_Null := OC_SaveAndProc3( TCV_Rr, C_SAVE, TCV_Cnt))                                                                                                                                                                                                                                                                                                                                                                                                                                                                                                                  |                                        |   | 3.       |
| 12                          |            | L?DL_RaInChRq                                                                                                                                                                                                                                                                                                                                                                                                                                                                                                                                                            | ChReq( ChRequest_17)                   |   | 4.       |
| 13                          |            | START T_dly( C_T_Wait)                                                                                                                                                                                                                                                                                                                                                                                                                                                                                                                                                   |                                        |   | 5.       |
| 14                          |            | (TCV_Cnt := TCV_Cnt+1)                                                                                                                                                                                                                                                                                                                                                                                                                                                                                                                                                   |                                        |   |          |
| 15                          |            | ?TIMEOUT T_dly                                                                                                                                                                                                                                                                                                                                                                                                                                                                                                                                                           |                                        |   |          |
| <b>Detailed Comments:</b>   |            | <ol style="list-style-type: none"> <li>1. To analyse the distribution of the random references.</li> <li>2. The random references are not randomly distributed.</li> <li>3. To record the random reference.</li> <li>4. The MS retransmits the channel request once more.</li> <li>5. To wait long enough to guarantee that the MS is in service.</li> </ol>                                                                                                                                                                                                             |                                        |   |          |

| Test Case Dynamic Behaviour |       |                                                                                                                                                                                                                                                                                                                                                                                                                                                                                                                                                                         |      |   |          |
|-----------------------------|-------|-------------------------------------------------------------------------------------------------------------------------------------------------------------------------------------------------------------------------------------------------------------------------------------------------------------------------------------------------------------------------------------------------------------------------------------------------------------------------------------------------------------------------------------------------------------------------|------|---|----------|
| <b>Test Case Name:</b>      |       | TC_26_2_2                                                                                                                                                                                                                                                                                                                                                                                                                                                                                                                                                               |      |   |          |
| <b>Group:</b>               |       | GSM_L3_MS_v4210/InitialTest/                                                                                                                                                                                                                                                                                                                                                                                                                                                                                                                                            |      |   |          |
| <b>Purpose:</b>             |       | <p>1) To verify that the MS correctly performs IMSI detach/attach procedures when it is required by the network and upon deactivation/activation or SIM removal/insertion and does not perform these procedures when not required.</p> <p>2) To verify that the mobile station acknowledges a re-allocated TMSI during IMSI attach.</p>                                                                                                                                                                                                                                 |      |   |          |
| <b>Default:</b>             |       | OtherEventsFail                                                                                                                                                                                                                                                                                                                                                                                                                                                                                                                                                         |      |   |          |
| Nr                          | Label | Behaviour Description                                                                                                                                                                                                                                                                                                                                                                                                                                                                                                                                                   | CRef | V | Comments |
| 1                           |       | START T_guard(300)                                                                                                                                                                                                                                                                                                                                                                                                                                                                                                                                                      |      |   |          |
| 2                           |       | +IdleUpdated( C_E_default, C_CellA, C_SCH_A, C_BCCH_A_1, C_Immass, C_S0, C_SlotNU, C_SlotNU, C_SlotNU, C_BCC, C_TxInt_5, C_Max_1, C_NECI_0, C_ATT_0, TimingAdv( 0), C_BABR_0, C_cch_1Comb, C_BPM_3, C_T3212_0, C_ci_cellA, C_MCC_1, C_PLMN_1, C_LAC_1, CellOpt_01, CellChDes_Omit, CellChDes_Omit, C_CellReselectHys12, C_MaxPwrLvlG, C_MaxPwrLvlD, BcchFreqLst_45, BcchFreqLst_02, BcchFreqLst_03, BcchFreqLst_04, C_Restablishment, C_BCC, C_NCC, C_Start_Tmsi, TSPX_SDCCH4SubDef, TSPX_CKSNDDef, TSPX_RANDDef, C_arfcnA, C_arfcnAd, TSPX_IMSI, C_Test_nfh, C_NCCP_2) |      |   |          |
| 3                           | body  | +procedure1                                                                                                                                                                                                                                                                                                                                                                                                                                                                                                                                                             |      |   |          |
| 4                           |       | +procedure2                                                                                                                                                                                                                                                                                                                                                                                                                                                                                                                                                             |      |   |          |
| 5                           |       | +SetATT( C_TxInt_5, C_Max_1, C_ATT_1, C_NECI_0, C_BABR_0, C_cch_1Comb, C_BPM_3, C_T3212_0, C_MCC_1, C_PLMN_1, C_LAC_1)                                                                                                                                                                                                                                                                                                                                                                                                                                                  |      |   | 1.       |
| 6                           |       | +procedures3                                                                                                                                                                                                                                                                                                                                                                                                                                                                                                                                                            |      |   |          |
| 7                           |       | +procedures4                                                                                                                                                                                                                                                                                                                                                                                                                                                                                                                                                            |      |   |          |
|                             |       | <b>procedure1</b>                                                                                                                                                                                                                                                                                                                                                                                                                                                                                                                                                       |      |   |          |
| 8                           |       | +ImsiDetachNoReaction( 5000, C_SIMIn)                                                                                                                                                                                                                                                                                                                                                                                                                                                                                                                                   |      |   | 2.       |
| 9                           |       | +ImsiAttachNoReaction( 30000, C_SIMIn)                                                                                                                                                                                                                                                                                                                                                                                                                                                                                                                                  |      |   | 4.       |
|                             |       | <b>procedure2</b>                                                                                                                                                                                                                                                                                                                                                                                                                                                                                                                                                       |      |   |          |
| 10                          |       | [TSPC_SIMRmv]                                                                                                                                                                                                                                                                                                                                                                                                                                                                                                                                                           |      |   |          |
| 11                          |       | (TCV_Null :=OO_SIMRmv())                                                                                                                                                                                                                                                                                                                                                                                                                                                                                                                                                |      |   | 6.       |
| 12                          |       | +NoReaction( 5000)                                                                                                                                                                                                                                                                                                                                                                                                                                                                                                                                                      |      |   | 3.       |
| 13                          |       | (TCV_Null := OO_SIMIns())                                                                                                                                                                                                                                                                                                                                                                                                                                                                                                                                               |      |   | 7.       |
| 14                          |       | +NoReaction( 30000)                                                                                                                                                                                                                                                                                                                                                                                                                                                                                                                                                     |      |   | 5.       |
| 15                          |       | [NOT TSPC_SIMRmv]                                                                                                                                                                                                                                                                                                                                                                                                                                                                                                                                                       |      |   |          |
|                             |       | <b>procedures3</b>                                                                                                                                                                                                                                                                                                                                                                                                                                                                                                                                                      |      |   |          |
| 16                          |       | +MM_PwrOrSimOff(C_SIMIn)                                                                                                                                                                                                                                                                                                                                                                                                                                                                                                                                                |      |   |          |
| 17                          |       | [(TSPC_DetachOnPwrDn)<br>OR(TSPC_SwitchOnOff)]                                                                                                                                                                                                                                                                                                                                                                                                                                                                                                                          |      |   |          |
| 18                          |       | +imsidetach                                                                                                                                                                                                                                                                                                                                                                                                                                                                                                                                                             |      |   |          |
| 19                          |       | +MM_PwrOrSimOn(C_SIMIn)                                                                                                                                                                                                                                                                                                                                                                                                                                                                                                                                                 |      |   |          |
| 20                          |       | +locup( MiTmsi_02iei)                                                                                                                                                                                                                                                                                                                                                                                                                                                                                                                                                   |      |   |          |
| 21                          |       | [(NOT TSPC_DetachOnPwrDn) AND(NOT<br>TSPC_SwitchOnOff)]                                                                                                                                                                                                                                                                                                                                                                                                                                                                                                                 |      |   |          |
| 22                          |       | +MM_PwrOrSimOn(C_SIMIn)                                                                                                                                                                                                                                                                                                                                                                                                                                                                                                                                                 |      |   |          |
| 23                          |       | +locup( MiTmsi_02iei)                                                                                                                                                                                                                                                                                                                                                                                                                                                                                                                                                   |      |   |          |
|                             |       | <b>procedures4</b>                                                                                                                                                                                                                                                                                                                                                                                                                                                                                                                                                      |      |   |          |
| 24                          |       | [(TSPC_SIMRmv) AND(TSPC_DetachOnSIMRmv)]                                                                                                                                                                                                                                                                                                                                                                                                                                                                                                                                |      |   |          |
| 25                          |       | (TCV_Null :=OO_SIMRmv())                                                                                                                                                                                                                                                                                                                                                                                                                                                                                                                                                |      |   |          |
| 26                          |       | +imsidetach                                                                                                                                                                                                                                                                                                                                                                                                                                                                                                                                                             |      |   |          |
| 27                          |       | (TCV_Null := OO_SIMIns())                                                                                                                                                                                                                                                                                                                                                                                                                                                                                                                                               |      |   |          |
| 28                          |       | +locup( MiTmsi_01iei)                                                                                                                                                                                                                                                                                                                                                                                                                                                                                                                                                   |      |   |          |
| 29                          |       | [(NOT TSPC_SIMRmv)<br>AND(TSPC_DetachOnPwrDn)]                                                                                                                                                                                                                                                                                                                                                                                                                                                                                                                          |      |   |          |

|    |            |                                                                                                                                                                          |                                                                                                                                                 |     |                         |
|----|------------|--------------------------------------------------------------------------------------------------------------------------------------------------------------------------|-------------------------------------------------------------------------------------------------------------------------------------------------|-----|-------------------------|
| 30 |            | +MM_PwrOrSimOff(C_SIMIn)                                                                                                                                                 |                                                                                                                                                 |     |                         |
| 31 |            | +imsidetach                                                                                                                                                              |                                                                                                                                                 |     |                         |
| 32 |            | +MM_PwrOrSimOn(C_SIMIn)                                                                                                                                                  |                                                                                                                                                 |     |                         |
| 33 |            | +locup( MiTmsi_01iei)                                                                                                                                                    |                                                                                                                                                 |     |                         |
| 34 |            | [[((NOT TSPC_SIMRmv) AND(NOT<br>TSPC_DetachOnPwrDn)) OR((NOT<br>TSPC_DetachOnSIMRmv) AND(TSPC_SIMRmv))<br>OR((NOT TSPC_DetachOnSIMRmv) AND(NOT<br>TSPC_DetachOnPwrDn))]] |                                                                                                                                                 |     |                         |
| 35 |            | +MM_PwrOrSimOff(C_SIMIn)                                                                                                                                                 |                                                                                                                                                 |     |                         |
| 36 |            | +MM_PwrOrSimOn(C_SIMIn)                                                                                                                                                  |                                                                                                                                                 |     |                         |
| 37 |            | +locup( MiTmsi_01iei)                                                                                                                                                    |                                                                                                                                                 |     |                         |
|    |            | <b>activitychk(t: INTEGER)</b>                                                                                                                                           |                                                                                                                                                 |     |                         |
| 38 |            | START T_dly(t)                                                                                                                                                           |                                                                                                                                                 |     |                         |
| 39 | L_004<br>9 | ?TIMEOUT T_dly                                                                                                                                                           |                                                                                                                                                 | (P) |                         |
|    |            | <b>locup( newmi:MI)</b>                                                                                                                                                  |                                                                                                                                                 |     |                         |
| 40 |            | +channelrequest                                                                                                                                                          |                                                                                                                                                 |     |                         |
| 41 |            | L?DL_EstInLupRq                                                                                                                                                          | LocUp( TCV_ch,<br>LocUpdtReq_01(<br>C_imsi_attach))                                                                                             |     | 9.                      |
| 42 |            | ACTIVATE(OtherEventsFail)                                                                                                                                                |                                                                                                                                                 |     | Restore Normal default  |
| 43 |            | LIDL_DatRqLupAcp                                                                                                                                                         | LocAcp( TCV_ch,<br>LocUpdtAcp_01(<br>newmi, C_MCC_1,<br>C_PLMN_1,<br>TCV_lac))                                                                  |     | 10.                     |
| 44 | L_005<br>0 | L?DL_DatInTmsireCom                                                                                                                                                      | TmsiReallocCmp(<br>TCV_ch)                                                                                                                      | (P) |                         |
| 45 |            | +channelrelease                                                                                                                                                          |                                                                                                                                                 |     |                         |
|    |            | <b>imsidetach</b>                                                                                                                                                        |                                                                                                                                                 |     |                         |
| 46 |            | +channelrequest                                                                                                                                                          |                                                                                                                                                 |     |                         |
| 47 | L_005<br>1 | L?DL_EstInImsidIn                                                                                                                                                        | ImsiDet(<br>ImsiDetach_01)                                                                                                                      | (P) | 8.                      |
| 48 |            | ACTIVATE(OtherEventsFail)                                                                                                                                                |                                                                                                                                                 |     | Restore Normal default  |
| 49 |            | +channelrelease                                                                                                                                                          |                                                                                                                                                 |     |                         |
|    |            | <b>channelrequest</b>                                                                                                                                                    |                                                                                                                                                 |     |                         |
| 50 |            | L?DL_RaclnChRq (TCV_Rr := DL_RaclnChRq.<br>msg.ecau_rrf, TCV_Fn := DL_RaclnChRq.fn)                                                                                      | ChReq(<br>ChRequest_02)                                                                                                                         |     |                         |
| 51 |            | ACTIVATE(OtherEventsFail_02)                                                                                                                                             |                                                                                                                                                 |     | To match ChReq retrans. |
| 52 |            | LIDL_UdatRqImmss                                                                                                                                                         | ImmAss( TCV_agch,<br>ImmAsgn_01Def(<br>TCV_Rr, TCV_Fn,<br>TSPX_SDCCH4SubD<br>ef, TCV_slot,<br>TCV_tsc,<br>TCV_chdescr_arfcn,<br>TimingAdv( 0))) |     |                         |
|    |            | <b>channelrelease</b>                                                                                                                                                    |                                                                                                                                                 |     |                         |
| 53 |            | LIDL_DatRqChRel                                                                                                                                                          | ChRel( TCV_ch,<br>ChRelease_01)                                                                                                                 |     |                         |
| 54 |            | L?DL_RelIn                                                                                                                                                               | DLRelInd_01                                                                                                                                     |     |                         |

**Detailed Comments:**

1. To set ATT = 1 for procedures3 and procedures4.
2. To switch off or power down the MS.
3. The test system checks for 5 seconds that MS shall not initiate the IMSI detach procedure.
4. To switch on or power up the MS.
5. The test system checks for 30 seconds that MS shall not initiate the IMSI attach procedure.
6. If possible to remove the SIM.
7. To insert the SIM to the MS under test.
8. The MS initiate IMSI detach procedure.
9. The location updating type shall be IMSI attach
10. To allocate a new TMSI.

| Test Case Dynamic Behaviour |            |                                                                                                                                                                                                                                                                                                                                                                                                                                                                                                                                                                          |                                                                                                                           |     |                         |
|-----------------------------|------------|--------------------------------------------------------------------------------------------------------------------------------------------------------------------------------------------------------------------------------------------------------------------------------------------------------------------------------------------------------------------------------------------------------------------------------------------------------------------------------------------------------------------------------------------------------------------------|---------------------------------------------------------------------------------------------------------------------------|-----|-------------------------|
| <b>Test Case Name:</b>      |            | TC_26_2_3                                                                                                                                                                                                                                                                                                                                                                                                                                                                                                                                                                |                                                                                                                           |     |                         |
| <b>Group:</b>               |            | GSM_L3_MS_v4210/InitialTest/                                                                                                                                                                                                                                                                                                                                                                                                                                                                                                                                             |                                                                                                                           |     |                         |
| <b>Purpose:</b>             |            | To verify that V(SD) is correctly set to 0 at the beginning of the establishment of the first RR connection and to verify that the MS handles correctly this variable in the special case of IDENTITY REQUEST messages, which are MM messages.                                                                                                                                                                                                                                                                                                                           |                                                                                                                           |     |                         |
| <b>Default:</b>             |            | OtherEventsFail                                                                                                                                                                                                                                                                                                                                                                                                                                                                                                                                                          |                                                                                                                           |     |                         |
| Nr                          | Label      | Behaviour Description                                                                                                                                                                                                                                                                                                                                                                                                                                                                                                                                                    | CRef                                                                                                                      | V   | Comments                |
| 1                           |            | START T_guard(300)                                                                                                                                                                                                                                                                                                                                                                                                                                                                                                                                                       |                                                                                                                           |     |                         |
| 2                           |            | +IdleUpdated( C_E_default, C_CellA, C_SCH_A, C_BCCH_A_1, C_ImmMass, C_S0, C_SlotNU, C_SlotNU, C_SlotNU, C_BCC, C_TxInt_5, C_Max_1, C_NECI_0, C_ATT_0, TimingAdv( 0), C_BABR_0, C_cch_1Comb, C_BPM_3, C_T3212_0, C_ci_cellA, C_MCC_1, C_PLMN_1, C_LAC_1, CellOpt_01, CellChDes_Omit, CellChDes_Omit, C_CellReselectHys12, C_MaxPwrLvlG, C_MaxPwrLvlD, BcchFreqLst_45, BcchFreqLst_02, BcchFreqLst_03, BcchFreqLst_04, C_Restablishment, C_BCC, C_NCC, C_Start_Tmsi, TSPX_SDCCH4SubDef, TSPX_CKSNDDef, TSPX_RANDDef, C_arfcnA, C_arfcnAd, TSPX_IMSI, C_Test_nfh, C_NCCP_2) |                                                                                                                           |     |                         |
| 3                           | body       | LIDL_UdatRqPg1Rq                                                                                                                                                                                                                                                                                                                                                                                                                                                                                                                                                         | PgReq1(TCV_PgCh, TCV_Pgg, PgReqTp1_01)                                                                                    |     | TMSI paging ...         |
| 4                           |            | L?DL_RacInChRq (TCV_Rr := DL_RacInChRq.msg.ecau_rrf, TCV_Fn := DL_RacInChRq.fn)                                                                                                                                                                                                                                                                                                                                                                                                                                                                                          | ChReq(ChRequest_17)                                                                                                       |     |                         |
| 5                           |            | ACTIVATE(OtherEventsFail_02)                                                                                                                                                                                                                                                                                                                                                                                                                                                                                                                                             |                                                                                                                           |     | To match ChReq retrans. |
| 6                           |            | LIDL_UdatRqImmMass                                                                                                                                                                                                                                                                                                                                                                                                                                                                                                                                                       | ImmAss( TCV_agch, ImmAsgn_01Def( TCV_Rr, TCV_Fn, TSPX_SDCCH4SubDef, TCV_slot, TCV_tsc, TCV_chdescr_arfcn, TimingAdv( 0))) |     |                         |
| 7                           |            | L?DL_EstInPgRes                                                                                                                                                                                                                                                                                                                                                                                                                                                                                                                                                          | PagingRes(PagingRes_01)                                                                                                   |     |                         |
| 8                           |            | ACTIVATE(OtherEventsFail)                                                                                                                                                                                                                                                                                                                                                                                                                                                                                                                                                |                                                                                                                           |     | Restore Normal default  |
| 9                           |            | LIDL_DatRqIdRq                                                                                                                                                                                                                                                                                                                                                                                                                                                                                                                                                           | IDReq(TCV_ch, IDRequest_01('0001' B))                                                                                     |     |                         |
| 10                          |            | L?DL_DatInIdRes (TCV_Mt := DL_DatInIdRes.msg.mt)                                                                                                                                                                                                                                                                                                                                                                                                                                                                                                                         | IDRes(IDResponse_01)                                                                                                      |     |                         |
| 11                          |            | +check1                                                                                                                                                                                                                                                                                                                                                                                                                                                                                                                                                                  |                                                                                                                           |     | 1.                      |
| 12                          |            | (TCV_Cnt := 0)                                                                                                                                                                                                                                                                                                                                                                                                                                                                                                                                                           |                                                                                                                           |     |                         |
| 13                          |            | REPEAT localtree UNTIL [TCV_Cnt = 5]                                                                                                                                                                                                                                                                                                                                                                                                                                                                                                                                     |                                                                                                                           |     |                         |
| 14                          |            | +PostLinkRelEnd( TCV_ch)                                                                                                                                                                                                                                                                                                                                                                                                                                                                                                                                                 |                                                                                                                           |     | 3.                      |
|                             |            | <b>localtree</b>                                                                                                                                                                                                                                                                                                                                                                                                                                                                                                                                                         |                                                                                                                           |     |                         |
| 15                          |            | LIDL_DatRqIdRq                                                                                                                                                                                                                                                                                                                                                                                                                                                                                                                                                           | IDReq(TCV_ch, IDRequest_01('0001' B))                                                                                     |     |                         |
| 16                          |            | L?DL_DatInIdRes (TCV_Mt := DL_DatInIdRes.msg.mt)                                                                                                                                                                                                                                                                                                                                                                                                                                                                                                                         | IDRes(IDResponse_01)                                                                                                      |     |                         |
| 17                          |            | +check2                                                                                                                                                                                                                                                                                                                                                                                                                                                                                                                                                                  |                                                                                                                           |     |                         |
| 18                          |            | LIDL_DatRqIdRq                                                                                                                                                                                                                                                                                                                                                                                                                                                                                                                                                           | IDReq(TCV_ch, IDRequest_01('0001' B))                                                                                     |     |                         |
| 19                          |            | L?DL_DatInIdRes (TCV_Mt := DL_DatInIdRes.msg.mt)                                                                                                                                                                                                                                                                                                                                                                                                                                                                                                                         | IDRes(IDResponse_01)                                                                                                      |     |                         |
| 20                          | L_005<br>2 | [OC_Bit7(TCV_Mt) = '0'B]                                                                                                                                                                                                                                                                                                                                                                                                                                                                                                                                                 |                                                                                                                           | (P) | 1.                      |
| 21                          |            | (TCV_Cnt := TCV_Cnt+1)                                                                                                                                                                                                                                                                                                                                                                                                                                                                                                                                                   |                                                                                                                           |     |                         |
| 22                          | L_005<br>3 | [OC_Bit7(TCV_Mt) = '1'B]                                                                                                                                                                                                                                                                                                                                                                                                                                                                                                                                                 |                                                                                                                           | (F) |                         |
| 23                          |            | (TCV_Cnt := TCV_Cnt+1)                                                                                                                                                                                                                                                                                                                                                                                                                                                                                                                                                   |                                                                                                                           |     |                         |

|                                                                                                                                                                                               |            |                                           |     |    |
|-----------------------------------------------------------------------------------------------------------------------------------------------------------------------------------------------|------------|-------------------------------------------|-----|----|
| 24                                                                                                                                                                                            | L_005<br>4 | <b>check1</b><br>[OC_Bit7(TCV_Mt) = '1'B] | (F) |    |
| 25                                                                                                                                                                                            | L_005<br>5 | [OC_Bit7(TCV_Mt) = '0'B]                  | (P) |    |
| 26                                                                                                                                                                                            | L_005<br>6 | <b>check2</b><br>[OC_Bit7(TCV_Mt) = '0'B] | (F) |    |
| 27                                                                                                                                                                                            | L_005<br>7 | [OC_Bit7(TCV_Mt) = '1'B]                  | (P) | 2. |
| <b>Detailed Comments:</b>                                                                                                                                                                     |            |                                           |     |    |
| <ol style="list-style-type: none"> <li>1. The N(SD) shall be 0.</li> <li>2. The N(SD) shall be 1.</li> <li>3. The test system waits the disconnection of the main signalling link.</li> </ol> |            |                                           |     |    |

## Test Case Dynamic Behaviour

|                        |                                                                                                                                                                                                                                                                                                                                                                                                                                                                                           |
|------------------------|-------------------------------------------------------------------------------------------------------------------------------------------------------------------------------------------------------------------------------------------------------------------------------------------------------------------------------------------------------------------------------------------------------------------------------------------------------------------------------------------|
| <b>Test Case Name:</b> | TC_26_2_4_1                                                                                                                                                                                                                                                                                                                                                                                                                                                                               |
| <b>Group:</b>          | GSM_L3_MS_v4210/InitialTest/                                                                                                                                                                                                                                                                                                                                                                                                                                                              |
| <b>Purpose:</b>        | To verify that the establishment cause sent by the MS in the Max-Retrans+1 CHANNEL REQUEST messages is consistent with the requested service, with the capabilities of the MS and with the indications of the network in the following case:<br>If the MS supports a service on a traffic channel:<br>when the NECI bit is set to 0 and call re-establishment is attempted and the call was established on TCH/H if the MS supports a service on half rate channel or on TCH/F otherwise. |
| <b>Default:</b>        | OtherEventsFail                                                                                                                                                                                                                                                                                                                                                                                                                                                                           |

| Nr | Label      | Behaviour Description                                                                                                                                                                                                                                                                                                                                                                                                                                                                                                                                                                                              | CRef                                                          | V   | Comments |
|----|------------|--------------------------------------------------------------------------------------------------------------------------------------------------------------------------------------------------------------------------------------------------------------------------------------------------------------------------------------------------------------------------------------------------------------------------------------------------------------------------------------------------------------------------------------------------------------------------------------------------------------------|---------------------------------------------------------------|-----|----------|
| 1  |            | START T_guard(300)                                                                                                                                                                                                                                                                                                                                                                                                                                                                                                                                                                                                 |                                                               |     |          |
| 2  |            | +local_HalfRateSvcOtherwiseFullRate                                                                                                                                                                                                                                                                                                                                                                                                                                                                                                                                                                                |                                                               |     |          |
| 3  |            | +BasicServiceMO( TCV_Service1,<br>TCV_ChRate1)                                                                                                                                                                                                                                                                                                                                                                                                                                                                                                                                                                     |                                                               |     |          |
| 4  |            | +IdleUpdated( C_E_default, C_CellA,<br>C_SCH_A, C_BCCH_A_1, C_Immass, C_S0,<br>C_SlotNU, C_SlotNU, C_SlotNU, C_BCC,<br>C_TxInt_5, C_Max_7, C_NECI_0, C_ATT_0,<br>TimingAdv( 0), C_BABR_0, C_cch_1Comb,<br>C_BPM_3, C_T3212_0, C_ci_cellA,<br>C_MCC_1, C_PLMN_1, C_LAC_1, CellOpt_01,<br>CellChDes_Omit, CellChDes_Omit,<br>C_CellReselectHys12, C_MaxPwrLvlG,<br>C_MaxPwrLvlD, BcchFreqLst_45,<br>BcchFreqLst_02, BcchFreqLst_03,<br>BcchFreqLst_04, C_Restablishment, C_BCC,<br>C_NCC, C_Start_Tmsi,<br>TSPX_SDCCH4SubDef, TSPX_CKSNDf,<br>TSPX_RANDDef, C_arfcnA, C_arfcnAd,<br>TSPX_IMSI, C_Test_nfh, C_NCCP_2) |                                                               |     |          |
| 5  |            | +CCConfigTCH(TSPX_TCHHSubDef, C_Ass,<br>TSPX_TmSlitDef, TSPX_TscDef, TimingAdv(<br>0), C_BABR_0, C_cch_1Comb, C_BPM_3,<br>TCV_ChMod.mode, FreqTCH_omit,<br>FreqTCH_omit, C_arfcn_tchA,<br>C_arfcn_tchAd)                                                                                                                                                                                                                                                                                                                                                                                                           |                                                               | 1.  |          |
| 6  | body       | +Est_MO_Call( TimingAdv( 0),<br>TCV_ChRate, TSPX_RANDDef,<br>TSPX_SDCCH4SubDef, TSPX_TmSlitDef,<br>TSPX_TscDef, TSPX_TCHHSubDef)                                                                                                                                                                                                                                                                                                                                                                                                                                                                                   |                                                               |     |          |
| 7  |            | (TCV_Null := OM_Deactivate(<br>TCV_chTch, TCV_sacchTch), TCV_Null<br>:= OM_CphMd( TCV_ch, CphMod_02,<br>TCV_CphKey))                                                                                                                                                                                                                                                                                                                                                                                                                                                                                               |                                                               | 2.  |          |
| 8  |            | +localtree                                                                                                                                                                                                                                                                                                                                                                                                                                                                                                                                                                                                         |                                                               |     |          |
| 9  |            | <b>localtree</b><br>(TCV_Cnt :=0)                                                                                                                                                                                                                                                                                                                                                                                                                                                                                                                                                                                  |                                                               |     |          |
| 10 |            | REPEAT localtree1 UNTIL [TCV_Cnt=7]                                                                                                                                                                                                                                                                                                                                                                                                                                                                                                                                                                                |                                                               |     |          |
| 11 | L_005<br>8 | L?DL_RacInChRq (TCV_Rr := DL_RacInChRq.<br>msg.ecaurrf, TCV_Fn := DL_RacInChRq.fn)                                                                                                                                                                                                                                                                                                                                                                                                                                                                                                                                 | ChReq(<br>ChRequest_10)                                       | (P) | 3.       |
| 12 |            | LIDL_UdatRqImmassRej                                                                                                                                                                                                                                                                                                                                                                                                                                                                                                                                                                                               | ImmAssRej(<br>TCV_agch,<br>ImmAsgnRej_01(<br>TCV_Rr, TCV_Fn)) |     |          |
| 13 |            | <b>localtree1</b><br>L?DL_RacInChRq                                                                                                                                                                                                                                                                                                                                                                                                                                                                                                                                                                                | ChReq(<br>ChRequest_10)                                       |     | 3.       |
| 14 |            | (TCV_Cnt := TCV_Cnt +1)                                                                                                                                                                                                                                                                                                                                                                                                                                                                                                                                                                                            |                                                               |     |          |
| 15 |            | <b>local_HalfRateSvcOtherwiseFullRate</b><br>(TCV_ChRate1 := C_Half)                                                                                                                                                                                                                                                                                                                                                                                                                                                                                                                                               |                                                               |     |          |
| 16 |            | [TSPX_MOChRateA = C_Half]                                                                                                                                                                                                                                                                                                                                                                                                                                                                                                                                                                                          |                                                               |     |          |
| 17 |            | (TCV_Service1 := TSPX_MOBscSvcA)                                                                                                                                                                                                                                                                                                                                                                                                                                                                                                                                                                                   |                                                               |     |          |
| 18 |            | [TSPX_MOChRateB = C_Half]                                                                                                                                                                                                                                                                                                                                                                                                                                                                                                                                                                                          |                                                               |     |          |
| 19 |            | (TCV_Service1 := TSPX_MOBscSvcB)                                                                                                                                                                                                                                                                                                                                                                                                                                                                                                                                                                                   |                                                               |     |          |
| 20 |            | [TSPX_MOChRateC = C_Half]                                                                                                                                                                                                                                                                                                                                                                                                                                                                                                                                                                                          |                                                               |     |          |



|                                                                                                                   |                                                                    |  |  |           |
|-------------------------------------------------------------------------------------------------------------------|--------------------------------------------------------------------|--|--|-----------|
| 21                                                                                                                | (TCV_Service1 := TSPX_MOBscSvcC)                                   |  |  |           |
| 22                                                                                                                | [TSPX_MOChRateD = C_Half]                                          |  |  |           |
| 23                                                                                                                | (TCV_Service1 := TSPX_MOBscSvcD)                                   |  |  |           |
| 24                                                                                                                | [TSPX_MOChRateE = C_Half]                                          |  |  |           |
| 25                                                                                                                | (TCV_Service1 := TSPX_MOBscSvcE)                                   |  |  |           |
| 26                                                                                                                | [TSPX_MOChRateF = C_Half]                                          |  |  |           |
| 27                                                                                                                | (TCV_Service1 := TSPX_MOBscSvcF)                                   |  |  |           |
| 28                                                                                                                | [TSPX_MOChRateG = C_Half]                                          |  |  |           |
| 29                                                                                                                | (TCV_Service1 := TSPX_MOBscSvcG)                                   |  |  |           |
| 30                                                                                                                | [TSPX_MOChRateH = C_Half]                                          |  |  |           |
| 31                                                                                                                | (TCV_Service1 := TSPX_MOBscSvcH)                                   |  |  |           |
| 32                                                                                                                | [TSPX_MOChRateI = C_Half]                                          |  |  |           |
| 33                                                                                                                | (TCV_Service1 := TSPX_MOBscSvcI)                                   |  |  |           |
| 34                                                                                                                | [TSPX_MOChRateJ = C_Half]                                          |  |  |           |
| 35                                                                                                                | (TCV_Service1 := TSPX_MOBscSvcJ)                                   |  |  |           |
| 36                                                                                                                | [C_Yes]                                                            |  |  | otherwise |
| 37                                                                                                                | (TCV_Service1 := TSPX_MOBscSvcA,<br>TCV_ChRate1 := TSPX_MOChRateA) |  |  |           |
| <b>Detailed Comments:</b>                                                                                         |                                                                    |  |  |           |
| 1. To set up a call. The generic call setup procedure is used.                                                    |                                                                    |  |  |           |
| 2. To stop transmission on the channel SACCH.                                                                     |                                                                    |  |  |           |
| 3. The establishment cause shall be '110'B, otherwise the test case fails in the default tree<br>OtherEventsFail. |                                                                    |  |  |           |

| Test Case Dynamic Behaviour                                                                                                                                                                                                                                                                                                                                                                                                       |            |                                                                                                                                                                                                                                                                                                                                                                                                                                                                                                                                                                         |                                                               |     |          |
|-----------------------------------------------------------------------------------------------------------------------------------------------------------------------------------------------------------------------------------------------------------------------------------------------------------------------------------------------------------------------------------------------------------------------------------|------------|-------------------------------------------------------------------------------------------------------------------------------------------------------------------------------------------------------------------------------------------------------------------------------------------------------------------------------------------------------------------------------------------------------------------------------------------------------------------------------------------------------------------------------------------------------------------------|---------------------------------------------------------------|-----|----------|
| <b>Test Case Name:</b> TC_26_2_4_2                                                                                                                                                                                                                                                                                                                                                                                                |            |                                                                                                                                                                                                                                                                                                                                                                                                                                                                                                                                                                         |                                                               |     |          |
| <b>Group:</b> GSM_L3_MS_v4210/InitialTest/                                                                                                                                                                                                                                                                                                                                                                                        |            |                                                                                                                                                                                                                                                                                                                                                                                                                                                                                                                                                                         |                                                               |     |          |
| <b>Purpose:</b> To verify that the establishment cause sent by the MS in the Max-Retrans+1 CHANNEL REQUEST messages is consistent with the requested service, with the capabilities of the MS and with the indications of the network in the following case:<br>If the MS supports a service on half rate channel:<br>when the NECI bit is set to 1 and call re-establishment is attempted and the call was established on TCH/H. |            |                                                                                                                                                                                                                                                                                                                                                                                                                                                                                                                                                                         |                                                               |     |          |
| <b>Default:</b> OtherEventsFail                                                                                                                                                                                                                                                                                                                                                                                                   |            |                                                                                                                                                                                                                                                                                                                                                                                                                                                                                                                                                                         |                                                               |     |          |
| Nr                                                                                                                                                                                                                                                                                                                                                                                                                                | Label      | Behaviour Description                                                                                                                                                                                                                                                                                                                                                                                                                                                                                                                                                   | CRef                                                          | V   | Comments |
| 1                                                                                                                                                                                                                                                                                                                                                                                                                                 |            | START T_guard(300)                                                                                                                                                                                                                                                                                                                                                                                                                                                                                                                                                      |                                                               |     |          |
| 2                                                                                                                                                                                                                                                                                                                                                                                                                                 |            | +local_PickupHalfRateSvc                                                                                                                                                                                                                                                                                                                                                                                                                                                                                                                                                |                                                               |     |          |
| 3                                                                                                                                                                                                                                                                                                                                                                                                                                 |            | +BasicServiceMO( TCV_Service1, C_Half)                                                                                                                                                                                                                                                                                                                                                                                                                                                                                                                                  |                                                               |     |          |
| 4                                                                                                                                                                                                                                                                                                                                                                                                                                 |            | +IdleUpdated( C_E_default, C_CellA, C_SCH_A, C_BCCH_A_1, C_Immass, C_S0, C_SlotNU, C_SlotNU, C_SlotNU, C_BCC, C_TxInt_5, C_Max_7, C_NECL_1, C_ATT_0, TimingAdv( 0), C_BABR_0, C_cch_1Comb, C_BPM_3, C_T3212_0, C_ci_cellA, C_MCC_1, C_PLMN_1, C_LAC_1, CellOpt_01, CellChDes_Omit, CellChDes_Omit, C_CellReselectHys12, C_MaxPwrLvlG, C_MaxPwrLvlD, BcchFreqLst_45, BcchFreqLst_02, BcchFreqLst_03, BcchFreqLst_04, C_Restablishment, C_BCC, C_NCC, C_Start_Tmsi, TSPX_SDCCH4SubDef, TSPX_CKSNDDef, TSPX_RANDDef, C_arfcnA, C_arfcnAd, TSPX_IMSI, C_Test_nfh, C_NCCP_2) |                                                               |     | 1.       |
| 5                                                                                                                                                                                                                                                                                                                                                                                                                                 |            | +HalfRateCh_A_1( TSPX_TCHHSubDef, C_Ass, TSPX_TmSlitDef, TSPX_TscDef, ChMod_speech, FreqTCH_omit, FreqTCH_omit, C_arfcn_tchA, C_arfcn_tchAd, TimingAdv( 0), C_BABR_0, C_cch_1Comb, C_BPM_3)                                                                                                                                                                                                                                                                                                                                                                             |                                                               |     |          |
| 6                                                                                                                                                                                                                                                                                                                                                                                                                                 |            | +ltree_body                                                                                                                                                                                                                                                                                                                                                                                                                                                                                                                                                             |                                                               |     |          |
| 7                                                                                                                                                                                                                                                                                                                                                                                                                                 |            | <b>ltree_body</b><br>+Est_MO_Call( TimingAdv( 0), C_Half, TSPX_RANDDef, TSPX_SDCCH4SubDef, TSPX_TmSlitDef, TSPX_TscDef, TSPX_TCHHSubDef)                                                                                                                                                                                                                                                                                                                                                                                                                                |                                                               |     | 2.       |
| 8                                                                                                                                                                                                                                                                                                                                                                                                                                 |            | (TCV_Null := OM_Deactivate( TCV_chTch, TCV_sacchTch), TCV_Null := OM_CphMd( TCV_ch, CphMod_02, TCV_CphKey))                                                                                                                                                                                                                                                                                                                                                                                                                                                             |                                                               |     | 3.       |
| 9                                                                                                                                                                                                                                                                                                                                                                                                                                 |            | (TCV_Cnt :=0)                                                                                                                                                                                                                                                                                                                                                                                                                                                                                                                                                           |                                                               |     |          |
| 10                                                                                                                                                                                                                                                                                                                                                                                                                                |            | REPEAT localtree UNTIL [TCV_Cnt=7]                                                                                                                                                                                                                                                                                                                                                                                                                                                                                                                                      |                                                               |     |          |
| 11                                                                                                                                                                                                                                                                                                                                                                                                                                | L_005<br>9 | L?DL_RaInChRq (TCV_Rr := DL_RaInChRq. msg.ecau_rrf, TCV_Fn := DL_RaInChRq.fn)                                                                                                                                                                                                                                                                                                                                                                                                                                                                                           | ChReq(<br>ChRequest_11)                                       | (P) | 4.       |
| 12                                                                                                                                                                                                                                                                                                                                                                                                                                |            | L!DL_UdatRqImmAssRej                                                                                                                                                                                                                                                                                                                                                                                                                                                                                                                                                    | ImmAssRej(<br>TCV_agch,<br>ImmAsgnRej_01(<br>TCV_Rr, TCV_Fn)) |     |          |
| 13                                                                                                                                                                                                                                                                                                                                                                                                                                |            | <b>localtree</b><br>L?DL_RaInChRq                                                                                                                                                                                                                                                                                                                                                                                                                                                                                                                                       | ChReq(<br>ChRequest_11)                                       |     | 4.       |
| 14                                                                                                                                                                                                                                                                                                                                                                                                                                |            | (TCV_Cnt := TCV_Cnt +1)                                                                                                                                                                                                                                                                                                                                                                                                                                                                                                                                                 |                                                               |     |          |
| 15                                                                                                                                                                                                                                                                                                                                                                                                                                |            | <b>local_PickupHalfRateSvc</b><br>[TSPX_MOChRateA = C_Half]                                                                                                                                                                                                                                                                                                                                                                                                                                                                                                             |                                                               |     |          |
| 16                                                                                                                                                                                                                                                                                                                                                                                                                                |            | (TCV_Service1 := TSPX_MOBscSvcA)                                                                                                                                                                                                                                                                                                                                                                                                                                                                                                                                        |                                                               |     |          |
| 17                                                                                                                                                                                                                                                                                                                                                                                                                                |            | [TSPX_MOChRateB = C_Half]                                                                                                                                                                                                                                                                                                                                                                                                                                                                                                                                               |                                                               |     |          |
| 18                                                                                                                                                                                                                                                                                                                                                                                                                                |            | (TCV_Service1 := TSPX_MOBscSvcB)                                                                                                                                                                                                                                                                                                                                                                                                                                                                                                                                        |                                                               |     |          |
| 19                                                                                                                                                                                                                                                                                                                                                                                                                                |            | [TSPX_MOChRateC = C_Half]                                                                                                                                                                                                                                                                                                                                                                                                                                                                                                                                               |                                                               |     |          |
| 20                                                                                                                                                                                                                                                                                                                                                                                                                                |            | (TCV_Service1 := TSPX_MOBscSvcC)                                                                                                                                                                                                                                                                                                                                                                                                                                                                                                                                        |                                                               |     |          |
| 21                                                                                                                                                                                                                                                                                                                                                                                                                                |            | [TSPX_MOChRateD = C_Half]                                                                                                                                                                                                                                                                                                                                                                                                                                                                                                                                               |                                                               |     |          |

|    |            |                                  |  |   |                      |
|----|------------|----------------------------------|--|---|----------------------|
| 22 |            | (TCV_Service1 := TSPX_MOBscSvcD) |  |   |                      |
| 23 |            | [TSPX_MOChRateE = C_Half]        |  |   |                      |
| 24 |            | (TCV_Service1 := TSPX_MOBscSvcE) |  |   |                      |
| 25 |            | [TSPX_MOChRateF = C_Half]        |  |   |                      |
| 26 |            | (TCV_Service1 := TSPX_MOBscSvcF) |  |   |                      |
| 27 |            | [TSPX_MOChRateG = C_Half]        |  |   |                      |
| 28 |            | (TCV_Service1 := TSPX_MOBscSvcG) |  |   |                      |
| 29 |            | [TSPX_MOChRateH = C_Half]        |  |   |                      |
| 30 |            | (TCV_Service1 := TSPX_MOBscSvcH) |  |   |                      |
| 31 |            | [TSPX_MOChRateI = C_Half]        |  |   |                      |
| 32 |            | (TCV_Service1 := TSPX_MOBscSvcI) |  |   |                      |
| 33 |            | [TSPX_MOChRateJ = C_Half]        |  |   |                      |
| 34 |            | (TCV_Service1 := TSPX_MOBscSvcJ) |  |   |                      |
| 35 | L_006<br>0 | [C_Yes]                          |  | I | no half rate service |

**Detailed Comments:**

1. The NECI = 1.
2. To set up a call on the TCH/H by generic call setup procedure.
3. To stop transmission on the SACCH.
4. The establishment cause shall be '011010'B, otherwise the test case fails in the default tree.

| Test Case Dynamic Behaviour                                                                                                                                                                                                                                                                                                                                                                                                        |            |                                                                                                                                                                                                                                                                                                                                                                                                                                                                                                                                                                                                                      |                                                               |     |          |
|------------------------------------------------------------------------------------------------------------------------------------------------------------------------------------------------------------------------------------------------------------------------------------------------------------------------------------------------------------------------------------------------------------------------------------|------------|----------------------------------------------------------------------------------------------------------------------------------------------------------------------------------------------------------------------------------------------------------------------------------------------------------------------------------------------------------------------------------------------------------------------------------------------------------------------------------------------------------------------------------------------------------------------------------------------------------------------|---------------------------------------------------------------|-----|----------|
| <b>Test Case Name:</b> TC_26_2_4_3                                                                                                                                                                                                                                                                                                                                                                                                 |            |                                                                                                                                                                                                                                                                                                                                                                                                                                                                                                                                                                                                                      |                                                               |     |          |
| <b>Group:</b> GSM_L3_MS_v4210/InitialTest/                                                                                                                                                                                                                                                                                                                                                                                         |            |                                                                                                                                                                                                                                                                                                                                                                                                                                                                                                                                                                                                                      |                                                               |     |          |
| <b>Purpose:</b> To verify that the establishment cause sent by the MS in the Max-Retrans+1 CHANNEL REQUEST messages is consistent with the requested service, with the capabilities of the MS and with the indications of the network in the following case:<br>If the MS supports speech:<br>1. when the NECI bit is set to 0 and a speech call is attempted.<br>2. when the NECI bit is set to 1 and a speech call is attempted. |            |                                                                                                                                                                                                                                                                                                                                                                                                                                                                                                                                                                                                                      |                                                               |     |          |
| <b>Default:</b> OtherEventsFail                                                                                                                                                                                                                                                                                                                                                                                                    |            |                                                                                                                                                                                                                                                                                                                                                                                                                                                                                                                                                                                                                      |                                                               |     |          |
| Nr                                                                                                                                                                                                                                                                                                                                                                                                                                 | Label      | Behaviour Description                                                                                                                                                                                                                                                                                                                                                                                                                                                                                                                                                                                                | CRef                                                          | V   | Comments |
| 1                                                                                                                                                                                                                                                                                                                                                                                                                                  |            | START T_guard(300)                                                                                                                                                                                                                                                                                                                                                                                                                                                                                                                                                                                                   |                                                               |     |          |
| 2                                                                                                                                                                                                                                                                                                                                                                                                                                  |            | +BasicServiceMO( C_Telephony,<br>TSPX_Telephony_Rate)                                                                                                                                                                                                                                                                                                                                                                                                                                                                                                                                                                |                                                               |     |          |
| 3                                                                                                                                                                                                                                                                                                                                                                                                                                  |            | +IdleUpdated( C_E_default, C_CellA, C_SCH_A,<br>C_BCCH_A_1, C_Immass, C_S0, C_SlotNU,<br>C_SlotNU, C_SlotNU, C_BCC, C_TxInt_5,<br>C_Max_7, C_NECI_0, C_ATT_0, TimingAdv( 0),<br>C_BABR_0, C_cch_1Comb, C_BPM_3,<br>C_T3212_0, C_ci_cellA, C_MCC_1, C_PLMN_1,<br>C_LAC_1, CellOpt_01, CellChDes_Omit,<br>CellChDes_Omit, C_CellReselectHys12,<br>C_MaxPwrLvlG, C_MaxPwrLvlD,<br>BcchFreqLst_45, BcchFreqLst_02,<br>BcchFreqLst_03, BcchFreqLst_04,<br>C_Restablishment, C_BCC, C_NCC,<br>C_Start_Tmsi, TSPX_SDCCH4SubDef,<br>TSPX_CKSNDDef, TSPX_RANDDef, C_arfcnA,<br>C_arfcnAd, TSPX_IMSI, C_Test_nfh,<br>C_NCCP_2) |                                                               |     | 1.       |
| 4                                                                                                                                                                                                                                                                                                                                                                                                                                  | body       | +neci0Behaviour                                                                                                                                                                                                                                                                                                                                                                                                                                                                                                                                                                                                      |                                                               |     |          |
| 5                                                                                                                                                                                                                                                                                                                                                                                                                                  |            | +SetNECI( C_ATT_0, C_BABR_0,<br>C_cch_1Comb, C_BPM_3, C_T3212_0,<br>C_MCC_1, C_PLMN_1, C_LAC_1)                                                                                                                                                                                                                                                                                                                                                                                                                                                                                                                      |                                                               |     | 2.       |
| 6                                                                                                                                                                                                                                                                                                                                                                                                                                  |            | +neci1Behaviour                                                                                                                                                                                                                                                                                                                                                                                                                                                                                                                                                                                                      |                                                               |     |          |
| <b>neci0Behaviour</b>                                                                                                                                                                                                                                                                                                                                                                                                              |            |                                                                                                                                                                                                                                                                                                                                                                                                                                                                                                                                                                                                                      |                                                               |     |          |
| 7                                                                                                                                                                                                                                                                                                                                                                                                                                  |            | +InitCall(TCV_Service)                                                                                                                                                                                                                                                                                                                                                                                                                                                                                                                                                                                               |                                                               |     | 3.       |
| 8                                                                                                                                                                                                                                                                                                                                                                                                                                  |            | (TCV_Cnt :=0)                                                                                                                                                                                                                                                                                                                                                                                                                                                                                                                                                                                                        |                                                               |     |          |
| 9                                                                                                                                                                                                                                                                                                                                                                                                                                  |            | REPEAT localtree1 UNTIL [TCV_Cnt=7]                                                                                                                                                                                                                                                                                                                                                                                                                                                                                                                                                                                  |                                                               |     |          |
| 10                                                                                                                                                                                                                                                                                                                                                                                                                                 | L_006<br>1 | L?DL_RaInChRq (TCV_Rr :=<br>DL_RaInChRq.msg.ecau_rrf, TCV_Fn :=<br>DL_RaInChRq.fn)                                                                                                                                                                                                                                                                                                                                                                                                                                                                                                                                   | ChReq(<br>ChRequest_04)                                       | (P) | 4.       |
| 11                                                                                                                                                                                                                                                                                                                                                                                                                                 |            | L!DL_UdatRqImmassRej                                                                                                                                                                                                                                                                                                                                                                                                                                                                                                                                                                                                 | ImmAssRej(<br>TCV_agch,<br>ImmAsgnRej_01(<br>TCV_Rr, TCV_Fn)) |     |          |
| <b>neci1Behaviour</b>                                                                                                                                                                                                                                                                                                                                                                                                              |            |                                                                                                                                                                                                                                                                                                                                                                                                                                                                                                                                                                                                                      |                                                               |     |          |
| 12                                                                                                                                                                                                                                                                                                                                                                                                                                 |            | START T_dly(30000)                                                                                                                                                                                                                                                                                                                                                                                                                                                                                                                                                                                                   |                                                               |     | 5.       |
| 13                                                                                                                                                                                                                                                                                                                                                                                                                                 |            | ?TIMEOUT T_dly                                                                                                                                                                                                                                                                                                                                                                                                                                                                                                                                                                                                       |                                                               |     |          |
| 14                                                                                                                                                                                                                                                                                                                                                                                                                                 |            | +InitCall(TCV_Service)                                                                                                                                                                                                                                                                                                                                                                                                                                                                                                                                                                                               |                                                               |     | 3.       |
| 15                                                                                                                                                                                                                                                                                                                                                                                                                                 |            | (TCV_Cnt := 0)                                                                                                                                                                                                                                                                                                                                                                                                                                                                                                                                                                                                       |                                                               |     |          |
| 16                                                                                                                                                                                                                                                                                                                                                                                                                                 |            | REPEAT localtree2 UNTIL [TCV_Cnt=7]                                                                                                                                                                                                                                                                                                                                                                                                                                                                                                                                                                                  |                                                               |     |          |
| 17                                                                                                                                                                                                                                                                                                                                                                                                                                 |            | [NOT TSPC_DualRate]                                                                                                                                                                                                                                                                                                                                                                                                                                                                                                                                                                                                  |                                                               |     |          |
| 18                                                                                                                                                                                                                                                                                                                                                                                                                                 | L_006<br>2 | L?DL_RaInChRq (TCV_Rr :=<br>DL_RaInChRq.msg.ecau_rrf, TCV_Fn<br>:= DL_RaInChRq.fn)                                                                                                                                                                                                                                                                                                                                                                                                                                                                                                                                   | ChReq(<br>ChRequest_04)                                       | (P) | 6.       |
| 19                                                                                                                                                                                                                                                                                                                                                                                                                                 |            | L!DL_UdatRqImmassRej                                                                                                                                                                                                                                                                                                                                                                                                                                                                                                                                                                                                 | ImmAssRej(<br>TCV_agch,<br>ImmAsgnRej_01(<br>TCV_Rr, TCV_Fn)) |     |          |
| 20                                                                                                                                                                                                                                                                                                                                                                                                                                 |            | [TSPC_DualRate]                                                                                                                                                                                                                                                                                                                                                                                                                                                                                                                                                                                                      |                                                               |     |          |
| 21                                                                                                                                                                                                                                                                                                                                                                                                                                 | L_006<br>3 | L?DL_RaInChRq (TCV_Rr :=<br>DL_RaInChRq.msg.ecau_rrf, TCV_Fn<br>:= DL_RaInChRq.fn)                                                                                                                                                                                                                                                                                                                                                                                                                                                                                                                                   | ChReq(<br>ChRequest_05)                                       | (P) | 7.       |
| 22                                                                                                                                                                                                                                                                                                                                                                                                                                 |            | L!DL_UdatRqImmassRej                                                                                                                                                                                                                                                                                                                                                                                                                                                                                                                                                                                                 | ImmAssRej(<br>TCV_agch,<br>ImmAsgnRej_01(<br>TCV_Rr, TCV_Fn)) |     |          |

|                                                                                                                                                                                                                                                                                                                                                                                                                                                                                                                   |                                      |                         |    |
|-------------------------------------------------------------------------------------------------------------------------------------------------------------------------------------------------------------------------------------------------------------------------------------------------------------------------------------------------------------------------------------------------------------------------------------------------------------------------------------------------------------------|--------------------------------------|-------------------------|----|
| 23                                                                                                                                                                                                                                                                                                                                                                                                                                                                                                                | <b>localtree1</b><br>L?DL_RaInChRq   | ChReq(<br>ChRequest_04) | 4. |
| 24                                                                                                                                                                                                                                                                                                                                                                                                                                                                                                                | (TCV_Cnt := TCV_Cnt +1)              |                         |    |
| 25                                                                                                                                                                                                                                                                                                                                                                                                                                                                                                                | <b>localtree2</b><br>[TSPC_DualRate] |                         |    |
| 26                                                                                                                                                                                                                                                                                                                                                                                                                                                                                                                | L?DL_RaInChRq                        | ChReq(<br>ChRequest_05) | 7. |
| 27                                                                                                                                                                                                                                                                                                                                                                                                                                                                                                                | (TCV_Cnt := TCV_Cnt +1)              |                         |    |
| 28                                                                                                                                                                                                                                                                                                                                                                                                                                                                                                                | [NOT TSPC_DualRate]                  |                         |    |
| 29                                                                                                                                                                                                                                                                                                                                                                                                                                                                                                                | L?DL_RaInChRq                        | ChReq(<br>ChRequest_04) | 6. |
| 30                                                                                                                                                                                                                                                                                                                                                                                                                                                                                                                | (TCV_Cnt := TCV_Cnt +1)              |                         |    |
| <b>Detailed Comments:</b>                                                                                                                                                                                                                                                                                                                                                                                                                                                                                         |                                      |                         |    |
| <ol style="list-style-type: none"> <li>1. The Max_retrans = 7.</li> <li>2. To set NECI = 1.</li> <li>3. To attempt a speech call.</li> <li>4. The establishment cause shall be '111'B, otherwise the test case fails in the default tree OtherEventsFail.</li> <li>5. The test system waits for 30 seconds.</li> <li>6. The establishment cause shall be '111'B if the MS does not support half rate speech.</li> <li>7. The establishment cause shall be '0100'B if the MS supports half rate speech.</li> </ol> |                                      |                         |    |

## Test Case Dynamic Behaviour

|                        |                                                                                                                                                                                                                                                                                                                                                                                                                                                                                                                                                              |
|------------------------|--------------------------------------------------------------------------------------------------------------------------------------------------------------------------------------------------------------------------------------------------------------------------------------------------------------------------------------------------------------------------------------------------------------------------------------------------------------------------------------------------------------------------------------------------------------|
| <b>Test Case Name:</b> | TC_26_2_4_4                                                                                                                                                                                                                                                                                                                                                                                                                                                                                                                                                  |
| <b>Group:</b>          | GSM_L3_MS_v4210/InitialTest/                                                                                                                                                                                                                                                                                                                                                                                                                                                                                                                                 |
| <b>Purpose:</b>        | To verify that the establishment cause sent by the MS in the Max-Retrans+1 CHANNEL REQUEST messages is consistent with the requested service, with the capabilities of the MS and with the indications of the network in the following case:<br>If the MS supports a data service:<br>1. when the NECI bit is set to 0 and a data call is attempted.<br>2. when the NECI bit is set to 1 and a data call is attempted for a service supported on half rate channel (if the MS does not support any data call on half rate channel any data service is used). |
| <b>Default:</b>        | OtherEventsFail                                                                                                                                                                                                                                                                                                                                                                                                                                                                                                                                              |

| Nr | Label      | Behaviour Description                                                                                                                                                                                                                                                                                                                                                                                                                                                                                                                                                                                               | CRef                                                          | V   | Comments |
|----|------------|---------------------------------------------------------------------------------------------------------------------------------------------------------------------------------------------------------------------------------------------------------------------------------------------------------------------------------------------------------------------------------------------------------------------------------------------------------------------------------------------------------------------------------------------------------------------------------------------------------------------|---------------------------------------------------------------|-----|----------|
| 1  |            | START T_guard(300)                                                                                                                                                                                                                                                                                                                                                                                                                                                                                                                                                                                                  |                                                               |     |          |
| 2  |            | +local_PickupDataService                                                                                                                                                                                                                                                                                                                                                                                                                                                                                                                                                                                            |                                                               |     |          |
| 3  |            | +BasicServiceMO( TCV_Service1,<br>TCV_ChRate1)                                                                                                                                                                                                                                                                                                                                                                                                                                                                                                                                                                      |                                                               |     |          |
| 4  |            | +IdleUpdated( C_E_default, C_CellA,<br>C_SCH_A, C_BCCH_A_1, C_Immss, C_S0,<br>C_SlotNU, C_SlotNU, C_SlotNU, C_BCC,<br>C_TxInt_5, C_Max_7, C_NECI_0, C_ATT_0,<br>TimingAdv( 0), C_BABR_0, C_cch_1Comb,<br>C_BPM_3, C_T3212_0, C_ci_cellA,<br>C_MCC_1, C_PLMN_1, C_LAC_1, CellOpt_01,<br>CellChDes_Omit, CellChDes_Omit,<br>C_CellReselectHys12, C_MaxPwrLvIG,<br>C_MaxPwrLvID, BcchFreqLst_45,<br>BcchFreqLst_02, BcchFreqLst_03,<br>BcchFreqLst_04, C_Restablishment, C_BCC,<br>C_NCC, C_Start_Tmsi,<br>TSPX_SDCCH4SubDef, TSPX_CKSNDDef,<br>TSPX_RANDDef, C_arfcnA, C_arfcnAd,<br>TSPX_IMSI, C_Test_nfh, C_NCCP_2) |                                                               |     | 1.       |
| 5  | body       | +neci0Behaviour                                                                                                                                                                                                                                                                                                                                                                                                                                                                                                                                                                                                     |                                                               |     |          |
| 6  |            | +SetNECI( C_ATT_0, C_BABR_0,<br>C_cch_1Comb, C_BPM_3, C_T3212_0,<br>C_MCC_1, C_PLMN_1, C_LAC_1)                                                                                                                                                                                                                                                                                                                                                                                                                                                                                                                     |                                                               |     | 2.       |
| 7  |            | START T_dly( 30000)                                                                                                                                                                                                                                                                                                                                                                                                                                                                                                                                                                                                 |                                                               |     | 3.       |
| 8  |            | ?TIMEOUT T_dly                                                                                                                                                                                                                                                                                                                                                                                                                                                                                                                                                                                                      |                                                               |     |          |
| 9  |            | +neci1Behaviour                                                                                                                                                                                                                                                                                                                                                                                                                                                                                                                                                                                                     |                                                               |     |          |
|    |            | <b>neci0Behaviour</b>                                                                                                                                                                                                                                                                                                                                                                                                                                                                                                                                                                                               |                                                               |     |          |
| 10 |            | +InitCall(TCV_Service)                                                                                                                                                                                                                                                                                                                                                                                                                                                                                                                                                                                              |                                                               |     | 4.       |
| 11 |            | (TCV_Cnt :=0)                                                                                                                                                                                                                                                                                                                                                                                                                                                                                                                                                                                                       |                                                               |     |          |
| 12 |            | REPEAT localtree1 UNTIL [TCV_Cnt=7]                                                                                                                                                                                                                                                                                                                                                                                                                                                                                                                                                                                 |                                                               |     |          |
| 13 | L_006<br>4 | L?DL_RaInChRq (TCV_Rr := DL_RaInChRq.<br>msg.ecau_rrf, TCV_Fn := DL_RaInChRq.fn)                                                                                                                                                                                                                                                                                                                                                                                                                                                                                                                                    | ChReq(<br>ChRequest_04)                                       | (P) | 5.       |
| 14 |            | LIDL_UdatRqImmssRej                                                                                                                                                                                                                                                                                                                                                                                                                                                                                                                                                                                                 | ImmAssRej(<br>TCV_agch,<br>ImmAsgnRej_01(<br>TCV_Rr, TCV_Fn)) |     |          |
|    |            | <b>neci1Behaviour</b>                                                                                                                                                                                                                                                                                                                                                                                                                                                                                                                                                                                               |                                                               |     |          |
| 15 |            | +InitCall( TCV_Service)                                                                                                                                                                                                                                                                                                                                                                                                                                                                                                                                                                                             |                                                               |     | 6.       |
| 16 |            | (TCV_Cnt := 0)                                                                                                                                                                                                                                                                                                                                                                                                                                                                                                                                                                                                      |                                                               |     |          |
| 17 |            | +local_rcv_ChRq                                                                                                                                                                                                                                                                                                                                                                                                                                                                                                                                                                                                     |                                                               |     |          |
| 18 |            | LIDL_UdatRqImmssRej                                                                                                                                                                                                                                                                                                                                                                                                                                                                                                                                                                                                 | ImmAssRej(<br>TCV_agch,<br>ImmAsgnRej_01(<br>TCV_Rr, TCV_Fn)) |     |          |
|    |            | <b>local_rcv_ChRq</b>                                                                                                                                                                                                                                                                                                                                                                                                                                                                                                                                                                                               |                                                               |     |          |
| 19 |            | [TSPC_DualRate]                                                                                                                                                                                                                                                                                                                                                                                                                                                                                                                                                                                                     |                                                               |     |          |
| 20 |            | REPEAT localtree2 UNTIL [TCV_Cnt=7]                                                                                                                                                                                                                                                                                                                                                                                                                                                                                                                                                                                 |                                                               |     |          |
| 21 | L_006<br>5 | L?DL_RaInChRq (TCV_Rr := DL_RaInChRq.<br>msg.ecau_rrf, TCV_Fn := DL_RaInChRq.fn)                                                                                                                                                                                                                                                                                                                                                                                                                                                                                                                                    | ChReq(<br>ChRequest_06)                                       | (P) | 7.       |
| 22 |            | [NOT TSPC_DualRate]                                                                                                                                                                                                                                                                                                                                                                                                                                                                                                                                                                                                 |                                                               |     |          |
| 23 |            | REPEAT localtree1 UNTIL [TCV_Cnt=7]                                                                                                                                                                                                                                                                                                                                                                                                                                                                                                                                                                                 |                                                               |     |          |

|    |            |                                                                                                         |                         |     |                 |
|----|------------|---------------------------------------------------------------------------------------------------------|-------------------------|-----|-----------------|
| 24 | L_006<br>6 | L?DL_RaInChRq (TCV_Rr := DL_RaInChRq.<br>msg.ecau_rrf, TCV_Fn := DL_RaInChRq.fn)                        | ChReq(<br>ChRequest_04) | (P) | 5.              |
| 25 |            | <b>localtree1</b><br>L?DL_RaInChRq                                                                      | ChReq(<br>ChRequest_04) |     | 5.              |
| 26 |            | (TCV_Cnt := TCV_Cnt +1)                                                                                 |                         |     |                 |
| 27 |            | <b>localtree2</b><br>L?DL_RaInChRq                                                                      | ChReq(<br>ChRequest_06) |     | 7.              |
| 28 |            | (TCV_Cnt := TCV_Cnt +1)                                                                                 |                         |     |                 |
| 29 |            | <b>local_PickupDataService</b><br>[(TSPX_MOBscSvcA <> C_Telephony)<br>AND(TSPX_MOBscSvcA <> C_EmgCall)] |                         |     |                 |
| 30 |            | (TCV_Service1 := TSPX_MOBscSvcA,<br>TCV_ChRate1 := TSPX_MOChRateA)                                      |                         |     |                 |
| 31 |            | [(TSPX_MOBscSvcB <> C_Telephony)<br>AND(TSPX_MOBscSvcB <> C_EmgCall)]                                   |                         |     |                 |
| 32 |            | (TCV_Service1 := TSPX_MOBscSvcB,<br>TCV_ChRate1 := TSPX_MOChRateB)                                      |                         |     |                 |
| 33 |            | [(TSPX_MOBscSvcC <> C_Telephony)<br>AND(TSPX_MOBscSvcC <> C_EmgCall)]                                   |                         |     |                 |
| 34 |            | (TCV_Service1 := TSPX_MOBscSvcC,<br>TCV_ChRate1 := TSPX_MOChRateC)                                      |                         |     |                 |
| 35 |            | [(TSPX_MOBscSvcD <> C_Telephony)<br>AND(TSPX_MOBscSvcD <> C_EmgCall)]                                   |                         |     |                 |
| 36 |            | (TCV_Service1 := TSPX_MOBscSvcD,<br>TCV_ChRate1 := TSPX_MOChRateD)                                      |                         |     |                 |
| 37 |            | [(TSPX_MOBscSvcE <> C_Telephony)<br>AND(TSPX_MOBscSvcE <> C_EmgCall)]                                   |                         |     |                 |
| 38 |            | (TCV_Service1 := TSPX_MOBscSvcE,<br>TCV_ChRate1 := TSPX_MOChRateE)                                      |                         |     |                 |
| 39 |            | [(TSPX_MOBscSvcF <> C_Telephony)<br>AND(TSPX_MOBscSvcF <> C_EmgCall)]                                   |                         |     |                 |
| 40 |            | (TCV_Service1 := TSPX_MOBscSvcF,<br>TCV_ChRate1 := TSPX_MOChRateF)                                      |                         |     |                 |
| 41 |            | [(TSPX_MOBscSvcG <> C_Telephony)<br>AND(TSPX_MOBscSvcG <> C_EmgCall)]                                   |                         |     |                 |
| 42 |            | (TCV_Service1 := TSPX_MOBscSvcG,<br>TCV_ChRate1 := TSPX_MOChRateG)                                      |                         |     |                 |
| 43 |            | [(TSPX_MOBscSvcH <> C_Telephony)<br>AND(TSPX_MOBscSvcH <> C_EmgCall)]                                   |                         |     |                 |
| 44 |            | (TCV_Service1 := TSPX_MOBscSvcH,<br>TCV_ChRate1 := TSPX_MOChRateH)                                      |                         |     |                 |
| 45 |            | [(TSPX_MOBscSvcI <> C_Telephony)<br>AND(TSPX_MOBscSvcI <> C_EmgCall)]                                   |                         |     |                 |
| 46 |            | (TCV_Service1 := TSPX_MOBscSvcI,<br>TCV_ChRate1 := TSPX_MOChRateI)                                      |                         |     |                 |
| 47 |            | [(TSPX_MOBscSvcJ <> C_Telephony)<br>AND(TSPX_MOBscSvcJ <> C_EmgCall)]                                   |                         |     |                 |
| 48 |            | (TCV_Service1 := TSPX_MOBscSvcJ,<br>TCV_ChRate1 := TSPX_MOChRateJ)                                      |                         |     |                 |
| 49 | L_006<br>7 | [C_Yes]                                                                                                 |                         | I   | no data service |

**Detailed Comments:**

1. The Max\_retrans =7.
2. To set NECl = 1.
3. The test system waits for 30 seconds.
4. To attempt a data call.
5. The establishment cause shall be '111'B, otherwise the test case fails in the default tree  
OtherEventsFail.
6. To attempt a data call if the MS supports half rate data service.
7. The establishment cause shall be '0101'B, otherwise the test case fails in the default tree  
OtherEventsFail.
8. To attempt any data call if the MS does not support half rate data service.

| Test Case Dynamic Behaviour |            |                                                                                                                                                                                                                                                                                                                                                                                                                                                                                                                                                                                                                                                                                                                                          |                                                      |     |          |
|-----------------------------|------------|------------------------------------------------------------------------------------------------------------------------------------------------------------------------------------------------------------------------------------------------------------------------------------------------------------------------------------------------------------------------------------------------------------------------------------------------------------------------------------------------------------------------------------------------------------------------------------------------------------------------------------------------------------------------------------------------------------------------------------------|------------------------------------------------------|-----|----------|
| <b>Test Case Name:</b>      |            | TC_26_2_4_5                                                                                                                                                                                                                                                                                                                                                                                                                                                                                                                                                                                                                                                                                                                              |                                                      |     |          |
| <b>Group:</b>               |            | GSM_L3_MS_v4210/InitialTest/                                                                                                                                                                                                                                                                                                                                                                                                                                                                                                                                                                                                                                                                                                             |                                                      |     |          |
| <b>Purpose:</b>             |            | To verify that the establishment cause sent by the MS in the Max-Retrans+1 CHANNEL REQUEST messages is consistent with the requested service, with the capabilities of the MS and with the indications of the network in the following case: <ol style="list-style-type: none"> <li>1. when the NECI bit is set to 0 and the MS is paged with the paging indication set to "any channel".</li> <li>2. when the NECI bit is set to 0 and the MS is paged with the paging indication set to "SDCCH".</li> <li>3. when the NECI bit is set to 0 and the MS is paged with the paging indication set to "TCH/F".</li> <li>4. when the NECI bit is set to 0 and the MS is paged with the paging indication set to "TCH/H or TCH/F".</li> </ol> |                                                      |     |          |
| <b>Default:</b>             |            | OtherEventsFail                                                                                                                                                                                                                                                                                                                                                                                                                                                                                                                                                                                                                                                                                                                          |                                                      |     |          |
| Nr                          | Label      | Behaviour Description                                                                                                                                                                                                                                                                                                                                                                                                                                                                                                                                                                                                                                                                                                                    | CRef                                                 | V   | Comments |
| 1                           |            | START T_guard(300)                                                                                                                                                                                                                                                                                                                                                                                                                                                                                                                                                                                                                                                                                                                       |                                                      |     |          |
| 2                           |            | +IdleUpdated( C_E_default, C_CellA, C_SCH_A, C_BCCH_A_1, C_Immass, C_S0, C_SlotNU, C_SlotNU, C_SlotNU, C_BCC, C_TxInt_5, C_Max_7, C_NECI_0, C_ATT_0, TimingAdv( 0), C_BABR_0, C_cch_1Comb, C_BPM_3, C_T3212_0, C_ci_cellA, C_MCC_1, C_PLMN_1, C_LAC_1, CellOpt_01, CellChDes_Omit, CellChDes_Omit, C_CellReselectHys12, C_MaxPwrLvlG, C_MaxPwrLvlD, BcchFreqLst_45, BcchFreqLst_02, BcchFreqLst_03, BcchFreqLst_04, C_Restablishment, C_BCC, C_NCC, C_Start_Tmsi, TSPX_SDCCH4SubDef, TSPX_CKSNDDef, TSPX_RANDDef, C_arfcnA, C_arfcnAd, TSPX_IMSI, C_Test_nfh, C_NCCP_2)                                                                                                                                                                  |                                                      |     |          |
| 3                           | body       | +pagingAnyChannel                                                                                                                                                                                                                                                                                                                                                                                                                                                                                                                                                                                                                                                                                                                        |                                                      |     |          |
| 4                           |            | +pagingSDCCH                                                                                                                                                                                                                                                                                                                                                                                                                                                                                                                                                                                                                                                                                                                             |                                                      |     |          |
| 5                           |            | +pagingTCHF                                                                                                                                                                                                                                                                                                                                                                                                                                                                                                                                                                                                                                                                                                                              |                                                      |     |          |
| 6                           |            | +pagingTCHHorTCHF                                                                                                                                                                                                                                                                                                                                                                                                                                                                                                                                                                                                                                                                                                                        |                                                      |     |          |
|                             |            | <b>pagingAnyChannel</b>                                                                                                                                                                                                                                                                                                                                                                                                                                                                                                                                                                                                                                                                                                                  |                                                      |     |          |
| 7                           |            | L!DL_UdatRqPg1Rq (TCV_Cnt := 0)                                                                                                                                                                                                                                                                                                                                                                                                                                                                                                                                                                                                                                                                                                          | PgReq1(TCV_PgCh, TCV_Pgg, PgReqTp1_01)               |     | 1.       |
| 8                           |            | REPEAT localtree1 UNTIL [TCV_Cnt = 7]                                                                                                                                                                                                                                                                                                                                                                                                                                                                                                                                                                                                                                                                                                    |                                                      |     |          |
| 9                           | L_006<br>8 | L?DL_RaClNChRq (TCV_Rr := DL_RaClNChRq.msg.ecau_rrf, TCV_Fn := DL_RaClNChRq.fn)<br>START T_dly( C_T_Wait)                                                                                                                                                                                                                                                                                                                                                                                                                                                                                                                                                                                                                                | ChReq( ChRequest_12)                                 | (P) | 2.       |
| 10                          |            | L!DL_UdatRqImmassRej                                                                                                                                                                                                                                                                                                                                                                                                                                                                                                                                                                                                                                                                                                                     | ImmAssRej( TCV_agch, ImmAsgnRej_01( TCV_Rr, TCV_Fn)) |     |          |
|                             |            | <b>pagingSDCCH</b>                                                                                                                                                                                                                                                                                                                                                                                                                                                                                                                                                                                                                                                                                                                       |                                                      |     |          |
| 11                          |            | ?TIMEOUT T_dly                                                                                                                                                                                                                                                                                                                                                                                                                                                                                                                                                                                                                                                                                                                           |                                                      |     |          |
| 12                          |            | L!DL_UdatRqPg1Rq (TCV_Cnt := 0)                                                                                                                                                                                                                                                                                                                                                                                                                                                                                                                                                                                                                                                                                                          | PgReq1(TCV_PgCh, TCV_Pgg, PgReqTp1_02)               |     | 4.       |
| 13                          |            | REPEAT localtree2 UNTIL [TCV_Cnt = 7]                                                                                                                                                                                                                                                                                                                                                                                                                                                                                                                                                                                                                                                                                                    |                                                      |     |          |
| 14                          | L_006<br>9 | L?DL_RaClNChRq (TCV_Rr := DL_RaClNChRq.msg.ecau_rrf, TCV_Fn := DL_RaClNChRq.fn)<br>START T_dly( C_T_Wait)                                                                                                                                                                                                                                                                                                                                                                                                                                                                                                                                                                                                                                | ChReq( ChRequest_03)                                 | (P) | 5.       |
| 15                          |            | L!DL_UdatRqImmassRej                                                                                                                                                                                                                                                                                                                                                                                                                                                                                                                                                                                                                                                                                                                     | ImmAssRej( TCV_agch, ImmAsgnRej_01( TCV_Rr, TCV_Fn)) |     |          |
|                             |            | <b>pagingTCHF</b>                                                                                                                                                                                                                                                                                                                                                                                                                                                                                                                                                                                                                                                                                                                        |                                                      |     |          |
| 16                          |            | ?TIMEOUT T_dly                                                                                                                                                                                                                                                                                                                                                                                                                                                                                                                                                                                                                                                                                                                           |                                                      |     |          |
| 17                          |            | L!DL_UdatRqPg1Rq (TCV_Cnt := 0)                                                                                                                                                                                                                                                                                                                                                                                                                                                                                                                                                                                                                                                                                                          | PgReq1(TCV_PgCh, TCV_Pgg, PgReqTp1_03)               |     | 6.       |
| 18                          |            | REPEAT localtree3 UNTIL [TCV_Cnt = 7]                                                                                                                                                                                                                                                                                                                                                                                                                                                                                                                                                                                                                                                                                                    |                                                      |     |          |



|                         |            |                                                                                                            |                                                               |     |     |
|-------------------------|------------|------------------------------------------------------------------------------------------------------------|---------------------------------------------------------------|-----|-----|
| 19                      | L_007<br>0 | L?DL_RaInChRq (TCV_Rr := DL_RaInChRq.<br>msg.ecau_rrf, TCV_Fn := DL_RaInChRq.fn)<br>START T_dly( C_T_Wait) | ChReq(<br>ChRequest_13)                                       | (P) |     |
| 20                      |            | L!DL_UdatRqImmassRej                                                                                       | ImmAssRej(<br>TCV_agch,<br>ImmAsgnRej_01(<br>TCV_Rr, TCV_Fn)) |     |     |
| <b>pagingTCHHorTCHF</b> |            |                                                                                                            |                                                               |     |     |
| 21                      |            | ?TIMEOUT T_dly                                                                                             |                                                               |     |     |
| 22                      |            | L!DL_UdatRqPg1Rq (TCV_Cnt := 0)                                                                            | PgReq1(TCV_PgCh,<br>TCV_Pgg,<br>PgReqTp1_04)                  |     | 10. |
| 23                      |            | REPEAT localtree4 UNTIL [TCV_Cnt = 7]                                                                      |                                                               |     |     |
| 24                      | L_007<br>1 | L?DL_RaInChRq (TCV_Rr := DL_RaInChRq.<br>msg.ecau_rrf, TCV_Fn := DL_RaInChRq.fn)                           | ChReq(<br>ChRequest_14)                                       | (P) |     |
| 25                      |            | L!DL_UdatRqImmassRej                                                                                       | ImmAssRej(<br>TCV_agch,<br>ImmAsgnRej_01(<br>TCV_Rr, TCV_Fn)) |     |     |
| <b>localtree1</b>       |            |                                                                                                            |                                                               |     |     |
| 26                      | L_007<br>2 | L?DL_RaInChRq                                                                                              | ChReq(<br>ChRequest_12)                                       | (P) | 2.  |
| 27                      |            | (TCV_Cnt := TCV_Cnt + 1)                                                                                   |                                                               |     |     |
| <b>localtree2</b>       |            |                                                                                                            |                                                               |     |     |
| 28                      | L_007<br>3 | L?DL_RaInChRq                                                                                              | ChReq(<br>ChRequest_03)                                       | (P) | 5.  |
| 29                      |            | (TCV_Cnt := TCV_Cnt + 1)                                                                                   |                                                               |     |     |
| <b>localtree3</b>       |            |                                                                                                            |                                                               |     |     |
| 30                      |            | [TCV_CC AND( NOT TSPC_DualRate)]                                                                           |                                                               |     |     |
| 31                      | L_007<br>4 | L?DL_RaInChRq                                                                                              | ChReq(<br>ChRequest_12)                                       | (P) | 7.  |
| 32                      |            | (TCV_Cnt := TCV_Cnt + 1)                                                                                   |                                                               |     |     |
| 33                      |            | [TSPC_DualRate]                                                                                            |                                                               |     |     |
| 34                      | L_007<br>5 | L?DL_RaInChRq                                                                                              | ChReq(<br>ChRequest_07)                                       | (P) | 8.  |
| 35                      |            | (TCV_Cnt := TCV_Cnt + 1)                                                                                   |                                                               |     |     |
| 36                      |            | [TSPC_SDCCHOnly]                                                                                           |                                                               |     |     |
| 37                      | L_007<br>6 | L?DL_RaInChRq                                                                                              | ChReq(<br>ChRequest_03)                                       | (P) | 9.  |
| 38                      |            | (TCV_Cnt := TCV_Cnt + 1)                                                                                   |                                                               |     |     |
| <b>localtree4</b>       |            |                                                                                                            |                                                               |     |     |
| 39                      |            | [TCV_CC AND( NOT TSPC_DualRate)]                                                                           |                                                               |     |     |
| 40                      | L_007<br>7 | L?DL_RaInChRq                                                                                              | ChReq(<br>ChRequest_12)                                       | (P) | 11. |
| 41                      |            | (TCV_Cnt := TCV_Cnt + 1)                                                                                   |                                                               |     |     |
| 42                      |            | [TSPC_DualRate]                                                                                            |                                                               |     |     |
| 43                      | L_007<br>8 | L?DL_RaInChRq                                                                                              | ChReq(<br>ChRequest_08)                                       | (P) | 12. |
| 44                      |            | (TCV_Cnt := TCV_Cnt + 1)                                                                                   |                                                               |     |     |
| 45                      |            | [TSPC_SDCCHOnly]                                                                                           |                                                               |     |     |
| 46                      | L_007<br>9 | L?DL_RaInChRq                                                                                              | ChReq(<br>ChRequest_03)                                       | (P) | 13. |
| 47                      |            | (TCV_Cnt := TCV_Cnt + 1)                                                                                   |                                                               |     |     |

**Detailed Comments:**

1. To send a PAGING REQUEST TYPE1 message with paging indication = any channel.
2. The establishment cause shall be '100'B.
3. The test system waits for 5 seconds.
4. To send a PAGING REQUEST TYPE1 message with paging indication = SDCCH.
5. The establishment cause shall be '0001'B.
6. To send a PAGING REQUEST TYPE1 message with paging indication = TCH/F.
7. The establishment cause shall be '100'B, if the MS capability is full rate only.
8. The establishment cause shall be '0010'B, if the MS capability is dual rate.
9. The establishment cause shall be '0001'B, if the MS capability is SDCCH only.
10. To send a PAGING REQUEST TYPE1 message with paging indication = TCH/H or TCH/F

11. The establishment cause shall be '100'B, if the MS capability is full rate only.
12. The establishment cause shall be '0011'B, if the MS capability is dual rate.
13. The establishment cause shall be '0001'B, if the MS capability is SDCCH only.

| Test Case Dynamic Behaviour |       |                                                                                                                                                                                                                                                                                                                                                                                                                                                                                                                                                                                                                                                                                                                                                                                                                                                                                                                                                      |      |   |          |
|-----------------------------|-------|------------------------------------------------------------------------------------------------------------------------------------------------------------------------------------------------------------------------------------------------------------------------------------------------------------------------------------------------------------------------------------------------------------------------------------------------------------------------------------------------------------------------------------------------------------------------------------------------------------------------------------------------------------------------------------------------------------------------------------------------------------------------------------------------------------------------------------------------------------------------------------------------------------------------------------------------------|------|---|----------|
| <b>Test Case Name:</b>      |       | TC_26_2_4_6                                                                                                                                                                                                                                                                                                                                                                                                                                                                                                                                                                                                                                                                                                                                                                                                                                                                                                                                          |      |   |          |
| <b>Group:</b>               |       | GSM_L3_MS_v4210/InitialTest/                                                                                                                                                                                                                                                                                                                                                                                                                                                                                                                                                                                                                                                                                                                                                                                                                                                                                                                         |      |   |          |
| <b>Purpose:</b>             |       | <p>To verify that the establishment cause sent by the MS in the Max-Retrans+1 CHANNEL REQUEST messages is consistent with the requested service, with the capabilities of the MS and with the indications of the network in the following case:</p> <ol style="list-style-type: none"> <li>1. when the NECI bit is set to 0 and IMSI attach is attempted.</li> <li>2. when the NECI bit is set to 0 and normal location updating is attempted.</li> <li>3. when the NECI bit is set to 0 and periodic location updating is attempted.</li> <li>4. when the NECI bit is set to 0 and IMSI detach is attempted.</li> <li>5. when the NECI bit is set to 1 and IMSI attach is attempted.</li> <li>6. when the NECI bit is set to 1 and normal location updating is attempted.</li> <li>7. when the NECI bit is set to 1 and periodic location updating is attempted.</li> <li>8. when the NECI bit is set to 1 and IMSI detach is attempted.</li> </ol> |      |   |          |
| <b>Default:</b>             |       | OtherEventsFail                                                                                                                                                                                                                                                                                                                                                                                                                                                                                                                                                                                                                                                                                                                                                                                                                                                                                                                                      |      |   |          |
| Nr                          | Label | Behaviour Description                                                                                                                                                                                                                                                                                                                                                                                                                                                                                                                                                                                                                                                                                                                                                                                                                                                                                                                                | CRef | V | Comments |
| 1                           |       | START T_guard(1200)                                                                                                                                                                                                                                                                                                                                                                                                                                                                                                                                                                                                                                                                                                                                                                                                                                                                                                                                  |      |   |          |
| 2                           |       | +IdleUpdated( C_E_default, C_CellA, C_SCH_A, C_BCCH_A_1, C_Immass, C_S0, C_SlotNU, C_SlotNU, C_SlotNU, C_BCC, C_TxInt_5, C_Max_7, C_NECI_0, C_ATT_0, TimingAdv( 0), C_BABR_0, C_cch_1Comb, C_BPM_3, C_T3212_0, C_ci_cellA, C_MCC_1, C_PLMN_1, C_LAC_1, CellOpt_01, CellChDes_Omit, CellChDes_Omit, C_CellReselectHys12, C_MaxPwrLvIG, C_MaxPwrLvID, BcchFreqLst_45, BcchFreqLst_02, BcchFreqLst_03, BcchFreqLst_04, C_Restablishment, C_BCC, C_NCC, C_Start_Tmsi, TSPX_SDCCH4SubDef, TSPX_CKSNDDef, TSPX_RANDDef, C_arfcnA, C_arfcnAd, TSPX_IMSI, C_Test_nfh, C_NCCP_2)                                                                                                                                                                                                                                                                                                                                                                              |      |   |          |
| 3                           |       | (TCV_Cnt1:=0, TCV_lac := C_LAC_1)                                                                                                                                                                                                                                                                                                                                                                                                                                                                                                                                                                                                                                                                                                                                                                                                                                                                                                                    |      |   |          |
| 4                           |       | REPEAT ltree_main UNTIL [TCV_Cnt1 = 2]                                                                                                                                                                                                                                                                                                                                                                                                                                                                                                                                                                                                                                                                                                                                                                                                                                                                                                               |      |   |          |
|                             |       | <b>ltree_main</b>                                                                                                                                                                                                                                                                                                                                                                                                                                                                                                                                                                                                                                                                                                                                                                                                                                                                                                                                    |      |   |          |
| 5                           |       | +SysInfoSending_nfh( C_SCH_A, C_BCCH_A_1, C_TxInt_5, C_Max_7, TCV_Cnt1, C_ATT_0, C_BABR_0, C_cch_1Comb, C_BPM_3, C_T3212_0, C_ci_cellA, C_MCC_1, C_PLMN_1, TCV_lac, CellOpt_01, C_CellReselectHys12, C_MaxPwrLvIG, C_MaxPwrLvID, BcchFreqLst_45, BcchFreqLst_02, BcchFreqLst_03, BcchFreqLst_04, C_Restablishment, C_BCC, C_NCC, C_NCCP_2)                                                                                                                                                                                                                                                                                                                                                                                                                                                                                                                                                                                                           |      |   | 1.       |
| 6                           |       | (TCV_Ccd0A := TCV_Ccd0H, TCV_sysinfo5 := TCV_sysinfo5, TCV_sysinfo6 := TCV_sysinfo6)                                                                                                                                                                                                                                                                                                                                                                                                                                                                                                                                                                                                                                                                                                                                                                                                                                                                 |      |   |          |
| 7                           |       | +SysInfo_SacchSending( TCV_sacch, TCV_sysinfo5, TCV_sysinfo6)                                                                                                                                                                                                                                                                                                                                                                                                                                                                                                                                                                                                                                                                                                                                                                                                                                                                                        |      |   |          |
| 8                           | body  | +MM_PwrOrSimOff(C_SIMIn)                                                                                                                                                                                                                                                                                                                                                                                                                                                                                                                                                                                                                                                                                                                                                                                                                                                                                                                             |      |   |          |
| 9                           |       | +SysInfoSending_nfh( C_SCH_A, C_BCCH_A_1, C_TxInt_5, C_Max_7, TCV_Cnt1, C_ATT_1, C_BABR_0, C_cch_1Comb, C_BPM_3, C_T3212_0, C_ci_cellA, C_MCC_1, C_PLMN_1, TCV_lac, CellOpt_01, C_CellReselectHys12, C_MaxPwrLvIG, C_MaxPwrLvID, BcchFreqLst_45, BcchFreqLst_02, BcchFreqLst_03, BcchFreqLst_04, C_Restablishment, C_BCC, C_NCC, C_NCCP_2)                                                                                                                                                                                                                                                                                                                                                                                                                                                                                                                                                                                                           |      |   | ATT =1   |
| 10                          |       | (TCV_Ccd0A := TCV_Ccd0H, TCV_sysinfo5 := TCV_sysinfo5, TCV_sysinfo6 := TCV_sysinfo6)                                                                                                                                                                                                                                                                                                                                                                                                                                                                                                                                                                                                                                                                                                                                                                                                                                                                 |      |   |          |
| 11                          |       | +SysInfo_SacchSending( TCV_sacch, TCV_sysinfo5, TCV_sysinfo6)                                                                                                                                                                                                                                                                                                                                                                                                                                                                                                                                                                                                                                                                                                                                                                                                                                                                                        |      |   |          |
| 12                          |       | +MM_PwrOrSimOn(C_SIMIn)                                                                                                                                                                                                                                                                                                                                                                                                                                                                                                                                                                                                                                                                                                                                                                                                                                                                                                                              |      |   | 2.       |
| 13                          |       | +imsiAttachCheck                                                                                                                                                                                                                                                                                                                                                                                                                                                                                                                                                                                                                                                                                                                                                                                                                                                                                                                                     |      |   |          |
| 14                          |       | +ChgLac                                                                                                                                                                                                                                                                                                                                                                                                                                                                                                                                                                                                                                                                                                                                                                                                                                                                                                                                              |      |   |          |
| 15                          |       | +ltree_continue                                                                                                                                                                                                                                                                                                                                                                                                                                                                                                                                                                                                                                                                                                                                                                                                                                                                                                                                      |      |   |          |

|    |            |                                                                                                                                                                                                                                                                                                                                                                                          |                                                                                                                                                 |     |     |            |
|----|------------|------------------------------------------------------------------------------------------------------------------------------------------------------------------------------------------------------------------------------------------------------------------------------------------------------------------------------------------------------------------------------------------|-------------------------------------------------------------------------------------------------------------------------------------------------|-----|-----|------------|
| 16 |            | <b>ltree_continue</b><br>+SysInfoSending_nfh( C_SCH_A, C_BCCH_A_1,<br>C_TxInt_5, C_Max_7, TCV_Cnt1, C_ATT_1,<br>C_BABR_0, C_cch_1Comb, C_BPM_3, C_T3212_1,<br>C_ci_cellA, C_MCC_1, C_PLMN_1, TCV_lac,<br>CellOpt_01, C_CellReselectHys12, C_MaxPwrLvlG,<br>C_MaxPwrLvlD, BcchFreqLst_45, BcchFreqLst_02,<br>BcchFreqLst_03, BcchFreqLst_04,<br>C_Restablishment, C_BCC, C_NCC, C_NCCP_2) |                                                                                                                                                 |     |     | 3.         |
| 17 |            | (TCV_Ccd0A := TCV_Ccd0H, TCV_sysinfo5 :=<br>TCV_sysinf5, TCV_sysinfo6 := TCV_sysinf6)                                                                                                                                                                                                                                                                                                    |                                                                                                                                                 |     |     |            |
| 18 |            | +SysInfo_SacchSending( TCV_sacch,<br>TCV_sysinfo5, TCV_sysinfo6)                                                                                                                                                                                                                                                                                                                         |                                                                                                                                                 |     |     |            |
| 19 |            | +UpdatingCheck( 33000, C_normal_updating)                                                                                                                                                                                                                                                                                                                                                |                                                                                                                                                 |     |     | 7.<br>9.   |
| 20 |            | +UpdatingCheck( 420000,<br>C_periodic_updating)                                                                                                                                                                                                                                                                                                                                          |                                                                                                                                                 |     |     | 10.<br>11. |
| 21 |            | [TSPC_SwitchOnOff]                                                                                                                                                                                                                                                                                                                                                                       |                                                                                                                                                 |     |     |            |
| 22 |            | +imsiDetachCheck                                                                                                                                                                                                                                                                                                                                                                         |                                                                                                                                                 |     |     |            |
| 23 |            | (TCV_Cnt1 := TCV_Cnt1 + 1)                                                                                                                                                                                                                                                                                                                                                               |                                                                                                                                                 |     |     |            |
| 24 |            | [NOT TSPC_SwitchOnOff]                                                                                                                                                                                                                                                                                                                                                                   |                                                                                                                                                 |     |     |            |
| 25 |            | (TCV_Cnt1 := TCV_Cnt1 + 1)                                                                                                                                                                                                                                                                                                                                                               |                                                                                                                                                 |     |     |            |
|    |            | <b>imsiAttachCheck</b>                                                                                                                                                                                                                                                                                                                                                                   |                                                                                                                                                 |     |     |            |
| 26 |            | (TCV_Cnt := 0)                                                                                                                                                                                                                                                                                                                                                                           |                                                                                                                                                 |     |     |            |
| 27 |            | REPEAT localtree1 UNTIL [TCV_Cnt = 8]                                                                                                                                                                                                                                                                                                                                                    |                                                                                                                                                 |     |     |            |
| 28 |            | LIDL_UdatRqImm                                                                                                                                                                                                                                                                                                                                                                           | ImmAss( TCV_agch,<br>ImmAsgn_01Def(<br>TCV_Rr, TCV_Fn,<br>TSPX_SDCCH4SubD<br>ef, TCV_slot,<br>TCV_tsc,<br>TCV_chdescr_arfcn,<br>TimingAdv( 0))) |     |     |            |
| 29 | L_008<br>0 | L?DL_EstInLupRq                                                                                                                                                                                                                                                                                                                                                                          | LocUp( TCV_ch,<br>LocUpdtReq_01(<br>C_imsi_attach))                                                                                             | (P) |     | 5.         |
| 30 |            | LIDL_DatRqLupAcp                                                                                                                                                                                                                                                                                                                                                                         | LocAcp( TCV_ch,<br>LocUpdtAcp_01(<br>MiMsi_omit,<br>C_MCC_1,<br>C_PLMN_1,<br>TCV_lac))                                                          |     |     | 6.         |
| 31 |            | +PostMainLinkRel(TCV_ch)                                                                                                                                                                                                                                                                                                                                                                 |                                                                                                                                                 |     |     |            |
|    |            | <b>UpdatingCheck( t:INTEGER; locup:B_2)</b>                                                                                                                                                                                                                                                                                                                                              |                                                                                                                                                 |     |     |            |
| 32 |            | (TCV_Cnt := 0)                                                                                                                                                                                                                                                                                                                                                                           |                                                                                                                                                 |     |     |            |
| 33 |            | START T_dly( t)                                                                                                                                                                                                                                                                                                                                                                          |                                                                                                                                                 |     |     |            |
| 34 | L_104<br>1 | ?TIMEOUT T_dly                                                                                                                                                                                                                                                                                                                                                                           |                                                                                                                                                 |     | (F) |            |
| 35 |            | REPEAT localtree1 UNTIL [TCV_Cnt = 8]                                                                                                                                                                                                                                                                                                                                                    |                                                                                                                                                 |     |     |            |
| 36 |            | LIDL_UdatRqImm                                                                                                                                                                                                                                                                                                                                                                           | ImmAss( TCV_agch,<br>ImmAsgn_01Def(<br>TCV_Rr, TCV_Fn,<br>TSPX_SDCCH4SubD<br>ef, TCV_slot,<br>TCV_tsc,<br>TCV_chdescr_arfcn,<br>TimingAdv( 0))) |     |     |            |
| 37 | L_008<br>1 | L?DL_EstInLupRq                                                                                                                                                                                                                                                                                                                                                                          | LocUp( TCV_ch,<br>LocUpdtReq_01(<br>locup))                                                                                                     | (P) |     |            |
| 38 |            | LIDL_DatRqLupAcp                                                                                                                                                                                                                                                                                                                                                                         | LocAcp( TCV_ch,<br>LocUpdtAcp_01(<br>MiMsi_omit,<br>C_MCC_1,<br>C_PLMN_1,<br>TCV_lac))                                                          |     |     | 6.         |
| 39 |            | +PostMainLinkRel(TCV_ch)                                                                                                                                                                                                                                                                                                                                                                 |                                                                                                                                                 |     |     |            |
|    |            | <b>imsiDetachCheck</b>                                                                                                                                                                                                                                                                                                                                                                   |                                                                                                                                                 |     |     |            |

|                           |            |                                                                                                                                                                                                                                                                                                                                                                                                                                                                                                                                                                                                                                                                                                                                                                                                                                                                                                                                                                                                                            |                                                               |     |     |
|---------------------------|------------|----------------------------------------------------------------------------------------------------------------------------------------------------------------------------------------------------------------------------------------------------------------------------------------------------------------------------------------------------------------------------------------------------------------------------------------------------------------------------------------------------------------------------------------------------------------------------------------------------------------------------------------------------------------------------------------------------------------------------------------------------------------------------------------------------------------------------------------------------------------------------------------------------------------------------------------------------------------------------------------------------------------------------|---------------------------------------------------------------|-----|-----|
| 40                        |            | +MM_PwrOrSimOff(C_SIMIn)                                                                                                                                                                                                                                                                                                                                                                                                                                                                                                                                                                                                                                                                                                                                                                                                                                                                                                                                                                                                   |                                                               |     | 12. |
| 41                        |            | (TCV_Cnt := 0)                                                                                                                                                                                                                                                                                                                                                                                                                                                                                                                                                                                                                                                                                                                                                                                                                                                                                                                                                                                                             |                                                               |     |     |
| 42                        |            | REPEAT localtree2 UNTIL [TCV_Cnt = 8]                                                                                                                                                                                                                                                                                                                                                                                                                                                                                                                                                                                                                                                                                                                                                                                                                                                                                                                                                                                      |                                                               |     |     |
| 43                        |            | L!DL_UdatRqImmRej                                                                                                                                                                                                                                                                                                                                                                                                                                                                                                                                                                                                                                                                                                                                                                                                                                                                                                                                                                                                          | ImmAssRej(<br>TCV_agch,<br>ImmAsgnRej_01(<br>TCV_Rr, TCV_Fn)) |     |     |
| 44                        |            | +MM_PwrOrSimOn(C_SIMIn)                                                                                                                                                                                                                                                                                                                                                                                                                                                                                                                                                                                                                                                                                                                                                                                                                                                                                                                                                                                                    |                                                               |     | 2.  |
|                           |            | <b>localtree1</b>                                                                                                                                                                                                                                                                                                                                                                                                                                                                                                                                                                                                                                                                                                                                                                                                                                                                                                                                                                                                          |                                                               |     |     |
| 45                        |            | [TCV_Cnt1=0]                                                                                                                                                                                                                                                                                                                                                                                                                                                                                                                                                                                                                                                                                                                                                                                                                                                                                                                                                                                                               |                                                               |     |     |
| 46                        | L_008<br>2 | L?DL_RaClnChRq (TCV_Rr := DL_RaClnChRq.<br>msg.ecau_rrf, TCV_Fn := DL_RaClnChRq.fn)                                                                                                                                                                                                                                                                                                                                                                                                                                                                                                                                                                                                                                                                                                                                                                                                                                                                                                                                        | ChReq(<br>ChRequest_09)                                       | (P) | 4.  |
| 47                        |            | CANCEL T_dly                                                                                                                                                                                                                                                                                                                                                                                                                                                                                                                                                                                                                                                                                                                                                                                                                                                                                                                                                                                                               |                                                               |     |     |
| 48                        |            | (TCV_Cnt := TCV_Cnt+1)                                                                                                                                                                                                                                                                                                                                                                                                                                                                                                                                                                                                                                                                                                                                                                                                                                                                                                                                                                                                     |                                                               |     |     |
| 49                        |            | [TCV_Cnt1=1]                                                                                                                                                                                                                                                                                                                                                                                                                                                                                                                                                                                                                                                                                                                                                                                                                                                                                                                                                                                                               |                                                               |     |     |
| 50                        | L_008<br>3 | L?DL_RaClnChRq (TCV_Rr := DL_RaClnChRq.<br>msg.ecau_rrf, TCV_Fn := DL_RaClnChRq.fn)                                                                                                                                                                                                                                                                                                                                                                                                                                                                                                                                                                                                                                                                                                                                                                                                                                                                                                                                        | ChReq(ChRequest_1<br>8)                                       | (P) | 8.  |
| 51                        |            | (TCV_Cnt := TCV_Cnt+1)                                                                                                                                                                                                                                                                                                                                                                                                                                                                                                                                                                                                                                                                                                                                                                                                                                                                                                                                                                                                     |                                                               |     |     |
|                           |            | <b>localtree2</b>                                                                                                                                                                                                                                                                                                                                                                                                                                                                                                                                                                                                                                                                                                                                                                                                                                                                                                                                                                                                          |                                                               |     |     |
| 52                        |            | [TCV_Cnt1=0]                                                                                                                                                                                                                                                                                                                                                                                                                                                                                                                                                                                                                                                                                                                                                                                                                                                                                                                                                                                                               |                                                               |     |     |
| 53                        | L_008<br>4 | L?DL_RaClnChRq (TCV_Fn := DL_RaClnChRq.fn,<br>TCV_Rr := DL_RaClnChRq. msg.ecau_rrf)                                                                                                                                                                                                                                                                                                                                                                                                                                                                                                                                                                                                                                                                                                                                                                                                                                                                                                                                        | ChReq(<br>ChRequest_04)                                       | (P) | 13. |
| 54                        |            | (TCV_Cnt := TCV_Cnt+1)                                                                                                                                                                                                                                                                                                                                                                                                                                                                                                                                                                                                                                                                                                                                                                                                                                                                                                                                                                                                     |                                                               |     |     |
| 55                        |            | [TCV_Cnt1=1]                                                                                                                                                                                                                                                                                                                                                                                                                                                                                                                                                                                                                                                                                                                                                                                                                                                                                                                                                                                                               |                                                               |     |     |
| 56                        | L_008<br>5 | L?DL_RaClnChRq (TCV_Fn := DL_RaClnChRq.fn,<br>TCV_Rr := DL_RaClnChRq. msg.ecau_rrf)                                                                                                                                                                                                                                                                                                                                                                                                                                                                                                                                                                                                                                                                                                                                                                                                                                                                                                                                        | ChReq(<br>ChRequest_03)                                       | (P) | 14. |
| 57                        |            | (TCV_Cnt := TCV_Cnt+1)                                                                                                                                                                                                                                                                                                                                                                                                                                                                                                                                                                                                                                                                                                                                                                                                                                                                                                                                                                                                     |                                                               |     |     |
|                           |            | <b>ChgLac</b>                                                                                                                                                                                                                                                                                                                                                                                                                                                                                                                                                                                                                                                                                                                                                                                                                                                                                                                                                                                                              |                                                               |     |     |
| 58                        |            | [TCV_Cnt1=0]                                                                                                                                                                                                                                                                                                                                                                                                                                                                                                                                                                                                                                                                                                                                                                                                                                                                                                                                                                                                               |                                                               |     |     |
| 59                        |            | (TCV_lac := C_LAC_2)                                                                                                                                                                                                                                                                                                                                                                                                                                                                                                                                                                                                                                                                                                                                                                                                                                                                                                                                                                                                       |                                                               |     |     |
| 60                        |            | [TCV_Cnt1=1]                                                                                                                                                                                                                                                                                                                                                                                                                                                                                                                                                                                                                                                                                                                                                                                                                                                                                                                                                                                                               |                                                               |     |     |
| 61                        |            | (TCV_lac := C_LAC_1)                                                                                                                                                                                                                                                                                                                                                                                                                                                                                                                                                                                                                                                                                                                                                                                                                                                                                                                                                                                                       |                                                               |     |     |
| <b>Detailed Comments:</b> |            | <ol style="list-style-type: none"> <li>1. To set ATT = 1, i.e. MS's in the cell shall apply IMSI attach and detach procedure. TCV_Cnt1 value stands for NECI bit value.</li> <li>2. To switch on or power on the MS.</li> <li>3. To change LAC and set T3212 = 6 minutes.</li> <li>4. The establishment cause shall be '000'B.</li> <li>5. The location updating type shall be IMSI attach.</li> <li>6. There is no mobile identity in this LOCATION UPDATING ACCEPT message.</li> <li>7. The test system waits upto 33 seconds to receive CHANNEL REQUEST messages.</li> <li>8. The establishment cause shall be '0000'B.</li> <li>9. The location updating type shall be normal location updating.</li> <li>10. The test system waits upto 7 minutes to receive CHANNEL REQUEST messages.</li> <li>11. The location updating type shall be periodic updating.</li> <li>12. To switch off the MS.</li> <li>13. The establishment cause shall be '111'B.</li> <li>14. The establishment cause shall be '0001'B.</li> </ol> |                                                               |     |     |

| Test Case Dynamic Behaviour |            |                                                                                                                                                                                                                                                                                                                                                                                                                                                                                                                                                                         |                                                      |     |          |
|-----------------------------|------------|-------------------------------------------------------------------------------------------------------------------------------------------------------------------------------------------------------------------------------------------------------------------------------------------------------------------------------------------------------------------------------------------------------------------------------------------------------------------------------------------------------------------------------------------------------------------------|------------------------------------------------------|-----|----------|
| <b>Test Case Name:</b>      |            | TC_26_2_4_7                                                                                                                                                                                                                                                                                                                                                                                                                                                                                                                                                             |                                                      |     |          |
| <b>Group:</b>               |            | GSM_L3_MS_v4210/InitialTest/                                                                                                                                                                                                                                                                                                                                                                                                                                                                                                                                            |                                                      |     |          |
| <b>Purpose:</b>             |            | To verify that the establishment cause sent by the MS in the Max-Retrans+1 CHANNEL REQUEST messages is consistent with the requested service, with the capabilities of the MS and with the indications of the network in the following case:<br>If the MS supports a non call related supplementary service operation:<br>when the NECI bit is set to 0 and a supplementary service operation is attempted at the MS.<br>when the NECI bit is set to 1 and a supplementary service operation is attempted at the MS.                                                    |                                                      |     |          |
| <b>Default:</b>             |            | OtherEventsFail                                                                                                                                                                                                                                                                                                                                                                                                                                                                                                                                                         |                                                      |     |          |
| Nr                          | Label      | Behaviour Description                                                                                                                                                                                                                                                                                                                                                                                                                                                                                                                                                   | CRef                                                 | V   | Comments |
| 1                           |            | START T_guard(600)                                                                                                                                                                                                                                                                                                                                                                                                                                                                                                                                                      |                                                      |     |          |
| 2                           |            | +IdleUpdated( C_E_default, C_CellA, C_SCH_A, C_BCCH_A_1, C_Immass, C_S0, C_SlotNU, C_SlotNU, C_SlotNU, C_BCC, C_TxInt_5, C_Max_7, C_NECI_0, C_ATT_0, TimingAdv( 0), C_BABR_0, C_cch_1Comb, C_BPM_3, C_T3212_0, C_ci_cellA, C_MCC_1, C_PLMN_1, C_LAC_1, CellOpt_01, CellChDes_Omit, CellChDes_Omit, C_CellReselectHys12, C_MaxPwrLvlG, C_MaxPwrLvlD, BcchFreqLst_45, BcchFreqLst_02, BcchFreqLst_03, BcchFreqLst_04, C_Restablishment, C_BCC, C_NCC, C_Start_Tmsi, TSPX_SDCCH4SubDef, TSPX_CKSNDDef, TSPX_RANDDef, C_arfcnA, C_arfcnAd, TSPX_IMSI, C_Test_nfh, C_NCCP_2) |                                                      |     |          |
| 3                           |            | (TCV_Cnt1:=0)                                                                                                                                                                                                                                                                                                                                                                                                                                                                                                                                                           |                                                      |     |          |
| 4                           |            | REPEAT ltree_main UNTIL [TCV_Cnt1 = 2]                                                                                                                                                                                                                                                                                                                                                                                                                                                                                                                                  |                                                      |     |          |
|                             |            | <b>ltree_main</b>                                                                                                                                                                                                                                                                                                                                                                                                                                                                                                                                                       |                                                      |     |          |
| 5                           |            | +SysInfoSending_nfh( C_SCH_A, C_BCCH_A_1, C_TxInt_5, C_Max_7, TCV_Cnt1, C_ATT_0, C_BABR_0, C_cch_1Comb, C_BPM_3, C_T3212_0, C_ci_cellA, C_MCC_1, C_PLMN_1, C_LAC_1, CellOpt_01, C_CellReselectHys12, C_MaxPwrLvlG, C_MaxPwrLvlD, BcchFreqLst_45, BcchFreqLst_02, BcchFreqLst_03, BcchFreqLst_04, C_Restablishment, C_BCC, C_NCC, C_NCCP_2)                                                                                                                                                                                                                              |                                                      |     | 1.       |
| 6                           |            | (TCV_Ccd0A := TCV_Ccd0H, TCV_sysinfo5 := TCV_sysinfo5, TCV_sysinfo6 := TCV_sysinfo6)                                                                                                                                                                                                                                                                                                                                                                                                                                                                                    |                                                      |     |          |
| 7                           |            | +SysInfo_SacchSending( TCV_sacch, TCV_sysinfo5, TCV_sysinfo6)                                                                                                                                                                                                                                                                                                                                                                                                                                                                                                           |                                                      |     |          |
| 8                           | body       | +InitNonCallSupp                                                                                                                                                                                                                                                                                                                                                                                                                                                                                                                                                        |                                                      |     | 2.       |
| 9                           |            | (TCV_Cnt :=0)                                                                                                                                                                                                                                                                                                                                                                                                                                                                                                                                                           |                                                      |     |          |
| 10                          |            | REPEAT localtree UNTIL [TCV_Cnt=7]                                                                                                                                                                                                                                                                                                                                                                                                                                                                                                                                      |                                                      |     |          |
| 11                          |            | [TCV_Cnt1=0]                                                                                                                                                                                                                                                                                                                                                                                                                                                                                                                                                            |                                                      |     |          |
| 12                          | L_008<br>6 | L?DL_RaInChRq (TCV_Rr := DL_RaInChRq.msg.ecau_rrf, TCV_Fn := DL_RaInChRq.fn)                                                                                                                                                                                                                                                                                                                                                                                                                                                                                            | ChReq( ChRequest_04)                                 | (P) | 3.       |
| 13                          |            | L!DL_UdatRqImmassRej                                                                                                                                                                                                                                                                                                                                                                                                                                                                                                                                                    | ImmAssRej( TCV_agch, ImmAsgnRej_01( TCV_Rr, TCV_Fn)) |     |          |
| 14                          |            | (TCV_Cnt1 := TCV_Cnt1 +1)                                                                                                                                                                                                                                                                                                                                                                                                                                                                                                                                               |                                                      |     |          |
| 15                          |            | [TCV_Cnt1=1]                                                                                                                                                                                                                                                                                                                                                                                                                                                                                                                                                            |                                                      |     |          |
| 16                          | L_008<br>7 | L?DL_RaInChRq (TCV_Rr := DL_RaInChRq.msg.ecau_rrf, TCV_Fn := DL_RaInChRq.fn)                                                                                                                                                                                                                                                                                                                                                                                                                                                                                            | ChReq( ChRequest_03)                                 | (P) | 4.       |
| 17                          |            | L!DL_UdatRqImmassRej                                                                                                                                                                                                                                                                                                                                                                                                                                                                                                                                                    | ImmAssRej( TCV_agch, ImmAsgnRej_01( TCV_Rr, TCV_Fn)) |     |          |
| 18                          |            | (TCV_Cnt1 := TCV_Cnt1 +1)                                                                                                                                                                                                                                                                                                                                                                                                                                                                                                                                               |                                                      |     |          |
|                             |            | <b>localtree</b>                                                                                                                                                                                                                                                                                                                                                                                                                                                                                                                                                        |                                                      |     |          |
| 19                          |            | [TCV_Cnt1=0]                                                                                                                                                                                                                                                                                                                                                                                                                                                                                                                                                            |                                                      |     |          |
| 20                          |            | L?DL_RaInChRq                                                                                                                                                                                                                                                                                                                                                                                                                                                                                                                                                           | ChReq( ChRequest_04)                                 |     | 3.       |
| 21                          |            | (TCV_Cnt := TCV_Cnt +1)                                                                                                                                                                                                                                                                                                                                                                                                                                                                                                                                                 |                                                      |     |          |
| 22                          |            | [TCV_Cnt1=1]                                                                                                                                                                                                                                                                                                                                                                                                                                                                                                                                                            |                                                      |     |          |

|                                                                              |                         |                         |    |
|------------------------------------------------------------------------------|-------------------------|-------------------------|----|
| 23                                                                           | L?DL_RacInChRq          | ChReq(<br>ChRequest_03) | 4. |
| 24                                                                           | (TCV_Cnt := TCV_Cnt +1) |                         |    |
| <b>Detailed Comments:</b>                                                    |                         |                         |    |
| 1. The Max_retrans =7. TCV_Cnt1 value stands for NECI bit value.             |                         |                         |    |
| 2. To attempt a non call related supplementary service at the MS under test. |                         |                         |    |
| 3. The establishment cause shall be '111'B (NECI = 0).                       |                         |                         |    |
| 4. The establishment cause shall be '0001'B (NECI = 1).                      |                         |                         |    |

### Test Case Dynamic Behaviour

|                        |                                                                                                                                                                                                                                                                                                                                                                                                                                                                                                 |
|------------------------|-------------------------------------------------------------------------------------------------------------------------------------------------------------------------------------------------------------------------------------------------------------------------------------------------------------------------------------------------------------------------------------------------------------------------------------------------------------------------------------------------|
| <b>Test Case Name:</b> | TC_26_2_4_8                                                                                                                                                                                                                                                                                                                                                                                                                                                                                     |
| <b>Group:</b>          | GSM_L3_MS_v4210/InitialTest/                                                                                                                                                                                                                                                                                                                                                                                                                                                                    |
| <b>Purpose:</b>        | To verify that the establishment cause sent by the MS in the Max-Retrans+1 CHANNEL REQUEST messages is consistent with the requested service, with the capabilities of the MS and with the indications of the network in the following case:<br>If the MS supports SMS/PP MO:<br>when the NECI bit is set to 0 and a mobile originated short message service transaction is attempted.<br>when the NECI bit is set to 1 and a mobile originated short message service transaction is attempted. |
| <b>Default:</b>        | OtherEventsFail                                                                                                                                                                                                                                                                                                                                                                                                                                                                                 |

| Nr | Label      | Behaviour Description                                                                                                                                                                                                                                                                                                                                                                                                                                                                                                                                                   | CRef                                                          | V   | Comments |
|----|------------|-------------------------------------------------------------------------------------------------------------------------------------------------------------------------------------------------------------------------------------------------------------------------------------------------------------------------------------------------------------------------------------------------------------------------------------------------------------------------------------------------------------------------------------------------------------------------|---------------------------------------------------------------|-----|----------|
| 1  |            | START T_guard(600)                                                                                                                                                                                                                                                                                                                                                                                                                                                                                                                                                      |                                                               |     |          |
| 2  |            | +IdleUpdated( C_E_default, C_CellA, C_SCH_A, C_BCCH_A_1, C_Immass, C_S0, C_SlotNU, C_SlotNU, C_SlotNU, C_BCC, C_TxInt_5, C_Max_7, C_NECI_0, C_ATT_0, TimingAdv( 0), C_BABR_0, C_cch_1Comb, C_BPM_3, C_T3212_0, C_ci_cellA, C_MCC_1, C_PLMN_1, C_LAC_1, CellOpt_01, CellChDes_Omit, CellChDes_Omit, C_CellReselectHys12, C_MaxPwrLvlG, C_MaxPwrLvlD, BcchFreqLst_45, BcchFreqLst_02, BcchFreqLst_03, BcchFreqLst_04, C_Restablishment, C_BCC, C_NCC, C_Start_Tmsi, TSPX_SDCCH4SubDef, TSPX_CKSNDDef, TSPX_RANDDef, C_arfcnA, C_arfcnAd, TSPX_IMSI, C_Test_nfh, C_NCCP_2) |                                                               |     |          |
| 3  |            | (TCV_Cnt1:=0)                                                                                                                                                                                                                                                                                                                                                                                                                                                                                                                                                           |                                                               |     |          |
| 4  |            | REPEAT ltree_main UNTIL [TCV_Cnt1 = 2]                                                                                                                                                                                                                                                                                                                                                                                                                                                                                                                                  |                                                               |     |          |
|    |            | <b>ltree_main</b>                                                                                                                                                                                                                                                                                                                                                                                                                                                                                                                                                       |                                                               |     |          |
| 5  |            | +SysInfoSending_nfh( C_SCH_A, C_BCCH_A_1, C_TxInt_5, C_Max_7, TCV_Cnt1, C_ATT_0, C_BABR_0, C_cch_1Comb, C_BPM_3, C_T3212_0, C_ci_cellA, C_MCC_1, C_PLMN_1, C_LAC_1, CellOpt_01, C_CellReselectHys12, C_MaxPwrLvlG, C_MaxPwrLvlD, BcchFreqLst_45, BcchFreqLst_02, BcchFreqLst_03, BcchFreqLst_04, C_Restablishment, C_BCC, C_NCC, C_NCCP_2)                                                                                                                                                                                                                              |                                                               |     | 1.       |
| 6  |            | (TCV_Ccd0A := TCV_Ccd0H, TCV_sysinfo5 := TCV_sysinfo5, TCV_sysinfo6 := TCV_sysinfo6)                                                                                                                                                                                                                                                                                                                                                                                                                                                                                    |                                                               |     |          |
| 7  |            | +SysInfo_SacchSending( TCV_sacch, TCV_sysinfo5, TCV_sysinfo6)                                                                                                                                                                                                                                                                                                                                                                                                                                                                                                           |                                                               |     |          |
| 8  | body       | +AtmpShortMsg                                                                                                                                                                                                                                                                                                                                                                                                                                                                                                                                                           |                                                               |     | 2.       |
| 9  |            | (TCV_Cnt :=0)                                                                                                                                                                                                                                                                                                                                                                                                                                                                                                                                                           |                                                               |     |          |
| 10 |            | REPEAT localtree UNTIL [TCV_Cnt=7]                                                                                                                                                                                                                                                                                                                                                                                                                                                                                                                                      |                                                               |     |          |
| 11 |            | [TCV_Cnt1=0]                                                                                                                                                                                                                                                                                                                                                                                                                                                                                                                                                            |                                                               |     |          |
| 12 | L_008<br>8 | L?DL_RaInChRq (TCV_Rr := DL_RaInChRq.msg.ecau_rrf, TCV_Fn := DL_RaInChRq.fn)                                                                                                                                                                                                                                                                                                                                                                                                                                                                                            | ChReq(<br>ChRequest_04)                                       | (P) | 3.       |
| 13 |            | LIDL_UdatRqImmassRej                                                                                                                                                                                                                                                                                                                                                                                                                                                                                                                                                    | ImmAssRej(<br>TCV_agch,<br>ImmAsgnRej_01(<br>TCV_Rr, TCV_Fn)) |     |          |
| 14 |            | (TCV_Cnt1 := TCV_Cnt1 +1)                                                                                                                                                                                                                                                                                                                                                                                                                                                                                                                                               |                                                               |     |          |
| 15 |            | [TCV_Cnt1=1]                                                                                                                                                                                                                                                                                                                                                                                                                                                                                                                                                            |                                                               |     |          |
| 16 | L_008<br>9 | L?DL_RaInChRq (TCV_Rr := DL_RaInChRq.msg.ecau_rrf, TCV_Fn := DL_RaInChRq.fn)                                                                                                                                                                                                                                                                                                                                                                                                                                                                                            | ChReq(<br>ChRequest_03)                                       | (P) | 4.       |
| 17 |            | LIDL_UdatRqImmassRej                                                                                                                                                                                                                                                                                                                                                                                                                                                                                                                                                    | ImmAssRej(<br>TCV_agch,<br>ImmAsgnRej_01(<br>TCV_Rr, TCV_Fn)) |     |          |
| 18 |            | (TCV_Cnt1 := TCV_Cnt1 +1)                                                                                                                                                                                                                                                                                                                                                                                                                                                                                                                                               |                                                               |     |          |
|    |            | <b>localtree</b>                                                                                                                                                                                                                                                                                                                                                                                                                                                                                                                                                        |                                                               |     |          |
| 19 |            | [TCV_Cnt1=0]                                                                                                                                                                                                                                                                                                                                                                                                                                                                                                                                                            |                                                               |     |          |
| 20 |            | L?DL_RaInChRq                                                                                                                                                                                                                                                                                                                                                                                                                                                                                                                                                           | ChReq(<br>ChRequest_04)                                       |     | 3.       |



|    |                         |                         |  |    |
|----|-------------------------|-------------------------|--|----|
| 21 | (TCV_Cnt := TCV_Cnt +1) |                         |  |    |
| 22 | [TCV_Cnt1=1]            |                         |  |    |
| 23 | L?DL_RacInChRq          | ChReq(<br>ChRequest_03) |  | 4. |
| 24 | (TCV_Cnt := TCV_Cnt +1) |                         |  |    |

**Detailed Comments:**

1. The Max\_retrans =7. TCV\_Cnt1 value stands for NECI bit value.
2. To attempt a mobile originated short message service transaction at the MS under test.
3. The establishment cause shall be '111'B (NECI = 0).
4. The establishment cause shall be '0001'B (NECI = 1).

### Test Group IdleMode

| Test Case Dynamic Behaviour |       |                                                                                                                                                                                                                                                                                                                                                                                                                                                                                                                                                                             |      |   |          |
|-----------------------------|-------|-----------------------------------------------------------------------------------------------------------------------------------------------------------------------------------------------------------------------------------------------------------------------------------------------------------------------------------------------------------------------------------------------------------------------------------------------------------------------------------------------------------------------------------------------------------------------------|------|---|----------|
| <b>Test Case Name:</b>      |       | TC_26_3_2                                                                                                                                                                                                                                                                                                                                                                                                                                                                                                                                                                   |      |   |          |
| <b>Group:</b>               |       | GSM_L3_MS_v4210/IdleMode/                                                                                                                                                                                                                                                                                                                                                                                                                                                                                                                                                   |      |   |          |
| <b>Purpose:</b>             |       | To verify that a MS can present the available PLMNs to the user when asked to do so in manual mode according to the requirements of GSM 05.08 and 02.11.                                                                                                                                                                                                                                                                                                                                                                                                                    |      |   |          |
| <b>Default:</b>             |       | OtherEventsFail                                                                                                                                                                                                                                                                                                                                                                                                                                                                                                                                                             |      |   |          |
| <b>Comments:</b>            |       | For the test the SIM shall contain a PLMN-Selector that contains only the HPLMN and a empty forbidden PLMN list. Final verdict is assigned in the test step PLMNsCHK                                                                                                                                                                                                                                                                                                                                                                                                        |      |   |          |
| Nr                          | Label | Behaviour Description                                                                                                                                                                                                                                                                                                                                                                                                                                                                                                                                                       | CRef | V | Comments |
| 1                           |       | START T_guard(300)                                                                                                                                                                                                                                                                                                                                                                                                                                                                                                                                                          |      |   |          |
| 2                           |       | +IdleUpdated( 65, C_CellA, C_SCH_A, C_BCCH_A_1, C_Immass, C_S0, C_SlotNU, C_SlotNU, C_SlotNU, C_BCC, C_TxInt_10, C_Max_2, C_NECI_0, C_ATT_0, TimingAdv( 0), C_BABR_1, C_cch_1Comb, C_BPM_2, C_T3212_0, C_ci_cellA, C_MCC_2, C_PLMN_4, C_LAC_1, CellOpt_02, CellChDes_Omit, CellChDes_Omit, C_CellReselectHys4, TSPX_MSTxpwrMax, TSPX_MSTxpwrMax, BcchFreqLst_05, BcchFreqLst_05, BcchFreqLst_13, BcchFreqLst_13, C_noReestablishment, C_BCC, C_NCC_0, C_Start_Tmsi, TSPX_SDCCH4SubDef, TSPX_CKSNDef, TSPX_RANDDef, C_arfcn_1, C_arfcnAd_1, TSPX_IMSI, C_Test_nfh, C_NCCP_2) |      |   |          |
| 3                           |       | +MM_PwrOrSimOff(C_SIMIn)                                                                                                                                                                                                                                                                                                                                                                                                                                                                                                                                                    |      |   |          |
| 4                           |       | +StartMultiCells_01(C_Immass, TCV_slot, TCV_tsc, TimingAdv( 0), C_ATT_0, C_BABR_1, C_cch_1Comb, C_BPM_2, C_T3212_0, C_MCC_3, C_PLMN_5, C_MCC_4, C_PLMN_6, C_MCC_5, C_PLMN_7, C_MCC_6, C_PLMN_8, C_MCC_7, C_PLMN_9, C_MCC_8, C_PLMN_10, C_MCC_1, C_PLMN_1, C_LAC_1)                                                                                                                                                                                                                                                                                                          |      |   |          |
| 5                           | body  | +MM_PwrOrSimOn(C_SIMIn)                                                                                                                                                                                                                                                                                                                                                                                                                                                                                                                                                     |      |   |          |
| 6                           |       | (TCV_Null := OO_PLMNselModeMan())                                                                                                                                                                                                                                                                                                                                                                                                                                                                                                                                           |      |   |          |
| 7                           |       | +PLMNsCHK                                                                                                                                                                                                                                                                                                                                                                                                                                                                                                                                                                   |      |   |          |
| 8                           |       | (TCV_Null := OO_PLMNselModeAuto())                                                                                                                                                                                                                                                                                                                                                                                                                                                                                                                                          |      |   | 1.       |

**Detailed Comments:**

1. Final verdict is assigned in the test step.

| Test Case Dynamic Behaviour                                                                                                                                                                                |       |                                                                                                                                                                                                                                                                                                                                                                                                                                                                                                                                                                                                                        |      |   |          |
|------------------------------------------------------------------------------------------------------------------------------------------------------------------------------------------------------------|-------|------------------------------------------------------------------------------------------------------------------------------------------------------------------------------------------------------------------------------------------------------------------------------------------------------------------------------------------------------------------------------------------------------------------------------------------------------------------------------------------------------------------------------------------------------------------------------------------------------------------------|------|---|----------|
| <b>Test Case Name:</b> TC_26_3_3                                                                                                                                                                           |       |                                                                                                                                                                                                                                                                                                                                                                                                                                                                                                                                                                                                                        |      |   |          |
| <b>Group:</b> GSM_L3_MS_v4210/IdleMode/                                                                                                                                                                    |       |                                                                                                                                                                                                                                                                                                                                                                                                                                                                                                                                                                                                                        |      |   |          |
| <b>Purpose:</b> To verify that the MS will not produce any RF transmission if no BSS is received.                                                                                                          |       |                                                                                                                                                                                                                                                                                                                                                                                                                                                                                                                                                                                                                        |      |   |          |
| <b>Default:</b> OtherEventsFail                                                                                                                                                                            |       |                                                                                                                                                                                                                                                                                                                                                                                                                                                                                                                                                                                                                        |      |   |          |
| <b>Comments:</b> For the test the SIM shall contain a PLMN-Selector that contains only the HPLMN and a empty forbidden PLMN list. Final verdict is assigned in the test steps ServiceIndCHK and RFtransCHK |       |                                                                                                                                                                                                                                                                                                                                                                                                                                                                                                                                                                                                                        |      |   |          |
| Nr                                                                                                                                                                                                         | Label | Behaviour Description                                                                                                                                                                                                                                                                                                                                                                                                                                                                                                                                                                                                  | CRef | V | Comments |
| 1                                                                                                                                                                                                          |       | START T_guard(300)                                                                                                                                                                                                                                                                                                                                                                                                                                                                                                                                                                                                     |      |   |          |
| 2                                                                                                                                                                                                          |       | +BasicServiceMO( TSPX_MOBscSvcB,<br>TSPX_MOChRateB)                                                                                                                                                                                                                                                                                                                                                                                                                                                                                                                                                                    |      |   |          |
| 3                                                                                                                                                                                                          |       | +IdleUpdated( 65, C_CellA, C_SCH_A,<br>C_BCCH_A_1, C_Immass, C_S0, C_SlotNU,<br>C_SlotNU, C_SlotNU, C_BCC, C_TxInt_10,<br>C_Max_2, C_NECI_0, C_ATT_0, TimingAdv( 0),<br>C_BABR_1, C_cch_1Comb, C_BPM_2,<br>C_T3212_0, C_ci_cellA, C_MCC_2, C_PLMN_4,<br>C_LAC_1, CellOpt_02, CellChDes_Omit,<br>CellChDes_Omit, C_CellReselectHys4,<br>TSPX_MSTxpwrMax, TSPX_MSTxpwrMax,<br>BcchFreqLst_05, BcchFreqLst_05,<br>BcchFreqLst_13, BcchFreqLst_13,<br>C_noRestablishment, C_BCC, C_NCC_0,<br>C_Start_Tmsi, TSPX_SDCCH4SubDef,<br>TSPX_CKSNDf, TSPX_RANDDef, C_arfcn_1,<br>C_arfcnAd_1, TSPX_IMSI, C_Test_nfh,<br>C_NCCP_2) |      |   |          |
| 4                                                                                                                                                                                                          |       | +StartMultiCells_01(C_Immass, TCV_slot,<br>TCV_tsc, TimingAdv( 0), 0, '001'B, '001'B,<br>'010'B, '00'O, C_MCC_3, C_PLMN_5,<br>C_MCC_4, C_PLMN_6, C_MCC_5,<br>C_PLMN_7, C_MCC_6, C_PLMN_8,<br>C_MCC_7, C_PLMN_9, C_MCC_8,<br>C_PLMN_10, C_MCC_1, C_PLMN_1,<br>C_LAC_1)                                                                                                                                                                                                                                                                                                                                                  |      |   |          |
| 5                                                                                                                                                                                                          | body  | +StopAllBCCH                                                                                                                                                                                                                                                                                                                                                                                                                                                                                                                                                                                                           |      |   |          |
| 6                                                                                                                                                                                                          |       | START T_dly(20000)                                                                                                                                                                                                                                                                                                                                                                                                                                                                                                                                                                                                     |      |   |          |
| 7                                                                                                                                                                                                          |       | ?TIMEOUT T_dly                                                                                                                                                                                                                                                                                                                                                                                                                                                                                                                                                                                                         |      |   |          |
| 8                                                                                                                                                                                                          |       | +InitCall(TCV_Service)                                                                                                                                                                                                                                                                                                                                                                                                                                                                                                                                                                                                 |      |   |          |
| 9                                                                                                                                                                                                          |       | +RFtransCHK                                                                                                                                                                                                                                                                                                                                                                                                                                                                                                                                                                                                            |      |   | 1.       |
| 10                                                                                                                                                                                                         |       | [TSPC_Serv_TS12]                                                                                                                                                                                                                                                                                                                                                                                                                                                                                                                                                                                                       |      |   |          |
| 11                                                                                                                                                                                                         |       | +InitCall(C_EmgCall)                                                                                                                                                                                                                                                                                                                                                                                                                                                                                                                                                                                                   |      |   |          |
| 12                                                                                                                                                                                                         |       | +RFtransCHK                                                                                                                                                                                                                                                                                                                                                                                                                                                                                                                                                                                                            |      |   | 1.       |
| 13                                                                                                                                                                                                         |       | [NOT TSPC_Serv_TS12]                                                                                                                                                                                                                                                                                                                                                                                                                                                                                                                                                                                                   |      |   |          |
| <b>Detailed Comments:</b> 1. The verdict is assigned in these test steps.                                                                                                                                  |       |                                                                                                                                                                                                                                                                                                                                                                                                                                                                                                                                                                                                                        |      |   |          |

| Test Case Dynamic Behaviour |        |                                                                                                                                                                                                                                                                                                                                                                                                                                                                                                                                                                |                                                                                                                           |     |                         |
|-----------------------------|--------|----------------------------------------------------------------------------------------------------------------------------------------------------------------------------------------------------------------------------------------------------------------------------------------------------------------------------------------------------------------------------------------------------------------------------------------------------------------------------------------------------------------------------------------------------------------|---------------------------------------------------------------------------------------------------------------------------|-----|-------------------------|
| <b>Test Case Name:</b>      |        | TC_26_3_4                                                                                                                                                                                                                                                                                                                                                                                                                                                                                                                                                      |                                                                                                                           |     |                         |
| <b>Group:</b>               |        | GSM_L3_MS_v4210/IdleMode/                                                                                                                                                                                                                                                                                                                                                                                                                                                                                                                                      |                                                                                                                           |     |                         |
| <b>Purpose:</b>             |        | To verify that in manual mode the MS is able to obtain normal service on a PLMN which is neither the better nor a preferred PLMN and that it tries to obtain service on VPLMN if and only if the user selects it manually.                                                                                                                                                                                                                                                                                                                                     |                                                                                                                           |     |                         |
| <b>Default:</b>             |        | OtherEventsFail                                                                                                                                                                                                                                                                                                                                                                                                                                                                                                                                                |                                                                                                                           |     |                         |
| <b>Comments:</b>            |        | For the test the preferred PLMN list of the SIM does not contain PLMN2('02'O) but contains PLMN3('03'O). The MS shall be set to manual mode before the test starts.                                                                                                                                                                                                                                                                                                                                                                                            |                                                                                                                           |     |                         |
| Nr                          | Label  | Behaviour Description                                                                                                                                                                                                                                                                                                                                                                                                                                                                                                                                          | CRef                                                                                                                      | V   | Comments                |
| 1                           |        | START T_guard(600)                                                                                                                                                                                                                                                                                                                                                                                                                                                                                                                                             |                                                                                                                           |     |                         |
| 2                           |        | +IdleUpdated( 38, C_CellA, C_SCH_A, C_BCCH_A_1, C_Immass, C_S0, C_SlotNU, C_SlotNU, C_SlotNU, C_BCC, C_TxInt_5, C_Max_1, C_NECI_0, C_ATT_0, TimingAdv( 0), C_BABR_0, C_cch_1Comb, C_BPM_3, C_T3212_0, C_ci_cellA, C_MCC_1, C_PLMN_1, C_LAC_1, CellOpt_01, CellChDes_Omit, CellChDes_Omit, C_CellReselectHys12, C_MaxPwrLvIG, C_MaxPwrLvID, BcchFreqLst_45, BcchFreqLst_02, BcchFreqLst_03, BcchFreqLst_04, C_Restablishment, C_BCC, C_NCC_2, C_Start_Tmsi, TSPX_SDCCH4SubDef, TSPX_CKSNDf, TSPX_RANDDef, C_arfcnA, C_arfcnAd, TSPX_IMSI, C_Test_nfh, C_NCCP_2) |                                                                                                                           |     |                         |
| 3                           |        | +StartCellB_1( 33, C_Immass, TCV_slot, TCV_tsc, TimingAdv( 0), C_ATT_0, C_BABR_0, C_cch_1Comb, C_BPM_3, C_T3212_0, C_MCC_1, C_PLMN_2, C_LAC_2, C_noRestablishment, C_BCC, C_NCC)                                                                                                                                                                                                                                                                                                                                                                               |                                                                                                                           |     |                         |
| 4                           |        | (TCV_Null := OO_PLMNselModeMan())                                                                                                                                                                                                                                                                                                                                                                                                                                                                                                                              |                                                                                                                           |     |                         |
| 5                           |        | +ltree_body                                                                                                                                                                                                                                                                                                                                                                                                                                                                                                                                                    |                                                                                                                           |     |                         |
|                             |        | <b>ltree_body</b>                                                                                                                                                                                                                                                                                                                                                                                                                                                                                                                                              |                                                                                                                           |     |                         |
| 6                           |        | (TCV_Null := OM_StopCell( C_CellA))                                                                                                                                                                                                                                                                                                                                                                                                                                                                                                                            |                                                                                                                           |     |                         |
| 7                           |        | +NoReaction( 120000)                                                                                                                                                                                                                                                                                                                                                                                                                                                                                                                                           |                                                                                                                           |     | 1.                      |
| 8                           |        | +StartCellA_1( 48, C_Immass, TCV_slot, TCV_tsc, TimingAdv( 0), C_TxInt_5, C_Max_1, C_NECI_0, C_ATT_0, C_BABR_0, C_cch_1Comb, C_BPM_3, C_T3212_0, C_MCC_1, C_PLMN_3, C_LAC_1, BcchFreqLst_45, BcchFreqLst_02, BcchFreqLst_03, BcchFreqLst_04, C_Restablishment)                                                                                                                                                                                                                                                                                                 |                                                                                                                           |     |                         |
| 9                           |        | +NoReaction( 120000)                                                                                                                                                                                                                                                                                                                                                                                                                                                                                                                                           |                                                                                                                           |     | 1.                      |
| 10                          |        | (TCV_Null := OO_SelPLMN( C_PLMN_2))                                                                                                                                                                                                                                                                                                                                                                                                                                                                                                                            |                                                                                                                           |     |                         |
| 11                          |        | L?DL_RacInChRq (TCV_Rr := DL_RacInChRq.msg.ecau_rrf, TCV_Fn := DL_RacInChRq.fn)                                                                                                                                                                                                                                                                                                                                                                                                                                                                                | ChReq( ChRequest_02)                                                                                                      |     |                         |
| 12                          |        | ACTIVATE( OtherEventsFail_02)                                                                                                                                                                                                                                                                                                                                                                                                                                                                                                                                  |                                                                                                                           |     | To match ChReq retrans. |
| 13                          |        | L!DL_UdatRqImmass                                                                                                                                                                                                                                                                                                                                                                                                                                                                                                                                              | ImmAss( TCV_agch, ImmAsgn_01Def( TCV_Rr, TCV_Fn, TSPX_SDCCH4SubDef, TCV_slot, TCV_tsc, TCV_chdescr_arfcn, TimingAdv( 0))) |     |                         |
| 14                          | L_0090 | L?DL_EstInLupRq                                                                                                                                                                                                                                                                                                                                                                                                                                                                                                                                                | LocUp( TCV_ch, LocUpdtReq_05)                                                                                             | (P) | 2.                      |
| 15                          |        | ACTIVATE( OtherEventsFail)                                                                                                                                                                                                                                                                                                                                                                                                                                                                                                                                     |                                                                                                                           |     | Restore Normal default  |
| 16                          |        | L!DL_DatRqLupAcp                                                                                                                                                                                                                                                                                                                                                                                                                                                                                                                                               | LocAcp( TCV_ch, LocUpdtAcp_01( MiMsi_omit, C_MCC_1, C_PLMN_1, C_LAC_1))                                                   |     |                         |
| 17                          |        | +PostMainLinkRel( TCV_ch)                                                                                                                                                                                                                                                                                                                                                                                                                                                                                                                                      |                                                                                                                           |     |                         |
| 18                          |        | (TCV_Null := OM_StopCell( C_CellB))                                                                                                                                                                                                                                                                                                                                                                                                                                                                                                                            |                                                                                                                           |     |                         |
| 19                          |        | +NoReaction( 120000)                                                                                                                                                                                                                                                                                                                                                                                                                                                                                                                                           |                                                                                                                           |     | 1.                      |

|                           |  |                                                                                                                                                                                                     |  |  |
|---------------------------|--|-----------------------------------------------------------------------------------------------------------------------------------------------------------------------------------------------------|--|--|
| 20                        |  | (TCV_Null :=<br>OO_PLMNselModeAuto()<br>)                                                                                                                                                           |  |  |
| <b>Detailed Comments:</b> |  | 1. During 2 minutes the MS does not send any CHANNEL REQUEST, pass. If the MS does the test case fail in the default tree.<br>2. The expected LOCATION UPDATING REQUEST message received on Cell B. |  |  |

## Test Group BiBo

| Test Case Dynamic Behaviour |            |                                                                                                                                                                                                                                                                                                                                                                                                                                                                                                                                                                          |                                           |     |          |
|-----------------------------|------------|--------------------------------------------------------------------------------------------------------------------------------------------------------------------------------------------------------------------------------------------------------------------------------------------------------------------------------------------------------------------------------------------------------------------------------------------------------------------------------------------------------------------------------------------------------------------------|-------------------------------------------|-----|----------|
| <b>Test Case Name:</b>      |            | TC_26_5_1                                                                                                                                                                                                                                                                                                                                                                                                                                                                                                                                                                |                                           |     |          |
| <b>Group:</b>               |            | GSM_L3_MS_v4210/BiBo/                                                                                                                                                                                                                                                                                                                                                                                                                                                                                                                                                    |                                           |     |          |
| <b>Purpose:</b>             |            | To verify that a MS supporting TCH and the call control protocol ignores a message containing an undefined protocol discriminator in the special case of a message coded otherwise like a CC STATUS ENQUIRY message received by the MS having a mobile terminating call in CC-state U10, "active".                                                                                                                                                                                                                                                                       |                                           |     |          |
| <b>Default:</b>             |            | OtherEventsFail                                                                                                                                                                                                                                                                                                                                                                                                                                                                                                                                                          |                                           |     |          |
| Nr                          | Label      | Behaviour Description                                                                                                                                                                                                                                                                                                                                                                                                                                                                                                                                                    | CRef                                      | V   | Comments |
| 1                           |            | START T_guard(300)                                                                                                                                                                                                                                                                                                                                                                                                                                                                                                                                                       |                                           |     |          |
| 2                           |            | +IdleUpdated( C_E_default, C_CellA, C_SCH_A, C_BCCH_A_1, C_ImmMass, C_S0, C_SlotNU, C_SlotNU, C_SlotNU, C_BCC, C_TxInt_5, C_Max_1, C_NECI_0, C_ATT_0, TimingAdv( 0), C_BABR_0, C_cch_1Comb, C_BPM_3, C_T3212_0, C_ci_cellA, C_MCC_1, C_PLMN_1, C_LAC_1, CellOpt_01, CellChDes_Omit, CellChDes_Omit, C_CellReselectHys12, C_MaxPwrLvlG, C_MaxPwrLvlD, BcchFreqLst_45, BcchFreqLst_02, BcchFreqLst_03, BcchFreqLst_04, C_Restablishment, C_BCC, C_NCC, C_Start_Tmsi, TSPX_SDCCH4SubDef, TSPX_CKSNDDef, TSPX_RANDDef, C_arfcnA, C_arfcnAd, TSPX_IMSI, C_Test_nfh, C_NCCP_2) |                                           |     |          |
| 3                           | body       | [TCV_CC]                                                                                                                                                                                                                                                                                                                                                                                                                                                                                                                                                                 |                                           |     | 1.       |
| 4                           |            | +BasicServiceMT( TSPX_MTBscSvcA, TSPX_MTChRateA)                                                                                                                                                                                                                                                                                                                                                                                                                                                                                                                         |                                           |     |          |
| 5                           |            | +CCConfigTCH( TSPX_TCHHSubDef, C_Ass, TSPX_TmSltDef, TSPX_TscDef, TimingAdv( 0), C_BABR_0, C_cch_1Comb, C_BPM_3, TCV_ChMod.mode, FreqTCH_omit, FreqTCH_omit, C_arfcn_tchA, C_arfcn_tchAd)                                                                                                                                                                                                                                                                                                                                                                                |                                           |     |          |
| 6                           |            | +PreEnterCCstateU10( TSPX_SDCCH4SubDef, TCV_Setup_mt, TSPX_TmSltDef, TSPX_TscDef, TimingAdv( 0), TSPX_CKSNDDef, TSPX_RANDDef)                                                                                                                                                                                                                                                                                                                                                                                                                                            |                                           |     |          |
| 7                           |            | !DL_DatRqUnknown                                                                                                                                                                                                                                                                                                                                                                                                                                                                                                                                                         | Unknown(TCV_chTch, UnknownMsg_01( TI_02)) |     | 2.       |
| 8                           |            | START T_dly(10000)                                                                                                                                                                                                                                                                                                                                                                                                                                                                                                                                                       |                                           |     |          |
| 9                           | L_009<br>1 | ?TIMEOUT T_dly                                                                                                                                                                                                                                                                                                                                                                                                                                                                                                                                                           |                                           | (P) |          |
| 10                          |            | +PostMainLinkRel( TCV_chTch)                                                                                                                                                                                                                                                                                                                                                                                                                                                                                                                                             |                                           |     |          |
| 11                          |            | [NOT TCV_CC]                                                                                                                                                                                                                                                                                                                                                                                                                                                                                                                                                             |                                           |     | 3.       |
| 12                          |            | +PreEstRRConn( TCV_slot, TCV_tsc, TimingAdv( 0))                                                                                                                                                                                                                                                                                                                                                                                                                                                                                                                         |                                           |     |          |
| 13                          |            | !DL_DatRqUnknown                                                                                                                                                                                                                                                                                                                                                                                                                                                                                                                                                         | Unknown( TCV_ch, UnknownMsg_02( TI_04))   |     | 4.       |
| 14                          |            | START T_dly(10000)                                                                                                                                                                                                                                                                                                                                                                                                                                                                                                                                                       |                                           |     |          |
| 15                          | L_009<br>2 | ?TIMEOUT T_dly                                                                                                                                                                                                                                                                                                                                                                                                                                                                                                                                                           |                                           | (P) |          |
| 16                          |            | +PostMainLinkRel( TCV_ch)                                                                                                                                                                                                                                                                                                                                                                                                                                                                                                                                                |                                           |     |          |
| <b>Detailed Comments:</b>   |            | 1. If the MS supports any bearer capability the test case goes through this branch.<br>2. To send a CC STATUS ENQUIRY alike unknown message on channel FACCH.<br>3. If the MS does not support any bearer capability the test case goes through this branch.<br>4. To send a CC STATUS ENQUIRY alike unknown message on channel SDCCH4.                                                                                                                                                                                                                                  |                                           |     |          |

| Test Case Dynamic Behaviour |            |                                                                                                                                                                                                                                                                                                                                                                                                                                                                                                                                                                         |                                                     |     |          |
|-----------------------------|------------|-------------------------------------------------------------------------------------------------------------------------------------------------------------------------------------------------------------------------------------------------------------------------------------------------------------------------------------------------------------------------------------------------------------------------------------------------------------------------------------------------------------------------------------------------------------------------|-----------------------------------------------------|-----|----------|
| <b>Test Case Name:</b>      |            | TC_26_5_2_1_1                                                                                                                                                                                                                                                                                                                                                                                                                                                                                                                                                           |                                                     |     |          |
| <b>Group:</b>               |            | GSM_L3_MS_v4210/BiBo/                                                                                                                                                                                                                                                                                                                                                                                                                                                                                                                                                   |                                                     |     |          |
| <b>Purpose:</b>             |            | To verify that the MS ignores an RR message with skip indicator different from H'0 in the special case of a PAGING REQUEST TYPE 1 message received in the MM-state "idle, updated" and in RR-idle mode.                                                                                                                                                                                                                                                                                                                                                                 |                                                     |     |          |
| <b>Default:</b>             |            | OtherEventsFail                                                                                                                                                                                                                                                                                                                                                                                                                                                                                                                                                         |                                                     |     |          |
| Nr                          | Label      | Behaviour Description                                                                                                                                                                                                                                                                                                                                                                                                                                                                                                                                                   | CRef                                                | V   | Comments |
| 1                           |            | START T_guard(300)                                                                                                                                                                                                                                                                                                                                                                                                                                                                                                                                                      |                                                     |     |          |
| 2                           |            | +IdleUpdated( C_E_default, C_CellA, C_SCH_A, C_BCCH_A_1, C_Immss, C_S0, C_SlotNU, C_SlotNU, C_SlotNU, C_BCC, C_TxInt_5, C_Max_1, C_NECI_0, C_ATT_0, TimingAdv( 0), C_BABR_0, C_cch_1Comb, C_BPM_3, C_T3212_0, C_ci_cellA, C_MCC_1, C_PLMN_1, C_LAC_1, CellOpt_01, CellChDes_Omit, CellChDes_Omit, C_CellReselectHys12, C_MaxPwrLvlG, C_MaxPwrLvlID, BcchFreqLst_45, BcchFreqLst_02, BcchFreqLst_03, BcchFreqLst_04, C_Restablishment, C_BCC, C_NCC, C_Start_Tmsi, TSPX_SDCCH4SubDef, TSPX_CKSNDDef, TSPX_RANDDef, C_arfcnA, C_arfcnAd, TSPX_IMSI, C_Test_nfh, C_NCCP_2) |                                                     |     |          |
| 3                           |            | (TCV_Cnt :=1)                                                                                                                                                                                                                                                                                                                                                                                                                                                                                                                                                           |                                                     |     |          |
| 4                           | body       | REPEAT localtree UNTIL [TCV_Cnt = 7]                                                                                                                                                                                                                                                                                                                                                                                                                                                                                                                                    |                                                     |     |          |
| 5                           |            | L!DL_UdatRqPg1Rq                                                                                                                                                                                                                                                                                                                                                                                                                                                                                                                                                        | PgReq1(TCV_PgCh, TCV_Pgg, PgReqTp1_inv_01(8))       |     | 1.       |
| 6                           |            | START T_dly(3000)                                                                                                                                                                                                                                                                                                                                                                                                                                                                                                                                                       |                                                     |     |          |
| 7                           | L_009<br>3 | ?TIMEOUT T_dly                                                                                                                                                                                                                                                                                                                                                                                                                                                                                                                                                          |                                                     | (P) |          |
| 8                           |            | <b>localtree</b><br>L!DL_UdatRqPg1Rq                                                                                                                                                                                                                                                                                                                                                                                                                                                                                                                                    | PgReq1(TCV_PgCh, TCV_Pgg, PgReqTp1_inv_01(TCV_Cnt)) |     | 1.       |
| 9                           |            | START T_dly( 3000)                                                                                                                                                                                                                                                                                                                                                                                                                                                                                                                                                      |                                                     |     |          |
| 10                          |            | ?TIMEOUT T_dly                                                                                                                                                                                                                                                                                                                                                                                                                                                                                                                                                          |                                                     |     |          |
| 11                          | L_009<br>4 | (TCV_Cnt := TCV_Cnt+1)                                                                                                                                                                                                                                                                                                                                                                                                                                                                                                                                                  |                                                     | (P) |          |
| <b>Detailed Comments:</b>   |            | 1. To send PAGING REQUEST TYPE 1 message with unknown skip indicator.                                                                                                                                                                                                                                                                                                                                                                                                                                                                                                   |                                                     |     |          |

| Test Case Dynamic Behaviour |       |                                                                                                                                                                                                                                                                                                                                                                                                                                                                                                                                                                    |                                                                                                                           |    |               |
|-----------------------------|-------|--------------------------------------------------------------------------------------------------------------------------------------------------------------------------------------------------------------------------------------------------------------------------------------------------------------------------------------------------------------------------------------------------------------------------------------------------------------------------------------------------------------------------------------------------------------------|---------------------------------------------------------------------------------------------------------------------------|----|---------------|
| <b>Test Case Name:</b>      |       | TC_26_5_2_1_2                                                                                                                                                                                                                                                                                                                                                                                                                                                                                                                                                      |                                                                                                                           |    |               |
| <b>Group:</b>               |       | GSM_L3_MS_v4210/BiBo/                                                                                                                                                                                                                                                                                                                                                                                                                                                                                                                                              |                                                                                                                           |    |               |
| <b>Purpose:</b>             |       | To verify that the MS ignores RR messages with skip indicator different from H'0 in the case of a message being received during the RR-connection establishment in the MM-state "idle, updated" / "wait for network command" and in RR-connected mode.                                                                                                                                                                                                                                                                                                             |                                                                                                                           |    |               |
| <b>Default:</b>             |       | RR-connected mode.<br>OtherEventsFail_01                                                                                                                                                                                                                                                                                                                                                                                                                                                                                                                           |                                                                                                                           |    |               |
| Nr                          | Label | Behaviour Description                                                                                                                                                                                                                                                                                                                                                                                                                                                                                                                                              | CRef                                                                                                                      | V  | Comments      |
| 1                           |       | START T_guard(300)                                                                                                                                                                                                                                                                                                                                                                                                                                                                                                                                                 |                                                                                                                           |    |               |
| 2                           |       | +IdleUpdated( C_E_default, C_CellA, C_SCH_A, C_BCCH_A_1, C_Imm, C_S0, C_SlotNU, C_SlotNU, C_SlotNU, C_BCC, C_TxInt_5, C_Max_2, C_NECI_0, C_ATT_0, TimingAdv( 0), C_BABR_0, C_cch_1Comb, C_BPM_3, C_T3212_0, C_ci_cellA, C_MCC_1, C_PLMN_1, C_LAC_1, CellOpt_01, CellChDes_Omit, CellChDes_Omit, C_CellReselectHys12, C_MaxPwrLvlG, C_MaxPwrLvlD, BcchFreqLst_45, BcchFreqLst_02, BcchFreqLst_03, BcchFreqLst_04, C_Restablishment, C_BCC, C_NCC, C_Start_Tmsi, TSPX_SDCCH4SubDef, TSPX_CKSNDf, TSPX_RANDDef, C_arfcnA, C_arfcnAd, TSPX_IMSI, C_Test_nfh, C_NCCP_2) |                                                                                                                           |    |               |
| 3                           | body  | LIDL_UdatRqPg1Rq                                                                                                                                                                                                                                                                                                                                                                                                                                                                                                                                                   | PgReq1(TCV_PgCh, TCV_Pgg, PgReqTp1_01)                                                                                    |    |               |
| 4                           |       | L?DL_RacInChRq (TCV_Rr := DL_RacInChRq.msg.ecau_rrf, TCV_Fn := DL_RacInChRq.fn)                                                                                                                                                                                                                                                                                                                                                                                                                                                                                    | ChReq(ChRequest_17)                                                                                                       |    |               |
| 5                           |       | LIDL_UdatRqImm START T_dly1(1000)                                                                                                                                                                                                                                                                                                                                                                                                                                                                                                                                  | ImmAss( TCV_agch, ImmAsgn_inv_01( TCV_Rr, TCV_Fn, TCV_slot, TCV_tsc, TCV_chdescr_arfcn, TimingAdv( 0)))                   | 2. |               |
| 6                           |       | +chRq_check                                                                                                                                                                                                                                                                                                                                                                                                                                                                                                                                                        |                                                                                                                           |    |               |
| 7                           |       | LIDL_UdatRqImmRej START T_dly1(1000)                                                                                                                                                                                                                                                                                                                                                                                                                                                                                                                               | ImmAssRej( TCV_agch, ImmAsgnRej_inv_01( TCV_Rr, TCV_Fn))                                                                  | 4. |               |
| 8                           |       | +chRq_check                                                                                                                                                                                                                                                                                                                                                                                                                                                                                                                                                        |                                                                                                                           |    |               |
| 9                           |       | +continue                                                                                                                                                                                                                                                                                                                                                                                                                                                                                                                                                          |                                                                                                                           |    |               |
| 10                          |       | <b>continue</b><br>LIDL_UdatRqImm                                                                                                                                                                                                                                                                                                                                                                                                                                                                                                                                  | ImmAss( TCV_agch, ImmAsgn_01Def( TCV_Rr, TCV_Fn, TSPX_SDCCH4SubDef, TCV_slot, TCV_tsc, TCV_chdescr_arfcn, TimingAdv( 0))) |    | valid message |
| 11                          |       | L?DL_EstInPgRes                                                                                                                                                                                                                                                                                                                                                                                                                                                                                                                                                    | PagingRes( PagingRes_01)                                                                                                  |    |               |
| 12                          |       | LIDL_DatRqAuthRq                                                                                                                                                                                                                                                                                                                                                                                                                                                                                                                                                   | AuthReq(TCV_ch, AuthRequest( TSPX_CKSNDf, TSPX_RANDDef))                                                                  |    |               |
| 13                          |       | L?DL_DatInAuthRes                                                                                                                                                                                                                                                                                                                                                                                                                                                                                                                                                  | AuthRes( AuthResponse)                                                                                                    |    |               |
| 14                          |       | LIDL_DatRqCphmCmd                                                                                                                                                                                                                                                                                                                                                                                                                                                                                                                                                  | CphCmd( TCV_ch, CphModeCmd_inv_02)                                                                                        | 5. |               |
| 15                          |       | LIDL_DatRqIdRq                                                                                                                                                                                                                                                                                                                                                                                                                                                                                                                                                     | IDReq(TCV_ch, IDRequest_01('0001' B))                                                                                     |    |               |
| 16                          |       | L?DL_DatInIdRes                                                                                                                                                                                                                                                                                                                                                                                                                                                                                                                                                    | IDRes( IDResponse_01)                                                                                                     |    |               |
| 17                          |       | LIDL_DatRqAssCmd                                                                                                                                                                                                                                                                                                                                                                                                                                                                                                                                                   | AssCmd(TCV_ch, AsgnCmd_inv_01( TCV_slot, TCV_tsc))                                                                        | 6. |               |

|    |            |                                                                                                   |  |                                                                                                       |     |    |
|----|------------|---------------------------------------------------------------------------------------------------|--|-------------------------------------------------------------------------------------------------------|-----|----|
| 18 |            | +check2                                                                                           |  |                                                                                                       |     |    |
| 19 |            | LIDL_DatRqHoCmd                                                                                   |  | HndOvSnd( TCV_ch,<br>HandOverCmd_inv_0<br>1( TCV_slot,<br>TCV_tsc, C_NCC_1,<br>C_BCC_3,<br>C_arfcnA)) |     | 7. |
| 20 |            | +check3                                                                                           |  |                                                                                                       |     |    |
| 21 |            | LIDL_DatRqChRel                                                                                   |  | ChRel( TCV_ch,<br>ChRelease_inv_02)                                                                   |     | 9. |
| 22 |            | LIDL_DatRqIdRq                                                                                    |  | IDReq(TCV_ch,<br>IDRequest_01('0001'<br>B))                                                           |     |    |
| 23 | L_009<br>5 | L?DL_DatInIdRes                                                                                   |  | IDRes(<br>IDResponse_01)                                                                              | (P) |    |
| 24 |            | +PostLinkRelEnd(<br>TCV_ch)                                                                       |  |                                                                                                       |     |    |
|    |            | <b>check2</b>                                                                                     |  |                                                                                                       |     |    |
| 25 |            | START T_dly(3000)                                                                                 |  |                                                                                                       |     |    |
| 26 | L_009<br>6 | L?DL_EstIn                                                                                        |  | DLEstIn( TCV_ch)                                                                                      | (F) |    |
| 27 | L_009<br>7 | ?TIMEOUT T_dly                                                                                    |  |                                                                                                       | (P) |    |
|    |            | <b>check3</b>                                                                                     |  |                                                                                                       |     |    |
| 28 |            | START T_dly(3000)                                                                                 |  |                                                                                                       |     | 8. |
| 29 |            | L?DL_EstIn                                                                                        |  | DLEstIn( TCV_ch)                                                                                      |     |    |
| 30 | L_009<br>8 | L?DL_DatInHofl                                                                                    |  | HndOvFIRcv(<br>TCV_ch,<br>HandOvFail_01)                                                              | (F) |    |
| 31 | L_009<br>9 | L?DL_DatInRrst                                                                                    |  | RrStatusRcv(<br>TCV_ch,<br>RRStatus_01)                                                               | (F) |    |
| 32 | L_010<br>0 | ?TIMEOUT T_dly                                                                                    |  |                                                                                                       | (P) |    |
|    |            | <b>chRq_check</b>                                                                                 |  |                                                                                                       |     |    |
| 33 | L_010<br>1 | L?DL_RaInChRq (TCV_Rr := DL_RaInChRq.<br>msg.ecau_rrf, TCV_Fn := DL_RaInChRq.fn)<br>CANCEL T_dly1 |  | ChReq(<br>ChRequest_17)                                                                               | (P) | 3. |
| 34 | L_010<br>2 | ?TIMEOUT T_dly1                                                                                   |  |                                                                                                       | (F) |    |

**Detailed Comments:**

1. To set the Max\_Retrans = 2.
2. To send an invalid IMMEDIATE ASSIGNMENT message with skip indicator = 1.
3. Retransmission of Channel request within 1s indicates that mobile ignored the message with invalid skip indicator.
4. To send an invalid IMMEDIATE ASSIGNMENT REJECT message with skip indicator = 2.
5. To send an invalid CIPHERING MODE COMMAND message with skip indicator = 3.
6. To send an invalid ASSIGNMENT COMMAND message with skip indicator = 4.
7. To send an invalid HANDOVER COMMAND message with skip indicator = 5.
8. To check that there is no HANDOVER FAILURE or RR-STATUS message on old channel.
9. To send an invalid CHANNEL RELEASE message with skip indicator = 6.

| Test Case Dynamic Behaviour |            |                                                                                                                                                                                                                                                                                                                                                                                                                                                                                                                                                                    |                                                 |     |          |
|-----------------------------|------------|--------------------------------------------------------------------------------------------------------------------------------------------------------------------------------------------------------------------------------------------------------------------------------------------------------------------------------------------------------------------------------------------------------------------------------------------------------------------------------------------------------------------------------------------------------------------|-------------------------------------------------|-----|----------|
| <b>Test Case Name:</b>      |            | TC_26_5_2_2                                                                                                                                                                                                                                                                                                                                                                                                                                                                                                                                                        |                                                 |     |          |
| <b>Group:</b>               |            | GSM_L3_MS_v4210/BiBo/                                                                                                                                                                                                                                                                                                                                                                                                                                                                                                                                              |                                                 |     |          |
| <b>Purpose:</b>             |            | To verify that the MS ignores an MM message with skip indicator different from H'0 in the special case of an MS supporting the call control protocol and an IDENTITY REQUEST message received in the active state of a mobile terminating call.                                                                                                                                                                                                                                                                                                                    |                                                 |     |          |
| <b>Default:</b>             |            | OtherEventsFail_01                                                                                                                                                                                                                                                                                                                                                                                                                                                                                                                                                 |                                                 |     |          |
| Nr                          | Label      | Behaviour Description                                                                                                                                                                                                                                                                                                                                                                                                                                                                                                                                              | CRef                                            | V   | Comments |
| 1                           |            | START T_guard(300)                                                                                                                                                                                                                                                                                                                                                                                                                                                                                                                                                 |                                                 |     |          |
| 2                           |            | +IdleUpdated( C_E_default, C_CellA, C_SCH_A, C_BCCH_A_1, C_Imm, C_S0, C_SlotNU, C_SlotNU, C_SlotNU, C_BCC, C_TxInt_5, C_Max_1, C_NECI_0, C_ATT_0, TimingAdv( 0), C_BABR_0, C_cch_1Comb, C_BPM_3, C_T3212_0, C_ci_cellA, C_MCC_1, C_PLMN_1, C_LAC_1, CellOpt_01, CellChDes_Omit, CellChDes_Omit, C_CellReselectHys12, C_MaxPwrLvlG, C_MaxPwrLvlD, BcchFreqLst_45, BcchFreqLst_02, BcchFreqLst_03, BcchFreqLst_04, C_Restablishment, C_BCC, C_NCC, C_Start_Tmsi, TSPX_SDCCH4SubDef, TSPX_CKSNDf, TSPX_RANDDef, C_arfcnA, C_arfcnAd, TSPX_IMSI, C_Test_nfh, C_NCCP_2) |                                                 |     |          |
| 3                           | body       | [TCV_CC]                                                                                                                                                                                                                                                                                                                                                                                                                                                                                                                                                           |                                                 |     |          |
| 4                           |            | +BasicServiceMT( TSPX_MTBscSvcB, TSPX_MTChRateB)                                                                                                                                                                                                                                                                                                                                                                                                                                                                                                                   |                                                 |     |          |
| 5                           |            | +CCConfigTCH( TSPX_TCHHSubDef, C_Ass, TSPX_TmSltDef, TSPX_TscDef, TimingAdv( 0), C_BABR_0, C_cch_1Comb, C_BPM_3, TCV_ChMod.mode, FreqTCH_omit, FreqTCH_omit, C_arfcn_tchA, C_arfcn_tchAd)                                                                                                                                                                                                                                                                                                                                                                          |                                                 |     |          |
| 6                           |            | +PreEnterCCstateU10( TSPX_SDCCH4SubDef, TCV_Setup_mt, TSPX_TmSltDef, TSPX_TscDef, TimingAdv( 0), TSPX_CKSNDf, TSPX_RANDDef)                                                                                                                                                                                                                                                                                                                                                                                                                                        |                                                 |     | 1.       |
| 7                           |            | +maintest1                                                                                                                                                                                                                                                                                                                                                                                                                                                                                                                                                         |                                                 |     |          |
| 8                           |            | [NOT TCV_CC]                                                                                                                                                                                                                                                                                                                                                                                                                                                                                                                                                       |                                                 |     | 2.       |
| 9                           |            | +PreEstRRConn( TCV_slot, TCV_tsc, TimingAdv( 0))                                                                                                                                                                                                                                                                                                                                                                                                                                                                                                                   |                                                 |     |          |
| 10                          |            | +maintest2                                                                                                                                                                                                                                                                                                                                                                                                                                                                                                                                                         |                                                 |     |          |
| 11                          |            | <b>maintest1</b><br>(TCV_Cnt := 0)                                                                                                                                                                                                                                                                                                                                                                                                                                                                                                                                 |                                                 |     |          |
| 12                          |            | REPEAT subtree1 UNTIL [TCV_Cnt = 6]                                                                                                                                                                                                                                                                                                                                                                                                                                                                                                                                |                                                 |     |          |
| 13                          |            | LIDL_DatRqldRq                                                                                                                                                                                                                                                                                                                                                                                                                                                                                                                                                     | IDReq( TCV_chTch, IDRequest_inv_01( 8))         |     | 3.       |
| 14                          |            | START T_dly( 5000)                                                                                                                                                                                                                                                                                                                                                                                                                                                                                                                                                 |                                                 |     |          |
| 15                          | L_010<br>3 | ?TIMEOUT T_dly                                                                                                                                                                                                                                                                                                                                                                                                                                                                                                                                                     |                                                 | (P) |          |
| 16                          |            | +PostMainLinkRel(TCV_chTch)                                                                                                                                                                                                                                                                                                                                                                                                                                                                                                                                        |                                                 |     |          |
| 17                          |            | <b>maintest2</b><br>(TCV_Cnt := 0)                                                                                                                                                                                                                                                                                                                                                                                                                                                                                                                                 |                                                 |     |          |
| 18                          |            | REPEAT subtree2 UNTIL [TCV_Cnt = 6]                                                                                                                                                                                                                                                                                                                                                                                                                                                                                                                                |                                                 |     |          |
| 19                          |            | LIDL_DatRqldRq                                                                                                                                                                                                                                                                                                                                                                                                                                                                                                                                                     | IDReq( TCV_ch, IDRequest_inv_01( 8))            |     | 4.       |
| 20                          |            | START T_dly( 5000)                                                                                                                                                                                                                                                                                                                                                                                                                                                                                                                                                 |                                                 |     |          |
| 21                          | L_010<br>4 | ?TIMEOUT T_dly                                                                                                                                                                                                                                                                                                                                                                                                                                                                                                                                                     |                                                 | (P) |          |
| 22                          |            | +PostMainLinkRel(TCV_ch)                                                                                                                                                                                                                                                                                                                                                                                                                                                                                                                                           |                                                 |     |          |
| 23                          |            | <b>subtree1</b><br>LIDL_DatRqldRq                                                                                                                                                                                                                                                                                                                                                                                                                                                                                                                                  | IDReq( TCV_chTch, IDRequest_inv_01( TCV_Cnt+1)) |     | 3.       |



|                           |            |                                                                                                                                                                                                                                                                                                                                                                                                                                              |                                                    |     |    |
|---------------------------|------------|----------------------------------------------------------------------------------------------------------------------------------------------------------------------------------------------------------------------------------------------------------------------------------------------------------------------------------------------------------------------------------------------------------------------------------------------|----------------------------------------------------|-----|----|
| 24                        |            | START T_dly( 1000)                                                                                                                                                                                                                                                                                                                                                                                                                           |                                                    |     |    |
| 25                        | L_010<br>5 | ?TIMEOUT T_dly                                                                                                                                                                                                                                                                                                                                                                                                                               |                                                    | (P) |    |
| 26                        |            | (TCV_Cnt := TCV_Cnt + 1)                                                                                                                                                                                                                                                                                                                                                                                                                     |                                                    |     |    |
|                           |            | <b>subtree2</b>                                                                                                                                                                                                                                                                                                                                                                                                                              |                                                    |     |    |
| 27                        |            | L!DL_DatRqIdRq                                                                                                                                                                                                                                                                                                                                                                                                                               | IDReq( TCV_ch,<br>IDRequest_inv_01(<br>TCV_Cnt+1)) |     | 4. |
| 28                        |            | START T_dly( 1000)                                                                                                                                                                                                                                                                                                                                                                                                                           |                                                    |     |    |
| 29                        | L_010<br>6 | ?TIMEOUT T_dly                                                                                                                                                                                                                                                                                                                                                                                                                               |                                                    | (P) |    |
| 30                        |            | (TCV_Cnt := TCV_Cnt + 1)                                                                                                                                                                                                                                                                                                                                                                                                                     |                                                    |     |    |
| <b>Detailed Comments:</b> |            | <ol style="list-style-type: none"> <li>1. This subtree is for the MS supporting at least one bearer capability.</li> <li>2. This subtree is for the MS not supporting any bearer capability.</li> <li>3. To send an invalid IDENTITY REQUEST message containing incorrect skip indicator on channel<br/>FACCH.</li> <li>4. To send an invalid IDENTITY REQUEST message containing incorrect skip indicator on channel<br/>SDCCH4.</li> </ol> |                                                    |     |    |

### Test Case Dynamic Behaviour

|                        |                                                                                                                                                                                                                                                                                                                                                                                                                                                                                                                                                                                                                                                                                                                                                                                                                                                                                                                                                                                                                                                                                                                                                                                                                                                                                                                                     |
|------------------------|-------------------------------------------------------------------------------------------------------------------------------------------------------------------------------------------------------------------------------------------------------------------------------------------------------------------------------------------------------------------------------------------------------------------------------------------------------------------------------------------------------------------------------------------------------------------------------------------------------------------------------------------------------------------------------------------------------------------------------------------------------------------------------------------------------------------------------------------------------------------------------------------------------------------------------------------------------------------------------------------------------------------------------------------------------------------------------------------------------------------------------------------------------------------------------------------------------------------------------------------------------------------------------------------------------------------------------------|
| <b>Test Case Name:</b> | TC_26_5_2_3                                                                                                                                                                                                                                                                                                                                                                                                                                                                                                                                                                                                                                                                                                                                                                                                                                                                                                                                                                                                                                                                                                                                                                                                                                                                                                                         |
| <b>Group:</b>          | GSM_L3_MS_v4210/BiBo/                                                                                                                                                                                                                                                                                                                                                                                                                                                                                                                                                                                                                                                                                                                                                                                                                                                                                                                                                                                                                                                                                                                                                                                                                                                                                                               |
| <b>Purpose:</b>        | <p>a) To verify that the MS having a mobile terminating call in CC-state U10, "active", on receipt of a DISCONNECT message which includes a transaction identifier which is not recognised as relating to an active call or a call in progress, sends a RELEASE COMPLETE message with cause value #81 and referring to the latter TI without changing the state of the active call (this is verified by use of the status enquiry procedure).</p> <p>b) To verify that the MS having a mobile terminating call in CC-state U10, "active", on receipt of a</p> <p>b1) RELEASE COMPLETE message which includes a transaction identifier with a value different from 111, which is not recognised as relating to an active call or a call in progress, or a</p> <p>b2) SETUP message with TI flag referring to a transaction originated by the MS (in the special case where the TI value is equal to the TI value relating to the active call), or a</p> <p>b3) SETUP message with TI referring to the active call, ignores that message without changing the state of the active call (this is verified by use of the status enquiry procedure).</p> <p>c) To verify that the MS ignores a CC message with a TI value 111.</p> <p>The test is only applicable to an MS supporting the call control protocol for at least one BC.</p> |
| <b>Default:</b>        | OtherEventsFail                                                                                                                                                                                                                                                                                                                                                                                                                                                                                                                                                                                                                                                                                                                                                                                                                                                                                                                                                                                                                                                                                                                                                                                                                                                                                                                     |

| Nr | Label | Behaviour Description                                                                                                                                                                                                                                                                                                                                                                                                                                                                                                                                                                                                | CRef                                                  | V | Comments |
|----|-------|----------------------------------------------------------------------------------------------------------------------------------------------------------------------------------------------------------------------------------------------------------------------------------------------------------------------------------------------------------------------------------------------------------------------------------------------------------------------------------------------------------------------------------------------------------------------------------------------------------------------|-------------------------------------------------------|---|----------|
| 1  |       | START T_guard(300)                                                                                                                                                                                                                                                                                                                                                                                                                                                                                                                                                                                                   |                                                       |   |          |
| 2  |       | +BasicServiceMT( TSPX_MTBscSvcC,<br>TSPX_MTChRateC)                                                                                                                                                                                                                                                                                                                                                                                                                                                                                                                                                                  |                                                       |   |          |
| 3  |       | +IdleUpdated( C_E_default, C_CellA, C_SCH_A,<br>C_BCCH_A_1, C_Immass, C_S0, C_SlotNU,<br>C_SlotNU, C_SlotNU, C_BCC, C_TxInt_5,<br>C_Max_1, C_NECI_0, C_ATT_0, TimingAdv( 0),<br>C_BABR_0, C_cch_1Comb, C_BPM_3,<br>C_T3212_0, C_ci_cellA, C_MCC_1, C_PLMN_1,<br>C_LAC_1, CellOpt_01, CellChDes_Omit,<br>CellChDes_Omit, C_CellReselectHys12,<br>C_MaxPwrLvlG, C_MaxPwrLvlD,<br>BcchFreqLst_45, BcchFreqLst_02,<br>BcchFreqLst_03, BcchFreqLst_04,<br>C_Restablishment, C_BCC, C_NCC,<br>C_Start_Tmsi, TSPX_SDCCH4SubDef,<br>TSPX_CKSNDDef, TSPX_RANDDef, C_arfcnA,<br>C_arfcnAd, TSPX_IMSI, C_Test_nfh,<br>C_NCCP_2) |                                                       |   |          |
| 4  |       | +CCConfigTCH( TSPX_TCHHSubDef, C_Ass,<br>TSPX_TmSltDef, TSPX_TscDef, TimingAdv( 0),<br>C_BABR_0, C_cch_1Comb, C_BPM_3,<br>TCV_ChMod.mode, FreqTCH_omit,<br>FreqTCH_omit, C_arfcn_tchA, C_arfcn_tchAd)                                                                                                                                                                                                                                                                                                                                                                                                                |                                                       |   |          |
| 5  |       | +PreEnterCCstateU10(<br>TSPX_SDCCH4SubDef, TCV_Setup_mt,<br>TSPX_TmSltDef, TSPX_TscDef, TimingAdv(<br>0), TSPX_CKSNDDef, TSPX_RANDDef)                                                                                                                                                                                                                                                                                                                                                                                                                                                                               |                                                       |   |          |
| 6  | body  | +test_a                                                                                                                                                                                                                                                                                                                                                                                                                                                                                                                                                                                                              |                                                       |   |          |
| 7  |       | +test_b1                                                                                                                                                                                                                                                                                                                                                                                                                                                                                                                                                                                                             |                                                       |   |          |
| 8  |       | +test_b2                                                                                                                                                                                                                                                                                                                                                                                                                                                                                                                                                                                                             |                                                       |   |          |
| 9  |       | +test_b3                                                                                                                                                                                                                                                                                                                                                                                                                                                                                                                                                                                                             |                                                       |   |          |
| 10 |       | +test_c                                                                                                                                                                                                                                                                                                                                                                                                                                                                                                                                                                                                              |                                                       |   |          |
| 11 |       | <b>test_a</b><br>L!DL_DatRqDisc                                                                                                                                                                                                                                                                                                                                                                                                                                                                                                                                                                                      | Disc_inv(<br>TCV_chTch,<br>Disconn_inv_01(<br>TI_03)) |   | 1.       |
| 12 |       | L?DL_DatInRelCmp                                                                                                                                                                                                                                                                                                                                                                                                                                                                                                                                                                                                     | RelComRcv(<br>ReleaseCmp_52(<br>TI_05))               |   |          |
| 13 |       | +CCstatuschk_01( TCV_chTch, C_U10)                                                                                                                                                                                                                                                                                                                                                                                                                                                                                                                                                                                   |                                                       |   |          |

|                                                                                              |            |                                    |                                                       |     |
|----------------------------------------------------------------------------------------------|------------|------------------------------------|-------------------------------------------------------|-----|
| 14                                                                                           |            | <b>test_b1</b><br>L!DL_DatRqRelCmp | RelComSnd(<br>TCV_chTch,<br>ReleaseCmp_02(<br>TI_04)) | 2.  |
| 15                                                                                           |            | START T_dly( 5000)                 |                                                       |     |
| 16                                                                                           | L_010<br>7 | ?TIMEOUT T_dly                     |                                                       | (P) |
| 17                                                                                           |            | +CCstatuschk_01( TCV_chTch, C_U10) |                                                       |     |
| 18                                                                                           |            | <b>test_b2</b><br>L!DL_DatRqSetup  | SetupSnd(<br>TCV_chTch,<br>Setup_inv_01(<br>TI_01))   | 3.  |
| 19                                                                                           |            | START T_dly( 5000)                 |                                                       |     |
| 20                                                                                           | L_010<br>8 | ?TIMEOUT T_dly                     |                                                       | (P) |
| 21                                                                                           |            | +CCstatuschk_01( TCV_chTch, C_U10) |                                                       |     |
| 22                                                                                           |            | <b>test_b3</b><br>L!DL_DatRqSetup  | SetupSnd(<br>TCV_chTch,<br>Setup_03( TI_02))          | 4.  |
| 23                                                                                           |            | START T_dly( 5000)                 |                                                       |     |
| 24                                                                                           | L_010<br>9 | ?TIMEOUT T_dly                     |                                                       | (P) |
| 25                                                                                           |            | +CCstatuschk_01( TCV_chTch, C_U10) |                                                       |     |
| 26                                                                                           |            | <b>test_c</b><br>L!DL_DatRqDisc    | Disc_inv(<br>TCV_chTch,<br>Disconn_inv_01(<br>TI_06)) | 5.  |
| 27                                                                                           |            | START T_dly( 5000)                 |                                                       |     |
| 28                                                                                           | L_011<br>0 | ?TIMEOUT T_dly                     |                                                       | (P) |
| 29                                                                                           |            | +CCstatuschk_01( TCV_chTch, C_U10) |                                                       |     |
| 30                                                                                           |            | +PostMainLinkRel( TCV_chTch)       |                                                       |     |
| <b>Detailed Comments:</b>                                                                    |            |                                    |                                                       |     |
| 1. The TI value of the DISCONNECT message does not refer to the active call.                 |            |                                    |                                                       |     |
| 2. The TI value of the RELEASE COMPLETE message does not refer to the active call ('0000'B). |            |                                    |                                                       |     |
| 3. The TI flag of the SETUP message is set to 1 and TI value refers to the active call.      |            |                                    |                                                       |     |
| 4. This SETUP contains TI refers to the active call ('0000'B).                               |            |                                    |                                                       |     |
| 5. The TI value of the DISCONNECT message is '111'B.                                         |            |                                    |                                                       |     |

| Test Case Dynamic Behaviour                                                                                                                                                                                                                                                                                                                                                                                                       |            |                                                                                                                                                                                                                                                                                                                                                                                                                                                                                                                                                                       |                                          |     |          |
|-----------------------------------------------------------------------------------------------------------------------------------------------------------------------------------------------------------------------------------------------------------------------------------------------------------------------------------------------------------------------------------------------------------------------------------|------------|-----------------------------------------------------------------------------------------------------------------------------------------------------------------------------------------------------------------------------------------------------------------------------------------------------------------------------------------------------------------------------------------------------------------------------------------------------------------------------------------------------------------------------------------------------------------------|------------------------------------------|-----|----------|
| <b>Test Case Name:</b> TC_26_5_3_1                                                                                                                                                                                                                                                                                                                                                                                                |            |                                                                                                                                                                                                                                                                                                                                                                                                                                                                                                                                                                       |                                          |     |          |
| <b>Group:</b> GSM_L3_MS_v4210/BiBo/                                                                                                                                                                                                                                                                                                                                                                                               |            |                                                                                                                                                                                                                                                                                                                                                                                                                                                                                                                                                                       |                                          |     |          |
| <b>Purpose:</b> To verify that a MS supporting the call control protocol for at least one BC, having a mobile terminating call in CC-state U10, "active", on receipt of a message with CC protocol discriminator and an arbitrary undefined message, returns a STATUS message with cause value #97 to the peer CC entity without changing the state of the active call (this is verified by use of the status enquiry procedure.) |            |                                                                                                                                                                                                                                                                                                                                                                                                                                                                                                                                                                       |                                          |     |          |
| <b>Default:</b> OtherEventsFail                                                                                                                                                                                                                                                                                                                                                                                                   |            |                                                                                                                                                                                                                                                                                                                                                                                                                                                                                                                                                                       |                                          |     |          |
| Nr                                                                                                                                                                                                                                                                                                                                                                                                                                | Label      | Behaviour Description                                                                                                                                                                                                                                                                                                                                                                                                                                                                                                                                                 | CRef                                     | V   | Comments |
| 1                                                                                                                                                                                                                                                                                                                                                                                                                                 |            | START T_guard(300)                                                                                                                                                                                                                                                                                                                                                                                                                                                                                                                                                    |                                          |     |          |
| 2                                                                                                                                                                                                                                                                                                                                                                                                                                 |            | +BasicServiceMT( TSPX_MTBscSvcD, TSPX_MTChRateD)                                                                                                                                                                                                                                                                                                                                                                                                                                                                                                                      |                                          |     |          |
| 3                                                                                                                                                                                                                                                                                                                                                                                                                                 |            | +IdleUpdated( C_E_default, C_CellA, C_SCH_A, C_BCCH_A_1, C_Immass, C_S0, C_SlotNU, C_SlotNU, C_SlotNU, C_BCC, C_TxInt_5, C_Max_1, C_NECI_0, C_ATT_0, TimingAdv( 0), C_BABR_0, C_cch_1Comb, C_BPM_3, C_T3212_0, C_ci_cellA, C_MCC_1, C_PLMN_1, C_LAC_1, CellOpt_01, CellChDes_Omit, CellChDes_Omit, C_CellReselectHys12, C_MaxPwrLvIG, C_MaxPwrLvID, BcchFreqLst_45, BcchFreqLst_02, BcchFreqLst_03, BcchFreqLst_04, C_Restablishment, C_BCC, C_NCC, C_Start_Tmsi, TSPX_SDCCH4SubDef, TSPX_CKSNDf, TSPX_RANDDef, C_arfcnA, C_arfcnAd, TSPX_IMSI, C_Test_nfh, C_NCCP_2) |                                          |     |          |
| 4                                                                                                                                                                                                                                                                                                                                                                                                                                 |            | +CCConfigTCH( TSPX_TCHHSubDef, C_Ass, TSPX_TmSltDef, TSPX_TscDef, TimingAdv( 0), C_BABR_0, C_cch_1Comb, C_BPM_3, TCV_ChMod.mode, FreqTCH_omit, FreqTCH_omit, C_arfcn_tchA, C_arfcn_tchAd)                                                                                                                                                                                                                                                                                                                                                                             |                                          |     |          |
| 5                                                                                                                                                                                                                                                                                                                                                                                                                                 |            | +PreEnterCCstateU10( TSPX_SDCCH4SubDef, TCV_Setup_mt, TSPX_TmSltDef, TSPX_TscDef, TimingAdv( 0), TSPX_CKSNDf, TSPX_RANDDef)                                                                                                                                                                                                                                                                                                                                                                                                                                           |                                          |     |          |
| 6                                                                                                                                                                                                                                                                                                                                                                                                                                 | body       | L!DL_DatRqUndefCC                                                                                                                                                                                                                                                                                                                                                                                                                                                                                                                                                     | UndefCC( TCV_chTch, UndefCC_02( TI_02))  |     | 1.       |
| 7                                                                                                                                                                                                                                                                                                                                                                                                                                 | L_011<br>1 | L?DL_DatInCcst                                                                                                                                                                                                                                                                                                                                                                                                                                                                                                                                                        | CCStRcv( TCV_chTch, CCStatus_02( TI_01)) | (P) |          |
| 8                                                                                                                                                                                                                                                                                                                                                                                                                                 |            | +CCstatuschk_01(TCV_chTch, C_U10)                                                                                                                                                                                                                                                                                                                                                                                                                                                                                                                                     |                                          |     |          |
| 9                                                                                                                                                                                                                                                                                                                                                                                                                                 |            | +PostMainLinkRel(TCV_chTch)                                                                                                                                                                                                                                                                                                                                                                                                                                                                                                                                           |                                          |     |          |
| <b>Detailed Comments:</b> 1. This is an undefined CC message.                                                                                                                                                                                                                                                                                                                                                                     |            |                                                                                                                                                                                                                                                                                                                                                                                                                                                                                                                                                                       |                                          |     |          |

| Test Case Dynamic Behaviour |            |                                                                                                                                                                                                                                                                                                                                                                                                                                                                                                                                                                                                                                                         |                                       |     |          |
|-----------------------------|------------|---------------------------------------------------------------------------------------------------------------------------------------------------------------------------------------------------------------------------------------------------------------------------------------------------------------------------------------------------------------------------------------------------------------------------------------------------------------------------------------------------------------------------------------------------------------------------------------------------------------------------------------------------------|---------------------------------------|-----|----------|
| <b>Test Case Name:</b>      |            | TC_26_5_3_2                                                                                                                                                                                                                                                                                                                                                                                                                                                                                                                                                                                                                                             |                                       |     |          |
| <b>Group:</b>               |            | GSM_L3_MS_v4210/BiBo/                                                                                                                                                                                                                                                                                                                                                                                                                                                                                                                                                                                                                                   |                                       |     |          |
| <b>Purpose:</b>             |            | To verify that a MS supporting the call control protocol for at least one BC, having a mobile terminating call in CC-state U10, "active", on receipt of a message with MM protocol discriminator and message type undefined for the mobility management protocol, returns an MM-STATUS message with reject cause value #97 without changing the state of the active call (this is verified by use of the status enquiry procedure.) This is tested in the special case where the CC TI has value 0 (so that it has the same encoding as the skip indicator when sent from the SS) and where the message type has the same encoding as DISCONNECT in CC. |                                       |     |          |
| <b>Default:</b>             |            | OtherEventsFail                                                                                                                                                                                                                                                                                                                                                                                                                                                                                                                                                                                                                                         |                                       |     |          |
| Nr                          | Label      | Behaviour Description                                                                                                                                                                                                                                                                                                                                                                                                                                                                                                                                                                                                                                   | Cref                                  | V   | Comments |
| 1                           |            | START T_guard(300)                                                                                                                                                                                                                                                                                                                                                                                                                                                                                                                                                                                                                                      |                                       |     |          |
| 2                           |            | +BasicServiceMT( TSPX_MTBscSvcE,<br>TSPX_MTChRateE)                                                                                                                                                                                                                                                                                                                                                                                                                                                                                                                                                                                                     |                                       |     |          |
| 3                           |            | +IdleUpdated( C_E_default, C_CellA, C_SCH_A,<br>C_BCCH_A_1, C_Immass, C_S0, C_SlotNU,<br>C_SlotNU, C_SlotNU, C_BCC, C_TxInt_5,<br>C_Max_1, C_NECl_0, C_ATT_0, TimingAdv( 0),<br>C_BABR_0, C_cch_1Comb, C_BPM_3,<br>C_T3212_0, C_ci_cellA, C_MCC_1, C_PLMN_1,<br>C_LAC_1, CellOpt_01, CellChDes_Omit,<br>CellChDes_Omit, C_CellReselectHys12,<br>C_MaxPwrLvlG, C_MaxPwrLvlD,<br>BcchFreqLst_45, BcchFreqLst_02,<br>BcchFreqLst_03, BcchFreqLst_04,<br>C_Restablishment, C_BCC, C_NCC,<br>C_Start_Tmsi, TSPX_SDCCH4SubDef,<br>TSPX_CKSNDf, TSPX_RANDDef, C_arfcnA,<br>C_arfcnAd, TSPX_IMSI, C_Test_nfh,<br>C_NCCP_2)                                      |                                       |     |          |
| 4                           |            | +CCConfigTCH( TSPX_TCHHSubDef, C_Ass,<br>TSPX_TmSlitDef, TSPX_TscDef, TimingAdv( 0),<br>C_BABR_0, C_cch_1Comb, C_BPM_3,<br>TCV_ChMod.mode, FreqTCH_omit,<br>FreqTCH_omit, C_arfcn_tchA, C_arfcn_tchAd)                                                                                                                                                                                                                                                                                                                                                                                                                                                  |                                       |     |          |
| 5                           |            | +PreEnterCCstateU10(<br>TSPX_SDCCH4SubDef, TCV_Setup_mt,<br>TSPX_TmSlitDef, TSPX_TscDef, TimingAdv(<br>0), TSPX_CKSNDf, TSPX_RANDDef)                                                                                                                                                                                                                                                                                                                                                                                                                                                                                                                   |                                       |     |          |
| 6                           | body       | L!DL_DatRqUndefMM                                                                                                                                                                                                                                                                                                                                                                                                                                                                                                                                                                                                                                       | UndefMM(<br>TCV_chTch,<br>UndefMM_01) |     | 1.       |
| 7                           | L_011<br>2 | L?DL_DatInMmst                                                                                                                                                                                                                                                                                                                                                                                                                                                                                                                                                                                                                                          | MMSt( MMstatus_01)                    | (P) |          |
| 8                           |            | +CCstatuschk_01( TCV_chTch, C_U10)                                                                                                                                                                                                                                                                                                                                                                                                                                                                                                                                                                                                                      |                                       |     |          |
| 9                           |            | +PostMainLinkRel( TCV_chTch)                                                                                                                                                                                                                                                                                                                                                                                                                                                                                                                                                                                                                            |                                       |     |          |
| <b>Detailed Comments:</b>   |            | 1. This is an undefined MM message.                                                                                                                                                                                                                                                                                                                                                                                                                                                                                                                                                                                                                     |                                       |     |          |

| Test Case Dynamic Behaviour |            |                                                                                                                                                                                                                                                                                                                                                                                                                                                                                                                                                                                                                                 |                                         |     |                           |
|-----------------------------|------------|---------------------------------------------------------------------------------------------------------------------------------------------------------------------------------------------------------------------------------------------------------------------------------------------------------------------------------------------------------------------------------------------------------------------------------------------------------------------------------------------------------------------------------------------------------------------------------------------------------------------------------|-----------------------------------------|-----|---------------------------|
| <b>Test Case Name:</b>      |            | TC_26_5_3_3                                                                                                                                                                                                                                                                                                                                                                                                                                                                                                                                                                                                                     |                                         |     |                           |
| <b>Group:</b>               |            | GSM_L3_MS_v4210/BiBo/                                                                                                                                                                                                                                                                                                                                                                                                                                                                                                                                                                                                           |                                         |     |                           |
| <b>Purpose:</b>             |            | To verify that an MS in RR connected mode on receipt of a message with RR protocol discriminator and message type undefined for the RR protocol, returns an RR-STATUS message with reject cause value #97 without changing its state (this is checked by observing that the MS does not send L3 messages.)                                                                                                                                                                                                                                                                                                                      |                                         |     |                           |
| <b>Default:</b>             |            | OtherEventsFail                                                                                                                                                                                                                                                                                                                                                                                                                                                                                                                                                                                                                 |                                         |     |                           |
| Nr                          | Label      | Behaviour Description                                                                                                                                                                                                                                                                                                                                                                                                                                                                                                                                                                                                           | CRef                                    | V   | Comments                  |
| 1                           |            | START T_guard(300)                                                                                                                                                                                                                                                                                                                                                                                                                                                                                                                                                                                                              |                                         |     |                           |
| 2                           |            | [TSPC_MTsvc]                                                                                                                                                                                                                                                                                                                                                                                                                                                                                                                                                                                                                    |                                         |     |                           |
| 3                           |            | +BasicServiceMT( TSPX_MTBscSvcD,<br>TSPX_MTChRateD)                                                                                                                                                                                                                                                                                                                                                                                                                                                                                                                                                                             |                                         |     |                           |
| 4                           |            | +maintree                                                                                                                                                                                                                                                                                                                                                                                                                                                                                                                                                                                                                       |                                         |     |                           |
| 5                           |            | [NOT TSPC_MTsvc]                                                                                                                                                                                                                                                                                                                                                                                                                                                                                                                                                                                                                |                                         |     |                           |
| 6                           |            | +maintree                                                                                                                                                                                                                                                                                                                                                                                                                                                                                                                                                                                                                       |                                         |     |                           |
| 7                           |            | <b>maintree</b><br>+IdleUpdated( C_E_default, C_CellA, C_SCH_A,<br>C_BCCH_A_1, C_Immass, C_S0, C_SlotNU,<br>C_SlotNU, C_SlotNU, C_BCC, C_TxInt_5, C_Max_1,<br>C_NECl_0, C_ATT_0, TimingAdv( 0), C_BABR_0,<br>C_cch_1Comb, C_BPM_3, C_T3212_0, C_ci_cellA,<br>C_MCC_1, C_PLMN_1, C_LAC_1, CellOpt_01,<br>CellChDes_Omit, CellChDes_Omit,<br>C_CellReselectHys12, C_MaxPwrLvlG,<br>C_MaxPwrLvlD, BcchFreqLst_45, BcchFreqLst_02,<br>BcchFreqLst_03, BcchFreqLst_04,<br>C_Restablishment, C_BCC, C_NCC, C_Start_Tmsi,<br>TSPX_SDCCH4SubDef, TSPX_CKSNDf,<br>TSPX_RANDDef, C_arfcnA, C_arfcnAd, TSPX_IMSI,<br>C_Test_nfh, C_NCCP_2) |                                         |     |                           |
| 8                           |            | +PreEstRRConn(TCV_slot, TCV_tsc, TimingAdv(0))                                                                                                                                                                                                                                                                                                                                                                                                                                                                                                                                                                                  |                                         |     |                           |
| 9                           | body       | LIDL_DatRqUndefRR                                                                                                                                                                                                                                                                                                                                                                                                                                                                                                                                                                                                               | UndefRR( TCV_ch,<br>UndefRR_01)         |     | 1.                        |
| 10                          |            | L?DL_DatInRrst                                                                                                                                                                                                                                                                                                                                                                                                                                                                                                                                                                                                                  | RrStatusRcv(<br>TCV_ch,<br>RRStatus_03) |     |                           |
| 11                          |            | START T_dly( 5000)                                                                                                                                                                                                                                                                                                                                                                                                                                                                                                                                                                                                              |                                         |     | Start L2 fill frame check |
| 12                          | L_011<br>3 | L?OTHERWISE                                                                                                                                                                                                                                                                                                                                                                                                                                                                                                                                                                                                                     |                                         | F   | L3 msg received           |
| 13                          | L_011<br>4 | ?TIMEOUT T_dly                                                                                                                                                                                                                                                                                                                                                                                                                                                                                                                                                                                                                  |                                         | (P) |                           |
| 14                          |            | [TSPC_MTsvc]                                                                                                                                                                                                                                                                                                                                                                                                                                                                                                                                                                                                                    |                                         |     | 2.                        |
| 15                          |            | +Authentication( TCV_ch,<br>TSPX_CKSNDf, TSPX_RANDDef)                                                                                                                                                                                                                                                                                                                                                                                                                                                                                                                                                                          |                                         |     |                           |
| 16                          |            | +Ciphering_on( TCV_ch)                                                                                                                                                                                                                                                                                                                                                                                                                                                                                                                                                                                                          |                                         |     |                           |
| 17                          |            | LIDL_DatRqSetup                                                                                                                                                                                                                                                                                                                                                                                                                                                                                                                                                                                                                 | SetupSnd(TCV_ch,<br>TCV_Setup_mt)       |     |                           |
| 18                          | L_011<br>5 | L?DL_DatInCallCo                                                                                                                                                                                                                                                                                                                                                                                                                                                                                                                                                                                                                | CallCfm(<br>CallConfirm_01(<br>TI_01))  | (P) |                           |
| 19                          |            | +PostMainLinkRel( TCV_ch)                                                                                                                                                                                                                                                                                                                                                                                                                                                                                                                                                                                                       |                                         |     |                           |
| 20                          |            | [NOT TSPC_MTsvc]                                                                                                                                                                                                                                                                                                                                                                                                                                                                                                                                                                                                                |                                         |     | 3.                        |
| 21                          |            | LIDL_DatRqSetup                                                                                                                                                                                                                                                                                                                                                                                                                                                                                                                                                                                                                 | SetupSnd( TCV_ch,<br>Setup_01( TI_02))  |     |                           |
| 22                          | L_011<br>6 | L?DL_DatInRelCmp                                                                                                                                                                                                                                                                                                                                                                                                                                                                                                                                                                                                                | RelComRcv(<br>ReleaseCmp_03(<br>TI_01)) | (P) |                           |
| 23                          |            | +PostMainLinkRel( TCV_ch)                                                                                                                                                                                                                                                                                                                                                                                                                                                                                                                                                                                                       |                                         |     |                           |
| <b>Detailed Comments:</b>   |            | <ol style="list-style-type: none"> <li>1. To send an undefined RR message.</li> <li>2. If the MS supports at least one bearer capability, the test case goes through this subtree.</li> <li>3. If the MS does not support any bearer capability, the test case goes through this subtree.</li> </ol>                                                                                                                                                                                                                                                                                                                            |                                         |     |                           |

| Test Case Dynamic Behaviour |            |                                                                                                                                                                                                                                                                                                                                                                                                                                                                                                                                                                        |                                             |     |          |
|-----------------------------|------------|------------------------------------------------------------------------------------------------------------------------------------------------------------------------------------------------------------------------------------------------------------------------------------------------------------------------------------------------------------------------------------------------------------------------------------------------------------------------------------------------------------------------------------------------------------------------|---------------------------------------------|-----|----------|
| <b>Test Case Name:</b>      |            | TC_26_5_3_4                                                                                                                                                                                                                                                                                                                                                                                                                                                                                                                                                            |                                             |     |          |
| <b>Group:</b>               |            | GSM_L3_MS_v4210/BiBo/                                                                                                                                                                                                                                                                                                                                                                                                                                                                                                                                                  |                                             |     |          |
| <b>Purpose:</b>             |            | To verify that a MS supporting the call control protocol for at least one BC, having a call in CC-state U10, "active", on receipt of an inopportune CC message, returns a STATUS message with reject cause value #98 without changing the state of the active call (this is verified by use of the status enquiry procedure.) This is tested in the special case where the inopportune CC message is a CALL PROCEEDING message relating to the active call.                                                                                                            |                                             |     |          |
| <b>Default:</b>             |            | OtherEventsFail                                                                                                                                                                                                                                                                                                                                                                                                                                                                                                                                                        |                                             |     |          |
| Nr                          | Label      | Behaviour Description                                                                                                                                                                                                                                                                                                                                                                                                                                                                                                                                                  | CRef                                        | V   | Comments |
| 1                           |            | START T_guard(300)                                                                                                                                                                                                                                                                                                                                                                                                                                                                                                                                                     |                                             |     |          |
| 2                           |            | +BasicServiceMT( TSPX_MTBscSvcF, TSPX_MTChRateF)                                                                                                                                                                                                                                                                                                                                                                                                                                                                                                                       |                                             |     |          |
| 3                           |            | +IdleUpdated( C_E_default, C_CellA, C_SCH_A, C_BCCH_A_1, C_Immss, C_S0, C_SlotNU, C_SlotNU, C_SlotNU, C_BCC, C_TxInt_5, C_Max_1, C_NECI_0, C_ATT_0, TimingAdv( 0), C_BABR_0, C_cch_1Comb, C_BPM_3, C_T3212_0, C_ci_cellA, C_MCC_1, C_PLMN_1, C_LAC_1, CellOpt_01, CellChDes_Omit, CellChDes_Omit, C_CellReselectHys12, C_MaxPwrLvIG, C_MaxPwrLvID, BcchFreqLst_45, BcchFreqLst_02, BcchFreqLst_03, BcchFreqLst_04, C_Restablishment, C_BCC, C_NCC, C_Start_Tmsi, TSPX_SDCCH4SubDef, TSPX_CKSNDDef, TSPX_RANDDef, C_arfcnA, C_arfcnAd, TSPX_IMSI, C_Test_nfh, C_NCCP_2) |                                             |     |          |
| 4                           |            | +CCConfigTCH( TSPX_TCHHSubDef, C_Ass, TSPX_TmSltDef, TSPX_TscDef, TimingAdv( 0), C_BABR_0, C_cch_1Comb, C_BPM_3, TCV_ChMod.mode, FreqTCH_omit, FreqTCH_omit, C_arfcn_tchA, C_arfcn_tchAd)                                                                                                                                                                                                                                                                                                                                                                              |                                             |     |          |
| 5                           |            | +PreEnterCCstateU10( TSPX_SDCCH4SubDef, TCV_Setup_mt, TSPX_TmSltDef, TSPX_TscDef, TimingAdv( 0), TSPX_CKSNDDef, TSPX_RANDDef)                                                                                                                                                                                                                                                                                                                                                                                                                                          |                                             |     | 1.       |
| 6                           | body       | L!DL_DatRqCallProc                                                                                                                                                                                                                                                                                                                                                                                                                                                                                                                                                     | CallProc( TCV_chTch, CallProced_01( TI_02)) |     | 2.       |
| 7                           | L_011<br>7 | L?DL_DatInCcst                                                                                                                                                                                                                                                                                                                                                                                                                                                                                                                                                         | CCStRcv( TCV_chTch, CCStatus_03( TI_01))    | (P) |          |
| 8                           |            | +CCstatuschk_01( TCV_chTch, C_U10)                                                                                                                                                                                                                                                                                                                                                                                                                                                                                                                                     |                                             |     |          |
| 9                           |            | +PostMainLinkRel( TCV_chTch)                                                                                                                                                                                                                                                                                                                                                                                                                                                                                                                                           |                                             |     |          |
| <b>Detailed Comments:</b>   |            | 1. To enter CC state U10.<br>2. To send an inopportune CALL PROCEEDING message.                                                                                                                                                                                                                                                                                                                                                                                                                                                                                        |                                             |     |          |

| Test Case Dynamic Behaviour |       |                                                                                                                                                                                                                                                                                                                                                                                                                                                                                                                                                                    |                                                                                                                           |   |                         |
|-----------------------------|-------|--------------------------------------------------------------------------------------------------------------------------------------------------------------------------------------------------------------------------------------------------------------------------------------------------------------------------------------------------------------------------------------------------------------------------------------------------------------------------------------------------------------------------------------------------------------------|---------------------------------------------------------------------------------------------------------------------------|---|-------------------------|
| <b>Test Case Name:</b>      |       | TC_26_5_4_1                                                                                                                                                                                                                                                                                                                                                                                                                                                                                                                                                        |                                                                                                                           |   |                         |
| <b>Group:</b>               |       | GSM_L3_MS_v4210/BiBo/                                                                                                                                                                                                                                                                                                                                                                                                                                                                                                                                              |                                                                                                                           |   |                         |
| <b>Purpose:</b>             |       | To verify that the MS ignores an unforeseen second occurrence of an information element with format T, TV, or TLV in the special case of the mobile identity IE which has format TLV in the LOCATION UPDATING ACCEPT message.                                                                                                                                                                                                                                                                                                                                      |                                                                                                                           |   |                         |
| <b>Default:</b>             |       | OtherEventsFail                                                                                                                                                                                                                                                                                                                                                                                                                                                                                                                                                    |                                                                                                                           |   |                         |
| Nr                          | Label | Behaviour Description                                                                                                                                                                                                                                                                                                                                                                                                                                                                                                                                              | CRef                                                                                                                      | V | Comments                |
| 1                           |       | START T_guard(300)                                                                                                                                                                                                                                                                                                                                                                                                                                                                                                                                                 |                                                                                                                           |   |                         |
| 2                           |       | +IdleUpdated( C_E_default, C_CellA, C_SCH_A, C_BCCH_A_1, C_Imm, C_S0, C_SlotNU, C_SlotNU, C_SlotNU, C_BCC, C_TxInt_5, C_Max_1, C_NECI_0, C_ATT_0, TimingAdv( 0), C_BABR_0, C_cch_1Comb, C_BPM_3, C_T3212_0, C_ci_cellA, C_MCC_1, C_PLMN_1, C_LAC_1, CellOpt_01, CellChDes_Omit, CellChDes_Omit, C_CellReselectHys12, C_MaxPwrLvlG, C_MaxPwrLvlD, BcchFreqLst_45, BcchFreqLst_02, BcchFreqLst_03, BcchFreqLst_04, C_Restablishment, C_BCC, C_NCC, C_Start_Tmsi, TSPX_SDCCH4SubDef, TSPX_CKSNDf, TSPX_RANDDef, C_arfcnA, C_arfcnAd, TSPX_IMSI, C_Test_nfh, C_NCCP_2) |                                                                                                                           |   |                         |
| 3                           |       | +StartCellB_1( C_E_neighbourdefault, C_Imm, TCV_slot, TCV_tsc, TimingAdv( 0), C_ATT_0, C_BABR_0, C_cch_1Comb, C_BPM_3, C_T3212_0, C_MCC_1, C_PLMN_1, C_LAC_2, C_noRestablishment, C_BCC, C_NCC)                                                                                                                                                                                                                                                                                                                                                                    |                                                                                                                           |   |                         |
| 4                           | body  | +Switchcell( C_CellA, C_CellB, C_LAC_2, TSPX_SDCCH4SubDef, TSPX_CKSNDf, TSPX_RANDDef, C_arfcnB, C_arfcnBd, TCV_Ccd0B, TSPX_IMSI)                                                                                                                                                                                                                                                                                                                                                                                                                                   |                                                                                                                           |   | 1.                      |
| 5                           |       | L?DL_RaInChRq (TCV_Rr := DL_RaInChRq.msg.ecau_rrf, TCV_Fn := DL_RaInChRq.fn)                                                                                                                                                                                                                                                                                                                                                                                                                                                                                       | ChReq_01( C_RACH_B_1, ChRequest_09)                                                                                       |   |                         |
| 6                           |       | ACTIVATE( OtherEventsFail_02)                                                                                                                                                                                                                                                                                                                                                                                                                                                                                                                                      |                                                                                                                           |   | To match ChReq retrans. |
| 7                           |       | L!DL_UdatRqImm                                                                                                                                                                                                                                                                                                                                                                                                                                                                                                                                                     | ImmAss( TCV_agch, ImmAsgn_01Def( TCV_Rr, TCV_Fn, TSPX_SDCCH4SubDef, TCV_slot, TCV_tsc, TCV_chdescr_arfcn, TimingAdv( 0))) |   | 2.                      |
| 8                           |       | L?DL_EstInLupRq                                                                                                                                                                                                                                                                                                                                                                                                                                                                                                                                                    | LocUp( TCV_ch, LocUpdtReq_04( C_normal_updating, MiTmsi_01))                                                              |   |                         |
| 9                           |       | ACTIVATE( OtherEventsFail)                                                                                                                                                                                                                                                                                                                                                                                                                                                                                                                                         |                                                                                                                           |   | Restore Normal default  |
| 10                          |       | L!DL_DatRqLupAcpErr                                                                                                                                                                                                                                                                                                                                                                                                                                                                                                                                                | LocAcp_inv( TCV_ch, MiImSI_01iei, MiTmsi_01iei, C_MCC_1, C_PLMN_1, C_LAC_2)                                               |   | 3.                      |
| 11                          |       | L!DL_DatRqChRel                                                                                                                                                                                                                                                                                                                                                                                                                                                                                                                                                    | ChRel( TCV_ch, ChRelease_01)                                                                                              |   |                         |
| 12                          |       | L?DL_Relln                                                                                                                                                                                                                                                                                                                                                                                                                                                                                                                                                         | DLRelInd_01                                                                                                               |   |                         |
| 13                          |       | START T_dly( 5000)                                                                                                                                                                                                                                                                                                                                                                                                                                                                                                                                                 |                                                                                                                           |   |                         |
| 14                          |       | ?TIMEOUT T_dly                                                                                                                                                                                                                                                                                                                                                                                                                                                                                                                                                     |                                                                                                                           |   |                         |
| 15                          |       | +localtree                                                                                                                                                                                                                                                                                                                                                                                                                                                                                                                                                         |                                                                                                                           |   |                         |
| 16                          |       | <b>localtree</b><br>L!DL_UdatRqPg1Rq                                                                                                                                                                                                                                                                                                                                                                                                                                                                                                                               | PgReq1( TCV_PgCh, TCV_Pgg, PgReqTp1_01)                                                                                   |   | 4.                      |
| 17                          |       | START T_dly( C_T_Wait)                                                                                                                                                                                                                                                                                                                                                                                                                                                                                                                                             |                                                                                                                           |   |                         |
| 18                          |       | ?TIMEOUT T_dly                                                                                                                                                                                                                                                                                                                                                                                                                                                                                                                                                     |                                                                                                                           |   |                         |
| 19                          |       | L!DL_UdatRqPg1Rq                                                                                                                                                                                                                                                                                                                                                                                                                                                                                                                                                   | PgReq1( TCV_PgCh, TCV_Pgg,                                                                                                |   | 5.                      |



|                                                                                                                                                                                                                                                                                                                                                                                                                                |            |                                                                                       |                                                               |     |  |
|--------------------------------------------------------------------------------------------------------------------------------------------------------------------------------------------------------------------------------------------------------------------------------------------------------------------------------------------------------------------------------------------------------------------------------|------------|---------------------------------------------------------------------------------------|---------------------------------------------------------------|-----|--|
| 20                                                                                                                                                                                                                                                                                                                                                                                                                             | L_011<br>8 | L?DL_RacInChRq (TCV_Rr :=<br>DL_RacInChRq.msg.ecau_rrf, TCV_Fn :=<br>DL_RacInChRq.fn) | PgReqTp1_05)<br>ChReq_01(<br>C_RACH_B_1,<br>ChRequest_01)     | (P) |  |
| 21                                                                                                                                                                                                                                                                                                                                                                                                                             |            | L!DL_UdatRqImmassRej                                                                  | ImmAssRej(<br>TCV_agch,<br>ImmAsgnRej_01(<br>TCV_Rr, TCV_Fn)) |     |  |
| <b>Detailed Comments:</b>                                                                                                                                                                                                                                                                                                                                                                                                      |            |                                                                                       |                                                               |     |  |
| <ol style="list-style-type: none"> <li>1. MS reselects cell B.</li> <li>2. The cell B assigns C_SDCCH4_B_1 to the MS.</li> <li>3. To send an invalid LOCATION UPDATING ACCEPT message containing duplicated IE's.</li> <li>4. To send a PAGING REQUEST TYPE 1 message containing mobile identity = TMSI of the MS.</li> <li>5. To send a PAGING REQUEST TYPE 1 message containing mobile identity = IMSI of the MS.</li> </ol> |            |                                                                                       |                                                               |     |  |

| Test Case Dynamic Behaviour                                                                                                                                                                |            |                                                                                                                                                                                                                                                                                                                                                                                                                                                                                                                                                                                                                |                                     |   |          |
|--------------------------------------------------------------------------------------------------------------------------------------------------------------------------------------------|------------|----------------------------------------------------------------------------------------------------------------------------------------------------------------------------------------------------------------------------------------------------------------------------------------------------------------------------------------------------------------------------------------------------------------------------------------------------------------------------------------------------------------------------------------------------------------------------------------------------------------|-------------------------------------|---|----------|
| <b>Test Case Name:</b> TC_26_5_5_1_1_1                                                                                                                                                     |            |                                                                                                                                                                                                                                                                                                                                                                                                                                                                                                                                                                                                                |                                     |   |          |
| <b>Group:</b> GSM_L3_MS_v4210/BiBo/                                                                                                                                                        |            |                                                                                                                                                                                                                                                                                                                                                                                                                                                                                                                                                                                                                |                                     |   |          |
| <b>Purpose:</b> To verify that the MS in RR connected mode releases the connection upon receipt of a CHANNEL RELEASE message with missing RR cause (which is "mandatory" in that message). |            |                                                                                                                                                                                                                                                                                                                                                                                                                                                                                                                                                                                                                |                                     |   |          |
| <b>Default:</b> OtherEventsFail                                                                                                                                                            |            |                                                                                                                                                                                                                                                                                                                                                                                                                                                                                                                                                                                                                |                                     |   |          |
| Nr                                                                                                                                                                                         | Label      | Behaviour Description                                                                                                                                                                                                                                                                                                                                                                                                                                                                                                                                                                                          | CRef                                | V | Comments |
| 1                                                                                                                                                                                          |            | START T_guard(300)                                                                                                                                                                                                                                                                                                                                                                                                                                                                                                                                                                                             |                                     |   |          |
| 2                                                                                                                                                                                          |            | +IdleUpdated( C_E_default, C_CellA, C_SCH_A,<br>C_BCCH_A_1, C_Immass, C_S0, C_SlotNU,<br>C_SlotNU, C_SlotNU, C_BCC, C_TxInt_5,<br>C_Max_1, C_NECI_0, C_ATT_0, TimingAdv( 0),<br>C_BABR_0, C_cch_1Comb, C_BPM_3,<br>C_T3212_0, C_ci_cellA, C_MCC_1, C_PLMN_1,<br>C_LAC_1, CellOpt_01, CellChDes_Omit,<br>CellChDes_Omit, C_CellReselectHys12,<br>C_MaxPwrLvIG, C_MaxPwrLvID, BcchFreqLst_45,<br>BcchFreqLst_02, BcchFreqLst_03,<br>BcchFreqLst_04, C_Restablishment, C_BCC,<br>C_NCC, C_Start_Tmsi, TSPX_SDCCH4SubDef,<br>TSPX_CKSNDDef, TSPX_RANDDef, C_arfcnA,<br>C_arfcnAd, TSPX_IMSI, C_Test_nfh, C_NCCP_2) |                                     |   |          |
| 3                                                                                                                                                                                          |            | +PreEstRRConn(TCV_slot, TCV_tsc, TimingAdv(0))                                                                                                                                                                                                                                                                                                                                                                                                                                                                                                                                                                 |                                     |   |          |
| 4                                                                                                                                                                                          | body       | LIDL_DatRqChRel                                                                                                                                                                                                                                                                                                                                                                                                                                                                                                                                                                                                | ChRel( TCV_ch,<br>ChRelease_inv_01) |   | 1.       |
| 5                                                                                                                                                                                          | L_011<br>9 | L?DL_Relln                                                                                                                                                                                                                                                                                                                                                                                                                                                                                                                                                                                                     | DLRelInd_01                         | P |          |
| <b>Detailed Comments:</b> 1. To send an invalid CHANNEL RELEASE message missing mandatory RR cause IE.                                                                                     |            |                                                                                                                                                                                                                                                                                                                                                                                                                                                                                                                                                                                                                |                                     |   |          |

### Test Case Dynamic Behaviour

**Test Case Name:** TC\_26\_5\_5\_1\_1\_2  
**Group:** GSM\_L3\_MS\_v4210/BiBo/  
**Purpose:** To verify that the MS in RR connected mode ignores a ciphering mode command message in which the ciphering mode setting IE and cipher response IE are missing except for the fact that it returns a RR-STATUS message.  
**Default:** OtherEventsFail

| Nr | Label   | Behaviour Description                                                                                                                                                                                                                                                                                                                                                                                                                                                                                                                                                    | CRef                                | V   | Comments |
|----|---------|--------------------------------------------------------------------------------------------------------------------------------------------------------------------------------------------------------------------------------------------------------------------------------------------------------------------------------------------------------------------------------------------------------------------------------------------------------------------------------------------------------------------------------------------------------------------------|-------------------------------------|-----|----------|
| 1  |         | START T_guard(300)                                                                                                                                                                                                                                                                                                                                                                                                                                                                                                                                                       |                                     |     |          |
| 2  |         | +IdleUpdated( C_E_default, C_CellA, C_SCH_A, C_BCCH_A_1, C_ImmMass, C_S0, C_SlotNU, C_SlotNU, C_SlotNU, C_BCC, C_TxInt_5, C_Max_1, C_NECI_0, C_ATT_0, TimingAdv( 0), C_BABR_0, C_cch_1Comb, C_BPM_3, C_T3212_0, C_ci_cellA, C_MCC_1, C_PLMN_1, C_LAC_1, CellOpt_01, CellChDes_Omit, CellChDes_Omit, C_CellReselectHys12, C_MaxPwrLvlG, C_MaxPwrLvlD, BcchFreqLst_45, BcchFreqLst_02, BcchFreqLst_03, BcchFreqLst_04, C_Restablishment, C_BCC, C_NCC, C_Start_Tmsi, TSPX_SDCCH4SubDef, TSPX_CKSNDDef, TSPX_RANDDef, C_arfcnA, C_arfcnAd, TSPX_IMSI, C_Test_nfh, C_NCCP_2) |                                     |     |          |
| 3  |         | +PreEstRRConn(TCV_slot, TCV_tsc, TimingAdv( 0))                                                                                                                                                                                                                                                                                                                                                                                                                                                                                                                          |                                     |     |          |
| 4  | body    | LIDL_DatRqCphmCmd                                                                                                                                                                                                                                                                                                                                                                                                                                                                                                                                                        | CphCmd( TCV_ch, CphModeCmd_inv_0 1) |     | 1.       |
| 5  | L_012 0 | L?DL_DatInRrst                                                                                                                                                                                                                                                                                                                                                                                                                                                                                                                                                           | RrStatusRcv( TCV_ch, RRStatus_02)   | (P) |          |
| 6  |         | +PostMainLinkRel(TCV_ch)                                                                                                                                                                                                                                                                                                                                                                                                                                                                                                                                                 |                                     |     |          |

**Detailed Comments:** 1. To send an invalid CIPHERING MODE COMMAND missing mandatory ciphering mode setting IE and cipher response IE.

| Test Case Dynamic Behaviour |            |                                                                                                                                                                                                                                                                                                                                                                                                                                                                                                                                                                         |                                                                                                     |     |          |
|-----------------------------|------------|-------------------------------------------------------------------------------------------------------------------------------------------------------------------------------------------------------------------------------------------------------------------------------------------------------------------------------------------------------------------------------------------------------------------------------------------------------------------------------------------------------------------------------------------------------------------------|-----------------------------------------------------------------------------------------------------|-----|----------|
| <b>Test Case Name:</b>      |            | TC_26_5_5_1_2                                                                                                                                                                                                                                                                                                                                                                                                                                                                                                                                                           |                                                                                                     |     |          |
| <b>Group:</b>               |            | GSM_L3_MS_v4210/BiBo/                                                                                                                                                                                                                                                                                                                                                                                                                                                                                                                                                   |                                                                                                     |     |          |
| <b>Purpose:</b>             |            | To verify that the MS having an RR-connection established ignores a HANDOVER COMMAND message containing in the non-imperative part an IE encoded as comprehension required except for the fact that it returns a RR-STATUS message with cause # 96 "invalid mandatory information".                                                                                                                                                                                                                                                                                     |                                                                                                     |     |          |
| <b>Default:</b>             |            | OtherEventsFail                                                                                                                                                                                                                                                                                                                                                                                                                                                                                                                                                         |                                                                                                     |     |          |
| Nr                          | Label      | Behaviour Description                                                                                                                                                                                                                                                                                                                                                                                                                                                                                                                                                   | CRef                                                                                                | V   | Comments |
| 1                           |            | START T_guard(300)                                                                                                                                                                                                                                                                                                                                                                                                                                                                                                                                                      |                                                                                                     |     |          |
| 2                           |            | +IdleUpdated( C_E_default, C_CellA, C_SCH_A, C_BCCH_A_1, C_Immss, C_S0, C_SlotNU, C_SlotNU, C_SlotNU, C_BCC, C_TxInt_5, C_Max_1, C_NECI_0, C_ATT_0, TimingAdv( 0), C_BABR_0, C_cch_1Comb, C_BPM_3, C_T3212_0, C_ci_cellA, C_MCC_1, C_PLMN_1, C_LAC_1, CellOpt_01, CellChDes_Omit, CellChDes_Omit, C_CellReselectHys12, C_MaxPwrLvlG, C_MaxPwrLvlID, BcchFreqLst_45, BcchFreqLst_02, BcchFreqLst_03, BcchFreqLst_04, C_Restablishment, C_BCC, C_NCC, C_Start_Tmsi, TSPX_SDCCH4SubDef, TSPX_CKSNDDef, TSPX_RANDDef, C_arfcnA, C_arfcnAd, TSPX_IMSI, C_Test_nfh, C_NCCP_2) |                                                                                                     |     |          |
| 3                           | body       | [TCV_CC]                                                                                                                                                                                                                                                                                                                                                                                                                                                                                                                                                                |                                                                                                     |     | 1.       |
| 4                           |            | +BasicServiceMT( TSPX_MTBscSvcG, TSPX_MTChRateG)                                                                                                                                                                                                                                                                                                                                                                                                                                                                                                                        |                                                                                                     |     |          |
| 5                           |            | +CCConfigTCH( TSPX_TCHHSubDef, C_Ass, TSPX_TmSlitDef, TSPX_TscDef, TimingAdv( 0), C_BABR_0, C_cch_1Comb, C_BPM_3, TCV_ChMod.mode, FreqTCH_omit, FreqTCH_omit, C_arfcn_tchA, C_arfcn_tchAd)                                                                                                                                                                                                                                                                                                                                                                              |                                                                                                     |     |          |
| 6                           |            | +PreEnterCCstateU10( TSPX_SDCCH4SubDef, TCV_Setup_mt, TSPX_TmSlitDef, TSPX_TscDef, TimingAdv( 0), TSPX_CKSNDDef, TSPX_RANDDef)                                                                                                                                                                                                                                                                                                                                                                                                                                          |                                                                                                     |     |          |
| 7                           |            | L!DL_DatRqHoCmd                                                                                                                                                                                                                                                                                                                                                                                                                                                                                                                                                         | HndOvSnd( TCV_chTch, HandOverCmd_inv_0 2( TSPX_TmSlitDef, TSPX_TscDef, C_NCC_1, C_BCC_3, C_arfcnA)) |     | 2.       |
| 8                           | L_012<br>1 | L?DL_DatInRrst                                                                                                                                                                                                                                                                                                                                                                                                                                                                                                                                                          | RrStatusRcv( TCV_chTch, RRStatus_02)                                                                | (P) |          |
| 9                           |            | +PostMainLinkRel( TCV_chTch)                                                                                                                                                                                                                                                                                                                                                                                                                                                                                                                                            |                                                                                                     |     |          |
| 10                          |            | [NOT TCV_CC]                                                                                                                                                                                                                                                                                                                                                                                                                                                                                                                                                            |                                                                                                     |     | 3.       |
| 11                          |            | +PreEstRRConn( TCV_slot, TCV_tsc, TimingAdv( 0))                                                                                                                                                                                                                                                                                                                                                                                                                                                                                                                        |                                                                                                     |     |          |
| 12                          |            | L!DL_DatRqHoCmd                                                                                                                                                                                                                                                                                                                                                                                                                                                                                                                                                         | HndOvSnd( TCV_ch, HandOverCmd_inv_0 2( TSPX_TmSlitDef, TSPX_TscDef, C_NCC_1, C_BCC_3, C_arfcnA))    |     | 4.       |
| 13                          | L_012<br>2 | L?DL_DatInRrst                                                                                                                                                                                                                                                                                                                                                                                                                                                                                                                                                          | RrStatusRcv( TCV_ch, RRStatus_02)                                                                   | (P) |          |
| 14                          |            | +PostMainLinkRel( TCV_ch)                                                                                                                                                                                                                                                                                                                                                                                                                                                                                                                                               |                                                                                                     |     |          |
| <b>Detailed Comments:</b>   |            | <ol style="list-style-type: none"> <li>1. If the MS supports at least one bearer capability, the test case goes through this subtree.</li> <li>2. To send an invalid HANDOVER COMMAND message containing comprehension requires IE on the channel TCV_chTch.</li> <li>3. The test case goes through this subtree if the MS does not support any bearer capability.</li> <li>4. To send an invalid HANDOVER COMMAND message containing comprehension requires IE on the channel TCV_ch.</li> </ol>                                                                       |                                                                                                     |     |          |

| <b>Test Case Dynamic Behaviour</b>                                                                                                                                                                                                                                                                                                                                                                                                                                                                              |            |                                                                                                                                                                                                                                                                                                                                                                                                                                                                                                                                                                                                                      |                                        |     |          |
|-----------------------------------------------------------------------------------------------------------------------------------------------------------------------------------------------------------------------------------------------------------------------------------------------------------------------------------------------------------------------------------------------------------------------------------------------------------------------------------------------------------------|------------|----------------------------------------------------------------------------------------------------------------------------------------------------------------------------------------------------------------------------------------------------------------------------------------------------------------------------------------------------------------------------------------------------------------------------------------------------------------------------------------------------------------------------------------------------------------------------------------------------------------------|----------------------------------------|-----|----------|
| <b>Test Case Name:</b> TC_26_5_5_2_1                                                                                                                                                                                                                                                                                                                                                                                                                                                                            |            |                                                                                                                                                                                                                                                                                                                                                                                                                                                                                                                                                                                                                      |                                        |     |          |
| <b>Group:</b> GSM_L3_MS_v4210/BiBo/                                                                                                                                                                                                                                                                                                                                                                                                                                                                             |            |                                                                                                                                                                                                                                                                                                                                                                                                                                                                                                                                                                                                                      |                                        |     |          |
| <b>Purpose:</b> To verify that an MS supporting at least one BC, having a CC entity in state U10, "active", ignores an MM message with syntactically incorrect IE except for the fact that it sends an MM-STATUS message with reject cause #96. This is tested in the special case of an IDENTITY REQUEST message in which the (mandatory) identity type IE specifies a reserved value for the type of identity; that the MS otherwise ignores the message is checked by means of the status enquiry procedure. |            |                                                                                                                                                                                                                                                                                                                                                                                                                                                                                                                                                                                                                      |                                        |     |          |
| <b>Default:</b> OtherEventsFail                                                                                                                                                                                                                                                                                                                                                                                                                                                                                 |            |                                                                                                                                                                                                                                                                                                                                                                                                                                                                                                                                                                                                                      |                                        |     |          |
| Nr                                                                                                                                                                                                                                                                                                                                                                                                                                                                                                              | Label      | Behaviour Description                                                                                                                                                                                                                                                                                                                                                                                                                                                                                                                                                                                                | CRef                                   | V   | Comments |
| 1                                                                                                                                                                                                                                                                                                                                                                                                                                                                                                               |            | START T_guard(300)                                                                                                                                                                                                                                                                                                                                                                                                                                                                                                                                                                                                   |                                        |     |          |
| 2                                                                                                                                                                                                                                                                                                                                                                                                                                                                                                               |            | +BasicServiceMT( TSPX_MTBscSvcH,<br>TSPX_MTChRateH)                                                                                                                                                                                                                                                                                                                                                                                                                                                                                                                                                                  |                                        |     |          |
| 3                                                                                                                                                                                                                                                                                                                                                                                                                                                                                                               |            | +IdleUpdated( C_E_default, C_CellA, C_SCH_A,<br>C_BCCH_A_1, C_Immass, C_S0, C_SlotNU,<br>C_SlotNU, C_SlotNU, C_BCC, C_TxInt_5,<br>C_Max_1, C_NECI_0, C_ATT_0, TimingAdv( 0),<br>C_BABR_0, C_cch_1Comb, C_BPM_3,<br>C_T3212_0, C_ci_cellA, C_MCC_1, C_PLMN_1,<br>C_LAC_1, CellOpt_01, CellChDes_Omit,<br>CellChDes_Omit, C_CellReselectHys12,<br>C_MaxPwrLvlG, C_MaxPwrLvlD,<br>BcchFreqLst_45, BcchFreqLst_02,<br>BcchFreqLst_03, BcchFreqLst_04,<br>C_Restablishment, C_BCC, C_NCC,<br>C_Start_Tmsi, TSPX_SDCCH4SubDef,<br>TSPX_CKSNDDef, TSPX_RANDDef, C_arfcnA,<br>C_arfcnAd, TSPX_IMSI, C_Test_nfh,<br>C_NCCP_2) |                                        |     |          |
| 4                                                                                                                                                                                                                                                                                                                                                                                                                                                                                                               |            | +CCConfigTCH( TSPX_TCHHSubDef, C_Ass,<br>TSPX_TmSltDef, TSPX_TscDef, TimingAdv( 0),<br>C_BABR_0, C_cch_1Comb, C_BPM_3,<br>TCV_ChMod.mode, FreqTCH_omit,<br>FreqTCH_omit, C_arfcn_tchA, C_arfcn_tchAd)                                                                                                                                                                                                                                                                                                                                                                                                                |                                        |     |          |
| 5                                                                                                                                                                                                                                                                                                                                                                                                                                                                                                               |            | +PreEnterCCstateU10(<br>TSPX_SDCCH4SubDef, TCV_Setup_mt,<br>TSPX_TmSltDef, TSPX_TscDef, TimingAdv(<br>0), TSPX_CKSNDDef, TSPX_RANDDef)                                                                                                                                                                                                                                                                                                                                                                                                                                                                               |                                        |     |          |
| 6                                                                                                                                                                                                                                                                                                                                                                                                                                                                                                               | body       | L!DL_DatRqldRq                                                                                                                                                                                                                                                                                                                                                                                                                                                                                                                                                                                                       | IDReq( TCV_chTch,<br>IDRequest_inv_02) |     | 1.       |
| 7                                                                                                                                                                                                                                                                                                                                                                                                                                                                                                               | L_012<br>3 | L?DL_DatInMmst                                                                                                                                                                                                                                                                                                                                                                                                                                                                                                                                                                                                       | MMSt( MMstatus_02)                     | (P) |          |
| 8                                                                                                                                                                                                                                                                                                                                                                                                                                                                                                               |            | +CCstatuschk_02( TCV_chTch, C_U10,<br>TI_02, TI_01)                                                                                                                                                                                                                                                                                                                                                                                                                                                                                                                                                                  |                                        |     | 2.       |
| 9                                                                                                                                                                                                                                                                                                                                                                                                                                                                                                               |            | +PostMainLinkRel( TCV_chTch)                                                                                                                                                                                                                                                                                                                                                                                                                                                                                                                                                                                         |                                        |     |          |
| <b>Detailed Comments:</b>                                                                                                                                                                                                                                                                                                                                                                                                                                                                                       |            | 1. To send an invalid IDENTITY REQUEST message containing the identity type IE = reserved value.                                                                                                                                                                                                                                                                                                                                                                                                                                                                                                                     |                                        |     |          |
|                                                                                                                                                                                                                                                                                                                                                                                                                                                                                                                 |            | 2. To check whether the MS is still in the state U10. If not the test case fails in the test step.                                                                                                                                                                                                                                                                                                                                                                                                                                                                                                                   |                                        |     |          |

| Test Case Dynamic Behaviour |            |                                                                                                                                                                                                                                                                                                                                                                                                                                                                                                                                                                                                                                  |                                         |     |          |
|-----------------------------|------------|----------------------------------------------------------------------------------------------------------------------------------------------------------------------------------------------------------------------------------------------------------------------------------------------------------------------------------------------------------------------------------------------------------------------------------------------------------------------------------------------------------------------------------------------------------------------------------------------------------------------------------|-----------------------------------------|-----|----------|
| <b>Test Case Name:</b>      |            | TC_26_5_5_2_2                                                                                                                                                                                                                                                                                                                                                                                                                                                                                                                                                                                                                    |                                         |     |          |
| <b>Group:</b>               |            | GSM_L3_MS_v4210/BiBo/                                                                                                                                                                                                                                                                                                                                                                                                                                                                                                                                                                                                            |                                         |     |          |
| <b>Purpose:</b>             |            | To verify that an MS having been paged and having an RR connection established ignores an MM message with syntactically incorrect IE except for the fact that it sends an MM-STATUS message with reject cause #96. This is tested in the special case of an IDENTITY REQUEST message in which the (mandatory) identity type IE specifies a reserved value for the type of identity; the fact that the MS otherwise ignores the message is checked by testing that it answers as usual to an incoming SETUP message.                                                                                                              |                                         |     |          |
| <b>Default:</b>             |            | OtherEventsFail                                                                                                                                                                                                                                                                                                                                                                                                                                                                                                                                                                                                                  |                                         |     |          |
| Nr                          | Label      | Behaviour Description                                                                                                                                                                                                                                                                                                                                                                                                                                                                                                                                                                                                            | CRef                                    | V   | Comments |
| 1                           |            | START T_guard(300)                                                                                                                                                                                                                                                                                                                                                                                                                                                                                                                                                                                                               |                                         |     |          |
| 2                           |            | [TSPC_MTsvc]                                                                                                                                                                                                                                                                                                                                                                                                                                                                                                                                                                                                                     |                                         |     |          |
| 3                           |            | +BasicServiceMT( TSPX_MTBscSvcF,<br>TSPX_MTChRateF)                                                                                                                                                                                                                                                                                                                                                                                                                                                                                                                                                                              |                                         |     |          |
| 4                           |            | +maintree                                                                                                                                                                                                                                                                                                                                                                                                                                                                                                                                                                                                                        |                                         |     |          |
| 5                           |            | [NOT TSPC_MTsvc]                                                                                                                                                                                                                                                                                                                                                                                                                                                                                                                                                                                                                 |                                         |     |          |
| 6                           |            | +maintree                                                                                                                                                                                                                                                                                                                                                                                                                                                                                                                                                                                                                        |                                         |     |          |
| 7                           |            | <b>maintree</b><br>+IdleUpdated( C_E_default, C_CellA, C_SCH_A,<br>C_BCCH_A_1, C_Immss, C_S0, C_SlotNU,<br>C_SlotNU, C_SlotNU, C_BCC, C_TxInt_5, C_Max_1,<br>C_NECl_0, C_ATT_0, TimingAdv( 0), C_BABR_0,<br>C_cch_1Comb, C_BPM_3, C_T3212_0, C_ci_cellA,<br>C_MCC_1, C_PLMN_1, C_LAC_1, CellOpt_01,<br>CellChDes_Omit, CellChDes_Omit,<br>C_CellReselectHys12, C_MaxPwrLvlG,<br>C_MaxPwrLvlD, BcchFreqLst_45, BcchFreqLst_02,<br>BcchFreqLst_03, BcchFreqLst_04,<br>C_Restablishment, C_BCC, C_NCC, C_Start_Tmsi,<br>TSPX_SDCCH4SubDef, TSPX_CKSNDDef,<br>TSPX_RANDDef, C_arfcnA, C_arfcnAd, TSPX_IMSI,<br>C_Test_nfh, C_NCCP_2) |                                         |     |          |
| 8                           |            | +PreEstRRConn( TCV_slot, TCV_tsc, TimingAdv( 0))                                                                                                                                                                                                                                                                                                                                                                                                                                                                                                                                                                                 |                                         |     |          |
| 9                           | body       | LIDL_DatRqldRq                                                                                                                                                                                                                                                                                                                                                                                                                                                                                                                                                                                                                   | IDReq( TCV_ch,<br>IDRequest_inv_02)     |     | 1.       |
| 10                          | L_012<br>4 | L?DL_DatInMmst                                                                                                                                                                                                                                                                                                                                                                                                                                                                                                                                                                                                                   | MMSt( MMstatus_02)                      | (P) |          |
| 11                          |            | [TSPC_MTsvc]                                                                                                                                                                                                                                                                                                                                                                                                                                                                                                                                                                                                                     |                                         |     | 2.       |
| 12                          |            | +Authentication(TCV_ch, TSPX_CKSNDDef,<br>TSPX_RANDDef)                                                                                                                                                                                                                                                                                                                                                                                                                                                                                                                                                                          |                                         |     |          |
| 13                          |            | +Cipherring_on(TCV_ch)                                                                                                                                                                                                                                                                                                                                                                                                                                                                                                                                                                                                           |                                         |     |          |
| 14                          |            | LIDL_DatRqSetup                                                                                                                                                                                                                                                                                                                                                                                                                                                                                                                                                                                                                  | SetupSnd( TCV_ch,<br>TCV_Setup_mt)      |     |          |
| 15                          | L_012<br>5 | L?DL_DatInCallCo                                                                                                                                                                                                                                                                                                                                                                                                                                                                                                                                                                                                                 | CallCfm(<br>CallConfirm_01(<br>TI_01))  | (P) |          |
| 16                          |            | +PostLinkRelEnd( TCV_ch)                                                                                                                                                                                                                                                                                                                                                                                                                                                                                                                                                                                                         |                                         |     |          |
| 17                          |            | [NOT TSPC_MTsvc]                                                                                                                                                                                                                                                                                                                                                                                                                                                                                                                                                                                                                 |                                         |     | 3.       |
| 18                          |            | LIDL_DatRqSetup                                                                                                                                                                                                                                                                                                                                                                                                                                                                                                                                                                                                                  | SetupSnd( TCV_ch,<br>Setup_01( TI_02))  |     |          |
| 19                          | L_012<br>6 | L?DL_DatInRelCmp                                                                                                                                                                                                                                                                                                                                                                                                                                                                                                                                                                                                                 | RelComRcv(<br>ReleaseCmp_03(<br>TI_01)) | (P) |          |
| 20                          |            | +PostLinkRelEnd( TCV_ch)                                                                                                                                                                                                                                                                                                                                                                                                                                                                                                                                                                                                         |                                         |     |          |
| <b>Detailed Comments:</b>   |            | <p>1. To send an invalid IDENTITY REQUEST message in which the identity type IE contains reserved value on the channel C_SDCCH4_A_1.</p> <p>2. This subtree is for the MS which supports at least one bearer capability.</p> <p>3. This subtree is for the MS which does not support any bearer capability.</p>                                                                                                                                                                                                                                                                                                                  |                                         |     |          |

| Test Case Dynamic Behaviour |       |                                                                                                                                                                                                                                                                                                                                                                                                                                                                                                                                                                        |                                                                                                                           |   |                         |
|-----------------------------|-------|------------------------------------------------------------------------------------------------------------------------------------------------------------------------------------------------------------------------------------------------------------------------------------------------------------------------------------------------------------------------------------------------------------------------------------------------------------------------------------------------------------------------------------------------------------------------|---------------------------------------------------------------------------------------------------------------------------|---|-------------------------|
| <b>Test Case Name:</b>      |       | TC_26_5_5_2_3                                                                                                                                                                                                                                                                                                                                                                                                                                                                                                                                                          |                                                                                                                           |   |                         |
| <b>Group:</b>               |       | GSM_L3_MS_v4210/BiBo/                                                                                                                                                                                                                                                                                                                                                                                                                                                                                                                                                  |                                                                                                                           |   |                         |
| <b>Purpose:</b>             |       | To verify that the MS on receipt of an MM message containing an IE unknown in the message, but encoded as "comprehension required" ignores the message except for the fact that it returns an MM-STATUS message with cause value #96 "invalid mandatory information"; this in the special case of the MM message being a LOCATION UPDATING ACCEPT responding to a LOCATION UPDATING REQUEST from the MS.                                                                                                                                                               |                                                                                                                           |   |                         |
| <b>Default:</b>             |       | OtherEventsFail                                                                                                                                                                                                                                                                                                                                                                                                                                                                                                                                                        |                                                                                                                           |   |                         |
| Nr                          | Label | Behaviour Description                                                                                                                                                                                                                                                                                                                                                                                                                                                                                                                                                  | CRef                                                                                                                      | V | Comments                |
| 1                           |       | START T_guard(300)                                                                                                                                                                                                                                                                                                                                                                                                                                                                                                                                                     |                                                                                                                           |   |                         |
| 2                           |       | +IdleUpdated( C_E_default, C_CellA, C_SCH_A, C_BCCH_A_1, C_Immss, C_S0, C_SlotNU, C_SlotNU, C_SlotNU, C_BCC, C_TxInt_5, C_Max_1, C_NECI_0, C_ATT_0, TimingAdv( 0), C_BABR_0, C_cch_1Comb, C_BPM_3, C_T3212_0, C_ci_cellA, C_MCC_1, C_PLMN_1, C_LAC_1, CellOpt_01, CellChDes_Omit, CellChDes_Omit, C_CellReselectHys12, C_MaxPwrLvlG, C_MaxPwrLvlD, BcchFreqLst_45, BcchFreqLst_02, BcchFreqLst_03, BcchFreqLst_04, C_Restablishment, C_BCC, C_NCC, C_Start_Tmsi, TSPX_SDCCH4SubDef, TSPX_CKSNDDef, TSPX_RANDDef, C_arfcnA, C_arfcnAd, TSPX_IMSI, C_Test_nfh, C_NCCP_2) |                                                                                                                           |   |                         |
| 3                           |       | +StartCellB_1( C_E_neighbourdefault, C_Immss,TCV_slot, TCV_tsc, TimingAdv( 0), C_ATT_0, C_BABR_0, C_cch_1Comb, C_BPM_3, C_T3212_0, C_MCC_1, C_PLMN_1, C_LAC_2, C_noRestablishment, C_BCC, C_NCC)                                                                                                                                                                                                                                                                                                                                                                       |                                                                                                                           |   |                         |
| 4                           | body  | +localbody                                                                                                                                                                                                                                                                                                                                                                                                                                                                                                                                                             |                                                                                                                           |   |                         |
|                             |       | <b>localbody</b>                                                                                                                                                                                                                                                                                                                                                                                                                                                                                                                                                       |                                                                                                                           |   |                         |
| 5                           |       | +Switchcell( C_CellA, C_CellB, C_LAC_2, TSPX_SDCCH4SubDef, TSPX_CKSNDDef, TSPX_RANDDef, C_arfcnB, C_arfcnBd, TCV_Ccd0B, TSPX_IMSI)                                                                                                                                                                                                                                                                                                                                                                                                                                     |                                                                                                                           |   | 1.                      |
| 6                           |       | L?DL_RaInChRq (TCV_Rr := DL_RaInChRq.msg.ecau_rrf, TCV_Fn := DL_RaInChRq.fn)                                                                                                                                                                                                                                                                                                                                                                                                                                                                                           | ChReq_01( C_RACH_B_1, ChRequest_09)                                                                                       |   |                         |
| 7                           |       | ACTIVATE( OtherEventsFail_02)                                                                                                                                                                                                                                                                                                                                                                                                                                                                                                                                          |                                                                                                                           |   | To match ChReq retrans. |
| 8                           |       | LIDL_UdatRqImmss                                                                                                                                                                                                                                                                                                                                                                                                                                                                                                                                                       | ImmAss( TCV_agch, ImmAsgn_01Def( TCV_Rr, TCV_Fn, TSPX_SDCCH4SubDef, TCV_slot, TCV_tsc, TCV_chdescr_arfcn, TimingAdv( 0))) |   |                         |
| 9                           |       | L?DL_EstInLupRq                                                                                                                                                                                                                                                                                                                                                                                                                                                                                                                                                        | LocUp( TCV_ch, LocUpdtReq_04( C_normal_updating, MiTmsi_01))                                                              |   |                         |
| 10                          |       | ACTIVATE( OtherEventsFail)                                                                                                                                                                                                                                                                                                                                                                                                                                                                                                                                             |                                                                                                                           |   | Restore Normal default  |
| 11                          |       | L!DL_DatRqLupAcp                                                                                                                                                                                                                                                                                                                                                                                                                                                                                                                                                       | LocAcp( TCV_ch, LocUpdtAcp_01( Mi_01, C_MCC_1, C_PLMN_1, C_LAC_2))                                                        |   | 2.                      |
| 12                          |       | L?DL_DatInMmst                                                                                                                                                                                                                                                                                                                                                                                                                                                                                                                                                         | MMS( MMstatus_02)                                                                                                         |   |                         |
| 13                          |       | L?DL_Relln                                                                                                                                                                                                                                                                                                                                                                                                                                                                                                                                                             | DLRelInd_01                                                                                                               |   |                         |
| 14                          |       | +ltree_continue                                                                                                                                                                                                                                                                                                                                                                                                                                                                                                                                                        |                                                                                                                           |   |                         |
|                             |       | <b>ltree_continue</b>                                                                                                                                                                                                                                                                                                                                                                                                                                                                                                                                                  |                                                                                                                           |   |                         |
| 15                          |       | L?DL_RaInChRq( TCV_Rr := DL_RaInChRq.msg.ecau_rrf, TCV_Fn := DL_RaInChRq.fn)                                                                                                                                                                                                                                                                                                                                                                                                                                                                                           | ChReq( ChRequest_02)                                                                                                      |   |                         |
| 16                          |       | ACTIVATE( OtherEventsFail_02)                                                                                                                                                                                                                                                                                                                                                                                                                                                                                                                                          |                                                                                                                           |   | To match ChReq retrans. |
| 17                          |       | LIDL_UdatRqImmss                                                                                                                                                                                                                                                                                                                                                                                                                                                                                                                                                       | ImmAss( TCV_agch, ImmAsgn_01Def(                                                                                          |   |                         |

|    |            |                            |                                                                                                         |                        |
|----|------------|----------------------------|---------------------------------------------------------------------------------------------------------|------------------------|
| 18 |            | L?DL_EstInLupRq            | TCV_Rr, TCV_Fn,<br>TSPX_SDCCH4SubD<br>ef, TCV_slot,<br>TCV_tsc,<br>TCV_chdescr_arfcn,<br>TimingAdv( 0)) |                        |
| 19 |            | ACTIVATE( OtherEventsFail) | LocUp( TCV_ch,<br>LocUpdtReq_04(<br>C_normal_updating,<br>Milmsi_01))                                   | Restore Normal default |
| 20 |            | L!DL_DatRqLupAcp           | LocAcp( TCV_ch,<br>LocUpdtAcp_01(<br>MiTmsi_01iei,<br>C_MCC_1,<br>C_PLMN_1,<br>C_LAC_2))                | 3.                     |
| 21 |            | L?DL_DatInTmsireCom        | TmsiReallocCmp(<br>TCV_ch)                                                                              |                        |
| 22 | L_012<br>7 | LIDL_DatRqChRel            | ChRel( TCV_ch,<br>ChRelease_01)                                                                         | (P)                    |
| 23 |            | L?DL_Relln                 | DLRelInd_01                                                                                             |                        |

**Detailed Comments:**

1. To lower the RF level of cell A until the MS selects cell B.
2. To send a LOCATION UPDATING ACCEPT message containing comprehension required IE.
3. To send a LOCATION UPDATING ACCEPT message containing location area identification = cell B and mobile identity = TMSI.

| Test Case Dynamic Behaviour                                                                                                                                                                                                                        |            |                                                                                                                                                                                                                                                                                                                                                                                                                                                                                                                                                                                                                    |                                                       |     |          |
|----------------------------------------------------------------------------------------------------------------------------------------------------------------------------------------------------------------------------------------------------|------------|--------------------------------------------------------------------------------------------------------------------------------------------------------------------------------------------------------------------------------------------------------------------------------------------------------------------------------------------------------------------------------------------------------------------------------------------------------------------------------------------------------------------------------------------------------------------------------------------------------------------|-------------------------------------------------------|-----|----------|
| <b>Test Case Name:</b> TC_26_5_5_3_1_1                                                                                                                                                                                                             |            |                                                                                                                                                                                                                                                                                                                                                                                                                                                                                                                                                                                                                    |                                                       |     |          |
| <b>Group:</b> GSM_L3_MS_v4210/BiBo/                                                                                                                                                                                                                |            |                                                                                                                                                                                                                                                                                                                                                                                                                                                                                                                                                                                                                    |                                                       |     |          |
| <b>Purpose:</b> To verify that the MS having an MT call in state U10, "active", on receipt of a DISCONNECT message in which the mandatory cause IE is missing shall return a RELEASE message with cause value #96 "invalid mandatory information". |            |                                                                                                                                                                                                                                                                                                                                                                                                                                                                                                                                                                                                                    |                                                       |     |          |
| <b>Default:</b> OtherEventsFail                                                                                                                                                                                                                    |            |                                                                                                                                                                                                                                                                                                                                                                                                                                                                                                                                                                                                                    |                                                       |     |          |
| Nr                                                                                                                                                                                                                                                 | Label      | Behaviour Description                                                                                                                                                                                                                                                                                                                                                                                                                                                                                                                                                                                              | CRef                                                  | V   | Comments |
| 1                                                                                                                                                                                                                                                  |            | START T_guard(300)                                                                                                                                                                                                                                                                                                                                                                                                                                                                                                                                                                                                 |                                                       |     |          |
| 2                                                                                                                                                                                                                                                  |            | +BasicServiceMT( TSPX_MTBscSvcI,<br>TSPX_MTChRateI)                                                                                                                                                                                                                                                                                                                                                                                                                                                                                                                                                                |                                                       |     |          |
| 3                                                                                                                                                                                                                                                  |            | +IdleUpdated( C_E_default, C_CellA, C_SCH_A,<br>C_BCCH_A_1, C_ImmAss, C_S0, C_SlotNU,<br>C_SlotNU, C_SlotNU, C_BCC, C_TxInt_5,<br>C_Max_1, C_NECL_0, C_ATT_0, TimingAdv( 0),<br>C_BABR_0, C_cch_1Comb, C_BPM_3,<br>C_T3212_0, C_ci_cellA, C_MCC_1, C_PLMN_1,<br>C_LAC_1, CellOpt_01, CellChDes_Omit,<br>CellChDes_Omit, C_CellReselectHys12,<br>C_MaxPwrLvlG, C_MaxPwrLvlD,<br>BcchFreqLst_45, BcchFreqLst_02,<br>BcchFreqLst_03, BcchFreqLst_04,<br>C_Restablishment, C_BCC, C_NCC,<br>C_Start_Tmsi, TSPX_SDCCH4SubDef,<br>TSPX_CKSNDf, TSPX_RANDDef, C_arfcnA,<br>C_arfcnAd, TSPX_IMSI, C_Test_nfh,<br>C_NCCP_2) |                                                       |     |          |
| 4                                                                                                                                                                                                                                                  |            | +CCConfigTCH( TSPX_TCHHSubDef, C_Ass,<br>TSPX_TmSlitDef, TSPX_TscDef, TimingAdv( 0),<br>C_BABR_0, C_cch_1Comb, C_BPM_3,<br>TCV_ChMod.mode, FreqTCH_omit,<br>FreqTCH_omit, C_arfcn_tchA, C_arfcn_tchAd)                                                                                                                                                                                                                                                                                                                                                                                                             |                                                       |     |          |
| 5                                                                                                                                                                                                                                                  |            | +PreEnterCCstateU10(<br>TSPX_SDCCH4SubDef, TCV_Setup_mt,<br>TSPX_TmSlitDef, TSPX_TscDef, TimingAdv(<br>0), TSPX_CKSNDf, TSPX_RANDDef)                                                                                                                                                                                                                                                                                                                                                                                                                                                                              |                                                       |     |          |
| 6                                                                                                                                                                                                                                                  | body       | L!DL_DatRqDisc                                                                                                                                                                                                                                                                                                                                                                                                                                                                                                                                                                                                     | Disc_inv(<br>TCV_chTch,<br>Disconn_inv_02(<br>TI_02)) |     | 1.       |
| 7                                                                                                                                                                                                                                                  | L_012<br>8 | L?DL_DatInRel                                                                                                                                                                                                                                                                                                                                                                                                                                                                                                                                                                                                      | ReleaseRcv(<br>Release_01( TI_01))                    | (P) |          |
| 8                                                                                                                                                                                                                                                  |            | L!DL_DatRqRelCmp                                                                                                                                                                                                                                                                                                                                                                                                                                                                                                                                                                                                   | RelComSnd(<br>TCV_chTch,<br>ReleaseCmp_02(<br>TI_02)) |     |          |
| 9                                                                                                                                                                                                                                                  |            | +PostMainLinkRel(TCV_chTch)                                                                                                                                                                                                                                                                                                                                                                                                                                                                                                                                                                                        |                                                       |     |          |
| <b>Detailed Comments:</b> 1. To send an invalid DISCONNECT message in which the mandatory cause IE is missing.                                                                                                                                     |            |                                                                                                                                                                                                                                                                                                                                                                                                                                                                                                                                                                                                                    |                                                       |     |          |



| Test Case Dynamic Behaviour |            |                                                                                                                                                                                                                                                                                                                                                                                                                                                                                                                                                                                                                   |                                                       |     |          |
|-----------------------------|------------|-------------------------------------------------------------------------------------------------------------------------------------------------------------------------------------------------------------------------------------------------------------------------------------------------------------------------------------------------------------------------------------------------------------------------------------------------------------------------------------------------------------------------------------------------------------------------------------------------------------------|-------------------------------------------------------|-----|----------|
| <b>Test Case Name:</b>      |            | TC_26_5_5_3_1_2                                                                                                                                                                                                                                                                                                                                                                                                                                                                                                                                                                                                   |                                                       |     |          |
| <b>Group:</b>               |            | GSM_L3_MS_v4210/BiBo/                                                                                                                                                                                                                                                                                                                                                                                                                                                                                                                                                                                             |                                                       |     |          |
| <b>Purpose:</b>             |            | To verify that the MS having an MT call in state U10, "active", on receipt of a STATUS message in which the mandatory cause IE and call state IE are missing shall ignore the message except for the fact that it return a STATUS message with cause value #96 "invalid mandatory information" (that the MS doesn't change state is checked by use of the status enquiry procedure).                                                                                                                                                                                                                              |                                                       |     |          |
| <b>Default:</b>             |            | OtherEventsFail                                                                                                                                                                                                                                                                                                                                                                                                                                                                                                                                                                                                   |                                                       |     |          |
| Nr                          | Label      | Behaviour Description                                                                                                                                                                                                                                                                                                                                                                                                                                                                                                                                                                                             | CRef                                                  | V   | Comments |
| 1                           |            | START T_guard(300)                                                                                                                                                                                                                                                                                                                                                                                                                                                                                                                                                                                                |                                                       |     |          |
| 2                           |            | +BasicServiceMT( TSPX_MTBscSvcJ,<br>TSPX_MTChRateJ)                                                                                                                                                                                                                                                                                                                                                                                                                                                                                                                                                               |                                                       |     |          |
| 3                           |            | +IdleUpdated( C_E_default, C_CellA, C_SCH_A,<br>C_BCCH_A_1, C_Immass, C_S0, C_SlotNU,<br>C_SlotNU, C_SlotNU, C_BCC, C_TxInt_5,<br>C_Max_1, C_NECL_0, C_ATT_0, TimingAdv( 0),<br>C_BABR_0, C_cch_1Comb, C_BPM_3,<br>C_T3212_0, C_ci_cellA, C_MCC_1, C_PLMN_1,<br>C_LAC_1, CellOpt_01, CellChDes_Omit,<br>CellChDes_Omit, C_CellReselectHys12,<br>C_MaxPwrLvIG, C_MaxPwrLvID,<br>BcchFreqLst_45, BcchFreqLst_02,<br>BcchFreqLst_03, BcchFreqLst_04,<br>C_Restablishment, C_BCC, C_NCC,<br>C_Start_Tmsi, TSPX_SDCCH4SubDef,<br>TSPX_CKSNDf, TSPX_RANDDf, C_arfcnA,<br>C_arfcnAd, TSPX_IMSI, C_Test_nfh,<br>C_NCCP_2) |                                                       |     |          |
| 4                           |            | +CCConfigTCH( TSPX_TCHHSubDef, C_Ass,<br>TSPX_TmSlitDef, TSPX_TscDef, TimingAdv( 0),<br>C_BABR_0, C_cch_1Comb, C_BPM_3,<br>TCV_ChMod.mode, FreqTCH_omit,<br>FreqTCH_omit, C_arfcn_tchA, C_arfcn_tchAd)                                                                                                                                                                                                                                                                                                                                                                                                            |                                                       |     |          |
| 5                           |            | +PreEnterCCstateU10(<br>TSPX_SDCCH4SubDef, TCV_Setup_mt,<br>TSPX_TmSlitDef, TSPX_TscDef, TimingAdv(<br>0), TSPX_CKSNDf, TSPX_RANDDf)                                                                                                                                                                                                                                                                                                                                                                                                                                                                              |                                                       |     |          |
| 6                           | body       | L!DL_DatRqCcst                                                                                                                                                                                                                                                                                                                                                                                                                                                                                                                                                                                                    | CCStSnd(<br>TCV_chTch,<br>CCStatus_inv_01(<br>TI_02)) |     | 1.       |
| 7                           | L_012<br>9 | L?DL_DatInCcst                                                                                                                                                                                                                                                                                                                                                                                                                                                                                                                                                                                                    | CCStRcv(<br>TCV_chTch,<br>CCStatus_04( TI_01))        | (P) |          |
| 8                           |            | +CCstatuschk_01( TCV_chTch, C_U10)                                                                                                                                                                                                                                                                                                                                                                                                                                                                                                                                                                                |                                                       |     |          |
| 9                           |            | +PostMainLinkRel( TCV_chTch)                                                                                                                                                                                                                                                                                                                                                                                                                                                                                                                                                                                      |                                                       |     |          |
| <b>Detailed Comments:</b>   |            | 1. To send an invalid STATUS message in which the mandatory cause IE and call state IE are missing.                                                                                                                                                                                                                                                                                                                                                                                                                                                                                                               |                                                       |     |          |

| Test Case Dynamic Behaviour |            |                                                                                                                                                                                                                                                                                                                                                                                                                                                                                                                                                                       |                                               |     |          |
|-----------------------------|------------|-----------------------------------------------------------------------------------------------------------------------------------------------------------------------------------------------------------------------------------------------------------------------------------------------------------------------------------------------------------------------------------------------------------------------------------------------------------------------------------------------------------------------------------------------------------------------|-----------------------------------------------|-----|----------|
| <b>Test Case Name:</b>      |            | TC_26_5_5_3_2                                                                                                                                                                                                                                                                                                                                                                                                                                                                                                                                                         |                                               |     |          |
| <b>Group:</b>               |            | GSM_L3_MS_v4210/BiBo/                                                                                                                                                                                                                                                                                                                                                                                                                                                                                                                                                 |                                               |     |          |
| <b>Purpose:</b>             |            | To verify that an MS supporting the call control protocol for at least one BC having a call control entity in state U3 ignores a CONNECT message containing in the non-imperative part an IE encoded as comprehension required except for the fact that it returns a STATUS message with cause value #96 "invalid mandatory information".                                                                                                                                                                                                                             |                                               |     |          |
| <b>Default:</b>             |            | OtherEventsFail                                                                                                                                                                                                                                                                                                                                                                                                                                                                                                                                                       |                                               |     |          |
| Nr                          | Label      | Behaviour Description                                                                                                                                                                                                                                                                                                                                                                                                                                                                                                                                                 | CRef                                          | V   | Comments |
| 1                           |            | START T_guard(300)                                                                                                                                                                                                                                                                                                                                                                                                                                                                                                                                                    |                                               |     |          |
| 2                           |            | +BasicServiceMO(TSPX_MOBscSvcG, TSPX_MOChRateG)                                                                                                                                                                                                                                                                                                                                                                                                                                                                                                                       |                                               |     |          |
| 3                           |            | +IdleUpdated( C_E_default, C_CellA, C_SCH_A, C_BCCH_A_1, C_Immass, C_S0, C_SlotNU, C_SlotNU, C_SlotNU, C_BCC, C_TxInt_5, C_Max_1, C_NECI_0, C_ATT_0, TimingAdv( 0), C_BABR_0, C_cch_1Comb, C_BPM_3, C_T3212_0, C_ci_cellA, C_MCC_1, C_PLMN_1, C_LAC_1, CellOpt_01, CellChDes_Omit, CellChDes_Omit, C_CellReselectHys12, C_MaxPwrLvIG, C_MaxPwrLvID, BcchFreqLst_45, BcchFreqLst_02, BcchFreqLst_03, BcchFreqLst_04, C_Restablishment, C_BCC, C_NCC, C_Start_Tmsi, TSPX_SDCCH4SubDef, TSPX_CKSNDf, TSPX_RANDDef, C_arfcnA, C_arfcnAd, TSPX_IMSI, C_Test_nfh, C_NCCP_2) |                                               |     |          |
| 4                           |            | +PreEnterCCstateU3( TimingAdv( 0), TSPX_CKSNDf, TSPX_RANDDef)                                                                                                                                                                                                                                                                                                                                                                                                                                                                                                         |                                               |     |          |
| 5                           | body       | LIDL_DatRqConnErr                                                                                                                                                                                                                                                                                                                                                                                                                                                                                                                                                     | Conn_invSnd( TCV_ch, Connect_inv_01( TCV_TI)) |     | 1.       |
| 6                           | L_013<br>0 | L?DL_DatInCcst                                                                                                                                                                                                                                                                                                                                                                                                                                                                                                                                                        | CCStRcv( TCV_ch, CCStatus_04( TCV_TI0))       | (P) | 2.       |
| 7                           |            | +CCstatuschk_03(C_U3, TCV_TI)                                                                                                                                                                                                                                                                                                                                                                                                                                                                                                                                         |                                               |     | 3.       |
| 8                           |            | LIDL_DatRqChRel                                                                                                                                                                                                                                                                                                                                                                                                                                                                                                                                                       | ChRel( TCV_ch, ChRelease_01)                  |     |          |
| 9                           |            | L?DL_Relln                                                                                                                                                                                                                                                                                                                                                                                                                                                                                                                                                            | DLRelInd_01                                   |     |          |
| <b>Detailed Comments:</b>   |            | <ol style="list-style-type: none"> <li>1. To send an invalid CONNECT message containing comprehension required IE.</li> <li>2. The expected STATUS message received.</li> <li>3. To check whether the MS is still in the state U3.</li> </ol>                                                                                                                                                                                                                                                                                                                         |                                               |     |          |

| Test Case Dynamic Behaviour |       |                                                                                                                                                                                                                                                                                                                                                                                                                                                                                                                                                                                     |                                                                                                                           |     |                         |
|-----------------------------|-------|-------------------------------------------------------------------------------------------------------------------------------------------------------------------------------------------------------------------------------------------------------------------------------------------------------------------------------------------------------------------------------------------------------------------------------------------------------------------------------------------------------------------------------------------------------------------------------------|---------------------------------------------------------------------------------------------------------------------------|-----|-------------------------|
| <b>Test Case Name:</b>      |       | TC_26_5_6_1_1                                                                                                                                                                                                                                                                                                                                                                                                                                                                                                                                                                       |                                                                                                                           |     |                         |
| <b>Group:</b>               |       | GSM_L3_MS_v4210/BiBo/                                                                                                                                                                                                                                                                                                                                                                                                                                                                                                                                                               |                                                                                                                           |     |                         |
| <b>Purpose:</b>             |       | To verify that the MS on receipt of an MM message containing an IE unknown in the message and unknown in the MM protocol which is not encoded as "comprehension required" ignores that IE; this in the special case of the MM message being a LOCATION UPDATING ACCEPT responding to a LOCATION UPDATING REQUEST from the MS.                                                                                                                                                                                                                                                       |                                                                                                                           |     |                         |
| <b>Default:</b>             |       | OtherEventsFail                                                                                                                                                                                                                                                                                                                                                                                                                                                                                                                                                                     |                                                                                                                           |     |                         |
| Nr                          | Label | Behaviour Description                                                                                                                                                                                                                                                                                                                                                                                                                                                                                                                                                               | CRef                                                                                                                      | V   | Comments                |
| 1                           |       | START T_guard(300)                                                                                                                                                                                                                                                                                                                                                                                                                                                                                                                                                                  |                                                                                                                           |     |                         |
| 2                           |       | +IdleUpdated( C_E_neighbourdefault, C_CellB, C_SCH_B, C_BCCH_B_1, C_Immass, C_S0, C_SlotNU, C_SlotNU, C_SlotNU, C_BCC, C_TxInt_5, C_Max_1, C_NECI_0, C_ATT_0, TimingAdv( 0), C_BABR_0, C_cch_1Comb, C_BPM_3, C_T3212_0, C_ci_cellB, C_MCC_1, C_PLMN_1, C_LAC_2, CellOpt_01, CellChDes_Omit, CellChDes_Omit, C_CellReselectHys12, C_MaxPwrLvlG, C_MaxPwrLvlD, BcchFreqLst_01, BcchFreqLst_01, BcchFreqLst_48, BcchFreqLst_48, C_noRestablishment, C_BCC, C_NCC, C_Start_Tmsi, TSPX_SDCCH4SubDef, TSPX_CKSNDDef, TSPX_RANDDDef, C_arfcnB, C_arfcnBd, TSPX_IMSI, C_Test_nfh, C_NCCP_2) |                                                                                                                           |     | 1.                      |
| 3                           |       | +StartCellA( C_E_default, C_Immass, TCV_slot, TCV_tsc, TimingAdv( 0), C_TxInt_5, C_Max_1, C_NECI_0, C_ATT_0, C_BABR_0, C_cch_1Comb, C_BPM_3, C_T3212_0, C_MCC_1, C_PLMN_1, C_LAC_1, CellChDes_02, CellChDes_03, BcchFreqLst_45, BcchFreqLst_03, C_noRestablishment)                                                                                                                                                                                                                                                                                                                 |                                                                                                                           |     |                         |
| 4                           |       | +ltree_body                                                                                                                                                                                                                                                                                                                                                                                                                                                                                                                                                                         |                                                                                                                           |     |                         |
| 5                           |       | <b>ltree_body</b><br>+Switchcell( C_CellB, C_CellA, C_LAC_1, TSPX_SDCCH4SubDef, TSPX_CKSNDDef, TSPX_RANDDDef, C_arfcnA, C_arfcnAd, TCV_Ccd0A, TSPX_IMSI)                                                                                                                                                                                                                                                                                                                                                                                                                            |                                                                                                                           |     |                         |
| 6                           |       | L?DL_RacInChRq (TCV_Rr := DL_RacInChRq.msg.ecau_rrf, TCV_Fn := DL_RacInChRq.fn)                                                                                                                                                                                                                                                                                                                                                                                                                                                                                                     | ChReq( ChRequest_02)                                                                                                      |     |                         |
| 7                           |       | ACTIVATE( OtherEventsFail_02)                                                                                                                                                                                                                                                                                                                                                                                                                                                                                                                                                       |                                                                                                                           |     | To match ChReq retrans. |
| 8                           |       | L!DL_UdatRqImmass                                                                                                                                                                                                                                                                                                                                                                                                                                                                                                                                                                   | ImmAss( TCV_agch, ImmAsgn_01Def( TCV_Rr, TCV_Fn, TSPX_SDCCH4SubDef, TCV_slot, TCV_tsc, TCV_chdescr_arfcn, TimingAdv( 0))) |     |                         |
| 9                           |       | L?DL_EstInLupRq                                                                                                                                                                                                                                                                                                                                                                                                                                                                                                                                                                     | LocUp( TCV_ch, LocUpdtReq_04( C_normal_updating, MiTmsi_01))                                                              |     | 2.                      |
| 10                          |       | ACTIVATE( OtherEventsFail)                                                                                                                                                                                                                                                                                                                                                                                                                                                                                                                                                          |                                                                                                                           |     | Restore Normal default  |
| 11                          |       | L!DL_DatRqLupAcPErr                                                                                                                                                                                                                                                                                                                                                                                                                                                                                                                                                                 | LocAcP_inv( TCV_ch, Mi_02, MiTmsi_02iei, C_MCC_1, C_PLMN_1, C_LAC_1)                                                      |     | 3.                      |
| 12                          | L_013 | L?DL_DatInTmsireCom                                                                                                                                                                                                                                                                                                                                                                                                                                                                                                                                                                 | TmsiReallocCmp( TCV_ch)                                                                                                   | (P) |                         |
| 13                          | 1     | +local_postamble                                                                                                                                                                                                                                                                                                                                                                                                                                                                                                                                                                    |                                                                                                                           |     |                         |
| 14                          |       | +PostMainLinkRel(TCV_ch)                                                                                                                                                                                                                                                                                                                                                                                                                                                                                                                                                            |                                                                                                                           |     |                         |
| 15                          |       | <b>local_postamble</b><br>+TmsiReallocation( MiTmsi_01, C_MCC_1, C_PLMN_1, C_LAC_1)                                                                                                                                                                                                                                                                                                                                                                                                                                                                                                 |                                                                                                                           |     | 4.                      |
| <b>Detailed Comments:</b>   |       | 1. The MS listen to cell B.<br>2. The mobile identity is TMSI of the MS.                                                                                                                                                                                                                                                                                                                                                                                                                                                                                                            |                                                                                                                           |     |                         |

3. To send an invalid LOCATION UPDATING ACCEPT message containing unknown IEI and new

TMSI.

4. Local Postamble: to ensure that the test case terminates with the default TMSI.

| Test Case Dynamic Behaviour |            |                                                                                                                                                                                                                                                                                                                                                                                                                                                                                                                                                                                     |                                                                                                                           |     |                         |
|-----------------------------|------------|-------------------------------------------------------------------------------------------------------------------------------------------------------------------------------------------------------------------------------------------------------------------------------------------------------------------------------------------------------------------------------------------------------------------------------------------------------------------------------------------------------------------------------------------------------------------------------------|---------------------------------------------------------------------------------------------------------------------------|-----|-------------------------|
| <b>Test Case Name:</b>      |            | TC_26_5_6_1_2                                                                                                                                                                                                                                                                                                                                                                                                                                                                                                                                                                       |                                                                                                                           |     |                         |
| <b>Group:</b>               |            | GSM_L3_MS_v4210/BiBo/                                                                                                                                                                                                                                                                                                                                                                                                                                                                                                                                                               |                                                                                                                           |     |                         |
| <b>Purpose:</b>             |            | To verify that the MS on receipt of an MM message containing an IE unknown in the message, but known in the MM protocol, which is not encoded as "comprehension required" ignores that IE; this in the special case of the MM message being a LOCATION UPDATING ACCEPT responding to a LOCATION UPDATING REQUEST from the MS.                                                                                                                                                                                                                                                       |                                                                                                                           |     |                         |
| <b>Default:</b>             |            | OtherEventsFail                                                                                                                                                                                                                                                                                                                                                                                                                                                                                                                                                                     |                                                                                                                           |     |                         |
| Nr                          | Label      | Behaviour Description                                                                                                                                                                                                                                                                                                                                                                                                                                                                                                                                                               | CRef                                                                                                                      | V   | Comments                |
| 1                           |            | START T_guard(300)                                                                                                                                                                                                                                                                                                                                                                                                                                                                                                                                                                  |                                                                                                                           |     |                         |
| 2                           |            | +IdleUpdated( C_E_neighbourdefault, C_CellB, C_SCH_B, C_BCCH_B_1, C_Immass, C_S0, C_SlotNU, C_SlotNU, C_SlotNU, C_BCC, C_TxInt_5, C_Max_1, C_NECI_0, C_ATT_0, TimingAdv( 0), C_BABR_0, C_cch_1Comb, C_BPM_3, C_T3212_0, C_ci_cellB, C_MCC_1, C_PLMN_1, C_LAC_2, CellOpt_01, CellChDes_Omit, CellChDes_Omit, C_CellReselectHys12, C_MaxPwrLvlG, C_MaxPwrLvlD, BcchFreqLst_01, BcchFreqLst_01, BcchFreqLst_48, BcchFreqLst_48, C_noRestablishment, C_BCC, C_NCC, C_Start_Tmsi, TSPX_SDCCH4SubDef, TSPX_CKSNDDef, TSPX_RANDDDef, C_arfcnB, C_arfcnBd, TSPX_IMSI, C_Test_nfh, C_NCCP_2) |                                                                                                                           |     | 1.                      |
| 3                           |            | +StartCellA( C_E_default, C_Immass, TCV_slot, TCV_tsc, TimingAdv( 0), C_TxInt_5, C_Max_1, C_NECI_0, C_ATT_0, C_BABR_0, C_cch_1Comb, C_BPM_3, C_T3212_0, C_MCC_1, C_PLMN_1, C_LAC_1, CellChDes_02, CellChDes_03, BcchFreqLst_45, BcchFreqLst_03, C_noRestablishment)                                                                                                                                                                                                                                                                                                                 |                                                                                                                           |     |                         |
| 4                           |            | +ltree_body                                                                                                                                                                                                                                                                                                                                                                                                                                                                                                                                                                         |                                                                                                                           |     |                         |
| 5                           |            | <b>ltree_body</b><br>+Switchcell( C_CellB, C_CellA, C_LAC_1, TSPX_SDCCH4SubDef, TSPX_CKSNDDef, TSPX_RANDDDef, C_arfcnA, C_arfcnAd, TCV_Ccd0A, TSPX_IMSI)                                                                                                                                                                                                                                                                                                                                                                                                                            |                                                                                                                           |     |                         |
| 6                           |            | L?DL_RacInChRq (TCV_Rr := DL_RacInChRq.msg.ecau_rrf, TCV_Fn := DL_RacInChRq.fn)                                                                                                                                                                                                                                                                                                                                                                                                                                                                                                     | ChReq(ChRequest_02)                                                                                                       |     |                         |
| 7                           |            | ACTIVATE( OtherEventsFail_02)                                                                                                                                                                                                                                                                                                                                                                                                                                                                                                                                                       |                                                                                                                           |     | To match ChReq retrans. |
| 8                           |            | LIDL_UdatRqImmass                                                                                                                                                                                                                                                                                                                                                                                                                                                                                                                                                                   | ImmAss( TCV_agch, ImmAsgn_01Def( TCV_Rr, TCV_Fn, TSPX_SDCCH4SubDef, TCV_slot, TCV_tsc, TCV_chdescr_arfcn, TimingAdv( 0))) |     |                         |
| 9                           |            | L?DL_EstInLupRq                                                                                                                                                                                                                                                                                                                                                                                                                                                                                                                                                                     | LocUp( TCV_ch, LocUpdtReq_04( C_normal_updating, MiTmsi_01))                                                              |     | 2.                      |
| 10                          |            | ACTIVATE( OtherEventsFail)                                                                                                                                                                                                                                                                                                                                                                                                                                                                                                                                                          |                                                                                                                           |     | Restore Normal default  |
| 11                          |            | LIDL_DatRqLupAcpErr                                                                                                                                                                                                                                                                                                                                                                                                                                                                                                                                                                 | LocAcp_inv( TCV_ch, Mi_06, MiTmsi_02iei, C_MCC_1, C_PLMN_1, C_LAC_1)                                                      |     | 3.                      |
| 12                          | L_013<br>2 | L?DL_DatInTmsireCom                                                                                                                                                                                                                                                                                                                                                                                                                                                                                                                                                                 | TmsiReallocCmp( TCV_ch)                                                                                                   | (P) |                         |
| 13                          |            | +local_postamble                                                                                                                                                                                                                                                                                                                                                                                                                                                                                                                                                                    |                                                                                                                           |     |                         |
| 14                          |            | +PostMainLinkRel( TCV_ch)                                                                                                                                                                                                                                                                                                                                                                                                                                                                                                                                                           |                                                                                                                           |     |                         |
| 15                          |            | <b>local_postamble</b><br>+TmsiReallocation( MiTmsi_01, C_MCC_1, C_PLMN_1, C_LAC_1)                                                                                                                                                                                                                                                                                                                                                                                                                                                                                                 |                                                                                                                           |     | 4.                      |
| <b>Detailed Comments:</b>   |            | 1. The MS listen to cell B.<br>2. The mobile identity is TMSI of the MS.<br>3. To send a LOCATION UPDATING ACCEPT message containing unknown IE and new                                                                                                                                                                                                                                                                                                                                                                                                                             |                                                                                                                           |     |                         |

TMSI.

4. Local Postamble: to ensure that the test case terminates with the default TMSI.

**Test Case Dynamic Behaviour**

**Test Case Name:** TC\_26\_5\_6\_2\_1  
**Group:** GSM\_L3\_MS\_v4210/BiBo/  
**Purpose:** To verify that an MS supporting the CC protocol for at least one BC receiving a CC message containing an IE unknown in the message which is not encoded as "comprehension required" ignores that IE; this in the special case of the CC message being a CALL PROCEEDING message received by the MS in state U1.  
**Default:** OtherEventsFail

| Nr | Label | Behaviour Description                                                                                                                                                                                                                                                                                                                                                                                                                                                                                                                                                                                             | CRef                                                | V | Comments |
|----|-------|-------------------------------------------------------------------------------------------------------------------------------------------------------------------------------------------------------------------------------------------------------------------------------------------------------------------------------------------------------------------------------------------------------------------------------------------------------------------------------------------------------------------------------------------------------------------------------------------------------------------|-----------------------------------------------------|---|----------|
| 1  |       | START T_guard(300)                                                                                                                                                                                                                                                                                                                                                                                                                                                                                                                                                                                                |                                                     |   |          |
| 2  |       | +BasicServiceMO(TSPX_MOBscSvcF,<br>TSPX_MOChRateF)                                                                                                                                                                                                                                                                                                                                                                                                                                                                                                                                                                |                                                     |   |          |
| 3  |       | +IdleUpdated( C_E_default, C_CellA, C_SCH_A,<br>C_BCCH_A_1, C_Immss, C_S0, C_SlotNU,<br>C_SlotNU, C_SlotNU, C_BCC, C_TxInt_5,<br>C_Max_1, C_NECI_0, C_ATT_0, TimingAdv( 0),<br>C_BABR_0, C_cch_1Comb, C_BPM_3,<br>C_T3212_0, C_ci_cellA, C_MCC_1, C_PLMN_1,<br>C_LAC_1, CellOpt_01, CellChDes_Omit,<br>CellChDes_Omit, C_CellReselectHys12,<br>C_MaxPwrLvIG, C_MaxPwrLvID,<br>BcchFreqLst_45, BcchFreqLst_02,<br>BcchFreqLst_03, BcchFreqLst_04,<br>C_Restablishment, C_BCC, C_NCC,<br>C_Start_Tmsi, TSPX_SDCCH4SubDef,<br>TSPX_CKSNDf, TSPX_RANDDef, C_arfcnA,<br>C_arfcnAd, TSPX_IMSI, C_Test_nfh,<br>C_NCCP_2) |                                                     |   |          |
| 4  |       | +PreEnterCCstateU1( TimingAdv( 0),<br>TSPX_CKSNDf, TSPX_RANDDef)                                                                                                                                                                                                                                                                                                                                                                                                                                                                                                                                                  |                                                     |   |          |
| 5  | body  | L!DL_DatRqCallProc                                                                                                                                                                                                                                                                                                                                                                                                                                                                                                                                                                                                | CallProc( TCV_ch,<br>CallProced_inv_02(<br>TCV_TI)) |   | 1.       |
| 6  |       | +CCstatuschk_03(C_U3, TCV_TI)                                                                                                                                                                                                                                                                                                                                                                                                                                                                                                                                                                                     |                                                     |   | 2.       |
| 7  |       | L!DL_DatRqChRel                                                                                                                                                                                                                                                                                                                                                                                                                                                                                                                                                                                                   | ChRel( TCV_ch,<br>ChRelease_01)                     |   |          |
| 8  |       | L?DL_Relln                                                                                                                                                                                                                                                                                                                                                                                                                                                                                                                                                                                                        | DLRelInd_01                                         |   |          |

**Detailed Comments:** 1. To send an invalid CALL PROCEEDING message containing optional unknown IE.  
2. To check whether the MS enters the state U3, the verdict is assigned in the test step.

| Test Case Dynamic Behaviour |            |                                                                                                                                                                                                                                                                                                                                                                                                                                                                                                                                                                                                                      |                                                           |     |          |
|-----------------------------|------------|----------------------------------------------------------------------------------------------------------------------------------------------------------------------------------------------------------------------------------------------------------------------------------------------------------------------------------------------------------------------------------------------------------------------------------------------------------------------------------------------------------------------------------------------------------------------------------------------------------------------|-----------------------------------------------------------|-----|----------|
| <b>Test Case Name:</b>      |            | TC_26_5_6_2_2                                                                                                                                                                                                                                                                                                                                                                                                                                                                                                                                                                                                        |                                                           |     |          |
| <b>Group:</b>               |            | GSM_L3_MS_v4210/BiBo/                                                                                                                                                                                                                                                                                                                                                                                                                                                                                                                                                                                                |                                                           |     |          |
| <b>Purpose:</b>             |            | To verify that an MS supporting the CC protocol for at least one BC receiving a CC message containing an IE unknown in the message which is not encoded as "comprehension required" ignores that IE; this in the special case of a DISCONNECT message received by the MS in state U10.                                                                                                                                                                                                                                                                                                                               |                                                           |     |          |
| <b>Default:</b>             |            | OtherEventsFail                                                                                                                                                                                                                                                                                                                                                                                                                                                                                                                                                                                                      |                                                           |     |          |
| Nr                          | Label      | Behaviour Description                                                                                                                                                                                                                                                                                                                                                                                                                                                                                                                                                                                                | CRef                                                      | V   | Comments |
| 1                           |            | START T_guard(300)                                                                                                                                                                                                                                                                                                                                                                                                                                                                                                                                                                                                   |                                                           |     |          |
| 2                           |            | +BasicServiceMT( TSPX_MTBscSvcJ,<br>TSPX_MTChRateJ)                                                                                                                                                                                                                                                                                                                                                                                                                                                                                                                                                                  |                                                           |     |          |
| 3                           |            | +IdleUpdated( C_E_default, C_CellA, C_SCH_A,<br>C_BCCH_A_1, C_Immass, C_S0, C_SlotNU,<br>C_SlotNU, C_SlotNU, C_BCC, C_TxInt_5,<br>C_Max_1, C_NECI_0, C_ATT_0, TimingAdv( 0),<br>C_BABR_0, C_cch_1Comb, C_BPM_3,<br>C_T3212_0, C_ci_cellA, C_MCC_1, C_PLMN_1,<br>C_LAC_1, CellOpt_01, CellChDes_Omit,<br>CellChDes_Omit, C_CellReselectHys12,<br>C_MaxPwrLvIG, C_MaxPwrLvID,<br>BcchFreqLst_45, BcchFreqLst_02,<br>BcchFreqLst_03, BcchFreqLst_04,<br>C_Restablishment, C_BCC, C_NCC,<br>C_Start_Tmsi, TSPX_SDCCH4SubDef,<br>TSPX_CKSNDDef, TSPX_RANDDef, C_arfcnA,<br>C_arfcnAd, TSPX_IMSI, C_Test_nfh,<br>C_NCCP_2) |                                                           |     |          |
| 4                           |            | +CCConfigTCH( TSPX_TCHHSubDef, C_Ass,<br>TSPX_TmSltDef, TSPX_TscDef, TimingAdv( 0),<br>C_BABR_0, C_cch_1Comb, C_BPM_3,<br>TCV_ChMod.mode, FreqTCH_omit,<br>FreqTCH_omit, C_arfcn_tchA, C_arfcn_tchAd)                                                                                                                                                                                                                                                                                                                                                                                                                |                                                           |     |          |
| 5                           |            | +PreEnterCCstateU10(<br>TSPX_SDCCH4SubDef, TCV_Setup_mt,<br>TSPX_TmSltDef, TSPX_TscDef, TimingAdv(<br>0), TSPX_CKSNDDef, TSPX_RANDDef)                                                                                                                                                                                                                                                                                                                                                                                                                                                                               |                                                           |     | 1.       |
| 6                           | body       | L!DL_DatRqDiscErr                                                                                                                                                                                                                                                                                                                                                                                                                                                                                                                                                                                                    | Disc_inv_err(<br>TCV_chTch,<br>Disconn_inv_03(<br>TI_02)) |     | 2.       |
| 7                           | L_013<br>3 | L?DL_DatInRel                                                                                                                                                                                                                                                                                                                                                                                                                                                                                                                                                                                                        | ReleaseRcv(<br>Release_10( TI_01))                        | (P) |          |
| 8                           |            | +CCstatuschk_01( TCV_chTch, C_U19)                                                                                                                                                                                                                                                                                                                                                                                                                                                                                                                                                                                   |                                                           |     |          |
| 9                           |            | L!DL_DatRqChRel                                                                                                                                                                                                                                                                                                                                                                                                                                                                                                                                                                                                      | ChRel( TCV_chTch,<br>ChRelease_01)                        |     |          |
| 10                          |            | L?DL_Relln                                                                                                                                                                                                                                                                                                                                                                                                                                                                                                                                                                                                           | DLRelInd_01                                               |     |          |
| <b>Detailed Comments:</b>   |            | 1. To enter CC state U10.<br>2. To send an invalid DISCONNECT message containing optional unknown IE.                                                                                                                                                                                                                                                                                                                                                                                                                                                                                                                |                                                           |     |          |

| Test Case Dynamic Behaviour |            |                                                                                                                                                                                                                                                                                                                                                                                                                                                                                                                                                                                                                      |                                                            |     |          |
|-----------------------------|------------|----------------------------------------------------------------------------------------------------------------------------------------------------------------------------------------------------------------------------------------------------------------------------------------------------------------------------------------------------------------------------------------------------------------------------------------------------------------------------------------------------------------------------------------------------------------------------------------------------------------------|------------------------------------------------------------|-----|----------|
| <b>Test Case Name:</b>      |            | TC_26_5_6_2_3                                                                                                                                                                                                                                                                                                                                                                                                                                                                                                                                                                                                        |                                                            |     |          |
| <b>Group:</b>               |            | GSM_L3_MS_v4210/BiBo/                                                                                                                                                                                                                                                                                                                                                                                                                                                                                                                                                                                                |                                                            |     |          |
| <b>Purpose:</b>             |            | To verify that an MS supporting the CC protocol for at least one BC receiving a CC message containing an IE unknown in the message which is not encoded as "comprehension required" ignores that IE; this in the special case of a RELEASE message received by the MS having sent in state U10 a DISCONNECT message                                                                                                                                                                                                                                                                                                  |                                                            |     |          |
| <b>Default:</b>             |            | OtherEventsFail                                                                                                                                                                                                                                                                                                                                                                                                                                                                                                                                                                                                      |                                                            |     |          |
| Nr                          | Label      | Behaviour Description                                                                                                                                                                                                                                                                                                                                                                                                                                                                                                                                                                                                | CRef                                                       | V   | Comments |
| 1                           |            | START T_guard(300)                                                                                                                                                                                                                                                                                                                                                                                                                                                                                                                                                                                                   |                                                            |     |          |
| 2                           |            | +BasicServiceMT( TSPX_MTBscSvcA,<br>TSPX_MTChRateA)                                                                                                                                                                                                                                                                                                                                                                                                                                                                                                                                                                  |                                                            |     |          |
| 3                           |            | +IdleUpdated( C_E_default, C_CellA, C_SCH_A,<br>C_BCCH_A_1, C_Immass, C_S0, C_SlotNU,<br>C_SlotNU, C_SlotNU, C_BCC, C_TxInt_5,<br>C_Max_1, C_NECI_0, C_ATT_0, TimingAdv( 0),<br>C_BABR_0, C_cch_1Comb, C_BPM_3,<br>C_T3212_0, C_ci_cellA, C_MCC_1, C_PLMN_1,<br>C_LAC_1, CellOpt_01, CellChDes_Omit,<br>CellChDes_Omit, C_CellReselectHys12,<br>C_MaxPwrLvIG, C_MaxPwrLvID,<br>BcchFreqLst_45, BcchFreqLst_02,<br>BcchFreqLst_03, BcchFreqLst_04,<br>C_Restablishment, C_BCC, C_NCC,<br>C_Start_Tmsi, TSPX_SDCCH4SubDef,<br>TSPX_CKSNDDef, TSPX_RANDDef, C_arfcnA,<br>C_arfcnAd, TSPX_IMSI, C_Test_nfh,<br>C_NCCP_2) |                                                            |     |          |
| 4                           |            | +CCConfigTCH( TSPX_TCHHSubDef, C_Ass,<br>TSPX_TmSltDef, TSPX_TscDef, TimingAdv( 0),<br>C_BABR_0, C_cch_1Comb, C_BPM_3,<br>TCV_ChMod.mode, FreqTCH_omit,<br>FreqTCH_omit, C_arfcn_tchA, C_arfcn_tchAd)                                                                                                                                                                                                                                                                                                                                                                                                                |                                                            |     |          |
| 5                           |            | +PreEnterCCstateU10(<br>TSPX_SDCCH4SubDef, TCV_Setup_mt,<br>TSPX_TmSltDef, TSPX_TscDef, TimingAdv(<br>0), TSPX_CKSNDDef, TSPX_RANDDef)                                                                                                                                                                                                                                                                                                                                                                                                                                                                               |                                                            | 1.  |          |
| 6                           | body       | (TCV_Null := OO_TermCall())                                                                                                                                                                                                                                                                                                                                                                                                                                                                                                                                                                                          |                                                            |     |          |
| 7                           |            | L?DL_DatInDisc                                                                                                                                                                                                                                                                                                                                                                                                                                                                                                                                                                                                       | DiscRcv( TCV_chTch,<br>DisconnR( TI_01,<br>Cause_Def))     |     |          |
| 8                           |            | L!DL_DatRqRel                                                                                                                                                                                                                                                                                                                                                                                                                                                                                                                                                                                                        | ReleaseSnd(<br>TCV_chTch,<br>ReleaseReq_inv_01(<br>TI_02)) | 2.  |          |
| 9                           | L_013<br>4 | L?DL_DatInRelCmp                                                                                                                                                                                                                                                                                                                                                                                                                                                                                                                                                                                                     | RelComRcv(<br>ReleaseCmp_03(<br>TI_01))                    | (P) |          |
| 10                          |            | +PostMainLinkRel( TCV_chTch)                                                                                                                                                                                                                                                                                                                                                                                                                                                                                                                                                                                         |                                                            |     |          |
| <b>Detailed Comments:</b>   |            | 1. To enter CC state U10.<br>2. To send an invalid RELEASE REQUEST message containing unknown optional IE.                                                                                                                                                                                                                                                                                                                                                                                                                                                                                                           |                                                            |     |          |



| Test Case Dynamic Behaviour |            |                                                                                                                                                                                                                                                                                                                                                                                                                                                                                                                                                                                                                   |                                                                                           |     |          |
|-----------------------------|------------|-------------------------------------------------------------------------------------------------------------------------------------------------------------------------------------------------------------------------------------------------------------------------------------------------------------------------------------------------------------------------------------------------------------------------------------------------------------------------------------------------------------------------------------------------------------------------------------------------------------------|-------------------------------------------------------------------------------------------|-----|----------|
| <b>Test Case Name:</b>      |            | TC_26_5_6_2_4                                                                                                                                                                                                                                                                                                                                                                                                                                                                                                                                                                                                     |                                                                                           |     |          |
| <b>Group:</b>               |            | GSM_L3_MS_v4210/BiBo/                                                                                                                                                                                                                                                                                                                                                                                                                                                                                                                                                                                             |                                                                                           |     |          |
| <b>Purpose:</b>             |            | To verify that an MS supporting the CC protocol for at least one BC receiving a CC message containing an IE unknown in the message which is not encoded as "comprehension required" ignores that IE; this in the special case of a RELEASE COMPLETE message received by the MS in state U19.                                                                                                                                                                                                                                                                                                                      |                                                                                           |     |          |
| <b>Default:</b>             |            | OtherEventsFail                                                                                                                                                                                                                                                                                                                                                                                                                                                                                                                                                                                                   |                                                                                           |     |          |
| Nr                          | Label      | Behaviour Description                                                                                                                                                                                                                                                                                                                                                                                                                                                                                                                                                                                             | CRef                                                                                      | V   | Comments |
| 1                           |            | START T_guard(300)                                                                                                                                                                                                                                                                                                                                                                                                                                                                                                                                                                                                |                                                                                           |     |          |
| 2                           |            | +BasicServiceMT( TSPX_MTBscSvcB,<br>TSPX_MTChRateB)                                                                                                                                                                                                                                                                                                                                                                                                                                                                                                                                                               |                                                                                           |     |          |
| 3                           |            | +IdleUpdated( C_E_default, C_CellA, C_SCH_A,<br>C_BCCH_A_1, C_Immss, C_S0, C_SlotNU,<br>C_SlotNU, C_SlotNU, C_BCC, C_TxInt_5,<br>C_Max_1, C_NECL_0, C_ATT_0, TimingAdv( 0),<br>C_BABR_0, C_cch_1Comb, C_BPM_3,<br>C_T3212_0, C_ci_cellA, C_MCC_1, C_PLMN_1,<br>C_LAC_1, CellOpt_01, CellChDes_Omit,<br>CellChDes_Omit, C_CellReselectHys12,<br>C_MaxPwrLvIG, C_MaxPwrLvID,<br>BcchFreqLst_45, BcchFreqLst_02,<br>BcchFreqLst_03, BcchFreqLst_04,<br>C_Restablishment, C_BCC, C_NCC,<br>C_Start_Tmsi, TSPX_SDCCH4SubDef,<br>TSPX_CKSNDf, TSPX_RANDDef, C_arfcnA,<br>C_arfcnAd, TSPX_IMSI, C_Test_nfh,<br>C_NCCP_2) |                                                                                           |     |          |
| 4                           |            | +CCConfigTCH( TSPX_TCHHSubDef, C_Ass,<br>TSPX_TmSlitDef, TSPX_TscDef, TimingAdv( 0),<br>C_BABR_0, C_cch_1Comb, C_BPM_3,<br>TCV_ChMod.mode, FreqTCH_omit,<br>FreqTCH_omit, C_arfcn_tchA, C_arfcn_tchAd)                                                                                                                                                                                                                                                                                                                                                                                                            |                                                                                           |     |          |
| 5                           |            | +PreEnterCCstateU10(<br>TSPX_SDCCH4SubDef, TCV_Setup_mt,<br>TSPX_TmSlitDef, TSPX_TscDef, TimingAdv(<br>0), TSPX_CKSNDf, TSPX_RANDDef)                                                                                                                                                                                                                                                                                                                                                                                                                                                                             |                                                                                           |     |          |
| 6                           | body       | LIDL_DatRqDisc                                                                                                                                                                                                                                                                                                                                                                                                                                                                                                                                                                                                    | DiscSnd(<br>TCV_chTch,<br>DisconnS( TI_02,<br>Cause_01,<br>ProgInd_omit,<br>UuInfo_omit)) |     |          |
| 7                           |            | L?DL_DatInRel                                                                                                                                                                                                                                                                                                                                                                                                                                                                                                                                                                                                     | ReleaseRcv(<br>Release_02)                                                                |     |          |
| 8                           |            | LIDL_DatRqRelCmp                                                                                                                                                                                                                                                                                                                                                                                                                                                                                                                                                                                                  | RelComSnd(<br>TCV_chTch,<br>ReleaseCmp_inv_02(<br>TI_02))                                 |     | 1.       |
| 9                           | L_013<br>5 | L?DL_RelIn                                                                                                                                                                                                                                                                                                                                                                                                                                                                                                                                                                                                        | DlRelInd_01                                                                               | (P) |          |
| <b>Detailed Comments:</b>   |            | 1. To send an invalid RELEASE COMPLETE message containing unknown optional IE.                                                                                                                                                                                                                                                                                                                                                                                                                                                                                                                                    |                                                                                           |     |          |

| Test Case Dynamic Behaviour |            |                                                                                                                                                                                                                                                                                                                                                                                                                                                                                                                                                                          |                                        |     |                                   |
|-----------------------------|------------|--------------------------------------------------------------------------------------------------------------------------------------------------------------------------------------------------------------------------------------------------------------------------------------------------------------------------------------------------------------------------------------------------------------------------------------------------------------------------------------------------------------------------------------------------------------------------|----------------------------------------|-----|-----------------------------------|
| <b>Test Case Name:</b>      |            | TC_26_5_6_3                                                                                                                                                                                                                                                                                                                                                                                                                                                                                                                                                              |                                        |     |                                   |
| <b>Group:</b>               |            | GSM_L3_MS_v4210/BiBo/                                                                                                                                                                                                                                                                                                                                                                                                                                                                                                                                                    |                                        |     |                                   |
| <b>Purpose:</b>             |            | To verify that the MS ignores an IE which is unknown in a message for Radio Resource Management in the special cases of CIPHERING MODE COMMAND, ASSIGNMENT COMMAND and CHANNEL RELEASE.                                                                                                                                                                                                                                                                                                                                                                                  |                                        |     |                                   |
| <b>Default:</b>             |            | OtherEventsFail                                                                                                                                                                                                                                                                                                                                                                                                                                                                                                                                                          |                                        |     |                                   |
| Nr                          | Label      | Behaviour Description                                                                                                                                                                                                                                                                                                                                                                                                                                                                                                                                                    | CRef                                   | V   | Comments                          |
| 1                           |            | START T_guard(300)                                                                                                                                                                                                                                                                                                                                                                                                                                                                                                                                                       |                                        |     |                                   |
| 2                           |            | (TCV_ChRate := C_Full)                                                                                                                                                                                                                                                                                                                                                                                                                                                                                                                                                   |                                        |     |                                   |
| 3                           |            | +IdleUpdated( C_E_default, C_CellA, C_SCH_A, C_BCCH_A_1, C_Immss, C_S0, C_SlotNU, C_SlotNU, C_SlotNU, C_BCC, C_TxInt_5, C_Max_1, C_NECI_0, C_ATT_0, TimingAdv( 0), C_BABR_0, C_cch_1Comb, C_BPM_3, C_T3212_0, C_ci_cellA, C_MCC_1, C_PLMN_1, C_LAC_1, CellOpt_01, CellChDes_12man, CellChDes_12dman, C_CellReselectHys12, C_MaxPwrLvIG, C_MaxPwrLvID, BcchFreqLst_45, BcchFreqLst_02, BcchFreqLst_03, BcchFreqLst_04, C_Restablishment, C_BCC, C_NCC, C_Start_Tmsi, TSPX_SDCCH4SubDef, TSPX_CKSNDDef, TSPX_RANDDef, C_arfcnA, C_arfcnAd, TSPX_IMSI, C_Test_fh, C_NCCP_2) |                                        |     |                                   |
| 4                           |            | +CCConfigTCH( TSPX_TCHHSubDef, C_Ass, TSPX_TmSlitNotZero1, TSPX_TscDef, TimingAdv( 0), C_BABR_0, C_cch_1Comb, C_BPM_3, C_ChMod_s, FreqTCHa_21g, FreqTCHa_21d, C_Noarfcn, C_Noarfcn)                                                                                                                                                                                                                                                                                                                                                                                      |                                        |     |                                   |
| 5                           |            | +PreEstRRConn( TCV_slot, TCV_tsc, TimingAdv( 0))                                                                                                                                                                                                                                                                                                                                                                                                                                                                                                                         |                                        |     |                                   |
| 6                           |            | (TCV_Null := OM_CphMdChg( TCV_ch, CphMod_01, TCV_CphKey))                                                                                                                                                                                                                                                                                                                                                                                                                                                                                                                |                                        |     |                                   |
| 7                           | body       | L!DL_DatRqCphmCmdErr                                                                                                                                                                                                                                                                                                                                                                                                                                                                                                                                                     | CphCmd_inv( TCV_ch, CphModeCmd_inv_03) |     | 1.                                |
| 8                           | L_013<br>6 | L?DL_DatInCphmCom                                                                                                                                                                                                                                                                                                                                                                                                                                                                                                                                                        | CphCom( CphModeCmp_01)                 | (P) |                                   |
| 9                           |            | +AssCmdGen_fh( C_Full, TSPX_TmSlitNotZero1, TSPX_TscDef, TSPX_TCHHSubDef, 7, 7, '000000'B, '000000'B, Frql_02, Frql_02, CellChDes_12, CellChDes_12d, ChMod_sign_iei, MobilAllc_02, MobilAllc_02, CphMod_omit)                                                                                                                                                                                                                                                                                                                                                            |                                        |     | With power level 7, 1st unknow IE |
| 10                          |            | (TCV_AssCmd.ch2d_at := UnknownIE)                                                                                                                                                                                                                                                                                                                                                                                                                                                                                                                                        |                                        |     | 2nd unknow IE                     |
| 11                          |            | +AssCh_complete( TCV_ch, TCV_chTch, TCV_AssCmd)                                                                                                                                                                                                                                                                                                                                                                                                                                                                                                                          |                                        |     | 2.                                |
| 12                          |            | L!DL_DatRqChRelErr                                                                                                                                                                                                                                                                                                                                                                                                                                                                                                                                                       | ChRel_inv( TCV_chTch)                  |     | 3.                                |
| 13                          | L_013<br>7 | L?DL_RelIn                                                                                                                                                                                                                                                                                                                                                                                                                                                                                                                                                               | DLRelInd_01                            | (P) |                                   |
| <b>Detailed Comments:</b>   |            | <ol style="list-style-type: none"> <li>1. To send a CIPHERING MODE COMMAND message containing an unknown IE.</li> <li>2. To send an ASSIGNMENT COMMAND message containing 2 unknown IEs.</li> <li>3. To send a CHANNEL RELEASE message containing an unknown IE.</li> </ol>                                                                                                                                                                                                                                                                                              |                                        |     |                                   |

| Test Case Dynamic Behaviour |       |                                                                                                                                                                                                                                                                                                                                                                                                                                                                                                                                                                         |                                                      |     |          |
|-----------------------------|-------|-------------------------------------------------------------------------------------------------------------------------------------------------------------------------------------------------------------------------------------------------------------------------------------------------------------------------------------------------------------------------------------------------------------------------------------------------------------------------------------------------------------------------------------------------------------------------|------------------------------------------------------|-----|----------|
| <b>Test Case Name:</b>      |       | TC_26_5_7_1_1                                                                                                                                                                                                                                                                                                                                                                                                                                                                                                                                                           |                                                      |     |          |
| <b>Group:</b>               |       | GSM_L3_MS_v4210/BiBo/                                                                                                                                                                                                                                                                                                                                                                                                                                                                                                                                                   |                                                      |     |          |
| <b>Purpose:</b>             |       | To verify that the MS ignores the value of spare bits in the special case of the spare bits occurring in the P1 Rest Octets IE of a PAGING REQUEST TYPE 1 message. That the spare bits are ignored is checked by addressing the MS in that PAGING REQUEST message and verifying that the MS responds to that paging.                                                                                                                                                                                                                                                    |                                                      |     |          |
| <b>Default:</b>             |       | OtherEventsFail                                                                                                                                                                                                                                                                                                                                                                                                                                                                                                                                                         |                                                      |     |          |
| Nr                          | Label | Behaviour Description                                                                                                                                                                                                                                                                                                                                                                                                                                                                                                                                                   | CRef                                                 | V   | Comments |
| 1                           |       | START T_guard(300)                                                                                                                                                                                                                                                                                                                                                                                                                                                                                                                                                      |                                                      |     |          |
| 2                           |       | +IdleUpdated( C_E_default, C_CellA, C_SCH_A, C_BCCH_A_1, C_Immass, C_S0, C_SlotNU, C_SlotNU, C_SlotNU, C_BCC, C_TxInt_5, C_Max_1, C_NECI_0, C_ATT_0, TimingAdv( 0), C_BABR_0, C_cch_1Comb, C_BPM_3, C_T3212_0, C_ci_cellA, C_MCC_1, C_PLMN_1, C_LAC_1, CellOpt_01, CellChDes_Omit, CellChDes_Omit, C_CellReselectHys12, C_MaxPwrLvlG, C_MaxPwrLvlD, BcchFreqLst_45, BcchFreqLst_02, BcchFreqLst_03, BcchFreqLst_04, C_Restablishment, C_BCC, C_NCC, C_Start_Tmsi, TSPX_SDCCH4SubDef, TSPX_CKSNDDef, TSPX_RANDDef, C_arfcnA, C_arfcnAd, TSPX_IMSI, C_Test_nfh, C_NCCP_2) |                                                      |     |          |
| 3                           | body  | LIDL_UdatRqPg1Rq                                                                                                                                                                                                                                                                                                                                                                                                                                                                                                                                                        | PgReq1(TCV_PgCh, TCV_Pgg, PgReqTp1_inv_04)           |     | 1.       |
| 4                           | L_013 | L?DL_RacInChRq (TCV_Rr := DL_RacInChRq.msg.ecau_rrf, TCV_Fn := DL_RacInChRq.fn)                                                                                                                                                                                                                                                                                                                                                                                                                                                                                         | ChReq( ChRequest_17)                                 | (P) |          |
| 5                           |       | LIDL_UdatRqImmassRej                                                                                                                                                                                                                                                                                                                                                                                                                                                                                                                                                    | ImmAssRej( TCV_agch, ImmAsgnRej_01( TCV_Rr, TCV_Fn)) |     |          |
| <b>Detailed Comments:</b>   |       | 1. To send a PAGING REQUEST TYPE1 message containing rest octets which are not all '2B'O.                                                                                                                                                                                                                                                                                                                                                                                                                                                                               |                                                      |     |          |

| Test Case Dynamic Behaviour                                                                                                                                                                                                                                                                                                                                                                                                                 |            |                                                                                                                                                                                                                                                                                                                                                                                                                                                                                                                                                                          |                                                               |     |          |
|---------------------------------------------------------------------------------------------------------------------------------------------------------------------------------------------------------------------------------------------------------------------------------------------------------------------------------------------------------------------------------------------------------------------------------------------|------------|--------------------------------------------------------------------------------------------------------------------------------------------------------------------------------------------------------------------------------------------------------------------------------------------------------------------------------------------------------------------------------------------------------------------------------------------------------------------------------------------------------------------------------------------------------------------------|---------------------------------------------------------------|-----|----------|
| <b>Test Case Name:</b> TC_26_5_7_1_2                                                                                                                                                                                                                                                                                                                                                                                                        |            |                                                                                                                                                                                                                                                                                                                                                                                                                                                                                                                                                                          |                                                               |     |          |
| <b>Group:</b> GSM_L3_MS_v4210/BiBo/                                                                                                                                                                                                                                                                                                                                                                                                         |            |                                                                                                                                                                                                                                                                                                                                                                                                                                                                                                                                                                          |                                                               |     |          |
| <b>Purpose:</b> To verify that the MS in the MM-state "idle, updated" and in RR-idle mode ignores the value of spare bits in the special case where these spare bits are contained in S13 rest octets IE and S14 rest octets IE. That the MS ignores the value of the spare bits is checked by changing the LAI in those message and observing the MS initiating a location update though the spare bits do not all have the default value. |            |                                                                                                                                                                                                                                                                                                                                                                                                                                                                                                                                                                          |                                                               |     |          |
| <b>Default:</b> OtherEventsFail                                                                                                                                                                                                                                                                                                                                                                                                             |            |                                                                                                                                                                                                                                                                                                                                                                                                                                                                                                                                                                          |                                                               |     |          |
| Nr                                                                                                                                                                                                                                                                                                                                                                                                                                          | Label      | Behaviour Description                                                                                                                                                                                                                                                                                                                                                                                                                                                                                                                                                    | CRef                                                          | V   | Comments |
| 1                                                                                                                                                                                                                                                                                                                                                                                                                                           |            | START T_guard(300)                                                                                                                                                                                                                                                                                                                                                                                                                                                                                                                                                       |                                                               |     |          |
| 2                                                                                                                                                                                                                                                                                                                                                                                                                                           |            | +IdleUpdated( C_E_default, C_CellA, C_SCH_A, C_BCCH_A_1, C_ImmMass, C_S0, C_SlotNU, C_SlotNU, C_SlotNU, C_BCC, C_TxInt_5, C_Max_1, C_NECI_0, C_ATT_0, TimingAdv( 0), C_BABR_0, C_cch_1Comb, C_BPM_3, C_T3212_0, C_ci_cellA, C_MCC_1, C_PLMN_1, C_LAC_1, CellOpt_01, CellChDes_Omit, CellChDes_Omit, C_CellReselectHys12, C_MaxPwrLvlG, C_MaxPwrLvlD, BcchFreqLst_45, BcchFreqLst_02, BcchFreqLst_03, BcchFreqLst_04, C_Restablishment, C_BCC, C_NCC, C_Start_Tmsi, TSPX_SDCCH4SubDef, TSPX_CKSNDDef, TSPX_RANDDef, C_arfcnA, C_arfcnAd, TSPX_IMSI, C_Test_nfh, C_NCCP_2) |                                                               |     |          |
| 3                                                                                                                                                                                                                                                                                                                                                                                                                                           |            | +modifysysinfo                                                                                                                                                                                                                                                                                                                                                                                                                                                                                                                                                           |                                                               |     |          |
| 4                                                                                                                                                                                                                                                                                                                                                                                                                                           | body       | START T_dly(30000)                                                                                                                                                                                                                                                                                                                                                                                                                                                                                                                                                       |                                                               |     |          |
| 5                                                                                                                                                                                                                                                                                                                                                                                                                                           | L_013<br>9 | L?DL_RaInChRq (TCV_Rr := DL_RaInChRq.msg.ecau_rrf, TCV_Fn := DL_RaInChRq.fn) CANCEL T_dly                                                                                                                                                                                                                                                                                                                                                                                                                                                                                | ChReq(<br>ChRequest_09)                                       | (P) |          |
| 6                                                                                                                                                                                                                                                                                                                                                                                                                                           |            | L!DL_UdatRqImmMassRej                                                                                                                                                                                                                                                                                                                                                                                                                                                                                                                                                    | ImmAssRej(<br>TCV_agch,<br>ImmAsgnRej_01(<br>TCV_Rr, TCV_Fn)) |     |          |
| 7                                                                                                                                                                                                                                                                                                                                                                                                                                           | L_014<br>0 | ?TIMEOUT T_dly                                                                                                                                                                                                                                                                                                                                                                                                                                                                                                                                                           |                                                               | F   |          |
| 8                                                                                                                                                                                                                                                                                                                                                                                                                                           |            | <b>modifysysinfo</b>                                                                                                                                                                                                                                                                                                                                                                                                                                                                                                                                                     |                                                               |     |          |
| 9                                                                                                                                                                                                                                                                                                                                                                                                                                           |            | [TSPC_PGSM OR TSPC_EGSM]<br>L!DL_UdatRqSysinfo3                                                                                                                                                                                                                                                                                                                                                                                                                                                                                                                          | SysInfo3_inv_01(C_M<br>CC_1, C_PLMN_1,<br>C_LAC_2)            |     | 1.       |
| 10                                                                                                                                                                                                                                                                                                                                                                                                                                          |            | LIDL_UdatRqSysinfo4                                                                                                                                                                                                                                                                                                                                                                                                                                                                                                                                                      | SysInfo4_inv_01(C_M<br>CC_1, C_PLMN_1,<br>C_LAC_2)            |     |          |
| 11                                                                                                                                                                                                                                                                                                                                                                                                                                          |            | [TSPC_DCS]                                                                                                                                                                                                                                                                                                                                                                                                                                                                                                                                                               |                                                               |     |          |
| 12                                                                                                                                                                                                                                                                                                                                                                                                                                          |            | L!DL_UdatRqSysinfo3<br>(DL_UdatRqSysinfo3.msg.csp := CellSelPara_04)                                                                                                                                                                                                                                                                                                                                                                                                                                                                                                     | SysInfo3_inv_01(C_M<br>CC_1, C_PLMN_1,<br>C_LAC_2)            |     | 1.       |
| 13                                                                                                                                                                                                                                                                                                                                                                                                                                          |            | LIDL_UdatRqSysinfo4<br>(DL_UdatRqSysinfo4.msg.csp := CellSelPara_04)                                                                                                                                                                                                                                                                                                                                                                                                                                                                                                     | SysInfo4_inv_01(C_M<br>CC_1, C_PLMN_1,<br>C_LAC_2)            |     |          |
| <b>Detailed Comments:</b> 1. To send modified SYSTEM INFORMATION TYPE 3 and TYPE 4.                                                                                                                                                                                                                                                                                                                                                         |            |                                                                                                                                                                                                                                                                                                                                                                                                                                                                                                                                                                          |                                                               |     |          |

| Test Case Dynamic Behaviour |            |                                                                                                                                                                                                                                                                                                                                                                                                                                                                                                                                                                        |                                                                                                         |     |                            |
|-----------------------------|------------|------------------------------------------------------------------------------------------------------------------------------------------------------------------------------------------------------------------------------------------------------------------------------------------------------------------------------------------------------------------------------------------------------------------------------------------------------------------------------------------------------------------------------------------------------------------------|---------------------------------------------------------------------------------------------------------|-----|----------------------------|
| <b>Test Case Name:</b>      |            | TC_26_5_7_1_3                                                                                                                                                                                                                                                                                                                                                                                                                                                                                                                                                          |                                                                                                         |     |                            |
| <b>Group:</b>               |            | GSM_L3_MS_v4210/BiBo/                                                                                                                                                                                                                                                                                                                                                                                                                                                                                                                                                  |                                                                                                         |     |                            |
| <b>Purpose:</b>             |            | To verify that the MS in the MM-state "idle, updated" and in RR-idle mode ignores the value of spare bits in the special case of the spare bits occurring in the Page Mode IE, the Spare Half Octet IE, the Channel Description IE, the Timing Advance IE, the IA Rest Octet IE, and in the IAR Rest Octet IE.                                                                                                                                                                                                                                                         |                                                                                                         |     |                            |
| <b>Default:</b>             |            | OtherEventsFail                                                                                                                                                                                                                                                                                                                                                                                                                                                                                                                                                        |                                                                                                         |     |                            |
| Nr                          | Label      | Behaviour Description                                                                                                                                                                                                                                                                                                                                                                                                                                                                                                                                                  | CRef                                                                                                    | V   | Comments                   |
| 1                           |            | START T_guard(300)                                                                                                                                                                                                                                                                                                                                                                                                                                                                                                                                                     |                                                                                                         |     |                            |
| 2                           |            | +IdleUpdated( C_E_default, C_CellA, C_SCH_A, C_BCCH_A_1, C_ImmMass, C_S0, C_SlotNU, C_SlotNU, C_SlotNU, C_BCC, C_TxInt_5, C_Max_1, C_NECI_0, C_ATT_0, TimingAdv( 0), C_BABR_0, C_cch_1Comb, C_BPM_3, C_T3212_0, C_ci_cellA, C_MCC_1, C_PLMN_1, C_LAC_1, CellOpt_01, CellChDes_Omit, CellChDes_Omit, C_CellReselectHys12, C_MaxPwrLvIG, C_MaxPwrLvID, BcchFreqLst_45, BcchFreqLst_02, BcchFreqLst_03, BcchFreqLst_04, C_Restablishment, C_BCC, C_NCC, C_Start_Tmsi, TSPX_SDCCH4SubDef, TSPX_CKSNDf, TSPX_RANDDef, C_arfcnA, C_arfcnAd, TSPX_IMSI, C_Test_nfh, C_NCCP_2) |                                                                                                         |     |                            |
| 3                           | body       | +localtree1                                                                                                                                                                                                                                                                                                                                                                                                                                                                                                                                                            |                                                                                                         |     |                            |
|                             |            | <b>localtree1</b>                                                                                                                                                                                                                                                                                                                                                                                                                                                                                                                                                      |                                                                                                         |     |                            |
| 4                           |            | L!DL_UdatRqPg1Rq                                                                                                                                                                                                                                                                                                                                                                                                                                                                                                                                                       | PgReq1(TCV_PgCh, TCV_Pgg, PgReqTp1_01)                                                                  |     |                            |
| 5                           |            | L?DL_RacInChRq (TCV_Rr := DL_RacInChRq.msg.ecau_rrf, TCV_Fn := DL_RacInChRq.fn)                                                                                                                                                                                                                                                                                                                                                                                                                                                                                        | ChReq(ChRequest_17)                                                                                     |     |                            |
| 6                           |            | ACTIVATE(OtherEventsFail_02)                                                                                                                                                                                                                                                                                                                                                                                                                                                                                                                                           |                                                                                                         |     |                            |
| 7                           |            | L! DL_UdatRqImmMass                                                                                                                                                                                                                                                                                                                                                                                                                                                                                                                                                    | ImmAss( TCV_agch, ImmAsgn_inv_04( TCV_Rr, TCV_Fn, TCV_slot, TCV_tsc, TimingAdv_inv, TCV_chdescr_arfcn)) |     | To match ChReq retrans. 1. |
| 8                           | L_014<br>1 | L?DL_EstInPgRes                                                                                                                                                                                                                                                                                                                                                                                                                                                                                                                                                        | PagingRes(PagingRes_01)                                                                                 | (P) |                            |
| 9                           |            | ACTIVATE(OtherEventsFail)                                                                                                                                                                                                                                                                                                                                                                                                                                                                                                                                              |                                                                                                         |     | Restore Normal default     |
| 10                          |            | LIDL_DatRqChRel                                                                                                                                                                                                                                                                                                                                                                                                                                                                                                                                                        | ChRel( TCV_ch, ChRelease_01)                                                                            |     |                            |
| 11                          | L_014<br>2 | L?DL_RelIn                                                                                                                                                                                                                                                                                                                                                                                                                                                                                                                                                             | DLRelInd_01                                                                                             | (P) |                            |
| 12                          |            | START T_dly(10000)                                                                                                                                                                                                                                                                                                                                                                                                                                                                                                                                                     |                                                                                                         |     |                            |
| 13                          |            | ?TIMEOUT T_dly                                                                                                                                                                                                                                                                                                                                                                                                                                                                                                                                                         |                                                                                                         |     |                            |
| 14                          |            | +localtree2                                                                                                                                                                                                                                                                                                                                                                                                                                                                                                                                                            |                                                                                                         |     |                            |
|                             |            | <b>localtree2</b>                                                                                                                                                                                                                                                                                                                                                                                                                                                                                                                                                      |                                                                                                         |     |                            |
| 15                          |            | L!DL_UdatRqPg1Rq                                                                                                                                                                                                                                                                                                                                                                                                                                                                                                                                                       | PgReq1(TCV_PgCh, TCV_Pgg, PgReqTp1_01)                                                                  |     |                            |
| 16                          |            | L?DL_RacInChRq (TCV_Rr := DL_RacInChRq.msg.ecau_rrf, TCV_Fn := DL_RacInChRq.fn)                                                                                                                                                                                                                                                                                                                                                                                                                                                                                        | ChReq(ChRequest_17)                                                                                     |     |                            |
| 17                          |            | LIDL_UdatRqImmMassRej                                                                                                                                                                                                                                                                                                                                                                                                                                                                                                                                                  | ImmAssRej( TCV_agch, ImmAsgnRej_inv_02( TCV_Rr, TCV_Fn))                                                |     | 2.                         |
| 18                          |            | START T_dly(6000)                                                                                                                                                                                                                                                                                                                                                                                                                                                                                                                                                      |                                                                                                         |     |                            |
| 19                          |            | ?TIMEOUT T_dly                                                                                                                                                                                                                                                                                                                                                                                                                                                                                                                                                         |                                                                                                         |     |                            |
| 20                          |            | L!DL_UdatRqPg1Rq                                                                                                                                                                                                                                                                                                                                                                                                                                                                                                                                                       | PgReq1(TCV_PgCh, TCV_Pgg, PgReqTp1_01)                                                                  |     |                            |
| 21                          | L_014<br>3 | L?DL_RacInChRq                                                                                                                                                                                                                                                                                                                                                                                                                                                                                                                                                         | ChReq(ChRequest_17)                                                                                     | P   |                            |
| <b>Detailed Comments:</b>   |            | 1. To send an invalid IMMEDIATE ASSIGNMENT message containing arbitrary spare bits.<br>2. To send an invalid IMMEDIATE ASSIGNMENT REJECT message containing arbitrary spare bits.                                                                                                                                                                                                                                                                                                                                                                                      |                                                                                                         |     |                            |

| Test Case Dynamic Behaviour |       |                                                                                                                                                                                                                                                                                                                                                                                                                                                                                                                                                                                                                    |                                         |   |          |
|-----------------------------|-------|--------------------------------------------------------------------------------------------------------------------------------------------------------------------------------------------------------------------------------------------------------------------------------------------------------------------------------------------------------------------------------------------------------------------------------------------------------------------------------------------------------------------------------------------------------------------------------------------------------------------|-----------------------------------------|---|----------|
| <b>Test Case Name:</b>      |       | TC_26_5_7_1_4                                                                                                                                                                                                                                                                                                                                                                                                                                                                                                                                                                                                      |                                         |   |          |
| <b>Group:</b>               |       | GSM_L3_MS_v4210/BiBo/                                                                                                                                                                                                                                                                                                                                                                                                                                                                                                                                                                                              |                                         |   |          |
| <b>Purpose:</b>             |       | To verify that the MS in the MM-state "MM-Connection active" and in RR-Connected mode ignores the value of spare bits in the special case of the spare bits occurring in the Cell Channel Description IE and in the Power Command IE.                                                                                                                                                                                                                                                                                                                                                                              |                                         |   |          |
| <b>Default:</b>             |       | OtherEventsFail                                                                                                                                                                                                                                                                                                                                                                                                                                                                                                                                                                                                    |                                         |   |          |
| Nr                          | Label | Behaviour Description                                                                                                                                                                                                                                                                                                                                                                                                                                                                                                                                                                                              | CRef                                    | V | Comments |
| 1                           |       | START T_guard(300)                                                                                                                                                                                                                                                                                                                                                                                                                                                                                                                                                                                                 |                                         |   |          |
| 2                           |       | +BasicServiceMT( TSPX_MTBscSvcC,<br>TSPX_MTChRateC)                                                                                                                                                                                                                                                                                                                                                                                                                                                                                                                                                                |                                         |   |          |
| 3                           |       | +IdleUpdated( C_E_default, C_CellA, C_SCH_A,<br>C_BCCH_A_1, C_Immass, C_S0, C_SlotNU,<br>C_SlotNU, C_SlotNU, C_BCC, C_TxInt_5,<br>C_Max_1, C_NECI_0, C_ATT_0, TimingAdv( 0),<br>C_BABR_0, C_cch_1Comb, C_BPM_3,<br>C_T3212_0, C_ci_cellA, C_MCC_1, C_PLMN_1,<br>C_LAC_1, CellOpt_01, CellChDes_Omit,<br>CellChDes_Omit, C_CellReselectHys12,<br>C_MaxPwrLvIG, C_MaxPwrLvID,<br>BcchFreqLst_45, BcchFreqLst_02,<br>BcchFreqLst_03, BcchFreqLst_04,<br>C_Restablishment, C_BCC, C_NCC,<br>C_Start_Tmsi, TSPX_SDCCH4SubDef,<br>TSPX_CKSNDf, TSPX_RANDDef, C_arfcnA,<br>C_arfcnAd, TSPX_IMSI, C_Test_nfh,<br>C_NCCP_2) |                                         |   |          |
| 4                           |       | +CCConfigTCH( TSPX_TCHHSubDef, C_Ass,<br>TSPX_TmSlitDef, TSPX_TscDef, TimingAdv( 0),<br>C_BABR_0, C_cch_1Comb, C_BPM_3,<br>TCV_ChMod.mode, FreqTCHa1, FreqTCHa2,<br>C_Noarfcn, C_Noarfcn)                                                                                                                                                                                                                                                                                                                                                                                                                          |                                         |   | 1.       |
| 5                           |       | +PreEstRRConn( TCV_slot, TCV_tsc,<br>TimingAdv( 0))                                                                                                                                                                                                                                                                                                                                                                                                                                                                                                                                                                |                                         |   |          |
| 6                           | body  | +Cipherring_on( TCV_ch)                                                                                                                                                                                                                                                                                                                                                                                                                                                                                                                                                                                            |                                         |   |          |
| 7                           |       | (TCV_Setup_mt.sig := Signal_01)                                                                                                                                                                                                                                                                                                                                                                                                                                                                                                                                                                                    |                                         |   |          |
| 8                           |       | L?DL_DatRqSetup                                                                                                                                                                                                                                                                                                                                                                                                                                                                                                                                                                                                    | SetupSnd( TCV_ch,<br>TCV_Setup_mt)      |   | 2.       |
| 9                           |       | L?DL_DatInCallCo                                                                                                                                                                                                                                                                                                                                                                                                                                                                                                                                                                                                   | CallCfm(<br>CallConfirm_01(<br>TI_01))  |   |          |
| 10                          |       | L?DL_DatInAlert                                                                                                                                                                                                                                                                                                                                                                                                                                                                                                                                                                                                    | AlertRcv(<br>AlertingInd_01(<br>TI_01)) |   |          |
| 11                          |       | +localtree1                                                                                                                                                                                                                                                                                                                                                                                                                                                                                                                                                                                                        |                                         |   |          |
| 12                          |       | L?DL_DatInConn                                                                                                                                                                                                                                                                                                                                                                                                                                                                                                                                                                                                     | ConnRcv(<br>Connect_01( TI_01))         |   |          |
| 13                          |       | +localtree1                                                                                                                                                                                                                                                                                                                                                                                                                                                                                                                                                                                                        |                                         |   |          |
| 14                          |       | <b>localtree1</b><br>+AssCmdGen_fh( TCV_ChRate, TSPX_TmSlitDef,<br>TSPX_TscDef, TSPX_TCHHSubDef, 7, 3, '000000'B,<br>'111111'B, Frql_omit, Frql_omit, CellChDes_01,<br>CellChDes_01d, TCV_ChMod, MobilAllc_r03,<br>MobilAllc_r03, CphMod_04iei( TSPX_CphAlgE))                                                                                                                                                                                                                                                                                                                                                     |                                         |   | 3.       |
| 15                          |       | +AssCh_complete( TCV_ch, TCV_chTch,<br>TCV_AssCmd)                                                                                                                                                                                                                                                                                                                                                                                                                                                                                                                                                                 |                                         |   |          |
| 16                          |       | +PostLinkRelEnd( TCV_chTch)                                                                                                                                                                                                                                                                                                                                                                                                                                                                                                                                                                                        |                                         |   | 4.       |
| <b>Detailed Comments:</b>   |       | <ol style="list-style-type: none"> <li>1. To setup a physical channel as hopping traffic channel.</li> <li>2. To send SETUP message indicating full rate channel and containing signal IE.</li> <li>3. To send a modified ASSIGNMENT COMMAND containing randomly chosen spare bits.</li> <li>4. The assignment procedure succeeds.</li> </ol>                                                                                                                                                                                                                                                                      |                                         |   |          |

| Test Case Dynamic Behaviour |            |                                                                                                                                                                                                                                                                                                                                                                                                                                                                                                                                                                         |                                      |     |          |
|-----------------------------|------------|-------------------------------------------------------------------------------------------------------------------------------------------------------------------------------------------------------------------------------------------------------------------------------------------------------------------------------------------------------------------------------------------------------------------------------------------------------------------------------------------------------------------------------------------------------------------------|--------------------------------------|-----|----------|
| <b>Test Case Name:</b>      |            | TC_26_5_7_2                                                                                                                                                                                                                                                                                                                                                                                                                                                                                                                                                             |                                      |     |          |
| <b>Group:</b>               |            | GSM_L3_MS_v4210/BiBo/                                                                                                                                                                                                                                                                                                                                                                                                                                                                                                                                                   |                                      |     |          |
| <b>Purpose:</b>             |            | To verify that the MS in the MM-state "wait net cmd" and in RR-Connected mode ignores the value of spare bits in the special case of the spare bits occurring in the Cipher Key Seq. Number IE or in the Identity Type IE.                                                                                                                                                                                                                                                                                                                                              |                                      |     |          |
| <b>Default:</b>             |            | OtherEventsFail                                                                                                                                                                                                                                                                                                                                                                                                                                                                                                                                                         |                                      |     |          |
| Nr                          | Label      | Behaviour Description                                                                                                                                                                                                                                                                                                                                                                                                                                                                                                                                                   | CRef                                 | V   | Comments |
| 1                           |            | START T_guard(300)                                                                                                                                                                                                                                                                                                                                                                                                                                                                                                                                                      |                                      |     |          |
| 2                           |            | +IdleUpdated( C_E_default, C_CellA, C_SCH_A, C_BCCH_A_1, C_Immass, C_S0, C_SlotNU, C_SlotNU, C_SlotNU, C_BCC, C_TxInt_5, C_Max_1, C_NECI_0, C_ATT_0, TimingAdv( 0), C_BABR_0, C_cch_1Comb, C_BPM_3, C_T3212_0, C_ci_cellA, C_MCC_1, C_PLMN_1, C_LAC_1, CellOpt_01, CellChDes_Omit, CellChDes_Omit, C_CellReselectHys12, C_MaxPwrLvIG, C_MaxPwrLvID, BcchFreqLst_45, BcchFreqLst_02, BcchFreqLst_03, BcchFreqLst_04, C_Restablishment, C_BCC, C_NCC, C_Start_Tmsi, TSPX_SDCCH4SubDef, TSPX_CKSNDDef, TSPX_RANDDef, C_arfcnA, C_arfcnAd, TSPX_IMSI, C_Test_nfh, C_NCCP_2) |                                      |     |          |
| 3                           |            | +PreEstRRConn( TCV_slot, TCV_tsc, TimingAdv( 0))                                                                                                                                                                                                                                                                                                                                                                                                                                                                                                                        |                                      |     |          |
| 4                           | body       | LIDL_DatRqAuthRq                                                                                                                                                                                                                                                                                                                                                                                                                                                                                                                                                        | AuthReq_inv_01(TCV_ch, TSPX_RANDDef) |     | 1.       |
| 5                           | L_014<br>4 | L?DL_DatInAuthRes                                                                                                                                                                                                                                                                                                                                                                                                                                                                                                                                                       | AuthRes( AuthResponse)               | (P) |          |
| 6                           |            | LIDL_DatRqIdRq                                                                                                                                                                                                                                                                                                                                                                                                                                                                                                                                                          | IDReq( TCV_ch, IDRequest_inv_03)     |     | 2.       |
| 7                           | L_014<br>5 | L?DL_DatInIdRes                                                                                                                                                                                                                                                                                                                                                                                                                                                                                                                                                         | IDRes( IDResponse_02)                | (P) |          |
| 8                           |            | +PostLinkRelEnd( TCV_ch)                                                                                                                                                                                                                                                                                                                                                                                                                                                                                                                                                |                                      |     |          |
| <b>Detailed Comments:</b>   |            | 1. To send a modified AUTHENTICATION REQUEST message containing arbitrary spare bits.<br>2. To send a modified IDENTITY REQUEST message containing arbitrary spare bits.                                                                                                                                                                                                                                                                                                                                                                                                |                                      |     |          |

| Test Case Dynamic Behaviour |            |                                                                                                                                                                                                                                                                                                                                                                                                                                                                                                                                                                       |                                                         |     |          |
|-----------------------------|------------|-----------------------------------------------------------------------------------------------------------------------------------------------------------------------------------------------------------------------------------------------------------------------------------------------------------------------------------------------------------------------------------------------------------------------------------------------------------------------------------------------------------------------------------------------------------------------|---------------------------------------------------------|-----|----------|
| <b>Test Case Name:</b>      |            | TC_26_5_7_3                                                                                                                                                                                                                                                                                                                                                                                                                                                                                                                                                           |                                                         |     |          |
| <b>Group:</b>               |            | GSM_L3_MS_v4210/BiBo/                                                                                                                                                                                                                                                                                                                                                                                                                                                                                                                                                 |                                                         |     |          |
| <b>Purpose:</b>             |            | To verify that the MS in the MM-state "connection established" and in RR-Connected mode ignores the value of spare bits in the special case of the spare bits occurring in the Calling party BCD Number IE, Calling Party Subaddress IE, Called Party Subaddress IE, Cause IE and Progress Indicator IE.                                                                                                                                                                                                                                                              |                                                         |     |          |
| <b>Default:</b>             |            | OtherEventsFail                                                                                                                                                                                                                                                                                                                                                                                                                                                                                                                                                       |                                                         |     |          |
| Nr                          | Label      | Behaviour Description                                                                                                                                                                                                                                                                                                                                                                                                                                                                                                                                                 | CRef                                                    | V   | Comments |
| 1                           |            | START T_guard(300)                                                                                                                                                                                                                                                                                                                                                                                                                                                                                                                                                    |                                                         |     |          |
| 2                           |            | +BasicServiceMT( TSPX_MTBscSvcI, C_Full)                                                                                                                                                                                                                                                                                                                                                                                                                                                                                                                              |                                                         |     |          |
| 3                           |            | +IdleUpdated( C_E_default, C_CellA, C_SCH_A, C_BCCH_A_1, C_Immass, C_S0, C_SlotNU, C_SlotNU, C_SlotNU, C_BCC, C_TxInt_5, C_Max_1, C_NECI_0, C_ATT_0, TimingAdv( 0), C_BABR_0, C_cch_1Comb, C_BPM_3, C_T3212_0, C_ci_cellA, C_MCC_1, C_PLMN_1, C_LAC_1, CellOpt_01, CellChDes_Omit, CellChDes_Omit, C_CellReselectHys12, C_MaxPwrLvIG, C_MaxPwrLvID, BcchFreqLst_45, BcchFreqLst_02, BcchFreqLst_03, BcchFreqLst_04, C_Restablishment, C_BCC, C_NCC, C_Start_Tmsi, TSPX_SDCCH4SubDef, TSPX_CKSNDf, TSPX_RANDDef, C_arfcnA, C_arfcnAd, TSPX_IMSI, C_Test_nfh, C_NCCP_2) |                                                         |     |          |
| 4                           |            | +FullRateCh_A_1( C_Ass, TSPX_TmSlitDef, TSPX_TscDef, ChMod_speech, FreqTCH_omit, FreqTCH_omit, C_arfcn_tchA, C_arfcn_tchAd, TimingAdv( 0), C_BABR_0, C_cch_1Comb, C_BPM_3)                                                                                                                                                                                                                                                                                                                                                                                            |                                                         |     |          |
| 5                           |            | +PreEstRRConn( TCV_slot, TCV_tsc, TimingAdv( 0))                                                                                                                                                                                                                                                                                                                                                                                                                                                                                                                      |                                                         |     |          |
| 6                           | body       | L!DL_DatRqAuthRq                                                                                                                                                                                                                                                                                                                                                                                                                                                                                                                                                      | AuthReq(TCV_ch, AuthRequest(TSPX_CKSNDf, TSPX_RANDDef)) |     |          |
| 7                           |            | L?DL_DatInAuthRes                                                                                                                                                                                                                                                                                                                                                                                                                                                                                                                                                     | AuthRes(AuthResponse)                                   |     |          |
| 8                           |            | +CIPHERING_on( TCV_ch)                                                                                                                                                                                                                                                                                                                                                                                                                                                                                                                                                |                                                         |     |          |
| 9                           |            | +localtree                                                                                                                                                                                                                                                                                                                                                                                                                                                                                                                                                            |                                                         |     |          |
| 10                          |            | <b>localtree</b><br>(TCV_Setup_mt.sig :=Signal_01, TCV_Setup_mt.cgpn := Cgpn_01, TCV_Setup_mt.cgps := Cgps_01, TCV_Setup_mt.cdpr := Cdpr_01, TCV_Setup_mt.cdps := Cdps_01)                                                                                                                                                                                                                                                                                                                                                                                            |                                                         |     |          |
| 11                          |            | L!DL_DatRqSetup                                                                                                                                                                                                                                                                                                                                                                                                                                                                                                                                                       | SetupSnd( TCV_ch, Setup_inv_02(TI_02))                  | 1.  |          |
| 12                          | L_014<br>6 | L?DL_DatInCallCo                                                                                                                                                                                                                                                                                                                                                                                                                                                                                                                                                      | CallCfm(CallConfirm_03(TI_01))                          | (P) |          |
| 13                          |            | L?DL_DatInAlert                                                                                                                                                                                                                                                                                                                                                                                                                                                                                                                                                       | AlertRcv(AlertingInd_01(TI_01))                         |     |          |
| 14                          |            | (TCV_Null := OO_HookOff())                                                                                                                                                                                                                                                                                                                                                                                                                                                                                                                                            |                                                         |     |          |
| 15                          |            | L?DL_DatInConn                                                                                                                                                                                                                                                                                                                                                                                                                                                                                                                                                        | ConnRcv(Connect_01( TI_01))                             |     |          |
| 16                          |            | +localtree1                                                                                                                                                                                                                                                                                                                                                                                                                                                                                                                                                           |                                                         |     |          |
| 17                          |            | L?DL_DatInConn                                                                                                                                                                                                                                                                                                                                                                                                                                                                                                                                                        | ConnRcv(Connect_01( TI_01))                             |     |          |
| 18                          |            | +localtree1                                                                                                                                                                                                                                                                                                                                                                                                                                                                                                                                                           |                                                         |     |          |
| 19                          |            | <b>localtree1</b><br>+AssCmdGen( TCV_cellid, C_Full, TSPX_TmSlitDef, TSPX_TscDef, TSPX_TCHHSubDef)                                                                                                                                                                                                                                                                                                                                                                                                                                                                    |                                                         |     |          |
| 20                          |            | +AssCh_complete( TCV_ch, TCV_chTch, TCV_AssCmd)                                                                                                                                                                                                                                                                                                                                                                                                                                                                                                                       |                                                         |     |          |
| 21                          |            | LIDL_DatRqConnAck                                                                                                                                                                                                                                                                                                                                                                                                                                                                                                                                                     | ConnAckSnd(                                             |     |          |



|                                                                                              |                                    |                                                       |    |
|----------------------------------------------------------------------------------------------|------------------------------------|-------------------------------------------------------|----|
| 22                                                                                           | L!DL_DatRqDisc                     | TCV_chTch,<br>ConnectAck_01(<br>TI_02))               |    |
| 23                                                                                           | +CCstatuschk_01( TCV_chTch, C_U12) | Disc_inv(<br>TCV_chTch,<br>Disconn_inv_04(<br>TI_02)) | 2. |
| 24                                                                                           | L!DL_DatRqRel                      | ReleaseSnd(<br>TCV_chTch,<br>Release_03( TI_02))      |    |
| 25                                                                                           | L?DL_DatInRelCmp                   | RelComRcv(<br>ReleaseCmp_03(<br>TI_01))               |    |
| 26                                                                                           | +PostMainLinkRel( TCV_chTch)       |                                                       |    |
| <b>Detailed Comments:</b>                                                                    |                                    |                                                       |    |
| 1. To send a SETUP message containing arbitrary spare bits.                                  |                                    |                                                       |    |
| 2. To check whether the MS enters the state U12, if no the test case fails in the test step. |                                    |                                                       |    |

## Test Group RR

| Test Case Dynamic Behaviour |       |                                                                                                                                                                                                                                                                                                                                                                                                                                                                                                                                                                              |                                         |   |          |
|-----------------------------|-------|------------------------------------------------------------------------------------------------------------------------------------------------------------------------------------------------------------------------------------------------------------------------------------------------------------------------------------------------------------------------------------------------------------------------------------------------------------------------------------------------------------------------------------------------------------------------------|-----------------------------------------|---|----------|
| <b>Test Case Name:</b>      |       | TC_26_6_1_1                                                                                                                                                                                                                                                                                                                                                                                                                                                                                                                                                                  |                                         |   |          |
| <b>Group:</b>               |       | GSM_L3_MS_v4210/RR/                                                                                                                                                                                                                                                                                                                                                                                                                                                                                                                                                          |                                         |   |          |
| <b>Purpose:</b>             |       | To verify that the MS can correctly set up a dedicated SDCCH control channel and that the MS can correctly set up a dedicated TCH/FACCH control channel.                                                                                                                                                                                                                                                                                                                                                                                                                     |                                         |   |          |
| <b>Default:</b>             |       | OtherEventsFail_01                                                                                                                                                                                                                                                                                                                                                                                                                                                                                                                                                           |                                         |   |          |
| Nr                          | Label | Behaviour Description                                                                                                                                                                                                                                                                                                                                                                                                                                                                                                                                                        | CRef                                    | V | Comments |
| 1                           |       | START T_guard(300)                                                                                                                                                                                                                                                                                                                                                                                                                                                                                                                                                           |                                         |   |          |
| 2                           |       | +IdleUpdated( C_E_default, C_CellA, C_SCH_A, C_BCCH_A_1, C_Immass, C_S0, C_SlotNU, C_SlotNU, C_SlotNU, C_BCC, C_TxInt_5, C_Max_1, C_NECI_0, C_ATT_0, TimingAdv( 30), C_BABR_0, C_cch_1nonComb, C_BPM_3, C_T3212_1, C_ci_cellA, C_MCC_1, C_PLMN_1, C_LAC_1, CellOpt_01, CellChDes_02, CellChDes_03, C_CellReselectHys12, C_MaxPwrLvlG, C_MaxPwrLvlD, BcchFreqLst_01, BcchFreqLst_Omit, BcchFreqLst_48, BcchFreqLst_Omit, C_noRestablishment, C_BCC, C_NCC, C_Start_Tmsi, TSPX_SDCCH4SubDef, TSPX_CKSNDDef, TSPX_RANDDef, C_arfcnA, C_arfcnAd, TSPX_IMSI, C_Test_fh, C_NCCP_2) |                                         |   | 1.       |
| 3                           |       | +Varinit_tch( C_arfcn_tchA, C_arfcn_tchAd)                                                                                                                                                                                                                                                                                                                                                                                                                                                                                                                                   |                                         |   |          |
| 4                           | body  | +testSdcch8                                                                                                                                                                                                                                                                                                                                                                                                                                                                                                                                                                  |                                         |   |          |
| 5                           |       | [TCV_CC AND( NOT TSPC_DualRate)]                                                                                                                                                                                                                                                                                                                                                                                                                                                                                                                                             |                                         |   |          |
| 6                           |       | +testTchf                                                                                                                                                                                                                                                                                                                                                                                                                                                                                                                                                                    |                                         |   |          |
| 7                           |       | [TSPC_DualRate]                                                                                                                                                                                                                                                                                                                                                                                                                                                                                                                                                              |                                         |   |          |
| 8                           |       | +testTchh                                                                                                                                                                                                                                                                                                                                                                                                                                                                                                                                                                    |                                         |   |          |
| 9                           |       | +testTchf                                                                                                                                                                                                                                                                                                                                                                                                                                                                                                                                                                    |                                         |   |          |
| 10                          |       | [C_Yes]                                                                                                                                                                                                                                                                                                                                                                                                                                                                                                                                                                      |                                         |   |          |
|                             |       | <b>testSdcch8</b>                                                                                                                                                                                                                                                                                                                                                                                                                                                                                                                                                            |                                         |   |          |
| 11                          |       | +SDCCH8_A_1_nociph( TSPX_SDCCH8SubA, C_Immass, TSPX_TmSlitDef, TSPX_TscDef, ChMod_sign, FreqTCH(TCV_tch_arfcn), FreqTCH(TCV_tch_arfcn), TimingAdv( 30), C_BABR_0, C_cch_1nonComb, C_BPM_3)                                                                                                                                                                                                                                                                                                                                                                                   |                                         |   | 2.       |
| 12                          |       | (TCV_Tchtype := INT_TO_BIT(( 8 + BIT_TO_INT( TSPX_SDCCH8SubA)), 5))                                                                                                                                                                                                                                                                                                                                                                                                                                                                                                          |                                         |   |          |
| 13                          |       | +channelass( TCV_ch)                                                                                                                                                                                                                                                                                                                                                                                                                                                                                                                                                         |                                         |   | 3.       |
|                             |       | <b>testTchf</b>                                                                                                                                                                                                                                                                                                                                                                                                                                                                                                                                                              |                                         |   |          |
| 14                          |       | +FullRateCh_A_1_nociph( C_Immass, TSPX_TmSlitDef, TSPX_TscDef, ChMod_sign, FreqTCH(TCV_tch_arfcn), FreqTCH(TCV_tch_arfcn), TimingAdv( 30), C_BABR_0, C_cch_1nonComb, C_BPM_3)                                                                                                                                                                                                                                                                                                                                                                                                |                                         |   | 4.       |
| 15                          |       | ?TIMEOUT T_dly                                                                                                                                                                                                                                                                                                                                                                                                                                                                                                                                                               |                                         |   |          |
| 16                          |       | (TCV_Tchtype := '00001'B)                                                                                                                                                                                                                                                                                                                                                                                                                                                                                                                                                    |                                         |   |          |
| 17                          |       | +channelass( TCV_chTch)                                                                                                                                                                                                                                                                                                                                                                                                                                                                                                                                                      |                                         |   | 5.       |
|                             |       | <b>testTchh</b>                                                                                                                                                                                                                                                                                                                                                                                                                                                                                                                                                              |                                         |   |          |
| 18                          |       | +HalfRateCh_A_1_nociph( TSPX_TCHHSubA, C_Immass, TSPX_TmSlitDef, TSPX_TscDef, ChMod_sign, FreqTCH(TCV_tch_arfcn), FreqTCH(TCV_tch_arfcn), TimingAdv( 30), C_BABR_0, C_cch_1nonComb, C_BPM_3)                                                                                                                                                                                                                                                                                                                                                                                 |                                         |   | 6.       |
| 19                          |       | ?TIMEOUT T_dly                                                                                                                                                                                                                                                                                                                                                                                                                                                                                                                                                               |                                         |   |          |
| 20                          |       | (TCV_Tchtype := INT_TO_BIT(( 2 + BIT_TO_INT( TSPX_TCHHSubA)), 5))                                                                                                                                                                                                                                                                                                                                                                                                                                                                                                            |                                         |   |          |
| 21                          |       | +channelass( TCV_chTch)                                                                                                                                                                                                                                                                                                                                                                                                                                                                                                                                                      |                                         |   | 7.       |
|                             |       | <b>channelass( ch: LOGICCH)</b>                                                                                                                                                                                                                                                                                                                                                                                                                                                                                                                                              |                                         |   |          |
| 22                          |       | L!DL_UdatRqPg1Rq                                                                                                                                                                                                                                                                                                                                                                                                                                                                                                                                                             | PgReq1( TCV_PgCh, TCV_Pgg, PgReqTp1_01) |   |          |
| 23                          |       | L?DL_RaclnChRq( TCV_Rr := DL_RaclnChRq.                                                                                                                                                                                                                                                                                                                                                                                                                                                                                                                                      | ChReq(                                  |   |          |

|                           |            |                                                                                                                                                                                                                                                                                                                                                                                                                                                                                        |                                                                                                                                                                                  |     |  |
|---------------------------|------------|----------------------------------------------------------------------------------------------------------------------------------------------------------------------------------------------------------------------------------------------------------------------------------------------------------------------------------------------------------------------------------------------------------------------------------------------------------------------------------------|----------------------------------------------------------------------------------------------------------------------------------------------------------------------------------|-----|--|
| 24                        |            | msg.ecau_rrf, TCV_Fn := DL_RacInChRq.fn)<br>START T_dly( C_T_Wait)<br>LIDL_UdatRqImm                                                                                                                                                                                                                                                                                                                                                                                                   | ChRequest_17)<br><br>ImmAss( TCV_agch,<br>ImmAsgn_r(<br>ChDescrp_nfh(<br>TCV_Tchtype,<br>TSPX_TmSlDef,<br>TSPX_TscDef,<br>TCV_tch_arfcn),<br>TCV_Rr, TCV_Fn,<br>TimingAdv( 30))) |     |  |
| 25                        | L_014<br>7 | L?DL_EstInPgRes                                                                                                                                                                                                                                                                                                                                                                                                                                                                        | PgRes( ch,<br>PagingRes_01)                                                                                                                                                      | (P) |  |
| 26                        |            | +PostMainLinkRel( ch)                                                                                                                                                                                                                                                                                                                                                                                                                                                                  |                                                                                                                                                                                  |     |  |
| <b>Detailed Comments:</b> |            | <ol style="list-style-type: none"> <li>1. To setup a physical channel as non-combined ccch/sdcch, 5 slots for Tx-int, 1 retransmission</li> <li>2. To setup a physical channel as SDCCH8.</li> <li>3. To assign a SDCCH8 channel.</li> <li>4. To setup a physical channel as full rate traffic channel.</li> <li>5. To assign a full rate channel channel.</li> <li>6. To setup a physical channel as half rate traffic channel.</li> <li>7. To assign a half rate channel.</li> </ol> |                                                                                                                                                                                  |     |  |

| Test Case Dynamic Behaviour |       |                                                                                                                                                                                                                                                                                                                                                                                                                                                                                                                                                                                                 |                                                                                                                  |   |          |
|-----------------------------|-------|-------------------------------------------------------------------------------------------------------------------------------------------------------------------------------------------------------------------------------------------------------------------------------------------------------------------------------------------------------------------------------------------------------------------------------------------------------------------------------------------------------------------------------------------------------------------------------------------------|------------------------------------------------------------------------------------------------------------------|---|----------|
| <b>Test Case Name:</b>      |       | TC_26_6_1_2                                                                                                                                                                                                                                                                                                                                                                                                                                                                                                                                                                                     |                                                                                                                  |   |          |
| <b>Group:</b>               |       | GSM_L3_MS_v4210/RR/                                                                                                                                                                                                                                                                                                                                                                                                                                                                                                                                                                             |                                                                                                                  |   |          |
| <b>Purpose:</b>             |       | To verify that the MS goes to the allocated SDCCH/4 and sends a PAGING RESPONSE message containing its identity and its classmark. To verify that the MS goes to the allocated SDCCH/8 and sends a PAGING RESPONSE message containing its identity and its classmark. To verify that the MS can correctly identify its own assignment in either the Request Reference 1 or the Request Reference 2 information element in an extended assignment message. To verify that the MS only reacts to an Immediate Assignment which references one of the last 3 CHANNEL REQUEST messages from the MS. |                                                                                                                  |   |          |
| <b>Default:</b>             |       | OtherEventsFail                                                                                                                                                                                                                                                                                                                                                                                                                                                                                                                                                                                 |                                                                                                                  |   |          |
| Nr                          | Label | Behaviour Description                                                                                                                                                                                                                                                                                                                                                                                                                                                                                                                                                                           | CRef                                                                                                             | V | Comments |
| 1                           |       | START T_guard(300)                                                                                                                                                                                                                                                                                                                                                                                                                                                                                                                                                                              |                                                                                                                  |   |          |
| 2                           |       | +IdleUpdated( C_E_default, C_CellA, C_SCH_A, C_BCCH_A_1, C_Immass, C_S0, C_SlotNU, C_SlotNU, C_SlotNU, C_BCC, C_TxInt_5, C_Max_7, C_NECI_0, C_ATT_0, TimingAdv( TSPX_TimadvB), C_BABR_0, C_cch_1Comb, C_BPM_3, C_T3212_0, C_ci_cellA, C_MCC_1, C_PLMN_1, C_LAC_1, CellOpt_01, CellChDes_02, CellChDes_03, C_CellReselectHys12, C_MaxPwrLvlG, C_MaxPwrLvlD, BcchFreqLst_01, BcchFreqLst_Omit, BcchFreqLst_48, BcchFreqLst_Omit, C_noRestablishment, C_BCC, C_NCC, C_Start_Tmsi, TSPX_SDCCH4SubA, TSPX_CKSNDf, TSPX_RANDDef, C_arfcnA, C_arfcnAd, TSPX_IMSI, C_Test_fh, C_NCCP_2)                 |                                                                                                                  |   | 1.       |
| 3                           | body  | +firstPart                                                                                                                                                                                                                                                                                                                                                                                                                                                                                                                                                                                      |                                                                                                                  |   |          |
| 4                           |       | +secondPart                                                                                                                                                                                                                                                                                                                                                                                                                                                                                                                                                                                     |                                                                                                                  |   |          |
| 5                           |       | +PreEnterIdleState_r02( C_Immass, TCV_slot, TCV_tsc, C_TxInt_5, C_Max_7, C_SlotNU, C_SlotNU, C_SlotNU, TimingAdv( TSPX_TimadvB), C_ATT_0, C_BABR_0, C_cch_1nonComb, C_BPM_3, C_T3212_1, C_MCC_1, C_PLMN_1, C_LAC_1)                                                                                                                                                                                                                                                                                                                                                                             |                                                                                                                  |   | 2.       |
| 6                           |       | +Varinit_tch( C_arfcn_tchA, C_arfcn_tchAd)                                                                                                                                                                                                                                                                                                                                                                                                                                                                                                                                                      |                                                                                                                  |   |          |
| 7                           |       | +SDCCH8_A_1_nociph( TSPX_SDCCH8SubC, C_Immass, TSPX_TmSlDef, TSPX_TscDef, ChMod_sign, FreqTCH(TCV_tch_arfcn), FreqTCH(TCV_tch_arfcn), TimingAdv( TSPX_TimadvB), C_BABR_0, C_cch_1nonComb, C_BPM_3)                                                                                                                                                                                                                                                                                                                                                                                              |                                                                                                                  |   |          |
| 8                           |       | +CCCH_group_Paging_group( TCV_Ccd0A, TSPX_IMSI)                                                                                                                                                                                                                                                                                                                                                                                                                                                                                                                                                 |                                                                                                                  |   |          |
| 9                           |       | START T_dly(40000)                                                                                                                                                                                                                                                                                                                                                                                                                                                                                                                                                                              |                                                                                                                  |   |          |
| 10                          |       | ?TIMEOUT T_dly                                                                                                                                                                                                                                                                                                                                                                                                                                                                                                                                                                                  |                                                                                                                  |   |          |
| 11                          |       | +thirdPart                                                                                                                                                                                                                                                                                                                                                                                                                                                                                                                                                                                      |                                                                                                                  |   |          |
| 12                          |       | <b>firstPart</b><br>[(TSPX_nPara < 9) AND(TSPX_nPara > 0) AND(TSPX_i1Para > 0) AND (TSPX_i1Para <= TSPX_nPara)]                                                                                                                                                                                                                                                                                                                                                                                                                                                                                 |                                                                                                                  |   |          |
| 13                          |       | L!DL_UdatRqPg1Rq                                                                                                                                                                                                                                                                                                                                                                                                                                                                                                                                                                                | PgReq1(TCV_PgCh, TCV_Pgg, PgReqTp1_01)                                                                           |   |          |
| 14                          |       | (TCV_Cnt := 0)                                                                                                                                                                                                                                                                                                                                                                                                                                                                                                                                                                                  |                                                                                                                  |   |          |
| 15                          |       | REPEAT localTree UNTIL [TCV_Cnt = TSPX_nPara]                                                                                                                                                                                                                                                                                                                                                                                                                                                                                                                                                   |                                                                                                                  |   | 5.       |
| 16                          |       | (TCV_Rqr := OC_SaveAndRetrv( TCV_Rqr, C_RETRV, TSPX_i1Para, 0), TCV_Rqr9 := OC_SaveAndRetrv( TCV_Rqr, C_RETRV, 10, 1))                                                                                                                                                                                                                                                                                                                                                                                                                                                                          |                                                                                                                  |   | 6.       |
| 17                          |       | L!DL_UdatRqImmssx                                                                                                                                                                                                                                                                                                                                                                                                                                                                                                                                                                               | ImmAssX( TCV_agch, ImmAsgnX_r01( TCV_Rqr.ra, TCV_Rqr.fn, TCV_Rqr9.ra, TCV_Rqr9.fn, TCV_slot, TCV_tsc, TimingAdv( |   | 7.<br>3. |

|    |            |                                                                                                                                 |                                                                                                                                                                                   |     |           |
|----|------------|---------------------------------------------------------------------------------------------------------------------------------|-----------------------------------------------------------------------------------------------------------------------------------------------------------------------------------|-----|-----------|
| 18 | L_014<br>8 | L?DL_EstInPgRes                                                                                                                 | TSPX_TimadvB),<br>TCV_chdescr_arfcn))                                                                                                                                             | (P) |           |
| 19 |            | +PostMainLinkRel(TCV_ch)                                                                                                        |                                                                                                                                                                                   |     |           |
| 20 |            | START T_dly(12000)                                                                                                              |                                                                                                                                                                                   |     |           |
| 21 |            | ?TIMEOUT T_dly                                                                                                                  |                                                                                                                                                                                   |     |           |
| 22 | L_014<br>9 | [(TSPX_nPara > 8) OR(TSPX_nPara < 1)<br>OR(TSPX_i1Para <1) OR(TSPX_i1Para ><br>TSPX_nPara)]                                     |                                                                                                                                                                                   | (I) |           |
|    |            | <b>secondPart</b>                                                                                                               |                                                                                                                                                                                   |     |           |
| 23 |            | [(TSPX_kPara < 9) AND(TSPX_kPara > 3)<br>AND(TSPX_i2Para >0) AND (TSPX_i2Para <=<br>TSPX_kPara)]                                |                                                                                                                                                                                   |     |           |
| 24 |            | LIDL_UdatRqPg1Rq                                                                                                                | PgReq1(TCV_PgCh,<br>TCV_Pgg,<br>PgReqTp1_01)                                                                                                                                      |     |           |
| 25 |            | (TCV_Cnt := 0)                                                                                                                  |                                                                                                                                                                                   |     |           |
| 26 |            | REPEAT localTree UNTIL [TCV_Cnt =<br>TSPX_kPara]                                                                                |                                                                                                                                                                                   |     | 8.        |
| 27 |            | (TCV_Rqr := OC_SaveAndRetrv( TCV_Rqr,<br>C_RETRV, TSPX_i2Para, 0), TCV_Rqr9 :=<br>OC_SaveAndRetrv( TCV_Rqr, C_RETRV, 11,<br>1)) |                                                                                                                                                                                   |     | 9.        |
| 28 |            | LIDL_UdatRqImmssx                                                                                                               | ImmAssX(<br>TCV_agch,<br>ImmAsgnX_r01(<br>TCV_Rqr.ra,<br>TCV_Rqr.fn,<br>TCV_Rqr9.ra,<br>TCV_Rqr9.fn,<br>TCV_slot, TCV_tsc,<br>TimingAdv(<br>TSPX_TimadvB),<br>TCV_chdescr_arfcn)) |     | 10.<br>3. |
| 29 |            | (TCV_Cnt := 0)                                                                                                                  |                                                                                                                                                                                   |     |           |
| 30 |            | [TSPX_kPara < 8]                                                                                                                |                                                                                                                                                                                   |     |           |
| 31 |            | REPEAT localTree UNTIL [TCV_Cnt<br>= 8 - TSPX_kPara]                                                                            |                                                                                                                                                                                   |     | 11.       |
| 32 |            | +ltree_noL2                                                                                                                     |                                                                                                                                                                                   |     |           |
| 33 |            | [TSPX_kPara = 8]                                                                                                                |                                                                                                                                                                                   |     |           |
| 34 |            | +ltree_noL2                                                                                                                     |                                                                                                                                                                                   |     |           |
| 35 | L_015<br>0 | [(TSPX_kPara > 8) OR(TSPX_kPara < 4)<br>OR(TSPX_i2Para <1) OR(TSPX_i2Para ><br>TSPX_kPara)]                                     |                                                                                                                                                                                   | (I) |           |
|    |            | <b>ltree_noL2</b>                                                                                                               |                                                                                                                                                                                   |     |           |
| 36 |            | START T_dly(3000)                                                                                                               |                                                                                                                                                                                   |     |           |
| 37 | L_015<br>1 | L?OTHERWISE                                                                                                                     |                                                                                                                                                                                   | F   |           |
| 38 | L_015<br>2 | ?TIMEOUT T_dly                                                                                                                  |                                                                                                                                                                                   | (P) |           |
| 39 |            | START T_dly(7000)                                                                                                               |                                                                                                                                                                                   |     |           |
| 40 |            | ?TIMEOUT T_dly                                                                                                                  |                                                                                                                                                                                   |     |           |
|    |            | <b>thirdPart</b>                                                                                                                |                                                                                                                                                                                   |     |           |
| 41 |            | [(TSPX_rPara < 9) AND(TSPX_rPara > 3)<br>AND(TSPX_i3Para >0) AND (TSPX_i3Para <=<br>TSPX_rPara)]                                |                                                                                                                                                                                   |     |           |
| 42 |            | LIDL_UdatRqPg1Rq                                                                                                                | PgReq1(TCV_PgCh,<br>TCV_Pgg,<br>PgReqTp1_01)                                                                                                                                      |     |           |
| 43 |            | (TCV_Cnt := 0)                                                                                                                  |                                                                                                                                                                                   |     |           |
| 44 |            | REPEAT localTree UNTIL [TCV_Cnt =<br>TSPX_rPara]                                                                                |                                                                                                                                                                                   |     | 13.       |
| 45 |            | (TCV_Rqr := OC_SaveAndRetrv( TCV_Rqr,<br>C_RETRV, TSPX_i3Para, 0), TCV_Rqr9 :=<br>OC_SaveAndRetrv( TCV_Rqr, C_RETRV, 12,<br>1)) |                                                                                                                                                                                   |     | 14.       |

|    |            |                                                                                                                 |                                                                                                                                                                                            |     |
|----|------------|-----------------------------------------------------------------------------------------------------------------|--------------------------------------------------------------------------------------------------------------------------------------------------------------------------------------------|-----|
| 46 |            | L!DL_UdatRqlmMassx                                                                                              | ImmAssX(<br>TCV_agch,<br>ImmAsgnX_r02(<br>TCV_Rqr9.ra,<br>TCV_Rqr9.fn,<br>TCV_Rqr.ra,<br>TCV_Rqr.fn,<br>TSPX_TmSlitDef,<br>TSPX_TscDef,<br>TimingAdv(<br>TSPX_TimadvB),<br>TCV_tch_arfcn)) | 4.  |
| 47 | L_015<br>3 | L?DL_EstlnPgRes                                                                                                 | PgRes( TCV_ch,<br>PagingRes_01)                                                                                                                                                            | (P) |
| 48 |            | +PostMainLinkRel(TCV_ch)                                                                                        |                                                                                                                                                                                            |     |
| 49 | L_015<br>4 | [(TSPX_rPara > 8) OR(TSPX_rPara < 4)<br>OR(TSPX_i3Para <1) OR(TSPX_i3Para ><br>TSPX_rPara)]                     |                                                                                                                                                                                            | (I) |
| 50 |            | <b>localTree</b><br>L?DL_RaclnChRq( TCV_Rqr.ra := DL_RaclnChRq.<br>msg.ecau_rrf, TCV_Rqr.fn := DL_RaclnChRq.fn) | ChReq(<br>ChRequest_17)                                                                                                                                                                    | 15. |
| 51 |            | (TCV_Cnt := TCV_Cnt +1)                                                                                         |                                                                                                                                                                                            |     |
| 52 |            | (TCV_Rqr10 := OC_SaveAndRetrv( TCV_Rqr,<br>C_SAVE, TCV_Cnt, 0))                                                 |                                                                                                                                                                                            |     |

**Detailed Comments:**

1. To broadcast sys\_info messages with default contents for RR tests with exception for Max\_Retrans that is set to 7 and also to set up a physical channel as combined CCCH/SDCCH.
2. Non combined CCCH/SDCCH, 5 slots for Tx-int, 7 retransmission.
3. To send immediate Assignment Extended message with Request reference (TCV\_Rqr) for MS1,  
and with request reference (TCV\_Rqr9) for MS2.
4. To send immediate Assignment Extended message with Request reference (TCV\_Rqr) for MS2,  
request reference (TCV\_Rqr9) for MS1.
5. Reception of the first TSPX\_nPara Channel Request messages.
6. To have a request reference pertaining to the TSPX\_i1Para\_i-th Channel Request where TSPX\_i1Para\_i-th is within {max(1, TSPX\_nPara - 2), TSPX\_nPara}
7. To have a request reference different from any request reference the MS has generated.
8. Reception of TSPX\_kPara Channel Request messages. TSPX\_kPara within the set{4...8}.
9. To have a request reference pertaining to the TSPX\_i2Para\_i-th Channel Request where TSPX\_i2Para\_i-th is within {max(1...TSPX\_kPara - 3)}
10. To have a request reference different from any request reference the MS has generated.
11. Channel Request 8 - TSPX\_kPara Channel Requests are sent.
12. Check that the MS does not transmit any layer 2 frames for at least 3 seconds.
13. Reception of TSPX\_rPara Channel Request messages.
14. To have a request reference pertaining to the TSPX\_i3Para\_i-th Channel Request where TSPX\_i3Para\_i-th is within {max(TSPX\_rPara - 2...TSPX\_rPara)}.
15. This local tree is used to collect and store the frame number and the request reference which are included in each ChReq( ChRequest\_17) primitive received.

| Test Case Dynamic Behaviour |       |                                                                                                                                                                                                                                                                                                                                                                                                                                                                                                                                                                             |                                                                                               |   |                                      |
|-----------------------------|-------|-----------------------------------------------------------------------------------------------------------------------------------------------------------------------------------------------------------------------------------------------------------------------------------------------------------------------------------------------------------------------------------------------------------------------------------------------------------------------------------------------------------------------------------------------------------------------------|-----------------------------------------------------------------------------------------------|---|--------------------------------------|
| <b>Test Case Name:</b>      |       | TC_26_6_1_3                                                                                                                                                                                                                                                                                                                                                                                                                                                                                                                                                                 |                                                                                               |   |                                      |
| <b>Group:</b>               |       | GSM_L3_MS_v4210/RR/                                                                                                                                                                                                                                                                                                                                                                                                                                                                                                                                                         |                                                                                               |   |                                      |
| <b>Purpose:</b>             |       | To verify that the MS can accept an IMMEDIATE ASSIGNMENT REJECT.<br>To verify that the MS can respond to paging after an IMMEDIATE ASSIGNMENT REJECT is received on a different cell.                                                                                                                                                                                                                                                                                                                                                                                       |                                                                                               |   |                                      |
| <b>Default:</b>             |       | OtherEventsFail_01                                                                                                                                                                                                                                                                                                                                                                                                                                                                                                                                                          |                                                                                               |   |                                      |
| Nr                          | Label | Behaviour Description                                                                                                                                                                                                                                                                                                                                                                                                                                                                                                                                                       | CRef                                                                                          | V | Comments                             |
| 1                           |       | START T_guard(300)                                                                                                                                                                                                                                                                                                                                                                                                                                                                                                                                                          |                                                                                               |   |                                      |
| 2                           |       | +IdleUpdated( C_E_default, C_CellA, C_SCH_A, C_BCCH_A_1, C_Immass, C_S0, C_SlotNU, C_SlotNU, C_SlotNU, C_BCC, C_TxInt_5, C_Max_7, C_NECI_0, C_ATT_0, TimingAdv( 30), C_BABR_0, C_cch_1Comb, C_BPM_3, C_T3212_0, C_ci_cellA, C_MCC_1, C_PLMN_1, C_LAC_1, CellOpt_01, CellChDes_02, CellChDes_03, C_CellReselectHys12, C_MaxPwrLvIG, C_MaxPwrLvID, BcchFreqLst_01, BcchFreqLst_Omit, BcchFreqLst_48, BcchFreqLst_Omit, C_noRestablishment, C_BCC, C_NCC, C_Start_Trmsi, TSPX_SDCCH4SubDef, TSPX_CKSNDDef, TSPX_RANDDDef, C_arfcnA, C_arfcnAd, TSPX_IMSI, C_Test_fh, C_NCCP_2) |                                                                                               |   |                                      |
| 3                           |       | +StartCellB( C_E_neighbourdefault, C_arfcnB, C_arfcnBd, C_Immass, TCV_slot, TCV_tsc, TimingAdv( 30), C_TxInt_5, C_Max_1, C_NECI_0, C_ATT_0, C_BABR_0, C_cch_1Comb, C_BPM_3, C_T3212_0, C_MCC_1, C_PLMN_1, C_LAC_1, CellChDes_04, CellChDes_03, BcchFreqLst_01, BcchFreqLst_48, C_noRestablishment, C_BCC, C_NCC)                                                                                                                                                                                                                                                            |                                                                                               |   | 2.<br>The LAI is the same as cell A. |
| 4                           | body  | +test1                                                                                                                                                                                                                                                                                                                                                                                                                                                                                                                                                                      |                                                                                               |   |                                      |
| 5                           |       | +ltree_switchcelltoB                                                                                                                                                                                                                                                                                                                                                                                                                                                                                                                                                        |                                                                                               |   |                                      |
| 6                           |       | +test2                                                                                                                                                                                                                                                                                                                                                                                                                                                                                                                                                                      |                                                                                               |   |                                      |
| 7                           |       | <b>test1</b><br>[(TSPX_n1Para < 9) AND(TSPX_n1Para > 0) AND(TSPX_i4Para > 0) AND (TSPX_i4Para <= TSPX_n1Para) AND(TSPX_xPara < 256) AND(TSPX_xPara > 4)]                                                                                                                                                                                                                                                                                                                                                                                                                    |                                                                                               |   |                                      |
| 8                           |       | LIDL_UdatRqPg1Rq                                                                                                                                                                                                                                                                                                                                                                                                                                                                                                                                                            | PgReq1( TCV_PgCh, TCV_Pgg, PgReqTp1_01)                                                       |   | Cell A                               |
| 9                           |       | (TCV_Cnt := 0)                                                                                                                                                                                                                                                                                                                                                                                                                                                                                                                                                              |                                                                                               |   |                                      |
| 10                          |       | REPEAT localTree UNTIL [TCV_Cnt = TSPX_n1Para]                                                                                                                                                                                                                                                                                                                                                                                                                                                                                                                              |                                                                                               |   |                                      |
| 11                          |       | (TCV_Rqr := OC_SaveAndRetrv( TCV_Rqr, C_RETRV, TSPX_i4Para, 0), TCV_Rqr9 := OC_SaveAndRetrv( TCV_Rqr, C_RETRV, 10, 1), TCV_Rqr10 := OC_SaveAndRetrv( TCV_Rqr, C_RETRV, 11, 1), TCV_Rqr11 := OC_SaveAndRetrv( TCV_Rqr, C_RETRV, 12, 1), TCV_Time := ((TSPX_xPara + 1) * 1000))                                                                                                                                                                                                                                                                                               |                                                                                               |   |                                      |
| 12                          |       | LIDL_UdatRqImmassRej                                                                                                                                                                                                                                                                                                                                                                                                                                                                                                                                                        | ImmAssRej( TCV_agch, ImmAsgnRej_r01( TCV_Rqr9, TCV_Rqr, TCV_Rqr10, TCV_Rqr11, TSPX_xPara, 0)) |   |                                      |
| 13                          |       | START T_dly( TCV_Time)                                                                                                                                                                                                                                                                                                                                                                                                                                                                                                                                                      |                                                                                               |   |                                      |
| 14                          |       | REPEAT continuePaging UNTIL [TCV_Time = 0]                                                                                                                                                                                                                                                                                                                                                                                                                                                                                                                                  |                                                                                               |   | 3.                                   |
| 15                          |       | (TCV_Rqr9 := OC_SaveAndRetrv( TCV_Rqr, C_RETRV, 10, 1), TCV_Rqr10 := OC_SaveAndRetrv( TCV_Rqr, C_RETRV, 11, 1), TCV_Rqr11 := OC_SaveAndRetrv( TCV_Rqr, C_RETRV, 12, 1))                                                                                                                                                                                                                                                                                                                                                                                                     |                                                                                               |   |                                      |
| 16                          |       | LIDL_UdatRqImmassRej                                                                                                                                                                                                                                                                                                                                                                                                                                                                                                                                                        | ImmAssRej( TCV_agch,                                                                          |   |                                      |

|    |            |                                                                                                                                                                         |                                                                                            |     |                                                          |
|----|------------|-------------------------------------------------------------------------------------------------------------------------------------------------------------------------|--------------------------------------------------------------------------------------------|-----|----------------------------------------------------------|
| 17 | L_015<br>5 | <pre> ((TSPX_n1Para &gt; 8) OR (TSPX_n1Para &lt; 1) OR (TSPX_i4Para &lt; 1) OR (TSPX_i4Para &gt; TSPX_n1Para) AND (TSPX_xPara &gt; 255) AND (TSPX_xPara &lt; 5)] </pre> | ImmAsgnRej_r01( TCV_Rqr9, TCV_Rqr10, TCV_Rqr, TCV_Rqr11, 0, 255))                          | (I) |                                                          |
| 18 |            | <b>test2</b>                                                                                                                                                            |                                                                                            |     |                                                          |
| 19 |            | START T_dly(12000)                                                                                                                                                      |                                                                                            |     |                                                          |
| 20 |            | ?TIMEOUT T_dly                                                                                                                                                          |                                                                                            |     |                                                          |
| 21 | L_015<br>6 | L?DL_RaInChRq (TCV_Rr := DL_RaInChRq.<br>msg.ecau_rrf, TCV_Fn := DL_RaInChRq.fn)                                                                                        | PgReq1( TCV_PgCh,<br>TCV_Pgg,<br>PgReqTp1_01)<br>ChReq_01(<br>C_RACH_B_1,<br>ChRequest_01) | (P) | Cell B<br>5.                                             |
| 22 |            | LIDL_UdatRqImmRej                                                                                                                                                       | ImmAssRej(<br>TCV_agch,<br>ImmAsgnRej_r02(<br>TCV_Rr, TCV_Fn))                             |     |                                                          |
| 23 |            | <b>continuePaging</b><br>LIDL_UdatRqPg1Rq START T_dly1(1177)                                                                                                            | PgReq1( TCV_PgCh,<br>TCV_Pgg,<br>PgReqTp1_01)                                              |     | Every 5 multiframe                                       |
| 24 |            | L?DL_RaInChRq (TCV_Rqr.ra := DL_RaInChRq.<br>msg.ecau_rrf, TCV_Rqr.fn := DL_RaInChRq.fn)<br>READTIMER T_dly( TCV_Time), CANCEL T_dly1,<br>CANCEL T_dly                  | ChReq_01(<br>C_RACH_A_1,<br>ChRequest_01)                                                  |     | Received at least one<br>channel request within<br>x+1s. |
| 25 |            | (TCV_Rqr9 := OC_SaveAndRetrv(TCV_Rqr,<br>C_SAVE,(TCV_Cnt + 1), 0))                                                                                                      |                                                                                            |     |                                                          |
| 26 |            | [(TCV_Time <= (TSPX_xPara * 1000))<br>AND (TCV_Time > 0)]                                                                                                               |                                                                                            |     | received within x s.                                     |
| 27 | L_015<br>7 | (TCV_Time := 0)                                                                                                                                                         |                                                                                            | (F) | Fail return                                              |
| 28 |            | [(TCV_Time > (TSPX_xPara * 1000)) OR<br>(TCV_Time = 0)]                                                                                                                 |                                                                                            |     | received btw x, x+1 s.                                   |
| 29 | L_015<br>8 | (TCV_Time := 0)                                                                                                                                                         |                                                                                            | (P) | Pass return                                              |
| 30 |            | ?TIMEOUT T_dly1 READTIMER T_dly( TCV_Time)                                                                                                                              |                                                                                            |     |                                                          |
| 31 |            | [TCV_Time = 0]                                                                                                                                                          |                                                                                            |     | x+1 s                                                    |
| 32 |            | LIDL_UdatRqPg1Rq                                                                                                                                                        | PgReq1( TCV_PgCh,<br>TCV_Pgg,<br>PgReqTp1_01)                                              |     |                                                          |
| 33 | L_015<br>9 | L?DL_RaInChRq (TCV_Rqr.ra :=<br>DL_RaInChRq.msg.ecau_rrf, TCV_Rqr.fn<br>:= DL_RaInChRq.fn)                                                                              | ChReq_01(<br>C_RACH_A_1,<br>ChRequest_01)                                                  | (P) | 4.                                                       |
| 34 |            | (TCV_Rqr9 :=<br>OC_SaveAndRetrv(TCV_Rqr,<br>C_SAVE,(TCV_Cnt + 1), 0))                                                                                                   |                                                                                            |     |                                                          |
| 35 |            | [TCV_Time <> 0]                                                                                                                                                         |                                                                                            |     | Return                                                   |
| 36 | L_016<br>0 | <b>localTree</b><br>L?DL_RaInChRq (TCV_Rqr.ra := DL_RaInChRq.<br>msg.ecau_rrf, TCV_Rqr.fn := DL_RaInChRq.fn)                                                            | ChReq_01(<br>C_RACH_A_1,<br>ChRequest_01)                                                  | (P) |                                                          |
| 37 |            | (TCV_Cnt := TCV_Cnt + 1)                                                                                                                                                |                                                                                            |     |                                                          |
| 38 |            | (TCV_Rqr9 := OC_SaveAndRetrv(TCV_Rqr,<br>C_SAVE, TCV_Cnt, 0))                                                                                                           |                                                                                            |     |                                                          |
| 39 |            | <b>ltree_switchcelltoB</b><br>+Varinit_fix( C_CellB, C_LAC_1,<br>TSPX_SDCCH4SubDef, TSPX_CKSNDDef,<br>TSPX_RANDDef, C_arfcnB, C_arfcnBd, TCV_Ccd0B,<br>TSPX_IMSI)       |                                                                                            |     |                                                          |
| 40 |            | (TCV_Null := OM_ChangeRFOf2Cells( C_CellA,<br>C_E_notsuitable_fSel, C_CellB, C_E_suitable))                                                                             |                                                                                            |     |                                                          |

**Detailed Comments:**

1. To setup a physical channel as combined CCCH/SDCCH, 5 for Tx-int, 7 retransmission used



as cell A.

2. To setup a physical channel as combind ccch/sdcch4 used as cell B.

3. To send PAGING REQUEST message every 5 multiframes of the mobile station's paging subgroup for  $x+1$  seconds.

4. The MS responds the paging after  $x+1$  s. expires, pass.

5. The MS responds the paging in cell B, pass.

| Test Case Dynamic Behaviour |            |                                                                                                                                                                                                                                                                                                                                                                                                                                                                                                                                                                            |                                                                                                                          |     |          |
|-----------------------------|------------|----------------------------------------------------------------------------------------------------------------------------------------------------------------------------------------------------------------------------------------------------------------------------------------------------------------------------------------------------------------------------------------------------------------------------------------------------------------------------------------------------------------------------------------------------------------------------|--------------------------------------------------------------------------------------------------------------------------|-----|----------|
| <b>Test Case Name:</b>      |            | TC_26_6_1_4                                                                                                                                                                                                                                                                                                                                                                                                                                                                                                                                                                |                                                                                                                          |     |          |
| <b>Group:</b>               |            | GSM_L3_MS_v4210/RR/                                                                                                                                                                                                                                                                                                                                                                                                                                                                                                                                                        |                                                                                                                          |     |          |
| <b>Purpose:</b>             |            | To verify that the MS ignores an assignment for another MS while it is waiting for an assignment of its own.                                                                                                                                                                                                                                                                                                                                                                                                                                                               |                                                                                                                          |     |          |
| <b>Default:</b>             |            | OtherEventsFail                                                                                                                                                                                                                                                                                                                                                                                                                                                                                                                                                            |                                                                                                                          |     |          |
| Nr                          | Label      | Behaviour Description                                                                                                                                                                                                                                                                                                                                                                                                                                                                                                                                                      | CRef                                                                                                                     | V   | Comments |
| 1                           |            | START T_guard(300)                                                                                                                                                                                                                                                                                                                                                                                                                                                                                                                                                         |                                                                                                                          |     |          |
| 2                           |            | +IdleUpdated( C_E_default, C_CellA, C_SCH_A, C_BCCH_A_1, C_ImmMass, C_S0, C_SlotNU, C_SlotNU, C_SlotNU, C_BCC, C_TxInt_5, C_Max_1, C_NECI_0, C_ATT_0, TimingAdv( 30), C_BABR_0, C_cch_1Comb, C_BPM_3, C_T3212_0, C_ci_cellA, C_MCC_1, C_PLMN_1, C_LAC_1, CellOpt_01, CellChDes_02, CellChDes_03, C_CellReselectHys12, C_MaxPwrLvIG, C_MaxPwrLvID, BcchFreqLst_01, BcchFreqLst_Omit, BcchFreqLst_48, BcchFreqLst_Omit, C_noRestablishment, C_BCC, C_NCC, C_Start_Tmsi, TSPX_SDCCH4SubDef, TSPX_CKSNDDef, TSPX_RANDDef, C_arfcnA, C_arfcnAd, TSPX_IMSI, C_Test_fh, C_NCCP_2) |                                                                                                                          |     | 1.       |
| 3                           | body       | LIDL_UdatRqPg1Rq                                                                                                                                                                                                                                                                                                                                                                                                                                                                                                                                                           | PgReq1(TCV_PgCh, TCV_Pgg, PgReqTp1_01)                                                                                   |     |          |
| 4                           |            | L?DL_RaInChRq (TCV_Rr := DL_RaInChRq.msg.ecau_rrf, TCV_Fn := OC_Fnlnc(DL_RaInChRq.fn, 2))                                                                                                                                                                                                                                                                                                                                                                                                                                                                                  | ChReq( ChRequest_17)                                                                                                     |     | 2.       |
| 5                           |            | LIDL_UdatRqImmMass                                                                                                                                                                                                                                                                                                                                                                                                                                                                                                                                                         | ImmAss( TCV_agch, ImmAsgn_01Def( TCV_Rr, TCV_Fn, TSPX_SDCCH4SubB, TCV_slot, TCV_tsc, TCV_chdescr_arfcn, TimingAdv( 30))) |     |          |
| 6                           |            | START T_dly(2000)                                                                                                                                                                                                                                                                                                                                                                                                                                                                                                                                                          |                                                                                                                          |     |          |
| 7                           |            | ?TIMEOUT T_dly                                                                                                                                                                                                                                                                                                                                                                                                                                                                                                                                                             |                                                                                                                          |     |          |
| 8                           | L_016<br>1 | L?DL_RaInChRq (TCV_Rr := DL_RaInChRq.msg.ecau_rrf, TCV_Fn := DL_RaInChRq.fn)                                                                                                                                                                                                                                                                                                                                                                                                                                                                                               | ChReq( ChRequest_17)                                                                                                     | (P) |          |
| 9                           |            | LIDL_UdatRqImmMassRej                                                                                                                                                                                                                                                                                                                                                                                                                                                                                                                                                      | ImmAssRej( TCV_agch, ImmAsgnRej_r02( TCV_Rr, TCV_Fn))                                                                    |     |          |
| 10                          |            | +localtree1                                                                                                                                                                                                                                                                                                                                                                                                                                                                                                                                                                |                                                                                                                          |     |          |
| 11                          | L_016<br>2 | L?DL_RaInChRq (TCV_Rr := DL_RaInChRq.msg.ecau_rrf, TCV_Fn := DL_RaInChRq.fn)                                                                                                                                                                                                                                                                                                                                                                                                                                                                                               | ChReq( ChRequest_17)                                                                                                     | (P) |          |
| 12                          |            | LIDL_UdatRqImmMassRej                                                                                                                                                                                                                                                                                                                                                                                                                                                                                                                                                      | ImmAssRej( TCV_agch, ImmAsgnRej_r02( TCV_Rr, TCV_Fn))                                                                    |     |          |
| 13                          |            | ?TIMEOUT T_dly                                                                                                                                                                                                                                                                                                                                                                                                                                                                                                                                                             |                                                                                                                          |     |          |
| 14                          |            | +localtree1                                                                                                                                                                                                                                                                                                                                                                                                                                                                                                                                                                |                                                                                                                          |     |          |
| <b>localtree1</b>           |            |                                                                                                                                                                                                                                                                                                                                                                                                                                                                                                                                                                            |                                                                                                                          |     |          |
| 15                          |            | START T_dly(6000)                                                                                                                                                                                                                                                                                                                                                                                                                                                                                                                                                          |                                                                                                                          |     |          |
| 16                          |            | ?TIMEOUT T_dly                                                                                                                                                                                                                                                                                                                                                                                                                                                                                                                                                             |                                                                                                                          |     |          |
| 17                          |            | LIDL_UdatRqPg1Rq                                                                                                                                                                                                                                                                                                                                                                                                                                                                                                                                                           | PgReq1(TCV_PgCh, TCV_Pgg, PgReqTp1_01)                                                                                   |     |          |
| 18                          |            | L?DL_RaInChRq (TCV_Rr := OC_BinAdd(DL_RaInChRq.msg.ecau_rrf, '00000010'B), TCV_Fn := DL_RaInChRq.fn)                                                                                                                                                                                                                                                                                                                                                                                                                                                                       | ChReq( ChRequest_17)                                                                                                     |     | 3.       |
| 19                          |            | LIDL_UdatRqImmMass                                                                                                                                                                                                                                                                                                                                                                                                                                                                                                                                                         | ImmAss( TCV_agch, ImmAsgn_01Def( TCV_Rr, TCV_Fn, TSPX_SDCCH4SubB, TCV_slot, TCV_tsc, TCV_chdescr_arfcn, TimingAdv( 30))) |     |          |

|                           |            |                                                                                                                                                                                                                                         |                                                                |     |  |
|---------------------------|------------|-----------------------------------------------------------------------------------------------------------------------------------------------------------------------------------------------------------------------------------------|----------------------------------------------------------------|-----|--|
| 20                        |            | START T_dly(2000)                                                                                                                                                                                                                       |                                                                |     |  |
| 21                        |            | ?TIMEOUT T_dly                                                                                                                                                                                                                          |                                                                |     |  |
| 22                        |            | L?DL_RaInChRq (TCV_Rr :=<br>DL_RaInChRq.msg.ecau_rrf, TCV_Fn<br>:= DL_RaInChRq.fn)                                                                                                                                                      | ChReq(<br>ChRequest_17)                                        |     |  |
| 23                        | L_016<br>3 | LIDL_UdatRqImmRej                                                                                                                                                                                                                       | ImmAssRej(<br>TCV_agch,<br>ImmAsgnRej_r02(<br>TCV_Rr, TCV_Fn)) | P   |  |
| 24                        |            | L?DL_RaInChRq (TCV_Rr :=<br>DL_RaInChRq.msg.ecau_rrf, TCV_Fn<br>:= DL_RaInChRq.fn)                                                                                                                                                      | ChReq(<br>ChRequest_17)                                        |     |  |
| 25                        | L_016<br>4 | LIDL_UdatRqImmRej                                                                                                                                                                                                                       | ImmAssRej(<br>TCV_agch,<br>ImmAsgnRej_r02(<br>TCV_Rr, TCV_Fn)) | (P) |  |
| 26                        |            | ?TIMEOUT T_dly                                                                                                                                                                                                                          |                                                                |     |  |
| <b>Detailed Comments:</b> |            | <ol style="list-style-type: none"> <li>1. To setup a physical channel as combined bcch/sdcch, default parameters for cell A.</li> <li>2. making a frame number is of 2 higher.</li> <li>3. Making a wrong request reference.</li> </ol> |                                                                |     |  |

| Test Case Dynamic Behaviour |            |                                                                                                                                                                                                                                                                                                                                                                                                                                                                                                                                                                             |                                                                                                                               |     |                      |
|-----------------------------|------------|-----------------------------------------------------------------------------------------------------------------------------------------------------------------------------------------------------------------------------------------------------------------------------------------------------------------------------------------------------------------------------------------------------------------------------------------------------------------------------------------------------------------------------------------------------------------------------|-------------------------------------------------------------------------------------------------------------------------------|-----|----------------------|
| <b>Test Case Name:</b>      |            | TC_26_6_1_5                                                                                                                                                                                                                                                                                                                                                                                                                                                                                                                                                                 |                                                                                                                               |     |                      |
| <b>Group:</b>               |            | GSM_L3_MS_v4210/RR/                                                                                                                                                                                                                                                                                                                                                                                                                                                                                                                                                         |                                                                                                                               |     |                      |
| <b>Purpose:</b>             |            | To verify that the MS correctly responds to an IMMEDIATE ASSIGNMENT message sent after an IMMEDIATE ASSIGNMENT REJECT message.                                                                                                                                                                                                                                                                                                                                                                                                                                              |                                                                                                                               |     |                      |
| <b>Default:</b>             |            | OtherEventsFail_01                                                                                                                                                                                                                                                                                                                                                                                                                                                                                                                                                          |                                                                                                                               |     |                      |
| Nr                          | Label      | Behaviour Description                                                                                                                                                                                                                                                                                                                                                                                                                                                                                                                                                       | CRef                                                                                                                          | V   | Comments             |
| 1                           |            | START T_guard(300)                                                                                                                                                                                                                                                                                                                                                                                                                                                                                                                                                          |                                                                                                                               |     |                      |
| 2                           |            | +IdleUpdated( C_E_default, C_Cella, C_SCH_A, C_BCCH_A_1, C_Immass, C_S0, C_SlotNU, C_SlotNU, C_SlotNU, C_BCC, C_TxInt_7, C_Max_7, C_NECI_0, C_ATT_0, TimingAdv( 30), C_BABR_0, C_cch_1nonComb, C_BPM_3, C_T3212_1, C_ci_cellA, C_MCC_1, C_PLMN_1, C_LAC_1, CellOpt_01, CellChDes_02, CellChDes_03, C_CellReselectHys12, C_MaxPwrLvlG, C_MaxPwrLvlD, BcchFreqLst_01, BcchFreqLst_Omit, BcchFreqLst_48, BcchFreqLst_Omit, C_noReestablishment, C_BCC, C_NCC, C_Start_Tmsi, TSPX_SDCCH4SubDef, TSPX_CKSNDf, TSPX_RANDDef, C_arfcnA, C_arfcnAd, TSPX_IMSI, C_Test_fh, C_NCCP_2) |                                                                                                                               |     |                      |
| 3                           |            | +Varinit_tch( C_arfcn_tchA, C_arfcn_tchAd)                                                                                                                                                                                                                                                                                                                                                                                                                                                                                                                                  |                                                                                                                               |     |                      |
| 4                           |            | +SDCCH8_A_1_nociph( TSPX_SDCCH8SubDef, C_Immass, TSPX_TmSltDef, TSPX_TscDef, ChMod_sign, FreqTCH(TCV_tch_arfcn), FreqTCH(TCV_tch_arfcn), TimingAdv( 30), C_BABR_0, C_cch_1nonComb, C_BPM_3)                                                                                                                                                                                                                                                                                                                                                                                 |                                                                                                                               | 2.  |                      |
| 5                           | body       | LIDL_UdatRqPg1Rq                                                                                                                                                                                                                                                                                                                                                                                                                                                                                                                                                            | PgReq1(TCV_PgCh, TCV_Pgg, PgReqTp1_01)                                                                                        |     |                      |
| 6                           |            | L?DL_RaInChRq (TCV_Rr := DL_RaInChRq.msg.ecau_rrf, TCV_Fn := DL_RaInChRq.fn)                                                                                                                                                                                                                                                                                                                                                                                                                                                                                                | ChReq( ChRequest_17)                                                                                                          |     | 1st channel request  |
| 7                           |            | L?DL_RaInChRq (TCV_Rr1 := DL_RaInChRq.msg.ecau_rrf, TCV_Fn1 := DL_RaInChRq.fn)                                                                                                                                                                                                                                                                                                                                                                                                                                                                                              | ChReq( ChRequest_17)                                                                                                          |     | 2nd channel request  |
| 8                           |            | L?DL_RaInChRq                                                                                                                                                                                                                                                                                                                                                                                                                                                                                                                                                               | ChReq( ChRequest_17)                                                                                                          |     | 3rd ChReq            |
| 9                           |            | LIDL_UdatRqImmassRej                                                                                                                                                                                                                                                                                                                                                                                                                                                                                                                                                        | ImmAssRej( TCV_agch, ImmAsgnRej_04( TCV_Rr, TCV_Fn))                                                                          |     | Ref to 1st, wait 6s. |
| 10                          |            | START T_dly1( OC_Random( 750, 1250))                                                                                                                                                                                                                                                                                                                                                                                                                                                                                                                                        |                                                                                                                               |     |                      |
| 11                          |            | ?TIMEOUT T_dly1                                                                                                                                                                                                                                                                                                                                                                                                                                                                                                                                                             |                                                                                                                               |     |                      |
| 12                          |            | LIDL_UdatRqImmass                                                                                                                                                                                                                                                                                                                                                                                                                                                                                                                                                           | ImmAss( TCV_agch, ImmAsgn_r02( TCV_Rr1, TCV_Fn1, TSPX_SDCCH8SubD, TSPX_TmSltDef, TSPX_TscDef, TimingAdv( 30), TCV_tch_arfcn)) |     | Ref. to 2nd          |
| 13                          | L_016<br>5 | L?DL_EstInPgRes                                                                                                                                                                                                                                                                                                                                                                                                                                                                                                                                                             | PgRes( TCV_ch, PagingRes_01)                                                                                                  | (P) | 3.                   |
| 14                          |            | +PostMainLinkRel( TCV_ch)                                                                                                                                                                                                                                                                                                                                                                                                                                                                                                                                                   |                                                                                                                               |     |                      |
| <b>Detailed Comments:</b>   |            | <ol style="list-style-type: none"> <li>1. To setup a physical channel as non-combined CCCH/SDCCH, Tx-int= 7 , retransmission = 7.</li> <li>2. To setup aphysical channel as SDCCH8.</li> <li>3. The expected PAGING RESPONSE received on the correct channel (TSPX_SDCCH8SubD)</li> </ol>                                                                                                                                                                                                                                                                                   |                                                                                                                               |     |                      |

| Test Case Dynamic Behaviour |            |                                                                                                                                                                                                                                                                                                                                                                                                                                                                                                                                                                                                            |                                         |     |          |
|-----------------------------|------------|------------------------------------------------------------------------------------------------------------------------------------------------------------------------------------------------------------------------------------------------------------------------------------------------------------------------------------------------------------------------------------------------------------------------------------------------------------------------------------------------------------------------------------------------------------------------------------------------------------|-----------------------------------------|-----|----------|
| <b>Test Case Name:</b>      |            | TC_26_6_2_1_1                                                                                                                                                                                                                                                                                                                                                                                                                                                                                                                                                                                              |                                         |     |          |
| <b>Group:</b>               |            | GSM_L3_MS_v4210/RR/                                                                                                                                                                                                                                                                                                                                                                                                                                                                                                                                                                                        |                                         |     |          |
| <b>Purpose:</b>             |            | To test that the MS is able to determine its CCCH group and paging group correctly and that the MS responds correctly to various PAGING REQUEST TYPE 1 messages when the page mode is set to normal paging. All valid ways of addressing the MS are tested. It is tested that the MS responds with the same type of identity that is used in the PAGING REQUEST TYPE 1 message. It is tested that the MS ignores fill paging.                                                                                                                                                                              |                                         |     |          |
| <b>Default:</b>             |            | OtherEventsFail_01                                                                                                                                                                                                                                                                                                                                                                                                                                                                                                                                                                                         |                                         |     |          |
| Nr                          | Label      | Behaviour Description                                                                                                                                                                                                                                                                                                                                                                                                                                                                                                                                                                                      | CRef                                    | V   | Comments |
| 1                           |            | START T_guard(300)                                                                                                                                                                                                                                                                                                                                                                                                                                                                                                                                                                                         |                                         |     |          |
| 2                           |            | +IdleUpdated( C_E_default, C_CellA, C_SCH_A, C_BCCH_A_1, C_Immass, C_S0, C_S2, C_S4, C_S6, C_BCC, C_TxInt_5, C_Max_2, C_NECI_0, C_ATT_0, TimingAdv( 30), INT_TO_BIT( TSPX_AGBLKS1, 3), TSPX_CcchConf1, INT_TO_BIT(( TSPX_PAMFRMS1-2), 3), C_T3212_0, C_ci_cellA, C_MCC_1, C_PLMN_1, C_LAC_1, CellOpt_01, CellChDes_02, CellChDes_03, C_CellReselectHys12, C_MaxPwrLvIG, C_MaxPwrLvID, BcchFreqLst_01, BcchFreqLst_Omit, BcchFreqLst_48, BcchFreqLst_Omit, C_noRestablishment, C_BCC, C_NCC, C_Start_Tmsi, TSPX_SDCCH4SubC, TSPX_CKSNDf, TSPX_RANDDef, C_arfcnA, C_arfcnAd, TSPX_IMSI, C_Test_fh, C_NCCP_2) |                                         |     |          |
| 3                           |            | +local_tree                                                                                                                                                                                                                                                                                                                                                                                                                                                                                                                                                                                                |                                         |     |          |
| 4                           | body       | +test1                                                                                                                                                                                                                                                                                                                                                                                                                                                                                                                                                                                                     |                                         |     |          |
| 5                           |            | +test2                                                                                                                                                                                                                                                                                                                                                                                                                                                                                                                                                                                                     |                                         |     |          |
| 6                           |            | +test3                                                                                                                                                                                                                                                                                                                                                                                                                                                                                                                                                                                                     |                                         |     |          |
| 7                           |            | +test4                                                                                                                                                                                                                                                                                                                                                                                                                                                                                                                                                                                                     |                                         |     |          |
| 8                           |            | +test5                                                                                                                                                                                                                                                                                                                                                                                                                                                                                                                                                                                                     |                                         |     |          |
|                             |            | <b>test1</b>                                                                                                                                                                                                                                                                                                                                                                                                                                                                                                                                                                                               |                                         |     |          |
| 9                           |            | LIDL_UdatRqPg1Rq                                                                                                                                                                                                                                                                                                                                                                                                                                                                                                                                                                                           | PgReq1(TCV_PgCh, TCV_Pgg, PgReqTp1_05)  |     | 1.       |
| 10                          |            | +local_immass                                                                                                                                                                                                                                                                                                                                                                                                                                                                                                                                                                                              |                                         |     |          |
| 11                          | L_016<br>6 | L?DL_EstInPgRes                                                                                                                                                                                                                                                                                                                                                                                                                                                                                                                                                                                            | PagingRes( PagingRes_r02)               | (P) |          |
| 12                          |            | +PostMainLinkRel(TCV_ch)                                                                                                                                                                                                                                                                                                                                                                                                                                                                                                                                                                                   |                                         |     |          |
|                             |            | <b>test2</b>                                                                                                                                                                                                                                                                                                                                                                                                                                                                                                                                                                                               |                                         |     |          |
| 13                          |            | ?TIMEOUT T_dly                                                                                                                                                                                                                                                                                                                                                                                                                                                                                                                                                                                             |                                         |     |          |
| 14                          |            | LIDL_UdatRqPg1Rq                                                                                                                                                                                                                                                                                                                                                                                                                                                                                                                                                                                           | PgReq1(TCV_PgCh, TCV_Pgg, PgReqTp1_r01) |     | 2.       |
| 15                          |            | +local_immass                                                                                                                                                                                                                                                                                                                                                                                                                                                                                                                                                                                              |                                         |     |          |
| 16                          | L_016<br>7 | L?DL_EstInPgRes                                                                                                                                                                                                                                                                                                                                                                                                                                                                                                                                                                                            | PagingRes( PagingRes_r01)               | (P) |          |
| 17                          |            | +PostMainLinkRel(TCV_ch)                                                                                                                                                                                                                                                                                                                                                                                                                                                                                                                                                                                   |                                         |     |          |
|                             |            | <b>test3</b>                                                                                                                                                                                                                                                                                                                                                                                                                                                                                                                                                                                               |                                         |     |          |
| 18                          |            | ?TIMEOUT T_dly                                                                                                                                                                                                                                                                                                                                                                                                                                                                                                                                                                                             |                                         |     |          |
| 19                          |            | LIDL_UdatRqPg1Rq                                                                                                                                                                                                                                                                                                                                                                                                                                                                                                                                                                                           | PgReq1(TCV_PgCh, TCV_Pgg, PgReqTp1_r02) |     | 3.       |
| 20                          |            | +local_immass                                                                                                                                                                                                                                                                                                                                                                                                                                                                                                                                                                                              |                                         |     |          |
| 21                          | L_016<br>8 | L?DL_EstInPgRes                                                                                                                                                                                                                                                                                                                                                                                                                                                                                                                                                                                            | PagingRes( PagingRes_r02)               | (P) |          |
| 22                          |            | +PostMainLinkRel(TCV_ch)                                                                                                                                                                                                                                                                                                                                                                                                                                                                                                                                                                                   |                                         |     |          |
|                             |            | <b>test4</b>                                                                                                                                                                                                                                                                                                                                                                                                                                                                                                                                                                                               |                                         |     |          |
| 23                          |            | ?TIMEOUT T_dly                                                                                                                                                                                                                                                                                                                                                                                                                                                                                                                                                                                             |                                         |     |          |
| 24                          |            | LIDL_UdatRqPg1Rq                                                                                                                                                                                                                                                                                                                                                                                                                                                                                                                                                                                           | PgReq1(TCV_PgCh, TCV_Pgg, PgReqTp1_r03) |     | 4.       |
| 25                          |            | +local_immass                                                                                                                                                                                                                                                                                                                                                                                                                                                                                                                                                                                              |                                         |     |          |

|    |            |                                                                                                                                                                                                                                                            |                                                                                                                                                     |     |    |
|----|------------|------------------------------------------------------------------------------------------------------------------------------------------------------------------------------------------------------------------------------------------------------------|-----------------------------------------------------------------------------------------------------------------------------------------------------|-----|----|
| 26 | L_016<br>9 | L?DL_EstInPgRes                                                                                                                                                                                                                                            | PagingRes(<br>PagingRes_r01)                                                                                                                        | (P) |    |
| 27 |            | +PostMainLinkRel(TCV_ch)                                                                                                                                                                                                                                   |                                                                                                                                                     |     |    |
| 28 |            | <b>test5</b>                                                                                                                                                                                                                                               |                                                                                                                                                     |     |    |
| 29 |            | ?TIMEOUT T_dly<br>L!DL_UdatRqPg1Rq                                                                                                                                                                                                                         | PgReq1(TCV_PgCh,<br>TCV_Pgg,<br>PgReqTp1_r04)                                                                                                       |     | 5. |
| 30 |            | START T_dly(1000)                                                                                                                                                                                                                                          |                                                                                                                                                     |     |    |
| 31 | L_017<br>0 | ?TIMEOUT T_dly                                                                                                                                                                                                                                             |                                                                                                                                                     | P   |    |
| 32 | L_017<br>1 | L?OTHERWISE                                                                                                                                                                                                                                                |                                                                                                                                                     | F   | 6. |
| 33 |            | <b>local_immass</b><br>L?DL_RaInChRq                                                                                                                                                                                                                       | ChReq(<br>ChRequest_17)                                                                                                                             |     |    |
| 34 |            | L?DL_RaInChRq (TCV_Rr := DL_RaInChRq.<br>msg.ecau_rrf, TCV_Fn := DL_RaInChRq.fn)                                                                                                                                                                           | ChReq(<br>ChRequest_17)                                                                                                                             |     |    |
| 35 |            | [(TSPX_CcchConf1 = C_cch_1nonComb) OR<br>(TSPX_CcchConf1 = C_cch_2nonComb) OR<br>(TSPX_CcchConf1 = C_cch_3nonComb) OR<br>(TSPX_CcchConf1 = C_cch_4nonComb)]                                                                                                |                                                                                                                                                     |     |    |
| 36 |            | LIDL_UdatRqImmass START T_dly( 12000)                                                                                                                                                                                                                      | ImmAss( TCV_agch,<br>ImmAsgn_r02(<br>TCV_Rr, TCV_Fn,<br>TSPX_SDCCH8SubD<br>ef, TSPX_TmSltDef,<br>TSPX_TscDef,<br>TimingAdv( 30),<br>TCV_tch_arfcn)) |     |    |
| 37 |            | [TSPX_CcchConf1 = C_cch_1Comb]                                                                                                                                                                                                                             |                                                                                                                                                     |     |    |
| 38 |            | LIDL_UdatRqImmass START T_dly( 12000)                                                                                                                                                                                                                      | ImmAss( TCV_agch,<br>ImmAsgn_01Def(<br>TCV_Rr, TCV_Fn,<br>TSPX_SDCCH4SubC<br>, TCV_slot, TCV_tsc,<br>TCV_chdescr_arfcn,<br>TimingAdv( 30)))         |     |    |
| 39 | L_017<br>2 | [(TSPX_CcchConf1 = C_cch_2Comb) OR<br>(TSPX_CcchConf1 = C_cch_3Comb) OR<br>(TSPX_CcchConf1 = C_cch_4Comb)]                                                                                                                                                 |                                                                                                                                                     | I   |    |
| 40 |            | <b>local_tree</b><br>[TSPX_CcchConf1 = C_cch_1Comb]                                                                                                                                                                                                        |                                                                                                                                                     |     |    |
| 41 |            | [TSPX_CcchConf1 <> C_cch_1Comb]                                                                                                                                                                                                                            |                                                                                                                                                     |     |    |
| 42 |            | +Varinit_tch( C_arfcn_tchA, C_arfcn_tchAd)                                                                                                                                                                                                                 |                                                                                                                                                     |     |    |
| 43 |            | +SDCCH8_A_1_nociph( TSPX_SDCCH8SubDef,<br>C_Immass, TSPX_TmSltDef, TSPX_TscDef,<br>ChMod_sign, FreqTCH(TCV_tch_arfcn),<br>FreqTCH(TCV_tch_arfcn), TimingAdv( 30),<br>INT_TO_BIT( TSPX_AGBLKS1, 3),<br>TSPX_CcchConf1, INT_TO_BIT(<br>TSPX_PAMFRMS1-2), 3)) |                                                                                                                                                     |     |    |

**Detailed Comments:**

1. Within the paging request message, the 1st MI contains IMSI of the MS, the 2nd is absent.
2. Within the paging request message, the 1st MI contains TMSI of the MS, the 2nd has the IMSI of an another MS.
3. Within the paging request message, the 1st MI contains TMSI of an another MS, the 2nd has the IMSI of the MS.
4. Within the paging request message, the 1st MI contains TMSI of an another MS, the 2nd has the TMSI of the MS.
5. Within the paging request message, the 1st MI contains TMSI of the MS together with type of no identity, the 2nd is absent .
6. If received any L3 frame FAIL.

| Test Case Dynamic Behaviour |            |                                                                                                                                                                                                                                                                                                                                                                                                                                                                                                                                                                                                            |                                         |     |          |
|-----------------------------|------------|------------------------------------------------------------------------------------------------------------------------------------------------------------------------------------------------------------------------------------------------------------------------------------------------------------------------------------------------------------------------------------------------------------------------------------------------------------------------------------------------------------------------------------------------------------------------------------------------------------|-----------------------------------------|-----|----------|
| <b>Test Case Name:</b>      |            | TC_26_6_2_1_2                                                                                                                                                                                                                                                                                                                                                                                                                                                                                                                                                                                              |                                         |     |          |
| <b>Group:</b>               |            | GSM_L3_MS_v4210/RR/                                                                                                                                                                                                                                                                                                                                                                                                                                                                                                                                                                                        |                                         |     |          |
| <b>Purpose:</b>             |            | To test that the MS is able to determine its CCCH group and paging group correctly and that the MS responds correctly to various PAGING REQUEST TYPE 2 messages when the page mode is set to normal paging. All valid ways of addressing the MS are tested. It is tested that the MS responds with the same type of identity that is used in the PAGING REQUEST TYPE 2 message. It is tested that the MS ignores a PAGING REQUEST TYPE 2 message that does not address it.                                                                                                                                 |                                         |     |          |
| <b>Default:</b>             |            | OtherEventsFail_01                                                                                                                                                                                                                                                                                                                                                                                                                                                                                                                                                                                         |                                         |     |          |
| <b>Comments:</b>            |            | The configuration is Max-Retrans = 2, combined CCCH/BCCH, BS-AG-BLKS-RES = 2, and BS-PA-MFRMS = 3.                                                                                                                                                                                                                                                                                                                                                                                                                                                                                                         |                                         |     |          |
| Nr                          | Label      | Behaviour Description                                                                                                                                                                                                                                                                                                                                                                                                                                                                                                                                                                                      | CRef                                    | V   | Comments |
| 1                           |            | START T_guard(300)                                                                                                                                                                                                                                                                                                                                                                                                                                                                                                                                                                                         |                                         |     |          |
| 2                           |            | +IdleUpdated( C_E_default, C_CellA, C_SCH_A, C_BCCH_A_1, C_Immass, C_S0, C_S2, C_S4, C_S6, C_BCC, C_TxInt_5, C_Max_2, C_NECI_0, C_ATT_0, TimingAdv( 30), INT_TO_BIT( TSPX_AGBLKS2, 3), TSPX_CcchConf2, INT_TO_BIT(( TSPX_PAMFRMS2-2), 3), C_T3212_0, C_ci_cellA, C_MCC_1, C_PLMN_1, C_LAC_1, CellOpt_01, CellChDes_02, CellChDes_03, C_CellReselectHys12, C_MaxPwrLvIG, C_MaxPwrLvID, BcchFreqLst_01, BcchFreqLst_Omit, BcchFreqLst_48, BcchFreqLst_Omit, C_noRestablishment, C_BCC, C_NCC, C_Start_Tmsi, TSPX_SDCCH4SubB, TSPX_CKSNDf, TSPX_RANDDef, C_arfcnA, C_arfcnAd, TSPX_IMSI, C_Test_fh, C_NCCP_2) |                                         |     |          |
| 3                           |            | +local_tree                                                                                                                                                                                                                                                                                                                                                                                                                                                                                                                                                                                                |                                         |     |          |
| 4                           | body       | +test1                                                                                                                                                                                                                                                                                                                                                                                                                                                                                                                                                                                                     |                                         |     |          |
| 5                           |            | +test2                                                                                                                                                                                                                                                                                                                                                                                                                                                                                                                                                                                                     |                                         |     |          |
| 6                           |            | +test3                                                                                                                                                                                                                                                                                                                                                                                                                                                                                                                                                                                                     |                                         |     |          |
| 7                           |            | +test4                                                                                                                                                                                                                                                                                                                                                                                                                                                                                                                                                                                                     |                                         |     |          |
| 8                           |            | +test5                                                                                                                                                                                                                                                                                                                                                                                                                                                                                                                                                                                                     |                                         |     |          |
|                             |            | <b>test1</b>                                                                                                                                                                                                                                                                                                                                                                                                                                                                                                                                                                                               |                                         |     |          |
| 9                           |            | L!DL_UdatRqPg2Rq                                                                                                                                                                                                                                                                                                                                                                                                                                                                                                                                                                                           | PgReq2(TCV_PgCh, TCV_Pgg, PgReqTp2_r01) |     | 1.       |
| 10                          |            | +localtree                                                                                                                                                                                                                                                                                                                                                                                                                                                                                                                                                                                                 |                                         |     |          |
| 11                          | L_017<br>3 | L?DL_EstInPgRes                                                                                                                                                                                                                                                                                                                                                                                                                                                                                                                                                                                            | PagingRes( PagingRes_r01)               | (P) |          |
| 12                          |            | +PostMainLinkRel(TCV_ch)                                                                                                                                                                                                                                                                                                                                                                                                                                                                                                                                                                                   |                                         |     |          |
|                             |            | <b>test2</b>                                                                                                                                                                                                                                                                                                                                                                                                                                                                                                                                                                                               |                                         |     |          |
| 13                          |            | ?TIMEOUT T_dly                                                                                                                                                                                                                                                                                                                                                                                                                                                                                                                                                                                             |                                         |     |          |
| 14                          |            | L!DL_UdatRqPg2Rq                                                                                                                                                                                                                                                                                                                                                                                                                                                                                                                                                                                           | PgReq2(TCV_PgCh, TCV_Pgg, PgReqTp2_r02) |     | 2.       |
| 15                          |            | +localtree                                                                                                                                                                                                                                                                                                                                                                                                                                                                                                                                                                                                 |                                         |     |          |
| 16                          | L_017<br>4 | L?DL_EstInPgRes                                                                                                                                                                                                                                                                                                                                                                                                                                                                                                                                                                                            | PagingRes( PagingRes_r01)               | (P) |          |
| 17                          |            | +PostMainLinkRel(TCV_ch)                                                                                                                                                                                                                                                                                                                                                                                                                                                                                                                                                                                   |                                         |     |          |
|                             |            | <b>test3</b>                                                                                                                                                                                                                                                                                                                                                                                                                                                                                                                                                                                               |                                         |     |          |
| 18                          |            | ?TIMEOUT T_dly                                                                                                                                                                                                                                                                                                                                                                                                                                                                                                                                                                                             |                                         |     |          |
| 19                          |            | L!DL_UdatRqPg2Rq                                                                                                                                                                                                                                                                                                                                                                                                                                                                                                                                                                                           | PgReq2(TCV_PgCh, TCV_Pgg, PgReqTp2_r03) |     | 3.       |
| 20                          |            | +localtree                                                                                                                                                                                                                                                                                                                                                                                                                                                                                                                                                                                                 |                                         |     |          |
| 21                          | L_017<br>5 | L?DL_EstInPgRes                                                                                                                                                                                                                                                                                                                                                                                                                                                                                                                                                                                            | PagingRes( PagingRes_r01)               | (P) |          |
| 22                          |            | +PostMainLinkRel(TCV_ch)                                                                                                                                                                                                                                                                                                                                                                                                                                                                                                                                                                                   |                                         |     |          |
|                             |            | <b>test4</b>                                                                                                                                                                                                                                                                                                                                                                                                                                                                                                                                                                                               |                                         |     |          |
| 23                          |            | ?TIMEOUT T_dly                                                                                                                                                                                                                                                                                                                                                                                                                                                                                                                                                                                             |                                         |     |          |
| 24                          |            | L!DL_UdatRqPg2Rq                                                                                                                                                                                                                                                                                                                                                                                                                                                                                                                                                                                           | PgReq2(TCV_PgCh, TCV_Pgg,               |     | 4.       |

|    |            |                                                                                                                                                                                                                                                             |                                                                                                                                                      |     |    |
|----|------------|-------------------------------------------------------------------------------------------------------------------------------------------------------------------------------------------------------------------------------------------------------------|------------------------------------------------------------------------------------------------------------------------------------------------------|-----|----|
| 25 |            | +localtree                                                                                                                                                                                                                                                  | PgReqTp2_r04)                                                                                                                                        |     |    |
| 26 | L_017<br>6 | L?DL_EstInPgRes                                                                                                                                                                                                                                             | PagingRes(<br>PagingRes_r02)                                                                                                                         | (P) |    |
| 27 |            | +PostMainLinkRel(TCV_ch)                                                                                                                                                                                                                                    |                                                                                                                                                      |     |    |
| 28 |            | <b>test5</b>                                                                                                                                                                                                                                                |                                                                                                                                                      |     |    |
| 29 |            | ?TIMEOUT T_dly<br>LIDL_UdatRqPg2Rq                                                                                                                                                                                                                          | PgReq2(TCV_PgCh,<br>TCV_Pgg,<br>PgReqTp2_r05)                                                                                                        |     | 5. |
| 30 |            | START T_dly(1000)                                                                                                                                                                                                                                           |                                                                                                                                                      |     |    |
| 31 | L_017<br>7 | ?TIMEOUT T_dly                                                                                                                                                                                                                                              |                                                                                                                                                      | P   |    |
| 32 | L_017<br>8 | L?OTHERWISE                                                                                                                                                                                                                                                 |                                                                                                                                                      | F   | 6. |
| 33 |            | <b>localtree</b><br>L?DL_RaInChRq                                                                                                                                                                                                                           | ChReq(<br>ChRequest_17)                                                                                                                              |     |    |
| 34 |            | L?DL_RaInChRq (TCV_Rr :=<br>DL_RaInChRq.msg.ecau_rrf, TCV_Fn :=<br>DL_RaInChRq.fn)                                                                                                                                                                          | ChReq(<br>ChRequest_17)                                                                                                                              |     |    |
| 35 |            | [(TSPX_CcchConf2 = C_cch_1nonComb) OR<br>(TSPX_CcchConf2 = C_cch_2nonComb) OR<br>(TSPX_CcchConf2 = C_cch_3nonComb) OR<br>(TSPX_CcchConf2 = C_cch_4nonComb)]                                                                                                 |                                                                                                                                                      |     |    |
| 36 |            | LIDL_UdatRqImmash START T_dly( C_T_Wait)                                                                                                                                                                                                                    | ImmAss( TCV_agch,<br>ImmAsgn_r02(<br>TCV_Rr, TCV_Fn,<br>TSPX_SDCCH8SubD<br>ef, TSPX_TmSlitDef,<br>TSPX_TscDef,<br>TimingAdv( 30),<br>TCV_tch_arfcn)) |     |    |
| 37 |            | [TSPX_CcchConf2 = C_cch_1Comb]                                                                                                                                                                                                                              |                                                                                                                                                      |     |    |
| 38 |            | LIDL_UdatRqImmash START T_dly( C_T_Wait)                                                                                                                                                                                                                    | ImmAss( TCV_agch,<br>ImmAsgn_01Def(<br>TCV_Rr, TCV_Fn,<br>TSPX_SDCCH4SubB<br>, TCV_slot, TCV_tsc,<br>TCV_chdescr_arfcn,<br>TimingAdv( 30)))          |     |    |
| 39 | L_017<br>9 | [(TSPX_CcchConf2 = C_cch_2Comb) OR<br>(TSPX_CcchConf2 = C_cch_3Comb) OR<br>(TSPX_CcchConf2 = C_cch_4Comb)]                                                                                                                                                  |                                                                                                                                                      | I   |    |
| 40 |            | <b>local_tree</b><br>[TSPX_CcchConf2 = C_cch_1Comb]                                                                                                                                                                                                         |                                                                                                                                                      |     |    |
| 41 |            | [TSPX_CcchConf2 <> C_cch_1Comb]                                                                                                                                                                                                                             |                                                                                                                                                      |     |    |
| 42 |            | +Varinit_tch( C_arfcn_tchA, C_arfcn_tchAd)                                                                                                                                                                                                                  |                                                                                                                                                      |     |    |
| 43 |            | +SDCCH8_A_1_nociph( TSPX_SDCCH8SubDef,<br>C_Immash, TSPX_TmSlitDef, TSPX_TscDef,<br>ChMod_sign, FreqTCH(TCV_tch_arfcn),<br>FreqTCH(TCV_tch_arfcn), TimingAdv( 30),<br>INT_TO_BIT( TSPX_AGBLKS2, 3),<br>TSPX_CcchConf2, INT_TO_BIT(<br>TSPX_PAMFRMS2-2), 3)) |                                                                                                                                                      |     |    |

**Detailed Comments:**

1. Within the paging request message, the 1st MI contains TMSI of the IUT, the 2nd has the TMSI of an another MS, the 3rd is absent.
2. Within the paging request message, the 1st MI contains TMSI of an another MS, the 2nd has the TMSI of the IUT, the 3rd is absent.
3. Within the paging request message, the 1st and 2nd MI contain TMSI of an another MS, the 3rd has the TMSI of the IUT.
4. Within the paging request message, the 1st and 2nd MI contain TMSI of an another MS, the 3rd has the IMSI of the IUT.
5. Within the paging request message, the 1st and 2nd MI contain TMSI of an another MS, the 3rd has the TMSI of the IUT but with the type of no identity.
6. If received any L3 frame FAIL.



| Test Case Dynamic Behaviour |            |                                                                                                                                                                                                                                                                                                                                                                                                                                                                                                                                                                                                             |                                         |     |          |
|-----------------------------|------------|-------------------------------------------------------------------------------------------------------------------------------------------------------------------------------------------------------------------------------------------------------------------------------------------------------------------------------------------------------------------------------------------------------------------------------------------------------------------------------------------------------------------------------------------------------------------------------------------------------------|-----------------------------------------|-----|----------|
| <b>Test Case Name:</b>      |            | TC_26_6_2_1_3                                                                                                                                                                                                                                                                                                                                                                                                                                                                                                                                                                                               |                                         |     |          |
| <b>Group:</b>               |            | GSM_L3_MS_v4210/RR/                                                                                                                                                                                                                                                                                                                                                                                                                                                                                                                                                                                         |                                         |     |          |
| <b>Purpose:</b>             |            | To test that the MS is able to determine its CCCH group and paging group correctly and that the MS responds correctly to various PAGING REQUEST TYPE 3 messages when the page mode is set to normal paging. All valid ways of addressing the MS are tested.                                                                                                                                                                                                                                                                                                                                                 |                                         |     |          |
| <b>Default:</b>             |            | OtherEventsFail_01                                                                                                                                                                                                                                                                                                                                                                                                                                                                                                                                                                                          |                                         |     |          |
| <b>Comments:</b>            |            | The configuration is Max-Retrans = 2, 2 non-combined CCCH/BCCH, BS-AG-BLKS-RES = 5, and BS-PA-MFRMS = 6.                                                                                                                                                                                                                                                                                                                                                                                                                                                                                                    |                                         |     |          |
| Nr                          | Label      | Behaviour Description                                                                                                                                                                                                                                                                                                                                                                                                                                                                                                                                                                                       | CRef                                    | V   | Comments |
| 1                           |            | START T_guard(300)                                                                                                                                                                                                                                                                                                                                                                                                                                                                                                                                                                                          |                                         |     |          |
| 2                           |            | +IdleUpdated( C_E_default, C_CellA, C_SCH_A, C_BCCH_A_1, C_Immass, C_S0, C_S2, C_S4, C_S6, C_BCC, C_TxInt_5, C_Max_2, C_NECl_0, C_ATT_0, TimingAdv( 30), INT_TO_BIT( TSPX_AGBLKS3, 3), TSPX_CcchConf3, INT_TO_BIT(( TSPX_PAMFRMS3-2), 3), C_T3212_0, C_ci_cellA, C_MCC_1, C_PLMN_1, C_LAC_1, CellOpt_01, CellChDes_02, CellChDes_03, C_CellReselectHys12, C_MaxPwrLvIG, C_MaxPwrLvID, BcchFreqLst_01, BcchFreqLst_Omit, BcchFreqLst_48, BcchFreqLst_Omit, C_noReestablishment, C_BCC, C_NCC, C_Start_Tmsi, TSPX_SDCCH4SubB, TSPX_CKSNDf, TSPX_RANDDef, C_arfcnA, C_arfcnAd, TSPX_IMSI, C_Test_fh, C_NCCP_2) |                                         |     | 1.       |
| 3                           |            | +local_tree                                                                                                                                                                                                                                                                                                                                                                                                                                                                                                                                                                                                 |                                         |     |          |
| 4                           | body       | +test1                                                                                                                                                                                                                                                                                                                                                                                                                                                                                                                                                                                                      |                                         |     |          |
| 5                           |            | +test2                                                                                                                                                                                                                                                                                                                                                                                                                                                                                                                                                                                                      |                                         |     |          |
| 6                           |            | +test3                                                                                                                                                                                                                                                                                                                                                                                                                                                                                                                                                                                                      |                                         |     |          |
| 7                           |            | +test4                                                                                                                                                                                                                                                                                                                                                                                                                                                                                                                                                                                                      |                                         |     |          |
| 8                           |            | <b>test1</b><br>L?IDL_UdatRqPg3Rq                                                                                                                                                                                                                                                                                                                                                                                                                                                                                                                                                                           | PgReq3(TCV_PgCh, TCV_Pgg, PgReqTp3_r01) |     | 2.       |
| 9                           |            | +local_immass                                                                                                                                                                                                                                                                                                                                                                                                                                                                                                                                                                                               |                                         |     |          |
| 10                          | L_018<br>0 | L?DL_EstInPgRes                                                                                                                                                                                                                                                                                                                                                                                                                                                                                                                                                                                             | PagingRes(PagingRes_r01)                | (P) |          |
| 11                          |            | +PostMainLinkRel(TCV_ch)                                                                                                                                                                                                                                                                                                                                                                                                                                                                                                                                                                                    |                                         |     |          |
| 12                          |            | <b>test2</b><br>?TIMEOUT T_dly                                                                                                                                                                                                                                                                                                                                                                                                                                                                                                                                                                              |                                         |     |          |
| 13                          |            | L?IDL_UdatRqPg3Rq                                                                                                                                                                                                                                                                                                                                                                                                                                                                                                                                                                                           | PgReq3(TCV_PgCh, TCV_Pgg, PgReqTp3_r02) |     | 3.       |
| 14                          |            | +local_immass                                                                                                                                                                                                                                                                                                                                                                                                                                                                                                                                                                                               |                                         |     |          |
| 15                          | L_018<br>1 | L?DL_EstInPgRes                                                                                                                                                                                                                                                                                                                                                                                                                                                                                                                                                                                             | PagingRes(PagingRes_r01)                | (P) |          |
| 16                          |            | +PostMainLinkRel(TCV_ch)                                                                                                                                                                                                                                                                                                                                                                                                                                                                                                                                                                                    |                                         |     |          |
| 17                          |            | <b>test3</b><br>?TIMEOUT T_dly                                                                                                                                                                                                                                                                                                                                                                                                                                                                                                                                                                              |                                         |     |          |
| 18                          |            | L?IDL_UdatRqPg3Rq                                                                                                                                                                                                                                                                                                                                                                                                                                                                                                                                                                                           | PgReq3(TCV_PgCh, TCV_Pgg, PgReqTp3_r03) |     | 4.       |
| 19                          |            | +local_immass                                                                                                                                                                                                                                                                                                                                                                                                                                                                                                                                                                                               |                                         |     |          |
| 20                          | L_018<br>2 | L?DL_EstInPgRes                                                                                                                                                                                                                                                                                                                                                                                                                                                                                                                                                                                             | PagingRes(PagingRes_r01)                | (P) |          |
| 21                          |            | +PostMainLinkRel(TCV_ch)                                                                                                                                                                                                                                                                                                                                                                                                                                                                                                                                                                                    |                                         |     |          |
| 22                          |            | <b>test4</b><br>?TIMEOUT T_dly                                                                                                                                                                                                                                                                                                                                                                                                                                                                                                                                                                              |                                         |     |          |
| 23                          |            | L?IDL_UdatRqPg3Rq                                                                                                                                                                                                                                                                                                                                                                                                                                                                                                                                                                                           | PgReq3(TCV_PgCh, TCV_Pgg, PgReqTp3_r04) |     | 5.       |
| 24                          |            | +local_immass                                                                                                                                                                                                                                                                                                                                                                                                                                                                                                                                                                                               |                                         |     |          |
| 25                          | L_018<br>3 | L?DL_EstInPgRes                                                                                                                                                                                                                                                                                                                                                                                                                                                                                                                                                                                             | PagingRes(PagingRes_r01)                | (P) |          |

|    |            |                                                                                                                                                                                                                                                          |                                                                                                                                                   |   |
|----|------------|----------------------------------------------------------------------------------------------------------------------------------------------------------------------------------------------------------------------------------------------------------|---------------------------------------------------------------------------------------------------------------------------------------------------|---|
| 26 |            | +PostMainLinkRel(TCV_ch)                                                                                                                                                                                                                                 |                                                                                                                                                   |   |
|    |            | <b>local_immass</b>                                                                                                                                                                                                                                      |                                                                                                                                                   |   |
| 27 |            | L?DL_RaInChRq                                                                                                                                                                                                                                            | ChReq(<br>ChRequest_17)                                                                                                                           |   |
| 28 |            | L?DL_RaInChRq (TCV_Rr := DL_RaInChRq.<br>msg.ecau_rrf, TCV_Fn := DL_RaInChRq.fn)                                                                                                                                                                         | ChReq(<br>ChRequest_17)                                                                                                                           |   |
| 29 |            | [(TSPX_CcchConf3 = C_cch_1nonComb) OR<br>(TSPX_CcchConf3 = C_cch_2nonComb) OR<br>(TSPX_CcchConf3 = C_cch_3nonComb) OR<br>(TSPX_CcchConf3 = C_cch_4nonComb)]                                                                                              |                                                                                                                                                   |   |
| 30 |            | LIDL_UdatRqImmass START T_dly( C_T_Wait)                                                                                                                                                                                                                 | ImmAss( TCV_agch,<br>ImmAsgn_r02(<br>TCV_Rr, TCV_Fn,<br>TSPX_SDCCH8SubE<br>, TSPX_TmSltDef,<br>TSPX_TscDef,<br>TimingAdv( 30),<br>TCV_tch_arfcn)) |   |
| 31 |            | [TSPX_CcchConf3 = C_cch_1Comb]                                                                                                                                                                                                                           |                                                                                                                                                   |   |
| 32 |            | LIDL_UdatRqImmass START T_dly( C_T_Wait)                                                                                                                                                                                                                 | ImmAss( TCV_agch,<br>ImmAsgn_01Def(<br>TCV_Rr, TCV_Fn,<br>TSPX_SDCCH4SubB<br>, TCV_slot,<br>TCV_tsc,<br>TCV_chdescr_arfcn,<br>TimingAdv( 30)))    |   |
| 33 | L_018<br>4 | [(TSPX_CcchConf3 = C_cch_2Comb) OR<br>(TSPX_CcchConf3 = C_cch_3Comb) OR<br>(TSPX_CcchConf3 = C_cch_4Comb)]                                                                                                                                               |                                                                                                                                                   | I |
|    |            | <b>local_tree</b>                                                                                                                                                                                                                                        |                                                                                                                                                   |   |
| 34 |            | [TSPX_CcchConf3 = C_cch_1Comb]                                                                                                                                                                                                                           |                                                                                                                                                   |   |
| 35 |            | [TSPX_CcchConf3 <> C_cch_1Comb]                                                                                                                                                                                                                          |                                                                                                                                                   |   |
| 36 |            | +Varinit_tch( C_arfcn_tchA, C_arfcn_tchAd)                                                                                                                                                                                                               |                                                                                                                                                   |   |
| 37 |            | +SDCCH8_A_1_nociph( TSPX_SDCCH8SubE,<br>C_Immass, TSPX_TmSltDef, TSPX_TscDef,<br>ChMod_sign, FreqTCH(TCV_tch_arfcn),<br>FreqTCH(TCV_tch_arfcn), TimingAdv( 30),<br>INT_TO_BIT( TSPX_AGBLKS3, 3),<br>TSPX_CcchConf3, INT_TO_BIT(<br>TSPX_PAMFRMS3-2), 3)) |                                                                                                                                                   |   |

**Detailed Comments:**

1. To setup three physical channels two as BCCH/CCCH's and one as SDCCH8 channel.
2. Within the paging request message, the 1st MI contains TMSI of the IUT, the 2nd, 3rd and 4th have the TMSIs of another MSs.
3. Within the paging request message, the 2nd MI contains TMSI of the IUT, the 1st, 3rd and 4th have the TMSIs of another MSs.
4. Within the paging request message, the 3rd MI contains TMSI of the IUT, the 1st, 2nd and 4th have the TMSIs of another MSs.
5. Within the paging request message, the 4th MI contains TMSI of the IUT, the 1st, 2nd and 3rd have the TMSIs of another MSs.

| Test Case Dynamic Behaviour                                                                                                                                                      |            |                                                                                                                                                                                                                                                                                                                                                                                                                                                                                                                                                                                                             |                                                              |     |          |
|----------------------------------------------------------------------------------------------------------------------------------------------------------------------------------|------------|-------------------------------------------------------------------------------------------------------------------------------------------------------------------------------------------------------------------------------------------------------------------------------------------------------------------------------------------------------------------------------------------------------------------------------------------------------------------------------------------------------------------------------------------------------------------------------------------------------------|--------------------------------------------------------------|-----|----------|
| <b>Test Case Name:</b> TC_26_6_2_2                                                                                                                                               |            |                                                                                                                                                                                                                                                                                                                                                                                                                                                                                                                                                                                                             |                                                              |     |          |
| <b>Group:</b> GSM_L3_MS_v4210/RR/                                                                                                                                                |            |                                                                                                                                                                                                                                                                                                                                                                                                                                                                                                                                                                                                             |                                                              |     |          |
| <b>Purpose:</b> To test that the MS is operating in the extended page mode when this is ordered by the SS in either a PAGING REQUEST message or an IMMEDIATE ASSIGNMENT message. |            |                                                                                                                                                                                                                                                                                                                                                                                                                                                                                                                                                                                                             |                                                              |     |          |
| <b>Default:</b> OtherEventsFail                                                                                                                                                  |            |                                                                                                                                                                                                                                                                                                                                                                                                                                                                                                                                                                                                             |                                                              |     |          |
| <b>Comments:</b> The configuration is Max-Retrans = 2, 1 non-combined CCCH/BCCH, BS-AG-BLKS-RES = 7, and BS-PA-MFRMS = 9.                                                        |            |                                                                                                                                                                                                                                                                                                                                                                                                                                                                                                                                                                                                             |                                                              |     |          |
| Nr                                                                                                                                                                               | Label      | Behaviour Description                                                                                                                                                                                                                                                                                                                                                                                                                                                                                                                                                                                       | Cref                                                         | V   | Comments |
| 1                                                                                                                                                                                |            | START T_guard(300)                                                                                                                                                                                                                                                                                                                                                                                                                                                                                                                                                                                          |                                                              |     |          |
| 2                                                                                                                                                                                |            | +IdleUpdated( C_E_default, C_CellA, C_SCH_A, C_BCCH_A_1, C_Immass, C_S0, C_S2, C_S4, C_S6, C_BCC, C_TxInt_5, C_Max_2, C_NECI_0, C_ATT_0, TimingAdv( 30), INT_TO_BIT( TSPX_AGBLKS3, 3), TSPX_CcchConf3, INT_TO_BIT(( TSPX_PAMFRMS3-2), 3), C_T3212_0, C_ci_cellA, C_MCC_1, C_PLMN_1, C_LAC_1, CellOpt_01, CellChDes_02, CellChDes_03, C_CellReselectHys12, C_MaxPwrLvIG, C_MaxPwrLvID, BcchFreqLst_01, BcchFreqLst_Omit, BcchFreqLst_48, BcchFreqLst_Omit, C_noReestablishment, C_BCC, C_NCC, C_Start_Tmsi, TSPX_SDCCH4SubB, TSPX_CKSNDf, TSPX_RANDDef, C_arfcnA, C_arfcnAd, TSPX_IMSI, C_Test_fh, C_NCCP_2) |                                                              |     | 1.       |
| 3                                                                                                                                                                                | body       | +test1                                                                                                                                                                                                                                                                                                                                                                                                                                                                                                                                                                                                      |                                                              |     |          |
| 4                                                                                                                                                                                |            | +test2                                                                                                                                                                                                                                                                                                                                                                                                                                                                                                                                                                                                      |                                                              |     |          |
| 5                                                                                                                                                                                |            | +test3                                                                                                                                                                                                                                                                                                                                                                                                                                                                                                                                                                                                      |                                                              |     |          |
| 6                                                                                                                                                                                |            | +test4                                                                                                                                                                                                                                                                                                                                                                                                                                                                                                                                                                                                      |                                                              |     |          |
| 7                                                                                                                                                                                |            | +test5                                                                                                                                                                                                                                                                                                                                                                                                                                                                                                                                                                                                      |                                                              |     |          |
| 8                                                                                                                                                                                |            | <b>test1</b><br>(TCV_Null := OM_2Msgs( TCV_PgCh, TCV_Pgg, C_NxtButOne))                                                                                                                                                                                                                                                                                                                                                                                                                                                                                                                                     |                                                              |     |          |
| 9                                                                                                                                                                                |            | LIDL_UdatRqPg1Rq                                                                                                                                                                                                                                                                                                                                                                                                                                                                                                                                                                                            | PgReq1( TCV_PgCh, TCV_Pgg, PgReqTp1_06)                      |     |          |
| 10                                                                                                                                                                               |            | LIDL_UdatRqPg1Rq                                                                                                                                                                                                                                                                                                                                                                                                                                                                                                                                                                                            | PgReq1( TCV_PgCh, TCV_Pgg, PgReqTp1_01)                      |     | 2.       |
| 11                                                                                                                                                                               |            | L?DL_RacInChRq (TCV_Rqr.ra := DL_RacInChRq. msg.ecau_rrf, TCV_Rqr.fn := DL_RacInChRq.fn, TCV_Rqr9 := OC_SaveAndRetrv( TCV_Rqr, C_SAVE, 1, 0))                                                                                                                                                                                                                                                                                                                                                                                                                                                               | ChReq( ChRequest_02)                                         |     |          |
| 12                                                                                                                                                                               | L_018<br>5 | L?DL_RacInChRq (TCV_Rqr.ra := DL_RacInChRq. msg.ecau_rrf, TCV_Rqr.fn := DL_RacInChRq.fn, TCV_Rqr9 := OC_SaveAndRetrv( TCV_Rqr, C_SAVE, 2, 0))                                                                                                                                                                                                                                                                                                                                                                                                                                                               | ChReq( ChRequest_02)                                         | (P) |          |
| 13                                                                                                                                                                               |            | LIDL_UdatRqImmassRej START T_dly( C_T_Wait)                                                                                                                                                                                                                                                                                                                                                                                                                                                                                                                                                                 | ImmAssRej( TCV_agch, ImmAsgnRej_03( TCV_Rqr.ra, TCV_Rqr.fn)) |     | 3.       |
| 14                                                                                                                                                                               |            | <b>test2</b><br>?TIMEOUT T_dly                                                                                                                                                                                                                                                                                                                                                                                                                                                                                                                                                                              |                                                              |     |          |
| 15                                                                                                                                                                               |            | (TCV_Null := OM_2Msgs( TCV_PgCh, TCV_Pgg, C_NxtButOne), TCV_Rqr9 := OC_SaveAndRetrv( TCV_Rqr, C_RETRV, 10, 1))                                                                                                                                                                                                                                                                                                                                                                                                                                                                                              |                                                              |     |          |
| 16                                                                                                                                                                               |            | +gsmOrDcs                                                                                                                                                                                                                                                                                                                                                                                                                                                                                                                                                                                                   |                                                              |     | 4.       |
| 17                                                                                                                                                                               |            | LIDL_UdatRqPg2Rq                                                                                                                                                                                                                                                                                                                                                                                                                                                                                                                                                                                            | PgReq2(TCV_PgCh, TCV_Pgg, PgReqTp2_04)                       |     | 5.       |
| 18                                                                                                                                                                               |            | L?DL_RacInChRq( TCV_Rqr.ra := DL_RacInChRq. msg.ecau_rrf, TCV_Rqr.fn := DL_RacInChRq.fn, TCV_Rqr9 := OC_SaveAndRetrv( TCV_Rqr, C_SAVE, 3, 0))                                                                                                                                                                                                                                                                                                                                                                                                                                                               | ChReq( ChRequest_02)                                         |     |          |
| 19                                                                                                                                                                               | L_018<br>6 | L?DL_RacInChRq( TCV_Rqr.ra := DL_RacInChRq. msg.ecau_rrf, TCV_Rqr.fn                                                                                                                                                                                                                                                                                                                                                                                                                                                                                                                                        | ChReq( ChRequest_02)                                         | (P) |          |

|    |                                                                                                                                                                                 |                                                                                                                                            |     |
|----|---------------------------------------------------------------------------------------------------------------------------------------------------------------------------------|--------------------------------------------------------------------------------------------------------------------------------------------|-----|
| 20 | <pre> := DL_RaInChRq.fn, TCV_Rqr9 := OC_SaveAndRetrv( TCV_Rqr, C_SAVE, 4, 0)) LIDL_UdatRqImmRej START T_dly( C_T_Wait) </pre>                                                   | <pre> ImmAssRej( TCV_agch, ImmAsgnRej_03( TCV_Rqr.ra, TCV_Rqr.fn)) </pre>                                                                  | 3.  |
| 21 | <pre> <b>test3</b> ?TIMEOUT T_dly </pre>                                                                                                                                        |                                                                                                                                            |     |
| 22 | <pre> (TCV_Null := OM_2Msgs( TCV_PgCh, TCV_Pgg, C_NxtButOne), TCV_Rqr9 := OC_SaveAndRetrv( TCV_Rqr, C_RETRV, 11, 1)) </pre>                                                     |                                                                                                                                            |     |
| 23 | <pre> +gsmOrDcs1 </pre>                                                                                                                                                         |                                                                                                                                            | 6.  |
| 24 | <pre> LIDL_UdatRqPg3Rq </pre>                                                                                                                                                   | <pre> PgReq3(TCV_PgCh, TCV_Pgg, PgReqTp3_r05) </pre>                                                                                       | 7.  |
| 25 | <pre> +ltree_chreq </pre>                                                                                                                                                       |                                                                                                                                            |     |
| 26 | <pre> <b>test4</b> ?TIMEOUT T_dly </pre>                                                                                                                                        |                                                                                                                                            |     |
| 27 | <pre> (TCV_Null := OM_2Msgs(TCV_PgCh, TCV_Pgg, C_NxtButOne)) </pre>                                                                                                             |                                                                                                                                            |     |
| 28 | <pre> LIDL_UdatRqPg3Rq </pre>                                                                                                                                                   | <pre> PgReq3(TCV_PgCh, TCV_Pgg, PgReqTp3_01) </pre>                                                                                        | 8.  |
| 29 | <pre> LIDL_UdatRqPg2Rq </pre>                                                                                                                                                   | <pre> PgReq2(TCV_PgCh, TCV_Pgg, PgReqTp2_r06) </pre>                                                                                       | 9.  |
| 30 | <pre> +ltree_chreq </pre>                                                                                                                                                       |                                                                                                                                            |     |
| 31 | <pre> <b>test5</b> ?TIMEOUT T_dly </pre>                                                                                                                                        |                                                                                                                                            |     |
| 32 | <pre> (TCV_Null := OM_2Msgs(TCV_PgCh, TCV_Pgg, C_NxtButOne)) </pre>                                                                                                             |                                                                                                                                            |     |
| 33 | <pre> LIDL_UdatRqPg2Rq </pre>                                                                                                                                                   | <pre> PgReq2(TCV_PgCh, TCV_Pgg, PgReqTp2_02) </pre>                                                                                        | 8.  |
| 34 | <pre> LIDL_UdatRqPg1Rq </pre>                                                                                                                                                   | <pre> PgReq1(TCV_PgCh, TCV_Pgg, PgReqTp1_05) </pre>                                                                                        | 10. |
| 35 | <pre> +ltree_chreq </pre>                                                                                                                                                       |                                                                                                                                            |     |
| 36 | <pre> ?TIMEOUT T_dly </pre>                                                                                                                                                     |                                                                                                                                            |     |
| 37 | <pre> <b>ltree_chreq</b> L?DL_RaInChRq </pre>                                                                                                                                   | <pre> ChReq( ChRequest_02) </pre>                                                                                                          |     |
| 38 | <pre> L_018 L?DL_RaInChRq( TCV_Rqr.ra := DL_RaInChRq. 7 msg.ecau_rrf, TCV_Rqr.fn := DL_RaInChRq.fn) </pre>                                                                      | <pre> ChReq( ChRequest_02) </pre>                                                                                                          | (P) |
| 39 | <pre> LIDL_UdatRqImmRej START T_dly( C_T_Wait) </pre>                                                                                                                           | <pre> ImmAssRej( TCV_agch, ImmAsgnRej_03( TCV_Rqr.ra, TCV_Rqr.fn)) </pre>                                                                  |     |
| 40 | <pre> <b>gsmOrDcs</b> [(TSPX_CcchConf3 = C_cch_1nonComb) OR (TSPX_CcchConf3 = C_cch_2nonComb) OR (TSPX_CcchConf3 = C_cch_3nonComb) OR (TSPX_CcchConf3 = C_cch_4nonComb)] </pre> |                                                                                                                                            |     |
| 41 | <pre> LIDL_UdatRqImmRej_sp </pre>                                                                                                                                               | <pre> ImmAssSp( TCV_PgCh, TCV_Pgg, ImmAsgn_nfh( TCV_Rqr9.ra, TCV_Rqr9.fn, TCV_Tchtype, TSPX_TmSlitDef, TSPX_TscDef, TimingAdv( 30), </pre> | 4.  |

|    |            |                                                                                                                                                                                                                                                           |                                                                                                                                                                                                             |    |
|----|------------|-----------------------------------------------------------------------------------------------------------------------------------------------------------------------------------------------------------------------------------------------------------|-------------------------------------------------------------------------------------------------------------------------------------------------------------------------------------------------------------|----|
| 42 |            | [TSPX_CcchConf3 = C_cch_1Comb]                                                                                                                                                                                                                            | TCV_tch_arfcn,<br>C_extended_paging))                                                                                                                                                                       |    |
| 43 |            | LIDL_UdatRqImmss_sp                                                                                                                                                                                                                                       | ImmAssSp(<br>TCV_PgCh,<br>TCV_Pgg,<br>ImmAsgn_nfh(<br>TCV_Rqr9.ra,<br>TCV_Rqr9.fn,<br>TCV_Tchtype,<br>TCV_slot, TCV_tsc,<br>TimingAdv( 30),<br>TCV_chdescr_arfcn,<br>C_extended_paging))                    | 4. |
| 44 | L_018<br>8 | [(TSPX_CcchConf3 = C_cch_2Comb) OR<br>(TSPX_CcchConf3 = C_cch_3Comb) OR<br>(TSPX_CcchConf3 = C_cch_4Comb)]                                                                                                                                                |                                                                                                                                                                                                             | I  |
| 45 |            | <b>gsmOrDcs1</b><br>[(TSPX_CcchConf3 = C_cch_1nonComb) OR<br>(TSPX_CcchConf3 = C_cch_2nonComb) OR<br>(TSPX_CcchConf3 = C_cch_3nonComb) OR<br>(TSPX_CcchConf3 = C_cch_4nonComb)]                                                                           |                                                                                                                                                                                                             |    |
| 46 |            | LIDL_UdatRqImmssx_sp                                                                                                                                                                                                                                      | ImmAssXSp(<br>TCV_PgCh,<br>TCV_Pgg,<br>ImmAsgnX_01(<br>TCV_Rqr9.ra,<br>TCV_Rqr9.fn,<br>TSPX_SDCCH8SubD<br>ef,<br>TSPX_SDCCH8SubA<br>, TSPX_TmSlitDef,<br>TSPX_TscDef,<br>TimingAdv( 30),<br>TCV_tch_arfcn)) | 6. |
| 47 |            | [TSPX_CcchConf3 = C_cch_1Comb]                                                                                                                                                                                                                            |                                                                                                                                                                                                             |    |
| 48 |            | LIDL_UdatRqImmssx_sp                                                                                                                                                                                                                                      | ImmAssXSp(<br>TCV_PgCh,<br>TCV_Pgg,<br>ImmAsgnX_r03(<br>TCV_Rqr9.ra,<br>TCV_Rqr9.fn,<br>TSPX_SDCCH4SubB<br>,<br>TSPX_SDCCH4SubA<br>, TCV_slot, TCV_tsc,<br>TimingAdv( 30),<br>TCV_chdescr_arfcn))           | 6. |
| 49 | L_018<br>9 | [(TSPX_CcchConf3 = C_cch_2Comb) OR<br>(TSPX_CcchConf3 = C_cch_3Comb) OR<br>(TSPX_CcchConf3 = C_cch_4Comb)]                                                                                                                                                |                                                                                                                                                                                                             | I  |
| 50 |            | <b>ltree_sdcch</b><br>[(TSPX_CcchConf3 = C_cch_1nonComb) OR<br>(TSPX_CcchConf3 = C_cch_2nonComb) OR<br>(TSPX_CcchConf3 = C_cch_3nonComb) OR<br>(TSPX_CcchConf3 = C_cch_4nonComb)]                                                                         |                                                                                                                                                                                                             |    |
| 51 |            | +SDCCH8_A_1_nociph( TSPX_SDCCH8SubDef,<br>C_Immss, TSPX_TmSlitDef, TSPX_TscDef,<br>ChMod_sign, FreqTCH( C_arfcn_tchA), FreqTCH(<br>C_arfcn_tchAd), TimingAdv( 30), INT_TO_BIT(<br>TSPX_AGBLKS3, 3), TSPX_CcchConf3,<br>INT_TO_BIT(( TSPX_PAMFRMS3-2), 3)) |                                                                                                                                                                                                             |    |
| 52 |            | (TCV_Tchtype := INT_TO_BIT(( 8 + BIT_TO_INT(<br>TSPX_SDCCH8SubDef)), 5))                                                                                                                                                                                  |                                                                                                                                                                                                             |    |
| 53 |            | [TSPC_PGSM OR TSPC_EGSM]                                                                                                                                                                                                                                  |                                                                                                                                                                                                             |    |
| 54 |            | (TCV_tch_arfcn:= C_arfcn_tchA)                                                                                                                                                                                                                            |                                                                                                                                                                                                             |    |
| 55 |            | [TSPC_DCS]                                                                                                                                                                                                                                                |                                                                                                                                                                                                             |    |
| 56 |            | (TCV_tch_arfcn:= C_arfcn_tchAd)                                                                                                                                                                                                                           |                                                                                                                                                                                                             |    |
| 57 |            | [TSPX_CcchConf3 = C_cch_1Comb]                                                                                                                                                                                                                            |                                                                                                                                                                                                             |    |
| 58 |            | (TCV_Tchtype := INT_TO_BIT(( 4 + BIT_TO_INT(<br>TSPX_SDCCH4SubB)), 5))                                                                                                                                                                                    |                                                                                                                                                                                                             |    |
| 59 | L_019      | [(TSPX_CcchConf3 = C_cch_2Comb) OR                                                                                                                                                                                                                        |                                                                                                                                                                                                             | I  |

|                                                                                                                                                                                                                                                                                                                                                                                                                                                                                                                                                                                                                                                                                                                                                                                                                                                                                                                                                                                                                                                                    |                                                                     |  |  |  |
|--------------------------------------------------------------------------------------------------------------------------------------------------------------------------------------------------------------------------------------------------------------------------------------------------------------------------------------------------------------------------------------------------------------------------------------------------------------------------------------------------------------------------------------------------------------------------------------------------------------------------------------------------------------------------------------------------------------------------------------------------------------------------------------------------------------------------------------------------------------------------------------------------------------------------------------------------------------------------------------------------------------------------------------------------------------------|---------------------------------------------------------------------|--|--|--|
| 0                                                                                                                                                                                                                                                                                                                                                                                                                                                                                                                                                                                                                                                                                                                                                                                                                                                                                                                                                                                                                                                                  | (TSPX_CcchConf3 = C_cch_3Comb) OR<br>(TSPX_CcchConf3 = C_cch_4Comb) |  |  |  |
| <b>Detailed Comments:</b> <ol style="list-style-type: none"><li>1. Tx-integer = 5, Max-Retrans = 2.</li><li>2. To send PAGING REQUEST TYPE 1 message with normal page mode in the next but one paging subblock on the same CCCH as previous paging message.</li><li>3. The page mode = normal paging, wait time = 5 seconds.</li><li>4. The page mode = "extended paging", request reference is different from any one already sent by the MS.</li><li>5. The page mode = "same as before", address the MS by TMSI, in the next but one paging subblock on the same CCCH.</li><li>6. The page mode = "extended paging", request reference is different from any one already sent by the MS. The ImmAsgnX message is sent on the MS paging channel.</li><li>7. The page mode = "extended paging", address the MS by TMSI, in the next but one paging subblock on the same CCCH.</li><li>8. Extended paging, not address the MS.</li><li>9. The page mode = "same as before", address the MS with IMSI.</li><li>10. normal paging, address the MS by IMSI.</li></ol> |                                                                     |  |  |  |

| Test Case Dynamic Behaviour |            |                                                                                                                                                                                                                                                                                                                                                                                                                                                                                                                                                                                                                          |                                                                                                             |   |          |
|-----------------------------|------------|--------------------------------------------------------------------------------------------------------------------------------------------------------------------------------------------------------------------------------------------------------------------------------------------------------------------------------------------------------------------------------------------------------------------------------------------------------------------------------------------------------------------------------------------------------------------------------------------------------------------------|-------------------------------------------------------------------------------------------------------------|---|----------|
| <b>Test Case Name:</b>      |            | TC_26_6_2_3_1                                                                                                                                                                                                                                                                                                                                                                                                                                                                                                                                                                                                            |                                                                                                             |   |          |
| <b>Group:</b>               |            | GSM_L3_MS_v4210/RR/                                                                                                                                                                                                                                                                                                                                                                                                                                                                                                                                                                                                      |                                                                                                             |   |          |
| <b>Purpose:</b>             |            | To test that the MS correctly determines its new paging subchannel when the CCCH structure is changed from non-combined to combined and when the number of CCCHs is changed.                                                                                                                                                                                                                                                                                                                                                                                                                                             |                                                                                                             |   |          |
| <b>Default:</b>             |            | OtherEventsFail                                                                                                                                                                                                                                                                                                                                                                                                                                                                                                                                                                                                          |                                                                                                             |   |          |
| <b>Comments:</b>            |            | The configuration is Max-Retrans = 2, 1 non-combined CCCH/BCCH, BS-AG-BLKS-RES and, BS-PA-MFRMS are controlled by PIXIT parameters.                                                                                                                                                                                                                                                                                                                                                                                                                                                                                      |                                                                                                             |   |          |
| Nr                          | Label      | Behaviour Description                                                                                                                                                                                                                                                                                                                                                                                                                                                                                                                                                                                                    | CRef                                                                                                        | V | Comments |
| 1                           |            | START T_guard(300)                                                                                                                                                                                                                                                                                                                                                                                                                                                                                                                                                                                                       |                                                                                                             |   |          |
| 2                           |            | [(TSPX_PAMFRMS1 < 7) AND (TSPX_PAMFRMS1 >= 0)]                                                                                                                                                                                                                                                                                                                                                                                                                                                                                                                                                                           |                                                                                                             |   | 6.       |
| 3                           |            | +IdleUpdated( C_E_default, C_CellA, C_SCH_A, C_BCCH_A_1, C_Immass, C_S0, C_S2, C_S4, C_S6, C_BCC, C_TxInt_5, C_Max_2, C_NEC1_0, C_ATT_0, TimingAdv( TSPX_TimadvB), INT_TO_BIT( TSPX_AGBLKS1, 3), C_cch_1nonComb, INT_TO_BIT(( TSPX_PAMFRMS1-2), 3), C_T3212_0, C_ci_cellA, C_MCC_1, C_PLMN_1, C_LAC_1, CellOpt_01, CellChDes_02, CellChDes_03, C_CellReselectHys12, C_MaxPwrLvIG, C_MaxPwrLvID, BcchFreqLst_01, BcchFreqLst_Omit, BcchFreqLst_48, BcchFreqLst_Omit, C_noRestablishment, C_BCC, C_NCC, C_Start_Tmsi, TSPX_SDCCH4SubDef, TSPX_CKSNDDef, TSPX_RANDDef, C_arfcnA, C_arfcnAd, TSPX_IMSI, C_Test_fh, C_NCCP_2) |                                                                                                             |   |          |
| 4                           | body       | +test1                                                                                                                                                                                                                                                                                                                                                                                                                                                                                                                                                                                                                   |                                                                                                             |   |          |
| 5                           |            | +test2                                                                                                                                                                                                                                                                                                                                                                                                                                                                                                                                                                                                                   |                                                                                                             |   |          |
| 6                           |            | +test3( '001'B)                                                                                                                                                                                                                                                                                                                                                                                                                                                                                                                                                                                                          |                                                                                                             |   |          |
| 7                           |            | +secondexec                                                                                                                                                                                                                                                                                                                                                                                                                                                                                                                                                                                                              |                                                                                                             |   |          |
| 8                           | L_019<br>1 | [(TSPX_PAMFRMS1 > 6) OR(TSPX_PAMFRMS1 < 0)]                                                                                                                                                                                                                                                                                                                                                                                                                                                                                                                                                                              |                                                                                                             | I | 6.       |
| 9                           |            | <b>secondexec</b><br>+PreEnterIdleState_r02( C_Immass, TCV_slot, TCV_tsc, C_TxInt_5, C_Max_2, C_S2, C_S4, C_S6, TimingAdv( TSPX_TimadvB), C_ATT_0, INT_TO_BIT( TSPX_AGBLKS1, 3), C_cch_1nonComb, INT_TO_BIT(( TSPX_PAMFRMS1 - 2), 3), C_T3212_0, C_MCC_1, C_PLMN_1, C_LAC_1)                                                                                                                                                                                                                                                                                                                                             |                                                                                                             |   | 1.       |
| 10                          |            | +ltree_waitSelectPaging                                                                                                                                                                                                                                                                                                                                                                                                                                                                                                                                                                                                  |                                                                                                             |   |          |
| 11                          |            | +test1                                                                                                                                                                                                                                                                                                                                                                                                                                                                                                                                                                                                                   |                                                                                                             |   |          |
| 12                          |            | +test2                                                                                                                                                                                                                                                                                                                                                                                                                                                                                                                                                                                                                   |                                                                                                             |   |          |
| 13                          |            | +test3( '010'B)                                                                                                                                                                                                                                                                                                                                                                                                                                                                                                                                                                                                          |                                                                                                             |   |          |
| 14                          |            | <b>test1</b><br>(TCV_Null := OM_2Msgs(TCV_PgCh, TCV_Pgg, C_BfReOcc))                                                                                                                                                                                                                                                                                                                                                                                                                                                                                                                                                     |                                                                                                             |   |          |
| 15                          |            | LIDL_UdatRqImmassx_sp                                                                                                                                                                                                                                                                                                                                                                                                                                                                                                                                                                                                    | ImmAssXSp( TCV_PgCh, TCV_Pgg, ImmAsgnX_03( TCV_slot, TCV_tsc, TimingAdv( TSPX_TimadvB), TCV_chdescr_arfcn)) |   |          |
| 16                          |            | LIDL_UdatRqPg2Rq                                                                                                                                                                                                                                                                                                                                                                                                                                                                                                                                                                                                         | PgReq2(TCV_PgCh, TCV_Pgg, PgReqTp2_01)                                                                      |   | 3.       |
| 17                          |            | +ltree_chreq                                                                                                                                                                                                                                                                                                                                                                                                                                                                                                                                                                                                             |                                                                                                             |   |          |
| 18                          |            | <b>test2</b><br>(TCV_Null := OM_PgFill(C_CellA, PgReqTp1Reorg))                                                                                                                                                                                                                                                                                                                                                                                                                                                                                                                                                          |                                                                                                             |   |          |
| 19                          |            | ?TIMEOUT T_dly                                                                                                                                                                                                                                                                                                                                                                                                                                                                                                                                                                                                           |                                                                                                             |   |          |
| 20                          |            | LIDL_UdatRqPg2Rq                                                                                                                                                                                                                                                                                                                                                                                                                                                                                                                                                                                                         | PgReq2(TCV_PgCh, INT_TO_BIT(                                                                                |   | 4.       |

|    |            |                                                                                                                                                                                                           |                                                                          |                                    |
|----|------------|-----------------------------------------------------------------------------------------------------------------------------------------------------------------------------------------------------------|--------------------------------------------------------------------------|------------------------------------|
| 21 |            | +ltree_chreq                                                                                                                                                                                              | TSPX_PgSubch, 8),<br>PgReqTp2_03)                                        |                                    |
| 22 |            | <b>test3( cch_con:B_3)</b><br>START T_dly( 1000)                                                                                                                                                          |                                                                          | Ensure having sent<br>ImmAssRej_01 |
| 23 |            | ?TIMEOUT T_dly                                                                                                                                                                                            |                                                                          |                                    |
| 24 |            | +PreEnterIdleState_r02( C_Imm, TCV_slot,<br>TCV_tsc, C_TxInt_5, C_Max_2, C_S2, C_S4,<br>C_S6, TimingAdv( TSPX_TimadvB), C_ATT_0,<br>C_BABR_2, cch_con, C_BPM_7, C_T3212_0,<br>C_MCC_1, C_PLMN_1, C_LAC_1) |                                                                          |                                    |
| 25 |            | +ltree_waitSelectPaging                                                                                                                                                                                   |                                                                          |                                    |
| 26 |            | LIDL_UdatRqPg1Rq                                                                                                                                                                                          | PgReq1( TCV_PgCh,<br>TCV_Pgg,<br>PgReqTp1_01)                            | 5.                                 |
| 27 |            | +ltree_chreq                                                                                                                                                                                              |                                                                          |                                    |
| 28 |            | ?TIMEOUT T_dly                                                                                                                                                                                            |                                                                          |                                    |
| 29 |            | LIDL_UdatRqPg2Rq                                                                                                                                                                                          | PgReq2( TCV_PgCh,<br>TCV_Pgg,<br>PgReqTp2_01)                            | 5.                                 |
| 30 |            | +ltree_chreq                                                                                                                                                                                              |                                                                          |                                    |
| 31 |            | ?TIMEOUT T_dly                                                                                                                                                                                            |                                                                          |                                    |
| 32 |            | <b>ltree_chreq</b><br>L?DL_RaInChRq                                                                                                                                                                       | ChReq(<br>ChRequest_02)                                                  |                                    |
| 33 | L_019<br>2 | L?DL_RaInChRq( TCV_Rqr.ra :=<br>DL_RaInChRq.msg.ecau_rrf, TCV_Rqr.fn :=<br>DL_RaInChRq.fn)                                                                                                                | ChReq(<br>ChRequest_02)                                                  | (P)                                |
| 34 |            | LIDL_UdatRqImmAssRej START T_dly(<br>C_T_Wait)                                                                                                                                                            | ImmAssRej(<br>TCV_agch,<br>ImmAsgnRej_01(<br>TCV_Rqr.ra,<br>TCV_Rqr.fn)) | 5s wait                            |
| 35 |            | <b>ltree_waitSelectPaging</b><br>(TCV_Null := OM_PgFill( C_CellA, PgReqTp1Reorg))                                                                                                                         |                                                                          |                                    |
| 36 |            | START T_dly( C_T_Wait)                                                                                                                                                                                    |                                                                          | 5s wait                            |
| 37 |            | +CCCH_group_Paging_group( TCV_Ccd0A,<br>TSPX_IMSI)                                                                                                                                                        |                                                                          |                                    |
| 38 |            | +SelectPagingCh( C_CellA)                                                                                                                                                                                 |                                                                          |                                    |
| 39 |            | ?TIMEOUT T_dly                                                                                                                                                                                            |                                                                          |                                    |
| 40 |            | (TCV_Null := OM_PgFill( C_CellA,<br>PgReqTp1Norm))                                                                                                                                                        |                                                                          |                                    |
| 41 |            | START T_dly( 3000)                                                                                                                                                                                        |                                                                          | 3s wait                            |
| 42 |            | ?TIMEOUT T_dly                                                                                                                                                                                            |                                                                          |                                    |

**Detailed Comments:**

1. Tx-integer = 5, Max-Retrans = 2 and CCCH-CONF = "1 basic physical channel used for CCCH not combined with SDCCHs", BS-AG-BLKS-RES and BS-PA-MFRMS are from PIXIT.
2. Page mode = "paging reorganisation", not address the MS.
3. Paging mode = "normal", address the MS by TMSI.
4. Page mode = "paging reorganisation", address the MS.
5. Paging mode = "normal", address the MS by TMSI.
6. BS-PA-MFRMS shall not be set to 9 for this test case.



| Test Case Dynamic Behaviour |            |                                                                                                                                                                                                                                                                                                                                                                                                                                                                                                                                                                                                                                   |                                                                                                                   |   |          |
|-----------------------------|------------|-----------------------------------------------------------------------------------------------------------------------------------------------------------------------------------------------------------------------------------------------------------------------------------------------------------------------------------------------------------------------------------------------------------------------------------------------------------------------------------------------------------------------------------------------------------------------------------------------------------------------------------|-------------------------------------------------------------------------------------------------------------------|---|----------|
| <b>Test Case Name:</b>      |            | TC_26_6_2_3_2                                                                                                                                                                                                                                                                                                                                                                                                                                                                                                                                                                                                                     |                                                                                                                   |   |          |
| <b>Group:</b>               |            | GSM_L3_MS_v4210/RR/                                                                                                                                                                                                                                                                                                                                                                                                                                                                                                                                                                                                               |                                                                                                                   |   |          |
| <b>Purpose:</b>             |            | To test that the MS is operating in the "paging reorganisation" page mode when this is ordered by the SS and the MS is paged in its former access grant channel.                                                                                                                                                                                                                                                                                                                                                                                                                                                                  |                                                                                                                   |   |          |
| <b>Default:</b>             |            | OtherEventsFail                                                                                                                                                                                                                                                                                                                                                                                                                                                                                                                                                                                                                   |                                                                                                                   |   |          |
| <b>Comments:</b>            |            | The configuration is Max-Retrans = 1, CCCH-CONF, BS-AG-BLKS-RES and BS-PA-MFRMS are controlled by PIXIT parameters with the constraint that BS-AG-BLKS-RES > 0.                                                                                                                                                                                                                                                                                                                                                                                                                                                                   |                                                                                                                   |   |          |
| Nr                          | Label      | Behaviour Description                                                                                                                                                                                                                                                                                                                                                                                                                                                                                                                                                                                                             | Cref                                                                                                              | V | Comments |
| 1                           |            | START T_guard(300)                                                                                                                                                                                                                                                                                                                                                                                                                                                                                                                                                                                                                |                                                                                                                   |   |          |
| 2                           |            | <pre> (((TSPX_CcchConf2 = C_cch_1nonComb) OR (TSPX_CcchConf2 = C_cch_2nonComb) OR (TSPX_CcchConf2 = C_cch_3nonComb) OR (TSPX_CcchConf2 = C_cch_4nonComb)) AND(TSPX_AGBLKS2 &gt; 0) AND(TSPX_AGBLKS2 &lt; 8) OR (TSPX_CcchConf2 = C_cch_1Comb) AND(TSPX_AGBLKS2 &gt; 0) AND(TSPX_AGBLKS2 &lt; 3]) </pre>                                                                                                                                                                                                                                                                                                                           |                                                                                                                   |   | 4.       |
| 3                           |            | <pre> +IdleUpdated( C_E_default, C_CellA, C_SCH_A, C_BCCH_A_1, C_ImmAss, C_S0, C_S2, C_S4, C_S6, C_BCC, C_TxInt_5, C_Max_1, C_NECl_0, C_ATT_0, TimingAdv( TSPX_TimadvB), INT_TO_BIT( TSPX_AGBLKS2, 3), TSPX_CcchConf2, INT_TO_BIT(( TSPX_PAMFRMS2-2), 3), C_T3212_0, C_ci_cellA, C_MCC_1, C_PLMN_1, C_LAC_1, CellOpt_01, CellChDes_02, CellChDes_03, C_CellReselectHys12, C_MaxPwrLvlG, C_MaxPwrLvlD, BcchFreqLst_01, BcchFreqLst_Omit, BcchFreqLst_48, BcchFreqLst_Omit, C_noRestablishment, C_BCC, C_NCC, C_Start_Tmsi, TSPX_SDCCH4SubA, TSPX_CKSNDf, TSPX_RANDDef, C_arfcnA, C_arfcnAd, TSPX_IMSI, C_Test_fh, C_NCCP_2) </pre> |                                                                                                                   |   |          |
| 4                           | body       | <pre> (TCV_Null := OM_2Msgs( TCV_PgCh, TCV_Pgg, C_FmrAGB)) </pre>                                                                                                                                                                                                                                                                                                                                                                                                                                                                                                                                                                 |                                                                                                                   |   |          |
| 5                           |            | <pre> ((TSPX_CcchConf2 = C_cch_1nonComb) OR (TSPX_CcchConf2 = C_cch_2nonComb) OR (TSPX_CcchConf2 = C_cch_3nonComb) OR (TSPX_CcchConf2 = C_cch_4nonComb)) </pre>                                                                                                                                                                                                                                                                                                                                                                                                                                                                   |                                                                                                                   |   |          |
| 6                           |            | L!DL_UdatRqImmAssx_sp                                                                                                                                                                                                                                                                                                                                                                                                                                                                                                                                                                                                             | ImmAssXSp(TCV_PgCh, TCV_Pgg, ImmAsgnX_04(TSPX_TmSltDef, TSPX_TscDef, TimingAdv(TSPX_TimadvB), TCV_chdescr_arfcn)) |   |          |
| 7                           |            | +localtree                                                                                                                                                                                                                                                                                                                                                                                                                                                                                                                                                                                                                        |                                                                                                                   |   |          |
| 8                           |            | [TSPX_CcchConf2 = C_cch_1Comb]                                                                                                                                                                                                                                                                                                                                                                                                                                                                                                                                                                                                    |                                                                                                                   |   |          |
| 9                           |            | L!DL_UdatRqImmAssx_sp                                                                                                                                                                                                                                                                                                                                                                                                                                                                                                                                                                                                             | ImmAssXSp(TCV_PgCh, TCV_Pgg, ImmAsgnX_02(TCV_slot, TCV_tsc, TimingAdv(TSPX_TimadvB), TCV_chdescr_arfcn))          |   |          |
| 10                          |            | +localtree                                                                                                                                                                                                                                                                                                                                                                                                                                                                                                                                                                                                                        |                                                                                                                   |   |          |
| 11                          | L_019<br>3 | <pre> ((TSPX_CcchConf2 = C_cch_2Comb) OR (TSPX_CcchConf2 = C_cch_3Comb) OR (TSPX_CcchConf2 = C_cch_4Comb)) </pre>                                                                                                                                                                                                                                                                                                                                                                                                                                                                                                                 |                                                                                                                   | I | Reserved |
| 12                          | L_019<br>4 | <pre> ((((TSPX_CcchConf2 = C_cch_1nonComb) OR (TSPX_CcchConf2 = C_cch_2nonComb) OR (TSPX_CcchConf2 = C_cch_3nonComb) OR (TSPX_CcchConf2 = C_cch_4nonComb)) AND(TSPX_AGBLKS2 &gt; 7)) OR ((TSPX_CcchConf2 = C_cch_1Comb) AND(TSPX_AGBLKS2 &gt; 2)) OR(TSPX_AGBLKS2 &lt; 1]) </pre>                                                                                                                                                                                                                                                                                                                                                 |                                                                                                                   | I | 4.       |
| 13                          |            | <pre> localtree L!DL_UdatRqPg2Rq </pre>                                                                                                                                                                                                                                                                                                                                                                                                                                                                                                                                                                                           | PgReq2(TCV_PgCh,                                                                                                  |   | 3.       |

|                                                                                                                                                                                                                                                                                                                              |            |                                                                                            |                                                                          |     |
|------------------------------------------------------------------------------------------------------------------------------------------------------------------------------------------------------------------------------------------------------------------------------------------------------------------------------|------------|--------------------------------------------------------------------------------------------|--------------------------------------------------------------------------|-----|
| 14                                                                                                                                                                                                                                                                                                                           |            | L?DL_RaInChRq                                                                              | TCV_Pgg,<br>PgReqTp2_01)<br>ChReq(<br>ChRequest_02)                      |     |
| 15                                                                                                                                                                                                                                                                                                                           | L_019<br>5 | L?DL_RaInChRq (TCV_Rqr.ra :=<br>DL_RaInChRq.msg.ecau_rrf, TCV_Rqr.fn :=<br>DL_RaInChRq.fn) | ChReq(<br>ChRequest_02)                                                  | (P) |
| 16                                                                                                                                                                                                                                                                                                                           |            | LIDL_UdatRqImmassRej                                                                       | ImmAssRej(<br>TCV_agch,<br>ImmAsgnRej_01(<br>TCV_Rqr.ra,<br>TCV_Rqr.fn)) |     |
| <p><b>Detailed Comments:</b></p> <ol style="list-style-type: none"> <li>1. Tx-integer = 5, Max-Retrans = 1 and CCCH-CONF, BS-AG-BLKS-RES and BS-PA-MFRMS are controlled by PIXIT parameters.</li> <li>2. paging reorganisation.</li> <li>3. send in former access grant block.</li> <li>4. BS-AG-BLKS-RES &gt; 0.</li> </ol> |            |                                                                                            |                                                                          |     |

| Test Case Dynamic Behaviour |            |                                                                                                                                                                                                                                                                                                                                                                                                                                                                                                                                                                                                                |                                                              |     |          |
|-----------------------------|------------|----------------------------------------------------------------------------------------------------------------------------------------------------------------------------------------------------------------------------------------------------------------------------------------------------------------------------------------------------------------------------------------------------------------------------------------------------------------------------------------------------------------------------------------------------------------------------------------------------------------|--------------------------------------------------------------|-----|----------|
| <b>Test Case Name:</b>      |            | TC_26_6_2_4                                                                                                                                                                                                                                                                                                                                                                                                                                                                                                                                                                                                    |                                                              |     |          |
| <b>Group:</b>               |            | GSM_L3_MS_v4210/RR/                                                                                                                                                                                                                                                                                                                                                                                                                                                                                                                                                                                            |                                                              |     |          |
| <b>Purpose:</b>             |            | To test that the MS remembers the page mode from the previous paging request message.                                                                                                                                                                                                                                                                                                                                                                                                                                                                                                                          |                                                              |     |          |
| <b>Default:</b>             |            | OtherEventsFail                                                                                                                                                                                                                                                                                                                                                                                                                                                                                                                                                                                                |                                                              |     |          |
| <b>Comments:</b>            |            | The configuration is Tx-integer = 5, Max-Retrans = 2 and CCCH-CONF, BS-AG-BLKS-RES and BS-PA-MFRMS are from PIXIT parameters.                                                                                                                                                                                                                                                                                                                                                                                                                                                                                  |                                                              |     |          |
| Nr                          | Label      | Behaviour Description                                                                                                                                                                                                                                                                                                                                                                                                                                                                                                                                                                                          | CRef                                                         | V   | Comments |
| 1                           |            | START T_guard(300)                                                                                                                                                                                                                                                                                                                                                                                                                                                                                                                                                                                             |                                                              |     |          |
| 2                           |            | +IdleUpdated( C_E_default, C_CellA, C_SCH_A, C_BCCH_A_1, C_Immass, C_S0, C_S2, C_S4, C_S6, C_BCC, C_TxInt_5, C_Max_2, C_NECI_0, C_ATT_0, TimingAdv( 30), INT_TO_BIT( TSPX_AGBLKS3, 3), TSPX_CcchConf3, INT_TO_BIT(( TSPX_PAMFRMS3-2), 3), C_T3212_0, C_ci_cellA, C_MCC_1, C_PLMN_1, C_LAC_1, CellOpt_01, CellChDes_02, CellChDes_03, C_CellReselectHys12, C_MaxPwrLvIG, C_MaxPwrLvID, BcchFreqLst_01, BcchFreqLst_Omit, BcchFreqLst_48, BcchFreqLst_Omit, C_noRestablishment, C_BCC, C_NCC, C_Start_Tmsi, TSPX_SDCCH4SubDef, TSPX_CKSNDDef, TSPX_RANDDef, C_arfcnA, C_arfcnAd, TSPX_IMSI, C_Test_fh, C_NCCP_2) |                                                              |     |          |
| 3                           | body       | (TCV_Null := OM_2Msgs( TCV_PgCh, TCV_Pgg, C_NxtButOne))                                                                                                                                                                                                                                                                                                                                                                                                                                                                                                                                                        |                                                              |     |          |
| 4                           |            | LIDL_UdatRqImmassRej_sp                                                                                                                                                                                                                                                                                                                                                                                                                                                                                                                                                                                        | ImmAssRejSp( TCV_PgCh, TCV_Pgg, ImmAsgnRej_r04)              |     | 2.       |
| 5                           |            | LIDL_UdatRqPg3Rq                                                                                                                                                                                                                                                                                                                                                                                                                                                                                                                                                                                               | PgReq3(TCV_PgCh, TCV_Pgg, PgReqTp3_03)                       |     | 3.       |
| 6                           |            | (TCV_Null := OM_2Msgs( TCV_PgCh, TCV_Pgg, C_NxtButOne))                                                                                                                                                                                                                                                                                                                                                                                                                                                                                                                                                        |                                                              |     |          |
| 7                           |            | LIDL_UdatRqPg3Rq                                                                                                                                                                                                                                                                                                                                                                                                                                                                                                                                                                                               | PgReq3(TCV_PgCh, TCV_Pgg, PgReqTp3_02)                       |     | 4.       |
| 8                           |            | LIDL_UdatRqPg1Rq                                                                                                                                                                                                                                                                                                                                                                                                                                                                                                                                                                                               | PgReq1(TCV_PgCh, TCV_Pgg, PgReqTp1_07)                       |     | 5.       |
| 9                           |            | L?DL_RacInChRq                                                                                                                                                                                                                                                                                                                                                                                                                                                                                                                                                                                                 | ChReq( ChRequest_17)                                         |     |          |
| 10                          | L_019<br>6 | L?DL_RacInChRq (TCV_Rqr.ra := DL_RacInChRq_msg.ecau_rrf, TCV_Rqr.fn := DL_RacInChRq.fn)                                                                                                                                                                                                                                                                                                                                                                                                                                                                                                                        | ChReq( ChRequest_17)                                         | (P) |          |
| 11                          |            | LIDL_UdatRqImmassRej                                                                                                                                                                                                                                                                                                                                                                                                                                                                                                                                                                                           | ImmAssRej( TCV_agch, ImmAsgnRej_01( TCV_Rqr.ra, TCV_Rqr.fn)) |     |          |
| <b>Detailed Comments:</b>   |            | <ol style="list-style-type: none"> <li>1. Tx-integer = 5, Max-Retrans = 2 and CCCH-CONF, BS-AG-BLKS-RES and BS-PA-MFRMS are from PIXIT parameters.</li> <li>2. extended paging mode.</li> <li>3. not address the MS.</li> <li>4. paging mode = "same as before", not address the MS, sent in the next paging subblock on the MS's specific paging subchannel.</li> <li>5. paging mode = "paging reorganisation", address the MS, sent in the next but one paging subblock.</li> </ol>                                                                                                                          |                                                              |     |          |

### Test Case Dynamic Behaviour

|                        |                                                                                                                                                                                                                                                                                                                                                                                                                                                                                                                                                                                                                                                                                                                                                                                        |
|------------------------|----------------------------------------------------------------------------------------------------------------------------------------------------------------------------------------------------------------------------------------------------------------------------------------------------------------------------------------------------------------------------------------------------------------------------------------------------------------------------------------------------------------------------------------------------------------------------------------------------------------------------------------------------------------------------------------------------------------------------------------------------------------------------------------|
| <b>Test Case Name:</b> | TC_26_6_2_5                                                                                                                                                                                                                                                                                                                                                                                                                                                                                                                                                                                                                                                                                                                                                                            |
| <b>Group:</b>          | GSM_L3_MS_v4210/RR/                                                                                                                                                                                                                                                                                                                                                                                                                                                                                                                                                                                                                                                                                                                                                                    |
| <b>Purpose:</b>        | <p>1) To test that the MS is able to determine its CCCH group and paging group correctly in the case of a CCCH configuration on more than one timeslot when it is paged on a timeslot other than 0. The MS is addressed with a PAGING REQUEST TYPE 1 message when the page mode is set to normal paging. The MS is paged with its IMSI in the 1st Mobile Identity field, the optional Mobile Identity field being not present, is the only way of addressing tested.</p> <p>2) To test that in such conditions the MS answers to the paging message on the timeslot on which the paging message was sent.</p>                                                                                                                                                                          |
| <b>Default:</b>        | OtherEventsFail                                                                                                                                                                                                                                                                                                                                                                                                                                                                                                                                                                                                                                                                                                                                                                        |
| <b>Comments:</b>       | <p>The configuration is Tx-integer = 5, Max-Retrans = 1 and CCCH-CONF, BS-AG-BLKS-RES and BS-PA-MFRMS are from PIXIT parameters.</p> <p>In the PIXITs CCCH-CONF is set to 3, BS-AG-BLKS-RES = 2 and BS-PA-MFRMS = 3.</p> <p>For this test to be useful, we need</p> $(((\text{IMSI mod } 10000) \bmod (\text{cc} * (9 - \text{bsagres}) * \text{bspamfrms})) > (9 - \text{bsagres}) * \text{bspamfrms})$ <p>ie. <math>((\text{IMSI mod } 1000) \bmod 3 * 7 * 9) &gt; 7 * 9</math></p> <p>thus if the last 3 digits of the IMSI are 065 then this test will work.</p> <p>When the CCCHs that are not on timeslot zero are set, the SYNC channel must not be started on them. The SYNC channel is used by mobiles to identify TS zero. (the FCCH is supposed to be excluded as well)</p> |

| Nr | Label      | Behaviour Description                                                                                                                                                                                                                                                                                                                                                                                                                                                                                                                                                                                           | CRef                                                                                                                         | V   | Comments                |
|----|------------|-----------------------------------------------------------------------------------------------------------------------------------------------------------------------------------------------------------------------------------------------------------------------------------------------------------------------------------------------------------------------------------------------------------------------------------------------------------------------------------------------------------------------------------------------------------------------------------------------------------------|------------------------------------------------------------------------------------------------------------------------------|-----|-------------------------|
| 1  |            | START T_guard(300)                                                                                                                                                                                                                                                                                                                                                                                                                                                                                                                                                                                              |                                                                                                                              |     |                         |
| 2  |            | +IdleUpdated( C_E_default, C_CellA, C_SCH_A, C_BCCH_A_1, C_Immass, C_S0, C_S2, C_S4, C_S6, C_BCC, C_TxInt_5, C_Max_1, C_NECI_0, C_ATT_0, TimingAdv( 30), INT_TO_BIT( TSPX_AGBLKS4, 3), TSPX_CcchConf4, INT_TO_BIT(( TSPX_PAMFRMS4-2), 3), C_T3212_0, C_ci_cellA, C_MCC_1, C_PLMN_1, C_LAC_1, CellOpt_01, CellChDes_02, CellChDes_03, C_CellReselectHys12, C_MaxPwrLvlG, C_MaxPwrLvlD, BcchFreqLst_01, BcchFreqLst_Omit, BcchFreqLst_48, BcchFreqLst_Omit, C_noRestablishment, C_BCC, C_NCC, C_Start_Tmsi, TSPX_SDCCH4SubDef, TSPX_CKSNDDef, TSPX_RANDDDef, C_arfcnA, C_arfcnAd, TSPX_IMSI, C_Test_fh, C_NCCP_2) |                                                                                                                              |     |                         |
| 3  |            | +local_tree                                                                                                                                                                                                                                                                                                                                                                                                                                                                                                                                                                                                     |                                                                                                                              |     |                         |
| 4  | body       | LIDL_UdatRqPg1Rq                                                                                                                                                                                                                                                                                                                                                                                                                                                                                                                                                                                                | PgReq1(TCV_PgCh, TCV_Pgg, PgReqTp1_05)                                                                                       |     | 2.                      |
| 5  |            | L?DL_RacInChRq (TCV_Rqr.ra := DL_RacInChRq.msg.ecau_rrf, TCV_Rqr.fn := DL_RacInChRq.fn)                                                                                                                                                                                                                                                                                                                                                                                                                                                                                                                         | ChReq_01( TCV_PgCh, ChRequest_12)                                                                                            |     | 3.                      |
| 6  |            | ACTIVATE( OtherEventsFail_02)                                                                                                                                                                                                                                                                                                                                                                                                                                                                                                                                                                                   |                                                                                                                              |     | To match ChReq retrans. |
| 7  |            | +local_immass                                                                                                                                                                                                                                                                                                                                                                                                                                                                                                                                                                                                   |                                                                                                                              |     |                         |
| 8  | L_019<br>7 | L?DL_EstInPgRes                                                                                                                                                                                                                                                                                                                                                                                                                                                                                                                                                                                                 | PgRes( C_FACCHF_A_1, PagingRes_r02)                                                                                          | (P) |                         |
| 9  |            | ACTIVATE( OtherEventsFail)                                                                                                                                                                                                                                                                                                                                                                                                                                                                                                                                                                                      |                                                                                                                              |     | Restore Normal default  |
| 10 |            | +PostMainLinkRel( TCV_ch)                                                                                                                                                                                                                                                                                                                                                                                                                                                                                                                                                                                       |                                                                                                                              |     |                         |
| 11 |            | <b>local_immass</b><br>[(TSPX_CcchConf4 = C_cch_1nonComb) OR (TSPX_CcchConf4 = C_cch_2nonComb) OR (TSPX_CcchConf4 = C_cch_3nonComb) OR (TSPX_CcchConf4 = C_cch_4nonComb)]                                                                                                                                                                                                                                                                                                                                                                                                                                       |                                                                                                                              |     |                         |
| 12 |            | L!DL_UdatRqImmass                                                                                                                                                                                                                                                                                                                                                                                                                                                                                                                                                                                               | ImmAss( TCV_agch, ImmAsgn_r02( TCV_Rr, TCV_Fn, TSPX_SDCCH8SubF, TSPX_TmSlitDef, TSPX_TscDef, TimingAdv( 30), TCV_tch_arfcn)) |     |                         |
| 13 |            | [TSPX_CcchConf4 = C_cch_1Comb]                                                                                                                                                                                                                                                                                                                                                                                                                                                                                                                                                                                  |                                                                                                                              |     |                         |
| 14 |            | L!DL_UdatRqImmass                                                                                                                                                                                                                                                                                                                                                                                                                                                                                                                                                                                               | ImmAss( TCV_agch, ImmAsgn_01Def( TCV_Rr, TCV_Fn,                                                                             |     |                         |

|    |            |                                                                                                                                                                                                                                                                                                                                                                                                                                                                                                                                                                                                                                                  |                                                                                       |   |          |
|----|------------|--------------------------------------------------------------------------------------------------------------------------------------------------------------------------------------------------------------------------------------------------------------------------------------------------------------------------------------------------------------------------------------------------------------------------------------------------------------------------------------------------------------------------------------------------------------------------------------------------------------------------------------------------|---------------------------------------------------------------------------------------|---|----------|
| 15 | L_019<br>8 | [(TSPX_CcchConf4 = C_cch_2Comb) OR<br>(TSPX_CcchConf4 = C_cch_3Comb) OR<br>(TSPX_CcchConf4 = C_cch_4Comb)]<br><br><b>local_tree</b><br>[TSPX_CcchConf4 = C_cch_1Comb]<br>[(TSPX_CcchConf4 = C_cch_1nonComb) OR<br>(TSPX_CcchConf4 = C_cch_2nonComb) OR<br>(TSPX_CcchConf4 = C_cch_3nonComb) OR<br>(TSPX_CcchConf4 = C_cch_4nonComb)]<br>+Varinit_tch( C_arfcn_tchA, C_arfcn_tchAd)<br>+SDCCH8_A_1_nociph( TSPX_SDCCH8SubF,<br>C_Immass, TSPX_TmSlitDef, TSPX_TscDef,<br>ChMod_sign, FreqTCH(TCV_tch_arfcn),<br>FreqTCH(TCV_tch_arfcn), TimingAdv( 30),<br>INT_TO_BIT( TSPX_AGBLKS4, 3),<br>TSPX_CcchConf4, INT_TO_BIT((<br>TSPX_PAMFRMS4-2), 3)) | TSPX_SDCCH4SubD<br>ef, TCV_slot,<br>TCV_tsc,<br>TCV_chdescr_arfcn,<br>TimingAdv( 30)) | I | Reserved |
|----|------------|--------------------------------------------------------------------------------------------------------------------------------------------------------------------------------------------------------------------------------------------------------------------------------------------------------------------------------------------------------------------------------------------------------------------------------------------------------------------------------------------------------------------------------------------------------------------------------------------------------------------------------------------------|---------------------------------------------------------------------------------------|---|----------|

**Detailed Comments:**

1. Tx-integer = 5, Max-Retrans = 1 CCCH-CONF, BS-AG-BLKS-RES and BS-PA-MFRMS are from PIXIT parameters.
2. The first mobile identifier addresses the MS, the 2nd is omitted.
3. To assign TSPX\_SDCCH8SubF subchannel.

| Test Case Dynamic Behaviour |            |                                                                                                                                                                                                                                                                                                                                                                                                                                                                                                                                                                                                                                  |                           |     |          |
|-----------------------------|------------|----------------------------------------------------------------------------------------------------------------------------------------------------------------------------------------------------------------------------------------------------------------------------------------------------------------------------------------------------------------------------------------------------------------------------------------------------------------------------------------------------------------------------------------------------------------------------------------------------------------------------------|---------------------------|-----|----------|
| <b>Test Case Name:</b>      |            | TC_26_6_3_1                                                                                                                                                                                                                                                                                                                                                                                                                                                                                                                                                                                                                      |                           |     |          |
| <b>Group:</b>               |            | GSM_L3_MS_v4210/RR/                                                                                                                                                                                                                                                                                                                                                                                                                                                                                                                                                                                                              |                           |     |          |
| <b>Purpose:</b>             |            | To test that, when the SS gives absolutely no information about neighbouring cells, the MS does not report on neighbouring cells..                                                                                                                                                                                                                                                                                                                                                                                                                                                                                               |                           |     |          |
| <b>Default:</b>             |            | OtherEventsFail_01                                                                                                                                                                                                                                                                                                                                                                                                                                                                                                                                                                                                               |                           |     |          |
| Nr                          | Label      | Behaviour Description                                                                                                                                                                                                                                                                                                                                                                                                                                                                                                                                                                                                            | CRef                      | V   | Comments |
| 1                           |            | START T_guard(300)                                                                                                                                                                                                                                                                                                                                                                                                                                                                                                                                                                                                               |                           |     |          |
| 2                           |            | +BasicServiceMT( TSPX_MTBscSvcA,<br>TSPX_MTChRateA)                                                                                                                                                                                                                                                                                                                                                                                                                                                                                                                                                                              |                           |     |          |
| 3                           |            | +IdleUpdated( C_E_neighbourdefault, C_CellA,<br>C_SCH_A, C_BCCH_A_1, C_Imm, C_S0,<br>C_SlotNU, C_SlotNU, C_SlotNU, C_BCC,<br>C_TxInt_5, C_Max_1, C_NECI_0, C_ATT_0,<br>TimingAdv( 30), C_BABR_1, C_cch_1Comb,<br>C_BPM_3, C_T3212_0, C_ci_cellA, C_MCC_1,<br>C_PLMN_1, C_LAC_1, CellOpt_01,<br>CellChDes_02, CellChDes_03,<br>C_CellReselectHys12, C_MaxPwrLvlG,<br>C_MaxPwrLvlD, BcchFreqLst_20,<br>BcchFreqLst_Omit, BcchFreqLst_50,<br>BcchFreqLst_Omit, C_noReestablishment,<br>C_BCC_3, C_NCC, C_Start_Tmsi,<br>TSPX_SDCCH4SubA, TSPX_CKSNDDef,<br>TSPX_RANDDef, C_arfcn_2, C_arfcnAd_2,<br>TSPX_IMSI, C_Test_fh, C_NCCP_2) |                           |     |          |
| 4                           |            | +StartMultiCells_02( BcchFreqLst_20,<br>BcchFreqLst_50, C_Imm, TCV_slot,<br>TCV_tsc, TimingAdv( 30), C_ATT_0,<br>C_BABR_1, C_cch_1Comb, C_BPM_3,<br>C_T3212_0, C_MCC_1, C_PLMN_1, C_LAC_1,<br>C_LAC_1, C_LAC_1, C_LAC_1, C_LAC_1,<br>C_LAC_1, C_LAC_1)                                                                                                                                                                                                                                                                                                                                                                           |                           |     | 1.       |
| 5                           |            | +CCConfigTCH( TSPX_TCHHSubDef,<br>C_Ass, TSPX_TmSlitDef, TSPX_TscDef,<br>TimingAdv( 30), C_BABR_0, C_cch_1Comb,<br>C_BPM_3, TCV_ChMod.mode,<br>FreqTCH_omit, FreqTCH_omit,<br>C_arfcn_tchA, C_arfcn_tchAd)                                                                                                                                                                                                                                                                                                                                                                                                                       |                           |     |          |
| 6                           |            | +PreEnterCCstateU10_r01( TimingAdv(<br>30), TSPX_SDCCH4SubA, 0, 3,<br>TSPX_CKSNDDef, TSPX_RANDDef,<br>TSPX_TmSlitDef, TSPX_TscDef,<br>TSPX_TCHHSubDef, TCV_ChRate)                                                                                                                                                                                                                                                                                                                                                                                                                                                               |                           |     |          |
| 7                           | body       | (TCV_Null := OM_StartMsrReport(<br>TCV_sacchTch))                                                                                                                                                                                                                                                                                                                                                                                                                                                                                                                                                                                |                           |     |          |
| 8                           | L_019<br>9 | L?DL_UdatInMsrRpt                                                                                                                                                                                                                                                                                                                                                                                                                                                                                                                                                                                                                | MsrRept(<br>MsrReport_01) | (P) |          |
| 9                           |            | START T_dly1( 960)                                                                                                                                                                                                                                                                                                                                                                                                                                                                                                                                                                                                               |                           |     | 960 ms   |
| 10                          | L_020<br>0 | ?TIMEOUT T_dly1                                                                                                                                                                                                                                                                                                                                                                                                                                                                                                                                                                                                                  |                           | (F) | 2.       |
| 11                          |            | +PostMainLinkRel( TCV_chTch)                                                                                                                                                                                                                                                                                                                                                                                                                                                                                                                                                                                                     |                           |     |          |
| 12                          | L_020<br>1 | L?DL_UdatInMsrRpt                                                                                                                                                                                                                                                                                                                                                                                                                                                                                                                                                                                                                | MsrRept(<br>MsrReport_01) | (P) |          |
| 13                          |            | (TCV_Null :=<br>OM_StopMsrReport(<br>TCV_sacchTch))                                                                                                                                                                                                                                                                                                                                                                                                                                                                                                                                                                              |                           |     |          |
| 14                          |            | +PostMainLinkRel(<br>TCV_chTch)                                                                                                                                                                                                                                                                                                                                                                                                                                                                                                                                                                                                  |                           |     |          |
| 15                          |            | +local_execution2                                                                                                                                                                                                                                                                                                                                                                                                                                                                                                                                                                                                                |                           |     |          |
| 16                          |            | <b>local_execution2</b>                                                                                                                                                                                                                                                                                                                                                                                                                                                                                                                                                                                                          |                           |     |          |
| 17                          |            | +local_SysInfo5and6Sending                                                                                                                                                                                                                                                                                                                                                                                                                                                                                                                                                                                                       |                           |     | 1.       |
| 18                          |            | +PreEnterCCstateU10_r01( TimingAdv( 30),<br>TSPX_SDCCH4SubA, 0, 3, TSPX_CKSNDDef,<br>TSPX_RANDDef, TSPX_TmSlitDef, TSPX_TscDef,<br>TSPX_TCHHSubDef, TCV_ChRate)                                                                                                                                                                                                                                                                                                                                                                                                                                                                  |                           |     |          |
| 19                          |            | (TCV_Null := OM_StartMsrReport(<br>TCV_sacchTch))                                                                                                                                                                                                                                                                                                                                                                                                                                                                                                                                                                                |                           |     |          |
| 19                          |            | L?DL_UdatInMsrRpt                                                                                                                                                                                                                                                                                                                                                                                                                                                                                                                                                                                                                | MsrRept(<br>MsrReport_01) |     |          |

|                           |            |                                                                                                                                                                                                                                         |                                                                                                      |        |
|---------------------------|------------|-----------------------------------------------------------------------------------------------------------------------------------------------------------------------------------------------------------------------------------------|------------------------------------------------------------------------------------------------------|--------|
| 20                        |            | START T_dly1( 960)                                                                                                                                                                                                                      |                                                                                                      | 960 ms |
| 21                        | L_020<br>2 | ?TIMEOUT T_dly1                                                                                                                                                                                                                         |                                                                                                      | (F) 2. |
| 22                        |            | +PostMainLinkRel( TCV_chTch)                                                                                                                                                                                                            |                                                                                                      |        |
| 23                        | L_020<br>3 | L?DL_UdatInMsrRpt                                                                                                                                                                                                                       | MsrRept(<br>MsrReport_01)                                                                            | (P)    |
| 24                        |            | (TCV_Null := OM_StopMsrReport(<br>TCV_sacchTch))                                                                                                                                                                                        |                                                                                                      |        |
| 25                        |            | +PostMainLinkRel( TCV_chTch)                                                                                                                                                                                                            |                                                                                                      |        |
|                           |            | <b>local_SysInfo5and6Sending</b>                                                                                                                                                                                                        |                                                                                                      |        |
| 26                        |            | +Wait(C_T_Wait1)                                                                                                                                                                                                                        |                                                                                                      |        |
| 27                        |            | [TSPC_PGSM OR TSPC_EGSM]                                                                                                                                                                                                                |                                                                                                      |        |
| 28                        |            | LIDL_UdatRqSysinfo5                                                                                                                                                                                                                     | SysInfo5(<br>TCV_sacch, SysInf5(<br>BcchFreqLst_24))                                                 |        |
| 29                        |            | LIDL_UdatRqSysinfo5bis                                                                                                                                                                                                                  | SysInfo5bis(<br>TCV_sacch,<br>SysInf5bis(<br>BcchFreqLst_26))                                        |        |
| 30                        |            | [TSPC_DCS]                                                                                                                                                                                                                              |                                                                                                      |        |
| 31                        |            | LIDL_UdatRqSysinfo5                                                                                                                                                                                                                     | SysInfo5(<br>TCV_sacch, SysInf5(<br>BcchFreqLst_25))                                                 |        |
| 32                        |            | LIDL_UdatRqSysinfo5bis                                                                                                                                                                                                                  | SysInfo5bis(<br>TCV_sacch,<br>SysInf5bis(<br>BcchFreqLst_25))                                        |        |
| 33                        |            | LIDL_UdatRqSysinfo6<br>(DL_UdatRqSysinfo6.msg.co.pwrc := '1'B)                                                                                                                                                                          | SysInfo6(<br>TCV_sacch, SysInf6(<br>C_ci_cellA,<br>C_MCC_1,<br>C_PLMN_1,<br>C_LAC_1,<br>CellOpt_01)) |        |
| <b>Detailed Comments:</b> |            | <ol style="list-style-type: none"> <li>1. No channels listed in the neighbour cells description.</li> <li>2. The interval between 2 successive layer 2 frames containing MEASUREMENT REPORT exceeds one layer 2 frame, fail.</li> </ol> |                                                                                                      |        |

| Test Case Dynamic Behaviour |            |                                                                                                                                                                                                                                                                                                                                                                                                                                                                                                                                                                                       |                                                |     |          |
|-----------------------------|------------|---------------------------------------------------------------------------------------------------------------------------------------------------------------------------------------------------------------------------------------------------------------------------------------------------------------------------------------------------------------------------------------------------------------------------------------------------------------------------------------------------------------------------------------------------------------------------------------|------------------------------------------------|-----|----------|
| <b>Test Case Name:</b>      |            | TC_26_6_3_2                                                                                                                                                                                                                                                                                                                                                                                                                                                                                                                                                                           |                                                |     |          |
| <b>Group:</b>               |            | GSM_L3_MS_v4210/RR/                                                                                                                                                                                                                                                                                                                                                                                                                                                                                                                                                                   |                                                |     |          |
| <b>Purpose:</b>             |            | To test that, when the SS gives information about neighbouring cells, the MS reports appropriate results.                                                                                                                                                                                                                                                                                                                                                                                                                                                                             |                                                |     |          |
| <b>Default:</b>             |            | OtherEventsFail_01                                                                                                                                                                                                                                                                                                                                                                                                                                                                                                                                                                    |                                                |     |          |
| Nr                          | Label      | Behaviour Description                                                                                                                                                                                                                                                                                                                                                                                                                                                                                                                                                                 | CRef                                           | V   | Comments |
| 1                           |            | START T_guard(300)                                                                                                                                                                                                                                                                                                                                                                                                                                                                                                                                                                    |                                                |     |          |
| 2                           |            | +BasicServiceMT( TSPX_MTBscSvcB, TSPX_MTChRateB)                                                                                                                                                                                                                                                                                                                                                                                                                                                                                                                                      |                                                |     |          |
| 3                           |            | +IdleUpdated( C_E_neighbourdefault, C_CellA, C_SCH_A, C_BCCH_A_1, C_Immass, C_S0, C_SlotNU, C_SlotNU, C_SlotNU, C_BCC, C_TxInt_5, C_Max_1, C_NECI_0, C_ATT_0, TimingAdv( 30), C_BABR_0, C_cch_1Comb, C_BPM_3, C_T3212_0, C_ci_cellA, C_MCC_1, C_PLMN_1, C_LAC_1, CellOpt_01, CellChDes_02, CellChDes_03, C_CellReselectHys12, C_MaxPwrLvlG, C_MaxPwrLvlD, BcchFreqLst_21, BcchFreqLst_Omit, BcchFreqLst_27, BcchFreqLst_Omit, C_noRestablishment, C_BCC_3, C_NCC, C_Start_Tmsi, TSPX_SDCCH4SubA, TSPX_CKSNDDef, TSPX_RANDDef, C_arfcn_2, C_arfcnAd_2, TSPX_IMSI, C_Test_fh, C_NCCP_2) |                                                |     |          |
| 4                           |            | +StartMultiCells_02( BcchFreqLst_21, BcchFreqLst_27, C_Immass, TCV_slot, TCV_tsc, TimingAdv( 30), C_ATT_0, C_BABR_0, C_cch_1Comb, C_BPM_3, C_T3212_0, C_MCC_1, C_PLMN_1, C_LAC_1, C_LAC_1, C_LAC_1, C_LAC_1, C_LAC_1, C_LAC_1)                                                                                                                                                                                                                                                                                                                                                        |                                                |     |          |
| 5                           |            | +CCConfigTCH( TSPX_TCHHSubDef, C_Ass, TSPX_TmSlitDef, TSPX_TscDef, TimingAdv( 30), C_BABR_0, C_cch_1Comb, C_BPM_3, TCV_ChMod.mode, FreqTCH_omit, FreqTCH_omit, C_arfcn_tchA, C_arfcn_tchAd)                                                                                                                                                                                                                                                                                                                                                                                           |                                                |     |          |
| 6                           | body       | +local_execution(1, 2)                                                                                                                                                                                                                                                                                                                                                                                                                                                                                                                                                                |                                                |     |          |
| 7                           |            | +local_SendSyInfo5and6                                                                                                                                                                                                                                                                                                                                                                                                                                                                                                                                                                |                                                |     |          |
| 8                           |            | +local_execution(1, 3)                                                                                                                                                                                                                                                                                                                                                                                                                                                                                                                                                                |                                                |     |          |
| 9                           |            | <b>local_execution(indx1, indx2:INTEGER)</b><br>+PreEnterCCstateU10_r01( TimingAdv( 30), TSPX_SDCCH4SubA, 0, 3, TSPX_CKSNDDef, TSPX_RANDDef, TSPX_TmSlitDef, TSPX_TscDef, TSPX_TCHHSubDef, TCV_ChRate)                                                                                                                                                                                                                                                                                                                                                                                |                                                |     |          |
| 10                          |            | (TCV_Null := OM_StartMsrReport( TCV_sacchTch))                                                                                                                                                                                                                                                                                                                                                                                                                                                                                                                                        |                                                |     |          |
| 11                          |            | L?DL_UdatInMsrRpt( TCV_MsrRes := DL_UdatInMsrRpt.msg.msrr)                                                                                                                                                                                                                                                                                                                                                                                                                                                                                                                            | MsrRept( MsrReport_03)                         |     |          |
| 12                          |            | +ChkMsrmntRpt(indx1, indx2)                                                                                                                                                                                                                                                                                                                                                                                                                                                                                                                                                           |                                                |     |          |
| 13                          |            | START T_dly1(960)                                                                                                                                                                                                                                                                                                                                                                                                                                                                                                                                                                     |                                                |     | 960 ms   |
| 14                          | L_020<br>4 | ?TIMEOUT T_dly1                                                                                                                                                                                                                                                                                                                                                                                                                                                                                                                                                                       |                                                | (F) | 1.       |
| 15                          |            | +PostMainLinkRel(TCV_chTch)                                                                                                                                                                                                                                                                                                                                                                                                                                                                                                                                                           |                                                |     |          |
| 16                          |            | L?DL_UdatInMsrRpt( TCV_MsrRes := DL_UdatInMsrRpt.msg.msrr)                                                                                                                                                                                                                                                                                                                                                                                                                                                                                                                            | MsrRept( MsrReport_03)                         |     |          |
| 17                          |            | +ChkMsrmntRpt(indx1, indx2)                                                                                                                                                                                                                                                                                                                                                                                                                                                                                                                                                           |                                                |     |          |
| 18                          |            | (TCV_Null := OM_StopMsrReport( TCV_sacchTch))                                                                                                                                                                                                                                                                                                                                                                                                                                                                                                                                         |                                                |     |          |
| 19                          |            | +PostMainLinkRel(TCV_chTch)                                                                                                                                                                                                                                                                                                                                                                                                                                                                                                                                                           |                                                |     |          |
| 20                          |            | <b>local_SendSyInfo5and6</b><br>+Wait(C_T_Wait1)                                                                                                                                                                                                                                                                                                                                                                                                                                                                                                                                      |                                                |     |          |
| 21                          |            | [TSPC_PGSM OR TSPC_EGSM]                                                                                                                                                                                                                                                                                                                                                                                                                                                                                                                                                              |                                                |     |          |
| 22                          |            | LIDL_UdatRqSysinfo5                                                                                                                                                                                                                                                                                                                                                                                                                                                                                                                                                                   | SysInfo5( TCV_sacch, SysInf5( BcchFreqLst_28)) |     |          |
| 23                          |            | LIDL_UdatRqSysinfo5bis                                                                                                                                                                                                                                                                                                                                                                                                                                                                                                                                                                | SysInfo5bis(                                   |     |          |



|                                                                                                                                              |                                                                |                                                                                                      |
|----------------------------------------------------------------------------------------------------------------------------------------------|----------------------------------------------------------------|------------------------------------------------------------------------------------------------------|
| 24                                                                                                                                           | [TSPC_DCS]                                                     | TCV_sacch,<br>SysInf5bis(<br>BcchFreqLst_30))                                                        |
| 25                                                                                                                                           | LIDL_UdatRqSysinfo5                                            | SysInfo5(<br>TCV_sacch, SysInf5(<br>BcchFreqLst_29))                                                 |
| 26                                                                                                                                           | LIDL_UdatRqSysinfo5bis                                         | SysInfo5bis(<br>TCV_sacch,<br>SysInf5bis(<br>BcchFreqLst_31))                                        |
| 27                                                                                                                                           | LIDL_UdatRqSysinfo6<br>(DL_UdatRqSysinfo6.msg.co.pwrc := '1'B) | SysInfo6(<br>TCV_sacch, SysInf6(<br>C_ci_cellA,<br>C_MCC_1,<br>C_PLMN_1,<br>C_LAC_1,<br>CellOpt_01)) |
| <b>Detailed Comments:</b> 1. The interval between 2 successive layer 2 frames containing MEASUREMENT REPORT exceeds one layer 2 frame, fail. |                                                                |                                                                                                      |

| Test Case Dynamic Behaviour |            |                                                                                                                                                                                                                                                                                                                                                                                                                                                                                                                                                                                                                                  |                           |     |          |
|-----------------------------|------------|----------------------------------------------------------------------------------------------------------------------------------------------------------------------------------------------------------------------------------------------------------------------------------------------------------------------------------------------------------------------------------------------------------------------------------------------------------------------------------------------------------------------------------------------------------------------------------------------------------------------------------|---------------------------|-----|----------|
| <b>Test Case Name:</b>      |            | TC_26_6_3_3                                                                                                                                                                                                                                                                                                                                                                                                                                                                                                                                                                                                                      |                           |     |          |
| <b>Group:</b>               |            | GSM_L3_MS_v4210/RR/                                                                                                                                                                                                                                                                                                                                                                                                                                                                                                                                                                                                              |                           |     |          |
| <b>Purpose:</b>             |            | To test that, when a combination of normal neighbours, barred cells and non-permitted NCCs is "on air", the MS reports only on normal neighbours.                                                                                                                                                                                                                                                                                                                                                                                                                                                                                |                           |     |          |
| <b>Default:</b>             |            | OtherEventsFail_01                                                                                                                                                                                                                                                                                                                                                                                                                                                                                                                                                                                                               |                           |     |          |
| Nr                          | Label      | Behaviour Description                                                                                                                                                                                                                                                                                                                                                                                                                                                                                                                                                                                                            | CRef                      | V   | Comments |
| 1                           |            | START T_guard(300)                                                                                                                                                                                                                                                                                                                                                                                                                                                                                                                                                                                                               |                           |     |          |
| 2                           |            | +BasicServiceMT( TSPX_MTBscSvcC,<br>TSPX_MTChRateC)                                                                                                                                                                                                                                                                                                                                                                                                                                                                                                                                                                              |                           |     |          |
| 3                           |            | +IdleUpdated( C_E_neighbourdefault, C_CellA,<br>C_SCH_A, C_BCCH_A_1, C_Imm, C_S0,<br>C_SlotNU, C_SlotNU, C_SlotNU, C_BCC,<br>C_TxInt_5, C_Max_1, C_NECI_0, C_ATT_0,<br>TimingAdv( 30), C_BABR_0, C_cch_1Comb,<br>C_BPM_3, C_T3212_0, C_ci_cellA, C_MCC_1,<br>C_PLMN_1, C_LAC_1, CellOpt_01,<br>CellChDes_02, CellChDes_03,<br>C_CellReselectHys12, C_MaxPwrLvlG,<br>C_MaxPwrLvlD, BcchFreqLst_22,<br>BcchFreqLst_Omit, BcchFreqLst_32,<br>BcchFreqLst_Omit, C_noReestablishment,<br>C_BCC_3, C_NCC, C_Start_Tmsi,<br>TSPX_SDCCH4SubA, TSPX_CKSNDDef,<br>TSPX_RANDDef, C_arfcn_2, C_arfcnAd_2,<br>TSPX_IMSI, C_Test_fh, C_NCCP_2) |                           |     |          |
| 4                           |            | +StartMultiCells_02( BcchFreqLst_22,<br>BcchFreqLst_32, C_Imm, TCV_slot,<br>TCV_tsc, TimingAdv( 30), C_ATT_0,<br>C_BABR_0, C_cch_1Comb, C_BPM_3,<br>C_T3212_0, C_MCC_1, C_PLMN_1, C_LAC_1,<br>C_LAC_1, C_LAC_1, C_LAC_1, C_LAC_1,<br>C_LAC_1, C_LAC_1)                                                                                                                                                                                                                                                                                                                                                                           |                           |     |          |
| 5                           |            | +CCConfigTCH( TSPX_TCHHSubDef,<br>C_Ass, TSPX_TmSlitDef, TSPX_TscDef,<br>TimingAdv( 30), C_BABR_0, C_cch_1Comb,<br>C_BPM_3, TCV_ChMod.mode,<br>FreqTCH_omit, FreqTCH_omit,<br>C_arfcn_tchA, C_arfcn_tchAd)                                                                                                                                                                                                                                                                                                                                                                                                                       |                           |     |          |
| 6                           |            | +PreEnterCCstateU10_r01( TimingAdv(<br>30), TSPX_SDCCH4SubA, 0, 3,<br>TSPX_CKSNDDef, TSPX_RANDDef,<br>TSPX_TmSlitDef, TSPX_TscDef,<br>TSPX_TCHHSubDef, TCV_ChRate)                                                                                                                                                                                                                                                                                                                                                                                                                                                               |                           |     |          |
| 7                           |            | (TCV_Null := OM_StartMsrReport(<br>TCV_sacchTch))                                                                                                                                                                                                                                                                                                                                                                                                                                                                                                                                                                                |                           |     |          |
| 8                           |            | L?DL_UdatInMsrRpt (TCV_MsrRes :=<br>DL_UdatInMsrRpt.msg.msrr)                                                                                                                                                                                                                                                                                                                                                                                                                                                                                                                                                                    | MsrRept(<br>MsrReport_04) |     |          |
| 9                           |            | +ChkMsrmtRpt(4, 5)                                                                                                                                                                                                                                                                                                                                                                                                                                                                                                                                                                                                               |                           |     |          |
| 10                          |            | START T_dly1(960)                                                                                                                                                                                                                                                                                                                                                                                                                                                                                                                                                                                                                |                           |     | 960 ms   |
| 11                          | L_020<br>5 | ?TIMEOUT T_dly1                                                                                                                                                                                                                                                                                                                                                                                                                                                                                                                                                                                                                  |                           | (F) | 1.       |
| 12                          |            | +PostMainLinkRel(<br>TCV_chTch)                                                                                                                                                                                                                                                                                                                                                                                                                                                                                                                                                                                                  |                           |     |          |
| 13                          |            | L?DL_UdatInMsrRpt<br>(TCV_MsrRes :=<br>DL_UdatInMsrRpt.msg.msrr)                                                                                                                                                                                                                                                                                                                                                                                                                                                                                                                                                                 | MsrRept(<br>MsrReport_04) |     |          |
| 14                          |            | +ChkMsrmtRpt(4, 5)                                                                                                                                                                                                                                                                                                                                                                                                                                                                                                                                                                                                               |                           |     |          |
| 15                          |            | (TCV_Null :=<br>OM_StopMsrReport(<br>TCV_sacchTch))                                                                                                                                                                                                                                                                                                                                                                                                                                                                                                                                                                              |                           |     |          |
| 16                          |            | +PostMainLinkRel(TCV_ch<br>Tch)                                                                                                                                                                                                                                                                                                                                                                                                                                                                                                                                                                                                  |                           |     |          |
| 17                          |            | +local_execution2                                                                                                                                                                                                                                                                                                                                                                                                                                                                                                                                                                                                                |                           |     |          |
| 18                          |            | <b>local_execution2</b>                                                                                                                                                                                                                                                                                                                                                                                                                                                                                                                                                                                                          |                           |     |          |
| 18                          |            | +local_SendSysinfo5and6                                                                                                                                                                                                                                                                                                                                                                                                                                                                                                                                                                                                          |                           |     |          |
| 19                          |            | +PreEnterCCstateU10_r01(TimingAdv( 30),<br>TSPX_SDCCH4SubA, 0, 3, TSPX_CKSNDDef,<br>TSPX_RANDDef, TSPX_TmSlitDef, TSPX_TscDef,<br>TSPX_TCHHSubDef, TCV_ChRate)                                                                                                                                                                                                                                                                                                                                                                                                                                                                   |                           |     |          |

|    |            |                                                                |                                                                                                      |     |        |
|----|------------|----------------------------------------------------------------|------------------------------------------------------------------------------------------------------|-----|--------|
| 20 |            | (TCV_Null := OM_StartMsrReport(<br>TCV_sacchTch))              |                                                                                                      |     |        |
| 21 |            | L?DL_UdatInMsrRpt (TCV_MsrRes :=<br>DL_UdatInMsrRpt.msg.msrr)  | MsrRept(<br>MsrReport_04)                                                                            |     |        |
| 22 |            | +ChkMsrmntRpt( 4, 5)                                           |                                                                                                      |     |        |
| 23 |            | START T_dly1( 960)                                             |                                                                                                      |     | 960 ms |
| 24 | L_020<br>6 | ?TIMEOUT T_dly1                                                |                                                                                                      | (F) | 1.     |
| 25 |            | +PostMainLinkRel( TCV_chTch)                                   |                                                                                                      |     |        |
| 26 |            | L?DL_UdatInMsrRpt( TCV_MsrRes :=<br>DL_UdatInMsrRpt.msg.msrr)  | MsrRept(<br>MsrReport_04)                                                                            |     |        |
| 27 |            | +ChkMsrmntRpt( 4, 5)                                           |                                                                                                      |     |        |
| 28 |            | (TCV_Null := OM_StopMsrReport(<br>TCV_sacchTch))               |                                                                                                      |     |        |
| 29 |            | +PostMainLinkRel( TCV_chTch)                                   |                                                                                                      |     |        |
|    |            | <b>local_SendSysinfo5and6</b>                                  |                                                                                                      |     |        |
| 30 |            | +Wait(C_T_Wait1)                                               |                                                                                                      |     |        |
| 31 |            | [TSPC_PGSM OR TSPC_EGSM]                                       |                                                                                                      |     |        |
| 32 |            | LIDL_UdatRqSysinfo5                                            | SysInfo5(<br>TCV_sacch, SysInf5(<br>BcchFreqLst_33))                                                 |     |        |
| 33 |            | LIDL_UdatRqSysinfo5bis                                         | SysInfo5bis(<br>TCV_sacch,<br>SysInf5bis(<br>BcchFreqLst_30))                                        |     |        |
| 34 |            | [TSPC_DCS]                                                     |                                                                                                      |     |        |
| 35 |            | LIDL_UdatRqSysinfo5                                            | SysInfo5(<br>TCV_sacch, SysInf5(<br>BcchFreqLst_34))                                                 |     |        |
| 36 |            | LIDL_UdatRqSysinfo5bis                                         | SysInfo5bis(<br>TCV_sacch,<br>SysInf5bis(<br>BcchFreqLst_34d))                                       |     |        |
| 37 |            | LIDL_UdatRqSysinfo6<br>(DL_UdatRqSysinfo6.msg.co.pwrc := '1'B) | SysInfo6(<br>TCV_sacch, SysInf6(<br>C_ci_cellA,<br>C_MCC_1,<br>C_PLMN_1,<br>C_LAC_1,<br>CellOpt_01)) |     |        |

**Detailed Comments:** 1. The interval between 2 successive layer 2 frames containing MEASUREMENT REPORT exceeds one layer 2 frame, fail.

| Test Case Dynamic Behaviour |       |                                                                                                                                                                                                                                                                                                                                                                                                                                                                                                                                                                                                                |                                                |   |                       |
|-----------------------------|-------|----------------------------------------------------------------------------------------------------------------------------------------------------------------------------------------------------------------------------------------------------------------------------------------------------------------------------------------------------------------------------------------------------------------------------------------------------------------------------------------------------------------------------------------------------------------------------------------------------------------|------------------------------------------------|---|-----------------------|
| <b>Test Case Name:</b>      |       | TC_26_6_3_4                                                                                                                                                                                                                                                                                                                                                                                                                                                                                                                                                                                                    |                                                |   |                       |
| <b>Group:</b>               |       | GSM_L3_MS_v4210/RR/                                                                                                                                                                                                                                                                                                                                                                                                                                                                                                                                                                                            |                                                |   |                       |
| <b>Purpose:</b>             |       | To test that, in the case of the MS using DTX and the SS indicating that power control is in use, the MS reports appropriate results                                                                                                                                                                                                                                                                                                                                                                                                                                                                           |                                                |   |                       |
| <b>Default:</b>             |       | OtherEventsFail_01                                                                                                                                                                                                                                                                                                                                                                                                                                                                                                                                                                                             |                                                |   |                       |
| Nr                          | Label | Behaviour Description                                                                                                                                                                                                                                                                                                                                                                                                                                                                                                                                                                                          | CRef                                           | V | Comments              |
| 1                           |       | START T_guard(300)                                                                                                                                                                                                                                                                                                                                                                                                                                                                                                                                                                                             |                                                |   |                       |
| 2                           |       | +BasicServiceMT( TSPX_MTBscSvcJ,<br>TSPX_MTChRateJ)                                                                                                                                                                                                                                                                                                                                                                                                                                                                                                                                                            |                                                |   |                       |
| 3                           |       | (TCV_PwrLvl_ho:= INT_TO_BIT( TSPX_PwrLvlA,<br>5))                                                                                                                                                                                                                                                                                                                                                                                                                                                                                                                                                              |                                                |   |                       |
| 4                           |       | +IdleUpdated( 73, C_CellB, C_SCH_B,<br>C_BCCH_B_1, C_Immash, C_S0, C_SlotNU,<br>C_SlotNU, C_SlotNU, C_BCC, C_TxInt_5,<br>C_Max_1, C_NECl_0, C_ATT_0, TimingAdv(<br>30), C_BABR_0, C_cch_1Comb, C_BPM_3,<br>C_T3212_0, C_ci_cellH, C_MCC_1,<br>C_PLMN_1, C_LAC_1, CellOpt_01,<br>CellChDes_11, CellChDes_11d,<br>C_CellReselectHys12, C_MaxPwrLvlG,<br>C_MaxPwrLvlD, BcchFreqLst_01,<br>BcchFreqLst_Omit, BcchFreqLst_48,<br>BcchFreqLst_Omit, C_noRestablishment,<br>C_BCC_1, C_NCC, C_Start_Tmsi,<br>TSPX_SDCCH4SubDef, TSPX_CKSNDf,<br>TSPX_RANDDef, C_arfcnH, C_arfcnHd,<br>TSPX_IMSI, C_Test_fh, C_NCCP_2) |                                                |   | Cell N7               |
| 5                           |       | +StartMultiCells_03( BcchFreqLst_01,<br>BcchFreqLst_48, C_Immash, TCV_slot,<br>TCV_tsc, TimingAdv( 30), C_ATT_0,<br>C_BABR_0, C_cch_1Comb, C_BPM_3,<br>C_T3212_0, C_MCC_1, C_PLMN_1,<br>C_LAC_1, C_LAC_1, C_LAC_1, C_LAC_1,<br>C_LAC_1, C_LAC_1, C_LAC_1)                                                                                                                                                                                                                                                                                                                                                      |                                                |   |                       |
| 6                           |       | (TCV_chTch1 := C_FACCHF_A_1,<br>TCV_sysinfo6.co.sprb := '1'B,<br>TCV_sysinfo6.B.co.sprb := '1'B)                                                                                                                                                                                                                                                                                                                                                                                                                                                                                                               |                                                |   | DTXindicator = '101'B |
| 7                           |       | +FullRateCh_A_1( C_Synho,<br>TSPX_TmSlitDef, TSPX_TscDef,<br>TCV_ChMod, FreqTCH_omit,<br>FreqTCH_omit, C_arfcn_tchA,<br>C_arfcn_tchAd, TimingAdv( 30),<br>C_BABR_0, C_cch_1Comb, C_BPM_3)                                                                                                                                                                                                                                                                                                                                                                                                                      |                                                |   |                       |
| 8                           |       | +CCConfigTCH_B(<br>TSPX_TCHHSubDef, C_Ass,<br>TSPX_TmSlitC, TSPX_TscC,<br>TimingAdv( 30), C_BABR_0,<br>C_cch_1Comb, C_BPM_3,<br>TCV_ChMod.mode, FreqTCH(<br>TSPX_TCHcarrierB), FreqTCH(<br>TSPX_TCHcarrierBd), C_Noarfcn,<br>C_Noarfcn)                                                                                                                                                                                                                                                                                                                                                                        |                                                |   |                       |
| 9                           |       | +PreEnterCCstateU10_r01(<br>TimingAdv( 30),<br>TSPX_SDCCH4SubDef, 0, 3,<br>TSPX_CKSNDf, TSPX_RANDDef,<br>TSPX_TmSlitC, TSPX_TscC,<br>TSPX_TCHHSubDef, TCV_ChRate)                                                                                                                                                                                                                                                                                                                                                                                                                                              |                                                |   |                       |
| 10                          |       | +local_HndovCmd                                                                                                                                                                                                                                                                                                                                                                                                                                                                                                                                                                                                |                                                |   |                       |
| 11                          |       | +local_RcvHndovAcc                                                                                                                                                                                                                                                                                                                                                                                                                                                                                                                                                                                             |                                                |   |                       |
| 12                          |       | L?DL_EstIn                                                                                                                                                                                                                                                                                                                                                                                                                                                                                                                                                                                                     | DLEstInd(<br>TCV_chTch1)                       |   |                       |
| 13                          |       | L?DL_DatInHoCom                                                                                                                                                                                                                                                                                                                                                                                                                                                                                                                                                                                                | HndOvCmpRcv(<br>TCV_chTch1,<br>HandOverCmp_01) |   |                       |
| 14                          |       | +local_continue1                                                                                                                                                                                                                                                                                                                                                                                                                                                                                                                                                                                               |                                                |   |                       |
|                             |       | <b>local_continue1</b>                                                                                                                                                                                                                                                                                                                                                                                                                                                                                                                                                                                         |                                                |   |                       |
| 15                          |       | (TCV_Null := OM_StartMsrReport( TCV_sacchTch))                                                                                                                                                                                                                                                                                                                                                                                                                                                                                                                                                                 |                                                |   |                       |
| 16                          |       | [NOT TSPC_TranspDataOnly]                                                                                                                                                                                                                                                                                                                                                                                                                                                                                                                                                                                      |                                                |   |                       |
| 17                          | body  | L?DL_UdatInMsrRpt (TCV_MsrRes :=                                                                                                                                                                                                                                                                                                                                                                                                                                                                                                                                                                               | MsrRept(                                       |   |                       |

|    |       |                                               |                 |     |        |
|----|-------|-----------------------------------------------|-----------------|-----|--------|
| 18 |       | DL_UdatInMsrrpt.msg.msrr                      | MsrReport_05)   |     |        |
| 19 |       | +ChkMsrmntRpt(6, 7)                           |                 |     |        |
| 20 | L_020 | START T_dly1(960)                             |                 | (F) | 960 ms |
| 21 | 7     | ?TIMEOUT T_dly1                               |                 |     | 1.     |
| 22 |       | +PostMainLinkRel( TCV_chTch)                  |                 |     |        |
| 23 |       | L?DL_UdatInMsrrpt (TCV_MsrRes :=              | MsrRept(        |     |        |
| 24 |       | DL_UdatInMsrrpt.msg.msrr)                     | MsrReport_05)   |     |        |
| 25 |       | +ChkMsrmntRpt(6, 7)                           |                 |     |        |
| 26 |       | (TCV_Null := OM_StopMsrReport(                |                 |     |        |
| 27 |       | TCV_sacchTch))                                |                 |     |        |
| 28 |       | +PostMainLinkRel( TCV_chTch)                  |                 |     |        |
| 29 |       | +local_execution2                             |                 |     |        |
| 30 |       | [TSPC_TranspDataOnly]                         |                 |     |        |
| 31 | L_020 | L?DL_UdatInMsrrpt (TCV_MsrRes :=              | MsrRept(        |     |        |
| 32 | 8     | DL_UdatInMsrrpt.msg.msrr)                     | MsrReport_06)   |     |        |
| 33 |       | +ChkMsrmntRpt(6, 7)                           |                 |     |        |
| 34 |       | START T_dly1(960)                             |                 | (F) | 960 ms |
| 35 |       | ?TIMEOUT T_dly1                               |                 |     | 1.     |
| 36 |       | +PostMainLinkRel(TCV_chTch)                   |                 |     |        |
| 37 |       | L?DL_UdatInMsrrpt (TCV_MsrRes :=              | MsrRept(        |     |        |
| 38 |       | DL_UdatInMsrrpt.msg.msrr)                     | MsrReport_06)   |     |        |
| 39 |       | +ChkMsrmntRpt(6, 7)                           |                 |     |        |
| 40 |       | (TCV_Null := OM_StopMsrReport(                |                 |     |        |
| 41 |       | TCV_sacchTch))                                |                 |     |        |
| 42 |       | +PostMainLinkRel( TCV_chTch)                  |                 |     |        |
| 43 |       | +local_execution2                             |                 |     |        |
| 44 |       | <b>local_execution2</b>                       |                 |     |        |
| 45 |       | +local_SendSysInfo5and6                       |                 |     |        |
| 46 |       | START T_dly(20000)                            |                 |     | 2.     |
| 47 |       | ?TIMEOUT T_dly                                |                 |     |        |
| 48 |       | +PreEnterCCstateU10_r01( TimingAdv( 30),      |                 |     |        |
| 49 |       | TSPX_SDCCH4SubA, 0, 3, TSPX_CKSNDf,           |                 |     |        |
| 50 |       | TSPX_RANDDf, TSPX_TmSltDef,                   |                 |     |        |
| 51 |       | TSPX_TscDef, TSPX_TCHHSubDef,                 |                 |     |        |
| 52 |       | TCV_ChRate)                                   |                 |     |        |
| 53 |       | +local_HndovCmd                               |                 |     |        |
| 54 |       | +local_RcvHndovAcc                            |                 |     |        |
| 55 |       | L?DL_EstIn                                    | DLEstInd(       |     |        |
| 56 |       |                                               | TCV_chTch1)     |     |        |
| 57 |       | L?DL_DatInHoCom                               | HndOvCmpRcv(    |     |        |
| 58 |       |                                               | TCV_chTch1,     |     |        |
| 59 |       |                                               | HandOverCmp_01) |     |        |
| 60 |       | +local_continue2                              |                 |     |        |
| 61 |       | <b>local_continue2</b>                        |                 |     |        |
| 62 |       | (TCV_Null := OM_StartMsrReport(TCV_sacchTch)) |                 |     |        |
| 63 |       | [NOT TSPC_TranspDataOnly]                     |                 |     |        |
| 64 |       | L?DL_UdatInMsrrpt (TCV_MsrRes :=              | MsrRept(        |     |        |
| 65 |       | DL_UdatInMsrrpt.msg.msrr)                     | MsrReport_05)   |     |        |
| 66 |       | +ChkMsrmntRpt(6, 7)                           |                 |     |        |
| 67 | L_020 | START T_dly1(960)                             |                 | (F) | 960 ms |
| 68 | 9     | ?TIMEOUT T_dly1                               |                 |     | 1.     |
| 69 |       | +PostMainLinkRel( TCV_chTch)                  |                 |     |        |
| 70 |       | L?DL_UdatInMsrrpt (TCV_MsrRes :=              | MsrRept(        |     |        |
| 71 |       | DL_UdatInMsrrpt.msg.msrr)                     | MsrReport_05)   |     |        |
| 72 |       | +ChkMsrmntRpt(6, 7)                           |                 |     |        |
| 73 |       | (TCV_Null := OM_StopMsrReport(                |                 |     |        |
| 74 |       | TCV_sacchTch))                                |                 |     |        |
| 75 |       | +PostMainLinkRel( TCV_chTch)                  |                 |     |        |
| 76 |       | +local_execution2                             |                 |     |        |
| 77 |       | [TSPC_TranspDataOnly]                         |                 |     |        |
| 78 |       | L?DL_UdatInMsrrpt (TCV_MsrRes :=              | MsrRept(        |     |        |
| 79 |       | DL_UdatInMsrrpt.msg.msrr)                     | MsrReport_06)   |     |        |
| 80 |       | +ChkMsrmntRpt(6, 7)                           |                 |     |        |

|    |            |                                                               |                                                                                                                                                                                                                                                                                                    |                                    |
|----|------------|---------------------------------------------------------------|----------------------------------------------------------------------------------------------------------------------------------------------------------------------------------------------------------------------------------------------------------------------------------------------------|------------------------------------|
| 62 |            | START T_dly1(960)                                             |                                                                                                                                                                                                                                                                                                    | 960 ms                             |
| 63 | L_021<br>0 | ?TIMEOUT T_dly1                                               | (F)                                                                                                                                                                                                                                                                                                | 1.                                 |
| 64 |            | +PostMainLinkRel(TCV_chTch)                                   |                                                                                                                                                                                                                                                                                                    |                                    |
| 65 |            | L?DL_UdatInMsrRpt (TCV_MsrRes :=<br>DL_UdatInMsrRpt.msg.msrr) | MsrRept(<br>MsrReport_06)                                                                                                                                                                                                                                                                          |                                    |
| 66 |            | +ChkMsrmtRpt(6, 7)                                            |                                                                                                                                                                                                                                                                                                    |                                    |
| 67 |            | (TCV_Null := OM_StopMsrReport(<br>TCV_sacchTch))              |                                                                                                                                                                                                                                                                                                    |                                    |
| 68 |            | +PostMainLinkRel( TCV_chTch)                                  |                                                                                                                                                                                                                                                                                                    |                                    |
|    |            | <b>local_RcvHndovAcc</b>                                      |                                                                                                                                                                                                                                                                                                    |                                    |
| 69 |            | L?DL_RacInHoacc                                               | HndOvAccRcv(<br>TCV_chTch,<br>HandOverAcc_01)                                                                                                                                                                                                                                                      |                                    |
| 70 |            | L?DL_RacInHoacc                                               | HndOvAccRcv(<br>TCV_chTch,<br>HandOverAcc_01)                                                                                                                                                                                                                                                      |                                    |
| 71 |            | L?DL_RacInHoacc                                               | HndOvAccRcv(<br>TCV_chTch,<br>HandOverAcc_01)                                                                                                                                                                                                                                                      |                                    |
| 72 |            | L?DL_RacInHoacc                                               | HndOvAccRcv(<br>TCV_chTch,<br>HandOverAcc_01)                                                                                                                                                                                                                                                      |                                    |
|    |            | <b>local_HndovCmd</b>                                         |                                                                                                                                                                                                                                                                                                    |                                    |
| 73 |            | (TCV_Tchtype := '00001'B)                                     |                                                                                                                                                                                                                                                                                                    |                                    |
| 74 |            | [TSPC_PGSM OR TSPC_EGSM]                                      |                                                                                                                                                                                                                                                                                                    |                                    |
| 75 |            | LIDL_DatRqHoCmd                                               | HndOvSnd(<br>TCV_chTch,<br>HandOverCmd_nfh(<br>TCV_Tchtype,<br>TCV_slot, TCV_tsc,<br>C_NCC, C_BCC_3,<br>C_arfcn_2,<br>C_arfcn_tchA,<br>TSPX_HoRefA,<br>TCV_PwrIvl_ho,<br>Synchi(<br>C_not_report_otd,<br>C_synchronised),<br>ChMod_omit,<br>RelTmdDif_omit,<br>TimingAdv_omit,<br>CphMod_omit))    |                                    |
| 76 |            | [TSPC_DCS]                                                    |                                                                                                                                                                                                                                                                                                    |                                    |
| 77 |            | LIDL_DatRqHoCmd                                               | HndOvSnd(<br>TCV_chTch,<br>HandOverCmd_nfh(<br>TCV_Tchtype,<br>TCV_slot, TCV_tsc,<br>C_NCC, C_BCC_3,<br>C_arfcnAd_2,<br>C_arfcn_tchAd,<br>TSPX_HoRefA,<br>TCV_PwrIvl_ho,<br>Synchi(<br>C_not_report_otd,<br>C_synchronised),<br>ChMod_omit,<br>RelTmdDif_omit,<br>TimingAdv_omit,<br>CphMod_omit)) |                                    |
|    |            | <b>local_SendSysInfo5and6</b>                                 |                                                                                                                                                                                                                                                                                                    |                                    |
| 78 |            | [TSPC_PGSM OR TSPC_EGSM]                                      |                                                                                                                                                                                                                                                                                                    |                                    |
| 79 |            | LIDL_UdatRqSysinfo5                                           | SysInfo5(<br>TCV_sacch, SysInf5(<br>BcchFreqLst_36))                                                                                                                                                                                                                                               | SysInfo 1, 2, 3, 4, 6 as<br>before |
| 80 |            | LIDL_UdatRqSysinfo5bis                                        | SysInfo5bis(<br>TCV_sacch,<br>SysInf5bis(<br>BcchFreqLst_26))                                                                                                                                                                                                                                      |                                    |

|                                                                                                                                                                                                                        |                        |                                                               |                                    |
|------------------------------------------------------------------------------------------------------------------------------------------------------------------------------------------------------------------------|------------------------|---------------------------------------------------------------|------------------------------------|
| 81                                                                                                                                                                                                                     | [TSPC_DCS]             |                                                               |                                    |
| 82                                                                                                                                                                                                                     | L!DL_UdatRqSysinfo5    | SysInfo5(<br>TCV_sacch, SysInf5(<br>BcchFreqLst_29))          | SysInfo 1, 2, 3, 4, 6 as<br>before |
| 83                                                                                                                                                                                                                     | L!DL_UdatRqSysinfo5bis | SysInfo5bis(<br>TCV_sacch,<br>SysInf5bis(<br>BcchFreqLst_51)) |                                    |
| <b>Detailed Comments:</b>                                                                                                                                                                                              |                        |                                                               |                                    |
| <ol style="list-style-type: none"> <li>1. The interval between 2 successive layer 2 frames containing MEASUREMENT REPORT exceeds one layer 2 frame, fail.</li> <li>2. To allow the MS camp in cell H again.</li> </ol> |                        |                                                               |                                    |

| Test Case Dynamic Behaviour |            |                                                                                                                                                                                                                                                                                                                                                                                                                                                                                                                                                                                                                                 |                           |     |          |
|-----------------------------|------------|---------------------------------------------------------------------------------------------------------------------------------------------------------------------------------------------------------------------------------------------------------------------------------------------------------------------------------------------------------------------------------------------------------------------------------------------------------------------------------------------------------------------------------------------------------------------------------------------------------------------------------|---------------------------|-----|----------|
| <b>Test Case Name:</b>      |            | TC_26_6_3_5                                                                                                                                                                                                                                                                                                                                                                                                                                                                                                                                                                                                                     |                           |     |          |
| <b>Group:</b>               |            | GSM_L3_MS_v4210/RR/                                                                                                                                                                                                                                                                                                                                                                                                                                                                                                                                                                                                             |                           |     |          |
| <b>Purpose:</b>             |            | To test that when the SS gives information about neighbouring cells the MS reports appropriate results.                                                                                                                                                                                                                                                                                                                                                                                                                                                                                                                         |                           |     |          |
| <b>Default:</b>             |            | OtherEventsFail_01                                                                                                                                                                                                                                                                                                                                                                                                                                                                                                                                                                                                              |                           |     |          |
| Nr                          | Label      | Behaviour Description                                                                                                                                                                                                                                                                                                                                                                                                                                                                                                                                                                                                           | CRef                      | V   | Comments |
| 1                           |            | START T_guard(300)                                                                                                                                                                                                                                                                                                                                                                                                                                                                                                                                                                                                              |                           |     |          |
| 2                           |            | +BasicServiceMT( TSPX_MTBscSvcH,<br>TSPX_MTChRateH)                                                                                                                                                                                                                                                                                                                                                                                                                                                                                                                                                                             |                           |     |          |
| 3                           |            | +IdleUpdated( C_E_neighbourdefault, C_CellA,<br>C_SCH_A, C_BCCH_A_1, C_Imm, C_S0,<br>C_SlotNU, C_SlotNU, C_SlotNU, C_BCC,<br>C_TxInt_5, C_Max_1, C_NECI_0, C_ATT_0,<br>TimingAdv( 30), C_BABR_0, C_cch_1Comb,<br>C_BPM_3, C_T3212_0, C_ci_cellA, C_MCC_1,<br>C_PLMN_1, C_LAC_1, CellOpt_01,<br>CellChDes_02, CellChDes_03,<br>C_CellReselectHys12, C_MaxPwrLvlG,<br>C_MaxPwrLvlD, BcchFreqLst_37,<br>BcchFreqLst_Omit, BcchFreqLst_38,<br>BcchFreqLst_Omit, C_noRestablishment,<br>C_BCC_3, C_NCC, C_Start_Tmsi,<br>TSPX_SDCCH4SubA, TSPX_CKSNDDef,<br>TSPX_RANDDef, C_arfcn_2, C_arfcnAd_3,<br>TSPX_IMSI, C_Test_fh, C_NCCP_2) |                           |     |          |
| 4                           |            | +StartCellB( 28, 8, 815, C_Imm, TCV_slot,<br>TCV_tsc, TimingAdv( 30), C_TxInt_5,<br>C_Max_1, C_NECI_0, C_ATT_0, C_BABR_0,<br>C_cch_1Comb, C_BPM_3, C_T3212_0,<br>C_MCC_1, C_PLMN_1, C_LAC_1,<br>CellChDes_05, CellChDes_05d,<br>BcchFreqLst_01, BcchFreqLst_48,<br>C_noRestablishment, C_BCC_5, C_NCC)                                                                                                                                                                                                                                                                                                                          |                           |     |          |
| 5                           |            | +CCConfigTCH( TSPX_TCHHSubDef,<br>C_Ass, TSPX_TmSlitDef, TSPX_TscDef,<br>TimingAdv( 30), C_BABR_0, C_cch_1Comb,<br>C_BPM_3, TCV_ChMod.mode,<br>FreqTCH_omit, FreqTCH_omit,<br>C_arfcn_tchA, C_arfcn_tchAd)                                                                                                                                                                                                                                                                                                                                                                                                                      |                           |     |          |
| 6                           |            | +local_SysInfo5bisSending                                                                                                                                                                                                                                                                                                                                                                                                                                                                                                                                                                                                       |                           |     |          |
| 7                           | body       | +PreEnterCCstateU10_r01( TimingAdv(<br>30), TSPX_SDCCH4SubA, 0, 3,<br>TSPX_CKSNDDef, TSPX_RANDDef,<br>TSPX_TmSlitDef, TSPX_TscDef,<br>TSPX_TCHHSubDef, TCV_ChRate)                                                                                                                                                                                                                                                                                                                                                                                                                                                              |                           |     |          |
| 8                           |            | (TCV_Null := OM_StartMsrReport(<br>TCV_sacchTch))                                                                                                                                                                                                                                                                                                                                                                                                                                                                                                                                                                               |                           |     |          |
| 9                           |            | L?DL_UdatInMsrRpt( TCV_MsrRes :=<br>DL_UdatInMsrRpt.msg.msrr)                                                                                                                                                                                                                                                                                                                                                                                                                                                                                                                                                                   | MsrRept(<br>MsrReport_07) |     |          |
| 10                          |            | +ChkMsrmntRpt(8, 9)                                                                                                                                                                                                                                                                                                                                                                                                                                                                                                                                                                                                             |                           |     |          |
| 11                          |            | +local_continue                                                                                                                                                                                                                                                                                                                                                                                                                                                                                                                                                                                                                 |                           |     |          |
| 12                          |            | <b>local_continue</b><br>START T_dly1(960)                                                                                                                                                                                                                                                                                                                                                                                                                                                                                                                                                                                      |                           |     | 960 ms   |
| 13                          | L_021<br>1 | ?TIMEOUT T_dly1                                                                                                                                                                                                                                                                                                                                                                                                                                                                                                                                                                                                                 |                           | (F) | 1.       |
| 14                          |            | +PostMainLinkRel( TCV_chTch)                                                                                                                                                                                                                                                                                                                                                                                                                                                                                                                                                                                                    |                           |     |          |
| 15                          |            | L?DL_UdatInMsrRpt( TCV_MsrRes :=<br>DL_UdatInMsrRpt.msg.msrr)                                                                                                                                                                                                                                                                                                                                                                                                                                                                                                                                                                   | MsrRept(<br>MsrReport_07) |     |          |
| 16                          |            | +ChkMsrmntRpt(8, 9)                                                                                                                                                                                                                                                                                                                                                                                                                                                                                                                                                                                                             |                           |     |          |
| 17                          |            | (TCV_Null := OM_StopMsrReport(<br>TCV_sacchTch))                                                                                                                                                                                                                                                                                                                                                                                                                                                                                                                                                                                |                           |     |          |
| 18                          |            | +PostMainLinkRel(TCV_chTch)                                                                                                                                                                                                                                                                                                                                                                                                                                                                                                                                                                                                     |                           |     |          |
| 19                          |            | +local_execution2                                                                                                                                                                                                                                                                                                                                                                                                                                                                                                                                                                                                               |                           |     |          |
| 20                          |            | <b>local_execution2</b><br>+local_SysInfo5and6Sending( BcchFreqLst_41,<br>BcchFreqLst_39, BcchFreqLst_42)                                                                                                                                                                                                                                                                                                                                                                                                                                                                                                                       |                           |     | 1.       |
| 21                          |            | +PreEnterCCstateU10_r01( TimingAdv( 30),<br>TSPX_SDCCH4SubA, 0, 3, TSPX_CKSNDDef,                                                                                                                                                                                                                                                                                                                                                                                                                                                                                                                                               |                           |     |          |



|    |            |                                                                                                                                                               |                                                                                                      |     |        |
|----|------------|---------------------------------------------------------------------------------------------------------------------------------------------------------------|------------------------------------------------------------------------------------------------------|-----|--------|
| 22 |            | TSPX_RANDDef, TSPX_TmSlitDef, TSPX_TscDef,<br>TSPX_TCHHSubDef, TCV_ChRate)                                                                                    |                                                                                                      |     |        |
| 23 |            | (TCV_Null :=<br>OM_StartMsrReport(TCV_sacchTch))                                                                                                              |                                                                                                      |     |        |
| 24 |            | L?DL_UdatInMsrRpt (TCV_MsrRes :=<br>DL_UdatInMsrRpt.msg.msrr)                                                                                                 | MsrRept(<br>MsrReport_07)                                                                            |     |        |
| 25 |            | +ChkMsrmntRpt(8, 9)                                                                                                                                           |                                                                                                      |     | 960 ms |
| 26 | L_021<br>2 | START T_dly1(960)<br>?TIMEOUT T_dly1                                                                                                                          |                                                                                                      | (F) | 1.     |
| 27 |            | +PostMainLinkRel( TCV_chTch)                                                                                                                                  |                                                                                                      |     |        |
| 28 |            | L?DL_UdatInMsrRpt (TCV_MsrRes :=<br>DL_UdatInMsrRpt.msg.msrr)                                                                                                 | MsrRept(<br>MsrReport_07)                                                                            |     |        |
| 29 |            | +ChkMsrmntRpt(8, 9)                                                                                                                                           |                                                                                                      |     |        |
| 30 |            | (TCV_Null := OM_StopMsrReport(<br>TCV_sacchTch))                                                                                                              |                                                                                                      |     |        |
| 31 |            | +PostMainLinkRel( TCV_chTch)                                                                                                                                  |                                                                                                      |     |        |
| 32 |            | +local_execution3                                                                                                                                             |                                                                                                      |     |        |
| 33 |            | <b>local_execution3</b><br>+local_SysInfo5and6Sending( BcchFreqLst_43,<br>BcchFreqLst_40, BcchFreqLst_44)                                                     |                                                                                                      |     | 1.     |
| 34 |            | +PreEnterCCstateU10_r01( TimingAdv( 30),<br>TSPX_SDCCH4SubA, 0, 3, TSPX_CKSNDf,<br>TSPX_RANDDef, TSPX_TmSlitDef, TSPX_TscDef,<br>TSPX_TCHHSubDef, TCV_ChRate) |                                                                                                      |     |        |
| 35 |            | (TCV_Null :=<br>OM_StartMsrReport(TCV_sacchTch))                                                                                                              |                                                                                                      |     |        |
| 36 |            | L?DL_UdatInMsrRpt (TCV_MsrRes :=<br>DL_UdatInMsrRpt.msg.msrr)                                                                                                 | MsrRept(<br>MsrReport_07)                                                                            |     |        |
| 37 |            | +ChkMsrmntRpt(8, 10)                                                                                                                                          |                                                                                                      |     |        |
| 38 |            | START T_dly1(960)                                                                                                                                             |                                                                                                      |     | 960 ms |
| 39 | L_021<br>3 | ?TIMEOUT T_dly1                                                                                                                                               |                                                                                                      | (F) | 1.     |
| 40 |            | +PostMainLinkRel( TCV_chTch)                                                                                                                                  |                                                                                                      |     |        |
| 41 |            | L?DL_UdatInMsrRpt (TCV_MsrRes :=<br>DL_UdatInMsrRpt.msg.msrr)                                                                                                 | MsrRept(<br>MsrReport_07)                                                                            |     |        |
| 42 |            | +ChkMsrmntRpt(8, 10)                                                                                                                                          |                                                                                                      |     |        |
| 43 |            | (TCV_Null := OM_StopMsrReport(<br>TCV_sacchTch))                                                                                                              |                                                                                                      |     |        |
| 44 |            | +PostMainLinkRel( TCV_chTch)                                                                                                                                  |                                                                                                      |     |        |
| 45 |            | <b>local_SysInfo5and6Sending( ba1, ba2, ba3 :NCD)</b><br>+Wait(C_T_Wait1)                                                                                     |                                                                                                      |     |        |
| 46 |            | [TSPC_PGSM OR TSPC_EGSM]                                                                                                                                      |                                                                                                      |     |        |
| 47 |            | LIDL_UdatRqSysinfo5bis                                                                                                                                        | SysInfo5bis(<br>TCV_sacch,<br>SysInf5bis( ba1))                                                      |     |        |
| 48 |            | [TSPC_DCS]                                                                                                                                                    |                                                                                                      |     |        |
| 49 |            | LIDL_UdatRqSysinfo5                                                                                                                                           | SysInfo5(<br>TCV_sacch, SysInf5(<br>ba2))                                                            |     |        |
| 50 |            | LIDL_UdatRqSysinfo5bis                                                                                                                                        | SysInfo5bis(<br>TCV_sacch,<br>SysInf5bis( ba3))                                                      |     |        |
| 51 |            | LIDL_UdatRqSysinfo6                                                                                                                                           | SysInfo6(<br>TCV_sacch, SysInf6(<br>C_ci_cellA,<br>C_MCC_1,<br>C_PLMN_1,<br>C_LAC_1,<br>CellOpt_06)) |     |        |
| 52 |            | <b>local_SysInfo5bisSending</b><br>[TSPC_PGSM OR TSPC_EGSM]                                                                                                   |                                                                                                      |     |        |
| 53 |            | LIDL_UdatRqSysinfo5bis                                                                                                                                        | SysInfo5bis(<br>TCV_sacch,<br>SysInf5bis(<br>BcchFreqLst_38))                                        |     |        |
| 54 |            | [TSPC_DCS]                                                                                                                                                    |                                                                                                      |     |        |

|                           |  |                        |                                                               |  |  |
|---------------------------|--|------------------------|---------------------------------------------------------------|--|--|
| 55                        |  | L!DL_UdatRqSysinfo5bis | SysInfo5bis(<br>TCV_sacch,<br>SysInf5bis(<br>BcchFreqLst_37)) |  |  |
| <b>Detailed Comments:</b> |  |                        |                                                               |  |  |

### Test Case Dynamic Behaviour

|                        |                                                                                                                                                                                                                                                                                                                                                                                                                                                                                                                                                                                                                                                                                                                                                                                                                                                                                                                                                                                                                                                                                                                                                                                                                                                                                                                                                                                                                                                                                                                                                                                                                                                                                                                                                                                                                                                                                                                                                                                                                                                                      |
|------------------------|----------------------------------------------------------------------------------------------------------------------------------------------------------------------------------------------------------------------------------------------------------------------------------------------------------------------------------------------------------------------------------------------------------------------------------------------------------------------------------------------------------------------------------------------------------------------------------------------------------------------------------------------------------------------------------------------------------------------------------------------------------------------------------------------------------------------------------------------------------------------------------------------------------------------------------------------------------------------------------------------------------------------------------------------------------------------------------------------------------------------------------------------------------------------------------------------------------------------------------------------------------------------------------------------------------------------------------------------------------------------------------------------------------------------------------------------------------------------------------------------------------------------------------------------------------------------------------------------------------------------------------------------------------------------------------------------------------------------------------------------------------------------------------------------------------------------------------------------------------------------------------------------------------------------------------------------------------------------------------------------------------------------------------------------------------------------|
| <b>Test Case Name:</b> | TC_26_6_4_1                                                                                                                                                                                                                                                                                                                                                                                                                                                                                                                                                                                                                                                                                                                                                                                                                                                                                                                                                                                                                                                                                                                                                                                                                                                                                                                                                                                                                                                                                                                                                                                                                                                                                                                                                                                                                                                                                                                                                                                                                                                          |
| <b>Group:</b>          | GSM_L3_MS_v4210/RR/                                                                                                                                                                                                                                                                                                                                                                                                                                                                                                                                                                                                                                                                                                                                                                                                                                                                                                                                                                                                                                                                                                                                                                                                                                                                                                                                                                                                                                                                                                                                                                                                                                                                                                                                                                                                                                                                                                                                                                                                                                                  |
| <b>Purpose:</b>        | <p>1. To verify that upon receipt of an ASSIGNMENT COMMAND, the MS switches to the channel defined in the ASSIGNMENT COMMAND, establishes the link and sends an ASSIGNMENT COMPLETE message. This is tested for an MS supporting TCH in the special cases of a transition</p> <p>1.1 from non-hopping SDCCH to hopping TCH/F using a different timeslot</p> <p>1.2 from hopping TCH/F to non-hopping TCH/F using a different timeslot</p> <p>1.3 from non-hopping TCH/F to non-hopping TCH/F using a different timeslot</p> <p>1.4 from non-hopping TCH/F to hopping TCH/H using a different timeslot; this test purpose is only applicable if the MS supports TCH/H</p> <p>1.5 from hopping TCH/H to non-hopping TCH/H using a different timeslot; this test purpose is only applicable if the MS supports TCH/H</p> <p>1.6 from non-hopping TCH/H to hopping TCH/F using a different timeslot; this test purpose is only applicable if the MS supports TCH/H.</p> <p>2. To verify that an MS supporting TCH, having sent an MM- or CM message which was not acknowledged on L2 before the channel assignment procedure was initiated and before the MS has left the old channel, repeats that message after completion of the assignment procedure without incrementing N(SD). This is tested in the special case of MM message AUTHENTICATION RESPONSE.</p> <p>3. To verify that, if an MS supporting TCH has received an ASSIGNMENT COMMAND message which contains only the description of a channel to be used after the starting time, and if the starting time has not already elapsed, the mobile station shall wait up to the starting time before accessing the channel.</p> <p>4. To verify that an MS supporting TCH, having received an ASSIGNMENT COMMAND, having sent an SABM frame to establish the main signalling link on the assigned channel, reports the power level specified in the ASSIGNMENT COMMAND message, in the uplink SACCH L1 header of the SACCH message sent in the SACCH period following the transmission of the SABM frame.</p> |
| <b>Default:</b>        | OtherEventsFail_01                                                                                                                                                                                                                                                                                                                                                                                                                                                                                                                                                                                                                                                                                                                                                                                                                                                                                                                                                                                                                                                                                                                                                                                                                                                                                                                                                                                                                                                                                                                                                                                                                                                                                                                                                                                                                                                                                                                                                                                                                                                   |

| Nr | Label | Behaviour Description                                                                                                                                                                                                                                                                                                                                                                                                                                                                                                                                                  | CRef                                   | V | Comments |
|----|-------|------------------------------------------------------------------------------------------------------------------------------------------------------------------------------------------------------------------------------------------------------------------------------------------------------------------------------------------------------------------------------------------------------------------------------------------------------------------------------------------------------------------------------------------------------------------------|----------------------------------------|---|----------|
| 1  |       | START T_guard(300)                                                                                                                                                                                                                                                                                                                                                                                                                                                                                                                                                     |                                        |   |          |
| 2  |       | +IdleUpdated( C_E_default, C_CellA, C_SCH_A, C_BCCH_A_1, C_ImmAss, C_S0, C_SlotNU, C_SlotNU, C_SlotNU, C_BCC, C_TxInt_5, C_Max_1, C_NECI_0, C_ATT_0, TimingAdv( 30), C_BABR_0, C_cch_1Comb, C_BPM_3, C_T3212_0, C_ci_cellA, C_MCC_1, C_PLMN_1, C_LAC_1, CellOpt_05, CellChDes_15, CellChDes_15d, C_CellReselectHys12, C_MaxPwrLvlG, C_MaxPwrLvlD, BcchFreqLst_02, BcchFreqLst_01, BcchFreqLst_04, BcchFreqLst_48, C_Restablishment, C_BCC, C_NCC, C_Start_Tmsi, TSPX_SDCCH4SubDef, TSPX_CKSNDDef, TSPX_RANDDef, C_arfcnA, C_arfcnAd_4, TSPX_IMSI, C_Test_fh, C_NCCP_2) |                                        |   |          |
| 3  |       | +SDCCH8_A_1_nociph( TSPX_SDCCH8SubDef, C_Ass, TSPX_TmSlitDef, TSPX_TscDef, ChMod_sign, FreqBCCH( C_arfcnA), FreqBCCH( C_arfcnAd_4), TimingAdv( 30), C_BABR_0, C_cch_1nonComb, C_BPM_3)                                                                                                                                                                                                                                                                                                                                                                                 |                                        |   | 2.       |
| 4  |       | LIDL_UdatRqPg1Rq                                                                                                                                                                                                                                                                                                                                                                                                                                                                                                                                                       | PgReq1(TCV_PgCh, TCV_Pgg, PgReqTp1_01) |   |          |
| 5  |       | L?DL_RaInChRq( TCV_Rr := DL_RaInChRq.msg.ecau_rrf, TCV_Fn := DL_RaInChRq.fn)                                                                                                                                                                                                                                                                                                                                                                                                                                                                                           | ChReq( ChRequest_17)                   |   |          |
| 6  |       | +ltree_ImmAss                                                                                                                                                                                                                                                                                                                                                                                                                                                                                                                                                          |                                        |   |          |
| 7  |       | L?DL_EstInPgRes                                                                                                                                                                                                                                                                                                                                                                                                                                                                                                                                                        | PagingRes( PagingRes_01)               |   |          |
| 8  |       | +localtree1                                                                                                                                                                                                                                                                                                                                                                                                                                                                                                                                                            |                                        |   |          |
| 9  |       | +localtree2                                                                                                                                                                                                                                                                                                                                                                                                                                                                                                                                                            |                                        |   |          |
|    |       | <b>localtree1</b>                                                                                                                                                                                                                                                                                                                                                                                                                                                                                                                                                      |                                        |   |          |
| 10 |       | +ltree_Asgn1                                                                                                                                                                                                                                                                                                                                                                                                                                                                                                                                                           |                                        |   |          |
| 11 |       | +ltree_AssCh_complete( TCV_ch, TCV_chTch, TCV_AssCmd)                                                                                                                                                                                                                                                                                                                                                                                                                                                                                                                  |                                        |   |          |

|    |            |                                                                             |                                                                   |     |
|----|------------|-----------------------------------------------------------------------------|-------------------------------------------------------------------|-----|
| 12 |            | (TCV_L1Head := OM_GetL1Hd(TCV_chTch),<br>TCV_Pwrlvl := TCV_L1Head.mspwrlvl) |                                                                   |     |
| 13 | L_021<br>4 | [TCV_Pwrlvl <> '0000111'B]                                                  |                                                                   | (F) |
| 14 | L_021<br>5 | [TCV_Pwrlvl = '0000111'B]                                                   |                                                                   | (P) |
| 15 |            | +ltree_Asgn2                                                                |                                                                   |     |
| 16 |            | +ltree_AssCh_complete( TCV_chTch,<br>TCV_chTch1, TCV_AssCmd)                |                                                                   |     |
|    |            | <b>localtree2</b>                                                           |                                                                   |     |
| 17 |            | (TCV_Null :=OM_NoL2Ack( 1, TCV_chTch1))                                     |                                                                   |     |
| 18 |            | L!DL_DatRqAuthRq                                                            | AuthReq(TCV_ch,<br>AuthRequest(<br>TSPX_CKSNDf,<br>TSPX_RANDDef)) |     |
| 19 |            | L?DL_DatInAuthRes (TCV_Mt :=<br>DL_DatInAuthRes.msg.mt)                     | AuthRes(<br>AuthResponse)                                         |     |
| 20 |            | +ltree_Asgn3                                                                |                                                                   |     |
| 21 |            | +ltree_AssCh_complete( TCV_chTch1,<br>TCV_chTch, TCV_AssCmd)                |                                                                   |     |
| 22 |            | L?DL_DatInAuthRes (TCV_Mt1 :=<br>DL_DatInAuthRes.msg.mt)                    | AuthRes(<br>AuthResponse)                                         |     |
| 23 |            | [TCV_Mt <> TCV_Mt1]                                                         |                                                                   | (F) |
| 24 |            | [TCV_Mt = TCV_Mt1]                                                          |                                                                   | (P) |
| 25 |            | +continue1                                                                  |                                                                   |     |
|    |            | <b>continue1</b>                                                            |                                                                   |     |
| 26 |            | +ltree_Asgn4                                                                |                                                                   |     |
| 27 |            | +ltree_AssCh_complete( TCV_chTch,<br>TCV_chTch1, TCV_AssCmd)                |                                                                   |     |
| 28 |            | [TCV_K >17]                                                                 |                                                                   | (F) |
| 29 |            | [(TCV_K >= 0) AND (TCV_K <=17)]                                             |                                                                   | (P) |
| 30 |            | [TCV_CC AND( NOT TSPC_DualRate)]                                            |                                                                   |     |
| 31 |            | +PostMainLinkRel(TCV_chTch1)                                                |                                                                   |     |
| 32 |            | [TSPC_DualRate]                                                             |                                                                   |     |
| 33 |            | +gofurther                                                                  |                                                                   |     |
|    |            | <b>gofurther</b>                                                            |                                                                   |     |
| 34 |            | +ltree_Asgn5                                                                |                                                                   |     |
| 35 |            | +ltree_AssCh_complete( TCV_chTch1,<br>TCV_chTch, TCV_AssCmd)                |                                                                   |     |
| 36 |            | L!DL_DatRqIdRq                                                              | IDReq(TCV_chTch,<br>IDRequest_01('0010'<br>B))                    |     |
| 37 |            | L?DL_DatInIdRes                                                             | IDRes(IDResponse_0<br>1)                                          |     |
| 38 |            | +ltree_Asgn6                                                                |                                                                   |     |
| 39 |            | +ltree_AssCh_complete( TCV_chTch,<br>TCV_chTch1, TCV_AssCmd)                |                                                                   |     |
| 40 |            | +ltree_Asgn7                                                                |                                                                   |     |
| 41 |            | +ltree_AssCh_complete( TCV_chTch1,<br>TCV_chTch, TCV_AssCmd)                |                                                                   |     |
| 42 |            | +PostMainLinkRel(TCV_chTch)                                                 |                                                                   |     |
|    |            | <b>ltree_AssCh_complete(oldch,newch:LOGICCH;<br/>pdu_ass: ASS_CMD_PDU)</b>  |                                                                   |     |
| 43 |            | L!DL_DatRqAssCmd START T_dlyAss                                             | AssCmd(oldch,pdu_a<br>ss)                                         |     |
| 44 |            | ?TIMEOUT T_dlyAss                                                           |                                                                   | (F) |
| 45 |            | +PostLinkRelEnd(oldch)                                                      |                                                                   |     |
| 46 |            | L?DL_EstIn (TCV_Fn1 := DL_EstIn.fn) CANCEL<br>T_dlyAss                      | DLEstIn(newch)                                                    |     |
| 47 |            | (TCV_Fn := OM_ReturnFn( oldch))                                             |                                                                   |     |
| 48 |            | L?DL_DatInAssCom                                                            | AssCmp( newch,<br>AsgnCmp_02)                                     |     |
| 49 |            | L!MDL_RelRq                                                                 | MDLRelReq(oldch)                                                  |     |
| 50 |            | +Check_Time(C_T_AssCmd)                                                     |                                                                   |     |

|    |                                                                                                                                                                                         |                                                                                                                                                       |
|----|-----------------------------------------------------------------------------------------------------------------------------------------------------------------------------------------|-------------------------------------------------------------------------------------------------------------------------------------------------------|
| 51 | <b>ltree_ImmAss</b>                                                                                                                                                                     |                                                                                                                                                       |
| 52 | [TSPC_PGSM OR TSPC_EGSM]<br>LIDL_UdatRqImmAss                                                                                                                                           | ImmAss( TCV_agch,<br>ImmAsgn_sdcch8(<br>TCV_Rr, TCV_Fn,<br>TSPX_TmSlitDef,<br>TSPX_TscDef,<br>TSPX_SDCCH8SubD<br>ef, C_arfcnA,<br>TimingAdv( 30)))    |
| 53 | [TSPC_DCS]                                                                                                                                                                              |                                                                                                                                                       |
| 54 | LIDL_UdatRqImmAss                                                                                                                                                                       | ImmAss( TCV_agch,<br>ImmAsgn_sdcch8(<br>TCV_Rr, TCV_Fn,<br>TSPX_TmSlitDef,<br>TSPX_TscDef,<br>TSPX_SDCCH8SubD<br>ef, C_arfcnAd_4,<br>TimingAdv( 30))) |
|    | <b>ltree_Asgn1</b>                                                                                                                                                                      |                                                                                                                                                       |
| 55 | (TCV_chTch := C_FACCHF_A_1, TCV_sacchTch :=<br>C_SACCHF_A_1, TCV_slit2 := INT_TO_BIT(((<br>BIT_TO_INT( TSPX_TmSlitDef) + 1) MOD 8), 3))                                                 |                                                                                                                                                       |
| 56 | [TSPC_PGSM OR TSPC_EGSM]                                                                                                                                                                |                                                                                                                                                       |
| 57 | +Config_FACCHF_A_1(C_E_default, 7,<br>ChMod_sign, C_Ass, TCV_slit2, TSPX_TscDef,<br>FreqTCHa3, C_TCHF_ACCHF_1, TimingAdv(<br>30), C_BABR_0, C_cch_1Comb, C_BPM_3)                       |                                                                                                                                                       |
| 58 | +SysInfo_SacchSending( TCV_sacchTch,<br>TCV_sysinfo5, TCV_sysinfo6)                                                                                                                     |                                                                                                                                                       |
| 59 | (TCV_AssCmd := AsgnCmd_tch_fh(<br>TCV_slit2, TSPX_TscDef, 7, '000001'B,<br>'000001'B, Frql_omit, CellChDes_Omit,<br>ChMod_sign_iei, MobilAllc_r01,<br>CphMod_omit))                     |                                                                                                                                                       |
| 60 | [TSPC_DCS]                                                                                                                                                                              |                                                                                                                                                       |
| 61 | +Config_FACCHF_A_1(C_E_default, 7,<br>ChMod_sign, C_Ass, TCV_slit2, TSPX_TscDef,<br>FreqTCHa8, C_TCHF_ACCHF_1, TimingAdv(<br>30), C_BABR_0, C_cch_1Comb, C_BPM_3)                       |                                                                                                                                                       |
| 62 | +SysInfo_SacchSending( TCV_sacchTch,<br>TCV_sysinfo5, TCV_sysinfo6)                                                                                                                     |                                                                                                                                                       |
| 63 | (TCV_AssCmd := AsgnCmd_tch_fh(<br>TCV_slit2, TSPX_TscDef, 7, '000001'B,<br>'000001'B, Frql_omit, CellChDes_Omit,<br>ChMod_sign_iei, MobilAllc_r01,<br>CphMod_omit))                     |                                                                                                                                                       |
|    | <b>ltree_Asgn2</b>                                                                                                                                                                      |                                                                                                                                                       |
| 64 | (TCV_chTch1 := C_FACCHF_A_2, TCV_sacchTch1<br>:= C_SACCHF_A_2, TCV_slit2 := INT_TO_BIT(((<br>BIT_TO_INT( TSPX_TmSlitDef) + 3) MOD 8), 3))                                               |                                                                                                                                                       |
| 65 | [TSPC_PGSM OR TSPC_EGSM]                                                                                                                                                                |                                                                                                                                                       |
| 66 | +Config_FACCHF_A_2(C_E_default, 16,<br>ChMod(TSPX_modF), C_Ass, TCV_slit2,<br>TSPX_TscDef, FreqTCH( C_arfcnA),<br>C_TCHF_ACCHF_2, TimingAdv( 30),<br>C_BABR_0, C_cch_1Comb, C_BPM_3)    |                                                                                                                                                       |
| 67 | +SysInfo_SacchSending( TCV_sacchTch1,<br>TCV_sysinfo5, TCV_sysinfo6)                                                                                                                    |                                                                                                                                                       |
| 68 | (TCV_AssCmd := AsgnCmd_nfh( '00001'B,<br>TCV_slit2, TSPX_TscDef, 16, C_arfcnA,<br>CellChDes_r03, ChMod(TSPX_modF),<br>StartingTm_omit, CphMod_omit))                                    |                                                                                                                                                       |
| 69 | [TSPC_DCS]                                                                                                                                                                              |                                                                                                                                                       |
| 70 | +Config_FACCHF_A_2(C_E_default, 12,<br>ChMod(TSPX_modF), C_Ass, TCV_slit2,<br>TSPX_TscDef, FreqTCH( C_arfcnAd_4),<br>C_TCHF_ACCHF_2, TimingAdv( 30),<br>C_BABR_0, C_cch_1Comb, C_BPM_3) |                                                                                                                                                       |
| 71 | +SysInfo_SacchSending( TCV_sacchTch1,                                                                                                                                                   |                                                                                                                                                       |

|    |                                                                                                                                                                                                                                                                                             |
|----|---------------------------------------------------------------------------------------------------------------------------------------------------------------------------------------------------------------------------------------------------------------------------------------------|
| 72 | TCV_sysinfo5, TCV_sysinfo6)<br>(TCV_AssCmd := AsgnCmd_nfh( '00001'B,<br>TCV_slt2, TSPX_TscDef, 12, C_arfcnAd_4,<br>CellChDes_r01, ChMod(TSPX_modF),<br>StartingTm_omit, CphMod_omit))                                                                                                       |
| 73 | <b>ltree_Asgn3</b><br>(TCV_chTch := C_FACCHF_A_1, TCV_sacchTch :=<br>C_SACCHF_A_1, TCV_slt2 := INT_TO_BIT(((<br>BIT_TO_INT( TSPX_TmSltDef) + 4) MOD 8), 3))                                                                                                                                 |
| 74 | [TSPC_PGSM OR TSPC_EGSM]                                                                                                                                                                                                                                                                    |
| 75 | +Config_FACCHF_A_1(C_E_default, 9,<br>ChMod(TSPX_modF), C_Ass, TCV_slt2,<br>TSPX_TscDef, FreqTCHa7, C_TCHF_ACCHF_1,<br>TimingAdv( 30), C_BABR_0, C_cch_1Comb,<br>C_BPM_3)                                                                                                                   |
| 76 | +SysInfo_SacchSending( TCV_sacchTch,<br>TCV_sysinfo5, TCV_sysinfo6)                                                                                                                                                                                                                         |
| 77 | (TCV_AssCmd := AsgnCmd_tchf_fh(<br>TCV_slt2, TSPX_TscDef, 9, '000011'B,<br>'001000'B, FrqI_omit, CellChDes_Omit,<br>ChMod_omit, MobilAllc_r02, CphMod_omit))                                                                                                                                |
| 78 | [TSPC_DCS]                                                                                                                                                                                                                                                                                  |
| 79 | +Config_FACCHF_A_1(C_E_default, 9,<br>ChMod_speech, C_Ass, TCV_slt2,<br>TSPX_TscDef, FreqTCHa6, C_TCHF_ACCHF_1,<br>TimingAdv( 30), C_BABR_0, C_cch_1Comb,<br>C_BPM_3)                                                                                                                       |
| 80 | +SysInfo_SacchSending( TCV_sacchTch,<br>TCV_sysinfo5, TCV_sysinfo6)                                                                                                                                                                                                                         |
| 81 | (TCV_AssCmd := AsgnCmd_tchf_fh(<br>TCV_slt2, TSPX_TscDef, 9, '000011'B,<br>'001000'B, FrqI_omit, CellChDes_Omit,<br>ChMod_omit, MobilAllc_r04, CphMod_omit))                                                                                                                                |
| 82 | <b>ltree_Asgn4</b><br>(TCV_chTch1 := C_FACCHF_A_2, TCV_sacchTch1<br>:= C_SACCHF_A_2, TCV_slt2 := INT_TO_BIT(((<br>BIT_TO_INT( TSPX_TmSltDef) + 5) MOD 8), 3),<br>TCV_Fn := OM_ComingFn( TCV_chTch), TCV_Fn1<br>:= OC_FnInc( TCV_Fn, 100), TCV_Null :=<br>OM_SendNextOn( TCV_chTch, TCV_Fn)) |
| 83 | [TSPC_PGSM OR TSPC_EGSM]                                                                                                                                                                                                                                                                    |
| 84 | +Config_FACCHF_A_2(C_E_default, 14,<br>ChMod_sign, C_Ass, TCV_slt2, TSPX_TscDef,<br>FreqTCH( C_arfcn_10), C_TCHF_ACCHF_2,<br>TimingAdv( 30), C_BABR_0, C_cch_1Comb,<br>C_BPM_3)                                                                                                             |
| 85 | +SysInfo_SacchSending( TCV_sacchTch1,<br>TCV_sysinfo5, TCV_sysinfo6)                                                                                                                                                                                                                        |
| 86 | (TCV_AssCmd := AsgnCmd_nfh( '00001'B,<br>TCV_slt2, TSPX_TscDef, 14, C_arfcn_10,<br>CellChDes_Omit, ChMod_sign_iei,<br>StartingTm_01(TCV_Fn1), CphMod_omit))                                                                                                                                 |
| 87 | [TSPC_DCS]                                                                                                                                                                                                                                                                                  |
| 88 | +Config_FACCHF_A_2(C_E_default, 14,<br>ChMod_sign, C_Ass, TCV_slt2, TSPX_TscDef,<br>FreqTCH( C_arfcnAd_5), C_TCHF_ACCHF_2,<br>TimingAdv( 30), C_BABR_0, C_cch_1Comb,<br>C_BPM_3)                                                                                                            |
| 89 | +SysInfo_SacchSending( TCV_sacchTch1,<br>TCV_sysinfo5, TCV_sysinfo6)                                                                                                                                                                                                                        |
| 90 | (TCV_AssCmd := AsgnCmd_nfh( '00001'B,<br>TCV_slt2, TSPX_TscDef, 14, C_arfcnAd_5,<br>CellChDes_Omit, ChMod_sign_iei,<br>StartingTm_01(TCV_Fn1), CphMod_omit))                                                                                                                                |
| 91 | <b>ltree_Asgn5</b><br>(TCV_chTch := OC_SubchOfFacchh(<br>TSPX_TCHHSubDef, C_CellA, 1), TCV_sacchTch :=<br>OC_SubchOfSacchh( TSPX_TCHHSubDef, C_CellA,<br>1), TCV_slt2 := INT_TO_BIT((( BIT_TO_INT(<br>TSPX_TmSltDef) + 6) MOD 8), 3))                                                       |

```

92 [TSPC_PGSM OR TSPC_EGSM]
93 +Config_FACCHH_A_1(C_E_default, 8,
    ChMod(TSPX_modH), C_Ass, TCV_slt2,
    TSPX_TscDef, FreqTCHa9, C_TCHH_ACCHH_1,
    TimingAdv( 30), C_BABR_0, C_cch_1Comb,
    C_BPM_3)
94 +SysInfo_SacchSending( TCV_sacchTch,
    TCV_sysinfo5, TCV_sysinfo6)
95 (TCV_AssCmd := AsgnCmd_tchh_fh(
    TSPX_TCHHSubDef, TCV_slt2,
    TSPX_TscDef, 8, '000101'B, '000000'B,
    Frql_08, CellChDes_Omit,
    ChMod(TSPX_modH), MobilAllc_omit,
    CphMod_omit))
96 [TSPC_DCS]
97 +Config_FACCHH_A_1(C_E_default, 3,
    ChMod(TSPX_modH), C_Ass, TCV_slt2,
    TSPX_TscDef, FreqTCHa5, C_TCHH_ACCHH_1,
    TimingAdv( 30), C_BABR_0, C_cch_1Comb,
    C_BPM_3)
98 +SysInfo_SacchSending( TCV_sacchTch,
    TCV_sysinfo5, TCV_sysinfo6)
99 (TCV_AssCmd := AsgnCmd_tchh_fh(
    TSPX_TCHHSubDef, TCV_slt2,
    TSPX_TscDef, 3, '000101'B,
    '000000'B, Frql_09, CellChDes_Omit,
    ChMod(TSPX_modH), MobilAllc_omit,
    CphMod_omit))

Itree_Asgn6
100 (TCV_chTch1 := OC_SubchOfFacchh(
    TSPX_TCHHSubA, C_CellA, 2), TCV_sacchTch1 :=
    OC_SubchOfSacchh( TSPX_TCHHSubDef, C_CellA,
    2), TCV_slt2 := INT_TO_BIT((( BIT_TO_INT(
    TSPX_TmSltDef) +7) MOD 8), 3))
101 [TSPC_PGSM OR TSPC_EGSM]
102 +Config_FACCHH_A_2(C_E_default, 12,
    ChMod(TSPX_modH), C_Ass, TCV_slt2,
    TSPX_TscDef, FreqTCH( C_arfcn_34),
    C_TCHH_ACCHH_2, TimingAdv( 30),
    C_BABR_0, C_cch_1Comb, C_BPM_3)
103 +SysInfo_SacchSending( TCV_sacchTch1,
    TCV_sysinfo5, TCV_sysinfo6)
104 (TCV_AssCmd := AsgnCmd_tchh_nfh(
    TSPX_TCHHSubA, TCV_slt2, TSPX_TscDef,
    12, C_arfcn_34, CellChDes_Omit,
    ChMod_omit, StartingTm_omit))
105 [TSPC_DCS]
106 +Config_FACCHH_A_2(C_E_default, 9,
    ChMod(TSPX_modH), C_Ass, TCV_slt2,
    TSPX_TscDef, FreqTCH( C_arfcnAd_6),
    C_TCHH_ACCHH_2, TimingAdv( 30),
    C_BABR_0, C_cch_1Comb, C_BPM_3)
107 +SysInfo_SacchSending( TCV_sacchTch1,
    TCV_sysinfo5, TCV_sysinfo6)
108 (TCV_AssCmd := AsgnCmd_tchh_nfh(
    TSPX_TCHHSubA, TCV_slt2, TSPX_TscDef,
    9, C_arfcnAd_6, CellChDes_Omit,
    ChMod_omit, StartingTm_omit))

Itree_Asgn7
109 (TCV_slt2 := INT_TO_BIT((( BIT_TO_INT(
    TSPX_TmSltDef) + 1) MOD 8), 3))
110 +FullRateCh_A_1_nociph( C_Ass, TCV_slt2,
    TSPX_TscDef, ChMod(TSPX_modH),
    FreqTCHa10, FreqTCHa4, TimingAdv( 30),
    C_BABR_0, C_cch_1Comb, C_BPM_3)
111 [TSPC_PGSM OR TSPC_EGSM]
112 (TCV_AssCmd := AsgnCmd_tchf_fh( TCV_slt2,
    TSPX_TscDef, 19, '000000'B, '101000'B,
    Frql_omit, CellChDes_r04, ChMod_omit,
    MobilAllc_r03, CphMod_omit))
113 [TSPC_DCS]

```

|                           |  |                                                                                                                                                            |  |  |  |
|---------------------------|--|------------------------------------------------------------------------------------------------------------------------------------------------------------|--|--|--|
| 114                       |  | (TCV_AssCmd := AsgnCmd_tch_fh( TCV_sl2,<br>TSPX_TscDef, 15, '000000'B, '101000'B,<br>FrqI_omit, CellChDes_r02, ChMod_omit,<br>MoblAllc_r03, CphMod_omit))  |  |  |  |
| <b>Detailed Comments:</b> |  | <ol style="list-style-type: none"><li>1. Default parameters except CA.</li><li>2. The time slot is TSPX_TmSl2Def, the ARFCN is the BCCH carrier.</li></ol> |  |  |  |



| Test Case Dynamic Behaviour                                                                                                                                                                                                                                                                                                                                                                                       |       |                                                                                                                                                                                                                                                                                                                                                                                                                                                                                                                                                                              |      |   |          |
|-------------------------------------------------------------------------------------------------------------------------------------------------------------------------------------------------------------------------------------------------------------------------------------------------------------------------------------------------------------------------------------------------------------------|-------|------------------------------------------------------------------------------------------------------------------------------------------------------------------------------------------------------------------------------------------------------------------------------------------------------------------------------------------------------------------------------------------------------------------------------------------------------------------------------------------------------------------------------------------------------------------------------|------|---|----------|
| <b>Test Case Name:</b> TC_26_6_4_2_1                                                                                                                                                                                                                                                                                                                                                                              |       |                                                                                                                                                                                                                                                                                                                                                                                                                                                                                                                                                                              |      |   |          |
| <b>Group:</b> GSM_L3_MS_v4210/RR/                                                                                                                                                                                                                                                                                                                                                                                 |       |                                                                                                                                                                                                                                                                                                                                                                                                                                                                                                                                                                              |      |   |          |
| <b>Purpose:</b> To test that, when the MS fails to seize the new channel, the MS reactivates the old channel, reporting use of the last power level used on the old channel. This is tested in the special cases of a transition:<br>- from TCH/F to hopping TCH/F in state U10 if the MS supports TCH/F and call control<br>- from TCH/H to hopping TCH/H in state U10 if the MS supports TCH/H and call control |       |                                                                                                                                                                                                                                                                                                                                                                                                                                                                                                                                                                              |      |   |          |
| <b>Default:</b> OtherEventsFail_01                                                                                                                                                                                                                                                                                                                                                                                |       |                                                                                                                                                                                                                                                                                                                                                                                                                                                                                                                                                                              |      |   |          |
| Nr                                                                                                                                                                                                                                                                                                                                                                                                                | Label | Behaviour Description                                                                                                                                                                                                                                                                                                                                                                                                                                                                                                                                                        | Cref | V | Comments |
| 1                                                                                                                                                                                                                                                                                                                                                                                                                 |       | START T_guard(300)                                                                                                                                                                                                                                                                                                                                                                                                                                                                                                                                                           |      |   |          |
| 2                                                                                                                                                                                                                                                                                                                                                                                                                 |       | +BasicServiceMT( TSPX_MTBscSvcB, C_Full)                                                                                                                                                                                                                                                                                                                                                                                                                                                                                                                                     |      |   |          |
| 3                                                                                                                                                                                                                                                                                                                                                                                                                 |       | +IdleUpdated( C_E_default, C_CellA, C_SCH_A, C_BCCH_A_1, C_Immass, C_S0, C_SlotNU, C_SlotNU, C_SlotNU, C_BCC, C_TxInt_5, C_Max_1, C_NECL_0, C_ATT_0, TimingAdv( 30), C_BABR_0, C_cch_1Comb, C_BPM_3, C_T3212_0, C_ci_cellA, C_MCC_1, C_PLMN_1, C_LAC_1, CellOpt_01, CellChDes_02, CellChDes_03, C_CellReselectHys12, TSPX_MSTxpwrMax, TSPX_MSTxpwrMax, BcchFreqLst_01, BcchFreqLst_Omit, BcchFreqLst_48, BcchFreqLst_Omit, C_noReestablishment, C_BCC, C_NCC, C_Start_Tmsi, TSPX_SDCCH4SubA, TSPX_CKSNDf, TSPX_RANDDef, C_arfcnA, C_arfcnAd, TSPX_IMSI, C_Test_fh, C_NCCP_2) |      |   |          |
| 4                                                                                                                                                                                                                                                                                                                                                                                                                 |       | +FullRateCh_A_1( C_Ass, TSPX_TmSlitDef, TSPX_TscDef, ChMod_speech, FreqTCH_omit, FreqTCH_omit, C_arfcn_tchA, C_arfcn_tchAd, TimingAdv( 30), C_BABR_0, C_cch_1Comb, C_BPM_3)                                                                                                                                                                                                                                                                                                                                                                                                  |      |   |          |
| 5                                                                                                                                                                                                                                                                                                                                                                                                                 |       | +PreEnterCCstateU10_r01( TimingAdv( 30), TSPX_SDCCH4SubA, TSPX_MSTxpwrMax, TSPX_MSTxpwrMax, TSPX_CKSNDf, TSPX_RANDDef, TSPX_TmSlitDef, TSPX_TscDef, TSPX_TCHHSubA, C_Full)                                                                                                                                                                                                                                                                                                                                                                                                   |      |   | 1.       |
| 6                                                                                                                                                                                                                                                                                                                                                                                                                 | body  | +localtree                                                                                                                                                                                                                                                                                                                                                                                                                                                                                                                                                                   |      |   |          |
|                                                                                                                                                                                                                                                                                                                                                                                                                   |       | <b>localtree</b>                                                                                                                                                                                                                                                                                                                                                                                                                                                                                                                                                             |      |   |          |
| 7                                                                                                                                                                                                                                                                                                                                                                                                                 |       | +AssCmdGen( TCV_cellid, C_Full, TSPX_TmSlitDef, TSPX_TscDef, TSPX_TCHHSubDef)                                                                                                                                                                                                                                                                                                                                                                                                                                                                                                |      |   |          |
| 8                                                                                                                                                                                                                                                                                                                                                                                                                 |       | +AssCh_failure( TCV_chTch, TCV_AssCmd, FALSE)                                                                                                                                                                                                                                                                                                                                                                                                                                                                                                                                |      |   |          |
| 9                                                                                                                                                                                                                                                                                                                                                                                                                 |       | +localtree3                                                                                                                                                                                                                                                                                                                                                                                                                                                                                                                                                                  |      |   |          |
| 10                                                                                                                                                                                                                                                                                                                                                                                                                |       | +localtree1                                                                                                                                                                                                                                                                                                                                                                                                                                                                                                                                                                  |      |   |          |
|                                                                                                                                                                                                                                                                                                                                                                                                                   |       | <b>localtree1</b>                                                                                                                                                                                                                                                                                                                                                                                                                                                                                                                                                            |      |   |          |
| 11                                                                                                                                                                                                                                                                                                                                                                                                                |       | [TSPC_DualRate]                                                                                                                                                                                                                                                                                                                                                                                                                                                                                                                                                              |      |   |          |
| 12                                                                                                                                                                                                                                                                                                                                                                                                                |       | +Wait(C_T_Wait1)                                                                                                                                                                                                                                                                                                                                                                                                                                                                                                                                                             |      |   |          |
| 13                                                                                                                                                                                                                                                                                                                                                                                                                |       | (TCV_CphKey := OC_CphKeyGen(TSPX_Ki, TSPX_RANDDef))                                                                                                                                                                                                                                                                                                                                                                                                                                                                                                                          |      |   |          |
| 14                                                                                                                                                                                                                                                                                                                                                                                                                |       | +HalfRateCh_A_1( TSPX_TCHHSubA, C_Ass, TSPX_TmSlitDef, TSPX_TscDef, ChMod_speech, FreqTCH_omit, FreqTCH_omit, C_arfcn_tchA, C_arfcn_tchAd, TimingAdv( 30), C_BABR_0, C_cch_1Comb, C_BPM_3)                                                                                                                                                                                                                                                                                                                                                                                   |      |   |          |
| 15                                                                                                                                                                                                                                                                                                                                                                                                                |       | +PreEnterCCstateU10_r01( TimingAdv( 30), TSPX_SDCCH4SubA, TSPX_MSTxpwrMax, TSPX_MSTxpwrMax, TSPX_CKSNDf, TSPX_RANDDef, TSPX_TmSlitDef, TSPX_TscDef, TSPX_TCHHSubA, C_Half)                                                                                                                                                                                                                                                                                                                                                                                                   |      |   | 3.       |
| 16                                                                                                                                                                                                                                                                                                                                                                                                                |       | +localtree2                                                                                                                                                                                                                                                                                                                                                                                                                                                                                                                                                                  |      |   |          |
| 17                                                                                                                                                                                                                                                                                                                                                                                                                |       | [TCV_CC AND( NOT TSPC_DualRate)]                                                                                                                                                                                                                                                                                                                                                                                                                                                                                                                                             |      |   |          |
|                                                                                                                                                                                                                                                                                                                                                                                                                   |       | <b>localtree2</b>                                                                                                                                                                                                                                                                                                                                                                                                                                                                                                                                                            |      |   |          |
| 18                                                                                                                                                                                                                                                                                                                                                                                                                |       | +AssCmdGen( TCV_cellid, C_Half, TSPX_TmSlitDef, TSPX_TscDef, TSPX_TCHHSubDef)                                                                                                                                                                                                                                                                                                                                                                                                                                                                                                |      |   |          |
| 19                                                                                                                                                                                                                                                                                                                                                                                                                |       | +AssCh_failure( TCV_chTch, TCV_AssCmd, FALSE)                                                                                                                                                                                                                                                                                                                                                                                                                                                                                                                                |      |   |          |

|    |            |                                                               |     |    |
|----|------------|---------------------------------------------------------------|-----|----|
| 20 |            | +localtree3                                                   |     |    |
| 21 |            | <b>localtree3</b>                                             |     |    |
| 22 |            | (TCV_L1Head := OM_GetL1Hd(C_SACCHF_A_1))                      |     |    |
| 23 | L_022<br>1 | [TSPC_PGSM OR TSPC_EGSM]<br>[TCV_L1Head.mspwrlvl <> '00111'B] | (F) | 6. |
| 24 |            | +PostMainLinkRel(TCV_chTch)                                   |     |    |
| 25 | L_022<br>2 | [TCV_L1Head.mspwrlvl = '00111'B]                              | (P) |    |
| 26 |            | +PostMainLinkRel(TCV_chTch)                                   |     |    |
| 27 |            | [TSPC_DCS]                                                    |     |    |
| 28 | L_022<br>3 | [TCV_L1Head.mspwrlvl <> '00011'B]                             | (F) | 6. |
| 29 |            | +PostMainLinkRel(TCV_chTch)                                   |     |    |
| 30 | L_022<br>4 | [TCV_L1Head.mspwrlvl = '00011'B]                              | (P) |    |
| 31 |            | +PostMainLinkRel(TCV_chTch)                                   |     |    |

**Detailed Comments:**

1. To set up a full rate non hopping call and power level = 7.
2. To assign a full rate hopping channel with power level = 9, but the channel is not activated.
3. To set up a half rate non hopping call and power level = 7.
4. To assign a half rate channel with power level = 9, but the channel is not activated.
5. The expected ASSIGNMENT FAILURE with " protocol error unspecified" received on the old channel.
6. The power level is not the old power level, fail.

| Test Case Dynamic Behaviour |       |                                                                                                                                                                                                                                                                                                                                                                                                                                                                                                                                                                        |                                                                                                                          |   |          |
|-----------------------------|-------|------------------------------------------------------------------------------------------------------------------------------------------------------------------------------------------------------------------------------------------------------------------------------------------------------------------------------------------------------------------------------------------------------------------------------------------------------------------------------------------------------------------------------------------------------------------------|--------------------------------------------------------------------------------------------------------------------------|---|----------|
| <b>Test Case Name:</b>      |       | TC_26_6_4_2_2                                                                                                                                                                                                                                                                                                                                                                                                                                                                                                                                                          |                                                                                                                          |   |          |
| <b>Group:</b>               |       | GSM_L3_MS_v4210/RR/                                                                                                                                                                                                                                                                                                                                                                                                                                                                                                                                                    |                                                                                                                          |   |          |
| <b>Purpose:</b>             |       | To test that, when the MS fails to seize the new channel, the MS reactivates the old channel. This is tested in the special cases of a transition: <ul style="list-style-type: none"> <li>- from SDCCH to hopping TCH/F; this test part is only applicable if the MS supports TCH/F.</li> <li>- from non-hopping SDCCH to hopping TCH/H; this test part is only applicable if the MS supports TCH/H.</li> <li>- from hopping TCH/F to hopping TCH/H; this test part is only applicable if the MS supports TCH/H.</li> </ul>                                            |                                                                                                                          |   |          |
| <b>Default:</b>             |       | OtherEventsFail_01                                                                                                                                                                                                                                                                                                                                                                                                                                                                                                                                                     |                                                                                                                          |   |          |
| Nr                          | Label | Behaviour Description                                                                                                                                                                                                                                                                                                                                                                                                                                                                                                                                                  | CRef                                                                                                                     | V | Comments |
| 1                           |       | START T_guard(300)                                                                                                                                                                                                                                                                                                                                                                                                                                                                                                                                                     |                                                                                                                          |   |          |
| 2                           |       | +IdleUpdated( C_E_default, C_CellA, C_SCH_A, C_BCCH_A_1, C_Immass, C_S0, C_SlotNU, C_SlotNU, C_SlotNU, C_BCC, C_TxInt_5, C_Max_1, C_NECI_0, C_ATT_0, TimingAdv( 30), C_BABR_0, C_cch_1Comb, C_BPM_3, C_T3212_0, C_ci_cellA, C_MCC_1, C_PLMN_1, C_LAC_1, CellOpt_01, CellChDes_02, CellChDes_03, C_CellReselectHys12, C_MaxPwrLvIG, C_MaxPwrLvID, BcchFreqLst_01, BcchFreqLst_Omit, BcchFreqLst_48, BcchFreqLst_Omit, C_noReestablishment, C_BCC, C_NCC, C_Start_Tmsi, TSPX_SDCCH4SubB, TSPX_CKSNDf, TSPX_RANDDef, C_arfcnA, C_arfcnAd, TSPX_IMSI, C_Test_fh, C_NCCP_2) |                                                                                                                          |   |          |
| 3                           | body  | LIDL_UdatRqPg1Rq                                                                                                                                                                                                                                                                                                                                                                                                                                                                                                                                                       | PgReq1(TCV_PgCh, TCV_Pgg, PgReqTp1_01)                                                                                   |   |          |
| 4                           |       | L?DL_RacInChRq (TCV_Rr := DL_RacInChRq.msg.ecau_rrf, TCV_Fn := DL_RacInChRq.fn)                                                                                                                                                                                                                                                                                                                                                                                                                                                                                        | ChReq(ChRequest_17)                                                                                                      |   |          |
| 5                           |       | LIDL_UdatRqImmass                                                                                                                                                                                                                                                                                                                                                                                                                                                                                                                                                      | ImmAss( TCV_agch, ImmAsgn_01Def( TCV_Rr, TCV_Fn, TSPX_SDCCH4SubB, TCV_slot, TCV_tsc, TCV_chdescr_arfcn, TimingAdv( 30))) |   |          |
| 6                           |       | L?DL_EstInPgRes                                                                                                                                                                                                                                                                                                                                                                                                                                                                                                                                                        | PagingRes(PagingRes_01)                                                                                                  |   |          |
| 7                           |       | +localtree                                                                                                                                                                                                                                                                                                                                                                                                                                                                                                                                                             |                                                                                                                          |   |          |
| 8                           |       | <b>localtree</b><br>(TCV_AssCmd := AsgnCmd_tchf_fh( C_S3, C_BCC, 7, '000000'B, '000100'B, Frql_omit, CellChDes_Omit, ChMod_omit, MoblAllc_04, CphMod_omit))                                                                                                                                                                                                                                                                                                                                                                                                            |                                                                                                                          |   |          |
| 9                           |       | +Adjust_gsmanddcs_powerlvl( 0, 3, TCV_AssCmd)                                                                                                                                                                                                                                                                                                                                                                                                                                                                                                                          |                                                                                                                          |   |          |
| 10                          |       | +AssCh_failure( TCV_ch, TCV_AssCmd, FALSE)                                                                                                                                                                                                                                                                                                                                                                                                                                                                                                                             |                                                                                                                          |   |          |
| 11                          |       | [TCV_CC AND( NOT TSPC_DualRate)]                                                                                                                                                                                                                                                                                                                                                                                                                                                                                                                                       |                                                                                                                          |   |          |
| 12                          |       | +PostMainLinkRel(TCV_ch)                                                                                                                                                                                                                                                                                                                                                                                                                                                                                                                                               |                                                                                                                          |   |          |
| 13                          |       | [TSPC_DualRate]                                                                                                                                                                                                                                                                                                                                                                                                                                                                                                                                                        |                                                                                                                          |   |          |
| 14                          |       | +localtree1                                                                                                                                                                                                                                                                                                                                                                                                                                                                                                                                                            |                                                                                                                          |   |          |
| 15                          |       | [C_Yes]                                                                                                                                                                                                                                                                                                                                                                                                                                                                                                                                                                |                                                                                                                          |   |          |
| 16                          |       | <b>localtree1</b><br>(TCV_AssCmd := AsgnCmd_tchh_fh( '0'B, '001'B, TSPX_TscDef, 7, '000001'B, '000110'B, Frql_omit, CellChDes_Omit, ChMod_omit, MoblAllc_04, CphMod_omit))                                                                                                                                                                                                                                                                                                                                                                                             |                                                                                                                          |   |          |
| 17                          |       | +Adjust_gsmanddcs_powerlvl( 0, 3, TCV_AssCmd)                                                                                                                                                                                                                                                                                                                                                                                                                                                                                                                          |                                                                                                                          |   |          |
| 18                          |       | +AssCh_failure( TCV_ch, TCV_AssCmd, FALSE)                                                                                                                                                                                                                                                                                                                                                                                                                                                                                                                             |                                                                                                                          |   |          |
| 19                          |       | +FullRateCh_A_1_nociph( C_Ass, C_S3, C_BCC, ChMod_sign, Freq_rg8, Freq_rd8, TimingAdv( 30), C_BABR_0, C_cch_1Comb, C_BPM_3)                                                                                                                                                                                                                                                                                                                                                                                                                                            |                                                                                                                          |   | 4.       |
| 20                          |       | (TCV_AssCmd := AsgnCmd_tchf_fh( C_S3, C_BCC, 7, '000000'B, '000100'B, Frql_omit, CellChDes_Omit, ChMod_omit, MoblAllc_04, CphMod_omit))                                                                                                                                                                                                                                                                                                                                                                                                                                |                                                                                                                          |   |          |

|                           |  |                                                                                                                                                                                                                                                                                                                                                                                                                      |  |  |  |
|---------------------------|--|----------------------------------------------------------------------------------------------------------------------------------------------------------------------------------------------------------------------------------------------------------------------------------------------------------------------------------------------------------------------------------------------------------------------|--|--|--|
| 21                        |  | +Adjust_gsmaddcs_powerlvl( 0, 3,<br>TCV_AssCmd)                                                                                                                                                                                                                                                                                                                                                                      |  |  |  |
| 22                        |  | +AssCh_complete( TCV_ch, TCV_chTch,<br>TCV_AssCmd)                                                                                                                                                                                                                                                                                                                                                                   |  |  |  |
| 23                        |  | (TCV_AssCmd := AsgnCmd_tchh_fh(<br>'0'B, '001'B, TSPX_TscDef, 7,<br>'000001'B, '000110'B, Frql_omit,<br>CellChDes_Omit, ChMod_omit,<br>MobiAllc_04, CphMod_omit))                                                                                                                                                                                                                                                    |  |  |  |
| 24                        |  | +Adjust_gsmaddcs_powerlvl( 0, 3,<br>TCV_AssCmd)                                                                                                                                                                                                                                                                                                                                                                      |  |  |  |
| 25                        |  | +AssCh_failure( TCV_chTch,<br>TCV_AssCmd, FALSE)                                                                                                                                                                                                                                                                                                                                                                     |  |  |  |
| 26                        |  | +PostMainLinkRel( TCV_chTch)                                                                                                                                                                                                                                                                                                                                                                                         |  |  |  |
| <b>Detailed Comments:</b> |  | <ol style="list-style-type: none"><li>1. Default parameters: CCCH combined with SDCCH4, Tx-integer = 5, Max-retrans = 1.</li><li>2. To assign a TCH/F hopping channel which is not activated.</li><li>3. To assign a TCH/H hopping channel which is not activated.</li><li>4. To setup a physical channel as TCH/F hopping channel.</li><li>5. To assign the TCH/F hopping channel which is now activated.</li></ol> |  |  |  |

| Test Case Dynamic Behaviour |       |                                                                                                                                                                                                                                                                                                                                                                                                                                                                                                                                                                                                                                 |                                         |   |                                                                           |
|-----------------------------|-------|---------------------------------------------------------------------------------------------------------------------------------------------------------------------------------------------------------------------------------------------------------------------------------------------------------------------------------------------------------------------------------------------------------------------------------------------------------------------------------------------------------------------------------------------------------------------------------------------------------------------------------|-----------------------------------------|---|---------------------------------------------------------------------------|
| <b>Test Case Name:</b>      |       | TC_26_6_5_1                                                                                                                                                                                                                                                                                                                                                                                                                                                                                                                                                                                                                     |                                         |   |                                                                           |
| <b>Group:</b>               |       | GSM_L3_MS_v4210/RR/                                                                                                                                                                                                                                                                                                                                                                                                                                                                                                                                                                                                             |                                         |   |                                                                           |
| <b>Purpose:</b>             |       | To test that when the MS is ordered to make a non-synchronised handover it continuously sends access bursts on the main DCCH until it receives a PHYSICAL INFORMATION message from the SS. To test that the MS correctly handles the values of any Starting Time IE in the HANDOVER COMMAND message and the Timing Advance IE in the PHYSICAL INFORMATION message. To test that the MS activates the new channel correctly.                                                                                                                                                                                                     |                                         |   |                                                                           |
| <b>Default:</b>             |       | OtherEventsFail_01                                                                                                                                                                                                                                                                                                                                                                                                                                                                                                                                                                                                              |                                         |   |                                                                           |
| Nr                          | Label | Behaviour Description                                                                                                                                                                                                                                                                                                                                                                                                                                                                                                                                                                                                           | CRef                                    | V | Comments                                                                  |
| 1                           |       | START T_guard(300)                                                                                                                                                                                                                                                                                                                                                                                                                                                                                                                                                                                                              |                                         |   |                                                                           |
| 2                           |       | (TCV_asscmd_ts := TSPX_TmSlta,<br>TCV_Pwrlvl_ho:= INT_TO_BIT( TSPX_PwrlvlA, 5))                                                                                                                                                                                                                                                                                                                                                                                                                                                                                                                                                 |                                         |   |                                                                           |
| 3                           |       | +BasicServiceMT( TSPX_MTBscSvcl,<br>TSPX_MTChRateI)                                                                                                                                                                                                                                                                                                                                                                                                                                                                                                                                                                             |                                         |   |                                                                           |
| 4                           |       | +IdleUpdated( C_E_default, C_CellA,<br>C_SCH_A, C_BCCH_A_1, C_Immass, C_S0,<br>C_SlotNU, C_SlotNU, C_SlotNU, C_BCC,<br>C_TxInt_5, C_Max_7, C_NECI_0, C_ATT_0,<br>TimingAdv( 20), C_BABR_0, C_cch_1Comb,<br>C_BPM_3, C_T3212_0, C_ci_cellA,<br>C_MCC_1, C_PLMN_1, C_LAC_1, CellOpt_01,<br>CellChDes_20_Aman, CellChDes_201_Ad,<br>C_CellReselectHys12, C_MaxPwrLvlG,<br>C_MaxPwrLvlD, BcchFreqLst_01,<br>BcchFreqLst_Omit, BcchFreqLst_48,<br>BcchFreqLst_Omit, C_noRestablishment,<br>C_BCC, C_NCC, C_Start_Tmsi,<br>TSPX_SDCCH4SubDef, TSPX_CKSNDf,<br>TSPX_RANDDef, C_arfcnA, C_arfcnAd_4,<br>TSPX_IMSI, C_Test_fh, C_NCCP_2) |                                         |   |                                                                           |
| 5                           |       | +StartCellB_ho( C_E_neighbourdefault,<br>C_BCCHcarrierB_ho, C_BCCHcarrierB_hod,<br>C_Immass, TCV_slot, TCV_tsc, TimingAdv(<br>20), C_TxInt_5, C_Max_7, C_NECI_0,<br>C_ATT_0, C_BABR_0, C_cch_1Comb,<br>C_BPM_3, C_T3212_0, C_MCC_1,<br>C_PLMN_1, C_LAC_1, CellChDes_20_Bman,<br>CellChDes_201_Bd, BcchFreqLst_01,<br>BcchFreqLst_48, C_noRestablishment,<br>C_BCC, C_NCC, TSPX_k, 100)                                                                                                                                                                                                                                          |                                         |   | frame number in cell B is<br>100 in advance of frame<br>number in cell A. |
| 6                           |       | +FullRateCh_A_1( C_Ass,<br>TCV_asscmd_ts, TCV_tsc, TCV_ChMod,<br>FreqTCH_omit, FreqTCH_omit,<br>TSPX_TCHcarrierA_ho,<br>TSPX_TCHcarrierA_hod, TimingAdv( 20),<br>C_BABR_0, C_cch_1Comb, C_BPM_3)                                                                                                                                                                                                                                                                                                                                                                                                                                |                                         |   |                                                                           |
| 7                           |       | +Est_MT_CallNonFH( TimingAdv( 20),<br>C_Full, TSPX_TCHHSubDef,<br>TSPX_RANDDef)                                                                                                                                                                                                                                                                                                                                                                                                                                                                                                                                                 |                                         |   | 0.                                                                        |
| 8                           |       | (TCV_M := 1, TCV_ch := TCV_chTch)                                                                                                                                                                                                                                                                                                                                                                                                                                                                                                                                                                                               |                                         |   |                                                                           |
| 9                           | body  | REPEAT local_handover UNTIL<br>[TCV_M = 9]                                                                                                                                                                                                                                                                                                                                                                                                                                                                                                                                                                                      |                                         |   |                                                                           |
| 10                          |       | +ChanRel_end( TCV_ch)                                                                                                                                                                                                                                                                                                                                                                                                                                                                                                                                                                                                           |                                         |   |                                                                           |
|                             |       | <b>local_handover</b>                                                                                                                                                                                                                                                                                                                                                                                                                                                                                                                                                                                                           |                                         |   |                                                                           |
| 11                          |       | (TCV_chTch1 := TCV_ch)                                                                                                                                                                                                                                                                                                                                                                                                                                                                                                                                                                                                          |                                         |   |                                                                           |
| 12                          |       | +local_channel_config                                                                                                                                                                                                                                                                                                                                                                                                                                                                                                                                                                                                           |                                         |   |                                                                           |
| 13                          |       | (TCV_Null := OM_SendNextOnHO(TCV_ch,<br>TCV_Cntref))                                                                                                                                                                                                                                                                                                                                                                                                                                                                                                                                                                            |                                         |   |                                                                           |
| 14                          |       | +local_send_hoCMD                                                                                                                                                                                                                                                                                                                                                                                                                                                                                                                                                                                                               |                                         |   |                                                                           |
| 15                          |       | LIDL_DatRqPhyinfo                                                                                                                                                                                                                                                                                                                                                                                                                                                                                                                                                                                                               | PhyInfo_01(TCV_ch,<br>TimingAdv(TCV_T)) |   | 1.                                                                        |
| 16                          |       | +RR_hocomp1( TCV_n, TimingAdv(<br>TCV_T))                                                                                                                                                                                                                                                                                                                                                                                                                                                                                                                                                                                       |                                         |   |                                                                           |
| 17                          |       | +local_firstburst_ontime_CHK                                                                                                                                                                                                                                                                                                                                                                                                                                                                                                                                                                                                    |                                         |   |                                                                           |
| 18                          |       | [(TCV_M = 3) AND( NOT<br>TSPC_DualRate)]                                                                                                                                                                                                                                                                                                                                                                                                                                                                                                                                                                                        |                                         |   |                                                                           |
| 19                          |       | (TCV_M := 9)                                                                                                                                                                                                                                                                                                                                                                                                                                                                                                                                                                                                                    |                                         |   |                                                                           |
| 20                          |       | [C_Yes]                                                                                                                                                                                                                                                                                                                                                                                                                                                                                                                                                                                                                         |                                         |   |                                                                           |
| 21                          |       | (TCV_M := TCV_M + 1)                                                                                                                                                                                                                                                                                                                                                                                                                                                                                                                                                                                                            |                                         |   |                                                                           |

|    |                                                                                                                                                                                                                                                                 |                                        |                                                   |
|----|-----------------------------------------------------------------------------------------------------------------------------------------------------------------------------------------------------------------------------------------------------------------|----------------------------------------|---------------------------------------------------|
| 22 | <b>local_send_hoCMD</b><br>[(TCV_M = 3) OR (TCV_M = 5)]                                                                                                                                                                                                         |                                        |                                                   |
| 23 | (TCV_Fn := OM_ComingFn( TCV_chTch1),<br>TCV_Null:= OM_SendNextOn( TCV_chTch1,<br>TCV_Fn), TCV_Strt := OC_StartTime(<br>TCV_Fn,(C_StartingTimeHO + 100), 1))                                                                                                     |                                        | starting time is set to 1.1<br>s pluse 100 frames |
| 24 | LIDL_DatRqHoCmd(<br>DL_DatRqHoCmd.msg.strt:= TCV_Strt)                                                                                                                                                                                                          | HndOvSnd(<br>TCV_chTch1,<br>TCV_HoCMD) |                                                   |
| 25 | [C_Yes]                                                                                                                                                                                                                                                         |                                        |                                                   |
| 26 | LIDL_DatRqHoCmd                                                                                                                                                                                                                                                 | HndOvSnd(<br>TCV_chTch1,<br>TCV_HoCMD) |                                                   |
|    | <b>local_channel_config</b>                                                                                                                                                                                                                                     |                                        |                                                   |
| 27 | +local_ch_config                                                                                                                                                                                                                                                |                                        |                                                   |
| 28 | (TCV_ch := TCV_chTch)                                                                                                                                                                                                                                           |                                        |                                                   |
|    | <b>local_ch_config</b>                                                                                                                                                                                                                                          |                                        |                                                   |
| 29 | [TCV_M = 1]                                                                                                                                                                                                                                                     |                                        | 2.                                                |
| 30 | (TCV_n := 500, TCV_Cntref :=<br>TSPX_NoOfHoAccA, TCV_T := 20, TCV_Horf:=<br>TSPX_HoRefA, TCV_ts := TSPX_TmSltB,<br>TCV_tsc := TSPX_TscB, TCV_chtype := '00001'B)                                                                                                |                                        |                                                   |
| 31 | +FullRateCh_B_1( C_Asynho, TCV_ts, TCV_tsc,<br>TCV_ChMod, FreqTCH( TSPX_TCHcarrierB_ho),<br>FreqTCH( TSPX_TCHcarrierB_hod), TimingAdv(<br>TCV_T), C_BABR_0, C_cch_1Comb, C_BPM_3)                                                                               |                                        |                                                   |
| 32 | +local_set_arfcn_B                                                                                                                                                                                                                                              |                                        |                                                   |
| 33 | (TCV_HoCMD := HandOverCmd_nfh(<br>TCV_chtype, TCV_ts, TCV_tsc, C_NCC,<br>C_BCC, TCV_chdescr_arfcn, TCV_tch_arfcn,<br>TCV_Horf, TCV_Pwrlvl_ho, Synchi(<br>C_not_report_otd, C_non_synchronised),<br>ChMod_omit, RelTmdDif_omit,<br>TimingAdv_omit, CphMod_omit)) |                                        |                                                   |
| 34 | [TCV_M = 2]                                                                                                                                                                                                                                                     |                                        | 3.                                                |
| 35 | (TCV_n := 500, TCV_Cntref :=<br>TSPX_NoOfHoAccB, TCV_T := TSPX_TimadvA,<br>TCV_ts := TSPX_TmSltNotZero, TCV_Horf:=<br>TSPX_HoRefB, TCV_tsc := TSPX_TscC,<br>TCV_chtype := '00001'B)                                                                             |                                        |                                                   |
| 36 | +FullRateCh_A_1( C_Asynho, TCV_ts, TCV_tsc,<br>TCV_ChMod, FreqTCHa_hof1, FreqTCHa_hof1d,<br>C_Noarfcn, C_Noarfcn, TimingAdv( TCV_T),<br>C_BABR_0, C_cch_1Comb, C_BPM_3)                                                                                         |                                        |                                                   |
| 37 | +local_handover2                                                                                                                                                                                                                                                |                                        |                                                   |
| 38 | [TCV_M = 3]                                                                                                                                                                                                                                                     |                                        | 4.                                                |
| 39 | (TCV_n := 500, TCV_Cntref :=<br>TSPX_NoOfHoAccC, TCV_T := 20, TCV_ts :=<br>TSPX_TmSltC, TCV_Horf:= TSPX_HoRefC,<br>TCV_tsc := TSPX_TscC, TCV_chtype := '00001'B)                                                                                                |                                        |                                                   |
| 40 | +FullRateCh_B_1( C_Asynho, TCV_ts, TCV_tsc,<br>TCV_ChMod, FreqTCH( TSPX_TCHcarrierB_ho),<br>FreqTCH( TSPX_TCHcarrierB_hod), TimingAdv(<br>TCV_T), C_BABR_0, C_cch_1Comb, C_BPM_3)                                                                               |                                        |                                                   |
| 41 | +local_set_arfcn_B                                                                                                                                                                                                                                              |                                        |                                                   |
| 42 | (TCV_HoCMD := HandOverCmd_nfh(<br>TCV_chtype, TCV_ts, TCV_tsc, C_NCC,<br>C_BCC, TCV_chdescr_arfcn, TCV_tch_arfcn,<br>TCV_Horf, TCV_Pwrlvl_ho, Synchi(<br>C_not_report_otd, C_non_synchronised),<br>TCV_ChMod, RelTmdDif_omit,<br>TimingAdv_omit, CphMod_omit))  |                                        |                                                   |
| 43 | [TCV_M = 4]                                                                                                                                                                                                                                                     |                                        | 5.                                                |
| 44 | (TCV_n := 750, TCV_Cntref :=<br>TSPX_NoOfHoAccD, TCV_T := TSPX_TimadvB,<br>TCV_ts := C_S0, TCV_Horf:= TSPX_HoRefD,<br>TCV_tsc := TSPX_TscD, TCV_chtype :=<br>INT_TO_BIT(( 2 + BIT_TO_INT(<br>TSPX_TCHHSubA)), 5))                                               |                                        |                                                   |

|    |                                                                                                                                                                                                                                |    |
|----|--------------------------------------------------------------------------------------------------------------------------------------------------------------------------------------------------------------------------------|----|
| 45 | +HalfRateCh_A_1( TSPX_TCHHSubA,<br>C_Asynho, TCV_ts, TCV_tsc, TCV_ChMod,<br>FreqTCHa_hof4, FreqTCHa_hof4d, C_Noarfcn,<br>C_Noarfcn, TimingAdv( TCV_T), C_BABR_0,<br>C_cch_1Comb, C_BPM_3)                                      |    |
| 46 | +local_handover4                                                                                                                                                                                                               |    |
| 47 | [TCV_M = 5]                                                                                                                                                                                                                    | 6. |
| 48 | (TCV_n := 750, TCV_Cntref :=<br>TSPX_NoOfHoAccE, TCV_T := 20, TCV_ts :=<br>TSPX_TmSltNotZero1, TCV_Horf:= TSPX_HoRefE,<br>TCV_tsc := TSPX_TscE, TCV_chtype :=<br>INT_TO_BIT(( 2 + BIT_TO_INT(<br>TSPX_TCHHSubDef)), 5))        |    |
| 49 | +HalfRateCh_B_1( TSPX_TCHHSubDef,<br>C_Asynho, TCV_ts, TCV_tsc, TCV_ChMod,<br>FreqTCHb_hof1, FreqTCHb_hof1d, TimingAdv(<br>TCV_T), C_BABR_0, C_cch_1Comb, C_BPM_3)                                                             |    |
| 50 | +local_handover5                                                                                                                                                                                                               |    |
| 51 | [TCV_M = 6]                                                                                                                                                                                                                    | 7. |
| 52 | (TCV_n := 750, TCV_Cntref :=<br>TSPX_NoOfHoAccF, TCV_T := 20, TCV_ts :=<br>TSPX_TmSltNotZero, TCV_Horf:= TSPX_HoRefF,<br>TCV_tsc := TSPX_TscF, TCV_chtype :=<br>INT_TO_BIT(( 2 + BIT_TO_INT(<br>TSPX_TCHHSubDef)), 5))         |    |
| 53 | +HalfRateCh_A_1( TSPX_TCHHSubDef,<br>C_Asynho, TCV_ts, TCV_tsc, TCV_ChMod,<br>FreqTCH_omit, FreqTCH_omit,<br>TSPX_TCHcarrierA_ho, TSPX_TCHcarrierA_hod,<br>TimingAdv( TSPX_TimadvB), C_BABR_0,<br>C_cch_1Comb, C_BPM_3)        |    |
| 54 | +local_set_arfcn_A                                                                                                                                                                                                             |    |
| 55 | +local_HoCMD_nofh                                                                                                                                                                                                              |    |
| 56 | [TCV_M = 7]                                                                                                                                                                                                                    | 8. |
| 57 | (TCV_n := 750, TCV_Cntref :=<br>TSPX_NoOfHoAccD, TCV_T := TSPX_TimadvA,<br>TCV_ts := TSPX_TmSltNotZero, TCV_Horf:=<br>TSPX_HoRefG, TCV_tsc := TSPX_TscG,<br>TCV_chtype := INT_TO_BIT(( 2 + BIT_TO_INT(<br>TSPX_TCHHSubA)), 5)) |    |
| 58 | +HalfRateCh_B_1( TSPX_TCHHSubA,<br>C_Asynho, TCV_ts, TCV_tsc, TCV_ChMod,<br>FreqTCHb_hof2, FreqTCHb_hof2d, TimingAdv(<br>TSPX_TimadvA), C_BABR_0, C_cch_1Comb,<br>C_BPM_3)                                                     |    |
| 59 | +local_handover7                                                                                                                                                                                                               |    |
| 60 | [TCV_M = 8]                                                                                                                                                                                                                    | 9. |
| 61 | (TCV_n := 500, TCV_Cntref :=<br>TSPX_NoOfHoAccA, TCV_T := TSPX_TimadvB,<br>TCV_ts := TSPX_TmSltNotZero1, TCV_Horf:=<br>TSPX_HoRefB, TCV_tsc := TSPX_TscB,<br>TCV_chtype := '00001'B)                                           |    |
| 62 | +FullRateCh_A_1( C_Asynho, TCV_ts, TCV_tsc,<br>TCV_ChMod, FreqTCH_omit, FreqTCH_omit,<br>C_arfcnA, C_arfcnAd_4, TimingAdv( TCV_T),<br>C_BABR_0, C_cch_1Comb, C_BPM_3)                                                          |    |
| 63 | +local_set_arfcn_A1                                                                                                                                                                                                            |    |
| 64 | +local_HoCMD_nofh                                                                                                                                                                                                              |    |
|    | <b>local_set_arfcn_A</b>                                                                                                                                                                                                       |    |
| 65 | [TSPC_PGSM OR TSPC_EGSM]                                                                                                                                                                                                       |    |
| 66 | (TCV_chdescr_arfcn := C_arfcnA, TCV_tch_arfcn<br>:= TSPX_TCHcarrierA_ho)                                                                                                                                                       |    |
| 67 | [TSPC_DCS]                                                                                                                                                                                                                     |    |
| 68 | (TCV_chdescr_arfcn := C_arfcnAd_4,<br>TCV_tch_arfcn := TSPX_TCHcarrierA_hod)                                                                                                                                                   |    |
|    | <b>local_set_arfcn_A1</b>                                                                                                                                                                                                      |    |
| 69 | [TSPC_PGSM OR TSPC_EGSM]                                                                                                                                                                                                       |    |
| 70 | (TCV_chdescr_arfcn := C_arfcnA, TCV_tch_arfcn<br>:= C_arfcnA)                                                                                                                                                                  |    |
| 71 | [TSPC_DCS]                                                                                                                                                                                                                     |    |

|    |                                                                                                                                                                                                                                                                                                                       |     |     |
|----|-----------------------------------------------------------------------------------------------------------------------------------------------------------------------------------------------------------------------------------------------------------------------------------------------------------------------|-----|-----|
| 72 | (TCV_chdescr_arfcn := C_arfcnAd_4,<br>TCV_tch_arfcn := C_arfcnAd_4)                                                                                                                                                                                                                                                   |     |     |
|    | <b>local_set_arfcn_B</b>                                                                                                                                                                                                                                                                                              |     |     |
| 73 | [TSPC_PGSM OR TSPC_EGSM]                                                                                                                                                                                                                                                                                              |     |     |
| 74 | (TCV_chdescr_arfcn := C_BCCHcarrierB_ho,<br>TCV_tch_arfcn := TSPX_TCHcarrierB_ho)                                                                                                                                                                                                                                     |     |     |
| 75 | [TSPC_DCS]                                                                                                                                                                                                                                                                                                            |     |     |
| 76 | (TCV_chdescr_arfcn := C_BCCHcarrierB_hod,<br>TCV_tch_arfcn := TSPX_TCHcarrierB_hod)                                                                                                                                                                                                                                   |     |     |
|    | <b>local_firstburst_ontime_CHK</b>                                                                                                                                                                                                                                                                                    |     |     |
| 77 | [(TCV_M = 3) OR (TCV_M = 5)]                                                                                                                                                                                                                                                                                          |     |     |
| 78 | +FnArith( TCV_FnBurst, TCV_Strt.fn)                                                                                                                                                                                                                                                                                   |     |     |
| 79 | [TCV_M = 3]                                                                                                                                                                                                                                                                                                           |     |     |
| 80 | L_022_5 [(TCV_Time > 5) OR(TCV_Time < 0)]                                                                                                                                                                                                                                                                             | (F) | 10. |
| 81 | L_022_6 [(TCV_Time >= 0) AND(TCV_Time < 5)]                                                                                                                                                                                                                                                                           | (P) |     |
| 82 | [TCV_M = 5]                                                                                                                                                                                                                                                                                                           |     |     |
| 83 | L_022_7 [(TCV_Time > 10) OR(TCV_Time < 0)]                                                                                                                                                                                                                                                                            | (F) | 10. |
| 84 | L_022_8 [(TCV_Time >= 0) AND(TCV_Time < 10)]                                                                                                                                                                                                                                                                          | (P) |     |
| 85 | [C_Yes]                                                                                                                                                                                                                                                                                                               |     |     |
|    | <b>local_handover2</b>                                                                                                                                                                                                                                                                                                |     |     |
| 86 | [TSPC_PGSM OR TSPC_EGSM]                                                                                                                                                                                                                                                                                              |     |     |
| 87 | (TCV_HoCMD := HandOverCmd_fh( TCV_chtype,<br>TCV_ts, TCV_tsc, C_NCC, C_BCC, C_arfcnA, 12,<br>TSPX_HSN, TCV_Horf, TCV_Pwrlvl_ho,<br>Synchi_omit, Frql_omit, Frql_omit,<br>CellChDes_Omit, ChMod_omit, Freqchseq_22,<br>MobiAllc_omit, RelTmdDif_omit, TimingAdv_omit,<br>CphMod_omit))                                 |     |     |
| 88 | [TSPC_DCS]                                                                                                                                                                                                                                                                                                            |     |     |
| 89 | (TCV_HoCMD := HandOverCmd_fh( TCV_chtype,<br>TCV_ts, TCV_tsc, C_NCC, C_BCC, C_arfcnAd_4,<br>9, TSPX_HSN, TCV_Horf, TCV_Pwrlvl_ho,<br>Synchi_omit, Frql_20_Ad, Frql_omit,<br>CellChDes_Omit, ChMod_omit, Freqchseq_omit,<br>MobiAllc_omit, RelTmdDif_omit, TimingAdv_omit,<br>CphMod_omit))                            |     |     |
|    | <b>local_handover4</b>                                                                                                                                                                                                                                                                                                |     |     |
| 90 | [TSPC_PGSM OR TSPC_EGSM]                                                                                                                                                                                                                                                                                              |     |     |
| 91 | (TCV_HoCMD := HandOverCmd_fh( TCV_chtype,<br>TCV_ts, TCV_tsc, C_NCC, C_BCC, C_arfcnA, 16,<br>C_HSN_0, TCV_Horf, TCV_Pwrlvl_ho,<br>Synchi_omit, Frql_20_Ad, Frql_omit,<br>CellChDes_20_A, ChMod_omit, Freqchseq_22,<br>MobiAllc_20_A1, RelTmdDif_omit, TimingAdv_omit,<br>CphMod_omit))                                |     |     |
| 92 | [TSPC_DCS]                                                                                                                                                                                                                                                                                                            |     |     |
| 93 | (TCV_HoCMD := HandOverCmd_fh( TCV_chtype,<br>TCV_ts, TCV_tsc, C_NCC, C_BCC, C_arfcnA, 16,<br>C_HSN_0, TCV_Horf, TCV_Pwrlvl_ho,<br>Synchi_omit, Frql_20_Ad, Frql_omit,<br>CellChDes_202_Ad, ChMod_omit, Freqchseq_22,<br>MobiAllc_20_A1, RelTmdDif_omit, TimingAdv_omit,<br>CphMod_omit))                              |     |     |
|    | <b>local_handover5</b>                                                                                                                                                                                                                                                                                                |     |     |
| 94 | [TSPC_PGSM OR TSPC_EGSM]                                                                                                                                                                                                                                                                                              |     |     |
| 95 | (TCV_HoCMD := HandOverCmd_fh( TCV_chtype,<br>TCV_ts, TCV_tsc, C_NCC, C_BCC,<br>C_BCCHcarrierB_ho, 12, TSPX_HSN, TCV_Horf,<br>TCV_Pwrlvl_ho, Synchi( C_not_report_otd,<br>C_non_synchronised), Frql_omit, Frql_20_B3,<br>CellChDes_Omit, ChMod_omit, Freqchseq_omit,<br>MobiAllc_omit, RelTmdDif_omit, TimingAdv_omit, |     |     |



|                           |                                                                                                                                                                                                                                                                                                                                                       |                                                                                                                                                                                                                                                                                                                                                                                                                                                                                                                                                                                                                                                                                                                                                                                                                                                                                                                                            |  |  |
|---------------------------|-------------------------------------------------------------------------------------------------------------------------------------------------------------------------------------------------------------------------------------------------------------------------------------------------------------------------------------------------------|--------------------------------------------------------------------------------------------------------------------------------------------------------------------------------------------------------------------------------------------------------------------------------------------------------------------------------------------------------------------------------------------------------------------------------------------------------------------------------------------------------------------------------------------------------------------------------------------------------------------------------------------------------------------------------------------------------------------------------------------------------------------------------------------------------------------------------------------------------------------------------------------------------------------------------------------|--|--|
| 96                        | CphMod_omit)                                                                                                                                                                                                                                                                                                                                          |                                                                                                                                                                                                                                                                                                                                                                                                                                                                                                                                                                                                                                                                                                                                                                                                                                                                                                                                            |  |  |
| 97                        | [TSPC_DCS]<br>(TCV_HoCMD := HandOverCmd_fh( TCV_ctype,<br>TCV_ts, TCV_tsc, C_NCC, C_BCC,<br>C_BCCHcarrierB_hod, 12, TSPX_HSN, TCV_Horf,<br>TCV_Pwrlvl_ho, Synchi( C_not_report_otd,<br>C_non_synchronised), Frql_omit, Frql_20_B3d,<br>CellChDes_Omit, ChMod_omit, Freqchseq_omit,<br>MoblAllc_omit, RelTmdDif_omit, TimingAdv_omit,<br>CphMod_omit)) |                                                                                                                                                                                                                                                                                                                                                                                                                                                                                                                                                                                                                                                                                                                                                                                                                                                                                                                                            |  |  |
| 98                        | <b>local_handover7</b><br>[TSPC_PGSM OR TSPC_EGSM]                                                                                                                                                                                                                                                                                                    |                                                                                                                                                                                                                                                                                                                                                                                                                                                                                                                                                                                                                                                                                                                                                                                                                                                                                                                                            |  |  |
| 99                        | (TCV_HoCMD := HandOverCmd_fh( TCV_ctype,<br>TCV_ts, TCV_tsc, C_NCC, C_BCC,<br>C_BCCHcarrierB_ho, 8, TSPX_HSN, TCV_Horf,<br>TCV_Pwrlvl_ho, Synchi( C_not_report_otd,<br>C_non_synchronised), Frql_omit, Frql_omit,<br>CellChDes_Omit, TCV_ChMod, Freqchseq_01,<br>MoblAllc_omit, RelTmdDif_omit, TimingAdv_omit,<br>CphMod_omit))                      |                                                                                                                                                                                                                                                                                                                                                                                                                                                                                                                                                                                                                                                                                                                                                                                                                                                                                                                                            |  |  |
| 100                       | [TSPC_DCS]                                                                                                                                                                                                                                                                                                                                            |                                                                                                                                                                                                                                                                                                                                                                                                                                                                                                                                                                                                                                                                                                                                                                                                                                                                                                                                            |  |  |
| 101                       | (TCV_HoCMD := HandOverCmd_fh( TCV_ctype,<br>TCV_ts, TCV_tsc, C_NCC, C_BCC,<br>C_BCCHcarrierB_hod, 8, TSPX_HSN, TCV_Horf,<br>TCV_Pwrlvl_ho, Synchi( C_not_report_otd,<br>C_non_synchronised), Frql_omit, Frql_20_B4d,<br>CellChDes_Omit, TCV_ChMod, Freqchseq_omit,<br>MoblAllc_omit, RelTmdDif_omit, TimingAdv_omit,<br>CphMod_omit))                 |                                                                                                                                                                                                                                                                                                                                                                                                                                                                                                                                                                                                                                                                                                                                                                                                                                                                                                                                            |  |  |
| 102                       | <b>local_HoCMD_nofh</b><br>(TCV_HoCMD := HandOverCmd_nfh( TCV_ctype,<br>TCV_ts, TCV_tsc, C_NCC, C_BCC,<br>TCV_chdescr_arfcn, TCV_tch_arfcn, TCV_Horf,<br>TCV_Pwrlvl_ho, Synchi_omit, ChMod_omit,<br>RelTmdDif_omit, TimingAdv_omit, CphMod_omit))                                                                                                     |                                                                                                                                                                                                                                                                                                                                                                                                                                                                                                                                                                                                                                                                                                                                                                                                                                                                                                                                            |  |  |
| <b>Detailed Comments:</b> |                                                                                                                                                                                                                                                                                                                                                       | <p>0. IUT enters state U10 with TCH/F_nonFH in cell A</p> <p>1. PhyInfo is dequeued from the sending buffer, but held through OM_SendNextOnHO at the lower layers of the tester for sending till having received TCV_Cntref access bursts.</p> <p>2. HO from TCH/F_nonFH of cell A to TCH/F_nonFH in CELL B</p> <p>3. HO from TCH/F_FH of cell A to TCH/F_FH in CELL B</p> <p>4. HO from TCH/F_FH of cell A to TCH/F_nonFH in CELL B</p> <p>5. HO from TCH/F_nonFH of cell A to TCH/H_FH in CELL B</p> <p>6. HO from TCH/H_FH of cell A to TCH/H_FH in CELL B</p> <p>7. HO from TCH/H_FH of cell A to TCH/H_nonFH in CELL B</p> <p>8. HO from TCH/H_nonFH of cell A to TCH/H_FH in CELL B</p> <p>9. HO from TCH/H_FH of cell A to TCH/F_nonFH in CELL B</p> <p>10. The first handover access burst starts too late or too early. ( 10ms means 2 frames tolerance for<br/>TCH/H channel, 5ms means 1 frame tolerance for TCH/F channel)</p> |  |  |

| Test Case Dynamic Behaviour                                                                                                                                                                                                                                                                                                                                                                                                                                                                                                                              |       |                                                                                                                                                                                                                                                                                                                                                                                                                                                                                                                                                                                          |                                   |   |                                                                             |
|----------------------------------------------------------------------------------------------------------------------------------------------------------------------------------------------------------------------------------------------------------------------------------------------------------------------------------------------------------------------------------------------------------------------------------------------------------------------------------------------------------------------------------------------------------|-------|------------------------------------------------------------------------------------------------------------------------------------------------------------------------------------------------------------------------------------------------------------------------------------------------------------------------------------------------------------------------------------------------------------------------------------------------------------------------------------------------------------------------------------------------------------------------------------------|-----------------------------------|---|-----------------------------------------------------------------------------|
| <b>Test Case Name:</b> TC_26_6_5_2_1                                                                                                                                                                                                                                                                                                                                                                                                                                                                                                                     |       |                                                                                                                                                                                                                                                                                                                                                                                                                                                                                                                                                                                          |                                   |   |                                                                             |
| <b>Group:</b> GSM_L3_MS_v4210/RR/                                                                                                                                                                                                                                                                                                                                                                                                                                                                                                                        |       |                                                                                                                                                                                                                                                                                                                                                                                                                                                                                                                                                                                          |                                   |   |                                                                             |
| <b>Purpose:</b> To test that when the MS is ordered to make a Non-synchronised handover, it continuously sends access bursts on the main DCCH until it receives a PHYSICAL INFORMATION from the SS. To test that the MS correctly takes the values of the Timing Advance and Starting Time information elements into account. To test that the MS activates the new channel correctly. To test that the MS correctly retransmits Layer 3 MM or CC messages, that were not acknowledged by Layer 2 before the Handover, after completion of the Handover. |       |                                                                                                                                                                                                                                                                                                                                                                                                                                                                                                                                                                                          |                                   |   |                                                                             |
| <b>Default:</b> OtherEventsFail_01                                                                                                                                                                                                                                                                                                                                                                                                                                                                                                                       |       |                                                                                                                                                                                                                                                                                                                                                                                                                                                                                                                                                                                          |                                   |   |                                                                             |
| Nr                                                                                                                                                                                                                                                                                                                                                                                                                                                                                                                                                       | Label | Behaviour Description                                                                                                                                                                                                                                                                                                                                                                                                                                                                                                                                                                    | CRef                              | V | Comments                                                                    |
| 1                                                                                                                                                                                                                                                                                                                                                                                                                                                                                                                                                        |       | START T_guard(300)                                                                                                                                                                                                                                                                                                                                                                                                                                                                                                                                                                       |                                   |   |                                                                             |
| 2                                                                                                                                                                                                                                                                                                                                                                                                                                                                                                                                                        |       | +BasicServiceMO(TSPX_MOBscSvcA, TSPX_MOChRateA)                                                                                                                                                                                                                                                                                                                                                                                                                                                                                                                                          |                                   |   |                                                                             |
| 3                                                                                                                                                                                                                                                                                                                                                                                                                                                                                                                                                        |       | (TCV_ia_ts:= '000'B, TCV_ts:= '000'B, TCV_Cntref:= TSPX_NoOfHoAccA, TCV_Horf:= TSPX_HoRefA, TCV_Pwrlvl_ho:= INT_TO_BIT(TSPX_PwrlvlA, 5))                                                                                                                                                                                                                                                                                                                                                                                                                                                 |                                   |   |                                                                             |
| 4                                                                                                                                                                                                                                                                                                                                                                                                                                                                                                                                                        |       | +IdleUpdated( C_E_default, C_CellA, C_SCH_A, C_BCCH_A_1, C_Immass, C_S0, C_SlotNU, C_SlotNU, C_SlotNU, C_BCC, C_TxInt_5, C_Max_7, C_NECL_0, C_ATT_0, TimingAdv( 30), C_BABR_0, C_cch_1Comb, C_BPM_3, C_T3212_0, C_ci_cellA, C_MCC_1, C_PLMN_1, C_LAC_1, CellOpt_01, CellChDes_20_Aman, CellChDes_202_Adman, C_CellReselectHys12, C_MaxPwrLvlG, C_MaxPwrLvlD, BcchFreqLst_01, BcchFreqLst_Omit, BcchFreqLst_48, BcchFreqLst_Omit, C_noRestablishment, C_BCC, C_NCC, C_Start_Tmsi, TSPX_SDCCH4SubDef, TSPX_CKSNDef, TSPX_RANDDDef, C_arfcnA, C_arfcnAd_4, TSPX_IMSI, C_Test_fh, C_NCCP_10) |                                   |   |                                                                             |
| 5                                                                                                                                                                                                                                                                                                                                                                                                                                                                                                                                                        |       | +StartCellB_ho( C_E_neighbourdefault, C_BCCHcarrierB_ho, C_BCCHcarrierB_hod, C_Immass, TCV_slot, TCV_tsc, TimingAdv( 20), C_TxInt_5, C_Max_7, C_NECL_0, C_ATT_0, C_BABR_0, C_cch_1Comb, C_BPM_3, C_T3212_0, C_MCC_1, C_PLMN_1, C_LAC_1, CellChDes_20_Bman, CellChDes_201_Bd, BcchFreqLst_01, BcchFreqLst_48, C_noRestablishment, C_BCC_0, C_NCC_3, TSPX_k, 0)                                                                                                                                                                                                                            |                                   |   | The timeslots of Cells A and B are not coincident at the antenna connector. |
| 6                                                                                                                                                                                                                                                                                                                                                                                                                                                                                                                                                        |       | +FullRateCh_B_1( C_Asynho, TCV_ts, TSPX_TscA, TCV_ChMod, FreqTCHb_hof3, FreqTCHb_hof3d, TimingAdv( 20), C_BABR_0, C_cch_1Comb, C_BPM_3)                                                                                                                                                                                                                                                                                                                                                                                                                                                  |                                   |   |                                                                             |
| 7                                                                                                                                                                                                                                                                                                                                                                                                                                                                                                                                                        |       | +localtree_setArfcn                                                                                                                                                                                                                                                                                                                                                                                                                                                                                                                                                                      |                                   |   |                                                                             |
| 8                                                                                                                                                                                                                                                                                                                                                                                                                                                                                                                                                        |       | +Est_MO_Call_init( C_CHSDCCH4_NonFH, MobilAllc_omit, MobilAllc_omit, TimingAdv( 30), C_BCC, C_one, C_one)                                                                                                                                                                                                                                                                                                                                                                                                                                                                                |                                   |   | 1.                                                                          |
| 9                                                                                                                                                                                                                                                                                                                                                                                                                                                                                                                                                        | body  | +ltree_sendHoCMD                                                                                                                                                                                                                                                                                                                                                                                                                                                                                                                                                                         |                                   |   |                                                                             |
| 10                                                                                                                                                                                                                                                                                                                                                                                                                                                                                                                                                       |       | (TCV_ch:= C_FACCHF_B_1)                                                                                                                                                                                                                                                                                                                                                                                                                                                                                                                                                                  |                                   |   |                                                                             |
| 11                                                                                                                                                                                                                                                                                                                                                                                                                                                                                                                                                       |       | (TCV_Null := OM_SendNextOnHO(TCV_ch, TCV_Cntref))                                                                                                                                                                                                                                                                                                                                                                                                                                                                                                                                        |                                   |   |                                                                             |
| 12                                                                                                                                                                                                                                                                                                                                                                                                                                                                                                                                                       |       | L!DL_DatRqPhyinfo                                                                                                                                                                                                                                                                                                                                                                                                                                                                                                                                                                        | PhyInfo_01(TCV_ch, TimingAdv(20)) |   |                                                                             |
| 13                                                                                                                                                                                                                                                                                                                                                                                                                                                                                                                                                       |       | +RR_hocomp1( 500, TimingAdv( 20))                                                                                                                                                                                                                                                                                                                                                                                                                                                                                                                                                        |                                   |   |                                                                             |
| 14                                                                                                                                                                                                                                                                                                                                                                                                                                                                                                                                                       |       | L?DL_DatInSetup (TCV_Mt1 := DL_DatInSetup.msg.mt)                                                                                                                                                                                                                                                                                                                                                                                                                                                                                                                                        | SetupRcv( SetupInd_01)            |   | 3.                                                                          |
| 15                                                                                                                                                                                                                                                                                                                                                                                                                                                                                                                                                       |       | +SendSeqNo_chk                                                                                                                                                                                                                                                                                                                                                                                                                                                                                                                                                                           |                                   |   | 4.                                                                          |
| 16                                                                                                                                                                                                                                                                                                                                                                                                                                                                                                                                                       | post  | +ChanRel_end( TCV_ch)                                                                                                                                                                                                                                                                                                                                                                                                                                                                                                                                                                    |                                   |   |                                                                             |
| 17                                                                                                                                                                                                                                                                                                                                                                                                                                                                                                                                                       |       | <b>ltree_sendHoCMD</b><br>[TSPC_PGSM OR TSPC_EGSM]                                                                                                                                                                                                                                                                                                                                                                                                                                                                                                                                       |                                   |   |                                                                             |

|    |                                   |                                                                                                                                                                                                                                                                                         |    |
|----|-----------------------------------|-----------------------------------------------------------------------------------------------------------------------------------------------------------------------------------------------------------------------------------------------------------------------------------------|----|
| 18 | L!DL_DatRqHoCmd                   | HndOvSnd( TCV_ch, HandOverCmd_fh('00001'B, TCV_ts, TSPX_TscA, C_NCC_3, C_BCC_0, C_BCCHcarrierB_ho, 15, TSPX_HSN, TCV_Horf, TCV_Pwrlvl_ho, Synchi_omit, Frql_omit, Frql_omit, CellChDes_Omit, TCV_ChMod, Freqchseq_06, MoblAllc_omit, RelTmdDif_omit, TimingAdv_omit, CphMod_omit))      | 2. |
| 19 | [TSPC_DCS]                        |                                                                                                                                                                                                                                                                                         |    |
| 20 | L!DL_DatRqHoCmd                   | HndOvSnd( TCV_ch, HandOverCmd_fh('00001'B, TCV_ts, TSPX_TscA, C_NCC_3, C_BCC_0, C_BCCHcarrierB_hod, 11, TSPX_HSN, TCV_Horf, TCV_Pwrlvl_ho, Synchi_omit, Frql_20_B5d, Frql_omit, CellChDes_Omit, TCV_ChMod, Freqchseq_omit, MoblAllc_omit, RelTmdDif_omit, TimingAdv_omit, CphMod_omit)) | 2. |
|    | <b>localtree_setArfcn</b>         |                                                                                                                                                                                                                                                                                         |    |
| 21 | [TSPC_PGSM OR TSPC_EGSM]          |                                                                                                                                                                                                                                                                                         |    |
| 22 | (TCV_chdescr_arfcn:= C_arfcnA)    |                                                                                                                                                                                                                                                                                         |    |
| 23 | [TSPC_DCS]                        |                                                                                                                                                                                                                                                                                         |    |
| 24 | (TCV_chdescr_arfcn:= C_arfcnAd_4) |                                                                                                                                                                                                                                                                                         |    |

**Detailed Comments:**

1. Initiate a call and L2\_frame with the Setup will not be acknowledged by the SS\_L2.
2. HO from SDCCH/4\_nonFH to TCH/F\_FH.
3. Last L3-msg shall be retransmitted by the MS with the same sequence number of last L3-msg.
4. Check of the sequence number.

| Test Case Dynamic Behaviour |       |                                                                                                                                                                                                                                                                                                                                                                                                                                                                                                                                                                                                                                     |                                      |    |                                                                                   |
|-----------------------------|-------|-------------------------------------------------------------------------------------------------------------------------------------------------------------------------------------------------------------------------------------------------------------------------------------------------------------------------------------------------------------------------------------------------------------------------------------------------------------------------------------------------------------------------------------------------------------------------------------------------------------------------------------|--------------------------------------|----|-----------------------------------------------------------------------------------|
| <b>Test Case Name:</b>      |       | TC_26_6_5_2_2                                                                                                                                                                                                                                                                                                                                                                                                                                                                                                                                                                                                                       |                                      |    |                                                                                   |
| <b>Group:</b>               |       | GSM_L3_MS_v4210/RR/                                                                                                                                                                                                                                                                                                                                                                                                                                                                                                                                                                                                                 |                                      |    |                                                                                   |
| <b>Purpose:</b>             |       | To test that when the MS is ordered to make a non-synchronised handover, it continuously sends access bursts on the main DCCH until it receives a PHYSICAL INFORMATION from the SS. To test that the MS correctly takes the values of the Timing Advance and Starting Time information elements into account. To test that the MS activates the new channel correctly. To test that the MS correctly retransmits Layer 3 MM or CC messages, that were not acknowledged by Layer 2 before the Handover, after completion of the Handover.                                                                                            |                                      |    |                                                                                   |
| <b>Default:</b>             |       | OtherEventsFail_01                                                                                                                                                                                                                                                                                                                                                                                                                                                                                                                                                                                                                  |                                      |    |                                                                                   |
| Nr                          | Label | Behaviour Description                                                                                                                                                                                                                                                                                                                                                                                                                                                                                                                                                                                                               | CRef                                 | V  | Comments                                                                          |
| 1                           |       | START T_guard(300)                                                                                                                                                                                                                                                                                                                                                                                                                                                                                                                                                                                                                  |                                      |    |                                                                                   |
| 2                           |       | +BasicServiceMO(TSPX_MOBscSvcE,<br>TSPX_MOChRateE)                                                                                                                                                                                                                                                                                                                                                                                                                                                                                                                                                                                  |                                      |    |                                                                                   |
| 3                           |       | (TCV_ia_ts:= '000'B, TCV_ts:=<br>TSPX_TmSltNotZero, TCV_Cntref:=<br>TSPX_NoOfHoAccD, TCV_Horf:= TSPX_HoRefB,<br>TCV_Pwrlvl_ho:= INT_TO_BIT( TSPX_PwrlvlA,<br>5))                                                                                                                                                                                                                                                                                                                                                                                                                                                                    |                                      |    |                                                                                   |
| 4                           |       | +IdleUpdated( C_E_default, C_CellA,<br>C_SCH_A, C_BCCH_A_1, C_Immass, C_S0,<br>C_SlotNU, C_SlotNU, C_SlotNU, C_BCC,<br>C_TxInt_5, C_Max_7, C_NECI_0, C_ATT_0,<br>TimingAdv( 30), C_BABR_0, C_cch_1Comb,<br>C_BPM_3, C_T3212_0, C_ci_cellA,<br>C_MCC_1, C_PLMN_1, C_LAC_1, CellOpt_01,<br>CellChDes_20_Aman, CellChDes_202_Adman,<br>C_CellReselectHys12, C_MaxPwrLvlG,<br>C_MaxPwrLvlD, BcchFreqLst_01,<br>BcchFreqLst_Omit, BcchFreqLst_48,<br>BcchFreqLst_Omit, C_noRestablishment,<br>C_BCC, C_NCC, C_Start_Tmsi,<br>TSPX_SDCCH4SubDef, TSPX_CKSNDf,<br>TSPX_RANDDef, C_arfcnA, C_arfcnAd_4,<br>TSPX_IMSI, C_Test_fh, C_NCCP_10) |                                      |    |                                                                                   |
| 5                           |       | +StartCellB_ho( C_E_neighbourdefault,<br>C_BCCHcarrierB_ho, C_BCCHcarrierB_hod,<br>C_Immass, TCV_slot, TCV_tsc, TimingAdv(<br>20), C_TxInt_5, C_Max_7, C_NECI_0,<br>C_ATT_0, C_BABR_0, C_cch_1Comb,<br>C_BPM_3, C_T3212_0, C_MCC_1,<br>C_PLMN_1, C_LAC_1, CellChDes_20_Bman,<br>CellChDes_201_Bd, BcchFreqLst_01,<br>BcchFreqLst_48, C_noRestablishment,<br>C_BCC_0, C_NCC_3, TSPX_k, 0)                                                                                                                                                                                                                                            |                                      |    | The timeslots of Cells A<br>and B are not coincident<br>at the antenna connector. |
| 6                           |       | +HalfRateCh_B_1( TSPX_TCHHSubDef,<br>C_Asynho, TCV_ts, TSPX_TscB,<br>TCV_ChMod, FreqTCHb_hof4,<br>FreqTCHb_hof4d, TimingAdv( 20),<br>C_BABR_0, C_cch_1Comb, C_BPM_3)                                                                                                                                                                                                                                                                                                                                                                                                                                                                |                                      |    |                                                                                   |
| 7                           |       | +local_setArfcn                                                                                                                                                                                                                                                                                                                                                                                                                                                                                                                                                                                                                     |                                      |    |                                                                                   |
| 8                           |       | +Est_MO_Call_init(<br>C_CHSDCCH4_NonFH, MobilAllc_omit,<br>MobilAllc_omit, TimingAdv( 30), C_BCC,<br>C_one, C_one)                                                                                                                                                                                                                                                                                                                                                                                                                                                                                                                  |                                      | 1. |                                                                                   |
| 9                           | body  | +local_sendHoCMD                                                                                                                                                                                                                                                                                                                                                                                                                                                                                                                                                                                                                    |                                      |    |                                                                                   |
| 10                          |       | (TCV_ch:= OC_SubchOfFacch(<br>TSPX_TCHHSubDef, C_CellB, 1))                                                                                                                                                                                                                                                                                                                                                                                                                                                                                                                                                                         |                                      |    |                                                                                   |
| 11                          |       | (TCV_Null :=<br>OM_SendNextOnHO(TCV_ch,<br>TCV_Cntref))                                                                                                                                                                                                                                                                                                                                                                                                                                                                                                                                                                             |                                      |    |                                                                                   |
| 12                          |       | L!DL_DatRqPhyinfo                                                                                                                                                                                                                                                                                                                                                                                                                                                                                                                                                                                                                   | PhyInfo_01(TCV_ch,<br>TimingAdv(20)) |    |                                                                                   |
| 13                          |       | +RR_hocomp1( 750,<br>TimingAdv( 20))                                                                                                                                                                                                                                                                                                                                                                                                                                                                                                                                                                                                |                                      |    |                                                                                   |
| 14                          |       | L?DL_DatInSetup<br>(TCV_Mt1 :=<br>DL_DatInSetup.msg.mt)                                                                                                                                                                                                                                                                                                                                                                                                                                                                                                                                                                             | SetupRcv(<br>SetupInd_01)            | 3. |                                                                                   |
| 15                          |       | +SendSeqNo_chk                                                                                                                                                                                                                                                                                                                                                                                                                                                                                                                                                                                                                      |                                      | 4. |                                                                                   |
| 16                          | post  | +ChanRel_end(<br>TCV_ch)                                                                                                                                                                                                                                                                                                                                                                                                                                                                                                                                                                                                            |                                      |    |                                                                                   |

|                                                                                               |                                                                                                  |                                                                                                                                                                                                                                                                                                                                                                                      |    |
|-----------------------------------------------------------------------------------------------|--------------------------------------------------------------------------------------------------|--------------------------------------------------------------------------------------------------------------------------------------------------------------------------------------------------------------------------------------------------------------------------------------------------------------------------------------------------------------------------------------|----|
| 17                                                                                            | <b>local_sendHoCMD</b><br>(TCV_Tchtype := INT_TO_BIT(( 2 + BIT_TO_INT(<br>TSPX_TCHHSubDef)), 5)) |                                                                                                                                                                                                                                                                                                                                                                                      |    |
| 18                                                                                            | [TSPC_PGSM OR TSPC_EGSM]                                                                         |                                                                                                                                                                                                                                                                                                                                                                                      |    |
| 19                                                                                            | LIDL_DatRqHoCmd                                                                                  | HndOvSnd( TCV_ch,<br>HandOverCmd_fh(<br>TCV_Tchtype,<br>TCV_ts, TSPX_TscB,<br>C_NCC_3, C_BCC_0,<br>C_BCCcarrierB_ho,<br>3, TSPX_HSN,<br>TCV_Horf,<br>TCV_Pwrlvl_ho,<br>Synchi_omit,<br>Frql_omit, Frql_omit,<br>CellChDes_21_B,<br>TCV_ChMod,<br>Freqchseq_omit,<br>MoblAlc_252,<br>RelTmdDif_omit,<br>TimingAdv_omit,<br>CphMod_omit))                                              | 2. |
| 20                                                                                            | [TSPC_DCS]                                                                                       |                                                                                                                                                                                                                                                                                                                                                                                      |    |
| 21                                                                                            | LIDL_DatRqHoCmd                                                                                  | HndOvSnd( TCV_ch,<br>HandOverCmd_fh(<br>TCV_Tchtype,<br>TCV_ts, TSPX_TscB,<br>C_NCC_3, C_BCC_0,<br>C_BCCcarrierB_hod<br>, 3, TSPX_HSN,<br>TCV_Horf,<br>TCV_Pwrlvl_ho,<br>Synchi(<br>C_not_report_otd,<br>C_non_synchronised)<br>, Frql_omit, Frql_omit,<br>CellChDes_21_Bd,<br>TCV_ChMod,<br>Freqchseq_omit,<br>MoblAlc_252d,<br>RelTmdDif_omit,<br>TimingAdv_omit,<br>CphMod_omit)) | 2. |
| 22                                                                                            | <b>local_setArfcn</b><br>[TSPC_PGSM OR TSPC_EGSM]                                                |                                                                                                                                                                                                                                                                                                                                                                                      |    |
| 23                                                                                            | (TCV_chdescr_arfcn:= C_arfcnA)                                                                   |                                                                                                                                                                                                                                                                                                                                                                                      |    |
| 24                                                                                            | [TSPC_DCS]                                                                                       |                                                                                                                                                                                                                                                                                                                                                                                      |    |
| 25                                                                                            | (TCV_chdescr_arfcn:= C_arfcnAd_4)                                                                |                                                                                                                                                                                                                                                                                                                                                                                      |    |
| <b>Detailed Comments:</b>                                                                     |                                                                                                  |                                                                                                                                                                                                                                                                                                                                                                                      |    |
| 1. Initiate a call and L2_frame with the Setup will not be acknowledged by the SS_L2.         |                                                                                                  |                                                                                                                                                                                                                                                                                                                                                                                      |    |
| 2. HO from SDCCH/4_nonFH to TCH/H_FH.                                                         |                                                                                                  |                                                                                                                                                                                                                                                                                                                                                                                      |    |
| 3. Last L3-msg shall be retransmitted by the MS with the same sequence number of last L3-msg. |                                                                                                  |                                                                                                                                                                                                                                                                                                                                                                                      |    |
| 4. Check the sending sequence number and assign verdict.                                      |                                                                                                  |                                                                                                                                                                                                                                                                                                                                                                                      |    |

| Test Case Dynamic Behaviour |       |                                                                                                                                                                                                                                                                                                                                                                                                                                                                                                                                                                                       |                                    |   |                                                                             |
|-----------------------------|-------|---------------------------------------------------------------------------------------------------------------------------------------------------------------------------------------------------------------------------------------------------------------------------------------------------------------------------------------------------------------------------------------------------------------------------------------------------------------------------------------------------------------------------------------------------------------------------------------|------------------------------------|---|-----------------------------------------------------------------------------|
| <b>Test Case Name:</b>      |       | TC_26_6_5_2_3                                                                                                                                                                                                                                                                                                                                                                                                                                                                                                                                                                         |                                    |   |                                                                             |
| <b>Group:</b>               |       | GSM_L3_MS_v4210/RR/                                                                                                                                                                                                                                                                                                                                                                                                                                                                                                                                                                   |                                    |   |                                                                             |
| <b>Purpose:</b>             |       | To test that when the MS is ordered to make a non-synchronised handover, it continuously sends access bursts on the main DCCH until it receives a PHYSICAL INFORMATION from the SS. To test that the MS correctly takes the values of the Timing Advance and Starting Time information elements into account. To test that the MS activates the new channel correctly. To test that the MS correctly retransmits Layer 3 MM or CC messages, that were not acknowledged by Layer 2 before the Handover, after completion of the Handover.                                              |                                    |   |                                                                             |
| <b>Default:</b>             |       | OtherEventsFail_01                                                                                                                                                                                                                                                                                                                                                                                                                                                                                                                                                                    |                                    |   |                                                                             |
| Nr                          | Label | Behaviour Description                                                                                                                                                                                                                                                                                                                                                                                                                                                                                                                                                                 | CRef                               | V | Comments                                                                    |
| 1                           |       | START T_guard(300)                                                                                                                                                                                                                                                                                                                                                                                                                                                                                                                                                                    |                                    |   |                                                                             |
| 2                           |       | +BasicServiceMO(TSPX_MOBscSvcF, TSPX_MOChRateF)                                                                                                                                                                                                                                                                                                                                                                                                                                                                                                                                       |                                    |   |                                                                             |
| 3                           |       | (TCV_ia_ts:= '000'B, TCV_ts:= '000'B, TCV_Cntref:= TSPX_NoOfHoAccG, TCV_Horf:= TSPX_HoRefC, TCV_Pwrlvl_ho:= INT_TO_BIT(TSPX_PwrlvlB, 5))                                                                                                                                                                                                                                                                                                                                                                                                                                              |                                    |   |                                                                             |
| 4                           |       | +IdleUpdated( C_E_default, C_CellA, C_SCH_A, C_BCCH_A_1, C_Immasc, C_SO, C_SlotNU, C_SlotNU, C_SlotNU, C_BCC, C_TxInt_5, C_Max_7, C_NECL_0, C_ATT_0, TimingAdv( 30), C_BABR_0, C_cch_1Comb, C_BPM_3, C_T3212_0, C_ci_cellA, C_MCC_1, C_PLMN_1, C_LAC_1, CellOpt_01, CellChDes_20_Aman, CellChDes_202_Adman, C_CellReselectHys12, C_MaxPwrLvlG, C_MaxPwrLvlD, BcchFreqLst_01, BcchFreqLst_Omit, BcchFreqLst_48, BcchFreqLst_Omit, C_noRestablishment, C_BCC, C_NCC, C_Start_Tmsi, TSPX_SDCCH4SubDef, TSPX_CKSNDf, TSPX_RANDDf, C_arfcnA, C_arfcnAd_4, TSPX_IMSI, C_Test_fh, C_NCCP_10) |                                    |   |                                                                             |
| 5                           |       | +StartCellB_ho( C_E_neighbourdefault, C_BCCHcarrierB_ho, C_BCCHcarrierB_hod, C_Immasc, TCV_slot, TCV_tsc, TimingAdv( 20), C_TxInt_5, C_Max_7, C_NECL_0, C_ATT_0, C_BABR_0, C_cch_1Comb, C_BPM_3, C_T3212_0, C_MCC_1, C_PLMN_1, C_LAC_1, CellChDes_20_Bman, CellChDes_201_Bd, BcchFreqLst_01, BcchFreqLst_48, C_noRestablishment, C_BCC_0, C_NCC_3, TSPX_k, 0)                                                                                                                                                                                                                         |                                    |   | The timeslots of Cells A and B are not coincident at the antenna connector. |
| 6                           |       | +SDCCH8_B_1( TSPX_SDCCH8SubA, C_Asynho, TCV_ts, TSPX_TscC, ChMod_sign, FreqSDCCH8b_hof1, FreqSDCCH8b_hof1d, TimingAdv( 20), C_BABR_0, C_cch_1Comb, C_BPM_3)                                                                                                                                                                                                                                                                                                                                                                                                                           |                                    |   |                                                                             |
| 7                           |       | +localtree_setArfcn                                                                                                                                                                                                                                                                                                                                                                                                                                                                                                                                                                   |                                    |   |                                                                             |
| 8                           |       | +Est_MO_Call_init( C_CHSDCCH4_NonFH, MobilAllc_omit, MobilAllc_omit, TimingAdv( 30), C_BCC, C_one, C_one)                                                                                                                                                                                                                                                                                                                                                                                                                                                                             |                                    |   | 1.                                                                          |
| 9                           |       | +localtree_setArfcn                                                                                                                                                                                                                                                                                                                                                                                                                                                                                                                                                                   |                                    |   |                                                                             |
| 10                          | body  | +ltree_sendHoCMD                                                                                                                                                                                                                                                                                                                                                                                                                                                                                                                                                                      |                                    |   |                                                                             |
| 11                          |       | (TCV_ch:= OC_SubchOfSdcch8( TSPX_SDCCH8SubA, C_CellB, 1))                                                                                                                                                                                                                                                                                                                                                                                                                                                                                                                             |                                    |   |                                                                             |
| 12                          |       | (TCV_Null := OM_SendNextOnHO(TCV_ch, TCV_Cntref))                                                                                                                                                                                                                                                                                                                                                                                                                                                                                                                                     |                                    |   |                                                                             |
| 13                          |       | LIDL_DatRqPhyinfo                                                                                                                                                                                                                                                                                                                                                                                                                                                                                                                                                                     | PhylInfo_01(TCV_ch, TimingAdv(20)) |   |                                                                             |
| 14                          |       | +RR_hocomp1(1500, TimingAdv( 20))                                                                                                                                                                                                                                                                                                                                                                                                                                                                                                                                                     |                                    |   |                                                                             |
| 15                          |       | L?DL_DatInSetup (TCV_Mt1 := DL_DatInSetup.msg.mt)                                                                                                                                                                                                                                                                                                                                                                                                                                                                                                                                     | SetupRcv( SetupInd_01)             |   | 3.                                                                          |
| 16                          |       | +SendSeqNo_chk                                                                                                                                                                                                                                                                                                                                                                                                                                                                                                                                                                        |                                    |   | 4.                                                                          |
| 17                          | post  | +ChanRel_end( TCV_ch)                                                                                                                                                                                                                                                                                                                                                                                                                                                                                                                                                                 |                                    |   |                                                                             |

|    |                                                                                                    |                                                                                                                                                                                                                                                                                                                                                      |    |
|----|----------------------------------------------------------------------------------------------------|------------------------------------------------------------------------------------------------------------------------------------------------------------------------------------------------------------------------------------------------------------------------------------------------------------------------------------------------------|----|
| 18 | <b>ltree_sendHoCMD</b>                                                                             |                                                                                                                                                                                                                                                                                                                                                      |    |
| 19 | [TSPC_PGSM OR TSPC_EGSM]<br>LIDL_DatRqHoCmd                                                        | HndOvSnd( TCV_ch,<br>HandOverCmd_fh(<br>TCV_Tctype,<br>TCV_ts, TSPX_TscC,<br>C_NCC_3, C_BCC_0,<br>C_BCCHcarrierB_ho,<br>15, TSPX_HSN,<br>TCV_Horf,<br>TCV_Pwrlvl_ho,<br>Synchi_omit,<br>Frql_omit,<br>Frql_20_B7,<br>CellChDes_Omit,<br>ChMod_sign_iei,<br>Freqchseq_omit,<br>MoblAllc_omit,<br>RelTmdDif_omit,<br>TimingAdv_omit,<br>CphMod_omit))  | 2. |
| 20 | [TSPC_DCS]                                                                                         |                                                                                                                                                                                                                                                                                                                                                      |    |
| 21 | LIDL_DatRqHoCmd                                                                                    | HndOvSnd( TCV_ch,<br>HandOverCmd_fh(<br>TCV_Tctype,<br>TCV_ts, TSPX_TscC,<br>C_NCC_3, C_BCC_0,<br>C_BCCHcarrierB_hod<br>, 2, C_HSN_0,<br>TCV_Horf,<br>TCV_Pwrlvl_ho,<br>Synchi_omit,<br>Frql_omit,<br>Frql_20_B7d,<br>CellChDes_Omit,<br>ChMod_sign_iei,<br>Freqchseq_omit,<br>MoblAllc_omit,<br>RelTmdDif_omit,<br>TimingAdv_omit,<br>CphMod_omit)) | 2. |
| 22 | <b>localtree_setArfcn</b><br>(TCV_Tctype := INT_TO_BIT(( 8 + BIT_TO_INT(<br>TSPX_SDCCH8SubA)), 5)) |                                                                                                                                                                                                                                                                                                                                                      |    |
| 23 | [TSPC_PGSM OR TSPC_EGSM]                                                                           |                                                                                                                                                                                                                                                                                                                                                      |    |
| 24 | (TCV_chdescr_arfcn:= C_arfcnA)                                                                     |                                                                                                                                                                                                                                                                                                                                                      |    |
| 25 | [TSPC_DCS]                                                                                         |                                                                                                                                                                                                                                                                                                                                                      |    |
| 26 | (TCV_chdescr_arfcn:= C_arfcnAd_4)                                                                  |                                                                                                                                                                                                                                                                                                                                                      |    |

**Detailed Comments:**

1. Initiate a call and L2\_frame with the Setup will not be acknowledged by the SS\_L2.
2. HO from SDCCH/4\_nonFH to SDCCH8\_FH.
3. Last L3-msg shall be retransmitted by the MS with the same sequence number of last L3-msg.
4. To check the sending sequence number.

| Test Case Dynamic Behaviour                                                                                                                                                                                                                                                                                                                                                                                                                                                                                                                              |       |                                                                                                                                                                                                                                                                                                                                                                                                                                                                                                                                                                                           |      |   |                                                                             |
|----------------------------------------------------------------------------------------------------------------------------------------------------------------------------------------------------------------------------------------------------------------------------------------------------------------------------------------------------------------------------------------------------------------------------------------------------------------------------------------------------------------------------------------------------------|-------|-------------------------------------------------------------------------------------------------------------------------------------------------------------------------------------------------------------------------------------------------------------------------------------------------------------------------------------------------------------------------------------------------------------------------------------------------------------------------------------------------------------------------------------------------------------------------------------------|------|---|-----------------------------------------------------------------------------|
| <b>Test Case Name:</b> TC_26_6_5_2_4                                                                                                                                                                                                                                                                                                                                                                                                                                                                                                                     |       |                                                                                                                                                                                                                                                                                                                                                                                                                                                                                                                                                                                           |      |   |                                                                             |
| <b>Group:</b> GSM_L3_MS_v4210/RR/                                                                                                                                                                                                                                                                                                                                                                                                                                                                                                                        |       |                                                                                                                                                                                                                                                                                                                                                                                                                                                                                                                                                                                           |      |   |                                                                             |
| <b>Purpose:</b> To test that when the MS is ordered to make a non-synchronised handover, it continuously sends access bursts on the main DCCH until it receives a PHYSICAL INFORMATION from the SS. To test that the MS correctly takes the values of the Timing Advance and Starting Time information elements into account. To test that the MS activates the new channel correctly. To test that the MS correctly retransmits Layer 3 MM or CC messages, that were not acknowledged by Layer 2 before the Handover, after completion of the Handover. |       |                                                                                                                                                                                                                                                                                                                                                                                                                                                                                                                                                                                           |      |   |                                                                             |
| <b>Default:</b> OtherEventsFail_01                                                                                                                                                                                                                                                                                                                                                                                                                                                                                                                       |       |                                                                                                                                                                                                                                                                                                                                                                                                                                                                                                                                                                                           |      |   |                                                                             |
| Nr                                                                                                                                                                                                                                                                                                                                                                                                                                                                                                                                                       | Label | Behaviour Description                                                                                                                                                                                                                                                                                                                                                                                                                                                                                                                                                                     | CRef | V | Comments                                                                    |
| 1                                                                                                                                                                                                                                                                                                                                                                                                                                                                                                                                                        |       | START T_guard(300)                                                                                                                                                                                                                                                                                                                                                                                                                                                                                                                                                                        |      |   |                                                                             |
| 2                                                                                                                                                                                                                                                                                                                                                                                                                                                                                                                                                        |       | +BasicServiceMO(TSPX_MOBscSvcG, TSPX_MOChRateG)                                                                                                                                                                                                                                                                                                                                                                                                                                                                                                                                           |      |   |                                                                             |
| 3                                                                                                                                                                                                                                                                                                                                                                                                                                                                                                                                                        |       | (TCV_ia_ts:= TSPX_TmSltNotZero, TCV_ts:= TSPX_TmSltNotZero, TCV_Cntref:= TSPX_NoOfHoAcch, TCV_Horf:= TSPX_HoRefD, TCV_Pwrlvl_ho:= INT_TO_BIT(TSPX_PwrlvlB, 5))                                                                                                                                                                                                                                                                                                                                                                                                                            |      |   |                                                                             |
| 4                                                                                                                                                                                                                                                                                                                                                                                                                                                                                                                                                        |       | +IdleUpdated( C_E_default, C_CellA, C_SCH_A, C_BCCH_A_1, C_Immass, C_S0, C_SlotNU, C_SlotNU, C_SlotNU, C_BCC, C_TxInt_5, C_Max_7, C_NECI_0, C_ATT_0, TimingAdv( 30), C_BABR_0, C_cch_1nonComb, C_BPM_3, C_T3212_0, C_ci_cellA, C_MCC_1, C_PLMN_1, C_LAC_1, CellOpt_01, CellChDes_20_Aman, CellChDes_202_Adman, C_CellReselectHys12, C_MaxPwrLvlG, C_MaxPwrLvlD, BcchFreqLst_01, BcchFreqLst_Omit, BcchFreqLst_48, BcchFreqLst_Omit, C_noRestablishment, C_BCC, C_NCC, C_Start_Tmsi, TSPX_SDCCH4SubDef, TSPX_CKSNDf, TSPX_RANDDef, C_arfcnA, C_arfcnAd_4, TSPX_IMSI, C_Test_fh, C_NCCP_10) |      |   |                                                                             |
| 5                                                                                                                                                                                                                                                                                                                                                                                                                                                                                                                                                        |       | (TCV_ia_ts := TSPX_TmSltNotZero)                                                                                                                                                                                                                                                                                                                                                                                                                                                                                                                                                          |      |   |                                                                             |
| 6                                                                                                                                                                                                                                                                                                                                                                                                                                                                                                                                                        |       | +StartCellB_ho( C_E_neighbourdefault, C_BCCHcarrierB_ho, C_BCCHcarrierB_hod, C_Immass, TCV_slot, TCV_tsc, TimingAdv( TSPX_TimadvA), C_TxInt_5, C_Max_7, C_NECI_0, C_ATT_0, C_BABR_0, C_cch_1nonComb, C_BPM_3, C_T3212_0, C_MCC_1, C_PLMN_1, C_LAC_1, CellChDes_20_Bman, CellChDes_201_Bd, BcchFreqLst_01, BcchFreqLst_48, C_noRestablishment, C_BCC_0, C_NCC_3, TSPX_k, 0)                                                                                                                                                                                                                |      |   | The timeslots of Cells A and B are not coincident at the antenna connector. |
| 7                                                                                                                                                                                                                                                                                                                                                                                                                                                                                                                                                        |       | +SDCCH8_A_1_nociph( TSPX_SDCCH8SubDef, C_Immass, TCV_ia_ts, TSPX_TscA, ChMod_sign, FreqTCH( C_arfcnA), FreqTCH( C_arfcnAd_4), TimingAdv( 30), C_BABR_0, C_cch_1nonComb, C_BPM_3)                                                                                                                                                                                                                                                                                                                                                                                                          |      |   |                                                                             |
| 8                                                                                                                                                                                                                                                                                                                                                                                                                                                                                                                                                        |       | +SDCCH8_B_1( TSPX_SDCCH8SubA, C_Asynho, TCV_ts, TSPX_TscB, ChMod_sign, FreqSDCCH8b_hof2, FreqSDCCH8b_hof2d, TimingAdv( TSPX_TimadvA), C_BABR_0, C_cch_1nonComb, C_BPM_3)                                                                                                                                                                                                                                                                                                                                                                                                                  |      |   |                                                                             |
| 9                                                                                                                                                                                                                                                                                                                                                                                                                                                                                                                                                        |       | +localtree_setTchArfcn                                                                                                                                                                                                                                                                                                                                                                                                                                                                                                                                                                    |      |   |                                                                             |
| 10                                                                                                                                                                                                                                                                                                                                                                                                                                                                                                                                                       |       | +Est_MO_Call_init( C_CHSDCCH8_NonFH, MobilAlc_omit, MobilAlc_omit, TimingAdv( 30), TSPX_TscA, C_one, C_one)                                                                                                                                                                                                                                                                                                                                                                                                                                                                               |      |   | 1.                                                                          |
| 11                                                                                                                                                                                                                                                                                                                                                                                                                                                                                                                                                       |       | +localtree_setTchArfcn                                                                                                                                                                                                                                                                                                                                                                                                                                                                                                                                                                    |      |   |                                                                             |
| 12                                                                                                                                                                                                                                                                                                                                                                                                                                                                                                                                                       | body  | +ltree_sendHoCMD                                                                                                                                                                                                                                                                                                                                                                                                                                                                                                                                                                          |      |   |                                                                             |
| 13                                                                                                                                                                                                                                                                                                                                                                                                                                                                                                                                                       |       | (TCV_ch := OC_SubchOfSdcch8( TSPX_SDCCH8SubA,                                                                                                                                                                                                                                                                                                                                                                                                                                                                                                                                             |      |   |                                                                             |



|                           |      |                                                                                                                                                                                                                                                                                                        |                                                                                                                                                                                                                                                                                                                                                                                           |  |    |
|---------------------------|------|--------------------------------------------------------------------------------------------------------------------------------------------------------------------------------------------------------------------------------------------------------------------------------------------------------|-------------------------------------------------------------------------------------------------------------------------------------------------------------------------------------------------------------------------------------------------------------------------------------------------------------------------------------------------------------------------------------------|--|----|
| 14                        |      | C_CellB, 1))<br>(TCV_Null :=<br>OM_SendNextOnHO(TCV_<br>ch, TCV_Cntref))                                                                                                                                                                                                                               |                                                                                                                                                                                                                                                                                                                                                                                           |  |    |
| 15                        |      | LIDL_DatRqPhyinfo                                                                                                                                                                                                                                                                                      | PhyInfo_01(TCV_ch,<br>TimingAdv(TSPX_Ti<br>madvA))                                                                                                                                                                                                                                                                                                                                        |  |    |
| 16                        |      | +RR_hocomp1( 1500,<br>TimingAdv(<br>TSPX_TimadvA))                                                                                                                                                                                                                                                     |                                                                                                                                                                                                                                                                                                                                                                                           |  |    |
| 17                        |      | L?DL_DatInSetup<br>(TCV_Mt1 :=<br>DL_DatInSetup.msg.<br>mt)                                                                                                                                                                                                                                            | SetupRcv(<br>SetupInd_01)                                                                                                                                                                                                                                                                                                                                                                 |  | 3. |
| 18                        |      | +SendSeqNo_chk                                                                                                                                                                                                                                                                                         |                                                                                                                                                                                                                                                                                                                                                                                           |  | 4. |
| 19                        | post | +ChanRel_end(<br>TCV_ch)                                                                                                                                                                                                                                                                               |                                                                                                                                                                                                                                                                                                                                                                                           |  |    |
| 20                        |      | <b>ltree_sendHoCMD</b><br>[TSPC_PGSM OR TSPC_EGSM]                                                                                                                                                                                                                                                     |                                                                                                                                                                                                                                                                                                                                                                                           |  |    |
| 21                        |      | LIDL_DatRqHoCmd                                                                                                                                                                                                                                                                                        | HndOvSnd( TCV_ch,<br>HandOverCmd_fh(<br>TCV_Tchtype,<br>TCV_ts, TSPX_TscB,<br>C_NCC_3, C_BCC_0,<br>C_BCCHcarrierB_ho,<br>14, TSPX_HSN,<br>TCV_Horf,<br>TCV_Pwrlvl_ho,<br>Synchi(<br>C_not_report_otd,<br>C_non_synchronised)<br>, Frql_omit, Frql_omit,<br>CellChDes_Omit,<br>ChMod_omit,<br>Freqchseq_02,<br>MoblAllc_omit,<br>RelTmdDif_omit,<br>TimingAdv_omit,<br>CphMod_omit))       |  | 2. |
| 22                        |      | [TSPC_DCS]                                                                                                                                                                                                                                                                                             |                                                                                                                                                                                                                                                                                                                                                                                           |  |    |
| 23                        |      | LIDL_DatRqHoCmd                                                                                                                                                                                                                                                                                        | HndOvSnd( TCV_ch,<br>HandOverCmd_fh(<br>TCV_Tchtype,<br>TCV_ts, TSPX_TscB,<br>C_NCC_3, C_BCC_0,<br>C_BCCHcarrierB_hod<br>, 16, C_HSN_0,<br>TCV_Horf,<br>TCV_Pwrlvl_ho,<br>Synchi(<br>C_not_report_otd,<br>C_non_synchronised)<br>, Frql_20_B8d,<br>Frql_omit,<br>CellChDes_Omit,<br>ChMod_omit,<br>Freqchseq_02,<br>MoblAllc_omit,<br>RelTmdDif_omit,<br>TimingAdv_omit,<br>CphMod_omit)) |  | 2. |
| 24                        |      | <b>localtree_setTchArfcn</b><br>(TCV_Tchtype := INT_TO_BIT(( 8 + BIT_TO_INT(<br>TSPX_SDCCH8SubA)), 5))                                                                                                                                                                                                 |                                                                                                                                                                                                                                                                                                                                                                                           |  |    |
| 25                        |      | [TSPC_PGSM OR TSPC_EGSM]                                                                                                                                                                                                                                                                               |                                                                                                                                                                                                                                                                                                                                                                                           |  |    |
| 26                        |      | (TCV_tch_arfcn:= C_arfcnA)                                                                                                                                                                                                                                                                             |                                                                                                                                                                                                                                                                                                                                                                                           |  |    |
| 27                        |      | [TSPC_DCS]                                                                                                                                                                                                                                                                                             |                                                                                                                                                                                                                                                                                                                                                                                           |  |    |
| 28                        |      | (TCV_tch_arfcn:= C_arfcnAd_4)                                                                                                                                                                                                                                                                          |                                                                                                                                                                                                                                                                                                                                                                                           |  |    |
| <b>Detailed Comments:</b> |      | <ol style="list-style-type: none"> <li>1. Initiate a call and the last L2_frame with the Setup will not be acknowledged by the SS_L2.</li> <li>2. HO from SDCCH8_NonFH to SDCCH8_FH.</li> <li>3. Last L3-msg shall be retransmitted by the MS with the same sequence number of last L3-msg.</li> </ol> |                                                                                                                                                                                                                                                                                                                                                                                           |  |    |

4. Checking of the sending sequence number.

| Test Case Dynamic Behaviour |       |                                                                                                                                                                                                                                                                                                                                                                                                                                                                                                                                                                                                                                         |                                                                             |   |                                                                             |
|-----------------------------|-------|-----------------------------------------------------------------------------------------------------------------------------------------------------------------------------------------------------------------------------------------------------------------------------------------------------------------------------------------------------------------------------------------------------------------------------------------------------------------------------------------------------------------------------------------------------------------------------------------------------------------------------------------|-----------------------------------------------------------------------------|---|-----------------------------------------------------------------------------|
| <b>Test Case Name:</b>      |       | TC_26_6_5_2_5                                                                                                                                                                                                                                                                                                                                                                                                                                                                                                                                                                                                                           |                                                                             |   |                                                                             |
| <b>Group:</b>               |       | GSM_L3_MS_v4210/RR/                                                                                                                                                                                                                                                                                                                                                                                                                                                                                                                                                                                                                     |                                                                             |   |                                                                             |
| <b>Purpose:</b>             |       | To test that when the MS is ordered to make a non-synchronised handover, it continuously sends access bursts on the main DCCH until it receives a PHYSICAL INFORMATION from the SS. To test that the MS correctly takes the values of the Timing Advance and Starting Time information elements into account. To test that the MS activates the new channel correctly. To test that the MS correctly retransmits Layer 3 MM or CC messages, that were not acknowledged by Layer 2 before the Handover, after completion of the Handover.                                                                                                |                                                                             |   |                                                                             |
| <b>Default:</b>             |       | OtherEventsFail_01                                                                                                                                                                                                                                                                                                                                                                                                                                                                                                                                                                                                                      |                                                                             |   |                                                                             |
| Nr                          | Label | Behaviour Description                                                                                                                                                                                                                                                                                                                                                                                                                                                                                                                                                                                                                   | CRef                                                                        | V | Comments                                                                    |
| 1                           |       | START T_guard(300)                                                                                                                                                                                                                                                                                                                                                                                                                                                                                                                                                                                                                      |                                                                             |   |                                                                             |
| 2                           |       | +BasicServiceMO(TSPX_MOBscSvcH,<br>TSPX_MOChRateH)                                                                                                                                                                                                                                                                                                                                                                                                                                                                                                                                                                                      |                                                                             |   |                                                                             |
| 3                           |       | (TCV_ia_ts:= TSPX_TmSlitNotZero, TCV_ts:=<br>TSPX_TmSlitNotZero, TCV_Cntref:=<br>TSPX_NoOfHoAccE, TCV_Horf:= TSPX_HoRefE,<br>TCV_Pwrlvl_ho:= INT_TO_BIT( TSPX_PwrlvlB,<br>5))                                                                                                                                                                                                                                                                                                                                                                                                                                                           |                                                                             |   |                                                                             |
| 4                           |       | +IdleUpdated( C_E_default, C_CellA,<br>C_SCH_A, C_BCCH_A_1, C_Immass, C_S0,<br>C_SlotNU, C_SlotNU, C_SlotNU, C_BCC,<br>C_TxInt_5, C_Max_7, C_NECI_0, C_ATT_0,<br>TimingAdv( 30), C_BABR_0,<br>C_cch_1nonComb, C_BPM_3, C_T3212_0,<br>C_ci_cellA, C_MCC_1, C_PLMN_1, C_LAC_1,<br>CellOpt_01, CellChDes_20_Aman,<br>CellChDes_202_Adman, C_CellReselectHys12,<br>C_MaxPwrLvlG, C_MaxPwrLvlD,<br>BcchFreqLst_01, BcchFreqLst_Omit,<br>BcchFreqLst_48, BcchFreqLst_Omit,<br>C_noRestablishment, C_BCC, C_NCC,<br>C_Start_Tmsi, TSPX_SDCCH4SubA,<br>TSPX_CKSNDf, TSPX_RANDDef, C_arfcnA,<br>C_arfcnAd_4, TSPX_IMSI, C_Test_fh,<br>C_NCCP_10) |                                                                             |   |                                                                             |
| 5                           |       | (TCV_ia_ts := TSPX_TmSlitNotZero)                                                                                                                                                                                                                                                                                                                                                                                                                                                                                                                                                                                                       |                                                                             |   |                                                                             |
| 6                           |       | +StartCellB_ho( C_E_neighbourdefault,<br>C_BCCHcarrierB_ho,<br>C_BCCHcarrierB_hod, C_Immass,<br>TCV_slot, TCV_tsc, TimingAdv( 20),<br>C_TxInt_5, C_Max_7, C_NECI_0,<br>C_ATT_0, C_BABR_0, C_cch_1Comb,<br>C_BPM_3, C_T3212_0, C_MCC_1,<br>C_PLMN_1, C_LAC_1,<br>CellChDes_20_Bman, CellChDes_201_Bd,<br>BcchFreqLst_01, BcchFreqLst_48,<br>C_noRestablishment, C_BCC_0,<br>C_NCC_3, TSPX_k, 0)                                                                                                                                                                                                                                          |                                                                             |   | The timeslots of Cells A and B are not coincident at the antenna connector. |
| 7                           |       | +FullRateCh_A_1_nociph(C_Immass,<br>TCV_ia_ts, TSPX_TscA, ChMod_sign,<br>FreqTCH(TSPX_TCHcarrierA_ho),<br>FreqTCH(TSPX_TCHcarrierA_hod),<br>TimingAdv( 30), C_BABR_0,<br>C_cch_1nonComb, C_BPM_3)                                                                                                                                                                                                                                                                                                                                                                                                                                       |                                                                             |   |                                                                             |
| 8                           |       | +local_set_arfcn                                                                                                                                                                                                                                                                                                                                                                                                                                                                                                                                                                                                                        |                                                                             |   |                                                                             |
| 9                           |       | +HalfRateCh_B_1(<br>TSPX_TCHHSubDef, C_Asynho,<br>TCV_ts, TSPX_TscB, ChMod_sign,<br>FreqTCH( TSPX_TCHcarrierB_ho),<br>FreqTCH( TSPX_TCHcarrierB_hod),<br>TimingAdv( 20), C_BABR_0,<br>C_cch_1nonComb, C_BPM_3)                                                                                                                                                                                                                                                                                                                                                                                                                          |                                                                             |   |                                                                             |
| 10                          |       | +Est_MO_Call_init(<br>C_CHTCHF_NonFH,<br>MobiAllc_omit, MobiAllc_omit,<br>TimingAdv( 30), TSPX_TscA,<br>C_one, C_one)                                                                                                                                                                                                                                                                                                                                                                                                                                                                                                                   |                                                                             |   | 1.                                                                          |
| 11                          |       | +localtree_varinit                                                                                                                                                                                                                                                                                                                                                                                                                                                                                                                                                                                                                      |                                                                             |   |                                                                             |
| 12                          | body  | LIDL_DatRqHoCmd                                                                                                                                                                                                                                                                                                                                                                                                                                                                                                                                                                                                                         | HndOvSnd( TCV_ch,<br>HandOverCmd_nfh(<br>TCV_Tchtype,<br>TCV_ts, TSPX_TscB, |   | 2.                                                                          |

|                           |      |                                                                                                                                                                                                                                                                                                                                                      |                                                                                                                                                                                                                             |    |
|---------------------------|------|------------------------------------------------------------------------------------------------------------------------------------------------------------------------------------------------------------------------------------------------------------------------------------------------------------------------------------------------------|-----------------------------------------------------------------------------------------------------------------------------------------------------------------------------------------------------------------------------|----|
|                           |      |                                                                                                                                                                                                                                                                                                                                                      | C_NCC_3, C_BCC_0,<br>TCV_chdescr_arfcn,<br>TCV_tch_arfcn,<br>TCV_Horf,<br>TCV_Pwrlvl_ho,<br>Synchi(<br>C_not_report_otd,<br>C_non_synchronised)<br>, ChMod_sign_iei,<br>RelTmdDif_omit,<br>TimingAdv_omit,<br>CphMod_omit)) |    |
| 13                        |      | (TCV_ch:= TCV_chTch)                                                                                                                                                                                                                                                                                                                                 |                                                                                                                                                                                                                             |    |
| 14                        |      | (TCV_Null :=<br>OM_SendNextOnHO(TCV_<br>ch, TCV_Cntref))                                                                                                                                                                                                                                                                                             |                                                                                                                                                                                                                             |    |
| 15                        |      | L!DL_DatRqPhyinfo                                                                                                                                                                                                                                                                                                                                    | PhyInfo_01(TCV_ch,<br>TimingAdv(20))                                                                                                                                                                                        |    |
| 16                        |      | +RR_hocomp1( 750,<br>TimingAdv( 20))                                                                                                                                                                                                                                                                                                                 |                                                                                                                                                                                                                             |    |
| 17                        |      | L?DL_DatInSetup<br>(TCV_Mt1 :=<br>DL_DatInSetup.msg.<br>mt)                                                                                                                                                                                                                                                                                          | SetupRcv(<br>SetupInd_01)                                                                                                                                                                                                   | 3. |
| 18                        |      | +SendSeqNo_chk                                                                                                                                                                                                                                                                                                                                       |                                                                                                                                                                                                                             | 4. |
| 19                        | post | +ChanRel_end(<br>TCV_ch)                                                                                                                                                                                                                                                                                                                             |                                                                                                                                                                                                                             |    |
|                           |      | <b>localtree_varinit</b>                                                                                                                                                                                                                                                                                                                             |                                                                                                                                                                                                                             |    |
| 20                        |      | (TCV_Tchtype := INT_TO_BIT(( 2 + BIT_TO_INT(<br>TSPX_TCHHSubDef)), 5))                                                                                                                                                                                                                                                                               |                                                                                                                                                                                                                             |    |
| 21                        |      | [TSPC_PGSM OR TSPC_EGSM]                                                                                                                                                                                                                                                                                                                             |                                                                                                                                                                                                                             |    |
| 22                        |      | (TCV_tch_arfcn := TSPX_TCHcarrierB_ho,<br>TCV_chdescr_arfcn := C_BCCHcarrierB_ho)                                                                                                                                                                                                                                                                    |                                                                                                                                                                                                                             |    |
| 23                        |      | [TSPC_DCS]                                                                                                                                                                                                                                                                                                                                           |                                                                                                                                                                                                                             |    |
| 24                        |      | (TCV_tch_arfcn :=TSPX_TCHcarrierB_hod,<br>TCV_chdescr_arfcn := C_BCCHcarrierB_hod)                                                                                                                                                                                                                                                                   |                                                                                                                                                                                                                             |    |
|                           |      | <b>local_set_arfcn</b>                                                                                                                                                                                                                                                                                                                               |                                                                                                                                                                                                                             |    |
| 25                        |      | [TSPC_PGSM OR TSPC_EGSM]                                                                                                                                                                                                                                                                                                                             |                                                                                                                                                                                                                             |    |
| 26                        |      | (TCV_tch_arfcn := TSPX_TCHcarrierA_ho, TCV_ch<br>:= TCV_chTch)                                                                                                                                                                                                                                                                                       |                                                                                                                                                                                                                             |    |
| 27                        |      | [TSPC_DCS]                                                                                                                                                                                                                                                                                                                                           |                                                                                                                                                                                                                             |    |
| 28                        |      | (TCV_tch_arfcn :=TSPX_TCHcarrierA_hod,<br>TCV_ch := TCV_chTch)                                                                                                                                                                                                                                                                                       |                                                                                                                                                                                                                             |    |
| <b>Detailed Comments:</b> |      | <ol style="list-style-type: none"> <li>1. Initiate a call and last L2_frame with the Setup will not be acknowledged by the SS_L2.</li> <li>2. HO from TCH/F_NonFH to TCH/H_NonFH</li> <li>3. Last L3-msg shall be retransmitted by the MS with the same sequence number of last L3-msg.</li> <li>4. To check the sending sequence number.</li> </ol> |                                                                                                                                                                                                                             |    |

| Test Case Dynamic Behaviour |       |                                                                                                                                                                                                                                                                                                                                                                                                                                                                                                                                                                                                                                         |                                      |   |                                                                             |
|-----------------------------|-------|-----------------------------------------------------------------------------------------------------------------------------------------------------------------------------------------------------------------------------------------------------------------------------------------------------------------------------------------------------------------------------------------------------------------------------------------------------------------------------------------------------------------------------------------------------------------------------------------------------------------------------------------|--------------------------------------|---|-----------------------------------------------------------------------------|
| <b>Test Case Name:</b>      |       | TC_26_6_5_2_6                                                                                                                                                                                                                                                                                                                                                                                                                                                                                                                                                                                                                           |                                      |   |                                                                             |
| <b>Group:</b>               |       | GSM_L3_MS_v4210/RR/                                                                                                                                                                                                                                                                                                                                                                                                                                                                                                                                                                                                                     |                                      |   |                                                                             |
| <b>Purpose:</b>             |       | To test that when the MS is ordered to make a non-synchronised handover, it continuously sends access bursts on the main DCCH until it receives a PHYSICAL INFORMATION from the SS. To test that the MS correctly takes the values of the Timing Advance and Starting Time information elements into account. To test that the MS activates the new channel correctly. To test that the MS correctly retransmits Layer 3 MM or CC messages, that were not acknowledged by Layer 2 before the Handover, after completion of the Handover.                                                                                                |                                      |   |                                                                             |
| <b>Default:</b>             |       | OtherEventsFail_01                                                                                                                                                                                                                                                                                                                                                                                                                                                                                                                                                                                                                      |                                      |   |                                                                             |
| Nr                          | Label | Behaviour Description                                                                                                                                                                                                                                                                                                                                                                                                                                                                                                                                                                                                                   | CRef                                 | V | Comments                                                                    |
| 1                           |       | START T_guard(300)                                                                                                                                                                                                                                                                                                                                                                                                                                                                                                                                                                                                                      |                                      |   |                                                                             |
| 2                           |       | +BasicServiceMO(TSPX_MOBscSvcI,<br>TSPX_MOChRateI)                                                                                                                                                                                                                                                                                                                                                                                                                                                                                                                                                                                      |                                      |   |                                                                             |
| 3                           |       | (TCV_ia_ts:= TSPX_TmSlitNotZero, TCV_ts:=<br>TSPX_TmSlitNotZero, TCV_Cntref:=<br>TSPX_NoOfHoAccB, TCV_Horf:= TSPX_HoReff,<br>TCV_Pwrlvl_ho:= INT_TO_BIT( TSPX_PwrlvlC,<br>5))                                                                                                                                                                                                                                                                                                                                                                                                                                                           |                                      |   |                                                                             |
| 4                           |       | +IdleUpdated( C_E_default, C_CellA,<br>C_SCH_A, C_BCCH_A_1, C_Immass, C_S0,<br>C_SlotNU, C_SlotNU, C_SlotNU, C_BCC,<br>C_TxInt_5, C_Max_7, C_NECI_0, C_ATT_0,<br>TimingAdv( 30), C_BABR_0,<br>C_cch_1nonComb, C_BPM_3, C_T3212_0,<br>C_ci_cellA, C_MCC_1, C_PLMN_1, C_LAC_1,<br>CellOpt_01, CellChDes_20_Aman,<br>CellChDes_202_Adman, C_CellReselectHys12,<br>C_MaxPwrLvlG, C_MaxPwrLvlD,<br>BcchFreqLst_01, BcchFreqLst_Omit,<br>BcchFreqLst_48, BcchFreqLst_Omit,<br>C_noRestablishment, C_BCC, C_NCC,<br>C_Start_Tmsi, TSPX_SDCCH4SubA,<br>TSPX_CKSNDf, TSPX_RANDDef, C_arfcnA,<br>C_arfcnAd_4, TSPX_IMSI, C_Test_fh,<br>C_NCCP_10) |                                      |   |                                                                             |
| 5                           |       | (TCV_ia_ts := TSPX_TmSlitNotZero)                                                                                                                                                                                                                                                                                                                                                                                                                                                                                                                                                                                                       |                                      |   |                                                                             |
| 6                           |       | +StartCellB_ho( C_E_neighbourdefault,<br>C_BCCHcarrierB_ho,<br>C_BCCHcarrierB_hod, C_Immass,<br>TCV_slot, TCV_tsc, TimingAdv( 20),<br>C_TxInt_5, C_Max_7, C_NECI_0,<br>C_ATT_0, C_BABR_0, C_cch_1Comb,<br>C_BPM_3, C_T3212_0, C_MCC_1,<br>C_PLMN_1, C_LAC_1,<br>CellChDes_20_Bman, CellChDes_201_Bd,<br>BcchFreqLst_01, BcchFreqLst_48,<br>C_noRestablishment, C_BCC_0,<br>C_NCC_3, TSPX_k, 0)                                                                                                                                                                                                                                          |                                      |   | The timeslots of Cells A and B are not coincident at the antenna connector. |
| 7                           |       | +HalfRateCh_A_1_nociph(<br>TSPX_TCHHSubDef, C_Immass,<br>TCV_ia_ts, TSPX_TscG, ChMod_sign,<br>FreqTCHa_hof3, FreqTCHa_hof3d,<br>TimingAdv( 30), C_BABR_0,<br>C_cch_1Comb, C_BPM_3)                                                                                                                                                                                                                                                                                                                                                                                                                                                      |                                      |   |                                                                             |
| 8                           |       | (TCV_ch := TCV_chTch)                                                                                                                                                                                                                                                                                                                                                                                                                                                                                                                                                                                                                   |                                      |   |                                                                             |
| 9                           |       | +FullRateCh_B_1( C_Asynho,<br>TCV_ts, TSPX_TscF, ChMod_sign,<br>FreqTCHb_hof5, FreqTCHb_hof5d,<br>TimingAdv( 20), C_BABR_0,<br>C_cch_1Comb, C_BPM_3)                                                                                                                                                                                                                                                                                                                                                                                                                                                                                    |                                      |   |                                                                             |
| 10                          |       | +Est_MO_Call_init(<br>C_CHTCHH_FH, MobilAllc_20_A0,<br>MobilAllc_20_A0, TimingAdv( 30),<br>TSPX_TscG, 17, 17)                                                                                                                                                                                                                                                                                                                                                                                                                                                                                                                           |                                      |   | 1.                                                                          |
| 11                          | body  | +local_HoCMD                                                                                                                                                                                                                                                                                                                                                                                                                                                                                                                                                                                                                            |                                      |   |                                                                             |
| 12                          |       | (TCV_ch := TCV_chTch)                                                                                                                                                                                                                                                                                                                                                                                                                                                                                                                                                                                                                   |                                      |   |                                                                             |
| 13                          |       | (TCV_Null :=<br>OM_SendNextOnHO(TCV_ch<br>, TCV_Cntref))                                                                                                                                                                                                                                                                                                                                                                                                                                                                                                                                                                                |                                      |   |                                                                             |
| 14                          |       | L!DL_DatRqPhyinfo                                                                                                                                                                                                                                                                                                                                                                                                                                                                                                                                                                                                                       | PhyInfo_01(TCV_ch,<br>TimingAdv(20)) |   |                                                                             |
| 15                          |       | +RR_hocomp1( 500,                                                                                                                                                                                                                                                                                                                                                                                                                                                                                                                                                                                                                       |                                      |   |                                                                             |

|    |      |                                                                           |                                                                                                                                                                                                                                                                                                                                                    |    |
|----|------|---------------------------------------------------------------------------|----------------------------------------------------------------------------------------------------------------------------------------------------------------------------------------------------------------------------------------------------------------------------------------------------------------------------------------------------|----|
| 16 |      | TimingAdv( 20)<br>L?DL_DatInSetup<br>(TCV_Mt1 :=<br>DL_DatInSetup.msg.mt) | SetupRcv(<br>SetupInd_01)                                                                                                                                                                                                                                                                                                                          | 3. |
| 17 |      | +SendSeqNo_chk                                                            |                                                                                                                                                                                                                                                                                                                                                    | 4. |
| 18 | post | +ChanRel_end(<br>TCV_ch)                                                  |                                                                                                                                                                                                                                                                                                                                                    |    |
| 19 |      | <b>local_HoCMD</b><br>[TSPC_PGSM OR TSPC_EGSM]                            |                                                                                                                                                                                                                                                                                                                                                    |    |
| 20 |      | L!DL_DatRqHoCmd                                                           | HndOvSnd( TCV_ch,<br>HandOverCmd_fh(<br>'00001'B, TCV_ts,<br>TSPX_TscF,<br>C_NCC_3, C_BCC_0,<br>C_BCCHcarrierB_ho,<br>5, TSPX_HSN,<br>TCV_Horf,<br>TCV_PwrIvl_ho,<br>Synchi_omit,<br>Frql_omit, Frql_omit,<br>CellChDes_20_B,<br>ChMod_sign_iei,<br>Freqchseq_omit,<br>MoblAlc_20_B1iei,<br>RelTmdDif_omit,<br>TimingAdv_omit,<br>CphMod_omit))    | 2. |
| 21 |      | [TSPC_DCS]                                                                |                                                                                                                                                                                                                                                                                                                                                    |    |
| 22 |      | L!DL_DatRqHoCmd                                                           | HndOvSnd( TCV_ch,<br>HandOverCmd_fh(<br>'00001'B, TCV_ts,<br>TSPX_TscF,<br>C_NCC_3, C_BCC_0,<br>C_BCCHcarrierB_hod<br>, 9, TSPX_HSN,<br>TCV_Horf,<br>TCV_PwrIvl_ho,<br>Synchi_omit,<br>Frql_omit,<br>Frql_20_B9d,<br>CellChDes_Omit,<br>ChMod_sign_iei,<br>Freqchseq_omit,<br>MoblAlc_omit,<br>RelTmdDif_omit,<br>TimingAdv_omit,<br>CphMod_omit)) | 2. |

**Detailed Comments:**

1. To initiate a call and the last L2\_frame with the Setup will not be acknowledged by the SS\_L2.
2. HO from TCHH\_FH to TCH/F\_FH
3. Last L3-msg shall be retransmitted by the MS with the same sequence number of last L3-msg.
4. To check the sending sequence number.

| Test Case Dynamic Behaviour |       |                                                                                                                                                                                                                                                                                                                                                                                                                                                                                                                                                                                                                                         |                                                    |   |                                                                             |
|-----------------------------|-------|-----------------------------------------------------------------------------------------------------------------------------------------------------------------------------------------------------------------------------------------------------------------------------------------------------------------------------------------------------------------------------------------------------------------------------------------------------------------------------------------------------------------------------------------------------------------------------------------------------------------------------------------|----------------------------------------------------|---|-----------------------------------------------------------------------------|
| <b>Test Case Name:</b>      |       | TC_26_6_5_2_7                                                                                                                                                                                                                                                                                                                                                                                                                                                                                                                                                                                                                           |                                                    |   |                                                                             |
| <b>Group:</b>               |       | GSM_L3_MS_v4210/RR/                                                                                                                                                                                                                                                                                                                                                                                                                                                                                                                                                                                                                     |                                                    |   |                                                                             |
| <b>Purpose:</b>             |       | To test that when the MS is ordered to make a non-synchronised handover, it continuously sends access bursts on the main DCCH until it receives a PHYSICAL INFORMATION from the SS. To test that the MS correctly takes the values of the Timing Advance and Starting Time information elements into account. To test that the MS activates the new channel correctly. To test that the MS correctly retransmits Layer 3 MM or CC messages, that were not acknowledged by Layer 2 before the Handover, after completion of the Handover.                                                                                                |                                                    |   |                                                                             |
| <b>Default:</b>             |       | OtherEventsFail_01                                                                                                                                                                                                                                                                                                                                                                                                                                                                                                                                                                                                                      |                                                    |   |                                                                             |
| Nr                          | Label | Behaviour Description                                                                                                                                                                                                                                                                                                                                                                                                                                                                                                                                                                                                                   | CRef                                               | V | Comments                                                                    |
| 1                           |       | START T_guard(300)                                                                                                                                                                                                                                                                                                                                                                                                                                                                                                                                                                                                                      |                                                    |   |                                                                             |
| 2                           |       | +BasicServiceMO(TSPX_MOBscSvcJ,<br>TSPX_MOChRateJ)                                                                                                                                                                                                                                                                                                                                                                                                                                                                                                                                                                                      |                                                    |   |                                                                             |
| 3                           |       | (TCV_ia_ts:= C_S0, TCV_ts:=<br>TSPX_TmSltNotZero, TCV_Cntref:=<br>TSPX_NoOfHoAccC, TCV_Horf:=<br>TSPX_HoRefG, TCV_Pwrlvl_ho:= INT_TO_BIT(<br>TSPX_PwrlvlC, 5))                                                                                                                                                                                                                                                                                                                                                                                                                                                                          |                                                    |   |                                                                             |
| 4                           |       | +IdleUpdated( C_E_default, C_CellA,<br>C_SCH_A, C_BCCH_A_1, C_Immass, C_S0,<br>C_SlotNU, C_SlotNU, C_SlotNU, C_BCC,<br>C_TxInt_5, C_Max_7, C_NECI_0, C_ATT_0,<br>TimingAdv( 30), C_BABR_0,<br>C_cch_1nonComb, C_BPM_3, C_T3212_0,<br>C_ci_cellA, C_MCC_1, C_PLMN_1, C_LAC_1,<br>CellOpt_01, CellChDes_20_Aman,<br>CellChDes_202_Adman, C_CellReselectHys12,<br>C_MaxPwrLvlG, C_MaxPwrLvlD,<br>BcchFreqLst_01, BcchFreqLst_Omit,<br>BcchFreqLst_48, BcchFreqLst_Omit,<br>C_noRestablishment, C_BCC, C_NCC,<br>C_Start_Tmsi, TSPX_SDCCH4SubA,<br>TSPX_CKSNDf, TSPX_RANDDef, C_arfcnA,<br>C_arfcnAd_4, TSPX_IMSI, C_Test_fh,<br>C_NCCP_10) |                                                    |   |                                                                             |
| 5                           |       | +StartCellB_ho( C_E_neighbourdefault,<br>C_BCCHcarrierB_ho, C_BCCHcarrierB_hod,<br>C_Immass, TCV_slot, TCV_tsc, TimingAdv(<br>TSPX_TimadvC), C_TxInt_5, C_Max_7,<br>C_NECI_0, C_ATT_0, C_BABR_0,<br>C_cch_1Comb, C_BPM_3, C_T3212_0,<br>C_MCC_1, C_PLMN_1, C_LAC_1,<br>CellChDes_20_Bman, CellChDes_201_Bd,<br>BcchFreqLst_01, BcchFreqLst_48,<br>C_noRestablishment, C_BCC_0, C_NCC_3,<br>TSPX_k, 0)                                                                                                                                                                                                                                   |                                                    |   | The timeslots of Cells A and B are not coincident at the antenna connector. |
| 6                           |       | +FullRateCh_A_1_nociph( C_Immass,<br>TCV_ia_ts, TSPX_TscE, TCV_ChMod,<br>FreqTCHa_hof2, FreqTCHa_hof2d,<br>TimingAdv( 30), C_BABR_0,<br>C_cch_1Comb, C_BPM_3)                                                                                                                                                                                                                                                                                                                                                                                                                                                                           |                                                    |   |                                                                             |
| 7                           |       | (TCV_ch := TCV_chTch)                                                                                                                                                                                                                                                                                                                                                                                                                                                                                                                                                                                                                   |                                                    |   |                                                                             |
| 8                           |       | +FullRateCh_B_1( C_Asynho, TCV_ts,<br>TSPX_TscB, TCV_ChMod,<br>FreqTCHb_hof9, FreqTCHb_hof9d,<br>TimingAdv( TSPX_TimadvC),<br>C_BABR_0, C_cch_1Comb, C_BPM_3)                                                                                                                                                                                                                                                                                                                                                                                                                                                                           |                                                    |   |                                                                             |
| 9                           |       | +Est_MO_Call_init( C_CHTCHF_FH,<br>MobiAllc_20_A2, MobiAllc_20_A2,<br>TimingAdv( 30), TSPX_TscE, 1, 1)                                                                                                                                                                                                                                                                                                                                                                                                                                                                                                                                  |                                                    |   | 1.                                                                          |
| 10                          | body  | +ltree_hoCMD                                                                                                                                                                                                                                                                                                                                                                                                                                                                                                                                                                                                                            |                                                    |   |                                                                             |
| 11                          |       | (TCV_ch := TCV_chTch)                                                                                                                                                                                                                                                                                                                                                                                                                                                                                                                                                                                                                   |                                                    |   |                                                                             |
| 12                          |       | (TCV_Null :=<br>OM_SendNextOnHO(TCV_ch,<br>TCV_Cntref))                                                                                                                                                                                                                                                                                                                                                                                                                                                                                                                                                                                 |                                                    |   |                                                                             |
| 13                          |       | LIDL_DatRqPhyinfo                                                                                                                                                                                                                                                                                                                                                                                                                                                                                                                                                                                                                       | PhyInfo_01(TCV_ch,<br>TimingAdv(TSPX_Ti<br>madvC)) |   |                                                                             |
| 14                          |       | +RR_hocomp1( 500,<br>TimingAdv(<br>TSPX_TimadvC))                                                                                                                                                                                                                                                                                                                                                                                                                                                                                                                                                                                       |                                                    |   |                                                                             |
| 15                          |       | L?DL_DatInSetup                                                                                                                                                                                                                                                                                                                                                                                                                                                                                                                                                                                                                         | SetupRcv(                                          |   | 3.                                                                          |

|    |      |                                                |                                                                                                                                                                                                                                                                                                                                             |    |
|----|------|------------------------------------------------|---------------------------------------------------------------------------------------------------------------------------------------------------------------------------------------------------------------------------------------------------------------------------------------------------------------------------------------------|----|
| 16 |      | (TCV_Mt1 :=<br>DL_DatInSetup.msg.mt)           | SetupInd_01)                                                                                                                                                                                                                                                                                                                                |    |
| 17 | post | +SendSeqNo_chk<br>+ChanRel_end(<br>TCV_ch)     |                                                                                                                                                                                                                                                                                                                                             | 4. |
| 18 |      | <b>Itree_hoCMD</b><br>[TSPC_PGSM OR TSPC_EGSM] |                                                                                                                                                                                                                                                                                                                                             |    |
| 19 |      | L!DL_DatRqHoCmd                                | HndOvSnd( TCV_ch,<br>HandOverCmd_fh(<br>'00001'B, TCV_ts,<br>TSPX_TscB,<br>C_NCC_3, C_BCC_0,<br>C_BCCHcarrierB_ho,<br>16, TSPX_HSN,<br>TCV_Horf,<br>TCV_PwrIvl_ho,<br>Synchi_omit,<br>Frql_omit,<br>Frql_20_B2,<br>CellChDes_Omit,<br>TCV_ChMod,<br>Freqchseq_omit,<br>MoblAlc_omit,<br>RelTmdDif_omit,<br>TimingAdv_omit,<br>CphMod_omit)) | 2. |
| 20 |      | [TSPC_DCS]                                     |                                                                                                                                                                                                                                                                                                                                             |    |
| 21 |      | L!DL_DatRqHoCmd                                | HndOvSnd( TCV_ch,<br>HandOverCmd_fh(<br>'00001'B, TCV_ts,<br>TSPX_TscB,<br>C_NCC_3, C_BCC_0,<br>C_BCCHcarrierB_hod<br>, 13, TSPX_HSN,<br>TCV_Horf,<br>TCV_PwrIvl_ho,<br>Synchi_omit,<br>Frql_omit, Frql_omit,<br>CellChDes_20_B0d,<br>TCV_ChMod,<br>Freqchseq_omit,<br>MoblAlc_22,<br>RelTmdDif_omit,<br>TimingAdv_omit,<br>CphMod_omit))   | 2. |

**Detailed Comments:**

1. To initiate a call and the last L2\_frame with the Setup will not be acknowledged by the SS\_L2.
2. HO from TCHH\_FH to TCH/F\_FH
3. Last L3-msg shall be retransmitted by the MS with the same sequence number of last L3-msg.
4. Checking of the sending sequence number.



| Test Case Dynamic Behaviour |       |                                                                                                                                                                                                                                                                                                                                                                                                                                                                                                                                                                                                                                          |                                                                                                                                                    |   |                                                                                   |
|-----------------------------|-------|------------------------------------------------------------------------------------------------------------------------------------------------------------------------------------------------------------------------------------------------------------------------------------------------------------------------------------------------------------------------------------------------------------------------------------------------------------------------------------------------------------------------------------------------------------------------------------------------------------------------------------------|----------------------------------------------------------------------------------------------------------------------------------------------------|---|-----------------------------------------------------------------------------------|
| <b>Test Case Name:</b>      |       | TC_26_6_5_2_8                                                                                                                                                                                                                                                                                                                                                                                                                                                                                                                                                                                                                            |                                                                                                                                                    |   |                                                                                   |
| <b>Group:</b>               |       | GSM_L3_MS_v4210/RR/                                                                                                                                                                                                                                                                                                                                                                                                                                                                                                                                                                                                                      |                                                                                                                                                    |   |                                                                                   |
| <b>Purpose:</b>             |       | To test that when the MS is ordered to make a non-synchronised handover, it continuously sends access bursts on the main DCCH until it receives a PHYSICAL INFORMATION from the SS. To test that the MS correctly takes the values of the Timing Advance and Starting Time information elements into account. To test that the MS activates the new channel correctly. To test that the MS correctly retransmits Layer 3 MM or CC messages, that were not acknowledged by Layer 2 before the Handover, after completion of the Handover.                                                                                                 |                                                                                                                                                    |   |                                                                                   |
| <b>Default:</b>             |       | OtherEventsFail_01                                                                                                                                                                                                                                                                                                                                                                                                                                                                                                                                                                                                                       |                                                                                                                                                    |   |                                                                                   |
| Nr                          | Label | Behaviour Description                                                                                                                                                                                                                                                                                                                                                                                                                                                                                                                                                                                                                    | CRef                                                                                                                                               | V | Comments                                                                          |
| 1                           |       | START T_guard(300)                                                                                                                                                                                                                                                                                                                                                                                                                                                                                                                                                                                                                       |                                                                                                                                                    |   |                                                                                   |
| 2                           |       | +BasicServiceMO(TSPX_MOBscSvcB,<br>TSPX_MOChRateB)                                                                                                                                                                                                                                                                                                                                                                                                                                                                                                                                                                                       |                                                                                                                                                    |   |                                                                                   |
| 3                           |       | (TCV_ia_ts:= TSPX_TmSlTNotZero, TCV_ts:=<br>C_S0, TCV_Cntref:= TSPX_NoOfHoAccA,<br>TCV_Horf:= TSPX_HoRefH, TCV_Pwrlvl_ho:=<br>INT_TO_BIT( TSPX_PwrlvlID, 5))                                                                                                                                                                                                                                                                                                                                                                                                                                                                             |                                                                                                                                                    |   |                                                                                   |
| 4                           |       | +IdleUpdated( C_E_default, C_CellA,<br>C_SCH_A, C_BCCH_A_1, C_Immass, C_S0,<br>C_SlotNU, C_SlotNU, C_SlotNU, C_BCC,<br>C_TxInt_5, C_Max_7, C_NECI_0, C_ATT_0,<br>TimingAdv( 30), C_BABR_0,<br>C_cch_1nonComb, C_BPM_3, C_T3212_0,<br>C_ci_cellA, C_MCC_1, C_PLMN_1, C_LAC_1,<br>CellOpt_01, CellChDes_20_Aman,<br>CellChDes_202_Adman, C_CellReselectHys12,<br>C_MaxPwrLvlG, C_MaxPwrLvlID,<br>BcchFreqLst_01, BcchFreqLst_Omit,<br>BcchFreqLst_48, BcchFreqLst_Omit,<br>C_noRestablishment, C_BCC, C_NCC,<br>C_Start_Tmsi, TSPX_SDCCH4SubA,<br>TSPX_CKSNDf, TSPX_RANDDef, C_arfcnA,<br>C_arfcnAd_4, TSPX_IMSI, C_Test_fh,<br>C_NCCP_10) |                                                                                                                                                    |   |                                                                                   |
| 5                           |       | (TCV_ia_ts := TSPX_TmSlTNotZero)                                                                                                                                                                                                                                                                                                                                                                                                                                                                                                                                                                                                         |                                                                                                                                                    |   |                                                                                   |
| 6                           |       | +StartCellB_ho( C_E_neighbourdefault,<br>C_BCCHcarrierB_ho,<br>C_BCCHcarrierB_hod, C_Immass,<br>TCV_slot, TCV_tsc, TimingAdv( 20),<br>C_TxInt_5, C_Max_7, C_NECI_0,<br>C_ATT_0, C_BABR_0, C_cch_1Comb,<br>C_BPM_3, C_T3212_0, C_MCC_1,<br>C_PLMN_1, C_LAC_1,<br>CellChDes_20_Bman, CellChDes_201_Bd,<br>BcchFreqLst_01, BcchFreqLst_48,<br>C_noRestablishment, C_BCC_0,<br>C_NCC_3, TSPX_k, 0)                                                                                                                                                                                                                                           |                                                                                                                                                    |   | The timeslots of Cells A<br>and B are not coincident<br>at the antenna connector. |
| 7                           |       | +SDCCH8_A_1_nociph(<br>TSPX_SDCCH8SubDef, C_Immass,<br>TCV_ia_ts, TSPX_TscA, ChMod_sign,<br>FreqSDCCHa_hof1, FreqSDCCHa_hof1d,<br>TimingAdv( 30), C_BABR_0,<br>C_cch_1nonComb, C_BPM_3)                                                                                                                                                                                                                                                                                                                                                                                                                                                  |                                                                                                                                                    |   |                                                                                   |
| 8                           |       | +FullRateCh_B_1( C_Asynho, TCV_ts,<br>TSPX_TscC, TCV_ChMod, FreqTCH(<br>TSPX_TCHcarrierB_ho), FreqTCH(<br>TSPX_TCHcarrierB_hod), TimingAdv(<br>20), C_BABR_0, C_cch_1Comb,<br>C_BPM_3)                                                                                                                                                                                                                                                                                                                                                                                                                                                   |                                                                                                                                                    |   |                                                                                   |
| 9                           |       | +Est_MO_Call_init(<br>C_CHSDCCH8_FH, MobilAllc_281,<br>MobilAllc_281d, TimingAdv( 30),<br>TSPX_TscA, 3, 3)                                                                                                                                                                                                                                                                                                                                                                                                                                                                                                                               |                                                                                                                                                    |   | 1.                                                                                |
| 10                          |       | +local_varinit                                                                                                                                                                                                                                                                                                                                                                                                                                                                                                                                                                                                                           |                                                                                                                                                    |   |                                                                                   |
| 11                          | body  | L!DL_DatRqHoCmd                                                                                                                                                                                                                                                                                                                                                                                                                                                                                                                                                                                                                          | HndOvSnd( TCV_ch,<br>HandOverCmd_nfh(<br>'00001'B, TCV_ts,<br>TSPX_TscC,<br>C_NCC_3, C_BCC_0,<br>TCV_chdescr_arfcn,<br>TCV_tch_arfcn,<br>TCV_Horf, |   | 2.                                                                                |

|    |      |                                                                                                              |                                                                                                     |    |
|----|------|--------------------------------------------------------------------------------------------------------------|-----------------------------------------------------------------------------------------------------|----|
| 12 |      | (TCV_ch := TCV_chTch)                                                                                        | TCV_PwrIvl_ho,<br>Synchi_omit,<br>ChMod_omit,<br>RelTmdDif_omit,<br>TimingAdv_omit,<br>CphMod_omit) |    |
| 13 |      | (TCV_Null :=<br>OM_SendNextOnHO(TCV_ch<br>, TCV_Cntref))                                                     |                                                                                                     |    |
| 14 |      | L!DL_DatRqPhyinfo                                                                                            | PhyInfo_01(TCV_ch,<br>TimingAdv(20))                                                                |    |
| 15 |      | +RR_hocomp1(500,<br>TimingAdv( 20))                                                                          |                                                                                                     |    |
| 16 |      | L?DL_DatInSetup<br>(TCV_Mt1 :=<br>DL_DatInSetup.msg.mt)                                                      | SetupRcv(<br>SetupInd_01)                                                                           | 3. |
| 17 |      | +SendSeqNo_chk                                                                                               |                                                                                                     | 4. |
| 18 | post | +ChanRel_end(<br>TCV_ch)                                                                                     |                                                                                                     |    |
| 19 |      | <b>local_varinit</b>                                                                                         |                                                                                                     |    |
| 20 |      | [TSPC_PGSM OR TSPC_EGSM]<br>(TCV_chdescr_arfcn := C_BCCHcarrierB_ho,<br>TCV_tch_arfcn:= TSPX_TCHcarrierB_ho) |                                                                                                     |    |
| 21 |      | [TSPC_DCS]                                                                                                   |                                                                                                     |    |
| 22 |      | (TCV_chdescr_arfcn := C_BCCHcarrierB_hod,<br>TCV_tch_arfcn:= TSPX_TCHcarrierB_hod)                           |                                                                                                     |    |

**Detailed Comments:**

1. To initiate a call and the last L2\_frame with the Setup will not be acknowledged by the SS\_L2.
2. HO from TCHH\_FH to TCH/F\_FH
3. Last L3-msg shall be retransmitted by the MS with the same sequence number of last L3-msg.
4. To check whether the sending sequence number is matched with the last unacknowledged one.

| Test Case Dynamic Behaviour |       |                                                                                                                                                                                                                                                                                                                                                                                                                                                                                                                                                                                                                                         |      |   |                                                                             |
|-----------------------------|-------|-----------------------------------------------------------------------------------------------------------------------------------------------------------------------------------------------------------------------------------------------------------------------------------------------------------------------------------------------------------------------------------------------------------------------------------------------------------------------------------------------------------------------------------------------------------------------------------------------------------------------------------------|------|---|-----------------------------------------------------------------------------|
| <b>Test Case Name:</b>      |       | TC_26_6_5_2_9                                                                                                                                                                                                                                                                                                                                                                                                                                                                                                                                                                                                                           |      |   |                                                                             |
| <b>Group:</b>               |       | GSM_L3_MS_v4210/RR/                                                                                                                                                                                                                                                                                                                                                                                                                                                                                                                                                                                                                     |      |   |                                                                             |
| <b>Purpose:</b>             |       | To test that when the MS is ordered to make a non-synchronised handover, it continuously sends access bursts on the main DCCH until it receives a PHYSICAL INFORMATION from the SS. To test that the MS correctly takes the values of the Timing Advance and Starting Time information elements into account. To test that the MS activates the new channel correctly. To test that the MS correctly retransmits Layer 3 MM or CC messages, that were not acknowledged by Layer 2 before the Handover, after completion of the Handover.                                                                                                |      |   |                                                                             |
| <b>Default:</b>             |       | OtherEventsFail_01                                                                                                                                                                                                                                                                                                                                                                                                                                                                                                                                                                                                                      |      |   |                                                                             |
| Nr                          | Label | Behaviour Description                                                                                                                                                                                                                                                                                                                                                                                                                                                                                                                                                                                                                   | CRef | V | Comments                                                                    |
| 1                           |       | START T_guard(300)                                                                                                                                                                                                                                                                                                                                                                                                                                                                                                                                                                                                                      |      |   |                                                                             |
| 2                           |       | +BasicServiceMO(TSPX_MOBscSvcA,<br>TSPX_MOChRateA)                                                                                                                                                                                                                                                                                                                                                                                                                                                                                                                                                                                      |      |   |                                                                             |
| 3                           |       | (TCV_ia_ts:= TSPX_TmSlTf, TCV_ts:=<br>TSPX_TmSlTb, TCV_Cntref:=<br>TSPX_NoOfHoAccB, TCV_Horf:= TSPX_HoRefl,<br>TCV_Pwrlvl_ho:= INT_TO_BIT( TSPX_PwrlvID,<br>5))                                                                                                                                                                                                                                                                                                                                                                                                                                                                         |      |   |                                                                             |
| 4                           |       | +IdleUpdated( C_E_default, C_CellA,<br>C_SCH_A, C_BCCH_A_1, C_Immass, C_S0,<br>C_SlotNU, C_SlotNU, C_SlotNU, C_BCC,<br>C_TxInt_5, C_Max_7, C_NECI_0, C_ATT_0,<br>TimingAdv( 30), C_BABR_0,<br>C_cch_1nonComb, C_BPM_3, C_T3212_0,<br>C_ci_cellA, C_MCC_1, C_PLMN_1, C_LAC_1,<br>CellOpt_01, CellChDes_20_Aman,<br>CellChDes_202_Adman, C_CellReselectHys12,<br>C_MaxPwrLvIG, C_MaxPwrLvID,<br>BcchFreqLst_01, BcchFreqLst_Omit,<br>BcchFreqLst_48, BcchFreqLst_Omit,<br>C_noRestablishment, C_BCC, C_NCC,<br>C_Start_Tmsi, TSPX_SDCCH4SubA,<br>TSPX_CKSNDf, TSPX_RANDDef, C_arfcnA,<br>C_arfcnAd_4, TSPX_IMSI, C_Test_fh,<br>C_NCCP_10) |      |   |                                                                             |
| 5                           |       | (TCV_ia_ts := TSPX_TmSlTf)                                                                                                                                                                                                                                                                                                                                                                                                                                                                                                                                                                                                              |      |   |                                                                             |
| 6                           |       | +StartCellB_ho( C_E_neighbourdefault,<br>C_BCCHcarrierB_ho,<br>C_BCCHcarrierB_hod, C_Immass,<br>TCV_slot, TCV_tsc, TimingAdv( 20),<br>C_TxInt_5, C_Max_7, C_NECI_0,<br>C_ATT_0, C_BABR_0, C_cch_1Comb,<br>C_BPM_3, C_T3212_0, C_MCC_1,<br>C_PLMN_1, C_LAC_1,<br>CellChDes_20_Bman, CellChDes_201_Bd,<br>BcchFreqLst_01, BcchFreqLst_48,<br>C_noRestablishment, C_BCC_0,<br>C_NCC_3, TSPX_k, 0)                                                                                                                                                                                                                                          |      |   | The timeslots of Cells A and B are not coincident at the antenna connector. |
| 7                           |       | +SDCCH8_A_1_nociph(<br>TSPX_SDCCH8SubDef, C_Immass,<br>TCV_ia_ts, TSPX_TscA, ChMod_sign,<br>FreqTCH( C_arfcnC), FreqTCH(<br>C_arfcn_tchAd), TimingAdv( 30),<br>C_BABR_0, C_cch_1nonComb,<br>C_BPM_3)                                                                                                                                                                                                                                                                                                                                                                                                                                    |      |   |                                                                             |
| 8                           |       | +local_setTimSlT                                                                                                                                                                                                                                                                                                                                                                                                                                                                                                                                                                                                                        |      |   |                                                                             |
| 9                           |       | +FullRateCh_B_1( C_Asynho,<br>TCV_ts, TSPX_TscB, TCV_ChMod,<br>FreqTCHb_hof6, FreqTCHb_hof6d,<br>TimingAdv( 20), C_BABR_0,<br>C_cch_1nonComb, C_BPM_3)                                                                                                                                                                                                                                                                                                                                                                                                                                                                                  |      |   |                                                                             |
| 10                          |       | +local_setTchArfcn                                                                                                                                                                                                                                                                                                                                                                                                                                                                                                                                                                                                                      |      |   |                                                                             |
| 11                          |       | +Est_MO_Call_init(<br>C_CHSDCCH8_NonFH,<br>MoblAllic_omit, MoblAllic_omit,<br>TimingAdv( 30), TSPX_TscA,<br>C_one, C_one)                                                                                                                                                                                                                                                                                                                                                                                                                                                                                                               |      |   | 1.                                                                          |
| 12                          | body  | +ltree_HoCMD                                                                                                                                                                                                                                                                                                                                                                                                                                                                                                                                                                                                                            |      |   |                                                                             |
| 13                          |       | (TCV_ch:= C_FACCHF_B_1)                                                                                                                                                                                                                                                                                                                                                                                                                                                                                                                                                                                                                 |      |   |                                                                             |
| 14                          |       | (TCV_Null :=<br>OM_SendNextOnHO(TCV_<br>ch, TCV_Cntref))                                                                                                                                                                                                                                                                                                                                                                                                                                                                                                                                                                                |      |   |                                                                             |

|                           |      |                                                                                                                                                                                                                                                                                                                                             |                                                                                                                                                                                                                                                                                                                                                                                    |    |
|---------------------------|------|---------------------------------------------------------------------------------------------------------------------------------------------------------------------------------------------------------------------------------------------------------------------------------------------------------------------------------------------|------------------------------------------------------------------------------------------------------------------------------------------------------------------------------------------------------------------------------------------------------------------------------------------------------------------------------------------------------------------------------------|----|
| 15                        |      | L!DL_DatRqPhyinfo                                                                                                                                                                                                                                                                                                                           | PhyInfo_01(TCV_ch,<br>TimingAdv(20))                                                                                                                                                                                                                                                                                                                                               |    |
| 16                        |      | +RR_hocomp1( 500,<br>TimingAdv( 20))                                                                                                                                                                                                                                                                                                        |                                                                                                                                                                                                                                                                                                                                                                                    |    |
| 17                        |      | L?DL_DatInSetup<br>(TCV_Mt1 :=<br>DL_DatInSetup.msg.<br>mt)                                                                                                                                                                                                                                                                                 | SetupRcv(<br>SetupInd_01)                                                                                                                                                                                                                                                                                                                                                          | 3. |
| 18                        |      | +SendSeqNo_chk                                                                                                                                                                                                                                                                                                                              |                                                                                                                                                                                                                                                                                                                                                                                    | 4. |
| 19                        | post | +ChanRel(<br>TCV_ch)                                                                                                                                                                                                                                                                                                                        |                                                                                                                                                                                                                                                                                                                                                                                    |    |
| 20                        |      | <b>Itree_HoCMD</b><br>[TSPC_PGSM OR TSPC_EGSM]                                                                                                                                                                                                                                                                                              |                                                                                                                                                                                                                                                                                                                                                                                    |    |
| 21                        |      | L!DL_DatRqHoCmd                                                                                                                                                                                                                                                                                                                             | HndOvSnd( TCV_ch,<br>HandOverCmd_fh(<br>'00001'B, TCV_ts,<br>TSPX_TscB,<br>C_NCC_3, C_BCC_0,<br>C_BCCHcarrierB_ho,<br>2, TSPX_HSN,<br>TCV_Horf,<br>TCV_PwrIvl_ho,<br>Synchi_omit,<br>Frql_omit, Frql_omit,<br>CellChDes_Omit,<br>TCV_ChMod,<br>Freqchseq_03,<br>MoblAlc_omit,<br>RelTmdDif_omit,<br>TimingAdv_omit,<br>CphMod_omit))                                               | 2. |
| 22                        |      | [TSPC_DCS]                                                                                                                                                                                                                                                                                                                                  |                                                                                                                                                                                                                                                                                                                                                                                    |    |
| 23                        |      | L!DL_DatRqHoCmd                                                                                                                                                                                                                                                                                                                             | HndOvSnd( TCV_ch,<br>HandOverCmd_fh(<br>'00001'B, TCV_ts,<br>TSPX_TscB,<br>C_NCC_3, C_BCC_0,<br>C_BCCHcarrierB_ho,<br>3, C_HSN_0,<br>TCV_Horf,<br>TCV_PwrIvl_ho,<br>Synchi(<br>C_not_report_otd,<br>C_non_synchronised)<br>, Frql_20_B10d,<br>Frql_omit,<br>CellChDes_Omit,<br>TCV_ChMod,<br>Freqchseq_03,<br>MoblAlc_omit,<br>RelTmdDif_omit,<br>TimingAdv_omit,<br>CphMod_omit)) | 2. |
| 24                        |      | <b>local_setTchArfcn</b><br>[TSPC_PGSM OR TSPC_EGSM]                                                                                                                                                                                                                                                                                        |                                                                                                                                                                                                                                                                                                                                                                                    |    |
| 25                        |      | (TCV_tch_arfcn:= C_arfcnC)                                                                                                                                                                                                                                                                                                                  |                                                                                                                                                                                                                                                                                                                                                                                    |    |
| 26                        |      | [TSPC_DCS]                                                                                                                                                                                                                                                                                                                                  |                                                                                                                                                                                                                                                                                                                                                                                    |    |
| 27                        |      | (TCV_tch_arfcn:= C_arfcn_tchAd)                                                                                                                                                                                                                                                                                                             |                                                                                                                                                                                                                                                                                                                                                                                    |    |
| 28                        |      | <b>local_setTimSlit</b><br>[TSPC_PGSM OR TSPC_EGSM]                                                                                                                                                                                                                                                                                         |                                                                                                                                                                                                                                                                                                                                                                                    |    |
| 29                        |      | (TCV_ts:= C_S0)                                                                                                                                                                                                                                                                                                                             |                                                                                                                                                                                                                                                                                                                                                                                    |    |
| 30                        |      | [TSPC_DCS]                                                                                                                                                                                                                                                                                                                                  |                                                                                                                                                                                                                                                                                                                                                                                    |    |
| 31                        |      | (TCV_ts := TSPX_TmSlitNotZero)                                                                                                                                                                                                                                                                                                              |                                                                                                                                                                                                                                                                                                                                                                                    |    |
| <b>Detailed Comments:</b> |      | <ol style="list-style-type: none"> <li>1. Initiate a call and L2_frame with the Setup will not be acknowledged by the SS_L2.</li> <li>2. HO from TCHH_FH to TCH/F_FH</li> <li>3. Last L3-msg shall be retransmitted by the MS with the same sequence number of last L3-msg.</li> <li>4. Checking of the sending sequence number.</li> </ol> |                                                                                                                                                                                                                                                                                                                                                                                    |    |

| Test Case Dynamic Behaviour |       |                                                                                                                                                                                                                                                                                                                                                                                                                                                                                                                                                                                                                                         |      |   |                                                                                   |
|-----------------------------|-------|-----------------------------------------------------------------------------------------------------------------------------------------------------------------------------------------------------------------------------------------------------------------------------------------------------------------------------------------------------------------------------------------------------------------------------------------------------------------------------------------------------------------------------------------------------------------------------------------------------------------------------------------|------|---|-----------------------------------------------------------------------------------|
| <b>Test Case Name:</b>      |       | TC_26_6_5_2_10                                                                                                                                                                                                                                                                                                                                                                                                                                                                                                                                                                                                                          |      |   |                                                                                   |
| <b>Group:</b>               |       | GSM_L3_MS_v4210/RR/                                                                                                                                                                                                                                                                                                                                                                                                                                                                                                                                                                                                                     |      |   |                                                                                   |
| <b>Purpose:</b>             |       | To test that when the MS is ordered to make a non-synchronised handover, it continuously sends access bursts on the main DCCH until it receives a PHYSICAL INFORMATION from the SS. To test that the MS correctly takes the values of the Timing Advance and Starting Time information elements into account. To test that the MS activates the new channel correctly. To test that the MS correctly retransmits Layer 3 MM or CC messages, that were not acknowledged by Layer 2 before the Handover, after completion of the Handover.                                                                                                |      |   |                                                                                   |
| <b>Default:</b>             |       | OtherEventsFail_01                                                                                                                                                                                                                                                                                                                                                                                                                                                                                                                                                                                                                      |      |   |                                                                                   |
| Nr                          | Label | Behaviour Description                                                                                                                                                                                                                                                                                                                                                                                                                                                                                                                                                                                                                   | CRef | V | Comments                                                                          |
| 1                           |       | START T_guard(300)                                                                                                                                                                                                                                                                                                                                                                                                                                                                                                                                                                                                                      |      |   |                                                                                   |
| 2                           |       | +BasicServiceMO(TSPX_MOBscSvcC,<br>TSPX_MOChRateC)                                                                                                                                                                                                                                                                                                                                                                                                                                                                                                                                                                                      |      |   |                                                                                   |
| 3                           |       | (TCV_ia_ts:= TSPX_TmSlitG, TCV_ts:=<br>TSPX_TmSlitNotZero, TCV_Cntref:=<br>TSPX_NoOfHoAccF, TCV_Horf:= TSPX_HoRefJ,<br>TCV_Pwrlvl_ho:= INT_TO_BIT( TSPX_PwrlvlD,<br>5))                                                                                                                                                                                                                                                                                                                                                                                                                                                                 |      |   |                                                                                   |
| 4                           |       | +IdleUpdated( C_E_default, C_CellA,<br>C_SCH_A, C_BCCH_A_1, C_Immass, C_S0,<br>C_SlotNU, C_SlotNU, C_SlotNU, C_BCC,<br>C_TxInt_5, C_Max_7, C_NECl_0, C_ATT_0,<br>TimingAdv( 30), C_BABR_0,<br>C_cch_1nonComb, C_BPM_3, C_T3212_0,<br>C_ci_cellA, C_MCC_1, C_PLMN_1, C_LAC_1,<br>CellOpt_01, CellChDes_20_Aman,<br>CellChDes_202_Adman, C_CellReselectHys12,<br>C_MaxPwrLvlG, C_MaxPwrLvlD,<br>BcchFreqLst_01, BcchFreqLst_Omit,<br>BcchFreqLst_48, BcchFreqLst_Omit,<br>C_noRestablishment, C_BCC, C_NCC,<br>C_Start_Tmsi, TSPX_SDCCH4SubA,<br>TSPX_CKSNDf, TSPX_RANDDef, C_arfcnA,<br>C_arfcnAd_4, TSPX_IMSI, C_Test_fh,<br>C_NCCP_10) |      |   |                                                                                   |
| 5                           |       | (TCV_ia_ts := TSPX_TmSlitG)                                                                                                                                                                                                                                                                                                                                                                                                                                                                                                                                                                                                             |      |   |                                                                                   |
| 6                           |       | +StartCellB_ho( C_E_neighbourdefault,<br>C_BCCHcarrierB_ho,<br>C_BCCHcarrierB_hod, C_Immass,<br>TCV_slot, TCV_tsc, TimingAdv(<br>TSPX_TimadvB), C_TxInt_5, C_Max_7,<br>C_NECl_0, C_ATT_0, C_BABR_0,<br>C_cch_1Comb, C_BPM_3, C_T3212_0,<br>C_MCC_1, C_PLMN_1, C_LAC_1,<br>CellChDes_20_Bman, CellChDes_201_Bd,<br>BcchFreqLst_01, BcchFreqLst_48,<br>C_noRestablishment, C_BCC_0,<br>C_NCC_3, TSPX_k, 0)                                                                                                                                                                                                                                |      |   | The timeslots of Cells A<br>and B are not coincident<br>at the antenna connector. |
| 7                           |       | +SDCCH8_A_1_nociph(<br>TSPX_SDCCH8SubDef, C_Immass,<br>TCV_ia_ts, TSPX_TscB, ChMod_sign,<br>FreqTCH( C_arfcnC), FreqTCH(<br>C_arfcn_tchAd), TimingAdv( 30),<br>C_BABR_0, C_cch_1nonComb,<br>C_BPM_3)                                                                                                                                                                                                                                                                                                                                                                                                                                    |      |   |                                                                                   |
| 8                           |       | +HalfRateCh_B_1(<br>TSPX_TCHHSubDef, C_Asynho,<br>TCV_ts, TSPX_TscC, TCV_ChMod,<br>FreqTCHb_hof7, FreqTCHb_hof7d,<br>TimingAdv( TSPX_TimadvB),<br>C_BABR_0, C_cch_1nonComb,<br>C_BPM_3)                                                                                                                                                                                                                                                                                                                                                                                                                                                 |      |   |                                                                                   |
| 9                           |       | +localtree_TchArfcn                                                                                                                                                                                                                                                                                                                                                                                                                                                                                                                                                                                                                     |      |   |                                                                                   |
| 10                          |       | +Est_MO_Call_init(<br>C_CHSDCCH8_NonFH,<br>MobiAllc_omit, MobiAllc_omit,<br>TimingAdv( 30), TSPX_TscB,<br>C_one, C_one)                                                                                                                                                                                                                                                                                                                                                                                                                                                                                                                 |      |   | 1.                                                                                |
| 11                          | body  | +ltree_sendHoCMD                                                                                                                                                                                                                                                                                                                                                                                                                                                                                                                                                                                                                        |      |   |                                                                                   |
| 12                          |       | (TCV_ch:=<br>OC_SubchOfFacchh(<br>TSPX_TCHHSubDef, C_CellB,                                                                                                                                                                                                                                                                                                                                                                                                                                                                                                                                                                             |      |   |                                                                                   |

|    |      |                                                                                                  |                                                                                                                                                                                                                                                                                                                                                  |    |
|----|------|--------------------------------------------------------------------------------------------------|--------------------------------------------------------------------------------------------------------------------------------------------------------------------------------------------------------------------------------------------------------------------------------------------------------------------------------------------------|----|
| 13 |      | 1))<br>(TCV_Null :=<br>OM_SendNextOnHO(TCV_ch<br>, TCV_Cntref))                                  |                                                                                                                                                                                                                                                                                                                                                  |    |
| 14 |      | LIDL_DatRqPhyinfo                                                                                | PhyInfo_01(TCV_ch,<br>TimingAdv(TSPX_Ti<br>madvB))                                                                                                                                                                                                                                                                                               |    |
| 15 |      | +RR_hocomp1( 750,<br>TimingAdv(<br>TSPX_TimadvB))                                                |                                                                                                                                                                                                                                                                                                                                                  |    |
| 16 |      | L?DL_DatInSetup<br>(TCV_Mt1 :=<br>DL_DatInSetup.msg.mt)                                          | SetupRcv(<br>SetupInd_01)                                                                                                                                                                                                                                                                                                                        | 3. |
| 17 |      | +SendSeqNo_chk                                                                                   |                                                                                                                                                                                                                                                                                                                                                  | 4. |
| 18 | post | +ChanRel( TCV_ch)                                                                                |                                                                                                                                                                                                                                                                                                                                                  |    |
| 19 |      | <b>ltree_sendHoCMD</b><br>(TCV_Tchtype := INT_TO_BIT(( 2 + BIT_TO_INT(<br>TSPX_TCHHSubDef)), 5)) |                                                                                                                                                                                                                                                                                                                                                  |    |
| 20 |      | [TSPC_PGSM OR TSPC_EGSM]                                                                         |                                                                                                                                                                                                                                                                                                                                                  |    |
| 21 |      | LIDL_DatRqHoCmd                                                                                  | HndOvSnd( TCV_ch,<br>HandOverCmd_fh(<br>TCV_Tchtype,<br>TCV_ts, TSPX_TscC,<br>C_NCC_3, C_BCC_0,<br>C_BCCcarrierB_ho,<br>2, TSPX_HSN,<br>TCV_Horf,<br>TCV_Pwrlvl_ho,<br>Synchi_omit,<br>Frql_omit, Frql_omit,<br>CellChDes_Omit,<br>TCV_ChMod,<br>Freqchseq_04,<br>MoblAllc_omit,<br>RelTmdDif_omit,<br>TimingAdv_omit,<br>CphMod_omit))          | 2. |
| 22 |      | [TSPC_DCS]                                                                                       |                                                                                                                                                                                                                                                                                                                                                  |    |
| 23 |      | LIDL_DatRqHoCmd                                                                                  | HndOvSnd( TCV_ch,<br>HandOverCmd_fh(<br>TCV_Tchtype,<br>TCV_ts, TSPX_TscC,<br>C_NCC_3, C_BCC_0,<br>C_BCCcarrierB_hod<br>, 15, C_HSN_0,<br>TCV_Horf,<br>TCV_Pwrlvl_ho,<br>Synchi_omit,<br>Frql_omit,<br>Frql_20_11d,<br>CellChDes_Omit,<br>TCV_ChMod,<br>Freqchseq_omit,<br>MoblAllc_omit,<br>RelTmdDif_omit,<br>TimingAdv_omit,<br>CphMod_omit)) | 2. |
| 24 |      | <b>localtree_TchArfcn</b><br>[TSPC_PGSM OR TSPC_EGSM]                                            |                                                                                                                                                                                                                                                                                                                                                  |    |
| 25 |      | (TCV_tch_arfcn:= C_arfcnC)                                                                       |                                                                                                                                                                                                                                                                                                                                                  |    |
| 26 |      | [TSPC_DCS]                                                                                       |                                                                                                                                                                                                                                                                                                                                                  |    |
| 27 |      | (TCV_tch_arfcn:= C_arfcn_tchAd)                                                                  |                                                                                                                                                                                                                                                                                                                                                  |    |

**Detailed Comments:**

1. Initiate a call and L2\_frame with the Setup will not be acknowledged by the SS\_L2.
2. HO from TCHH\_FH to TCH/F\_FH
3. Last L3-msg shall be retransmitted by the MS with the same sequence number of last L3-msg.
4. Checking of the sending sequence number.

| Test Case Dynamic Behaviour                                                                                                                                                                                                                                                                                                        |       |                                                                                                                                                                                                                                                                                                                                                                                                                                                                                                                                                                                                                                        |                                                                                                 |   |                                                      |
|------------------------------------------------------------------------------------------------------------------------------------------------------------------------------------------------------------------------------------------------------------------------------------------------------------------------------------|-------|----------------------------------------------------------------------------------------------------------------------------------------------------------------------------------------------------------------------------------------------------------------------------------------------------------------------------------------------------------------------------------------------------------------------------------------------------------------------------------------------------------------------------------------------------------------------------------------------------------------------------------------|-------------------------------------------------------------------------------------------------|---|------------------------------------------------------|
| <b>Test Case Name:</b> TC_26_6_5_3_1                                                                                                                                                                                                                                                                                               |       |                                                                                                                                                                                                                                                                                                                                                                                                                                                                                                                                                                                                                                        |                                                                                                 |   |                                                      |
| <b>Group:</b> GSM_L3_MS_v4210/RR/                                                                                                                                                                                                                                                                                                  |       |                                                                                                                                                                                                                                                                                                                                                                                                                                                                                                                                                                                                                                        |                                                                                                 |   |                                                      |
| <b>Purpose:</b> To test that when the MS is ordered to make a finely synchronised handover to a synchronised cell, it sends 4 access bursts on the main DCCH and then activates the channel correctly, taking into account the value of any Starting Time information element and correctly calculating the timing advance to use. |       |                                                                                                                                                                                                                                                                                                                                                                                                                                                                                                                                                                                                                                        |                                                                                                 |   |                                                      |
| <b>Default:</b> OtherEventsFail_01                                                                                                                                                                                                                                                                                                 |       |                                                                                                                                                                                                                                                                                                                                                                                                                                                                                                                                                                                                                                        |                                                                                                 |   |                                                      |
| Nr                                                                                                                                                                                                                                                                                                                                 | Label | Behaviour Description                                                                                                                                                                                                                                                                                                                                                                                                                                                                                                                                                                                                                  | CRef                                                                                            | V | Comments                                             |
| 1                                                                                                                                                                                                                                                                                                                                  |       | START T_guard(300)                                                                                                                                                                                                                                                                                                                                                                                                                                                                                                                                                                                                                     |                                                                                                 |   |                                                      |
| 2                                                                                                                                                                                                                                                                                                                                  |       | (TCV_asscmd_ts := TSPX_TmSltNotZero1,<br>TCV_ts:= TSPX_TmSltNotZero, TCV_Horf:=<br>TSPX_HoRefA, TCV_Pwrlvl_ho:= INT_TO_BIT(<br>TSPX_PwrlvlID, 5))                                                                                                                                                                                                                                                                                                                                                                                                                                                                                      |                                                                                                 |   |                                                      |
| 3                                                                                                                                                                                                                                                                                                                                  |       | +BasicServiceMT( TSPX_MTBscSvcl, C_Full)                                                                                                                                                                                                                                                                                                                                                                                                                                                                                                                                                                                               |                                                                                                 |   |                                                      |
| 4                                                                                                                                                                                                                                                                                                                                  |       | +IdleUpdated( C_E_default, C_CellA,<br>C_SCH_A, C_BCCH_A_1, C_Immass, C_S0,<br>C_SlotNU, C_SlotNU, C_SlotNU, C_BCC,<br>C_TxInt_5, C_Max_7, C_NECI_0, C_ATT_0,<br>TimingAdv( TSPX_y), C_BABR_0,<br>C_cch_1Comb, C_BPM_3, C_T3212_0,<br>C_ci_cellA, C_MCC_1, C_PLMN_1, C_LAC_1,<br>CellOpt_01, CellChDes_20_Aman,<br>CellChDes_202_Adman, C_CellReselectHys12,<br>C_MaxPwrLvIG, C_MaxPwrLvID,<br>BcchFreqLst_01, BcchFreqLst_Omit,<br>BcchFreqLst_48, BcchFreqLst_Omit,<br>C_noReestablishment, C_BCC, C_NCC,<br>C_Start_Tmsi, TSPX_SDCCH4SubB,<br>TSPX_CKSNDf, TSPX_RANDDef, C_arfcnA,<br>C_arfcnAd, TSPX_IMSI, C_Test_fh,<br>C_NCCP_2) |                                                                                                 |   |                                                      |
| 5                                                                                                                                                                                                                                                                                                                                  |       | +StartCellB_ho( C_E_neighbourdefault,<br>C_BCCHcarrierB_ho, C_BCCHcarrierB_hod,<br>C_Immass, TCV_slot, TCV_tsc, TimingAdv(<br>TSPX_k*2 + TSPX_y), C_TxInt_5, C_Max_7,<br>C_NECI_0, C_ATT_0, C_BABR_0,<br>C_cch_1Comb, C_BPM_3, C_T3212_0,<br>C_MCC_1, C_PLMN_1, C_LAC_2,<br>CellChDes_20_Bman, CellChDes_201_Bd,<br>BcchFreqLst_01, BcchFreqLst_48,<br>C_noReestablishment, C_BCC, C_NCC,<br>TSPX_k, 0)                                                                                                                                                                                                                                |                                                                                                 |   | BCCH of cell B is TSPX_k<br>bit periods after cell A |
| 6                                                                                                                                                                                                                                                                                                                                  |       | +FullRateCh_B_1( C_Synho, TCV_ts,<br>TSPX_TscB, TCV_ChMod, FreqTCH(<br>C_BCCHcarrierB_ho), FreqTCH(<br>C_BCCHcarrierB_hod), TimingAdv(<br>TSPX_k*2 + TSPX_y), C_BABR_0,<br>C_cch_1Comb, C_BPM_3)                                                                                                                                                                                                                                                                                                                                                                                                                                       |                                                                                                 |   |                                                      |
| 7                                                                                                                                                                                                                                                                                                                                  |       | +FullRateCh_A_1( C_Ass,<br>TCV_asscmd_ts, TSPX_TscDef,<br>TCV_ChMod, FreqTCHa_hof1,<br>FreqTCHa_hof1d, C_Noarfcn, C_Noarfcn,<br>TimingAdv( TSPX_y), C_BABR_0,<br>C_cch_1Comb, C_BPM_3)                                                                                                                                                                                                                                                                                                                                                                                                                                                 |                                                                                                 |   |                                                      |
| 8                                                                                                                                                                                                                                                                                                                                  |       | +local_varinit1                                                                                                                                                                                                                                                                                                                                                                                                                                                                                                                                                                                                                        |                                                                                                 |   |                                                      |
| 9                                                                                                                                                                                                                                                                                                                                  |       | +Est_MT_Call_FH( TimingAdv(<br>TSPX_y), C_Full, TCV_maio,<br>TSPX_HSN, TSPX_RANDDef,<br>TCV_asscmd_ts, TSPX_TscDef,<br>TSPX_TCHHSubDef)                                                                                                                                                                                                                                                                                                                                                                                                                                                                                                |                                                                                                 |   | 1.                                                   |
| 10                                                                                                                                                                                                                                                                                                                                 |       | +local_varinit2                                                                                                                                                                                                                                                                                                                                                                                                                                                                                                                                                                                                                        |                                                                                                 |   |                                                      |
| 11                                                                                                                                                                                                                                                                                                                                 |       | (TCV_Fn1:=<br>OM_ComingFn(TCV_chTch),<br>TCV_Null :=<br>OM_SendNextOn(TCV_chTch,<br>TCV_Fn1))                                                                                                                                                                                                                                                                                                                                                                                                                                                                                                                                          |                                                                                                 |   |                                                      |
| 12                                                                                                                                                                                                                                                                                                                                 | body  | LIDL_DatRqHoCmd                                                                                                                                                                                                                                                                                                                                                                                                                                                                                                                                                                                                                        | HndOvSnd(<br>TCV_chTch,<br>HandOverCmd_nfh(<br>'00001'B, TCV_ts,<br>TSPX_TscB, C_NCC,<br>C_BCC, |   | 2.                                                   |

|                                                                                                                                                                                                                                                                             |             |                                                                                                                                                                                                                                                                                                                                                                                                                                                                                                                                |                                                                                                                                                                              |           |  |
|-----------------------------------------------------------------------------------------------------------------------------------------------------------------------------------------------------------------------------------------------------------------------------|-------------|--------------------------------------------------------------------------------------------------------------------------------------------------------------------------------------------------------------------------------------------------------------------------------------------------------------------------------------------------------------------------------------------------------------------------------------------------------------------------------------------------------------------------------|------------------------------------------------------------------------------------------------------------------------------------------------------------------------------|-----------|--|
| <p>13<br/>14<br/>15<br/>16<br/>17<br/>18<br/>19<br/>20<br/>21<br/>22<br/>23<br/>24</p>                                                                                                                                                                                      | <p>post</p> | <pre>(TCV_ch := C_FACCHF_B_1, TCV_sacch := C_SACCHF_B_1) +RR_hocomp3( 650) +Timadv_Pwrlvl_chk( TSPX_k, TSPX_y, TCV_Pwrlvl_ho) +ChanRel_end( TCV_ch)  <b>local_varinit1</b> [TSPC_PGSM OR TSPC_EGSM] (TCV_chdescr_arfcn:= C_arfcnA, TCV_maio := INT_TO_BIT((TSPX_MAIO MOD 12), 6)) [TSPC_DCS] (TCV_chdescr_arfcn:= C_arfcnAd, TCV_maio := INT_TO_BIT((TSPX_MAIO MOD 9), 6))  <b>local_varinit2</b> [TSPC_PGSM OR TSPC_EGSM] (TCV_chdescr_arfcn := C_BCCHcarrierB_ho) [TSPC_DCS] (TCV_chdescr_arfcn := C_BCCHcarrierB_hod)</pre> | <pre>TCV_chdescr_arfcn, TCV_chdescr_arfcn, TCV_Horf, TCV_Pwrlvl_ho, Synchi( C_not_report_otd, C_synchronised), TCV_ChMod, RelTmdDif_omit, TimingAdv_omit, CphMod_omit)</pre> | <p>3.</p> |  |
| <p><b>Detailed Comments:</b></p> <ol style="list-style-type: none"> <li>1. IUT enters state U10 with TCH/F_FH in cell A</li> <li>2. HO from TCH/F_FH of cell A to TCH/F_nonFH in CELL B.</li> <li>3. To check the power level and timing advance in the L1 head.</li> </ol> |             |                                                                                                                                                                                                                                                                                                                                                                                                                                                                                                                                |                                                                                                                                                                              |           |  |



| Test Case Dynamic Behaviour                                                                                                                                                                                                                                                                                                        |       |                                                                                                                                                                                                                                                                                                                                                                                                                                                                                                                                                                                                                                       |                                                                                                    |   |                                                      |
|------------------------------------------------------------------------------------------------------------------------------------------------------------------------------------------------------------------------------------------------------------------------------------------------------------------------------------|-------|---------------------------------------------------------------------------------------------------------------------------------------------------------------------------------------------------------------------------------------------------------------------------------------------------------------------------------------------------------------------------------------------------------------------------------------------------------------------------------------------------------------------------------------------------------------------------------------------------------------------------------------|----------------------------------------------------------------------------------------------------|---|------------------------------------------------------|
| <b>Test Case Name:</b> TC_26_6_5_3_2                                                                                                                                                                                                                                                                                               |       |                                                                                                                                                                                                                                                                                                                                                                                                                                                                                                                                                                                                                                       |                                                                                                    |   |                                                      |
| <b>Group:</b> GSM_L3_MS_v4210/RR/                                                                                                                                                                                                                                                                                                  |       |                                                                                                                                                                                                                                                                                                                                                                                                                                                                                                                                                                                                                                       |                                                                                                    |   |                                                      |
| <b>Purpose:</b> To test that when the MS is ordered to make a finely synchronised handover to a synchronised cell, it sends 4 access bursts on the main DCCH and then activates the channel correctly, taking into account the value of any Starting Time information element and correctly calculating the timing advance to use. |       |                                                                                                                                                                                                                                                                                                                                                                                                                                                                                                                                                                                                                                       |                                                                                                    |   |                                                      |
| <b>Default:</b> OtherEventsFail_01                                                                                                                                                                                                                                                                                                 |       |                                                                                                                                                                                                                                                                                                                                                                                                                                                                                                                                                                                                                                       |                                                                                                    |   |                                                      |
| Nr                                                                                                                                                                                                                                                                                                                                 | Label | Behaviour Description                                                                                                                                                                                                                                                                                                                                                                                                                                                                                                                                                                                                                 | Cref                                                                                               | V | Comments                                             |
| 1                                                                                                                                                                                                                                                                                                                                  |       | START T_guard(300)                                                                                                                                                                                                                                                                                                                                                                                                                                                                                                                                                                                                                    |                                                                                                    |   |                                                      |
| 2                                                                                                                                                                                                                                                                                                                                  |       | (TCV_asscmd_ts := TSPX_TmSltNotZero1,<br>TCV_ts:= TSPX_TmSltNotZero, TCV_Horf:=<br>TSPX_HoRefB, TCV_Pwrlvl_ho:= INT_TO_BIT(<br>TSPX_PwrlvlC, 5))                                                                                                                                                                                                                                                                                                                                                                                                                                                                                      |                                                                                                    |   |                                                      |
| 3                                                                                                                                                                                                                                                                                                                                  |       | +BasicServiceMT( TSPX_MTBscSvcl, C_Half)                                                                                                                                                                                                                                                                                                                                                                                                                                                                                                                                                                                              |                                                                                                    |   |                                                      |
| 4                                                                                                                                                                                                                                                                                                                                  |       | +IdleUpdated( C_E_default, C_CellA,<br>C_SCH_A, C_BCCH_A_1, C_Immass, C_S0,<br>C_SlotNU, C_SlotNU, C_SlotNU, C_BCC,<br>C_TxInt_5, C_Max_7, C_NECI_0, C_ATT_0,<br>TimingAdv( TSPX_y), C_BABR_0,<br>C_cch_1Comb, C_BPM_3, C_T3212_0,<br>C_ci_cellA, C_MCC_1, C_PLMN_1, C_LAC_1,<br>CellOpt_01, CellChDes_20_Aman,<br>CellChDes_202_Adman, C_CellReselectHys12,<br>C_MaxPwrLvlG, C_MaxPwrLvlD,<br>BcchFreqLst_01, BcchFreqLst_Omit,<br>BcchFreqLst_48, BcchFreqLst_Omit,<br>C_noRestablishment, C_BCC, C_NCC,<br>C_Start_Tmsi, TSPX_SDCCH4SubB,<br>TSPX_CKSNDf, TSPX_RANDDef, C_arfcnA,<br>C_arfcnAd, TSPX_IMSI, C_Test_fh,<br>C_NCCP_2) |                                                                                                    |   |                                                      |
| 5                                                                                                                                                                                                                                                                                                                                  |       | +StartCellB_ho( C_E_neighbourdefault,<br>C_BCCHcarrierB_ho, C_BCCHcarrierB_hod,<br>C_Immass, TCV_slot, TCV_tsc, TimingAdv(<br>TSPX_k*2 + TSPX_y), C_TxInt_5, C_Max_7,<br>C_NECI_0, C_ATT_0, C_BABR_0,<br>C_cch_1Comb, C_BPM_3, C_T3212_0,<br>C_MCC_1, C_PLMN_1, C_LAC_2,<br>CellChDes_20_Bman, CellChDes_201_Bd,<br>BcchFreqLst_01, BcchFreqLst_48,<br>C_noRestablishment, C_BCC, C_NCC,<br>TSPX_k, 0)                                                                                                                                                                                                                                |                                                                                                    |   | BCCH of cell B is TSPX_k<br>bit periods after cell A |
| 6                                                                                                                                                                                                                                                                                                                                  |       | +HalfRateCh_B_1( TSPX_TCHHSubDef,<br>C_Synho, TCV_ts, TSPX_TscC,<br>TCV_ChMod, FreqTCH(<br>C_BCCHcarrierB_ho), FreqTCH(<br>C_BCCHcarrierB_hod), TimingAdv(<br>TSPX_k*2 + TSPX_y), C_BABR_0,<br>C_cch_1Comb, C_BPM_3)                                                                                                                                                                                                                                                                                                                                                                                                                  |                                                                                                    |   |                                                      |
| 7                                                                                                                                                                                                                                                                                                                                  |       | +HalfRateCh_A_1( TSPX_TCHHSubDef,<br>C_Ass, TCV_asscmd_ts, TSPX_TscDef,<br>TCV_ChMod, FreqTCHa_hof1,<br>FreqTCHa_hof1d, C_Noarfcn, C_Noarfcn,<br>TimingAdv( TSPX_y), C_BABR_0,<br>C_cch_1Comb, C_BPM_3)                                                                                                                                                                                                                                                                                                                                                                                                                               |                                                                                                    |   |                                                      |
| 8                                                                                                                                                                                                                                                                                                                                  |       | +localtree_varinit1                                                                                                                                                                                                                                                                                                                                                                                                                                                                                                                                                                                                                   |                                                                                                    |   |                                                      |
| 9                                                                                                                                                                                                                                                                                                                                  |       | +Est_MT_Call_FH( TimingAdv(<br>TSPX_y), C_Half, TCV_maio,<br>TSPX_HSN, TSPX_RANDDef,<br>TCV_asscmd_ts, TSPX_TscDef,<br>TSPX_TCHHSubDef)                                                                                                                                                                                                                                                                                                                                                                                                                                                                                               |                                                                                                    |   | 1.                                                   |
| 10                                                                                                                                                                                                                                                                                                                                 |       | +localtree_varinit2                                                                                                                                                                                                                                                                                                                                                                                                                                                                                                                                                                                                                   |                                                                                                    |   |                                                      |
| 11                                                                                                                                                                                                                                                                                                                                 |       | (TCV_Fn1:= OM_ComingFn(<br>TCV_chTch), TCV_Null :=<br>OM_SendNextOn( TCV_chTch,<br>TCV_Fn1))                                                                                                                                                                                                                                                                                                                                                                                                                                                                                                                                          |                                                                                                    |   |                                                      |
| 12                                                                                                                                                                                                                                                                                                                                 | body  | LIDL_DatRqHoCmd                                                                                                                                                                                                                                                                                                                                                                                                                                                                                                                                                                                                                       | HndOvSnd(<br>TCV_chTch,<br>HandOverCmd_nfh(<br>TCV_Tchtype,<br>TCV_ts, TSPX_TscC,<br>C_NCC, C_BCC, |   | 2.                                                   |

|                                                                                                                                                                                                                                                                             |             |                                                                                                                                                                                                                                                                                                                                                                                                                                                                                                                                                                                                                                                                             |                                                                                                                                                                              |           |  |
|-----------------------------------------------------------------------------------------------------------------------------------------------------------------------------------------------------------------------------------------------------------------------------|-------------|-----------------------------------------------------------------------------------------------------------------------------------------------------------------------------------------------------------------------------------------------------------------------------------------------------------------------------------------------------------------------------------------------------------------------------------------------------------------------------------------------------------------------------------------------------------------------------------------------------------------------------------------------------------------------------|------------------------------------------------------------------------------------------------------------------------------------------------------------------------------|-----------|--|
| <p>13<br/>14<br/>15<br/>16<br/>17<br/>18<br/>19<br/>20<br/>21<br/>22<br/>23<br/>24<br/>25</p>                                                                                                                                                                               | <p>post</p> | <pre>(TCV_ch:= OC_SubchOfFacch( TSPX_TCHHSubDef, C_CellB, 1), TCV_sacch := OC_SubchOfSacch(TSPX_T CHHSubDef, C_CellB, 1)) +RR_hocomp3( 900) +Timadv_Pwrlvl_chk( TSPX_k, TSPX_y, TCV_Pwrlvl_ho) +ChanRel_end( TCV_ch)  <b>localtree_varinit1</b> [TSPC_PGSM OR TSPC_EGSM] (TCV_chdescr_arfcn:= C_arfcnA, TCV_maio := INT_TO_BIT((TSPX_MAIO MOD 12), 6)) [TSPC_DCS] (TCV_chdescr_arfcn:= C_arfcnAd, TCV_maio := INT_TO_BIT((TSPX_MAIO MOD 9), 6))  <b>localtree_varinit2</b> (TCV_Tchtype := INT_TO_BIT(( 2 + BIT_TO_INT( TSPX_TCHHSubDef)), 5)) [TSPC_PGSM OR TSPC_EGSM] (TCV_chdescr_arfcn := C_BCCHcarrierB_ho) [TSPC_DCS] (TCV_chdescr_arfcn := C_BCCHcarrierB_hod)</pre> | <pre>TCV_chdescr_arfcn, TCV_chdescr_arfcn, TCV_Horf, TCV_Pwrlvl_ho, Synchi( C_not_report_otd, C_synchronised), TCV_ChMod, RelTmdDif_omit, TimingAdv_omit, CphMod_omit)</pre> | <p>3.</p> |  |
| <p><b>Detailed Comments:</b></p> <ol style="list-style-type: none"> <li>1. IUT enters state U10 with TCH/H_FH in cell A</li> <li>2. HO from TCH/H_FH of cell A to TCH/H_nonFH in CELL B.</li> <li>3. To check the power level and timing advance in the L1 head.</li> </ol> |             |                                                                                                                                                                                                                                                                                                                                                                                                                                                                                                                                                                                                                                                                             |                                                                                                                                                                              |           |  |

| Test Case Dynamic Behaviour                                                                                                                                                                                                                                                                                                                                                                                                                                                                         |       |                                                                                                                                                                                                                                                                                                                                                                                                                                                                                                                                                                                                                                                |      |   |                                                                                                                                                                              |
|-----------------------------------------------------------------------------------------------------------------------------------------------------------------------------------------------------------------------------------------------------------------------------------------------------------------------------------------------------------------------------------------------------------------------------------------------------------------------------------------------------|-------|------------------------------------------------------------------------------------------------------------------------------------------------------------------------------------------------------------------------------------------------------------------------------------------------------------------------------------------------------------------------------------------------------------------------------------------------------------------------------------------------------------------------------------------------------------------------------------------------------------------------------------------------|------|---|------------------------------------------------------------------------------------------------------------------------------------------------------------------------------|
| <b>Test Case Name:</b> TC_26_6_5_4_1                                                                                                                                                                                                                                                                                                                                                                                                                                                                |       |                                                                                                                                                                                                                                                                                                                                                                                                                                                                                                                                                                                                                                                |      |   |                                                                                                                                                                              |
| <b>Group:</b> GSM_L3_MS_v4210/RR/                                                                                                                                                                                                                                                                                                                                                                                                                                                                   |       |                                                                                                                                                                                                                                                                                                                                                                                                                                                                                                                                                                                                                                                |      |   |                                                                                                                                                                              |
| <b>Purpose:</b> To test that when the MS is ordered to make a finely synchronised handover to a synchronised cell, it sends 4 access bursts on the main DCCH and then activates the channel correctly, taking into account the value of any Starting Time information element and correctly calculating the timing advance to use. To test that the MS correctly retransmits Layer 3 MM or CC messages that were not acknowledged by Layer 2 before the Handover, after completion of the Handover. |       |                                                                                                                                                                                                                                                                                                                                                                                                                                                                                                                                                                                                                                                |      |   |                                                                                                                                                                              |
| <b>Default:</b> OtherEventsFail_01                                                                                                                                                                                                                                                                                                                                                                                                                                                                  |       |                                                                                                                                                                                                                                                                                                                                                                                                                                                                                                                                                                                                                                                |      |   |                                                                                                                                                                              |
| Nr                                                                                                                                                                                                                                                                                                                                                                                                                                                                                                  | Label | Behaviour Description                                                                                                                                                                                                                                                                                                                                                                                                                                                                                                                                                                                                                          | Cref | V | Comments                                                                                                                                                                     |
| 1                                                                                                                                                                                                                                                                                                                                                                                                                                                                                                   |       | START T_guard(300)                                                                                                                                                                                                                                                                                                                                                                                                                                                                                                                                                                                                                             |      |   |                                                                                                                                                                              |
| 2                                                                                                                                                                                                                                                                                                                                                                                                                                                                                                   |       | +BasicServiceMO(TSPX_MOBscSvcD,<br>TSPX_MOChRateD)                                                                                                                                                                                                                                                                                                                                                                                                                                                                                                                                                                                             |      |   |                                                                                                                                                                              |
| 3                                                                                                                                                                                                                                                                                                                                                                                                                                                                                                   |       | (TCV_ts:= TSPX_TmSlitNotZero, TCV_Cntref:=<br>TSPX_NoOfHoAccA, TCV_Horf:= TSPX_HoRefA,<br>TCV_PwrLvl_ho:= INT_TO_BIT( TSPX_PwrLvlA,<br>5))                                                                                                                                                                                                                                                                                                                                                                                                                                                                                                     |      |   |                                                                                                                                                                              |
| 4                                                                                                                                                                                                                                                                                                                                                                                                                                                                                                   |       | +IdleUpdated( C_E_default, C_CellA,<br>C_SCH_A, C_BCCH_A_1, C_Immass, C_S0,<br>C_SlotNU, C_SlotNU, C_SlotNU, C_BCC,<br>C_TxInt_5, C_Max_7, C_NECI_0, C_ATT_0,<br>TimingAdv(TSPX_y), C_BABR_0,<br>C_cch_1nonComb, C_BPM_3, C_T3212_1,<br>C_ci_cellA, C_MCC_1, C_PLMN_1, C_LAC_1,<br>CellOpt_01, CellChDes_20_Aman,<br>CellChDes_202_Adman, C_CellReselectHys12,<br>C_MaxPwrLvlG, C_MaxPwrLvlD,<br>BcchFreqLst_01, BcchFreqLst_Omit,<br>BcchFreqLst_48, BcchFreqLst_Omit,<br>C_noReestablishment, C_BCC, C_NCC,<br>C_Start_Tmsi, TSPX_SDCCH4SubDef,<br>TSPX_CKSNDDef, TSPX_RANDDef, C_arfcnA,<br>C_arfcnAd_4, TSPX_IMSI, C_Test_fh,<br>C_NCCP_2) |      |   |                                                                                                                                                                              |
| 5                                                                                                                                                                                                                                                                                                                                                                                                                                                                                                   |       | +StartCellB_ho( C_E_neighbourdefault,<br>C_BCCHcarrierB_ho, C_BCCHcarrierB_hod,<br>C_Immass, TCV_slot, TCV_tsc, TimingAdv(<br>TSPX_k*2 + TSPX_y), C_TxInt_5, C_Max_7,<br>C_NECI_0, C_ATT_0, C_BABR_0,<br>C_cch_1nonComb, C_BPM_3, C_T3212_1,<br>C_MCC_1, C_PLMN_1, C_LAC_2,<br>CellChDes_20_Bman, CellChDes_201_Bd,<br>BcchFreqLst_01, BcchFreqLst_48,<br>C_noReestablishment, C_BCC, C_NCC,<br>TSPX_k, 100)                                                                                                                                                                                                                                   |      |   | The BCCH of cell B is k bit periods after BCCH of cell A to simulate the two cells have different propagation delay. The frame numbers of the two cells is different by 100. |
| 6                                                                                                                                                                                                                                                                                                                                                                                                                                                                                                   |       | (TCV_ia_ts:= TSPX_TmSlitNotZero)                                                                                                                                                                                                                                                                                                                                                                                                                                                                                                                                                                                                               |      |   |                                                                                                                                                                              |
| 7                                                                                                                                                                                                                                                                                                                                                                                                                                                                                                   |       | +SDCCH8_A_1_nociph(<br>TSPX_SDCCH8SubDef, C_Immass,<br>TCV_ia_ts, TSPX_TscC, ChMod_sign,<br>FreqSDCCHa_hof2, FreqSDCCHa_hof2d,<br>TimingAdv( TSPX_y), C_BABR_0,<br>C_cch_1nonComb, C_BPM_3)                                                                                                                                                                                                                                                                                                                                                                                                                                                    |      |   |                                                                                                                                                                              |
| 8                                                                                                                                                                                                                                                                                                                                                                                                                                                                                                   |       | (TCV_temp := (( TSPX_k*2 + TSPX_y)<br>MOD 256))                                                                                                                                                                                                                                                                                                                                                                                                                                                                                                                                                                                                |      |   |                                                                                                                                                                              |
| 9                                                                                                                                                                                                                                                                                                                                                                                                                                                                                                   |       | +SDCCH8_B_1(<br>TSPX_SDCCH8SubDef, C_Synho,<br>TCV_ts, TSPX_TscA, ChMod_sign,<br>FreqSDCCH8b_hof3,<br>FreqSDCCH8b_hof2d,<br>TimingAdv(TCV_temp), C_BABR_0,<br>C_cch_1nonComb, C_BPM_3)                                                                                                                                                                                                                                                                                                                                                                                                                                                         |      |   |                                                                                                                                                                              |
| 10                                                                                                                                                                                                                                                                                                                                                                                                                                                                                                  |       | +Est_MO_Call_init(<br>C_CHSDCCH8_FH, MobilAlc_282,<br>MobilAlc_20_B1, TimingAdv(<br>TSPX_y), TSPX_TscC, 16, 16)                                                                                                                                                                                                                                                                                                                                                                                                                                                                                                                                |      |   | 1.                                                                                                                                                                           |
| 11                                                                                                                                                                                                                                                                                                                                                                                                                                                                                                  |       | (TCV_Fn1:=<br>OM_ComingFn(TCV_ch),<br>TCV_Null :=<br>OM_SendNextOn(TCV_ch,<br>TCV_Fn1), TCV_Fn1 :=<br>OC_FnInc(TCV_Fn1, 100))                                                                                                                                                                                                                                                                                                                                                                                                                                                                                                                  |      |   |                                                                                                                                                                              |
| 12                                                                                                                                                                                                                                                                                                                                                                                                                                                                                                  | body  | +ltree_hoCMD                                                                                                                                                                                                                                                                                                                                                                                                                                                                                                                                                                                                                                   |      |   |                                                                                                                                                                              |
| 13                                                                                                                                                                                                                                                                                                                                                                                                                                                                                                  |       | (TCV_ch := TCV_chTch,                                                                                                                                                                                                                                                                                                                                                                                                                                                                                                                                                                                                                          |      |   |                                                                                                                                                                              |

|    |      |                                                                                                |                                                                                                                                                                                                                                                                                                                                                                                        |    |
|----|------|------------------------------------------------------------------------------------------------|----------------------------------------------------------------------------------------------------------------------------------------------------------------------------------------------------------------------------------------------------------------------------------------------------------------------------------------------------------------------------------------|----|
| 14 |      | TCV_sacch :=<br>TCV_sacchTch)                                                                  |                                                                                                                                                                                                                                                                                                                                                                                        |    |
| 15 |      | +RR_hocomp3( 1500)                                                                             |                                                                                                                                                                                                                                                                                                                                                                                        |    |
| 16 |      | +Timadv_Pwrlvl_chk(<br>TSPX_k, TSPX_y,<br>TCV_Pwrlvl_ho)                                       |                                                                                                                                                                                                                                                                                                                                                                                        | 3. |
| 17 |      | L?DL_DatInSetup<br>(TCV_Mt1<br>:=DL_DatInSetup.msg.mt)                                         | SetupRcv(<br>SetupInd_01)                                                                                                                                                                                                                                                                                                                                                              | 4. |
| 18 | post | +SendSeqNo_chk<br>+ChanRel_end(<br>TCV_ch)                                                     |                                                                                                                                                                                                                                                                                                                                                                                        | 5. |
| 19 |      | <b>ltree_hoCMD</b><br>(TCV_Tchtype := INT_TO_BIT(( 8 + BIT_TO_INT(<br>TSPX_SDCCH8SubDef)), 5)) |                                                                                                                                                                                                                                                                                                                                                                                        |    |
| 20 |      | [TSPC_PGSM OR TSPC_EGSM]                                                                       |                                                                                                                                                                                                                                                                                                                                                                                        |    |
| 21 |      | LIDL_DatRqHoCmd                                                                                | HndOvSnd( TCV_ch,<br>HandOverCmd_fh(<br>TCV_Tchtype,<br>TCV_ts, TSPX_TscA,<br>C_NCC, C_BCC,<br>C_BCCHcarrierB_ho,<br>16, C_HSN_0,<br>TCV_Horf,<br>TCV_Pwrlvl_ho,<br>Synchi(<br>C_not_report_otd,<br>C_synchronised),<br>Frql_omit,<br>Frql_20_B0,<br>CellChDes_Omit,<br>ChMod_sign_iei,<br>Freqchseq_omit,<br>MoblAllc_omit,<br>RelTmdDif_omit,<br>TimingAdv_omit,<br>CphMod_omit))    | 2. |
| 22 |      | [TSPC_DCS]                                                                                     |                                                                                                                                                                                                                                                                                                                                                                                        |    |
| 23 |      | LIDL_DatRqHoCmd                                                                                | HndOvSnd( TCV_ch,<br>HandOverCmd_fh(<br>TCV_Tchtype,<br>TCV_ts, TSPX_TscA,<br>C_NCC, C_BCC,<br>C_BCCHcarrierB_hod<br>, 16, C_HSN_0,<br>TCV_Horf,<br>TCV_Pwrlvl_ho,<br>Synchi(<br>C_not_report_otd,<br>C_synchronised),<br>Frql_omit,<br>Frql_20_B0d,<br>CellChDes_Omit,<br>ChMod_sign_iei,<br>Freqchseq_omit,<br>MoblAllc_omit,<br>RelTmdDif_omit,<br>TimingAdv_omit,<br>CphMod_omit)) | 2. |

**Detailed Comments:**

1. To initiate a call and the last L2\_frame with the Setup will not be acknowledged by the SS\_L2.
2. HO from SDCCH/8\_FH to SDCCH/8\_FH
3. To check Timing Advance and Power Level in the next uplink SACCH head
4. Last L3-msg shall be retransmitted by the MS with the same sequence number of last L3-msg.
5. to check the sending sequence number.

| Test Case Dynamic Behaviour                                                                                                                                                                                                                                                                                                                                                                                                                                                                         |       |                                                                                                                                                                                                                                                                                                                                                                                                                                                                                                                                                                                                                                            |                                                                              |   |                                                                                                                                                                              |
|-----------------------------------------------------------------------------------------------------------------------------------------------------------------------------------------------------------------------------------------------------------------------------------------------------------------------------------------------------------------------------------------------------------------------------------------------------------------------------------------------------|-------|--------------------------------------------------------------------------------------------------------------------------------------------------------------------------------------------------------------------------------------------------------------------------------------------------------------------------------------------------------------------------------------------------------------------------------------------------------------------------------------------------------------------------------------------------------------------------------------------------------------------------------------------|------------------------------------------------------------------------------|---|------------------------------------------------------------------------------------------------------------------------------------------------------------------------------|
| <b>Test Case Name:</b> TC_26_6_5_4_2                                                                                                                                                                                                                                                                                                                                                                                                                                                                |       |                                                                                                                                                                                                                                                                                                                                                                                                                                                                                                                                                                                                                                            |                                                                              |   |                                                                                                                                                                              |
| <b>Group:</b> GSM_L3_MS_v4210/RR/                                                                                                                                                                                                                                                                                                                                                                                                                                                                   |       |                                                                                                                                                                                                                                                                                                                                                                                                                                                                                                                                                                                                                                            |                                                                              |   |                                                                                                                                                                              |
| <b>Purpose:</b> To test that when the MS is ordered to make a finely synchronised handover to a synchronised cell, it sends 4 access bursts on the main DCCH and then activates the channel correctly, taking into account the value of any Starting Time information element and correctly calculating the timing advance to use. To test that the MS correctly retransmits Layer 3 MM or CC messages that were not acknowledged by Layer 2 before the Handover, after completion of the Handover. |       |                                                                                                                                                                                                                                                                                                                                                                                                                                                                                                                                                                                                                                            |                                                                              |   |                                                                                                                                                                              |
| <b>Default:</b> OtherEventsFail_01                                                                                                                                                                                                                                                                                                                                                                                                                                                                  |       |                                                                                                                                                                                                                                                                                                                                                                                                                                                                                                                                                                                                                                            |                                                                              |   |                                                                                                                                                                              |
| Nr                                                                                                                                                                                                                                                                                                                                                                                                                                                                                                  | Label | Behaviour Description                                                                                                                                                                                                                                                                                                                                                                                                                                                                                                                                                                                                                      | CRef                                                                         | V | Comments                                                                                                                                                                     |
| 1                                                                                                                                                                                                                                                                                                                                                                                                                                                                                                   |       | START T_guard(300)                                                                                                                                                                                                                                                                                                                                                                                                                                                                                                                                                                                                                         |                                                                              |   |                                                                                                                                                                              |
| 2                                                                                                                                                                                                                                                                                                                                                                                                                                                                                                   |       | +BasicServiceMO(TSPX_MOBscSvcE,<br>TSPX_MOChRateE)                                                                                                                                                                                                                                                                                                                                                                                                                                                                                                                                                                                         |                                                                              |   |                                                                                                                                                                              |
| 3                                                                                                                                                                                                                                                                                                                                                                                                                                                                                                   |       | (TCV_ts:= C_S0, TCV_Horf:= TSPX_HoRefB,<br>TCV_Pwrlvl_ho:= INT_TO_BIT( TSPX_PwrlvlB,<br>5))                                                                                                                                                                                                                                                                                                                                                                                                                                                                                                                                                |                                                                              |   |                                                                                                                                                                              |
| 4                                                                                                                                                                                                                                                                                                                                                                                                                                                                                                   |       | +IdleUpdated( C_E_default, C_Cella,<br>C_SCH_A, C_BCCH_A_1, C_Immass, C_S0,<br>C_SlotNU, C_SlotNU, C_SlotNU, C_BCC,<br>C_TxInt_5, C_Max_7, C_NECI_0, C_ATT_0,<br>TimingAdv( TSPX_y), C_BABR_0,<br>C_cch_1Comb, C_BPM_3, C_T3212_0,<br>C_ci_cellA, C_MCC_1, C_PLMN_1, C_LAC_1,<br>CellOpt_01, CellChDes_20_Aman,<br>CellChDes_202_Adman, C_CellReselectHys12,<br>C_MaxPwrLvlG, C_MaxPwrLvlD,<br>BcchFreqLst_01, BcchFreqLst_Omit,<br>BcchFreqLst_48, BcchFreqLst_Omit,<br>C_noReestablishment, C_BCC, C_NCC,<br>C_Start_Tmsi, TSPX_SDCCH4SubDef,<br>TSPX_CKSNDf, TSPX_RANDDef, C_arfcnA,<br>C_arfcnAd_4, TSPX_IMSI, C_Test_fh,<br>C_NCCP_2) |                                                                              |   |                                                                                                                                                                              |
| 5                                                                                                                                                                                                                                                                                                                                                                                                                                                                                                   |       | +StartCellB_ho( C_E_neighbourdefault,<br>C_BCCHcarrierB_ho, C_BCCHcarrierB_hod,<br>C_Synho, TCV_slot, TCV_tsc, TimingAdv(<br>TSPX_k*2 + TSPX_y), C_TxInt_5, C_Max_7,<br>C_NECI_0, C_ATT_0, C_BABR_0,<br>C_cch_1Comb, C_BPM_3, C_T3212_1,<br>C_MCC_1, C_PLMN_1, C_LAC_2,<br>CellChDes_20_Bman, CellChDes_201_Bd,<br>BcchFreqLst_01, BcchFreqLst_48,<br>C_noReestablishment, C_BCC, C_NCC,<br>TSPX_k, 100)                                                                                                                                                                                                                                   |                                                                              |   | The BCCH of cell B is k bit periods after BCCH of cell A to simulate the two cells have different propagation delay. The frame numbers of the two cells is different by 100. |
| 6                                                                                                                                                                                                                                                                                                                                                                                                                                                                                                   |       | (TCV_ch1 := OC_SubchOfSdcch4(<br>TSPX_SDCCH4SubDef, C_CellB),<br>TCV_Null := OM_CphMd( TCV_ch1,<br>CphMod_01, TCV_CphKey))                                                                                                                                                                                                                                                                                                                                                                                                                                                                                                                 |                                                                              |   | put the handover target channel in ciphering mode                                                                                                                            |
| 7                                                                                                                                                                                                                                                                                                                                                                                                                                                                                                   |       | (TCV_ia_ts:= TSPX_TmSlitNotZero)                                                                                                                                                                                                                                                                                                                                                                                                                                                                                                                                                                                                           |                                                                              |   |                                                                                                                                                                              |
| 8                                                                                                                                                                                                                                                                                                                                                                                                                                                                                                   |       | +local_set_DCS_Slot                                                                                                                                                                                                                                                                                                                                                                                                                                                                                                                                                                                                                        |                                                                              |   |                                                                                                                                                                              |
| 9                                                                                                                                                                                                                                                                                                                                                                                                                                                                                                   |       | +SDCCH8_A_1_nociph(<br>TSPX_SDCCH8SubDef, C_Immass,<br>TCV_ia_ts, TSPX_TscF,<br>ChMod_sign, FreqSDCCHa_hof3,<br>FreqSDCCHa_hof3d, TimingAdv(<br>TSPX_y), C_BABR_0,<br>C_cch_1nonComb, C_BPM_3)                                                                                                                                                                                                                                                                                                                                                                                                                                             |                                                                              |   |                                                                                                                                                                              |
| 10                                                                                                                                                                                                                                                                                                                                                                                                                                                                                                  |       | +Est_MO_Call_init(<br>C_CHSDCCH8_FH,<br>MoblAllic_20_A3, MoblAllic_20_A3d,<br>TimingAdv(TSPX_y), TSPX_TscF,<br>15, 15)                                                                                                                                                                                                                                                                                                                                                                                                                                                                                                                     |                                                                              |   | 1.                                                                                                                                                                           |
| 11                                                                                                                                                                                                                                                                                                                                                                                                                                                                                                  |       | (TCV_Fn := OM_ComingFn(<br>TCV_ch), TCV_Null:=<br>OM_SendNextOn( TCV_ch,<br>TCV_Fn), TCV_Fn1 := TCV_Fn,<br>TCV_Fn1 := OC_FnInc(TCV_Fn1,<br>100))                                                                                                                                                                                                                                                                                                                                                                                                                                                                                           |                                                                              |   |                                                                                                                                                                              |
| 12                                                                                                                                                                                                                                                                                                                                                                                                                                                                                                  | body  | +local_set_arfcn                                                                                                                                                                                                                                                                                                                                                                                                                                                                                                                                                                                                                           |                                                                              |   |                                                                                                                                                                              |
| 13                                                                                                                                                                                                                                                                                                                                                                                                                                                                                                  |       | LIDL_DatRqHoCmd (<br>DL_DatRqHoCmd.msg.strt :=<br>OC_StartTime( TCV_Fn,<br>C_StartingTimeHO, 1))                                                                                                                                                                                                                                                                                                                                                                                                                                                                                                                                           | HndOvSnd( TCV_ch,<br>HandOverCmd_nfh(<br>TCV_Tchtype, C_S0,<br>C_BCC, C_NCC, |   | 2.                                                                                                                                                                           |

|                           |      |                                                                                                                                                                                                                                                                                                                                                                                                                                                        |                                                                                                                                                                                                         |    |
|---------------------------|------|--------------------------------------------------------------------------------------------------------------------------------------------------------------------------------------------------------------------------------------------------------------------------------------------------------------------------------------------------------------------------------------------------------------------------------------------------------|---------------------------------------------------------------------------------------------------------------------------------------------------------------------------------------------------------|----|
|                           |      |                                                                                                                                                                                                                                                                                                                                                                                                                                                        | C_BCC,<br>TCV_chdescr_arfcn,<br>TCV_tch_arfcn,<br>TCV_Horf,<br>TCV_Pwrlvl_ho,<br>Synchi(<br>C_not_report_otd,<br>C_synchronised),<br>ChMod_omit,<br>RelTmdDif_omit,<br>TimingAdv_omit,<br>CphMod_omit)) |    |
| 14                        |      | (TCV_ch := TCV_ch1,<br>TCV_sacch :=<br>TCV_sacch_B)                                                                                                                                                                                                                                                                                                                                                                                                    |                                                                                                                                                                                                         |    |
| 15                        |      | +RR_hocomp3( 2600)                                                                                                                                                                                                                                                                                                                                                                                                                                     |                                                                                                                                                                                                         |    |
| 16                        |      | +Timadv_Pwrlvl_chk(<br>TSPX_k, TSPX_y,<br>TCV_Pwrlvl_ho)                                                                                                                                                                                                                                                                                                                                                                                               |                                                                                                                                                                                                         | 3. |
| 17                        |      | L?DL_DatInSetup<br>(TCV_Mt1 :=<br>DL_DatInSetup.msg.mt)                                                                                                                                                                                                                                                                                                                                                                                                | SetupRcv(<br>SetupInd_01)                                                                                                                                                                               | 4. |
| 18                        |      | +SendSeqNo_chk                                                                                                                                                                                                                                                                                                                                                                                                                                         |                                                                                                                                                                                                         | 5. |
| 19                        | post | +ChanRel_end(<br>TCV_ch)                                                                                                                                                                                                                                                                                                                                                                                                                               |                                                                                                                                                                                                         |    |
|                           |      | <b>local_set_DCS_Slot</b>                                                                                                                                                                                                                                                                                                                                                                                                                              |                                                                                                                                                                                                         |    |
| 20                        |      | [TSPC_PGSM OR TSPC_EGSM]                                                                                                                                                                                                                                                                                                                                                                                                                               |                                                                                                                                                                                                         |    |
| 21                        |      | [TSPC_DCS]                                                                                                                                                                                                                                                                                                                                                                                                                                             |                                                                                                                                                                                                         |    |
| 22                        |      | (TCV_ia_ts := C_S0)                                                                                                                                                                                                                                                                                                                                                                                                                                    |                                                                                                                                                                                                         |    |
|                           |      | <b>local_set_arfcn</b>                                                                                                                                                                                                                                                                                                                                                                                                                                 |                                                                                                                                                                                                         |    |
| 23                        |      | (TCV_Tchtype := INT_TO_BIT(( 4 + BIT_TO_INT(<br>TSPX_SDCCH4SubDef)), 5))                                                                                                                                                                                                                                                                                                                                                                               |                                                                                                                                                                                                         |    |
| 24                        |      | [TSPC_PGSM OR TSPC_EGSM]                                                                                                                                                                                                                                                                                                                                                                                                                               |                                                                                                                                                                                                         |    |
| 25                        |      | (TCV_tch_arfcn := C_BCCHcarrierB_ho,<br>TCV_chdescr_arfcn := C_BCCHcarrierB_ho)                                                                                                                                                                                                                                                                                                                                                                        |                                                                                                                                                                                                         |    |
| 26                        |      | [TSPC_DCS]                                                                                                                                                                                                                                                                                                                                                                                                                                             |                                                                                                                                                                                                         |    |
| 27                        |      | (TCV_tch_arfcn := C_BCCHcarrierB_hod,<br>TCV_chdescr_arfcn := C_BCCHcarrierB_hod)                                                                                                                                                                                                                                                                                                                                                                      |                                                                                                                                                                                                         |    |
| <b>Detailed Comments:</b> |      | <ol style="list-style-type: none"> <li>1. To initiate a call and the last L2_frame with the Setup will not be acknowledged by the SS_L2.</li> <li>2. HO from SDCCH/8_FH to SDCCH/4_NoFH</li> <li>3. To check whether the power level and timing advance in the L1 head is correct.</li> <li>4. Last L3-msg shall be retransmitted by the MS with the same sequence number of last L3-msg.</li> <li>5. To check the sending sequence number.</li> </ol> |                                                                                                                                                                                                         |    |

| Test Case Dynamic Behaviour                                                                                                                                                                                                                                                                                                                                                                                                                                                                         |       |                                                                                                                                                                                                                                                                                                                                                                                                                                                                                                                                                                                          |      |   |                                                                                                                                                                              |
|-----------------------------------------------------------------------------------------------------------------------------------------------------------------------------------------------------------------------------------------------------------------------------------------------------------------------------------------------------------------------------------------------------------------------------------------------------------------------------------------------------|-------|------------------------------------------------------------------------------------------------------------------------------------------------------------------------------------------------------------------------------------------------------------------------------------------------------------------------------------------------------------------------------------------------------------------------------------------------------------------------------------------------------------------------------------------------------------------------------------------|------|---|------------------------------------------------------------------------------------------------------------------------------------------------------------------------------|
| <b>Test Case Name:</b> TC_26_6_5_4_3                                                                                                                                                                                                                                                                                                                                                                                                                                                                |       |                                                                                                                                                                                                                                                                                                                                                                                                                                                                                                                                                                                          |      |   |                                                                                                                                                                              |
| <b>Group:</b> GSM_L3_MS_v4210/RR/                                                                                                                                                                                                                                                                                                                                                                                                                                                                   |       |                                                                                                                                                                                                                                                                                                                                                                                                                                                                                                                                                                                          |      |   |                                                                                                                                                                              |
| <b>Purpose:</b> To test that when the MS is ordered to make a finely synchronised handover to a synchronised cell, it sends 4 access bursts on the main DCCH and then activates the channel correctly, taking into account the value of any Starting Time information element and correctly calculating the timing advance to use. To test that the MS correctly retransmits Layer 3 MM or CC messages that were not acknowledged by Layer 2 before the Handover, after completion of the Handover. |       |                                                                                                                                                                                                                                                                                                                                                                                                                                                                                                                                                                                          |      |   |                                                                                                                                                                              |
| <b>Default:</b> OtherEventsFail_01                                                                                                                                                                                                                                                                                                                                                                                                                                                                  |       |                                                                                                                                                                                                                                                                                                                                                                                                                                                                                                                                                                                          |      |   |                                                                                                                                                                              |
| Nr                                                                                                                                                                                                                                                                                                                                                                                                                                                                                                  | Label | Behaviour Description                                                                                                                                                                                                                                                                                                                                                                                                                                                                                                                                                                    | CRef | V | Comments                                                                                                                                                                     |
| 1                                                                                                                                                                                                                                                                                                                                                                                                                                                                                                   |       | START T_guard(300)                                                                                                                                                                                                                                                                                                                                                                                                                                                                                                                                                                       |      |   |                                                                                                                                                                              |
| 2                                                                                                                                                                                                                                                                                                                                                                                                                                                                                                   |       | +BasicServiceMO(TSPX_MOBscSvcF, C_Full)                                                                                                                                                                                                                                                                                                                                                                                                                                                                                                                                                  |      |   |                                                                                                                                                                              |
| 3                                                                                                                                                                                                                                                                                                                                                                                                                                                                                                   |       | (TCV_ts:= C_S0, TCV_Horf:= TSPX_HoRefA, TCV_Pwrlvl_ho:= INT_TO_BIT( TSPX_PwrlvlA, 5))                                                                                                                                                                                                                                                                                                                                                                                                                                                                                                    |      |   |                                                                                                                                                                              |
| 4                                                                                                                                                                                                                                                                                                                                                                                                                                                                                                   |       | +IdleUpdated( C_E_default, C_CellA, C_SCH_A, C_BCCH_A_1, C_Immass, C_S0, C_SlotNU, C_SlotNU, C_SlotNU, C_BCC, C_TxInt_5, C_Max_7, C_NECI_0, C_ATT_0, TimingAdv( TSPX_y), C_BABR_0, C_cch_1Comb, C_BPM_3, C_T3212_0, C_ci_cellA, C_MCC_1, C_PLMN_1, C_LAC_1, CellOpt_01, CellChDes_20_Aman, CellChDes_202_Adman, C_CellReselectHys12, C_MaxPwrLvlG, C_MaxPwrLvlD, BcchFreqLst_01, BcchFreqLst_Omit, BcchFreqLst_48, BcchFreqLst_Omit, C_noReestablishment, C_BCC, C_NCC, C_Start_Tmsi, TSPX_SDCCH4SubA, TSPX_CKSNDf, TSPX_RANDDef, C_arfcnA, C_arfcnAd_4, TSPX_IMSI, C_Test_fh, C_NCCP_2) |      |   |                                                                                                                                                                              |
| 5                                                                                                                                                                                                                                                                                                                                                                                                                                                                                                   |       | +StartCellB_ho( C_E_neighbourdefault, C_BCCHcarrierB_ho, C_BCCHcarrierB_hod, C_Immass, TCV_slot, TCV_tsc, TimingAdv( TSPX_k*2 + TSPX_y), C_TxInt_5, C_Max_7, C_NECI_0, C_ATT_0, C_BABR_0, C_cch_1Comb, C_BPM_3, C_T3212_0, C_MCC_1, C_PLMN_1, C_LAC_2, CellChDes_20_Bman, CellChDes_201_Bd, BcchFreqLst_01, BcchFreqLst_48, C_noReestablishment, C_BCC, C_NCC, TSPX_k, 100)                                                                                                                                                                                                              |      |   | The BCCH of cell B is k bit periods after BCCH of cell A to simulate the two cells have different propagation delay. The frame numbers of the two cells is different by 100. |
| 6                                                                                                                                                                                                                                                                                                                                                                                                                                                                                                   |       | (TCV_ia_ts:= TSPX_TmSlitNotZero)                                                                                                                                                                                                                                                                                                                                                                                                                                                                                                                                                         |      |   |                                                                                                                                                                              |
| 7                                                                                                                                                                                                                                                                                                                                                                                                                                                                                                   |       | +FullRateCh_A_1_nociph( C_Immass, TCV_ia_ts, TSPX_TscD, TCV_ChMod, FreqTCH(C_arfcnA), FreqTCH(C_arfcnAd_4), TimingAdv( TSPX_y), C_BABR_0, C_cch_1Comb, C_BPM_3)                                                                                                                                                                                                                                                                                                                                                                                                                          |      |   |                                                                                                                                                                              |
| 8                                                                                                                                                                                                                                                                                                                                                                                                                                                                                                   |       | (TCV_ch := TCV_chTch)                                                                                                                                                                                                                                                                                                                                                                                                                                                                                                                                                                    |      |   |                                                                                                                                                                              |
| 9                                                                                                                                                                                                                                                                                                                                                                                                                                                                                                   |       | +FullRateCh_B_1( C_Synho, TCV_ts, TSPX_TscB, TCV_ChMod, FreqTCHb_hof8, FreqTCHb_hof8d, TimingAdv( TSPX_k*2 + TSPX_y), C_BABR_0, C_cch_1Comb, C_BPM_3)                                                                                                                                                                                                                                                                                                                                                                                                                                    |      |   |                                                                                                                                                                              |
| 10                                                                                                                                                                                                                                                                                                                                                                                                                                                                                                  |       | +local_set_arfcn                                                                                                                                                                                                                                                                                                                                                                                                                                                                                                                                                                         |      |   |                                                                                                                                                                              |
| 11                                                                                                                                                                                                                                                                                                                                                                                                                                                                                                  |       | +local_continue                                                                                                                                                                                                                                                                                                                                                                                                                                                                                                                                                                          |      |   |                                                                                                                                                                              |
|                                                                                                                                                                                                                                                                                                                                                                                                                                                                                                     |       | <b>local_continue</b>                                                                                                                                                                                                                                                                                                                                                                                                                                                                                                                                                                    |      |   |                                                                                                                                                                              |
| 12                                                                                                                                                                                                                                                                                                                                                                                                                                                                                                  |       | +Est_MO_Call_init( C_CHTCHF_NonFH, MobilAllc_omit, MobilAllc_omit, TimingAdv( TSPX_y), TSPX_TscD, C_one, C_one)                                                                                                                                                                                                                                                                                                                                                                                                                                                                          |      |   | 1.                                                                                                                                                                           |
| 13                                                                                                                                                                                                                                                                                                                                                                                                                                                                                                  |       | (TCV_Fn1:= OM_ComingFn(TCV_ch), TCV_Null := OM_SendNextOn(TCV_ch, TCV_Fn1), TCV_Fn1 := OC_FnInc(TCV_Fn1, 100))                                                                                                                                                                                                                                                                                                                                                                                                                                                                           |      |   |                                                                                                                                                                              |
| 14                                                                                                                                                                                                                                                                                                                                                                                                                                                                                                  | body  | +ltree_hoCMD                                                                                                                                                                                                                                                                                                                                                                                                                                                                                                                                                                             |      |   | 2.                                                                                                                                                                           |
| 15                                                                                                                                                                                                                                                                                                                                                                                                                                                                                                  |       | (TCV_ch := TCV_chTch, TCV_sacch := TCV_sacchTch)                                                                                                                                                                                                                                                                                                                                                                                                                                                                                                                                         |      |   |                                                                                                                                                                              |
| 16                                                                                                                                                                                                                                                                                                                                                                                                                                                                                                  |       | +RR_hocomp3( 650)                                                                                                                                                                                                                                                                                                                                                                                                                                                                                                                                                                        |      |   |                                                                                                                                                                              |

|                        |      |                                                       |                                                                                                                                                                                                                                                                                                                                                                              |    |
|------------------------|------|-------------------------------------------------------|------------------------------------------------------------------------------------------------------------------------------------------------------------------------------------------------------------------------------------------------------------------------------------------------------------------------------------------------------------------------------|----|
| 17                     |      | +Timadv_Pwrlvl_chk( TSPX_k, TSPX_y,<br>TCV_Pwrlvl_ho) |                                                                                                                                                                                                                                                                                                                                                                              | 3. |
| 18                     |      | L?DL_DatInSetup (TCV_Mt1 :=<br>DL_DatInSetup.msg.mt)  | SetupRcv(<br>SetupInd_01)                                                                                                                                                                                                                                                                                                                                                    | 4. |
| 19                     |      | +SendSeqNo_chk                                        |                                                                                                                                                                                                                                                                                                                                                                              | 5. |
| 20                     | post | +ChanRel_end( TCV_ch)                                 |                                                                                                                                                                                                                                                                                                                                                                              |    |
| <b>Itree_hoCMD</b>     |      |                                                       |                                                                                                                                                                                                                                                                                                                                                                              |    |
| 21                     |      | [TSPC_PGSM OR TSPC_EGSM]                              |                                                                                                                                                                                                                                                                                                                                                                              |    |
| 22                     |      | L!DL_DatRqHoCmd                                       | HndOvSnd( TCV_ch,<br>HandOverCmd_fh(<br>'00001'B, TCV_ts,<br>TSPX_TscB, C_NCC,<br>C_BCC,<br>C_BCCHcarrierB_ho,<br>4, TSPX_HSN,<br>TCV_Horf,<br>TCV_Pwrlvl_ho,<br>Synchi(<br>C_not_report_otd,<br>C_synchronised),<br>Frql_omit, Frql_omit,<br>CellChDes_Omit,<br>TCV_ChMod,<br>Freqchseq_05,<br>MoblAlc_omit,<br>RelTmdDif_omit,<br>TimingAdv_omit,<br>CphMod_omit))         |    |
| 23                     |      | [TSPC_DCS]                                            |                                                                                                                                                                                                                                                                                                                                                                              |    |
| 24                     |      | L!DL_DatRqHoCmd                                       | HndOvSnd( TCV_ch,<br>HandOverCmd_fh(<br>'00001'B, TCV_ts,<br>TSPX_TscB, C_NCC,<br>C_BCC,<br>C_BCCHcarrierB_hod<br>, 3, TSPX_HSN,<br>TCV_Horf,<br>TCV_Pwrlvl_ho,<br>Synchi(<br>C_not_report_otd,<br>C_synchronised),<br>Frql_20_B12d,<br>Frql_omit,<br>CellChDes_Omit,<br>TCV_ChMod,<br>Freqchseq_06,<br>MoblAlc_omit,<br>RelTmdDif_omit,<br>TimingAdv_omit,<br>CphMod_omit)) |    |
| <b>local_set_arfcn</b> |      |                                                       |                                                                                                                                                                                                                                                                                                                                                                              |    |
| 25                     |      | [TSPC_PGSM OR TSPC_EGSM]                              |                                                                                                                                                                                                                                                                                                                                                                              |    |
| 26                     |      | (TCV_tch_arfcn := C_arfcnA)                           |                                                                                                                                                                                                                                                                                                                                                                              |    |
| 27                     |      | [TSPC_DCS]                                            |                                                                                                                                                                                                                                                                                                                                                                              |    |
| 28                     |      | (TCV_tch_arfcn := C_arfcnAd_4)                        |                                                                                                                                                                                                                                                                                                                                                                              |    |

**Detailed Comments:**

1. To initiate a call and the last L2\_frame with the Setup will not be acknowledged by the SS\_L2.
2. HO from TCH/F\_NoFH to TCH/F\_FH
3. To check the power level and timing advance in L1 head
4. Last L3-msg shall be retransmitted by the MS with the same sequence number of last L3-msg.
5. Checking of the sending sequence number.



| Test Case Dynamic Behaviour                                                                                                                                                                                                                                                                                                                                                                                                                                                                         |       |                                                                                                                                                                                                                                                                                                                                                                                                                                                                                                                                                                                                                                             |                                       |   |                                                                                                                                                                                                |
|-----------------------------------------------------------------------------------------------------------------------------------------------------------------------------------------------------------------------------------------------------------------------------------------------------------------------------------------------------------------------------------------------------------------------------------------------------------------------------------------------------|-------|---------------------------------------------------------------------------------------------------------------------------------------------------------------------------------------------------------------------------------------------------------------------------------------------------------------------------------------------------------------------------------------------------------------------------------------------------------------------------------------------------------------------------------------------------------------------------------------------------------------------------------------------|---------------------------------------|---|------------------------------------------------------------------------------------------------------------------------------------------------------------------------------------------------|
| <b>Test Case Name:</b> TC_26_6_5_4_4                                                                                                                                                                                                                                                                                                                                                                                                                                                                |       |                                                                                                                                                                                                                                                                                                                                                                                                                                                                                                                                                                                                                                             |                                       |   |                                                                                                                                                                                                |
| <b>Group:</b> GSM_L3_MS_v4210/RR/                                                                                                                                                                                                                                                                                                                                                                                                                                                                   |       |                                                                                                                                                                                                                                                                                                                                                                                                                                                                                                                                                                                                                                             |                                       |   |                                                                                                                                                                                                |
| <b>Purpose:</b> To test that when the MS is ordered to make a finely synchronised handover to a synchronised cell, it sends 4 access bursts on the main DCCH and then activates the channel correctly, taking into account the value of any Starting Time information element and correctly calculating the timing advance to use. To test that the MS correctly retransmits Layer 3 MM or CC messages that were not acknowledged by Layer 2 before the Handover, after completion of the Handover. |       |                                                                                                                                                                                                                                                                                                                                                                                                                                                                                                                                                                                                                                             |                                       |   |                                                                                                                                                                                                |
| <b>Default:</b> OtherEventsFail_01                                                                                                                                                                                                                                                                                                                                                                                                                                                                  |       |                                                                                                                                                                                                                                                                                                                                                                                                                                                                                                                                                                                                                                             |                                       |   |                                                                                                                                                                                                |
| Nr                                                                                                                                                                                                                                                                                                                                                                                                                                                                                                  | Label | Behaviour Description                                                                                                                                                                                                                                                                                                                                                                                                                                                                                                                                                                                                                       | CRef                                  | V | Comments                                                                                                                                                                                       |
| 1                                                                                                                                                                                                                                                                                                                                                                                                                                                                                                   |       | START T_guard(300)                                                                                                                                                                                                                                                                                                                                                                                                                                                                                                                                                                                                                          |                                       |   |                                                                                                                                                                                                |
| 2                                                                                                                                                                                                                                                                                                                                                                                                                                                                                                   |       | +BasicServiceMO(TSPX_MOBscSvcG,<br>TSPX_MOChRateG)                                                                                                                                                                                                                                                                                                                                                                                                                                                                                                                                                                                          |                                       |   |                                                                                                                                                                                                |
| 3                                                                                                                                                                                                                                                                                                                                                                                                                                                                                                   |       | (TCV_ts:= TSPX_TmSlitNotZero, TCV_Horf:=<br>TSPX_HoRefD, TCV_Pwrlvl_ho:= INT_TO_BIT(<br>TSPX_PwrlvlD, 5))                                                                                                                                                                                                                                                                                                                                                                                                                                                                                                                                   |                                       |   |                                                                                                                                                                                                |
| 4                                                                                                                                                                                                                                                                                                                                                                                                                                                                                                   |       | +IdleUpdated( C_E_default, C_CellA,<br>C_SCH_A, C_BCCH_A_1, C_Immass, C_S0,<br>C_SlotNU, C_SlotNU, C_SlotNU, C_BCC,<br>C_TxInt_5, C_Max_7, C_NECI_0, C_ATT_0,<br>TimingAdv( TSPX_y), C_BABR_0,<br>C_cch_1nonComb, C_BPM_3, C_T3212_1,<br>C_ci_cellA, C_MCC_1, C_PLMN_1, C_LAC_1,<br>CellOpt_01, CellChDes_20_Aman,<br>CellChDes_202_Adman, C_CellReselectHys12,<br>C_MaxPwrLvlG, C_MaxPwrLvlD,<br>BcchFreqLst_01, BcchFreqLst_Omit,<br>BcchFreqLst_48, BcchFreqLst_Omit,<br>C_noReestablishment, C_BCC, C_NCC,<br>C_Start_Tmsi, TSPX_SDCCH4SubA,<br>TSPX_CKSNDf, TSPX_RANDDef, C_arfcnA,<br>C_arfcnAd_4, TSPX_IMSI, C_Test_fh,<br>C_NCCP_2) |                                       |   |                                                                                                                                                                                                |
| 5                                                                                                                                                                                                                                                                                                                                                                                                                                                                                                   |       | +StartCellB_ho( C_E_neighbourdefault,<br>C_BCCHcarrierB_ho, C_BCCHcarrierB_hod,<br>C_Immass, TCV_slot, TCV_tsc, TimingAdv(<br>TSPX_k*2 + TSPX_y), C_TxInt_5, C_Max_7,<br>C_NECI_0, C_ATT_0, C_BABR_0,<br>C_cch_1nonComb, C_BPM_3, C_T3212_1,<br>C_MCC_1, C_PLMN_1, C_LAC_2,<br>CellChDes_20_Bman, CellChDes_201_Bd,<br>BcchFreqLst_01, BcchFreqLst_48,<br>C_noReestablishment, C_BCC, C_NCC,<br>TSPX_k, 100)                                                                                                                                                                                                                                |                                       |   | The BCCH of cell B is k<br>bit periods after BCCH of<br>cell A to simulate the two<br>cells have different<br>propagation delay. The<br>frame numbers of the two<br>cells is different by 100. |
| 6                                                                                                                                                                                                                                                                                                                                                                                                                                                                                                   |       | (TCV_ia_ts:= TSPX_TmSlitE)                                                                                                                                                                                                                                                                                                                                                                                                                                                                                                                                                                                                                  |                                       |   |                                                                                                                                                                                                |
| 7                                                                                                                                                                                                                                                                                                                                                                                                                                                                                                   |       | +SDCCH8_A_1_nociph(<br>TSPX_SDCCH8SubDef, C_Immass,<br>TCV_ia_ts, TSPX_TscDef, ChMod_sign,<br>FreqTCH( TSPX_TCHcarrierA_ho),<br>FreqTCH( TSPX_TCHcarrierA_hod),<br>TimingAdv( TSPX_y), C_BABR_0,<br>C_cch_1nonComb, C_BPM_3)                                                                                                                                                                                                                                                                                                                                                                                                                |                                       |   |                                                                                                                                                                                                |
| 8                                                                                                                                                                                                                                                                                                                                                                                                                                                                                                   |       | +FullRateCh_B_1( C_Synho, TCV_ts,<br>TSPX_TscA, TCV_ChMod, FreqTCH(<br>TSPX_TCHcarrierB_ho), FreqTCH(<br>TSPX_TCHcarrierB_hod), TimingAdv(<br>TSPX_k*2 + TSPX_y), C_BABR_0,<br>C_cch_1nonComb, C_BPM_3)                                                                                                                                                                                                                                                                                                                                                                                                                                     |                                       |   |                                                                                                                                                                                                |
| 9                                                                                                                                                                                                                                                                                                                                                                                                                                                                                                   |       | +local_set_arfcn1                                                                                                                                                                                                                                                                                                                                                                                                                                                                                                                                                                                                                           |                                       |   |                                                                                                                                                                                                |
| 10                                                                                                                                                                                                                                                                                                                                                                                                                                                                                                  |       | +Est_MO_Call_init(<br>C_CHSDCCH8_NonFH,<br>MoblAllc_omit, MoblAllc_omit,<br>TimingAdv( TSPX_y),<br>TSPX_TscDef, C_one, C_one)                                                                                                                                                                                                                                                                                                                                                                                                                                                                                                               |                                       |   | 1.                                                                                                                                                                                             |
| 11                                                                                                                                                                                                                                                                                                                                                                                                                                                                                                  |       | +local_set_arfcn2                                                                                                                                                                                                                                                                                                                                                                                                                                                                                                                                                                                                                           |                                       |   |                                                                                                                                                                                                |
| 12                                                                                                                                                                                                                                                                                                                                                                                                                                                                                                  |       | (TCV_Fn1:=<br>OM_ComingFn(TCV_ch),<br>TCV_Null :=<br>OM_SendNextOn(TCV_ch,<br>TCV_Fn1), TCV_Fn1 :=<br>OC_FnInc(TCV_Fn1, 100))                                                                                                                                                                                                                                                                                                                                                                                                                                                                                                               |                                       |   |                                                                                                                                                                                                |
| 13                                                                                                                                                                                                                                                                                                                                                                                                                                                                                                  | body  | LIDL_DatRqHoCmd                                                                                                                                                                                                                                                                                                                                                                                                                                                                                                                                                                                                                             | HndOvSnd( TCV_ch,<br>HandOverCmd_nfh( |   | 2.                                                                                                                                                                                             |

|    |      |                                                                                     |                                                                                                                                                                                                                                                  |    |
|----|------|-------------------------------------------------------------------------------------|--------------------------------------------------------------------------------------------------------------------------------------------------------------------------------------------------------------------------------------------------|----|
|    |      |                                                                                     | '00001'B, TCV_ts,<br>TSPX_TscA, C_NCC,<br>C_BCC,<br>TCV_chdescr_arfcn,<br>TCV_tch_arfcn,<br>TCV_Horf,<br>TCV_Pwrlvl_ho,<br>Synchi(<br>C_not_report_otd,<br>C_synchronised),<br>ChMod_omit,<br>RelTmdDif_omit,<br>TimingAdv_omit,<br>CphMod_omit) |    |
| 14 |      | +local_continue                                                                     |                                                                                                                                                                                                                                                  |    |
|    |      | <b>local_continue</b>                                                               |                                                                                                                                                                                                                                                  |    |
| 15 |      | (TCV_ch := TCV_chTch, TCV_sacch :=<br>TCV_sacchTch)                                 |                                                                                                                                                                                                                                                  |    |
| 16 |      | +RR_hocomp3( 650)                                                                   |                                                                                                                                                                                                                                                  |    |
| 17 |      | +Timadv_Pwrlvl_chk( TSPX_k, TSPX_y,<br>TCV_Pwrlvl_ho)                               |                                                                                                                                                                                                                                                  | 3. |
| 18 |      | L?DL_DatInSetup (TCV_Mt1<br>:=DL_DatInSetup.msg.mt)                                 | SetupRcv(<br>SetupInd_01)                                                                                                                                                                                                                        |    |
| 19 |      | +SendSeqNo_chk                                                                      |                                                                                                                                                                                                                                                  | 4. |
| 20 | post | +ChanRel_end( TCV_ch)                                                               |                                                                                                                                                                                                                                                  |    |
|    |      | <b>local_set_arfcn2</b>                                                             |                                                                                                                                                                                                                                                  |    |
| 21 |      | [TSPC_PGSM OR TSPC_EGSM]                                                            |                                                                                                                                                                                                                                                  |    |
| 22 |      | (TCV_chdescr_arfcn := C_BCCHcarrierB_ho,<br>TCV_tch_arfcn := TSPX_TCHcarrierB_ho)   |                                                                                                                                                                                                                                                  |    |
| 23 |      | [TSPC_DCS]                                                                          |                                                                                                                                                                                                                                                  |    |
| 24 |      | (TCV_chdescr_arfcn := C_BCCHcarrierB_hod,<br>TCV_tch_arfcn := TSPX_TCHcarrierB_hod) |                                                                                                                                                                                                                                                  |    |
|    |      | <b>local_set_arfcn1</b>                                                             |                                                                                                                                                                                                                                                  |    |
| 25 |      | [TSPC_PGSM OR TSPC_EGSM]                                                            |                                                                                                                                                                                                                                                  |    |
| 26 |      | (TCV_tch_arfcn := TSPX_TCHcarrierA_ho)                                              |                                                                                                                                                                                                                                                  |    |
| 27 |      | [TSPC_DCS]                                                                          |                                                                                                                                                                                                                                                  |    |
| 28 |      | (TCV_tch_arfcn := TSPX_TCHcarrierA_hod)                                             |                                                                                                                                                                                                                                                  |    |

**Detailed Comments:**

1. To initiate a call and the last L2\_frame with the Setup will not be acknowledged by the SS\_L2.
2. HO from SDCCH/8\_FH to TCH/F\_NoFH
3. To check power level and timing advance in the L1 head
4. To check the sending sequence number.

| Test Case Dynamic Behaviour |       |                                                                                                                                                                                                                                                                                                                                                                                                                                                                                                                                                                       |      |   |          |
|-----------------------------|-------|-----------------------------------------------------------------------------------------------------------------------------------------------------------------------------------------------------------------------------------------------------------------------------------------------------------------------------------------------------------------------------------------------------------------------------------------------------------------------------------------------------------------------------------------------------------------------|------|---|----------|
| <b>Test Case Name:</b>      |       | TC_26_6_5_5_1                                                                                                                                                                                                                                                                                                                                                                                                                                                                                                                                                         |      |   |          |
| <b>Group:</b>               |       | GSM_L3_MS_v4210/RR/                                                                                                                                                                                                                                                                                                                                                                                                                                                                                                                                                   |      |   |          |
| <b>Purpose:</b>             |       | To verify that when the MS is ordered to make a pre-synchronised handover to another cell, it sends 4 access bursts on the main DCCH and then activates the channel correctly and correctly calculates the time to transmit.                                                                                                                                                                                                                                                                                                                                          |      |   |          |
| <b>Default:</b>             |       | OtherEventsFail_01                                                                                                                                                                                                                                                                                                                                                                                                                                                                                                                                                    |      |   |          |
| Nr                          | Label | Behaviour Description                                                                                                                                                                                                                                                                                                                                                                                                                                                                                                                                                 | CRef | V | Comments |
| 1                           |       | START T_guard(300)                                                                                                                                                                                                                                                                                                                                                                                                                                                                                                                                                    |      |   |          |
| 2                           |       | +BasicServiceMT( TSPX_MTBscSvcA, C_Full)                                                                                                                                                                                                                                                                                                                                                                                                                                                                                                                              |      |   |          |
| 3                           |       | (TCV_Pwrlvl_ho:= INT_TO_BIT( TSPX_PwrlvlA, 5))                                                                                                                                                                                                                                                                                                                                                                                                                                                                                                                        |      |   |          |
| 4                           |       | +IdleUpdated( C_E_default, C_CellA, C_SCH_A, C_BCCH_A_1, C_Immass, C_S0, C_SlotNU, C_SlotNU, C_SlotNU, C_BCC, C_TxInt_5, C_Max_7, C_NECI_0, C_ATT_0, TimingAdv( 30), C_BABR_0, C_cch_1Comb, C_BPM_3, C_T3212_0, C_ci_cellA, C_MCC_1, C_PLMN_1, C_LAC_1, CellOpt_01, CellChDes_02, CellChDes_03, C_CellReselectHys12, C_MaxPwrLvlG, C_MaxPwrLvlD, BcchFreqLst_01, BcchFreqLst_Omit, BcchFreqLst_48, BcchFreqLst_Omit, C_noRestablishment, C_BCC, C_NCC, C_Start_Tmsi, TSPX_SDCCH4SubC, TSPX_CKSNDf, TSPX_RANDDef, C_arfcnA, C_arfcnAd, TSPX_IMSI, C_Test_fh, C_NCCP_2) |      |   | 1.       |
| 5                           |       | +CCConfigTCH( TSPX_TCHHSubDef, C_Ass, TSPX_TmSltDef, TSPX_TscDef, TimingAdv( 30), C_BABR_0, C_cch_1Comb, C_BPM_3, TCV_ChMod.mode, FreqTCH_omit, FreqTCH_omit, C_arfcn_tchA, C_arfcn_tchAd)                                                                                                                                                                                                                                                                                                                                                                            |      |   |          |
| 6                           |       | +StartCellB_ho( C_E_neighbourdefault, C_arfcnB, C_arfcnBd, C_Immass, TCV_slot, TCV_tsc, TimingAdv( 1), 5, 1, 0, 0, C_BABR_0, C_cch_1Comb, C_BPM_3, C_T3212_0, C_MCC_1, C_PLMN_1, C_LAC_1, CellChDes_04, CellChDes_03, BcchFreqLst_01, BcchFreqLst_48, C_noRestablishment, C_BCC, C_NCC, TSPX_k1, 0)                                                                                                                                                                                                                                                                   |      |   | 2.       |
| 7                           |       | +FullRateCh_B_1( C_Synho, TSPX_TmSltC, TSPX_TscC, TCV_ChMod, FreqTCH( TSPX_TCHcarrierB), FreqTCH( TSPX_TCHcarrierBd), TimingAdv( 1), C_BABR_0, C_cch_1Comb, C_BPM_3)                                                                                                                                                                                                                                                                                                                                                                                                  |      |   |          |
| 8                           |       | (TCV_chTch := C_FACCHF_A_1, TCV_chTch1 := C_FACCHF_B_1, TCV_sacchTch1 := C_SACCHF_B_1)                                                                                                                                                                                                                                                                                                                                                                                                                                                                                |      |   |          |
| 9                           |       | +PreEnterCCstateU10_r01( TimingAdv( 30), TSPX_SDCCH4SubC, C_MaxPwrLvlG, C_MaxPwrLvlD, TSPX_CKSNDf, TSPX_RANDDef, TSPX_TmSltDef, TSPX_TscDef, TSPX_TCHHSubDef, TCV_ChRate)                                                                                                                                                                                                                                                                                                                                                                                             |      |   | 3.       |
| 10                          |       | (TCV_Fn := OM_ComingFn(TCV_chTch), TCV_Null := OM_SendNextOn(TCV_chTch, TCV_Fn))                                                                                                                                                                                                                                                                                                                                                                                                                                                                                      |      |   |          |
| 11                          | body  | +local_HoCMD                                                                                                                                                                                                                                                                                                                                                                                                                                                                                                                                                          |      |   | 4.       |
| 12                          |       | +local_continue                                                                                                                                                                                                                                                                                                                                                                                                                                                                                                                                                       |      |   |          |
|                             |       | <b>local_continue</b>                                                                                                                                                                                                                                                                                                                                                                                                                                                                                                                                                 |      |   |          |
| 13                          |       | (TCV_L1Head := OM_GetL1Hd( TCV_sacchTch1), TCV_Cnt := 0)                                                                                                                                                                                                                                                                                                                                                                                                                                                                                                              |      |   |          |
| 14                          |       | REPEAT local_hoacc(TCV_chTch1) UNTIL [TCV_Cnt = 4]                                                                                                                                                                                                                                                                                                                                                                                                                                                                                                                    |      |   |          |
| 15                          |       | (TCV_HoaccPara :=                                                                                                                                                                                                                                                                                                                                                                                                                                                                                                                                                     |      |   |          |

|    |            |                                                                                          |                                                                                                                                                                                                                                                                                                             |     |    |
|----|------------|------------------------------------------------------------------------------------------|-------------------------------------------------------------------------------------------------------------------------------------------------------------------------------------------------------------------------------------------------------------------------------------------------------------|-----|----|
| 16 |            | OM_GetHoaccPara(TCV_chTch1)<br>+Check_hoaccTiming(TCV_HoaccPara,<br>'000000'B)           |                                                                                                                                                                                                                                                                                                             |     | 5. |
| 17 |            | +Check_hoaccPwr(TCV_HoaccPara,<br>TCV_Pwrlvl_ho)                                         |                                                                                                                                                                                                                                                                                                             |     | 5. |
| 18 |            | L?DL_EstIn CANCEL T_dly1                                                                 | DLEstInd(<br>TCV_chTch1)                                                                                                                                                                                                                                                                                    |     |    |
| 19 |            | L?DL_DatInHoCom( TCV_Fn1 :=<br>DL_DatInHoCom.fn)                                         | HndOvCmpRcv(<br>TCV_chTch1,<br>HandOverCmp_01)                                                                                                                                                                                                                                                              |     |    |
| 20 | L_022<br>9 | [TCV_L1Head.ta = '0000001'B]                                                             |                                                                                                                                                                                                                                                                                                             | (P) | 6. |
| 21 |            | +Check_Time(650)                                                                         |                                                                                                                                                                                                                                                                                                             |     |    |
| 22 |            | +PostMainLinkRel( TCV_chTch1)                                                            |                                                                                                                                                                                                                                                                                                             |     |    |
| 23 | L_023<br>0 | [TCV_L1Head.ta <> '0000001'B]                                                            |                                                                                                                                                                                                                                                                                                             | (F) |    |
| 24 |            | +Check_Time(650)                                                                         |                                                                                                                                                                                                                                                                                                             |     |    |
| 25 |            | +PostMainLinkRel( TCV_chTch1)                                                            |                                                                                                                                                                                                                                                                                                             |     |    |
| 26 |            | <b>local_hoacc(ch:LOGICCH)</b><br>L?DL_RacInHoacc (TCV_Hrf :=<br>DL_RacInHoacc.msg.horf) | HndOvAccRcv( ch,<br>HandOverAcc_01)                                                                                                                                                                                                                                                                         |     |    |
| 27 | L_023<br>1 | [TCV_Hrf <> TSPX_HoRefD]                                                                 |                                                                                                                                                                                                                                                                                                             | (F) |    |
| 28 |            | (TCV_Cnt := TCV_Cnt + 1)                                                                 |                                                                                                                                                                                                                                                                                                             |     |    |
| 29 | L_023<br>2 | [TCV_Hrf = TSPX_HoRefD]                                                                  |                                                                                                                                                                                                                                                                                                             | (P) | 7. |
| 30 |            | (TCV_Cnt := TCV_Cnt + 1)                                                                 |                                                                                                                                                                                                                                                                                                             |     |    |
| 31 |            | <b>local_HoCMD</b><br>(TCV_Tchtype := '00001'B)                                          |                                                                                                                                                                                                                                                                                                             |     |    |
| 32 |            | [TSPC_PGSM OR TSPC_EGSM]                                                                 |                                                                                                                                                                                                                                                                                                             |     |    |
| 33 |            | LIDL_DatRqHoCmd                                                                          | HndOvSnd(<br>TCV_chTch,<br>HandOverCmd_nfh(<br>TCV_Tchtype,<br>TSPX_TmSlcC,<br>TSPX_TscC, C_NCC,<br>C_BCC, C_arfcnB,<br>TSPX_TCHcarrierB,<br>TSPX_HoRefD,<br>TCV_Pwrlvl_ho,<br>Synchi(<br>C_not_report_otd,<br>C_pre_synchronised),<br>ChMod_omit,<br>RelTmdDif_omit,<br>TimingAdv_omit,<br>CphMod_omit))   |     |    |
| 34 |            | [TSPC_DCS]                                                                               |                                                                                                                                                                                                                                                                                                             |     |    |
| 35 |            | LIDL_DatRqHoCmd                                                                          | HndOvSnd(<br>TCV_chTch,<br>HandOverCmd_nfh(<br>TCV_Tchtype,<br>TSPX_TmSlcC,<br>TSPX_TscC, C_NCC,<br>C_BCC, C_arfcnBd,<br>TSPX_TCHcarrierBd,<br>TSPX_HoRefD,<br>TCV_Pwrlvl_ho,<br>Synchi(<br>C_not_report_otd,<br>C_pre_synchronised),<br>ChMod_omit,<br>RelTmdDif_omit,<br>TimingAdv_omit,<br>CphMod_omit)) |     |    |

**Detailed Comments:**

1. To setup BCCH, CCCH, SDCCH4 and a full rate traffic channel for cell A.
2. To setup BCCH, CCCH, SDCCH4 and a full rate traffic channel for cell B.
3. To bring the MS into the U10 state.
4. Pre-synch handover without TA IE.
5. Check access power level and TA.

- |                                                                                                                                                              |
|--------------------------------------------------------------------------------------------------------------------------------------------------------------|
| <ol style="list-style-type: none"><li>6. The received timing advance is 1 bit period, pass.</li><li>7. The received handover reference is correct.</li></ol> |
|--------------------------------------------------------------------------------------------------------------------------------------------------------------|

## Test Case Dynamic Behaviour

|                        |                                                                                                                                                                                                                                                                                                                                                                                                                                                                             |
|------------------------|-----------------------------------------------------------------------------------------------------------------------------------------------------------------------------------------------------------------------------------------------------------------------------------------------------------------------------------------------------------------------------------------------------------------------------------------------------------------------------|
| <b>Test Case Name:</b> | TC_26_6_5_5_2                                                                                                                                                                                                                                                                                                                                                                                                                                                               |
| <b>Group:</b>          | GSM_L3_MS_v4210/RR/                                                                                                                                                                                                                                                                                                                                                                                                                                                         |
| <b>Purpose:</b>        | To test that when the MS is ordered to make a pre-synchronised handover to another cell, it sends 4 access bursts on the main DCCH and then activates the channel correctly and correctly calculates the time to transmit. To test that the MS correctly retransmits Layer 3 MM or CC messages that were not acknowledged by Layer 2 before the Handover, after completion of the Handover. To test that the MS correctly reports on the time difference between the cells. |
| <b>Default:</b>        | OtherEventsFail_01                                                                                                                                                                                                                                                                                                                                                                                                                                                          |

| Nr | Label | Behaviour Description                                                                                                                                                                                                                                                                                                                                                                                                                                                                                                                                                     | CRef                                                                                                                         | V | Comments |
|----|-------|---------------------------------------------------------------------------------------------------------------------------------------------------------------------------------------------------------------------------------------------------------------------------------------------------------------------------------------------------------------------------------------------------------------------------------------------------------------------------------------------------------------------------------------------------------------------------|------------------------------------------------------------------------------------------------------------------------------|---|----------|
| 1  |       | START T_guard(300)                                                                                                                                                                                                                                                                                                                                                                                                                                                                                                                                                        |                                                                                                                              |   |          |
| 2  |       | +BasicServiceMO( TSPX_MOBscSvcJ, C_Full)                                                                                                                                                                                                                                                                                                                                                                                                                                                                                                                                  |                                                                                                                              |   |          |
| 3  |       | (TCV_Pwrlvl_ho:= INT_TO_BIT( TSPX_PwrlvlA, 5))                                                                                                                                                                                                                                                                                                                                                                                                                                                                                                                            |                                                                                                                              |   |          |
| 4  |       | +IdleUpdated( C_E_default, C_CellA, C_SCH_A, C_BCCH_A_1, C_Immass, C_S0, C_SlotNU, C_SlotNU, C_SlotNU, C_BCC, C_TxInt_5, C_Max_7, C_NECl_0, C_ATT_0, TimingAdv( TSPX_y), C_BABR_0, C_cch_1Comb, C_BPM_3, C_T3212_0, C_ci_cellA, C_MCC_1, C_PLMN_1, C_LAC_1, CellOpt_01, CellChDes_02, CellChDes_03, C_CellReselectHys12, C_MaxPwrLvlG, C_MaxPwrLvlD, BcchFreqLst_01, BcchFreqLst_Omit, BcchFreqLst_48, BcchFreqLst_Omit, C_noRestablishment, C_BCC, C_NCC, C_Start_Tmsi, TSPX_SDCCH4SubB, TSPX_CKSNDf, TSPX_RANDDef, C_arfcnA, C_arfcnAd, TSPX_IMSI, C_Test_fh, C_NCCP_2) |                                                                                                                              |   | 1.       |
| 5  |       | +CCConfigTCH( TSPX_TCHHSubDef, C_Ass, TSPX_TmSlTDef, TSPX_TscDef, TimingAdv( TSPX_y), C_BABR_0, C_cch_1Comb, C_BPM_3, TCV_ChMod.mode, FreqTCH_omit, FreqTCH_omit, C_arfcn_tchA, C_arfcn_tchAd)                                                                                                                                                                                                                                                                                                                                                                            |                                                                                                                              |   |          |
| 6  |       | +StartCellB_ho( C_E_neighbourdefault, C_arfcnB, C_arfcnBd, C_Immass, TCV_slot, TCV_tsc, TimingAdv( 9), C_TxInt_5, C_Max_1, C_NECl_0, C_ATT_0, C_BABR_0, C_cch_1Comb, C_BPM_3, C_T3212_0, C_MCC_1, C_PLMN_1, C_LAC_1, CellChDes_04, CellChDes_03, BcchFreqLst_01, BcchFreqLst_48, C_noRestablishment, C_BCC, C_NCC, TSPX_k1, 0)                                                                                                                                                                                                                                            |                                                                                                                              |   | 2.       |
| 7  |       | +FullRateCh_B_1( C_Synho, TSPX_TmSlTC, TSPX_TscC, TCV_ChMod, FreqTCH( TSPX_TCHcarrierB), FreqTCH( TSPX_TCHcarrierBd), TimingAdv( 9), C_BABR_0, C_cch_1Comb, C_BPM_3)                                                                                                                                                                                                                                                                                                                                                                                                      |                                                                                                                              |   |          |
| 8  |       | (TCV_chTch1 := C_FACCHF_B_1, TCV_sacchTch1 := C_SACCHF_B_1)                                                                                                                                                                                                                                                                                                                                                                                                                                                                                                               |                                                                                                                              |   |          |
| 9  | body  | +InitCall(TCV_Service)                                                                                                                                                                                                                                                                                                                                                                                                                                                                                                                                                    |                                                                                                                              |   |          |
| 10 |       | L?DL_RaInChRq (TCV_Rr := DL_RaInChRq.msg.ecau_rrf, TCV_Fn := DL_RaInChRq.fn)                                                                                                                                                                                                                                                                                                                                                                                                                                                                                              | ChReq( ChRequest_02)                                                                                                         |   |          |
| 11 |       | L!DL_UdatRqImmass                                                                                                                                                                                                                                                                                                                                                                                                                                                                                                                                                         | ImmAss( TCV_agch, ImmAsgn_01Def( TCV_Rr, TCV_Fn, TSPX_SDCCH4SubB, TCV_slot, TCV_tsc, TCV_chdescr_arfcn, TimingAdv( TSPX_y))) |   | 3.       |
| 12 |       | L?DL_EstInCmsRq                                                                                                                                                                                                                                                                                                                                                                                                                                                                                                                                                           | CMSerReq( CMServiceReq_01)                                                                                                   |   |          |
| 13 |       | (TCV_Null := OM_NoL2Ack(2, TCV_ch))                                                                                                                                                                                                                                                                                                                                                                                                                                                                                                                                       |                                                                                                                              |   |          |
| 14 |       | +Cipherng_on( TCV_ch)                                                                                                                                                                                                                                                                                                                                                                                                                                                                                                                                                     |                                                                                                                              |   |          |

|    |            |                                                                                                                                  |                                                                                                                                                                                                                         |     |
|----|------------|----------------------------------------------------------------------------------------------------------------------------------|-------------------------------------------------------------------------------------------------------------------------------------------------------------------------------------------------------------------------|-----|
| 15 |            | +localtree1                                                                                                                      |                                                                                                                                                                                                                         |     |
|    |            | <b>localtree1</b>                                                                                                                |                                                                                                                                                                                                                         |     |
| 16 |            | L?DL_DatInSetup (TCV_Mt<br>:=DL_DatInSetup.msg.mt)                                                                               | SetupRcv(<br>SetupInd_01)                                                                                                                                                                                               |     |
| 17 |            | (TCV_Fn := OM_ComingFn(TCV_ch), TCV_Null :=<br>OM_SendNextOn( TCV_ch, TCV_Fn))                                                   |                                                                                                                                                                                                                         |     |
| 18 |            | +local_hoCMD                                                                                                                     |                                                                                                                                                                                                                         |     |
| 19 |            | +Varinit_fix( C_CellB, C_LAC_1,<br>TSPX_SDCCH4SubDef, TSPX_CKSNDf,<br>TSPX_RANDDf, C_arfcnB, C_arfcnBd,<br>TCV_Ccd0B, TSPX_IMSI) |                                                                                                                                                                                                                         |     |
| 20 |            | (TCV_L1Head := OM_GetL1Hd(<br>TCV_sacchTch1))                                                                                    |                                                                                                                                                                                                                         |     |
| 21 |            | +localtree2( TCV_chTch1)                                                                                                         |                                                                                                                                                                                                                         |     |
| 22 |            | L?DL_EstIn                                                                                                                       | DLEstIn(<br>TCV_chTch1)                                                                                                                                                                                                 |     |
| 23 | L_023<br>9 | L?DL_DatInHoCom( TCV_Fn1 :=<br>DL_DatInHoCom.fn, TCV_Td :=<br>DL_DatInHoCom.msg.motdif.value)                                    | HndOvCmpRcv(<br>TCV_chTch1,<br>HandOverCmp_01)                                                                                                                                                                          | (P) |
| 24 |            | +CheckMTDif(TCV_Td, TSPX_y,<br>TSPX_k1)                                                                                          |                                                                                                                                                                                                                         |     |
| 25 | L_024<br>0 | [TCV_L1Head.ta <>'0001001'B]                                                                                                     |                                                                                                                                                                                                                         | (F) |
| 26 |            | +Check_Time(650)                                                                                                                 |                                                                                                                                                                                                                         |     |
| 27 |            | L?DL_DatInSetup (TCV_Mt1 :=<br>DL_DatInSetup.msg.mt)                                                                             | SetupRcv(<br>SetupInd_01)                                                                                                                                                                                               |     |
| 28 |            | +SendSeqNo_chk                                                                                                                   |                                                                                                                                                                                                                         |     |
| 29 |            | +PostMainLinkRel(<br>TCV_chTch1)                                                                                                 |                                                                                                                                                                                                                         |     |
| 30 | L_024<br>1 | [TCV_L1Head.ta = '0001001'B]                                                                                                     |                                                                                                                                                                                                                         | (P) |
| 31 |            | +Check_Time(650)                                                                                                                 |                                                                                                                                                                                                                         |     |
| 32 |            | L?DL_DatInSetup (TCV_Mt1 :=<br>DL_DatInSetup.msg.mt)                                                                             | SetupRcv(<br>SetupInd_01)                                                                                                                                                                                               |     |
| 33 |            | +SendSeqNo_chk                                                                                                                   |                                                                                                                                                                                                                         |     |
| 34 |            | +PostMainLinkRel(<br>TCV_chTch1)                                                                                                 |                                                                                                                                                                                                                         |     |
|    |            | <b>localtree2(ch:LOGICCH)</b>                                                                                                    |                                                                                                                                                                                                                         |     |
| 35 |            | (TCV_Cnt := 0)                                                                                                                   |                                                                                                                                                                                                                         |     |
| 36 |            | REPEAT localtree3(ch) UNTIL [TCV_Cnt = 4]                                                                                        |                                                                                                                                                                                                                         |     |
| 37 |            | (TCV_HoaccPara := OM_GetHoaccPara(ch))                                                                                           |                                                                                                                                                                                                                         |     |
| 38 |            | +Check_hoaccPwr(TCV_HoaccPara,<br>TCV_PwrIvl_ho)                                                                                 |                                                                                                                                                                                                                         |     |
|    |            | <b>localtree3(ch:LOGICCH)</b>                                                                                                    |                                                                                                                                                                                                                         |     |
| 39 |            | L?DL_RaInHoacc (TCV_Hrf :=<br>DL_RaInHoacc.msg.horf)                                                                             | HndOvAccRcv( ch,<br>HandOverAcc_01)                                                                                                                                                                                     |     |
| 40 | L_024<br>4 | [TCV_Hrf <> TSPX_HoRefF]                                                                                                         |                                                                                                                                                                                                                         | (F) |
| 41 |            | (TCV_Cnt := TCV_Cnt + 1)                                                                                                         |                                                                                                                                                                                                                         |     |
| 42 | L_024<br>5 | [TCV_Hrf = TSPX_HoRefF]                                                                                                          |                                                                                                                                                                                                                         | (P) |
| 43 |            | (TCV_Cnt := TCV_Cnt + 1)                                                                                                         |                                                                                                                                                                                                                         |     |
|    |            | <b>local_hoCMD</b>                                                                                                               |                                                                                                                                                                                                                         |     |
| 44 |            | (TCV_Tchtype := '00001'B)                                                                                                        |                                                                                                                                                                                                                         |     |
| 45 |            | [TSPC_PGSM OR TSPC_EGSM]                                                                                                         |                                                                                                                                                                                                                         |     |
| 46 |            | LIDL_DatRqHoCmd                                                                                                                  | HndOvSnd( TCV_ch,<br>HandOverCmd_nfh(<br>TCV_Tchtype,<br>TSPX_TmSlitC,<br>TSPX_TscC, C_NCC,<br>C_BCC, C_arfcnB,<br>TSPX_TCHcarrierB,<br>TSPX_HoRefF,<br>TCV_PwrIvl_ho,<br>Synchi( C_report_otd,<br>C_pre_synchronised), |     |

|                                  |  |                                                                                                                                                                                                 |                                                                                                                                                                                                                                                                                                                                                                                                       |  |  |
|----------------------------------|--|-------------------------------------------------------------------------------------------------------------------------------------------------------------------------------------------------|-------------------------------------------------------------------------------------------------------------------------------------------------------------------------------------------------------------------------------------------------------------------------------------------------------------------------------------------------------------------------------------------------------|--|--|
| <p>47<br/>48</p>                 |  | <p>[TSPC_DCS]<br/>LIDL_DatRqHoCmd</p>                                                                                                                                                           | <p>ChMod_omit,<br/>RelTmdDif_omit,<br/>TimingAdv_iei( 9),<br/>CphMod_omit)</p> <p>HndOvSnd( TCV_ch,<br/>HandOverCmd_nfh(<br/>TCV_Tchtype,<br/>TSPX_TmSlitC,<br/>TSPX_TscC, C_NCC,<br/>C_BCC, C_arfcnBd,<br/>TSPX_TCHcarrierBd,<br/>TSPX_HoRefF,<br/>TCV_Pwrlvl_ho,<br/>Synchi( C_report_otd,<br/>C_pre_synchronised),<br/>ChMod_omit,<br/>RelTmdDif_omit,<br/>TimingAdv_iei( 9),<br/>CphMod_omit)</p> |  |  |
| <p><b>Detailed Comments:</b></p> |  | <p>1. Cell A with BCCH, CCCH, SDCCH4 and a traffic channel.<br/>2. Cell B with BCCH, CCCH, SDCCH4 and a traffic channel. The BCCH of cell B is TSPX_k bit periods after the BCCH of cell A.</p> |                                                                                                                                                                                                                                                                                                                                                                                                       |  |  |



| Test Case Dynamic Behaviour |       |                                                                                                                                                                                                                                                                                                                                                                                                                                                                                                                                                                              |           |   |          |
|-----------------------------|-------|------------------------------------------------------------------------------------------------------------------------------------------------------------------------------------------------------------------------------------------------------------------------------------------------------------------------------------------------------------------------------------------------------------------------------------------------------------------------------------------------------------------------------------------------------------------------------|-----------|---|----------|
| <b>Test Case Name:</b>      |       | TC_26_6_5_6                                                                                                                                                                                                                                                                                                                                                                                                                                                                                                                                                                  |           |   |          |
| <b>Group:</b>               |       | GSM_L3_MS_v4210/RR/                                                                                                                                                                                                                                                                                                                                                                                                                                                                                                                                                          |           |   |          |
| <b>Purpose:</b>             |       | To test that when the MS is ordered to make a pseudo synchronised handover to another cell, it sends 4 access bursts on the main DCCH and then activates the channel correctly and correctly calculates the time to transmit. To test that the MS correctly reports the time difference between the cells.                                                                                                                                                                                                                                                                   |           |   |          |
| <b>Default:</b>             |       | OtherEventsFail_01                                                                                                                                                                                                                                                                                                                                                                                                                                                                                                                                                           |           |   |          |
| Nr                          | Label | Behaviour Description                                                                                                                                                                                                                                                                                                                                                                                                                                                                                                                                                        | CRef      | V | Comments |
| 1                           |       | START T_guard(300)                                                                                                                                                                                                                                                                                                                                                                                                                                                                                                                                                           |           |   |          |
| 2                           |       | +BasicServiceMT( TSPX_MTBscSvcC, C_Full)                                                                                                                                                                                                                                                                                                                                                                                                                                                                                                                                     |           |   |          |
| 3                           |       | (TCV_PwrLvl_ho:= INT_TO_BIT( TSPX_PwrLvlA, 5))                                                                                                                                                                                                                                                                                                                                                                                                                                                                                                                               |           |   |          |
| 4                           |       | +IdleUpdated( C_E_default, C_CellA, C_SCH_A, C_BCCH_A_1, C_Immass, C_S0, C_SlotNU, C_SlotNU, C_SlotNU, C_BCC, C_TxInt_5, C_Max_7, C_NECI_0, C_ATT_0, TimingAdv( TSPX_y2), C_BABR_0, C_cch_1Comb, C_BPM_3, C_T3212_0, C_ci_cellA, C_MCC_1, C_PLMN_1, C_LAC_1, CellOpt_01, CellChDes_02, CellChDes_03, C_CellReselectHys12, C_MaxPwrLvlG, C_MaxPwrLvlD, BcchFreqLst_01, BcchFreqLst_Omit, BcchFreqLst_48, BcchFreqLst_Omit, C_noRestablishment, C_BCC, C_NCC, C_Start_Tmsi, TSPX_SDCCH4SubDef, TSPX_CKSNDf, TSPX_RANDDef, C_arfcnA, C_arfcnAd, TSPX_IMSI, C_Test_fh, C_NCCP_2) |           |   | 1.       |
| 5                           |       | +CCConfigTCH( TSPX_TCHHSubDef, C_Ass, TSPX_TmSlitDef, TSPX_TscDef, TimingAdv( TSPX_y2), C_BABR_0, C_cch_1Comb, C_BPM_3, TCV_ChMod.mode, FreqTCH_omit, FreqTCH_omit, C_arfcn_tchA, C_arfcn_tchAd)                                                                                                                                                                                                                                                                                                                                                                             |           |   |          |
| 6                           |       | (TCV_temp := TSPX_y2 - 10)                                                                                                                                                                                                                                                                                                                                                                                                                                                                                                                                                   |           |   |          |
| 7                           |       | +StartCellB_ho( C_E_neighbourdefault, C_arfcnB, C_arfcnBd, C_Immass, TCV_slot, TCV_tsc, TimingAdv( TCV_temp), C_TxInt_5, C_Max_1, C_NECI_0, C_ATT_0, C_BABR_0, C_cch_1Comb, C_BPM_3, C_T3212_0, C_MCC_1, C_PLMN_1, C_LAC_1, CellChDes_04, CellChDes_03, BcchFreqLst_01, BcchFreqLst_48, C_noRestablishment, C_BCC, C_NCC, TSPX_k2, 0)                                                                                                                                                                                                                                        |           |   | 2.       |
| 8                           |       | +FullRateCh_B_1( C_Ass, TSPX_TmSlitC, TSPX_TscC, TCV_ChMod, FreqTCH( TSPX_TCHcarrierB), FreqTCH( TSPX_TCHcarrierBd), TimingAdv( TCV_temp), C_BABR_0, C_cch_1Comb, C_BPM_3)                                                                                                                                                                                                                                                                                                                                                                                                   |           |   |          |
| 9                           |       | (TCV_chTch := C_FACCHF_A_1, TCV_chTch1 := C_FACCHF_B_1, TCV_sacchTch1 := C_SACCHF_B_1)                                                                                                                                                                                                                                                                                                                                                                                                                                                                                       |           |   |          |
| 10                          |       | +PreEnterCCstateU10_r01( TimingAdv( TSPX_y2), TSPX_SDCCH4SubDef, 0, 3, TSPX_CKSNDf, TSPX_RANDDef, TSPX_TmSlitDef, TSPX_TscDef, TSPX_TCHHSubDef, TCV_ChRate)                                                                                                                                                                                                                                                                                                                                                                                                                  |           |   | 3.       |
| 11                          |       | +local_HoCMD                                                                                                                                                                                                                                                                                                                                                                                                                                                                                                                                                                 |           |   | 4.       |
| 12                          |       | +localtree(TCV_chTch1)                                                                                                                                                                                                                                                                                                                                                                                                                                                                                                                                                       |           |   |          |
| 13                          |       | +localtree1                                                                                                                                                                                                                                                                                                                                                                                                                                                                                                                                                                  |           |   |          |
|                             |       | <b>localtree1</b>                                                                                                                                                                                                                                                                                                                                                                                                                                                                                                                                                            |           |   |          |
| 14                          |       | (TCV_Fn := OM_ReturnFn(TCV_chTch))                                                                                                                                                                                                                                                                                                                                                                                                                                                                                                                                           |           |   |          |
| 15                          |       | L?DL_EstIn                                                                                                                                                                                                                                                                                                                                                                                                                                                                                                                                                                   | DLEstInD( |   |          |

|    |            |                                                                                                                  |                                                                                                                                                                                                                                                                                                                  |     |    |
|----|------------|------------------------------------------------------------------------------------------------------------------|------------------------------------------------------------------------------------------------------------------------------------------------------------------------------------------------------------------------------------------------------------------------------------------------------------------|-----|----|
| 16 |            | L?DL_DatInHoCom ( TCV_Td :=<br>DL_DatInHoCom.msg.motdif.value, TCV_Fn1 :=<br>DL_DatInHoCom.fn)                   | TCV_chTch1)<br>HndOvCmpRcv(<br>TCV_chTch1,<br>HandOverCmp_01)                                                                                                                                                                                                                                                    |     | 5. |
| 17 |            | +CheckMTDif(TCV_Td, TSPX_y2, TSPX_k2)                                                                            |                                                                                                                                                                                                                                                                                                                  |     |    |
| 18 |            | +Check_Time(650)                                                                                                 |                                                                                                                                                                                                                                                                                                                  |     |    |
| 19 | L_024<br>8 | [(BIT_TO_INT(TCV_L1Head.ta) >=<br>(TSPX_y2 - 10 - 2))<br>OR(BIT_TO_INT(TCV_L1Head.ta) <=<br>(TSPX_y2 - 10 + 2))] |                                                                                                                                                                                                                                                                                                                  | (P) | 6. |
| 20 |            | +PostMainLinkRel(TCV_chTch1)                                                                                     |                                                                                                                                                                                                                                                                                                                  |     |    |
| 21 | L_024<br>9 | [C_Yes]                                                                                                          |                                                                                                                                                                                                                                                                                                                  | (F) |    |
| 22 |            | +PostMainLinkRel(TCV_chTch1)                                                                                     |                                                                                                                                                                                                                                                                                                                  |     |    |
| 23 |            | <b>localtree(ch:LOGICCH)</b><br>(TCV_Cnt := 0, TCV_L1Head :=<br>OM_GetL1Hd(TCV_sacchTch1))                       |                                                                                                                                                                                                                                                                                                                  |     |    |
| 24 |            | REPEAT localtree2(ch) UNTIL [TCV_Cnt = 4]                                                                        |                                                                                                                                                                                                                                                                                                                  |     |    |
| 25 |            | (TCV_HoaccPara := OM_GetHoaccPara(ch))                                                                           |                                                                                                                                                                                                                                                                                                                  |     |    |
| 26 |            | +Check_hoaccTiming(TCV_HoaccPara,<br>'000000'B)                                                                  |                                                                                                                                                                                                                                                                                                                  |     |    |
| 27 |            | +Check_hoaccPwr(TCV_HoaccPara,<br>TCV_Pwrlvl_ho)                                                                 |                                                                                                                                                                                                                                                                                                                  |     |    |
| 28 |            | <b>localtree2(ch:LOGICCH)</b><br>L?DL_RacInHoacc (TCV_Hrf :=<br>DL_RacInHoacc.msg.horf)                          | HndOvAccRcv( ch,<br>HandOverAcc_01)                                                                                                                                                                                                                                                                              |     |    |
| 29 | L_025<br>1 | [TCV_Hrf <> TSPX_HoRefH]                                                                                         |                                                                                                                                                                                                                                                                                                                  | (F) |    |
| 30 |            | (TCV_Cnt := TCV_Cnt + 1)                                                                                         |                                                                                                                                                                                                                                                                                                                  |     |    |
| 31 | L_025<br>2 | [TCV_Hrf = TSPX_HoRefH]                                                                                          |                                                                                                                                                                                                                                                                                                                  | (P) |    |
| 32 |            | (TCV_Cnt := TCV_Cnt + 1)                                                                                         |                                                                                                                                                                                                                                                                                                                  |     |    |
| 33 |            | <b>local_HoCMD</b><br>(TCV_Tchtype := '00001'B)                                                                  |                                                                                                                                                                                                                                                                                                                  |     |    |
| 34 |            | [TSPC_PGSM OR TSPC_EGSM]                                                                                         |                                                                                                                                                                                                                                                                                                                  |     |    |
| 35 |            | LIDL_DatRqHoCmd                                                                                                  | HndOvSnd(<br>TCV_chTch,<br>HandOverCmd_nfh(<br>TCV_Tchtype,<br>TSPX_TmSlitC,<br>TSPX_TscC, C_NCC,<br>C_BCC, C_arfcnB,<br>TSPX_TCHcarrierB,<br>TSPX_HoRefH,<br>TCV_Pwrlvl_ho,<br>Synchi( C_report_otd,<br>C_pseudo_synchronis<br>ed), ChMod_omit,<br>RelTmdDif_01(TSPX_<br>k2), TimingAdv_omit,<br>CphMod_omit)   |     |    |
| 36 |            | [TSPC_DCS]                                                                                                       |                                                                                                                                                                                                                                                                                                                  |     |    |
| 37 |            | LIDL_DatRqHoCmd                                                                                                  | HndOvSnd(<br>TCV_chTch,<br>HandOverCmd_nfh(<br>TCV_Tchtype,<br>TSPX_TmSlitC,<br>TSPX_TscC, C_NCC,<br>C_BCC, C_arfcnBd,<br>TSPX_TCHcarrierBd,<br>TSPX_HoRefH,<br>TCV_Pwrlvl_ho,<br>Synchi( C_report_otd,<br>C_pseudo_synchronis<br>ed), ChMod_omit,<br>RelTmdDif_01(TSPX_<br>k2), TimingAdv_omit,<br>CphMod_omit) |     |    |

Detailed Comments: 1. Cell A with BCCH, CCCH, SDCCH4 and a traffic channel.

2. Cell B with BCCH, CCCH, SDCCH4 and a traffic channel.
3. In cell A the timing advance = TSPX\_y2.
4. pseudo-synch, rot = 1, nc1, = 0, real time diffrencece =  $2 * TSPX\_k2 + 10.$ , handover referemce = TSPX\_HoRefH.
5. The Mobile Time Difference =  $(2 * TSPX\_k2 + TSPX\_y2) \bmod 2\ 097\ 152$  with tolerance of 2.
6. The time advance is correct.

| Test Case Dynamic Behaviour |       |                                                                                                                                                                                                                                                                                                                                                                                                                                                                                                                                                                                |                                        |   |          |
|-----------------------------|-------|--------------------------------------------------------------------------------------------------------------------------------------------------------------------------------------------------------------------------------------------------------------------------------------------------------------------------------------------------------------------------------------------------------------------------------------------------------------------------------------------------------------------------------------------------------------------------------|----------------------------------------|---|----------|
| <b>Test Case Name:</b>      |       | TC_26_6_5_7                                                                                                                                                                                                                                                                                                                                                                                                                                                                                                                                                                    |                                        |   |          |
| <b>Group:</b>               |       | GSM_L3_MS_v4210/RR/                                                                                                                                                                                                                                                                                                                                                                                                                                                                                                                                                            |                                        |   |          |
| <b>Purpose:</b>             |       | To verify that when the MS is ordered to make a non-synchronised handover to another cell and is ordered to report on the time difference between the cells, that it does so correctly.                                                                                                                                                                                                                                                                                                                                                                                        |                                        |   |          |
| <b>Default:</b>             |       | OtherEventsFail_01                                                                                                                                                                                                                                                                                                                                                                                                                                                                                                                                                             |                                        |   |          |
| Nr                          | Label | Behaviour Description                                                                                                                                                                                                                                                                                                                                                                                                                                                                                                                                                          | CRef                                   | V | Comments |
| 1                           |       | START T_guard(300)                                                                                                                                                                                                                                                                                                                                                                                                                                                                                                                                                             |                                        |   |          |
| 2                           |       | +BasicServiceMT( TSPX_MTBscSvcD, C_Full)                                                                                                                                                                                                                                                                                                                                                                                                                                                                                                                                       |                                        |   |          |
| 3                           |       | (TCV_Pwrlvl_ho:= INT_TO_BIT( TSPX_PwrlvlA, 5))                                                                                                                                                                                                                                                                                                                                                                                                                                                                                                                                 |                                        |   |          |
| 4                           |       | +IdleUpdated( C_E_default, C_CellA, C_SCH_A, C_BCCH_A_1, C_Immass, C_S0, C_SlotNU, C_SlotNU, C_SlotNU, C_BCC, C_TxInt_5, C_Max_7, C_NECI_0, C_ATT_0, TimingAdv( TSPX_y3), C_BABR_0, C_cch_1Comb, C_BPM_3, C_T3212_0, C_ci_cellA, C_MCC_1, C_PLMN_1, C_LAC_1, CellOpt_01, CellChDes_02, CellChDes_03, C_CellReselectHys12, C_MaxPwrLvlG, C_MaxPwrLvlD, BcchFreqLst_01, BcchFreqLst_Omit, BcchFreqLst_48, BcchFreqLst_Omit, C_noRestablishment, C_BCC, C_NCC, C_Start_Tmsi, TSPX_SDCCH4SubDef, TSPX_CKSNDDef, TSPX_RANDDef, C_arfcnA, C_arfcnAd, TSPX_IMSI, C_Test_fh, C_NCCP_2) |                                        |   | 1.       |
| 5                           |       | +CCConfigTCH( TSPX_TCHHSubDef, C_Ass, TSPX_TmSlitDef, TSPX_TscDef, TimingAdv( TSPX_y3), C_BABR_0, C_cch_1Comb, C_BPM_3, TCV_ChMod.mode, FreqTCH_omit, FreqTCH_omit, C_arfcn_tchA, C_arfcn_tchAd)                                                                                                                                                                                                                                                                                                                                                                               |                                        |   |          |
| 6                           |       | +StartCellB_ho( C_E_neighbourdefault, C_arfcnB, C_arfcnBd, C_Immass, TCV_slot, TCV_tsc, TimingAdv( 20), C_TxInt_5, C_Max_1, C_NECI_0, C_ATT_0, C_BABR_0, C_cch_1Comb, C_BPM_3, C_T3212_0, C_MCC_9, C_PLMN_2, C_LAC_spe, CellChDes_04, CellChDes_03, BcchFreqLst_01, BcchFreqLst_48, C_noRestablishment, C_BCC, C_NCC, TSPX_k3, 0)                                                                                                                                                                                                                                              |                                        |   | 2.       |
| 7                           |       | +FullRateCh_B_1( C_Ass, TSPX_TmSlitC, TSPX_TscC, TCV_ChMod, FreqTCH( TSPX_TCHcarrierB), FreqTCH( TSPX_TCHcarrierBd), TimingAdv( 20), C_BABR_0, C_cch_1Comb, C_BPM_3)                                                                                                                                                                                                                                                                                                                                                                                                           |                                        |   |          |
| 8                           |       | (TCV_chTch := C_FACCHF_A_1, TCV_chTch1 := C_FACCHF_B_1, TCV_sacchTch1 := C_SACCHF_B_1)                                                                                                                                                                                                                                                                                                                                                                                                                                                                                         |                                        |   |          |
| 9                           |       | +PreEnterCCstateU10_r01( TimingAdv( TSPX_y3), TSPX_SDCCH4SubDef, 0, 3, TSPX_CKSNDDef, TSPX_RANDDef, TSPX_TmSlitDef, TSPX_TscDef, TSPX_TCHHSubDef, TCV_ChRate)                                                                                                                                                                                                                                                                                                                                                                                                                  |                                        |   | 3.       |
| 10                          | body  | (TCV_Null := OM_SendNextOnHO( TCV_chTch1, 2))                                                                                                                                                                                                                                                                                                                                                                                                                                                                                                                                  |                                        |   |          |
| 11                          |       | ACTIVATE( RcvHdOvAcc, OtherEventsFail_01)                                                                                                                                                                                                                                                                                                                                                                                                                                                                                                                                      |                                        |   |          |
| 12                          |       | +local_handoverCMD                                                                                                                                                                                                                                                                                                                                                                                                                                                                                                                                                             |                                        |   | 4.       |
| 13                          |       | LIDL_DatRqPhyinfo                                                                                                                                                                                                                                                                                                                                                                                                                                                                                                                                                              | PhyInfo_01(TCV_chTch1, TimingAdv( 20)) |   |          |
| 14                          |       | (TCV_L1Head := OM_GetL1Hd(TCV_sacchTch1))                                                                                                                                                                                                                                                                                                                                                                                                                                                                                                                                      |                                        |   |          |
| 15                          |       | +localtree( TCV_chTch1)                                                                                                                                                                                                                                                                                                                                                                                                                                                                                                                                                        |                                        |   |          |
| 16                          |       | +localtree1                                                                                                                                                                                                                                                                                                                                                                                                                                                                                                                                                                    |                                        |   |          |

|    |            |                                                               |                                                                                                                                                                                                                                                                                                             |     |  |
|----|------------|---------------------------------------------------------------|-------------------------------------------------------------------------------------------------------------------------------------------------------------------------------------------------------------------------------------------------------------------------------------------------------------|-----|--|
| 17 |            | <b>localtree1</b><br>L?DL_EstIn                               | DLEstIn(<br>TCV_chTch1)                                                                                                                                                                                                                                                                                     |     |  |
| 18 |            | L?DL_DatInHoCom (TCV_Td :=<br>DL_DatInHoCom.msg.motdif.value) | HndOvCmpRcv(<br>TCV_chTch1,<br>HandOverCmp_01)                                                                                                                                                                                                                                                              |     |  |
| 19 |            | +CheckMTDif(TCV_Td, TSPX_y3, TSPX_k3)                         |                                                                                                                                                                                                                                                                                                             |     |  |
| 20 |            | [TCV_L1Head.ta = '0010100'B]                                  |                                                                                                                                                                                                                                                                                                             |     |  |
| 21 |            | +PostMainLinkRel(TCV_chTch1)                                  |                                                                                                                                                                                                                                                                                                             |     |  |
| 22 | L_025<br>7 | [TCV_L1Head.ta <> '0010100'B]                                 |                                                                                                                                                                                                                                                                                                             | (F) |  |
| 23 |            | +PostMainLinkRel(TCV_chTch1)                                  |                                                                                                                                                                                                                                                                                                             |     |  |
|    |            | <b>localtree(ch:LOGICCH)</b>                                  |                                                                                                                                                                                                                                                                                                             |     |  |
| 24 |            | L?DL_RaInHoacc (TCV_Hrf :=<br>DL_RaInHoacc.msg.horf)          | HndOvAccRcv( ch,<br>HandOverAcc_01)                                                                                                                                                                                                                                                                         |     |  |
| 25 | L_025<br>8 | [TCV_Hrf <> TSPX_HoRefB]                                      |                                                                                                                                                                                                                                                                                                             | (F) |  |
| 26 | L_025<br>9 | [TCV_Hrf = TSPX_HoRefB]                                       |                                                                                                                                                                                                                                                                                                             | (P) |  |
|    |            | <b>local_handoverCMD</b>                                      |                                                                                                                                                                                                                                                                                                             |     |  |
| 27 |            | (TCV_Tchtype := '00001'B)                                     |                                                                                                                                                                                                                                                                                                             |     |  |
| 28 |            | [TSPC_PGSM OR TSPC_EGSM]                                      |                                                                                                                                                                                                                                                                                                             |     |  |
| 29 |            | LIDL_DatRqHoCmd                                               | HndOvSnd(<br>TCV_chTch,<br>HandOverCmd_nfh(<br>TCV_Tchtype,<br>TSPX_TmSlTc,<br>TSPX_TscC, C_NCC,<br>C_BCC, C_arfcnB,<br>TSPX_TCHcarrierB,<br>TSPX_HoRefB,<br>TCV_Pwrlvl_ho,<br>Synchi( C_report_otd,<br>C_non_synchronised)<br>, ChMod_omit,<br>RelTmdDif_omit,<br>TimingAdv_omit,<br>CphMod_omit))         |     |  |
| 30 |            | [TSPC_DCS]                                                    |                                                                                                                                                                                                                                                                                                             |     |  |
| 31 |            | LIDL_DatRqHoCmd                                               | HndOvSnd(<br>TCV_chTch,<br>HandOverCmd_nfh(<br>TCV_Tchtype,<br>TSPX_TmSlTc,<br>TSPX_TscC, C_NCC,<br>C_BCC, C_arfcnBd,<br>TSPX_TCHcarrierBd,<br>TSPX_HoRefB,<br>TCV_Pwrlvl_ho,<br>Synchi( C_report_otd,<br>C_non_synchronised)<br>, ChMod_omit,<br>RelTmdDif_omit,<br>TimingAdv_omit,<br>CphMod_omit))       |     |  |
|    |            | <b>Detailed Comments:</b>                                     | <ol style="list-style-type: none"> <li>1. Cell A with BCCH, CCCH, SDCCH4 and a traffic channel.</li> <li>2. Cell B with BCCH, CCCH, SDCCH4 and a traffic channel.</li> <li>3. In cell A the timing advance = TSPX_y3.</li> <li>4. non-synch, rot = 1, nci = 0, handover reference = TSPX_HoRefB.</li> </ol> |     |  |

| Test Case Dynamic Behaviour |       |                                                                                                                                                                                                                                                                                                                                                                                                                                                                                                                                                                                                                          |                        |   |          |
|-----------------------------|-------|--------------------------------------------------------------------------------------------------------------------------------------------------------------------------------------------------------------------------------------------------------------------------------------------------------------------------------------------------------------------------------------------------------------------------------------------------------------------------------------------------------------------------------------------------------------------------------------------------------------------------|------------------------|---|----------|
| <b>Test Case Name:</b>      |       | TC_26_6_5_8                                                                                                                                                                                                                                                                                                                                                                                                                                                                                                                                                                                                              |                        |   |          |
| <b>Group:</b>               |       | GSM_L3_MS_v4210/RR/                                                                                                                                                                                                                                                                                                                                                                                                                                                                                                                                                                                                      |                        |   |          |
| <b>Purpose:</b>             |       | To verify the function of timer T3124 and the contents in the message HANDOVER FAILURE                                                                                                                                                                                                                                                                                                                                                                                                                                                                                                                                   |                        |   |          |
| <b>Default:</b>             |       | OtherEventsFail_01                                                                                                                                                                                                                                                                                                                                                                                                                                                                                                                                                                                                       |                        |   |          |
| Nr                          | Label | Behaviour Description                                                                                                                                                                                                                                                                                                                                                                                                                                                                                                                                                                                                    | CRef                   | V | Comments |
| 1                           |       | START T_guard(300)                                                                                                                                                                                                                                                                                                                                                                                                                                                                                                                                                                                                       |                        |   |          |
| 2                           |       | +BasicServiceMT( TSPX_MTBscSvcE,<br>TSPX_MTChRateE)                                                                                                                                                                                                                                                                                                                                                                                                                                                                                                                                                                      |                        |   |          |
| 3                           |       | (TCV_Pwrlvl_ho:= INT_TO_BIT( TSPX_PwrlvlA,<br>5))                                                                                                                                                                                                                                                                                                                                                                                                                                                                                                                                                                        |                        |   |          |
| 4                           |       | +IdleUpdated( C_E_default, C_CellA,<br>C_SCH_A, C_BCCH_A_1, C_Immass, C_S0,<br>C_SlotNU, C_SlotNU, C_SlotNU, C_BCC,<br>C_TxInt_5, C_Max_7, C_NECI_0, C_ATT_0,<br>TimingAdv( 30), C_BABR_0, C_cch_1Comb,<br>C_BPM_3, C_T3212_0, C_ci_cellA,<br>C_MCC_1, C_PLMN_1, C_LAC_1, CellOpt_01,<br>CellChDes_02, CellChDes_03,<br>C_CellReselectHys12, TSPX_MSTxpwrMax,<br>TSPX_MSTxpwrMax, BcchFreqLst_01,<br>BcchFreqLst_Omit, BcchFreqLst_48,<br>BcchFreqLst_Omit, C_noRestablishment,<br>C_BCC, C_NCC, C_Start_Tmsi,<br>TSPX_SDCCH4SubC, TSPX_CKSNDf,<br>TSPX_RANDDef, C_arfcnA, C_arfcnAd,<br>TSPX_IMSI, C_Test_fh, C_NCCP_2) |                        |   |          |
| 5                           |       | +CCConfigTCH_pwr( TSPX_TCHHSubDef,<br>C_Ass, TSPX_TmSlitDef, TSPX_TscDef,<br>TimingAdv( 30), C_BABR_0, C_cch_1Comb,<br>C_BPM_3, TCV_ChMod.mode,<br>FreqTCH(C_arfcn_tchA),<br>FreqTCH(C_arfcn_tchAd),<br>TSPX_MSTxpwrMax)                                                                                                                                                                                                                                                                                                                                                                                                 |                        |   |          |
| 6                           |       | +StartCellB( C_E_neighbourdefault,<br>C_arfcnB, C_arfcnBd, C_Immass,<br>TCV_slot, TCV_tsc, TimingAdv( 30), 5, 1, 0,<br>0, C_BABR_0, C_cch_1Comb, C_BPM_3,<br>C_T3212_0, C_MCC_1, C_PLMN_1,<br>C_LAC_1, CellChDes_04, CellChDes_03,<br>BcchFreqLst_01, BcchFreqLst_48,<br>C_noRestablishment, C_BCC, C_NCC)                                                                                                                                                                                                                                                                                                               |                        |   | 2.       |
| 7                           |       | +FullRateCh_B_1( C_Ass,<br>TSPX_TmSlitC, TSPX_TscB,<br>ChMod_speech, FreqTCH(<br>TSPX_TCHcarrierB), FreqTCH(<br>TSPX_TCHcarrierBd), TimingAdv( 30),<br>C_BABR_0, C_cch_1Comb, C_BPM_3)                                                                                                                                                                                                                                                                                                                                                                                                                                   |                        |   |          |
| 8                           |       | (TCV_chTch := C_FACCHF_A_1,<br>TCV_sacchTch := C_SACCHF_A_1,<br>TCV_chTch1 := C_FACCHF_B_1)                                                                                                                                                                                                                                                                                                                                                                                                                                                                                                                              |                        |   |          |
| 9                           |       | +PreEnterCCstateU10_r01(<br>TimingAdv( 30),<br>TSPX_SDCCH4SubC,<br>TSPX_MSTxpwrMax,<br>TSPX_MSTxpwrMax,<br>TSPX_CKSNDf, TSPX_RANDDef,<br>TSPX_TmSlitDef, TSPX_TscDef,<br>TSPX_TCHHSubDef, TCV_ChRate)                                                                                                                                                                                                                                                                                                                                                                                                                    |                        |   | 3.       |
| 10                          |       | (TCV_L1Head0 :=<br>OM_GetL1Hd(TCV_sacchTch))                                                                                                                                                                                                                                                                                                                                                                                                                                                                                                                                                                             |                        |   |          |
| 11                          | body  | ACTIVATE(RcvHdOvAcc,<br>OtherEventsFail_01)                                                                                                                                                                                                                                                                                                                                                                                                                                                                                                                                                                              |                        |   |          |
| 12                          |       | +gsmOrDcs                                                                                                                                                                                                                                                                                                                                                                                                                                                                                                                                                                                                                |                        |   | 4.       |
| 13                          |       | +localtree( TCV_chTch1)                                                                                                                                                                                                                                                                                                                                                                                                                                                                                                                                                                                                  |                        |   |          |
| 14                          |       | +ltree_continue                                                                                                                                                                                                                                                                                                                                                                                                                                                                                                                                                                                                          |                        |   |          |
| 15                          |       | <b>ltree_continue</b><br>L?DL_EstIn                                                                                                                                                                                                                                                                                                                                                                                                                                                                                                                                                                                      | DLEstIn(<br>TCV_chTch) |   |          |
| 16                          |       | (TCV_L1Head := OM_GetL1Hd( TCV_sacchTch))                                                                                                                                                                                                                                                                                                                                                                                                                                                                                                                                                                                |                        |   |          |
| 17                          |       | (TCV_Fn := OM_ReturnFn(TCV_chTch))                                                                                                                                                                                                                                                                                                                                                                                                                                                                                                                                                                                       |                        |   |          |

|                           |            |                                                                                                                                                                                                                                                                                                                                                                                                               |                                                                                                                                                                                                                                                                                                        |     |            |
|---------------------------|------------|---------------------------------------------------------------------------------------------------------------------------------------------------------------------------------------------------------------------------------------------------------------------------------------------------------------------------------------------------------------------------------------------------------------|--------------------------------------------------------------------------------------------------------------------------------------------------------------------------------------------------------------------------------------------------------------------------------------------------------|-----|------------|
| 18                        |            | L?DL_DatInHofl (TCV_Fn1 := DL_DatInHofl.fn)                                                                                                                                                                                                                                                                                                                                                                   | HndOvFIRcv(<br>TCV_chTch,<br>HandOvFail_02)                                                                                                                                                                                                                                                            |     | 5.         |
| 19                        |            | +Check_Time(3000)                                                                                                                                                                                                                                                                                                                                                                                             |                                                                                                                                                                                                                                                                                                        |     |            |
| 20                        | L_026<br>0 | [TCV_L1Head.mspwrlvl =<br>TCV_L1Head0.mspwrlvl]                                                                                                                                                                                                                                                                                                                                                               |                                                                                                                                                                                                                                                                                                        | (P) | 6.         |
| 21                        |            | +PostMainLinkRel( TCV_chTch)                                                                                                                                                                                                                                                                                                                                                                                  |                                                                                                                                                                                                                                                                                                        |     |            |
| 22                        | L_026<br>1 | [TCV_L1Head.mspwrlvl <><br>TCV_L1Head0.mspwrlvl]                                                                                                                                                                                                                                                                                                                                                              |                                                                                                                                                                                                                                                                                                        | (F) |            |
| 23                        |            | +PostMainLinkRel( TCV_chTch)                                                                                                                                                                                                                                                                                                                                                                                  |                                                                                                                                                                                                                                                                                                        |     |            |
|                           |            | <b>localtree(ch:LOGICCH)</b>                                                                                                                                                                                                                                                                                                                                                                                  |                                                                                                                                                                                                                                                                                                        |     |            |
| 24                        |            | (TCV_Cnt := 0)                                                                                                                                                                                                                                                                                                                                                                                                |                                                                                                                                                                                                                                                                                                        |     |            |
| 25                        |            | REPEAT localtree1(ch) UNTIL [TCV_Cnt = 3]                                                                                                                                                                                                                                                                                                                                                                     |                                                                                                                                                                                                                                                                                                        |     |            |
| 26                        |            | (TCV_HoaccPara := OM_GetHoaccPara(ch))                                                                                                                                                                                                                                                                                                                                                                        |                                                                                                                                                                                                                                                                                                        |     |            |
| 27                        |            | +Check_hoaccPwr(TCV_HoaccPara, '01000'B)                                                                                                                                                                                                                                                                                                                                                                      |                                                                                                                                                                                                                                                                                                        |     | pwrlvl = 8 |
|                           |            | <b>localtree1(ch:LOGICCH)</b>                                                                                                                                                                                                                                                                                                                                                                                 |                                                                                                                                                                                                                                                                                                        |     |            |
| 28                        |            | (TCV_HoaccPara := OM_GetHoaccPara(ch))                                                                                                                                                                                                                                                                                                                                                                        |                                                                                                                                                                                                                                                                                                        |     |            |
| 29                        |            | L?DL_RacInHoacc (TCV_Hrf :=<br>DL_RacInHoacc.msg.horf)                                                                                                                                                                                                                                                                                                                                                        | HndOvAccRcv( ch,<br>HandOverAcc_01)                                                                                                                                                                                                                                                                    |     |            |
| 30                        | L_026<br>3 | [TCV_Hrf <> TSPX_HoRefC]                                                                                                                                                                                                                                                                                                                                                                                      |                                                                                                                                                                                                                                                                                                        | (F) |            |
| 31                        |            | (TCV_Cnt := TCV_Cnt + 1)                                                                                                                                                                                                                                                                                                                                                                                      |                                                                                                                                                                                                                                                                                                        |     |            |
| 32                        | L_026<br>4 | [TCV_Hrf = TSPX_HoRefC]                                                                                                                                                                                                                                                                                                                                                                                       |                                                                                                                                                                                                                                                                                                        | (P) |            |
| 33                        |            | (TCV_Cnt := TCV_Cnt + 1)                                                                                                                                                                                                                                                                                                                                                                                      |                                                                                                                                                                                                                                                                                                        |     |            |
|                           |            | <b>gsmOrDcs</b>                                                                                                                                                                                                                                                                                                                                                                                               |                                                                                                                                                                                                                                                                                                        |     |            |
| 34                        |            | (TCV_Tchtype := '00001'B)                                                                                                                                                                                                                                                                                                                                                                                     |                                                                                                                                                                                                                                                                                                        |     |            |
| 35                        |            | [TSPC_PGSM OR TSPC_EGSM]                                                                                                                                                                                                                                                                                                                                                                                      |                                                                                                                                                                                                                                                                                                        |     |            |
| 36                        |            | LIDL_DatRqHoCmd                                                                                                                                                                                                                                                                                                                                                                                               | HndOvSnd(<br>TCV_chTch,<br>HandOverCmd_nfh(<br>TCV_Tchtype,<br>TSPX_TmSlitC,<br>TSPX_TscB, C_NCC,<br>C_BCC, C_arfcnB,<br>TSPX_TCHcarrierB,<br>TSPX_HoRefC,<br>TCV_Pwrlvl_ho,<br>Synchi( C_report_otd,<br>C_non_synchronised)<br>, ChMod_omit,<br>RelTmdDif_omit,<br>TimingAdv_omit,<br>CphMod_omit))   |     |            |
| 37                        |            | [TSPC_DCS]                                                                                                                                                                                                                                                                                                                                                                                                    |                                                                                                                                                                                                                                                                                                        |     |            |
| 38                        |            | LIDL_DatRqHoCmd                                                                                                                                                                                                                                                                                                                                                                                               | HndOvSnd(<br>TCV_chTch,<br>HandOverCmd_nfh(<br>TCV_Tchtype,<br>TSPX_TmSlitC,<br>TSPX_TscB, C_NCC,<br>C_BCC, C_arfcnBd,<br>TSPX_TCHcarrierBd,<br>TSPX_HoRefC,<br>TCV_Pwrlvl_ho,<br>Synchi( C_report_otd,<br>C_non_synchronised)<br>, ChMod_omit,<br>RelTmdDif_omit,<br>TimingAdv_omit,<br>CphMod_omit)) |     |            |
| <b>Detailed Comments:</b> |            | <ol style="list-style-type: none"> <li>1. To setup BCCH, CCCH, SDCCH4 and a full rate traffic channel for cell A.</li> <li>2. To setup BCCH, CCCH, SDCCH4 and a full rate traffic channel for cell B.</li> <li>3. To bring the MS into the U10 state.</li> <li>4. Non-synchronised handover, power level = 8.</li> <li>5. On old channel.</li> <li>6. Power level is the old one (TSPX_MSTxpwrMax)</li> </ol> |                                                                                                                                                                                                                                                                                                        |     |            |

| Test Case Dynamic Behaviour |       |                                                                                                                                                                                                                                                                                                                                                                                                                                                                                                                                                                                                                            |                        |   |          |
|-----------------------------|-------|----------------------------------------------------------------------------------------------------------------------------------------------------------------------------------------------------------------------------------------------------------------------------------------------------------------------------------------------------------------------------------------------------------------------------------------------------------------------------------------------------------------------------------------------------------------------------------------------------------------------------|------------------------|---|----------|
| <b>Test Case Name:</b>      |       | TC_26_6_5_9                                                                                                                                                                                                                                                                                                                                                                                                                                                                                                                                                                                                                |                        |   |          |
| <b>Group:</b>               |       | GSM_L3_MS_v4210/RR/                                                                                                                                                                                                                                                                                                                                                                                                                                                                                                                                                                                                        |                        |   |          |
| <b>Purpose:</b>             |       | To verify the function of timer T3124 and the contents in the message HANDOVER FAILURE                                                                                                                                                                                                                                                                                                                                                                                                                                                                                                                                     |                        |   |          |
| <b>Default:</b>             |       | OtherEventsFail_01                                                                                                                                                                                                                                                                                                                                                                                                                                                                                                                                                                                                         |                        |   |          |
| Nr                          | Label | Behaviour Description                                                                                                                                                                                                                                                                                                                                                                                                                                                                                                                                                                                                      | CRef                   | V | Comments |
| 1                           |       | START T_guard(300)                                                                                                                                                                                                                                                                                                                                                                                                                                                                                                                                                                                                         |                        |   |          |
| 2                           |       | +BasicServiceMT( TSPX_MTBscSvcF,<br>TSPX_MTChRateF)                                                                                                                                                                                                                                                                                                                                                                                                                                                                                                                                                                        |                        |   |          |
| 3                           |       | (TCV_Pwrlvl_ho:= INT_TO_BIT( TSPX_PwrlvlA,<br>5))                                                                                                                                                                                                                                                                                                                                                                                                                                                                                                                                                                          |                        |   |          |
| 4                           |       | +IdleUpdated( C_E_default, C_CellA,<br>C_SCH_A, C_BCCH_A_1, C_Immass, C_S0,<br>C_SlotNU, C_SlotNU, C_SlotNU, C_BCC,<br>C_TxInt_5, C_Max_7, C_NECl_0, C_ATT_0,<br>TimingAdv( 30), C_BABR_0, C_cch_1Comb,<br>C_BPM_3, C_T3212_0, C_ci_cellA,<br>C_MCC_1, C_PLMN_1, C_LAC_1, CellOpt_01,<br>CellChDes_02, CellChDes_03,<br>C_CellReselectHys12, TSPX_MSTxpwrMax,<br>TSPX_MSTxpwrMax, BcchFreqLst_01,<br>BcchFreqLst_Omit, BcchFreqLst_48,<br>BcchFreqLst_Omit, C_noRestablishment,<br>C_BCC, C_NCC, C_Start_Tmsi,<br>TSPX_SDCCH4SubDef, TSPX_CKSNDf,<br>TSPX_RANDDef, C_arfcnA, C_arfcnAd,<br>TSPX_IMSI, C_Test_fh, C_NCCP_2) |                        |   |          |
| 5                           |       | +CCConfigTCH_pwr( TSPX_TCHHSubDef,<br>C_Ass, TSPX_TmSlitDef, TSPX_TscDef,<br>TimingAdv( 30), C_BABR_0, C_cch_1Comb,<br>C_BPM_3, TCV_ChMod.mode,<br>FreqTCH(C_arfcn_tchA),<br>FreqTCH(C_arfcn_tchAd),<br>TSPX_MSTxpwrMax)                                                                                                                                                                                                                                                                                                                                                                                                   |                        |   |          |
| 6                           |       | +StartCellB( C_E_neighbourdefault,<br>C_arfcnB, C_arfcnBd, C_Immass,<br>TCV_slot, TCV_tsc, TimingAdv( 30),<br>C_TxInt_5, C_Max_1, C_NECl_0,<br>C_ATT_0, C_BABR_0, C_cch_1Comb,<br>C_BPM_3, C_T3212_0, C_MCC_1,<br>C_PLMN_1, C_LAC_1, CellChDes_04,<br>CellChDes_03, BcchFreqLst_01,<br>BcchFreqLst_48, C_noRestablishment,<br>C_BCC, C_NCC)                                                                                                                                                                                                                                                                                |                        |   |          |
| 7                           |       | +FullRateCh_B_1( C_Ass,<br>TSPX_TmSlitC, TSPX_TscC,<br>ChMod_speech, FreqTCH(<br>TSPX_TCHcarrierB), FreqTCH(<br>TSPX_TCHcarrierBd), TimingAdv( 30),<br>C_BABR_0, C_cch_1Comb, C_BPM_3)                                                                                                                                                                                                                                                                                                                                                                                                                                     |                        |   |          |
| 8                           |       | (TCV_chTch := C_FACCHF_A_1,<br>TCV_sacchTch := C_SACCHF_A_1,<br>TCV_chTch1 := C_FACCHF_B_1)                                                                                                                                                                                                                                                                                                                                                                                                                                                                                                                                |                        |   |          |
| 9                           |       | +PreEnterCCstateU10_r01(<br>TimingAdv( 30),<br>TSPX_SDCCH4SubDef,<br>TSPX_MSTxpwrMax,<br>TSPX_MSTxpwrMax,<br>TSPX_CKSNDf, TSPX_RANDDef,<br>TSPX_TmSlitDef, TSPX_TscDef,<br>TSPX_TCHHSubDef, TCV_ChRate)                                                                                                                                                                                                                                                                                                                                                                                                                    |                        |   | 3.       |
| 10                          |       | (TCV_L1Head0 := OM_GetL1Hd(<br>TCV_sacchTch))                                                                                                                                                                                                                                                                                                                                                                                                                                                                                                                                                                              |                        |   |          |
| 11                          | body  | ACTIVATE(RcvHdOvAcc,<br>OtherEventsFail_01)                                                                                                                                                                                                                                                                                                                                                                                                                                                                                                                                                                                |                        |   |          |
| 12                          |       | +gsmOrDcs                                                                                                                                                                                                                                                                                                                                                                                                                                                                                                                                                                                                                  |                        |   | 4.       |
| 13                          |       | +localtree( TCV_chTch1)                                                                                                                                                                                                                                                                                                                                                                                                                                                                                                                                                                                                    |                        |   |          |
| 14                          |       | +ltree_continue                                                                                                                                                                                                                                                                                                                                                                                                                                                                                                                                                                                                            |                        |   |          |
| 15                          |       | <b>ltree_continue</b><br>L?DL_EstIn                                                                                                                                                                                                                                                                                                                                                                                                                                                                                                                                                                                        | DLEstIn(<br>TCV_chTch) |   |          |



|    |            |                                                      |                                                                                                                                                                                                                                                                                                       |        |
|----|------------|------------------------------------------------------|-------------------------------------------------------------------------------------------------------------------------------------------------------------------------------------------------------------------------------------------------------------------------------------------------------|--------|
| 16 |            | (TCV_L1Head := OM_GetL1Hd( TCV_sacchTch))            |                                                                                                                                                                                                                                                                                                       |        |
| 17 |            | (TCV_Fn := OM_ReturnFn( TCV_chTch))                  |                                                                                                                                                                                                                                                                                                       |        |
| 18 |            | L?DL_DatInHofl( TCV_Fn1 := DL_DatInHofl.fn)          | HndOvFIRcv(<br>TCV_chTch,<br>HandOvFail_02)                                                                                                                                                                                                                                                           | 5.     |
| 19 |            | +Check_Time(3000)                                    |                                                                                                                                                                                                                                                                                                       |        |
| 20 | L_026<br>7 | [TCV_L1Head.mspwrlvl =<br>TCV_L1Head0.mspwrlvl]      |                                                                                                                                                                                                                                                                                                       | (P) 6. |
| 21 |            | +PostMainLinkRel( TCV_chTch)                         |                                                                                                                                                                                                                                                                                                       |        |
| 22 | L_026<br>8 | [TCV_L1Head.mspwrlvl <><br>TCV_L1Head0.mspwrlvl]     |                                                                                                                                                                                                                                                                                                       | (F)    |
| 23 |            | +PostMainLinkRel( TCV_chTch)                         |                                                                                                                                                                                                                                                                                                       |        |
|    |            | <b>localtree(ch:LOGICCH)</b>                         |                                                                                                                                                                                                                                                                                                       |        |
| 24 |            | (TCV_Cnt := 0)                                       |                                                                                                                                                                                                                                                                                                       |        |
| 25 |            | REPEAT localtree1(ch) UNTIL [TCV_Cnt = 2]            |                                                                                                                                                                                                                                                                                                       |        |
| 26 |            | (TCV_HoaccPara := OM_GetHoaccPara(ch))               |                                                                                                                                                                                                                                                                                                       |        |
| 27 |            | +Check_hoaccPwr(TCV_HoaccPara,<br>TCV_Pwrlvl_ho)     |                                                                                                                                                                                                                                                                                                       |        |
|    |            | <b>localtree1(ch:LOGICCH)</b>                        |                                                                                                                                                                                                                                                                                                       |        |
| 28 |            | L?DL_RaInHoacc( TCV_Hrf :=<br>DL_RaInHoacc.msg.horf) | HndOvAccRcv( ch,<br>HandOverAcc_01)                                                                                                                                                                                                                                                                   |        |
| 29 | L_027<br>0 | [TCV_Hrf <> TSPX_HoRefC]                             |                                                                                                                                                                                                                                                                                                       | (F)    |
| 30 |            | (TCV_Cnt := TCV_Cnt + 1)                             |                                                                                                                                                                                                                                                                                                       |        |
| 31 | L_027<br>1 | [TCV_Hrf = TSPX_HoRefC]                              |                                                                                                                                                                                                                                                                                                       | (P)    |
| 32 |            | (TCV_Cnt := TCV_Cnt + 1)                             |                                                                                                                                                                                                                                                                                                       |        |
|    |            | <b>gsmOrDcs</b>                                      |                                                                                                                                                                                                                                                                                                       |        |
| 33 |            | (TCV_Tchtype := '00001'B)                            |                                                                                                                                                                                                                                                                                                       |        |
| 34 |            | [TSPC_PGSM OR TSPC_EGSM]                             |                                                                                                                                                                                                                                                                                                       |        |
| 35 |            | LIDL_DatRqHoCmd                                      | HndOvSnd(<br>TCV_chTch,<br>HandOverCmd_nfh(<br>TCV_Tchtype,<br>TSPX_TmSltC,<br>TSPX_TscC, C_NCC,<br>C_BCC, C_arfcnB,<br>TSPX_TCHcarrierB,<br>TSPX_HoRefC,<br>TCV_Pwrlvl_ho,<br>Synchi( C_report_otd,<br>C_non_synchronised)<br>, ChMod_omit,<br>RelTmdDif_omit,<br>TimingAdv_omit,<br>CphMod_omit))   |        |
| 36 |            | [TSPC_DCS]                                           |                                                                                                                                                                                                                                                                                                       |        |
| 37 |            | LIDL_DatRqHoCmd                                      | HndOvSnd(<br>TCV_chTch,<br>HandOverCmd_nfh(<br>TCV_Tchtype,<br>TSPX_TmSltC,<br>TSPX_TscC, C_NCC,<br>C_BCC, C_arfcnBd,<br>TSPX_TCHcarrierBd,<br>TSPX_HoRefC,<br>TCV_Pwrlvl_ho,<br>Synchi( C_report_otd,<br>C_non_synchronised)<br>, ChMod_omit,<br>RelTmdDif_omit,<br>TimingAdv_omit,<br>CphMod_omit)) |        |

**Detailed Comments:**

1. To setup BCCH, CCCH, SDCCH4 and a full rate traffic channel for cell A.
2. To setup BCCH, CCCH, SDCCH4 and a receiving only full rate traffic channel for cell B.
3. To bring the MS into the U10 state.
4. Non-synchronised handover, power level = 8.
5. On old channel.

6. Power level is the old one (TSPX\_MSTxpwrMax)

| Test Case Dynamic Behaviour |       |                                                                                                                                                                                                                          |      |   |                |
|-----------------------------|-------|--------------------------------------------------------------------------------------------------------------------------------------------------------------------------------------------------------------------------|------|---|----------------|
| <b>Test Case Name:</b>      |       | TC_26_6_6_1                                                                                                                                                                                                              |      |   |                |
| <b>Group:</b>               |       | GSM_L3_MS_v4210/RR/                                                                                                                                                                                                      |      |   |                |
| <b>Purpose:</b>             |       | To verify that the MS, after receiving a Frequency Redefinition message, starts using the new frequencies and hopping sequence at the time indicated in the message.                                                     |      |   |                |
| <b>Default:</b>             |       | OtherEventsFail                                                                                                                                                                                                          |      |   |                |
| Nr                          | Label | Behaviour Description                                                                                                                                                                                                    | CRef | V | Comments       |
| 1                           |       | START T_guard( 700)                                                                                                                                                                                                      |      |   |                |
| 2                           |       | +test1                                                                                                                                                                                                                   |      |   |                |
| 3                           |       | +test2                                                                                                                                                                                                                   |      |   |                |
| 4                           |       | +test3                                                                                                                                                                                                                   |      |   |                |
| 5                           |       | +test4                                                                                                                                                                                                                   |      |   |                |
| 6                           |       | +test5                                                                                                                                                                                                                   |      |   |                |
| 7                           |       | +test6                                                                                                                                                                                                                   |      |   |                |
| 8                           |       | [TSPC_DualRate]                                                                                                                                                                                                          |      |   |                |
| 9                           |       | +test7                                                                                                                                                                                                                   |      |   |                |
| 10                          |       | +test8                                                                                                                                                                                                                   |      |   |                |
| 11                          |       | +test9                                                                                                                                                                                                                   |      |   |                |
| 12                          |       | [NOT TSPC_DualRate]                                                                                                                                                                                                      |      |   |                |
|                             |       | <b>test1</b>                                                                                                                                                                                                             |      |   |                |
| 13                          |       | +sdcch8( Freq_rg18, Freq_rd18, TSPX_TmSlitA, TSPX_TscA, Ca2_g01, Ca3_g01, Ca2_d01, Ca3_d01, Ma1_g01, Ma2_g01, Ma3_g01, 6, 7, 91, ChDescrp_sdcch8_fh( TSPX_TmSlitA, TSPX_TscA, TSPX_SDCCH8SubA, '001001'B, '000000'B))    |      |   | 1.<br>R=1, K=1 |
|                             |       | <b>test2</b>                                                                                                                                                                                                             |      |   |                |
| 14                          |       | +sdcch8( Freq_rg19, Freq_rd19, TSPX_TmSlitB, TSPX_TscB, Ca2_g02, Ca3_g02, Ca2_d02, Ca3_d02, Ma1_g02, Ma2_g02, Ma3_g02, 2, 1, 42000, ChDescrp_sdcch8_fh( TSPX_TmSlitB, TSPX_TscB, TSPX_SDCCH8SubB, '000100'B, '000000'B)) |      |   | R=1, K=2       |
|                             |       | <b>test3</b>                                                                                                                                                                                                             |      |   |                |
| 15                          |       | +sdcch8( Freq_rg20, Freq_rd20, TSPX_TmSlitC, TSPX_TscC, Ca2_g03, Ca3_g03, Ca2_d03, Ca3_d03, Ma1_g03, Ma2_g03, Ma3_g03, 1, 3, 1000, ChDescrp_sdcch8_fh( TSPX_TmSlitC, TSPX_TscC, TSPX_SDCCH8SubC, '000010'B, '000000'B))  |      |   | R=1, K=3       |
|                             |       | <b>test4</b>                                                                                                                                                                                                             |      |   |                |
| 16                          |       | +tchf( Freq_rg21, Freq_rd21, TSPX_TmSlitD, TSPX_TscD, Ca2_g04, Ca3_g04, Ca2_d04, Ca3_d04, Ma1_g04, Ma2_g04, Ma3_g04, 2, 3, 91, ChDescrp_tchf_fh( TSPX_TmSlitD, TSPX_TscD, '000110'B, '000000'B))                         |      |   | 2.<br>R=2, K=1 |
|                             |       | <b>test5</b>                                                                                                                                                                                                             |      |   |                |
| 17                          |       | +tchf( Freq_rg22, Freq_rd22, TSPX_TmSlitE, TSPX_TscE, Ca2_g05, Ca3_g05, Ca2_d05, Ca3_d05, Ma1_g05, Ma2_g05, Ma3_g05, 4, 2, 42000, ChDescrp_tchf_fh( TSPX_TmSlitE, TSPX_TscE, '000101'B, '000000'B))                      |      |   | R=2, K=2       |
|                             |       | <b>test6</b>                                                                                                                                                                                                             |      |   |                |
| 18                          |       | +tchf( Freq_rg23, Freq_rd23, TSPX_TmSlitF, TSPX_TscF, Ca2_g06, Ca3_g06, Ca2_d06, Ca3_d06, Ma1_g06, Ma2_g06, Ma3_g06, 6, 4, 15000, ChDescrp_tchf_fh( TSPX_TmSlitF, TSPX_TscF, '001000'B, '000000'B))                      |      |   | R=2, K=3       |
|                             |       | <b>test7</b>                                                                                                                                                                                                             |      |   |                |
| 19                          |       | +tchh( Freq_rg24, Freq_rd24, TSPX_TmSlitG, TSPX_TscG, Ca2_g07, Ca3_g07, Ca2_d07, Ca3_d07, Ma1_g07, Ma2_g07, Ma3_g07, 7, 4, 91, ChDescrp_tchh_fh( TSPX_TmSlitG, TSPX_TscG, TSPX_TCHHSubA, '000011'B, '000000'B))          |      |   | 3.<br>R=3, K=1 |

|    |                                                                                                                                                                                                                                                                                                                                                          |                                                                                 |          |
|----|----------------------------------------------------------------------------------------------------------------------------------------------------------------------------------------------------------------------------------------------------------------------------------------------------------------------------------------------------------|---------------------------------------------------------------------------------|----------|
| 20 | <b>test8</b><br>+tcch( Freq_rg25, Freq_rd25, TSPX_TmSlitA,<br>TSPX_TscA, Ca2_g08, Ca3_g08, Ca2_d08,<br>Ca3_d08, Ma1_g08, Ma2_g08, Ma3_g08, 2, 5, 42000,<br>ChDescrp_tchh_fh( TSPX_TmSlitA, TSPX_TscA,<br>TSPX_TCHHSubA, '000111'B, '000000'B))                                                                                                           |                                                                                 | R=3, K=2 |
| 21 | <b>test9</b><br>+tcch( Freq_rg26, Freq_rd26, TSPX_TmSlitDef,<br>TSPX_TscDef, Ca2_g09, Ca3_g09, Ca2_d09,<br>Ca3_d09, Ma1_g09, Ma2_g09, Ma3_g09, 5, 3, 4000,<br>ChDescrp_tchh_fh( TSPX_TmSlitDef, TSPX_TscDef,<br>TSPX_TCHHSubDef, '000001'B, '000000'B))                                                                                                  |                                                                                 | R=3, K=3 |
| 22 | <b>test( Ca2, Ca3:CCHD; Ma1, Ma2, Ma3: MA; Maio2,<br/> Maio3, tm:INTEGER; Chd: CHD)</b><br>+ltree_immass( Ma1, Chd)                                                                                                                                                                                                                                      |                                                                                 |          |
| 23 | +ltree_freqRedef( Ca2, Ma2, Maio2, tm, Chd)                                                                                                                                                                                                                                                                                                              |                                                                                 |          |
| 24 | +ltree_freqRedef( Ca3, Ma3, Maio3, tm, Chd)                                                                                                                                                                                                                                                                                                              |                                                                                 |          |
| 25 | +ltree_chkAndrelease( Ca3, Ma3, tm, Chd)                                                                                                                                                                                                                                                                                                                 |                                                                                 |          |
| 26 | <b>ltree_freqRedef( ca: CCHD; ma: MA; maio,<br/> tm:INTEGER; chd: CHD)</b><br>+Check( ca, ma, tm, chd)                                                                                                                                                                                                                                                   |                                                                                 |          |
| 27 | [NOT TCV_Res]                                                                                                                                                                                                                                                                                                                                            |                                                                                 |          |
| 28 | [TCV_Res]                                                                                                                                                                                                                                                                                                                                                |                                                                                 |          |
| 29 | +ltree_fredf( ca, ma, maio, tm, chd)                                                                                                                                                                                                                                                                                                                     |                                                                                 |          |
| 30 | <b>ltree_chkAndrelease( ca: CCHD; ma: MA;<br/> tm:INTEGER; chd: CHD)</b><br>+Check( ca, ma, tm, chd)                                                                                                                                                                                                                                                     |                                                                                 |          |
| 31 | [NOT TCV_Res]                                                                                                                                                                                                                                                                                                                                            |                                                                                 |          |
| 32 | (TCV_Null := OM_StopCell( C_CellA))                                                                                                                                                                                                                                                                                                                      |                                                                                 |          |
| 33 | [TCV_Res]                                                                                                                                                                                                                                                                                                                                                |                                                                                 |          |
| 34 | +PostMainLinkRel(TCV_chTch)                                                                                                                                                                                                                                                                                                                              |                                                                                 |          |
| 35 | (TCV_Null := OM_StopCell( C_CellA))                                                                                                                                                                                                                                                                                                                      |                                                                                 |          |
| 36 | <b>Check( ca: CCHD; ma: MA; tm:INTEGER; chd:<br/> CHD)</b><br>(TCV_Res := OM_FHCHK( TCV_sacchTch, ca, ma,<br>chd, tm, TCV_Fn))                                                                                                                                                                                                                           |                                                                                 |          |
| 37 | L_027<br>4 [NOT TCV_Res]                                                                                                                                                                                                                                                                                                                                 | (F)                                                                             |          |
| 38 | +PostMainLinkRel( TCV_chTch)                                                                                                                                                                                                                                                                                                                             |                                                                                 |          |
| 39 | L_027<br>5 [TCV_Res]                                                                                                                                                                                                                                                                                                                                     | (P)                                                                             |          |
| 40 | <b>ltree_fredf( cchd: CCHD; ma:MA; maio,<br/> tm:INTEGER; chd: CHD)</b><br>(TCV_Fn := OM_ComingFn( TCV_chTch), TCV_chd1<br>:= chd, TCV_chd1.maio := INT_TO_BIT( maio, 6),<br>TCV_Strt := OC_StartTime( TCV_Fn, tm, 0),<br>TCV_Null := OM_SendNextOn( TCV_chTch,<br>TCV_Fn), TCV_Null := OM_FreqDef( TCV_Strt, ma,<br>TCV_chTch, TCV_chd1, cchd, TCV_Fn)) |                                                                                 |          |
| 41 | !DL_DatRqFrqre                                                                                                                                                                                                                                                                                                                                           | FrqRedfSnd(<br>TCV_chTch,<br>FreqRedef_01(<br>TCV_chd1, ma,<br>TCV_Strt, cchd)) |          |
| 42 | <b>sdccch8(FqParag, FqParad:FRQPARA; Tmslt:SN;<br/> Tsc:TSC; Cag2, Cag3, Cad2, Cad3:CCHD; Ma1,<br/> Ma2, Ma3: MA; Maio2, Maio3, tm:INTEGER; Chd:<br/> CHD)</b><br>+ltree_idleupdated( FqParag, FqParad, Cag2, Cag3,<br>Cad2, Cad3)                                                                                                                       |                                                                                 |          |
| 43 | +SDCCH8_A_1_nociph( TSPX_SDCCH8SubA,<br>C_Immash, Tmslt, Tsc, ChMod_sign, FqParag,<br>FqParad, TimingAdv( 30), C_BABR_0,                                                                                                                                                                                                                                 |                                                                                 |          |

|                                                                |                                                                                                                                                                                                                                                                                                                                                                                                                                                                                                                                                                                                            |                                                                                      |                         |
|----------------------------------------------------------------|------------------------------------------------------------------------------------------------------------------------------------------------------------------------------------------------------------------------------------------------------------------------------------------------------------------------------------------------------------------------------------------------------------------------------------------------------------------------------------------------------------------------------------------------------------------------------------------------------------|--------------------------------------------------------------------------------------|-------------------------|
| 44                                                             | C_cch_1nonComb, C_BPM_3)                                                                                                                                                                                                                                                                                                                                                                                                                                                                                                                                                                                   |                                                                                      |                         |
| 45                                                             | (TCV_chTch := TCV_ch)<br>+test( TCV_CAgsm, TCV_CAdcs, Ma1, Ma2,<br>Ma3, Maio2, Maio3, tm, Chd)                                                                                                                                                                                                                                                                                                                                                                                                                                                                                                             |                                                                                      |                         |
| 46                                                             | <b>tchf( FqParag, FqParad:FRQPARA; Tmslt:SN;<br/>Tsc:TSC; Cag2, Cag3, Cad2, Cad3:CCHD; Ma1,<br/>Ma2, Ma3: MA; Maio2, Maio3, tm:INTEGER; Chd:<br/>CHD)</b>                                                                                                                                                                                                                                                                                                                                                                                                                                                  |                                                                                      |                         |
| 47                                                             | +ltree_idleupdated( FqParag, FqParad, Cag2, Cag3,<br>Cad2, Cad3)                                                                                                                                                                                                                                                                                                                                                                                                                                                                                                                                           |                                                                                      |                         |
| 48                                                             | +FullRateCh_A_1_nociph( C_Immass, Tmslt, Tsc,<br>ChMod_sign, FqParag, FqParad, TimingAdv( 30),<br>C_BABR_0, C_cch_1Comb, C_BPM_3)                                                                                                                                                                                                                                                                                                                                                                                                                                                                          |                                                                                      |                         |
| 49                                                             | +test( TCV_CAgsm, TCV_CAdcs, Ma1, Ma2,<br>Ma3, Maio2, Maio3, tm, Chd)                                                                                                                                                                                                                                                                                                                                                                                                                                                                                                                                      |                                                                                      |                         |
| 50                                                             | <b>tchh( FqParag, FqParad:FRQPARA; Tmslt:SN;<br/>Tsc:TSC; Cag2, Cag3, Cad2, Cad3:CCHD; Ma1,<br/>Ma2, Ma3: MA; Maio2, Maio3, tm:INTEGER; Chd:<br/>CHD)</b>                                                                                                                                                                                                                                                                                                                                                                                                                                                  |                                                                                      |                         |
| 51                                                             | +ltree_idleupdated( FqParag, FqParad, Cag2, Cag3,<br>Cad2, Cad3)                                                                                                                                                                                                                                                                                                                                                                                                                                                                                                                                           |                                                                                      |                         |
| 52                                                             | +HalfRateCh_A_1_nociph( TSPX_TCHHSubDef,<br>C_Immass, Tmslt, Tsc, ChMod_sign, FqParag,<br>FqParad, TimingAdv( 30), C_BABR_0,<br>C_cch_1Comb, C_BPM_3)                                                                                                                                                                                                                                                                                                                                                                                                                                                      |                                                                                      |                         |
| 53                                                             | +test(TCV_CAgsm, TCV_CAdcs, Ma1, Ma2, Ma3,<br>Maio2, Maio3, tm, Chd)                                                                                                                                                                                                                                                                                                                                                                                                                                                                                                                                       |                                                                                      |                         |
| 54                                                             | <b>ltree_immass( ma1:MA; chd:CHD)</b>                                                                                                                                                                                                                                                                                                                                                                                                                                                                                                                                                                      |                                                                                      |                         |
| 55                                                             | L!DL_UdatRqPg1Rq                                                                                                                                                                                                                                                                                                                                                                                                                                                                                                                                                                                           | PgReq1(TCV_PgCh,<br>TCV_Pgg,<br>PgReqTp1_01)                                         |                         |
| 56                                                             | L?DL_RaclnChRq( TCV_Rr := DL_RaclnChRq.<br>msg.ecau_rrf, TCV_Fn := DL_RaclnChRq.fn)                                                                                                                                                                                                                                                                                                                                                                                                                                                                                                                        | ChReq(<br>ChRequest_17)                                                              | To match ChReq retrans. |
| 57                                                             | ACTIVATE(OtherEventsFail_02)                                                                                                                                                                                                                                                                                                                                                                                                                                                                                                                                                                               |                                                                                      |                         |
| 58                                                             | LIDL_UdatRqImmass                                                                                                                                                                                                                                                                                                                                                                                                                                                                                                                                                                                          | ImmAss( TCV_agch,<br>ImmAsgn_02(<br>TCV_Rr, TCV_Fn,<br>TimingAdv( 30), chd,<br>ma1)) |                         |
| 59                                                             | L?DL_EstInPgRes( TCV_Fn :=<br>DL_EstInPgRes.fn)                                                                                                                                                                                                                                                                                                                                                                                                                                                                                                                                                            | PagingRes(<br>PagingRes_01)                                                          | Restore Normal default  |
| 60                                                             | ACTIVATE(OtherEventsFail)                                                                                                                                                                                                                                                                                                                                                                                                                                                                                                                                                                                  |                                                                                      |                         |
| 61                                                             | <b>ltree_idleupdated( FqPg, FqPd:FRQPARA; Cag2,<br/>Cag3, Cad2, Cad3:CCHD)</b>                                                                                                                                                                                                                                                                                                                                                                                                                                                                                                                             |                                                                                      |                         |
| 62                                                             | (TCV_CAgsm := Ca1_g01, TCV_freq := FqPg,<br>TCV_CAgsm.rfl := TCV_freq.flst.fl, TCV_CAdcs :=<br>Ca1_g01, TCV_freq := FqPd, TCV_CAdcs.rfl :=<br>TCV_freq.flst.fl)                                                                                                                                                                                                                                                                                                                                                                                                                                            |                                                                                      |                         |
| 63                                                             | +IdleUpdated( C_E_default, C_CellA, C_SCH_A,<br>C_BCCH_A_1, C_Immass, C_S0, C_SlotNU,<br>C_SlotNU, C_SlotNU, C_BCC, C_TxInt_5,<br>C_Max_1, C_NECI_0, C_ATT_0, TimingAdv( 0),<br>C_BABR_0, C_cch_1nonComb, C_BPM_3,<br>C_T3212_0, C_ci_cellA, C_MCC_1, C_PLMN_1,<br>C_LAC_1, CellOpt_01, TCV_CAgsm, TCV_CAdcs,<br>C_CellReselectHys12, C_MaxPwrLvIG,<br>C_MaxPwrLvID, BcchFreqLst_01,<br>BcchFreqLst_Omit, BcchFreqLst_48,<br>BcchFreqLst_Omit, C_noRestablishment, C_BCC,<br>C_NCC, C_Start_Tmsi, TSPX_SDCCH4SubDef,<br>TSPX_CKSNDf, TSPX_RANDDef, C_arfcnA,<br>C_arfcnAd, TSPX_IMSI, C_Test_fh, C_NCCP_2) |                                                                                      |                         |
| 64                                                             | [TSPC_PGSM OR TSPC_EGSM]                                                                                                                                                                                                                                                                                                                                                                                                                                                                                                                                                                                   |                                                                                      |                         |
| 65                                                             | (TCV_CAgsm := Cag2, TCV_CAdcs := Cag3)                                                                                                                                                                                                                                                                                                                                                                                                                                                                                                                                                                     |                                                                                      | 4.                      |
| 66                                                             | [TSPC_DCS]                                                                                                                                                                                                                                                                                                                                                                                                                                                                                                                                                                                                 |                                                                                      |                         |
| 67                                                             | (TCV_CAgsm := Cad2, TCV_CAdcs := Cad3)                                                                                                                                                                                                                                                                                                                                                                                                                                                                                                                                                                     |                                                                                      | 5.                      |
| <b>Detailed Comments:</b> 1. To perform test on SDCCH channel. |                                                                                                                                                                                                                                                                                                                                                                                                                                                                                                                                                                                                            |                                                                                      |                         |

2. To perform test on TCH/F channel.
3. To perform test on TCH/H channel.
4. TCV\_CAgsm, TCV\_CAdcs contain two cell allocation values for GSM.
5. TCV\_CAgsm, TCV\_CAdcs contain two cell allocation values for DCS.

| Test Case Dynamic Behaviour |            |                                                                                                                                                                                                                                                                                                                                                                                                                                                                                                                                                                                                                     |                                                                           |     |                         |
|-----------------------------|------------|---------------------------------------------------------------------------------------------------------------------------------------------------------------------------------------------------------------------------------------------------------------------------------------------------------------------------------------------------------------------------------------------------------------------------------------------------------------------------------------------------------------------------------------------------------------------------------------------------------------------|---------------------------------------------------------------------------|-----|-------------------------|
| <b>Test Case Name:</b>      |            | TC_26_6_7_1                                                                                                                                                                                                                                                                                                                                                                                                                                                                                                                                                                                                         |                                                                           |     |                         |
| <b>Group:</b>               |            | GSM_L3_MS_v4210/RR/                                                                                                                                                                                                                                                                                                                                                                                                                                                                                                                                                                                                 |                                                                           |     |                         |
| <b>Purpose:</b>             |            | <p>To verify that the MS, in an RR connected state, acknowledging a CHANNEL MODE MODIFY message by sending a CHANNEL MODE MODIFY ACKNOWLEDGEMENT message specifying and switching to the correct mode.</p> <ul style="list-style-type: none"> <li>- the new mode if that mode is supported</li> <li>- the old mode if the new mode is not supported.</li> </ul> <p>This shall be verified for the channel modes</p> <ul style="list-style-type: none"> <li>- signalling only</li> <li>- speech full rate</li> <li>- data 9.6 Kb/s</li> <li>- data 4.8 Kb/s full rate</li> <li>- data 2.4 Kb/s full rate.</li> </ul> |                                                                           |     |                         |
| <b>Default:</b>             |            | OtherEventsFail                                                                                                                                                                                                                                                                                                                                                                                                                                                                                                                                                                                                     |                                                                           |     |                         |
| <b>Comments:</b>            |            | apply only to the MS supporting TCH/F.                                                                                                                                                                                                                                                                                                                                                                                                                                                                                                                                                                              |                                                                           |     |                         |
| Nr                          | Label      | Behaviour Description                                                                                                                                                                                                                                                                                                                                                                                                                                                                                                                                                                                               | CRef                                                                      | V   | Comments                |
| 1                           |            | START T_guard(300)                                                                                                                                                                                                                                                                                                                                                                                                                                                                                                                                                                                                  |                                                                           |     |                         |
| 2                           |            | +IdleUpdated( C_E_default, C_CellA, C_SCH_A, C_BCCH_A_1, C_Immass, C_S0, C_SlotNU, C_SlotNU, C_SlotNU, C_BCC, C_TxInt_5, C_Max_1, C_NECI_0, C_ATT_0, TimingAdv( 30), C_BABR_0, C_cch_1Comb, C_BPM_3, C_T3212_0, C_ci_cellA, C_MCC_1, C_PLMN_1, C_LAC_1, CellOpt_01, CellChDes_02, CellChDes_03, C_CellReselectHys12, C_MaxPwrLvIG, C_MaxPwrLvID, BcchFreqLst_01, BcchFreqLst_Omit, BcchFreqLst_48, BcchFreqLst_Omit, C_noReestablishment, C_BCC, C_NCC, C_Start_Tmsi, TSPX_SDCCH4SubDef, TSPX_CKSNDDef, TSPX_RANDDef, C_arfcnA, C_arfcnAd, TSPX_IMSI, C_Test_fh, C_NCCP_2)                                          |                                                                           |     | 1.                      |
| 3                           |            | +gsmOrDcs                                                                                                                                                                                                                                                                                                                                                                                                                                                                                                                                                                                                           |                                                                           |     |                         |
| 4                           |            | +FullRateCh_A_1_nociph( C_Ass, TSPX_TmSlitDef, TSPX_TscDef, ChMod_speech, FreqTCH( C_arfcn_tchA), FreqTCH( C_arfcn_tchAd), TimingAdv( 30), C_BABR_0, C_cch_1Comb, C_BPM_3)                                                                                                                                                                                                                                                                                                                                                                                                                                          |                                                                           |     |                         |
| 5                           |            | LIDL_UdatRqPg1Rq                                                                                                                                                                                                                                                                                                                                                                                                                                                                                                                                                                                                    | PgReq1(TCV_PgCh, TCV_Pgg, PgReqTp1_05)                                    |     |                         |
| 6                           |            | L?DL_RaInChRq (TCV_Rr := DL_RaInChRq.msg.ecau_rrf, TCV_Fn := DL_RaInChRq.fn)                                                                                                                                                                                                                                                                                                                                                                                                                                                                                                                                        | ChReq( ChRequest_17)                                                      |     |                         |
| 7                           |            | ACTIVATE( OtherEventsFail_02)                                                                                                                                                                                                                                                                                                                                                                                                                                                                                                                                                                                       |                                                                           |     | To match ChReq retrans. |
| 8                           |            | LIDL_UdatRqImmass                                                                                                                                                                                                                                                                                                                                                                                                                                                                                                                                                                                                   | ImmAss( TCV_agch, ImmAsgn_r13( TCV_Rr, TCV_Fn, TCV_chd1, TimingAdv( 30))) |     | 2.                      |
| 9                           |            | L?DL_EstInPgRes                                                                                                                                                                                                                                                                                                                                                                                                                                                                                                                                                                                                     | PagingRes( PagingRes_r02)                                                 |     |                         |
| 10                          |            | ACTIVATE( OtherEventsFail)                                                                                                                                                                                                                                                                                                                                                                                                                                                                                                                                                                                          |                                                                           |     | Restore Normal default  |
| 11                          | body       | LIDL_DatRqChmmo                                                                                                                                                                                                                                                                                                                                                                                                                                                                                                                                                                                                     | ChmmoReqSnd( TCV_chTch, ChmomoReq_01( ChMod_speech, TCV_chd1))            |     |                         |
| 12                          |            | [TSPC_Serv_TS11 OR TSPC_Serv_TS12]                                                                                                                                                                                                                                                                                                                                                                                                                                                                                                                                                                                  |                                                                           |     |                         |
| 13                          | L_027<br>6 | L?DL_DatInChmmoAck                                                                                                                                                                                                                                                                                                                                                                                                                                                                                                                                                                                                  | ChmmoAckRcv( TCV_chTch, ChmomoAck_01( ChMod_speech, TCV_chd1))            | (P) |                         |
| 14                          |            | +localtree( ChMod_speech)                                                                                                                                                                                                                                                                                                                                                                                                                                                                                                                                                                                           |                                                                           |     |                         |
| 15                          |            | [(NOT TSPC_Serv_TS11) AND( NOT TSPC_Serv_TS12)]                                                                                                                                                                                                                                                                                                                                                                                                                                                                                                                                                                     |                                                                           |     |                         |
| 16                          | L_027<br>7 | L?DL_DatInChmmoAck                                                                                                                                                                                                                                                                                                                                                                                                                                                                                                                                                                                                  | ChmmoAckRcv( TCV_chTch,                                                   | (P) |                         |

|    |            |                                                 |                                                                          |     |
|----|------------|-------------------------------------------------|--------------------------------------------------------------------------|-----|
| 17 |            | +localtree( ChMod_sign)                         | ChmomoAck_01(<br>ChMod_sign,<br>TCV_chd1))                               |     |
| 18 |            | <b>localtree(chm:CHMOD)</b><br>L!DL_DatRqChmomo | ChmomoReqSnd(<br>TCV_chTch,<br>ChmomoReq_01(<br>ChMod_12k,<br>TCV_chd1)) |     |
| 19 |            | [TSPC_96Data]                                   |                                                                          |     |
| 20 | L_027<br>8 | L?DL_DatInChmomoAck                             | ChmomoAckRcv(<br>TCV_chTch,<br>ChmomoAck_01(<br>ChMod_12k,<br>TCV_chd1)) | (P) |
| 21 |            | LIDL_DatRqChmomo                                | ChmomoReqSnd(<br>TCV_chTch,<br>ChmomoReq_01(<br>ChMod_6k,<br>TCV_chd1))  |     |
| 22 |            | [TSPC_48DataF]                                  |                                                                          |     |
| 23 |            | +localtree2                                     |                                                                          |     |
| 24 |            | [NOT TSPC_48DataF]                              |                                                                          |     |
| 25 | L_027<br>9 | L?DL_DatInChmomoAck                             | ChmomoAckRcv(<br>TCV_chTch,<br>ChmomoAck_01(<br>ChMod_12k,<br>TCV_chd1)) | (P) |
| 26 |            | L!DL_DatRqChmomo                                | ChmomoReqSnd(<br>TCV_chTch,<br>ChmomoReq_01(<br>ChMod_3k,<br>TCV_chd1))  |     |
| 27 |            | [TSPC_24DataF]                                  |                                                                          |     |
| 28 | L_028<br>0 | L?DL_DatInChmomoAck                             | ChmomoAckRcv(<br>TCV_chTch,<br>ChmomoAck_01(<br>ChMod_3k,<br>TCV_chd1))  | (P) |
| 29 |            | +localtree1                                     |                                                                          |     |
| 30 |            | [NOT TSPC_24DataF]                              |                                                                          |     |
| 31 | L_028<br>1 | L?DL_DatInChmomoAck                             | ChmomoAckRcv(<br>TCV_chTch,<br>ChmomoAck_01(<br>ChMod_12k,<br>TCV_chd1)) | (P) |
| 32 |            | +localtree1                                     |                                                                          |     |
| 33 |            | [NOT TSPC_96Data]                               |                                                                          |     |
| 34 | L_028<br>2 | L?DL_DatInChmomoAck                             | ChmomoAckRcv(<br>TCV_chTch,<br>ChmomoAck_01(<br>chm, TCV_chd1))          | (P) |
| 35 |            | LIDL_DatRqChmomo                                | ChmomoReqSnd(<br>TCV_chTch,<br>ChmomoReq_01(<br>ChMod_6k,<br>TCV_chd1))  |     |
| 36 |            | [TSPC_48DataF]                                  |                                                                          |     |
| 37 |            | +localtree2                                     |                                                                          |     |
| 38 |            | [NOT TSPC_48DataF]                              |                                                                          |     |
| 39 | L_028<br>3 | L?DL_DatInChmomoAck                             | ChmomoAckRcv(<br>TCV_chTch,<br>ChmomoAck_01(<br>chm, TCV_chd1))          | (P) |
| 40 |            | L!DL_DatRqChmomo                                | ChmomoReqSnd(<br>TCV_chTch,<br>ChmomoReq_01(<br>ChMod_3k,<br>TCV_chd1))  |     |
| 41 |            | [TSPC_24DataF]                                  |                                                                          |     |



|    |            |                                                                                    |                                                                          |     |
|----|------------|------------------------------------------------------------------------------------|--------------------------------------------------------------------------|-----|
| 42 | L_028<br>4 | L?DL_DatInChmmoAck                                                                 | ChmmoAckRcv(<br>TCV_chTch,<br>ChmomoAck_01(<br>ChMod_3k,<br>TCV_chd1))   | (P) |
| 43 |            | +localtree1                                                                        |                                                                          |     |
| 44 |            | [NOT TSPC_24DataF]                                                                 |                                                                          |     |
| 45 | L_028<br>5 | L?DL_DatInChmmoAck                                                                 | ChmmoAckRcv(<br>TCV_chTch,<br>ChmomoAck_01(<br>chm, TCV_chd1))           | (P) |
| 46 |            | +localtree1                                                                        |                                                                          |     |
| 47 |            | <b>localtree1</b><br>L!DL_DatRqChmmo                                               | ChmmoReqSnd(<br>TCV_chTch,<br>ChmomoReq_01(<br>ChMod_sign,<br>TCV_chd1)) |     |
| 48 | L_028<br>6 | L?DL_DatInChmmoAck                                                                 | ChmmoAckRcv(<br>TCV_chTch,<br>ChmomoAck_01(<br>ChMod_sign,<br>TCV_chd1)) | (P) |
| 49 |            | +PostMainLinkRel(TCV_chTch)                                                        |                                                                          |     |
| 50 | L_028<br>7 | <b>localtree2</b><br>L?DL_DatInChmmoAck                                            | ChmmoAckRcv(<br>TCV_chTch,<br>ChmomoAck_01(<br>ChMod_6k,<br>TCV_chd1))   | (P) |
| 51 |            | L!DL_DatRqChmmo                                                                    | ChmmoReqSnd(<br>TCV_chTch,<br>ChmomoReq_01(<br>ChMod_3k,<br>TCV_chd1))   |     |
| 52 |            | [TSPC_24DataF]                                                                     |                                                                          |     |
| 53 | L_028<br>8 | L?DL_DatInChmmoAck                                                                 | ChmmoAckRcv(<br>TCV_chTch,<br>ChmomoAck_01(<br>ChMod_3k,<br>TCV_chd1))   | (P) |
| 54 |            | +localtree1                                                                        |                                                                          |     |
| 55 |            | [NOT TSPC_24DataF]                                                                 |                                                                          |     |
| 56 | L_028<br>9 | L?DL_DatInChmmoAck                                                                 | ChmmoAckRcv(<br>TCV_chTch,<br>ChmomoAck_01(<br>ChMod_6k,<br>TCV_chd1))   | (P) |
| 57 |            | +localtree1                                                                        |                                                                          |     |
| 58 |            | <b>gsmOrDcs</b><br>[TSPC_PGSM OR TSPC_EGSM]                                        |                                                                          |     |
| 59 |            | (TCV_chd1 := ChDescrp_nfh('00001'B,<br>TSPX_TmSltDef, TSPX_TscDef, C_arfcn_tchA))  |                                                                          |     |
| 60 |            | [TSPC_DCS]                                                                         |                                                                          |     |
| 61 |            | (TCV_chd1 := ChDescrp_nfh('00001'B,<br>TSPX_TmSltDef, TSPX_TscDef, C_arfcn_tchAd)) |                                                                          |     |

**Detailed Comments:**

1. Default system infirmations for RR testing.

2. TCH/F channel.

### Test Case Dynamic Behaviour

|                        |                                                                                                                                                                                                                                                                                                                                                                                                                                                                                                                                                                                 |
|------------------------|---------------------------------------------------------------------------------------------------------------------------------------------------------------------------------------------------------------------------------------------------------------------------------------------------------------------------------------------------------------------------------------------------------------------------------------------------------------------------------------------------------------------------------------------------------------------------------|
| <b>Test Case Name:</b> | TC_26_6_7_2                                                                                                                                                                                                                                                                                                                                                                                                                                                                                                                                                                     |
| <b>Group:</b>          | GSM_L3_MS_v4210/RR/                                                                                                                                                                                                                                                                                                                                                                                                                                                                                                                                                             |
| <b>Purpose:</b>        | To verify that the MS, in an RR connected state, acknowledges a CHANNEL MODE MODIFY message by sending a CHANNEL MODE MODIFY ACKNOWLEDGEMENT message specifying and switches to the correct mode <ul style="list-style-type: none"> <li>- the new mode if that mode is supported</li> <li>- the old mode if the new mode is not supported.</li> </ul> <p>This shall be verified for the channel modes</p> <ul style="list-style-type: none"> <li>- signalling only</li> <li>- speech half rate</li> <li>- data 4.8 Kb/s half rate</li> <li>- data 2.4 Kb/s half rate</li> </ul> |
| <b>Default:</b>        | OtherEventsFail                                                                                                                                                                                                                                                                                                                                                                                                                                                                                                                                                                 |
| <b>Comments:</b>       | apply only to the MS supporting TCH/H.                                                                                                                                                                                                                                                                                                                                                                                                                                                                                                                                          |

| Nr | Label      | Behaviour Description                                                                                                                                                                                                                                                                                                                                                                                                                                                                                                                                                    | CRef                                                                      | V   | Comments                |
|----|------------|--------------------------------------------------------------------------------------------------------------------------------------------------------------------------------------------------------------------------------------------------------------------------------------------------------------------------------------------------------------------------------------------------------------------------------------------------------------------------------------------------------------------------------------------------------------------------|---------------------------------------------------------------------------|-----|-------------------------|
| 1  |            | START T_guard(300)                                                                                                                                                                                                                                                                                                                                                                                                                                                                                                                                                       |                                                                           |     |                         |
| 2  |            | +IdleUpdated( C_E_default, C_CellA, C_SCH_A, C_BCCH_A_1, C_ImmMass, C_S0, C_SlotNU, C_SlotNU, C_SlotNU, C_BCC, C_TxInt_5, C_Max_1, C_NECI_0, C_ATT_0, TimingAdv( 30), C_BABR_0, C_cch_1Comb, C_BPM_3, C_T3212_0, C_ci_cellA, C_MCC_1, C_PLMN_1, C_LAC_1, CellOpt_01, CellChDes_02, CellChDes_03, C_CellReselectHys12, C_MaxPwrLvlG, C_MaxPwrLvlD, BcchFreqLst_01, BcchFreqLst_Omit, BcchFreqLst_48, BcchFreqLst_Omit, C_noRestablishment, C_BCC, C_NCC, C_Start_Tmsi, TSPX_SDCCH4SubDef, TSPX_CKSNDf, TSPX_RANDDef, C_arfcnA, C_arfcnAd, TSPX_IMSI, C_Test_fh, C_NCCP_2) |                                                                           |     |                         |
| 3  |            | +gsmOrDcs                                                                                                                                                                                                                                                                                                                                                                                                                                                                                                                                                                |                                                                           |     |                         |
| 4  |            | +HalfRateCh_A_1_nociph( TSPX_TCHSubA, C_ImmMass, TSPX_TmSlitDef, TSPX_TscDef, ChMod_sign, FreqTCH( C_arfcn_tchA), FreqTCH( C_arfcn_tchAd), TimingAdv( 30), C_BABR_0, C_cch_1Comb, C_BPM_3)                                                                                                                                                                                                                                                                                                                                                                               |                                                                           |     |                         |
| 5  |            | LIDL_UdatRqPg1Rq                                                                                                                                                                                                                                                                                                                                                                                                                                                                                                                                                         | PgReq1(TCV_PgCh, TCV_Pgg, PgReqTp1_05)                                    |     |                         |
| 6  |            | L?DL_RaInChRq (TCV_Rr := DL_RaInChRq.msg.ecau_rrf, TCV_Fn := DL_RaInChRq.fn)                                                                                                                                                                                                                                                                                                                                                                                                                                                                                             | ChReq( ChRequest_17)                                                      |     |                         |
| 7  |            | ACTIVATE( OtherEventsFail_02)                                                                                                                                                                                                                                                                                                                                                                                                                                                                                                                                            |                                                                           |     | To match ChReq retrans. |
| 8  |            | LIDL_UdatRqImmMass                                                                                                                                                                                                                                                                                                                                                                                                                                                                                                                                                       | ImmAss( TCV_agch, ImmAsgn_r14( TCV_Rr, TCV_Fn, TCV_chd1, TimingAdv( 30))) |     | 2.                      |
| 9  |            | L?DL_EstInPgRes                                                                                                                                                                                                                                                                                                                                                                                                                                                                                                                                                          | PagingRes( PagingRes_r02)                                                 |     |                         |
| 10 |            | ACTIVATE( OtherEventsFail)                                                                                                                                                                                                                                                                                                                                                                                                                                                                                                                                               |                                                                           |     | Restore Normal default  |
| 11 |            | LIDL_DatRqChmMo                                                                                                                                                                                                                                                                                                                                                                                                                                                                                                                                                          | ChmMoReqSnd( TCV_chTch, ChmMoReq_02( ChMod_speech, TCV_chd1))             |     |                         |
| 12 | L_029<br>0 | L?DL_DatInChmMoAck                                                                                                                                                                                                                                                                                                                                                                                                                                                                                                                                                       | ChmMoAckRcv( TCV_chTch, ChmMoAck_02( ChMod_speech, TCV_chd1))             | (P) |                         |
| 13 |            | [TSPC_HalfRateSpeech]                                                                                                                                                                                                                                                                                                                                                                                                                                                                                                                                                    |                                                                           |     |                         |
| 14 | L_029<br>1 | L?DL_DatInChmMoAck                                                                                                                                                                                                                                                                                                                                                                                                                                                                                                                                                       | ChmMoAckRcv( TCV_chTch, ChmMoAck_02( ChMod_speech, TCV_chd1))             | (P) |                         |
| 15 |            | +localtree( ChMod_speech)                                                                                                                                                                                                                                                                                                                                                                                                                                                                                                                                                |                                                                           |     |                         |

|    |            |                                                |                                                                          |     |  |
|----|------------|------------------------------------------------|--------------------------------------------------------------------------|-----|--|
| 16 |            | [NOT<br>TSPC_HalfRateSpeech]                   |                                                                          |     |  |
| 17 | L_029<br>2 | L?DL_DatInChmmoAck                             | ChmmoAckRcv(<br>TCV_chTch,<br>ChmomoAck_02(<br>ChMod_sign,<br>TCV_chd1)) | (P) |  |
| 18 |            | +localtree( ChMod_sign)                        |                                                                          |     |  |
| 19 |            | <b>localtree(chm:CHMOD)</b><br>L!DL_DatRqChmmo | ChmmoReqSnd(<br>TCV_chTch,<br>ChmomoReq_02(<br>ChMod_6k,<br>TCV_chd1))   |     |  |
| 20 |            | [TSPC_48DataH]                                 |                                                                          |     |  |
| 21 |            | +localtree2                                    |                                                                          |     |  |
| 22 |            | [NOT TSPC_48DataH]                             |                                                                          |     |  |
| 23 | L_029<br>3 | L?DL_DatInChmmoAck                             | ChmmoAckRcv(<br>TCV_chTch,<br>ChmomoAck_02(<br>chm, TCV_chd1))           | (P) |  |
| 24 |            | LIDL_DatRqChmmo                                | ChmmoReqSnd(<br>TCV_chTch,<br>ChmomoReq_02(<br>ChMod_3k,<br>TCV_chd1))   |     |  |
| 25 |            | [TSPC_24DataH]                                 |                                                                          |     |  |
| 26 | L_029<br>4 | L?DL_DatInChmmoAck                             | ChmmoAckRcv(<br>TCV_chTch,<br>ChmomoAck_02(<br>ChMod_3k,<br>TCV_chd1))   | (P) |  |
| 27 |            | +localtree1                                    |                                                                          |     |  |
| 28 |            | [NOT TSPC_24DataH]                             |                                                                          |     |  |
| 29 | L_029<br>5 | L?DL_DatInChmmoAck                             | ChmmoAckRcv(<br>TCV_chTch,<br>ChmomoAck_02(<br>chm, TCV_chd1))           | (P) |  |
| 30 |            | +localtree1                                    |                                                                          |     |  |
| 31 |            | <b>localtree1</b><br>L!DL_DatRqChmmo           | ChmmoReqSnd(<br>TCV_chTch,<br>ChmomoReq_02(<br>ChMod_sign,<br>TCV_chd1)) |     |  |
| 32 | L_029<br>6 | L?DL_DatInChmmoAck                             | ChmmoAckRcv(<br>TCV_chTch,<br>ChmomoAck_02(<br>ChMod_sign,<br>TCV_chd1)) | (P) |  |
| 33 |            | +PostMainLinkRel(TCV_chTch)                    |                                                                          |     |  |
| 34 | L_029<br>7 | L?DL_DatInChmmoAck                             | ChmmoAckRcv(<br>TCV_chTch,<br>ChmomoAck_02(<br>ChMod_6k,<br>TCV_chd1))   | (P) |  |
| 35 |            | LIDL_DatRqChmmo                                | ChmmoReqSnd(<br>TCV_chTch,<br>ChmomoReq_02(<br>ChMod_3k,<br>TCV_chd1))   |     |  |
| 36 |            | [TSPC_24DataH]                                 |                                                                          |     |  |
| 37 | L_029<br>8 | L?DL_DatInChmmoAck                             | ChmmoAckRcv(<br>TCV_chTch,<br>ChmomoAck_02(<br>ChMod_3k,<br>TCV_chd1))   | (P) |  |
| 38 |            | +localtree1                                    |                                                                          |     |  |

|                           |            |                                                                                                 |                                                                        |     |
|---------------------------|------------|-------------------------------------------------------------------------------------------------|------------------------------------------------------------------------|-----|
| 39                        |            | [NOT TSPC_24DataH]                                                                              |                                                                        |     |
| 40                        | L_029<br>9 | L?DL_DatInChmmoAck                                                                              | ChmmoAckRcv(<br>TCV_chTch,<br>ChmomoAck_02(<br>ChMod_6k,<br>TCV_chd1)) | (P) |
| 41                        |            | +localtree1                                                                                     |                                                                        |     |
|                           |            | <b>gsmOrDcs</b>                                                                                 |                                                                        |     |
| 42                        |            | [TSPC_PGSM OR TSPC_EGSM]                                                                        |                                                                        |     |
| 43                        |            | (TCV_chd1 := ChDescrp_tch_nfh(<br>TSPX_TmSltDef, TSPX_TscDef,<br>TSPX_TCHHSubA, C_arfcn_tchA))  |                                                                        |     |
| 44                        |            | [TSPC_DCS]                                                                                      |                                                                        |     |
| 45                        |            | (TCV_chd1 := ChDescrp_tch_nfh(<br>TSPX_TmSltDef, TSPX_TscDef,<br>TSPX_TCHHSubA, C_arfcn_tchAd)) |                                                                        |     |
| <b>Detailed Comments:</b> |            | 1. Default system infirmations for RR testing.<br>2. TCH/H channel                              |                                                                        |     |

| Test Case Dynamic Behaviour |       |                                                                                                                                                                                                                                                                                                                                                                                                                                                                                                                                                                                                                    |                                                                                                                                                  |   |                         |
|-----------------------------|-------|--------------------------------------------------------------------------------------------------------------------------------------------------------------------------------------------------------------------------------------------------------------------------------------------------------------------------------------------------------------------------------------------------------------------------------------------------------------------------------------------------------------------------------------------------------------------------------------------------------------------|--------------------------------------------------------------------------------------------------------------------------------------------------|---|-------------------------|
| <b>Test Case Name:</b>      |       | TC_26_6_8_1                                                                                                                                                                                                                                                                                                                                                                                                                                                                                                                                                                                                        |                                                                                                                                                  |   |                         |
| <b>Group:</b>               |       | GSM_L3_MS_v4210/RR/                                                                                                                                                                                                                                                                                                                                                                                                                                                                                                                                                                                                |                                                                                                                                                  |   |                         |
| <b>Purpose:</b>             |       | To verify that the MS starts ciphering when it receives a CIPHERING MODE COMMAND message with Cipher Mode Setting = "Start Ciphering". To verify that it continues to use the old cipher key after it receives an AUTHENTICATION REQUEST whilst in ciphered mode.                                                                                                                                                                                                                                                                                                                                                  |                                                                                                                                                  |   |                         |
| <b>Default:</b>             |       | OtherEventsFail                                                                                                                                                                                                                                                                                                                                                                                                                                                                                                                                                                                                    |                                                                                                                                                  |   |                         |
| Nr                          | Label | Behaviour Description                                                                                                                                                                                                                                                                                                                                                                                                                                                                                                                                                                                              | CRef                                                                                                                                             | V | Comments                |
| 1                           |       | START T_guard(300)                                                                                                                                                                                                                                                                                                                                                                                                                                                                                                                                                                                                 |                                                                                                                                                  |   |                         |
| 2                           |       | +BasicServiceMO( TSPX_MOBscSvcH,<br>TSPX_MOChRateH)                                                                                                                                                                                                                                                                                                                                                                                                                                                                                                                                                                |                                                                                                                                                  |   |                         |
| 3                           |       | +IdleUpdated( C_E_default, C_CellA, C_SCH_A,<br>C_BCCCH_A_1, C_Immass, C_S0, C_SlotNU,<br>C_SlotNU, C_SlotNU, C_BCC, C_TxInt_5,<br>C_Max_1, C_NECL_0, C_ATT_0, TimingAdv( 30),<br>C_BABR_0, C_cch_1Comb, C_BPM_3,<br>C_T3212_0, C_ci_cellA, C_MCC_1, C_PLMN_1,<br>C_LAC_1, CellOpt_05, CellChDes_Omit,<br>CellChDes_Omit, C_CellReselectHys12,<br>C_MaxPwrLvIG, C_MaxPwrLvID,<br>BcchFreqLst_02, BcchFreqLst_01,<br>BcchFreqLst_04, BcchFreqLst_48,<br>C_Reestablishment, C_BCC, C_NCC,<br>C_Start_Tmsi, TSPX_SDCCH4SubDef,<br>TSPX_CKSNA, TSPX_RANDA, C_arfcnA,<br>C_arfcnAd, TSPX_IMSI, C_Test_nfh,<br>C_NCCP_2) |                                                                                                                                                  |   |                         |
| 4                           | body  | [TSPC_Feat_A51]                                                                                                                                                                                                                                                                                                                                                                                                                                                                                                                                                                                                    |                                                                                                                                                  |   |                         |
| 5                           |       | (TCV_CphAlg := '000'B)                                                                                                                                                                                                                                                                                                                                                                                                                                                                                                                                                                                             |                                                                                                                                                  |   |                         |
| 6                           |       | +InitCall(TCV_Service)                                                                                                                                                                                                                                                                                                                                                                                                                                                                                                                                                                                             |                                                                                                                                                  |   |                         |
| 7                           |       | +localtree                                                                                                                                                                                                                                                                                                                                                                                                                                                                                                                                                                                                         |                                                                                                                                                  |   | 2.                      |
| 8                           |       | [TSPC_Feat_A52]                                                                                                                                                                                                                                                                                                                                                                                                                                                                                                                                                                                                    |                                                                                                                                                  |   |                         |
| 9                           |       | (TCV_CphAlg := '001'B)                                                                                                                                                                                                                                                                                                                                                                                                                                                                                                                                                                                             |                                                                                                                                                  |   |                         |
| 10                          |       | +InitCall(TCV_Service)                                                                                                                                                                                                                                                                                                                                                                                                                                                                                                                                                                                             |                                                                                                                                                  |   |                         |
| 11                          |       | +localtree                                                                                                                                                                                                                                                                                                                                                                                                                                                                                                                                                                                                         |                                                                                                                                                  |   | 3.                      |
| 12                          |       | [NOT TSPC_Feat_A52]                                                                                                                                                                                                                                                                                                                                                                                                                                                                                                                                                                                                |                                                                                                                                                  |   |                         |
| 13                          |       | [NOT TSPC_Feat_A51]                                                                                                                                                                                                                                                                                                                                                                                                                                                                                                                                                                                                |                                                                                                                                                  |   |                         |
| 14                          |       | [TSPC_Feat_A52]                                                                                                                                                                                                                                                                                                                                                                                                                                                                                                                                                                                                    |                                                                                                                                                  |   |                         |
| 15                          |       | (TCV_CphAlg := '001'B)                                                                                                                                                                                                                                                                                                                                                                                                                                                                                                                                                                                             |                                                                                                                                                  |   |                         |
| 16                          |       | +InitCall(TCV_Service)                                                                                                                                                                                                                                                                                                                                                                                                                                                                                                                                                                                             |                                                                                                                                                  |   |                         |
| 17                          |       | +localtree                                                                                                                                                                                                                                                                                                                                                                                                                                                                                                                                                                                                         |                                                                                                                                                  |   | 3.                      |
| 18                          |       | [NOT TSPC_Feat_A52]                                                                                                                                                                                                                                                                                                                                                                                                                                                                                                                                                                                                |                                                                                                                                                  |   |                         |
|                             |       | <b>localtree</b>                                                                                                                                                                                                                                                                                                                                                                                                                                                                                                                                                                                                   |                                                                                                                                                  |   |                         |
| 19                          |       | L?DL_RaInChRq (TCV_Rr := DL_RaInChRq.<br>msg.ecau_rrf, TCV_Fn := DL_RaInChRq.fn)                                                                                                                                                                                                                                                                                                                                                                                                                                                                                                                                   | ChReq(<br>ChRequest_04)                                                                                                                          |   |                         |
| 20                          |       | ACTIVATE(OtherEventsFail_02)                                                                                                                                                                                                                                                                                                                                                                                                                                                                                                                                                                                       |                                                                                                                                                  |   | To match ChReq retrans. |
| 21                          |       | LIDL_UdatRqImmass                                                                                                                                                                                                                                                                                                                                                                                                                                                                                                                                                                                                  | ImmAss( TCV_agch,<br>ImmAsgn_01Def(<br>TCV_Rr, TCV_Fn,<br>TSPX_SDCCH4SubD<br>ef, TCV_slot,<br>TCV_tsc,<br>TCV_chdescr_arfcn,<br>TimingAdv( 30))) |   |                         |
| 22                          |       | L?DL_EstInCmsRq                                                                                                                                                                                                                                                                                                                                                                                                                                                                                                                                                                                                    | CMSerReq(<br>CMSerReq_01)                                                                                                                        |   |                         |
| 23                          |       | ACTIVATE(OtherEventsFail)                                                                                                                                                                                                                                                                                                                                                                                                                                                                                                                                                                                          |                                                                                                                                                  |   | Restore Normal default  |
| 24                          |       | LIDL_DatRqAuthRq                                                                                                                                                                                                                                                                                                                                                                                                                                                                                                                                                                                                   | AuthReq(TCV_ch,<br>AuthRequest(<br>TSPX_CKSNA,<br>TSPX_RANDA))                                                                                   |   |                         |
| 25                          |       | L?DL_DatInAuthRes                                                                                                                                                                                                                                                                                                                                                                                                                                                                                                                                                                                                  | AuthRes(<br>AuthResponse)                                                                                                                        |   |                         |
| 26                          |       | (TCV_CphMd.algid := TCV_CphAlg,<br>TCV_Null := OM_CphMdChg( TCV_ch,<br>TCV_CphMd, TCV_CphKey))                                                                                                                                                                                                                                                                                                                                                                                                                                                                                                                     |                                                                                                                                                  |   |                         |
| 27                          |       | LIDL_DatRqCphmCmd<br>(DL_DatRqCphmCmd.msg.cphms.alg<br>id := TCV_CphAlg)                                                                                                                                                                                                                                                                                                                                                                                                                                                                                                                                           | CphCmd( TCV_ch,<br>CphModeCmd_01)                                                                                                                |   | 4.                      |

|                                                                                                                                                                                                                                                       |            |                              |                                                                |     |
|-------------------------------------------------------------------------------------------------------------------------------------------------------------------------------------------------------------------------------------------------------|------------|------------------------------|----------------------------------------------------------------|-----|
| 28                                                                                                                                                                                                                                                    | L_030<br>0 | L?DL_DatInCphmCom            | CphCom(<br>CphModeCmp_01)                                      | (P) |
| 29                                                                                                                                                                                                                                                    |            | L?DL_DatInSetup              | SetupRcv(<br>SetupInd_01)                                      |     |
| 30                                                                                                                                                                                                                                                    |            | L!DL_DatRqAuthRq             | AuthReq(TCV_ch,<br>AuthRequest(<br>TSPX_CKSNA,<br>TSPX_RANDA)) |     |
| 31                                                                                                                                                                                                                                                    | L_030<br>1 | L?DL_DatInAuthRes            | AuthRes(<br>AuthResponse)                                      | (P) |
| 32                                                                                                                                                                                                                                                    |            | +PostMainLinkRel(<br>TCV_ch) |                                                                |     |
| <b>Detailed Comments:</b>                                                                                                                                                                                                                             |            |                              |                                                                |     |
| <ol style="list-style-type: none"> <li>1. 1 cell with default parameters except Radio-Link-Timeout = 64.</li> <li>2. Test the A5/1 algorithm.</li> <li>3. Test the A5/2 algorithm.</li> <li>4. Ciphering mode setting = "Start ciphering".</li> </ol> |            |                              |                                                                |     |

| Test Case Dynamic Behaviour |            |                                                                                                                                                                                                                                                                                                                                                                                                                                                                                                                                                                                                                   |                                                                                                                                             |     |                         |
|-----------------------------|------------|-------------------------------------------------------------------------------------------------------------------------------------------------------------------------------------------------------------------------------------------------------------------------------------------------------------------------------------------------------------------------------------------------------------------------------------------------------------------------------------------------------------------------------------------------------------------------------------------------------------------|---------------------------------------------------------------------------------------------------------------------------------------------|-----|-------------------------|
| <b>Test Case Name:</b>      |            | TC_26_6_8_2                                                                                                                                                                                                                                                                                                                                                                                                                                                                                                                                                                                                       |                                                                                                                                             |     |                         |
| <b>Group:</b>               |            | GSM_L3_MS_v4210/RR/                                                                                                                                                                                                                                                                                                                                                                                                                                                                                                                                                                                               |                                                                                                                                             |     |                         |
| <b>Purpose:</b>             |            | To verify that the MS does not start ciphering when it receives a CIPHERING MODE COMMAND message with Cipher Mode Setting = "No Ciphering".                                                                                                                                                                                                                                                                                                                                                                                                                                                                       |                                                                                                                                             |     |                         |
| <b>Default:</b>             |            | OtherEventsFail                                                                                                                                                                                                                                                                                                                                                                                                                                                                                                                                                                                                   |                                                                                                                                             |     |                         |
| Nr                          | Label      | Behaviour Description                                                                                                                                                                                                                                                                                                                                                                                                                                                                                                                                                                                             | CRef                                                                                                                                        | V   | Comments                |
| 1                           |            | START T_guard(300)                                                                                                                                                                                                                                                                                                                                                                                                                                                                                                                                                                                                |                                                                                                                                             |     |                         |
| 2                           |            | +BasicServiceMO( TSPX_MOBScSvcC,<br>TSPX_MOChRateC)                                                                                                                                                                                                                                                                                                                                                                                                                                                                                                                                                               |                                                                                                                                             |     |                         |
| 3                           |            | +IdleUpdated( C_E_default, C_CellA, C_SCH_A,<br>C_BCCH_A_1, C_Immass, C_S0, C_SlotNU,<br>C_SlotNU, C_SlotNU, C_BCC, C_TxInt_5,<br>C_Max_1, C_NECI_0, C_ATT_0, TimingAdv( 30),<br>C_BABR_0, C_cch_1Comb, C_BPM_3,<br>C_T3212_0, C_ci_cellA, C_MCC_1, C_PLMN_1,<br>C_LAC_1, CellOpt_05, CellChDes_Omit,<br>CellChDes_Omit, C_CellReselectHys12,<br>C_MaxPwrLvIG, C_MaxPwrLvID,<br>BcchFreqLst_02, BcchFreqLst_01,<br>BcchFreqLst_04, BcchFreqLst_48,<br>C_Restablishment, C_BCC, C_NCC,<br>C_Start_Tmsi, TSPX_SDCCH4SubA,<br>TSPX_CKSNDf, TSPX_RANDDef, C_arfcnA,<br>C_arfcnAd, TSPX_IMSI, C_Test_nfh,<br>C_NCCP_2) |                                                                                                                                             |     |                         |
| 4                           | body       | +InitCall(TCV_Service)                                                                                                                                                                                                                                                                                                                                                                                                                                                                                                                                                                                            |                                                                                                                                             |     |                         |
| 5                           |            | L?DL_RacInChRq (TCV_Rr :=<br>DL_RacInChRq. msg.ecau_rrf, TCV_Fn :=<br>DL_RacInChRq.fn)                                                                                                                                                                                                                                                                                                                                                                                                                                                                                                                            | ChReq(<br>ChRequest_04)                                                                                                                     |     |                         |
| 6                           |            | ACTIVATE( OtherEventsFail_02)                                                                                                                                                                                                                                                                                                                                                                                                                                                                                                                                                                                     |                                                                                                                                             |     | To match ChReq retrans. |
| 7                           |            | L!DL_UdatRqImmass                                                                                                                                                                                                                                                                                                                                                                                                                                                                                                                                                                                                 | ImmAss( TCV_agch,<br>ImmAsgn_01Def(<br>TCV_Rr, TCV_Fn,<br>TSPX_SDCCH4SubA<br>, TCV_slot, TCV_tsc,<br>TCV_chdescr_arfcn,<br>TimingAdv( 30))) |     |                         |
| 8                           |            | L?DL_EstInCmsRq                                                                                                                                                                                                                                                                                                                                                                                                                                                                                                                                                                                                   | CMSerReq(<br>CMSerReq_01)                                                                                                                   |     |                         |
| 9                           |            | ACTIVATE( OtherEventsFail)                                                                                                                                                                                                                                                                                                                                                                                                                                                                                                                                                                                        |                                                                                                                                             |     | Restore Normal default  |
| 10                          |            | L!DL_DatRqAuthRq                                                                                                                                                                                                                                                                                                                                                                                                                                                                                                                                                                                                  | AuthReq(TCV_ch,<br>AuthRequest(<br>TSPX_CKSNDf,<br>TSPX_RANDDef))                                                                           |     |                         |
| 11                          |            | L?DL_DatInAuthRes                                                                                                                                                                                                                                                                                                                                                                                                                                                                                                                                                                                                 | AuthRes(<br>AuthResponse)                                                                                                                   |     |                         |
| 12                          |            | L!DL_DatRqCphmCmd                                                                                                                                                                                                                                                                                                                                                                                                                                                                                                                                                                                                 | CphCmd( TCV_ch,<br>CphModeCmd_02)                                                                                                           |     | 2.                      |
| 13                          |            | L?DL_DatInCphmCom                                                                                                                                                                                                                                                                                                                                                                                                                                                                                                                                                                                                 | CphCom(<br>CphModeCmp_01)                                                                                                                   |     |                         |
| 14                          | L_030<br>2 | L?DL_DatInSetup                                                                                                                                                                                                                                                                                                                                                                                                                                                                                                                                                                                                   | SetupRcv(<br>SetupInd_01)                                                                                                                   | (P) |                         |
| 15                          |            | +PostMainLinkRel(<br>TCV_ch)                                                                                                                                                                                                                                                                                                                                                                                                                                                                                                                                                                                      |                                                                                                                                             |     |                         |
| <b>Detailed Comments:</b>   |            | 1. 1 cell with default parameters except Radio-Link-Timeout = 64.<br>2. Ciphering mode setting = "no ciphering".                                                                                                                                                                                                                                                                                                                                                                                                                                                                                                  |                                                                                                                                             |     |                         |

| Test Case Dynamic Behaviour |            |                                                                                                                                                                                                                                                                                                                                                                                                                                                                                                                                                                                                                   |                                                                                                                                             |     |                         |
|-----------------------------|------------|-------------------------------------------------------------------------------------------------------------------------------------------------------------------------------------------------------------------------------------------------------------------------------------------------------------------------------------------------------------------------------------------------------------------------------------------------------------------------------------------------------------------------------------------------------------------------------------------------------------------|---------------------------------------------------------------------------------------------------------------------------------------------|-----|-------------------------|
| <b>Test Case Name:</b>      |            | TC_26_6_8_3                                                                                                                                                                                                                                                                                                                                                                                                                                                                                                                                                                                                       |                                                                                                                                             |     |                         |
| <b>Group:</b>               |            | GSM_L3_MS_v4210/RR/                                                                                                                                                                                                                                                                                                                                                                                                                                                                                                                                                                                               |                                                                                                                                             |     |                         |
| <b>Purpose:</b>             |            | To verify that the MS uses the stored cipher key when it receives a CIPHERING MODE COMMAND without a preceding authentication procedure.                                                                                                                                                                                                                                                                                                                                                                                                                                                                          |                                                                                                                                             |     |                         |
| <b>Default:</b>             |            | OtherEventsFail                                                                                                                                                                                                                                                                                                                                                                                                                                                                                                                                                                                                   |                                                                                                                                             |     |                         |
| Nr                          | Label      | Behaviour Description                                                                                                                                                                                                                                                                                                                                                                                                                                                                                                                                                                                             | CRef                                                                                                                                        | V   | Comments                |
| 1                           |            | START T_guard(300)                                                                                                                                                                                                                                                                                                                                                                                                                                                                                                                                                                                                |                                                                                                                                             |     |                         |
| 2                           |            | +BasicServiceMO( TSPX_MOBscSvcB,<br>TSPX_MOChRateB)                                                                                                                                                                                                                                                                                                                                                                                                                                                                                                                                                               |                                                                                                                                             |     |                         |
| 3                           |            | +IdleUpdated( C_E_default, C_CellA, C_SCH_A,<br>C_BCCH_A_1, C_ImmAss, C_S0, C_SlotNU,<br>C_SlotNU, C_SlotNU, C_BCC, C_TxInt_5,<br>C_Max_1, C_NECI_0, C_ATT_0, TimingAdv( 30),<br>C_BABR_0, C_cch_1Comb, C_BPM_3,<br>C_T3212_0, C_ci_cellA, C_MCC_1, C_PLMN_1,<br>C_LAC_1, CellOpt_05, CellChDes_Omit,<br>CellChDes_Omit, C_CellReselectHys12,<br>C_MaxPwrLvIG, C_MaxPwrLvID,<br>BcchFreqLst_02, BcchFreqLst_01,<br>BcchFreqLst_04, BcchFreqLst_48,<br>C_Restablishment, C_BCC, C_NCC,<br>C_Start_Tmsi, TSPX_SDCCH4SubB,<br>TSPX_CKSNDf, TSPX_RANDDef, C_arfcnA,<br>C_arfcnAd, TSPX_IMSI, C_Test_nfh,<br>C_NCCP_2) |                                                                                                                                             |     |                         |
| 4                           | body       | +InitCall(TCV_Service)                                                                                                                                                                                                                                                                                                                                                                                                                                                                                                                                                                                            |                                                                                                                                             |     |                         |
| 5                           |            | L?DL_RaInChRq (TCV_Rr :=<br>DL_RaInChRq.msg.ecau_rrf, TCV_Fn :=<br>DL_RaInChRq.fn)                                                                                                                                                                                                                                                                                                                                                                                                                                                                                                                                | ChReq(<br>ChRequest_04)                                                                                                                     |     |                         |
| 6                           |            | ACTIVATE(OtherEventsFail_02)                                                                                                                                                                                                                                                                                                                                                                                                                                                                                                                                                                                      |                                                                                                                                             |     | To match ChReq retrans. |
| 7                           |            | L!DL_UdatRqImmAss                                                                                                                                                                                                                                                                                                                                                                                                                                                                                                                                                                                                 | ImmAss( TCV_agch,<br>ImmAsgn_01Def(<br>TCV_Rr, TCV_Fn,<br>TSPX_SDCCH4SubB<br>, TCV_slot, TCV_tsc,<br>TCV_chdescr_arfcn,<br>TimingAdv( 30))) |     |                         |
| 8                           |            | L?DL_EstInCmsRq                                                                                                                                                                                                                                                                                                                                                                                                                                                                                                                                                                                                   | CMSerReq(<br>CMServiceReq_01)                                                                                                               |     |                         |
| 9                           |            | ACTIVATE(OtherEventsFail)                                                                                                                                                                                                                                                                                                                                                                                                                                                                                                                                                                                         |                                                                                                                                             |     | Restore Normal default  |
| 10                          |            | (TCV_CphMd.algid :=<br>TSPX_CphAlgA)                                                                                                                                                                                                                                                                                                                                                                                                                                                                                                                                                                              |                                                                                                                                             |     | 2.                      |
| 11                          |            | (TCV_Null := OM_CphMdChg(<br>TCV_ch, TCV_CphMd,<br>TCV_CphKey))                                                                                                                                                                                                                                                                                                                                                                                                                                                                                                                                                   |                                                                                                                                             |     |                         |
| 12                          |            | L!DL_DatRqCphmCmd<br>(DL_DatRqCphmCmd.msg.cph<br>ms.algid := TSPX_CphAlgA)                                                                                                                                                                                                                                                                                                                                                                                                                                                                                                                                        | CphCmd( TCV_ch,<br>CphModeCmd_01)                                                                                                           |     | 3.                      |
| 13                          | L_030<br>3 | L?DL_DatInCphmCom                                                                                                                                                                                                                                                                                                                                                                                                                                                                                                                                                                                                 | CphCom(<br>CphModeCmp_01)                                                                                                                   | (P) |                         |
| 14                          | L_030<br>4 | L?DL_DatInSetup                                                                                                                                                                                                                                                                                                                                                                                                                                                                                                                                                                                                   | SetupRcv(<br>SetupInd_01)                                                                                                                   | (P) |                         |
| 15                          |            | +PostMainLinkRel(TCV_c<br>h)                                                                                                                                                                                                                                                                                                                                                                                                                                                                                                                                                                                      |                                                                                                                                             |     |                         |
| <b>Detailed Comments:</b>   |            | <ol style="list-style-type: none"> <li>1 cell with default parameters except Radio-Link-Timeout = 64.</li> <li>The cphering algorithm is chosen arbitrarily but controllable (TSPX_CphAlgA).</li> <li>Ciphering mode setting = "Start ciphering", old stored Kc. (generated by TSPX_Ki and TSPX_RANDDef)</li> </ol>                                                                                                                                                                                                                                                                                               |                                                                                                                                             |     |                         |



### Test Case Dynamic Behaviour

|                        |                                                                                                                                                                                                                                                                                                                                                                                                                                                                                                                                                                                                                                                                                                                                                                                                                                                                                                                                                                                                                                                                                                                                                                                                                                                                                                                                                                                                                                                                                                                                                                                                                                                                                                                                                                                                                                                                                                                                                                                                                                                                                                                                                                                                                                                                                                                                                                                                                                                                                                   |
|------------------------|---------------------------------------------------------------------------------------------------------------------------------------------------------------------------------------------------------------------------------------------------------------------------------------------------------------------------------------------------------------------------------------------------------------------------------------------------------------------------------------------------------------------------------------------------------------------------------------------------------------------------------------------------------------------------------------------------------------------------------------------------------------------------------------------------------------------------------------------------------------------------------------------------------------------------------------------------------------------------------------------------------------------------------------------------------------------------------------------------------------------------------------------------------------------------------------------------------------------------------------------------------------------------------------------------------------------------------------------------------------------------------------------------------------------------------------------------------------------------------------------------------------------------------------------------------------------------------------------------------------------------------------------------------------------------------------------------------------------------------------------------------------------------------------------------------------------------------------------------------------------------------------------------------------------------------------------------------------------------------------------------------------------------------------------------------------------------------------------------------------------------------------------------------------------------------------------------------------------------------------------------------------------------------------------------------------------------------------------------------------------------------------------------------------------------------------------------------------------------------------------------|
| <b>Test Case Name:</b> | TC_26_6_8_4                                                                                                                                                                                                                                                                                                                                                                                                                                                                                                                                                                                                                                                                                                                                                                                                                                                                                                                                                                                                                                                                                                                                                                                                                                                                                                                                                                                                                                                                                                                                                                                                                                                                                                                                                                                                                                                                                                                                                                                                                                                                                                                                                                                                                                                                                                                                                                                                                                                                                       |
| <b>Group:</b>          | GSM_L3_MS_v4210/RR/                                                                                                                                                                                                                                                                                                                                                                                                                                                                                                                                                                                                                                                                                                                                                                                                                                                                                                                                                                                                                                                                                                                                                                                                                                                                                                                                                                                                                                                                                                                                                                                                                                                                                                                                                                                                                                                                                                                                                                                                                                                                                                                                                                                                                                                                                                                                                                                                                                                                               |
| <b>Purpose:</b>        | <p>1 To verify that when the MS is in the "not ciphered" mode and receives the CIPHERING MODE COMMAND message with Ciphering Mode Setting information element set to "start ciphering", the MS uses the cipher key stored in the SIM to start ciphering and deciphering with the algorithm indicated by the "algorithm identifier" field and that the MS responds with a CIPHERING MODE COMPLETE message.</p> <p>2 To verify that the MS is ready to transmit the CIPHERING MODE COMPLETE message before 500ms after the end of the CIPHERING MODE COMMAND message.</p> <p>3 To verify that when the MS receives an ASSIGNMENT COMMAND message containing a Cipher Mode Setting IE after receipt of a CIPHERING MODE COMMAND message, the MS shall perform the assignment, use the commanded mode and/or algorithm on the new channel, and not change the ciphering key.</p> <p>4 To verify that when the MS receives a HANOVER COMMAND message containing a Cipher Mode Setting IE after receipt of a CIPHERING MODE COMMAND message, the MS shall perform the handover, use the commanded mode and/or algorithm on the new channel, and not change the ciphering key</p> <p>5 To verify that when the MS is in the "ciphered" mode and receives the CIPHERING MODE COMMAND message with Cipher Mode Setting IE set to "no ciphering", the MS loads the cipher key stored in the SIM into the ME, stops ciphering and deciphering and, responds with a CIPHERING MODE COMPLETE message.</p> <p>6 To verify that the MS responds to an AUTHENTICATION REQUEST message with an AUTHENTICATION RESPONSE message and continues to use the cipher key obtained from the previous authentication procedure.</p> <p>7 To verify that when the MS is in the "not ciphered" mode and receives the CIPHERING MODE COMMAND message with Ciphering Mode Setting information element set to "no ciphering", the does not start ciphering or deciphering, but does respond with a CIPHERING MODE COMPLETE message.</p> <p>8 To verify that when the MS receives a HANOVER COMMAND message and the handover fails, the MS sends a HANOVER FAILURE message on the old channel using the old ciphering mode and (if ciphered) the old algorithm and old key.</p> <p>9 To verify that when the MS receives an ASSIGNMENT COMMAND message and the assignment fails, the MS sends an ASSIGNMENT FAILURE message on the old channel using the old ciphering mode and (if ciphered) the old algorithm and old key.</p> |
| <b>Default:</b>        | OtherEventsFail                                                                                                                                                                                                                                                                                                                                                                                                                                                                                                                                                                                                                                                                                                                                                                                                                                                                                                                                                                                                                                                                                                                                                                                                                                                                                                                                                                                                                                                                                                                                                                                                                                                                                                                                                                                                                                                                                                                                                                                                                                                                                                                                                                                                                                                                                                                                                                                                                                                                                   |

| Nr | Label | Behaviour Description                                                                                                                                                                                                                                                                                                                                                                                                                                                                                                                                              | CRef                                   | V | Comments |
|----|-------|--------------------------------------------------------------------------------------------------------------------------------------------------------------------------------------------------------------------------------------------------------------------------------------------------------------------------------------------------------------------------------------------------------------------------------------------------------------------------------------------------------------------------------------------------------------------|----------------------------------------|---|----------|
| 1  |       | START T_guard(300)                                                                                                                                                                                                                                                                                                                                                                                                                                                                                                                                                 |                                        |   |          |
| 2  |       | +IdleUpdated( C_E_default, C_CellA, C_SCH_A, C_BCCH_A_1, C_Immass, C_S0, C_SlotNU, C_SlotNU, C_SlotNU, C_BCC, C_TxInt_5, C_Max_7, C_NECI_0, C_ATT_0, TimingAdv( 30), C_BABR_0, C_cch_1Comb, C_BPM_3, C_T3212_0, C_ci_cellA, C_MCC_1, C_PLMN_1, C_LAC_1, CellOpt_01, CellChDes_02, CellChDes_03, C_CellReselectHys12, C_MaxPwrLvlG, C_MaxPwrLvlD, BcchFreqLst_01, BcchFreqLst_Omit, BcchFreqLst_48, BcchFreqLst_Omit, C_noRestablishment, C_BCC, C_NCC, C_Start_Tmsi, TSPX_SDCCH4SubA, TSPX_CKSNB, TSPX_RANDB, C_arfcnA, C_arfcnAd, TSPX_IMSI, C_Test_fh, C_NCCP_2) |                                        |   |          |
| 3  |       | (TCV_ch1 := OC_SubchOfSdcch4( TSPX_SDCCH4SubB, C_CellA), TCV_PwrLvl_ho:= INT_TO_BIT( TSPX_PwrLvlA, 5))                                                                                                                                                                                                                                                                                                                                                                                                                                                             |                                        |   |          |
| 4  |       | +ltree_body                                                                                                                                                                                                                                                                                                                                                                                                                                                                                                                                                        |                                        |   |          |
| 5  |       | <b>ltree_body</b><br>L!DL_UdatRqPg1Rq                                                                                                                                                                                                                                                                                                                                                                                                                                                                                                                              | PgReq1(TCV_PgCh, TCV_Pgg, PgReqTp1_01) |   |          |

|    |            |                                                                                                                                                                                                   |                                                                |                         |
|----|------------|---------------------------------------------------------------------------------------------------------------------------------------------------------------------------------------------------|----------------------------------------------------------------|-------------------------|
| 6  |            | L?DL_RaInChRq ( TCV_Rr := DL_RaInChRq.<br>msg.ecau_rrf, TCV_Fn := DL_RaInChRq.fn)                                                                                                                 | ChReq(<br>ChRequest_17)                                        |                         |
| 7  |            | ACTIVATE(OtherEventsFail_02)                                                                                                                                                                      |                                                                | To match ChReq retrans. |
| 8  |            | +ltree_ImmAss                                                                                                                                                                                     |                                                                |                         |
| 9  |            | L?DL_EstInPgRes                                                                                                                                                                                   | PagingRes(<br>PagingRes_01)                                    |                         |
| 10 |            | ACTIVATE(OtherEventsFail)                                                                                                                                                                         |                                                                | Restore Normal default  |
| 11 |            | +localtree1                                                                                                                                                                                       |                                                                |                         |
| 12 |            | +localtree2                                                                                                                                                                                       |                                                                |                         |
| 13 |            | +localtree3                                                                                                                                                                                       |                                                                |                         |
| 14 |            | [(TSPC_Feat_A51 AND(NOT<br>TSPC_Feat_A52)) OR((NOT<br>TSPC_Feat_A51) AND<br>TSPC_Feat_A52)]                                                                                                       |                                                                |                         |
| 15 |            | +PostMainLinkRel(TCV_ch)                                                                                                                                                                          |                                                                |                         |
| 16 |            | [TSPC_Feat_A51 AND<br>TSPC_Feat_A52]                                                                                                                                                              |                                                                |                         |
| 17 |            | +localtree4                                                                                                                                                                                       |                                                                |                         |
|    |            | <b>localtree1</b>                                                                                                                                                                                 |                                                                |                         |
| 18 |            | (TCV_Null := OM_CphMdChg(TCV_ch,<br>CphMod_04(TSPX_CphAlgA), TCV_CphKey))                                                                                                                         |                                                                |                         |
| 19 |            | L!DL_DatRqCphmCmd<br>(DL_DatRqCphmCmd.msg.cphms.algid :=<br>TSPX_CphAlgA)                                                                                                                         | CphCmd( TCV_ch,<br>CphModeCmd_01)                              |                         |
| 20 |            | START T_dly1(500)                                                                                                                                                                                 |                                                                |                         |
| 21 | L_030<br>5 | ?TIMEOUT T_dly1                                                                                                                                                                                   |                                                                | (F)                     |
| 22 |            | +PostMainLinkRel(TCV_ch)                                                                                                                                                                          |                                                                |                         |
| 23 |            | L?DL_DatInCphmCom CANCEL T_dly1                                                                                                                                                                   | CphCom(<br>CphModeCmp_01)                                      |                         |
| 24 |            | L!DL_DatRqAuthRq                                                                                                                                                                                  | AuthReq(TCV_ch,<br>AuthRequest(<br>TSPX_CKSNB,<br>TSPX_RANDB)) | 2.                      |
| 25 |            | L?DL_DatInAuthRes                                                                                                                                                                                 | AuthRes(<br>AuthResponse)                                      |                         |
| 26 |            | +ltree_HndOv0                                                                                                                                                                                     |                                                                |                         |
| 27 |            | +handoverAcc(TCV_ch1)                                                                                                                                                                             |                                                                |                         |
| 28 |            | L?DL_EstIn                                                                                                                                                                                        | DLEstInd( TCV_ch1)                                             |                         |
| 29 | L_030<br>6 | L?DL_DatInHoCom                                                                                                                                                                                   | HndOvCmpRcv(<br>TCV_ch1,<br>HandOverCmp_01)                    | (P)                     |
|    |            | <b>localtree2</b>                                                                                                                                                                                 |                                                                |                         |
| 30 |            | (TCV_ch := OC_SubchOfSdcch4(<br>TSPX_SDCCH4SubC, C_CellA), TCV_Null :=<br>OM_CphMd( TCV_ch, CphMod_04( TSPX_CphAlgB),<br>TCV_CphKey))                                                             |                                                                |                         |
| 31 |            | +ltree_Asgn1                                                                                                                                                                                      |                                                                |                         |
| 32 |            | +AssCh_complete(TCV_ch1,TCV_ch,TCV_AssC<br>md)                                                                                                                                                    |                                                                | 3.                      |
| 33 |            | L!DL_DatRqCphmCmd START T_dly1(500)                                                                                                                                                               | CphCmd( TCV_ch,<br>CphModeCmd_02)                              | 4.                      |
| 34 | L_030<br>7 | ?TIMEOUT T_dly1                                                                                                                                                                                   |                                                                | (F)                     |
| 35 |            | +PostMainLinkRel(TCV_ch)                                                                                                                                                                          |                                                                |                         |
| 36 |            | L?DL_DatInCphmCom CANCEL T_dly1                                                                                                                                                                   | CphCom(<br>CphModeCmp_01)                                      |                         |
| 37 |            | (TCV_ch1 := OC_SubchOfSdcch4(<br>TSPX_SDCCH4SubDef, C_CellA),<br>TCV_CphKey := OC_CphKeyGen(<br>TSPX_Ki, TSPX_RANDB), TCV_Null :=<br>OM_CphMd( TCV_ch1, CphMod_04(<br>TSPX_CphAlgB), TCV_CphKey)) |                                                                |                         |
| 38 |            | +ltree_HndOv1                                                                                                                                                                                     |                                                                | 5.                      |
| 39 |            | +handoverAcc(TCV_ch1)                                                                                                                                                                             |                                                                |                         |
| 40 |            | L?DL_EstIn                                                                                                                                                                                        | DLEstInd( TCV_ch1)                                             |                         |
| 41 | L_030<br>8 | L?DL_DatInHoCom                                                                                                                                                                                   | HndOvCmpRcv(<br>TCV_ch1,                                       | (P)                     |

|    |            |                                                                                                                                                   |                                                                 |     |
|----|------------|---------------------------------------------------------------------------------------------------------------------------------------------------|-----------------------------------------------------------------|-----|
| 42 |            | !DL_DatRqIdRq                                                                                                                                     | HandOverCmp_01<br>IDReq(TCV_ch1,<br>IDRequest_01('0010'<br>B))  |     |
| 43 |            | L?DL_DatInIdRes                                                                                                                                   | IDRes(IDResponse_0<br>1)                                        |     |
| 44 |            | (TCV_ch :=<br>OC_SubchOfSdcch4(<br>TSPX_SDCCH4SubA,<br>C_CellA), TCV_Null :=<br>OM_CphMd( TCV_ch,<br>CphMod_04(<br>TSPX_CphAlgB),<br>TCV_CphKey)) |                                                                 |     |
| 45 |            | +ltree_HndOv2                                                                                                                                     |                                                                 | 6.  |
| 46 |            | +handoverAcc(TCV_ch)                                                                                                                              |                                                                 |     |
| 47 |            | L?DL_EstIn                                                                                                                                        | DLEstIn( TCV_ch)                                                |     |
| 48 |            | L?DL_DatInHoCom                                                                                                                                   | HndOvCmpRcv(<br>TCV_ch,<br>HandOverCmp_01)                      |     |
| 49 |            | <b>localtree3</b><br>(TCV_ch1 := OC_SubchOfSdcch4(<br>TSPX_SDCCH4SubB, C_CellA), TCV_Null :=<br>OM_CphMd( TCV_ch1, CphMod_02, TCV_CphKey))        |                                                                 |     |
| 50 |            | +ltree_Asgn2                                                                                                                                      |                                                                 |     |
| 51 |            | +AssCh_complete(TCV_ch,TCV_ch1,TCV_AssC<br>md)                                                                                                    |                                                                 |     |
| 52 |            | LIDL_DatRqCphmCmd START T_dly1(500)                                                                                                               | CphCmd( TCV_ch1,<br>CphModeCmd_02)                              |     |
| 53 | L_030<br>9 | ?TIMEOUT T_dly1                                                                                                                                   |                                                                 | (F) |
| 54 |            | +PostMainLinkRel(TCV_ch1)                                                                                                                         |                                                                 |     |
| 55 |            | L?DL_DatInCphmCom CANCEL T_dly1                                                                                                                   | CphCom(<br>CphModeCmp_01)                                       |     |
| 56 |            | !DL_DatRqAuthRq                                                                                                                                   | AuthReq(TCV_ch1,<br>AuthRequest(<br>TSPX_CKSNC,<br>TSPX_RANDC)) | 8.  |
| 57 |            | L?DL_DatInAuthRes                                                                                                                                 | AuthRes(<br>AuthResponse)                                       |     |
| 58 |            | (TCV_ch := OC_SubchOfSdcch4(<br>TSPX_SDCCH4SubC, C_CellA),<br>TCV_Null := OM_CphMd( TCV_ch,<br>CphMod_04( TSPX_CphAlgD),<br>TCV_CphKey))          |                                                                 |     |
| 59 |            | +ltree_HndOv3                                                                                                                                     |                                                                 | 9.  |
| 60 |            | +handoverAcc(TCV_ch)                                                                                                                              |                                                                 |     |
| 61 |            | L?DL_EstIn                                                                                                                                        | DLEstIn( TCV_ch)                                                |     |
| 62 | L_031<br>0 | L?DL_DatInHoCom                                                                                                                                   | HndOvCmpRcv(TCV_<br>ch,<br>HandOverCmp_01)                      | (P) |
| 63 |            | (TCV_ch1 :=<br>OC_SubchOfSdcch4(<br>TSPX_SDCCH4SubB,<br>C_CellA))                                                                                 |                                                                 |     |
| 64 |            | +ltree_HndOv0                                                                                                                                     |                                                                 | 10. |
| 65 |            | L?DL_EstIn                                                                                                                                        | DLEstIn( TCV_ch)                                                |     |
| 66 | L_031<br>1 | L?DL_DatInHofl                                                                                                                                    | HndOvFIRcv(<br>TCV_ch,<br>HandOvFail_01)                        | (P) |
| 67 |            | !DL_DatRqIdRq                                                                                                                                     | IDReq(TCV_ch,<br>IDRequest_01('0010'<br>B))                     |     |
| 68 |            | L?DL_DatInIdRes                                                                                                                                   | IDRes(IDResponse_0<br>1)                                        |     |
| 69 |            | +ltree_Asgn2                                                                                                                                      |                                                                 |     |
| 70 |            | +AssCh_failure(<br>TCV_ch,TCV_A<br>ssCmd,TRUE)                                                                                                    |                                                                 |     |

|    |                                                                                                                                                                      |                                                                                                                                             |     |
|----|----------------------------------------------------------------------------------------------------------------------------------------------------------------------|---------------------------------------------------------------------------------------------------------------------------------------------|-----|
| 71 | <b>localtree4</b><br>(TCV_Null := OM_CphMd( TCV_ch1, CphMod_04(<br>TSPX_CphAlgE), TCV_CphKey))                                                                       |                                                                                                                                             |     |
| 72 | +ltree_Asgn3                                                                                                                                                         |                                                                                                                                             |     |
| 73 | +AssCh_complete(TCV_ch,TCV_ch1,TCV_AssC<br>md)                                                                                                                       |                                                                                                                                             |     |
| 74 | (TCV_ch := OC_SubchOfSdcch4(<br>TSPX_SDCCH4SubA, C_CellA), TCV_Null :=<br>OM_CphMd(TCV_ch, CphMod_04(<br>TSPX_CphAlgE), TCV_CphKey))                                 |                                                                                                                                             |     |
| 75 | +ltree_HndOv4                                                                                                                                                        |                                                                                                                                             |     |
| 76 | +handoverAcc(TCV_ch)                                                                                                                                                 |                                                                                                                                             |     |
| 77 | L?DL_EstIn                                                                                                                                                           | DLEstInd( TCV_ch)                                                                                                                           |     |
| 78 | L?DL_DatInHoCom                                                                                                                                                      | HndOvCmpRcv(<br>TCV_ch,<br>HandOverCmp_01)                                                                                                  | (P) |
| 79 | +PostMainLinkRel(TCV_ch)                                                                                                                                             |                                                                                                                                             |     |
|    | <b>handoverAcc(ch:LOGICCH)</b>                                                                                                                                       |                                                                                                                                             |     |
| 80 | L?DL_RaInHoacc                                                                                                                                                       | HndOvAccRcv( ch,<br>HandOverAcc_01)                                                                                                         |     |
| 81 | L?DL_RaInHoacc                                                                                                                                                       | HndOvAccRcv( ch,<br>HandOverAcc_01)                                                                                                         |     |
| 82 | L?DL_RaInHoacc                                                                                                                                                       | HndOvAccRcv( ch,<br>HandOverAcc_01)                                                                                                         |     |
| 83 | L?DL_RaInHoacc                                                                                                                                                       | HndOvAccRcv( ch,<br>HandOverAcc_01)                                                                                                         |     |
|    | <b>ltree_ImmAss</b>                                                                                                                                                  |                                                                                                                                             |     |
| 84 | L!DL_UdatRqImmss                                                                                                                                                     | ImmAss( TCV_agch,<br>ImmAsgn_01Def(<br>TCV_Rr, TCV_Fn,<br>TSPX_SDCCH4SubA<br>, TCV_slot, TCV_tsc,<br>TCV_chdescr_arfcn,<br>TimingAdv( 30))) |     |
|    | <b>ltree_Asgn1</b>                                                                                                                                                   |                                                                                                                                             |     |
| 85 | (TCV_Tchtype := INT_TO_BIT(( 4 + BIT_TO_INT(<br>TSPX_SDCCH4SubC)), 5))                                                                                               |                                                                                                                                             |     |
| 86 | (TCV_AssCmd := AsgnCmd_nfh( TCV_Tchtype,<br>TCV_slot, TCV_tsc, 9, TCV_chdescr_arfcn,<br>CellChDes_Omit, ChMod_omit, StartingTm_omit,<br>CphMod_04iei(TSPX_CphAlgB))) |                                                                                                                                             |     |
|    | <b>ltree_Asgn2</b>                                                                                                                                                   |                                                                                                                                             |     |
| 87 | (TCV_Tchtype := INT_TO_BIT(( 4 + BIT_TO_INT(<br>TSPX_SDCCH4SubB)), 5))                                                                                               |                                                                                                                                             |     |
| 88 | (TCV_AssCmd := AsgnCmd_nfh( TCV_Tchtype,<br>TCV_slot, TCV_tsc, 9, TCV_chdescr_arfcn,<br>CellChDes_Omit, ChMod_omit, StartingTm_omit,<br>CphMod_02iei))               |                                                                                                                                             |     |
|    | <b>ltree_Asgn3</b>                                                                                                                                                   |                                                                                                                                             |     |
| 89 | (TCV_Tchtype := INT_TO_BIT(( 4 + BIT_TO_INT(<br>TSPX_SDCCH4SubB)), 5))                                                                                               |                                                                                                                                             |     |
| 90 | (TCV_AssCmd := AsgnCmd_nfh( TCV_Tchtype,<br>TCV_slot, TCV_tsc, 9, TCV_chdescr_arfcn,<br>CellChDes_Omit, ChMod_omit, StartingTm_omit,<br>CphMod_04iei(TSPX_CphAlgE))) |                                                                                                                                             |     |
|    | <b>ltree_HndOv0</b>                                                                                                                                                  |                                                                                                                                             |     |
| 91 | (TCV_Tchtype := INT_TO_BIT(( 4 + BIT_TO_INT(<br>TSPX_SDCCH4SubB)), 5))                                                                                               |                                                                                                                                             |     |
| 92 | [TSPC_PGSM OR TSPC_EGSM]                                                                                                                                             |                                                                                                                                             |     |
| 93 | LIDL_DatRqHoCmd                                                                                                                                                      | HndOvSnd( TCV_ch,<br>HandOverCmd_nfh(<br>TCV_Tchtype,<br>TCV_slot, TCV_tsc,<br>C_NCC, C_BCC,<br>C_arfcnA, C_arfcnA,                         |     |

|     |                                                                          |                                                                                                                                                                                                                                                                                                             |
|-----|--------------------------------------------------------------------------|-------------------------------------------------------------------------------------------------------------------------------------------------------------------------------------------------------------------------------------------------------------------------------------------------------------|
|     |                                                                          | TSPX_HoRefA,<br>TCV_Pwrlvl_ho,<br>Synchi(<br>C_not_report_otd,<br>C_synchronised),<br>ChMod_omit,<br>RelTmdDif_omit,<br>TimingAdv_omit,<br>CphMod_02iei))                                                                                                                                                   |
| 94  | [TSPC_DCS]                                                               |                                                                                                                                                                                                                                                                                                             |
| 95  | LIDL_DatRqHoCmd                                                          | HndOvSnd( TCV_ch,<br>HandOverCmd_nfh(<br>TCV_Tchtype,<br>TCV_slot, TCV_tsc,<br>C_NCC, C_BCC,<br>C_arfcnAd,<br>C_arfcnAd,<br>TSPX_HoRefA,<br>TCV_Pwrlvl_ho,<br>Synchi(<br>C_not_report_otd,<br>C_synchronised),<br>ChMod_omit,<br>RelTmdDif_omit,<br>TimingAdv_omit,<br>CphMod_02iei))                       |
|     | <b>Itree_HndOv1</b>                                                      |                                                                                                                                                                                                                                                                                                             |
| 96  | (TCV_Tchtype := INT_TO_BIT(( 4 + BIT_TO_INT(<br>TSPX_SDCCH4SubDef)), 5)) |                                                                                                                                                                                                                                                                                                             |
| 97  | [TSPC_PGSM OR TSPC_EGSM]                                                 |                                                                                                                                                                                                                                                                                                             |
| 98  | LIDL_DatRqHoCmd                                                          | HndOvSnd(<br>TCV_ch1,<br>HandOverCmd_nfh(<br>TCV_Tchtype,<br>TCV_slot, TCV_tsc,<br>C_NCC, C_BCC,<br>C_arfcnA, C_arfcnA,<br>TSPX_HoRefA,<br>TCV_Pwrlvl_ho,<br>Synchi(<br>C_not_report_otd,<br>C_synchronised),<br>ChMod_omit,<br>RelTmdDif_omit,<br>TimingAdv_omit,<br>CphMod_04iei(<br>TSPX_CphAlgC)))      |
|     | <b>Itree_HndOv2</b>                                                      |                                                                                                                                                                                                                                                                                                             |
| 99  | [TSPC_DCS]                                                               |                                                                                                                                                                                                                                                                                                             |
| 100 | LIDL_DatRqHoCmd                                                          | HndOvSnd(<br>TCV_ch1,<br>HandOverCmd_nfh(<br>TCV_Tchtype,<br>TCV_slot, TCV_tsc,<br>C_NCC, C_BCC,<br>C_arfcnAd,<br>C_arfcnAd,<br>TSPX_HoRefA,<br>TCV_Pwrlvl_ho,<br>Synchi(<br>C_not_report_otd,<br>C_synchronised),<br>ChMod_omit,<br>RelTmdDif_omit,<br>TimingAdv_omit,<br>CphMod_04iei(<br>TSPX_CphAlgC))) |
|     | <b>Itree_HndOv2</b>                                                      |                                                                                                                                                                                                                                                                                                             |
| 101 | (TCV_Tchtype := INT_TO_BIT(( 4 + BIT_TO_INT(<br>TSPX_SDCCH4SubA)), 5))   |                                                                                                                                                                                                                                                                                                             |
| 102 | [TSPC_PGSM OR TSPC_EGSM]                                                 |                                                                                                                                                                                                                                                                                                             |
| 103 | LIDL_DatRqHoCmd                                                          | HndOvSnd(<br>TCV_ch1,<br>HandOverCmd_nfh(<br>TCV_Tchtype,<br>TCV_slot, TCV_tsc,<br>C_NCC, C_BCC,<br>C_arfcnAd,<br>C_arfcnAd,<br>TSPX_HoRefA,<br>TCV_Pwrlvl_ho,<br>Synchi(<br>C_not_report_otd,<br>C_synchronised),<br>ChMod_omit,<br>RelTmdDif_omit,<br>TimingAdv_omit,<br>CphMod_04iei(<br>TSPX_CphAlgC))) |

|                   |                                                                                                                                              |                                                                                                                                                                                                                                                                                                             |
|-------------------|----------------------------------------------------------------------------------------------------------------------------------------------|-------------------------------------------------------------------------------------------------------------------------------------------------------------------------------------------------------------------------------------------------------------------------------------------------------------|
| 104<br>105        | [TSPC_DCS]<br>LIDL_DatRqHoCmd                                                                                                                | TCV_Tchtype,<br>TCV_slot, TCV_tsc,<br>C_NCC, C_BCC,<br>C_arfcnA, C_arfcnA,<br>TSPX_HoRefA,<br>TCV_Pwrlvl_ho,<br>Synchi(<br>C_not_report_otd,<br>C_synchronised),<br>ChMod_omit,<br>RelTmdDif_omit,<br>TimingAdv_omit,<br>CphMod_04iei(<br>TSPX_CphAlgC)))                                                   |
| 106<br>107<br>108 | <b>Itree_HndOv3</b><br>(TCV_Tchtype := INT_TO_BIT(( 4 + BIT_TO_INT(<br>TSPX_SDCCH4SubC)), 5))<br>[TSPC_PGSM OR TSPC_EGSM]<br>LIDL_DatRqHoCmd | HndOvSnd(<br>TCV_ch1,<br>HandOverCmd_nfh(<br>TCV_Tchtype,<br>TCV_slot, TCV_tsc,<br>C_NCC, C_BCC,<br>C_arfcnAd,<br>C_arfcnAd,<br>TSPX_HoRefA,<br>TCV_Pwrlvl_ho,<br>Synchi(<br>C_not_report_otd,<br>C_synchronised),<br>ChMod_omit,<br>RelTmdDif_omit,<br>TimingAdv_omit,<br>CphMod_04iei(<br>TSPX_CphAlgC))) |
| 109<br>110        | [TSPC_DCS]<br>LIDL_DatRqHoCmd                                                                                                                | HndOvSnd(<br>TCV_ch1,<br>HandOverCmd_nfh(<br>TCV_Tchtype,<br>TCV_slot, TCV_tsc,<br>C_NCC, C_BCC,<br>C_arfcnA, C_arfcnA,<br>TSPX_HoRefA,<br>TCV_Pwrlvl_ho,<br>Synchi(<br>C_not_report_otd,<br>C_synchronised),<br>ChMod_omit,<br>RelTmdDif_omit,<br>TimingAdv_omit,<br>CphMod_04iei(<br>TSPX_CphAlgD)))      |
|                   | <b>Itree_HndOv4</b>                                                                                                                          | HndOvSnd(<br>TCV_ch1,<br>HandOverCmd_nfh(<br>TCV_Tchtype,<br>TCV_slot, TCV_tsc,<br>C_NCC, C_BCC,<br>C_arfcnAd,<br>C_arfcnAd,<br>TSPX_HoRefA,<br>TCV_Pwrlvl_ho,<br>Synchi(<br>C_not_report_otd,<br>C_synchronised),<br>ChMod_omit,<br>RelTmdDif_omit,<br>TimingAdv_omit,<br>CphMod_04iei(<br>TSPX_CphAlgD))) |

|                           |                                              |                                                                                                                                                                                                                                                                                                                                                                                                                                                                                                                                                                                                                                                                                                                                                                                                                                                                                             |                                                                                                                                                                                                                                                                                                             |  |
|---------------------------|----------------------------------------------|---------------------------------------------------------------------------------------------------------------------------------------------------------------------------------------------------------------------------------------------------------------------------------------------------------------------------------------------------------------------------------------------------------------------------------------------------------------------------------------------------------------------------------------------------------------------------------------------------------------------------------------------------------------------------------------------------------------------------------------------------------------------------------------------------------------------------------------------------------------------------------------------|-------------------------------------------------------------------------------------------------------------------------------------------------------------------------------------------------------------------------------------------------------------------------------------------------------------|--|
| 111                       | (TCV_Tchtype := INT_TO_BIT(( 4 + BIT_TO_INT( |                                                                                                                                                                                                                                                                                                                                                                                                                                                                                                                                                                                                                                                                                                                                                                                                                                                                                             |                                                                                                                                                                                                                                                                                                             |  |
| 112                       | TSPX_SDCCH4SubA)), 5))                       |                                                                                                                                                                                                                                                                                                                                                                                                                                                                                                                                                                                                                                                                                                                                                                                                                                                                                             |                                                                                                                                                                                                                                                                                                             |  |
| 113                       | [TSPC_PGSM OR TSPC_EGSM]<br>LIDL_DatRqHoCmd  |                                                                                                                                                                                                                                                                                                                                                                                                                                                                                                                                                                                                                                                                                                                                                                                                                                                                                             | HndOvSnd(<br>TCV_ch1,<br>HandOverCmd_nfh(<br>TCV_Tchtype,<br>TCV_slot, TCV_tsc,<br>C_NCC, C_BCC,<br>C_arfcnA, C_arfcnA,<br>TSPX_HoRefA,<br>TCV_Pwrlvl_ho,<br>Synchi(<br>C_not_report_otd,<br>C_synchronised),<br>ChMod_omit,<br>RelTmdDif_omit,<br>TimingAdv_omit,<br>CphMod_04iei(<br>TSPX_CphAlgE)))      |  |
| 114                       | [TSPC_DCS]                                   |                                                                                                                                                                                                                                                                                                                                                                                                                                                                                                                                                                                                                                                                                                                                                                                                                                                                                             |                                                                                                                                                                                                                                                                                                             |  |
| 115                       | LIDL_DatRqHoCmd                              |                                                                                                                                                                                                                                                                                                                                                                                                                                                                                                                                                                                                                                                                                                                                                                                                                                                                                             | HndOvSnd(<br>TCV_ch1,<br>HandOverCmd_nfh(<br>TCV_Tchtype,<br>TCV_slot, TCV_tsc,<br>C_NCC, C_BCC,<br>C_arfcnAd,<br>C_arfcnAd,<br>TSPX_HoRefA,<br>TCV_Pwrlvl_ho,<br>Synchi(<br>C_not_report_otd,<br>C_synchronised),<br>ChMod_omit,<br>RelTmdDif_omit,<br>TimingAdv_omit,<br>CphMod_04iei(<br>TSPX_CphAlgE))) |  |
| <b>Detailed Comments:</b> |                                              | <ol style="list-style-type: none"> <li>1. 1 cell, default parameters.</li> <li>2. New ciphering key sequence number and new ciphering key L.</li> <li>3. New SDCCH4 subchannel different from the one in use, start ciphering.</li> <li>4. Load new key L, no ciphering.</li> <li>5. New SDCCH4 subchannel different from the one in use, start ciphering.</li> <li>6. New SDCCH4 subchannel different from the one in use, start ciphering.</li> <li>7. New SDCCH4 subchannel different from the one in use, no ciphering.</li> <li>8. To generate new ciphering key M.</li> <li>9. New SDCCH4 subchannel different from the one in use, start ciphering.</li> <li>10. New SDCCH4 subchannel different from the one in use, no ciphering, new channel not activated.</li> <li>11. New SDCCH4 subchannel different from the one in use, no ciphering, new channel not activated.</li> </ol> |                                                                                                                                                                                                                                                                                                             |  |

| Test Case Dynamic Behaviour                                                                                                                                                                                                                                                                                                                                                                                                              |            |                                                                                                                                                                                                                                                                                                                                                                                                                                                                                                                                                                      |                                                                                                                          |     |                         |
|------------------------------------------------------------------------------------------------------------------------------------------------------------------------------------------------------------------------------------------------------------------------------------------------------------------------------------------------------------------------------------------------------------------------------------------|------------|----------------------------------------------------------------------------------------------------------------------------------------------------------------------------------------------------------------------------------------------------------------------------------------------------------------------------------------------------------------------------------------------------------------------------------------------------------------------------------------------------------------------------------------------------------------------|--------------------------------------------------------------------------------------------------------------------------|-----|-------------------------|
| <b>Test Case Name:</b> TC_26_6_8_5                                                                                                                                                                                                                                                                                                                                                                                                       |            |                                                                                                                                                                                                                                                                                                                                                                                                                                                                                                                                                                      |                                                                                                                          |     |                         |
| <b>Group:</b> GSM_L3_MS_v4210/RR/                                                                                                                                                                                                                                                                                                                                                                                                        |            |                                                                                                                                                                                                                                                                                                                                                                                                                                                                                                                                                                      |                                                                                                                          |     |                         |
| <b>Purpose:</b> To verify that the MS supplies its IMEISV in the CIPHERING MODE COMPLETE message when it receives a CIPHERING MODE COMMAND message with a Cipher Response bit set to 'IMEISV shall be included'. To verify that the MS does not supply any Mobile Identity IE in the CIPHERING MODE COMPLETE message when it receives a CIPHERING MODE COMMAND message with a Cipher Response bit set to 'IMEISV shall not be included'. |            |                                                                                                                                                                                                                                                                                                                                                                                                                                                                                                                                                                      |                                                                                                                          |     |                         |
| <b>Default:</b> OtherEventsFail                                                                                                                                                                                                                                                                                                                                                                                                          |            |                                                                                                                                                                                                                                                                                                                                                                                                                                                                                                                                                                      |                                                                                                                          |     |                         |
| Nr                                                                                                                                                                                                                                                                                                                                                                                                                                       | Label      | Behaviour Description                                                                                                                                                                                                                                                                                                                                                                                                                                                                                                                                                | CRef                                                                                                                     | V   | Comments                |
| 1                                                                                                                                                                                                                                                                                                                                                                                                                                        |            | START T_guard(300)                                                                                                                                                                                                                                                                                                                                                                                                                                                                                                                                                   |                                                                                                                          |     |                         |
| 2                                                                                                                                                                                                                                                                                                                                                                                                                                        |            | +IdleUpdated( C_E_default, C_CellA, C_SCH_A, C_BCCH_A_1, C_Imm, C_S0, C_SlotNU, C_SlotNU, C_SlotNU, C_BCC, C_TxInt_5, C_Max_7, C_NECI_0, C_ATT_0, TimingAdv( 30), C_BABR_0, C_cch_1Comb, C_BPM_3, C_T3212_0, C_ci_cellA, C_MCC_1, C_PLMN_1, C_LAC_1, CellOpt_01, CellChDes_02, CellChDes_03, C_CellReselectHys12, C_MaxPwrLvlG, C_MaxPwrLvlD, BcchFreqLst_01, BcchFreqLst_Omit, BcchFreqLst_48, BcchFreqLst_Omit, C_noRestablishment, C_BCC, C_NCC, C_Start_Tmsi, TSPX_SDCCH4SubB, TSPX_CKSNDDef, TSPX_RANDDef, C_arfcnA, C_arfcnAd, TSPX_IMSI, C_Test_fh, C_NCCP_2) |                                                                                                                          |     |                         |
| 3                                                                                                                                                                                                                                                                                                                                                                                                                                        |            | LIDL_UdatRqPg1Rq                                                                                                                                                                                                                                                                                                                                                                                                                                                                                                                                                     | PgReq1(TCV_PgCh, TCV_Pgg, PgReqTp1_01)                                                                                   |     |                         |
| 4                                                                                                                                                                                                                                                                                                                                                                                                                                        |            | L?DL_RaclnChRq (TCV_Rr := DL_RaclnChRq.msg.ecau_rrf, TCV_Fn := DL_RaclnChRq.fn)                                                                                                                                                                                                                                                                                                                                                                                                                                                                                      | ChReq(ChRequest_17)                                                                                                      |     |                         |
| 5                                                                                                                                                                                                                                                                                                                                                                                                                                        |            | ACTIVATE(OtherEventsFail_02)                                                                                                                                                                                                                                                                                                                                                                                                                                                                                                                                         |                                                                                                                          |     | To match ChReq retrans. |
| 6                                                                                                                                                                                                                                                                                                                                                                                                                                        |            | LIDL_UdatRqImm                                                                                                                                                                                                                                                                                                                                                                                                                                                                                                                                                       | ImmAss( TCV_agch, ImmAsgn_01Def( TCV_Rr, TCV_Fn, TSPX_SDCCH4SubB, TCV_slot, TCV_tsc, TCV_chdescr_arfcn, TimingAdv( 30))) |     | 2.                      |
| 7                                                                                                                                                                                                                                                                                                                                                                                                                                        |            | L?DL_EstInPgRes                                                                                                                                                                                                                                                                                                                                                                                                                                                                                                                                                      | PagingRes(PagingRes_01)                                                                                                  |     |                         |
| 8                                                                                                                                                                                                                                                                                                                                                                                                                                        |            | ACTIVATE(OtherEventsFail)                                                                                                                                                                                                                                                                                                                                                                                                                                                                                                                                            |                                                                                                                          |     | Restore Normal default  |
| 9                                                                                                                                                                                                                                                                                                                                                                                                                                        | body       | LIDL_DatRqCphmCmd                                                                                                                                                                                                                                                                                                                                                                                                                                                                                                                                                    | CphCmd( TCV_ch, CphModeCmd_02)                                                                                           |     |                         |
| 10                                                                                                                                                                                                                                                                                                                                                                                                                                       | L_031<br>3 | L?DL_DatInCphmCom                                                                                                                                                                                                                                                                                                                                                                                                                                                                                                                                                    | CphCom(CphModeCmp_02)                                                                                                    | (P) |                         |
| 11                                                                                                                                                                                                                                                                                                                                                                                                                                       |            | LIDL_DatRqCphmCmd                                                                                                                                                                                                                                                                                                                                                                                                                                                                                                                                                    | CphCmd( TCV_ch, CphModeCmd_03)                                                                                           |     |                         |
| 12                                                                                                                                                                                                                                                                                                                                                                                                                                       | L_031<br>4 | L?DL_DatInCphmCom                                                                                                                                                                                                                                                                                                                                                                                                                                                                                                                                                    | CphCom(CphModeCmp_03)                                                                                                    | (P) |                         |
| 13                                                                                                                                                                                                                                                                                                                                                                                                                                       |            | +PostMainLinkRel( TCV_ch)                                                                                                                                                                                                                                                                                                                                                                                                                                                                                                                                            |                                                                                                                          |     |                         |
| <b>Detailed Comments:</b>                                                                                                                                                                                                                                                                                                                                                                                                                |            |                                                                                                                                                                                                                                                                                                                                                                                                                                                                                                                                                                      |                                                                                                                          |     |                         |



| Test Case Dynamic Behaviour |            |                                                                                                                                                                                                                                                                                                                                                                                                                                                                                                                                                                                                                  |                                                                                                                                             |     |                         |
|-----------------------------|------------|------------------------------------------------------------------------------------------------------------------------------------------------------------------------------------------------------------------------------------------------------------------------------------------------------------------------------------------------------------------------------------------------------------------------------------------------------------------------------------------------------------------------------------------------------------------------------------------------------------------|---------------------------------------------------------------------------------------------------------------------------------------------|-----|-------------------------|
| <b>Test Case Name:</b>      |            | TC_26_6_11_1                                                                                                                                                                                                                                                                                                                                                                                                                                                                                                                                                                                                     |                                                                                                                                             |     |                         |
| <b>Group:</b>               |            | GSM_L3_MS_v4210/RR/                                                                                                                                                                                                                                                                                                                                                                                                                                                                                                                                                                                              |                                                                                                                                             |     |                         |
| <b>Purpose:</b>             |            | To verify that if the RF power capability or any other capability indicated in a Classmark IE of the MS is changed during a call, the change is communicated on the DCCH to the network. To verify that if the RF power capability or any other capability indicated in a Classmark IE of the MS is changed in idle mode, the out of date capabilities are not communicated to the network during RR connection establishment.                                                                                                                                                                                   |                                                                                                                                             |     |                         |
| <b>Default:</b>             |            | OtherEventsFail                                                                                                                                                                                                                                                                                                                                                                                                                                                                                                                                                                                                  |                                                                                                                                             |     |                         |
| Nr                          | Label      | Behaviour Description                                                                                                                                                                                                                                                                                                                                                                                                                                                                                                                                                                                            | CRef                                                                                                                                        | V   | Comments                |
| 1                           |            | START T_guard(300)                                                                                                                                                                                                                                                                                                                                                                                                                                                                                                                                                                                               |                                                                                                                                             |     |                         |
| 2                           |            | +BasicServiceMO( TSPX_MOBscSvcB,<br>TSPX_MOChRateB)                                                                                                                                                                                                                                                                                                                                                                                                                                                                                                                                                              |                                                                                                                                             |     |                         |
| 3                           |            | +IdleUpdated( C_E_default, C_CellA, C_SCH_A,<br>C_BCCH_A_1, C_Immass, C_S0, C_SlotNU,<br>C_SlotNU, C_SlotNU, C_BCC, C_TxInt_5,<br>C_Max_1, C_NECI_0, C_ATT_0, TimingAdv( 30),<br>C_BABR_0, C_cch_1Comb, C_BPM_3,<br>C_T3212_0, C_ci_cellA, C_MCC_1, C_PLMN_1,<br>C_LAC_1, CellOpt_01, CellChDes_02,<br>CellChDes_03, C_CellReselectHys12,<br>C_MaxPwrLvlG, C_MaxPwrLvlD,<br>BcchFreqLst_01, BcchFreqLst_Omit,<br>BcchFreqLst_48, BcchFreqLst_Omit,<br>C_noReestablishment, C_BCC, C_NCC,<br>C_Start_Tmsi, TSPX_SDCCH4SubC,<br>TSPX_CKSNDf, TSPX_RANDDef, C_arfcnA,<br>C_arfcnAd, TSPX_IMSI, C_Test_fh, C_NCCP_2) |                                                                                                                                             |     | 1.                      |
| 4                           |            | +CCConfigTCH_nociph( TSPX_TCHHSubDef,<br>C_Ass, TSPX_TmSltDef, TSPX_TscDef,<br>TimingAdv( 0), C_BABR_0, C_cch_1Comb,<br>C_BPM_3, TCV_ChMod.mode, FreqTCH_omit,<br>FreqTCH_omit, C_arfcn_tchA, C_arfcn_tchAd)                                                                                                                                                                                                                                                                                                                                                                                                     |                                                                                                                                             |     |                         |
| 5                           | body       | (TCV_Null := OO_AddPwrAmp())                                                                                                                                                                                                                                                                                                                                                                                                                                                                                                                                                                                     |                                                                                                                                             |     |                         |
| 6                           |            | +InitCall(TCV_Service)                                                                                                                                                                                                                                                                                                                                                                                                                                                                                                                                                                                           |                                                                                                                                             |     |                         |
| 7                           |            | +subtree1                                                                                                                                                                                                                                                                                                                                                                                                                                                                                                                                                                                                        |                                                                                                                                             |     |                         |
| 8                           |            | (TCV_Null := OO_RemvPwrAmp())                                                                                                                                                                                                                                                                                                                                                                                                                                                                                                                                                                                    |                                                                                                                                             |     |                         |
| 9                           |            | +subtree2                                                                                                                                                                                                                                                                                                                                                                                                                                                                                                                                                                                                        |                                                                                                                                             |     |                         |
|                             |            | <b>subtree1</b>                                                                                                                                                                                                                                                                                                                                                                                                                                                                                                                                                                                                  |                                                                                                                                             |     |                         |
| 10                          |            | L?DL_RaInChRq (TCV_Rr := DL_RaInChRq.<br>msg.ecau_rrf, TCV_Fn := DL_RaInChRq.fn)                                                                                                                                                                                                                                                                                                                                                                                                                                                                                                                                 | ChReq(<br>ChRequest_04)                                                                                                                     |     |                         |
| 11                          |            | ACTIVATE(OtherEventsFail_02)                                                                                                                                                                                                                                                                                                                                                                                                                                                                                                                                                                                     |                                                                                                                                             |     | To match ChReq retrans. |
| 12                          |            | LIDL_UdatRqImmass                                                                                                                                                                                                                                                                                                                                                                                                                                                                                                                                                                                                | ImmAss( TCV_agch,<br>ImmAsgn_01Def(<br>TCV_Rr, TCV_Fn,<br>TSPX_SDCCH4SubC<br>, TCV_slot, TCV_tsc,<br>TCV_chdescr_arfcn,<br>TimingAdv( 30))) |     |                         |
| 13                          | L_031<br>5 | L?DL_EstInCmsRq                                                                                                                                                                                                                                                                                                                                                                                                                                                                                                                                                                                                  | CMSerReq(<br>CMSerReq_02)                                                                                                                   | (P) | 2.                      |
| 14                          |            | ACTIVATE(OtherEventsFail)                                                                                                                                                                                                                                                                                                                                                                                                                                                                                                                                                                                        |                                                                                                                                             |     | Restore Normal default  |
| 15                          |            | LIDL_DatRqCmsAcp                                                                                                                                                                                                                                                                                                                                                                                                                                                                                                                                                                                                 | CMSerAcp( TCV_ch,<br>CMSerReq_01)                                                                                                           |     |                         |
| 16                          |            | +RcvSetupOrEsetup( TCV_Setup_mo,<br>TCV_Esetup, TCV_Ecall)                                                                                                                                                                                                                                                                                                                                                                                                                                                                                                                                                       |                                                                                                                                             |     |                         |
| 17                          |            | LIDL_DatRqCallProc                                                                                                                                                                                                                                                                                                                                                                                                                                                                                                                                                                                               | CallProc(TCV_ch,<br>TCV_CallProc)                                                                                                           |     |                         |
| 18                          |            | LIDL_DatRqAlert                                                                                                                                                                                                                                                                                                                                                                                                                                                                                                                                                                                                  | AlertSnd( TCV_ch,<br>Alerting_01( TCV_TI))                                                                                                  |     |                         |
| 19                          |            | +continue                                                                                                                                                                                                                                                                                                                                                                                                                                                                                                                                                                                                        |                                                                                                                                             |     |                         |
|                             |            | <b>continue</b>                                                                                                                                                                                                                                                                                                                                                                                                                                                                                                                                                                                                  |                                                                                                                                             |     |                         |
| 20                          |            | +AssCmdGen( TCV_cellid, TCV_ChRate,<br>TSPX_TmSltDef, TSPX_TscDef,<br>TSPX_TCHHSubDef)                                                                                                                                                                                                                                                                                                                                                                                                                                                                                                                           |                                                                                                                                             |     |                         |
| 21                          |            | +AssCh_complete( TCV_ch, TCV_chTch,<br>TCV_AssCmd)                                                                                                                                                                                                                                                                                                                                                                                                                                                                                                                                                               |                                                                                                                                             |     |                         |
| 22                          |            | LIDL_DatRqConn                                                                                                                                                                                                                                                                                                                                                                                                                                                                                                                                                                                                   | ConnSnd(<br>TCV_chTch,                                                                                                                      |     |                         |

|                           |            |                                                                                                                                                                                                                                                                                                                                                                                                                                                                                                                                                                                                                            |                                                                                                                                             |     |                         |
|---------------------------|------------|----------------------------------------------------------------------------------------------------------------------------------------------------------------------------------------------------------------------------------------------------------------------------------------------------------------------------------------------------------------------------------------------------------------------------------------------------------------------------------------------------------------------------------------------------------------------------------------------------------------------------|---------------------------------------------------------------------------------------------------------------------------------------------|-----|-------------------------|
| 23                        |            | L?DL_DatInConnAck                                                                                                                                                                                                                                                                                                                                                                                                                                                                                                                                                                                                          | Connect_02(<br>TCV_TI))<br>ConnAckRcv(<br>ConnectAck_02(<br>TCV_TI0))                                                                       |     |                         |
| 24                        | L_031<br>6 | <b>subtree2</b><br>L?DL_UdatInClnChn                                                                                                                                                                                                                                                                                                                                                                                                                                                                                                                                                                                       | ClassChgURcv(<br>ClassChange_01)                                                                                                            | (P) | 5.                      |
| 25                        |            | (TCV_Null := OO_AddPwrAmp())                                                                                                                                                                                                                                                                                                                                                                                                                                                                                                                                                                                               |                                                                                                                                             |     |                         |
| 26                        | L_031<br>7 | L?DL_UdatInClnChn                                                                                                                                                                                                                                                                                                                                                                                                                                                                                                                                                                                                          | ClassChgURcv(<br>ClassChange_02)                                                                                                            | (P) | 6.                      |
| 27                        |            | +PostMainLinkRel( TCV_chTch)                                                                                                                                                                                                                                                                                                                                                                                                                                                                                                                                                                                               |                                                                                                                                             |     |                         |
| 28                        |            | +localtree3                                                                                                                                                                                                                                                                                                                                                                                                                                                                                                                                                                                                                |                                                                                                                                             |     |                         |
| 29                        |            | <b>localtree3</b><br>(TCV_Null := OO_RemvPwrAmp())                                                                                                                                                                                                                                                                                                                                                                                                                                                                                                                                                                         |                                                                                                                                             |     |                         |
| 30                        |            | START T_dly(12000)                                                                                                                                                                                                                                                                                                                                                                                                                                                                                                                                                                                                         |                                                                                                                                             |     |                         |
| 31                        |            | ?TIMEOUT T_dly                                                                                                                                                                                                                                                                                                                                                                                                                                                                                                                                                                                                             |                                                                                                                                             |     |                         |
| 32                        |            | LIDL_UdatRqPg1Rq                                                                                                                                                                                                                                                                                                                                                                                                                                                                                                                                                                                                           | PgReq1(TCV_PgCh,<br>TCV_Pgg,<br>PgReqTp1_01)                                                                                                |     |                         |
| 33                        |            | L?DL_RaclnChRq (TCV_Rr :=<br>DL_RaclnChRq. msg.ecau_rrf, TCV_Fn :=<br>DL_RaclnChRq.fn)                                                                                                                                                                                                                                                                                                                                                                                                                                                                                                                                     | ChReq(<br>ChRequest_17)                                                                                                                     |     |                         |
| 34                        |            | ACTIVATE( OtherEventsFail_02)                                                                                                                                                                                                                                                                                                                                                                                                                                                                                                                                                                                              |                                                                                                                                             |     | To match ChReq retrans. |
| 35                        |            | LIDL_UdatRqImmss                                                                                                                                                                                                                                                                                                                                                                                                                                                                                                                                                                                                           | ImmAss( TCV_agch,<br>ImmAsgn_01Def(<br>TCV_Rr, TCV_Fn,<br>TSPX_SDCCH4SubC<br>, TCV_slot, TCV_tsc,<br>TCV_chdescr_arfcn,<br>TimingAdv( 30))) |     |                         |
| 36                        | L_031<br>8 | L?DL_EstInPgRes                                                                                                                                                                                                                                                                                                                                                                                                                                                                                                                                                                                                            | PagingRes(<br>PagingRes_03(<br>TSPX_CKSNDf))                                                                                                | (P) | 7.                      |
| 37                        |            | ACTIVATE( OtherEventsFail)                                                                                                                                                                                                                                                                                                                                                                                                                                                                                                                                                                                                 |                                                                                                                                             |     | Restore Normal default  |
| 38                        |            | +PostMainLinkRel( TCV_ch)                                                                                                                                                                                                                                                                                                                                                                                                                                                                                                                                                                                                  |                                                                                                                                             |     |                         |
| <b>Detailed Comments:</b> |            | <ol style="list-style-type: none"> <li>1. To setup a physical channel as BCCH, CCCH and SDCCH4.</li> <li>2. The power capability is the one with RF amplification.</li> <li>3. To setup a physical channel as full rate traffic channel for full rate bearer capability.</li> <li>4. To setup a physical channel as half rate traffic channel for half rate bearer capability.</li> <li>5. The power capability is the original one without RF amplification.</li> <li>6. The power capability is the one with RF amplification.</li> <li>7. The power capability is the original one without RF amplification.</li> </ol> |                                                                                                                                             |     |                         |

| Test Case Dynamic Behaviour |            |                                                                                                                                                                                                                                                                                                                                                                                                                                                                                                                                                                          |                                                                                                                          |     |                         |
|-----------------------------|------------|--------------------------------------------------------------------------------------------------------------------------------------------------------------------------------------------------------------------------------------------------------------------------------------------------------------------------------------------------------------------------------------------------------------------------------------------------------------------------------------------------------------------------------------------------------------------------|--------------------------------------------------------------------------------------------------------------------------|-----|-------------------------|
| <b>Test Case Name:</b>      |            | TC_26_6_11_2                                                                                                                                                                                                                                                                                                                                                                                                                                                                                                                                                             |                                                                                                                          |     |                         |
| <b>Group:</b>               |            | GSM_L3_MS_v4210/RR/                                                                                                                                                                                                                                                                                                                                                                                                                                                                                                                                                      |                                                                                                                          |     |                         |
| <b>Purpose:</b>             |            | To verify that if the network requests the MS to supply all its classmark information then this information is communicated on the DCCH to the network.                                                                                                                                                                                                                                                                                                                                                                                                                  |                                                                                                                          |     |                         |
| <b>Default:</b>             |            | OtherEventsFail                                                                                                                                                                                                                                                                                                                                                                                                                                                                                                                                                          |                                                                                                                          |     |                         |
| Nr                          | Label      | Behaviour Description                                                                                                                                                                                                                                                                                                                                                                                                                                                                                                                                                    | CRef                                                                                                                     | V   | Comments                |
| 1                           |            | START T_guard(300)                                                                                                                                                                                                                                                                                                                                                                                                                                                                                                                                                       |                                                                                                                          |     |                         |
| 2                           |            | +IdleUpdated( C_E_default, C_CellA, C_SCH_A, C_BCCH_A_1, C_Immass, C_S0, C_SlotNU, C_SlotNU, C_SlotNU, C_BCC, C_TxInt_5, C_Max_1, C_NECI_0, C_ATT_1, TimingAdv( 30), C_BABR_0, C_cch_1Comb, C_BPM_3, C_T3212_0, C_ci_cellA, C_MCC_1, C_PLMN_1, C_LAC_1, CellOpt_01, CellChDes_02, CellChDes_03, C_CellReselectHys12, C_MaxPwrLvIG, C_MaxPwrLvID, BcchFreqLst_01, BcchFreqLst_Omit, BcchFreqLst_48, BcchFreqLst_Omit, C_noRestablishment, C_BCC, C_NCC, C_Start_TmsiOff, TSPX_SDCCH4SubA, TSPX_CKSNDf, TSPX_RANDDef, C_arfcnA, C_arfcnAd, TSPX_IMSI, C_Test_fh, C_NCCP_2) |                                                                                                                          |     |                         |
| 3                           | body       | +MM_PwrOrSimOn(C_SIMneedRmv)                                                                                                                                                                                                                                                                                                                                                                                                                                                                                                                                             |                                                                                                                          |     |                         |
| 4                           |            | L?DL_RacInChRq (TCV_Rr := DL_RacInChRq.msg.ecau_rrf, TCV_Fn := DL_RacInChRq.fn)                                                                                                                                                                                                                                                                                                                                                                                                                                                                                          | ChReq( ChRequest_02)                                                                                                     |     |                         |
| 5                           |            | ACTIVATE( OtherEventsFail_02)                                                                                                                                                                                                                                                                                                                                                                                                                                                                                                                                            |                                                                                                                          |     | To match ChReq retrans. |
| 6                           |            | L!DL_UdatRqImmass                                                                                                                                                                                                                                                                                                                                                                                                                                                                                                                                                        | ImmAss( TCV_agch, ImmAsgn_01Def( TCV_Rr, TCV_Fn, TSPX_SDCCH4SubA, TCV_slot, TCV_tsc, TCV_chdescr_arfcn, TimingAdv( 30))) |     |                         |
| 7                           |            | L?DL_EstInLupRq                                                                                                                                                                                                                                                                                                                                                                                                                                                                                                                                                          | LocUp( TCV_ch, LocUpdtReq_05)                                                                                            |     |                         |
| 8                           |            | ACTIVATE( OtherEventsFail)                                                                                                                                                                                                                                                                                                                                                                                                                                                                                                                                               |                                                                                                                          |     | Restore Normal default  |
| 9                           |            | L!DL_DatRqCImEnq START T_dly1( 300)                                                                                                                                                                                                                                                                                                                                                                                                                                                                                                                                      | ClassMkEnq_01( TCV_ch)                                                                                                   |     |                         |
| 10                          | L_031<br>9 | L?DL_DatInCImChn CANCEL T_dly1                                                                                                                                                                                                                                                                                                                                                                                                                                                                                                                                           | ClassChgDRcv( ClassChange_03)                                                                                            | (P) | 2.                      |
| 11                          |            | L!DL_DatRqLupAcp                                                                                                                                                                                                                                                                                                                                                                                                                                                                                                                                                         | LocAcp( TCV_ch, LocUpdtAcp_01( MiMsi_omit, C_MCC_1, C_PLMN_1, C_LAC_1))                                                  |     |                         |
| 12                          |            | +PostMainLinkRel( TCV_ch)                                                                                                                                                                                                                                                                                                                                                                                                                                                                                                                                                |                                                                                                                          |     |                         |
| 13                          | L_032<br>0 | ?TIMEOUT T_dly1                                                                                                                                                                                                                                                                                                                                                                                                                                                                                                                                                          |                                                                                                                          | (F) | 3.                      |
| 14                          |            | +PostMainLinkRel( TCV_ch)                                                                                                                                                                                                                                                                                                                                                                                                                                                                                                                                                |                                                                                                                          |     |                         |
| <b>Detailed Comments:</b>   |            | <ol style="list-style-type: none"> <li>1. To change the IMSI attach/detach flag to 1.</li> <li>2. The expected CLASSMARK CHANGE message received before 300 ms after the CLASSMARK ENQUIRY, pass.</li> <li>3. The expected message not received with 300 ms, fail.</li> </ol>                                                                                                                                                                                                                                                                                            |                                                                                                                          |     |                         |

| Test Case Dynamic Behaviour |            |                                                                                                                                                                                                                                                                                                                                                                                                                                                                                                                                                                           |                                        |     |                         |
|-----------------------------|------------|---------------------------------------------------------------------------------------------------------------------------------------------------------------------------------------------------------------------------------------------------------------------------------------------------------------------------------------------------------------------------------------------------------------------------------------------------------------------------------------------------------------------------------------------------------------------------|----------------------------------------|-----|-------------------------|
| <b>Test Case Name:</b>      |            | TC_26_6_12_1                                                                                                                                                                                                                                                                                                                                                                                                                                                                                                                                                              |                                        |     |                         |
| <b>Group:</b>               |            | GSM_L3_MS_v4210/RR/                                                                                                                                                                                                                                                                                                                                                                                                                                                                                                                                                       |                                        |     |                         |
| <b>Purpose:</b>             |            | To verify that the MS is able to correctly release an SDCCH after having received a CHANNEL RELEASE message.                                                                                                                                                                                                                                                                                                                                                                                                                                                              |                                        |     |                         |
| <b>Default:</b>             |            | OtherEventsFail                                                                                                                                                                                                                                                                                                                                                                                                                                                                                                                                                           |                                        |     |                         |
| Nr                          | Label      | Behaviour Description                                                                                                                                                                                                                                                                                                                                                                                                                                                                                                                                                     | CRef                                   | V   | Comments                |
| 1                           |            | START T_guard(300)                                                                                                                                                                                                                                                                                                                                                                                                                                                                                                                                                        |                                        |     |                         |
| 2                           |            | +IdleUpdated( C_E_default, C_CellA, C_SCH_A, C_BCCH_A_1, C_Immass, C_S0, C_SlotNU, C_SlotNU, C_SlotNU, C_BCC, C_TxInt_5, C_Max_1, C_NECI_0, C_ATT_0, TimingAdv( 30), C_BABR_0, C_cch_1Comb, C_BPM_3, C_T3212_0, C_ci_cellA, C_MCC_1, C_PLMN_1, C_LAC_1, CellOpt_01, CellChDes_02, CellChDes_03, C_CellReselectHys12, C_MaxPwrLvlG, C_MaxPwrLvlD, BcchFreqLst_01, BcchFreqLst_Omit, BcchFreqLst_48, BcchFreqLst_Omit, C_noRestablishment, C_BCC, C_NCC, C_Start_Tmsi, TSPX_SDCCH4SubDef, TSPX_CKSNDDef, TSPX_RANDDef, C_arfcnA, C_arfcnAd, TSPX_IMSI, C_Test_fh, C_NCCP_2) |                                        |     |                         |
| 3                           |            | +Varinit_tch( C_arfcn_tchA, C_arfcn_tchAd)                                                                                                                                                                                                                                                                                                                                                                                                                                                                                                                                |                                        |     |                         |
| 4                           |            | +SDCCH8_A_1_nociph( TSPX_SDCCH8SubB, C_Immass, TSPX_TmSltDef, TSPX_TscDef, ChMod_sign, FreqTCH(TCV_tch_arfcn), FreqTCH(TCV_tch_arfcn), TimingAdv( 30), C_BABR_0, C_cch_1nonComb, C_BPM_3)                                                                                                                                                                                                                                                                                                                                                                                 |                                        |     |                         |
| 5                           | body       | +subtree1                                                                                                                                                                                                                                                                                                                                                                                                                                                                                                                                                                 |                                        |     |                         |
| 6                           |            | +subtree2                                                                                                                                                                                                                                                                                                                                                                                                                                                                                                                                                                 |                                        |     |                         |
|                             |            | <b>subtree1</b>                                                                                                                                                                                                                                                                                                                                                                                                                                                                                                                                                           |                                        |     |                         |
| 7                           |            | L!DL_UdatRqPg1Rq                                                                                                                                                                                                                                                                                                                                                                                                                                                                                                                                                          | PgReq1(TCV_PgCh, TCV_Pgg, PgReqTp1_01) |     |                         |
| 8                           |            | L?DL_RacInChRq (TCV_Rr := DL_RacInChRq.msg.ecau_rrf, TCV_Fn := DL_RacInChRq.fn)                                                                                                                                                                                                                                                                                                                                                                                                                                                                                           | ChReq( ChRequest_17)                   |     |                         |
| 9                           |            | ACTIVATE(OtherEventsFail_02)                                                                                                                                                                                                                                                                                                                                                                                                                                                                                                                                              |                                        |     | To match ChReq retrans. |
| 10                          |            | +local_immass                                                                                                                                                                                                                                                                                                                                                                                                                                                                                                                                                             |                                        |     |                         |
| 11                          |            | L?DL_EstInPgRes                                                                                                                                                                                                                                                                                                                                                                                                                                                                                                                                                           | PagingRes( PagingRes_01)               |     |                         |
| 12                          |            | ACTIVATE(OtherEventsFail)                                                                                                                                                                                                                                                                                                                                                                                                                                                                                                                                                 |                                        |     | Restore Normal default  |
| 13                          |            | L!DL_DatRqChRel                                                                                                                                                                                                                                                                                                                                                                                                                                                                                                                                                           | ChRel( TCV_ch, ChRelease_01)           |     |                         |
| 14                          |            | L?DL_RelIn                                                                                                                                                                                                                                                                                                                                                                                                                                                                                                                                                                | DLRelInd_01                            |     |                         |
| 15                          |            | START T_dly(3000)                                                                                                                                                                                                                                                                                                                                                                                                                                                                                                                                                         |                                        |     |                         |
| 16                          | L_032<br>1 | L?OTHERWISE                                                                                                                                                                                                                                                                                                                                                                                                                                                                                                                                                               |                                        | (F) |                         |
| 17                          | L_032<br>2 | ?TIMEOUT T_dly                                                                                                                                                                                                                                                                                                                                                                                                                                                                                                                                                            |                                        | (P) |                         |
|                             |            | <b>subtree2</b>                                                                                                                                                                                                                                                                                                                                                                                                                                                                                                                                                           |                                        |     |                         |
| 18                          |            | START T_dly(12000)                                                                                                                                                                                                                                                                                                                                                                                                                                                                                                                                                        |                                        |     |                         |
| 19                          |            | ?TIMEOUT T_dly                                                                                                                                                                                                                                                                                                                                                                                                                                                                                                                                                            |                                        |     |                         |
| 20                          |            | L!DL_UdatRqPg1Rq                                                                                                                                                                                                                                                                                                                                                                                                                                                                                                                                                          | PgReq1(TCV_PgCh, TCV_Pgg, PgReqTp1_01) |     |                         |
| 21                          |            | L?DL_RacInChRq (TCV_Rr := DL_RacInChRq.msg.ecau_rrf, TCV_Fn := DL_RacInChRq.fn)                                                                                                                                                                                                                                                                                                                                                                                                                                                                                           | ChReq( ChRequest_17)                   |     |                         |
| 22                          |            | ACTIVATE(OtherEventsFail_02)                                                                                                                                                                                                                                                                                                                                                                                                                                                                                                                                              |                                        |     | To match ChReq retrans. |
| 23                          |            | +local_immass                                                                                                                                                                                                                                                                                                                                                                                                                                                                                                                                                             |                                        |     |                         |
| 24                          | L_032<br>3 | L?DL_EstInPgRes                                                                                                                                                                                                                                                                                                                                                                                                                                                                                                                                                           | PagingRes( PagingRes_01)               | (P) |                         |
| 25                          |            | ACTIVATE(OtherEventsFail)                                                                                                                                                                                                                                                                                                                                                                                                                                                                                                                                                 |                                        |     | Restore Normal default  |
| 26                          |            | +PostMainLinkRel(TCV_ch)                                                                                                                                                                                                                                                                                                                                                                                                                                                                                                                                                  |                                        |     |                         |
|                             |            | <b>local_immass</b>                                                                                                                                                                                                                                                                                                                                                                                                                                                                                                                                                       |                                        |     |                         |
| 27                          |            | L!DL_UdatRqImm                                                                                                                                                                                                                                                                                                                                                                                                                                                                                                                                                            | ImmAss( TCV_agch, ImmAsgn_r02(         |     |                         |

|                           |  |                         |                                                                                                             |  |  |
|---------------------------|--|-------------------------|-------------------------------------------------------------------------------------------------------------|--|--|
|                           |  |                         | TCV_Rr, TCV_Fn,<br>TSPX_SDCCH8SubB<br>, TSPX_TmSltDef,<br>TSPX_TscDef,<br>TimingAdv( 30),<br>TCV_tch_arfcn) |  |  |
| <b>Detailed Comments:</b> |  | 1. No any L 2 messages. |                                                                                                             |  |  |

| Test Case Dynamic Behaviour |            |                                                                                                                                                                                                                                                                                                                                                                                                                                                                                                                                                                           |                                        |     |                   |
|-----------------------------|------------|---------------------------------------------------------------------------------------------------------------------------------------------------------------------------------------------------------------------------------------------------------------------------------------------------------------------------------------------------------------------------------------------------------------------------------------------------------------------------------------------------------------------------------------------------------------------------|----------------------------------------|-----|-------------------|
| <b>Test Case Name:</b>      |            | TC_26_6_12_2                                                                                                                                                                                                                                                                                                                                                                                                                                                                                                                                                              |                                        |     |                   |
| <b>Group:</b>               |            | GSM_L3_MS_v4210/RR/                                                                                                                                                                                                                                                                                                                                                                                                                                                                                                                                                       |                                        |     |                   |
| <b>Purpose:</b>             |            | To verify that the MS is able to correctly release a SDCCH after having received a CHANNEL RELEASE message, even if the SS does not L2 acknowledge the L2 DISC frame.                                                                                                                                                                                                                                                                                                                                                                                                     |                                        |     |                   |
| <b>Default:</b>             |            | OtherEventsFail_01                                                                                                                                                                                                                                                                                                                                                                                                                                                                                                                                                        |                                        |     |                   |
| Nr                          | Label      | Behaviour Description                                                                                                                                                                                                                                                                                                                                                                                                                                                                                                                                                     | CRef                                   | V   | Comments          |
| 1                           |            | START T_guard(300)                                                                                                                                                                                                                                                                                                                                                                                                                                                                                                                                                        |                                        |     |                   |
| 2                           |            | +IdleUpdated( C_E_default, C_CellA, C_SCH_A, C_BCCH_A_1, C_Immass, C_S0, C_SlotNU, C_SlotNU, C_SlotNU, C_BCC, C_TxInt_5, C_Max_1, C_NECI_0, C_ATT_0, TimingAdv( 30), C_BABR_0, C_cch_1Comb, C_BPM_3, C_T3212_0, C_ci_cellA, C_MCC_1, C_PLMN_1, C_LAC_1, CellOpt_01, CellChDes_02, CellChDes_03, C_CellReselectHys12, C_MaxPwrLvlG, C_MaxPwrLvlD, BcchFreqLst_01, BcchFreqLst_Omit, BcchFreqLst_48, BcchFreqLst_Omit, C_noRestablishment, C_BCC, C_NCC, C_Start_Tmsi, TSPX_SDCCH4SubDef, TSPX_CKSNDDef, TSPX_RANDDef, C_arfcnA, C_arfcnAd, TSPX_IMSI, C_Test_fh, C_NCCP_2) |                                        |     |                   |
| 3                           |            | +Varinit_tch( C_arfcn_tchA, C_arfcn_tchAd)                                                                                                                                                                                                                                                                                                                                                                                                                                                                                                                                |                                        |     |                   |
| 4                           |            | +SDCCH8_A_1_nociph( TSPX_SDCCH8SubG, C_Immass, TSPX_TmSltDef, TSPX_TscDef, ChMod_sign, FreqTCH(TCV_tch_arfcn), FreqTCH(TCV_tch_arfcn), TimingAdv( 30), C_BABR_0, C_cch_1nonComb, C_BPM_3)                                                                                                                                                                                                                                                                                                                                                                                 |                                        |     |                   |
| 5                           | body       | +subtree1                                                                                                                                                                                                                                                                                                                                                                                                                                                                                                                                                                 |                                        |     |                   |
| 6                           |            | +subtree2                                                                                                                                                                                                                                                                                                                                                                                                                                                                                                                                                                 |                                        |     |                   |
|                             |            | <b>subtree1</b>                                                                                                                                                                                                                                                                                                                                                                                                                                                                                                                                                           |                                        |     |                   |
| 7                           |            | L!DL_UdatRqPg1Rq                                                                                                                                                                                                                                                                                                                                                                                                                                                                                                                                                          | PgReq1(TCV_PgCh, TCV_Pgg, PgReqTp1_01) |     |                   |
| 8                           |            | L?DL_RacInChRq (TCV_Rr := DL_RacInChRq. msg.ecau_rrf, TCV_Fn := DL_RacInChRq.fn)                                                                                                                                                                                                                                                                                                                                                                                                                                                                                          | ChReq( ChRequest_17)                   |     |                   |
| 9                           |            | +local_immass                                                                                                                                                                                                                                                                                                                                                                                                                                                                                                                                                             |                                        |     |                   |
| 10                          |            | L?DL_EstInPgRes                                                                                                                                                                                                                                                                                                                                                                                                                                                                                                                                                           | PagingRes( PagingRes_01)               |     |                   |
| 11                          |            | (TCV_Res := OM_NoUAforDISC( TCV_ch))                                                                                                                                                                                                                                                                                                                                                                                                                                                                                                                                      |                                        |     |                   |
| 12                          |            | L!DL_DatRqChRel                                                                                                                                                                                                                                                                                                                                                                                                                                                                                                                                                           | ChRel( TCV_ch, ChRelease_01)           |     |                   |
| 13                          |            | L?DL_Relln                                                                                                                                                                                                                                                                                                                                                                                                                                                                                                                                                                | DLRelInd_01                            |     |                   |
| 14                          |            | L?DL_Relln                                                                                                                                                                                                                                                                                                                                                                                                                                                                                                                                                                | DLRelInd_01                            |     |                   |
| 15                          |            | START T_dly(2000)                                                                                                                                                                                                                                                                                                                                                                                                                                                                                                                                                         |                                        |     |                   |
| 16                          |            | ?TIMEOUT T_dly                                                                                                                                                                                                                                                                                                                                                                                                                                                                                                                                                            |                                        |     |                   |
| 17                          |            | (TCV_Res := OM_ResumUAforDISC( TCV_ch))                                                                                                                                                                                                                                                                                                                                                                                                                                                                                                                                   |                                        |     |                   |
| 18                          |            | START T_dly(3000)                                                                                                                                                                                                                                                                                                                                                                                                                                                                                                                                                         |                                        |     |                   |
| 19                          | L_032<br>4 | L?OTHERWISE                                                                                                                                                                                                                                                                                                                                                                                                                                                                                                                                                               |                                        | (F) |                   |
| 20                          | L_032<br>5 | ?TIMEOUT T_dly                                                                                                                                                                                                                                                                                                                                                                                                                                                                                                                                                            |                                        | (P) |                   |
| 21                          |            | LIMDL_RelRq                                                                                                                                                                                                                                                                                                                                                                                                                                                                                                                                                               | MDLRelReq(TCV_ch)                      |     | Local end release |
|                             |            | <b>subtree2</b>                                                                                                                                                                                                                                                                                                                                                                                                                                                                                                                                                           |                                        |     |                   |
| 22                          |            | START T_dly(12000)                                                                                                                                                                                                                                                                                                                                                                                                                                                                                                                                                        |                                        |     |                   |
| 23                          |            | ?TIMEOUT T_dly                                                                                                                                                                                                                                                                                                                                                                                                                                                                                                                                                            |                                        |     |                   |
| 24                          |            | LIDL_UdatRqPg1Rq                                                                                                                                                                                                                                                                                                                                                                                                                                                                                                                                                          | PgReq1(TCV_PgCh, TCV_Pgg, PgReqTp1_01) |     |                   |
| 25                          |            | L?DL_RacInChRq (TCV_Rr := DL_RacInChRq. msg.ecau_rrf, TCV_Fn := DL_RacInChRq.fn)                                                                                                                                                                                                                                                                                                                                                                                                                                                                                          | ChReq( ChRequest_17)                   |     |                   |
| 26                          |            | +local_immass                                                                                                                                                                                                                                                                                                                                                                                                                                                                                                                                                             |                                        |     |                   |
| 27                          | L_032<br>6 | L?DL_EstInPgRes                                                                                                                                                                                                                                                                                                                                                                                                                                                                                                                                                           | PagingRes( PagingRes_01)               | (P) |                   |
| 28                          |            | +PostMainLinkRel(TCV_ch)                                                                                                                                                                                                                                                                                                                                                                                                                                                                                                                                                  |                                        |     |                   |

|                                                   |  |                                       |                                                                                                                                                   |  |  |
|---------------------------------------------------|--|---------------------------------------|---------------------------------------------------------------------------------------------------------------------------------------------------|--|--|
| 29                                                |  | <b>local_immass</b><br>L!DL_UdatRqImm | ImmAss( TCV_agch,<br>ImmAsgn_r02(<br>TCV_Rr, TCV_Fn,<br>TSPX_SDCCH8SubG<br>, TSPX_TmSltDef,<br>TSPX_TscDef,<br>TimingAdv( 30),<br>TCV_tch_arfcn)) |  |  |
| <b>Detailed Comments:</b> 1. Use TSPX_SDCCH8SubG. |  |                                       |                                                                                                                                                   |  |  |

| Test Case Dynamic Behaviour |            |                                                                                                                                                                                                                                                                                                                                                                                                                                                                                                                                                                            |                                                                           |     |                         |
|-----------------------------|------------|----------------------------------------------------------------------------------------------------------------------------------------------------------------------------------------------------------------------------------------------------------------------------------------------------------------------------------------------------------------------------------------------------------------------------------------------------------------------------------------------------------------------------------------------------------------------------|---------------------------------------------------------------------------|-----|-------------------------|
| <b>Test Case Name:</b>      |            | TC_26_6_12_3                                                                                                                                                                                                                                                                                                                                                                                                                                                                                                                                                               |                                                                           |     |                         |
| <b>Group:</b>               |            | GSM_L3_MS_v4210/RR/                                                                                                                                                                                                                                                                                                                                                                                                                                                                                                                                                        |                                                                           |     |                         |
| <b>Purpose:</b>             |            | To verify that the MS is able to correctly release a full-rate TCH after having received a CHANNEL RELEASE message.                                                                                                                                                                                                                                                                                                                                                                                                                                                        |                                                                           |     |                         |
| <b>Default:</b>             |            | OtherEventsFail                                                                                                                                                                                                                                                                                                                                                                                                                                                                                                                                                            |                                                                           |     |                         |
| Nr                          | Label      | Behaviour Description                                                                                                                                                                                                                                                                                                                                                                                                                                                                                                                                                      | CRef                                                                      | V   | Comments                |
| 1                           |            | START T_guard(300)                                                                                                                                                                                                                                                                                                                                                                                                                                                                                                                                                         |                                                                           |     |                         |
| 2                           |            | +IdleUpdated( C_E_default, C_CellA, C_SCH_A, C_BCCH_A_1, C_ImmMass, C_S0, C_SlotNU, C_SlotNU, C_SlotNU, C_BCC, C_TxInt_5, C_Max_1, C_NECI_0, C_ATT_0, TimingAdv( 30), C_BABR_0, C_cch_1Comb, C_BPM_3, C_T3212_0, C_ci_cellA, C_MCC_1, C_PLMN_1, C_LAC_1, CellOpt_01, CellChDes_02, CellChDes_03, C_CellReselectHys12, C_MaxPwrLvlG, C_MaxPwrLvlD, BcchFreqLst_01, BcchFreqLst_Omit, BcchFreqLst_48, BcchFreqLst_Omit, C_noRestablishment, C_BCC, C_NCC, C_Start_Tmsi, TSPX_SDCCH4SubDef, TSPX_CKSNDDef, TSPX_RANDDef, C_arfcnA, C_arfcnAd, TSPX_IMSI, C_Test_fh, C_NCCP_2) |                                                                           |     |                         |
| 3                           |            | +gsmOrDcs                                                                                                                                                                                                                                                                                                                                                                                                                                                                                                                                                                  |                                                                           |     |                         |
| 4                           |            | +FullRateCh_A_1_nociph( C_Ass, TSPX_TmSlitDef, TSPX_TscDef, ChMod_speech, FreqTCH( C_arfcn_tchA), FreqTCH( C_arfcn_tchAd), TimingAdv( 30), C_BABR_0, C_cch_1Comb, C_BPM_3)                                                                                                                                                                                                                                                                                                                                                                                                 |                                                                           |     |                         |
| 5                           | body       | +subtree1                                                                                                                                                                                                                                                                                                                                                                                                                                                                                                                                                                  |                                                                           |     |                         |
| 6                           |            | +subtree2                                                                                                                                                                                                                                                                                                                                                                                                                                                                                                                                                                  |                                                                           |     |                         |
|                             |            | <b>subtree1</b>                                                                                                                                                                                                                                                                                                                                                                                                                                                                                                                                                            |                                                                           |     |                         |
| 7                           |            | L!DL_UdatRqPg1Rq                                                                                                                                                                                                                                                                                                                                                                                                                                                                                                                                                           | PgReq1(TCV_PgCh, TCV_Pgg, PgReqTp1_01)                                    |     |                         |
| 8                           |            | L?DL_RacInChRq (TCV_Rr := DL_RacInChRq, msg.ecau_rrf, TCV_Fn := DL_RacInChRq.fn)                                                                                                                                                                                                                                                                                                                                                                                                                                                                                           | ChReq( ChRequest_17)                                                      |     |                         |
| 9                           |            | ACTIVATE(OtherEventsFail_02)                                                                                                                                                                                                                                                                                                                                                                                                                                                                                                                                               |                                                                           |     | To match ChReq retrans. |
| 10                          |            | L!DL_UdatRqImmMass                                                                                                                                                                                                                                                                                                                                                                                                                                                                                                                                                         | ImmAss( TCV_agch, ImmAsgn_r13( TCV_Rr, TCV_Fn, TCV_chd1, TimingAdv( 30))) |     |                         |
| 11                          |            | L?DL_EstInPgRes                                                                                                                                                                                                                                                                                                                                                                                                                                                                                                                                                            | PagingRes( PagingRes_01)                                                  |     |                         |
| 12                          |            | ACTIVATE(OtherEventsFail)                                                                                                                                                                                                                                                                                                                                                                                                                                                                                                                                                  |                                                                           |     | Restore Normal default  |
| 13                          |            | L!DL_DatRqChRel                                                                                                                                                                                                                                                                                                                                                                                                                                                                                                                                                            | ChRel( TCV_chTch, ChRelease_01)                                           |     |                         |
| 14                          |            | L?DL_RelIn                                                                                                                                                                                                                                                                                                                                                                                                                                                                                                                                                                 | DLRelInd_01                                                               |     |                         |
| 15                          |            | START T_dly(3000)                                                                                                                                                                                                                                                                                                                                                                                                                                                                                                                                                          |                                                                           |     |                         |
| 16                          | L_032<br>7 | L?OTHERWISE                                                                                                                                                                                                                                                                                                                                                                                                                                                                                                                                                                |                                                                           | (F) |                         |
| 17                          | L_032<br>8 | ?TIMEOUT T_dly                                                                                                                                                                                                                                                                                                                                                                                                                                                                                                                                                             |                                                                           | (P) |                         |
|                             |            | <b>subtree2</b>                                                                                                                                                                                                                                                                                                                                                                                                                                                                                                                                                            |                                                                           |     |                         |
| 18                          |            | START T_dly(12000)                                                                                                                                                                                                                                                                                                                                                                                                                                                                                                                                                         |                                                                           |     |                         |
| 19                          |            | ?TIMEOUT T_dly                                                                                                                                                                                                                                                                                                                                                                                                                                                                                                                                                             |                                                                           |     |                         |
| 20                          |            | L!DL_UdatRqPg1Rq                                                                                                                                                                                                                                                                                                                                                                                                                                                                                                                                                           | PgReq1(TCV_PgCh, TCV_Pgg, PgReqTp1_01)                                    |     |                         |
| 21                          |            | L?DL_RacInChRq (TCV_Rr := DL_RacInChRq, msg.ecau_rrf, TCV_Fn := DL_RacInChRq.fn)                                                                                                                                                                                                                                                                                                                                                                                                                                                                                           | ChReq( ChRequest_17)                                                      |     |                         |
| 22                          |            | ACTIVATE(OtherEventsFail_02)                                                                                                                                                                                                                                                                                                                                                                                                                                                                                                                                               |                                                                           |     | To match ChReq retrans. |
| 23                          |            | L!DL_UdatRqImmMass                                                                                                                                                                                                                                                                                                                                                                                                                                                                                                                                                         | ImmAss( TCV_agch, ImmAsgn_r13( TCV_Rr, TCV_Fn, TCV_chd1, TimingAdv( 30))) |     |                         |
| 24                          | L_032      | L?DL_EstInPgRes                                                                                                                                                                                                                                                                                                                                                                                                                                                                                                                                                            | PagingRes(                                                                | (P) |                         |



|                           |   |                                                                                      |               |                        |
|---------------------------|---|--------------------------------------------------------------------------------------|---------------|------------------------|
|                           | 9 |                                                                                      | PagingRes_01) |                        |
| 25                        |   | ACTIVATE(OtherEventsFail)                                                            |               | Restore Normal default |
| 26                        |   | +PostMainLinkRel(TCV_chTch)                                                          |               |                        |
|                           |   | <b>gsmOrDcs</b>                                                                      |               |                        |
| 27                        |   | [TSPC_PGSM OR TSPC_EGSM]                                                             |               |                        |
| 28                        |   | (TCV_chd1 := ChDescrp_nfh( '00001'B,<br>TSPX_TmSlitDef, TSPX_TscDef, C_arfcn_tchA))  |               |                        |
| 29                        |   | [TSPC_DCS]                                                                           |               |                        |
| 30                        |   | (TCV_chd1 := ChDescrp_nfh( '00001'B,<br>TSPX_TmSlitDef, TSPX_TscDef, C_arfcn_tchAd)) |               |                        |
| <b>Detailed Comments:</b> |   |                                                                                      |               |                        |

| Test Case Dynamic Behaviour |            |                                                                                                                                                                                                                                                                                                                                                                                                                                                                                                                                                                         |                                                                           |     |                   |
|-----------------------------|------------|-------------------------------------------------------------------------------------------------------------------------------------------------------------------------------------------------------------------------------------------------------------------------------------------------------------------------------------------------------------------------------------------------------------------------------------------------------------------------------------------------------------------------------------------------------------------------|---------------------------------------------------------------------------|-----|-------------------|
| <b>Test Case Name:</b>      |            | TC_26_6_12_4                                                                                                                                                                                                                                                                                                                                                                                                                                                                                                                                                            |                                                                           |     |                   |
| <b>Group:</b>               |            | GSM_L3_MS_v4210/RR/                                                                                                                                                                                                                                                                                                                                                                                                                                                                                                                                                     |                                                                           |     |                   |
| <b>Purpose:</b>             |            | To verify that the MS is able to correctly release a TCH/F after having received a CHANNEL RELEASE message, even if the SS does not L2 acknowledge the L2 DISC frame.                                                                                                                                                                                                                                                                                                                                                                                                   |                                                                           |     |                   |
| <b>Default:</b>             |            | OtherEventsFail_01                                                                                                                                                                                                                                                                                                                                                                                                                                                                                                                                                      |                                                                           |     |                   |
| Nr                          | Label      | Behaviour Description                                                                                                                                                                                                                                                                                                                                                                                                                                                                                                                                                   | CRef                                                                      | V   | Comments          |
| 1                           |            | START T_guard(300)                                                                                                                                                                                                                                                                                                                                                                                                                                                                                                                                                      |                                                                           |     |                   |
| 2                           |            | +IdleUpdated( C_E_default, C_Cella, C_SCH_A, C_BCCH_A_1, C_Immass, C_S0, C_SlotNU, C_SlotNU, C_SlotNU, C_BCC, C_TxInt_5, C_Max_1, C_NECI_0, C_ATT_0, TimingAdv( 30), C_BABR_0, C_cch_1Comb, C_BPM_3, C_T3212_0, C_ci_cellA, C_MCC_1, C_PLMN_1, C_LAC_1, CellOpt_01, CellChDes_02, CellChDes_03, C_CellReselectHys12, C_MaxPwrLvlG, C_MaxPwrLvlD, BcchFreqLst_01, BcchFreqLst_Omit, BcchFreqLst_48, BcchFreqLst_Omit, C_noRestablishment, C_BCC, C_NCC, C_Start_Tmsi, TSPX_SDCCH4SubDef, TSPX_CKSNDf, TSPX_RANDDef, C_arfcnA, C_arfcnAd, TSPX_IMSI, C_Test_fh, C_NCCP_2) |                                                                           |     |                   |
| 3                           |            | +local_set_channel_descr                                                                                                                                                                                                                                                                                                                                                                                                                                                                                                                                                |                                                                           |     |                   |
| 4                           |            | +FullRateCh_A_1_nociph( C_Ass, TSPX_TmSlTc, TSPX_TscC, ChMod_speech, FreqTCH( C_arfcn_tchA), FreqTCH( C_arfcn_tchAd), TimingAdv( 30), C_BABR_0, C_cch_1Comb, C_BPM_3)                                                                                                                                                                                                                                                                                                                                                                                                   |                                                                           |     |                   |
| 5                           | body       | +subtree1                                                                                                                                                                                                                                                                                                                                                                                                                                                                                                                                                               |                                                                           |     |                   |
| 6                           |            | +Varinit_tch( C_arfcn_tchA, C_arfcn_tchAd)                                                                                                                                                                                                                                                                                                                                                                                                                                                                                                                              |                                                                           |     |                   |
| 7                           |            | +SDCCH8_A_1_nociph( TSPX_SDCCH8SubDef, C_Immass, TSPX_TmSlTDef, TSPX_TscDef, ChMod_sign, FreqTCH(TCV_tch_arfcn), FreqTCH(TCV_tch_arfcn), TimingAdv( 30), C_BABR_0, C_cch_1nonComb, C_BPM_3)                                                                                                                                                                                                                                                                                                                                                                             |                                                                           |     |                   |
| 8                           |            | +subtree2                                                                                                                                                                                                                                                                                                                                                                                                                                                                                                                                                               |                                                                           |     |                   |
|                             |            | <b>subtree1</b>                                                                                                                                                                                                                                                                                                                                                                                                                                                                                                                                                         |                                                                           |     |                   |
| 9                           |            | L!DL_UdatRqPg1Rq                                                                                                                                                                                                                                                                                                                                                                                                                                                                                                                                                        | PgReq1(TCV_PgCh, TCV_Pgg, PgReqTp1_01)                                    |     |                   |
| 10                          |            | L?DL_RaInChRq (TCV_Rr := DL_RaInChRq.msg.ecau_rrf, TCV_Fn := DL_RaInChRq.fn)                                                                                                                                                                                                                                                                                                                                                                                                                                                                                            | ChReq( ChRequest_17)                                                      |     |                   |
| 11                          |            | LIDL_UdatRqImmass                                                                                                                                                                                                                                                                                                                                                                                                                                                                                                                                                       | ImmAss( TCV_agch, ImmAsgn_r13( TCV_Rr, TCV_Fn, TCV_chd1, TimingAdv( 30))) |     |                   |
| 12                          |            | L?DL_EstInPgRes                                                                                                                                                                                                                                                                                                                                                                                                                                                                                                                                                         | PagingRes( PagingRes_01)                                                  |     |                   |
| 13                          |            | (TCV_Res := OM_NoUAforDISC(TCV_chTch))                                                                                                                                                                                                                                                                                                                                                                                                                                                                                                                                  |                                                                           |     |                   |
| 14                          |            | L!DL_DatRqChRel                                                                                                                                                                                                                                                                                                                                                                                                                                                                                                                                                         | ChRel( TCV_chTch, ChRelease_01)                                           |     |                   |
| 15                          |            | L?DL_RelIn                                                                                                                                                                                                                                                                                                                                                                                                                                                                                                                                                              | DLRelInd_01                                                               |     |                   |
| 16                          |            | L?DL_RelIn                                                                                                                                                                                                                                                                                                                                                                                                                                                                                                                                                              | DLRelInd_01                                                               |     |                   |
| 17                          |            | START T_dly(2000)                                                                                                                                                                                                                                                                                                                                                                                                                                                                                                                                                       |                                                                           |     |                   |
| 18                          |            | ?TIMEOUT T_dly                                                                                                                                                                                                                                                                                                                                                                                                                                                                                                                                                          |                                                                           |     |                   |
| 19                          |            | (TCV_Res := OM_ResumUAforDISC( TCV_chTch))                                                                                                                                                                                                                                                                                                                                                                                                                                                                                                                              |                                                                           |     |                   |
| 20                          |            | START T_dly(3000)                                                                                                                                                                                                                                                                                                                                                                                                                                                                                                                                                       |                                                                           |     |                   |
| 21                          | L_033<br>0 | L?OTHERWISE                                                                                                                                                                                                                                                                                                                                                                                                                                                                                                                                                             |                                                                           | (F) |                   |
| 22                          | L_033<br>1 | ?TIMEOUT T_dly                                                                                                                                                                                                                                                                                                                                                                                                                                                                                                                                                          |                                                                           | (P) |                   |
| 23                          |            | LIMDL_RelRq                                                                                                                                                                                                                                                                                                                                                                                                                                                                                                                                                             | MDLRelReq(TCV_ch)                                                         |     | local end release |

|    |            |                                                                                     |                                                                                                                                                     |     |
|----|------------|-------------------------------------------------------------------------------------|-----------------------------------------------------------------------------------------------------------------------------------------------------|-----|
|    |            | <b>subtree2</b>                                                                     |                                                                                                                                                     |     |
| 24 |            | START T_dly(12000)                                                                  |                                                                                                                                                     |     |
| 25 |            | ?TIMEOUT T_dly                                                                      |                                                                                                                                                     |     |
| 26 |            | LIDL_UdatRqPg1Rq                                                                    | PgReq1(TCV_PgCh,<br>TCV_Pgg,<br>PgReqTp1_01)                                                                                                        |     |
| 27 |            | L?DL_RaInChRq (TCV_Rr := DL_RaInChRq.<br>msg.ecau_rrf, TCV_Fn := DL_RaInChRq.fn)    | ChReq(<br>ChRequest_17)                                                                                                                             |     |
| 28 |            | +local_immass                                                                       |                                                                                                                                                     |     |
| 29 | L_033<br>2 | L?DL_EstInPgRes                                                                     | PagingRes(<br>PagingRes_01)                                                                                                                         | (P) |
| 30 |            | +PostMainLinkRel(TCV_ch)                                                            |                                                                                                                                                     |     |
|    |            | <b>local_set_channel_descr</b>                                                      |                                                                                                                                                     |     |
| 31 |            | [TSPC_PGSM OR TSPC_EGSM]                                                            |                                                                                                                                                     |     |
| 32 |            | (TCV_chd1 := ChDescrp_nfh( '00001'B,<br>TSPX_TmSlTDef, TSPX_TscDef, C_arfcn_tchA))  |                                                                                                                                                     |     |
| 33 |            | [TSPC_DCS]                                                                          |                                                                                                                                                     |     |
| 34 |            | (TCV_chd1 := ChDescrp_nfh( '00001'B,<br>TSPX_TmSlTDef, TSPX_TscDef, C_arfcn_tchAd)) |                                                                                                                                                     |     |
|    |            | <b>local_immass</b>                                                                 |                                                                                                                                                     |     |
| 35 |            | L!DL_UdatRqImmass                                                                   | ImmAss( TCV_agch,<br>ImmAsgn_r02(<br>TCV_Rr, TCV_Fn,<br>TSPX_SDCCH8SubD<br>ef, TSPX_TmSlTDef,<br>TSPX_TscDef,<br>TimingAdv( 30),<br>TCV_tch_arfcn)) |     |

Detailed Comments:

| Test Case Dynamic Behaviour |       |                                                                                                                                                                                                                                                                                                                                                                                                                                                                                                                                                                                           |                                                                                         |   |                         |
|-----------------------------|-------|-------------------------------------------------------------------------------------------------------------------------------------------------------------------------------------------------------------------------------------------------------------------------------------------------------------------------------------------------------------------------------------------------------------------------------------------------------------------------------------------------------------------------------------------------------------------------------------------|-----------------------------------------------------------------------------------------|---|-------------------------|
| <b>Test Case Name:</b>      |       | TC_26_6_13_1                                                                                                                                                                                                                                                                                                                                                                                                                                                                                                                                                                              |                                                                                         |   |                         |
| <b>Group:</b>               |       | GSM_L3_MS_v4210/RR/                                                                                                                                                                                                                                                                                                                                                                                                                                                                                                                                                                       |                                                                                         |   |                         |
| <b>Purpose:</b>             |       | To verify that the MS, after receiving an ASSIGNMENT COMMAND message with a starting time and channel descriptions both for before and after the starting time, and ready to access before the indicated time, performs correctly the assignment using the description for before the time, and eventually starts using the frequency parameters for after the time at the time indicated in the message.                                                                                                                                                                                 |                                                                                         |   |                         |
| <b>Default:</b>             |       | OtherEventsFail                                                                                                                                                                                                                                                                                                                                                                                                                                                                                                                                                                           |                                                                                         |   |                         |
| Nr                          | Label | Behaviour Description                                                                                                                                                                                                                                                                                                                                                                                                                                                                                                                                                                     | CRef                                                                                    | V | Comments                |
| 1                           |       | START T_guard(300)                                                                                                                                                                                                                                                                                                                                                                                                                                                                                                                                                                        |                                                                                         |   |                         |
| 2                           |       | +IdleUpdated( C_E_default, C_CellA, C_SCH_A, C_BCCH_A_1, C_ImmMass, C_S0, C_SlotNU, C_SlotNU, C_SlotNU, C_BCC, C_TxInt_5, C_Max_1, C_NECI_0, C_ATT_0, TimingAdv( 30), C_BABR_0, C_cch_1nonComb, C_BPM_3, C_T3212_1, C_ci_cellA, C_MCC_1, C_PLMN_1, C_LAC_1, CellOpt_01, CellChDes_20_Aman, CellChDes_203_Ad, C_CellReselectHys12, C_MaxPwrLvlG, C_MaxPwrLvlD, BcchFreqLst_01, BcchFreqLst_Omit, BcchFreqLst_48, BcchFreqLst_Omit, C_noReestablishment, C_BCC, C_NCC, C_Start_Tmsi, TSPX_SDCCH4SubDef, TSPX_CKSNDDef, TSPX_RANDDef, C_arfcnA, C_arfcnAd_4, TSPX_IMSI, C_Test_fh, C_NCCP_2) |                                                                                         |   | 1.                      |
| 3                           |       | +SDCCH8_A_1_nociph( TSPX_SDCCH8SubA, C_ImmMass, TSPX_TmSltA, TSPX_TscA, ChMod_sign, FreqSDCCH8_rg1, FreqSDCCH8_rd1, TimingAdv( 30), C_BABR_0, C_cch_1nonComb, C_BPM_3)                                                                                                                                                                                                                                                                                                                                                                                                                    |                                                                                         |   | 2.                      |
| 4                           |       | +local_set_channel_for_ass                                                                                                                                                                                                                                                                                                                                                                                                                                                                                                                                                                |                                                                                         |   | 3.                      |
| 5                           | body  | +ltree_body                                                                                                                                                                                                                                                                                                                                                                                                                                                                                                                                                                               |                                                                                         |   |                         |
| 6                           |       | <b>ltree_body</b><br>L!DL_UdatRqPg1Rq                                                                                                                                                                                                                                                                                                                                                                                                                                                                                                                                                     | PgReq1(TCV_PgCh, TCV_Pgg, PgReqTp1_01)                                                  |   |                         |
| 7                           |       | L?DL_RaInChRq (TCV_Rr := DL_RaInChRq.msg.ecau_rrf, TCV_Fn := DL_RaInChRq.fn)                                                                                                                                                                                                                                                                                                                                                                                                                                                                                                              | ChReq(ChRequest_17)                                                                     |   |                         |
| 8                           |       | ACTIVATE( OtherEventsFail_02)                                                                                                                                                                                                                                                                                                                                                                                                                                                                                                                                                             |                                                                                         |   | To match ChReq retrans. |
| 9                           |       | LIDL_UdatRqImmMass                                                                                                                                                                                                                                                                                                                                                                                                                                                                                                                                                                        | ImmAss( TCV_agch, ImmAsgn_r27( TCV_Rr, TCV_Fn, TSPX_TmSltA, TSPX_TscA, TimingAdv( 30))) |   | 4.                      |
| 10                          |       | L?DL_EstInPgRes                                                                                                                                                                                                                                                                                                                                                                                                                                                                                                                                                                           | PagingRes(PagingRes_01)                                                                 |   |                         |
| 11                          |       | ACTIVATE( OtherEventsFail)                                                                                                                                                                                                                                                                                                                                                                                                                                                                                                                                                                |                                                                                         |   | Restore Normal default  |
| 12                          |       | (TCV_Fn := OM_ComingFn( TCV_ch), TCV_Null := OM_SendNextOn( TCV_ch, TCV_Fn), TCV_Strt := OC_StartTime( TCV_Fn, C_StrT_1000, 1))                                                                                                                                                                                                                                                                                                                                                                                                                                                           |                                                                                         |   | 5.                      |
| 13                          |       | (TCV_AssCmd := AsgnCmd_r14(TSPX_TmSltB, TSPX_TscB, TCV_Strt), TCV_Null := OM_FreqDef( TCV_Strt, MobilAlc_r06, TCV_WorkingCh, ChDescrp_fh( TSPX_Chtp1, TSPX_TmSltB, TSPX_TscB, INT_TO_BIT(TSPX_Maio2, 6), INT_TO_BIT(TSPX_Hsn2, 6)), TCV_cchd1, TCV_Fn))                                                                                                                                                                                                                                                                                                                                   |                                                                                         |   |                         |
| 14                          |       | +AssCh_complete( TCV_ch, TCV_chTch, TCV_AssCmd)                                                                                                                                                                                                                                                                                                                                                                                                                                                                                                                                           |                                                                                         |   |                         |
| 15                          |       | +local_hoppingCHK                                                                                                                                                                                                                                                                                                                                                                                                                                                                                                                                                                         |                                                                                         |   | 6.                      |
| 16                          |       | +PostMainLinkRel( TCV_WorkingCh)                                                                                                                                                                                                                                                                                                                                                                                                                                                                                                                                                          |                                                                                         |   |                         |
| 17                          |       | <b>local_hoppingCHK</b><br>(TCV_Res := OM_FHCHK( TCV_WorkingCh, TCV_cchd1, MobilAlc_r06, ChDescrp_fh(                                                                                                                                                                                                                                                                                                                                                                                                                                                                                     |                                                                                         |   |                         |

|                           |            |                                                                                                                                                                                                                                                                                                                                                                                                                                                                                                                                                                                                                                                                                                                                                                                                                                              |  |     |
|---------------------------|------------|----------------------------------------------------------------------------------------------------------------------------------------------------------------------------------------------------------------------------------------------------------------------------------------------------------------------------------------------------------------------------------------------------------------------------------------------------------------------------------------------------------------------------------------------------------------------------------------------------------------------------------------------------------------------------------------------------------------------------------------------------------------------------------------------------------------------------------------------|--|-----|
|                           |            | TSPX_Chtp1, TSPX_TmSltB, TSPX_TscB,<br>INT_TO_BIT(TSPX_Maio2, 6),<br>INT_TO_BIT(TSPX_Hsn2, 6)), C_StrT_1000,<br>TCV_Fn))                                                                                                                                                                                                                                                                                                                                                                                                                                                                                                                                                                                                                                                                                                                     |  |     |
| 18                        | L_033<br>3 | [TCV_Res]                                                                                                                                                                                                                                                                                                                                                                                                                                                                                                                                                                                                                                                                                                                                                                                                                                    |  | (P) |
| 19                        | L_033<br>4 | [NOT TCV_Res]                                                                                                                                                                                                                                                                                                                                                                                                                                                                                                                                                                                                                                                                                                                                                                                                                                |  | (F) |
|                           |            | <b>local_set_channel_for_ass</b>                                                                                                                                                                                                                                                                                                                                                                                                                                                                                                                                                                                                                                                                                                                                                                                                             |  |     |
| 20                        |            | (TCV_n := BIT_TO_INT(TSPX_Chtp1))                                                                                                                                                                                                                                                                                                                                                                                                                                                                                                                                                                                                                                                                                                                                                                                                            |  |     |
| 21                        |            | [TCV_n = 1]                                                                                                                                                                                                                                                                                                                                                                                                                                                                                                                                                                                                                                                                                                                                                                                                                                  |  |     |
| 22                        |            | +FullRateCh_A_1_nociph(C_Ass, TSPX_TmSltB,<br>TSPX_TscB, ChMod_sign, Freq_rg2,<br>Freq_rd2, TimingAdv( 30), C_BABR_0,<br>C_cch_1nonComb, C_BPM_3)                                                                                                                                                                                                                                                                                                                                                                                                                                                                                                                                                                                                                                                                                            |  | 7.  |
| 23                        |            | (TCV_WorkingCh := TCV_chTch)                                                                                                                                                                                                                                                                                                                                                                                                                                                                                                                                                                                                                                                                                                                                                                                                                 |  |     |
| 24                        |            | +Set_CellChDescr(C_CellA)                                                                                                                                                                                                                                                                                                                                                                                                                                                                                                                                                                                                                                                                                                                                                                                                                    |  |     |
| 25                        |            | [(TCV_n = 2) OR (TCV_n = 3)]                                                                                                                                                                                                                                                                                                                                                                                                                                                                                                                                                                                                                                                                                                                                                                                                                 |  |     |
| 26                        |            | +HalfRateCh_A_1_nociph( OC_LeastBits(<br>TSPX_Chtp1, 1), C_Ass, TSPX_TmSltB,<br>TSPX_TscB, ChMod_sign, Freq_rg2, Freq_rd2,<br>TimingAdv( 30), C_BABR_0, C_cch_1nonComb,<br>C_BPM_3)                                                                                                                                                                                                                                                                                                                                                                                                                                                                                                                                                                                                                                                          |  | 8.  |
| 27                        |            | (TCV_WorkingCh := TCV_chTch)                                                                                                                                                                                                                                                                                                                                                                                                                                                                                                                                                                                                                                                                                                                                                                                                                 |  |     |
| 28                        |            | +Set_CellChDescr(C_CellA)                                                                                                                                                                                                                                                                                                                                                                                                                                                                                                                                                                                                                                                                                                                                                                                                                    |  |     |
| 29                        |            | [(TCV_n >= 8) AND (TCV_n <= 15)]                                                                                                                                                                                                                                                                                                                                                                                                                                                                                                                                                                                                                                                                                                                                                                                                             |  |     |
| 30                        |            | +SDCCH8_A_2_nociph( OC_LeastBits(<br>TSPX_Chtp1, 3), C_Ass, TSPX_TmSltB,<br>TSPX_TscB, ChMod_r01, Freq_rg2, Freq_rd2,<br>TimingAdv( 30), C_BABR_0, C_cch_1nonComb,<br>C_BPM_3)                                                                                                                                                                                                                                                                                                                                                                                                                                                                                                                                                                                                                                                               |  | 9.  |
| 31                        |            | (TCV_WorkingCh := TCV_ch)                                                                                                                                                                                                                                                                                                                                                                                                                                                                                                                                                                                                                                                                                                                                                                                                                    |  |     |
| 32                        |            | +Set_CellChDescr(C_CellA)                                                                                                                                                                                                                                                                                                                                                                                                                                                                                                                                                                                                                                                                                                                                                                                                                    |  |     |
| <b>Detailed Comments:</b> |            | <ol style="list-style-type: none"> <li>1. To setup a physical channel as BCCH, CCCH.</li> <li>2. To set a physical channel as hopping SDCCH8 channel, hopping parameters defined by PIXIT.</li> <li>3. To setup the before time and after time channels for ASSIGNMENT COMMAND.</li> <li>4. To assign the hopping SDCCH8 channel.</li> <li>5. To calculate the STARTING TIME.</li> <li>6. To check whether the after time frequency hopping is correct at the RF burst level.</li> <li>7. If the selected channel type is TCH/F, setup a physical channel as full rate channel for before time.</li> <li>8. If the selected channel type is TCH/H, setup a physical channel as half rate channel for before time.</li> <li>9. If the selected channel type is SDCCH8, setup a physical channel as SDCCH8 channel for before time.</li> </ol> |  |     |

| Test Case Dynamic Behaviour |            |                                                                                                                                                                                                                                                                                                                                                                                                                                                                                                                                                                                         |                                                                                         |     |                         |
|-----------------------------|------------|-----------------------------------------------------------------------------------------------------------------------------------------------------------------------------------------------------------------------------------------------------------------------------------------------------------------------------------------------------------------------------------------------------------------------------------------------------------------------------------------------------------------------------------------------------------------------------------------|-----------------------------------------------------------------------------------------|-----|-------------------------|
| <b>Test Case Name:</b>      |            | TC_26_6_13_2                                                                                                                                                                                                                                                                                                                                                                                                                                                                                                                                                                            |                                                                                         |     |                         |
| <b>Group:</b>               |            | GSM_L3_MS_v4210/RR/                                                                                                                                                                                                                                                                                                                                                                                                                                                                                                                                                                     |                                                                                         |     |                         |
| <b>Purpose:</b>             |            | To verify that the MS, after receiving an ASSIGNMENT COMMAND message with a starting time and channel descriptions both for before and after the starting time, performs correctly the assignment using the description for after the time if the indicated time has already elapsed when the Mobile Station is ready to transmit.                                                                                                                                                                                                                                                      |                                                                                         |     |                         |
| <b>Default:</b>             |            | OtherEventsFail                                                                                                                                                                                                                                                                                                                                                                                                                                                                                                                                                                         |                                                                                         |     |                         |
| Nr                          | Label      | Behaviour Description                                                                                                                                                                                                                                                                                                                                                                                                                                                                                                                                                                   | CRef                                                                                    | V   | Comments                |
| 1                           |            | START T_guard(300)                                                                                                                                                                                                                                                                                                                                                                                                                                                                                                                                                                      |                                                                                         |     |                         |
| 2                           |            | +IdleUpdated( C_E_default, C_CellA, C_SCH_A, C_BCCH_A_1, C_Immass, C_S0, C_SlotNU, C_SlotNU, C_SlotNU, C_BCC, C_TxInt_5, C_Max_1, C_NECI_0, C_ATT_0, TimingAdv( 30), C_BABR_0, C_cch_1nonComb, C_BPM_3, C_T3212_1, C_ci_cellA, C_MCC_1, C_PLMN_1, C_LAC_1, CellOpt_01, CellChDes_20_Aman, CellChDes_203_Ad, C_CellReselectHys12, C_MaxPwrLvlG, C_MaxPwrLvlD, BcchFreqLst_01, BcchFreqLst_Omit, BcchFreqLst_48, BcchFreqLst_Omit, C_noRestablishment, C_BCC, C_NCC, C_Start_Tmsi, TSPX_SDCCH4SubDef, TSPX_CKSNDDef, TSPX_RANDDef, C_arfcnA, C_arfcnAd_4, TSPX_IMSI, C_Test_fh, C_NCCP_2) |                                                                                         |     | 1.                      |
| 3                           |            | +SDCCH8_A_1_nociph( TSPX_SDCCH8SubB, C_Immass, TSPX_TmSltB, TSPX_TscB, ChMod_sign, FreqSDCCH8_rg2, FreqSDCCH8_rd2, TimingAdv( 30), C_BABR_0, C_cch_1nonComb, C_BPM_3)                                                                                                                                                                                                                                                                                                                                                                                                                   |                                                                                         |     | 2.                      |
| 4                           |            | +local_set_channelForAss                                                                                                                                                                                                                                                                                                                                                                                                                                                                                                                                                                |                                                                                         |     | 3.                      |
| 5                           | body       | LIDL_UdatRqPg1Rq                                                                                                                                                                                                                                                                                                                                                                                                                                                                                                                                                                        | PgReq1(TCV_PgCh, TCV_Pgg, PgReqTp1_01)                                                  |     |                         |
| 6                           |            | L?DL_RaInChRq (TCV_Rr := DL_RaInChRq.msg.ecau_rrf, TCV_Fn := DL_RaInChRq.fn)                                                                                                                                                                                                                                                                                                                                                                                                                                                                                                            | ChReq( ChRequest_17)                                                                    |     |                         |
| 7                           |            | ACTIVATE(OtherEventsFail_02)                                                                                                                                                                                                                                                                                                                                                                                                                                                                                                                                                            |                                                                                         |     | To match ChReq retrans. |
| 8                           |            | LIDL_UdatRqImmass                                                                                                                                                                                                                                                                                                                                                                                                                                                                                                                                                                       | ImmAss( TCV_agch, ImmAsgn_r28( TCV_Rr, TCV_Fn, TSPX_TmSltB, TSPX_TscB, TimingAdv( 30))) |     | 4.                      |
| 9                           |            | L?DL_EstInPgRes                                                                                                                                                                                                                                                                                                                                                                                                                                                                                                                                                                         | PagingRes( PagingRes_01)                                                                |     |                         |
| 10                          |            | ACTIVATE(OtherEventsFail)                                                                                                                                                                                                                                                                                                                                                                                                                                                                                                                                                               |                                                                                         |     | Restore Normal default  |
| 11                          |            | (TCV_Fn := OM_ComingFn( TCV_ch), TCV_Null := OM_SendNextOn( TCV_ch, TCV_Fn))                                                                                                                                                                                                                                                                                                                                                                                                                                                                                                            |                                                                                         |     | 5.                      |
| 12                          |            | (TCV_AssCmd := AsgnCmd_r15( TSPX_TmSltC, TSPX_TscC, TSPX_TmSltC, TSPX_TscC, OC_StartTime( TCV_Fn, 5, 1)))                                                                                                                                                                                                                                                                                                                                                                                                                                                                               |                                                                                         |     |                         |
| 13                          |            | +AssCh_complete( TCV_ch, TCV_chTch, TCV_AssCmd)                                                                                                                                                                                                                                                                                                                                                                                                                                                                                                                                         |                                                                                         |     |                         |
| 14                          |            | +local_continue                                                                                                                                                                                                                                                                                                                                                                                                                                                                                                                                                                         |                                                                                         |     | 6.                      |
| 15                          |            | +PostMainLinkRel(TCV_chTch)                                                                                                                                                                                                                                                                                                                                                                                                                                                                                                                                                             |                                                                                         |     |                         |
| 16                          |            | <b>local_continue</b><br>(TCV_Res := OM_FHCHK( TCV_chTch, TCV_cchd1, MobilAlc_r09, ChDescrp_fh( TSPX_Chtp2, TSPX_TmSltC, TSPX_TscC, INT_TO_BIT(TSPX_Maio5, 6), INT_TO_BIT(TSPX_Hsn5, 6)), 5, TCV_Fn))                                                                                                                                                                                                                                                                                                                                                                                   |                                                                                         |     |                         |
| 17                          | L_033<br>5 | [TCV_Res]                                                                                                                                                                                                                                                                                                                                                                                                                                                                                                                                                                               |                                                                                         | (P) |                         |
| 18                          | L_033<br>6 | [NOT TCV_Res]                                                                                                                                                                                                                                                                                                                                                                                                                                                                                                                                                                           |                                                                                         | (F) |                         |

|                                                          |                                                                                                                                                                                                                                                                                                                                                                                                                                                                                                                                                                                                                                                                                                                                                                                                                           |  |  |                        |
|----------------------------------------------------------|---------------------------------------------------------------------------------------------------------------------------------------------------------------------------------------------------------------------------------------------------------------------------------------------------------------------------------------------------------------------------------------------------------------------------------------------------------------------------------------------------------------------------------------------------------------------------------------------------------------------------------------------------------------------------------------------------------------------------------------------------------------------------------------------------------------------------|--|--|------------------------|
| 19<br>20<br>21<br>22<br>23<br>24<br>25<br>26<br>27<br>28 | <b>local_set_channelForAss</b><br>(TCV_n := BIT_TO_INT(TSPX_Chtp2))<br>[TCV_n = 1]<br>+FullRateCh_A_1_nociph(C_Ass, TSPX_TmSltC,<br>TSPX_TscC, ChMod_r02, Freq_rg4, Freq_rd4,<br>TimingAdv( 30), C_BABR_0, C_cch_1nonComb,<br>C_BPM_3)<br>+Set_CellChDescr(C_CellA)<br>[(TCV_n = 2) OR (TCV_n = 3)]<br>+HalfRateCh_A_1_nociph( OC_LeastBits(<br>TSPX_Chtp2, 1), C_Ass, TSPX_TmSltC,<br>TSPX_TscC, ChMod_r02, Freq_rg4, Freq_rd4,<br>TimingAdv( 30), C_BABR_0, C_cch_1nonComb,<br>C_BPM_3)<br>+Set_CellChDescr(C_CellA)<br>[(TCV_n >= 8) AND ( TCV_n <= 15)]<br>+SDCCH8_A_2_nociph( OC_LeastBits(<br>TSPX_Chtp2, 3), C_Ass, TSPX_TmSltC,<br>TSPX_TscC, ChMod_r02, Freq_rg4, Freq_rd4,<br>TimingAdv( 30), C_BABR_0, C_cch_1nonComb,<br>C_BPM_3)<br>+Set_CellChDescr(C_CellA)                                                |  |  | 7.<br><br>8.<br><br>9. |
| <b>Detailed Comments:</b>                                | <ol style="list-style-type: none"> <li>1. To setup a physical channel as BCCH, CCCH.</li> <li>2. To set a physical channel as hopping SDCCH8 channel, hopping parameters defined by PIXIT.</li> <li>3. To setup the after time channels for ASSIGNMENT COMMAND.</li> <li>4. To assign the hopping SDCCH8 channel.</li> <li>5. To calculate the STARTING TIME.</li> <li>6. To check whether the after time frequency hopping is correct at the RF burst level.</li> <li>7. If the selected channel type is TCH/F, setup a physical channel as full rate channel for after time.</li> <li>8. If the selected channel type is TCH/H, setup a physical channel as half rate channel for after time.</li> <li>9. If the selected channel type is SDCCH8, setup a physical channel as SDCCH8 channel for after time.</li> </ol> |  |  |                        |

| Test Case Dynamic Behaviour                                                                                                                                                                                                                                                                                                                                                                                                                                                                                                                                                                   |       |                                                                                                                                                                                                                                                                                                                                                                                                                                                                                                                                                                                         |                                                                                            |   |                         |
|-----------------------------------------------------------------------------------------------------------------------------------------------------------------------------------------------------------------------------------------------------------------------------------------------------------------------------------------------------------------------------------------------------------------------------------------------------------------------------------------------------------------------------------------------------------------------------------------------|-------|-----------------------------------------------------------------------------------------------------------------------------------------------------------------------------------------------------------------------------------------------------------------------------------------------------------------------------------------------------------------------------------------------------------------------------------------------------------------------------------------------------------------------------------------------------------------------------------------|--------------------------------------------------------------------------------------------|---|-------------------------|
| <b>Test Case Name:</b> TC_26_6_13_3                                                                                                                                                                                                                                                                                                                                                                                                                                                                                                                                                           |       |                                                                                                                                                                                                                                                                                                                                                                                                                                                                                                                                                                                         |                                                                                            |   |                         |
| <b>Group:</b> GSM_L3_MS_v4210/RR/                                                                                                                                                                                                                                                                                                                                                                                                                                                                                                                                                             |       |                                                                                                                                                                                                                                                                                                                                                                                                                                                                                                                                                                                         |                                                                                            |   |                         |
| <b>Purpose:</b> To verify that the MS, after receiving a FREQUENCY REDEFINITION message and then an ASSIGNMENT COMMAND message with a starting time and channel descriptions both for before and after the starting time, failing the assignment and returning on the old channel, and ready to access before the time indicated in the FREQUENCY REDEFINITION, resumes transmission on the channels used at the time of the reception of the FREQUENC REDEFINITION message and eventually starts using the frequency parameters at the time indicated in the FREQUENCY REDEFINITION message. |       |                                                                                                                                                                                                                                                                                                                                                                                                                                                                                                                                                                                         |                                                                                            |   |                         |
| <b>Default:</b> OtherEventsFail                                                                                                                                                                                                                                                                                                                                                                                                                                                                                                                                                               |       |                                                                                                                                                                                                                                                                                                                                                                                                                                                                                                                                                                                         |                                                                                            |   |                         |
| Nr                                                                                                                                                                                                                                                                                                                                                                                                                                                                                                                                                                                            | Label | Behaviour Description                                                                                                                                                                                                                                                                                                                                                                                                                                                                                                                                                                   | CRef                                                                                       | V | Comments                |
| 1                                                                                                                                                                                                                                                                                                                                                                                                                                                                                                                                                                                             |       | START T_guard(300)                                                                                                                                                                                                                                                                                                                                                                                                                                                                                                                                                                      |                                                                                            |   |                         |
| 2                                                                                                                                                                                                                                                                                                                                                                                                                                                                                                                                                                                             |       | +IdleUpdated( C_E_default, C_CellA, C_SCH_A, C_BCCH_A_1, C_Immash, C_S0, C_SlotNU, C_SlotNU, C_SlotNU, C_BCC, C_TxInt_5, C_Max_1, C_NECI_0, C_ATT_0, TimingAdv( 30), C_BABR_0, C_cch_1nonComb, C_BPM_3, C_T3212_1, C_ci_cellA, C_MCC_1, C_PLMN_1, C_LAC_1, CellOpt_01, CellChDes_20_Aman, CellChDes_203_Ad, C_CellReselectHys12, C_MaxPwrLvlG, C_MaxPwrLvlD, BcchFreqLst_01, BcchFreqLst_Omit, BcchFreqLst_48, BcchFreqLst_Omit, C_noRestablishment, C_BCC, C_NCC, C_Start_Tmsi, TSPX_SDCCH4SubDef, TSPX_CKSNDDef, TSPX_RANDDef, C_arfcnA, C_arfcnAd_4, TSPX_IMSI, C_Test_fh, C_NCCP_2) |                                                                                            |   | 1.                      |
| 3                                                                                                                                                                                                                                                                                                                                                                                                                                                                                                                                                                                             |       | +local_channel_setup                                                                                                                                                                                                                                                                                                                                                                                                                                                                                                                                                                    |                                                                                            |   | 2.                      |
| 4                                                                                                                                                                                                                                                                                                                                                                                                                                                                                                                                                                                             | body  | LIDL_UdatRqPg1Rq                                                                                                                                                                                                                                                                                                                                                                                                                                                                                                                                                                        | PgReq1(TCV_PgCh, TCV_Pgg, PgReqTp1_01)                                                     |   |                         |
| 5                                                                                                                                                                                                                                                                                                                                                                                                                                                                                                                                                                                             |       | L?DL_RacInChRq( TCV_Rr := DL_RacInChRq. msg.ecau_rrf, TCV_Fn := DL_RacInChRq.fn)                                                                                                                                                                                                                                                                                                                                                                                                                                                                                                        | ChReq( ChRequest_17)                                                                       |   |                         |
| 6                                                                                                                                                                                                                                                                                                                                                                                                                                                                                                                                                                                             |       | ACTIVATE( OtherEventsFail_02)                                                                                                                                                                                                                                                                                                                                                                                                                                                                                                                                                           |                                                                                            |   | To match ChReq retrans. |
| 7                                                                                                                                                                                                                                                                                                                                                                                                                                                                                                                                                                                             |       | LIDL_UdatRqImmash                                                                                                                                                                                                                                                                                                                                                                                                                                                                                                                                                                       | ImmAss( TCV_agch, ImmAsgn_r29( TCV_Rr, TCV_Fn, TSPX_TmSlitD, TSPX_TscD, TimingAdv( 30)))   |   |                         |
| 8                                                                                                                                                                                                                                                                                                                                                                                                                                                                                                                                                                                             |       | L?DL_EstInPgRes                                                                                                                                                                                                                                                                                                                                                                                                                                                                                                                                                                         | PagingRes( PagingRes_01)                                                                   |   |                         |
| 9                                                                                                                                                                                                                                                                                                                                                                                                                                                                                                                                                                                             |       | ACTIVATE( OtherEventsFail)                                                                                                                                                                                                                                                                                                                                                                                                                                                                                                                                                              |                                                                                            |   | Restore Normal default  |
| 10                                                                                                                                                                                                                                                                                                                                                                                                                                                                                                                                                                                            |       | +localtree                                                                                                                                                                                                                                                                                                                                                                                                                                                                                                                                                                              |                                                                                            |   |                         |
| 11                                                                                                                                                                                                                                                                                                                                                                                                                                                                                                                                                                                            |       | <b>localtree</b><br>(TCV_Fn := OM_ComingFn( TCV_WorkingCh), TCV_Strt := OC_StartTime( TCV_Fn, 5000, 0), TCV_chd1 := ChDescrp_fh( TSPX_Chtp3, TSPX_TmSlitD, TSPX_TscD, INT_TO_BIT(TSPX_Maio7, 6), INT_TO_BIT(TSPX_Hsn6, 6)), TCV_Null := OM_FreqDef( TCV_Strt, MobilAlc_r11, TCV_WorkingCh, TCV_chd1, TCV_cchd1, TCV_Fn), TCV_Null := OM_SendNextOn( TCV_WorkingCh, TCV_Fn))                                                                                                                                                                                                             |                                                                                            |   | 3.                      |
| 12                                                                                                                                                                                                                                                                                                                                                                                                                                                                                                                                                                                            |       | LIDL_DatRqFrqre                                                                                                                                                                                                                                                                                                                                                                                                                                                                                                                                                                         | FrqRedfSnd( TCV_WorkingCh, FrqRedef_01( TCV_chd1, MobilAlc_r11, TCV_Strt, CellChDes_Omit)) |   | 4.                      |
| 13                                                                                                                                                                                                                                                                                                                                                                                                                                                                                                                                                                                            |       | (TCV_AssCmd := AsgnCmd_r16( TSPX_TmSlitE, TSPX_TscE, OC_StartTime( TCV_Fn, 4000, 1)))                                                                                                                                                                                                                                                                                                                                                                                                                                                                                                   |                                                                                            |   |                         |
| 14                                                                                                                                                                                                                                                                                                                                                                                                                                                                                                                                                                                            |       | +AssCh_failure( TCV_WorkingCh, TCV_AssCmd, TRUE)                                                                                                                                                                                                                                                                                                                                                                                                                                                                                                                                        |                                                                                            |   |                         |
| 15                                                                                                                                                                                                                                                                                                                                                                                                                                                                                                                                                                                            |       | +ltree_check                                                                                                                                                                                                                                                                                                                                                                                                                                                                                                                                                                            |                                                                                            |   | 6.                      |
| 16                                                                                                                                                                                                                                                                                                                                                                                                                                                                                                                                                                                            |       | +PostMainLinkRel( TCV_WorkingCh)                                                                                                                                                                                                                                                                                                                                                                                                                                                                                                                                                        |                                                                                            |   |                         |
|                                                                                                                                                                                                                                                                                                                                                                                                                                                                                                                                                                                               |       | <b>ltree_check</b>                                                                                                                                                                                                                                                                                                                                                                                                                                                                                                                                                                      |                                                                                            |   |                         |



|                           |            |                                                                                                                                                                                                                                                                                                                                                                                                                                                                                                                                                                                                                                                                                                                                                                                                                                                                                                                                                                                                                                               |  |     |
|---------------------------|------------|-----------------------------------------------------------------------------------------------------------------------------------------------------------------------------------------------------------------------------------------------------------------------------------------------------------------------------------------------------------------------------------------------------------------------------------------------------------------------------------------------------------------------------------------------------------------------------------------------------------------------------------------------------------------------------------------------------------------------------------------------------------------------------------------------------------------------------------------------------------------------------------------------------------------------------------------------------------------------------------------------------------------------------------------------|--|-----|
| 17                        |            | [TCV_WorkingCh = TCV_ch]                                                                                                                                                                                                                                                                                                                                                                                                                                                                                                                                                                                                                                                                                                                                                                                                                                                                                                                                                                                                                      |  |     |
| 18                        |            | (TCV_Res := OM_FHCHK( TCV_WorkingCh,<br>TCV_cchd1, MobilAlc_r11, ChDescr_fh(<br>TSPX_Chtp4, TSPX_TmSltd, TSPX_TscD,<br>INT_TO_BIT( TSPX_Maio7, 6), INT_TO_BIT(<br>TSPX_Hsn6, 6)), 5000, TCV_Fn))                                                                                                                                                                                                                                                                                                                                                                                                                                                                                                                                                                                                                                                                                                                                                                                                                                              |  |     |
| 19                        | L_033<br>7 | [TCV_Res]                                                                                                                                                                                                                                                                                                                                                                                                                                                                                                                                                                                                                                                                                                                                                                                                                                                                                                                                                                                                                                     |  | (P) |
| 20                        | L_033<br>8 | [NOT TCV_Res]                                                                                                                                                                                                                                                                                                                                                                                                                                                                                                                                                                                                                                                                                                                                                                                                                                                                                                                                                                                                                                 |  | (F) |
|                           |            | <b>local_channel_setup</b>                                                                                                                                                                                                                                                                                                                                                                                                                                                                                                                                                                                                                                                                                                                                                                                                                                                                                                                                                                                                                    |  |     |
| 21                        |            | (TCV_n := BIT_TO_INT( TSPX_Chtp3))                                                                                                                                                                                                                                                                                                                                                                                                                                                                                                                                                                                                                                                                                                                                                                                                                                                                                                                                                                                                            |  |     |
| 22                        |            | [TCV_n = 1]                                                                                                                                                                                                                                                                                                                                                                                                                                                                                                                                                                                                                                                                                                                                                                                                                                                                                                                                                                                                                                   |  |     |
| 23                        |            | +FullRateCh_A_1_nociph( C_Immass,<br>TSPX_TmSltd, TSPX_TscD, ChMod_sign,<br>Freq_rg5, Freq_rd5, TimingAdv( 30), C_BABR_0,<br>C_cch_1nonComb, C_BPM_3)                                                                                                                                                                                                                                                                                                                                                                                                                                                                                                                                                                                                                                                                                                                                                                                                                                                                                         |  | 7.  |
| 24                        |            | (TCV_WorkingCh := TCV_chTch)                                                                                                                                                                                                                                                                                                                                                                                                                                                                                                                                                                                                                                                                                                                                                                                                                                                                                                                                                                                                                  |  |     |
| 25                        |            | +Set_CellChDescr( C_CellA)                                                                                                                                                                                                                                                                                                                                                                                                                                                                                                                                                                                                                                                                                                                                                                                                                                                                                                                                                                                                                    |  |     |
| 26                        |            | [(TCV_n = 2) OR (TCV_n = 3)]                                                                                                                                                                                                                                                                                                                                                                                                                                                                                                                                                                                                                                                                                                                                                                                                                                                                                                                                                                                                                  |  |     |
| 27                        |            | +HalfRateCh_A_1_nociph( OC_LeastBits(<br>TSPX_Chtp3, 1), C_Immass, TSPX_TmSltd,<br>TSPX_TscD, ChMod_sign, Freq_rg5, Freq_rd5,<br>TimingAdv( 30), C_BABR_0, C_cch_1nonComb,<br>C_BPM_3)                                                                                                                                                                                                                                                                                                                                                                                                                                                                                                                                                                                                                                                                                                                                                                                                                                                        |  | 8.  |
| 28                        |            | (TCV_WorkingCh := TCV_chTch)                                                                                                                                                                                                                                                                                                                                                                                                                                                                                                                                                                                                                                                                                                                                                                                                                                                                                                                                                                                                                  |  |     |
| 29                        |            | +Set_CellChDescr( C_CellA)                                                                                                                                                                                                                                                                                                                                                                                                                                                                                                                                                                                                                                                                                                                                                                                                                                                                                                                                                                                                                    |  |     |
| 30                        |            | [(TCV_n >= 8) AND ( TCV_n <= 15)]                                                                                                                                                                                                                                                                                                                                                                                                                                                                                                                                                                                                                                                                                                                                                                                                                                                                                                                                                                                                             |  |     |
| 31                        |            | +SDCCH8_A_1_nociph( OC_LeastBits(<br>TSPX_Chtp3, 3), C_Immass, TSPX_TmSltd,<br>TSPX_TscD, ChMod_sign, Freq_rg5, Freq_rd5,<br>TimingAdv( 30), C_BABR_0, C_cch_1nonComb,<br>C_BPM_3)                                                                                                                                                                                                                                                                                                                                                                                                                                                                                                                                                                                                                                                                                                                                                                                                                                                            |  | 9.  |
| 32                        |            | (TCV_WorkingCh := TCV_ch)                                                                                                                                                                                                                                                                                                                                                                                                                                                                                                                                                                                                                                                                                                                                                                                                                                                                                                                                                                                                                     |  |     |
| 33                        |            | +Set_CellChDescr( C_CellA)                                                                                                                                                                                                                                                                                                                                                                                                                                                                                                                                                                                                                                                                                                                                                                                                                                                                                                                                                                                                                    |  |     |
| <b>Detailed Comments:</b> |            | <ol style="list-style-type: none"> <li>1. To setup a physical channel as BCCH, CCCH.</li> <li>2. To set two physical channels, one as hopping channel for immediate assignment another one as hopping channel for after time channel, parameters defined by PIXIT.</li> <li>3. To calculate the starting time for frequency redefinition.</li> <li>4. To send FREQUENCY REDIFINITION message.</li> <li>5. To calculate the starting time and send the ASSIGNMENT COMMAND on special frame TCV_Fn. The assigned channel not activated in the tester.</li> <li>6. To check whether the after time frequency hopping is correct at the RF burst level.</li> <li>7. If the selected channel type is TCH/F, setup a physical channel as full rate channel for immediate assignment.</li> <li>8. If the selected channel type is TCH/H, setup a physical channel as half rate channel for immediate assignment.</li> <li>9. If the selected channel type is SDCCH8, setup a physical channel as SDCCH8 channel for immediate assignment.</li> </ol> |  |     |

| Test Case Dynamic Behaviour |       |                                                                                                                                                                                                                                                                                                                                                                                                                                                                                                                                                                                          |                                                                                            |   |                         |
|-----------------------------|-------|------------------------------------------------------------------------------------------------------------------------------------------------------------------------------------------------------------------------------------------------------------------------------------------------------------------------------------------------------------------------------------------------------------------------------------------------------------------------------------------------------------------------------------------------------------------------------------------|--------------------------------------------------------------------------------------------|---|-------------------------|
| <b>Test Case Name:</b>      |       | TC_26_6_13_4                                                                                                                                                                                                                                                                                                                                                                                                                                                                                                                                                                             |                                                                                            |   |                         |
| <b>Group:</b>               |       | GSM_L3_MS_v4210/RR/                                                                                                                                                                                                                                                                                                                                                                                                                                                                                                                                                                      |                                                                                            |   |                         |
| <b>Purpose:</b>             |       | To verify that the MS, after receiving a FREQUENCY REDEFINITION message and then an ASSIGNMENT COMMAND message with a starting time and channel descriptions both for before and after the starting time, failing the assignment and returning on the old channel, and ready to access after the time indicated in the FREQUENCY REDEFINITION, resumes transmission using the frequency parameters indicated in the FREQUENCY REDEFINITION message.                                                                                                                                      |                                                                                            |   |                         |
| <b>Default:</b>             |       | OtherEventsFail                                                                                                                                                                                                                                                                                                                                                                                                                                                                                                                                                                          |                                                                                            |   |                         |
| Nr                          | Label | Behaviour Description                                                                                                                                                                                                                                                                                                                                                                                                                                                                                                                                                                    | CRef                                                                                       | V | Comments                |
| 1                           |       | START T_guard(300)                                                                                                                                                                                                                                                                                                                                                                                                                                                                                                                                                                       |                                                                                            |   |                         |
| 2                           |       | +IdleUpdated( C_E_default, C_CellA, C_SCH_A, C_BCCH_A_1, C_ImmMass, C_S0, C_SlotNU, C_SlotNU, C_SlotNU, C_BCC, C_TxInt_5, C_Max_1, C_NECI_0, C_ATT_0, TimingAdv( 30), C_BABR_0, C_cch_1nonComb, C_BPM_3, C_T3212_1, C_ci_cellA, C_MCC_1, C_PLMN_1, C_LAC_1, CellOpt_01, CellChDes_20_Aman, CellChDes_203_Ad, C_CellReselectHys12, C_MaxPwrLvlG, C_MaxPwrLvlD, BcchFreqLst_01, BcchFreqLst_Omit, BcchFreqLst_48, BcchFreqLst_Omit, C_noRestablishment, C_BCC, C_NCC, C_Start_Tmsi, TSPX_SDCCH4SubDef, TSPX_CKSNDDef, TSPX_RANDDef, C_arfcnA, C_arfcnAd_4, TSPX_IMSI, C_Test_fh, C_NCCP_2) |                                                                                            |   | 1.                      |
| 3                           |       | +local_channel_setup                                                                                                                                                                                                                                                                                                                                                                                                                                                                                                                                                                     |                                                                                            |   | 2.                      |
| 4                           | body  | LIDL_UdatRqPg1Rq                                                                                                                                                                                                                                                                                                                                                                                                                                                                                                                                                                         | PgReq1(TCV_PgCh, TCV_Pgg, PgReqTp1_01)                                                     |   |                         |
| 5                           |       | L?DL_RaInChRq (TCV_Rr := DL_RaInChRq.msg.ecau_rrf, TCV_Fn := DL_RaInChRq.fn)                                                                                                                                                                                                                                                                                                                                                                                                                                                                                                             | ChReq( ChRequest_17)                                                                       |   |                         |
| 6                           |       | ACTIVATE( OtherEventsFail_02)                                                                                                                                                                                                                                                                                                                                                                                                                                                                                                                                                            |                                                                                            |   | To match ChReq retrans. |
| 7                           |       | LIDL_UdatRqImmMass                                                                                                                                                                                                                                                                                                                                                                                                                                                                                                                                                                       | ImmAss( TCV_agch, ImmAsgn_r30( TCV_Rr, TCV_Fn, TSPX_TmSlfF, TSPX_TscF, TimingAdv( 30)))    |   |                         |
| 8                           |       | L?DL_EstInPgRes                                                                                                                                                                                                                                                                                                                                                                                                                                                                                                                                                                          | PagingRes( PagingRes_01)                                                                   |   |                         |
| 9                           |       | ACTIVATE( OtherEventsFail)                                                                                                                                                                                                                                                                                                                                                                                                                                                                                                                                                               |                                                                                            |   | Restore Normal default  |
| 10                          |       | +local_continue                                                                                                                                                                                                                                                                                                                                                                                                                                                                                                                                                                          |                                                                                            |   |                         |
| 11                          |       | <b>local_continue</b><br>(TCV_Fn := OM_ComingFn( TCV_WorkingCh), TCV_Strt := OC_StartTime( TCV_Fn, 214, 0), TCV_chd1 := ChDescr_fh( TSPX_Chtp5, TSPX_TmSlfF, TSPX_TscF, INT_TO_BIT(TSPX_Maio11, 6), INT_TO_BIT(TSPX_Hsn10, 6)), TCV_Null := OM_FreqDef( TCV_Strt, MobilAlc_r15, TCV_WorkingCh, TCV_chd1, TCV_cchd1, TCV_Fn), TCV_Null := OM_SendNextOn( TCV_WorkingCh, TCV_Fn))                                                                                                                                                                                                          |                                                                                            |   |                         |
| 12                          |       | LIDL_DatRqFrqre                                                                                                                                                                                                                                                                                                                                                                                                                                                                                                                                                                          | FrqRedfSnd( TCV_WorkingCh, FrqRedef_01( TCV_chd1, MobilAlc_r15, TCV_Strt, CellChDes_Omit)) |   | 4.                      |
| 13                          |       | (TCV_AssCmd := AsgnCmd_r17( TSPX_TmSlfF, TSPX_TscF, OC_StartTime(TCV_Fn, 5000, 1)))                                                                                                                                                                                                                                                                                                                                                                                                                                                                                                      |                                                                                            |   |                         |
| 14                          |       | +AssCh_failure( TCV_WorkingCh, TCV_AssCmd, TRUE)                                                                                                                                                                                                                                                                                                                                                                                                                                                                                                                                         |                                                                                            |   | 5.                      |
| 15                          |       | +PostMainLinkRel( TCV_WorkingCh)                                                                                                                                                                                                                                                                                                                                                                                                                                                                                                                                                         |                                                                                            |   |                         |
| 16                          |       | <b>local_channel_setup</b><br>(TCV_n := BIT_TO_INT( TSPX_Chtp5))                                                                                                                                                                                                                                                                                                                                                                                                                                                                                                                         |                                                                                            |   |                         |
| 17                          |       | [TCV_n = 1]                                                                                                                                                                                                                                                                                                                                                                                                                                                                                                                                                                              |                                                                                            |   |                         |

|                                                                                                                                                                                                                                                                                                                                                                                                                                                                                                                                                                                                                                                                                                                                                                                                                                                                                                                                                                                                                                                                                                                                                                                                                                                                                                                              |                                                                                                                                                                                        |  |    |
|------------------------------------------------------------------------------------------------------------------------------------------------------------------------------------------------------------------------------------------------------------------------------------------------------------------------------------------------------------------------------------------------------------------------------------------------------------------------------------------------------------------------------------------------------------------------------------------------------------------------------------------------------------------------------------------------------------------------------------------------------------------------------------------------------------------------------------------------------------------------------------------------------------------------------------------------------------------------------------------------------------------------------------------------------------------------------------------------------------------------------------------------------------------------------------------------------------------------------------------------------------------------------------------------------------------------------|----------------------------------------------------------------------------------------------------------------------------------------------------------------------------------------|--|----|
| 18                                                                                                                                                                                                                                                                                                                                                                                                                                                                                                                                                                                                                                                                                                                                                                                                                                                                                                                                                                                                                                                                                                                                                                                                                                                                                                                           | +FullRateCh_A_1_nociph( C_Immass,<br>TSPX_TmSlfF, TSPX_TscF, ChMod_sign,<br>Freq_rg7, Freq_rd7, TimingAdv( 30), C_BABR_0,<br>C_cch_1nonComb, C_BPM_3)                                  |  | 7. |
| 19                                                                                                                                                                                                                                                                                                                                                                                                                                                                                                                                                                                                                                                                                                                                                                                                                                                                                                                                                                                                                                                                                                                                                                                                                                                                                                                           | (TCV_WorkingCh := TCV_chTch)                                                                                                                                                           |  |    |
| 20                                                                                                                                                                                                                                                                                                                                                                                                                                                                                                                                                                                                                                                                                                                                                                                                                                                                                                                                                                                                                                                                                                                                                                                                                                                                                                                           | +Set_CellChDescr(C_CellA)                                                                                                                                                              |  |    |
| 21                                                                                                                                                                                                                                                                                                                                                                                                                                                                                                                                                                                                                                                                                                                                                                                                                                                                                                                                                                                                                                                                                                                                                                                                                                                                                                                           | [(TCV_n = 2) OR (TCV_n = 3)]                                                                                                                                                           |  |    |
| 22                                                                                                                                                                                                                                                                                                                                                                                                                                                                                                                                                                                                                                                                                                                                                                                                                                                                                                                                                                                                                                                                                                                                                                                                                                                                                                                           | +HalfRateCh_A_1_nociph( OC_LeastBits(<br>TSPX_Chtp5, 1), C_Immass, TSPX_TmSlfF,<br>TSPX_TscF, ChMod_sign, Freq_rg7, Freq_rd7,<br>TimingAdv( 30), C_BABR_0, C_cch_1nonComb,<br>C_BPM_3) |  | 8. |
| 23                                                                                                                                                                                                                                                                                                                                                                                                                                                                                                                                                                                                                                                                                                                                                                                                                                                                                                                                                                                                                                                                                                                                                                                                                                                                                                                           | (TCV_WorkingCh := TCV_chTch)                                                                                                                                                           |  |    |
| 24                                                                                                                                                                                                                                                                                                                                                                                                                                                                                                                                                                                                                                                                                                                                                                                                                                                                                                                                                                                                                                                                                                                                                                                                                                                                                                                           | +Set_CellChDescr(C_CellA)                                                                                                                                                              |  |    |
| 25                                                                                                                                                                                                                                                                                                                                                                                                                                                                                                                                                                                                                                                                                                                                                                                                                                                                                                                                                                                                                                                                                                                                                                                                                                                                                                                           | [(TCV_n >= 8) AND ( TCV_n <= 15)]                                                                                                                                                      |  |    |
| 26                                                                                                                                                                                                                                                                                                                                                                                                                                                                                                                                                                                                                                                                                                                                                                                                                                                                                                                                                                                                                                                                                                                                                                                                                                                                                                                           | +SDCCH8_A_1_nociph( OC_LeastBits(<br>TSPX_Chtp5, 3), C_Immass, TSPX_TmSlfF,<br>TSPX_TscF, ChMod_sign, Freq_rg7, Freq_rd7,<br>TimingAdv( 30), C_BABR_0, C_cch_1nonComb,<br>C_BPM_3)     |  | 9. |
| 27                                                                                                                                                                                                                                                                                                                                                                                                                                                                                                                                                                                                                                                                                                                                                                                                                                                                                                                                                                                                                                                                                                                                                                                                                                                                                                                           | (TCV_WorkingCh := TCV_ch)                                                                                                                                                              |  |    |
| 28                                                                                                                                                                                                                                                                                                                                                                                                                                                                                                                                                                                                                                                                                                                                                                                                                                                                                                                                                                                                                                                                                                                                                                                                                                                                                                                           | +Set_CellChDescr(C_CellA)                                                                                                                                                              |  |    |
| <b>Detailed Comments:</b>                                                                                                                                                                                                                                                                                                                                                                                                                                                                                                                                                                                                                                                                                                                                                                                                                                                                                                                                                                                                                                                                                                                                                                                                                                                                                                    |                                                                                                                                                                                        |  |    |
| <ol style="list-style-type: none"> <li>1. To setup a physical channel as BCCH, CCCH.</li> <li>2. To set two physical channels, one as hopping channel for immediate assignment another one as hopping channel for after time channel, parameters defined by PIXIT. Note: Although the test case is designed for TCH/F, TCH/H &amp; SDCCH8 the TSPX_Chtp5 should be assigned to an SDCCH8 subchannel because calculations of starting time T1 for TCH/F &amp; TCH/H have not yet been carried out. No simple values can be defined.</li> <li>3. To calculate the starting time for frequency redefinition.</li> <li>4. To send FREQUENCY REDIFINITION message.</li> <li>5. To calculate the starting time and send the ASSIGNMENT COMMAND on special frame TCV_Fn. The assigned channel not activated in the tester.</li> <li>6. The expected ASSIGNMENT FAILURE message received on the channel defined by frequency redefinition.</li> <li>7. If the selected channel type is TCH/F, setup a physical channel as full rate channel for immediate assignment.</li> <li>8. If the selected channel type is TCH/H, setup a physical channel as half rate channel for immediate assignment.</li> <li>9. If the selected channel type is SDCCH8, setup a physical channel as SDCCH8 channel for immediate assignment.</li> </ol> |                                                                                                                                                                                        |  |    |

| Test Case Dynamic Behaviour |       |                                                                                                                                                                                                                                                                                                                                                                                                                                                                                                                                                                                       |                                                                                         |   |                         |
|-----------------------------|-------|---------------------------------------------------------------------------------------------------------------------------------------------------------------------------------------------------------------------------------------------------------------------------------------------------------------------------------------------------------------------------------------------------------------------------------------------------------------------------------------------------------------------------------------------------------------------------------------|-----------------------------------------------------------------------------------------|---|-------------------------|
| <b>Test Case Name:</b>      |       | TC_26_6_13_5                                                                                                                                                                                                                                                                                                                                                                                                                                                                                                                                                                          |                                                                                         |   |                         |
| <b>Group:</b>               |       | GSM_L3_MS_v4210/RR/                                                                                                                                                                                                                                                                                                                                                                                                                                                                                                                                                                   |                                                                                         |   |                         |
| <b>Purpose:</b>             |       | To verify that the MS, after receiving a HANDOVER COMMAND message with a starting time and channel descriptions both for before and after the starting time, and ready to access before the time performs correctly the handover using the description for before the time, and then starts using the frequency parameters for after the time at the the time indicated in the message.                                                                                                                                                                                               |                                                                                         |   |                         |
| <b>Default:</b>             |       | OtherEventsFail, RcvHdOvAcc                                                                                                                                                                                                                                                                                                                                                                                                                                                                                                                                                           |                                                                                         |   |                         |
| Nr                          | Label | Behaviour Description                                                                                                                                                                                                                                                                                                                                                                                                                                                                                                                                                                 | CRef                                                                                    | V | Comments                |
| 1                           |       | START T_guard( 300)                                                                                                                                                                                                                                                                                                                                                                                                                                                                                                                                                                   |                                                                                         |   |                         |
| 2                           |       | +IdleUpdated( C_E_default, C_CellA, C_SCH_A, C_BCCH_A_1, C_Immass, C_S0, C_SlotNU, C_SlotNU, C_SlotNU, C_BCC, C_TxInt_5, C_Max_1, C_NECI_0, C_ATT_0, TimingAdv( 30), C_BABR_0, C_cch_1nonComb, C_BPM_3, C_T3212_1, C_ci_cellA, C_MCC_1, C_PLMN_1, C_LAC_1, CellOpt_01, CellChDes_20_Aman, CellChDes_203_Ad, C_CellReselectHys12, C_MaxPwrLvlG, C_MaxPwrLvlD, BcchFreqLst_01, BcchFreqLst_Omit, BcchFreqLst_48, BcchFreqLst_Omit, C_noRestablishment, C_BCC, C_NCC, C_Start_Tmsi, TSPX_SDCCH4SubDef, TSPX_CKSNDf, TSPX_RANDDef, C_arfcnA, C_arfcnAd_4, TSPX_IMSI, C_Test_fh, C_NCCP_2) |                                                                                         |   | 1.                      |
| 3                           |       | +StartCellB( C_E_neighbourdefault, C_BCCHcarrierB_ho, C_BCCHcarrierB_hod, C_Immass, TSPX_TmSltDef, TSPX_TscDef, TimingAdv( 30), C_TxInt_5, C_Max_1, C_NECI_0, C_ATT_0, C_BABR_0, C_cch_1nonComb, C_BPM_3, C_T3212_1, C_MCC_1, C_PLMN_1, C_LAC_1, CellChDes_20_Bman, CellChDes_201_Bd, BcchFreqLst_01, BcchFreqLst_48, C_noRestablishment, C_BCC_1, C_NCC)                                                                                                                                                                                                                             |                                                                                         |   | 2.                      |
| 4                           |       | +local_channel_setup                                                                                                                                                                                                                                                                                                                                                                                                                                                                                                                                                                  |                                                                                         |   | 3.                      |
| 5                           | body  | LIDL_UdatRqPg1Rq                                                                                                                                                                                                                                                                                                                                                                                                                                                                                                                                                                      | PgReq1(TCV_PgCh, TCV_Pgg, PgReqTp1_01)                                                  |   |                         |
| 6                           |       | L?DL_RacInChRq (TCV_Rr := DL_RacInChRq.msg.ecau_rrf, TCV_Fn := DL_RacInChRq.fn)                                                                                                                                                                                                                                                                                                                                                                                                                                                                                                       | ChReq( ChRequest_17)                                                                    |   |                         |
| 7                           |       | ACTIVATE(OtherEventsFail_02)                                                                                                                                                                                                                                                                                                                                                                                                                                                                                                                                                          |                                                                                         |   | To match ChReq retrans. |
| 8                           |       | LIDL_UdatRqImmass                                                                                                                                                                                                                                                                                                                                                                                                                                                                                                                                                                     | ImmAss( TCV_agch, ImmAsgn_r31( TCV_Rr, TCV_Fn, TSPX_TmSltG, TSPX_TscG, TimingAdv( 30))) |   |                         |
| 9                           |       | L?DL_EstInPgRes                                                                                                                                                                                                                                                                                                                                                                                                                                                                                                                                                                       | PagingRes( PagingRes_01)                                                                |   |                         |
| 10                          |       | ACTIVATE(OtherEventsFail)                                                                                                                                                                                                                                                                                                                                                                                                                                                                                                                                                             |                                                                                         |   | Restore Normal default  |
| 11                          |       | +localcontinue                                                                                                                                                                                                                                                                                                                                                                                                                                                                                                                                                                        |                                                                                         |   |                         |
| 12                          |       | <b>localcontinue</b><br>(TCV_Null := OM_StartMsrReport( TCV_sacch8))                                                                                                                                                                                                                                                                                                                                                                                                                                                                                                                  |                                                                                         |   |                         |
| 13                          |       | L?DL_UdatInMsrRpt (TCV_MsrRes := DL_UdatInMsrRpt.msg.msrr)                                                                                                                                                                                                                                                                                                                                                                                                                                                                                                                            | MsrRept( MsrReport_02)                                                                  |   |                         |
| 14                          |       | (TCV_Null := OM_StopMsrReport( TCV_sacch8), TCV_Fn := OM_ComingFn( TCV_ch), TCV_Strt := OC_StartTime( TCV_Fn, C_StrT_1000, 1), TCV_Null := OM_SendNextOn( TCV_ch, TCV_Fn), TCV_chd1 := ChDescrip_fh( TSPX_Chtp7, TSPX_TmSltDef, TSPX_TscDef, INT_TO_BIT( TSPX_Maio15, 6), INT_TO_BIT( TSPX_Hsn15, 6)), TCV_Null := OM_FreqDef( TCV_Strt, MobilAlc_r18, TCV_chTch, TCV_chd1, TCV_cchd1, TCV_Fn))                                                                                                                                                                                       |                                                                                         |   | 4.                      |
| 15                          |       | +local_sendHoCMD                                                                                                                                                                                                                                                                                                                                                                                                                                                                                                                                                                      |                                                                                         |   |                         |
| 16                          |       | L?DL_RacInHoacc                                                                                                                                                                                                                                                                                                                                                                                                                                                                                                                                                                       | HndOvAccRcv( TCV_chTch, HandOverAcc_01)                                                 |   |                         |
| 17                          |       | LIDL_DatRqPhyinfo                                                                                                                                                                                                                                                                                                                                                                                                                                                                                                                                                                     | PhyInfo_01(                                                                             |   |                         |

|    |            |                                                                                                                                                                    |                                                                                                                                                                                                                                                                                                                                                                                    |     |
|----|------------|--------------------------------------------------------------------------------------------------------------------------------------------------------------------|------------------------------------------------------------------------------------------------------------------------------------------------------------------------------------------------------------------------------------------------------------------------------------------------------------------------------------------------------------------------------------|-----|
| 18 |            | L?DL_EstIn                                                                                                                                                         | TCV_chTch,<br>TimingAdv( 30))                                                                                                                                                                                                                                                                                                                                                      |     |
| 19 |            | L?DL_DatInHoCom                                                                                                                                                    | DLEstInd(<br>TCV_chTch)                                                                                                                                                                                                                                                                                                                                                            |     |
| 20 |            | +Itree_Hoppingcheck                                                                                                                                                | HndOvCmpRcv(<br>TCV_chTch,<br>HandOverCmp_01)                                                                                                                                                                                                                                                                                                                                      |     |
| 21 |            | +PostMainLinkRel( TCV_chTch)                                                                                                                                       |                                                                                                                                                                                                                                                                                                                                                                                    |     |
|    |            | <b>Itree_Hoppingcheck</b>                                                                                                                                          |                                                                                                                                                                                                                                                                                                                                                                                    |     |
| 22 |            | (TCV_Res := OM_FHCHK( TCV_chTch, TCV_cchd1,<br>MoblAllc_r18, TCV_chd1, C_StrT_1000, TCV_Fn))                                                                       |                                                                                                                                                                                                                                                                                                                                                                                    |     |
| 23 | L_033<br>9 | [TCV_Res]                                                                                                                                                          |                                                                                                                                                                                                                                                                                                                                                                                    | (P) |
| 24 | L_034<br>0 | [NOT TCV_Res]                                                                                                                                                      |                                                                                                                                                                                                                                                                                                                                                                                    | (F) |
|    |            | <b>local_sendHoCMD</b>                                                                                                                                             |                                                                                                                                                                                                                                                                                                                                                                                    |     |
| 25 |            | [TSPC_PGSM OR TSPC_EGSM]                                                                                                                                           |                                                                                                                                                                                                                                                                                                                                                                                    |     |
| 26 |            | L!DL_DatRqHoCmd                                                                                                                                                    | HndOvSnd( TCV_ch,<br>HandOverCmd(<br>C_NCC, C_BCC_1,<br>TSPX_TmSltDef,<br>TSPX_TscDef,<br>TCV_cchd1,<br>TCV_Strt,<br>C_BCCHcarrierB_ho,<br>TSPX_Chtp7,<br>TSPX_Maio15,<br>TSPX_Maio16,<br>TSPX_Hsn15,<br>TSPX_Hsn16,<br>TSPX_HoRefA,<br>TSPX_PwrlvIA,<br>Synchi(<br>C_not_report_otd,<br>C_non_synchronised)<br>, ChMod_r03,<br>MoblAllc_r18,<br>MoblAllc_r20,<br>CphMod_02iei))   |     |
| 27 |            | [TSPC_DCS]                                                                                                                                                         |                                                                                                                                                                                                                                                                                                                                                                                    |     |
| 28 |            | L!DL_DatRqHoCmd                                                                                                                                                    | HndOvSnd( TCV_ch,<br>HandOverCmd(<br>C_NCC, C_BCC_1,<br>TSPX_TmSltDef,<br>TSPX_TscDef,<br>TCV_cchd1,<br>TCV_Strt,<br>C_BCCHcarrierB_hod<br>, TSPX_Chtp7,<br>TSPX_Maio15,<br>TSPX_Maio16,<br>TSPX_Hsn15,<br>TSPX_Hsn16,<br>TSPX_HoRefA,<br>TSPX_PwrlvIA,<br>Synchi(<br>C_not_report_otd,<br>C_non_synchronised)<br>, ChMod_r03,<br>MoblAllc_r18,<br>MoblAllc_r20,<br>CphMod_02iei)) |     |
|    |            | <b>local_channel_setup</b>                                                                                                                                         |                                                                                                                                                                                                                                                                                                                                                                                    |     |
| 29 |            | (TCV_n := BIT_TO_INT( TSPX_Chtp7))                                                                                                                                 |                                                                                                                                                                                                                                                                                                                                                                                    |     |
| 30 |            | +SDCCH8_A_1_nociph( TSPX_SDCCH8SubB,<br>C_Immass, TSPX_TmSltG, TSPX_TscG,<br>ChMod_sign, Freq_rg9, Freq_rd9, TimingAdv( 30),<br>C_BABR_0, C_cch_1nonComb, C_BPM_3) |                                                                                                                                                                                                                                                                                                                                                                                    |     |
| 31 |            | [TCV_n = 1]                                                                                                                                                        |                                                                                                                                                                                                                                                                                                                                                                                    |     |
| 32 |            | +FullRateCh_B_1_nociph( C_Asynho,                                                                                                                                  |                                                                                                                                                                                                                                                                                                                                                                                    | 5.  |

|    |                                                                                                                                                                                              |  |    |
|----|----------------------------------------------------------------------------------------------------------------------------------------------------------------------------------------------|--|----|
| 33 | TSPX_TmSlitDef, TSPX_TscDef, ChMod_r03,<br>Freq_rg11, Freq_rd11, TimingAdv( 30),<br>C_BABR_0, C_cch_1nonComb, C_BPM_3)                                                                       |  |    |
| 34 | +Set_CellChDescr( C_CellB)                                                                                                                                                                   |  |    |
| 35 | [(TCV_n = 2) OR (TCV_n = 3)]                                                                                                                                                                 |  |    |
| 36 | +HalfRateCh_B_1_nociph( OC_LeastBits(<br>TSPX_Chtp7, 1), C_Asynho, TSPX_TmSlitDef,<br>TSPX_TscDef, ChMod_r03, Freq_rg11,<br>Freq_rd11, TimingAdv( 30), C_BABR_0,<br>C_cch_1nonComb, C_BPM_3) |  | 6. |
| 37 | +Set_CellChDescr( C_CellB)                                                                                                                                                                   |  |    |
| 38 | [(TCV_n >= 8) AND ( TCV_n <= 15)]                                                                                                                                                            |  |    |
| 39 | +SDCCH8_B_1_nociph( OC_LeastBits(<br>TSPX_Chtp7, 3), C_Asynho, TSPX_TmSlitDef,<br>TSPX_TscDef, ChMod_sign, Freq_rg11,<br>Freq_rd11, TimingAdv( 30), C_BABR_0,<br>C_cch_1nonComb, C_BPM_3)    |  | 7. |

**Detailed Comments:**

1. To setup a physical channel as BCCH, CCCH for cell A.
2. To setup a physical channel as BCCH, CCCH for cell B.
3. To setup a physical channel as SDCCH8 in cell A and setup 2 physical channels as hopping channels in cell B.
4. To get the future frame number for sending HANDOVER COMMAND and calculate starting time.
5. If the required channel is full rate channel, setup the before time full rate hopping channel.
6. If the required channel is half rate channel, setup the before time half rate hopping channel.
7. If the required channel is SDCCH8 channel, setup the before time SDCCH8 hopping channel.

| Test Case Dynamic Behaviour |       |                                                                                                                                                                                                                                                                                                                                                                                                                                                                                                                                                                                    |                                                                                             |   |                         |
|-----------------------------|-------|------------------------------------------------------------------------------------------------------------------------------------------------------------------------------------------------------------------------------------------------------------------------------------------------------------------------------------------------------------------------------------------------------------------------------------------------------------------------------------------------------------------------------------------------------------------------------------|---------------------------------------------------------------------------------------------|---|-------------------------|
| <b>Test Case Name:</b>      |       | TC_26_6_13_6                                                                                                                                                                                                                                                                                                                                                                                                                                                                                                                                                                       |                                                                                             |   |                         |
| <b>Group:</b>               |       | GSM_L3_MS_v4210/RR/                                                                                                                                                                                                                                                                                                                                                                                                                                                                                                                                                                |                                                                                             |   |                         |
| <b>Purpose:</b>             |       | To verify that the MS, after receiving a HANDOVER COMMAND message with a starting time and channel descriptions both for before and after the starting time, and ready to transmit after the indicated time, performs correctly the handover using the description for after the time.                                                                                                                                                                                                                                                                                             |                                                                                             |   |                         |
| <b>Default:</b>             |       | OtherEventsFail, RcvHdOvAcc                                                                                                                                                                                                                                                                                                                                                                                                                                                                                                                                                        |                                                                                             |   |                         |
| Nr                          | Label | Behaviour Description                                                                                                                                                                                                                                                                                                                                                                                                                                                                                                                                                              | CRef                                                                                        | V | Comments                |
| 1                           |       | START T_guard(300)                                                                                                                                                                                                                                                                                                                                                                                                                                                                                                                                                                 |                                                                                             |   |                         |
| 2                           |       | +IdleUpdated( C_E_default, C_CellA, C_SCH_A, C_BCCH_A_1, C_Imm, C_S0, C_SlotNU, C_SlotNU, C_SlotNU, C_BCC, C_TxInt_5, C_Max_1, C_NECI_0, C_ATT_0, TimingAdv( 30), C_BABR_0, C_cch_1nonComb, C_BPM_3, C_T3212_1, C_ci_cellA, C_MCC_1, C_PLMN_1, C_LAC_1, CellOpt_01, CellChDes_20_Aman, CellChDes_203_Ad, C_CellReselectHys12, C_MaxPwrLvIG, C_MaxPwrLvID, BcchFreqLst_01, BcchFreqLst_Omit, BcchFreqLst_48, BcchFreqLst_Omit, C_noRestablishment, C_BCC, C_NCC, C_Start_Tmsi, TSPX_SDCCH4SubDef, TSPX_CKSNDf, TSPX_RANDDef, C_arfcnA, C_arfcnAd_4, TSPX_IMSI, C_Test_fh, C_NCCP_2) |                                                                                             |   | 1.                      |
| 3                           |       | +StartCellB( C_E_neighbourdefault, C_BCCHcarrierB_ho, C_BCCHcarrierB_hod, C_Imm, TSPX_TmSltB, TSPX_TscB, TimingAdv( 30), C_TxInt_5, C_Max_1, C_NECI_0, C_ATT_0, C_BABR_0, C_cch_1nonComb, C_BPM_3, C_T3212_1, C_MCC_1, C_PLMN_1, C_LAC_1, CellChDes_20_Bman, CellChDes_201_Bd, BcchFreqLst_01, BcchFreqLst_48, C_noRestablishment, C_BCC_1, C_NCC)                                                                                                                                                                                                                                 |                                                                                             |   | 2.                      |
| 4                           |       | +local_config_channel                                                                                                                                                                                                                                                                                                                                                                                                                                                                                                                                                              |                                                                                             |   | 3.                      |
| 5                           | body  | LIDL_UdatRqPg1Rq                                                                                                                                                                                                                                                                                                                                                                                                                                                                                                                                                                   | PgReq1(TCV_PgCh, TCV_Pgg, PgReqTp1_01)                                                      |   |                         |
| 6                           |       | L?DL_RaclnChRq (TCV_Rr := DL_RaclnChRq.msg.ecau_rrf, TCV_Fn := DL_RaclnChRq.fn)                                                                                                                                                                                                                                                                                                                                                                                                                                                                                                    | ChReq( ChRequest_17)                                                                        |   |                         |
| 7                           |       | ACTIVATE(OtherEventsFail_02)                                                                                                                                                                                                                                                                                                                                                                                                                                                                                                                                                       |                                                                                             |   | To match ChReq retrans. |
| 8                           |       | LIDL_UdatRqImm                                                                                                                                                                                                                                                                                                                                                                                                                                                                                                                                                                     | ImmAss( TCV_agch, ImmAsgn_r32( TCV_Rr, TCV_Fn, TSPX_TmSltDef, TSPX_TscDef, TimingAdv( 30))) |   |                         |
| 9                           |       | +local_continue                                                                                                                                                                                                                                                                                                                                                                                                                                                                                                                                                                    |                                                                                             |   |                         |
| 10                          |       | <b>local_continue</b><br>L?DL_EstInPgRes                                                                                                                                                                                                                                                                                                                                                                                                                                                                                                                                           | PagingRes( PagingRes_01)                                                                    |   |                         |
| 11                          |       | ACTIVATE(OtherEventsFail)                                                                                                                                                                                                                                                                                                                                                                                                                                                                                                                                                          |                                                                                             |   | Restore Normal default  |
| 12                          |       | (TCV_Fn := OM_ComingFn( TCV_ch), TCV_Strt := OC_StartTime( TCV_Fn, 5, 1), TCV_Null := OM_SendNextOn( TCV_ch, TCV_Fn))                                                                                                                                                                                                                                                                                                                                                                                                                                                              |                                                                                             |   | 4.                      |
| 13                          |       | +local_sendHoCMD                                                                                                                                                                                                                                                                                                                                                                                                                                                                                                                                                                   |                                                                                             |   |                         |
| 14                          |       | L?DL_RaclnHoacc                                                                                                                                                                                                                                                                                                                                                                                                                                                                                                                                                                    | HndOvAccRcv( TCV_chTch, HandOverAcc_01)                                                     |   |                         |
| 15                          |       | LIDL_DatRqPhyinfo                                                                                                                                                                                                                                                                                                                                                                                                                                                                                                                                                                  | PhyInfo_01(TCV_chTch, TimingAdv( 30))                                                       |   |                         |
| 16                          |       | L?DL_EstIn                                                                                                                                                                                                                                                                                                                                                                                                                                                                                                                                                                         | DLEstIn( TCV_chTch)                                                                         |   |                         |
| 17                          |       | L?DL_DatInHoCom                                                                                                                                                                                                                                                                                                                                                                                                                                                                                                                                                                    | HndOvCmpRcv( TCV_chTch, HandOverCmp_01)                                                     |   |                         |
| 18                          |       | +PostMainLinkRel( TCV_chTch)                                                                                                                                                                                                                                                                                                                                                                                                                                                                                                                                                       |                                                                                             |   |                         |
| 19                          |       | <b>local_sendHoCMD</b><br>[TSPC_PGSM OR TSPC_EGSM]                                                                                                                                                                                                                                                                                                                                                                                                                                                                                                                                 |                                                                                             |   |                         |

|    |                                                                                                                                                                              |                                                                                                                                                                                                                                                                                                                 |    |
|----|------------------------------------------------------------------------------------------------------------------------------------------------------------------------------|-----------------------------------------------------------------------------------------------------------------------------------------------------------------------------------------------------------------------------------------------------------------------------------------------------------------|----|
| 20 | L!DL_DatRqHoCmd                                                                                                                                                              | HndOvSnd( TCV_ch, HandOverCmd( C_NCC, C_BCC_1, TSPX_TmSlitB, TSPX_TscB, TCV_cchd1, TCV_Strt, C_BCCHcarrierB_ho, TSPX_Chtp8, TSPX_Maio18, TSPX_Maio19, TSPX_Hsn18, TSPX_Hsn19, TSPX_HoRefA, TSPX_PwrlvIB, Synchi( C_not_report_otd, C_non_synchronised) , ChMod_r04, MoblAllc_r22, MoblAllc_r23, CphMod_omit))   |    |
| 21 | [TSPC_DCS]                                                                                                                                                                   |                                                                                                                                                                                                                                                                                                                 |    |
| 22 | L!DL_DatRqHoCmd                                                                                                                                                              | HndOvSnd( TCV_ch, HandOverCmd( C_NCC, C_BCC_1, TSPX_TmSlitB, TSPX_TscB, TCV_cchd1, TCV_Strt, C_BCCHcarrierB_hod , TSPX_Chtp8, TSPX_Maio18, TSPX_Maio19, TSPX_Hsn18, TSPX_Hsn19, TSPX_HoRefA, TSPX_PwrlvIB, Synchi( C_not_report_otd, C_non_synchronised) , ChMod_r04, MoblAllc_r22, MoblAllc_r23, CphMod_omit)) |    |
| 23 | <b>local_config_channel</b>                                                                                                                                                  |                                                                                                                                                                                                                                                                                                                 |    |
| 24 | (TCV_n := BIT_TO_INT( TSPX_Chtp8))                                                                                                                                           |                                                                                                                                                                                                                                                                                                                 |    |
| 25 | +SDCCH8_A_1_nociph( TSPX_SDCCH8SubC, C_Immass, TSPX_TmSlitDef, TSPX_TscDef, ChMod_sign, Freq_rg12, Freq_rd12, TimingAdv( 30), C_BABR_0, C_cch_1nonComb, C_BPM_3)             |                                                                                                                                                                                                                                                                                                                 |    |
| 26 | [TCV_n = 1]                                                                                                                                                                  |                                                                                                                                                                                                                                                                                                                 |    |
| 27 | +FullRateCh_B_1_nociph(C_Asynho, TSPX_TmSlitB, TSPX_TscB, ChMod_r04, Freq_rg13, Freq_rd13, TimingAdv( 30), C_BABR_0, C_cch_1nonComb, C_BPM_3)                                |                                                                                                                                                                                                                                                                                                                 | 5. |
| 28 | +Set_CellChDescr( C_CellB)                                                                                                                                                   |                                                                                                                                                                                                                                                                                                                 |    |
| 29 | [(TCV_n = 2) OR (TCV_n = 3)]                                                                                                                                                 |                                                                                                                                                                                                                                                                                                                 |    |
| 30 | +HalfRateCh_B_1_nociph( OC_LeastBits( TSPX_Chtp8, 1), C_Asynho, TSPX_TmSlitB, TSPX_TscB, ChMod_r04, Freq_rg13, Freq_rd13, TimingAdv( 30), C_BABR_0, C_cch_1nonComb, C_BPM_3) |                                                                                                                                                                                                                                                                                                                 | 6. |
| 31 | +Set_CellChDescr( C_CellB)                                                                                                                                                   |                                                                                                                                                                                                                                                                                                                 |    |
| 32 | [(TCV_n >= 8) AND ( TCV_n <= 15)]                                                                                                                                            |                                                                                                                                                                                                                                                                                                                 |    |
| 33 | +SDCCH8_B_1_nociph( OC_LeastBits( TSPX_Chtp8, 3), C_Asynho, TSPX_TmSlitB, TSPX_TscB, ChMod_sign, Freq_rg13, Freq_rd13, TimingAdv( 30), C_BABR_0, C_cch_1nonComb, C_BPM_3)    |                                                                                                                                                                                                                                                                                                                 | 7. |
| 33 | +Set_CellChDescr( C_CellB)                                                                                                                                                   |                                                                                                                                                                                                                                                                                                                 |    |

**Detailed Comments:** 1. To setup a physical channel as BCCH, CCCH for cell A.  
 2. To setup a physical channel as BCCH, CCCH for cell B.



3. To setup a physical channel as SDCCH8 in cell A and setup a physical channel as hopping channels in cell B.
4. To get the future frame number for sending HANDOVER COMMAND and calculate starting time.
5. If the required channel is full rate channel, setup the after time full rate hopping channel.
6. If the required channel is half rate channel, setup the after time half rate hopping channel.
7. If the required channel is SDCCH8 channel, setup the after time SDCCH8 hopping channel.

| Test Case Dynamic Behaviour                                                                                                                                                                                                                                                                                                                                                                                                                                                                                                                                                   |       |                                                                                                                                                                                                                                                                                                                                                                                                                                                                                                                                                                                         |                                                                                            |   |                         |
|-------------------------------------------------------------------------------------------------------------------------------------------------------------------------------------------------------------------------------------------------------------------------------------------------------------------------------------------------------------------------------------------------------------------------------------------------------------------------------------------------------------------------------------------------------------------------------|-------|-----------------------------------------------------------------------------------------------------------------------------------------------------------------------------------------------------------------------------------------------------------------------------------------------------------------------------------------------------------------------------------------------------------------------------------------------------------------------------------------------------------------------------------------------------------------------------------------|--------------------------------------------------------------------------------------------|---|-------------------------|
| <b>Test Case Name:</b> TC_26_6_13_7                                                                                                                                                                                                                                                                                                                                                                                                                                                                                                                                           |       |                                                                                                                                                                                                                                                                                                                                                                                                                                                                                                                                                                                         |                                                                                            |   |                         |
| <b>Group:</b> GSM_L3_MS_v4210/RR/                                                                                                                                                                                                                                                                                                                                                                                                                                                                                                                                             |       |                                                                                                                                                                                                                                                                                                                                                                                                                                                                                                                                                                                         |                                                                                            |   |                         |
| <b>Purpose:</b> To verify that the MS, after receiving a FREQUENCY REDEFINITION message and then an HANDOVER COMMAND message with a starting time and channel descriptions both for before and after the starting time, failing the handover, and ready to access the old channel before the time indicated in the FREQUENCY REDEFINITION, resumes transmission on the channels used at the time of the reception of the FREQUENCY REDEFINITION message and eventually starts using the new frequency parameters at the time indicated in the FREQUENCY REDEFINITION message. |       |                                                                                                                                                                                                                                                                                                                                                                                                                                                                                                                                                                                         |                                                                                            |   |                         |
| <b>Default:</b> OtherEventsFail                                                                                                                                                                                                                                                                                                                                                                                                                                                                                                                                               |       |                                                                                                                                                                                                                                                                                                                                                                                                                                                                                                                                                                                         |                                                                                            |   |                         |
| Nr                                                                                                                                                                                                                                                                                                                                                                                                                                                                                                                                                                            | Label | Behaviour Description                                                                                                                                                                                                                                                                                                                                                                                                                                                                                                                                                                   | CRef                                                                                       | V | Comments                |
| 1                                                                                                                                                                                                                                                                                                                                                                                                                                                                                                                                                                             |       | START T_guard(300)                                                                                                                                                                                                                                                                                                                                                                                                                                                                                                                                                                      |                                                                                            |   |                         |
| 2                                                                                                                                                                                                                                                                                                                                                                                                                                                                                                                                                                             |       | +IdleUpdated( C_E_default, C_CellA, C_SCH_A, C_BCCH_A_1, C_Immass, C_S0, C_SlotNU, C_SlotNU, C_SlotNU, C_BCC, C_TxInt_5, C_Max_1, C_NECI_0, C_ATT_0, TimingAdv( 30), C_BABR_0, C_cch_1nonComb, C_BPM_3, C_T3212_1, C_ci_cellA, C_MCC_1, C_PLMN_1, C_LAC_1, CellOpt_01, CellChDes_20_Aman, CellChDes_203_Ad, C_CellReselectHys12, C_MaxPwrLvlG, C_MaxPwrLvlD, BcchFreqLst_01, BcchFreqLst_Omit, BcchFreqLst_48, BcchFreqLst_Omit, C_noRestablishment, C_BCC, C_NCC, C_Start_Tmsi, TSPX_SDCCH4SubDef, TSPX_CKSNDDef, TSPX_RANDDef, C_arfcnA, C_arfcnAd_4, TSPX_IMSI, C_Test_fh, C_NCCP_2) |                                                                                            |   | 1.                      |
| 3                                                                                                                                                                                                                                                                                                                                                                                                                                                                                                                                                                             |       | +local_channel_setup                                                                                                                                                                                                                                                                                                                                                                                                                                                                                                                                                                    |                                                                                            |   | 3.                      |
| 4                                                                                                                                                                                                                                                                                                                                                                                                                                                                                                                                                                             |       | +StartCellB( C_E_neighbourdefault, C_BCCHcarrierB_ho, C_BCCHcarrierB_hod, C_Immass, TSPX_TmSltD, TSPX_TscD, TimingAdv( 30), C_TxInt_5, C_Max_1, C_NECI_0, C_ATT_0, C_BABR_0, C_cch_1nonComb, C_BPM_3, C_T3212_1, C_MCC_1, C_PLMN_1, C_LAC_1, CellChDes_20_Bman, CellChDes_201_Bd, BcchFreqLst_01, BcchFreqLst_48, C_noRestablishment, C_BCC_1, C_NCC)                                                                                                                                                                                                                                   |                                                                                            |   | 2.                      |
| 5                                                                                                                                                                                                                                                                                                                                                                                                                                                                                                                                                                             | body  | LIDL_UdatRqPg1Rq                                                                                                                                                                                                                                                                                                                                                                                                                                                                                                                                                                        | PgReq1(TCV_PgCh, TCV_Pgg, PgReqTp1_01)                                                     |   |                         |
| 6                                                                                                                                                                                                                                                                                                                                                                                                                                                                                                                                                                             |       | L?DL_RacInChRq (TCV_Rr := DL_RacInChRq.msg.ecau_rrf, TCV_Fn := DL_RacInChRq.fn)                                                                                                                                                                                                                                                                                                                                                                                                                                                                                                         | ChReq( ChRequest_17)                                                                       |   |                         |
| 7                                                                                                                                                                                                                                                                                                                                                                                                                                                                                                                                                                             |       | ACTIVATE( OtherEventsFail_02)                                                                                                                                                                                                                                                                                                                                                                                                                                                                                                                                                           |                                                                                            |   | To match ChReq retrans. |
| 8                                                                                                                                                                                                                                                                                                                                                                                                                                                                                                                                                                             |       | LIDL_UdatRqImmass                                                                                                                                                                                                                                                                                                                                                                                                                                                                                                                                                                       | ImmAss( TCV_agch, ImmAsgn_r33( TCV_Rr, TCV_Fn, TSPX_TmSltC, TSPX_TscC, TimingAdv( 30)))    |   |                         |
| 9                                                                                                                                                                                                                                                                                                                                                                                                                                                                                                                                                                             |       | L?DL_EstInPgRes                                                                                                                                                                                                                                                                                                                                                                                                                                                                                                                                                                         | PagingRes( PagingRes_01)                                                                   |   |                         |
| 10                                                                                                                                                                                                                                                                                                                                                                                                                                                                                                                                                                            |       | ACTIVATE( OtherEventsFail)                                                                                                                                                                                                                                                                                                                                                                                                                                                                                                                                                              |                                                                                            |   | Restore Normal default  |
| 11                                                                                                                                                                                                                                                                                                                                                                                                                                                                                                                                                                            |       | +localtree                                                                                                                                                                                                                                                                                                                                                                                                                                                                                                                                                                              |                                                                                            |   |                         |
| 12                                                                                                                                                                                                                                                                                                                                                                                                                                                                                                                                                                            |       | <b>localtree</b><br>(TCV_Fn := OM_ComingFn( TCV_WorkingCh), TCV_Strt := OC_StartTime(TCV_Fn, 5000, 0), TCV_chd1 := ChDescrp_fh( TSPX_Chtp9, TSPX_TmSltC, TSPX_TscC, INT_TO_BIT(TSPX_Maio21, 6), INT_TO_BIT(TSPX_Hsn20, 6)), TCV_Null := OM_FreqDef( TCV_Strt, MobilAlc_r25, TCV_WorkingCh, TCV_chd1, TCV_cchd1, TCV_Fn), TCV_Null := OM_SendNextOn( TCV_WorkingCh, TCV_Fn))                                                                                                                                                                                                             |                                                                                            |   | 4.                      |
| 13                                                                                                                                                                                                                                                                                                                                                                                                                                                                                                                                                                            |       | LIDL_DatRqFrqre                                                                                                                                                                                                                                                                                                                                                                                                                                                                                                                                                                         | FrqRedfSnd( TCV_WorkingCh, FrqRedef_01( TCV_chd1, MobilAlc_r25, TCV_Strt, CellChDes_Omit)) |   | 5.                      |

|    |                                                                                              |                                                                                                                                                                                                                                                                                                                                                                                                 |     |
|----|----------------------------------------------------------------------------------------------|-------------------------------------------------------------------------------------------------------------------------------------------------------------------------------------------------------------------------------------------------------------------------------------------------------------------------------------------------------------------------------------------------|-----|
| 14 | (TCV_Strt := OC_StartTime( TCV_Fn, 4000, 1))                                                 |                                                                                                                                                                                                                                                                                                                                                                                                 | 6.  |
| 15 | +local_handoverCMD                                                                           |                                                                                                                                                                                                                                                                                                                                                                                                 |     |
| 16 | L?DL_EstIn                                                                                   | DLEstInd(<br>TCV_WorkingCh)                                                                                                                                                                                                                                                                                                                                                                     |     |
| 17 | L?DL_DatInHofI                                                                               | HndOvFIRcv(<br>TCV_WorkingCh,<br>HandOvFail_02)                                                                                                                                                                                                                                                                                                                                                 |     |
| 18 | +local_HoppingCHK                                                                            |                                                                                                                                                                                                                                                                                                                                                                                                 | 7.  |
| 19 | +PostMainLinkRel( TCV_WorkingCh)                                                             |                                                                                                                                                                                                                                                                                                                                                                                                 |     |
|    | <b>local_HoppingCHK</b>                                                                      |                                                                                                                                                                                                                                                                                                                                                                                                 |     |
| 20 | (TCV_Res := OM_FHCHK( TCV_WorkingCh,<br>TCV_cchd1, MoblAllc_r25, TCV_chd1, 5000,<br>TCV_Fn)) |                                                                                                                                                                                                                                                                                                                                                                                                 |     |
| 21 | L_034 [TCV_Res]                                                                              |                                                                                                                                                                                                                                                                                                                                                                                                 | (P) |
|    | 1                                                                                            |                                                                                                                                                                                                                                                                                                                                                                                                 |     |
| 22 | L_034 [NOT TCV_Res]                                                                          |                                                                                                                                                                                                                                                                                                                                                                                                 | (F) |
|    | 2                                                                                            |                                                                                                                                                                                                                                                                                                                                                                                                 |     |
|    | <b>local_handoverCMD</b>                                                                     |                                                                                                                                                                                                                                                                                                                                                                                                 |     |
| 23 | [TSPC_PGSM OR TSPC_EGSM]                                                                     |                                                                                                                                                                                                                                                                                                                                                                                                 |     |
| 24 | LIDL_DatRqHoCmd                                                                              | HndOvSnd(<br>TCV_WorkingCh,<br>HandOverCmd(<br>C_NCC, C_BCC_1,<br>TSPX_TmSltd,<br>TSPX_TscD,<br>CellChDes_20_Bman,<br>TCV_Strt,<br>C_BCCHcarrierB_ho,<br>TSPX_Chtp10,<br>TSPX_Maio22,<br>TSPX_Maio23,<br>TSPX_Hsn22,<br>TSPX_Hsn23,<br>TSPX_HoRefA,<br>TSPX_PwrlvIC,<br>Synchi(<br>C_not_report_otd,<br>C_non_synchronised)<br>, ChMod_r05,<br>MoblAllc_r26,<br>MoblAllc_r27,<br>CphMod_omit))  |     |
| 25 | [TSPC_DCS]                                                                                   |                                                                                                                                                                                                                                                                                                                                                                                                 |     |
| 26 | LIDL_DatRqHoCmd                                                                              | HndOvSnd(<br>TCV_WorkingCh,<br>HandOverCmd(<br>C_NCC, C_BCC_1,<br>TSPX_TmSltd,<br>TSPX_TscD,<br>CellChDes_201_Bd,<br>TCV_Strt,<br>C_BCCHcarrierB_hod<br>, TSPX_Chtp10,<br>TSPX_Maio22,<br>TSPX_Maio23,<br>TSPX_Hsn22,<br>TSPX_Hsn23,<br>TSPX_HoRefA,<br>TSPX_PwrlvIC,<br>Synchi(<br>C_not_report_otd,<br>C_non_synchronised)<br>, ChMod_r05,<br>MoblAllc_r26,<br>MoblAllc_r27,<br>CphMod_omit)) |     |
|    | <b>local_channel_setup</b>                                                                   |                                                                                                                                                                                                                                                                                                                                                                                                 |     |
| 27 | (TCV_n := BIT_TO_INT( TSPX_Chtp9))                                                           |                                                                                                                                                                                                                                                                                                                                                                                                 |     |
| 28 | [TCV_n = 1]                                                                                  |                                                                                                                                                                                                                                                                                                                                                                                                 |     |
| 29 | +FullRateCh_A_1_nociph( C_Immass,<br>TSPX_TmSltd, TSPX_TscC, ChMod_sign,                     |                                                                                                                                                                                                                                                                                                                                                                                                 | 7.  |

|    |                                                                                                                                                                                           |  |    |
|----|-------------------------------------------------------------------------------------------------------------------------------------------------------------------------------------------|--|----|
| 30 | Freq_rg14, Freq_rd14, TimingAdv( 30),<br>C_BABR_0, C_cch_1nonComb, C_BPM_3)                                                                                                               |  |    |
| 31 | (TCV_WorkingCh := TCV_chTch)                                                                                                                                                              |  |    |
| 32 | +Set_CellChDescr( C_CellA)                                                                                                                                                                |  |    |
| 33 | [(TCV_n = 2) OR (TCV_n = 3)]                                                                                                                                                              |  |    |
| 33 | +HalfRateCh_A_1_nociph( OC_LeastBits(<br>TSPX_Chtp9, 1), C_Immass, TSPX_TmSlitC,<br>TSPX_TscC, ChMod_sign, Freq_rg14, Freq_rd14,<br>TimingAdv( 30), C_BABR_0, C_cch_1nonComb,<br>C_BPM_3) |  | 8. |
| 34 | (TCV_WorkingCh := TCV_chTch)                                                                                                                                                              |  |    |
| 35 | +Set_CellChDescr( C_CellA)                                                                                                                                                                |  |    |
| 36 | [(TCV_n >= 8) AND ( TCV_n <= 15)]                                                                                                                                                         |  |    |
| 37 | +SDCCH8_A_1_nociph( OC_LeastBits(<br>TSPX_Chtp9, 3), C_Immass, TSPX_TmSlitC,<br>TSPX_TscC, ChMod_sign, Freq_rg14, Freq_rd14,<br>TimingAdv( 30), C_BABR_0, C_cch_1nonComb,<br>C_BPM_3)     |  | 9. |
| 38 | (TCV_WorkingCh := TCV_ch)                                                                                                                                                                 |  |    |
| 39 | +Set_CellChDescr( C_CellA)                                                                                                                                                                |  |    |

|                           |                                                                                                                                                                                                                                                                                                                                                                                                                                                                                                                                                                                                                                                                                                                                                                                                                                                                                                                                                                                                     |
|---------------------------|-----------------------------------------------------------------------------------------------------------------------------------------------------------------------------------------------------------------------------------------------------------------------------------------------------------------------------------------------------------------------------------------------------------------------------------------------------------------------------------------------------------------------------------------------------------------------------------------------------------------------------------------------------------------------------------------------------------------------------------------------------------------------------------------------------------------------------------------------------------------------------------------------------------------------------------------------------------------------------------------------------|
| <b>Detailed Comments:</b> | <ol style="list-style-type: none"> <li>1. To setup a physical channel as BCCH, CCCH.</li> <li>2. To set a physical channel as BCCH, CCCH for Cell B.</li> <li>3. To setup a physical channel for immediate assignment.</li> <li>4. To calculate the starting time for frequency redefinition.</li> <li>5. To send FREQUENCY REDIFINITION message.</li> <li>6. To calculate the starting time and send the HANOVER COMMAND on special frame TCV_Fn.<br/>The assigned channel not activated in the tester.</li> <li>7. To check whether the after time frequency hopping is correct at the RF burst level.</li> <li>8. If the selected channel type is TCH/F, setup a physical channel as full rate channel for immediate assignment.</li> <li>9. If the selected channel type is TCH/H, setup a physical channel as half rate channel for immediate assignment.</li> <li>10. If the selected channel type is SDCCH8, setup a physical channel as SDCCH8 channel for immediate assignment.</li> </ol> |
|---------------------------|-----------------------------------------------------------------------------------------------------------------------------------------------------------------------------------------------------------------------------------------------------------------------------------------------------------------------------------------------------------------------------------------------------------------------------------------------------------------------------------------------------------------------------------------------------------------------------------------------------------------------------------------------------------------------------------------------------------------------------------------------------------------------------------------------------------------------------------------------------------------------------------------------------------------------------------------------------------------------------------------------------|

| Test Case Dynamic Behaviour |       |                                                                                                                                                                                                                                                                                                                                                                                                                                                                                                                                                                                        |                                                                                             |   |                         |
|-----------------------------|-------|----------------------------------------------------------------------------------------------------------------------------------------------------------------------------------------------------------------------------------------------------------------------------------------------------------------------------------------------------------------------------------------------------------------------------------------------------------------------------------------------------------------------------------------------------------------------------------------|---------------------------------------------------------------------------------------------|---|-------------------------|
| <b>Test Case Name:</b>      |       | TC_26_6_13_8                                                                                                                                                                                                                                                                                                                                                                                                                                                                                                                                                                           |                                                                                             |   |                         |
| <b>Group:</b>               |       | GSM_L3_MS_v4210/RR/                                                                                                                                                                                                                                                                                                                                                                                                                                                                                                                                                                    |                                                                                             |   |                         |
| <b>Purpose:</b>             |       | To verify that the MS, after receiving a FREQUENCY REDEFINITION message and then an HANDOVER COMMAND message with a starting time and channel descriptions both for before and after the starting time, failing the handover, and returning on the old channel, and ready to access after the time indicated in the FREQUENCY REDEFINITION, resumes transmission using the new frequency parameters indicated in the FREQUENCY REDEFINITION message.                                                                                                                                   |                                                                                             |   |                         |
| <b>Default:</b>             |       | OtherEventsFail                                                                                                                                                                                                                                                                                                                                                                                                                                                                                                                                                                        |                                                                                             |   |                         |
| Nr                          | Label | Behaviour Description                                                                                                                                                                                                                                                                                                                                                                                                                                                                                                                                                                  | CRef                                                                                        | V | Comments                |
| 1                           |       | START T_guard(300)                                                                                                                                                                                                                                                                                                                                                                                                                                                                                                                                                                     |                                                                                             |   |                         |
| 2                           |       | +IdleUpdated( C_E_default, C_CellA, C_SCH_A, C_BCCH_A_1, C_ImmAss, C_S0, C_SlotNU, C_SlotNU, C_SlotNU, C_BCC, C_TxInt_5, C_Max_1, C_NECI_0, C_ATT_0, TimingAdv( 30), C_BABR_0, C_cch_1nonComb, C_BPM_3, C_T3212_1, C_ci_cellA, C_MCC_1, C_PLMN_1, C_LAC_1, CellOpt_01, CellChDes_20_Aman, CellChDes_203_Ad, C_CellReselectHys12, C_MaxPwrLvIG, C_MaxPwrLvID, BcchFreqLst_01, BcchFreqLst_Omit, BcchFreqLst_48, BcchFreqLst_Omit, C_noReestablishment, C_BCC, C_NCC, C_Start_Tmsi, TSPX_SDCCH4SubDef, TSPX_CKSNDf, TSPX_RANDDef, C_arfcnA, C_arfcnAd_4, TSPX_IMSI, C_Test_fh, C_NCCP_2) |                                                                                             |   | 1.                      |
| 3                           |       | +local_channel_setup                                                                                                                                                                                                                                                                                                                                                                                                                                                                                                                                                                   |                                                                                             |   | 3.                      |
| 4                           |       | +StartCellB( C_E_neighbourdefault, C_BCCHcarrierB_ho, C_BCCHcarrierB_hod, C_ImmAss, TSPX_TmSlitE, TSPX_TscE, TimingAdv( 30), C_TxInt_5, C_Max_1, C_NECI_0, C_ATT_0, C_BABR_0, C_cch_1nonComb, C_BPM_3, C_T3212_1, C_MCC_1, C_PLMN_1, C_LAC_1, CellChDes_20_Bman, CellChDes_201_Bd, BcchFreqLst_01, BcchFreqLst_48, C_noReestablishment, C_BCC_1, C_NCC)                                                                                                                                                                                                                                |                                                                                             |   | 2.                      |
| 5                           | body  | L!DL_UdatRqPg1Rq                                                                                                                                                                                                                                                                                                                                                                                                                                                                                                                                                                       | PgReq1(TCV_PgCh, TCV_Pgg, PgReqTp1_01)                                                      |   |                         |
| 6                           |       | L?DL_RaclnChRq (TCV_Rr := DL_RaclnChRq.msg.ecau_rrf, TCV_Fn := DL_RaclnChRq.fn)                                                                                                                                                                                                                                                                                                                                                                                                                                                                                                        | ChReq( ChRequest_17)                                                                        |   |                         |
| 7                           |       | ACTIVATE( OtherEventsFail_02)                                                                                                                                                                                                                                                                                                                                                                                                                                                                                                                                                          |                                                                                             |   | To match ChReq retrans. |
| 8                           |       | L!DL_UdatRqImmAss                                                                                                                                                                                                                                                                                                                                                                                                                                                                                                                                                                      | ImmAss( TCV_agch, ImmAsgn_r34( TCV_Rr, TCV_Fn, TSPX_TmSlitD, TSPX_TscD, TimingAdv( 30)))    |   |                         |
| 9                           |       | L?DL_EstInPgRes                                                                                                                                                                                                                                                                                                                                                                                                                                                                                                                                                                        | PagingRes( PagingRes_01)                                                                    |   |                         |
| 10                          |       | ACTIVATE(OtherEventsFail)                                                                                                                                                                                                                                                                                                                                                                                                                                                                                                                                                              |                                                                                             |   | Restore Normal default  |
| 11                          |       | +local_continue                                                                                                                                                                                                                                                                                                                                                                                                                                                                                                                                                                        |                                                                                             |   |                         |
| 12                          |       | <b>local_continue</b><br>(TCV_Fn := OM_ComingFn( TCV_WorkingCh), TCV_Strt := OC_StartTime( TCV_Fn, 265, 0), TCV_chd1 := ChDescrp_fh( TSPX_Chtp11, TSPX_TmSlitD, TSPX_TscD, INT_TO_BIT(TSPX_Maio25, 6), INT_TO_BIT(TSPX_Hsn24, 6)), TCV_Null := OM_FreqDef( TCV_Strt, MobilAllc_r29, TCV_WorkingCh, TCV_chd1, TCV_cchd1, TCV_Fn), TCV_Null := OM_SendNextOn( TCV_WorkingCh, TCV_Fn))                                                                                                                                                                                                    |                                                                                             |   | 4.                      |
| 13                          |       | L!DL_DatRqFrqre                                                                                                                                                                                                                                                                                                                                                                                                                                                                                                                                                                        | FrqRedfSnd( TCV_WorkingCh, FrqRedef_01( TCV_chd1, MobilAllc_r29, TCV_Strt, CellChDes_Omit)) |   | 5.                      |
| 14                          |       | (TCV_Strt := OC_StartTime( TCV_Fn, 5000, 1))                                                                                                                                                                                                                                                                                                                                                                                                                                                                                                                                           |                                                                                             |   | 6.                      |

|    |                                                                                                                                                                                            |                                                                                                                                                                                                                                                                                                                                                                                                  |    |
|----|--------------------------------------------------------------------------------------------------------------------------------------------------------------------------------------------|--------------------------------------------------------------------------------------------------------------------------------------------------------------------------------------------------------------------------------------------------------------------------------------------------------------------------------------------------------------------------------------------------|----|
| 15 | +local_sendHoCMD                                                                                                                                                                           |                                                                                                                                                                                                                                                                                                                                                                                                  |    |
| 16 | L?DL_EstIn                                                                                                                                                                                 | DLEstIn(<br>TCV_WorkingCh)                                                                                                                                                                                                                                                                                                                                                                       |    |
| 17 | L?DL_DatInHofI                                                                                                                                                                             | HndOvFIRcv(<br>TCV_WorkingCh,<br>HandOvFail_02)                                                                                                                                                                                                                                                                                                                                                  | 7. |
| 18 | +PostMainLinkRel( TCV_WorkingCh)                                                                                                                                                           |                                                                                                                                                                                                                                                                                                                                                                                                  |    |
|    | <b>local_sendHoCMD</b>                                                                                                                                                                     |                                                                                                                                                                                                                                                                                                                                                                                                  |    |
| 19 | [TSPC_PGSM OR TSPC_EGSM]                                                                                                                                                                   |                                                                                                                                                                                                                                                                                                                                                                                                  |    |
| 20 | L!DL_DatRqHoCmnd                                                                                                                                                                           | HndOvSnd(<br>TCV_WorkingCh,<br>HandOverCmd(<br>C_NCC, C_BCC_1,<br>TSPX_TmSlitE,<br>TSPX_TscE,<br>CellChDes_20_Bman,<br>TCV_Strt,<br>C_BCCHcarrierB_ho,<br>TSPX_Chtp12,<br>TSPX_Maio26,<br>TSPX_Maio27,<br>TSPX_Hsn26,<br>TSPX_Hsn27,<br>TSPX_HoRefA,<br>TSPX_PwrlvID,<br>Synchi(<br>C_not_report_otd,<br>C_non_synchronised)<br>, ChMod_r06,<br>MoblAllc_r30,<br>MoblAllc_r31,<br>CphMod_omit))  |    |
| 21 | [TSPC_DCS]                                                                                                                                                                                 |                                                                                                                                                                                                                                                                                                                                                                                                  |    |
| 22 | L!DL_DatRqHoCmnd                                                                                                                                                                           | HndOvSnd(<br>TCV_WorkingCh,<br>HandOverCmd(<br>C_NCC, C_BCC_1,<br>TSPX_TmSlitE,<br>TSPX_TscE,<br>CellChDes_201_Bd,<br>TCV_Strt,<br>C_BCCHcarrierB_hod<br>, TSPX_Chtp12,<br>TSPX_Maio26,<br>TSPX_Maio27,<br>TSPX_Hsn26,<br>TSPX_Hsn27,<br>TSPX_HoRefA,<br>TSPX_PwrlvID,<br>Synchi(<br>C_not_report_otd,<br>C_non_synchronised)<br>, ChMod_r06,<br>MoblAllc_r30,<br>MoblAllc_r31,<br>CphMod_omit)) |    |
|    | <b>local_channel_setup</b>                                                                                                                                                                 |                                                                                                                                                                                                                                                                                                                                                                                                  |    |
| 23 | (TCV_n := BIT_TO_INT( TSPX_Chtp11))                                                                                                                                                        |                                                                                                                                                                                                                                                                                                                                                                                                  |    |
| 24 | [TCV_n = 1]                                                                                                                                                                                |                                                                                                                                                                                                                                                                                                                                                                                                  |    |
| 25 | +FullRateCh_A_1_nociph( C_Immass,<br>TSPX_TmSlitD, TSPX_TscD, ChMod_sign,<br>Freq_rg15, Freq_rd15, TimingAdv( 30),<br>C_BABR_0, C_cch_1nonComb, C_BPM_3)                                   |                                                                                                                                                                                                                                                                                                                                                                                                  | 7. |
| 26 | (TCV_WorkingCh := TCV_chTch)                                                                                                                                                               |                                                                                                                                                                                                                                                                                                                                                                                                  |    |
| 27 | +Set_CellChDescr( C_CellA)                                                                                                                                                                 |                                                                                                                                                                                                                                                                                                                                                                                                  |    |
| 28 | [(TCV_n = 2) OR (TCV_n = 3)]                                                                                                                                                               |                                                                                                                                                                                                                                                                                                                                                                                                  |    |
| 29 | +HalfRateCh_A_1_nociph( OC_LeastBits(<br>TSPX_Chtp11, 1), C_Immass, TSPX_TmSlitD,<br>TSPX_TscD, ChMod_sign, Freq_rg15, Freq_rd15,<br>TimingAdv( 30), C_BABR_0, C_cch_1nonComb,<br>C_BPM_3) |                                                                                                                                                                                                                                                                                                                                                                                                  | 8. |
| 30 | (TCV_WorkingCh := TCV_chTch)                                                                                                                                                               |                                                                                                                                                                                                                                                                                                                                                                                                  |    |

|                           |  |                                                                                                                                                                                                                                                                                                                                                                                                                                                                                                                                                                                                                                                                                                                                                                                                                                                                                                                                                                                                                                                                                                                                                                                                                                                                                                                      |  |  |    |
|---------------------------|--|----------------------------------------------------------------------------------------------------------------------------------------------------------------------------------------------------------------------------------------------------------------------------------------------------------------------------------------------------------------------------------------------------------------------------------------------------------------------------------------------------------------------------------------------------------------------------------------------------------------------------------------------------------------------------------------------------------------------------------------------------------------------------------------------------------------------------------------------------------------------------------------------------------------------------------------------------------------------------------------------------------------------------------------------------------------------------------------------------------------------------------------------------------------------------------------------------------------------------------------------------------------------------------------------------------------------|--|--|----|
| 31                        |  | +Set_CellChDescr( C_CellA)                                                                                                                                                                                                                                                                                                                                                                                                                                                                                                                                                                                                                                                                                                                                                                                                                                                                                                                                                                                                                                                                                                                                                                                                                                                                                           |  |  |    |
| 32                        |  | [(TCV_n >= 8) AND ( TCV_n <= 15)]                                                                                                                                                                                                                                                                                                                                                                                                                                                                                                                                                                                                                                                                                                                                                                                                                                                                                                                                                                                                                                                                                                                                                                                                                                                                                    |  |  |    |
| 33                        |  | +SDCCH8_A_1_nociph( OC_LeastBits(<br>TSPX_Chtp11, 1), C_Immass, TSPX_TmSlTD,<br>TSPX_TscD, ChMod_sign, Freq_rg15, Freq_rd15,<br>TimingAdv( 30), C_BABR_0, C_cch_1nonComb,<br>C_BPM_3)                                                                                                                                                                                                                                                                                                                                                                                                                                                                                                                                                                                                                                                                                                                                                                                                                                                                                                                                                                                                                                                                                                                                |  |  | 9. |
| 34                        |  | (TCV_WorkingCh := TCV_ch)                                                                                                                                                                                                                                                                                                                                                                                                                                                                                                                                                                                                                                                                                                                                                                                                                                                                                                                                                                                                                                                                                                                                                                                                                                                                                            |  |  |    |
| 35                        |  | +Set_CellChDescr( C_CellA)                                                                                                                                                                                                                                                                                                                                                                                                                                                                                                                                                                                                                                                                                                                                                                                                                                                                                                                                                                                                                                                                                                                                                                                                                                                                                           |  |  |    |
| <b>Detailed Comments:</b> |  | <ol style="list-style-type: none"> <li>1. To setup a physical channel as BCCH, CCCH.</li> <li>2. To set a physical channel as BCCH, CCCH for Cell B.</li> <li>3. To setup a physical channel for immediate assignmemnt. Note: Although the test case is designed for TCH/F, TCH/H &amp; SDCCH8 the TSPX_Chtp11 should be assigned to an SDCCH8 subchannel because calculations of starting time T1 for TCH/F &amp; TCH/H have not yet been carried out. No simple values can be defined.</li> <li>4. To calculate the starting time for frequency redefinition.</li> <li>5. To send FREQUENCY REDIFINITION message.</li> <li>6. To calculate the starting time and send the HANOVER COMMAND on special frame TCV_Fn.<br/>The assigned channel not activated in the tester.</li> <li>7. The HANOVER FAILURE message received on the channel using the after time hopping parameters of the frequency redefinition message.</li> <li>8. If the selected channel type is TCH/F, setup a physical channel as full rate channel for immediate assignment.</li> <li>9. If the selected channel type is TCH/H, setup a physical channel as half rate channel for immediate assignment.</li> <li>10. If the selected channel type is SDCCH8, setup a physical channel as SDCCH8 channel for immediate assignment.</li> </ol> |  |  |    |

| Test Case Dynamic Behaviour |            |                                                                                                                                                                                                                                                                                                                                                                                                                                                                                                                                                                                       |                                                                                                   |     |                         |
|-----------------------------|------------|---------------------------------------------------------------------------------------------------------------------------------------------------------------------------------------------------------------------------------------------------------------------------------------------------------------------------------------------------------------------------------------------------------------------------------------------------------------------------------------------------------------------------------------------------------------------------------------|---------------------------------------------------------------------------------------------------|-----|-------------------------|
| <b>Test Case Name:</b>      |            | TC_26_6_13_9                                                                                                                                                                                                                                                                                                                                                                                                                                                                                                                                                                          |                                                                                                   |     |                         |
| <b>Group:</b>               |            | GSM_L3_MS_v4210/RR/                                                                                                                                                                                                                                                                                                                                                                                                                                                                                                                                                                   |                                                                                                   |     |                         |
| <b>Purpose:</b>             |            | To verify that the MS, after receiving an IMMEDIATE ASSIGNMENT message with a starting time and channel descriptions both for before and after the starting time, and ready to access before the indicated time, performs correctly the assignment using the description for before the time, and then starts using the frequency parameters for after the time indicated in the message.                                                                                                                                                                                             |                                                                                                   |     |                         |
| <b>Default:</b>             |            | OtherEventsFail                                                                                                                                                                                                                                                                                                                                                                                                                                                                                                                                                                       |                                                                                                   |     |                         |
| Nr                          | Label      | Behaviour Description                                                                                                                                                                                                                                                                                                                                                                                                                                                                                                                                                                 | CRef                                                                                              | V   | Comments                |
| 1                           |            | START T_guard(300)                                                                                                                                                                                                                                                                                                                                                                                                                                                                                                                                                                    |                                                                                                   |     |                         |
| 2                           |            | +IdleUpdated( C_E_default, C_CellA, C_SCH_A, C_BCCH_A_1, C_Immass, C_S0, C_SlotNU, C_SlotNU, C_SlotNU, C_BCC, C_TxInt_5, C_Max_1, C_NECI_0, C_ATT_0, TimingAdv( 30), C_BABR_0, C_cch_1nonComb, C_BPM_3, C_T3212_1, C_ci_cellA, C_MCC_1, C_PLMN_1, C_LAC_1, CellOpt_01, CellChDes_20_Aman, CellChDes_203_Ad, C_CellReselectHys12, C_MaxPwrLvlG, C_MaxPwrLvlD, BcchFreqLst_01, BcchFreqLst_Omit, BcchFreqLst_48, BcchFreqLst_Omit, C_noRestablishment, C_BCC, C_NCC, C_Start_Tmsi, TSPX_SDCCH4SubDef, TSPX_CKSNDf, TSPX_RANDDef, C_arfcnA, C_arfcnAd_4, TSPX_IMSI, C_Test_fh, C_NCCP_2) |                                                                                                   |     | 1.                      |
| 3                           |            | +local_channel_setup                                                                                                                                                                                                                                                                                                                                                                                                                                                                                                                                                                  |                                                                                                   |     | 2.                      |
| 4                           | body       | L!DL_UdatRqPg1Rq                                                                                                                                                                                                                                                                                                                                                                                                                                                                                                                                                                      | PgReq1( TCV_PgCh, TCV_Pgg, PgReqTp1_01)                                                           |     |                         |
| 5                           |            | L?DL_RacInChRq( TCV_Rr := DL_RacInChRq, msg.ecau_rrf, TCV_Fn := DL_RacInChRq.fn)                                                                                                                                                                                                                                                                                                                                                                                                                                                                                                      | ChReq( ChRequest_17)                                                                              |     |                         |
| 6                           |            | ACTIVATE( OtherEventsFail_02)                                                                                                                                                                                                                                                                                                                                                                                                                                                                                                                                                         |                                                                                                   |     | To match ChReq retrans. |
| 7                           |            | +local_continue                                                                                                                                                                                                                                                                                                                                                                                                                                                                                                                                                                       |                                                                                                   |     |                         |
| 8                           |            | <b>local_continue</b><br>(TCV_Fn := OM_ComingFn( TCV_agch), TCV_Strt := OC_StartTime( TCV_Fn, TSPX_Tm3, 1), TCV_chd1 := ChDescrp_fh( TSPX_Chtp13, TSPX_TmSlfF, TSPX_TscF, INT_TO_BIT(TSPX_Maio28, 6), INT_TO_BIT(TSPX_Hsn28, 6)), TCV_Null := OM_FreqDef( TCV_Strt, MobilAllic_r32, TCV_WorkingCh, ChDescrp_fh( TSPX_Chtp13, TSPX_TmSlfF, TSPX_TscF, INT_TO_BIT(TSPX_Maio28, 6), INT_TO_BIT(TSPX_Hsn28, 6)), TCV_cchd1, TCV_Fn), TCV_Null := OM_SendNextOn( TCV_agch, TCV_Fn))                                                                                                        |                                                                                                   |     | 3. 4.                   |
| 9                           |            | L!DL_UdatRqImmass                                                                                                                                                                                                                                                                                                                                                                                                                                                                                                                                                                     | ImmAss( TCV_agch, ImmAsgn_r35( TCV_Rr, TCV_Fn, TSPX_TmSlfF, TSPX_TscF, TimingAdv( 30), TCV_Strt)) |     |                         |
| 10                          |            | L?DL_EstInPgRes                                                                                                                                                                                                                                                                                                                                                                                                                                                                                                                                                                       | PgRes( TCV_WorkingCh, PagingRes_01)                                                               |     |                         |
| 11                          |            | ACTIVATE( OtherEventsFail)                                                                                                                                                                                                                                                                                                                                                                                                                                                                                                                                                            |                                                                                                   |     | Restore Normal default  |
| 12                          |            | +ltree_oftertime_hopping_check                                                                                                                                                                                                                                                                                                                                                                                                                                                                                                                                                        |                                                                                                   |     | 5.                      |
| 13                          |            | +PostMainLinkRel( TCV_WorkingCh)                                                                                                                                                                                                                                                                                                                                                                                                                                                                                                                                                      |                                                                                                   |     |                         |
| 14                          |            | <b>ltree_oftertime_hopping_check</b><br>(TCV_Res := OM_FHCHK( TCV_WorkingCh, TCV_cchd1, MobilAllic_r32, ChDescrp_fh( TSPX_Chtp13, TSPX_TmSlfF, TSPX_TscF, INT_TO_BIT(TSPX_Maio28, 6), INT_TO_BIT(TSPX_Hsn28, 6)), 5000, TCV_Fn))                                                                                                                                                                                                                                                                                                                                                      |                                                                                                   |     |                         |
| 15                          | L_034<br>3 | [TCV_Res]                                                                                                                                                                                                                                                                                                                                                                                                                                                                                                                                                                             |                                                                                                   | (P) |                         |
| 16                          | L_034<br>4 | [NOT TCV_Res]                                                                                                                                                                                                                                                                                                                                                                                                                                                                                                                                                                         |                                                                                                   | (F) |                         |





| Test Case Dynamic Behaviour |            |                                                                                                                                                                                                                                                                                                                                                                                                                                                                                                                                                                                       |                                                                                                   |     |                         |
|-----------------------------|------------|---------------------------------------------------------------------------------------------------------------------------------------------------------------------------------------------------------------------------------------------------------------------------------------------------------------------------------------------------------------------------------------------------------------------------------------------------------------------------------------------------------------------------------------------------------------------------------------|---------------------------------------------------------------------------------------------------|-----|-------------------------|
| <b>Test Case Name:</b>      |            | TC_26_6_13_10                                                                                                                                                                                                                                                                                                                                                                                                                                                                                                                                                                         |                                                                                                   |     |                         |
| <b>Group:</b>               |            | GSM_L3_MS_v4210/RR/                                                                                                                                                                                                                                                                                                                                                                                                                                                                                                                                                                   |                                                                                                   |     |                         |
| <b>Purpose:</b>             |            | To verify that the MS, after receiving an IMMEDIATE ASSIGNMENT message with a starting time and channel descriptions both for before and after the starting time, performs correctly the assignment using the frequencies and hopping sequence for after the time if the indicated time has already elapsed when the MOBILE Station is ready to transmit.                                                                                                                                                                                                                             |                                                                                                   |     |                         |
| <b>Default:</b>             |            | OtherEventsFail                                                                                                                                                                                                                                                                                                                                                                                                                                                                                                                                                                       |                                                                                                   |     |                         |
| Nr                          | Label      | Behaviour Description                                                                                                                                                                                                                                                                                                                                                                                                                                                                                                                                                                 | CRef                                                                                              | V   | Comments                |
| 1                           |            | START T_guard(300)                                                                                                                                                                                                                                                                                                                                                                                                                                                                                                                                                                    |                                                                                                   |     |                         |
| 2                           |            | +IdleUpdated( C_E_default, C_CellA, C_SCH_A, C_BCCH_A_1, C_Immass, C_S0, C_SlotNU, C_SlotNU, C_SlotNU, C_BCC, C_TxInt_5, C_Max_1, C_NECI_0, C_ATT_0, TimingAdv( 30), C_BABR_0, C_cch_1nonComb, C_BPM_3, C_T3212_1, C_ci_cellA, C_MCC_1, C_PLMN_1, C_LAC_1, CellOpt_01, CellChDes_20_Aman, CellChDes_203_Ad, C_CellReselectHys12, C_MaxPwrLvlG, C_MaxPwrLvlD, BcchFreqLst_01, BcchFreqLst_Omit, BcchFreqLst_48, BcchFreqLst_Omit, C_noRestablishment, C_BCC, C_NCC, C_Start_Tmsi, TSPX_SDCCH4SubDef, TSPX_CKSNDf, TSPX_RANDDef, C_arfcnA, C_arfcnAd_4, TSPX_IMSI, C_Test_fh, C_NCCP_2) |                                                                                                   |     | 1.                      |
| 3                           |            | +local_channel_setup                                                                                                                                                                                                                                                                                                                                                                                                                                                                                                                                                                  |                                                                                                   |     | 2.                      |
| 4                           | body       | LIDL_UdatRqPg1Rq                                                                                                                                                                                                                                                                                                                                                                                                                                                                                                                                                                      | PgReq1(TCV_PgCh, TCV_Pgg, PgReqTp1_01)                                                            |     |                         |
| 5                           |            | L?DL_RaclnChRq( TCV_Rr := DL_RaclnChRq, msg.ecau_rrf, TCV_Fn := DL_RaclnChRq.fn)                                                                                                                                                                                                                                                                                                                                                                                                                                                                                                      | ChReq( ChRequest_17)                                                                              |     |                         |
| 6                           |            | ACTIVATE( OtherEventsFail_02)                                                                                                                                                                                                                                                                                                                                                                                                                                                                                                                                                         |                                                                                                   |     | To match ChReq retrans. |
| 7                           |            | +local_continue                                                                                                                                                                                                                                                                                                                                                                                                                                                                                                                                                                       |                                                                                                   |     |                         |
| 8                           |            | <b>local_continue</b><br>(TCV_Fn := OM_ComingFn( TCV_agch), TCV_Strt := OC_StartTime( TCV_Fn, 5, 1), TCV_chd1 := ChDescrp_fh( TSPX_Chtp14, TSPX_TmSltG, TSPX_TscG, INT_TO_BIT(TSPX_Maio30, 6), INT_TO_BIT(TSPX_Hsn30, 6)), TCV_Null := OM_SendNextOn( TCV_agch, TCV_Fn))                                                                                                                                                                                                                                                                                                              |                                                                                                   |     | 3.                      |
| 9                           |            | LIDL_UdatRqImmass                                                                                                                                                                                                                                                                                                                                                                                                                                                                                                                                                                     | ImmAss( TCV_agch, ImmAsgn_r36( TCV_Rr, TCV_Fn, TSPX_TmSltG, TSPX_TscG, TimingAdv( 30), TCV_Strt)) |     |                         |
| 10                          |            | L?DL_EstInPgRes                                                                                                                                                                                                                                                                                                                                                                                                                                                                                                                                                                       | PgRes( TCV_WorkingCh, PagingRes_01)                                                               |     | 4.                      |
| 11                          |            | ACTIVATE( OtherEventsFail)                                                                                                                                                                                                                                                                                                                                                                                                                                                                                                                                                            |                                                                                                   |     | Restore Normal default  |
| 12                          |            | +ltree_hopping_check                                                                                                                                                                                                                                                                                                                                                                                                                                                                                                                                                                  |                                                                                                   |     |                         |
| 13                          |            | +PostMainLinkRel( TCV_WorkingCh)                                                                                                                                                                                                                                                                                                                                                                                                                                                                                                                                                      |                                                                                                   |     |                         |
| 14                          |            | <b>ltree_hopping_check</b><br>(TCV_Res := OM_FHCHK( TCV_WorkingCh, TCV_cchd1, MobilAlc_r33, ChDescrp_fh( TSPX_Chtp14, TSPX_TmSltG, TSPX_TscG, INT_TO_BIT(TSPX_Maio30, 6), INT_TO_BIT(TSPX_Hsn30, 6)), 5000, TCV_Fn))                                                                                                                                                                                                                                                                                                                                                                  |                                                                                                   |     |                         |
| 15                          | L_034<br>5 | [TCV_Res]                                                                                                                                                                                                                                                                                                                                                                                                                                                                                                                                                                             |                                                                                                   | (P) |                         |
| 16                          | L_034<br>6 | [NOT TCV_Res]                                                                                                                                                                                                                                                                                                                                                                                                                                                                                                                                                                         |                                                                                                   | (F) |                         |
| 17                          |            | <b>local_channel_setup</b><br>(TCV_n := BIT_TO_INT( TSPX_Chtp14))                                                                                                                                                                                                                                                                                                                                                                                                                                                                                                                     |                                                                                                   |     |                         |
| 18                          |            | [TCV_n = 1]                                                                                                                                                                                                                                                                                                                                                                                                                                                                                                                                                                           |                                                                                                   |     |                         |
| 19                          |            | +FullRateCh_A_1_nociph( C_Immass, TSPX_TmSltG, TSPX_TscG, ChMod_sign,                                                                                                                                                                                                                                                                                                                                                                                                                                                                                                                 |                                                                                                   |     | 5.                      |

|                           |                                                                                                                                                                                           |                                                                                                                                                                                                                                                                                                                                                                                                                                                                                                                                                                                                                                                                                                                                                             |    |
|---------------------------|-------------------------------------------------------------------------------------------------------------------------------------------------------------------------------------------|-------------------------------------------------------------------------------------------------------------------------------------------------------------------------------------------------------------------------------------------------------------------------------------------------------------------------------------------------------------------------------------------------------------------------------------------------------------------------------------------------------------------------------------------------------------------------------------------------------------------------------------------------------------------------------------------------------------------------------------------------------------|----|
| 20                        | Freq_rg17, Freq_rd17, TimingAdv( 30),<br>C_BABR_0, C_cch_1nonComb, C_BPM_3)                                                                                                               |                                                                                                                                                                                                                                                                                                                                                                                                                                                                                                                                                                                                                                                                                                                                                             |    |
| 21                        | (TCV_WorkingCh := TCV_chTch)                                                                                                                                                              |                                                                                                                                                                                                                                                                                                                                                                                                                                                                                                                                                                                                                                                                                                                                                             |    |
| 22                        | +Set_CellChDescr(C_CellA)                                                                                                                                                                 |                                                                                                                                                                                                                                                                                                                                                                                                                                                                                                                                                                                                                                                                                                                                                             |    |
| 23                        | [(TCV_n = 2) OR (TCV_n = 3)]                                                                                                                                                              |                                                                                                                                                                                                                                                                                                                                                                                                                                                                                                                                                                                                                                                                                                                                                             |    |
| 24                        | +HalfRateCh_A_1_nociph( OC_LeastBits(<br>TSPX_Chtp14, 1), C_Immass, TSPX_TmSltG,<br>TSPX_TscG, ChMod_sign, Freq_rg17,<br>Freq_rd17, TimingAdv( 30), C_BABR_0,<br>C_cch_1nonComb, C_BPM_3) |                                                                                                                                                                                                                                                                                                                                                                                                                                                                                                                                                                                                                                                                                                                                                             | 6. |
| 25                        | (TCV_WorkingCh := TCV_chTch)                                                                                                                                                              |                                                                                                                                                                                                                                                                                                                                                                                                                                                                                                                                                                                                                                                                                                                                                             |    |
| 26                        | +Set_CellChDescr(C_CellA)                                                                                                                                                                 |                                                                                                                                                                                                                                                                                                                                                                                                                                                                                                                                                                                                                                                                                                                                                             |    |
| 27                        | [(TCV_n >= 8) AND ( TCV_n <= 15)]                                                                                                                                                         |                                                                                                                                                                                                                                                                                                                                                                                                                                                                                                                                                                                                                                                                                                                                                             |    |
| 28                        | +SDCCH8_A_1_nociph( OC_LeastBits(<br>TSPX_Chtp14, 1), C_Immass, TSPX_TmSltG,<br>TSPX_TscG, ChMod_sign, Freq_rg17,<br>Freq_rd17, TimingAdv( 30), C_BABR_0,<br>C_cch_1nonComb, C_BPM_3)     |                                                                                                                                                                                                                                                                                                                                                                                                                                                                                                                                                                                                                                                                                                                                                             | 7. |
| 29                        | (TCV_WorkingCh := TCV_ch)                                                                                                                                                                 |                                                                                                                                                                                                                                                                                                                                                                                                                                                                                                                                                                                                                                                                                                                                                             |    |
|                           | +Set_CellChDescr(C_CellA)                                                                                                                                                                 |                                                                                                                                                                                                                                                                                                                                                                                                                                                                                                                                                                                                                                                                                                                                                             |    |
| <b>Detailed Comments:</b> |                                                                                                                                                                                           | <ol style="list-style-type: none"> <li>1. To setup a physical channel as BCCH, CCCH.</li> <li>2. To setup a physical channel for immediate assignment.</li> <li>3. To calculate the starting time for immediate assignment.</li> <li>4. To paging response message received on the channel with after time frequency parameters.</li> <li>5. If the selected channel type is TCH/F, setup a physical channel as full rate channel for immediate assignment after time.</li> <li>6. If the selected channel type is TCH/H, setup a physical channel as half rate channel for immediate assignment after time.</li> <li>7. If the selected channel type is SDCCH8, setup a physical channel as SDCCH8 channel for immediate assignment after time.</li> </ol> |    |

## Test Group MM

| Test Case Dynamic Behaviour                                                                                                                                                                                                                                                                                                                    |       |                                                                                                                                                                                                                                                                                                                                                                                                                                                                                                                                                                           |      |   |             |
|------------------------------------------------------------------------------------------------------------------------------------------------------------------------------------------------------------------------------------------------------------------------------------------------------------------------------------------------|-------|---------------------------------------------------------------------------------------------------------------------------------------------------------------------------------------------------------------------------------------------------------------------------------------------------------------------------------------------------------------------------------------------------------------------------------------------------------------------------------------------------------------------------------------------------------------------------|------|---|-------------|
| <b>Test Case Name:</b> TC_26_7_1                                                                                                                                                                                                                                                                                                               |       |                                                                                                                                                                                                                                                                                                                                                                                                                                                                                                                                                                           |      |   |             |
| <b>Group:</b> GSM_L3_MS_v4210/MM/                                                                                                                                                                                                                                                                                                              |       |                                                                                                                                                                                                                                                                                                                                                                                                                                                                                                                                                                           |      |   |             |
| <b>Purpose:</b> To verify that the MS is able to receive and acknowledge a new TMSI by means of an explicit TMSI reallocation procedure. To verify that the MS has stored the TMSI in a non-volatile memory. The implicit reallocation procedure is tested in section 26.7.4.1.                                                                |       |                                                                                                                                                                                                                                                                                                                                                                                                                                                                                                                                                                           |      |   |             |
| <b>Default:</b> OtherEventsFail                                                                                                                                                                                                                                                                                                                |       |                                                                                                                                                                                                                                                                                                                                                                                                                                                                                                                                                                           |      |   |             |
| <b>Comments:</b> Initial Conditions of MS:<br>The MS has valid TMSI(TMSI_01), CKSN and Kc.It is "idle updated" on cell B.<br>The initial conditions will be arrived in procedures of PREAMBLE.<br>Required SIM card: default<br>Foreseen final state of the MS:<br>The MS has valid TMSI(TMSI_01), CKSN and Kc.It is "idle updated" on cell A. |       |                                                                                                                                                                                                                                                                                                                                                                                                                                                                                                                                                                           |      |   |             |
| Nr                                                                                                                                                                                                                                                                                                                                             | Label | Behaviour Description                                                                                                                                                                                                                                                                                                                                                                                                                                                                                                                                                     | CRef | V | Comments    |
| 1                                                                                                                                                                                                                                                                                                                                              |       | START T_guard(300)                                                                                                                                                                                                                                                                                                                                                                                                                                                                                                                                                        |      |   |             |
| 2                                                                                                                                                                                                                                                                                                                                              |       | +IdleUpdated( C_E_default, C_CellB, C_SCH_B, C_BCCH_B_1, C_Immass, C_S0, C_SlotNU, C_SlotNU, C_SlotNU, C_BCC, C_TxInt_5, C_Max_1, C_NECI_0, C_ATT_0, TimingAdv( 30), C_BABR_0, C_cch_1Comb, C_BPM_3, C_T3212_0, C_ci_cellB, C_MCC_1, C_PLMN_1, C_LAC_2, CellOpt_01, CellChDes_04, CellChDes_03, C_CellReselectHys12, C_MaxPwrLvlG, C_MaxPwrLvlD, BcchFreqLst_01, BcchFreqLst_Omit, BcchFreqLst_48, BcchFreqLst_Omit, C_noRestablishment, C_BCC, C_NCC, C_Start_Tmsi, TSPX_SDCCH4SubDef, TSPX_CKSNDDef, TSPX_RANDDef, C_arfcnB, C_arfcnBd, TSPX_IMSI, C_Test_fh, C_NCCP_2) |      |   |             |
| 3                                                                                                                                                                                                                                                                                                                                              |       | +StartCellA( C_E_neighbourdefault, C_Immass, TCV_slot, TCV_tsc, TimingAdv( 30), C_TxInt_5, C_Max_1, C_NECI_0, C_ATT_0, C_BABR_0, C_cch_1Comb, C_BPM_3, C_T3212_0, C_MCC_1, C_PLMN_1, C_LAC_1, CellChDes_02, CellChDes_03, BcchFreqLst_01, BcchFreqLst_48, C_noRestablishment)                                                                                                                                                                                                                                                                                             |      |   |             |
| 4                                                                                                                                                                                                                                                                                                                                              |       | +PreEstRRC_MM( MiTmsi_01, TCV_cksn, TimingAdv( 30))                                                                                                                                                                                                                                                                                                                                                                                                                                                                                                                       |      |   |             |
| 5                                                                                                                                                                                                                                                                                                                                              |       | +Cipherng_on(TCV_ch)                                                                                                                                                                                                                                                                                                                                                                                                                                                                                                                                                      |      |   |             |
| 6                                                                                                                                                                                                                                                                                                                                              | body  | +ltree_body                                                                                                                                                                                                                                                                                                                                                                                                                                                                                                                                                               |      |   |             |
|                                                                                                                                                                                                                                                                                                                                                |       | <b>ltree_body</b>                                                                                                                                                                                                                                                                                                                                                                                                                                                                                                                                                         |      |   |             |
| 7                                                                                                                                                                                                                                                                                                                                              |       | +TmsiReallocation( MiTmsi_02, C_MCC_1, C_PLMN_1, C_LAC_2)                                                                                                                                                                                                                                                                                                                                                                                                                                                                                                                 |      |   | 1)          |
| 8                                                                                                                                                                                                                                                                                                                                              |       | +ChanRel( TCV_ch)                                                                                                                                                                                                                                                                                                                                                                                                                                                                                                                                                         |      |   |             |
| 9                                                                                                                                                                                                                                                                                                                                              |       | (TCV_Null := OM_CphMd( TCV_ch, CphMod_02, TCV_CphKey))                                                                                                                                                                                                                                                                                                                                                                                                                                                                                                                    |      |   | no cipherng |
| 10                                                                                                                                                                                                                                                                                                                                             |       | +MM_PwrOrSimOff(C_SIMIn)                                                                                                                                                                                                                                                                                                                                                                                                                                                                                                                                                  |      |   |             |
| 11                                                                                                                                                                                                                                                                                                                                             |       | START T_dly(10000)                                                                                                                                                                                                                                                                                                                                                                                                                                                                                                                                                        |      |   |             |
| 12                                                                                                                                                                                                                                                                                                                                             |       | ?TIMEOUT T_dly                                                                                                                                                                                                                                                                                                                                                                                                                                                                                                                                                            |      |   |             |
| 13                                                                                                                                                                                                                                                                                                                                             |       | +MM_PwrOrSimOn(C_SIMIn)                                                                                                                                                                                                                                                                                                                                                                                                                                                                                                                                                   |      |   |             |
| 14                                                                                                                                                                                                                                                                                                                                             |       | +WaitForInService                                                                                                                                                                                                                                                                                                                                                                                                                                                                                                                                                         |      |   |             |
| 15                                                                                                                                                                                                                                                                                                                                             |       | +CCCH_group_Paging_group( TCV_Ccd0B, TSPX_IMSI)                                                                                                                                                                                                                                                                                                                                                                                                                                                                                                                           |      |   |             |
| 16                                                                                                                                                                                                                                                                                                                                             |       | +SelectPagingCh( C_CellB)                                                                                                                                                                                                                                                                                                                                                                                                                                                                                                                                                 |      |   |             |
| 17                                                                                                                                                                                                                                                                                                                                             |       | +PreEstRRC_MM( MiTmsi_02, TCV_cksn, TimingAdv( 30))                                                                                                                                                                                                                                                                                                                                                                                                                                                                                                                       |      |   | 2)          |
| 18                                                                                                                                                                                                                                                                                                                                             |       | +ChanRel( TCV_ch)                                                                                                                                                                                                                                                                                                                                                                                                                                                                                                                                                         |      |   |             |
| 19                                                                                                                                                                                                                                                                                                                                             |       | +ltree_switchcell                                                                                                                                                                                                                                                                                                                                                                                                                                                                                                                                                         |      |   |             |
|                                                                                                                                                                                                                                                                                                                                                |       | <b>ltree_switchcell</b>                                                                                                                                                                                                                                                                                                                                                                                                                                                                                                                                                   |      |   |             |
| 20                                                                                                                                                                                                                                                                                                                                             |       | +Switchcell( C_CellB, C_CellA, C_LAC_1, TSPX_SDCCH4SubDef, TSPX_CKSNDDef, TSPX_RANDDef, C_arfcnA, C_arfcnAd, TCV_Ccd0A, TSPX_IMSI)                                                                                                                                                                                                                                                                                                                                                                                                                                        |      |   | 4)          |
| 21                                                                                                                                                                                                                                                                                                                                             |       | +MM_LUP_tmsirealloc( MiTmsi_01, MiTmsi_02, C_MCC_1, C_PLMN_1, C_LAC_2, TCV_lac,                                                                                                                                                                                                                                                                                                                                                                                                                                                                                           |      |   | 5)          |

|                                                                                                  |                                                    |  |    |
|--------------------------------------------------------------------------------------------------|----------------------------------------------------|--|----|
| 22                                                                                               | C_normal Updating, TCV_cks, TimingAdv( 30))        |  |    |
| 23                                                                                               | +ChanRel( TCV_ch)                                  |  |    |
| 24                                                                                               | +CCCH_group_Paging_group( TCV_Ccd0A, TSPX_IMSI)    |  |    |
| 25                                                                                               | +SelectPagingCh( C_CellA)                          |  |    |
| 26                                                                                               | +Wait(C_T_Wait1)                                   |  | 6) |
| 27                                                                                               | +PreEstRRC_MM( MiTmsi_01, TCV_cks, TimingAdv( 30)) |  |    |
|                                                                                                  | +ChanRel_end( TCV_ch)                              |  |    |
| <b>Detailed Comments:</b>                                                                        |                                                    |  |    |
| 1) new TMSI from PIXIT, test body starts from here.                                              |                                                    |  |    |
| 2) RR connection with the new tmsi 2.                                                            |                                                    |  |    |
| 3) Initialisation of variables for cell A.                                                       |                                                    |  |    |
| 4) The RF level of cell B is lowered until the MS selects cell A and starts the Location Update. |                                                    |  |    |
| 5) Location Update from cell B to A.                                                             |                                                    |  |    |
| 6) RR connection with the new tmsi 1                                                             |                                                    |  |    |

### Test Case Dynamic Behaviour

| <b>Test Case Name:</b>              | TC_26_7_2_1                                                                                                                                                                                                                                                                                                                                                                                                                                                     |                                                                                                                                                                                                                                                                                                                                                                                                                                                                                                                                                                      |      |   |          |
|-------------------------------------|-----------------------------------------------------------------------------------------------------------------------------------------------------------------------------------------------------------------------------------------------------------------------------------------------------------------------------------------------------------------------------------------------------------------------------------------------------------------|----------------------------------------------------------------------------------------------------------------------------------------------------------------------------------------------------------------------------------------------------------------------------------------------------------------------------------------------------------------------------------------------------------------------------------------------------------------------------------------------------------------------------------------------------------------------|------|---|----------|
| <b>Group:</b>                       | GSM_L3_MS_v4210/MM/                                                                                                                                                                                                                                                                                                                                                                                                                                             |                                                                                                                                                                                                                                                                                                                                                                                                                                                                                                                                                                      |      |   |          |
| <b>Purpose:</b>                     | 1) To check that a Mobile Station correctly responds to an Authentication(TCV_ch) Request message by sending an Authentication(TCV_ch) Response message with the SRES information field set to the same value as the one produced by the authentication algorithm in the network.<br>2) To check that a Mobile Station indicates in a Paging Response message the ciphering key sequence number which was allocated to it through the authentication procedure. |                                                                                                                                                                                                                                                                                                                                                                                                                                                                                                                                                                      |      |   |          |
| <b>Default:</b>                     | OtherEventsFail                                                                                                                                                                                                                                                                                                                                                                                                                                                 |                                                                                                                                                                                                                                                                                                                                                                                                                                                                                                                                                                      |      |   |          |
| <b>Comments:</b>                    | Initial Conditions of MS:<br>The MS has valid TMSI, CKSN(CKSN1) and Kc.It is "idle updated" on the cell.<br><br>Foreseen final state of the MS:<br>The MS has valid TMSI(TMSI1), CKSN and Kc.It is "idle updated" on cell A.                                                                                                                                                                                                                                    |                                                                                                                                                                                                                                                                                                                                                                                                                                                                                                                                                                      |      |   |          |
| Nr                                  | Label                                                                                                                                                                                                                                                                                                                                                                                                                                                           | Behaviour Description                                                                                                                                                                                                                                                                                                                                                                                                                                                                                                                                                | CRef | V | Comments |
| 1                                   |                                                                                                                                                                                                                                                                                                                                                                                                                                                                 | START T_guard(300)                                                                                                                                                                                                                                                                                                                                                                                                                                                                                                                                                   |      |   |          |
| 2                                   |                                                                                                                                                                                                                                                                                                                                                                                                                                                                 | +IdleUpdated( C_E_default, C_CellA, C_SCH_A, C_BCCH_A_1, C_Imm, C_S0, C_SlotNU, C_SlotNU, C_SlotNU, C_BCC, C_TxInt_5, C_Max_1, C_NECI_0, C_ATT_1, TimingAdv( 30), C_BABR_0, C_cch_1Comb, C_BPM_3, C_T3212_0, C_ci_cellA, C_MCC_1, C_PLMN_1, C_LAC_1, CellOpt_01, CellChDes_02, CellChDes_03, C_CellReselectHys12, C_MaxPwrLvlG, C_MaxPwrLvlD, BcchFreqLst_01, BcchFreqLst_Omit, BcchFreqLst_48, BcchFreqLst_Omit, C_noRestablishment, C_BCC, C_NCC, C_Start_Tmsi, TSPX_SDCCH4SubDef, TSPX_CKSNDf, TSPX_RANDDef, C_arfcnA, C_arfcnAd, TSPX_IMSI, C_Test_fh, C_NCCP_2) |      |   |          |
| 3                                   |                                                                                                                                                                                                                                                                                                                                                                                                                                                                 | +PreEstRRC_MM( MiTmsi_01, TCV_cks, TimingAdv( 30))                                                                                                                                                                                                                                                                                                                                                                                                                                                                                                                   |      |   |          |
| 4                                   |                                                                                                                                                                                                                                                                                                                                                                                                                                                                 | (TCV_cks:= TSPX_CKSNB)                                                                                                                                                                                                                                                                                                                                                                                                                                                                                                                                               |      |   |          |
| 5                                   | body                                                                                                                                                                                                                                                                                                                                                                                                                                                            | +Authentication( TCV_ch, TCV_cks, TSPX_RANDDef)                                                                                                                                                                                                                                                                                                                                                                                                                                                                                                                      |      |   |          |
| 6                                   |                                                                                                                                                                                                                                                                                                                                                                                                                                                                 | +ChanRel( TCV_ch)                                                                                                                                                                                                                                                                                                                                                                                                                                                                                                                                                    |      |   |          |
| 7                                   |                                                                                                                                                                                                                                                                                                                                                                                                                                                                 | +Wait(C_T_Wait1)                                                                                                                                                                                                                                                                                                                                                                                                                                                                                                                                                     |      |   |          |
| 8                                   |                                                                                                                                                                                                                                                                                                                                                                                                                                                                 | +PreEstRRC_MM( MiTmsi_01, TCV_cks, TimingAdv( 30))                                                                                                                                                                                                                                                                                                                                                                                                                                                                                                                   |      |   | 1)       |
| 9                                   | post                                                                                                                                                                                                                                                                                                                                                                                                                                                            | +ChanRel_end( TCV_ch)                                                                                                                                                                                                                                                                                                                                                                                                                                                                                                                                                |      |   |          |
| <b>Detailed Comments:</b>           |                                                                                                                                                                                                                                                                                                                                                                                                                                                                 |                                                                                                                                                                                                                                                                                                                                                                                                                                                                                                                                                                      |      |   |          |
| 1) RR-Establishment with a new CKSN |                                                                                                                                                                                                                                                                                                                                                                                                                                                                 |                                                                                                                                                                                                                                                                                                                                                                                                                                                                                                                                                                      |      |   |          |

### Test Case Dynamic Behaviour

|                        |                                                                                                                                                                                                                                                                                                                                                                                                                                                                                                                                                                                                                                                                                                                                                                                                                                                                                                                                                                                             |
|------------------------|---------------------------------------------------------------------------------------------------------------------------------------------------------------------------------------------------------------------------------------------------------------------------------------------------------------------------------------------------------------------------------------------------------------------------------------------------------------------------------------------------------------------------------------------------------------------------------------------------------------------------------------------------------------------------------------------------------------------------------------------------------------------------------------------------------------------------------------------------------------------------------------------------------------------------------------------------------------------------------------------|
| <b>Test Case Name:</b> | TC_26_7_2_2                                                                                                                                                                                                                                                                                                                                                                                                                                                                                                                                                                                                                                                                                                                                                                                                                                                                                                                                                                                 |
| <b>Group:</b>          | GSM_L3_MS_v4210/MM/                                                                                                                                                                                                                                                                                                                                                                                                                                                                                                                                                                                                                                                                                                                                                                                                                                                                                                                                                                         |
| <b>Purpose:</b>        | <p>1) To check that ,after reception of an Authentication Reject message, the Mobile Station:</p> <p>1.1 does not perform normal location updating</p> <p>1.2 does not perform periodic location updating</p> <p>1.3 does not respond to paging with TMSI</p> <p>1.4 rejects any request from CM entity for MM connection except for emergency call</p> <p>1.5 does not perform IMSI detach if deactivated</p> <p>2) To check that, after reception of an Authentication Reject message the Mobile Station, if it supports speech, accepts a request for an emergency call by sending a CHANNEL REQUEST message with the establishment cause set to "emergency call" and includes an IMEI as mobile identity in the CM SERVICE REQUEST message.</p> <p>3) To check that, after reception of an Authentication Reject message and after having been deactivated and reactivated, the MS performs location updating using its IMSI as mobile identity and indicates deleted LAI and CKSN.</p> |
| <b>Default:</b>        | OtherEventsFail                                                                                                                                                                                                                                                                                                                                                                                                                                                                                                                                                                                                                                                                                                                                                                                                                                                                                                                                                                             |
| <b>Comments:</b>       | <p>Initial Conditions of MS:<br/>The MS has valid TMSI, CKSN2 and Kc.It is "idle updated" on cell B.</p> <p>Foreseen final state of the MS:<br/>The MS has valid TMSI, CKSN1 and Kc.It is "idle updated" on cell A.</p>                                                                                                                                                                                                                                                                                                                                                                                                                                                                                                                                                                                                                                                                                                                                                                     |

| Nr | Label | Behaviour Description                                                                                                                                                                                                                                                                                                                                                                                                                                                                                                                                                                                             | CRef                                  | V | Comments |
|----|-------|-------------------------------------------------------------------------------------------------------------------------------------------------------------------------------------------------------------------------------------------------------------------------------------------------------------------------------------------------------------------------------------------------------------------------------------------------------------------------------------------------------------------------------------------------------------------------------------------------------------------|---------------------------------------|---|----------|
| 1  |       | START T_guard(700)                                                                                                                                                                                                                                                                                                                                                                                                                                                                                                                                                                                                |                                       |   |          |
| 2  |       | +BasicServiceMO(TSPX_MOBscSvcG,<br>TSPX_MOChRateG)                                                                                                                                                                                                                                                                                                                                                                                                                                                                                                                                                                |                                       |   |          |
| 3  |       | +IdleUpdated( C_E_default, C_CellB, C_SCH_B,<br>C_BCCH_B_1, C_Immass, C_S0, C_SlotNU,<br>C_SlotNU, C_SlotNU, C_BCC, C_TxInt_5,<br>C_Max_1, C_NECI_0, C_ATT_1, TimingAdv( 30),<br>C_BABR_0, C_cch_1Comb, C_BPM_3,<br>C_T3212_1, C_ci_cellB, C_MCC_1, C_PLMN_1,<br>C_LAC_2, CellOpt_01, CellChDes_04,<br>CellChDes_03, C_CellReselectHys12,<br>C_MaxPwrLvIG, C_MaxPwrLvID,<br>BcchFreqLst_01, BcchFreqLst_Omit,<br>BcchFreqLst_48, BcchFreqLst_Omit,<br>C_noRestablishment, C_BCC, C_NCC,<br>C_Start_Tmsi, TSPX_SDCC4SubDef,<br>TSPX_CKSNDef, TSPX_RANDDef, C_arfcnB,<br>C_arfcnBd, TSPX_IMSI, C_Test_fh, C_NCCP_2) |                                       |   |          |
| 4  |       | +StartCellA(C_E_neighbourdefault, C_Immass,<br>TCV_slot, TCV_tsc, TimingAdv( 30), C_TxInt_5,<br>C_Max_1, C_NECI_0, C_ATT_1, C_BABR_0,<br>C_cch_1Comb, C_BPM_3, C_T3212_1,<br>C_MCC_1, C_PLMN_1, C_LAC_1,<br>CellChDes_02, CellChDes_03,<br>BcchFreqLst_01, BcchFreqLst_48,<br>C_noRestablishment)                                                                                                                                                                                                                                                                                                                 |                                       |   |          |
| 5  | body  | +PreEstRRC_MM( MiTmsi_01, TCV_cksn,<br>TimingAdv( 30))                                                                                                                                                                                                                                                                                                                                                                                                                                                                                                                                                            |                                       |   |          |
| 6  |       | +Authentication( TCV_ch, TCV_cksn,<br>TSPX_RANDDef)                                                                                                                                                                                                                                                                                                                                                                                                                                                                                                                                                               |                                       |   |          |
| 7  |       | L!DL_DatRqAuthRej                                                                                                                                                                                                                                                                                                                                                                                                                                                                                                                                                                                                 | AuthRejSnd( TCV_ch,<br>AuthReject_01) |   |          |
| 8  |       | +ChanRel( TCV_ch)                                                                                                                                                                                                                                                                                                                                                                                                                                                                                                                                                                                                 |                                       |   |          |
| 9  |       | +MM_no_paging( MiTmsi_01, 3000,<br>TCV_Ccd0B, C_CellB)                                                                                                                                                                                                                                                                                                                                                                                                                                                                                                                                                            |                                       |   | 2)       |
| 10 |       | START T_dly( 15000)                                                                                                                                                                                                                                                                                                                                                                                                                                                                                                                                                                                               |                                       |   |          |
| 11 |       | ?TIMEOUT T_dly                                                                                                                                                                                                                                                                                                                                                                                                                                                                                                                                                                                                    |                                       |   |          |
| 12 |       | +local_continue                                                                                                                                                                                                                                                                                                                                                                                                                                                                                                                                                                                                   |                                       |   |          |
| 13 |       | <b>local_continue</b><br>+MM_no_cmservices( 3000)                                                                                                                                                                                                                                                                                                                                                                                                                                                                                                                                                                 |                                       |   | 3)       |
| 14 |       | +MM_check_ecall1( TimingAdv( 30), Milmei_01)                                                                                                                                                                                                                                                                                                                                                                                                                                                                                                                                                                      |                                       |   |          |
| 15 |       | +ltree_switchcelltoA                                                                                                                                                                                                                                                                                                                                                                                                                                                                                                                                                                                              |                                       |   |          |
| 16 |       | +NoReaction( 30000)                                                                                                                                                                                                                                                                                                                                                                                                                                                                                                                                                                                               |                                       |   | 5)       |

|                                                                              |      |                                                                                                                                                                 |  |    |
|------------------------------------------------------------------------------|------|-----------------------------------------------------------------------------------------------------------------------------------------------------------------|--|----|
| 17                                                                           |      | +ltree_continue1                                                                                                                                                |  |    |
|                                                                              |      | <b>ltree_continue1</b>                                                                                                                                          |  |    |
| 18                                                                           |      | +NoReaction( 420000)                                                                                                                                            |  | 6) |
| 19                                                                           |      | +ImsiDetachNoReaction( 3000, C_SIMneedRmv)                                                                                                                      |  | 7) |
| 20                                                                           |      | +MM_PwrOrSimOn(C_SIMneedRmv)                                                                                                                                    |  |    |
| 21                                                                           |      | +MM_LUPauth2( MiTmsi_01iei, Milmsi_01,<br>C_MCC_1, C_PLMN_1, C_lacdeleted,<br>TCV_lac, C_normal Updating, C_cksnokey,<br>TCV_cksno, TSPX_RANDA, TimingAdv( 30)) |  | 8) |
| 22                                                                           | post | +ChanRel_end(TCV_ch)                                                                                                                                            |  |    |
|                                                                              |      | <b>ltree_switchcelltoA</b>                                                                                                                                      |  |    |
| 23                                                                           |      | +Switchcell( C_CellB, C_CellA, C_LAC_1,<br>TSPX_SDCCH4SubDef, TSPX_CKSNA,<br>TSPX_RANDA, C_arfcnA, C_arfcnAd, TCV_Ccd0A,<br>TSPX_IMSI)                          |  | 9) |
| <b>Detailed Comments:</b>                                                    |      |                                                                                                                                                                 |  |    |
| 1) Initial condition: CKSN2, which has the default value.                    |      |                                                                                                                                                                 |  |    |
| 2) Check of purpose 1.3                                                      |      |                                                                                                                                                                 |  |    |
| 3) Check of purpose 1.4                                                      |      |                                                                                                                                                                 |  |    |
| 4) Check of purpose 1.4, emergency call                                      |      |                                                                                                                                                                 |  |    |
| 5) Check of purpose 1.1                                                      |      |                                                                                                                                                                 |  |    |
| 6) Check of purpose 1.2                                                      |      |                                                                                                                                                                 |  |    |
| 7) Check of purpose 1.5                                                      |      |                                                                                                                                                                 |  |    |
| 8) Check normal location update after SimOutIn or SwitchOnOff or PowerOnOff. |      |                                                                                                                                                                 |  |    |
| 9) CKSN1 takes the value different from the default value.                   |      |                                                                                                                                                                 |  |    |

### Test Case Dynamic Behaviour

**Test Case Name:** TC\_26\_7\_3\_1  
**Group:** GSM\_L3\_MS\_v4210/MM/  
**Purpose:** 1) To verify that the MS sends identity information as requested by the system in the following cases: IMSI and TMSI are requested in non-ciphered mode, IMEI is requested in ciphered mode.  
 2) To verify that the MS sends its IMEI, when requested to do so, in non-ciphered mode.  
 3) To verify that the MS sends its IMEISV, when requested to do so, in non-ciphered mode.  
**Default:** OtherEventsFail  
**Comments:** Initial Conditions of MS:  
 The MS has valid TMSI. It is "idle updated" on the cell.  
  
 Foreseen final state of the MS:  
 The MS has valid TMSI. It is "idle updated" on the cell.  
 In the 11.10 there are two test sequences. In TTCN they are combined to only one.

| Nr | Label | Behaviour Description                                                                                                                                                                                                                                                                                                                                                                                                                                                                                                                                                   | CRef | V | Comments |
|----|-------|-------------------------------------------------------------------------------------------------------------------------------------------------------------------------------------------------------------------------------------------------------------------------------------------------------------------------------------------------------------------------------------------------------------------------------------------------------------------------------------------------------------------------------------------------------------------------|------|---|----------|
| 1  |       | START T_guard(300)                                                                                                                                                                                                                                                                                                                                                                                                                                                                                                                                                      |      |   |          |
| 2  |       | +IdleUpdated( C_E_default, C_CellA, C_SCH_A, C_BCCH_A_1, C_Immass, C_S0, C_SlotNU, C_SlotNU, C_SlotNU, C_BCC, C_TxInt_5, C_Max_1, C_NECI_0, C_ATT_1, TimingAdv( 30), C_BABR_0, C_cch_1Comb, C_BPM_3, C_T3212_0, C_ci_cellA, C_MCC_1, C_PLMN_1, C_LAC_1, CellOpt_01, CellChDes_02, CellChDes_03, C_CellReselectHys12, C_MaxPwrLvlG, C_MaxPwrLvlD, BcchFreqLst_01, BcchFreqLst_Omit, BcchFreqLst_48, BcchFreqLst_Omit, C_noRestablishment, C_BCC, C_NCC, C_Start_Tmsi, TSPX_SDCCH4SubDef, TSPX_CKSNDf, TSPX_RANDDef, C_arfcnA, C_arfcnAd, TSPX_IMSI, C_Test_fh, C_NCCP_2) |      |   |          |
| 3  | body  | +PreEstRRC_MM( MiTmsi_01, TCv_cksn, TimingAdv( 30))                                                                                                                                                                                                                                                                                                                                                                                                                                                                                                                     |      |   |          |
| 4  |       | +IdentityRequest( C_IMSI, MiImei_01)                                                                                                                                                                                                                                                                                                                                                                                                                                                                                                                                    |      |   |          |
| 5  |       | +IdentityRequest( C_TMSI, MiTmsi_01)                                                                                                                                                                                                                                                                                                                                                                                                                                                                                                                                    |      |   |          |
| 6  |       | +Ciphering_on( TCv_ch)                                                                                                                                                                                                                                                                                                                                                                                                                                                                                                                                                  |      |   |          |
| 7  |       | +IdentityRequest(C_IMEI, MiImei_01)                                                                                                                                                                                                                                                                                                                                                                                                                                                                                                                                     |      |   |          |
| 8  |       | +Ciphering_off( TCv_ch)                                                                                                                                                                                                                                                                                                                                                                                                                                                                                                                                                 |      |   |          |
| 9  |       | +IdentityRequest(C_IMEI, MiImei_01)                                                                                                                                                                                                                                                                                                                                                                                                                                                                                                                                     |      |   |          |
| 10 |       | +IdentityRequest( C_IMEISV, MiImeiv_01)                                                                                                                                                                                                                                                                                                                                                                                                                                                                                                                                 |      |   |          |
| 11 | post  | +ChanRel_end( TCv_ch)                                                                                                                                                                                                                                                                                                                                                                                                                                                                                                                                                   |      |   |          |

**Detailed Comments:**



| Test Case Dynamic Behaviour |       |                                                                                                                                                                                                                                                                                                                                                                                                                                                                                                                                                                                                                                                 |      |   |          |
|-----------------------------|-------|-------------------------------------------------------------------------------------------------------------------------------------------------------------------------------------------------------------------------------------------------------------------------------------------------------------------------------------------------------------------------------------------------------------------------------------------------------------------------------------------------------------------------------------------------------------------------------------------------------------------------------------------------|------|---|----------|
| <b>Test Case Name:</b>      |       | TC_26_7_3_2                                                                                                                                                                                                                                                                                                                                                                                                                                                                                                                                                                                                                                     |      |   |          |
| <b>Group:</b>               |       | GSM_L3_MS_v4210/MM/                                                                                                                                                                                                                                                                                                                                                                                                                                                                                                                                                                                                                             |      |   |          |
| <b>Purpose:</b>             |       | To check that the MS behaves correctly when activated with an IMSI of length less than the maximum length. In this condition, the MS shall: <ol style="list-style-type: none"> <li>1. perform location updating</li> <li>2. answer to paging with IMSI</li> <li>3. give the correct IMSI when asked by an IDENTITY REQUEST</li> <li>4. attempt CM connection establishment when requested to</li> <li>5. attempt call re-establishment when needed</li> <li>6. attempt IMSI detach when needed</li> <li>7. erase its TMSI when the IMSI is sent by the network in a LOCATION UPDATING ACCEPT or a TMSI REALLOCATION COMMAND message.</li> </ol> |      |   |          |
| <b>Default:</b>             |       | OtherEventsFail                                                                                                                                                                                                                                                                                                                                                                                                                                                                                                                                                                                                                                 |      |   |          |
| <b>Comments:</b>            |       | Initial Conditions of MS:<br>The MS has no valid TMSI. It is "idle updated" on the cell. The IMSI has the value '001011234'.<br>This test case shall use the SIM Card 2 with 'IMSI=001011234' and HPLMN_search_period=6min.<br>Foreseen final state of the MS:<br>The MS has no valid TMSI. It is "idle updated" on the cell.                                                                                                                                                                                                                                                                                                                   |      |   |          |
| Nr                          | Label | Behaviour Description                                                                                                                                                                                                                                                                                                                                                                                                                                                                                                                                                                                                                           | CRef | V | Comments |
| 1                           |       | START T_guard(300)                                                                                                                                                                                                                                                                                                                                                                                                                                                                                                                                                                                                                              |      |   |          |
| 2                           |       | +BasicServiceMT( TSPX_MTBscSvcB,<br>TSPX_MTChRateB)                                                                                                                                                                                                                                                                                                                                                                                                                                                                                                                                                                                             |      |   |          |
| 3                           |       | (TCV_Null := OO_SIM2Ins())                                                                                                                                                                                                                                                                                                                                                                                                                                                                                                                                                                                                                      |      |   |          |
| 4                           |       | +IdleUpdated( C_E_default, C_CellA,<br>C_SCH_A, C_BCCH_A_1, C_Immass, C_S0,<br>C_SlotNU, C_SlotNU, C_SlotNU, C_BCC,<br>C_TxInt_5, C_Max_1, C_NECI_0, C_ATT_1,<br>TimingAdv( 30), C_BABR_0, C_cch_1Comb,<br>C_BPM_3, C_T3212_0, C_ci_cellA,<br>C_MCC_1, C_PLMN_1, C_LAC_1, CellOpt_01,<br>CellChDes_02, CellChDes_03,<br>C_CellReselectHys12, C_MaxPwrLvlG,<br>C_MaxPwrLvlD, BcchFreqLst_01,<br>BcchFreqLst_Omit, BcchFreqLst_48,<br>BcchFreqLst_Omit, C_Restablishment, C_BCC,<br>C_NCC, C_Start_Imsi, TSPX_SDCCH4SubDef,<br>TSPX_CKSNDDef, TSPX_RANDDef, C_arfcnA,<br>C_arfcnAd, C_shortIMSI, C_Test_fh,<br>C_NCCP_2)                          |      |   | 0.       |
| 5                           |       | +CCConfigTCH( TSPX_TCHHSubDef,<br>C_Ass, TSPX_TmSitDef, TSPX_TscDef,<br>TimingAdv( 30), C_BABR_0, C_cch_1Comb,<br>C_BPM_3, TCV_ChMod.mode,<br>FreqTCH_omit, FreqTCH_omit,<br>C_arfcn_tchA, C_arfcn_tchAd)                                                                                                                                                                                                                                                                                                                                                                                                                                       |      |   |          |
| 6                           | body  | +ltree_body                                                                                                                                                                                                                                                                                                                                                                                                                                                                                                                                                                                                                                     |      |   |          |
|                             |       | <b>ltree_body</b>                                                                                                                                                                                                                                                                                                                                                                                                                                                                                                                                                                                                                               |      |   |          |
| 7                           |       | +ltree_check_idreqimsi                                                                                                                                                                                                                                                                                                                                                                                                                                                                                                                                                                                                                          |      |   | 1.       |
| 8                           |       | +ltree_EnterCCstateU10                                                                                                                                                                                                                                                                                                                                                                                                                                                                                                                                                                                                                          |      |   |          |
| 9                           |       | (TCV_Null := OM_Deactivate( TCV_chTch,<br>TCV_sacchTch), TCV_Null := OM_CphMd(<br>TCV_ch, CphMod_02, TCV_CphKey))                                                                                                                                                                                                                                                                                                                                                                                                                                                                                                                               |      |   |          |
| 10                          |       | +ltree_check_reestablish_imsi                                                                                                                                                                                                                                                                                                                                                                                                                                                                                                                                                                                                                   |      |   | 2.       |
| 11                          |       | +ltree_check_tmsi_imsi                                                                                                                                                                                                                                                                                                                                                                                                                                                                                                                                                                                                                          |      |   | 3.       |
| 12                          |       | +ImsiDetach(Milmsi_31, TimingAdv( 30),<br>C_SIMIn)                                                                                                                                                                                                                                                                                                                                                                                                                                                                                                                                                                                              |      |   | 4.       |
| 13                          |       | +ltree_check_luppoweron                                                                                                                                                                                                                                                                                                                                                                                                                                                                                                                                                                                                                         |      |   | 5.       |
| 14                          |       | +ltree_check_luplacchange                                                                                                                                                                                                                                                                                                                                                                                                                                                                                                                                                                                                                       |      |   | 6.       |
| 15                          |       | +ltree_check_cmserveqimsi                                                                                                                                                                                                                                                                                                                                                                                                                                                                                                                                                                                                                       |      |   | 7.       |
| 16                          |       | +ChanRel_end(TCV_ch)                                                                                                                                                                                                                                                                                                                                                                                                                                                                                                                                                                                                                            |      |   |          |
|                             |       | <b>ltree_check_idreqimsi</b>                                                                                                                                                                                                                                                                                                                                                                                                                                                                                                                                                                                                                    |      |   |          |
| 17                          |       | +PreEstRRC_MM(Milmsi_31, TCV_cksnd, TimingAdv( 30))                                                                                                                                                                                                                                                                                                                                                                                                                                                                                                                                                                                             |      |   |          |
| 18                          |       | +IdentityRequest(C_IMSI, Milmsi_31)                                                                                                                                                                                                                                                                                                                                                                                                                                                                                                                                                                                                             |      |   |          |

|    |            |                                                                                                                                                                                                                                                                |                                                                                                                                                  |                         |
|----|------------|----------------------------------------------------------------------------------------------------------------------------------------------------------------------------------------------------------------------------------------------------------------|--------------------------------------------------------------------------------------------------------------------------------------------------|-------------------------|
| 19 |            | <b>ltree_check_reestablish_imsi</b><br>L?DL_RaInChRq (TCV_Rr := DL_RaInChRq.<br>msg.ecau_rrf, TCV_Fn := DL_RaInChRq.fn)                                                                                                                                        | ChReq(<br>ChRequest_10)                                                                                                                          |                         |
| 20 |            | ACTIVATE(OtherEventsFail_02)                                                                                                                                                                                                                                   |                                                                                                                                                  | To match ChReq retrans. |
| 21 |            | LIDL_UdatRqImm                                                                                                                                                                                                                                                 | ImmAss( TCV_agch,<br>ImmAsgn_01Def(<br>TCV_Rr, TCV_Fn,<br>TSPX_SDCCH4SubD<br>ef, TCV_slot,<br>TCV_tsc,<br>TCV_chdescr_arfcn,<br>TimingAdv( 30))) |                         |
| 22 | L_034<br>7 | L?DL_EstInCmreRq                                                                                                                                                                                                                                               | CmreReq_02(<br>Milmsi_31,<br>LocAreald_anyomit,<br>TSPX_CKSNDf)                                                                                  | (P)                     |
| 23 |            | ACTIVATE(OtherEventsFail)                                                                                                                                                                                                                                      |                                                                                                                                                  | Restore Normal default  |
| 24 |            | +TmsiReallocation(MiTmsi_01, C_MCC_1,<br>C_PLMN_1, C_LAC_1)                                                                                                                                                                                                    |                                                                                                                                                  |                         |
| 25 |            | +ChanRel(TCV_ch)                                                                                                                                                                                                                                               |                                                                                                                                                  |                         |
| 26 |            | <b>ltree_check_tmsi_imsi</b><br>+Wait(C_T_Wait1)                                                                                                                                                                                                               |                                                                                                                                                  |                         |
| 27 |            | +PreEstRRC_MM( MiTmsi_01, TCV_cks,<br>TimingAdv( 30))                                                                                                                                                                                                          |                                                                                                                                                  |                         |
| 28 |            | +Authentication( TCV_ch, TCV_cks,<br>TSPX_RANDDef)                                                                                                                                                                                                             |                                                                                                                                                  |                         |
| 29 |            | +TmsiReallocation( Milmsi_31, C_MCC_1,<br>C_PLMN_1, C_LAC_1)                                                                                                                                                                                                   |                                                                                                                                                  |                         |
| 30 |            | +ChanRel(TCV_ch)                                                                                                                                                                                                                                               |                                                                                                                                                  |                         |
| 31 |            | (TCV_Null := OM_CphMd( TCV_ch,<br>CphMod_02, TCV_CphKey))                                                                                                                                                                                                      |                                                                                                                                                  |                         |
| 32 |            | <b>ltree_check_luppoweron</b><br>+MM_PwrOrSimOn(C_SIMIn)                                                                                                                                                                                                       |                                                                                                                                                  |                         |
| 33 |            | +MM_LUP2( MiTmsi_01iei, Milmsi_31, C_MCC_1,<br>C_PLMN_1, TCV_lac, TCV_lac, C_imsi_attach,<br>TCV_cks, TimingAdv( 30))                                                                                                                                          |                                                                                                                                                  |                         |
| 34 |            | <b>ltree_check_luplacchange</b><br>(TCV_lac:= C_LAC_2)                                                                                                                                                                                                         |                                                                                                                                                  |                         |
| 35 |            | (TCV_slot := C_S0, TCV_tsc := C_BCC)                                                                                                                                                                                                                           |                                                                                                                                                  |                         |
| 36 |            | +StartCellA_1( C_E_default, C_Imm, TCV_slot,<br>TCV_tsc, TimingAdv( 30), 5, 1, 0, 1,<br>C_BABR_0, C_cch_1Comb, C_BPM_3,<br>C_T3212_0, C_MCC_1, C_PLMN_1, TCV_lac,<br>BcchFreqLst_01, BcchFreqLst_01,<br>BcchFreqLst_48, BcchFreqLst_48,<br>C_noRestablishment) |                                                                                                                                                  |                         |
| 37 |            | +WaitForInService                                                                                                                                                                                                                                              |                                                                                                                                                  |                         |
| 38 |            | +MM_LUP_imsi( C_T_Wait1stChReq,<br>Milmsi_31iei, MiTmsi_01, C_MCC_1,<br>C_PLMN_1, C_LAC_1, TCV_lac,<br>C_normal_updating, TimingAdv( 30))                                                                                                                      |                                                                                                                                                  |                         |
| 39 |            | <b>ltree_check_cmservreqimsi</b><br>+BasicServiceMO( TSPX_MOBscSvcF,<br>TSPX_MOChRateF)                                                                                                                                                                        |                                                                                                                                                  |                         |
| 40 |            | +InitCall(TCV_Service)                                                                                                                                                                                                                                         |                                                                                                                                                  |                         |
| 41 |            | L?DL_RaInChRq (TCV_Rr := DL_RaInChRq.<br>msg.ecau_rrf, TCV_Fn := DL_RaInChRq.fn)                                                                                                                                                                               | ChReq(<br>ChRequest_15)                                                                                                                          |                         |
| 42 |            | ACTIVATE(OtherEventsFail_02)                                                                                                                                                                                                                                   |                                                                                                                                                  | To match ChReq retrans. |
| 43 |            | LIDL_UdatRqImm                                                                                                                                                                                                                                                 | ImmAss( TCV_agch,<br>ImmAsgn_01Def(<br>TCV_Rr, TCV_Fn,<br>TSPX_SDCCH4SubD<br>ef, TCV_slot,<br>TCV_tsc,<br>TCV_chdescr_arfcn,<br>TimingAdv( 30))) |                         |
| 44 | L_034      | L?DL_EstInCmsRq                                                                                                                                                                                                                                                | CMSerReq(<br>)                                                                                                                                   | (P)                     |

|    |            |                                                                                          |                                                             |                        |
|----|------------|------------------------------------------------------------------------------------------|-------------------------------------------------------------|------------------------|
| 8  |            |                                                                                          | CMSERVICEReq_30(Milmsi_31))                                 |                        |
| 45 |            | ACTIVATE(OtherEventsFail)                                                                |                                                             | Restore Normal default |
| 46 |            | <b>Itree_EnterCCstateU10</b><br>L!DL_DatRqAuthRq                                         | AuthReq( TCV_ch, AuthRequest( TSPX_CKSNDDef, TSPX_RANDDef)) |                        |
| 47 |            | L?DL_DatInAuthRes( TCV_Sres := DL_DatInAuthRes.msg.sres)                                 | AuthRes( AuthResponse)                                      |                        |
| 48 |            | (TCV_Res := OC_ChkSRES( TCV_Sres, TSPX_Ki, TSPX_RANDDef), TCV_Setup_mt.sig := Signal_01) |                                                             |                        |
| 49 | L_034<br>9 | [NOT TCV_Res]                                                                            |                                                             | (I)                    |
| 50 |            | +PostMainLinkRel( TCV_ch)                                                                |                                                             |                        |
| 51 |            | [TCV_Res]                                                                                |                                                             |                        |
| 52 |            | +Cipherring_on( TCV_ch)                                                                  |                                                             |                        |
| 53 |            | L!DL_DatRqSetup                                                                          | SetupSnd( TCV_ch, TCV_Setup_mt)                             |                        |
| 54 |            | L?DL_DatInCallCo( TCV_CallCfm := DL_DatInCallCo.msg)                                     | CallCfm( CallConfirm_01( TI_01))                            |                        |
| 55 |            | L?DL_DatInConn                                                                           | ConnRcv( Connect_01( TI_01))                                |                        |
| 56 |            | +Itree_assignTch                                                                         |                                                             |                        |
| 57 |            | L?DL_DatInAlert                                                                          | AlertRcv( AlertingInd_02( TI_01))                           |                        |
| 58 |            | (TCV_Null := OO_HookOff())                                                               |                                                             |                        |
| 59 |            | L?DL_DatInConn                                                                           | ConnRcv( Connect_01( TI_01))                                |                        |
| 60 |            | +Itree_assignTch                                                                         |                                                             |                        |
| 61 |            | <b>Itree_assignTch</b>                                                                   |                                                             |                        |
| 62 |            | +CCAssignTCH( TSPX_TmSlitDef, TSPX_TscDef)<br>L!DL_DatRqConnAck                          | ConnAckSnd( TCV_chTch, ConnectAck_01( TI_02))               |                        |
| 63 |            | +CCstatuschk_02( TCV_chTch, C_U10, TI_02, TI_01)                                         |                                                             |                        |

**Detailed Comments:**

0. Initial condition: no valid TMSI.
1. check of purpose 2. and 3.
2. check of purpose 5.
3. check of purpose 7.
4. check of purpose 6.
5. check of purpose 1.
6. check of purpose 1. and 7.
7. check of purpose 4.

### Test Case Dynamic Behaviour

|                        |                                                                                                                                                                                                                                                                                              |
|------------------------|----------------------------------------------------------------------------------------------------------------------------------------------------------------------------------------------------------------------------------------------------------------------------------------------|
| <b>Test Case Name:</b> | TC_26_7_4_1                                                                                                                                                                                                                                                                                  |
| <b>Group:</b>          | GSM_L3_MS_v4210/MM/                                                                                                                                                                                                                                                                          |
| <b>Purpose:</b>        | To test the behaviour of the MS if the network accepts the location updating of the MS. For the network response three different cases are identified:<br>1) TMSI is allocated,<br>2) Location updating accept contains neither TMSI nor IMSI,<br>3) Location updating accept contains IMSI. |
| <b>Default:</b>        | OtherEventsFail                                                                                                                                                                                                                                                                              |
| <b>Comments:</b>       | Initial Conditions of MS:<br>The MS has valid TMSI(TMSI1), CKSN(CKSN1) and Kc.It is "idle updated" on cell A.<br><br>Foreseen final state of the MS:<br>The MS has no valid TMSI and no CKSN. It is "idle updated" on cell B.                                                                |

| Nr | Label | Behaviour Description                                                                                                                                                                                                                                                                                                                                                                                                                                                                                                                                                     | CRef                                             | V | Comments                |
|----|-------|---------------------------------------------------------------------------------------------------------------------------------------------------------------------------------------------------------------------------------------------------------------------------------------------------------------------------------------------------------------------------------------------------------------------------------------------------------------------------------------------------------------------------------------------------------------------------|--------------------------------------------------|---|-------------------------|
| 1  |       | START T_guard(300)                                                                                                                                                                                                                                                                                                                                                                                                                                                                                                                                                        |                                                  |   |                         |
| 2  |       | +IdleUpdated( C_E_default, C_CellA, C_SCH_A, C_BCCH_A_1, C_Immass, C_S0, C_SlotNU, C_SlotNU, C_SlotNU, C_BCC, C_TxInt_5, C_Max_1, C_NECI_0, C_ATT_1, TimingAdv( 30), C_BABR_0, C_cch_1Comb, C_BPM_3, C_T3212_1, C_ci_cellA, C_MCC_1, C_PLMN_1, C_LAC_1, CellOpt_01, CellChDes_02, CellChDes_03, C_CellReselectHys12, C_MaxPwrLvlG, C_MaxPwrLvlD, BcchFreqLst_01, BcchFreqLst_Omit, BcchFreqLst_48, BcchFreqLst_Omit, C_noRestablishment, C_BCC, C_NCC, C_Start_Tmsi, TSPX_SDCCH4SubDef, TSPX_CKSNDDef, TSPX_RANDDef, C_arfcnA, C_arfcnAd, TSPX_IMSI, C_Test_fh, C_NCCP_2) |                                                  |   |                         |
| 3  |       | +StartCellB( C_E_neighbourdefault, C_arfcnB, C_arfcnBd, C_Immass, TCV_slot, TCV_tsc, TimingAdv( 30), C_TxInt_5, C_Max_1, C_NECI_0, C_ATT_1, C_BABR_0, C_cch_1Comb, C_BPM_3, C_T3212_1, C_MCC_1, C_PLMN_1, C_LAC_2, CellChDes_04, CellChDes_03, BcchFreqLst_01, BcchFreqLst_48, C_noRestablishment, C_BCC, C_NCC)                                                                                                                                                                                                                                                          |                                                  |   |                         |
| 4  | body  | +ltree_switchcelltoB_LupPag1                                                                                                                                                                                                                                                                                                                                                                                                                                                                                                                                              |                                                  |   |                         |
| 5  |       | +ltree_switchcelltoA_LupPag                                                                                                                                                                                                                                                                                                                                                                                                                                                                                                                                               |                                                  |   |                         |
| 6  |       | +ltree_switchcelltoB_LupPag2                                                                                                                                                                                                                                                                                                                                                                                                                                                                                                                                              |                                                  |   |                         |
|    |       | <b>ltree_switchcelltoB_LupPag1</b>                                                                                                                                                                                                                                                                                                                                                                                                                                                                                                                                        |                                                  |   |                         |
| 7  |       | +Switchcell( C_CellA, C_CellB, C_LAC_2, TSPX_SDCCH4SubDef, TSPX_CKSNDDef, TSPX_RANDDef, C_arfcnB, C_arfcnBd, TCV_Ccd0B, TSPX_IMSI)                                                                                                                                                                                                                                                                                                                                                                                                                                        |                                                  |   |                         |
| 8  |       | +MM_LUP2( MiTmsi_02iei, MiTmsi_01, C_MCC_1, C_PLMN_1, C_LAC_1, C_LAC_2, C_normal_updating, TCV_cksn, TimingAdv( 30))                                                                                                                                                                                                                                                                                                                                                                                                                                                      |                                                  |   |                         |
| 9  |       | +WaitForInService                                                                                                                                                                                                                                                                                                                                                                                                                                                                                                                                                         |                                                  |   |                         |
| 10 |       | +CCCH_group_Paging_group( TCV_Ccd0B, TSPX_IMSI)                                                                                                                                                                                                                                                                                                                                                                                                                                                                                                                           |                                                  |   |                         |
| 11 |       | +SelectPagingCh( C_CellB)                                                                                                                                                                                                                                                                                                                                                                                                                                                                                                                                                 |                                                  |   |                         |
| 12 |       | +PreEstRRC_MM( MiTmsi_02, TCV_cksn, TimingAdv( 30))                                                                                                                                                                                                                                                                                                                                                                                                                                                                                                                       |                                                  |   |                         |
| 13 |       | +ChanRel( TCV_ch)                                                                                                                                                                                                                                                                                                                                                                                                                                                                                                                                                         |                                                  |   |                         |
|    |       | <b>ltree_switchcelltoA_LupPag</b>                                                                                                                                                                                                                                                                                                                                                                                                                                                                                                                                         |                                                  |   |                         |
| 14 |       | +Switchcell( C_CellB, C_CellA, C_LAC_1, TSPX_SDCCH4SubDef, TSPX_CKSNDDef, TSPX_RANDDef, C_arfcnA, C_arfcnAd, TCV_Ccd0A, TSPX_IMSI)                                                                                                                                                                                                                                                                                                                                                                                                                                        |                                                  |   |                         |
| 15 |       | L?DL_RaInChRq( TCV_Rr := DL_RaInChRq.msg.ecau_rrf, TCV_Fn := DL_RaInChRq.fn)                                                                                                                                                                                                                                                                                                                                                                                                                                                                                              | ChReq( ChRequest_09)                             |   |                         |
| 16 |       | ACTIVATE( OtherEventsFail_02)                                                                                                                                                                                                                                                                                                                                                                                                                                                                                                                                             |                                                  |   | To match ChReq retrans. |
| 17 |       | LIDL_UdatRqImmass                                                                                                                                                                                                                                                                                                                                                                                                                                                                                                                                                         | ImmAss( TCV_agch, ImmAsgn_01Def( TCV_Rr, TCV_Fn, |   |                         |

|                           |            |                                                                                                                                                                       |                                                                                                                                                                                |     |                         |
|---------------------------|------------|-----------------------------------------------------------------------------------------------------------------------------------------------------------------------|--------------------------------------------------------------------------------------------------------------------------------------------------------------------------------|-----|-------------------------|
| 18                        |            | L?DL_EstInLupRq                                                                                                                                                       | TSPX_SDCCH4SubDef, TCV_slot, TCV_tsc, TCV_chdescr_arfcn, TimingAdv( 30))<br>LocUp( TCV_ch, LocUpdtReq_31( MiTmsi_02, C_MCC_1, C_PLMN_1, C_LAC_2, C_normal_updating, TCV_cksn)) |     |                         |
| 19                        |            | ACTIVATE( OtherEventsFail)                                                                                                                                            |                                                                                                                                                                                |     | Restore Normal default  |
| 20                        | L_035<br>0 | LIDL_DatRqLupAcp                                                                                                                                                      | LocAcp( TCV_ch, LocUpdtAcp_01( MiMsi_omit, C_MCC_1, C_PLMN_1, C_LAC_1))                                                                                                        | (P) |                         |
| 21                        |            | +ChanRel( TCV_ch)                                                                                                                                                     |                                                                                                                                                                                |     |                         |
| 22                        |            | +WaitForInService                                                                                                                                                     |                                                                                                                                                                                |     |                         |
| 23                        |            | +CCCH_group_Paging_group( TCV_Ccd0A, TSPX_IMSI)                                                                                                                       |                                                                                                                                                                                |     |                         |
| 24                        |            | +SelectPagingCh( C_CellA)                                                                                                                                             |                                                                                                                                                                                |     |                         |
| 25                        |            | +PreEstRRC_MM( MiTmsi_02, TCV_cksn, TimingAdv( 30))                                                                                                                   |                                                                                                                                                                                |     |                         |
| 26                        |            | +ChanRel( TCV_ch)                                                                                                                                                     |                                                                                                                                                                                |     |                         |
| 27                        |            | <b>Itree_switchcelltoB_LupPag2</b><br>+Switchcell( C_CellA, C_CellB, C_LAC_2, TSPX_SDCCH4SubDef, TSPX_CKSNDf, TSPX_RANDDf, C_arfcnB, C_arfcnBd, TCV_Ccd0B, TSPX_IMSI) |                                                                                                                                                                                |     |                         |
| 28                        |            | L?DL_RacInChRq( TCV_Rr := DL_RacInChRq.msg.ecau_rrf, TCV_Fn := DL_RacInChRq.fn)                                                                                       | ChReq( ChRequest_09)                                                                                                                                                           |     |                         |
| 29                        |            | ACTIVATE( OtherEventsFail_02)                                                                                                                                         |                                                                                                                                                                                |     | To match ChReq retrans. |
| 30                        |            | LIDL_UdatRqImm                                                                                                                                                        | ImmAss( TCV_agch, ImmAsgn_01Def( TCV_Rr, TCV_Fn, TSPX_SDCCH4SubDef, TCV_slot, TCV_tsc, TCV_chdescr_arfcn, TimingAdv( 30))                                                      |     |                         |
| 31                        |            | L?DL_EstInLupRq                                                                                                                                                       | LocUp( TCV_ch, LocUpdtReq_31( MiTmsi_02, C_MCC_1, C_PLMN_1, C_LAC_1, C_normal_updating, TCV_cksn))                                                                             |     |                         |
| 32                        |            | ACTIVATE( OtherEventsFail)                                                                                                                                            |                                                                                                                                                                                |     | Restore Normal default  |
| 33                        | L_035<br>1 | LIDL_DatRqLupAcp                                                                                                                                                      | LocAcp( TCV_ch, LocUpdtAcp_01( MiMsi_01iei, C_MCC_1, C_PLMN_1, C_LAC_2))                                                                                                       | (P) |                         |
| 34                        |            | +ChanRel( TCV_ch)                                                                                                                                                     |                                                                                                                                                                                |     |                         |
| 35                        |            | +WaitForInService                                                                                                                                                     |                                                                                                                                                                                |     |                         |
| 36                        |            | +MM_no_paging( MiTmsi_02, 5000, TCV_Ccd0B, C_CellB)                                                                                                                   |                                                                                                                                                                                |     |                         |
| 37                        |            | +PreEstRRC_MM( MiMsi_01, TCV_cksn, TimingAdv( 30))                                                                                                                    |                                                                                                                                                                                |     |                         |
| 38                        |            | +ChanRel_end(TCV_ch)                                                                                                                                                  |                                                                                                                                                                                |     |                         |
| <b>Detailed Comments:</b> |            |                                                                                                                                                                       |                                                                                                                                                                                |     |                         |

| Test Case Dynamic Behaviour                                                                                                                                                                                                  |       |                                                                                                                                                                                                                                                                                                                                                                                                                                                                                                                                                                           |      |   |          |
|------------------------------------------------------------------------------------------------------------------------------------------------------------------------------------------------------------------------------|-------|---------------------------------------------------------------------------------------------------------------------------------------------------------------------------------------------------------------------------------------------------------------------------------------------------------------------------------------------------------------------------------------------------------------------------------------------------------------------------------------------------------------------------------------------------------------------------|------|---|----------|
| <b>Test Case Name:</b> TC_26_7_4_2_1                                                                                                                                                                                         |       |                                                                                                                                                                                                                                                                                                                                                                                                                                                                                                                                                                           |      |   |          |
| <b>Group:</b> GSM_L3_MS_v4210/MM/                                                                                                                                                                                            |       |                                                                                                                                                                                                                                                                                                                                                                                                                                                                                                                                                                           |      |   |          |
| <b>Purpose:</b> To test the behaviour of the MS if the network rejects the location updating of the MS with the cause "IMSI unknown in HLR", "illegal MS" or "Illegal ME".                                                   |       |                                                                                                                                                                                                                                                                                                                                                                                                                                                                                                                                                                           |      |   |          |
| <b>Default:</b> OtherEventsFail                                                                                                                                                                                              |       |                                                                                                                                                                                                                                                                                                                                                                                                                                                                                                                                                                           |      |   |          |
| <b>Comments:</b> Initial Conditions of MS:<br>The MS has no valid TMSI and no CKSN. It is "idle updated" on cell A.<br>Foreseen final state of the MS:<br>The MS has valid TMSI and no CKSN. It is "idle updated" on cell A. |       |                                                                                                                                                                                                                                                                                                                                                                                                                                                                                                                                                                           |      |   |          |
| Nr                                                                                                                                                                                                                           | Label | Behaviour Description                                                                                                                                                                                                                                                                                                                                                                                                                                                                                                                                                     | CRef | V | Comments |
| 1                                                                                                                                                                                                                            |       | START T_guard(2100)                                                                                                                                                                                                                                                                                                                                                                                                                                                                                                                                                       |      |   |          |
| 2                                                                                                                                                                                                                            |       | +IdleUpdated( C_E_default, C_CellA, C_SCH_A, C_BCCH_A_1, C_Immass, C_S0, C_SlotNU, C_SlotNU, C_SlotNU, C_BCC, C_TxInt_5, C_Max_1, C_NECI_0, C_ATT_1, TimingAdv( 30), C_BABR_0, C_cch_1Comb, C_BPM_3, C_T3212_1, C_ci_cellA, C_MCC_1, C_PLMN_1, C_LAC_1, CellOpt_01, CellChDes_02, CellChDes_03, C_CellReselectHys12, C_MaxPwrLvlG, C_MaxPwrLvlD, BcchFreqLst_01, BcchFreqLst_Omit, BcchFreqLst_48, BcchFreqLst_Omit, C_noRestablishment, C_BCC, C_NCC, C_Start_Tmsi, TSPX_SDCCH4SubDef, TSPX_CKSNDDef, TSPX_RANDDef, C_arfcnA, C_arfcnAd, TSPX_IMSI, C_Test_fh, C_NCCP_2) |      |   |          |
| 3                                                                                                                                                                                                                            |       | +StartCellB( C_E_neighbourdefault, C_arfcnB, C_arfcnBd, C_Immass, TCV_slot, TCV_tsc, TimingAdv( 30), C_TxInt_5, C_Max_1, C_NECI_0, C_ATT_1, C_BABR_0, C_cch_1Comb, C_BPM_3, C_T3212_1, C_MCC_1, C_PLMN_1, C_LAC_2, CellChDes_04, CellChDes_03, BcchFreqLst_01, BcchFreqLst_48, C_noRestablishment, C_BCC, C_NCC)                                                                                                                                                                                                                                                          |      |   |          |
| 4                                                                                                                                                                                                                            | body  | +execution1                                                                                                                                                                                                                                                                                                                                                                                                                                                                                                                                                               |      |   |          |
| 5                                                                                                                                                                                                                            |       | +execution2                                                                                                                                                                                                                                                                                                                                                                                                                                                                                                                                                               |      |   |          |
| 6                                                                                                                                                                                                                            |       | +execution3                                                                                                                                                                                                                                                                                                                                                                                                                                                                                                                                                               |      |   |          |
| 7                                                                                                                                                                                                                            |       | <b>execution1</b><br>+Switchcell( C_CellA, C_CellB, C_LAC_2, TSPX_SDCCH4SubDef, TSPX_CKSNDDef, TSPX_RANDDef, C_arfcnB, C_arfcnBd, TCV_Ccd0B, TSPX_IMSI)                                                                                                                                                                                                                                                                                                                                                                                                                   |      |   |          |
| 8                                                                                                                                                                                                                            |       | +MM_LupRej( C_rc_imsiunknownhrl, C_normal_updating, TimingAdv( 30))                                                                                                                                                                                                                                                                                                                                                                                                                                                                                                       |      |   |          |
| 9                                                                                                                                                                                                                            |       | +ltree_main                                                                                                                                                                                                                                                                                                                                                                                                                                                                                                                                                               |      |   |          |
| 10                                                                                                                                                                                                                           |       | +ChanRel(TCV_ch)                                                                                                                                                                                                                                                                                                                                                                                                                                                                                                                                                          |      |   |          |
| 11                                                                                                                                                                                                                           |       | <b>execution2</b><br>+Switchcell( C_CellA, C_CellB, C_LAC_2, TSPX_SDCCH4SubDef, TSPX_CKSNDDef, TSPX_RANDDef, C_arfcnB, C_arfcnBd, TCV_Ccd0B, TSPX_IMSI)                                                                                                                                                                                                                                                                                                                                                                                                                   |      |   |          |
| 12                                                                                                                                                                                                                           |       | +MM_LupRej( C_rc_illegal_ms, C_normal_updating, TimingAdv( 30))                                                                                                                                                                                                                                                                                                                                                                                                                                                                                                           |      |   |          |
| 13                                                                                                                                                                                                                           |       | +ltree_main                                                                                                                                                                                                                                                                                                                                                                                                                                                                                                                                                               |      |   |          |
| 14                                                                                                                                                                                                                           |       | +ChanRel(TCV_ch)                                                                                                                                                                                                                                                                                                                                                                                                                                                                                                                                                          |      |   |          |
| 15                                                                                                                                                                                                                           |       | <b>execution3</b><br>+Switchcell( C_CellA, C_CellB, C_LAC_2, TSPX_SDCCH4SubDef, TSPX_CKSNDDef, TSPX_RANDDef, C_arfcnB, C_arfcnBd, TCV_Ccd0B, TSPX_IMSI)                                                                                                                                                                                                                                                                                                                                                                                                                   |      |   |          |
| 16                                                                                                                                                                                                                           |       | +MM_LupRej( C_rc_illegal_me, C_normal_updating, TimingAdv( 30))                                                                                                                                                                                                                                                                                                                                                                                                                                                                                                           |      |   |          |
| 17                                                                                                                                                                                                                           |       | +ltree_main                                                                                                                                                                                                                                                                                                                                                                                                                                                                                                                                                               |      |   |          |
| 18                                                                                                                                                                                                                           | post  | +ChanRel_end(TCV_ch)                                                                                                                                                                                                                                                                                                                                                                                                                                                                                                                                                      |      |   |          |
|                                                                                                                                                                                                                              |       | <b>ltree_main</b>                                                                                                                                                                                                                                                                                                                                                                                                                                                                                                                                                         |      |   |          |

|                           |                                                                                                                                                                             |  |  |  |
|---------------------------|-----------------------------------------------------------------------------------------------------------------------------------------------------------------------------|--|--|--|
| 19                        | +BasicServiceMO(TSPX_MOBscSvcD,<br>TSPX_MOChRateD)                                                                                                                          |  |  |  |
| 20                        | +Switchcell( C_CellB, C_CellA, C_LAC_1,<br>TSPX_SDCCCH4SubDef, TSPX_CKSNDDef,<br>TSPX_RANDDef, C_arfcnA, C_arfcnAd,<br>TCV_Ccd0A, TSPX_IMSI)                                |  |  |  |
| 21                        | +NoReaction( 30000)                                                                                                                                                         |  |  |  |
| 22                        | +NoReaction( 420000)                                                                                                                                                        |  |  |  |
| 23                        | +MM_no_paging( Milmsi_01, 3000,<br>TCV_Ccd0A, C_CellA)                                                                                                                      |  |  |  |
| 24                        | +MM_no_paging( MiTmsi_01, 3000,<br>TCV_Ccd0A, C_CellA)                                                                                                                      |  |  |  |
| 25                        | +MM_no_cmservices( 3000)                                                                                                                                                    |  |  |  |
| 26                        | +MM_check_ecall1(TimingAdv( 30),<br>Milmei_01)                                                                                                                              |  |  |  |
| 27                        | +ImsiDetachNoReaction( 3000,<br>C_SIMneedRmv)                                                                                                                               |  |  |  |
| 28                        | +MM_PwrOrSimOn(C_SIMneedRm<br>v)                                                                                                                                            |  |  |  |
| 29                        | +MM_LUPauth2( MiTmsi_01iei,<br>Milmsi_01, C_MCC_1,<br>C_PLMN_1, C_lacdeleted,<br>TCV_lac, C_normal_updating,<br>C_cksn_nokey, TCV_cksn,<br>TSPX_RANDDef, TimingAdv(<br>30)) |  |  |  |
| <b>Detailed Comments:</b> |                                                                                                                                                                             |  |  |  |

| Test Case Dynamic Behaviour                                                                                                                                                 |       |                                                                                                                                                                                                                                                                                                                                                                                                                                                                                                                                                                             |      |   |          |
|-----------------------------------------------------------------------------------------------------------------------------------------------------------------------------|-------|-----------------------------------------------------------------------------------------------------------------------------------------------------------------------------------------------------------------------------------------------------------------------------------------------------------------------------------------------------------------------------------------------------------------------------------------------------------------------------------------------------------------------------------------------------------------------------|------|---|----------|
| <b>Test Case Name:</b> TC_26_7_4_2_2_1                                                                                                                                      |       |                                                                                                                                                                                                                                                                                                                                                                                                                                                                                                                                                                             |      |   |          |
| <b>Group:</b> GSM_L3_MS_v4210/MM/                                                                                                                                           |       |                                                                                                                                                                                                                                                                                                                                                                                                                                                                                                                                                                             |      |   |          |
| <b>Purpose:</b> To test the behaviour of the MS if the network rejects the location updating of the MS with the cause "PLMN not allowed".                                   |       |                                                                                                                                                                                                                                                                                                                                                                                                                                                                                                                                                                             |      |   |          |
| <b>Default:</b> OtherEventsFail                                                                                                                                             |       |                                                                                                                                                                                                                                                                                                                                                                                                                                                                                                                                                                             |      |   |          |
| <b>Comments:</b> Initial conditions for the Mobile Station:<br>- The MS has a valid TMSI. It is "idle updated" on cell C.<br>- The MS is in manual mode for PLMN selection. |       |                                                                                                                                                                                                                                                                                                                                                                                                                                                                                                                                                                             |      |   |          |
| Final state of the Mobile Station:<br>Idle Updated with TMSI on cell C. The MS is in automatic mode for PLMN selection.                                                     |       |                                                                                                                                                                                                                                                                                                                                                                                                                                                                                                                                                                             |      |   |          |
| Nr                                                                                                                                                                          | Label | Behaviour Description                                                                                                                                                                                                                                                                                                                                                                                                                                                                                                                                                       | CRef | V | Comments |
| 1                                                                                                                                                                           |       | START T_guard(720)                                                                                                                                                                                                                                                                                                                                                                                                                                                                                                                                                          |      |   |          |
| 2                                                                                                                                                                           |       | +BasicServiceMO(TSPX_MOBscSvcA, TSPX_MOChRateA)                                                                                                                                                                                                                                                                                                                                                                                                                                                                                                                             |      |   |          |
| 3                                                                                                                                                                           |       | +IdleUpdated( C_E_default, C_CellC, C_SCH_C, C_BCCH_C_1, C_Immass, C_S0, C_SlotNU, C_SlotNU, C_SlotNU, C_BCC, C_TxInt_5, C_Max_1, C_NECI_0, C_ATT_0, TimingAdv( 30), C_BABR_0, C_cch_1Comb, C_BPM_3, C_T3212_0, C_ci_cellC, C_MCC_1, C_PLMN_1, C_LAC_3, CellOpt_01, CellChDes_Omit, CellChDes_Omit, C_CellReselectHys12, C_MaxPwrLvIG, C_MaxPwrLvID, BcchFreqLst_07, BcchFreqLst_07, BcchFreqLst_15, BcchFreqLst_15, C_noReestablishment, C_BCC, C_NCC, C_Start_Tmsi, TSPX_SDCCH4SubDef, TSPX_CKSNDDef, TSPX_RANDDef, C_arfcnC, C_arfcnCd, TSPX_IMSI, C_Test_nfh, C_NCCP_2) |      |   |          |
| 4                                                                                                                                                                           | body  | +MM_PwrOrSimOff( C_SIMIn)                                                                                                                                                                                                                                                                                                                                                                                                                                                                                                                                                   |      |   |          |
| 5                                                                                                                                                                           |       | (TCV_Null := OM_StopCell( C_CellC))                                                                                                                                                                                                                                                                                                                                                                                                                                                                                                                                         |      |   |          |
| 6                                                                                                                                                                           |       | +Start_2cells( C_Immass, TCV_slot, TCV_tsc, TimingAdv( 30), C_ATT_1, C_BABR_0, C_cch_1Comb, C_BPM_3, C_T3212_1, C_MCC_1, C_PLMN_2, C_LAC_1, C_LAC_2)                                                                                                                                                                                                                                                                                                                                                                                                                        |      |   |          |
| 7                                                                                                                                                                           |       | +Varinit_fix( C_CellB, C_LAC_2, TSPX_SDCCH4SubDef, TSPX_CKSNDDef, TSPX_RANDDef, C_arfcnB, C_arfcnBd, TCV_Ccd0B, TSPX_IMSI)                                                                                                                                                                                                                                                                                                                                                                                                                                                  |      |   |          |
| 8                                                                                                                                                                           |       | +MM_PwrOrSimOn( C_SIMIn)                                                                                                                                                                                                                                                                                                                                                                                                                                                                                                                                                    |      |   |          |
| 9                                                                                                                                                                           |       | +ltree_continue                                                                                                                                                                                                                                                                                                                                                                                                                                                                                                                                                             |      |   |          |
| 10                                                                                                                                                                          |       | +RmvForbiddenPlmn1( C_CellB, C_LAC_2, TSPX_SDCCH4SubDef, TSPX_CKSNDDef, TSPX_RANDDef, C_arfcnB, C_arfcnBd, TCV_Ccd0B, TSPX_IMSI)                                                                                                                                                                                                                                                                                                                                                                                                                                            |      |   | 8)       |
|                                                                                                                                                                             |       | <b>ltree_continue</b>                                                                                                                                                                                                                                                                                                                                                                                                                                                                                                                                                       |      |   |          |
| 11                                                                                                                                                                          |       | (TCV_Null := OO_PLMNselModeMan())                                                                                                                                                                                                                                                                                                                                                                                                                                                                                                                                           |      |   |          |
| 12                                                                                                                                                                          |       | (TCV_Null := OO_SelPLMN( C_PLMN_2))                                                                                                                                                                                                                                                                                                                                                                                                                                                                                                                                         |      |   |          |
| 13                                                                                                                                                                          |       | +MM_LupRej( C_rc_plmn_not, C_normal_updating, TimingAdv( 30))                                                                                                                                                                                                                                                                                                                                                                                                                                                                                                               |      |   | 1)       |
| 14                                                                                                                                                                          |       | +NoReaction( 420000)                                                                                                                                                                                                                                                                                                                                                                                                                                                                                                                                                        |      |   | 2)       |
| 15                                                                                                                                                                          |       | +ImsiDetachNoReaction( 3000, C_SIMneedRmv)                                                                                                                                                                                                                                                                                                                                                                                                                                                                                                                                  |      |   | 3)       |
| 16                                                                                                                                                                          |       | +MM_PwrOrSimOn( C_SIMneedRmv)                                                                                                                                                                                                                                                                                                                                                                                                                                                                                                                                               |      |   |          |
| 17                                                                                                                                                                          |       | +Switchcell( C_CellB, C_CellA, C_LAC_1, TSPX_SDCCH4SubDef, TSPX_CKSNDDef, TSPX_RANDDef, C_arfcnA, C_arfcnAd, TCV_Ccd0A, TSPX_IMSI)                                                                                                                                                                                                                                                                                                                                                                                                                                          |      |   |          |
| 18                                                                                                                                                                          |       | +ltree_continue1                                                                                                                                                                                                                                                                                                                                                                                                                                                                                                                                                            |      |   |          |
|                                                                                                                                                                             |       | <b>ltree_continue1</b>                                                                                                                                                                                                                                                                                                                                                                                                                                                                                                                                                      |      |   |          |
| 19                                                                                                                                                                          |       | +NoReaction( 60000)                                                                                                                                                                                                                                                                                                                                                                                                                                                                                                                                                         |      |   | 4)       |



|                           |                                                                                                                                                                                                |  |    |
|---------------------------|------------------------------------------------------------------------------------------------------------------------------------------------------------------------------------------------|--|----|
| 20                        | +MM_check_ecall1( TimingAdv( 30), Milmsi_01)                                                                                                                                                   |  | 5) |
| 21                        | (TCV_Service := TSPX_MOBscSvcA)                                                                                                                                                                |  |    |
| 22                        | +MM_no_cmsservices( 3000)                                                                                                                                                                      |  | 5) |
| 23                        | +MM_PwrOrSimOff( C_SIMIn)                                                                                                                                                                      |  |    |
| 24                        | (TCV_Null := OM_StopCell( C_CellA),<br>TCV_Null := OM_StopCell( C_CellB))                                                                                                                      |  |    |
| 25                        | +ltree_continue2                                                                                                                                                                               |  |    |
|                           | <b>ltree_continue2</b>                                                                                                                                                                         |  |    |
| 26                        | +StartCellC( C_E_default, C_Immass, TCV_slot,<br>TCV_tsc, TimingAdv( 30), 0, C_BABR_0,<br>C_cch_1Comb, C_BPM_3, C_T3212_0, C_MCC_1,<br>C_PLMN_1, C_LAC_3, C_noRestablishment,<br>C_BCC, C_NCC) |  | 6) |
| 27                        | +Varinit_fix( C_CellC, C_LAC_3,<br>TSPX_SDCCCH4SubDef, TSPX_CKSNDDef,<br>TSPX_RANDDef, C_arfcnC, C_arfcnCd,<br>TCV_Ccd0C, TSPX_IMSI)                                                           |  |    |
| 28                        | +MM_PwrOrSimOn( C_SIMIn)                                                                                                                                                                       |  |    |
| 29                        | (TCV_Null := OO_PLMNselModeAuto())                                                                                                                                                             |  |    |
| 30                        | +MM_LUP2( MiTmsi_01iei, Milmsi_01,<br>C_MCC_1, C_PLMN_1, C_lacdeleted,<br>TCV_lac, C_normal_updating,<br>C_cksn_nokey, TimingAdv( 30))                                                         |  | 7) |
| <b>Detailed Comments:</b> |                                                                                                                                                                                                |  |    |
|                           | 1) Location updating rejected with cause = PLMN not allowed.                                                                                                                                   |  |    |
|                           | MS shall                                                                                                                                                                                       |  |    |
|                           | 2) not perform periodic updating                                                                                                                                                               |  |    |
|                           | 3) not perform IMSI detach when switched off.                                                                                                                                                  |  |    |
|                           | 4) not perform normal location updating after switching to a new LAC in the same PLMN and when that PLMN is not selected manually.                                                             |  |    |
|                           | 5) reject any request from CM entity for MM connection other than for emergency call.                                                                                                          |  |    |
|                           | 6) switch to a new cell with a new PLMN.                                                                                                                                                       |  |    |
|                           | 7) perform normal location updating after entering in a new PLMN.                                                                                                                              |  |    |
|                           | 8. The PLMN of cell B is suppressed on the SIM's forbidden PLMN list.                                                                                                                          |  |    |

| Test Case Dynamic Behaviour                                                                                                                                                 |       |                                                                                                                                                                                                                                                                                                                                                                                                                                                                                                                                                                            |      |   |          |
|-----------------------------------------------------------------------------------------------------------------------------------------------------------------------------|-------|----------------------------------------------------------------------------------------------------------------------------------------------------------------------------------------------------------------------------------------------------------------------------------------------------------------------------------------------------------------------------------------------------------------------------------------------------------------------------------------------------------------------------------------------------------------------------|------|---|----------|
| <b>Test Case Name:</b> TC_26_7_4_2_2_2                                                                                                                                      |       |                                                                                                                                                                                                                                                                                                                                                                                                                                                                                                                                                                            |      |   |          |
| <b>Group:</b> GSM_L3_MS_v4210/MM/                                                                                                                                           |       |                                                                                                                                                                                                                                                                                                                                                                                                                                                                                                                                                                            |      |   |          |
| <b>Purpose:</b> To test the behaviour of the MS if the network rejects the location updating of the MS with the cause "PLMN not allowed".                                   |       |                                                                                                                                                                                                                                                                                                                                                                                                                                                                                                                                                                            |      |   |          |
| <b>Default:</b> OtherEventsFail                                                                                                                                             |       |                                                                                                                                                                                                                                                                                                                                                                                                                                                                                                                                                                            |      |   |          |
| <b>Comments:</b> Initial conditions for the Mobile Station:<br>- The MS has a valid TMSI. It is "idle updated" on cell C.<br>- The MS is in manual mode for PLMN selection. |       |                                                                                                                                                                                                                                                                                                                                                                                                                                                                                                                                                                            |      |   |          |
| Final state of the Mobile Station:<br>Idle Updated with TMSI on cell C. The MS is in automatic mode for PLMN selection.                                                     |       |                                                                                                                                                                                                                                                                                                                                                                                                                                                                                                                                                                            |      |   |          |
| Nr                                                                                                                                                                          | Label | Behaviour Description                                                                                                                                                                                                                                                                                                                                                                                                                                                                                                                                                      | CRef | V | Comments |
| 1                                                                                                                                                                           |       | START T_guard(720)                                                                                                                                                                                                                                                                                                                                                                                                                                                                                                                                                         |      |   |          |
| 2                                                                                                                                                                           |       | +IdleUpdated( C_E_default, C_CellC, C_SCH_C, C_BCCH_C_1, C_Immass, C_S0, C_SlotNU, C_SlotNU, C_SlotNU, C_BCC, C_TxInt_5, C_Max_1, C_NECI_0, C_ATT_0, TimingAdv( 30), C_BABR_0, C_cch_1Comb, C_BPM_3, C_T3212_0, C_ci_cellC, C_MCC_1, C_PLMN_1, C_LAC_3, CellOpt_01, CellChDes_Omit, CellChDes_Omit, C_CellReselectHys12, C_MaxPwrLvlG, C_MaxPwrLvlD, BcchFreqLst_07, BcchFreqLst_07, BcchFreqLst_15, BcchFreqLst_15, C_noRestablishment, C_BCC, C_NCC, C_Start_Tmsi, TSPX_SDCCH4SubDef, TSPX_CKSNDDef, TSPX_RANDDef, C_arfcnC, C_arfcnCd, TSPX_IMSI, C_Test_nfh, C_NCCP_2) |      |   |          |
| 3                                                                                                                                                                           | body  | +MM_PwrOrSimOff(C_SIMIn)                                                                                                                                                                                                                                                                                                                                                                                                                                                                                                                                                   |      |   |          |
| 4                                                                                                                                                                           |       | (TCV_Null := OM_StopCell( C_CellC))                                                                                                                                                                                                                                                                                                                                                                                                                                                                                                                                        |      |   |          |
| 5                                                                                                                                                                           |       | +Start_2cells( C_Immass, TCV_slot, TCV_tsc, TimingAdv( 30), C_ATT_1, C_BABR_0, C_cch_1Comb, C_BPM_3, C_T3212_1, C_MCC_1, C_PLMN_2, C_LAC_1, C_LAC_2)                                                                                                                                                                                                                                                                                                                                                                                                                       |      |   |          |
| 6                                                                                                                                                                           |       | +Varinit_fix( C_CellB, C_LAC_2, TSPX_SDCCH4SubDef, TSPX_CKSNDDef, TSPX_RANDDef, C_arfcnB, C_arfcnBd, TCV_Ccd0B, TSPX_IMSI)                                                                                                                                                                                                                                                                                                                                                                                                                                                 |      |   |          |
| 7                                                                                                                                                                           |       | +MM_PwrOrSimOn(C_SIMIn)                                                                                                                                                                                                                                                                                                                                                                                                                                                                                                                                                    |      |   |          |
| 8                                                                                                                                                                           |       | +ltree_continue                                                                                                                                                                                                                                                                                                                                                                                                                                                                                                                                                            |      |   |          |
| 9                                                                                                                                                                           |       | +RmvForbiddenPlmn1( C_CellB, C_LAC_2, TSPX_SDCCH4SubDef, TSPX_CKSNDDef, TSPX_RANDDef, C_arfcnB, C_arfcnBd, TCV_Ccd0B, TSPX_IMSI)                                                                                                                                                                                                                                                                                                                                                                                                                                           |      |   | 3)       |
|                                                                                                                                                                             |       | <b>ltree_continue</b>                                                                                                                                                                                                                                                                                                                                                                                                                                                                                                                                                      |      |   |          |
| 10                                                                                                                                                                          |       | (TCV_Null := OO_PLMNselModeMan())                                                                                                                                                                                                                                                                                                                                                                                                                                                                                                                                          |      |   |          |
| 11                                                                                                                                                                          |       | (TCV_Null := OO_SelPLMN( C_PLMN_2))                                                                                                                                                                                                                                                                                                                                                                                                                                                                                                                                        |      |   |          |
| 12                                                                                                                                                                          |       | +MM_LupRej( C_rc_plmn_not, C_normal_updating, TimingAdv( 30))                                                                                                                                                                                                                                                                                                                                                                                                                                                                                                              |      |   | 1)       |
| 13                                                                                                                                                                          |       | (TCV_Null := OO_SelPLMN( C_PLMN_2))                                                                                                                                                                                                                                                                                                                                                                                                                                                                                                                                        |      |   | 2)       |
| 14                                                                                                                                                                          |       | +MM_LupInit( Milmsi_01, C_MCC_1, C_PLMN_1, C_lacdeleted, C_normal_updating, C_cksnokey, TimingAdv( 30))                                                                                                                                                                                                                                                                                                                                                                                                                                                                    |      |   |          |
| 15                                                                                                                                                                          |       | +ChanRel(TCV_ch)                                                                                                                                                                                                                                                                                                                                                                                                                                                                                                                                                           |      |   |          |
| 16                                                                                                                                                                          |       | +MM_PwrOrSimOff(C_SIMIn)                                                                                                                                                                                                                                                                                                                                                                                                                                                                                                                                                   |      |   |          |
| 17                                                                                                                                                                          |       | (TCV_Null := OM_StopCell( C_CellA), TCV_Null := OM_StopCell( C_CellB))                                                                                                                                                                                                                                                                                                                                                                                                                                                                                                     |      |   |          |
| 18                                                                                                                                                                          |       | +ltree_continue2                                                                                                                                                                                                                                                                                                                                                                                                                                                                                                                                                           |      |   |          |
|                                                                                                                                                                             |       | <b>ltree_continue2</b>                                                                                                                                                                                                                                                                                                                                                                                                                                                                                                                                                     |      |   |          |
| 19                                                                                                                                                                          |       | +StartCellC( C_E_default, C_Immass, TCV_slot, TCV_tsc, TimingAdv( 30), 0, C_BABR_0, C_cch_1Comb, C_BPM_3, C_T3212_0, C_MCC_1, C_PLMN_1, C_LAC_3, C_noRestablishment, C_BCC, C_NCC)                                                                                                                                                                                                                                                                                                                                                                                         |      |   |          |
| 20                                                                                                                                                                          |       | +Varinit_fix( C_CellC, C_LAC_3,                                                                                                                                                                                                                                                                                                                                                                                                                                                                                                                                            |      |   |          |

|                                                                                                                                                                                                                                                                                                                                                                      |                                                                                                                                                                                                                                                                                                         |  |  |  |
|----------------------------------------------------------------------------------------------------------------------------------------------------------------------------------------------------------------------------------------------------------------------------------------------------------------------------------------------------------------------|---------------------------------------------------------------------------------------------------------------------------------------------------------------------------------------------------------------------------------------------------------------------------------------------------------|--|--|--|
| 21<br>22<br>23                                                                                                                                                                                                                                                                                                                                                       | TSPX_SDCCH4SubDef, TSPX_CKSNDf,<br>TSPX_RANDDf, C_arfcnC, C_arfcnCd,<br>TCV_Ccd0C, TSPX_IMSI)<br>+MM_PwrOrSimOn(C_SIMIn)<br>(TCV_Null := OO_PLMNselModeAuto())<br>+MM_LUP2( MiTmsi_01iei, Milmsi_01,<br>C_MCC_1, C_PLMN_1, C_lacdeleted,<br>TCV_lac, C_normal_updating,<br>C_ksn_nokey, TimingAdv( 30)) |  |  |  |
| <b>Detailed Comments:</b> <ol style="list-style-type: none"> <li>1) Location updating rejected with cause = PLMN not allowed.</li> <li>2) MS shall perform normal location updating after switching to a new LAC in the same PLMN and when that PLMN is selected manually.</li> <li>3) The PLMN of cell B is suppressed on the SIM's forbidden PLMN list.</li> </ol> |                                                                                                                                                                                                                                                                                                         |  |  |  |

| <b>Test Case Dynamic Behaviour</b>                                                                                                                                                                                                                |       |                                                                                                                                                                                                                                                                                                                                                                                                                                                                                                                                                                                                                   |      |   |          |
|---------------------------------------------------------------------------------------------------------------------------------------------------------------------------------------------------------------------------------------------------|-------|-------------------------------------------------------------------------------------------------------------------------------------------------------------------------------------------------------------------------------------------------------------------------------------------------------------------------------------------------------------------------------------------------------------------------------------------------------------------------------------------------------------------------------------------------------------------------------------------------------------------|------|---|----------|
| <b>Test Case Name:</b> TC_26_7_4_2_3                                                                                                                                                                                                              |       |                                                                                                                                                                                                                                                                                                                                                                                                                                                                                                                                                                                                                   |      |   |          |
| <b>Group:</b> GSM_L3_MS_v4210/MM/                                                                                                                                                                                                                 |       |                                                                                                                                                                                                                                                                                                                                                                                                                                                                                                                                                                                                                   |      |   |          |
| <b>Purpose:</b> To test the behaviour of the MS if the network rejects the location updating of the MS with the cause "Location Area not allowed".<br>To test that the MS deletes the list of forbidden location areas after switching of the MS. |       |                                                                                                                                                                                                                                                                                                                                                                                                                                                                                                                                                                                                                   |      |   |          |
| <b>Default:</b> OtherEventsFail                                                                                                                                                                                                                   |       |                                                                                                                                                                                                                                                                                                                                                                                                                                                                                                                                                                                                                   |      |   |          |
| <b>Comments:</b> Initial conditions for the Mobile Station:<br>- The MS has a valid TMSI. It is "idle updated" on cell A.<br><br>Initial conditions for the Mobile Station:<br>- The MS has a valid TMSI. It is "idle updated" on cell A.         |       |                                                                                                                                                                                                                                                                                                                                                                                                                                                                                                                                                                                                                   |      |   |          |
| Nr                                                                                                                                                                                                                                                | Label | Behaviour Description                                                                                                                                                                                                                                                                                                                                                                                                                                                                                                                                                                                             | CRef | V | Comments |
| 1                                                                                                                                                                                                                                                 |       | START T_guard(720)                                                                                                                                                                                                                                                                                                                                                                                                                                                                                                                                                                                                |      |   |          |
| 2                                                                                                                                                                                                                                                 |       | +BasicServiceMO(TSPX_MOBscSvcE,<br>TSPX_MOChRateE)                                                                                                                                                                                                                                                                                                                                                                                                                                                                                                                                                                |      |   |          |
| 3                                                                                                                                                                                                                                                 |       | +IdleUpdated( C_E_default, C_CellA, C_SCH_A,<br>C_BCCH_A_1, C_Immass, C_S0, C_SlotNU,<br>C_SlotNU, C_SlotNU, C_BCC, C_TxInt_5,<br>C_Max_1, C_NECI_0, C_ATT_1, TimingAdv( 30),<br>C_BABR_0, C_cch_1Comb, C_BPM_3,<br>C_T3212_1, C_ci_cellA, C_MCC_1, C_PLMN_1,<br>C_LAC_1, CellOpt_01, CellChDes_02,<br>CellChDes_03, C_CellReselectHys12,<br>C_MaxPwrLvIG, C_MaxPwrLvID,<br>BcchFreqLst_01, BcchFreqLst_Omit,<br>BcchFreqLst_48, BcchFreqLst_Omit,<br>C_noRestablishment, C_BCC, C_NCC,<br>C_Start_Tmsi, TSPX_SDCCH4SubDef,<br>TSPX_CKSNDf, TSPX_RANDDef, C_arfcnA,<br>C_arfcnAd, TSPX_IMSI, C_Test_fh, C_NCCP_2) |      |   |          |
| 4                                                                                                                                                                                                                                                 |       | +StartCellB( C_E_neighbourdefault, C_arfcnB,<br>C_arfcnBd, C_Immass, TCV_slot, TCV_tsc,<br>TimingAdv( 30), C_TxInt_5, C_Max_1,<br>C_NECI_0, C_ATT_1, C_BABR_0,<br>C_cch_1Comb, C_BPM_3, C_T3212_1,<br>C_MCC_1, C_PLMN_1, C_LAC_2,<br>CellChDes_04, CellChDes_03,<br>BcchFreqLst_01, BcchFreqLst_48,<br>C_noRestablishment, C_BCC, C_NCC)                                                                                                                                                                                                                                                                          |      |   |          |
| 5                                                                                                                                                                                                                                                 |       | +ltree_body                                                                                                                                                                                                                                                                                                                                                                                                                                                                                                                                                                                                       |      |   |          |
|                                                                                                                                                                                                                                                   |       | <b>ltree_body</b>                                                                                                                                                                                                                                                                                                                                                                                                                                                                                                                                                                                                 |      |   |          |
| 6                                                                                                                                                                                                                                                 |       | +Switchcell( C_CellA, C_CellB, C_LAC_2,<br>TSPX_SDCCH4SubDef, TSPX_CKSNDf,<br>TSPX_RANDDef, C_arfcnB, C_arfcnBd, TCV_Ccd0B,<br>TSPX_IMSI)                                                                                                                                                                                                                                                                                                                                                                                                                                                                         |      |   |          |
| 7                                                                                                                                                                                                                                                 |       | +MM_LupRej( C_rc_LAnotallowed,<br>C_normal_updating, TimingAdv( 30))                                                                                                                                                                                                                                                                                                                                                                                                                                                                                                                                              |      |   | 1)       |
| 8                                                                                                                                                                                                                                                 |       | +NoReaction( 420000)                                                                                                                                                                                                                                                                                                                                                                                                                                                                                                                                                                                              |      |   | 2)       |
| 9                                                                                                                                                                                                                                                 |       | +MM_no_paging( MiTmsi_01, 3000,<br>TCV_Ccd0B, C_CellB)                                                                                                                                                                                                                                                                                                                                                                                                                                                                                                                                                            |      |   | 3)       |
| 10                                                                                                                                                                                                                                                |       | +MM_no_cmsservices( 3000)                                                                                                                                                                                                                                                                                                                                                                                                                                                                                                                                                                                         |      |   | 4)       |
| 11                                                                                                                                                                                                                                                |       | +MM_check_ecall1( TimingAdv( 30),<br>Milmsi_01)                                                                                                                                                                                                                                                                                                                                                                                                                                                                                                                                                                   |      |   | 4)       |
| 12                                                                                                                                                                                                                                                |       | +ImsiDetachNoReaction( 3000, C_SIMIn)                                                                                                                                                                                                                                                                                                                                                                                                                                                                                                                                                                             |      |   | 5)       |
| 13                                                                                                                                                                                                                                                |       | +MM_PwrOrSimOn( C_SIMIn)                                                                                                                                                                                                                                                                                                                                                                                                                                                                                                                                                                                          |      |   |          |
| 14                                                                                                                                                                                                                                                |       | +MM_LupRej2( C_rc_LAnotallowed,<br>Milmsi_01, C_MCC_1, C_PLMN_1,<br>C_lacdeleted, C_normal_updating,<br>C_cksno_key, TimingAdv( 30))                                                                                                                                                                                                                                                                                                                                                                                                                                                                              |      |   | 6)       |
| 15                                                                                                                                                                                                                                                |       | +Switchcell( C_CellB, C_CellA,<br>C_LAC_1, TSPX_SDCCH4SubDef,<br>TSPX_CKSNDf, TSPX_RANDDef,<br>C_arfcnA, C_arfcnAd, TCV_Ccd0A,<br>TSPX_IMSI)                                                                                                                                                                                                                                                                                                                                                                                                                                                                      |      |   |          |
| 16                                                                                                                                                                                                                                                |       | +MM_LUPauth1( MiTmsi_01iei,<br>C_MCC_1, C_PLMN_1, TCV_lac,<br>C_normal_updating, TCV_cksno,<br>TSPX_RANDDef, TimingAdv( 30))                                                                                                                                                                                                                                                                                                                                                                                                                                                                                      |      |   | 7)       |

|                                                                                                                                                                                                                                                                                                                                                                                                                                                                                                                  |  |                       |  |  |  |
|------------------------------------------------------------------------------------------------------------------------------------------------------------------------------------------------------------------------------------------------------------------------------------------------------------------------------------------------------------------------------------------------------------------------------------------------------------------------------------------------------------------|--|-----------------------|--|--|--|
| 17                                                                                                                                                                                                                                                                                                                                                                                                                                                                                                               |  | +ChanRel_end( TCV_ch) |  |  |  |
| <b>Detailed Comments:</b><br>1) Reject of Location Updating with the cause Location Area is not allowed.<br><br>MS shall<br>2) not perform periodic updating<br>3) not perform paging with TMSI<br>4) reject any request from CM entity for MM connection other than for emergency call.<br>5) not perform IMSI detach when switched off.<br>6) delete list of forbidden LAs after switch off and perform normal location updating<br>7) perform normal location updating after entering in a new Location Area. |  |                       |  |  |  |

### Test Case Dynamic Behaviour

|                        |                                                                                                                                                                                                                                                                                                                                                                                                                         |
|------------------------|-------------------------------------------------------------------------------------------------------------------------------------------------------------------------------------------------------------------------------------------------------------------------------------------------------------------------------------------------------------------------------------------------------------------------|
| <b>Test Case Name:</b> | TC_26_7_4_2_4_1                                                                                                                                                                                                                                                                                                                                                                                                         |
| <b>Group:</b>          | GSM_L3_MS_v4210/MM/                                                                                                                                                                                                                                                                                                                                                                                                     |
| <b>Purpose:</b>        | Test purpose 1<br>To test that on receipt of a rejection using the Roaming cause code, the MS ceases trying to update on that cell, that this situation continues for at least one periodic location interval period, and that the corresponding list is re-set by powering down the MS (the requirement in TS GSM 04.08 is that the list shall be retained for at least 12 hours. This aspect is not formally tested). |
| <b>Default:</b>        | OtherEventsFail                                                                                                                                                                                                                                                                                                                                                                                                         |
| <b>Comments:</b>       | This testcase includes only the procedure of part 1 of GSM 11.10-1, section 26.7.4.2.4.<br><br>Initial Conditions of MS:<br>The MS has valid TMSI, CKSN and Kc.It is "idle updated" on cell B.<br><br>Foreseen final state of the MS:<br>The MS has no valid TMSI and no CKSN. It is "idle updated" on cell A.                                                                                                          |

| Nr | Label      | Behaviour Description                                                                                                                                                                                                                                                                                                                                                                                                                                                                                                                                                   | CRef                                                                    | V   | Comments |
|----|------------|-------------------------------------------------------------------------------------------------------------------------------------------------------------------------------------------------------------------------------------------------------------------------------------------------------------------------------------------------------------------------------------------------------------------------------------------------------------------------------------------------------------------------------------------------------------------------|-------------------------------------------------------------------------|-----|----------|
| 1  |            | START T_guard(720)                                                                                                                                                                                                                                                                                                                                                                                                                                                                                                                                                      |                                                                         |     |          |
| 2  |            | +IdleUpdated( C_E_default, C_CellB, C_SCH_B, C_BCCH_B_1, C_Immass, C_S0, C_SlotNU, C_SlotNU, C_SlotNU, C_BCC, C_TxInt_5, C_Max_1, C_NECI_0, C_ATT_1, TimingAdv( 30), C_BABR_0, C_cch_1Comb, C_BPM_3, C_T3212_1, C_ci_cellB, C_MCC_1, C_PLMN_2, C_LAC_2, CellOpt_01, CellChDes_04, CellChDes_03, C_CellReselectHys12, C_MaxPwrLvlG, C_MaxPwrLvlD, BcchFreqLst_01, BcchFreqLst_Omit, BcchFreqLst_48, BcchFreqLst_Omit, C_noRestablishment, C_BCC, C_NCC, C_Start_Tmsi, TSPX_SDCCH4SubDef, TSPX_CKSNDf, TSPX_RANDDef, C_arfcnB, C_arfcnBd, TSPX_IMSI, C_Test_fh, C_NCCP_2) |                                                                         |     |          |
| 3  |            | +StartCellA( C_E_neighbourdefault, C_Immass, TCV_slot, TCV_tsc, TimingAdv( 30), C_TxInt_5, C_Max_1, C_NECI_0, C_ATT_1, C_BABR_0, C_cch_1Comb, C_BPM_3, C_T3212_1, C_MCC_1, C_PLMN_2, C_LAC_1, CellChDes_04, CellChDes_03, BcchFreqLst_01, BcchFreqLst_48, C_noRestablishment)                                                                                                                                                                                                                                                                                           |                                                                         |     |          |
| 4  | body       | +Switchcell( C_CellB, C_CellA, C_LAC_1, TSPX_SDCCH4SubDef, TSPX_CKSNDf, TSPX_RANDDef, C_arfcnA, C_arfcnAd, TCV_Ccd0A, TSPX_IMSI)                                                                                                                                                                                                                                                                                                                                                                                                                                        |                                                                         |     |          |
| 5  |            | +MM_LupRej( C_rc_roamingnot, C_normal_updating, TimingAdv( 30))                                                                                                                                                                                                                                                                                                                                                                                                                                                                                                         |                                                                         |     | 1)       |
| 6  |            | +NoReaction( 420000)                                                                                                                                                                                                                                                                                                                                                                                                                                                                                                                                                    |                                                                         |     | 2)       |
| 7  |            | +MM_PwrOrSimOff(C_SIMIn)                                                                                                                                                                                                                                                                                                                                                                                                                                                                                                                                                |                                                                         |     | 3)       |
| 8  |            | +MM_PwrOrSimOn( C_SIMIn)                                                                                                                                                                                                                                                                                                                                                                                                                                                                                                                                                |                                                                         |     | 3)       |
| 9  |            | (TCV_Null := OO_PLMNselModeAuto())                                                                                                                                                                                                                                                                                                                                                                                                                                                                                                                                      |                                                                         |     |          |
| 10 |            | +MM_LupInit2( C_normal_updating, TimingAdv( 30))                                                                                                                                                                                                                                                                                                                                                                                                                                                                                                                        |                                                                         |     | 3)       |
| 11 | L_035<br>2 | L!DL_DatRqLupAcp                                                                                                                                                                                                                                                                                                                                                                                                                                                                                                                                                        | LocAcp( TCV_ch, LocUpdtAcp_01( MiMsi_omit, C_MCC_1, C_PLMN_2, TCV_lac)) | (P) | 4)       |
| 12 |            | +ChanRel_end( TCV_ch)                                                                                                                                                                                                                                                                                                                                                                                                                                                                                                                                                   |                                                                         |     |          |

**Detailed Comments:** 1) Reject of Location Updating with the cause Roaming is not allowed.

MS shall

2) not perform periodic updating

3) reset the list of "forbidden location areas for national roaming" when powered down.

4) Location Updating Accept with LAI belonging to PLMN2 and without Mobile Identity.

| Test Case Dynamic Behaviour                                                                                                                           |       |                                                                                                                                                                                                                                                                                                                                                                                                                                                                                                                                                                        |      |   |          |
|-------------------------------------------------------------------------------------------------------------------------------------------------------|-------|------------------------------------------------------------------------------------------------------------------------------------------------------------------------------------------------------------------------------------------------------------------------------------------------------------------------------------------------------------------------------------------------------------------------------------------------------------------------------------------------------------------------------------------------------------------------|------|---|----------|
| <b>Test Case Name:</b> TC_26_7_4_2_4_2                                                                                                                |       |                                                                                                                                                                                                                                                                                                                                                                                                                                                                                                                                                                        |      |   |          |
| <b>Group:</b> GSM_L3_MS_v4210/MM/                                                                                                                     |       |                                                                                                                                                                                                                                                                                                                                                                                                                                                                                                                                                                        |      |   |          |
| <b>Purpose:</b> Test purpose 2                                                                                                                        |       |                                                                                                                                                                                                                                                                                                                                                                                                                                                                                                                                                                        |      |   |          |
| To test that if no cell is available, the MS does not answer to paging with TMSI, rejects a request from CM entity except other than emergency calls. |       |                                                                                                                                                                                                                                                                                                                                                                                                                                                                                                                                                                        |      |   |          |
| <b>Default:</b> OtherEventsFail                                                                                                                       |       |                                                                                                                                                                                                                                                                                                                                                                                                                                                                                                                                                                        |      |   |          |
| <b>Comments:</b> This testcase includes only the procedure of part 2 of GSM 11.10-1, section 26.7.4.2.4.                                              |       |                                                                                                                                                                                                                                                                                                                                                                                                                                                                                                                                                                        |      |   |          |
| Initial Conditions of MS:<br>The MS has valid TMSI, CKSN and Kc.It is "idle updated" on cell B.                                                       |       |                                                                                                                                                                                                                                                                                                                                                                                                                                                                                                                                                                        |      |   |          |
| Foreseen final state of the MS:<br>The MS has no valid TMSI and no CKSN. It is in the "limited service" state on cell A.                              |       |                                                                                                                                                                                                                                                                                                                                                                                                                                                                                                                                                                        |      |   |          |
| Nr                                                                                                                                                    | Label | Behaviour Description                                                                                                                                                                                                                                                                                                                                                                                                                                                                                                                                                  | CRef | V | Comments |
| 1                                                                                                                                                     |       | START T_guard(360)                                                                                                                                                                                                                                                                                                                                                                                                                                                                                                                                                     |      |   |          |
| 2                                                                                                                                                     |       | +BasicServiceMO(TSPX_MOBscSvcH, TSPX_MOChRateH)                                                                                                                                                                                                                                                                                                                                                                                                                                                                                                                        |      |   |          |
| 3                                                                                                                                                     |       | +IdleUpdated( C_E_default, C_CellB, C_SCH_B, C_BCCH_B_1, C_Immss, C_S0, C_SlotNU, C_SlotNU, C_SlotNU, C_BCC, C_TxInt_5, C_Max_1, C_NECI_0, C_ATT_1, TimingAdv( 30), C_BABR_0, C_cch_1Comb, C_BPM_3, C_T3212_1, C_ci_cellB, C_MCC_1, C_PLMN_2, C_LAC_2, CellOpt_01, CellChDes_04, CellChDes_03, C_CellReselectHys12, C_MaxPwrLvIG, C_MaxPwrLvID, BcchFreqLst_01, BcchFreqLst_Omit, BcchFreqLst_48, BcchFreqLst_Omit, C_noRestablishment, C_BCC, C_NCC, C_Start_Tmsi, TSPX_SDCCH4SubDef, TSPX_CKSNDf, TSPX_RANDDef, C_arfcnB, C_arfcnBd, TSPX_IMSI, C_Test_fh, C_NCCP_2) |      |   |          |
| 4                                                                                                                                                     |       | +StartCellA( C_E_neighbourdefault, C_Immss, TCV_slot, TCV_tsc, TimingAdv( 30), C_TxInt_5, C_Max_1, C_NECI_0, C_ATT_1, C_BABR_0, C_cch_1Comb, C_BPM_3, C_T3212_1, C_MCC_1, C_PLMN_2, C_LAC_1, CellChDes_04, CellChDes_03, BcchFreqLst_01, BcchFreqLst_48, C_noRestablishment)                                                                                                                                                                                                                                                                                           |      |   |          |
| 5                                                                                                                                                     |       | +ltree_body                                                                                                                                                                                                                                                                                                                                                                                                                                                                                                                                                            |      |   |          |
| 6                                                                                                                                                     |       | <b>ltree_body</b><br>+Switchcell( C_CellB, C_CellA, C_LAC_1, TSPX_SDCCH4SubDef, TSPX_CKSNDf, TSPX_RANDDef, C_arfcnA, C_arfcnAd, TCV_Ccd0A, TSPX_IMSI)                                                                                                                                                                                                                                                                                                                                                                                                                  |      |   |          |
| 7                                                                                                                                                     |       | +MM_LupRej( C_rc_roamingnot, C_normal Updating, TimingAdv( 30))                                                                                                                                                                                                                                                                                                                                                                                                                                                                                                        |      |   | 1)       |
| 8                                                                                                                                                     |       | +Varinit_fix( C_CellB, C_LAC_2, TSPX_SDCCH4SubDef, TSPX_CKSNDf, TSPX_RANDDef, C_arfcnB, C_arfcnBd, TCV_Ccd0B, TSPX_IMSI)                                                                                                                                                                                                                                                                                                                                                                                                                                               |      |   |          |
| 9                                                                                                                                                     |       | +MM_LupRej( C_rc_roamingnot, C_normal Updating, TimingAdv( 30))                                                                                                                                                                                                                                                                                                                                                                                                                                                                                                        |      |   | 2)       |
| 10                                                                                                                                                    |       | +NoReaction( 12000)                                                                                                                                                                                                                                                                                                                                                                                                                                                                                                                                                    |      |   | 4)       |
| 11                                                                                                                                                    |       | +MM_no_paging( Milmsi_01, 3000, TCV_Ccd0B, C_CellB)                                                                                                                                                                                                                                                                                                                                                                                                                                                                                                                    |      |   | 3b)      |
| 12                                                                                                                                                    |       | +Varinit_fix( C_CellA, C_LAC_1, TSPX_SDCCH4SubDef, TSPX_CKSNDf, TSPX_RANDDef, C_arfcnA, C_arfcnAd, TCV_Ccd0A, TSPX_IMSI)                                                                                                                                                                                                                                                                                                                                                                                                                                               |      |   |          |
| 13                                                                                                                                                    |       | +MM_no_paging( Milmsi_01, 3000, TCV_Ccd0A, C_CellA)                                                                                                                                                                                                                                                                                                                                                                                                                                                                                                                    |      |   | 3a)      |
| 14                                                                                                                                                    |       | +MM_no_cmservices( 3000)                                                                                                                                                                                                                                                                                                                                                                                                                                                                                                                                               |      |   | 4)       |
| 15                                                                                                                                                    |       | +MM_check_ecall1( TimingAdv( 30), Milmsi_01)                                                                                                                                                                                                                                                                                                                                                                                                                                                                                                                           |      |   | 4)       |
| 16                                                                                                                                                    |       | +ChanRel_end( TCV_ch)                                                                                                                                                                                                                                                                                                                                                                                                                                                                                                                                                  |      |   |          |

**Detailed Comments:**

1) Reject of Location Updating with the cause Roaming is not allowed.

MS shall

2) perform normal updating when a new location area is entered.

3a) not respond to paging with TMSI in cell a.

3b) not respond to paging with TMSI in cell b.

4) reject any request from CM entity for MM connection other than for emergency call.



| Test Case Dynamic Behaviour                                                                                                                                                                                          |       |                                                                                                                                                                                                                                                                                                                                                                                                                                                                                                                                                                         |      |   |          |
|----------------------------------------------------------------------------------------------------------------------------------------------------------------------------------------------------------------------|-------|-------------------------------------------------------------------------------------------------------------------------------------------------------------------------------------------------------------------------------------------------------------------------------------------------------------------------------------------------------------------------------------------------------------------------------------------------------------------------------------------------------------------------------------------------------------------------|------|---|----------|
| <b>Test Case Name:</b> TC_26_7_4_2_4_3                                                                                                                                                                               |       |                                                                                                                                                                                                                                                                                                                                                                                                                                                                                                                                                                         |      |   |          |
| <b>Group:</b> GSM_L3_MS_v4210/MM/                                                                                                                                                                                    |       |                                                                                                                                                                                                                                                                                                                                                                                                                                                                                                                                                                         |      |   |          |
| <b>Purpose:</b> Test purpose 3                                                                                                                                                                                       |       |                                                                                                                                                                                                                                                                                                                                                                                                                                                                                                                                                                         |      |   |          |
| To test that at least 6 entries can be held in the list of "forbidden location areas for roaming" (the requirement in TS GSM 04.08 is to store at least 10 entries. This is not fully tested by the this procedure). |       |                                                                                                                                                                                                                                                                                                                                                                                                                                                                                                                                                                         |      |   |          |
| <b>Default:</b> OtherEventsFail                                                                                                                                                                                      |       |                                                                                                                                                                                                                                                                                                                                                                                                                                                                                                                                                                         |      |   |          |
| <b>Comments:</b> This testcase includes only the procedure of part 3 of GSM 11.10-1, section 26.7.4.2.4.                                                                                                             |       |                                                                                                                                                                                                                                                                                                                                                                                                                                                                                                                                                                         |      |   |          |
| Initial Conditions of MS:<br>The MS has valid TMSI, CKSN and Kc.It is "idle updated" on cell B.                                                                                                                      |       |                                                                                                                                                                                                                                                                                                                                                                                                                                                                                                                                                                         |      |   |          |
| Foreseen final state of the MS:<br>The MS has no valid TMSI and no CKSN. It is "idle updated" on cell A.                                                                                                             |       |                                                                                                                                                                                                                                                                                                                                                                                                                                                                                                                                                                         |      |   |          |
| Nr                                                                                                                                                                                                                   | Label | Behaviour Description                                                                                                                                                                                                                                                                                                                                                                                                                                                                                                                                                   | CRef | V | Comments |
| 1                                                                                                                                                                                                                    |       | START T_guard(1020)                                                                                                                                                                                                                                                                                                                                                                                                                                                                                                                                                     |      |   |          |
| 2                                                                                                                                                                                                                    |       | +IdleUpdated( C_E_default, C_CellB, C_SCH_B, C_BCCH_B_1, C_Immass, C_S0, C_SlotNU, C_SlotNU, C_SlotNU, C_BCC, C_TxInt_5, C_Max_1, C_NECI_0, C_ATT_1, TimingAdv( 30), C_BABR_0, C_cch_1Comb, C_BPM_3, C_T3212_1, C_ci_cellB, C_MCC_1, C_PLMN_2, C_LAC_2, CellOpt_01, CellChDes_04, CellChDes_03, C_CellReselectHys12, C_MaxPwrLvIG, C_MaxPwrLvID, BcchFreqLst_01, BcchFreqLst_Omit, BcchFreqLst_48, BcchFreqLst_Omit, C_noRestablishment, C_BCC, C_NCC, C_Start_Tmsi, TSPX_SDCCH4SubDef, TSPX_CKSNDf, TSPX_RANDDef, C_arfcnB, C_arfcnBd, TSPX_IMSI, C_Test_fh, C_NCCP_2) |      |   |          |
| 3                                                                                                                                                                                                                    |       | +StartCellA( C_E_neighbourdefault, C_Immass, TCv_slot, TCv_tsc, TimingAdv( 30), C_TxInt_5, C_Max_1, C_NECI_0, C_ATT_1, C_BABR_0, C_cch_1Comb, C_BPM_3, C_T3212_1, C_MCC_1, C_PLMN_2, C_LAC_1, CellChDes_04, CellChDes_03, BcchFreqLst_01, BcchFreqLst_48, C_noRestablishment)                                                                                                                                                                                                                                                                                           |      |   |          |
| 4                                                                                                                                                                                                                    | body  | +Switchcell( C_CellB, C_CellA, C_LAC_1, TSPX_SDCCH4SubDef, TSPX_CKSNDf, TSPX_RANDDef, C_arfcnA, C_arfcnAd, TCv_Ccd0A, TSPX_IMSI)                                                                                                                                                                                                                                                                                                                                                                                                                                        |      |   |          |
| 5                                                                                                                                                                                                                    |       | +MM_LupRej( C_rc_roamingnot, C_normal_updating, TimingAdv( 30))                                                                                                                                                                                                                                                                                                                                                                                                                                                                                                         |      |   | 1)       |
| 6                                                                                                                                                                                                                    |       | +Varinit_fix( C_CellB, C_LAC_2, TSPX_SDCCH4SubDef, TSPX_CKSNDf, TSPX_RANDDef, C_arfcnB, C_arfcnBd, TCv_Ccd0B, TSPX_IMSI)                                                                                                                                                                                                                                                                                                                                                                                                                                                |      |   |          |
| 7                                                                                                                                                                                                                    |       | +MM_LupRej( C_rc_roamingnot, C_normal_updating, TimingAdv( 30))                                                                                                                                                                                                                                                                                                                                                                                                                                                                                                         |      |   | 2)       |
| 8                                                                                                                                                                                                                    |       | +Varinit_fix( C_CellA, C_LAC_1, TSPX_SDCCH4SubDef, TSPX_CKSNDf, TSPX_RANDDef, C_arfcnA, C_arfcnAd, TCv_Ccd0A, TSPX_IMSI)                                                                                                                                                                                                                                                                                                                                                                                                                                                |      |   |          |
| 9                                                                                                                                                                                                                    |       | +ChgLAC_A( C_TxInt_5, C_Max_1, C_NECI_0, C_ATT_1, C_BABR_0, C_cch_1Comb, C_BPM_3, C_T3212_1, C_MCC_1, C_PLMN_2, C_LAC_3)                                                                                                                                                                                                                                                                                                                                                                                                                                                |      |   |          |
| 10                                                                                                                                                                                                                   |       | +MM_LupRej( C_rc_roamingnot, C_normal_updating, TimingAdv( 30))                                                                                                                                                                                                                                                                                                                                                                                                                                                                                                         |      |   | 2)       |
| 11                                                                                                                                                                                                                   |       | +ltree_continue                                                                                                                                                                                                                                                                                                                                                                                                                                                                                                                                                         |      |   |          |
| 12                                                                                                                                                                                                                   |       | <b>ltree_continue</b><br>+Varinit_fix( C_CellB, C_LAC_2, TSPX_SDCCH4SubDef, TSPX_CKSNDf, TSPX_RANDDef, C_arfcnB, C_arfcnBd, TCv_Ccd0B, TSPX_IMSI)                                                                                                                                                                                                                                                                                                                                                                                                                       |      |   |          |
| 13                                                                                                                                                                                                                   |       | +ChgLAC_B( C_TxInt_5, C_Max_1, C_NECI_0,                                                                                                                                                                                                                                                                                                                                                                                                                                                                                                                                |      |   |          |

|    |            |                                                                                                                                     |  |   |    |
|----|------------|-------------------------------------------------------------------------------------------------------------------------------------|--|---|----|
| 14 |            | C_ATT_1, C_BABR_0, C_cch_1Comb, C_BPM_3,<br>C_T3212_1, C_MCC_1, C_PLMN_2, C_LAC_4)                                                  |  |   |    |
|    |            | +MM_LupRej( C_rc_roamingnot,<br>C_normal_updating, TimingAdv( 30))                                                                  |  |   | 2) |
| 15 |            | +ChgLAC_A( C_TxInt_5, C_Max_1, C_NECI_0,<br>C_ATT_1, C_BABR_0, C_cch_1Comb,<br>C_BPM_3, C_T3212_1, C_MCC_1,<br>C_PLMN_2, C_LAC_5)   |  |   |    |
| 16 |            | +MM_LupRej( C_rc_roamingnot,<br>C_normal_updating, TimingAdv( 30))                                                                  |  |   | 2) |
| 17 |            | +Varinit_fix( C_CellB, C_LAC_2,<br>TSPX_SDCCH4SubDef, TSPX_CKSNDDef,<br>TSPX_RANDDef, C_arfcnB, C_arfcnBd,<br>TCV_Ccd0B, TSPX_IMSI) |  |   |    |
| 18 |            | +ChgLAC_B( C_TxInt_5, C_Max_1,<br>C_NECI_0, C_ATT_1, C_BABR_0,<br>C_cch_1Comb, C_BPM_3, C_T3212_1,<br>C_MCC_1, C_PLMN_2, C_LAC_6)   |  |   |    |
| 19 |            | +MM_LupRej( C_rc_roamingnot,<br>C_normal_updating, TimingAdv( 30))                                                                  |  |   | 2) |
| 20 |            | START T_dly( 420000)                                                                                                                |  |   | 3) |
| 21 | L_035<br>3 | ?TIMEOUT T_dly                                                                                                                      |  | P |    |

**Detailed Comments:**

1) Reject of Location Updating with the cause Roaming is not allowed.

MS shall

2) perform normal updating when a new location area is entered.

3) not perform periodic updating

| Test Case Dynamic Behaviour                                                                                                                                                                                                                                                                                                     |       |                                                                                                                                                                                                                                                                                                                                                                                                                                                                                                                                                                 |      |   |          |
|---------------------------------------------------------------------------------------------------------------------------------------------------------------------------------------------------------------------------------------------------------------------------------------------------------------------------------|-------|-----------------------------------------------------------------------------------------------------------------------------------------------------------------------------------------------------------------------------------------------------------------------------------------------------------------------------------------------------------------------------------------------------------------------------------------------------------------------------------------------------------------------------------------------------------------|------|---|----------|
| <b>Test Case Name:</b> TC_26_7_4_2_4_4                                                                                                                                                                                                                                                                                          |       |                                                                                                                                                                                                                                                                                                                                                                                                                                                                                                                                                                 |      |   |          |
| <b>Group:</b> GSM_L3_MS_v4210/MM/                                                                                                                                                                                                                                                                                               |       |                                                                                                                                                                                                                                                                                                                                                                                                                                                                                                                                                                 |      |   |          |
| <b>Purpose:</b> Test purpose 4<br>To test that if a cell of the Home PLMN is available then the MS returns to it in preference to any other available cell.                                                                                                                                                                     |       |                                                                                                                                                                                                                                                                                                                                                                                                                                                                                                                                                                 |      |   |          |
| <b>Default:</b> OtherEventsFail                                                                                                                                                                                                                                                                                                 |       |                                                                                                                                                                                                                                                                                                                                                                                                                                                                                                                                                                 |      |   |          |
| <b>Comments:</b> This testcase includes only the procedure of part 4 of GSM 11.10-1, section 26.7.4.2.4.<br><br>Initial Conditions of MS:<br>The MS has valid TMSI, CKSN and Kc.It is "idle updated" on cell A.<br><br>Foreseen final state of the MS:<br>The MS has no valid TMSI and no CKSN. It is "idle updated" on cell C. |       |                                                                                                                                                                                                                                                                                                                                                                                                                                                                                                                                                                 |      |   |          |
| Nr                                                                                                                                                                                                                                                                                                                              | Label | Behaviour Description                                                                                                                                                                                                                                                                                                                                                                                                                                                                                                                                           | CRef | V | Comments |
| 1                                                                                                                                                                                                                                                                                                                               |       | START T_guard(960)                                                                                                                                                                                                                                                                                                                                                                                                                                                                                                                                              |      |   |          |
| 2                                                                                                                                                                                                                                                                                                                               |       | +IdleUpdated( 73, C_CellA, C_SCH_A, C_BCCH_A_1, C_Immass, C_S0, C_SlotNU, C_SlotNU, C_SlotNU, C_BCC, C_TxInt_5, C_Max_1, C_NECl_0, C_ATT_1, TimingAdv( 30), C_BABR_0, C_cch_1Comb, C_BPM_3, C_T3212_1, C_ci_cellA, C_MCC_1, C_PLMN_2, C_LAC_1, CellOpt_01, CellChDes_Omit, CellChDes_Omit, C_CellReselectHys12, C_MaxPwrLvlG, C_MaxPwrLvlD, BcchFreqLst_01, BcchFreqLst_01, BcchFreqLst_48, BcchFreqLst_48, C_noRestablishment, C_BCC, C_NCC, C_Start_Tmsi, TSPX_SDCCH4SubDef, TSPX_CKSNDf, TSPX_RANDDef, C_arfcnA, C_arfcnAd, TSPX_IMSI, C_Test_nfh, C_NCCP_2) |      |   |          |
| 3                                                                                                                                                                                                                                                                                                                               |       | +StartCellB_1( C_E_default, C_Immass, TCv_slot, TCv_tsc, TimingAdv( 30), C_ATT_1, C_BABR_0, C_cch_1Comb, C_BPM_3, C_T3212_1, C_MCC_1, C_PLMN_2, C_LAC_2, C_noRestablishment, C_BCC, C_NCC)                                                                                                                                                                                                                                                                                                                                                                      |      |   |          |
| 4                                                                                                                                                                                                                                                                                                                               |       | +StartCellC( C_E_neighbourdefault, C_Immass, TCv_slot, TCv_tsc, TimingAdv( 30), C_ATT_1, C_BABR_0, C_cch_1Comb, C_BPM_3, C_T3212_1, C_MCC_1, C_PLMN_2, C_LAC_3, C_noRestablishment, C_BCC, C_NCC)                                                                                                                                                                                                                                                                                                                                                               |      |   |          |
| 5                                                                                                                                                                                                                                                                                                                               |       | +MM_LUPper( C_MCC_1, C_PLMN_2, TCv_lac, C_periodic_updating, TimingAdv( 30))                                                                                                                                                                                                                                                                                                                                                                                                                                                                                    |      |   | 1)       |
| 6                                                                                                                                                                                                                                                                                                                               |       | +ChgLAi_C( 1, C_BABR_0, C_cch_1Comb, C_BPM_3, C_T3212_1, C_MCC_1, C_PLMN_Home, C_LAC_3)                                                                                                                                                                                                                                                                                                                                                                                                                                                                         |      |   | 2)       |
| 7                                                                                                                                                                                                                                                                                                                               |       | +MM_LUPperrej( C_rc_roamingnot, C_periodic_updating, TimingAdv( 30))                                                                                                                                                                                                                                                                                                                                                                                                                                                                                            |      |   | 3)       |
| 8                                                                                                                                                                                                                                                                                                                               |       | +Varinit_fix( C_CellC, C_LAC_3, TSPX_SDCCH4SubDef, TSPX_CKSNDf, TSPX_RANDDef, C_arfcnC, C_arfcnCd, TCv_Ccd0C, TSPX_IMSI)                                                                                                                                                                                                                                                                                                                                                                                                                                        |      |   |          |
| 9                                                                                                                                                                                                                                                                                                                               |       | +MM_LUP3( C_MCC_1, C_PLMN_Home, TCv_lac, C_normal_updating, TimingAdv( 30))                                                                                                                                                                                                                                                                                                                                                                                                                                                                                     |      |   | 4)       |
| <b>Detailed Comments:</b> 1) Periodic Updating in cell A.<br>2) LAI change to HPLMN<br>3) Reject of Periodic Location Updating with the cause Roaming is not allowed in cell A.<br>4) MS shall periodically search to Home PLMN.                                                                                                |       |                                                                                                                                                                                                                                                                                                                                                                                                                                                                                                                                                                 |      |   |          |

### Test Case Dynamic Behaviour

**Test Case Name:** TC\_26\_7\_4\_2\_4\_5  
**Group:** GSM\_L3\_MS\_v4210/MM/  
**Purpose:** Test purpose 5  
 To test that if the SIM is removed the list of "forbidden location areas for roaming" is cleared.  
**Default:** OtherEventsFail  
**Comments:** This testcase includes only the procedure of part 5 of GSM 11.10-1, section 26.7.4.2.4.

Initial Conditions of MS:

The MS has valid TMSI, CKSN and Kc.It is "idle updated" on cell B.

Foreseen final state of the MS:

The MS has no valid TMSI and no CKSN. It is "idle updated" on cell A.

| Nr | Label      | Behaviour Description                                                                                                                                                                                                                                                                                                                                                                                                                                                                                                                                                  | CRef                                                                    | V   | Comments |
|----|------------|------------------------------------------------------------------------------------------------------------------------------------------------------------------------------------------------------------------------------------------------------------------------------------------------------------------------------------------------------------------------------------------------------------------------------------------------------------------------------------------------------------------------------------------------------------------------|-------------------------------------------------------------------------|-----|----------|
| 1  |            | [TSPC_SIMRmv]                                                                                                                                                                                                                                                                                                                                                                                                                                                                                                                                                          |                                                                         |     |          |
| 2  |            | START T_guard(720)                                                                                                                                                                                                                                                                                                                                                                                                                                                                                                                                                     |                                                                         |     |          |
| 3  |            | +IdleUpdated( C_E_default, C_CellB, C_SCH_B, C_BCCH_B_1, C_Immass, C_S0, C_SlotNU, C_SlotNU, C_SlotNU, C_BCC, C_TxInt_5, C_Max_1, C_NECI_0, C_ATT_1, TimingAdv( 30), C_BABR_0, C_cch_1Comb, C_BPM_3, C_T3212_1, C_ci_cellB, C_MCC_1, C_PLMN_2, C_LAC_2, CellOpt_01, CellChDes_04, CellChDes_03, C_CellReselectHys12, C_MaxPwrLvIG, C_MaxPwrLvID, BcchFreqLst_01, BcchFreqLst_Omit, BcchFreqLst_48, BcchFreqLst_Omit, C_noRestablishment, C_BCC, C_NCC, C_Start_Tmsi, TSPX_SDCCH4SubDef, TSPX_CKSNDf, TSPX_RANDDf, C_arfcnB, C_arfcnBd, TSPX_IMSI, C_Test_fh, C_NCCP_2) |                                                                         |     |          |
| 4  |            | +StartCellA( C_E_neighbourdefault, C_Immass, TCv_slot, TCv_tsc, TimingAdv( 30), C_TxInt_5, C_Max_1, C_NECI_0, C_ATT_1, C_BABR_0, C_cch_1Comb, C_BPM_3, C_T3212_1, C_MCC_1, C_PLMN_2, C_LAC_1, CellChDes_04, CellChDes_03, BcchFreqLst_01, BcchFreqLst_48, C_noRestablishment)                                                                                                                                                                                                                                                                                          |                                                                         |     |          |
| 5  | body       | +Switchcell( C_CellB, C_CellA, C_LAC_1, TSPX_SDCCH4SubDef, TSPX_CKSNDf, TSPX_RANDDf, C_arfcnA, C_arfcnAd, TCv_Ccd0A, TSPX_IMSI)                                                                                                                                                                                                                                                                                                                                                                                                                                        |                                                                         |     |          |
| 6  |            | +MM_LupRej( C_rc_roamingnot, C_normal_updating, TimingAdv( 30))                                                                                                                                                                                                                                                                                                                                                                                                                                                                                                        |                                                                         |     | 1)       |
| 7  |            | +NoReaction( 420000)                                                                                                                                                                                                                                                                                                                                                                                                                                                                                                                                                   |                                                                         |     |          |
| 8  |            | +ImsiDetachNoReaction( 3000, C_SIMneedRmv)                                                                                                                                                                                                                                                                                                                                                                                                                                                                                                                             |                                                                         |     | 2)       |
| 9  |            | +MM_PwrOrSimOn( C_SIMneedRmv)                                                                                                                                                                                                                                                                                                                                                                                                                                                                                                                                          |                                                                         |     | 3)       |
| 10 |            | +MM_LupInit2( C_normal_updating, TimingAdv( 30))                                                                                                                                                                                                                                                                                                                                                                                                                                                                                                                       |                                                                         |     | 4)       |
| 11 | L_035<br>4 | L!DL_DatRqLupAcp                                                                                                                                                                                                                                                                                                                                                                                                                                                                                                                                                       | LocAcp( TCv_ch, LocUpdtAcp_01( MiMsi_omit, C_MCC_1, C_PLMN_1, TCv_lac)) | (P) | no MI    |
| 12 |            | +ChanRel_end( TCv_ch)                                                                                                                                                                                                                                                                                                                                                                                                                                                                                                                                                  |                                                                         |     |          |
| 13 | L_035<br>5 | [NOT TSPC_SIMRmv]                                                                                                                                                                                                                                                                                                                                                                                                                                                                                                                                                      |                                                                         | I   |          |

**Detailed Comments:**

- 1) Reject of Location Updating in cell B.
- 2) The SIM is removed.
- 3) The SIM is inserted
- 4) The MS shall reset the list of "forbidden location areas for roaming" when SIM is removed.

| Test Case Dynamic Behaviour                                                                                                                                                                                                                                                                                             |            |                                                                                                                                                                                                                                                                                                                                                                                                                                                                                                                                                                                  |                      |     |                     |
|-------------------------------------------------------------------------------------------------------------------------------------------------------------------------------------------------------------------------------------------------------------------------------------------------------------------------|------------|----------------------------------------------------------------------------------------------------------------------------------------------------------------------------------------------------------------------------------------------------------------------------------------------------------------------------------------------------------------------------------------------------------------------------------------------------------------------------------------------------------------------------------------------------------------------------------|----------------------|-----|---------------------|
| <b>Test Case Name:</b> TC_26_7_4_3_1                                                                                                                                                                                                                                                                                    |            |                                                                                                                                                                                                                                                                                                                                                                                                                                                                                                                                                                                  |                      |     |                     |
| <b>Group:</b> GSM_L3_MS_v4210/MM/                                                                                                                                                                                                                                                                                       |            |                                                                                                                                                                                                                                                                                                                                                                                                                                                                                                                                                                                  |                      |     |                     |
| <b>Purpose:</b> To verify that when during the RR connection establishment phase of a location updating procedure, channel requests are not answered by the network, after expiry of T3213 (= 4s in Phase 2) and when the cell reselection procedure is finished the complete procedure is repeated if still necessary. |            |                                                                                                                                                                                                                                                                                                                                                                                                                                                                                                                                                                                  |                      |     |                     |
| <b>Default:</b> OtherEventsFail                                                                                                                                                                                                                                                                                         |            |                                                                                                                                                                                                                                                                                                                                                                                                                                                                                                                                                                                  |                      |     |                     |
| <b>Comments:</b> Initial Conditions of MS:<br>The MS has valid TMSI, CKSN and Kc.It is "idle updated" on cell B.                                                                                                                                                                                                        |            |                                                                                                                                                                                                                                                                                                                                                                                                                                                                                                                                                                                  |                      |     |                     |
| Foreseen final state of the MS:<br>The MS has no valid TMSI and no CKSN. It is "idle updated" on cell A.                                                                                                                                                                                                                |            |                                                                                                                                                                                                                                                                                                                                                                                                                                                                                                                                                                                  |                      |     |                     |
| Nr                                                                                                                                                                                                                                                                                                                      | Label      | Behaviour Description                                                                                                                                                                                                                                                                                                                                                                                                                                                                                                                                                            | CRef                 | V   | Comments            |
| 1                                                                                                                                                                                                                                                                                                                       |            | START T_guard(300)                                                                                                                                                                                                                                                                                                                                                                                                                                                                                                                                                               |                      |     |                     |
| 2                                                                                                                                                                                                                                                                                                                       |            | +IdleUpdated( C_E_default, C_CellB, C_SCH_B, C_BCCH_B_1, C_Immass, C_S0, C_SlotNU, C_SlotNU, C_SlotNU, C_BCC, C_TxInt_5, TSPX_MaxRetrans, C_NECl_0, C_ATT_0, TimingAdv( 30), C_BABR_0, C_cch_1Comb, C_BPM_3, C_T3212_0, C_ci_cellB, C_MCC_1, C_PLMN_1, C_LAC_2, CellOpt_01, CellChDes_04, CellChDes_03, C_CellReselectHys12, C_MaxPwrLvIG, C_MaxPwrLvID, BcchFreqLst_01, BcchFreqLst_Omit, BcchFreqLst_48, BcchFreqLst_Omit, C_noReestablishment, C_BCC, C_NCC, C_Start_Tmsi, TSPX_SDCCH4SubDef, TSPX_CKSNDf, TSPX_RANDDef, C_arfcnB, C_arfcnBd, TSPX_IMSI, C_Test_fh, C_NCCP_2) |                      |     |                     |
| 3                                                                                                                                                                                                                                                                                                                       |            | +StartCellA( C_E_neighbourdefault, C_Immass, TCV_slot, TCV_tsc, TimingAdv( 30), C_TxInt_5, TSPX_MaxRetrans, C_NECl_0, C_ATT_0, C_BABR_0, C_cch_1Comb, C_BPM_3, C_T3212_0, C_MCC_1, C_PLMN_1, C_LAC_1, CellChDes_02, CellChDes_03, BcchFreqLst_01, BcchFreqLst_48, C_noReestablishment)                                                                                                                                                                                                                                                                                           |                      |     |                     |
| 4                                                                                                                                                                                                                                                                                                                       | body       | +Switchcell( C_CellB, C_CellA, C_LAC_1, TSPX_SDCCH4SubDef, TSPX_CKSNDf, TSPX_RANDDef, C_arfcnA, C_arfcnAd, TCV_Ccd0A, TSPX_IMSI)                                                                                                                                                                                                                                                                                                                                                                                                                                                 |                      |     | 1)                  |
| 5                                                                                                                                                                                                                                                                                                                       |            | (TCV_Cnt:=0)                                                                                                                                                                                                                                                                                                                                                                                                                                                                                                                                                                     |                      |     |                     |
| 6                                                                                                                                                                                                                                                                                                                       |            | REPEAT ltree_ra UNTIL [TCV_Cnt = (TSPX_MaxRetrans+1)]                                                                                                                                                                                                                                                                                                                                                                                                                                                                                                                            |                      |     | 2)                  |
| 7                                                                                                                                                                                                                                                                                                                       |            | START T_dly( 4000)                                                                                                                                                                                                                                                                                                                                                                                                                                                                                                                                                               |                      |     |                     |
| 8                                                                                                                                                                                                                                                                                                                       | L_035<br>6 | ?TIMEOUT T_dly                                                                                                                                                                                                                                                                                                                                                                                                                                                                                                                                                                   |                      | (P) | 3)                  |
| 9                                                                                                                                                                                                                                                                                                                       |            | +MM_LUP_imsi( 5000, MiMsi_omit, MiTmsi_01, C_MCC_1, C_PLMN_1, C_LAC_2, TCV_lac, C_normal_updating, TimingAdv( 30))                                                                                                                                                                                                                                                                                                                                                                                                                                                               |                      |     | 4)<br>4+0s to 4+5 s |
| 10                                                                                                                                                                                                                                                                                                                      |            | (TCV_Null := OM_ChangeRFOf2Cells(C_CellB, C_E_default, C_CellA, C_E_suitable))                                                                                                                                                                                                                                                                                                                                                                                                                                                                                                   |                      |     | 5)                  |
| 11                                                                                                                                                                                                                                                                                                                      |            | (TCV_Cnt := 0)                                                                                                                                                                                                                                                                                                                                                                                                                                                                                                                                                                   |                      |     |                     |
| 12                                                                                                                                                                                                                                                                                                                      |            | REPEAT ltree_ra UNTIL [TCV_Cnt = (TSPX_MaxRetrans+1)]                                                                                                                                                                                                                                                                                                                                                                                                                                                                                                                            |                      |     | 6)                  |
| 13                                                                                                                                                                                                                                                                                                                      |            | (TCV_Null := OM_ChangeRFOf2Cells(C_CellB, C_E_default, C_CellA, C_E_default))                                                                                                                                                                                                                                                                                                                                                                                                                                                                                                    |                      |     | 7)                  |
| 14                                                                                                                                                                                                                                                                                                                      |            | +NoReaction( 15000)                                                                                                                                                                                                                                                                                                                                                                                                                                                                                                                                                              |                      |     | 8)                  |
| 15                                                                                                                                                                                                                                                                                                                      |            | <b>ltree_ra</b><br>L?DL_RaInChRq (TCV_Rr := DL_RaInChRq, msg.ecau_rrf, TCV_Fn := DL_RaInChRq.fn, TCV_Cnt := TCV_Cnt + 1)                                                                                                                                                                                                                                                                                                                                                                                                                                                         | ChReq( ChRequest_09) |     |                     |
| <b>Detailed Comments:</b>                                                                                                                                                                                                                                                                                               |            |                                                                                                                                                                                                                                                                                                                                                                                                                                                                                                                                                                                  |                      |     |                     |
| 1) MS shall selects cell A, cell B is not available.                                                                                                                                                                                                                                                                    |            |                                                                                                                                                                                                                                                                                                                                                                                                                                                                                                                                                                                  |                      |     |                     |
| 2) To send Max-Retrans+1 times Channel Requests in cell A                                                                                                                                                                                                                                                               |            |                                                                                                                                                                                                                                                                                                                                                                                                                                                                                                                                                                                  |                      |     |                     |
| 3) MS shall not try to establish a connection during a period of a cell reselection (4 seconds).                                                                                                                                                                                                                        |            |                                                                                                                                                                                                                                                                                                                                                                                                                                                                                                                                                                                  |                      |     |                     |
| 4) MS shall perform a normal location updating procedure as it is necessary. The time difference                                                                                                                                                                                                                        |            |                                                                                                                                                                                                                                                                                                                                                                                                                                                                                                                                                                                  |                      |     |                     |

between the channel request in the test step and the last channel request in the ltree\_ra shall be in the range of 4-9 seconds.

5) Cell A is not available and MS shall switch to cell B

6) To send Max-Retrans+1 times Channel Requests in cell B

7) Cell A is available again.

8) MS shall not repeat the complete procedure if the original cause of the normal location updating procedure has disappeared.

| Test Case Dynamic Behaviour                                                                                                                                                                                                                                                                                                                                                                                                                                                                                                                                                                 |       |                                                                                                                                                                                                                                                                                                                                                                                                                                                                                                                                                                         |      |   |           |
|---------------------------------------------------------------------------------------------------------------------------------------------------------------------------------------------------------------------------------------------------------------------------------------------------------------------------------------------------------------------------------------------------------------------------------------------------------------------------------------------------------------------------------------------------------------------------------------------|-------|-------------------------------------------------------------------------------------------------------------------------------------------------------------------------------------------------------------------------------------------------------------------------------------------------------------------------------------------------------------------------------------------------------------------------------------------------------------------------------------------------------------------------------------------------------------------------|------|---|-----------|
| <b>Test Case Name:</b> TC_26_7_4_3_2                                                                                                                                                                                                                                                                                                                                                                                                                                                                                                                                                        |       |                                                                                                                                                                                                                                                                                                                                                                                                                                                                                                                                                                         |      |   |           |
| <b>Group:</b> GSM_L3_MS_v4210/MM/                                                                                                                                                                                                                                                                                                                                                                                                                                                                                                                                                           |       |                                                                                                                                                                                                                                                                                                                                                                                                                                                                                                                                                                         |      |   |           |
| <b>Purpose:</b> To verify that the MS performs normal location updating procedures when its attempt counter is smaller than 4. To check that the MS does not perform the IMSI detach procedure when "idle not updated". To verify that when "idle not updated" the MS can perform an emergency call. To verify that when "idle not updated" the MS uses requests from CM layer other than emergency call as triggering of a normal location updating procedure. To verify that the MS performs a normal location updating procedure if it enters a new cell while being "idle not updated". |       |                                                                                                                                                                                                                                                                                                                                                                                                                                                                                                                                                                         |      |   |           |
| <b>Default:</b> OtherEventsFail                                                                                                                                                                                                                                                                                                                                                                                                                                                                                                                                                             |       |                                                                                                                                                                                                                                                                                                                                                                                                                                                                                                                                                                         |      |   |           |
| <b>Comments:</b> Initial Conditions of MS:<br>The MS has valid TMSI and CKSN. It is "idle updated" on cell A.<br><br>Foreseen final state of the MS:<br>The MS has valid TMSI and CKSN. It is "idle updated" on cell A.                                                                                                                                                                                                                                                                                                                                                                     |       |                                                                                                                                                                                                                                                                                                                                                                                                                                                                                                                                                                         |      |   |           |
| Nr                                                                                                                                                                                                                                                                                                                                                                                                                                                                                                                                                                                          | Label | Behaviour Description                                                                                                                                                                                                                                                                                                                                                                                                                                                                                                                                                   | CRef | V | Comments  |
| 1                                                                                                                                                                                                                                                                                                                                                                                                                                                                                                                                                                                           |       | START T_guard( 540)                                                                                                                                                                                                                                                                                                                                                                                                                                                                                                                                                     |      |   |           |
| 2                                                                                                                                                                                                                                                                                                                                                                                                                                                                                                                                                                                           |       | +IdleUpdated( C_E_default, C_CellA, C_SCH_A, C_BCCH_A_1, C_Immass, C_S0, C_SlotNU, C_SlotNU, C_SlotNU, C_BCC, C_TxInt_5, C_Max_1, C_NECI_0, C_ATT_1, TimingAdv( 30), C_BABR_0, C_cch_1Comb, C_BPM_3, C_T3212_0, C_ci_cellA, C_MCC_1, C_PLMN_1, C_LAC_1, CellOpt_01, CellChDes_02, CellChDes_03, C_CellReselectHys12, C_MaxPwrLvIG, C_MaxPwrLvID, BcchFreqLst_01, BcchFreqLst_Omit, BcchFreqLst_48, BcchFreqLst_Omit, C_noRestablishment, C_BCC, C_NCC, C_Start_Tmsi, TSPX_SDCCH4SubDef, TSPX_CKSNDf, TSPX_RANDDef, C_arfcnA, C_arfcnAd, TSPX_IMSI, C_Test_fh, C_NCCP_2) |      |   |           |
| 3                                                                                                                                                                                                                                                                                                                                                                                                                                                                                                                                                                                           |       | +StartCellB( C_E_neighbourdefault, C_arfcnB, C_arfcnBd, C_Immass, TCV_slot, TCV_tsc, TimingAdv( 30), C_TxInt_5, C_Max_1, C_NECI_0, C_ATT_1, C_BABR_0, C_cch_1Comb, C_BPM_3, C_T3212_0, C_MCC_1, C_PLMN_1, C_LAC_2, CellChDes_04, CellChDes_03, BcchFreqLst_01, BcchFreqLst_48, C_noRestablishment, C_BCC, C_NCC)                                                                                                                                                                                                                                                        |      |   |           |
| 4                                                                                                                                                                                                                                                                                                                                                                                                                                                                                                                                                                                           | body  | +ltree_confreq1                                                                                                                                                                                                                                                                                                                                                                                                                                                                                                                                                         |      |   | 1.        |
| 5                                                                                                                                                                                                                                                                                                                                                                                                                                                                                                                                                                                           |       | +ltree_confreq2                                                                                                                                                                                                                                                                                                                                                                                                                                                                                                                                                         |      |   | 2.        |
| 6                                                                                                                                                                                                                                                                                                                                                                                                                                                                                                                                                                                           |       | +ltree_confreq3                                                                                                                                                                                                                                                                                                                                                                                                                                                                                                                                                         |      |   | 3.        |
| 7                                                                                                                                                                                                                                                                                                                                                                                                                                                                                                                                                                                           |       | +ltree_confreq4                                                                                                                                                                                                                                                                                                                                                                                                                                                                                                                                                         |      |   | 4.        |
| 8                                                                                                                                                                                                                                                                                                                                                                                                                                                                                                                                                                                           |       | +ltree_confreq6                                                                                                                                                                                                                                                                                                                                                                                                                                                                                                                                                         |      |   | 6.        |
|                                                                                                                                                                                                                                                                                                                                                                                                                                                                                                                                                                                             |       | <b>ltree_confreq1</b>                                                                                                                                                                                                                                                                                                                                                                                                                                                                                                                                                   |      |   |           |
| 9                                                                                                                                                                                                                                                                                                                                                                                                                                                                                                                                                                                           |       | +Switchcell( C_CellA, C_CellB, C_LAC_2, TSPX_SDCCH4SubDef, TSPX_CKSNDf, TSPX_RANDDef, C_arfcnB, C_arfcnBd, TCV_Ccd0B, TSPX_IMSI)                                                                                                                                                                                                                                                                                                                                                                                                                                        |      |   |           |
| 10                                                                                                                                                                                                                                                                                                                                                                                                                                                                                                                                                                                          |       | +MM_LupRej2( C_rc_protocolerror, MiTmsi_01, C_MCC_1, C_PLMN_1, C_LAC_1, C_normal_updating, TCV_cks, TimingAdv( 30))                                                                                                                                                                                                                                                                                                                                                                                                                                                     |      |   | 1.1.      |
| 11                                                                                                                                                                                                                                                                                                                                                                                                                                                                                                                                                                                          |       | +NoReaction( C_T_T3211min)                                                                                                                                                                                                                                                                                                                                                                                                                                                                                                                                              |      |   | 1.2.      |
| 12                                                                                                                                                                                                                                                                                                                                                                                                                                                                                                                                                                                          |       | +MM_LupAndStop( Milmsi_01, C_MCC_1, C_PLMN_1, C_lacdeleted, C_normal_updating, C_cks_nokey, TimingAdv( 30), TCV_sacch_B, C_T_T3211min)                                                                                                                                                                                                                                                                                                                                                                                                                                  |      |   | In cell B |
| 13                                                                                                                                                                                                                                                                                                                                                                                                                                                                                                                                                                                          |       | +MM_LupInit( Milmsi_01, C_MCC_1, C_PLMN_1, C_lacdeleted, C_normal_updating, C_cks_nokey, TimingAdv( 30))                                                                                                                                                                                                                                                                                                                                                                                                                                                                |      |   | 1.2.      |
| 14                                                                                                                                                                                                                                                                                                                                                                                                                                                                                                                                                                                          |       | +ChanRel(TCV_ch)                                                                                                                                                                                                                                                                                                                                                                                                                                                                                                                                                        |      |   |           |
| 15                                                                                                                                                                                                                                                                                                                                                                                                                                                                                                                                                                                          |       | +NoReaction( C_T_T3211min)                                                                                                                                                                                                                                                                                                                                                                                                                                                                                                                                              |      |   |           |
| 16                                                                                                                                                                                                                                                                                                                                                                                                                                                                                                                                                                                          |       | +MM_LUPauth2( MiTmsi_01iei, Milmsi_01, C_MCC_1, C_PLMN_1, C_lacdeleted, TCV_lac, C_normal_updating, C_cks_nokey, TCV_cks, TSPX_RANDDef, TimingAdv( 30))                                                                                                                                                                                                                                                                                                                                                                                                                 |      |   | 1.2.      |

|    |                                                                                                                                                                        |           |      |
|----|------------------------------------------------------------------------------------------------------------------------------------------------------------------------|-----------|------|
| 17 | +ChanRel(TCV_ch)                                                                                                                                                       |           |      |
| 18 | <b>ltree_confreq2</b><br>+Switchcell( C_CellB, C_CellA, C_LAC_1,<br>TSPX_SDCCH4SubDef, TSPX_CKSNDDef,<br>TSPX_RANDDef, C_arfcnA, C_arfcnAd, TCV_Ccd0A,<br>TSPX_IMSI)   |           |      |
| 19 | +MM_LupRej2( C_rc_conditlEerror, MiTmsi_01,<br>C_MCC_1, C_PLMN_1, C_LAC_2,<br>C_normal_updating, TCV_cks, TimingAdv( 30))                                              | 1.2.      |      |
| 20 | (TCV_Null:=OM_PgFill( C_CellA, PgReqTp1_30(<br>MiTmsi_01)))                                                                                                            |           |      |
| 21 | START T_dly( 8000)                                                                                                                                                     |           |      |
| 22 | (TCV_Null := FALSE)                                                                                                                                                    |           |      |
| 23 | REPEAT ltree_wait_or_Rej UNTIL<br>[TCV_Null]                                                                                                                           |           |      |
| 24 | +ltree2_send                                                                                                                                                           |           |      |
| 25 | <b>ltree2_send</b><br>(TCV_Null:=OM_PgFill( C_CellA, PgReqTp1Norm))                                                                                                    |           |      |
| 26 | START T_dly( 12000)                                                                                                                                                    |           |      |
| 27 | (TCV_Null := FALSE)                                                                                                                                                    |           |      |
| 28 | REPEAT ltree_wait_or_Rej UNTIL [TCV_Null]                                                                                                                              |           |      |
| 29 | +ImsiDetachNoReaction( 30000,<br>C_SIMneedRmv)                                                                                                                         |           |      |
| 30 | +MM_PwrOrSimOn(C_SIMneedRmv)                                                                                                                                           |           |      |
| 31 | +MM_LUPauth2( MiTmsi_01iei,<br>Milmsi_01, C_MCC_1, C_PLMN_1,<br>C_lacdeleted, TCV_lac,<br>C_normal_updating, C_cks_nokey,<br>TCV_cks, TSPX_RANDDef, TimingAdv(<br>30)) |           |      |
| 32 | +ChanRel(TCV_ch)                                                                                                                                                       |           |      |
| 33 | <b>ltree_wait_or_Rej</b><br>L_035 ?TIMEOUT T_dly<br>7                                                                                                                  | (P)       |      |
| 34 | (TCV_Null := TRUE)                                                                                                                                                     |           |      |
| 35 | +MM_LupRej( C_rc_conditlEerror,<br>C_normal_updating, TimingAdv( 30))                                                                                                  | 2.3.      |      |
| 36 | <b>ltree_confreq3</b><br>+Switchcell( C_CellA, C_CellB, C_LAC_2,<br>TSPX_SDCCH4SubDef, TSPX_CKSNDDef,<br>TSPX_RANDDef, C_arfcnB, C_arfcnBd, TCV_Ccd0B,<br>TSPX_IMSI)   |           |      |
| 37 | +MM_LupAuthRpt( MiTmsi_01, C_MCC_1,<br>C_PLMN_1, C_LAC_1, C_normal_updating,<br>TCV_cks, TSPX_RANDDef, TimingAdv( 30))                                                 |           |      |
| 38 | +NoReaction( 3000)                                                                                                                                                     |           |      |
| 39 | +MM_check_ecall2( Milmsi_01, C_cks_nokey,<br>TimingAdv( 30))                                                                                                           | 3.2.      |      |
| 40 | START T_dly( 15000)                                                                                                                                                    |           |      |
| 41 | L_035 ?TIMEOUT T_dly<br>8                                                                                                                                              | (F)       | 3.3. |
| 42 | +ChanRel(TCV_ch)                                                                                                                                                       |           |      |
| 43 | +MM_LUPauth2( MiTmsi_01iei, Milmsi_01,<br>C_MCC_1, C_PLMN_1, C_lacdeleted,<br>TCV_lac, C_normal_updating,<br>C_cks_nokey, TCV_cks,<br>TSPX_RANDDef, TimingAdv( 30))    |           |      |
| 44 | +ChanRel(TCV_ch)                                                                                                                                                       |           |      |
| 45 | <b>ltree_confreq4</b><br>+Switchcell( C_CellB, C_CellA, C_LAC_1,<br>TSPX_SDCCH4SubDef, TSPX_CKSNDDef,<br>TSPX_RANDDef, C_arfcnA, C_arfcnAd, TCV_Ccd0A,<br>TSPX_IMSI)   |           |      |
| 46 | +MM_LupAndStop( MiTmsi_01, C_MCC_1,<br>C_PLMN_1, C_LAC_2, C_normal_updating,                                                                                           | In cell A |      |



|    |            |                                                                                                                                                                       |                                                                                                                                                  |     |                         |
|----|------------|-----------------------------------------------------------------------------------------------------------------------------------------------------------------------|--------------------------------------------------------------------------------------------------------------------------------------------------|-----|-------------------------|
| 47 |            | TCV_cksn, TimingAdv( 30), TCV_sacch, 0)<br>+BasicServiceMO( TSPX_MOBScSvcD,<br>TSPX_MOChRateD)                                                                        |                                                                                                                                                  |     |                         |
| 48 |            | +InitCall(TCV_Service)                                                                                                                                                |                                                                                                                                                  |     |                         |
| 49 |            | +MM_LUP2( MiTmsi_01iei, Milmsi_01,<br>C_MCC_1, C_PLMN_1, C_lacdeleted,<br>TCV_lac, C_normal_updating,<br>C_cksn_nokey, TimingAdv( 30))                                |                                                                                                                                                  |     | 4.2.                    |
| 50 |            | START T_dly( 10000)                                                                                                                                                   |                                                                                                                                                  |     | 4.3.                    |
| 51 | L_035<br>9 | ?TIMEOUT T_dly                                                                                                                                                        |                                                                                                                                                  | (P) |                         |
| 52 |            | L?DL_RaInChRq (TCV_Rr :=<br>DL_RaInChRq, msg.ecau_rrf, TCV_Fn<br>:= DL_RaInChRq.fn)                                                                                   | ChReq(<br>ChRequest_02)                                                                                                                          |     | 4.3.                    |
| 53 |            | ACTIVATE( OtherEventsFail_02)                                                                                                                                         |                                                                                                                                                  |     | To match ChReq retrans. |
| 54 |            | CANCEL T_dly                                                                                                                                                          |                                                                                                                                                  |     |                         |
| 55 |            | L!DL_UdatRqImmass                                                                                                                                                     | ImmAss( TCV_agch,<br>ImmAsgn_01Def(<br>TCV_Rr, TCV_Fn,<br>TSPX_SDCCH4SubD<br>ef, TCV_slot,<br>TCV_tsc,<br>TCV_chdescr_arfcn,<br>TimingAdv( 30))) |     |                         |
| 56 | L_036<br>0 | L?DL_EstInCmsRq                                                                                                                                                       | CMSerReq(<br>CMSerReq_32(<br>MiTmsi_01,<br>C_cksn_nokey))                                                                                        | (P) |                         |
| 57 |            | ACTIVATE( OtherEventsFail)                                                                                                                                            |                                                                                                                                                  |     | Restore Normal default  |
| 58 |            | +ChanRel( TCV_ch)                                                                                                                                                     |                                                                                                                                                  |     |                         |
| 59 |            | <b>Itree_confreq6</b><br>+Switchcell( C_CellA, C_CellB, C_LAC_2,<br>TSPX_SDCCH4SubDef, TSPX_CKSNDf,<br>TSPX_RANDDef, C_arfcnB, C_arfcnBd, TCV_Ccd0B,<br>TSPX_IMSI)    |                                                                                                                                                  |     |                         |
| 60 |            | +MM_LupInit( MiTmsi_01, C_MCC_1, C_PLMN_1,<br>C_LAC_1, C_normal_updating, C_cksn_nokey,<br>TimingAdv( 30))                                                            |                                                                                                                                                  |     |                         |
| 61 |            | L!DL_DatRqChRel START T_dly(<br>C_T_T3211plus)                                                                                                                        | ChRel( TCV_ch,<br>ChRelease_01)                                                                                                                  |     |                         |
| 62 | L_036<br>1 | L?DL_RelIn                                                                                                                                                            | DLRelInd_01                                                                                                                                      | (P) |                         |
| 63 |            | +Switchcell( C_CellB, C_CellA, C_LAC_1,<br>TSPX_SDCCH4SubDef, TSPX_CKSNDf,<br>TSPX_RANDDef, C_arfcnA, C_arfcnAd,<br>TCV_Ccd0A, TSPX_IMSI)                             |                                                                                                                                                  |     |                         |
| 64 |            | +MM_LUPauth2( MiTmsi_01iei, Milmsi_01,<br>C_MCC_1, C_PLMN_1, C_lacdeleted,<br>TCV_lac, C_normal_updating,<br>C_cksn_nokey, TCV_cksn,<br>TSPX_RANDDef, TimingAdv( 30)) |                                                                                                                                                  |     | 6.2.                    |
| 65 |            | +ChanRel_end(TCV_ch)                                                                                                                                                  |                                                                                                                                                  |     |                         |
| 66 | L_036<br>2 | ?TIMEOUT T_dly                                                                                                                                                        |                                                                                                                                                  | (F) | 6.1.                    |

**Detailed Comments:**

1. Test of Conformance Requirement 1
  - 1.1. Reject of Location Updating in cell B
  - 1.2. MS shall wait the period of T3211 and restart the normal location updating procedure when the attempt counter is smaller than 4.
  - 1.3. Radio Link Failure extends the period of delay for next location updating.
2. Test of Conformance Requirement 2
  - 2.1. Reject of Location Updating in cell A
  - 2.2. MS shall not answer to paging
  - 2.3. All of location updating requests shall be rejected.
  - 2.4. MS shall not perform the IMSI detach procedure.
3. Test of Conformance Requirement 3
  - 3.1. Failure during Location Updating in cell A
  - 3.2. MS shall support emergency call.

3.3. MS shall wait at most 15 sec. for location updating

4. Test of Conformance Requirement 4

4.1. Failure during Location Updating Procedure

4.2. MS shall use a request from Cm entity other than emergency call as a trigger for a normal location updating procedure.

4.3. After the Location Updating Procedure MS can (optional) start automatically the Cm entity service again. It is optional and shall be observed only 15 sec.

6. Test of Conformance Requirement 6

6.1. Failure during Location Updating Procedure

6.2. MS shall start the location Updating Procedure as soon as it enters a new cell.

| Test Case Dynamic Behaviour                                                                                                                                                                                                                                                                                                                                                                                                                     |       |                                                                                                                                                                                                                                                                                                                                                                                                                                                                                                                                                                           |      |   |          |
|-------------------------------------------------------------------------------------------------------------------------------------------------------------------------------------------------------------------------------------------------------------------------------------------------------------------------------------------------------------------------------------------------------------------------------------------------|-------|---------------------------------------------------------------------------------------------------------------------------------------------------------------------------------------------------------------------------------------------------------------------------------------------------------------------------------------------------------------------------------------------------------------------------------------------------------------------------------------------------------------------------------------------------------------------------|------|---|----------|
| <b>Test Case Name:</b> TC_26_7_4_3_3                                                                                                                                                                                                                                                                                                                                                                                                            |       |                                                                                                                                                                                                                                                                                                                                                                                                                                                                                                                                                                           |      |   |          |
| <b>Group:</b> GSM_L3_MS_v4210/MM/                                                                                                                                                                                                                                                                                                                                                                                                               |       |                                                                                                                                                                                                                                                                                                                                                                                                                                                                                                                                                                           |      |   |          |
| <b>Purpose:</b><br>To verify that the MS performs normal location updating after T3212 expiry when its attempt counter has reached value 4 and that the MS reset its attempt counter after a timer T3212 expiry.<br>To verify that the MS still follows the MM-IDLE ATTEMPTING TO UPDATE state requirements after its attempt counter has reached value 4.<br>To verify that the attempt counter is reset in the cases where it has to be done. |       |                                                                                                                                                                                                                                                                                                                                                                                                                                                                                                                                                                           |      |   |          |
| <b>Default:</b> OtherEventsFail                                                                                                                                                                                                                                                                                                                                                                                                                 |       |                                                                                                                                                                                                                                                                                                                                                                                                                                                                                                                                                                           |      |   |          |
| <b>Comments:</b><br>Initial Conditions of MS:<br>The MS has valid TMSI and CKSN.It is "idle updated" on cell B.<br><br>Foreseen final state of the MS:<br>The MS has valid TMSI and CKSN. It is "idle updated" on cell A.                                                                                                                                                                                                                       |       |                                                                                                                                                                                                                                                                                                                                                                                                                                                                                                                                                                           |      |   |          |
| Nr                                                                                                                                                                                                                                                                                                                                                                                                                                              | Label | Behaviour Description                                                                                                                                                                                                                                                                                                                                                                                                                                                                                                                                                     | CRef | V | Comments |
| 1                                                                                                                                                                                                                                                                                                                                                                                                                                               |       | START T_guard( 1800)                                                                                                                                                                                                                                                                                                                                                                                                                                                                                                                                                      |      |   |          |
| 2                                                                                                                                                                                                                                                                                                                                                                                                                                               |       | +IdleUpdated( C_E_default, C_CellB, C_SCH_B, C_BCCH_B_1, C_Immass, C_S0, C_SlotNU, C_SlotNU, C_SlotNU, C_BCC, C_TxInt_5, C_Max_1, C_NECI_0, C_ATT_1, TimingAdv( 30), C_BABR_0, C_cch_1Comb, C_BPM_3, C_T3212_1, C_ci_cellB, C_MCC_1, C_PLMN_1, C_LAC_2, CellOpt_01, CellChDes_04, CellChDes_03, C_CellReselectHys12, C_MaxPwrLvIG, C_MaxPwrLvID, BcchFreqLst_01, BcchFreqLst_Omit, BcchFreqLst_48, BcchFreqLst_Omit, C_noRestablishment, C_BCC, C_NCC, C_Start_Tmsi, TSPX_SDCCH4SubDef, TSPX_CKSNDDef, TSPX_RANDDef, C_arfcnB, C_arfcnBd, TSPX_IMSI, C_Test_fh, C_NCCP_2) |      |   |          |
| 3                                                                                                                                                                                                                                                                                                                                                                                                                                               |       | +StartCellA( C_E_neighbourdefault, C_Immass, TCv_slot, TCv_tsc, TimingAdv( 30), C_TxInt_5, C_Max_1, C_NECI_0, C_ATT_1, C_BABR_0, C_cch_1Comb, C_BPM_3, C_T3212_1, C_MCC_1, C_PLMN_1, C_LAC_1, CellChDes_02, CellChDes_03, BcchFreqLst_01, BcchFreqLst_48, C_noRestablishment)                                                                                                                                                                                                                                                                                             |      |   |          |
| 4                                                                                                                                                                                                                                                                                                                                                                                                                                               | body  | +ltree_part1                                                                                                                                                                                                                                                                                                                                                                                                                                                                                                                                                              |      |   | 1.       |
| 5                                                                                                                                                                                                                                                                                                                                                                                                                                               |       | +ltree_part2                                                                                                                                                                                                                                                                                                                                                                                                                                                                                                                                                              |      |   | 2.       |
| 6                                                                                                                                                                                                                                                                                                                                                                                                                                               |       | +ltree_part3                                                                                                                                                                                                                                                                                                                                                                                                                                                                                                                                                              |      |   | 3.       |
| 7                                                                                                                                                                                                                                                                                                                                                                                                                                               |       | <b>ltree_part1</b><br>+Switchcell( C_CellB, C_CellA, C_LAC_1, TSPX_SDCCH4SubDef, TSPX_CKSNDDef, TSPX_RANDDef, C_arfcnA, C_arfcnAd, TCv_Ccd0A, TSPX_IMSI)                                                                                                                                                                                                                                                                                                                                                                                                                  |      |   |          |
| 8                                                                                                                                                                                                                                                                                                                                                                                                                                               |       | +MM_LupRej2( C_rc_congestion, MiTmsi_01, C_MCC_1, C_PLMN_1, C_LAC_2, C_normal_updating, TCv_cks, TimingAdv( 30))                                                                                                                                                                                                                                                                                                                                                                                                                                                          |      |   |          |
| 9                                                                                                                                                                                                                                                                                                                                                                                                                                               |       | +NoReaction( C_T_T3211min)                                                                                                                                                                                                                                                                                                                                                                                                                                                                                                                                                |      |   |          |
| 10                                                                                                                                                                                                                                                                                                                                                                                                                                              |       | +MM_LupAndStop( Milmsi_01, C_MCC_1, C_PLMN_1, C_lacdeleted, C_normal_updating, C_cks_nokey, TimingAdv( 30), TCv_sacch, C_T_T3211min)                                                                                                                                                                                                                                                                                                                                                                                                                                      |      |   |          |
| 11                                                                                                                                                                                                                                                                                                                                                                                                                                              |       | +MM_LupAuthRpt( Milmsi_01, C_MCC_1, C_PLMN_1, C_lacdeleted, C_normal_updating, C_cks_nokey, TSPX_RANDDef, TimingAdv( 30))                                                                                                                                                                                                                                                                                                                                                                                                                                                 |      |   |          |
| 12                                                                                                                                                                                                                                                                                                                                                                                                                                              |       | +ltree_part1_2                                                                                                                                                                                                                                                                                                                                                                                                                                                                                                                                                            |      |   |          |
| 13                                                                                                                                                                                                                                                                                                                                                                                                                                              |       | <b>ltree_part1_2</b><br>+NoReaction( C_T_T3211min)                                                                                                                                                                                                                                                                                                                                                                                                                                                                                                                        |      |   |          |
| 14                                                                                                                                                                                                                                                                                                                                                                                                                                              |       | +MM_LupInit( Milmsi_01, C_MCC_1, C_PLMN_1, C_lacdeleted, C_normal_updating, C_cks_nokey, TimingAdv( 30))                                                                                                                                                                                                                                                                                                                                                                                                                                                                  |      |   |          |
| 15                                                                                                                                                                                                                                                                                                                                                                                                                                              |       | +ChanRel(TCv_ch)                                                                                                                                                                                                                                                                                                                                                                                                                                                                                                                                                          |      |   | 1.1.     |
| 16                                                                                                                                                                                                                                                                                                                                                                                                                                              |       | +NoReaction( C_T_T3212min)                                                                                                                                                                                                                                                                                                                                                                                                                                                                                                                                                |      |   |          |
| 17                                                                                                                                                                                                                                                                                                                                                                                                                                              |       | +MM_LupRej2( C_rc_networkfailure, Milmsi_01, C_MCC_1, C_PLMN_1, C_lacdeleted, C_normal_updating,                                                                                                                                                                                                                                                                                                                                                                                                                                                                          |      |   | 1.2.     |

|    |                                                                                                                                                                          |                         |                         |
|----|--------------------------------------------------------------------------------------------------------------------------------------------------------------------------|-------------------------|-------------------------|
| 18 | C_cks_nokey, TimingAdv( 30))                                                                                                                                             |                         |                         |
| 19 | +NoReaction( C_T_T3211min)                                                                                                                                               |                         |                         |
| 20 | +MM_LUPauth2( MiTmsi_01iei,<br>Milmsi_01, C_MCC_1, C_PLMN_1,<br>C_lacdeleted, TCV_lac,<br>C_normal_updating, C_cks_nokey,<br>TCV_cks_n, TSPX_RANDDef, TimingAdv(<br>30)) | 1.3.                    |                         |
| 21 | +ChanRel( TCV_ch)                                                                                                                                                        |                         |                         |
| 22 | <b>ltree_part2</b>                                                                                                                                                       |                         |                         |
| 23 | +Switchcell( C_CellA, C_CellB, C_LAC_2,<br>TSPX_SDCCH4SubDef, TSPX_CKSNDf,<br>TSPX_RANDDef, C_arfcnB, C_arfcnBd, TCV_Ccd0B,<br>TSPX_IMSI)                                |                         |                         |
| 24 | +ltree_increaseATcounter( C_LAC_1,<br>TCV_sacch_B)                                                                                                                       |                         |                         |
| 25 | +MM_LupRej2( C_rc_notidentified, Milmsi_01,<br>C_MCC_1, C_PLMN_1, C_lacdeleted,<br>C_normal_updating, C_cks_nokey, TimingAdv(<br>30))                                    | 2.1.                    |                         |
| 26 | +MM_check_ecall2( Milmsi_01, C_cks_nokey,<br>TimingAdv( 30))                                                                                                             | 2.2.                    |                         |
| 27 | +ImsiDetachNoReaction( 3000, C_SIMIn)                                                                                                                                    | 7.                      |                         |
| 28 | +MM_PwrOrSimOn( C_SIMneedRmv)                                                                                                                                            |                         |                         |
| 29 | +MM_LUPauth2(MiTmsi_01iei,<br>Milmsi_01, C_MCC_1, C_PLMN_1,<br>C_lacdeleted, TCV_lac,<br>C_normal_updating, C_cks_nokey,<br>TCV_cks_n, TSPX_RANDDef, TimingAdv(<br>30))  |                         |                         |
| 30 | +ChanRel(TCV_ch)                                                                                                                                                         |                         |                         |
| 31 | <b>ltree_part3</b>                                                                                                                                                       |                         |                         |
| 32 | +Switchcell( C_CellB, C_CellA, C_LAC_1,<br>TSPX_SDCCH4SubDef, TSPX_CKSNDf,<br>TSPX_RANDDef, C_arfcnA, C_arfcnAd, TCV_Ccd0A,<br>TSPX_IMSI)                                |                         |                         |
| 33 | +ltree_increaseATcounter( C_LAC_2, TCV_sacch)                                                                                                                            |                         |                         |
| 34 | +MM_LupAndStop( Milmsi_01, C_MCC_1,<br>C_PLMN_1, C_lacdeleted, C_normal_updating,<br>C_cks_nokey, TimingAdv( 30), TCV_sacch, 0)                                          | 3.1.                    |                         |
| 35 | +BasicServiceMO( TSPX_MOBscSvcF,<br>TSPX_MOChRateF)                                                                                                                      |                         |                         |
| 36 | +InitCall(TCV_Service)                                                                                                                                                   |                         |                         |
| 37 | +MM_LupInit( Milmsi_01, C_MCC_1,<br>C_PLMN_1, C_lacdeleted,<br>C_normal_updating, C_cks_nokey,<br>TimingAdv( 30))                                                        | 3.2.                    |                         |
| 38 | +ChanRel(TCV_ch)                                                                                                                                                         |                         |                         |
| 39 | +ltree_part3_2                                                                                                                                                           |                         |                         |
| 40 | <b>ltree_part3_2</b>                                                                                                                                                     |                         |                         |
| 41 | +NoReaction( C_T_T3211min)                                                                                                                                               |                         |                         |
| 42 | +MM_LUPauth2( MiTmsi_01iei, Milmsi_01,<br>C_MCC_1, C_PLMN_1, C_lacdeleted, TCV_lac,<br>C_normal_updating, C_cks_nokey, TCV_cks_n,<br>TSPX_RANDDef, TimingAdv( 30))       | 3.3.                    |                         |
| 43 | +ChanRel(TCV_ch)                                                                                                                                                         |                         |                         |
| 44 | START T_dly( 10000)                                                                                                                                                      |                         |                         |
| 45 | +ltree_part3_3                                                                                                                                                           |                         |                         |
| 46 | +ltree_part3_4                                                                                                                                                           |                         |                         |
| 47 | <b>ltree_part3_3</b>                                                                                                                                                     |                         |                         |
| 48 | ?TIMEOUT T_dly                                                                                                                                                           |                         |                         |
| 49 | L?DL_RaInChRq( TCV_Rr := DL_RaInChRq.<br>msg.ecau_rrf, TCV_Fn := DL_RaInChRq.fn)                                                                                         | ChReq(<br>ChRequest_02) |                         |
| 50 | CANCEL T_dly                                                                                                                                                             |                         |                         |
| 51 | ACTIVATE(OtherEventsFail_02)                                                                                                                                             |                         | To match ChReq retrans. |
| 52 | L!DL_UdatRqImmss                                                                                                                                                         | ImmAss( TCV_agch,       |                         |

|                                                                                                                                                                                                                                                                                                                                                                                                                                                                                                                                                                                                                                                                                                                                                                                                                                                                                                      |            |                                                                                                                                                                                              |                                                                                                                                                                                              |     |                        |
|------------------------------------------------------------------------------------------------------------------------------------------------------------------------------------------------------------------------------------------------------------------------------------------------------------------------------------------------------------------------------------------------------------------------------------------------------------------------------------------------------------------------------------------------------------------------------------------------------------------------------------------------------------------------------------------------------------------------------------------------------------------------------------------------------------------------------------------------------------------------------------------------------|------------|----------------------------------------------------------------------------------------------------------------------------------------------------------------------------------------------|----------------------------------------------------------------------------------------------------------------------------------------------------------------------------------------------|-----|------------------------|
| 47                                                                                                                                                                                                                                                                                                                                                                                                                                                                                                                                                                                                                                                                                                                                                                                                                                                                                                   | L_036<br>3 | L?DL_EstInCmsRq                                                                                                                                                                              | ImmAsgn_01Def(<br>TCV_Rr, TCV_Fn,<br>TSPX_SDCCH4SubD<br>ef, TCV_slot,<br>TCV_tsc,<br>TCV_chdescr_arfcn,<br>TimingAdv( 30)))<br>CMSerReq(<br>CMServiceReq_32(<br>MiTmsi_01,TCV_cks<br>n<br>)) | (P) |                        |
| 48                                                                                                                                                                                                                                                                                                                                                                                                                                                                                                                                                                                                                                                                                                                                                                                                                                                                                                   |            | ACTIVATE(OtherEventsFail)                                                                                                                                                                    |                                                                                                                                                                                              |     | Restore Normal default |
| 49                                                                                                                                                                                                                                                                                                                                                                                                                                                                                                                                                                                                                                                                                                                                                                                                                                                                                                   |            | L!DL_DatRqCmsRej                                                                                                                                                                             | CMSerReq( TCV_ch,<br>CMServiceRej_30(<br>C_rc_networkfailure))                                                                                                                               |     |                        |
| 50                                                                                                                                                                                                                                                                                                                                                                                                                                                                                                                                                                                                                                                                                                                                                                                                                                                                                                   |            | +ChanRel(TCV_ch)                                                                                                                                                                             |                                                                                                                                                                                              |     |                        |
| 51                                                                                                                                                                                                                                                                                                                                                                                                                                                                                                                                                                                                                                                                                                                                                                                                                                                                                                   |            | <b>ltree_part3_4</b><br>+Switchcell( C_CellA, C_CellB, C_LAC_2,<br>TSPX_SDCCH4SubDef, TSPX_CKSNDf,<br>TSPX_RANDDf, C_arfcnB, C_arfcnBd, TCV_Ccd0B,<br>TSPX_IMSI)                             |                                                                                                                                                                                              |     |                        |
| 52                                                                                                                                                                                                                                                                                                                                                                                                                                                                                                                                                                                                                                                                                                                                                                                                                                                                                                   |            | +ltree_increaseATcounter( C_LAC_1,<br>TCV_sacch_B)                                                                                                                                           |                                                                                                                                                                                              |     |                        |
| 53                                                                                                                                                                                                                                                                                                                                                                                                                                                                                                                                                                                                                                                                                                                                                                                                                                                                                                   |            | +MM_LupRej2( C_rc_invalidmaninfo, Milmsi_01,<br>C_MCC_1, C_PLMN_1, C_lacdeleted,<br>C_normal_updating, C_cks_nokey, TimingAdv(<br>30))                                                       |                                                                                                                                                                                              |     | 3.4.                   |
| 54                                                                                                                                                                                                                                                                                                                                                                                                                                                                                                                                                                                                                                                                                                                                                                                                                                                                                                   |            | +Switchcell( C_CellB, C_CellA, C_LAC_1,<br>TSPX_SDCCH4SubDef, TSPX_CKSNDf,<br>TSPX_RANDDf, C_arfcnA, C_arfcnAd,<br>TCV_Ccd0A, TSPX_IMSI)                                                     |                                                                                                                                                                                              |     | 3.5.                   |
| 55                                                                                                                                                                                                                                                                                                                                                                                                                                                                                                                                                                                                                                                                                                                                                                                                                                                                                                   |            | +MM_LupAndStop( Milmsi_01, C_MCC_1,<br>C_PLMN_1, C_lacdeleted,<br>C_normal_updating, C_cks_nokey,<br>TimingAdv( 30), TCV_sacch, C_T_T3211min)                                                |                                                                                                                                                                                              |     |                        |
| 56                                                                                                                                                                                                                                                                                                                                                                                                                                                                                                                                                                                                                                                                                                                                                                                                                                                                                                   |            | +MM_LUPauth2( MiTmsi_01iei, Milmsi_01,<br>C_MCC_1, C_PLMN_1, C_lacdeleted,<br>TCV_lac, C_normal_updating,<br>C_cks_nokey, TCV_cks_n,<br>TSPX_RANDDf, TimingAdv( 30))                         |                                                                                                                                                                                              |     | 3.6.                   |
| 57                                                                                                                                                                                                                                                                                                                                                                                                                                                                                                                                                                                                                                                                                                                                                                                                                                                                                                   | post       | +ChanRel_end(TCV_ch)                                                                                                                                                                         |                                                                                                                                                                                              |     |                        |
| 58                                                                                                                                                                                                                                                                                                                                                                                                                                                                                                                                                                                                                                                                                                                                                                                                                                                                                                   |            | <b>ltree_increaseATcounter( lac:OCTETSTRING; par:<br/>LOGICCH)</b><br>+MM_LupRej2(C_rc_notidentified, MiTmsi_01,<br>C_MCC_1, C_PLMN_1, lac, C_normal_updating,<br>TCV_cks_n, TimingAdv( 30)) |                                                                                                                                                                                              |     |                        |
| 59                                                                                                                                                                                                                                                                                                                                                                                                                                                                                                                                                                                                                                                                                                                                                                                                                                                                                                   |            | +NoReaction( C_T_T3211min)                                                                                                                                                                   |                                                                                                                                                                                              |     |                        |
| 60                                                                                                                                                                                                                                                                                                                                                                                                                                                                                                                                                                                                                                                                                                                                                                                                                                                                                                   |            | +MM_LupAndStop( Milmsi_01, C_MCC_1,<br>C_PLMN_1, C_lacdeleted, C_normal_updating,<br>C_cks_nokey, TimingAdv( 30), par,<br>C_T_T3211min)                                                      |                                                                                                                                                                                              |     |                        |
| 61                                                                                                                                                                                                                                                                                                                                                                                                                                                                                                                                                                                                                                                                                                                                                                                                                                                                                                   |            | +MM_LupInIt( Milmsi_01, C_MCC_1,<br>C_PLMN_1, C_lacdeleted, C_normal_updating,<br>C_cks_nokey, TimingAdv( 30))                                                                               |                                                                                                                                                                                              |     |                        |
| 62                                                                                                                                                                                                                                                                                                                                                                                                                                                                                                                                                                                                                                                                                                                                                                                                                                                                                                   |            | +ChanRel(TCV_ch)                                                                                                                                                                             |                                                                                                                                                                                              |     |                        |
| 63                                                                                                                                                                                                                                                                                                                                                                                                                                                                                                                                                                                                                                                                                                                                                                                                                                                                                                   |            | +NoReaction( C_T_T3211min)                                                                                                                                                                   |                                                                                                                                                                                              |     |                        |
| <p><b>Detailed Comments:</b></p> <ol style="list-style-type: none"> <li>1. To test conformance requirement 1 <ol style="list-style-type: none"> <li>1.1. Attempt counter is now equal to 4</li> <li>1.2. MS shall perform location updating after T3212</li> <li>1.3. MS shall initiate location updating procedure, if the updating was unsuccessful.</li> </ol> </li> <li>2.) To test conformance requirement 2 <ol style="list-style-type: none"> <li>2.1. Attempt counter is now equal to 4</li> <li>2.2. MS shall perform request for emergency call</li> <li>2.3. MS shall not perform an IMSI detach procedure</li> </ol> </li> <li>3.) To test conformance requirement 3 and 4 <ol style="list-style-type: none"> <li>3.1. Attempt counter is now equal to 4</li> <li>3.2. MS shall use a request from CM entity for MM connection for a service other than emergency</li> </ol> </li> </ol> |            |                                                                                                                                                                                              |                                                                                                                                                                                              |     |                        |

call as a trigger for a normal location updating procedure.

3.3. MS shall reset the attempt counter after successful location updating procedure.

3.4. Attempt counter is now equal to 4

3.5. MS shall perform the normal location updating procedure after entering a new cell.

3.6. If the location updating procedure unsuccessful, the MS shall trigger the location updating after T3211 again.

| Test Case Dynamic Behaviour                                                                                                                                                                                                                                                                                                                                                                                                        |       |                                                                                                                                                                                                                                                                                                                                                                                                                                                                                                                                                                                     |                                                     |   |          |
|------------------------------------------------------------------------------------------------------------------------------------------------------------------------------------------------------------------------------------------------------------------------------------------------------------------------------------------------------------------------------------------------------------------------------------|-------|-------------------------------------------------------------------------------------------------------------------------------------------------------------------------------------------------------------------------------------------------------------------------------------------------------------------------------------------------------------------------------------------------------------------------------------------------------------------------------------------------------------------------------------------------------------------------------------|-----------------------------------------------------|---|----------|
| <b>Test Case Name:</b> TC_26_7_4_3_4                                                                                                                                                                                                                                                                                                                                                                                               |       |                                                                                                                                                                                                                                                                                                                                                                                                                                                                                                                                                                                     |                                                     |   |          |
| <b>Group:</b> GSM_L3_MS_v4210/MM/                                                                                                                                                                                                                                                                                                                                                                                                  |       |                                                                                                                                                                                                                                                                                                                                                                                                                                                                                                                                                                                     |                                                     |   |          |
| <b>Purpose:</b> To verify that in the case when the attempt counter is smaller than 4 and the broadcast LAI is equal to the stored LAI, the MS is in the MM-IDLE state and NORMAL SERVICE substate. To verify that timer T3211 is stopped after a MM connection establishment. To verify that the MS uses the T3211 timer. and that it enters the MM-IDLE state and NORMAL SERVICE substate when its attempt counter reaches value |       |                                                                                                                                                                                                                                                                                                                                                                                                                                                                                                                                                                                     |                                                     |   |          |
| <b>Default:</b> OtherEventsFail                                                                                                                                                                                                                                                                                                                                                                                                    |       |                                                                                                                                                                                                                                                                                                                                                                                                                                                                                                                                                                                     |                                                     |   |          |
| <b>Comments:</b> Initial Conditions of MS:<br>The MS has valid TMSI and CKSN. It is "idle updated" on cell B.<br><br>Foreseen final state of the MS:<br>The MS has valid TMSI and CKSN. It is "idle updated" on cell B.                                                                                                                                                                                                            |       |                                                                                                                                                                                                                                                                                                                                                                                                                                                                                                                                                                                     |                                                     |   |          |
| Nr                                                                                                                                                                                                                                                                                                                                                                                                                                 | Label | Behaviour Description                                                                                                                                                                                                                                                                                                                                                                                                                                                                                                                                                               | CRef                                                | V | Comments |
| 1                                                                                                                                                                                                                                                                                                                                                                                                                                  |       | START T_guard(2700)                                                                                                                                                                                                                                                                                                                                                                                                                                                                                                                                                                 |                                                     |   |          |
| 2                                                                                                                                                                                                                                                                                                                                                                                                                                  |       | +IdleUpdated( C_E_neighbourdefault, C_CellB, C_SCH_B, C_BCCH_B_1, C_Immass, C_S0, C_SlotNU, C_SlotNU, C_SlotNU, C_BCC, C_TxInt_5, C_Max_1, C_NECI_0, C_ATT_1, TimingAdv( 30), C_BABR_0, C_cch_1Comb, C_BPM_3, C_T3212_1, C_ci_cellB, C_MCC_1, C_PLMN_1, C_LAC_2, CellOpt_01, CellChDes_Omit, CellChDes_Omit, C_CellReselectHys12, C_MaxPwrLvlG, C_MaxPwrLvlD, BcchFreqLst_01, BcchFreqLst_01, BcchFreqLst_48, BcchFreqLst_48, C_noReestablishment, C_BCC, C_NCC, C_Start_Tmsi, TSPX_SDCCH4SubDef, TSPX_CKSNDef, TSPX_RANDDef, C_arfcnB, C_arfcnBd, TSPX_IMSI, C_Test_nfh, C_NCCP_2) |                                                     |   |          |
| 3                                                                                                                                                                                                                                                                                                                                                                                                                                  |       | +ltree_confreq1                                                                                                                                                                                                                                                                                                                                                                                                                                                                                                                                                                     |                                                     |   | 1.       |
| 4                                                                                                                                                                                                                                                                                                                                                                                                                                  |       | +ltree_confreq2                                                                                                                                                                                                                                                                                                                                                                                                                                                                                                                                                                     |                                                     |   | 2.       |
| 5                                                                                                                                                                                                                                                                                                                                                                                                                                  |       | +ltree_confreq3                                                                                                                                                                                                                                                                                                                                                                                                                                                                                                                                                                     |                                                     |   | 3.       |
| 6                                                                                                                                                                                                                                                                                                                                                                                                                                  |       | +ltree_confreq4                                                                                                                                                                                                                                                                                                                                                                                                                                                                                                                                                                     |                                                     |   | 4.       |
| 7                                                                                                                                                                                                                                                                                                                                                                                                                                  |       | +ltree_confreq5                                                                                                                                                                                                                                                                                                                                                                                                                                                                                                                                                                     |                                                     |   | 5.       |
| 8                                                                                                                                                                                                                                                                                                                                                                                                                                  |       | +ltree_confreq6                                                                                                                                                                                                                                                                                                                                                                                                                                                                                                                                                                     |                                                     |   | 6.       |
|                                                                                                                                                                                                                                                                                                                                                                                                                                    |       | <b>ltree_confreq1</b>                                                                                                                                                                                                                                                                                                                                                                                                                                                                                                                                                               |                                                     |   |          |
| 9                                                                                                                                                                                                                                                                                                                                                                                                                                  |       | (TCV_tmp := (C_T_T3212 + 45000))                                                                                                                                                                                                                                                                                                                                                                                                                                                                                                                                                    |                                                     |   |          |
| 10                                                                                                                                                                                                                                                                                                                                                                                                                                 |       | +MM_LUPperrej2( C_rc_networkfailure, MiTmsi_01, TCV_tmp, C_MCC_1, C_PLMN_1, TCV_lac, C_periodic_updating, TCV_cksn, TimingAdv( 30))                                                                                                                                                                                                                                                                                                                                                                                                                                                 |                                                     |   | 1.1.     |
| 11                                                                                                                                                                                                                                                                                                                                                                                                                                 |       | +BasicServiceMO( TSPX_MOBscSvcA, TSPX_MOChRateA)                                                                                                                                                                                                                                                                                                                                                                                                                                                                                                                                    |                                                     |   |          |
| 12                                                                                                                                                                                                                                                                                                                                                                                                                                 |       | +InitCM(TCV_Service)                                                                                                                                                                                                                                                                                                                                                                                                                                                                                                                                                                |                                                     |   |          |
| 13                                                                                                                                                                                                                                                                                                                                                                                                                                 |       | +ltree_cmservinit( MiTmsi_01, TCV_cksn)                                                                                                                                                                                                                                                                                                                                                                                                                                                                                                                                             |                                                     |   | 1.2.     |
| 14                                                                                                                                                                                                                                                                                                                                                                                                                                 |       | L!DL_DatRqCmsAcp                                                                                                                                                                                                                                                                                                                                                                                                                                                                                                                                                                    | CMSerAcp( TCV_ch, CServiceAcp_01)                   |   |          |
| 15                                                                                                                                                                                                                                                                                                                                                                                                                                 |       | +ltree_CMmsg                                                                                                                                                                                                                                                                                                                                                                                                                                                                                                                                                                        |                                                     |   |          |
| 16                                                                                                                                                                                                                                                                                                                                                                                                                                 |       | +ChanRel(TCV_ch)                                                                                                                                                                                                                                                                                                                                                                                                                                                                                                                                                                    |                                                     |   |          |
| 17                                                                                                                                                                                                                                                                                                                                                                                                                                 |       | (TCV_n := 2 * C_T_T3211min)                                                                                                                                                                                                                                                                                                                                                                                                                                                                                                                                                         |                                                     |   |          |
| 18                                                                                                                                                                                                                                                                                                                                                                                                                                 |       | +NoReaction( TCV_n)                                                                                                                                                                                                                                                                                                                                                                                                                                                                                                                                                                 |                                                     |   | 1.3.     |
| 19                                                                                                                                                                                                                                                                                                                                                                                                                                 |       | +ImsiDetach( MiTmsi_01, TimingAdv( 30), C_SIMneedRmv)                                                                                                                                                                                                                                                                                                                                                                                                                                                                                                                               |                                                     |   |          |
|                                                                                                                                                                                                                                                                                                                                                                                                                                    |       | <b>ltree_confreq2</b>                                                                                                                                                                                                                                                                                                                                                                                                                                                                                                                                                               |                                                     |   |          |
| 20                                                                                                                                                                                                                                                                                                                                                                                                                                 |       | +ltree_MOCall                                                                                                                                                                                                                                                                                                                                                                                                                                                                                                                                                                       |                                                     |   |          |
| 21                                                                                                                                                                                                                                                                                                                                                                                                                                 |       | +NoReaction( TCV_n)                                                                                                                                                                                                                                                                                                                                                                                                                                                                                                                                                                 |                                                     |   | 2.3.     |
| 22                                                                                                                                                                                                                                                                                                                                                                                                                                 |       | +ImsiDetach( MiTmsi_01, TimingAdv( 30), C_SIMneedRmv)                                                                                                                                                                                                                                                                                                                                                                                                                                                                                                                               |                                                     |   |          |
| 23                                                                                                                                                                                                                                                                                                                                                                                                                                 |       | +MM_PwrOrSimOn(C_SIMneedRmv)                                                                                                                                                                                                                                                                                                                                                                                                                                                                                                                                                        |                                                     |   |          |
| 24                                                                                                                                                                                                                                                                                                                                                                                                                                 |       | +MM_Luplnit( MiTmsi_01, C_MCC_1, C_PLMN_1, TCV_lac, C_imsi_attach, TCV_cksn, TimingAdv(30))                                                                                                                                                                                                                                                                                                                                                                                                                                                                                         |                                                     |   |          |
| 25                                                                                                                                                                                                                                                                                                                                                                                                                                 |       | L!DL_DatRqLupAcp                                                                                                                                                                                                                                                                                                                                                                                                                                                                                                                                                                    | LocAcp( TCV_ch, LocUpdtAcp_01( MiMsi_omit, C_MCC_1, |   |          |

|    |       |                                                                                                                                                                 |                                                                                                                                                  |                         |
|----|-------|-----------------------------------------------------------------------------------------------------------------------------------------------------------------|--------------------------------------------------------------------------------------------------------------------------------------------------|-------------------------|
| 26 |       | +ChanRel(TCV_ch)                                                                                                                                                | C_PLMN_1,<br>TCV_lac))                                                                                                                           |                         |
| 27 |       | <b>ltree_confreq3</b><br>(TCV_tmp := (C_T_T3212 + 15000))                                                                                                       |                                                                                                                                                  |                         |
| 28 |       | +MM_LUPperrej3( MiTmsi_01, TCV_tmp,<br>C_MCC_1, C_PLMN_1, TCV_lac,<br>C_periodic_updating, TCV_cksn, TimingAdv( 30))                                            |                                                                                                                                                  | 3.1.                    |
| 29 |       | +NoReaction(C_T_T3211min)                                                                                                                                       |                                                                                                                                                  |                         |
| 30 |       | +MM_LupRej2( C_rc_networkfailure,<br>MiTmsi_01, C_MCC_1, C_PLMN_1, TCV_lac,<br>C_periodic_updating, TCV_cksn, TimingAdv(<br>30))                                |                                                                                                                                                  | 3.1.                    |
| 31 |       | +NoReaction( C_T_T3211min)                                                                                                                                      |                                                                                                                                                  |                         |
| 32 |       | +MM_LupAndStop( MiTmsi_01, C_MCC_1,<br>C_PLMN_1, TCV_lac, C_periodic_updating,<br>TCV_cksn, TimingAdv( 30), TCV_sacch_B,<br>C_T_T3211min)                       |                                                                                                                                                  | 3.1.                    |
| 33 |       | +ltree_luprej3( MiTmsi_01, C_MCC_1,<br>C_PLMN_1, TCV_lac,<br>C_periodic_updating, TCV_cksn,<br>TimingAdv( 30))                                                  |                                                                                                                                                  | 3.1.                    |
| 34 |       | +MM_LUPperauth( Milmsi_01,<br>MiTmsi_01iei, C_MCC_1, C_PLMN_1,<br>C_lacdeleted, TCV_lac,<br>C_normalOrperiodic, C_cksn_nokey,<br>TSPX_RANDDef, TimingAdv( 30))  |                                                                                                                                                  | 3.2.                    |
| 35 |       | +ChanRel(TCV_ch)                                                                                                                                                |                                                                                                                                                  |                         |
| 36 |       | <b>ltree_confreq4</b><br>+NoReaction( C_T_T3212min)                                                                                                             |                                                                                                                                                  |                         |
| 37 |       | +MM_LupRej2( C_rc_networkfailure, MiTmsi_01,<br>C_MCC_1, C_PLMN_1, TCV_lac,<br>C_periodic_updating, TCV_cksn, TimingAdv( 30))                                   |                                                                                                                                                  |                         |
| 38 |       | +NoReaction(C_T_T3211min)                                                                                                                                       |                                                                                                                                                  |                         |
| 39 |       | +MM_LupAndStop( MiTmsi_01, C_MCC_1,<br>C_PLMN_1, TCV_lac, C_periodic_updating,<br>TCV_cksn, TimingAdv( 30), TCV_sacch_B,<br>C_T_T3211min)                       |                                                                                                                                                  |                         |
| 40 |       | +ltree_luprej3( MiTmsi_01, C_MCC_1,<br>C_PLMN_1, TCV_lac, C_periodic_updating,<br>TCV_cksn, TimingAdv( 30))                                                     |                                                                                                                                                  |                         |
| 41 |       | +NoReaction( C_T_T3211min)                                                                                                                                      |                                                                                                                                                  |                         |
| 42 |       | +ltree_confreq4_continue                                                                                                                                        |                                                                                                                                                  |                         |
| 43 |       | <b>ltree_confreq4_continue</b><br>+MM_LupRej2( C_rc_networkfailure, MiTmsi_01,<br>C_MCC_1, C_PLMN_1, TCV_lac,<br>C_periodic_updating, TCV_cksn, TimingAdv( 30)) |                                                                                                                                                  | 4.1.                    |
| 44 |       | +BasicServiceMO( TSPX_MOBscSvcB,<br>TSPX_MOChRateB)                                                                                                             |                                                                                                                                                  |                         |
| 45 |       | +InitCM(TCV_Service)                                                                                                                                            |                                                                                                                                                  |                         |
| 46 |       | +MM_LUP2( MiTmsi_01iei, Milmsi_01,<br>C_MCC_1, C_PLMN_1, C_lacdeleted,<br>TCV_lac, C_normal_updating, C_cksn_nokey,<br>TimingAdv( 30))                          |                                                                                                                                                  | 4.2.                    |
| 47 |       | START T_dly(10000)                                                                                                                                              |                                                                                                                                                  |                         |
| 48 |       | L?DL_RaInChRq( TCV_Rr :=<br>DL_RaInChRq.msg.ecau_rrf, TCV_Fn :=<br>DL_RaInChRq.fn) CANCEL T_dly                                                                 | ChReq(<br>ChRequest_02)                                                                                                                          | 4.3.                    |
| 49 |       | ACTIVATE(OtherEventsFail_02)                                                                                                                                    |                                                                                                                                                  | To match ChReq retrans. |
| 50 |       | LIDL_UdatRqImm                                                                                                                                                  | ImmAss( TCV_agch,<br>ImmAsgn_01Def(<br>TCV_Rr, TCV_Fn,<br>TSPX_SDCCH4SubD<br>ef, TCV_slot,<br>TCV_tsc,<br>TCV_chdescr_arfcn,<br>TimingAdv( 30))) |                         |
| 51 | L_036 | L?DL_EstInCmsRq                                                                                                                                                 | CMSSerReq(<br>CMSServiceReq_32(                                                                                                                  | (P)                     |



|    |            |                                                                                                                                                                             |                        |
|----|------------|-----------------------------------------------------------------------------------------------------------------------------------------------------------------------------|------------------------|
| 4  |            | MiTmsi_01,<br>C_cksn_nokey))                                                                                                                                                |                        |
| 52 |            | ACTIVATE(OtherEventsFail)                                                                                                                                                   | Restore Normal default |
| 53 |            | L!DL_DatRqCmsRej                                                                                                                                                            |                        |
| 54 |            | +ChanRel(TCV_ch)                                                                                                                                                            |                        |
| 55 | L_036<br>5 | ?TIMEOUT T_dly                                                                                                                                                              | (P) 4.3)               |
|    |            | <b>ltree_confreq5</b>                                                                                                                                                       |                        |
| 56 |            | +ImsiDetach( MiTmsi_01, TimingAdv( 30),<br>C_SIMneedRmv)                                                                                                                    |                        |
| 57 |            | +MM_PwrOrSimOn(C_SIMneedRmv)                                                                                                                                                |                        |
| 58 |            | +MM_LupAndStop( MiTmsi_01, C_MCC_1,<br>C_PLMN_1, TCV_lac, C_imsi_attach,<br>C_cksn_nokey, TimingAdv( 30), TCV_sacch_B,<br>C_T_T3211min)                                     | 5.1.                   |
| 59 |            | +ltree_luprej3( MiTmsi_01, C_MCC_1,<br>C_PLMN_1, TCV_lac, C_imsi_attach,<br>C_cksn_nokey, TimingAdv( 30))                                                                   | 5.1.                   |
| 60 |            | +NoReaction( C_T_T3211min)                                                                                                                                                  |                        |
| 61 |            | +MM_LupRej2( C_rc_networkfailure,<br>MiTmsi_01, C_MCC_1, C_PLMN_1,<br>TCV_lac, C_imsi_attach, C_cksn_nokey,<br>TimingAdv( 30))                                              | 5.1.                   |
| 62 |            | +NoReaction( C_T_T3211min)                                                                                                                                                  |                        |
| 63 |            | +MM_LupAndStop( MiTmsi_01,<br>C_MCC_1, C_PLMN_1, TCV_lac,<br>C_imsi_attach, C_cksn_nokey,<br>TimingAdv( 30), TCV_sacch_B, 0)                                                | 5.2.                   |
| 64 |            | +MM_LUPperauth( Milmsi_01,<br>MiTmsi_01iei, C_MCC_1,<br>C_PLMN_1, C_lacdeleted, TCV_lac,<br>C_norm_period_attach,<br>C_cksn_nokey, TSPX_RANDDef,<br>TimingAdv( 30))         | 5.3.                   |
| 65 |            | +ChanRel(TCV_ch)                                                                                                                                                            |                        |
|    |            | <b>ltree_confreq6</b>                                                                                                                                                       |                        |
| 66 |            | +ImsiDetach(MiTmsi_01, TimingAdv( 30),<br>C_SIMneedRmv)                                                                                                                     |                        |
| 67 |            | +MM_PwrOrSimOn(C_SIMneedRmv)                                                                                                                                                |                        |
| 68 |            | +ltree_luprej3( MiTmsi_01, C_MCC_1,<br>C_PLMN_1, TCV_lac, C_imsi_attach, TCV_cksn,<br>TimingAdv( 30))                                                                       |                        |
| 69 |            | +NoReaction(C_T_T3211min)                                                                                                                                                   |                        |
| 70 |            | +MM_LupRej2( C_rc_networkfailure,<br>MiTmsi_01, C_MCC_1, C_PLMN_1,<br>TCV_lac, C_imsi_attach, TCV_cksn,<br>TimingAdv( 30))                                                  |                        |
| 71 |            | +NoReaction(C_T_T3211min)                                                                                                                                                   |                        |
| 72 |            | +MM_LupAndStop( MiTmsi_01,<br>C_MCC_1, C_PLMN_1, TCV_lac,<br>C_imsi_attach, TCV_cksn, TimingAdv(<br>30), TCV_sacch_B, C_T_T3211min)                                         |                        |
| 73 |            | +ltree_luprej3( MiTmsi_01, C_MCC_1,<br>C_PLMN_1, TCV_lac, C_imsi_attach,<br>TCV_cksn, TimingAdv( 30))                                                                       | 6.1.                   |
| 74 |            | +BasicServiceMO(<br>TSPX_MOBscSvcC,<br>TSPX_MOChRateC)                                                                                                                      |                        |
| 75 |            | +InitCM(TCV_Service)                                                                                                                                                        |                        |
| 76 |            | +MM_LUPauth2( MiTmsi_01iei,<br>Milmsi_01, C_MCC_1,<br>C_PLMN_1, C_lacdeleted,<br>TCV_lac, C_normal_updating,<br>C_cksn_nokey, TCV_cksn,<br>TSPX_RANDDef, TimingAdv(<br>30)) | 6.2.                   |
| 77 |            | +ChanRel(TCV_ch)                                                                                                                                                            |                        |
| 78 |            | +ltree_cmservinit( MiTmsi_01,<br>TCV_cksn)                                                                                                                                  |                        |

|                           |            |                                                                                                                                                                                                                                                                                                                                                                                                                                                                                                                                                                                                                                                                                                                                                                                                                                                                                                                                                         |                                                                                                                                                  |     |                         |
|---------------------------|------------|---------------------------------------------------------------------------------------------------------------------------------------------------------------------------------------------------------------------------------------------------------------------------------------------------------------------------------------------------------------------------------------------------------------------------------------------------------------------------------------------------------------------------------------------------------------------------------------------------------------------------------------------------------------------------------------------------------------------------------------------------------------------------------------------------------------------------------------------------------------------------------------------------------------------------------------------------------|--------------------------------------------------------------------------------------------------------------------------------------------------|-----|-------------------------|
| 79                        |            | L!DL_DatRqCmsRej                                                                                                                                                                                                                                                                                                                                                                                                                                                                                                                                                                                                                                                                                                                                                                                                                                                                                                                                        | CMSerRej(TCV_ch,<br>CMServiceRej_04)                                                                                                             |     |                         |
| 80                        |            | +ChanRel( TCV_ch)                                                                                                                                                                                                                                                                                                                                                                                                                                                                                                                                                                                                                                                                                                                                                                                                                                                                                                                                       |                                                                                                                                                  |     |                         |
| 81                        |            | <b>Itree_cmservinit(par1: MI; par2: BITSTRING)</b><br>START T_dly(15000)                                                                                                                                                                                                                                                                                                                                                                                                                                                                                                                                                                                                                                                                                                                                                                                                                                                                                |                                                                                                                                                  |     |                         |
| 82                        |            | L?DL_RaInChRq (TCV_Rr := DL_RaInChRq.<br>msg.ecau_rrf, TCV_Fn := DL_RaInChRq.fn)<br>CANCEL T_dly                                                                                                                                                                                                                                                                                                                                                                                                                                                                                                                                                                                                                                                                                                                                                                                                                                                        | ChReq(<br>ChRequest_02)                                                                                                                          |     |                         |
| 83                        |            | ACTIVATE(OtherEventsFail_02)                                                                                                                                                                                                                                                                                                                                                                                                                                                                                                                                                                                                                                                                                                                                                                                                                                                                                                                            |                                                                                                                                                  |     | To match ChReq retrans. |
| 84                        |            | L!DL_UdatRqImm                                                                                                                                                                                                                                                                                                                                                                                                                                                                                                                                                                                                                                                                                                                                                                                                                                                                                                                                          | ImmAss( TCV_agch,<br>ImmAsgn_01Def(<br>TCV_Rr, TCV_Fn,<br>TSPX_SDCCH4SubD<br>ef, TCV_slot,<br>TCV_tsc,<br>TCV_chdescr_arfcn,<br>TimingAdv( 30))) |     |                         |
| 85                        | L_036<br>6 | L?DL_EstInCmsRq                                                                                                                                                                                                                                                                                                                                                                                                                                                                                                                                                                                                                                                                                                                                                                                                                                                                                                                                         | CMSerReq(<br>CMServiceReq_32(<br>par1, par2))                                                                                                    | (P) |                         |
| 86                        |            | ACTIVATE(OtherEventsFail)                                                                                                                                                                                                                                                                                                                                                                                                                                                                                                                                                                                                                                                                                                                                                                                                                                                                                                                               |                                                                                                                                                  |     | Restore Normal default  |
| 87                        | L_036<br>7 | ?TIMEOUT T_dly                                                                                                                                                                                                                                                                                                                                                                                                                                                                                                                                                                                                                                                                                                                                                                                                                                                                                                                                          |                                                                                                                                                  | (F) |                         |
| 88                        | L_036<br>8 | <b>Itree_CMmsg</b><br>L?DL_DatInSetup (TCV_Mt :=<br>DL_DatInSetup.msg.mt)                                                                                                                                                                                                                                                                                                                                                                                                                                                                                                                                                                                                                                                                                                                                                                                                                                                                               | SetupRcv(<br>SetupInd_01)                                                                                                                        | (P) | 1.2.                    |
| 89                        | L_036<br>9 | L?DL_DatInRegister                                                                                                                                                                                                                                                                                                                                                                                                                                                                                                                                                                                                                                                                                                                                                                                                                                                                                                                                      | Register_03(<br>RegisterPdu_01)                                                                                                                  | (P) | 1.2.                    |
| 90                        |            | L?DL_EstIn                                                                                                                                                                                                                                                                                                                                                                                                                                                                                                                                                                                                                                                                                                                                                                                                                                                                                                                                              | DLEstInd_2(TCV_ch)                                                                                                                               |     |                         |
| 91                        | L_037<br>0 | L?DL_DatInCpData                                                                                                                                                                                                                                                                                                                                                                                                                                                                                                                                                                                                                                                                                                                                                                                                                                                                                                                                        | DatInCpData(<br>TCV_ch,<br>CpDataPdu_any)                                                                                                        | (P) | 1.2.                    |
| 92                        |            | <b>Itree_luprej3( par_mi:MI; mnc,<br/>lac:OCTETSTRING; locup:B_2; cksn:BITSTRING;<br/>ta:TA)</b><br>+MM_LupInIt( par_mi, mnc, mnc, lac, locup, cksn, ta)                                                                                                                                                                                                                                                                                                                                                                                                                                                                                                                                                                                                                                                                                                                                                                                                |                                                                                                                                                  |     |                         |
| 93                        |            | +ChanRel(TCV_ch)                                                                                                                                                                                                                                                                                                                                                                                                                                                                                                                                                                                                                                                                                                                                                                                                                                                                                                                                        |                                                                                                                                                  |     |                         |
| 94                        |            | <b>Itree_MOCall</b><br>+MM_PwrOrSimOn(C_SIMneedRmv)                                                                                                                                                                                                                                                                                                                                                                                                                                                                                                                                                                                                                                                                                                                                                                                                                                                                                                     |                                                                                                                                                  |     |                         |
| 95                        |            | +MM_LupAndStop( MiTmsi_01, C_MCC_1,<br>C_PLMN_1, TCV_lac, C_imsi_attach, TCV_cksn,<br>TimingAdv( 30), TCV_sacch_B, 0)                                                                                                                                                                                                                                                                                                                                                                                                                                                                                                                                                                                                                                                                                                                                                                                                                                   |                                                                                                                                                  |     | 2.1)                    |
| 96                        |            | +BasicServiceMO( TSPX_MOBscSvcD,<br>TSPX_MOChRateD)                                                                                                                                                                                                                                                                                                                                                                                                                                                                                                                                                                                                                                                                                                                                                                                                                                                                                                     |                                                                                                                                                  |     |                         |
| 97                        |            | +InitCM(TCV_Service)                                                                                                                                                                                                                                                                                                                                                                                                                                                                                                                                                                                                                                                                                                                                                                                                                                                                                                                                    |                                                                                                                                                  |     |                         |
| 98                        |            | +Itree_cmservinit( MiTmsi_01, TCV_cksn)                                                                                                                                                                                                                                                                                                                                                                                                                                                                                                                                                                                                                                                                                                                                                                                                                                                                                                                 |                                                                                                                                                  |     | 2.2)                    |
| 99                        |            | +Cipherring_on(TCV_ch)                                                                                                                                                                                                                                                                                                                                                                                                                                                                                                                                                                                                                                                                                                                                                                                                                                                                                                                                  |                                                                                                                                                  |     |                         |
| 100                       |            | +Itree_CMmsg                                                                                                                                                                                                                                                                                                                                                                                                                                                                                                                                                                                                                                                                                                                                                                                                                                                                                                                                            |                                                                                                                                                  |     |                         |
| 101                       |            | +ChanRel(TCV_ch)                                                                                                                                                                                                                                                                                                                                                                                                                                                                                                                                                                                                                                                                                                                                                                                                                                                                                                                                        |                                                                                                                                                  |     |                         |
| 102                       |            | (TCV_Null := OM_CphMd( TCV_ch,<br>CphMod_02, TCV_CphKey))                                                                                                                                                                                                                                                                                                                                                                                                                                                                                                                                                                                                                                                                                                                                                                                                                                                                                               |                                                                                                                                                  |     |                         |
| <b>Detailed Comments:</b> |            | <ol style="list-style-type: none"> <li>1. Test of Conformance Requirement 1 <ol style="list-style-type: none"> <li>1.1. failure during a periodic location updating procedure</li> <li>1.2. - then the MS shall be able to attempt an CM connection</li> <li>1.3. - then the MS shall not attempt a location updating procedure</li> </ol> </li> <li>2. Test of Conformance Requirement 2 <ol style="list-style-type: none"> <li>2.1. failure during imsi attach procedure</li> <li>2.2. - then the MS shall be able to establish an MM connection</li> <li>2.3. - then the MS shall not attempt a location updating procedure</li> </ol> </li> <li>3. Test of Conformance Requirement 3 <ol style="list-style-type: none"> <li>3.1. When a failure during a periodic location updating procedure and the attempt counter is smaller than 4 then the MS shall execute a periodic location updating procedure after T3211 expiry.</li> </ol> </li> </ol> |                                                                                                                                                  |     |                         |

3.2. When the attempt counter reaches 4 after T3212 expiry the MS shall make a LUP any type.

4. Test of Conformance Requirement 4

4.1. The attempt counter reaches the value 4

4.2. then the MS shall use a request from CM layer for an emergency call as a trigger for a LUP.

4.3. this part is optional

5. Test of Conformance Requirement 5

5.1. When a failure during an imsi attach procedure and the attempt counter is smaller than 4 then

the MS shall execute a location updating procedure(imsi attach) after T3211 expiry.

5.2. Attempt Counter reaches the value 4

5.3. When the attempt counter reaches 4 after T3212 expiry the MS shall make a normal LUP.

6. Test of Conformance Requirement 6

6.1. Failure during an imsi attach procedure and the attempt counter reaches the value 4.

6.2. then the MS shall use a request from CM layer for an emergency call as a trigger for a LUP.

| Test Case Dynamic Behaviour                                                                                                                                                                                             |            |                                                                                                                                                                                                                                                                                                                                                                                                                                                                                                                                                                           |                                                                                                                            |   |                         |
|-------------------------------------------------------------------------------------------------------------------------------------------------------------------------------------------------------------------------|------------|---------------------------------------------------------------------------------------------------------------------------------------------------------------------------------------------------------------------------------------------------------------------------------------------------------------------------------------------------------------------------------------------------------------------------------------------------------------------------------------------------------------------------------------------------------------------------|----------------------------------------------------------------------------------------------------------------------------|---|-------------------------|
| <b>Test Case Name:</b> TC_26_7_4_4                                                                                                                                                                                      |            |                                                                                                                                                                                                                                                                                                                                                                                                                                                                                                                                                                           |                                                                                                                            |   |                         |
| <b>Group:</b> GSM_L3_MS_v4210/MM/                                                                                                                                                                                       |            |                                                                                                                                                                                                                                                                                                                                                                                                                                                                                                                                                                           |                                                                                                                            |   |                         |
| <b>Purpose:</b> To verify that the MS aborts the RR-connection at the expiry of timer T3240.                                                                                                                            |            |                                                                                                                                                                                                                                                                                                                                                                                                                                                                                                                                                                           |                                                                                                                            |   |                         |
| <b>Default:</b> OtherEventsFail                                                                                                                                                                                         |            |                                                                                                                                                                                                                                                                                                                                                                                                                                                                                                                                                                           |                                                                                                                            |   |                         |
| <b>Comments:</b> Initial Conditions of MS:<br>The MS has valid TMSI and CKSN. It is "idle updated" on cell A.<br><br>Foreseen final state of the MS:<br>The MS has valid TMSI and CKSN. It is "idle updated" on cell B. |            |                                                                                                                                                                                                                                                                                                                                                                                                                                                                                                                                                                           |                                                                                                                            |   |                         |
| Nr                                                                                                                                                                                                                      | Label      | Behaviour Description                                                                                                                                                                                                                                                                                                                                                                                                                                                                                                                                                     | CRef                                                                                                                       | V | Comments                |
| 1                                                                                                                                                                                                                       |            | START T_guard(300)                                                                                                                                                                                                                                                                                                                                                                                                                                                                                                                                                        |                                                                                                                            |   |                         |
| 2                                                                                                                                                                                                                       |            | +IdleUpdated( C_E_default, C_CellA, C_SCH_A, C_BCCH_A_1, C_Immass, C_S0, C_SlotNU, C_SlotNU, C_SlotNU, C_BCC, C_TxInt_5, C_Max_1, C_NECI_0, C_ATT_0, TimingAdv( 30), C_BABR_0, C_cch_1Comb, C_BPM_3, C_T3212_0, C_ci_cellA, C_MCC_1, C_PLMN_1, C_LAC_1, CellOpt_01, CellChDes_02, CellChDes_03, C_CellReselectHys12, C_MaxPwrLvlG, C_MaxPwrLvlD, BcchFreqLst_01, BcchFreqLst_Omit, BcchFreqLst_48, BcchFreqLst_Omit, C_noRestablishment, C_BCC, C_NCC, C_Start_Tmsi, TSPX_SDCCH4SubDef, TSPX_CKSNDDef, TSPX_RANDDef, C_arfcnA, C_arfcnAd, TSPX_IMSI, C_Test_fh, C_NCCP_2) |                                                                                                                            |   |                         |
| 3                                                                                                                                                                                                                       |            | +StartCellB( C_E_neighbourdefault, C_arfcnB, C_arfcnBd, C_Immass, TCV_slot, TCV_tsc, TimingAdv( 30), C_TxInt_5, C_Max_1, C_NECI_0, C_ATT_0, C_BABR_0, C_cch_1Comb, C_BPM_3, C_T3212_0, C_MCC_1, C_PLMN_1, C_LAC_2, CellChDes_04, CellChDes_03, BcchFreqLst_01, BcchFreqLst_48, C_noRestablishment, C_BCC, C_NCC)                                                                                                                                                                                                                                                          |                                                                                                                            |   |                         |
| 4                                                                                                                                                                                                                       | body       | +Switchcell( C_CellA, C_CellB, C_LAC_2, TSPX_SDCCH4SubDef, TSPX_CKSNDDef, TSPX_RANDDef, C_arfcnB, C_arfcnBd, TCV_Ccd0B, TSPX_IMSI)                                                                                                                                                                                                                                                                                                                                                                                                                                        |                                                                                                                            |   |                         |
| 5                                                                                                                                                                                                                       |            | L?DL_RaInChRq (TCV_Rr := DL_RaInChRq. msg.ecau_rrf, TCV_Fn := DL_RaInChRq.fn)                                                                                                                                                                                                                                                                                                                                                                                                                                                                                             | ChReq( ChRequest_09)                                                                                                       |   |                         |
| 6                                                                                                                                                                                                                       |            | ACTIVATE( OtherEventsFail_02)                                                                                                                                                                                                                                                                                                                                                                                                                                                                                                                                             |                                                                                                                            |   | To match ChReq retrans. |
| 7                                                                                                                                                                                                                       |            | L!DL_UdatRqImmass                                                                                                                                                                                                                                                                                                                                                                                                                                                                                                                                                         | ImmAss( TCV_agch, ImmAsgn_01Def( TCV_Rr, TCV_Fn, TSPX_SDCCH4SubDef, TCV_slot, TCV_tsc, TCV_chdescr_arfcn, TimingAdv( 30))) |   |                         |
| 8                                                                                                                                                                                                                       |            | L?DL_EstInLupRq                                                                                                                                                                                                                                                                                                                                                                                                                                                                                                                                                           | LocUp( TCV_ch, LocUpdtReq_04( C_normal Updating, MiTmsi_01))                                                               |   |                         |
| 9                                                                                                                                                                                                                       |            | ACTIVATE( OtherEventsFail)                                                                                                                                                                                                                                                                                                                                                                                                                                                                                                                                                |                                                                                                                            |   | Restore Normal default  |
| 10                                                                                                                                                                                                                      |            | +NoReaction( C_T_T3240min)                                                                                                                                                                                                                                                                                                                                                                                                                                                                                                                                                |                                                                                                                            |   |                         |
| 11                                                                                                                                                                                                                      |            | START T_dly( C_T_T3240tol)                                                                                                                                                                                                                                                                                                                                                                                                                                                                                                                                                |                                                                                                                            |   |                         |
| 12                                                                                                                                                                                                                      | L_037<br>1 | L?DL_RelIn CANCEL T_dly                                                                                                                                                                                                                                                                                                                                                                                                                                                                                                                                                   | DLRelInd_01                                                                                                                | P | 1)                      |
| 13                                                                                                                                                                                                                      | L_037<br>2 | ?TIMEOUT T_dly                                                                                                                                                                                                                                                                                                                                                                                                                                                                                                                                                            |                                                                                                                            | F |                         |
| <b>Detailed Comments:</b> 1) MS shall release the L2-Connection after expiring of T3240.                                                                                                                                |            |                                                                                                                                                                                                                                                                                                                                                                                                                                                                                                                                                                           |                                                                                                                            |   |                         |

| Test Case Dynamic Behaviour                                                                                                                                                                                            |       |                                                                                                                                                                                                                                                                                                                                                                                                                                                                                                                                                                             |      |   |                               |
|------------------------------------------------------------------------------------------------------------------------------------------------------------------------------------------------------------------------|-------|-----------------------------------------------------------------------------------------------------------------------------------------------------------------------------------------------------------------------------------------------------------------------------------------------------------------------------------------------------------------------------------------------------------------------------------------------------------------------------------------------------------------------------------------------------------------------------|------|---|-------------------------------|
| <b>Test Case Name:</b> TC_26_7_4_5_1                                                                                                                                                                                   |       |                                                                                                                                                                                                                                                                                                                                                                                                                                                                                                                                                                             |      |   |                               |
| <b>Group:</b> GSM_L3_MS_v4210/MM/                                                                                                                                                                                      |       |                                                                                                                                                                                                                                                                                                                                                                                                                                                                                                                                                                             |      |   |                               |
| <b>Purpose:</b>                                                                                                                                                                                                        |       |                                                                                                                                                                                                                                                                                                                                                                                                                                                                                                                                                                             |      |   |                               |
| 1) To check that when the location updating timer is reduced, the timer running in the MS is started with a value depending on the current timer value and the new broadcasted T3212 value.                            |       |                                                                                                                                                                                                                                                                                                                                                                                                                                                                                                                                                                             |      |   |                               |
| 2) To verify that when the MS is reactivated in the same cell (as the one in which it was deactivated), IMSI attach being forbidden, the MS starts the timer T3212 with a value between zero and the broadcasted value |       |                                                                                                                                                                                                                                                                                                                                                                                                                                                                                                                                                                             |      |   |                               |
| <b>Default:</b> OtherEventsFail                                                                                                                                                                                        |       |                                                                                                                                                                                                                                                                                                                                                                                                                                                                                                                                                                             |      |   |                               |
| <b>Comments:</b> Initial Conditions of MS:<br>The MS is deactivated. The stored MCC, MNC and LAC correspond to the broadcasted values. The stored update status is "updated".                                          |       |                                                                                                                                                                                                                                                                                                                                                                                                                                                                                                                                                                             |      |   |                               |
| Foreseen final state of the MS:<br>The MS has valid TMSI and CKSN. It is "idle updated" on cell A.                                                                                                                     |       |                                                                                                                                                                                                                                                                                                                                                                                                                                                                                                                                                                             |      |   |                               |
| Nr                                                                                                                                                                                                                     | Label | Behaviour Description                                                                                                                                                                                                                                                                                                                                                                                                                                                                                                                                                       | CRef | V | Comments                      |
| 1                                                                                                                                                                                                                      |       | START T_guard(1200)                                                                                                                                                                                                                                                                                                                                                                                                                                                                                                                                                         |      |   |                               |
| 2                                                                                                                                                                                                                      |       | +IdleUpdated( C_E_default, C_CellA, C_SCH_A, C_BCCH_A_1, C_Immass, C_S0, C_SlotNU, C_SlotNU, C_SlotNU, C_BCC, C_TxInt_5, C_Max_1, C_NECl_0, C_ATT_1, TimingAdv( 30), C_BABR_0, C_cch_1Comb, C_BPM_3, C_T3212_5, C_ci_cellA, C_MCC_1, C_PLMN_1, C_LAC_1, CellOpt_01, CellChDes_02, CellChDes_03, C_CellReselectHys12, C_MaxPwrLvIG, C_MaxPwrLvID, BcchFreqLst_01, BcchFreqLst_Omit, BcchFreqLst_48, BcchFreqLst_Omit, C_noRestablishment, C_BCC, C_NCC, C_Start_TmsiOff, TSPX_SDCCH4SubDef, TSPX_CKSNDef, TSPX_RANDDef, C_arfcnA, C_arfcnAd, TSPX_IMSI, C_Test_fh, C_NCCP_2) |      |   | ATT = 1 - IMSI attach allowed |
| 3                                                                                                                                                                                                                      | body  | +ImsiAttach( MiTmsi_01, TimingAdv( 30), C_MCC_1, C_PLMN_1, C_SIMneedRmv)                                                                                                                                                                                                                                                                                                                                                                                                                                                                                                    |      |   |                               |
| 4                                                                                                                                                                                                                      |       | +step1                                                                                                                                                                                                                                                                                                                                                                                                                                                                                                                                                                      |      |   |                               |
| 5                                                                                                                                                                                                                      |       | +step2                                                                                                                                                                                                                                                                                                                                                                                                                                                                                                                                                                      |      |   |                               |
|                                                                                                                                                                                                                        |       | <b>step1</b>                                                                                                                                                                                                                                                                                                                                                                                                                                                                                                                                                                |      |   |                               |
| 6                                                                                                                                                                                                                      |       | START T_dly( 180000)                                                                                                                                                                                                                                                                                                                                                                                                                                                                                                                                                        |      |   |                               |
| 7                                                                                                                                                                                                                      |       | START T_dly2( C_T_T3212min)                                                                                                                                                                                                                                                                                                                                                                                                                                                                                                                                                 |      |   | 5min.45s.                     |
| 8                                                                                                                                                                                                                      |       | ?TIMEOUT T_dly                                                                                                                                                                                                                                                                                                                                                                                                                                                                                                                                                              |      |   |                               |
| 9                                                                                                                                                                                                                      |       | +StartCellA( C_E_default, C_Immass, TCV_slot, TCV_tsc, TimingAdv( 30), C_TxInt_5, C_Max_1, C_NECl_0, C_ATT_1, C_BABR_0, C_cch_1Comb, C_BPM_3, C_T3212_1, C_MCC_1, C_PLMN_1, C_LAC_1, CellChDes_02, CellChDes_03, BcchFreqLst_01, BcchFreqLst_48, C_noRestablishment)                                                                                                                                                                                                                                                                                                        |      |   | 1)                            |
| 10                                                                                                                                                                                                                     |       | ?TIMEOUT T_dly2                                                                                                                                                                                                                                                                                                                                                                                                                                                                                                                                                             |      |   | 2)                            |
| 11                                                                                                                                                                                                                     |       | +MM_LUPper2(30000, C_periodic Updating, C_MCC_1, C_PLMN_1, TCV_lac, TimingAdv( 30))                                                                                                                                                                                                                                                                                                                                                                                                                                                                                         |      |   | 6min.15.                      |
| 12                                                                                                                                                                                                                     |       | +ChanRel(TCV_ch)                                                                                                                                                                                                                                                                                                                                                                                                                                                                                                                                                            |      |   |                               |
|                                                                                                                                                                                                                        |       | <b>step2</b>                                                                                                                                                                                                                                                                                                                                                                                                                                                                                                                                                                |      |   |                               |
| 13                                                                                                                                                                                                                     |       | +StartCellA( C_E_default, C_Immass, TCV_slot, TCV_tsc, TimingAdv( 30), C_TxInt_5, C_Max_1, C_NECl_0, C_ATT_0, C_BABR_0, C_cch_1Comb, C_BPM_3, C_T3212_1, C_MCC_1, C_PLMN_1, C_LAC_1, CellChDes_02, CellChDes_03, BcchFreqLst_01, BcchFreqLst_48, C_noRestablishment)                                                                                                                                                                                                                                                                                                        |      |   | ATT = 0                       |
| 14                                                                                                                                                                                                                     |       | START T_dly( 5000)                                                                                                                                                                                                                                                                                                                                                                                                                                                                                                                                                          |      |   |                               |
| 15                                                                                                                                                                                                                     |       | ?TIMEOUT T_dly                                                                                                                                                                                                                                                                                                                                                                                                                                                                                                                                                              |      |   |                               |
| 16                                                                                                                                                                                                                     |       | +MM_PwrOrSimOff(C_SIMneedRmv)                                                                                                                                                                                                                                                                                                                                                                                                                                                                                                                                               |      |   |                               |
| 17                                                                                                                                                                                                                     |       | +MM_PwrOrSimOn(C_SIMneedRmv)                                                                                                                                                                                                                                                                                                                                                                                                                                                                                                                                                |      |   |                               |
| 18                                                                                                                                                                                                                     |       | +MM_LUPper2( 420000, C_periodic Updating, C_MCC_1,                                                                                                                                                                                                                                                                                                                                                                                                                                                                                                                          |      |   | 3)                            |

|                                                                                                                                                                                                                                    |                                                            |  |  |  |
|------------------------------------------------------------------------------------------------------------------------------------------------------------------------------------------------------------------------------------|------------------------------------------------------------|--|--|--|
| 19                                                                                                                                                                                                                                 | C_PLMN_1, TCV_lac, TimingAdv( 30))<br>+ChanRel_end(TCV_ch) |  |  |  |
| <b>Detailed Comments:</b><br>1) Reducing of the timer T3212<br>2) MS shall use the new value of T3212 for periodic updating.<br>3) MS shall start the periodic location updating between 0 sec. and 6min after switching on of MS. |                                                            |  |  |  |

| Test Case Dynamic Behaviour |       |                                                                                                                                                                                                                                                                                                                                                                                                                                                                                                                                                                           |                                                                                                                            |     |                         |
|-----------------------------|-------|---------------------------------------------------------------------------------------------------------------------------------------------------------------------------------------------------------------------------------------------------------------------------------------------------------------------------------------------------------------------------------------------------------------------------------------------------------------------------------------------------------------------------------------------------------------------------|----------------------------------------------------------------------------------------------------------------------------|-----|-------------------------|
| <b>Test Case Name:</b>      |       | TC_26_7_4_5_2                                                                                                                                                                                                                                                                                                                                                                                                                                                                                                                                                             |                                                                                                                            |     |                         |
| <b>Group:</b>               |       | GSM_L3_MS_v4210/MM/                                                                                                                                                                                                                                                                                                                                                                                                                                                                                                                                                       |                                                                                                                            |     |                         |
| <b>Purpose:</b>             |       | To verify that the MS stops and resets the timer T3212 of the periodic location updating procedure when:                                                                                                                                                                                                                                                                                                                                                                                                                                                                  |                                                                                                                            |     |                         |
|                             |       | <ul style="list-style-type: none"> <li>- the first MM-message is received in the case of MM-connection establishment, ciphering mode being not set,</li> <li>- the MS has responded to paging and the first correct L3 message is received that is not an RR message</li> </ul>                                                                                                                                                                                                                                                                                           |                                                                                                                            |     |                         |
| <b>Default:</b>             |       | OtherEventsFail                                                                                                                                                                                                                                                                                                                                                                                                                                                                                                                                                           |                                                                                                                            |     |                         |
| <b>Comments:</b>            |       | Initial Conditions of MS:<br>The MS has valid TMSI and CKSN. It is "idle updated" on cell A.                                                                                                                                                                                                                                                                                                                                                                                                                                                                              |                                                                                                                            |     |                         |
|                             |       | Foreseen final state of the MS:<br>The MS has valid TMSI and CKSN. It is "idle updated" on cell A.                                                                                                                                                                                                                                                                                                                                                                                                                                                                        |                                                                                                                            |     |                         |
| Nr                          | Label | Behaviour Description                                                                                                                                                                                                                                                                                                                                                                                                                                                                                                                                                     | CRef                                                                                                                       | V   | Comments                |
| 1                           |       | START T_guard(1800)                                                                                                                                                                                                                                                                                                                                                                                                                                                                                                                                                       |                                                                                                                            |     |                         |
| 2                           |       | +BasicServiceMO( TSPX_MOBscSvcF, TSPX_MOChRateF)                                                                                                                                                                                                                                                                                                                                                                                                                                                                                                                          |                                                                                                                            |     |                         |
| 3                           |       | +IdleUpdated( C_E_default, C_CellA, C_SCH_A, C_BCCH_A_1, C_Immasc, C_S0, C_SlotNU, C_SlotNU, C_SlotNU, C_BCC, C_TxInt_5, C_Max_1, C_NECI_0, C_ATT_0, TimingAdv( 30), C_BABR_0, C_cch_1Comb, C_BPM_3, C_T3212_2, C_ci_cellA, C_MCC_1, C_PLMN_1, C_LAC_1, CellOpt_01, CellChDes_02, CellChDes_03, C_CellReselectHys12, C_MaxPwrLvlG, C_MaxPwrLvlD, BcchFreqLst_01, BcchFreqLst_Omit, BcchFreqLst_48, BcchFreqLst_Omit, C_noReestablishment, C_BCC, C_NCC, C_Start_Tmsi, TSPX_SDCCH4SubDef, TSPX_CKSNDef, TSPX_RANDDef, C_arfcnA, C_arfcnAd, TSPX_IMSI, C_Test_fh, C_NCCP_2) |                                                                                                                            |     |                         |
| 4                           | body  | +InitCall(TCV_Service)                                                                                                                                                                                                                                                                                                                                                                                                                                                                                                                                                    |                                                                                                                            |     |                         |
| 5                           |       | START T_dly( 705000)                                                                                                                                                                                                                                                                                                                                                                                                                                                                                                                                                      |                                                                                                                            |     |                         |
| 6                           |       | L?DL_RacInChRq (TCV_Rr := DL_RacInChRq. msg.ecau_rrf, TCV_Fn := DL_RacInChRq.fn)                                                                                                                                                                                                                                                                                                                                                                                                                                                                                          | ChReq( ChRequest_02)                                                                                                       |     |                         |
| 7                           |       | ACTIVATE(OtherEventsFail_02)                                                                                                                                                                                                                                                                                                                                                                                                                                                                                                                                              |                                                                                                                            |     | To match ChReq retrans. |
| 8                           |       | L!DL_UdatRqImmasc                                                                                                                                                                                                                                                                                                                                                                                                                                                                                                                                                         | ImmAss( TCV_agch, ImmAsgn_01Def( TCV_Rr, TCV_Fn, TSPX_SDCCH4SubDef, TCV_slot, TCV_tsc, TCV_chdescr_arfcn, TimingAdv( 30))) |     |                         |
| 9                           | L_037 | L?DL_EstInCmsRq                                                                                                                                                                                                                                                                                                                                                                                                                                                                                                                                                           | CMSerReq( CMSerReq_01)                                                                                                     | (P) |                         |
| 10                          | 3     | ACTIVATE(OtherEventsFail)                                                                                                                                                                                                                                                                                                                                                                                                                                                                                                                                                 |                                                                                                                            |     | Restore Normal default  |
| 11                          |       | L!DL_DatRqCmsRej                                                                                                                                                                                                                                                                                                                                                                                                                                                                                                                                                          | CMSerRej( TCV_ch, CMSerRej_30( C_rc_networkfailure))                                                                       |     |                         |
| 12                          |       | +ChanRel(TCV_ch)                                                                                                                                                                                                                                                                                                                                                                                                                                                                                                                                                          |                                                                                                                            |     |                         |
| 13                          |       | ?TIMEOUT T_dly                                                                                                                                                                                                                                                                                                                                                                                                                                                                                                                                                            |                                                                                                                            |     |                         |
| 14                          |       | +local_continue                                                                                                                                                                                                                                                                                                                                                                                                                                                                                                                                                           |                                                                                                                            |     |                         |
|                             |       | <b>local_continue</b>                                                                                                                                                                                                                                                                                                                                                                                                                                                                                                                                                     |                                                                                                                            |     |                         |
| 15                          |       | +MM_LUPper2( 30000, C_periodic_updating, C_MCC_1, C_PLMN_1, TCV_lac, TimingAdv( 30))                                                                                                                                                                                                                                                                                                                                                                                                                                                                                      |                                                                                                                            |     |                         |
| 16                          |       | +ChanRel( TCV_ch)                                                                                                                                                                                                                                                                                                                                                                                                                                                                                                                                                         |                                                                                                                            |     |                         |
| 17                          |       | START T_dly( 60000)                                                                                                                                                                                                                                                                                                                                                                                                                                                                                                                                                       |                                                                                                                            |     |                         |
| 18                          |       | ?TIMEOUT T_dly                                                                                                                                                                                                                                                                                                                                                                                                                                                                                                                                                            |                                                                                                                            |     |                         |
| 19                          |       | +ltree_continue1                                                                                                                                                                                                                                                                                                                                                                                                                                                                                                                                                          |                                                                                                                            |     |                         |
|                             |       | <b>ltree_continue1</b>                                                                                                                                                                                                                                                                                                                                                                                                                                                                                                                                                    |                                                                                                                            |     |                         |
| 20                          |       | L!DL_UdatRqPg1Rq                                                                                                                                                                                                                                                                                                                                                                                                                                                                                                                                                          | PgReq1(TCV_PgCh, TCV_Pgg,                                                                                                  |     |                         |

|                                                                          |                                                                                               |                                                                                                                                                 |                         |
|--------------------------------------------------------------------------|-----------------------------------------------------------------------------------------------|-------------------------------------------------------------------------------------------------------------------------------------------------|-------------------------|
| 21                                                                       | L?DL_RaInChRq ( TCV_Rr := DL_RaInChRq.<br>msg.ecau_rrf, TCV_Fn := DL_RaInChRq.fn)             | PgReqTp1_30(Milmsi_01))<br>ChReq(<br>ChRequest_17)                                                                                              |                         |
| 22                                                                       | ACTIVATE(OtherEventsFail_02)                                                                  |                                                                                                                                                 | To match ChReq retrans. |
| 23                                                                       | LIDL_UdatRqlmass                                                                              | ImmAss( TCV_agch,<br>ImmAsgn_01Def(<br>TCV_Rr, TCV_Fn,<br>TSPX_SDCCH4SubDef,<br>TCV_slot,<br>TCV_tsc,<br>TCV_chdescr_arfcn,<br>TimingAdv( 30))) |                         |
| 24                                                                       | L?DL_EstInPgRes                                                                               | PagingRes(<br>PagingRes_01)                                                                                                                     |                         |
| 25                                                                       | ACTIVATE(OtherEventsFail)                                                                     |                                                                                                                                                 | Restore Normal default  |
| 26                                                                       | +Authentication(TCV_ch, TCV_cksn,<br>TSPX_RANDDef)                                            |                                                                                                                                                 | 1.                      |
| 27                                                                       | +ChanRel(TCV_ch)                                                                              |                                                                                                                                                 | 2.                      |
| 28                                                                       | START T_dly( 705000)                                                                          |                                                                                                                                                 |                         |
| 29                                                                       | ?TIMEOUT T_dly                                                                                |                                                                                                                                                 |                         |
| 30                                                                       | +MM_LUPper2( 30000,<br>C_periodic_updating, C_MCC_1,<br>C_PLMN_1, TCV_lac, TimingAdv(<br>30)) |                                                                                                                                                 |                         |
| 31                                                                       | +ChanRel_end( TCV_ch)                                                                         |                                                                                                                                                 |                         |
| <b>Detailed Comments:</b>                                                |                                                                                               |                                                                                                                                                 |                         |
| 1. MS shall stop the timer T3212 after receiving of the first L3-message |                                                                                               |                                                                                                                                                 |                         |
| 2. MS shall reset and restart the timer T3212                            |                                                                                               |                                                                                                                                                 |                         |



| Test Case Dynamic Behaviour                                                                                                                                                                           |       |                                                                                                                                                                                                                                                                                                                                                                                                                                                                                                                                                                         |      |   |          |
|-------------------------------------------------------------------------------------------------------------------------------------------------------------------------------------------------------|-------|-------------------------------------------------------------------------------------------------------------------------------------------------------------------------------------------------------------------------------------------------------------------------------------------------------------------------------------------------------------------------------------------------------------------------------------------------------------------------------------------------------------------------------------------------------------------------|------|---|----------|
| <b>Test Case Name:</b> TC_26_7_4_5_3                                                                                                                                                                  |       |                                                                                                                                                                                                                                                                                                                                                                                                                                                                                                                                                                         |      |   |          |
| <b>Group:</b> GSM_L3_MS_v4210/MM/                                                                                                                                                                     |       |                                                                                                                                                                                                                                                                                                                                                                                                                                                                                                                                                                         |      |   |          |
| <b>Purpose:</b> To verify that the MS stops and resets the timer T3212 of the periodic location updating procedure when a Location Updating Accept or a Location Updating Reject message is received. |       |                                                                                                                                                                                                                                                                                                                                                                                                                                                                                                                                                                         |      |   |          |
| <b>Default:</b> OtherEventsFail                                                                                                                                                                       |       |                                                                                                                                                                                                                                                                                                                                                                                                                                                                                                                                                                         |      |   |          |
| <b>Comments:</b> Initial Conditions of MS:<br>The MS has valid TMSI and CKSN. It is "idle updated" on cell A.                                                                                         |       |                                                                                                                                                                                                                                                                                                                                                                                                                                                                                                                                                                         |      |   |          |
| Foreseen final state of the MS:<br>The MS has valid TMSI and CKSN. It is "idle updated" on cell B.                                                                                                    |       |                                                                                                                                                                                                                                                                                                                                                                                                                                                                                                                                                                         |      |   |          |
| Nr                                                                                                                                                                                                    | Label | Behaviour Description                                                                                                                                                                                                                                                                                                                                                                                                                                                                                                                                                   | CRef | V | Comments |
| 1                                                                                                                                                                                                     |       | START T_guard(1200)                                                                                                                                                                                                                                                                                                                                                                                                                                                                                                                                                     |      |   |          |
| 2                                                                                                                                                                                                     |       | +IdleUpdated( C_E_default, C_CellA, C_SCH_A, C_BCCH_A_1, C_Immass, C_S0, C_SlotNU, C_SlotNU, C_SlotNU, C_BCC, C_TxInt_5, C_Max_1, C_NECI_0, C_ATT_1, TimingAdv( 30), C_BABR_0, C_cch_1Comb, C_BPM_3, C_T3212_1, C_ci_cellA, C_MCC_1, C_PLMN_2, C_LAC_1, CellOpt_01, CellChDes_02, CellChDes_03, C_CellReselectHys12, C_MaxPwrLvIG, C_MaxPwrLvID, BcchFreqLst_01, BcchFreqLst_Omit, BcchFreqLst_48, BcchFreqLst_Omit, C_noRestablishment, C_BCC, C_NCC, C_Start_Tmsi, TSPX_SDCCH4SubDef, TSPX_CKSNDf, TSPX_RANDDef, C_arfcnA, C_arfcnAd, TSPX_IMSI, C_Test_fh, C_NCCP_2) |      |   |          |
| 3                                                                                                                                                                                                     |       | +StartCellB( C_E_neighbourdefault, C_arfcnB, C_arfcnBd, C_Immass, TCV_slot, TCV_tsc, TimingAdv( 30), C_TxInt_5, C_Max_1, C_NECI_0, C_ATT_1, C_BABR_0, C_cch_1Comb, C_BPM_3, C_T3212_1, C_MCC_1, C_PLMN_2, C_LAC_2, CellChDes_04, CellChDes_03, BcchFreqLst_01, BcchFreqLst_48, C_noRestablishment, C_BCC, C_NCC)                                                                                                                                                                                                                                                        |      |   |          |
| 4                                                                                                                                                                                                     | body  | +Switchcell( C_CellA, C_CellB, C_LAC_2, TSPX_SDCCH4SubDef, TSPX_CKSNDf, TSPX_RANDDef, C_arfcnB, C_arfcnBd, TCV_Ccd0B, TSPX_IMSI)                                                                                                                                                                                                                                                                                                                                                                                                                                        |      |   |          |
| 5                                                                                                                                                                                                     |       | +MM_LUP3( C_MCC_1, C_PLMN_2, TCV_lac, C_normal_updating, TimingAdv( 30))                                                                                                                                                                                                                                                                                                                                                                                                                                                                                                |      |   | 1)       |
| 6                                                                                                                                                                                                     |       | +NoReaction( 345000)                                                                                                                                                                                                                                                                                                                                                                                                                                                                                                                                                    |      |   |          |
| 7                                                                                                                                                                                                     |       | +MM_LUPper2( 30000, C_periodic_updating, C_MCC_1, C_PLMN_2, TCV_lac, TimingAdv( 30))                                                                                                                                                                                                                                                                                                                                                                                                                                                                                    |      |   |          |
| 8                                                                                                                                                                                                     |       | +ChanRel(TCV_ch)                                                                                                                                                                                                                                                                                                                                                                                                                                                                                                                                                        |      |   |          |
| 9                                                                                                                                                                                                     |       | +ImsiDetach( MiTmsi_01, TimingAdv( 30), C_SIMneedRmv)                                                                                                                                                                                                                                                                                                                                                                                                                                                                                                                   |      |   | 2)       |
| 10                                                                                                                                                                                                    |       | +ImsiAttach( MiTmsi_01, TimingAdv( 30), C_MCC_1, C_PLMN_2, C_SIMneedRmv)                                                                                                                                                                                                                                                                                                                                                                                                                                                                                                |      |   |          |
| 11                                                                                                                                                                                                    |       | +NoReaction( 345000)                                                                                                                                                                                                                                                                                                                                                                                                                                                                                                                                                    |      |   |          |
| 12                                                                                                                                                                                                    |       | +MM_LUPper2( 30000, C_periodic_updating, C_MCC_1, C_PLMN_2, TCV_lac, TimingAdv( 30))                                                                                                                                                                                                                                                                                                                                                                                                                                                                                    |      |   |          |
| 13                                                                                                                                                                                                    |       | +ChanRel_end( TCV_ch)                                                                                                                                                                                                                                                                                                                                                                                                                                                                                                                                                   |      |   |          |
| <b>Detailed Comments:</b>                                                                                                                                                                             |       | 1) MS shall reset the timer T3212 after normal location updating                                                                                                                                                                                                                                                                                                                                                                                                                                                                                                        |      |   |          |
|                                                                                                                                                                                                       |       | 2) MS shall reset the timer T3212 after IMSI attach procedure.                                                                                                                                                                                                                                                                                                                                                                                                                                                                                                          |      |   |          |

### Test Case Dynamic Behaviour

|                        |                                                                                                                                                                                                                                                                                                                                                |
|------------------------|------------------------------------------------------------------------------------------------------------------------------------------------------------------------------------------------------------------------------------------------------------------------------------------------------------------------------------------------|
| <b>Test Case Name:</b> | TC_26_7_4_5_4_1                                                                                                                                                                                                                                                                                                                                |
| <b>Group:</b>          | GSM_L3_MS_v4210/MM/                                                                                                                                                                                                                                                                                                                            |
| <b>Purpose:</b>        | To verify that when a cell of the HPLMN becomes available, following the successful location request on the VPLMN of the home country and after the first search the mobile has failed to find its HPLMN, that the MS shall perform a location update request on the HPLMN after time T. Where T is the HPLMN Search Period stored in the SIM. |
| <b>Default:</b>        | OtherEventsFail                                                                                                                                                                                                                                                                                                                                |
| <b>Comments:</b>       | Initial Conditions of MS:<br>The MS is switched off. The HPLMN Search Period on the SIM shall be set to 6 minutes.<br>The Location Area Information on the SIM is deleted.<br><br>Foreseen final state of the MS:<br>The MS has valid TMSI and CKSN. It is "idle updated" on cell A.                                                           |

| Nr | Label      | Behaviour Description                                                                                                                                                                                                                                                                                                                                                                                                                                                                                                                                                           | CRef                                                                    | V   | Comments |
|----|------------|---------------------------------------------------------------------------------------------------------------------------------------------------------------------------------------------------------------------------------------------------------------------------------------------------------------------------------------------------------------------------------------------------------------------------------------------------------------------------------------------------------------------------------------------------------------------------------|-------------------------------------------------------------------------|-----|----------|
| 1  |            | START T_guard(1020)                                                                                                                                                                                                                                                                                                                                                                                                                                                                                                                                                             |                                                                         |     |          |
| 2  |            | (TCV_Null := OO_SIM2Ins())                                                                                                                                                                                                                                                                                                                                                                                                                                                                                                                                                      |                                                                         |     |          |
| 3  |            | +IdleUpdated( C_E_neighbourdefault, C_CellB, C_SCH_B, C_BCCH_B_1, C_Immass, C_S0, C_SlotNU, C_SlotNU, C_SlotNU, C_BCC, C_TxInt_5, C_Max_1, C_NECI_0, C_ATT_0, TimingAdv( 30), C_BABR_0, C_cch_1Comb, C_BPM_3, C_T3212_0, C_ci_cellB, C_MCC_1, C_PLMN_2, C_LAC_2, CellOpt_01, CellChDes_Omit, CellChDes_Omit, C_CellReselectHys12, C_MaxPwrLvlG, C_MaxPwrLvlD, BcchFreqLst_01, BcchFreqLst_01, BcchFreqLst_48, BcchFreqLst_48, C_noRestablishment, C_BCC, C_NCC, C_Start_Rej, TSPX_SDCCH4SubDef, TSPX_CKSNDf, TSPX_RANDDf, C_arfcnB, C_arfcnBd, TSPX_IMSI, C_Test_nfh, C_NCCP_2) |                                                                         |     | 1)       |
| 4  | body       | +MM_PwrOrSimOn( C_SIMneedRmv)                                                                                                                                                                                                                                                                                                                                                                                                                                                                                                                                                   |                                                                         |     |          |
| 5  |            | +MM_LupInit5( C_normal_updating, TimingAdv( 30))                                                                                                                                                                                                                                                                                                                                                                                                                                                                                                                                |                                                                         |     |          |
| 6  |            | LIDL_DatRqLupAcp                                                                                                                                                                                                                                                                                                                                                                                                                                                                                                                                                                | LocAcp( TCV_ch, LocUpdtAcp_01( MiMsi_omit, C_MCC_1, C_PLMN_2, TCV_lac)) |     | PLMN2    |
| 7  |            | +ChanRel(TCV_ch)                                                                                                                                                                                                                                                                                                                                                                                                                                                                                                                                                                |                                                                         |     |          |
| 8  |            | +NoReaction( 480000)                                                                                                                                                                                                                                                                                                                                                                                                                                                                                                                                                            |                                                                         |     |          |
| 9  |            | +ltree_continue                                                                                                                                                                                                                                                                                                                                                                                                                                                                                                                                                                 |                                                                         |     |          |
| 10 |            | <b>ltree_continue</b><br>+StartCellA( C_E_default, C_Immass, TCV_slot, TCV_tsc, TimingAdv( 30), C_TxInt_5, C_Max_1, C_NECI_0, C_ATT_0, C_BABR_0, C_cch_1Comb, C_BPM_3, C_T3212_0, C_MCC_1, C_PLMN_1, C_LAC_1, CellChDes_02, CellChDes_03, BcchFreqLst_01, BcchFreqLst_48, C_noRestablishment)                                                                                                                                                                                                                                                                                   |                                                                         |     |          |
| 11 |            | +Varinit_fix( C_CellA, C_LAC_1, TSPX_SDCCH4SubDef, TSPX_CKSNDf, TSPX_RANDDf, C_arfcnA, C_arfcnAd, TCV_Ccd0A, TSPX_IMSI)                                                                                                                                                                                                                                                                                                                                                                                                                                                         |                                                                         |     |          |
| 12 |            | START T_dly( 480000)                                                                                                                                                                                                                                                                                                                                                                                                                                                                                                                                                            |                                                                         |     |          |
| 13 | L_037<br>4 | ?TIMEOUT T_dly                                                                                                                                                                                                                                                                                                                                                                                                                                                                                                                                                                  |                                                                         | (F) |          |
| 14 |            | +MM_LupInit4( C_normal_updating, TimingAdv( 30))                                                                                                                                                                                                                                                                                                                                                                                                                                                                                                                                |                                                                         |     |          |
| 15 | L_037<br>5 | LIDL_DatRqLupAcp                                                                                                                                                                                                                                                                                                                                                                                                                                                                                                                                                                | LocAcp( TCV_ch, LocUpdtAcp_01( MiMsi_omit, C_MCC_1, C_PLMN_1, TCV_lac)) | (P) | PLMN1    |
| 16 |            | +ChanRel_end( TCV_ch)                                                                                                                                                                                                                                                                                                                                                                                                                                                                                                                                                           |                                                                         |     |          |

**Detailed Comments:** 1) Initial condition: LAI deleted, HPLMNsearchperiod=6min

| Test Case Dynamic Behaviour                                                                                                                                                                 |       |                                                                                                                                                                                                                                                                                                                                                                                                                                                                                                                                                                                  |                                                                         |   |          |
|---------------------------------------------------------------------------------------------------------------------------------------------------------------------------------------------|-------|----------------------------------------------------------------------------------------------------------------------------------------------------------------------------------------------------------------------------------------------------------------------------------------------------------------------------------------------------------------------------------------------------------------------------------------------------------------------------------------------------------------------------------------------------------------------------------|-------------------------------------------------------------------------|---|----------|
| <b>Test Case Name:</b> TC_26_7_4_5_4_2                                                                                                                                                      |       |                                                                                                                                                                                                                                                                                                                                                                                                                                                                                                                                                                                  |                                                                         |   |          |
| <b>Group:</b> GSM_L3_MS_v4210/MM/                                                                                                                                                           |       |                                                                                                                                                                                                                                                                                                                                                                                                                                                                                                                                                                                  |                                                                         |   |          |
| <b>Purpose:</b> To verify that no HPLMN Search is performed when the MS is not in automatic mode                                                                                            |       |                                                                                                                                                                                                                                                                                                                                                                                                                                                                                                                                                                                  |                                                                         |   |          |
| <b>Default:</b> OtherEventsFail                                                                                                                                                             |       |                                                                                                                                                                                                                                                                                                                                                                                                                                                                                                                                                                                  |                                                                         |   |          |
| <b>Comments:</b> Initial Conditions of MS:<br>The MS is switched off. The HPLMN Search Period on the SIM shall be set to 6 minutes.<br>The Location Area Information on the SIM is deleted. |       |                                                                                                                                                                                                                                                                                                                                                                                                                                                                                                                                                                                  |                                                                         |   |          |
| Foreseen final state of the MS:<br>The MS has valid TMSI and CKSN. It is "idle updated" on cell B.                                                                                          |       |                                                                                                                                                                                                                                                                                                                                                                                                                                                                                                                                                                                  |                                                                         |   |          |
| Nr                                                                                                                                                                                          | Label | Behaviour Description                                                                                                                                                                                                                                                                                                                                                                                                                                                                                                                                                            | CRef                                                                    | V | Comments |
| 1                                                                                                                                                                                           |       | START T_guard(420)                                                                                                                                                                                                                                                                                                                                                                                                                                                                                                                                                               |                                                                         |   |          |
| 2                                                                                                                                                                                           |       | (TCV_Null := OO_SIM2Ins())                                                                                                                                                                                                                                                                                                                                                                                                                                                                                                                                                       |                                                                         |   |          |
| 3                                                                                                                                                                                           |       | +IdleUpdated( C_E_neighbourdefault, C_CellB, C_SCH_B, C_BCCH_B_1, C_Immass, C_S0, C_SlotNU, C_SlotNU, C_SlotNU, C_BCC, C_TxInt_5, C_Max_1, C_NECl_0, C_ATT_0, TimingAdv( 30), C_BABR_0, C_cch_1Comb, C_BPM_3, C_T3212_0, C_ci_cellB, C_MCC_1, C_PLMN_2, C_LAC_2, CellOpt_01, CellChDes_Omit, CellChDes_Omit, C_CellReselectHys12, C_MaxPwrLvIG, C_MaxPwrLvID, BcchFreqLst_01, BcchFreqLst_01, BcchFreqLst_48, BcchFreqLst_48, C_noRestablishment, C_BCC, C_NCC, C_Start_Rej, TSPX_SDCCH4SubDef, TSPX_CKSNDf, TSPX_RANDDef, C_arfcnB, C_arfcnBd, TSPX_IMSI, C_Test_nfh, C_NCCP_2) |                                                                         |   | 1)       |
| 4                                                                                                                                                                                           | body  | +MM_PwrOrSimOn( C_SIMneedRmv)                                                                                                                                                                                                                                                                                                                                                                                                                                                                                                                                                    |                                                                         |   |          |
| 5                                                                                                                                                                                           |       | +MM_LupInit5( C_normal_updating, TimingAdv( 30))                                                                                                                                                                                                                                                                                                                                                                                                                                                                                                                                 |                                                                         |   |          |
| 6                                                                                                                                                                                           |       | L!DL_DatRqLupAcp                                                                                                                                                                                                                                                                                                                                                                                                                                                                                                                                                                 | LocAcp( TCV_ch, LocUpdtAcp_01( MiMsi_omit, C_MCC_1, C_PLMN_2, TCV_lac)) |   | PLMN2    |
| 7                                                                                                                                                                                           |       | +ChanRel(TCV_ch)                                                                                                                                                                                                                                                                                                                                                                                                                                                                                                                                                                 |                                                                         |   |          |
| 8                                                                                                                                                                                           |       | +ltree_continue                                                                                                                                                                                                                                                                                                                                                                                                                                                                                                                                                                  |                                                                         |   |          |
|                                                                                                                                                                                             |       | <b>ltree_continue</b>                                                                                                                                                                                                                                                                                                                                                                                                                                                                                                                                                            |                                                                         |   |          |
| 9                                                                                                                                                                                           |       | (TCV_Null := OO_PLMNselModeMan())                                                                                                                                                                                                                                                                                                                                                                                                                                                                                                                                                |                                                                         |   | 2)       |
| 10                                                                                                                                                                                          |       | +StartCellA( C_E_default, C_Immass,TCV_slot, TCV_tsc, TimingAdv( 30), C_TxInt_5, C_Max_1, C_NECl_0, C_ATT_0, C_BABR_0, C_cch_1Comb, C_BPM_3, C_T3212_0, C_MCC_1, C_PLMN_1, C_LAC_1, CellChDes_02, CellChDes_03, BcchFreqLst_01, BcchFreqLst_48, C_noRestablishment)                                                                                                                                                                                                                                                                                                              |                                                                         |   | 3)       |
| 11                                                                                                                                                                                          |       | +Varinit_fix( C_CellA, C_LAC_1, TSPX_SDCCH4SubDef, TSPX_CKSNDf, TSPX_RANDDef, C_arfcnA, C_arfcnAd, TCV_Ccd0A, TSPX_IMSI)                                                                                                                                                                                                                                                                                                                                                                                                                                                         |                                                                         |   |          |
| 12                                                                                                                                                                                          |       | +NoReaction( 420000)                                                                                                                                                                                                                                                                                                                                                                                                                                                                                                                                                             |                                                                         |   |          |
| <b>Detailed Comments:</b> 1) Initial condition: LAI deleted, HPLMN searchperiod = 6min<br>2) MS in manual mode.<br>3) made cell A available.                                                |       |                                                                                                                                                                                                                                                                                                                                                                                                                                                                                                                                                                                  |                                                                         |   |          |

| Test Case Dynamic Behaviour                                                                                                                                                                                                                                                                           |            |                                                                                                                                                                                                                                                                                                                                                                                                                                                                                                                                                                                 |                                                                         |     |          |
|-------------------------------------------------------------------------------------------------------------------------------------------------------------------------------------------------------------------------------------------------------------------------------------------------------|------------|---------------------------------------------------------------------------------------------------------------------------------------------------------------------------------------------------------------------------------------------------------------------------------------------------------------------------------------------------------------------------------------------------------------------------------------------------------------------------------------------------------------------------------------------------------------------------------|-------------------------------------------------------------------------|-----|----------|
| <b>Test Case Name:</b> TC_26_7_4_5_4_3                                                                                                                                                                                                                                                                |            |                                                                                                                                                                                                                                                                                                                                                                                                                                                                                                                                                                                 |                                                                         |     |          |
| <b>Group:</b> GSM_L3_MS_v4210/MM/                                                                                                                                                                                                                                                                     |            |                                                                                                                                                                                                                                                                                                                                                                                                                                                                                                                                                                                 |                                                                         |     |          |
| <b>Purpose:</b> To verify that the MS waits at least 2 minutes and at most T minutes before attempting its first HPLMN Search.                                                                                                                                                                        |            |                                                                                                                                                                                                                                                                                                                                                                                                                                                                                                                                                                                 |                                                                         |     |          |
| <b>Default:</b> OtherEventsFail                                                                                                                                                                                                                                                                       |            |                                                                                                                                                                                                                                                                                                                                                                                                                                                                                                                                                                                 |                                                                         |     |          |
| <b>Comments:</b> Initial Conditions of MS:<br>The MS is switched off. The HPLMN Search Period on the SIM shall be set to 6 minutes.<br>The Location Area Information on the SIM is deleted.<br><br>Foreseen final state of the MS:<br>The MS has valid TMSI and CKSN. It is "idle updated" on cell A. |            |                                                                                                                                                                                                                                                                                                                                                                                                                                                                                                                                                                                 |                                                                         |     |          |
| Nr                                                                                                                                                                                                                                                                                                    | Label      | Behaviour Description                                                                                                                                                                                                                                                                                                                                                                                                                                                                                                                                                           | CRef                                                                    | V   | Comments |
| 1                                                                                                                                                                                                                                                                                                     |            | START T_guard(480)                                                                                                                                                                                                                                                                                                                                                                                                                                                                                                                                                              |                                                                         |     |          |
| 2                                                                                                                                                                                                                                                                                                     |            | (TCV_Null := OO_SIM2Ins())                                                                                                                                                                                                                                                                                                                                                                                                                                                                                                                                                      |                                                                         |     |          |
| 3                                                                                                                                                                                                                                                                                                     |            | +IdleUpdated( C_E_neighbourdefault, C_CellB, C_SCH_B, C_BCCH_B_1, C_Immass, C_S0, C_SlotNU, C_SlotNU, C_SlotNU, C_BCC, C_TxInt_5, C_Max_1, C_NECl_0, C_ATT_0, TimingAdv( 30), C_BABR_0, C_cch_1Comb, C_BPM_3, C_T3212_0, C_ci_cellB, C_MCC_1, C_PLMN_2, C_LAC_2, CellOpt_01, CellChDes_Omit, CellChDes_Omit, C_CellReselectHys12, C_MaxPwrLvlG, C_MaxPwrLvlD, BcchFreqLst_01, BcchFreqLst_01, BcchFreqLst_48, BcchFreqLst_48, C_noRestablishment, C_BCC, C_NCC, C_Start_Rej, TSPX_SDCCH4SubDef, TSPX_CKSNDf, TSPX_RANDDf, C_arfcnB, C_arfcnBd, TSPX_IMSI, C_Test_nfh, C_NCCP_2) |                                                                         |     | 1)       |
| 4                                                                                                                                                                                                                                                                                                     | body       | +MM_PwrOrSimOn( C_SIMneedRmv)                                                                                                                                                                                                                                                                                                                                                                                                                                                                                                                                                   |                                                                         |     |          |
| 5                                                                                                                                                                                                                                                                                                     |            | +MM_Luplnit5( C_normal_updating, TimingAdv( 30))                                                                                                                                                                                                                                                                                                                                                                                                                                                                                                                                |                                                                         |     |          |
| 6                                                                                                                                                                                                                                                                                                     |            | L!DL_DatRqLupAcp                                                                                                                                                                                                                                                                                                                                                                                                                                                                                                                                                                | LocAcp( TCV_ch, LocUpdtAcp_01( MiMsi_omit, C_MCC_1, C_PLMN_2, TCV_lac)) |     | PLMN2    |
| 7                                                                                                                                                                                                                                                                                                     |            | +ChanRel(TCV_ch)                                                                                                                                                                                                                                                                                                                                                                                                                                                                                                                                                                |                                                                         |     |          |
| 8                                                                                                                                                                                                                                                                                                     |            | +ltree_continue                                                                                                                                                                                                                                                                                                                                                                                                                                                                                                                                                                 |                                                                         |     |          |
| 9                                                                                                                                                                                                                                                                                                     |            | <b>ltree_continue</b><br>+StartCellA( C_E_default, C_Immass, TCV_slot, TCV_tsc, TimingAdv( 30), C_TxInt_5, C_Max_1, C_NECl_0, C_ATT_0, C_BABR_0, C_cch_1Comb, C_BPM_3, C_T3212_0, C_MCC_1, C_PLMN_1, C_LAC_1, CellChDes_02, CellChDes_03, BcchFreqLst_01, BcchFreqLst_48, C_noRestablishment)                                                                                                                                                                                                                                                                                   |                                                                         |     | 2)       |
| 10                                                                                                                                                                                                                                                                                                    |            | +Varinit_fix( C_CellA, C_LAC_1, TSPX_SDCCH4SubDef, TSPX_CKSNDf, TSPX_RANDDf, C_arfcnA, C_arfcnAd, TCV_Ccd0A, TSPX_IMSI)                                                                                                                                                                                                                                                                                                                                                                                                                                                         |                                                                         |     |          |
| 11                                                                                                                                                                                                                                                                                                    |            | +NoReaction( 120000)                                                                                                                                                                                                                                                                                                                                                                                                                                                                                                                                                            |                                                                         |     |          |
| 12                                                                                                                                                                                                                                                                                                    |            | START T_dly(360000)                                                                                                                                                                                                                                                                                                                                                                                                                                                                                                                                                             |                                                                         |     | 3)       |
| 13                                                                                                                                                                                                                                                                                                    | L_037<br>6 | ?TIMEOUT T_dly                                                                                                                                                                                                                                                                                                                                                                                                                                                                                                                                                                  |                                                                         | (F) |          |
| 14                                                                                                                                                                                                                                                                                                    |            | +MM_Luplnit6( C_normal_updating, TimingAdv( 30))                                                                                                                                                                                                                                                                                                                                                                                                                                                                                                                                |                                                                         |     |          |
| 15                                                                                                                                                                                                                                                                                                    |            | L!DL_DatRqLupAcp                                                                                                                                                                                                                                                                                                                                                                                                                                                                                                                                                                | LocAcp( TCV_ch, LocUpdtAcp_01( MiMsi_omit, C_MCC_1, C_PLMN_1, TCV_lac)) |     | PLMN1    |
| 16                                                                                                                                                                                                                                                                                                    |            | +ChanRel_end( TCV_ch)                                                                                                                                                                                                                                                                                                                                                                                                                                                                                                                                                           |                                                                         |     |          |
| <b>Detailed Comments:</b> 1) Initial condition: LAI deleted, HPLMNsearchperiod=6min<br>2) made cell A available.                                                                                                                                                                                      |            |                                                                                                                                                                                                                                                                                                                                                                                                                                                                                                                                                                                 |                                                                         |     |          |

3) MS shall send the messages on cell A within T minutes. T means HPLMN search period.

### Test Case Dynamic Behaviour

|                        |                                                                                                                                                                                                                                                                                                                                                                                                                        |
|------------------------|------------------------------------------------------------------------------------------------------------------------------------------------------------------------------------------------------------------------------------------------------------------------------------------------------------------------------------------------------------------------------------------------------------------------|
| <b>Test Case Name:</b> | TC_26_7_4_6                                                                                                                                                                                                                                                                                                                                                                                                            |
| <b>Group:</b>          | GSM_L3_MS_v4210/MM/                                                                                                                                                                                                                                                                                                                                                                                                    |
| <b>Purpose:</b>        | 1) To check that if the PLU timer expires while the MS is out of coverage, the MS informs the network of its return to coverage.<br>2) To check that the PLU timer is not disturbed by cells of forbidden PLMNs.<br>3) To check that if the PLU timer does not expire while out of coverage and if the mobile returns to the LA where it is updated, the mobile does not inform the network of its return to coverage. |
| <b>Default:</b>        | OtherEventsFail                                                                                                                                                                                                                                                                                                                                                                                                        |
| <b>Comments:</b>       | Initial Conditions of MS:<br>The MS is deactivated. The PLMN of cell B is entered in the SIM's forbidden PLMN list.<br><br>Foreseen final state of the MS:<br>The MS is "idle updated". The PLMN of cell B is entered in the SIM's forbidden PLMN list.                                                                                                                                                                |

| Nr | Label      | Behaviour Description                                                                                                                                                                                                                                                                                                                                                                                                                                                                                                                                                                 | CRef | V   | Comments |
|----|------------|---------------------------------------------------------------------------------------------------------------------------------------------------------------------------------------------------------------------------------------------------------------------------------------------------------------------------------------------------------------------------------------------------------------------------------------------------------------------------------------------------------------------------------------------------------------------------------------|------|-----|----------|
| 1  |            | START T_guard(2100)                                                                                                                                                                                                                                                                                                                                                                                                                                                                                                                                                                   |      |     |          |
| 2  |            | +IdleUpdated( C_E_neighbourdefault, C_CellB, C_SCH_B, C_BCCH_B_1, C_Immass, C_S0, C_SlotNU, C_SlotNU, C_SlotNU, C_BCC, C_TxInt_5, C_Max_1, C_NECI_0, C_ATT_0, TimingAdv( 30), C_BABR_0, C_cch_1Comb, C_BPM_3, C_T3212_0, C_ci_cellB, C_MCC_1, C_PLMN_2, C_LAC_2, CellOpt_01, CellChDes_04, CellChDes_03, C_CellReselectHys12, C_MaxPwrLvlG, C_MaxPwrLvlD, BcchFreqLst_01, BcchFreqLst_Omit, BcchFreqLst_48, BcchFreqLst_Omit, C_noRestablishment, C_BCC, C_NCC, C_Start_PLMNnot, TSPX_SDCCH4SubDef, TSPX_CKSNDDef, TSPX_RANDDef, C_arfcnB, C_arfcnBd, TSPX_IMSI, C_Test_fh, C_NCCP_2) |      |     | PR 1)    |
| 3  |            | +StartCellA( C_E_default, C_Immass, TCV_slot, TCV_tsc, TimingAdv( 30), C_TxInt_5, C_Max_1, C_NECI_0, C_ATT_0, C_BABR_0, C_cch_1Comb, C_BPM_3, C_T3212_0, C_MCC_1, C_PLMN_1, C_LAC_1, CellChDes_02, CellChDes_03, BcchFreqLst_01, BcchFreqLst_48, C_noRestablishment)                                                                                                                                                                                                                                                                                                                  |      |     |          |
| 4  |            | +Varinit_fix( C_CellA, C_LAC_1, TSPX_SDCCH4SubDef, TSPX_CKSNDDef, TSPX_RANDDef, C_arfcnA, C_arfcnAd, TCV_Ccd0A, TSPX_IMSI)                                                                                                                                                                                                                                                                                                                                                                                                                                                            |      |     |          |
| 5  |            | +MM_LUP( MiTmsi_01iei, C_MCC_1, C_PLMN_1, C_LAC_1, C_normal Updating, TimingAdv( 30))                                                                                                                                                                                                                                                                                                                                                                                                                                                                                                 |      |     | PR 2)    |
| 6  |            | +MM_PwrOrSimOff( C_SIMneedRmv)                                                                                                                                                                                                                                                                                                                                                                                                                                                                                                                                                        |      |     |          |
| 7  |            | +ltree_StartCellAandB                                                                                                                                                                                                                                                                                                                                                                                                                                                                                                                                                                 |      |     |          |
| 8  | body       | +ltree_body1                                                                                                                                                                                                                                                                                                                                                                                                                                                                                                                                                                          |      |     |          |
| 9  |            | +ltree_body2                                                                                                                                                                                                                                                                                                                                                                                                                                                                                                                                                                          |      |     |          |
| 10 |            | +ltree_body3                                                                                                                                                                                                                                                                                                                                                                                                                                                                                                                                                                          |      |     |          |
| 11 |            | +RmvForbiddenPlmn( C_CellB, C_LAC_2, TSPX_SDCCH4SubDef, TSPX_CKSNDDef, TSPX_RANDDef, C_arfcnB, C_arfcnBd, TCV_Ccd0B, TSPX_IMSI)                                                                                                                                                                                                                                                                                                                                                                                                                                                       |      |     |          |
|    |            | <b>ltree_body1</b>                                                                                                                                                                                                                                                                                                                                                                                                                                                                                                                                                                    |      |     |          |
| 12 |            | +MM_PwrOrSimOn( C_SIMneedRmv)                                                                                                                                                                                                                                                                                                                                                                                                                                                                                                                                                         |      |     | 1)       |
| 13 |            | START T_dly1( C_T_Wait1stChReq)                                                                                                                                                                                                                                                                                                                                                                                                                                                                                                                                                       |      |     |          |
| 14 |            | +ltree_perluprest( C_imsi_attach)                                                                                                                                                                                                                                                                                                                                                                                                                                                                                                                                                     |      |     | 2)       |
| 15 |            | START T_dly1( 705000)                                                                                                                                                                                                                                                                                                                                                                                                                                                                                                                                                                 |      |     | 3)       |
| 16 |            | +NoReaction( 60000)                                                                                                                                                                                                                                                                                                                                                                                                                                                                                                                                                                   |      |     |          |
| 17 |            | (TCV_Null := OM_StopCell( C_CellA))                                                                                                                                                                                                                                                                                                                                                                                                                                                                                                                                                   |      |     |          |
| 18 |            | +NoReaction( 420000)                                                                                                                                                                                                                                                                                                                                                                                                                                                                                                                                                                  |      |     |          |
| 19 |            | +ltree_StartCellAandB                                                                                                                                                                                                                                                                                                                                                                                                                                                                                                                                                                 |      |     |          |
| 20 | L_037<br>7 | ?TIMEOUT T_dly1                                                                                                                                                                                                                                                                                                                                                                                                                                                                                                                                                                       |      | (P) | 3)       |

|    |            |                                                                                                                                                                                                                                                                                                                                    |                                                                                                                                                  |     |                         |
|----|------------|------------------------------------------------------------------------------------------------------------------------------------------------------------------------------------------------------------------------------------------------------------------------------------------------------------------------------------|--------------------------------------------------------------------------------------------------------------------------------------------------|-----|-------------------------|
| 21 |            | <b>ltree_body2</b>                                                                                                                                                                                                                                                                                                                 |                                                                                                                                                  |     |                         |
| 22 |            | START T_dly1( 30000)                                                                                                                                                                                                                                                                                                               |                                                                                                                                                  |     |                         |
| 23 |            | +ltree_perluprest( C_periodic_updating)                                                                                                                                                                                                                                                                                            |                                                                                                                                                  |     | 4)                      |
| 24 |            | +NoReaction( 180000)                                                                                                                                                                                                                                                                                                               |                                                                                                                                                  |     |                         |
|    |            | (TCV_Null := OM_StopCell( C_CellA))                                                                                                                                                                                                                                                                                                |                                                                                                                                                  |     |                         |
|    |            | <b>ltree_body3</b>                                                                                                                                                                                                                                                                                                                 |                                                                                                                                                  |     |                         |
| 25 |            | +NoReaction( 660000)                                                                                                                                                                                                                                                                                                               |                                                                                                                                                  |     | 5)                      |
| 26 |            | +ltree_StartCellAandB                                                                                                                                                                                                                                                                                                              |                                                                                                                                                  |     |                         |
| 27 |            | (TCV_Null := OM_StopCell( C_CellB))                                                                                                                                                                                                                                                                                                |                                                                                                                                                  |     |                         |
| 28 |            | START T_dly1( 180000)                                                                                                                                                                                                                                                                                                              |                                                                                                                                                  |     |                         |
| 29 |            | +ltree_perluprest( C_periodic_updating)                                                                                                                                                                                                                                                                                            |                                                                                                                                                  |     | 6)                      |
|    |            | <b>ltree_perluprest( locup:B_2)</b>                                                                                                                                                                                                                                                                                                |                                                                                                                                                  |     |                         |
| 30 | L_037<br>8 | L?DL_RaInChRq (TCV_Rr := DL_RaInChRq.<br>msg.ecau_rrf, TCV_Fn := DL_RaInChRq.fn)<br>CANCEL T_dly1                                                                                                                                                                                                                                  | ChReq(<br>ChRequest_02)                                                                                                                          | (P) |                         |
| 31 |            | ACTIVATE( OtherEventsFail_02)                                                                                                                                                                                                                                                                                                      |                                                                                                                                                  |     | To match ChReq retrans. |
| 32 |            | LIDL_UdatRqImm                                                                                                                                                                                                                                                                                                                     | ImmAss( TCV_agch,<br>ImmAsgn_01Def(<br>TCV_Rr, TCV_Fn,<br>TSPX_SDCCH4SubD<br>ef, TCV_slot,<br>TCV_tsc,<br>TCV_chdescr_arfcn,<br>TimingAdv( 30))) |     |                         |
| 33 | L_037<br>9 | L?DL_EstInLupRq                                                                                                                                                                                                                                                                                                                    | LocUp( TCV_ch,<br>LocUpdtReq_01(<br>locup))                                                                                                      | (P) |                         |
| 34 |            | ACTIVATE( OtherEventsFail)                                                                                                                                                                                                                                                                                                         |                                                                                                                                                  |     | Restore Normal default  |
| 35 |            | LIDL_DatRqLupAcp                                                                                                                                                                                                                                                                                                                   | LocAcp( TCV_ch,<br>LocUpdtAcp_01(<br>MiMsi_omit,<br>C_MCC_1,<br>C_PLMN_1,<br>TCV_lac))                                                           |     |                         |
| 36 |            | +ChanRel(TCV_ch)                                                                                                                                                                                                                                                                                                                   |                                                                                                                                                  |     |                         |
| 37 | L_038<br>0 | ?TIMEOUT T_dly1                                                                                                                                                                                                                                                                                                                    |                                                                                                                                                  | (F) |                         |
|    |            | <b>ltree_StartCellAandB</b>                                                                                                                                                                                                                                                                                                        |                                                                                                                                                  |     |                         |
| 38 |            | +StartCellA( C_E_default, C_Imm, TCV_slot,<br>TCV_tsc, TimingAdv( 30), C_TxInt_5, C_Max_1,<br>C_NECL_0, C_ATT_1, C_BABR_0, C_cch_1Comb,<br>C_BPM_3, C_T3212_2, C_MCC_1, C_PLMN_1,<br>C_LAC_1, CellChDes_01, CellChDes_03,<br>BcchFreqLst_01, BcchFreqLst_48,<br>C_noRestablishment)                                                |                                                                                                                                                  |     |                         |
| 39 |            | +StartCellB( C_E_neighbourdefault, C_arfcnB,<br>C_arfcnBd, C_Imm, TCV_slot, TCV_tsc,<br>TimingAdv( 30), C_TxInt_5, C_Max_1, C_NECL_0,<br>C_ATT_1, C_BABR_0, C_cch_1Comb, C_BPM_3,<br>C_T3212_1, C_MCC_1, C_PLMN_2, C_LAC_2,<br>CellChDes_04, CellChDes_03, BcchFreqLst_01,<br>BcchFreqLst_48, C_noRestablishment, C_BCC,<br>C_NCC) |                                                                                                                                                  |     |                         |

**Detailed Comments:**

PR1) Initial condition: The PLMN of cell B is entered in the SIM's forbidden PLMN list.  
PR2) Initial condition: Idle updated in cell A.

- 1) MS is in automatic network selection mode.
- 2) IMSI attach procedure
- 3) Conformance Requirement 1  
Delay for 11 min and 40 seconds. In this time MS may not location update in cell A.
- 4) The MS shall execute the periodic location updating after 12 min.
- 5) Conformance Requirement 5  
No Reaction in 7 min. In this time MS may not location update in cell B.
- 6) The MS shall execute the periodic location updating before 17 min after last periodic LUP.

PS1) Final postamble: The PLMN of cell B is suppressed on the SIM's forbidden PLMN list.

| Test Case Dynamic Behaviour                                                                                                                                            |            |                                                                                                                                                                                                                                                                                                                                                                                                                                                                                                                                                                                                                    |                                                                                                                                                  |     |                         |
|------------------------------------------------------------------------------------------------------------------------------------------------------------------------|------------|--------------------------------------------------------------------------------------------------------------------------------------------------------------------------------------------------------------------------------------------------------------------------------------------------------------------------------------------------------------------------------------------------------------------------------------------------------------------------------------------------------------------------------------------------------------------------------------------------------------------|--------------------------------------------------------------------------------------------------------------------------------------------------|-----|-------------------------|
| <b>Test Case Name:</b> TC_26_7_5_2                                                                                                                                     |            |                                                                                                                                                                                                                                                                                                                                                                                                                                                                                                                                                                                                                    |                                                                                                                                                  |     |                         |
| <b>Group:</b> GSM_L3_MS_v4210/MM/                                                                                                                                      |            |                                                                                                                                                                                                                                                                                                                                                                                                                                                                                                                                                                                                                    |                                                                                                                                                  |     |                         |
| <b>Purpose:</b> To verify that the MS can correctly set up an MM connection in an originating CM connection establishment when ciphering mode setting is not required. |            |                                                                                                                                                                                                                                                                                                                                                                                                                                                                                                                                                                                                                    |                                                                                                                                                  |     |                         |
| <b>Default:</b> OtherEventsFail                                                                                                                                        |            |                                                                                                                                                                                                                                                                                                                                                                                                                                                                                                                                                                                                                    |                                                                                                                                                  |     |                         |
| <b>Comments:</b> Initial Conditions of MS:<br>The MS has valid TMSI. It is "idle updated".<br>Expected values in the SIM card: TMSI: MiTmsi_01, CKSN: TSPX_CKSNDf      |            |                                                                                                                                                                                                                                                                                                                                                                                                                                                                                                                                                                                                                    |                                                                                                                                                  |     |                         |
| Foreseen final state of the MS:<br>The MS has valid TMSI and CKSN.It is "idle updated".                                                                                |            |                                                                                                                                                                                                                                                                                                                                                                                                                                                                                                                                                                                                                    |                                                                                                                                                  |     |                         |
| Nr                                                                                                                                                                     | Label      | Behaviour Description                                                                                                                                                                                                                                                                                                                                                                                                                                                                                                                                                                                              | CRef                                                                                                                                             | V   | Comments                |
| 1                                                                                                                                                                      |            | START T_guard(300)                                                                                                                                                                                                                                                                                                                                                                                                                                                                                                                                                                                                 |                                                                                                                                                  |     |                         |
| 2                                                                                                                                                                      |            | +BasicServiceMO( TSPX_MOBscSvcH,<br>TSPX_MOChRateH)                                                                                                                                                                                                                                                                                                                                                                                                                                                                                                                                                                |                                                                                                                                                  |     |                         |
| 3                                                                                                                                                                      |            | +IdleUpdated( C_E_default, C_CellA, C_SCH_A,<br>C_BCCH_A_1, C_Immass, C_S0, C_SlotNU,<br>C_SlotNU, C_SlotNU, C_BCC, C_TxInt_5,<br>C_Max_1, C_NECI_0, C_ATT_0, TimingAdv( 30),<br>C_BABR_0, C_cch_1Comb, C_BPM_3,<br>C_T3212_0, C_ci_cellA, C_MCC_1, C_PLMN_1,<br>C_LAC_1, CellOpt_01, CellChDes_02,<br>CellChDes_03, C_CellReselectHys12,<br>C_MaxPwrLvIG, C_MaxPwrLvID,<br>BcchFreqLst_01, BcchFreqLst_Omit,<br>BcchFreqLst_48, BcchFreqLst_Omit,<br>C_noReestablishment, C_BCC, C_NCC,<br>C_Start_Tmsi, TSPX_SDCCH4SubDef,<br>TSPX_CKSNDf, TSPX_RANDDef, C_arfcnA,<br>C_arfcnAd, TSPX_IMSI, C_Test_fh, C_NCCP_2) |                                                                                                                                                  |     |                         |
| 4                                                                                                                                                                      |            | +InitCM(TCV_Service)                                                                                                                                                                                                                                                                                                                                                                                                                                                                                                                                                                                               |                                                                                                                                                  |     |                         |
| 5                                                                                                                                                                      |            | L?DL_RacInChRq (TCV_Rr :=<br>DL_RacInChRq.msg.ecau_rrf, TCV_Fn :=<br>DL_RacInChRq.fn)                                                                                                                                                                                                                                                                                                                                                                                                                                                                                                                              | ChReq(<br>ChRequest_02)                                                                                                                          |     |                         |
| 6                                                                                                                                                                      |            | ACTIVATE(OtherEventsFail_02)                                                                                                                                                                                                                                                                                                                                                                                                                                                                                                                                                                                       |                                                                                                                                                  |     | To match ChReq retrans. |
| 7                                                                                                                                                                      |            | L!DL_UdatRqImmass                                                                                                                                                                                                                                                                                                                                                                                                                                                                                                                                                                                                  | ImmAss( TCV_agch,<br>ImmAsgn_01Def(<br>TCV_Rr, TCV_Fn,<br>TSPX_SDCCH4SubD<br>ef, TCV_slot,<br>TCV_tsc,<br>TCV_chdescr_arfcn,<br>TimingAdv( 30))) |     |                         |
| 8                                                                                                                                                                      | L_038<br>1 | L?DL_EstInCmsRq                                                                                                                                                                                                                                                                                                                                                                                                                                                                                                                                                                                                    | CMSerReq(<br>CMServiceReq_32(<br>MiTmsi_01,<br>TSPX_CKSNDf))                                                                                     | (P) |                         |
| 9                                                                                                                                                                      |            | ACTIVATE( OtherEventsFail)                                                                                                                                                                                                                                                                                                                                                                                                                                                                                                                                                                                         |                                                                                                                                                  |     | Restore Normal default  |
| 10                                                                                                                                                                     |            | +Authentication( TCV_ch,<br>TCV_cksn, TSPX_RANDDef)                                                                                                                                                                                                                                                                                                                                                                                                                                                                                                                                                                |                                                                                                                                                  |     |                         |
| 11                                                                                                                                                                     |            | +Ciphering_on(TCV_ch)                                                                                                                                                                                                                                                                                                                                                                                                                                                                                                                                                                                              |                                                                                                                                                  |     |                         |
| 12                                                                                                                                                                     |            | +Itree_CMmsgs                                                                                                                                                                                                                                                                                                                                                                                                                                                                                                                                                                                                      |                                                                                                                                                  |     |                         |
| 13                                                                                                                                                                     |            | +ChanRel_end( TCV_ch)                                                                                                                                                                                                                                                                                                                                                                                                                                                                                                                                                                                              |                                                                                                                                                  |     |                         |
| 14                                                                                                                                                                     |            | <b>Itree_CMmsgs</b><br>+RcvSetupOrEsetup(TCV_Setup_mo, TCV_Esetup,<br>TCV_Ecall)                                                                                                                                                                                                                                                                                                                                                                                                                                                                                                                                   |                                                                                                                                                  |     |                         |
| 15                                                                                                                                                                     | L_038<br>2 | L!DL_DatRqRelCmp                                                                                                                                                                                                                                                                                                                                                                                                                                                                                                                                                                                                   | RelComSnd(<br>TCV_ch,<br>ReleaseCmp_04(<br>TCV_TI))                                                                                              | (P) |                         |
| 16                                                                                                                                                                     |            | L?DL_DatInRegister (TCV_TI :=<br>DL_DatInRegister.msg.ti, TCV_TI.ti_f := '1'B)                                                                                                                                                                                                                                                                                                                                                                                                                                                                                                                                     | Register_01(TCV_ch,<br>RegisterPdu_01)                                                                                                           |     |                         |
| 17                                                                                                                                                                     |            | L!DL_DatRqRelCmp                                                                                                                                                                                                                                                                                                                                                                                                                                                                                                                                                                                                   | RelComSnd(<br>TCV_ch,<br>ReleaseCmp_08(<br>TCV_TI))                                                                                              |     |                         |
| 18                                                                                                                                                                     |            | L?DL_EstIn                                                                                                                                                                                                                                                                                                                                                                                                                                                                                                                                                                                                         | DLEstInd_2(TCV_ch)                                                                                                                               |     |                         |
| 19                                                                                                                                                                     |            | L?DL_DatInCpData (TCV_Rpmr :=<br>DL_DatInCpData.msg.CPdata.rpdata.rpmr,                                                                                                                                                                                                                                                                                                                                                                                                                                                                                                                                            | DatInCpData(TCV_ch)                                                                                                                              |     |                         |



|                           |            |                                                                                                               |                                                                                               |     |  |
|---------------------------|------------|---------------------------------------------------------------------------------------------------------------|-----------------------------------------------------------------------------------------------|-----|--|
| 20                        |            | TCV_TI0 := DL_DatInCpData.msg.ti, TCV_TI.ti_v :=<br>TCV_TI0.ti_v, TCV_TI.ti_f := '1'B)<br>LIDL_DatRqCpDataAck | , CpDataPdu_04)<br>DatRqCpDataAck(<br>CpDataAckPdu_03(<br>TCV_TI), TCV_ch)                    |     |  |
| 21                        |            | LIDL_DatRqCpData                                                                                              | DatRqCpData(<br>CpDataPdu_02(<br>TI_08( TCV_TI.ti_v),<br>CpData_04(<br>TCV_Rpmr)),<br>TCV_ch) |     |  |
| 22                        | L_038<br>3 | L?DL_DatInCpDataAck                                                                                           | DatInCpDataAck(<br>CpDataAckPdu_02(<br>TI_07(<br>TCV_TI0.ti_v)))                              | (P) |  |
| <b>Detailed Comments:</b> |            |                                                                                                               |                                                                                               |     |  |

| Test Case Dynamic Behaviour                                                                                                                                            |            |                                                                                                                                                                                                                                                                                                                                                                                                                                                                                                                                                                                                                     |                                                                                                                                                  |     |                         |
|------------------------------------------------------------------------------------------------------------------------------------------------------------------------|------------|---------------------------------------------------------------------------------------------------------------------------------------------------------------------------------------------------------------------------------------------------------------------------------------------------------------------------------------------------------------------------------------------------------------------------------------------------------------------------------------------------------------------------------------------------------------------------------------------------------------------|--------------------------------------------------------------------------------------------------------------------------------------------------|-----|-------------------------|
| <b>Test Case Name:</b> TC_26_7_5_3                                                                                                                                     |            |                                                                                                                                                                                                                                                                                                                                                                                                                                                                                                                                                                                                                     |                                                                                                                                                  |     |                         |
| <b>Group:</b> GSM_L3_MS_v4210/MM/                                                                                                                                      |            |                                                                                                                                                                                                                                                                                                                                                                                                                                                                                                                                                                                                                     |                                                                                                                                                  |     |                         |
| <b>Purpose:</b> To verify that the MS can correctly set up an MM connection in an originating CM connection establishment when ciphering mode setting is not required. |            |                                                                                                                                                                                                                                                                                                                                                                                                                                                                                                                                                                                                                     |                                                                                                                                                  |     |                         |
| <b>Default:</b> OtherEventsFail                                                                                                                                        |            |                                                                                                                                                                                                                                                                                                                                                                                                                                                                                                                                                                                                                     |                                                                                                                                                  |     |                         |
| <b>Comments:</b> Initial Conditions of MS:<br>The MS has valid TMSI. It is "idle updated".                                                                             |            |                                                                                                                                                                                                                                                                                                                                                                                                                                                                                                                                                                                                                     |                                                                                                                                                  |     |                         |
| Foreseen final state of the MS:<br>The MS has valid TMSI. It is "idle updated".                                                                                        |            |                                                                                                                                                                                                                                                                                                                                                                                                                                                                                                                                                                                                                     |                                                                                                                                                  |     |                         |
| Nr                                                                                                                                                                     | Label      | Behaviour Description                                                                                                                                                                                                                                                                                                                                                                                                                                                                                                                                                                                               | CRef                                                                                                                                             | V   | Comments                |
| 1                                                                                                                                                                      |            | START T_guard(300)                                                                                                                                                                                                                                                                                                                                                                                                                                                                                                                                                                                                  |                                                                                                                                                  |     |                         |
| 2                                                                                                                                                                      |            | +BasicServiceMO( TSPX_MOBScSvcG,<br>TSPX_MOChRateG)                                                                                                                                                                                                                                                                                                                                                                                                                                                                                                                                                                 |                                                                                                                                                  |     |                         |
| 3                                                                                                                                                                      |            | +IdleUpdated( C_E_default, C_CellA, C_SCH_A,<br>C_BCCH_A_1, C_ImmAss, C_S0, C_SlotNU,<br>C_SlotNU, C_SlotNU, C_BCC, C_TxInt_5,<br>C_Max_1, C_NECI_0, C_ATT_0, TimingAdv( 30),<br>C_BABR_0, C_cch_1Comb, C_BPM_3,<br>C_T3212_0, C_ci_cellA, C_MCC_1, C_PLMN_1,<br>C_LAC_1, CellOpt_01, CellChDes_02,<br>CellChDes_03, C_CellReselectHys12,<br>C_MaxPwrLvIG, C_MaxPwrLvID,<br>BcchFreqLst_01, BcchFreqLst_Omit,<br>BcchFreqLst_48, BcchFreqLst_Omit,<br>C_noRestablishment, C_BCC, C_NCC,<br>C_Start_Tmsi, TSPX_SDCCH4SubDef,<br>TSPX_CKSNDDef, TSPX_RANDDef, C_arfcnA,<br>C_arfcnAd, TSPX_IMSI, C_Test_fh, C_NCCP_2) |                                                                                                                                                  |     |                         |
| 4                                                                                                                                                                      |            | +InitCM(TCV_Service)                                                                                                                                                                                                                                                                                                                                                                                                                                                                                                                                                                                                |                                                                                                                                                  |     |                         |
| 5                                                                                                                                                                      |            | L?DL_RaInChRq (TCV_Rr :=<br>DL_RaInChRq.msg.ecau_rrf, TCV_Fn :=<br>DL_RaInChRq.fn)                                                                                                                                                                                                                                                                                                                                                                                                                                                                                                                                  | ChReq(<br>ChRequest_02)                                                                                                                          |     |                         |
| 6                                                                                                                                                                      |            | ACTIVATE(OtherEventsFail_02)                                                                                                                                                                                                                                                                                                                                                                                                                                                                                                                                                                                        |                                                                                                                                                  |     | To match ChReq retrans. |
| 7                                                                                                                                                                      |            | L!DL_UdatRqImmAss                                                                                                                                                                                                                                                                                                                                                                                                                                                                                                                                                                                                   | ImmAss( TCV_agch,<br>ImmAsgn_01Def(<br>TCV_Rr, TCV_Fn,<br>TSPX_SDCCH4SubD<br>ef, TCV_slot,<br>TCV_tsc,<br>TCV_chdescr_arfcn,<br>TimingAdv( 30))) |     |                         |
| 8                                                                                                                                                                      | L_038<br>4 | L?DL_EstInCmsRq                                                                                                                                                                                                                                                                                                                                                                                                                                                                                                                                                                                                     | CMSerReq(<br>CMServiceReq_01)                                                                                                                    | (P) |                         |
| 9                                                                                                                                                                      |            | ACTIVATE(OtherEventsFail)                                                                                                                                                                                                                                                                                                                                                                                                                                                                                                                                                                                           |                                                                                                                                                  |     | Restore Normal default  |
| 10                                                                                                                                                                     |            | L!DL_DatRqCmsAcp                                                                                                                                                                                                                                                                                                                                                                                                                                                                                                                                                                                                    | CMSerAcp( TCV_ch,<br>CMServiceAcp_01)                                                                                                            |     |                         |
| 11                                                                                                                                                                     |            | +ltree_msgs                                                                                                                                                                                                                                                                                                                                                                                                                                                                                                                                                                                                         |                                                                                                                                                  |     |                         |
| 12                                                                                                                                                                     |            | +ChanRel_end( TCV_ch)                                                                                                                                                                                                                                                                                                                                                                                                                                                                                                                                                                                               |                                                                                                                                                  |     |                         |
| 13                                                                                                                                                                     | L_104<br>2 | L?DL_DatInSetup (TCV_Mt :=<br>DL_DatInSetup.msg.mt)                                                                                                                                                                                                                                                                                                                                                                                                                                                                                                                                                                 | SetupRcv(SetupInd_0<br>1)                                                                                                                        | (P) |                         |
| 14                                                                                                                                                                     | L_038<br>5 | L?DL_DatInRegister                                                                                                                                                                                                                                                                                                                                                                                                                                                                                                                                                                                                  | Register_01(TCV_ch,<br>RegisterPdu_01)                                                                                                           | (P) |                         |
| 15                                                                                                                                                                     |            | L?DL_EstIn                                                                                                                                                                                                                                                                                                                                                                                                                                                                                                                                                                                                          | DLEstInd_2( TCV_ch)                                                                                                                              |     |                         |
| 16                                                                                                                                                                     |            | L?DL_DatInCpData (TCV_Rpmr :=<br>DL_DatInCpData.msg.CPdata.rpdata.rpmr,<br>TCV_TI0 := DL_DatInCpData.msg.ti, TCV_TI :=<br>TCV_TI0, TCV_TI.ti_f := '1'B)                                                                                                                                                                                                                                                                                                                                                                                                                                                             | DatInCpData(<br>TCV_ch,<br>CpDataPdu_04)                                                                                                         |     |                         |
| 17                                                                                                                                                                     |            | LIDL_DatRqCpDataAck                                                                                                                                                                                                                                                                                                                                                                                                                                                                                                                                                                                                 | DatRqCpDataAck(<br>CpDataAckPdu_03(<br>TCV_TI), TCV_ch)                                                                                          |     |                         |
| 18                                                                                                                                                                     |            | LIDL_DatRqCpData                                                                                                                                                                                                                                                                                                                                                                                                                                                                                                                                                                                                    | DatRqCpData(<br>CpDataPdu_02(<br>TI_08( TCV_TI.ti_v),<br>CpData_04(<br>TCV_Rpmr)),<br>TCV_ch)                                                    |     |                         |
| 19                                                                                                                                                                     | L_038      | L?DL_DatInCpDataAck                                                                                                                                                                                                                                                                                                                                                                                                                                                                                                                                                                                                 | DatInCpDataAck(<br>TCV_ch)                                                                                                                       | (P) |                         |

|                           |                                      |
|---------------------------|--------------------------------------|
| 6                         | CpDataAckPdu_02(TI_07(TCV_TI0.ti_v)) |
| <b>Detailed Comments:</b> |                                      |

### Test Case Dynamic Behaviour

| <b>Test Case Name:</b>    |       | TC_26_7_5_4                                                                                                                                                                                                                                                                                                                                                                                                                                                                                                                                                               |                                                                                                                            |     |                         |
|---------------------------|-------|---------------------------------------------------------------------------------------------------------------------------------------------------------------------------------------------------------------------------------------------------------------------------------------------------------------------------------------------------------------------------------------------------------------------------------------------------------------------------------------------------------------------------------------------------------------------------|----------------------------------------------------------------------------------------------------------------------------|-----|-------------------------|
| <b>Group:</b>             |       | GSM_L3_MS_v4210/MM/                                                                                                                                                                                                                                                                                                                                                                                                                                                                                                                                                       |                                                                                                                            |     |                         |
| <b>Purpose:</b>           |       | To verify that the MS does not send a layer 3 message when the service request is rejected by the SS.                                                                                                                                                                                                                                                                                                                                                                                                                                                                     |                                                                                                                            |     |                         |
| <b>Default:</b>           |       | OtherEventsFail                                                                                                                                                                                                                                                                                                                                                                                                                                                                                                                                                           |                                                                                                                            |     |                         |
| <b>Comments:</b>          |       | Initial Conditions of MS:<br>The MS has valid TMSI. It is "idle updated".<br><br>Foreseen final state of the MS:<br>The MS has valid TMSI. It is "idle updated".                                                                                                                                                                                                                                                                                                                                                                                                          |                                                                                                                            |     |                         |
| Nr                        | Label | Behaviour Description                                                                                                                                                                                                                                                                                                                                                                                                                                                                                                                                                     | CRef                                                                                                                       | V   | Comments                |
| 1                         |       | START T_guard(420)                                                                                                                                                                                                                                                                                                                                                                                                                                                                                                                                                        |                                                                                                                            |     |                         |
| 2                         |       | +BasicServiceMO( TSPX_MOBScSvcB, TSPX_MOChRateB)                                                                                                                                                                                                                                                                                                                                                                                                                                                                                                                          |                                                                                                                            |     |                         |
| 3                         |       | +IdleUpdated( C_E_default, C_CellA, C_SCH_A, C_BCCH_A_1, C_Immass, C_S0, C_SlotNU, C_SlotNU, C_SlotNU, C_BCC, C_TxInt_5, C_Max_1, C_NECL_0, C_ATT_0, TimingAdv( 30), C_BABR_0, C_cch_1Comb, C_BPM_3, C_T3212_0, C_ci_cellA, C_MCC_1, C_PLMN_1, C_LAC_1, CellOpt_01, CellChDes_02, CellChDes_03, C_CellReselectHys12, C_MaxPwrLvIG, C_MaxPwrLvID, BcchFreqLst_01, BcchFreqLst_Omit, BcchFreqLst_48, BcchFreqLst_Omit, C_noRestablishment, C_BCC, C_NCC, C_Start_Tmsi, TSPX_SDCCH4SubDef, TSPX_CKSNDDef, TSPX_RANDDef, C_arfcnA, C_arfcnAd, TSPX_IMSI, C_Test_fh, C_NCCP_2) |                                                                                                                            |     |                         |
| 4                         |       | +InitCall(TCV_Service)                                                                                                                                                                                                                                                                                                                                                                                                                                                                                                                                                    |                                                                                                                            |     |                         |
| 5                         |       | L?DL_RacInChRq (TCV_Rr := DL_RacInChRq.msg.ecau_rrf, TCV_Fn := DL_RacInChRq.fn)                                                                                                                                                                                                                                                                                                                                                                                                                                                                                           | ChReq(ChRequest_02)                                                                                                        |     |                         |
| 6                         |       | ACTIVATE(OtherEventsFail_02)                                                                                                                                                                                                                                                                                                                                                                                                                                                                                                                                              |                                                                                                                            |     | To match ChReq retrans. |
| 7                         |       | LIDL_UdatRqImmass                                                                                                                                                                                                                                                                                                                                                                                                                                                                                                                                                         | ImmAss( TCV_agch, ImmAsgn_01Def( TCV_Rr, TCV_Fn, TSPX_SDCCH4SubDef, TCV_slot, TCV_tsc, TCV_chdescr_arfcn, TimingAdv( 30))) |     |                         |
| 8                         | L_038 | L?DL_EstInCmsRq                                                                                                                                                                                                                                                                                                                                                                                                                                                                                                                                                           | CMSerReq(CMServiceReq_01)                                                                                                  | (P) |                         |
| 9                         |       | ACTIVATE( OtherEventsFail)                                                                                                                                                                                                                                                                                                                                                                                                                                                                                                                                                |                                                                                                                            |     | Restore Normal default  |
| 10                        |       | LIDL_DatRqCmsRej                                                                                                                                                                                                                                                                                                                                                                                                                                                                                                                                                          | CMSerRej( TCV_ch, CMServiceRej_30( C_rc_reqservoptnotsub))                                                                 |     |                         |
| 11                        |       | +NoReaction( 5000)                                                                                                                                                                                                                                                                                                                                                                                                                                                                                                                                                        |                                                                                                                            |     |                         |
| 12                        |       | +ChanRel_end( TCV_ch)                                                                                                                                                                                                                                                                                                                                                                                                                                                                                                                                                     |                                                                                                                            |     |                         |
| <b>Detailed Comments:</b> |       |                                                                                                                                                                                                                                                                                                                                                                                                                                                                                                                                                                           |                                                                                                                            |     |                         |

| Test Case Dynamic Behaviour                                                                                                                                       |            |                                                                                                                                                                                                                                                                                                                                                                                                                                                                                                                                                                                                                    |                                                                                                                                                  |     |                         |
|-------------------------------------------------------------------------------------------------------------------------------------------------------------------|------------|--------------------------------------------------------------------------------------------------------------------------------------------------------------------------------------------------------------------------------------------------------------------------------------------------------------------------------------------------------------------------------------------------------------------------------------------------------------------------------------------------------------------------------------------------------------------------------------------------------------------|--------------------------------------------------------------------------------------------------------------------------------------------------|-----|-------------------------|
| <b>Test Case Name:</b> TC_26_7_5_5                                                                                                                                |            |                                                                                                                                                                                                                                                                                                                                                                                                                                                                                                                                                                                                                    |                                                                                                                                                  |     |                         |
| <b>Group:</b> GSM_L3_MS_v4210/MM/                                                                                                                                 |            |                                                                                                                                                                                                                                                                                                                                                                                                                                                                                                                                                                                                                    |                                                                                                                                                  |     |                         |
| <b>Purpose:</b> To verify that the MS can correctly accept a CM SERVICE REJECT message with reject cause "IMSI unknown in VLR".                                   |            |                                                                                                                                                                                                                                                                                                                                                                                                                                                                                                                                                                                                                    |                                                                                                                                                  |     |                         |
| <b>Default:</b> OtherEventsFail                                                                                                                                   |            |                                                                                                                                                                                                                                                                                                                                                                                                                                                                                                                                                                                                                    |                                                                                                                                                  |     |                         |
| <b>Comments:</b> Initial Conditions of MS:<br>The MS has valid TMSI. It is "idle updated".<br>Expected values in the SIM card: TMSI: MiTmsi_01, CKSN: TSPX_CKSNDf |            |                                                                                                                                                                                                                                                                                                                                                                                                                                                                                                                                                                                                                    |                                                                                                                                                  |     |                         |
| Foreseen final state of the MS:<br>The MS has valid TMSI and CKSN. It is "idle updated".                                                                          |            |                                                                                                                                                                                                                                                                                                                                                                                                                                                                                                                                                                                                                    |                                                                                                                                                  |     |                         |
| Nr                                                                                                                                                                | Label      | Behaviour Description                                                                                                                                                                                                                                                                                                                                                                                                                                                                                                                                                                                              | CRef                                                                                                                                             | V   | Comments                |
| 1                                                                                                                                                                 |            | START T_guard(300)                                                                                                                                                                                                                                                                                                                                                                                                                                                                                                                                                                                                 |                                                                                                                                                  |     |                         |
| 2                                                                                                                                                                 |            | +BasicServiceMO( TSPX_MOBscSvcE,<br>TSPX_MOChRateE)                                                                                                                                                                                                                                                                                                                                                                                                                                                                                                                                                                |                                                                                                                                                  |     |                         |
| 3                                                                                                                                                                 |            | +IdleUpdated( C_E_default, C_CellA, C_SCH_A,<br>C_BCCH_A_1, C_Immass, C_S0, C_SlotNU,<br>C_SlotNU, C_SlotNU, C_BCC, C_TxInt_5,<br>C_Max_1, C_NECl_0, C_ATT_0, TimingAdv( 30),<br>C_BABR_0, C_cch_1Comb, C_BPM_3,<br>C_T3212_0, C_ci_cellA, C_MCC_1, C_PLMN_1,<br>C_LAC_1, CellOpt_01, CellChDes_02,<br>CellChDes_03, C_CellReselectHys12,<br>C_MaxPwrLvIG, C_MaxPwrLvID,<br>BcchFreqLst_01, BcchFreqLst_Omit,<br>BcchFreqLst_48, BcchFreqLst_Omit,<br>C_noReestablishment, C_BCC, C_NCC,<br>C_Start_Tmsi, TSPX_SDCCH4SubDef,<br>TSPX_CKSNDf, TSPX_RANDDef, C_arfcnA,<br>C_arfcnAd, TSPX_IMSI, C_Test_fh, C_NCCP_2) |                                                                                                                                                  |     |                         |
| 4                                                                                                                                                                 |            | +InitCall( TCV_Service)                                                                                                                                                                                                                                                                                                                                                                                                                                                                                                                                                                                            |                                                                                                                                                  |     |                         |
| 5                                                                                                                                                                 |            | L?DL_RacInChRq( TCV_Rr :=<br>DL_RacInChRq, msg.ecau_rrf, TCV_Fn :=<br>DL_RacInChRq.fn)                                                                                                                                                                                                                                                                                                                                                                                                                                                                                                                             | ChReq(<br>ChRequest_02)                                                                                                                          |     |                         |
| 6                                                                                                                                                                 |            | ACTIVATE( OtherEventsFail_02)                                                                                                                                                                                                                                                                                                                                                                                                                                                                                                                                                                                      |                                                                                                                                                  |     | To match ChReq retrans. |
| 7                                                                                                                                                                 |            | L!DL_UdatRqImmass                                                                                                                                                                                                                                                                                                                                                                                                                                                                                                                                                                                                  | ImmAss( TCV_agch,<br>ImmAsgn_01Def(<br>TCV_Rr, TCV_Fn,<br>TSPX_SDCCH4SubD<br>ef, TCV_slot,<br>TCV_tsc,<br>TCV_chdescr_arfcn,<br>TimingAdv( 30))) |     |                         |
| 8                                                                                                                                                                 | L_038<br>8 | L?DL_EstInCmsRq                                                                                                                                                                                                                                                                                                                                                                                                                                                                                                                                                                                                    | CMSerReq(<br>CMSerReq_32(<br>MiTmsi_01,<br>TSPX_CKSNDf))                                                                                         | (P) | 1.                      |
| 9                                                                                                                                                                 |            | ACTIVATE( OtherEventsFail)                                                                                                                                                                                                                                                                                                                                                                                                                                                                                                                                                                                         |                                                                                                                                                  |     | Restore Normal default  |
| 10                                                                                                                                                                |            | L!DL_DatRqCmsRej                                                                                                                                                                                                                                                                                                                                                                                                                                                                                                                                                                                                   | CMSerRej( TCV_ch,<br>CMSerRej_30(<br>C_rc_imsiunknownvlr<br>)                                                                                    |     |                         |
| 11                                                                                                                                                                |            | +ChanRel(TCV_ch)                                                                                                                                                                                                                                                                                                                                                                                                                                                                                                                                                                                                   |                                                                                                                                                  |     | 2.                      |
| 12                                                                                                                                                                |            | +MM_LUPauth2(<br>MiTmsi_01iei, Milmsi_01,<br>C_MCC_1, C_PLMN_1,<br>C_lacdeleted, TCV_lac,<br>C_normal_updating,<br>C_cksnokey, TCV_cksno,<br>TSPX_RANDDef, TimingAdv(<br>30))                                                                                                                                                                                                                                                                                                                                                                                                                                      |                                                                                                                                                  |     | 3.                      |
| 13                                                                                                                                                                |            | +ChanRel_end( TCV_ch)                                                                                                                                                                                                                                                                                                                                                                                                                                                                                                                                                                                              |                                                                                                                                                  |     |                         |
| <b>Detailed Comments:</b>                                                                                                                                         |            |                                                                                                                                                                                                                                                                                                                                                                                                                                                                                                                                                                                                                    |                                                                                                                                                  |     |                         |
| 1. Conformance Requirement<br>The MS shall be able to correctly set up an MM connection in a Mobile Originating CM connection attempt.                            |            |                                                                                                                                                                                                                                                                                                                                                                                                                                                                                                                                                                                                                    |                                                                                                                                                  |     |                         |
| 2. Conformance Requirement<br>The MS shall wait for the network to release the RR connection                                                                      |            |                                                                                                                                                                                                                                                                                                                                                                                                                                                                                                                                                                                                                    |                                                                                                                                                  |     |                         |
| 3. Conformance Requirement<br>The MS shall be able to perform a location updating procedure.                                                                      |            |                                                                                                                                                                                                                                                                                                                                                                                                                                                                                                                                                                                                                    |                                                                                                                                                  |     |                         |

| Test Case Dynamic Behaviour                                                                    |            |                                                                                                                                                                                                                                                                                                                                                                                                                                                                                                                                                                                                                      |                                                                                                                                                  |     |                         |
|------------------------------------------------------------------------------------------------|------------|----------------------------------------------------------------------------------------------------------------------------------------------------------------------------------------------------------------------------------------------------------------------------------------------------------------------------------------------------------------------------------------------------------------------------------------------------------------------------------------------------------------------------------------------------------------------------------------------------------------------|--------------------------------------------------------------------------------------------------------------------------------------------------|-----|-------------------------|
| <b>Test Case Name:</b> TC_26_7_5_6                                                             |            |                                                                                                                                                                                                                                                                                                                                                                                                                                                                                                                                                                                                                      |                                                                                                                                                  |     |                         |
| <b>Group:</b> GSM_L3_MS_v4210/MM/                                                              |            |                                                                                                                                                                                                                                                                                                                                                                                                                                                                                                                                                                                                                      |                                                                                                                                                  |     |                         |
| <b>Purpose:</b> To verify that at T3230 expiry, the MS aborts the MM-connection establishment. |            |                                                                                                                                                                                                                                                                                                                                                                                                                                                                                                                                                                                                                      |                                                                                                                                                  |     |                         |
| <b>Default:</b> OtherEventsFail                                                                |            |                                                                                                                                                                                                                                                                                                                                                                                                                                                                                                                                                                                                                      |                                                                                                                                                  |     |                         |
| <b>Comments:</b> Initial Conditions of MS:<br>The MS has valid TMSI. It is "idle updated".     |            |                                                                                                                                                                                                                                                                                                                                                                                                                                                                                                                                                                                                                      |                                                                                                                                                  |     |                         |
| Foreseen final state of the MS:<br>The MS has valid TMSI. It is "idle updated".                |            |                                                                                                                                                                                                                                                                                                                                                                                                                                                                                                                                                                                                                      |                                                                                                                                                  |     |                         |
| Nr                                                                                             | Label      | Behaviour Description                                                                                                                                                                                                                                                                                                                                                                                                                                                                                                                                                                                                | CRef                                                                                                                                             | V   | Comments                |
| 1                                                                                              |            | START T_guard(300)                                                                                                                                                                                                                                                                                                                                                                                                                                                                                                                                                                                                   |                                                                                                                                                  |     |                         |
| 2                                                                                              |            | +BasicServiceMO( TSPX_MOBscSvcJ,<br>TSPX_MOChRateJ)                                                                                                                                                                                                                                                                                                                                                                                                                                                                                                                                                                  |                                                                                                                                                  |     |                         |
| 3                                                                                              |            | +IdleUpdated( C_E_default, C_CellA, C_SCH_A,<br>C_BCCH_A_1, C_ImmAss, C_S0, C_SlotNU,<br>C_SlotNU, C_SlotNU, C_BCC, C_TxInt_5,<br>C_Max_1, C_NECI_0, C_ATT_0, TimingAdv( 30),<br>C_BABR_0, C_cch_1Comb, C_BPM_3,<br>C_T3212_0, C_ci_cellA, C_MCC_1, C_PLMN_1,<br>C_LAC_1, CellOpt_01, CellChDes_02,<br>CellChDes_03, C_CellReselectHys12,<br>C_MaxPwrLvlG, C_MaxPwrLvlD,<br>BcchFreqLst_01, BcchFreqLst_Omit,<br>BcchFreqLst_48, BcchFreqLst_Omit,<br>C_noReestablishment, C_BCC, C_NCC,<br>C_Start_Tmsi, TSPX_SDCCH4SubDef,<br>TSPX_CKSNDDef, TSPX_RANDDef, C_arfcnA,<br>C_arfcnAd, TSPX_IMSI, C_Test_fh, C_NCCP_2) |                                                                                                                                                  |     |                         |
| 4                                                                                              |            | +InitCall(TCV_Service)                                                                                                                                                                                                                                                                                                                                                                                                                                                                                                                                                                                               |                                                                                                                                                  |     |                         |
| 5                                                                                              |            | L?DL_RaInChRq (TCV_Rr :=<br>DL_RaInChRq.msg.ecau_rrf, TCV_Fn :=<br>DL_RaInChRq.fn)                                                                                                                                                                                                                                                                                                                                                                                                                                                                                                                                   | ChReq(<br>ChRequest_02)                                                                                                                          |     |                         |
| 6                                                                                              |            | ACTIVATE(OtherEventsFail_02)                                                                                                                                                                                                                                                                                                                                                                                                                                                                                                                                                                                         |                                                                                                                                                  |     | To match ChReq retrans. |
| 7                                                                                              |            | LIDL_UdatRqImmAss                                                                                                                                                                                                                                                                                                                                                                                                                                                                                                                                                                                                    | ImmAss( TCV_agch,<br>ImmAsgn_01Def(<br>TCV_Rr, TCV_Fn,<br>TSPX_SDCCH4SubD<br>ef, TCV_slot,<br>TCV_tsc,<br>TCV_chdescr_arfcn,<br>TimingAdv( 30))) |     |                         |
| 8                                                                                              | L_038<br>9 | L?DL_EstInCmsRq                                                                                                                                                                                                                                                                                                                                                                                                                                                                                                                                                                                                      | CMSerReq(<br>CMSerReq_01)                                                                                                                        | (P) |                         |
| 9                                                                                              |            | ACTIVATE( OtherEventsFail)                                                                                                                                                                                                                                                                                                                                                                                                                                                                                                                                                                                           |                                                                                                                                                  |     | Restore Normal default  |
| 10                                                                                             |            | +NoReaction( C_T_T3230min)                                                                                                                                                                                                                                                                                                                                                                                                                                                                                                                                                                                           |                                                                                                                                                  |     |                         |
| 11                                                                                             | L_039<br>0 | L?DL_DatInMmst                                                                                                                                                                                                                                                                                                                                                                                                                                                                                                                                                                                                       | MMSt( MMstatus_03)                                                                                                                               | (P) | 1.                      |
| 12                                                                                             |            | +ChanRel_end( TCV_ch)                                                                                                                                                                                                                                                                                                                                                                                                                                                                                                                                                                                                |                                                                                                                                                  |     |                         |
| <b>Detailed Comments:</b> 1. The MS shall abort the MM connection after T3230 expiry.          |            |                                                                                                                                                                                                                                                                                                                                                                                                                                                                                                                                                                                                                      |                                                                                                                                                  |     |                         |

### Test Case Dynamic Behaviour

|                        |                                                                                                                                                                                                                                                                                                                                                                                                                                                                                                                                                                                                                                                           |
|------------------------|-----------------------------------------------------------------------------------------------------------------------------------------------------------------------------------------------------------------------------------------------------------------------------------------------------------------------------------------------------------------------------------------------------------------------------------------------------------------------------------------------------------------------------------------------------------------------------------------------------------------------------------------------------------|
| <b>Test Case Name:</b> | TC_26_7_5_7_1                                                                                                                                                                                                                                                                                                                                                                                                                                                                                                                                                                                                                                             |
| <b>Group:</b>          | GSM_L3_MS_v4210/MM/                                                                                                                                                                                                                                                                                                                                                                                                                                                                                                                                                                                                                                       |
| <b>Purpose:</b>        | To check that upon reception of an ABORT message with cause #6 during call establishment: <ul style="list-style-type: none"> <li>- the MS does not send any layer 3 message.</li> <li>- after reception of an ABORT message and after having been deactivated and reactivated, the MS performs location updating using its IMSI as mobile identity and indicates deleted LAI and CKSN.</li> <li>- the MS does not perform location updating, does not answer to paging with TMSI, rejects any request for mobile originating call except emergency call, does not perform IMSI detach.</li> <li>- the MS accepts a request for emergency call.</li> </ul> |
| <b>Default:</b>        | OtherEventsFail                                                                                                                                                                                                                                                                                                                                                                                                                                                                                                                                                                                                                                           |
| <b>Comments:</b>       | Initial Conditions of MS:<br>The MS has valid TMSI, CKSN and Kc.It is "idle updated on cell B".<br><br>Foreseen final state of the MS:<br>The MS has valid TMSI. It is "idle updated" on cell A.                                                                                                                                                                                                                                                                                                                                                                                                                                                          |

| Nr | Label      | Behaviour Description                                                                                                                                                                                                                                                                                                                                                                                                                                                                                                                                                   | CRef                                                                                                                       | V   | Comments                |
|----|------------|-------------------------------------------------------------------------------------------------------------------------------------------------------------------------------------------------------------------------------------------------------------------------------------------------------------------------------------------------------------------------------------------------------------------------------------------------------------------------------------------------------------------------------------------------------------------------|----------------------------------------------------------------------------------------------------------------------------|-----|-------------------------|
| 1  |            | START T_guard(600)                                                                                                                                                                                                                                                                                                                                                                                                                                                                                                                                                      |                                                                                                                            |     |                         |
| 2  |            | +BasicServiceMO( TSPX_MOBscSvcA, TSPX_MOChRateA)                                                                                                                                                                                                                                                                                                                                                                                                                                                                                                                        |                                                                                                                            |     |                         |
| 3  |            | +IdleUpdated( C_E_default, C_CellB, C_SCH_B, C_BCCH_B_1, C_Immss, C_S0, C_SlotNU, C_SlotNU, C_SlotNU, C_BCC, C_TxInt_5, C_Max_1, C_NECI_0, C_ATT_0, TimingAdv( 30), C_BABR_0, C_cch_1Comb, C_BPM_3, C_T3212_0, C_ci_cellB, C_MCC_1, C_PLMN_1, C_LAC_2, CellOpt_01, CellChDes_04, CellChDes_03, C_CellReselectHys12, C_MaxPwrLvIG, C_MaxPwrLvID, BcchFreqLst_01, BcchFreqLst_Omit, BcchFreqLst_48, BcchFreqLst_Omit, C_noRestablishment, C_BCC, C_NCC, C_Start_Tmsi, TSPX_SDCCH4SubDef, TSPX_CKSNDef, TSPX_RANDDef, C_arfcnB, C_arfcnBd, TSPX_IMSI, C_Test_fh, C_NCCP_2) |                                                                                                                            |     |                         |
| 4  |            | +StartCellA( C_E_neighbourdefault, C_Immss, TCV_slot, TCV_tsc, TimingAdv( 30), C_TxInt_5, C_Max_1, C_NECI_0, C_ATT_0, C_BABR_0, C_cch_1Comb, C_BPM_3, C_T3212_0, C_MCC_1, C_PLMN_1, C_LAC_1, CellChDes_02, CellChDes_03, BcchFreqLst_01, BcchFreqLst_48, C_noRestablishment)                                                                                                                                                                                                                                                                                            |                                                                                                                            |     |                         |
| 5  |            | +InitCall( TCV_Service)                                                                                                                                                                                                                                                                                                                                                                                                                                                                                                                                                 |                                                                                                                            |     |                         |
| 6  |            | L?DL_RaInChRq (TCV_Rr := DL_RaInChRq.msg.ecau_rrf, TCV_Fn := DL_RaInChRq.fn)                                                                                                                                                                                                                                                                                                                                                                                                                                                                                            | ChReq( ChRequest_02)                                                                                                       |     |                         |
| 7  |            | ACTIVATE( OtherEventsFail_02)                                                                                                                                                                                                                                                                                                                                                                                                                                                                                                                                           |                                                                                                                            |     |                         |
| 8  |            | L!DL_UdatRqImmss                                                                                                                                                                                                                                                                                                                                                                                                                                                                                                                                                        | ImmAss( TCV_agch, ImmAsgn_01Def( TCV_Rr, TCV_Fn, TSPX_SDCCH4SubDef, TCV_slot, TCV_tsc, TCV_chdescr_arfcn, TimingAdv( 30))) |     | To match ChReq retrans. |
| 9  | L_039<br>1 | L?DL_EstInCmsRq                                                                                                                                                                                                                                                                                                                                                                                                                                                                                                                                                         | CMSerReq( CMSerReq_01)                                                                                                     | (P) |                         |
| 10 |            | ACTIVATE( OtherEventsFail)                                                                                                                                                                                                                                                                                                                                                                                                                                                                                                                                              |                                                                                                                            |     | Restore Normal default  |
| 11 |            | +Authentication( TCV_ch, TCV_cks, TSPX_RANDDef)                                                                                                                                                                                                                                                                                                                                                                                                                                                                                                                         |                                                                                                                            |     |                         |
| 12 |            | L!DL_DatRqAbrt                                                                                                                                                                                                                                                                                                                                                                                                                                                                                                                                                          | Abort( TCV_ch, Abortmsg_01( C_rc_illegal_me))                                                                              |     |                         |
| 13 |            | +ltree_continue                                                                                                                                                                                                                                                                                                                                                                                                                                                                                                                                                         |                                                                                                                            |     |                         |
|    |            | <b>ltree_continue</b>                                                                                                                                                                                                                                                                                                                                                                                                                                                                                                                                                   |                                                                                                                            |     |                         |
| 14 |            | +NoReaction( 5000)                                                                                                                                                                                                                                                                                                                                                                                                                                                                                                                                                      |                                                                                                                            |     | 1.                      |
| 15 |            | +ChanRel( TCV_ch)                                                                                                                                                                                                                                                                                                                                                                                                                                                                                                                                                       |                                                                                                                            |     |                         |

|                                                                                      |                                                                                                                                                                      |  |                       |
|--------------------------------------------------------------------------------------|----------------------------------------------------------------------------------------------------------------------------------------------------------------------|--|-----------------------|
| 16                                                                                   | +Switchcell( C_CellB, C_CellA, C_LAC_1,<br>TSPX_SDCCH4SubDef, TSPX_CKSNDf,<br>TSPX_RANDDef, C_arfcnA, C_arfcnAd,<br>TCV_Ccd0A, TSPX_IMSI)                            |  |                       |
| 17                                                                                   | +NoReaction( 5000)                                                                                                                                                   |  | 2.1.                  |
| 18                                                                                   | +NoReaction( 420000)                                                                                                                                                 |  | 2.2.                  |
| 19                                                                                   | +MM_no_paging( MiTmsi_01, 3000,<br>TCV_Ccd0B, C_CellB)                                                                                                               |  | 2.3.                  |
| 20                                                                                   | +Itree_continue1                                                                                                                                                     |  |                       |
|                                                                                      | <b>Itree_continue1</b>                                                                                                                                               |  |                       |
| 21                                                                                   | +SelectPagingCh(C_CellA)                                                                                                                                             |  | re-select active cell |
| 22                                                                                   | +MM_no_cmservices( 3000)                                                                                                                                             |  | 2.4.                  |
| 23                                                                                   | +MM_check_ecall1( TimingAdv( 30), Milmei_01)                                                                                                                         |  | 3.                    |
| 24                                                                                   | +ImsiDetachNoReaction( 3000,<br>C_SIMneedRmv)                                                                                                                        |  | 7.                    |
| 25                                                                                   | +MM_PwrOrSimOn(C_SIMneedRmv)                                                                                                                                         |  |                       |
| 26                                                                                   | +MM_LUPauth2( MiTmsi_01iei, Milmsi_01,<br>C_MCC_1, C_PLMN_1, C_lacdeleted,<br>TCV_lac, C_normal_updating,<br>C_cksnokey, TCV_cksno,<br>TSPX_RANDDef, TimingAdv( 30)) |  | 4.                    |
| 27                                                                                   | +ChanRel(TCV_ch)                                                                                                                                                     |  |                       |
| <b>Detailed Comments:</b> After ABORT with the cause_value 'illegal_me' the MS shall |                                                                                                                                                                      |  |                       |
| 1. Conformance requirement 1:<br>MS shall wait for network command.                  |                                                                                                                                                                      |  |                       |
| 2. Conformance requirement 2:                                                        |                                                                                                                                                                      |  |                       |
| 2.1. not perform location updating                                                   |                                                                                                                                                                      |  |                       |
| 2.2. not perform periodic location updating                                          |                                                                                                                                                                      |  |                       |
| 2.3. not respond to paging with TMSI                                                 |                                                                                                                                                                      |  |                       |
| 2.4. reject any request for MOC establishment with except emergency call.            |                                                                                                                                                                      |  |                       |
| 2.5. not perform IMSI detach.                                                        |                                                                                                                                                                      |  |                       |
| 3. Conformance requirement 3:                                                        |                                                                                                                                                                      |  |                       |
| if it support speech, perform emergency call.                                        |                                                                                                                                                                      |  |                       |
| 4. Conformance requirement 4:                                                        |                                                                                                                                                                      |  |                       |
| delete stored LAI, CKSN and TMSI                                                     |                                                                                                                                                                      |  |                       |

| Test Case Dynamic Behaviour                                                                                                                                                                                                                                                                      |            |                                                                                                                                                                                                                                                                                                                                                                                                                                                                                                                                                                                                                   |                                                                                           |     |          |
|--------------------------------------------------------------------------------------------------------------------------------------------------------------------------------------------------------------------------------------------------------------------------------------------------|------------|-------------------------------------------------------------------------------------------------------------------------------------------------------------------------------------------------------------------------------------------------------------------------------------------------------------------------------------------------------------------------------------------------------------------------------------------------------------------------------------------------------------------------------------------------------------------------------------------------------------------|-------------------------------------------------------------------------------------------|-----|----------|
| <b>Test Case Name:</b> TC_26_7_5_7_2                                                                                                                                                                                                                                                             |            |                                                                                                                                                                                                                                                                                                                                                                                                                                                                                                                                                                                                                   |                                                                                           |     |          |
| <b>Group:</b> GSM_L3_MS_v4210/MM/                                                                                                                                                                                                                                                                |            |                                                                                                                                                                                                                                                                                                                                                                                                                                                                                                                                                                                                                   |                                                                                           |     |          |
| <b>Purpose:</b> To check that when multiple MM connections are established, the MS releases all MM connections upon reception of an ABORT message, in the case when the two MM connections are established for a mobile terminating call and a non call related supplementary service operation. |            |                                                                                                                                                                                                                                                                                                                                                                                                                                                                                                                                                                                                                   |                                                                                           |     |          |
| <b>Default:</b> OtherEventsFail                                                                                                                                                                                                                                                                  |            |                                                                                                                                                                                                                                                                                                                                                                                                                                                                                                                                                                                                                   |                                                                                           |     |          |
| <b>Comments:</b> Initial Conditions of MS:<br>The MS is in state U10 of a mobile terminating call.                                                                                                                                                                                               |            |                                                                                                                                                                                                                                                                                                                                                                                                                                                                                                                                                                                                                   |                                                                                           |     |          |
| Foreseen final state of the MS:<br>The MS has valid TMSI. It is "idle updated" on cell A.                                                                                                                                                                                                        |            |                                                                                                                                                                                                                                                                                                                                                                                                                                                                                                                                                                                                                   |                                                                                           |     |          |
| Nr                                                                                                                                                                                                                                                                                               | Label      | Behaviour Description                                                                                                                                                                                                                                                                                                                                                                                                                                                                                                                                                                                             | CRef                                                                                      | V   | Comments |
| 1                                                                                                                                                                                                                                                                                                |            | START T_guard(300)                                                                                                                                                                                                                                                                                                                                                                                                                                                                                                                                                                                                |                                                                                           |     |          |
| 2                                                                                                                                                                                                                                                                                                |            | +BasicServiceMT( TSPX_MTBscSvcC,<br>TSPX_MTChRateC)                                                                                                                                                                                                                                                                                                                                                                                                                                                                                                                                                               |                                                                                           |     |          |
| 3                                                                                                                                                                                                                                                                                                |            | +IdleUpdated( C_E_default, C_CellA, C_SCH_A,<br>C_BCCH_A_1, C_Immss, C_S0, C_SlotNU,<br>C_SlotNU, C_SlotNU, C_BCC, C_TxInt_5,<br>C_Max_1, C_NECI_0, C_ATT_0, TimingAdv( 30),<br>C_BABR_0, C_cch_1Comb, C_BPM_3,<br>C_T3212_0, C_ci_cellA, C_MCC_1, C_PLMN_1,<br>C_LAC_1, CellOpt_01, CellChDes_02,<br>CellChDes_03, C_CellReselectHys12,<br>C_MaxPwrLvIG, C_MaxPwrLvID,<br>BcchFreqLst_01, BcchFreqLst_Omit,<br>BcchFreqLst_48, BcchFreqLst_Omit,<br>C_noRestablishment, C_BCC, C_NCC,<br>C_Start_Tmsi, TSPX_SDCCH4SubDef,<br>TSPX_CKSNDef, TSPX_RANDDef, C_arfcnA,<br>C_arfcnAd, TSPX_IMSI, C_Test_fh, C_NCCP_2) |                                                                                           |     |          |
| 4                                                                                                                                                                                                                                                                                                |            | +CCConfigTCH( TSPX_TCHHSubDef, C_Ass,<br>TSPX_TmSltDef, TSPX_TscDef, TimingAdv(<br>30), C_BABR_0, C_cch_1Comb, C_BPM_3,<br>TCV_ChMod.mode, FreqTCH_omit,<br>FreqTCH_omit, C_arfcn_tchA, C_arfcn_tchAd)                                                                                                                                                                                                                                                                                                                                                                                                            |                                                                                           |     |          |
| 5                                                                                                                                                                                                                                                                                                |            | +PreEnterCCstateU10_late(<br>TSPX_SDCCH4SubDef, TCV_Setup_mt,<br>TSPX_TmSltDef, TSPX_TscDef, TimingAdv(<br>30), TSPX_CKSNDef, TSPX_RANDDef)                                                                                                                                                                                                                                                                                                                                                                                                                                                                       |                                                                                           |     |          |
| 6                                                                                                                                                                                                                                                                                                | body       | +InitNonCallSupp                                                                                                                                                                                                                                                                                                                                                                                                                                                                                                                                                                                                  |                                                                                           |     | 1.       |
| 7                                                                                                                                                                                                                                                                                                | L_039<br>2 | L?DL_DatInCmsRq                                                                                                                                                                                                                                                                                                                                                                                                                                                                                                                                                                                                   | CMSerDatReq(<br>CMSerServiceReq_08)                                                       | (P) |          |
| 8                                                                                                                                                                                                                                                                                                |            | LIDL_DatRqCmsAcp                                                                                                                                                                                                                                                                                                                                                                                                                                                                                                                                                                                                  | CMSerAcp(<br>TCV_chTch,<br>CMSerServiceAcp_01)                                            |     |          |
| 9                                                                                                                                                                                                                                                                                                |            | L?DL_DatInRegister                                                                                                                                                                                                                                                                                                                                                                                                                                                                                                                                                                                                | Register_01(<br>TCV_chTch,<br>RegisterPdu_01)                                             |     |          |
| 10                                                                                                                                                                                                                                                                                               |            | LIDL_DatRqAbrt                                                                                                                                                                                                                                                                                                                                                                                                                                                                                                                                                                                                    | Abort( TCV_chTch,<br>Abortmsg_01(<br>C_rc_networkfailure))                                |     | 2.       |
| 11                                                                                                                                                                                                                                                                                               |            | LIDL_DatRqDisc                                                                                                                                                                                                                                                                                                                                                                                                                                                                                                                                                                                                    | DiscSnd(<br>TCV_chTch,<br>DisconnS( TI_02,<br>Cause_01,<br>ProgInd_omit,<br>UuInfo_omit)) |     |          |
| 12                                                                                                                                                                                                                                                                                               | L_039<br>3 | L?DL_DatInRelCmp                                                                                                                                                                                                                                                                                                                                                                                                                                                                                                                                                                                                  | RelComRcv(<br>ReleaseCmpRcv(<br>TI_01, Cause_07))                                         | (P) |          |
| 13                                                                                                                                                                                                                                                                                               |            | +ChanRel_end( TCV_chTch)                                                                                                                                                                                                                                                                                                                                                                                                                                                                                                                                                                                          |                                                                                           |     |          |
| <b>Detailed Comments:</b>                                                                                                                                                                                                                                                                        |            |                                                                                                                                                                                                                                                                                                                                                                                                                                                                                                                                                                                                                   |                                                                                           |     |          |
| 1. Initiate a non call related supplementary service.                                                                                                                                                                                                                                            |            |                                                                                                                                                                                                                                                                                                                                                                                                                                                                                                                                                                                                                   |                                                                                           |     |          |
| 2. Upon reception of an ABORT-message the MS shall release any ongoing MM connection.                                                                                                                                                                                                            |            |                                                                                                                                                                                                                                                                                                                                                                                                                                                                                                                                                                                                                   |                                                                                           |     |          |



| Test Case Dynamic Behaviour |       |                                                                                                                                                                                                                                                                                                                                                                                                                                                                                                                                                                               |                                                          |   |          |
|-----------------------------|-------|-------------------------------------------------------------------------------------------------------------------------------------------------------------------------------------------------------------------------------------------------------------------------------------------------------------------------------------------------------------------------------------------------------------------------------------------------------------------------------------------------------------------------------------------------------------------------------|----------------------------------------------------------|---|----------|
| <b>Test Case Name:</b>      |       | TC_26_7_5_8_1                                                                                                                                                                                                                                                                                                                                                                                                                                                                                                                                                                 |                                                          |   |          |
| <b>Group:</b>               |       | GSM_L3_MS_v4210/MM/                                                                                                                                                                                                                                                                                                                                                                                                                                                                                                                                                           |                                                          |   |          |
| <b>Purpose:</b>             |       | To check that when the network does not include the follow on proceed IE in a LOCATION UPDATING ACCEPT message, a MS that has a CM application request pending does not attempt to establish a new MM connection on that RR connection.                                                                                                                                                                                                                                                                                                                                       |                                                          |   |          |
| <b>Default:</b>             |       | OtherEventsFail                                                                                                                                                                                                                                                                                                                                                                                                                                                                                                                                                               |                                                          |   |          |
| <b>Comments:</b>            |       | Initial Conditions of MS:<br>The MS has valid TMSI and is deactivated.<br><br>Foreseen final state of the MS:<br>The MS has valid TMSI. It is "idle updated" on cell A.                                                                                                                                                                                                                                                                                                                                                                                                       |                                                          |   |          |
| Nr                          | Label | Behaviour Description                                                                                                                                                                                                                                                                                                                                                                                                                                                                                                                                                         | CRef                                                     | V | Comments |
| 1                           |       | START T_guard(300)                                                                                                                                                                                                                                                                                                                                                                                                                                                                                                                                                            |                                                          |   |          |
| 2                           |       | +IdleUpdated( C_E_default, C_CellA, C_SCH_A, C_BCCH_A_1, C_Immass, C_S0, C_SlotNU, C_SlotNU, C_SlotNU, C_BCC, C_TxInt_5, C_Max_1, C_NECl_0, C_ATT_1, TimingAdv( 30), C_BABR_0, C_cch_1Comb, C_BPM_3, C_T3212_0, C_ci_cellA, C_MCC_1, C_PLMN_1, C_LAC_1, CellOpt_01, CellChDes_02, CellChDes_03, C_CellReselectHys12, C_MaxPwrLvIG, C_MaxPwrLvID, BcchFreqLst_01, BcchFreqLst_Omit, BcchFreqLst_48, BcchFreqLst_Omit, C_noRestablishment, C_BCC, C_NCC, C_Start_TmsiOff, TSPX_SDCCH4SubDef, TSPX_CKSNDDef, TSPX_RANDDDef, C_arfcnA, C_arfcnAd, TSPX_IMSI, C_Test_fh, C_NCCP_2) |                                                          |   | att=1    |
| 3                           | body  | +ImsiAttachIni(MiTmsi_01, TimingAdv( 30), C_MCC_1, C_PLMN_1, C_SIMneedRmv)                                                                                                                                                                                                                                                                                                                                                                                                                                                                                                    |                                                          |   |          |
| 4                           |       | +BasicServiceMO( TSPX_MOBscSvcF, TSPX_MOChRateF)                                                                                                                                                                                                                                                                                                                                                                                                                                                                                                                              |                                                          |   |          |
| 5                           |       | +InitCall(TCV_Service)                                                                                                                                                                                                                                                                                                                                                                                                                                                                                                                                                        |                                                          |   |          |
| 6                           |       | ?TIMEOUT T_dly                                                                                                                                                                                                                                                                                                                                                                                                                                                                                                                                                                |                                                          |   |          |
| 7                           |       | LIDL_DatRqLupAcp                                                                                                                                                                                                                                                                                                                                                                                                                                                                                                                                                              | LocAcp( TCV_ch, LocUpdtAcp( C_MCC_1, C_PLMN_1, TCV_lac)) |   | 1.       |
| 8                           |       | +NoReaction( 8000)                                                                                                                                                                                                                                                                                                                                                                                                                                                                                                                                                            |                                                          |   | 2.       |
| 9                           | post  | +ChanRel_end( TCV_ch)                                                                                                                                                                                                                                                                                                                                                                                                                                                                                                                                                         |                                                          |   |          |
| <b>Detailed Comments:</b>   |       | 1. Follow on proceed IE not included.<br>2. MS shall not send any layer 3 message for 8 seconds after reception of Location Updating Acc.                                                                                                                                                                                                                                                                                                                                                                                                                                     |                                                          |   |          |

| Test Case Dynamic Behaviour                                                                                                                                                                                                                                                                  |       |                                                                                                                                                                                                                                                                                                                                                                                                                                                                                                                                                                             |                                                             |   |          |
|----------------------------------------------------------------------------------------------------------------------------------------------------------------------------------------------------------------------------------------------------------------------------------------------|-------|-----------------------------------------------------------------------------------------------------------------------------------------------------------------------------------------------------------------------------------------------------------------------------------------------------------------------------------------------------------------------------------------------------------------------------------------------------------------------------------------------------------------------------------------------------------------------------|-------------------------------------------------------------|---|----------|
| <b>Test Case Name:</b> TC_26_7_5_8_2                                                                                                                                                                                                                                                         |       |                                                                                                                                                                                                                                                                                                                                                                                                                                                                                                                                                                             |                                                             |   |          |
| <b>Group:</b> GSM_L3_MS_v4210/MM/                                                                                                                                                                                                                                                            |       |                                                                                                                                                                                                                                                                                                                                                                                                                                                                                                                                                                             |                                                             |   |          |
| <b>Purpose:</b> To check that when the network includes the follow on proceed IE in a LOCATION UPDATING ACCEPT message, a MS that supports the follow on request procedure and that has a CM application request pending establishes successfully a new MM connection on that RR connection. |       |                                                                                                                                                                                                                                                                                                                                                                                                                                                                                                                                                                             |                                                             |   |          |
| <b>Default:</b> OtherEventsFail                                                                                                                                                                                                                                                              |       |                                                                                                                                                                                                                                                                                                                                                                                                                                                                                                                                                                             |                                                             |   |          |
| <b>Comments:</b> Initial Conditions of MS:<br>The MS has valid TMSI and is deactivated.                                                                                                                                                                                                      |       |                                                                                                                                                                                                                                                                                                                                                                                                                                                                                                                                                                             |                                                             |   |          |
| Foreseen final state of the MS:<br>The MS has valid TMSI. It is "idle updated" on cell A.                                                                                                                                                                                                    |       |                                                                                                                                                                                                                                                                                                                                                                                                                                                                                                                                                                             |                                                             |   |          |
| Nr                                                                                                                                                                                                                                                                                           | Label | Behaviour Description                                                                                                                                                                                                                                                                                                                                                                                                                                                                                                                                                       | CRef                                                        | V | Comments |
| 1                                                                                                                                                                                                                                                                                            |       | START T_guard(300)                                                                                                                                                                                                                                                                                                                                                                                                                                                                                                                                                          |                                                             |   |          |
| 2                                                                                                                                                                                                                                                                                            |       | +IdleUpdated( C_E_default, C_CellA, C_SCH_A, C_BCCH_A_1, C_Immss, C_S0, C_SlotNU, C_SlotNU, C_SlotNU, C_BCC, C_TxInt_5, C_Max_1, C_NECI_0, C_ATT_1, TimingAdv( 30), C_BABR_0, C_cch_1Comb, C_BPM_3, C_T3212_0, C_ci_cellA, C_MCC_1, C_PLMN_1, C_LAC_1, CellOpt_01, CellChDes_02, CellChDes_03, C_CellReselectHys12, C_MaxPwrLvlG, C_MaxPwrLvlD, BcchFreqLst_01, BcchFreqLst_Omit, BcchFreqLst_48, BcchFreqLst_Omit, C_noRestablishment, C_BCC, C_NCC, C_Start_TmsiOff, TSPX_SDCCH4SubDef, TSPX_CKSNDDef, TSPX_RANDDef, C_arfcnA, C_arfcnAd, TSPX_IMSI, C_Test_fh, C_NCCP_2) |                                                             |   | att=1    |
| 3                                                                                                                                                                                                                                                                                            | body  | +ImsiAttachIni(MiTmsi_01, TimingAdv( 30), C_MCC_1, C_PLMN_1, C_SIMneedRmv)                                                                                                                                                                                                                                                                                                                                                                                                                                                                                                  |                                                             |   |          |
| 4                                                                                                                                                                                                                                                                                            |       | +BasicServiceMO( TSPX_MOBScSvcl, TSPX_MOChRatel)                                                                                                                                                                                                                                                                                                                                                                                                                                                                                                                            |                                                             |   |          |
| 5                                                                                                                                                                                                                                                                                            |       | +InitCM( TCV_Service)                                                                                                                                                                                                                                                                                                                                                                                                                                                                                                                                                       |                                                             |   |          |
| 6                                                                                                                                                                                                                                                                                            |       | ?TIMEOUT T_dly                                                                                                                                                                                                                                                                                                                                                                                                                                                                                                                                                              |                                                             |   |          |
| 7                                                                                                                                                                                                                                                                                            |       | L!DL_DatRqLupAcp                                                                                                                                                                                                                                                                                                                                                                                                                                                                                                                                                            | LocAcp( TCV_ch, LocUpdtAcp_02( C_MCC_1, C_PLMN_1, TCV_lac)) |   | 1.       |
| 8                                                                                                                                                                                                                                                                                            |       | [NOT TSPC_followOnReq]                                                                                                                                                                                                                                                                                                                                                                                                                                                                                                                                                      |                                                             |   |          |
| 9                                                                                                                                                                                                                                                                                            |       | +NoReaction( 8000)                                                                                                                                                                                                                                                                                                                                                                                                                                                                                                                                                          |                                                             |   |          |
| 10                                                                                                                                                                                                                                                                                           |       | +ChanRel_end(TCV_ch)                                                                                                                                                                                                                                                                                                                                                                                                                                                                                                                                                        |                                                             |   |          |
| 11                                                                                                                                                                                                                                                                                           |       | [TSPC_followOnReq]                                                                                                                                                                                                                                                                                                                                                                                                                                                                                                                                                          |                                                             |   |          |
| 12                                                                                                                                                                                                                                                                                           |       | +CMsrvcRq                                                                                                                                                                                                                                                                                                                                                                                                                                                                                                                                                                   |                                                             |   |          |
| 13                                                                                                                                                                                                                                                                                           | post  | +ChanRel_end(TCV_ch)                                                                                                                                                                                                                                                                                                                                                                                                                                                                                                                                                        |                                                             |   |          |
| <b>Detailed Comments:</b> 1. Follow on proceed IE included.                                                                                                                                                                                                                                  |       |                                                                                                                                                                                                                                                                                                                                                                                                                                                                                                                                                                             |                                                             |   |          |

| Test Case Dynamic Behaviour |            |                                                                                                                                                                                                                                                                                                                                                                                                                                                                                                                                                                                                                       |                                                                         |     |          |
|-----------------------------|------------|-----------------------------------------------------------------------------------------------------------------------------------------------------------------------------------------------------------------------------------------------------------------------------------------------------------------------------------------------------------------------------------------------------------------------------------------------------------------------------------------------------------------------------------------------------------------------------------------------------------------------|-------------------------------------------------------------------------|-----|----------|
| <b>Test Case Name:</b>      |            | TC_26_7_5_8_3                                                                                                                                                                                                                                                                                                                                                                                                                                                                                                                                                                                                         |                                                                         |     |          |
| <b>Group:</b>               |            | GSM_L3_MS_v4210/MM/                                                                                                                                                                                                                                                                                                                                                                                                                                                                                                                                                                                                   |                                                                         |     |          |
| <b>Purpose:</b>             |            | 1) To check that a MS that has no CM application request pending sets the Follow-On-Request bit to No follow-on request pending in a LOCATION UPDATING REQUEST message.<br>2) To check that when the network includes the follow on proceed IE in a LOCATION UPDATING ACCEPT message, a MS that has no CM application request pending does not attempt to establish a new MM connection on that RR connection.<br>3) To check that the MS accepts establishment by the network of a new MM connection on the existing RR connection.                                                                                  |                                                                         |     |          |
| <b>Default:</b>             |            | OtherEventsFail                                                                                                                                                                                                                                                                                                                                                                                                                                                                                                                                                                                                       |                                                                         |     |          |
| <b>Comments:</b>            |            | Initial Conditions of MS: The MS has valid TMSI and is deactivated.                                                                                                                                                                                                                                                                                                                                                                                                                                                                                                                                                   |                                                                         |     |          |
| Nr                          | Label      | Behaviour Description                                                                                                                                                                                                                                                                                                                                                                                                                                                                                                                                                                                                 | CRef                                                                    | V   | Comments |
| 1                           |            | START T_guard(300)                                                                                                                                                                                                                                                                                                                                                                                                                                                                                                                                                                                                    |                                                                         |     |          |
| 2                           |            | +BasicServiceMT( TSPX_MTBscSvcC,<br>TSPX_MTChRateC)                                                                                                                                                                                                                                                                                                                                                                                                                                                                                                                                                                   |                                                                         |     |          |
| 3                           |            | +IdleUpdated( C_E_default, C_CellA, C_SCH_A,<br>C_BCCH_A_1, C_Immass, C_S0, C_SlotNU,<br>C_SlotNU, C_SlotNU, C_BCC, C_TxInt_5,<br>C_Max_1, C_NECl_0, C_ATT_1, TimingAdv( 30),<br>C_BABR_0, C_cch_1Comb, C_BPM_3,<br>C_T3212_0, C_ci_cellA, C_MCC_1, C_PLMN_1,<br>C_LAC_1, CellOpt_01, CellChDes_02,<br>CellChDes_03, C_CellReselectHys12,<br>C_MaxPwrLvlG, C_MaxPwrLvlD,<br>BcchFreqLst_01, BcchFreqLst_Omit,<br>BcchFreqLst_48, BcchFreqLst_Omit,<br>C_noReestablishment, C_BCC, C_NCC,<br>C_Start_TmsiOff, TSPX_SDCCH4SubDef,<br>TSPX_CKSNDf, TSPX_RANDDef, C_arfcnA,<br>C_arfcnAd, TSPX_IMSI, C_Test_fh, C_NCCP_2) |                                                                         |     | att=1    |
| 4                           | body       | +ImsiAttachIni(MiTmsi_01, TimingAdv( 30),<br>C_MCC_1, C_PLMN_1, C_SIMneedRmv)                                                                                                                                                                                                                                                                                                                                                                                                                                                                                                                                         |                                                                         |     |          |
| 5                           |            | L!DL_DatRqLupAcp CANCEL T_dly                                                                                                                                                                                                                                                                                                                                                                                                                                                                                                                                                                                         | LocAcp( TCV_ch,<br>LocUpdtAcp_02(<br>C_MCC_1,<br>C_PLMN_1,<br>TCV_lac)) |     | 1.       |
| 6                           |            | +NoReaction( 5000)                                                                                                                                                                                                                                                                                                                                                                                                                                                                                                                                                                                                    |                                                                         |     | 2.       |
| 7                           |            | L!DL_DatRqSetup                                                                                                                                                                                                                                                                                                                                                                                                                                                                                                                                                                                                       | SetupSnd(TCV_ch,<br>TCV_Setup_mt)                                       |     |          |
| 8                           | L_039<br>4 | L?DL_DatInCallCo                                                                                                                                                                                                                                                                                                                                                                                                                                                                                                                                                                                                      | CallCfm(<br>CallConfirm_01(<br>TI_01))                                  | (P) |          |
| 9                           |            | +ChanRel_end( TCV_ch)                                                                                                                                                                                                                                                                                                                                                                                                                                                                                                                                                                                                 |                                                                         |     |          |
| 10                          | L_039<br>5 | L?DL_DatInRelCmp                                                                                                                                                                                                                                                                                                                                                                                                                                                                                                                                                                                                      | RelComRcv(<br>ReleaseCmp_03(<br>TI_01))                                 | (P) |          |
| 11                          |            | +ChanRel_end( TCV_ch)                                                                                                                                                                                                                                                                                                                                                                                                                                                                                                                                                                                                 |                                                                         |     |          |
| <b>Detailed Comments:</b>   |            | 1. Follow on proceed IE included.<br>2. MS shall not send any layer 3 message for 5 seconds after reception of Location Updating Acc.                                                                                                                                                                                                                                                                                                                                                                                                                                                                                 |                                                                         |     |          |

## Test Group CC

| Test Case Dynamic Behaviour |       |                                                                                                                                                                                                                                                                                                                                                                                                                                                                                                                                                                                                                      |                                                                                                                                                                     |   |                         |
|-----------------------------|-------|----------------------------------------------------------------------------------------------------------------------------------------------------------------------------------------------------------------------------------------------------------------------------------------------------------------------------------------------------------------------------------------------------------------------------------------------------------------------------------------------------------------------------------------------------------------------------------------------------------------------|---------------------------------------------------------------------------------------------------------------------------------------------------------------------|---|-------------------------|
| <b>Test Case Name:</b>      |       | TC_26_8_1_2_1_1                                                                                                                                                                                                                                                                                                                                                                                                                                                                                                                                                                                                      |                                                                                                                                                                     |   |                         |
| <b>Group:</b>               |       | GSM_L3_MS_v4210/CC/                                                                                                                                                                                                                                                                                                                                                                                                                                                                                                                                                                                                  |                                                                                                                                                                     |   |                         |
| <b>Purpose:</b>             |       | To verify that upon initiation of an outgoing basic call by user the MS initiates establishment of an MM connection, using as first MM message a CM-SERVICE REQUEST message with CM service type "Mobile originating call establishment or packet mode connection establishment".                                                                                                                                                                                                                                                                                                                                    |                                                                                                                                                                     |   |                         |
| <b>Default:</b>             |       | OtherEventsFail                                                                                                                                                                                                                                                                                                                                                                                                                                                                                                                                                                                                      |                                                                                                                                                                     |   |                         |
| Nr                          | Label | Behaviour Description                                                                                                                                                                                                                                                                                                                                                                                                                                                                                                                                                                                                | CRef                                                                                                                                                                | V | Comments                |
| 1                           |       | START T_guard(300)                                                                                                                                                                                                                                                                                                                                                                                                                                                                                                                                                                                                   |                                                                                                                                                                     |   |                         |
| 2                           |       | +BasicServiceMOorTelephony(<br>TSPX_MOBscSvcC, TSPX_MOChRateC)                                                                                                                                                                                                                                                                                                                                                                                                                                                                                                                                                       |                                                                                                                                                                     |   |                         |
| 3                           |       | +IdleUpdated( C_E_default, C_CellA, C_SCH_A,<br>C_BCCH_A_1, C_Immass, C_S0, C_SlotNU,<br>C_SlotNU, C_SlotNU, C_BCC, C_TxInt_5,<br>C_Max_1, C_NECI_0, C_ATT_0, TimingAdv( 0),<br>C_BABR_0, C_cch_1Comb, C_BPM_3,<br>C_T3212_0, C_ci_cellA, C_MCC_1, C_PLMN_1,<br>C_LAC_1, CellOpt_01, CellChDes_Omit,<br>CellChDes_Omit, C_CellReselectHys12,<br>C_MaxPwrLvIG, C_MaxPwrLvID,<br>BcchFreqLst_45, BcchFreqLst_02,<br>BcchFreqLst_03, BcchFreqLst_04,<br>C_Restablishment, C_BCC, C_NCC,<br>C_Start_Tmsi, TSPX_SDCCH4SubDef,<br>TSPX_CKSNDDef, TSPX_RANDDef, C_arfcnA,<br>C_arfcnAd, TSPX_IMSI, C_Test_nfh,<br>C_NCCP_2) |                                                                                                                                                                     |   |                         |
| 4                           |       | +CCConfigTCH_nociph( TSPX_TCHHSubDef,<br>C_Immass, TSPX_TmSlTDef, TSPX_TscDef,<br>TimingAdv( 0), C_BABR_0, C_cch_1Comb,<br>C_BPM_3, TCV_ChMod.mode, FreqTCH_omit,<br>FreqTCH_omit, C_arfcn_tchA, C_arfcn_tchAd)                                                                                                                                                                                                                                                                                                                                                                                                      |                                                                                                                                                                     |   |                         |
| 5                           | body  | +InitCall( TCV_Service)                                                                                                                                                                                                                                                                                                                                                                                                                                                                                                                                                                                              |                                                                                                                                                                     |   |                         |
| 6                           |       | L?DL_RacInChRq (TCV_Rr :=<br>DL_RacInChRq.msg.ecau_rrf, TCV_Fn :=<br>DL_RacInChRq.fn)                                                                                                                                                                                                                                                                                                                                                                                                                                                                                                                                | ChReq(<br>ChRequest_19)                                                                                                                                             |   |                         |
| 7                           |       | ACTIVATE( OtherEventsFail_02)                                                                                                                                                                                                                                                                                                                                                                                                                                                                                                                                                                                        |                                                                                                                                                                     |   | To match ChReq retrans. |
| 8                           |       | LIDL_UdatRqImmass                                                                                                                                                                                                                                                                                                                                                                                                                                                                                                                                                                                                    | ImmAss(<br>C_AGCH_A_1,<br>ImmAsgn_nfh(<br>TCV_Rr, TCV_Fn,<br>TCV_chtype,<br>TSPX_TmSlTDef,<br>TSPX_TscDef,<br>TimingAdv( 0),<br>TCV_tch_arfcn,<br>C_normal_paging)) |   | 1.                      |
| 9                           |       | L?DL_EstInCmsRq                                                                                                                                                                                                                                                                                                                                                                                                                                                                                                                                                                                                      | CMSerReq(<br>CMServiceReq_04)                                                                                                                                       |   |                         |
| 10                          |       | ACTIVATE( OtherEventsFail)                                                                                                                                                                                                                                                                                                                                                                                                                                                                                                                                                                                           |                                                                                                                                                                     |   | Restore Normal default  |
| 11                          |       | +PostMainLinkRel( TCV_chTch)                                                                                                                                                                                                                                                                                                                                                                                                                                                                                                                                                                                         |                                                                                                                                                                     |   |                         |
| <b>Detailed Comments:</b>   |       | 1. To assign TCH channel.                                                                                                                                                                                                                                                                                                                                                                                                                                                                                                                                                                                            |                                                                                                                                                                     |   |                         |

| Test Case Dynamic Behaviour |       |                                                                                                                                                                                                                                                                                                                                                                                                                                                                                                                                                                                                                      |                                       |   |          |
|-----------------------------|-------|----------------------------------------------------------------------------------------------------------------------------------------------------------------------------------------------------------------------------------------------------------------------------------------------------------------------------------------------------------------------------------------------------------------------------------------------------------------------------------------------------------------------------------------------------------------------------------------------------------------------|---------------------------------------|---|----------|
| <b>Test Case Name:</b>      |       | TC_26_8_1_2_2_1                                                                                                                                                                                                                                                                                                                                                                                                                                                                                                                                                                                                      |                                       |   |          |
| <b>Group:</b>               |       | GSM_L3_MS_v4210/CC/                                                                                                                                                                                                                                                                                                                                                                                                                                                                                                                                                                                                  |                                       |   |          |
| <b>Purpose:</b>             |       | To verify that a CC entity of the MS in CC-state U0.1, "MM-connection pending", upon the MS receiving a CM SERVICE REJECT message, returns to CC state U0, "Null".                                                                                                                                                                                                                                                                                                                                                                                                                                                   |                                       |   |          |
| <b>Default:</b>             |       | OtherEventsFail                                                                                                                                                                                                                                                                                                                                                                                                                                                                                                                                                                                                      |                                       |   |          |
| Nr                          | Label | Behaviour Description                                                                                                                                                                                                                                                                                                                                                                                                                                                                                                                                                                                                | CRef                                  | V | Comments |
| 1                           |       | START T_guard(300)                                                                                                                                                                                                                                                                                                                                                                                                                                                                                                                                                                                                   |                                       |   |          |
| 2                           |       | +BasicServiceMOorTelephony(<br>TSPX_MOBscSvcA, TSPX_MOChRateA)                                                                                                                                                                                                                                                                                                                                                                                                                                                                                                                                                       |                                       |   | 1.       |
| 3                           |       | +IdleUpdated( C_E_default, C_CellA, C_SCH_A,<br>C_BCCH_A_1, C_Immass, C_S0, C_SlotNU,<br>C_SlotNU, C_SlotNU, C_BCC, C_TxInt_5,<br>C_Max_1, C_NECl_0, C_ATT_0, TimingAdv( 0),<br>C_BABR_0, C_cch_1Comb, C_BPM_3,<br>C_T3212_0, C_ci_cellA, C_MCC_1, C_PLMN_1,<br>C_LAC_1, CellOpt_01, CellChDes_Omit,<br>CellChDes_Omit, C_CellReselectHys12,<br>C_MaxPwrLvlG, C_MaxPwrLvlD,<br>BcchFreqLst_45, BcchFreqLst_02,<br>BcchFreqLst_03, BcchFreqLst_04,<br>C_Restablishment, C_BCC, C_NCC,<br>C_Start_Tmsi, TSPX_SDCCH4SubDef,<br>TSPX_CKSNDDef, TSPX_RANDDef, C_arfcnA,<br>C_arfcnAd, TSPX_IMSI, C_Test_nfh,<br>C_NCCP_2) |                                       |   |          |
| 4                           |       | +InitCall( TCV_Service)                                                                                                                                                                                                                                                                                                                                                                                                                                                                                                                                                                                              |                                       |   |          |
| 5                           |       | +PreEnterCCstateU01_21(<br>TSPX_SDCCH4SubDef, TimingAdv( 0))                                                                                                                                                                                                                                                                                                                                                                                                                                                                                                                                                         |                                       |   |          |
| 6                           | body  | !DL_DatRqCmsRej                                                                                                                                                                                                                                                                                                                                                                                                                                                                                                                                                                                                      | CMSerRej( TCV_ch,<br>CMServiceRej_01) |   | 2.       |
| 7                           |       | +CheckTlInStateU0( TRUE, TCV_ch)                                                                                                                                                                                                                                                                                                                                                                                                                                                                                                                                                                                     |                                       |   |          |
| 8                           |       | +PostMainLinkRel( TCV_ch)                                                                                                                                                                                                                                                                                                                                                                                                                                                                                                                                                                                            |                                       |   |          |
| <b>Detailed Comments:</b>   |       | <p>1. To select a basic service and channel rate, if the MS supports telephony the selected basic service is telephony.</p> <p>2. To reject the CM-SERVICE REQUEST.</p>                                                                                                                                                                                                                                                                                                                                                                                                                                              |                                       |   |          |

| Test Case Dynamic Behaviour |            |                                                                                                                                                                                                                                                                                                                                                                                                                                                                                                                                                                                                                      |                                      |     |          |
|-----------------------------|------------|----------------------------------------------------------------------------------------------------------------------------------------------------------------------------------------------------------------------------------------------------------------------------------------------------------------------------------------------------------------------------------------------------------------------------------------------------------------------------------------------------------------------------------------------------------------------------------------------------------------------|--------------------------------------|-----|----------|
| <b>Test Case Name:</b>      |            | TC_26_8_1_2_2_2                                                                                                                                                                                                                                                                                                                                                                                                                                                                                                                                                                                                      |                                      |     |          |
| <b>Group:</b>               |            | GSM_L3_MS_v4210/CC/                                                                                                                                                                                                                                                                                                                                                                                                                                                                                                                                                                                                  |                                      |     |          |
| <b>Purpose:</b>             |            | To verify that a CC entity of the MS in CC-state U0.1, "MM-connection pending", upon the MS receiving a CM SERVICE ACCEPT message, sends a SETUP message specifying the Called party BCD number that was entered into the MS and then enters CC state U1, "Call initiated".                                                                                                                                                                                                                                                                                                                                          |                                      |     |          |
| <b>Default:</b>             |            | OtherEventsFail                                                                                                                                                                                                                                                                                                                                                                                                                                                                                                                                                                                                      |                                      |     |          |
| Nr                          | Label      | Behaviour Description                                                                                                                                                                                                                                                                                                                                                                                                                                                                                                                                                                                                | CRef                                 | V   | Comments |
| 1                           |            | START T_guard(300)                                                                                                                                                                                                                                                                                                                                                                                                                                                                                                                                                                                                   |                                      |     |          |
| 2                           |            | +BasicServiceMOorTelephony(<br>TSPX_MOBscSvcB, TSPX_MOChRateB)                                                                                                                                                                                                                                                                                                                                                                                                                                                                                                                                                       |                                      |     | 1.       |
| 3                           |            | +IdleUpdated( C_E_default, C_CellA, C_SCH_A,<br>C_BCCH_A_1, C_Immass, C_S0, C_SlotNU,<br>C_SlotNU, C_SlotNU, C_BCC, C_TxInt_5,<br>C_Max_7, C_NECI_0, C_ATT_0, TimingAdv( 0),<br>C_BABR_0, C_cch_1Comb, C_BPM_3,<br>C_T3212_0, C_ci_cellA, C_MCC_1, C_PLMN_1,<br>C_LAC_1, CellOpt_01, CellChDes_Omit,<br>CellChDes_Omit, C_CellReselectHys12,<br>C_MaxPwrLvIG, C_MaxPwrLvID,<br>BcchFreqLst_45, BcchFreqLst_02,<br>BcchFreqLst_03, BcchFreqLst_04,<br>C_Restablishment, C_BCC, C_NCC,<br>C_Start_Tmsi, TSPX_SDCCH4SubDef,<br>TSPX_CKSNDDef, TSPX_RANDDef, C_arfcnA,<br>C_arfcnAd, TSPX_IMSI, C_Test_nfh,<br>C_NCCP_2) |                                      |     |          |
| 4                           |            | +InitCall( TCV_Service)                                                                                                                                                                                                                                                                                                                                                                                                                                                                                                                                                                                              |                                      |     |          |
| 5                           |            | +PreEnterCCstateU01_21(<br>TSPX_SDCCH4SubDef, TimingAdv( 0))                                                                                                                                                                                                                                                                                                                                                                                                                                                                                                                                                         |                                      |     |          |
| 6                           | body       | L!DL_DatRqCmsAcp                                                                                                                                                                                                                                                                                                                                                                                                                                                                                                                                                                                                     | CMSerAcp(TCV_ch,<br>CMServiceAcp_01) |     |          |
| 7                           |            | +RcvSetupOrEsetup(TCV_Setup_mo,<br>TCV_Esetup, TCV_Ecall)                                                                                                                                                                                                                                                                                                                                                                                                                                                                                                                                                            |                                      |     | 2.       |
| 8                           |            | (TCV_CalledNum :=<br>TCV_Setup_mo1.cdpm, TCV_Res :=<br>OO_CalledPtyNumCHK(TCV_CalledNu<br>m))                                                                                                                                                                                                                                                                                                                                                                                                                                                                                                                        |                                      |     |          |
| 9                           | L_039<br>6 | [NOT TCV_Res]                                                                                                                                                                                                                                                                                                                                                                                                                                                                                                                                                                                                        |                                      | (F) | 3.       |
| 10                          |            | +PostMainLinkRel(TCV_ch)                                                                                                                                                                                                                                                                                                                                                                                                                                                                                                                                                                                             |                                      |     |          |
| 11                          | L_039<br>7 | [TCV_Res]                                                                                                                                                                                                                                                                                                                                                                                                                                                                                                                                                                                                            |                                      | (P) |          |
| 12                          |            | +CCstatuschk_05(C_U1,<br>TCV_TI,TCV_ch)                                                                                                                                                                                                                                                                                                                                                                                                                                                                                                                                                                              |                                      |     | 4.       |
| 13                          |            | +PostMainLinkRel(TCV_ch)                                                                                                                                                                                                                                                                                                                                                                                                                                                                                                                                                                                             |                                      |     |          |
| <b>Detailed Comments:</b>   |            | <ol style="list-style-type: none"> <li>1. To select a basic service and channel rate, if the MS supports telephony the selected basic service is telephony.</li> <li>2. To receive the SETUP message with called party BCD number.</li> <li>3. The called party number contained in the SETUP message is not the one entered.</li> <li>4. To check whether the MS is in state U1.</li> </ol>                                                                                                                                                                                                                         |                                      |     |          |

| Test Case Dynamic Behaviour |       |                                                                                                                                                                                                                                                                                                                                                                                                                                                                                                                                                                                                                    |      |   |          |
|-----------------------------|-------|--------------------------------------------------------------------------------------------------------------------------------------------------------------------------------------------------------------------------------------------------------------------------------------------------------------------------------------------------------------------------------------------------------------------------------------------------------------------------------------------------------------------------------------------------------------------------------------------------------------------|------|---|----------|
| <b>Test Case Name:</b>      |       | TC_26_8_1_2_2_3                                                                                                                                                                                                                                                                                                                                                                                                                                                                                                                                                                                                    |      |   |          |
| <b>Group:</b>               |       | GSM_L3_MS_v4210/CC/                                                                                                                                                                                                                                                                                                                                                                                                                                                                                                                                                                                                |      |   |          |
| <b>Purpose:</b>             |       | To verify that after the MS with a CC entity in state U0.1, "MM-connection pending", has detected a lower layer failure and has returned to idle mode, the CC entities relating to the seven mobile originating transaction identifiers are in state U0, "Null".                                                                                                                                                                                                                                                                                                                                                   |      |   |          |
| <b>Default:</b>             |       | OtherEventsFail                                                                                                                                                                                                                                                                                                                                                                                                                                                                                                                                                                                                    |      |   |          |
| Nr                          | Label | Behaviour Description                                                                                                                                                                                                                                                                                                                                                                                                                                                                                                                                                                                              | CRef | V | Comments |
| 1                           |       | START T_guard(300)                                                                                                                                                                                                                                                                                                                                                                                                                                                                                                                                                                                                 |      |   |          |
| 2                           |       | +BasicServiceMOorTelephony(<br>TSPX_MOBscSvcC, TSPX_MOChRateC)                                                                                                                                                                                                                                                                                                                                                                                                                                                                                                                                                     |      |   | 1.       |
| 3                           |       | +IdleUpdated( C_E_default, C_CellA, C_SCH_A,<br>C_BCCH_A_1, C_Immass, C_S0, C_SlotNU,<br>C_SlotNU, C_SlotNU, C_BCC, C_TxInt_5,<br>C_Max_1, C_NECl_0, C_ATT_0, TimingAdv( 0),<br>C_BABR_0, C_cch_1Comb, C_BPM_3,<br>C_T3212_0, C_ci_cellA, C_MCC_1, C_PLMN_1,<br>C_LAC_1, CellOpt_01, CellChDes_Omit,<br>CellChDes_Omit, C_CellReselectHys12,<br>C_MaxPwrLvIG, C_MaxPwrLvID,<br>BcchFreqLst_45, BcchFreqLst_02,<br>BcchFreqLst_03, BcchFreqLst_04,<br>C_Restablishment, C_BCC, C_NCC,<br>C_Start_Tmsi, TSPX_SDCCH4SubDef,<br>TSPX_CKSNDf, TSPX_RANDDef, C_arfcnA,<br>C_arfcnAd, TSPX_IMSI, C_Test_nfh,<br>C_NCCP_2) |      |   |          |
| 4                           |       | +InitCall( TCV_Service)                                                                                                                                                                                                                                                                                                                                                                                                                                                                                                                                                                                            |      |   |          |
| 5                           |       | +PreEnterCCstateU01_21(<br>TSPX_SDCCH4SubDef, TimingAdv( 0))                                                                                                                                                                                                                                                                                                                                                                                                                                                                                                                                                       |      |   |          |
| 6                           | body  | (TCV_Null := OM_LowerLayerFail(<br>TCV_ch))                                                                                                                                                                                                                                                                                                                                                                                                                                                                                                                                                                        |      |   |          |
| 7                           |       | START T_dly( 20000)                                                                                                                                                                                                                                                                                                                                                                                                                                                                                                                                                                                                |      |   |          |
| 8                           |       | ?TIMEOUT T_dly                                                                                                                                                                                                                                                                                                                                                                                                                                                                                                                                                                                                     |      |   |          |
| 9                           |       | +CCEstablishMT_SDCCH4(<br>TimingAdv( 0),<br>TSPX_SDCCH4SubDef,<br>TSPX_CKSNDf)                                                                                                                                                                                                                                                                                                                                                                                                                                                                                                                                     |      |   |          |
| 10                          |       | +CheckTIsInStateU0( TRUE,<br>TCV_ch)                                                                                                                                                                                                                                                                                                                                                                                                                                                                                                                                                                               |      |   |          |
| 11                          |       | +PostMainLinkRel( TCV_ch)                                                                                                                                                                                                                                                                                                                                                                                                                                                                                                                                                                                          |      |   |          |
| <b>Detailed Comments:</b>   |       | 1. To select a basic service and channel rate, if the MS supports telephony the selected basic service is telephony.                                                                                                                                                                                                                                                                                                                                                                                                                                                                                               |      |   |          |

| Test Case Dynamic Behaviour |       |                                                                                                                                                                                                                                                                                                                                                                                                                                                                                                                                                                                                                      |                                          |   |          |
|-----------------------------|-------|----------------------------------------------------------------------------------------------------------------------------------------------------------------------------------------------------------------------------------------------------------------------------------------------------------------------------------------------------------------------------------------------------------------------------------------------------------------------------------------------------------------------------------------------------------------------------------------------------------------------|------------------------------------------|---|----------|
| <b>Test Case Name:</b>      |       | TC_26_8_1_2_3_1                                                                                                                                                                                                                                                                                                                                                                                                                                                                                                                                                                                                      |                                          |   |          |
| <b>Group:</b>               |       | GSM_L3_MS_v4210/CC/                                                                                                                                                                                                                                                                                                                                                                                                                                                                                                                                                                                                  |                                          |   |          |
| <b>Purpose:</b>             |       | To verify that a CC entity of the MS in CC-state U1, "Call initiated", upon receipt of a CALL PROCEEDING message, enters CC state U3, "Mobile originating call proceeding".                                                                                                                                                                                                                                                                                                                                                                                                                                          |                                          |   |          |
| <b>Default:</b>             |       | OtherEventsFail                                                                                                                                                                                                                                                                                                                                                                                                                                                                                                                                                                                                      |                                          |   |          |
| Nr                          | Label | Behaviour Description                                                                                                                                                                                                                                                                                                                                                                                                                                                                                                                                                                                                | CRef                                     | V | Comments |
| 1                           |       | START T_guard(300)                                                                                                                                                                                                                                                                                                                                                                                                                                                                                                                                                                                                   |                                          |   |          |
| 2                           |       | +BasicServiceMOorTelephony(<br>TSPX_MOBscSvcD, TSPX_MOChRateD)                                                                                                                                                                                                                                                                                                                                                                                                                                                                                                                                                       |                                          |   | 1.       |
| 3                           |       | +IdleUpdated( C_E_default, C_CellA, C_SCH_A,<br>C_BCCH_A_1, C_Immass, C_S0, C_SlotNU,<br>C_SlotNU, C_SlotNU, C_BCC, C_TxInt_5,<br>C_Max_7, C_NECI_0, C_ATT_0, TimingAdv( 0),<br>C_BABR_0, C_cch_1Comb, C_BPM_3,<br>C_T3212_0, C_ci_cellA, C_MCC_1, C_PLMN_1,<br>C_LAC_1, CellOpt_01, CellChDes_Omit,<br>CellChDes_Omit, C_CellReselectHys12,<br>C_MaxPwrLvIG, C_MaxPwrLvID,<br>BcchFreqLst_45, BcchFreqLst_02,<br>BcchFreqLst_03, BcchFreqLst_04,<br>C_Restablishment, C_BCC, C_NCC,<br>C_Start_Tmsi, TSPX_SDCCH4SubDef,<br>TSPX_CKSNDDef, TSPX_RANDDef, C_arfcnA,<br>C_arfcnAd, TSPX_IMSI, C_Test_nfh,<br>C_NCCP_2) |                                          |   |          |
| 4                           |       | +CCConfigTCH_nociph( TSPX_TCHHSubDef,<br>C_Immass, TSPX_TmSltDef, TSPX_TscDef,<br>TimingAdv( 0), C_BABR_0, C_cch_1Comb,<br>C_BPM_3, TCV_ChMod.mode, FreqTCH_omit,<br>FreqTCH_omit, C_arfcn_tchA, C_arfcn_tchAd)                                                                                                                                                                                                                                                                                                                                                                                                      |                                          |   |          |
| 5                           |       | +InitCall( TCV_Service)                                                                                                                                                                                                                                                                                                                                                                                                                                                                                                                                                                                              |                                          |   |          |
| 6                           |       | +PreEnterCCstateU1_22(TSPX_TmSltDef,<br>TSPX_TscDef, TimingAdv( 0))                                                                                                                                                                                                                                                                                                                                                                                                                                                                                                                                                  |                                          |   |          |
| 7                           | body  | L!DL_DatRqCallProc                                                                                                                                                                                                                                                                                                                                                                                                                                                                                                                                                                                                   | CallProc(<br>TCV_chTch,<br>TCV_CallProc) |   |          |
| 8                           |       | +CCstatuschk_05( C_U3, TCV_TI,<br>TCV_chTch)                                                                                                                                                                                                                                                                                                                                                                                                                                                                                                                                                                         |                                          |   | 2.       |
| 9                           |       | +PostMainLinkRel( TCV_chTch)                                                                                                                                                                                                                                                                                                                                                                                                                                                                                                                                                                                         |                                          |   |          |
| <b>Detailed Comments:</b>   |       | <p>1. To select a basic service and channel rate, if the MS supports telephony the selected basic service is telephony.</p> <p>2. Check that CC state is U3.</p>                                                                                                                                                                                                                                                                                                                                                                                                                                                     |                                          |   |          |



| Test Case Dynamic Behaviour |       |                                                                                                                                                                                                                                                                                                                                                                                                                                                                                                                                                                         |                                             |   |          |
|-----------------------------|-------|-------------------------------------------------------------------------------------------------------------------------------------------------------------------------------------------------------------------------------------------------------------------------------------------------------------------------------------------------------------------------------------------------------------------------------------------------------------------------------------------------------------------------------------------------------------------------|---------------------------------------------|---|----------|
| <b>Test Case Name:</b>      |       | TC_26_8_1_2_3_2                                                                                                                                                                                                                                                                                                                                                                                                                                                                                                                                                         |                                             |   |          |
| <b>Group:</b>               |       | GSM_L3_MS_v4210/CC/                                                                                                                                                                                                                                                                                                                                                                                                                                                                                                                                                     |                                             |   |          |
| <b>Purpose:</b>             |       | <ol style="list-style-type: none"> <li>1) To verify that a CC entity of the MS in CC-state U1, "Call initiated", upon receipt of a RELEASE COMPLETE message with valid cause value, enters CC state U0, "Null".</li> <li>2) To verify that in returning to idle mode, the CC entities relating to the seven mobile originating transaction identifiers are in state U0, "Null".</li> <li>3) To verify that in releasing the MM-connection, the MS shall wait for MM layer release initiated by SS.</li> </ol>                                                           |                                             |   |          |
| <b>Default:</b>             |       | OtherEventsFail                                                                                                                                                                                                                                                                                                                                                                                                                                                                                                                                                         |                                             |   |          |
| Nr                          | Label | Behaviour Description                                                                                                                                                                                                                                                                                                                                                                                                                                                                                                                                                   | CRef                                        | V | Comments |
| 1                           |       | START T_guard(300)                                                                                                                                                                                                                                                                                                                                                                                                                                                                                                                                                      |                                             |   |          |
| 2                           |       | +BasicServiceMOorTelephony(TSPX_MOBscSvcE, TSPX_MOChRateE)                                                                                                                                                                                                                                                                                                                                                                                                                                                                                                              |                                             |   | 1.       |
| 3                           |       | +IdleUpdated( C_E_default, C_CellA, C_SCH_A, C_BCCH_A_1, C_Immass, C_S0, C_SlotNU, C_SlotNU, C_SlotNU, C_BCC, C_TxInt_5, C_Max_7, C_NECI_0, C_ATT_0, TimingAdv( 0), C_BABR_0, C_cch_1Comb, C_BPM_3, C_T3212_0, C_ci_cellA, C_MCC_1, C_PLMN_1, C_LAC_1, CellOpt_01, CellChDes_Omit, CellChDes_Omit, C_CellReselectHys12, C_MaxPwrLvIG, C_MaxPwrLvID, BcchFreqLst_45, BcchFreqLst_02, BcchFreqLst_03, BcchFreqLst_04, C_Restablishment, C_BCC, C_NCC, C_Start_Tmsi, TSPX_SDCCH4SubDef, TSPX_CKSNDDef, TSPX_RANDDef, C_arfcnA, C_arfcnAd, TSPX_IMSI, C_Test_nfh, C_NCCP_2) |                                             |   |          |
| 4                           |       | +CCConfigTCH_nociph( TSPX_TCHHSubDef, C_Immass, TSPX_TmSltDef, TSPX_TscDef, TimingAdv( 0), C_BABR_0, C_cch_1Comb, C_BPM_3, TCV_ChMod.mode, FreqTCH_omit, FreqTCH_omit, C_arfcn_tchA, C_arfcn_tchAd)                                                                                                                                                                                                                                                                                                                                                                     |                                             |   |          |
| 5                           |       | +InitCall( TCV_Service)                                                                                                                                                                                                                                                                                                                                                                                                                                                                                                                                                 |                                             |   |          |
| 6                           |       | +PreEnterCCstateU1_22( TSPX_TmSltDef, TSPX_TscDef, TimingAdv( 0))                                                                                                                                                                                                                                                                                                                                                                                                                                                                                                       |                                             |   |          |
| 7                           | body  | LIDL_DatRqRelCmp                                                                                                                                                                                                                                                                                                                                                                                                                                                                                                                                                        | RelComSnd(TCV_chTch, ReleaseCmp_04(TCV_TI)) |   |          |
| 8                           |       | +CheckTIsInStateU0( TRUE, TCV_chTch)                                                                                                                                                                                                                                                                                                                                                                                                                                                                                                                                    |                                             |   |          |
| 9                           |       | +PostMainLinkRel( TCV_chTch)                                                                                                                                                                                                                                                                                                                                                                                                                                                                                                                                            |                                             |   |          |
| <b>Detailed Comments:</b>   |       | 1. To select a basic service and channel rate, if the MS supports telephony the selected basic service is telephony.                                                                                                                                                                                                                                                                                                                                                                                                                                                    |                                             |   |          |

| Test Case Dynamic Behaviour |            |                                                                                                                                                                                                                                                                                                                                                                                                                                                                                                                                                                        |                                                    |     |          |
|-----------------------------|------------|------------------------------------------------------------------------------------------------------------------------------------------------------------------------------------------------------------------------------------------------------------------------------------------------------------------------------------------------------------------------------------------------------------------------------------------------------------------------------------------------------------------------------------------------------------------------|----------------------------------------------------|-----|----------|
| <b>Test Case Name:</b>      |            | TC_26_8_1_2_3_3                                                                                                                                                                                                                                                                                                                                                                                                                                                                                                                                                        |                                                    |     |          |
| <b>Group:</b>               |            | GSM_L3_MS_v4210/CC/                                                                                                                                                                                                                                                                                                                                                                                                                                                                                                                                                    |                                                    |     |          |
| <b>Purpose:</b>             |            | To verify that a CC entity of the MS in CC-state U1, "Call initiated", upon expiry of T303 (accuracy +/- 20% between reception of CM-SERVICE REQUEST and DISCONNECT by SS) sends a DISCONNECT message to its peer entity and enters state U11, "Disconnect request".                                                                                                                                                                                                                                                                                                   |                                                    |     |          |
| <b>Default:</b>             |            | OtherEventsFail                                                                                                                                                                                                                                                                                                                                                                                                                                                                                                                                                        |                                                    |     |          |
| Nr                          | Label      | Behaviour Description                                                                                                                                                                                                                                                                                                                                                                                                                                                                                                                                                  | CRef                                               | V   | Comments |
| 1                           |            | START T_guard(300)                                                                                                                                                                                                                                                                                                                                                                                                                                                                                                                                                     |                                                    |     |          |
| 2                           |            | +BasicServiceMOorTelephony( TSPX_MOBscSvcF, TSPX_MOChRateF)                                                                                                                                                                                                                                                                                                                                                                                                                                                                                                            |                                                    |     | 1.       |
| 3                           |            | +IdleUpdated( C_E_default, C_CellA, C_SCH_A, C_BCCH_A_1, C_Immash, C_S0, C_SlotNU, C_SlotNU, C_SlotNU, C_BCC, C_TxInt_5, C_Max_7, C_NECI_0, C_ATT_0, TimingAdv( 0), C_BABR_0, C_cch_1Comb, C_BPM_3, C_T3212_0, C_ci_cellA, C_MCC_1, C_PLMN_1, C_LAC_1, CellOpt_01, CellChDes_Omit, CellChDes_Omit, C_CellReselectHys12, C_MaxPwrLvIG, C_MaxPwrLvID, BcchFreqLst_45, BcchFreqLst_02, BcchFreqLst_03, BcchFreqLst_04, C_Restablishment, C_BCC, C_NCC, C_Start_Tmsi, TSPX_SDCCH4SubDef, TSPX_CKSNDef, TSPX_RANDDef, C_arfcnA, C_arfcnAd, TSPX_IMSI, C_Test_nfh, C_NCCP_2) |                                                    |     |          |
| 4                           |            | +CCConfigTCH_nociph( TSPX_TCHHSubDef, C_Immash, TSPX_TmSlDef, TSPX_TscDef, TimingAdv( 0), C_BABR_0, C_cch_1Comb, C_BPM_3, TCV_ChMod.mode, FreqTCH_omit, FreqTCH_omit, C_arfcn_tchA, C_arfcn_tchAd)                                                                                                                                                                                                                                                                                                                                                                     |                                                    |     |          |
| 5                           |            | +InitCall( TCV_Service)                                                                                                                                                                                                                                                                                                                                                                                                                                                                                                                                                |                                                    |     |          |
| 6                           |            | +PreEnterCCstateU1_22Timer(TSPX_TmSlDef, TSPX_TscDef, TimingAdv( 0))                                                                                                                                                                                                                                                                                                                                                                                                                                                                                                   |                                                    |     |          |
| 7                           | body       | L?DL_DatInDisc (TCV_Fn1 := DL_DatInDisc.fn) READTIMER<br>T_dly(TCV_Time), CANCEL T_dly                                                                                                                                                                                                                                                                                                                                                                                                                                                                                 | DiscRcv( TCV_chTch, DisconnR( TCV_TI0, Cause_Def)) | (P) |          |
| 8                           | L_039<br>8 | [(TCV_Time < 24000) OR (TCV_Time >= 36000)]                                                                                                                                                                                                                                                                                                                                                                                                                                                                                                                            |                                                    | (F) |          |
| 9                           |            | +PostMainLinkRel( TCV_chTch)                                                                                                                                                                                                                                                                                                                                                                                                                                                                                                                                           |                                                    |     |          |
| 10                          | L_039<br>9 | [(TCV_Time >= 24000) AND(TCV_Time < 36000)]                                                                                                                                                                                                                                                                                                                                                                                                                                                                                                                            |                                                    | (P) |          |
| 11                          |            | +CCstatuschk_05( C_U11, TCV_TI, TCV_chTch)                                                                                                                                                                                                                                                                                                                                                                                                                                                                                                                             |                                                    |     |          |
| 12                          |            | +PostMainLinkRel( TCV_chTch)                                                                                                                                                                                                                                                                                                                                                                                                                                                                                                                                           |                                                    |     |          |
| <b>Detailed Comments:</b>   |            | 1. To select a basic service and channel rate, if the MS supports telephony the selected basic service is telephony.                                                                                                                                                                                                                                                                                                                                                                                                                                                   |                                                    |     |          |

| Test Case Dynamic Behaviour |       |                                                                                                                                                                                                                                                                                                                                                                                                                                                                                                                                                                      |      |   |          |
|-----------------------------|-------|----------------------------------------------------------------------------------------------------------------------------------------------------------------------------------------------------------------------------------------------------------------------------------------------------------------------------------------------------------------------------------------------------------------------------------------------------------------------------------------------------------------------------------------------------------------------|------|---|----------|
| <b>Test Case Name:</b>      |       | TC_26_8_1_2_3_4                                                                                                                                                                                                                                                                                                                                                                                                                                                                                                                                                      |      |   |          |
| <b>Group:</b>               |       | GSM_L3_MS_v4210/CC/                                                                                                                                                                                                                                                                                                                                                                                                                                                                                                                                                  |      |   |          |
| <b>Purpose:</b>             |       | To verify that after the MS with a CC entity in state U1 "Call initiated", has detected a lower layer failure and has returned to idle mode, the CC entities relating to the seven mobile originating transaction identifiers are in state U0, "Null".                                                                                                                                                                                                                                                                                                               |      |   |          |
| <b>Default:</b>             |       | OtherEventsFail                                                                                                                                                                                                                                                                                                                                                                                                                                                                                                                                                      |      |   |          |
| Nr                          | Label | Behaviour Description                                                                                                                                                                                                                                                                                                                                                                                                                                                                                                                                                | CRef | V | Comments |
| 1                           |       | START T_guard(300)                                                                                                                                                                                                                                                                                                                                                                                                                                                                                                                                                   |      |   |          |
| 2                           |       | +BasicServiceMOorTelephony(TSPX_MOBscSvcG, TSPX_MOChRateG)                                                                                                                                                                                                                                                                                                                                                                                                                                                                                                           |      |   | 1.       |
| 3                           |       | +IdleUpdated( C_E_default, C_CellA, C_SCH_A, C_BCCH_A_1, C_Immss, C_S0, C_SlotNU, C_SlotNU, C_SlotNU, C_BCC, C_TxInt_5, C_Max_7, C_NECl_0, C_ATT_0, TimingAdv( 0), C_BABR_0, C_cch_1Comb, C_BPM_3, C_T3212_0, C_ci_cellA, C_MCC_1, C_PLMN_1, C_LAC_1, CellOpt_01, CellChDes_Omit, CellChDes_Omit, C_CellReselectHys12, C_MaxPwrLvlG, C_MaxPwrLvlD, BcchFreqLst_45, BcchFreqLst_02, BcchFreqLst_03, BcchFreqLst_04, C_Restablishment, C_BCC, C_NCC, C_Start_Tmsi, TSPX_SDCCH4SubDef, TSPX_CKSNDf, TSPX_RANDDef, C_arfcnA, C_arfcnAd, TSPX_IMSI, C_Test_nfh, C_NCCP_2) |      |   |          |
| 4                           |       | +CCConfigTCH_nociph( TSPX_TCHHSubDef, C_Immss, TSPX_TmSlitDef, TSPX_TscDef, TimingAdv( 0), C_BABR_0, C_cch_1Comb, C_BPM_3, TCV_ChMod.mode, FreqTCH_omit, FreqTCH_omit, C_arfcn_tchA, C_arfcn_tchAd)                                                                                                                                                                                                                                                                                                                                                                  |      |   |          |
| 5                           |       | +InitCall( TCV_Service)                                                                                                                                                                                                                                                                                                                                                                                                                                                                                                                                              |      |   |          |
| 6                           |       | +PreEnterCCstateU1_24(TSPX_TmSlitDef, TSPX_TscDef, TimingAdv( 0))                                                                                                                                                                                                                                                                                                                                                                                                                                                                                                    |      |   | 2.       |
| 7                           | body  | (TCV_Null := OM_LowerLayerFail(TCV_chTch))                                                                                                                                                                                                                                                                                                                                                                                                                                                                                                                           |      |   | 3.       |
| 8                           |       | START T_dly(20000)                                                                                                                                                                                                                                                                                                                                                                                                                                                                                                                                                   |      |   |          |
| 9                           |       | ?TIMEOUT T_dly                                                                                                                                                                                                                                                                                                                                                                                                                                                                                                                                                       |      |   | 4.       |
| 10                          |       | +CCEstablishMT_SDCCH4(TimingAdv( 0), TSPX_SDCCH4SubDef, TSPX_CKSNDf)                                                                                                                                                                                                                                                                                                                                                                                                                                                                                                 |      |   |          |
| 11                          |       | +CheckTIsInStateU0( TRUE, TCV_ch)                                                                                                                                                                                                                                                                                                                                                                                                                                                                                                                                    |      |   | 5.       |
| 12                          |       | +PostMainLinkRel( TCV_ch)                                                                                                                                                                                                                                                                                                                                                                                                                                                                                                                                            |      |   |          |
| <b>Detailed Comments:</b>   |       | <ol style="list-style-type: none"> <li>1. To select a basic service and channel rate, if the MS supports telephony the selected basic service is telephony.</li> <li>2. To bring the MS into U1 state.</li> <li>3. A layer failure generated in the test system.</li> <li>4. Waiting for the MS return to idle state.</li> <li>5. To check that CC entities related to all transaction identifiers are return to idle.</li> </ol>                                                                                                                                    |      |   |          |

| Test Case Dynamic Behaviour |       |                                                                                                                                                                                                                                                                                                                                                                                                                                                                                                                                                                                                                      |                                                  |   |          |
|-----------------------------|-------|----------------------------------------------------------------------------------------------------------------------------------------------------------------------------------------------------------------------------------------------------------------------------------------------------------------------------------------------------------------------------------------------------------------------------------------------------------------------------------------------------------------------------------------------------------------------------------------------------------------------|--------------------------------------------------|---|----------|
| <b>Test Case Name:</b>      |       | TC_26_8_1_2_3_5                                                                                                                                                                                                                                                                                                                                                                                                                                                                                                                                                                                                      |                                                  |   |          |
| <b>Group:</b>               |       | GSM_L3_MS_v4210/CC/                                                                                                                                                                                                                                                                                                                                                                                                                                                                                                                                                                                                  |                                                  |   |          |
| <b>Purpose:</b>             |       | To verify that a CC entity of the MS in CC-state U1, "Call initiated", upon receipt of an ALERTING message, enters CC state U4, "Call delivered".                                                                                                                                                                                                                                                                                                                                                                                                                                                                    |                                                  |   |          |
| <b>Default:</b>             |       | OtherEventsFail                                                                                                                                                                                                                                                                                                                                                                                                                                                                                                                                                                                                      |                                                  |   |          |
| Nr                          | Label | Behaviour Description                                                                                                                                                                                                                                                                                                                                                                                                                                                                                                                                                                                                | CRef                                             | V | Comments |
| 1                           |       | START T_guard(300)                                                                                                                                                                                                                                                                                                                                                                                                                                                                                                                                                                                                   |                                                  |   |          |
| 2                           |       | +BasicServiceMOOrTelephony(<br>TSPX_MOBscSvch, TSPX_MOChRateH)                                                                                                                                                                                                                                                                                                                                                                                                                                                                                                                                                       |                                                  |   | 1.       |
| 3                           |       | +IdleUpdated( C_E_default, C_CellA, C_SCH_A,<br>C_BCCH_A_1, C_Immass, C_S0, C_SlotNU,<br>C_SlotNU, C_SlotNU, C_BCC, C_TxInt_5,<br>C_Max_7, C_NECI_0, C_ATT_0, TimingAdv( 0),<br>C_BABR_0, C_cch_1Comb, C_BPM_3,<br>C_T3212_0, C_ci_cellA, C_MCC_1, C_PLMN_1,<br>C_LAC_1, CellOpt_01, CellChDes_Omit,<br>CellChDes_Omit, C_CellReselectHys12,<br>C_MaxPwrLvIG, C_MaxPwrLvID,<br>BcchFreqLst_45, BcchFreqLst_02,<br>BcchFreqLst_03, BcchFreqLst_04,<br>C_Restablishment, C_BCC, C_NCC,<br>C_Start_Tmsi, TSPX_SDCCH4SubDef,<br>TSPX_CKSNDDef, TSPX_RANDDef, C_arfcnA,<br>C_arfcnAd, TSPX_IMSI, C_Test_nfh,<br>C_NCCP_2) |                                                  |   |          |
| 4                           |       | +CCConfigTCH_nociph( TSPX_TCHHSubDef,<br>C_Immass, TSPX_TmSltDef, TSPX_TscDef,<br>TimingAdv( 0), C_BABR_0, C_cch_1Comb,<br>C_BPM_3, TCV_ChMod.mode, FreqTCH_omit,<br>FreqTCH_omit, C_arfcn_tchA, C_arfcn_tchAd)                                                                                                                                                                                                                                                                                                                                                                                                      |                                                  |   |          |
| 5                           |       | +InitCall( TCV_Service)                                                                                                                                                                                                                                                                                                                                                                                                                                                                                                                                                                                              |                                                  |   |          |
| 6                           |       | +PreEnterCCstateU1_24(TSPX_TmSltDef,<br>TSPX_TscDef, TimingAdv( 0))                                                                                                                                                                                                                                                                                                                                                                                                                                                                                                                                                  |                                                  |   |          |
| 7                           | body  | L!DL_DatRqAlert                                                                                                                                                                                                                                                                                                                                                                                                                                                                                                                                                                                                      | AlertSnd(<br>TCV_chTch,<br>Alerting_01( TCV_TI)) |   |          |
| 8                           |       | +CCstatuschk_05( C_U4, TCV_TI,<br>TCV_chTch)                                                                                                                                                                                                                                                                                                                                                                                                                                                                                                                                                                         |                                                  |   |          |
| 9                           |       | +PostMainLinkRel( TCV_chTch)                                                                                                                                                                                                                                                                                                                                                                                                                                                                                                                                                                                         |                                                  |   |          |
| <b>Detailed Comments:</b>   |       | 1. To select a basic service and channel rate, if the MS supports telephony the selected basic service is telephony.                                                                                                                                                                                                                                                                                                                                                                                                                                                                                                 |                                                  |   |          |

| Test Case Dynamic Behaviour |       |                                                                                                                                                                                                                                                                                                                                                                                                                                                                                                                                                                       |                                          |   |          |
|-----------------------------|-------|-----------------------------------------------------------------------------------------------------------------------------------------------------------------------------------------------------------------------------------------------------------------------------------------------------------------------------------------------------------------------------------------------------------------------------------------------------------------------------------------------------------------------------------------------------------------------|------------------------------------------|---|----------|
| <b>Test Case Name:</b>      |       | TC_26_8_1_2_3_6                                                                                                                                                                                                                                                                                                                                                                                                                                                                                                                                                       |                                          |   |          |
| <b>Group:</b>               |       | GSM_L3_MS_v4210/CC/                                                                                                                                                                                                                                                                                                                                                                                                                                                                                                                                                   |                                          |   |          |
| <b>Purpose:</b>             |       | To verify that a CC entity of the MS in CC-state U1, "Call initiated", upon receipt of a CONNECT message, sends a CONNECT ACKNOWLEDGE message to its peer entity and enters CC state U10, "Active".                                                                                                                                                                                                                                                                                                                                                                   |                                          |   |          |
| <b>Default:</b>             |       | OtherEventsFail                                                                                                                                                                                                                                                                                                                                                                                                                                                                                                                                                       |                                          |   |          |
| Nr                          | Label | Behaviour Description                                                                                                                                                                                                                                                                                                                                                                                                                                                                                                                                                 | CRef                                     | V | Comments |
| 1                           |       | START T_guard(300)                                                                                                                                                                                                                                                                                                                                                                                                                                                                                                                                                    |                                          |   |          |
| 2                           |       | +BasicServiceMOorTelephony( TSPX_MOBScSvcl, TSPX_MOChRateI)                                                                                                                                                                                                                                                                                                                                                                                                                                                                                                           |                                          |   | 1.       |
| 3                           |       | +IdleUpdated( C_E_default, C_CellA, C_SCH_A, C_BCCH_A_1, C_Immss, C_S0, C_SlotNU, C_SlotNU, C_SlotNU, C_BCC, C_TxInt_5, C_Max_7, C_NECl_0, C_ATT_0, TimingAdv( 0), C_BABR_0, C_cch_1Comb, C_BPM_3, C_T3212_0, C_ci_cellA, C_MCC_1, C_PLMN_1, C_LAC_1, CellOpt_01, CellChDes_Omit, CellChDes_Omit, C_CellReselectHys12, C_MaxPwrLvlG, C_MaxPwrLvlD, BcchFreqLst_45, BcchFreqLst_02, BcchFreqLst_03, BcchFreqLst_04, C_Restablishment, C_BCC, C_NCC, C_Start_Tmsi, TSPX_SDCCH4SubDef, TSPX_CKSNDef, TSPX_RANDDef, C_arfcnA, C_arfcnAd, TSPX_IMSI, C_Test_nfh, C_NCCP_2) |                                          |   |          |
| 4                           |       | +CCConfigTCH_nociph( TSPX_TCHHSubDef, C_Immss, TSPX_TmSlTDef, TSPX_TscDef, TimingAdv( 0), C_BABR_0, C_cch_1Comb, C_BPM_3, TCV_ChMod.mode, FreqTCH_omit, FreqTCH_omit, C_arfcn_tchA, C_arfcn_tchAd)                                                                                                                                                                                                                                                                                                                                                                    |                                          |   |          |
| 5                           |       | +InitCall( TCV_Service)                                                                                                                                                                                                                                                                                                                                                                                                                                                                                                                                               |                                          |   |          |
| 6                           |       | +PreEnterCCstateU1_24( TSPX_TmSlTDef, TSPX_TscDef, TimingAdv( 0))                                                                                                                                                                                                                                                                                                                                                                                                                                                                                                     |                                          |   |          |
| 7                           | body  | LIDL_DatRqConn                                                                                                                                                                                                                                                                                                                                                                                                                                                                                                                                                        | ConnSnd( TCV_chTch, Connect_02( TCV_TI)) |   |          |
| 8                           |       | L?DL_DatInConnAck                                                                                                                                                                                                                                                                                                                                                                                                                                                                                                                                                     | ConnAckRcv( ConnectAck_02( TCV_TI0))     |   |          |
| 9                           |       | +CCstatuschk_05( C_U10, TCV_TI, TCV_chTch)                                                                                                                                                                                                                                                                                                                                                                                                                                                                                                                            |                                          |   |          |
| 10                          |       | +PostMainLinkRel( TCV_chTch)                                                                                                                                                                                                                                                                                                                                                                                                                                                                                                                                          |                                          |   |          |
| <b>Detailed Comments:</b>   |       | 1. To select a basic service and channel rate, if the MS supports telephony the selected basic service is telephony.                                                                                                                                                                                                                                                                                                                                                                                                                                                  |                                          |   |          |

| Test Case Dynamic Behaviour |            |                                                                                                                                                                                                                                                                                                                                                                                                                                                                                                                                                                         |                                               |     |          |
|-----------------------------|------------|-------------------------------------------------------------------------------------------------------------------------------------------------------------------------------------------------------------------------------------------------------------------------------------------------------------------------------------------------------------------------------------------------------------------------------------------------------------------------------------------------------------------------------------------------------------------------|-----------------------------------------------|-----|----------|
| <b>Test Case Name:</b>      |            | TC_26_8_1_2_3_7                                                                                                                                                                                                                                                                                                                                                                                                                                                                                                                                                         |                                               |     |          |
| <b>Group:</b>               |            | GSM_L3_MS_v4210/CC/                                                                                                                                                                                                                                                                                                                                                                                                                                                                                                                                                     |                                               |     |          |
| <b>Purpose:</b>             |            | To verify that a CC entity of the MS in CC-state U1, "Call initiated", upon receipt of a message with message type not defined for the protocol discriminator unknown message from its peer entity returns a STATUS message.                                                                                                                                                                                                                                                                                                                                            |                                               |     |          |
| <b>Default:</b>             |            | OtherEventsFail                                                                                                                                                                                                                                                                                                                                                                                                                                                                                                                                                         |                                               |     |          |
| Nr                          | Label      | Behaviour Description                                                                                                                                                                                                                                                                                                                                                                                                                                                                                                                                                   | CRef                                          | V   | Comments |
| 1                           |            | START T_guard(300)                                                                                                                                                                                                                                                                                                                                                                                                                                                                                                                                                      |                                               |     |          |
| 2                           |            | +BasicServiceMOorTelephony( TSPX_MOBscSvcJ, TSPX_MOChRateJ)                                                                                                                                                                                                                                                                                                                                                                                                                                                                                                             |                                               |     | 1.       |
| 3                           |            | +IdleUpdated( C_E_default, C_CellA, C_SCH_A, C_BCCH_A_1, C_Immass, C_S0, C_SlotNU, C_SlotNU, C_SlotNU, C_BCC, C_TxInt_5, C_Max_7, C_NECl_0, C_ATT_0, TimingAdv( 0), C_BABR_0, C_cch_1Comb, C_BPM_3, C_T3212_0, C_ci_cellA, C_MCC_1, C_PLMN_1, C_LAC_1, CellOpt_01, CellChDes_Omit, CellChDes_Omit, C_CellReselectHys12, C_MaxPwrLvIG, C_MaxPwrLvID, BcchFreqLst_45, BcchFreqLst_02, BcchFreqLst_03, BcchFreqLst_04, C_Restablishment, C_BCC, C_NCC, C_Start_Tmsi, TSPX_SDCCH4SubDef, TSPX_CKSNDDef, TSPX_RANDDef, C_arfcnA, C_arfcnAd, TSPX_IMSI, C_Test_nfh, C_NCCP_2) |                                               |     |          |
| 4                           |            | +InitCall( TCV_Service)                                                                                                                                                                                                                                                                                                                                                                                                                                                                                                                                                 |                                               |     |          |
| 5                           |            | +PreEnterCCstateU1_21( TSPX_SDCCH4SubDef, TimingAdv( 0))                                                                                                                                                                                                                                                                                                                                                                                                                                                                                                                |                                               |     |          |
| 6                           | body       | L!DL_DatRqUndefCC                                                                                                                                                                                                                                                                                                                                                                                                                                                                                                                                                       | UndefCC( TCV_ch, UndefCC_02( TCV_TI))         |     | 2.       |
| 7                           | L_040<br>0 | L?DL_DatInCcst                                                                                                                                                                                                                                                                                                                                                                                                                                                                                                                                                          | CCStRcv( TCV_ch, CCStatus_08( TCV_TI0, C_U1)) | (P) | 3.       |
| 8                           |            | +CCstatuschk_05( C_U1, TCV_TI, TCV_ch)                                                                                                                                                                                                                                                                                                                                                                                                                                                                                                                                  |                                               |     | 4.       |
| 9                           |            | +PostMainLinkRel( TCV_ch)                                                                                                                                                                                                                                                                                                                                                                                                                                                                                                                                               |                                               |     |          |
| <b>Detailed Comments:</b>   |            | <ol style="list-style-type: none"> <li>1. To select a basic service and channel rate, if the MS supports telephony the selected basic service is telephony.</li> <li>2. Message type not defined for CC.</li> <li>3. The expected STATUS message received.</li> <li>4. To check whether the MS is still in CC state U1.</li> </ol>                                                                                                                                                                                                                                      |                                               |     |          |

| Test Case Dynamic Behaviour |       |                                                                                                                                                                                                                                                                                                                                                                                                                                                                                                                                                                                                                      |                                                  |   |          |
|-----------------------------|-------|----------------------------------------------------------------------------------------------------------------------------------------------------------------------------------------------------------------------------------------------------------------------------------------------------------------------------------------------------------------------------------------------------------------------------------------------------------------------------------------------------------------------------------------------------------------------------------------------------------------------|--------------------------------------------------|---|----------|
| <b>Test Case Name:</b>      |       | TC_26_8_1_2_4_1                                                                                                                                                                                                                                                                                                                                                                                                                                                                                                                                                                                                      |                                                  |   |          |
| <b>Group:</b>               |       | GSM_L3_MS_v4210/CC/                                                                                                                                                                                                                                                                                                                                                                                                                                                                                                                                                                                                  |                                                  |   |          |
| <b>Purpose:</b>             |       | To verify that a CC-entity of the MS in CC-state U3, "Mobile Originating Call Proceeding", upon receipt of a ALERTING message enters CC-state U4, "Call Delivered".                                                                                                                                                                                                                                                                                                                                                                                                                                                  |                                                  |   |          |
| <b>Default:</b>             |       | OtherEventsFail                                                                                                                                                                                                                                                                                                                                                                                                                                                                                                                                                                                                      |                                                  |   |          |
| Nr                          | Label | Behaviour Description                                                                                                                                                                                                                                                                                                                                                                                                                                                                                                                                                                                                | CRef                                             | V | Comments |
| 1                           |       | START T_guard(300)                                                                                                                                                                                                                                                                                                                                                                                                                                                                                                                                                                                                   |                                                  |   |          |
| 2                           |       | +BasicServiceMOorTelephony(<br>TSPX_MOBscSvcA, TSPX_MOChRateA)                                                                                                                                                                                                                                                                                                                                                                                                                                                                                                                                                       |                                                  |   | 1.       |
| 3                           |       | +IdleUpdated( C_E_default, C_CellA, C_SCH_A,<br>C_BCCH_A_1, C_Immass, C_S0, C_SlotNU,<br>C_SlotNU, C_SlotNU, C_BCC, C_TxInt_5,<br>C_Max_7, C_NECL_0, C_ATT_0, TimingAdv( 0),<br>C_BABR_0, C_cch_1Comb, C_BPM_3,<br>C_T3212_0, C_ci_cellA, C_MCC_1, C_PLMN_1,<br>C_LAC_1, CellOpt_01, CellChDes_Omit,<br>CellChDes_Omit, C_CellReselectHys12,<br>C_MaxPwrLvlG, C_MaxPwrLvlD,<br>BcchFreqLst_45, BcchFreqLst_02,<br>BcchFreqLst_03, BcchFreqLst_04,<br>C_Restablishment, C_BCC, C_NCC,<br>C_Start_Tmsi, TSPX_SDCCH4SubDef,<br>TSPX_CKSNDDef, TSPX_RANDDef, C_arfcnA,<br>C_arfcnAd, TSPX_IMSI, C_Test_nfh,<br>C_NCCP_2) |                                                  |   |          |
| 4                           |       | +CCConfigTCH_nociph( TSPX_TCHHSubDef,<br>C_Immass, TSPX_TmSlTDef, TSPX_TscDef,<br>TimingAdv( 0), C_BABR_0, C_cch_1Comb,<br>C_BPM_3, TCV_ChMod.mode, FreqTCH_omit,<br>FreqTCH_omit, C_arfcn_tchA, C_arfcn_tchAd)                                                                                                                                                                                                                                                                                                                                                                                                      |                                                  |   |          |
| 5                           |       | +InitCall( TCV_Service)                                                                                                                                                                                                                                                                                                                                                                                                                                                                                                                                                                                              |                                                  |   |          |
| 6                           |       | +PreEnterCCstateU3_22(TSPX_TmSlTDef,<br>TSPX_TscDef, TimingAdv( 0))                                                                                                                                                                                                                                                                                                                                                                                                                                                                                                                                                  |                                                  |   |          |
| 7                           | body  | LIDL_DatRqAlert                                                                                                                                                                                                                                                                                                                                                                                                                                                                                                                                                                                                      | AlertSnd(<br>TCV_chTch,<br>Alerting_01( TCV_TI)) |   |          |
| 8                           |       | +CCstatuschk_05( C_U4, TCV_TI,<br>TCV_chTch)                                                                                                                                                                                                                                                                                                                                                                                                                                                                                                                                                                         |                                                  |   |          |
| 9                           |       | +PostMainLinkRel( TCV_chTch)                                                                                                                                                                                                                                                                                                                                                                                                                                                                                                                                                                                         |                                                  |   |          |
| <b>Detailed Comments:</b>   |       | 1. To select a circuit switched basic service for testing.                                                                                                                                                                                                                                                                                                                                                                                                                                                                                                                                                           |                                                  |   |          |

### Test Case Dynamic Behaviour

**Test Case Name:** TC\_26\_8\_1\_2\_4\_2  
**Group:** GSM\_L3\_MS\_v4210/CC/  
**Purpose:** 1) To verify that a CC-entity of the MS in CC-state U3, "Mobile Originating Call Proceeding", upon receipt of a CONNECT message returns a "CONNECT ACKNOWLEDGE" message to its peer entity and enters the CC state U10, "Active".  
 2) To verify that the MS stops locally generated indication, if any.  
**Default:** OtherEventsFail

| Nr | Label      | Behaviour Description                                                                                                                                                                                                                                                                                                                                                                                                                                                                                                                                                  | CRef                                   | V   | Comments |
|----|------------|------------------------------------------------------------------------------------------------------------------------------------------------------------------------------------------------------------------------------------------------------------------------------------------------------------------------------------------------------------------------------------------------------------------------------------------------------------------------------------------------------------------------------------------------------------------------|----------------------------------------|-----|----------|
| 1  |            | START T_guard(300)                                                                                                                                                                                                                                                                                                                                                                                                                                                                                                                                                     |                                        |     |          |
| 2  |            | +BasicServiceMOorTelephony(TSPX_MOBscSvcB, TSPX_MOChRateB)                                                                                                                                                                                                                                                                                                                                                                                                                                                                                                             |                                        |     | 1.       |
| 3  |            | +IdleUpdated( C_E_default, C_CellA, C_SCH_A, C_BCCH_A_1, C_Immass, C_S0, C_SlotNU, C_SlotNU, C_SlotNU, C_BCC, C_TxInt_5, C_Max_7, C_NECI_0, C_ATT_0, TimingAdv( 0), C_BABR_0, C_cch_1Comb, C_BPM_3, C_T3212_0, C_ci_cellA, C_MCC_1, C_PLMN_1, C_LAC_1, CellOpt_01, CellChDes_Omit, CellChDes_Omit, C_CellReselectHys12, C_MaxPwrLvIG, C_MaxPwrLvID, BcchFreqLst_45, BcchFreqLst_02, BcchFreqLst_03, BcchFreqLst_04, C_Restablishment, C_BCC, C_NCC, C_Start_Tmsi, TSPX_SDCCH4SubDef, TSPX_CKSNDef, TSPX_RANDDef, C_arfcnA, C_arfcnAd, TSPX_IMSI, C_Test_nfh, C_NCCP_2) |                                        |     |          |
| 4  |            | +CCConfigTCH_nociph( TSPX_TCHHSubDef, C_Immass, TSPX_TmSltDef, TSPX_TscDef, TimingAdv( 0), C_BABR_0, C_cch_1Comb, C_BPM_3, TCV_ChMod.mode, FreqTCH_omit, FreqTCH_omit, C_arfcn_tchA, C_arfcn_tchAd)                                                                                                                                                                                                                                                                                                                                                                    |                                        |     |          |
| 5  |            | +InitCall( TCV_Service)                                                                                                                                                                                                                                                                                                                                                                                                                                                                                                                                                |                                        |     |          |
| 6  |            | +PreEnterCCstateU3_22( TSPX_TmSltDef, TSPX_TscDef, TimingAdv( 0))                                                                                                                                                                                                                                                                                                                                                                                                                                                                                                      |                                        |     |          |
| 7  | body       | L!DL_DatRqConn                                                                                                                                                                                                                                                                                                                                                                                                                                                                                                                                                         | ConnSnd(TCV_chTch, Connect_02(TCV_TI)) |     |          |
| 8  |            | (TCV_Res := OO_ToneStopCHK())                                                                                                                                                                                                                                                                                                                                                                                                                                                                                                                                          |                                        |     |          |
| 9  |            | L?DL_DatInConnAck                                                                                                                                                                                                                                                                                                                                                                                                                                                                                                                                                      | ConnAckRcv(ConnectAck_02(TCV_TI0))     |     |          |
| 10 | L_040<br>1 | [TCV_Res]                                                                                                                                                                                                                                                                                                                                                                                                                                                                                                                                                              |                                        | (P) |          |
| 11 |            | +CCstatuschk_05( C_U10, TCV_TI, TCV_chTch)                                                                                                                                                                                                                                                                                                                                                                                                                                                                                                                             |                                        |     |          |
| 12 |            | +PostMainLinkRel(TCV_chTch)                                                                                                                                                                                                                                                                                                                                                                                                                                                                                                                                            |                                        |     |          |
| 13 | L_040<br>2 | [NOT TCV_Res]                                                                                                                                                                                                                                                                                                                                                                                                                                                                                                                                                          |                                        | (F) |          |
| 14 |            | +PostMainLinkRel( TCV_chTch)                                                                                                                                                                                                                                                                                                                                                                                                                                                                                                                                           |                                        |     |          |

**Detailed Comments:** 1. To select a circuit switched basic service for testing.



| Test Case Dynamic Behaviour |            |                                                                                                                                                                                                                                                                                                                                                                                                                                                                                                                                                                                                                    |                                                          |     |          |
|-----------------------------|------------|--------------------------------------------------------------------------------------------------------------------------------------------------------------------------------------------------------------------------------------------------------------------------------------------------------------------------------------------------------------------------------------------------------------------------------------------------------------------------------------------------------------------------------------------------------------------------------------------------------------------|----------------------------------------------------------|-----|----------|
| <b>Test Case Name:</b>      |            | TC_26_8_1_2_4_3                                                                                                                                                                                                                                                                                                                                                                                                                                                                                                                                                                                                    |                                                          |     |          |
| <b>Group:</b>               |            | GSM_L3_MS_v4210/CC/                                                                                                                                                                                                                                                                                                                                                                                                                                                                                                                                                                                                |                                                          |     |          |
| <b>Purpose:</b>             |            | 1) To verify that a CC-entity of the MS in CC-state U3, "Mobile Originating Call Proceeding", upon receipt of a PROGRESS message with valid cause values stays in CC-state U3.<br>2) To verify that after receipt of the PROGRESS message timer T310 is stopped.                                                                                                                                                                                                                                                                                                                                                   |                                                          |     |          |
| <b>Default:</b>             |            | OtherEventsFail                                                                                                                                                                                                                                                                                                                                                                                                                                                                                                                                                                                                    |                                                          |     |          |
| Nr                          | Label      | Behaviour Description                                                                                                                                                                                                                                                                                                                                                                                                                                                                                                                                                                                              | CRef                                                     | V   | Comments |
| 1                           |            | START T_guard(300)                                                                                                                                                                                                                                                                                                                                                                                                                                                                                                                                                                                                 |                                                          |     |          |
| 2                           |            | +BasicServiceMOorTelephony(<br>TSPX_MOBscSvcC, TSPX_MOChRateC)                                                                                                                                                                                                                                                                                                                                                                                                                                                                                                                                                     |                                                          |     | 1.       |
| 3                           |            | +IdleUpdated( C_E_default, C_CellA, C_SCH_A,<br>C_BCCH_A_1, C_Immass, C_S0, C_SlotNU,<br>C_SlotNU, C_SlotNU, C_BCC, C_TxInt_5,<br>C_Max_7, C_NECL_0, C_ATT_0, TimingAdv( 0),<br>C_BABR_0, C_cch_1Comb, C_BPM_3,<br>C_T3212_0, C_ci_cellA, C_MCC_1, C_PLMN_1,<br>C_LAC_1, CellOpt_01, CellChDes_Omit,<br>CellChDes_Omit, C_CellReselectHys12,<br>C_MaxPwrLvIG, C_MaxPwrLvID,<br>BcchFreqLst_45, BcchFreqLst_02,<br>BcchFreqLst_03, BcchFreqLst_04,<br>C_Restablishment, C_BCC, C_NCC,<br>C_Start_Tmsi, TSPX_SDCCH4SubDef,<br>TSPX_CKSNDf, TSPX_RANDDef, C_arfcnA,<br>C_arfcnAd, TSPX_IMSI, C_Test_nfh,<br>C_NCCP_2) |                                                          |     |          |
| 4                           |            | +CCConfigTCH_nociph( TSPX_TCHHSubDef,<br>C_Immass, TSPX_TmSlitDef, TSPX_TscDef,<br>TimingAdv( 0), C_BABR_0, C_cch_1Comb,<br>C_BPM_3, TCV_ChMod.mode, FreqTCH_omit,<br>FreqTCH_omit, C_arfcn_tchA, C_arfcn_tchAd)                                                                                                                                                                                                                                                                                                                                                                                                   |                                                          |     |          |
| 5                           |            | +InitCall( TCV_Service)                                                                                                                                                                                                                                                                                                                                                                                                                                                                                                                                                                                            |                                                          |     |          |
| 6                           |            | +PreEnterCCstateU3_22( TSPX_TmSlitDef,<br>TSPX_TscDef, TimingAdv( 0))                                                                                                                                                                                                                                                                                                                                                                                                                                                                                                                                              |                                                          |     |          |
| 7                           | body       | LIDL_DatRqProg                                                                                                                                                                                                                                                                                                                                                                                                                                                                                                                                                                                                     | Progress(<br>TCV_chTch,<br>Progress_01(<br>TCV_TI))      |     |          |
| 8                           |            | +CCstatuschk_05( C_U3, TCV_TI,<br>TCV_chTch)                                                                                                                                                                                                                                                                                                                                                                                                                                                                                                                                                                       |                                                          |     | 2.       |
| 9                           |            | START T_dly( 45000)                                                                                                                                                                                                                                                                                                                                                                                                                                                                                                                                                                                                |                                                          |     | 3.       |
| 10                          | L_040<br>3 | L?DL_DatInDisc CANCEL T_dly                                                                                                                                                                                                                                                                                                                                                                                                                                                                                                                                                                                        | DiscRcv( TCV_chTch,<br>DisconnR( TCV_TI0,<br>Cause_Def)) | (F) |          |
| 11                          |            | +PostMainLinkRel( TCV_chTch)                                                                                                                                                                                                                                                                                                                                                                                                                                                                                                                                                                                       |                                                          |     |          |
| 12                          |            | ?TIMEOUT T_dly                                                                                                                                                                                                                                                                                                                                                                                                                                                                                                                                                                                                     |                                                          |     |          |
| 13                          |            | +CCstatuschk_05( C_U3,<br>TCV_TI, TCV_chTch)                                                                                                                                                                                                                                                                                                                                                                                                                                                                                                                                                                       |                                                          |     | 4.       |
| 14                          |            | +PostMainLinkRel(<br>TCV_chTch)                                                                                                                                                                                                                                                                                                                                                                                                                                                                                                                                                                                    |                                                          |     |          |
| <b>Detailed Comments:</b>   |            | 1. To select2 a circuit switched basic service for testing.<br>2. To check that CC state is U3<br>3. To check that the MS has stopped T310.<br>4. To check that CC state is still U3                                                                                                                                                                                                                                                                                                                                                                                                                               |                                                          |     |          |

| Test Case Dynamic Behaviour |            |                                                                                                                                                                                                                                                                                                                                                                                                                                                                                                                                                                                                                    |                                                          |     |          |
|-----------------------------|------------|--------------------------------------------------------------------------------------------------------------------------------------------------------------------------------------------------------------------------------------------------------------------------------------------------------------------------------------------------------------------------------------------------------------------------------------------------------------------------------------------------------------------------------------------------------------------------------------------------------------------|----------------------------------------------------------|-----|----------|
| <b>Test Case Name:</b>      |            | TC_26_8_1_2_4_4                                                                                                                                                                                                                                                                                                                                                                                                                                                                                                                                                                                                    |                                                          |     |          |
| <b>Group:</b>               |            | GSM_L3_MS_v4210/CC/                                                                                                                                                                                                                                                                                                                                                                                                                                                                                                                                                                                                |                                                          |     |          |
| <b>Purpose:</b>             |            | To verify that a CC-entity of the MS in CC-state U3, "Mobile Originating Call Proceeding", upon receipt of a PROGRESS message indicating in-band announcement through-connects the traffic channel for speech, if TCH is in speech mode. If TCH is not in a speech mode, the MS does not through-connect the TCH.                                                                                                                                                                                                                                                                                                  |                                                          |     |          |
| <b>Default:</b>             |            | OtherEventsFail                                                                                                                                                                                                                                                                                                                                                                                                                                                                                                                                                                                                    |                                                          |     |          |
| Nr                          | Label      | Behaviour Description                                                                                                                                                                                                                                                                                                                                                                                                                                                                                                                                                                                              | CRef                                                     | V   | Comments |
| 1                           |            | START T_guard(300)                                                                                                                                                                                                                                                                                                                                                                                                                                                                                                                                                                                                 |                                                          |     |          |
| 2                           |            | +BasicServiceMOorTelephony(<br>TSPX_MOBscSvcD, TSPX_MOChRateD)                                                                                                                                                                                                                                                                                                                                                                                                                                                                                                                                                     |                                                          |     | 1.       |
| 3                           |            | +IdleUpdated( C_E_default, C_CellA, C_SCH_A,<br>C_BCCH_A_1, C_Immss, C_S0, C_SlotNU,<br>C_SlotNU, C_SlotNU, C_BCC, C_TxInt_5,<br>C_Max_7, C_NECI_0, C_ATT_0, TimingAdv( 0),<br>C_BABR_0, C_cch_1Comb, C_BPM_3,<br>C_T3212_0, C_ci_cellA, C_MCC_1, C_PLMN_1,<br>C_LAC_1, CellOpt_01, CellChDes_Omit,<br>CellChDes_Omit, C_CellReselectHys12,<br>C_MaxPwrLvIG, C_MaxPwrLvID,<br>BcchFreqLst_45, BcchFreqLst_02,<br>BcchFreqLst_03, BcchFreqLst_04,<br>C_Restablishment, C_BCC, C_NCC,<br>C_Start_Tmsi, TSPX_SDCCH4SubDef,<br>TSPX_CKSNDef, TSPX_RANDDef, C_arfcnA,<br>C_arfcnAd, TSPX_IMSI, C_Test_nfh,<br>C_NCCP_2) |                                                          |     |          |
| 4                           |            | +CCConfigTCH_nociph( TSPX_TCHHSubDef,<br>C_Immss, TSPX_TmSlitDef, TSPX_TscDef,<br>TimingAdv( 0), C_BABR_0, C_cch_1Comb,<br>C_BPM_3, TCV_ChMod.mode, FreqTCH_omit,<br>FreqTCH_omit, C_arfcn_tchA, C_arfcn_tchAd)                                                                                                                                                                                                                                                                                                                                                                                                    |                                                          |     |          |
| 5                           |            | +InitCall( TCV_Service)                                                                                                                                                                                                                                                                                                                                                                                                                                                                                                                                                                                            |                                                          |     |          |
| 6                           |            | +PreEnterCCstateU3_22( TSPX_TmSlitDef,<br>TSPX_TscDef, TimingAdv( 0))                                                                                                                                                                                                                                                                                                                                                                                                                                                                                                                                              |                                                          |     |          |
| 7                           | body       | L!DL_DatRqProg                                                                                                                                                                                                                                                                                                                                                                                                                                                                                                                                                                                                     | Progress(<br>TCV_chTch,<br>Progress_02(<br>TCV_TI))      |     |          |
| 8                           |            | (TCV_Res := OO_TCHThroConnCHK())                                                                                                                                                                                                                                                                                                                                                                                                                                                                                                                                                                                   |                                                          |     |          |
| 9                           |            | [TCV_ChMod.mode = C_ChMod_r]                                                                                                                                                                                                                                                                                                                                                                                                                                                                                                                                                                                       |                                                          |     | 2.       |
| 10                          | L_040<br>4 | [TCV_Res]                                                                                                                                                                                                                                                                                                                                                                                                                                                                                                                                                                                                          |                                                          | (P) |          |
| 11                          |            | +localtree                                                                                                                                                                                                                                                                                                                                                                                                                                                                                                                                                                                                         |                                                          |     |          |
| 12                          | L_040<br>5 | [NOT TCV_Res]                                                                                                                                                                                                                                                                                                                                                                                                                                                                                                                                                                                                      |                                                          | (F) |          |
| 13                          |            | +PostMainLinkRel( TCV_chTch)                                                                                                                                                                                                                                                                                                                                                                                                                                                                                                                                                                                       |                                                          |     |          |
| 14                          |            | [TCV_ChMod.mode<> C_ChMod_r]                                                                                                                                                                                                                                                                                                                                                                                                                                                                                                                                                                                       |                                                          |     | 3.       |
| 15                          | L_040<br>6 | [NOT TCV_Res]                                                                                                                                                                                                                                                                                                                                                                                                                                                                                                                                                                                                      |                                                          | (P) |          |
| 16                          |            | +localtree                                                                                                                                                                                                                                                                                                                                                                                                                                                                                                                                                                                                         |                                                          |     |          |
| 17                          | L_040<br>7 | [TCV_Res]                                                                                                                                                                                                                                                                                                                                                                                                                                                                                                                                                                                                          |                                                          | (F) |          |
| 18                          |            | +PostMainLinkRel(TCV_chTch)                                                                                                                                                                                                                                                                                                                                                                                                                                                                                                                                                                                        |                                                          |     |          |
|                             |            | <b>localtree</b>                                                                                                                                                                                                                                                                                                                                                                                                                                                                                                                                                                                                   |                                                          |     |          |
| 19                          |            | +CCstatuschk_05( C_U3, TCV_TI, TCV_chTch)                                                                                                                                                                                                                                                                                                                                                                                                                                                                                                                                                                          |                                                          |     | 4.       |
| 20                          |            | START T_dly( 45000)                                                                                                                                                                                                                                                                                                                                                                                                                                                                                                                                                                                                |                                                          |     | 5.       |
| 21                          | L_040<br>8 | L?DL_DatInDisc CANCEL T_dly                                                                                                                                                                                                                                                                                                                                                                                                                                                                                                                                                                                        | DiscRcv( TCV_chTch,<br>DisconnR( TCV_TI0,<br>Cause_Def)) | (F) |          |
| 22                          |            | +PostMainLinkRel( TCV_chTch)                                                                                                                                                                                                                                                                                                                                                                                                                                                                                                                                                                                       |                                                          |     |          |
| 23                          |            | ?TIMEOUT T_dly                                                                                                                                                                                                                                                                                                                                                                                                                                                                                                                                                                                                     |                                                          |     |          |
| 24                          |            | +CCstatuschk_05( C_U3, TCV_TI, TCV_chTch)                                                                                                                                                                                                                                                                                                                                                                                                                                                                                                                                                                          |                                                          |     | 6.       |
| 25                          |            | (TCV_Res := OO_TCHThroConnCHK())                                                                                                                                                                                                                                                                                                                                                                                                                                                                                                                                                                                   |                                                          |     |          |
| 26                          |            | [TCV_ChMod.mode = C_ChMod_r]                                                                                                                                                                                                                                                                                                                                                                                                                                                                                                                                                                                       |                                                          |     | 7.       |
| 27                          | L_040<br>9 | [TCV_Res]                                                                                                                                                                                                                                                                                                                                                                                                                                                                                                                                                                                                          |                                                          | (P) |          |
| 28                          |            | +PostMainLinkRel( TCV_chTch)                                                                                                                                                                                                                                                                                                                                                                                                                                                                                                                                                                                       |                                                          |     |          |

|                           |            |                                                                                                                                                                                                                                                                                                                                                                                                                                                                                                                                                                                 |  |     |
|---------------------------|------------|---------------------------------------------------------------------------------------------------------------------------------------------------------------------------------------------------------------------------------------------------------------------------------------------------------------------------------------------------------------------------------------------------------------------------------------------------------------------------------------------------------------------------------------------------------------------------------|--|-----|
| 29                        | L_041<br>0 | [NOT TCV_Res]                                                                                                                                                                                                                                                                                                                                                                                                                                                                                                                                                                   |  | (F) |
| 30                        |            | +PostMainLinkRel( TCV_chTch)                                                                                                                                                                                                                                                                                                                                                                                                                                                                                                                                                    |  |     |
| 31                        | L_041<br>1 | [TCV_ChMod.mode<> C_ChMod_r]                                                                                                                                                                                                                                                                                                                                                                                                                                                                                                                                                    |  | (P) |
| 32                        |            | +PostMainLinkRel( TCV_chTch)                                                                                                                                                                                                                                                                                                                                                                                                                                                                                                                                                    |  |     |
| <b>Detailed Comments:</b> |            | <ol style="list-style-type: none"> <li>1. To select a circuit switched basic service for testing.</li> <li>2. To check if the TCH is connected through if the channel mode is speech, so that the inband information may be heard.</li> <li>3. To check if the TCH is not connected through if the channel mode is not speech.</li> <li>4. To check that CC is in state U3.</li> <li>5. To check that the MS has stopped T310</li> <li>6. To check that CC is still in state U3.</li> <li>7. To check if the TCH is connected through if the channel mode is speech.</li> </ol> |  |     |

| Test Case Dynamic Behaviour |            |                                                                                                                                                                                                                                                                                                                                                                                                                                                                                                                                                                                                                      |                                                                                             |     |          |
|-----------------------------|------------|----------------------------------------------------------------------------------------------------------------------------------------------------------------------------------------------------------------------------------------------------------------------------------------------------------------------------------------------------------------------------------------------------------------------------------------------------------------------------------------------------------------------------------------------------------------------------------------------------------------------|---------------------------------------------------------------------------------------------|-----|----------|
| <b>Test Case Name:</b>      |            | TC_26_8_1_2_4_5                                                                                                                                                                                                                                                                                                                                                                                                                                                                                                                                                                                                      |                                                                                             |     |          |
| <b>Group:</b>               |            | GSM_L3_MS_v4210/CC/                                                                                                                                                                                                                                                                                                                                                                                                                                                                                                                                                                                                  |                                                                                             |     |          |
| <b>Purpose:</b>             |            | To verify that a CC-entity of the MS in CC-state U3, "Mobile Originating Call Proceeding", upon receipt of a DISCONNECT with progress indicator #8 through-connects the speech channel to make in-band announcements available, if traffic channel is in speech mode. If TCH is not in speech mode, the MS sends a RELEASE message.                                                                                                                                                                                                                                                                                  |                                                                                             |     |          |
| <b>Default:</b>             |            | OtherEventsFail                                                                                                                                                                                                                                                                                                                                                                                                                                                                                                                                                                                                      |                                                                                             |     |          |
| Nr                          | Label      | Behaviour Description                                                                                                                                                                                                                                                                                                                                                                                                                                                                                                                                                                                                | CRef                                                                                        | V   | Comments |
| 1                           |            | START T_guard(300)                                                                                                                                                                                                                                                                                                                                                                                                                                                                                                                                                                                                   |                                                                                             |     |          |
| 2                           |            | +BasicServiceMOorTelephony(<br>TSPX_MOBscSvcE, TSPX_MOChRateE)                                                                                                                                                                                                                                                                                                                                                                                                                                                                                                                                                       |                                                                                             |     | 1.       |
| 3                           |            | +IdleUpdated( C_E_default, C_CellA, C_SCH_A,<br>C_BCCH_A_1, C_Immass, C_S0, C_SlotNU,<br>C_SlotNU, C_SlotNU, C_BCC, C_TxInt_5,<br>C_Max_7, C_NECI_0, C_ATT_0, TimingAdv( 0),<br>C_BABR_0, C_cch_1Comb, C_BPM_3,<br>C_T3212_0, C_ci_cellA, C_MCC_1, C_PLMN_1,<br>C_LAC_1, CellOpt_01, CellChDes_Omit,<br>CellChDes_Omit, C_CellReselectHys12,<br>C_MaxPwrLvIG, C_MaxPwrLvID,<br>BcchFreqLst_45, BcchFreqLst_02,<br>BcchFreqLst_03, BcchFreqLst_04,<br>C_Restablishment, C_BCC, C_NCC,<br>C_Start_Tmsi, TSPX_SDCCH4SubDef,<br>TSPX_CKSNDDef, TSPX_RANDDef, C_arfcnA,<br>C_arfcnAd, TSPX_IMSI, C_Test_nfh,<br>C_NCCP_2) |                                                                                             |     |          |
| 4                           |            | +CCConfigTCH_nociph( TSPX_TCHHSubDef,<br>C_Immass, TSPX_TmSlTDef, TSPX_TscDef,<br>TimingAdv( 0), C_BABR_0, C_cch_1Comb,<br>C_BPM_3, TCV_ChMod.mode, FreqTCH_omit,<br>FreqTCH_omit, C_arfcn_tchA, C_arfcn_tchAd)                                                                                                                                                                                                                                                                                                                                                                                                      |                                                                                             |     |          |
| 5                           |            | +InitCall( TCV_Service)                                                                                                                                                                                                                                                                                                                                                                                                                                                                                                                                                                                              |                                                                                             |     |          |
| 6                           |            | +PreEnterCCstateU3_22( TSPX_TmSlTDef,<br>TSPX_TscDef, TimingAdv( 0))                                                                                                                                                                                                                                                                                                                                                                                                                                                                                                                                                 |                                                                                             |     |          |
| 7                           | body       | L!DL_DatRqDisc                                                                                                                                                                                                                                                                                                                                                                                                                                                                                                                                                                                                       | DiscSnd(<br>TCV_chTch,<br>DisconnS(TCV_TI,<br>Cause_01,<br>ProgInd_03iei,<br>UulInfo_omit)) |     |          |
| 8                           |            | [TCV_ChMod.mode = C_ChMod_r]                                                                                                                                                                                                                                                                                                                                                                                                                                                                                                                                                                                         |                                                                                             |     |          |
| 9                           |            | (TCV_Res :=<br>OO_TCHThroConnCHK())                                                                                                                                                                                                                                                                                                                                                                                                                                                                                                                                                                                  |                                                                                             |     |          |
| 10                          | L_041<br>2 | [TCV_Res]                                                                                                                                                                                                                                                                                                                                                                                                                                                                                                                                                                                                            |                                                                                             | (P) | 2.       |
| 11                          |            | +CCstatuschk_05( C_U12,<br>TCV_TI, TCV_chTch)                                                                                                                                                                                                                                                                                                                                                                                                                                                                                                                                                                        |                                                                                             |     | 3.       |
| 12                          |            | +PostMainLinkRel(<br>TCV_chTch)                                                                                                                                                                                                                                                                                                                                                                                                                                                                                                                                                                                      |                                                                                             |     |          |
| 13                          | L_041<br>3 | [NOT TCV_Res]                                                                                                                                                                                                                                                                                                                                                                                                                                                                                                                                                                                                        |                                                                                             | (F) |          |
| 14                          |            | +PostMainLinkRel( TCV_chTch)                                                                                                                                                                                                                                                                                                                                                                                                                                                                                                                                                                                         |                                                                                             |     |          |
| 15                          |            | [TCV_ChMod.mode <> C_ChMod_r]                                                                                                                                                                                                                                                                                                                                                                                                                                                                                                                                                                                        |                                                                                             |     |          |
| 16                          | L_041<br>4 | L?DL_DatInRel                                                                                                                                                                                                                                                                                                                                                                                                                                                                                                                                                                                                        | ReleaseRcv(<br>Release_10(<br>TCV_TI0))                                                     | (P) |          |
| 17                          |            | +CCstatuschk_05( C_U19, TCV_TI,<br>TCV_chTch)                                                                                                                                                                                                                                                                                                                                                                                                                                                                                                                                                                        |                                                                                             |     | 4.       |
| 18                          |            | +PostMainLinkRel( TCV_chTch)                                                                                                                                                                                                                                                                                                                                                                                                                                                                                                                                                                                         |                                                                                             |     |          |
| <b>Detailed Comments:</b>   |            | <ol style="list-style-type: none"> <li>1. To select a circuit switched basic service for testing.</li> <li>2. To check that the TCH is connected through if channel mode is speech.</li> <li>3. To check that CC is in state U12.</li> <li>4. To check that CC is in state U19.</li> </ol>                                                                                                                                                                                                                                                                                                                           |                                                                                             |     |          |

| Test Case Dynamic Behaviour |       |                                                                                                                                                                                                                                                                                                                                                                                                                                                                                                                                                                        |                                                                             |   |          |
|-----------------------------|-------|------------------------------------------------------------------------------------------------------------------------------------------------------------------------------------------------------------------------------------------------------------------------------------------------------------------------------------------------------------------------------------------------------------------------------------------------------------------------------------------------------------------------------------------------------------------------|-----------------------------------------------------------------------------|---|----------|
| <b>Test Case Name:</b>      |       | TC_26_8_1_2_4_6                                                                                                                                                                                                                                                                                                                                                                                                                                                                                                                                                        |                                                                             |   |          |
| <b>Group:</b>               |       | GSM_L3_MS_v4210/CC/                                                                                                                                                                                                                                                                                                                                                                                                                                                                                                                                                    |                                                                             |   |          |
| <b>Purpose:</b>             |       | To verify that a CC-entity of the MS in CC-state U3, "Mobile Originating Call Proceeding", upon receipt of a DISCONNECT without progress indicator returns a RELEASE message and enters the CC-state U19, "Release Request".                                                                                                                                                                                                                                                                                                                                           |                                                                             |   |          |
| <b>Default:</b>             |       | OtherEventsFail                                                                                                                                                                                                                                                                                                                                                                                                                                                                                                                                                        |                                                                             |   |          |
| Nr                          | Label | Behaviour Description                                                                                                                                                                                                                                                                                                                                                                                                                                                                                                                                                  | CRef                                                                        | V | Comments |
| 1                           |       | START T_guard(300)                                                                                                                                                                                                                                                                                                                                                                                                                                                                                                                                                     |                                                                             |   |          |
| 2                           |       | +BasicServiceMOorTelephony( TSPX_MOBscSvcF, TSPX_MOChRateF)                                                                                                                                                                                                                                                                                                                                                                                                                                                                                                            |                                                                             |   | 1.       |
| 3                           |       | +IdleUpdated( C_E_default, C_CellA, C_SCH_A, C_BCCH_A_1, C_Immass, C_S0, C_SlotNU, C_SlotNU, C_SlotNU, C_BCC, C_TxInt_5, C_Max_7, C_NECl_0, C_ATT_0, TimingAdv( 0), C_BABR_0, C_cch_1Comb, C_BPM_3, C_T3212_0, C_ci_cellA, C_MCC_1, C_PLMN_1, C_LAC_1, CellOpt_01, CellChDes_Omit, CellChDes_Omit, C_CellReselectHys12, C_MaxPwrLvlG, C_MaxPwrLvlD, BcchFreqLst_45, BcchFreqLst_02, BcchFreqLst_03, BcchFreqLst_04, C_Restablishment, C_BCC, C_NCC, C_Start_Tmsi, TSPX_SDCCH4SubDef, TSPX_CKSNDef, TSPX_RANDDef, C_arfcnA, C_arfcnAd, TSPX_IMSI, C_Test_nfh, C_NCCP_2) |                                                                             |   |          |
| 4                           |       | +CCConfigTCH_nociph( TSPX_TCHHSubDef, C_Immass, TSPX_TmSlitDef, TSPX_TscDef, TimingAdv( 0), C_BABR_0, C_cch_1Comb, C_BPM_3, TCV_ChMod.mode, FreqTCH_omit, FreqTCH_omit, C_arfcn_tchA, C_arfcn_tchAd)                                                                                                                                                                                                                                                                                                                                                                   |                                                                             |   |          |
| 5                           |       | +InitCall( TCV_Service)                                                                                                                                                                                                                                                                                                                                                                                                                                                                                                                                                |                                                                             |   |          |
| 6                           |       | +PreEnterCCstateU3_22( TSPX_TmSlitDef, TSPX_TscDef, TimingAdv( 0))                                                                                                                                                                                                                                                                                                                                                                                                                                                                                                     |                                                                             |   |          |
| 7                           | body  | LIDL_DatRqDisc                                                                                                                                                                                                                                                                                                                                                                                                                                                                                                                                                         | DiscSnd( TCV_chTch, DisconnS( TCV_TI, Cause_01, ProgInd_omit, UuInfo_omit)) |   |          |
| 8                           |       | L?DL_DatInRel                                                                                                                                                                                                                                                                                                                                                                                                                                                                                                                                                          | ReleaseRcv( Release_10( TCV_TI0))                                           |   |          |
| 9                           |       | +CCstatuschk_05( C_U19, TCV_TI, TCV_chTch)                                                                                                                                                                                                                                                                                                                                                                                                                                                                                                                             |                                                                             |   | 2.       |
| 10                          |       | +PostMainLinkRel( TCV_chTch)                                                                                                                                                                                                                                                                                                                                                                                                                                                                                                                                           |                                                                             |   |          |
| <b>Detailed Comments:</b>   |       | 1. To select a circuit switched basic service for testing.<br>2. To check that CC is in state U19.                                                                                                                                                                                                                                                                                                                                                                                                                                                                     |                                                                             |   |          |

| Test Case Dynamic Behaviour |        |                                                                                                                                                                                                                                                                                                                                                                                                                                                                                                                                                                         |                                           |     |          |
|-----------------------------|--------|-------------------------------------------------------------------------------------------------------------------------------------------------------------------------------------------------------------------------------------------------------------------------------------------------------------------------------------------------------------------------------------------------------------------------------------------------------------------------------------------------------------------------------------------------------------------------|-------------------------------------------|-----|----------|
| <b>Test Case Name:</b>      |        | TC_26_8_1_2_4_7                                                                                                                                                                                                                                                                                                                                                                                                                                                                                                                                                         |                                           |     |          |
| <b>Group:</b>               |        | GSM_L3_MS_v4210/CC/                                                                                                                                                                                                                                                                                                                                                                                                                                                                                                                                                     |                                           |     |          |
| <b>Purpose:</b>             |        | 1) To verify that a CC-entity of the MS in CC-state U3, "Mobile Originating Call Proceeding", upon receipt of a RELEASE will return a RELEASE COMPLETE and enter the CC-state U0, "Null".<br>2) To verify that the MS on returning to the idle mode releases the MM-connection and that the CC-entities relating to the seven mobile originating transaction identifiers are in CC-state U0, "Null".<br>3) To verify that in releasing the MM-connection, the MS shall wait for MM layer release initiated by SS.                                                       |                                           |     |          |
| <b>Default:</b>             |        | OtherEventsFail                                                                                                                                                                                                                                                                                                                                                                                                                                                                                                                                                         |                                           |     |          |
| Nr                          | Label  | Behaviour Description                                                                                                                                                                                                                                                                                                                                                                                                                                                                                                                                                   | CRef                                      | V   | Comments |
| 1                           |        | START T_guard(300)                                                                                                                                                                                                                                                                                                                                                                                                                                                                                                                                                      |                                           |     |          |
| 2                           |        | +BasicServiceMOorTelephony(TSPX_MOBscSvcG, TSPX_MOChRateG)                                                                                                                                                                                                                                                                                                                                                                                                                                                                                                              |                                           |     | 1.       |
| 3                           |        | +IdleUpdated( C_E_default, C_CellA, C_SCH_A, C_BCCH_A_1, C_Immass, C_S0, C_SlotNU, C_SlotNU, C_SlotNU, C_BCC, C_TxInt_5, C_Max_7, C_NECI_0, C_ATT_0, TimingAdv( 0), C_BABR_0, C_cch_1Comb, C_BPM_3, C_T3212_0, C_ci_cellA, C_MCC_1, C_PLMN_1, C_LAC_1, CellOpt_01, CellChDes_Omit, CellChDes_Omit, C_CellReselectHys12, C_MaxPwrLvIG, C_MaxPwrLvID, BcchFreqLst_45, BcchFreqLst_02, BcchFreqLst_03, BcchFreqLst_04, C_Restablishment, C_BCC, C_NCC, C_Start_Tmsi, TSPX_SDCCH4SubDef, TSPX_CKSNDDef, TSPX_RANDDef, C_arfcnA, C_arfcnAd, TSPX_IMSI, C_Test_nfh, C_NCCP_2) |                                           |     |          |
| 4                           |        | +CCConfigTCH_nociph( TSPX_TCHHSubDef, C_Immass, TSPX_TmSltDef, TSPX_TscDef, TimingAdv( 0), C_BABR_0, C_cch_1Comb, C_BPM_3, TCV_ChMod.mode, FreqTCH_omit, FreqTCH_omit, C_arfcn_tchA, C_arfcn_tchAd)                                                                                                                                                                                                                                                                                                                                                                     |                                           |     |          |
| 5                           |        | +InitCall( TCV_Service)                                                                                                                                                                                                                                                                                                                                                                                                                                                                                                                                                 |                                           |     |          |
| 6                           |        | +PreEnterCCstateU3_22( TSPX_TmSltDef, TSPX_TscDef, TimingAdv( 0))                                                                                                                                                                                                                                                                                                                                                                                                                                                                                                       |                                           |     |          |
| 7                           | body   | L!DL_DatRqRel                                                                                                                                                                                                                                                                                                                                                                                                                                                                                                                                                           | ReleaseSnd(TCV_chTch, Release_03(TCV_TI)) |     |          |
| 8                           | L_0415 | L?DL_DatInRelCmp                                                                                                                                                                                                                                                                                                                                                                                                                                                                                                                                                        | RelComRcv(ReleaseCmp_03(TCV_TI0))         | (P) |          |
| 9                           |        | +CheckTlInStateU0( TRUE, TCV_chTch)                                                                                                                                                                                                                                                                                                                                                                                                                                                                                                                                     |                                           |     |          |
| 10                          |        | +PostMainLinkRel( TCV_chTch)                                                                                                                                                                                                                                                                                                                                                                                                                                                                                                                                            |                                           |     |          |
| <b>Detailed Comments:</b>   |        | 1. To select a circuit switched basic service for testing.                                                                                                                                                                                                                                                                                                                                                                                                                                                                                                              |                                           |     |          |

| Test Case Dynamic Behaviour |            |                                                                                                                                                                                                                                                                                                                                                                                                                                                                                                                                                                                                                    |                                                       |     |          |
|-----------------------------|------------|--------------------------------------------------------------------------------------------------------------------------------------------------------------------------------------------------------------------------------------------------------------------------------------------------------------------------------------------------------------------------------------------------------------------------------------------------------------------------------------------------------------------------------------------------------------------------------------------------------------------|-------------------------------------------------------|-----|----------|
| <b>Test Case Name:</b>      |            | TC_26_8_1_2_4_8                                                                                                                                                                                                                                                                                                                                                                                                                                                                                                                                                                                                    |                                                       |     |          |
| <b>Group:</b>               |            | GSM_L3_MS_v4210/CC/                                                                                                                                                                                                                                                                                                                                                                                                                                                                                                                                                                                                |                                                       |     |          |
| <b>Purpose:</b>             |            | To verify that a CC-entity of the MS in CC-state U3, "Mobile Originating Call Proceeding", upon request by the user to terminate will send a DISCONNECT message and enter the CC-state U11, "Disconnect Request".                                                                                                                                                                                                                                                                                                                                                                                                  |                                                       |     |          |
| <b>Default:</b>             |            | OtherEventsFail                                                                                                                                                                                                                                                                                                                                                                                                                                                                                                                                                                                                    |                                                       |     |          |
| Nr                          | Label      | Behaviour Description                                                                                                                                                                                                                                                                                                                                                                                                                                                                                                                                                                                              | CRef                                                  | V   | Comments |
| 1                           |            | START T_guard(300)                                                                                                                                                                                                                                                                                                                                                                                                                                                                                                                                                                                                 |                                                       |     |          |
| 2                           |            | +BasicServiceMOorTelephony(<br>TSPX_MOBscSvcH, TSPX_MOChRateH)                                                                                                                                                                                                                                                                                                                                                                                                                                                                                                                                                     |                                                       |     | 1.       |
| 3                           |            | +IdleUpdated( C_E_default, C_CellA, C_SCH_A,<br>C_BCCH_A_1, C_Immass, C_S0, C_SlotNU,<br>C_SlotNU, C_SlotNU, C_BCC, C_TxInt_5,<br>C_Max_7, C_NECl_0, C_ATT_0, TimingAdv( 0),<br>C_BABR_0, C_cch_1Comb, C_BPM_3,<br>C_T3212_0, C_ci_cellA, C_MCC_1, C_PLMN_1,<br>C_LAC_1, CellOpt_01, CellChDes_Omit,<br>CellChDes_Omit, C_CellReselectHys12,<br>C_MaxPwrLvlG, C_MaxPwrLvlD,<br>BcchFreqLst_45, BcchFreqLst_02,<br>BcchFreqLst_03, BcchFreqLst_04,<br>C_Restablishment, C_BCC, C_NCC,<br>C_Start_Tmsi, TSPX_SDCCH4SubDef,<br>TSPX_CKSNDf, TSPX_RANDDef, C_arfcnA,<br>C_arfcnAd, TSPX_IMSI, C_Test_nfh,<br>C_NCCP_2) |                                                       |     |          |
| 4                           |            | +InitCall( TCV_Service)                                                                                                                                                                                                                                                                                                                                                                                                                                                                                                                                                                                            |                                                       |     |          |
| 5                           |            | +PreEnterCCstateU3_23(<br>TSPX_SDCCH4SubDef, TimingAdv( 0),<br>TSPX_CKSNDf, TSPX_RANDDef)                                                                                                                                                                                                                                                                                                                                                                                                                                                                                                                          |                                                       |     | 2.       |
| 6                           | body       | (TCV_Null := OO_TermCall())                                                                                                                                                                                                                                                                                                                                                                                                                                                                                                                                                                                        |                                                       |     |          |
| 7                           | L_041<br>6 | L?DL_DatInDisc                                                                                                                                                                                                                                                                                                                                                                                                                                                                                                                                                                                                     | DiscRcv( TCV_ch,<br>DisconnR( TCV_TIO,<br>Cause_Def)) | (P) | 3.       |
| 8                           |            | +CCstatuschk_05( C_U11, TCV_TI,<br>TCV_ch)                                                                                                                                                                                                                                                                                                                                                                                                                                                                                                                                                                         |                                                       |     | 4.       |
| 9                           |            | +PostMainLinkRel( TCV_ch)                                                                                                                                                                                                                                                                                                                                                                                                                                                                                                                                                                                          |                                                       |     |          |
| <b>Detailed Comments:</b>   |            | <ol style="list-style-type: none"> <li>1. To select a circuit switched basic service for testing.</li> <li>2. To initiate MO call and bring the MS into U3 state.</li> <li>3. The expected DISCONNECT received.</li> <li>4. To check whether the MS is in CC state U11.</li> </ol>                                                                                                                                                                                                                                                                                                                                 |                                                       |     |          |

| Test Case Dynamic Behaviour |       |                                                                                                                                                                                                                                                                                                                                                                                                                                                                                                                                                                         |      |   |          |
|-----------------------------|-------|-------------------------------------------------------------------------------------------------------------------------------------------------------------------------------------------------------------------------------------------------------------------------------------------------------------------------------------------------------------------------------------------------------------------------------------------------------------------------------------------------------------------------------------------------------------------------|------|---|----------|
| <b>Test Case Name:</b>      |       | TC_26_8_1_2_4_9                                                                                                                                                                                                                                                                                                                                                                                                                                                                                                                                                         |      |   |          |
| <b>Group:</b>               |       | GSM_L3_MS_v4210/CC/                                                                                                                                                                                                                                                                                                                                                                                                                                                                                                                                                     |      |   |          |
| <b>Purpose:</b>             |       | To verify that a CC-entity of the MS in CC-state U3, "Mobile Originating Call Proceeding", when allocated a traffic channel by the network performing the assignment procedure, performs a layer 2 establishment on the FACCH without changing the state of the call in progress.                                                                                                                                                                                                                                                                                       |      |   |          |
| <b>Default:</b>             |       | OtherEventsFail                                                                                                                                                                                                                                                                                                                                                                                                                                                                                                                                                         |      |   |          |
| Nr                          | Label | Behaviour Description                                                                                                                                                                                                                                                                                                                                                                                                                                                                                                                                                   | CRef | V | Comments |
| 1                           |       | START T_guard(300)                                                                                                                                                                                                                                                                                                                                                                                                                                                                                                                                                      |      |   |          |
| 2                           |       | +BasicServiceMOorTelephony( TSPX_MOBscSvcI, TSPX_MOChRatel)                                                                                                                                                                                                                                                                                                                                                                                                                                                                                                             |      |   |          |
| 3                           |       | +IdleUpdated( C_E_default, C_CellA, C_SCH_A, C_BCCH_A_1, C_Immass, C_S0, C_SlotNU, C_SlotNU, C_SlotNU, C_BCC, C_TxInt_5, C_Max_7, C_NECI_0, C_ATT_0, TimingAdv( 0), C_BABR_0, C_cch_1Comb, C_BPM_3, C_T3212_0, C_ci_cellA, C_MCC_1, C_PLMN_1, C_LAC_1, CellOpt_01, CellChDes_Omit, CellChDes_Omit, C_CellReselectHys12, C_MaxPwrLvlG, C_MaxPwrLvlD, BcchFreqLst_45, BcchFreqLst_02, BcchFreqLst_03, BcchFreqLst_04, C_Restablishment, C_BCC, C_NCC, C_Start_Tmsi, TSPX_SDCCH4SubDef, TSPX_CKSNDDef, TSPX_RANDDef, C_arfcnA, C_arfcnAd, TSPX_IMSI, C_Test_nfh, C_NCCP_2) |      |   | 1.       |
| 4                           |       | +CCConfigTCH( TSPX_TCHHSubDef, C_Ass, TSPX_TmSlitDef, TSPX_TscDef, TimingAdv( 0), C_BABR_0, C_cch_1Comb, C_BPM_3, TCV_ChMod.mode, FreqTCH_omit, FreqTCH_omit, C_arfcn_tchA, C_arfcn_tchAd)                                                                                                                                                                                                                                                                                                                                                                              |      |   |          |
| 5                           |       | +InitCall( TCV_Service)                                                                                                                                                                                                                                                                                                                                                                                                                                                                                                                                                 |      |   |          |
| 6                           |       | +PreEnterCCstateU3_23( TSPX_SDCCH4SubDef, TimingAdv( 0), TSPX_CKSNDDef, TSPX_RANDDef)                                                                                                                                                                                                                                                                                                                                                                                                                                                                                   |      |   |          |
| 7                           | body  | +CCAssignTCH( TSPX_TmSlitDef, TSPX_TscDef)                                                                                                                                                                                                                                                                                                                                                                                                                                                                                                                              |      |   | 2.       |
| 8                           |       | +CCstatuschk_05( C_U3, TCV_TI, TCV_chTch)                                                                                                                                                                                                                                                                                                                                                                                                                                                                                                                               |      |   | 3.       |
| 9                           |       | +PostMainLinkRel( TCV_chTch)                                                                                                                                                                                                                                                                                                                                                                                                                                                                                                                                            |      |   |          |
| <b>Detailed Comments:</b>   |       | 1. To setup a physical channel as BCCH, CCCH and SDCCH4.<br>2. To assign traffic channel.<br>3. To check that the MS is in state U3.                                                                                                                                                                                                                                                                                                                                                                                                                                    |      |   |          |



| Test Case Dynamic Behaviour |            |                                                                                                                                                                                                                                                                                                                                                                                                                                                                                                                                                                       |                                                 |     |          |
|-----------------------------|------------|-----------------------------------------------------------------------------------------------------------------------------------------------------------------------------------------------------------------------------------------------------------------------------------------------------------------------------------------------------------------------------------------------------------------------------------------------------------------------------------------------------------------------------------------------------------------------|-------------------------------------------------|-----|----------|
| <b>Test Case Name:</b>      |            | TC_26_8_1_2_4_10                                                                                                                                                                                                                                                                                                                                                                                                                                                                                                                                                      |                                                 |     |          |
| <b>Group:</b>               |            | GSM_L3_MS_v4210/CC/                                                                                                                                                                                                                                                                                                                                                                                                                                                                                                                                                   |                                                 |     |          |
| <b>Purpose:</b>             |            | To verify that a CC-entity of the MS in CC-state U3, "Mobile Originating Call Proceeding" will, upon expiry of timer T310, initiate call release by sending DISCONNECT and enter the CC-state U11, "Disconnect Request".                                                                                                                                                                                                                                                                                                                                              |                                                 |     |          |
| <b>Default:</b>             |            | OtherEventsFail                                                                                                                                                                                                                                                                                                                                                                                                                                                                                                                                                       |                                                 |     |          |
| Nr                          | Label      | Behaviour Description                                                                                                                                                                                                                                                                                                                                                                                                                                                                                                                                                 | CRef                                            | V   | Comments |
| 1                           |            | START T_guard(300)                                                                                                                                                                                                                                                                                                                                                                                                                                                                                                                                                    |                                                 |     |          |
| 2                           |            | +BasicServiceMOorTelephony( TSPX_MOBscSvcJ, TSPX_MOChRateJ)                                                                                                                                                                                                                                                                                                                                                                                                                                                                                                           |                                                 |     |          |
| 3                           |            | +IdleUpdated( C_E_default, C_CellA, C_SCH_A, C_BCCH_A_1, C_Immass, C_S0, C_SlotNU, C_SlotNU, C_SlotNU, C_BCC, C_TxInt_5, C_Max_7, C_NECI_0, C_ATT_0, TimingAdv( 0), C_BABR_0, C_cch_1Comb, C_BPM_3, C_T3212_0, C_ci_cellA, C_MCC_1, C_PLMN_1, C_LAC_1, CellOpt_01, CellChDes_Omit, CellChDes_Omit, C_CellReselectHys12, C_MaxPwrLvlG, C_MaxPwrLvlD, BcchFreqLst_45, BcchFreqLst_02, BcchFreqLst_03, BcchFreqLst_04, C_Restablishment, C_BCC, C_NCC, C_Start_Tmsi, TSPX_SDCCH4SubDef, TSPX_CKSNDf, TSPX_RANDDef, C_arfcnA, C_arfcnAd, TSPX_IMSI, C_Test_nfh, C_NCCP_2) |                                                 |     | 1.       |
| 4                           |            | +InitCall( TCV_Service)                                                                                                                                                                                                                                                                                                                                                                                                                                                                                                                                               |                                                 |     |          |
| 5                           |            | +PreEnterCCstateU3_23( TSPX_SDCCH4SubDef, TimingAdv( 0), TSPX_CKSNDf, TSPX_RANDDef)                                                                                                                                                                                                                                                                                                                                                                                                                                                                                   |                                                 |     | 2.       |
| 6                           | body       | START T_dly1( 45000)                                                                                                                                                                                                                                                                                                                                                                                                                                                                                                                                                  |                                                 |     |          |
| 7                           | L_041<br>7 | ?TIMEOUT T_dly1                                                                                                                                                                                                                                                                                                                                                                                                                                                                                                                                                       |                                                 | (F) | 3.       |
| 8                           |            | +PostMainLinkRel( TCV_ch)                                                                                                                                                                                                                                                                                                                                                                                                                                                                                                                                             |                                                 |     |          |
| 9                           |            | L?DL_DatInDisc                                                                                                                                                                                                                                                                                                                                                                                                                                                                                                                                                        | DiscRcv( TCV_ch, DisconnR( TCV_T10, Cause_Def)) |     |          |
| 10                          |            | READTIMER T_dly1(TCV_Time),<br>CANCEL T_dly1                                                                                                                                                                                                                                                                                                                                                                                                                                                                                                                          |                                                 |     |          |
| 11                          | L_041<br>8 | [TCV_Time < 29400]                                                                                                                                                                                                                                                                                                                                                                                                                                                                                                                                                    |                                                 | (F) | 4.       |
| 12                          |            | +PostMainLinkRel( TCV_ch)                                                                                                                                                                                                                                                                                                                                                                                                                                                                                                                                             |                                                 |     |          |
| 13                          | L_041<br>9 | [TCV_Time >= 29400]                                                                                                                                                                                                                                                                                                                                                                                                                                                                                                                                                   |                                                 | (P) |          |
| 14                          |            | +CCstatuschk_05( C_U11, TCV_TI, TCV_ch)                                                                                                                                                                                                                                                                                                                                                                                                                                                                                                                               |                                                 |     | 5.       |
| 15                          |            | +PostMainLinkRel( TCV_ch)                                                                                                                                                                                                                                                                                                                                                                                                                                                                                                                                             |                                                 |     |          |
| <b>Detailed Comments:</b>   |            | <ol style="list-style-type: none"> <li>1. To setup a physical channel as BCCH, CCCH and SDCCH4.</li> <li>2. To initiate MO call and bring the MS into U3 state.</li> <li>3. T310 &gt;= 45 seconds, fail.</li> <li>4. T310 &lt; 29.4 seconds, fail.</li> <li>5. To check that the MS is in the state U11.</li> </ol>                                                                                                                                                                                                                                                   |                                                 |     |          |

| Test Case Dynamic Behaviour |       |                                                                                                                                                                                                                                                                                                                                                                                                                                                                                                                                                                                                                      |      |   |          |
|-----------------------------|-------|----------------------------------------------------------------------------------------------------------------------------------------------------------------------------------------------------------------------------------------------------------------------------------------------------------------------------------------------------------------------------------------------------------------------------------------------------------------------------------------------------------------------------------------------------------------------------------------------------------------------|------|---|----------|
| <b>Test Case Name:</b>      |       | TC_26_8_1_2_4_11                                                                                                                                                                                                                                                                                                                                                                                                                                                                                                                                                                                                     |      |   |          |
| <b>Group:</b>               |       | GSM_L3_MS_v4210/CC/                                                                                                                                                                                                                                                                                                                                                                                                                                                                                                                                                                                                  |      |   |          |
| <b>Purpose:</b>             |       | To verify that a CC-entity of the MS in CC-state U3, "Mobile Originating Call Proceeding" having detected a lower layer failure and having returned to idle mode, the CC entities relating to the seven mobile originating transaction identifiers are in state U0, "Null".                                                                                                                                                                                                                                                                                                                                          |      |   |          |
| <b>Default:</b>             |       | OtherEventsFail                                                                                                                                                                                                                                                                                                                                                                                                                                                                                                                                                                                                      |      |   |          |
| Nr                          | Label | Behaviour Description                                                                                                                                                                                                                                                                                                                                                                                                                                                                                                                                                                                                | CRef | V | Comments |
| 1                           |       | START T_guard(300)                                                                                                                                                                                                                                                                                                                                                                                                                                                                                                                                                                                                   |      |   |          |
| 2                           |       | +BasicServiceMOorTelephony(<br>TSPX_MOBscSvcA, TSPX_MOChRateA)                                                                                                                                                                                                                                                                                                                                                                                                                                                                                                                                                       |      |   | 1.       |
| 3                           |       | +IdleUpdated( C_E_default, C_CellA, C_SCH_A,<br>C_BCCH_A_1, C_Immash, C_S0, C_SlotNU,<br>C_SlotNU, C_SlotNU, C_BCC, C_TxInt_5,<br>C_Max_7, C_NECI_0, C_ATT_0, TimingAdv( 0),<br>C_BABR_0, C_cch_1Comb, C_BPM_3,<br>C_T3212_0, C_ci_cellA, C_MCC_1, C_PLMN_1,<br>C_LAC_1, CellOpt_01, CellChDes_Omit,<br>CellChDes_Omit, C_CellReselectHys12,<br>C_MaxPwrLvlG, C_MaxPwrLvlD,<br>BcchFreqLst_45, BcchFreqLst_02,<br>BcchFreqLst_03, BcchFreqLst_04,<br>C_Restablishment, C_BCC, C_NCC,<br>C_Start_Tmsi, TSPX_SDCCH4SubDef,<br>TSPX_CKSNDDef, TSPX_RANDDef, C_arfcnA,<br>C_arfcnAd, TSPX_IMSI, C_Test_nfh,<br>C_NCCP_2) |      |   |          |
| 4                           |       | +CCConfigTCH_nociph( TSPX_TCHHSubDef,<br>C_Immash, TSPX_TmSlitDef, TSPX_TscDef,<br>TimingAdv( 0), C_BABR_0, C_cch_1Comb,<br>C_BPM_3, TCV_ChMod.mode, FreqTCH_omit,<br>FreqTCH_omit, C_arfcn_tchA, C_arfcn_tchAd)                                                                                                                                                                                                                                                                                                                                                                                                     |      |   | 2.       |
| 5                           |       | +InitCall( TCV_Service)                                                                                                                                                                                                                                                                                                                                                                                                                                                                                                                                                                                              |      |   |          |
| 6                           |       | +PreEnterCCstateU3_24( TSPX_TmSlitDef,<br>TSPX_TscDef, TimingAdv( 0))                                                                                                                                                                                                                                                                                                                                                                                                                                                                                                                                                |      |   |          |
| 7                           | body  | (TCV_Null := OM_LowerLayerFail(<br>TCV_chTch))                                                                                                                                                                                                                                                                                                                                                                                                                                                                                                                                                                       |      |   |          |
| 8                           |       | START T_dly( 20000)                                                                                                                                                                                                                                                                                                                                                                                                                                                                                                                                                                                                  |      |   |          |
| 9                           |       | ?TIMEOUT T_dly                                                                                                                                                                                                                                                                                                                                                                                                                                                                                                                                                                                                       |      |   | 3.       |
| 10                          |       | +CCEstablishMT_SDCCH4(<br>TimingAdv( 0),<br>TSPX_SDCCH4SubDef,<br>TSPX_CKSNDDef)                                                                                                                                                                                                                                                                                                                                                                                                                                                                                                                                     |      |   |          |
| 11                          |       | +CheckTIsInStateU0( TRUE,<br>TCV_ch)                                                                                                                                                                                                                                                                                                                                                                                                                                                                                                                                                                                 |      |   | 4.       |
| 12                          |       | +PostMainLinkRel( TCV_ch)                                                                                                                                                                                                                                                                                                                                                                                                                                                                                                                                                                                            |      |   |          |
| <b>Detailed Comments:</b>   |       | <ol style="list-style-type: none"> <li>1. To select a basic service and channel rate, if the MS supports telephony the selected basic service is telephony.</li> <li>2. To setup the full rate or half rate traffic channel .</li> <li>3. Waiting for the MS return to idle state.</li> <li>4. To check that CC entities related to all transaction identifiers are return to idle.</li> </ol>                                                                                                                                                                                                                       |      |   |          |

| Test Case Dynamic Behaviour |            |                                                                                                                                                                                                                                                                                                                                                                                                                                                                                                                                                                                                                    |                                                     |     |          |
|-----------------------------|------------|--------------------------------------------------------------------------------------------------------------------------------------------------------------------------------------------------------------------------------------------------------------------------------------------------------------------------------------------------------------------------------------------------------------------------------------------------------------------------------------------------------------------------------------------------------------------------------------------------------------------|-----------------------------------------------------|-----|----------|
| <b>Test Case Name:</b>      |            | TC_26_8_1_2_4_12                                                                                                                                                                                                                                                                                                                                                                                                                                                                                                                                                                                                   |                                                     |     |          |
| <b>Group:</b>               |            | GSM_L3_MS_v4210/CC/                                                                                                                                                                                                                                                                                                                                                                                                                                                                                                                                                                                                |                                                     |     |          |
| <b>Purpose:</b>             |            | To verify that a CC-entity of the MS in CC-state U3, "Mobile Originating Call Proceeding" having received an unknown message from its peer entity returns a STATUS message.                                                                                                                                                                                                                                                                                                                                                                                                                                        |                                                     |     |          |
| <b>Default:</b>             |            | OtherEventsFail                                                                                                                                                                                                                                                                                                                                                                                                                                                                                                                                                                                                    |                                                     |     |          |
| Nr                          | Label      | Behaviour Description                                                                                                                                                                                                                                                                                                                                                                                                                                                                                                                                                                                              | CRef                                                | V   | Comments |
| 1                           |            | START T_guard(300)                                                                                                                                                                                                                                                                                                                                                                                                                                                                                                                                                                                                 |                                                     |     |          |
| 2                           |            | +BasicServiceMOorTelephony(<br>TSPX_MOBscSvcB, TSPX_MOChRateB)                                                                                                                                                                                                                                                                                                                                                                                                                                                                                                                                                     |                                                     |     |          |
| 3                           |            | +IdleUpdated( C_E_default, C_CellA, C_SCH_A,<br>C_BCCH_A_1, C_Immass, C_S0, C_SlotNU,<br>C_SlotNU, C_SlotNU, C_BCC, C_TxInt_5,<br>C_Max_7, C_NECl_0, C_ATT_0, TimingAdv( 0),<br>C_BABR_0, C_cch_1Comb, C_BPM_3,<br>C_T3212_0, C_ci_cellA, C_MCC_1, C_PLMN_1,<br>C_LAC_1, CellOpt_01, CellChDes_Omit,<br>CellChDes_Omit, C_CellReselectHys12,<br>C_MaxPwrLvIG, C_MaxPwrLvID,<br>BcchFreqLst_45, BcchFreqLst_02,<br>BcchFreqLst_03, BcchFreqLst_04,<br>C_Restablishment, C_BCC, C_NCC,<br>C_Start_Tmsi, TSPX_SDCCH4SubDef,<br>TSPX_CKSNDf, TSPX_RANDDef, C_arfcnA,<br>C_arfcnAd, TSPX_IMSI, C_Test_nfh,<br>C_NCCP_2) |                                                     |     | 1.       |
| 4                           |            | +InitCall( TCV_Service)                                                                                                                                                                                                                                                                                                                                                                                                                                                                                                                                                                                            |                                                     |     |          |
| 5                           |            | +PreEnterCCstateU3_21(<br>TSPX_SDCCH4SubDef, TimingAdv( 0))                                                                                                                                                                                                                                                                                                                                                                                                                                                                                                                                                        |                                                     |     |          |
| 6                           | body       | L!DL_DatRqUndefCC                                                                                                                                                                                                                                                                                                                                                                                                                                                                                                                                                                                                  | UndefCC( TCV_ch,<br>UndefCC_02(<br>TCV_TI))         |     | 2.       |
| 7                           | L_042<br>0 | L?DL_DatInCcst                                                                                                                                                                                                                                                                                                                                                                                                                                                                                                                                                                                                     | CCStRcv( TCV_ch,<br>CCStatus_08(<br>TCV_TI0, C_U3)) | (P) | 3.       |
| 8                           |            | +CCstatuschk_05( C_U3, TCV_TI,<br>TCV_ch)                                                                                                                                                                                                                                                                                                                                                                                                                                                                                                                                                                          |                                                     |     | 4.       |
| 9                           |            | +PostMainLinkRel( TCV_ch)                                                                                                                                                                                                                                                                                                                                                                                                                                                                                                                                                                                          |                                                     |     |          |
| <b>Detailed Comments:</b>   |            | <ol style="list-style-type: none"> <li>1. To setup a physical channel as BCCH, CCCH and SDCCH4.</li> <li>2. To send a message which type is not defined for the CC.</li> <li>3. The expected STATUS message received.</li> <li>4. To check wether the MS is still in the CC state U3.</li> </ol>                                                                                                                                                                                                                                                                                                                   |                                                     |     |          |

| Test Case Dynamic Behaviour |            |                                                                                                                                                                                                                                                                                                                                                                                                                                                                                                                                                                      |                                         |     |          |
|-----------------------------|------------|----------------------------------------------------------------------------------------------------------------------------------------------------------------------------------------------------------------------------------------------------------------------------------------------------------------------------------------------------------------------------------------------------------------------------------------------------------------------------------------------------------------------------------------------------------------------|-----------------------------------------|-----|----------|
| <b>Test Case Name:</b>      |            | TC_26_8_1_2_4_13                                                                                                                                                                                                                                                                                                                                                                                                                                                                                                                                                     |                                         |     |          |
| <b>Group:</b>               |            | GSM_L3_MS_v4210/CC/                                                                                                                                                                                                                                                                                                                                                                                                                                                                                                                                                  |                                         |     |          |
| <b>Purpose:</b>             |            | To verify that if the user connection is not attached to the radio path, the MS generates internally an alerting indication when the call control entity of the MS in the "mobile originating call proceeding" state receives an ALERTING message then it enters "call delivered" state and, for speech calls, if the user connection is not attached to the radio path, the MS shall internally generate an alerting indication.                                                                                                                                    |                                         |     |          |
| <b>Default:</b>             |            | OtherEventsFail                                                                                                                                                                                                                                                                                                                                                                                                                                                                                                                                                      |                                         |     |          |
| Nr                          | Label      | Behaviour Description                                                                                                                                                                                                                                                                                                                                                                                                                                                                                                                                                | CRef                                    | V   | Comments |
| 1                           |            | START T_guard(300)                                                                                                                                                                                                                                                                                                                                                                                                                                                                                                                                                   |                                         |     |          |
| 2                           |            | +SpeechService                                                                                                                                                                                                                                                                                                                                                                                                                                                                                                                                                       |                                         |     |          |
| 3                           |            | +IdleUpdated( C_E_default, C_CellA, C_SCH_A, C_BCCH_A_1, C_Immss, C_S0, C_SlotNU, C_SlotNU, C_SlotNU, C_BCC, C_TxInt_5, C_Max_7, C_NECI_0, C_ATT_0, TimingAdv( 0), C_BABR_0, C_cch_1Comb, C_BPM_3, C_T3212_0, C_ci_cellA, C_MCC_1, C_PLMN_1, C_LAC_1, CellOpt_01, CellChDes_Omit, CellChDes_Omit, C_CellReselectHys12, C_MaxPwrLvIG, C_MaxPwrLvID, BcchFreqLst_45, BcchFreqLst_02, BcchFreqLst_03, BcchFreqLst_04, C_Restablishment, C_BCC, C_NCC, C_Start_Tmsi, TSPX_SDCCH4SubDef, TSPX_CKSNDf, TSPX_RANDDef, C_arfcnA, C_arfcnAd, TSPX_IMSI, C_Test_nfh, C_NCCP_2) |                                         |     |          |
| 4                           |            | +InitCall( TCV_Service)                                                                                                                                                                                                                                                                                                                                                                                                                                                                                                                                              |                                         |     |          |
| 5                           |            | +PreEnterCCstateU3_21( TSPX_SDCCH4SubDef, TimingAdv( 0))                                                                                                                                                                                                                                                                                                                                                                                                                                                                                                             |                                         |     |          |
| 6                           | body       | !IDL_DatRqAlert                                                                                                                                                                                                                                                                                                                                                                                                                                                                                                                                                      | AlertSnd( TCV_ch, Alerting_01( TCV_TI)) |     |          |
| 7                           |            | (TCV_Res := OO_AltIndCHK())                                                                                                                                                                                                                                                                                                                                                                                                                                                                                                                                          |                                         |     |          |
| 8                           | L_042<br>1 | [TCV_Res]                                                                                                                                                                                                                                                                                                                                                                                                                                                                                                                                                            |                                         | (P) | 1.       |
| 9                           |            | +CCstatuschk_05( C_U4, TCV_TI, TCV_ch)                                                                                                                                                                                                                                                                                                                                                                                                                                                                                                                               |                                         |     | 2.       |
| 10                          |            | +PostMainLinkRel( TCV_ch)                                                                                                                                                                                                                                                                                                                                                                                                                                                                                                                                            |                                         |     |          |
| 11                          | L_042<br>2 | [NOT TCV_Res]                                                                                                                                                                                                                                                                                                                                                                                                                                                                                                                                                        |                                         | (F) | 3.       |
| 12                          |            | +PostMainLinkRel( TCV_ch)                                                                                                                                                                                                                                                                                                                                                                                                                                                                                                                                            |                                         |     |          |
| <b>Detailed Comments:</b>   |            | <ol style="list-style-type: none"> <li>1. The Ms generates a alerting indication to the user.</li> <li>2. To check whether the MS is in CC state U4.</li> <li>3. The MS does not generate a alerting indication to the user.</li> </ol>                                                                                                                                                                                                                                                                                                                              |                                         |     |          |

| Test Case Dynamic Behaviour |            |                                                                                                                                                                                                                                                                                                                                                                                                                                                                                                                                                                       |                                        |     |          |
|-----------------------------|------------|-----------------------------------------------------------------------------------------------------------------------------------------------------------------------------------------------------------------------------------------------------------------------------------------------------------------------------------------------------------------------------------------------------------------------------------------------------------------------------------------------------------------------------------------------------------------------|----------------------------------------|-----|----------|
| <b>Test Case Name:</b>      |            | TC_26_8_1_2_5_1                                                                                                                                                                                                                                                                                                                                                                                                                                                                                                                                                       |                                        |     |          |
| <b>Group:</b>               |            | GSM_L3_MS_v4210/CC/                                                                                                                                                                                                                                                                                                                                                                                                                                                                                                                                                   |                                        |     |          |
| <b>Purpose:</b>             |            | To verify that a CC-entity of the MS in CC-state U4, "Call Delivered", upon receipt of the CONNECT message returns a CONNECT ACKNOWLEDGE to its peer entity and enters the CC-state U10, "Active".                                                                                                                                                                                                                                                                                                                                                                    |                                        |     |          |
| <b>Default:</b>             |            | OtherEventsFail                                                                                                                                                                                                                                                                                                                                                                                                                                                                                                                                                       |                                        |     |          |
| Nr                          | Label      | Behaviour Description                                                                                                                                                                                                                                                                                                                                                                                                                                                                                                                                                 | CRef                                   | V   | Comments |
| 1                           |            | START T_guard(300)                                                                                                                                                                                                                                                                                                                                                                                                                                                                                                                                                    |                                        |     |          |
| 2                           |            | +BasicServiceMOorTelephony(TSPX_MOBscSvcC, TSPX_MOChRateC)                                                                                                                                                                                                                                                                                                                                                                                                                                                                                                            |                                        |     |          |
| 3                           |            | +IdleUpdated( C_E_default, C_CellA, C_SCH_A, C_BCCH_A_1, C_Immass, C_S0, C_SlotNU, C_SlotNU, C_SlotNU, C_BCC, C_TxInt_5, C_Max_7, C_NECI_0, C_ATT_0, TimingAdv( 0), C_BABR_0, C_cch_1Comb, C_BPM_3, C_T3212_0, C_ci_cellA, C_MCC_1, C_PLMN_1, C_LAC_1, CellOpt_01, CellChDes_Omit, CellChDes_Omit, C_CellReselectHys12, C_MaxPwrLvlG, C_MaxPwrLvlD, BcchFreqLst_45, BcchFreqLst_02, BcchFreqLst_03, BcchFreqLst_04, C_Restablishment, C_BCC, C_NCC, C_Start_Tmsi, TSPX_SDCCH4SubDef, TSPX_CKSNDf, TSPX_RANDDef, C_arfcnA, C_arfcnAd, TSPX_IMSI, C_Test_nfh, C_NCCP_2) |                                        |     | 1.       |
| 4                           |            | +CCConfigTCH( TSPX_TCHHSubDef, C_Ass, TSPX_TmSlitDef, TSPX_TscDef, TimingAdv( 0), C_BABR_0, C_cch_1Comb, C_BPM_3, TCV_ChMod.mode, FreqTCH_omit, FreqTCH_omit, C_arfcn_tchA, C_arfcn_tchAd)                                                                                                                                                                                                                                                                                                                                                                            |                                        |     |          |
| 5                           |            | +InitCall( TCV_Service)                                                                                                                                                                                                                                                                                                                                                                                                                                                                                                                                               |                                        |     |          |
| 6                           |            | +PreEnterCCstateU4_23(TSPX_SDCCH4SubDef, TSPX_TmSlitDef, TSPX_TscDef, TimingAdv( 0), TSPX_CKSNDf, TSPX_RANDDef)                                                                                                                                                                                                                                                                                                                                                                                                                                                       |                                        |     |          |
| 7                           | body       | LIDL_DatRqConn                                                                                                                                                                                                                                                                                                                                                                                                                                                                                                                                                        | ConnSnd(TCV_chTch, Connect_02(TCV_TI)) |     |          |
| 8                           | L_042<br>3 | L?DL_DatInConnAck                                                                                                                                                                                                                                                                                                                                                                                                                                                                                                                                                     | ConnAckRcv(ConnectAck_02(TCV_TI0))     | (P) | 2.       |
| 9                           |            | (TCV_Res := OO_AltIndCHK())                                                                                                                                                                                                                                                                                                                                                                                                                                                                                                                                           |                                        |     |          |
| 10                          | L_042<br>4 | [TCV_Res]                                                                                                                                                                                                                                                                                                                                                                                                                                                                                                                                                             |                                        | (F) |          |
| 11                          |            | +PostMainLinkRel( TCV_chTch)                                                                                                                                                                                                                                                                                                                                                                                                                                                                                                                                          |                                        |     | 3.       |
| 12                          | L_042<br>5 | [NOT TCV_Res]                                                                                                                                                                                                                                                                                                                                                                                                                                                                                                                                                         |                                        | (P) | 4.       |
| 13                          |            | +CCstatuschk_05( C_U10, TCV_TI, TCV_chTch)                                                                                                                                                                                                                                                                                                                                                                                                                                                                                                                            |                                        |     | 5.       |
| 14                          |            | +PostMainLinkRel(TCV_chTch)                                                                                                                                                                                                                                                                                                                                                                                                                                                                                                                                           |                                        |     |          |
| <b>Detailed Comments:</b>   |            | <ol style="list-style-type: none"> <li>1. To set a physical channel as BCCH, CCCH and SDCCH4.</li> <li>2. The expected CONNECT ACKNOWLEDGE received.</li> <li>3. Alerting does not stop.</li> <li>4. Alerting stopped.</li> <li>5. To check whether the MS is in state U10.</li> </ol>                                                                                                                                                                                                                                                                                |                                        |     |          |

| Test Case Dynamic Behaviour |            |                                                                                                                                                                                                                                                                                                                                                                                                                                                                                                                                                                                                                      |                                                          |     |          |
|-----------------------------|------------|----------------------------------------------------------------------------------------------------------------------------------------------------------------------------------------------------------------------------------------------------------------------------------------------------------------------------------------------------------------------------------------------------------------------------------------------------------------------------------------------------------------------------------------------------------------------------------------------------------------------|----------------------------------------------------------|-----|----------|
| <b>Test Case Name:</b>      |            | TC_26_8_1_2_5_2                                                                                                                                                                                                                                                                                                                                                                                                                                                                                                                                                                                                      |                                                          |     |          |
| <b>Group:</b>               |            | GSM_L3_MS_v4210/CC/                                                                                                                                                                                                                                                                                                                                                                                                                                                                                                                                                                                                  |                                                          |     |          |
| <b>Purpose:</b>             |            | To verify that a CC-entity of the MS in CC-state U4, "Call Delivered", upon request by the user to terminate will send a DISCONNECT message and enter the CC-state U11, "Disconnect Request".                                                                                                                                                                                                                                                                                                                                                                                                                        |                                                          |     |          |
| <b>Default:</b>             |            | OtherEventsFail                                                                                                                                                                                                                                                                                                                                                                                                                                                                                                                                                                                                      |                                                          |     |          |
| Nr                          | Label      | Behaviour Description                                                                                                                                                                                                                                                                                                                                                                                                                                                                                                                                                                                                | CRef                                                     | V   | Comments |
| 1                           |            | START T_guard(300)                                                                                                                                                                                                                                                                                                                                                                                                                                                                                                                                                                                                   |                                                          |     |          |
| 2                           |            | +BasicServiceMOorTelephony(<br>TSPX_MOBscSvcD, TSPX_MOChRateD)                                                                                                                                                                                                                                                                                                                                                                                                                                                                                                                                                       |                                                          |     |          |
| 3                           |            | +IdleUpdated( C_E_default, C_CellA, C_SCH_A,<br>C_BCCH_A_1, C_Immass, C_S0, C_SlotNU,<br>C_SlotNU, C_SlotNU, C_BCC, C_TxInt_5,<br>C_Max_7, C_NECl_0, C_ATT_0, TimingAdv( 0),<br>C_BABR_0, C_cch_1Comb, C_BPM_3,<br>C_T3212_0, C_ci_cellA, C_MCC_1, C_PLMN_1,<br>C_LAC_1, CellOpt_01, CellChDes_Omit,<br>CellChDes_Omit, C_CellReselectHys12,<br>C_MaxPwrLvIG, C_MaxPwrLvID,<br>BcchFreqLst_45, BcchFreqLst_02,<br>BcchFreqLst_03, BcchFreqLst_04,<br>C_Restablishment, C_BCC, C_NCC,<br>C_Start_Tmsi, TSPX_SDCCH4SubDef,<br>TSPX_CKSNDDef, TSPX_RANDDef, C_arfcnA,<br>C_arfcnAd, TSPX_IMSI, C_Test_nfh,<br>C_NCCP_2) |                                                          |     | 1.       |
| 4                           |            | +CCConfigTCH( TSPX_TCHHSubDef, C_Ass,<br>TSPX_TmSlitDef, TSPX_TscDef, TimingAdv( 0),<br>C_BABR_0, C_cch_1Comb, C_BPM_3,<br>TCV_ChMod.mode, FreqTCH_omit,<br>FreqTCH_omit, C_arfcn_tchA, C_arfcn_tchAd)                                                                                                                                                                                                                                                                                                                                                                                                               |                                                          |     |          |
| 5                           |            | +InitCall( TCV_Service)                                                                                                                                                                                                                                                                                                                                                                                                                                                                                                                                                                                              |                                                          |     |          |
| 6                           |            | +PreEnterCCstateU4_23(<br>TSPX_SDCCH4SubDef, TSPX_TmSlitDef,<br>TSPX_TscDef, TimingAdv( 0),<br>TSPX_CKSNDDef, TSPX_RANDDef)                                                                                                                                                                                                                                                                                                                                                                                                                                                                                          |                                                          |     |          |
| 7                           | body       | (TCV_Null := OO_TermCall())                                                                                                                                                                                                                                                                                                                                                                                                                                                                                                                                                                                          |                                                          |     |          |
| 8                           | L_042<br>6 | L?DL_DatInDisc                                                                                                                                                                                                                                                                                                                                                                                                                                                                                                                                                                                                       | DiscRcv( TCV_chTch,<br>DisconnR( TCV_TI0,<br>Cause_Def)) | (P) | 2.       |
| 9                           |            | +CCstatuschk_05( C_U11, TCV_TI,<br>TCV_chTch)                                                                                                                                                                                                                                                                                                                                                                                                                                                                                                                                                                        |                                                          |     | 3.       |
| 10                          |            | +PostMainLinkRel( TCV_chTch)                                                                                                                                                                                                                                                                                                                                                                                                                                                                                                                                                                                         |                                                          |     |          |
| <b>Detailed Comments:</b>   |            | <ol style="list-style-type: none"> <li>1. To setup a physical channel as BCCH, CCCH and SDCCH4.</li> <li>2. The expected DISCONNECT message received.</li> <li>3. To check whether the MS enters into the state U11.</li> </ol>                                                                                                                                                                                                                                                                                                                                                                                      |                                                          |     |          |

| Test Case Dynamic Behaviour |            |                                                                                                                                                                                                                                                                                                                                                                                                                                                                                                                                                                                                                      |                                                                                             |     |          |
|-----------------------------|------------|----------------------------------------------------------------------------------------------------------------------------------------------------------------------------------------------------------------------------------------------------------------------------------------------------------------------------------------------------------------------------------------------------------------------------------------------------------------------------------------------------------------------------------------------------------------------------------------------------------------------|---------------------------------------------------------------------------------------------|-----|----------|
| <b>Test Case Name:</b>      |            | TC_26_8_1_2_5_3                                                                                                                                                                                                                                                                                                                                                                                                                                                                                                                                                                                                      |                                                                                             |     |          |
| <b>Group:</b>               |            | GSM_L3_MS_v4210/CC/                                                                                                                                                                                                                                                                                                                                                                                                                                                                                                                                                                                                  |                                                                                             |     |          |
| <b>Purpose:</b>             |            | To verify that a CC-entity of the MS in CC-state U4, "Call Delivered", upon receipt of a DISCONNECT with a progress indicator indicating in-band information, through-connects the speech channel to make in-band announcements available, if traffic channel is in speech mode. If TCH is not in speech mode, the MS shall send a RELEASE message.                                                                                                                                                                                                                                                                  |                                                                                             |     |          |
| <b>Default:</b>             |            | OtherEventsFail                                                                                                                                                                                                                                                                                                                                                                                                                                                                                                                                                                                                      |                                                                                             |     |          |
| Nr                          | Label      | Behaviour Description                                                                                                                                                                                                                                                                                                                                                                                                                                                                                                                                                                                                | CRef                                                                                        | V   | Comments |
| 1                           |            | START T_guard(300)                                                                                                                                                                                                                                                                                                                                                                                                                                                                                                                                                                                                   |                                                                                             |     |          |
| 2                           |            | +BasicServiceMOorTelephony(<br>TSPX_MOBscSvcE, TSPX_MOChRateE)                                                                                                                                                                                                                                                                                                                                                                                                                                                                                                                                                       |                                                                                             |     | 1.       |
| 3                           |            | +IdleUpdated( C_E_default, C_CellA, C_SCH_A,<br>C_BCCH_A_1, C_Immass, C_S0, C_SlotNU,<br>C_SlotNU, C_SlotNU, C_BCC, C_TxInt_5,<br>C_Max_7, C_NECL_0, C_ATT_0, TimingAdv( 0),<br>C_BABR_0, C_cch_1Comb, C_BPM_3,<br>C_T3212_0, C_ci_cellA, C_MCC_1, C_PLMN_1,<br>C_LAC_1, CellOpt_01, CellChDes_Omit,<br>CellChDes_Omit, C_CellReselectHys12,<br>C_MaxPwrLvIG, C_MaxPwrLvID,<br>BcchFreqLst_45, BcchFreqLst_02,<br>BcchFreqLst_03, BcchFreqLst_04,<br>C_Restablishment, C_BCC, C_NCC,<br>C_Start_Tmsi, TSPX_SDCCH4SubDef,<br>TSPX_CKSNDDef, TSPX_RANDDef, C_arfcnA,<br>C_arfcnAd, TSPX_IMSI, C_Test_nfh,<br>C_NCCP_2) |                                                                                             |     |          |
| 4                           |            | +CCConfigTCH_nociph( TSPX_TCHHSubDef,<br>C_Immass, TSPX_TmSltDef, TSPX_TscDef,<br>TimingAdv( 0), C_BABR_0, C_cch_1Comb,<br>C_BPM_3, TCV_ChMod.mode, FreqTCH_omit,<br>FreqTCH_omit, C_arfcn_tchA, C_arfcn_tchAd)                                                                                                                                                                                                                                                                                                                                                                                                      |                                                                                             |     |          |
| 5                           |            | +InitCall( TCV_Service)                                                                                                                                                                                                                                                                                                                                                                                                                                                                                                                                                                                              |                                                                                             |     |          |
| 6                           |            | +PreEnterCCstateU4_22( TSPX_TmSltDef,<br>TSPX_TscDef, TimingAdv( 0))                                                                                                                                                                                                                                                                                                                                                                                                                                                                                                                                                 |                                                                                             |     |          |
| 7                           | body       | LIDL_DatRqDisc                                                                                                                                                                                                                                                                                                                                                                                                                                                                                                                                                                                                       | DiscSnd(<br>TCV_chTch,<br>DisconnS( TCV_TI,<br>Cause_01,<br>ProgInd_03iei,<br>UuInfo_omit)) |     |          |
| 8                           |            | [TCV_ChMod.mode = C_ChMod_r]                                                                                                                                                                                                                                                                                                                                                                                                                                                                                                                                                                                         |                                                                                             |     |          |
| 9                           |            | +CCstatuschk_05( C_U12, TCV_TI,<br>TCV_chTch)                                                                                                                                                                                                                                                                                                                                                                                                                                                                                                                                                                        |                                                                                             |     |          |
| 10                          |            | +PostMainLinkRel( TCV_chTch)                                                                                                                                                                                                                                                                                                                                                                                                                                                                                                                                                                                         |                                                                                             |     |          |
| 11                          |            | [TCV_ChMod.mode <=> C_ChMod_r]                                                                                                                                                                                                                                                                                                                                                                                                                                                                                                                                                                                       |                                                                                             |     |          |
| 12                          | L_042<br>7 | L?DL_DatInRel                                                                                                                                                                                                                                                                                                                                                                                                                                                                                                                                                                                                        | ReleaseRcv(<br>Release_10(<br>TCV_TI0))                                                     | (P) |          |
| 13                          |            | +CCstatuschk_05( C_U19, TCV_TI,<br>TCV_chTch)                                                                                                                                                                                                                                                                                                                                                                                                                                                                                                                                                                        |                                                                                             |     |          |
| 14                          |            | +PostMainLinkRel( TCV_chTch)                                                                                                                                                                                                                                                                                                                                                                                                                                                                                                                                                                                         |                                                                                             |     |          |
| <b>Detailed Comments:</b>   |            | 1. To select a circuit switched basic service for testing.                                                                                                                                                                                                                                                                                                                                                                                                                                                                                                                                                           |                                                                                             |     |          |

| Test Case Dynamic Behaviour |            |                                                                                                                                                                                                                                                                                                                                                                                                                                                                                                                                                                       |                                                                             |     |          |
|-----------------------------|------------|-----------------------------------------------------------------------------------------------------------------------------------------------------------------------------------------------------------------------------------------------------------------------------------------------------------------------------------------------------------------------------------------------------------------------------------------------------------------------------------------------------------------------------------------------------------------------|-----------------------------------------------------------------------------|-----|----------|
| <b>Test Case Name:</b>      |            | TC_26_8_1_2_5_4                                                                                                                                                                                                                                                                                                                                                                                                                                                                                                                                                       |                                                                             |     |          |
| <b>Group:</b>               |            | GSM_L3_MS_v4210/CC/                                                                                                                                                                                                                                                                                                                                                                                                                                                                                                                                                   |                                                                             |     |          |
| <b>Purpose:</b>             |            | To verify that a CC-entity of the MS in CC-state U4, "Call Delivered", upon receipt of a DISCONNECT without progress indicator, returns a RELEASE message and enters the CC-state U19, "Release Request".                                                                                                                                                                                                                                                                                                                                                             |                                                                             |     |          |
| <b>Default:</b>             |            | OtherEventsFail                                                                                                                                                                                                                                                                                                                                                                                                                                                                                                                                                       |                                                                             |     |          |
| Nr                          | Label      | Behaviour Description                                                                                                                                                                                                                                                                                                                                                                                                                                                                                                                                                 | CRef                                                                        | V   | Comments |
| 1                           |            | START T_guard(300)                                                                                                                                                                                                                                                                                                                                                                                                                                                                                                                                                    |                                                                             |     |          |
| 2                           |            | +BasicServiceMOorTelephony( TSPX_MOBscSvcF, TSPX_MOChRateF)                                                                                                                                                                                                                                                                                                                                                                                                                                                                                                           |                                                                             |     | 1.       |
| 3                           |            | +IdleUpdated( C_E_default, C_CellA, C_SCH_A, C_BCCH_A_1, C_Immss, C_S0, C_SlotNU, C_SlotNU, C_SlotNU, C_BCC, C_TxInt_5, C_Max_7, C_NECI_0, C_ATT_0, TimingAdv( 0), C_BABR_0, C_cch_1Comb, C_BPM_3, C_T3212_0, C_ci_cellA, C_MCC_1, C_PLMN_1, C_LAC_1, CellOpt_01, CellChDes_Omit, CellChDes_Omit, C_CellReselectHys12, C_MaxPwrLvIG, C_MaxPwrLvID, BcchFreqLst_45, BcchFreqLst_02, BcchFreqLst_03, BcchFreqLst_04, C_Restablishment, C_BCC, C_NCC, C_Start_Tmsi, TSPX_SDCCH4SubDef, TSPX_CKSNDef, TSPX_RANDDef, C_arfcnA, C_arfcnAd, TSPX_IMSI, C_Test_nfh, C_NCCP_2) |                                                                             |     |          |
| 4                           |            | +CCConfigTCH_nociph( TSPX_TCHHSubDef, C_Immss, TSPX_TmSlitDef, TSPX_TscDef, TimingAdv( 0), C_BABR_0, C_cch_1Comb, C_BPM_3, TCV_ChMod.mode, FreqTCH_omit, FreqTCH_omit, C_arfcn_tchA, C_arfcn_tchAd)                                                                                                                                                                                                                                                                                                                                                                   |                                                                             |     |          |
| 5                           |            | +InitCall( TCV_Service)                                                                                                                                                                                                                                                                                                                                                                                                                                                                                                                                               |                                                                             |     |          |
| 6                           |            | +PreEnterCCstateU4_22(TSPX_TmSlitDef, TSPX_TscDef, TimingAdv( 0))                                                                                                                                                                                                                                                                                                                                                                                                                                                                                                     |                                                                             |     |          |
| 7                           | body       | L!DL_DatRqDisc                                                                                                                                                                                                                                                                                                                                                                                                                                                                                                                                                        | DiscSnd( TCV_chTch, DisconnS( TCV_TI, Cause_01, ProgInd_omit, UuInfo_omit)) |     |          |
| 8                           | L_042<br>8 | L?DL_DatInRel                                                                                                                                                                                                                                                                                                                                                                                                                                                                                                                                                         | ReleaseRcv( Release_10( TCV_TI0))                                           | (P) |          |
| 9                           |            | +CCstatuschk_05( C_U19, TCV_TI, TCV_chTch)                                                                                                                                                                                                                                                                                                                                                                                                                                                                                                                            |                                                                             |     |          |
| 10                          |            | +PostMainLinkRel( TCV_chTch)                                                                                                                                                                                                                                                                                                                                                                                                                                                                                                                                          |                                                                             |     |          |
| <b>Detailed Comments:</b>   |            | 1. To select a circuit switched basic service for testing.                                                                                                                                                                                                                                                                                                                                                                                                                                                                                                            |                                                                             |     |          |



| Test Case Dynamic Behaviour |        |                                                                                                                                                                                                                                                                                                                                                                                                                                                                                                                                                                         |                                           |     |          |
|-----------------------------|--------|-------------------------------------------------------------------------------------------------------------------------------------------------------------------------------------------------------------------------------------------------------------------------------------------------------------------------------------------------------------------------------------------------------------------------------------------------------------------------------------------------------------------------------------------------------------------------|-------------------------------------------|-----|----------|
| <b>Test Case Name:</b>      |        | TC_26_8_1_2_5_5                                                                                                                                                                                                                                                                                                                                                                                                                                                                                                                                                         |                                           |     |          |
| <b>Group:</b>               |        | GSM_L3_MS_v4210/CC/                                                                                                                                                                                                                                                                                                                                                                                                                                                                                                                                                     |                                           |     |          |
| <b>Purpose:</b>             |        | 1) To verify that a CC-entity of the MS in CC-state U4, "Call Delivered", upon receipt of the RELEASE message will respond with the RELEASE COMPLETE message and enter the CC-state U0, "Null"<br>2) To verify that the MS on returning the idle mode releases the MM-connection and that the CC-entities relating to the seven mobile originating transaction identifiers are in CC-state U0, "Null".                                                                                                                                                                  |                                           |     |          |
| <b>Default:</b>             |        | OtherEventsFail                                                                                                                                                                                                                                                                                                                                                                                                                                                                                                                                                         |                                           |     |          |
| Nr                          | Label  | Behaviour Description                                                                                                                                                                                                                                                                                                                                                                                                                                                                                                                                                   | CRef                                      | V   | Comments |
| 1                           |        | START T_guard(300)                                                                                                                                                                                                                                                                                                                                                                                                                                                                                                                                                      |                                           |     |          |
| 2                           |        | +BasicServiceMOorTelephony(TSPX_MOBscSvcG, TSPX_MOChRateG)                                                                                                                                                                                                                                                                                                                                                                                                                                                                                                              |                                           |     | 1.       |
| 3                           |        | +IdleUpdated( C_E_default, C_CellA, C_SCH_A, C_BCCH_A_1, C_Immass, C_S0, C_SlotNU, C_SlotNU, C_SlotNU, C_BCC, C_TxInt_5, C_Max_7, C_NECI_0, C_ATT_0, TimingAdv( 0), C_BABR_0, C_cch_1Comb, C_BPM_3, C_T3212_0, C_ci_cellA, C_MCC_1, C_PLMN_1, C_LAC_1, CellOpt_01, CellChDes_Omit, CellChDes_Omit, C_CellReselectHys12, C_MaxPwrLvlG, C_MaxPwrLvlD, BcchFreqLst_45, BcchFreqLst_02, BcchFreqLst_03, BcchFreqLst_04, C_Restablishment, C_BCC, C_NCC, C_Start_Tmsi, TSPX_SDCCH4SubDef, TSPX_CKSNDDef, TSPX_RANDDef, C_arfcnA, C_arfcnAd, TSPX_IMSI, C_Test_nfh, C_NCCP_2) |                                           |     |          |
| 4                           |        | +CCConfigTCH_nociph( TSPX_TCHHSubDef, C_Immass, TSPX_TmSitDef, TSPX_TscDef, TimingAdv( 0), C_BABR_0, C_cch_1Comb, C_BPM_3, TCV_ChMod.mode, FreqTCH_omit, FreqTCH_omit, C_arfcn_tchA, C_arfcn_tchAd)                                                                                                                                                                                                                                                                                                                                                                     |                                           |     |          |
| 5                           |        | +InitCall( TCV_Service)                                                                                                                                                                                                                                                                                                                                                                                                                                                                                                                                                 |                                           |     |          |
| 6                           |        | +PreEnterCCstateU4_22( TSPX_TmSitDef, TSPX_TscDef, TimingAdv( 0))                                                                                                                                                                                                                                                                                                                                                                                                                                                                                                       |                                           |     |          |
| 7                           | body   | LIDL_DatRqRel                                                                                                                                                                                                                                                                                                                                                                                                                                                                                                                                                           | ReleaseSnd(TCV_chTch, Release_03(TCV_TI)) |     |          |
| 8                           | L_0429 | L?DL_DatInRelCmp                                                                                                                                                                                                                                                                                                                                                                                                                                                                                                                                                        | RelComRcv(ReleaseCmp_03(TCV_TI0))         | (P) |          |
| 9                           |        | +CheckTIsInStateU0( TRUE, TCV_chTch)                                                                                                                                                                                                                                                                                                                                                                                                                                                                                                                                    |                                           |     |          |
| 10                          |        | +PostMainLinkRel( TCV_chTch)                                                                                                                                                                                                                                                                                                                                                                                                                                                                                                                                            |                                           |     |          |
| <b>Detailed Comments:</b>   |        | 1. To select a circuit switched basic service for testing.                                                                                                                                                                                                                                                                                                                                                                                                                                                                                                              |                                           |     |          |

| Test Case Dynamic Behaviour |       |                                                                                                                                                                                                                                                                                                                                                                                                                                                                                                                                                                                                                    |      |   |          |
|-----------------------------|-------|--------------------------------------------------------------------------------------------------------------------------------------------------------------------------------------------------------------------------------------------------------------------------------------------------------------------------------------------------------------------------------------------------------------------------------------------------------------------------------------------------------------------------------------------------------------------------------------------------------------------|------|---|----------|
| <b>Test Case Name:</b>      |       | TC_26_8_1_2_5_6                                                                                                                                                                                                                                                                                                                                                                                                                                                                                                                                                                                                    |      |   |          |
| <b>Group:</b>               |       | GSM_L3_MS_v4210/CC/                                                                                                                                                                                                                                                                                                                                                                                                                                                                                                                                                                                                |      |   |          |
| <b>Purpose:</b>             |       | To verify that a CC-entity of the MS in CC-state U4, "Call Delivered" having detected a lower layer failure and has returned to idle mode, the CC-entities relating to the seven mobile originating transaction identifiers are in CC-state U0, "Null".                                                                                                                                                                                                                                                                                                                                                            |      |   |          |
| <b>Default:</b>             |       | OtherEventsFail                                                                                                                                                                                                                                                                                                                                                                                                                                                                                                                                                                                                    |      |   |          |
| Nr                          | Label | Behaviour Description                                                                                                                                                                                                                                                                                                                                                                                                                                                                                                                                                                                              | CRef | V | Comments |
| 1                           |       | START T_guard(300)                                                                                                                                                                                                                                                                                                                                                                                                                                                                                                                                                                                                 |      |   |          |
| 2                           |       | +BasicServiceMOorTelephony(<br>TSPX_MOBscSvch, TSPX_MOChRateH)                                                                                                                                                                                                                                                                                                                                                                                                                                                                                                                                                     |      |   | 1.       |
| 3                           |       | +IdleUpdated( C_E_default, C_CellA, C_SCH_A,<br>C_BCCH_A_1, C_Immash, C_S0, C_SlotNU,<br>C_SlotNU, C_SlotNU, C_BCC, C_TxInt_5,<br>C_Max_7, C_NECI_0, C_ATT_0, TimingAdv( 0),<br>C_BABR_0, C_cch_1Comb, C_BPM_3,<br>C_T3212_0, C_ci_cellA, C_MCC_1, C_PLMN_1,<br>C_LAC_1, CellOpt_01, CellChDes_Omit,<br>CellChDes_Omit, C_CellReselectHys12,<br>C_MaxPwrLvIG, C_MaxPwrLvID,<br>BcchFreqLst_45, BcchFreqLst_02,<br>BcchFreqLst_03, BcchFreqLst_04,<br>C_Restablishment, C_BCC, C_NCC,<br>C_Start_Tmsi, TSPX_SDCCH4SubDef,<br>TSPX_CKSNDf, TSPX_RANDDef, C_arfcnA,<br>C_arfcnAd, TSPX_IMSI, C_Test_nfh,<br>C_NCCP_2) |      |   |          |
| 4                           |       | +CCConfigTCH_nociph( TSPX_TCHHSubDef,<br>C_Immash, TSPX_TmSlitDef, TSPX_TscDef,<br>TimingAdv( 0), C_BABR_0, C_cch_1Comb,<br>C_BPM_3, TCV_ChMod.mode, FreqTCH_omit,<br>FreqTCH_omit, C_arfcn_tchA, C_arfcn_tchAd)                                                                                                                                                                                                                                                                                                                                                                                                   |      |   |          |
| 5                           |       | +InitCall( TCV_Service)                                                                                                                                                                                                                                                                                                                                                                                                                                                                                                                                                                                            |      |   |          |
| 6                           |       | +PreEnterCCstateU4_22( TSPX_TmSlitDef,<br>TSPX_TscDef, TimingAdv( 0))                                                                                                                                                                                                                                                                                                                                                                                                                                                                                                                                              |      |   |          |
| 7                           | body  | (TCV_Null := OM_LowerLayerFail(<br>TCV_chTch))                                                                                                                                                                                                                                                                                                                                                                                                                                                                                                                                                                     |      |   |          |
| 8                           |       | START T_dly( 20000)                                                                                                                                                                                                                                                                                                                                                                                                                                                                                                                                                                                                |      |   |          |
| 9                           |       | ?TIMEOUT T_dly                                                                                                                                                                                                                                                                                                                                                                                                                                                                                                                                                                                                     |      |   |          |
| 10                          |       | +CCEstablishMT_SDCCH4(<br>TimingAdv( 0),<br>TSPX_SDCCH4SubDef,<br>TSPX_CKSNDf)                                                                                                                                                                                                                                                                                                                                                                                                                                                                                                                                     |      |   |          |
| 11                          |       | +CheckTIsInStateU0( TRUE,<br>TCV_ch)                                                                                                                                                                                                                                                                                                                                                                                                                                                                                                                                                                               |      |   |          |
| 12                          |       | +PostMainLinkRel( TCV_ch)                                                                                                                                                                                                                                                                                                                                                                                                                                                                                                                                                                                          |      |   |          |
| <b>Detailed Comments:</b>   |       | 1. To select a circuit switched basic service for testing.                                                                                                                                                                                                                                                                                                                                                                                                                                                                                                                                                         |      |   |          |

| Test Case Dynamic Behaviour |       |                                                                                                                                                                                                                                                                                                                                                                                                                                                                                                                                                                        |      |   |          |
|-----------------------------|-------|------------------------------------------------------------------------------------------------------------------------------------------------------------------------------------------------------------------------------------------------------------------------------------------------------------------------------------------------------------------------------------------------------------------------------------------------------------------------------------------------------------------------------------------------------------------------|------|---|----------|
| <b>Test Case Name:</b>      |       | TC_26_8_1_2_5_7                                                                                                                                                                                                                                                                                                                                                                                                                                                                                                                                                        |      |   |          |
| <b>Group:</b>               |       | GSM_L3_MS_v4210/CC/                                                                                                                                                                                                                                                                                                                                                                                                                                                                                                                                                    |      |   |          |
| <b>Purpose:</b>             |       | To verify that a CC-entity of the MS in CC-state U4, "Call Delivered", when allocated a traffic channel by the network performing the assignment procedure, shall perform a layer 2 establishment on the FACCH without changing the state of the call in progress.                                                                                                                                                                                                                                                                                                     |      |   |          |
| <b>Default:</b>             |       | OtherEventsFail                                                                                                                                                                                                                                                                                                                                                                                                                                                                                                                                                        |      |   |          |
| Nr                          | Label | Behaviour Description                                                                                                                                                                                                                                                                                                                                                                                                                                                                                                                                                  | CRef | V | Comments |
| 1                           |       | START T_guard(300)                                                                                                                                                                                                                                                                                                                                                                                                                                                                                                                                                     |      |   |          |
| 2                           |       | +BasicServiceMOorTelephony( TSPX_MOBscSvcl, TSPX_MOChRateI)                                                                                                                                                                                                                                                                                                                                                                                                                                                                                                            |      |   |          |
| 3                           |       | +IdleUpdated( C_E_default, C_CellA, C_SCH_A, C_BCCH_A_1, C_Immass, C_S0, C_SlotNU, C_SlotNU, C_SlotNU, C_BCC, C_TxInt_5, C_Max_7, C_NECl_0, C_ATT_0, TimingAdv( 0), C_BABR_0, C_cch_1Comb, C_BPM_3, C_T3212_0, C_ci_cellA, C_MCC_1, C_PLMN_1, C_LAC_1, CellOpt_01, CellChDes_Omit, CellChDes_Omit, C_CellReselectHys12, C_MaxPwrLvlG, C_MaxPwrLvlD, BcchFreqLst_45, BcchFreqLst_02, BcchFreqLst_03, BcchFreqLst_04, C_Restablishment, C_BCC, C_NCC, C_Start_Tmsi, TSPX_SDCCH4SubDef, TSPX_CKSNDef, TSPX_RANDDef, C_arfcnA, C_arfcnAd, TSPX_IMSI, C_Test_nfh, C_NCCP_2) |      |   | 1.       |
| 4                           |       | +CCConfigTCH( TSPX_TCHHSubDef, C_Ass, TSPX_TmSlitDef, TSPX_TscDef, TimingAdv( 0), C_BABR_0, C_cch_1Comb, C_BPM_3, TCV_ChMod.mode, FreqTCH_omit, FreqTCH_omit, C_arfcn_tchA, C_arfcn_tchAd)                                                                                                                                                                                                                                                                                                                                                                             |      |   |          |
| 5                           |       | +InitCall( TCV_Service)                                                                                                                                                                                                                                                                                                                                                                                                                                                                                                                                                |      |   |          |
| 6                           |       | +PreEnterCCstateU4_21( TSPX_SDCCH4SubDef, TimingAdv( 0))                                                                                                                                                                                                                                                                                                                                                                                                                                                                                                               |      |   | 2.       |
| 7                           | body  | +CCAssignTCH( TSPX_TmSlitDef, TSPX_TscDef)                                                                                                                                                                                                                                                                                                                                                                                                                                                                                                                             |      |   | 3.       |
| 8                           |       | +CCstatuschk_05( C_U4, TCV_TI, TCV_chTch)                                                                                                                                                                                                                                                                                                                                                                                                                                                                                                                              |      |   | 4.       |
| 9                           |       | +PostMainLinkRel( TCV_chTch)                                                                                                                                                                                                                                                                                                                                                                                                                                                                                                                                           |      |   |          |
| <b>Detailed Comments:</b>   |       | <ol style="list-style-type: none"> <li>1. To setup a physical channel as BCCH, CCCH and SDCCH4.</li> <li>2. To initiate MO call and bring the MS into U4 state.</li> <li>3. The assignment procedure succeeds.</li> <li>4. To check that the MS is still in state U4.</li> </ol>                                                                                                                                                                                                                                                                                       |      |   |          |

| Test Case Dynamic Behaviour |       |                                                                                                                                                                                                                                                                                                                                                                                                                                                                                                                                                                         |                                                  |   |          |
|-----------------------------|-------|-------------------------------------------------------------------------------------------------------------------------------------------------------------------------------------------------------------------------------------------------------------------------------------------------------------------------------------------------------------------------------------------------------------------------------------------------------------------------------------------------------------------------------------------------------------------------|--------------------------------------------------|---|----------|
| <b>Test Case Name:</b>      |       | TC_26_8_1_2_5_8                                                                                                                                                                                                                                                                                                                                                                                                                                                                                                                                                         |                                                  |   |          |
| <b>Group:</b>               |       | GSM_L3_MS_v4210/CC/                                                                                                                                                                                                                                                                                                                                                                                                                                                                                                                                                     |                                                  |   |          |
| <b>Purpose:</b>             |       | To verify that a CC-entity of the MS in CC-state U4, "Call Delivered", having received an unknown message from its peer entity returns a STATUS message.                                                                                                                                                                                                                                                                                                                                                                                                                |                                                  |   |          |
| <b>Default:</b>             |       | OtherEventsFail                                                                                                                                                                                                                                                                                                                                                                                                                                                                                                                                                         |                                                  |   |          |
| Nr                          | Label | Behaviour Description                                                                                                                                                                                                                                                                                                                                                                                                                                                                                                                                                   | CRef                                             | V | Comments |
| 1                           |       | START T_guard(300)                                                                                                                                                                                                                                                                                                                                                                                                                                                                                                                                                      |                                                  |   |          |
| 2                           |       | +BasicServiceMOorTelephony( TSPX_MOBscSvcJ, TSPX_MOChRateJ)                                                                                                                                                                                                                                                                                                                                                                                                                                                                                                             |                                                  |   | 1.       |
| 3                           |       | +IdleUpdated( C_E_default, C_CellA, C_SCH_A, C_BCCH_A_1, C_Immass, C_S0, C_SlotNU, C_SlotNU, C_SlotNU, C_BCC, C_TxInt_5, C_Max_7, C_NECI_0, C_ATT_0, TimingAdv( 0), C_BABR_0, C_cch_1Comb, C_BPM_3, C_T3212_0, C_ci_cellA, C_MCC_1, C_PLMN_1, C_LAC_1, CellOpt_01, CellChDes_Omit, CellChDes_Omit, C_CellReselectHys12, C_MaxPwrLvIG, C_MaxPwrLvID, BcchFreqLst_45, BcchFreqLst_02, BcchFreqLst_03, BcchFreqLst_04, C_Restablishment, C_BCC, C_NCC, C_Start_Tmsi, TSPX_SDCCH4SubDef, TSPX_CKSNDDef, TSPX_RANDDef, C_arfcnA, C_arfcnAd, TSPX_IMSI, C_Test_nfh, C_NCCP_2) |                                                  |   |          |
| 4                           |       | +CCConfigTCH_nociph( TSPX_TCHHSubDef, C_Immass, TSPX_TmSltDef, TSPX_TscDef, TimingAdv( 0), C_BABR_0, C_cch_1Comb, C_BPM_3, TCV_ChMod.mode, FreqTCH_omit, FreqTCH_omit, C_arfcn_tchA, C_arfcn_tchAd)                                                                                                                                                                                                                                                                                                                                                                     |                                                  |   | 2.       |
| 5                           |       | +InitCall( TCV_Service)                                                                                                                                                                                                                                                                                                                                                                                                                                                                                                                                                 |                                                  |   |          |
| 6                           |       | +PreEnterCCstateU4_24( TSPX_TmSltDef, TSPX_TscDef, TimingAdv( 0))                                                                                                                                                                                                                                                                                                                                                                                                                                                                                                       |                                                  |   |          |
| 7                           | body  | L!DL_DatRqUndefCC                                                                                                                                                                                                                                                                                                                                                                                                                                                                                                                                                       | UndefCC( TCV_chTch, UndefCC_02( TCV_TI))         |   | 3.       |
| 8                           |       | L?DL_DatInCcst                                                                                                                                                                                                                                                                                                                                                                                                                                                                                                                                                          | CCStRcv( TCV_chTch, CCStatus_08( TCV_TI0, C_U4)) |   |          |
| 9                           |       | +CCstatuschk_05( C_U4, TCV_TI, TCV_chTch)                                                                                                                                                                                                                                                                                                                                                                                                                                                                                                                               |                                                  |   |          |
| 10                          |       | +PostMainLinkRel( TCV_chTch)                                                                                                                                                                                                                                                                                                                                                                                                                                                                                                                                            |                                                  |   |          |
| <b>Detailed Comments:</b>   |       | <ol style="list-style-type: none"> <li>1. To select a basic service and channel rate, if the MS supports telephony the selected basic service is telephony.</li> <li>2. To setup the full rate or half rate traffic channel and BCCH, CCCH for the test.</li> <li>3. To send a CC message which message type is undefined for the CC.</li> </ol>                                                                                                                                                                                                                        |                                                  |   |          |

| Test Case Dynamic Behaviour |            |                                                                                                                                                                                                                                                                                                                                                                                                                                                                                                                                                                                                                      |                                                          |     |          |
|-----------------------------|------------|----------------------------------------------------------------------------------------------------------------------------------------------------------------------------------------------------------------------------------------------------------------------------------------------------------------------------------------------------------------------------------------------------------------------------------------------------------------------------------------------------------------------------------------------------------------------------------------------------------------------|----------------------------------------------------------|-----|----------|
| <b>Test Case Name:</b>      |            | TC_26_8_1_2_6_1                                                                                                                                                                                                                                                                                                                                                                                                                                                                                                                                                                                                      |                                                          |     |          |
| <b>Group:</b>               |            | GSM_L3_MS_v4210/CC/                                                                                                                                                                                                                                                                                                                                                                                                                                                                                                                                                                                                  |                                                          |     |          |
| <b>Purpose:</b>             |            | To verify that the a CC-entity of the MS in CC-state U10, "Call Active", upon request by the user to terminate will send a DISCONNECT message and enter the CC-state U11, "Disconnect Request".                                                                                                                                                                                                                                                                                                                                                                                                                      |                                                          |     |          |
| <b>Default:</b>             |            | OtherEventsFail                                                                                                                                                                                                                                                                                                                                                                                                                                                                                                                                                                                                      |                                                          |     |          |
| Nr                          | Label      | Behaviour Description                                                                                                                                                                                                                                                                                                                                                                                                                                                                                                                                                                                                | CRef                                                     | V   | Comments |
| 1                           |            | START T_guard(300)                                                                                                                                                                                                                                                                                                                                                                                                                                                                                                                                                                                                   |                                                          |     |          |
| 2                           |            | +BasicServiceMOorTelephony(<br>TSPX_MOBscSvcA, TSPX_MOChRateA)                                                                                                                                                                                                                                                                                                                                                                                                                                                                                                                                                       |                                                          |     |          |
| 3                           |            | +IdleUpdated( C_E_default, C_CellA, C_SCH_A,<br>C_BCCH_A_1, C_Immass, C_S0, C_SlotNU,<br>C_SlotNU, C_SlotNU, C_BCC, C_TxInt_5,<br>C_Max_7, C_NECl_0, C_ATT_0, TimingAdv( 0),<br>C_BABR_0, C_cch_1Comb, C_BPM_3,<br>C_T3212_0, C_ci_cellA, C_MCC_1, C_PLMN_1,<br>C_LAC_1, CellOpt_01, CellChDes_Omit,<br>CellChDes_Omit, C_CellReselectHys12,<br>C_MaxPwrLvlG, C_MaxPwrLvlD,<br>BcchFreqLst_45, BcchFreqLst_02,<br>BcchFreqLst_03, BcchFreqLst_04,<br>C_Restablishment, C_BCC, C_NCC,<br>C_Start_Tmsi, TSPX_SDCCH4SubDef,<br>TSPX_CKSNDDef, TSPX_RANDDef, C_arfcnA,<br>C_arfcnAd, TSPX_IMSI, C_Test_nfh,<br>C_NCCP_2) |                                                          |     | 1.       |
| 4                           |            | +InitCall( TCV_Service)                                                                                                                                                                                                                                                                                                                                                                                                                                                                                                                                                                                              |                                                          |     |          |
| 5                           |            | +CCConfigTCH( TSPX_TCHHSubDef,<br>C_Ass, TSPX_TmSltDef, TSPX_TscDef,<br>TimingAdv( 0), C_BABR_0, C_cch_1Comb,<br>C_BPM_3, TCV_ChMod.mode,<br>FreqTCH_omit, FreqTCH_omit,<br>C_arfcn_tchA, C_arfcn_tchAd)                                                                                                                                                                                                                                                                                                                                                                                                             |                                                          |     |          |
| 6                           |            | +PreEnterCCstateU10_21(<br>TSPX_SDCCH4SubDef, TSPX_TmSltDef,<br>TSPX_TscDef, TimingAdv( 0))                                                                                                                                                                                                                                                                                                                                                                                                                                                                                                                          |                                                          |     | 2.       |
| 7                           | body       | (TCV_Null := OO_TermCall())                                                                                                                                                                                                                                                                                                                                                                                                                                                                                                                                                                                          |                                                          |     |          |
| 8                           | L_043<br>0 | L?DL_DatInDisc                                                                                                                                                                                                                                                                                                                                                                                                                                                                                                                                                                                                       | DiscRcv( TCV_chTch,<br>DisconnR( TCV_TI0,<br>Cause_Def)) | (P) | 3.       |
| 9                           |            | +CCstatuschk_05( C_U11, TCV_TI,<br>TCV_chTch)                                                                                                                                                                                                                                                                                                                                                                                                                                                                                                                                                                        |                                                          |     | 4.       |
| 10                          |            | +PostMainLinkRel( TCV_chTch)                                                                                                                                                                                                                                                                                                                                                                                                                                                                                                                                                                                         |                                                          |     |          |
| <b>Detailed Comments:</b>   |            | <ol style="list-style-type: none"> <li>1. To setup a physical channel as BCCH, CCCH and SDCCH4.</li> <li>2. To bring the MS into U10 state.</li> <li>3. The expected DISCONNECT message received.</li> <li>4. To check whether the MS enters the state U11.</li> </ol>                                                                                                                                                                                                                                                                                                                                               |                                                          |     |          |

| Test Case Dynamic Behaviour |            |                                                                                                                                                                                                                                                                                                                                                                                                                                                                                                                                                                         |                                           |     |          |
|-----------------------------|------------|-------------------------------------------------------------------------------------------------------------------------------------------------------------------------------------------------------------------------------------------------------------------------------------------------------------------------------------------------------------------------------------------------------------------------------------------------------------------------------------------------------------------------------------------------------------------------|-------------------------------------------|-----|----------|
| <b>Test Case Name:</b>      |            | TC_26_8_1_2_6_2                                                                                                                                                                                                                                                                                                                                                                                                                                                                                                                                                         |                                           |     |          |
| <b>Group:</b>               |            | GSM_L3_MS_v4210/CC/                                                                                                                                                                                                                                                                                                                                                                                                                                                                                                                                                     |                                           |     |          |
| <b>Purpose:</b>             |            | 1) To verify that the a CC-entity of the MS in CC-state U10, "Call Active", upon receive of the RELEASE will respond with the RELEASE COMPLETE message and enter the CC-state U0, "Null"<br>2) To verify that the MS on returning to the idle mode releases the MM-connection and that the CC-entities relating to the seven mobile originating transaction identifiers are in CC-state U0, "Null"                                                                                                                                                                      |                                           |     |          |
| <b>Default:</b>             |            | OtherEventsFail                                                                                                                                                                                                                                                                                                                                                                                                                                                                                                                                                         |                                           |     |          |
| Nr                          | Label      | Behaviour Description                                                                                                                                                                                                                                                                                                                                                                                                                                                                                                                                                   | CRef                                      | V   | Comments |
| 1                           |            | START T_guard(300)                                                                                                                                                                                                                                                                                                                                                                                                                                                                                                                                                      |                                           |     |          |
| 2                           |            | +BasicServiceMOorTelephony(TSPX_MOBscSvcB, TSPX_MOChRateB)                                                                                                                                                                                                                                                                                                                                                                                                                                                                                                              |                                           |     |          |
| 3                           |            | +IdleUpdated( C_E_default, C_CellA, C_SCH_A, C_BCCH_A_1, C_Immass, C_S0, C_SlotNU, C_SlotNU, C_SlotNU, C_BCC, C_TxInt_5, C_Max_7, C_NECl_0, C_ATT_0, TimingAdv( 0), C_BABR_0, C_cch_1Comb, C_BPM_3, C_T3212_0, C_ci_cellA, C_MCC_1, C_PLMN_1, C_LAC_1, CellOpt_01, CellChDes_Omit, CellChDes_Omit, C_CellReselectHys12, C_MaxPwrLvlG, C_MaxPwrLvlD, BcchFreqLst_45, BcchFreqLst_02, BcchFreqLst_03, BcchFreqLst_04, C_Restablishment, C_BCC, C_NCC, C_Start_Tmsi, TSPX_SDCCH4SubDef, TSPX_CKSNDDef, TSPX_RANDDef, C_arfcnA, C_arfcnAd, TSPX_IMSI, C_Test_nfh, C_NCCP_2) |                                           |     | 1.       |
| 4                           |            | +InitCall( TCV_Service)                                                                                                                                                                                                                                                                                                                                                                                                                                                                                                                                                 |                                           |     |          |
| 5                           |            | +CCConfigTCH( TSPX_TCHHSubDef, C_Ass, TSPX_TmSlitDef, TSPX_TscDef, TimingAdv( 0), C_BABR_0, C_cch_1Comb, C_BPM_3, TCV_ChMod.mode, FreqTCH_omit, FreqTCH_omit, C_arfcn_tchA, C_arfcn_tchAd)                                                                                                                                                                                                                                                                                                                                                                              |                                           |     |          |
| 6                           |            | +PreEnterCCstateU10_21( TSPX_SDCCH4SubDef, TSPX_TmSlitDef, TSPX_TscDef, TimingAdv( 0))                                                                                                                                                                                                                                                                                                                                                                                                                                                                                  |                                           |     | 2.       |
| 7                           | body       | L!DL_DatRqRel                                                                                                                                                                                                                                                                                                                                                                                                                                                                                                                                                           | ReleaseSnd(TCV_chTch, Release_03(TCV_TI)) |     |          |
| 8                           | L_043<br>1 | L?DL_DatInRelCmp                                                                                                                                                                                                                                                                                                                                                                                                                                                                                                                                                        | RelComRcv(ReleaseCmp_03(TCV_TI0))         | (P) | 3.       |
| 9                           |            | +CheckTIsInStateU0( TRUE, TCV_chTch)                                                                                                                                                                                                                                                                                                                                                                                                                                                                                                                                    |                                           |     |          |
| 10                          |            | +PostMainLinkRel( TCV_chTch)                                                                                                                                                                                                                                                                                                                                                                                                                                                                                                                                            |                                           |     |          |
| <b>Detailed Comments:</b>   |            | 1. To setup a physical channel as BCCH, CCCH and SDCCH4.<br>2. To bring the MS into U10 state.<br>3. The expected RELEASE COMPLETE message received.                                                                                                                                                                                                                                                                                                                                                                                                                    |                                           |     |          |

| Test Case Dynamic Behaviour |            |                                                                                                                                                                                                                                                                                                                                                                                                                                                                                                                                                                                                                    |                                                                                             |     |                        |
|-----------------------------|------------|--------------------------------------------------------------------------------------------------------------------------------------------------------------------------------------------------------------------------------------------------------------------------------------------------------------------------------------------------------------------------------------------------------------------------------------------------------------------------------------------------------------------------------------------------------------------------------------------------------------------|---------------------------------------------------------------------------------------------|-----|------------------------|
| <b>Test Case Name:</b>      |            | TC_26_8_1_2_6_3                                                                                                                                                                                                                                                                                                                                                                                                                                                                                                                                                                                                    |                                                                                             |     |                        |
| <b>Group:</b>               |            | GSM_L3_MS_v4210/CC/                                                                                                                                                                                                                                                                                                                                                                                                                                                                                                                                                                                                |                                                                                             |     |                        |
| <b>Purpose:</b>             |            | To verify that a CC-entity of the MS in CC-state U10, "Call Active", upon receipt of a DISCONNECT message with a Progress Indicator indicating in-band information, through-connects the speech channel to make in-band announcements available, if traffic channel is in speech mode. If TCH is not in speech mode, the MS sends a RELEASE message.                                                                                                                                                                                                                                                               |                                                                                             |     |                        |
| <b>Default:</b>             |            | OtherEventsFail                                                                                                                                                                                                                                                                                                                                                                                                                                                                                                                                                                                                    |                                                                                             |     |                        |
| Nr                          | Label      | Behaviour Description                                                                                                                                                                                                                                                                                                                                                                                                                                                                                                                                                                                              | CRef                                                                                        | V   | Comments               |
| 1                           |            | START T_guard(300)                                                                                                                                                                                                                                                                                                                                                                                                                                                                                                                                                                                                 |                                                                                             |     |                        |
| 2                           |            | +BasicServiceMOorTelephony(<br>TSPX_MOBscSvcC, TSPX_MOChRateC)                                                                                                                                                                                                                                                                                                                                                                                                                                                                                                                                                     |                                                                                             |     | 1.                     |
| 3                           |            | +IdleUpdated( C_E_default, C_CellA, C_SCH_A,<br>C_BCCH_A_1, C_Immass, C_S0, C_SlotNU,<br>C_SlotNU, C_SlotNU, C_BCC, C_TxInt_5,<br>C_Max_7, C_NECl_0, C_ATT_0, TimingAdv( 0),<br>C_BABR_0, C_cch_1Comb, C_BPM_3,<br>C_T3212_0, C_ci_cellA, C_MCC_1, C_PLMN_1,<br>C_LAC_1, CellOpt_01, CellChDes_Omit,<br>CellChDes_Omit, C_CellReselectHys12,<br>C_MaxPwrLvIG, C_MaxPwrLvID,<br>BcchFreqLst_45, BcchFreqLst_02,<br>BcchFreqLst_03, BcchFreqLst_04,<br>C_Restablishment, C_BCC, C_NCC,<br>C_Start_Tmsi, TSPX_SDCCH4SubDef,<br>TSPX_CKSNDf, TSPX_RANDDef, C_arfcnA,<br>C_arfcnAd, TSPX_IMSI, C_Test_nfh,<br>C_NCCP_2) |                                                                                             |     | 2.                     |
| 4                           |            | +CCconfigTCH_nociph( TSPX_TCHHSubDef,<br>C_Immass, TSPX_TmSlitDef, TSPX_TscDef,<br>TimingAdv( 0), C_BABR_0, C_cch_1Comb,<br>C_BPM_3, TCV_ChMod.mode, FreqTCH_omit,<br>FreqTCH_omit, C_arfcn_tchA, C_arfcn_tchAd)                                                                                                                                                                                                                                                                                                                                                                                                   |                                                                                             |     | 2.                     |
| 5                           |            | +InitCall( TCV_Service)                                                                                                                                                                                                                                                                                                                                                                                                                                                                                                                                                                                            |                                                                                             |     |                        |
| 6                           |            | +PreEnterCCstateU10_22(<br>TSPX_TmSlitDef, TSPX_TscDef,<br>TimingAdv( 0))                                                                                                                                                                                                                                                                                                                                                                                                                                                                                                                                          |                                                                                             |     |                        |
| 7                           | body       | LIDL_DatRqDisc                                                                                                                                                                                                                                                                                                                                                                                                                                                                                                                                                                                                     | DiscSnd(<br>TCV_chTch,<br>DisconnS( TCV_TI,<br>Cause_01,<br>ProgInd_03iei,<br>UuInfo_omit)) |     | 3.                     |
| 8                           |            | [TCV_ChMod.mode = C_ChMod_r]                                                                                                                                                                                                                                                                                                                                                                                                                                                                                                                                                                                       |                                                                                             |     |                        |
| 9                           |            | (TCV_Res :=<br>OO_TCHThroConnCHK())                                                                                                                                                                                                                                                                                                                                                                                                                                                                                                                                                                                |                                                                                             |     | 4.                     |
| 10                          | L_043<br>2 | [TCV_Res]                                                                                                                                                                                                                                                                                                                                                                                                                                                                                                                                                                                                          |                                                                                             | (P) | Inband info audible    |
| 11                          |            | +CCstatuschk_05( C_U12,<br>TCV_TI, TCV_chTch)                                                                                                                                                                                                                                                                                                                                                                                                                                                                                                                                                                      |                                                                                             |     |                        |
| 12                          |            | +PostMainLinkRel(<br>TCV_chTch)                                                                                                                                                                                                                                                                                                                                                                                                                                                                                                                                                                                    |                                                                                             |     |                        |
| 13                          | L_043<br>3 | [NOT TCV_Res]                                                                                                                                                                                                                                                                                                                                                                                                                                                                                                                                                                                                      |                                                                                             | (F) | No inband info audible |
| 14                          |            | +PostMainLinkRel( TCV_chTch)                                                                                                                                                                                                                                                                                                                                                                                                                                                                                                                                                                                       |                                                                                             |     |                        |
| 15                          |            | [TCV_ChMod.mode <=> C_ChMod_r]                                                                                                                                                                                                                                                                                                                                                                                                                                                                                                                                                                                     |                                                                                             |     |                        |
| 16                          | L_043<br>4 | L?DL_DatInRel                                                                                                                                                                                                                                                                                                                                                                                                                                                                                                                                                                                                      | ReleaseRcv(<br>Release_10(<br>TCV_TI0))                                                     | (P) |                        |
| 17                          |            | +CCstatuschk_05( C_U19, TCV_TI,<br>TCV_chTch)                                                                                                                                                                                                                                                                                                                                                                                                                                                                                                                                                                      |                                                                                             |     |                        |
| 18                          |            | +PostMainLinkRel( TCV_chTch)                                                                                                                                                                                                                                                                                                                                                                                                                                                                                                                                                                                       |                                                                                             |     |                        |
| <b>Detailed Comments:</b>   |            | <ol style="list-style-type: none"> <li>1. To select a circuit switched basic service for testing.</li> <li>2. To setup BCCH, CCCH and traffic channels.</li> <li>3. With progress indicator #8.</li> <li>4. To check whether the audio path is connected for inband tones.</li> </ol>                                                                                                                                                                                                                                                                                                                              |                                                                                             |     |                        |

| Test Case Dynamic Behaviour |            |                                                                                                                                                                                                                                                                                                                                                                                                                                                                                                                                                                                                                    |                                                                                            |     |          |
|-----------------------------|------------|--------------------------------------------------------------------------------------------------------------------------------------------------------------------------------------------------------------------------------------------------------------------------------------------------------------------------------------------------------------------------------------------------------------------------------------------------------------------------------------------------------------------------------------------------------------------------------------------------------------------|--------------------------------------------------------------------------------------------|-----|----------|
| <b>Test Case Name:</b>      |            | TC_26_8_1_2_6_4                                                                                                                                                                                                                                                                                                                                                                                                                                                                                                                                                                                                    |                                                                                            |     |          |
| <b>Group:</b>               |            | GSM_L3_MS_v4210/CC/                                                                                                                                                                                                                                                                                                                                                                                                                                                                                                                                                                                                |                                                                                            |     |          |
| <b>Purpose:</b>             |            | To verify that the a CC-entity of the MS in CC-state U10, "Call Active", upon receipt of a DISCONNECT message without progress indicator, returns a RELEASE message and enters the CC-state U19, "Release Request".                                                                                                                                                                                                                                                                                                                                                                                                |                                                                                            |     |          |
| <b>Default:</b>             |            | OtherEventsFail                                                                                                                                                                                                                                                                                                                                                                                                                                                                                                                                                                                                    |                                                                                            |     |          |
| Nr                          | Label      | Behaviour Description                                                                                                                                                                                                                                                                                                                                                                                                                                                                                                                                                                                              | CRef                                                                                       | V   | Comments |
| 1                           |            | START T_guard(300)                                                                                                                                                                                                                                                                                                                                                                                                                                                                                                                                                                                                 |                                                                                            |     |          |
| 2                           |            | +BasicServiceMOorTelephony(<br>TSPX_MOBscSvcD, TSPX_MOChRateD)                                                                                                                                                                                                                                                                                                                                                                                                                                                                                                                                                     |                                                                                            |     | 1.       |
| 3                           |            | +IdleUpdated( C_E_default, C_CellA, C_SCH_A,<br>C_BCCH_A_1, C_Immss, C_S0, C_SlotNU,<br>C_SlotNU, C_SlotNU, C_BCC, C_TxInt_5,<br>C_Max_7, C_NECI_0, C_ATT_0, TimingAdv( 0),<br>C_BABR_0, C_cch_1Comb, C_BPM_3,<br>C_T3212_0, C_ci_cellA, C_MCC_1, C_PLMN_1,<br>C_LAC_1, CellOpt_01, CellChDes_Omit,<br>CellChDes_Omit, C_CellReselectHys12,<br>C_MaxPwrLvIG, C_MaxPwrLvID,<br>BcchFreqLst_45, BcchFreqLst_02,<br>BcchFreqLst_03, BcchFreqLst_04,<br>C_Restablishment, C_BCC, C_NCC,<br>C_Start_Tmsi, TSPX_SDCCH4SubDef,<br>TSPX_CKSNDef, TSPX_RANDDef, C_arfcnA,<br>C_arfcnAd, TSPX_IMSI, C_Test_nfh,<br>C_NCCP_2) |                                                                                            |     | 2.       |
| 4                           |            | +CCConfigTCH_nociph( TSPX_TCHHSubDef,<br>C_Immss, TSPX_TmSlitDef, TSPX_TscDef,<br>TimingAdv( 0), C_BABR_0, C_cch_1Comb,<br>C_BPM_3, TCV_ChMod.mode, FreqTCH_omit,<br>FreqTCH_omit, C_arfcn_tchA, C_arfcn_tchAd)                                                                                                                                                                                                                                                                                                                                                                                                    |                                                                                            |     | 2.       |
| 5                           |            | +InitCall( TCV_Service)                                                                                                                                                                                                                                                                                                                                                                                                                                                                                                                                                                                            |                                                                                            |     |          |
| 6                           |            | +PreEnterCCstateU10_22(<br>TSPX_TmSlitDef, TSPX_TscDef,<br>TimingAdv( 0))                                                                                                                                                                                                                                                                                                                                                                                                                                                                                                                                          |                                                                                            |     |          |
| 7                           | body       | L!DL_DatRqDisc                                                                                                                                                                                                                                                                                                                                                                                                                                                                                                                                                                                                     | DiscSnd(<br>TCV_chTch,<br>DisconnS( TCV_TI,<br>Cause_01,<br>ProgInd_omit,<br>UuInfo_omit)) |     | 3.       |
| 8                           | L_043<br>5 | L?DL_DatInRel                                                                                                                                                                                                                                                                                                                                                                                                                                                                                                                                                                                                      | ReleaseRcv(<br>Release_10(<br>TCV_TI0))                                                    | (P) |          |
| 9                           |            | +CCstatuschk_05( C_U19, TCV_TI,<br>TCV_chTch)                                                                                                                                                                                                                                                                                                                                                                                                                                                                                                                                                                      |                                                                                            |     |          |
| 10                          |            | +PostMainLinkRel( TCV_chTch)                                                                                                                                                                                                                                                                                                                                                                                                                                                                                                                                                                                       |                                                                                            |     |          |
| <b>Detailed Comments:</b>   |            | 1. To select a circuit switched basic service for testing.<br>2. To setup BCCH, CCCH and traffic channels.<br>3. Without progress indicator #8.                                                                                                                                                                                                                                                                                                                                                                                                                                                                    |                                                                                            |     |          |



| Test Case Dynamic Behaviour |       |                                                                                                                                                                                                                                                                                                                                                                                                                                                                                                                                                                         |                                             |   |          |
|-----------------------------|-------|-------------------------------------------------------------------------------------------------------------------------------------------------------------------------------------------------------------------------------------------------------------------------------------------------------------------------------------------------------------------------------------------------------------------------------------------------------------------------------------------------------------------------------------------------------------------------|---------------------------------------------|---|----------|
| <b>Test Case Name:</b>      |       | TC_26_8_1_2_6_5                                                                                                                                                                                                                                                                                                                                                                                                                                                                                                                                                         |                                             |   |          |
| <b>Group:</b>               |       | GSM_L3_MS_v4210/CC/                                                                                                                                                                                                                                                                                                                                                                                                                                                                                                                                                     |                                             |   |          |
| <b>Purpose:</b>             |       | 1) To verify that a CC entity of the MS in CC-state U10, "Call active" upon receipt of a RELEASE COMPLETE message with valid cause value, enters CC state U0, "Null".<br>2) To verify that in returning to idle mode, the CC entities relating to the seven mobile originating transaction identifiers are in state U0, "Null".                                                                                                                                                                                                                                         |                                             |   |          |
| <b>Default:</b>             |       | OtherEventsFail                                                                                                                                                                                                                                                                                                                                                                                                                                                                                                                                                         |                                             |   |          |
| Nr                          | Label | Behaviour Description                                                                                                                                                                                                                                                                                                                                                                                                                                                                                                                                                   | CRef                                        | V | Comments |
| 1                           |       | START T_guard(300)                                                                                                                                                                                                                                                                                                                                                                                                                                                                                                                                                      |                                             |   |          |
| 2                           |       | +BasicServiceMOorTelephony(TSPX_MOBscSvcE, TSPX_MOChRateE)                                                                                                                                                                                                                                                                                                                                                                                                                                                                                                              |                                             |   | 1.       |
| 3                           |       | +IdleUpdated( C_E_default, C_CellA, C_SCH_A, C_BCCH_A_1, C_Immass, C_SO, C_SlotNU, C_SlotNU, C_SlotNU, C_BCC, C_TxInt_5, C_Max_7, C_NECL_0, C_ATT_0, TimingAdv( 0), C_BABR_0, C_cch_1Comb, C_BPM_3, C_T3212_0, C_ci_cellA, C_MCC_1, C_PLMN_1, C_LAC_1, CellOpt_01, CellChDes_Omit, CellChDes_Omit, C_CellReselectHys12, C_MaxPwrLvlG, C_MaxPwrLvlD, BcchFreqLst_45, BcchFreqLst_02, BcchFreqLst_03, BcchFreqLst_04, C_Restablishment, C_BCC, C_NCC, C_Start_Tmsi, TSPX_SDCCH4SubDef, TSPX_CKSNDDef, TSPX_RANDDef, C_arfcnA, C_arfcnAd, TSPX_IMSI, C_Test_nfh, C_NCCP_2) |                                             |   | 2.       |
| 4                           |       | +CCConfigTCH_nociph( TSPX_TCHHSubDef, C_Immass, TSPX_TmSlitDef, TSPX_TscDef, TimingAdv( 0), C_BABR_0, C_cch_1Comb, C_BPM_3, TCV_ChMod.mode, FreqTCH_omit, FreqTCH_omit, C_arfcn_tchA, C_arfcn_tchAd)                                                                                                                                                                                                                                                                                                                                                                    |                                             |   | 2.       |
| 5                           |       | +InitCall( TCV_Service)                                                                                                                                                                                                                                                                                                                                                                                                                                                                                                                                                 |                                             |   |          |
| 6                           |       | +PreEnterCCstateU10_22(TSPX_TmSlitDef, TSPX_TscDef, TimingAdv( 0))                                                                                                                                                                                                                                                                                                                                                                                                                                                                                                      |                                             |   |          |
| 7                           | body  | LIDL_DatRqRelCmp                                                                                                                                                                                                                                                                                                                                                                                                                                                                                                                                                        | RelComSnd(TCV_chTch, ReleaseCmp_04(TCV_TI)) |   |          |
| 8                           |       | +CheckTIsInStateU0( TRUE, TCV_chTch)                                                                                                                                                                                                                                                                                                                                                                                                                                                                                                                                    |                                             |   |          |
| 9                           |       | +PostMainLinkRel( TCV_chTch)                                                                                                                                                                                                                                                                                                                                                                                                                                                                                                                                            |                                             |   |          |
| <b>Detailed Comments:</b>   |       | 1. To select a circuit switched basic service for testing.<br>2. To setup BCCH, CCCH and traffic channels.                                                                                                                                                                                                                                                                                                                                                                                                                                                              |                                             |   |          |

| Test Case Dynamic Behaviour |            |                                                                                                                                                                                                                                                                                                                                                                                                                                                                                                                                                                         |                                                |     |          |
|-----------------------------|------------|-------------------------------------------------------------------------------------------------------------------------------------------------------------------------------------------------------------------------------------------------------------------------------------------------------------------------------------------------------------------------------------------------------------------------------------------------------------------------------------------------------------------------------------------------------------------------|------------------------------------------------|-----|----------|
| <b>Test Case Name:</b>      |            | TC_26_8_1_2_6_6                                                                                                                                                                                                                                                                                                                                                                                                                                                                                                                                                         |                                                |     |          |
| <b>Group:</b>               |            | GSM_L3_MS_v4210/CC/                                                                                                                                                                                                                                                                                                                                                                                                                                                                                                                                                     |                                                |     |          |
| <b>Purpose:</b>             |            | 1) To verify that a Mobile Station that has a call established and receives a SETUP message answers either with a CALL CONFIRMED message with cause "user busy" if it supports call waiting, or with a RELEASE COMPLETE message with cause "user busy" otherwise.                                                                                                                                                                                                                                                                                                       |                                                |     |          |
|                             |            | 2) To verify that after having sent this message, the MS is still in state U10 for the established call.                                                                                                                                                                                                                                                                                                                                                                                                                                                                |                                                |     |          |
| <b>Default:</b>             |            | OtherEventsFail                                                                                                                                                                                                                                                                                                                                                                                                                                                                                                                                                         |                                                |     |          |
| Nr                          | Label      | Behaviour Description                                                                                                                                                                                                                                                                                                                                                                                                                                                                                                                                                   | CRef                                           | V   | Comments |
| 1                           |            | START T_guard(300)                                                                                                                                                                                                                                                                                                                                                                                                                                                                                                                                                      |                                                |     |          |
| 2                           |            | +BasicServiceMT( TSPX_MTBscSvcA, TSPX_MTChRateA)                                                                                                                                                                                                                                                                                                                                                                                                                                                                                                                        |                                                |     | 1.       |
| 3                           |            | +BasicServiceMOorTelephony( TSPX_MOBscSvcF, TSPX_MOChRateF)                                                                                                                                                                                                                                                                                                                                                                                                                                                                                                             |                                                |     |          |
| 4                           |            | +IdleUpdated( C_E_default, C_CellA, C_SCH_A, C_BCCH_A_1, C_Immass, C_S0, C_SlotNU, C_SlotNU, C_SlotNU, C_BCC, C_TxInt_5, C_Max_7, C_NECl_0, C_ATT_0, TimingAdv( 0), C_BABR_0, C_cch_1Comb, C_BPM_3, C_T3212_0, C_ci_cellA, C_MCC_1, C_PLMN_1, C_LAC_1, CellOpt_01, CellChDes_Omit, CellChDes_Omit, C_CellReselectHys12, C_MaxPwrLvlG, C_MaxPwrLvlD, BcchFreqLst_45, BcchFreqLst_02, BcchFreqLst_03, BcchFreqLst_04, C_Restablishment, C_BCC, C_NCC, C_Start_Tmsi, TSPX_SDCCH4SubDef, TSPX_CKSNDDef, TSPX_RANDDef, C_arfcnA, C_arfcnAd, TSPX_IMSI, C_Test_nfh, C_NCCP_2) |                                                |     | 2.       |
| 5                           |            | +CCConfigTCH( TSPX_TCHHSubDef, C_Ass, TSPX_TmSlitDef, TSPX_TscDef, TimingAdv( 0), C_BABR_0, C_cch_1Comb, C_BPM_3, TCV_ChMod.mode, FreqTCH_omit, FreqTCH_omit, C_arfcn_tchA, C_arfcn_tchAd)                                                                                                                                                                                                                                                                                                                                                                              |                                                |     |          |
| 6                           |            | +InitCall( TCV_Service)                                                                                                                                                                                                                                                                                                                                                                                                                                                                                                                                                 |                                                |     |          |
| 7                           |            | +PreEnterCCstateU10_21( TSPX_SDCCH4SubDef, TSPX_TmSlitDef, TSPX_TscDef, TimingAdv( 0))                                                                                                                                                                                                                                                                                                                                                                                                                                                                                  |                                                |     | 3.       |
| 8                           | body       | (TCV_Setup_mt.sig := Signal_02, TCV_Setup_mt.ti := TCV_TI0)                                                                                                                                                                                                                                                                                                                                                                                                                                                                                                             |                                                |     | 4.       |
| 9                           |            | LIDL_DatRqSetup                                                                                                                                                                                                                                                                                                                                                                                                                                                                                                                                                         | SetupSnd( TCV_chTch, TCV_Setup_mt)             |     | 5.       |
| 10                          | L_043<br>6 | L?DL_DatInRelCmp                                                                                                                                                                                                                                                                                                                                                                                                                                                                                                                                                        | RelComRcv( ReleaseCmp_10( TCV_TI))             | (P) | 6.       |
| 11                          |            | +CCstatuschk_05(C_U10, TCV_TI, TCV_chTch)                                                                                                                                                                                                                                                                                                                                                                                                                                                                                                                               |                                                |     | 7.       |
| 12                          |            | +PostMainLinkRel( TCV_chTch)                                                                                                                                                                                                                                                                                                                                                                                                                                                                                                                                            |                                                |     |          |
| 13                          | L_043<br>7 | L?DL_DatInCallCo                                                                                                                                                                                                                                                                                                                                                                                                                                                                                                                                                        | CallCfm( CallConfirm_02( TCV_TI))              | (P) | 8.       |
| 14                          |            | L?DL_DatInAlert                                                                                                                                                                                                                                                                                                                                                                                                                                                                                                                                                         | AlertRcv( AlertingInd_02( TCV_TI))             |     |          |
| 15                          |            | LIDL_DatRqRelCmp                                                                                                                                                                                                                                                                                                                                                                                                                                                                                                                                                        | RelComSnd( TCV_chTch, ReleaseCmp_08( TCV_TI0)) |     |          |
| 16                          |            | +CCstatuschk_05( C_U10, TCV_TI, TCV_chTch)                                                                                                                                                                                                                                                                                                                                                                                                                                                                                                                              |                                                |     | 7.       |
| 17                          |            | +PostMainLinkRel( TCV_chTch)                                                                                                                                                                                                                                                                                                                                                                                                                                                                                                                                            |                                                |     |          |
| <b>Detailed Comments:</b>   |            | 1. Select a MT service supported by the MS, The SETUP_PDU will be stored in TCV_Setup_mt.                                                                                                                                                                                                                                                                                                                                                                                                                                                                               |                                                |     |          |
|                             |            | 2. To setup a physical channel as BCCH, CCCH and SDCCH4.                                                                                                                                                                                                                                                                                                                                                                                                                                                                                                                |                                                |     |          |
|                             |            | 3. To bring the MS into the state U10 of a MO call.                                                                                                                                                                                                                                                                                                                                                                                                                                                                                                                     |                                                |     |          |

4. a) add signal IE with "call waiting tone on" - b) Set TI value same as MO call and TI flag for MT.
5. To establish a second transaction for MT call with the same TI value as that in the MO call
6. Call waiting not supported.
7. To check whether the MS is still in the state U10.
8. Call waiting supported.

### Test Case Dynamic Behaviour

**Test Case Name:** TC\_26\_8\_1\_2\_7\_1  
**Group:** GSM\_L3\_MS\_v4210/CC/  
**Purpose:** To verify that the a CC-entity of the MS in CC-state U11, "Disconnect Request", upon receipt of a DISCONNECT message, returns to its peer entity the RELEASE message and enters the CC-state U19, "Release Request".  
**Default:** OtherEventsFail

| Nr | Label      | Behaviour Description                                                                                                                                                                                                                                                                                                                                                                                                                                                                                                                                                                                              | CRef                                                                                       | V   | Comments |
|----|------------|--------------------------------------------------------------------------------------------------------------------------------------------------------------------------------------------------------------------------------------------------------------------------------------------------------------------------------------------------------------------------------------------------------------------------------------------------------------------------------------------------------------------------------------------------------------------------------------------------------------------|--------------------------------------------------------------------------------------------|-----|----------|
| 1  |            | START T_guard(300)                                                                                                                                                                                                                                                                                                                                                                                                                                                                                                                                                                                                 |                                                                                            |     |          |
| 2  |            | +BasicServiceMOorTelephony(<br>TSPX_MOBscSvcG, TSPX_MOChRateG)                                                                                                                                                                                                                                                                                                                                                                                                                                                                                                                                                     |                                                                                            |     |          |
| 3  |            | +IdleUpdated( C_E_default, C_CellA, C_SCH_A,<br>C_BCCH_A_1, C_Immass, C_S0, C_SlotNU,<br>C_SlotNU, C_SlotNU, C_BCC, C_TxInt_5,<br>C_Max_7, C_NECI_0, C_ATT_0, TimingAdv( 0),<br>C_BABR_0, C_cch_1Comb, C_BPM_3,<br>C_T3212_0, C_ci_cellA, C_MCC_1, C_PLMN_1,<br>C_LAC_1, CellOpt_01, CellChDes_Omit,<br>CellChDes_Omit, C_CellReselectHys12,<br>C_MaxPwrLvlG, C_MaxPwrLvlD,<br>BcchFreqLst_45, BcchFreqLst_02,<br>BcchFreqLst_03, BcchFreqLst_04,<br>C_Restablishment, C_BCC, C_NCC,<br>C_Start_Tmsi, TSPX_SDCCH4SubDef,<br>TSPX_CKSNDf, TSPX_RANDDef, C_arfcnA,<br>C_arfcnAd, TSPX_IMSI, C_Test_nfh,<br>C_NCCP_2) |                                                                                            |     | 1.       |
| 4  |            | +CCConfigTCH( TSPX_TCHHSubDef, C_Ass,<br>TSPX_TmSlitDef, TSPX_TscDef, TimingAdv( 0),<br>C_BABR_0, C_cch_1Comb, C_BPM_3,<br>TCV_ChMod.mode, FreqTCH_omit,<br>FreqTCH_omit, C_arfcn_tchA, C_arfcn_tchAd)                                                                                                                                                                                                                                                                                                                                                                                                             |                                                                                            |     |          |
| 5  |            | +InitCall( TCV_Service)                                                                                                                                                                                                                                                                                                                                                                                                                                                                                                                                                                                            |                                                                                            |     |          |
| 6  |            | +PreEnterCCstateU11_23(<br>TSPX_SDCCH4SubDef, TSPX_TmSlitDef,<br>TSPX_TscDef, TimingAdv( 0),<br>TSPX_CKSNDf, TSPX_RANDDef)                                                                                                                                                                                                                                                                                                                                                                                                                                                                                         |                                                                                            |     | 2.       |
| 7  | body       | L!DL_DatRqDisc                                                                                                                                                                                                                                                                                                                                                                                                                                                                                                                                                                                                     | DiscSnd(<br>TCV_chTch,<br>DisconnS( TCV_TI,<br>Cause_01,<br>ProgInd_omit,<br>UuInfo_omit)) |     |          |
| 8  | L_043<br>8 | L?DL_DatInRel                                                                                                                                                                                                                                                                                                                                                                                                                                                                                                                                                                                                      | ReleaseRcv(<br>Release_10(<br>TCV_TI0))                                                    | (P) | 3.       |
| 9  |            | +CCstatuschk_05( C_U19, TCV_TI,<br>TCV_chTch)                                                                                                                                                                                                                                                                                                                                                                                                                                                                                                                                                                      |                                                                                            |     | 4.       |
| 10 |            | +PostMainLinkRel( TCV_chTch)                                                                                                                                                                                                                                                                                                                                                                                                                                                                                                                                                                                       |                                                                                            |     |          |

**Detailed Comments:**

1. To setup a physical channel as BCCH, CCCH and SDCCH4.
2. To bring the MS into the state U11.
3. The expected RELEASE message received.
4. To check whether the MS enters the state U19.

| Test Case Dynamic Behaviour |            |                                                                                                                                                                                                                                                                                                                                                                                                                                                                                                                                                                         |                                           |     |          |
|-----------------------------|------------|-------------------------------------------------------------------------------------------------------------------------------------------------------------------------------------------------------------------------------------------------------------------------------------------------------------------------------------------------------------------------------------------------------------------------------------------------------------------------------------------------------------------------------------------------------------------------|-------------------------------------------|-----|----------|
| <b>Test Case Name:</b>      |            | TC_26_8_1_2_7_2                                                                                                                                                                                                                                                                                                                                                                                                                                                                                                                                                         |                                           |     |          |
| <b>Group:</b>               |            | GSM_L3_MS_v4210/CC/                                                                                                                                                                                                                                                                                                                                                                                                                                                                                                                                                     |                                           |     |          |
| <b>Purpose:</b>             |            | 1) To verify that the a CC-entity of the MS in CC-state U11, "Disconnect Request", upon receipt of the RELEASE message shall return RELEASE COMPLETE and enter the CC-state U0, "Null".<br>2) To verify that the MS on returning to the idle mode releases the MM-connection and that the CC-entities relating to the seven mobile originating transaction identifiers are in CC-state U0, "Null".                                                                                                                                                                      |                                           |     |          |
| <b>Default:</b>             |            | OtherEventsFail                                                                                                                                                                                                                                                                                                                                                                                                                                                                                                                                                         |                                           |     |          |
| Nr                          | Label      | Behaviour Description                                                                                                                                                                                                                                                                                                                                                                                                                                                                                                                                                   | CRef                                      | V   | Comments |
| 1                           |            | START T_guard(300)                                                                                                                                                                                                                                                                                                                                                                                                                                                                                                                                                      |                                           |     |          |
| 2                           |            | +BasicServiceMOorTelephony(TSPX_MOBscSvch, TSPX_MOChRateH)                                                                                                                                                                                                                                                                                                                                                                                                                                                                                                              |                                           |     |          |
| 3                           |            | +IdleUpdated( C_E_default, C_CellA, C_SCH_A, C_BCCH_A_1, C_Immass, C_S0, C_SlotNU, C_SlotNU, C_SlotNU, C_BCC, C_TxInt_5, C_Max_7, C_NECl_0, C_ATT_0, TimingAdv( 0), C_BABR_0, C_cch_1Comb, C_BPM_3, C_T3212_0, C_ci_cellA, C_MCC_1, C_PLMN_1, C_LAC_1, CellOpt_01, CellChDes_Omit, CellChDes_Omit, C_CellReselectHys12, C_MaxPwrLvIG, C_MaxPwrLvID, BcchFreqLst_45, BcchFreqLst_02, BcchFreqLst_03, BcchFreqLst_04, C_Restablishment, C_BCC, C_NCC, C_Start_Tmsi, TSPX_SDCCH4SubDef, TSPX_CKSNDDef, TSPX_RANDDef, C_arfcnA, C_arfcnAd, TSPX_IMSI, C_Test_nfh, C_NCCP_2) |                                           |     | 1.       |
| 4                           |            | +CCConfigTCH( TSPX_TCHHSubDef, C_Ass, TSPX_TmSlitDef, TSPX_TscDef, TimingAdv( 0), C_BABR_0, C_cch_1Comb, C_BPM_3, TCV_ChMod.mode, FreqTCH_omit, FreqTCH_omit, C_arfcn_tchA, C_arfcn_tchAd)                                                                                                                                                                                                                                                                                                                                                                              |                                           |     |          |
| 5                           |            | +InitCall( TCV_Service)                                                                                                                                                                                                                                                                                                                                                                                                                                                                                                                                                 |                                           |     |          |
| 6                           |            | +PreEnterCCstateU11_23( TSPX_SDCCH4SubDef, TSPX_TmSlitDef, TSPX_TscDef, TimingAdv( 0), TSPX_CKSNDDef, TSPX_RANDDef)                                                                                                                                                                                                                                                                                                                                                                                                                                                     |                                           |     | 2.       |
| 7                           | body       | L!DL_DatRqRel                                                                                                                                                                                                                                                                                                                                                                                                                                                                                                                                                           | ReleaseSnd(TCV_chTch, Release_03(TCV_TI)) |     |          |
| 8                           | L_043<br>9 | L?DL_DatInRelCmp                                                                                                                                                                                                                                                                                                                                                                                                                                                                                                                                                        | RelComRcv(ReleaseCmp_03(TCV_TI0))         | (P) | 3.       |
| 9                           |            | +CheckTIsInStateU0( TRUE, TCV_chTch)                                                                                                                                                                                                                                                                                                                                                                                                                                                                                                                                    |                                           |     | 4.       |
| 10                          |            | +PostMainLinkRel( TCV_chTch)                                                                                                                                                                                                                                                                                                                                                                                                                                                                                                                                            |                                           |     |          |
| <b>Detailed Comments:</b>   |            | 1. To setup a physical channel as BCCH, CCCH and SDCCH4.<br>2. To bring the MS into the state U11.<br>3. The expected RELEASE COMPLETE message received.<br>4. To check that the CC entities with relevant transaction identifiers are in the state U0.                                                                                                                                                                                                                                                                                                                 |                                           |     |          |

| Test Case Dynamic Behaviour |            |                                                                                                                                                                                                                                                                                                                                                                                                                                                                                                                                                                       |                                             |     |          |
|-----------------------------|------------|-----------------------------------------------------------------------------------------------------------------------------------------------------------------------------------------------------------------------------------------------------------------------------------------------------------------------------------------------------------------------------------------------------------------------------------------------------------------------------------------------------------------------------------------------------------------------|---------------------------------------------|-----|----------|
| <b>Test Case Name:</b>      |            | TC_26_8_1_2_7_3                                                                                                                                                                                                                                                                                                                                                                                                                                                                                                                                                       |                                             |     |          |
| <b>Group:</b>               |            | GSM_L3_MS_v4210/CC/                                                                                                                                                                                                                                                                                                                                                                                                                                                                                                                                                   |                                             |     |          |
| <b>Purpose:</b>             |            | To verify that the a CC-entity of the MS in CC-state U11, "Disconnect Request" shall on expiry of T305, proceeds ahead with the connection release procedure by sending the RELEASE message to its peer entity and enters the CC-state U19, "Release Request".                                                                                                                                                                                                                                                                                                        |                                             |     |          |
| <b>Default:</b>             |            | OtherEventsFail                                                                                                                                                                                                                                                                                                                                                                                                                                                                                                                                                       |                                             |     |          |
| Nr                          | Label      | Behaviour Description                                                                                                                                                                                                                                                                                                                                                                                                                                                                                                                                                 | CRef                                        | V   | Comments |
| 1                           |            | START T_guard(300)                                                                                                                                                                                                                                                                                                                                                                                                                                                                                                                                                    |                                             |     |          |
| 2                           |            | +BasicServiceMOorTelephony( TSPX_MOBScSvcl, TSPX_MOChRate)                                                                                                                                                                                                                                                                                                                                                                                                                                                                                                            |                                             |     |          |
| 3                           |            | +IdleUpdated( C_E_default, C_CellA, C_SCH_A, C_BCCH_A_1, C_Immass, C_S0, C_SlotNU, C_SlotNU, C_SlotNU, C_BCC, C_TxInt_5, C_Max_7, C_NECl_0, C_ATT_0, TimingAdv( 0), C_BABR_0, C_cch_1Comb, C_BPM_3, C_T3212_0, C_ci_cellA, C_MCC_1, C_PLMN_1, C_LAC_1, CellOpt_01, CellChDes_Omit, CellChDes_Omit, C_CellReselectHys12, C_MaxPwrLvlG, C_MaxPwrLvlD, BcchFreqLst_45, BcchFreqLst_02, BcchFreqLst_03, BcchFreqLst_04, C_Restablishment, C_BCC, C_NCC, C_Start_Tmsi, TSPX_SDCCH4SubDef, TSPX_CKSNDf, TSPX_RANDDef, C_arfcnA, C_arfcnAd, TSPX_IMSI, C_Test_nfh, C_NCCP_2) |                                             |     | 1.       |
| 4                           |            | +CCConfigTCH( TSPX_TCHHSubDef, C_Ass, TSPX_TmSlTDef, TSPX_TscDef, TimingAdv( 0), C_BABR_0, C_cch_1Comb, C_BPM_3, TCV_ChMod.mode, FreqTCH_omit, FreqTCH_omit, C_arfcn_tchA, C_arfcn_tchAd)                                                                                                                                                                                                                                                                                                                                                                             |                                             |     |          |
| 5                           |            | +InitCall( TCV_Service)                                                                                                                                                                                                                                                                                                                                                                                                                                                                                                                                               |                                             |     |          |
| 6                           |            | +PreEnterCCstateU11_23Timer( TSPX_SDCCH4SubDef, TSPX_TmSlTDef, TSPX_TscDef, TimingAdv( 0), TSPX_CKSNDf, TSPX_RANDDef)                                                                                                                                                                                                                                                                                                                                                                                                                                                 |                                             |     | 2.       |
| 7                           | body       | (TCV_Cau0.iei := '00001000'B)                                                                                                                                                                                                                                                                                                                                                                                                                                                                                                                                         |                                             |     | 3.       |
| 8                           | L_044<br>0 | L?DL_DatInRel( TCV_Fn1 := DL_DatInRel.fn) READTIMER T_dly(TCV_Time), CANCEL T_dly                                                                                                                                                                                                                                                                                                                                                                                                                                                                                     | ReleaseRcv( Release_05( TCV_TI0, TCV_Cau0)) | (P) |          |
| 9                           | L_044<br>1 | [(TCV_Time < 27000) OR (TCV_Time >= 33000)]                                                                                                                                                                                                                                                                                                                                                                                                                                                                                                                           |                                             | (F) | 4.       |
| 10                          |            | +PostMainLinkRel( TCV_chTch)                                                                                                                                                                                                                                                                                                                                                                                                                                                                                                                                          |                                             |     |          |
| 11                          | L_044<br>2 | [(TCV_Time >= 27000) AND(TCV_Time < 33000)]                                                                                                                                                                                                                                                                                                                                                                                                                                                                                                                           |                                             | (P) | 5.       |
| 12                          |            | +CCstatuschk_05( C_U19, TCV_TI, TCV_chTch)                                                                                                                                                                                                                                                                                                                                                                                                                                                                                                                            |                                             |     | 6.       |
| 13                          |            | +PostMainLinkRel( TCV_chTch)                                                                                                                                                                                                                                                                                                                                                                                                                                                                                                                                          |                                             |     |          |
| <b>Detailed Comments:</b>   |            | <ol style="list-style-type: none"> <li>1. To setup a physical channel as BCCH, CCCH and SDCCH4.</li> <li>2. To bring the MS into the state U11.</li> <li>3. Cause IE in DISCONNECT without IEI, add IEI to the Cause IE received from DISCONNECT.</li> <li>4. Fail, if the timeout value of the T305 timer is either greater than or equal to 33 seconds, or less than 27 seconds.</li> <li>5. Pass, if the timeout value of T305 is OK.</li> <li>6. To check whether the MS enters the state U19.</li> </ol>                                                         |                                             |     |          |

| Test Case Dynamic Behaviour |       |                                                                                                                                                                                                                                                                                                                                                                                                                                                                                                                                                                       |      |   |          |
|-----------------------------|-------|-----------------------------------------------------------------------------------------------------------------------------------------------------------------------------------------------------------------------------------------------------------------------------------------------------------------------------------------------------------------------------------------------------------------------------------------------------------------------------------------------------------------------------------------------------------------------|------|---|----------|
| <b>Test Case Name:</b>      |       | TC_26_8_1_2_7_4                                                                                                                                                                                                                                                                                                                                                                                                                                                                                                                                                       |      |   |          |
| <b>Group:</b>               |       | GSM_L3_MS_v4210/CC/                                                                                                                                                                                                                                                                                                                                                                                                                                                                                                                                                   |      |   |          |
| <b>Purpose:</b>             |       | To verify that the a CC-entity of the MS in CC-state U11, "Disconnect Request" having detected a lower layer failure returns to the idle mode. The CC entities relating to the seven mobile originating transaction identifiers are thus in state U0, "Null".                                                                                                                                                                                                                                                                                                         |      |   |          |
| <b>Default:</b>             |       | OtherEventsFail                                                                                                                                                                                                                                                                                                                                                                                                                                                                                                                                                       |      |   |          |
| Nr                          | Label | Behaviour Description                                                                                                                                                                                                                                                                                                                                                                                                                                                                                                                                                 | CRef | V | Comments |
| 1                           |       | START T_guard(300)                                                                                                                                                                                                                                                                                                                                                                                                                                                                                                                                                    |      |   |          |
| 2                           |       | +BasicServiceMOorTelephony( TSPX_MOBscSvcJ, TSPX_MOChRateJ)                                                                                                                                                                                                                                                                                                                                                                                                                                                                                                           |      |   | 1.       |
| 3                           |       | +IdleUpdated( C_E_default, C_CellA, C_SCH_A, C_BCCH_A_1, C_Immash, C_S0, C_SlotNU, C_SlotNU, C_SlotNU, C_BCC, C_TxInt_5, C_Max_7, C_NECI_0, C_ATT_0, TimingAdv( 0), C_BABR_0, C_cch_1Comb, C_BPM_3, C_T3212_0, C_ci_cellA, C_MCC_1, C_PLMN_1, C_LAC_1, CellOpt_01, CellChDes_Omit, CellChDes_Omit, C_CellReselectHys12, C_MaxPwrLvIG, C_MaxPwrLvID, BcchFreqLst_45, BcchFreqLst_02, BcchFreqLst_03, BcchFreqLst_04, C_Restablishment, C_BCC, C_NCC, C_Start_Tmsi, TSPX_SDCCH4SubDef, TSPX_CKSNDf, TSPX_RANDDef, C_arfcnA, C_arfcnAd, TSPX_IMSI, C_Test_nfh, C_NCCP_2) |      |   | 2.       |
| 4                           |       | +CCConfigTCH_nociph( TSPX_TCHHSubDef, C_Immash, TSPX_TmSlitDef, TSPX_TscDef, TimingAdv( 0), C_BABR_0, C_cch_1Comb, C_BPM_3, TCV_ChMod.mode, FreqTCH_omit, FreqTCH_omit, C_arfcn_tchA, C_arfcn_tchAd)                                                                                                                                                                                                                                                                                                                                                                  |      |   | 2.       |
| 5                           |       | +InitCall( TCV_Service)                                                                                                                                                                                                                                                                                                                                                                                                                                                                                                                                               |      |   |          |
| 6                           |       | +PreEnterCCstateU11_24( TSPX_TmSlitDef, TSPX_TscDef, TimingAdv( 0))                                                                                                                                                                                                                                                                                                                                                                                                                                                                                                   |      |   |          |
| 7                           | body  | (TCV_Null := OM_LowerLayerFail( TCV_chTch))                                                                                                                                                                                                                                                                                                                                                                                                                                                                                                                           |      |   |          |
| 8                           |       | START T_dly( 20000)                                                                                                                                                                                                                                                                                                                                                                                                                                                                                                                                                   |      |   |          |
| 9                           |       | ?TIMEOUT T_dly                                                                                                                                                                                                                                                                                                                                                                                                                                                                                                                                                        |      |   |          |
| 10                          |       | +CCEstablishMT_SDCCH4( TimingAdv( 0), TSPX_SDCCH4SubDef, TSPX_CKSNDf)                                                                                                                                                                                                                                                                                                                                                                                                                                                                                                 |      |   |          |
| 11                          |       | +CheckTIsInStateU0( TRUE, TCV_ch)                                                                                                                                                                                                                                                                                                                                                                                                                                                                                                                                     |      |   |          |
| 12                          |       | +PostMainLinkRel( TCV_ch)                                                                                                                                                                                                                                                                                                                                                                                                                                                                                                                                             |      |   |          |
| <b>Detailed Comments:</b>   |       | 1. To select a circuit switched basic service for testing.<br>2. To setup BCCH, CCCH and traffic channels.                                                                                                                                                                                                                                                                                                                                                                                                                                                            |      |   |          |

| Test Case Dynamic Behaviour |            |                                                                                                                                                                                                                                                                                                                                                                                                                                                                                                                                                                                                                      |                                                            |     |          |
|-----------------------------|------------|----------------------------------------------------------------------------------------------------------------------------------------------------------------------------------------------------------------------------------------------------------------------------------------------------------------------------------------------------------------------------------------------------------------------------------------------------------------------------------------------------------------------------------------------------------------------------------------------------------------------|------------------------------------------------------------|-----|----------|
| <b>Test Case Name:</b>      |            | TC_26_8_1_2_7_5                                                                                                                                                                                                                                                                                                                                                                                                                                                                                                                                                                                                      |                                                            |     |          |
| <b>Group:</b>               |            | GSM_L3_MS_v4210/CC/                                                                                                                                                                                                                                                                                                                                                                                                                                                                                                                                                                                                  |                                                            |     |          |
| <b>Purpose:</b>             |            | To verify that the a CC-entity of the MS in CC-state U11, "Call Delivered" having received an unknown message from its peer entity shall return a STATUS message.                                                                                                                                                                                                                                                                                                                                                                                                                                                    |                                                            |     |          |
| <b>Default:</b>             |            | OtherEventsFail                                                                                                                                                                                                                                                                                                                                                                                                                                                                                                                                                                                                      |                                                            |     |          |
| Nr                          | Label      | Behaviour Description                                                                                                                                                                                                                                                                                                                                                                                                                                                                                                                                                                                                | CRef                                                       | V   | Comments |
| 1                           |            | START T_guard(300)                                                                                                                                                                                                                                                                                                                                                                                                                                                                                                                                                                                                   |                                                            |     |          |
| 2                           |            | +BasicServiceMOorTelephony(<br>TSPX_MOBscSvcA, TSPX_MOChRateA)                                                                                                                                                                                                                                                                                                                                                                                                                                                                                                                                                       |                                                            |     | 1.       |
| 3                           |            | +IdleUpdated( C_E_default, C_CellA, C_SCH_A,<br>C_BCCH_A_1, C_Immass, C_S0, C_SlotNU,<br>C_SlotNU, C_SlotNU, C_BCC, C_TxInt_5,<br>C_Max_7, C_NECL_0, C_ATT_0, TimingAdv( 0),<br>C_BABR_0, C_cch_1Comb, C_BPM_3,<br>C_T3212_0, C_ci_cellA, C_MCC_1, C_PLMN_1,<br>C_LAC_1, CellOpt_01, CellChDes_Omit,<br>CellChDes_Omit, C_CellReselectHys12,<br>C_MaxPwrLvlG, C_MaxPwrLvlD,<br>BcchFreqLst_45, BcchFreqLst_02,<br>BcchFreqLst_03, BcchFreqLst_04,<br>C_Restablishment, C_BCC, C_NCC,<br>C_Start_Tmsi, TSPX_SDCCH4SubDef,<br>TSPX_CKSNDDef, TSPX_RANDDef, C_arfcnA,<br>C_arfcnAd, TSPX_IMSI, C_Test_nfh,<br>C_NCCP_2) |                                                            |     | 2.       |
| 4                           |            | +CCConfigTCH_nociph( TSPX_TCHHSubDef,<br>C_Immass, TSPX_TmSlitDef, TSPX_TscDef,<br>TimingAdv( 0), C_BABR_0, C_cch_1Comb,<br>C_BPM_3, TCV_ChMod.mode, FreqTCH_omit,<br>FreqTCH_omit, C_arfcn_tchA, C_arfcn_tchAd)                                                                                                                                                                                                                                                                                                                                                                                                     |                                                            |     | 2.       |
| 5                           |            | +InitCall( TCV_Service)                                                                                                                                                                                                                                                                                                                                                                                                                                                                                                                                                                                              |                                                            |     |          |
| 6                           |            | +PreEnterCCstateU11_24(<br>TSPX_TmSlitDef, TSPX_TscDef,<br>TimingAdv( 0))                                                                                                                                                                                                                                                                                                                                                                                                                                                                                                                                            |                                                            |     |          |
| 7                           | body       | LIDL_DatRqUndefCC                                                                                                                                                                                                                                                                                                                                                                                                                                                                                                                                                                                                    | UndefCC(<br>TCV_chTch,<br>UndefCC_02(<br>TCV_TI))          |     | 3.       |
| 8                           | L_044<br>3 | L?DL_DatInCcst                                                                                                                                                                                                                                                                                                                                                                                                                                                                                                                                                                                                       | CCStRcv(<br>TCV_chTch,<br>CCStatus_08(<br>TCV_TI0, C_U11)) | (P) |          |
| 9                           |            | +CCstatuschk_05( C_U11, TCV_TI,<br>TCV_chTch)                                                                                                                                                                                                                                                                                                                                                                                                                                                                                                                                                                        |                                                            |     |          |
| 10                          |            | +PostMainLinkRel( TCV_chTch)                                                                                                                                                                                                                                                                                                                                                                                                                                                                                                                                                                                         |                                                            |     |          |
| <b>Detailed Comments:</b>   |            | <ol style="list-style-type: none"> <li>1. To select a circuit switched basic service for testing.</li> <li>2. To setup BCCH, CCCH and traffic channels.</li> <li>3. To send a CC message which message type is undefined for the CC.</li> </ol>                                                                                                                                                                                                                                                                                                                                                                      |                                                            |     |          |

| Test Case Dynamic Behaviour |       |                                                                                                                                                                                                                                                                                                                                                                                                                                                                                                                                                                         |                                   |   |          |
|-----------------------------|-------|-------------------------------------------------------------------------------------------------------------------------------------------------------------------------------------------------------------------------------------------------------------------------------------------------------------------------------------------------------------------------------------------------------------------------------------------------------------------------------------------------------------------------------------------------------------------------|-----------------------------------|---|----------|
| <b>Test Case Name:</b>      |       | TC_26_8_1_2_8_1                                                                                                                                                                                                                                                                                                                                                                                                                                                                                                                                                         |                                   |   |          |
| <b>Group:</b>               |       | GSM_L3_MS_v4210/CC/                                                                                                                                                                                                                                                                                                                                                                                                                                                                                                                                                     |                                   |   |          |
| <b>Purpose:</b>             |       | To verify that a CC-entity of the MS in CC-state U12, "Disconnect Indication" being in network initiated call release phase, shall, upon receiving a call release request from the user sends a RELEASE to its peer entity and enters CC-state U19, "Release Request"                                                                                                                                                                                                                                                                                                   |                                   |   |          |
| <b>Default:</b>             |       | OtherEventsFail                                                                                                                                                                                                                                                                                                                                                                                                                                                                                                                                                         |                                   |   |          |
| Nr                          | Label | Behaviour Description                                                                                                                                                                                                                                                                                                                                                                                                                                                                                                                                                   | CRef                              | V | Comments |
| 1                           |       | START T_guard(300)                                                                                                                                                                                                                                                                                                                                                                                                                                                                                                                                                      |                                   |   |          |
| 2                           |       | +SpeechService                                                                                                                                                                                                                                                                                                                                                                                                                                                                                                                                                          |                                   |   |          |
| 3                           |       | +IdleUpdated( C_E_default, C_CellA, C_SCH_A, C_BCCH_A_1, C_Immass, C_S0, C_SlotNU, C_SlotNU, C_SlotNU, C_BCC, C_TxInt_5, C_Max_7, C_NECI_0, C_ATT_0, TimingAdv( 0), C_BABR_0, C_cch_1Comb, C_BPM_3, C_T3212_0, C_ci_cellA, C_MCC_1, C_PLMN_1, C_LAC_1, CellOpt_01, CellChDes_Omit, CellChDes_Omit, C_CellReselectHys12, C_MaxPwrLvIG, C_MaxPwrLvID, BcchFreqLst_45, BcchFreqLst_02, BcchFreqLst_03, BcchFreqLst_04, C_Restablishment, C_BCC, C_NCC, C_Start_Tmsi, TSPX_SDCCH4SubDef, TSPX_CKSNDDef, TSPX_RANDDef, C_arfcnA, C_arfcnAd, TSPX_IMSI, C_Test_nfh, C_NCCP_2) |                                   |   | 1.       |
| 4                           |       | +CCConfigTCH( TSPX_TCHHSubDef, C_Ass, TSPX_TmSltDef, TSPX_TscDef, TimingAdv( 0), C_BABR_0, C_cch_1Comb, C_BPM_3, C_ChMod_r, FreqTCH_omit, FreqTCH_omit, C_arfcn_tchA, C_arfcn_tchAd)                                                                                                                                                                                                                                                                                                                                                                                    |                                   |   |          |
| 5                           |       | +InitCall( TCV_Service)                                                                                                                                                                                                                                                                                                                                                                                                                                                                                                                                                 |                                   |   |          |
| 6                           |       | +PreEnterCCstateU12_21( TSPX_SDCCH4SubDef, TSPX_TmSltDef, TSPX_TscDef, TimingAdv( 0))                                                                                                                                                                                                                                                                                                                                                                                                                                                                                   |                                   |   | 2.       |
| 7                           | body  | (TCV_Null := OO_TermCall())                                                                                                                                                                                                                                                                                                                                                                                                                                                                                                                                             |                                   |   | 3.       |
| 8                           |       | L?DL_DatInRel                                                                                                                                                                                                                                                                                                                                                                                                                                                                                                                                                           | ReleaseRcv( Release_10( TCV_TI0)) |   | 4.       |
| 9                           |       | +CCstatuschk_05( C_U19, TCV_TI, TCV_chTch)                                                                                                                                                                                                                                                                                                                                                                                                                                                                                                                              |                                   |   | 5.       |
| 10                          |       | +PostMainLinkRel( TCV_chTch)                                                                                                                                                                                                                                                                                                                                                                                                                                                                                                                                            |                                   |   |          |
| <b>Detailed Comments:</b>   |       | <ol style="list-style-type: none"> <li>1. To setup a physical channel as BCCH, CCCH and SDCHH4, and wait for the MS in service.</li> <li>2. To bring the MS into the state U12.</li> <li>3. MMI action, "on hook".</li> <li>4. The expected RELEASE message received.</li> <li>5. To check whether the MS is in the state U19.</li> </ol>                                                                                                                                                                                                                               |                                   |   |          |



| Test Case Dynamic Behaviour |            |                                                                                                                                                                                                                                                                                                                                                                                                                                                                                                                                                                       |                                             |     |          |
|-----------------------------|------------|-----------------------------------------------------------------------------------------------------------------------------------------------------------------------------------------------------------------------------------------------------------------------------------------------------------------------------------------------------------------------------------------------------------------------------------------------------------------------------------------------------------------------------------------------------------------------|---------------------------------------------|-----|----------|
| <b>Test Case Name:</b>      |            | TC_26_8_1_2_8_2                                                                                                                                                                                                                                                                                                                                                                                                                                                                                                                                                       |                                             |     |          |
| <b>Group:</b>               |            | GSM_L3_MS_v4210/CC/                                                                                                                                                                                                                                                                                                                                                                                                                                                                                                                                                   |                                             |     |          |
| <b>Purpose:</b>             |            | <ol style="list-style-type: none"> <li>To verify that a CC-entity of the MS in CC-state U12, "Disconnect Indication", upon receipt of a RELEASE message returns to its peer entity the RELEASE COMPLETE message and enters the CC-state U0, "Null"</li> <li>To verify that the MS on returning to the idle mode releases the MM-connection and that the CC-entities relating to the seven mobile originating transaction identifiers are in CC-state U0, "Null".</li> </ol>                                                                                           |                                             |     |          |
| <b>Default:</b>             |            | OtherEventsFail                                                                                                                                                                                                                                                                                                                                                                                                                                                                                                                                                       |                                             |     |          |
| Nr                          | Label      | Behaviour Description                                                                                                                                                                                                                                                                                                                                                                                                                                                                                                                                                 | CRef                                        | V   | Comments |
| 1                           |            | START T_guard(300)                                                                                                                                                                                                                                                                                                                                                                                                                                                                                                                                                    |                                             |     |          |
| 2                           |            | +SpeechService                                                                                                                                                                                                                                                                                                                                                                                                                                                                                                                                                        |                                             |     |          |
| 3                           |            | +IdleUpdated( C_E_default, C_CellA, C_SCH_A, C_BCCH_A_1, C_Immass, C_S0, C_SlotNU, C_SlotNU, C_SlotNU, C_BCC, C_TxInt_5, C_Max_7, C_NECI_0, C_ATT_0, TimingAdv( 0), C_BABR_0, C_cch_1Comb, C_BPM_3, C_T3212_0, C_ci_cellA, C_MCC_1, C_PLMN_1, C_LAC_1, CellOpt_01, CellChDes_Omit, CellChDes_Omit, C_CellReselectHys12, C_MaxPwrLvIG, C_MaxPwrLvID, BcchFreqLst_45, BcchFreqLst_02, BcchFreqLst_03, BcchFreqLst_04, C_Restablishment, C_BCC, C_NCC, C_Start_Tmsi, TSPX_SDCCH4SubDef, TSPX_CKSNDf, TSPX_RANDDef, C_arfcnA, C_arfcnAd, TSPX_IMSI, C_Test_nfh, C_NCCP_2) |                                             |     | 1.       |
| 4                           |            | +CCConfigTCH( TSPX_TCHHSubDef, C_Ass, TSPX_TmSlitDef, TSPX_TscDef, TimingAdv( 0), C_BABR_0, C_cch_1Comb, C_BPM_3, C_ChMod_r, FreqTCH_omit, FreqTCH_omit, C_arfcn_tchA, C_arfcn_tchAd)                                                                                                                                                                                                                                                                                                                                                                                 |                                             |     |          |
| 5                           |            | +InitCall( TCV_Service)                                                                                                                                                                                                                                                                                                                                                                                                                                                                                                                                               |                                             |     |          |
| 6                           |            | +PreEnterCCstateU12_21( TSPX_SDCCH4SubDef, TSPX_TmSlitDef, TSPX_TscDef, TimingAdv( 0))                                                                                                                                                                                                                                                                                                                                                                                                                                                                                |                                             |     | 2.       |
| 7                           | body       | LIDL_DatRqRel                                                                                                                                                                                                                                                                                                                                                                                                                                                                                                                                                         | ReleaseSnd( TCV_chTch, Release_03( TCV_TI)) |     |          |
| 8                           | L_044<br>4 | L?DL_DatInRelCmp                                                                                                                                                                                                                                                                                                                                                                                                                                                                                                                                                      | RelComRcv( ReleaseCmp_03( TCV_TI0))         | (P) | 3.       |
| 9                           |            | +CheckTIsInStateU0( TRUE, TCV_chTch)                                                                                                                                                                                                                                                                                                                                                                                                                                                                                                                                  |                                             |     | 4.       |
| 10                          |            | +PostMainLinkRel( TCV_chTch)                                                                                                                                                                                                                                                                                                                                                                                                                                                                                                                                          |                                             |     |          |
| <b>Detailed Comments:</b>   |            | <ol style="list-style-type: none"> <li>To setup a physical channel as BCCH, CCCH and SDCHH4, and wait for the MS in service.</li> <li>To bring the MS into the state U12. Within the step a physical channel as appropriate traffic channel is setup.</li> <li>The expected RELEASE COMPLETE message received.</li> <li>To check whether the CC entities related to the seven mobile originating transaction is in the state U0.</li> </ol>                                                                                                                           |                                             |     |          |

| Test Case Dynamic Behaviour |       |                                                                                                                                                                                                                                                                                                                                                                                                                                                                                                                                                                         |      |   |          |
|-----------------------------|-------|-------------------------------------------------------------------------------------------------------------------------------------------------------------------------------------------------------------------------------------------------------------------------------------------------------------------------------------------------------------------------------------------------------------------------------------------------------------------------------------------------------------------------------------------------------------------------|------|---|----------|
| <b>Test Case Name:</b>      |       | TC_26_8_1_2_8_3                                                                                                                                                                                                                                                                                                                                                                                                                                                                                                                                                         |      |   |          |
| <b>Group:</b>               |       | GSM_L3_MS_v4210/CC/                                                                                                                                                                                                                                                                                                                                                                                                                                                                                                                                                     |      |   |          |
| <b>Purpose:</b>             |       | To verify that a CC-entity of the MS in CC-state U12, "Disconnect Indication" having detected a lower layer failure returns to idle mode. The CC-entities relating to the seven mobile originating transaction identifiers are thus in state U0, "Null".                                                                                                                                                                                                                                                                                                                |      |   |          |
| <b>Default:</b>             |       | OtherEventsFail                                                                                                                                                                                                                                                                                                                                                                                                                                                                                                                                                         |      |   |          |
| Nr                          | Label | Behaviour Description                                                                                                                                                                                                                                                                                                                                                                                                                                                                                                                                                   | CRef | V | Comments |
| 1                           |       | START T_guard(300)                                                                                                                                                                                                                                                                                                                                                                                                                                                                                                                                                      |      |   |          |
| 2                           |       | +SpeechService                                                                                                                                                                                                                                                                                                                                                                                                                                                                                                                                                          |      |   |          |
| 3                           |       | +IdleUpdated( C_E_default, C_CellA, C_SCH_A, C_BCCH_A_1, C_Immass, C_S0, C_SlotNU, C_SlotNU, C_SlotNU, C_BCC, C_TxInt_5, C_Max_7, C_NECI_0, C_ATT_0, TimingAdv( 0), C_BABR_0, C_cch_1Comb, C_BPM_3, C_T3212_0, C_ci_cellA, C_MCC_1, C_PLMN_1, C_LAC_1, CellOpt_01, CellChDes_Omit, CellChDes_Omit, C_CellReselectHys12, C_MaxPwrLvIG, C_MaxPwrLvID, BcchFreqLst_45, BcchFreqLst_02, BcchFreqLst_03, BcchFreqLst_04, C_Restablishment, C_BCC, C_NCC, C_Start_Tmsi, TSPX_SDCCH4SubDef, TSPX_CKSNDDef, TSPX_RANDDef, C_arfcnA, C_arfcnAd, TSPX_IMSI, C_Test_nfh, C_NCCP_2) |      |   |          |
| 4                           |       | +CCConfigTCH_nociph( TSPX_TCHHSubDef, C_Immass, TSPX_TmSltDef, TSPX_TscDef, TimingAdv( 0), C_BABR_0, C_cch_1Comb, C_BPM_3, TCV_ChMod.mode, FreqTCH_omit, FreqTCH_omit, C_arfcn_tchA, C_arfcn_tchAd)                                                                                                                                                                                                                                                                                                                                                                     |      |   |          |
| 5                           |       | +InitCall( TCV_Service)                                                                                                                                                                                                                                                                                                                                                                                                                                                                                                                                                 |      |   |          |
| 6                           |       | +PreEnterCCstateU12_22( TSPX_TmSltDef, TSPX_TscDef, TimingAdv( 0))                                                                                                                                                                                                                                                                                                                                                                                                                                                                                                      |      |   |          |
| 7                           | body  | (TCV_Null := OM_LowerLayerFail( TCV_chTch))                                                                                                                                                                                                                                                                                                                                                                                                                                                                                                                             |      |   |          |
| 8                           |       | START T_dly( 20000)                                                                                                                                                                                                                                                                                                                                                                                                                                                                                                                                                     |      |   |          |
| 9                           |       | ?TIMEOUT T_dly                                                                                                                                                                                                                                                                                                                                                                                                                                                                                                                                                          |      |   |          |
| 10                          |       | +CCEstablishMT_SDCCH4( TimingAdv( 0), TSPX_SDCCH4SubDef, TSPX_CKSNDDef)                                                                                                                                                                                                                                                                                                                                                                                                                                                                                                 |      |   |          |
| 11                          |       | +CheckTIsInStateU0( TRUE, TCV_ch)                                                                                                                                                                                                                                                                                                                                                                                                                                                                                                                                       |      |   |          |
| 12                          |       | +PostMainLinkRel( TCV_ch)                                                                                                                                                                                                                                                                                                                                                                                                                                                                                                                                               |      |   |          |
| <b>Detailed Comments:</b>   |       |                                                                                                                                                                                                                                                                                                                                                                                                                                                                                                                                                                         |      |   |          |

| Test Case Dynamic Behaviour |       |                                                                                                                                                                                                                                                                                                                                                                                                                                                                                                                                                                         |                                                   |   |          |
|-----------------------------|-------|-------------------------------------------------------------------------------------------------------------------------------------------------------------------------------------------------------------------------------------------------------------------------------------------------------------------------------------------------------------------------------------------------------------------------------------------------------------------------------------------------------------------------------------------------------------------------|---------------------------------------------------|---|----------|
| <b>Test Case Name:</b>      |       | TC_26_8_1_2_8_4                                                                                                                                                                                                                                                                                                                                                                                                                                                                                                                                                         |                                                   |   |          |
| <b>Group:</b>               |       | GSM_L3_MS_v4210/CC/                                                                                                                                                                                                                                                                                                                                                                                                                                                                                                                                                     |                                                   |   |          |
| <b>Purpose:</b>             |       | To verify that a CC-entity of the MS in CC-state U12, "Disconnect Indication" having received an unknown message from its peer entity returns a STATUS message.                                                                                                                                                                                                                                                                                                                                                                                                         |                                                   |   |          |
| <b>Default:</b>             |       | OtherEventsFail                                                                                                                                                                                                                                                                                                                                                                                                                                                                                                                                                         |                                                   |   |          |
| Nr                          | Label | Behaviour Description                                                                                                                                                                                                                                                                                                                                                                                                                                                                                                                                                   | CRef                                              | V | Comments |
| 1                           |       | START T_guard(300)                                                                                                                                                                                                                                                                                                                                                                                                                                                                                                                                                      |                                                   |   |          |
| 2                           |       | +SpeechService                                                                                                                                                                                                                                                                                                                                                                                                                                                                                                                                                          |                                                   |   |          |
| 3                           |       | +IdleUpdated( C_E_default, C_CellA, C_SCH_A, C_BCCH_A_1, C_Immass, C_S0, C_SlotNU, C_SlotNU, C_SlotNU, C_BCC, C_TxInt_5, C_Max_7, C_NECI_0, C_ATT_0, TimingAdv( 0), C_BABR_0, C_cch_1Comb, C_BPM_3, C_T3212_0, C_ci_cellA, C_MCC_1, C_PLMN_1, C_LAC_1, CellOpt_01, CellChDes_Omit, CellChDes_Omit, C_CellReselectHys12, C_MaxPwrLvlG, C_MaxPwrLvlD, BcchFreqLst_45, BcchFreqLst_02, BcchFreqLst_03, BcchFreqLst_04, C_Restablishment, C_BCC, C_NCC, C_Start_Tmsi, TSPX_SDCCH4SubDef, TSPX_CKSNDDef, TSPX_RANDDef, C_arfcnA, C_arfcnAd, TSPX_IMSI, C_Test_nfh, C_NCCP_2) |                                                   |   | 1.       |
| 4                           |       | +CCConfigTCH( TSPX_TCHHSubDef, C_Ass, TSPX_TmSlitDef, TSPX_TscDef, TimingAdv( 0), C_BABR_0, C_cch_1Comb, C_BPM_3, C_ChMod_r, FreqTCH_omit, FreqTCH_omit, C_arfcn_tchA, C_arfcn_tchAd)                                                                                                                                                                                                                                                                                                                                                                                   |                                                   |   |          |
| 5                           |       | +InitCall( TCV_Service)                                                                                                                                                                                                                                                                                                                                                                                                                                                                                                                                                 |                                                   |   |          |
| 6                           |       | +PreEnterCCstateU12_23( TSPX_SDCCH4SubDef, TSPX_TmSlitDef, TSPX_TscDef, TimingAdv( 0), TSPX_CKSNDDef, TSPX_RANDDef)                                                                                                                                                                                                                                                                                                                                                                                                                                                     |                                                   |   | 2.       |
| 7                           | body  | LIDL_DatRqUndefCC                                                                                                                                                                                                                                                                                                                                                                                                                                                                                                                                                       | UndefCC( TCV_chTch, UndefCC_02(TCV_TI) )          |   | 3.       |
| 8                           |       | L?DL_DatInCcst                                                                                                                                                                                                                                                                                                                                                                                                                                                                                                                                                          | CCStRcv( TCV_chTch, CCStatus_08( TCV_TI0, C_U12)) |   | 4.       |
| 9                           |       | +CCstatuschk_05( C_U12, TCV_TI, TCV_chTch)                                                                                                                                                                                                                                                                                                                                                                                                                                                                                                                              |                                                   |   | 5.       |
| 10                          |       | +PostMainLinkRel( TCV_chTch)                                                                                                                                                                                                                                                                                                                                                                                                                                                                                                                                            |                                                   |   |          |
| <b>Detailed Comments:</b>   |       | <ol style="list-style-type: none"> <li>1. To setup a physical channel as BCCH, CCCH and SDCCH4, waiting for the MS in service.</li> <li>2. To bring the MS into the state U12.</li> <li>3. To send a CC message which message type is undefined for the CC.</li> <li>4. The expected STATUS message with cause #97 received.</li> <li>5. To check whether the MS is still in the state U12.</li> </ol>                                                                                                                                                                  |                                                   |   |          |

| Test Case Dynamic Behaviour |            |                                                                                                                                                                                                                                                                                                                                                                                                                                                                                                                                                                                                                      |                                         |     |                 |
|-----------------------------|------------|----------------------------------------------------------------------------------------------------------------------------------------------------------------------------------------------------------------------------------------------------------------------------------------------------------------------------------------------------------------------------------------------------------------------------------------------------------------------------------------------------------------------------------------------------------------------------------------------------------------------|-----------------------------------------|-----|-----------------|
| <b>Test Case Name:</b>      |            | TC_26_8_1_2_9_1                                                                                                                                                                                                                                                                                                                                                                                                                                                                                                                                                                                                      |                                         |     |                 |
| <b>Group:</b>               |            | GSM_L3_MS_v4210/CC/                                                                                                                                                                                                                                                                                                                                                                                                                                                                                                                                                                                                  |                                         |     |                 |
| <b>Purpose:</b>             |            | To verify that a CC-entity of the MS in CC-state U19, "Release Request" will, upon the first expiry of timer T308 send the RELEASE message to its peer entity and remain in the CC-state U19.                                                                                                                                                                                                                                                                                                                                                                                                                        |                                         |     |                 |
| <b>Default:</b>             |            | OtherEventsFail                                                                                                                                                                                                                                                                                                                                                                                                                                                                                                                                                                                                      |                                         |     |                 |
| Nr                          | Label      | Behaviour Description                                                                                                                                                                                                                                                                                                                                                                                                                                                                                                                                                                                                | CRef                                    | V   | Comments        |
| 1                           |            | START T_guard(300)                                                                                                                                                                                                                                                                                                                                                                                                                                                                                                                                                                                                   |                                         |     |                 |
| 2                           |            | +BasicServiceMOorTelephony(<br>TSPX_MOBscSvcB, TSPX_MOChRateB)                                                                                                                                                                                                                                                                                                                                                                                                                                                                                                                                                       |                                         |     |                 |
| 3                           |            | +IdleUpdated( C_E_default, C_CellA, C_SCH_A,<br>C_BCCH_A_1, C_Immass, C_S0, C_SlotNU,<br>C_SlotNU, C_SlotNU, C_BCC, C_TxInt_5,<br>C_Max_7, C_NECI_0, C_ATT_0, TimingAdv( 0),<br>C_BABR_0, C_cch_1Comb, C_BPM_3,<br>C_T3212_0, C_ci_cellA, C_MCC_1, C_PLMN_1,<br>C_LAC_1, CellOpt_01, CellChDes_Omit,<br>CellChDes_Omit, C_CellReselectHys12,<br>C_MaxPwrLvIG, C_MaxPwrLvID,<br>BcchFreqLst_45, BcchFreqLst_02,<br>BcchFreqLst_03, BcchFreqLst_04,<br>C_Restablishment, C_BCC, C_NCC,<br>C_Start_Tmsi, TSPX_SDCCH4SubDef,<br>TSPX_CKSNDDef, TSPX_RANDDef, C_arfcnA,<br>C_arfcnAd, TSPX_IMSI, C_Test_nfh,<br>C_NCCP_2) |                                         |     |                 |
| 4                           |            | +CCConfigTCH_nociph( TSPX_TCHHSubDef,<br>C_Immass, TSPX_TmSttDef, TSPX_TscDef,<br>TimingAdv( 0), C_BABR_0, C_cch_1Comb,<br>C_BPM_3, TCV_ChMod.mode, FreqTCH_omit,<br>FreqTCH_omit, C_arfcn_tchA, C_arfcn_tchAd)                                                                                                                                                                                                                                                                                                                                                                                                      |                                         |     |                 |
| 5                           |            | +InitCall( TCV_Service)                                                                                                                                                                                                                                                                                                                                                                                                                                                                                                                                                                                              |                                         |     |                 |
| 6                           |            | +PreEnterCCstateU19_24Timer(<br>TSPX_TmSttDef, TSPX_TscDef,<br>TimingAdv( 0))                                                                                                                                                                                                                                                                                                                                                                                                                                                                                                                                        |                                         |     |                 |
| 7                           | body       | L?DL_DatInRel (TCV_Fn1 :=<br>DL_DatInRel.fn) READTIMER<br>T_dly(TCV_Time), CANCEL T_dly                                                                                                                                                                                                                                                                                                                                                                                                                                                                                                                              | ReleaseRcv(<br>Release_10(<br>TCV_TI0)) |     | Any cause value |
| 8                           | L_044<br>5 | [(TCV_Time < 27000) OR (TCV_Time<br>>= 33000)]                                                                                                                                                                                                                                                                                                                                                                                                                                                                                                                                                                       |                                         | (F) | 1.              |
| 9                           |            | +PostMainLinkRel( TCV_chTch)                                                                                                                                                                                                                                                                                                                                                                                                                                                                                                                                                                                         |                                         |     |                 |
| 10                          | L_044<br>6 | [(TCV_Time >= 27000) AND(TCV_Time<br>< 33000)]                                                                                                                                                                                                                                                                                                                                                                                                                                                                                                                                                                       |                                         | (P) | 2.              |
| 11                          |            | +CCstatuschk_05(C_U19, TCV_TI,<br>TCV_chTch)                                                                                                                                                                                                                                                                                                                                                                                                                                                                                                                                                                         |                                         |     |                 |
| 12                          |            | +PostMainLinkRel( TCV_chTch)                                                                                                                                                                                                                                                                                                                                                                                                                                                                                                                                                                                         |                                         |     |                 |
| <b>Detailed Comments:</b>   |            | 1. Fail, if the T308 timer value is either greater than or equal to 33 seconds, or less than 27 seconds.<br>2. Pass, if the T308 timer value is OK.                                                                                                                                                                                                                                                                                                                                                                                                                                                                  |                                         |     |                 |

| Test Case Dynamic Behaviour                                                                                                                                                                                         |            |                                                                                                                                                                                                                                                                                                                                                                                                                                                                                                                                                                         |                                   |     |          |
|---------------------------------------------------------------------------------------------------------------------------------------------------------------------------------------------------------------------|------------|-------------------------------------------------------------------------------------------------------------------------------------------------------------------------------------------------------------------------------------------------------------------------------------------------------------------------------------------------------------------------------------------------------------------------------------------------------------------------------------------------------------------------------------------------------------------------|-----------------------------------|-----|----------|
| <b>Test Case Name:</b> TC_26_8_1_2_9_2                                                                                                                                                                              |            |                                                                                                                                                                                                                                                                                                                                                                                                                                                                                                                                                                         |                                   |     |          |
| <b>Group:</b> GSM_L3_MS_v4210/CC/                                                                                                                                                                                   |            |                                                                                                                                                                                                                                                                                                                                                                                                                                                                                                                                                                         |                                   |     |          |
| <b>Purpose:</b>                                                                                                                                                                                                     |            |                                                                                                                                                                                                                                                                                                                                                                                                                                                                                                                                                                         |                                   |     |          |
| 1) To verify that a CC-entity of the MS in CC-state U19, "Release Request", upon the 2nd expiry of the timer T308, enters the CC-state U0, "Null".                                                                  |            |                                                                                                                                                                                                                                                                                                                                                                                                                                                                                                                                                                         |                                   |     |          |
| 2) To verify that subsequently the MS proceeds with releasing the MM-connection and enters the idle mode with the CC entities relating to the seven mobile originating transaction identifiers in state U0, "Null". |            |                                                                                                                                                                                                                                                                                                                                                                                                                                                                                                                                                                         |                                   |     |          |
| <b>Default:</b> OtherEventsFail                                                                                                                                                                                     |            |                                                                                                                                                                                                                                                                                                                                                                                                                                                                                                                                                                         |                                   |     |          |
| Nr                                                                                                                                                                                                                  | Label      | Behaviour Description                                                                                                                                                                                                                                                                                                                                                                                                                                                                                                                                                   | CRef                              | V   | Comments |
| 1                                                                                                                                                                                                                   |            | START T_guard(300)                                                                                                                                                                                                                                                                                                                                                                                                                                                                                                                                                      |                                   |     |          |
| 2                                                                                                                                                                                                                   |            | +BasicServiceMOorTelephony(TSPX_MOBscSvcC, TSPX_MOChRateC)                                                                                                                                                                                                                                                                                                                                                                                                                                                                                                              |                                   |     | 1.       |
| 3                                                                                                                                                                                                                   |            | +IdleUpdated( C_E_default, C_CellA, C_SCH_A, C_BCCH_A_1, C_Immass, C_S0, C_SlotNU, C_SlotNU, C_SlotNU, C_BCC, C_TxInt_5, C_Max_7, C_NECI_0, C_ATT_0, TimingAdv( 0), C_BABR_0, C_cch_1Comb, C_BPM_3, C_T3212_0, C_ci_cellA, C_MCC_1, C_PLMN_1, C_LAC_1, CellOpt_01, CellChDes_Omit, CellChDes_Omit, C_CellReselectHys12, C_MaxPwrLvIG, C_MaxPwrLvID, BcchFreqLst_45, BcchFreqLst_02, BcchFreqLst_03, BcchFreqLst_04, C_Restablishment, C_BCC, C_NCC, C_Start_Tmsi, TSPX_SDCCH4SubDef, TSPX_CKSNDDef, TSPX_RANDDef, C_arfcnA, C_arfcnAd, TSPX_IMSI, C_Test_nfh, C_NCCP_2) |                                   |     | 2.       |
| 4                                                                                                                                                                                                                   |            | +CCConfigTCH_nociph( TSPX_TCHHSubDef, C_Immass, TSPX_TmSlitDef, TSPX_TscDef, TimingAdv( 0), C_BABR_0, C_cch_1Comb, C_BPM_3, TCV_ChMod.mode, FreqTCH_omit, FreqTCH_omit, C_arfcn_tchA, C_arfcn_tchAd)                                                                                                                                                                                                                                                                                                                                                                    |                                   |     | 2.       |
| 5                                                                                                                                                                                                                   |            | +InitCall( TCV_Service)                                                                                                                                                                                                                                                                                                                                                                                                                                                                                                                                                 |                                   |     |          |
| 6                                                                                                                                                                                                                   |            | +PreEnterCCstateU19_24( TSPX_TmSlitDef, TSPX_TscDef, TimingAdv( 0))                                                                                                                                                                                                                                                                                                                                                                                                                                                                                                     |                                   |     |          |
| 7                                                                                                                                                                                                                   | body       | L?DL_DatInRel                                                                                                                                                                                                                                                                                                                                                                                                                                                                                                                                                           | ReleaseRcv( Release_10( TCV_TI0)) |     | 3.       |
| 8                                                                                                                                                                                                                   |            | +CCstatuschk_05( C_U19, TCV_TI, TCV_chTch)                                                                                                                                                                                                                                                                                                                                                                                                                                                                                                                              |                                   |     |          |
| 9                                                                                                                                                                                                                   |            | START T_dly( 50000)                                                                                                                                                                                                                                                                                                                                                                                                                                                                                                                                                     |                                   |     |          |
| 10                                                                                                                                                                                                                  | L_044<br>7 | ?TIMEOUT T_dly                                                                                                                                                                                                                                                                                                                                                                                                                                                                                                                                                          |                                   | (F) | 4.       |
| 11                                                                                                                                                                                                                  | L_044<br>8 | L?DL_RelIn START T_dly( 10000)                                                                                                                                                                                                                                                                                                                                                                                                                                                                                                                                          | DLRelInd_01                       | (P) |          |
| 12                                                                                                                                                                                                                  |            | ?TIMEOUT T_dly                                                                                                                                                                                                                                                                                                                                                                                                                                                                                                                                                          |                                   |     |          |
| 13                                                                                                                                                                                                                  |            | +CCEstablishMT_SDCCH4( TimingAdv( 0), TSPX_SDCCH4SubDef, TSPX_CKSNDDef)                                                                                                                                                                                                                                                                                                                                                                                                                                                                                                 |                                   |     |          |
| 14                                                                                                                                                                                                                  |            | +CheckTlInStateU0( TRUE, TCV_ch)                                                                                                                                                                                                                                                                                                                                                                                                                                                                                                                                        |                                   |     |          |
| 15                                                                                                                                                                                                                  |            | +PostMainLinkRel( TCV_ch)                                                                                                                                                                                                                                                                                                                                                                                                                                                                                                                                               |                                   |     |          |
| <b>Detailed Comments:</b>                                                                                                                                                                                           |            |                                                                                                                                                                                                                                                                                                                                                                                                                                                                                                                                                                         |                                   |     |          |
| 1. To select a circuit switched basic service for testing.                                                                                                                                                          |            |                                                                                                                                                                                                                                                                                                                                                                                                                                                                                                                                                                         |                                   |     |          |
| 2. To setup BCCH, CCCH and traffic channels.                                                                                                                                                                        |            |                                                                                                                                                                                                                                                                                                                                                                                                                                                                                                                                                                         |                                   |     |          |
| 3. First timeout of T308, release with any cause value accepted.                                                                                                                                                    |            |                                                                                                                                                                                                                                                                                                                                                                                                                                                                                                                                                                         |                                   |     |          |
| 4. Second timeout of T308 (30 seconds), timeout of T3240 (10 seconds) and 10 seconds for the MS to return to listening to paging.                                                                                   |            |                                                                                                                                                                                                                                                                                                                                                                                                                                                                                                                                                                         |                                   |     |          |

| Test Case Dynamic Behaviour |       |                                                                                                                                                                                                                                                                                                                                                                                                                                                                                                                                                                                                                      |                                                      |   |          |
|-----------------------------|-------|----------------------------------------------------------------------------------------------------------------------------------------------------------------------------------------------------------------------------------------------------------------------------------------------------------------------------------------------------------------------------------------------------------------------------------------------------------------------------------------------------------------------------------------------------------------------------------------------------------------------|------------------------------------------------------|---|----------|
| <b>Test Case Name:</b>      |       | TC_26_8_1_2_9_3                                                                                                                                                                                                                                                                                                                                                                                                                                                                                                                                                                                                      |                                                      |   |          |
| <b>Group:</b>               |       | GSM_L3_MS_v4210/CC/                                                                                                                                                                                                                                                                                                                                                                                                                                                                                                                                                                                                  |                                                      |   |          |
| <b>Purpose:</b>             |       | To verify that a CC-entity of the MS in CC-state U19, "Release Request", upon receipt of a RELEASE, shall release the MM-connection and enters the CC-state U0, "Null" with the CC entities relating to the seven mobile originating transaction identifiers in state U0, "Null".                                                                                                                                                                                                                                                                                                                                    |                                                      |   |          |
| <b>Default:</b>             |       | OtherEventsFail                                                                                                                                                                                                                                                                                                                                                                                                                                                                                                                                                                                                      |                                                      |   |          |
| Nr                          | Label | Behaviour Description                                                                                                                                                                                                                                                                                                                                                                                                                                                                                                                                                                                                | CRef                                                 | V | Comments |
| 1                           |       | START T_guard(300)                                                                                                                                                                                                                                                                                                                                                                                                                                                                                                                                                                                                   |                                                      |   |          |
| 2                           |       | +BasicServiceMOorTelephony(<br>TSPX_MOBscSvcD, TSPX_MOChRateD)                                                                                                                                                                                                                                                                                                                                                                                                                                                                                                                                                       |                                                      |   |          |
| 3                           |       | +IdleUpdated( C_E_default, C_CellA, C_SCH_A,<br>C_BCCH_A_1, C_Immash, C_S0, C_SlotNU,<br>C_SlotNU, C_SlotNU, C_BCC, C_TxInt_5,<br>C_Max_7, C_NECI_0, C_ATT_0, TimingAdv( 0),<br>C_BABR_0, C_cch_1Comb, C_BPM_3,<br>C_T3212_0, C_ci_cellA, C_MCC_1, C_PLMN_1,<br>C_LAC_1, CellOpt_01, CellChDes_Omit,<br>CellChDes_Omit, C_CellReselectHys12,<br>C_MaxPwrLvlG, C_MaxPwrLvlD,<br>BcchFreqLst_45, BcchFreqLst_02,<br>BcchFreqLst_03, BcchFreqLst_04,<br>C_Restablishment, C_BCC, C_NCC,<br>C_Start_Tmsi, TSPX_SDCCH4SubDef,<br>TSPX_CKSNDDef, TSPX_RANDDef, C_arfcnA,<br>C_arfcnAd, TSPX_IMSI, C_Test_nfh,<br>C_NCCP_2) |                                                      |   |          |
| 4                           |       | +CCConfigTCH_nociph( TSPX_TCHHSubDef,<br>C_Immash, TSPX_TmSlitDef, TSPX_TscDef,<br>TimingAdv( 0), C_BABR_0, C_cch_1Comb,<br>C_BPM_3, TCV_ChMod.mode, FreqTCH_omit,<br>FreqTCH_omit, C_arfcn_tchA, C_arfcn_tchAd)                                                                                                                                                                                                                                                                                                                                                                                                     |                                                      |   |          |
| 5                           |       | +InitCall( TCV_Service)                                                                                                                                                                                                                                                                                                                                                                                                                                                                                                                                                                                              |                                                      |   |          |
| 6                           |       | +PreEnterCCstateU19_24(<br>TSPX_TmSlitDef, TSPX_TscDef,<br>TimingAdv( 0))                                                                                                                                                                                                                                                                                                                                                                                                                                                                                                                                            |                                                      |   |          |
| 7                           | body  | !IDL_DatRqRel                                                                                                                                                                                                                                                                                                                                                                                                                                                                                                                                                                                                        | ReleaseSnd(<br>TCV_chTch,<br>Release_06(<br>TCV_TI)) |   |          |
| 8                           |       | +CheckTIsInStateU0( TRUE,<br>TCV_chTch)                                                                                                                                                                                                                                                                                                                                                                                                                                                                                                                                                                              |                                                      |   |          |
| 9                           |       | +PostMainLinkRel( TCV_chTch)                                                                                                                                                                                                                                                                                                                                                                                                                                                                                                                                                                                         |                                                      |   |          |
| <b>Detailed Comments:</b>   |       |                                                                                                                                                                                                                                                                                                                                                                                                                                                                                                                                                                                                                      |                                                      |   |          |

| Test Case Dynamic Behaviour |       |                                                                                                                                                                                                                                                                                                                                                                                                                                                                                                                                                                        |                                             |   |          |
|-----------------------------|-------|------------------------------------------------------------------------------------------------------------------------------------------------------------------------------------------------------------------------------------------------------------------------------------------------------------------------------------------------------------------------------------------------------------------------------------------------------------------------------------------------------------------------------------------------------------------------|---------------------------------------------|---|----------|
| <b>Test Case Name:</b>      |       | TC_26_8_1_2_9_4                                                                                                                                                                                                                                                                                                                                                                                                                                                                                                                                                        |                                             |   |          |
| <b>Group:</b>               |       | GSM_L3_MS_v4210/CC/                                                                                                                                                                                                                                                                                                                                                                                                                                                                                                                                                    |                                             |   |          |
| <b>Purpose:</b>             |       | To verify that a CC-entity of the MS in CC-state U19, "Release Request", upon receipt of a RELEASE COMPLETE, shall release the MM-connection and enters the CC-state U0, "Null" with the CC entities relating to the seven mobile originating transaction identifiers in state U0, "Null".                                                                                                                                                                                                                                                                             |                                             |   |          |
| <b>Default:</b>             |       | OtherEventsFail                                                                                                                                                                                                                                                                                                                                                                                                                                                                                                                                                        |                                             |   |          |
| Nr                          | Label | Behaviour Description                                                                                                                                                                                                                                                                                                                                                                                                                                                                                                                                                  | CRef                                        | V | Comments |
| 1                           |       | START T_guard(300)                                                                                                                                                                                                                                                                                                                                                                                                                                                                                                                                                     |                                             |   |          |
| 2                           |       | +BasicServiceMOorTelephony(TSPX_MOBscSvcE, TSPX_MOChRateE)                                                                                                                                                                                                                                                                                                                                                                                                                                                                                                             |                                             |   |          |
| 3                           |       | +IdleUpdated( C_E_default, C_CellA, C_SCH_A, C_BCCH_A_1, C_Immass, C_S0, C_SlotNU, C_SlotNU, C_SlotNU, C_BCC, C_TxInt_5, C_Max_7, C_NECl_0, C_ATT_0, TimingAdv( 0), C_BABR_0, C_cch_1Comb, C_BPM_3, C_T3212_0, C_ci_cellA, C_MCC_1, C_PLMN_1, C_LAC_1, CellOpt_01, CellChDes_Omit, CellChDes_Omit, C_CellReselectHys12, C_MaxPwrLvlG, C_MaxPwrLvlD, BcchFreqLst_45, BcchFreqLst_02, BcchFreqLst_03, BcchFreqLst_04, C_Restablishment, C_BCC, C_NCC, C_Start_Tmsi, TSPX_SDCCH4SubDef, TSPX_CKSNDef, TSPX_RANDDef, C_arfcnA, C_arfcnAd, TSPX_IMSI, C_Test_nfh, C_NCCP_2) |                                             |   | 1.       |
| 4                           |       | +CCConfigTCH( TSPX_TCHHSubDef, C_Ass, TSPX_TmSlitDef, TSPX_TscDef, TimingAdv( 0), C_BABR_0, C_cch_1Comb, C_BPM_3, TCV_ChMod.mode, FreqTCH_omit, FreqTCH_omit, C_arfcn_tchA, C_arfcn_tchAd)                                                                                                                                                                                                                                                                                                                                                                             |                                             |   |          |
| 5                           |       | +InitCall( TCV_Service)                                                                                                                                                                                                                                                                                                                                                                                                                                                                                                                                                |                                             |   |          |
| 6                           |       | +PreEnterCCstateU19_21(TSPX_SDCCH4SubDef, TSPX_TmSlitDef, TSPX_TscDef, TimingAdv( 0))                                                                                                                                                                                                                                                                                                                                                                                                                                                                                  |                                             |   | 2.       |
| 7                           | body  | LIDL_DatRqRelCmp                                                                                                                                                                                                                                                                                                                                                                                                                                                                                                                                                       | RelComSnd(TCV_chTch, ReleaseCmp_08(TCV_TI)) |   | 3.       |
| 8                           |       | +CheckTlInStateU0( TRUE, TCV_chTch)                                                                                                                                                                                                                                                                                                                                                                                                                                                                                                                                    |                                             |   | 4.       |
| 9                           |       | +PostMainLinkRel( TCV_chTch)                                                                                                                                                                                                                                                                                                                                                                                                                                                                                                                                           |                                             |   |          |
| <b>Detailed Comments:</b>   |       | <ol style="list-style-type: none"> <li>1. To setup a physical channel as BCCH, CCCH and SDCCH4, waiting the MS in service.</li> <li>2. To bring the MS into the state U19.</li> <li>3. To send a RELEASE COMPLETE message to the MS.</li> <li>4. To check whether the CC entities related to the seven mobile originating transaction identifiers are in the state U0.</li> </ol>                                                                                                                                                                                      |                                             |   |          |

| Test Case Dynamic Behaviour |       |                                                                                                                                                                                                                                                                                                                                                                                                                                                                                                                                                                       |      |   |          |
|-----------------------------|-------|-----------------------------------------------------------------------------------------------------------------------------------------------------------------------------------------------------------------------------------------------------------------------------------------------------------------------------------------------------------------------------------------------------------------------------------------------------------------------------------------------------------------------------------------------------------------------|------|---|----------|
| <b>Test Case Name:</b>      |       | TC_26_8_1_2_9_5                                                                                                                                                                                                                                                                                                                                                                                                                                                                                                                                                       |      |   |          |
| <b>Group:</b>               |       | GSM_L3_MS_v4210/CC/                                                                                                                                                                                                                                                                                                                                                                                                                                                                                                                                                   |      |   |          |
| <b>Purpose:</b>             |       | To verify that a CC-entity of the MS in CC-state U19, "Release Request", having detected a lower layer failure, returns to the idle mode, the CC entities relating to the seven mobile originating transaction identifiers are in state U0, "Null".                                                                                                                                                                                                                                                                                                                   |      |   |          |
| <b>Default:</b>             |       | OtherEventsFail                                                                                                                                                                                                                                                                                                                                                                                                                                                                                                                                                       |      |   |          |
| Nr                          | Label | Behaviour Description                                                                                                                                                                                                                                                                                                                                                                                                                                                                                                                                                 | CRef | V | Comments |
| 1                           |       | START T_guard(300)                                                                                                                                                                                                                                                                                                                                                                                                                                                                                                                                                    |      |   |          |
| 2                           |       | +BasicServiceMOorTelephony( TSPX_MOBscSvcF, TSPX_MOChRateF)                                                                                                                                                                                                                                                                                                                                                                                                                                                                                                           |      |   |          |
| 3                           |       | +IdleUpdated( C_E_default, C_CellA, C_SCH_A, C_BCCH_A_1, C_Immass, C_S0, C_SlotNU, C_SlotNU, C_SlotNU, C_BCC, C_TxInt_5, C_Max_7, C_NECI_0, C_ATT_0, TimingAdv( 0), C_BABR_0, C_cch_1Comb, C_BPM_3, C_T3212_0, C_ci_cellA, C_MCC_1, C_PLMN_1, C_LAC_1, CellOpt_01, CellChDes_Omit, CellChDes_Omit, C_CellReselectHys12, C_MaxPwrLvIG, C_MaxPwrLvID, BcchFreqLst_45, BcchFreqLst_02, BcchFreqLst_03, BcchFreqLst_04, C_Restablishment, C_BCC, C_NCC, C_Start_Tmsi, TSPX_SDCCH4SubDef, TSPX_CKSNDf, TSPX_RANDDef, C_arfcnA, C_arfcnAd, TSPX_IMSI, C_Test_nfh, C_NCCP_2) |      |   | 1.       |
| 4                           |       | +CCConfigTCH( TSPX_TCHHSubDef, C_Ass, TSPX_TmSlitDef, TSPX_TscDef, TimingAdv( 0), C_BABR_0, C_cch_1Comb, C_BPM_3, TCV_ChMod.mode, FreqTCH_omit, FreqTCH_omit, C_arfcn_tchA, C_arfcn_tchAd)                                                                                                                                                                                                                                                                                                                                                                            |      |   |          |
| 5                           |       | +InitCall( TCV_Service)                                                                                                                                                                                                                                                                                                                                                                                                                                                                                                                                               |      |   |          |
| 6                           |       | +PreEnterCCstateU19_21( TSPX_SDCCH4SubDef, TSPX_TmSlitDef, TSPX_TscDef, TimingAdv( 0))                                                                                                                                                                                                                                                                                                                                                                                                                                                                                |      |   | 2.       |
| 7                           | body  | (TCV_Null := OM_LowerLayerFail( TCV_chTch))                                                                                                                                                                                                                                                                                                                                                                                                                                                                                                                           |      |   | 3.       |
| 8                           |       | START T_dly( 20000)                                                                                                                                                                                                                                                                                                                                                                                                                                                                                                                                                   |      |   |          |
| 9                           |       | ?TIMEOUT T_dly                                                                                                                                                                                                                                                                                                                                                                                                                                                                                                                                                        |      |   | 4.       |
| 10                          |       | +CCEstablishMT_SDCCH4( TimingAdv( 0), TSPX_SDCCH4SubDef, TSPX_CKSNDf)                                                                                                                                                                                                                                                                                                                                                                                                                                                                                                 |      |   |          |
| 11                          |       | +CheckTIsInStateU0( TRUE, TCV_ch)                                                                                                                                                                                                                                                                                                                                                                                                                                                                                                                                     |      |   | 5.       |
| 12                          |       | +PostMainLinkRel( TCV_ch)                                                                                                                                                                                                                                                                                                                                                                                                                                                                                                                                             |      |   |          |
| <b>Detailed Comments:</b>   |       | <ol style="list-style-type: none"> <li>1. To setup a physical channel as BCCH, CCCH and SDCCH4, waiting the MS in service.</li> <li>2. To bring the MS into the state U19.</li> <li>3. To generate lower layer failure in the lower emulator.</li> <li>4. To wait for the MS back to listening to paging.</li> <li>5. To check whether the CC entities related to the seven mobile originating transaction identifiers are in the state U0.</li> </ol>                                                                                                                |      |   |          |



| Test Case Dynamic Behaviour |            |                                                                                                                                                                                                                                                                                                                                                                                                                                                                                                                                                                         |                                             |     |          |
|-----------------------------|------------|-------------------------------------------------------------------------------------------------------------------------------------------------------------------------------------------------------------------------------------------------------------------------------------------------------------------------------------------------------------------------------------------------------------------------------------------------------------------------------------------------------------------------------------------------------------------------|---------------------------------------------|-----|----------|
| <b>Test Case Name:</b>      |            | TC_26_8_1_3_1_1                                                                                                                                                                                                                                                                                                                                                                                                                                                                                                                                                         |                                             |     |          |
| <b>Group:</b>               |            | GSM_L3_MS_v4210/CC/                                                                                                                                                                                                                                                                                                                                                                                                                                                                                                                                                     |                                             |     |          |
| <b>Purpose:</b>             |            | To verify that a CC entity of the MS, upon receipt of SETUP containing one bearer capability and this bearer capability is not supported, returns a RELEASE COMPLETE with correct cause value to its peer entity and return to the idle mode. To verify that the CC-entities relating to the seven mobile terminating transaction identifiers are then in the state U0, "NULL".                                                                                                                                                                                         |                                             |     |          |
| <b>Default:</b>             |            | OtherEventsFail                                                                                                                                                                                                                                                                                                                                                                                                                                                                                                                                                         |                                             |     |          |
| Nr                          | Label      | Behaviour Description                                                                                                                                                                                                                                                                                                                                                                                                                                                                                                                                                   | CRef                                        | V   | Comments |
| 1                           |            | START T_guard(300)                                                                                                                                                                                                                                                                                                                                                                                                                                                                                                                                                      |                                             |     |          |
| 2                           |            | (TCV_SpecialCase := C_Yes)                                                                                                                                                                                                                                                                                                                                                                                                                                                                                                                                              |                                             |     |          |
| 3                           |            | +BasicServiceMT( TSPX_MT_NonSptSvc, C_Full)                                                                                                                                                                                                                                                                                                                                                                                                                                                                                                                             |                                             |     |          |
| 4                           |            | +IdleUpdated( C_E_default, C_CellA, C_SCH_A, C_BCCH_A_1, C_Immass, C_S0, C_SlotNU, C_SlotNU, C_SlotNU, C_BCC, C_TxInt_5, C_Max_1, C_NECl_0, C_ATT_0, TimingAdv( 0), C_BABR_0, C_cch_1Comb, C_BPM_3, C_T3212_0, C_ci_cellA, C_MCC_1, C_PLMN_1, C_LAC_1, CellOpt_01, CellChDes_Omit, CellChDes_Omit, C_CellReselectHys12, C_MaxPwrLvIG, C_MaxPwrLvID, BcchFreqLst_45, BcchFreqLst_02, BcchFreqLst_03, BcchFreqLst_04, C_Restablishment, C_BCC, C_NCC, C_Start_Tmsi, TSPX_SDCCH4SubDef, TSPX_CKSNDDef, TSPX_RANDDef, C_arfcnA, C_arfcnAd, TSPX_IMSI, C_Test_nfh, C_NCCP_2) |                                             |     |          |
| 5                           | body       | +CCEstablishMT_SDCCH4( TimingAdv( 0), TSPX_SDCCH4SubDef, TSPX_CKSNDDef)                                                                                                                                                                                                                                                                                                                                                                                                                                                                                                 |                                             |     | 2.       |
| 6                           |            | +Authentication(TCV_ch, TSPX_CKSNDDef, TSPX_RANDDef)                                                                                                                                                                                                                                                                                                                                                                                                                                                                                                                    |                                             |     |          |
| 7                           |            | +Ciphering_on(TCV_ch)                                                                                                                                                                                                                                                                                                                                                                                                                                                                                                                                                   |                                             |     |          |
| 8                           |            | LIDL_DatRqSetup                                                                                                                                                                                                                                                                                                                                                                                                                                                                                                                                                         | SetupSnd(TCV_ch, TCV_Setup_mt)              |     | 3.       |
| 9                           | L_044<br>9 | L?DL_DatInRelCmp                                                                                                                                                                                                                                                                                                                                                                                                                                                                                                                                                        | RelComRcv( ReleaseCmpRcv( TI_01, Cause_12)) | (P) | 4.       |
| 10                          |            | +CheckTIsInStateU0( FALSE, TCV_ch)                                                                                                                                                                                                                                                                                                                                                                                                                                                                                                                                      |                                             |     | 5.       |
| 11                          |            | +PostMainLinkRel( TCV_ch)                                                                                                                                                                                                                                                                                                                                                                                                                                                                                                                                               |                                             |     |          |
| <b>Detailed Comments:</b>   |            | <ol style="list-style-type: none"> <li>1. To setup a physical channel as BCCH, CCCH and SDCCH4.</li> <li>2. To assign SDCCH4 channel.</li> <li>3. To send a SETUP message containing a bearer capability not supported by the MS.</li> <li>4. The expected RELEASE COMPLETE message with cause #88 received.</li> <li>5. To check that the CC entity is in state U0 with all the relevant transaction identifiers.</li> </ol>                                                                                                                                           |                                             |     |          |

| Test Case Dynamic Behaviour |       |                                                                                                                                                                                                                                                                                                                                                                                                                                                                                                                                                                       |                                             |     |          |
|-----------------------------|-------|-----------------------------------------------------------------------------------------------------------------------------------------------------------------------------------------------------------------------------------------------------------------------------------------------------------------------------------------------------------------------------------------------------------------------------------------------------------------------------------------------------------------------------------------------------------------------|---------------------------------------------|-----|----------|
| <b>Test Case Name:</b>      |       | TC_26_8_1_3_2_1                                                                                                                                                                                                                                                                                                                                                                                                                                                                                                                                                       |                                             |     |          |
| <b>Group:</b>               |       | GSM_L3_MS_v4210/CC/                                                                                                                                                                                                                                                                                                                                                                                                                                                                                                                                                   |                                             |     |          |
| <b>Purpose:</b>             |       | To verify that a CC entity of the MS in CC-state U6, "Call Present", shall upon receipt of a rejection indication of the incoming call from the user, shall send RELEASE COMPLETE with the appropriate cause value to its peer entity and enter the CC-state U0, "Null". The CC entities relating to the seven mobile terminating transaction identifiers are then in state U0, "Null".                                                                                                                                                                               |                                             |     |          |
| <b>Default:</b>             |       | OtherEventsFail                                                                                                                                                                                                                                                                                                                                                                                                                                                                                                                                                       |                                             |     |          |
| Nr                          | Label | Behaviour Description                                                                                                                                                                                                                                                                                                                                                                                                                                                                                                                                                 | CRef                                        | V   | Comments |
| 1                           |       | START T_guard(300)                                                                                                                                                                                                                                                                                                                                                                                                                                                                                                                                                    |                                             |     |          |
| 2                           |       | +BasicServiceMTorTelephony( TSPX_MTBscSvcB, TSPX_MTChRateB)                                                                                                                                                                                                                                                                                                                                                                                                                                                                                                           |                                             |     | 1.       |
| 3                           |       | +IdleUpdated( C_E_default, C_CellA, C_SCH_A, C_BCCH_A_1, C_Immass, C_S0, C_SlotNU, C_SlotNU, C_SlotNU, C_BCC, C_TxInt_5, C_Max_1, C_NECI_0, C_ATT_0, TimingAdv( 0), C_BABR_0, C_cch_1Comb, C_BPM_3, C_T3212_0, C_ci_cellA, C_MCC_1, C_PLMN_1, C_LAC_1, CellOpt_01, CellChDes_Omit, CellChDes_Omit, C_CellReselectHys12, C_MaxPwrLvIG, C_MaxPwrLvID, BcchFreqLst_45, BcchFreqLst_02, BcchFreqLst_03, BcchFreqLst_04, C_Restablishment, C_BCC, C_NCC, C_Start_Tmsi, TSPX_SDCCH4SubDef, TSPX_CKSNDf, TSPX_RANDDef, C_arfcnA, C_arfcnAd, TSPX_IMSI, C_Test_nfh, C_NCCP_2) |                                             |     | 2.       |
| 4                           |       | (TCV_Null := OO_SetRefuseCall())                                                                                                                                                                                                                                                                                                                                                                                                                                                                                                                                      |                                             |     |          |
| 5                           |       | +PreEnterCCstateU6_32( TimingAdv( 0), TSPX_SDCCH4SubDef, TSPX_CKSNDf)                                                                                                                                                                                                                                                                                                                                                                                                                                                                                                 |                                             |     |          |
| 6                           | body  | L?DL_DatInRelCmp                                                                                                                                                                                                                                                                                                                                                                                                                                                                                                                                                      | RelComRcv( ReleaseCmpRcv( TI_01, Cause_13)) | (P) | 3.       |
| 7                           |       | +CheckTlInStateU0( FALSE, TCV_ch)                                                                                                                                                                                                                                                                                                                                                                                                                                                                                                                                     |                                             |     |          |
| 8                           |       | +PostMainLinkRel( TCV_ch)                                                                                                                                                                                                                                                                                                                                                                                                                                                                                                                                             |                                             |     |          |
| <b>Detailed Comments:</b>   |       | <ol style="list-style-type: none"> <li>1. To select a basic service. if the MS supports telephony the selected basic service is telephony, otherwise the selected basic service is indicated by TSPX_MTBscSvcA.</li> <li>2. One physical channel as BCCH, CCCH and SDCCH4.</li> <li>3. The expected RELEASE COMPLETE message with cause #21 received.</li> </ol>                                                                                                                                                                                                      |                                             |     |          |

| Test Case Dynamic Behaviour |        |                                                                                                                                                                                                                                                                                                                                                                                                                                                                                                                                                                       |                                   |     |          |
|-----------------------------|--------|-----------------------------------------------------------------------------------------------------------------------------------------------------------------------------------------------------------------------------------------------------------------------------------------------------------------------------------------------------------------------------------------------------------------------------------------------------------------------------------------------------------------------------------------------------------------------|-----------------------------------|-----|----------|
| <b>Test Case Name:</b>      |        | TC_26_8_1_3_3_1                                                                                                                                                                                                                                                                                                                                                                                                                                                                                                                                                       |                                   |     |          |
| <b>Group:</b>               |        | GSM_L3_MS_v4210/CC/                                                                                                                                                                                                                                                                                                                                                                                                                                                                                                                                                   |                                   |     |          |
| <b>Purpose:</b>             |        | To verify that a CC entity in CC-state U9, "MS Terminating Call Confirmed", (if signalled by the network in previous SETUP message that it may alert) will either send a ALERTING message to its peer entity and enter state U7, or send a CONNECT message to its peer entity and enter U8                                                                                                                                                                                                                                                                            |                                   |     |          |
| <b>Default:</b>             |        | OtherEventsFail                                                                                                                                                                                                                                                                                                                                                                                                                                                                                                                                                       |                                   |     |          |
| Nr                          | Label  | Behaviour Description                                                                                                                                                                                                                                                                                                                                                                                                                                                                                                                                                 | CRef                              | V   | Comments |
| 1                           |        | START T_guard(300)                                                                                                                                                                                                                                                                                                                                                                                                                                                                                                                                                    |                                   |     |          |
| 2                           |        | +BasicServiceMTorTelephony( TSPX_MTBscSvcB, TSPX_MTChRateB)                                                                                                                                                                                                                                                                                                                                                                                                                                                                                                           |                                   |     | 1.       |
| 3                           |        | +IdleUpdated( C_E_default, C_CellA, C_SCH_A, C_BCCH_A_1, C_Immass, C_S0, C_SlotNU, C_SlotNU, C_SlotNU, C_BCC, C_TxInt_5, C_Max_1, C_NECl_0, C_ATT_0, TimingAdv( 0), C_BABR_0, C_cch_1Comb, C_BPM_3, C_T3212_0, C_ci_cellA, C_MCC_1, C_PLMN_1, C_LAC_1, CellOpt_01, CellChDes_Omit, CellChDes_Omit, C_CellReselectHys12, C_MaxPwrLvlG, C_MaxPwrLvlD, BcchFreqLst_45, BcchFreqLst_02, BcchFreqLst_03, BcchFreqLst_04, C_Restablishment, C_BCC, C_NCC, C_Start_Tmsi, TSPX_SDCCH4SubDef, TSPX_CKSNDf, TSPX_RANDDef, C_arfcnA, C_arfcnAd, TSPX_IMSI, C_Test_nfh, C_NCCP_2) |                                   |     | 2.       |
| 4                           |        | +PreEnterCCstateU9_32( TimingAdv( 0), TSPX_SDCCH4SubDef, TSPX_CKSNDf)                                                                                                                                                                                                                                                                                                                                                                                                                                                                                                 |                                   |     |          |
| 5                           | body   | L?DL_DatInConn                                                                                                                                                                                                                                                                                                                                                                                                                                                                                                                                                        | ConnRcv( Connect_01( TI_01))      | (P) | 3.       |
| 6                           |        | +CCstatuschk_05(C_U8, TI_02, TCV_ch)                                                                                                                                                                                                                                                                                                                                                                                                                                                                                                                                  |                                   |     |          |
| 7                           |        | +PostMainLinkRel(TCV_ch)                                                                                                                                                                                                                                                                                                                                                                                                                                                                                                                                              |                                   |     |          |
| 8                           | L_0450 | L?DL_DatInAlert                                                                                                                                                                                                                                                                                                                                                                                                                                                                                                                                                       | AlertRcv( AlertingInd_02( TI_01)) | (P) | 4.       |
| 9                           |        | +CCstatuschk_05(C_U7, TI_02, TCV_ch)                                                                                                                                                                                                                                                                                                                                                                                                                                                                                                                                  |                                   |     |          |
| 10                          |        | +PostMainLinkRel(TCV_ch)                                                                                                                                                                                                                                                                                                                                                                                                                                                                                                                                              |                                   |     |          |
| <b>Detailed Comments:</b>   |        | <ol style="list-style-type: none"> <li>1. To select a basic service.</li> <li>2. One physical channel as BCCH, CCCH and SDCCH4.</li> <li>3. The expected CONNECT message received in case of the MS supporting immediate connect.</li> <li>4. The expected ALERTING message received in case of the MS not supporting immediate connect.</li> </ol>                                                                                                                                                                                                                   |                                   |     |          |

| Test Case Dynamic Behaviour |            |                                                                                                                                                                                                                                                                                                                                                                                                                                                                                                                                                                                                                    |                                         |     |          |
|-----------------------------|------------|--------------------------------------------------------------------------------------------------------------------------------------------------------------------------------------------------------------------------------------------------------------------------------------------------------------------------------------------------------------------------------------------------------------------------------------------------------------------------------------------------------------------------------------------------------------------------------------------------------------------|-----------------------------------------|-----|----------|
| <b>Test Case Name:</b>      |            | TC_26_8_1_3_3_2                                                                                                                                                                                                                                                                                                                                                                                                                                                                                                                                                                                                    |                                         |     |          |
| <b>Group:</b>               |            | GSM_L3_MS_v4210/CC/                                                                                                                                                                                                                                                                                                                                                                                                                                                                                                                                                                                                |                                         |     |          |
| <b>Purpose:</b>             |            | To verify that A CC-entity of the MS in CC-state U9, "MS Terminating Call Confirmed", when allocated a traffic channel by the network performing the assignment procedure, performs a layer 2 establishment on the FACCH, sends a ALERTING message and enters state U7.                                                                                                                                                                                                                                                                                                                                            |                                         |     |          |
| <b>Default:</b>             |            | OtherEventsFail                                                                                                                                                                                                                                                                                                                                                                                                                                                                                                                                                                                                    |                                         |     |          |
| Nr                          | Label      | Behaviour Description                                                                                                                                                                                                                                                                                                                                                                                                                                                                                                                                                                                              | CRef                                    | V   | Comments |
| 1                           |            | START T_guard(300)                                                                                                                                                                                                                                                                                                                                                                                                                                                                                                                                                                                                 |                                         |     |          |
| 2                           |            | +BasicServiceMTorTelephony(<br>TSPX_MTNIC_BscSvcA, TSPX_MTNIC_ChRateA)                                                                                                                                                                                                                                                                                                                                                                                                                                                                                                                                             |                                         |     | 1.       |
| 3                           |            | +IdleUpdated( C_E_default, C_CellA, C_SCH_A,<br>C_BCCH_A_1, C_Immass, C_S0, C_SlotNU,<br>C_SlotNU, C_SlotNU, C_BCC, C_TxInt_5,<br>C_Max_1, C_NECI_0, C_ATT_0, TimingAdv( 0),<br>C_BABR_0, C_cch_1Comb, C_BPM_3,<br>C_T3212_0, C_ci_cellA, C_MCC_1, C_PLMN_1,<br>C_LAC_1, CellOpt_01, CellChDes_Omit,<br>CellChDes_Omit, C_CellReselectHys12,<br>C_MaxPwrLvIG, C_MaxPwrLvID,<br>BcchFreqLst_45, BcchFreqLst_02,<br>BcchFreqLst_03, BcchFreqLst_04,<br>C_Restablishment, C_BCC, C_NCC,<br>C_Start_Tmsi, TSPX_SDCCH4SubDef,<br>TSPX_CKSNDf, TSPX_RANDDef, C_arfcnA,<br>C_arfcnAd, TSPX_IMSI, C_Test_nfh,<br>C_NCCP_2) |                                         |     |          |
| 4                           |            | +CCConfigTCH( TSPX_TCHHSubDef, C_Ass,<br>TSPX_TmSltDef, TSPX_TscDef, TimingAdv( 0),<br>C_BABR_0, C_cch_1Comb, C_BPM_3,<br>TCV_ChMod.mode, FreqTCH_omit,<br>FreqTCH_omit, C_arfcn_tchA, C_arfcn_tchAd)                                                                                                                                                                                                                                                                                                                                                                                                              |                                         |     |          |
| 5                           |            | +PreEnterCCstateU9_34( TimingAdv( 0),<br>TSPX_SDCCH4SubDef, TSPX_CKSNDf)                                                                                                                                                                                                                                                                                                                                                                                                                                                                                                                                           |                                         |     | 2.       |
| 6                           | body       | +CCAssignTCH( TSPX_TmSltDef,<br>TSPX_TscDef)                                                                                                                                                                                                                                                                                                                                                                                                                                                                                                                                                                       |                                         |     | 3.       |
| 7                           | L_045<br>1 | L?DL_DatInAlert                                                                                                                                                                                                                                                                                                                                                                                                                                                                                                                                                                                                    | AlertRcv(<br>AlertingInd_02(<br>TI_01)) | (P) | 4.       |
| 8                           |            | +CCstatuschk_05( C_U7, TI_02,<br>TCV_chTch)                                                                                                                                                                                                                                                                                                                                                                                                                                                                                                                                                                        |                                         |     |          |
| 9                           |            | +PostMainLinkRel( TCV_chTch)                                                                                                                                                                                                                                                                                                                                                                                                                                                                                                                                                                                       |                                         |     |          |
| <b>Detailed Comments:</b>   |            | <ol style="list-style-type: none"> <li>To select a basic service. if the MS supports telephony the selected basic service is telephony, otherwise the selected basic service is indicated by TSPX_MTNIC_BscSvcA and the channel rate is specified by TSPX_MTNIC_ChRateA.</li> <li>Use SETUP message without signal IE.</li> <li>Assign an appropriate traffic channel.</li> <li>The expected ALERTING message received.</li> </ol>                                                                                                                                                                                 |                                         |     |          |

| Test Case Dynamic Behaviour |            |                                                                                                                                                                                                                                                                                                                                                                                                                                                                                                                                                                                                                    |                                                     |     |          |
|-----------------------------|------------|--------------------------------------------------------------------------------------------------------------------------------------------------------------------------------------------------------------------------------------------------------------------------------------------------------------------------------------------------------------------------------------------------------------------------------------------------------------------------------------------------------------------------------------------------------------------------------------------------------------------|-----------------------------------------------------|-----|----------|
| <b>Test Case Name:</b>      |            | TC_26_8_1_3_3_3                                                                                                                                                                                                                                                                                                                                                                                                                                                                                                                                                                                                    |                                                     |     |          |
| <b>Group:</b>               |            | GSM_L3_MS_v4210/CC/                                                                                                                                                                                                                                                                                                                                                                                                                                                                                                                                                                                                |                                                     |     |          |
| <b>Purpose:</b>             |            | To verify that a CC-entity of the MS in CC-state U9, "MS Terminating Call Confirmed", upon request by the user to terminate will send a DISCONNECT message and enter the CC-state U11, "Disconnect Request".                                                                                                                                                                                                                                                                                                                                                                                                       |                                                     |     |          |
| <b>Default:</b>             |            | OtherEventsFail                                                                                                                                                                                                                                                                                                                                                                                                                                                                                                                                                                                                    |                                                     |     |          |
| Nr                          | Label      | Behaviour Description                                                                                                                                                                                                                                                                                                                                                                                                                                                                                                                                                                                              | CRef                                                | V   | Comments |
| 1                           |            | START T_guard(300)                                                                                                                                                                                                                                                                                                                                                                                                                                                                                                                                                                                                 |                                                     |     |          |
| 2                           |            | +BasicServiceMTorTelephony(<br>TSPX_MTNIC_BscSvcB, TSPX_MTNIC_ChRateB)                                                                                                                                                                                                                                                                                                                                                                                                                                                                                                                                             |                                                     |     | 1.       |
| 3                           |            | +IdleUpdated( C_E_default, C_CellA, C_SCH_A,<br>C_BCCH_A_1, C_Immass, C_S0, C_SlotNU,<br>C_SlotNU, C_SlotNU, C_BCC, C_TxInt_5,<br>C_Max_1, C_NECl_0, C_ATT_0, TimingAdv( 0),<br>C_BABR_0, C_cch_1Comb, C_BPM_3,<br>C_T3212_0, C_ci_cellA, C_MCC_1, C_PLMN_1,<br>C_LAC_1, CellOpt_01, CellChDes_Omit,<br>CellChDes_Omit, C_CellReselectHys12,<br>C_MaxPwrLvlG, C_MaxPwrLvlD,<br>BcchFreqLst_45, BcchFreqLst_02,<br>BcchFreqLst_03, BcchFreqLst_04,<br>C_Restablishment, C_BCC, C_NCC,<br>C_Start_Tmsi, TSPX_SDCCH4SubDef,<br>TSPX_CKSNDf, TSPX_RANDDef, C_arfcnA,<br>C_arfcnAd, TSPX_IMSI, C_Test_nfh,<br>C_NCCP_2) |                                                     |     | 2.       |
| 4                           |            | +PreEnterCCstateU9_34( TimingAdv( 0),<br>TSPX_SDCCH4SubDef, TSPX_CKSNDf)                                                                                                                                                                                                                                                                                                                                                                                                                                                                                                                                           |                                                     |     | 3.       |
| 5                           | body       | (TCV_Null := OO_TermCall())                                                                                                                                                                                                                                                                                                                                                                                                                                                                                                                                                                                        |                                                     |     | 4.       |
| 6                           | L_045<br>2 | L?DL_DatInDisc                                                                                                                                                                                                                                                                                                                                                                                                                                                                                                                                                                                                     | DiscRcv( TCV_ch,<br>DisconnR( TI_01,<br>Cause_Def)) | (P) | 5.       |
| 7                           |            | +CCstatuschk_05( C_U11, TI_02,<br>TCV_ch)                                                                                                                                                                                                                                                                                                                                                                                                                                                                                                                                                                          |                                                     |     |          |
| 8                           |            | +PostMainLinkRel( TCV_ch)                                                                                                                                                                                                                                                                                                                                                                                                                                                                                                                                                                                          |                                                     |     |          |
| <b>Detailed Comments:</b>   |            | <ol style="list-style-type: none"> <li>1. To select a basic service. if the MS supports telephony the selected basic service is telephony.</li> <li>2. One physical channel as BCCH, CCCH and SDCCH4.</li> <li>3. Bring MS to state U9.</li> <li>4. To terminate the call.</li> <li>5. The expected DISCONNECT received.</li> </ol>                                                                                                                                                                                                                                                                                |                                                     |     |          |

| Test Case Dynamic Behaviour |            |                                                                                                                                                                                                                                                                                                                                                                                                                                                                                                                                                                                                                      |                                                                                     |     |          |
|-----------------------------|------------|----------------------------------------------------------------------------------------------------------------------------------------------------------------------------------------------------------------------------------------------------------------------------------------------------------------------------------------------------------------------------------------------------------------------------------------------------------------------------------------------------------------------------------------------------------------------------------------------------------------------|-------------------------------------------------------------------------------------|-----|----------|
| <b>Test Case Name:</b>      |            | TC_26_8_1_3_3_4                                                                                                                                                                                                                                                                                                                                                                                                                                                                                                                                                                                                      |                                                                                     |     |          |
| <b>Group:</b>               |            | GSM_L3_MS_v4210/CC/                                                                                                                                                                                                                                                                                                                                                                                                                                                                                                                                                                                                  |                                                                                     |     |          |
| <b>Purpose:</b>             |            | To verify that a CC-entity of the MS in CC-state U9, "MS Terminating Call Confirmed", upon receipt of a DISCONNECT returns a RELEASE message and enters the CC-state U19, "Release Request".                                                                                                                                                                                                                                                                                                                                                                                                                         |                                                                                     |     |          |
| <b>Default:</b>             |            | OtherEventsFail                                                                                                                                                                                                                                                                                                                                                                                                                                                                                                                                                                                                      |                                                                                     |     |          |
| Nr                          | Label      | Behaviour Description                                                                                                                                                                                                                                                                                                                                                                                                                                                                                                                                                                                                | CRef                                                                                | V   | Comments |
| 1                           |            | START T_guard(300)                                                                                                                                                                                                                                                                                                                                                                                                                                                                                                                                                                                                   |                                                                                     |     |          |
| 2                           |            | +BasicServiceMTorTelephony(<br>TSPX_MTNIC_BscSvcC, TSPX_MTNIC_ChRateC)                                                                                                                                                                                                                                                                                                                                                                                                                                                                                                                                               |                                                                                     |     | 1.       |
| 3                           |            | +IdleUpdated( C_E_default, C_CellA, C_SCH_A,<br>C_BCCH_A_1, C_Immass, C_S0, C_SlotNU,<br>C_SlotNU, C_SlotNU, C_BCC, C_TxInt_5,<br>C_Max_1, C_NECI_0, C_ATT_0, TimingAdv( 0),<br>C_BABR_0, C_cch_1Comb, C_BPM_3,<br>C_T3212_0, C_ci_cellA, C_MCC_1, C_PLMN_1,<br>C_LAC_1, CellOpt_01, CellChDes_Omit,<br>CellChDes_Omit, C_CellReselectHys12,<br>C_MaxPwrLvIG, C_MaxPwrLvID,<br>BcchFreqLst_45, BcchFreqLst_02,<br>BcchFreqLst_03, BcchFreqLst_04,<br>C_Restablishment, C_BCC, C_NCC,<br>C_Start_Tmsi, TSPX_SDCCH4SubDef,<br>TSPX_CKSNDDef, TSPX_RANDDef, C_arfcnA,<br>C_arfcnAd, TSPX_IMSI, C_Test_nfh,<br>C_NCCP_2) |                                                                                     |     | 2.       |
| 4                           |            | +PreEnterCCstateU9_34( TimingAdv( 0),<br>TSPX_SDCCH4SubDef, TSPX_CKSNDDef)                                                                                                                                                                                                                                                                                                                                                                                                                                                                                                                                           |                                                                                     |     | 3.       |
| 5                           | body       | LIDL_DatRqDisc                                                                                                                                                                                                                                                                                                                                                                                                                                                                                                                                                                                                       | DiscSnd( TCV_ch,<br>DisconnS( TI_02,<br>Cause_01,<br>ProgInd_omit,<br>UuInfo_omit)) |     | 4.       |
| 6                           | L_045<br>3 | L?DL_DatInRel                                                                                                                                                                                                                                                                                                                                                                                                                                                                                                                                                                                                        | ReleaseRcv(<br>Release_10( TI_01))                                                  | (P) | 5.       |
| 7                           |            | +CCstatuschk_05(C_U19, TI_02,<br>TCV_ch)                                                                                                                                                                                                                                                                                                                                                                                                                                                                                                                                                                             |                                                                                     |     |          |
| 8                           |            | +PostMainLinkRel(TCV_ch)                                                                                                                                                                                                                                                                                                                                                                                                                                                                                                                                                                                             |                                                                                     |     |          |
| <b>Detailed Comments:</b>   |            | <ol style="list-style-type: none"> <li>1. To select a basic service. if the MS supports telephony the selected basic service is telephony.</li> <li>2. One physical channel as BCCH, CCCH and SDCCH4.</li> <li>3. Bring MS to state U9.</li> <li>4. To send DISCONNECT message.</li> <li>5. The expected RELEASE message received.</li> </ol>                                                                                                                                                                                                                                                                        |                                                                                     |     |          |

| Test Case Dynamic Behaviour |            |                                                                                                                                                                                                                                                                                                                                                                                                                                                                                                                                                                       |                                        |     |          |
|-----------------------------|------------|-----------------------------------------------------------------------------------------------------------------------------------------------------------------------------------------------------------------------------------------------------------------------------------------------------------------------------------------------------------------------------------------------------------------------------------------------------------------------------------------------------------------------------------------------------------------------|----------------------------------------|-----|----------|
| <b>Test Case Name:</b>      |            | TC_26_8_1_3_3_5                                                                                                                                                                                                                                                                                                                                                                                                                                                                                                                                                       |                                        |     |          |
| <b>Group:</b>               |            | GSM_L3_MS_v4210/CC/                                                                                                                                                                                                                                                                                                                                                                                                                                                                                                                                                   |                                        |     |          |
| <b>Purpose:</b>             |            | <ol style="list-style-type: none"> <li>To verify that a CC-entity of the MS in CC-state U9, "MS Terminating Call Confirmed", upon receipt of a RELEASE will return a RELEASE COMPLETE and enter the CC-state U0, "Null".</li> <li>To verify that the MS on returning to the idle mode releases the MM-connection and that the CC-entities relating to the seven mobile terminating transaction identifiers are in CC-state U0, "Null".</li> </ol>                                                                                                                     |                                        |     |          |
| <b>Default:</b>             |            | OtherEventsFail                                                                                                                                                                                                                                                                                                                                                                                                                                                                                                                                                       |                                        |     |          |
| Nr                          | Label      | Behaviour Description                                                                                                                                                                                                                                                                                                                                                                                                                                                                                                                                                 | CRef                                   | V   | Comments |
| 1                           |            | START T_guard(300)                                                                                                                                                                                                                                                                                                                                                                                                                                                                                                                                                    |                                        |     |          |
| 2                           |            | +BasicServiceMTorTelephony(TSPX_MTNIC_BscSvcD, TSPX_MTNIC_ChRateD)                                                                                                                                                                                                                                                                                                                                                                                                                                                                                                    |                                        |     | 1.       |
| 3                           |            | +IdleUpdated( C_E_default, C_CellA, C_SCH_A, C_BCCH_A_1, C_Immass, C_S0, C_SlotNU, C_SlotNU, C_SlotNU, C_BCC, C_TxInt_5, C_Max_1, C_NECI_0, C_ATT_0, TimingAdv( 0), C_BABR_0, C_cch_1Comb, C_BPM_3, C_T3212_0, C_ci_cellA, C_MCC_1, C_PLMN_1, C_LAC_1, CellOpt_01, CellChDes_Omit, CellChDes_Omit, C_CellReselectHys12, C_MaxPwrLvIG, C_MaxPwrLvID, BcchFreqLst_45, BcchFreqLst_02, BcchFreqLst_03, BcchFreqLst_04, C_Restablishment, C_BCC, C_NCC, C_Start_Tmsi, TSPX_SDCCH4SubDef, TSPX_CKSNDf, TSPX_RANDDef, C_arfcnA, C_arfcnAd, TSPX_IMSI, C_Test_nfh, C_NCCP_2) |                                        |     | 2.       |
| 4                           |            | +PreEnterCCstateU9_34( TimingAdv( 0), TSPX_SDCCH4SubDef, TSPX_CKSNDf)                                                                                                                                                                                                                                                                                                                                                                                                                                                                                                 |                                        |     | 3.       |
| 5                           | body       | L!DL_DatRqRel                                                                                                                                                                                                                                                                                                                                                                                                                                                                                                                                                         | ReleaseSnd(TCV_ch, Release_03( TI_02)) |     | 4.       |
| 6                           | L_045<br>4 | L?DL_DatInRelCmp                                                                                                                                                                                                                                                                                                                                                                                                                                                                                                                                                      | RelComRcv( ReleaseCmp_03( TI_01))      | (P) | 5.       |
| 7                           |            | +CheckTIsInStateU0( FALSE, TCV_ch)                                                                                                                                                                                                                                                                                                                                                                                                                                                                                                                                    |                                        |     |          |
| 8                           |            | +PostMainLinkRel( TCV_ch)                                                                                                                                                                                                                                                                                                                                                                                                                                                                                                                                             |                                        |     |          |
| <b>Detailed Comments:</b>   |            | <ol style="list-style-type: none"> <li>To select a basic service. if the MS supports telephony the selected basic service is telephony.</li> <li>One physical channel as BCCH, CCCH and SDCCH4.</li> <li>Bring MS to state U9.</li> <li>To send RELEASE message with cause = "normal, unspecified".</li> <li>The expected RELEASE COMPLETE received.</li> </ol>                                                                                                                                                                                                       |                                        |     |          |

| Test Case Dynamic Behaviour |       |                                                                                                                                                                                                                                                                                                                                                                                                                                                                                                                                                                                                                    |      |   |          |
|-----------------------------|-------|--------------------------------------------------------------------------------------------------------------------------------------------------------------------------------------------------------------------------------------------------------------------------------------------------------------------------------------------------------------------------------------------------------------------------------------------------------------------------------------------------------------------------------------------------------------------------------------------------------------------|------|---|----------|
| <b>Test Case Name:</b>      |       | TC_26_8_1_3_3_6                                                                                                                                                                                                                                                                                                                                                                                                                                                                                                                                                                                                    |      |   |          |
| <b>Group:</b>               |       | GSM_L3_MS_v4210/CC/                                                                                                                                                                                                                                                                                                                                                                                                                                                                                                                                                                                                |      |   |          |
| <b>Purpose:</b>             |       | To verify that a CC entity of the MS in CC-state U9, "MS Terminating Call Confirmed", having detected a lower layer failure returns to idle mode with the CC entities relating to the seven mobile terminating transaction identifiers in CC-state U0, "Null".                                                                                                                                                                                                                                                                                                                                                     |      |   |          |
| <b>Default:</b>             |       | OtherEventsFail                                                                                                                                                                                                                                                                                                                                                                                                                                                                                                                                                                                                    |      |   |          |
| Nr                          | Label | Behaviour Description                                                                                                                                                                                                                                                                                                                                                                                                                                                                                                                                                                                              | CRef | V | Comments |
| 1                           |       | START T_guard(300)                                                                                                                                                                                                                                                                                                                                                                                                                                                                                                                                                                                                 |      |   |          |
| 2                           |       | +BasicServiceMTorTelephony(<br>TSPX_MTNIC_BscSvcE, TSPX_MTNIC_ChRateE)                                                                                                                                                                                                                                                                                                                                                                                                                                                                                                                                             |      |   | 1.       |
| 3                           |       | +IdleUpdated( C_E_default, C_CellA, C_SCH_A,<br>C_BCCH_A_1, C_Immass, C_S0, C_SlotNU,<br>C_SlotNU, C_SlotNU, C_BCC, C_TxInt_5,<br>C_Max_1, C_NECI_0, C_ATT_0, TimingAdv( 0),<br>C_BABR_0, C_cch_1Comb, C_BPM_3,<br>C_T3212_0, C_ci_cellA, C_MCC_1, C_PLMN_1,<br>C_LAC_1, CellOpt_01, CellChDes_Omit,<br>CellChDes_Omit, C_CellReselectHys12,<br>C_MaxPwrLvIG, C_MaxPwrLvID,<br>BcchFreqLst_45, BcchFreqLst_02,<br>BcchFreqLst_03, BcchFreqLst_04,<br>C_Restablishment, C_BCC, C_NCC,<br>C_Start_Tmsi, TSPX_SDCCH4SubDef,<br>TSPX_CKSNDf, TSPX_RANDDef, C_arfcnA,<br>C_arfcnAd, TSPX_IMSI, C_Test_nfh,<br>C_NCCP_2) |      |   | 2.       |
| 4                           |       | +PreEnterCCstateU9_34( TimingAdv( 0),<br>TSPX_SDCCH4SubDef, TSPX_CKSNDf)                                                                                                                                                                                                                                                                                                                                                                                                                                                                                                                                           |      |   | 3.       |
| 5                           | body  | (TCV_Null := OM_LowerLayerFail( TCV_ch))                                                                                                                                                                                                                                                                                                                                                                                                                                                                                                                                                                           |      |   | 4.       |
| 6                           |       | START T_dly( 20000)                                                                                                                                                                                                                                                                                                                                                                                                                                                                                                                                                                                                |      |   | 5.       |
| 7                           |       | ?TIMEOUT T_dly                                                                                                                                                                                                                                                                                                                                                                                                                                                                                                                                                                                                     |      |   |          |
| 8                           |       | +CCEstablishMT_SDCCH4(<br>TimingAdv( 0), TSPX_SDCCH4SubDef,<br>TSPX_CKSNDf)                                                                                                                                                                                                                                                                                                                                                                                                                                                                                                                                        |      |   |          |
| 9                           |       | +CheckTIsInStateU0( FALSE,<br>TCV_ch)                                                                                                                                                                                                                                                                                                                                                                                                                                                                                                                                                                              |      |   |          |
| 10                          |       | +PostMainLinkRel( TCV_ch)                                                                                                                                                                                                                                                                                                                                                                                                                                                                                                                                                                                          |      |   |          |
| <b>Detailed Comments:</b>   |       | <ol style="list-style-type: none"> <li>1. To select a basic service. if the MS supports telephony the selected basic service is telephony.</li> <li>2. One physical channel as BCCH, CCCH and SDCCH4.</li> <li>3. Bring MS to state U9.</li> <li>4. To generate lower layer failure.</li> <li>5. To wait 20 s for the MS to return to listening to paging.</li> </ol>                                                                                                                                                                                                                                              |      |   |          |



| Test Case Dynamic Behaviour |            |                                                                                                                                                                                                                                                                                                                                                                                                                                                                                                                                                                                                                    |                                                   |     |          |
|-----------------------------|------------|--------------------------------------------------------------------------------------------------------------------------------------------------------------------------------------------------------------------------------------------------------------------------------------------------------------------------------------------------------------------------------------------------------------------------------------------------------------------------------------------------------------------------------------------------------------------------------------------------------------------|---------------------------------------------------|-----|----------|
| <b>Test Case Name:</b>      |            | TC_26_8_1_3_3_7                                                                                                                                                                                                                                                                                                                                                                                                                                                                                                                                                                                                    |                                                   |     |          |
| <b>Group:</b>               |            | GSM_L3_MS_v4210/CC/                                                                                                                                                                                                                                                                                                                                                                                                                                                                                                                                                                                                |                                                   |     |          |
| <b>Purpose:</b>             |            | To verify that a CC-entity of the MS in CC-state U9, "MS Terminating Call Confirmed" having received an unknown message from its peer entity returns a STATUS message.                                                                                                                                                                                                                                                                                                                                                                                                                                             |                                                   |     |          |
| <b>Default:</b>             |            | OtherEventsFail                                                                                                                                                                                                                                                                                                                                                                                                                                                                                                                                                                                                    |                                                   |     |          |
| Nr                          | Label      | Behaviour Description                                                                                                                                                                                                                                                                                                                                                                                                                                                                                                                                                                                              | CRef                                              | V   | Comments |
| 1                           |            | START T_guard(300)                                                                                                                                                                                                                                                                                                                                                                                                                                                                                                                                                                                                 |                                                   |     |          |
| 2                           |            | +BasicServiceMTorTelephony(<br>TSPX_MTNIC_BscSvcF, TSPX_MTNIC_ChRateF)                                                                                                                                                                                                                                                                                                                                                                                                                                                                                                                                             |                                                   |     | 1.       |
| 3                           |            | +IdleUpdated( C_E_default, C_CellA, C_SCH_A,<br>C_BCCH_A_1, C_Immass, C_S0, C_SlotNU,<br>C_SlotNU, C_SlotNU, C_BCC, C_TxInt_5,<br>C_Max_1, C_NECl_0, C_ATT_0, TimingAdv( 0),<br>C_BABR_0, C_cch_1Comb, C_BPM_3,<br>C_T3212_0, C_ci_cellA, C_MCC_1, C_PLMN_1,<br>C_LAC_1, CellOpt_01, CellChDes_Omit,<br>CellChDes_Omit, C_CellReselectHys12,<br>C_MaxPwrLvlG, C_MaxPwrLvlD,<br>BcchFreqLst_45, BcchFreqLst_02,<br>BcchFreqLst_03, BcchFreqLst_04,<br>C_Restablishment, C_BCC, C_NCC,<br>C_Start_Tmsi, TSPX_SDCCH4SubDef,<br>TSPX_CKSNDf, TSPX_RANDDef, C_arfcnA,<br>C_arfcnAd, TSPX_IMSI, C_Test_nfh,<br>C_NCCP_2) |                                                   |     | 2.       |
| 4                           |            | +PreEnterCCstateU9_34( TimingAdv( 0),<br>TSPX_SDCCH4SubDef, TSPX_CKSNDf)                                                                                                                                                                                                                                                                                                                                                                                                                                                                                                                                           |                                                   |     | 3.       |
| 5                           | body       | L!DL_DatRqUndefCC                                                                                                                                                                                                                                                                                                                                                                                                                                                                                                                                                                                                  | UndefCC( TCV_ch,<br>UndefCC_02( TI_02))           |     | 4.       |
| 6                           | L_045<br>5 | L?DL_DatInCcst                                                                                                                                                                                                                                                                                                                                                                                                                                                                                                                                                                                                     | CCStRcv( TCV_ch,<br>CCStatus_08( TI_01,<br>C_U9)) | (P) |          |
| 7                           |            | +CCstatuschk_05( C_U9, TI_02,<br>TCV_ch)                                                                                                                                                                                                                                                                                                                                                                                                                                                                                                                                                                           |                                                   |     |          |
| 8                           |            | +PostMainLinkRel( TCV_ch)                                                                                                                                                                                                                                                                                                                                                                                                                                                                                                                                                                                          |                                                   |     |          |
| <b>Detailed Comments:</b>   |            | <ol style="list-style-type: none"> <li>1. To select a basic service. if the MS supports telephony the selected basic service is telephony.</li> <li>2. One physical channel as BCCH, CCCH and SDCCH4.</li> <li>3. Bring MS to state U9.</li> <li>4. To send an unknown message.</li> </ol>                                                                                                                                                                                                                                                                                                                         |                                                   |     |          |

| Test Case Dynamic Behaviour |       |                                                                                                                                                                                                                                                                                                                                                                                                                                                                                                                                                                                                                      |                                 |     |          |
|-----------------------------|-------|----------------------------------------------------------------------------------------------------------------------------------------------------------------------------------------------------------------------------------------------------------------------------------------------------------------------------------------------------------------------------------------------------------------------------------------------------------------------------------------------------------------------------------------------------------------------------------------------------------------------|---------------------------------|-----|----------|
| <b>Test Case Name:</b>      |       | TC_26_8_1_3_4_1                                                                                                                                                                                                                                                                                                                                                                                                                                                                                                                                                                                                      |                                 |     |          |
| <b>Group:</b>               |       | GSM_L3_MS_v4210/CC/                                                                                                                                                                                                                                                                                                                                                                                                                                                                                                                                                                                                  |                                 |     |          |
| <b>Purpose:</b>             |       | To verify that a CC entity of a MS in CC-state U7, "Call Received", upon a user accepting the incoming call, shall send a CONNECT message to its peer entity and enter the CC-state U8, "Connect Request"                                                                                                                                                                                                                                                                                                                                                                                                            |                                 |     |          |
| <b>Default:</b>             |       | OtherEventsFail                                                                                                                                                                                                                                                                                                                                                                                                                                                                                                                                                                                                      |                                 |     |          |
| Nr                          | Label | Behaviour Description                                                                                                                                                                                                                                                                                                                                                                                                                                                                                                                                                                                                | CRef                            | V   | Comments |
| 1                           |       | START T_guard(300)                                                                                                                                                                                                                                                                                                                                                                                                                                                                                                                                                                                                   |                                 |     |          |
| 2                           |       | +BasicServiceMTorTelephony(<br>TSPX_MTNIC_BscSvcG, TSPX_MTNIC_ChRateG)                                                                                                                                                                                                                                                                                                                                                                                                                                                                                                                                               |                                 |     | 1.       |
| 3                           |       | +IdleUpdated( C_E_default, C_CellA, C_SCH_A,<br>C_BCCH_A_1, C_Immass, C_S0, C_SlotNU,<br>C_SlotNU, C_SlotNU, C_BCC, C_TxInt_5,<br>C_Max_1, C_NECI_0, C_ATT_0, TimingAdv( 0),<br>C_BABR_0, C_cch_1Comb, C_BPM_3,<br>C_T3212_0, C_ci_cellA, C_MCC_1, C_PLMN_1,<br>C_LAC_1, CellOpt_01, CellChDes_Omit,<br>CellChDes_Omit, C_CellReselectHys12,<br>C_MaxPwrLvIG, C_MaxPwrLvID,<br>BcchFreqLst_45, BcchFreqLst_02,<br>BcchFreqLst_03, BcchFreqLst_04,<br>C_Restablishment, C_BCC, C_NCC,<br>C_Start_Tmsi, TSPX_SDCCH4SubDef,<br>TSPX_CKSNDDef, TSPX_RANDDef, C_arfcnA,<br>C_arfcnAd, TSPX_IMSI, C_Test_nfh,<br>C_NCCP_2) |                                 |     |          |
| 4                           |       | +CCConfigTCH_nociph( TSPX_TCHHSubDef,<br>C_Immass, TSPX_TmSlitDef, TSPX_TscDef,<br>TimingAdv( 0), C_BABR_0, C_cch_1Comb,<br>C_BPM_3, TCV_ChMod.mode, FreqTCH_omit,<br>FreqTCH_omit, C_arfcn_tchA, C_arfcn_tchAd)                                                                                                                                                                                                                                                                                                                                                                                                     |                                 |     |          |
| 5                           |       | +PreEnterCCstateU7_33( TSPX_TmSlitDef,<br>TSPX_TscDef, TimingAdv( 0),<br>TSPX_CKSNDDef, TSPX_RANDDef)                                                                                                                                                                                                                                                                                                                                                                                                                                                                                                                |                                 |     |          |
| 6                           |       | (TCV_Null := OO_HookOff())                                                                                                                                                                                                                                                                                                                                                                                                                                                                                                                                                                                           |                                 |     |          |
| 7                           | body  | L?DL_DatInConn                                                                                                                                                                                                                                                                                                                                                                                                                                                                                                                                                                                                       | ConnRcv(<br>Connect_01( TI_01)) | (P) | 2.       |
| 8                           |       | +CCstatuschk_05( C_U8, TI_02,<br>TCV_chTch)                                                                                                                                                                                                                                                                                                                                                                                                                                                                                                                                                                          |                                 |     | 3.       |
| 9                           |       | +PostMainLinkRel( TCV_chTch)                                                                                                                                                                                                                                                                                                                                                                                                                                                                                                                                                                                         |                                 |     |          |
| <b>Detailed Comments:</b>   |       | <ol style="list-style-type: none"> <li>1. To select a basic service. if the MS supports telephony the selected basic service is telephony.</li> <li>2. The expected CONNECT message received.</li> <li>3. To check whether the MS is in the state U8. If not so the test case fails in the test step.</li> </ol>                                                                                                                                                                                                                                                                                                     |                                 |     |          |

| Test Case Dynamic Behaviour |            |                                                                                                                                                                                                                                                                                                                                                                                                                                                                                                                                                                                                                      |                                                        |     |          |
|-----------------------------|------------|----------------------------------------------------------------------------------------------------------------------------------------------------------------------------------------------------------------------------------------------------------------------------------------------------------------------------------------------------------------------------------------------------------------------------------------------------------------------------------------------------------------------------------------------------------------------------------------------------------------------|--------------------------------------------------------|-----|----------|
| <b>Test Case Name:</b>      |            | TC_26_8_1_3_4_2                                                                                                                                                                                                                                                                                                                                                                                                                                                                                                                                                                                                      |                                                        |     |          |
| <b>Group:</b>               |            | GSM_L3_MS_v4210/CC/                                                                                                                                                                                                                                                                                                                                                                                                                                                                                                                                                                                                  |                                                        |     |          |
| <b>Purpose:</b>             |            | To verify that a CC entity of a MS in CC-state U7, "Call Received", upon request by the user to terminate will send a DISCONNECT message and enter the CC-state U11, "Disconnect Request".                                                                                                                                                                                                                                                                                                                                                                                                                           |                                                        |     |          |
| <b>Default:</b>             |            | OtherEventsFail                                                                                                                                                                                                                                                                                                                                                                                                                                                                                                                                                                                                      |                                                        |     |          |
| Nr                          | Label      | Behaviour Description                                                                                                                                                                                                                                                                                                                                                                                                                                                                                                                                                                                                | CRef                                                   | V   | Comments |
| 1                           |            | START T_guard(300)                                                                                                                                                                                                                                                                                                                                                                                                                                                                                                                                                                                                   |                                                        |     |          |
| 2                           |            | +BasicServiceMTorTelephony(<br>TSPX_MTNIC_BscSvcH, TSPX_MTNIC_ChRateH)                                                                                                                                                                                                                                                                                                                                                                                                                                                                                                                                               |                                                        |     | 1.       |
| 3                           |            | +IdleUpdated( C_E_default, C_CellA, C_SCH_A,<br>C_BCCH_A_1, C_Immass, C_S0, C_SlotNU,<br>C_SlotNU, C_SlotNU, C_BCC, C_TxInt_5,<br>C_Max_1, C_NECL_0, C_ATT_0, TimingAdv( 0),<br>C_BABR_0, C_cch_1Comb, C_BPM_3,<br>C_T3212_0, C_ci_cellA, C_MCC_1, C_PLMN_1,<br>C_LAC_1, CellOpt_01, CellChDes_Omit,<br>CellChDes_Omit, C_CellReselectHys12,<br>C_MaxPwrLvlG, C_MaxPwrLvlD,<br>BcchFreqLst_45, BcchFreqLst_02,<br>BcchFreqLst_03, BcchFreqLst_04,<br>C_Restablishment, C_BCC, C_NCC,<br>C_Start_Tmsi, TSPX_SDCCH4SubDef,<br>TSPX_CKSNDDef, TSPX_RANDDef, C_arfcnA,<br>C_arfcnAd, TSPX_IMSI, C_Test_nfh,<br>C_NCCP_2) |                                                        |     |          |
| 4                           |            | +CCConfigTCH_nociph( TSPX_TCHHSubDef,<br>C_Immass, TSPX_TmSlitDef, TSPX_TscDef,<br>TimingAdv( 0), C_BABR_0, C_cch_1Comb,<br>C_BPM_3, TCV_ChMod.mode, FreqTCH_omit,<br>FreqTCH_omit, C_arfcn_tchA, C_arfcn_tchAd)                                                                                                                                                                                                                                                                                                                                                                                                     |                                                        |     |          |
| 5                           |            | +PreEnterCCstateU7_33( TSPX_TmSlitDef,<br>TSPX_TscDef, TimingAdv( 0),<br>TSPX_CKSNDDef, TSPX_RANDDef)                                                                                                                                                                                                                                                                                                                                                                                                                                                                                                                |                                                        |     |          |
| 6                           | body       | (TCV_Null := OO_TermCall())                                                                                                                                                                                                                                                                                                                                                                                                                                                                                                                                                                                          |                                                        |     |          |
| 7                           | L_045<br>6 | L?DL_DatInDisc                                                                                                                                                                                                                                                                                                                                                                                                                                                                                                                                                                                                       | DiscRcv( TCV_chTch,<br>DisconnR( TI_01,<br>Cause_Def)) | (P) | 2.       |
| 8                           |            | +CCstatuschk_05( C_U11, TI_02,<br>TCV_chTch)                                                                                                                                                                                                                                                                                                                                                                                                                                                                                                                                                                         |                                                        |     | 3.       |
| 9                           |            | +PostMainLinkRel( TCV_chTch)                                                                                                                                                                                                                                                                                                                                                                                                                                                                                                                                                                                         |                                                        |     |          |
| <b>Detailed Comments:</b>   |            | <p>1. To select a basic service. if the MS supports telephony the selected basic service is telephony.</p> <p>2. The expected DISCONNECT message received.</p> <p>3. To check whether the MS is in the state U11. If not so the test case fails in the test step.</p>                                                                                                                                                                                                                                                                                                                                                |                                                        |     |          |

| Test Case Dynamic Behaviour |            |                                                                                                                                                                                                                                                                                                                                                                                                                                                                                                                                                                         |                                                                          |     |          |
|-----------------------------|------------|-------------------------------------------------------------------------------------------------------------------------------------------------------------------------------------------------------------------------------------------------------------------------------------------------------------------------------------------------------------------------------------------------------------------------------------------------------------------------------------------------------------------------------------------------------------------------|--------------------------------------------------------------------------|-----|----------|
| <b>Test Case Name:</b>      |            | TC_26_8_1_3_4_3                                                                                                                                                                                                                                                                                                                                                                                                                                                                                                                                                         |                                                                          |     |          |
| <b>Group:</b>               |            | GSM_L3_MS_v4210/CC/                                                                                                                                                                                                                                                                                                                                                                                                                                                                                                                                                     |                                                                          |     |          |
| <b>Purpose:</b>             |            | To verify that a CC entity of a MS in CC-state U7, "Call Received", upon receipt of a DISCONNECT with a progress indicator indicating in-band information from network, if a TCH was not assigned, returns a RELEASE message and enters the CC-state U19, "Release Request".                                                                                                                                                                                                                                                                                            |                                                                          |     |          |
| <b>Default:</b>             |            | OtherEventsFail                                                                                                                                                                                                                                                                                                                                                                                                                                                                                                                                                         |                                                                          |     |          |
| Nr                          | Label      | Behaviour Description                                                                                                                                                                                                                                                                                                                                                                                                                                                                                                                                                   | CRef                                                                     | V   | Comments |
| 1                           |            | START T_guard(300)                                                                                                                                                                                                                                                                                                                                                                                                                                                                                                                                                      |                                                                          |     |          |
| 2                           |            | +BasicServiceMTorTelephony(TSPX_MTNIC_BscSvcl,TSPX_MTNIC_ChRatel)                                                                                                                                                                                                                                                                                                                                                                                                                                                                                                       |                                                                          |     | 1.       |
| 3                           |            | +IdleUpdated( C_E_default, C_CellA, C_SCH_A, C_BCCH_A_1, C_Immass, C_S0, C_SlotNU, C_SlotNU, C_SlotNU, C_BCC, C_TxInt_5, C_Max_1, C_NECI_0, C_ATT_0, TimingAdv( 0), C_BABR_0, C_cch_1Comb, C_BPM_3, C_T3212_0, C_ci_cellA, C_MCC_1, C_PLMN_1, C_LAC_1, CellOpt_01, CellChDes_Omit, CellChDes_Omit, C_CellReselectHys12, C_MaxPwrLvlG, C_MaxPwrLvlD, BcchFreqLst_45, BcchFreqLst_02, BcchFreqLst_03, BcchFreqLst_04, C_Restablishment, C_BCC, C_NCC, C_Start_Tmsi, TSPX_SDCCH4SubDef, TSPX_CKSNDDef, TSPX_RANDDef, C_arfcnA, C_arfcnAd, TSPX_IMSI, C_Test_nfh, C_NCCP_2) |                                                                          |     | 2.       |
| 4                           |            | +PreEnterCCstateU7_31( TimingAdv( 0), TSPX_SDCCH4SubDef, TSPX_CKSNDDef, TSPX_RANDDef)                                                                                                                                                                                                                                                                                                                                                                                                                                                                                   |                                                                          |     |          |
| 5                           | body       | LIDL_DatRqDisc                                                                                                                                                                                                                                                                                                                                                                                                                                                                                                                                                          | DiscSnd( TCV_ch, DisconnS( TI_02, Cause_01, ProgInd_03iei, UuInfo_omit)) |     | 3.       |
| 6                           | L_045<br>7 | L?DL_DatInRel                                                                                                                                                                                                                                                                                                                                                                                                                                                                                                                                                           | ReleaseRcv( Release_10( TI_01))                                          | (P) | 4.       |
| 7                           |            | +CCstatuschk_05( C_U19, TI_02, TCV_ch)                                                                                                                                                                                                                                                                                                                                                                                                                                                                                                                                  |                                                                          |     | 5.       |
| 8                           |            | +PostMainLinkRel( TCV_ch)                                                                                                                                                                                                                                                                                                                                                                                                                                                                                                                                               |                                                                          |     |          |
| <b>Detailed Comments:</b>   |            | <ol style="list-style-type: none"> <li>1. To select a basic service. if the MS supports telephony the selected basic service is telephony.</li> <li>2. To setup a physical channels as BCCH, CCCH and SDCCH4.</li> <li>3. To send DISCONNECT message with progress indicator indicating cause #8.</li> <li>4. The expected RELEASE message received.</li> <li>5. To check whether the MS is in the state U19.</li> </ol>                                                                                                                                                |                                                                          |     |          |

| Test Case Dynamic Behaviour |       |                                                                                                                                                                                                                                                                                                                                                                                                                                                                                                                                                                         |                                       |   |          |
|-----------------------------|-------|-------------------------------------------------------------------------------------------------------------------------------------------------------------------------------------------------------------------------------------------------------------------------------------------------------------------------------------------------------------------------------------------------------------------------------------------------------------------------------------------------------------------------------------------------------------------------|---------------------------------------|---|----------|
| <b>Test Case Name:</b>      |       | TC_26_8_1_3_4_4                                                                                                                                                                                                                                                                                                                                                                                                                                                                                                                                                         |                                       |   |          |
| <b>Group:</b>               |       | GSM_L3_MS_v4210/CC/                                                                                                                                                                                                                                                                                                                                                                                                                                                                                                                                                     |                                       |   |          |
| <b>Purpose:</b>             |       | <ol style="list-style-type: none"> <li>1) To verify that a CC entity of a MS in CC-state U7, "Call Received", upon receipt of a RELEASE will return a RELEASE COMPLETE and enter the CC-state U0, "Null".</li> <li>2) To verify that the MS on returning to the idle mode releases the MM-connection and that the CC-entities relating to the seven mobile terminating transaction identifiers are in CC-state U0, "Null".</li> </ol>                                                                                                                                   |                                       |   |          |
| <b>Default:</b>             |       | OtherEventsFail                                                                                                                                                                                                                                                                                                                                                                                                                                                                                                                                                         |                                       |   |          |
| Nr                          | Label | Behaviour Description                                                                                                                                                                                                                                                                                                                                                                                                                                                                                                                                                   | CRef                                  | V | Comments |
| 1                           |       | START T_guard(300)                                                                                                                                                                                                                                                                                                                                                                                                                                                                                                                                                      |                                       |   |          |
| 2                           |       | +BasicServiceMTorTelephony(TSPX_MTNIC_BscSvcJ, TSPX_MTNIC_ChRateJ)                                                                                                                                                                                                                                                                                                                                                                                                                                                                                                      |                                       |   | 1.       |
| 3                           |       | +IdleUpdated( C_E_default, C_CellA, C_SCH_A, C_BCCH_A_1, C_Immass, C_S0, C_SlotNU, C_SlotNU, C_SlotNU, C_BCC, C_TxInt_5, C_Max_1, C_NECl_0, C_ATT_0, TimingAdv( 0), C_BABR_0, C_cch_1Comb, C_BPM_3, C_T3212_0, C_ci_cellA, C_MCC_1, C_PLMN_1, C_LAC_1, CellOpt_01, CellChDes_Omit, CellChDes_Omit, C_CellReselectHys12, C_MaxPwrLvIG, C_MaxPwrLvID, BcchFreqLst_45, BcchFreqLst_02, BcchFreqLst_03, BcchFreqLst_04, C_Restablishment, C_BCC, C_NCC, C_Start_Tmsi, TSPX_SDCCH4SubDef, TSPX_CKSNDDef, TSPX_RANDDef, C_arfcnA, C_arfcnAd, TSPX_IMSI, C_Test_nfh, C_NCCP_2) |                                       |   | 2.       |
| 4                           |       | +PreEnterCCstateU7_31( TimingAdv( 0), TSPX_SDCCH4SubDef, TSPX_CKSNDDef, TSPX_RANDDef)                                                                                                                                                                                                                                                                                                                                                                                                                                                                                   |                                       |   |          |
| 5                           | body  | LIDL_DatRqRel                                                                                                                                                                                                                                                                                                                                                                                                                                                                                                                                                           | ReleaseSnd(TCV_ch, Release_03(TI_02)) |   | 3.       |
| 6                           |       | L?DL_DatInRelCmp                                                                                                                                                                                                                                                                                                                                                                                                                                                                                                                                                        | RelComRcv(ReleaseCmp_03(TI_01))       |   | 4.       |
| 7                           |       | +CheckTlInStateU0( FALSE, TCV_ch)                                                                                                                                                                                                                                                                                                                                                                                                                                                                                                                                       |                                       |   | 5.       |
| 8                           |       | +PostMainLinkRel( TCV_ch)                                                                                                                                                                                                                                                                                                                                                                                                                                                                                                                                               |                                       |   |          |
| <b>Detailed Comments:</b>   |       | <ol style="list-style-type: none"> <li>1. To select a basic service. if the MS supports telephony the selected basic service is telephony.</li> <li>2. To setup a physical channels as BCCH, CCCH and SDCCH4.</li> <li>3. To send RELEASE message with cause "Normal, unspecified".</li> <li>4. The expected RELEASE COMPLETE message received.</li> <li>5. To check that the CC entity has returned to state U0 with all transaction identifiers.</li> </ol>                                                                                                           |                                       |   |          |

| Test Case Dynamic Behaviour |       |                                                                                                                                                                                                                                                                                                                                                                                                                                                                                                                                                                                                                    |      |   |          |
|-----------------------------|-------|--------------------------------------------------------------------------------------------------------------------------------------------------------------------------------------------------------------------------------------------------------------------------------------------------------------------------------------------------------------------------------------------------------------------------------------------------------------------------------------------------------------------------------------------------------------------------------------------------------------------|------|---|----------|
| <b>Test Case Name:</b>      |       | TC_26_8_1_3_4_5                                                                                                                                                                                                                                                                                                                                                                                                                                                                                                                                                                                                    |      |   |          |
| <b>Group:</b>               |       | GSM_L3_MS_v4210/CC/                                                                                                                                                                                                                                                                                                                                                                                                                                                                                                                                                                                                |      |   |          |
| <b>Purpose:</b>             |       | To verify that a CC entity of a MS in CC-state U7, "Call Received", having detected a lower layer failure returns to idle mode with the CC entities relating to the seven mobile terminating transaction identifiers in CC-state U0, "Null".                                                                                                                                                                                                                                                                                                                                                                       |      |   |          |
| <b>Default:</b>             |       | OtherEventsFail                                                                                                                                                                                                                                                                                                                                                                                                                                                                                                                                                                                                    |      |   |          |
| Nr                          | Label | Behaviour Description                                                                                                                                                                                                                                                                                                                                                                                                                                                                                                                                                                                              | CRef | V | Comments |
| 1                           |       | START T_guard(300)                                                                                                                                                                                                                                                                                                                                                                                                                                                                                                                                                                                                 |      |   |          |
| 2                           |       | +BasicServiceMTorTelephony(<br>TSPX_MTNIC_BscSvcA, TSPX_MTNIC_ChRateA)                                                                                                                                                                                                                                                                                                                                                                                                                                                                                                                                             |      |   | 1.       |
| 3                           |       | +IdleUpdated( C_E_default, C_CellA, C_SCH_A,<br>C_BCCH_A_1, C_Immass, C_S0, C_SlotNU,<br>C_SlotNU, C_SlotNU, C_BCC, C_TxInt_5,<br>C_Max_1, C_NECI_0, C_ATT_0, TimingAdv( 0),<br>C_BABR_0, C_cch_1Comb, C_BPM_3,<br>C_T3212_0, C_ci_cellA, C_MCC_1, C_PLMN_1,<br>C_LAC_1, CellOpt_01, CellChDes_Omit,<br>CellChDes_Omit, C_CellReselectHys12,<br>C_MaxPwrLvIG, C_MaxPwrLvID,<br>BcchFreqLst_45, BcchFreqLst_02,<br>BcchFreqLst_03, BcchFreqLst_04,<br>C_Restablishment, C_BCC, C_NCC,<br>C_Start_Tmsi, TSPX_SDCCH4SubDef,<br>TSPX_CKSNDf, TSPX_RANDDef, C_arfcnA,<br>C_arfcnAd, TSPX_IMSI, C_Test_nfh,<br>C_NCCP_2) |      |   | 2.       |
| 4                           |       | +PreEnterCCstateU7_32( TimingAdv( 0),<br>TSPX_SDCCH4SubDef, TSPX_CKSNDf)                                                                                                                                                                                                                                                                                                                                                                                                                                                                                                                                           |      |   |          |
| 5                           | body  | (TCV_Null := OM_LowerLayerFail( TCV_ch))                                                                                                                                                                                                                                                                                                                                                                                                                                                                                                                                                                           |      |   |          |
| 6                           |       | START T_dly( 20000)                                                                                                                                                                                                                                                                                                                                                                                                                                                                                                                                                                                                |      |   |          |
| 7                           |       | ?TIMEOUT T_dly                                                                                                                                                                                                                                                                                                                                                                                                                                                                                                                                                                                                     |      |   |          |
| 8                           |       | +CCEstablishMT_SDCCH4(<br>TimingAdv( 0), TSPX_SDCCH4SubDef,<br>TSPX_CKSNDf)                                                                                                                                                                                                                                                                                                                                                                                                                                                                                                                                        |      |   |          |
| 9                           |       | +CheckTIsInStateU0( FALSE,<br>TCV_ch)                                                                                                                                                                                                                                                                                                                                                                                                                                                                                                                                                                              |      |   |          |
| 10                          |       | +PostMainLinkRel( TCV_ch)                                                                                                                                                                                                                                                                                                                                                                                                                                                                                                                                                                                          |      |   |          |
| <b>Detailed Comments:</b>   |       | 1. To select a basic service. if the MS supports telephony the selected basic service is telephony.<br>2. To setup a physical channel as BCCH, CCCH and SDCCH4.                                                                                                                                                                                                                                                                                                                                                                                                                                                    |      |   |          |

| Test Case Dynamic Behaviour |       |                                                                                                                                                                                                                                                                                                                                                                                                                                                                                                                                                                                                                      |                                                         |   |          |
|-----------------------------|-------|----------------------------------------------------------------------------------------------------------------------------------------------------------------------------------------------------------------------------------------------------------------------------------------------------------------------------------------------------------------------------------------------------------------------------------------------------------------------------------------------------------------------------------------------------------------------------------------------------------------------|---------------------------------------------------------|---|----------|
| <b>Test Case Name:</b>      |       | TC_26_8_1_3_4_6                                                                                                                                                                                                                                                                                                                                                                                                                                                                                                                                                                                                      |                                                         |   |          |
| <b>Group:</b>               |       | GSM_L3_MS_v4210/CC/                                                                                                                                                                                                                                                                                                                                                                                                                                                                                                                                                                                                  |                                                         |   |          |
| <b>Purpose:</b>             |       | To verify that a CC entity of a MS in CC-state U7, "Call Received", having received an unknown message from its peer entity returns a STATUS message.                                                                                                                                                                                                                                                                                                                                                                                                                                                                |                                                         |   |          |
| <b>Default:</b>             |       | OtherEventsFail                                                                                                                                                                                                                                                                                                                                                                                                                                                                                                                                                                                                      |                                                         |   |          |
| Nr                          | Label | Behaviour Description                                                                                                                                                                                                                                                                                                                                                                                                                                                                                                                                                                                                | CRef                                                    | V | Comments |
| 1                           |       | START T_guard(300)                                                                                                                                                                                                                                                                                                                                                                                                                                                                                                                                                                                                   |                                                         |   |          |
| 2                           |       | +BasicServiceMTorTelephony(<br>TSPX_MTNIC_BscSvcB, TSPX_MTNIC_ChRateB)                                                                                                                                                                                                                                                                                                                                                                                                                                                                                                                                               |                                                         |   | 1.       |
| 3                           |       | +IdleUpdated( C_E_default, C_CellA, C_SCH_A,<br>C_BCCH_A_1, C_Immass, C_S0, C_SlotNU,<br>C_SlotNU, C_SlotNU, C_BCC, C_TxInt_5,<br>C_Max_1, C_NECL_0, C_ATT_0, TimingAdv( 0),<br>C_BABR_0, C_cch_1Comb, C_BPM_3,<br>C_T3212_0, C_ci_cellA, C_MCC_1, C_PLMN_1,<br>C_LAC_1, CellOpt_01, CellChDes_Omit,<br>CellChDes_Omit, C_CellReselectHys12,<br>C_MaxPwrLvlG, C_MaxPwrLvlD,<br>BcchFreqLst_45, BcchFreqLst_02,<br>BcchFreqLst_03, BcchFreqLst_04,<br>C_Restablishment, C_BCC, C_NCC,<br>C_Start_Tmsi, TSPX_SDCCH4SubDef,<br>TSPX_CKSNDDef, TSPX_RANDDef, C_arfcnA,<br>C_arfcnAd, TSPX_IMSI, C_Test_nfh,<br>C_NCCP_2) |                                                         |   |          |
| 4                           |       | +CCConfigTCH_nociph( TSPX_TCHHSubDef,<br>C_Immass, TSPX_TmSlitDef, TSPX_TscDef,<br>TimingAdv( 0), C_BABR_0, C_cch_1Comb,<br>C_BPM_3, TCV_ChMod.mode, FreqTCH_omit,<br>FreqTCH_omit, C_arfcn_tchA, C_arfcn_tchAd)                                                                                                                                                                                                                                                                                                                                                                                                     |                                                         |   |          |
| 5                           |       | +PreEnterCCstateU7_33( TSPX_TmSlitDef,<br>TSPX_TscDef, TimingAdv( 0),<br>TSPX_CKSNDDef, TSPX_RANDDef)                                                                                                                                                                                                                                                                                                                                                                                                                                                                                                                |                                                         |   |          |
| 6                           | body  | L!DL_DatRqUndefCC                                                                                                                                                                                                                                                                                                                                                                                                                                                                                                                                                                                                    | UndefCC(<br>TCV_chTch,<br>UndefCC_02( TI_02))           |   | 2.       |
| 7                           |       | L?DL_DatInCcst                                                                                                                                                                                                                                                                                                                                                                                                                                                                                                                                                                                                       | CCStRcv(<br>TCV_chTch,<br>CCStatus_08( TI_01,<br>C_U7)) |   | 3.       |
| 8                           |       | +CCstatuschk_05( C_U7, TI_02,<br>TCV_chTch)                                                                                                                                                                                                                                                                                                                                                                                                                                                                                                                                                                          |                                                         |   | 4.       |
| 9                           |       | +PostMainLinkRel( TCV_chTch)                                                                                                                                                                                                                                                                                                                                                                                                                                                                                                                                                                                         |                                                         |   |          |
| <b>Detailed Comments:</b>   |       | <ol style="list-style-type: none"> <li>1. To select a basic service. if the MS supports telephony the selected basic service is telephony.</li> <li>2. To send an unknown message to the MS.</li> <li>3. The expected STATUS message with cause #97 and state U7 received.</li> <li>4. To check that the MS remains in the state U7.</li> </ol>                                                                                                                                                                                                                                                                      |                                                         |   |          |

| Test Case Dynamic Behaviour |       |                                                                                                                                                                                                                                                                                                                                                                                                                                                                                                                                                                                                                    |      |   |          |
|-----------------------------|-------|--------------------------------------------------------------------------------------------------------------------------------------------------------------------------------------------------------------------------------------------------------------------------------------------------------------------------------------------------------------------------------------------------------------------------------------------------------------------------------------------------------------------------------------------------------------------------------------------------------------------|------|---|----------|
| <b>Test Case Name:</b>      |       | TC_26_8_1_3_4_7                                                                                                                                                                                                                                                                                                                                                                                                                                                                                                                                                                                                    |      |   |          |
| <b>Group:</b>               |       | GSM_L3_MS_v4210/CC/                                                                                                                                                                                                                                                                                                                                                                                                                                                                                                                                                                                                |      |   |          |
| <b>Purpose:</b>             |       | To verify that a CC entity of a MS in CC-state U7, "Call Received", when allocated a traffic channel by the network performing the assignment procedure, shall perform a layer 2 establishment on the FACCH without changing the state of the call in progress.                                                                                                                                                                                                                                                                                                                                                    |      |   |          |
| <b>Default:</b>             |       | OtherEventsFail                                                                                                                                                                                                                                                                                                                                                                                                                                                                                                                                                                                                    |      |   |          |
| Nr                          | Label | Behaviour Description                                                                                                                                                                                                                                                                                                                                                                                                                                                                                                                                                                                              | CRef | V | Comments |
| 1                           |       | START T_guard(300)                                                                                                                                                                                                                                                                                                                                                                                                                                                                                                                                                                                                 |      |   |          |
| 2                           |       | +BasicServiceMTorTelephony(<br>TSPX_MTNIC_BscSvcC, TSPX_MTNIC_ChRateC)                                                                                                                                                                                                                                                                                                                                                                                                                                                                                                                                             |      |   | 1.       |
| 3                           |       | +IdleUpdated( C_E_default, C_CellA, C_SCH_A,<br>C_BCCH_A_1, C_Immass, C_S0, C_SlotNU,<br>C_SlotNU, C_SlotNU, C_BCC, C_TxInt_5,<br>C_Max_1, C_NECI_0, C_ATT_0, TimingAdv( 0),<br>C_BABR_0, C_cch_1Comb, C_BPM_3,<br>C_T3212_0, C_ci_cellA, C_MCC_1, C_PLMN_1,<br>C_LAC_1, CellOpt_01, CellChDes_Omit,<br>CellChDes_Omit, C_CellReselectHys12,<br>C_MaxPwrLvIG, C_MaxPwrLvID,<br>BcchFreqLst_45, BcchFreqLst_02,<br>BcchFreqLst_03, BcchFreqLst_04,<br>C_Restablishment, C_BCC, C_NCC,<br>C_Start_Tmsi, TSPX_SDCCH4SubDef,<br>TSPX_CKSNDf, TSPX_RANDDef, C_arfcnA,<br>C_arfcnAd, TSPX_IMSI, C_Test_nfh,<br>C_NCCP_2) |      |   |          |
| 4                           |       | +CCConfigTCH( TSPX_TCHHSubDef, C_Ass,<br>TSPX_TmSlitDef, TSPX_TscDef, TimingAdv( 0),<br>C_BABR_0, C_cch_1Comb, C_BPM_3,<br>TCV_ChMod.mode, FreqTCH_omit,<br>FreqTCH_omit, C_arfcn_tchA, C_arfcn_tchAd)                                                                                                                                                                                                                                                                                                                                                                                                             |      |   |          |
| 5                           |       | +PreEnterCCstateU7_31( TimingAdv( 0),<br>TSPX_SDCCH4SubDef, TSPX_CKSNDf,<br>TSPX_RANDDef)                                                                                                                                                                                                                                                                                                                                                                                                                                                                                                                          |      |   |          |
| 6                           | body  | +CCAssignTCH( TSPX_TmSlitDef,<br>TSPX_TscDef)                                                                                                                                                                                                                                                                                                                                                                                                                                                                                                                                                                      |      |   | 2.       |
| 7                           |       | +CCstatuschk_05( C_U7, TI_02,<br>TCV_chTch)                                                                                                                                                                                                                                                                                                                                                                                                                                                                                                                                                                        |      |   | 3.       |
| 8                           |       | +PostMainLinkRel( TCV_chTch)                                                                                                                                                                                                                                                                                                                                                                                                                                                                                                                                                                                       |      |   |          |
| <b>Detailed Comments:</b>   |       | <ol style="list-style-type: none"> <li>1. To select a basic service. if the MS supports telephony the selected basic service is telephony.</li> <li>2. The assignment procedure succeeded.</li> <li>3. To check whether the MS remains in the state U7.</li> </ol>                                                                                                                                                                                                                                                                                                                                                 |      |   |          |



| Test Case Dynamic Behaviour |       |                                                                                                                                                                                                                                                                                                                                                                                                                                                                                                                                                                                                                      |                                                    |   |          |
|-----------------------------|-------|----------------------------------------------------------------------------------------------------------------------------------------------------------------------------------------------------------------------------------------------------------------------------------------------------------------------------------------------------------------------------------------------------------------------------------------------------------------------------------------------------------------------------------------------------------------------------------------------------------------------|----------------------------------------------------|---|----------|
| <b>Test Case Name:</b>      |       | TC_26_8_1_3_4_8                                                                                                                                                                                                                                                                                                                                                                                                                                                                                                                                                                                                      |                                                    |   |          |
| <b>Group:</b>               |       | GSM_L3_MS_v4210/CC/                                                                                                                                                                                                                                                                                                                                                                                                                                                                                                                                                                                                  |                                                    |   |          |
| <b>Purpose:</b>             |       | 1) To verify that a CC entity of the MS in CC-state U7, "Call received", upon receipt of a RELEASE COMPLETE message with valid cause value, enters CC state U0, "Null".<br>2) To verify that in returning to idle mode, the CC entities relating to the seven mobile originating transaction identifiers are in state U0, "Null".                                                                                                                                                                                                                                                                                    |                                                    |   |          |
| <b>Default:</b>             |       | OtherEventsFail                                                                                                                                                                                                                                                                                                                                                                                                                                                                                                                                                                                                      |                                                    |   |          |
| Nr                          | Label | Behaviour Description                                                                                                                                                                                                                                                                                                                                                                                                                                                                                                                                                                                                | CRef                                               | V | Comments |
| 1                           |       | START T_guard(300)                                                                                                                                                                                                                                                                                                                                                                                                                                                                                                                                                                                                   |                                                    |   |          |
| 2                           |       | +BasicServiceMTorTelephony(<br>TSPX_MTNIC_BscSvcD, TSPX_MTNIC_ChRateD)                                                                                                                                                                                                                                                                                                                                                                                                                                                                                                                                               |                                                    |   | 1.       |
| 3                           |       | +IdleUpdated( C_E_default, C_CellA, C_SCH_A,<br>C_BCCH_A_1, C_Immass, C_S0, C_SlotNU,<br>C_SlotNU, C_SlotNU, C_BCC, C_TxInt_5,<br>C_Max_1, C_NECL_0, C_ATT_0, TimingAdv( 0),<br>C_BABR_0, C_cch_1Comb, C_BPM_3,<br>C_T3212_0, C_ci_cellA, C_MCC_1, C_PLMN_1,<br>C_LAC_1, CellOpt_01, CellChDes_Omit,<br>CellChDes_Omit, C_CellReselectHys12,<br>C_MaxPwrLvlG, C_MaxPwrLvlD,<br>BcchFreqLst_45, BcchFreqLst_02,<br>BcchFreqLst_03, BcchFreqLst_04,<br>C_Restablishment, C_BCC, C_NCC,<br>C_Start_Tmsi, TSPX_SDCCH4SubDef,<br>TSPX_CKSNDDef, TSPX_RANDDef, C_arfcnA,<br>C_arfcnAd, TSPX_IMSI, C_Test_nfh,<br>C_NCCP_2) |                                                    |   | 2.       |
| 4                           |       | +PreEnterCCstateU7_31( TimingAdv( 0),<br>TSPX_SDCCH4SubDef, TSPX_CKSNDDef,<br>TSPX_RANDDef)                                                                                                                                                                                                                                                                                                                                                                                                                                                                                                                          |                                                    |   |          |
| 5                           | body  | LIDL_DatRqRelCmp                                                                                                                                                                                                                                                                                                                                                                                                                                                                                                                                                                                                     | RelComSnd(<br>TCV_ch,<br>ReleaseCmp_04(<br>TI_02)) |   |          |
| 6                           |       | +CheckTIsInStateU0( FALSE, TCV_ch)                                                                                                                                                                                                                                                                                                                                                                                                                                                                                                                                                                                   |                                                    |   | 3.       |
| 7                           |       | +PostMainLinkRel( TCV_ch)                                                                                                                                                                                                                                                                                                                                                                                                                                                                                                                                                                                            |                                                    |   |          |
| <b>Detailed Comments:</b>   |       | 1. To select a basic service. if the MS supports telephony the selected basic service is telephony.<br>2. To setup a physical channels as BCCH, CCCH and SDCCH4.<br>3. To check that the CC entities relating to the seven MT transaction identifiers are in state U0.                                                                                                                                                                                                                                                                                                                                               |                                                    |   |          |

| Test Case Dynamic Behaviour |       |                                                                                                                                                                                                                                                                                                                                                                                                                                                                                                                                                                       |                                               |   |          |
|-----------------------------|-------|-----------------------------------------------------------------------------------------------------------------------------------------------------------------------------------------------------------------------------------------------------------------------------------------------------------------------------------------------------------------------------------------------------------------------------------------------------------------------------------------------------------------------------------------------------------------------|-----------------------------------------------|---|----------|
| <b>Test Case Name:</b>      |       | TC_26_8_1_3_5_1                                                                                                                                                                                                                                                                                                                                                                                                                                                                                                                                                       |                                               |   |          |
| <b>Group:</b>               |       | GSM_L3_MS_v4210/CC/                                                                                                                                                                                                                                                                                                                                                                                                                                                                                                                                                   |                                               |   |          |
| <b>Purpose:</b>             |       | To verify that a CC entity of a MS in CC-state U8, "Connect Request", upon receipt of CONNECT ACKNOWLEDGE shall enter the CC-state U10, "Call Active".                                                                                                                                                                                                                                                                                                                                                                                                                |                                               |   |          |
| <b>Default:</b>             |       | OtherEventsFail                                                                                                                                                                                                                                                                                                                                                                                                                                                                                                                                                       |                                               |   |          |
| Nr                          | Label | Behaviour Description                                                                                                                                                                                                                                                                                                                                                                                                                                                                                                                                                 | CRef                                          | V | Comments |
| 1                           |       | START T_guard(300)                                                                                                                                                                                                                                                                                                                                                                                                                                                                                                                                                    |                                               |   |          |
| 2                           |       | +BasicServiceMTorTelephony( TSPX_MTBscSvcC, TSPX_MTChRateC)                                                                                                                                                                                                                                                                                                                                                                                                                                                                                                           |                                               |   | 1.       |
| 3                           |       | +IdleUpdated( C_E_default, C_CellA, C_SCH_A, C_BCCH_A_1, C_Immass, C_S0, C_SlotNU, C_SlotNU, C_SlotNU, C_BCC, C_TxInt_5, C_Max_1, C_NECl_0, C_ATT_0, TimingAdv( 0), C_BABR_0, C_cch_1Comb, C_BPM_3, C_T3212_0, C_ci_cellA, C_MCC_1, C_PLMN_1, C_LAC_1, CellOpt_01, CellChDes_Omit, CellChDes_Omit, C_CellReselectHys12, C_MaxPwrLvIG, C_MaxPwrLvID, BcchFreqLst_45, BcchFreqLst_02, BcchFreqLst_03, BcchFreqLst_04, C_Restablishment, C_BCC, C_NCC, C_Start_Tmsi, TSPX_SDCCH4SubDef, TSPX_CKSNDf, TSPX_RANDDef, C_arfcnA, C_arfcnAd, TSPX_IMSI, C_Test_nfh, C_NCCP_2) |                                               |   |          |
| 4                           |       | +CCConfigTCH( TSPX_TCHHSubDef, C_Ass, TSPX_TmSlitDef, TSPX_TscDef, TimingAdv( 0), C_BABR_0, C_cch_1Comb, C_BPM_3, TCV_ChMod.mode, FreqTCH_omit, FreqTCH_omit, C_arfcn_tchA, C_arfcn_tchAd)                                                                                                                                                                                                                                                                                                                                                                            |                                               |   |          |
| 5                           |       | +PreEnterCCstateU8_32( TSPX_TmSlitDef, TSPX_TscDef, TimingAdv( 0), TSPX_SDCCH4SubDef, TSPX_CKSNDf)                                                                                                                                                                                                                                                                                                                                                                                                                                                                    |                                               |   |          |
| 6                           | body  | !IDL_DatRqConnAck                                                                                                                                                                                                                                                                                                                                                                                                                                                                                                                                                     | ConnAckSnd( TCV_chTch, ConnectAck_01( TI_02)) |   |          |
| 7                           |       | +CCstatuschk_05( C_U10, TI_02, TCV_chTch)                                                                                                                                                                                                                                                                                                                                                                                                                                                                                                                             |                                               |   | 2.       |
| 8                           |       | +PostMainLinkRel( TCV_chTch)                                                                                                                                                                                                                                                                                                                                                                                                                                                                                                                                          |                                               |   |          |
| <b>Detailed Comments:</b>   |       | 1. To select a basic service. if the MS supports telephony the selected basic service is telephony.<br>2. To check whether the MS is in U10 state. if it is not in U10 fail in the test step.                                                                                                                                                                                                                                                                                                                                                                         |                                               |   |          |

| Test Case Dynamic Behaviour |            |                                                                                                                                                                                                                                                                                                                                                                                                                                                                                                                                                                      |                                                  |     |          |
|-----------------------------|------------|----------------------------------------------------------------------------------------------------------------------------------------------------------------------------------------------------------------------------------------------------------------------------------------------------------------------------------------------------------------------------------------------------------------------------------------------------------------------------------------------------------------------------------------------------------------------|--------------------------------------------------|-----|----------|
| <b>Test Case Name:</b>      |            | TC_26_8_1_3_5_2                                                                                                                                                                                                                                                                                                                                                                                                                                                                                                                                                      |                                                  |     |          |
| <b>Group:</b>               |            | GSM_L3_MS_v4210/CC/                                                                                                                                                                                                                                                                                                                                                                                                                                                                                                                                                  |                                                  |     |          |
| <b>Purpose:</b>             |            | To verify that a CC entity of a MS in CC-state U8, "Connect Request", having waited for a reasonable length of time (eg. expiry of timer T313) without receiving the appropriate protocol message to complete the incoming call, shall initiate the clearing of that incoming call by sending the CC message DISCONNECT and enter the CC-state U11, "Disconnect Request"                                                                                                                                                                                             |                                                  |     |          |
| <b>Default:</b>             |            | OtherEventsFail                                                                                                                                                                                                                                                                                                                                                                                                                                                                                                                                                      |                                                  |     |          |
| Nr                          | Label      | Behaviour Description                                                                                                                                                                                                                                                                                                                                                                                                                                                                                                                                                | CRef                                             | V   | Comments |
| 1                           |            | START T_guard(300)                                                                                                                                                                                                                                                                                                                                                                                                                                                                                                                                                   |                                                  |     |          |
| 2                           |            | +BasicServiceMTorTelephony( TSPX_MTBscSvcD, TSPX_MTChRateD)                                                                                                                                                                                                                                                                                                                                                                                                                                                                                                          |                                                  |     | 1.       |
| 3                           |            | +IdleUpdated( C_E_default, C_CellA, C_SCH_A, C_BCCH_A_1, C_Immss, C_S0, C_SlotNU, C_SlotNU, C_SlotNU, C_BCC, C_TxInt_5, C_Max_1, C_NECL_0, C_ATT_0, TimingAdv( 0), C_BABR_0, C_cch_1Comb, C_BPM_3, C_T3212_0, C_ci_cellA, C_MCC_1, C_PLMN_1, C_LAC_1, CellOpt_01, CellChDes_Omit, CellChDes_Omit, C_CellReselectHys12, C_MaxPwrLvIG, C_MaxPwrLvID, BcchFreqLst_45, BcchFreqLst_02, BcchFreqLst_03, BcchFreqLst_04, C_Restablishment, C_BCC, C_NCC, C_Start_Tmsi, TSPX_SDCCH4SubDef, TSPX_CKSNDf, TSPX_RANDDef, C_arfcnA, C_arfcnAd, TSPX_IMSI, C_Test_nfh, C_NCCP_2) |                                                  |     |          |
| 4                           |            | +CCConfigTCH( TSPX_TCHHSubDef, C_Ass, TSPX_TmSltDef, TSPX_TscDef, TimingAdv( 0), C_BABR_0, C_cch_1Comb, C_BPM_3, TCV_ChMod.mode, FreqTCH_omit, FreqTCH_omit, C_arfcn_tchA, C_arfcn_tchAd)                                                                                                                                                                                                                                                                                                                                                                            |                                                  |     |          |
| 5                           |            | +PreEnterCCstateU8_32( TSPX_TmSltDef, TSPX_TscDef, TimingAdv( 0), TSPX_SDCCH4SubDef, TSPX_CKSNDf)                                                                                                                                                                                                                                                                                                                                                                                                                                                                    |                                                  |     |          |
| 6                           | body       | +localtree1                                                                                                                                                                                                                                                                                                                                                                                                                                                                                                                                                          |                                                  |     |          |
|                             |            | <b>localtree1</b>                                                                                                                                                                                                                                                                                                                                                                                                                                                                                                                                                    |                                                  |     |          |
| 7                           |            | START T_dly(15000)                                                                                                                                                                                                                                                                                                                                                                                                                                                                                                                                                   |                                                  |     |          |
| 8                           |            | ?TIMEOUT T_dly                                                                                                                                                                                                                                                                                                                                                                                                                                                                                                                                                       |                                                  |     |          |
| 9                           |            | START T_dly(18000)                                                                                                                                                                                                                                                                                                                                                                                                                                                                                                                                                   |                                                  |     |          |
| 10                          | L_045<br>8 | ?TIMEOUT T_dly                                                                                                                                                                                                                                                                                                                                                                                                                                                                                                                                                       |                                                  | (F) |          |
| 11                          |            | +PostMainLinkRel(TCV_chTch)                                                                                                                                                                                                                                                                                                                                                                                                                                                                                                                                          |                                                  |     |          |
| 12                          | L_045<br>9 | L?DL_DatInDisc CANCEL T_dly                                                                                                                                                                                                                                                                                                                                                                                                                                                                                                                                          | DiscRcv( TCV_chTch, DisconnR( TI_01, Cause_Def)) | (P) | 2.       |
| 13                          |            | +CCstatuschk_05(C_U11, TI_02, TCV_chTch)                                                                                                                                                                                                                                                                                                                                                                                                                                                                                                                             |                                                  |     | 3.       |
| 14                          |            | +PostMainLinkRel(TCV_chTch)                                                                                                                                                                                                                                                                                                                                                                                                                                                                                                                                          |                                                  |     |          |
| <b>Detailed Comments:</b>   |            | <p>1. To select a basic service. if the MS supports telephony the selected basic service is telephony.</p> <p>2. The expected DISCONNECT message received within the time interval with any valid cause location and cause value.</p> <p>3. To check whether the MS is in the expected U11 state.</p>                                                                                                                                                                                                                                                                |                                                  |     |          |

| Test Case Dynamic Behaviour |        |                                                                                                                                                                                                                                                                                                                                                                                                                                                                                                                                                                       |                                                  |     |          |
|-----------------------------|--------|-----------------------------------------------------------------------------------------------------------------------------------------------------------------------------------------------------------------------------------------------------------------------------------------------------------------------------------------------------------------------------------------------------------------------------------------------------------------------------------------------------------------------------------------------------------------------|--------------------------------------------------|-----|----------|
| <b>Test Case Name:</b>      |        | TC_26_8_1_3_5_3                                                                                                                                                                                                                                                                                                                                                                                                                                                                                                                                                       |                                                  |     |          |
| <b>Group:</b>               |        | GSM_L3_MS_v4210/CC/                                                                                                                                                                                                                                                                                                                                                                                                                                                                                                                                                   |                                                  |     |          |
| <b>Purpose:</b>             |        | To verify that a CC entity of a MS in CC-state U8, "Connect Request", upon request by the user to terminate will send a DISCONNECT message and enter the CC-state U11, "Disconnect Request".                                                                                                                                                                                                                                                                                                                                                                          |                                                  |     |          |
| <b>Default:</b>             |        | OtherEventsFail                                                                                                                                                                                                                                                                                                                                                                                                                                                                                                                                                       |                                                  |     |          |
| Nr                          | Label  | Behaviour Description                                                                                                                                                                                                                                                                                                                                                                                                                                                                                                                                                 | CRef                                             | V   | Comments |
| 1                           |        | START T_guard(300)                                                                                                                                                                                                                                                                                                                                                                                                                                                                                                                                                    |                                                  |     |          |
| 2                           |        | +BasicServiceMTorTelephony( TSPX_MTBscSvcE, TSPX_MTChRateE)                                                                                                                                                                                                                                                                                                                                                                                                                                                                                                           |                                                  |     | 1.       |
| 3                           |        | +IdleUpdated( C_E_default, C_CellA, C_SCH_A, C_BCCH_A_1, C_Immass, C_S0, C_SlotNU, C_SlotNU, C_SlotNU, C_BCC, C_TxInt_5, C_Max_1, C_NECI_0, C_ATT_0, TimingAdv( 0), C_BABR_0, C_cch_1Comb, C_BPM_3, C_T3212_0, C_ci_cellA, C_MCC_1, C_PLMN_1, C_LAC_1, CellOpt_01, CellChDes_Omit, CellChDes_Omit, C_CellReselectHys12, C_MaxPwrLvID, C_MaxPwrLvID, BcchFreqLst_45, BcchFreqLst_02, BcchFreqLst_03, BcchFreqLst_04, C_Restablishment, C_BCC, C_NCC, C_Start_Tmsi, TSPX_SDCCH4SubDef, TSPX_CKSNDf, TSPX_RANDDef, C_arfcnA, C_arfcnAd, TSPX_IMSI, C_Test_nfh, C_NCCP_2) |                                                  |     |          |
| 4                           |        | +CCConfigTCH( TSPX_TCHHSubDef, C_Ass, TSPX_TmSlTDef, TSPX_TscDef, TimingAdv( 0), C_BABR_0, C_cch_1Comb, C_BPM_3, TCV_ChMod.mode, FreqTCH_omit, FreqTCH_omit, C_arfcn_tchA, C_arfcn_tchAd)                                                                                                                                                                                                                                                                                                                                                                             |                                                  |     |          |
| 5                           |        | +PreEnterCCstateU8_32( TSPX_TmSlTDef, TSPX_TscDef, TimingAdv( 0), TSPX_SDCCH4SubDef, TSPX_CKSNDf)                                                                                                                                                                                                                                                                                                                                                                                                                                                                     |                                                  |     |          |
| 6                           | body   | (TCV_Null := OO_TermCall())                                                                                                                                                                                                                                                                                                                                                                                                                                                                                                                                           |                                                  |     | 2.       |
| 7                           | L_0460 | L?DL_DatInDisc                                                                                                                                                                                                                                                                                                                                                                                                                                                                                                                                                        | DiscRcv( TCV_chTch, DisconnR( TI_01, Cause_Def)) | (P) | 3.       |
| 8                           |        | +CCstatuschk_05( C_U11, TI_02, TCV_chTch)                                                                                                                                                                                                                                                                                                                                                                                                                                                                                                                             |                                                  |     | 4.       |
| 9                           |        | +PostMainLinkRel( TCV_chTch)                                                                                                                                                                                                                                                                                                                                                                                                                                                                                                                                          |                                                  |     |          |
| <b>Detailed Comments:</b>   |        | <ol style="list-style-type: none"> <li>1. To select a basic service. if the MS supports telephony the selected basic service is telephony.</li> <li>2. The user terminates the call.</li> <li>3. The expected DISCONNECT message received.</li> <li>4. To check whether the MS is in the expected U11 state.</li> </ol>                                                                                                                                                                                                                                               |                                                  |     |          |

| Test Case Dynamic Behaviour |            |                                                                                                                                                                                                                                                                                                                                                                                                                                                                                                                                                                       |                                                                             |     |          |
|-----------------------------|------------|-----------------------------------------------------------------------------------------------------------------------------------------------------------------------------------------------------------------------------------------------------------------------------------------------------------------------------------------------------------------------------------------------------------------------------------------------------------------------------------------------------------------------------------------------------------------------|-----------------------------------------------------------------------------|-----|----------|
| <b>Test Case Name:</b>      |            | TC_26_8_1_3_5_4                                                                                                                                                                                                                                                                                                                                                                                                                                                                                                                                                       |                                                                             |     |          |
| <b>Group:</b>               |            | GSM_L3_MS_v4210/CC/                                                                                                                                                                                                                                                                                                                                                                                                                                                                                                                                                   |                                                                             |     |          |
| <b>Purpose:</b>             |            | To verify that a CC entity of a MS in CC-state U8, "Connect Request", upon receipt of a DISCONNECT with progress indicator #8 enters CC-state U12, if the traffic channel is in speech mode, and that the MS sends a RELEASE message and enters CC-state U19 if the TCH is not in speech mode.                                                                                                                                                                                                                                                                        |                                                                             |     |          |
| <b>Default:</b>             |            | OtherEventsFail                                                                                                                                                                                                                                                                                                                                                                                                                                                                                                                                                       |                                                                             |     |          |
| Nr                          | Label      | Behaviour Description                                                                                                                                                                                                                                                                                                                                                                                                                                                                                                                                                 | CRef                                                                        | V   | Comments |
| 1                           |            | START T_guard(300)                                                                                                                                                                                                                                                                                                                                                                                                                                                                                                                                                    |                                                                             |     |          |
| 2                           |            | +BasicServiceMTorTelephony( TSPX_MTBscSvcF, TSPX_MTChRateF)                                                                                                                                                                                                                                                                                                                                                                                                                                                                                                           |                                                                             |     | 1.       |
| 3                           |            | +IdleUpdated( C_E_default, C_CellA, C_SCH_A, C_BCCH_A_1, C_Immass, C_S0, C_SlotNU, C_SlotNU, C_SlotNU, C_BCC, C_TxInt_5, C_Max_1, C_NECL_0, C_ATT_0, TimingAdv( 0), C_BABR_0, C_cch_1Comb, C_BPM_3, C_T3212_0, C_ci_cellA, C_MCC_1, C_PLMN_1, C_LAC_1, CellOpt_01, CellChDes_Omit, CellChDes_Omit, C_CellReselectHys12, C_MaxPwrLvIG, C_MaxPwrLvID, BcchFreqLst_45, BcchFreqLst_02, BcchFreqLst_03, BcchFreqLst_04, C_Restablishment, C_BCC, C_NCC, C_Start_Tmsi, TSPX_SDCCH4SubDef, TSPX_CKSNDf, TSPX_RANDDef, C_arfcnA, C_arfcnAd, TSPX_IMSI, C_Test_nfh, C_NCCP_2) |                                                                             |     |          |
| 4                           |            | +CCConfigTCH_nociph( TSPX_TCHHSubDef, C_Immass, TSPX_TmSlitDef, TSPX_TscDef, TimingAdv( 0), C_BABR_0, C_cch_1Comb, C_BPM_3, TCV_ChMod.mode, FreqTCH_omit, FreqTCH_omit, C_arfcn_tchA, C_arfcn_tchAd)                                                                                                                                                                                                                                                                                                                                                                  |                                                                             |     |          |
| 5                           |            | +PreEnterCCstateU8_33( TSPX_TmSlitDef, TSPX_TscDef, TimingAdv( 0), TSPX_CKSNDf, TSPX_RANDDef)                                                                                                                                                                                                                                                                                                                                                                                                                                                                         |                                                                             |     |          |
| 6                           | body       | L!DL_DatRqDisc                                                                                                                                                                                                                                                                                                                                                                                                                                                                                                                                                        | DiscSnd( TCV_chTch, DisconnS( TI_02, Cause_01, ProgInd_03iei, UuInfo_omit)) |     |          |
| 7                           |            | [TCV_ChMod.mode = C_ChMod_r]                                                                                                                                                                                                                                                                                                                                                                                                                                                                                                                                          |                                                                             |     | 2.       |
| 8                           |            | +CCstatuschk_05( C_U12, TI_02, TCV_chTch)                                                                                                                                                                                                                                                                                                                                                                                                                                                                                                                             |                                                                             |     |          |
| 9                           |            | +PostMainLinkRel( TCV_chTch)                                                                                                                                                                                                                                                                                                                                                                                                                                                                                                                                          |                                                                             |     |          |
| 10                          |            | [TCV_ChMod.mode <> C_ChMod_r]                                                                                                                                                                                                                                                                                                                                                                                                                                                                                                                                         |                                                                             |     | 3.       |
| 11                          | L_046<br>1 | L?DL_DatInRel                                                                                                                                                                                                                                                                                                                                                                                                                                                                                                                                                         | ReleaseRcv( Release_10( TI_01))                                             | (P) |          |
| 12                          |            | +CCstatuschk_05( C_U19, TI_02, TCV_chTch)                                                                                                                                                                                                                                                                                                                                                                                                                                                                                                                             |                                                                             |     |          |
| 13                          |            | +PostMainLinkRel( TCV_chTch)                                                                                                                                                                                                                                                                                                                                                                                                                                                                                                                                          |                                                                             |     |          |
| <b>Detailed Comments:</b>   |            | <p>1. To select a basic service. if the MS supports telephony the selected basic service is telephony.</p> <p>2. TCH is in speech mode.</p> <p>3. TCH is not in speech mode.</p>                                                                                                                                                                                                                                                                                                                                                                                      |                                                                             |     |          |

| Test Case Dynamic Behaviour |            |                                                                                                                                                                                                                                                                                                                                                                                                                                                                                                                                                                        |                                                                            |     |          |
|-----------------------------|------------|------------------------------------------------------------------------------------------------------------------------------------------------------------------------------------------------------------------------------------------------------------------------------------------------------------------------------------------------------------------------------------------------------------------------------------------------------------------------------------------------------------------------------------------------------------------------|----------------------------------------------------------------------------|-----|----------|
| <b>Test Case Name:</b>      |            | TC_26_8_1_3_5_5                                                                                                                                                                                                                                                                                                                                                                                                                                                                                                                                                        |                                                                            |     |          |
| <b>Group:</b>               |            | GSM_L3_MS_v4210/CC/                                                                                                                                                                                                                                                                                                                                                                                                                                                                                                                                                    |                                                                            |     |          |
| <b>Purpose:</b>             |            | To verify that a CC entity of a MS in CC-state U8, "Connect Request", upon receipt of a DISCONNECT without progress indicator, returns a RELEASE message and enters the CC-state U19, "Release Request".                                                                                                                                                                                                                                                                                                                                                               |                                                                            |     |          |
| <b>Default:</b>             |            | OtherEventsFail                                                                                                                                                                                                                                                                                                                                                                                                                                                                                                                                                        |                                                                            |     |          |
| Nr                          | Label      | Behaviour Description                                                                                                                                                                                                                                                                                                                                                                                                                                                                                                                                                  | CRef                                                                       | V   | Comments |
| 1                           |            | START T_guard(300)                                                                                                                                                                                                                                                                                                                                                                                                                                                                                                                                                     |                                                                            |     |          |
| 2                           |            | +BasicServiceMTorTelephony( TSPX_MTBscSvcG, TSPX_MTChRateG)                                                                                                                                                                                                                                                                                                                                                                                                                                                                                                            |                                                                            |     | 1.       |
| 3                           |            | +IdleUpdated( C_E_default, C_CellA, C_SCH_A, C_BCCH_A_1, C_Immss, C_S0, C_SlotNU, C_SlotNU, C_SlotNU, C_BCC, C_TxInt_5, C_Max_1, C_NECI_0, C_ATT_0, TimingAdv( 0), C_BABR_0, C_cch_1Comb, C_BPM_3, C_T3212_0, C_ci_cellA, C_MCC_1, C_PLMN_1, C_LAC_1, CellOpt_01, CellChDes_Omit, CellChDes_Omit, C_CellReselectHys12, C_MaxPwrLvIG, C_MaxPwrLvID, BcchFreqLst_45, BcchFreqLst_02, BcchFreqLst_03, BcchFreqLst_04, C_Restablishment, C_BCC, C_NCC, C_Start_Tmsi, TSPX_SDCCH4SubDef, TSPX_CKSNDDef, TSPX_RANDDef, C_arfcnA, C_arfcnAd, TSPX_IMSI, C_Test_nfh, C_NCCP_2) |                                                                            |     |          |
| 4                           |            | +CCConfigTCH_nociph( TSPX_TCHHSubDef, C_Immss, TSPX_TmSlTDef, TSPX_TscDef, TimingAdv( 0), C_BABR_0, C_cch_1Comb, C_BPM_3, TCV_ChMod.mode, FreqTCH_omit, FreqTCH_omit, C_arfcn_tchA, C_arfcn_tchAd)                                                                                                                                                                                                                                                                                                                                                                     |                                                                            |     |          |
| 5                           |            | +PreEnterCCstateU8_33( TSPX_TmSlTDef, TSPX_TscDef, TimingAdv( 0), TSPX_CKSNDDef, TSPX_RANDDef)                                                                                                                                                                                                                                                                                                                                                                                                                                                                         |                                                                            |     |          |
| 6                           | body       | L!DL_DatRqDisc                                                                                                                                                                                                                                                                                                                                                                                                                                                                                                                                                         | DiscSnd( TCV_chTch, DisconnS( TI_02, Cause_01, ProgInd_omit, UuInfo_omit)) |     |          |
| 7                           | L_046<br>2 | L?DL_DatInRel                                                                                                                                                                                                                                                                                                                                                                                                                                                                                                                                                          | ReleaseRcv( Release_10( TI_01))                                            | (P) | 2.       |
| 8                           |            | +CCstatuschk_05( C_U19, TI_02, TCV_chTch)                                                                                                                                                                                                                                                                                                                                                                                                                                                                                                                              |                                                                            |     |          |
| 9                           |            | +PostMainLinkRel( TCV_chTch)                                                                                                                                                                                                                                                                                                                                                                                                                                                                                                                                           |                                                                            |     |          |
| <b>Detailed Comments:</b>   |            | 1. To select a basic service. if the MS supports telephony the selected basic service is telephony.<br>2. The expected RELEASE message received.                                                                                                                                                                                                                                                                                                                                                                                                                       |                                                                            |     |          |

| Test Case Dynamic Behaviour |            |                                                                                                                                                                                                                                                                                                                                                                                                                                                                                                                                                                         |                                            |     |          |
|-----------------------------|------------|-------------------------------------------------------------------------------------------------------------------------------------------------------------------------------------------------------------------------------------------------------------------------------------------------------------------------------------------------------------------------------------------------------------------------------------------------------------------------------------------------------------------------------------------------------------------------|--------------------------------------------|-----|----------|
| <b>Test Case Name:</b>      |            | TC_26_8_1_3_5_6                                                                                                                                                                                                                                                                                                                                                                                                                                                                                                                                                         |                                            |     |          |
| <b>Group:</b>               |            | GSM_L3_MS_v4210/CC/                                                                                                                                                                                                                                                                                                                                                                                                                                                                                                                                                     |                                            |     |          |
| <b>Purpose:</b>             |            | 1) To verify that a CC entity of a MS in CC-state U8, "Connect Request", upon receipt of a RELEASE will return a RELEASE COMPLETE and enter the CC-state U0, "Null".<br>2) To verify that the MS on returning to the idle mode releases the MM-connection and that the CC-entities relating to the seven mobile terminating transaction identifiers are in CC-state U0, "Null".                                                                                                                                                                                         |                                            |     |          |
| <b>Default:</b>             |            | OtherEventsFail                                                                                                                                                                                                                                                                                                                                                                                                                                                                                                                                                         |                                            |     |          |
| Nr                          | Label      | Behaviour Description                                                                                                                                                                                                                                                                                                                                                                                                                                                                                                                                                   | CRef                                       | V   | Comments |
| 1                           |            | START T_guard(300)                                                                                                                                                                                                                                                                                                                                                                                                                                                                                                                                                      |                                            |     |          |
| 2                           |            | +BasicServiceMTorTelephony( TSPX_MTBscSvcH, TSPX_MTChRateH)                                                                                                                                                                                                                                                                                                                                                                                                                                                                                                             |                                            |     | 1.       |
| 3                           |            | +IdleUpdated( C_E_default, C_CellA, C_SCH_A, C_BCCH_A_1, C_Immass, C_S0, C_SlotNU, C_SlotNU, C_SlotNU, C_BCC, C_TxInt_5, C_Max_1, C_NECI_0, C_ATT_0, TimingAdv( 0), C_BABR_0, C_cch_1Comb, C_BPM_3, C_T3212_0, C_ci_cellA, C_MCC_1, C_PLMN_1, C_LAC_1, CellOpt_01, CellChDes_Omit, CellChDes_Omit, C_CellReselectHys12, C_MaxPwrLvIG, C_MaxPwrLvID, BcchFreqLst_45, BcchFreqLst_02, BcchFreqLst_03, BcchFreqLst_04, C_Restablishment, C_BCC, C_NCC, C_Start_Tmsi, TSPX_SDCCH4SubDef, TSPX_CKSNDDef, TSPX_RANDDef, C_arfcnA, C_arfcnAd, TSPX_IMSI, C_Test_nfh, C_NCCP_2) |                                            |     |          |
| 4                           |            | +CCConfigTCH_nociph( TSPX_TCHHSubDef, C_Immass, TSPX_TmSlitDef, TSPX_TscDef, TimingAdv( 0), C_BABR_0, C_cch_1Comb, C_BPM_3, TCV_ChMod.mode, FreqTCH_omit, FreqTCH_omit, C_arfcn_tchA, C_arfcn_tchAd)                                                                                                                                                                                                                                                                                                                                                                    |                                            |     |          |
| 5                           |            | +PreEnterCCstateU8_33( TSPX_TmSlitDef, TSPX_TscDef, TimingAdv( 0), TSPX_CKSNDDef, TSPX_RANDDef)                                                                                                                                                                                                                                                                                                                                                                                                                                                                         |                                            |     |          |
| 6                           | body       | L!DL_DatRqRel                                                                                                                                                                                                                                                                                                                                                                                                                                                                                                                                                           | ReleaseSnd( TCV_chTch, Release_03( TI_02)) |     |          |
| 7                           | L_046<br>3 | L?DL_DatInRelCmp                                                                                                                                                                                                                                                                                                                                                                                                                                                                                                                                                        | RelComRcv( ReleaseCmp_03( TI_01))          | (P) | 2.       |
| 8                           |            | +CheckTIsInStateU0( FALSE, TCV_chTch)                                                                                                                                                                                                                                                                                                                                                                                                                                                                                                                                   |                                            |     |          |
| 9                           |            | +PostMainLinkRel( TCV_chTch)                                                                                                                                                                                                                                                                                                                                                                                                                                                                                                                                            |                                            |     |          |
| <b>Detailed Comments:</b>   |            | 1. To select a basic service. if the MS supports telephony the selected basic service is telephony.<br>2. The expected RELEASE COMPLETE message received.                                                                                                                                                                                                                                                                                                                                                                                                               |                                            |     |          |

| Test Case Dynamic Behaviour |       |                                                                                                                                                                                                                                                                                                                                                                                                                                                                                                                                                                      |      |   |          |
|-----------------------------|-------|----------------------------------------------------------------------------------------------------------------------------------------------------------------------------------------------------------------------------------------------------------------------------------------------------------------------------------------------------------------------------------------------------------------------------------------------------------------------------------------------------------------------------------------------------------------------|------|---|----------|
| <b>Test Case Name:</b>      |       | TC_26_8_1_3_5_7                                                                                                                                                                                                                                                                                                                                                                                                                                                                                                                                                      |      |   |          |
| <b>Group:</b>               |       | GSM_L3_MS_v4210/CC/                                                                                                                                                                                                                                                                                                                                                                                                                                                                                                                                                  |      |   |          |
| <b>Purpose:</b>             |       | To verify that a CC entity of a MS in CC-state U8, "Connect Request", having detected a lower layer failure returns to idle mode with the CC entities relating to the seven mobile terminating transaction identifiers in CC-state U0, "Null".                                                                                                                                                                                                                                                                                                                       |      |   |          |
| <b>Default:</b>             |       | OtherEventsFail                                                                                                                                                                                                                                                                                                                                                                                                                                                                                                                                                      |      |   |          |
| Nr                          | Label | Behaviour Description                                                                                                                                                                                                                                                                                                                                                                                                                                                                                                                                                | CRef | V | Comments |
| 1                           |       | START T_guard(300)                                                                                                                                                                                                                                                                                                                                                                                                                                                                                                                                                   |      |   |          |
| 2                           |       | +BasicServiceMTorTelephony( TSPX_MTBscSvcI, TSPX_MTChRatel)                                                                                                                                                                                                                                                                                                                                                                                                                                                                                                          |      |   | 1.       |
| 3                           |       | +IdleUpdated( C_E_default, C_CellA, C_SCH_A, C_BCCH_A_1, C_Immass, C_S0, C_SlotNU, C_SlotNU, C_SlotNU, C_BCC, C_TxInt_5, C_Max_1, C_NECI_0, C_ATT_0, TimingAdv( 0), C_BABR_0, C_cch_1Comb, C_BPM_3, C_T3212_0, C_ci_cellA, C_MCC_1, C_PLMN_1, C_LAC_1, CellOpt_01, CellChDes_Omit, CellChDes_Omit, C_CellReselectHys12, C_MaxPwrLvIG, C_MaxPwrLvID, BcchFreqLst_45, BcchFreqLst_02, BcchFreqLst_03, BcchFreqLst_04, C_Restablishment, C_BCC, C_NCC, C_Start_Tmsi, TSPX_SDCCH4SubDef, TSPX_CKSNDf, TSPX_RANDDf, C_arfcnA, C_arfcnAd, TSPX_IMSI, C_Test_nfh, C_NCCP_2) |      |   | 2.       |
| 4                           |       | +PreEnterCCstateU8_31( TimingAdv( 0), TSPX_SDCCH4SubDef, TSPX_CKSNDf, TSPX_RANDDf)                                                                                                                                                                                                                                                                                                                                                                                                                                                                                   |      |   |          |
| 5                           | body  | (TCV_Null := OM_LowerLayerFail( TCV_ch))                                                                                                                                                                                                                                                                                                                                                                                                                                                                                                                             |      |   | 3.       |
| 6                           |       | START T_dly( 20000)                                                                                                                                                                                                                                                                                                                                                                                                                                                                                                                                                  |      |   |          |
| 7                           |       | ?TIMEOUT T_dly                                                                                                                                                                                                                                                                                                                                                                                                                                                                                                                                                       |      |   |          |
| 8                           |       | +CCEstablishMT_SDCCH4( TimingAdv( 0), TSPX_SDCCH4SubDef, TSPX_CKSNDf)                                                                                                                                                                                                                                                                                                                                                                                                                                                                                                |      |   |          |
| 9                           |       | +CheckTIsInStateU0( FALSE, TCV_ch)                                                                                                                                                                                                                                                                                                                                                                                                                                                                                                                                   |      |   |          |
| 10                          |       | +PostMainLinkRel( TCV_ch)                                                                                                                                                                                                                                                                                                                                                                                                                                                                                                                                            |      |   |          |
| <b>Detailed Comments:</b>   |       | 1. To select a basic service. if the MS supports telephony the selected teleservice is telephony.<br>2. To setup a physical channel as BCCH, CCCH and SDCCH4.<br>3. To generate lower layer failure.                                                                                                                                                                                                                                                                                                                                                                 |      |   |          |



| Test Case Dynamic Behaviour |       |                                                                                                                                                                                                                                                                                                                                                                                                                                                                                                                                                                       |      |   |          |
|-----------------------------|-------|-----------------------------------------------------------------------------------------------------------------------------------------------------------------------------------------------------------------------------------------------------------------------------------------------------------------------------------------------------------------------------------------------------------------------------------------------------------------------------------------------------------------------------------------------------------------------|------|---|----------|
| <b>Test Case Name:</b>      |       | TC_26_8_1_3_5_8                                                                                                                                                                                                                                                                                                                                                                                                                                                                                                                                                       |      |   |          |
| <b>Group:</b>               |       | GSM_L3_MS_v4210/CC/                                                                                                                                                                                                                                                                                                                                                                                                                                                                                                                                                   |      |   |          |
| <b>Purpose:</b>             |       | To verify that a CC entity of a MS in CC-state U8, "Connect Request", when allocated a traffic channel by the network performing the assignment procedure, shall perform a layer 2 establishment on the FACCH without changing the state of the call in progress.                                                                                                                                                                                                                                                                                                     |      |   |          |
| <b>Default:</b>             |       | OtherEventsFail                                                                                                                                                                                                                                                                                                                                                                                                                                                                                                                                                       |      |   |          |
| Nr                          | Label | Behaviour Description                                                                                                                                                                                                                                                                                                                                                                                                                                                                                                                                                 | CRef | V | Comments |
| 1                           |       | START T_guard(300)                                                                                                                                                                                                                                                                                                                                                                                                                                                                                                                                                    |      |   |          |
| 2                           |       | +BasicServiceMTorTelephony( TSPX_MTBscSvcJ, TSPX_MTChRateJ)                                                                                                                                                                                                                                                                                                                                                                                                                                                                                                           |      |   | 1.       |
| 3                           |       | +IdleUpdated( C_E_default, C_CellA, C_SCH_A, C_BCCH_A_1, C_Immass, C_S0, C_SlotNU, C_SlotNU, C_SlotNU, C_BCC, C_TxInt_5, C_Max_1, C_NECl_0, C_ATT_0, TimingAdv( 0), C_BABR_0, C_cch_1Comb, C_BPM_3, C_T3212_0, C_ci_cellA, C_MCC_1, C_PLMN_1, C_LAC_1, CellOpt_01, CellChDes_Omit, CellChDes_Omit, C_CellReselectHys12, C_MaxPwrLvIG, C_MaxPwrLvID, BcchFreqLst_45, BcchFreqLst_02, BcchFreqLst_03, BcchFreqLst_04, C_Restablishment, C_BCC, C_NCC, C_Start_Tmsi, TSPX_SDCCH4SubDef, TSPX_CKSNDf, TSPX_RANDDef, C_arfcnA, C_arfcnAd, TSPX_IMSI, C_Test_nfh, C_NCCP_2) |      |   |          |
| 4                           |       | +CCConfigTCH( TSPX_TCHHSubDef, C_Ass, TSPX_TmSlitDef, TSPX_TscDef, TimingAdv( 0), C_BABR_0, C_cch_1Comb, C_BPM_3, TCV_ChMod.mode, FreqTCH_omit, FreqTCH_omit, C_arfcn_tchA, C_arfcn_tchAd)                                                                                                                                                                                                                                                                                                                                                                            |      |   |          |
| 5                           |       | +PreEnterCCstateU8_31( TimingAdv( 0), TSPX_SDCCH4SubDef, TSPX_CKSNDf, TSPX_RANDDef)                                                                                                                                                                                                                                                                                                                                                                                                                                                                                   |      |   |          |
| 6                           | body  | +CCAssignTCH( TSPX_TmSlitDef, TSPX_TscDef)                                                                                                                                                                                                                                                                                                                                                                                                                                                                                                                            |      |   | 2.       |
| 7                           |       | +CCstatuschk_05( C_U8, TI_02, TCV_chTch)                                                                                                                                                                                                                                                                                                                                                                                                                                                                                                                              |      |   | 3.       |
| 8                           |       | +PostMainLinkRel( TCV_chTch)                                                                                                                                                                                                                                                                                                                                                                                                                                                                                                                                          |      |   |          |
| <b>Detailed Comments:</b>   |       | 1. To select a basic service. if the MS supports telephony the selected basic service is telephony.<br>2. To assign a suitable traffic channel.<br>3.. To check whether the MS is still in the state U8.                                                                                                                                                                                                                                                                                                                                                              |      |   |          |

| Test Case Dynamic Behaviour |            |                                                                                                                                                                                                                                                                                                                                                                                                                                                                                                                                                                         |                                             |     |          |
|-----------------------------|------------|-------------------------------------------------------------------------------------------------------------------------------------------------------------------------------------------------------------------------------------------------------------------------------------------------------------------------------------------------------------------------------------------------------------------------------------------------------------------------------------------------------------------------------------------------------------------------|---------------------------------------------|-----|----------|
| <b>Test Case Name:</b>      |            | TC_26_8_1_3_5_9                                                                                                                                                                                                                                                                                                                                                                                                                                                                                                                                                         |                                             |     |          |
| <b>Group:</b>               |            | GSM_L3_MS_v4210/CC/                                                                                                                                                                                                                                                                                                                                                                                                                                                                                                                                                     |                                             |     |          |
| <b>Purpose:</b>             |            | To verify that a CC entity of a MS in CC-state U8, "Connect Request", having received an unknown message from its peer entity returns a STATUS message.                                                                                                                                                                                                                                                                                                                                                                                                                 |                                             |     |          |
| <b>Default:</b>             |            | OtherEventsFail                                                                                                                                                                                                                                                                                                                                                                                                                                                                                                                                                         |                                             |     |          |
| Nr                          | Label      | Behaviour Description                                                                                                                                                                                                                                                                                                                                                                                                                                                                                                                                                   | CRef                                        | V   | Comments |
| 1                           |            | START T_guard(300)                                                                                                                                                                                                                                                                                                                                                                                                                                                                                                                                                      |                                             |     |          |
| 2                           |            | +BasicServiceMTorTelephony( TSPX_MTBscSvcG, TSPX_MTChRateG)                                                                                                                                                                                                                                                                                                                                                                                                                                                                                                             |                                             |     | 1.       |
| 3                           |            | +IdleUpdated( C_E_default, C_CellA, C_SCH_A, C_BCCH_A_1, C_Immass, C_S0, C_SlotNU, C_SlotNU, C_SlotNU, C_BCC, C_TxInt_5, C_Max_1, C_NECl_0, C_ATT_0, TimingAdv( 0), C_BABR_0, C_cch_1Comb, C_BPM_3, C_T3212_0, C_ci_cellA, C_MCC_1, C_PLMN_1, C_LAC_1, CellOpt_01, CellChDes_Omit, CellChDes_Omit, C_CellReselectHys12, C_MaxPwrLvIG, C_MaxPwrLvID, BcchFreqLst_45, BcchFreqLst_02, BcchFreqLst_03, BcchFreqLst_04, C_Restablishment, C_BCC, C_NCC, C_Start_Tmsi, TSPX_SDCCH4SubDef, TSPX_CKSNDDef, TSPX_RANDDef, C_arfcnA, C_arfcnAd, TSPX_IMSI, C_Test_nfh, C_NCCP_2) |                                             |     | 2.       |
| 4                           |            | +PreEnterCCstateU8_31( TimingAdv( 0), TSPX_SDCCH4SubDef, TSPX_CKSNDDef, TSPX_RANDDef)                                                                                                                                                                                                                                                                                                                                                                                                                                                                                   |                                             |     |          |
| 5                           | body       | L!DL_DatRqUndefCC                                                                                                                                                                                                                                                                                                                                                                                                                                                                                                                                                       | UndefCC( TCV_ch, UndefCC_02( TI_02))        |     | 3.       |
| 6                           | L_046<br>4 | L?DL_DatInCcst                                                                                                                                                                                                                                                                                                                                                                                                                                                                                                                                                          | CCStRcv( TCV_ch, CCStatus_08( TI_01, C_U8)) | (P) | 4.       |
| 7                           |            | +CCstatuschk_05( C_U8, TI_02, TCV_ch)                                                                                                                                                                                                                                                                                                                                                                                                                                                                                                                                   |                                             |     | 5.       |
| 8                           |            | +PostMainLinkRel( TCV_ch)                                                                                                                                                                                                                                                                                                                                                                                                                                                                                                                                               |                                             |     |          |
| <b>Detailed Comments:</b>   |            | <ol style="list-style-type: none"> <li>1. To select a basic service. if the MS supports telephony the selected basic service is telephony.</li> <li>2. To setup a physical channel as BCCH, CCCH and SDCCH4.</li> <li>3. To send an unknown message to the MS.</li> <li>4. The expected STATUS message with cause #97 and state U8 received.</li> <li>5. To check whether the MS is still in the state U8.</li> </ol>                                                                                                                                                   |                                             |     |          |

| Test Case Dynamic Behaviour                                                                                                                                                                                                                                                                                                                                                                                  |            |                                                                                                                                                                                                                                                                                                                                                                                                                                                                                                                                                                       |      |   |          |
|--------------------------------------------------------------------------------------------------------------------------------------------------------------------------------------------------------------------------------------------------------------------------------------------------------------------------------------------------------------------------------------------------------------|------------|-----------------------------------------------------------------------------------------------------------------------------------------------------------------------------------------------------------------------------------------------------------------------------------------------------------------------------------------------------------------------------------------------------------------------------------------------------------------------------------------------------------------------------------------------------------------------|------|---|----------|
| <b>Test Case Name:</b> TC_26_8_1_4_1_1                                                                                                                                                                                                                                                                                                                                                                       |            |                                                                                                                                                                                                                                                                                                                                                                                                                                                                                                                                                                       |      |   |          |
| <b>Group:</b> GSM_L3_MS_v4210/CC/                                                                                                                                                                                                                                                                                                                                                                            |            |                                                                                                                                                                                                                                                                                                                                                                                                                                                                                                                                                                       |      |   |          |
| <b>Purpose:</b>                                                                                                                                                                                                                                                                                                                                                                                              |            |                                                                                                                                                                                                                                                                                                                                                                                                                                                                                                                                                                       |      |   |          |
| 1) To verify that an MS supporting the Mobile originating DTMF protocol control procedure, having a CC entity for speech in state U10, "Active": when made to send a DTMF tone, sends a START DTMF message on the correct DCCH.                                                                                                                                                                              |            |                                                                                                                                                                                                                                                                                                                                                                                                                                                                                                                                                                       |      |   |          |
| 2) To verify that an MS supporting the Mobile originating DTMF protocol control procedure, having a CC entity for speech in state U10, "Active": when made to send a DTMF tone (the corresponding IA5 character being selected from among the ones supported), sends a START DTMF message specifying the correct IA5 character in the "keypad information" field of the keypad facility information element. |            |                                                                                                                                                                                                                                                                                                                                                                                                                                                                                                                                                                       |      |   |          |
| <b>Default:</b> OtherEventsFail                                                                                                                                                                                                                                                                                                                                                                              |            |                                                                                                                                                                                                                                                                                                                                                                                                                                                                                                                                                                       |      |   |          |
| <b>Comments:</b> The test is carried on full rate speech.                                                                                                                                                                                                                                                                                                                                                    |            |                                                                                                                                                                                                                                                                                                                                                                                                                                                                                                                                                                       |      |   |          |
| Nr                                                                                                                                                                                                                                                                                                                                                                                                           | Label      | Behaviour Description                                                                                                                                                                                                                                                                                                                                                                                                                                                                                                                                                 | CRef | V | Comments |
| 1                                                                                                                                                                                                                                                                                                                                                                                                            |            | START T_guard(300)                                                                                                                                                                                                                                                                                                                                                                                                                                                                                                                                                    |      |   |          |
| 2                                                                                                                                                                                                                                                                                                                                                                                                            |            | +BasicServiceMT( TSPX_MTBscSvcE, TSPX_MTChRateE)                                                                                                                                                                                                                                                                                                                                                                                                                                                                                                                      |      |   |          |
| 3                                                                                                                                                                                                                                                                                                                                                                                                            |            | +IdleUpdated( C_E_default, C_CellA, C_SCH_A, C_BCCH_A_1, C_Immasc, C_S0, C_SlotNU, C_SlotNU, C_SlotNU, C_BCC, C_TxInt_5, C_Max_1, C_NECl_0, C_ATT_0, TimingAdv( 0), C_BABR_0, C_cch_1Comb, C_BPM_3, C_T3212_0, C_ci_cellA, C_MCC_1, C_PLMN_1, C_LAC_1, CellOpt_01, CellChDes_Omit, CellChDes_Omit, C_CellReselectHys12, C_MaxPwrLvIG, C_MaxPwrLvID, BcchFreqLst_45, BcchFreqLst_02, BcchFreqLst_03, BcchFreqLst_04, C_Restablishment, C_BCC, C_NCC, C_Start_Tmsi, TSPX_SDCCH4SubDef, TSPX_CKSNDf, TSPX_RANDDef, C_arfcnA, C_arfcnAd, TSPX_IMSI, C_Test_nfh, C_NCCP_2) |      |   | 1.       |
| 4                                                                                                                                                                                                                                                                                                                                                                                                            |            | +CCConfigTCH( TSPX_TCHHSubDef, C_Ass, TSPX_TmSlitDef, TSPX_TscDef, TimingAdv( 0), C_BABR_0, C_cch_1Comb, C_BPM_3, TCV_ChMod.mode, FreqTCH_omit, FreqTCH_omit, C_arfcn_tchA, C_arfcn_tchAd)                                                                                                                                                                                                                                                                                                                                                                            |      |   | 2.       |
| 5                                                                                                                                                                                                                                                                                                                                                                                                            |            | +PreEnterCCstateU10( TSPX_SDCCH4SubDef, TCV_Setup_mt, TSPX_TmSlitDef, TSPX_TscDef, TimingAdv( 0), TSPX_CKSNDf, TSPX_RANDDef)                                                                                                                                                                                                                                                                                                                                                                                                                                          |      |   | 2.       |
| 6                                                                                                                                                                                                                                                                                                                                                                                                            | body       | [TSPC_BasCharSet]                                                                                                                                                                                                                                                                                                                                                                                                                                                                                                                                                     |      |   | 3.       |
| 7                                                                                                                                                                                                                                                                                                                                                                                                            |            | +localtree1("0")                                                                                                                                                                                                                                                                                                                                                                                                                                                                                                                                                      |      |   |          |
| 8                                                                                                                                                                                                                                                                                                                                                                                                            |            | +localtree1("1")                                                                                                                                                                                                                                                                                                                                                                                                                                                                                                                                                      |      |   |          |
| 9                                                                                                                                                                                                                                                                                                                                                                                                            |            | +localtree1("2")                                                                                                                                                                                                                                                                                                                                                                                                                                                                                                                                                      |      |   |          |
| 10                                                                                                                                                                                                                                                                                                                                                                                                           |            | +localtree1("3")                                                                                                                                                                                                                                                                                                                                                                                                                                                                                                                                                      |      |   |          |
| 11                                                                                                                                                                                                                                                                                                                                                                                                           |            | +localtree1("4")                                                                                                                                                                                                                                                                                                                                                                                                                                                                                                                                                      |      |   |          |
| 12                                                                                                                                                                                                                                                                                                                                                                                                           |            | +localtree1("5")                                                                                                                                                                                                                                                                                                                                                                                                                                                                                                                                                      |      |   |          |
| 13                                                                                                                                                                                                                                                                                                                                                                                                           |            | +localtree1("6")                                                                                                                                                                                                                                                                                                                                                                                                                                                                                                                                                      |      |   |          |
| 14                                                                                                                                                                                                                                                                                                                                                                                                           |            | +localtree1("7")                                                                                                                                                                                                                                                                                                                                                                                                                                                                                                                                                      |      |   |          |
| 15                                                                                                                                                                                                                                                                                                                                                                                                           |            | +localtree1("9")                                                                                                                                                                                                                                                                                                                                                                                                                                                                                                                                                      |      |   |          |
| 16                                                                                                                                                                                                                                                                                                                                                                                                           |            | +continue                                                                                                                                                                                                                                                                                                                                                                                                                                                                                                                                                             |      |   |          |
| 17                                                                                                                                                                                                                                                                                                                                                                                                           | L_046<br>5 | [NOT TSPC_BasCharSet]                                                                                                                                                                                                                                                                                                                                                                                                                                                                                                                                                 |      | I |          |
|                                                                                                                                                                                                                                                                                                                                                                                                              |            | <b>continue</b>                                                                                                                                                                                                                                                                                                                                                                                                                                                                                                                                                       |      |   |          |
| 18                                                                                                                                                                                                                                                                                                                                                                                                           |            | +localtree1("#")                                                                                                                                                                                                                                                                                                                                                                                                                                                                                                                                                      |      |   |          |
| 19                                                                                                                                                                                                                                                                                                                                                                                                           |            | +localtree1("**")                                                                                                                                                                                                                                                                                                                                                                                                                                                                                                                                                     |      |   |          |
| 20                                                                                                                                                                                                                                                                                                                                                                                                           |            | [TSPC_AddCharSet]                                                                                                                                                                                                                                                                                                                                                                                                                                                                                                                                                     |      |   | 4.       |
| 21                                                                                                                                                                                                                                                                                                                                                                                                           |            | +localtree1("A")                                                                                                                                                                                                                                                                                                                                                                                                                                                                                                                                                      |      |   |          |
| 22                                                                                                                                                                                                                                                                                                                                                                                                           |            | +localtree1("B")                                                                                                                                                                                                                                                                                                                                                                                                                                                                                                                                                      |      |   |          |
| 23                                                                                                                                                                                                                                                                                                                                                                                                           |            | +localtree1("C")                                                                                                                                                                                                                                                                                                                                                                                                                                                                                                                                                      |      |   |          |
| 24                                                                                                                                                                                                                                                                                                                                                                                                           |            | +localtree1("D")                                                                                                                                                                                                                                                                                                                                                                                                                                                                                                                                                      |      |   |          |
| 25                                                                                                                                                                                                                                                                                                                                                                                                           |            | +localtree                                                                                                                                                                                                                                                                                                                                                                                                                                                                                                                                                            |      |   |          |
| 26                                                                                                                                                                                                                                                                                                                                                                                                           |            | [NOT TSPC_AddCharSet]                                                                                                                                                                                                                                                                                                                                                                                                                                                                                                                                                 |      |   |          |
| 27                                                                                                                                                                                                                                                                                                                                                                                                           |            | +localtree                                                                                                                                                                                                                                                                                                                                                                                                                                                                                                                                                            |      |   | 5.       |

|    |            |                                                                                                              |                                                                         |     |    |
|----|------------|--------------------------------------------------------------------------------------------------------------|-------------------------------------------------------------------------|-----|----|
| 28 |            | <b>localtree</b><br>(TCV_Null := OO_ShortKeyDepr("0"))                                                       |                                                                         |     |    |
| 29 |            | L?DL_DatInStartDtmf                                                                                          | StartDTMFRcv(<br>StartDtmf_01( TI_01,<br>"0"))                          |     |    |
| 30 |            | LIDL_DatRqStartDtmfRej                                                                                       | StartDTMFRejSnd(<br>TCV_chTch,<br>StartDtmfRej_01(<br>TI_02))           |     |    |
| 31 |            | +CCstatuschk_05(C_U10, TI_02, TCV_chTch)                                                                     |                                                                         |     | 6. |
| 32 |            | +PostMainLinkRel(TCV_chTch)                                                                                  |                                                                         |     |    |
|    |            | <b>localtree1(character:IA5String)</b><br>(TCV_Null := OO_ShortKeyDepr(character),<br>TCV_Char := character) |                                                                         |     |    |
| 33 |            | L?DL_DatInStartDtmf                                                                                          | StartDTMFRcv(<br>StartDtmf_01( TI_01,<br>TCV_Char))                     |     |    |
| 34 |            | LIDL_DatRqStartDtmfAck                                                                                       | StartDTMFAckSnd(<br>TCV_chTch,<br>StartDtmfAck_01(<br>TI_02, TCV_Char)) |     |    |
| 35 |            | +CCstatuschk_05(C_U10, TI_02, TCV_chTch)                                                                     |                                                                         |     | 6. |
| 36 |            | [TSPX_DTMFInd]                                                                                               |                                                                         |     |    |
| 37 |            | (TCV_Res :=<br>OO_DTMFIndCHK(character))                                                                     |                                                                         |     |    |
| 38 |            | [NOT TCV_Res]                                                                                                |                                                                         |     |    |
| 39 | L_046<br>6 | +PostMainLinkRel(TCV_chTch)                                                                                  |                                                                         | (F) | 7. |
| 40 |            | [TCV_Res]                                                                                                    |                                                                         |     |    |
| 41 | L_046<br>7 | +localtree2                                                                                                  |                                                                         | (P) | 8. |
| 42 |            | [NOT TSPX_DTMFInd]                                                                                           |                                                                         |     |    |
| 43 |            | +localtree2                                                                                                  |                                                                         |     |    |
| 44 |            | <b>localtree2</b><br>L?DL_DatInStopDtmf                                                                      | StopDTMFRcv(<br>StopDtmf_01( TI_01))                                    |     |    |
| 45 |            | LIDL_DatRqStopDtmfAck                                                                                        | StopDTMFAckSnd(<br>TCV_chTch,<br>StopDtmfAck_01(<br>TI_02))             |     |    |
| 46 |            | +CCstatuschk_05(C_U10, TI_02, TCV_chTch)                                                                     |                                                                         |     | 6. |
| 47 |            |                                                                                                              |                                                                         |     |    |

**Detailed Comments:**

1. To setup 2 physical channels one as BCCH, CCCH and SDCCH4, another as full rate traffic channel.
2. To bring the MS into the state U10 for speech.
3. To check the character set of "0-9, #, \*".
4. To check the character set of "A, B, C, D" if it is supported by the MS.
5. To test the DTMF tone being rejected.
6. To verify that the MS is still in the state U10.
7. The DTMF indication is not correct.
8. The DTMF indication is correct.

| Test Case Dynamic Behaviour |       |                                                                                                                                                                                                                                                                                                                                                                                                                                                                                                                                                                          |                                             |   |          |
|-----------------------------|-------|--------------------------------------------------------------------------------------------------------------------------------------------------------------------------------------------------------------------------------------------------------------------------------------------------------------------------------------------------------------------------------------------------------------------------------------------------------------------------------------------------------------------------------------------------------------------------|---------------------------------------------|---|----------|
| <b>Test Case Name:</b>      |       | TC_26_8_1_4_2_1                                                                                                                                                                                                                                                                                                                                                                                                                                                                                                                                                          |                                             |   |          |
| <b>Group:</b>               |       | GSM_L3_MS_v4210/CC/                                                                                                                                                                                                                                                                                                                                                                                                                                                                                                                                                      |                                             |   |          |
| <b>Purpose:</b>             |       | To verify that a CC entity of a MS in CC-state U10, "active", upon receiving of a NOTIFY message remains in the active state.                                                                                                                                                                                                                                                                                                                                                                                                                                            |                                             |   |          |
| <b>Default:</b>             |       | OtherEventsFail                                                                                                                                                                                                                                                                                                                                                                                                                                                                                                                                                          |                                             |   |          |
| Nr                          | Label | Behaviour Description                                                                                                                                                                                                                                                                                                                                                                                                                                                                                                                                                    | CRef                                        | V | Comments |
| 1                           |       | START T_guard(300)                                                                                                                                                                                                                                                                                                                                                                                                                                                                                                                                                       |                                             |   |          |
| 2                           |       | +BasicServiceMT( TSPX_MTBscSvcA, TSPX_MTChRateA)                                                                                                                                                                                                                                                                                                                                                                                                                                                                                                                         |                                             |   |          |
| 3                           |       | +IdleUpdated( C_E_default, C_CellA, C_SCH_A, C_BCCH_A_1, C_Immass, C_S0, C_SlotNU, C_SlotNU, C_SlotNU, C_BCC, C_TxInt_5, C_Max_1, C_NECL_0, C_ATT_0, TimingAdv( 0), C_BABR_0, C_cch_1Comb, C_BPM_3, C_T3212_0, C_ci_cellA, C_MCC_1, C_PLMN_1, C_LAC_1, CellOpt_01, CellChDes_Omit, CellChDes_Omit, C_CellReselectHys12, C_MaxPwrLvlG, C_MaxPwrLvlD, BcchFreqLst_45, BcchFreqLst_02, BcchFreqLst_03, BcchFreqLst_04, C_Restablishment, C_BCC, C_NCC, C_Start_Tmsi, TSPX_SDCCH4SubDef, TSPX_CKSNDDef, TSPX_RANDDDef, C_arfcnA, C_arfcnAd, TSPX_IMSI, C_Test_nfh, C_NCCP_2) |                                             |   | 1.       |
| 4                           |       | +CCConfigTCH( TSPX_TCHHSubDef, C_Ass, TSPX_TmSlTDef, TSPX_TscDef, TimingAdv( 0), C_BABR_0, C_cch_1Comb, C_BPM_3, TCV_ChMod.mode, FreqTCH_omit, FreqTCH_omit, C_arfcn_tchA, C_arfcn_tchAd)                                                                                                                                                                                                                                                                                                                                                                                |                                             |   |          |
| 5                           |       | +PreEnterCCstateU10( TSPX_SDCCH4SubDef, TCV_Setup_mt, TSPX_TmSlTDef, TSPX_TscDef, TimingAdv( 0), TSPX_CKSNDDef, TSPX_RANDDDef)                                                                                                                                                                                                                                                                                                                                                                                                                                           |                                             |   | 2.       |
| 6                           | body  | L!DL_DatRqNotify                                                                                                                                                                                                                                                                                                                                                                                                                                                                                                                                                         | NotifySnd( TCV_chTch, NotifiReq_01( TI_02)) |   | 3.       |
| 7                           |       | +CCstatuschk_05(C_U10, TI_02, TCV_chTch)                                                                                                                                                                                                                                                                                                                                                                                                                                                                                                                                 |                                             |   | 4.       |
| 8                           |       | +PostMainLinkRel(TCV_chTch)                                                                                                                                                                                                                                                                                                                                                                                                                                                                                                                                              |                                             |   |          |
| <b>Detailed Comments:</b>   |       | <ol style="list-style-type: none"> <li>1. To setup 2 physical channels one as BCCH, CCCH and SDCCH4, another as full rate traffic channel.</li> <li>2. To bring the MS into the state U10 for speech by generic call setup procedure.</li> <li>3. To send the NOTIFY message to the MS.</li> <li>4. To verify whether the MS is still in the state U10, the verdict is assigned in the test step.</li> </ol>                                                                                                                                                             |                                             |   |          |

| Test Case Dynamic Behaviour |       |                                                                                                                                                                                                                                                                                                                                                                                                                                                                                                                                                                                                                    |      |   |          |
|-----------------------------|-------|--------------------------------------------------------------------------------------------------------------------------------------------------------------------------------------------------------------------------------------------------------------------------------------------------------------------------------------------------------------------------------------------------------------------------------------------------------------------------------------------------------------------------------------------------------------------------------------------------------------------|------|---|----------|
| <b>Test Case Name:</b>      |       | TC_26_8_1_4_3_1                                                                                                                                                                                                                                                                                                                                                                                                                                                                                                                                                                                                    |      |   |          |
| <b>Group:</b>               |       | GSM_L3_MS_v4210/CC/                                                                                                                                                                                                                                                                                                                                                                                                                                                                                                                                                                                                |      |   |          |
| <b>Purpose:</b>             |       | To verify that the MS being in the call active state after having successfully completed a channel assignment or having completed a handover command remains in the call active state.                                                                                                                                                                                                                                                                                                                                                                                                                             |      |   |          |
| <b>Default:</b>             |       | OtherEventsFail                                                                                                                                                                                                                                                                                                                                                                                                                                                                                                                                                                                                    |      |   |          |
| Nr                          | Label | Behaviour Description                                                                                                                                                                                                                                                                                                                                                                                                                                                                                                                                                                                              | CRef | V | Comments |
| 1                           |       | START T_guard(300)                                                                                                                                                                                                                                                                                                                                                                                                                                                                                                                                                                                                 |      |   |          |
| 2                           |       | +BasicServiceMT( TSPX_MTBscSvcC,<br>TSPX_MTChRateC)                                                                                                                                                                                                                                                                                                                                                                                                                                                                                                                                                                |      |   |          |
| 3                           |       | (TCV_PwrLvl_ho:= INT_TO_BIT( TSPX_PwrLvlA,<br>5))                                                                                                                                                                                                                                                                                                                                                                                                                                                                                                                                                                  |      |   |          |
| 4                           |       | +IdleUpdated( C_E_default, C_CellA,<br>C_SCH_A, C_BCCH_A_1, C_Immasc, C_S0,<br>C_SlotNU, C_SlotNU, C_SlotNU, C_BCC,<br>C_TxInt_5, C_Max_1, C_NECl_0, C_ATT_0,<br>TimingAdv( 0), C_BABR_0, C_cch_1Comb,<br>C_BPM_3, C_T3212_0, C_ci_cellA,<br>C_MCC_1, C_PLMN_1, C_LAC_1, CellOpt_01,<br>CellChDes_Omit, CellChDes_Omit,<br>C_CellReselectHys12, C_MaxPwrLvlG,<br>C_MaxPwrLvlD, BcchFreqLst_45,<br>BcchFreqLst_02, BcchFreqLst_03,<br>BcchFreqLst_04, C_Restablishment, C_BCC,<br>C_NCC, C_Start_Tmsi,<br>TSPX_SDCCH4SubDef, TSPX_CKSNDf,<br>TSPX_RANDDef, C_arfcnA, C_arfcnAd,<br>TSPX_IMSI, C_Test_nfh, C_NCCP_2) |      |   |          |
| 5                           |       | +CCConfigTCH_nociph(<br>TSPX_TCHHSubDef, C_Ass,<br>TSPX_TmSltDef, TSPX_TscDef, TimingAdv(<br>0), C_BABR_0, C_cch_1Comb, C_BPM_3,<br>TCV_ChMod.mode, FreqTCH_omit,<br>FreqTCH_omit, C_arfcn_tchA,<br>C_arfcn_tchAd)                                                                                                                                                                                                                                                                                                                                                                                                 |      |   | 1.       |
| 6                           |       | [TCV_ChRate = C_Full]                                                                                                                                                                                                                                                                                                                                                                                                                                                                                                                                                                                              |      |   |          |
| 7                           |       | +FullRateCh_A_2( C_Synho,<br>TSPX_TmSltC, TSPX_TscDef,<br>TCV_ChMod, FreqTCH( C_arfcn_tchA),<br>FreqTCH( C_arfcn_tchAd), TimingAdv(<br>0), C_BABR_0, C_cch_1Comb,<br>C_BPM_3)                                                                                                                                                                                                                                                                                                                                                                                                                                      |      |   | 2.       |
| 8                           |       | +localtree                                                                                                                                                                                                                                                                                                                                                                                                                                                                                                                                                                                                         |      |   |          |
| 9                           |       | [TCV_ChRate = C_Half]                                                                                                                                                                                                                                                                                                                                                                                                                                                                                                                                                                                              |      |   |          |
| 10                          |       | +HalfRateCh_A_2( TSPX_TCHHSubDef,<br>C_Synho, TSPX_TmSltC, TSPX_TscDef,<br>TCV_ChMod, FreqTCH( C_arfcn_tchA),<br>FreqTCH( C_arfcn_tchAd), TimingAdv(<br>0), C_BABR_0, C_cch_1Comb,<br>C_BPM_3)                                                                                                                                                                                                                                                                                                                                                                                                                     |      |   | 3.       |
| 11                          |       | +localtree                                                                                                                                                                                                                                                                                                                                                                                                                                                                                                                                                                                                         |      |   |          |
|                             |       | <b>localtree</b>                                                                                                                                                                                                                                                                                                                                                                                                                                                                                                                                                                                                   |      |   |          |
| 12                          |       | (TCV_Tchtype := TCV_chtype)                                                                                                                                                                                                                                                                                                                                                                                                                                                                                                                                                                                        |      |   |          |
| 13                          |       | +PreEnterCCstateU10( TSPX_SDCCH4SubDef,<br>TCV_Setup_mt, TSPX_TmSltDef, TSPX_TscDef,<br>TimingAdv( 0), TSPX_CKSNDf, TSPX_RANDDef)                                                                                                                                                                                                                                                                                                                                                                                                                                                                                  |      |   | 4.       |
| 14                          |       | (TCV_ch := TCV_chTch)                                                                                                                                                                                                                                                                                                                                                                                                                                                                                                                                                                                              |      |   |          |
| 15                          |       | +CCConfigTCH( TSPX_TCHHSubA, C_Synho,<br>TSPX_TmSltA, TSPX_TscDef, TimingAdv( 0),<br>C_BABR_0, C_cch_1Comb, C_BPM_3,<br>TCV_ChMod.mode, FreqTCH_omit,<br>FreqTCH_omit, C_arfcn_tchA, C_arfcn_tchAd)                                                                                                                                                                                                                                                                                                                                                                                                                |      |   |          |
| 16                          |       | +AssCmdGen( C_CellA, TCV_ChRate,<br>TSPX_TmSltA, TSPX_TscA,<br>TSPX_TCHHSubA)                                                                                                                                                                                                                                                                                                                                                                                                                                                                                                                                      |      |   |          |
| 17                          | body  | +Adjust_gsmanddcs_powerlvl( 0,<br>3,TCV_AssCmd)                                                                                                                                                                                                                                                                                                                                                                                                                                                                                                                                                                    |      |   |          |
| 18                          |       | +AssCh_complete( TCV_ch, TCV_chTch,<br>TCV_AssCmd)                                                                                                                                                                                                                                                                                                                                                                                                                                                                                                                                                                 |      |   | 5.       |
| 19                          |       | +CCstatuschk_05(C_U10, TI_02,<br>TCV_chTch)                                                                                                                                                                                                                                                                                                                                                                                                                                                                                                                                                                        |      |   | 7.       |

|    |            |                                             |  |                                                                                                                                                                                                                                                |        |
|----|------------|---------------------------------------------|--|------------------------------------------------------------------------------------------------------------------------------------------------------------------------------------------------------------------------------------------------|--------|
| 20 |            | +handover                                   |  |                                                                                                                                                                                                                                                |        |
| 21 |            | L?DL_RaInHoacc                              |  | HndOvAccRcv(TCV_chTch1, HandOverAcc_02(TSPX_HoRefA))                                                                                                                                                                                           |        |
| 22 |            | L?DL_RaInHoacc                              |  | HndOvAccRcv(TCV_chTch1, HandOverAcc_02(TSPX_HoRefA))                                                                                                                                                                                           |        |
| 23 |            | L?DL_RaInHoacc                              |  | HndOvAccRcv(TCV_chTch1, HandOverAcc_02(TSPX_HoRefA))                                                                                                                                                                                           |        |
| 24 |            | L?DL_RaInHoacc                              |  | HndOvAccRcv(TCV_chTch1, HandOverAcc_02(TSPX_HoRefA))                                                                                                                                                                                           |        |
| 25 |            | L?DL_EstIn                                  |  | DLEstInd(TCV_chTch1)                                                                                                                                                                                                                           |        |
| 26 | L_046<br>8 | L?DL_DatInHoCom                             |  | HndOvCmpRcv(TCV_chTch1, HandOverCmp_01)                                                                                                                                                                                                        | (P) 6. |
| 27 |            | +CCstatuschk_05(C_U10, TI_02, TCV_chTch1)   |  |                                                                                                                                                                                                                                                | 7.     |
| 28 |            | +PostMainLinkRel(TCV_chTch1)                |  |                                                                                                                                                                                                                                                |        |
| 29 |            | <b>handover</b><br>[TSPC_PGSM OR TSPC_EGSM] |  |                                                                                                                                                                                                                                                |        |
| 30 |            | L!DL_DatRqHoCmd                             |  | HndOvSnd(TCV_chTch, HandOverCmd_nfh(TCV_Tchtype, TSPX_TmSlTc, TSPX_TscDef, C_NCC, C_BCC, C_arfcnA, C_arfcnA, TSPX_HoRefA, TCV_PwrIvl_ho, Synchi(C_not_report_otd, C_synchronised), ChMod_omit, RelTmdDif_omit, TimingAdv_omit, CphMod_omit))   |        |
| 31 |            | [TSPC_DCS]                                  |  |                                                                                                                                                                                                                                                |        |
| 32 |            | L!DL_DatRqHoCmd                             |  | HndOvSnd(TCV_chTch, HandOverCmd_nfh(TCV_Tchtype, TSPX_TmSlTc, TSPX_TscDef, C_NCC, C_BCC, C_arfcnAd, C_arfcnAd, TSPX_HoRefA, TCV_PwrIvl_ho, Synchi(C_not_report_otd, C_synchronised), ChMod_omit, RelTmdDif_omit, TimingAdv_omit, CphMod_omit)) |        |

**Detailed Comments:**

1. To setup a physical channels as full rate traffic channel or half traffic channel.
2. To setup a physical channel as second full rate traffic channel.
3. To setup a physical channel as the second half rate traffic channel.
4. To bring the MS into U10 state by MT call generic setup procedure.
5. The assignment procedure succeeds.
6. The handover procedure succeeds.
7. To check whether the MS is still in the state U10.





| Test Case Dynamic Behaviour |            |                                                                                                                                                                                                                                                                                                                                                                                                                                                                                                                                                                                                                    |                                             |     |          |
|-----------------------------|------------|--------------------------------------------------------------------------------------------------------------------------------------------------------------------------------------------------------------------------------------------------------------------------------------------------------------------------------------------------------------------------------------------------------------------------------------------------------------------------------------------------------------------------------------------------------------------------------------------------------------------|---------------------------------------------|-----|----------|
| <b>Test Case Name:</b>      |            | TC_26_8_1_4_3_2                                                                                                                                                                                                                                                                                                                                                                                                                                                                                                                                                                                                    |                                             |     |          |
| <b>Group:</b>               |            | GSM_L3_MS_v4210/CC/                                                                                                                                                                                                                                                                                                                                                                                                                                                                                                                                                                                                |                                             |     |          |
| <b>Purpose:</b>             |            | To verify that the MS, when returning to the old channel after handover failure and establishing correctly the link, will remain in the call active state.                                                                                                                                                                                                                                                                                                                                                                                                                                                         |                                             |     |          |
| <b>Default:</b>             |            | OtherEventsFail_01, RcvHdOvAcc                                                                                                                                                                                                                                                                                                                                                                                                                                                                                                                                                                                     |                                             |     |          |
| <b>Comments:</b>            |            | bearer capability TSPX_BCd is used in the test case. The generic MT call setup procedure is used.                                                                                                                                                                                                                                                                                                                                                                                                                                                                                                                  |                                             |     |          |
| Nr                          | Label      | Behaviour Description                                                                                                                                                                                                                                                                                                                                                                                                                                                                                                                                                                                              | CRef                                        | V   | Comments |
| 1                           |            | START T_guard(300)                                                                                                                                                                                                                                                                                                                                                                                                                                                                                                                                                                                                 |                                             |     |          |
| 2                           |            | +BasicServiceMT( TSPX_MTBscSvcD,<br>TSPX_MTChRateD)                                                                                                                                                                                                                                                                                                                                                                                                                                                                                                                                                                |                                             |     |          |
| 3                           |            | (TCV_PwrLvl_ho:= INT_TO_BIT( TSPX_PwrLvlA,<br>5))                                                                                                                                                                                                                                                                                                                                                                                                                                                                                                                                                                  |                                             |     |          |
| 4                           |            | +IdleUpdated( C_E_default, C_CellA,<br>C_SCH_A, C_BCCH_A_1, C_Immass, C_S0,<br>C_SlotNU, C_SlotNU, C_SlotNU, C_BCC,<br>C_TxInt_5, C_Max_1, C_NECI_0, C_ATT_0,<br>TimingAdv( 0), C_BABR_0, C_cch_1Comb,<br>C_BPM_3, C_T3212_0, C_ci_cellA,<br>C_MCC_1, C_PLMN_1, C_LAC_1, CellOpt_01,<br>CellChDes_Omit, CellChDes_Omit,<br>C_CellReselectHys12, C_MaxPwrLvlG,<br>C_MaxPwrLvlD, BcchFreqLst_45,<br>BcchFreqLst_02, BcchFreqLst_03,<br>BcchFreqLst_04, C_Restablishment, C_BCC,<br>C_NCC, C_Start_Tmsi,<br>TSPX_SDCCH4SubDef, TSPX_CKSNDf,<br>TSPX_RANDDef, C_arfcnA, C_arfcnAd,<br>TSPX_IMSI, C_Test_nfh, C_NCCP_2) |                                             |     |          |
| 5                           |            | +CCConfigTCH_nociph(<br>TSPX_TCHHSubDef, C_Ass,<br>TSPX_TmSlitDef, TSPX_TscDef, TimingAdv(<br>0), C_BABR_0, C_cch_1Comb, C_BPM_3,<br>TCV_ChMod.mode, FreqTCH_omit,<br>FreqTCH_omit, C_arfcn_tchA,<br>C_arfcn_tchAd)                                                                                                                                                                                                                                                                                                                                                                                                |                                             |     |          |
| 6                           |            | +StartCellB_1( C_E_neighbourdefault,<br>C_Rcv,TCV_slot, TCV_tsc, TimingAdv( 0),<br>0, C_BABR_0, C_cch_1Comb, C_BPM_3,<br>C_T3212_0, C_MCC_1, C_PLMN_1,<br>C_LAC_2, C_noRestablishment, C_BCC,<br>C_NCC)                                                                                                                                                                                                                                                                                                                                                                                                            |                                             |     | 1.       |
| 7                           |            | ( TCV_ch1 := OC_SubchOfSdcch4(<br>TSPX_SDCCH4SubDef, C_CellB),<br>TCV_Null := OM_CphMd( TCV_ch1,<br>CphMod_01, TCV_CphKey))                                                                                                                                                                                                                                                                                                                                                                                                                                                                                        |                                             |     |          |
| 8                           |            | +localtree                                                                                                                                                                                                                                                                                                                                                                                                                                                                                                                                                                                                         |                                             |     |          |
|                             |            | <b>localtree</b>                                                                                                                                                                                                                                                                                                                                                                                                                                                                                                                                                                                                   |                                             |     |          |
| 9                           |            | +PreEnterCCstateU10( TSPX_SDCCH4SubDef,<br>TCV_Setup_mt, TSPX_TmSlitDef, TSPX_TscDef,<br>TimingAdv( 0), TSPX_CKSNDf, TSPX_RANDDef)                                                                                                                                                                                                                                                                                                                                                                                                                                                                                 |                                             |     |          |
| 10                          | body       | +handover                                                                                                                                                                                                                                                                                                                                                                                                                                                                                                                                                                                                          |                                             |     |          |
| 11                          |            | ACTIVATE(RcvHdOvAcc, OtherEventsFail_01)                                                                                                                                                                                                                                                                                                                                                                                                                                                                                                                                                                           |                                             |     |          |
| 12                          |            | REPEAT local_hobursts UNTIL [TCV_Res]                                                                                                                                                                                                                                                                                                                                                                                                                                                                                                                                                                              |                                             |     |          |
| 13                          |            | L?DL_EstIn                                                                                                                                                                                                                                                                                                                                                                                                                                                                                                                                                                                                         | DLEstInd(<br>TCV_chTch)                     |     |          |
| 14                          | L_046<br>9 | L?DL_DatInHofl                                                                                                                                                                                                                                                                                                                                                                                                                                                                                                                                                                                                     | HndOvFIRcv(<br>TCV_chTch,<br>HandOvFail_01) | (P) | 2.       |
| 15                          |            | +CCstatuschk_05( C_U10, TI_02,<br>TCV_chTch)                                                                                                                                                                                                                                                                                                                                                                                                                                                                                                                                                                       |                                             |     | 3.       |
| 16                          |            | +AssCmdGen_fh( C_Full, TCV_slot,<br>TCV_tsc, TSPX_TCHHSubDef, 7, 7,<br>'000000'B, '000000'B, Frql_02, Frql_02,<br>CellChDes_12, CellChDes_12d,<br>ChMod_sign_iei, MobilAllc_02,<br>MobilAllc_02, CphMod_omit)                                                                                                                                                                                                                                                                                                                                                                                                      |                                             |     |          |
| 17                          |            | +AssCh_failure( TCV_chTch,<br>TCV_AssCmd, FALSE)                                                                                                                                                                                                                                                                                                                                                                                                                                                                                                                                                                   |                                             |     | 4.       |
| 18                          |            | +CCstatuschk_05( C_U10, TI_02,<br>TCV_chTch)                                                                                                                                                                                                                                                                                                                                                                                                                                                                                                                                                                       |                                             |     | 3.       |

|    |                       |                                                                                         |                                                                                                                                                                                                                                             |             |
|----|-----------------------|-----------------------------------------------------------------------------------------|---------------------------------------------------------------------------------------------------------------------------------------------------------------------------------------------------------------------------------------------|-------------|
| 19 |                       | +PostMainLinkRel( TCV_chTch)                                                            |                                                                                                                                                                                                                                             |             |
| 20 | <b>handover</b>       | (TCV_Tchtype := INT_TO_BIT(( 4 + BIT_TO_INT( TSPX_SDCCH4SubDef)), 5), TCV_Res := FALSE) |                                                                                                                                                                                                                                             |             |
| 21 |                       | [TSPC_PGSM OR TSPC_EGSM]                                                                |                                                                                                                                                                                                                                             |             |
| 22 |                       | LIDL_DatRqHoCmd                                                                         | HndOvSnd( TCV_chTch, HandOverCmd_nfh( TCV_Tchtype, TCV_slot, TCV_tsc, C_NCC, C_BCC, C_arfcnB, C_arfcnB, TSPX_HoRefB, TCV_Pwrlvl_ho, Synchi( C_report_otd, C_non_synchronised), ChMod_omit, RelTmdDif_omit, TimingAdv_omit, CphMod_02iei))   | Non-sync HO |
| 23 |                       | START T_dly(C_T_T3124)                                                                  |                                                                                                                                                                                                                                             |             |
| 24 |                       | [TSPC_DCS]                                                                              |                                                                                                                                                                                                                                             |             |
| 25 |                       | LIDL_DatRqHoCmd                                                                         | HndOvSnd( TCV_chTch, HandOverCmd_nfh( TCV_Tchtype, TCV_slot, TCV_tsc, C_NCC, C_BCC, C_arfcnBd, C_arfcnBd, TSPX_HoRefB, TCV_Pwrlvl_ho, Synchi( C_report_otd, C_non_synchronised), ChMod_omit, RelTmdDif_omit, TimingAdv_omit, CphMod_02iei)) | Non-sync HO |
| 26 |                       | START T_dly(C_T_T3124)                                                                  |                                                                                                                                                                                                                                             |             |
| 27 | <b>local_hobursts</b> | L?DL_RacInHoacc                                                                         | HndOvAccRcv( TCV_ch1, HandOverAcc_02( TSPX_HoRefB))                                                                                                                                                                                         |             |
| 28 |                       | ?TIMEOUT                                                                                |                                                                                                                                                                                                                                             |             |
| 29 |                       | (TCV_Res := TRUE)                                                                       |                                                                                                                                                                                                                                             |             |

**Detailed Comments:**

1. To setup a physical channel as BCCH, CCCH and SDCCH4 used as cell B.
2. The expected HANDOVER FAILURE message received on the old channel.
3. To check whether the MS is still in the state U10, if no test case fails in the test step.
4. The expected ASSIGNMENT FAILURE message received on the old channel.

| Test Case Dynamic Behaviour |            |                                                                                                                                                                                                                                                                                                                                                                                                                                                                                                                                                                                                                    |      |   |                       |
|-----------------------------|------------|--------------------------------------------------------------------------------------------------------------------------------------------------------------------------------------------------------------------------------------------------------------------------------------------------------------------------------------------------------------------------------------------------------------------------------------------------------------------------------------------------------------------------------------------------------------------------------------------------------------------|------|---|-----------------------|
| <b>Test Case Name:</b>      |            | TC_26_8_1_4_4_1                                                                                                                                                                                                                                                                                                                                                                                                                                                                                                                                                                                                    |      |   |                       |
| <b>Group:</b>               |            | GSM_L3_MS_v4210/CC/                                                                                                                                                                                                                                                                                                                                                                                                                                                                                                                                                                                                |      |   |                       |
| <b>Purpose:</b>             |            | 1) To verify that an MS supporting the network originated in-call modification procedure, after having received a MODIFY message with a new mode which is not the actual one and cannot be supported by the MS, rejects it by sending a MODIFY REJECT.<br>2) To verify that an MS not supporting the network originated in-call modification procedure, after having received a MODIFY message, responds with a STATUS message.                                                                                                                                                                                    |      |   |                       |
| <b>Default:</b>             |            | OtherEventsFail                                                                                                                                                                                                                                                                                                                                                                                                                                                                                                                                                                                                    |      |   |                       |
| <b>Comments:</b>            |            | The generic MT call setup procedure is used to bring the MS into U10 state.                                                                                                                                                                                                                                                                                                                                                                                                                                                                                                                                        |      |   |                       |
| Nr                          | Label      | Behaviour Description                                                                                                                                                                                                                                                                                                                                                                                                                                                                                                                                                                                              | CRef | V | Comments              |
| 1                           |            | START T_guard(300)                                                                                                                                                                                                                                                                                                                                                                                                                                                                                                                                                                                                 |      |   |                       |
| 2                           | L_047<br>0 | [(TSPX_MT_DualModSvc <> C_AltSpchData)<br>OR(TSPX_MT_DualModSvc <> C_SpchData)<br>OR(TSPX_MT_DualModSvc <> C_AltSpchFax)]                                                                                                                                                                                                                                                                                                                                                                                                                                                                                          |      | I | not dual mode service |
| 3                           |            | [(TSPX_MT_DualModSvc = C_AltSpchData) OR<br>(TSPX_MT_DualModSvc = C_SpchData) OR<br>(TSPX_MT_DualModSvc = C_AltSpchFax)]                                                                                                                                                                                                                                                                                                                                                                                                                                                                                           |      |   |                       |
| 4                           |            | +BasicServiceMT( TSPX_MT_DualModSvc,<br>C_Full)                                                                                                                                                                                                                                                                                                                                                                                                                                                                                                                                                                    |      |   |                       |
| 5                           |            | +IdleUpdated( C_E_default, C_CellA,<br>C_SCH_A, C_BCCH_A_1, C_Immass, C_S0,<br>C_SlotNU, C_SlotNU, C_SlotNU, C_BCC,<br>C_TxInt_5, C_Max_1, C_NECI_0, C_ATT_0,<br>TimingAdv( 0), C_BABR_0, C_cch_1Comb,<br>C_BPM_3, C_T3212_0, C_ci_cellA,<br>C_MCC_1, C_PLMN_1, C_LAC_1, CellOpt_01,<br>CellChDes_Omit, CellChDes_Omit,<br>C_CellReselectHys12, C_MaxPwrLvIG,<br>C_MaxPwrLvID, BcchFreqLst_45,<br>BcchFreqLst_02, BcchFreqLst_03,<br>BcchFreqLst_04, C_Restablishment, C_BCC,<br>C_NCC, C_Start_Tmsi,<br>TSPX_SDCCH4SubDef, TSPX_CKSNDf,<br>TSPX_RANDDef, C_arfcnA, C_arfcnAd,<br>TSPX_IMSI, C_Test_nfh, C_NCCP_2) |      |   |                       |
| 6                           |            | +CCConfigTCH( TSPX_TCHHSSubDef,<br>C_Ass, TSPX_TmSlitDef, TSPX_TscDef,<br>TimingAdv( 0), C_BABR_0, C_cch_1Comb,<br>C_BPM_3, TCV_ChMod.mode,<br>FreqTCH_omit, FreqTCH_omit,<br>C_arfcn_tchA, C_arfcn_tchAd)                                                                                                                                                                                                                                                                                                                                                                                                         |      |   |                       |
| 7                           |            | +PreEnterCCstateU10(<br>TSPX_SDCCH4SubDef, TCV_Setup_mt,<br>TSPX_TmSlitDef, TSPX_TscDef,<br>TimingAdv( 0), TSPX_CKSNDf,<br>TSPX_RANDDef)                                                                                                                                                                                                                                                                                                                                                                                                                                                                           |      |   |                       |
| 8                           |            | (TCV_B := TCV_Setup_mt.bcap2,<br>TCV_Bcap2 :=<br>Bcap_NoIEI(TCV_B.iel,TCV_B.extb3,TCV<br>_B.rchr,TCV_B.cs,TCV_B.tm,TCV_B.itc,T<br>CV_B.extb4,TCV_B.spb,TCV_B.strc,TCV<br>_B.dplx,TCV_B.config,TCV_B.nirr,TCV_<br>B.est,TCV_B.extb5,TCV_B.accid,TCV_B.<br>ra,TCV_B.sacp,TCV_B.extb6,TCV_B.l1id,<br>TCV_B.uil1,TCV_B.sb,TCV_B.extb6a,TC<br>V_B.nsb,TCV_B.nb,TCV_B.ndb,TCV_B.u<br>r,TCV_B.extb6b,TCV_B.ir,TCV_B.nictx,T<br>CV_B.nicrx,TCV_B.pi,TCV_B.extb6c,TCV<br>_B.ce,TCV_B.modemt))                                                                                                                               |      |   |                       |
| 9                           |            | (TCV_B := TCV_Setup_mt.bcap1,<br>TCV_Bcap1 :=<br>Bcap_NoIEI(TCV_B.iel,TCV_B.extb3,T<br>CV_B.rchr,TCV_B.cs,TCV_B.tm,TCV_<br>B.itc,TCV_B.extb4,TCV_B.spb,TCV_B.<br>strc,TCV_B.dplx,TCV_B.config,TCV_<br>B.nirr,TCV_B.est,TCV_B.extb5,TCV_B.<br>accid,TCV_B.ra,TCV_B.sacp,TCV_B.ex<br>tb6,TCV_B.l1id,TCV_B.uil1,TCV_B.sb,T<br>CV_B.extb6a,TCV_B.nsb,TCV_B.nb,TC<br>V_B.ndb,TCV_B.ur,TCV_B.extb6b,TCV<br>_B.ir,TCV_B.nictx,TCV_B.nicrx,TCV_B.<br>pi,TCV_B.extb6c,TCV_B.ce,TCV_B.mo                                                                                                                                     |      |   |                       |

|    |            |                                              |                                                                                                                                                                                                                                                                                                |     |    |
|----|------------|----------------------------------------------|------------------------------------------------------------------------------------------------------------------------------------------------------------------------------------------------------------------------------------------------------------------------------------------------|-----|----|
| 10 |            | demt))<br>L!DL_DatRqModify                   | ModifySnd(<br>TCV_chTch,<br>ModifyReq_01( TI_02,<br>Bcap_MT(C_UDI,<br>C_Unstructured,<br>C_nirr_nomeaning,<br>C_rate_adaption_V11<br>0, C_I440_450,<br>C_Synchronous,<br>TSPX_TE_stopbit,<br>TSPX_TE_databit,<br>C_4800bs, C_ir_8kbs,<br>TSPX_TE_parity,<br>C_transparent,<br>C_modemt_none))) |     |    |
| 11 |            | [TSPC_InCallMod]                             |                                                                                                                                                                                                                                                                                                |     | 1. |
| 12 | L_047<br>1 | L?DL_DatInModifyRej                          | ModifyRejRcv(<br>TCV_chTch,<br>ModifyRj_01( TI_01,<br>TCV_Setup_mt.bcap1<br>)                                                                                                                                                                                                                  | (P) |    |
| 13 |            | +CCstatuschk_05( C_U10,<br>TI_02, TCV_chTch) |                                                                                                                                                                                                                                                                                                |     |    |
| 14 |            | +PostMainLinkRel(<br>TCV_chTch)              |                                                                                                                                                                                                                                                                                                |     |    |
| 15 |            | [NOT TSPC_InCallMod]                         |                                                                                                                                                                                                                                                                                                |     | 2. |
| 16 | L_047<br>2 | L?DL_DatInCcst                               | CCStRcv(<br>TCV_chTch,<br>CCStatus_08(TI_01,<br>C_U10))                                                                                                                                                                                                                                        | (P) |    |
| 17 |            | +CCstatuschk_05( C_U10,<br>TI_02, TCV_chTch) |                                                                                                                                                                                                                                                                                                |     |    |
| 18 |            | +PostMainLinkRel(<br>TCV_chTch)              |                                                                                                                                                                                                                                                                                                |     |    |

**Detailed Comments:** 1. The In-Call modification procedure is supported.  
2. The In-Call modification procedure is not supported.

| Test Case Dynamic Behaviour |            |                                                                                                                                                                                                                                                                                                                                                                                                                                                                                                                                                                                                         |                                                                                                                 |     |          |
|-----------------------------|------------|---------------------------------------------------------------------------------------------------------------------------------------------------------------------------------------------------------------------------------------------------------------------------------------------------------------------------------------------------------------------------------------------------------------------------------------------------------------------------------------------------------------------------------------------------------------------------------------------------------|-----------------------------------------------------------------------------------------------------------------|-----|----------|
| <b>Test Case Name:</b>      |            | TC_26_8_1_4_5_1                                                                                                                                                                                                                                                                                                                                                                                                                                                                                                                                                                                         |                                                                                                                 |     |          |
| <b>Group:</b>               |            | GSM_L3_MS_v4210/CC/                                                                                                                                                                                                                                                                                                                                                                                                                                                                                                                                                                                     |                                                                                                                 |     |          |
| <b>Purpose:</b>             |            | <p>1) To verify that the procedure is initiated by the MS in the "active" state of the call. It sends a MODIFY message including the new mode to be changed to; and enters the "mobile originating modify" state. The new mode given in the MODIFY message is one of those already negotiated and agreed during the establishment phase of the call. The MODIFY originating side stops sending Bm-channel information.</p> <p>2) To verify that upon receipt of the MODIFY COMPLETE message the MS starts sending channel information according to the new call mode and enters the "active" state.</p> |                                                                                                                 |     |          |
| <b>Default:</b>             |            | OtherEventsFail                                                                                                                                                                                                                                                                                                                                                                                                                                                                                                                                                                                         |                                                                                                                 |     |          |
| Nr                          | Label      | Behaviour Description                                                                                                                                                                                                                                                                                                                                                                                                                                                                                                                                                                                   | CRef                                                                                                            | V   | Comments |
| 1                           |            | START T_guard(300)                                                                                                                                                                                                                                                                                                                                                                                                                                                                                                                                                                                      |                                                                                                                 |     |          |
| 2                           |            | +BasicServiceMO(TSPX_MO_DualModSvc, TSPX_MO_DualModRate)                                                                                                                                                                                                                                                                                                                                                                                                                                                                                                                                                |                                                                                                                 |     |          |
| 3                           |            | +IdleUpdated( C_E_default, C_CellA, C_SCH_A, C_BCCH_A_1, C_Immass, C_S0, C_SlotNU, C_SlotNU, C_SlotNU, C_BCC, C_TxInt_5, C_Max_7, C_NECl_0, C_ATT_0, TimingAdv( 0), C_BABR_0, C_cch_1Comb, C_BPM_3, C_T3212_0, C_ci_cellA, C_MCC_1, C_PLMN_1, C_LAC_1, CellOpt_01, CellChDes_Omit, CellChDes_Omit, C_CellReselectHys12, C_MaxPwrLvlG, C_MaxPwrLvlD, BcchFreqLst_45, BcchFreqLst_02, BcchFreqLst_03, BcchFreqLst_04, C_Restablishment, C_BCC, C_NCC, C_Start_Tmsi, TSPX_SDCCH4SubDef, TSPX_CKSNDf, TSPX_RANDDf, C_arfcnA, C_arfcnAd, TSPX_IMSI, C_Test_nfh, C_NCCP_2)                                    |                                                                                                                 |     |          |
| 4                           |            | +CCConfigTCH( TSPX_TCHHSubDef, C_Ass, TSPX_TmSlitDef, TSPX_TscDef, TimingAdv( 0), C_BABR_0, C_cch_1Comb, C_BPM_3, TCV_ChMod.mode, FreqTCH_omit, FreqTCH_omit, C_arfcn_tchA, C_arfcn_tchAd)                                                                                                                                                                                                                                                                                                                                                                                                              |                                                                                                                 |     |          |
| 5                           |            | +PreModifySetup( TSPX_SDCCH4SubDef, TSPX_TmSlitDef, TSPX_TscDef, TimingAdv( 0), TSPX_CKSNDf, TSPX_RANDDf)                                                                                                                                                                                                                                                                                                                                                                                                                                                                                               |                                                                                                                 |     | 1.       |
| 6                           | body       | +CCstatuschk_05(C_U26, TCV_TI, TCV_chTch)                                                                                                                                                                                                                                                                                                                                                                                                                                                                                                                                                               |                                                                                                                 |     |          |
| 7                           |            | LIDL_DatRqChmmo                                                                                                                                                                                                                                                                                                                                                                                                                                                                                                                                                                                         | ChmmoReqSnd( TCV_chTch, ChmomoReq_07( TCV_chtype, TCV_ChModb.mode, TSPX_TmSlitDef, TSPX_TscDef, TCV_tch_arfcn)) |     |          |
| 8                           | L_047<br>3 | L?DL_DatInChmmoAck                                                                                                                                                                                                                                                                                                                                                                                                                                                                                                                                                                                      | ChmmoAckRcv( TCV_chTch, ChmomoAck_08( TCV_chtype, TCV_ChModb.mode, TSPX_TmSlitDef, TSPX_TscDef, TCV_tch_arfcn)) | (P) | 2.       |
| 9                           |            | (TCV_Res := OC_RcsdPresent(TCV_Modify))                                                                                                                                                                                                                                                                                                                                                                                                                                                                                                                                                                 |                                                                                                                 |     |          |
| 10                          |            | [TCV_Res]                                                                                                                                                                                                                                                                                                                                                                                                                                                                                                                                                                                               |                                                                                                                 |     |          |
| 11                          |            | LIDL_DatRqModifyCom                                                                                                                                                                                                                                                                                                                                                                                                                                                                                                                                                                                     | ModifyCmpSnd( TCV_chTch, ModifyComp_02( TCV_TI, TCV_Bcap2))                                                     |     |          |
| 12                          |            | +local_continue                                                                                                                                                                                                                                                                                                                                                                                                                                                                                                                                                                                         |                                                                                                                 |     |          |
| 13                          |            | [NOT TCV_Res]                                                                                                                                                                                                                                                                                                                                                                                                                                                                                                                                                                                           |                                                                                                                 |     |          |
| 14                          |            | LIDL_DatRqModifyCom                                                                                                                                                                                                                                                                                                                                                                                                                                                                                                                                                                                     | ModifyCmpSnd( TCV_chTch, ModifyComp_03( TCV_TI, TCV_Bcap2))                                                     |     |          |

|    |            |                                                                              |     |    |
|----|------------|------------------------------------------------------------------------------|-----|----|
| 15 |            | +local_continue                                                              |     |    |
| 16 |            | <b>local_continue</b><br>(TCV_Null := OM_ChMdModi(TCV_chTch,<br>TCV_ChModb)) |     |    |
| 17 |            | START T_dly(2000)                                                            |     |    |
| 18 |            | ?TIMEOUT T_dly                                                               |     |    |
| 19 |            | +CCstatuschk_05(C_U10, TCV_TI,<br>TCV_chTch)                                 |     |    |
| 20 |            | (TCV_Res := OM_BmInfo(TCV_chTch,<br>TCV_ChModb.mode))                        |     |    |
| 21 | L_047<br>4 | [TCV_Res]                                                                    | (P) | 3. |
| 22 |            | +PostMainLinkRel(TCV_chTch)                                                  |     |    |
| 23 | L_047<br>5 | [NOT TCV_Res]                                                                | (F) |    |
| 24 |            | +PostMainLinkRel(TCV_chTch)                                                  |     |    |

**Detailed Comments:**

1. To attempt a dual mode call and initiate incall modification.
2. The expected CMM ACKNOWLEDGE message received.
3. The MS does start sending Bm channel information according to the new mode.

**Test Case Dynamic Behaviour**

**Test Case Name:** TC\_26\_8\_1\_4\_5\_2  
**Group:** GSM\_L3\_MS\_v4210/CC/  
**Purpose:** To verify that upon receipt of the MODIFY REJECT message with the old bearer capability the MS resumes sending Bm-channel information according to the present call mode; resumes interpreting received Bm-channel information according to the present call mode; and enters the "active" state.  
**Default:** OtherEventsFail

| Nr | Label | Behaviour Description                                                                                                                                                                                                                                                                                                                                                                                                                                                                                                                                                                                                | CRef                                                                      | V | Comments |
|----|-------|----------------------------------------------------------------------------------------------------------------------------------------------------------------------------------------------------------------------------------------------------------------------------------------------------------------------------------------------------------------------------------------------------------------------------------------------------------------------------------------------------------------------------------------------------------------------------------------------------------------------|---------------------------------------------------------------------------|---|----------|
| 1  |       | START T_guard(300)                                                                                                                                                                                                                                                                                                                                                                                                                                                                                                                                                                                                   |                                                                           |   |          |
| 2  |       | +BasicServiceMO(TSPX_MO_DualModSvc,<br>TSPX_MO_DualModRate)                                                                                                                                                                                                                                                                                                                                                                                                                                                                                                                                                          |                                                                           |   |          |
| 3  |       | +IdleUpdated( C_E_default, C_CellA, C_SCH_A,<br>C_BCCH_A_1, C_Immass, C_S0, C_SlotNU,<br>C_SlotNU, C_SlotNU, C_BCC, C_TxInt_5,<br>C_Max_7, C_NECI_0, C_ATT_0, TimingAdv( 0),<br>C_BABR_0, C_cch_1Comb, C_BPM_3,<br>C_T3212_0, C_ci_cellA, C_MCC_1, C_PLMN_1,<br>C_LAC_1, CellOpt_01, CellChDes_Omit,<br>CellChDes_Omit, C_CellReselectHys12,<br>C_MaxPwrLvIG, C_MaxPwrLvID,<br>BcchFreqLst_45, BcchFreqLst_02,<br>BcchFreqLst_03, BcchFreqLst_04,<br>C_Restablishment, C_BCC, C_NCC,<br>C_Start_Tmsi, TSPX_SDCCH4SubDef,<br>TSPX_CKSNDDef, TSPX_RANDDef, C_arfcnA,<br>C_arfcnAd, TSPX_IMSI, C_Test_nfh,<br>C_NCCP_2) |                                                                           |   |          |
| 4  |       | +CCConfigTCH( TSPX_TCHHSubDef, C_Ass,<br>TSPX_TmSltDef, TSPX_TscDef, TimingAdv( 0),<br>C_BABR_0, C_cch_1Comb, C_BPM_3,<br>TCV_ChMod.mode, FreqTCH_omit,<br>FreqTCH_omit, C_arfcn_tchA, C_arfcn_tchAd)                                                                                                                                                                                                                                                                                                                                                                                                                |                                                                           |   |          |
| 5  |       | +PreModifySetup( TSPX_SDCCH4SubDef,<br>TSPX_TmSltDef, TSPX_TscDef, TimingAdv(<br>0), TSPX_CKSNDDef, TSPX_RANDDef)                                                                                                                                                                                                                                                                                                                                                                                                                                                                                                    |                                                                           |   | 1.       |
| 6  | body  | !IDL_DatRqModifyRej                                                                                                                                                                                                                                                                                                                                                                                                                                                                                                                                                                                                  | ModifyRejRqSnd(<br>TCV_chTch,<br>ModifyRjRq_01(<br>TCV_TI,<br>TCV_Bcap1)) |   |          |
| 7  |       | +CCstatuschk_05( C_U10, TCV_TI,<br>TCV_chTch)                                                                                                                                                                                                                                                                                                                                                                                                                                                                                                                                                                        |                                                                           |   | 2.       |
| 8  |       | +PostMainLinkRel( TCV_chTch)                                                                                                                                                                                                                                                                                                                                                                                                                                                                                                                                                                                         |                                                                           |   |          |

**Detailed Comments:**

1. To attempt a dual mode call and initiate incall modification.
2. To check whether the MS is still in the state U10 and the verdict is assigned in the test step.

| Test Case Dynamic Behaviour |       |                                                                                                                                                                                                                                                                                                                                                                                                                                                                                                                                                                          |                                                             |   |          |
|-----------------------------|-------|--------------------------------------------------------------------------------------------------------------------------------------------------------------------------------------------------------------------------------------------------------------------------------------------------------------------------------------------------------------------------------------------------------------------------------------------------------------------------------------------------------------------------------------------------------------------------|-------------------------------------------------------------|---|----------|
| <b>Test Case Name:</b>      |       | TC_26_8_1_4_5_3                                                                                                                                                                                                                                                                                                                                                                                                                                                                                                                                                          |                                                             |   |          |
| <b>Group:</b>               |       | GSM_L3_MS_v4210/CC/                                                                                                                                                                                                                                                                                                                                                                                                                                                                                                                                                      |                                                             |   |          |
| <b>Purpose:</b>             |       | To verify that upon receipt of the MODIFY COMPLETE message indicating a call mode which does not correspond to the requested one the MS discards it and takes no action.                                                                                                                                                                                                                                                                                                                                                                                                 |                                                             |   |          |
| <b>Default:</b>             |       | OtherEventsFail                                                                                                                                                                                                                                                                                                                                                                                                                                                                                                                                                          |                                                             |   |          |
| Nr                          | Label | Behaviour Description                                                                                                                                                                                                                                                                                                                                                                                                                                                                                                                                                    | CRef                                                        | V | Comments |
| 1                           |       | START T_guard(300)                                                                                                                                                                                                                                                                                                                                                                                                                                                                                                                                                       |                                                             |   |          |
| 2                           |       | +BasicServiceMO(TSPX_MO_DualModSvc, TSPX_MO_DualModRate)                                                                                                                                                                                                                                                                                                                                                                                                                                                                                                                 |                                                             |   |          |
| 3                           |       | +IdleUpdated( C_E_default, C_CellA, C_SCH_A, C_BCCCH_A_1, C_Immass, C_S0, C_SlotNU, C_SlotNU, C_SlotNU, C_BCC, C_TxInt_5, C_Max_7, C_NECI_0, C_ATT_0, TimingAdv( 0), C_BABR_0, C_cch_1Comb, C_BPM_3, C_T3212_0, C_ci_cellA, C_MCC_1, C_PLMN_1, C_LAC_1, CellOpt_01, CellChDes_Omit, CellChDes_Omit, C_CellReselectHys12, C_MaxPwrLvlG, C_MaxPwrLvlD, BcchFreqLst_45, BcchFreqLst_02, BcchFreqLst_03, BcchFreqLst_04, C_Restablishment, C_BCC, C_NCC, C_Start_Tmsi, TSPX_SDCCH4SubDef, TSPX_CKSNDDef, TSPX_RANDDef, C_arfcnA, C_arfcnAd, TSPX_IMSI, C_Test_nfh, C_NCCP_2) |                                                             |   |          |
| 4                           |       | +CCConfigTCH( TSPX_TCHHSubDef, C_Ass, TSPX_TmSltDef, TSPX_TscDef, TimingAdv( 0), C_BABR_0, C_cch_1Comb, C_BPM_3, TCV_ChMod.mode, FreqTCH_omit, FreqTCH_omit, C_arfcn_tchA, C_arfcn_tchAd)                                                                                                                                                                                                                                                                                                                                                                                |                                                             |   |          |
| 5                           |       | +PreModifySetup( TSPX_SDCCH4SubDef, TSPX_TmSltDef, TSPX_TscDef, TimingAdv( 0), TSPX_CKSNDDef, TSPX_RANDDef)                                                                                                                                                                                                                                                                                                                                                                                                                                                              |                                                             |   | 1.       |
| 6                           | body  | L!DL_DatRqModifyCom                                                                                                                                                                                                                                                                                                                                                                                                                                                                                                                                                      | ModifyCmpSnd( TCV_chTch, ModifyComp_03( TCV_TI, TCV_Bcap2)) |   | 2.       |
| 7                           |       | +CCstatuschk_05( C_U26, TCV_TI, TCV_chTch)                                                                                                                                                                                                                                                                                                                                                                                                                                                                                                                               |                                                             |   | 3.       |
| 8                           |       | +PostMainLinkRel( TCV_chTch)                                                                                                                                                                                                                                                                                                                                                                                                                                                                                                                                             |                                                             |   |          |
| <b>Detailed Comments:</b>   |       | <ol style="list-style-type: none"> <li>1. To attempt a dual mode call.</li> <li>2. The mode (TCV_Bcap1) does not correspond to the requested one (TCV_Bcap2).</li> <li>3. To check whether the MS does not take any action and the verdict is assigned in the test step.</li> </ol>                                                                                                                                                                                                                                                                                      |                                                             |   |          |

| Test Case Dynamic Behaviour |       |                                                                                                                                                                                                                                                                                                                                                                                                                                                                                                                                                                                                                      |                                                                           |   |          |
|-----------------------------|-------|----------------------------------------------------------------------------------------------------------------------------------------------------------------------------------------------------------------------------------------------------------------------------------------------------------------------------------------------------------------------------------------------------------------------------------------------------------------------------------------------------------------------------------------------------------------------------------------------------------------------|---------------------------------------------------------------------------|---|----------|
| <b>Test Case Name:</b>      |       | TC_26_8_1_4_5_4                                                                                                                                                                                                                                                                                                                                                                                                                                                                                                                                                                                                      |                                                                           |   |          |
| <b>Group:</b>               |       | GSM_L3_MS_v4210/CC/                                                                                                                                                                                                                                                                                                                                                                                                                                                                                                                                                                                                  |                                                                           |   |          |
| <b>Purpose:</b>             |       | To verify that upon receipt of the MODIFY REJECT message indicating a call mode which does not correspond to the actual one the MS discards it and takes no action.                                                                                                                                                                                                                                                                                                                                                                                                                                                  |                                                                           |   |          |
| <b>Default:</b>             |       | OtherEventsFail                                                                                                                                                                                                                                                                                                                                                                                                                                                                                                                                                                                                      |                                                                           |   |          |
| Nr                          | Label | Behaviour Description                                                                                                                                                                                                                                                                                                                                                                                                                                                                                                                                                                                                | CRef                                                                      | V | Comments |
| 1                           |       | START T_guard(300)                                                                                                                                                                                                                                                                                                                                                                                                                                                                                                                                                                                                   |                                                                           |   |          |
| 2                           |       | +BasicServiceMO(TSPX_MO_DualModSvc,<br>TSPX_MO_DualModRate)                                                                                                                                                                                                                                                                                                                                                                                                                                                                                                                                                          |                                                                           |   |          |
| 3                           |       | +IdleUpdated( C_E_default, C_CellA, C_SCH_A,<br>C_BCCH_A_1, C_Immass, C_S0, C_SlotNU,<br>C_SlotNU, C_SlotNU, C_BCC, C_TxInt_5,<br>C_Max_7, C_NECI_0, C_ATT_0, TimingAdv( 0),<br>C_BABR_0, C_cch_1Comb, C_BPM_3,<br>C_T3212_0, C_ci_cellA, C_MCC_1, C_PLMN_1,<br>C_LAC_1, CellOpt_01, CellChDes_Omit,<br>CellChDes_Omit, C_CellReselectHys12,<br>C_MaxPwrLvIG, C_MaxPwrLvID,<br>BcchFreqLst_45, BcchFreqLst_02,<br>BcchFreqLst_03, BcchFreqLst_04,<br>C_Restablishment, C_BCC, C_NCC,<br>C_Start_Tmsi, TSPX_SDCCH4SubDef,<br>TSPX_CKSNDDef, TSPX_RANDDef, C_arfcnA,<br>C_arfcnAd, TSPX_IMSI, C_Test_nfh,<br>C_NCCP_2) |                                                                           |   |          |
| 4                           |       | +CCConfigTCH( TSPX_TCHHSubDef, C_Ass,<br>TSPX_TmSltDef, TSPX_TscDef, TimingAdv( 0),<br>C_BABR_0, C_cch_1Comb, C_BPM_3,<br>TCV_ChMod.mode, FreqTCH_omit,<br>FreqTCH_omit, C_arfcn_tchA, C_arfcn_tchAd)                                                                                                                                                                                                                                                                                                                                                                                                                |                                                                           |   |          |
| 5                           |       | +PreModifySetup( TSPX_SDCCH4SubDef,<br>TSPX_TmSltDef, TSPX_TscDef, TimingAdv( 0),<br>TSPX_CKSNDDef, TSPX_RANDDef)                                                                                                                                                                                                                                                                                                                                                                                                                                                                                                    |                                                                           |   | 1.       |
| 6                           | body  | L!DL_DatRqModifyRej                                                                                                                                                                                                                                                                                                                                                                                                                                                                                                                                                                                                  | ModifyRejRqSnd(<br>TCV_chTch,<br>ModifyRjRq_01(<br>TCV_TI,<br>TCV_Bcap1)) |   | 2.       |
| 7                           |       | +CCstatuschk_05( C_U26, TCV_TI,<br>TCV_chTch)                                                                                                                                                                                                                                                                                                                                                                                                                                                                                                                                                                        |                                                                           |   | 3.       |
| 8                           |       | +PostMainLinkRel( TCV_chTch)                                                                                                                                                                                                                                                                                                                                                                                                                                                                                                                                                                                         |                                                                           |   |          |
| <b>Detailed Comments:</b>   |       | <ol style="list-style-type: none"> <li>1. To attempt a dual mode call.</li> <li>2. The mode (TCV_Bcap1) does not correspond to the actual one (TCV_Bcap2).</li> <li>3. To check whether the MS does not take any action and the verdict is assigned in the test step.</li> </ol>                                                                                                                                                                                                                                                                                                                                     |                                                                           |   |          |



| Test Case Dynamic Behaviour |            |                                                                                                                                                                                                                                                                                                                                                                                                                                                                                                                                                                         |                                                   |     |          |
|-----------------------------|------------|-------------------------------------------------------------------------------------------------------------------------------------------------------------------------------------------------------------------------------------------------------------------------------------------------------------------------------------------------------------------------------------------------------------------------------------------------------------------------------------------------------------------------------------------------------------------------|---------------------------------------------------|-----|----------|
| <b>Test Case Name:</b>      |            | TC_26_8_1_4_5_5                                                                                                                                                                                                                                                                                                                                                                                                                                                                                                                                                         |                                                   |     |          |
| <b>Group:</b>               |            | GSM_L3_MS_v4210/CC/                                                                                                                                                                                                                                                                                                                                                                                                                                                                                                                                                     |                                                   |     |          |
| <b>Purpose:</b>             |            | To verify that upon expiration of T323 the MS shall initiate the procedures for call clearing with cause #102 "recovery on timer expiry".                                                                                                                                                                                                                                                                                                                                                                                                                               |                                                   |     |          |
| <b>Default:</b>             |            | OtherEventsFail                                                                                                                                                                                                                                                                                                                                                                                                                                                                                                                                                         |                                                   |     |          |
| Nr                          | Label      | Behaviour Description                                                                                                                                                                                                                                                                                                                                                                                                                                                                                                                                                   | CRef                                              | V   | Comments |
| 1                           |            | START T_guard(300)                                                                                                                                                                                                                                                                                                                                                                                                                                                                                                                                                      |                                                   |     |          |
| 2                           |            | +BasicServiceMO( TSPX_MO_DualModSvc, TSPX_MO_DualModRate)                                                                                                                                                                                                                                                                                                                                                                                                                                                                                                               |                                                   |     |          |
| 3                           |            | +IdleUpdated( C_E_default, C_CellA, C_SCH_A, C_BCCH_A_1, C_Immass, C_S0, C_SlotNU, C_SlotNU, C_SlotNU, C_BCC, C_TxInt_5, C_Max_7, C_NECI_0, C_ATT_0, TimingAdv( 0), C_BABR_0, C_cch_1Comb, C_BPM_3, C_T3212_0, C_ci_cellA, C_MCC_1, C_PLMN_1, C_LAC_1, CellOpt_01, CellChDes_Omit, CellChDes_Omit, C_CellReselectHys12, C_MaxPwrLvlG, C_MaxPwrLvlD, BcchFreqLst_45, BcchFreqLst_02, BcchFreqLst_03, BcchFreqLst_04, C_Restablishment, C_BCC, C_NCC, C_Start_Tmsi, TSPX_SDCCH4SubDef, TSPX_CKSNDDef, TSPX_RANDDef, C_arfcnA, C_arfcnAd, TSPX_IMSI, C_Test_nfh, C_NCCP_2) |                                                   |     |          |
| 4                           |            | +CCConfigTCH( TSPX_TCHHSubDef, C_Ass, TSPX_TmSltDef, TSPX_TscDef, TimingAdv( 0), C_BABR_0, C_cch_1Comb, C_BPM_3, TCV_ChMod.mode, FreqTCH_omit, FreqTCH_omit, C_arfcn_tchA, C_arfcn_tchAd)                                                                                                                                                                                                                                                                                                                                                                               |                                                   |     |          |
| 5                           |            | +PreModifySetup( TSPX_SDCCH4SubDef, TSPX_TmSltDef, TSPX_TscDef, TimingAdv( 0), TSPX_CKSNDDef, TSPX_RANDDef)                                                                                                                                                                                                                                                                                                                                                                                                                                                             |                                                   |     | 1.       |
| 6                           |            | START T_dly( 45000)                                                                                                                                                                                                                                                                                                                                                                                                                                                                                                                                                     |                                                   |     |          |
| 7                           | body       | L?DL_DatInDisc (TCV_Fn1 := DL_DatInDisc.fn) READTIMER<br>T_dly(TCV_Time), CANCEL T_dly                                                                                                                                                                                                                                                                                                                                                                                                                                                                                  | DiscRcv( TCV_chTch, DisconnR( TCV_TI0, Cause_14)) |     | 2.       |
| 8                           | L_047<br>6 | [(TCV_Time < 27000) OR (TCV_Time >= 33000)]                                                                                                                                                                                                                                                                                                                                                                                                                                                                                                                             |                                                   | (F) | 3.       |
| 9                           |            | +PostMainLinkRel(TCV_chTch)                                                                                                                                                                                                                                                                                                                                                                                                                                                                                                                                             |                                                   |     |          |
| 10                          | L_047<br>7 | [(TCV_Time >= 27000) AND(TCV_Time < 33000)]                                                                                                                                                                                                                                                                                                                                                                                                                                                                                                                             |                                                   | (P) | 4.       |
| 11                          |            | +CCstatuschk_05(C_U11, TCV_TI, TCV_chTch)                                                                                                                                                                                                                                                                                                                                                                                                                                                                                                                               |                                                   |     |          |
| 12                          |            | +PostMainLinkRel( TCV_chTch)                                                                                                                                                                                                                                                                                                                                                                                                                                                                                                                                            |                                                   |     |          |
| <b>Detailed Comments:</b>   |            | <ol style="list-style-type: none"> <li>1. To attempt a dual mode call.</li> <li>2. The expected DISCONNECT message received.</li> <li>3. Fail, if the T323 timer value is either greater than or equal to 33 seconds, or less than 27 seconds.</li> <li>4. Pass, if the timeout value of the T323 timer is OK.</li> </ol>                                                                                                                                                                                                                                               |                                                   |     |          |

| Test Case Dynamic Behaviour |       |                                                                                                                                                                                                                                                                                                                                                                                                                                                                                                                                                                                                                      |                                                                         |    |          |
|-----------------------------|-------|----------------------------------------------------------------------------------------------------------------------------------------------------------------------------------------------------------------------------------------------------------------------------------------------------------------------------------------------------------------------------------------------------------------------------------------------------------------------------------------------------------------------------------------------------------------------------------------------------------------------|-------------------------------------------------------------------------|----|----------|
| <b>Test Case Name:</b>      |       | TC_26_8_1_4_5_6                                                                                                                                                                                                                                                                                                                                                                                                                                                                                                                                                                                                      |                                                                         |    |          |
| <b>Group:</b>               |       | GSM_L3_MS_v4210/CC/                                                                                                                                                                                                                                                                                                                                                                                                                                                                                                                                                                                                  |                                                                         |    |          |
| <b>Purpose:</b>             |       | <p>1. To verify that a CC-entity of the MS in CC-state U26, "Mobile Originating Modify", after successful completion of a channel assignment procedure remains in the call state U26.</p> <p>2. To verify that upon receipt of the MODIFY COMPLETE message the MS starts sending channel information according to the new call mode and enters the "active" state.</p>                                                                                                                                                                                                                                               |                                                                         |    |          |
| <b>Default:</b>             |       | OtherEventsFail                                                                                                                                                                                                                                                                                                                                                                                                                                                                                                                                                                                                      |                                                                         |    |          |
| Nr                          | Label | Behaviour Description                                                                                                                                                                                                                                                                                                                                                                                                                                                                                                                                                                                                | CRef                                                                    | V  | Comments |
| 1                           |       | START T_guard(300)                                                                                                                                                                                                                                                                                                                                                                                                                                                                                                                                                                                                   |                                                                         |    |          |
| 2                           |       | +BasicServiceMO(TSPX_MO_DualModSvc,<br>TSPX_MO_DualModRate)                                                                                                                                                                                                                                                                                                                                                                                                                                                                                                                                                          |                                                                         |    |          |
| 3                           |       | +IdleUpdated( C_E_default, C_CellA, C_SCH_A,<br>C_BCCH_A_1, C_Immass, C_S0, C_SlotNU,<br>C_SlotNU, C_SlotNU, C_BCC, C_TxInt_5,<br>C_Max_7, C_NECI_0, C_ATT_0, TimingAdv( 0),<br>C_BABR_0, C_cch_1Comb, C_BPM_3,<br>C_T3212_0, C_ci_cellA, C_MCC_1, C_PLMN_1,<br>C_LAC_1, CellOpt_01, CellChDes_Omit,<br>CellChDes_Omit, C_CellReselectHys12,<br>C_MaxPwrLvIG, C_MaxPwrLvID,<br>BcchFreqLst_45, BcchFreqLst_02,<br>BcchFreqLst_03, BcchFreqLst_04,<br>C_Restablishment, C_BCC, C_NCC,<br>C_Start_Tmsi, TSPX_SDCCH4SubDef,<br>TSPX_CKSNDDef, TSPX_RANDDef, C_arfcnA,<br>C_arfcnAd, TSPX_IMSI, C_Test_nfh,<br>C_NCCP_2) |                                                                         |    |          |
| 4                           |       | +CCConfigTCH( TSPX_TCHHSubDef, C_Ass,<br>TSPX_TmSlitDef, TSPX_TscDef, TimingAdv( 0),<br>C_BABR_0, C_cch_1Comb, C_BPM_3,<br>TCV_ChMod.mode, FreqTCH_omit,<br>FreqTCH_omit, C_arfcn_tchA, C_arfcn_tchAd)                                                                                                                                                                                                                                                                                                                                                                                                               |                                                                         |    |          |
| 5                           |       | +local_2ndTCH( TSPX_TCHHSubDef,<br>C_Ass, TSPX_TmSlitDef, TSPX_TscDef,<br>TCV_ChModb, C_arfcn_tchA, C_arfcn_tchAd,<br>TimingAdv( 0), C_BABR_0, C_cch_1Comb,<br>C_BPM_3)                                                                                                                                                                                                                                                                                                                                                                                                                                              |                                                                         |    |          |
| 6                           |       | +PreModifySetup( TSPX_SDCCH4SubDef,<br>TSPX_TmSlitDef, TSPX_TscDef,<br>TimingAdv( 0), TSPX_CKSNDDef,<br>TSPX_RANDDef)                                                                                                                                                                                                                                                                                                                                                                                                                                                                                                |                                                                         | 1. |          |
| 7                           |       | +local_continue                                                                                                                                                                                                                                                                                                                                                                                                                                                                                                                                                                                                      |                                                                         |    |          |
|                             |       | <b>local_continue</b>                                                                                                                                                                                                                                                                                                                                                                                                                                                                                                                                                                                                |                                                                         |    |          |
| 8                           |       | +assign                                                                                                                                                                                                                                                                                                                                                                                                                                                                                                                                                                                                              |                                                                         |    |          |
| 9                           |       | +CCstatuschk_05(C_U26, TCV_TI, TCV_chTch)                                                                                                                                                                                                                                                                                                                                                                                                                                                                                                                                                                            |                                                                         |    | 2.       |
| 10                          |       | (TCV_Res := OC_RcsdPresent(TCV_Modify))                                                                                                                                                                                                                                                                                                                                                                                                                                                                                                                                                                              |                                                                         |    |          |
| 11                          |       | [TCV_Res]                                                                                                                                                                                                                                                                                                                                                                                                                                                                                                                                                                                                            |                                                                         |    |          |
| 12                          |       | LIDL_DatRqModifyCom<br>(DL_DatRqModifyCom.msg.rcsd :=<br>TCV_Modify.rcsd)                                                                                                                                                                                                                                                                                                                                                                                                                                                                                                                                            | ModifyCmpSnd(<br>TCV_chTch,<br>ModifyComp_02(<br>TCV_TI,<br>TCV_Bcap2)) |    |          |
| 13                          |       | +localtree1                                                                                                                                                                                                                                                                                                                                                                                                                                                                                                                                                                                                          |                                                                         |    |          |
| 14                          |       | [NOT TCV_Res]                                                                                                                                                                                                                                                                                                                                                                                                                                                                                                                                                                                                        |                                                                         |    |          |
| 15                          |       | LIDL_DatRqModifyCom                                                                                                                                                                                                                                                                                                                                                                                                                                                                                                                                                                                                  | ModifyCmpSnd(<br>TCV_chTch,<br>ModifyComp_03(<br>TCV_TI,<br>TCV_Bcap2)) |    |          |
| 16                          |       | +localtree1                                                                                                                                                                                                                                                                                                                                                                                                                                                                                                                                                                                                          |                                                                         |    |          |
|                             |       | <b>localtree1</b>                                                                                                                                                                                                                                                                                                                                                                                                                                                                                                                                                                                                    |                                                                         |    |          |
| 17                          |       | +CCstatuschk_05(C_U10, TCV_TI, TCV_chTch1)                                                                                                                                                                                                                                                                                                                                                                                                                                                                                                                                                                           |                                                                         |    | 3.       |
| 18                          |       | +PostMainLinkRel(TCV_chTch1)                                                                                                                                                                                                                                                                                                                                                                                                                                                                                                                                                                                         |                                                                         |    |          |
|                             |       | <b>assign</b>                                                                                                                                                                                                                                                                                                                                                                                                                                                                                                                                                                                                        |                                                                         |    |          |
| 19                          |       | [TSPC_PGSM OR TSPC_EGSM]                                                                                                                                                                                                                                                                                                                                                                                                                                                                                                                                                                                             |                                                                         |    |          |
| 20                          |       | (TCV_AssCmd := AsgnCmd_nfh( TCV_chtype,                                                                                                                                                                                                                                                                                                                                                                                                                                                                                                                                                                              |                                                                         |    |          |

|                                                        |                                                                                                                                                                                                                                                                                                                                                                                                                                                                                                                                                                                                                                                                                                                                                                                                                                                                                                                                                                                 |  |  |  |
|--------------------------------------------------------|---------------------------------------------------------------------------------------------------------------------------------------------------------------------------------------------------------------------------------------------------------------------------------------------------------------------------------------------------------------------------------------------------------------------------------------------------------------------------------------------------------------------------------------------------------------------------------------------------------------------------------------------------------------------------------------------------------------------------------------------------------------------------------------------------------------------------------------------------------------------------------------------------------------------------------------------------------------------------------|--|--|--|
| 21<br>22<br>23<br>24<br><br>25<br>26<br>27<br>28<br>29 | <p>TCV_sl2, TSPX_TscDef, 7, C_arfcn_tchA,<br/>CellChDes_Omit, TCV_ChModb, StartingTm_omit,<br/>CphMod_omit)</p> <p>+AssCh_complete( TCV_chTch, TCV_chTch1,<br/>TCV_AssCmd)</p> <p>[TSPC_DCS]</p> <p>(TCV_AssCmd := AsgnCmd_nfh( TCV_chtype,<br/>TCV_sl2, TSPX_TscDef, 3, C_arfcn_tchAd,<br/>CellChDes_Omit, TCV_ChModb, StartingTm_omit,<br/>CphMod_omit))</p> <p>+AssCh_complete( TCV_chTch, TCV_chTch1,<br/>TCV_AssCmd)</p> <p><b>local_2ndTCH(sub:BITSTRING;<br/>acttype:BITSTRING; slot:SN; tsc:TSC;<br/>chmod:CHMOD; arfcng, arfcnd: INTEGER; ta:TA;<br/>babr, cch_con, bpm:B_3)</b></p> <p>(TCV_sl2 := INT_TO_BIT(((1+<br/>BIT_TO_INT(slot))MOD 8),3))</p> <p>[TCV_ChRate = C_Full]</p> <p>+FullRateCh_A_2( acttype, TCV_sl2, tsc, chmod,<br/>FreqTCH(arfcng), FreqTCH(arfcnd), ta, babr,<br/>cch_con, bpm)</p> <p>[TCV_ChRate = C_Half]</p> <p>+HalfRateCh_A_2( sub, acttype, TCV_sl2, tsc,<br/>chmod, FreqTCH(arfcng), FreqTCH(arfcnd), ta,<br/>babr, cch_con, bpm)</p> |  |  |  |
| <b>Detailed Comments:</b>                              | <ol style="list-style-type: none"> <li>1. To attempt a dual mode call.</li> <li>2. To check whether the MS is still in the state U26.</li> <li>3. To check whether the MS is now in the state U10 and the verdict is assigned in the test step.</li> </ol>                                                                                                                                                                                                                                                                                                                                                                                                                                                                                                                                                                                                                                                                                                                      |  |  |  |

| Test Case Dynamic Behaviour |            |                                                                                                                                                                                                                                                                                                                                                                                                                                                                                                                                                                                                                    |                                                                             |     |          |
|-----------------------------|------------|--------------------------------------------------------------------------------------------------------------------------------------------------------------------------------------------------------------------------------------------------------------------------------------------------------------------------------------------------------------------------------------------------------------------------------------------------------------------------------------------------------------------------------------------------------------------------------------------------------------------|-----------------------------------------------------------------------------|-----|----------|
| <b>Test Case Name:</b>      |            | TC_26_8_1_4_5_7                                                                                                                                                                                                                                                                                                                                                                                                                                                                                                                                                                                                    |                                                                             |     |          |
| <b>Group:</b>               |            | GSM_L3_MS_v4210/CC/                                                                                                                                                                                                                                                                                                                                                                                                                                                                                                                                                                                                |                                                                             |     |          |
| <b>Purpose:</b>             |            | To verify that a CC-entity of the MS in CC-state U26, "Mobile Originating Modify", when returning to the old channel after handover failure and having established the link, remains in the call state U26.                                                                                                                                                                                                                                                                                                                                                                                                        |                                                                             |     |          |
| <b>Default:</b>             |            | OtherEventsFail                                                                                                                                                                                                                                                                                                                                                                                                                                                                                                                                                                                                    |                                                                             |     |          |
| Nr                          | Label      | Behaviour Description                                                                                                                                                                                                                                                                                                                                                                                                                                                                                                                                                                                              | CRef                                                                        | V   | Comments |
| 1                           |            | START T_guard(300)                                                                                                                                                                                                                                                                                                                                                                                                                                                                                                                                                                                                 |                                                                             |     |          |
| 2                           |            | +BasicServiceMO(TSPX_MO_DualModSvc,<br>TSPX_MO_DualModRate)                                                                                                                                                                                                                                                                                                                                                                                                                                                                                                                                                        |                                                                             |     |          |
| 3                           |            | (TCV_Pwrlvl_ho:= INT_TO_BIT( TSPX_PwrlvlA,<br>5))                                                                                                                                                                                                                                                                                                                                                                                                                                                                                                                                                                  |                                                                             |     |          |
| 4                           |            | +IdleUpdated( C_E_default, C_CellA,<br>C_SCH_A, C_BCCH_A_1, C_Immasc, C_S0,<br>C_SlotNU, C_SlotNU, C_SlotNU, C_BCC,<br>C_TxInt_5, C_Max_7, C_NECl_0, C_ATT_0,<br>TimingAdv( 0), C_BABR_0, C_cch_1Comb,<br>C_BPM_3, C_T3212_0, C_ci_cellA,<br>C_MCC_1, C_PLMN_1, C_LAC_1, CellOpt_01,<br>CellChDes_Omit, CellChDes_Omit,<br>C_CellReselectHys12, C_MaxPwrLvlG,<br>C_MaxPwrLvlD, BcchFreqLst_45,<br>BcchFreqLst_02, BcchFreqLst_03,<br>BcchFreqLst_04, C_Restablishment, C_BCC,<br>C_NCC, C_Start_Tmsi,<br>TSPX_SDCCH4SubDef, TSPX_CKSNDf,<br>TSPX_RANDDef, C_arfcnA, C_arfcnAd,<br>TSPX_IMSI, C_Test_nfh, C_NCCP_2) |                                                                             |     |          |
| 5                           |            | +CCConfigTCH_nociph(<br>TSPX_TCHHSubDef, C_Ass,<br>TSPX_TmSltDef, TSPX_TscDef, TimingAdv(<br>0), C_BABR_0, C_cch_1Comb, C_BPM_3,<br>TCV_ChMod.mode, FreqTCH_omit,<br>FreqTCH_omit, C_arfcn_tchA,<br>C_arfcn_tchAd)                                                                                                                                                                                                                                                                                                                                                                                                 |                                                                             |     |          |
| 6                           |            | +PreModifySetup( TSPX_SDCCH4SubDef,<br>TSPX_TmSltDef, TSPX_TscDef,<br>TimingAdv( 0), TSPX_CKSNDf,<br>TSPX_RANDDef)                                                                                                                                                                                                                                                                                                                                                                                                                                                                                                 |                                                                             |     | 1.       |
| 7                           | body       | +FullRateCh_A_2( C_Rcv,<br>TSPX_TmSltC, TSPX_TscC,<br>ChMod_speech, FreqTCH(<br>C_arfcn_tchA), FreqTCH(<br>C_arfcn_tchAd), TimingAdv( 0),<br>C_BABR_0, C_cch_1Comb, C_BPM_3)                                                                                                                                                                                                                                                                                                                                                                                                                                       |                                                                             |     | 2.       |
| 8                           |            | +local_sendHoCMD                                                                                                                                                                                                                                                                                                                                                                                                                                                                                                                                                                                                   |                                                                             |     |          |
| 9                           |            | (TCV_Cnt := 0)                                                                                                                                                                                                                                                                                                                                                                                                                                                                                                                                                                                                     |                                                                             |     |          |
| 10                          |            | REPEAT local_Hoacc UNTIL<br>[TCV_Cnt = 4]                                                                                                                                                                                                                                                                                                                                                                                                                                                                                                                                                                          |                                                                             |     |          |
| 11                          | L_047<br>8 | L?DL_DatInHofl                                                                                                                                                                                                                                                                                                                                                                                                                                                                                                                                                                                                     | HndOvFIRcv(<br>TCV_chTch,<br>HandOvFail_01)                                 | (P) | 5.       |
| 12                          |            | +CCstatuschk_05( C_U26,<br>TCV_TI, TCV_chTch)                                                                                                                                                                                                                                                                                                                                                                                                                                                                                                                                                                      |                                                                             |     | 6.       |
| 13                          |            | +PostMainLinkRel(<br>TCV_chTch)                                                                                                                                                                                                                                                                                                                                                                                                                                                                                                                                                                                    |                                                                             |     |          |
| 14                          |            | <b>local_Hoacc</b><br>L?DL_RacInHoacc                                                                                                                                                                                                                                                                                                                                                                                                                                                                                                                                                                              | HndOvAccRcv(<br>TCV_chTch1,<br>HandOverAcc_02(<br>TSPX_HoRefA))             |     | 4.       |
| 15                          |            | (TCV_Cnt := TCV_Cnt +1)                                                                                                                                                                                                                                                                                                                                                                                                                                                                                                                                                                                            |                                                                             |     |          |
| 16                          |            | <b>local_sendHoCMD</b><br>(TCV_Tchtype := '00001'B)                                                                                                                                                                                                                                                                                                                                                                                                                                                                                                                                                                |                                                                             |     |          |
| 17                          |            | [TSPC_PGSM OR TSPC_EGSM]                                                                                                                                                                                                                                                                                                                                                                                                                                                                                                                                                                                           |                                                                             |     |          |
| 18                          |            | LIDL_DatRqHoCmd                                                                                                                                                                                                                                                                                                                                                                                                                                                                                                                                                                                                    | HndOvSnd(<br>TCV_chTch,<br>HandOverCmd_nfh(<br>TCV_Tchtype,<br>TSPX_TmSltC, |     | 3.       |

|                                                                                                                                                                                                                                                                                                                                                                                                                                                            |  |                                       |                                                                                                                                                                                                                                                                                                                                                                                                                                                                                                                                                                  |           |
|------------------------------------------------------------------------------------------------------------------------------------------------------------------------------------------------------------------------------------------------------------------------------------------------------------------------------------------------------------------------------------------------------------------------------------------------------------|--|---------------------------------------|------------------------------------------------------------------------------------------------------------------------------------------------------------------------------------------------------------------------------------------------------------------------------------------------------------------------------------------------------------------------------------------------------------------------------------------------------------------------------------------------------------------------------------------------------------------|-----------|
| <p>19<br/>20</p>                                                                                                                                                                                                                                                                                                                                                                                                                                           |  | <p>[TSPC_DCS]<br/>LIDL_DatRqHoCmd</p> | <p>TSPX_TscC, C_NCC,<br/>C_BCC, C_arfcnA,<br/>C_arfcn_tchA,<br/>TSPX_HoRefA,<br/>TCV_Pwrlvl_ho,<br/>Synchi(<br/>C_not_report_otd,<br/>C_synchronised),<br/>ChMod_omit,<br/>RelTmdDif_omit,<br/>TimingAdv_omit,<br/>CphMod_omit))</p> <p>HndOvSnd(<br/>TCV_chTch,<br/>HandOverCmd_nfh(<br/>TCV_Tchtype,<br/>TSPX_TmSlitC,<br/>TSPX_TscC, C_NCC,<br/>C_BCC, C_arfcnAd,<br/>C_arfcn_tchAd,<br/>TSPX_HoRefA,<br/>TCV_Pwrlvl_ho,<br/>Synchi(<br/>C_not_report_otd,<br/>C_synchronised),<br/>ChMod_omit,<br/>RelTmdDif_omit,<br/>TimingAdv_omit,<br/>CphMod_omit))</p> | <p>3.</p> |
| <p><b>Detailed Comments:</b></p> <ol style="list-style-type: none"> <li>1. To attempt a dual mode call.</li> <li>2. To setup a receiving only TCH/F for handover.</li> <li>3. To handover to the channel which does not respond.</li> <li>4. To check that the MS sends HANDOVER ACCESS messages on the new channel.</li> <li>5. The expected HANDOVER FAILURE message received.</li> <li>6. To check whether the MS is still in the state U26.</li> </ol> |  |                                       |                                                                                                                                                                                                                                                                                                                                                                                                                                                                                                                                                                  |           |

| Test Case Dynamic Behaviour |        |                                                                                                                                                                                                                                                                                                                                                                                                                                                                                                                                                                         |                                                   |     |          |
|-----------------------------|--------|-------------------------------------------------------------------------------------------------------------------------------------------------------------------------------------------------------------------------------------------------------------------------------------------------------------------------------------------------------------------------------------------------------------------------------------------------------------------------------------------------------------------------------------------------------------------------|---------------------------------------------------|-----|----------|
| <b>Test Case Name:</b>      |        | TC_26_8_1_4_5_8                                                                                                                                                                                                                                                                                                                                                                                                                                                                                                                                                         |                                                   |     |          |
| <b>Group:</b>               |        | GSM_L3_MS_v4210/CC/                                                                                                                                                                                                                                                                                                                                                                                                                                                                                                                                                     |                                                   |     |          |
| <b>Purpose:</b>             |        | To verify that a CC entity of a MS in CC-state U26, "Mobile Originating Modify", having received an unknown message from its peer entity returns a STATUS message.                                                                                                                                                                                                                                                                                                                                                                                                      |                                                   |     |          |
| <b>Default:</b>             |        | OtherEventsFail                                                                                                                                                                                                                                                                                                                                                                                                                                                                                                                                                         |                                                   |     |          |
| Nr                          | Label  | Behaviour Description                                                                                                                                                                                                                                                                                                                                                                                                                                                                                                                                                   | CRef                                              | V   | Comments |
| 1                           |        | START T_guard(300)                                                                                                                                                                                                                                                                                                                                                                                                                                                                                                                                                      |                                                   |     |          |
| 2                           |        | +BasicServiceMO(TSPX_MO_DualModSvc, TSPX_MO_DualModRate)                                                                                                                                                                                                                                                                                                                                                                                                                                                                                                                |                                                   |     |          |
| 3                           |        | +IdleUpdated( C_E_default, C_CellA, C_SCH_A, C_BCCH_A_1, C_Immass, C_S0, C_SlotNU, C_SlotNU, C_SlotNU, C_BCC, C_TxInt_5, C_Max_7, C_NECI_0, C_ATT_0, TimingAdv( 0), C_BABR_0, C_cch_1Comb, C_BPM_3, C_T3212_0, C_ci_cellA, C_MCC_1, C_PLMN_1, C_LAC_1, CellOpt_01, CellChDes_Omit, CellChDes_Omit, C_CellReselectHys12, C_MaxPwrLvIG, C_MaxPwrLvID, BcchFreqLst_45, BcchFreqLst_02, BcchFreqLst_03, BcchFreqLst_04, C_Restablishment, C_BCC, C_NCC, C_Start_Tmsi, TSPX_SDCCH4SubDef, TSPX_CKSNDDef, TSPX_RANDDef, C_arfcnA, C_arfcnAd, TSPX_IMSI, C_Test_nfh, C_NCCP_2) |                                                   |     |          |
| 4                           |        | +CCConfigTCH( TSPX_TCHHSubDef, C_Ass, TSPX_TmSltDef, TSPX_TscDef, TimingAdv( 0), C_BABR_0, C_cch_1Comb, C_BPM_3, TCV_ChMod.mode, FreqTCH_omit, FreqTCH_omit, C_arfcn_tchA, C_arfcn_tchAd)                                                                                                                                                                                                                                                                                                                                                                               |                                                   |     |          |
| 5                           |        | +PreModifySetup( TSPX_SDCCH4SubDef, TSPX_TmSltDef, TSPX_TscDef, TimingAdv( 0), TSPX_CKSNDDef, TSPX_RANDDef)                                                                                                                                                                                                                                                                                                                                                                                                                                                             |                                                   |     | 1.       |
| 6                           | body   | L!DL_DatRqUndefCC                                                                                                                                                                                                                                                                                                                                                                                                                                                                                                                                                       | UndefCC( TCV_chTch, UndefCC_02(TCV_TI) )          |     | 2.       |
| 7                           | L_0479 | L?DL_DatInCcst                                                                                                                                                                                                                                                                                                                                                                                                                                                                                                                                                          | CCStRcv( TCV_chTch, CCStatus_08(TCV_TI 0, C_U26)) | (P) | 3.       |
| 8                           |        | +CCstatuschk_05( C_U26, TCV_TI, TCV_chTch)                                                                                                                                                                                                                                                                                                                                                                                                                                                                                                                              |                                                   |     | 4.       |
| 9                           |        | +PostMainLinkRel( TCV_chTch)                                                                                                                                                                                                                                                                                                                                                                                                                                                                                                                                            |                                                   |     |          |
| <b>Detailed Comments:</b>   |        | <ol style="list-style-type: none"> <li>1. To attempt a dual mode call.</li> <li>2. To send a message which message type is not defined for CC.</li> <li>3. Received expected CC STATUS message with state U26.</li> <li>4. To check whether the MS is still in the state U26 and assign the verdict.</li> </ol>                                                                                                                                                                                                                                                         |                                                   |     |          |

| Test Case Dynamic Behaviour |       |                                                                                                                                                                                                                                                                                                                                                                                                                                                                                                                                                                       |                                               |   |          |
|-----------------------------|-------|-----------------------------------------------------------------------------------------------------------------------------------------------------------------------------------------------------------------------------------------------------------------------------------------------------------------------------------------------------------------------------------------------------------------------------------------------------------------------------------------------------------------------------------------------------------------------|-----------------------------------------------|---|----------|
| <b>Test Case Name:</b>      |       | TC_26_8_1_4_5_9                                                                                                                                                                                                                                                                                                                                                                                                                                                                                                                                                       |                                               |   |          |
| <b>Group:</b>               |       | GSM_L3_MS_v4210/CC/                                                                                                                                                                                                                                                                                                                                                                                                                                                                                                                                                   |                                               |   |          |
| <b>Purpose:</b>             |       | <p>1) To verify that a CC entity of a MS in CC-state U26, "Mobile Originating Modify", upon receipt of a RELEASE COMPLETE message with valid cause value, shall enter CC state U0, "Null".</p> <p>2) To verify that on returning to idle mode, the CC entities relating to the seven mobile originating transaction identifiers shall be in state U0, "Null".</p>                                                                                                                                                                                                     |                                               |   |          |
| <b>Default:</b>             |       | OtherEventsFail                                                                                                                                                                                                                                                                                                                                                                                                                                                                                                                                                       |                                               |   |          |
| Nr                          | Label | Behaviour Description                                                                                                                                                                                                                                                                                                                                                                                                                                                                                                                                                 | CRef                                          | V | Comments |
| 1                           |       | START T_guard(300)                                                                                                                                                                                                                                                                                                                                                                                                                                                                                                                                                    |                                               |   |          |
| 2                           |       | +BasicServiceMO(TSPX_MO_DualModSvc, TSPX_MO_DualModRate)                                                                                                                                                                                                                                                                                                                                                                                                                                                                                                              |                                               |   |          |
| 3                           |       | +IdleUpdated( C_E_default, C_CellA, C_SCH_A, C_BCCH_A_1, C_Immass, C_S0, C_SlotNU, C_SlotNU, C_SlotNU, C_BCC, C_TxInt_5, C_Max_7, C_NECL_0, C_ATT_0, TimingAdv( 0), C_BABR_0, C_cch_1Comb, C_BPM_3, C_T3212_0, C_ci_cellA, C_MCC_1, C_PLMN_1, C_LAC_1, CellOpt_01, CellChDes_Omit, CellChDes_Omit, C_CellReselectHys12, C_MaxPwrLvIG, C_MaxPwrLvID, BcchFreqLst_45, BcchFreqLst_02, BcchFreqLst_03, BcchFreqLst_04, C_Restablishment, C_BCC, C_NCC, C_Start_Tmsi, TSPX_SDCCH4SubDef, TSPX_CKSNDf, TSPX_RANDDef, C_arfcnA, C_arfcnAd, TSPX_IMSI, C_Test_nfh, C_NCCP_2) |                                               |   |          |
| 4                           |       | +CCConfigTCH( TSPX_TCHSubDef, C_Ass, TSPX_TmSltDef, TSPX_TscDef, TimingAdv( 0), C_BABR_0, C_cch_1Comb, C_BPM_3, TCV_ChMod.mode, FreqTCH_omit, FreqTCH_omit, C_arfcn_tchA, C_arfcn_tchAd)                                                                                                                                                                                                                                                                                                                                                                              |                                               |   |          |
| 5                           |       | +PreModifySetup( TSPX_SDCCH4SubDef, TSPX_TmSltDef, TSPX_TscDef, TimingAdv( 0), TSPX_CKSNDf, TSPX_RANDDef)                                                                                                                                                                                                                                                                                                                                                                                                                                                             |                                               |   | 1.       |
| 6                           | body  | +CCstatuschk_05( C_U26, TCV_TI, TCV_chTch)                                                                                                                                                                                                                                                                                                                                                                                                                                                                                                                            |                                               |   |          |
| 7                           |       | L!DL_DatRqRelCmp                                                                                                                                                                                                                                                                                                                                                                                                                                                                                                                                                      | RelComSnd( TCV_chTch, ReleaseCmp_08( TCV_TI)) |   | 2.       |
| 8                           |       | +CheckTlInStateU0( TRUE, TCV_chTch)                                                                                                                                                                                                                                                                                                                                                                                                                                                                                                                                   |                                               |   |          |
| 9                           |       | +PostMainLinkRel( TCV_chTch)                                                                                                                                                                                                                                                                                                                                                                                                                                                                                                                                          |                                               |   |          |
| <b>Detailed Comments:</b>   |       | <p>1. To attempt a dual mode call and initiate incall modification.</p> <p>2. To send RELEASE COMPLETE message.</p>                                                                                                                                                                                                                                                                                                                                                                                                                                                   |                                               |   |          |

| Test Case Dynamic Behaviour |       |                                                                                                                                                                                                                                                                                                                                                                                                                                                                                                                                                                                                                   |                                   |   |                         |
|-----------------------------|-------|-------------------------------------------------------------------------------------------------------------------------------------------------------------------------------------------------------------------------------------------------------------------------------------------------------------------------------------------------------------------------------------------------------------------------------------------------------------------------------------------------------------------------------------------------------------------------------------------------------------------|-----------------------------------|---|-------------------------|
| <b>Test Case Name:</b>      |       | TC_26_8_2_1                                                                                                                                                                                                                                                                                                                                                                                                                                                                                                                                                                                                       |                                   |   |                         |
| <b>Group:</b>               |       | GSM_L3_MS_v4210/CC/                                                                                                                                                                                                                                                                                                                                                                                                                                                                                                                                                                                               |                                   |   |                         |
| <b>Purpose:</b>             |       | The purpose of this test is to verify that the MS can correctly perform a call re-establishment procedure.                                                                                                                                                                                                                                                                                                                                                                                                                                                                                                        |                                   |   |                         |
| <b>Default:</b>             |       | OtherEventsFail                                                                                                                                                                                                                                                                                                                                                                                                                                                                                                                                                                                                   |                                   |   |                         |
| Nr                          | Label | Behaviour Description                                                                                                                                                                                                                                                                                                                                                                                                                                                                                                                                                                                             | CRef                              | V | Comments                |
| 1                           |       | START T_guard(300)                                                                                                                                                                                                                                                                                                                                                                                                                                                                                                                                                                                                |                                   |   |                         |
| 2                           |       | +BasicServiceMO(TSPX_MOBscSvcA,<br>TSPX_MOChRateA)                                                                                                                                                                                                                                                                                                                                                                                                                                                                                                                                                                |                                   |   |                         |
| 3                           |       | +IdleUpdated( C_E_default, C_CellA, C_SCH_A,<br>C_BCCH_A_1, C_Immass, C_S0, C_SlotNU,<br>C_SlotNU, C_SlotNU, C_BCC, C_TxInt_5,<br>C_Max_1, C_NECl_0, C_ATT_0, TimingAdv( 0),<br>C_BABR_0, C_cch_1Comb, C_BPM_3,<br>C_T3212_0, C_ci_cellA, C_MCC_1, C_PLMN_1,<br>C_LAC_1, CellOpt_01, CellChDes_Omit,<br>CellChDes_Omit, C_CellReselectHys12,<br>C_MaxPwrLvIG, C_MaxPwrLvID,<br>BcchFreqLst_45, BcchFreqLst_02,<br>BcchFreqLst_03, BcchFreqLst_04,<br>C_Restablishment, C_BCC, C_NCC,<br>C_Start_Tmsi, TSPX_SDCCH4SubDef,<br>TSPX_CKSNDf, TSPX_RANDDf, C_arfcnA,<br>C_arfcnAd, TSPX_IMSI, C_Test_nfh,<br>C_NCCP_2) |                                   |   | 1.                      |
| 4                           |       | (TCV_ch1 := OC_SubchOfSdcch4(<br>TSPX_SDCCH4SubDef, C_CellB),<br>TCV_chTch1 := C_FACCHF_B_1)                                                                                                                                                                                                                                                                                                                                                                                                                                                                                                                      |                                   |   |                         |
| 5                           |       | +StartCellB_1( C_E_neighbourdefault,<br>C_Immass, TCV_slot, TCV_tsc, TimingAdv(<br>0), C_ATT_0, C_BABR_0, C_cch_1Comb,<br>C_BPM_3, C_T3212_0, C_MCC_1,<br>C_PLMN_1, C_LAC_2, C_Restablishment,<br>C_BCC, C_NCC)                                                                                                                                                                                                                                                                                                                                                                                                   |                                   |   |                         |
| 6                           |       | +CCConfigTCH_B( TSPX_TCHHSubDef,<br>C_Ass, TSPX_TmSlitC, TSPX_TscC,<br>TimingAdv( 0), C_BABR_0, C_cch_1Comb,<br>C_BPM_3, TCV_ChMod.mode,<br>FreqTCH_omit, FreqTCH_omit,<br>C_arfcn_tchB, C_arfcn_tchBd)                                                                                                                                                                                                                                                                                                                                                                                                           |                                   |   |                         |
| 7                           |       | +CCConfigTCH( TSPX_TCHHSubDef,<br>C_Ass, TSPX_TmSlitDef, TSPX_TscDef,<br>TimingAdv( 0), C_BABR_0,<br>C_cch_1Comb, C_BPM_3,<br>TCV_ChMod.mode, FreqTCH_omit,<br>FreqTCH_omit, C_arfcn_tchA,<br>C_arfcn_tchAd)                                                                                                                                                                                                                                                                                                                                                                                                      |                                   |   |                         |
| 8                           |       | +ltree                                                                                                                                                                                                                                                                                                                                                                                                                                                                                                                                                                                                            |                                   |   |                         |
|                             |       | <b>ltree</b>                                                                                                                                                                                                                                                                                                                                                                                                                                                                                                                                                                                                      |                                   |   |                         |
| 9                           |       | +InitCall( TCV_Service)                                                                                                                                                                                                                                                                                                                                                                                                                                                                                                                                                                                           |                                   |   |                         |
| 10                          |       | +CCEstablishMO_SDCCH4(<br>TSPX_SDCCH4SubDef, TimingAdv( 0))                                                                                                                                                                                                                                                                                                                                                                                                                                                                                                                                                       |                                   |   |                         |
| 11                          |       | ACTIVATE( OtherEventsFail_02)                                                                                                                                                                                                                                                                                                                                                                                                                                                                                                                                                                                     |                                   |   | To match ChReq retrans. |
| 12                          |       | L?DL_EstInCmsRq                                                                                                                                                                                                                                                                                                                                                                                                                                                                                                                                                                                                   | CMSSerReq(<br>CMSServiceReq_04)   |   |                         |
| 13                          |       | ACTIVATE( OtherEventsFail)                                                                                                                                                                                                                                                                                                                                                                                                                                                                                                                                                                                        |                                   |   | Restore Normal default  |
| 14                          |       | +Authentication( TCV_ch, TSPX_CKSNDf,<br>TSPX_RANDDf)                                                                                                                                                                                                                                                                                                                                                                                                                                                                                                                                                             |                                   |   |                         |
| 15                          |       | +Cipherring_on( TCV_ch)                                                                                                                                                                                                                                                                                                                                                                                                                                                                                                                                                                                           |                                   |   |                         |
| 16                          |       | +localtree                                                                                                                                                                                                                                                                                                                                                                                                                                                                                                                                                                                                        |                                   |   |                         |
|                             |       | <b>localtree</b>                                                                                                                                                                                                                                                                                                                                                                                                                                                                                                                                                                                                  |                                   |   |                         |
| 17                          |       | +RcvSetupOrEsetup( TCV_Setup_mo, TCV_Esetup,<br>TCV_Ecall)                                                                                                                                                                                                                                                                                                                                                                                                                                                                                                                                                        |                                   |   |                         |
| 18                          |       | L!DL_DatRqCallProc                                                                                                                                                                                                                                                                                                                                                                                                                                                                                                                                                                                                | CallProc(TCV_ch,<br>TCV_CallProc) |   |                         |
| 19                          |       | +AssCmdGen( TCV_cellid, TCV_ChRate,<br>TSPX_TmSlitDef, TSPX_TscDef,<br>TSPX_TCHHSubDef)                                                                                                                                                                                                                                                                                                                                                                                                                                                                                                                           |                                   |   |                         |



|    |            |                                                                                                                                              |                                                                                                                                                      |     |                         |
|----|------------|----------------------------------------------------------------------------------------------------------------------------------------------|------------------------------------------------------------------------------------------------------------------------------------------------------|-----|-------------------------|
| 20 |            | +AssCh_complete( TCV_ch, TCV_chTch,<br>TCV_AssCmd)                                                                                           |                                                                                                                                                      |     |                         |
| 21 |            | L!DL_DatRqAlert                                                                                                                              | AlertSnd(<br>TCV_chTch,<br>Alerting_01( TCV_TI))                                                                                                     |     |                         |
| 22 |            | L!DL_DatRqConn                                                                                                                               | ConnSnd(<br>TCV_chTch,<br>Connect_02(<br>TCV_TI))                                                                                                    |     |                         |
| 23 |            | L?DL_DatInConnAck                                                                                                                            | ConnAckRcv(<br>ConnectAck_02(<br>TCV_TI0))                                                                                                           |     |                         |
| 24 | body       | +Switchcell( C_CellA, C_CellB,<br>C_LAC_2, TSPX_SDCCH4SubDef,<br>TSPX_CKSNDf, TSPX_RANDDef,<br>C_arfcnB, C_arfcnBd, TCV_Ccd0B,<br>TSPX_IMSI) |                                                                                                                                                      |     | Cell A still exists.    |
| 25 |            | START T_dly( C_T_Wait)                                                                                                                       |                                                                                                                                                      |     |                         |
| 26 |            | ?TIMEOUT T_dly                                                                                                                               |                                                                                                                                                      |     |                         |
| 27 |            | +localtree1                                                                                                                                  |                                                                                                                                                      |     |                         |
| 28 |            | <b>localtree1</b><br>(TCV_Null := OM_Deactivate( TCV_chTch,<br>TCV_sacchTch), TCV_Null := OM_CphMd( TCV_ch,<br>CphMod_02, TCV_CphKey))       |                                                                                                                                                      |     |                         |
| 29 | L_048<br>0 | L?DL_RaInChRq (TCV_Rr := DL_RaInChRq.<br>msg.ecau_rrf, TCV_Fn := DL_RaInChRq.fn)                                                             | ChReq(<br>ChRequest_10)                                                                                                                              | (P) | 1.                      |
| 30 |            | ACTIVATE( OtherEventsFail_02)                                                                                                                |                                                                                                                                                      |     | To match ChReq retrans. |
| 31 |            | L!DL_UdatRqImm                                                                                                                               | ImmAss(<br>C_AGCH_B_1,<br>ImmAsgn_01Def(<br>TCV_Rr, TCV_Fn,<br>TSPX_SDCCH4SubD<br>ef, TCV_slot,<br>TCV_tsc,<br>TCV_chdescr_arfcn,<br>TimingAdv( 0))) |     |                         |
| 32 |            | L?DL_EstInCmreRq                                                                                                                             | CmreReq_02(<br>MiTmsi_01,<br>LocArealdie(<br>C_MCC_1,<br>C_PLMN_1,<br>C_LAC_1),<br>TSPX_CKSNDf)                                                      |     |                         |
| 33 |            | ACTIVATE( OtherEventsFail)                                                                                                                   |                                                                                                                                                      |     | Restore Normal default  |
| 34 |            | +Ciphering_on( TCV_ch1)                                                                                                                      |                                                                                                                                                      |     |                         |
| 35 |            | +AssCmdGen( TCV_cellid,<br>TCV_ChRate, TSPX_TmSlTDef,<br>TSPX_TscDef, TSPX_TCHHSubDef)                                                       |                                                                                                                                                      |     |                         |
| 36 |            | +AssCh_complete( TCV_ch1,<br>TCV_chTch1, TCV_AssCmd)                                                                                         |                                                                                                                                                      |     |                         |
| 37 |            | (TCV_Res :=<br>OO_TCHThroConnCHK())                                                                                                          |                                                                                                                                                      |     |                         |
| 38 | L_048<br>1 | [NOT TCV_Res]                                                                                                                                |                                                                                                                                                      | (F) | 2.                      |
| 39 |            | +PostMainLinkRel(<br>TCV_chTch1)                                                                                                             |                                                                                                                                                      |     |                         |
| 40 | L_048<br>2 | [TCV_Res]                                                                                                                                    |                                                                                                                                                      | (P) |                         |
| 41 |            | L!DL_DatRqDisc                                                                                                                               | DiscSnd(<br>TCV_chTch1,<br>DisconnS( TCV_TI,<br>Cause_01,<br>ProgInd_omit,<br>UuInfo_omit))                                                          |     |                         |
| 42 |            | L?DL_DatInRel                                                                                                                                | ReleaseRcv(<br>Release_10(<br>TCV_TI0))                                                                                                              |     |                         |
| 43 |            | L!DL_DatRqRelCmp                                                                                                                             | RelComSnd(<br>TCV_chTch1,<br>ReleaseCmp_08(<br>TCV_TI))                                                                                              |     |                         |
| 44 |            | +PostMainLinkRel(                                                                                                                            |                                                                                                                                                      |     |                         |

TCV\_chTch1)

**Detailed Comments:**

1. The expected call re-establishment is started.
2. The bearer channel is not through connected, fail.

| Test Case Dynamic Behaviour |            |                                                                                                                                                                                                                                                                                                                                                                                                                                                                                                                                                                         |                                           |   |                         |
|-----------------------------|------------|-------------------------------------------------------------------------------------------------------------------------------------------------------------------------------------------------------------------------------------------------------------------------------------------------------------------------------------------------------------------------------------------------------------------------------------------------------------------------------------------------------------------------------------------------------------------------|-------------------------------------------|---|-------------------------|
| <b>Test Case Name:</b>      |            | TC_26_8_2_2                                                                                                                                                                                                                                                                                                                                                                                                                                                                                                                                                             |                                           |   |                         |
| <b>Group:</b>               |            | GSM_L3_MS_v4210/CC/                                                                                                                                                                                                                                                                                                                                                                                                                                                                                                                                                     |                                           |   |                         |
| <b>Purpose:</b>             |            | The purpose of this test is to verify that the MS does not attempt call re-establishment when it is not allowed to take place because of the unavailability of a cell allowing call re-establishment.                                                                                                                                                                                                                                                                                                                                                                   |                                           |   |                         |
| <b>Default:</b>             |            | OtherEventsFail                                                                                                                                                                                                                                                                                                                                                                                                                                                                                                                                                         |                                           |   |                         |
| Nr                          | Label      | Behaviour Description                                                                                                                                                                                                                                                                                                                                                                                                                                                                                                                                                   | CRef                                      | V | Comments                |
| 1                           |            | START T_guard(300)                                                                                                                                                                                                                                                                                                                                                                                                                                                                                                                                                      |                                           |   |                         |
| 2                           |            | +BasicServiceMO(TSPX_MOBscSvcC, TSPX_MOChRateC)                                                                                                                                                                                                                                                                                                                                                                                                                                                                                                                         |                                           |   |                         |
| 3                           |            | +IdleUpdated( C_E_default, C_CellA, C_SCH_A, C_BCCCH_A_1, C_Immss, C_S0, C_SlotNU, C_SlotNU, C_SlotNU, C_BCC, C_TxInt_5, C_Max_1, C_NECL_0, C_ATT_0, TimingAdv( 0), C_BABR_0, C_cch_1Comb, C_BPM_3, C_T3212_0, C_ci_cellA, C_MCC_1, C_PLMN_1, C_LAC_1, CellOpt_01, CellChDes_Omit, CellChDes_Omit, C_CellReselectHys12, C_MaxPwrLvlG, C_MaxPwrLvlD, BcchFreqLst_45, BcchFreqLst_02, BcchFreqLst_03, BcchFreqLst_04, C_noRestablishment, C_BCC, C_NCC, C_Start_Tmsi, TSPX_SDCCH4SubDef, TSPX_CKSNDf, TSPX_RANDDef, C_arfcnA, C_arfcnAd, TSPX_IMSI, C_Test_nfh, C_NCCP_2) |                                           |   | 1.                      |
| 4                           |            | +CCConfigTCH( TSPX_TCHHSubDef, C_Ass, TSPX_TmSlitDef, TSPX_TscDef, TimingAdv( 0), C_BABR_0, C_cch_1Comb, C_BPM_3, TCV_ChMod.mode, FreqTCH_omit, FreqTCH_omit, C_arfcn_tchA, C_arfcn_tchAd)                                                                                                                                                                                                                                                                                                                                                                              |                                           |   |                         |
| 5                           |            | +InitCall( TCV_Service)                                                                                                                                                                                                                                                                                                                                                                                                                                                                                                                                                 |                                           |   |                         |
| 6                           |            | +CCEstablishMO_SDCCH4( TSPX_SDCCH4SubDef, TimingAdv( 0))                                                                                                                                                                                                                                                                                                                                                                                                                                                                                                                |                                           |   |                         |
| 7                           |            | ACTIVATE( OtherEventsFail_02)                                                                                                                                                                                                                                                                                                                                                                                                                                                                                                                                           |                                           |   | To match ChReq retrans. |
| 8                           |            | L?DL_EstInCmsRq                                                                                                                                                                                                                                                                                                                                                                                                                                                                                                                                                         | CMSerReq( CMSerReq_04)                    |   |                         |
| 9                           |            | ACTIVATE( OtherEventsFail)                                                                                                                                                                                                                                                                                                                                                                                                                                                                                                                                              |                                           |   | Restore Normal default  |
| 10                          |            | +Authentication( TCV_ch, TSPX_CKSNDf, TSPX_RANDDef)                                                                                                                                                                                                                                                                                                                                                                                                                                                                                                                     |                                           |   |                         |
| 11                          |            | +Cipherring_on( TCV_ch)                                                                                                                                                                                                                                                                                                                                                                                                                                                                                                                                                 |                                           |   |                         |
| 12                          |            | +localtree                                                                                                                                                                                                                                                                                                                                                                                                                                                                                                                                                              |                                           |   |                         |
| <b>localtree</b>            |            |                                                                                                                                                                                                                                                                                                                                                                                                                                                                                                                                                                         |                                           |   |                         |
| 13                          |            | +RcvSetupOrEsetup( TCV_Setup_mo, TCV_Esetup, TCV_Ecall)                                                                                                                                                                                                                                                                                                                                                                                                                                                                                                                 |                                           |   |                         |
| 14                          |            | L!DL_DatRqCallProc                                                                                                                                                                                                                                                                                                                                                                                                                                                                                                                                                      | CallProc(TCV_ch, TCV_CallProc)            |   |                         |
| 15                          |            | +AssCmdGen( TCV_cellid, TCV_ChRate, TSPX_TmSlitDef, TSPX_TscDef, TSPX_TCHHSubDef)                                                                                                                                                                                                                                                                                                                                                                                                                                                                                       |                                           |   |                         |
| 16                          |            | +AssCh_complete( TCV_ch, TCV_chTch, TCV_AssCmd)                                                                                                                                                                                                                                                                                                                                                                                                                                                                                                                         |                                           |   |                         |
| 17                          |            | L!DL_DatRqAlert                                                                                                                                                                                                                                                                                                                                                                                                                                                                                                                                                         | AlertSnd( TCV_chTch, Alerting_01(TCV_TI)) |   |                         |
| 18                          |            | L!DL_DatRqConn                                                                                                                                                                                                                                                                                                                                                                                                                                                                                                                                                          | ConnSnd( TCV_chTch, Connect_02(TCV_TI))   |   |                         |
| 19                          |            | L?DL_DatInConnAck                                                                                                                                                                                                                                                                                                                                                                                                                                                                                                                                                       | ConnAckRcv( ConnectAck_02( TCV_TI0))      |   |                         |
| 20                          |            | (TCV_Null := OM_Deactivate( TCV_chTch, TCV_sacchTch), TCV_Null := OM_CphMd( TCV_ch, CphMod_02, TCV_CphKey))                                                                                                                                                                                                                                                                                                                                                                                                                                                             |                                           |   |                         |
| 21                          |            | START T_dly( 30000)                                                                                                                                                                                                                                                                                                                                                                                                                                                                                                                                                     |                                           |   |                         |
| 22                          | L_048<br>3 | L?DL_RaInChRq CANCEL T_dly                                                                                                                                                                                                                                                                                                                                                                                                                                                                                                                                              | ChReq( ChRequest_02)                      | F | 2.                      |
| 23                          | L_048<br>4 | ?TIMEOUT T_dly                                                                                                                                                                                                                                                                                                                                                                                                                                                                                                                                                          |                                           | P | 3.                      |

**Detailed Comments:**

1. Default parameters, call reestablishment not allowed.
2. Re-establishment is attempted, fail.
3. No re-establishment attempting, pass.

| Test Case Dynamic Behaviour |            |                                                                                                                                                                                                                                                                                                                                                                                                                                                                                                                                                                      |                                           |   |                         |
|-----------------------------|------------|----------------------------------------------------------------------------------------------------------------------------------------------------------------------------------------------------------------------------------------------------------------------------------------------------------------------------------------------------------------------------------------------------------------------------------------------------------------------------------------------------------------------------------------------------------------------|-------------------------------------------|---|-------------------------|
| <b>Test Case Name:</b>      |            | TC_26_8_2_3                                                                                                                                                                                                                                                                                                                                                                                                                                                                                                                                                          |                                           |   |                         |
| <b>Group:</b>               |            | GSM_L3_MS_v4210/CC/                                                                                                                                                                                                                                                                                                                                                                                                                                                                                                                                                  |                                           |   |                         |
| <b>Purpose:</b>             |            | The purpose of this test is to verify that the MS does not attempt call re-establishment when it is not allowed to take place because of the call control state.                                                                                                                                                                                                                                                                                                                                                                                                     |                                           |   |                         |
| <b>Default:</b>             |            | OtherEventsFail                                                                                                                                                                                                                                                                                                                                                                                                                                                                                                                                                      |                                           |   |                         |
| Nr                          | Label      | Behaviour Description                                                                                                                                                                                                                                                                                                                                                                                                                                                                                                                                                | CRef                                      | V | Comments                |
| 1                           |            | START T_guard(300)                                                                                                                                                                                                                                                                                                                                                                                                                                                                                                                                                   |                                           |   |                         |
| 2                           |            | +BasicServiceMO(TSPX_MOBscSvcB, TSPX_MOChRateB)                                                                                                                                                                                                                                                                                                                                                                                                                                                                                                                      |                                           |   |                         |
| 3                           |            | +IdleUpdated( C_E_default, C_CellA, C_SCH_A, C_BCCH_A_1, C_Immss, C_S0, C_SlotNU, C_SlotNU, C_SlotNU, C_BCC, C_TxInt_5, C_Max_1, C_NECL_0, C_ATT_0, TimingAdv( 0), C_BABR_0, C_cch_1Comb, C_BPM_3, C_T3212_0, C_ci_cellA, C_MCC_1, C_PLMN_1, C_LAC_1, CellOpt_01, CellChDes_Omit, CellChDes_Omit, C_CellReselectHys12, C_MaxPwrLvlG, C_MaxPwrLvlD, BcchFreqLst_45, BcchFreqLst_02, BcchFreqLst_03, BcchFreqLst_04, C_Restablishment, C_BCC, C_NCC, C_Start_Tmsi, TSPX_SDCCH4SubDef, TSPX_CKSNDf, TSPX_RANDDef, C_arfcnA, C_arfcnAd, TSPX_IMSI, C_Test_nfh, C_NCCP_2) |                                           |   | 1.                      |
| 4                           |            | +CCConfigTCH( TSPX_TCHHSubDef, C_Ass, TSPX_TmSltDef, TSPX_TscDef, TimingAdv( 0), C_BABR_0, C_cch_1Comb, C_BPM_3, TCV_ChMod.mode, FreqTCH_omit, FreqTCH_omit, C_arfcn_tchA, C_arfcn_tchAd)                                                                                                                                                                                                                                                                                                                                                                            |                                           |   |                         |
| 5                           |            | +InitCall( TCV_Service)                                                                                                                                                                                                                                                                                                                                                                                                                                                                                                                                              |                                           |   |                         |
| 6                           |            | +CCEstablishMO_SDCCH4( TSPX_SDCCH4SubDef, TimingAdv( 0))                                                                                                                                                                                                                                                                                                                                                                                                                                                                                                             |                                           |   |                         |
| 7                           |            | ACTIVATE( OtherEventsFail_02)                                                                                                                                                                                                                                                                                                                                                                                                                                                                                                                                        |                                           |   | To match ChReq retrans. |
| 8                           |            | L?DL_EstInCmsRq                                                                                                                                                                                                                                                                                                                                                                                                                                                                                                                                                      | CMSerReq( CMSerReq_04)                    |   |                         |
| 9                           |            | ACTIVATE( OtherEventsFail)                                                                                                                                                                                                                                                                                                                                                                                                                                                                                                                                           |                                           |   | Restore Normal default  |
| 10                          |            | +Authentication( TCV_ch, TSPX_CKSNDf, TSPX_RANDDef)                                                                                                                                                                                                                                                                                                                                                                                                                                                                                                                  |                                           |   |                         |
| 11                          |            | +Ciphering_on( TCV_ch)                                                                                                                                                                                                                                                                                                                                                                                                                                                                                                                                               |                                           |   |                         |
| 12                          |            | +localtree                                                                                                                                                                                                                                                                                                                                                                                                                                                                                                                                                           |                                           |   |                         |
| 13                          |            | <b>localtree</b><br>+RcvSetupOrEsetup( TCV_Setup_mo, TCV_Esetup, TCV_Ecall)                                                                                                                                                                                                                                                                                                                                                                                                                                                                                          |                                           |   |                         |
| 14                          |            | L!DL_DatRqCallProc                                                                                                                                                                                                                                                                                                                                                                                                                                                                                                                                                   | CallProc( TCV_ch, TCV_CallProc)           |   |                         |
| 15                          |            | +AssCmdGen( TCV_cellid, TCV_ChRate, TSPX_TmSltDef, TSPX_TscDef, TSPX_TCHHSubDef)                                                                                                                                                                                                                                                                                                                                                                                                                                                                                     |                                           |   |                         |
| 16                          |            | +AssCh_complete( TCV_ch, TCV_chTch, TCV_AssCmd)                                                                                                                                                                                                                                                                                                                                                                                                                                                                                                                      |                                           |   |                         |
| 17                          |            | L!DL_DatRqAlert                                                                                                                                                                                                                                                                                                                                                                                                                                                                                                                                                      | AlertSnd( TCV_chTch, Alerting_01(TCV_TI)) |   |                         |
| 18                          | body       | (TCV_Null := OM_Deactivate( TCV_chTch, TCV_sacchTch), TCV_Null := OM_CphMd( TCV_ch, CphMod_02, TCV_CphKey))                                                                                                                                                                                                                                                                                                                                                                                                                                                          |                                           |   |                         |
| 19                          |            | START T_dly(30000)                                                                                                                                                                                                                                                                                                                                                                                                                                                                                                                                                   |                                           |   |                         |
| 20                          | L_048<br>5 | L?DL_RacInChRq CANCEL T_dly                                                                                                                                                                                                                                                                                                                                                                                                                                                                                                                                          | ChReq( ChRequest_02)                      | F | 2.                      |
| 21                          | L_048<br>6 | ?TIMEOUT T_dly                                                                                                                                                                                                                                                                                                                                                                                                                                                                                                                                                       |                                           | P | 3.                      |
| <b>Detailed Comments:</b>   |            | 1. Default parameters, reestablishment allowed.<br>2. Re-establishment is attempted, fail.<br>3. No re-establishment attempting, pass.                                                                                                                                                                                                                                                                                                                                                                                                                               |                                           |   |                         |

| Test Case Dynamic Behaviour |            |                                                                                                                                                                                                                                                                                                                                                                                                                                                                                                                                                                                                                      |                                                                                      |     |          |
|-----------------------------|------------|----------------------------------------------------------------------------------------------------------------------------------------------------------------------------------------------------------------------------------------------------------------------------------------------------------------------------------------------------------------------------------------------------------------------------------------------------------------------------------------------------------------------------------------------------------------------------------------------------------------------|--------------------------------------------------------------------------------------|-----|----------|
| <b>Test Case Name:</b>      |            | TC_26_8_3                                                                                                                                                                                                                                                                                                                                                                                                                                                                                                                                                                                                            |                                                                                      |     |          |
| <b>Group:</b>               |            | GSM_L3_MS_v4210/CC/                                                                                                                                                                                                                                                                                                                                                                                                                                                                                                                                                                                                  |                                                                                      |     |          |
| <b>Purpose:</b>             |            | To verify that inclusion of the 'user-user' information element in a either of the down link messages, SETUP or DISCONNECT causes no adverse effects on the operation of the MS.                                                                                                                                                                                                                                                                                                                                                                                                                                     |                                                                                      |     |          |
| <b>Default:</b>             |            | OtherEventsFail                                                                                                                                                                                                                                                                                                                                                                                                                                                                                                                                                                                                      |                                                                                      |     |          |
| Nr                          | Label      | Behaviour Description                                                                                                                                                                                                                                                                                                                                                                                                                                                                                                                                                                                                | CRef                                                                                 | V   | Comments |
| 1                           |            | START T_guard(300)                                                                                                                                                                                                                                                                                                                                                                                                                                                                                                                                                                                                   |                                                                                      |     |          |
| 2                           |            | +BasicServiceMT( TSPX_MTBscSvcF,<br>TSPX_MTChRateF)                                                                                                                                                                                                                                                                                                                                                                                                                                                                                                                                                                  |                                                                                      |     |          |
| 3                           |            | (TCV_Setup_mt.uu := UuInfo, TCV_Setup_mt.sig<br>:= Signal_01)                                                                                                                                                                                                                                                                                                                                                                                                                                                                                                                                                        |                                                                                      |     |          |
| 4                           |            | +IdleUpdated( C_E_default, C_CellA,<br>C_SCH_A, C_BCCH_A_1, C_Immasc, C_S0,<br>C_SlotNU, C_SlotNU, C_SlotNU, C_BCC,<br>C_TxInt_5, C_Max_1, C_NECl_0, C_ATT_0,<br>TimingAdv( 0), C_BABR_0, C_cch_1Comb,<br>C_BPM_3, C_T3212_0, C_ci_cellA,<br>C_MCC_1, C_PLMN_1, C_LAC_1, CellOpt_01,<br>CellChDes_Omit, CellChDes_Omit,<br>C_CellReselectHys12, C_MaxPwrLvIG,<br>C_MaxPwrLvID, BcchFreqLst_45,<br>BcchFreqLst_02, BcchFreqLst_03,<br>BcchFreqLst_04, C_Restablishment, C_BCC,<br>C_NCC, C_Start_Tmsi,<br>TSPX_SDCCH4SubDef, TSPX_CKSNDDef,<br>TSPX_RANDDef, C_arfcnA, C_arfcnAd,<br>TSPX_IMSI, C_Test_nfh, C_NCCP_2) |                                                                                      |     |          |
| 5                           |            | +CCConfigTCH( TSPX_TCHHSubDef,<br>C_Ass, TSPX_TmSltDef, TSPX_TscDef,<br>TimingAdv( 0), C_BABR_0, C_cch_1Comb,<br>C_BPM_3, TCV_ChMod.mode,<br>FreqTCH_omit, FreqTCH_omit,<br>C_arfcn_tchA, C_arfcn_tchAd)                                                                                                                                                                                                                                                                                                                                                                                                             |                                                                                      |     |          |
| 6                           |            | +CCEstablishMT_SDCCH4( TimingAdv( 0),<br>TSPX_SDCCH4SubDef, TSPX_CKSNDDef)                                                                                                                                                                                                                                                                                                                                                                                                                                                                                                                                           |                                                                                      |     |          |
| 7                           |            | +Authentication( TCV_ch,<br>TSPX_CKSNDDef, TSPX_RANDDef)                                                                                                                                                                                                                                                                                                                                                                                                                                                                                                                                                             |                                                                                      |     |          |
| 8                           |            | +CIPHERING_on( TCV_ch)                                                                                                                                                                                                                                                                                                                                                                                                                                                                                                                                                                                               |                                                                                      |     |          |
| 9                           | body       | LIDL_DatRqSetup                                                                                                                                                                                                                                                                                                                                                                                                                                                                                                                                                                                                      | SetupSnd( TCV_ch,<br>TCV_Setup_mt)                                                   |     |          |
| 10                          | L_048<br>7 | L?DL_DatInCallCo                                                                                                                                                                                                                                                                                                                                                                                                                                                                                                                                                                                                     | CallCfm(<br>CallConfirm_01(<br>TI_01))                                               | (P) | 1.       |
| 11                          |            | L?DL_DatInConn                                                                                                                                                                                                                                                                                                                                                                                                                                                                                                                                                                                                       | ConnRcv(<br>Connect_01( TI_01))                                                      |     |          |
| 12                          |            | +localtree                                                                                                                                                                                                                                                                                                                                                                                                                                                                                                                                                                                                           |                                                                                      |     |          |
| 13                          |            | L?DL_DatInAlert                                                                                                                                                                                                                                                                                                                                                                                                                                                                                                                                                                                                      | AlertRcv(<br>AlertingInd_02(<br>TI_01))                                              |     |          |
| 14                          |            | (TCV_Null := OO_HookOff())                                                                                                                                                                                                                                                                                                                                                                                                                                                                                                                                                                                           |                                                                                      |     |          |
| 15                          |            | L?DL_DatInConn                                                                                                                                                                                                                                                                                                                                                                                                                                                                                                                                                                                                       | ConnRcv(<br>Connect_01( TI_01))                                                      |     |          |
| 16                          |            | +localtree                                                                                                                                                                                                                                                                                                                                                                                                                                                                                                                                                                                                           |                                                                                      |     |          |
| 17                          |            | <b>localtree</b>                                                                                                                                                                                                                                                                                                                                                                                                                                                                                                                                                                                                     |                                                                                      |     |          |
| 18                          |            | +CCAssignTCH( TSPX_TmSltDef, TSPX_TscDef)<br>LIDL_DatRqConnAck                                                                                                                                                                                                                                                                                                                                                                                                                                                                                                                                                       | ConnAckSnd(<br>TCV_chTch,<br>ConnectAck_01(<br>TI_02))                               |     |          |
| 19                          |            | START T_dly( 30000)                                                                                                                                                                                                                                                                                                                                                                                                                                                                                                                                                                                                  |                                                                                      |     |          |
| 20                          |            | ?TIMEOUT T_dly                                                                                                                                                                                                                                                                                                                                                                                                                                                                                                                                                                                                       |                                                                                      |     |          |
| 21                          |            | LIDL_DatRqDisc                                                                                                                                                                                                                                                                                                                                                                                                                                                                                                                                                                                                       | DiscSnd(<br>TCV_chTch,<br>DisconnS( TI_02,<br>Cause_01,<br>ProgInd_omit,<br>UuInfo)) |     |          |
| 22                          | L_048<br>8 | L?DL_DatInRel                                                                                                                                                                                                                                                                                                                                                                                                                                                                                                                                                                                                        | ReleaseRcv(<br>Release_10( TI_01))                                                   | (P) | 2.       |

|                                                                                       |  |                              |                                                       |  |  |
|---------------------------------------------------------------------------------------|--|------------------------------|-------------------------------------------------------|--|--|
| 23                                                                                    |  | L!DL_DatRqRelCmp             | RelComSnd(<br>TCV_chTch,<br>ReleaseCmp_08(<br>TI_02)) |  |  |
| 24                                                                                    |  | +PostMainLinkRel( TCV_chTch) |                                                       |  |  |
| <b>Detailed Comments:</b>                                                             |  |                              |                                                       |  |  |
| 1. The MS responds to the SETUP message with user-user information IE correctly.      |  |                              |                                                       |  |  |
| 2. The MS responds to the DISCONNECT message with user-user information IE correctly. |  |                              |                                                       |  |  |

Test Group StructureProc

| <b>Test Case Dynamic Behaviour</b> |                                                                                                                                                                                                                                                                                                                                                                                                                                                                                                                                                                                                                                                                                                                                                                                                                                                                                                                                                                                                                                                                                                                                                                                                                                                                                                                                                                                                                                                                                                                                                                                                                                                                                                                                                                                                                                                                                                                                                                                                                                                                                                                                                                                                                                                                        |
|------------------------------------|------------------------------------------------------------------------------------------------------------------------------------------------------------------------------------------------------------------------------------------------------------------------------------------------------------------------------------------------------------------------------------------------------------------------------------------------------------------------------------------------------------------------------------------------------------------------------------------------------------------------------------------------------------------------------------------------------------------------------------------------------------------------------------------------------------------------------------------------------------------------------------------------------------------------------------------------------------------------------------------------------------------------------------------------------------------------------------------------------------------------------------------------------------------------------------------------------------------------------------------------------------------------------------------------------------------------------------------------------------------------------------------------------------------------------------------------------------------------------------------------------------------------------------------------------------------------------------------------------------------------------------------------------------------------------------------------------------------------------------------------------------------------------------------------------------------------------------------------------------------------------------------------------------------------------------------------------------------------------------------------------------------------------------------------------------------------------------------------------------------------------------------------------------------------------------------------------------------------------------------------------------------------|
| <b>Test Case Name:</b>             | TC_26_9_2                                                                                                                                                                                                                                                                                                                                                                                                                                                                                                                                                                                                                                                                                                                                                                                                                                                                                                                                                                                                                                                                                                                                                                                                                                                                                                                                                                                                                                                                                                                                                                                                                                                                                                                                                                                                                                                                                                                                                                                                                                                                                                                                                                                                                                                              |
| <b>Group:</b>                      | GSM_L3_MS_v4210/StructureProc/                                                                                                                                                                                                                                                                                                                                                                                                                                                                                                                                                                                                                                                                                                                                                                                                                                                                                                                                                                                                                                                                                                                                                                                                                                                                                                                                                                                                                                                                                                                                                                                                                                                                                                                                                                                                                                                                                                                                                                                                                                                                                                                                                                                                                                         |
| <b>Purpose:</b>                    | <p>1) To verify that the MS in MM state "idle, updated" with a TMSI assigned, when made to initiate a call for a selected teleservice that is supported by the MS as declared in a PICS/PIXIT statement, displays the dialled number in the way described in a PICS/PIXIT statement.</p> <p>2) To verify that the MS in MM state "idle, updated" and in RR idle mode, with a TMSI assigned, when made to initiate a call for a selected teleservice that is supported by the MS as declared in a PICS/PIXIT statement, starts to initiate an immediate assignment procedure by sending the CHANNEL REQUEST message with correct establishment cause.</p> <p>3) To verify that subsequently after receipt of an IMMEDIATE ASSIGNMENT message allocating an SDCCCH, after completion of establishment of the main signalling link, after having sent a CM SERVICE REQUEST message, after having successfully performed the authentication and cipher mode setting procedures, the MS sends a SETUP message with correct parameters.</p> <p>4) To verify that subsequently, after receipt of a CALL PROCEEDING message and of an ASSIGNMENT COMMAND message allocating an appropriate TCH, after having completed the traffic channel early assignment procedure by replying with the ASSIGNMENT COMPLETE message, after receipt of an ALERTING message and a CONNECT message, the MS returns a CONNECT ACKNOWLEDGE message.</p> <p>5) To verify that subsequently the MS has attached the user connection to the radio path. (This is checked by verifying that there is a point in time after transmission of the first L2 frame containing the (complete) CONNECT message, where the MS is sending appropriate speech or data frames whenever it doesn't have to transmit or acknowledge an I frame on layer 2 of the FACCH.)</p> <p>6) To verify that subsequently upon the network initiating call clearing by sending a DISCONNECT message, the MS proceed to release the call with RELEASE.</p> <p>7) To verify that subsequently, on receipt of a RELEASE COMPLETE message followed by a CHANNEL RELEASE message, the MS disconnects the main signalling link.</p> <p>These test purposes are tested for all rates supported by the MS (full rate/half rate).</p> |
| <b>Default:</b>                    | OtherEventsFail                                                                                                                                                                                                                                                                                                                                                                                                                                                                                                                                                                                                                                                                                                                                                                                                                                                                                                                                                                                                                                                                                                                                                                                                                                                                                                                                                                                                                                                                                                                                                                                                                                                                                                                                                                                                                                                                                                                                                                                                                                                                                                                                                                                                                                                        |

| Nr | Label      | Behaviour Description                                                                                                                                                                                                                                                                                                                                                                                                                             | CRef | V | Comments |
|----|------------|---------------------------------------------------------------------------------------------------------------------------------------------------------------------------------------------------------------------------------------------------------------------------------------------------------------------------------------------------------------------------------------------------------------------------------------------------|------|---|----------|
| 1  |            | START T_guard(300)                                                                                                                                                                                                                                                                                                                                                                                                                                |      |   |          |
| 2  | body       | [TSPC_Serv_TS11]                                                                                                                                                                                                                                                                                                                                                                                                                                  |      |   |          |
| 3  |            | +BasicServiceMO( C_Telephony, C_Full)                                                                                                                                                                                                                                                                                                                                                                                                             |      |   |          |
| 4  |            | +local_testfullrate                                                                                                                                                                                                                                                                                                                                                                                                                               |      |   | 1.       |
| 5  |            | (TCV_Null := OM_CphMd(TCV_ch, CphMod_02, TCV_CphKey))                                                                                                                                                                                                                                                                                                                                                                                             |      |   |          |
| 6  |            | [TSPC_DualRate]                                                                                                                                                                                                                                                                                                                                                                                                                                   |      |   |          |
| 7  |            | +BasicServiceMO( C_Telephony, C_Half)                                                                                                                                                                                                                                                                                                                                                                                                             |      |   |          |
| 8  |            | +local_testhalfrate                                                                                                                                                                                                                                                                                                                                                                                                                               |      |   | 2.       |
| 9  |            | [NOT TSPC_DualRate]                                                                                                                                                                                                                                                                                                                                                                                                                               |      |   |          |
| 10 |            | [TSPC_Serv_TS62]                                                                                                                                                                                                                                                                                                                                                                                                                                  |      |   | TS62     |
| 11 |            | +BasicServiceMO( C_AutoFax, C_Full)                                                                                                                                                                                                                                                                                                                                                                                                               |      |   |          |
| 12 |            | +local_testfullrate                                                                                                                                                                                                                                                                                                                                                                                                                               |      |   | 3.       |
| 13 | L_048<br>9 | [C_Yes]                                                                                                                                                                                                                                                                                                                                                                                                                                           |      | I |          |
| 14 |            | <b>local_testfullrate</b><br>+IdleUpdated( C_E_default, C_CellA, C_SCH_A, C_BCCH_A_1, C_ImmMass, C_S0, C_SlotNU, C_SlotNU, C_SlotNU, C_BCC, C_TxInt_5, C_Max_1, C_NECL_0, C_ATT_0, TimingAdv( 0), C_BABR_0, C_cch_1Comb, C_BPM_3, C_T3212_0, C_ci_cellA, C_MCC_1, C_PLMN_1, C_LAC_1, CellOpt_01, CellChDes_Omit, CellChDes_Omit, C_CellReselectHys12, C_MaxPwrLvlG, C_MaxPwrLvlD, BcchFreqLst_45, BcchFreqLst_02, BcchFreqLst_03, BcchFreqLst_04, |      |   |          |



|    |            |                                                                                                                                                                                             |                                                                                                                           |                         |
|----|------------|---------------------------------------------------------------------------------------------------------------------------------------------------------------------------------------------|---------------------------------------------------------------------------------------------------------------------------|-------------------------|
|    |            | C_Restablishment, C_BCC, C_NCC, C_Start_Tmsi, TSPX_SDCCH4SubDef, TSPX_CKSNA, TSPX_RANDA, C_arfcnA, C_arfcnAd, TSPX_IMSI, C_Test_nfh, C_NCCP_2)                                              |                                                                                                                           |                         |
| 15 |            | +FullRateCh_A_1( C_Ass, TSPX_TmSlitDef, TSPX_TscDef, ChMod_sign, FreqTCH_omit, FreqTCH_omit, C_arfcn_tchA, C_arfcn_tchAd, TimingAdv( 0), C_BABR_0, C_cch_1Comb, C_BPM_3)                    |                                                                                                                           |                         |
| 16 |            | +local_initcall                                                                                                                                                                             |                                                                                                                           |                         |
|    |            | <b>local_testhalfrate</b>                                                                                                                                                                   |                                                                                                                           |                         |
| 17 |            | +HalfRateCh_A_1( TSPX_TCHHSubDef, C_Ass, TSPX_TmSlitDef, TSPX_TscDef, ChMod_speech, FreqTCH_omit, FreqTCH_omit, C_arfcn_tchA, C_arfcn_tchAd, TimingAdv( 0), C_BABR_0, C_cch_1Comb, C_BPM_3) |                                                                                                                           | 7.                      |
| 18 |            | (TCV_Null := OM_ChMdModi(TCV_chTch, TCV_ChMod))                                                                                                                                             |                                                                                                                           |                         |
| 19 |            | +local_initcall                                                                                                                                                                             |                                                                                                                           |                         |
|    |            | <b>local_initcall</b>                                                                                                                                                                       |                                                                                                                           |                         |
| 20 |            | (TCV_Null := OO_DialCalledNum())                                                                                                                                                            |                                                                                                                           | 4.                      |
| 21 |            | [TSPC_CalledNumDisp]                                                                                                                                                                        |                                                                                                                           |                         |
| 22 |            | (TCV_Res := OO_CalledNumCHK())                                                                                                                                                              |                                                                                                                           | 5.                      |
| 23 | L_049<br>0 | [NOT TCV_Res]                                                                                                                                                                               | (F)                                                                                                                       |                         |
| 24 | L_049<br>1 | [TCV_Res]                                                                                                                                                                                   | (P)                                                                                                                       |                         |
| 25 |            | +InitCall(TCV_Service)                                                                                                                                                                      |                                                                                                                           | 6.                      |
| 26 |            | +localtree                                                                                                                                                                                  |                                                                                                                           |                         |
| 27 |            | [NOT TSPC_CalledNumDisp]                                                                                                                                                                    |                                                                                                                           |                         |
| 28 |            | +InitCall(TCV_Service)                                                                                                                                                                      |                                                                                                                           |                         |
| 29 |            | +localtree                                                                                                                                                                                  |                                                                                                                           |                         |
|    |            | <b>localtree</b>                                                                                                                                                                            |                                                                                                                           |                         |
| 30 | L_049<br>2 | L?DL_RaInChRq (TCV_Rr := DL_RaInChRq.msg.ecau_rrf, TCV_Fn := DL_RaInChRq.fn)                                                                                                                | ChReq(ChRequest_04)                                                                                                       | (P)                     |
| 31 |            | ACTIVATE(OtherEventsFail_02)                                                                                                                                                                |                                                                                                                           | To match ChReq retrans. |
| 32 |            | LIDL_UdatRqImmss                                                                                                                                                                            | ImmAss( TCV_agch, ImmAsgn_01Def( TCV_Rr, TCV_Fn, TSPX_SDCCH4SubDef, TCV_slot, TCV_tsc, TCV_chdescr_arfcn, TimingAdv( 0))) |                         |
| 33 |            | L?DL_EstInCmsRq                                                                                                                                                                             | CMSerReq(CMServiceReq_04)                                                                                                 |                         |
| 34 |            | ACTIVATE(OtherEventsFail)                                                                                                                                                                   |                                                                                                                           | Restore Normal default  |
| 35 |            | LIDL_DatRqAuthRq                                                                                                                                                                            | AuthReq(TCV_ch, AuthRequest( TSPX_CKSNA, TSPX_RANDA))                                                                     |                         |
| 36 |            | L?DL_DatInAuthRes(TCV_Sres:=DL_DatInAuthRes.msg.sres)                                                                                                                                       | AuthRes(AuthResponse)                                                                                                     |                         |
| 37 |            | (TCV_Res := OC_ChkSRES(TCV_Sres, TSPX_Ki, TSPX_RANDA))                                                                                                                                      |                                                                                                                           |                         |
| 38 | L_049<br>3 | [NOT TCV_Res]                                                                                                                                                                               |                                                                                                                           | (F)                     |
| 39 |            | +PostMainLinkRel(TCV_ch)                                                                                                                                                                    |                                                                                                                           |                         |
| 40 | L_049<br>4 | [TCV_Res]                                                                                                                                                                                   |                                                                                                                           | (P)                     |
| 41 |            | +localtree1                                                                                                                                                                                 |                                                                                                                           |                         |
|    |            | <b>localtree1</b>                                                                                                                                                                           |                                                                                                                           |                         |
| 42 |            | +Cipherring_on(TCV_ch)                                                                                                                                                                      |                                                                                                                           |                         |
| 43 |            | +RcvSetupOrEsetup( TCV_Setup_mo, TCV_Esetup, TCV_Ecall)                                                                                                                                     |                                                                                                                           |                         |

|    |            |                                                                                         |                                                                                            |     |    |
|----|------------|-----------------------------------------------------------------------------------------|--------------------------------------------------------------------------------------------|-----|----|
| 44 | L_049<br>5 | L!DL_DatRqCallProc                                                                      | CallProc(TCV_ch,<br>TCV_CallProc)                                                          | (P) |    |
| 45 |            | +AssCmdGen( TCV_cellid, TCV_ChRate,<br>TSPX_TmSlitDef, TSPX_TscDef,<br>TSPX_TCHHSubDef) |                                                                                            |     |    |
| 46 |            | +AssCh_complete(TCV_ch,TCV_chTch,TCV<br>_AssCmd)                                        |                                                                                            |     | 8. |
| 47 |            | +localtree2                                                                             |                                                                                            |     |    |
| 48 |            | <b>localtree2</b><br>L!DL_DatRqAlert                                                    | AlertSnd(<br>TCV_chTch,<br>Alerting_01( TCV_TI))                                           |     |    |
| 49 |            | [TSPC_AlertInd]                                                                         |                                                                                            |     |    |
| 50 |            | (TCV_Res := OO_AltIndCHK())                                                             |                                                                                            |     |    |
| 51 | L_049<br>6 | [NOT TCV_Res]                                                                           |                                                                                            | (F) |    |
| 52 |            | +PostMainLinkRel(TCV_chTch)                                                             |                                                                                            |     |    |
| 53 |            | [TCV_Res]                                                                               |                                                                                            |     |    |
| 54 |            | +localtree3                                                                             |                                                                                            |     |    |
| 55 |            | [NOT TSPC_AlertInd]                                                                     |                                                                                            |     |    |
| 56 |            | +localtree3                                                                             |                                                                                            |     |    |
| 57 |            | <b>localtree3</b><br>L!DL_DatRqConn                                                     | ConnSnd(<br>TCV_chTch,<br>Connect_02(<br>TCV_TI))                                          |     |    |
| 58 | L_049<br>7 | L?DL_DatInConnAck                                                                       | ConnAckRcv(<br>ConnectAck_02(<br>TCV_TI0))                                                 | (P) |    |
| 59 |            | (TCV_Res := OO_TCHThroConnCHK())                                                        |                                                                                            |     |    |
| 60 | L_049<br>8 | [NOT TCV_Res]                                                                           |                                                                                            | (F) |    |
| 61 |            | +PostMainLinkRel(TCV_chTch)                                                             |                                                                                            |     |    |
| 62 | L_049<br>9 | [TCV_Res]                                                                               |                                                                                            | (P) |    |
| 63 |            | L!DL_DatRqDisc                                                                          | DiscSnd(<br>TCV_chTch,<br>DisconnS( TCV_TI,<br>Cause_01,<br>ProgInd_omit,<br>UuInfo_omit)) |     |    |
| 64 | L_050<br>0 | L?DL_DatInRel                                                                           | ReleaseRcv(<br>Release_10(<br>TCV_TI0))                                                    | (P) |    |
| 65 |            | L!DL_DatRqRelCmp                                                                        | RelComSnd(<br>TCV_chTch,<br>ReleaseCmp_08(<br>TCV_TI))                                     |     |    |
| 66 |            | +PostMainLinkRel(TCV_chTch)                                                             |                                                                                            |     |    |

**Detailed Comments:**

1. To perform the test on full rate telephony service.
2. To perform the test on half rate telephony.
3. To perform the test on TS62 service.
4. To enter the called party number.
5. To check whether the MS displays the called party number correctly.
6. To initiate the call.
7. To setup the previous full rate traffic channel into half rate traffic channel.
8. Early assignment.

### Test Case Dynamic Behaviour

|                        |                                                                                                                                                                                                                                                                                                                                                                                                                                                                                                                                                                                                                                                                                                                                                                                                                                                                                                                                                                                                                                                                                                                                                                                                                                                                                                                                                                                                                                                                                                                                                                                                                                                           |
|------------------------|-----------------------------------------------------------------------------------------------------------------------------------------------------------------------------------------------------------------------------------------------------------------------------------------------------------------------------------------------------------------------------------------------------------------------------------------------------------------------------------------------------------------------------------------------------------------------------------------------------------------------------------------------------------------------------------------------------------------------------------------------------------------------------------------------------------------------------------------------------------------------------------------------------------------------------------------------------------------------------------------------------------------------------------------------------------------------------------------------------------------------------------------------------------------------------------------------------------------------------------------------------------------------------------------------------------------------------------------------------------------------------------------------------------------------------------------------------------------------------------------------------------------------------------------------------------------------------------------------------------------------------------------------------------|
| <b>Test Case Name:</b> | TC_26_9_3                                                                                                                                                                                                                                                                                                                                                                                                                                                                                                                                                                                                                                                                                                                                                                                                                                                                                                                                                                                                                                                                                                                                                                                                                                                                                                                                                                                                                                                                                                                                                                                                                                                 |
| <b>Group:</b>          | GSM_L3_MS_v4210/StructureProc/                                                                                                                                                                                                                                                                                                                                                                                                                                                                                                                                                                                                                                                                                                                                                                                                                                                                                                                                                                                                                                                                                                                                                                                                                                                                                                                                                                                                                                                                                                                                                                                                                            |
| <b>Purpose:</b>        | <p>1) To verify that the MS in MM state "idle, updated" and in RR idle mode with a TMSI assigned, when made to initiate a call for a selected teleservice that is supported by the MS as declared in a PICS/PIXIT statement, starts to initiate an immediate assignment procedure by sending the CHANNEL REQUEST message.</p> <p>2) To verify that subsequently after receipt of an IMMEDIATE ASSIGNMENT message allocating an SDCCH, after completion of establishment of the main signalling link, after having sent a CM SERVICE REQUEST message, after having successfully performed authentication and cipher mode setting procedures, after having sent a SETUP message, after having received a CALL PROCEEDING message followed by an ALERTING message and an ASSIGNMENT COMMAND message allocating an appropriate TCH, the MS sends an ASSIGNMENT COMPLETE message.</p> <p>3) To verify that subsequently, after the suite of actions specified in test purposes 1 and 2, the MS after receiving a CONNECT message returns a CONNECT ACKNOWLEDGE message.</p> <p>4) To verify that after the suite of actions specified in test purposes 1 and 2, the MS after receiving a CONNECT message attaches the user connection to the radio path. (This is checked by verifying that there is a point in time after transmission of the first L2 frame containing the (complete) CONNECT message, where the MS is sending appropriate speech or data frames whenever it doesn't have to transmit or acknowledge an I frame on layer 2 of the FACCH.)</p> <p>These test purposes are tested for all rates supported by the MS (full rate/half rate).</p> |
| <b>Default:</b>        | OtherEventsFail                                                                                                                                                                                                                                                                                                                                                                                                                                                                                                                                                                                                                                                                                                                                                                                                                                                                                                                                                                                                                                                                                                                                                                                                                                                                                                                                                                                                                                                                                                                                                                                                                                           |

| Nr | Label      | Behaviour Description                                                                                                                                                                                                                                                                                                                                                                                                                                                                                                                                                                           | CRef | V | Comments |
|----|------------|-------------------------------------------------------------------------------------------------------------------------------------------------------------------------------------------------------------------------------------------------------------------------------------------------------------------------------------------------------------------------------------------------------------------------------------------------------------------------------------------------------------------------------------------------------------------------------------------------|------|---|----------|
| 1  |            | START T_guard(300)                                                                                                                                                                                                                                                                                                                                                                                                                                                                                                                                                                              |      |   |          |
| 2  | body       | [TSPC_Serv_TS11]                                                                                                                                                                                                                                                                                                                                                                                                                                                                                                                                                                                |      |   |          |
| 3  |            | +BasicServiceMO( C_Telephony, C_Full)                                                                                                                                                                                                                                                                                                                                                                                                                                                                                                                                                           |      |   |          |
| 4  |            | +local_testfullrate                                                                                                                                                                                                                                                                                                                                                                                                                                                                                                                                                                             |      |   | 1.       |
| 5  |            | (TCV_Null := OM_CphMd(TCV_ch, CphMod_02, TCV_CphKey))                                                                                                                                                                                                                                                                                                                                                                                                                                                                                                                                           |      |   |          |
| 6  |            | [TSPC_DualRate]                                                                                                                                                                                                                                                                                                                                                                                                                                                                                                                                                                                 |      |   |          |
| 7  |            | +BasicServiceMO( C_Telephony, C_Half)                                                                                                                                                                                                                                                                                                                                                                                                                                                                                                                                                           |      |   |          |
| 8  |            | +local_testhalfrate                                                                                                                                                                                                                                                                                                                                                                                                                                                                                                                                                                             |      |   | 2.       |
| 9  |            | [NOT TSPC_DualRate]                                                                                                                                                                                                                                                                                                                                                                                                                                                                                                                                                                             |      |   |          |
| 10 |            | [TSPC_Serv_TS62]                                                                                                                                                                                                                                                                                                                                                                                                                                                                                                                                                                                |      |   | TS62     |
| 11 |            | +BasicServiceMO( C_AutoFax, C_Full)                                                                                                                                                                                                                                                                                                                                                                                                                                                                                                                                                             |      |   |          |
| 12 |            | +local_testfullrate                                                                                                                                                                                                                                                                                                                                                                                                                                                                                                                                                                             |      |   | 3.       |
| 13 | L_050<br>1 | [C_Yes]                                                                                                                                                                                                                                                                                                                                                                                                                                                                                                                                                                                         |      | I |          |
| 14 |            | <b>local_testfullrate</b><br>+IdleUpdated( C_E_default, C_CellA, C_SCH_A, C_BCCH_A_1, C_Immass, C_S0, C_SlotNU, C_SlotNU, C_SlotNU, C_BCC, C_TxInt_5, C_Max_1, C_NECI_0, C_ATT_0, TimingAdv( 0), C_BABR_0, C_cch_1Comb, C_BPM_3, C_T3212_0, C_ci_cellA, C_MCC_1, C_PLMN_1, C_LAC_1, CellOpt_01, CellChDes_Omit, CellChDes_Omit, C_CellReselectHys12, C_MaxPwrLvlG, C_MaxPwrLvlD, BcchFreqLst_45, BcchFreqLst_02, BcchFreqLst_03, BcchFreqLst_04, C_Restablishment, C_BCC, C_NCC, C_Start_Tmsi, TSPX_SDCCH4SubDef, TSPX_CKSNA, TSPX_RANDA, C_arfcnA, C_arfcnAd, TSPX_IMSI, C_Test_nfh, C_NCCP_2) |      |   |          |
| 15 |            | +FullRateCh_A_1(C_Ass, TSPX_TmSlitDef, TSPX_TscDef, ChMod_sign, FreqTCH_omit, FreqTCH_omit, C_arfcn_tchA, C_arfcn_tchAd, TimingAdv( 0), C_BABR_0, C_cch_1Comb, C_BPM_3)                                                                                                                                                                                                                                                                                                                                                                                                                         |      |   |          |
| 16 |            | +local_initcall                                                                                                                                                                                                                                                                                                                                                                                                                                                                                                                                                                                 |      |   |          |

|    |            |                                                                                                                                                                                                                                     |                                                                                                                                                 |     |                         |
|----|------------|-------------------------------------------------------------------------------------------------------------------------------------------------------------------------------------------------------------------------------------|-------------------------------------------------------------------------------------------------------------------------------------------------|-----|-------------------------|
| 17 |            | <b>local_testhalfrate</b><br>+HalfRateCh_A_1( TSPX_TCHHSubDef, C_Ass,<br>TSPX_TmSltDef, TSPX_TscDef, ChMod_speech,<br>FreqTCH_omit, FreqTCH_omit, C_arfcn_tchA,<br>C_arfcn_tchAd, TimingAdv( 0), C_BABR_0,<br>C_cch_1Comb, C_BPM_3) |                                                                                                                                                 |     | 7.                      |
| 18 |            | +local_initcall                                                                                                                                                                                                                     |                                                                                                                                                 |     |                         |
| 19 |            | <b>local_initcall</b><br>(TCV_Null := OO_DialCalledNum())                                                                                                                                                                           |                                                                                                                                                 |     | 4.                      |
| 20 |            | [TSPC_CalledNumDisp]                                                                                                                                                                                                                |                                                                                                                                                 |     |                         |
| 21 |            | (TCV_Res := OO_CalledNumCHK())                                                                                                                                                                                                      |                                                                                                                                                 |     | 5.                      |
| 22 | L_050<br>2 | [NOT TCV_Res]                                                                                                                                                                                                                       |                                                                                                                                                 | (F) |                         |
| 23 | L_050<br>3 | [TCV_Res]                                                                                                                                                                                                                           |                                                                                                                                                 | (P) |                         |
| 24 |            | +InitCall(TCV_Service)                                                                                                                                                                                                              |                                                                                                                                                 |     | 6.                      |
| 25 |            | +localtree                                                                                                                                                                                                                          |                                                                                                                                                 |     |                         |
| 26 |            | [NOT TSPC_CalledNumDisp]                                                                                                                                                                                                            |                                                                                                                                                 |     |                         |
| 27 |            | +InitCall(TCV_Service)                                                                                                                                                                                                              |                                                                                                                                                 |     |                         |
| 28 |            | +localtree                                                                                                                                                                                                                          |                                                                                                                                                 |     |                         |
| 29 | L_050<br>4 | <b>localtree</b><br>L?DL_RaInChRq (TCV_Rr := DL_RaInChRq.<br>msg.ecau_rrf, TCV_Fn := DL_RaInChRq.fn)                                                                                                                                | ChReq(<br>ChRequest_04)                                                                                                                         | (P) |                         |
| 30 |            | ACTIVATE(OtherEventsFail_02)                                                                                                                                                                                                        |                                                                                                                                                 |     | To match ChReq retrans. |
| 31 |            | LIDL_UdatRqImmss                                                                                                                                                                                                                    | ImmAss( TCV_agch,<br>ImmAsgn_01Def(<br>TCV_Rr, TCV_Fn,<br>TSPX_SDCCH4SubD<br>ef, TCV_slot,<br>TCV_tsc,<br>TCV_chdescr_arfcn,<br>TimingAdv( 0))) |     |                         |
| 32 |            | L?DL_EstInCmsRq                                                                                                                                                                                                                     | CMSerReq(<br>CMServiceReq_04)                                                                                                                   |     |                         |
| 33 |            | ACTIVATE(OtherEventsFail)                                                                                                                                                                                                           |                                                                                                                                                 |     | Restore Normal default  |
| 34 |            | LIDL_DatRqAuthRq                                                                                                                                                                                                                    | AuthReq(TCV_ch,<br>AuthRequest(<br>TSPX_CKSNA,<br>TSPX_RANDA))                                                                                  |     |                         |
| 35 |            | L?DL_DatInAuthRes (TCV_Sres :=<br>DL_DatInAuthRes.msg.sres)                                                                                                                                                                         | AuthRes(<br>AuthResponse)                                                                                                                       |     |                         |
| 36 |            | (TCV_Res :=<br>OC_ChkSRES(TCV_Sres, TSPX_Ki,<br>TSPX_RANDA))                                                                                                                                                                        |                                                                                                                                                 |     |                         |
| 37 | L_050<br>5 | [NOT TCV_Res]                                                                                                                                                                                                                       |                                                                                                                                                 | (F) |                         |
| 38 |            | +PostMainLinkRel(TCV_ch)                                                                                                                                                                                                            |                                                                                                                                                 |     |                         |
| 39 |            | [TCV_Res]                                                                                                                                                                                                                           |                                                                                                                                                 |     |                         |
| 40 |            | +localtree1                                                                                                                                                                                                                         |                                                                                                                                                 |     |                         |
| 41 |            | <b>localtree1</b><br>+Cipherring_on(TCV_ch)                                                                                                                                                                                         |                                                                                                                                                 |     |                         |
| 42 |            | +RcvSetupOrEsetup( TCV_Setup_mo,<br>TCV_Esetup, TCV_Ecall)                                                                                                                                                                          |                                                                                                                                                 |     |                         |
| 43 | L_050<br>6 | LIDL_DatRqCallProc                                                                                                                                                                                                                  | CallProc(TCV_ch,<br>TCV_CallProc)                                                                                                               | (P) |                         |
| 44 |            | LIDL_DatRqAlert                                                                                                                                                                                                                     | AlertSnd( TCV_ch,<br>Alerting_01( TCV_TI))                                                                                                      |     |                         |
| 45 |            | [TSPC_AlertInd]                                                                                                                                                                                                                     |                                                                                                                                                 |     |                         |
| 46 |            | (TCV_Res := OO_AltIndCHK())                                                                                                                                                                                                         |                                                                                                                                                 |     |                         |
| 47 | L_050<br>7 | [NOT TCV_Res]                                                                                                                                                                                                                       |                                                                                                                                                 | (F) |                         |
| 48 |            | +localtree2                                                                                                                                                                                                                         |                                                                                                                                                 |     |                         |
| 49 |            | [TCV_Res]                                                                                                                                                                                                                           |                                                                                                                                                 |     |                         |
| 50 |            | +localtree2                                                                                                                                                                                                                         |                                                                                                                                                 |     |                         |
| 51 |            | [NOT TSPC_AlertInd]                                                                                                                                                                                                                 |                                                                                                                                                 |     |                         |
| 52 |            | +localtree2                                                                                                                                                                                                                         |                                                                                                                                                 |     |                         |

|    |            |                                                                                                              |                                                                                            |     |  |
|----|------------|--------------------------------------------------------------------------------------------------------------|--------------------------------------------------------------------------------------------|-----|--|
| 53 |            | <b>localtree2</b><br>+AssCmdGen( TCV_cellid, TCV_ChRate,<br>TSPX_TmSlitDef, TSPX_TscDef,<br>TSPX_TCHHSubDef) |                                                                                            |     |  |
| 54 |            | +AssCh_complete( TCV_ch, TCV_chTch,<br>TCV_AssCmd)                                                           |                                                                                            |     |  |
| 55 |            | +localtree3                                                                                                  |                                                                                            |     |  |
| 56 |            | <b>localtree3</b><br>L!DL_DatRqConn                                                                          | ConnSnd(<br>TCV_chTch,<br>Connect_02(<br>TCV_TI))                                          |     |  |
| 57 | L_050<br>8 | L?DL_DatInConnAck                                                                                            | ConnAckRcv(<br>ConnectAck_02(<br>TCV_TIO))                                                 | (P) |  |
| 58 |            | (TCV_Res := OO_TCHThroConnCHK())                                                                             |                                                                                            |     |  |
| 59 | L_050<br>9 | [NOT TCV_Res]                                                                                                |                                                                                            | (F) |  |
| 60 |            | +PostMainLinkRel(TCV_chTch)                                                                                  |                                                                                            |     |  |
| 61 | L_051<br>0 | [TCV_Res]                                                                                                    |                                                                                            | (P) |  |
| 62 |            | L!DL_DatRqDisc                                                                                               | DiscSnd(<br>TCV_chTch,<br>DisconnS( TCV_TI,<br>Cause_01,<br>ProgInd_omit,<br>UuInfo_omit)) |     |  |
| 63 | L_051<br>1 | L?DL_DatInRel                                                                                                | ReleaseRcv(<br>Release_10(<br>TCV_TIO))                                                    | (P) |  |
| 64 |            | L!DL_DatRqRelCmp                                                                                             | RelComSnd(<br>TCV_chTch,<br>ReleaseCmp_08(<br>TCV_TI))                                     |     |  |
| 65 |            | +PostMainLinkRel(TCV_chTch)                                                                                  |                                                                                            |     |  |

**Detailed Comments:**

1. To perform the test on full rate telephony service.
2. To perform the test on half rate telephony.
3. To perform the test on TS62 service.
4. To enter the called party number.
5. To check whether the MS displays the called party number correctly.
6. To initiate the call.
7. To setup the previous full rate traffic channel into half rate traffic channel.
8. Later assignment

**Test Case Dynamic Behaviour**

**Test Case Name:** TC\_26\_9\_4  
**Group:** GSM\_L3\_MS\_v4210/StructureProc/  
**Purpose:**

- 1) To verify that the MS in MM state "idle, updated" and in RR idle mode with a TMSI assigned, after being paged by the network on the correct paging subchannel, after initiating the immediate assignment procedure by sending the CHANNEL REQUEST message, after receipt of an IMMEDIATE ASSIGNMENT message allocating an SDCCH, after having sent a PAGING RESPONSE message on the allocated SDCCH, after having performed successful authentication and cipher mode setting procedures, after receipt of a SETUP message not containing a signal information element, returns a CALL CONFIRMED message.
- 2) To verify that subsequently, the SS sending an ASSIGNMENT COMMAND message, the MS successfully continues a mobile terminating call establishment with early assignment of traffic channel
  - a) by replying to the ASSIGNMENT COMMAND with an ASSIGNMENT COMPLETE message, and
  - b) by continuing the call establishment by either sending a CONNECT message and through connecting the TCH in both directions, or, sending an ALERTING message.
- 3) To verify that if after sending a CALL PROCEEDING message, the MS sends an ALERTING message during MTC establishment with early assignment, it generates an alerting indication.
- 4) To verify that if an ALERTING had been sent, subsequently, when the user accepts the call (possibly internal action as declared in PICS/PIXIT statement), the MS returns a CONNECT message.
- 5) To verify that the MS:
  - if the call is a speech call: after sending the CONNECT message has through connected the TCH in both directions (this is checked by verifying that after transmission of the first L2 frame containing the (complete) CONNECT message, the MS is sending appropriate speech or data frames whenever it doesn't have to transmit or acknowledge an I frame on layer 2 of the FACCH.)
  - if the call is a data call: after receipt of a subsequent CONNECT ACKNOWLEDGE message through connects the TCH in both directions (this is checked by verifying that there is a point in time after transmission of the first L2 frame containing the (complete) CONNECT ACKNOWLEDGE message, where the MS is sending appropriate speech or data frames whenever it doesn't have to transmit or acknowledge an I frame on layer 2 of the FACCH.)
- 6) To verify that subsequently, the MS can initiate call clearing by sending a DISCONNECT message.
- 7) To verify that the MS in this phase of call release, upon receipt of a RELEASE message, returns a RELEASE COMPLETE message.
- 8) To verify that subsequently the MS, upon receipt of a CHANNEL RELEASE message, disconnects the main signalling link.

**Default:** OtherEventsFail

| Nr | Label      | Behaviour Description                                 | CRef | V | Comments |
|----|------------|-------------------------------------------------------|------|---|----------|
| 1  |            | START T_guard(300)                                    |      |   |          |
| 2  | body       | [TSPC_Serv_TS11]                                      |      |   |          |
| 3  |            | +BasicServiceMT( C_Telephony, C_Full)                 |      |   |          |
| 4  |            | +local_testfullrate                                   |      |   | 1.       |
| 5  |            | (TCV_Null := OM_CphMd(TCV_ch, CphMod_02, TCV_CphKey)) |      |   |          |
| 6  |            | [TSPC_DualRate]                                       |      |   |          |
| 7  |            | +BasicServiceMT( C_Telephony, C_Half)                 |      |   |          |
| 8  |            | +local_testhalfrate                                   |      |   | 2.       |
| 9  |            | [NOT TSPC_DualRate]                                   |      |   |          |
| 10 |            | [TSPC_Serv_TS62]                                      |      |   | TS62     |
| 11 |            | +BasicServiceMT( C_AutoFax, C_Full)                   |      |   |          |
| 12 |            | +local_testfullrate                                   |      |   | 3.       |
| 13 | L_051<br>2 | [C_Yes]                                               |      | I |          |
|    |            | <b>local_testfullrate</b>                             |      |   |          |

|    |                                                                                                                                                                                                                                                                                                                                                                                                                                                                                                                                                                    |                                                                                                                           |                         |
|----|--------------------------------------------------------------------------------------------------------------------------------------------------------------------------------------------------------------------------------------------------------------------------------------------------------------------------------------------------------------------------------------------------------------------------------------------------------------------------------------------------------------------------------------------------------------------|---------------------------------------------------------------------------------------------------------------------------|-------------------------|
| 14 | +IdleUpdated( C_E_default, C_CellA, C_SCH_A, C_BCCH_A_1, C_ImmAss, C_S0, C_SlotNU, C_SlotNU, C_SlotNU, C_BCC, C_TxInt_5, C_Max_1, C_NECI_0, C_ATT_0, TimingAdv( 0), C_BABR_0, C_cch_1Comb, C_BPM_3, C_T3212_0, C_ci_cellA, C_MCC_1, C_PLMN_1, C_LAC_1, CellOpt_01, CellChDes_Omit, CellChDes_Omit, C_CellReselectHys12, C_MaxPwrLvlG, C_MaxPwrLvlD, BcchFreqLst_45, BcchFreqLst_02, BcchFreqLst_03, BcchFreqLst_04, C_Restablishment, C_BCC, C_NCC, C_Start_Tmsi, TSPX_SDCCH4SubDef, TSPX_CKSNA, TSPX_RANDA, C_arfcnA, C_arfcnAd, TSPX_IMSI, C_Test_nfh, C_NCCP_2) |                                                                                                                           |                         |
| 15 | +FullRateCh_A_1( C_Ass, TSPX_TmSltDef, TSPX_TscDef, ChMod_sign, FreqTCH_omit, FreqTCH_omit, C_arfcn_tchA, C_arfcn_tchAd, TimingAdv( 0), C_BABR_0, C_cch_1Comb, C_BPM_3)                                                                                                                                                                                                                                                                                                                                                                                            |                                                                                                                           |                         |
| 16 | (TCV_Null := OM_ChMdModi( TCV_chTch, TCV_ChMod))                                                                                                                                                                                                                                                                                                                                                                                                                                                                                                                   |                                                                                                                           |                         |
| 17 | +localtree( C_Full)                                                                                                                                                                                                                                                                                                                                                                                                                                                                                                                                                |                                                                                                                           |                         |
|    | <b>local_testhalfrate</b>                                                                                                                                                                                                                                                                                                                                                                                                                                                                                                                                          |                                                                                                                           |                         |
| 18 | +HalfRateCh_A_1( TSPX_TCHHSubDef, C_Ass, TSPX_TmSltDef, TSPX_TscDef, ChMod_speech, FreqTCH_omit, FreqTCH_omit, C_arfcn_tchA, C_arfcn_tchAd, TimingAdv( 0), C_BABR_0, C_cch_1Comb, C_BPM_3)                                                                                                                                                                                                                                                                                                                                                                         |                                                                                                                           | 4.                      |
| 19 | +localtree( C_Half)                                                                                                                                                                                                                                                                                                                                                                                                                                                                                                                                                |                                                                                                                           |                         |
|    | <b>localtree(rate:IA5String)</b>                                                                                                                                                                                                                                                                                                                                                                                                                                                                                                                                   |                                                                                                                           |                         |
| 20 | L!DL_UdatRqPg1Rq                                                                                                                                                                                                                                                                                                                                                                                                                                                                                                                                                   | PgReq1(TCV_PgCh, TCV_Pgg, PgReqTp1_01)                                                                                    |                         |
| 21 | L?DL_RaInChRq( TCV_Rr := DL_RaInChRq.msg.ecau_rrf, TCV_Fn := DL_RaInChRq.fn)                                                                                                                                                                                                                                                                                                                                                                                                                                                                                       | ChReq( ChRequest_17)                                                                                                      |                         |
| 22 | ACTIVATE(OtherEventsFail_02)                                                                                                                                                                                                                                                                                                                                                                                                                                                                                                                                       |                                                                                                                           | To match ChReq retrans. |
| 23 | L!DL_UdatRqImmAss                                                                                                                                                                                                                                                                                                                                                                                                                                                                                                                                                  | ImmAss( TCV_agch, ImmAsgn_01Def( TCV_Rr, TCV_Fn, TSPX_SDCCH4SubDef, TCV_slot, TCV_tsc, TCV_chdescr_arfcn, TimingAdv( 0))) |                         |
| 24 | L?DL_EstInPgRes                                                                                                                                                                                                                                                                                                                                                                                                                                                                                                                                                    | PagingRes( PagingRes_03( TSPX_CKSNDf))                                                                                    |                         |
| 25 | ACTIVATE(OtherEventsFail)                                                                                                                                                                                                                                                                                                                                                                                                                                                                                                                                          |                                                                                                                           | Restore Normal default  |
| 26 | L!DL_DatRqAuthRq                                                                                                                                                                                                                                                                                                                                                                                                                                                                                                                                                   | AuthReq(TCV_ch, AuthRequest( TSPX_CKSNA, TSPX_RANDA))                                                                     |                         |
| 27 | L?DL_DatInAuthRes( TCV_Sres := DL_DatInAuthRes.msg.sres)                                                                                                                                                                                                                                                                                                                                                                                                                                                                                                           | AuthRes( AuthResponse)                                                                                                    |                         |
| 28 | (TCV_Res := OC_ChkSRES(TCV_Sres, TSPX_Ki, TSPX_RANDA))                                                                                                                                                                                                                                                                                                                                                                                                                                                                                                             |                                                                                                                           |                         |
| 29 | L_051<br>3 [NOT TCV_Res]                                                                                                                                                                                                                                                                                                                                                                                                                                                                                                                                           |                                                                                                                           | (F)                     |
| 30 | +PostMainLinkRel( TCV_ch)                                                                                                                                                                                                                                                                                                                                                                                                                                                                                                                                          |                                                                                                                           |                         |
| 31 | L_051<br>4 [TCV_Res]                                                                                                                                                                                                                                                                                                                                                                                                                                                                                                                                               |                                                                                                                           | (P) 5.                  |
| 32 | +localtree1( rate)                                                                                                                                                                                                                                                                                                                                                                                                                                                                                                                                                 |                                                                                                                           |                         |
|    | <b>localtree1(rate:IA5String)</b>                                                                                                                                                                                                                                                                                                                                                                                                                                                                                                                                  |                                                                                                                           |                         |
| 33 | +Ciphering_on(TCV_ch)                                                                                                                                                                                                                                                                                                                                                                                                                                                                                                                                              |                                                                                                                           |                         |
| 34 | L!DL_DatRqSetup                                                                                                                                                                                                                                                                                                                                                                                                                                                                                                                                                    | SetupSnd(TCV_ch, TCV_Setup_mt)                                                                                            | 6.                      |
| 35 | L?DL_DatInCallCo( TCV_CallCfm := DL_DatInCallCo.msg)                                                                                                                                                                                                                                                                                                                                                                                                                                                                                                               | CallCfm( CallConfirm_01(                                                                                                  |                         |

|    |            |                                     |                                                        |     |             |
|----|------------|-------------------------------------|--------------------------------------------------------|-----|-------------|
| 36 |            | [TSPX_Immconn]                      | TI_01))                                                |     |             |
| 37 |            | L?DL_DatInConn                      | ConnRcv(<br>Connect_01( TI_01))                        |     |             |
| 38 |            | +asstrafficch(rate)                 |                                                        | 7.  |             |
| 39 |            | +localtree3                         |                                                        |     |             |
| 40 |            | [NOT TSPX_Immconn]                  |                                                        |     |             |
| 41 |            | +asstrafficch(rate)                 |                                                        | 7.  |             |
| 42 |            | L?DL_DatInAlert                     | AlertRcv(<br>AlertingInd_01(<br>TI_01))                |     |             |
| 43 |            | [TSPC_AlertInd]                     |                                                        |     |             |
| 44 |            | (TCV_Res := OO_AltIndCHK())         |                                                        |     |             |
| 45 | L_051<br>5 | [NOT TCV_Res]                       |                                                        | (F) | 8.          |
| 46 |            | +PostMainLinkRel(TCV_chTch)         |                                                        |     |             |
| 47 | L_051<br>6 | [TCV_Res]                           |                                                        | (P) |             |
| 48 |            | (TCV_Null := OO_HookOff())          |                                                        |     | 9.          |
| 49 |            | L?DL_DatInConn                      | ConnRcv(<br>Connect_01( TI_01))                        |     |             |
| 50 |            | +localtree3                         |                                                        |     |             |
| 51 |            | [NOT TSPC_AlertInd]                 |                                                        |     |             |
| 52 |            | (TCV_Null := OO_HookOff())          |                                                        |     | 9.          |
| 53 |            | L?DL_DatInConn                      | ConnRcv(<br>Connect_01( TI_01))                        |     |             |
| 54 |            | +localtree3                         |                                                        |     |             |
|    |            | <b>localtree3</b>                   |                                                        |     |             |
| 55 |            | [TCV_Setup_mt.bcap1.itc = '000'B]   |                                                        |     | Speech Call |
| 56 |            | (TCV_Res := OO_TCHThroConnCHK())    |                                                        |     |             |
| 57 | L_051<br>7 | [NOT TCV_Res]                       |                                                        | (F) |             |
| 58 |            | +PostMainLinkRel(TCV_chTch)         |                                                        |     |             |
| 59 | L_051<br>8 | [TCV_Res]                           |                                                        | (P) |             |
| 60 |            | LIDL_DatRqConnAck                   | ConnAckSnd(<br>TCV_chTch,<br>ConnectAck_01(<br>TI_02)) |     |             |
| 61 |            | +localtree5                         |                                                        |     |             |
| 62 |            | [TCV_Setup_mt.bcap1.itc <> '000'B]  |                                                        |     | Data Call   |
| 63 |            | L!DL_DatRqConnAck                   | ConnAckSnd(<br>TCV_chTch,<br>ConnectAck_01(<br>TI_02)) |     |             |
| 64 |            | (TCV_Res := OO_TCHThroConnCHK())    |                                                        |     |             |
| 65 | L_051<br>9 | [NOT TCV_Res]                       |                                                        | (F) |             |
| 66 |            | +PostMainLinkRel(TCV_chTch)         |                                                        |     |             |
| 67 | L_052<br>0 | [TCV_Res]                           |                                                        | (P) |             |
| 68 |            | +localtree5                         |                                                        |     |             |
|    |            | <b>localtree5</b>                   |                                                        |     |             |
| 69 |            | (TCV_Null := OO_TermCall())         |                                                        |     |             |
| 70 |            | L?DL_DatInDisc                      | DiscRcv( TCV_chTch,<br>DisconnR( TI_01,<br>Cause_Def)) |     |             |
| 71 |            | LIDL_DatRqRel                       | ReleaseSnd(<br>TCV_chTch,<br>Release_08( TI_02))       |     |             |
| 72 |            | L?DL_DatInRelCmp                    | RelComRcv(<br>ReleaseCmp_03(<br>TI_01))                |     |             |
| 73 |            | +PostMainLinkRel(TCV_chTch)         |                                                        |     |             |
|    |            | <b>asstrafficch(rate:IA5String)</b> |                                                        |     |             |
| 74 |            | (TCV_Res := FALSE)                  |                                                        |     |             |



|                           |  |                                                                                                                                                                                                                                                                                                                                                                                                                                                                                         |  |  |  |
|---------------------------|--|-----------------------------------------------------------------------------------------------------------------------------------------------------------------------------------------------------------------------------------------------------------------------------------------------------------------------------------------------------------------------------------------------------------------------------------------------------------------------------------------|--|--|--|
| 75                        |  | +AssCmdGen( TCV_cellid, rate, TSPX_TmSlitDef,<br>TSPX_TscDef, TSPX_TCHHSubDef)                                                                                                                                                                                                                                                                                                                                                                                                          |  |  |  |
| 76                        |  | +AssCh_complete(TCV_ch, TCV_chTch,<br>TCV_AssCmd)                                                                                                                                                                                                                                                                                                                                                                                                                                       |  |  |  |
| <b>Detailed Comments:</b> |  | <ol style="list-style-type: none"><li>1. To perform the test on full rate telephony service.</li><li>2. To perform the test on half rate telephony.</li><li>3. To perform the test on TS62 service.</li><li>4. To setup the previous full rate channel into half rate channel.</li><li>5. Authentication is OK.</li><li>6. SETUP message without signal IE.</li><li>7. Early assignment.</li><li>8. Alerting indication not correct.</li><li>9. To accept the call at the MS.</li></ol> |  |  |  |

**Test Case Dynamic Behaviour**

**Test Case Name:** TC\_26\_9\_5  
**Group:** GSM\_L3\_MS\_v4210/StructureProc/  
**Purpose:**

1) To verify that the MS in "Idle, Updated" state with a TMSI assigned, after being paged by the network on the correct paging subchannel, after initiating the immediate assignment procedure by sending the CHANNEL REQUEST message, after receipt of an IMMEDIATE ASSIGNMENT message allocating an SDCCH, after having established the main signalling link, after having sent a PAGING RESPONSE message, after having performed successful authentication and cipher mode setting procedures, after receipt of a SETUP message containing a signal information element, returns a CALL CONFIRMED message followed by

- an ALERTING message
- or a CONNECT message.

2) To verify that in the situation of test purpose 1, if the MS sends an ALERTING message, the MS generates an alerting indication in the way described in a PICS/PIXIT statement.

3) To verify that subsequently the MS, if it had not yet sent a CONNECT message, upon acceptance of the call, sends a CONNECT message.

4) To verify that subsequently after receipt of an ASSIGNMENT COMMAND, the MS sends an ASSIGNMENT COMPLETE message.

5) To verify that subsequently the MS

- if the call is a speech call: after sending the ASSIGNMENT COMPLETE message has through connected the TCH in both directions (this is checked by verifying that after transmission of the first L2 frame containing the (complete) ASSIGNMENT COMPLETE message, the MS is sending appropriate speech or data frames whenever it doesn't have to transmit or acknowledge an I frame on layer 2 of the FACCH.)
- if the call is a data call: after receipt of a subsequent CONNECT ACKNOWLEDGE message through connects the TCH in both directions (this is checked by verifying that there is a point in time after transmission of the first L2 frame containing the (complete) CONNECT ACKNOWLEDGE message, where the MS is sending appropriate speech or data frames whenever it doesn't have to transmit or acknowledge an I frame on layer 2 of the FACCH.)

These test purposes are tested for all rates supported by the MS (full rate/half rate).

**Default:** OtherEventsFail

| Nr | Label      | Behaviour Description                                                                                                                                                                                                                                                                                                                                               | CRef | V | Comments |
|----|------------|---------------------------------------------------------------------------------------------------------------------------------------------------------------------------------------------------------------------------------------------------------------------------------------------------------------------------------------------------------------------|------|---|----------|
| 1  |            | START T_guard(300)                                                                                                                                                                                                                                                                                                                                                  |      |   |          |
| 2  | body       | [TSPC_Serv_TS11]                                                                                                                                                                                                                                                                                                                                                    |      |   |          |
| 3  |            | +BasicServiceMT( C_Telephony, C_Full)                                                                                                                                                                                                                                                                                                                               |      |   |          |
| 4  |            | +local_testfullrate                                                                                                                                                                                                                                                                                                                                                 |      |   | 1.       |
| 5  |            | (TCV_Null := OM_CphMd(TCV_ch, CphMod_02, TCV_CphKey), TCV_Null := OM_CphMd(TCV_chTch, CphMod_02, TCV_CphKey))                                                                                                                                                                                                                                                       |      |   |          |
| 6  |            | [TSPC_DualRate]                                                                                                                                                                                                                                                                                                                                                     |      |   |          |
| 7  |            | +BasicServiceMT( C_Telephony, C_Half)                                                                                                                                                                                                                                                                                                                               |      |   |          |
| 8  |            | +local_testhalfrate                                                                                                                                                                                                                                                                                                                                                 |      |   | 2.       |
| 9  |            | [NOT TSPC_DualRate]                                                                                                                                                                                                                                                                                                                                                 |      |   |          |
| 10 |            | [TSPC_Serv_TS62]                                                                                                                                                                                                                                                                                                                                                    |      |   | TS62     |
| 11 |            | +BasicServiceMT( C_AutoFax, C_Full)                                                                                                                                                                                                                                                                                                                                 |      |   |          |
| 12 |            | +local_testfullrate                                                                                                                                                                                                                                                                                                                                                 |      |   | 3.       |
| 13 | L_052<br>1 | [C_Yes]                                                                                                                                                                                                                                                                                                                                                             |      | I |          |
| 14 |            | <b>local_testfullrate</b><br>+IdleUpdated( C_E_default, C_CellA, C_SCH_A, C_BCCH_A_1, C_ImmMass, C_S0, C_SlotNU, C_SlotNU, C_SlotNU, C_BCC, C_TxInt_5, C_Max_1, C_NECI_0, C_ATT_0, TimingAdv( 0), C_BABR_0, C_cch_1Comb, C_BPM_3, C_T3212_0, C_ci_cellA, C_MCC_1, C_PLMN_1, C_LAC_1, CellOpt_01, CellChDes_Omit, CellChDes_Omit, C_CellReselectHys12, C_MaxPwrLvlG, |      |   |          |

|    |                                                                                                                                                                                                                              |                                                                                                                           |     |                         |
|----|------------------------------------------------------------------------------------------------------------------------------------------------------------------------------------------------------------------------------|---------------------------------------------------------------------------------------------------------------------------|-----|-------------------------|
| 15 | C_MaxPwrLvlD, BcchFreqLst_45, BcchFreqLst_02, BcchFreqLst_03, BcchFreqLst_04, C_Restablishment, C_BCC, C_NCC, C_Start_Tmsi, TSPX_SDCCH4SubDef, TSPX_CKSNA, TSPX_RANDA, C_arfcnA, C_arfcnAd, TSPX_IMSI, C_Test_nfh, C_NCCP_2) |                                                                                                                           |     |                         |
| 16 | +FullRateCh_A_1(C_Ass, TSPX_TmSlTDef, TSPX_TscDef, ChMod_sign, FreqTCH_omit, FreqTCH_omit, C_arfcn_tchA, C_arfcn_tchAd, TimingAdv( 0), C_BABR_0, C_cch_1Comb, C_BPM_3)                                                       |                                                                                                                           |     |                         |
| 17 | (TCV_Null := OM_ChMdModi(TCV_chTch, TCV_ChMod))                                                                                                                                                                              |                                                                                                                           |     |                         |
| 18 | +localtree(C_Full)                                                                                                                                                                                                           |                                                                                                                           |     |                         |
| 18 | <b>local_testhalfrate</b><br>+HalfRateCh_A_1( TSPX_TCHHSubDef, C_Ass, TSPX_TmSlTDef, TSPX_TscDef, ChMod_speech, FreqTCH_omit, FreqTCH_omit, C_arfcn_tchA, C_arfcn_tchAd, TimingAdv( 0), C_BABR_0, C_cch_1Comb, C_BPM_3)      |                                                                                                                           |     | 4.                      |
| 19 | +localtree( C_Half)                                                                                                                                                                                                          |                                                                                                                           |     |                         |
| 20 | <b>localtree(rate:IA5String)</b><br>L!DL_UdatRqPg1Rq                                                                                                                                                                         | PgReq1(TCV_PgCh, TCV_Pgg, PgReqTp1_01)                                                                                    |     |                         |
| 21 | L?DL_RacInChRq (TCV_Rr := DL_RacInChRq.msg.ecau_rrf, TCV_Fn := DL_RacInChRq.fn)                                                                                                                                              | ChReq(ChRequest_17)                                                                                                       |     |                         |
| 22 | ACTIVATE(OtherEventsFail_02)                                                                                                                                                                                                 |                                                                                                                           |     | To match ChReq retrans. |
| 23 | L!DL_UdatRqImmch                                                                                                                                                                                                             | ImmAss( TCV_agch, ImmAsgn_01Def( TCV_Rr, TCV_Fn, TSPX_SDCCH4SubDef, TCV_slot, TCV_tsc, TCV_chdescr_arfcn, TimingAdv( 0))) |     |                         |
| 24 | L?DL_EstInPgRes                                                                                                                                                                                                              | PagingRes(PagingRes_03(TSPX_CKSNDf))                                                                                      |     |                         |
| 25 | ACTIVATE(OtherEventsFail)                                                                                                                                                                                                    |                                                                                                                           |     | Restore Normal default  |
| 26 | L!DL_DatRqAuthRq                                                                                                                                                                                                             | AuthReq(TCV_ch, AuthRequest(TSPX_CKSNA, TSPX_RANDA))                                                                      |     |                         |
| 27 | L?DL_DatInAuthRes(TCV_Sres:=DL_DatInAuthRes.msg.sres)                                                                                                                                                                        | AuthRes(AuthResponse)                                                                                                     |     |                         |
| 28 | (TCV_Res := OC_ChkSRES(TCV_Sres, TSPX_Ki, TSPX_RANDA))                                                                                                                                                                       |                                                                                                                           |     |                         |
| 29 | L_052<br>2 [NOT TCV_Res]                                                                                                                                                                                                     |                                                                                                                           | (F) |                         |
| 30 | +PostMainLinkRel( TCV_ch)                                                                                                                                                                                                    |                                                                                                                           |     |                         |
| 31 | L_052<br>3 [TCV_Res]                                                                                                                                                                                                         |                                                                                                                           | (P) | 5.                      |
| 32 | +localtree1( rate)                                                                                                                                                                                                           |                                                                                                                           |     |                         |
| 33 | <b>localtree1(rate:IA5String)</b><br>+Cipherring_on(TCV_ch)                                                                                                                                                                  |                                                                                                                           |     |                         |
| 34 | ( TCV_Setup_mt.sig := Signal_01)                                                                                                                                                                                             |                                                                                                                           |     |                         |
| 35 | LIDL_DatRqSetup                                                                                                                                                                                                              | SetupSnd(TCV_ch, TCV_Setup_mt)                                                                                            |     | 6.                      |
| 36 | L?DL_DatInCallCo ( TCV_CallCfm := DL_DatInCallCo.msg)                                                                                                                                                                        | CallCfm(CallConfirm_01(TI_01))                                                                                            |     |                         |
| 37 | L?DL_DatInConn                                                                                                                                                                                                               | ConnRcv(Connect_01( TI_01))                                                                                               |     |                         |
| 38 | +localtree2( rate)                                                                                                                                                                                                           |                                                                                                                           |     |                         |
| 39 | L?DL_DatInAlert                                                                                                                                                                                                              | AlertRcv(AlertingInd_01(TI_01))                                                                                           |     |                         |

|    |            |                                                                               |                                                        |     |    |
|----|------------|-------------------------------------------------------------------------------|--------------------------------------------------------|-----|----|
| 40 |            | [TSPC_AlertInd]                                                               |                                                        |     |    |
| 41 |            | (TCV_Res := OO_AltIndCHK())                                                   |                                                        |     |    |
| 42 | L_052<br>4 | [NOT TCV_Res]                                                                 |                                                        | (F) | 8. |
| 43 |            | +localtree2( rate)                                                            |                                                        |     |    |
| 44 | L_052<br>5 | [TCV_Res]                                                                     |                                                        | (P) |    |
| 45 |            | (TCV_Null := OO_HookOff())                                                    |                                                        |     | 9. |
| 46 |            | L?DL_DatInConn                                                                | ConnRcv(<br>Connect_01( TI_01))                        |     |    |
| 47 |            | +localtree2( rate)                                                            |                                                        |     |    |
| 48 |            | [NOT TSPC_AlertInd]                                                           |                                                        |     |    |
| 49 |            | (TCV_Null := OO_HookOff())                                                    |                                                        |     | 9. |
| 50 |            | L?DL_DatInConn                                                                | ConnRcv(<br>Connect_01( TI_01))                        |     |    |
| 51 |            | +localtree2( rate)                                                            |                                                        |     |    |
|    |            | <b>localtree2(rate:IA5String)</b>                                             |                                                        |     |    |
| 52 |            | +AssCmdGen( TCV_cellid, rate, TSPX_TmSltDef,<br>TSPX_TscDef, TSPX_TCHHSubDef) |                                                        |     |    |
| 53 |            | +AssCh_complete( TCV_ch, TCV_chTch,<br>TCV_AssCmd)                            |                                                        |     |    |
| 54 |            | +localtree3                                                                   |                                                        |     |    |
|    |            | <b>localtree3</b>                                                             |                                                        |     |    |
| 55 |            | [TCV_Setup_mt.bcap1.itc = '000'B]                                             |                                                        |     |    |
| 56 |            | (TCV_Res := OO_TCHThroConnCHK())                                              |                                                        |     |    |
| 57 | L_052<br>6 | [NOT TCV_Res]                                                                 |                                                        | (F) |    |
| 58 |            | +PostMainLinkRel(TCV_chTch)                                                   |                                                        |     |    |
| 59 | L_052<br>7 | [TCV_Res]                                                                     |                                                        | (P) |    |
| 60 |            | +localtree4                                                                   |                                                        |     |    |
| 61 |            | [TCV_Setup_mt.bcap1.itc <> '000'B]                                            |                                                        |     |    |
| 62 |            | +localtree4                                                                   |                                                        |     |    |
|    |            | <b>localtree4</b>                                                             |                                                        |     |    |
| 63 |            | L!DL_DatRqConnAck                                                             | ConnAckSnd(<br>TCV_chTch,<br>ConnectAck_01(<br>TI_02)) |     |    |
| 64 |            | [TCV_Setup_mt.bcap1.itc <> '000'B]                                            |                                                        |     |    |
| 65 |            | (TCV_Res := OO_TCHThroConnCHK())                                              |                                                        |     |    |
| 66 | L_052<br>8 | [NOT TCV_Res]                                                                 |                                                        | (F) |    |
| 67 |            | +PostMainLinkRel(TCV_chTch)                                                   |                                                        |     |    |
| 68 | L_052<br>9 | [TCV_Res]                                                                     |                                                        | (P) |    |
| 69 |            | +PostMainLinkRel(TCV_chTch)                                                   |                                                        |     |    |
| 70 |            | [TCV_Setup_mt.bcap1.itc = '000'B]                                             |                                                        |     |    |
| 71 |            | +PostMainLinkRel(TCV_chTch)                                                   |                                                        |     |    |

**Detailed Comments:**

1. To perform the test on full rate telephony service.
2. To perform the test on half rate telephony.
3. To perform the test on TS62 service.
4. To setup the previous full rate channel into half rate channel.
5. Authentication is OK.
6. SETUP message without signal IE.
7. Late assignment.
8. Alerting indication not correct.
9. To accept the call at the MS.

### Test Case Dynamic Behaviour

|                        |                                                                                                                                                                                                                                                                                                                                                                                                                                                                                                                                                                                                                                                                                                                                                                                                                                                                                                                                                                                                                                                                                                                                                                                                                                                             |
|------------------------|-------------------------------------------------------------------------------------------------------------------------------------------------------------------------------------------------------------------------------------------------------------------------------------------------------------------------------------------------------------------------------------------------------------------------------------------------------------------------------------------------------------------------------------------------------------------------------------------------------------------------------------------------------------------------------------------------------------------------------------------------------------------------------------------------------------------------------------------------------------------------------------------------------------------------------------------------------------------------------------------------------------------------------------------------------------------------------------------------------------------------------------------------------------------------------------------------------------------------------------------------------------|
| <b>Test Case Name:</b> | TC_26_9_6_1_1                                                                                                                                                                                                                                                                                                                                                                                                                                                                                                                                                                                                                                                                                                                                                                                                                                                                                                                                                                                                                                                                                                                                                                                                                                               |
| <b>Group:</b>          | GSM_L3_MS_v4210/StructureProc/                                                                                                                                                                                                                                                                                                                                                                                                                                                                                                                                                                                                                                                                                                                                                                                                                                                                                                                                                                                                                                                                                                                                                                                                                              |
| <b>Purpose:</b>        | <p>1) To verify that an MS supporting speech in the MM state "idle, updated", when made to call the number 112, sends a CHANNEL REQUEST message with establishment cause "emergency call".</p> <p>2) To verify that after assignment of a dedicated channel the first layer message sent by the MS on the assigned dedicated channel is a CM SERVICE REQUEST message specifying the correct CKSN and TMSI, with CM Service Type "emergency call establishment" .</p> <p>3) To verify that authentication and cipher mode setting are performed successfully.</p> <p>4) To verify that after cipher mode setting acceptance by the SS, the MS sends an EMERGENCY SETUP message.</p> <p>5) To verify that subsequently, the SS having sent a CALL PROCEEDING message and then an ALERT message and having initiated the assignment procedure of an appropriate speech traffic channel, which, if the MS supports both TCH/FS and TCH/HS, is at the preferred rate, the MS performs correctly that assignment procedure.</p> <p>6) To verify subsequent correct performance of a connect procedure.</p> <p>7) To verify that subsequently the MS has through connected the TCH in both directions.</p> <p>8) To verify that the call is cleared correctly.</p> |
| <b>Default:</b>        | OtherEventsFail                                                                                                                                                                                                                                                                                                                                                                                                                                                                                                                                                                                                                                                                                                                                                                                                                                                                                                                                                                                                                                                                                                                                                                                                                                             |

| Nr | Label      | Behaviour Description                                                                                                                                                                                                                                                                                                                                                                                                                                                                                                                                              | CRef                                                                                                                      | V   | Comments                |
|----|------------|--------------------------------------------------------------------------------------------------------------------------------------------------------------------------------------------------------------------------------------------------------------------------------------------------------------------------------------------------------------------------------------------------------------------------------------------------------------------------------------------------------------------------------------------------------------------|---------------------------------------------------------------------------------------------------------------------------|-----|-------------------------|
| 1  |            | START T_guard(300)                                                                                                                                                                                                                                                                                                                                                                                                                                                                                                                                                 |                                                                                                                           |     |                         |
| 2  |            | +BasicServiceMO( C_EmgCall, TSPX_EmgCallRate)                                                                                                                                                                                                                                                                                                                                                                                                                                                                                                                      |                                                                                                                           |     |                         |
| 3  |            | +IdleUpdated( C_E_default, C_CellA, C_SCH_A, C_BCCH_A_1, C_Immass, C_S0, C_SlotNU, C_SlotNU, C_SlotNU, C_BCC, C_TxInt_5, C_Max_1, C_NECI_0, C_ATT_0, TimingAdv( 0), C_BABR_0, C_cch_1Comb, C_BPM_3, C_T3212_0, C_ci_cellA, C_MCC_1, C_PLMN_1, C_LAC_1, CellOpt_01, CellChDes_Omit, CellChDes_Omit, C_CellReselectHys12, C_MaxPwrLvIG, C_MaxPwrLvID, BcchFreqLst_45, BcchFreqLst_02, BcchFreqLst_03, BcchFreqLst_04, C_Restablishment, C_BCC, C_NCC, C_Start_Tmsi, TSPX_SDCCH4SubDef, TSPX_CKSNA, TSPX_RANDA, C_arfcnA, C_arfcnAd, TSPX_IMSI, C_Test_nfh, C_NCCP_2) |                                                                                                                           |     | 1.                      |
| 4  | body       | +InitCall( TCV_Service)                                                                                                                                                                                                                                                                                                                                                                                                                                                                                                                                            |                                                                                                                           |     |                         |
| 5  | L_053<br>0 | L?DL_RaInChRq( TCV_Rr := DL_RaInChRq.msg.ecau_rrf, TCV_Fn := DL_RaInChRq.fn)                                                                                                                                                                                                                                                                                                                                                                                                                                                                                       | ChReq( ChRequest_16)                                                                                                      | (P) | 2.                      |
| 6  |            | ACTIVATE( OtherEventsFail_02)                                                                                                                                                                                                                                                                                                                                                                                                                                                                                                                                      |                                                                                                                           |     | To match ChReq retrans. |
| 7  |            | !IDL_UdatRqImm                                                                                                                                                                                                                                                                                                                                                                                                                                                                                                                                                     | ImmAss( TCV_agch, ImmAsgn_01Def( TCV_Rr, TCV_Fn, TSPX_SDCCH4SubDef, TCV_slot, TCV_tsc, TCV_chdescr_arfcn, TimingAdv( 0))) |     |                         |
| 8  | L_053<br>1 | L?DL_EstInCmsRq                                                                                                                                                                                                                                                                                                                                                                                                                                                                                                                                                    | CMSerReq( CServiceReq_06( TSPX_CKSNA))                                                                                    | (P) | 3.                      |
| 9  |            | ACTIVATE( OtherEventsFail)                                                                                                                                                                                                                                                                                                                                                                                                                                                                                                                                         |                                                                                                                           |     | Restore Normal default  |
| 10 |            | !IDL_DatRqAuthRq                                                                                                                                                                                                                                                                                                                                                                                                                                                                                                                                                   | AuthReq(TCV_ch, AuthRequest( TSPX_CKSNA, TSPX_RANDA))                                                                     |     |                         |

|    |            |                                                                                                                                                                                       |                                                                                            |     |     |
|----|------------|---------------------------------------------------------------------------------------------------------------------------------------------------------------------------------------|--------------------------------------------------------------------------------------------|-----|-----|
| 11 |            | L?DL_DatInAuthRes( TCV_Sres<br>:= DL_DatInAuthRes.msg.sres)                                                                                                                           | AuthRes(<br>AuthResponse)                                                                  |     |     |
| 12 |            | +local_continue                                                                                                                                                                       |                                                                                            |     |     |
|    |            | <b>local_continue</b>                                                                                                                                                                 |                                                                                            |     |     |
| 13 |            | (TCV_Res := OC_ChkSRES(TCV_Sres, TSPX_Ki,<br>TSPX_RANDA))                                                                                                                             |                                                                                            |     |     |
| 14 | L_053<br>2 | [NOT TCV_Res]                                                                                                                                                                         |                                                                                            | (F) | 4.  |
| 15 |            | +PostMainLinkRel(TCV_ch)                                                                                                                                                              |                                                                                            |     |     |
| 16 | L_053<br>3 | [TCV_Res]                                                                                                                                                                             |                                                                                            | (P) | 5.  |
| 17 |            | +Cipherring_on(TCV_ch)                                                                                                                                                                |                                                                                            |     |     |
| 18 |            | +RcvSetupOrEsetup(TCV_Setup_mo,<br>TCV_Esetup, TCV_Ecall)                                                                                                                             |                                                                                            |     | 6.  |
| 19 |            | +local_preferred_rate                                                                                                                                                                 |                                                                                            |     |     |
| 20 |            | L!DL_DatRqCallProc                                                                                                                                                                    | CallProc( TCV_ch,<br>TCV_CallProc)                                                         |     |     |
| 21 |            | L!DL_DatRqAlert                                                                                                                                                                       | AlertSnd( TCV_ch,<br>Alerting_01( TCV_TI))                                                 |     |     |
| 22 |            | +AssCmdGen( TCV_cellid,<br>TCV_ChRate, TSPX_TmSlitDef,<br>TSPX_TscDef, TSPX_TCHHSubDef)                                                                                               |                                                                                            |     |     |
| 23 |            | +AssCh_complete(TCV_ch,<br>TCV_chTch, TCV_AssCmd)                                                                                                                                     |                                                                                            |     |     |
| 24 |            | +local_continue1                                                                                                                                                                      |                                                                                            |     |     |
|    |            | <b>local_continue1</b>                                                                                                                                                                |                                                                                            |     |     |
| 25 |            | L!DL_DatRqConn                                                                                                                                                                        | ConnSnd(<br>TCV_chTch,<br>Connect_02(<br>TCV_TI))                                          |     |     |
| 26 | L_053<br>4 | L?DL_DatInConnAck                                                                                                                                                                     | ConnAckRcv(<br>ConnectAck_02(<br>TCV_TI0))                                                 | (P) |     |
| 27 |            | (TCV_Res := OO_TCHThroConnCHK())                                                                                                                                                      |                                                                                            |     |     |
| 28 | L_053<br>5 | [NOT TCV_Res]                                                                                                                                                                         |                                                                                            | (F) | 7.  |
| 29 |            | +PostMainLinkRel(TCV_chTch)                                                                                                                                                           |                                                                                            |     |     |
| 30 | L_053<br>6 | [TCV_Res]                                                                                                                                                                             |                                                                                            | (P) | 8.  |
| 31 |            | L!DL_DatRqDisc                                                                                                                                                                        | DiscSnd(<br>TCV_chTch,<br>DisconnS( TCV_TI,<br>Cause_01,<br>ProgInd_omit,<br>UuInfo_omit)) |     |     |
| 32 | L_053<br>7 | L?DL_DatInRel                                                                                                                                                                         | ReleaseRcv(<br>Release_10(<br>TCV_TI0))                                                    | (P) |     |
| 33 |            | L!DL_DatRqRelCmp                                                                                                                                                                      | RelComSnd(<br>TCV_chTch,<br>ReleaseCmp_08(<br>TCV_TI))                                     |     |     |
| 34 |            | +PostMainLinkRel(TCV_chTch)                                                                                                                                                           |                                                                                            |     |     |
|    |            | <b>local_preferred_rate</b>                                                                                                                                                           |                                                                                            |     |     |
| 35 |            | +set_radio_chan_req                                                                                                                                                                   |                                                                                            |     |     |
| 36 |            | [TSPC_DualRate]                                                                                                                                                                       |                                                                                            |     |     |
| 37 |            | [TCV_Rchr = '11'B]                                                                                                                                                                    |                                                                                            |     | 9.  |
| 38 |            | +FullRateCh_A_1(C_Ass, TSPX_TmSlitDef,<br>TSPX_TscDef, ChMod_speech, FreqTCH_omit,<br>FreqTCH_omit, C_arfcn_tchA,<br>C_arfcn_tchAd, TimingAdv( 0), C_BABR_0,<br>C_cch_1Comb, C_BPM_3) |                                                                                            |     |     |
| 39 |            | (TCV_ChRate := C_Full)                                                                                                                                                                |                                                                                            |     |     |
| 40 |            | [TCV_Rchr = '10'B]                                                                                                                                                                    |                                                                                            |     | 10. |
| 41 |            | +HalfRateCh_A_1( TSPX_TCHHSubDef,<br>C_Ass, TSPX_TmSlitDef, TSPX_TscDef,<br>ChMod_speech, FreqTCH_omit,<br>FreqTCH_omit, C_arfcn_tchA, C_arfcn_tchAd,                                 |                                                                                            |     |     |

|                           |                                                                                                                                                                                      |                                                                                                                                                                                                                                                                                                                                                                                                                                                                                                                                                                                                                                                                                                                                                                                                                                                                                                              |  |  |
|---------------------------|--------------------------------------------------------------------------------------------------------------------------------------------------------------------------------------|--------------------------------------------------------------------------------------------------------------------------------------------------------------------------------------------------------------------------------------------------------------------------------------------------------------------------------------------------------------------------------------------------------------------------------------------------------------------------------------------------------------------------------------------------------------------------------------------------------------------------------------------------------------------------------------------------------------------------------------------------------------------------------------------------------------------------------------------------------------------------------------------------------------|--|--|
| 42                        | TimingAdv( 0), C_BABR_0, C_cch_1Comb,<br>C_BPM_3)                                                                                                                                    |                                                                                                                                                                                                                                                                                                                                                                                                                                                                                                                                                                                                                                                                                                                                                                                                                                                                                                              |  |  |
| 43                        | (TCV_ChRate := C_Half)                                                                                                                                                               |                                                                                                                                                                                                                                                                                                                                                                                                                                                                                                                                                                                                                                                                                                                                                                                                                                                                                                              |  |  |
| 44                        | [NOT TSPC_DualRate]                                                                                                                                                                  |                                                                                                                                                                                                                                                                                                                                                                                                                                                                                                                                                                                                                                                                                                                                                                                                                                                                                                              |  |  |
| 45                        | +FullRateCh_A_1(C_Ass, TSPX_TmSlTDef,<br>TSPX_TscDef, ChMod_speech, FreqTCH_omit,<br>FreqTCH_omit, C_arfcn_tchA,<br>C_arfcn_tchAd, TimingAdv( 0), C_BABR_0,<br>C_cch_1Comb, C_BPM_3) |                                                                                                                                                                                                                                                                                                                                                                                                                                                                                                                                                                                                                                                                                                                                                                                                                                                                                                              |  |  |
| 46                        | (TCV_ChRate := C_Full)                                                                                                                                                               |                                                                                                                                                                                                                                                                                                                                                                                                                                                                                                                                                                                                                                                                                                                                                                                                                                                                                                              |  |  |
| 47                        | <b>set_radio_chan_req</b>                                                                                                                                                            |                                                                                                                                                                                                                                                                                                                                                                                                                                                                                                                                                                                                                                                                                                                                                                                                                                                                                                              |  |  |
| 48                        | [NOT TCV_Ecall]                                                                                                                                                                      |                                                                                                                                                                                                                                                                                                                                                                                                                                                                                                                                                                                                                                                                                                                                                                                                                                                                                                              |  |  |
| 49                        | (TCV_Rchr := TCV_Setup_mo1.bcap1.rchr)                                                                                                                                               |                                                                                                                                                                                                                                                                                                                                                                                                                                                                                                                                                                                                                                                                                                                                                                                                                                                                                                              |  |  |
|                           | [TCV_Ecall]                                                                                                                                                                          |                                                                                                                                                                                                                                                                                                                                                                                                                                                                                                                                                                                                                                                                                                                                                                                                                                                                                                              |  |  |
|                           | (TCV_Rchr := TCV_Esetup1.bcap.rchr)                                                                                                                                                  |                                                                                                                                                                                                                                                                                                                                                                                                                                                                                                                                                                                                                                                                                                                                                                                                                                                                                                              |  |  |
| <b>Detailed Comments:</b> |                                                                                                                                                                                      | <ol style="list-style-type: none"> <li>1. To setup a physical channels as BCCH CCCH and SDCCH4 combined channel.</li> <li>2. CHANNEL REQUEST with "emergency call establishment" cause received.</li> <li>3. CM SERVICE REQUEST with "emergency call establishment" service type correct TMSI and CKSN received.</li> <li>4. Authentication failed.</li> <li>5. Authentication passed.</li> <li>6. EMERGENCY SETUP with BC or without BC received.</li> <li>7. The TCH channel is not through connected, fail.</li> <li>8. The TCH channel is through connected.</li> <li>9. dual rate / full rate preferred" case. setup a physical channel as full rate traffic channel and the preferred full rate channel is to be assigned.</li> <li>10. dual rate / half rate preferred" case. setup a physical channel as half rate traffic channel and the preferred half rate channel is to be assigned.</li> </ol> |  |  |

### Test Case Dynamic Behaviour

|                        |                                                                                                                                                                                                                                                                                                                                                                                                                                                                                                                                                                                                                                                                                                                                                                                                                                                                                                                                                                                                                                                                                                                                                                           |
|------------------------|---------------------------------------------------------------------------------------------------------------------------------------------------------------------------------------------------------------------------------------------------------------------------------------------------------------------------------------------------------------------------------------------------------------------------------------------------------------------------------------------------------------------------------------------------------------------------------------------------------------------------------------------------------------------------------------------------------------------------------------------------------------------------------------------------------------------------------------------------------------------------------------------------------------------------------------------------------------------------------------------------------------------------------------------------------------------------------------------------------------------------------------------------------------------------|
| <b>Test Case Name:</b> | TC_26_9_6_1_2                                                                                                                                                                                                                                                                                                                                                                                                                                                                                                                                                                                                                                                                                                                                                                                                                                                                                                                                                                                                                                                                                                                                                             |
| <b>Group:</b>          | GSM_L3_MS_v4210/StructureProc/                                                                                                                                                                                                                                                                                                                                                                                                                                                                                                                                                                                                                                                                                                                                                                                                                                                                                                                                                                                                                                                                                                                                            |
| <b>Purpose:</b>        | <p>1) To verify that the MS in the "idle, no IMSI" state (no SIM inserted) when made to call the number 112, sends a CHANNEL REQUEST message with establishment cause "emergency call".</p> <p>2) To verify that after assignment of a dedicated channel the first layer message sent by the MS on the assigned dedicated channel is a CM SERVICE REQUEST message specifying the correct CKSN and TMSI, with CM Service Type "emergency call establishment".</p> <p>3) To verify that after receipt of a CM SERVICE ACCEPT message from the SS, the MS sends an EMERGENCY SETUP message.</p> <p>4) To verify that subsequently, the SS having sent a CALL PROCEEDING message and then an ALERT message and having initiated the assignment procedure of an appropriate speech traffic channel, which, if the MS supports both TCH/FS and TCH/HS, is at the non-preferred rate, the MS performs correctly that assignment procedure.</p> <p>5) To verify subsequent correct performance of a connect procedure.</p> <p>6) To verify that subsequently the MS has through connected the TCH in both directions.</p> <p>7) To verify that the call is cleared correctly.</p> |
| <b>Default:</b>        | OtherEventsFail                                                                                                                                                                                                                                                                                                                                                                                                                                                                                                                                                                                                                                                                                                                                                                                                                                                                                                                                                                                                                                                                                                                                                           |

| Nr | Label      | Behaviour Description                                                                                                                                                                                                                                                                                                                                                                                                                                                                                                                                                                                           | CRef                                                                                                                                                          | V   | Comments                |
|----|------------|-----------------------------------------------------------------------------------------------------------------------------------------------------------------------------------------------------------------------------------------------------------------------------------------------------------------------------------------------------------------------------------------------------------------------------------------------------------------------------------------------------------------------------------------------------------------------------------------------------------------|---------------------------------------------------------------------------------------------------------------------------------------------------------------|-----|-------------------------|
| 1  |            | START T_guard(300)                                                                                                                                                                                                                                                                                                                                                                                                                                                                                                                                                                                              |                                                                                                                                                               |     |                         |
| 2  |            | +BasicServiceMO( C_EmgCall,<br>TSPX_EmgCallRate)                                                                                                                                                                                                                                                                                                                                                                                                                                                                                                                                                                |                                                                                                                                                               |     |                         |
| 3  |            | +IdleUpdated( C_E_default, C_CellA, C_SCH_A,<br>C_BCCH_A_1, C_Immass, C_S0, C_SlotNU,<br>C_SlotNU, C_SlotNU, C_BCC, C_TxInt_5,<br>C_Max_1, C_NECI_0, C_ATT_0, TimingAdv( 0),<br>C_BABR_0, C_cch_1Comb, C_BPM_3,<br>C_T3212_0, C_ci_cellA, C_MCC_1, C_PLMN_1,<br>C_LAC_1, CellOpt_01, CellChDes_Omit,<br>CellChDes_Omit, C_CellReselectHys12,<br>C_MaxPwrLvIG, C_MaxPwrLvID,<br>BcchFreqLst_45, BcchFreqLst_02,<br>BcchFreqLst_03, BcchFreqLst_04,<br>C_Restablishment, C_BCC, C_NCC,<br>C_Start_Tmsi, TSPX_SDCCH4SubDef,<br>TSPX_CKSNA, TSPX_RANDA, C_arfcnA,<br>C_arfcnAd, TSPX_IMSI, C_Test_nfh,<br>C_NCCP_2) |                                                                                                                                                               |     | 1.                      |
| 4  | body       | +local_continue                                                                                                                                                                                                                                                                                                                                                                                                                                                                                                                                                                                                 |                                                                                                                                                               |     |                         |
|    |            | <b>local_continue</b>                                                                                                                                                                                                                                                                                                                                                                                                                                                                                                                                                                                           |                                                                                                                                                               |     |                         |
| 5  |            | +InitCall( TCV_Service)                                                                                                                                                                                                                                                                                                                                                                                                                                                                                                                                                                                         |                                                                                                                                                               |     |                         |
| 6  | L_053      | L?DL_RaInChRq (TCV_Rr := DL_RaInChRq.<br>msg.ecau_rrf, TCV_Fn := DL_RaInChRq.fn)                                                                                                                                                                                                                                                                                                                                                                                                                                                                                                                                | ChReq(<br>ChRequest_16)                                                                                                                                       | (P) | 2.                      |
| 7  |            | ACTIVATE(OtherEventsFail_02)                                                                                                                                                                                                                                                                                                                                                                                                                                                                                                                                                                                    |                                                                                                                                                               |     | To match ChReq retrans. |
| 8  |            | L!DL_UdatRqImmass                                                                                                                                                                                                                                                                                                                                                                                                                                                                                                                                                                                               | ImmAss( TCV_agch,<br>ImmAsgn_01Def(<br>TCV_Rr, TCV_Fn,<br>TSPX_SDCCH4SubD<br>ef, TCV_slot,<br>TCV_tsc,<br>TCV_chdescr_arfcn,<br>TimingAdv(<br>TSPX_TimadvA))) |     |                         |
| 9  | L_053<br>9 | L?DL_EstInCmsRq                                                                                                                                                                                                                                                                                                                                                                                                                                                                                                                                                                                                 | CMSerReq(<br>CMServiceReq_06(<br>TSPX_CKSNA))                                                                                                                 | (P) | 3.                      |
| 10 |            | ACTIVATE(OtherEventsFail)                                                                                                                                                                                                                                                                                                                                                                                                                                                                                                                                                                                       |                                                                                                                                                               |     | Restore Normal default  |
| 11 |            | +Authentication(TCV_ch, TSPX_CKSNA,<br>TSPX_RANDA)                                                                                                                                                                                                                                                                                                                                                                                                                                                                                                                                                              |                                                                                                                                                               |     |                         |
| 12 | L_054<br>0 | [NOT TCV_Res]                                                                                                                                                                                                                                                                                                                                                                                                                                                                                                                                                                                                   |                                                                                                                                                               | (F) | 4.                      |



|    |       |                                                                                                                                                                                                        |                                                                                            |     |     |
|----|-------|--------------------------------------------------------------------------------------------------------------------------------------------------------------------------------------------------------|--------------------------------------------------------------------------------------------|-----|-----|
| 13 |       | +PostMainLinkRel( TCV_ch)                                                                                                                                                                              |                                                                                            |     |     |
| 14 | L_054 | [TCV_Res]                                                                                                                                                                                              |                                                                                            | (P) | 5.  |
| 15 | 1     | +Ciphering_on(TCV_ch)                                                                                                                                                                                  |                                                                                            |     |     |
| 16 |       | +local_continue1                                                                                                                                                                                       |                                                                                            |     |     |
|    |       | <b>local_continue1</b>                                                                                                                                                                                 |                                                                                            |     |     |
| 17 |       | +RcvSetupOrEsetup(TCV_Setup_mo, TCV_Esetup,<br>TCV_Ecall)                                                                                                                                              |                                                                                            |     | 6.  |
| 18 |       | +local_nonpreferred_rate                                                                                                                                                                               |                                                                                            |     |     |
| 19 |       | L!DL_DatRqCallProc                                                                                                                                                                                     | CallProc( TCV_ch,<br>TCV_CallProc)                                                         |     |     |
| 20 |       | L!DL_DatRqAlert                                                                                                                                                                                        | AlertSnd( TCV_ch,<br>Alerting_01( TCV_TI))                                                 |     |     |
| 21 |       | +AssCmdGen( TCV_cellid, TCV_ChRate,<br>TSPX_TmSltDef, TSPX_TscDef,<br>TSPX_TCHHSubDef)                                                                                                                 |                                                                                            |     |     |
| 22 |       | +AssCh_complete(TCV_ch, TCV_chTch,<br>TCV_AssCmd)                                                                                                                                                      |                                                                                            |     |     |
| 23 |       | +local_continue2                                                                                                                                                                                       |                                                                                            |     |     |
|    |       | <b>local_continue2</b>                                                                                                                                                                                 |                                                                                            |     |     |
| 24 |       | L!DL_DatRqConn                                                                                                                                                                                         | ConnSnd(<br>TCV_chTch,<br>Connect_02(<br>TCV_TI))                                          |     |     |
| 25 | L_054 | L?DL_DatInConnAck                                                                                                                                                                                      | ConnAckRcv(<br>ConnectAck_02(<br>TCV_TI0))                                                 | (P) |     |
| 26 | 2     |                                                                                                                                                                                                        |                                                                                            |     |     |
| 27 | L_054 | (TCV_Res := OO_TCHThroConnCHK())<br>[NOT TCV_Res]                                                                                                                                                      |                                                                                            | (F) | 9.  |
| 28 | 3     |                                                                                                                                                                                                        |                                                                                            |     |     |
| 29 | L_054 | +PostMainLinkRel(TCV_chTch)<br>[TCV_Res]                                                                                                                                                               |                                                                                            | (P) | 10. |
| 30 | 4     |                                                                                                                                                                                                        |                                                                                            |     |     |
| 30 |       | L!DL_DatRqDisc                                                                                                                                                                                         | DiscSnd(<br>TCV_chTch,<br>DisconnS( TCV_TI,<br>Cause_01,<br>ProgInd_omit,<br>UuInfo_omit)) |     |     |
| 31 | L_054 | L?DL_DatInRel                                                                                                                                                                                          | ReleaseRcv(<br>Release_10(<br>TCV_TI0))                                                    | (P) |     |
| 32 | 5     |                                                                                                                                                                                                        |                                                                                            |     |     |
| 32 |       | L!DL_DatRqRelCmp                                                                                                                                                                                       | RelComSnd(<br>TCV_chTch,<br>ReleaseCmp_08(<br>TCV_TI))                                     |     |     |
| 33 |       | +PostMainLinkRel(TCV_chTch)                                                                                                                                                                            |                                                                                            |     |     |
|    |       | <b>local_nonpreferred_rate</b>                                                                                                                                                                         |                                                                                            |     |     |
| 34 |       | (TCV_Rchr := TCV_Setup_mo1.bcap1.rchr)                                                                                                                                                                 |                                                                                            |     |     |
| 35 |       | [TCV_Rchr = '10'B]                                                                                                                                                                                     |                                                                                            |     | 7.  |
| 36 |       | +FullRateCh_A_1(C_Ass, TSPX_TmSltDef,<br>TSPX_TscDef, ChMod_speech, FreqTCH_omit,<br>FreqTCH_omit, C_arfcn_tchA,<br>C_arfcn_tchAd, TimingAdv( 0), C_BABR_0,<br>C_cch_1Comb, C_BPM_3)                   |                                                                                            |     |     |
| 37 |       | (TCV_ChRate := C_Full)                                                                                                                                                                                 |                                                                                            |     |     |
| 38 |       | [TCV_Rchr = '11'B]                                                                                                                                                                                     |                                                                                            |     | 8.  |
| 39 |       | +HalfRateCh_A_1( TSPX_TCHHSubDef, C_Ass,<br>TSPX_TmSltDef, TSPX_TscDef, ChMod_speech,<br>FreqTCH_omit, FreqTCH_omit, C_arfcn_tchA,<br>C_arfcn_tchAd, TimingAdv( 0), C_BABR_0,<br>C_cch_1Comb, C_BPM_3) |                                                                                            |     |     |
| 40 |       | (TCV_ChRate := C_Half)                                                                                                                                                                                 |                                                                                            |     |     |

**Detailed Comments:**

1. To setup a physical channels as BCCH CCCH and SDCCH4 combined channel.
2. CHANNEL REQUEST with "emergency call establishment" cause received.
3. CM SERVICE REQUEST with "emergency call establishment" service type received.
4. Authentication failed.

5. Authentication passed.
6. EMERGENCY SETUP with a BC indicating "dual rate/half rate preferred" or "dual rate/full rate preferred" received.
7. dual rate / half rate preferred" case. setup a physical channel as full rate traffic channel and the non-preferred full rate channel is to be assigned.
8. dual rate / full rate preferred" case. setup a physical channel as half rate traffic channel and the non-preferred half rate channel is to be assigned.
9. The TCH channel is not through connected, fail.
10. The TCH channel is through connected.

| Test Case Dynamic Behaviour |            |                                                                                                                                                                                                                                                                                                                                                                                                                                                                                                                                                                                                                                                                                                                                                                                                                                                                                                                                                                                                                                                                                                                                                                                                                                                                                  |                                                                                                                                                 |     |                         |
|-----------------------------|------------|----------------------------------------------------------------------------------------------------------------------------------------------------------------------------------------------------------------------------------------------------------------------------------------------------------------------------------------------------------------------------------------------------------------------------------------------------------------------------------------------------------------------------------------------------------------------------------------------------------------------------------------------------------------------------------------------------------------------------------------------------------------------------------------------------------------------------------------------------------------------------------------------------------------------------------------------------------------------------------------------------------------------------------------------------------------------------------------------------------------------------------------------------------------------------------------------------------------------------------------------------------------------------------|-------------------------------------------------------------------------------------------------------------------------------------------------|-----|-------------------------|
| <b>Test Case Name:</b>      |            | TC_26_9_6_2_1                                                                                                                                                                                                                                                                                                                                                                                                                                                                                                                                                                                                                                                                                                                                                                                                                                                                                                                                                                                                                                                                                                                                                                                                                                                                    |                                                                                                                                                 |     |                         |
| <b>Group:</b>               |            | GSM_L3_MS_v4210/StructureProc/                                                                                                                                                                                                                                                                                                                                                                                                                                                                                                                                                                                                                                                                                                                                                                                                                                                                                                                                                                                                                                                                                                                                                                                                                                                   |                                                                                                                                                 |     |                         |
| <b>Purpose:</b>             |            | <p>1) To verify that the MS in the "idle, no IMSI" state (no SIM inserted) when made to call the number 112, sends a CHANNEL REQUEST message with establishment cause "emergency call".</p> <p>2) To verify that after assignment of a dedicated channel the first layer message sent by the MS on the assigned dedicated channel is a CM SERVICE REQUEST message in which the cipher key sequence number IE indicates "no key is available", the CM service type IE indicates "emergency call establishment", and the mobile identity IE specifies the IMEI of the MS.</p> <p>3) To verify that after receipt of a CM SERVICE ACCEPT message from the SS, the MS sends an EMERGENCY SETUP message.</p> <p>4) To verify that subsequently, the SS having sent a CALL PROCEEDING message and then an ALERT message and having initiated the assignment procedure of an appropriate speech traffic channel, which, if the MS supports both TCH/FS and TCH/HS, is at the preferred rate, the MS performs correctly that assignment procedure.</p> <p>5) To verify subsequent correct performance of a connect procedure.</p> <p>6) To verify that subsequently the MS has through connected the TCH in both directions.</p> <p>7) To verify that the call is cleared correctly.</p> |                                                                                                                                                 |     |                         |
| <b>Default:</b>             |            | OtherEventsFail                                                                                                                                                                                                                                                                                                                                                                                                                                                                                                                                                                                                                                                                                                                                                                                                                                                                                                                                                                                                                                                                                                                                                                                                                                                                  |                                                                                                                                                 |     |                         |
| <b>Comments:</b>            |            | For this test case the SIM card shall be removed form the MS.                                                                                                                                                                                                                                                                                                                                                                                                                                                                                                                                                                                                                                                                                                                                                                                                                                                                                                                                                                                                                                                                                                                                                                                                                    |                                                                                                                                                 |     |                         |
| Nr                          | Label      | Behaviour Description                                                                                                                                                                                                                                                                                                                                                                                                                                                                                                                                                                                                                                                                                                                                                                                                                                                                                                                                                                                                                                                                                                                                                                                                                                                            | CRef                                                                                                                                            | V   | Comments                |
| 1                           |            | START T_guard(300)                                                                                                                                                                                                                                                                                                                                                                                                                                                                                                                                                                                                                                                                                                                                                                                                                                                                                                                                                                                                                                                                                                                                                                                                                                                               |                                                                                                                                                 |     |                         |
| 2                           |            | +BasicServiceMO( C_EmgCall,<br>TSPX_EmgCallRate)                                                                                                                                                                                                                                                                                                                                                                                                                                                                                                                                                                                                                                                                                                                                                                                                                                                                                                                                                                                                                                                                                                                                                                                                                                 |                                                                                                                                                 |     |                         |
| 3                           |            | +IdleUpdated( C_E_default, C_CellA, C_SCH_A,<br>C_BCCH_A_1, C_ImmAss, C_S0, C_SlotNU,<br>C_SlotNU, C_SlotNU, C_BCC, C_TxInt_5,<br>C_Max_1, C_NECl_0, C_ATT_0, TimingAdv( 0),<br>C_BABR_0, C_cch_1Comb, C_BPM_3,<br>C_T3212_0, C_ci_cellA, C_MCC_1, C_PLMN_1,<br>C_LAC_1, CellOpt_01, CellChDes_Omit,<br>CellChDes_Omit, C_CellReselectHys12,<br>C_MaxPwrLvIG, C_MaxPwrLvID,<br>BcchFreqLst_45, BcchFreqLst_02,<br>BcchFreqLst_03, BcchFreqLst_04,<br>C_Restablishment, C_BCC, C_NCC,<br>C_Start_Rej, TSPX_SDCCH4SubDef,<br>TSPX_CKSNDf, TSPX_RANDDef, C_arfcnA,<br>C_arfcnAd, TSPX_IMSI, C_Test_nfh,<br>C_NCCP_2)                                                                                                                                                                                                                                                                                                                                                                                                                                                                                                                                                                                                                                                                |                                                                                                                                                 |     | 1.                      |
| 4                           |            | +CCConfigTCH_nociph( TSPX_TCHHSubDef,<br>C_Ass, TSPX_TmSltDef, TSPX_TscDef,<br>TimingAdv( 0), C_BABR_0, C_cch_1Comb,<br>C_BPM_3, TCV_ChMod.mode, FreqTCH_omit,<br>FreqTCH_omit, C_arfcn_tchA, C_arfcn_tchAd)                                                                                                                                                                                                                                                                                                                                                                                                                                                                                                                                                                                                                                                                                                                                                                                                                                                                                                                                                                                                                                                                     |                                                                                                                                                 |     |                         |
| 5                           | body       | +InitCall(TCV_Service)                                                                                                                                                                                                                                                                                                                                                                                                                                                                                                                                                                                                                                                                                                                                                                                                                                                                                                                                                                                                                                                                                                                                                                                                                                                           |                                                                                                                                                 |     |                         |
| 6                           | L_054<br>6 | L?DL_RaInChRq (TCV_Rr :=<br>DL_RaInChRq. msg.ecau_rrf, TCV_Fn :=<br>DL_RaInChRq.fn)                                                                                                                                                                                                                                                                                                                                                                                                                                                                                                                                                                                                                                                                                                                                                                                                                                                                                                                                                                                                                                                                                                                                                                                              | ChReq(<br>ChRequest_16)                                                                                                                         | (P) | 2.                      |
| 7                           |            | ACTIVATE( OtherEventsFail_02)                                                                                                                                                                                                                                                                                                                                                                                                                                                                                                                                                                                                                                                                                                                                                                                                                                                                                                                                                                                                                                                                                                                                                                                                                                                    |                                                                                                                                                 |     | To match ChReq retrans. |
| 8                           |            | L!DL_UdatRqImmAss                                                                                                                                                                                                                                                                                                                                                                                                                                                                                                                                                                                                                                                                                                                                                                                                                                                                                                                                                                                                                                                                                                                                                                                                                                                                | ImmAss( TCV_agch,<br>ImmAsgn_01Def(<br>TCV_Rr, TCV_Fn,<br>TSPX_SDCCH4SubD<br>ef, TCV_slot,<br>TCV_tsc,<br>TCV_chdescr_arfcn,<br>TimingAdv( 0))) |     |                         |
| 9                           | L_054<br>7 | L?DL_EstInCmsRq                                                                                                                                                                                                                                                                                                                                                                                                                                                                                                                                                                                                                                                                                                                                                                                                                                                                                                                                                                                                                                                                                                                                                                                                                                                                  | CMSerReq(<br>CMServiceReq_07)                                                                                                                   | (P) | 3.                      |
| 10                          |            | ACTIVATE( OtherEventsFail)                                                                                                                                                                                                                                                                                                                                                                                                                                                                                                                                                                                                                                                                                                                                                                                                                                                                                                                                                                                                                                                                                                                                                                                                                                                       |                                                                                                                                                 |     | Restore Normal default  |
| 11                          |            | L!DL_DatRqCmsAcp                                                                                                                                                                                                                                                                                                                                                                                                                                                                                                                                                                                                                                                                                                                                                                                                                                                                                                                                                                                                                                                                                                                                                                                                                                                                 | CMSerAcp( TCV_ch,<br>CMServiceAcp_01)                                                                                                           |     |                         |
| 12                          |            | +local_continue                                                                                                                                                                                                                                                                                                                                                                                                                                                                                                                                                                                                                                                                                                                                                                                                                                                                                                                                                                                                                                                                                                                                                                                                                                                                  |                                                                                                                                                 |     |                         |

|    |            |                                                                                   |                                                                             |     |    |
|----|------------|-----------------------------------------------------------------------------------|-----------------------------------------------------------------------------|-----|----|
|    |            | <b>local_continue</b>                                                             |                                                                             |     |    |
| 13 |            | +RcvSetupOrEsetup(TCV_Setup_mo, TCV_Esetup, TCV_Ecall)                            |                                                                             |     | 4. |
| 14 |            | L!DL_DatRqCallProc                                                                | CallProc(TCV_ch, TCV_CallProc)                                              |     |    |
| 15 |            | LIDL_DatRqAlert                                                                   | AlertSnd( TCV_ch, Alerting_01( TCV_TI))                                     |     |    |
| 16 |            | +AssCmdGen( TCV_cellid, TCV_ChRate, TSPX_TmSlitDef, TSPX_TscDef, TSPX_TCHHSubDef) |                                                                             |     | 5. |
| 17 |            | +AssCh_complete(TCV_ch, TCV_chTch, TCV_AssCmd)                                    |                                                                             |     |    |
| 18 |            | +local_continue1                                                                  |                                                                             |     |    |
|    |            | <b>local_continue1</b>                                                            |                                                                             |     |    |
| 19 |            | L!DL_DatRqConn                                                                    | ConnSnd( TCV_chTch, Connect_02( TCV_TI))                                    |     |    |
| 20 | L_054<br>8 | L?DL_DatInConnAck                                                                 | ConnAckRcv( ConnectAck_02( TCV_TI0))                                        | (P) |    |
| 21 |            | (TCV_Res := OO_TCHThroConnCHK())                                                  |                                                                             |     |    |
| 22 | L_054<br>9 | [NOT TCV_Res]                                                                     |                                                                             | (F) | 6. |
| 23 |            | +PostMainLinkRel(TCV_chTch)                                                       |                                                                             |     |    |
| 24 | L_055<br>0 | [TCV_Res]                                                                         |                                                                             | (P) | 7. |
| 25 |            | LIDL_DatRqDisc                                                                    | DiscSnd( TCV_chTch, DisconnS( TCV_TI, Cause_01, ProgInd_omit, UuInfo_omit)) |     |    |
| 26 | L_055<br>1 | L?DL_DatInRel                                                                     | ReleaseRcv( Release_10( TCV_TI0))                                           | (P) |    |
| 27 |            | L!DL_DatRqRelCmp                                                                  | RelComSnd( TCV_chTch, ReleaseCmp_08( TCV_TI))                               |     |    |
| 28 |            | L!DL_DatRqChRel                                                                   | ChRel( TCV_chTch, ChRelease_01)                                             |     |    |
| 29 | L_055<br>2 | L?DL_RelIn                                                                        | DLRelInd_01                                                                 | (P) | 8. |

**Detailed Comments:**

1. To setup a physical channel as BCCH CCCH and SDCCH4 combined channel.
2. CHANNEL REQUEST with "emergency call establishment" cause received.
3. CM SERVICE REQUEST with "emergency call establishment" service type received and the mobile identity IE specifies the IMEI of the MS, the classmark IE has the value specified in PIXIT.
4. EMERGENCY SETUP with BC indicating or without BC received.
5. To assign the traffic channel.
6. The TCH channel is not through connected, fail.
7. The TCH channel is through connected.
8. Main signalling link is released.

| Test Case Dynamic Behaviour |            |                                                                                                                                                                                                                                                                                                                                                                                                                                                                                                                                                                                                                                                                                                                  |                                                                                                                           |     |                         |
|-----------------------------|------------|------------------------------------------------------------------------------------------------------------------------------------------------------------------------------------------------------------------------------------------------------------------------------------------------------------------------------------------------------------------------------------------------------------------------------------------------------------------------------------------------------------------------------------------------------------------------------------------------------------------------------------------------------------------------------------------------------------------|---------------------------------------------------------------------------------------------------------------------------|-----|-------------------------|
| <b>Test Case Name:</b>      |            | TC_26_9_6_2_2                                                                                                                                                                                                                                                                                                                                                                                                                                                                                                                                                                                                                                                                                                    |                                                                                                                           |     |                         |
| <b>Group:</b>               |            | GSM_L3_MS_v4210/StructureProc/                                                                                                                                                                                                                                                                                                                                                                                                                                                                                                                                                                                                                                                                                   |                                                                                                                           |     |                         |
| <b>Purpose:</b>             |            | <p>1) To verify that the MS in the "idle, no IMSI" state (no SIM inserted) when made to call the number 112, sends a CHANNEL REQUEST message with establishment cause "emergency call".</p> <p>2) To verify that after assignment of a dedicated channel the first layer message sent by the MS on the assigned dedicated channel is a CM SERVICE REQUEST message in which the cipher key sequence number IE indicates "no key is available", the CM service type IE indicates "emergency call establishment", and the mobile identity IE specifies the IMEI of the MS.</p> <p>3) To verify that after receipt of a CM SERVICE REJECT message from the SS, the MS abandons the emergency call establishment.</p> |                                                                                                                           |     |                         |
| <b>Default:</b>             |            | OtherEventsFail                                                                                                                                                                                                                                                                                                                                                                                                                                                                                                                                                                                                                                                                                                  |                                                                                                                           |     |                         |
| <b>Comments:</b>            |            | For this test case the SIM card shall be removed from the MS.                                                                                                                                                                                                                                                                                                                                                                                                                                                                                                                                                                                                                                                    |                                                                                                                           |     |                         |
| Nr                          | Label      | Behaviour Description                                                                                                                                                                                                                                                                                                                                                                                                                                                                                                                                                                                                                                                                                            | Cref                                                                                                                      | V   | Comments                |
| 1                           |            | START T_guard(300)                                                                                                                                                                                                                                                                                                                                                                                                                                                                                                                                                                                                                                                                                               |                                                                                                                           |     |                         |
| 2                           |            | +BasicServiceMO( C_EmgCall, TSPX_EmgCallRate)                                                                                                                                                                                                                                                                                                                                                                                                                                                                                                                                                                                                                                                                    |                                                                                                                           |     |                         |
| 3                           |            | +IdleUpdated( C_E_default, C_CellA, C_SCH_A, C_BCCH_A_1, C_ImmAsgn, C_S0, C_SlotNU, C_SlotNU, C_SlotNU, C_BCC, C_TxInt_5, C_Max_1, C_NECl_0, C_ATT_0, TimingAdv( 0), C_BABR_0, C_cch_1Comb, C_BPM_3, C_T3212_0, C_ci_cellA, C_MCC_1, C_PLMN_1, C_LAC_1, CellOpt_01, CellChDes_Omit, CellChDes_Omit, C_CellReselectHys12, C_MaxPwrLvlG, C_MaxPwrLvlD, BcchFreqLst_45, BcchFreqLst_02, BcchFreqLst_03, BcchFreqLst_04, C_Restablishment, C_BCC, C_NCC, C_Start_Rej, TSPX_SDCCH4SubDef, TSPX_CKSNDf, TSPX_RANDDef, C_arfcnA, C_arfcnAd, TSPX_IMSI, C_Test_nfh, C_NCCP_2)                                                                                                                                            |                                                                                                                           |     |                         |
| 4                           | body       | +local_continue                                                                                                                                                                                                                                                                                                                                                                                                                                                                                                                                                                                                                                                                                                  |                                                                                                                           |     |                         |
|                             |            | <b>local_continue</b>                                                                                                                                                                                                                                                                                                                                                                                                                                                                                                                                                                                                                                                                                            |                                                                                                                           |     |                         |
| 5                           |            | +InitCall(TCV_Service)                                                                                                                                                                                                                                                                                                                                                                                                                                                                                                                                                                                                                                                                                           |                                                                                                                           |     |                         |
| 6                           | L_055<br>3 | L?DL_RacInChRq (TCV_Rr := DL_RacInChRq.msg.ecau_rrf, TCV_Fn := DL_RacInChRq.fn)                                                                                                                                                                                                                                                                                                                                                                                                                                                                                                                                                                                                                                  | ChReq(ChRequest_16)                                                                                                       | (P) | 2.                      |
| 7                           |            | ACTIVATE(OtherEventsFail_02)                                                                                                                                                                                                                                                                                                                                                                                                                                                                                                                                                                                                                                                                                     |                                                                                                                           |     | To match ChReq retrans. |
| 8                           |            | LIDL_UdatRqImmAsgn                                                                                                                                                                                                                                                                                                                                                                                                                                                                                                                                                                                                                                                                                               | ImmAss( TCV_agch, ImmAsgn_01Def( TCV_Rr, TCV_Fn, TSPX_SDCCH4SubDef, TCV_slot, TCV_tsc, TCV_chdescr_arfcn, TimingAdv( 0))) |     |                         |
| 9                           | L_055<br>4 | L?DL_EstInCmsRq                                                                                                                                                                                                                                                                                                                                                                                                                                                                                                                                                                                                                                                                                                  | CMSerReq(CMSerReq_07)                                                                                                     | (P) | 3.                      |
| 10                          |            | ACTIVATE(OtherEventsFail)                                                                                                                                                                                                                                                                                                                                                                                                                                                                                                                                                                                                                                                                                        |                                                                                                                           |     | Restore Normal default  |
| 11                          |            | LIDL_DatRqCmsRej                                                                                                                                                                                                                                                                                                                                                                                                                                                                                                                                                                                                                                                                                                 | CMSerRej(TCV_ch, CMSerReq_02)                                                                                             |     |                         |
| 12                          |            | START T_dly(5000)                                                                                                                                                                                                                                                                                                                                                                                                                                                                                                                                                                                                                                                                                                |                                                                                                                           |     | 4.                      |
| 13                          |            | ?TIMEOUT T_dly                                                                                                                                                                                                                                                                                                                                                                                                                                                                                                                                                                                                                                                                                                   |                                                                                                                           |     |                         |
| 14                          |            | +PostMainLinkRel(TCV_ch)                                                                                                                                                                                                                                                                                                                                                                                                                                                                                                                                                                                                                                                                                         |                                                                                                                           |     |                         |
| 15                          |            | START T_dly(20000)                                                                                                                                                                                                                                                                                                                                                                                                                                                                                                                                                                                                                                                                                               |                                                                                                                           |     | 5.                      |
| 16                          |            | ?TIMEOUT T_dly                                                                                                                                                                                                                                                                                                                                                                                                                                                                                                                                                                                                                                                                                                   |                                                                                                                           |     |                         |
| <b>Detailed Comments:</b>   |            | <p>1. To setup a physical channel as BCCH CCCH and SDCCH4.</p> <p>2. CHANNEL REQUEST with "emergency call" received.</p> <p>3. CM SERVICE REQUEST with "emergency call establishment", IMEI, "no key available" and classmark received.</p> <p>4. To check whether the MS sends any L 3 messages, the test case fails in the default tree if the MS does.</p> <p>5. To check whether the MS initiates an RR connection establishment, the test case fails in the default tree if the MS does.</p>                                                                                                                                                                                                                |                                                                                                                           |     |                         |

## Test Group EGSMsignalling

| Test Case Dynamic Behaviour |       |                                                                                                                                                                                                                                                                                                                                                                                                                                                                                                                                                                                                                                  |      |   |          |
|-----------------------------|-------|----------------------------------------------------------------------------------------------------------------------------------------------------------------------------------------------------------------------------------------------------------------------------------------------------------------------------------------------------------------------------------------------------------------------------------------------------------------------------------------------------------------------------------------------------------------------------------------------------------------------------------|------|---|----------|
| <b>Test Case Name:</b>      |       | TC_26_10_2_1                                                                                                                                                                                                                                                                                                                                                                                                                                                                                                                                                                                                                     |      |   |          |
| <b>Group:</b>               |       | GSM_L3_MS_v4210/EGSMsignalling/                                                                                                                                                                                                                                                                                                                                                                                                                                                                                                                                                                                                  |      |   |          |
| <b>Purpose:</b>             |       | To verify that the MS reports appropriate results when the test system gives information about neighbouring cells                                                                                                                                                                                                                                                                                                                                                                                                                                                                                                                |      |   |          |
| <b>Default:</b>             |       | OtherEventsFail                                                                                                                                                                                                                                                                                                                                                                                                                                                                                                                                                                                                                  |      |   |          |
| Nr                          | Label | Behaviour Description                                                                                                                                                                                                                                                                                                                                                                                                                                                                                                                                                                                                            | CRef | V | Comments |
| 1                           |       | START T_guard(480)                                                                                                                                                                                                                                                                                                                                                                                                                                                                                                                                                                                                               |      |   |          |
| 2                           |       | +BasicServiceMT( TSPX_MTBscSvcA,<br>TSPX_MTChRateA)                                                                                                                                                                                                                                                                                                                                                                                                                                                                                                                                                                              |      |   |          |
| 3                           |       | +IdleUpdated( C_E_neighbourdefault, C_CellA,<br>C_SCH_A, C_BCCH_A_1, C_Immass, C_S0,<br>C_SlotNU, C_SlotNU, C_SlotNU, C_BCC,<br>C_TxInt_5, C_Max_1, C_NECI_0, C_ATT_0,<br>TimingAdv( 30), C_BABR_0, C_cch_1Comb,<br>C_BPM_3, C_T3212_0, C_ci_cellA, C_MCC_1,<br>C_PLMN_1, C_LAC_1, CellOpt_01,<br>CellChDes_02, CellChDes_03,<br>C_CellReselectHys12, C_MaxPwrLvlG,<br>C_MaxPwrLvlD, BcchFreqLst_21,<br>BcchFreqLst_Omit, BcchFreqLst_27,<br>BcchFreqLst_Omit, C_noRestablishment,<br>C_BCC_3, C_NCC, C_Start_Tmsi,<br>TSPX_SDCCH4SubA, TSPX_CKSNDf,<br>TSPX_RANDDef, C_arfcn_2, C_arfcnAd_2,<br>TSPX_IMSI, C_Test_fh, C_NCCP_2) |      |   |          |
| 4                           |       | +StartMultiCells_02( BcchFreqLst_21,<br>BcchFreqLst_27, C_Immass, TCV_slot,<br>TCV_tsc, TimingAdv( 30), C_ATT_0,<br>C_BABR_0, C_cch_1Comb, C_BPM_3,<br>C_T3212_0, C_MCC_1, C_PLMN_1, C_LAC_1,<br>C_LAC_1, C_LAC_1, C_LAC_1, C_LAC_1,<br>C_LAC_1, C_LAC_1)                                                                                                                                                                                                                                                                                                                                                                        |      |   |          |
| 5                           |       | (TCV_Cnt:=0)                                                                                                                                                                                                                                                                                                                                                                                                                                                                                                                                                                                                                     |      |   |          |
| 6                           |       | REPEAT ltree_loopForC UNTIL [TCV_Cnt<br>=6]                                                                                                                                                                                                                                                                                                                                                                                                                                                                                                                                                                                      |      |   |          |
|                             |       | <b>ltree_loopForC</b>                                                                                                                                                                                                                                                                                                                                                                                                                                                                                                                                                                                                            |      |   |          |
| 7                           |       | +ltree_StartMultiCells                                                                                                                                                                                                                                                                                                                                                                                                                                                                                                                                                                                                           |      |   |          |
| 8                           |       | +CCConfigTCH( TSPX_TCHHSubDef, C_Ass,<br>TSPX_TmSlTDef, TSPX_TscDef, TimingAdv( 30),<br>C_BABR_0, C_cch_1Comb, C_BPM_3,<br>TCV_ChMod.mode, FreqTCH_omit, FreqTCH_omit,<br>C_arfcn_tchA, C_arfcn_tchAd)                                                                                                                                                                                                                                                                                                                                                                                                                           |      |   |          |
| 9                           | body  | +PreEnterCCstateU10_r01( TimingAdv( 30),<br>TSPX_SDCCH4SubA, 0, 3, TSPX_CKSNDf,<br>TSPX_RANDDef, TSPX_TmSlTDef,<br>TSPX_TscDef, TSPX_TCHHSubDef,<br>TCV_ChRate)                                                                                                                                                                                                                                                                                                                                                                                                                                                                  |      |   |          |
| 10                          |       | (TCV_Null := OM_StartMsrReport(<br>TCV_sacchTch))                                                                                                                                                                                                                                                                                                                                                                                                                                                                                                                                                                                |      |   |          |
| 11                          |       | +ltree_receiveMsrRept                                                                                                                                                                                                                                                                                                                                                                                                                                                                                                                                                                                                            |      |   |          |
| 12                          |       | +local_MsrReptCHK(1, 2)                                                                                                                                                                                                                                                                                                                                                                                                                                                                                                                                                                                                          |      |   |          |
| 13                          |       | START T_dly1(960)                                                                                                                                                                                                                                                                                                                                                                                                                                                                                                                                                                                                                |      |   | 960 ms   |
| 14                          |       | +ltree_receiveMsrRept2                                                                                                                                                                                                                                                                                                                                                                                                                                                                                                                                                                                                           |      |   |          |
| 15                          |       | +local_MsrReptCHK(1, 2)                                                                                                                                                                                                                                                                                                                                                                                                                                                                                                                                                                                                          |      |   |          |
| 16                          |       | (TCV_Null := OM_StopMsrReport(<br>TCV_sacchTch))                                                                                                                                                                                                                                                                                                                                                                                                                                                                                                                                                                                 |      |   |          |
| 17                          |       | +PostMainLinkRel( TCV_chTch)                                                                                                                                                                                                                                                                                                                                                                                                                                                                                                                                                                                                     |      |   |          |
| 18                          |       | +execution2                                                                                                                                                                                                                                                                                                                                                                                                                                                                                                                                                                                                                      |      |   |          |
|                             |       | <b>execution2</b>                                                                                                                                                                                                                                                                                                                                                                                                                                                                                                                                                                                                                |      |   |          |
| 19                          |       | +ltree_sysinfo5and5bis                                                                                                                                                                                                                                                                                                                                                                                                                                                                                                                                                                                                           |      |   | 1.       |
| 20                          |       | +PreEnterCCstateU10_r01(TimingAdv( 30),<br>TSPX_SDCCH4SubA, 0, 3, TSPX_CKSNDf,<br>TSPX_RANDDef, TSPX_TmSlTDef, TSPX_TscDef,<br>TSPX_TCHHSubDef, TCV_ChRate)                                                                                                                                                                                                                                                                                                                                                                                                                                                                      |      |   |          |
| 21                          |       | (TCV_Null :=                                                                                                                                                                                                                                                                                                                                                                                                                                                                                                                                                                                                                     |      |   |          |

|    |            |                                                  |                                                                  |        |
|----|------------|--------------------------------------------------|------------------------------------------------------------------|--------|
| 22 |            | OM_StartMsrReport(TCV_sacchTch)                  |                                                                  |        |
| 23 |            | +ltree_receiveMsrRept                            |                                                                  |        |
| 24 |            | +local_MsrReptCHK(1, 3)                          |                                                                  |        |
| 24 |            | START T_dly1(960)                                |                                                                  | 960 ms |
| 25 |            | +ltree_receiveMsrRept2                           |                                                                  |        |
| 26 |            | +local_MsrReptCHK(1, 3)                          |                                                                  |        |
| 27 |            | (TCV_Null := OM_StopMsrReport(<br>TCV_sacchTch)) |                                                                  |        |
| 28 |            | +PostMainLinkRel( TCV_chTch)                     |                                                                  |        |
| 29 |            | (TCV_Cnt:=(TCV_Cnt +1))                          |                                                                  |        |
|    |            | <b>ltree_sysinfo5and5bis</b>                     |                                                                  |        |
| 30 |            | +Wait(C_T_Wait1)                                 |                                                                  |        |
| 31 |            | [TCV_Cnt = 1]                                    |                                                                  |        |
| 32 |            | LIDL_UdatRqSysinfo5                              | SysInfo5(<br>TCV_sacch, SysInf5(<br>BcchFreqLst_e201))           |        |
| 33 |            | LIDL_UdatRqSysinfo5bis                           | SysInfo5bis(<br>TCV_sacch, SysInf5bi<br>s(<br>BcchFreqLst_e207)) |        |
| 34 |            | [TCV_Cnt = 2]                                    |                                                                  |        |
| 35 |            | LIDL_UdatRqSysinfo5                              | SysInfo5(<br>TCV_sacch, SysInf5(<br>BcchFreqLst_e202))           |        |
| 36 |            | LIDL_UdatRqSysinfo5bis                           | SysInfo5bis(<br>TCV_sacch,<br>SysInf5bis(<br>BcchFreqLst_e208))  |        |
| 37 |            | [TCV_Cnt = 3]                                    |                                                                  |        |
| 38 |            | LIDL_UdatRqSysinfo5                              | SysInfo5(<br>TCV_sacch, SysInf5(<br>BcchFreqLst_e203))           |        |
| 39 |            | LIDL_UdatRqSysinfo5bis                           | SysInfo5bis(<br>TCV_sacch,<br>SysInf5bis(<br>BcchFreqLst_e209))  |        |
| 40 |            | [TCV_Cnt = 4]                                    |                                                                  |        |
| 41 |            | LIDL_UdatRqSysinfo5                              | SysInfo5(<br>TCV_sacch, SysInf5(<br>BcchFreqLst_e204))           |        |
| 42 |            | LIDL_UdatRqSysinfo5bis                           | SysInfo5bis(<br>TCV_sacch,<br>SysInf5bis(<br>BcchFreqLst_e210))  |        |
| 43 |            | [TCV_Cnt = 5]                                    |                                                                  |        |
| 44 |            | LIDL_UdatRqSysinfo5                              | SysInfo5(<br>TCV_sacch, SysInf5(<br>BcchFreqLst_e205))           |        |
| 45 |            | LIDL_UdatRqSysinfo5bis                           | SysInfo5bis(<br>TCV_sacch,<br>SysInf5bis(<br>BcchFreqLst_e211))  |        |
| 46 |            | [TCV_Cnt = 6]                                    |                                                                  |        |
| 47 |            | LIDL_UdatRqSysinfo5                              | SysInfo5(<br>TCV_sacch, SysInf5(<br>BcchFreqLst_e206))           |        |
| 48 |            | LIDL_UdatRqSysinfo5bis                           | SysInfo5bis(<br>TCV_sacch,<br>SysInf5bis(<br>BcchFreqLst_e212))  |        |
|    |            | <b>local_MsrReptCHK(in1, in2:INTEGER)</b>        |                                                                  |        |
| 49 |            | (TCV_Res := OC_MsrReptChk(TCV_MsrRes, in1))      |                                                                  |        |
| 50 | L_055<br>5 | [NOT TCV_Res]                                    |                                                                  | (F)    |
| 51 | L_055<br>6 | [TCV_Res]                                        |                                                                  | (P)    |
|    |            | <b>ltree_receiveMsrRept</b>                      |                                                                  |        |

|    |            |                                                                             |     |                                                |  |
|----|------------|-----------------------------------------------------------------------------|-----|------------------------------------------------|--|
| 52 |            | [TCV_Cnt = 1]                                                               |     |                                                |  |
| 53 |            | L?DL_UdatInMsrRpt (TCV_MsrRes :=<br>DL_UdatInMsrRpt.msg.msrr)               |     | MsrRept(<br>MsrReport_03e(<br>MsrResult_03e1)) |  |
| 54 |            | [TCV_Cnt = 2]                                                               |     |                                                |  |
| 55 |            | L?DL_UdatInMsrRpt (TCV_MsrRes :=<br>DL_UdatInMsrRpt.msg.msrr)               |     | MsrRept(<br>MsrReport_03e(<br>MsrResult_03e2)) |  |
| 56 |            | [TCV_Cnt = 3]                                                               |     |                                                |  |
| 57 |            | L?DL_UdatInMsrRpt (TCV_MsrRes :=<br>DL_UdatInMsrRpt.msg.msrr)               |     | MsrRept(<br>MsrReport_03e(<br>MsrResult_03e3)) |  |
| 58 |            | [TCV_Cnt = 4]                                                               |     |                                                |  |
| 59 |            | L?DL_UdatInMsrRpt (TCV_MsrRes :=<br>DL_UdatInMsrRpt.msg.msrr)               |     | MsrRept(<br>MsrReport_03e(<br>MsrResult_03e4)) |  |
| 60 |            | [TCV_Cnt = 5]                                                               |     |                                                |  |
| 61 |            | L?DL_UdatInMsrRpt (TCV_MsrRes :=<br>DL_UdatInMsrRpt.msg.msrr)               |     | MsrRept(<br>MsrReport_03e(<br>MsrResult_03e5)) |  |
| 62 |            | [TCV_Cnt = 6]                                                               |     |                                                |  |
| 63 |            | L?DL_UdatInMsrRpt (TCV_MsrRes :=<br>DL_UdatInMsrRpt.msg.msrr)               |     | MsrRept(<br>MsrReport_04e)                     |  |
|    |            | <b>Itree_receiveMsrRept2</b>                                                |     |                                                |  |
| 64 |            | [TCV_Cnt = 1]                                                               |     |                                                |  |
| 65 | L_055<br>7 | ?TIMEOUT T_dly1                                                             | (F) | 1.                                             |  |
| 66 |            | +PostMainLinkRel(TCV_chTch)                                                 |     |                                                |  |
| 67 |            | L?DL_UdatInMsrRpt (TCV_MsrRes :=<br>DL_UdatInMsrRpt.msg.msrr) CANCEL T_dly1 |     | MsrRept(<br>MsrReport_03e(<br>MsrResult_03e1)) |  |
| 68 |            | [TCV_Cnt = 2]                                                               |     |                                                |  |
| 69 | L_055<br>8 | ?TIMEOUT T_dly1                                                             | (F) | 1.                                             |  |
| 70 |            | +PostMainLinkRel(TCV_chTch)                                                 |     |                                                |  |
| 71 |            | L?DL_UdatInMsrRpt (TCV_MsrRes :=<br>DL_UdatInMsrRpt.msg.msrr) CANCEL T_dly1 |     | MsrRept(<br>MsrReport_03e(<br>MsrResult_03e2)) |  |
| 72 |            | [TCV_Cnt = 3]                                                               |     |                                                |  |
| 73 | L_055<br>9 | ?TIMEOUT T_dly1                                                             | (F) | 1.                                             |  |
| 74 |            | +PostMainLinkRel(TCV_chTch)                                                 |     |                                                |  |
| 75 |            | L?DL_UdatInMsrRpt (TCV_MsrRes :=<br>DL_UdatInMsrRpt.msg.msrr) CANCEL T_dly1 |     | MsrRept(<br>MsrReport_03e(<br>MsrResult_03e3)) |  |
| 76 |            | [TCV_Cnt = 4]                                                               |     |                                                |  |
| 77 | L_056<br>0 | ?TIMEOUT T_dly1                                                             | (F) | 1.                                             |  |
| 78 |            | +PostMainLinkRel(TCV_chTch)                                                 |     |                                                |  |
| 79 |            | L?DL_UdatInMsrRpt (TCV_MsrRes :=<br>DL_UdatInMsrRpt.msg.msrr) CANCEL T_dly1 |     | MsrRept(<br>MsrReport_03e(<br>MsrResult_03e4)) |  |
| 80 |            | [TCV_Cnt = 5]                                                               |     |                                                |  |
| 81 | L_056<br>1 | ?TIMEOUT T_dly1                                                             | (F) | 1.                                             |  |
| 82 |            | +PostMainLinkRel(TCV_chTch)                                                 |     |                                                |  |
| 83 |            | L?DL_UdatInMsrRpt (TCV_MsrRes :=<br>DL_UdatInMsrRpt.msg.msrr) CANCEL T_dly1 |     | MsrRept(<br>MsrReport_03e(<br>MsrResult_03e5)) |  |
| 84 |            | [TCV_Cnt = 6]                                                               |     |                                                |  |
| 85 | L_056<br>2 | ?TIMEOUT T_dly1                                                             | (F) | 1.                                             |  |
| 86 |            | +PostMainLinkRel(TCV_chTch)                                                 |     |                                                |  |
| 87 |            | L?DL_UdatInMsrRpt (TCV_MsrRes :=<br>DL_UdatInMsrRpt.msg.msrr) CANCEL T_dly1 |     | MsrRept(<br>MsrReport_04e)                     |  |
|    |            | <b>Itree_StartMultiCells</b>                                                |     |                                                |  |
| 88 |            | [TCV_Cnt = 0]                                                               |     |                                                |  |
| 89 |            | [TCV_Cnt = 1]                                                               |     |                                                |  |



|                           |                                                                                                                                                                                                                                                            |                                                                                                                    |  |
|---------------------------|------------------------------------------------------------------------------------------------------------------------------------------------------------------------------------------------------------------------------------------------------------|--------------------------------------------------------------------------------------------------------------------|--|
| 90                        | +StartMultiCells_02e(BcchFreqLst_e201,<br>BcchFreqLst_27, C_Immass, TCV_slot, TCV_tsc,<br>TimingAdv( 0), 0, C_BABR_0, C_cch_1Comb,<br>C_BPM_3, C_T3212_0, C_MCC_1, C_PLMN_1,<br>C_LAC_1, C_LAC_2, C_LAC_3, C_LAC_4,<br>C_LAC_5, C_LAC_6, C_LAC_7, C_LAC_8) |                                                                                                                    |  |
| 91                        | [TCV_Cnt = 2]                                                                                                                                                                                                                                              |                                                                                                                    |  |
| 92                        | +StartMultiCells_02e(BcchFreqLst_e202,<br>BcchFreqLst_27, C_Immass, TCV_slot, TCV_tsc,<br>TimingAdv( 0), 0, C_BABR_0, C_cch_1Comb,<br>C_BPM_3, C_T3212_0, C_MCC_1, C_PLMN_1,<br>C_LAC_1, C_LAC_2, C_LAC_3, C_LAC_4,<br>C_LAC_5, C_LAC_6, C_LAC_7, C_LAC_8) |                                                                                                                    |  |
| 93                        | [TCV_Cnt = 3]                                                                                                                                                                                                                                              |                                                                                                                    |  |
| 94                        | +StartMultiCells_02e(BcchFreqLst_e203,<br>BcchFreqLst_27, C_Immass, TCV_slot, TCV_tsc,<br>TimingAdv( 0), 0, C_BABR_0, C_cch_1Comb,<br>C_BPM_3, C_T3212_0, C_MCC_1, C_PLMN_1,<br>C_LAC_1, C_LAC_2, C_LAC_3, C_LAC_4,<br>C_LAC_5, C_LAC_6, C_LAC_7, C_LAC_8) |                                                                                                                    |  |
| 95                        | [TCV_Cnt = 4]                                                                                                                                                                                                                                              |                                                                                                                    |  |
| 96                        | +StartMultiCells_02e(BcchFreqLst_e204,<br>BcchFreqLst_27, C_Immass, TCV_slot, TCV_tsc,<br>TimingAdv( 0), 0, C_BABR_0, C_cch_1Comb,<br>C_BPM_3, C_T3212_0, C_MCC_1, C_PLMN_1,<br>C_LAC_1, C_LAC_2, C_LAC_3, C_LAC_4,<br>C_LAC_5, C_LAC_6, C_LAC_7, C_LAC_8) |                                                                                                                    |  |
| 97                        | [TCV_Cnt = 5]                                                                                                                                                                                                                                              |                                                                                                                    |  |
| 98                        | +StartMultiCells_02e(BcchFreqLst_e205,<br>BcchFreqLst_27, C_Immass, TCV_slot, TCV_tsc,<br>TimingAdv( 0), 0, C_BABR_0, C_cch_1Comb,<br>C_BPM_3, C_T3212_0, C_MCC_1, C_PLMN_1,<br>C_LAC_1, C_LAC_2, C_LAC_3, C_LAC_4,<br>C_LAC_5, C_LAC_6, C_LAC_7, C_LAC_8) |                                                                                                                    |  |
| 99                        | [TCV_Cnt = 6]                                                                                                                                                                                                                                              |                                                                                                                    |  |
| 100                       | +StartMultiCells_02e(BcchFreqLst_e206,<br>BcchFreqLst_27, C_Immass, TCV_slot, TCV_tsc,<br>TimingAdv( 0), 0, C_BABR_0, C_cch_1Comb,<br>C_BPM_3, C_T3212_0, C_MCC_1, C_PLMN_1,<br>C_LAC_1, C_LAC_2, C_LAC_3, C_LAC_4,<br>C_LAC_5, C_LAC_6, C_LAC_7, C_LAC_8) |                                                                                                                    |  |
| <b>Detailed Comments:</b> |                                                                                                                                                                                                                                                            | 1. The interval between 2 successive layer 2 frames containing MEASUREMENT REPORT exceeds one layer 2 frame, fail. |  |

| Test Case Dynamic Behaviour |            |                                                                                                                                                                                                                                                                                                                                                                                                                                                                                                                                                                                      |                                                           |     |                         |
|-----------------------------|------------|--------------------------------------------------------------------------------------------------------------------------------------------------------------------------------------------------------------------------------------------------------------------------------------------------------------------------------------------------------------------------------------------------------------------------------------------------------------------------------------------------------------------------------------------------------------------------------------|-----------------------------------------------------------|-----|-------------------------|
| <b>Test Case Name:</b>      |            | TC_26_10_2_2                                                                                                                                                                                                                                                                                                                                                                                                                                                                                                                                                                         |                                                           |     |                         |
| <b>Group:</b>               |            | GSM_L3_MS_v4210/EGSMsignalling/                                                                                                                                                                                                                                                                                                                                                                                                                                                                                                                                                      |                                                           |     |                         |
| <b>Purpose:</b>             |            | To verify that the MS can correctly set up a dedicated control channel when E-GSM frequencies are used.                                                                                                                                                                                                                                                                                                                                                                                                                                                                              |                                                           |     |                         |
| <b>Default:</b>             |            | OtherEventsFail_01                                                                                                                                                                                                                                                                                                                                                                                                                                                                                                                                                                   |                                                           |     |                         |
| Nr                          | Label      | Behaviour Description                                                                                                                                                                                                                                                                                                                                                                                                                                                                                                                                                                | CRef                                                      | V   | Comments                |
| 1                           | pre        | START T_guard(300)                                                                                                                                                                                                                                                                                                                                                                                                                                                                                                                                                                   |                                                           |     |                         |
| 2                           |            | +IdleUpdated( C_E_default, C_CellA, C_SCH_A, C_BCCH_A_1, C_Immass, C_S0, C_SlotNU, C_SlotNU, C_SlotNU, C_BCC, C_TxInt_5, C_Max_1, C_NECI_0, C_ATT_0, TimingAdv( 0), C_BABR_0, C_cch_1nonComb, C_BPM_3, C_T3212_1, C_ci_cellA, C_MCC_1, C_PLMN_1, C_LAC_1, CellOpt_01, CellChDes_19, CellChDes_Omit, C_CellReselectHys12, C_MaxPwrLvlG, C_MaxPwrLvlD, BcchFreqLst_01, BcchFreqLst_Omit, BcchFreqLst_46, BcchFreqLst_Omit, C_noRestablishment, C_BCC, C_NCC, C_Start_Tmsi, TSPX_SDCCH4SubDef, TSPX_CKSNDf, TSPX_RANDDef, C_arfcn_1015, C_arfcn_1015, TSPX_IMSI, C_Test_egsm, C_NCCP_2) |                                                           |     |                         |
| 3                           |            | (TCV_ia_ts:= TSPX_TmSlitNotZero, TCV_Cnt:= 1)                                                                                                                                                                                                                                                                                                                                                                                                                                                                                                                                        |                                                           |     |                         |
| 4                           | body       | REPEAT localtree_body UNTIL [TCV_Cnt =3]                                                                                                                                                                                                                                                                                                                                                                                                                                                                                                                                             |                                                           |     |                         |
|                             |            | <b>localtree_body</b>                                                                                                                                                                                                                                                                                                                                                                                                                                                                                                                                                                |                                                           |     |                         |
| 5                           |            | +localtree_config                                                                                                                                                                                                                                                                                                                                                                                                                                                                                                                                                                    |                                                           |     |                         |
| 6                           |            | +Wait(C_T_Wait1)                                                                                                                                                                                                                                                                                                                                                                                                                                                                                                                                                                     |                                                           |     |                         |
| 7                           |            | LIDL_UdatRqPg1Rq                                                                                                                                                                                                                                                                                                                                                                                                                                                                                                                                                                     | PgReq1(TCV_PgCh, TCV_Pgg, PgReqTp1_01)                    |     |                         |
| 8                           |            | L?DL_RaclnChRq ( TCV_Rr := DL_RaclnChRq.msg.ecau_rrf, TCV_Fn := DL_RaclnChRq.fn)                                                                                                                                                                                                                                                                                                                                                                                                                                                                                                     | ChReq( ChRequest_17)                                      |     |                         |
| 9                           |            | ACTIVATE(OtherEventsFail_02)                                                                                                                                                                                                                                                                                                                                                                                                                                                                                                                                                         |                                                           |     | To match ChReq retrans. |
| 10                          |            | +ltree_send_immass                                                                                                                                                                                                                                                                                                                                                                                                                                                                                                                                                                   |                                                           |     |                         |
| 11                          | L_056<br>3 | L?DL_EstInPgRes                                                                                                                                                                                                                                                                                                                                                                                                                                                                                                                                                                      | PgRes( TCV_ch, PagingRes_01)                              | (P) |                         |
| 12                          |            | ACTIVATE(OtherEventsFail_01)                                                                                                                                                                                                                                                                                                                                                                                                                                                                                                                                                         |                                                           |     | Restore Normal default  |
| 13                          |            | +ChanRel(TCV_ch)                                                                                                                                                                                                                                                                                                                                                                                                                                                                                                                                                                     |                                                           |     |                         |
| 14                          |            | (TCV_Null := OM_FreeResource(TCV_ch), TCV_Cnt := TCV_Cnt + 1)                                                                                                                                                                                                                                                                                                                                                                                                                                                                                                                        |                                                           |     |                         |
|                             |            | <b>localtree_config</b>                                                                                                                                                                                                                                                                                                                                                                                                                                                                                                                                                              |                                                           |     |                         |
| 15                          |            | [TCV_Cnt = 1]                                                                                                                                                                                                                                                                                                                                                                                                                                                                                                                                                                        |                                                           |     |                         |
| 16                          |            | +SDCCH8_A_1_nociph( TSPX_SDCCH8SubA, C_Ass, TSPX_TmSlitNotZero, TSPX_TscDef, ChMod_sign, FreqSDCCH8_e1, FreqSDCCH8_e1, TimingAdv( 0), C_BABR_0, C_cch_1nonComb, C_BPM_3)                                                                                                                                                                                                                                                                                                                                                                                                             |                                                           |     | for 1)                  |
| 17                          |            | +SysInfo_5bisSending( TCV_sacch8, TCV_sysinfo5bis)                                                                                                                                                                                                                                                                                                                                                                                                                                                                                                                                   |                                                           |     |                         |
| 18                          |            | [TCV_Cnt =2]                                                                                                                                                                                                                                                                                                                                                                                                                                                                                                                                                                         |                                                           |     |                         |
| 19                          |            | +SDCCH8_A_2_nociph( TSPX_SDCCH8SubB, C_Ass, TSPX_TmSlitNotZero, TSPX_TscDef, ChMod_r01, FreqSDCCH8_e2, FreqSDCCH8_e2, TimingAdv( 0), C_BABR_0, C_cch_1nonComb, C_BPM_3)                                                                                                                                                                                                                                                                                                                                                                                                              |                                                           |     |                         |
| 20                          |            | +SysInfo_5bisSending( TCV_sacchTch, TCV_sysinfo5bis)                                                                                                                                                                                                                                                                                                                                                                                                                                                                                                                                 |                                                           |     |                         |
| 21                          |            | (TCV_ch := TCV_chTch)                                                                                                                                                                                                                                                                                                                                                                                                                                                                                                                                                                |                                                           |     |                         |
|                             |            | <b>ltree_send_immass</b>                                                                                                                                                                                                                                                                                                                                                                                                                                                                                                                                                             |                                                           |     |                         |
| 22                          |            | [TCV_Cnt = 1]                                                                                                                                                                                                                                                                                                                                                                                                                                                                                                                                                                        |                                                           |     |                         |
| 23                          |            | LIDL_UdatRqImmass                                                                                                                                                                                                                                                                                                                                                                                                                                                                                                                                                                    | ImmAss( TCV_agch, ImmAsgn_E_01(TCV_Rr, TCV_Fn, TCV_ia_ts, | 1)  |                         |

|                                                                                                                                                                                          |  |                                 |                                                                                                                                                                   |  |    |
|------------------------------------------------------------------------------------------------------------------------------------------------------------------------------------------|--|---------------------------------|-------------------------------------------------------------------------------------------------------------------------------------------------------------------|--|----|
| 24<br>25                                                                                                                                                                                 |  | [TCV_Cnt = 2]<br>LIDL_UdatRqImm | TSPX_TscDef,<br>TCV_chdescr_arfcn,<br>TimingAdv( 0))<br><br>ImmAss( TCV_agch,<br>ImmAsgn_E_02(<br>TCV_Rr, TCV_Fn,<br>TCV_ia_ts,<br>TSPX_TscDef,<br>TimingAdv( 0)) |  | 2) |
| <b>Detailed Comments:</b> <ul style="list-style-type: none"> <li>1) Immediate Assignment with single RF on ARFCN=1015</li> <li>2) Immediate Assignment with frequency hopping</li> </ul> |  |                                 |                                                                                                                                                                   |  |    |

| Test Case Dynamic Behaviour |       |                                                                                                                                                                                                                                                                                                                                                                                                                                                                                                                                                                           |                                                                                             |   |                         |
|-----------------------------|-------|---------------------------------------------------------------------------------------------------------------------------------------------------------------------------------------------------------------------------------------------------------------------------------------------------------------------------------------------------------------------------------------------------------------------------------------------------------------------------------------------------------------------------------------------------------------------------|---------------------------------------------------------------------------------------------|---|-------------------------|
| <b>Test Case Name:</b>      |       | TC_26_10_2_3                                                                                                                                                                                                                                                                                                                                                                                                                                                                                                                                                              |                                                                                             |   |                         |
| <b>Group:</b>               |       | GSM_L3_MS_v4210/EGSMsignalling/                                                                                                                                                                                                                                                                                                                                                                                                                                                                                                                                           |                                                                                             |   |                         |
| <b>Purpose:</b>             |       | <p>1. To verify that upon receipt of an ASSIGNMENT COMMAND, the MS switches to the channel defined in the ASSIGNMENT COMMAND, establishes the link and sends an ASSIGNMENT COMPLETE message.</p> <p>2. To verify that an MS, having received an ASSIGNMENT COMMAND, is able in case of frequency hopping to decode the mobile allocation and frequency list correctly and applies the specified frequencies.</p>                                                                                                                                                          |                                                                                             |   |                         |
| <b>Default:</b>             |       | OtherEventsFail                                                                                                                                                                                                                                                                                                                                                                                                                                                                                                                                                           |                                                                                             |   |                         |
| Nr                          | Label | Behaviour Description                                                                                                                                                                                                                                                                                                                                                                                                                                                                                                                                                     | CRef                                                                                        | V | Comments                |
| 1                           | pre   | START T_guard(300)                                                                                                                                                                                                                                                                                                                                                                                                                                                                                                                                                        |                                                                                             |   |                         |
| 2                           |       | +IdleUpdated( C_E_default, C_CellA, C_SCH_A, C_BCCH_A_1, C_Imm, C_S0, C_SlotNU, C_SlotNU, C_SlotNU, C_BCC, C_TxInt_5, C_Max_1, C_NECL_0, C_ATT_0, TimingAdv( 0), C_BABR_0, C_cch_1Comb, C_BPM_3, C_T3212_0, C_ci_cellA, C_MCC_1, C_PLMN_1, C_LAC_1, CellOpt_01, CellChDes_22, CellChDes_Omit, C_CellReselectHys12, C_MaxPwrLvlG, C_MaxPwrLvlD, BcchFreqLst_01, BcchFreqLst_Omit, BcchFreqLst_46, BcchFreqLst_Omit, C_noRestablishment, C_BCC, C_NCC, C_Start_Tmsi, TSPX_SDCCH4SubDef, TSPX_CKSNDDef, TSPX_RANDDef, C_arfcnA, C_arfcnAd, TSPX_IMSI, C_Test_egsm, C_NCCP_2) |                                                                                             |   |                         |
| 3                           |       | (TCV_ia_ts:= TSPX_TmSltA, TCV_Cnt := 1, TCV_chdescr_arfcn := C_arfcnC)                                                                                                                                                                                                                                                                                                                                                                                                                                                                                                    |                                                                                             |   |                         |
| 4                           | body  | REPEAT localtree_body UNTIL [TCV_Cnt =3]                                                                                                                                                                                                                                                                                                                                                                                                                                                                                                                                  |                                                                                             |   |                         |
|                             |       | <b>localtree_body</b>                                                                                                                                                                                                                                                                                                                                                                                                                                                                                                                                                     |                                                                                             |   |                         |
| 5                           |       | +SDCCH8_A_2_nociph( TSPX_SDCCH8SubDef, C_Ass, TCV_ia_ts, TSPX_TscDef, ChMod_sign, FreqBCCH(TCV_chdescr_arfcn), FreqBCCH(TCV_chdescr_arfcn), TimingAdv( 0), C_BABR_0, C_cch_1nonComb, C_BPM_3)                                                                                                                                                                                                                                                                                                                                                                             |                                                                                             |   |                         |
| 6                           |       | +SysInfo_5bisSending( TCV_sacchTch, TCV_sysinfo5bis)                                                                                                                                                                                                                                                                                                                                                                                                                                                                                                                      |                                                                                             |   |                         |
| 7                           |       | (TCV_ch := TCV_chTch)                                                                                                                                                                                                                                                                                                                                                                                                                                                                                                                                                     |                                                                                             |   |                         |
| 8                           |       | +Wait(C_T_Wait1)                                                                                                                                                                                                                                                                                                                                                                                                                                                                                                                                                          |                                                                                             |   |                         |
| 9                           |       | LIDL_UdatRqPg1Rq                                                                                                                                                                                                                                                                                                                                                                                                                                                                                                                                                          | PgReq1(TCV_PgCh, TCV_Pgg, PgReqTp1_01)                                                      |   |                         |
| 10                          |       | L?DL_RaInChRq ( TCV_Rr := DL_RaInChRq.msg.ecau_rrf, TCV_Fn := DL_RaInChRq.fn)                                                                                                                                                                                                                                                                                                                                                                                                                                                                                             | ChReq( ChRequest_17)                                                                        |   |                         |
| 11                          |       | ACTIVATE(OtherEventsFail_02)                                                                                                                                                                                                                                                                                                                                                                                                                                                                                                                                              |                                                                                             |   | To match ChReq retrans. |
| 12                          |       | LIDL_UdatRqImm                                                                                                                                                                                                                                                                                                                                                                                                                                                                                                                                                            | ImmAss( TCV_agch, ImmAsgn_27( TCV_Rr, TCV_Fn, TCV_ia_ts, TCV_chdescr_arfcn, TimingAdv( 0))) |   |                         |
| 13                          |       | L?DL_EstInPgRes                                                                                                                                                                                                                                                                                                                                                                                                                                                                                                                                                           | PgRes( TCV_ch, PagingRes_01)                                                                |   |                         |
| 14                          |       | ACTIVATE(OtherEventsFail)                                                                                                                                                                                                                                                                                                                                                                                                                                                                                                                                                 |                                                                                             |   | Restore Normal default  |
| 15                          |       | +ltree_chtype                                                                                                                                                                                                                                                                                                                                                                                                                                                                                                                                                             |                                                                                             |   |                         |
| 16                          |       | +ltree_send_ch_assign                                                                                                                                                                                                                                                                                                                                                                                                                                                                                                                                                     |                                                                                             |   |                         |
| 17                          |       | +ChanRel(TCV_chTch)                                                                                                                                                                                                                                                                                                                                                                                                                                                                                                                                                       |                                                                                             |   |                         |
| 18                          |       | (TCV_Null := OM_FreeResource(TCV_chTch), TCV_Cnt := (TCV_Cnt + 1))                                                                                                                                                                                                                                                                                                                                                                                                                                                                                                        |                                                                                             |   | Loop for K              |
| 19                          |       | +Wait(C_T_Wait1)                                                                                                                                                                                                                                                                                                                                                                                                                                                                                                                                                          |                                                                                             |   |                         |
|                             |       | <b>ltree_chtype</b>                                                                                                                                                                                                                                                                                                                                                                                                                                                                                                                                                       |                                                                                             |   |                         |
| 20                          |       | [TSPC_SvcOnTCH]                                                                                                                                                                                                                                                                                                                                                                                                                                                                                                                                                           |                                                                                             |   |                         |
| 21                          |       | (TCV_chtype := '00001'B)                                                                                                                                                                                                                                                                                                                                                                                                                                                                                                                                                  |                                                                                             |   | for TCH                 |

|    |                                                                                                                                                                                                                                |            |
|----|--------------------------------------------------------------------------------------------------------------------------------------------------------------------------------------------------------------------------------|------------|
| 22 | [NOT TSPC_SvcOnTCH]                                                                                                                                                                                                            |            |
| 23 | (TCV_chtype := INT_TO_BIT(( 8 + BIT_TO_INT( TSPX_SDCCH8SubA)), 5))                                                                                                                                                             | for SDCCH8 |
|    | <b>ltree_send_ch_assign</b>                                                                                                                                                                                                    |            |
| 24 | [TCV_Cnt = 1]                                                                                                                                                                                                                  |            |
| 25 | (TCV_asscmd_ts := INT_TO_BIT((( BIT_TO_INT( TSPX_TmSlitA) + 1) MOD 8), 3), TCV_Cnt1 := 1)                                                                                                                                      |            |
| 26 | REPEAT ltree_assign1 UNTIL [TCV_Cnt1 = 7]                                                                                                                                                                                      |            |
| 27 | [TCV_Cnt = 2]                                                                                                                                                                                                                  |            |
| 28 | (TCV_Cnt1 := 1)                                                                                                                                                                                                                |            |
| 29 | REPEAT ltree_assign2 UNTIL [TCV_Cnt1 = 7]                                                                                                                                                                                      |            |
|    | <b>ltree_assign1</b>                                                                                                                                                                                                           |            |
| 30 | +ltree_assign1_setup                                                                                                                                                                                                           |            |
| 31 | +ltree_chnassign1                                                                                                                                                                                                              |            |
| 32 | (TCV_AssCmd := AsgnCmd_22_Ae1( TCV_asscmd_ts, TCV_chtype, TCV_flist, TCV_flistl, TCV_n))                                                                                                                                       |            |
| 33 | +AssCh_complete( TCV_ch, TCV_chTch, TCV_AssCmd)                                                                                                                                                                                | 1)         |
| 34 | START T_dly(500)                                                                                                                                                                                                               | 6)         |
| 35 | ?TIMEOUT T_dly                                                                                                                                                                                                                 |            |
| 36 | (TCV_Cnt1 := (TCV_Cnt1 + 1), TCV_Null := OM_FreeResource(TCV_ch), TCV_ch := TCV_chTch)                                                                                                                                         | Loop for C |
|    | <b>ltree_assign2</b>                                                                                                                                                                                                           |            |
| 37 | +ltree_assign2_setup                                                                                                                                                                                                           |            |
| 38 | +ltree_asscmdsending                                                                                                                                                                                                           |            |
| 39 | START T_dly(500)                                                                                                                                                                                                               | 6)         |
| 40 | ?TIMEOUT T_dly                                                                                                                                                                                                                 |            |
| 41 | (TCV_Cnt1 := (TCV_Cnt1 + 1), TCV_Null := OM_FreeResource(TCV_ch), TCV_ch := TCV_chTch)                                                                                                                                         |            |
|    | <b>ltree_asscmdsending</b>                                                                                                                                                                                                     |            |
| 42 | [TCV_Cnt1 = 4]                                                                                                                                                                                                                 |            |
| 43 | +ltree_chnassign1                                                                                                                                                                                                              | 3)         |
| 44 | (TCV_AssCmd := AsgnCmd_22_Ae2( TCV_asscmd_ts, TCV_chtype, TCV_cchdescr, TCV_mae1, TCV_n))                                                                                                                                      |            |
| 45 | +AssCh_complete( TCV_ch, TCV_chTch, TCV_AssCmd)                                                                                                                                                                                | 2)         |
| 46 | [TCV_Cnt1 <> 4]                                                                                                                                                                                                                |            |
| 47 | +ltree_chnassign2                                                                                                                                                                                                              | 4)         |
| 48 | (TCV_AssCmd := AsgnCmd_22_Ae3( TCV_asscmd_ts, TCV_chtype, TCV_cchdescr, TCV_mae1, TCV_mae2, TCV_n))                                                                                                                            |            |
| 49 | +AssCh_complete( TCV_ch, TCV_chTch, TCV_AssCmd)                                                                                                                                                                                | 2)         |
|    | <b>ltree_chnassign1</b>                                                                                                                                                                                                        |            |
| 50 | [TSPC_SvcOnTCH]                                                                                                                                                                                                                | 1)         |
| 51 | [(TCV_Cnt1 MOD 2) > 0]                                                                                                                                                                                                         |            |
| 52 | +FullRateCh_A_1_nociph(C_Ass, TCV_asscmd_ts, TCV_tsc, ChMod_speech, FreqTCH_ef1( TCV_mae1, TCV_flist, TCV_flistl, TCV_n), FreqTCH_ef1( TCV_mae1, TCV_flist, TCV_flistl, TCV_n), TimingAdv( 0), C_BABR_0, C_cch_1Comb, C_BPM_3) |            |
| 53 | +SysInfo_5bisSending( TCV_sacchTch, TCV_sysinfo5bis)                                                                                                                                                                           |            |
| 54 | [(TCV_Cnt1 MOD 2) = 0]                                                                                                                                                                                                         |            |
| 55 | +FullRateCh_A_2_nociph(C_Ass, TCV_asscmd_ts, TCV_tsc, ChMod_speech, FreqTCH_ef1( TCV_mae1, TCV_flist, TCV_flistl, TCV_n), FreqTCH_ef1( TCV_mae1, TCV_flist, TCV_flistl, TCV_n), TimingAdv( 0), C_BABR_0,                       |            |

|                         |                                                                                                                                                                                                                                                                                     |    |
|-------------------------|-------------------------------------------------------------------------------------------------------------------------------------------------------------------------------------------------------------------------------------------------------------------------------------|----|
| 56                      | C_cch_1Comb, C_BPM_3)<br>+SysInfo_5bisSending( TCV_sacchTch,<br>TCV_sysinfo5bis)                                                                                                                                                                                                    |    |
| 57                      | (TCV_chTch := TCV_chTch1)                                                                                                                                                                                                                                                           |    |
| 58                      | [(NOT TSPC_SvcOnTCH)]                                                                                                                                                                                                                                                               | 2) |
| 59                      | [(TCV_Cnt1 MOD 2) > 0]                                                                                                                                                                                                                                                              |    |
| 60                      | (TCV_chTch := TCV_ch)                                                                                                                                                                                                                                                               |    |
| 61                      | +SDCCH8_A_1_nociph( TSPX_SDCCH8SubA,<br>C_Ass, TCV_asscmd_ts, TCV_tsc,<br>ChMod_sign, FreqTCH_ef1(<br>TCV_mae1,TCV_flist, TCV_flistl, TCV_n),<br>FreqTCH_ef1( TCV_mae1,TCV_flist, TCV_flistl,<br>TCV_n), TimingAdv( 0), C_BABR_0,<br>C_cch_1nonComb, C_BPM_3)                       |    |
| 62                      | +SysInfo_5bisSending( TCV_sacchTch,<br>TCV_sysinfo5bis)                                                                                                                                                                                                                             |    |
| 63                      | (TCV_chTch1 := TCV_chTch, TCV_chTch<br>:= TCV_ch, TCV_ch := TCV_chTch1)                                                                                                                                                                                                             | 5) |
| 64                      | [(TCV_Cnt1 MOD 2) = 0]                                                                                                                                                                                                                                                              |    |
| 65                      | +SDCCH8_A_2_nociph( TSPX_SDCCH8SubA,<br>C_Ass, TCV_asscmd_ts, TCV_tsc, ChMod_sign,<br>FreqTCH_ef1( TCV_mae1,TCV_flist, TCV_flistl,<br>TCV_n), FreqTCH_ef1( TCV_mae1,TCV_flist,<br>TCV_flistl, TCV_n), TimingAdv( 0), C_BABR_0,<br>C_cch_1nonComb, C_BPM_3)                          |    |
| 66                      | +SysInfo_5bisSending( TCV_sacchTch,<br>TCV_sysinfo5bis)                                                                                                                                                                                                                             |    |
| <b>ltree_chnassign2</b> |                                                                                                                                                                                                                                                                                     |    |
| 67                      | [TSPC_SvcOnTCH]                                                                                                                                                                                                                                                                     | 1) |
| 68                      | [(TCV_Cnt1 MOD 2) > 0]                                                                                                                                                                                                                                                              |    |
| 69                      | +FullRateCh_A_1_nociph(C_Ass,<br>TCV_asscmd_ts, TCV_tsc, ChMod_speech,<br>FreqTCH_ef2( TCV_mae2, TCV_mae1,<br>TCV_flist, TCV_flistl, TCV_n), FreqTCH_ef2(<br>TCV_mae2, TCV_mae1, TCV_flist, TCV_flistl,<br>TCV_n), TimingAdv( 0), C_BABR_0,<br>C_cch_1nonComb, C_BPM_3)             |    |
| 70                      | +SysInfo_5bisSending( TCV_sacchTch,<br>TCV_sysinfo5bis)                                                                                                                                                                                                                             |    |
| 71                      | [(TCV_Cnt1 MOD 2) = 0]                                                                                                                                                                                                                                                              |    |
| 72                      | +FullRateCh_A_2_nociph(C_Ass,<br>TCV_asscmd_ts, TCV_tsc, ChMod_speech,<br>FreqTCH_ef2( TCV_mae2, TCV_mae1,<br>TCV_flist, TCV_flistl, TCV_n), FreqTCH_ef2(<br>TCV_mae2, TCV_mae1, TCV_flist, TCV_flistl,<br>TCV_n), TimingAdv( 0), C_BABR_0,<br>C_cch_1nonComb, C_BPM_3)             |    |
| 73                      | +SysInfo_5bisSending( TCV_sacchTch,<br>TCV_sysinfo5bis)                                                                                                                                                                                                                             |    |
| 74                      | (TCV_chTch := TCV_chTch1)                                                                                                                                                                                                                                                           |    |
| 75                      | [(NOT TSPC_SvcOnTCH)]                                                                                                                                                                                                                                                               | 2) |
| 76                      | [(TCV_Cnt1 MOD 2) > 0]                                                                                                                                                                                                                                                              |    |
| 77                      | (TCV_chTch := TCV_ch)                                                                                                                                                                                                                                                               |    |
| 78                      | +SDCCH8_A_1_nociph( TSPX_SDCCH8SubA,<br>C_Ass, TCV_asscmd_ts, TCV_tsc,<br>ChMod_sign, FreqTCH_ef2( TCV_mae2,<br>TCV_mae1, TCV_flist, TCV_flistl, TCV_n),<br>FreqTCH_ef2( TCV_mae2, TCV_mae1,<br>TCV_flist, TCV_flistl, TCV_n), TimingAdv( 0),<br>C_BABR_0, C_cch_1nonComb, C_BPM_3) |    |
| 79                      | +SysInfo_5bisSending( TCV_sacchTch,<br>TCV_sysinfo5bis)                                                                                                                                                                                                                             |    |
| 80                      | (TCV_chTch1 := TCV_chTch, TCV_chTch<br>:= TCV_ch, TCV_ch := TCV_chTch1)                                                                                                                                                                                                             |    |
| 81                      | [(TCV_Cnt1 MOD 2) = 0]                                                                                                                                                                                                                                                              |    |
| 82                      | +SDCCH8_A_2_nociph( TSPX_SDCCH8SubA,<br>C_Ass, TCV_asscmd_ts, TCV_tsc, ChMod_sign,<br>FreqTCH_ef2( TCV_mae2, TCV_mae1,<br>TCV_flist, TCV_flistl, TCV_n), FreqTCH_ef2(<br>TCV_mae2, TCV_mae1, TCV_flist, TCV_flistl,<br>TCV_n), TimingAdv( 0), C_BABR_0,                             |    |

|                           |                                                                                                                                                   |                                                                                                                                                                                                                                                                                                                                                                                                                                                                 |  |
|---------------------------|---------------------------------------------------------------------------------------------------------------------------------------------------|-----------------------------------------------------------------------------------------------------------------------------------------------------------------------------------------------------------------------------------------------------------------------------------------------------------------------------------------------------------------------------------------------------------------------------------------------------------------|--|
| 83                        | <pre> C_cch_1nonComb, C_BPM_3) +SysInfo_5bisSending( TCV_sacchTch, TCV_sysinfo5bis) </pre>                                                        |                                                                                                                                                                                                                                                                                                                                                                                                                                                                 |  |
|                           | <b>ltree_assign1_setup</b>                                                                                                                        |                                                                                                                                                                                                                                                                                                                                                                                                                                                                 |  |
| 84                        | <pre>[TCV_Cnt1 = 1]</pre>                                                                                                                         |                                                                                                                                                                                                                                                                                                                                                                                                                                                                 |  |
| 85                        | <pre>(TCV_flist := C_flist_e_401, TCV_flistl:='05'O, TCV_mae1:='00000111'B, TCV_n := 3)</pre>                                                     |                                                                                                                                                                                                                                                                                                                                                                                                                                                                 |  |
| 86                        | <pre>[TCV_Cnt1 = 2]</pre>                                                                                                                         |                                                                                                                                                                                                                                                                                                                                                                                                                                                                 |  |
| 87                        | <pre>(TCV_flist := C_flist_e_402, TCV_flistl:='06'O, TCV_mae1:='00011111'B, TCV_n := 5)</pre>                                                     |                                                                                                                                                                                                                                                                                                                                                                                                                                                                 |  |
| 88                        | <pre>[TCV_Cnt1 = 3]</pre>                                                                                                                         |                                                                                                                                                                                                                                                                                                                                                                                                                                                                 |  |
| 89                        | <pre>(TCV_flist := C_flist_e_403, TCV_flistl:='06'O, TCV_mae1:='00001111'B, TCV_n := 4)</pre>                                                     |                                                                                                                                                                                                                                                                                                                                                                                                                                                                 |  |
| 90                        | <pre>[TCV_Cnt1 = 4]</pre>                                                                                                                         |                                                                                                                                                                                                                                                                                                                                                                                                                                                                 |  |
| 91                        | <pre>(TCV_flist := C_flist_e_404, TCV_flistl:='06'O, TCV_mae1:='00001111'B, TCV_n := 4)</pre>                                                     |                                                                                                                                                                                                                                                                                                                                                                                                                                                                 |  |
| 92                        | <pre>[TCV_Cnt1 = 5]</pre>                                                                                                                         |                                                                                                                                                                                                                                                                                                                                                                                                                                                                 |  |
| 93                        | <pre>(TCV_flist := C_flist_e_405, TCV_flistl:='07'O, TCV_mae1:='00111111'B, TCV_n := 6)</pre>                                                     |                                                                                                                                                                                                                                                                                                                                                                                                                                                                 |  |
| 94                        | <pre>[TCV_Cnt1 = 6]</pre>                                                                                                                         |                                                                                                                                                                                                                                                                                                                                                                                                                                                                 |  |
| 95                        | <pre>(TCV_flist := C_flist_e_406, TCV_flistl:='10'O, TCV_mae1:='00000111'B, TCV_n := 3)</pre>                                                     |                                                                                                                                                                                                                                                                                                                                                                                                                                                                 |  |
|                           | <b>ltree_assign2_setup</b>                                                                                                                        |                                                                                                                                                                                                                                                                                                                                                                                                                                                                 |  |
| 96                        | <pre>[TCV_Cnt1 = 1]</pre>                                                                                                                         |                                                                                                                                                                                                                                                                                                                                                                                                                                                                 |  |
| 97                        | <pre>(TCV_cchdescr := C_cchd_e_407, TCV_mae1:='00011100'B, TCV_mae2:='00000000'B, TCV_flist:=C_flist_e_407, TCV_flistl:='10'O, TCV_n := 3)</pre>  |                                                                                                                                                                                                                                                                                                                                                                                                                                                                 |  |
| 98                        | <pre>[TCV_Cnt1 = 2]</pre>                                                                                                                         |                                                                                                                                                                                                                                                                                                                                                                                                                                                                 |  |
| 99                        | <pre>(TCV_cchdescr := C_cchd_e_408, TCV_mae1:='00000000'B, TCV_mae2:='11111000'B, TCV_flist:= C_flist_e_408, TCV_flistl:='0D'O, TCV_n := 5)</pre> |                                                                                                                                                                                                                                                                                                                                                                                                                                                                 |  |
| 100                       | <pre>[TCV_Cnt1 = 3]</pre>                                                                                                                         |                                                                                                                                                                                                                                                                                                                                                                                                                                                                 |  |
| 101                       | <pre>(TCV_cchdescr := C_cchd_e_409, TCV_mae1:='00000000'B, TCV_mae2:='00001111'B, TCV_flist:= C_flist_e_409, TCV_flistl:='10'O, TCV_n := 4)</pre> |                                                                                                                                                                                                                                                                                                                                                                                                                                                                 |  |
| 102                       | <pre>[TCV_Cnt1 = 4]</pre>                                                                                                                         |                                                                                                                                                                                                                                                                                                                                                                                                                                                                 |  |
| 103                       | <pre>(TCV_cchdescr := C_cchd_e_415, TCV_mae1:='11100011'B, TCV_flist:= C_flist_e_415, TCV_flistl:='09'O, TCV_n := 5)</pre>                        |                                                                                                                                                                                                                                                                                                                                                                                                                                                                 |  |
| 104                       | <pre>[TCV_Cnt1 = 5]</pre>                                                                                                                         |                                                                                                                                                                                                                                                                                                                                                                                                                                                                 |  |
| 105                       | <pre>(TCV_cchdescr := C_cchd_e_411, TCV_mae1:='00000001'B, TCV_mae2:='11110000'B, TCV_flist:= C_flist_e_411, TCV_flistl:='07'O, TCV_n := 5)</pre> |                                                                                                                                                                                                                                                                                                                                                                                                                                                                 |  |
| 106                       | <pre>[TCV_Cnt1 = 6]</pre>                                                                                                                         |                                                                                                                                                                                                                                                                                                                                                                                                                                                                 |  |
| 107                       | <pre>(TCV_cchdescr := C_cchd_e_412, TCV_mae1:='00000000'B, TCV_mae2:='00000111'B, TCV_flist:= C_flist_e_412, TCV_flistl:='10'O, TCV_n := 3)</pre> |                                                                                                                                                                                                                                                                                                                                                                                                                                                                 |  |
| <b>Detailed Comments:</b> |                                                                                                                                                   | <ol style="list-style-type: none"> <li>1) Assignment Command without Cell Channel Description IE</li> <li>2) Assignment Command with Cell Channel Description IE</li> <li>3) Length of mobile allocation contents is 1 octet</li> <li>4) PDU contains Mobile Allocation with 2 octets</li> <li>5) To ensure the correct channel id is in the correct test case variable</li> <li>6) Ensure all communication is complete before freeing the resource</li> </ol> |  |

### Test Case Dynamic Behaviour

|                        |                                                                                                                                                                                                                                                                              |
|------------------------|------------------------------------------------------------------------------------------------------------------------------------------------------------------------------------------------------------------------------------------------------------------------------|
| <b>Test Case Name:</b> | TC_26_10_2_4_1                                                                                                                                                                                                                                                               |
| <b>Group:</b>          | GSM_L3_MS_v4210/EGSMsignalling/                                                                                                                                                                                                                                              |
| <b>Purpose:</b>        | To check that the MS correctly performs a non-synchronized handover, from a non hopping primary band SDCCH to a hopping TCH or SDCCH using E-GSM frequencies, whatever the coding used for the hopping sequence description and that it activates the new channel correctly. |
|                        | This tested in the following case:<br>E-GSM signalling/ Handover / successful / call under establishment / non-synchronized /<br>- from SDCCH/8 to TCH/F if the MS supports a TCH<br>- from SDCCH/8 to SDCCH/8 if not                                                        |
| <b>Default:</b>        | OtherEventsFail                                                                                                                                                                                                                                                              |

| Nr | Label | Behaviour Description                                                                                                                                                                                                                                                                                                                                                                                                                                                                                                                                                                                                                 | CRef | V | Comments           |
|----|-------|---------------------------------------------------------------------------------------------------------------------------------------------------------------------------------------------------------------------------------------------------------------------------------------------------------------------------------------------------------------------------------------------------------------------------------------------------------------------------------------------------------------------------------------------------------------------------------------------------------------------------------------|------|---|--------------------|
| 1  |       | START T_guard(300)                                                                                                                                                                                                                                                                                                                                                                                                                                                                                                                                                                                                                    |      |   |                    |
| 2  |       | +BasicServiceMO(TSPX_MOBscSvcD,<br>TSPX_MOChRateD)                                                                                                                                                                                                                                                                                                                                                                                                                                                                                                                                                                                    |      |   |                    |
| 3  |       | (TCV_ia_ts:= TSPX_TmSltNotZero, TCV_ts:=<br>TSPX_TmSltNotZero, TCV_Horf:=<br>TSPX_HoRefA, TCV_Pwrlvl_ho:= INT_TO_BIT(<br>TSPX_PwrlvlA, 5), TCV_flist := C_flist_e_416,<br>TCV_flistl:= '10'O, TCV_mae1 := '00000101'B,<br>TCV_mae2 := '00000001'B)                                                                                                                                                                                                                                                                                                                                                                                    |      |   | 1.                 |
| 4  |       | +IdleUpdated( C_E_default, C_CellA,<br>C_SCH_A, C_BCCH_A_1, C_Immass, C_S0,<br>C_SlotNU, C_SlotNU, C_SlotNU,<br>TSPX_TscDef, C_TxInt_5, C_Max_1,<br>C_NEC1_0, C_ATT_0, TimingAdv(30),<br>C_BABR_0, C_cch_1Comb, C_BPM_3,<br>C_T3212_0, C_ci_cellA, C_MCC_1,<br>C_PLMN_1, C_LAC_1, CellOpt_01,<br>CellChDes_23A, CellChDes_202_Adman,<br>C_CellReselectHys12, C_MaxPwrLvlG,<br>C_MaxPwrLvlD, BcchFreqLst_45,<br>BcchFreqLst_Omit, BcchFreqLst_46,<br>BcchFreqLst_Omit, C_noRestablishment,<br>C_BCC, C_NCC, C_Start_Tmsi,<br>TSPX_SDCCH4SubA, TSPX_CKSNDef,<br>TSPX_RANDDef, C_arfcnA, C_arfcnAd,<br>TSPX_IMSI, C_Test_egsm, C_NCCP_2) |      |   |                    |
| 5  |       | +local_continue                                                                                                                                                                                                                                                                                                                                                                                                                                                                                                                                                                                                                       |      |   |                    |
|    |       | <b>local_continue</b>                                                                                                                                                                                                                                                                                                                                                                                                                                                                                                                                                                                                                 |      |   |                    |
| 6  |       | (TCV_sysinfo5bis_A := TCV_sysinfo5bis)                                                                                                                                                                                                                                                                                                                                                                                                                                                                                                                                                                                                |      |   |                    |
| 7  |       | +StartCellB_egsm( C_E_neighbourdefault,<br>C_arfcnB, C_arfcnBd, C_Immass,<br>TSPX_TmSltNotZero, TCV_tsc, TimingAdv(20),<br>C_TxInt_5, C_Max_1, C_NEC1_0, C_ATT_0,<br>C_BABR_0, C_cch_1Comb, C_BPM_3,<br>C_T3212_0, C_MCC_1, C_PLMN_1, C_LAC_1,<br>CellChDes_23B, BcchFreqLst_52,<br>BcchFreqLst_47, C_noRestablishment, C_BCC,<br>C_NCC)                                                                                                                                                                                                                                                                                              |      |   |                    |
| 8  |       | +SDCCH8_A_1_nociph( TSPX_SDCCH8SubDef,<br>C_Immass, TSPX_TmSltNotZero, TCV_tsc,<br>ChMod_sign, FreqTCH_ef2(TCV_mae1,<br>TCV_mae2, TCV_flist,TCV_flistl, TCV_n),<br>FreqTCH_ef2(TCV_mae1, TCV_mae2,<br>TCV_flist,TCV_flistl, TCV_n), TimingAdv( 30),<br>C_BABR_0, C_cch_1nonComb, C_BPM_3)                                                                                                                                                                                                                                                                                                                                             |      |   | TCV_ch             |
| 9  |       | +SysInfo_5bisSending(TCV_sacch8,<br>TCV_sysinfo5bis_A)                                                                                                                                                                                                                                                                                                                                                                                                                                                                                                                                                                                |      |   |                    |
| 10 | body  | (TCV_Cnt2 :=1, TCV_ch1 := TCV_ch)                                                                                                                                                                                                                                                                                                                                                                                                                                                                                                                                                                                                     |      |   |                    |
| 11 |       | +ltree_chtype                                                                                                                                                                                                                                                                                                                                                                                                                                                                                                                                                                                                                         |      |   |                    |
| 12 |       | REPEAT local_body UNTIL [TCV_Cnt2<br>=4]                                                                                                                                                                                                                                                                                                                                                                                                                                                                                                                                                                                              |      |   | Loop of k = 1 to 3 |
|    |       | <b>local_body</b>                                                                                                                                                                                                                                                                                                                                                                                                                                                                                                                                                                                                                     |      |   |                    |
| 13 |       | (TCV_Cnt1 :=1)                                                                                                                                                                                                                                                                                                                                                                                                                                                                                                                                                                                                                        |      |   |                    |
| 14 |       | REPEAT ltree_execloopC UNTIL [TCV_Cnt1=7]                                                                                                                                                                                                                                                                                                                                                                                                                                                                                                                                                                                             |      |   | Loop of c = 1 to 6 |
| 15 |       | (TCV_Cnt2 := (TCV_Cnt2 +1))                                                                                                                                                                                                                                                                                                                                                                                                                                                                                                                                                                                                           |      |   |                    |



|    |                                                |                         |                         |
|----|------------------------------------------------|-------------------------|-------------------------|
| 16 | <b>ltree_execloopC</b>                         |                         |                         |
| 17 | [(TCV_Cnt2 <>1) OR(TCV_Cnt1 <>6)]              |                         |                         |
| 18 | +ltree_chconfig                                |                         |                         |
| 19 | +Est_MO_Call_init( C_CHSDCCH8_FH,              |                         |                         |
| 20 | MoblAllc_281e2, MoblAllc_281e2, TimingAdv(30), |                         |                         |
| 21 | TSPX_TscDef, 1, 1)                             |                         |                         |
| 22 | +ltree_hocmd                                   |                         |                         |
| 23 | (TCV_ch := TCV_chTch)                          |                         |                         |
| 24 | +RR_hocomp1(TCV_n, TimingAdv(20))              |                         |                         |
| 25 | L?DL_DatInSetup (TCV_Mt1 :=                    | SetupRcv(               |                         |
| 26 | DL_DatInSetup.msg.mt)                          | SetupInd_01)            |                         |
| 27 | +SendSeqNo_chk                                 |                         |                         |
| 28 | +ChanRel( TCV_ch)                              |                         |                         |
| 29 | (TCV_Cnt1 := ( TCV_Cnt1+1),                    |                         | SDCCH8_A_1 back to no   |
| 30 | TCV_ch := TCV_ch1, TCV_Null                    |                         | ciphering mode          |
| 31 | :=OM_CphMd( TCV_ch,                            |                         |                         |
| 32 | CphMod_02, TCV_CphKey))                        |                         |                         |
| 33 | [(TCV_Cnt2 = 1) AND (TCV_Cnt1 = 6)]            |                         | no test for k=1 and c=6 |
| 34 | (TCV_Cnt1 := ( TCV_Cnt1+1), TCV_ch :=          |                         |                         |
| 35 | TCV_ch1)                                       |                         |                         |
| 36 | <b>ltree_chtype</b>                            |                         |                         |
| 37 | [TSPC_Serv_TS11 OR TSPC_Serv_TS12]             |                         |                         |
| 38 | (TCV_chtype := '00001'B, TCV_n := 500,         |                         | TCH                     |
| 39 | TCV_Cntref:= TSPX_NoOfHoAccA)                  |                         |                         |
| 40 | [(NOT TSPC_Serv_TS11) AND( NOT                 |                         |                         |
| 41 | TSPC_Serv_TS12)]                               |                         |                         |
| 42 | (TCV_chtype := INT_TO_BIT((8 +                 |                         | SDCCH8                  |
| 43 | BIT_TO_INT(TSPX_SDCCH8SubDef),5), TCV_n        |                         |                         |
| 44 | :=750, TCV_Cntref:= TSPX_NoOfHoAccl)           |                         |                         |
| 45 | <b>ltree_hocmd</b>                             |                         |                         |
| 46 | [TCV_Cnt2 = 1]                                 |                         | for k = 1               |
| 47 | LIDL_DatRqHoCmd                                | HndOvSnd( TCV_ch,       |                         |
| 48 |                                                | HandOverCmd_fh(         |                         |
| 49 |                                                | TCV_chtype, TCV_ts,     |                         |
| 50 |                                                | TSPX_TscDef,            |                         |
| 51 |                                                | C_NCC_1, C_BCC_3,       |                         |
| 52 |                                                | C_BCCHcarrierB_ho,      |                         |
| 53 |                                                | TCV_n, TSPX_HSN,        |                         |
| 54 |                                                | TCV_Horf,               |                         |
| 55 |                                                | TCV_Pwrlvl_ho,          |                         |
| 56 |                                                | Synchi_omit,            |                         |
| 57 |                                                | Frql_short( TCV_flist), |                         |
| 58 |                                                | Frql_omit,              |                         |
| 59 |                                                | CellChDes_Omit,         |                         |
| 60 |                                                | TCV_ChMod,              |                         |
| 61 |                                                | Freqchseq_omit,         |                         |
| 62 |                                                | MoblAllc_omit,          |                         |
| 63 |                                                | RelTmdDif_omit,         |                         |
| 64 |                                                | TimingAdv_omit,         |                         |
| 65 |                                                | CphMod_omit))           |                         |
| 66 | [TCV_Cnt2 = 2]                                 |                         | for k = 2               |
| 67 | LIDL_DatRqHoCmd                                | HndOvSnd( TCV_ch,       |                         |
| 68 |                                                | HandOverCmd_fh(         |                         |
| 69 |                                                | TCV_chtype, TCV_ts,     |                         |
| 70 |                                                | TSPX_TscDef,            |                         |
| 71 |                                                | C_NCC_1, C_BCC_3,       |                         |
| 72 |                                                | C_BCCHcarrierB_ho,      |                         |
| 73 |                                                | TCV_n, TSPX_HSN,        |                         |
| 74 |                                                | TCV_Horf,               |                         |
| 75 |                                                | TCV_Pwrlvl_ho,          |                         |
| 76 |                                                | Synchi_omit,            |                         |
| 77 |                                                | Frql_omit, Frql(        |                         |
| 78 |                                                | TCV_flist, TCV_flist),  |                         |
| 79 |                                                | CellChDes_Omit,         |                         |
| 80 |                                                | TCV_ChMod,              |                         |
| 81 |                                                | Freqchseq_omit,         |                         |
| 82 |                                                | MoblAllc_omit,          |                         |
| 83 |                                                | RelTmdDif_omit,         |                         |
| 84 |                                                | TimingAdv_omit,         |                         |
| 85 |                                                | CphMod_omit))           |                         |
| 86 | [TCV_Cnt2 = 3]                                 |                         | for k = 3               |

|    |                                                                                                                                                   |                                                                                                                                                                                                                                                                                                                                                                                                  |                 |
|----|---------------------------------------------------------------------------------------------------------------------------------------------------|--------------------------------------------------------------------------------------------------------------------------------------------------------------------------------------------------------------------------------------------------------------------------------------------------------------------------------------------------------------------------------------------------|-----------------|
| 37 | L!DL_DatRqHoCmd                                                                                                                                   | HndOvSnd( TCV_ch,<br>HandOverCmd_fh(<br>TCV_chtype, TCV_ts,<br>TSPX_TscDef,<br>C_NCC_1, C_BCC_3,<br>C_BCCcarrierB_ho,<br>TCV_n, TSPX_HSN,<br>TCV_Horf,<br>TCV_Pwrlvl_ho,<br>Synchi_omit,<br>Frql_omit, Frql_omit,<br>CellChDes_20_Be(<br>TCV_cchdescr),<br>TCV_ChMod,<br>Freqchseq_omit,<br>MoblAlc_20_Be2iei(T<br>CV_mae1,<br>TCV_mae2),<br>RelTmdDif_omit,<br>TimingAdv_omit,<br>CphMod_omit)) |                 |
|    | <b>ltree_chconfig</b>                                                                                                                             |                                                                                                                                                                                                                                                                                                                                                                                                  |                 |
| 38 | +local_setHoppingPara                                                                                                                             |                                                                                                                                                                                                                                                                                                                                                                                                  |                 |
| 39 | +local_configChOfCellB                                                                                                                            |                                                                                                                                                                                                                                                                                                                                                                                                  |                 |
|    | <b>local_setHoppingPara</b>                                                                                                                       |                                                                                                                                                                                                                                                                                                                                                                                                  |                 |
| 40 | [TCV_Cnt2 = 1]                                                                                                                                    |                                                                                                                                                                                                                                                                                                                                                                                                  |                 |
| 41 | [TCV_Cnt1 = 1]                                                                                                                                    |                                                                                                                                                                                                                                                                                                                                                                                                  |                 |
| 42 | (TCV_flist := C_flist_e_401, TCV_flistl:='05'O,<br>TCV_mae1:='00000111'B, TCV_n := 3)                                                             |                                                                                                                                                                                                                                                                                                                                                                                                  | k = 1 and c = 1 |
| 43 | [TCV_Cnt1 = 2]                                                                                                                                    |                                                                                                                                                                                                                                                                                                                                                                                                  |                 |
| 44 | (TCV_flist := C_flist_e_402, TCV_flistl:='06'O,<br>TCV_mae1:='00011111'B, TCV_n := 5)                                                             |                                                                                                                                                                                                                                                                                                                                                                                                  | k = 1 and c = 2 |
| 45 | [TCV_Cnt1 = 3]                                                                                                                                    |                                                                                                                                                                                                                                                                                                                                                                                                  |                 |
| 46 | (TCV_flist := C_flist_e_403, TCV_flistl:='06'O,<br>TCV_mae1:='00001111'B, TCV_n := 4)                                                             |                                                                                                                                                                                                                                                                                                                                                                                                  | k = 1 and c = 3 |
| 47 | [TCV_Cnt1 = 4]                                                                                                                                    |                                                                                                                                                                                                                                                                                                                                                                                                  |                 |
| 48 | (TCV_flist := C_flist_e_404, TCV_flistl:='06'O,<br>TCV_mae1:='00001111'B, TCV_n := 4)                                                             |                                                                                                                                                                                                                                                                                                                                                                                                  | k = 1 and c = 4 |
| 49 | [TCV_Cnt1 = 5]                                                                                                                                    |                                                                                                                                                                                                                                                                                                                                                                                                  |                 |
| 50 | (TCV_flist := C_flist_e_405, TCV_flistl:='07'O,<br>TCV_mae1:='00111111'B, TCV_n := 6)                                                             |                                                                                                                                                                                                                                                                                                                                                                                                  | k = 1 and c = 5 |
| 51 | [TCV_Cnt2 = 2]                                                                                                                                    |                                                                                                                                                                                                                                                                                                                                                                                                  |                 |
| 52 | [TCV_Cnt1 = 1]                                                                                                                                    |                                                                                                                                                                                                                                                                                                                                                                                                  |                 |
| 53 | (TCV_flist := C_flist_e_401, TCV_flistl:='05'O,<br>TCV_mae1:='00000111'B, TCV_n := 3)                                                             |                                                                                                                                                                                                                                                                                                                                                                                                  | k = 2 and c = 1 |
| 54 | [TCV_Cnt1 = 2]                                                                                                                                    |                                                                                                                                                                                                                                                                                                                                                                                                  |                 |
| 55 | (TCV_flist := C_flist_e_402, TCV_flistl:='06'O,<br>TCV_mae1:='00011111'B, TCV_n := 5)                                                             |                                                                                                                                                                                                                                                                                                                                                                                                  | k = 2 and c = 2 |
| 56 | [TCV_Cnt1 = 3]                                                                                                                                    |                                                                                                                                                                                                                                                                                                                                                                                                  |                 |
| 57 | (TCV_flist := C_flist_e_403, TCV_flistl:='06'O,<br>TCV_mae1:='00001111'B, TCV_n := 4)                                                             |                                                                                                                                                                                                                                                                                                                                                                                                  | k = 2 and c = 3 |
| 58 | [TCV_Cnt1 = 4]                                                                                                                                    |                                                                                                                                                                                                                                                                                                                                                                                                  |                 |
| 59 | (TCV_flist := C_flist_e_404, TCV_flistl:='06'O,<br>TCV_mae1:='00001111'B, TCV_n := 4)                                                             |                                                                                                                                                                                                                                                                                                                                                                                                  | k = 2 and c = 4 |
| 60 | [TCV_Cnt1 = 5]                                                                                                                                    |                                                                                                                                                                                                                                                                                                                                                                                                  |                 |
| 61 | (TCV_flist := C_flist_e_405, TCV_flistl:='07'O,<br>TCV_mae1:='00111111'B, TCV_n := 6)                                                             |                                                                                                                                                                                                                                                                                                                                                                                                  | k = 2 and c = 5 |
| 62 | [TCV_Cnt1 = 6]                                                                                                                                    |                                                                                                                                                                                                                                                                                                                                                                                                  |                 |
| 63 | (TCV_flist := C_flist_e_406, TCV_flistl:='10'O,<br>TCV_mae1:='00000111'B, TCV_n := 3)                                                             |                                                                                                                                                                                                                                                                                                                                                                                                  | k = 2 and c = 6 |
| 64 | [TCV_Cnt2 = 3]                                                                                                                                    |                                                                                                                                                                                                                                                                                                                                                                                                  |                 |
| 65 | [TCV_Cnt1 = 1]                                                                                                                                    |                                                                                                                                                                                                                                                                                                                                                                                                  |                 |
| 66 | (TCV_cchdescr := C_cchd_e_407,<br>TCV_mae2:='00011100'B,<br>TCV_mae1:='00000000'B,<br>TCV_flist:=C_flist_e_407, TCV_flistl:='05'O,<br>TCV_n := 3) |                                                                                                                                                                                                                                                                                                                                                                                                  | k = 3 and c = 1 |
| 67 | [TCV_Cnt1 = 2]                                                                                                                                    |                                                                                                                                                                                                                                                                                                                                                                                                  |                 |
| 68 | (TCV_cchdescr := C_cchd_e_408,                                                                                                                    |                                                                                                                                                                                                                                                                                                                                                                                                  | k = 3 and c = 2 |

|                                                                                                             |                                                                                                                                                                                                                                                                               |                 |
|-------------------------------------------------------------------------------------------------------------|-------------------------------------------------------------------------------------------------------------------------------------------------------------------------------------------------------------------------------------------------------------------------------|-----------------|
| 69                                                                                                          | TCV_mae2:='00000000'B,<br>TCV_mae1:='11111000'B, TCV_flist:=<br>C_flist_e_408, TCV_flistl:='0D'O, TCV_n := 5)                                                                                                                                                                 |                 |
| 70                                                                                                          | [TCV_Cnt1 = 3]<br>(TCV_cchdescr := C_cchd_e_409,<br>TCV_mae2:='00000000'B,<br>TCV_mae1:='00001111'B, TCV_flist:=<br>C_flist_e_409, TCV_flistl:='10'O, TCV_n := 3)                                                                                                             | k = 3 and c = 3 |
| 71                                                                                                          | [TCV_Cnt1 = 4]<br>(TCV_cchdescr := C_cchd_e_410,<br>TCV_mae2:='00000011'B,<br>TCV_mae1:='00000011'B, TCV_flist:=<br>C_flist_e_410, TCV_flistl:='0A'O, TCV_n := 4)                                                                                                             | k = 3 and c = 4 |
| 72                                                                                                          | [TCV_Cnt1 = 5]<br>(TCV_cchdescr := C_cchd_e_411,<br>TCV_mae1:='00000001'B,<br>TCV_mae2:='11110000'B, TCV_flist:=<br>C_flist_e_411, TCV_flistl:='07'O, TCV_n := 4)                                                                                                             | k = 3 and c = 5 |
| 73                                                                                                          | [TCV_Cnt1 = 6]<br>(TCV_cchdescr := C_cchd_e_412,<br>TCV_mae1:='00000000'B,<br>TCV_mae2:='00000111'B, TCV_flist:=<br>C_flist_e_412, TCV_flistl:='10'O, TCV_n := 3)                                                                                                             | k = 3 and c = 6 |
| 74                                                                                                          | <b>local_configChOfCellB</b><br>(TCV_cellid:=C_CellB)                                                                                                                                                                                                                         |                 |
| 75                                                                                                          | [TSPC_Serv_TS11 OR TSPC_Serv_TS12]                                                                                                                                                                                                                                            | 2.              |
| 76                                                                                                          | (TCV_ChMod := ChMod_speech)                                                                                                                                                                                                                                                   |                 |
| 77                                                                                                          | [TCV_Cnt2 <> 3]                                                                                                                                                                                                                                                               |                 |
| 78                                                                                                          | +FullRateCh_B_1( C_Asynho, TCV_ts,<br>TSPX_TscDef, TCV_ChMod, FreqTCH_ef1(<br>TCV_mae1, TCV_flist, TCV_flistl, TCV_n),<br>FreqTCH_ef1( TCV_mae1, TCV_flist,<br>TCV_flistl, TCV_n), TimingAdv(20),<br>C_BABR_0, C_cch_1nonComb, C_BPM_3)                                       |                 |
| 79                                                                                                          | [TCV_Cnt2 = 3]                                                                                                                                                                                                                                                                |                 |
| 80                                                                                                          | +FullRateCh_B_1( C_Asynho, TCV_ts,<br>TSPX_TscDef, TCV_ChMod, FreqTCH_ef2(<br>TCV_mae1, TCV_mae2, TCV_flist,<br>TCV_flistl, TCV_n), FreqTCH_ef2(<br>TCV_mae1, TCV_mae2, TCV_flist,<br>TCV_flistl, TCV_n), TimingAdv(20),<br>C_BABR_0, C_cch_1nonComb, C_BPM_3)                |                 |
| 81                                                                                                          | [(NOT TSPC_Serv_TS11) AND( NOT<br>TSPC_Serv_TS12)]                                                                                                                                                                                                                            | 3.              |
| 82                                                                                                          | (TCV_ChMod := ChMod_sign)                                                                                                                                                                                                                                                     |                 |
| 83                                                                                                          | [TCV_Cnt2 <> 3]                                                                                                                                                                                                                                                               |                 |
| 84                                                                                                          | +SDCCH8_B_1( TSPX_SDCCH8SubDef,<br>C_Asynho, TCV_ts, TSPX_TscDef,<br>TCV_ChMod, FreqTCH_ef1( TCV_mae1,<br>TCV_flist, TCV_flistl, TCV_n), FreqTCH_ef1(<br>TCV_mae1, TCV_flist, TCV_flistl, TCV_n),<br>TimingAdv(20), C_BABR_0,<br>C_cch_1nonComb, C_BPM_3)                     |                 |
| 85                                                                                                          | [TCV_Cnt2 = 3]                                                                                                                                                                                                                                                                |                 |
| 86                                                                                                          | +SDCCH8_B_1( TSPX_SDCCH8SubDef,<br>C_Asynho, TCV_ts, TSPX_TscDef,<br>TCV_ChMod, FreqTCH_ef2( TCV_mae1,<br>TCV_mae2, TCV_flist, TCV_flistl, TCV_n),<br>FreqTCH_ef2( TCV_mae1, TCV_mae2,<br>TCV_flist, TCV_flistl, TCV_n), TimingAdv(20),<br>C_BABR_0, C_cch_1nonComb, C_BPM_3) |                 |
| 87                                                                                                          |                                                                                                                                                                                                                                                                               |                 |
| 88                                                                                                          |                                                                                                                                                                                                                                                                               |                 |
| 89                                                                                                          |                                                                                                                                                                                                                                                                               |                 |
| <b>Detailed Comments:</b>                                                                                   |                                                                                                                                                                                                                                                                               |                 |
| 1. Values TCV_flist , TCV_mae1 and TCV_mae2 are initialized for hopping frequencies : 20, 66, 78 in cell A. |                                                                                                                                                                                                                                                                               |                 |
| 2. for HO from SDCCH8 no FH in cell A to TCH/F FH in cell B                                                 |                                                                                                                                                                                                                                                                               |                 |
| 3. for HO from SDCCH8 no FH in cell A to SDCCH8 FH in cell B                                                |                                                                                                                                                                                                                                                                               |                 |

| Test Case Dynamic Behaviour |       |                                                                                                                                                                                                                                                                                                                                                                                                                                                                                                                                                                                  |                                                                                                                                                                                                                                 |   |          |
|-----------------------------|-------|----------------------------------------------------------------------------------------------------------------------------------------------------------------------------------------------------------------------------------------------------------------------------------------------------------------------------------------------------------------------------------------------------------------------------------------------------------------------------------------------------------------------------------------------------------------------------------|---------------------------------------------------------------------------------------------------------------------------------------------------------------------------------------------------------------------------------|---|----------|
| <b>Test Case Name:</b>      |       | TC_26_10_2_4_2                                                                                                                                                                                                                                                                                                                                                                                                                                                                                                                                                                   |                                                                                                                                                                                                                                 |   |          |
| <b>Group:</b>               |       | GSM_L3_MS_v4210/EGSMsignalling/                                                                                                                                                                                                                                                                                                                                                                                                                                                                                                                                                  |                                                                                                                                                                                                                                 |   |          |
| <b>Purpose:</b>             |       | To check that the MS correctly returns to the old channel in the case of an handover failure caused by a layer 1 failure on the target cell, even if the origin is in the P-GSM band and the target in the E-GSM band.                                                                                                                                                                                                                                                                                                                                                           |                                                                                                                                                                                                                                 |   |          |
| <b>Default:</b>             |       | OtherEventsFail                                                                                                                                                                                                                                                                                                                                                                                                                                                                                                                                                                  |                                                                                                                                                                                                                                 |   |          |
| Nr                          | Label | Behaviour Description                                                                                                                                                                                                                                                                                                                                                                                                                                                                                                                                                            | CRef                                                                                                                                                                                                                            | V | Comments |
| 1                           |       | START T_guard(300)                                                                                                                                                                                                                                                                                                                                                                                                                                                                                                                                                               |                                                                                                                                                                                                                                 |   |          |
| 2                           |       | (TCV_asscmd_ts:= TSPX_TmSltNotZero, TCV_ts:= TSPX_TmSltNotZero1, TCV_Cntref:= TSPX_NoOfHoAccA, TCV_Horf:= TSPX_HoRefA, TCV_Pwrlvl_ho:= '01100'B)                                                                                                                                                                                                                                                                                                                                                                                                                                 |                                                                                                                                                                                                                                 |   |          |
| 3                           |       | +BasicServiceMT( TSPX_MTBscSvcD, TSPX_MTChRateD)                                                                                                                                                                                                                                                                                                                                                                                                                                                                                                                                 |                                                                                                                                                                                                                                 |   |          |
| 4                           |       | +IdleUpdated( C_E_default, C_CellA, C_SCH_A, C_BCCH_A_1, C_Immass, C_S0, C_SlotNU, C_SlotNU, C_SlotNU, C_BCC, C_TxInt_5, C_Max_1, C_NECl_0, C_ATT_0, TimingAdv( 0), C_BABR_0, C_cch_1Comb, C_BPM_3, C_T3212_0, C_ci_cellA, C_MCC_1, C_PLMN_1, C_LAC_1, CellOpt_01, CellChDes_20_Aman, CellChDes_202_Adman, C_CellReselectHys12, C_MaxPwrLvlG, C_MaxPwrLvlD, BcchFreqLst_01, BcchFreqLst_Omit, BcchFreqLst_48, BcchFreqLst_Omit, C_noRestablishment, C_BCC, C_NCC, C_Start_Tmsi, TSPX_SDCCH4SubA, TSPX_CKSNDf, TSPX_RANDDef, C_arfcnA, C_arfcnAd, TSPX_IMSI, C_Test_fh, C_NCCP_2) |                                                                                                                                                                                                                                 |   |          |
| 5                           |       | +StartCellB( C_E_neighbourdefault, C_arfcnB, C_arfcnBd, C_Immass, TCV_slot, TCV_tsc, TimingAdv( 0), C_TxInt_5, C_Max_1, C_NECl_0, C_ATT_0, C_BABR_0, C_cch_1nonComb, C_BPM_3, C_T3212_0, C_MCC_1, C_PLMN_1, C_LAC_2, CellChDes_20_Bman, CellChDes_201_Bd, BcchFreqLst_01, BcchFreqLst_48, C_noRestablishment, C_BCC, C_NCC)                                                                                                                                                                                                                                                      |                                                                                                                                                                                                                                 |   |          |
| 6                           |       | +FullRateCh_A_1(C_Ass, TCV_asscmd_ts, TCV_tsc, ChMod_speech, FreqTCH_omit, FreqTCH_omit, TSPX_TCHcarrierA_ho, TSPX_TCHcarrierA_hod, TimingAdv( 0), C_BABR_0, C_cch_1Comb, C_BPM_3)                                                                                                                                                                                                                                                                                                                                                                                               |                                                                                                                                                                                                                                 |   |          |
| 7                           |       | +ltree_u10                                                                                                                                                                                                                                                                                                                                                                                                                                                                                                                                                                       |                                                                                                                                                                                                                                 |   |          |
| 8                           |       | +ltree_body                                                                                                                                                                                                                                                                                                                                                                                                                                                                                                                                                                      |                                                                                                                                                                                                                                 |   |          |
| 9                           |       | <b>ltree_body</b><br>(TCV_flist := C_flist_e_401, TCV_flistl := '05'O, TCV_mae1:= '00000111'B, TCV_n := 3, TCV_ch := TCV_chTch, TCV_sacch := TCV_sacchTch)                                                                                                                                                                                                                                                                                                                                                                                                                       |                                                                                                                                                                                                                                 |   |          |
| 10                          |       | +FullRateCh_B_1( C_Rcv, TCV_ts, TCV_tsc, ChMod_speech, FreqTCH_ef1( TCV_mae1, TCV_flist, TCV_flistl, TCV_n), FreqTCH_ef1( TCV_mae1, TCV_flist, TCV_flistl, TCV_n), TimingAdv( 0), C_BABR_0, C_cch_1nonComb, C_BPM_3)                                                                                                                                                                                                                                                                                                                                                             |                                                                                                                                                                                                                                 |   |          |
| 11                          |       | (TCV_L1Head0 := OM_GetL1Hd(TCV_sacch))                                                                                                                                                                                                                                                                                                                                                                                                                                                                                                                                           |                                                                                                                                                                                                                                 |   |          |
| 12                          |       | LIDL_DatRqHoCmd                                                                                                                                                                                                                                                                                                                                                                                                                                                                                                                                                                  | HndOvSnd( TCV_ch, HandOverCmd_fh( TCV_chtype, TCV_ts, TSPX_TscDef, C_NCC_1, C_BCC_3, C_BCCHcarrierB_ho, TCV_n, TSPX_HSN, TCV_Horf, TCV_Pwrlvl_ho, Synchi_omit, Frql_20_egsm( TCV_flist, TCV_flistl), Frql_omit, CellChDes_Omit, |   |          |

|                           |            |                                                                                                                                                                                                                                                                                 |                                                                                                       |     |
|---------------------------|------------|---------------------------------------------------------------------------------------------------------------------------------------------------------------------------------------------------------------------------------------------------------------------------------|-------------------------------------------------------------------------------------------------------|-----|
|                           |            |                                                                                                                                                                                                                                                                                 | TCV_ChMod,<br>Freqchseq_omit,<br>MoblAllc_omit,<br>RelTmdDif_omit,<br>TimingAdv_omit,<br>CphMod_omit) |     |
| 13                        |            | START T_dly(3000)                                                                                                                                                                                                                                                               |                                                                                                       |     |
| 14                        |            | (TCV_Cnt:=0)                                                                                                                                                                                                                                                                    |                                                                                                       |     |
| 15                        |            | REPEAT ltree_hoacc UNTIL [TCV_Cnt =<br>TCV_Cntref]                                                                                                                                                                                                                              |                                                                                                       |     |
| 16                        |            | L?DL_DatInHofl                                                                                                                                                                                                                                                                  | HndOvFIRcv(<br>TCV_ch,<br>HandOvFail_02)                                                              |     |
| 17                        |            | (TCV_L1Head :=<br>OM_GetL1Hd(TCV_sacch))                                                                                                                                                                                                                                        |                                                                                                       |     |
| 18                        | L_056<br>4 | [TCV_L1Head.mspwrlvl =<br>TCV_L1Head0.mspwrlvl]                                                                                                                                                                                                                                 |                                                                                                       | (P) |
| 19                        |            | +ChanRel_end(TCV_ch)                                                                                                                                                                                                                                                            |                                                                                                       |     |
| 20                        |            | [TCV_L1Head.mspwrlvl <><br>TCV_L1Head0.mspwrlvl]                                                                                                                                                                                                                                |                                                                                                       |     |
| 21                        |            | +ChanRel_end(TCV_ch)                                                                                                                                                                                                                                                            |                                                                                                       |     |
| 22                        | L_056<br>5 | ?TIMEOUT T_dly                                                                                                                                                                                                                                                                  |                                                                                                       | (F) |
| 23                        |            | +ChanRel(TCV_chTch)                                                                                                                                                                                                                                                             |                                                                                                       |     |
|                           |            | <b>ltree_hoacc</b>                                                                                                                                                                                                                                                              |                                                                                                       |     |
| 24                        |            | L?DL_RaInHoacc                                                                                                                                                                                                                                                                  | HndOvAccRcv(<br>TCV_chTch,<br>HandOverAcc_02(<br>TCV_Horf))                                           |     |
| 25                        |            | (TCV_Cnt := TCV_Cnt + 1)                                                                                                                                                                                                                                                        |                                                                                                       |     |
|                           |            | <b>ltree_u10</b>                                                                                                                                                                                                                                                                |                                                                                                       |     |
| 26                        |            | +RRmtcallprepare( TimingAdv( 0), TSPX_RANDDef)                                                                                                                                                                                                                                  |                                                                                                       |     |
| 27                        |            | (TCV_Setup_mt.sig := Signal_01)                                                                                                                                                                                                                                                 |                                                                                                       |     |
| 28                        |            | LIDL_DatRqSetup                                                                                                                                                                                                                                                                 | SetupSnd( TCV_ch,<br>TCV_Setup_mt)                                                                    |     |
| 29                        |            | L?DL_DatInCallCo                                                                                                                                                                                                                                                                | CallCfm(<br>CallConfirm_01(<br>TI_01))                                                                | 1.  |
| 30                        |            | L?DL_DatInConn                                                                                                                                                                                                                                                                  | ConnRcv(<br>Connect_01( TI_01))                                                                       |     |
| 31                        |            | +localtree                                                                                                                                                                                                                                                                      |                                                                                                       |     |
| 32                        |            | L?DL_DatInAlert                                                                                                                                                                                                                                                                 | AlertRcv(<br>AlertingInd_01(<br>TI_01))                                                               |     |
| 33                        |            | (TCV_Null := OO_HookOff())                                                                                                                                                                                                                                                      |                                                                                                       |     |
| 34                        |            | L?DL_DatInConn                                                                                                                                                                                                                                                                  | ConnRcv(<br>Connect_01( TI_01))                                                                       |     |
| 35                        |            | +localtree                                                                                                                                                                                                                                                                      |                                                                                                       |     |
|                           |            | <b>localtree</b>                                                                                                                                                                                                                                                                |                                                                                                       |     |
| 36                        |            | (TCV_AssCmd := AsgnCmd_nfh( '00001'B,<br>TCV_asscmd_ts, TSPX_TscDef, 10,<br>C_arfcnEgsm_asscmd, CellChDes_Omit,<br>ChMod_omit, StartingTm_omit, CphMod_omit))                                                                                                                   |                                                                                                       |     |
| 37                        |            | +AssCh_complete( TCV_ch, TCV_chTch,<br>TCV_AssCmd)                                                                                                                                                                                                                              |                                                                                                       | 2.  |
| 38                        |            | LIDL_DatRqConnAck                                                                                                                                                                                                                                                               | ConnAckSnd(<br>TCV_chTch,<br>ConnectAck_01(<br>TI_02))                                                |     |
| <b>Detailed Comments:</b> |            | <p>1. If the MS supports the bearer capabilities, which are give in Setup message, it has to accept them. However, it may still send a bearer capability IE in the Call Confirm message.</p> <p>2. TCH/F or SDCCH/4 with non hopping in selected cell.<br/>Power level = 10</p> |                                                                                                       |     |

| Test Case Dynamic Behaviour                                                                                                                                                             |            |                                                                                                                                                                                                                                                                                                                                                                                                                                                                                                                                                                              |                                        |     |                         |
|-----------------------------------------------------------------------------------------------------------------------------------------------------------------------------------------|------------|------------------------------------------------------------------------------------------------------------------------------------------------------------------------------------------------------------------------------------------------------------------------------------------------------------------------------------------------------------------------------------------------------------------------------------------------------------------------------------------------------------------------------------------------------------------------------|----------------------------------------|-----|-------------------------|
| <b>Test Case Name:</b> TC_26_10_2_5                                                                                                                                                     |            |                                                                                                                                                                                                                                                                                                                                                                                                                                                                                                                                                                              |                                        |     |                         |
| <b>Group:</b> GSM_L3_MS_v4210/EGSMsignalling/                                                                                                                                           |            |                                                                                                                                                                                                                                                                                                                                                                                                                                                                                                                                                                              |                                        |     |                         |
| <b>Purpose:</b> 1) To verify that the MS, after receiving a FREQUENCY REDEFINITION message, starts using the new frequencies and hopping sequence when some E-GSM frequencies are used. |            |                                                                                                                                                                                                                                                                                                                                                                                                                                                                                                                                                                              |                                        |     |                         |
| 2) To check that the last received Cell Channel Description information element is used to decode the Mobile Allocation IE received in the FREQUENCY REDEFINITION message.              |            |                                                                                                                                                                                                                                                                                                                                                                                                                                                                                                                                                                              |                                        |     |                         |
| <b>Default:</b> OtherEventsFail                                                                                                                                                         |            |                                                                                                                                                                                                                                                                                                                                                                                                                                                                                                                                                                              |                                        |     |                         |
| Nr                                                                                                                                                                                      | Label      | Behaviour Description                                                                                                                                                                                                                                                                                                                                                                                                                                                                                                                                                        | CRef                                   | V   | Comments                |
| 1                                                                                                                                                                                       | pre        | START T_guard(300)                                                                                                                                                                                                                                                                                                                                                                                                                                                                                                                                                           |                                        |     |                         |
| 2                                                                                                                                                                                       |            | (TCV_ia_ts:= TSPX_TmSlitNotZero)                                                                                                                                                                                                                                                                                                                                                                                                                                                                                                                                             |                                        |     |                         |
| 3                                                                                                                                                                                       |            | +IdleUpdated( C_E_default, C_CellA, C_SCH_A, C_BCCH_A_1, C_Immass, C_S0, C_SlotNU, C_SlotNU, C_SlotNU, C_BCC, C_TxInt_5, C_Max_1, C_NECI_0, C_ATT_0, TimingAdv( 30), C_BABR_0, C_cch_1Comb, C_BPM_3, C_T3212_0, C_ci_cellA, C_MCC_1, C_PLMN_1, C_LAC_1, CellOpt_01, CellChDes_22, CellChDes_Omit, C_CellReselectHys12, C_MaxPwrLvIG, C_MaxPwrLvID, BcchFreqLst_01, BcchFreqLst_Omit, BcchFreqLst_46, BcchFreqLst_Omit, C_noReestablishment, C_BCC, C_NCC, C_Start_Tmsi, TSPX_SDCCH4SubDef, TSPX_CKSNDf, TSPX_RANDDef, C_arfcnA, C_arfcnAd, TSPX_IMSI, C_Test_egsm, C_NCCP_2) |                                        |     |                         |
| 4                                                                                                                                                                                       |            | +local_ChConfig                                                                                                                                                                                                                                                                                                                                                                                                                                                                                                                                                              |                                        |     |                         |
| 5                                                                                                                                                                                       |            | (TCV_Cnt1 := 1)                                                                                                                                                                                                                                                                                                                                                                                                                                                                                                                                                              |                                        |     |                         |
| 6                                                                                                                                                                                       | body       | REPEAT localtree_body UNTIL [TCV_Cnt1 = 7]                                                                                                                                                                                                                                                                                                                                                                                                                                                                                                                                   |                                        |     |                         |
| <b>localtree_body</b>                                                                                                                                                                   |            |                                                                                                                                                                                                                                                                                                                                                                                                                                                                                                                                                                              |                                        |     |                         |
| 7                                                                                                                                                                                       |            | +Wait(C_T_Wait1)                                                                                                                                                                                                                                                                                                                                                                                                                                                                                                                                                             |                                        |     |                         |
| 8                                                                                                                                                                                       |            | L!DL_UdatRqPg1Rq                                                                                                                                                                                                                                                                                                                                                                                                                                                                                                                                                             | PgReq1(TCV_PgCh, TCV_Pgg, PgReqTp1_01) |     |                         |
| 9                                                                                                                                                                                       |            | L?DL_RaInChRq ( TCV_Rr := DL_RaInChRq.msg.ecau_rrf, TCV_Fn := DL_RaInChRq.fn)                                                                                                                                                                                                                                                                                                                                                                                                                                                                                                | ChReq( ChRequest_17)                   |     |                         |
| 10                                                                                                                                                                                      |            | ACTIVATE(OtherEventsFail_02)                                                                                                                                                                                                                                                                                                                                                                                                                                                                                                                                                 |                                        |     | To match ChReq retrans. |
| 11                                                                                                                                                                                      |            | +ltree_send_immass                                                                                                                                                                                                                                                                                                                                                                                                                                                                                                                                                           |                                        |     |                         |
| 12                                                                                                                                                                                      |            | L?DL_EstInPgRes                                                                                                                                                                                                                                                                                                                                                                                                                                                                                                                                                              | PgRes( TCV_ch, PagingRes_01)           |     |                         |
| 13                                                                                                                                                                                      |            | ACTIVATE(OtherEventsFail)                                                                                                                                                                                                                                                                                                                                                                                                                                                                                                                                                    |                                        |     | Restore Normal default  |
| 14                                                                                                                                                                                      |            | +ltree_setFreqRedefPara                                                                                                                                                                                                                                                                                                                                                                                                                                                                                                                                                      |                                        |     |                         |
| 15                                                                                                                                                                                      |            | +ltree_LowerTestorManage                                                                                                                                                                                                                                                                                                                                                                                                                                                                                                                                                     |                                        |     |                         |
| 16                                                                                                                                                                                      |            | +ltree_sendFreqRedef                                                                                                                                                                                                                                                                                                                                                                                                                                                                                                                                                         |                                        |     |                         |
| 17                                                                                                                                                                                      |            | +ltree_checkchnafterfreqred                                                                                                                                                                                                                                                                                                                                                                                                                                                                                                                                                  |                                        |     |                         |
| 18                                                                                                                                                                                      |            | +ChanRel(TCV_ch)                                                                                                                                                                                                                                                                                                                                                                                                                                                                                                                                                             |                                        |     |                         |
| 19                                                                                                                                                                                      |            | (TCV_Cnt1 := ( TCV_Cnt1 +1))                                                                                                                                                                                                                                                                                                                                                                                                                                                                                                                                                 |                                        |     |                         |
| <b>ltree_checkchnafterfreqred</b>                                                                                                                                                       |            |                                                                                                                                                                                                                                                                                                                                                                                                                                                                                                                                                                              |                                        |     |                         |
| 20                                                                                                                                                                                      |            | [(TCV_Cnt1 = 4) OR (TCV_Cnt1 = 6)]                                                                                                                                                                                                                                                                                                                                                                                                                                                                                                                                           |                                        |     | Ma1)                    |
| 21                                                                                                                                                                                      |            | (TCV_Res := OM_FHCHK( TCV_ch, CellChDes_20_Be( TCV_cchdescr), MobilAllc_20_Be1(TCV_mae1), TCV_chd1, 100, TCV_Fn))                                                                                                                                                                                                                                                                                                                                                                                                                                                            |                                        |     |                         |
| 22                                                                                                                                                                                      | L_056<br>6 | [NOT TCV_Res]                                                                                                                                                                                                                                                                                                                                                                                                                                                                                                                                                                |                                        | (F) |                         |
| 23                                                                                                                                                                                      | L_056<br>7 | [TCV_Res]                                                                                                                                                                                                                                                                                                                                                                                                                                                                                                                                                                    |                                        | (P) |                         |
| 24                                                                                                                                                                                      |            | [(TCV_Cnt1 <> 4) AND(TCV_Cnt1 <> 6)]                                                                                                                                                                                                                                                                                                                                                                                                                                                                                                                                         |                                        |     | Ma2)                    |
| 25                                                                                                                                                                                      |            | (TCV_Res := OM_FHCHK( TCV_ch, CellChDes_20_Be( TCV_cchdescr), MobilAllc_20_Be2( TCV_mae1, TCV_mae2), TCV_chd1, 100, TCV_Fn))                                                                                                                                                                                                                                                                                                                                                                                                                                                 |                                        |     |                         |
| 26                                                                                                                                                                                      | L_056      | [NOT TCV_Res]                                                                                                                                                                                                                                                                                                                                                                                                                                                                                                                                                                |                                        | (F) |                         |

|    |                 |                                                                                                                                                                                                                                                                                                                 |                                                                                                                                                   |      |
|----|-----------------|-----------------------------------------------------------------------------------------------------------------------------------------------------------------------------------------------------------------------------------------------------------------------------------------------------------------|---------------------------------------------------------------------------------------------------------------------------------------------------|------|
| 27 | 8<br>L_056<br>9 | [TCV_Res]                                                                                                                                                                                                                                                                                                       |                                                                                                                                                   | (P)  |
| 28 |                 | <b>Itree_LowerTestorManage</b><br>(TCV_Fn := OM_ComingFn( TCV_ch), TCV_chd1 :=<br>ChDescrip_fh( TCV_chtype, TSPX_TmSltNotZero1,<br>TSPX_TscDef, INT_TO_BIT((TSPX_MAI0 MOD<br>TCV_n), 6), INT_TO_BIT(TSPX_HSN, 6)), TCV_Strt<br>:= OC_StartTime( TCV_Fn, 100, 0), TCV_Null :=<br>OM_SendNextOn( TCV_ch, TCV_Fn)) |                                                                                                                                                   |      |
| 29 |                 | [(TCV_Cnt1 = 4) OR (TCV_Cnt1=6)]                                                                                                                                                                                                                                                                                |                                                                                                                                                   | Ma1) |
| 30 |                 | (TCV_Null := OM_FreqDef( TCV_Strt,<br>MoblAllc_20_Be1( TCV_mae1), TCV_ch,<br>TCV_chd1, CellChDes_20_Be( TCV_cchdescr),<br>TCV_Fn))                                                                                                                                                                              |                                                                                                                                                   |      |
| 31 |                 | [(TCV_Cnt1 <>4) AND(TCV_Cnt1<>6)]                                                                                                                                                                                                                                                                               |                                                                                                                                                   | Ma2) |
| 32 |                 | (TCV_Null := OM_FreqDef( TCV_Strt,<br>MoblAllc_20_Be2( TCV_mae1, TCV_mae2),<br>TCV_ch, TCV_chd1, CellChDes_20_Be(<br>TCV_cchdescr), TCV_Fn))                                                                                                                                                                    |                                                                                                                                                   |      |
| 33 |                 | <b>Itree_sendFreqRedef</b><br>[TCV_Cnt1 <> 6]                                                                                                                                                                                                                                                                   |                                                                                                                                                   |      |
| 34 |                 | [TCV_Cnt1 = 4]                                                                                                                                                                                                                                                                                                  |                                                                                                                                                   | Ma1) |
| 35 |                 | LIDL_DatRqFrqre                                                                                                                                                                                                                                                                                                 | FrqRedfSnd( TCV_ch,<br>FreqRedef_20(<br>TSPX_TmSltNotZero<br>1, TCV_chtype,<br>TCV_cchdescr,<br>TCV_mae1,<br>TCV_Strt, TCV_n))                    |      |
| 36 |                 | [TCV_Cnt1 <> 4]                                                                                                                                                                                                                                                                                                 |                                                                                                                                                   | Ma2) |
| 37 |                 | LIDL_DatRqFrqre                                                                                                                                                                                                                                                                                                 | FrqRedfSnd( TCV_ch,<br>FreqRedef_22(<br>TSPX_TmSltNotZero<br>1, TCV_chtype,<br>TCV_cchdescr,<br>TCV_mae1,<br>TCV_mae2,<br>TCV_Strt, TCV_n))       |      |
| 38 |                 | [TCV_Cnt1 = 6]                                                                                                                                                                                                                                                                                                  |                                                                                                                                                   | Ma1) |
| 39 |                 | LIDL_DatRqFrqre                                                                                                                                                                                                                                                                                                 | FrqRedfSnd( TCV_ch,<br>FreqRedef_21(<br>TSPX_TmSltNotZero<br>1, TCV_chtype,<br>TCV_mae1,<br>TCV_Strt, TCV_n))                                     |      |
| 40 |                 | <b>Itree_send_immass</b><br>[TSPC_SvcOnTCH]                                                                                                                                                                                                                                                                     |                                                                                                                                                   |      |
| 41 |                 | LIDL_UdatRqImmlass                                                                                                                                                                                                                                                                                              | ImmAss( TCV_agch,<br>ImmAsgn_nfh(<br>TCV_Rr, TCV_Fn,<br>'00001'B, TCV_ia_ts,<br>TSPX_TscDef,<br>TimingAdv( 30),<br>C_arfcnC,<br>C_normal_paging)) |      |
| 42 |                 | [NOT TSPC_SvcOnTCH]                                                                                                                                                                                                                                                                                             |                                                                                                                                                   |      |
| 43 |                 | LIDL_UdatRqImmlass                                                                                                                                                                                                                                                                                              | ImmAss( TCV_agch,<br>ImmAsgn_27(<br>TCV_Rr, TCV_Fn,<br>TCV_ia_ts, C_arfcnC,<br>TimingAdv( 30)))                                                   |      |
| 44 |                 | <b>Itree_setFreqRedefPara</b><br>[TCV_Cnt1 = 1]                                                                                                                                                                                                                                                                 |                                                                                                                                                   |      |
| 45 |                 | (TCV_cchdescr := C_cchd_e_407,<br>TCV_mae1:='00011100'B,<br>TCV_mae2:='00000000'B, TCV_n := 3)                                                                                                                                                                                                                  |                                                                                                                                                   |      |
| 46 |                 | [TCV_Cnt1 = 2]                                                                                                                                                                                                                                                                                                  |                                                                                                                                                   |      |

|                           |                                                                                                                                                                                       |                                      |  |  |
|---------------------------|---------------------------------------------------------------------------------------------------------------------------------------------------------------------------------------|--------------------------------------|--|--|
| 47                        | (TCV_cchdescr := C_cchd_e_408,<br>TCV_mae1:= '00000000'B,<br>TCV_mae2:= '11111000'B, TCV_n := 5)                                                                                      |                                      |  |  |
| 48                        | [TCV_Cnt1 = 3]                                                                                                                                                                        |                                      |  |  |
| 49                        | (TCV_cchdescr := C_cchd_e_409,<br>TCV_mae1:= '00000000'B,<br>TCV_mae2:= '00001111'B, TCV_n := 4)                                                                                      |                                      |  |  |
| 50                        | [TCV_Cnt1 = 4]                                                                                                                                                                        |                                      |  |  |
| 51                        | (TCV_cchdescr := C_cchd_e_415,<br>TCV_mae1:= '01100011'B, TCV_n := 4)                                                                                                                 |                                      |  |  |
| 52                        | [TCV_Cnt1 = 5]                                                                                                                                                                        |                                      |  |  |
| 53                        | (TCV_cchdescr := C_cchd_e_411,<br>TCV_mae1:= '00000001'B,<br>TCV_mae2:= '11110000'B, TCV_n := 5)                                                                                      |                                      |  |  |
| 54                        | [TCV_Cnt1 = 6]                                                                                                                                                                        |                                      |  |  |
| 55                        | (TCV_cchdescr := C_cchd_e_414,<br>TCV_mae1:= '00001110'B, TCV_n := 3)                                                                                                                 |                                      |  |  |
|                           | <b>local_ChConfig</b>                                                                                                                                                                 |                                      |  |  |
| 56                        | [TSPC_SvcOnTCH]                                                                                                                                                                       |                                      |  |  |
| 57                        | +FullRateCh_A_1_nociph( C_Immass, TCV_ia_ts,<br>TSPX_TscDef, ChMod_sign, FreqTCH( C_arfcnC),<br>FreqTCH( C_arfcnC), TimingAdv(30), C_BABR_0,<br>C_cch_1Comb, C_BPM_3)                 |                                      |  |  |
| 58                        | (TCV_ch := TCV_chTch)                                                                                                                                                                 |                                      |  |  |
| 59                        | +SysInfo_5bisSending( TCV_sacchTch,<br>TCV_sysinfo5bis)                                                                                                                               |                                      |  |  |
| 60                        | [NOT TSPC_SvcOnTCH]                                                                                                                                                                   |                                      |  |  |
| 61                        | (TCV_chtype := INT_TO_BIT((8 +<br>BIT_TO_INT(TSPX_SDCCH8SubDef)),5))                                                                                                                  |                                      |  |  |
| 62                        | +SDCCH8_A_1_nociph( TSPX_SDCCH8SubDef,<br>C_Immass, TCV_slot, TCV_tsc, ChMod_sign,<br>FreqTCH( C_arfcnC), FreqTCH(C_arfcnC),<br>TimingAdv( 30), C_BABR_0, C_cch_1nonComb,<br>C_BPM_3) |                                      |  |  |
| 63                        | +SysInfo_5bisSending( TCV_sacch8,<br>TCV_sysinfo5bis)                                                                                                                                 |                                      |  |  |
| <b>Detailed Comments:</b> |                                                                                                                                                                                       | Ma1) Mobile Allocation with 1 octets |  |  |
|                           |                                                                                                                                                                                       | Ma2) Mobile Allocation with 2 octets |  |  |



### Test Case Dynamic Behaviour

|                        |                                                                                                                                                                                                                                                                                                                                                                                                                                                                                                                                                                                                                                                                                                                                                                                                                                                                                                                                                                                                                                                                                                                                                                                                                                                                                                                                                                                                                                                                                                                                                            |
|------------------------|------------------------------------------------------------------------------------------------------------------------------------------------------------------------------------------------------------------------------------------------------------------------------------------------------------------------------------------------------------------------------------------------------------------------------------------------------------------------------------------------------------------------------------------------------------------------------------------------------------------------------------------------------------------------------------------------------------------------------------------------------------------------------------------------------------------------------------------------------------------------------------------------------------------------------------------------------------------------------------------------------------------------------------------------------------------------------------------------------------------------------------------------------------------------------------------------------------------------------------------------------------------------------------------------------------------------------------------------------------------------------------------------------------------------------------------------------------------------------------------------------------------------------------------------------------|
| <b>Test Case Name:</b> | TC_26_10_3_1                                                                                                                                                                                                                                                                                                                                                                                                                                                                                                                                                                                                                                                                                                                                                                                                                                                                                                                                                                                                                                                                                                                                                                                                                                                                                                                                                                                                                                                                                                                                               |
| <b>Group:</b>          | GSM_L3_MS_v4210/EGSM_Signalling/                                                                                                                                                                                                                                                                                                                                                                                                                                                                                                                                                                                                                                                                                                                                                                                                                                                                                                                                                                                                                                                                                                                                                                                                                                                                                                                                                                                                                                                                                                                           |
| <b>Purpose:</b>        | <p>1) To verify that the MS in MM state "idle, updated" and in RR idle mode with a TMSI assigned, when made to initiate a call for a selected teleservice that is supported by the MS as declared in a PICS/PIXIT statement, starts to initiate an immediate assignment procedure by sending the CHANNEL REQUEST message.</p> <p>2) To verify that subsequently after receipt of an IMMEDIATE ASSIGNMENT message allocating an SDCCH, after completion of establishment of the main signalling link, after having sent a CM SERVICE REQUEST message, after having successfully performed authentication and cipher mode setting procedures, after having sent a SETUP message, after having received a CALL PROCEEDING message followed by an ALERTING message and an ASSIGNMENT COMMAND message allocating an appropriate TCH, the MS sends an ASSIGNMENT COMPLETE message.</p> <p>3) To verify that subsequently, after the suite of actions specified in test purposes 1 and 2, the MS after receiving a CONNECT message returns a CONNECT ACKNOWLEDGE message.</p> <p>4) To verify that after the suite of actions specified in test purposes 1 and 2, the MS after receiving a CONNECT message attaches the user connection to the radio path. (This is checked by verifying that there is a point in time after transmission of the first L2 frame containing the (complete) CONNECT message, where the MS is sending appropriate speech or data frames whenever it doesn't have to transmit or acknowledge an L frame on layer 2 of the FACCH.)</p> |
| <b>Default:</b>        | OtherEventsFail                                                                                                                                                                                                                                                                                                                                                                                                                                                                                                                                                                                                                                                                                                                                                                                                                                                                                                                                                                                                                                                                                                                                                                                                                                                                                                                                                                                                                                                                                                                                            |

| Nr | Label | Behaviour Description                                                                                                                                                                                                                                                                                                                                                                                                                                                                                                                                                       | CRef                                                                                        | V | Comments                |
|----|-------|-----------------------------------------------------------------------------------------------------------------------------------------------------------------------------------------------------------------------------------------------------------------------------------------------------------------------------------------------------------------------------------------------------------------------------------------------------------------------------------------------------------------------------------------------------------------------------|---------------------------------------------------------------------------------------------|---|-------------------------|
| 1  |       | START T_guard(300)                                                                                                                                                                                                                                                                                                                                                                                                                                                                                                                                                          |                                                                                             |   |                         |
| 2  |       | +ltree_SelectTeleservice                                                                                                                                                                                                                                                                                                                                                                                                                                                                                                                                                    |                                                                                             |   |                         |
| 3  |       | +IdleUpdated( C_E_default, C_CellA, C_SCH_A, C_BCCH_A_1, C_ImmAss, C_S0, C_SlotNU, C_SlotNU, C_SlotNU, C_BCC, C_TxInt_5, C_Max_1, C_NECL_0, C_ATT_0, TimingAdv( 0), C_BABR_0, C_cch_1Comb, C_BPM_3, C_T3212_0, C_ci_cellA, C_MCC_1, C_PLMN_1, C_LAC_1, CellOpt_01, CellChDes_22, CellChDes_Omit, C_CellReselectHys12, C_MaxPwrLvlG, C_MaxPwrLvlD, BcchFreqLst_01, BcchFreqLst_Omit, BcchFreqLst_46, BcchFreqLst_Omit, C_noReestablishment, C_BCC, C_NCC, C_Start_Tmsi, TSPX_SDCCH4SubDef, TSPX_CKSNDf, TSPX_RANDDef, C_arfcnA, C_arfcnAd, TSPX_IMSI, C_Test_egsm, C_NCCP_2) |                                                                                             |   |                         |
| 4  |       | (TCV_chTch := TCV_ch, TCV_chdescr_arfcn:= C_BCCHcarrierB_ho, TCV_ia_ts:= TSPX_TmSlitG, TCV_asscmd_ts:= TSPX_TmSlitC)                                                                                                                                                                                                                                                                                                                                                                                                                                                        |                                                                                             |   |                         |
| 5  |       | +SDCCH8_A_1_nociph( TSPX_SDCCH8SubDef, C_ImmAss, TCV_ia_ts, TCV_tsc, ChMod_sign, FreqSDCCH8_e, FreqSDCCH8_e, TimingAdv( 0), C_BABR_0, C_cch_1Comb, C_BPM_3)                                                                                                                                                                                                                                                                                                                                                                                                                 |                                                                                             |   |                         |
| 6  |       | +SysInfo_5bisSending(TCV_sacch8, TCV_sysinfo5bis)                                                                                                                                                                                                                                                                                                                                                                                                                                                                                                                           |                                                                                             |   |                         |
| 7  |       | +InitCall( TCV_Service)                                                                                                                                                                                                                                                                                                                                                                                                                                                                                                                                                     |                                                                                             |   |                         |
| 8  |       | +local_continue                                                                                                                                                                                                                                                                                                                                                                                                                                                                                                                                                             |                                                                                             |   |                         |
|    |       | <b>local_continue</b>                                                                                                                                                                                                                                                                                                                                                                                                                                                                                                                                                       |                                                                                             |   |                         |
| 9  |       | L?DL_RaInChRq (TCV_Rr := DL_RaInChRq.msg.ecau_rrf, TCV_Fn := DL_RaInChRq.fn)                                                                                                                                                                                                                                                                                                                                                                                                                                                                                                | ChReq( ChRequest_04)                                                                        |   |                         |
| 10 |       | ACTIVATE( OtherEventsFail_02)                                                                                                                                                                                                                                                                                                                                                                                                                                                                                                                                               |                                                                                             |   | To match ChReq retrans. |
| 11 |       | LIDL_UdatRqImmAss                                                                                                                                                                                                                                                                                                                                                                                                                                                                                                                                                           | ImmAss( TCV_agch, ImmAsgn_27( TCV_Rr, TCV_Fn, TCV_ia_ts, TCV_chdescr_arfcn, TimingAdv( 0))) |   |                         |
| 12 |       | L?DL_EstInCmsRq                                                                                                                                                                                                                                                                                                                                                                                                                                                                                                                                                             | CMSerReq( CMSerReq_01)                                                                      |   |                         |
| 13 |       | ACTIVATE( OtherEventsFail)                                                                                                                                                                                                                                                                                                                                                                                                                                                                                                                                                  |                                                                                             |   | Restore Normal default  |

|    |                                                                                                                                                                    |                                                    |  |
|----|--------------------------------------------------------------------------------------------------------------------------------------------------------------------|----------------------------------------------------|--|
| 14 | +Authentication( TCV_ch, TCV_cks, TSPX_RANDDef)                                                                                                                    |                                                    |  |
| 15 | +Ciphering_on( TCV_ch)                                                                                                                                             |                                                    |  |
| 16 | +ltree_ccest                                                                                                                                                       |                                                    |  |
|    | <b>ltree_SelectTeleservice</b>                                                                                                                                     |                                                    |  |
| 17 | [TSPC_Serv_TS11]                                                                                                                                                   |                                                    |  |
| 18 | +BasicServiceMO( C_Telephony, C_Full)                                                                                                                              |                                                    |  |
| 19 | [TSPC_Serv_TS61]                                                                                                                                                   |                                                    |  |
| 20 | +BasicServiceMO( C_AltSpchFax, C_Full)                                                                                                                             |                                                    |  |
| 21 | [TSPC_Serv_TS62]                                                                                                                                                   |                                                    |  |
| 22 | +BasicServiceMO( C_AutoFax, C_Full)                                                                                                                                |                                                    |  |
|    | <b>ltree_ccest</b>                                                                                                                                                 |                                                    |  |
| 23 | (TCV_Null := OM_FreeResource(TCV_chTch))                                                                                                                           |                                                    |  |
| 24 | +FullRateCh_A_1( C_Ass, TCV_asscmd_ts, TCV_tsc, ChMod_speech, FreqTCH_omit, FreqTCH_omit, C_arfcnEgsm, C_arfcnEgsm, TimingAdv( 0), C_BABR_0, C_cch_1Comb, C_BPM_3) |                                                    |  |
| 25 | +SysInfo_5bisSending( TCV_sacchTch, TCV_sysinfo5bis)                                                                                                               |                                                    |  |
| 26 | +RcvSetupOrEsetup( TCV_Setup_mo, TCV_Esetup, TCV_Ecall)                                                                                                            |                                                    |  |
| 27 | LIDL_DatRqCallProc                                                                                                                                                 | CallProc( TCV_ch, TCV_CallProc)                    |  |
| 28 | LIDL_DatRqAlert                                                                                                                                                    | AlertSnd( TCV_ch, Alerting_01( TCV_TI))            |  |
| 29 | (TCV_AssCmd := AsgnCmd_nfh( '00001'B, TCV_asscmd_ts, TSPX_TscDef, 9, C_arfcnEgsm, CellChDes_Omit, TCV_ChMod, StartingTm_omit, CphMod_omit))                        |                                                    |  |
| 30 | +AssCh_complete( TCV_ch, TCV_chTch, TCV_AssCmd)                                                                                                                    |                                                    |  |
| 31 | LIDL_DatRqConn                                                                                                                                                     | ConnSnd( TCV_chTch, Connect_02( TCV_TI))           |  |
| 32 | L?DL_DatInConnAck                                                                                                                                                  | ConnAckRcv( ConnectAck_02( TCV_TI0))               |  |
| 33 | (TCV_Null := OO_TCHThroConnCHK(), TCV_Null := OO_TermCall())                                                                                                       |                                                    |  |
| 34 | L?DL_DatInDisc                                                                                                                                                     | DiscRcv( TCV_chTch, DisconnR( TCV_TI0, Cause_Def)) |  |
| 35 | LIDL_DatRqRel                                                                                                                                                      | ReleaseSnd( TCV_chTch, Release_08( TCV_TI))        |  |
| 36 | L?DL_DatInRelCmp                                                                                                                                                   | RelComRcv( ReleaseCmp_03( TCV_TI0))                |  |
| 37 | +PostMainLinkRel( TCV_chTch)                                                                                                                                       |                                                    |  |

Detailed Comments:

### Test Case Dynamic Behaviour

|                        |                                                                                                                                                                                                                                                                                                                                                                                                                                                                                                                                                                                                                                                                                                                                                                                                                                                                                                                                                                                                                                                  |
|------------------------|--------------------------------------------------------------------------------------------------------------------------------------------------------------------------------------------------------------------------------------------------------------------------------------------------------------------------------------------------------------------------------------------------------------------------------------------------------------------------------------------------------------------------------------------------------------------------------------------------------------------------------------------------------------------------------------------------------------------------------------------------------------------------------------------------------------------------------------------------------------------------------------------------------------------------------------------------------------------------------------------------------------------------------------------------|
| <b>Test Case Name:</b> | TC_26_10_3_2                                                                                                                                                                                                                                                                                                                                                                                                                                                                                                                                                                                                                                                                                                                                                                                                                                                                                                                                                                                                                                     |
| <b>Group:</b>          | GSM_L3_MS_v4210/EGSMsignalling/                                                                                                                                                                                                                                                                                                                                                                                                                                                                                                                                                                                                                                                                                                                                                                                                                                                                                                                                                                                                                  |
| <b>Purpose:</b>        | <p>1) To verify that the MS in the "idle, no IMSI" state (no SIM inserted) when made to call the number 112, sends a CHANNEL REQUEST message with establishment cause "emergency call".</p> <p>2) To verify that after assignment of a dedicated channel the first layer message sent by the MS on the assigned dedicated channel is a CM SERVICE REQUEST message specifying the correct CKSN and TMSI, with CM Service Type "emergency call establishment".</p> <p>3) To verify that after receipt of a CM SERVICE ACCEPT message from the SS, the MS sends an EMERGENCY SETUP message.</p> <p>4) To verify that subsequently, the SS having sent a CALL PROCEEDING message and then an ALERT message and having initiated the assignment procedure, the MS performs correctly that assignment procedure.</p> <p>5) To verify subsequent correct performance of a connect procedure.</p> <p>6) To verify that subsequently the MS has through connected the TCH in both directions.</p> <p>7) To verify that the call is cleared correctly.</p> |
| <b>Default:</b>        | OtherEventsFail                                                                                                                                                                                                                                                                                                                                                                                                                                                                                                                                                                                                                                                                                                                                                                                                                                                                                                                                                                                                                                  |

| Nr | Label      | Behaviour Description                                                                                                                                                                                                                                                                                                                                                                                                                                                                                                                                                                                                                | CRef                                                                                                       | V   | Comments                |
|----|------------|--------------------------------------------------------------------------------------------------------------------------------------------------------------------------------------------------------------------------------------------------------------------------------------------------------------------------------------------------------------------------------------------------------------------------------------------------------------------------------------------------------------------------------------------------------------------------------------------------------------------------------------|------------------------------------------------------------------------------------------------------------|-----|-------------------------|
| 1  |            | START T_guard(300)                                                                                                                                                                                                                                                                                                                                                                                                                                                                                                                                                                                                                   |                                                                                                            |     |                         |
| 2  |            | +BasicServiceMO( C_EmgCall,<br>TSPX_EmgCallRate)                                                                                                                                                                                                                                                                                                                                                                                                                                                                                                                                                                                     |                                                                                                            |     |                         |
| 3  |            | (TCV_ia_ts:= TSPX_TmSlTg)                                                                                                                                                                                                                                                                                                                                                                                                                                                                                                                                                                                                            |                                                                                                            |     |                         |
| 4  |            | +IdleUpdated( C_E_default, C_CellA,<br>C_SCH_A, C_BCCH_A_1, C_Immass, C_S0,<br>C_SlotNU, C_SlotNU, C_SlotNU, C_BCC,<br>C_TxInt_5, C_Max_1, C_NECI_0, C_ATT_0,<br>TimingAdv( 30), C_BABR_0,<br>C_cch_1nonComb, C_BPM_3, C_T3212_1,<br>C_ci_cellA, C_MCC_1, C_PLMN_1, C_LAC_1,<br>CellOpt_01, CellChDes_20_Aman,<br>CellChDes_Omit, C_CellReselectHys12,<br>C_MaxPwrLvIG, C_MaxPwrLvID,<br>BcchFreqLst_01, BcchFreqLst_Omit,<br>BcchFreqLst_Omit, BcchFreqLst_Omit,<br>C_noReestablishment, C_BCC, C_NCC,<br>C_Start_Tmsi, TSPX_SDCCH4SubDef,<br>TSPX_CKSNDf, TSPX_RANDDef, C_arfcnA,<br>C_arfcnAd, TSPX_IMSI, C_Test_fh,<br>C_NCCP_2) |                                                                                                            |     |                         |
| 5  |            | +SDCCH8_A_1_nociph(<br>TSPX_SDCCH8SubDef, C_Ass, TCV_ia_ts,<br>TCV_tsc, ChMod_sign, FreqSDCCH8_e,<br>FreqSDCCH8_e, TimingAdv( 0), C_BABR_0,<br>C_cch_1nonComb, C_BPM_3)                                                                                                                                                                                                                                                                                                                                                                                                                                                              |                                                                                                            |     | 1.                      |
| 6  |            | +local_TrafficChConf                                                                                                                                                                                                                                                                                                                                                                                                                                                                                                                                                                                                                 |                                                                                                            |     |                         |
| 7  | body       | +InitCall(TCV_Service)                                                                                                                                                                                                                                                                                                                                                                                                                                                                                                                                                                                                               |                                                                                                            |     |                         |
| 8  | L_057<br>0 | L?DL_RaInChRq (TCV_Rr :=<br>DL_RaInChRq.msg.ecau_rrf,<br>TCV_Fn := DL_RaInChRq.fn)                                                                                                                                                                                                                                                                                                                                                                                                                                                                                                                                                   | ChReq(<br>ChRequest_16)                                                                                    | (P) | 2.                      |
| 9  |            | ACTIVATE( OtherEventsFail_02)                                                                                                                                                                                                                                                                                                                                                                                                                                                                                                                                                                                                        |                                                                                                            |     | To match ChReq retrans. |
| 10 |            | L!DL_UdatRqImmass                                                                                                                                                                                                                                                                                                                                                                                                                                                                                                                                                                                                                    | ImmAss( TCV_agch,<br>ImmAsgn_27(<br>TCV_Rr, TCV_Fn,<br>TCV_ia_ts,<br>TCV_chdescr_arfcn,<br>TimingAdv( 0))) |     |                         |
| 11 | L_057<br>1 | L?DL_EstInCmsRq                                                                                                                                                                                                                                                                                                                                                                                                                                                                                                                                                                                                                      | CMSerReq(<br>CMSerReq_06(<br>TSPX_CKSNDf))                                                                 | (P) | 3.                      |
| 12 |            | ACTIVATE( OtherEventsFail)                                                                                                                                                                                                                                                                                                                                                                                                                                                                                                                                                                                                           |                                                                                                            |     | Restore Normal default  |
| 13 |            | +local_continue                                                                                                                                                                                                                                                                                                                                                                                                                                                                                                                                                                                                                      |                                                                                                            |     |                         |
|    |            | <b>local_continue</b>                                                                                                                                                                                                                                                                                                                                                                                                                                                                                                                                                                                                                |                                                                                                            |     |                         |
| 14 |            | L!DL_DatRqCmsAcp                                                                                                                                                                                                                                                                                                                                                                                                                                                                                                                                                                                                                     | CMSerAcp( TCV_ch,                                                                                          |     |                         |

|    |            |                                                                                                                                                                                                          |                                                                                            |     |    |
|----|------------|----------------------------------------------------------------------------------------------------------------------------------------------------------------------------------------------------------|--------------------------------------------------------------------------------------------|-----|----|
| 15 |            | +RcvSetupOrEsetup( TCV_Setup_mo,<br>TCV_Esetup, TCV_Ecall)                                                                                                                                               | CMSERVICEAcP_01)                                                                           |     |    |
| 16 |            | LIDL_DatRqCallProc                                                                                                                                                                                       | CallProc( TCV_ch,<br>TCV_CallProc)                                                         |     |    |
| 17 |            | LIDL_DatRqAlert                                                                                                                                                                                          | AlertSnd( TCV_ch,<br>Alerting_01( TCV_TI))                                                 |     |    |
| 18 |            | +AssCmdGen( TCV_cellid, TCV_ChRate,<br>TSPX_TmSlitDef, TSPX_TscDef,<br>TSPX_TCHHSubDef)                                                                                                                  |                                                                                            |     |    |
| 19 |            | (TCV_AssCmd.ch1d_at.arfcn:=<br>INT_TO_BIT( C_arfcnEgsm,10))                                                                                                                                              |                                                                                            |     |    |
| 20 |            | +AssCh_complete( TCV_ch, TCV_chTch,<br>TCV_AssCmd)                                                                                                                                                       |                                                                                            |     |    |
| 21 |            | +local_continue1                                                                                                                                                                                         |                                                                                            |     |    |
| 22 |            | <b>local_continue1</b><br>LIDL_DatRqConn                                                                                                                                                                 | ConnSnd(<br>TCV_chTch,<br>Connect_02(<br>TCV_TI))                                          |     |    |
| 23 | L_057<br>2 | L?DL_DatInConnAck                                                                                                                                                                                        | ConnAckRcv(<br>ConnectAck_02(<br>TCV_TI0))                                                 | (P) |    |
| 24 |            | (TCV_Res := OO_TCHThroConnCHK())                                                                                                                                                                         |                                                                                            |     |    |
| 25 | L_057<br>3 | [NOT TCV_Res]                                                                                                                                                                                            |                                                                                            | (F) | 6. |
| 26 |            | +PostMainLinkRel(TCV_chTch)                                                                                                                                                                              |                                                                                            |     |    |
| 27 | L_057<br>4 | [TCV_Res]                                                                                                                                                                                                |                                                                                            | (P) | 7. |
| 28 |            | LIDL_DatRqDisc                                                                                                                                                                                           | DiscSnd(<br>TCV_chTch,<br>DisconnS( TCV_TI,<br>Cause_01,<br>ProgInd_omit,<br>UuInfo_omit)) |     |    |
| 29 | L_057<br>5 | L?DL_DatInRel                                                                                                                                                                                            | ReleaseRcv(<br>Release_10(<br>TCV_TI0))                                                    | (P) |    |
| 30 |            | LIDL_DatRqRelCmp                                                                                                                                                                                         | RelComSnd(<br>TCV_chTch,<br>ReleaseCmp_08(<br>TCV_TI))                                     |     |    |
| 31 |            | +PostMainLinkRel(TCV_chTch)                                                                                                                                                                              |                                                                                            |     |    |
| 32 |            | <b>local_TrafficChConf</b><br>[TCV_ChRate = C_Full]                                                                                                                                                      |                                                                                            |     |    |
| 33 |            | +FullRateCh_A_1_nociph(C_Ass, TSPX_TmSlitDef,<br>TSPX_TscDef, ChMod_speech, FreqTCH(<br>C_arfcnEgsm), FreqTCH( C_arfcn_tchAd),<br>TimingAdv( 0), C_BABR_0, C_cch_1nonComb,<br>C_BPM_3)                   |                                                                                            |     | 4. |
| 34 |            | [TCV_ChRate = C_Half]                                                                                                                                                                                    |                                                                                            |     |    |
| 35 |            | +HalfRateCh_A_1_nociph( TSPX_TCHHSubDef,<br>C_Ass, TSPX_TmSlitDef, TSPX_TscDef,<br>ChMod_speech, FreqTCH( C_arfcnEgsm),<br>FreqTCH( C_arfcn_tchAd), TimingAdv( 0),<br>C_BABR_0, C_cch_1nonComb, C_BPM_3) |                                                                                            |     | 5. |

**Detailed Comments:**

1. To setup a physical channel
2. CHANNEL REQUEST with "emergency call establishment" cause received.
3. CM SERVICE REQUEST with "emergency call establishment" service type correct TMSI and CKSN received.
4. To setup aphysical channel as full rate traffic channel.
5. To setup aphysical channel as half rate traffic channel.
6. The TCH channel is not through connected, fail.
7. The TCH channel is through connected.

## Test Group SS

| Test Case Dynamic Behaviour |       |                                                                                                                                                                                                                                                                                                                                                                                                                                                                                                                                                                                                                                                                                                                                                                                                                                            |                                                                                              |   |                                        |
|-----------------------------|-------|--------------------------------------------------------------------------------------------------------------------------------------------------------------------------------------------------------------------------------------------------------------------------------------------------------------------------------------------------------------------------------------------------------------------------------------------------------------------------------------------------------------------------------------------------------------------------------------------------------------------------------------------------------------------------------------------------------------------------------------------------------------------------------------------------------------------------------------------|----------------------------------------------------------------------------------------------|---|----------------------------------------|
| <b>Test Case Name:</b>      |       | TC_31_2_1_1_1                                                                                                                                                                                                                                                                                                                                                                                                                                                                                                                                                                                                                                                                                                                                                                                                                              |                                                                                              |   |                                        |
| <b>Group:</b>               |       | GSM_L3_MS_v4210/SS/                                                                                                                                                                                                                                                                                                                                                                                                                                                                                                                                                                                                                                                                                                                                                                                                                        |                                                                                              |   |                                        |
| <b>Purpose:</b>             |       | <p>1) To check that the MS correctly requests a supplementary service transaction for registration of call forwarding in CHANNEL REQUEST message.</p> <p>2) To check that the MS correctly requests a supplementary service transaction for registration of call forwarding in the subsequent CM-SERVICE REQUEST.</p> <p>3) To check that the MS sends a REGISTER message containing the invoke of the RegisterSS operation with the expected parameter values for registration of call forwarding.</p> <p>4) To check that upon receipt of the result of the operation (in a RELEASE COMPLETE message), the MS provides the appropriate user indication (as described by the manufacturer).</p> <p>These checks are done for :</p> <p>a) CFNRy, for basic service group speech,</p> <p>b) CFU, for basic service group all facsimile.</p> |                                                                                              |   |                                        |
| <b>Default:</b>             |       | OtherEventsFail                                                                                                                                                                                                                                                                                                                                                                                                                                                                                                                                                                                                                                                                                                                                                                                                                            |                                                                                              |   |                                        |
| Nr                          | Label | Behaviour Description                                                                                                                                                                                                                                                                                                                                                                                                                                                                                                                                                                                                                                                                                                                                                                                                                      | CRef                                                                                         | V | Comments                               |
| 1                           |       | START T_guard(300)                                                                                                                                                                                                                                                                                                                                                                                                                                                                                                                                                                                                                                                                                                                                                                                                                         |                                                                                              |   |                                        |
| 2                           |       | +IdleUpdated( C_E_default, C_CellA, C_SCH_A, C_BCCH_A_1, C_Immass, C_S0, C_SlotNU, C_SlotNU, C_SlotNU, C_BCC, C_TxInt_5, C_Max_1, C_NECI_0, C_ATT_0, TimingAdv( 0), C_BABR_0, C_cch_1Comb, C_BPM_3, C_T3212_0, C_ci_cellA, C_MCC_1, C_PLMN_1, C_LAC_1, CellOpt_01, CellChDes_Omit, CellChDes_Omit, C_CellReselectHys12, C_MaxPwrLvIG, C_MaxPwrLvID, BcchFreqLst_45, BcchFreqLst_02, BcchFreqLst_03, BcchFreqLst_04, C_Restablishment, C_BCC, C_NCC, C_Start_Tmsi, TSPX_SDCCH4SubDef, TSPX_CKSNDf, TSPX_RANDDef, C_arfcnA, C_arfcnAd, TSPX_IMSI, C_Test_nfh, C_NCCP_2)                                                                                                                                                                                                                                                                      |                                                                                              |   |                                        |
| 3                           |       | +part1                                                                                                                                                                                                                                                                                                                                                                                                                                                                                                                                                                                                                                                                                                                                                                                                                                     |                                                                                              |   |                                        |
| 4                           |       | +part2                                                                                                                                                                                                                                                                                                                                                                                                                                                                                                                                                                                                                                                                                                                                                                                                                                     |                                                                                              |   |                                        |
|                             |       | <b>part1</b>                                                                                                                                                                                                                                                                                                                                                                                                                                                                                                                                                                                                                                                                                                                                                                                                                               |                                                                                              |   |                                        |
| 5                           |       | (TCV_Null := OO_InitSS("***61*00431234*11*5#"))                                                                                                                                                                                                                                                                                                                                                                                                                                                                                                                                                                                                                                                                                                                                                                                            |                                                                                              |   | 2. international prefix + Country code |
| 6                           |       | +ChannelReqtree                                                                                                                                                                                                                                                                                                                                                                                                                                                                                                                                                                                                                                                                                                                                                                                                                            |                                                                                              |   |                                        |
| 7                           |       | +localtree                                                                                                                                                                                                                                                                                                                                                                                                                                                                                                                                                                                                                                                                                                                                                                                                                                 |                                                                                              |   |                                        |
| 8                           |       | +Checktree(C_RegCFNRy)                                                                                                                                                                                                                                                                                                                                                                                                                                                                                                                                                                                                                                                                                                                                                                                                                     |                                                                                              |   |                                        |
|                             |       | <b>part2</b>                                                                                                                                                                                                                                                                                                                                                                                                                                                                                                                                                                                                                                                                                                                                                                                                                               |                                                                                              |   |                                        |
| 9                           |       | (TCV_Null := OO_InitSS("***21*1234*13#"))                                                                                                                                                                                                                                                                                                                                                                                                                                                                                                                                                                                                                                                                                                                                                                                                  |                                                                                              |   | 5.                                     |
| 10                          |       | +ChannelReqtree                                                                                                                                                                                                                                                                                                                                                                                                                                                                                                                                                                                                                                                                                                                                                                                                                            |                                                                                              |   |                                        |
| 11                          |       | +localtree1                                                                                                                                                                                                                                                                                                                                                                                                                                                                                                                                                                                                                                                                                                                                                                                                                                |                                                                                              |   |                                        |
| 12                          |       | +Checktree(C_RegCFU)                                                                                                                                                                                                                                                                                                                                                                                                                                                                                                                                                                                                                                                                                                                                                                                                                       |                                                                                              |   |                                        |
|                             |       | <b>localtree</b>                                                                                                                                                                                                                                                                                                                                                                                                                                                                                                                                                                                                                                                                                                                                                                                                                           |                                                                                              |   |                                        |
| 13                          |       | L?DL_DatInRegister (TCV_TI := DL_DatInRegister.msg.ti, TCV_TI0 := TCV_TI, TCV_TI.ti.f := '1'B, TCV_Comp := DL_DatInRegister.msg.fie.components_1, TCV_n := OC_PosinSet(TCV_Comp, RegisterSS_01), TCV_Invkld := OC_Asn1intToOct(TCV_Comp.[TCV_n].registerSSComponents.registerSS_InvokeComp.invokeID, 1))                                                                                                                                                                                                                                                                                                                                                                                                                                                                                                                                   | Register_03( RegisterPdu_03( facilityErcviei( RegisterSS_01)))                               |   |                                        |
| 14                          |       | LIDL_DatRqRelCmp                                                                                                                                                                                                                                                                                                                                                                                                                                                                                                                                                                                                                                                                                                                                                                                                                           | RelComSnd(TCV_ch, ReleaseCmp_09( TCV_TI, facilityEtsndiei( RegisterSSrslt_01( TCV_Invkld)))) |   | 6.                                     |

|    |            |                                                                                                                                                                                                                                                                                                                                                      |                                                                                                                                                 |                         |
|----|------------|------------------------------------------------------------------------------------------------------------------------------------------------------------------------------------------------------------------------------------------------------------------------------------------------------------------------------------------------------|-------------------------------------------------------------------------------------------------------------------------------------------------|-------------------------|
| 15 |            | <b>localtree1</b><br>L?DL_DatInRegister ( TCV_TI :=<br>DL_DatInRegister.msg.ti, TCV_TI0 := TCV_TI,<br>TCV_TI.ti_f := '1'B, TCV_Comp :=<br>DL_DatInRegister.msg.fie.components_1, TCV_n :=<br>OC_PosinSet(TCV_Comp, RegisterSS_02),<br>TCV_Invkld :=<br>OC_Asn1intToOct(TCV_Comp.[TCV_n].registerSSCo<br>mponents.registerSS_InvokeComp.invokelD, 1)) | Register_03(<br>RegisterPdu_03(<br>facilityIErcviei(<br>RegisterSS_02)))                                                                        |                         |
| 16 |            | L!DL_DatRqRelCmp                                                                                                                                                                                                                                                                                                                                     | RelComSnd(TCV_ch,<br>ReleaseCmp_09(<br>TCV_TI,<br>facilityIEtsndiei(<br>RegisterSSRslt_02(<br>TCV_Invkld))))                                    | 6.                      |
| 17 |            | <b>ChannelReqtree</b><br>L?DL_RacInChRq (TCV_Rr := DL_RacInChRq.<br>msg.ecau_rrf, TCV_Fn := DL_RacInChRq.fn)                                                                                                                                                                                                                                         | ChReq(<br>ChRequest_04)                                                                                                                         |                         |
| 18 |            | ACTIVATE(OtherEventsFail_02)                                                                                                                                                                                                                                                                                                                         |                                                                                                                                                 | To match ChReq retrans. |
| 19 |            | LIDL_UdatRqImm                                                                                                                                                                                                                                                                                                                                       | ImmAss( TCV_agch,<br>ImmAsgn_01Def(<br>TCV_Rr, TCV_Fn,<br>TSPX_SDCCH4SubD<br>ef, TCV_slot,<br>TCV_tsc,<br>TCV_chdescr_arfcn,<br>TimingAdv( 0))) |                         |
| 20 |            | L?DL_EstInCmsRq                                                                                                                                                                                                                                                                                                                                      | CMSerReq(<br>CMSerReq_08)                                                                                                                       |                         |
| 21 |            | ACTIVATE(OtherEventsFail)                                                                                                                                                                                                                                                                                                                            |                                                                                                                                                 | Restore Normal default  |
| 22 |            | L!DL_DatRqCmsAcp                                                                                                                                                                                                                                                                                                                                     | CMSerAcp( TCV_ch,<br>CMSerAcp_01)                                                                                                               |                         |
| 23 |            | <b>Checktree(par:INTEGER)</b><br>(TCV_Res := OO_SSresultCHK(par))                                                                                                                                                                                                                                                                                    |                                                                                                                                                 |                         |
| 24 | L_057<br>6 | [TCV_Res]                                                                                                                                                                                                                                                                                                                                            |                                                                                                                                                 | (P) 3.                  |
| 25 |            | +PostMainLinkRel(TCV_ch)                                                                                                                                                                                                                                                                                                                             |                                                                                                                                                 |                         |
| 26 | L_057<br>7 | [NOT TCV_Res]                                                                                                                                                                                                                                                                                                                                        |                                                                                                                                                 | (F) 4.                  |
| 27 |            | +PostMainLinkRel(TCV_ch)                                                                                                                                                                                                                                                                                                                             |                                                                                                                                                 |                         |

**Detailed Comments:**

1. To setup a physical channel as BCCH, CCCH and SDCCH4 with default parameters.
2. To initiate a registration of call forwarding service for CFNRy (speech).
3. The user indication is correct.
4. The user indication is wrong.
5. To initiate a registration of call forwarding service for CFU (all facsimile).
6. To return the ReturnResult of SSoperation by RELEASE COMPLETE message.

### Test Case Dynamic Behaviour

|                        |                                                                                                                                                                                                                                                                                                                                                                                                                                                                                                                                                                                                                                                                                                                                                                                                                                                                                                                                                                                                                                                                                                                                                                            |
|------------------------|----------------------------------------------------------------------------------------------------------------------------------------------------------------------------------------------------------------------------------------------------------------------------------------------------------------------------------------------------------------------------------------------------------------------------------------------------------------------------------------------------------------------------------------------------------------------------------------------------------------------------------------------------------------------------------------------------------------------------------------------------------------------------------------------------------------------------------------------------------------------------------------------------------------------------------------------------------------------------------------------------------------------------------------------------------------------------------------------------------------------------------------------------------------------------|
| <b>Test Case Name:</b> | TC_31_2_1_1_2                                                                                                                                                                                                                                                                                                                                                                                                                                                                                                                                                                                                                                                                                                                                                                                                                                                                                                                                                                                                                                                                                                                                                              |
| <b>Group:</b>          | GSM_L3_MS_v4210/SS/                                                                                                                                                                                                                                                                                                                                                                                                                                                                                                                                                                                                                                                                                                                                                                                                                                                                                                                                                                                                                                                                                                                                                        |
| <b>Purpose:</b>        | <p>1) To check that the MS correctly requests the establishment of a parallel MM transaction for supplementary service transaction of registration of call forwarding, sending a CM-SERVICE REQUEST.</p> <p>2) To check that the MS sends a REGISTER message containing the invoke of the RegisterSS operation with the expected parameter values for registration of call forwarding.</p> <p>3) To check that upon receipt of the RELEASE COMPLETE message related to the present SS transaction, the first transaction remains unaffected.</p> <p>4) To check that upon receipt of the RELEASE COMPLETE message, the MS provides the appropriate user indication (as described by the Manufacturer).</p> <p>These checks are performed with a call transaction already established for :</p> <p>a) CFB, for all asynchronous services, the RELEASE COMPLETE message being sent with a facility IE containing a return_error(error) where error is "Bearer Service not provisioned".</p> <p>b) CF, for all facsimile, the RELEASE COMPLETE message being sent with a facility IE containing a reject(involve_problem) where involve_problem is "resource limitation".</p> |
| <b>Default:</b>        | OtherEventsFail                                                                                                                                                                                                                                                                                                                                                                                                                                                                                                                                                                                                                                                                                                                                                                                                                                                                                                                                                                                                                                                                                                                                                            |

| Nr | Label | Behaviour Description                                                                                                                                                                                                                                                                                                                                                                                                                                                                                                                                                   | CRef                                                            | V | Comments                               |
|----|-------|-------------------------------------------------------------------------------------------------------------------------------------------------------------------------------------------------------------------------------------------------------------------------------------------------------------------------------------------------------------------------------------------------------------------------------------------------------------------------------------------------------------------------------------------------------------------------|-----------------------------------------------------------------|---|----------------------------------------|
| 1  |       | START T_guard(300)                                                                                                                                                                                                                                                                                                                                                                                                                                                                                                                                                      |                                                                 |   |                                        |
| 2  |       | +BasicServiceMO( TSPX_MOBscSvch, TSPX_MOChRateH)                                                                                                                                                                                                                                                                                                                                                                                                                                                                                                                        |                                                                 |   |                                        |
| 3  |       | +IdleUpdated( C_E_default, C_CellA, C_SCH_A, C_BCCH_A_1, C_Immass, C_S0, C_SlotNU, C_SlotNU, C_SlotNU, C_BCC, C_TxInt_5, C_Max_1, C_NECI_0, C_ATT_0, TimingAdv( 0), C_BABR_0, C_cch_1Comb, C_BPM_3, C_T3212_0, C_ci_cellA, C_MCC_1, C_PLMN_1, C_LAC_1, CellOpt_01, CellChDes_Omit, CellChDes_Omit, C_CellReselectHys12, C_MaxPwrLvIG, C_MaxPwrLvID, BcchFreqLst_45, BcchFreqLst_02, BcchFreqLst_03, BcchFreqLst_04, C_Restablishment, C_BCC, C_NCC, C_Start_Tmsi, TSPX_SDCCH4SubDef, TSPX_CKSNDDef, TSPX_RANDDef, C_arfcnA, C_arfcnAd, TSPX_IMSI, C_Test_nfh, C_NCCP_2) |                                                                 |   |                                        |
| 4  |       | +CCConfigTCH_nociph( TSPX_TCHHSubDef, C_Ass, TSPX_TmSlitDef, TSPX_TscDef, TimingAdv( 0), C_BABR_0, C_cch_1Comb, C_BPM_3, TCV_ChMod.mode, FreqTCH_omit, FreqTCH_omit, C_arfcn_tchA, C_arfcn_tchAd)                                                                                                                                                                                                                                                                                                                                                                       |                                                                 |   | 1.                                     |
| 5  |       | +Est_MO_Call( TimingAdv( 0), TCV_ChRate, TSPX_RANDDef, TSPX_SDCCH4SubDef, TSPX_TmSlitDef, TSPX_TscDef, TSPX_TCHHSubDef)                                                                                                                                                                                                                                                                                                                                                                                                                                                 |                                                                 |   | 2.                                     |
| 6  |       | (TCV_Null := OO_InitSS( ***67*00431234*21#"))                                                                                                                                                                                                                                                                                                                                                                                                                                                                                                                           |                                                                 |   | 3. international prefix + Country code |
| 7  |       | +part1                                                                                                                                                                                                                                                                                                                                                                                                                                                                                                                                                                  |                                                                 |   |                                        |
| 8  |       | (TCV_Null := OO_InitSS( ***002*00431234*13#"))                                                                                                                                                                                                                                                                                                                                                                                                                                                                                                                          |                                                                 |   | 4. international prefix + Country code |
| 9  |       | +part2                                                                                                                                                                                                                                                                                                                                                                                                                                                                                                                                                                  |                                                                 |   |                                        |
| 10 |       | <b>part1</b><br>L?DL_DatInCmsRq                                                                                                                                                                                                                                                                                                                                                                                                                                                                                                                                         | CMSerDatReq( CServiceReq_08)                                    |   |                                        |
| 11 |       | LIDL_DatRqCmsAcp                                                                                                                                                                                                                                                                                                                                                                                                                                                                                                                                                        | CMSerAcp( TCV_chTch, CServiceAcp_01)                            |   |                                        |
| 12 |       | L?DL_DatInRegister ( TCV_TI1 := DL_DatInRegister.msg.ti, TCV_TI2 := TCV_TI1, TCV_TI2.ti_f := '1'B, TCV_Comp := DL_DatInRegister.msg.fie.components_1)                                                                                                                                                                                                                                                                                                                                                                                                                   | Register_03( RegisterPdu_03( facilityIErcviei( RegisterSS_03))) |   |                                        |

|    |            |                                                                                                                                                                       |                                                                                                                     |     |
|----|------------|-----------------------------------------------------------------------------------------------------------------------------------------------------------------------|---------------------------------------------------------------------------------------------------------------------|-----|
| 13 |            | (TCV_n := OC_PosinSet(TCV_Comp,<br>RegisterSS_03), TCV_InvkId :=<br>OC_Asn1intToOct(TCV_Comp.[TCV_n].register<br>SSComponents.registerSS_InvokeComp.invoke<br>ID, 1)) |                                                                                                                     |     |
| 14 |            | +localtree                                                                                                                                                            |                                                                                                                     |     |
|    |            | <b>localtree</b>                                                                                                                                                      |                                                                                                                     |     |
| 15 |            | L!DL_DatRqRelCmp                                                                                                                                                      | RelComSnd(TCV_ch<br>Tch,<br>ReleaseCmp_09(<br>TCV_TI2,<br>facility!Etsndiei(<br>RegisterSSErr_01(<br>TCV_InvkId)))) |     |
| 16 |            | L!DL_DatRqCcstEnq                                                                                                                                                     | CCStESnd(<br>TCV_chTch,<br>CCStatusEq_01(<br>TCV_TI))                                                               |     |
| 17 | L_057<br>8 | L?DL_DatInCcst                                                                                                                                                        | CCStRcv(<br>TCV_chTch,<br>CCStatus_14(<br>TCV_TI0, C_U10))                                                          | (P) |
|    |            | <b>part2</b>                                                                                                                                                          |                                                                                                                     |     |
| 18 |            | L?DL_DatInCmsRq                                                                                                                                                       | CMSerDatReq(<br>CMSerReq_08)                                                                                        |     |
| 19 |            | L!DL_DatRqCmsAcp                                                                                                                                                      | CMSerAcp(<br>TCV_chTch,<br>CMSerReq_01)                                                                             |     |
| 20 |            | L?DL_DatInRegister ( TCV_TI1 :=<br>DL_DatInRegister.msg.ti, TCV_TI2 := TCV_TI1,<br>TCV_TI2.ti_f := '1'B, TCV_Comp :=<br>DL_DatInRegister.msg.fie.components_1)        | Register_03(<br>RegisterPdu_03(<br>facility!Ercviei(<br>RegisterSS_04))))                                           |     |
| 21 |            | (TCV_n := OC_PosinSet(TCV_Comp,<br>RegisterSS_04), TCV_InvkId :=<br>OC_Asn1intToOct(TCV_Comp.[TCV_n].register<br>SSComponents.registerSS_InvokeComp.invoke<br>ID, 1)) |                                                                                                                     |     |
| 22 |            | +localtree1                                                                                                                                                           |                                                                                                                     |     |
|    |            | <b>localtree1</b>                                                                                                                                                     |                                                                                                                     |     |
| 23 |            | L!DL_DatRqRelCmp                                                                                                                                                      | RelComSnd(TCV_ch<br>Tch,<br>ReleaseCmp_09(<br>TCV_TI2,<br>facility!Etsndiei(<br>RegisterSSRej_01(<br>TCV_InvkId)))) |     |
| 24 |            | (TCV_Res := OO_SSresultCHK(C_RegCF))                                                                                                                                  |                                                                                                                     |     |
| 25 | L_057<br>9 | [TCV_Res]                                                                                                                                                             |                                                                                                                     | (P) |
| 26 |            | L!DL_DatRqCcstEnq                                                                                                                                                     | CCStESnd(<br>TCV_chTch,<br>CCStatusEq_01(<br>TCV_TI))                                                               |     |
| 27 | L_058<br>0 | L?DL_DatInCcst                                                                                                                                                        | CCStRcv(<br>TCV_chTch,<br>CCStatus_14(<br>TCV_TI0, C_U10))                                                          | (P) |
| 28 |            | +PostMainLinkRel(TCV_chTch)                                                                                                                                           |                                                                                                                     |     |
| 29 | L_058<br>1 | [NOT TCV_Res]                                                                                                                                                         |                                                                                                                     | (F) |
| 30 |            | L!DL_DatRqCcstEnq                                                                                                                                                     | CCStESnd(<br>TCV_chTch,<br>CCStatusEq_01(<br>TCV_TI))                                                               |     |
| 31 | L_058<br>2 | L?DL_DatInCcst                                                                                                                                                        | CCStRcv(<br>TCV_chTch,<br>CCStatus_14(<br>TCV_TI0, C_U10))                                                          | (P) |
| 32 |            | +PostMainLinkRel(TCV_chTch)                                                                                                                                           |                                                                                                                     |     |



**Detailed Comments:**

1. To setup traffic channel.
2. To establish a mobile originating call.
3. To initiate a registration of call forwarding service for CFB (all asynchronous service).
4. To initiate a registration of call forwarding service for CF (all facsimile).

### Test Case Dynamic Behaviour

|                        |                                                                                                                                                                                                                                                                                                                                                                                                                                                                                                                                                                                                                                                                                                                                                                                                                    |
|------------------------|--------------------------------------------------------------------------------------------------------------------------------------------------------------------------------------------------------------------------------------------------------------------------------------------------------------------------------------------------------------------------------------------------------------------------------------------------------------------------------------------------------------------------------------------------------------------------------------------------------------------------------------------------------------------------------------------------------------------------------------------------------------------------------------------------------------------|
| <b>Test Case Name:</b> | TC_31_2_1_2_1                                                                                                                                                                                                                                                                                                                                                                                                                                                                                                                                                                                                                                                                                                                                                                                                      |
| <b>Group:</b>          | GSM_L3_MS_v4210/SS/                                                                                                                                                                                                                                                                                                                                                                                                                                                                                                                                                                                                                                                                                                                                                                                                |
| <b>Purpose:</b>        | <p>1) To check that the MS correctly requests supplementary service transaction for erasure of call forwarding in CHANNEL REQUEST message.</p> <p>2) To check that the MS correctly requests supplementary service transaction for erasure of call forwarding in the subsequent CM-SERVICE REQUEST.</p> <p>3) To check that the MS sends a REGISTER message containing the invoke of the EraseSS operation with the expected parameter values for erasure of call forwarding.</p> <p>4) To check that upon receipt of the result of the operation (in a RELEASE COMPLETE message), the MS provides the appropriate user indication (as described by the manufacturer).</p> <p>These checks are done for :</p> <p>a) CFC, for basic service group all facsimile.</p> <p>b) CFNRc, for all basic service groups.</p> |
| <b>Default:</b>        | OtherEventsFail                                                                                                                                                                                                                                                                                                                                                                                                                                                                                                                                                                                                                                                                                                                                                                                                    |

| Nr | Label | Behaviour Description                                                                                                                                                                                                                                                                                                                                                                                                                                                                                                                                                 | CRef                                                                                                                                            | V  | Comments                |
|----|-------|-----------------------------------------------------------------------------------------------------------------------------------------------------------------------------------------------------------------------------------------------------------------------------------------------------------------------------------------------------------------------------------------------------------------------------------------------------------------------------------------------------------------------------------------------------------------------|-------------------------------------------------------------------------------------------------------------------------------------------------|----|-------------------------|
| 1  |       | START T_guard(300)                                                                                                                                                                                                                                                                                                                                                                                                                                                                                                                                                    |                                                                                                                                                 |    |                         |
| 2  |       | +IdleUpdated( C_E_default, C_CellA, C_SCH_A, C_BCCH_A_1, C_Immass, C_S0, C_SlotNU, C_SlotNU, C_SlotNU, C_BCC, C_TxInt_5, C_Max_1, C_NECI_0, C_ATT_0, TimingAdv( 0), C_BABR_0, C_cch_1Comb, C_BPM_3, C_T3212_0, C_ci_cellA, C_MCC_1, C_PLMN_1, C_LAC_1, CellOpt_01, CellChDes_Omit, CellChDes_Omit, C_CellReselectHys12, C_MaxPwrLvlG, C_MaxPwrLvlD, BcchFreqLst_45, BcchFreqLst_02, BcchFreqLst_03, BcchFreqLst_04, C_Restablishment, C_BCC, C_NCC, C_Start_Tmsi, TSPX_SDCCH4SubDef, TSPX_CKSNDf, TSPX_RANDDef, C_arfcnA, C_arfcnAd, TSPX_IMSI, C_Test_nfh, C_NCCP_2) |                                                                                                                                                 |    |                         |
| 3  |       | (TCV_Null := OO_InitSS("##004**13#"))                                                                                                                                                                                                                                                                                                                                                                                                                                                                                                                                 |                                                                                                                                                 | 2. |                         |
| 4  |       | +part1                                                                                                                                                                                                                                                                                                                                                                                                                                                                                                                                                                |                                                                                                                                                 |    |                         |
| 5  |       | (TCV_Null := OO_InitSS("##62#"))                                                                                                                                                                                                                                                                                                                                                                                                                                                                                                                                      |                                                                                                                                                 | 3. |                         |
| 6  |       | +part2                                                                                                                                                                                                                                                                                                                                                                                                                                                                                                                                                                |                                                                                                                                                 |    |                         |
| 7  |       | <b>part1</b><br>L?DL_RaInChRq (TCV_Rr := DL_RaInChRq.<br>msg.ecau_rrf, TCV_Fn := DL_RaInChRq.fn)                                                                                                                                                                                                                                                                                                                                                                                                                                                                      | ChReq(<br>ChRequest_04)                                                                                                                         |    |                         |
| 8  |       | ACTIVATE(OtherEventsFail_02)                                                                                                                                                                                                                                                                                                                                                                                                                                                                                                                                          |                                                                                                                                                 |    | To match ChReq retrans. |
| 9  |       | L!DL_UdatRqImmass                                                                                                                                                                                                                                                                                                                                                                                                                                                                                                                                                     | ImmAss( TCV_agch,<br>ImmAsgn_01Def(<br>TCV_Rr, TCV_Fn,<br>TSPX_SDCCH4SubD<br>ef, TCV_slot,<br>TCV_tsc,<br>TCV_chdescr_arfcn,<br>TimingAdv( 0))) |    |                         |
| 10 |       | L?DL_EstInCmsRq                                                                                                                                                                                                                                                                                                                                                                                                                                                                                                                                                       | CMSerReq(<br>CMServiceReq_08)                                                                                                                   |    |                         |
| 11 |       | ACTIVATE(OtherEventsFail)                                                                                                                                                                                                                                                                                                                                                                                                                                                                                                                                             |                                                                                                                                                 |    | Restore Normal default  |
| 12 |       | L!DL_DatRqCmsAcp                                                                                                                                                                                                                                                                                                                                                                                                                                                                                                                                                      | CMSerAcp( TCV_ch,<br>CMServiceAcp_01)                                                                                                           |    |                         |
| 13 |       | +localtree                                                                                                                                                                                                                                                                                                                                                                                                                                                                                                                                                            |                                                                                                                                                 |    |                         |
| 14 |       | <b>localtree</b><br>L?DL_DatInRegister ( TCV_TI :=<br>DL_DatInRegister.msg.ti, TCV_TI0 := TCV_TI,<br>TCV_TI.ti_f := '1'B, TCV_Comp :=<br>DL_DatInRegister.msg.fie.components_1, TCV_n :=<br>OC_PosinSet(TCV_Comp, EraseSS_01), TCV_Invkld<br>:=<br>OC_Asn1intToOct(TCV_Comp.[TCV_n].eraseSSCom<br>ponents.eraseSS_InvokeComp.invokelD, 1))                                                                                                                                                                                                                            | Register_03(<br>RegisterPdu_03(<br>facilitylErcviei(<br>EraseSS_01)))                                                                           |    |                         |
| 15 |       | L!DL_DatRqRelCmp                                                                                                                                                                                                                                                                                                                                                                                                                                                                                                                                                      | RelComSnd(TCV_ch,                                                                                                                               | 4. |                         |

|                           |            |                                                                                                                                                                                                                                                                                                                                                                                                                                                                                                                                                                                                         |                                                                                                                                                 |     |                         |
|---------------------------|------------|---------------------------------------------------------------------------------------------------------------------------------------------------------------------------------------------------------------------------------------------------------------------------------------------------------------------------------------------------------------------------------------------------------------------------------------------------------------------------------------------------------------------------------------------------------------------------------------------------------|-------------------------------------------------------------------------------------------------------------------------------------------------|-----|-------------------------|
| 16                        |            | +Checktree(C_ErsCFC)                                                                                                                                                                                                                                                                                                                                                                                                                                                                                                                                                                                    | ReleaseCmp_09(<br>TCV_TI,<br>facilityIEtsndiei(<br>EraseSSRslt_01(<br>TCV_Invkld))))                                                            |     |                         |
| 17                        |            | <b>part2</b><br>L?DL_RacInChRq (TCV_Rr := DL_RacInChRq.<br>msg.ecau_rrf, TCV_Fn := DL_RacInChRq.fn)                                                                                                                                                                                                                                                                                                                                                                                                                                                                                                     | ChReq(<br>ChRequest_04)                                                                                                                         |     | To match ChReq retrans. |
| 18                        |            | ACTIVATE(OtherEventsFail_02)                                                                                                                                                                                                                                                                                                                                                                                                                                                                                                                                                                            |                                                                                                                                                 |     |                         |
| 19                        |            | LIDL_UdatRqImmch                                                                                                                                                                                                                                                                                                                                                                                                                                                                                                                                                                                        | ImmAss( TCV_agch,<br>ImmAsgn_01Def(<br>TCV_Rr, TCV_Fn,<br>TSPX_SDCCH4SubD<br>ef, TCV_slot,<br>TCV_tsc,<br>TCV_chdescr_arfcn,<br>TimingAdv( 0))) |     |                         |
| 20                        |            | L?DL_EstInCmsRq                                                                                                                                                                                                                                                                                                                                                                                                                                                                                                                                                                                         | CMSerReq(<br>CMSerReq_08)                                                                                                                       |     |                         |
| 21                        |            | ACTIVATE(OtherEventsFail)                                                                                                                                                                                                                                                                                                                                                                                                                                                                                                                                                                               |                                                                                                                                                 |     | Restore Normal default  |
| 22                        |            | LIDL_DatRqCmsAcp                                                                                                                                                                                                                                                                                                                                                                                                                                                                                                                                                                                        | CMSerAcp( TCV_ch,<br>CMSerReq_01)                                                                                                               |     |                         |
| 23                        |            | +localtree1                                                                                                                                                                                                                                                                                                                                                                                                                                                                                                                                                                                             |                                                                                                                                                 |     |                         |
| 24                        |            | <b>localtree1</b><br>L?DL_DatInRegister ( TCV_TI :=<br>DL_DatInRegister.msg.ti, TCV_TI0 := TCV_TI,<br>TCV_TI.ti_f := '1'B, TCV_Comp :=<br>DL_DatInRegister.msg.fie.components_1, TCV_n :=<br>OC_PosinSet(TCV_Comp, EraseSS_02), TCV_Invkld<br>:=<br>OC_Asn1intToOct(TCV_Comp.[TCV_n].eraseSSCom<br>ponents.eraseSS_InvokeComp.invokelD, 1))                                                                                                                                                                                                                                                             | Register_03(<br>RegisterPdu_03(<br>facilityIErcviei(<br>EraseSS_02)))                                                                           |     |                         |
| 25                        |            | LIDL_DatRqRelCmp                                                                                                                                                                                                                                                                                                                                                                                                                                                                                                                                                                                        | RelComSnd(TCV_ch,<br>ReleaseCmp_09(<br>TCV_TI,<br>facilityIEtsndiei(<br>EraseSSRslt_02(<br>TCV_Invkld))))                                       | 5.  |                         |
| 26                        |            | +Checktree(C_ErsCFNRc)                                                                                                                                                                                                                                                                                                                                                                                                                                                                                                                                                                                  |                                                                                                                                                 |     |                         |
| 27                        |            | <b>Checktree(par:INTEGER)</b><br>(TCV_Res := OO_SSresultCHK(par))                                                                                                                                                                                                                                                                                                                                                                                                                                                                                                                                       |                                                                                                                                                 |     |                         |
| 28                        | L_058<br>3 | [TCV_Res]                                                                                                                                                                                                                                                                                                                                                                                                                                                                                                                                                                                               |                                                                                                                                                 | (P) | 6.                      |
| 29                        |            | +PostMainLinkRel(TCV_ch)                                                                                                                                                                                                                                                                                                                                                                                                                                                                                                                                                                                |                                                                                                                                                 |     |                         |
| 30                        | L_058<br>4 | [NOT TCV_Res]                                                                                                                                                                                                                                                                                                                                                                                                                                                                                                                                                                                           |                                                                                                                                                 | (F) | 7.                      |
| 31                        |            | +PostMainLinkRel(TCV_ch)                                                                                                                                                                                                                                                                                                                                                                                                                                                                                                                                                                                |                                                                                                                                                 |     |                         |
| <b>Detailed Comments:</b> |            | <ol style="list-style-type: none"> <li>1. To setup a physical channel as BCCH, CCCH and SDCCH4 with default parameters.</li> <li>2. To initiate an EraseSS operation of call forwarding service for CFC (all facsimile).</li> <li>3. To initiate an EraseSS operation of call forwarding service for CFNRc (all basic services).</li> <li>4. To return the ReturnResult of SSoperation by RELEASE COMPLETE message.</li> <li>5. To return the ReturnResult of SSoperation by RELEASE COMPLETE message.</li> <li>6. The user indication is correct.</li> <li>7. The user indication is wrong.</li> </ol> |                                                                                                                                                 |     |                         |

### Test Case Dynamic Behaviour

|                        |                                                                                                                                                                                                                                                                                                                                                                                                                                                                                                                                                                                                                                                                                                                                                                                                                                                                                                                                                                                                                                                                                                                                             |
|------------------------|---------------------------------------------------------------------------------------------------------------------------------------------------------------------------------------------------------------------------------------------------------------------------------------------------------------------------------------------------------------------------------------------------------------------------------------------------------------------------------------------------------------------------------------------------------------------------------------------------------------------------------------------------------------------------------------------------------------------------------------------------------------------------------------------------------------------------------------------------------------------------------------------------------------------------------------------------------------------------------------------------------------------------------------------------------------------------------------------------------------------------------------------|
| <b>Test Case Name:</b> | TC_31_2_1_2_2                                                                                                                                                                                                                                                                                                                                                                                                                                                                                                                                                                                                                                                                                                                                                                                                                                                                                                                                                                                                                                                                                                                               |
| <b>Group:</b>          | GSM_L3_MS_v4210/SS/                                                                                                                                                                                                                                                                                                                                                                                                                                                                                                                                                                                                                                                                                                                                                                                                                                                                                                                                                                                                                                                                                                                         |
| <b>Purpose:</b>        | <p>1) To check that the MS correctly requests the establishment of a parallel MM transaction for supplementary service transaction of erasure of call forwarding, sending a CM-SERVICE REQUEST.</p> <p>2) To check that the MS sends a REGISTER message containing the invoke of the EraseSS operation with the expected parameter values for erasure of call forwarding.</p> <p>3) To check that upon receipt of the RELEASE COMPLETE message related to the present SS transaction, the first transaction remains unaffected.</p> <p>4) To check that upon receipt of the RELEASE COMPLETE message, the MS provides the appropriate user indication (as described by the Manufacturer).</p> <p>These checks are performed with a call transaction already established for :</p> <p>a) CFU, for speech, the RELEASE COMPLETE message being sent with a facility IE containing a return_error(error) where error is "Teleservice not provisionned".</p> <p>b) CFNRy, for all facsimile, the RELEASE COMPLETE message being sent with a facility IE containing a reject(invoked_problem) where invoked_problem is "resource limitation".</p> |
| <b>Default:</b>        | OtherEventsFail                                                                                                                                                                                                                                                                                                                                                                                                                                                                                                                                                                                                                                                                                                                                                                                                                                                                                                                                                                                                                                                                                                                             |

| Nr | Label | Behaviour Description                                                                                                                                                                                                                                                                                                                                                                                                                                                                                                                                                                                             | CRef                                                                  | V | Comments |
|----|-------|-------------------------------------------------------------------------------------------------------------------------------------------------------------------------------------------------------------------------------------------------------------------------------------------------------------------------------------------------------------------------------------------------------------------------------------------------------------------------------------------------------------------------------------------------------------------------------------------------------------------|-----------------------------------------------------------------------|---|----------|
| 1  |       | START T_guard(300)                                                                                                                                                                                                                                                                                                                                                                                                                                                                                                                                                                                                |                                                                       |   |          |
| 2  |       | +BasicServiceMO( TSPX_MOBscSvcl,<br>TSPX_MOChRate)                                                                                                                                                                                                                                                                                                                                                                                                                                                                                                                                                                |                                                                       |   |          |
| 3  |       | +IdleUpdated( C_E_default, C_CellA, C_SCH_A,<br>C_BCCH_A_1, C_Immss, C_S0, C_SlotNU,<br>C_SlotNU, C_SlotNU, C_BCC, C_TxInt_5,<br>C_Max_1, C_NECI_0, C_ATT_0, TimingAdv( 0),<br>C_BABR_0, C_cch_1Comb, C_BPM_3,<br>C_T3212_0, C_ci_cellA, C_MCC_1, C_PLMN_1,<br>C_LAC_1, CellOpt_01, CellChDes_Omit,<br>CellChDes_Omit, C_CellReselectHys12,<br>C_MaxPwrLvIG, C_MaxPwrLvID,<br>BcchFreqLst_45, BcchFreqLst_02,<br>BcchFreqLst_03, BcchFreqLst_04,<br>C_Restablishment, C_BCC, C_NCC,<br>C_Start_Tmsi, TSPX_SDCCH4SubDef,<br>TSPX_CKSNDf, TSPX_RANDDef, C_arfcnA,<br>C_arfcnAd, TSPX_IMSI, C_Test_nfh,<br>C_NCCP_2) |                                                                       |   |          |
| 4  |       | +CCConfigTCH_nociph( TSPX_TCHHSubDef,<br>C_Ass, TSPX_TmSltDef, TSPX_TscDef,<br>TimingAdv( 0), C_BABR_0, C_cch_1Comb,<br>C_BPM_3, TCV_ChMod.mode, FreqTCH_omit,<br>FreqTCH_omit, C_arfcn_tchA, C_arfcn_tchAd)                                                                                                                                                                                                                                                                                                                                                                                                      |                                                                       |   | 1.       |
| 5  |       | +Est_MO_Call( TimingAdv( 0), TCV_ChRate,<br>TSPX_RANDDef, TSPX_SDCCH4SubDef,<br>TSPX_TmSltDef, TSPX_TscDef,<br>TSPX_TCHHSubDef)                                                                                                                                                                                                                                                                                                                                                                                                                                                                                   |                                                                       |   | 2.       |
| 6  |       | (TCV_Null := OO_InitSS("##21**11#"))                                                                                                                                                                                                                                                                                                                                                                                                                                                                                                                                                                              |                                                                       |   | 3.       |
| 7  |       | +part1                                                                                                                                                                                                                                                                                                                                                                                                                                                                                                                                                                                                            |                                                                       |   |          |
| 8  |       | (TCV_Null := OO_InitSS("##61**13#"))                                                                                                                                                                                                                                                                                                                                                                                                                                                                                                                                                                              |                                                                       |   | 4.       |
| 9  |       | +part2                                                                                                                                                                                                                                                                                                                                                                                                                                                                                                                                                                                                            |                                                                       |   |          |
|    |       | <b>part1</b>                                                                                                                                                                                                                                                                                                                                                                                                                                                                                                                                                                                                      |                                                                       |   |          |
| 10 |       | L?DL_DatInCmsRq                                                                                                                                                                                                                                                                                                                                                                                                                                                                                                                                                                                                   | CMSerDatReq(<br>CMServiceReq_08)                                      |   |          |
| 11 |       | L!DL_DatRqCmsAcp                                                                                                                                                                                                                                                                                                                                                                                                                                                                                                                                                                                                  | CMSerAcp(<br>TCV_chTch,<br>CMServiceAcp_01)                           |   |          |
| 12 |       | +localtree                                                                                                                                                                                                                                                                                                                                                                                                                                                                                                                                                                                                        |                                                                       |   |          |
|    |       | <b>localtree</b>                                                                                                                                                                                                                                                                                                                                                                                                                                                                                                                                                                                                  |                                                                       |   |          |
| 13 |       | L?DL_DatInRegister ( TCV_TI1 :=<br>DL_DatInRegister.msg.ti, TCV_TI2 := TCV_TI1,<br>TCV_TI2.ti_f := '1'B, TCV_Comp :=<br>DL_DatInRegister.msg.fie.components_1, TCV_n :=<br>OC_PosinSet(TCV_Comp, EraseSS_03), TCV_Invkld                                                                                                                                                                                                                                                                                                                                                                                          | Register_03(<br>RegisterPdu_03(<br>facilityIErcviei(<br>EraseSS_03))) |   |          |

|    |            |                                                                                                                                                                                                                                                                                                                                               |                                                                                                                  |     |
|----|------------|-----------------------------------------------------------------------------------------------------------------------------------------------------------------------------------------------------------------------------------------------------------------------------------------------------------------------------------------------|------------------------------------------------------------------------------------------------------------------|-----|
| 14 |            | :=<br>OC_Asn1intToOct(TCV_Comp.[TCV_n].eraseSSCom<br>ponents.eraseSS_InvokComp.invokelD, 1))<br>L!DL_DatRqRelCmp                                                                                                                                                                                                                              | RelComSnd(TCV_ch<br>Tch,<br>ReleaseCmp_09(<br>TCV_TI2,<br>facilityIEtsndiei(<br>EraseSSErr_01(<br>TCV_Invkld)))) |     |
| 15 |            | LIDL_DatRqCcstEnq                                                                                                                                                                                                                                                                                                                             | CCStESnd(<br>TCV_chTch,<br>CCStatusEq_01(<br>TCV_TI))                                                            |     |
| 16 | L_058<br>5 | L?DL_DatInCcst                                                                                                                                                                                                                                                                                                                                | CCStRcv(<br>TCV_chTch,<br>CCStatus_14(<br>TCV_TI0, C_U10))                                                       | (P) |
| 17 |            | <b>part2</b><br>L?DL_DatInCmsRq                                                                                                                                                                                                                                                                                                               | CMSerDatReq(<br>CMSerReq_08)                                                                                     |     |
| 18 |            | LIDL_DatRqCmsAcp                                                                                                                                                                                                                                                                                                                              | CMSerAcp(<br>TCV_chTch,<br>CMSerReq_01)                                                                          |     |
| 19 |            | +localtree1                                                                                                                                                                                                                                                                                                                                   |                                                                                                                  |     |
| 20 |            | <b>localtree1</b><br>L?DL_DatInRegister ( TCV_TI1 :=<br>DL_DatInRegister.msg.ti, TCV_TI2 := TCV_TI1,<br>TCV_TI2.ti_f := '1'B, TCV_Comp :=<br>DL_DatInRegister.msg.fie.components_1, TCV_n :=<br>OC_PosinSet(TCV_Comp, EraseSS_04), TCV_Invkld<br>:=<br>OC_Asn1intToOct(TCV_Comp.[TCV_n].eraseSSCom<br>ponents.eraseSS_InvokComp.invokelD, 1)) | Register_03(<br>RegisterPdu_03(<br>facilityIErcviei(<br>EraseSS_04)))                                            |     |
| 21 |            | LIDL_DatRqRelCmp                                                                                                                                                                                                                                                                                                                              | RelComSnd(TCV_ch<br>Tch,<br>ReleaseCmp_09(<br>TCV_TI2,<br>facilityIEtsndiei(<br>EraseSSRej_01(<br>TCV_Invkld)))) |     |
| 22 |            | (TCV_Res := OO_SSresultCHK(C_ErsCFNRy))                                                                                                                                                                                                                                                                                                       |                                                                                                                  |     |
| 23 | L_058<br>6 | [TCV_Res]                                                                                                                                                                                                                                                                                                                                     |                                                                                                                  | (P) |
| 24 |            | LIDL_DatRqCcstEnq                                                                                                                                                                                                                                                                                                                             | CCStESnd(<br>TCV_chTch,<br>CCStatusEq_01(<br>TCV_TI))                                                            |     |
| 25 | L_058<br>7 | L?DL_DatInCcst                                                                                                                                                                                                                                                                                                                                | CCStRcv(<br>TCV_chTch,<br>CCStatus_14(<br>TCV_TI0, C_U10))                                                       | (P) |
| 26 |            | +PostMainLinkRel(TCV_chTch)                                                                                                                                                                                                                                                                                                                   |                                                                                                                  |     |
| 27 | L_058<br>8 | [NOT TCV_Res]                                                                                                                                                                                                                                                                                                                                 |                                                                                                                  | (F) |
| 28 |            | +PostMainLinkRel(TCV_chTch)                                                                                                                                                                                                                                                                                                                   |                                                                                                                  |     |

**Detailed Comments:**

1. To setup traffic channel.
2. To establish a mobile originating call.
3. To initiate an erasure of call forwarding service for CFU (speech).
4. To initiate an erasure of call forwarding service for CFNRy (all facsimile).

### Test Case Dynamic Behaviour

|                        |                                                                                                                                                                                                                                                                                                                                                                                                                                                                                                                                                                                                                                                                                                                                                                                                                                              |
|------------------------|----------------------------------------------------------------------------------------------------------------------------------------------------------------------------------------------------------------------------------------------------------------------------------------------------------------------------------------------------------------------------------------------------------------------------------------------------------------------------------------------------------------------------------------------------------------------------------------------------------------------------------------------------------------------------------------------------------------------------------------------------------------------------------------------------------------------------------------------|
| <b>Test Case Name:</b> | TC_31_2_1_3                                                                                                                                                                                                                                                                                                                                                                                                                                                                                                                                                                                                                                                                                                                                                                                                                                  |
| <b>Group:</b>          | GSM_L3_MS_v4210/SS/                                                                                                                                                                                                                                                                                                                                                                                                                                                                                                                                                                                                                                                                                                                                                                                                                          |
| <b>Purpose:</b>        | <p>1) To check that the MS correctly requests a supplementary service transaction for activation of call forwarding in CHANNEL REQUEST message.</p> <p>2) To check that the MS correctly requests a supplementary service transaction for activation of call forwarding in the subsequent CM-SERVICE REQUEST.</p> <p>3) To check that the MS sends a REGISTER message containing the invoke of the ActivateSS operation with the expected parameter values for activation of call forwarding.</p> <p>4) To check that upon receipt of the result of the operation (in a RELEASE COMPLETE message), the MS provides the appropriate user indication (as described by the manufacturer).</p> <p>These checks are done for :</p> <p>a) CF, for basic service group "all synchronous services".</p> <p>b) CFU, for all basic service groups.</p> |
| <b>Default:</b>        | OtherEventsFail                                                                                                                                                                                                                                                                                                                                                                                                                                                                                                                                                                                                                                                                                                                                                                                                                              |

| Nr | Label | Behaviour Description                                                                                                                                                                                                                                                                                                                                                                                                                                                                                                                                                    | CRef                                                                                                                                           | V  | Comments                |
|----|-------|--------------------------------------------------------------------------------------------------------------------------------------------------------------------------------------------------------------------------------------------------------------------------------------------------------------------------------------------------------------------------------------------------------------------------------------------------------------------------------------------------------------------------------------------------------------------------|------------------------------------------------------------------------------------------------------------------------------------------------|----|-------------------------|
| 1  |       | START T_guard(300)                                                                                                                                                                                                                                                                                                                                                                                                                                                                                                                                                       |                                                                                                                                                |    |                         |
| 2  |       | +IdleUpdated( C_E_default, C_CellA, C_SCH_A, C_BCCH_A_1, C_ImmMass, C_S0, C_SlotNU, C_SlotNU, C_SlotNU, C_BCC, C_TxInt_5, C_Max_1, C_NECI_0, C_ATT_0, TimingAdv( 0), C_BABR_0, C_cch_1Comb, C_BPM_3, C_T3212_0, C_ci_cellA, C_MCC_1, C_PLMN_1, C_LAC_1, CellOpt_01, CellChDes_Omit, CellChDes_Omit, C_CellReselectHys12, C_MaxPwrLvlG, C_MaxPwrLvlD, BcchFreqLst_45, BcchFreqLst_02, BcchFreqLst_03, BcchFreqLst_04, C_Restablishment, C_BCC, C_NCC, C_Start_Tmsi, TSPX_SDCCH4SubDef, TSPX_CKSNDDef, TSPX_RANDDef, C_arfcnA, C_arfcnAd, TSPX_IMSI, C_Test_nfh, C_NCCP_2) |                                                                                                                                                |    |                         |
| 3  |       | (TCV_Null := OO_InitSS("**002**22#"))                                                                                                                                                                                                                                                                                                                                                                                                                                                                                                                                    |                                                                                                                                                | 2. |                         |
| 4  |       | +part1                                                                                                                                                                                                                                                                                                                                                                                                                                                                                                                                                                   |                                                                                                                                                |    |                         |
| 5  |       | (TCV_Null := OO_InitSS("**21#"))                                                                                                                                                                                                                                                                                                                                                                                                                                                                                                                                         |                                                                                                                                                | 3. |                         |
| 6  |       | +part2                                                                                                                                                                                                                                                                                                                                                                                                                                                                                                                                                                   |                                                                                                                                                |    |                         |
| 7  |       | <b>part1</b><br>L?DL_RaInChRq (TCV_Rr := DL_RaInChRq.msg.ecau_rrf, TCV_Fn := DL_RaInChRq.fn)                                                                                                                                                                                                                                                                                                                                                                                                                                                                             | ChReq(<br>ChRequest_04)                                                                                                                        |    |                         |
| 8  |       | ACTIVATE(OtherEventsFail_02)                                                                                                                                                                                                                                                                                                                                                                                                                                                                                                                                             |                                                                                                                                                |    | To match ChReq retrans. |
| 9  |       | LIDL_UdatRqImmMass                                                                                                                                                                                                                                                                                                                                                                                                                                                                                                                                                       | ImmAss( TCV_agch,<br>ImmAsgn_01Def(<br>TCV_Rr, TCV_Fn,<br>TSPX_SDCCH4SubDef,<br>TCV_slot,<br>TCV_tsc,<br>TCV_chdescr_arfcn,<br>TimingAdv( 0))) |    |                         |
| 10 |       | L?DL_EstInCmsRq                                                                                                                                                                                                                                                                                                                                                                                                                                                                                                                                                          | CMSerReq(<br>CMServiceReq_08)                                                                                                                  |    |                         |
| 11 |       | ACTIVATE(OtherEventsFail)                                                                                                                                                                                                                                                                                                                                                                                                                                                                                                                                                |                                                                                                                                                |    | Restore Normal default  |
| 12 |       | L!DL_DatRqCmsAcp                                                                                                                                                                                                                                                                                                                                                                                                                                                                                                                                                         | CMSerAcp( TCV_ch,<br>CMServiceAcp_01)                                                                                                          |    |                         |
| 13 |       | +localtree                                                                                                                                                                                                                                                                                                                                                                                                                                                                                                                                                               |                                                                                                                                                |    |                         |
| 14 |       | <b>localtree</b><br>L?DL_DatInRegister ( TCV_TI := DL_DatInRegister.msg.ti, TCV_TI0 := TCV_TI, TCV_TI.f := '1'B, TCV_Comp := DL_DatInRegister.msg.fie.components_1, TCV_n := OC_PosinSet(TCV_Comp, ActivateSS_01), TCV_Invkld := OC_Asn1intToOct(TCV_Comp.[TCV_n].activateSSComponents.activateSS_InvokeComp.invokelD, 1))                                                                                                                                                                                                                                               | Register_03(<br>RegisterPdu_03(<br>facilityIercviei(<br>ActivateSS_01)))                                                                       |    |                         |

|                           |            |                                                                                                                                                                                                                                                                                                                                                                                                                                                                                                                                                                                      |                                                                                                                          |                         |
|---------------------------|------------|--------------------------------------------------------------------------------------------------------------------------------------------------------------------------------------------------------------------------------------------------------------------------------------------------------------------------------------------------------------------------------------------------------------------------------------------------------------------------------------------------------------------------------------------------------------------------------------|--------------------------------------------------------------------------------------------------------------------------|-------------------------|
| 15                        |            | LIDL_DatRqRelCmp                                                                                                                                                                                                                                                                                                                                                                                                                                                                                                                                                                     | RelComSnd(TCV_ch, ReleaseCmp_09(TCV_TI, facilityEtsndiei(ActivateSSRslt_01(TCV_Invkld))))                                |                         |
| 16                        |            | +Checktree(C_ActCF)                                                                                                                                                                                                                                                                                                                                                                                                                                                                                                                                                                  |                                                                                                                          |                         |
| 17                        |            | <b>part2</b><br>L?DL_RaclnChRq (TCV_Rr := DL_RaclnChRq.<br>msg.ecau_rrf, TCV_Fn := DL_RaclnChRq.fn)                                                                                                                                                                                                                                                                                                                                                                                                                                                                                  | ChReq(<br>ChRequest_04)                                                                                                  | To match ChReq retrans. |
| 18                        |            | ACTIVATE(OtherEventsFail_02)                                                                                                                                                                                                                                                                                                                                                                                                                                                                                                                                                         |                                                                                                                          |                         |
| 19                        |            | LIDL_UdatRqImm                                                                                                                                                                                                                                                                                                                                                                                                                                                                                                                                                                       | ImmAss( TCV_agch, ImmAsgn_01Def(TCV_Rr, TCV_Fn, TSPX_SDCCH4SubDef, TCV_slot, TCV_tsc, TCV_chdescr_arfcn, TimingAdv( 0))) |                         |
| 20                        |            | L?DL_EstInCmsRq                                                                                                                                                                                                                                                                                                                                                                                                                                                                                                                                                                      | CMSerReq(<br>CMSerReq_08)                                                                                                |                         |
| 21                        |            | ACTIVATE(OtherEventsFail)                                                                                                                                                                                                                                                                                                                                                                                                                                                                                                                                                            |                                                                                                                          | Restore Normal default  |
| 22                        |            | LIDL_DatRqCmsAcp                                                                                                                                                                                                                                                                                                                                                                                                                                                                                                                                                                     | CMSerAcp( TCV_ch, CMSerAcp_01)                                                                                           |                         |
| 23                        |            | +localtree1                                                                                                                                                                                                                                                                                                                                                                                                                                                                                                                                                                          |                                                                                                                          |                         |
| 24                        |            | <b>localtree1</b><br>L?DL_DatInRegister ( TCV_TI := DL_DatInRegister.msg.ti, TCV_TI0 := TCV_TI, TCV_TI.ti_f := '1'B, TCV_Comp := DL_DatInRegister.msg.fie.components_1, TCV_n := OC_PosinSet(TCV_Comp, ActivateSS_02), TCV_Invkld := OC_Asn1intToOct(TCV_Comp.[TCV_n].activateSSComponents.activateSS_InvokeComp.invokeID, 1))                                                                                                                                                                                                                                                       | Register_03(<br>RegisterPdu_03(<br>facilityErcviei(<br>ActivateSS_02)))                                                  |                         |
| 25                        |            | LIDL_DatRqRelCmp                                                                                                                                                                                                                                                                                                                                                                                                                                                                                                                                                                     | RelComSnd(TCV_ch, ReleaseCmp_09(TCV_TI, facilityEtsndiei(ActivateSSRslt_02(TCV_Invkld))))                                | 5.                      |
| 26                        |            | +Checktree(C_ActCFU)                                                                                                                                                                                                                                                                                                                                                                                                                                                                                                                                                                 |                                                                                                                          |                         |
| 27                        |            | <b>Checktree(par:INTEGER)</b><br>(TCV_Res := OO_SSresultCHK(par))                                                                                                                                                                                                                                                                                                                                                                                                                                                                                                                    |                                                                                                                          | 6.                      |
| 28                        | L_058<br>9 | [TCV_Res]                                                                                                                                                                                                                                                                                                                                                                                                                                                                                                                                                                            |                                                                                                                          | (P)                     |
| 29                        |            | +PostMainLinkRel(TCV_ch)                                                                                                                                                                                                                                                                                                                                                                                                                                                                                                                                                             |                                                                                                                          |                         |
| 30                        | L_059<br>0 | [NOT TCV_Res]                                                                                                                                                                                                                                                                                                                                                                                                                                                                                                                                                                        |                                                                                                                          | (F)                     |
| 31                        |            | +PostMainLinkRel(TCV_ch)                                                                                                                                                                                                                                                                                                                                                                                                                                                                                                                                                             |                                                                                                                          |                         |
| <b>Detailed Comments:</b> |            | <ol style="list-style-type: none"> <li>1. To setup a physical channel as BCCH, CCCH and SDCCH4 with default parameters.</li> <li>2. To initiate an ActivateSS operation of call forwarding service for CF (all synchronous services).</li> <li>3. To initiate an ActivateSS operation of call forwarding service for CFU (all basic services).</li> <li>4. To return the ReturnResult of SSoperation by FACILITY message.</li> <li>5. To return the ReturnResult of SSoperation by RELEASE COMPLETE message.</li> <li>6. To check whether the user indication is correct.</li> </ol> |                                                                                                                          |                         |

### Test Case Dynamic Behaviour

|                        |                                                                                                                                                                                                                                                                                                                                                                                                                                                                                                                                                                                                                                                                                                                                                                                                                                              |
|------------------------|----------------------------------------------------------------------------------------------------------------------------------------------------------------------------------------------------------------------------------------------------------------------------------------------------------------------------------------------------------------------------------------------------------------------------------------------------------------------------------------------------------------------------------------------------------------------------------------------------------------------------------------------------------------------------------------------------------------------------------------------------------------------------------------------------------------------------------------------|
| <b>Test Case Name:</b> | TC_31_2_1_4                                                                                                                                                                                                                                                                                                                                                                                                                                                                                                                                                                                                                                                                                                                                                                                                                                  |
| <b>Group:</b>          | GSM_L3_MS_v4210/SS/                                                                                                                                                                                                                                                                                                                                                                                                                                                                                                                                                                                                                                                                                                                                                                                                                          |
| <b>Purpose:</b>        | <p>1) To check that the MS correctly requests a supplementary service transaction for deactivation of call forwarding in CHANNEL REQUEST message.</p> <p>2) To check that the MS correctly requests a supplementary service transaction for deactivation of call forwarding in the subsequent CM-SERVICE REQUEST.</p> <p>3) To check that the MS sends a REGISTER message containing the invoke of the DeactivateSS operation with the expected parameter values for deactivation of call forwarding.</p> <p>4) To check that upon receipt of the result of the operation (in a RELEASE COMPLETE message), the MS provides the appropriate user indication (as described by the manufacturer).</p> <p>These checks are done for :</p> <p>a) CFC, for basic service group speech.</p> <p>b) CFNRc, for basic service group all facsimile.</p> |
| <b>Default:</b>        | OtherEventsFail                                                                                                                                                                                                                                                                                                                                                                                                                                                                                                                                                                                                                                                                                                                                                                                                                              |

| Nr | Label | Behaviour Description                                                                                                                                                                                                                                                                                                                                                                                                                                                                                                                                                 | CRef                                                                                                                      | V | Comments                |
|----|-------|-----------------------------------------------------------------------------------------------------------------------------------------------------------------------------------------------------------------------------------------------------------------------------------------------------------------------------------------------------------------------------------------------------------------------------------------------------------------------------------------------------------------------------------------------------------------------|---------------------------------------------------------------------------------------------------------------------------|---|-------------------------|
| 1  |       | START T_guard(300)                                                                                                                                                                                                                                                                                                                                                                                                                                                                                                                                                    |                                                                                                                           |   |                         |
| 2  |       | +IdleUpdated( C_E_default, C_CellA, C_SCH_A, C_BCCH_A_1, C_ImmAss, C_S0, C_SlotNU, C_SlotNU, C_SlotNU, C_BCC, C_TxInt_5, C_Max_1, C_NECI_0, C_ATT_0, TimingAdv( 0), C_BABR_0, C_cch_1Comb, C_BPM_3, C_T3212_0, C_ci_cellA, C_MCC_1, C_PLMN_1, C_LAC_1, CellOpt_01, CellChDes_Omit, CellChDes_Omit, C_CellReselectHys12, C_MaxPwrLvlG, C_MaxPwrLvlD, BcchFreqLst_45, BcchFreqLst_02, BcchFreqLst_03, BcchFreqLst_04, C_Restablishment, C_BCC, C_NCC, C_Start_Tmsi, TSPX_SDCCH4SubDef, TSPX_CKSNDf, TSPX_RANDDef, C_arfcnA, C_arfcnAd, TSPX_IMSI, C_Test_nfh, C_NCCP_2) |                                                                                                                           |   |                         |
| 3  |       | (TCV_Null := OO_InitSS("#004**11#"))                                                                                                                                                                                                                                                                                                                                                                                                                                                                                                                                  |                                                                                                                           |   | 2.                      |
| 4  |       | +part1                                                                                                                                                                                                                                                                                                                                                                                                                                                                                                                                                                |                                                                                                                           |   |                         |
| 5  |       | (TCV_Null := OO_InitSS("#62**13#"))                                                                                                                                                                                                                                                                                                                                                                                                                                                                                                                                   |                                                                                                                           |   | 3.                      |
| 6  |       | +part2                                                                                                                                                                                                                                                                                                                                                                                                                                                                                                                                                                |                                                                                                                           |   |                         |
| 7  |       | <b>part1</b><br>L?DL_RaInChRq (TCV_Rr := DL_RaInChRq.msg.ecau_rrf, TCV_Fn := DL_RaInChRq.fn)                                                                                                                                                                                                                                                                                                                                                                                                                                                                          | ChReq(ChRequest_04)                                                                                                       |   |                         |
| 8  |       | ACTIVATE(OtherEventsFail_02)                                                                                                                                                                                                                                                                                                                                                                                                                                                                                                                                          |                                                                                                                           |   | To match ChReq retrans. |
| 9  |       | L!DL_UdatRqImmAss                                                                                                                                                                                                                                                                                                                                                                                                                                                                                                                                                     | ImmAss( TCV_agch, ImmAsgn_01Def( TCV_Rr, TCV_Fn, TSPX_SDCCH4SubDef, TCV_slot, TCV_tsc, TCV_chdescr_arfcn, TimingAdv( 0))) |   |                         |
| 10 |       | L?DL_EstInCmsRq                                                                                                                                                                                                                                                                                                                                                                                                                                                                                                                                                       | CMSerReq(CMServiceReq_08)                                                                                                 |   |                         |
| 11 |       | ACTIVATE(OtherEventsFail)                                                                                                                                                                                                                                                                                                                                                                                                                                                                                                                                             |                                                                                                                           |   | Restore Normal default  |
| 12 |       | L!DL_DatRqCmsAcp                                                                                                                                                                                                                                                                                                                                                                                                                                                                                                                                                      | CMSerAcp( TCV_ch, CMServiceAcp_01)                                                                                        |   |                         |
| 13 |       | +localtree                                                                                                                                                                                                                                                                                                                                                                                                                                                                                                                                                            |                                                                                                                           |   |                         |
| 14 |       | <b>localtree</b><br>L?DL_DatInRegister ( TCV_TI := DL_DatInRegister.msg.ti, TCV_TI0 := TCV_TI, TCV_TI.ti_f := '1'B, TCV_Comp := DL_DatInRegister.msg.fie.components_1, TCV_n := OC_PosinSet(TCV_Comp, DeactivateSS_01), TCV_Invkld := OC_Asn1intToOct(TCV_Comp.[TCV_n].deactivateSSComponents.deactivateSS_InvokeComp.invokelD, 1))                                                                                                                                                                                                                                   | Register_03( RegisterPdu_03( facilityIercviei( DeactivateSS_01)))                                                         |   |                         |
| 15 |       | L!DL_DatRqRelCmp                                                                                                                                                                                                                                                                                                                                                                                                                                                                                                                                                      | RelComSnd(TCV_ch,                                                                                                         |   |                         |



|    |            |                                                                                                                                                                                                                                                                                                                                                            |                                                                                                                                                 |                         |
|----|------------|------------------------------------------------------------------------------------------------------------------------------------------------------------------------------------------------------------------------------------------------------------------------------------------------------------------------------------------------------------|-------------------------------------------------------------------------------------------------------------------------------------------------|-------------------------|
| 16 |            | +Checktree(C_DeactCFC)                                                                                                                                                                                                                                                                                                                                     | ReleaseCmp_09(<br>TCV_TI,<br>facilityIEtsndiei(<br>DeactivateSSRslt_01(<br>TCV_Invkld))))                                                       |                         |
| 17 |            | <b>part2</b><br>L?DL_RaInChRq (TCV_Rr := DL_RaInChRq.<br>msg.ecau_rrf, TCV_Fn := DL_RaInChRq.fn)                                                                                                                                                                                                                                                           | ChReq(<br>ChRequest_04)                                                                                                                         | To match ChReq retrans. |
| 18 |            | ACTIVATE(OtherEventsFail_02)                                                                                                                                                                                                                                                                                                                               |                                                                                                                                                 |                         |
| 19 |            | LIDL_UdatRqImmass                                                                                                                                                                                                                                                                                                                                          | ImmAss( TCV_agch,<br>ImmAsgn_01Def(<br>TCV_Rr, TCV_Fn,<br>TSPX_SDCCH4SubD<br>ef, TCV_slot,<br>TCV_tsc,<br>TCV_chdescr_arfcn,<br>TimingAdv( 0))) |                         |
| 20 |            | L?DL_EstInCmsRq                                                                                                                                                                                                                                                                                                                                            | CMSerReq(<br>CMSerReq_08)                                                                                                                       | Restore Normal default  |
| 21 |            | ACTIVATE(OtherEventsFail)                                                                                                                                                                                                                                                                                                                                  |                                                                                                                                                 |                         |
| 22 |            | LIDL_DatRqCmsAcp                                                                                                                                                                                                                                                                                                                                           | CMSerAcp( TCV_ch,<br>CMSerAcp_01)                                                                                                               |                         |
| 23 |            | +localtree1                                                                                                                                                                                                                                                                                                                                                |                                                                                                                                                 |                         |
| 24 |            | <b>localtree1</b><br>L?DL_DatInRegister ( TCV_TI :=<br>DL_DatInRegister.msg.ti, TCV_TI0 := TCV_TI,<br>TCV_TI.ti_f := '1'B, TCV_Comp :=<br>DL_DatInRegister.msg.fie.components_1, TCV_n :=<br>OC_PosinSet(TCV_Comp, DeactivateSS_02),<br>TCV_Invkld :=<br>OC_Asn1intToOct(TCV_Comp.[TCV_n].deactivateSS<br>Components.deactivateSS_InvokeComp.invokeID, 1)) | Register_03(<br>RegisterPdu_03(<br>facilityIErcviei(<br>DeactivateSS_02)))                                                                      |                         |
| 25 |            | LIDL_DatRqRelCmp                                                                                                                                                                                                                                                                                                                                           | RelComSnd(TCV_ch,<br>ReleaseCmp_09(<br>TCV_TI,<br>facilityIEtsndiei(<br>DeactivateSSRslt_02(<br>TCV_Invkld))))                                  | 5.                      |
| 26 |            | +Checktree(C_DeactCFNRc)                                                                                                                                                                                                                                                                                                                                   |                                                                                                                                                 |                         |
| 27 |            | <b>Checktree(par:INTEGER)</b><br>(TCV_Res := OO_SSresultCHK(par))                                                                                                                                                                                                                                                                                          |                                                                                                                                                 | 6.                      |
| 28 | L_059<br>1 | [TCV_Res]                                                                                                                                                                                                                                                                                                                                                  |                                                                                                                                                 | (P)                     |
| 29 |            | +PostMainLinkRel(TCV_ch)                                                                                                                                                                                                                                                                                                                                   |                                                                                                                                                 |                         |
| 30 | L_059<br>2 | [NOT TCV_Res]                                                                                                                                                                                                                                                                                                                                              |                                                                                                                                                 | (F)                     |
| 31 |            | +PostMainLinkRel(TCV_ch)                                                                                                                                                                                                                                                                                                                                   |                                                                                                                                                 |                         |

**Detailed Comments:**

1. To setup a physical channel as BCCH, CCCH and SDCCH4 with default parameters.
2. To initiate a DeactivateSS operation of call forwarding service for CFC (speech).
3. To initiate a DeactivateSS operation of call forwarding service for CFNRc (all facsimile).
4. To return the ReturnResult of SSoperation by FACILITY message.
5. To return the ReturnResult of SSoperation by RELEASE COMPLETE message.
6. To check whether the user indication is correct.

### Test Case Dynamic Behaviour

|                        |                                                                                                                                                                                                                                                                                                                                                                                                                                                                                                                                                                                                                                                                                                                                                                                                                                                  |
|------------------------|--------------------------------------------------------------------------------------------------------------------------------------------------------------------------------------------------------------------------------------------------------------------------------------------------------------------------------------------------------------------------------------------------------------------------------------------------------------------------------------------------------------------------------------------------------------------------------------------------------------------------------------------------------------------------------------------------------------------------------------------------------------------------------------------------------------------------------------------------|
| <b>Test Case Name:</b> | TC_31_2_1_6_1                                                                                                                                                                                                                                                                                                                                                                                                                                                                                                                                                                                                                                                                                                                                                                                                                                    |
| <b>Group:</b>          | GSM_L3_MS_v4210/SS/                                                                                                                                                                                                                                                                                                                                                                                                                                                                                                                                                                                                                                                                                                                                                                                                                              |
| <b>Purpose:</b>        | <p>1) To check that the MS correctly requests a supplementary service transaction for interrogation of a specific call forwarding in CHANNEL REQUEST message.</p> <p>2) To check that the MS correctly requests a supplementary service transaction for interrogation of call forwarding in the subsequent CM-SERVICE REQUEST.</p> <p>3) To check that the MS sends a REGISTER message containing the invoke of the InterrogateSS operation with the expected parameter values for interrogation of call forwarding.</p> <p>4) To check that upon receipt of the result of the operation (in a RELEASE COMPLETE message), the MS provides the appropriate user indication (as described by the manufacturer).</p> <p>These checks are done for :</p> <p>a) CFB, for all basic service groups.</p> <p>b) CFC, for basic service group speech.</p> |
| <b>Default:</b>        | OtherEventsFail                                                                                                                                                                                                                                                                                                                                                                                                                                                                                                                                                                                                                                                                                                                                                                                                                                  |

| Nr | Label | Behaviour Description                                                                                                                                                                                                                                                                                                                                                                                                                                                                                                                                                | CRef                                                                                                                      | V | Comments                |
|----|-------|----------------------------------------------------------------------------------------------------------------------------------------------------------------------------------------------------------------------------------------------------------------------------------------------------------------------------------------------------------------------------------------------------------------------------------------------------------------------------------------------------------------------------------------------------------------------|---------------------------------------------------------------------------------------------------------------------------|---|-------------------------|
| 1  |       | START T_guard(300)                                                                                                                                                                                                                                                                                                                                                                                                                                                                                                                                                   |                                                                                                                           |   |                         |
| 2  |       | +IdleUpdated( C_E_default, C_CellA, C_SCH_A, C_BCCH_A_1, C_ImmAs, C_S0, C_SlotNU, C_SlotNU, C_SlotNU, C_BCC, C_TxInt_5, C_Max_1, C_NECI_0, C_ATT_0, TimingAdv( 0), C_BABR_0, C_cch_1Comb, C_BPM_3, C_T3212_0, C_ci_cellA, C_MCC_1, C_PLMN_1, C_LAC_1, CellOpt_01, CellChDes_Omit, CellChDes_Omit, C_CellReselectHys12, C_MaxPwrLvlG, C_MaxPwrLvlD, BcchFreqLst_45, BcchFreqLst_02, BcchFreqLst_03, BcchFreqLst_04, C_Restablishment, C_BCC, C_NCC, C_Start_Tmsi, TSPX_SDCCH4SubDef, TSPX_CKSNDf, TSPX_RANDDef, C_arfcnA, C_arfcnAd, TSPX_IMSI, C_Test_nfh, C_NCCP_2) |                                                                                                                           |   |                         |
| 3  |       | (TCV_Null := OO_InitSS("**#67#"))                                                                                                                                                                                                                                                                                                                                                                                                                                                                                                                                    |                                                                                                                           |   | 2.                      |
| 4  |       | +part1                                                                                                                                                                                                                                                                                                                                                                                                                                                                                                                                                               |                                                                                                                           |   |                         |
| 5  |       | (TCV_Null := OO_InitSS("**#61**11#"))                                                                                                                                                                                                                                                                                                                                                                                                                                                                                                                                |                                                                                                                           |   | 3.                      |
| 6  |       | +part2                                                                                                                                                                                                                                                                                                                                                                                                                                                                                                                                                               |                                                                                                                           |   |                         |
| 7  |       | <b>part1</b><br>L?DL_RaInChRq (TCV_Rr := DL_RaInChRq.msg.ecau_rrf, TCV_Fn := DL_RaInChRq.fn)                                                                                                                                                                                                                                                                                                                                                                                                                                                                         | ChReq(ChRequest_04)                                                                                                       |   |                         |
| 8  |       | ACTIVATE(OtherEventsFail_02)                                                                                                                                                                                                                                                                                                                                                                                                                                                                                                                                         |                                                                                                                           |   | To match ChReq retrans. |
| 9  |       | L!DL_UdatRqImmAs                                                                                                                                                                                                                                                                                                                                                                                                                                                                                                                                                     | ImmAss( TCV_agch, ImmAsgn_01Def( TCV_Rr, TCV_Fn, TSPX_SDCCH4SubDef, TCV_slot, TCV_tsc, TCV_chdescr_arfcn, TimingAdv( 0))) |   |                         |
| 10 |       | L?DL_EstInCmsRq                                                                                                                                                                                                                                                                                                                                                                                                                                                                                                                                                      | CMSerReq(CMServiceReq_08)                                                                                                 |   |                         |
| 11 |       | ACTIVATE(OtherEventsFail)                                                                                                                                                                                                                                                                                                                                                                                                                                                                                                                                            |                                                                                                                           |   | Restore Normal default  |
| 12 |       | L!DL_DatRqCmsAcp                                                                                                                                                                                                                                                                                                                                                                                                                                                                                                                                                     | CMSerAcp( TCV_ch, CMServiceAcp_01)                                                                                        |   |                         |
| 13 |       | +localtree                                                                                                                                                                                                                                                                                                                                                                                                                                                                                                                                                           |                                                                                                                           |   |                         |
| 14 |       | <b>localtree</b><br>L?DL_DatInRegister ( TCV_TI := DL_DatInRegister.msg.ti, TCV_TI0 := TCV_TI, TCV_TI.ti_f := '1'B, TCV_Comp := DL_DatInRegister.msg.fie.components_1, TCV_n := OC_PosinSet(TCV_Comp, InterrogateSS_01), TCV_Invkld := OC_Asn1intToOct(TCV_Comp.[TCV_n].interrogateSSComponents.interrogateSS_InvokeComp.invokeID, 1))                                                                                                                                                                                                                               | Register_03( RegisterPdu_03( facilityIercviei( InterrogateSS_01)))                                                        |   |                         |

|    |            |                                                                                                                                                                                                                                                                                                                             |                                                                                                                        |                         |
|----|------------|-----------------------------------------------------------------------------------------------------------------------------------------------------------------------------------------------------------------------------------------------------------------------------------------------------------------------------|------------------------------------------------------------------------------------------------------------------------|-------------------------|
| 15 |            | LIDL_DatRqRelCmp                                                                                                                                                                                                                                                                                                            | RelComSnd(TCV_ch, ReleaseCmp_09(TCV_TI, facilityIEtsndiei(InterrogateSSRslt_01(TCV_Invkld))))                          |                         |
| 16 |            | +Checktree(C_InterrogCFB)                                                                                                                                                                                                                                                                                                   |                                                                                                                        |                         |
| 17 |            | <b>part2</b><br>L?DL_RacInChRq (TCV_Rr := DL_RacInChRq.<br>msg.ecau_rrf, TCV_Fn := DL_RacInChRq.fn)                                                                                                                                                                                                                         | ChReq(ChRequest_04)                                                                                                    | To match ChReq retrans. |
| 18 |            | ACTIVATE(OtherEventsFail_02)                                                                                                                                                                                                                                                                                                |                                                                                                                        |                         |
| 19 |            | LIDL_UdatRqImmch                                                                                                                                                                                                                                                                                                            | ImmAss(TCV_agch, ImmAsgn_01Def(TCV_Rr, TCV_Fn, TSPX_SDCCH4SubDef, TCV_slot, TCV_tsc, TCV_chdescr_arfcn, TimingAdv(0))) |                         |
| 20 |            | L?DL_EstInCmsRq                                                                                                                                                                                                                                                                                                             | CMSerReq(CMServiceReq_08)                                                                                              |                         |
| 21 |            | ACTIVATE(OtherEventsFail)                                                                                                                                                                                                                                                                                                   |                                                                                                                        | Restore Normal default  |
| 22 |            | LIDL_DatRqCmsAcp                                                                                                                                                                                                                                                                                                            | CMSerAcp(TCV_ch, CMServiceAcp_01)                                                                                      |                         |
| 23 |            | +localtree1                                                                                                                                                                                                                                                                                                                 |                                                                                                                        |                         |
| 24 |            | <b>localtree1</b><br>L?DL_DatInRegister (TCV_TI := DL_DatInRegister.msg.ti, TCV_TI0 := TCV_TI, TCV_TI.ti_f := '1'B, TCV_Comp := DL_DatInRegister.msg.fie.components_1, TCV_n := OC_PosinSet(TCV_Comp, InterrogateSS_02), TCV_Invkld := OC_Asn1intToOct(TCV_Comp.[TCV_n].interrogateSSComponents.interrogateSS_InvokelD, 1)) | Register_03(RegisterPdu_03(facilityIErcviei(InterrogateSS_02)))                                                        |                         |
| 25 |            | LIDL_DatRqRelCmp                                                                                                                                                                                                                                                                                                            | RelComSnd(TCV_ch, ReleaseCmp_09(TCV_TI, facilityIEtsndiei(InterrogateSSRslt_02(TCV_Invkld))))                          | 5.                      |
| 26 |            | +Checktree(C_InterrogCFC)                                                                                                                                                                                                                                                                                                   |                                                                                                                        |                         |
| 27 |            | <b>Checktree(par:INTEGER)</b><br>(TCV_Res := OO_SSresultCHK(par))                                                                                                                                                                                                                                                           |                                                                                                                        | 6.                      |
| 28 | L_059<br>3 | [TCV_Res]                                                                                                                                                                                                                                                                                                                   |                                                                                                                        | (P)                     |
| 29 |            | +PostMainLinkRel(TCV_ch)                                                                                                                                                                                                                                                                                                    |                                                                                                                        |                         |
| 30 | L_059<br>4 | [NOT TCV_Res]                                                                                                                                                                                                                                                                                                               |                                                                                                                        | (F)                     |
| 31 |            | +PostMainLinkRel(TCV_ch)                                                                                                                                                                                                                                                                                                    |                                                                                                                        |                         |

**Detailed Comments:**

1. To setup a physical channel as BCCH, CCCH and SDCCH4 with default parameters.
2. To initiate a InterrogateSS operation of call forwarding service for CFB (all basic services).
3. To initiate a InterrogateSS operation of call forwarding service for CFNRy (Speech).
4. To return the ReturnResult of SSoperation by FACILITY message.
5. To return the ReturnResult of SSoperation by RELEASE COMPLETE message.
6. To check whether the user indication is correct.

### Test Case Dynamic Behaviour

|                        |                                                                                                                                                                                                                                                                                                                                                                                                                                                                                                                                                                                                                                                                                                                                                                                                                                                                                                                                                                                                                                                                                                                                                                                       |
|------------------------|---------------------------------------------------------------------------------------------------------------------------------------------------------------------------------------------------------------------------------------------------------------------------------------------------------------------------------------------------------------------------------------------------------------------------------------------------------------------------------------------------------------------------------------------------------------------------------------------------------------------------------------------------------------------------------------------------------------------------------------------------------------------------------------------------------------------------------------------------------------------------------------------------------------------------------------------------------------------------------------------------------------------------------------------------------------------------------------------------------------------------------------------------------------------------------------|
| <b>Test Case Name:</b> | TC_31_2_1_6_2                                                                                                                                                                                                                                                                                                                                                                                                                                                                                                                                                                                                                                                                                                                                                                                                                                                                                                                                                                                                                                                                                                                                                                         |
| <b>Group:</b>          | GSM_L3_MS_v4210/SS/                                                                                                                                                                                                                                                                                                                                                                                                                                                                                                                                                                                                                                                                                                                                                                                                                                                                                                                                                                                                                                                                                                                                                                   |
| <b>Purpose:</b>        | <p>1) To check that the MS correctly requests the establishment of a parallel MM transaction for supplementary service transaction of interrogation of a specific call forwarding service, sending a CM-SERVICE REQUEST.</p> <p>2) To check that the MS sends a REGISTER message containing the invoke of the InterrogateSS operation with the expected parameter values for interrogation of call forwarding.</p> <p>3) To check that upon receipt of the RELEASE COMPLETE message related to the present SS transaction, the first transaction remains unaffected.</p> <p>4) To check that upon receipt of the RELEASE COMPLETE message, the MS provides the appropriate user indication (as described by the Manufacturer).</p> <p>These checks are performed with a call transaction already established for :</p> <p>a) CFNRc, for all basic service group, the RELEASE COMPLETE message being sent with a facility IE containing a return_error(error) where error is "SS not available".</p> <p>b) CFB, for all facsimile, the RELEASE COMPLETE message being sent with a facility IE containing a reject(invoked_problem) where invoked_problem is "resource limitation".</p> |
| <b>Default:</b>        | OtherEventsFail                                                                                                                                                                                                                                                                                                                                                                                                                                                                                                                                                                                                                                                                                                                                                                                                                                                                                                                                                                                                                                                                                                                                                                       |

| Nr | Label | Behaviour Description                                                                                                                                                                                                                                                                                                                                                                                                                                                                                                                                                                                               | CRef                                                                        | V | Comments |
|----|-------|---------------------------------------------------------------------------------------------------------------------------------------------------------------------------------------------------------------------------------------------------------------------------------------------------------------------------------------------------------------------------------------------------------------------------------------------------------------------------------------------------------------------------------------------------------------------------------------------------------------------|-----------------------------------------------------------------------------|---|----------|
| 1  |       | START T_guard(300)                                                                                                                                                                                                                                                                                                                                                                                                                                                                                                                                                                                                  |                                                                             |   |          |
| 2  |       | +BasicServiceMO( TSPX_MOBscSvcJ,<br>TSPX_MOChRateJ)                                                                                                                                                                                                                                                                                                                                                                                                                                                                                                                                                                 |                                                                             |   |          |
| 3  |       | +IdleUpdated( C_E_default, C_CellA, C_SCH_A,<br>C_BCCH_A_1, C_Immss, C_S0, C_SlotNU,<br>C_SlotNU, C_SlotNU, C_BCC, C_TxInt_5,<br>C_Max_1, C_NECI_0, C_ATT_0, TimingAdv( 0),<br>C_BABR_0, C_cch_1Comb, C_BPM_3,<br>C_T3212_0, C_ci_cellA, C_MCC_1, C_PLMN_1,<br>C_LAC_1, CellOpt_01, CellChDes_Omit,<br>CellChDes_Omit, C_CellReselectHys12,<br>C_MaxPwrLvIG, C_MaxPwrLvID,<br>BcchFreqLst_45, BcchFreqLst_02,<br>BcchFreqLst_03, BcchFreqLst_04,<br>C_Restablishment, C_BCC, C_NCC,<br>C_Start_Tmsi, TSPX_SDCCH4SubDef,<br>TSPX_CKSNDDef, TSPX_RANDDef, C_arfcnA,<br>C_arfcnAd, TSPX_IMSI, C_Test_nfh,<br>C_NCCP_2) |                                                                             |   |          |
| 4  |       | +CCConfigTCH_nociph( TSPX_TCHHSubDef,<br>C_Ass, TSPX_TmSlitDef, TSPX_TscDef,<br>TimingAdv( 0), C_BABR_0, C_cch_1Comb,<br>C_BPM_3, TCV_ChMod.mode, FreqTCH_omit,<br>FreqTCH_omit, C_arfcn_tchA, C_arfcn_tchAd)                                                                                                                                                                                                                                                                                                                                                                                                       |                                                                             |   | 1.       |
| 5  |       | +Est_MO_Call( TimingAdv( 0), TCV_ChRate,<br>TSPX_RANDDef, TSPX_SDCCH4SubDef,<br>TSPX_TmSlitDef, TSPX_TscDef,<br>TSPX_TCHHSubDef)                                                                                                                                                                                                                                                                                                                                                                                                                                                                                    |                                                                             |   | 2.       |
| 6  |       | (TCV_Null := OO_InitSS("**#62#"))                                                                                                                                                                                                                                                                                                                                                                                                                                                                                                                                                                                   |                                                                             |   | 3.       |
| 7  |       | +part1                                                                                                                                                                                                                                                                                                                                                                                                                                                                                                                                                                                                              |                                                                             |   |          |
| 8  |       | (TCV_Null := OO_InitSS("**#67**13#"))                                                                                                                                                                                                                                                                                                                                                                                                                                                                                                                                                                               |                                                                             |   | 4.       |
| 9  |       | +part2                                                                                                                                                                                                                                                                                                                                                                                                                                                                                                                                                                                                              |                                                                             |   |          |
|    |       | <b>part1</b>                                                                                                                                                                                                                                                                                                                                                                                                                                                                                                                                                                                                        |                                                                             |   |          |
| 10 |       | L?DL_DatInCmsRq                                                                                                                                                                                                                                                                                                                                                                                                                                                                                                                                                                                                     | CMSerDatReq(<br>CMServiceReq_08)                                            |   |          |
| 11 |       | L!DL_DatRqCmsAcp                                                                                                                                                                                                                                                                                                                                                                                                                                                                                                                                                                                                    | CMSerAcp(<br>TCV_chTch,<br>CMServiceAcp_01)                                 |   |          |
| 12 |       | +localtree                                                                                                                                                                                                                                                                                                                                                                                                                                                                                                                                                                                                          |                                                                             |   |          |
|    |       | <b>localtree</b>                                                                                                                                                                                                                                                                                                                                                                                                                                                                                                                                                                                                    |                                                                             |   |          |
| 13 |       | L?DL_DatInRegister ( TCV_TI1 :=<br>DL_DatInRegister.msg.ti, TCV_TI2 := TCV_TI1,<br>TCV_TI2.ti_f := '1'B, TCV_Comp :=<br>DL_DatInRegister.msg.fie.components_1, TCV_n :=                                                                                                                                                                                                                                                                                                                                                                                                                                             | Register_03(<br>RegisterPdu_03(<br>facilityIErcvlei(<br>InterrogateSS_03))) |   |          |

|                           |            |                                                                                                                                                                                                                                                                                                                                                                     |                                                                                                                        |     |
|---------------------------|------------|---------------------------------------------------------------------------------------------------------------------------------------------------------------------------------------------------------------------------------------------------------------------------------------------------------------------------------------------------------------------|------------------------------------------------------------------------------------------------------------------------|-----|
|                           |            | OC_PosinSet(TCV_Comp, InterrogateSS_03),<br>TCV_Invkld :=<br>OC_Asn1intToOct(TCV_Comp.[TCV_n].interrogateS<br>SComponents.interrogateSS_InvokeComp.invokeID,<br>1))                                                                                                                                                                                                 |                                                                                                                        |     |
| 14                        |            | L!DL_DatRqRelCmp                                                                                                                                                                                                                                                                                                                                                    | RelComSnd(TCV_ch<br>Tch,<br>ReleaseCmp_09(<br>TCV_TI2,<br>facilityIEtsndiei(<br>InterrogateSSErr_01(<br>TCV_Invkld)))) |     |
| 15                        |            | LIDL_DatRqCstEnq                                                                                                                                                                                                                                                                                                                                                    | CCStESnd(<br>TCV_chTch,<br>CCStatusEq_01(<br>TCV_TI))                                                                  |     |
| 16                        | L_059<br>5 | L?DL_DatInCst                                                                                                                                                                                                                                                                                                                                                       | CCStRcv(<br>TCV_chTch,<br>CCStatus_14(<br>TCV_TI0, C_U10))                                                             | (P) |
| 17                        |            | <b>part2</b><br>L?DL_DatInCmsRq                                                                                                                                                                                                                                                                                                                                     | CMSerDatReq(<br>CMServiceReq_08)                                                                                       |     |
| 18                        |            | LIDL_DatRqCmsAcp                                                                                                                                                                                                                                                                                                                                                    | CMSerAcp(<br>TCV_chTch,<br>CMServiceAcp_01)                                                                            |     |
| 19                        |            | +localtree1                                                                                                                                                                                                                                                                                                                                                         |                                                                                                                        |     |
| 20                        |            | <b>localtree1</b><br>L?DL_DatInRegister ( TCV_TI1 :=<br>DL_DatInRegister.msg.ti, TCV_TI2 := TCV_TI1,<br>TCV_TI2.ti_f := '1'B, TCV_Comp :=<br>DL_DatInRegister.msg.fie.components_1, TCV_n :=<br>OC_PosinSet(TCV_Comp, InterrogateSS_04),<br>TCV_Invkld :=<br>OC_Asn1intToOct(TCV_Comp.[TCV_n].interrogateS<br>SComponents.interrogateSS_InvokeComp.invokeID,<br>1)) | Register_03(<br>RegisterPdu_03(<br>facilityIErcviei(<br>InterrogateSS_04)))                                            |     |
| 21                        |            | LIDL_DatRqRelCmp                                                                                                                                                                                                                                                                                                                                                    | RelComSnd(TCV_ch<br>Tch,<br>ReleaseCmp_09(<br>TCV_TI2,<br>facilityIEtsndiei(<br>InterrogateSSRej_01(<br>TCV_Invkld)))) |     |
| 22                        |            | +Checktree(C_InterrogCFB)                                                                                                                                                                                                                                                                                                                                           |                                                                                                                        |     |
| 23                        |            | <b>Checktree(par:INTEGER)</b><br>(TCV_Res := OO_SSresultCHK(par))                                                                                                                                                                                                                                                                                                   |                                                                                                                        |     |
| 24                        | L_059<br>6 | [TCV_Res]                                                                                                                                                                                                                                                                                                                                                           |                                                                                                                        | (P) |
| 25                        |            | LIDL_DatRqCstEnq                                                                                                                                                                                                                                                                                                                                                    | CCStESnd(<br>TCV_chTch,<br>CCStatusEq_01(<br>TCV_TI))                                                                  |     |
| 26                        | L_059<br>7 | L?DL_DatInCst                                                                                                                                                                                                                                                                                                                                                       | CCStRcv(<br>TCV_chTch,<br>CCStatus_14(<br>TCV_TI0, C_U10))                                                             | (P) |
| 27                        |            | +PostMainLinkRel(TCV_chTch)                                                                                                                                                                                                                                                                                                                                         |                                                                                                                        |     |
| 28                        | L_059<br>8 | [NOT TCV_Res]                                                                                                                                                                                                                                                                                                                                                       |                                                                                                                        | (F) |
| 29                        |            | +PostMainLinkRel(TCV_chTch)                                                                                                                                                                                                                                                                                                                                         |                                                                                                                        |     |
| <b>Detailed Comments:</b> |            | <ol style="list-style-type: none"> <li>1. To setup traffic channel.</li> <li>2. To establish a mobile originating call.</li> <li>3. To initiate an interrogation of call forwarding service for CFNRc (all basic services).</li> <li>4. To initiate an interrogation of call forwarding service for CFB (all facsimile).</li> </ol>                                 |                                                                                                                        |     |

## Test Case Dynamic Behaviour

|                        |                                                                                                                                                                                                                                                                                                                                                                                                                                            |
|------------------------|--------------------------------------------------------------------------------------------------------------------------------------------------------------------------------------------------------------------------------------------------------------------------------------------------------------------------------------------------------------------------------------------------------------------------------------------|
| <b>Test Case Name:</b> | TC_31_2_1_7_1_1                                                                                                                                                                                                                                                                                                                                                                                                                            |
| <b>Group:</b>          | GSM_L3_MS_v4210/SS/                                                                                                                                                                                                                                                                                                                                                                                                                        |
| <b>Purpose:</b>        | 1) To check that, in state U7 or U10, upon receipt of a FACILITY message notifying an incoming call, the MS shall provide the appropriate user indication (which is to be described by the manufacturer).<br><br>2) To check that when the notification of incoming call is received while the MS is in CC state U7 and U10 of another incoming call, it has no effect on its state.<br><br>These checks are performed in the case of CFB. |
| <b>Default:</b>        | OtherEventsFail                                                                                                                                                                                                                                                                                                                                                                                                                            |

| Nr | Label | Behaviour Description                                                                                                                                                                                                                                                                                                                                                                                                                                                                                                                                                  | CRef                                                                               | V | Comments |
|----|-------|------------------------------------------------------------------------------------------------------------------------------------------------------------------------------------------------------------------------------------------------------------------------------------------------------------------------------------------------------------------------------------------------------------------------------------------------------------------------------------------------------------------------------------------------------------------------|------------------------------------------------------------------------------------|---|----------|
| 1  |       | START T_guard(300)                                                                                                                                                                                                                                                                                                                                                                                                                                                                                                                                                     |                                                                                    |   |          |
| 2  |       | +BasicServiceMT( TSPX_MTBscSvcA, TSPX_MTChRateA)                                                                                                                                                                                                                                                                                                                                                                                                                                                                                                                       |                                                                                    |   |          |
| 3  |       | +IdleUpdated( C_E_default, C_CellA, C_SCH_A, C_BCCH_A_1, C_Immass, C_S0, C_SlotNU, C_SlotNU, C_SlotNU, C_BCC, C_TxInt_5, C_Max_1, C_NECI_0, C_ATT_0, TimingAdv( 0), C_BABR_0, C_cch_1Comb, C_BPM_3, C_T3212_0, C_ci_cellA, C_MCC_1, C_PLMN_1, C_LAC_1, CellOpt_01, CellChDes_Omit, CellChDes_Omit, C_CellReselectHys12, C_MaxPwrLvIG, C_MaxPwrLvID, BcchFreqLst_45, BcchFreqLst_02, BcchFreqLst_03, BcchFreqLst_04, C_Restablishment, C_BCC, C_NCC, C_Start_Tmsi, TSPX_SDCCH4SubDef, TSPX_CKSNDef, TSPX_RANDDef, C_arfcnA, C_arfcnAd, TSPX_IMSI, C_Test_nfh, C_NCCP_2) |                                                                                    |   |          |
| 4  |       | +CCConfigTCH_nociph( TSPX_TCHHSubDef, C_Ass, TSPX_TmSltDef, TSPX_TscDef, TimingAdv( 0), C_BABR_0, C_cch_1Comb, C_BPM_3, TCV_ChMod.mode, FreqTCH_omit, FreqTCH_omit, C_arfcn_tchA, C_arfcn_tchAd)                                                                                                                                                                                                                                                                                                                                                                       |                                                                                    |   |          |
| 5  |       | +PreEstRRConn(TCV_slot, TCV_tsc, TimingAdv( 0))                                                                                                                                                                                                                                                                                                                                                                                                                                                                                                                        |                                                                                    |   | Paging   |
| 6  | body  | L!DL_DatRqSetup                                                                                                                                                                                                                                                                                                                                                                                                                                                                                                                                                        | SetupSnd(TCV_ch, TCV_Setup_mt)                                                     |   |          |
| 7  |       | +AssCmdGen( TCV_cellid, TCV_ChRate, TSPX_TmSltDef, TSPX_TscDef, TSPX_TCHHSubDef)                                                                                                                                                                                                                                                                                                                                                                                                                                                                                       |                                                                                    |   |          |
| 8  |       | L?DL_DatInCallCo                                                                                                                                                                                                                                                                                                                                                                                                                                                                                                                                                       | CallCfm( CallConfirm_01( TI_01))                                                   |   |          |
| 9  |       | +ltree_connectTch                                                                                                                                                                                                                                                                                                                                                                                                                                                                                                                                                      |                                                                                    |   |          |
| 10 |       | <b>ltree_connectTch</b>                                                                                                                                                                                                                                                                                                                                                                                                                                                                                                                                                |                                                                                    |   |          |
| 11 |       | [TSPX_Immconn]<br>L?DL_DatInConn                                                                                                                                                                                                                                                                                                                                                                                                                                                                                                                                       | ConnRcv( Connect_01( TI_01))                                                       |   |          |
| 12 |       | +AssCh_complete( TCV_ch, TCV_chTch, TCV_AssCmd)                                                                                                                                                                                                                                                                                                                                                                                                                                                                                                                        |                                                                                    |   |          |
| 13 |       | +ltree_U10                                                                                                                                                                                                                                                                                                                                                                                                                                                                                                                                                             |                                                                                    |   |          |
| 14 |       | [NOT TSPX_Immconn]                                                                                                                                                                                                                                                                                                                                                                                                                                                                                                                                                     |                                                                                    |   |          |
| 15 |       | +AssCh_complete( TCV_ch, TCV_chTch, TCV_AssCmd)                                                                                                                                                                                                                                                                                                                                                                                                                                                                                                                        |                                                                                    |   |          |
| 16 |       | L?DL_DatInAlert                                                                                                                                                                                                                                                                                                                                                                                                                                                                                                                                                        | AlertRcv( AlertingInd_01( TI_01))                                                  |   |          |
| 17 |       | L!DL_DatRqFac                                                                                                                                                                                                                                                                                                                                                                                                                                                                                                                                                          | FacilitySnd(TCV_chTch, FacilityPdu_25( TI_02, facilityIEtsnd( NotificationSS_01))) |   | 2.       |
| 18 |       | (TCV_Res := OO_SSresultCHK(C_NotifyCFB))                                                                                                                                                                                                                                                                                                                                                                                                                                                                                                                               |                                                                                    |   |          |
| 19 |       | L!DL_DatRqCcstEnq                                                                                                                                                                                                                                                                                                                                                                                                                                                                                                                                                      | CCStESnd( TCV_chTch, CCStatusEq_01(                                                |   |          |

|                                                                                            |            |                                          |                                                                                              |     |              |
|--------------------------------------------------------------------------------------------|------------|------------------------------------------|----------------------------------------------------------------------------------------------|-----|--------------|
| 20                                                                                         | L_059<br>9 | L?DL_DatInCcst                           | TI_02))<br>CCStRcv(<br>TCV_chTch,<br>CCStatus_14( TI_01,<br>C_U7))                           | (P) | U7           |
| 21                                                                                         |            | (TCV_Null := OO_HookOff())               |                                                                                              |     |              |
| 22                                                                                         |            | L?DL_DatInConn                           | ConnRcv(<br>Connect_01( TI_01))                                                              |     |              |
| 23                                                                                         | L_060<br>0 | [TCV_Res]                                |                                                                                              | (P) | Notified     |
| 24                                                                                         |            | +ltree_U10                               |                                                                                              |     |              |
| 25                                                                                         | L_060<br>1 | [NOT TCV_Res]                            |                                                                                              | (F) | Not notified |
| 26                                                                                         |            | +ltree_U10                               |                                                                                              |     |              |
| 27                                                                                         |            | <b>ltree_U10</b><br>L!DL_DatRqConnAck    | ConnAckSnd(<br>TCV_chTch,<br>ConnectAck_01(<br>TI_02))                                       |     |              |
| 28                                                                                         |            | LIDL_DatRqFac                            | FacilitySnd(TCV_chT<br>ch, FacilityPdu_25(<br>TI_02, facilityIEtsnd(<br>NotificationSS_01))) |     | 3.           |
| 29                                                                                         |            | (TCV_Res := OO_SSresultCHK(C_NotifyCFB)) |                                                                                              |     |              |
| 30                                                                                         |            | LIDL_DatRqCstEnq                         | CCStESnd(<br>TCV_chTch,<br>CCStatusEq_01(<br>TI_02))                                         |     |              |
| 31                                                                                         | L_060<br>2 | L?DL_DatInCcst                           | CCStRcv(<br>TCV_chTch,<br>CCStatus_14( TI_01,<br>C_U10))                                     | (P) | U10          |
| 32                                                                                         |            | L!DL_DatRqRelCmp                         | RelComSnd(<br>TCV_chTch,<br>ReleaseCmp_08(<br>TI_02))                                        |     |              |
| 33                                                                                         |            | +PostMainLinkRel(TCV_chTch)              |                                                                                              |     |              |
| 34                                                                                         | L_060<br>3 | [TCV_Res]                                |                                                                                              | (P) | Notified     |
| 35                                                                                         | L_060<br>4 | [NOT TCV_Res]                            |                                                                                              | (F) | Not notified |
| <b>Detailed Comments:</b>                                                                  |            |                                          |                                                                                              |     |              |
| 1. To setup physical channels for BCCH, CCCH, SDCCH4 and full rate traffic channels.       |            |                                          |                                                                                              |     |              |
| 2. To send a FACILITY message containing NotifySS invocation while the MS is in U7 state.  |            |                                          |                                                                                              |     |              |
| 3. To send a FACILITY message containing NotifySS invocation while the MS is in U10 state. |            |                                          |                                                                                              |     |              |

### Test Case Dynamic Behaviour

|                        |                                                                                                                                                                                                                                                                                                                                                                                                                                                                                                                                                                                                                                                                                                                                                                                                                                                                                                                                                                                                                                                                                                 |
|------------------------|-------------------------------------------------------------------------------------------------------------------------------------------------------------------------------------------------------------------------------------------------------------------------------------------------------------------------------------------------------------------------------------------------------------------------------------------------------------------------------------------------------------------------------------------------------------------------------------------------------------------------------------------------------------------------------------------------------------------------------------------------------------------------------------------------------------------------------------------------------------------------------------------------------------------------------------------------------------------------------------------------------------------------------------------------------------------------------------------------|
| <b>Test Case Name:</b> | TC_31_2_1_7_1_2                                                                                                                                                                                                                                                                                                                                                                                                                                                                                                                                                                                                                                                                                                                                                                                                                                                                                                                                                                                                                                                                                 |
| <b>Group:</b>          | GSM_L3_MS_v4210/SS/                                                                                                                                                                                                                                                                                                                                                                                                                                                                                                                                                                                                                                                                                                                                                                                                                                                                                                                                                                                                                                                                             |
| <b>Purpose:</b>        | <p>1) To check that when an outgoing call is being established, if the ALERTING message is received with the facility information element containing an SS notification, the MS correctly reaches CC state U4. This is tested for CFU.</p> <p>2) As an outgoing call is being established, if the ALERTING message is received with the facility information element containing an SS notification, the MS provides the appropriate user indication (which is to be described by the manufacturer). This is tested for CFU.</p> <p>3) As an outgoing call is being established, if the CONNECT message is received with the facility information element containing an SS notification, the MS normally sends a CONNECT ACK message and enter CC state U10. This is tested for CFC.</p> <p>4) As an outgoing call is being established, if the CONNECT message is received with the facility information element containaining an SS notification (for CFU or CFC), the MS provides the appropriate user indication (which is to be described by the manufacturer). This is tested for CFC.</p> |
| <b>Default:</b>        | OtherEventsFail                                                                                                                                                                                                                                                                                                                                                                                                                                                                                                                                                                                                                                                                                                                                                                                                                                                                                                                                                                                                                                                                                 |

| Nr | Label | Behaviour Description                                                                                                                                                                                                                                                                                                                                                                                                                                                                                                                                                                                             | CRef                                                                                                                                            | V  | Comments                |
|----|-------|-------------------------------------------------------------------------------------------------------------------------------------------------------------------------------------------------------------------------------------------------------------------------------------------------------------------------------------------------------------------------------------------------------------------------------------------------------------------------------------------------------------------------------------------------------------------------------------------------------------------|-------------------------------------------------------------------------------------------------------------------------------------------------|----|-------------------------|
| 1  |       | START T_guard(300)                                                                                                                                                                                                                                                                                                                                                                                                                                                                                                                                                                                                |                                                                                                                                                 |    |                         |
| 2  |       | +BasicServiceMO( TSPX_MOBscSvcJ,<br>TSPX_MOChRateJ)                                                                                                                                                                                                                                                                                                                                                                                                                                                                                                                                                               |                                                                                                                                                 |    |                         |
| 3  |       | +IdleUpdated( C_E_default, C_CellA, C_SCH_A,<br>C_BCCH_A_1, C_Immss, C_S0, C_SlotNU,<br>C_SlotNU, C_SlotNU, C_BCC, C_TxInt_5,<br>C_Max_1, C_NECl_0, C_ATT_0, TimingAdv( 0),<br>C_BABR_0, C_cch_1Comb, C_BPM_3,<br>C_T3212_0, C_ci_cellA, C_MCC_1, C_PLMN_1,<br>C_LAC_1, CellOpt_01, CellChDes_Omit,<br>CellChDes_Omit, C_CellReselectHys12,<br>C_MaxPwrLvIG, C_MaxPwrLvID,<br>BcchFreqLst_45, BcchFreqLst_02,<br>BcchFreqLst_03, BcchFreqLst_04,<br>C_Restablishment, C_BCC, C_NCC,<br>C_Start_Tmsi, TSPX_SDCCH4SubDef,<br>TSPX_CKSNDf, TSPX_RANDDef, C_arfcnA,<br>C_arfcnAd, TSPX_IMSI, C_Test_nfh,<br>C_NCCP_2) |                                                                                                                                                 |    |                         |
| 4  |       | +CCConfigTCH_nociph( TSPX_TCHHSubDef,<br>C_Ass, TSPX_TmSlitDef, TSPX_TscDef,<br>TimingAdv( 0), C_BABR_0, C_cch_1Comb,<br>C_BPM_3, TCV_ChMod.mode, FreqTCH_omit,<br>FreqTCH_omit, C_arfcn_tchA, C_arfcn_tchAd)                                                                                                                                                                                                                                                                                                                                                                                                     |                                                                                                                                                 | 1. |                         |
| 5  |       | +InitCall( TCV_Service)                                                                                                                                                                                                                                                                                                                                                                                                                                                                                                                                                                                           |                                                                                                                                                 |    |                         |
| 6  |       | L?DL_RaInChRq( TCV_Rr :=<br>DL_RaInChRq. msg.ecau_rrf, TCV_Fn :=<br>DL_RaInChRq.fn)                                                                                                                                                                                                                                                                                                                                                                                                                                                                                                                               | ChReq(<br>ChRequest_15)                                                                                                                         |    |                         |
| 7  |       | ACTIVATE( OtherEventsFail_02)                                                                                                                                                                                                                                                                                                                                                                                                                                                                                                                                                                                     |                                                                                                                                                 |    | To match ChReq retrans. |
| 8  |       | L!DL_UdatRqImmss                                                                                                                                                                                                                                                                                                                                                                                                                                                                                                                                                                                                  | ImmAss( TCV_agch,<br>ImmAsgn_01Def(<br>TCV_Rr, TCV_Fn,<br>TSPX_SDCCH4SubD<br>ef, TCV_slot,<br>TCV_tsc,<br>TCV_chdescr_arfcn,<br>TimingAdv( 0))) |    |                         |
| 9  |       | L?DL_EstInCmsRq                                                                                                                                                                                                                                                                                                                                                                                                                                                                                                                                                                                                   | CMSerReq(<br>CMSerReq_01)                                                                                                                       |    |                         |
| 10 |       | ACTIVATE( OtherEventsFail)                                                                                                                                                                                                                                                                                                                                                                                                                                                                                                                                                                                        |                                                                                                                                                 |    | Restore Normal default  |
| 11 |       | L!DL_DatRqCmsAcp                                                                                                                                                                                                                                                                                                                                                                                                                                                                                                                                                                                                  | CMSerAcp( TCV_ch,<br>CMSerReq_01)                                                                                                               |    |                         |
| 12 |       | +RcvSetupOrEsetup(<br>TCV_Setup_mo, TCV_Esetup,<br>TCV_Ecall)                                                                                                                                                                                                                                                                                                                                                                                                                                                                                                                                                     |                                                                                                                                                 |    |                         |
| 13 |       | L!DL_DatRqCallProc                                                                                                                                                                                                                                                                                                                                                                                                                                                                                                                                                                                                | CallProc(TCV_ch,<br>TCV_CallProc)                                                                                                               |    |                         |
| 14 |       | +AssCmdGen( TCV_cellid,<br>TCV_ChRate,<br>TSPX_TmSlitDef,<br>TSPX_TscDef,<br>TSPX_TCHHSubDef)                                                                                                                                                                                                                                                                                                                                                                                                                                                                                                                     |                                                                                                                                                 |    |                         |



|    |            |                                                       |                                                                                            |     |
|----|------------|-------------------------------------------------------|--------------------------------------------------------------------------------------------|-----|
| 15 |            | +AssCh_complete(<br>TCV_ch, TCV_chTch,<br>TCV_AssCmd) |                                                                                            |     |
| 16 |            | +continue                                             |                                                                                            |     |
|    |            | <b>continue</b>                                       |                                                                                            |     |
| 17 |            | L!DL_DatRqAlert                                       | AlertSnd(TCV_chTch,<br>Alerting_04( TCV_TI,<br>facilityEtsndiei(<br>NotificationSS_02)))   | 2.  |
| 18 |            | (TCV_Res := OO_SSresultCHK(C_NotifyCFU))              |                                                                                            |     |
| 19 | L_060<br>5 | [TCV_Res]                                             |                                                                                            | (P) |
| 20 |            | +localtree                                            |                                                                                            |     |
| 21 | L_060<br>6 | [NOT TCV_Res]                                         |                                                                                            | (F) |
| 22 |            | +localtree                                            |                                                                                            |     |
|    |            | <b>localtree</b>                                      |                                                                                            |     |
| 23 |            | L!DL_DatRqCstEnq                                      | CCStESnd(<br>TCV_chTch,<br>CCStatusEq_01(<br>TCV_TI))                                      |     |
| 24 | L_060<br>7 | L?DL_DatInCst                                         | CCStRcv(<br>TCV_chTch,<br>CCStatus_14(<br>TCV_TI0, C_U4))                                  | (P) |
| 25 |            | LIDL_DatRqConn                                        | ConnSnd(TCV_chTch<br>, Connect_05(<br>TCV_TI,<br>facilityEtsndiei(<br>NotificationSS_03))) | 3.  |
| 26 |            | L?DL_DatInConnAck                                     | ConnAckRcv(<br>ConnectAck_02(<br>TCV_TI0))                                                 |     |
| 27 |            | (TCV_Res :=<br>OO_SSresultCHK(C_NotifyCFC))           |                                                                                            |     |
| 28 | L_060<br>8 | [TCV_Res]                                             |                                                                                            | (P) |
| 29 |            | +localtree1                                           |                                                                                            |     |
| 30 | L_060<br>9 | [NOT TCV_Res]                                         |                                                                                            | (F) |
| 31 |            | +localtree1                                           |                                                                                            |     |
|    |            | <b>localtree1</b>                                     |                                                                                            |     |
| 32 |            | L!DL_DatRqCstEnq                                      | CCStESnd(<br>TCV_chTch,<br>CCStatusEq_01(<br>TCV_TI))                                      |     |
| 33 | L_061<br>0 | L?DL_DatInCst                                         | CCStRcv(<br>TCV_chTch,<br>CCStatus_14(<br>TCV_TI0, C_U10))                                 | (P) |
| 34 |            | LIDL_DatRqRelCmp                                      | RelComSnd(<br>TCV_chTch,<br>ReleaseCmp_08(<br>TCV_TI))                                     |     |
| 35 |            | +PostMainLinkRel(TCV_chTch)                           |                                                                                            |     |

**Detailed Comments:**

1. To setup traffic channel.
2. To send an ALERTING message containing NotifySS invocation while the MS is in U4 state.
3. To send a CONNECT message containing NotifySS invocation while the MS is in U10 state.

| Test Case Dynamic Behaviour |            |                                                                                                                                                                                                                                                                                                                                                                                                                                                                                                                                                                                                                   |                                                                                                                                                 |     |                         |
|-----------------------------|------------|-------------------------------------------------------------------------------------------------------------------------------------------------------------------------------------------------------------------------------------------------------------------------------------------------------------------------------------------------------------------------------------------------------------------------------------------------------------------------------------------------------------------------------------------------------------------------------------------------------------------|-------------------------------------------------------------------------------------------------------------------------------------------------|-----|-------------------------|
| <b>Test Case Name:</b>      |            | TC_31_2_1_7_2                                                                                                                                                                                                                                                                                                                                                                                                                                                                                                                                                                                                     |                                                                                                                                                 |     |                         |
| <b>Group:</b>               |            | GSM_L3_MS_v4210/SS/                                                                                                                                                                                                                                                                                                                                                                                                                                                                                                                                                                                               |                                                                                                                                                 |     |                         |
| <b>Purpose:</b>             |            | <p>1) To check that, upon receipt of the SETUP message containing a notification indication that the call is a forwarded one, the MS correctly continues call establishment and enters CC state U6.</p> <p>2) Upon receipt of the SETUP message containing a notification indication that the call is a forwarded one, the MS provides the appropriate user indication (which is to be described by the manufacturer).</p>                                                                                                                                                                                        |                                                                                                                                                 |     |                         |
| <b>Default:</b>             |            | OtherEventsFail                                                                                                                                                                                                                                                                                                                                                                                                                                                                                                                                                                                                   |                                                                                                                                                 |     |                         |
| Nr                          | Label      | Behaviour Description                                                                                                                                                                                                                                                                                                                                                                                                                                                                                                                                                                                             | CRef                                                                                                                                            | V   | Comments                |
| 1                           |            | START T_guard(300)                                                                                                                                                                                                                                                                                                                                                                                                                                                                                                                                                                                                |                                                                                                                                                 |     |                         |
| 2                           |            | +BasicServiceMT( TSPX_MTBscSvcE,<br>TSPX_MTChRateE)                                                                                                                                                                                                                                                                                                                                                                                                                                                                                                                                                               |                                                                                                                                                 |     |                         |
| 3                           |            | +IdleUpdated( C_E_default, C_CellA, C_SCH_A,<br>C_BCCH_A_1, C_Immasc, C_S0, C_SlotNU,<br>C_SlotNU, C_SlotNU, C_BCC, C_TxInt_5,<br>C_Max_1, C_NECI_0, C_ATT_0, TimingAdv( 0),<br>C_BABR_0, C_cch_1Comb, C_BPM_3,<br>C_T3212_0, C_ci_cellA, C_MCC_1, C_PLMN_1,<br>C_LAC_1, CellOpt_01, CellChDes_Omit,<br>CellChDes_Omit, C_CellReselectHys12,<br>C_MaxPwrLvIG, C_MaxPwrLvID,<br>BcchFreqLst_45, BcchFreqLst_02,<br>BcchFreqLst_03, BcchFreqLst_04,<br>C_Restablishment, C_BCC, C_NCC,<br>C_Start_Tmsi, TSPX_SDCCH4SubDef,<br>TSPX_CKSNDf, TSPX_RANDDf, C_arfcnA,<br>C_arfcnAd, TSPX_IMSI, C_Test_nfh,<br>C_NCCP_2) |                                                                                                                                                 |     |                         |
| 4                           |            | LIDL_UdatRqPg1Rq                                                                                                                                                                                                                                                                                                                                                                                                                                                                                                                                                                                                  | PgReq1(TCV_PgCh,<br>TCV_Pgg,<br>PgReqTp1_01)                                                                                                    |     |                         |
| 5                           |            | L?DL_RaclnChRq ( TCV_Rr :=<br>DL_RaclnChRq. msg.ecau_rrf, TCV_Fn :=<br>DL_RaclnChRq.fn)                                                                                                                                                                                                                                                                                                                                                                                                                                                                                                                           | ChReq(<br>ChRequest_17)                                                                                                                         |     |                         |
| 6                           |            | ACTIVATE(OtherEventsFail_02)                                                                                                                                                                                                                                                                                                                                                                                                                                                                                                                                                                                      |                                                                                                                                                 |     | To match ChReq retrans. |
| 7                           |            | LIDL_UdatRqImmasc                                                                                                                                                                                                                                                                                                                                                                                                                                                                                                                                                                                                 | ImmAss( TCV_agch,<br>ImmAsgn_01Def(<br>TCV_Rr, TCV_Fn,<br>TSPX_SDCCH4SubD<br>ef, TCV_slot,<br>TCV_tsc,<br>TCV_chdescr_arfcn,<br>TimingAdv( 0))) |     |                         |
| 8                           |            | L?DL_EstInPgRes                                                                                                                                                                                                                                                                                                                                                                                                                                                                                                                                                                                                   | PagingRes(<br>PagingRes_01)                                                                                                                     |     |                         |
| 9                           |            | ACTIVATE(OtherEventsFail)                                                                                                                                                                                                                                                                                                                                                                                                                                                                                                                                                                                         |                                                                                                                                                 |     | Restore Normal default  |
| 10                          |            | (TCV_Setup_mt.fie :=<br>facilityIEtsndiei( NotificationSS_04))                                                                                                                                                                                                                                                                                                                                                                                                                                                                                                                                                    |                                                                                                                                                 |     |                         |
| 11                          |            | LIDL_DatRqSetup                                                                                                                                                                                                                                                                                                                                                                                                                                                                                                                                                                                                   | SetupSnd( TCV_ch,<br>TCV_Setup_mt)                                                                                                              |     | 2.                      |
| 12                          |            | LIDL_DatRqCcstEnq                                                                                                                                                                                                                                                                                                                                                                                                                                                                                                                                                                                                 | CCStESnd( TCV_ch,<br>CCStatusEq_01(<br>TI_02))                                                                                                  |     |                         |
| 13                          | L_061<br>1 | L?DL_DatInCcst                                                                                                                                                                                                                                                                                                                                                                                                                                                                                                                                                                                                    | CCStRcv(<br>TCV_chTch,<br>CCStatus_14( TI_01,<br>C_U6))                                                                                         | (P) |                         |
| 14                          |            | (TCV_Res :=<br>OO_SSresultCHK(<br>C_NotifyCFNRc))                                                                                                                                                                                                                                                                                                                                                                                                                                                                                                                                                                 |                                                                                                                                                 |     |                         |
| 15                          | L_061<br>2 | [TCV_Res]                                                                                                                                                                                                                                                                                                                                                                                                                                                                                                                                                                                                         |                                                                                                                                                 | (P) |                         |
| 16                          |            | +localtree                                                                                                                                                                                                                                                                                                                                                                                                                                                                                                                                                                                                        |                                                                                                                                                 |     |                         |
| 17                          | L_061<br>3 | [NOT TCV_Res]                                                                                                                                                                                                                                                                                                                                                                                                                                                                                                                                                                                                     |                                                                                                                                                 | (F) |                         |
| 18                          |            | +localtree                                                                                                                                                                                                                                                                                                                                                                                                                                                                                                                                                                                                        |                                                                                                                                                 |     |                         |
| 19                          |            | <b>localtree</b><br>LIDL_DatRqRelCmp                                                                                                                                                                                                                                                                                                                                                                                                                                                                                                                                                                              | RelComSnd(                                                                                                                                      |     |                         |

|                                                                                                                                                                            |  |                          |                                      |  |  |
|----------------------------------------------------------------------------------------------------------------------------------------------------------------------------|--|--------------------------|--------------------------------------|--|--|
| 20                                                                                                                                                                         |  | +PostMainLinkRel(TCV_ch) | TCV_ch,<br>ReleaseCmp_08(<br>TI_02)) |  |  |
| <b>Detailed Comments:</b><br>1. To setup a physical channel as BCCH, CCCH and SDCCH4.<br>2. To send a setup message containing facility IE (notification, forwarded call). |  |                          |                                      |  |  |

### Test Case Dynamic Behaviour

|                        |                                                                                                                                                                                                                                                                                                                                                                                                                                                                                                                                                                                                                              |
|------------------------|------------------------------------------------------------------------------------------------------------------------------------------------------------------------------------------------------------------------------------------------------------------------------------------------------------------------------------------------------------------------------------------------------------------------------------------------------------------------------------------------------------------------------------------------------------------------------------------------------------------------------|
| <b>Test Case Name:</b> | TC_31_6_1_1                                                                                                                                                                                                                                                                                                                                                                                                                                                                                                                                                                                                                  |
| <b>Group:</b>          | GSM_L3_MS_v4210/SS/                                                                                                                                                                                                                                                                                                                                                                                                                                                                                                                                                                                                          |
| <b>Purpose:</b>        | <p>1) To verify that when the MS receives the AOCC parameters in a Facility IE which is contained in the CONNECT message and when a TCH has already been assigned, the MS returns a FACILITY message containing the acknowledgement within 1 second.</p> <p>2) To verify that when the MS receives the AOCC parameters in a Facility IE which is contained in a CONNECT message and when a TCH has already been assigned, the MS stores the correct value in the ACM field of the SIM.</p> <p>3) To verify that when the call has no volume related component the MS ignores non-zero AOCC e5, e6 parameters sent to it.</p> |
| <b>Default:</b>        | OtherEventsFail                                                                                                                                                                                                                                                                                                                                                                                                                                                                                                                                                                                                              |

| Nr | Label | Behaviour Description                                                                                                                                                                                                                                                                                                                                                                                                                                                                                                                                                  | CRef | V | Comments |
|----|-------|------------------------------------------------------------------------------------------------------------------------------------------------------------------------------------------------------------------------------------------------------------------------------------------------------------------------------------------------------------------------------------------------------------------------------------------------------------------------------------------------------------------------------------------------------------------------|------|---|----------|
| 1  |       | START T_guard(1800)                                                                                                                                                                                                                                                                                                                                                                                                                                                                                                                                                    |      |   |          |
| 2  |       | +BasicServiceMO( TSPX_MOBscSvcF, TSPX_MOChRateF)                                                                                                                                                                                                                                                                                                                                                                                                                                                                                                                       |      |   |          |
| 3  |       | +IdleUpdated( C_E_default, C_CellA, C_SCH_A, C_BCCH_A_1, C_Immss, C_S0, C_SlotNU, C_SlotNU, C_SlotNU, C_BCC, C_TxInt_5, C_Max_1, C_NECI_0, C_ATT_0, TimingAdv( 0), C_BABR_0, C_cch_1Comb, C_BPM_3, C_T3212_0, C_ci_cellA, C_MCC_1, C_PLMN_1, C_LAC_1, CellOpt_01, CellChDes_Omit, CellChDes_Omit, C_CellReselectHys12, C_MaxPwrLvIG, C_MaxPwrLvID, BcchFreqLst_45, BcchFreqLst_02, BcchFreqLst_03, BcchFreqLst_04, C_Restablishment, C_BCC, C_NCC, C_Start_Tmsi, TSPX_SDCCH4SubDef, TSPX_CKSNDDef, TSPX_RANDDef, C_arfcnA, C_arfcnAd, TSPX_IMSI, C_Test_nfh, C_NCCP_2) |      |   |          |
| 4  |       | (TCV_Null := OO_ACMReading())                                                                                                                                                                                                                                                                                                                                                                                                                                                                                                                                          |      |   | 1.       |
| 5  |       | +CCConfigTCH_nociph( TSPX_TCHHSubDef, C_Ass, TSPX_TmSlitDef, TSPX_TscDef, TimingAdv( 0), C_BABR_0, C_cch_1Comb, C_BPM_3, TCV_ChMod.mode, FreqTCH_omit, FreqTCH_omit, C_arfcn_tchA, C_arfcn_tchAd)                                                                                                                                                                                                                                                                                                                                                                      |      |   |          |
| 6  |       | +execution1                                                                                                                                                                                                                                                                                                                                                                                                                                                                                                                                                            |      |   |          |
| 7  |       | +execution2                                                                                                                                                                                                                                                                                                                                                                                                                                                                                                                                                            |      |   |          |
| 8  |       | +execution3                                                                                                                                                                                                                                                                                                                                                                                                                                                                                                                                                            |      |   |          |
| 9  |       | +execution4                                                                                                                                                                                                                                                                                                                                                                                                                                                                                                                                                            |      |   |          |
| 10 |       | +execution5                                                                                                                                                                                                                                                                                                                                                                                                                                                                                                                                                            |      |   |          |
|    |       | <b>execution1</b>                                                                                                                                                                                                                                                                                                                                                                                                                                                                                                                                                      |      |   |          |
| 11 |       | +EstablishFacMO( 90000, FwdChAdvSS_01, TSPX_SDCCH4SubDef, TSPX_TmSlitDef, TSPX_TscDef, TSPX_TCHHSubDef)                                                                                                                                                                                                                                                                                                                                                                                                                                                                |      |   |          |
| 12 |       | +localtree("43")                                                                                                                                                                                                                                                                                                                                                                                                                                                                                                                                                       |      |   |          |
|    |       | <b>execution2</b>                                                                                                                                                                                                                                                                                                                                                                                                                                                                                                                                                      |      |   |          |
| 13 |       | +EstablishFacMO( 90000, FwdChAdvSS_02, TSPX_SDCCH4SubDef, TSPX_TmSlitDef, TSPX_TscDef, TSPX_TCHHSubDef)                                                                                                                                                                                                                                                                                                                                                                                                                                                                |      |   |          |
| 14 |       | +localtree("100")                                                                                                                                                                                                                                                                                                                                                                                                                                                                                                                                                      |      |   |          |
|    |       | <b>execution3</b>                                                                                                                                                                                                                                                                                                                                                                                                                                                                                                                                                      |      |   |          |
| 15 |       | +EstablishFacMO( 90000, FwdChAdvSS_03, TSPX_SDCCH4SubDef, TSPX_TmSlitDef, TSPX_TscDef, TSPX_TCHHSubDef)                                                                                                                                                                                                                                                                                                                                                                                                                                                                |      |   |          |
| 16 |       | +localtree("2000")                                                                                                                                                                                                                                                                                                                                                                                                                                                                                                                                                     |      |   |          |
|    |       | <b>execution4</b>                                                                                                                                                                                                                                                                                                                                                                                                                                                                                                                                                      |      |   |          |
| 17 |       | +EstablishFacMO( 90000, FwdChAdvSS_04, TSPX_SDCCH4SubDef, TSPX_TmSlitDef,                                                                                                                                                                                                                                                                                                                                                                                                                                                                                              |      |   |          |

|                                                                                                                                                                                                                                                                                                                                 |                                                                                                                                   |                                                                                           |     |
|---------------------------------------------------------------------------------------------------------------------------------------------------------------------------------------------------------------------------------------------------------------------------------------------------------------------------------|-----------------------------------------------------------------------------------------------------------------------------------|-------------------------------------------------------------------------------------------|-----|
| 18                                                                                                                                                                                                                                                                                                                              | TSPX_TscDef, TSPX_TCHHSubDef)<br>+localtree("89 or 90")                                                                           |                                                                                           |     |
| 19                                                                                                                                                                                                                                                                                                                              | <b>execution5</b><br>+EstablishFacMO( 90000, FwdChAdvSS_05,<br>TSPX_SDCCH4SubDef, TSPX_TmSlTDef,<br>TSPX_TscDef, TSPX_TCHHSubDef) |                                                                                           |     |
| 20                                                                                                                                                                                                                                                                                                                              | +localtree("50 or 62.5")                                                                                                          |                                                                                           |     |
| 21                                                                                                                                                                                                                                                                                                                              | <b>localtree(val:IA5String)</b><br>?TIMEOUT T_dly                                                                                 |                                                                                           |     |
| 22                                                                                                                                                                                                                                                                                                                              | LIDL_DatRqDisc                                                                                                                    | DiscSnd(<br>TCV_chTch,<br>DisconnS( TCV_TI,<br>Cause_01,<br>ProgInd_omit,<br>UuInfo_omit) |     |
| 23                                                                                                                                                                                                                                                                                                                              | L?DL_DatInRel                                                                                                                     | ReleaseRcv(<br>Release_02)                                                                |     |
| 24                                                                                                                                                                                                                                                                                                                              | LIDL_DatRqRelCmp                                                                                                                  | RelComSnd(<br>TCV_chTch,<br>ReleaseCmp_08(<br>TCV_TI))                                    |     |
| 25                                                                                                                                                                                                                                                                                                                              | (TCV_Res := OO_ACMIncCHK(val))                                                                                                    |                                                                                           |     |
| 26                                                                                                                                                                                                                                                                                                                              | +PostMainLinkRel(TCV_chTch)                                                                                                       |                                                                                           |     |
| 27                                                                                                                                                                                                                                                                                                                              | L_061<br>4<br>[TCV_Res]                                                                                                           |                                                                                           | (P) |
| 28                                                                                                                                                                                                                                                                                                                              | L_061<br>5<br>[NOT TCV_Res]                                                                                                       |                                                                                           | (F) |
| <b>Detailed Comments:</b>                                                                                                                                                                                                                                                                                                       |                                                                                                                                   |                                                                                           |     |
| <ol style="list-style-type: none"> <li>1. To read and note the value of ACM on SIM at the beginning of the test,</li> <li>2. To send Facility IE of ForwardChargeAdvice using definite form mixed with indefinite form.</li> <li>3. To check whether the increment of the value of ACM on SIM is the expected value.</li> </ol> |                                                                                                                                   |                                                                                           |     |

| Test Case Dynamic Behaviour                                                                                                                                                                                                                                                                                                                                                                                                                                                                                                                 |            |                                                                                                                                                                                                                                                                                                                                                                                                                                                                                                                                                                         |                                                                        |     |          |
|---------------------------------------------------------------------------------------------------------------------------------------------------------------------------------------------------------------------------------------------------------------------------------------------------------------------------------------------------------------------------------------------------------------------------------------------------------------------------------------------------------------------------------------------|------------|-------------------------------------------------------------------------------------------------------------------------------------------------------------------------------------------------------------------------------------------------------------------------------------------------------------------------------------------------------------------------------------------------------------------------------------------------------------------------------------------------------------------------------------------------------------------------|------------------------------------------------------------------------|-----|----------|
| <b>Test Case Name:</b> TC_31_6_1_2                                                                                                                                                                                                                                                                                                                                                                                                                                                                                                          |            |                                                                                                                                                                                                                                                                                                                                                                                                                                                                                                                                                                         |                                                                        |     |          |
| <b>Group:</b> GSM_L3_MS_v4210/SS/                                                                                                                                                                                                                                                                                                                                                                                                                                                                                                           |            |                                                                                                                                                                                                                                                                                                                                                                                                                                                                                                                                                                         |                                                                        |     |          |
| <b>Purpose:</b><br>1) To verify that when the MS receives certain AOCC e-parameters in a Facility IE which is contained in a FACILITY message sent after the CONNECT message and when a TCH has already been assigned, the MS returns a FACILITY message containing the acknowledgement within 1 second.<br><br>2) To verify that when the MS receives the AOCC parameters in a Facility IE which is contained in a FACILITY message and when a TCH has already been assigned, the MS stores the correct value in the ACM field of the SIM. |            |                                                                                                                                                                                                                                                                                                                                                                                                                                                                                                                                                                         |                                                                        |     |          |
| <b>Default:</b> OtherEventsFail                                                                                                                                                                                                                                                                                                                                                                                                                                                                                                             |            |                                                                                                                                                                                                                                                                                                                                                                                                                                                                                                                                                                         |                                                                        |     |          |
| Nr                                                                                                                                                                                                                                                                                                                                                                                                                                                                                                                                          | Label      | Behaviour Description                                                                                                                                                                                                                                                                                                                                                                                                                                                                                                                                                   | CRef                                                                   | V   | Comments |
| 1                                                                                                                                                                                                                                                                                                                                                                                                                                                                                                                                           |            | START T_guard(1800)                                                                                                                                                                                                                                                                                                                                                                                                                                                                                                                                                     |                                                                        |     |          |
| 2                                                                                                                                                                                                                                                                                                                                                                                                                                                                                                                                           |            | +BasicServiceMT( TSPX_MTBscSvcA, TSPX_MTChRateA)                                                                                                                                                                                                                                                                                                                                                                                                                                                                                                                        |                                                                        |     |          |
| 3                                                                                                                                                                                                                                                                                                                                                                                                                                                                                                                                           |            | +IdleUpdated( C_E_default, C_CellA, C_SCH_A, C_BCCH_A_1, C_Immass, C_S0, C_SlotNU, C_SlotNU, C_SlotNU, C_BCC, C_TxInt_5, C_Max_1, C_NECI_0, C_ATT_0, TimingAdv( 0), C_BABR_0, C_cch_1Comb, C_BPM_3, C_T3212_0, C_ci_cellA, C_MCC_1, C_PLMN_1, C_LAC_1, CellOpt_01, CellChDes_Omit, CellChDes_Omit, C_CellReselectHys12, C_MaxPwrLvIG, C_MaxPwrLvID, BcchFreqLst_45, BcchFreqLst_02, BcchFreqLst_03, BcchFreqLst_04, C_Restablishment, C_BCC, C_NCC, C_Start_Tmsi, TSPX_SDCCH4SubDef, TSPX_CKSNDDef, TSPX_RANDDef, C_arfcnA, C_arfcnAd, TSPX_IMSI, C_Test_nfh, C_NCCP_2) |                                                                        |     |          |
| 4                                                                                                                                                                                                                                                                                                                                                                                                                                                                                                                                           |            | (TCV_Null := OO_ACMReading())                                                                                                                                                                                                                                                                                                                                                                                                                                                                                                                                           |                                                                        |     | 1.       |
| 5                                                                                                                                                                                                                                                                                                                                                                                                                                                                                                                                           |            | +CCConfigTCH_nociph( TSPX_TCHHSubDef, C_Ass, TSPX_TmSlitDef, TSPX_TscDef, TimingAdv( 0), C_BABR_0, C_cch_1Comb, C_BPM_3, TCV_ChMod.mode, FreqTCH_omit, FreqTCH_omit, C_arfcn_tchA, C_arfcn_tchAd)                                                                                                                                                                                                                                                                                                                                                                       |                                                                        |     |          |
| 6                                                                                                                                                                                                                                                                                                                                                                                                                                                                                                                                           | body       | +execution( FwdChAdvSS_06, "0")                                                                                                                                                                                                                                                                                                                                                                                                                                                                                                                                         |                                                                        |     |          |
| 7                                                                                                                                                                                                                                                                                                                                                                                                                                                                                                                                           |            | +execution( FwdChAdvSS_07, "100")                                                                                                                                                                                                                                                                                                                                                                                                                                                                                                                                       |                                                                        |     |          |
| 8                                                                                                                                                                                                                                                                                                                                                                                                                                                                                                                                           |            | +execution( FwdChAdvSS_08, "43")                                                                                                                                                                                                                                                                                                                                                                                                                                                                                                                                        |                                                                        |     |          |
| 9                                                                                                                                                                                                                                                                                                                                                                                                                                                                                                                                           |            | +execution( FwdChAdvSS_09, "89 or 90")                                                                                                                                                                                                                                                                                                                                                                                                                                                                                                                                  |                                                                        |     |          |
| 10                                                                                                                                                                                                                                                                                                                                                                                                                                                                                                                                          |            | +execution( FwdChAdvSS_10, "50 or 62.5")                                                                                                                                                                                                                                                                                                                                                                                                                                                                                                                                |                                                                        |     |          |
| 11                                                                                                                                                                                                                                                                                                                                                                                                                                                                                                                                          |            | <b>execution( comp:Component_T; para:IA5String)</b>                                                                                                                                                                                                                                                                                                                                                                                                                                                                                                                     |                                                                        |     |          |
| 12                                                                                                                                                                                                                                                                                                                                                                                                                                                                                                                                          |            | +PreEnterCCstateU8_34_SS<br>LIDL_DatRqFac START T_dly(90000), START T_dly1(10000)                                                                                                                                                                                                                                                                                                                                                                                                                                                                                       | FacilitySnd( TCV_chTch, FacilityPdu_25( TI_02, facilityIEtsnd( comp))) |     | 2.       |
| 13                                                                                                                                                                                                                                                                                                                                                                                                                                                                                                                                          | L_061<br>6 | L?DL_DatInFac ( TCV_Fn1 := DL_DatInFac.fn)<br>CANCEL T_dly1                                                                                                                                                                                                                                                                                                                                                                                                                                                                                                             | FacilityRcv( FacilityPdu_26( TI_01, facilityIErcv( FwdChAdvRslt_01)))  | (P) | 6.       |
| 14                                                                                                                                                                                                                                                                                                                                                                                                                                                                                                                                          |            | (TCV_Fn := OM_ReturnFn( TCV_chTch))                                                                                                                                                                                                                                                                                                                                                                                                                                                                                                                                     |                                                                        |     | 5.       |
| 15                                                                                                                                                                                                                                                                                                                                                                                                                                                                                                                                          |            | LIDL_DatRqConnAck                                                                                                                                                                                                                                                                                                                                                                                                                                                                                                                                                       | ConnAckSnd( TCV_chTch, ConnectAck_01( TI_02))                          |     |          |
| 16                                                                                                                                                                                                                                                                                                                                                                                                                                                                                                                                          |            | +Check_Time(C_T_Wait_FAC)                                                                                                                                                                                                                                                                                                                                                                                                                                                                                                                                               |                                                                        |     |          |
| 17                                                                                                                                                                                                                                                                                                                                                                                                                                                                                                                                          |            | +post( para)                                                                                                                                                                                                                                                                                                                                                                                                                                                                                                                                                            |                                                                        |     |          |
| 18                                                                                                                                                                                                                                                                                                                                                                                                                                                                                                                                          | L_061<br>7 | ?TIMEOUT T_dly1                                                                                                                                                                                                                                                                                                                                                                                                                                                                                                                                                         |                                                                        | (F) | 3.       |
| 19                                                                                                                                                                                                                                                                                                                                                                                                                                                                                                                                          |            | +PostLinkRelEnd( TCV_chTch)                                                                                                                                                                                                                                                                                                                                                                                                                                                                                                                                             |                                                                        |     |          |
| 20                                                                                                                                                                                                                                                                                                                                                                                                                                                                                                                                          |            | <b>post(para:IA5String)</b><br>?TIMEOUT T_dly                                                                                                                                                                                                                                                                                                                                                                                                                                                                                                                           |                                                                        |     |          |

|    |            |                                 |                                                                                           |     |    |
|----|------------|---------------------------------|-------------------------------------------------------------------------------------------|-----|----|
| 21 |            | L!DL_DatRqDisc                  | DiscSnd(<br>TCV_chTch,<br>DisconnS( TI_02,<br>Cause_01,<br>ProgInd_omit,<br>UuInfo_omit)) |     |    |
| 22 |            | L?DL_DatInRel                   | ReleaseRcv(<br>Release_02)                                                                |     |    |
| 23 |            | LIDL_DatRqRelCmp                | RelComSnd(<br>TCV_chTch,<br>ReleaseCmp_08(<br>TI_02))                                     |     |    |
| 24 |            | +PostMainLinkRel(TCV_chTch)     |                                                                                           |     |    |
| 25 |            | (TCV_Res := OO_ACMIncCHK(para)) |                                                                                           |     |    |
| 26 | L_061<br>8 | [TCV_Res]                       |                                                                                           | (P) | 4. |
| 27 | L_061<br>9 | [NOT TCV_Res]                   |                                                                                           | (F) |    |

**Detailed Comments:**

1. To read and note the value of ACM on SIM at the beginning of the test,
2. To send Facility IE of ForwardChargeAdvice using definite form mixed with indefinite form.
3. The expected FACILITY message does not return, fail.
4. To check whether the increment of the value of ACM on SIM is correct.
5. Get the first frame number for transmitting of FACILITY message containing AOC information.
6. TCV\_Fn1 contains the first frame number of the received FACILITY message with AOC acknowledge from mobile.

| Test Case Dynamic Behaviour                                                                                                                                                                                                                       |       |                                                                                                                                                                                                                                                                                                                                                                                                                                                                                                                                                                                                                       |                                                                                                                                                 |    |                         |
|---------------------------------------------------------------------------------------------------------------------------------------------------------------------------------------------------------------------------------------------------|-------|-----------------------------------------------------------------------------------------------------------------------------------------------------------------------------------------------------------------------------------------------------------------------------------------------------------------------------------------------------------------------------------------------------------------------------------------------------------------------------------------------------------------------------------------------------------------------------------------------------------------------|-------------------------------------------------------------------------------------------------------------------------------------------------|----|-------------------------|
| <b>Test Case Name:</b> TC_31_6_1_5                                                                                                                                                                                                                |       |                                                                                                                                                                                                                                                                                                                                                                                                                                                                                                                                                                                                                       |                                                                                                                                                 |    |                         |
| <b>Group:</b> GSM_L3_MS_v4210/SS/                                                                                                                                                                                                                 |       |                                                                                                                                                                                                                                                                                                                                                                                                                                                                                                                                                                                                                       |                                                                                                                                                 |    |                         |
| <b>Purpose:</b>                                                                                                                                                                                                                                   |       |                                                                                                                                                                                                                                                                                                                                                                                                                                                                                                                                                                                                                       |                                                                                                                                                 |    |                         |
| 1) To verify that when the MS receives new AOCC parameters mid-way through a call in a Facility IE which is contained within a FACILITY message the MS returns a FACILITY message containing the acknowledgement within 1 second.                 |       |                                                                                                                                                                                                                                                                                                                                                                                                                                                                                                                                                                                                                       |                                                                                                                                                 |    |                         |
| 2) To verify that when the MS receives new charging information mid-way through a call in the form of a Facility IE contained within a FACILITY message the MS correctly indicates the total charge considering both sets of charging information |       |                                                                                                                                                                                                                                                                                                                                                                                                                                                                                                                                                                                                                       |                                                                                                                                                 |    |                         |
| <b>Default:</b> OtherEventsFail                                                                                                                                                                                                                   |       |                                                                                                                                                                                                                                                                                                                                                                                                                                                                                                                                                                                                                       |                                                                                                                                                 |    |                         |
| Nr                                                                                                                                                                                                                                                | Label | Behaviour Description                                                                                                                                                                                                                                                                                                                                                                                                                                                                                                                                                                                                 | CRef                                                                                                                                            | V  | Comments                |
| 1                                                                                                                                                                                                                                                 |       | START T_guard(600)                                                                                                                                                                                                                                                                                                                                                                                                                                                                                                                                                                                                    |                                                                                                                                                 |    |                         |
| 2                                                                                                                                                                                                                                                 |       | +BasicServiceMO( TSPX_MOBscSvcJ,<br>TSPX_MOChRateJ)                                                                                                                                                                                                                                                                                                                                                                                                                                                                                                                                                                   |                                                                                                                                                 |    |                         |
| 3                                                                                                                                                                                                                                                 |       | +IdleUpdated( C_E_default, C_CellA, C_SCH_A,<br>C_BCCH_A_1, C_Immass, C_S0, C_SlotNU,<br>C_SlotNU, C_SlotNU, C_BCC, C_TxInt_5,<br>C_Max_1, C_NECI_0, C_ATT_0, TimingAdv( 0),<br>C_BABR_0, C_cch_1Comb, C_BPM_3,<br>C_T3212_0, C_ci_cellA, C_MCC_1, C_PLMN_1,<br>C_LAC_1, CellOpt_01, CellChDes_Omit,<br>CellChDes_Omit, C_CellReselectHys12,<br>C_MaxPwrLvlG, C_MaxPwrLvlD,<br>BcchFreqLst_45, BcchFreqLst_02,<br>BcchFreqLst_03, BcchFreqLst_04,<br>C_Restablishment, C_BCC, C_NCC,<br>C_Start_Tmsi, TSPX_SDCCH4SubDef,<br>TSPX_CKSNDDef, TSPX_RANDDDef, C_arfcnA,<br>C_arfcnAd, TSPX_IMSI, C_Test_nfh,<br>C_NCCP_2) |                                                                                                                                                 |    |                         |
| 4                                                                                                                                                                                                                                                 |       | (TCV_Null := OO_ACMReading())                                                                                                                                                                                                                                                                                                                                                                                                                                                                                                                                                                                         |                                                                                                                                                 | 1. |                         |
| 5                                                                                                                                                                                                                                                 |       | +CCConfigTCH_nociph(<br>TSPX_TCHHSubDef, C_Ass,<br>TSPX_TmSltDef, TSPX_TscDef, TimingAdv(<br>0), C_BABR_0, C_cch_1Comb, C_BPM_3,<br>TCV_ChMod.mode, FreqTCH_omit,<br>FreqTCH_omit, C_arfcn_tchA,<br>C_arfcn_tchAd)                                                                                                                                                                                                                                                                                                                                                                                                    |                                                                                                                                                 |    |                         |
| 6                                                                                                                                                                                                                                                 |       | +ltree_body                                                                                                                                                                                                                                                                                                                                                                                                                                                                                                                                                                                                           |                                                                                                                                                 |    |                         |
|                                                                                                                                                                                                                                                   |       | <b>ltree_body</b>                                                                                                                                                                                                                                                                                                                                                                                                                                                                                                                                                                                                     |                                                                                                                                                 |    |                         |
| 7                                                                                                                                                                                                                                                 |       | +InitCall(TCV_Service)                                                                                                                                                                                                                                                                                                                                                                                                                                                                                                                                                                                                |                                                                                                                                                 |    |                         |
| 8                                                                                                                                                                                                                                                 |       | L?DL_RaInChRq (TCV_Rr := DL_RaInChRq.<br>msg.ecau_rrf, TCV_Fn := DL_RaInChRq.fn)                                                                                                                                                                                                                                                                                                                                                                                                                                                                                                                                      | ChReq(<br>ChRequest_15)                                                                                                                         |    |                         |
| 9                                                                                                                                                                                                                                                 |       | ACTIVATE( OtherEventsFail_02)                                                                                                                                                                                                                                                                                                                                                                                                                                                                                                                                                                                         |                                                                                                                                                 |    | To match ChReq retrans. |
| 10                                                                                                                                                                                                                                                |       | LIDL_UdatRqImmass                                                                                                                                                                                                                                                                                                                                                                                                                                                                                                                                                                                                     | ImmAss( TCV_agch,<br>ImmAsgn_01Def(<br>TCV_Rr, TCV_Fn,<br>TSPX_SDCCH4SubD<br>ef, TCV_slot,<br>TCV_tsc,<br>TCV_chdescr_arfcn,<br>TimingAdv( 0))) |    |                         |
| 11                                                                                                                                                                                                                                                |       | L?DL_EstInCmsRq                                                                                                                                                                                                                                                                                                                                                                                                                                                                                                                                                                                                       | CMSerReq(<br>CMSerReq_01)                                                                                                                       |    |                         |
| 12                                                                                                                                                                                                                                                |       | ACTIVATE( OtherEventsFail)                                                                                                                                                                                                                                                                                                                                                                                                                                                                                                                                                                                            |                                                                                                                                                 |    | Restore Normal default  |
| 13                                                                                                                                                                                                                                                |       | LIDL_DatRqCmsAcp                                                                                                                                                                                                                                                                                                                                                                                                                                                                                                                                                                                                      | CMSerAcp( TCV_ch,<br>CMSerReq_01)                                                                                                               |    |                         |
| 14                                                                                                                                                                                                                                                |       | +RcvSetupOrEsetup( TCV_Setup_mo,<br>TCV_Esetup, TCV_Ecall)                                                                                                                                                                                                                                                                                                                                                                                                                                                                                                                                                            |                                                                                                                                                 |    |                         |
| 15                                                                                                                                                                                                                                                |       | LIDL_DatRqCallProc                                                                                                                                                                                                                                                                                                                                                                                                                                                                                                                                                                                                    | CallProc( TCV_ch,<br>TCV_CallProc)                                                                                                              |    |                         |
| 16                                                                                                                                                                                                                                                |       | +AssCmdGen( TCV_cellid,<br>TCV_ChRate, TSPX_TmSltDef,<br>TSPX_TscDef,<br>TSPX_TCHHSubDef)                                                                                                                                                                                                                                                                                                                                                                                                                                                                                                                             |                                                                                                                                                 |    |                         |
| 17                                                                                                                                                                                                                                                |       | +AssCh_complete( TCV_ch,<br>TCV_chTch, TCV_AssCmd)                                                                                                                                                                                                                                                                                                                                                                                                                                                                                                                                                                    |                                                                                                                                                 |    |                         |
| 18                                                                                                                                                                                                                                                |       | LIDL_DatRqAlert                                                                                                                                                                                                                                                                                                                                                                                                                                                                                                                                                                                                       | AlertSnd(<br>TCV_chTch,                                                                                                                         |    |                         |



|                           |            |                                                                                                                                                                            |                                                                                            |     |
|---------------------------|------------|----------------------------------------------------------------------------------------------------------------------------------------------------------------------------|--------------------------------------------------------------------------------------------|-----|
| 19                        |            | LIDL_DatRqConn                                                                                                                                                             | Alerting_01( TCV_TI))<br>ConnSnd(<br>TCV_chTch,<br>Connect_02(<br>TCV_TI))                 |     |
| 20                        |            | +continue                                                                                                                                                                  |                                                                                            |     |
| 21                        |            | <b>continue</b>                                                                                                                                                            |                                                                                            |     |
| 22                        |            | +localtree( FwdChAdvSS_11, 80000)                                                                                                                                          |                                                                                            |     |
| 23                        |            | +localtree1( FwdChAdvSS_12, 100000)                                                                                                                                        |                                                                                            |     |
| 24                        |            | LIDL_DatRqDisc                                                                                                                                                             | DiscSnd(<br>TCV_chTch,<br>DisconnS( TCV_TI,<br>Cause_01,<br>ProgInd_omit,<br>UuInfo_omit)) |     |
| 25                        |            | L?DL_DatInRel                                                                                                                                                              | ReleaseRcv(<br>Release_02)                                                                 |     |
| 26                        |            | LIDL_DatRqRelCmp                                                                                                                                                           | RelComSnd(<br>TCV_chTch,<br>ReleaseCmp_08(<br>TCV_TI))                                     |     |
| 27                        |            | +PostMainLinkRel(TCV_chTch)                                                                                                                                                |                                                                                            |     |
| 28                        |            | +post                                                                                                                                                                      |                                                                                            |     |
| 29                        |            | <b>localtree( comp:Component_T; t:INTEGER)</b>                                                                                                                             |                                                                                            |     |
| 30                        |            | LIDL_DatRqFac START T_dly(t), START<br>T_dly1(10000)                                                                                                                       | FacilitySnd(<br>TCV_chTch,<br>FacilityPdu_25(<br>TCV_TI,<br>facilityIEtsnd( comp)))        | 2.  |
| 31                        |            | +AOC_CHK_FAC( TCV_TI0)                                                                                                                                                     |                                                                                            |     |
| 32                        |            | ?TIMEOUT T_dly                                                                                                                                                             |                                                                                            |     |
| 33                        |            | <b>localtree1( comp:Component_T; t:INTEGER)</b>                                                                                                                            |                                                                                            |     |
| 34                        |            | LIDL_DatRqFac START T_dly(t), START<br>T_dly1(10000)                                                                                                                       | FacilitySnd(<br>TCV_chTch,<br>FacilityPdu_25(<br>TCV_TI,<br>facilityIEtsnd( comp)))        | 2.  |
| 35                        | L_104<br>6 | L?DL_DatInFac (TCV_Fn := OM_ReturnFn(<br>TCV_chTch), TCV_Fn1 := DL_DatInFac.fn)<br>CANCEL T_dly1                                                                           | FacilityRcv(<br>FacilityPdu_26(TCV_<br>TI0, facilityIErcv(<br>FwdChAdvRslt_01)))           | (P) |
| 36                        |            | +Check_Time(C_T_Wait_FAC)                                                                                                                                                  |                                                                                            |     |
| 37                        |            | ?TIMEOUT T_dly                                                                                                                                                             |                                                                                            |     |
| 38                        | L_104<br>7 | ?TIMEOUT T_dly1                                                                                                                                                            |                                                                                            | (F) |
| 39                        |            | CANCEL T_dly                                                                                                                                                               |                                                                                            |     |
| 40                        |            | +PostLinkRelEnd( TCV_chTch)                                                                                                                                                |                                                                                            |     |
| 41                        |            | <b>post</b>                                                                                                                                                                |                                                                                            |     |
| 42                        |            | (TCV_Res := OO_ACMIncCHK("65"))                                                                                                                                            |                                                                                            | 3.  |
| 43                        | L_062<br>0 | [TCV_Res]                                                                                                                                                                  |                                                                                            | (P) |
| 44                        | L_062<br>1 | [NOT TCV_Res]                                                                                                                                                              |                                                                                            | (F) |
| <b>Detailed Comments:</b> |            | 1. To read and note the value of ACM on SIM at the beginning of the test,<br>2. To send second CAI.<br>3. To check whether the increment of the value of ACM on SIM is 65. |                                                                                            |     |

## Test Case Dynamic Behaviour

|                        |                                                                                                                                                                                                                                                                                                                                                                                                                                                     |
|------------------------|-----------------------------------------------------------------------------------------------------------------------------------------------------------------------------------------------------------------------------------------------------------------------------------------------------------------------------------------------------------------------------------------------------------------------------------------------------|
| <b>Test Case Name:</b> | TC_31_6_1_6                                                                                                                                                                                                                                                                                                                                                                                                                                         |
| <b>Group:</b>          | GSM_L3_MS_v4210/SS/                                                                                                                                                                                                                                                                                                                                                                                                                                 |
| <b>Purpose:</b>        | <p>1) To verify that when the MS receives a Facility IE in which certain e-parameters are set to zero the total charge accumulated is the same as that when the same e-parameters are completely omitted from the Facility IE.</p> <p>2) To verify the operation of a shortened channel release procedure where the SS does not send DISCONNECT but only the RELEASE COMPLETE and CHANNEL RELEASE messages or just the CHANNEL RELEASE message.</p> |
| <b>Default:</b>        | OtherEventsFail                                                                                                                                                                                                                                                                                                                                                                                                                                     |

| Nr | Label | Behaviour Description                                                                                                                                                                                                                                                                                                                                                                                                                                                                                                                                                                                             | CRef                                                                                       | V  | Comments |
|----|-------|-------------------------------------------------------------------------------------------------------------------------------------------------------------------------------------------------------------------------------------------------------------------------------------------------------------------------------------------------------------------------------------------------------------------------------------------------------------------------------------------------------------------------------------------------------------------------------------------------------------------|--------------------------------------------------------------------------------------------|----|----------|
| 1  |       | START T_guard(1200)                                                                                                                                                                                                                                                                                                                                                                                                                                                                                                                                                                                               |                                                                                            |    |          |
| 2  |       | +BasicServiceMO( TSPX_MOBscSvcA,<br>TSPX_MOChRateA)                                                                                                                                                                                                                                                                                                                                                                                                                                                                                                                                                               |                                                                                            |    |          |
| 3  |       | +IdleUpdated( C_E_default, C_CellA, C_SCH_A,<br>C_BCCH_A_1, C_Immass, C_S0, C_SlotNU,<br>C_SlotNU, C_SlotNU, C_BCC, C_TxInt_5,<br>C_Max_1, C_NECI_0, C_ATT_0, TimingAdv( 0),<br>C_BABR_0, C_cch_1Comb, C_BPM_3,<br>C_T3212_0, C_ci_cellA, C_MCC_1, C_PLMN_1,<br>C_LAC_1, CellOpt_01, CellChDes_Omit,<br>CellChDes_Omit, C_CellReselectHys12,<br>C_MaxPwrLvIG, C_MaxPwrLvID,<br>BcchFreqLst_45, BcchFreqLst_02,<br>BcchFreqLst_03, BcchFreqLst_04,<br>C_Restablishment, C_BCC, C_NCC,<br>C_Start_Tmsi, TSPX_SDCCH4SubDef,<br>TSPX_CKSNDf, TSPX_RANDDf, C_arfcnA,<br>C_arfcnAd, TSPX_IMSI, C_Test_nfh,<br>C_NCCP_2) |                                                                                            |    |          |
| 4  |       | +CCConfigTCH_nociph( TSPX_TCHHSubDef,<br>C_Ass, TSPX_TmSlitDef, TSPX_TscDef,<br>TimingAdv( 0), C_BABR_0, C_cch_1Comb,<br>C_BPM_3, TCV_ChMod.mode, FreqTCH_omit,<br>FreqTCH_omit, C_arfcn_tchA, C_arfcn_tchAd)                                                                                                                                                                                                                                                                                                                                                                                                     |                                                                                            |    |          |
| 5  |       | (TCV_Null := OO_ACMReading())                                                                                                                                                                                                                                                                                                                                                                                                                                                                                                                                                                                     |                                                                                            | 1. |          |
| 6  |       | +execution1                                                                                                                                                                                                                                                                                                                                                                                                                                                                                                                                                                                                       |                                                                                            |    |          |
| 7  |       | +execution2                                                                                                                                                                                                                                                                                                                                                                                                                                                                                                                                                                                                       |                                                                                            |    |          |
| 8  |       | +execution3                                                                                                                                                                                                                                                                                                                                                                                                                                                                                                                                                                                                       |                                                                                            |    |          |
|    |       | <b>execution1</b>                                                                                                                                                                                                                                                                                                                                                                                                                                                                                                                                                                                                 |                                                                                            |    |          |
| 9  |       | +start( FwdChAdvSS_13)                                                                                                                                                                                                                                                                                                                                                                                                                                                                                                                                                                                            |                                                                                            |    |          |
| 10 |       | L!DL_DatRqDisc                                                                                                                                                                                                                                                                                                                                                                                                                                                                                                                                                                                                    | DiscSnd(<br>TCV_chTch,<br>DisconnS( TCV_TI,<br>Cause_01,<br>ProgInd_omit,<br>UuInfo_omit)) |    |          |
| 11 |       | L?DL_DatInRel                                                                                                                                                                                                                                                                                                                                                                                                                                                                                                                                                                                                     | ReleaseRcv(<br>Release_02)                                                                 |    |          |
| 12 |       | L!DL_DatRqRelCmp                                                                                                                                                                                                                                                                                                                                                                                                                                                                                                                                                                                                  | RelComSnd(<br>TCV_chTch,<br>ReleaseCmp_08(<br>TCV_TI))                                     |    |          |
| 13 |       | +localtree                                                                                                                                                                                                                                                                                                                                                                                                                                                                                                                                                                                                        |                                                                                            |    |          |
|    |       | <b>execution2</b>                                                                                                                                                                                                                                                                                                                                                                                                                                                                                                                                                                                                 |                                                                                            |    |          |
| 14 |       | +start( FwdChAdvSS_14)                                                                                                                                                                                                                                                                                                                                                                                                                                                                                                                                                                                            |                                                                                            |    |          |
| 15 |       | L!DL_DatRqRelCmp                                                                                                                                                                                                                                                                                                                                                                                                                                                                                                                                                                                                  | RelComSnd(<br>TCV_chTch,<br>ReleaseCmp_08(<br>TCV_TI))                                     |    |          |
| 16 |       | +localtree                                                                                                                                                                                                                                                                                                                                                                                                                                                                                                                                                                                                        |                                                                                            |    |          |
|    |       | <b>execution3</b>                                                                                                                                                                                                                                                                                                                                                                                                                                                                                                                                                                                                 |                                                                                            |    |          |
| 17 |       | +start( FwdChAdvSS_14)                                                                                                                                                                                                                                                                                                                                                                                                                                                                                                                                                                                            |                                                                                            |    |          |
| 18 |       | +localtree                                                                                                                                                                                                                                                                                                                                                                                                                                                                                                                                                                                                        |                                                                                            |    |          |

|                           |            |                                                                                                                                                                                                                                |                                                                                                                                                 |     |                         |
|---------------------------|------------|--------------------------------------------------------------------------------------------------------------------------------------------------------------------------------------------------------------------------------|-------------------------------------------------------------------------------------------------------------------------------------------------|-----|-------------------------|
|                           |            | <b>localtree</b>                                                                                                                                                                                                               |                                                                                                                                                 |     |                         |
| 19                        |            | +PostMainLinkRel(TCV_chTch)                                                                                                                                                                                                    |                                                                                                                                                 |     |                         |
| 20                        |            | (TCV_Res := OO_ACMIncCHK("20"))                                                                                                                                                                                                |                                                                                                                                                 |     | 4.                      |
| 21                        | L_062<br>2 | [TCV_Res]                                                                                                                                                                                                                      |                                                                                                                                                 | (P) |                         |
| 22                        | L_062<br>3 | [NOT TCV_Res]                                                                                                                                                                                                                  |                                                                                                                                                 | (F) |                         |
|                           |            | <b>start( comp:Component_T)</b>                                                                                                                                                                                                |                                                                                                                                                 |     |                         |
| 23                        |            | +InitCall(TCV_Service)                                                                                                                                                                                                         |                                                                                                                                                 |     |                         |
| 24                        |            | L?DL_RaInChRq (TCV_Rr := DL_RaInChRq.<br>msg.ecau_rrf, TCV_Fn := DL_RaInChRq.fn)                                                                                                                                               | ChReq(<br>ChRequest_15)                                                                                                                         |     |                         |
| 25                        |            | ACTIVATE( OtherEventsFail_02)                                                                                                                                                                                                  |                                                                                                                                                 |     | To match ChReq retrans. |
| 26                        |            | LIDL_UdatRqImm                                                                                                                                                                                                                 | ImmAss( TCV_agch,<br>ImmAsgn_01Def(<br>TCV_Rr, TCV_Fn,<br>TSPX_SDCCH4SubD<br>ef, TCV_slot,<br>TCV_tsc,<br>TCV_chdescr_arfcn,<br>TimingAdv( 0))) |     |                         |
| 27                        |            | L?DL_EstInCmsRq                                                                                                                                                                                                                | CMSerReq(<br>CMSerReq_01)                                                                                                                       |     |                         |
| 28                        |            | ACTIVATE( OtherEventsFail)                                                                                                                                                                                                     |                                                                                                                                                 |     | Restore Normal default  |
| 29                        |            | LIDL_DatRqCmsAcp                                                                                                                                                                                                               | CMSerAcp( TCV_ch,<br>CMSerAcp_01)                                                                                                               |     |                         |
| 30                        |            | +RcvSetupOrEsetup( TCV_Setup_mo,<br>TCV_Esetup, TCV_Ecall)                                                                                                                                                                     |                                                                                                                                                 |     |                         |
| 31                        |            | LIDL_DatRqCallProc                                                                                                                                                                                                             | CallProc( TCV_ch,<br>TCV_CallProc)                                                                                                              |     |                         |
| 32                        |            | +AssCmdGen( TCV_cellid,<br>TCV_ChRate, TSPX_TmSitDef,<br>TSPX_TscDef,<br>TSPX_TCHHSubDef)                                                                                                                                      |                                                                                                                                                 |     |                         |
| 33                        |            | +AssCh_complete( TCV_ch,<br>TCV_chTch, TCV_AssCmd)                                                                                                                                                                             |                                                                                                                                                 |     |                         |
| 34                        |            | LIDL_DatRqAlert                                                                                                                                                                                                                | AlertSnd(<br>TCV_chTch,<br>Alerting_01( TCV_TI))                                                                                                |     |                         |
| 35                        |            | LIDL_DatRqFac START<br>T_dly( 90000)                                                                                                                                                                                           | FacilitySnd(<br>TCV_chTch,<br>FacilityPdu_25(<br>TCV_TI,<br>facilityIEtsnd( comp)))                                                             |     | 2.                      |
| 36                        |            | LIDL_DatRqConn                                                                                                                                                                                                                 | ConnSnd(<br>TCV_chTch,<br>Connect_02(<br>TCV_TI))                                                                                               |     |                         |
| 37                        |            | +branch                                                                                                                                                                                                                        |                                                                                                                                                 |     |                         |
| 38                        |            | ?TIMEOUT T_dly                                                                                                                                                                                                                 |                                                                                                                                                 |     |                         |
|                           |            | <b>branch</b>                                                                                                                                                                                                                  |                                                                                                                                                 |     |                         |
| 39                        | L_062<br>4 | L?DL_DatInFac                                                                                                                                                                                                                  | FacilityRcv(<br>FacilityPdu_26(<br>TCV_TI0,<br>facilityIErcv(<br>FwdChAdvRslt_01)))                                                             | (P) | 3.                      |
| 40                        |            | L?DL_DatInConnAck                                                                                                                                                                                                              | ConnAckRcv(<br>ConnectAck_02(<br>TCV_TI0))                                                                                                      |     |                         |
| 41                        |            | L?DL_DatInConnAck                                                                                                                                                                                                              | ConnAckRcv(<br>ConnectAck_02(<br>TCV_TI0))                                                                                                      |     |                         |
| 42                        | L_062<br>5 | L?DL_DatInFac                                                                                                                                                                                                                  | FacilityRcv(<br>FacilityPdu_26(<br>TCV_TI0,<br>facilityIErcv(<br>FwdChAdvRslt_01)))                                                             | (P) | 3.                      |
| <b>Detailed Comments:</b> |            | 1. To read and note the value of ACM on SIM at the beginning of the test,<br>2. To send Facility IE of ForwardChargeAdvice using definite form mixed with indefinite form.<br>3. The expected FACILITY message received, pass. |                                                                                                                                                 |     |                         |

4. To check whether the increment of the value of ACM on SIM is 20.

| Test Case Dynamic Behaviour |       |                                                                                                                                                                                                                                                                                                                                                                                                                                                                                                                                                                                                                    |                                                                         |   |                              |
|-----------------------------|-------|--------------------------------------------------------------------------------------------------------------------------------------------------------------------------------------------------------------------------------------------------------------------------------------------------------------------------------------------------------------------------------------------------------------------------------------------------------------------------------------------------------------------------------------------------------------------------------------------------------------------|-------------------------------------------------------------------------|---|------------------------------|
| <b>Test Case Name:</b>      |       | TC_31_6_1_7                                                                                                                                                                                                                                                                                                                                                                                                                                                                                                                                                                                                        |                                                                         |   |                              |
| <b>Group:</b>               |       | GSM_L3_MS_v4210/SS/                                                                                                                                                                                                                                                                                                                                                                                                                                                                                                                                                                                                |                                                                         |   |                              |
| <b>Purpose:</b>             |       | <p>1) To verify that when the MS invokes a Call Hold call and hence receives Facility IEs containing AOCC e-parameters for each chargeable call the MS returns a FACILITY message containing the AOCC acknowledgement within 1 second of transmission of each set of e-parameters.</p> <p>2) To verify that when the MS invokes a Call Hold call and hence receives Facility IEs containing CAI elements for each chargeable call the CCM records the sum of all the charges for the services currently being used and hence that the ME inserts the correct charge in the ACM field of the SIM.</p>               |                                                                         |   |                              |
| <b>Default:</b>             |       | OtherEventsFail                                                                                                                                                                                                                                                                                                                                                                                                                                                                                                                                                                                                    |                                                                         |   |                              |
| Nr                          | Label | Behaviour Description                                                                                                                                                                                                                                                                                                                                                                                                                                                                                                                                                                                              | CRef                                                                    | V | Comments                     |
| 1                           |       | START T_guard(600)                                                                                                                                                                                                                                                                                                                                                                                                                                                                                                                                                                                                 |                                                                         |   |                              |
| 2                           |       | +BasicServiceMO( TSPX_MOBScSvcC,<br>TSPX_MOChRateC)                                                                                                                                                                                                                                                                                                                                                                                                                                                                                                                                                                |                                                                         |   |                              |
| 3                           |       | +IdleUpdated( C_E_default, C_CellA, C_SCH_A,<br>C_BCCH_A_1, C_Immass, C_S0, C_SlotNU,<br>C_SlotNU, C_SlotNU, C_BCC, C_TxInt_5,<br>C_Max_1, C_NECl_0, C_ATT_0, TimingAdv( 0),<br>C_BABR_0, C_cch_1Comb, C_BPM_3,<br>C_T3212_0, C_ci_cellA, C_MCC_1, C_PLMN_1,<br>C_LAC_1, CellOpt_01, CellChDes_Omit,<br>CellChDes_Omit, C_CellReselectHys12,<br>C_MaxPwrLvlG, C_MaxPwrLvlD,<br>BcchFreqLst_45, BcchFreqLst_02,<br>BcchFreqLst_03, BcchFreqLst_04,<br>C_Restablishment, C_BCC, C_NCC,<br>C_Start_Tmsi, TSPX_SDCCH4SubDef,<br>TSPX_CKSNDf, TSPX_RANDDef, C_arfcnA,<br>C_arfcnAd, TSPX_IMSI, C_Test_nfh,<br>C_NCCP_2) |                                                                         |   |                              |
| 4                           |       | +CCConfigTCH_nociph( TSPX_TCHHSubDef,<br>C_Ass, TSPX_TmSlitDef, TSPX_TscDef,<br>TimingAdv( 0), C_BABR_0, C_cch_1Comb,<br>C_BPM_3, TCV_ChMod.mode, FreqTCH_omit,<br>FreqTCH_omit, C_arfcn_tchA, C_arfcn_tchAd)                                                                                                                                                                                                                                                                                                                                                                                                      |                                                                         |   |                              |
| 5                           |       | (TCV_Null := OO_ACMReading())                                                                                                                                                                                                                                                                                                                                                                                                                                                                                                                                                                                      |                                                                         |   | 1.                           |
| 6                           |       | +EstablishFacMO( 180000,<br>FwdChAdvSS_15, TSPX_SDCCH4SubDef,<br>TSPX_TmSlitDef, TSPX_TscDef,<br>TSPX_TCHHSubDef)                                                                                                                                                                                                                                                                                                                                                                                                                                                                                                  |                                                                         |   |                              |
| 7                           |       | +localtree                                                                                                                                                                                                                                                                                                                                                                                                                                                                                                                                                                                                         |                                                                         |   |                              |
|                             |       | <b>localtree</b>                                                                                                                                                                                                                                                                                                                                                                                                                                                                                                                                                                                                   |                                                                         |   |                              |
| 8                           |       | +InitCall( TCV_Service)                                                                                                                                                                                                                                                                                                                                                                                                                                                                                                                                                                                            |                                                                         |   | Place the first call on hold |
| 9                           |       | L?DL_DatInHold                                                                                                                                                                                                                                                                                                                                                                                                                                                                                                                                                                                                     | HoldRcv(<br>Holdpdu_01(<br>TCV_TI0))                                    |   |                              |
| 10                          |       | LIDL_DatRqHoldAck                                                                                                                                                                                                                                                                                                                                                                                                                                                                                                                                                                                                  | HoldAckSnd(<br>TCV_chTch,<br>HoldAckpdu_01(<br>TCV_TI))                 |   |                              |
| 11                          |       | L?DL_DatInCmsRq                                                                                                                                                                                                                                                                                                                                                                                                                                                                                                                                                                                                    | CMSerDatReq(<br>CMSerDatReq_01)                                         |   |                              |
| 12                          |       | LIDL_DatRqCmsAcp                                                                                                                                                                                                                                                                                                                                                                                                                                                                                                                                                                                                   | CMSerAcp(<br>TCV_chTch,<br>CMSerAcp_01)                                 |   |                              |
| 13                          |       | +SetupRcvMo2( SetupInd_01)                                                                                                                                                                                                                                                                                                                                                                                                                                                                                                                                                                                         |                                                                         |   |                              |
| 14                          |       | LIDL_DatRqCallProc                                                                                                                                                                                                                                                                                                                                                                                                                                                                                                                                                                                                 | CallProc(<br>TCV_chTch,<br>TCV_CallProc)                                |   |                              |
| 15                          |       | LIDL_DatRqAlert                                                                                                                                                                                                                                                                                                                                                                                                                                                                                                                                                                                                    | AlertSnd(<br>TCV_chTch,<br>Alerting_01(<br>TCV_TI2))                    |   |                              |
| 16                          |       | LIDL_DatRqConn START T_dly2(<br>90000), START T_dly1( 10000)                                                                                                                                                                                                                                                                                                                                                                                                                                                                                                                                                       | ConnSnd(<br>TCV_chTch,<br>Connect_05(<br>TCV_TI2,<br>facilityIEtsndiei( |   | 3.                           |

|    |            |                                 |                                                                                        |     |
|----|------------|---------------------------------|----------------------------------------------------------------------------------------|-----|
| 17 |            | +AOC_CHK_FAC( TCV_TI1)          | FwdChAdvSS_16)))                                                                       |     |
| 18 |            | +localtree1                     |                                                                                        |     |
|    |            | <b>localtree1</b>               |                                                                                        |     |
| 19 |            | ?TIMEOUT T_dly2                 |                                                                                        |     |
| 20 |            | +releasecall( TCV_TI2)          |                                                                                        | 4.  |
| 21 |            | ?TIMEOUT T_dly                  |                                                                                        |     |
| 22 |            | +releasecall( TCV_TI)           |                                                                                        | 5.  |
| 23 |            | +releaselink                    |                                                                                        |     |
|    |            | <b>releasecall(ti:TI)</b>       |                                                                                        |     |
| 24 |            | L!DL_DatRqDisc                  | DiscSnd(<br>TCV_chTch,<br>DisconnS( ti,<br>Cause_01,<br>ProgInd_omit,<br>UuInfo_omit)) |     |
| 25 |            | L?DL_DatInRel                   | ReleaseRcv(<br>Release_02)                                                             |     |
| 26 |            | LIDL_DatRqRelCmp                | RelComSnd(<br>TCV_chTch,<br>ReleaseCmp_08( ti))                                        |     |
|    |            | <b>releaselink</b>              |                                                                                        |     |
| 27 |            | +PostMainLinkRel( TCV_chTch)    |                                                                                        |     |
| 28 |            | (TCV_Res := OO_ACMIncCHK("54")) |                                                                                        | 6.  |
| 29 | L_062<br>6 | [TCV_Res]                       |                                                                                        | (P) |
| 30 | L_062<br>7 | [NOT TCV_Res]                   |                                                                                        | (F) |

**Detailed Comments:**

1. To read and note the value of ACM on SIM at the beginning of the test,
2. To send Facility IE of ForwardChargeAdvice using definite form mixed with indefinite form.
3. To send second CAI.
4. To release call C.
5. To release call B.
6. To check whether the increment of the ACM value on SIM is 54.

| Test Case Dynamic Behaviour |       |                                                                                                                                                                                                                                                                                                                                                                                                                                                                                                                                                                                                                    |                                                                                          |   |          |
|-----------------------------|-------|--------------------------------------------------------------------------------------------------------------------------------------------------------------------------------------------------------------------------------------------------------------------------------------------------------------------------------------------------------------------------------------------------------------------------------------------------------------------------------------------------------------------------------------------------------------------------------------------------------------------|------------------------------------------------------------------------------------------|---|----------|
| <b>Test Case Name:</b>      |       | TC_31_6_1_8                                                                                                                                                                                                                                                                                                                                                                                                                                                                                                                                                                                                        |                                                                                          |   |          |
| <b>Group:</b>               |       | GSM_L3_MS_v4210/SS/                                                                                                                                                                                                                                                                                                                                                                                                                                                                                                                                                                                                |                                                                                          |   |          |
| <b>Purpose:</b>             |       | <p>1) To verify that when the MS invokes a Multi-party call and hence receives Facility IEs containing AOCC e-parameters for each chargeable call the MS returns a FACILITY message containing the AOCC acknowledgement within 1 second of transmission of each set of e-parameters.</p> <p>2) To verify that when the MS originates a Multi-party call and hence receives Facility IEs containing CAI elements for each chargeable call the CCM records the sum of all the charges for the services currently being used and hence the ME inserts the correct charge in the ACM field of the SIM.</p>             |                                                                                          |   |          |
| <b>Default:</b>             |       | OtherEventsFail                                                                                                                                                                                                                                                                                                                                                                                                                                                                                                                                                                                                    |                                                                                          |   |          |
| Nr                          | Label | Behaviour Description                                                                                                                                                                                                                                                                                                                                                                                                                                                                                                                                                                                              | CRef                                                                                     | V | Comments |
| 1                           |       | START T_guard(600)                                                                                                                                                                                                                                                                                                                                                                                                                                                                                                                                                                                                 |                                                                                          |   |          |
| 2                           |       | +BasicServiceMO( TSPX_MOBScVcl,<br>TSPX_MOChRate)                                                                                                                                                                                                                                                                                                                                                                                                                                                                                                                                                                  |                                                                                          |   |          |
| 3                           |       | +IdleUpdated( C_E_default, C_CellA, C_SCH_A,<br>C_BCCH_A_1, C_Immass, C_S0, C_SlotNU,<br>C_SlotNU, C_SlotNU, C_BCC, C_TxInt_5,<br>C_Max_1, C_NECl_0, C_ATT_0, TimingAdv( 0),<br>C_BABR_0, C_cch_1Comb, C_BPM_3,<br>C_T3212_0, C_ci_cellA, C_MCC_1, C_PLMN_1,<br>C_LAC_1, CellOpt_01, CellChDes_Omit,<br>CellChDes_Omit, C_CellReselectHys12,<br>C_MaxPwrLvlG, C_MaxPwrLvlD,<br>BcchFreqLst_45, BcchFreqLst_02,<br>BcchFreqLst_03, BcchFreqLst_04,<br>C_Restablishment, C_BCC, C_NCC,<br>C_Start_Tmsi, TSPX_SDCCH4SubDef,<br>TSPX_CKSNDf, TSPX_RANDDef, C_arfcnA,<br>C_arfcnAd, TSPX_IMSI, C_Test_nfh,<br>C_NCCP_2) |                                                                                          |   |          |
| 4                           |       | +CCConfigTCH_nociph( TSPX_TCHHSubDef,<br>C_Ass, TSPX_TmSlitDef, TSPX_TscDef,<br>TimingAdv( 0), C_BABR_0, C_cch_1Comb,<br>C_BPM_3, TCV_ChMod.mode, FreqTCH_omit,<br>FreqTCH_omit, C_arfcn_tchA, C_arfcn_tchAd)                                                                                                                                                                                                                                                                                                                                                                                                      |                                                                                          |   |          |
| 5                           |       | (TCV_Null := OO_ACMReading())                                                                                                                                                                                                                                                                                                                                                                                                                                                                                                                                                                                      |                                                                                          |   | 1.       |
| 6                           |       | +EstablishFacMO( 180000,<br>FwdChAdvSS_17, TSPX_SDCCH4SubDef,<br>TSPX_TmSlitDef, TSPX_TscDef,<br>TSPX_TCHHSubDef)                                                                                                                                                                                                                                                                                                                                                                                                                                                                                                  |                                                                                          |   |          |
| 7                           |       | +localtree                                                                                                                                                                                                                                                                                                                                                                                                                                                                                                                                                                                                         |                                                                                          |   |          |
|                             |       | <b>localtree</b>                                                                                                                                                                                                                                                                                                                                                                                                                                                                                                                                                                                                   |                                                                                          |   |          |
| 8                           |       | +InitCall(TCV_Service)                                                                                                                                                                                                                                                                                                                                                                                                                                                                                                                                                                                             |                                                                                          |   | 3.       |
| 9                           |       | L?DL_DatInHold                                                                                                                                                                                                                                                                                                                                                                                                                                                                                                                                                                                                     | HoldRcv(<br>Holdpdu_01(<br>TCV_TI0))                                                     |   |          |
| 10                          |       | LIDL_DatRqHoldAck                                                                                                                                                                                                                                                                                                                                                                                                                                                                                                                                                                                                  | HoldAckSnd(<br>TCV_chTch,<br>HoldAckpdu_01(<br>TCV_TI))                                  |   |          |
| 11                          |       | L?DL_DatInCmsRq                                                                                                                                                                                                                                                                                                                                                                                                                                                                                                                                                                                                    | CMSerDatReq(<br>CMSerDatReq_01)                                                          |   |          |
| 12                          |       | LIDL_DatRqCmsAcp                                                                                                                                                                                                                                                                                                                                                                                                                                                                                                                                                                                                   | CMSerAcp(<br>TCV_chTch,<br>CMSerAcp_01)                                                  |   |          |
| 13                          |       | +SetupRcvMo2(SetupInd_01)                                                                                                                                                                                                                                                                                                                                                                                                                                                                                                                                                                                          |                                                                                          |   |          |
| 14                          |       | LIDL_DatRqCallProc                                                                                                                                                                                                                                                                                                                                                                                                                                                                                                                                                                                                 | CallProc(TCV_chTch,<br>TCV_CallProc)                                                     |   |          |
| 15                          |       | LIDL_DatRqAlert                                                                                                                                                                                                                                                                                                                                                                                                                                                                                                                                                                                                    | AlertSnd(<br>TCV_chTch,<br>Alerting_01(<br>TCV_TI2))                                     |   |          |
| 16                          |       | LIDL_DatRqConn START<br>T_dly2(90000), START<br>T_dly1(10000)                                                                                                                                                                                                                                                                                                                                                                                                                                                                                                                                                      | ConnSnd(TCV_chTch<br>, Connect_05(<br>TCV_TI2,<br>facilityIetsndiei(<br>FwdChAdvSS_18))) |   | 4.       |
| 17                          |       | +AOC_CHK_FAC( TCV_TI1)                                                                                                                                                                                                                                                                                                                                                                                                                                                                                                                                                                                             |                                                                                          |   |          |

|    |            |                                                                                                                                                                                                                                                                                              |                                                                                                                 |     |
|----|------------|----------------------------------------------------------------------------------------------------------------------------------------------------------------------------------------------------------------------------------------------------------------------------------------------|-----------------------------------------------------------------------------------------------------------------|-----|
| 18 |            | +localtree1                                                                                                                                                                                                                                                                                  |                                                                                                                 |     |
| 19 |            | <b>localtree1</b>                                                                                                                                                                                                                                                                            |                                                                                                                 |     |
| 20 |            | (TCV_Null := OO_MptyCall())                                                                                                                                                                                                                                                                  |                                                                                                                 | 5.  |
| 21 |            | L?DL_DatInFac (TCV_Comp :=<br>DL_DatInFac.msg.fie.components_1, TCV_n :=<br>OC_PosinSet( TCV_Comp, BldMptySS_01),<br>TCV_Invkld := OC_Asn1intToOct(<br>TCV_Comp.[TCV_n].registerSSComponents.registe<br>rSS_InvokeComp.invokelD, 1), TCV_TI3 :=<br>DL_DatInFac.msg.ti, TCV_TI3.ti_f := '1'B) | FacilityRcv(<br>FacilityPdu_26(<br>TCV_TI0,<br>facilityIErcv(<br>BldMptySS_01)))                                |     |
| 22 |            | +ltree_release                                                                                                                                                                                                                                                                               |                                                                                                                 |     |
| 23 |            | L?DL_DatInFac (TCV_Comp :=<br>DL_DatInFac.msg.fie.components_1, TCV_n :=<br>OC_PosinSet( TCV_Comp, BldMptySS_01),<br>TCV_Invkld := OC_Asn1intToOct(<br>TCV_Comp.[TCV_n].registerSSComponents.registe<br>rSS_InvokeComp.invokelD, 1), TCV_TI3 :=<br>DL_DatInFac.msg.ti, TCV_TI3.ti_f := '1'B) | FacilityRcv(<br>FacilityPdu_26(<br>TCV_TI1,<br>facilityIErcv(<br>BldMptySS_01)))                                |     |
| 24 |            | +ltree_release                                                                                                                                                                                                                                                                               |                                                                                                                 |     |
| 25 |            | <b>ltree_release</b>                                                                                                                                                                                                                                                                         |                                                                                                                 |     |
| 26 |            | L!DL_DatRqFac                                                                                                                                                                                                                                                                                | FacilitySnd( TCV_ch,<br>FacilityPdu_25(<br>TCV_TI3,<br>facilityIEtsnd(<br>BuildMptySSRslt_01(<br>TCV_Invkld)))) |     |
| 27 |            | ?TIMEOUT T_dly2                                                                                                                                                                                                                                                                              |                                                                                                                 |     |
| 28 |            | +releasecall(TCV_TI2)                                                                                                                                                                                                                                                                        |                                                                                                                 |     |
| 29 |            | ?TIMEOUT T_dly                                                                                                                                                                                                                                                                               |                                                                                                                 |     |
| 30 |            | +releasecall(TCV_TI)                                                                                                                                                                                                                                                                         |                                                                                                                 |     |
| 31 |            | +releaselink                                                                                                                                                                                                                                                                                 |                                                                                                                 |     |
| 32 |            | <b>releasecall(ti: TI)</b>                                                                                                                                                                                                                                                                   |                                                                                                                 |     |
| 33 |            | L!DL_DatRqDisc                                                                                                                                                                                                                                                                               | DiscSnd(<br>TCV_chTch,<br>DisconnS( ti,<br>Cause_01,<br>ProgInd_omit,<br>UuInfo_omit))                          |     |
| 34 |            | L?DL_DatInRel                                                                                                                                                                                                                                                                                | ReleaseRcv(<br>Release_02)                                                                                      |     |
| 35 |            | LIDL_DatRqRelCmp                                                                                                                                                                                                                                                                             | RelComSnd(<br>TCV_chTch,<br>ReleaseCmp_08( ti))                                                                 |     |
| 36 |            | <b>releaselink</b>                                                                                                                                                                                                                                                                           |                                                                                                                 |     |
| 37 |            | +PostMainLinkRel(TCV_chTch)                                                                                                                                                                                                                                                                  |                                                                                                                 |     |
| 38 |            | (TCV_Res := OO_ACMIncCHK("134"))                                                                                                                                                                                                                                                             |                                                                                                                 | 6.  |
| 39 | L_062<br>8 | [TCV_Res]                                                                                                                                                                                                                                                                                    |                                                                                                                 | (P) |
| 40 | L_062<br>9 | [NOT TCV_Res]                                                                                                                                                                                                                                                                                |                                                                                                                 | (F) |

**Detailed Comments:**

1. To read and hote the value of ACM on SIM at the beginning of the test,
2. To send Facility IE of ForwardChargeAdvice using definite form mixed with indefinite form.
3. To hold the first call and make a second call.
4. To send CAI for the second call.
5. To build the multi party call.
6. To check whether the increment of the value of ACM on SIM is 134.



| Test Case Dynamic Behaviour                                                                                                                                        |            |                                                                                                                                                                                                                                                                                                                                                                                                                                                                                                                                                                                                                   |                                                          |     |          |
|--------------------------------------------------------------------------------------------------------------------------------------------------------------------|------------|-------------------------------------------------------------------------------------------------------------------------------------------------------------------------------------------------------------------------------------------------------------------------------------------------------------------------------------------------------------------------------------------------------------------------------------------------------------------------------------------------------------------------------------------------------------------------------------------------------------------|----------------------------------------------------------|-----|----------|
| <b>Test Case Name:</b> TC_31_6_2_1                                                                                                                                 |            |                                                                                                                                                                                                                                                                                                                                                                                                                                                                                                                                                                                                                   |                                                          |     |          |
| <b>Group:</b> GSM_L3_MS_v4210/SS/                                                                                                                                  |            |                                                                                                                                                                                                                                                                                                                                                                                                                                                                                                                                                                                                                   |                                                          |     |          |
| <b>Purpose:</b>                                                                                                                                                    |            |                                                                                                                                                                                                                                                                                                                                                                                                                                                                                                                                                                                                                   |                                                          |     |          |
| 1) To verify that when the SIM is removed from the ME during an active AOCC call the ME immediately terminates the call.                                           |            |                                                                                                                                                                                                                                                                                                                                                                                                                                                                                                                                                                                                                   |                                                          |     |          |
| 2) To verify that when the SIM is removed during an active AOCC call the ME has written the total charge up to that point in the call to the ACM field of the SIM. |            |                                                                                                                                                                                                                                                                                                                                                                                                                                                                                                                                                                                                                   |                                                          |     |          |
| <b>Default:</b> OtherEventsFail                                                                                                                                    |            |                                                                                                                                                                                                                                                                                                                                                                                                                                                                                                                                                                                                                   |                                                          |     |          |
| Nr                                                                                                                                                                 | Label      | Behaviour Description                                                                                                                                                                                                                                                                                                                                                                                                                                                                                                                                                                                             | CRef                                                     | V   | Comments |
| 1                                                                                                                                                                  |            | START T_guard(300)                                                                                                                                                                                                                                                                                                                                                                                                                                                                                                                                                                                                |                                                          |     |          |
| 2                                                                                                                                                                  |            | +BasicServiceMO( TSPX_MOBScSvcD,<br>TSPX_MOChRateD)                                                                                                                                                                                                                                                                                                                                                                                                                                                                                                                                                               |                                                          |     |          |
| 3                                                                                                                                                                  |            | +IdleUpdated( C_E_default, C_CellA, C_SCH_A,<br>C_BCCH_A_1, C_Immss, C_S0, C_SlotNU,<br>C_SlotNU, C_SlotNU, C_BCC, C_TxInt_5,<br>C_Max_1, C_NECI_0, C_ATT_0, TimingAdv( 0),<br>C_BABR_0, C_cch_1Comb, C_BPM_3,<br>C_T3212_0, C_ci_cellA, C_MCC_1, C_PLMN_1,<br>C_LAC_1, CellOpt_01, CellChDes_Omit,<br>CellChDes_Omit, C_CellReselectHys12,<br>C_MaxPwrLvIG, C_MaxPwrLvID,<br>BcchFreqLst_45, BcchFreqLst_02,<br>BcchFreqLst_03, BcchFreqLst_04,<br>C_Restablishment, C_BCC, C_NCC,<br>C_Start_Tmsi, TSPX_SDCCH4SubDef,<br>TSPX_CKSNDf, TSPX_RANDDef, C_arfcnA,<br>C_arfcnAd, TSPX_IMSI, C_Test_nfh,<br>C_NCCP_2) |                                                          |     |          |
| 4                                                                                                                                                                  |            | +CCConfigTCH_nociph( TSPX_TCHHSubDef,<br>C_Ass, TSPX_TmSlitDef, TSPX_TscDef,<br>TimingAdv( 0), C_BABR_0, C_cch_1Comb,<br>C_BPM_3, TCV_ChMod.mode, FreqTCH_omit,<br>FreqTCH_omit, C_arfcn_tchA, C_arfcn_tchAd)                                                                                                                                                                                                                                                                                                                                                                                                     |                                                          |     |          |
| 5                                                                                                                                                                  |            | (TCV_Null := OO_ACMReading())                                                                                                                                                                                                                                                                                                                                                                                                                                                                                                                                                                                     |                                                          |     | 1.       |
| 6                                                                                                                                                                  | body       | +EstablishFacMO( 90000,<br>FwdChAdvSS_19, TSPX_SDCCH4SubDef,<br>TSPX_TmSlitDef, TSPX_TscDef,<br>TSPX_TCHHSubDef)                                                                                                                                                                                                                                                                                                                                                                                                                                                                                                  |                                                          |     | 2.       |
| 7                                                                                                                                                                  |            | +localtree                                                                                                                                                                                                                                                                                                                                                                                                                                                                                                                                                                                                        |                                                          |     |          |
|                                                                                                                                                                    |            | <b>localtree</b>                                                                                                                                                                                                                                                                                                                                                                                                                                                                                                                                                                                                  |                                                          |     |          |
| 8                                                                                                                                                                  |            | ?TIMEOUT T_dly                                                                                                                                                                                                                                                                                                                                                                                                                                                                                                                                                                                                    |                                                          |     |          |
| 9                                                                                                                                                                  |            | START T_dly(60000)                                                                                                                                                                                                                                                                                                                                                                                                                                                                                                                                                                                                |                                                          |     |          |
| 10                                                                                                                                                                 |            | (TCV_Null := OO_SIMRmv())                                                                                                                                                                                                                                                                                                                                                                                                                                                                                                                                                                                         |                                                          |     | 3.       |
| 11                                                                                                                                                                 |            | L?DL_DatInDisc CANCEL T_dly                                                                                                                                                                                                                                                                                                                                                                                                                                                                                                                                                                                       | DiscRcv( TCV_chTch,<br>DisconnR( TCV_TIO,<br>Cause_Def)) |     |          |
| 12                                                                                                                                                                 |            | L!DL_DatRqRel                                                                                                                                                                                                                                                                                                                                                                                                                                                                                                                                                                                                     | ReleaseSnd(<br>TCV_chTch,<br>Release_03(<br>TCV_TI))     |     |          |
| 13                                                                                                                                                                 | L_063<br>0 | L?DL_DatInRelCmp                                                                                                                                                                                                                                                                                                                                                                                                                                                                                                                                                                                                  | RelComRcv(<br>ReleaseCmp_03(<br>TCV_TIO))                | (P) |          |
| 14                                                                                                                                                                 |            | +PostMainLinkRel(TCV_chTch)                                                                                                                                                                                                                                                                                                                                                                                                                                                                                                                                                                                       |                                                          |     |          |
| 15                                                                                                                                                                 |            | +localtree1                                                                                                                                                                                                                                                                                                                                                                                                                                                                                                                                                                                                       |                                                          |     |          |
| 16                                                                                                                                                                 | L_063<br>1 | L?DL_DatInRelCmp CANCEL T_dly                                                                                                                                                                                                                                                                                                                                                                                                                                                                                                                                                                                     | RelComRcv(<br>ReleaseCmp_03(<br>TCV_TIO))                | (P) |          |
| 17                                                                                                                                                                 |            | +PostMainLinkRel(TCV_chTch)                                                                                                                                                                                                                                                                                                                                                                                                                                                                                                                                                                                       |                                                          |     |          |
| 18                                                                                                                                                                 |            | +localtree1                                                                                                                                                                                                                                                                                                                                                                                                                                                                                                                                                                                                       |                                                          |     |          |
| 19                                                                                                                                                                 | L_063<br>2 | L?DL_RelIn CANCEL T_dly                                                                                                                                                                                                                                                                                                                                                                                                                                                                                                                                                                                           | DLRelInd_01                                              | (P) |          |
| 20                                                                                                                                                                 |            | +localtree1                                                                                                                                                                                                                                                                                                                                                                                                                                                                                                                                                                                                       |                                                          |     |          |
| 21                                                                                                                                                                 | L_063<br>3 | ?TIMEOUT T_dly                                                                                                                                                                                                                                                                                                                                                                                                                                                                                                                                                                                                    |                                                          | (F) |          |
| 22                                                                                                                                                                 |            | +PostLinkRelEnd(TCV_chTch)                                                                                                                                                                                                                                                                                                                                                                                                                                                                                                                                                                                        |                                                          |     |          |
|                                                                                                                                                                    |            | <b>localtree1</b>                                                                                                                                                                                                                                                                                                                                                                                                                                                                                                                                                                                                 |                                                          |     |          |

|                                                                                                                                                                                                                                                                                                                                                                                                |            |                                 |  |     |    |
|------------------------------------------------------------------------------------------------------------------------------------------------------------------------------------------------------------------------------------------------------------------------------------------------------------------------------------------------------------------------------------------------|------------|---------------------------------|--|-----|----|
| 23                                                                                                                                                                                                                                                                                                                                                                                             |            | (TCV_Res := OO_ACMIncCHK("30")) |  |     | 4. |
| 24                                                                                                                                                                                                                                                                                                                                                                                             | L_063<br>4 | [TCV_Res]                       |  | (P) |    |
| 25                                                                                                                                                                                                                                                                                                                                                                                             | L_063<br>5 | [NOT TCV_Res]                   |  | (F) |    |
| <b>Detailed Comments:</b>                                                                                                                                                                                                                                                                                                                                                                      |            |                                 |  |     |    |
| <ol style="list-style-type: none"> <li>1. To read and note the value of ACM on SIM at the beginning of the test,</li> <li>2. To send Facility IE of ForwardChargeAdvice using definite form mixed with indefinite form.</li> <li>3. To remove the SIM without power off and 90 seconds after CAI sent.</li> <li>4. To check whether the increment of the value of ACM on SIM is 30.</li> </ol> |            |                                 |  |     |    |

| Test Case Dynamic Behaviour |            |                                                                                                                                                                                                                                                                                                                                                                                                                                                                                                                                                                                                                    |      |     |          |
|-----------------------------|------------|--------------------------------------------------------------------------------------------------------------------------------------------------------------------------------------------------------------------------------------------------------------------------------------------------------------------------------------------------------------------------------------------------------------------------------------------------------------------------------------------------------------------------------------------------------------------------------------------------------------------|------|-----|----------|
| <b>Test Case Name:</b>      |            | TC_31_6_2_2                                                                                                                                                                                                                                                                                                                                                                                                                                                                                                                                                                                                        |      |     |          |
| <b>Group:</b>               |            | GSM_L3_MS_v4210/SS/                                                                                                                                                                                                                                                                                                                                                                                                                                                                                                                                                                                                |      |     |          |
| <b>Purpose:</b>             |            | To verify that when the power supply of the MS is removed during an active AOCC call the ME has written the total charge up to that point in the call to the ACM field of the SIM.                                                                                                                                                                                                                                                                                                                                                                                                                                 |      |     |          |
| <b>Default:</b>             |            | OtherEventsFail                                                                                                                                                                                                                                                                                                                                                                                                                                                                                                                                                                                                    |      |     |          |
| Nr                          | Label      | Behaviour Description                                                                                                                                                                                                                                                                                                                                                                                                                                                                                                                                                                                              | CRef | V   | Comments |
| 1                           |            | START T_guard(600)                                                                                                                                                                                                                                                                                                                                                                                                                                                                                                                                                                                                 |      |     |          |
| 2                           |            | +BasicServiceMO( TSPX_MOBscSvcE,<br>TSPX_MOChRateE)                                                                                                                                                                                                                                                                                                                                                                                                                                                                                                                                                                |      |     |          |
| 3                           |            | +IdleUpdated( C_E_default, C_CellA, C_SCH_A,<br>C_BCCH_A_1, C_Immass, C_S0, C_SlotNU,<br>C_SlotNU, C_SlotNU, C_BCC, C_TxInt_5,<br>C_Max_1, C_NECl_0, C_ATT_0, TimingAdv( 0),<br>C_BABR_0, C_cch_1Comb, C_BPM_3,<br>C_T3212_0, C_ci_cellA, C_MCC_1, C_PLMN_1,<br>C_LAC_1, CellOpt_01, CellChDes_Omit,<br>CellChDes_Omit, C_CellReselectHys12,<br>C_MaxPwrLvlG, C_MaxPwrLvlD,<br>BcchFreqLst_45, BcchFreqLst_02,<br>BcchFreqLst_03, BcchFreqLst_04,<br>C_Restablishment, C_BCC, C_NCC,<br>C_Start_Tmsi, TSPX_SDCCH4SubDef,<br>TSPX_CKSNDf, TSPX_RANDDef, C_arfcnA,<br>C_arfcnAd, TSPX_IMSI, C_Test_nfh,<br>C_NCCP_2) |      |     |          |
| 4                           |            | +CCConfigTCH_nociph( TSPX_TCHHSubDef,<br>C_Ass, TSPX_TmSltDef, TSPX_TscDef,<br>TimingAdv( 0), C_BABR_0, C_cch_1Comb,<br>C_BPM_3, TCV_ChMod.mode, FreqTCH_omit,<br>FreqTCH_omit, C_arfcn_tchA, C_arfcn_tchAd)                                                                                                                                                                                                                                                                                                                                                                                                       |      |     |          |
| 5                           |            | (TCV_Null := OO_ACMReading())                                                                                                                                                                                                                                                                                                                                                                                                                                                                                                                                                                                      |      |     | 1.       |
| 6                           |            | +execution1                                                                                                                                                                                                                                                                                                                                                                                                                                                                                                                                                                                                        |      |     |          |
| 7                           |            | +execution2                                                                                                                                                                                                                                                                                                                                                                                                                                                                                                                                                                                                        |      |     |          |
|                             |            | <b>execution1</b>                                                                                                                                                                                                                                                                                                                                                                                                                                                                                                                                                                                                  |      |     |          |
| 8                           |            | +main                                                                                                                                                                                                                                                                                                                                                                                                                                                                                                                                                                                                              |      |     |          |
| 9                           |            | (TCV_Null := OO_SwitchOff())                                                                                                                                                                                                                                                                                                                                                                                                                                                                                                                                                                                       |      |     | 3.       |
| 10                          |            | (TCV_Res := OO_ACMIncCHK("30"))                                                                                                                                                                                                                                                                                                                                                                                                                                                                                                                                                                                    |      |     | 4.       |
| 11                          | L_063<br>6 | [TCV_Res]                                                                                                                                                                                                                                                                                                                                                                                                                                                                                                                                                                                                          |      | (P) |          |
| 12                          | L_063<br>7 | [NOT TCV_Res]                                                                                                                                                                                                                                                                                                                                                                                                                                                                                                                                                                                                      |      | (F) |          |
|                             |            | <b>execution2</b>                                                                                                                                                                                                                                                                                                                                                                                                                                                                                                                                                                                                  |      |     |          |
| 13                          |            | (TCV_Null := OO_SwitchOn())                                                                                                                                                                                                                                                                                                                                                                                                                                                                                                                                                                                        |      |     | 5.       |
| 14                          |            | START T_dly(20000)                                                                                                                                                                                                                                                                                                                                                                                                                                                                                                                                                                                                 |      |     |          |
| 15                          |            | ?TIMEOUT T_dly                                                                                                                                                                                                                                                                                                                                                                                                                                                                                                                                                                                                     |      |     |          |
| 16                          |            | +main                                                                                                                                                                                                                                                                                                                                                                                                                                                                                                                                                                                                              |      |     |          |
| 17                          |            | (TCV_Null := OO_PowerDown())                                                                                                                                                                                                                                                                                                                                                                                                                                                                                                                                                                                       |      |     | 6.       |
| 18                          |            | (TCV_Res := OO_ACMIncCHK("30"))                                                                                                                                                                                                                                                                                                                                                                                                                                                                                                                                                                                    |      |     | 4.       |
| 19                          | L_063<br>8 | [TCV_Res]                                                                                                                                                                                                                                                                                                                                                                                                                                                                                                                                                                                                          |      | (P) |          |
| 20                          | L_063<br>9 | [NOT TCV_Res]                                                                                                                                                                                                                                                                                                                                                                                                                                                                                                                                                                                                      |      | (F) |          |
|                             |            | <b>main</b>                                                                                                                                                                                                                                                                                                                                                                                                                                                                                                                                                                                                        |      |     |          |
| 21                          |            | +EstablishFacMO( 90000, FwdChAdvSS_19,<br>TSPX_SDCCH4SubDef, TSPX_TmSltDef,<br>TSPX_TscDef, TSPX_TCHHSubDef)                                                                                                                                                                                                                                                                                                                                                                                                                                                                                                       |      |     | 2.       |
| 22                          |            | ?TIMEOUT T_dly                                                                                                                                                                                                                                                                                                                                                                                                                                                                                                                                                                                                     |      |     |          |
| <b>Detailed Comments:</b>   |            | <ol style="list-style-type: none"> <li>1. To read and note the value of ACM on SIM at the beginning of the test,</li> <li>2. To send Facility IE of ForwardChargeAdvice using definite form mixed with indefinite form.</li> <li>3. To switch off the MS 90 seconds after CAI sent.</li> <li>4. To check whether the increment of the value of ACM on SIM is 30.</li> <li>5. To switch on the MS and wait for the MS back to idle state.</li> <li>6. To remove battery pack 90 seconds after CAI sent.</li> </ol>                                                                                                  |      |     |          |

| Test Case Dynamic Behaviour |            |                                                                                                                                                                                                                                                                                                                                                                                                                                                                                                                                                                                                                    |      |     |          |
|-----------------------------|------------|--------------------------------------------------------------------------------------------------------------------------------------------------------------------------------------------------------------------------------------------------------------------------------------------------------------------------------------------------------------------------------------------------------------------------------------------------------------------------------------------------------------------------------------------------------------------------------------------------------------------|------|-----|----------|
| <b>Test Case Name:</b>      |            | TC_31_6_2_3                                                                                                                                                                                                                                                                                                                                                                                                                                                                                                                                                                                                        |      |     |          |
| <b>Group:</b>               |            | GSM_L3_MS_v4210/SS/                                                                                                                                                                                                                                                                                                                                                                                                                                                                                                                                                                                                |      |     |          |
| <b>Purpose:</b>             |            | To verify that when the MS goes out of radio coverage area and an active call is dropped the ME has written the total charge up to that point in the call to the ACM field of the SIM.                                                                                                                                                                                                                                                                                                                                                                                                                             |      |     |          |
| <b>Default:</b>             |            | OtherEventsFail                                                                                                                                                                                                                                                                                                                                                                                                                                                                                                                                                                                                    |      |     |          |
| Nr                          | Label      | Behaviour Description                                                                                                                                                                                                                                                                                                                                                                                                                                                                                                                                                                                              | CRef | V   | Comments |
| 1                           |            | START T_guard(300)                                                                                                                                                                                                                                                                                                                                                                                                                                                                                                                                                                                                 |      |     |          |
| 2                           |            | +BasicServiceMO( TSPX_MOBscSvcH,<br>TSPX_MOChRateH)                                                                                                                                                                                                                                                                                                                                                                                                                                                                                                                                                                |      |     |          |
| 3                           |            | +IdleUpdated( C_E_default, C_CellA, C_SCH_A,<br>C_BCCH_A_1, C_Immasc, C_S0, C_SlotNU,<br>C_SlotNU, C_SlotNU, C_BCC, C_TxInt_5,<br>C_Max_1, C_NECl_0, C_ATT_0, TimingAdv( 0),<br>C_BABR_0, C_cch_1Comb, C_BPM_3,<br>C_T3212_0, C_ci_cellA, C_MCC_1, C_PLMN_1,<br>C_LAC_1, CellOpt_01, CellChDes_Omit,<br>CellChDes_Omit, C_CellReselectHys12,<br>C_MaxPwrLvIG, C_MaxPwrLvID,<br>BcchFreqLst_45, BcchFreqLst_02,<br>BcchFreqLst_03, BcchFreqLst_04,<br>C_Restablishment, C_BCC, C_NCC,<br>C_Start_Tmsi, TSPX_SDCCH4SubDef,<br>TSPX_CKSNDf, TSPX_RANDDef, C_arfcnA,<br>C_arfcnAd, TSPX_IMSI, C_Test_nfh,<br>C_NCCP_2) |      |     |          |
| 4                           |            | +CCConfigTCH_nociph( TSPX_TCHHSubDef,<br>C_Ass, TSPX_TmSltDef, TSPX_TscDef,<br>TimingAdv( 0), C_BABR_0, C_cch_1Comb,<br>C_BPM_3, TCV_ChMod.mode, FreqTCH_omit,<br>FreqTCH_omit, C_arfcn_tchA, C_arfcn_tchAd)                                                                                                                                                                                                                                                                                                                                                                                                       |      |     |          |
| 5                           |            | (TCV_Null := OO_ACMReading())                                                                                                                                                                                                                                                                                                                                                                                                                                                                                                                                                                                      |      |     | 1.       |
| 6                           |            | +EstablishFacMO( 90000,<br>FwdChAdvSS_19, TSPX_SDCCH4SubDef,<br>TSPX_TmSltDef, TSPX_TscDef,<br>TSPX_TCHHSubDef)                                                                                                                                                                                                                                                                                                                                                                                                                                                                                                    |      |     | 2.       |
| 7                           |            | ?TIMEOUT T_dly                                                                                                                                                                                                                                                                                                                                                                                                                                                                                                                                                                                                     |      |     |          |
| 8                           |            | (TCV_Null := OM_StopCell( C_CellA))                                                                                                                                                                                                                                                                                                                                                                                                                                                                                                                                                                                |      |     | 3.       |
| 9                           |            | (TCV_Res := OO_ACMIncCHK("30"))                                                                                                                                                                                                                                                                                                                                                                                                                                                                                                                                                                                    |      |     | 4.       |
| 10                          | L_064<br>0 | [TCV_Res]                                                                                                                                                                                                                                                                                                                                                                                                                                                                                                                                                                                                          |      | (P) |          |
| 11                          | L_064<br>1 | [NOT TCV_Res]                                                                                                                                                                                                                                                                                                                                                                                                                                                                                                                                                                                                      |      | (F) |          |
| <b>Detailed Comments:</b>   |            | <ol style="list-style-type: none"> <li>1. To read and note the value of ACM on SIM at the beginning of the test,</li> <li>2. To send Facility IE of ForwardChargeAdvice using definite form mixed with indefinite form.</li> <li>3. To switch off the cell A 90 seconds after CAI sent.</li> <li>4. To check whether the increment of the value of ACM on SIM is 30.</li> </ol>                                                                                                                                                                                                                                    |      |     |          |

| Test Case Dynamic Behaviour |            |                                                                                                                                                                                                                                                                                                                                                                                                                                                                                                                                                                                                                                                                         |                                                          |     |          |
|-----------------------------|------------|-------------------------------------------------------------------------------------------------------------------------------------------------------------------------------------------------------------------------------------------------------------------------------------------------------------------------------------------------------------------------------------------------------------------------------------------------------------------------------------------------------------------------------------------------------------------------------------------------------------------------------------------------------------------------|----------------------------------------------------------|-----|----------|
| <b>Test Case Name:</b>      |            | TC_31_6_2_4                                                                                                                                                                                                                                                                                                                                                                                                                                                                                                                                                                                                                                                             |                                                          |     |          |
| <b>Group:</b>               |            | GSM_L3_MS_v4210/SS/                                                                                                                                                                                                                                                                                                                                                                                                                                                                                                                                                                                                                                                     |                                                          |     |          |
| <b>Purpose:</b>             |            | <p>1) To verify that when the value stored in the ACM becomes equal to or exceeds its maximum value, the ACMM, any outgoing calls in progress for which a non-zero CAI exists are terminated by the ME, once the chargeable interval determined by the CAI has elapsed, with an appropriate indication given to the user.</p> <p>2) To verify that when the value stored in the ACM becomes equal to or exceeds its maximum limit,<br/>the ACMM, the making of non-emergency calls is inhibited</p> <p>3) To verify that when the value stored in the ACM becomes equal to or exceeds its maximum limit,<br/>the ACMM, the making of emergency calls is uninhibited</p> |                                                          |     |          |
| <b>Default:</b>             |            | OtherEventsFail                                                                                                                                                                                                                                                                                                                                                                                                                                                                                                                                                                                                                                                         |                                                          |     |          |
| <b>Comments:</b>            |            | The ACM is reset to zero and the ACMmax is set to 2 units before starting the test                                                                                                                                                                                                                                                                                                                                                                                                                                                                                                                                                                                      |                                                          |     |          |
| Nr                          | Label      | Behaviour Description                                                                                                                                                                                                                                                                                                                                                                                                                                                                                                                                                                                                                                                   | CRef                                                     | V   | Comments |
| 1                           |            | START T_guard(600)                                                                                                                                                                                                                                                                                                                                                                                                                                                                                                                                                                                                                                                      |                                                          |     |          |
| 2                           |            | +BasicServiceMO( TSPX_MOBScSvcI,<br>TSPX_MOChRateI)                                                                                                                                                                                                                                                                                                                                                                                                                                                                                                                                                                                                                     |                                                          |     |          |
| 3                           |            | +IdleUpdated( C_E_default, C_CellA, C_SCH_A,<br>C_BCCH_A_1, C_Immass, C_S0, C_SlotNU,<br>C_SlotNU, C_SlotNU, C_BCC, C_TxInt_5,<br>C_Max_1, C_NECI_0, C_ATT_0, TimingAdv( 0),<br>C_BABR_0, C_cch_1Comb, C_BPM_3,<br>C_T3212_0, C_ci_cellA, C_MCC_1, C_PLMN_1,<br>C_LAC_1, CellOpt_01, CellChDes_Omit,<br>CellChDes_Omit, C_CellReselectHys12,<br>C_MaxPwrLvlG, C_MaxPwrLvlD,<br>BcchFreqLst_45, BcchFreqLst_02,<br>BcchFreqLst_03, BcchFreqLst_04,<br>C_Restablishment, C_BCC, C_NCC,<br>C_Start_Tmsi, TSPX_SDCCH4SubDef,<br>TSPX_CKSNDDef, TSPX_RANDDef, C_arfcnA,<br>C_arfcnAd, TSPX_IMSI, C_Test_nfh,<br>C_NCCP_2)                                                    |                                                          |     |          |
| 4                           |            | +CCConfigTCH_nociph( TSPX_TCHHSubDef,<br>C_Ass, TSPX_TmSlitDef, TSPX_TscDef,<br>TimingAdv( 0), C_BABR_0, C_cch_1Comb,<br>C_BPM_3, TCV_ChMod.mode, FreqTCH_omit,<br>FreqTCH_omit, C_arfcn_tchA, C_arfcn_tchAd)                                                                                                                                                                                                                                                                                                                                                                                                                                                           |                                                          |     |          |
| 5                           |            | (TCV_Null := OO_ACMSetting())                                                                                                                                                                                                                                                                                                                                                                                                                                                                                                                                                                                                                                           |                                                          |     | 1.       |
| 6                           |            | +execution1                                                                                                                                                                                                                                                                                                                                                                                                                                                                                                                                                                                                                                                             |                                                          |     |          |
| 7                           |            | +execution2                                                                                                                                                                                                                                                                                                                                                                                                                                                                                                                                                                                                                                                             |                                                          |     |          |
| 8                           |            | +execution3                                                                                                                                                                                                                                                                                                                                                                                                                                                                                                                                                                                                                                                             |                                                          |     |          |
|                             |            | <b>execution1</b>                                                                                                                                                                                                                                                                                                                                                                                                                                                                                                                                                                                                                                                       |                                                          |     |          |
| 9                           |            | +EstablishFacMO( 100000, FwdChAdvSS_20,<br>TSPX_SDCCH4SubDef, TSPX_TmSlitDef,<br>TSPX_TscDef, TSPX_TCHHSubDef)                                                                                                                                                                                                                                                                                                                                                                                                                                                                                                                                                          |                                                          |     | 2.       |
| 10                          |            | L?DL_DatInDisc READTIMER T_dly(TCV_Time),<br>CANCEL T_dly                                                                                                                                                                                                                                                                                                                                                                                                                                                                                                                                                                                                               | DiscRcv( TCV_chTch,<br>DisconnR( TCV_TIO,<br>Cause_Def)) |     | 3.       |
| 11                          | L_064<br>2 | [(88000 <= TCV_Time) AND (TCV_Time <= 92000)]                                                                                                                                                                                                                                                                                                                                                                                                                                                                                                                                                                                                                           |                                                          | (P) | 4.       |
| 12                          |            | +localtree1                                                                                                                                                                                                                                                                                                                                                                                                                                                                                                                                                                                                                                                             |                                                          |     |          |
| 13                          | L_064<br>3 | [(88000 > TCV_Time) OR(TCV_Time > 92000)]                                                                                                                                                                                                                                                                                                                                                                                                                                                                                                                                                                                                                               |                                                          | (F) |          |
| 14                          |            | +localtree1                                                                                                                                                                                                                                                                                                                                                                                                                                                                                                                                                                                                                                                             |                                                          |     |          |
|                             |            | <b>localtree1</b>                                                                                                                                                                                                                                                                                                                                                                                                                                                                                                                                                                                                                                                       |                                                          |     |          |
| 15                          |            | L!DL_DatRqRel                                                                                                                                                                                                                                                                                                                                                                                                                                                                                                                                                                                                                                                           | ReleaseSnd(<br>TCV_chTch,<br>Release_08(<br>TCV_TI))     |     |          |
| 16                          |            | L?DL_DatInRelCmp                                                                                                                                                                                                                                                                                                                                                                                                                                                                                                                                                                                                                                                        | RelComRcv(<br>ReleaseCmp_03(<br>TCV_TIO))                |     |          |
| 17                          |            | +PostMainLinkRel(TCV_chTch)                                                                                                                                                                                                                                                                                                                                                                                                                                                                                                                                                                                                                                             |                                                          |     |          |

|                   |            |                                                                                                                                                                                                              |                                                                                                                                                 |                         |
|-------------------|------------|--------------------------------------------------------------------------------------------------------------------------------------------------------------------------------------------------------------|-------------------------------------------------------------------------------------------------------------------------------------------------|-------------------------|
| 18                |            | (TCV_Res := OO_ACMIncCHK("2"))                                                                                                                                                                               |                                                                                                                                                 | 5.                      |
| 19                | L_064<br>4 | [TCV_Res]                                                                                                                                                                                                    | (P)                                                                                                                                             |                         |
| 20                | L_064<br>5 | [NOT TCV_Res]                                                                                                                                                                                                | (F)                                                                                                                                             |                         |
| <b>execution2</b> |            |                                                                                                                                                                                                              |                                                                                                                                                 |                         |
| 21                |            | +InitCall(TCV_Service)                                                                                                                                                                                       |                                                                                                                                                 |                         |
| 22                |            | START T_dly( 5000)                                                                                                                                                                                           |                                                                                                                                                 |                         |
| 23                | L_064<br>6 | ?TIMEOUT T_dly                                                                                                                                                                                               | (P)                                                                                                                                             |                         |
| 24                | L_064<br>7 | L?DL_RacInChRq CANCEL T_dly                                                                                                                                                                                  | ChReq(<br>ChRequest_02)                                                                                                                         | (F)                     |
| <b>execution3</b> |            |                                                                                                                                                                                                              |                                                                                                                                                 |                         |
| 25                |            | +BasicServiceMO( C_EmgCall, TSPX_EmgCallRate)                                                                                                                                                                |                                                                                                                                                 |                         |
| 26                |            | +CCConfigTCH_nociph( TSPX_TCHHSubDef,<br>C_Ass, TSPX_TmSltDef, TSPX_TscDef,<br>TimingAdv( 0), C_BABR_0, C_cch_1Comb,<br>C_BPM_3, TCV_ChMod.mode, FreqTCH_omit,<br>FreqTCH_omit, C_arfcn_tchA, C_arfcn_tchAd) |                                                                                                                                                 |                         |
| 27                |            | +InitCall(C_EmgCall)                                                                                                                                                                                         |                                                                                                                                                 | 6.                      |
| 28                |            | L?DL_RacInChRq (TCV_Rr := DL_RacInChRq.<br>msg.ecau_rrf, TCV_Fn := DL_RacInChRq.fn)                                                                                                                          | ChReq(<br>ChRequest_16)                                                                                                                         |                         |
| 29                |            | ACTIVATE(OtherEventsFail_02)                                                                                                                                                                                 |                                                                                                                                                 | To match ChReq retrans. |
| 30                |            | L!DL_UdatRqImm                                                                                                                                                                                               | ImmAss( TCV_agch,<br>ImmAsgn_01Def(<br>TCV_Rr, TCV_Fn,<br>TSPX_SDCCH4SubD<br>ef, TCV_slot,<br>TCV_tsc,<br>TCV_chdescr_arfcn,<br>TimingAdv( 0))) |                         |
| 31                |            | L?DL_EstInCmsRq                                                                                                                                                                                              | CMSerReq(<br>CMServiceReq_01)                                                                                                                   |                         |
| 32                |            | ACTIVATE(OtherEventsFail)                                                                                                                                                                                    |                                                                                                                                                 | Restore Normal default  |
| 33                |            | LIDL_DatRqCmsAcp                                                                                                                                                                                             | CMSerAcp( TCV_ch,<br>CMServiceAcp_01)                                                                                                           |                         |
| 34                |            | +RcvSetupOrEsetup(<br>TCV_Setup_mo, TCV_Esetup,<br>TCV_Ecall)                                                                                                                                                |                                                                                                                                                 |                         |
| 35                |            | +continue1                                                                                                                                                                                                   |                                                                                                                                                 |                         |
| <b>continue1</b>  |            |                                                                                                                                                                                                              |                                                                                                                                                 |                         |
| 36                |            | LIDL_DatRqCallProc                                                                                                                                                                                           | CallProc(TCV_ch,<br>TCV_CallProc)                                                                                                               |                         |
| 37                |            | +AssCmdGen( TCV_cellid, TCV_ChRate,<br>TSPX_TmSltDef, TSPX_TscDef,<br>TSPX_TCHHSubDef)                                                                                                                       |                                                                                                                                                 |                         |
| 38                |            | +AssCh_complete( TCV_ch, TCV_chTch,<br>TCV_AssCmd)                                                                                                                                                           |                                                                                                                                                 |                         |
| 39                |            | LIDL_DatRqAlert                                                                                                                                                                                              | AlertSnd(<br>TCV_chTch,<br>Alerting_01( TCV_TI))                                                                                                |                         |
| 40                |            | LIDL_DatRqConn START T_dly1(10000),<br>START T_dly(120000)                                                                                                                                                   | ConnSnd(TCV_chTch<br>, Connect_05(<br>TCV_TI,<br>facilitylEtsndiei(<br>FwdChAdvSS_21)))                                                         | 7.                      |
| 41                |            | +AOC_CHK_FAC(TCV_TI0)                                                                                                                                                                                        |                                                                                                                                                 |                         |
| 42                |            | ?TIMEOUT T_dly                                                                                                                                                                                               |                                                                                                                                                 | 9.                      |
| 43                |            | (TCV_Null := OO_TermCall())                                                                                                                                                                                  |                                                                                                                                                 |                         |
| 44                |            | +localtree2                                                                                                                                                                                                  |                                                                                                                                                 |                         |
| <b>localtree2</b> |            |                                                                                                                                                                                                              |                                                                                                                                                 |                         |
| 45                | L_064<br>8 | L?DL_DatInDisc                                                                                                                                                                                               | DiscRcv( TCV_chTch,<br>DisconnR( TCV_TI0,<br>Cause_Def))                                                                                        | (P)                     |
| 46                |            | LIDL_DatRqRel                                                                                                                                                                                                | ReleaseSnd(<br>TCV_chTch,<br>Release_08(                                                                                                        |                         |

|                           |            |                                                                                                                                                                                                                                                                                                                                                                                                                                                                                                                                                                                                                                                                    |                |     |    |
|---------------------------|------------|--------------------------------------------------------------------------------------------------------------------------------------------------------------------------------------------------------------------------------------------------------------------------------------------------------------------------------------------------------------------------------------------------------------------------------------------------------------------------------------------------------------------------------------------------------------------------------------------------------------------------------------------------------------------|----------------|-----|----|
| 47                        |            | L?DL_DatInRelCmp                                                                                                                                                                                                                                                                                                                                                                                                                                                                                                                                                                                                                                                   | TCV_TI))       |     |    |
| 48                        |            | +PostMainLinkRel(TCV_chTch)                                                                                                                                                                                                                                                                                                                                                                                                                                                                                                                                                                                                                                        | RelComRcv(     |     |    |
| 49                        |            | (TCV_Res := OO_ACMIncCHK("0"))                                                                                                                                                                                                                                                                                                                                                                                                                                                                                                                                                                                                                                     | ReleaseCmp_03( |     |    |
| 50                        | L_064<br>9 | [TCV_Res]                                                                                                                                                                                                                                                                                                                                                                                                                                                                                                                                                                                                                                                          | TCV_TI0))      | (P) | 8. |
| 51                        | L_065<br>0 | [NOT TCV_Res]                                                                                                                                                                                                                                                                                                                                                                                                                                                                                                                                                                                                                                                      |                | (F) |    |
| <b>Detailed Comments:</b> |            | <ol style="list-style-type: none"> <li>1. To reset the ACM = 0 and set the ACMmax to 2.</li> <li>2. To send Facility IE of ForwardChargeAdvice using definite form mixed with indefinite form.</li> <li>3. The call is terminated when the ACM reaches the ACMmax (cause value #68).</li> <li>4. The time duration is 90 +- 2 seconds, pass.</li> <li>5. To check whether the ACM increment is 2.</li> <li>6. To make an emergency call.</li> <li>7. To send Facility IE of ForwardChargeAdvice using definite form mixed with indefinite form.</li> <li>8. To check whether the value of ACM is still 2.</li> <li>9. The time duration is 120 seconds.</li> </ol> |                |     |    |

### Test Case Dynamic Behaviour

|                        |                                                                                                                                                                                                                                                                                                                                                                                                                                                                                                                                                                                                                                                                                                                                                                                                                                |
|------------------------|--------------------------------------------------------------------------------------------------------------------------------------------------------------------------------------------------------------------------------------------------------------------------------------------------------------------------------------------------------------------------------------------------------------------------------------------------------------------------------------------------------------------------------------------------------------------------------------------------------------------------------------------------------------------------------------------------------------------------------------------------------------------------------------------------------------------------------|
| <b>Test Case Name:</b> | TC_31_6_2_5                                                                                                                                                                                                                                                                                                                                                                                                                                                                                                                                                                                                                                                                                                                                                                                                                    |
| <b>Group:</b>          | GSM_L3_MS_v4210/SS/                                                                                                                                                                                                                                                                                                                                                                                                                                                                                                                                                                                                                                                                                                                                                                                                            |
| <b>Purpose:</b>        | <p>1) To verify that when the value stored in the ACM becomes equal to or exceeds its maximum value, the ACMM, any mobile terminating calls in progress for which a non-zero CAI exists are terminated by the ME, once the chargeable interval determined by the CAI has elapsed, with an appropriate indication given to the user.</p> <p>2) To verify that when the value stored in the ACM becomes equal to or exceeds its maximum value, the ACMM, and an incoming call is received for which subsequently a non-zero CAI is received, then the call is terminated by the ME with an appropriate indication given to the user.</p> <p>3) To verify that when the value stored in the ACM becomes equal to or exceeds its maximum limit,<br/>the ACMM, the receiving of calls for which the CAI is zero is uninhibited.</p> |
| <b>Default:</b>        | OtherEventsFail                                                                                                                                                                                                                                                                                                                                                                                                                                                                                                                                                                                                                                                                                                                                                                                                                |

| Nr | Label | Behaviour Description                                                                                                                                                                                                                                                                                                                                                                                                                                                                                                                                                                                                 | CRef | V | Comments |
|----|-------|-----------------------------------------------------------------------------------------------------------------------------------------------------------------------------------------------------------------------------------------------------------------------------------------------------------------------------------------------------------------------------------------------------------------------------------------------------------------------------------------------------------------------------------------------------------------------------------------------------------------------|------|---|----------|
| 1  |       | START T_guard(600)                                                                                                                                                                                                                                                                                                                                                                                                                                                                                                                                                                                                    |      |   |          |
| 2  |       | +BasicServiceMT( TSPX_MTBscSvcA,<br>TSPX_MTChRateA)                                                                                                                                                                                                                                                                                                                                                                                                                                                                                                                                                                   |      |   |          |
| 3  |       | +IdleUpdated( C_E_default, C_CellA, C_SCH_A,<br>C_BCCH_A_1, C_ImmAss, C_S0, C_SlotNU,<br>C_SlotNU, C_SlotNU, C_BCC, C_TxInt_5,<br>C_Max_1, C_NECI_0, C_ATT_0, TimingAdv( 0),<br>C_BABR_0, C_cch_1Comb, C_BPM_3,<br>C_T3212_0, C_ci_cellA, C_MCC_1, C_PLMN_1,<br>C_LAC_1, CellOpt_01, CellChDes_Omit,<br>CellChDes_Omit, C_CellReselectHys12,<br>C_MaxPwrLvlG, C_MaxPwrLvlID,<br>BcchFreqLst_45, BcchFreqLst_02,<br>BcchFreqLst_03, BcchFreqLst_04,<br>C_Restablishment, C_BCC, C_NCC,<br>C_Start_Tmsi, TSPX_SDCCH4SubDef,<br>TSPX_CKSNDDef, TSPX_RANDDef, C_arfcnA,<br>C_arfcnAd, TSPX_IMSI, C_Test_nfh,<br>C_NCCP_2) |      |   |          |
| 4  |       | +CCConfigTCH_nociph( TSPX_TCHHSubDef,<br>C_Ass, TSPX_TmSltDef, TSPX_TscDef,<br>TimingAdv( 0), C_BABR_0, C_cch_1Comb,<br>C_BPM_3, TCV_ChMod.mode, FreqTCH_omit,<br>FreqTCH_omit, C_arfcn_tchA, C_arfcn_tchAd)                                                                                                                                                                                                                                                                                                                                                                                                          |      |   |          |
| 5  |       | (TCV_Null := OO_ACMSetting())                                                                                                                                                                                                                                                                                                                                                                                                                                                                                                                                                                                         |      |   | 1.       |
| 6  | body  | +execution1                                                                                                                                                                                                                                                                                                                                                                                                                                                                                                                                                                                                           |      |   |          |
| 7  |       | +execution2                                                                                                                                                                                                                                                                                                                                                                                                                                                                                                                                                                                                           |      |   |          |
| 8  |       | +execution3                                                                                                                                                                                                                                                                                                                                                                                                                                                                                                                                                                                                           |      |   |          |
|    |       | <b>execution1</b>                                                                                                                                                                                                                                                                                                                                                                                                                                                                                                                                                                                                     |      |   |          |
| 9  |       | +init                                                                                                                                                                                                                                                                                                                                                                                                                                                                                                                                                                                                                 |      |   |          |
| 10 |       | +branchA( FwdChAdvSS_20)                                                                                                                                                                                                                                                                                                                                                                                                                                                                                                                                                                                              |      |   |          |
| 11 |       | +branchF                                                                                                                                                                                                                                                                                                                                                                                                                                                                                                                                                                                                              |      |   |          |
| 12 |       | +TimerCheck                                                                                                                                                                                                                                                                                                                                                                                                                                                                                                                                                                                                           |      |   |          |
| 13 |       | +step20("2")                                                                                                                                                                                                                                                                                                                                                                                                                                                                                                                                                                                                          |      |   | 5.       |
|    |       | <b>execution2</b>                                                                                                                                                                                                                                                                                                                                                                                                                                                                                                                                                                                                     |      |   |          |
| 14 |       | +init                                                                                                                                                                                                                                                                                                                                                                                                                                                                                                                                                                                                                 |      |   |          |
| 15 |       | +branchB                                                                                                                                                                                                                                                                                                                                                                                                                                                                                                                                                                                                              |      |   |          |
| 16 |       | +branchC                                                                                                                                                                                                                                                                                                                                                                                                                                                                                                                                                                                                              |      |   |          |
| 17 |       | +branchG                                                                                                                                                                                                                                                                                                                                                                                                                                                                                                                                                                                                              |      |   |          |
| 18 |       | +step20("0")                                                                                                                                                                                                                                                                                                                                                                                                                                                                                                                                                                                                          |      |   | 8.       |
| 19 |       | +branchD                                                                                                                                                                                                                                                                                                                                                                                                                                                                                                                                                                                                              |      |   |          |
| 20 |       | +branchG                                                                                                                                                                                                                                                                                                                                                                                                                                                                                                                                                                                                              |      |   |          |
| 21 |       | +step20("0")                                                                                                                                                                                                                                                                                                                                                                                                                                                                                                                                                                                                          |      |   | 8.       |
| 22 |       | +branchE                                                                                                                                                                                                                                                                                                                                                                                                                                                                                                                                                                                                              |      |   |          |
| 23 |       | +branchG                                                                                                                                                                                                                                                                                                                                                                                                                                                                                                                                                                                                              |      |   |          |
| 24 |       | +step20("0")                                                                                                                                                                                                                                                                                                                                                                                                                                                                                                                                                                                                          |      |   | 8.       |
|    |       | <b>execution3</b>                                                                                                                                                                                                                                                                                                                                                                                                                                                                                                                                                                                                     |      |   |          |
| 25 |       | +init                                                                                                                                                                                                                                                                                                                                                                                                                                                                                                                                                                                                                 |      |   |          |



|    |            |                                                           |                                                                                             |     |                       |
|----|------------|-----------------------------------------------------------|---------------------------------------------------------------------------------------------|-----|-----------------------|
| 26 |            | +branchA( FwdChAdvSS_21)                                  |                                                                                             |     |                       |
| 27 |            | +branchH                                                  |                                                                                             |     |                       |
| 28 |            | +step20("0")                                              |                                                                                             |     | 8.                    |
|    |            | <b>init</b>                                               |                                                                                             |     |                       |
| 29 |            | +PreEnterCCstateU8_34_SS                                  |                                                                                             |     |                       |
| 30 |            | L!DL_DatRqConnAck                                         | ConnAckSnd(<br>TCV_chTch,<br>ConnectAck_01(<br>TI_02))                                      |     |                       |
|    |            | <b>branchA( comp:Component_T)</b>                         |                                                                                             |     |                       |
| 31 |            | L!DL_DatRqFac START T_dly(120000)                         | FacilitySnd(<br>TCV_chTch,<br>FacilityPdu_25(<br>TI_02, facilityIEtsnd(<br>comp)))          |     | 2., 7.                |
| 32 | L_065<br>1 | L?DL_DatInFac                                             | FacilityRcv(<br>FacilityPdu_26(<br>TI_01, facilityIErcv(<br>FwdChAdvRslt_01)))              | (P) |                       |
|    |            | <b>branchB</b>                                            |                                                                                             |     |                       |
| 33 |            | L!DL_DatRqFac                                             | FacilitySnd(<br>TCV_chTch,<br>FacilityPdu_25(<br>TI_02, facilityIEtsnd(<br>FwdChAdvSS_20))) |     | 2.                    |
|    |            | <b>branchC</b>                                            |                                                                                             |     |                       |
| 34 | L_065<br>2 | L?DL_DatInFac                                             | FacilityRcv(<br>FacilityPdu_26(<br>TI_01, facilityIErcv(<br>FwdChAdvRslt_01)))              | (P) |                       |
| 35 |            | L?DL_DatInDisc                                            | DiscRcv( TCV_chTch,<br>DisconnR( TI_01,<br>Cause_Def))                                      |     | 6.                    |
|    |            | <b>branchD</b>                                            |                                                                                             |     |                       |
| 36 |            | L?DL_DatInDisc                                            | DiscRcv( TCV_chTch,<br>DisconnR( TI_01,<br>Cause_Def))                                      |     | 6.                    |
| 37 | L_065<br>3 | L?DL_DatInFac                                             | FacilityRcv(<br>FacilityPdu_26(<br>TI_01, facilityIErcv(<br>FwdChAdvRslt_01)))              | (P) |                       |
|    |            | <b>branchE</b>                                            |                                                                                             |     |                       |
| 38 |            | L?DL_DatInDisc                                            | DiscRcv( TCV_chTch,<br>Disconn_10( TI_01))                                                  |     | 6., with ReturnResult |
|    |            | <b>branchF</b>                                            |                                                                                             |     |                       |
| 39 |            | L?DL_DatInDisc READTIMER T_dly(TCV_Time),<br>CANCEL T_dly | DiscRcv( TCV_chTch,<br>DisconnR( TI_01,<br>Cause_Def))                                      |     | 3.                    |
| 40 |            | L!DL_DatRqRel                                             | ReleaseSnd(<br>TCV_chTch,<br>Release_08( TI_02))                                            |     |                       |
| 41 |            | L?DL_DatInRelCmp                                          | RelComRcv(<br>ReleaseCmp_03(<br>TI_01))                                                     |     |                       |
| 42 |            | +PostMainLinkRel(TCV_chTch)                               |                                                                                             |     |                       |
|    |            | <b>branchG</b>                                            |                                                                                             |     |                       |
| 43 |            | L!DL_DatRqRel                                             | ReleaseSnd(<br>TCV_chTch,<br>Release_08( TI_02))                                            |     |                       |
| 44 |            | L?DL_DatInRelCmp                                          | RelComRcv(<br>ReleaseCmp_25(<br>TI_01))                                                     |     |                       |
| 45 |            | +PostMainLinkRel(TCV_chTch)                               |                                                                                             |     |                       |

|                           |            |                                                                                                                                                                                                                                                                                                                                                                                                                                                                                                                                                                                                                           |                                                        |        |
|---------------------------|------------|---------------------------------------------------------------------------------------------------------------------------------------------------------------------------------------------------------------------------------------------------------------------------------------------------------------------------------------------------------------------------------------------------------------------------------------------------------------------------------------------------------------------------------------------------------------------------------------------------------------------------|--------------------------------------------------------|--------|
|                           |            | <b>branchH</b>                                                                                                                                                                                                                                                                                                                                                                                                                                                                                                                                                                                                            |                                                        |        |
| 46                        |            | ?TIMEOUT T_dly                                                                                                                                                                                                                                                                                                                                                                                                                                                                                                                                                                                                            |                                                        | 9.     |
| 47                        |            | (TCV_Null := OO_TermCall())                                                                                                                                                                                                                                                                                                                                                                                                                                                                                                                                                                                               |                                                        |        |
| 48                        |            | L?DL_DatInDisc (TCV_Fn1 := DL_DatInDisc.fn)                                                                                                                                                                                                                                                                                                                                                                                                                                                                                                                                                                               | DiscRcv( TCV_chTch,<br>DisconnR( TI_01,<br>Cause_Def)) | 3.     |
| 49                        |            | LIDL_DatRqRel                                                                                                                                                                                                                                                                                                                                                                                                                                                                                                                                                                                                             | ReleaseSnd(<br>TCV_chTch,<br>Release_08( TI_02))       |        |
| 50                        |            | L?DL_DatInRelCmp                                                                                                                                                                                                                                                                                                                                                                                                                                                                                                                                                                                                          | RelComRcv(<br>ReleaseCmp_03(<br>TI_01))                |        |
| 51                        |            | +PostMainLinkRel(TCV_chTch)                                                                                                                                                                                                                                                                                                                                                                                                                                                                                                                                                                                               |                                                        |        |
|                           |            | <b>step20(val:IA5String)</b>                                                                                                                                                                                                                                                                                                                                                                                                                                                                                                                                                                                              |                                                        |        |
| 52                        |            | (TCV_Res := OO_ACMIncCHK( val))                                                                                                                                                                                                                                                                                                                                                                                                                                                                                                                                                                                           |                                                        |        |
| 53                        | L_065<br>4 | [TCV_Res]                                                                                                                                                                                                                                                                                                                                                                                                                                                                                                                                                                                                                 |                                                        | (P)    |
| 54                        | L_065<br>5 | [NOT TCV_Res]                                                                                                                                                                                                                                                                                                                                                                                                                                                                                                                                                                                                             |                                                        | (F)    |
|                           |            | <b>TimerCheck</b>                                                                                                                                                                                                                                                                                                                                                                                                                                                                                                                                                                                                         |                                                        |        |
| 55                        | L_065<br>6 | [(88000 <= TCV_Time) AND (TCV_Time <= 92000)]                                                                                                                                                                                                                                                                                                                                                                                                                                                                                                                                                                             |                                                        | (P) 4. |
| 56                        | L_065<br>7 | [(88000 > TCV_Time) OR(TCV_Time > 92000)]                                                                                                                                                                                                                                                                                                                                                                                                                                                                                                                                                                                 |                                                        | (F) 4. |
| <b>Detailed Comments:</b> |            | <ol style="list-style-type: none"> <li>1. To reset the ACM = 0 and set the ACMmax to 2.</li> <li>2. To send Facility IE of ForwardChargeAdvice using definite form mixed with indefinite form.</li> <li>3. The call is terminated when the ACM reaches the ACMmax.</li> <li>4. To check whether the time duration is 90 +- 2 seconds.</li> <li>5. To check whether the ACM increment is 2.</li> <li>6. The call is unsuccessful.</li> <li>7. To send Facility IE of ForwardChargeAdvice with zero CAI.</li> <li>8. To check whether the value of ACM is still 2.</li> <li>9. The time duration is 120 seconds.</li> </ol> |                                                        |        |

### Test Case Dynamic Behaviour

|                        |                                                                                                                                                                                                                                                                                                                                                                                                                                                                                                                                                                                                                                                                                                                                                                                                                                                                                                                                                                                                                                                                                                                                                                                                                                                                                                            |
|------------------------|------------------------------------------------------------------------------------------------------------------------------------------------------------------------------------------------------------------------------------------------------------------------------------------------------------------------------------------------------------------------------------------------------------------------------------------------------------------------------------------------------------------------------------------------------------------------------------------------------------------------------------------------------------------------------------------------------------------------------------------------------------------------------------------------------------------------------------------------------------------------------------------------------------------------------------------------------------------------------------------------------------------------------------------------------------------------------------------------------------------------------------------------------------------------------------------------------------------------------------------------------------------------------------------------------------|
| <b>Test Case Name:</b> | TC_31_8_1_1                                                                                                                                                                                                                                                                                                                                                                                                                                                                                                                                                                                                                                                                                                                                                                                                                                                                                                                                                                                                                                                                                                                                                                                                                                                                                                |
| <b>Group:</b>          | GSM_L3_MS_v4210/SS/                                                                                                                                                                                                                                                                                                                                                                                                                                                                                                                                                                                                                                                                                                                                                                                                                                                                                                                                                                                                                                                                                                                                                                                                                                                                                        |
| <b>Purpose:</b>        | <p>1) To check that the MS correctly requests a supplementary service transaction for registration of a password for all call restriction services in CHANNEL REQUEST message.</p> <p>2) To check that the MS correctly requests a supplementary service transaction for registration of a password for all call restriction services in the subsequent CM-SERVICE REQUEST.</p> <p>3) To check that the MS sends a REGISTER message containing the invoke of the RegisterPassword operation with the expected parameter values for registration of a password for all barring services.</p> <p>4) To check that when the mobile subscriber wants to register a new password, the old password the new and the repeat of the new password shall be entered into the MS before the MS sends to the network a CHANNEL REQUEST..</p> <p>5) To check that the MS is able to send a password by sending a FACILITY message in accordance to the user request (MMI actions).</p> <p>6) To check that upon receipt of the result of the procedure, contained in RELEASE COMPLETE message, the MS provides the appropriate user indication (as described by the manufacturer).</p> <p>These checks are done for:<br/>all barring services, the result of the operation being sent in a RELEASE COMPLETE message</p> |
| <b>Default:</b>        | OtherEventsFail                                                                                                                                                                                                                                                                                                                                                                                                                                                                                                                                                                                                                                                                                                                                                                                                                                                                                                                                                                                                                                                                                                                                                                                                                                                                                            |

| Nr | Label | Behaviour Description                                                                                                                                                                                                                                                                                                                                                                                                                                                                                                                                                 | CRef                                                                                                                      | V | Comments                |
|----|-------|-----------------------------------------------------------------------------------------------------------------------------------------------------------------------------------------------------------------------------------------------------------------------------------------------------------------------------------------------------------------------------------------------------------------------------------------------------------------------------------------------------------------------------------------------------------------------|---------------------------------------------------------------------------------------------------------------------------|---|-------------------------|
| 1  |       | START T_guard(300)                                                                                                                                                                                                                                                                                                                                                                                                                                                                                                                                                    |                                                                                                                           |   |                         |
| 2  |       | +IdleUpdated( C_E_default, C_CellA, C_SCH_A, C_BCCH_A_1, C_Immass, C_S0, C_SlotNU, C_SlotNU, C_SlotNU, C_BCC, C_TxInt_5, C_Max_1, C_NECI_0, C_ATT_0, TimingAdv( 0), C_BABR_0, C_cch_1Comb, C_BPM_3, C_T3212_0, C_ci_cellA, C_MCC_1, C_PLMN_1, C_LAC_1, CellOpt_01, CellChDes_Omit, CellChDes_Omit, C_CellReselectHys12, C_MaxPwrLvlG, C_MaxPwrLvlD, BcchFreqLst_45, BcchFreqLst_02, BcchFreqLst_03, BcchFreqLst_04, C_Restablishment, C_BCC, C_NCC, C_Start_Tmsi, TSPX_SDCCH4SubDef, TSPX_CKSNDf, TSPX_RANDDef, C_arfcnA, C_arfcnAd, TSPX_IMSI, C_Test_nfh, C_NCCP_2) |                                                                                                                           |   |                         |
| 3  |       | (TCV_Null := OO_InitSS(***03*330*1234*9876*9876#"))                                                                                                                                                                                                                                                                                                                                                                                                                                                                                                                   |                                                                                                                           |   | 2.                      |
| 4  |       | L?DL_RaInChRq (TCV_Rr := DL_RaInChRq.msg.ecau_rrf, TCV_Fn := DL_RaInChRq.fn)                                                                                                                                                                                                                                                                                                                                                                                                                                                                                          | ChReq(ChRequest_04)                                                                                                       |   |                         |
| 5  |       | ACTIVATE( OtherEventsFail_02)                                                                                                                                                                                                                                                                                                                                                                                                                                                                                                                                         |                                                                                                                           |   | To match ChReq retrans. |
| 6  |       | L!DL_UdatRqImmass                                                                                                                                                                                                                                                                                                                                                                                                                                                                                                                                                     | ImmAss( TCV_agch, ImmAsgn_01Def( TCV_Rr, TCV_Fn, TSPX_SDCCH4SubDef, TCV_slot, TCV_tsc, TCV_chdescr_arfcn, TimingAdv( 0))) |   |                         |
| 7  |       | L?DL_EstInCmsRq                                                                                                                                                                                                                                                                                                                                                                                                                                                                                                                                                       | CMSerReq(CMServiceReq_08)                                                                                                 |   |                         |
| 8  |       | ACTIVATE( OtherEventsFail)                                                                                                                                                                                                                                                                                                                                                                                                                                                                                                                                            |                                                                                                                           |   | Restore Normal default  |
| 9  |       | LIDL_DatRqCmsAcp                                                                                                                                                                                                                                                                                                                                                                                                                                                                                                                                                      | CMSerAcp( TCV_ch, CMServiceAcp_01)                                                                                        |   |                         |
| 10 |       | +continue                                                                                                                                                                                                                                                                                                                                                                                                                                                                                                                                                             |                                                                                                                           |   |                         |
| 11 |       | <b>continue</b><br>L?DL_DatInRegister ( TCV_TI := DL_DatInRegister.msg.ti, TCV_TI0 := TCV_TI, TCV_TI.ti_f := '1'B, TCV_Comp := DL_DatInRegister.msg.fie.components_1, TCV_n := OC_PosinSet(TCV_Comp, RegPasswdSS_01), TCV_Invkld := OC_Asn1intToOct(TCV_Comp.[TCV_n].registerPasswordComponents.registerPassword_InvokeComp.inv                                                                                                                                                                                                                                       | Register_03( RegisterPdu_03( facilityIrcviei( RegPasswdSS_01)))                                                           |   |                         |

|                           |            |                                                                                                                                                                                                                                                                                                                      |                                                                                                                    |       |  |
|---------------------------|------------|----------------------------------------------------------------------------------------------------------------------------------------------------------------------------------------------------------------------------------------------------------------------------------------------------------------------|--------------------------------------------------------------------------------------------------------------------|-------|--|
| 12                        |            | okeID, 1))<br>L!DL_DatRqFac                                                                                                                                                                                                                                                                                          | FacilitySnd( TCV_ch,<br>FacilityPdu_25_ci(<br>TCV_TI,<br>facilitylEtsnd(<br>GetPasswdSS_01(<br>TCV_InvkId))))      |       |  |
| 13                        |            | L?DL_DatInFac                                                                                                                                                                                                                                                                                                        | FacilityRcv(<br>FacilityPdu_26_ci(<br>TCV_TI0,<br>facilitylErcv(<br>GetPasswdRslt_01)))                            | 3     |  |
| 14                        |            | LIDL_DatRqFac                                                                                                                                                                                                                                                                                                        | FacilitySnd( TCV_ch,<br>FacilityPdu_25_ci(<br>TCV_TI,<br>facilitylEtsnd(<br>GetPasswdSS_02(<br>TCV_InvkId))))      |       |  |
| 15                        |            | L?DL_DatInFac                                                                                                                                                                                                                                                                                                        | FacilityRcv(<br>FacilityPdu_26_ci(<br>TCV_TI0,<br>facilitylErcv(<br>GetPasswdRslt_02)))                            | 4     |  |
| 16                        |            | L!DL_DatRqFac                                                                                                                                                                                                                                                                                                        | FacilitySnd( TCV_ch,<br>FacilityPdu_25_ci(<br>TCV_TI,<br>facilitylEtsnd(<br>GetPasswdSS_03(<br>TCV_InvkId))))      |       |  |
| 17                        | L_065<br>8 | L?DL_DatInFac                                                                                                                                                                                                                                                                                                        | FacilityRcv(<br>FacilityPdu_26_ci(<br>TCV_TI0,<br>facilitylErcv(<br>GetPasswdRslt_02)))                            | (P) 5 |  |
| 18                        |            | LIDL_DatRqRelCmp                                                                                                                                                                                                                                                                                                     | RelComSnd(<br>TCV_ch,<br>ReleaseCmp_09(<br>TCV_TI,<br>facilitylEtsndiei(<br>RegPasswdSSRslt_0<br>1( TCV_InvkId)))) |       |  |
| 19                        |            | +PostMainLinkRel( TCV_ch)                                                                                                                                                                                                                                                                                            |                                                                                                                    |       |  |
| <b>Detailed Comments:</b> |            | <ol style="list-style-type: none"> <li>1. To set up physical channel as BCCH, CCCH and SDCCH4.</li> <li>2. To initiate the Registration of password supplementary service.</li> <li>3. Received the old password.</li> <li>4. Received the new password.</li> <li>5. Received the repeat of new password.</li> </ol> |                                                                                                                    |       |  |

| Test Case Dynamic Behaviour                                                                                                                                                                                                                                                             |            |                                                                                                                                                                                                                                                                                                                                                                                                                                                                                                                                                                                                                   |                                                                           |     |          |
|-----------------------------------------------------------------------------------------------------------------------------------------------------------------------------------------------------------------------------------------------------------------------------------------|------------|-------------------------------------------------------------------------------------------------------------------------------------------------------------------------------------------------------------------------------------------------------------------------------------------------------------------------------------------------------------------------------------------------------------------------------------------------------------------------------------------------------------------------------------------------------------------------------------------------------------------|---------------------------------------------------------------------------|-----|----------|
| <b>Test Case Name:</b> TC_31_8_1_2_1                                                                                                                                                                                                                                                    |            |                                                                                                                                                                                                                                                                                                                                                                                                                                                                                                                                                                                                                   |                                                                           |     |          |
| <b>Group:</b> GSM_L3_MS_v4210/SS/                                                                                                                                                                                                                                                       |            |                                                                                                                                                                                                                                                                                                                                                                                                                                                                                                                                                                                                                   |                                                                           |     |          |
| <b>Purpose:</b>                                                                                                                                                                                                                                                                         |            |                                                                                                                                                                                                                                                                                                                                                                                                                                                                                                                                                                                                                   |                                                                           |     |          |
| 1) To check that, when a call transaction is already established, the MS correctly requests the establishment of a parallel MM transaction for supplementary service transaction of registration of a password for all call restriction services, sending a CM-SERVICE REQUEST.         |            |                                                                                                                                                                                                                                                                                                                                                                                                                                                                                                                                                                                                                   |                                                                           |     |          |
| 2) To check that the MS sends a REGISTER message containing the invoke of the RegisterPassword operation with the expected parameter values for registration of a password for all call restriction services.                                                                           |            |                                                                                                                                                                                                                                                                                                                                                                                                                                                                                                                                                                                                                   |                                                                           |     |          |
| 3) To check that upon receipt of the RELEASE COMPLETE message related to the present SS transaction, the first transaction remains unaffected.                                                                                                                                          |            |                                                                                                                                                                                                                                                                                                                                                                                                                                                                                                                                                                                                                   |                                                                           |     |          |
| 4) To check that upon receipt of the RELEASE COMPLETE message, the MS provides the appropriate user indication (as described by the Manufacturer).                                                                                                                                      |            |                                                                                                                                                                                                                                                                                                                                                                                                                                                                                                                                                                                                                   |                                                                           |     |          |
| Those checks are performed with a call transaction already established for:<br>all call restriction services, the RELEASE COMPLETE message being sent at the beginning of the procedure with a facility IE containing a return_error(error) where error is "SS subscription violation". |            |                                                                                                                                                                                                                                                                                                                                                                                                                                                                                                                                                                                                                   |                                                                           |     |          |
| <b>Default:</b> OtherEventsFail                                                                                                                                                                                                                                                         |            |                                                                                                                                                                                                                                                                                                                                                                                                                                                                                                                                                                                                                   |                                                                           |     |          |
| Nr                                                                                                                                                                                                                                                                                      | Label      | Behaviour Description                                                                                                                                                                                                                                                                                                                                                                                                                                                                                                                                                                                             | CRef                                                                      | V   | Comments |
| 1                                                                                                                                                                                                                                                                                       |            | START T_guard(300)                                                                                                                                                                                                                                                                                                                                                                                                                                                                                                                                                                                                |                                                                           |     |          |
| 2                                                                                                                                                                                                                                                                                       |            | +BasicServiceMO( TSPX_MOBscSvcA,<br>TSPX_MOChRateA)                                                                                                                                                                                                                                                                                                                                                                                                                                                                                                                                                               |                                                                           |     |          |
| 3                                                                                                                                                                                                                                                                                       |            | +IdleUpdated( C_E_default, C_CellA, C_SCH_A,<br>C_BCCH_A_1, C_Immss, C_S0, C_SlotNU,<br>C_SlotNU, C_SlotNU, C_BCC, C_TxInt_5,<br>C_Max_1, C_NECI_0, C_ATT_0, TimingAdv( 0),<br>C_BABR_0, C_cch_1Comb, C_BPM_3,<br>C_T3212_0, C_ci_cellA, C_MCC_1, C_PLMN_1,<br>C_LAC_1, CellOpt_01, CellChDes_Omit,<br>CellChDes_Omit, C_CellReselectHys12,<br>C_MaxPwrLvIG, C_MaxPwrLvID,<br>BcchFreqLst_45, BcchFreqLst_02,<br>BcchFreqLst_03, BcchFreqLst_04,<br>C_Restablishment, C_BCC, C_NCC,<br>C_Start_Tmsi, TSPX_SDCCH4SubDef,<br>TSPX_CKSNDf, TSPX_RANDDef, C_arfcnA,<br>C_arfcnAd, TSPX_IMSI, C_Test_nfh,<br>C_NCCP_2) |                                                                           |     |          |
| 4                                                                                                                                                                                                                                                                                       |            | +CCConfigTCH_nociph( TSPX_TCHHSubDef,<br>C_Ass, TSPX_TmSlitDef, TSPX_TscDef,<br>TimingAdv( 0), C_BABR_0, C_cch_1Comb,<br>C_BPM_3, TCV_ChMod.mode, FreqTCH_omit,<br>FreqTCH_omit, C_arfcn_tchA, C_arfcn_tchAd)                                                                                                                                                                                                                                                                                                                                                                                                     |                                                                           |     | 1.       |
| 5                                                                                                                                                                                                                                                                                       |            | +Est_MO_Call( TimingAdv( 0), TCV_ChRate,<br>TSPX_RANDDef, TSPX_SDCCH4SubDef,<br>TSPX_TmSlitDef, TSPX_TscDef,<br>TSPX_TCHHSubDef)                                                                                                                                                                                                                                                                                                                                                                                                                                                                                  |                                                                           |     | 2.       |
| 6                                                                                                                                                                                                                                                                                       |            | (TCV_Null := OO_InitSS(<br>"03*330*1234*9876*9877#"))                                                                                                                                                                                                                                                                                                                                                                                                                                                                                                                                                             |                                                                           |     | 3.       |
| 7                                                                                                                                                                                                                                                                                       |            | L?DL_DatInCmsRq                                                                                                                                                                                                                                                                                                                                                                                                                                                                                                                                                                                                   | CMSerDatReq(<br>CMServiceReq_08)                                          |     |          |
| 8                                                                                                                                                                                                                                                                                       |            | L!DL_DatRqCmsAcp                                                                                                                                                                                                                                                                                                                                                                                                                                                                                                                                                                                                  | CMSerAcp(<br>TCV_chTch,<br>CMServiceAcp_01)                               |     |          |
| 9                                                                                                                                                                                                                                                                                       |            | +localtree                                                                                                                                                                                                                                                                                                                                                                                                                                                                                                                                                                                                        |                                                                           |     |          |
| 10                                                                                                                                                                                                                                                                                      | L_065<br>9 | <b>localtree</b><br>L?DL_DatInRegister ( TCV_TI1 :=<br>DL_DatInRegister.msg.ti, TCV_TI2 := TCV_TI1,<br>TCV_TI2.ti_f := '1'B, TCV_Comp :=<br>DL_DatInRegister.msg.fie.components_1, TCV_n :=<br>OC_PosinSet(TCV_Comp, RegPasswdSS_01),<br>TCV_Invkld :=<br>OC_Asn1intToOct(TCV_Comp.[TCV_n].registerPass<br>wordComponents.registerPassword_InvokeComp.inv<br>okeID, 1))                                                                                                                                                                                                                                           | Register_03(<br>RegisterPdu_03(<br>facilityIErcviei(<br>RegPasswdSS_01))) | (P) |          |
| 11                                                                                                                                                                                                                                                                                      |            | L!DL_DatRqRelCmp                                                                                                                                                                                                                                                                                                                                                                                                                                                                                                                                                                                                  | RelComSnd(TCV_ch<br>Tch,                                                  |     | 4.       |

|                                                                                                                                                                                                                                                                                                               |            |                             |                                                                                                                                                    |     |
|---------------------------------------------------------------------------------------------------------------------------------------------------------------------------------------------------------------------------------------------------------------------------------------------------------------|------------|-----------------------------|----------------------------------------------------------------------------------------------------------------------------------------------------|-----|
| 12                                                                                                                                                                                                                                                                                                            |            | LIDL_DatRqCstEnq            | ReleaseCmp_09(<br>TCV_TI2,<br>facilityIetsndiei(<br>RegPasswdSSErr_01<br>( TCV_Invkld))))<br>CCStESnd(<br>TCV_chTch,<br>CCStatusEq_01(<br>TCV_TI)) |     |
| 13                                                                                                                                                                                                                                                                                                            | L_066<br>0 | L?DL_DatInCst               | CCStRcv(<br>TCV_chTch,<br>CCStatus_14(<br>TCV_TI0, C_U10))                                                                                         | (P) |
| 14                                                                                                                                                                                                                                                                                                            |            | +PostMainLinkRel(TCV_chTch) |                                                                                                                                                    |     |
| <b>Detailed Comments:</b>                                                                                                                                                                                                                                                                                     |            |                             |                                                                                                                                                    |     |
| <ol style="list-style-type: none"> <li>1. To set up traffic channel.</li> <li>2. To establish a mobile originating call, bring the MS into state U10.</li> <li>3. To initiate RegisterPassword supplementary service.</li> <li>4. To reject the RegisterPassword supplementary service invocation.</li> </ol> |            |                             |                                                                                                                                                    |     |

| Test Case Dynamic Behaviour                                                                                                                                                                                                                                                     |       |                                                                                                                                                                                                                                                                                                                                                                                                                                                                                                                                                                       |                                                                  |   |          |
|---------------------------------------------------------------------------------------------------------------------------------------------------------------------------------------------------------------------------------------------------------------------------------|-------|-----------------------------------------------------------------------------------------------------------------------------------------------------------------------------------------------------------------------------------------------------------------------------------------------------------------------------------------------------------------------------------------------------------------------------------------------------------------------------------------------------------------------------------------------------------------------|------------------------------------------------------------------|---|----------|
| <b>Test Case Name:</b> TC_31_8_1_2_2                                                                                                                                                                                                                                            |       |                                                                                                                                                                                                                                                                                                                                                                                                                                                                                                                                                                       |                                                                  |   |          |
| <b>Group:</b> GSM_L3_MS_v4210/SS/                                                                                                                                                                                                                                               |       |                                                                                                                                                                                                                                                                                                                                                                                                                                                                                                                                                                       |                                                                  |   |          |
| <b>Purpose:</b>                                                                                                                                                                                                                                                                 |       |                                                                                                                                                                                                                                                                                                                                                                                                                                                                                                                                                                       |                                                                  |   |          |
| 1) To check that, when a call transaction is already established, the MS correctly requests the establishment of a parallel MM transaction for supplementary service transaction of registration of a password for all call restriction services, sending a CM-SERVICE REQUEST. |       |                                                                                                                                                                                                                                                                                                                                                                                                                                                                                                                                                                       |                                                                  |   |          |
| 2) To check that the MS sends a REGISTER message containing the invoke of the RegisterPassword operation with the expected parameter values for registration of a password for all call restriction services.                                                                   |       |                                                                                                                                                                                                                                                                                                                                                                                                                                                                                                                                                                       |                                                                  |   |          |
| 3) To check that upon receipt of the RELEASE COMPLETE message related to the present SS transaction, the first transaction remains unaffected.                                                                                                                                  |       |                                                                                                                                                                                                                                                                                                                                                                                                                                                                                                                                                                       |                                                                  |   |          |
| 4) To check that upon receipt of the RELEASE COMPLETE message, the MS provides the appropriate user indication (as described by the Manufacturer).                                                                                                                              |       |                                                                                                                                                                                                                                                                                                                                                                                                                                                                                                                                                                       |                                                                  |   |          |
| Those checks are performed with a call transaction already established for :                                                                                                                                                                                                    |       |                                                                                                                                                                                                                                                                                                                                                                                                                                                                                                                                                                       |                                                                  |   |          |
| all call restriction services, the RELEASE COMPLETE message being sent at the end of the procedure with a facility IE containing a return_error(error) where error is "NegativePasswordCheck".                                                                                  |       |                                                                                                                                                                                                                                                                                                                                                                                                                                                                                                                                                                       |                                                                  |   |          |
| <b>Default:</b> OtherEventsFail                                                                                                                                                                                                                                                 |       |                                                                                                                                                                                                                                                                                                                                                                                                                                                                                                                                                                       |                                                                  |   |          |
| Nr                                                                                                                                                                                                                                                                              | Label | Behaviour Description                                                                                                                                                                                                                                                                                                                                                                                                                                                                                                                                                 | CRef                                                             | V | Comments |
| 1                                                                                                                                                                                                                                                                               |       | START T_guard(300)                                                                                                                                                                                                                                                                                                                                                                                                                                                                                                                                                    |                                                                  |   |          |
| 2                                                                                                                                                                                                                                                                               |       | +BasicServiceMO( TSPX_MOBscSvcC, TSPX_MOChRateC)                                                                                                                                                                                                                                                                                                                                                                                                                                                                                                                      |                                                                  |   |          |
| 3                                                                                                                                                                                                                                                                               |       | +IdleUpdated( C_E_default, C_CellA, C_SCH_A, C_BCCH_A_1, C_Immasc, C_S0, C_SlotNU, C_SlotNU, C_SlotNU, C_BCC, C_TxInt_5, C_Max_1, C_NECI_0, C_ATT_0, TimingAdv( 0), C_BABR_0, C_cch_1Comb, C_BPM_3, C_T3212_0, C_ci_cellA, C_MCC_1, C_PLMN_1, C_LAC_1, CellOpt_01, CellChDes_Omit, CellChDes_Omit, C_CellReselectHys12, C_MaxPwrLvIG, C_MaxPwrLvID, BcchFreqLst_45, BcchFreqLst_02, BcchFreqLst_03, BcchFreqLst_04, C_Restablishment, C_BCC, C_NCC, C_Start_Tmsi, TSPX_SDCCH4SubDef, TSPX_CKSNDf, TSPX_RANDDef, C_arfcnA, C_arfcnAd, TSPX_IMSI, C_Test_nfh, C_NCCP_2) |                                                                  |   |          |
| 4                                                                                                                                                                                                                                                                               |       | +CCConfigTCH_nociph( TSPX_TCHHSubDef, C_Ass, TSPX_TmSlitDef, TSPX_TscDef, TimingAdv( 0), C_BABR_0, C_cch_1Comb, C_BPM_3, TCV_ChMod.mode, FreqTCH_omit, FreqTCH_omit, C_arfcn_tchA, C_arfcn_tchAd)                                                                                                                                                                                                                                                                                                                                                                     |                                                                  |   | 1.       |
| 5                                                                                                                                                                                                                                                                               |       | +Est_MO_Call( TimingAdv( 0), TCV_ChRate, TSPX_RANDDef, TSPX_SDCCH4SubDef, TSPX_TmSlitDef, TSPX_TscDef, TSPX_TCHHSubDef)                                                                                                                                                                                                                                                                                                                                                                                                                                               |                                                                  |   | 2.       |
| 6                                                                                                                                                                                                                                                                               | body  | (TCV_Null := OO_InitSS(***03*330*1234*9876*9876#"))                                                                                                                                                                                                                                                                                                                                                                                                                                                                                                                   |                                                                  |   | 3.       |
| 7                                                                                                                                                                                                                                                                               |       | L?DL_DatInCmsRq                                                                                                                                                                                                                                                                                                                                                                                                                                                                                                                                                       | CMSerDatReq( CServiceReq_08)                                     |   |          |
| 8                                                                                                                                                                                                                                                                               |       | LIDL_DatRqCmsAcp                                                                                                                                                                                                                                                                                                                                                                                                                                                                                                                                                      | CMSerAcp( TCV_chTch, CServiceAcp_01)                             |   |          |
| 9                                                                                                                                                                                                                                                                               |       | +continue                                                                                                                                                                                                                                                                                                                                                                                                                                                                                                                                                             |                                                                  |   |          |
| 10                                                                                                                                                                                                                                                                              |       | <b>continue</b><br>L?DL_DatInRegister ( TCV_TI1 := DL_DatInRegister.msg.ti, TCV_TI2 := TCV_TI1, TCV_TI2.ti_f := '1'B, TCV_Comp := DL_DatInRegister.msg.fie.components_1, TCV_n := OC_PosinSet(TCV_Comp, RegPasswdSS_01), TCV_Invkld := OC_Asn1intToOct(TCV_Comp.[TCV_n].registerPasswordComponents.registerPassword_InvokeComp.invokedID, 1))                                                                                                                                                                                                                         | Register_03( RegisterPdu_03( facilityIErcviei( RegPasswdSS_01))) |   |          |
| 11                                                                                                                                                                                                                                                                              |       | LIDL_DatRqFac                                                                                                                                                                                                                                                                                                                                                                                                                                                                                                                                                         | FacilitySnd(TCV_chTch, FacilityPdu_25_ci( TCV_TI2,               |   |          |

|                                                                         |            |                                                                |                                                                                                                                                |     |
|-------------------------------------------------------------------------|------------|----------------------------------------------------------------|------------------------------------------------------------------------------------------------------------------------------------------------|-----|
| 12                                                                      |            | L?DL_DatInFac                                                  | facility!Etsnd(<br>GetPasswdSS_01(<br>TCV_Invkld)))<br>FacilityRcv(<br>FacilityPdu_26_ci(<br>TCV_TI1,<br>facility!Ercv(<br>GetPasswdRslt_01))) | 4   |
| 13                                                                      |            | LIDL_DatRqRelCmp                                               | RelComSnd(TCV_ch<br>Tch,<br>ReleaseCmp_09(<br>TCV_TI2,<br>facility!Etsndie(<br>RegPasswdSSErr_02<br>(TCV_Invkld)))                             | 5.  |
| 14                                                                      |            | +MMI_indic_chk                                                 |                                                                                                                                                |     |
| 15                                                                      |            | LIDL_DatRqCcstEnq                                              | CCStESnd(<br>TCV_chTch,<br>CCStatusEq_01(<br>TCV_TI))                                                                                          |     |
| 16                                                                      | L_066<br>1 | L?DL_DatInCcst                                                 | CCStRcv(<br>TCV_chTch,<br>CCStatus_14(<br>TCV_TI0, C_U10))                                                                                     | (P) |
| 17                                                                      |            | +PostMainLinkRel(TCV_chTch)                                    |                                                                                                                                                |     |
| 18                                                                      |            | <b>MMI_indic_chk</b><br>(TCV_Res := OO_SSresultCHK(C_RegPswd)) |                                                                                                                                                |     |
| 19                                                                      | L_066<br>2 | [TCV_Res]                                                      |                                                                                                                                                | (P) |
| 20                                                                      | L_066<br>3 | [NOT TCV_Res]                                                  |                                                                                                                                                | (F) |
| <b>Detailed Comments:</b>                                               |            |                                                                |                                                                                                                                                |     |
| 1. To set up traffic channel.                                           |            |                                                                |                                                                                                                                                |     |
| 2. To establish a mobile originating call, bring the MS into state U10. |            |                                                                |                                                                                                                                                |     |
| 3. To initiate the Registration of password supplementary service.      |            |                                                                |                                                                                                                                                |     |
| 4. Received the wrong password.                                         |            |                                                                |                                                                                                                                                |     |
| 5. Negative password check, indefinite form.                            |            |                                                                |                                                                                                                                                |     |
| 6. Check whether the MS provides correct MMI user indication.           |            |                                                                |                                                                                                                                                |     |



| Test Case Dynamic Behaviour                                                                                                                                                                                                                                                     |       |                                                                                                                                                                                                                                                                                                                                                                                                                                                                                                                                                                                                                   |                                                                           |   |          |
|---------------------------------------------------------------------------------------------------------------------------------------------------------------------------------------------------------------------------------------------------------------------------------|-------|-------------------------------------------------------------------------------------------------------------------------------------------------------------------------------------------------------------------------------------------------------------------------------------------------------------------------------------------------------------------------------------------------------------------------------------------------------------------------------------------------------------------------------------------------------------------------------------------------------------------|---------------------------------------------------------------------------|---|----------|
| <b>Test Case Name:</b> TC_31_8_1_2_3                                                                                                                                                                                                                                            |       |                                                                                                                                                                                                                                                                                                                                                                                                                                                                                                                                                                                                                   |                                                                           |   |          |
| <b>Group:</b> GSM_L3_MS_v4210/SS/                                                                                                                                                                                                                                               |       |                                                                                                                                                                                                                                                                                                                                                                                                                                                                                                                                                                                                                   |                                                                           |   |          |
| <b>Purpose:</b>                                                                                                                                                                                                                                                                 |       |                                                                                                                                                                                                                                                                                                                                                                                                                                                                                                                                                                                                                   |                                                                           |   |          |
| 1) To check that, when a call transaction is already established, the MS correctly requests the establishment of a parallel MM transaction for supplementary service transaction of registration of a password for all call restriction services, sending a CM-SERVICE REQUEST. |       |                                                                                                                                                                                                                                                                                                                                                                                                                                                                                                                                                                                                                   |                                                                           |   |          |
| 2) To check that the MS sends a REGISTER message containing the invoke of the RegisterPassword operation with the expected parameter values for registration of a password for all call restriction services.                                                                   |       |                                                                                                                                                                                                                                                                                                                                                                                                                                                                                                                                                                                                                   |                                                                           |   |          |
| 3) To check that upon receipt of the RELEASE COMPLETE message related to the present SS transaction, the first transaction remains unaffected.                                                                                                                                  |       |                                                                                                                                                                                                                                                                                                                                                                                                                                                                                                                                                                                                                   |                                                                           |   |          |
| 4) To check that upon receipt of the RELEASE COMPLETE message, the MS provides the appropriate user indication (as described by the Manufacturer).                                                                                                                              |       |                                                                                                                                                                                                                                                                                                                                                                                                                                                                                                                                                                                                                   |                                                                           |   |          |
| Those checks are performed with a call transaction already established for :                                                                                                                                                                                                    |       |                                                                                                                                                                                                                                                                                                                                                                                                                                                                                                                                                                                                                   |                                                                           |   |          |
| all call restriction services, the RELEASE COMPLETE message being sent at the end of the procedure with a facility IE containing a return_error(error) where error is "PasswordRegistrationFailure" with diagnostic "new password mismatch".                                    |       |                                                                                                                                                                                                                                                                                                                                                                                                                                                                                                                                                                                                                   |                                                                           |   |          |
| <b>Default:</b> OtherEventsFail                                                                                                                                                                                                                                                 |       |                                                                                                                                                                                                                                                                                                                                                                                                                                                                                                                                                                                                                   |                                                                           |   |          |
| Nr                                                                                                                                                                                                                                                                              | Label | Behaviour Description                                                                                                                                                                                                                                                                                                                                                                                                                                                                                                                                                                                             | CRef                                                                      | V | Comments |
| 1                                                                                                                                                                                                                                                                               |       | START T_guard(300)                                                                                                                                                                                                                                                                                                                                                                                                                                                                                                                                                                                                |                                                                           |   |          |
| 2                                                                                                                                                                                                                                                                               |       | +BasicServiceMO( TSPX_MOBscSvcB,<br>TSPX_MOChRateB)                                                                                                                                                                                                                                                                                                                                                                                                                                                                                                                                                               |                                                                           |   |          |
| 3                                                                                                                                                                                                                                                                               |       | +IdleUpdated( C_E_default, C_CellA, C_SCH_A,<br>C_BCCH_A_1, C_Immss, C_S0, C_SlotNU,<br>C_SlotNU, C_SlotNU, C_BCC, C_TxInt_5,<br>C_Max_1, C_NECl_0, C_ATT_0, TimingAdv( 0),<br>C_BABR_0, C_cch_1Comb, C_BPM_3,<br>C_T3212_0, C_ci_cellA, C_MCC_1, C_PLMN_1,<br>C_LAC_1, CellOpt_01, CellChDes_Omit,<br>CellChDes_Omit, C_CellReselectHys12,<br>C_MaxPwrLvlG, C_MaxPwrLvlD,<br>BcchFreqLst_45, BcchFreqLst_02,<br>BcchFreqLst_03, BcchFreqLst_04,<br>C_Restablishment, C_BCC, C_NCC,<br>C_Start_Tmsi, TSPX_SDCCH4SubDef,<br>TSPX_CKSNDf, TSPX_RANDDef, C_arfcnA,<br>C_arfcnAd, TSPX_IMSI, C_Test_nfh,<br>C_NCCP_2) |                                                                           |   |          |
| 4                                                                                                                                                                                                                                                                               |       | +CCConfigTCH_nociph( TSPX_TCHHSubDef,<br>C_Ass, TSPX_TmSlitDef, TSPX_TscDef,<br>TimingAdv( 0), C_BABR_0, C_cch_1Comb,<br>C_BPM_3, TCV_ChMod.mode, FreqTCH_omit,<br>FreqTCH_omit, C_arfcn_tchA, C_arfcn_tchAd)                                                                                                                                                                                                                                                                                                                                                                                                     |                                                                           |   | 1.       |
| 5                                                                                                                                                                                                                                                                               |       | +Est_MO_Call( TimingAdv( 0), TCV_ChRate,<br>TSPX_RANDDef, TSPX_SDCCH4SubDef,<br>TSPX_TmSlitDef, TSPX_TscDef,<br>TSPX_TCHHSubDef)                                                                                                                                                                                                                                                                                                                                                                                                                                                                                  |                                                                           |   | 2.       |
| 6                                                                                                                                                                                                                                                                               |       | (TCV_Null := OO_InitSS(<br>***03*330*1234*9876*9877#"))                                                                                                                                                                                                                                                                                                                                                                                                                                                                                                                                                           |                                                                           |   | 3.       |
| 7                                                                                                                                                                                                                                                                               |       | L?DL_DatInCmsRq                                                                                                                                                                                                                                                                                                                                                                                                                                                                                                                                                                                                   | CMSerDatReq(<br>CMServiceReq_08)                                          |   |          |
| 8                                                                                                                                                                                                                                                                               |       | L!DL_DatRqCmsAcp                                                                                                                                                                                                                                                                                                                                                                                                                                                                                                                                                                                                  | CMSerAcp(<br>TCV_chTch,<br>CMServiceAcp_01)                               |   |          |
| 9                                                                                                                                                                                                                                                                               |       | +continue                                                                                                                                                                                                                                                                                                                                                                                                                                                                                                                                                                                                         |                                                                           |   |          |
| 10                                                                                                                                                                                                                                                                              |       | <b>continue</b><br>L?DL_DatInRegister ( TCV_TI1 :=<br>DL_DatInRegister.msg.ti, TCV_TI2 := TCV_TI1,<br>TCV_TI2.ti_f := '1'B, TCV_Comp :=<br>DL_DatInRegister.msg.fie.components_1, TCV_n :=<br>OC_PosinSet(TCV_Comp, RegPasswdSS_01),<br>TCV_Invkld :=<br>OC_Asn1intToOct(TCV_Comp.[TCV_n].registerPass<br>wordComponents.registerPassword_InvokeComp.inv<br>okeID, 1))                                                                                                                                                                                                                                            | Register_03(<br>RegisterPdu_03(<br>facilityIErcviei(<br>RegPasswdSS_01))) |   |          |
| 11                                                                                                                                                                                                                                                                              |       | L!DL_DatRqFac                                                                                                                                                                                                                                                                                                                                                                                                                                                                                                                                                                                                     | FacilitySnd(TCV_chT<br>ch, FacilityPdu_25_ci(                             |   |          |

|    |            |                                                                |                                                                                                                    |     |
|----|------------|----------------------------------------------------------------|--------------------------------------------------------------------------------------------------------------------|-----|
| 12 |            | L?DL_DatInFac                                                  | TCV_TI2,<br>facilityEtsnd(<br>GetPasswdSS_01(<br>TCV_Invkld))))                                                    | 4.  |
| 13 |            | LIDL_DatRqFac                                                  | FacilityRcv(<br>FacilityPdu_26_ci(<br>TCV_TI1,<br>facilityErcv(<br>GetPasswdRslt_01)))                             |     |
| 14 |            | L?DL_DatInFac                                                  | FacilitySnd(TCV_chT<br>ch, FacilityPdu_25_ci(<br>TCV_TI2,<br>facilityEtsnd(<br>GetPasswdSS_02(<br>TCV_Invkld))))   | 5.  |
| 15 |            | LIDL_DatRqFac                                                  | FacilityRcv(<br>FacilityPdu_26_ci(<br>TCV_TI1,<br>facilityErcv(<br>GetPasswdRslt_02)))                             |     |
| 16 |            | L?DL_DatInFac                                                  | FacilitySnd(TCV_chT<br>ch, FacilityPdu_25_ci(<br>TCV_TI2,<br>facilityEtsnd(<br>GetPasswdSS_03(<br>TCV_Invkld))))   | 6.  |
| 17 |            | LIDL_DatRqRelCmp                                               | FacilityRcv(<br>FacilityPdu_26_ci(<br>TCV_TI1,<br>facilityErcv(<br>GetPasswdRslt_03)))                             | 7.  |
| 18 |            | +MMI_indic_chk                                                 | RelComSnd(TCV_ch<br>Tch,<br>ReleaseCmp_09(<br>TCV_TI2,<br>facilityEtsndie(<br>RegPasswdSSerr_03<br>(TCV_Invkld)))) |     |
| 19 |            | LIDL_DatRqCcstEnq                                              | CCStESnd(<br>TCV_chTch,<br>CCStatusEq_01(<br>TCV_TI))                                                              |     |
| 20 | L_066<br>4 | L?DL_DatInCcst                                                 | CCStRcv(<br>TCV_chTch,<br>CCStatus_14(<br>TCV_TI0, C_U10))                                                         | (P) |
| 21 |            | +PostMainLinkRel(<br>TCV_chTch)                                |                                                                                                                    |     |
| 22 |            | <b>MMI_indic_chk</b><br>(TCV_Res := OO_SSresultCHK(C_RegPswd)) |                                                                                                                    |     |
| 23 | L_066<br>5 | [TCV_Res]                                                      |                                                                                                                    | (P) |
| 24 | L_066<br>6 | [NOT TCV_Res]                                                  |                                                                                                                    | (F) |

**Detailed Comments:**

1. To set up traffic channel.
2. To establish a mobile originating call, bring the MS into state U10.
3. To initiate the Registration of password supplementary service.
4. Received the old password.
5. Received the new password.
6. TReceived a different new password.
7. New password mismatch.

### Test Case Dynamic Behaviour

|                        |                                                                                                                                                                                                                                                                                                                                                                                                                                                                                                                                                                                                                                                                                                                                                                                                                                                                                                                                                                                                                                                                                                                                                                                                                                                                                                                                  |
|------------------------|----------------------------------------------------------------------------------------------------------------------------------------------------------------------------------------------------------------------------------------------------------------------------------------------------------------------------------------------------------------------------------------------------------------------------------------------------------------------------------------------------------------------------------------------------------------------------------------------------------------------------------------------------------------------------------------------------------------------------------------------------------------------------------------------------------------------------------------------------------------------------------------------------------------------------------------------------------------------------------------------------------------------------------------------------------------------------------------------------------------------------------------------------------------------------------------------------------------------------------------------------------------------------------------------------------------------------------|
| <b>Test Case Name:</b> | TC_31_8_3_1                                                                                                                                                                                                                                                                                                                                                                                                                                                                                                                                                                                                                                                                                                                                                                                                                                                                                                                                                                                                                                                                                                                                                                                                                                                                                                                      |
| <b>Group:</b>          | GSM_L3_MS_v4210/SS/                                                                                                                                                                                                                                                                                                                                                                                                                                                                                                                                                                                                                                                                                                                                                                                                                                                                                                                                                                                                                                                                                                                                                                                                                                                                                                              |
| <b>Purpose:</b>        | <p>1) To check that the MS correctly requests a supplementary service transaction for activation of a specific call restriction service in CHANNEL REQUEST message.</p> <p>2) To check that the MS correctly requests a supplementary service transaction for activation of call restriction service in the subsequent CM-SERVICE REQUEST.</p> <p>3) To check that the MS sends a REGISTER message containing the invoke of the ActivateSS operation with the expected parameter values for activation of a specific call restriction service.</p> <p>4) To check that upon receipt of FACILITY message requiring the password, the MS provides the appropriate user indication (as described by the manufacturer).</p> <p>5) To check that the MS is able to send a password by sending a FACILITY message in accordance to the user request (MMI actions).</p> <p>6) To check that upon receipt of the RELEASE COMPLETE message, the MS provides the appropriate user indication (which is to be described by the manufacturer).</p> <p>These checks are done for:</p> <p>a) BAOC, for basic service group "all synchronous services" the result of the operation being sent in a FACILITY message.</p> <p>b) BICRoam, for all basic service groups, the result of the operation being sent in a RELEASE COMPLETE message.</p> |
| <b>Default:</b>        | OtherEventsFail                                                                                                                                                                                                                                                                                                                                                                                                                                                                                                                                                                                                                                                                                                                                                                                                                                                                                                                                                                                                                                                                                                                                                                                                                                                                                                                  |

| Nr | Label | Behaviour Description                                                                                                                                                                                                                                                                                                                                                                                                                                                                                                                                                   | CRef                                                                                                                                            | V   | Comments                |
|----|-------|-------------------------------------------------------------------------------------------------------------------------------------------------------------------------------------------------------------------------------------------------------------------------------------------------------------------------------------------------------------------------------------------------------------------------------------------------------------------------------------------------------------------------------------------------------------------------|-------------------------------------------------------------------------------------------------------------------------------------------------|-----|-------------------------|
| 1  |       | START T_guard(300)                                                                                                                                                                                                                                                                                                                                                                                                                                                                                                                                                      |                                                                                                                                                 |     |                         |
| 2  |       | +IdleUpdated( C_E_default, C_CellA, C_SCH_A, C_BCCH_A_1, C_ImmAss, C_S0, C_SlotNU, C_SlotNU, C_SlotNU, C_BCC, C_TxInt_5, C_Max_1, C_NECI_0, C_ATT_0, TimingAdv( 0), C_BABR_0, C_cch_1Comb, C_BPM_3, C_T3212_0, C_ci_cellA, C_MCC_1, C_PLMN_1, C_LAC_1, CellOpt_01, CellChDes_Omit, CellChDes_Omit, C_CellReselectHys12, C_MaxPwrLvIG, C_MaxPwrLvID, BcchFreqLst_45, BcchFreqLst_02, BcchFreqLst_03, BcchFreqLst_04, C_Restablishment, C_BCC, C_NCC, C_Start_Tmsi, TSPX_SDCCH4SubDef, TSPX_CKSNDDef, TSPX_RANDDef, C_arfcnA, C_arfcnAd, TSPX_IMSI, C_Test_nfh, C_NCCP_2) |                                                                                                                                                 |     |                         |
| 3  |       | (TCV_Null := OO_InitSS("**33**22#"))                                                                                                                                                                                                                                                                                                                                                                                                                                                                                                                                    |                                                                                                                                                 |     | 2.                      |
| 4  |       | +part1                                                                                                                                                                                                                                                                                                                                                                                                                                                                                                                                                                  |                                                                                                                                                 |     |                         |
| 5  |       | (TCV_Null := OO_InitSS("**351#"))                                                                                                                                                                                                                                                                                                                                                                                                                                                                                                                                       |                                                                                                                                                 |     | 3.                      |
| 6  |       | +part2                                                                                                                                                                                                                                                                                                                                                                                                                                                                                                                                                                  |                                                                                                                                                 |     |                         |
| 7  | L_066 | <b>part1</b><br>L?DL_RaInChRq (TCV_Rr := DL_RaInChRq.<br>msg.ecau_rrf, TCV_Fn := DL_RaInChRq.fn)                                                                                                                                                                                                                                                                                                                                                                                                                                                                        | ChReq(<br>ChRequest_04)                                                                                                                         | (P) |                         |
| 8  |       | ACTIVATE(OtherEventsFail_02)                                                                                                                                                                                                                                                                                                                                                                                                                                                                                                                                            |                                                                                                                                                 |     | To match ChReq retrans. |
| 9  |       | L!DL_UdatRqImmAss                                                                                                                                                                                                                                                                                                                                                                                                                                                                                                                                                       | ImmAss( TCV_agch,<br>ImmAsgn_01Def(<br>TCV_Rr, TCV_Fn,<br>TSPX_SDCCH4SubD<br>ef, TCV_slot,<br>TCV_tsc,<br>TCV_chdescr_arfcn,<br>TimingAdv( 0))) |     |                         |
| 10 |       | L?DL_EstInCmsRq                                                                                                                                                                                                                                                                                                                                                                                                                                                                                                                                                         | CMSerReq(<br>CMServiceReq_08)                                                                                                                   |     |                         |
| 11 |       | ACTIVATE(OtherEventsFail)                                                                                                                                                                                                                                                                                                                                                                                                                                                                                                                                               |                                                                                                                                                 |     | Restore Normal default  |
| 12 |       | L!DL_DatRqCmsAcp                                                                                                                                                                                                                                                                                                                                                                                                                                                                                                                                                        | CMSerAcp( TCV_ch,<br>CMServiceAcp_01)                                                                                                           |     |                         |
| 13 |       | +localtree                                                                                                                                                                                                                                                                                                                                                                                                                                                                                                                                                              |                                                                                                                                                 |     |                         |
| 14 | L_066 | <b>localtree</b><br>L?DL_DatInRegister ( TCV_TI :=                                                                                                                                                                                                                                                                                                                                                                                                                                                                                                                      | Register_03(                                                                                                                                    | (P) |                         |

|    |                                                                                                                                                                                                                                                                                                                                                                 |                                                                                                                                                 |                         |
|----|-----------------------------------------------------------------------------------------------------------------------------------------------------------------------------------------------------------------------------------------------------------------------------------------------------------------------------------------------------------------|-------------------------------------------------------------------------------------------------------------------------------------------------|-------------------------|
| 8  | DL_DatInRegister.msg.ti, TCV_TI0 := TCV_TI,<br>TCV_TI.ti.f := '1'B, TCV_Comp :=<br>DL_DatInRegister.msg.fie.components_1, TCV_n :=<br>OC_PosinSet(TCV_Comp, ActivateSS_03),<br>TCV_Invkld :=<br>OC_Asn1intToOct(TCV_Comp.[TCV_n].activateSSCo<br>mponents.activateSS_InvokeComp.invokeID, 1))                                                                   | RegisterPdu_03(<br>facilityIErcviei(<br>ActivateSS_03)))                                                                                        |                         |
| 15 | L!DL_DatRqFac                                                                                                                                                                                                                                                                                                                                                   | FacilitySnd(TCV_ch,<br>FacilityPdu_25_ci(<br>TCV_TI,<br>facilityIEtsnd(<br>GetPasswdSS_01(<br>TCV_Invkld))))                                    | 4.                      |
| 16 | (TCV_Null := OO_EnterPswd("1234"))                                                                                                                                                                                                                                                                                                                              |                                                                                                                                                 | 5.                      |
| 17 | L_066<br>9 L?DL_DatInFac                                                                                                                                                                                                                                                                                                                                        | FacilityRcv(<br>FacilityPdu_26_ci(<br>TCV_TI0,<br>facilityIErcv(<br>GetPasswdRslt_01)))                                                         | (P)                     |
| 18 | L!DL_DatRqRelCmp                                                                                                                                                                                                                                                                                                                                                | RelComSnd(TCV_ch,<br>ReleaseCmp_09(<br>TCV_TI,<br>facilityIEtsndie(<br>ActivateSSRslt_03(<br>TCV_Invkld))))                                     |                         |
| 19 | +Checktree(C_ActBOAC)                                                                                                                                                                                                                                                                                                                                           |                                                                                                                                                 |                         |
| 20 | +PostMainLinkRel(TCV_ch)                                                                                                                                                                                                                                                                                                                                        |                                                                                                                                                 |                         |
| 21 | <b>part2</b><br>L_067<br>0 L?DL_RacInChRq (TCV_Rr := DL_RacInChRq.<br>msg.ecau_rrf, TCV_Fn := DL_RacInChRq.fn)                                                                                                                                                                                                                                                  | ChReq(<br>ChRequest_04)                                                                                                                         | (P)                     |
| 22 | ACTIVATE(OtherEventsFail_02)                                                                                                                                                                                                                                                                                                                                    |                                                                                                                                                 | To match ChReq retrans. |
| 23 | L!DL_UdatRqImmss                                                                                                                                                                                                                                                                                                                                                | ImmAss( TCV_agch,<br>ImmAsgn_01Def(<br>TCV_Rr, TCV_Fn,<br>TSPX_SDCCH4SubD<br>ef, TCV_slot,<br>TCV_tsc,<br>TCV_chdescr_arfcn,<br>TimingAdv( 0))) |                         |
| 24 | L?DL_EstInCmsRq                                                                                                                                                                                                                                                                                                                                                 | CMSerReq(<br>CMServiceReq_08)                                                                                                                   |                         |
| 25 | ACTIVATE(OtherEventsFail)                                                                                                                                                                                                                                                                                                                                       |                                                                                                                                                 | Restore Normal default  |
| 26 | L!DL_DatRqCmsAcp                                                                                                                                                                                                                                                                                                                                                | CMSerAcp( TCV_ch,<br>CMServiceAcp_01)                                                                                                           |                         |
| 27 | +localtree1                                                                                                                                                                                                                                                                                                                                                     |                                                                                                                                                 |                         |
| 28 | <b>localtree1</b><br>L_067<br>1 L?DL_DatInRegister ( TCV_TI :=<br>DL_DatInRegister.msg.ti, TCV_TI0 := TCV_TI,<br>TCV_TI.ti.f := '1'B, TCV_Comp :=<br>DL_DatInRegister.msg.fie.components_1, TCV_n :=<br>OC_PosinSet(TCV_Comp, ActivateSS_04),<br>TCV_Invkld :=<br>OC_Asn1intToOct(TCV_Comp.[TCV_n].activateSSCo<br>mponents.activateSS_InvokeComp.invokeID, 1)) | Register_03(<br>RegisterPdu_03(<br>facilityIErcviei(<br>ActivateSS_04)))                                                                        | (P)                     |
| 29 | L!DL_DatRqFac                                                                                                                                                                                                                                                                                                                                                   | FacilitySnd(TCV_ch,<br>FacilityPdu_25_ci(<br>TCV_TI,<br>facilityIEtsnd(<br>GetPasswdSS_01(<br>TCV_Invkld))))                                    | 4.                      |
| 30 | +Checktree(C_RegPswd)                                                                                                                                                                                                                                                                                                                                           |                                                                                                                                                 |                         |
| 31 | (TCV_Null := OO_EnterPswd("1234"))                                                                                                                                                                                                                                                                                                                              |                                                                                                                                                 | 5.                      |
| 32 | L?DL_DatInFac                                                                                                                                                                                                                                                                                                                                                   | FacilityRcv(<br>FacilityPdu_26_ci(<br>TCV_TI0,<br>facilityIErcv(<br>GetPasswdRslt_01)))                                                         |                         |
| 33 | L!DL_DatRqRelCmp                                                                                                                                                                                                                                                                                                                                                | RelComSnd(TCV_ch,<br>ReleaseCmp_09(<br>TCV_TI,<br>facilityIEtsndie(<br>ActivateSSRslt_03(<br>TCV_Invkld))))                                     |                         |

|                                                                                                                                                                                                                                                                                                       |            |                                                                   |                                      |     |
|-------------------------------------------------------------------------------------------------------------------------------------------------------------------------------------------------------------------------------------------------------------------------------------------------------|------------|-------------------------------------------------------------------|--------------------------------------|-----|
| 34                                                                                                                                                                                                                                                                                                    |            |                                                                   | ActivateSSRsIt_04(<br>TCV_Invkld)))) |     |
| 35                                                                                                                                                                                                                                                                                                    |            | +Checktree(C_ActBICRoam)<br>+PostMainLinkRel(TCV_ch)              |                                      |     |
| 36                                                                                                                                                                                                                                                                                                    |            | <b>Checktree(par:INTEGER)</b><br>(TCV_Res := OO_SSresultCHK(par)) |                                      |     |
| 37                                                                                                                                                                                                                                                                                                    | L_067<br>2 | [TCV_Res]                                                         |                                      | (P) |
| 38                                                                                                                                                                                                                                                                                                    | L_067<br>3 | [NOT TCV_Res]                                                     |                                      | (F) |
| <b>Detailed Comments:</b>                                                                                                                                                                                                                                                                             |            |                                                                   |                                      |     |
| <ol style="list-style-type: none"> <li>1. To setup physical channel as BCCH, CCCH and SDCCH4.</li> <li>2. To initiate Activation for BAOC.</li> <li>3. To initiate Activation for BICRoam.</li> <li>4. To send GetPassword invocation to the MS.</li> <li>5. To enter password at the MMI.</li> </ol> |            |                                                                   |                                      |     |

### Test Case Dynamic Behaviour

|                        |                                                                                                                                                                                                                                                                                                                                                                                                                                                                                                                                                                                                                                                                                                                                                                                                                                                                                                                                                                                                                                                                |
|------------------------|----------------------------------------------------------------------------------------------------------------------------------------------------------------------------------------------------------------------------------------------------------------------------------------------------------------------------------------------------------------------------------------------------------------------------------------------------------------------------------------------------------------------------------------------------------------------------------------------------------------------------------------------------------------------------------------------------------------------------------------------------------------------------------------------------------------------------------------------------------------------------------------------------------------------------------------------------------------------------------------------------------------------------------------------------------------|
| <b>Test Case Name:</b> | TC_31_8_3_2_1                                                                                                                                                                                                                                                                                                                                                                                                                                                                                                                                                                                                                                                                                                                                                                                                                                                                                                                                                                                                                                                  |
| <b>Group:</b>          | GSM_L3_MS_v4210/SS/                                                                                                                                                                                                                                                                                                                                                                                                                                                                                                                                                                                                                                                                                                                                                                                                                                                                                                                                                                                                                                            |
| <b>Purpose:</b>        | <p>1) To check that, when a call transaction is already established, the MS correctly requests the establishment of a parallel MM transaction for supplementary service transaction of specific call barring service, sending a CM-SERVICE REQUEST.</p> <p>2) To check that the MS sends a REGISTER message containing the invoke of the ActivateSS operation with the expected parameter values for specific call barring service.</p> <p>3) To check that upon receipt of the RELEASE COMPLETE message related to the present SS transaction, the first transaction remains unaffected.</p> <p>4) To check that upon receipt of the RELEASE COMPLETE message, the MS provides the appropriate user indication (as described by the Manufacturer).</p> <p>Those checks are performed with a call transaction already established for :</p> <p style="padding-left: 20px;">BOIC, the RELEASE COMPLETE message being sent at the beginning of the procedure with a facility IE containing a return_error(error) where error is "SS subscription violation".</p> |
| <b>Default:</b>        | OtherEventsFail                                                                                                                                                                                                                                                                                                                                                                                                                                                                                                                                                                                                                                                                                                                                                                                                                                                                                                                                                                                                                                                |

| Nr | Label      | Behaviour Description                                                                                                                                                                                                                                                                                                                                                                                                                                                                                                                                                                                                | CRef                                                                                              | V   | Comments |
|----|------------|----------------------------------------------------------------------------------------------------------------------------------------------------------------------------------------------------------------------------------------------------------------------------------------------------------------------------------------------------------------------------------------------------------------------------------------------------------------------------------------------------------------------------------------------------------------------------------------------------------------------|---------------------------------------------------------------------------------------------------|-----|----------|
| 1  |            | START T_guard(300)                                                                                                                                                                                                                                                                                                                                                                                                                                                                                                                                                                                                   |                                                                                                   |     |          |
| 2  |            | +BasicServiceMO( TSPX_MOBscSvcD,<br>TSPX_MOChRateD)                                                                                                                                                                                                                                                                                                                                                                                                                                                                                                                                                                  |                                                                                                   |     |          |
| 3  |            | +IdleUpdated( C_E_default, C_CellA, C_SCH_A,<br>C_BCCH_A_1, C_Immass, C_S0, C_SlotNU,<br>C_SlotNU, C_SlotNU, C_BCC, C_TxInt_5,<br>C_Max_1, C_NECI_0, C_ATT_0, TimingAdv( 0),<br>C_BABR_0, C_cch_1Comb, C_BPM_3,<br>C_T3212_0, C_ci_cellA, C_MCC_1, C_PLMN_1,<br>C_LAC_1, CellOpt_01, CellChDes_Omit,<br>CellChDes_Omit, C_CellReselectHys12,<br>C_MaxPwrLvIG, C_MaxPwrLvID,<br>BcchFreqLst_45, BcchFreqLst_02,<br>BcchFreqLst_03, BcchFreqLst_04,<br>C_Restablishment, C_BCC, C_NCC,<br>C_Start_Tmsi, TSPX_SDCCH4SubDef,<br>TSPX_CKSNDDef, TSPX_RANDDef, C_arfcnA,<br>C_arfcnAd, TSPX_IMSI, C_Test_nfh,<br>C_NCCP_2) |                                                                                                   |     |          |
| 4  |            | +CCConfigTCH_nociph( TSPX_TCHHSubDef,<br>C_Ass, TSPX_TmSltDef, TSPX_TscDef,<br>TimingAdv( 0), C_BABR_0, C_cch_1Comb,<br>C_BPM_3, TCV_ChMod.mode, FreqTCH_omit,<br>FreqTCH_omit, C_arfcn_tchA, C_arfcn_tchAd)                                                                                                                                                                                                                                                                                                                                                                                                         |                                                                                                   |     | 1.       |
| 5  |            | +Est_MO_Call( TimingAdv( 0), TCV_ChRate,<br>TSPX_RANDDef, TSPX_SDCCH4SubDef,<br>TSPX_TmSltDef, TSPX_TscDef,<br>TSPX_TCHHSubDef)                                                                                                                                                                                                                                                                                                                                                                                                                                                                                      |                                                                                                   |     | 2.       |
| 6  |            | (TCV_Null := OO_InitSS("**331#"))                                                                                                                                                                                                                                                                                                                                                                                                                                                                                                                                                                                    |                                                                                                   |     | 3.       |
| 7  |            | L?DL_DatInCmsRq                                                                                                                                                                                                                                                                                                                                                                                                                                                                                                                                                                                                      | CMSerDatReq(<br>CMServiceReq_08)                                                                  |     |          |
| 8  |            | LIDL_DatRqCmsAcp                                                                                                                                                                                                                                                                                                                                                                                                                                                                                                                                                                                                     | CMSerAcp(<br>TCV_chTch,<br>CMServiceAcp_01)                                                       |     |          |
| 9  |            | +localtree                                                                                                                                                                                                                                                                                                                                                                                                                                                                                                                                                                                                           |                                                                                                   |     |          |
| 10 | L_067<br>4 | <b>localtree</b><br>L?DL_DatInRegister ( TCV_TI1 :=<br>DL_DatInRegister.msg.ti, TCV_TI2 := TCV_TI1,<br>TCV_TI2.ti_f := '1'B, TCV_Comp :=<br>DL_DatInRegister.msg.fie.components_1, TCV_n :=<br>OC_PosinSet(TCV_Comp, ActivateSS_05),<br>TCV_Invkld :=<br>OC_Asn1intToOct(TCV_Comp,[TCV_n].activateSSCo<br>mponents.activateSS_InvokeComp.invokeld, 1))                                                                                                                                                                                                                                                               | Register_03(<br>RegisterPdu_03(<br>facilityIercviei(<br>ActivateSS_05)))                          | (P) |          |
| 11 |            | LIDL_DatRqRelCmp                                                                                                                                                                                                                                                                                                                                                                                                                                                                                                                                                                                                     | RelComSnd(TCV_ch<br>Tch,<br>ReleaseCmp_09(<br>TCV_TI2,<br>facilityIEtsndiei(<br>ActivateSSErr_01( |     | 4.       |

|    |            |                                        |                                                            |     |    |
|----|------------|----------------------------------------|------------------------------------------------------------|-----|----|
| 12 |            | (TCV_Res := OO_SSresultCHK(C_ActBOIC)) | TCV_InvkId))))                                             |     |    |
| 13 | L_067<br>5 | [TCV_Res]                              |                                                            | (P) | 5. |
| 14 |            | +localtree1                            |                                                            |     |    |
| 15 | L_067<br>6 | [NOT TCV_Res]                          |                                                            | (F) |    |
| 16 |            | +localtree1                            |                                                            |     |    |
| 17 |            | <b>localtree1</b><br>L!DL_DatRqCcstEnq | CCStESnd(<br>TCV_chTch,<br>CCStatusEq_01(<br>TCV_TI))      |     |    |
| 18 | L_067<br>7 | L?DL_DatInCcst                         | CCStRcv(<br>TCV_chTch,<br>CCStatus_14(<br>TCV_TI0, C_U10)) | (P) |    |
| 19 |            | +PostMainLinkRel(TCV_chTch)            |                                                            |     |    |

**Detailed Comments:**

1. To setup traffic channel.
2. To establish a mobile originating call to bring the MS into state U10.
3. To initiate the ActivateSS for BOIC.
4. To send ReturnError for the invocation of ActivateSS.
5. The user indication is correct, pass.

### Test Case Dynamic Behaviour

|                        |                                                                                                                                                                                                                                                                                                                                                                                                                                                                                                                                                                                                                                                                                                                                                                                                                                                                                                                                                                                                                                                                    |
|------------------------|--------------------------------------------------------------------------------------------------------------------------------------------------------------------------------------------------------------------------------------------------------------------------------------------------------------------------------------------------------------------------------------------------------------------------------------------------------------------------------------------------------------------------------------------------------------------------------------------------------------------------------------------------------------------------------------------------------------------------------------------------------------------------------------------------------------------------------------------------------------------------------------------------------------------------------------------------------------------------------------------------------------------------------------------------------------------|
| <b>Test Case Name:</b> | TC_31_8_3_2_2                                                                                                                                                                                                                                                                                                                                                                                                                                                                                                                                                                                                                                                                                                                                                                                                                                                                                                                                                                                                                                                      |
| <b>Group:</b>          | GSM_L3_MS_v4210/SS/                                                                                                                                                                                                                                                                                                                                                                                                                                                                                                                                                                                                                                                                                                                                                                                                                                                                                                                                                                                                                                                |
| <b>Purpose:</b>        | <p>1) To check that, when a call transaction is already established, the MS correctly requests the establishment of a parallel MM transaction for supplementary service transaction of activation of one specific call restriction service, sending a CM-SERVICE REQUEST.</p> <p>2) To check that the MS sends a REGISTER message containing the invoke of the ActivateSS operation with the expected parameter values for activation of one specific call restriction service.</p> <p>3) To check that upon receipt of the RELEASE COMPLETE message related to the present SS transaction, the first transaction remains unaffected.</p> <p>4) To check that upon receipt of the RELEASE COMPLETE message, the MS provides the appropriate user indication (as described by the Manufacturer).</p> <p>Those checks are performed with a call transaction already established for :<br/> BAIC, the RELEASE COMPLETE message being sent at the end of the procedure with a facility IE containing a return_error(error) where error is "NegativePasswordCheck".</p> |
| <b>Default:</b>        | OtherEventsFail                                                                                                                                                                                                                                                                                                                                                                                                                                                                                                                                                                                                                                                                                                                                                                                                                                                                                                                                                                                                                                                    |

| Nr | Label | Behaviour Description                                                                                                                                                                                                                                                                                                                                                                                                                                                                                                                                                                                                | CRef                                                                                            | V   | Comments |
|----|-------|----------------------------------------------------------------------------------------------------------------------------------------------------------------------------------------------------------------------------------------------------------------------------------------------------------------------------------------------------------------------------------------------------------------------------------------------------------------------------------------------------------------------------------------------------------------------------------------------------------------------|-------------------------------------------------------------------------------------------------|-----|----------|
| 1  |       | START T_guard(300)                                                                                                                                                                                                                                                                                                                                                                                                                                                                                                                                                                                                   |                                                                                                 |     |          |
| 2  |       | +BasicServiceMO( TSPX_MOBscSvcE,<br>TSPX_MOChRateE)                                                                                                                                                                                                                                                                                                                                                                                                                                                                                                                                                                  |                                                                                                 |     |          |
| 3  |       | +IdleUpdated( C_E_default, C_CellA, C_SCH_A,<br>C_BCCH_A_1, C_Immass, C_S0, C_SlotNU,<br>C_SlotNU, C_SlotNU, C_BCC, C_TxInt_5,<br>C_Max_1, C_NECI_0, C_ATT_0, TimingAdv( 0),<br>C_BABR_0, C_cch_1Comb, C_BPM_3,<br>C_T3212_0, C_ci_cellA, C_MCC_1, C_PLMN_1,<br>C_LAC_1, CellOpt_01, CellChDes_Omit,<br>CellChDes_Omit, C_CellReselectHys12,<br>C_MaxPwrLvIG, C_MaxPwrLvID,<br>BcchFreqLst_45, BcchFreqLst_02,<br>BcchFreqLst_03, BcchFreqLst_04,<br>C_Restablishment, C_BCC, C_NCC,<br>C_Start_Tmsi, TSPX_SDCCH4SubDef,<br>TSPX_CKSNDDef, TSPX_RANDDef, C_arfcnA,<br>C_arfcnAd, TSPX_IMSI, C_Test_nfh,<br>C_NCCP_2) |                                                                                                 |     |          |
| 4  |       | +CCConfigTCH_nociph( TSPX_TCHHSubDef,<br>C_Ass, TSPX_TmSltDef, TSPX_TscDef,<br>TimingAdv( 0), C_BABR_0, C_cch_1Comb,<br>C_BPM_3, TCV_ChMod.mode, FreqTCH_omit,<br>FreqTCH_omit, C_arfcn_tchA, C_arfcn_tchAd)                                                                                                                                                                                                                                                                                                                                                                                                         |                                                                                                 |     | 1.       |
| 5  |       | +Est_MO_Call( TimingAdv( 0), TCV_ChRate,<br>TSPX_RANDDef, TSPX_SDCCH4SubDef,<br>TSPX_TmSltDef, TSPX_TscDef,<br>TSPX_TCHHSubDef)                                                                                                                                                                                                                                                                                                                                                                                                                                                                                      |                                                                                                 |     | 2.       |
| 6  |       | (TCV_Null := OO_InitSS("**35#"))                                                                                                                                                                                                                                                                                                                                                                                                                                                                                                                                                                                     |                                                                                                 |     | 3.       |
| 7  | L_067 | L?DL_DatInCmsRq                                                                                                                                                                                                                                                                                                                                                                                                                                                                                                                                                                                                      | CMSerDatReq(<br>CMServiceReq_08)                                                                | (P) |          |
| 8  | 8     | LIDL_DatRqCmsAcp                                                                                                                                                                                                                                                                                                                                                                                                                                                                                                                                                                                                     | CMSerAcp(<br>TCV_chTch,<br>CMServiceAcp_01)                                                     |     |          |
| 9  |       | +localtree                                                                                                                                                                                                                                                                                                                                                                                                                                                                                                                                                                                                           |                                                                                                 |     |          |
| 10 | L_067 | <b>localtree</b><br>L?DL_DatInRegister ( TCV_TI1 :=<br>DL_DatInRegister.msg.ti, TCV_TI2 := TCV_TI1,<br>TCV_TI2.ti_f := '1'B, TCV_Comp :=<br>DL_DatInRegister.msg.fie.components_1, TCV_n :=<br>OC_PosinSet(TCV_Comp, ActivateSS_06),<br>TCV_InvkId :=<br>OC_Asn1intToOct(TCV_Comp.[TCV_n].activateSSCo<br>mponents.activateSS_InvokeComp.invokeID, 1))                                                                                                                                                                                                                                                               | Register_03(<br>RegisterPdu_03(<br>facilityIErcviei(<br>ActivateSS_06)))                        | (P) |          |
| 11 |       | LIDL_DatRqFac                                                                                                                                                                                                                                                                                                                                                                                                                                                                                                                                                                                                        | FacilitySnd(TCV_chT<br>ch, FacilityPdu_25_ci(<br>TCV_TI2,<br>facilityIEtsnd(<br>GetPasswdSS_01( |     |          |



|    |            |                                        |                                                                                                                     |     |    |
|----|------------|----------------------------------------|---------------------------------------------------------------------------------------------------------------------|-----|----|
| 12 |            | (TCV_Res := OO_SSresultCHK(C_RegPswd)) | TCV_InvkId))))                                                                                                      |     |    |
| 13 | L_068<br>0 | [TCV_Res]                              |                                                                                                                     | (P) |    |
| 14 |            | +localtree1                            |                                                                                                                     |     |    |
| 15 | L_068<br>1 | [NOT TCV_Res]                          |                                                                                                                     | (F) |    |
| 16 |            | +localtree1                            |                                                                                                                     |     |    |
|    |            | <b>localtree1</b>                      |                                                                                                                     |     |    |
| 17 |            | (TCV_Null := OO_EnterPswd("1234"))     |                                                                                                                     |     | 4. |
| 18 |            | L?DL_DatInFac                          | FacilityRcv(<br>FacilityPdu_26_ci(<br>TCV_TI1,<br>facilityIErcv(<br>GetPasswdRslt_01)))                             |     |    |
| 19 |            | LIDL_DatRqRelCmp                       | RelComSnd(<br>TCV_chTch,<br>ReleaseCmp_09(<br>TCV_TI2,<br>facilityIEtsndiei(<br>ActivateSSerr_02(<br>TCV_InvkId)))) |     | 5. |
| 20 |            | (TCV_Res := OO_SSresultCHK(C_ActBAIC)) |                                                                                                                     |     |    |
| 21 | L_068<br>2 | [TCV_Res]                              |                                                                                                                     | (P) | 6. |
| 22 |            | +localtree2                            |                                                                                                                     |     |    |
| 23 | L_068<br>3 | [NOT TCV_Res]                          |                                                                                                                     | (F) |    |
| 24 |            | +localtree2                            |                                                                                                                     |     |    |
|    |            | <b>localtree2</b>                      |                                                                                                                     |     |    |
| 25 |            | L!DL_DatRqCcstEnq                      | CCStESnd(<br>TCV_chTch,<br>CCStatusEq_01(<br>TCV_TI))                                                               |     |    |
| 26 | L_068<br>4 | L?DL_DatInCcst                         | CCStRcv(<br>TCV_chTch,<br>CCStatus_14(<br>TCV_TI0, C_U10))                                                          | (P) |    |
| 27 |            | +PostMainLinkRel(TCV_chTch)            |                                                                                                                     |     |    |

**Detailed Comments:**

1. To setup traffic channel.
2. To establish a mobile originating call, bring the MS into state U10.
3. To initiate the Activation supplementary service.
4. To enter password.
5. ReturnError indication negative password checking.
6. The user indication is correct, pass.

### Test Case Dynamic Behaviour

|                        |                                                                                                                                                                                                                                                                                                                                                                                                                                                                                                                                                                                                                                                                                                                                                                                                                                                                                                                                                                                                                                                                                                                                                                                                              |
|------------------------|--------------------------------------------------------------------------------------------------------------------------------------------------------------------------------------------------------------------------------------------------------------------------------------------------------------------------------------------------------------------------------------------------------------------------------------------------------------------------------------------------------------------------------------------------------------------------------------------------------------------------------------------------------------------------------------------------------------------------------------------------------------------------------------------------------------------------------------------------------------------------------------------------------------------------------------------------------------------------------------------------------------------------------------------------------------------------------------------------------------------------------------------------------------------------------------------------------------|
| <b>Test Case Name:</b> | TC_31_8_4_1                                                                                                                                                                                                                                                                                                                                                                                                                                                                                                                                                                                                                                                                                                                                                                                                                                                                                                                                                                                                                                                                                                                                                                                                  |
| <b>Group:</b>          | GSM_L3_MS_v4210/SS/                                                                                                                                                                                                                                                                                                                                                                                                                                                                                                                                                                                                                                                                                                                                                                                                                                                                                                                                                                                                                                                                                                                                                                                          |
| <b>Purpose:</b>        | <p>1) To check that the MS correctly requests a supplementary service transaction for deactivation of a group of call barring services in CHANNEL REQUEST message.</p> <p>2) To check that the MS correctly requests a supplementary service transaction for deactivation of a group of call barring services in the subsequent CM-SERVICE REQUEST.</p> <p>3) To check that the MS sends a REGISTER message containing the invoke of the DeactivateSS operation with the expected parameter values for deactivation of a group of call restriction services.</p> <p>4) To check that upon receipt of FACILITY message requiring the password, the MS provides the appropriate user indication (as described by the manufacturer).</p> <p>5) To check that the MS is able to send a password by sending a FACILITY message in accordance to the user request (MMI actions).</p> <p>6) To check that upon receipt of the RELEASE COMPLETE message, the MS provides the appropriate user indication (which is to be described by the manufacturer).</p> <p>These checks are done for:</p> <p>a) all restrictions, for basic service group "speech".</p> <p>b) barring of outgoing calls, for all facsimile.</p> |
| <b>Default:</b>        | OtherEventsFail                                                                                                                                                                                                                                                                                                                                                                                                                                                                                                                                                                                                                                                                                                                                                                                                                                                                                                                                                                                                                                                                                                                                                                                              |

| Nr | Label | Behaviour Description                                                                                                                                                                                                                                                                                                                                                                                                                                                                                                                                                   | CRef                                                                                                                      | V   | Comments                |
|----|-------|-------------------------------------------------------------------------------------------------------------------------------------------------------------------------------------------------------------------------------------------------------------------------------------------------------------------------------------------------------------------------------------------------------------------------------------------------------------------------------------------------------------------------------------------------------------------------|---------------------------------------------------------------------------------------------------------------------------|-----|-------------------------|
| 1  |       | START T_guard(300)                                                                                                                                                                                                                                                                                                                                                                                                                                                                                                                                                      |                                                                                                                           |     |                         |
| 2  |       | +IdleUpdated( C_E_default, C_CellA, C_SCH_A, C_BCCH_A_1, C_Immass, C_S0, C_SlotNU, C_SlotNU, C_SlotNU, C_BCC, C_TxInt_5, C_Max_1, C_NEC1_0, C_ATT_0, TimingAdv( 0), C_BABR_0, C_cch_1Comb, C_BPM_3, C_T3212_0, C_ci_cellA, C_MCC_1, C_PLMN_1, C_LAC_1, CellOpt_01, CellChDes_Omit, CellChDes_Omit, C_CellReselectHys12, C_MaxPwrLvlG, C_MaxPwrLvlD, BcchFreqLst_45, BcchFreqLst_02, BcchFreqLst_03, BcchFreqLst_04, C_Restablishment, C_BCC, C_NCC, C_Start_Tmsi, TSPX_SDCCH4SubDef, TSPX_CKSNDDef, TSPX_RANDDef, C_arfcnA, C_arfcnAd, TSPX_IMSI, C_Test_nfh, C_NCCP_2) |                                                                                                                           |     |                         |
| 3  |       | (TCV_Null := OO_InitSS("#330**11#"))                                                                                                                                                                                                                                                                                                                                                                                                                                                                                                                                    |                                                                                                                           |     | 2.                      |
| 4  |       | +part1                                                                                                                                                                                                                                                                                                                                                                                                                                                                                                                                                                  |                                                                                                                           |     |                         |
| 5  |       | (TCV_Null := OO_InitSS( "#333**13#"))                                                                                                                                                                                                                                                                                                                                                                                                                                                                                                                                   |                                                                                                                           |     | 3.                      |
| 6  |       | +part2                                                                                                                                                                                                                                                                                                                                                                                                                                                                                                                                                                  |                                                                                                                           |     |                         |
|    |       | <b>part1</b>                                                                                                                                                                                                                                                                                                                                                                                                                                                                                                                                                            |                                                                                                                           |     |                         |
| 7  | L_068 | L?DL_RaInChRq (TCV_Rr := DL_RaInChRq.msg.ecau_rrf, TCV_Fn := DL_RaInChRq.fn)                                                                                                                                                                                                                                                                                                                                                                                                                                                                                            | ChReq(ChRequest_04)                                                                                                       | (P) |                         |
| 8  | 5     | ACTIVATE(OtherEventsFail_02)                                                                                                                                                                                                                                                                                                                                                                                                                                                                                                                                            |                                                                                                                           |     | To match ChReq retrans. |
| 9  |       | LIDL_UdatRqImmass                                                                                                                                                                                                                                                                                                                                                                                                                                                                                                                                                       | ImmAss( TCV_agch, ImmAsgn_01Def( TCV_Rr, TCV_Fn, TSPX_SDCCH4SubDef, TCV_slot, TCV_tsc, TCV_chdescr_arfcn, TimingAdv( 0))) |     |                         |
| 10 | L_068 | L?DL_EstInCmsRq                                                                                                                                                                                                                                                                                                                                                                                                                                                                                                                                                         | CMSerReq(CMServiceReq_08)                                                                                                 | (P) |                         |
| 11 | 6     | ACTIVATE(OtherEventsFail)                                                                                                                                                                                                                                                                                                                                                                                                                                                                                                                                               |                                                                                                                           |     | Restore Normal default  |
| 12 |       | LIDL_DatRqCmsAcp                                                                                                                                                                                                                                                                                                                                                                                                                                                                                                                                                        | CMSerAcp( TCV_ch, CMServiceAcp_01)                                                                                        |     |                         |
| 13 |       | +localtree                                                                                                                                                                                                                                                                                                                                                                                                                                                                                                                                                              |                                                                                                                           |     |                         |
|    |       | <b>localtree</b>                                                                                                                                                                                                                                                                                                                                                                                                                                                                                                                                                        |                                                                                                                           |     |                         |
| 14 | L_068 | L?DL_DatInRegister ( TCV_TI := DL_DatInRegister.msg.ti, TCV_T10 := TCV_TI,                                                                                                                                                                                                                                                                                                                                                                                                                                                                                              | Register_03( RegisterPdu_03(                                                                                              | (P) |                         |
| 7  |       |                                                                                                                                                                                                                                                                                                                                                                                                                                                                                                                                                                         |                                                                                                                           |     |                         |

|    |            |                                                                                                                                                                                                                                                                                                                                                                            |                                                                                                                                                             |     |                         |
|----|------------|----------------------------------------------------------------------------------------------------------------------------------------------------------------------------------------------------------------------------------------------------------------------------------------------------------------------------------------------------------------------------|-------------------------------------------------------------------------------------------------------------------------------------------------------------|-----|-------------------------|
| 15 |            | TCV_TI.ti_f := '1'B, TCV_Comp :=<br>DL_DatInRegister.msg.fie.components_1, TCV_n :=<br>OC_PosinSet(TCV_Comp, DeactivateSS_03),<br>TCV_Invkld :=<br>OC_Asn1intToOct(TCV_Comp.[TCV_n].deactivateSS<br>Components.deactivateSS_InvokComp.invokeID, 1))<br>L!DL_DatRqFac                                                                                                       | facilityIErcviei(<br>DeactivateSS_03)))<br><br>FacilitySnd(TCV_ch,<br>FacilityPdu_25_ci(<br>TCV_TI,<br>facilityIEtsnd(<br>GetPasswdSS_01(<br>TCV_Invkld)))) |     |                         |
| 16 |            | (TCV_Res := OO_SSresultCHK(C_RegPswd))                                                                                                                                                                                                                                                                                                                                     |                                                                                                                                                             |     |                         |
| 17 | L_068<br>8 | [TCV_Res]                                                                                                                                                                                                                                                                                                                                                                  |                                                                                                                                                             | (P) |                         |
| 18 |            | +localtree1                                                                                                                                                                                                                                                                                                                                                                |                                                                                                                                                             |     |                         |
| 19 | L_068<br>9 | [NOT TCV_Res]                                                                                                                                                                                                                                                                                                                                                              |                                                                                                                                                             | (F) |                         |
| 20 |            | +localtree1                                                                                                                                                                                                                                                                                                                                                                |                                                                                                                                                             |     |                         |
| 21 |            | <b>localtree1</b><br>(TCV_Null := OO_EnterPswd("1234"))                                                                                                                                                                                                                                                                                                                    |                                                                                                                                                             |     | 4.                      |
| 22 |            | L?DL_DatInFac                                                                                                                                                                                                                                                                                                                                                              | FacilityRcv(<br>FacilityPdu_26_ci(<br>TCV_TI0,<br>facilityIErcv(<br>GetPasswdRslt_01)))                                                                     |     |                         |
| 23 |            | L!DL_DatRqRelCmp                                                                                                                                                                                                                                                                                                                                                           | RelComSnd(TCV_ch,<br>ReleaseCmp_09(<br>TCV_TI,<br>facilityIEtsndiei(<br>DeactivateSSRslt_03(<br>TCV_Invkld))))                                              |     |                         |
| 24 |            | +PostMainLinkRel(TCV_ch)                                                                                                                                                                                                                                                                                                                                                   |                                                                                                                                                             |     |                         |
| 25 | L_069<br>0 | <b>part2</b><br>L?DL_RaclnChRq (TCV_Rr := DL_RaclnChRq.<br>msg.ecau_rrf, TCV_Fn := DL_RaclnChRq.fn)<br>ACTIVATE(OtherEventsFail_02)                                                                                                                                                                                                                                        | ChReq(<br>ChRequest_04)                                                                                                                                     | (P) |                         |
| 26 |            | L!DL_UdatRqImmch                                                                                                                                                                                                                                                                                                                                                           | ImmAss( TCV_agch,<br>ImmAsgn_01Def(<br>TCV_Rr, TCV_Fn,<br>TSPX_SDCCH4SubD<br>ef, TCV_slot,<br>TCV_tsc,<br>TCV_chdescr_arfcn,<br>TimingAdv( 0)))             |     | To match ChReq retrans. |
| 27 |            |                                                                                                                                                                                                                                                                                                                                                                            |                                                                                                                                                             |     |                         |
| 28 | L_069<br>1 | L?DL_EstInCmsRq                                                                                                                                                                                                                                                                                                                                                            | CMSerReq(<br>CMServiceReq_08)                                                                                                                               | (P) |                         |
| 29 |            | ACTIVATE(OtherEventsFail)                                                                                                                                                                                                                                                                                                                                                  |                                                                                                                                                             |     | Restore Normal default  |
| 30 |            | L!DL_DatRqCmsAcp                                                                                                                                                                                                                                                                                                                                                           | CMSerAcp( TCV_ch,<br>CMServiceAcp_01)                                                                                                                       |     |                         |
| 31 |            | +localtree2                                                                                                                                                                                                                                                                                                                                                                |                                                                                                                                                             |     |                         |
| 32 | L_069<br>2 | <b>localtree2</b><br>L?DL_DatInRegister ( TCV_TI :=<br>DL_DatInRegister.msg.ti, TCV_TI0 := TCV_TI,<br>TCV_TI.ti_f := '1'B, TCV_Comp :=<br>DL_DatInRegister.msg.fie.components_1, TCV_n :=<br>OC_PosinSet(TCV_Comp, DeactivateSS_04),<br>TCV_Invkld :=<br>OC_Asn1intToOct(TCV_Comp.[TCV_n].deactivateSS<br>Components.deactivateSS_InvokComp.invokeID, 1))<br>L!DL_DatRqFac | Register_03(<br>RegisterPdu_03(<br>facilityIErcviei(<br>DeactivateSS_04)))                                                                                  | (P) |                         |
| 33 |            |                                                                                                                                                                                                                                                                                                                                                                            | FacilitySnd(TCV_ch,<br>FacilityPdu_25_ci(<br>TCV_TI,<br>facilityIEtsnd(<br>GetPasswdSS_01(<br>TCV_Invkld))))                                                |     |                         |
| 34 |            | (TCV_Res := OO_SSresultCHK(C_RegPswd))                                                                                                                                                                                                                                                                                                                                     |                                                                                                                                                             |     |                         |
| 35 | L_069<br>3 | [TCV_Res]                                                                                                                                                                                                                                                                                                                                                                  |                                                                                                                                                             | (P) |                         |

|    |            |                                                         |                                                                                                                |     |
|----|------------|---------------------------------------------------------|----------------------------------------------------------------------------------------------------------------|-----|
| 36 |            | +localtree3                                             |                                                                                                                |     |
| 37 | L_069<br>4 | [NOT TCV_Res]                                           |                                                                                                                | (F) |
| 38 |            | +localtree3                                             |                                                                                                                |     |
| 39 |            | <b>localtree3</b><br>(TCV_Null := OO_EnterPswd("1234")) |                                                                                                                |     |
| 40 | L_069<br>5 | L?DL_DatInFac                                           | FacilityRcv(<br>FacilityPdu_26_ci(<br>TCV_TI0,<br>facilityIercv(<br>GetPasswdRslt_01)))                        | (P) |
| 41 |            | L!DL_DatRqRelCmp                                        | RelComSnd(TCV_ch,<br>ReleaseCmp_09(<br>TCV_TI,<br>facilityIetsndiei(<br>DeactivateSSRslt_04(<br>TCV_InvkId)))) |     |
| 42 |            | (TCV_Res := OO_SSresultCHK(C_DeactBO))                  |                                                                                                                |     |
| 43 | L_069<br>6 | [TCV_Res]                                               |                                                                                                                | (P) |
| 44 |            | +PostMainLinkRel(TCV_ch)                                |                                                                                                                |     |
| 45 | L_069<br>7 | [NOT TCV_Res]                                           |                                                                                                                | (F) |
| 46 |            | +PostMainLinkRel(TCV_ch)                                |                                                                                                                |     |

**Detailed Comments:**

1. To setup physical channel as BCCH, CCCH and SDCCH4.
2. To initiate Deactivation for B.
3. To initiate Deactivation for BO.
4. To send GetPassword invocation to the MS.
5. To enter password at the MMI.

### Test Case Dynamic Behaviour

|                        |                                                                                                                                                                                                                                                                                                                                                                                                                                                                                                                                                                                                                                                                                                                                                                                                                                                                                                                                                                                                                                        |
|------------------------|----------------------------------------------------------------------------------------------------------------------------------------------------------------------------------------------------------------------------------------------------------------------------------------------------------------------------------------------------------------------------------------------------------------------------------------------------------------------------------------------------------------------------------------------------------------------------------------------------------------------------------------------------------------------------------------------------------------------------------------------------------------------------------------------------------------------------------------------------------------------------------------------------------------------------------------------------------------------------------------------------------------------------------------|
| <b>Test Case Name:</b> | TC_31_8_4_2_1                                                                                                                                                                                                                                                                                                                                                                                                                                                                                                                                                                                                                                                                                                                                                                                                                                                                                                                                                                                                                          |
| <b>Group:</b>          | GSM_L3_MS_v4210/SS/                                                                                                                                                                                                                                                                                                                                                                                                                                                                                                                                                                                                                                                                                                                                                                                                                                                                                                                                                                                                                    |
| <b>Purpose:</b>        | <p>1) To check that, when a call transaction is already established, the MS correctly requests the establishment of a parallel MM transaction for supplementary service transaction of a group of call barring services, sending a CM-SERVICE REQUEST.</p> <p>2) To check that the MS sends a REGISTER message containing the invoke of the DeactivateSS operation with the expected parameter values for a group of call barring services.</p> <p>3) To check that upon receipt of the RELEASE COMPLETE message related to the present SS transaction, the first transaction remains unaffected.</p> <p>4) To check that upon receipt of the RELEASE COMPLETE message, the MS provides the appropriate user indication (as described by the Manufacturer).</p> <p>These checks are performed with a call transaction already established for :<br/> BI, the RELEASE COMPLETE message being sent at the beginning of the procedure with a facility IE containing a return_error(error) where error is "SS subscription violation".</p> |
| <b>Default:</b>        | OtherEventsFail                                                                                                                                                                                                                                                                                                                                                                                                                                                                                                                                                                                                                                                                                                                                                                                                                                                                                                                                                                                                                        |

| Nr | Label      | Behaviour Description                                                                                                                                                                                                                                                                                                                                                                                                                                                                                                                                                 | CRef                                                              | V   | Comments |
|----|------------|-----------------------------------------------------------------------------------------------------------------------------------------------------------------------------------------------------------------------------------------------------------------------------------------------------------------------------------------------------------------------------------------------------------------------------------------------------------------------------------------------------------------------------------------------------------------------|-------------------------------------------------------------------|-----|----------|
| 1  |            | START T_guard(300)                                                                                                                                                                                                                                                                                                                                                                                                                                                                                                                                                    |                                                                   |     |          |
| 2  |            | +BasicServiceMO( TSPX_MOBscSvcF, TSPX_MOChRateF)                                                                                                                                                                                                                                                                                                                                                                                                                                                                                                                      |                                                                   |     |          |
| 3  |            | +IdleUpdated( C_E_default, C_CellA, C_SCH_A, C_BCCH_A_1, C_Immass, C_S0, C_SlotNU, C_SlotNU, C_SlotNU, C_BCC, C_TxInt_5, C_Max_1, C_NECI_0, C_ATT_0, TimingAdv( 0), C_BABR_0, C_cch_1Comb, C_BPM_3, C_T3212_0, C_ci_cellA, C_MCC_1, C_PLMN_1, C_LAC_1, CellOpt_01, CellChDes_Omit, CellChDes_Omit, C_CellReselectHys12, C_MaxPwrLvIG, C_MaxPwrLvID, BcchFreqLst_45, BcchFreqLst_02, BcchFreqLst_03, BcchFreqLst_04, C_Restablishment, C_BCC, C_NCC, C_Start_Tmsi, TSPX_SDCCH4SubDef, TSPX_CKSNDf, TSPX_RANDDef, C_arfcnA, C_arfcnAd, TSPX_IMSI, C_Test_nfh, C_NCCP_2) |                                                                   |     |          |
| 4  |            | +CCConfigTCH_nociph( TSPX_TCHHSubDef, C_Ass, TSPX_TmSlTDef, TSPX_TscDef, TimingAdv( 0), C_BABR_0, C_cch_1Comb, C_BPM_3, TCV_ChMod.mode, FreqTCH_omit, FreqTCH_omit, C_arfcn_tchA, C_arfcn_tchAd)                                                                                                                                                                                                                                                                                                                                                                      |                                                                   |     | 1.       |
| 5  |            | +Est_MO_Call( TimingAdv( 0), TCV_ChRate, TSPX_RANDDef, TSPX_SDCCH4SubDef, TSPX_TmSlTDef, TSPX_TscDef, TSPX_TCHHSubDef)                                                                                                                                                                                                                                                                                                                                                                                                                                                |                                                                   |     | 2.       |
| 6  |            | (TCV_Null := OO_InitSS("#353#"))                                                                                                                                                                                                                                                                                                                                                                                                                                                                                                                                      |                                                                   |     | 3.       |
| 7  |            | L?DL_DatInCmsRq                                                                                                                                                                                                                                                                                                                                                                                                                                                                                                                                                       | CMSerDatReq( CMServiceReq_08)                                     |     |          |
| 8  |            | LIDL_DatRqCmsAcp                                                                                                                                                                                                                                                                                                                                                                                                                                                                                                                                                      | CMSerAcp( TCV_chTch, CMServiceAcp_01)                             |     |          |
| 9  |            | +localtree                                                                                                                                                                                                                                                                                                                                                                                                                                                                                                                                                            |                                                                   |     |          |
| 10 | L_069<br>8 | <b>localtree</b><br>L?DL_DatInRegister ( TCV_TI1 := DL_DatInRegister.msg.ti, TCV_TI2 := TCV_TI1, TCV_TI2.ti_f := '1'B, TCV_Comp := DL_DatInRegister.msg.fie.components_1, TCV_n := OC_PosinSet(TCV_Comp, DeactivateSS_05), TCV_Invkld := OC_Asn1intToOct(TCV_Comp.[TCV_n].deactivateSS Components.deactivateSS_InvokeComp.invokeID, 1))                                                                                                                                                                                                                               | Register_03( RegisterPdu_03( facilityIErcviei( DeactivateSS_05))) | (P) |          |
| 11 |            | LIDL_DatRqRelCmp                                                                                                                                                                                                                                                                                                                                                                                                                                                                                                                                                      | RelComSnd(TCV_ch Tch, ReleaseCmp_09( TCV_TI2,                     |     | 4.       |

|    |            |                                        |                                                    |     |    |
|----|------------|----------------------------------------|----------------------------------------------------|-----|----|
| 12 |            | (TCV_Res := OO_SSresultCHK(C_DeactBl)) | facility!Etsndiei(DeactivateSSErr_01(TCV_InvkId))) |     |    |
| 13 | L_069<br>9 | [TCV_Res]                              |                                                    | (P) | 5. |
| 14 |            | +localtree1                            |                                                    |     |    |
| 15 | L_070<br>0 | [NOT TCV_Res]                          |                                                    | (F) |    |
| 16 |            | +localtree1                            |                                                    |     |    |
| 17 |            | <b>localtree1</b><br>L!DL_DatRqCstEnq  | CCStESnd(TCV_chTch, CCStatusEq_01(TCV_TI))         |     |    |
| 18 | L_070<br>1 | L?DL_DatInCst                          | CCStRcv(TCV_chTch, CCStatus_14(TCV_TI0, C_U10))    | (P) |    |
| 19 |            | +PostMainLinkRel(TCV_chTch)            |                                                    |     |    |

**Detailed Comments:**

1. To setup traffic channel.
2. To establish a mobile originating call to bring the MS into state U10.
3. To initiate the DeactivateSS for Bl.
4. To send ReturnError for the invocation of DeactivateSS.
5. The user indication is correct, pass.

| Test Case Dynamic Behaviour |            |                                                                                                                                                                                                                                                                                                                                                                                                                                                                                                                                                                                                                                                                                                                                                                                                                                                                                                                                                                                                                                                                          |                                                                                                 |     |          |
|-----------------------------|------------|--------------------------------------------------------------------------------------------------------------------------------------------------------------------------------------------------------------------------------------------------------------------------------------------------------------------------------------------------------------------------------------------------------------------------------------------------------------------------------------------------------------------------------------------------------------------------------------------------------------------------------------------------------------------------------------------------------------------------------------------------------------------------------------------------------------------------------------------------------------------------------------------------------------------------------------------------------------------------------------------------------------------------------------------------------------------------|-------------------------------------------------------------------------------------------------|-----|----------|
| <b>Test Case Name:</b>      |            | TC_31_8_4_2_2                                                                                                                                                                                                                                                                                                                                                                                                                                                                                                                                                                                                                                                                                                                                                                                                                                                                                                                                                                                                                                                            |                                                                                                 |     |          |
| <b>Group:</b>               |            | GSM_L3_MS_v4210/SS/                                                                                                                                                                                                                                                                                                                                                                                                                                                                                                                                                                                                                                                                                                                                                                                                                                                                                                                                                                                                                                                      |                                                                                                 |     |          |
| <b>Purpose:</b>             |            | <p>1) To check that, when a call transaction is already established, the MS correctly requests the establishment of a parallel MM transaction for supplementary service transaction of deactivation of a group of call restriction services, sending a CM-SERVICE REQUEST.</p> <p>2) To check that the MS sends a REGISTER message containing the invoke of the DeactivateSS operation with the expected parameter values for deactivation of a group of call restriction service.</p> <p>3) To check that upon receipt of the RELEASE COMPLETE message related to the present SS transaction, the first transaction remains unaffected.</p> <p>4) To check that upon receipt of the RELEASE COMPLETE message, the MS provides the appropriate user indication (as described by the Manufacturer).</p> <p>Those checks are performed with a call transaction already established for :<br/>BOICExHC, the RELEASE COMPLETE message being sent at the end of the procedure with a facility IE containing a return_error(error) where error is "NegativePasswordCheck".</p> |                                                                                                 |     |          |
| <b>Default:</b>             |            | OtherEventsFail                                                                                                                                                                                                                                                                                                                                                                                                                                                                                                                                                                                                                                                                                                                                                                                                                                                                                                                                                                                                                                                          |                                                                                                 |     |          |
| Nr                          | Label      | Behaviour Description                                                                                                                                                                                                                                                                                                                                                                                                                                                                                                                                                                                                                                                                                                                                                                                                                                                                                                                                                                                                                                                    | CRef                                                                                            | V   | Comments |
| 1                           |            | START T_guard(300)                                                                                                                                                                                                                                                                                                                                                                                                                                                                                                                                                                                                                                                                                                                                                                                                                                                                                                                                                                                                                                                       |                                                                                                 |     |          |
| 2                           |            | +BasicServiceMO( TSPX_MOBscSvcG,<br>TSPX_MOChRateG)                                                                                                                                                                                                                                                                                                                                                                                                                                                                                                                                                                                                                                                                                                                                                                                                                                                                                                                                                                                                                      |                                                                                                 |     |          |
| 3                           |            | +IdleUpdated( C_E_default, C_CellA, C_SCH_A,<br>C_BCCH_A_1, C_Immass, C_S0, C_SlotNU,<br>C_SlotNU, C_SlotNU, C_BCC, C_TxInt_5,<br>C_Max_1, C_NECI_0, C_ATT_0, TimingAdv( 0),<br>C_BABR_0, C_cch_1Comb, C_BPM_3,<br>C_T3212_0, C_ci_cellA, C_MCC_1, C_PLMN_1,<br>C_LAC_1, CellOpt_01, CellChDes_Omit,<br>CellChDes_Omit, C_CellReselectHys12,<br>C_MaxPwrLvIG, C_MaxPwrLvID,<br>BcchFreqLst_45, BcchFreqLst_02,<br>BcchFreqLst_03, BcchFreqLst_04,<br>C_Restablishment, C_BCC, C_NCC,<br>C_Start_Tmsi, TSPX_SDCCH4SubDef,<br>TSPX_CKSNDf, TSPX_RANDDef, C_arfcnA,<br>C_arfcnAd, TSPX_IMSI, C_Test_nfh,<br>C_NCCP_2)                                                                                                                                                                                                                                                                                                                                                                                                                                                       |                                                                                                 |     |          |
| 4                           |            | +CCConfigTCH_nociph( TSPX_TCHHSubDef,<br>C_Ass, TSPX_TmSlitDef, TSPX_TscDef,<br>TimingAdv( 0), C_BABR_0, C_cch_1Comb,<br>C_BPM_3, TCV_ChMod.mode, FreqTCH_omit,<br>FreqTCH_omit, C_arfcn_tchA, C_arfcn_tchAd)                                                                                                                                                                                                                                                                                                                                                                                                                                                                                                                                                                                                                                                                                                                                                                                                                                                            |                                                                                                 |     | 1.       |
| 5                           |            | +Est_MO_Call( TimingAdv( 0), TCV_ChRate,<br>TSPX_RANDDef, TSPX_SDCCH4SubDef,<br>TSPX_TmSlitDef, TSPX_TscDef,<br>TSPX_TCHHSubDef)                                                                                                                                                                                                                                                                                                                                                                                                                                                                                                                                                                                                                                                                                                                                                                                                                                                                                                                                         |                                                                                                 |     | 2.       |
| 6                           |            | (TCV_Null := OO_InitSS("#332#"))                                                                                                                                                                                                                                                                                                                                                                                                                                                                                                                                                                                                                                                                                                                                                                                                                                                                                                                                                                                                                                         |                                                                                                 |     | 3.       |
| 7                           | L_070<br>2 | L?DL_DatInCmsRq                                                                                                                                                                                                                                                                                                                                                                                                                                                                                                                                                                                                                                                                                                                                                                                                                                                                                                                                                                                                                                                          | CMSerDatReq(<br>CMServiceReq_08)                                                                | (P) |          |
| 8                           |            | LIDL_DatRqCmsAcp                                                                                                                                                                                                                                                                                                                                                                                                                                                                                                                                                                                                                                                                                                                                                                                                                                                                                                                                                                                                                                                         | CMSerAcp(<br>TCV_chTch,<br>CMServiceAcp_01)                                                     |     |          |
| 9                           |            | +localtree                                                                                                                                                                                                                                                                                                                                                                                                                                                                                                                                                                                                                                                                                                                                                                                                                                                                                                                                                                                                                                                               |                                                                                                 |     |          |
| 10                          | L_070<br>3 | <b>localtree</b><br>L?DL_DatInRegister ( TCV_TI1 :=<br>DL_DatInRegister.msg.ti, TCV_TI2 := TCV_TI1,<br>TCV_TI2.ti_f := '1'B, TCV_Comp :=<br>DL_DatInRegister.msg.fie.components_1, TCV_n :=<br>OC_PosinSet(TCV_Comp, DeactivateSS_06),<br>TCV_Invkld :=<br>OC_Asn1intToOct(TCV_Comp.[TCV_n].deactivateSS<br>Components.deactivateSS_InvokeComp.invokeID, 1))                                                                                                                                                                                                                                                                                                                                                                                                                                                                                                                                                                                                                                                                                                             | Register_03(<br>RegisterPdu_03(<br>facilityIErcviei(<br>DeactivateSS_06)))                      | (P) |          |
| 11                          |            | LIDL_DatRqFac                                                                                                                                                                                                                                                                                                                                                                                                                                                                                                                                                                                                                                                                                                                                                                                                                                                                                                                                                                                                                                                            | FacilitySnd(TCV_chT<br>ch, FacilityPdu_25_ci(<br>TCV_TI2,<br>facilityIEtsnd(<br>GetPasswdSS_01( |     |          |

|    |            |                                                 |                                                                                                                       |     |    |
|----|------------|-------------------------------------------------|-----------------------------------------------------------------------------------------------------------------------|-----|----|
| 12 |            | (TCV_Res := OO_SSresultCHK(C_RegPswd))          | TCV_InvkId))))                                                                                                        |     |    |
| 13 | L_070<br>4 | [TCV_Res]                                       |                                                                                                                       | (P) |    |
| 14 |            | +localtree1                                     |                                                                                                                       |     |    |
| 15 | L_070<br>5 | [NOT TCV_Res]                                   |                                                                                                                       | (F) |    |
| 16 |            | +localtree1                                     |                                                                                                                       |     |    |
| 17 |            | <b>localtree1</b>                               |                                                                                                                       |     |    |
| 17 |            | (TCV_Null := OO_EnterPswd("1234"))              |                                                                                                                       |     | 4. |
| 18 |            | L?DL_DatInFac                                   | FacilityRcv(<br>FacilityPdu_26_ci(<br>TCV_TI1,<br>facilityIercv(<br>GetPasswdRslt_01)))                               |     |    |
| 19 |            | LIDL_DatRqRelCmp                                | RelComSnd(TCV_ch<br>Tch,<br>ReleaseCmp_09(<br>TCV_TI2,<br>facilityIetsndiei(<br>DeactivateSSErr_02(<br>TCV_InvkId)))) |     | 5. |
| 20 |            | (TCV_Res :=<br>OO_SSresultCHK(C_DeactBOICExHC)) |                                                                                                                       |     |    |
| 21 | L_070<br>6 | [TCV_Res]                                       |                                                                                                                       | (P) | 6. |
| 22 |            | +localtree2                                     |                                                                                                                       |     |    |
| 23 | L_070<br>7 | [NOT TCV_Res]                                   |                                                                                                                       | (F) |    |
| 24 |            | +localtree2                                     |                                                                                                                       |     |    |
| 25 |            | <b>localtree2</b>                               |                                                                                                                       |     |    |
| 25 |            | LIDL_DatRqCcstEnq                               | CCStESnd(<br>TCV_chTch,<br>CCStatusEq_01(<br>TCV_TI))                                                                 |     |    |
| 26 | L_070<br>8 | L?DL_DatInCcst                                  | CCStRcv(<br>TCV_chTch,<br>CCStatus_14(<br>TCV_TI0, C_U10))                                                            | (P) |    |
| 27 |            | +PostMainLinkRel(TCV_chTch)                     |                                                                                                                       |     |    |

**Detailed Comments:**

1. To setup traffic channel.
2. To establish a mobile originating call, bring the MS into state U10.
3. To initiate the deactivation supplementary service.
4. To enter password.
5. ReturnError indication negative password checking.
6. The user indication is correct, pass.



### Test Case Dynamic Behaviour

|                        |                                                                                                                                                                                                                                                                                                                                                                                                                                                                                                                                                                                                                                                                                                                                                                                                                                                                                                                                                                                                                                                                                                                                                                                                                                                                                   |
|------------------------|-----------------------------------------------------------------------------------------------------------------------------------------------------------------------------------------------------------------------------------------------------------------------------------------------------------------------------------------------------------------------------------------------------------------------------------------------------------------------------------------------------------------------------------------------------------------------------------------------------------------------------------------------------------------------------------------------------------------------------------------------------------------------------------------------------------------------------------------------------------------------------------------------------------------------------------------------------------------------------------------------------------------------------------------------------------------------------------------------------------------------------------------------------------------------------------------------------------------------------------------------------------------------------------|
| <b>Test Case Name:</b> | TC_31_8_6_1                                                                                                                                                                                                                                                                                                                                                                                                                                                                                                                                                                                                                                                                                                                                                                                                                                                                                                                                                                                                                                                                                                                                                                                                                                                                       |
| <b>Group:</b>          | GSM_L3_MS_v4210/SS/                                                                                                                                                                                                                                                                                                                                                                                                                                                                                                                                                                                                                                                                                                                                                                                                                                                                                                                                                                                                                                                                                                                                                                                                                                                               |
| <b>Purpose:</b>        | <p>1) To check that the MS correctly requests a supplementary service transaction for interrogation of a specific call barring service in CHANNEL REQUEST message.</p> <p>2) To check that the MS correctly requests a supplementary service transaction for interrogation of a call barring service in the subsequent CM-SERVICE REQUEST.</p> <p>3) To check that the MS sends a REGISTER message containing the invoke of the InterrogateSS operation with the expected parameter values for interrogation of one call restriction service.</p> <p>4) To check that upon receipt of FACILITY message requiring the password, the MS provides the appropriate user indication (as described by the manufacturer).</p> <p>5) To check that the MS is able to send a password by sending a FACILITY message in accordance to the user request (MMI actions).</p> <p>6) To check that upon receipt of the RELEASE COMPLETE message, the MS provides the appropriate user indication (which is to be described by the manufacturer).</p> <p>These checks are done for :</p> <p>a) BAIC, the result of the operation being a Basic Service code sent in a FACILITY message.</p> <p>b) BOICExHC, the result of the operation being a SS-status sent in a RELEASE COMPLETE message.</p> |
| <b>Default:</b>        | OtherEventsFail                                                                                                                                                                                                                                                                                                                                                                                                                                                                                                                                                                                                                                                                                                                                                                                                                                                                                                                                                                                                                                                                                                                                                                                                                                                                   |

| Nr | Label | Behaviour Description                                                                                                                                                                                                                                                                                                                                                                                                                                                                                                                                                   | CRef                                                                                                                                            | V   | Comments                |
|----|-------|-------------------------------------------------------------------------------------------------------------------------------------------------------------------------------------------------------------------------------------------------------------------------------------------------------------------------------------------------------------------------------------------------------------------------------------------------------------------------------------------------------------------------------------------------------------------------|-------------------------------------------------------------------------------------------------------------------------------------------------|-----|-------------------------|
| 1  |       | START T_guard(300)                                                                                                                                                                                                                                                                                                                                                                                                                                                                                                                                                      |                                                                                                                                                 |     |                         |
| 2  |       | +IdleUpdated( C_E_default, C_CellA, C_SCH_A, C_BCCH_A_1, C_Immass, C_S0, C_SlotNU, C_SlotNU, C_SlotNU, C_BCC, C_TxInt_5, C_Max_1, C_NECI_0, C_ATT_0, TimingAdv( 0), C_BABR_0, C_cch_1Comb, C_BPM_3, C_T3212_0, C_ci_cellA, C_MCC_1, C_PLMN_1, C_LAC_1, CellOpt_01, CellChDes_Omit, CellChDes_Omit, C_CellReselectHys12, C_MaxPwrLvlG, C_MaxPwrLvlD, BcchFreqLst_45, BcchFreqLst_02, BcchFreqLst_03, BcchFreqLst_04, C_Restablishment, C_BCC, C_NCC, C_Start_Tmsi, TSPX_SDCCH4SubDef, TSPX_CKSNDDef, TSPX_RANDDef, C_arfcnA, C_arfcnAd, TSPX_IMSI, C_Test_nfh, C_NCCP_2) |                                                                                                                                                 |     |                         |
| 3  |       | (TCV_Null := OO_InitSS("#35#"))                                                                                                                                                                                                                                                                                                                                                                                                                                                                                                                                         |                                                                                                                                                 |     | 2.                      |
| 4  |       | +part1                                                                                                                                                                                                                                                                                                                                                                                                                                                                                                                                                                  |                                                                                                                                                 |     |                         |
| 5  |       | (TCV_Null := OO_InitSS("#332#"))                                                                                                                                                                                                                                                                                                                                                                                                                                                                                                                                        |                                                                                                                                                 |     | 3.                      |
| 6  |       | +part2                                                                                                                                                                                                                                                                                                                                                                                                                                                                                                                                                                  |                                                                                                                                                 |     |                         |
| 7  | L_070 | L?DL_RaInChRq (TCV_Rr := DL_RaInChRq.<br>msg.ecau_rrf, TCV_Fn := DL_RaInChRq.fn)                                                                                                                                                                                                                                                                                                                                                                                                                                                                                        | ChReq(<br>ChRequest_04)                                                                                                                         | (P) |                         |
| 8  | 9     | ACTIVATE(OtherEventsFail_02)                                                                                                                                                                                                                                                                                                                                                                                                                                                                                                                                            |                                                                                                                                                 |     | To match ChReq retrans. |
| 9  |       | LIDL_UdatRqImmass                                                                                                                                                                                                                                                                                                                                                                                                                                                                                                                                                       | ImmAss( TCV_agch,<br>ImmAsgn_01Def(<br>TCV_Rr, TCV_Fn,<br>TSPX_SDCCH4SubD<br>ef, TCV_slot,<br>TCV_tsc,<br>TCV_chdescr_arfcn,<br>TimingAdv( 0))) |     |                         |
| 10 | L_071 | L?DL_EstInCmsRq                                                                                                                                                                                                                                                                                                                                                                                                                                                                                                                                                         | CMSerReq(<br>CMServiceReq_08)                                                                                                                   | (P) |                         |
| 11 | 0     | ACTIVATE(OtherEventsFail)                                                                                                                                                                                                                                                                                                                                                                                                                                                                                                                                               |                                                                                                                                                 |     | Restore Normal default  |
| 12 |       | !IDL_DatRqCmsAcp                                                                                                                                                                                                                                                                                                                                                                                                                                                                                                                                                        | CMSerAcp( TCV_ch,<br>CMServiceAcp_01)                                                                                                           |     |                         |
| 13 |       | +localtree                                                                                                                                                                                                                                                                                                                                                                                                                                                                                                                                                              |                                                                                                                                                 |     |                         |
| 14 | L_071 | L?DL_DatInRegister ( TCV_TI :=                                                                                                                                                                                                                                                                                                                                                                                                                                                                                                                                          | Register_03(                                                                                                                                    | (P) |                         |

|    |                                                                                                                                                                                                                                                                                                                                                        |                                                                                                                                                 |                         |
|----|--------------------------------------------------------------------------------------------------------------------------------------------------------------------------------------------------------------------------------------------------------------------------------------------------------------------------------------------------------|-------------------------------------------------------------------------------------------------------------------------------------------------|-------------------------|
| 1  | DL_DatInRegister.msg.ti, TCV_TI0 := TCV_TI,<br>TCV_TI.ti_f := '1'B, TCV_Comp :=<br>DL_DatInRegister.msg.fie.components_1, TCV_n :=<br>OC_PosinSet(TCV_Comp, InterrogateSS_07),<br>TCV_Invkld :=<br>OC_Asn1intToOct(TCV_Comp.[TCV_n].interrogateS<br>SComponents.interrogateSS_InvokeComp.invokeID,<br>1))                                              | RegisterPdu_03(<br>facilityErcviei(<br>InterrogateSS_07)))                                                                                      |                         |
| 15 | L!DL_DatRqFac                                                                                                                                                                                                                                                                                                                                          | FacilitySnd(TCV_ch,<br>FacilityPdu_25_ci(<br>TCV_TI,<br>facilityEtsnd(<br>GetPasswdSS_01(<br>TCV_Invkld))))                                     |                         |
| 16 | (TCV_Res := OO_SSresultCHK(C_RegPswd))                                                                                                                                                                                                                                                                                                                 |                                                                                                                                                 |                         |
| 17 | L_071<br>2 [TCV_Res]                                                                                                                                                                                                                                                                                                                                   |                                                                                                                                                 | (P)                     |
| 18 | +localtree1                                                                                                                                                                                                                                                                                                                                            |                                                                                                                                                 |                         |
| 19 | L_071<br>3 [NOT TCV_Res]                                                                                                                                                                                                                                                                                                                               |                                                                                                                                                 | (F)                     |
| 20 | +localtree1                                                                                                                                                                                                                                                                                                                                            |                                                                                                                                                 |                         |
| 21 | <b>localtree1</b><br>(TCV_Null := OO_EnterPswd("1234"))                                                                                                                                                                                                                                                                                                |                                                                                                                                                 | 4.                      |
| 22 | L?DL_DatInFac                                                                                                                                                                                                                                                                                                                                          | FacilityRcv(<br>FacilityPdu_26_ci(<br>TCV_TI0,<br>facilityErcv(<br>GetPasswdRslt_01)))                                                          |                         |
| 23 | L!DL_DatRqRelCmp                                                                                                                                                                                                                                                                                                                                       | RelComSnd(<br>TCV_ch,<br>ReleaseCmp_09(<br>TCV_TI,<br>facilityEtsndie(<br>InterrogateSSRslt_03(<br>TCV_Invkld))))                               |                         |
| 24 | +PostMainLinkRel(TCV_ch)                                                                                                                                                                                                                                                                                                                               |                                                                                                                                                 |                         |
| 25 | L_071<br>4 L?DL_RaclnChRq (TCV_Rr := DL_RaclnChRq.<br>msg.ecau_rrf, TCV_Fn := DL_RaclnChRq.fn)                                                                                                                                                                                                                                                         | ChReq(<br>ChRequest_04)                                                                                                                         | (P)                     |
| 26 | ACTIVATE(OtherEventsFail_02)                                                                                                                                                                                                                                                                                                                           |                                                                                                                                                 | To match ChReq retrans. |
| 27 | L!DL_UdatRqImmss                                                                                                                                                                                                                                                                                                                                       | ImmAss( TCV_agch,<br>ImmAsgn_01Def(<br>TCV_Rr, TCV_Fn,<br>TSPX_SDCCH4SubD<br>ef, TCV_slot,<br>TCV_tsc,<br>TCV_chdescr_arfcn,<br>TimingAdv( 0))) |                         |
| 28 | L_071<br>5 L?DL_EstInCmsRq                                                                                                                                                                                                                                                                                                                             | CMSerReq(<br>CMSerReq_08)                                                                                                                       | (P)                     |
| 29 | ACTIVATE(OtherEventsFail)                                                                                                                                                                                                                                                                                                                              |                                                                                                                                                 | Restore Normal default  |
| 30 | L!DL_DatRqCmsAcp                                                                                                                                                                                                                                                                                                                                       | CMSerAcp( TCV_ch,<br>CMSerReq_01)                                                                                                               |                         |
| 31 | +localtree2                                                                                                                                                                                                                                                                                                                                            |                                                                                                                                                 |                         |
| 32 | L_071<br>6 L?DL_DatInRegister ( TCV_TI :=<br>DL_DatInRegister.msg.ti, TCV_TI0 := TCV_TI,<br>TCV_TI.ti_f := '1'B, TCV_Comp :=<br>DL_DatInRegister.msg.fie.components_1, TCV_n :=<br>OC_PosinSet(TCV_Comp, InterrogateSS_08),<br>TCV_Invkld :=<br>OC_Asn1intToOct(TCV_Comp.[TCV_n].interrogateS<br>SComponents.interrogateSS_InvokeComp.invokeID,<br>1)) | Register_03(<br>RegisterPdu_03(<br>facilityErcviei(<br>InterrogateSS_08)))                                                                      | (P)                     |
| 33 | L!DL_DatRqFac                                                                                                                                                                                                                                                                                                                                          | FacilitySnd(TCV_ch,<br>FacilityPdu_25_ci(<br>TCV_TI,<br>facilityEtsnd(<br>GetPasswdSS_01(<br>TCV_Invkld))))                                     |                         |

|    |            |                                                    |                                                                                                                     |     |
|----|------------|----------------------------------------------------|---------------------------------------------------------------------------------------------------------------------|-----|
| 34 |            | (TCV_Res := OO_SSresultCHK(C_RegPswd))             |                                                                                                                     |     |
| 35 | L_071<br>7 | [TCV_Res]                                          |                                                                                                                     | (P) |
| 36 |            | +localtree3                                        |                                                                                                                     |     |
| 37 | L_071<br>8 | [NOT TCV_Res]                                      |                                                                                                                     | (F) |
| 38 |            | +localtree3                                        |                                                                                                                     |     |
|    |            | <b>localtree3</b>                                  |                                                                                                                     |     |
| 39 |            | (TCV_Null := OO_EnterPswd("1234"))                 |                                                                                                                     |     |
| 40 | L_071<br>9 | L?DL_DatInFac                                      | FacilityRcv(<br>FacilityPdu_26_ci(<br>TCV_TI0,<br>facilityIErcv(<br>GetPasswdRslt_01)))                             | (P) |
| 41 |            | L!DL_DatRqRelCmp                                   | RelComSnd(<br>TCV_ch,<br>ReleaseCmp_09(<br>TCV_TI,<br>facilityIEtsndiei(<br>InterrogateSSRslt_04(<br>TCV_InvkId)))) |     |
| 42 |            | (TCV_Res :=<br>OO_SSresultCHK(C_InterrogBOICExHC)) |                                                                                                                     |     |
| 43 | L_072<br>0 | [TCV_Res]                                          |                                                                                                                     | (P) |
| 44 |            | +PostMainLinkRel(TCV_ch)                           |                                                                                                                     |     |
| 45 | L_072<br>1 | [NOT TCV_Res]                                      |                                                                                                                     | (F) |
| 46 |            | +PostMainLinkRel(TCV_ch)                           |                                                                                                                     |     |

**Detailed Comments:**

1. To setup physical channel as BCCH, CCCH and SDCCH4.
2. To initiate Interrogation for BAIC.
3. To initiate Interrogation for BOICExHC.
4. To send GetPassword invocation to the MS.
5. To enter password at the MMI.

### Test Case Dynamic Behaviour

|                        |                                                                                                                                                                                                                                                                                                                                                                                                                                                                                                                                                                                                                                                                                                                                                                                                                                                                                                                                                                                                                                                                                                                                            |
|------------------------|--------------------------------------------------------------------------------------------------------------------------------------------------------------------------------------------------------------------------------------------------------------------------------------------------------------------------------------------------------------------------------------------------------------------------------------------------------------------------------------------------------------------------------------------------------------------------------------------------------------------------------------------------------------------------------------------------------------------------------------------------------------------------------------------------------------------------------------------------------------------------------------------------------------------------------------------------------------------------------------------------------------------------------------------------------------------------------------------------------------------------------------------|
| <b>Test Case Name:</b> | TC_31_8_6_2                                                                                                                                                                                                                                                                                                                                                                                                                                                                                                                                                                                                                                                                                                                                                                                                                                                                                                                                                                                                                                                                                                                                |
| <b>Group:</b>          | GSM_L3_MS_v4210/SS/                                                                                                                                                                                                                                                                                                                                                                                                                                                                                                                                                                                                                                                                                                                                                                                                                                                                                                                                                                                                                                                                                                                        |
| <b>Purpose:</b>        | <p>1) To check that the MS correctly requests the establishment of a parallel MM transaction for supplementary service transaction of interrogation of a specific call barring service message, sending a CM-SERVICE REQUEST.</p> <p>2) To check that the MS sends a REGISTER message containing the invoke of the InterrogateSS operation with the expected parameter values for interrogation of call barring.</p> <p>3) To check that upon receipt of the RELEASE COMPLETE message related to the present SS transaction, the first transaction remains unaffected.</p> <p>4) To check that upon receipt of the RELEASE COMPLETE message, the MS provides the appropriate user indication (as described by the Manufacturer).</p> <p>These checks are performed with a call transaction already established for :</p> <p>a) BICRoam, the RELEASE COMPLETE message being sent with a facility IE containing a return_error(error) where error is "SS not available".</p> <p>b) BOIC, the RELEASE COMPLETE message being sent with a facility IE containing a reject(involve_problem) where involve_problem is "resource limitation".</p> |
| <b>Default:</b>        | OtherEventsFail                                                                                                                                                                                                                                                                                                                                                                                                                                                                                                                                                                                                                                                                                                                                                                                                                                                                                                                                                                                                                                                                                                                            |

| Nr | Label | Behaviour Description                                                                                                                                                                                                                                                                                                                                                                                                                                                                                                                                                                                               | CRef                                                                        | V | Comments |
|----|-------|---------------------------------------------------------------------------------------------------------------------------------------------------------------------------------------------------------------------------------------------------------------------------------------------------------------------------------------------------------------------------------------------------------------------------------------------------------------------------------------------------------------------------------------------------------------------------------------------------------------------|-----------------------------------------------------------------------------|---|----------|
| 1  |       | START T_guard(300)                                                                                                                                                                                                                                                                                                                                                                                                                                                                                                                                                                                                  |                                                                             |   |          |
| 2  |       | +BasicServiceMO( TSPX_MOBscSvcH,<br>TSPX_MOChRateH)                                                                                                                                                                                                                                                                                                                                                                                                                                                                                                                                                                 |                                                                             |   |          |
| 3  |       | +IdleUpdated( C_E_default, C_CellA, C_SCH_A,<br>C_BCCH_A_1, C_Immss, C_S0, C_SlotNU,<br>C_SlotNU, C_SlotNU, C_BCC, C_TxInt_5,<br>C_Max_1, C_NECI_0, C_ATT_0, TimingAdv( 0),<br>C_BABR_0, C_cch_1Comb, C_BPM_3,<br>C_T3212_0, C_ci_cellA, C_MCC_1, C_PLMN_1,<br>C_LAC_1, CellOpt_01, CellChDes_Omit,<br>CellChDes_Omit, C_CellReselectHys12,<br>C_MaxPwrLvIG, C_MaxPwrLvID,<br>BcchFreqLst_45, BcchFreqLst_02,<br>BcchFreqLst_03, BcchFreqLst_04,<br>C_Restablishment, C_BCC, C_NCC,<br>C_Start_Tmsi, TSPX_SDCCH4SubDef,<br>TSPX_CKSNDDef, TSPX_RANDDef, C_arfcnA,<br>C_arfcnAd, TSPX_IMSI, C_Test_nfh,<br>C_NCCP_2) |                                                                             |   |          |
| 4  |       | +CCConfigTCH_nociph( TSPX_TCHHSubDef,<br>C_Ass, TSPX_TmSlitDef, TSPX_TscDef,<br>TimingAdv( 0), C_BABR_0, C_cch_1Comb,<br>C_BPM_3, TCV_ChMod.mode, FreqTCH_omit,<br>FreqTCH_omit, C_arfcn_tchA, C_arfcn_tchAd)                                                                                                                                                                                                                                                                                                                                                                                                       |                                                                             |   | 1.       |
| 5  |       | +Est_MO_Call( TimingAdv( 0), TCV_ChRate,<br>TSPX_RANDDef, TSPX_SDCCH4SubDef,<br>TSPX_TmSlitDef, TSPX_TscDef,<br>TSPX_TCHHSubDef)                                                                                                                                                                                                                                                                                                                                                                                                                                                                                    |                                                                             |   | 2.       |
| 6  |       | (TCV_Null := OO_InitSS("**#351#"))                                                                                                                                                                                                                                                                                                                                                                                                                                                                                                                                                                                  |                                                                             |   | 3.       |
| 7  |       | +part1                                                                                                                                                                                                                                                                                                                                                                                                                                                                                                                                                                                                              |                                                                             |   |          |
| 8  |       | (TCV_Null := OO_InitSS( "**#331#"))                                                                                                                                                                                                                                                                                                                                                                                                                                                                                                                                                                                 |                                                                             |   | 4.       |
| 9  |       | +part2                                                                                                                                                                                                                                                                                                                                                                                                                                                                                                                                                                                                              |                                                                             |   |          |
|    |       | <b>part1</b>                                                                                                                                                                                                                                                                                                                                                                                                                                                                                                                                                                                                        |                                                                             |   |          |
| 10 |       | L?DL_DatInCmsRq                                                                                                                                                                                                                                                                                                                                                                                                                                                                                                                                                                                                     | CMSerDatReq(<br>CMServiceReq_08)                                            |   |          |
| 11 |       | L!DL_DatRqCmsAcp                                                                                                                                                                                                                                                                                                                                                                                                                                                                                                                                                                                                    | CMSerAcp(<br>TCV_chTch,<br>CMServiceAcp_01)                                 |   |          |
| 12 |       | +localtree                                                                                                                                                                                                                                                                                                                                                                                                                                                                                                                                                                                                          |                                                                             |   |          |
|    |       | <b>localtree</b>                                                                                                                                                                                                                                                                                                                                                                                                                                                                                                                                                                                                    |                                                                             |   |          |
| 13 |       | L?DL_DatInRegister ( TCV_TI1 :=<br>DL_DatInRegister.msg.ti, TCV_TI2 := TCV_TI1,<br>TCV_TI2.ti_f := '1'B, TCV_Comp :=<br>DL_DatInRegister.msg.fie.components_1, TCV_n :=                                                                                                                                                                                                                                                                                                                                                                                                                                             | Register_03(<br>RegisterPdu_03(<br>facilityIErcviei(<br>InterrogateSS_05))) |   |          |

|    |            |                                                                                                                                                                                                                                                                                                                                                                     |                                                                                                                        |     |
|----|------------|---------------------------------------------------------------------------------------------------------------------------------------------------------------------------------------------------------------------------------------------------------------------------------------------------------------------------------------------------------------------|------------------------------------------------------------------------------------------------------------------------|-----|
|    |            | OC_PosinSet(TCV_Comp, InterrogateSS_05),<br>TCV_Invkld :=<br>OC_Asn1intToOct(TCV_Comp.[TCV_n].interrogateS<br>SComponents.interrogateSS_InvokeComp.invokeID,<br>1))                                                                                                                                                                                                 |                                                                                                                        |     |
| 14 |            | L!DL_DatRqRelCmp                                                                                                                                                                                                                                                                                                                                                    | RelComSnd(<br>TCV_chTch,<br>ReleaseCmp_09(<br>TCV_TI2,<br>facilityIEtsndiei(<br>InterrogateSSErr_02(<br>TCV_Invkld)))) |     |
| 15 |            | L!DL_DatRqCcstEnq                                                                                                                                                                                                                                                                                                                                                   | CCStESnd(<br>TCV_chTch,<br>CCStatusEq_01(<br>TCV_TI))                                                                  |     |
| 16 | L_072<br>2 | L?DL_DatInCcst                                                                                                                                                                                                                                                                                                                                                      | CCStRcv(<br>TCV_chTch,<br>CCStatus_14(<br>TCV_TI0, C_U10))                                                             | (P) |
| 17 |            | <b>part2</b><br>L?DL_DatInCmsRq                                                                                                                                                                                                                                                                                                                                     | CMSerDatReq(<br>CMServiceReq_08)                                                                                       |     |
| 18 |            | L!DL_DatRqCmsAcp                                                                                                                                                                                                                                                                                                                                                    | CMSerAcp(<br>TCV_chTch,<br>CMServiceAcp_01)                                                                            |     |
| 19 |            | +localtree1                                                                                                                                                                                                                                                                                                                                                         |                                                                                                                        |     |
| 20 |            | <b>localtree1</b><br>L?DL_DatInRegister ( TCV_TI1 :=<br>DL_DatInRegister.msg.ti, TCV_TI2 := TCV_TI1,<br>TCV_TI2.ti_f := '1'B, TCV_Comp :=<br>DL_DatInRegister.msg.fie.components_1, TCV_n :=<br>OC_PosinSet(TCV_Comp, InterrogateSS_06),<br>TCV_Invkld :=<br>OC_Asn1intToOct(TCV_Comp.[TCV_n].interrogateS<br>SComponents.interrogateSS_InvokeComp.invokeID,<br>1)) | Register_03(<br>RegisterPdu_03(<br>facilityIErcviei(<br>InterrogateSS_06)))                                            |     |
| 21 |            | L!DL_DatRqRelCmp                                                                                                                                                                                                                                                                                                                                                    | RelComSnd(<br>TCV_chTch,<br>ReleaseCmp_09(<br>TCV_TI2,<br>facilityIEtsndiei(<br>InterrogateSSRej_02(<br>TCV_Invkld)))) |     |
| 22 |            | (TCV_Res := OO_SSresultCHK(C_InterrogBOIC))                                                                                                                                                                                                                                                                                                                         |                                                                                                                        |     |
| 23 | L_072<br>3 | [TCV_Res]                                                                                                                                                                                                                                                                                                                                                           |                                                                                                                        | (P) |
| 24 |            | L!DL_DatRqCcstEnq                                                                                                                                                                                                                                                                                                                                                   | CCStESnd(<br>TCV_chTch,<br>CCStatusEq_01(<br>TCV_TI))                                                                  |     |
| 25 | L_072<br>4 | L?DL_DatInCcst                                                                                                                                                                                                                                                                                                                                                      | CCStRcv(<br>TCV_chTch,<br>CCStatus_14(<br>TCV_TI0, C_U10))                                                             | (P) |
| 26 |            | +PostMainLinkRel(TCV_chTch)                                                                                                                                                                                                                                                                                                                                         |                                                                                                                        |     |
| 27 | L_072<br>5 | [NOT TCV_Res]                                                                                                                                                                                                                                                                                                                                                       |                                                                                                                        | (F) |
| 28 |            | L!DL_DatRqCcstEnq                                                                                                                                                                                                                                                                                                                                                   | CCStESnd(<br>TCV_chTch,<br>CCStatusEq_01(<br>TCV_TI))                                                                  |     |
| 29 | L_072<br>6 | L?DL_DatInCcst                                                                                                                                                                                                                                                                                                                                                      | CCStRcv(<br>TCV_chTch,<br>CCStatus_14(<br>TCV_TI0, C_U10))                                                             | (P) |
| 30 |            | +PostMainLinkRel(TCV_chTch)                                                                                                                                                                                                                                                                                                                                         |                                                                                                                        |     |

**Detailed Comments:**

1. To setup traffic channel.
2. To establish a mobile originating call.
3. To initiate an interrogation for BICRoam.
4. To initiate an interrogation for BOIC.



| Test Case Dynamic Behaviour |            |                                                                                                                                                                                                                                                                                                                                                                                                                                                                                                                                                                                                                     |                                                                                                                                                 |     |                         |
|-----------------------------|------------|---------------------------------------------------------------------------------------------------------------------------------------------------------------------------------------------------------------------------------------------------------------------------------------------------------------------------------------------------------------------------------------------------------------------------------------------------------------------------------------------------------------------------------------------------------------------------------------------------------------------|-------------------------------------------------------------------------------------------------------------------------------------------------|-----|-------------------------|
| <b>Test Case Name:</b>      |            | TC_31_8_7                                                                                                                                                                                                                                                                                                                                                                                                                                                                                                                                                                                                           |                                                                                                                                                 |     |                         |
| <b>Group:</b>               |            | GSM_L3_MS_v4210/SS/                                                                                                                                                                                                                                                                                                                                                                                                                                                                                                                                                                                                 |                                                                                                                                                 |     |                         |
| <b>Purpose:</b>             |            | To check that upon receipt of the RELEASE COMPLETE message the MS provides the appropriate user indication (as described by the manufacturer).                                                                                                                                                                                                                                                                                                                                                                                                                                                                      |                                                                                                                                                 |     |                         |
|                             |            | This is tested in the case of barring of incoming calls.                                                                                                                                                                                                                                                                                                                                                                                                                                                                                                                                                            |                                                                                                                                                 |     |                         |
| <b>Default:</b>             |            | OtherEventsFail                                                                                                                                                                                                                                                                                                                                                                                                                                                                                                                                                                                                     |                                                                                                                                                 |     |                         |
| Nr                          | Label      | Behaviour Description                                                                                                                                                                                                                                                                                                                                                                                                                                                                                                                                                                                               | Cref                                                                                                                                            | V   | Comments                |
| 1                           |            | START T_guard(300)                                                                                                                                                                                                                                                                                                                                                                                                                                                                                                                                                                                                  |                                                                                                                                                 |     |                         |
| 2                           |            | +BasicServiceMO( TSPX_MOBscSvcB,<br>TSPX_MOChRateB)                                                                                                                                                                                                                                                                                                                                                                                                                                                                                                                                                                 |                                                                                                                                                 |     |                         |
| 3                           |            | +IdleUpdated( C_E_default, C_CellA, C_SCH_A,<br>C_BCCH_A_1, C_Immss, C_S0, C_SlotNU,<br>C_SlotNU, C_SlotNU, C_BCC, C_TxInt_5,<br>C_Max_1, C_NECI_0, C_ATT_0, TimingAdv( 0),<br>C_BABR_0, C_cch_1Comb, C_BPM_3,<br>C_T3212_0, C_ci_cellA, C_MCC_1, C_PLMN_1,<br>C_LAC_1, CellOpt_01, CellChDes_Omit,<br>CellChDes_Omit, C_CellReselectHys12,<br>C_MaxPwrLvlG, C_MaxPwrLvlD,<br>BcchFreqLst_45, BcchFreqLst_02,<br>BcchFreqLst_03, BcchFreqLst_04,<br>C_Restablishment, C_BCC, C_NCC,<br>C_Start_Tmsi, TSPX_SDCCH4SubDef,<br>TSPX_CKSNDDef, TSPX_RANDDef, C_arfcnA,<br>C_arfcnAd, TSPX_IMSI, C_Test_nfh,<br>C_NCCP_2) |                                                                                                                                                 |     |                         |
| 4                           |            | +CCConfigTCH_nociph( TSPX_TCHHSubDef,<br>C_Ass, TSPX_TmSlitDef, TSPX_TscDef,<br>TimingAdv( 0), C_BABR_0, C_cch_1Comb,<br>C_BPM_3, TCV_ChMod.mode, FreqTCH_omit,<br>FreqTCH_omit, C_arfcn_tchA, C_arfcn_tchAd)                                                                                                                                                                                                                                                                                                                                                                                                       |                                                                                                                                                 |     |                         |
| 5                           |            | +InitCall(TCV_Service)                                                                                                                                                                                                                                                                                                                                                                                                                                                                                                                                                                                              |                                                                                                                                                 |     |                         |
| 6                           |            | L?DL_RaInChRq (TCV_Rr :=<br>DL_RaInChRq.msg.ecau_rrf, TCV_Fn :=<br>DL_RaInChRq.fn)                                                                                                                                                                                                                                                                                                                                                                                                                                                                                                                                  | ChReq(<br>ChRequest_15)                                                                                                                         |     |                         |
| 7                           |            | ACTIVATE( OtherEventsFail_02)                                                                                                                                                                                                                                                                                                                                                                                                                                                                                                                                                                                       |                                                                                                                                                 |     |                         |
| 8                           |            | LIDL_UdatRqImmss                                                                                                                                                                                                                                                                                                                                                                                                                                                                                                                                                                                                    | ImmAss( TCV_agch,<br>ImmAsgn_01Def(<br>TCV_Rr, TCV_Fn,<br>TSPX_SDCCH4SubD<br>ef, TCV_slot,<br>TCV_tsc,<br>TCV_chdescr_arfcn,<br>TimingAdv( 0))) |     | To match ChReq retrans. |
| 9                           |            | L?DL_EstInCmsRq                                                                                                                                                                                                                                                                                                                                                                                                                                                                                                                                                                                                     | CMSerReq(<br>CMSerReq_01)                                                                                                                       |     |                         |
| 10                          |            | ACTIVATE( OtherEventsFail)                                                                                                                                                                                                                                                                                                                                                                                                                                                                                                                                                                                          |                                                                                                                                                 |     |                         |
| 11                          |            | LIDL_DatRqCmsAcp                                                                                                                                                                                                                                                                                                                                                                                                                                                                                                                                                                                                    | CMSerAcp( TCV_ch,<br>CMSerReq_01)                                                                                                               |     | Restore Normal default  |
| 12                          |            | +RcvSetupOrEsetup(<br>TCV_Setup_mo, TCV_Esetup,<br>TCV_Ecall)                                                                                                                                                                                                                                                                                                                                                                                                                                                                                                                                                       |                                                                                                                                                 |     |                         |
| 13                          |            | LIDL_DatRqRelCmp                                                                                                                                                                                                                                                                                                                                                                                                                                                                                                                                                                                                    | RelComSnd(<br>TCV_ch,<br>ReleaseCmp_09(<br>TCV_TI,<br>facilityIEtsndiei(<br>NotificationSS_05)))                                                |     |                         |
| 14                          |            | (TCV_Res :=<br>OO_SSresultCHK(<br>C_NotifyBI))                                                                                                                                                                                                                                                                                                                                                                                                                                                                                                                                                                      |                                                                                                                                                 |     |                         |
| 15                          | L_072<br>7 | [TCV_Res]                                                                                                                                                                                                                                                                                                                                                                                                                                                                                                                                                                                                           |                                                                                                                                                 | (P) |                         |
| 16                          |            | +PostMainLinkRel(TCV<br>_ch)                                                                                                                                                                                                                                                                                                                                                                                                                                                                                                                                                                                        |                                                                                                                                                 |     |                         |
| 17                          | L_072<br>8 | [NOT TCV_Res]                                                                                                                                                                                                                                                                                                                                                                                                                                                                                                                                                                                                       |                                                                                                                                                 | (F) |                         |
| 18                          |            | +PostMainLinkRel(TCV<br>_ch)                                                                                                                                                                                                                                                                                                                                                                                                                                                                                                                                                                                        |                                                                                                                                                 |     |                         |
| <b>Detailed Comments:</b>   |            |                                                                                                                                                                                                                                                                                                                                                                                                                                                                                                                                                                                                                     |                                                                                                                                                 |     |                         |





### Test Case Dynamic Behaviour

|                        |                                                                                                                                                                                                                                                                                                                                                                                                                                                                                                                                                                                                                                                                                                                                                                                                                                                                                                                                                                                                                                                                                                                                                                                                                                                                                                                                                                                                                                                                                                                                                                                                                                                                                                                                                                                                                                                                                                                                                                                                                                                                                                                                                                                                                                                                                                                                                                                                                                                                                                                                                                                                                                                                                                                                                                                                                                                                           |
|------------------------|---------------------------------------------------------------------------------------------------------------------------------------------------------------------------------------------------------------------------------------------------------------------------------------------------------------------------------------------------------------------------------------------------------------------------------------------------------------------------------------------------------------------------------------------------------------------------------------------------------------------------------------------------------------------------------------------------------------------------------------------------------------------------------------------------------------------------------------------------------------------------------------------------------------------------------------------------------------------------------------------------------------------------------------------------------------------------------------------------------------------------------------------------------------------------------------------------------------------------------------------------------------------------------------------------------------------------------------------------------------------------------------------------------------------------------------------------------------------------------------------------------------------------------------------------------------------------------------------------------------------------------------------------------------------------------------------------------------------------------------------------------------------------------------------------------------------------------------------------------------------------------------------------------------------------------------------------------------------------------------------------------------------------------------------------------------------------------------------------------------------------------------------------------------------------------------------------------------------------------------------------------------------------------------------------------------------------------------------------------------------------------------------------------------------------------------------------------------------------------------------------------------------------------------------------------------------------------------------------------------------------------------------------------------------------------------------------------------------------------------------------------------------------------------------------------------------------------------------------------------------------|
| <b>Test Case Name:</b> | TC_31_9_1_1                                                                                                                                                                                                                                                                                                                                                                                                                                                                                                                                                                                                                                                                                                                                                                                                                                                                                                                                                                                                                                                                                                                                                                                                                                                                                                                                                                                                                                                                                                                                                                                                                                                                                                                                                                                                                                                                                                                                                                                                                                                                                                                                                                                                                                                                                                                                                                                                                                                                                                                                                                                                                                                                                                                                                                                                                                                               |
| <b>Group:</b>          | GSM_L3_MS_v4210/SS/                                                                                                                                                                                                                                                                                                                                                                                                                                                                                                                                                                                                                                                                                                                                                                                                                                                                                                                                                                                                                                                                                                                                                                                                                                                                                                                                                                                                                                                                                                                                                                                                                                                                                                                                                                                                                                                                                                                                                                                                                                                                                                                                                                                                                                                                                                                                                                                                                                                                                                                                                                                                                                                                                                                                                                                                                                                       |
| <b>Purpose:</b>        | <p>1) To verify that the mobile station invokes an USSD request by sending a REGISTER message to the network containing a ProcessUnstructuredSS-Request invoke component. This message will contain the alphabet indicator set to "SMS default alphabet" and the language indicator set to "language unspecified". The ussd-string parameter shall contain the following digits and symbols depending on the operation initiated:</p> <p>Activation    *NN(N)# (no supplementary information included)<br/>                   *NN(N)*SI#(one field of supplementary information included)<br/>                   *NN(N)*SIA*SIB#(two fields of supplementary information included)</p> <p>Deactivation    #NN(N)# (no supplementary information included)<br/>                   #NN(N)*SI#(one field of supplementary information included)<br/>                   #NN(N)*SIA*SIB#(two fields of supplementary information included)</p> <p>Interrogation    *#NN(N)# (no supplementary information included)<br/>                   *#NN(N)*SI#(one field of supplementary information included)<br/>                   *#NN(N)*SIA*SIB#(two fields of supplementary information included)</p> <p>Registration    **NN(N)# (no supplementary information included)<br/>                   **NN(N)*SI#(one field of supplementary information included)<br/>                   **NN(N)*SIA*SIB#(two fields of supplementary information included)</p> <p>Erasure        ##NN(N)# (no supplementary information included)<br/>                   ##NN(N)*SI#(one field of supplementary information included)<br/>                   ##NN(N)*SIA*SIB#(two fields of supplementary information included)</p> <p>Operations not yet defined in GSM 02.30 (see 2)</p> <p>NN(N) features a set of service codes which have not yet been allocated for GSM supplementary services (see GSM 02.30 for service codes already specified).<br/> N is a digit within 1..9 and SI, SIA, SIB strings of characters.</p> <p>2) To check that the entry of 1 or 2 characters defined in the GSM 03.38 default alphabet followed by "SEND" shall be interpreted by the MS as an USSD request unless the MS is not engaged in a call and the first of the two character entry followed by "SEND " is a "1".</p> <p>3) To verify that, for supplementary service procedures independent of any call, the initiating side must establish a MM-connection between the network and the mobile station according to the rules in TS GSM 4.07 and 4.08.</p> <p>4) To verify that, within a call the MS shall transmit a USSD request if any. See TS GSM 4.07 and 4.08 for the handling of multiple MM connections.</p> <p>5) To check that upon receipt of the RELEASE COMPLETE message, the MS shall display the information contained to the user in a way described by the manufacturer.</p> |
| <b>Default:</b>        | OtherEventsFail                                                                                                                                                                                                                                                                                                                                                                                                                                                                                                                                                                                                                                                                                                                                                                                                                                                                                                                                                                                                                                                                                                                                                                                                                                                                                                                                                                                                                                                                                                                                                                                                                                                                                                                                                                                                                                                                                                                                                                                                                                                                                                                                                                                                                                                                                                                                                                                                                                                                                                                                                                                                                                                                                                                                                                                                                                                           |

| Nr | Label | Behaviour Description                                                                                                                                                                                                                                                                                                                                                                                                                                                                                                                                                | CRef | V | Comments |
|----|-------|----------------------------------------------------------------------------------------------------------------------------------------------------------------------------------------------------------------------------------------------------------------------------------------------------------------------------------------------------------------------------------------------------------------------------------------------------------------------------------------------------------------------------------------------------------------------|------|---|----------|
| 1  |       | START T_guard(300)                                                                                                                                                                                                                                                                                                                                                                                                                                                                                                                                                   |      |   |          |
| 2  |       | +BasicServiceMO( TSPX_MOBscSvcC, C_Full)                                                                                                                                                                                                                                                                                                                                                                                                                                                                                                                             |      |   |          |
| 3  |       | +IdleUpdated( C_E_default, C_CellA, C_SCH_A, C_BCCH_A_1, C_Immss, C_S0, C_SlotNU, C_SlotNU, C_SlotNU, C_BCC, C_TxInt_5, C_Max_1, C_NECL_0, C_ATT_0, TimingAdv( 0), C_BABR_0, C_cch_1Comb, C_BPM_3, C_T3212_0, C_ci_cellA, C_MCC_1, C_PLMN_1, C_LAC_1, CellOpt_01, CellChDes_Omit, CellChDes_Omit, C_CellReselectHys12, C_MaxPwrLvlG, C_MaxPwrLvlD, BcchFreqLst_45, BcchFreqLst_02, BcchFreqLst_03, BcchFreqLst_04, C_Restablishment, C_BCC, C_NCC, C_Start_Tmsi, TSPX_SDCCH4SubDef, TSPX_CKSNDf, TSPX_RANDDef, C_arfcnA, C_arfcnAd, TSPX_IMSI, C_Test_nfh, C_NCCP_2) |      |   |          |

|    |                                                                                                                                                                                                               |                                                                                                                                                 |                                                                |
|----|---------------------------------------------------------------------------------------------------------------------------------------------------------------------------------------------------------------|-------------------------------------------------------------------------------------------------------------------------------------------------|----------------------------------------------------------------|
| 4  | +CCConfigTCH_nociph( TSPX_TCHHSubDef,<br>C_Ass, TSPX_TmSlitDef, TSPX_TscDef,<br>TimingAdv( 0), C_BABR_0, C_cch_1Comb,<br>C_BPM_3, TCV_ChMod.mode, FreqTCH_omit,<br>FreqTCH_omit, C_arfcn_tchA, C_arfcn_tchAd) |                                                                                                                                                 |                                                                |
| 5  | (TCV_PreviousOctets:= 'A2120201'O,<br>TCV_FollowingOctets:=<br>'300E02013B0FC6F038CD4ED3F391E712'O,<br>TCV_counter_c:=1, TCV_counter_k:=1)                                                                    |                                                                                                                                                 | USSD String for<br>FACILITY message<br>(random): "Facility OK" |
| 6  | REPEAT ltree_c_loop UNTIL<br>[TCV_counter_c>17]                                                                                                                                                               |                                                                                                                                                 |                                                                |
|    | <b>ltree_c_loop</b>                                                                                                                                                                                           |                                                                                                                                                 |                                                                |
| 7  | +ltreeSetLoopParameters                                                                                                                                                                                       |                                                                                                                                                 |                                                                |
| 8  | (TCV_Null:=OO_InitSS(TCV_UssdString))                                                                                                                                                                         |                                                                                                                                                 |                                                                |
| 9  | +ltree_MMConnection                                                                                                                                                                                           |                                                                                                                                                 |                                                                |
| 10 | L?DL_EstInCmsRq                                                                                                                                                                                               | CMSerReq(<br>CMServiceReq_08)                                                                                                                   |                                                                |
| 11 | ACTIVATE(OtherEventsFail)                                                                                                                                                                                     |                                                                                                                                                 | Restore Normal default                                         |
| 12 | +ltree_UssdOperation(TCV_ch)                                                                                                                                                                                  |                                                                                                                                                 |                                                                |
| 13 | +PostMainLinkRel(TCV_ch)                                                                                                                                                                                      |                                                                                                                                                 |                                                                |
| 14 | +ltree_continue                                                                                                                                                                                               |                                                                                                                                                 |                                                                |
|    | <b>ltree_continue</b>                                                                                                                                                                                         |                                                                                                                                                 |                                                                |
| 15 | +ltree_MsOrigCall                                                                                                                                                                                             |                                                                                                                                                 |                                                                |
| 16 | (TCV_Null := OO_InitSS(TCV_UssdString))                                                                                                                                                                       |                                                                                                                                                 |                                                                |
| 17 | +DTMFSignalling( OC_LengthOfString(<br>TCV_UssdString), TCV_TI0, TCV_TI,<br>TCV_chTch)                                                                                                                        |                                                                                                                                                 |                                                                |
| 18 | L?DL_DatInCmsRq                                                                                                                                                                                               | CMSerDatReq(<br>CMServiceReq_08)                                                                                                                |                                                                |
| 19 | +ltree_UssdOperation(TCV_chTch)                                                                                                                                                                               |                                                                                                                                                 |                                                                |
| 20 | L!DL_DatRqDisc                                                                                                                                                                                                | DiscSnd(<br>TCV_chTch,<br>DisconnS( TCV_TI,<br>Cause_01,<br>ProgInd_omit,<br>UuInfo_omit))                                                      |                                                                |
| 21 | L?DL_DatInRel                                                                                                                                                                                                 | ReleaseRcv(<br>Release_02)                                                                                                                      |                                                                |
| 22 | L!DL_DatRqRelCmp                                                                                                                                                                                              | RelComSnd(<br>TCV_chTch,<br>ReleaseCmp_08(<br>TCV_TI))                                                                                          |                                                                |
| 23 | +PostMainLinkRel(TCV_chTch)                                                                                                                                                                                   |                                                                                                                                                 |                                                                |
| 24 | (TCV_counter_c :=<br>TCV_counter_c+1)                                                                                                                                                                         |                                                                                                                                                 |                                                                |
|    | <b>ltree_MMConnection</b>                                                                                                                                                                                     |                                                                                                                                                 |                                                                |
| 25 | L?DL_RaInChRq (TCV_Rr := DL_RaInChRq.<br>msg.ecau_rrf, TCV_Fn := DL_RaInChRq.fn)                                                                                                                              | ChReq(<br>ChRequest_15)                                                                                                                         |                                                                |
| 26 | ACTIVATE(OtherEventsFail_02)                                                                                                                                                                                  |                                                                                                                                                 | To match ChReq retrans.                                        |
| 27 | LIDL_UdatRqImmss                                                                                                                                                                                              | ImmAss( TCV_agch,<br>ImmAsgn_01Def(<br>TCV_Rr, TCV_Fn,<br>TSPX_SDCCH4SubD<br>ef, TCV_slot,<br>TCV_tsc,<br>TCV_chdescr_arfcn,<br>TimingAdv( 0))) |                                                                |
|    | <b>ltree_MsOrigCall</b>                                                                                                                                                                                       |                                                                                                                                                 |                                                                |
| 28 | +InitCall(TCV_Service)                                                                                                                                                                                        |                                                                                                                                                 |                                                                |
| 29 | L?DL_RaInChRq (TCV_Rr := DL_RaInChRq.<br>msg.ecau_rrf, TCV_Fn := DL_RaInChRq.fn)                                                                                                                              | ChReq(<br>ChRequest_15)                                                                                                                         |                                                                |
| 30 | ACTIVATE(OtherEventsFail_02)                                                                                                                                                                                  |                                                                                                                                                 | To match ChReq retrans.                                        |
| 31 | LIDL_UdatRqImmss                                                                                                                                                                                              | ImmAss( TCV_agch,<br>ImmAsgn_01Def(<br>TCV_Rr, TCV_Fn,<br>TSPX_SDCCH4SubD<br>ef, TCV_slot,                                                      |                                                                |

|    |                                                                                                                                                                                                                                                                                                                                                                                                            |                                                                                                                                                                        |                                                     |
|----|------------------------------------------------------------------------------------------------------------------------------------------------------------------------------------------------------------------------------------------------------------------------------------------------------------------------------------------------------------------------------------------------------------|------------------------------------------------------------------------------------------------------------------------------------------------------------------------|-----------------------------------------------------|
| 32 | L?DL_EstInCmsRq                                                                                                                                                                                                                                                                                                                                                                                            | TCV_tsc,<br>TCV_chdescr_arfcn,<br>TimingAdv( 0)))<br>CMSerReq(<br>CMServiceReq_01)                                                                                     |                                                     |
| 33 | ACTIVATE(OtherEventsFail)                                                                                                                                                                                                                                                                                                                                                                                  |                                                                                                                                                                        | Restore Normal default                              |
| 34 | LIDL_DatRqCmsAcp                                                                                                                                                                                                                                                                                                                                                                                           | CMSerAcp(<br>TCV_chTch,<br>CMServiceAcp_01)                                                                                                                            |                                                     |
| 35 | +RcvSetupOrEsetup( TCV_Setup_mo,<br>TCV_Esetup, TCV_Ecall)                                                                                                                                                                                                                                                                                                                                                 |                                                                                                                                                                        |                                                     |
| 36 | LIDL_DatRqCallProc                                                                                                                                                                                                                                                                                                                                                                                         | CallProc(TCV_chTch,<br>TCV_CallProc)                                                                                                                                   |                                                     |
| 37 | LIDL_DatRqAlert                                                                                                                                                                                                                                                                                                                                                                                            | AlertSnd(<br>TCV_chTch,<br>Alerting_01( TCV_TI))                                                                                                                       |                                                     |
| 38 | LIDL_DatRqConn                                                                                                                                                                                                                                                                                                                                                                                             | ConnSnd(<br>TCV_chTch,<br>Connect_02(<br>TCV_TI))                                                                                                                      |                                                     |
| 39 | L?DL_DatInConnAck                                                                                                                                                                                                                                                                                                                                                                                          | ConnAckRcv(<br>ConnectAck_02(<br>TCV_TI0))                                                                                                                             |                                                     |
| 40 | <b>Itree_UssdOperation(ch: LOGICCH)</b><br>LIDL_DatRqCmsAcp                                                                                                                                                                                                                                                                                                                                                | CMSerAcp( ch,<br>CMServiceAcp_01)                                                                                                                                      |                                                     |
| 41 | L_072<br>9 L?DL_DatInRegister (TCV_TI1 :=<br>DL_DatInRegister.msg.ti, TCV_TI2 := TCV_TI,<br>TCV_TI2.ti_f := '1'B, TCV_Comp :=<br>DL_DatInRegister.msg.fie.components_1, TCV_n<br>:= OC_PosinSet(TCV_Comp,<br>ProcessUSSDReq_01(TCV_UssdString)),<br>TCV_Invkld :=<br>OC_Asn1intToOct(TCV_Comp.[TCV_n].processUn<br>structuredSSRequestComponents.processUnstruct<br>uredSSRequest_InvokeComp.invokeID, 1)) | Register_03(<br>RegisterPdu_03(<br>facilityIErcv(<br>ProcessUSSDReq_01<br>( TCV_UssdString))))                                                                         | (P)                                                 |
| 42 | LIDL_DatRqRelCmp                                                                                                                                                                                                                                                                                                                                                                                           | RelComSnd( ch,<br>ReleaseCmp_09(<br>TCV_TI2,<br>facilityIEtsndiei(<br>USSDReq_01(<br>TCV_Invkld,<br>TCV_PreviousOctets,<br>TCV_FollowingOctets<br>, TCV_UssdString)))) |                                                     |
| 43 | <b>ItreeSetLoopParameters</b><br>[TCV_counter_c=1]                                                                                                                                                                                                                                                                                                                                                         |                                                                                                                                                                        |                                                     |
| 44 | (TCV_UssdString:="#60#",<br>TCV_PreviousOctets:="O",<br>TCV_FollowingOctets:="O)                                                                                                                                                                                                                                                                                                                           |                                                                                                                                                                        | activation with no<br>supplement. information       |
| 45 | [TCV_counter_c=2]                                                                                                                                                                                                                                                                                                                                                                                          |                                                                                                                                                                        |                                                     |
| 46 | (TCV_UssdString:="#201*35#",<br>TCV_PreviousOctets:="O",<br>TCV_FollowingOctets:="O)                                                                                                                                                                                                                                                                                                                       |                                                                                                                                                                        | activation with one field of<br>sup. information    |
| 47 | [TCV_counter_c=3]                                                                                                                                                                                                                                                                                                                                                                                          |                                                                                                                                                                        |                                                     |
| 48 | (TCV_UssdString:="#70*635*562#",<br>TCV_PreviousOctets:="O",<br>TCV_FollowingOctets:="O)                                                                                                                                                                                                                                                                                                                   |                                                                                                                                                                        | activation with two fields<br>of sup. information   |
| 49 | [TCV_counter_c=4]                                                                                                                                                                                                                                                                                                                                                                                          |                                                                                                                                                                        |                                                     |
| 50 | (TCV_UssdString:="#60#",<br>TCV_PreviousOctets:="O",<br>TCV_FollowingOctets:="O)                                                                                                                                                                                                                                                                                                                           |                                                                                                                                                                        | deactivation with no<br>supplement. information     |
| 51 | [TCV_counter_c=5]                                                                                                                                                                                                                                                                                                                                                                                          |                                                                                                                                                                        |                                                     |
| 52 | (TCV_UssdString:="#201*35#",<br>TCV_PreviousOctets:="O",<br>TCV_FollowingOctets:="O)                                                                                                                                                                                                                                                                                                                       |                                                                                                                                                                        | deactivation with one field<br>of sup. information  |
| 53 | [TCV_counter_c=6]                                                                                                                                                                                                                                                                                                                                                                                          |                                                                                                                                                                        |                                                     |
| 54 | (TCV_UssdString:="#70*635*562#",<br>TCV_PreviousOctets:="O",<br>TCV_FollowingOctets:="O)                                                                                                                                                                                                                                                                                                                   |                                                                                                                                                                        | deactivation with two<br>fields of sup. information |

|                           |                                                                                           |  |                                                      |
|---------------------------|-------------------------------------------------------------------------------------------|--|------------------------------------------------------|
| 55                        | [TCV_counter_c=7]                                                                         |  |                                                      |
| 56                        | (TCV_UssdString:="*#60#",<br>TCV_PreviousOctets:="O",<br>TCV_FollowingOctets:="O)         |  | interrogation with no<br>supplement. information     |
| 57                        | [TCV_counter_c=8]                                                                         |  |                                                      |
| 58                        | (TCV_UssdString:="*#201*35#",<br>TCV_PreviousOctets:="O",<br>TCV_FollowingOctets:="O)     |  | interrogation with one field<br>of sup. information  |
| 59                        | [TCV_counter_c=9]                                                                         |  |                                                      |
| 60                        | (TCV_UssdString:="*#70*635*562#",<br>TCV_PreviousOctets:="O",<br>TCV_FollowingOctets:="O) |  | interrogation with two<br>fields of sup. information |
| 61                        | [TCV_counter_c=10]                                                                        |  |                                                      |
| 62                        | (TCV_UssdString:="**60#",<br>TCV_PreviousOctets:="O",<br>TCV_FollowingOctets:="O)         |  | registration with no<br>supplement. information      |
| 63                        | [TCV_counter_c=11]                                                                        |  |                                                      |
| 64                        | (TCV_UssdString:="**201*35#",<br>TCV_PreviousOctets:="O",<br>TCV_FollowingOctets:="O)     |  | registration with one field<br>of sup. information   |
| 65                        | [TCV_counter_c=12]                                                                        |  |                                                      |
| 66                        | (TCV_UssdString:="**70*635*562#",<br>TCV_PreviousOctets:="O",<br>TCV_FollowingOctets:="O) |  | registration with two fields<br>of sup. information  |
| 67                        | [TCV_counter_c=13]                                                                        |  |                                                      |
| 68                        | (TCV_UssdString:="##60#",<br>TCV_PreviousOctets:="O",<br>TCV_FollowingOctets:="O)         |  | erasure with no<br>supplement. information           |
| 69                        | [TCV_counter_c=14]                                                                        |  |                                                      |
| 70                        | (TCV_UssdString:="##201*35#",<br>TCV_PreviousOctets:="O",<br>TCV_FollowingOctets:="O)     |  | erasure with one field of<br>sup. information        |
| 71                        | [TCV_counter_c=15]                                                                        |  |                                                      |
| 72                        | (TCV_UssdString:="##70*635*562#",<br>TCV_PreviousOctets:="O",<br>TCV_FollowingOctets:="O) |  | erasure with two fields of<br>sup. information       |
| 73                        | [TCV_counter_c=16]                                                                        |  |                                                      |
| 74                        | (TCV_UssdString:="7", TCV_PreviousOctets:="O",<br>TCV_FollowingOctets:="O)                |  | acc. requirement 1a<br>(GSM 11.10)                   |
| 75                        | [TCV_counter_c=17]                                                                        |  |                                                      |
| 76                        | (TCV_UssdString:="26", TCV_PreviousOctets:="O",<br>TCV_FollowingOctets:="O)               |  | acc. requirement 1a<br>(GSM 11.10)                   |
| 77                        | L_073<br>0 [TCV_counter_c>17]                                                             |  | I                                                    |
| <b>Detailed Comments:</b> |                                                                                           |  |                                                      |

| Test Case Dynamic Behaviour |            |                                                                                                                                                                                                                                                                                                                                                                                                                                                                                                                                                                                                                                                                                                                                                                                                                                                                             |                                                                                                                                         |     |                                            |
|-----------------------------|------------|-----------------------------------------------------------------------------------------------------------------------------------------------------------------------------------------------------------------------------------------------------------------------------------------------------------------------------------------------------------------------------------------------------------------------------------------------------------------------------------------------------------------------------------------------------------------------------------------------------------------------------------------------------------------------------------------------------------------------------------------------------------------------------------------------------------------------------------------------------------------------------|-----------------------------------------------------------------------------------------------------------------------------------------|-----|--------------------------------------------|
| <b>Test Case Name:</b>      |            | TC_31_9_1_2                                                                                                                                                                                                                                                                                                                                                                                                                                                                                                                                                                                                                                                                                                                                                                                                                                                                 |                                                                                                                                         |     |                                            |
| <b>Group:</b>               |            | GSM_L3_MS_v4210/SS/                                                                                                                                                                                                                                                                                                                                                                                                                                                                                                                                                                                                                                                                                                                                                                                                                                                         |                                                                                                                                         |     |                                            |
| <b>Purpose:</b>             |            | <p>1)To verify that if a mobile initiated USSD request using protocole version 2 is rejected by the network, and the reason for the rejection is indicated either by the problem code "unrecognized operation" or a cause "facility rejected", the mobile station shall assume that the network only supports protocole version 1 of USSD operation. The mobile station shall re-attempt the request by using the appropriate protocole version 1 USSD operation without a SS version indicator if the unstructured data entered by teh user can be coded as an IA5 string.</p> <p>2)To check that, upon receipt of the RELEASE COMPLETE message, the MS shall provide the appropriate user indication (which is to be described by the manufacturer). If ussd-string information is included this shall be given to the user (in a way described by the manufacturer).</p> |                                                                                                                                         |     |                                            |
| <b>Default:</b>             |            | OtherEventsFail                                                                                                                                                                                                                                                                                                                                                                                                                                                                                                                                                                                                                                                                                                                                                                                                                                                             |                                                                                                                                         |     |                                            |
| Nr                          | Label      | Behaviour Description                                                                                                                                                                                                                                                                                                                                                                                                                                                                                                                                                                                                                                                                                                                                                                                                                                                       | CRef                                                                                                                                    | V   | Comments                                   |
| 1                           |            | START T_guard(300)                                                                                                                                                                                                                                                                                                                                                                                                                                                                                                                                                                                                                                                                                                                                                                                                                                                          |                                                                                                                                         |     |                                            |
| 2                           |            | +BasicServiceMO( TSPX_MOBScSvcC, C_Full)                                                                                                                                                                                                                                                                                                                                                                                                                                                                                                                                                                                                                                                                                                                                                                                                                                    |                                                                                                                                         |     |                                            |
| 3                           |            | +IdleUpdated( C_E_default, C_CellA, C_SCH_A, C_BCCH_A_1, C_Immss, C_S0, C_SlotNU, C_SlotNU, C_SlotNU, C_BCC, C_TxInt_5, C_Max_1, C_NECl_0, C_ATT_0, TimingAdv( 0), C_BABR_0, C_cch_1Comb, C_BPM_3, C_T3212_0, C_ci_cellA, C_MCC_1, C_PLMN_1, C_LAC_1, CellOpt_01, CellChDes_Omit, CellChDes_Omit, C_CellReselectHys12, C_MaxPwrLvIG, C_MaxPwrLvID, BcchFreqLst_45, BcchFreqLst_02, BcchFreqLst_03, BcchFreqLst_04, C_Restablishment, C_BCC, C_NCC, C_Start_Tmsi, TSPX_SDCCH4SubDef, TSPX_CKSNDf, TSPX_RANDDef, C_arfcnA, C_arfcnAd, TSPX_IMSI, C_Test_nfh, C_NCCP_2)                                                                                                                                                                                                                                                                                                        |                                                                                                                                         |     |                                            |
| 4                           |            | +CCConfigTCH_nociph( TSPX_TCHHSubDef, C_Ass, TSPX_TmSltDef, TSPX_TscDef, TimingAdv( 0), C_BABR_0, C_cch_1Comb, C_BPM_3, TCV_ChMod.mode, FreqTCH_omit, FreqTCH_omit, C_arfcn_tchA, C_arfcn_tchAd)                                                                                                                                                                                                                                                                                                                                                                                                                                                                                                                                                                                                                                                                            |                                                                                                                                         |     |                                            |
| 5                           |            | (TCV_counter_k:=1, TCV_UssdString:="*70*635*562#")                                                                                                                                                                                                                                                                                                                                                                                                                                                                                                                                                                                                                                                                                                                                                                                                                          |                                                                                                                                         |     |                                            |
| 6                           | body       | +ltree_part1                                                                                                                                                                                                                                                                                                                                                                                                                                                                                                                                                                                                                                                                                                                                                                                                                                                                |                                                                                                                                         |     |                                            |
| 7                           |            | +ltree_part2                                                                                                                                                                                                                                                                                                                                                                                                                                                                                                                                                                                                                                                                                                                                                                                                                                                                |                                                                                                                                         |     |                                            |
| 8                           |            | +ltree_part3                                                                                                                                                                                                                                                                                                                                                                                                                                                                                                                                                                                                                                                                                                                                                                                                                                                                |                                                                                                                                         |     |                                            |
|                             |            | <b>ltree_part1</b>                                                                                                                                                                                                                                                                                                                                                                                                                                                                                                                                                                                                                                                                                                                                                                                                                                                          |                                                                                                                                         |     |                                            |
| 9                           |            | (TCV_Null:=OO_InitSS(TCV_UssdString))                                                                                                                                                                                                                                                                                                                                                                                                                                                                                                                                                                                                                                                                                                                                                                                                                                       |                                                                                                                                         |     |                                            |
| 10                          |            | +ltree_MMConnection                                                                                                                                                                                                                                                                                                                                                                                                                                                                                                                                                                                                                                                                                                                                                                                                                                                         |                                                                                                                                         |     |                                            |
| 11                          |            | L?DL_EstInCmsRq                                                                                                                                                                                                                                                                                                                                                                                                                                                                                                                                                                                                                                                                                                                                                                                                                                                             | CMSerReq( CMSerReq_08)                                                                                                                  |     |                                            |
| 12                          |            | ACTIVATE(OtherEventsFail)                                                                                                                                                                                                                                                                                                                                                                                                                                                                                                                                                                                                                                                                                                                                                                                                                                                   |                                                                                                                                         |     | Restore Normal default                     |
| 13                          |            | LIDL_DatRqCmsAcp                                                                                                                                                                                                                                                                                                                                                                                                                                                                                                                                                                                                                                                                                                                                                                                                                                                            | CMSerAcp( TCV_ch, CMSerAcp_01)                                                                                                          |     |                                            |
| 14                          | L_073<br>1 | L?DL_DatInRegister (TCV_TI1 := DL_DatInRegister.msg.ti, TCV_TI2 := TCV_TI1, TCV_TI2.ti_f := '1'B, TCV_Comp := DL_DatInRegister.msg.fie.components_1, TCV_n := OC_PosinSet( TCV_Comp, ProcessUSSDReq_01( TCV_UssdString)), TCV_Invkld := OC_Asn1intToOct( TCV_Comp.[TCV_n].processUnstructuredS SRequestComponents.processUnstructured SRequest_InvokeComp.invokeID, 1))                                                                                                                                                                                                                                                                                                                                                                                                                                                                                                     | Register_03( RegisterPdu_03( facilityIErcv( ProcessUSSDReq_01 ( TCV_UssdString))))                                                      | (P) | Invoke ProcessUnstructuredUSS -Request     |
| 15                          |            | LIDL_DatRqRelCmp                                                                                                                                                                                                                                                                                                                                                                                                                                                                                                                                                                                                                                                                                                                                                                                                                                                            | RelComSnd( TCV_ch, ReleaseCmp_09( TCV_TI2, facilityIEtsndiei( ProcessUSSRequest_02( TCV_Invkld, TCV_PreviousOctets, TCV_FollowingOctets |     | Return result ProcessUnstructuredUSS -Data |

|    |            |                                                                                                                                                                                                                                                                                                                                                                                                                 |                                                                                                                                                                      |     |                                                  |
|----|------------|-----------------------------------------------------------------------------------------------------------------------------------------------------------------------------------------------------------------------------------------------------------------------------------------------------------------------------------------------------------------------------------------------------------------|----------------------------------------------------------------------------------------------------------------------------------------------------------------------|-----|--------------------------------------------------|
| 16 |            | L?DL_DatInCmsRq                                                                                                                                                                                                                                                                                                                                                                                                 | ))))                                                                                                                                                                 |     |                                                  |
| 17 |            | LIDL_DatRqCmsAcp                                                                                                                                                                                                                                                                                                                                                                                                | CMSerDatReq(<br>CMServiceReq_08)                                                                                                                                     |     |                                                  |
| 18 | L_073<br>2 | L?DL_DatInRegister (TCV_TI1 :=<br>DL_DatInRegister.msg.ti, TCV_TI2<br>:= TCV_TI1, TCV_TI2.ti.f := '1'B,<br>TCV_Comp :=<br>DL_DatInRegister.msg.fie.compone<br>nts_1, TCV_n :=<br>OC_PosinSet(TCV_Comp,<br>ProcessUSSData_01(TCV_UssdStr<br>ing)), TCV_Invkld :=<br>OC_Asn1intToOct(TCV_Comp.[TC<br>V_n].processUnstructuredSSReque<br>stComponents.processUnstructured<br>SSRequest_InvokeComp.invokeID,<br>1)) | Register_03(<br>RegisterPdu_03(<br>facilityIErcv(<br>ProcessUSSData_01(<br>TCV_UssdString))))                                                                        | (P) | Invoke<br>ProcessUnstructuredUSS<br>-Data        |
| 19 |            | LIDL_DatRqRelCmp                                                                                                                                                                                                                                                                                                                                                                                                | RelComSnd(<br>TCV_ch,<br>ReleaseCmp_09(<br>TCV_TI2,<br>facilityIEtsndiei(<br>ProcessUSSData_02(<br>TCV_Invkld,<br>TCV_PreviousOctets,<br>TCV_FollowingOctets<br>)))) |     | Return result<br>ProcessUnstructuredUSS<br>-Data |
| 20 |            | +PostMainLinkRel( TCV_ch)                                                                                                                                                                                                                                                                                                                                                                                       |                                                                                                                                                                      |     |                                                  |
| 21 |            | <b>Itree_part2</b>                                                                                                                                                                                                                                                                                                                                                                                              |                                                                                                                                                                      |     |                                                  |
| 22 |            | (TCV_Null:=OO_InitSS(TCV_UssdString))                                                                                                                                                                                                                                                                                                                                                                           |                                                                                                                                                                      |     |                                                  |
| 23 |            | +Itree_MMConnection                                                                                                                                                                                                                                                                                                                                                                                             |                                                                                                                                                                      |     |                                                  |
| 24 |            | L?DL_EstInCmsRq                                                                                                                                                                                                                                                                                                                                                                                                 | CMSerReq(<br>CMServiceReq_08)                                                                                                                                        |     |                                                  |
| 25 |            | ACTIVATE(OtherEventsFail)                                                                                                                                                                                                                                                                                                                                                                                       |                                                                                                                                                                      |     | Restore Normal default                           |
| 26 | L_073<br>3 | LIDL_DatRqCmsAcp                                                                                                                                                                                                                                                                                                                                                                                                | CMSerAcp( TCV_ch,<br>CMServiceAcp_01)                                                                                                                                |     |                                                  |
| 27 |            | L?DL_DatInRegister (TCV_TI1 :=<br>DL_DatInRegister.msg.ti, TCV_TI2 :=<br>TCV_TI1, TCV_TI2.ti.f := '1'B, TCV_Comp<br>:=<br>DL_DatInRegister.msg.fie.components_1,<br>TCV_n := OC_PosinSet(TCV_Comp,<br>ProcessUSSDReq_01(TCV_UssdString)),<br>TCV_Invkld :=<br>OC_Asn1intToOct(TCV_Comp.[TCV_n].pro<br>cessUnstructuredSSRequestComponents.p<br>rocessUnstructuredSSRequest_InvokeCom<br>p.invokeID, 1))         | Register_03(<br>RegisterPdu_03(<br>facilityIErcv(<br>ProcessUSSDReq_01<br>( TCV_UssdString))))                                                                       | (P) | Invoke<br>ProcessUnstructuredUSS<br>-Request     |
| 28 |            | LIDL_DatRqRelCmp                                                                                                                                                                                                                                                                                                                                                                                                | RelComSnd(<br>TCV_ch,<br>ReleaseCmp_42(<br>TCV_TI2))                                                                                                                 |     | Facility rejected                                |
| 29 |            | +PostMainLinkRel(TCV_ch)                                                                                                                                                                                                                                                                                                                                                                                        |                                                                                                                                                                      |     |                                                  |
| 30 |            | +Itree_MMConnection                                                                                                                                                                                                                                                                                                                                                                                             |                                                                                                                                                                      |     |                                                  |
| 31 |            | L?DL_DatInCmsRq                                                                                                                                                                                                                                                                                                                                                                                                 | CMSerDatReq(<br>CMServiceReq_08)                                                                                                                                     |     |                                                  |
| 32 |            | ACTIVATE( OtherEventsFail)                                                                                                                                                                                                                                                                                                                                                                                      |                                                                                                                                                                      |     | Restore Normal default                           |
| 33 | L_073<br>4 | LIDL_DatRqCmsAcp                                                                                                                                                                                                                                                                                                                                                                                                | CMSerAcp( TCV_ch,<br>CMServiceAcp_01)                                                                                                                                |     |                                                  |
|    |            | L?DL_DatInRegister<br>(TCV_TI1 :=<br>DL_DatInRegister.msg.ti,<br>TCV_TI2 := TCV_TI1,<br>TCV_TI2.ti.f := '1'B,<br>TCV_Comp :=<br>DL_DatInRegister.msg.fie.co<br>mponents_1, TCV_n :=<br>OC_PosinSet(TCV_Comp,<br>ProcessUSSData_01(TCV_U<br>ssdString)), TCV_Invkld :=<br>OC_Asn1intToOct(TCV_Com                                                                                                                | Register_03(<br>RegisterPdu_03(<br>facilityIErcv(<br>ProcessUSSData_01(<br>TCV_UssdString))))                                                                        | (P) | Invoke<br>ProcessUnstructuredUSS<br>-Data        |

|    |            |                                                                                                                                                                                                                                                                                                                                                                                                        |                                                                                                                                                                             |                                                    |
|----|------------|--------------------------------------------------------------------------------------------------------------------------------------------------------------------------------------------------------------------------------------------------------------------------------------------------------------------------------------------------------------------------------------------------------|-----------------------------------------------------------------------------------------------------------------------------------------------------------------------------|----------------------------------------------------|
| 34 |            | p.[TCV_n].processUnstructuredSSRequestComponents.processUnstructuredSSRequest_InvokeComp.invokeID, 1))<br>L!DL_DatRqRelCmp                                                                                                                                                                                                                                                                             | RelComSnd(<br>TCV_ch,<br>ReleaseCmp_09(<br>TCV_TI2,<br>facilityIEtsndiei(<br>ProcessUSSData_02(<br>TCV_InvkId,<br>TCV_PreviousOctets,<br>TCV_FollowingOctets<br>))))        | Return result<br>ProcessUnstructuredUSS<br>-Data   |
| 35 |            | +PostMainLinkRel(<br>TCV_ch)                                                                                                                                                                                                                                                                                                                                                                           |                                                                                                                                                                             |                                                    |
| 36 |            | <b>ltree_part3</b><br>REPEAT ltree_k_loop UNTIL [TCV_counter_k>10]                                                                                                                                                                                                                                                                                                                                     |                                                                                                                                                                             |                                                    |
| 37 |            | <b>ltree_k_loop</b><br>+ltreeSetLoopParameters                                                                                                                                                                                                                                                                                                                                                         |                                                                                                                                                                             |                                                    |
| 38 |            | +ltree_MsOrigCall                                                                                                                                                                                                                                                                                                                                                                                      |                                                                                                                                                                             |                                                    |
| 39 |            | (TCV_Null:=OO_InitSS(TCV_UssdString))                                                                                                                                                                                                                                                                                                                                                                  |                                                                                                                                                                             |                                                    |
| 40 |            | L?DL_DatInCmsRq                                                                                                                                                                                                                                                                                                                                                                                        |                                                                                                                                                                             |                                                    |
| 41 |            | L!DL_DatRqCmsAcp                                                                                                                                                                                                                                                                                                                                                                                       | CMSerDatReq(<br>CMServiceReq_08)<br>CMSerAcp(<br>TCV_chTch,<br>CMServiceAcp_01)                                                                                             |                                                    |
| 42 | L_073<br>5 | L?DL_DatInRegister (TCV_TI1 :=<br>DL_DatInRegister.msg.ti, TCV_TI2 :=<br>TCV_TI1, TCV_TI2.ti_f := '1'B, TCV_Comp<br>:=<br>DL_DatInRegister.msg.fie.components_1,<br>TCV_n := OC_PosinSet(TCV_Comp,<br>ProcessUSSReq_01(TCV_UssdString)),<br>TCV_InvkId :=<br>OC_Asn1intToOct(TCV_Comp.[TCV_n].pro<br>cessUnstructuredSSRequestComponents.p<br>rocessUnstructuredSSRequest_InvokeCom<br>p.invokeID, 1)) | Register_03(<br>RegisterPdu_03(<br>facilityIErcv(<br>ProcessUSSReq_01<br>( TCV_UssdString))))                                                                               | (P) Invoke<br>ProcessUnstructuredUSS<br>-Request   |
| 43 |            | +ltree_ReleaseCmpAccCounterK                                                                                                                                                                                                                                                                                                                                                                           |                                                                                                                                                                             |                                                    |
| 44 |            | L!DL_DatRqDisc                                                                                                                                                                                                                                                                                                                                                                                         | DiscSnd(<br>TCV_chTch,<br>DisconnS( TCV_TI2,<br>Cause_01,<br>ProgInd_omit,<br>UuInfo_omit))                                                                                 |                                                    |
| 45 |            | L?DL_DatInRel                                                                                                                                                                                                                                                                                                                                                                                          | ReleaseRcv(<br>Release_02)                                                                                                                                                  |                                                    |
| 46 |            | L!DL_DatRqRelCmp                                                                                                                                                                                                                                                                                                                                                                                       | RelComSnd(<br>TCV_chTch,<br>ReleaseCmp_08(<br>TCV_TI2))                                                                                                                     |                                                    |
| 47 |            | +PostMainLinkRel( TCV_chTch)                                                                                                                                                                                                                                                                                                                                                                           |                                                                                                                                                                             |                                                    |
| 48 |            | (TCV_counter_k:=<br>TCV_counter_k+1)                                                                                                                                                                                                                                                                                                                                                                   |                                                                                                                                                                             |                                                    |
| 49 |            | <b>ltree_ReleaseCmpAccCounterK</b><br>[TCV_counter_k<5]                                                                                                                                                                                                                                                                                                                                                |                                                                                                                                                                             |                                                    |
| 50 |            | L!DL_DatRqRelCmp                                                                                                                                                                                                                                                                                                                                                                                       | RelComSnd(<br>TCV_chTch,<br>ReleaseCmp_09(<br>TCV_TI2,<br>facilityIEtsndiei(<br>ProcessUSSRequest<br>_02( TCV_InvkId,<br>TCV_PreviousOctets,<br>TCV_FollowingOctets<br>)))) | Return error<br>ProcessUnstructuredUSS<br>-Request |
| 51 |            | [TCV_counter_k>4]                                                                                                                                                                                                                                                                                                                                                                                      |                                                                                                                                                                             |                                                    |
| 52 |            | L!DL_DatRqRelCmp                                                                                                                                                                                                                                                                                                                                                                                       | RelComSnd(<br>TCV_chTch,                                                                                                                                                    | Reject<br>ProcessUnstructuredUSS                   |

|    |                                                                                                               |                                                                                                                                      |                                             |
|----|---------------------------------------------------------------------------------------------------------------|--------------------------------------------------------------------------------------------------------------------------------------|---------------------------------------------|
|    |                                                                                                               | ReleaseCmp_09(TCV_TI2, facility!Etsndiei(ProcessUSSRequest_02(TCV_InvkId, TCV_PreviousOctets, TCV_FollowingOctets))))                | -Request                                    |
| 53 | <b>Itree_MMConnection</b><br>L?DL_RaInChRq (TCV_Rr := DL_RaInChRq.<br>msg.ecau_rrf, TCV_Fn := DL_RaInChRq.fn) | ChReq(ChRequest_15)                                                                                                                  |                                             |
| 54 | ACTIVATE(OtherEventsFail_02)                                                                                  |                                                                                                                                      | To match ChReq retrans.                     |
| 55 | LIDL_UdatRqImm                                                                                                | ImmAss(TCV_agch, ImmAsgn_01Def(TCV_Rr, TCV_Fn, TSPX_SDCCH4SubDef, TCV_slot, TCV_tsc, TCV_chdescr_arfcn, TimingAdv(0)))               |                                             |
| 56 | <b>Itree_MsOrigCall</b><br>+InitCall(TCV_Service)                                                             |                                                                                                                                      |                                             |
| 57 | L?DL_RaInChRq (TCV_Rr := DL_RaInChRq.<br>msg.ecau_rrf, TCV_Fn := DL_RaInChRq.fn)                              | ChReq(ChRequest_15)                                                                                                                  |                                             |
| 58 | ACTIVATE(OtherEventsFail_02)                                                                                  |                                                                                                                                      | To match ChReq retrans.                     |
| 59 | LIDL_UdatRqImm                                                                                                | ImmAss(TCV_agch, ImmAsgn_nfh(TCV_Rr, TCV_Fn, TCV_chtype, TSPX_TmSlitDef, TSPX_TscDef, TimingAdv(0), TCV_tch_arfcn, C_normal_paging)) |                                             |
| 60 | L?DL_EstInCmsRq                                                                                               | CMSerReq(CMServiceReq_01)                                                                                                            |                                             |
| 61 | ACTIVATE(OtherEventsFail)                                                                                     |                                                                                                                                      | Restore Normal default                      |
| 62 | LIDL_DatRqCmsAcp                                                                                              | CMSerAcp(TCV_chTch, CMServiceAcp_01)                                                                                                 |                                             |
| 63 | +RcvSetupOrEsetup(TCV_Setup_mo,<br>TCV_Esetup, TCV_Ecall)                                                     |                                                                                                                                      |                                             |
| 64 | LIDL_DatRqCallProc                                                                                            | CallProc(TCV_chTch, TCV_CallProc)                                                                                                    |                                             |
| 65 | LIDL_DatRqAlert                                                                                               | AlertSnd(TCV_chTch, Alerting_01(TCV_TI))                                                                                             |                                             |
| 66 | LIDL_DatRqConn                                                                                                | ConnSnd(TCV_chTch, Connect_02(TCV_TI))                                                                                               |                                             |
| 67 | L?DL_DatInConnAck                                                                                             | ConnAckRcv(ConnectAck_02(TCV_TI0))                                                                                                   |                                             |
| 68 | <b>ItreeSetLoopParameters</b><br>[TCV_counter_k=1]                                                            |                                                                                                                                      |                                             |
| 69 | (TCV_PreviousOctets:='A3060201'O,<br>TCV_FollowingOctets:='020122'O)                                          |                                                                                                                                      | RETURN ERR<br>Error code system failure     |
| 70 | [TCV_counter_k=2]                                                                                             |                                                                                                                                      |                                             |
| 71 | (TCV_PreviousOctets:='A3060201'O,<br>TCV_FollowingOctets:='020123'O)                                          |                                                                                                                                      | RETURN ERR<br>Error code data missing       |
| 72 | [TCV_counter_k=3]                                                                                             |                                                                                                                                      |                                             |
| 73 | (TCV_PreviousOctets:='A3060201'O,<br>TCV_FollowingOctets:='020147'O)                                          |                                                                                                                                      | RETURN ERR<br>Error code unknown<br>alpalet |
| 74 | [TCV_counter_k=4]                                                                                             |                                                                                                                                      |                                             |
| 75 | (TCV_PreviousOctets:='A3060201'O,<br>TCV_FollowingOctets:='020124'O)                                          |                                                                                                                                      | RETURN ERR<br>Error code unexpected         |



|                           |            |                                                                      |   |                                                      |
|---------------------------|------------|----------------------------------------------------------------------|---|------------------------------------------------------|
| 76                        |            | [TCV_counter_k=5]                                                    |   | data value                                           |
| 77                        |            | (TCV_PreviousOctets:='A4060201'O,<br>TCV_FollowingOctets:='800100'O) |   | REJECT<br>Gen. Problem<br>unrecognized component     |
| 78                        |            | [TCV_counter_k=6]                                                    |   |                                                      |
| 79                        |            | (TCV_PreviousOctets:='A4060201'O,<br>TCV_FollowingOctets:='800101'O) |   | REJECT<br>Gen. Problem Mistyped<br>component         |
| 80                        |            | [TCV_counter_k=7]                                                    |   |                                                      |
| 81                        |            | (TCV_PreviousOctets:='A4060201'O,<br>TCV_FollowingOctets:='800102'O) |   | REJECT<br>Gen. Problem badly<br>structured component |
| 82                        |            | [TCV_counter_k=8]                                                    |   |                                                      |
| 83                        |            | (TCV_PreviousOctets:='A4060201'O,<br>TCV_FollowingOctets:='800102'O) |   | REJECT<br>Invoke Problem Mistyped<br>parameter       |
| 84                        |            | [TCV_counter_k=9]                                                    |   |                                                      |
| 85                        |            | (TCV_PreviousOctets:='A4060201'O,<br>TCV_FollowingOctets:='800103'O) |   | REJECT<br>Invoke Problem resource<br>limitation      |
| 86                        |            | [TCV_counter_k=10]                                                   |   |                                                      |
| 87                        |            | (TCV_PreviousOctets:='A4060201'O,<br>TCV_FollowingOctets:='800104'O) |   | REJECT<br>Invoke Problem initiating<br>release       |
| 88                        | L_073<br>6 | [TCV_counter_k>10]                                                   | I |                                                      |
| <b>Detailed Comments:</b> |            |                                                                      |   |                                                      |

### Test Case Dynamic Behaviour

**Test Case Name:** TC\_31\_9\_2\_1

**Group:** GSM\_L3\_MS\_v4210/SS/

**Purpose:**

- 1) To verify that for a USSD request, the MS shall display the text provided and await user input. If the user enters a response, the MS shall acknowledge the operation by sending a FACILITY message containing an empty result component to the network
  
- 2) To verify that the MS includes alphabet and language indicators in the response to the network. The alphabet indicator shall indicate "SMS default alphabet". The language indicator shall indicate "language unspecified".
  
- 3) To check that the MS is able to process the operation during a call or out of a call.

**Default:** OtherEventsFail

| Nr | Label      | Behaviour Description                                                                                                                                                                                                                                                                                                                                                                                                                                                                                                                                                  | CRef                                                                                                               | V   | Comments |
|----|------------|------------------------------------------------------------------------------------------------------------------------------------------------------------------------------------------------------------------------------------------------------------------------------------------------------------------------------------------------------------------------------------------------------------------------------------------------------------------------------------------------------------------------------------------------------------------------|--------------------------------------------------------------------------------------------------------------------|-----|----------|
| 1  |            | START T_guard(300)                                                                                                                                                                                                                                                                                                                                                                                                                                                                                                                                                     |                                                                                                                    |     |          |
| 2  |            | +BasicServiceMT( TSPX_MTBscSvcF, C_Full)                                                                                                                                                                                                                                                                                                                                                                                                                                                                                                                               |                                                                                                                    |     |          |
| 3  |            | +IdleUpdated( C_E_default, C_CellA, C_SCH_A, C_BCCH_A_1, C_Immass, C_S0, C_SlotNU, C_SlotNU, C_SlotNU, C_BCC, C_TxInt_5, C_Max_1, C_NECI_0, C_ATT_0, TimingAdv( 0), C_BABR_0, C_cch_1Comb, C_BPM_3, C_T3212_0, C_ci_cellA, C_MCC_1, C_PLMN_1, C_LAC_1, CellOpt_01, CellChDes_Omit, CellChDes_Omit, C_CellReselectHys12, C_MaxPwrLvlG, C_MaxPwrLvlD, BcchFreqLst_45, BcchFreqLst_02, BcchFreqLst_03, BcchFreqLst_04, C_Restablishment, C_BCC, C_NCC, C_Start_Tmsi, TSPX_SDCCH4SubDef, TSPX_CKSNDef, TSPX_RANDDef, C_arfcnA, C_arfcnAd, TSPX_IMSI, C_Test_nfh, C_NCCP_2) |                                                                                                                    |     |          |
| 4  |            | +CCConfigTCH_nociph( TSPX_TCHHSubDef, C_Ass, TSPX_TmSltDef, TSPX_TscDef, TimingAdv( 0), C_BABR_0, C_cch_1Comb, C_BPM_3, TCV_ChMod.mode, FreqTCH_omit, FreqTCH_omit, C_arfcn_tchA, C_arfcn_tchAd)                                                                                                                                                                                                                                                                                                                                                                       |                                                                                                                    |     |          |
| 5  |            | (TCV_UssdString:="Transaction OK")                                                                                                                                                                                                                                                                                                                                                                                                                                                                                                                                     |                                                                                                                    |     |          |
| 6  | body       | +ltree_body                                                                                                                                                                                                                                                                                                                                                                                                                                                                                                                                                            |                                                                                                                    |     |          |
|    |            | <b>ltree_body</b>                                                                                                                                                                                                                                                                                                                                                                                                                                                                                                                                                      |                                                                                                                    |     |          |
| 7  |            | +PreEstRRConn( TCV_slot, TCV_tsc, TimingAdv( 0))                                                                                                                                                                                                                                                                                                                                                                                                                                                                                                                       |                                                                                                                    |     |          |
| 8  |            | L!DL_DatRqRegister(TCV_TI.ti.v:='100'B, TCV_TI.ti.f:='0'B, TCV_TI0.ti.v:='100'B, TCV_TI0.ti.f:='1'B, TCV_Invkld:='00'O)                                                                                                                                                                                                                                                                                                                                                                                                                                                | RegisterReq(TCV_ch, RegisterPdu_34( TCV_TI, facility Etsnd( NotificationSS_06( TCV_Invkld, TCV_UssdString))))      |     |          |
| 9  |            | +CheckUssdStringDisplayed( TCV_UssdString)                                                                                                                                                                                                                                                                                                                                                                                                                                                                                                                             |                                                                                                                    |     |          |
| 10 | L_073<br>7 | L?DL_DatInFac                                                                                                                                                                                                                                                                                                                                                                                                                                                                                                                                                          | FacilityRcv( FacilityPdu_26_ci( TCV_TI0, facility Ercv( NotificationSS_07( TCV_Invkld))))                          | (P) |          |
| 11 |            | +CC_EstMsTermCall( TCV_ChRate, TSPX_TCHHSubDef)                                                                                                                                                                                                                                                                                                                                                                                                                                                                                                                        |                                                                                                                    |     |          |
| 12 |            | L!DL_DatRqRelCmp                                                                                                                                                                                                                                                                                                                                                                                                                                                                                                                                                       | RelComSnd( TCV_chTch, ReleaseCmp_47( TCV_TI))                                                                      |     |          |
| 13 |            | L!DL_DatRqRegister(TCV_TI2.ti.v:='001'B, TCV_TI2.ti.f:='0'B, TCV_TI1.ti.v:='001'B, TCV_TI1.ti.f:='1'B, TCV_Invkld:='01'O)                                                                                                                                                                                                                                                                                                                                                                                                                                              | RegisterReq( TCV_chTch, RegisterPdu_34( TCV_TI2, facility Etsnd( NotificationSS_06( TCV_Invkld, TCV_UssdString)))) |     |          |
| 14 |            | +CheckUssdStringDisplayed( TCV_UssdString)                                                                                                                                                                                                                                                                                                                                                                                                                                                                                                                             |                                                                                                                    |     |          |

|                           |            |                             |                                                                                                          |     |
|---------------------------|------------|-----------------------------|----------------------------------------------------------------------------------------------------------|-----|
| 15                        | L_073<br>8 | L?DL_DatInFac               | FacilityRcv(<br>FacilityPdu_26_ci(<br>TCV_TI1,<br>facilityIErcv(<br>NotificationSS_07(<br>TCV_InvkId)))) | (P) |
| 16                        |            | L!DL_DatRqRelCmp            | RelComSnd(<br>TCV_chTch,<br>ReleaseCmp_47(<br>TCV_TI2))                                                  |     |
| 17                        |            | L!DL_DatRqDisc              | DiscSnd(<br>TCV_chTch,<br>DisconnS( TI_02,<br>Cause_01,<br>ProgInd_omit,<br>UuInfo_omit))                |     |
| 18                        |            | L?DL_DatInRel               | ReleaseRcv(<br>Release_02)                                                                               |     |
| 19                        |            | L!DL_DatRqRelCmp            | RelComSnd(<br>TCV_chTch,<br>ReleaseCmp_08(<br>TI_02))                                                    |     |
| 20                        |            | +ChanRel_end(<br>TCV_chTch) |                                                                                                          |     |
| <b>Detailed Comments:</b> |            |                             |                                                                                                          |     |

| Test Case Dynamic Behaviour |       |                                                                                                                                                                                                                                                                                                                                                                                                                                                                                                                                                                         |                                                                                                                |     |          |
|-----------------------------|-------|-------------------------------------------------------------------------------------------------------------------------------------------------------------------------------------------------------------------------------------------------------------------------------------------------------------------------------------------------------------------------------------------------------------------------------------------------------------------------------------------------------------------------------------------------------------------------|----------------------------------------------------------------------------------------------------------------|-----|----------|
| <b>Test Case Name:</b>      |       | TC_31_9_2_2                                                                                                                                                                                                                                                                                                                                                                                                                                                                                                                                                             |                                                                                                                |     |          |
| <b>Group:</b>               |       | GSM_L3_MS_v4210/SS/                                                                                                                                                                                                                                                                                                                                                                                                                                                                                                                                                     |                                                                                                                |     |          |
| <b>Purpose:</b>             |       | To verify that when the mobile station receives an USSD operation in parallel to any call independent supplementary transaction, it responds with a return error component in a RELEASE COMPLETE message, containing "USSD-Busy" error.                                                                                                                                                                                                                                                                                                                                 |                                                                                                                |     |          |
| <b>Default:</b>             |       | OtherEventsFail                                                                                                                                                                                                                                                                                                                                                                                                                                                                                                                                                         |                                                                                                                |     |          |
| Nr                          | Label | Behaviour Description                                                                                                                                                                                                                                                                                                                                                                                                                                                                                                                                                   | CRef                                                                                                           | V   | Comments |
| 1                           |       | START T_guard(300)                                                                                                                                                                                                                                                                                                                                                                                                                                                                                                                                                      |                                                                                                                |     |          |
| 2                           |       | +IdleUpdated( C_E_default, C_CellA, C_SCH_A, C_BCCH_A_1, C_Immass, C_S0, C_SlotNU, C_SlotNU, C_SlotNU, C_BCC, C_TxInt_5, C_Max_1, C_NECL_0, C_ATT_0, TimingAdv( 0), C_BABR_0, C_cch_1Comb, C_BPM_3, C_T3212_0, C_ci_cellA, C_MCC_1, C_PLMN_1, C_LAC_1, CellOpt_01, CellChDes_Omit, CellChDes_Omit, C_CellReselectHys12, C_MaxPwrLvlG, C_MaxPwrLvlD, BcchFreqLst_45, BcchFreqLst_02, BcchFreqLst_03, BcchFreqLst_04, C_Restablishment, C_BCC, C_NCC, C_Start_Tmsi, TSPX_SDCCH4SubDef, TSPX_CKSNDDef, TSPX_RANDDef, C_arfcnA, C_arfcnAd, TSPX_IMSI, C_Test_nfh, C_NCCP_2) |                                                                                                                |     |          |
| 3                           |       | (TCV_UssdString:="Transaction OK")                                                                                                                                                                                                                                                                                                                                                                                                                                                                                                                                      |                                                                                                                |     |          |
| 4                           | body  | +ltree_body                                                                                                                                                                                                                                                                                                                                                                                                                                                                                                                                                             |                                                                                                                |     |          |
| 5                           |       | <b>ltree_body</b>                                                                                                                                                                                                                                                                                                                                                                                                                                                                                                                                                       |                                                                                                                |     |          |
| 6                           |       | +PreEstRRConn( TCV_slot, TCV_tsc, TimingAdv( 0))                                                                                                                                                                                                                                                                                                                                                                                                                                                                                                                        |                                                                                                                |     |          |
| 7                           |       | L!DL_DatRqRegister(TCV_TI.ti.v:='000'B, TCV_TI.ti.f:='0'B, TCV_TI0.ti.v:='000'B, TCV_TI0.ti.f:='1'B, TCV_Invkld0:='00'O)                                                                                                                                                                                                                                                                                                                                                                                                                                                | RegisterReq(TCV_ch, RegisterPdu_34( TCV_TI, facilityEtsnd( NotificationSS_06( TCV_Invkld0, TCV_UssdString))))  |     |          |
| 8                           | L_073 | +CheckUssdStringDisplayed( TCV_UssdString)                                                                                                                                                                                                                                                                                                                                                                                                                                                                                                                              |                                                                                                                |     |          |
| 9                           | 9     | L?DL_DatInFac                                                                                                                                                                                                                                                                                                                                                                                                                                                                                                                                                           | FacilityRcv( FacilityPdu_26_ci( TCV_TI0, facilityErcv( NotificationSS_07( TCV_Invkld0))))                      | (P) |          |
| 10                          |       | L!DL_DatRqRegister(TCV_TI2.ti.v:='001'B, TCV_TI2.ti.f:='0'B, TCV_TI1.ti.v:='001'B, TCV_TI1.ti.f:='1'B, TCV_Invkld1:='01'O)                                                                                                                                                                                                                                                                                                                                                                                                                                              | RegisterReq(TCV_ch, RegisterPdu_34( TCV_TI2, facilityEtsnd( NotificationSS_06( TCV_Invkld1, TCV_UssdString)))) |     |          |
| 11                          | L_074 | L?DL_DatInRelCmp                                                                                                                                                                                                                                                                                                                                                                                                                                                                                                                                                        | RelComRcv( ReleaseCmp_49( TCV_TI1, TCV_Invkld1))                                                               | (P) |          |
| 12                          | 0     | L!DL_DatRqRelCmp                                                                                                                                                                                                                                                                                                                                                                                                                                                                                                                                                        | RelComSnd( TCV_ch, ReleaseCmp_09( TCV_TI, facilityEtsndiei( NotificationSS_08( TCV_Invkld0))))                 |     |          |
| 12                          |       | +ChanRel_end(TCV_ch)                                                                                                                                                                                                                                                                                                                                                                                                                                                                                                                                                    |                                                                                                                |     |          |
| <b>Detailed Comments:</b>   |       |                                                                                                                                                                                                                                                                                                                                                                                                                                                                                                                                                                         |                                                                                                                |     |          |

| Test Case Dynamic Behaviour |            |                                                                                                                                                                                                                                                                                                                                                                                                                                                                                                                                                                         |                                                                                                         |     |          |
|-----------------------------|------------|-------------------------------------------------------------------------------------------------------------------------------------------------------------------------------------------------------------------------------------------------------------------------------------------------------------------------------------------------------------------------------------------------------------------------------------------------------------------------------------------------------------------------------------------------------------------------|---------------------------------------------------------------------------------------------------------|-----|----------|
| <b>Test Case Name:</b>      |            | TC_31_9_2_3                                                                                                                                                                                                                                                                                                                                                                                                                                                                                                                                                             |                                                                                                         |     |          |
| <b>Group:</b>               |            | GSM_L3_MS_v4210/SS/                                                                                                                                                                                                                                                                                                                                                                                                                                                                                                                                                     |                                                                                                         |     |          |
| <b>Purpose:</b>             |            | <p>1) To verify that for a USSD notification, the MS shall display the text provided and await user input. If the user enters a response, the MS shall return the response to the network, maintaining the transaction.</p> <p>2) To verify that the MS includes alphabet and language indicators in the response to the network. The alphabet indicator shall indicate "SMS default alphabet". The language indicator shall indicate "language unspecified".</p> <p>3) To check that the MS is able to process the operation during a call or out of a call.</p>       |                                                                                                         |     |          |
| <b>Default:</b>             |            | OtherEventsFail                                                                                                                                                                                                                                                                                                                                                                                                                                                                                                                                                         |                                                                                                         |     |          |
| Nr                          | Label      | Behaviour Description                                                                                                                                                                                                                                                                                                                                                                                                                                                                                                                                                   | CRef                                                                                                    | V   | Comments |
| 1                           |            | START T_guard(300)                                                                                                                                                                                                                                                                                                                                                                                                                                                                                                                                                      |                                                                                                         |     |          |
| 2                           |            | +BasicServiceMT( TSPX_MTBscSvcG, C_Full)                                                                                                                                                                                                                                                                                                                                                                                                                                                                                                                                |                                                                                                         |     |          |
| 3                           |            | +IdleUpdated( C_E_default, C_CellA, C_SCH_A, C_BCCH_A_1, C_Immass, C_S0, C_SlotNU, C_SlotNU, C_SlotNU, C_BCC, C_TxInt_5, C_Max_1, C_NECI_0, C_ATT_0, TimingAdv( 0), C_BABR_0, C_cch_1Comb, C_BPM_3, C_T3212_0, C_ci_cellA, C_MCC_1, C_PLMN_1, C_LAC_1, CellOpt_01, CellChDes_Omit, CellChDes_Omit, C_CellReselectHys12, C_MaxPwrLvIG, C_MaxPwrLvID, BcchFreqLst_45, BcchFreqLst_02, BcchFreqLst_03, BcchFreqLst_04, C_Reestablishment, C_BCC, C_NCC, C_Start_Tmsi, TSPX_SDCCH4SubDef, TSPX_CKSNDef, TSPX_RANDDef, C_arfcnA, C_arfcnAd, TSPX_IMSI, C_Test_nfh, C_NCCP_2) |                                                                                                         |     |          |
| 4                           |            | +FullRateCh_A_1_nociph( C_Ass, TSPX_TmSlitDef, TSPX_TscDef, ChMod_speech, FreqTCH( C_arfcn_tchA), FreqTCH( C_arfcn_tchAd), TimingAdv( 0), C_BABR_0, C_cch_1Comb, C_BPM_3)                                                                                                                                                                                                                                                                                                                                                                                               |                                                                                                         |     |          |
| 5                           |            | (TCV_UssdString1 := "Type *70*635*562# and send", TCV_UssdString2 := "**70*635*562#")                                                                                                                                                                                                                                                                                                                                                                                                                                                                                   |                                                                                                         |     |          |
| 6                           | body       | +ltree_body                                                                                                                                                                                                                                                                                                                                                                                                                                                                                                                                                             |                                                                                                         |     |          |
|                             |            | <b>ltree_body</b>                                                                                                                                                                                                                                                                                                                                                                                                                                                                                                                                                       |                                                                                                         |     |          |
| 7                           |            | +PreEstRRConn( TCV_slot, TCV_tsc, TimingAdv( 0))                                                                                                                                                                                                                                                                                                                                                                                                                                                                                                                        |                                                                                                         |     |          |
| 8                           |            | L!DL_DatRqRegister(TCV_TI.ti.v:=010'B, TCV_TI.ti.f:=0'B, TCV_TI0.ti.v:=010'B, TCV_TI0.ti.f:=1'B, TCV_Invkld:=00'O)                                                                                                                                                                                                                                                                                                                                                                                                                                                      | RegisterReq(TCV_ch, RegisterPdu_34( TCV_TI, facilityIEtsnd( USSDReq_03( TCV_Invkld, TCV_UssdString1)))) |     |          |
| 9                           |            | +CheckUssdStringDisplayed( TCV_UssdString1)                                                                                                                                                                                                                                                                                                                                                                                                                                                                                                                             |                                                                                                         |     |          |
| 10                          |            | (TCV_Null:=OO_InitSS( TCV_UssdString2))                                                                                                                                                                                                                                                                                                                                                                                                                                                                                                                                 |                                                                                                         |     |          |
| 11                          | L_074<br>1 | L?DL_DatInFac                                                                                                                                                                                                                                                                                                                                                                                                                                                                                                                                                           | FacilityRcv( FacilityPdu_26_ci( TCV_TI0, facilityIErcv( USSDReq_04( TCV_Invkld, TCV_UssdString2))))     | (P) |          |
| 12                          |            | +CC_EstMsTermCall( C_Full, TSPX_TCHHSubDef)                                                                                                                                                                                                                                                                                                                                                                                                                                                                                                                             |                                                                                                         |     |          |
| 13                          |            | L!DL_DatRqRelCmp                                                                                                                                                                                                                                                                                                                                                                                                                                                                                                                                                        | RelComSnd( TCV_chTch, ReleaseCmp_47( TCV_TI))                                                           |     |          |
| 14                          |            | L!DL_DatRqRegister( TCV_TI2.ti.v:=001'B, TCV_TI2.ti.f:=0'B, TCV_TI1.ti.v:=001'B, TCV_TI1.ti.f:=1'B, TCV_Invkld:=01'O)                                                                                                                                                                                                                                                                                                                                                                                                                                                   | RegisterReq(TCV_ch Tch, RegisterPdu_34( TCV_TI2, facilityIEtsnd( USSDReq_03( TCV_Invkld,                |     |          |

|                           |            |                                                                                         |                                                                                                                       |     |
|---------------------------|------------|-----------------------------------------------------------------------------------------|-----------------------------------------------------------------------------------------------------------------------|-----|
| 15                        |            | +CheckUssdStringDisplayed(<br>TCV_UssdString1)                                          | TCV_UssdString1))))                                                                                                   |     |
| 16                        |            | (TCV_Null := OO_InitSS(<br>TCV_UssdString2))                                            |                                                                                                                       |     |
| 17                        |            | +DTMFSignalling(<br>OC_LengthOfString(<br>TCV_UssdString2), TI_01, TI_02,<br>TCV_chTch) |                                                                                                                       |     |
| 18                        | L_074<br>2 | L?DL_DatInFac                                                                           | FacilityRcv(<br>FacilityPdu_26_ci(<br>TCV_TI1,<br>facilityIErcv(<br>USSDReq_04(<br>TCV_Invkld,<br>TCV_UssdString2)))) | (P) |
| 19                        |            | LIDL_DatRqRelCmp                                                                        | RelComSnd(<br>TCV_chTch,<br>ReleaseCmp_47(<br>TCV_TI2))                                                               |     |
| 20                        |            | LIDL_DatRqDisc                                                                          | DiscSnd(<br>TCV_chTch,<br>DisconnS( TI_02,<br>Cause_01,<br>ProgInd_omit,<br>UuInfo_omit))                             |     |
| 21                        |            | L?DL_DatInRel                                                                           | ReleaseRcv(<br>Release_02)                                                                                            |     |
| 22                        |            | LIDL_DatRqRelCmp                                                                        | RelComSnd(<br>TCV_chTch,<br>ReleaseCmp_08(<br>TI_02))                                                                 |     |
| 23                        |            | +ChanRel_end(<br>TCV_chTch)                                                             |                                                                                                                       |     |
| <b>Detailed Comments:</b> |            |                                                                                         |                                                                                                                       |     |

| Test Case Dynamic Behaviour |            |                                                                                                                                                                                                                                                                                                                                                                                                                                                                                                                                                                        |                                                                                                                  |     |          |
|-----------------------------|------------|------------------------------------------------------------------------------------------------------------------------------------------------------------------------------------------------------------------------------------------------------------------------------------------------------------------------------------------------------------------------------------------------------------------------------------------------------------------------------------------------------------------------------------------------------------------------|------------------------------------------------------------------------------------------------------------------|-----|----------|
| <b>Test Case Name:</b>      |            | TC_31_9_2_4                                                                                                                                                                                                                                                                                                                                                                                                                                                                                                                                                            |                                                                                                                  |     |          |
| <b>Group:</b>               |            | GSM_L3_MS_v4210/SS/                                                                                                                                                                                                                                                                                                                                                                                                                                                                                                                                                    |                                                                                                                  |     |          |
| <b>Purpose:</b>             |            | To verify that when the mobile station receives an USSD operation in parallel to any call independent supplementary transaction, it responds with a return error component in a RELEASE COMPLETE message, containing "USSD-Busy" error.                                                                                                                                                                                                                                                                                                                                |                                                                                                                  |     |          |
| <b>Default:</b>             |            | OtherEventsFail                                                                                                                                                                                                                                                                                                                                                                                                                                                                                                                                                        |                                                                                                                  |     |          |
| Nr                          | Label      | Behaviour Description                                                                                                                                                                                                                                                                                                                                                                                                                                                                                                                                                  | CRef                                                                                                             | V   | Comments |
| 1                           |            | START T_guard(300)                                                                                                                                                                                                                                                                                                                                                                                                                                                                                                                                                     |                                                                                                                  |     |          |
| 2                           |            | +IdleUpdated( C_E_default, C_CellA, C_SCH_A, C_BCCH_A_1, C_Immss, C_S0, C_SlotNU, C_SlotNU, C_SlotNU, C_BCC, C_TxInt_5, C_Max_1, C_NECI_0, C_ATT_0, TimingAdv( 0), C_BABR_0, C_cch_1Comb, C_BPM_3, C_T3212_0, C_ci_cellA, C_MCC_1, C_PLMN_1, C_LAC_1, CellOpt_01, CellChDes_Omit, CellChDes_Omit, C_CellReselectHys12, C_MaxPwrLvIG, C_MaxPwrLvID, BcchFreqLst_45, BcchFreqLst_02, BcchFreqLst_03, BcchFreqLst_04, C_Restablishment, C_BCC, C_NCC, C_Start_Tmsi, TSPX_SDCCH4SubDef, TSPX_CKSNDDef, TSPX_RANDDef, C_arfcnA, C_arfcnAd, TSPX_IMSI, C_Test_nfh, C_NCCP_2) |                                                                                                                  |     |          |
| 3                           |            | (TCV_UssdString1 := "Type *70*635*562# and send", TCV_UssdString2 := "*70*635*562#")                                                                                                                                                                                                                                                                                                                                                                                                                                                                                   |                                                                                                                  |     |          |
| 4                           | body       | +ltree_body                                                                                                                                                                                                                                                                                                                                                                                                                                                                                                                                                            |                                                                                                                  |     |          |
|                             |            | <b>ltree_body</b>                                                                                                                                                                                                                                                                                                                                                                                                                                                                                                                                                      |                                                                                                                  |     |          |
| 5                           |            | +PreEstRRConn( TCV_slot, TCV_tsc, TimingAdv( 0))                                                                                                                                                                                                                                                                                                                                                                                                                                                                                                                       |                                                                                                                  |     |          |
| 6                           |            | LIDL_DatRqRegister(TCV_TI.ti.v:='000'B, TCV_TI.ti.f:='0'B, TCV_TI0.ti.v:='000'B, TCV_TI0.ti.f:='1'B, TCV_Invkld0:='00'O)                                                                                                                                                                                                                                                                                                                                                                                                                                               | RegisterReq(TCV_ch, RegisterPdu_34( TCV_TI, facilityIEtsnd( NotificationSS_06( TCV_Invkld0, TCV_UssdString1))))  |     |          |
| 7                           |            | +CheckUssdStringDisplayed( TCV_UssdString1)                                                                                                                                                                                                                                                                                                                                                                                                                                                                                                                            |                                                                                                                  |     |          |
| 8                           |            | (TCV_Null:=OO_InitSS( TCV_UssdString2))                                                                                                                                                                                                                                                                                                                                                                                                                                                                                                                                |                                                                                                                  |     |          |
| 9                           | L_074<br>3 | L?DL_DatInFac                                                                                                                                                                                                                                                                                                                                                                                                                                                                                                                                                          | FacilityRcv( FacilityPdu_26_ci( TCV_TI0, facilityIErcv( USSDReq_04( TCV_Invkld0, TCV_UssdString2))))             | (P) |          |
| 10                          |            | LIDL_DatRqRegister( TCV_TI2.ti.v:='001'B, TCV_TI2.ti.f:='0'B, TCV_TI1.ti.v:='001'B, TCV_TI1.ti.f:='1'B, TCV_Invkld1:='01'O)                                                                                                                                                                                                                                                                                                                                                                                                                                            | RegisterReq(TCV_ch, RegisterPdu_34( TCV_TI2, facilityIEtsnd( NotificationSS_06( TCV_Invkld1, TCV_UssdString1)))) |     |          |
| 11                          | L_074<br>4 | L?DL_DatInRelCmp                                                                                                                                                                                                                                                                                                                                                                                                                                                                                                                                                       | RelComRcv( ReleaseCmp_50( TCV_TI1, TCV_Invkld1))                                                                 | (P) |          |
| 12                          |            | LIDL_DatRqRelCmp                                                                                                                                                                                                                                                                                                                                                                                                                                                                                                                                                       | RelComSnd( TCV_ch, ReleaseCmp_09( TCV_TI, facilityIEtsndie( USSDReq_06( TCV_Invkld0))))                          |     |          |
| 13                          |            | +ChanRel_end( TCV_ch)                                                                                                                                                                                                                                                                                                                                                                                                                                                                                                                                                  |                                                                                                                  |     |          |
| <b>Detailed Comments:</b>   |            |                                                                                                                                                                                                                                                                                                                                                                                                                                                                                                                                                                        |                                                                                                                  |     |          |

| Test Case Dynamic Behaviour |       |                                                                                                                                                                                                                                                                                                                                                                                                                                                                                                                                                                         |                                                                                                                                                 |   |                         |
|-----------------------------|-------|-------------------------------------------------------------------------------------------------------------------------------------------------------------------------------------------------------------------------------------------------------------------------------------------------------------------------------------------------------------------------------------------------------------------------------------------------------------------------------------------------------------------------------------------------------------------------|-------------------------------------------------------------------------------------------------------------------------------------------------|---|-------------------------|
| <b>Test Case Name:</b>      |       | TC_31_10                                                                                                                                                                                                                                                                                                                                                                                                                                                                                                                                                                |                                                                                                                                                 |   |                         |
| <b>Group:</b>               |       | GSM_L3_MS_v4210/SS/                                                                                                                                                                                                                                                                                                                                                                                                                                                                                                                                                     |                                                                                                                                                 |   |                         |
| <b>Purpose:</b>             |       | To check that the entry of two digits in the form !X (X in the set 0..9) followed by SEND is accepted by the mobile station in idle mode as a normal call establishment for the 1X number. It is checked that the MS sends a CHANNEL REQUEST, sends CM SERVICE REQUEST message for mobile originated call (after having received an IMMEDIATE ASSIGNMENT), and then sends the SETUP message containing the 1X phone number as called number (after having received the CM SERVICE ACCEPT message)                                                                       |                                                                                                                                                 |   |                         |
| <b>Default:</b>             |       | OtherEventsFail                                                                                                                                                                                                                                                                                                                                                                                                                                                                                                                                                         |                                                                                                                                                 |   |                         |
| Nr                          | Label | Behaviour Description                                                                                                                                                                                                                                                                                                                                                                                                                                                                                                                                                   | CRef                                                                                                                                            | V | Comments                |
| 1                           |       | START T_guard(300)                                                                                                                                                                                                                                                                                                                                                                                                                                                                                                                                                      |                                                                                                                                                 |   |                         |
| 2                           |       | +IdleUpdated( C_E_default, C_CellA, C_SCH_A, C_BCCH_A_1, C_ImmAss, C_S0, C_SlotNU, C_SlotNU, C_SlotNU, C_BCC, C_TxInt_5, C_Max_1, C_NECI_0, C_ATT_0, TimingAdv( 0), C_BABR_0, C_cch_1Comb, C_BPM_3, C_T3212_0, C_ci_cellA, C_MCC_1, C_PLMN_1, C_LAC_1, CellOpt_01, CellChDes_Omit, CellChDes_Omit, C_CellReselectHys12, C_MaxPwrLvlG, C_MaxPwrLvlD, BcchFreqLst_45, BcchFreqLst_02, BcchFreqLst_03, BcchFreqLst_04, C_Restablishment, C_BCC, C_NCC, C_Start_Tmsi, TSPX_SDCCH4SubDef, TSPX_CKSNDDef, TSPX_RANDDef, C_arfcnA, C_arfcnAd, TSPX_IMSI, C_Test_nfh, C_NCCP_2) |                                                                                                                                                 |   |                         |
| 3                           |       | +test("10")                                                                                                                                                                                                                                                                                                                                                                                                                                                                                                                                                             |                                                                                                                                                 |   |                         |
| 4                           |       | +test("11")                                                                                                                                                                                                                                                                                                                                                                                                                                                                                                                                                             |                                                                                                                                                 |   |                         |
| 5                           |       | +test("12")                                                                                                                                                                                                                                                                                                                                                                                                                                                                                                                                                             |                                                                                                                                                 |   |                         |
| 6                           |       | +test("13")                                                                                                                                                                                                                                                                                                                                                                                                                                                                                                                                                             |                                                                                                                                                 |   |                         |
| 7                           |       | +test("14")                                                                                                                                                                                                                                                                                                                                                                                                                                                                                                                                                             |                                                                                                                                                 |   |                         |
| 8                           |       | +test("15")                                                                                                                                                                                                                                                                                                                                                                                                                                                                                                                                                             |                                                                                                                                                 |   |                         |
| 9                           |       | +test("16")                                                                                                                                                                                                                                                                                                                                                                                                                                                                                                                                                             |                                                                                                                                                 |   |                         |
| 10                          |       | +test("17")                                                                                                                                                                                                                                                                                                                                                                                                                                                                                                                                                             |                                                                                                                                                 |   |                         |
| 11                          |       | +test("18")                                                                                                                                                                                                                                                                                                                                                                                                                                                                                                                                                             |                                                                                                                                                 |   |                         |
| 12                          |       | +test("19")                                                                                                                                                                                                                                                                                                                                                                                                                                                                                                                                                             |                                                                                                                                                 |   |                         |
|                             |       | <b>test(num:IA5String)</b>                                                                                                                                                                                                                                                                                                                                                                                                                                                                                                                                              |                                                                                                                                                 |   |                         |
| 13                          |       | (TCV_Null := OO_InitSS(num))                                                                                                                                                                                                                                                                                                                                                                                                                                                                                                                                            |                                                                                                                                                 |   | 2.                      |
| 14                          |       | L?DL_RaInChRq (TCV_Rr := DL_RaInChRq.<br>msg.ecau_rrf, TCV_Fn := DL_RaInChRq.fn)<br>ACTIVATE(OtherEventsFail_02)                                                                                                                                                                                                                                                                                                                                                                                                                                                        | ChReq(<br>ChRequest_15)                                                                                                                         |   | To match ChReq retrans. |
| 15                          |       | LIDL_UdatRqImmAss                                                                                                                                                                                                                                                                                                                                                                                                                                                                                                                                                       | ImmAss( TCV_agch,<br>ImmAsgn_01Def(<br>TCV_Rr, TCV_Fn,<br>TSPX_SDCCH4SubD<br>ef, TCV_slot,<br>TCV_tsc,<br>TCV_chdescr_arfcn,<br>TimingAdv( 0))) |   |                         |
| 17                          |       | L?DL_EstInCmsRq                                                                                                                                                                                                                                                                                                                                                                                                                                                                                                                                                         | CMSerReq(<br>CMServiceReq_04)                                                                                                                   |   |                         |
| 18                          |       | ACTIVATE(OtherEventsFail)                                                                                                                                                                                                                                                                                                                                                                                                                                                                                                                                               |                                                                                                                                                 |   | Restore Normal default  |
| 19                          |       | L!DL_DatRqCmsAcp                                                                                                                                                                                                                                                                                                                                                                                                                                                                                                                                                        | CMSerAcp( TCV_ch,<br>CMServiceAcp_01)                                                                                                           |   |                         |
| 20                          |       | L?DL_DatInSetup( TCV_TI :=<br>DL_DatInSetup.msg.ti,<br>TCV_CalledNum :=<br>DL_DatInSetup.msg.cdpn, TCV_TI0 :=<br>TCV_TI, TCV_TI.ti_f := '1'B)                                                                                                                                                                                                                                                                                                                                                                                                                           | SetupRcv(<br>SetupInd_01)                                                                                                                       |   |                         |
| 21                          |       | L!DL_DatRqRelCmp                                                                                                                                                                                                                                                                                                                                                                                                                                                                                                                                                        | RelComSnd(<br>TCV_ch,<br>ReleaseCmp_08(<br>TCV_TI))                                                                                             |   |                         |
| 22                          |       | +PostMainLinkRel(TCV_ch)                                                                                                                                                                                                                                                                                                                                                                                                                                                                                                                                                |                                                                                                                                                 |   |                         |
| 23                          |       | +ltree_check(num)                                                                                                                                                                                                                                                                                                                                                                                                                                                                                                                                                       |                                                                                                                                                 |   | 3.                      |
| 24                          |       | START T_dly(10000)                                                                                                                                                                                                                                                                                                                                                                                                                                                                                                                                                      |                                                                                                                                                 |   |                         |
| 25                          |       | ?TIMEOUT T_dly                                                                                                                                                                                                                                                                                                                                                                                                                                                                                                                                                          |                                                                                                                                                 |   |                         |
|                             |       | <b>ltree_check(num:IA5String)</b>                                                                                                                                                                                                                                                                                                                                                                                                                                                                                                                                       |                                                                                                                                                 |   |                         |



|                                                                                         |            |                                                             |     |    |
|-----------------------------------------------------------------------------------------|------------|-------------------------------------------------------------|-----|----|
| 26                                                                                      |            | (TCV_Res := OC_CalledNumCHK(<br>TCV_CalledNum.digits, num)) |     | 3. |
| 27                                                                                      | L_074<br>5 | [TCV_Res]                                                   | (P) |    |
| 28                                                                                      | L_074<br>6 | [NOT TCV_Res]                                               | (F) |    |
| <b>Detailed Comments:</b>                                                               |            |                                                             |     |    |
| 1. To setup physical channel as BCCH, CCCH and SDCCH4.                                  |            |                                                             |     |    |
| 2. To dial the two digits number.                                                       |            |                                                             |     |    |
| 3. To check whether the received called party number is the same as the dialled number. |            |                                                             |     |    |

Test Group SM

| Test Case Dynamic Behaviour |       |                                                                                                                                                                                                                                                                                                                                                                                                                                                                                                                                                                                                                     |      |   |          |
|-----------------------------|-------|---------------------------------------------------------------------------------------------------------------------------------------------------------------------------------------------------------------------------------------------------------------------------------------------------------------------------------------------------------------------------------------------------------------------------------------------------------------------------------------------------------------------------------------------------------------------------------------------------------------------|------|---|----------|
| <b>Test Case Name:</b>      |       | TC_34_2_1                                                                                                                                                                                                                                                                                                                                                                                                                                                                                                                                                                                                           |      |   |          |
| <b>Group:</b>               |       | GSM_L3_MS_v4210/SM/                                                                                                                                                                                                                                                                                                                                                                                                                                                                                                                                                                                                 |      |   |          |
| <b>Purpose:</b>             |       | To verify the ability of a MS to receive and decode the SMS where provided for the point to point service.                                                                                                                                                                                                                                                                                                                                                                                                                                                                                                          |      |   |          |
| <b>Default:</b>             |       | OtherEventsFail                                                                                                                                                                                                                                                                                                                                                                                                                                                                                                                                                                                                     |      |   |          |
| Nr                          | Label | Behaviour Description                                                                                                                                                                                                                                                                                                                                                                                                                                                                                                                                                                                               | CRef | V | Comments |
| 1                           |       | START T_guard( 1200)                                                                                                                                                                                                                                                                                                                                                                                                                                                                                                                                                                                                |      |   |          |
| 2                           |       | +ltree_emptystorage( TRUE)                                                                                                                                                                                                                                                                                                                                                                                                                                                                                                                                                                                          |      |   |          |
| 3                           |       | (TCV_asscmd_ts := TSPX_TmSlitDef,<br>TCV_RPOA_MT:='1111111111'O,<br>TCV_TPOA1:='3333333333'O, TCV_Rpmr :=<br>'00'O)                                                                                                                                                                                                                                                                                                                                                                                                                                                                                                 |      |   |          |
| 4                           |       | +BasicServiceMT( TSPX_MTBscSvcE, C_Full)                                                                                                                                                                                                                                                                                                                                                                                                                                                                                                                                                                            |      |   |          |
| 5                           |       | +IdleUpdated( C_E_default, C_CellA,<br>C_SCH_A, C_BCCH_A_1, C_Immash, C_S0,<br>C_SlotNU, C_SlotNU, C_SlotNU, C_BCC,<br>C_TxInt_5, C_Max_1, C_NECI_0, C_ATT_0,<br>TimingAdv( 0), C_BABR_0, C_cch_1Comb,<br>C_BPM_3, C_T3212_0, C_ci_cellA,<br>C_MCC_1, C_PLMN_1, C_LAC_1,<br>CellOpt_01, CellChDes_02, CellChDes_03,<br>C_CellReselectHys12, C_MaxPwrLvIG,<br>C_MaxPwrLvID, BcchFreqLst_01,<br>BcchFreqLst_Omit, BcchFreqLst_48,<br>BcchFreqLst_Omit, C_noRestablishment,<br>C_BCC, C_NCC, C_Start_Tmsi,<br>TSPX_SDCCH4SubDef, TSPX_CKSNDf,<br>TSPX_RANDDef, C_arfcnA, C_arfcnAd,<br>TSPX_IMSI, C_Test_fh, C_NCCP_2) |      |   |          |
| 6                           |       | +FullRateCh_A_1( C_Ass,<br>TSPX_TmSlitDef, TSPX_TscDef,<br>ChMod_speech, FreqTCH_omit,<br>FreqTCH_omit, C_arfcn_tchA,<br>C_arfcn_tchAd, TimingAdv( 0),<br>C_BABR_0, C_cch_1Comb, C_BPM_3)                                                                                                                                                                                                                                                                                                                                                                                                                           |      |   |          |
| 7                           | body  | +ltree_part1                                                                                                                                                                                                                                                                                                                                                                                                                                                                                                                                                                                                        |      |   | 1        |
| 8                           |       | +ltree_part2                                                                                                                                                                                                                                                                                                                                                                                                                                                                                                                                                                                                        |      |   | 2        |
| 9                           |       | +ltree_part3                                                                                                                                                                                                                                                                                                                                                                                                                                                                                                                                                                                                        |      |   | 3        |
| 10                          |       | +ltree_part4                                                                                                                                                                                                                                                                                                                                                                                                                                                                                                                                                                                                        |      |   | 4        |
|                             |       | <b>ltree_part1</b>                                                                                                                                                                                                                                                                                                                                                                                                                                                                                                                                                                                                  |      |   |          |
| 11                          |       | +ltree_Environment1                                                                                                                                                                                                                                                                                                                                                                                                                                                                                                                                                                                                 |      |   |          |
| 12                          |       | +ltree_sms1( TCV_ch)                                                                                                                                                                                                                                                                                                                                                                                                                                                                                                                                                                                                |      |   |          |
| 13                          |       | +ltree_CheckMessage( TCV_ch, FALSE)                                                                                                                                                                                                                                                                                                                                                                                                                                                                                                                                                                                 |      |   |          |
| 14                          |       | +ltree_Environment1                                                                                                                                                                                                                                                                                                                                                                                                                                                                                                                                                                                                 |      |   |          |
| 15                          |       | +ltree_sms3( TCV_ch)                                                                                                                                                                                                                                                                                                                                                                                                                                                                                                                                                                                                |      |   |          |
| 16                          |       | +ltree_CheckMessage( TCV_ch, FALSE)                                                                                                                                                                                                                                                                                                                                                                                                                                                                                                                                                                                 |      |   |          |
| 17                          |       | +ltree_Environment1                                                                                                                                                                                                                                                                                                                                                                                                                                                                                                                                                                                                 |      |   |          |
| 18                          |       | +ltree_sms4( TCV_ch, 5)                                                                                                                                                                                                                                                                                                                                                                                                                                                                                                                                                                                             |      |   |          |
| 19                          |       | +ltree_CheckMessage( TCV_ch,<br>TRUE)                                                                                                                                                                                                                                                                                                                                                                                                                                                                                                                                                                               |      |   |          |
|                             |       | <b>ltree_part2</b>                                                                                                                                                                                                                                                                                                                                                                                                                                                                                                                                                                                                  |      |   |          |
| 20                          |       | +ltree_Environment2                                                                                                                                                                                                                                                                                                                                                                                                                                                                                                                                                                                                 |      |   |          |
| 21                          |       | +ltree_sms1( TCV_chSms)                                                                                                                                                                                                                                                                                                                                                                                                                                                                                                                                                                                             |      |   |          |
| 22                          |       | +ltree_CheckMessage( TCV_chTch, TRUE)                                                                                                                                                                                                                                                                                                                                                                                                                                                                                                                                                                               |      |   |          |
| 23                          |       | +ltree_Environment2                                                                                                                                                                                                                                                                                                                                                                                                                                                                                                                                                                                                 |      |   |          |
| 24                          |       | +ltree_sms3( TCV_chSms)                                                                                                                                                                                                                                                                                                                                                                                                                                                                                                                                                                                             |      |   |          |
| 25                          |       | +ltree_CheckMessage( TCV_chTch, TRUE)                                                                                                                                                                                                                                                                                                                                                                                                                                                                                                                                                                               |      |   |          |
| 26                          |       | +ltree_Environment2                                                                                                                                                                                                                                                                                                                                                                                                                                                                                                                                                                                                 |      |   |          |
| 27                          |       | +ltree_sms4( TCV_chSms, 15)                                                                                                                                                                                                                                                                                                                                                                                                                                                                                                                                                                                         |      |   |          |
| 28                          |       | +ltree_CheckMessage( TCV_chTch,<br>TRUE)                                                                                                                                                                                                                                                                                                                                                                                                                                                                                                                                                                            |      |   |          |
|                             |       | <b>ltree_part3</b>                                                                                                                                                                                                                                                                                                                                                                                                                                                                                                                                                                                                  |      |   |          |

|    |            |                                                                             |                                                                                                                                            |     |                                                      |
|----|------------|-----------------------------------------------------------------------------|--------------------------------------------------------------------------------------------------------------------------------------------|-----|------------------------------------------------------|
| 29 |            | +ltree_Environment2                                                         |                                                                                                                                            |     |                                                      |
| 30 |            | +ltree_ClearTchChannel_SS                                                   |                                                                                                                                            |     |                                                      |
| 31 |            | +ltree_sms1( TCV_chSms)                                                     |                                                                                                                                            |     |                                                      |
| 32 |            | +ltree_CheckMessage( TCV_chTch, TRUE)                                       |                                                                                                                                            |     |                                                      |
|    |            | <b>ltree_part4</b>                                                          |                                                                                                                                            |     |                                                      |
| 33 |            | +ltree_Environment2                                                         |                                                                                                                                            |     |                                                      |
| 34 |            | +ltree_ClearTchChannel_MS                                                   |                                                                                                                                            |     |                                                      |
| 35 |            | +ltree_CheckMessage( TCV_chTch, TRUE)                                       |                                                                                                                                            |     |                                                      |
|    |            | <b>ltree_Environment1</b>                                                   |                                                                                                                                            |     |                                                      |
| 36 |            | +RRmtcallprepare( TimingAdv( 0), TSPX_RANDDef)                              |                                                                                                                                            |     |                                                      |
| 37 |            | (TCV_CPDDataRetx := 0, TCV_ti_v_2 := '000'B,<br>TCV_chSms := TCV_ch)        |                                                                                                                                            |     |                                                      |
| 38 |            | +ltree_set_sapi3_SDCCH                                                      |                                                                                                                                            |     |                                                      |
|    |            | <b>ltree_Environment2</b>                                                   |                                                                                                                                            |     |                                                      |
| 39 |            | +Est_MT_CallNonFH( TimingAdv( 0), C_Full,<br>TSPX_TCHHSubDef, TSPX_RANDDef) |                                                                                                                                            |     |                                                      |
| 40 |            | (TCV_CPDDataRetx := 0, TCV_ti_v_2 := '000'B,<br>TCV_chSms := C_SACCHF_A_1)  |                                                                                                                                            |     |                                                      |
| 41 |            | +ltree_set_sapi3_SACCH                                                      |                                                                                                                                            |     |                                                      |
|    |            | <b>ltree_set_sapi3_SDCCH</b>                                                |                                                                                                                                            |     |                                                      |
| 42 |            | L!DL_EstRq                                                                  | DLEstRq( TCV_ch)                                                                                                                           |     | SABM(SAPI=3)                                         |
| 43 |            | L?DL_EstCo                                                                  | DLEstCo( TCV_ch)                                                                                                                           |     | UA(SAPI=3)                                           |
|    |            | <b>ltree_set_sapi3_SACCH</b>                                                |                                                                                                                                            |     |                                                      |
| 44 |            | L!DL_EstRq                                                                  | DLEstRq(<br>TCV_chSms)                                                                                                                     |     | SABM(SAPI=3)                                         |
| 45 |            | L?DL_EstCo                                                                  | DLEstCo(<br>TCV_chSms)                                                                                                                     |     | UA(SAPI=3)                                           |
|    |            | <b>ltree_ClearTchChannel_SS</b>                                             |                                                                                                                                            |     |                                                      |
| 46 |            | L!DL_DatRqDisc                                                              | DiscSnd(<br>TCV_chTch,<br>DisconnS( TI_02,<br>Cause_01,<br>ProgInd_omit,<br>UuInfo_omit))                                                  |     |                                                      |
| 47 | L_074<br>7 | L?DL_DatInRel                                                               | ReleaseRcv(<br>Release_10( TI_01))                                                                                                         | (P) |                                                      |
| 48 |            | LIDL_DatRqRelCmp                                                            | RelComSnd(<br>TCV_chTch,<br>ReleaseCmp_08(<br>TI_02))                                                                                      |     |                                                      |
|    |            | <b>ltree_ClearTchChannel_MS</b>                                             |                                                                                                                                            |     |                                                      |
| 49 |            | ( TCV_Null := OO_TermCall())                                                |                                                                                                                                            |     |                                                      |
| 50 | L_074<br>8 | L?DL_DatInDisc                                                              | DiscRcv( TCV_chTch,<br>DisconnR( TI_01,<br>Cause_Def))                                                                                     | (P) |                                                      |
| 51 |            | LIDL_DatRqCpData START T_dly( 25000)                                        | DatRqCpData(<br>CpDataPdu_01(<br>TI_07( TCV_ti_v_2),<br>CpData_01(<br>TCV_TPOA1,<br>TCV_RPOA_MT,<br>TCV_Rpmr,<br>C_Tzone0)),<br>TCV_chSms) |     | CP-DATA including RP-<br>Data(SMS DELIVER) n-<br>>ms |
| 52 |            | LIDL_DatRqRel                                                               | ReleaseSnd(<br>TCV_chTch,<br>Release_08( TI_02))                                                                                           |     |                                                      |
| 53 |            | L?DL_DatInRelCmp                                                            | RelComRcv(<br>ReleaseCmp_03(<br>TI_01))                                                                                                    |     |                                                      |
| 54 | L_074<br>9 | ?TIMEOUT T_dly                                                              |                                                                                                                                            | (F) |                                                      |
| 55 |            | L?DL_DatInCpDataAck START T_dly(                                            | DatInCpDataAck(                                                                                                                            |     | CP-ACK ms->n                                         |

|    |            |                                                                                                                      |                                                                                                                                            |                                                                          |
|----|------------|----------------------------------------------------------------------------------------------------------------------|--------------------------------------------------------------------------------------------------------------------------------------------|--------------------------------------------------------------------------|
|    |            | 60000)                                                                                                               | CpDataAckPdu_01(<br>TI_08( TCV_ti_v_2)))                                                                                                   |                                                                          |
| 56 | L_075<br>0 | ?TIMEOUT T_dly                                                                                                       |                                                                                                                                            | (F)                                                                      |
| 57 |            | L?DL_DatInCpData CANCEL T_dly                                                                                        | DatInCpData(<br>TCV_chSms,<br>CpDataPdu_02(<br>TI_08( TCV_ti_v_2),<br>CpData_02(<br>TCV_Rpmr)))                                            | CP-DATA including RP-<br>Ack ms->n                                       |
| 58 |            | LIDL_DatRqCpDataAck                                                                                                  | DatRqCpDataAck(<br>CpDataAckPdu_02(<br>TI_07( TCV_ti_v_2)),<br>TCV_chSms)                                                                  | CP-ACK n->ms                                                             |
| 59 |            | +NoReaction( TSPX_TC1M * 1000)                                                                                       |                                                                                                                                            | Step 128                                                                 |
| 60 |            | <b>Itree_sms1( ch: LOGICCH)</b>                                                                                      |                                                                                                                                            |                                                                          |
| 61 |            | +Itree_sms2( ch)                                                                                                     |                                                                                                                                            |                                                                          |
| 61 |            | L!DL_DatRqCpDataAck                                                                                                  | DatRqCpDataAck(<br>CpDataAckPdu_02(<br>TI_07( TCV_ti_v_2)),<br>TCV_chSms)                                                                  | CP-ACK n->ms                                                             |
| 62 |            | +NoReaction( TSPX_TC1M * 1000)                                                                                       |                                                                                                                                            | Step 17, 71, 113                                                         |
| 63 |            | <b>Itree_sms2( ch: LOGICCH)</b>                                                                                      |                                                                                                                                            |                                                                          |
| 63 |            | L!DL_DatRqCpData ( TCV_SMcntns :=<br>DL_DatRqCpData.msg.CPdata.rpdata.rpusrdat.tpdeli<br>ver.ud) START T_dly( 25000) | DatRqCpData(<br>CpDataPdu_01(<br>TI_07( TCV_ti_v_2),<br>CpData_01(<br>TCV_TPOA1,<br>TCV_RPOA_MT,<br>TCV_Rpmr,<br>C_Tzone0)),<br>TCV_chSms) | CP-DATA including RP-<br>Data(SMS DELIVER) n-<br>>ms                     |
| 64 | L_075<br>1 | ?TIMEOUT T_dly                                                                                                       |                                                                                                                                            | (F)                                                                      |
| 65 |            | L?DL_DatInCpDataAck START T_dly( 60000)                                                                              | DatInCpDataAck(<br>CpDataAckPdu_01(<br>TI_08( TCV_ti_v_2)))                                                                                | CP-ACK ms->n                                                             |
| 66 | L_075<br>2 | ?TIMEOUT T_dly                                                                                                       |                                                                                                                                            | (F)                                                                      |
| 67 |            | L?DL_DatInCpData CANCEL T_dly                                                                                        | DatInCpData( ch,<br>CpDataPdu_02(<br>TI_08( TCV_ti_v_2),<br>CpData_02(<br>TCV_Rpmr)))                                                      | CP-DATA including RP-<br>Ack ms->n                                       |
| 68 |            | <b>Itree_sms3( ch: LOGICCH)</b>                                                                                      |                                                                                                                                            |                                                                          |
| 69 |            | +Itree_sms2( ch)                                                                                                     |                                                                                                                                            |                                                                          |
| 70 | L_075<br>3 | START T_dly(TCV_T_TwiceTC1M)                                                                                         |                                                                                                                                            | (F)                                                                      |
| 70 |            | ?TIMEOUT T_dly                                                                                                       |                                                                                                                                            | First CP-DATA( Rp-Ack)<br>not acknowledged                               |
| 71 |            | L?DL_DatInCpData CANCEL T_dly                                                                                        | DatInCpData( ch,<br>CpDataPdu_02(<br>TI_08( TCV_ti_v_2),<br>CpData_02(<br>TCV_Rpmr)))                                                      | CP-DATA(RP-Ack)<br>retransmitted                                         |
| 72 |            | LIDL_DatRqCpDataAck                                                                                                  | DatRqCpDataAck(<br>CpDataAckPdu_02(<br>TI_07( TCV_ti_v_2)),<br>TCV_chSms)                                                                  | Second CP-DATA( Rp-<br>Ack) acknowledged                                 |
| 73 |            | +NoReaction( TSPX_TC1M * 1000)                                                                                       |                                                                                                                                            | Step 38, 84                                                              |
| 74 |            | <b>Itree_sms4(ch: LOGICCH; time: INTEGER)</b>                                                                        |                                                                                                                                            |                                                                          |
| 75 |            | +Itree_sms2( ch)                                                                                                     |                                                                                                                                            |                                                                          |
| 75 |            | REPEAT Itree_sms5( ch) UNTIL [TCV_CPDataRetx<br>= TSPX_MaxCPDataRetx]                                                |                                                                                                                                            | CP-DATA( RP-Ack)<br>retransmitted                                        |
| 76 |            | START T_dly((( TSPX_TC1M + time) * 1000))                                                                            |                                                                                                                                            |                                                                          |
| 77 | L_075<br>4 | L?DL_DatInCpData CANCEL T_dly                                                                                        | DatInCpData( ch,<br>CpDataPdu_02(<br>TI_08( TCV_ti_v_2),<br>CpData_02(<br>TCV_Rpmr)))                                                      | (F) RP-Ack shall not be sent<br>more than<br>TSPX_MaxCPDataRetx<br>times |

|                                                                           |            |                                                                                                                        |                                                                                       |     |                        |
|---------------------------------------------------------------------------|------------|------------------------------------------------------------------------------------------------------------------------|---------------------------------------------------------------------------------------|-----|------------------------|
| 78                                                                        | L_075<br>5 | ?TIMEOUT T_dly                                                                                                         | TCV_Rpmr)))                                                                           | (P) |                        |
| 79                                                                        |            | <b>Itree_sms5(ch: LOGICCH)</b><br>START T_dly( TCV_T_TwiceTC1M)                                                        |                                                                                       |     |                        |
| 80                                                                        | L_075<br>6 | ?TIMEOUT T_dly                                                                                                         |                                                                                       | (F) |                        |
| 81                                                                        |            | L?DL_DatInCpData CANCEL T_dly                                                                                          | DatInCpData( ch,<br>CpDataPdu_02(<br>TI_08( TCV_ti_v_2),<br>CpData_02(<br>TCV_Rpmr))) |     | CP-DATA (RP-Ack) ms->n |
| 82                                                                        |            | (TCV_CPDDataRetx := TCV_CPDDataRetx + 1)                                                                               |                                                                                       |     |                        |
| 83                                                                        |            | <b>Itree_CheckMessage( ch: LOGICCH;<br/>Emptying:BOOLEAN)</b><br>+ChanRel( ch)                                         |                                                                                       |     |                        |
| 84                                                                        |            | (TCV_Null := OM_CphMd( TCV_ch, CphMod_02,<br>TCV_CphKey), TCV_Res :=<br>OO_CheckMessageDisplayed( 160,<br>TCV_SMcnts)) |                                                                                       |     |                        |
| 85                                                                        | L_075<br>7 | [NOT TCV_Res]                                                                                                          |                                                                                       | (F) |                        |
| 86                                                                        |            | +Itree_emptystorage( Emptying)                                                                                         |                                                                                       |     |                        |
| 87                                                                        | L_075<br>8 | [TCV_Res]                                                                                                              |                                                                                       | (P) |                        |
| 88                                                                        |            | +Itree_emptystorage( Emptying)                                                                                         |                                                                                       |     |                        |
| 89                                                                        |            | <b>Itree_emptystorage( Emptying:BOOLEAN)</b><br>[Emptying]                                                             |                                                                                       |     |                        |
| 90                                                                        |            | (TCV_Null := OO_EmptyMessageStorage())                                                                                 |                                                                                       |     |                        |
| 91                                                                        |            | [NOT Emptying]                                                                                                         |                                                                                       |     |                        |
| <b>Detailed Comments:</b>                                                 |            |                                                                                                                        |                                                                                       |     |                        |
| 1: Parts a) to f) of the test procedure as described in GSM 11.10, 34.2.1 |            |                                                                                                                        |                                                                                       |     |                        |
| 2: Parts g) to j) of the test procedure as described in GSM 11.10, 34.2.1 |            |                                                                                                                        |                                                                                       |     |                        |
| 3: Part k) of the test procedure as described in GSM 11.10, 34.2.1        |            |                                                                                                                        |                                                                                       |     |                        |
| 4: Part l) of the test procedure as described in GSM 11.10, 34.2.1        |            |                                                                                                                        |                                                                                       |     |                        |

| Test Case Dynamic Behaviour |            |                                                                                                                                                                                                                                                                                                                                                                                                                                                                                                                                                                                                                     |      |     |                 |
|-----------------------------|------------|---------------------------------------------------------------------------------------------------------------------------------------------------------------------------------------------------------------------------------------------------------------------------------------------------------------------------------------------------------------------------------------------------------------------------------------------------------------------------------------------------------------------------------------------------------------------------------------------------------------------|------|-----|-----------------|
| <b>Test Case Name:</b>      |            | TC_34_2_2                                                                                                                                                                                                                                                                                                                                                                                                                                                                                                                                                                                                           |      |     |                 |
| <b>Group:</b>               |            | GSM_L3_MS_v4210/SM/                                                                                                                                                                                                                                                                                                                                                                                                                                                                                                                                                                                                 |      |     |                 |
| <b>Purpose:</b>             |            | To verify the MS ability to correctly send a short message where the SMS is provided for the point to point service. It also verifies the MS capability to simultaneously receive a network originated SM whilst sending a mobile originated SM.                                                                                                                                                                                                                                                                                                                                                                    |      |     |                 |
| <b>Default:</b>             |            | OtherEventsFail                                                                                                                                                                                                                                                                                                                                                                                                                                                                                                                                                                                                     |      |     |                 |
| Nr                          | Label      | Behaviour Description                                                                                                                                                                                                                                                                                                                                                                                                                                                                                                                                                                                               | CRef | V   | Comments        |
| 1                           |            | START T_guard( 1200)                                                                                                                                                                                                                                                                                                                                                                                                                                                                                                                                                                                                |      |     |                 |
| 2                           |            | (TCV_Null:=OO_EmptyMessageStorage(),<br>TCV_asscmd_ts := TSPX_TmSlitDef,<br>TCV_RPOA_MT:='1111111111'O,<br>TCV_TPOA1:='5555555555'O)                                                                                                                                                                                                                                                                                                                                                                                                                                                                                |      |     |                 |
| 3                           |            | +BasicServiceMT( TSPX_MTBscSvcF, C_Full)                                                                                                                                                                                                                                                                                                                                                                                                                                                                                                                                                                            |      |     |                 |
| 4                           |            | +IdleUpdated( C_E_default, C_CellA,<br>C_SCH_A, C_BCCH_A_1, C_Immass, C_S0,<br>C_SlotNU, C_SlotNU, C_SlotNU, C_BCC,<br>C_TxInt_5, C_Max_1, C_NECI_0, C_ATT_0,<br>TimingAdv( 0), C_BABR_0, C_cch_1Comb,<br>C_BPM_3, C_T3212_0, C_ci_cellA,<br>C_MCC_1, C_PLMN_1, C_LAC_1, CellOpt_01,<br>CellChDes_02, CellChDes_03,<br>C_CellReselectHys12, C_MaxPwrLvIG,<br>C_MaxPwrLvID, BcchFreqLst_01,<br>BcchFreqLst_Omit, BcchFreqLst_48,<br>BcchFreqLst_Omit, C_noRestablishment,<br>C_BCC, C_NCC, C_Start_Tmsi,<br>TSPX_SDCCH4SubDef, TSPX_CKSNDf,<br>TSPX_RANDDef, C_arfcnA, C_arfcnAd,<br>TSPX_IMSI, C_Test_fh, C_NCCP_2) |      |     |                 |
| 5                           |            | +FullRateCh_A_1( C_Ass, TSPX_TmSlitDef,<br>TSPX_TscDef, ChMod_speech,<br>FreqTCH_omit, FreqTCH_omit,<br>C_arfcn_tchA, C_arfcn_tchAd, TimingAdv(<br>0), C_BABR_0, C_cch_1Comb, C_BPM_3)                                                                                                                                                                                                                                                                                                                                                                                                                              |      |     |                 |
| 6                           | body       | +ltree_part1                                                                                                                                                                                                                                                                                                                                                                                                                                                                                                                                                                                                        |      |     | 1               |
| 7                           |            | +ltree_part2                                                                                                                                                                                                                                                                                                                                                                                                                                                                                                                                                                                                        |      |     | 2               |
| 8                           |            | +ltree_part3                                                                                                                                                                                                                                                                                                                                                                                                                                                                                                                                                                                                        |      |     | 3               |
| 9                           |            | +ltree_part4                                                                                                                                                                                                                                                                                                                                                                                                                                                                                                                                                                                                        |      |     | 4               |
|                             |            | <b>ltree_part1</b>                                                                                                                                                                                                                                                                                                                                                                                                                                                                                                                                                                                                  |      |     |                 |
| 10                          |            | +ltree_Environment1_3                                                                                                                                                                                                                                                                                                                                                                                                                                                                                                                                                                                               |      |     |                 |
| 11                          |            | +ltree_sms1(TCV_ch)                                                                                                                                                                                                                                                                                                                                                                                                                                                                                                                                                                                                 |      |     |                 |
| 12                          |            | +ltree_ChanRel( TCV_ch)                                                                                                                                                                                                                                                                                                                                                                                                                                                                                                                                                                                             |      |     |                 |
| 13                          |            | +ltree_Environment1_3                                                                                                                                                                                                                                                                                                                                                                                                                                                                                                                                                                                               |      |     |                 |
| 14                          |            | +ltree_sms3( TCV_ch, 5)                                                                                                                                                                                                                                                                                                                                                                                                                                                                                                                                                                                             |      |     |                 |
| 15                          |            | +ltree_Environment1_3                                                                                                                                                                                                                                                                                                                                                                                                                                                                                                                                                                                               |      |     |                 |
| 16                          |            | +ltree_sms4                                                                                                                                                                                                                                                                                                                                                                                                                                                                                                                                                                                                         |      |     | CP-Error        |
| 17                          |            | +ltree_ChanRel( TCV_ch)                                                                                                                                                                                                                                                                                                                                                                                                                                                                                                                                                                                             |      |     |                 |
|                             |            | <b>ltree_part2</b>                                                                                                                                                                                                                                                                                                                                                                                                                                                                                                                                                                                                  |      |     |                 |
| 18                          |            | +ltree_Environment2                                                                                                                                                                                                                                                                                                                                                                                                                                                                                                                                                                                                 |      |     |                 |
| 19                          |            | +ltree_sms1( TCV_chSms)                                                                                                                                                                                                                                                                                                                                                                                                                                                                                                                                                                                             |      |     |                 |
| 20                          |            | +ltree_ChanRel( TCV_chTch)                                                                                                                                                                                                                                                                                                                                                                                                                                                                                                                                                                                          |      |     |                 |
| 21                          |            | +ltree_Environment2                                                                                                                                                                                                                                                                                                                                                                                                                                                                                                                                                                                                 |      |     |                 |
| 22                          |            | +ltree_sms3( TCV_chTch, 15)                                                                                                                                                                                                                                                                                                                                                                                                                                                                                                                                                                                         |      |     |                 |
|                             |            | <b>ltree_part3</b>                                                                                                                                                                                                                                                                                                                                                                                                                                                                                                                                                                                                  |      |     |                 |
| 23                          |            | +ltree_Environment1_3                                                                                                                                                                                                                                                                                                                                                                                                                                                                                                                                                                                               |      |     |                 |
| 24                          |            | +ltree_sms5                                                                                                                                                                                                                                                                                                                                                                                                                                                                                                                                                                                                         |      |     | MT-SM           |
| 25                          |            | +ltree_sms2( TCV_ch)                                                                                                                                                                                                                                                                                                                                                                                                                                                                                                                                                                                                |      |     | Terminate MO-SM |
| 26                          |            | +ltree_ChanRel( TCV_ch)                                                                                                                                                                                                                                                                                                                                                                                                                                                                                                                                                                                             |      |     |                 |
| 27                          |            | (TCV_Res := OO_CheckMessageDisplayed(<br>160, TCV_SMcntns))                                                                                                                                                                                                                                                                                                                                                                                                                                                                                                                                                         |      |     |                 |
| 28                          | L_075<br>9 | [NOT TCV_Res]                                                                                                                                                                                                                                                                                                                                                                                                                                                                                                                                                                                                       |      | (F) |                 |
| 29                          | L_076<br>0 | [TCV_Res]                                                                                                                                                                                                                                                                                                                                                                                                                                                                                                                                                                                                           |      | (P) |                 |

|    |            |                                                                                                                 |                                                                                                                                                 |     |                                    |
|----|------------|-----------------------------------------------------------------------------------------------------------------|-------------------------------------------------------------------------------------------------------------------------------------------------|-----|------------------------------------|
|    |            | <b>ltree_part4</b>                                                                                              |                                                                                                                                                 |     |                                    |
| 30 |            | +ltree_Environment4                                                                                             |                                                                                                                                                 |     |                                    |
| 31 |            | +ChanRel_end(TCV_ch)                                                                                            |                                                                                                                                                 |     |                                    |
|    |            | <b>ltree_init</b>                                                                                               |                                                                                                                                                 |     |                                    |
| 32 |            | (TCV_Null:=OO_SendMOShortMessage())                                                                             |                                                                                                                                                 |     |                                    |
| 33 |            | L?DL_RaInChRq ( TCV_Rr := DL_RaInChRq.<br>msg.ecau_rrf, TCV_Fn := DL_RaInChRq.fn)                               | ChReq(<br>ChRequest_04)                                                                                                                         |     | To match ChReq retrans.            |
| 34 |            | ACTIVATE( OtherEventsFail_02)                                                                                   |                                                                                                                                                 |     |                                    |
| 35 |            | L!DL_UdatRqlmmass                                                                                               | ImmAss( TCV_agch,<br>ImmAsgn_01Def(<br>TCV_Rr, TCV_Fn,<br>TSPX_SDCCH4SubD<br>ef, TCV_slot,<br>TCV_tsc,<br>TCV_chdescr_arfcn,<br>TimingAdv( 0))) |     |                                    |
| 36 |            | L?DL_EstInCmsRq                                                                                                 | CMSerReq(<br>CMSerReq_09)                                                                                                                       |     |                                    |
| 37 |            | ACTIVATE( OtherEventsFail)                                                                                      |                                                                                                                                                 |     | Restore normal default<br>tree     |
|    |            | <b>ltree_Environment1_3</b>                                                                                     |                                                                                                                                                 |     |                                    |
| 38 |            | +ltree_init                                                                                                     |                                                                                                                                                 |     |                                    |
| 39 |            | +Authentication(TCV_ch, TCV_cksn,<br>TSPX_RANDDef)                                                              |                                                                                                                                                 |     |                                    |
| 40 |            | +Ciphering_on(TCV_ch)                                                                                           |                                                                                                                                                 |     |                                    |
| 41 |            | +ltree_set_sapi3_SDCCH                                                                                          |                                                                                                                                                 |     |                                    |
|    |            | <b>ltree_Environment2</b>                                                                                       |                                                                                                                                                 |     |                                    |
| 42 |            | +Wait(C_T_Wait1)                                                                                                |                                                                                                                                                 |     |                                    |
| 43 |            | +Est_MT_CallNonFH( TimingAdv( 0), C_Full,<br>TSPX_TCHHSubDef, TSPX_RANDDef)                                     |                                                                                                                                                 |     |                                    |
| 44 |            | (TCV_Null := OO_SendMOShortMessage())                                                                           |                                                                                                                                                 |     |                                    |
| 45 |            | L?DL_DatInCmsRq                                                                                                 | CMSerDatReq(<br>CMSerReq_09)                                                                                                                    |     |                                    |
| 46 |            | L!DL_DatRqCmsAcp                                                                                                | CMSerAcp(<br>TCV_chTch,<br>CMSerAcp_01)                                                                                                         |     |                                    |
| 47 |            | +ltree_set_sapi3_SACCH                                                                                          |                                                                                                                                                 |     |                                    |
|    |            | <b>ltree_Environment4</b>                                                                                       |                                                                                                                                                 |     |                                    |
| 48 |            | +ltree_init                                                                                                     |                                                                                                                                                 |     |                                    |
| 49 |            | L!DL_DatRqCmsRej                                                                                                | CMSerRej( TCV_ch,<br>CMSerRej_03)                                                                                                               |     | Service Option not<br>supported    |
| 50 |            | START T_dly( 5000)                                                                                              |                                                                                                                                                 |     |                                    |
| 51 | L_076<br>1 | ?TIMEOUT T_dly                                                                                                  |                                                                                                                                                 | (P) |                                    |
| 52 | L_076<br>2 | L?DL_EstIn CANCEL T_dly                                                                                         | DLEstInd_2( TCV_ch)                                                                                                                             | (F) | SAPI-3 shall NOT be<br>established |
|    |            | <b>ltree_sms1( ch: LOGICCH)</b>                                                                                 |                                                                                                                                                 |     |                                    |
| 53 |            | L?DL_DatInCpData( TCV_Rpmr :=<br>DL_DatInCpData.msg.CPdata.rpdata.rpmr, TCV_ti_v<br>:= DL_DatInCpData.msg.ti.v) | DatInCpData( ch,<br>CpDataPdu_03(<br>CpData_03(<br>RpData_03)))                                                                                 |     | CP-DATA(RP-Data SMS<br>SUBMIT)     |
| 54 |            | +ltree_sms2( ch)                                                                                                |                                                                                                                                                 |     | Terminate MO-SM                    |
|    |            | <b>ltree_sms2( ch: LOGICCH)</b>                                                                                 |                                                                                                                                                 |     |                                    |
| 55 |            | L!DL_DatRqCpDataAck                                                                                             | DatRqCpDataAck(<br>CpDataAckPdu_01(<br>TI_08( TCV_ti_v)),<br>TCV_chSms)                                                                         |     | CP-ACK n->ms                       |
| 56 |            | L!DL_DatRqCpData START T_dly(25000)                                                                             | DatRqCpData(<br>CpDataPdu_02(<br>TI_08( TCV_ti_v),<br>CpData_04(<br>TCV_Rpmr)),<br>TCV_chSms)                                                   |     | CP-DATA(RP-Ack) n-><br>ms          |

|    |            |                                                                                                                                                               |                                                                                                                                            |     |                                                                                               |
|----|------------|---------------------------------------------------------------------------------------------------------------------------------------------------------------|--------------------------------------------------------------------------------------------------------------------------------------------|-----|-----------------------------------------------------------------------------------------------|
| 57 | L_076<br>3 | ?TIMEOUT T_dly                                                                                                                                                |                                                                                                                                            | (F) |                                                                                               |
| 58 |            | +ChanRel( ch)                                                                                                                                                 |                                                                                                                                            |     |                                                                                               |
| 59 | L_076<br>4 | L?DL_DatInCpDataAck CANCEL T_dly                                                                                                                              | DatInCpDataAck(<br>CpDataAckPdu_02(<br>TI_07( TCV_ti_v)))                                                                                  | (P) | CP-ACK ms->n                                                                                  |
| 60 |            | <b>ltree_sms3( ch: LOGICCH; t:INTEGER)</b><br>L?DL_DatInCpData( TCV_Rpmr :=<br>DL_DatInCpData.msg.CPdata.rpdata.rpmr, TCV_ti_v<br>:= DL_DatInCpData.msg.ti.v) | DatInCpData(<br>TCV_chSms,<br>CpDataPdu_03(<br>CpData_03(<br>RpData_03)))                                                                  |     | CP-DATA(RP-Data SMS<br>SUBMIT)                                                                |
| 61 |            | REPEAT ltree_sms6( ch) UNTIL [TCV_CPDataRetx<br>= TSPX_MaxCPDataRetx]                                                                                         |                                                                                                                                            |     | MO-SM is retransmitted                                                                        |
| 62 |            | START T_dly((( TSPX_TC1M + t) * 1000))                                                                                                                        |                                                                                                                                            |     |                                                                                               |
| 63 | L_076<br>5 | L?DL_DatInCpData( TCV_Rpmr :=<br>DL_DatInCpData.msg.CPdata.rpdata.rpmr,<br>TCV_ti_v := DL_DatInCpData.msg.ti.v)                                               | DatInCpData(<br>TCV_chSms,<br>CpDataPdu_03(<br>CpData_03(<br>RpData_03)))                                                                  | (F) | RP-Data( RP Data SMS<br>SUBMIT) shall NOT be<br>sent more than<br>TSPX_MaxCPDataRetx<br>times |
| 64 |            | +ChanRel( ch)                                                                                                                                                 |                                                                                                                                            |     |                                                                                               |
| 65 |            | ?TIMEOUT T_dly                                                                                                                                                |                                                                                                                                            |     |                                                                                               |
| 66 |            | +ltree_ChanRel( ch)                                                                                                                                           |                                                                                                                                            |     |                                                                                               |
| 67 |            | <b>ltree_sms4</b><br>L?DL_DatInCpData(TCV_Rpmr :=<br>DL_DatInCpData.msg.CPdata.rpdata.rpmr, TCV_ti_v<br>:= DL_DatInCpData.msg.ti.v)                           | DatInCpData(<br>TCV_chSms,<br>CpDataPdu_03(<br>CpData_03(<br>RpData_03)))                                                                  |     | CP-DATA(RP-Data SMS<br>SUBMIT)                                                                |
| 68 |            | L!DL_DatRqCpError                                                                                                                                             | DatRqCpError(<br>CpErrPdu_01( TI_08(<br>TCV_ti_v)),<br>TCV_chSms)                                                                          |     | CP error n->ms "Network<br>Failure"                                                           |
| 69 |            | <b>ltree_sms5</b><br>L?DL_DatInCpData(TCV_Rpmr :=<br>DL_DatInCpData.msg.CPdata.rpdata.rpmr, TCV_ti_v<br>:= DL_DatInCpData.msg.ti.v)                           | DatInCpData(<br>TCV_chSms,<br>CpDataPdu_03(<br>CpData_03(<br>RpData_03)))                                                                  |     | CP-DATA(RP-Data SMS<br>SUBMIT)                                                                |
| 70 |            | +ltree_ti                                                                                                                                                     |                                                                                                                                            |     |                                                                                               |
| 71 |            | L!DL_DatRqCpData (TCV_SMcntns :=<br>DL_DatRqCpData.msg.CPdata.rpdata.rpusrdat.tp<br>deliver.ud) START T_dly( 25000)                                           | DatRqCpData(<br>CpDataPdu_01(<br>TI_07( TCV_ti_v_2),<br>CpData_01(<br>TCV_TPOA1,<br>TCV_RPOA_MT,<br>TCV_Rpmr,<br>C_Tzone1)),<br>TCV_chSms) |     | CP-DATA(RP-Data SMS<br>DELIVER), n->ms                                                        |
| 72 | L_076<br>6 | ?TIMEOUT T_dly                                                                                                                                                |                                                                                                                                            | (F) |                                                                                               |
| 73 |            | +ChanRel(TCV_ch)                                                                                                                                              |                                                                                                                                            |     |                                                                                               |
| 74 | L_076<br>7 | L?DL_DatInCpDataAck START T_dly( 60000)                                                                                                                       | DatInCpDataAck(<br>CpDataAckPdu_01(<br>TI_08( TCV_ti_v_2)))                                                                                | (P) | CP-ACK ms->n                                                                                  |
| 75 | L_076<br>8 | ?TIMEOUT T_dly                                                                                                                                                |                                                                                                                                            | (F) |                                                                                               |
| 76 |            | +ChanRel(TCV_ch)                                                                                                                                              |                                                                                                                                            |     |                                                                                               |
| 77 | L_076<br>9 | L?DL_DatInCpData CANCEL T_dly                                                                                                                                 | DatInCpData(<br>TCV_chSms,<br>CpDataPdu_02(<br>TI_08( TCV_ti_v_2),<br>CpData_02(<br>TCV_Rpmr)))                                            | (P) | CP-DATA(RP-Ack) n-<br>>ms                                                                     |
| 78 |            | L!DL_DatRqCpDataAck                                                                                                                                           | DatRqCpDataAck(<br>CpDataAckPdu_02(<br>TI_07( TCV_ti_v_2)),<br>TCV_chSms)                                                                  |     |                                                                                               |



|    |            |                                                                                                                                |                                                                                                                                                                                                                                                                                                            |     |                                |
|----|------------|--------------------------------------------------------------------------------------------------------------------------------|------------------------------------------------------------------------------------------------------------------------------------------------------------------------------------------------------------------------------------------------------------------------------------------------------------|-----|--------------------------------|
| 79 |            | <b>Itree_sms6( ch: LOGICCH)</b>                                                                                                |                                                                                                                                                                                                                                                                                                            |     |                                |
| 80 | L_077<br>0 | START T_dly( TCV_T_TwiceTC1M)<br>?TIMEOUT T_dly                                                                                |                                                                                                                                                                                                                                                                                                            | (F) |                                |
| 81 |            | +ChanRel( ch)                                                                                                                  |                                                                                                                                                                                                                                                                                                            |     |                                |
| 82 |            | L?DL_DatInCpData(TCV_Rpmr :=<br>DL_DatInCpData.msg.CPdata.rpdata.rpmr,<br>TCV_ti_v := DL_DatInCpData.msg.ti.v) CANCEL<br>T_dly | DatInCpData(<br>TCV_chSms,<br>CpDataPdu_03(<br>CpData_03(<br>RpData_03)))                                                                                                                                                                                                                                  |     | CP-DATA(RP-Data SMS<br>SUBMIT) |
| 83 |            | (TCV_CPDDataRetx := TCV_CPDDataRetx + 1)                                                                                       |                                                                                                                                                                                                                                                                                                            |     |                                |
|    |            | <b>Itree_set_sapi3_SDCCH</b>                                                                                                   |                                                                                                                                                                                                                                                                                                            |     |                                |
| 84 |            | L?DL_EstIn                                                                                                                     | DLEstInd_2( TCV_ch)                                                                                                                                                                                                                                                                                        |     |                                |
| 85 |            | (TCV_CPDDataRetx := 0, TCV_chSms := TCV_ch)                                                                                    |                                                                                                                                                                                                                                                                                                            |     |                                |
|    |            | <b>Itree_set_sapi3_SACCH</b>                                                                                                   |                                                                                                                                                                                                                                                                                                            |     |                                |
| 86 |            | L?DL_EstIn                                                                                                                     | DLEstInd_2(<br>C_SACCHF_A_1)                                                                                                                                                                                                                                                                               |     |                                |
| 87 |            | (TCV_CPDDataRetx := 0, TCV_chSms :=<br>C_SACCHF_A_1)                                                                           |                                                                                                                                                                                                                                                                                                            |     |                                |
|    |            | <b>Itree_ti</b>                                                                                                                |                                                                                                                                                                                                                                                                                                            |     |                                |
| 88 |            | [TCV_ti_v='000'B]                                                                                                              |                                                                                                                                                                                                                                                                                                            |     |                                |
| 89 |            | (TCV_ti_v_2:='001'B)                                                                                                           |                                                                                                                                                                                                                                                                                                            |     |                                |
| 90 |            | [NOT(TCV_ti_v='000'B)]                                                                                                         |                                                                                                                                                                                                                                                                                                            |     |                                |
| 91 |            | (TCV_ti_v_2:='000'B)                                                                                                           |                                                                                                                                                                                                                                                                                                            |     |                                |
|    |            | <b>Itree_ChanRel( ch: LOGICCH)</b>                                                                                             |                                                                                                                                                                                                                                                                                                            |     |                                |
| 92 |            | +ChanRel( ch)                                                                                                                  |                                                                                                                                                                                                                                                                                                            |     |                                |
| 93 |            | (TCV_Null := OM_CphMd( TCV_ch, CphMod_02,<br>TCV_CphKey))                                                                      |                                                                                                                                                                                                                                                                                                            |     |                                |
|    |            | <b>Detailed Comments:</b>                                                                                                      | 1: Parts a) to f) of the test procedure as described in GSM 11.10, 34.2.2.3<br>2: Parts g) to i) of the test procedure as described in GSM 11.10, 34.2.2.3<br>3: Part j) of the test procedure as described in GSM 11.10, 34.2.2.3<br>4: Part k) of the test procedure as described in GSM 11.10, 34.2.2.3 |     |                                |

| Test Case Dynamic Behaviour                                                                                                                                                                                                                                                                                                                                                                                                                                                 |       |                                                                                                                                                                                                                                                                                                                                                                                                                                                                                                                                                                                                                 |                                                                                                                                                 |   |                                |
|-----------------------------------------------------------------------------------------------------------------------------------------------------------------------------------------------------------------------------------------------------------------------------------------------------------------------------------------------------------------------------------------------------------------------------------------------------------------------------|-------|-----------------------------------------------------------------------------------------------------------------------------------------------------------------------------------------------------------------------------------------------------------------------------------------------------------------------------------------------------------------------------------------------------------------------------------------------------------------------------------------------------------------------------------------------------------------------------------------------------------------|-------------------------------------------------------------------------------------------------------------------------------------------------|---|--------------------------------|
| <b>Test Case Name:</b> TC_34_2_3                                                                                                                                                                                                                                                                                                                                                                                                                                            |       |                                                                                                                                                                                                                                                                                                                                                                                                                                                                                                                                                                                                                 |                                                                                                                                                 |   |                                |
| <b>Group:</b> GSM_L3_MS_v4210/SM/                                                                                                                                                                                                                                                                                                                                                                                                                                           |       |                                                                                                                                                                                                                                                                                                                                                                                                                                                                                                                                                                                                                 |                                                                                                                                                 |   |                                |
| <b>Purpose:</b><br>1. To verify that the MS sends the correct acknowledgement when its memory in the SIM becomes full.<br>2. To verify that the MS sends the correct acknowledgement when its memory in the ME and the SIM becomes full, and sets the "memory exceeded" notification flag in the SIM.<br>3. To verify that the MS performs the "memory available" procedure when its message store becomes available for receiving short messages, and only at this moment. |       |                                                                                                                                                                                                                                                                                                                                                                                                                                                                                                                                                                                                                 |                                                                                                                                                 |   |                                |
| <b>Default:</b> OtherEventsFail                                                                                                                                                                                                                                                                                                                                                                                                                                             |       |                                                                                                                                                                                                                                                                                                                                                                                                                                                                                                                                                                                                                 |                                                                                                                                                 |   |                                |
| Nr                                                                                                                                                                                                                                                                                                                                                                                                                                                                          | Label | Behaviour Description                                                                                                                                                                                                                                                                                                                                                                                                                                                                                                                                                                                           | CRef                                                                                                                                            | V | Comments                       |
| 1                                                                                                                                                                                                                                                                                                                                                                                                                                                                           |       | START T_guard(300)                                                                                                                                                                                                                                                                                                                                                                                                                                                                                                                                                                                              |                                                                                                                                                 |   |                                |
| 2                                                                                                                                                                                                                                                                                                                                                                                                                                                                           |       | (TCV_Null := OO_EmptyMessageStorage(),<br>TCV_Null :=<br>OO_MSSetupStoreClass1SMInMEMemory(),<br>TCV_Null := OO_ConnectSIMSimulator(),<br>TCV_RPOA_MT:='1111111111'O,<br>TCV_TPOA1:='3333333333'O, TCV_Rpmr:='00'O)                                                                                                                                                                                                                                                                                                                                                                                             |                                                                                                                                                 |   |                                |
| 3                                                                                                                                                                                                                                                                                                                                                                                                                                                                           |       | +IdleUpdated( C_E_default, C_CellA, C_SCH_A,<br>C_BCCH_A_1, C_ImmAss, C_S0, C_SlotNU,<br>C_SlotNU, C_SlotNU, C_BCC, C_TxInt_5,<br>C_Max_1, C_NECI_0, C_ATT_0, TimingAdv( 0),<br>C_BABR_0, C_cch_1Comb, C_BPM_3,<br>C_T3212_0, C_ci_cellA, C_MCC_1, C_PLMN_1,<br>C_LAC_1, CellOpt_01, CellChDes_02,<br>CellChDes_03, C_CellReselectHys12,<br>C_MaxPwrLvIG, C_MaxPwrLvID,<br>BcchFreqLst_01, BcchFreqLst_Omit,<br>BcchFreqLst_48, BcchFreqLst_Omit,<br>C_noRestablishment, C_BCC, C_NCC,<br>C_Start_Tmsi, TSPX_SDCCH4SubDef,<br>TSPX_CKSNDf, TSPX_RANDDf, C_arfcnA,<br>C_arfcnAd, TSPX_IMSI, C_Test_fh, C_NCCP_2) |                                                                                                                                                 |   |                                |
| 4                                                                                                                                                                                                                                                                                                                                                                                                                                                                           | body  | +ltree_part1                                                                                                                                                                                                                                                                                                                                                                                                                                                                                                                                                                                                    |                                                                                                                                                 |   | 1                              |
| 5                                                                                                                                                                                                                                                                                                                                                                                                                                                                           |       | +ltree_part2                                                                                                                                                                                                                                                                                                                                                                                                                                                                                                                                                                                                    |                                                                                                                                                 |   | 2                              |
| 6                                                                                                                                                                                                                                                                                                                                                                                                                                                                           |       | +ltree_sms3                                                                                                                                                                                                                                                                                                                                                                                                                                                                                                                                                                                                     |                                                                                                                                                 |   | 3                              |
| 7                                                                                                                                                                                                                                                                                                                                                                                                                                                                           |       | +ltree_sms4                                                                                                                                                                                                                                                                                                                                                                                                                                                                                                                                                                                                     |                                                                                                                                                 |   | 4                              |
| 8                                                                                                                                                                                                                                                                                                                                                                                                                                                                           |       | <b>ltree_part1</b><br>(TCV_ProtErrorUnspec := FALSE,<br>TCV_MemCapExcd := FALSE)                                                                                                                                                                                                                                                                                                                                                                                                                                                                                                                                |                                                                                                                                                 |   |                                |
| 9                                                                                                                                                                                                                                                                                                                                                                                                                                                                           |       | REPEAT ltree_sms1 UNTIL<br>[(TCV_ProtErrorUnspec) OR(TCV_MemCapExcd)]                                                                                                                                                                                                                                                                                                                                                                                                                                                                                                                                           |                                                                                                                                                 |   |                                |
| 10                                                                                                                                                                                                                                                                                                                                                                                                                                                                          |       | <b>ltree_part2</b><br>(TCV_MemCapExcd := FALSE)                                                                                                                                                                                                                                                                                                                                                                                                                                                                                                                                                                 |                                                                                                                                                 |   |                                |
| 11                                                                                                                                                                                                                                                                                                                                                                                                                                                                          |       | REPEAT ltree_sms2 UNTIL [TCV_MemCapExcd]                                                                                                                                                                                                                                                                                                                                                                                                                                                                                                                                                                        |                                                                                                                                                 |   |                                |
| 12                                                                                                                                                                                                                                                                                                                                                                                                                                                                          |       | <b>ltree_Environment</b><br>+Wait(C_T_Wait1)                                                                                                                                                                                                                                                                                                                                                                                                                                                                                                                                                                    |                                                                                                                                                 |   |                                |
| 13                                                                                                                                                                                                                                                                                                                                                                                                                                                                          |       | +RRmtcallprepare(TimingAdv( 0), TSPX_RANDDf)                                                                                                                                                                                                                                                                                                                                                                                                                                                                                                                                                                    |                                                                                                                                                 |   |                                |
| 14                                                                                                                                                                                                                                                                                                                                                                                                                                                                          |       | +ltree_set_sapi3_SDCCH_MT                                                                                                                                                                                                                                                                                                                                                                                                                                                                                                                                                                                       |                                                                                                                                                 |   |                                |
| 15                                                                                                                                                                                                                                                                                                                                                                                                                                                                          |       | (TCV_ti_v_2:='000'B, TCV_chSms:=TCV_ch)                                                                                                                                                                                                                                                                                                                                                                                                                                                                                                                                                                         |                                                                                                                                                 |   |                                |
| 16                                                                                                                                                                                                                                                                                                                                                                                                                                                                          |       | <b>ltree_Environment2</b><br>L?DL_RaInChRq (TCV_Rr := DL_RaInChRq.<br>msg.ecau_rrf, TCV_Fn := DL_RaInChRq.fn)                                                                                                                                                                                                                                                                                                                                                                                                                                                                                                   | ChReq(<br>ChRequest_04)                                                                                                                         |   |                                |
| 17                                                                                                                                                                                                                                                                                                                                                                                                                                                                          |       | ACTIVATE(OtherEventsFail_02)                                                                                                                                                                                                                                                                                                                                                                                                                                                                                                                                                                                    |                                                                                                                                                 |   | To match ChReq retrans.        |
| 18                                                                                                                                                                                                                                                                                                                                                                                                                                                                          |       | LIDL_UdatRqImmAss                                                                                                                                                                                                                                                                                                                                                                                                                                                                                                                                                                                               | ImmAss( TCV_agch,<br>ImmAsgn_01Def(<br>TCV_Rr, TCV_Fn,<br>TSPX_SDCCH4SubD<br>ef, TCV_slot,<br>TCV_tsc,<br>TCV_chdescr_arfcn,<br>TimingAdv( 0))) |   |                                |
| 19                                                                                                                                                                                                                                                                                                                                                                                                                                                                          |       | L?DL_EstInCmsRq                                                                                                                                                                                                                                                                                                                                                                                                                                                                                                                                                                                                 | CMSerReq(<br>CMSerReq_09)                                                                                                                       |   |                                |
| 20                                                                                                                                                                                                                                                                                                                                                                                                                                                                          |       | ACTIVATE(OtherEventsFail)                                                                                                                                                                                                                                                                                                                                                                                                                                                                                                                                                                                       |                                                                                                                                                 |   | Restore normal default<br>tree |

|    |            |                                                                                               |                                                                                                                                            |     |                                                         |
|----|------------|-----------------------------------------------------------------------------------------------|--------------------------------------------------------------------------------------------------------------------------------------------|-----|---------------------------------------------------------|
| 21 |            | +Authentication(TCV_ch, TCV_cksn,<br>TSPX_RANDDef)                                            |                                                                                                                                            |     |                                                         |
| 22 |            | +Ciphering_on(TCV_ch)                                                                         |                                                                                                                                            |     |                                                         |
| 23 |            | +ltree_set_sapi3_SDCCH_MO                                                                     |                                                                                                                                            |     |                                                         |
| 24 |            | (TCV_chSms:=TCV_ch)                                                                           |                                                                                                                                            |     |                                                         |
|    |            | <b>ltree_sms1</b>                                                                             |                                                                                                                                            |     |                                                         |
| 25 |            | +ltree_Environment                                                                            |                                                                                                                                            |     |                                                         |
| 26 |            | LIDL_DatRqCpData START T_dly( 25000)                                                          | DatRqCpData(<br>CpDataPdu_01(<br>TI_07( TCV_ti_v_2),<br>CpData_05(<br>TCV_TPOA1,<br>TCV_RPOA_MT,<br>TCV_Rpmr,<br>C_Tzone2)),<br>TCV_chSms) |     | CP-DATA(RP-Data SMS<br>DELIVER), n->ms<br>class 2 MT-SM |
| 27 | L_077<br>1 | ?TIMEOUT T_dly                                                                                |                                                                                                                                            | (F) |                                                         |
| 28 |            | +ChanRel(TCV_ch)                                                                              |                                                                                                                                            |     |                                                         |
| 29 | L_077<br>2 | L?DL_DatInCpDataAck START T_dly( 60000)                                                       | DatInCpDataAck(<br>CpDataAckPdu_01(<br>TI_08( TCV_ti_v_2)))                                                                                | (P) | CP-ACK ms->n                                            |
| 30 | L_077<br>3 | ?TIMEOUT T_dly                                                                                |                                                                                                                                            | (F) |                                                         |
| 31 |            | +ChanRel(TCV_ch)                                                                              |                                                                                                                                            |     |                                                         |
| 32 | L_077<br>4 | L?DL_DatInCpData CANCEL T_dly                                                                 | DatInCpData(<br>TCV_chSms,<br>CpDataPdu_02(<br>TI_08( TCV_ti_v_2),<br>CpData_02(<br>TCV_Rpmr)))                                            | (P) | CP-DATA(RP-Ack) ms->n                                   |
| 33 |            | LIDL_DatRqCpDataAck CANCEL T_dly                                                              | DatRqCpDataAck(<br>CpDataAckPdu_02(<br>TI_07( TCV_ti_v_2)),<br>TCV_chSms)                                                                  |     | CP-ACK n->ms                                            |
| 34 |            | +ChanRel(TCV_ch)                                                                              |                                                                                                                                            |     |                                                         |
| 35 |            | (TCV_Null := OM_CphMd( TCV_ch,<br>CphMod_02, TCV_CphKey))                                     |                                                                                                                                            |     |                                                         |
| 36 | L_077<br>5 | L?DL_DatInCpData CANCEL T_dly                                                                 | DatInCpData(<br>TCV_chSms,<br>CpDataPdu_02(<br>TI_08( TCV_ti_v_2),<br>CpData_07(<br>TCV_Rpmr)))                                            | (P) | CP-DATA(RP-Error:<br>Protocol Error,<br>unspecified)    |
| 37 |            | LIDL_DatRqCpDataAck                                                                           | DatRqCpDataAck(<br>CpDataAckPdu_02(<br>TI_07( TCV_ti_v_2)),<br>TCV_chSms)                                                                  |     | CP-ACK n->ms                                            |
| 38 |            | (TCV_ProtErrorUnspec := TRUE)                                                                 |                                                                                                                                            |     | SMS storage in SIM full                                 |
| 39 |            | +ChanRel(TCV_ch)                                                                              |                                                                                                                                            |     |                                                         |
| 40 |            | (TCV_Null := OM_CphMd( TCV_ch,<br>CphMod_02, TCV_CphKey))                                     |                                                                                                                                            |     |                                                         |
| 41 | L_077<br>6 | L?DL_DatInCpData CANCEL T_dly                                                                 | DatInCpData(<br>TCV_chSms,<br>CpDataPdu_02(<br>TI_08( TCV_ti_v_2),<br>CpData_08(<br>TCV_Rpmr)))                                            | (P) | CP-DATA(RP-Error:<br>Memory Capacity<br>Exceeded)       |
| 42 |            | LIDL_DatRqCpDataAck                                                                           | DatRqCpDataAck(<br>CpDataAckPdu_02(<br>TI_07( TCV_ti_v_2)),<br>TCV_chSms)                                                                  |     | CP-ACK n->ms                                            |
| 43 |            | (TCV_MemCapExcd := TRUE)                                                                      |                                                                                                                                            |     | SMS storage in ME + SIM<br>full                         |
| 44 |            | +ChanRel(TCV_ch)                                                                              |                                                                                                                                            |     |                                                         |
| 45 |            | (TCV_Null := OM_CphMd( TCV_ch,<br>CphMod_02, TCV_CphKey), TCV_Res<br>:= OO_CheckMCEFOOnSIM()) |                                                                                                                                            |     |                                                         |
| 46 | L_077<br>7 | [NOT TCV_Res]                                                                                 |                                                                                                                                            | (F) |                                                         |
| 47 | L_077      | [TCV_Res]                                                                                     |                                                                                                                                            | (P) |                                                         |

|    |            |                                                                                               |                                                                                                                                            |     |                                                          |
|----|------------|-----------------------------------------------------------------------------------------------|--------------------------------------------------------------------------------------------------------------------------------------------|-----|----------------------------------------------------------|
|    | 8          |                                                                                               |                                                                                                                                            |     |                                                          |
|    |            | <b>ltree_sms2</b>                                                                             |                                                                                                                                            |     |                                                          |
| 48 |            | +ltree_Environment                                                                            |                                                                                                                                            |     |                                                          |
| 49 |            | L!DL_DatRqCpData START T_dly(25000)                                                           | DatRqCpData(<br>CpDataPdu_01(<br>TI_07( TCV_ti_v_2),<br>CpData_06(<br>TCV_TPOA1,<br>TCV_RPOA_MT,<br>TCV_Rpmr,<br>C_Tzone2)),<br>TCV_chSms) | (F) | CP-DATA(RP-Data SMS<br>DELIVER), n->ms, class<br>1 MT-SM |
| 50 | L_077<br>9 | ?TIMEOUT T_dly                                                                                |                                                                                                                                            | (F) |                                                          |
| 51 |            | +ChanRel(TCV_ch)                                                                              |                                                                                                                                            |     |                                                          |
| 52 |            | L?DL_DatInCpDataAck START T_dly( 60000)                                                       | DatInCpDataAck(<br>CpDataAckPdu_01(<br>TI_08( TCV_ti_v_2)))                                                                                |     | CP-ACK ms->n                                             |
| 53 | L_078<br>0 | ?TIMEOUT T_dly                                                                                |                                                                                                                                            | (F) |                                                          |
| 54 |            | +ChanRel( TCV_ch)                                                                             |                                                                                                                                            |     |                                                          |
| 55 |            | L?DL_DatInCpData CANCEL T_dly                                                                 | DatInCpData(<br>TCV_chSms,<br>CpDataPdu_02(<br>TI_08( TCV_ti_v_2),<br>CpData_02(<br>TCV_Rpmr)))                                            |     | CP-DATA(RP-Ack) ms->n                                    |
| 56 |            | LIDL_DatRqCpDataAck                                                                           | DatRqCpDataAck(<br>CpDataAckPdu_02(<br>TI_07( TCV_ti_v_2)),<br>TCV_chSms)                                                                  |     | CP-ACK n->ms                                             |
| 57 |            | +ChanRel( TCV_ch)                                                                             |                                                                                                                                            |     |                                                          |
| 58 |            | (TCV_Null := OM_CphMd( TCV_ch,<br>CphMod_02, TCV_CphKey))                                     |                                                                                                                                            |     |                                                          |
| 59 |            | L?DL_DatInCpData CANCEL T_dly                                                                 | DatInCpData(<br>TCV_chSms,<br>CpDataPdu_02(<br>TI_08( TCV_ti_v_2),<br>CpData_08(<br>TCV_Rpmr)))                                            |     | CP-DATA(RP-Error:<br>Memory Capacity<br>Exceeded)        |
| 60 |            | LIDL_DatRqCpDataAck                                                                           | DatRqCpDataAck(<br>CpDataAckPdu_02(<br>TI_07( TCV_ti_v_2)),<br>TCV_chSms)                                                                  |     | CP-ACK n->ms                                             |
| 61 |            | (TCV_MemCapExcd := TRUE)                                                                      |                                                                                                                                            |     | SMS storage in ME + SIM<br>full                          |
| 62 |            | +ChanRel( TCV_ch)                                                                             |                                                                                                                                            |     |                                                          |
| 63 |            | (TCV_Null := OM_CphMd( TCV_ch,<br>CphMod_02, TCV_CphKey), TCV_Res<br>:= OO_CheckMCEFOOnSIM()) |                                                                                                                                            |     |                                                          |
| 64 | L_078<br>1 | [NOT TCV_Res]                                                                                 |                                                                                                                                            | (F) |                                                          |
| 65 | L_078<br>2 | [TCV_Res]                                                                                     |                                                                                                                                            | (P) |                                                          |
|    |            | <b>ltree_sms3</b>                                                                             |                                                                                                                                            |     |                                                          |
| 66 |            | +ltree_Environment                                                                            |                                                                                                                                            |     |                                                          |
| 67 |            | L!DL_DatRqCpData START T_dly(25000)                                                           | DatRqCpData(<br>CpDataPdu_01(<br>TI_07( TCV_ti_v_2),<br>CpData_01(<br>TCV_TPOA1,<br>TCV_RPOA_MT,<br>TCV_Rpmr,<br>C_Tzone2)),<br>TCV_chSms) |     | CP-DATA(RP-Data SMS<br>DELIVER)<br>TP-DCS is 0           |
| 68 | L_078<br>3 | ?TIMEOUT T_dly                                                                                |                                                                                                                                            | (F) |                                                          |
| 69 |            | +ChanRel(TCV_ch)                                                                              |                                                                                                                                            |     |                                                          |
| 70 |            | L?DL_DatInCpDataAck START T_dly(60000)                                                        | DatInCpDataAck(<br>CpDataAckPdu_01(<br>TI_08( TCV_ti_v_2)))                                                                                |     | CP-ACK ms->n                                             |

|                                                                             |            |                                                                                                    |                                                                                                 |     |                                                   |
|-----------------------------------------------------------------------------|------------|----------------------------------------------------------------------------------------------------|-------------------------------------------------------------------------------------------------|-----|---------------------------------------------------|
| 71                                                                          | L_078<br>4 | ?TIMEOUT T_dly                                                                                     |                                                                                                 | (F) |                                                   |
| 72                                                                          |            | +ChanRel(TCV_ch)                                                                                   |                                                                                                 |     |                                                   |
| 73                                                                          |            | L?DL_DatInCpData CANCEL T_dly                                                                      | DatInCpData(<br>TCV_chSms,<br>CpDataPdu_02(<br>TI_08( TCV_ti_v_2),<br>CpData_08(<br>TCV_Rpmr))) |     | CP-DATA(RP-Error:<br>Memory Capacity<br>Exceeded) |
| 74                                                                          |            | LIDL_DatRqCpDataAck                                                                                | DatRqCpDataAck(<br>CpDataAckPdu_02(<br>TI_07( TCV_ti_v_2)),<br>TCV_chSms)                       |     | CP-ACK n->ms                                      |
| 75                                                                          |            | +ChanRel(TCV_ch)                                                                                   |                                                                                                 |     |                                                   |
| 76                                                                          |            | (TCV_Null := OM_CphMd( TCV_ch,<br>CphMod_02, TCV_CphKey), TCV_Null :=<br>OO_RemoveOneSM())         |                                                                                                 |     |                                                   |
|                                                                             |            | <b>Itree_sms4</b>                                                                                  |                                                                                                 |     |                                                   |
| 77                                                                          |            | +Itree_Environment2                                                                                |                                                                                                 |     |                                                   |
| 78                                                                          |            | L?DL_DatInCpData( TCV_ti_v :=<br>DL_DatInCpData.msg.ti.v)                                          | DatInCpData(<br>TCV_chSms,<br>CpDataPdu_02(<br>TI_09, CpData_09))                               |     | CP-DATA(RP-SMMA),<br>ms->n                        |
| 79                                                                          |            | LIDL_DatRqCpDataAck                                                                                | DatRqCpDataAck(<br>CpDataAckPdu_01(<br>TI_08( TCV_ti_v)),<br>TCV_chSms)                         |     | CP-ACK n->ms                                      |
| 80                                                                          |            | LIDL_DatRqCpData START T_dly(25000)                                                                | DatRqCpData(<br>CpDataPdu_02(<br>TI_08( TCV_ti_v),<br>CpData_04(<br>TCV_Rpmr)),<br>TCV_chSms)   |     | CP-DATA(RP-Ack) n-><br>ms                         |
| 81                                                                          | L_078<br>5 | ?TIMEOUT T_dly                                                                                     |                                                                                                 | (F) |                                                   |
| 82                                                                          |            | +ChanRel(TCV_ch)                                                                                   |                                                                                                 |     |                                                   |
| 83                                                                          |            | L?DL_DatInCpDataAck CANCEL T_dly                                                                   | DatInCpDataAck(<br>CpDataAckPdu_02(<br>TI_07( TCV_ti_v)))                                       |     | CP-ACK ms->n                                      |
| 84                                                                          |            | +ChanRel(TCV_ch)                                                                                   |                                                                                                 |     |                                                   |
| 85                                                                          |            | (TCV_Null := OM_CphMd( TCV_ch,<br>CphMod_02, TCV_CphKey), TCV_Res :=<br>OO_CheckMCEFOnSIMUnset())  |                                                                                                 |     |                                                   |
| 86                                                                          | L_078<br>6 | [NOT TCV_Res]                                                                                      |                                                                                                 | (F) |                                                   |
| 87                                                                          | L_078<br>7 | [TCV_Res]                                                                                          |                                                                                                 | (P) |                                                   |
| 88                                                                          |            | (TCV_Null := OO_RemoveOneSM())                                                                     |                                                                                                 |     |                                                   |
| 89                                                                          |            | START T_dly( 60000)                                                                                |                                                                                                 |     |                                                   |
| 90                                                                          | L_078<br>8 | L?DL_RaInChRq( TCV_Rr :=<br>DL_RaInChRq.msg.ecau_rrf,<br>TCV_Fn := DL_RaInChRq.fn)<br>CANCEL T_dly | ChReq(<br>ChRequest_04)                                                                         | (F) | The MS shall not attempt<br>to send RP-SSMA       |
| 91                                                                          |            | +ChanRel(TCV_ch)                                                                                   |                                                                                                 |     |                                                   |
| 92                                                                          | L_078<br>9 | ?TIMEOUT T_dly                                                                                     |                                                                                                 | (P) |                                                   |
|                                                                             |            | <b>Itree_set_sapi3_SDCCH_MT</b>                                                                    |                                                                                                 |     |                                                   |
| 93                                                                          |            | L!DL_EstRq                                                                                         | DLEstRq(TCV_ch)                                                                                 |     |                                                   |
| 94                                                                          |            | L?DL_EstCo                                                                                         | DLEstCo(TCV_ch)                                                                                 |     |                                                   |
|                                                                             |            | <b>Itree_set_sapi3_SDCCH_MO</b>                                                                    |                                                                                                 |     |                                                   |
| 95                                                                          |            | L?DL_EstIn                                                                                         | DLEstInd_2( TCV_ch)                                                                             |     |                                                   |
| <b>Detailed Comments:</b>                                                   |            |                                                                                                    |                                                                                                 |     |                                                   |
| 1: Part a) of the test procedure as described in GSM 11.10, 34.2.3.3        |            |                                                                                                    |                                                                                                 |     |                                                   |
| 2: Parts b) to c) of the test procedure as described in GSM 11.10, 34.2.3.3 |            |                                                                                                    |                                                                                                 |     |                                                   |
| 3: Parts d) to e) of the test procedure as described in GSM 11.10, 34.2.3.3 |            |                                                                                                    |                                                                                                 |     |                                                   |
| 4: Parts f) to k) of the test procedure as described in GSM 11.10, 34.2.3.3 |            |                                                                                                    |                                                                                                 |     |                                                   |

| Test Case Dynamic Behaviour                                                                                                                                                                                                        |       |                                                                                                                                                                                                                                                                                                                                                                                                                                                                                                                                                                                                                  |                                                                                            |   |                                            |
|------------------------------------------------------------------------------------------------------------------------------------------------------------------------------------------------------------------------------------|-------|------------------------------------------------------------------------------------------------------------------------------------------------------------------------------------------------------------------------------------------------------------------------------------------------------------------------------------------------------------------------------------------------------------------------------------------------------------------------------------------------------------------------------------------------------------------------------------------------------------------|--------------------------------------------------------------------------------------------|---|--------------------------------------------|
| <b>Test Case Name:</b> TC_34_2_4                                                                                                                                                                                                   |       |                                                                                                                                                                                                                                                                                                                                                                                                                                                                                                                                                                                                                  |                                                                                            |   |                                            |
| <b>Group:</b> GSM_L3_MS_v4210/SM/                                                                                                                                                                                                  |       |                                                                                                                                                                                                                                                                                                                                                                                                                                                                                                                                                                                                                  |                                                                                            |   |                                            |
| <b>Purpose:</b> 1) To verify that the MS is able to accept a SMS-STATUS-REPORT TPDU.<br>2) To verify that a MS able to use the SMS-COMMAND functionality correctly sends a SMS-COMMAND TPDU with the correct TP-Message-Reference. |       |                                                                                                                                                                                                                                                                                                                                                                                                                                                                                                                                                                                                                  |                                                                                            |   |                                            |
| <b>Default:</b> OtherEventsFail                                                                                                                                                                                                    |       |                                                                                                                                                                                                                                                                                                                                                                                                                                                                                                                                                                                                                  |                                                                                            |   |                                            |
| Nr                                                                                                                                                                                                                                 | Label | Behaviour Description                                                                                                                                                                                                                                                                                                                                                                                                                                                                                                                                                                                            | CRef                                                                                       | V | Comments                                   |
| 1                                                                                                                                                                                                                                  |       | START T_guard(300)                                                                                                                                                                                                                                                                                                                                                                                                                                                                                                                                                                                               |                                                                                            |   |                                            |
| 2                                                                                                                                                                                                                                  |       | (TCV_RPOA_MT:='1111111111'O,<br>TCV_TPDA:='5555555555'O)                                                                                                                                                                                                                                                                                                                                                                                                                                                                                                                                                         |                                                                                            |   |                                            |
| 3                                                                                                                                                                                                                                  |       | +IdleUpdated( C_E_default, C_CellA, C_SCH_A,<br>C_BCCH_A_1, C_Immass, C_S0, C_SlotNU,<br>C_SlotNU, C_SlotNU, C_BCC, C_TxInt_5,<br>C_Max_1, C_NECI_0, C_ATT_0, TimingAdv( 0),<br>C_BABR_0, C_cch_1Comb, C_BPM_3,<br>C_T3212_0, C_ci_cellA, C_MCC_1, C_PLMN_1,<br>C_LAC_1, CellOpt_01, CellChDes_02,<br>CellChDes_03, C_CellReselectHys12,<br>C_MaxPwrLvIG, C_MaxPwrLvID,<br>BcchFreqLst_01, BcchFreqLst_Omit,<br>BcchFreqLst_48, BcchFreqLst_Omit,<br>C_noRestablishment, C_BCC, C_NCC,<br>C_Start_Tmsi, TSPX_SDCCH4SubDef,<br>TSPX_CKSNDf, TSPX_RANDDef, C_arfcnA,<br>C_arfcnAd, TSPX_IMSI, C_Test_fh, C_NCCP_2) |                                                                                            |   |                                            |
| 4                                                                                                                                                                                                                                  | body  | +ltree_part1                                                                                                                                                                                                                                                                                                                                                                                                                                                                                                                                                                                                     |                                                                                            |   | 1                                          |
| 5                                                                                                                                                                                                                                  |       | +ltree_part2                                                                                                                                                                                                                                                                                                                                                                                                                                                                                                                                                                                                     |                                                                                            |   | 2                                          |
| 6                                                                                                                                                                                                                                  |       | +ltree_part3                                                                                                                                                                                                                                                                                                                                                                                                                                                                                                                                                                                                     |                                                                                            |   | 3                                          |
| 7                                                                                                                                                                                                                                  |       | +ltree_part4                                                                                                                                                                                                                                                                                                                                                                                                                                                                                                                                                                                                     |                                                                                            |   | 4                                          |
|                                                                                                                                                                                                                                    |       | <b>ltree_part1</b>                                                                                                                                                                                                                                                                                                                                                                                                                                                                                                                                                                                               |                                                                                            |   |                                            |
| 8                                                                                                                                                                                                                                  |       | (TCV_Null := OO_SendMOShortMessage())                                                                                                                                                                                                                                                                                                                                                                                                                                                                                                                                                                            |                                                                                            |   |                                            |
| 9                                                                                                                                                                                                                                  |       | +ltree_PrepareEnvironmentParts1_3_4                                                                                                                                                                                                                                                                                                                                                                                                                                                                                                                                                                              |                                                                                            |   |                                            |
| 10                                                                                                                                                                                                                                 |       | +ltree_sms1                                                                                                                                                                                                                                                                                                                                                                                                                                                                                                                                                                                                      |                                                                                            |   | Initiate MO-SM, status<br>report requested |
| 11                                                                                                                                                                                                                                 |       | +ltree_sms2                                                                                                                                                                                                                                                                                                                                                                                                                                                                                                                                                                                                      |                                                                                            |   | Terminate MO-SM                            |
|                                                                                                                                                                                                                                    |       | <b>ltree_part2</b>                                                                                                                                                                                                                                                                                                                                                                                                                                                                                                                                                                                               |                                                                                            |   |                                            |
| 12                                                                                                                                                                                                                                 |       | +ltree_PrepareEnvironmentPart2                                                                                                                                                                                                                                                                                                                                                                                                                                                                                                                                                                                   |                                                                                            |   |                                            |
| 13                                                                                                                                                                                                                                 |       | +ltree_sms3                                                                                                                                                                                                                                                                                                                                                                                                                                                                                                                                                                                                      |                                                                                            |   | MT-SM (SMS Status<br>Report)               |
|                                                                                                                                                                                                                                    |       | <b>ltree_part3</b>                                                                                                                                                                                                                                                                                                                                                                                                                                                                                                                                                                                               |                                                                                            |   |                                            |
| 14                                                                                                                                                                                                                                 |       | (TCV_Null := OO_SendSMSCOMMANDEnq())                                                                                                                                                                                                                                                                                                                                                                                                                                                                                                                                                                             |                                                                                            |   |                                            |
| 15                                                                                                                                                                                                                                 |       | +ltree_PrepareEnvironmentParts1_3_4                                                                                                                                                                                                                                                                                                                                                                                                                                                                                                                                                                              |                                                                                            |   |                                            |
| 16                                                                                                                                                                                                                                 |       | +ltree_sms4                                                                                                                                                                                                                                                                                                                                                                                                                                                                                                                                                                                                      |                                                                                            |   | Initiate MO-SM (SMS<br>COMMAND, enquiry)   |
| 17                                                                                                                                                                                                                                 |       | +ltree_sms2                                                                                                                                                                                                                                                                                                                                                                                                                                                                                                                                                                                                      |                                                                                            |   | Terminate MO-SM                            |
|                                                                                                                                                                                                                                    |       | <b>ltree_part4</b>                                                                                                                                                                                                                                                                                                                                                                                                                                                                                                                                                                                               |                                                                                            |   |                                            |
| 18                                                                                                                                                                                                                                 |       | (TCV_Null := OO_SendSMSCOMMANDDel())                                                                                                                                                                                                                                                                                                                                                                                                                                                                                                                                                                             |                                                                                            |   |                                            |
| 19                                                                                                                                                                                                                                 |       | +ltree_PrepareEnvironmentParts1_3_4                                                                                                                                                                                                                                                                                                                                                                                                                                                                                                                                                                              |                                                                                            |   |                                            |
| 20                                                                                                                                                                                                                                 |       | +ltree_sms5                                                                                                                                                                                                                                                                                                                                                                                                                                                                                                                                                                                                      |                                                                                            |   | Initiate MO-SM (SMS<br>COMMAND, deletion)  |
| 21                                                                                                                                                                                                                                 |       | +ltree_sms2                                                                                                                                                                                                                                                                                                                                                                                                                                                                                                                                                                                                      |                                                                                            |   | Terminate MO-SM                            |
|                                                                                                                                                                                                                                    |       | <b>ltree_PrepareEnvironmentParts1_3_4</b>                                                                                                                                                                                                                                                                                                                                                                                                                                                                                                                                                                        |                                                                                            |   |                                            |
| 22                                                                                                                                                                                                                                 |       | (TCV_chSms:=TCV_ch)                                                                                                                                                                                                                                                                                                                                                                                                                                                                                                                                                                                              |                                                                                            |   |                                            |
| 23                                                                                                                                                                                                                                 |       | L?DL_RaInChRq (TCV_Rr := DL_RaInChRq.<br>msg.ecau_rrf, TCV_Fn := DL_RaInChRq.fn)                                                                                                                                                                                                                                                                                                                                                                                                                                                                                                                                 | ChReq(<br>ChRequest_04)                                                                    |   |                                            |
| 24                                                                                                                                                                                                                                 |       | ACTIVATE(OtherEventsFail_02)                                                                                                                                                                                                                                                                                                                                                                                                                                                                                                                                                                                     |                                                                                            |   | To match ChReq retrans.                    |
| 25                                                                                                                                                                                                                                 |       | LIDL_UdatRqImmass                                                                                                                                                                                                                                                                                                                                                                                                                                                                                                                                                                                                | ImmAss( TCV_agch,<br>ImmAsgn_01Def(<br>TCV_Rr, TCV_Fn,<br>TSPX_SDCCH4SubD<br>ef, TCV_slot, |   |                                            |

|    |            |                                                                                                                                                                                          |                                                                                                                                                        |                             |
|----|------------|------------------------------------------------------------------------------------------------------------------------------------------------------------------------------------------|--------------------------------------------------------------------------------------------------------------------------------------------------------|-----------------------------|
| 26 |            | L?DL_EstInCmsRq                                                                                                                                                                          | TCV_tsc,<br>TCV_chdescr_arfcn,<br>TimingAdv( 0))<br>CMSerReq(<br>CMServiceReq_09)                                                                      |                             |
| 27 |            | ACTIVATE(OtherEventsFail)                                                                                                                                                                |                                                                                                                                                        | Restore normal default tree |
| 28 |            | +Authentication( TCV_ch, TCV_cksn,<br>TSPX_RANDDef)                                                                                                                                      |                                                                                                                                                        |                             |
| 29 |            | +Ciphering_on( TCV_ch)                                                                                                                                                                   |                                                                                                                                                        |                             |
| 30 |            | +ltree_set_sapi3_SDCCH_MO                                                                                                                                                                |                                                                                                                                                        |                             |
|    |            | <b>ltree_PrepareEnvironmentPart2</b>                                                                                                                                                     |                                                                                                                                                        |                             |
| 31 |            | +Wait(C_T_Wait1)                                                                                                                                                                         |                                                                                                                                                        |                             |
| 32 |            | +RRmtcallprepare( TimingAdv( 0),<br>TSPX_RANDDef)                                                                                                                                        |                                                                                                                                                        |                             |
| 33 |            | +ltree_set_sapi3_SDCCH_MT                                                                                                                                                                |                                                                                                                                                        |                             |
| 34 |            | (TCV_ti_v_2 := '000'B, TCV_chSms := TCV_ch)                                                                                                                                              |                                                                                                                                                        |                             |
|    |            | <b>ltree_sms1</b>                                                                                                                                                                        |                                                                                                                                                        |                             |
| 35 |            | L?DL_DatInCpData( TCV_Rpmr :=<br>DL_DatInCpData.msg.CPdata.rpdata.rpmr,<br>TCV_Tpmr :=<br>DL_DatInCpData.msg.CPdata.rpdata.rpusdat.tpsub<br>mit.mr, TCV_ti_v := DL_DatInCpData.msg.ti.v) | DatInCpData(<br>TCV_chSms,<br>CpDataPdu_03(<br>CpData_03(<br>RpData_08)))                                                                              | RP-Data                     |
|    |            | <b>ltree_sms2</b>                                                                                                                                                                        |                                                                                                                                                        |                             |
| 36 |            | L!DL_DatRqCpDataAck                                                                                                                                                                      | DatRqCpDataAck(<br>CpDataAckPdu_01(<br>TI_08( TCV_ti_v)),<br>TCV_chSms)                                                                                |                             |
| 37 |            | LIDL_DatRqCpData                                                                                                                                                                         | DatRqCpData(<br>CpDataPdu_02(<br>TI_08( TCV_ti_v),<br>CpData_04(<br>TCV_Rpmr)),<br>TCV_chSms)                                                          | RP-Ack                      |
| 38 |            | START T_dly( 25000)                                                                                                                                                                      |                                                                                                                                                        |                             |
| 39 | L_079<br>0 | ?TIMEOUT T_dly                                                                                                                                                                           |                                                                                                                                                        | (F)                         |
| 40 |            | +ChanRel(TCV_ch)                                                                                                                                                                         |                                                                                                                                                        |                             |
| 41 |            | L?DL_DatInCpDataAck CANCEL T_dly                                                                                                                                                         | DatInCpDataAck(<br>CpDataAckPdu_02(<br>TI_07( TCV_ti_v)))                                                                                              |                             |
| 42 |            | +ChanRel_P(TCV_ch)                                                                                                                                                                       |                                                                                                                                                        |                             |
| 43 |            | (TCV_Null := OM_CphMd( TCV_ch,<br>CphMod_02, TCV_CphKey))                                                                                                                                |                                                                                                                                                        |                             |
|    |            | <b>ltree_sms3</b>                                                                                                                                                                        |                                                                                                                                                        |                             |
| 44 |            | +ltree_PrepareEnvironmentPart2                                                                                                                                                           |                                                                                                                                                        |                             |
| 45 |            | LIDL_DatRqCpData                                                                                                                                                                         | DatRqCpData(<br>CpDataPdu_01(<br>TI_07( TCV_ti_v_2),<br>CpData_12(<br>TCV_TPDA,<br>TCV_RPOA_MT,<br>TCV_Tpmr,<br>TCV_Rpmr,<br>C_Tzone3)),<br>TCV_chSms) | RP-Data<br>status report    |
| 46 |            | START T_dly( 25000)                                                                                                                                                                      |                                                                                                                                                        |                             |
| 47 | L_079<br>1 | ?TIMEOUT T_dly                                                                                                                                                                           |                                                                                                                                                        | (F)                         |
| 48 |            | +ChanRel(TCV_ch)                                                                                                                                                                         |                                                                                                                                                        |                             |
| 49 |            | L?DL_DatInCpDataAck CANCEL T_dly                                                                                                                                                         | DatInCpDataAck(<br>CpDataAckPdu_01(<br>TI_08( TCV_ti_v_2)))                                                                                            |                             |
| 50 |            | START T_dly( 60000)                                                                                                                                                                      |                                                                                                                                                        |                             |
| 51 | L_079<br>2 | ?TIMEOUT T_dly                                                                                                                                                                           |                                                                                                                                                        | (F)                         |
| 52 |            | +ChanRel(TCV_ch)                                                                                                                                                                         |                                                                                                                                                        |                             |

|                           |                                                                                                                                                                                                              |                                                                                                                         |                                   |
|---------------------------|--------------------------------------------------------------------------------------------------------------------------------------------------------------------------------------------------------------|-------------------------------------------------------------------------------------------------------------------------|-----------------------------------|
| 53                        | L?DL_DatInCpData CANCEL T_dly                                                                                                                                                                                | DatInCpData(<br>TCV_chSms,<br>CpDataPdu_02(<br>TI_08( TCV_ti_v_2),<br>CpData_02(<br>TCV_Rpmr)))                         | RP-Ack                            |
| 54                        | L!DL_DatRqCpDataAck                                                                                                                                                                                          | DatRqCpDataAck(<br>CpDataAckPdu_02(<br>TI_07( TCV_ti_v_2)),<br>TCV_chSms)                                               |                                   |
| 55                        | +ChanRel(TCV_ch)                                                                                                                                                                                             |                                                                                                                         |                                   |
| 56                        | (TCV_Null := OM_CphMd( TCV_ch,<br>CphMod_02, TCV_CphKey))                                                                                                                                                    |                                                                                                                         |                                   |
| 57                        | <b>Itree_sms4</b><br>L?DL_DatInCpData(TCV_Rpmr :=<br>DL_DatInCpData.msg.CPdata.rpdata.rpmr,<br>TCV_Tpmr :=<br>DL_DatInCpData.msg.CPdata.rpdata.rpusrdat.tpcom<br>mand.mr, TCV_ti_v:=DL_DatInCpData.msg.ti.v) | DatInCpData(<br>TCV_chSms,<br>CpDataPdu_03(<br>CpData_03(<br>RpData_11(<br>TCV_Rpmr,<br>TpCommand_01(<br>TCV_Tpmr)))))) | RP-Data, SMS<br>COMMAND, enquiry  |
| 58                        | <b>Itree_sms5</b><br>L?DL_DatInCpData( TCV_Rpmr :=<br>DL_DatInCpData.msg.CPdata.rpdata.rpmr, TCV_ti_v<br>:= DL_DatInCpData.msg.ti.v)                                                                         | DatInCpData(<br>TCV_chSms,<br>CpDataPdu_03(<br>CpData_03(<br>RpData_11(<br>TCV_Rpmr,<br>TpCommand_02(<br>TCV_Tpmr)))))) | RP-Data, SMS<br>COMMAND, deletion |
| 59                        | <b>Itree_set_sapi3_SDCCH_MO</b><br>L?DL_EstIn                                                                                                                                                                | DLEstInd_2( TCV_ch)                                                                                                     |                                   |
| 60                        | <b>Itree_set_sapi3_SDCCH_MT</b><br>L!DL_EstRq                                                                                                                                                                | DLEstRq( TCV_ch)                                                                                                        |                                   |
| 61                        | L?DL_EstCo                                                                                                                                                                                                   | DLEstCo( TCV_ch)                                                                                                        |                                   |
| <b>Detailed Comments:</b> |                                                                                                                                                                                                              |                                                                                                                         |                                   |



| Test Case Dynamic Behaviour |            |                                                                                                                                                                                                                                                                                                                                                                                                                                                                                                                                                                                                                   |                                                                                                                                            |     |                                   |
|-----------------------------|------------|-------------------------------------------------------------------------------------------------------------------------------------------------------------------------------------------------------------------------------------------------------------------------------------------------------------------------------------------------------------------------------------------------------------------------------------------------------------------------------------------------------------------------------------------------------------------------------------------------------------------|--------------------------------------------------------------------------------------------------------------------------------------------|-----|-----------------------------------|
| <b>Test Case Name:</b>      |            | TC_34_2_5_1                                                                                                                                                                                                                                                                                                                                                                                                                                                                                                                                                                                                       |                                                                                                                                            |     |                                   |
| <b>Group:</b>               |            | GSM_L3_MS_v4210/SM/                                                                                                                                                                                                                                                                                                                                                                                                                                                                                                                                                                                               |                                                                                                                                            |     |                                   |
| <b>Purpose:</b>             |            | To verify that the MS will accept and display but not store a class 0 message, and that it will accept and display a class 0 message if its message store is full.                                                                                                                                                                                                                                                                                                                                                                                                                                                |                                                                                                                                            |     |                                   |
| <b>Default:</b>             |            | OtherEventsFail                                                                                                                                                                                                                                                                                                                                                                                                                                                                                                                                                                                                   |                                                                                                                                            |     |                                   |
| Nr                          | Label      | Behaviour Description                                                                                                                                                                                                                                                                                                                                                                                                                                                                                                                                                                                             | CRef                                                                                                                                       | V   | Comments                          |
| 1                           |            | START T_guard(300)                                                                                                                                                                                                                                                                                                                                                                                                                                                                                                                                                                                                |                                                                                                                                            |     |                                   |
| 2                           |            | (TCV_Null:=OO_EmptyMessageStorage(),<br>TCV_RPOA_MT:='1111111111'O,<br>TCV_TPOA1:='3333333333'O, TCV_Rpmr:='00'O)                                                                                                                                                                                                                                                                                                                                                                                                                                                                                                 |                                                                                                                                            |     |                                   |
| 3                           |            | +IdleUpdated( C_E_default, C_CellA, C_SCH_A,<br>C_BCCH_A_1, C_Immass, C_S0, C_SlotNU,<br>C_SlotNU, C_SlotNU, C_BCC, C_TxInt_5,<br>C_Max_1, C_NECI_0, C_ATT_0, TimingAdv( 0),<br>C_BABR_0, C_cch_1Comb, C_BPM_3,<br>C_T3212_0, C_ci_cellA, C_MCC_1, C_PLMN_1,<br>C_LAC_1, CellOpt_01, CellChDes_02,<br>CellChDes_03, C_CellReselectHys12,<br>C_MaxPwrLvlG, C_MaxPwrLvlD,<br>BcchFreqLst_01, BcchFreqLst_Omit,<br>BcchFreqLst_48, BcchFreqLst_Omit,<br>C_noRestablishment, C_BCC, C_NCC,<br>C_Start_Tmsi, TSPX_SDCCH4SubDef,<br>TSPX_CKSNDef, TSPX_RANDDef, C_arfcnA,<br>C_arfcnAd, TSPX_IMSI, C_Test_fh, C_NCCP_2) |                                                                                                                                            |     |                                   |
| 4                           | body       | +ltree_sms1                                                                                                                                                                                                                                                                                                                                                                                                                                                                                                                                                                                                       |                                                                                                                                            | 1   |                                   |
| 5                           |            | (TCV_Res := OO_RecallAndDisplaySM( 160,<br>TCV_SMcntns))                                                                                                                                                                                                                                                                                                                                                                                                                                                                                                                                                          |                                                                                                                                            |     |                                   |
| 6                           | L_079<br>3 | [TCV_Res]                                                                                                                                                                                                                                                                                                                                                                                                                                                                                                                                                                                                         |                                                                                                                                            | (F) | Message store should be empty     |
| 7                           | L_079<br>4 | [NOT TCV_Res]                                                                                                                                                                                                                                                                                                                                                                                                                                                                                                                                                                                                     |                                                                                                                                            | (P) |                                   |
| 8                           |            | +ltree_Release                                                                                                                                                                                                                                                                                                                                                                                                                                                                                                                                                                                                    |                                                                                                                                            |     |                                   |
| 9                           |            | (TCV_MemCapExcd := FALSE)                                                                                                                                                                                                                                                                                                                                                                                                                                                                                                                                                                                         |                                                                                                                                            |     |                                   |
| 10                          |            | REPEAT ltree_sms2 UNTIL<br>[TCV_MemCapExcd]                                                                                                                                                                                                                                                                                                                                                                                                                                                                                                                                                                       |                                                                                                                                            |     |                                   |
| 11                          |            | +ltree_Release                                                                                                                                                                                                                                                                                                                                                                                                                                                                                                                                                                                                    |                                                                                                                                            |     |                                   |
| 12                          |            | +ltree_sms1                                                                                                                                                                                                                                                                                                                                                                                                                                                                                                                                                                                                       |                                                                                                                                            | 3   |                                   |
| 13                          |            | +ChanRel_end( TCV_ch)                                                                                                                                                                                                                                                                                                                                                                                                                                                                                                                                                                                             |                                                                                                                                            |     |                                   |
| 14                          |            | <b>ltree_Release</b><br>+ChanRel( TCV_ch)                                                                                                                                                                                                                                                                                                                                                                                                                                                                                                                                                                         |                                                                                                                                            |     |                                   |
| 15                          |            | (TCV_Null := OM_CphMd( TCV_ch, CphMod_02,<br>TCV_CphKey))                                                                                                                                                                                                                                                                                                                                                                                                                                                                                                                                                         |                                                                                                                                            |     |                                   |
| 16                          |            | <b>ltree_Environment</b><br>+Wait(C_T_Wait1)                                                                                                                                                                                                                                                                                                                                                                                                                                                                                                                                                                      |                                                                                                                                            |     |                                   |
| 17                          |            | +RRmtcallprepare( TimingAdv( 0),<br>TSPX_RANDDef)                                                                                                                                                                                                                                                                                                                                                                                                                                                                                                                                                                 |                                                                                                                                            |     |                                   |
| 18                          |            | +ltree_set_sapi3_SDCCH_MT                                                                                                                                                                                                                                                                                                                                                                                                                                                                                                                                                                                         |                                                                                                                                            |     |                                   |
| 19                          |            | (TCV_ti_v_2 := '000'B, TCV_chSms := TCV_ch)                                                                                                                                                                                                                                                                                                                                                                                                                                                                                                                                                                       |                                                                                                                                            |     |                                   |
| 20                          |            | <b>ltree_sms1</b><br>+ltree_Environment                                                                                                                                                                                                                                                                                                                                                                                                                                                                                                                                                                           |                                                                                                                                            |     |                                   |
| 21                          |            | LIDL_DatRqCpData ( TCV_SMcntns :=<br>DL_DatRqCpData.msg.CPdata.rpdata.rpusrdat.tpde<br>liver.ud) START T_dly( 25000)                                                                                                                                                                                                                                                                                                                                                                                                                                                                                              | DatRqCpData(<br>CpDataPdu_01(<br>TI_07( TCV_ti_v_2),<br>CpData_10(<br>TCV_TPOA1,<br>TCV_RPOA_MT,<br>TCV_Rpmr,<br>C_Tzone4)),<br>TCV_chSms) |     | RP-Data<br>Initiate class 0 MT-SM |
| 22                          | L_079<br>5 | ?TIMEOUT T_dly                                                                                                                                                                                                                                                                                                                                                                                                                                                                                                                                                                                                    |                                                                                                                                            | (F) |                                   |
| 23                          |            | L?DL_DatInCpDataAck START T_dly(60000)                                                                                                                                                                                                                                                                                                                                                                                                                                                                                                                                                                            | DatInCpDataAck(<br>CpDataAckPdu_01(<br>TI_08( TCV_ti_v_2)))                                                                                |     |                                   |
| 24                          | L_079      | ?TIMEOUT T_dly                                                                                                                                                                                                                                                                                                                                                                                                                                                                                                                                                                                                    |                                                                                                                                            | (F) |                                   |

|    |            |                                                                |                                                                                                                                            |                                   |
|----|------------|----------------------------------------------------------------|--------------------------------------------------------------------------------------------------------------------------------------------|-----------------------------------|
| 25 | 6          | L?DL_DatInCpData CANCEL T_dly                                  | DatInCpData(<br>TCV_chSms,<br>CpDataPdu_02(<br>TI_08( TCV_ti_v_2),<br>CpData_02(<br>TCV_Rpmr)))                                            | RP-Ack                            |
| 26 |            | LIDL_DatRqCpDataAck                                            | DatRqCpDataAck(<br>CpDataAckPdu_02(<br>TI_07( TCV_ti_v_2)),<br>TCV_chSms)                                                                  |                                   |
| 27 |            | (TCV_Res :=<br>OO_CheckMessageDisplayed( 160,<br>TCV_SMcntns)) |                                                                                                                                            |                                   |
| 28 | L_079<br>7 | [NOT TCV_Res]                                                  |                                                                                                                                            | (F)                               |
| 29 | L_079<br>8 | [TCV_Res]                                                      |                                                                                                                                            | (P)                               |
| 30 |            | <b>Itree_sms2</b><br>+Itree_Environment                        |                                                                                                                                            |                                   |
| 31 |            | LIDL_DatRqCpData START T_dly( 25000)                           | DatRqCpData(<br>CpDataPdu_01(<br>TI_07( TCV_ti_v_2),<br>CpData_06(<br>TCV_RPOA_MT,<br>TCV_TPOA1,<br>TCV_Rpmr,<br>C_Tzone4)),<br>TCV_chSms) | RP-Data<br>Initiate class 1 MT-SM |
| 32 | L_079<br>9 | ?TIMEOUT T_dly                                                 |                                                                                                                                            | (F)                               |
| 33 |            | L?DL_DatInCpDataAck START T_dly( 60000)                        | DatInCpDataAck(<br>CpDataAckPdu_01(<br>TI_08( TCV_ti_v_2)))                                                                                |                                   |
| 34 | L_080<br>0 | ?TIMEOUT T_dly                                                 |                                                                                                                                            | (F)                               |
| 35 |            | L?DL_DatInCpData CANCEL T_dly                                  | DatInCpData(<br>TCV_chSms,<br>CpDataPdu_02(<br>TI_08( TCV_ti_v_2),<br>CpData_02(<br>TCV_Rpmr)))                                            | RP-Ack                            |
| 36 |            | LIDL_DatRqCpDataAck                                            | DatRqCpDataAck(<br>CpDataAckPdu_02(<br>TI_07( TCV_ti_v_2)),<br>TCV_chSms)                                                                  |                                   |
| 37 |            | L?DL_DatInCpData CANCEL T_dly                                  | DatInCpData(<br>TCV_chSms,<br>CpDataPdu_02(<br>TI_08( TCV_ti_v_2),<br>CpData_08(<br>TCV_Rpmr)))                                            | RP-Error:<br>Memory Capacity Exc. |
| 38 |            | LIDL_DatRqCpDataAck                                            | DatRqCpDataAck(<br>CpDataAckPdu_02(<br>TI_07( TCV_ti_v_2)),<br>TCV_chSms)                                                                  |                                   |
| 39 |            | (TCV_MemCapExcd := TRUE)                                       |                                                                                                                                            |                                   |
| 40 |            | <b>Itree_set_sapi3_SDCCH_MT</b><br>LIDL_EstRq                  | DLEstRq(TCV_ch)                                                                                                                            |                                   |
| 41 |            | L?DL_EstCo                                                     | DLEstCo(TCV_ch)                                                                                                                            |                                   |

Detailed Comments:

| Test Case Dynamic Behaviour |            |                                                                                                                                                                                                                                                                                                                                                                                                                                                                                                                                                                                                                   |                                                                                                                                            |     |                                   |
|-----------------------------|------------|-------------------------------------------------------------------------------------------------------------------------------------------------------------------------------------------------------------------------------------------------------------------------------------------------------------------------------------------------------------------------------------------------------------------------------------------------------------------------------------------------------------------------------------------------------------------------------------------------------------------|--------------------------------------------------------------------------------------------------------------------------------------------|-----|-----------------------------------|
| <b>Test Case Name:</b>      |            | TC_34_2_5_2                                                                                                                                                                                                                                                                                                                                                                                                                                                                                                                                                                                                       |                                                                                                                                            |     |                                   |
| <b>Group:</b>               |            | GSM_L3_MS_v4210/SM/                                                                                                                                                                                                                                                                                                                                                                                                                                                                                                                                                                                               |                                                                                                                                            |     |                                   |
| <b>Purpose:</b>             |            | To verify that the MS acts correctly on receiving a class 1 message, i.e. that it stores the message in the ME or SIM and sends an acknowledgement (at RP and CP-Layer).                                                                                                                                                                                                                                                                                                                                                                                                                                          |                                                                                                                                            |     |                                   |
| <b>Default:</b>             |            | OtherEventsFail                                                                                                                                                                                                                                                                                                                                                                                                                                                                                                                                                                                                   |                                                                                                                                            |     |                                   |
| Nr                          | Label      | Behaviour Description                                                                                                                                                                                                                                                                                                                                                                                                                                                                                                                                                                                             | CRef                                                                                                                                       | V   | Comments                          |
| 1                           |            | START T_guard(300)                                                                                                                                                                                                                                                                                                                                                                                                                                                                                                                                                                                                |                                                                                                                                            |     |                                   |
| 2                           |            | (TCV_Null:=OO_EmptyMessageStorage(),<br>TCV_Null:=OO_MSSetupStoreClass1SMInMEMemory(), TCV_RPOA_MT:= '1111111111'O,<br>TCV_TPOA1:= '3333333333'O, TCV_Rpmr:= '00'O)                                                                                                                                                                                                                                                                                                                                                                                                                                               |                                                                                                                                            |     |                                   |
| 3                           |            | +IdleUpdated( C_E_default, C_CellA, C_SCH_A,<br>C_BCCH_A_1, C_Immash, C_S0, C_SlotNU,<br>C_SlotNU, C_SlotNU, C_BCC, C_TxInt_5,<br>C_Max_1, C_NECL_0, C_ATT_0, TimingAdv( 0),<br>C_BABR_0, C_cch_1Comb, C_BPM_3,<br>C_T3212_0, C_ci_cellA, C_MCC_1, C_PLMN_1,<br>C_LAC_1, CellOpt_01, CellChDes_02,<br>CellChDes_03, C_CellReselectHys12,<br>C_MaxPwrLvIG, C_MaxPwrLvID,<br>BcchFreqLst_01, BcchFreqLst_Omit,<br>BcchFreqLst_48, BcchFreqLst_Omit,<br>C_noReestablishment, C_BCC, C_NCC,<br>C_Start_Tmsi, TSPX_SDCCH4SubDef,<br>TSPX_CKSNDf, TSPX_RANDDef, C_arfcnA,<br>C_arfcnAd, TSPX_IMSI, C_Test_fh, C_NCCP_2) |                                                                                                                                            |     |                                   |
| 4                           | body       | +ltree_Environment                                                                                                                                                                                                                                                                                                                                                                                                                                                                                                                                                                                                |                                                                                                                                            | 1   |                                   |
| 5                           |            | +ltree_sms1                                                                                                                                                                                                                                                                                                                                                                                                                                                                                                                                                                                                       |                                                                                                                                            |     |                                   |
|                             |            | <b>ltree_Environment</b>                                                                                                                                                                                                                                                                                                                                                                                                                                                                                                                                                                                          |                                                                                                                                            |     |                                   |
| 6                           |            | +RRmtcallprepare(TimingAdv( 0), TSPX_RANDDef)                                                                                                                                                                                                                                                                                                                                                                                                                                                                                                                                                                     |                                                                                                                                            |     |                                   |
| 7                           |            | +ltree_set_sapi3_SDCCH_MT                                                                                                                                                                                                                                                                                                                                                                                                                                                                                                                                                                                         |                                                                                                                                            |     |                                   |
| 8                           |            | (TCV_ti_v_2:= '000'B, TCV_chSms:=TCV_ch)                                                                                                                                                                                                                                                                                                                                                                                                                                                                                                                                                                          |                                                                                                                                            |     |                                   |
|                             |            | <b>ltree_sms1</b>                                                                                                                                                                                                                                                                                                                                                                                                                                                                                                                                                                                                 |                                                                                                                                            |     |                                   |
| 9                           |            | L!DL_DatRqCpData (TCV_SMcntns :=<br>DL_DatRqCpData.msg.CPdata.rpdata.rpusdat.tpdeli<br>ver.ud)                                                                                                                                                                                                                                                                                                                                                                                                                                                                                                                    | DatRqCpData(<br>CpDataPdu_01(<br>TI_07( TCV_ti_v_2),<br>CpData_06(<br>TCV_RPOA_MT,<br>TCV_TPOA1,<br>TCV_Rpmr,<br>C_Tzone5)),<br>TCV_chSms) |     | RP-Data<br>Initiate class 1 MT-SM |
| 10                          |            | START T_dly(25000)                                                                                                                                                                                                                                                                                                                                                                                                                                                                                                                                                                                                |                                                                                                                                            |     |                                   |
| 11                          | L_080<br>1 | ?TIMEOUT T_dly                                                                                                                                                                                                                                                                                                                                                                                                                                                                                                                                                                                                    |                                                                                                                                            | (F) |                                   |
| 12                          |            | +ChanRel(TCV_chTch)                                                                                                                                                                                                                                                                                                                                                                                                                                                                                                                                                                                               |                                                                                                                                            |     |                                   |
| 13                          | L_080<br>2 | L?DL_DatInCpDataAck CANCEL T_dly                                                                                                                                                                                                                                                                                                                                                                                                                                                                                                                                                                                  | DatInCpDataAck(<br>CpDataAckPdu_01(<br>TI_08( TCV_ti_v_2)))                                                                                | (P) |                                   |
| 14                          |            | START T_dly(60000)                                                                                                                                                                                                                                                                                                                                                                                                                                                                                                                                                                                                |                                                                                                                                            |     |                                   |
| 15                          | L_080<br>3 | ?TIMEOUT T_dly                                                                                                                                                                                                                                                                                                                                                                                                                                                                                                                                                                                                    |                                                                                                                                            | (F) |                                   |
| 16                          |            | +ChanRel(TCV_chTch)                                                                                                                                                                                                                                                                                                                                                                                                                                                                                                                                                                                               |                                                                                                                                            |     |                                   |
| 17                          | L_080<br>4 | L?DL_DatInCpData CANCEL T_dly                                                                                                                                                                                                                                                                                                                                                                                                                                                                                                                                                                                     | DatInCpData(<br>TCV_chSms,<br>CpDataPdu_02(<br>TI_08( TCV_ti_v_2),<br>CpData_02(<br>TCV_Rpmr)))                                            | (P) | RP-Ack                            |
| 18                          |            | L!DL_DatRqCpDataAck                                                                                                                                                                                                                                                                                                                                                                                                                                                                                                                                                                                               | DatRqCpDataAck(<br>CpDataAckPdu_02(<br>TI_07( TCV_ti_v_2)),<br>TCV_chSms)                                                                  |     |                                   |
| 19                          |            | +ChanRel(TCV_ch)                                                                                                                                                                                                                                                                                                                                                                                                                                                                                                                                                                                                  |                                                                                                                                            |     |                                   |
| 20                          |            | (TCV_Res :=<br>OO_RecallAndDisplaySM( 160,<br>TCV_SMcntns))                                                                                                                                                                                                                                                                                                                                                                                                                                                                                                                                                       |                                                                                                                                            |     |                                   |
| 21                          | L_080      | [NOT TCV_Res]                                                                                                                                                                                                                                                                                                                                                                                                                                                                                                                                                                                                     |                                                                                                                                            | (F) |                                   |

|                           |                 |                                 |                                    |     |
|---------------------------|-----------------|---------------------------------|------------------------------------|-----|
| 22                        | 5<br>L_080<br>6 | [TCV_Res]                       |                                    | (P) |
| 23                        |                 | <b>ltree_set_sapi3_SDCCH_MT</b> |                                    |     |
| 24                        |                 | L!DL_EstRq<br>L?DL_EstCo        | DLEstRq(TCV_ch)<br>DLEstCo(TCV_ch) |     |
| <b>Detailed Comments:</b> |                 |                                 |                                    |     |

| Test Case Dynamic Behaviour |            |                                                                                                                                                                                                                                                                                                                                                                                                                                                                                                                                                                                                                                                                      |                                                                                                                                            |     |                                                         |
|-----------------------------|------------|----------------------------------------------------------------------------------------------------------------------------------------------------------------------------------------------------------------------------------------------------------------------------------------------------------------------------------------------------------------------------------------------------------------------------------------------------------------------------------------------------------------------------------------------------------------------------------------------------------------------------------------------------------------------|--------------------------------------------------------------------------------------------------------------------------------------------|-----|---------------------------------------------------------|
| <b>Test Case Name:</b>      |            | TC_34_2_5_3                                                                                                                                                                                                                                                                                                                                                                                                                                                                                                                                                                                                                                                          |                                                                                                                                            |     |                                                         |
| <b>Group:</b>               |            | GSM_L3_MS_v4210/SM/                                                                                                                                                                                                                                                                                                                                                                                                                                                                                                                                                                                                                                                  |                                                                                                                                            |     |                                                         |
| <b>Purpose:</b>             |            | To verify that the MS acts correctly on receiving a class 2 message, i.e. that it stores the message correctly in the SIM, and if this is not possible, returns a protocol error message, with the correct error cause, to the network. There are 2 cases. (1) If the MS supports storing of short messages in the SIM and in the ME, and storage in the ME is not full, and the short message cannot be stored in the SIM, the error cause shall be "protocol error, unspecified". (2) If the MS supports storing of short message in the SIM and not in the ME and short message cannot be stored in the SIM, the error cause shall be "memory capacity exceeded". |                                                                                                                                            |     |                                                         |
| <b>Default:</b>             |            | OtherEventsFail                                                                                                                                                                                                                                                                                                                                                                                                                                                                                                                                                                                                                                                      |                                                                                                                                            |     |                                                         |
| Nr                          | Label      | Behaviour Description                                                                                                                                                                                                                                                                                                                                                                                                                                                                                                                                                                                                                                                | CRef                                                                                                                                       | V   | Comments                                                |
| 1                           |            | START T_guard(300)                                                                                                                                                                                                                                                                                                                                                                                                                                                                                                                                                                                                                                                   |                                                                                                                                            |     |                                                         |
| 2                           |            | (TCV_Null := OO_EmptyMessageStorage(),<br>TCV_Null :=<br>OO_MSSSetupStoreClass1SMInMEMemory(),<br>TCV_Null := OO_ConnectSIMSimulator(),<br>TCV_RPOA_MT := '1111111111'O, TCV_TPOA1:=<br>'3333333333'O, TCV_Rpmr:= '00'O)                                                                                                                                                                                                                                                                                                                                                                                                                                             |                                                                                                                                            |     |                                                         |
| 3                           |            | +IdleUpdated( C_E_default, C_CellA, C_SCH_A,<br>C_BCCH_A_1, C_Immss, C_S0, C_SlotNU,<br>C_SlotNU, C_SlotNU, C_BCC, C_TxInt_5,<br>C_Max_1, C_NECI_0, C_ATT_0, TimingAdv( 0),<br>C_BABR_0, C_cch_1Comb, C_BPM_3,<br>C_T3212_0, C_ci_cellA, C_MCC_1, C_PLMN_1,<br>C_LAC_1, CellOpt_01, CellChDes_02,<br>CellChDes_03, C_CellReselectHys12,<br>C_MaxPwrLvIG, C_MaxPwrLvID,<br>BcchFreqLst_01, BcchFreqLst_Omit,<br>BcchFreqLst_48, BcchFreqLst_Omit,<br>C_noRestablishment, C_BCC, C_NCC,<br>C_Start_Tmsi, TSPX_SDCCH4SubDef,<br>TSPX_CKSNDf, TSPX_RANDDef, C_arfcnA,<br>C_arfcnAd, TSPX_IMSI, C_Test_fh, C_NCCP_2)                                                      |                                                                                                                                            |     |                                                         |
| 4                           | body       | +ltree_sms1                                                                                                                                                                                                                                                                                                                                                                                                                                                                                                                                                                                                                                                          |                                                                                                                                            | 1   |                                                         |
| 5                           |            | +ltree_sms2                                                                                                                                                                                                                                                                                                                                                                                                                                                                                                                                                                                                                                                          |                                                                                                                                            |     |                                                         |
| 6                           |            | +ltree_Release                                                                                                                                                                                                                                                                                                                                                                                                                                                                                                                                                                                                                                                       |                                                                                                                                            |     |                                                         |
| 7                           |            | +ltree_sms1                                                                                                                                                                                                                                                                                                                                                                                                                                                                                                                                                                                                                                                          |                                                                                                                                            |     |                                                         |
| 8                           |            | +ltree_sms3                                                                                                                                                                                                                                                                                                                                                                                                                                                                                                                                                                                                                                                          |                                                                                                                                            |     |                                                         |
| 9                           |            | +ChanRel_end( TCV_ch)                                                                                                                                                                                                                                                                                                                                                                                                                                                                                                                                                                                                                                                |                                                                                                                                            |     |                                                         |
|                             |            | <b>ltree_Release</b>                                                                                                                                                                                                                                                                                                                                                                                                                                                                                                                                                                                                                                                 |                                                                                                                                            |     |                                                         |
| 10                          |            | +ChanRel( TCV_ch)                                                                                                                                                                                                                                                                                                                                                                                                                                                                                                                                                                                                                                                    |                                                                                                                                            |     |                                                         |
| 11                          |            | (TCV_Null := OM_CphMd( TCV_ch, CphMod_02,<br>TCV_CphKey))                                                                                                                                                                                                                                                                                                                                                                                                                                                                                                                                                                                                            |                                                                                                                                            |     |                                                         |
|                             |            | <b>ltree_Environment</b>                                                                                                                                                                                                                                                                                                                                                                                                                                                                                                                                                                                                                                             |                                                                                                                                            |     |                                                         |
| 12                          |            | +Wait(C_T_Wait1)                                                                                                                                                                                                                                                                                                                                                                                                                                                                                                                                                                                                                                                     |                                                                                                                                            |     |                                                         |
| 13                          |            | +RRmtcallprepare( TimingAdv( 0),<br>TSPX_RANDDef)                                                                                                                                                                                                                                                                                                                                                                                                                                                                                                                                                                                                                    |                                                                                                                                            |     |                                                         |
| 14                          |            | +ltree_set_sapi3_SDCCH_MT                                                                                                                                                                                                                                                                                                                                                                                                                                                                                                                                                                                                                                            |                                                                                                                                            |     |                                                         |
| 15                          |            | (TCV_ti_v_2:= '000'B, TCV_chSms:=TCV_ch)                                                                                                                                                                                                                                                                                                                                                                                                                                                                                                                                                                                                                             |                                                                                                                                            |     |                                                         |
|                             |            | <b>ltree_sms1</b>                                                                                                                                                                                                                                                                                                                                                                                                                                                                                                                                                                                                                                                    |                                                                                                                                            |     |                                                         |
| 16                          |            | +ltree_Environment                                                                                                                                                                                                                                                                                                                                                                                                                                                                                                                                                                                                                                                   |                                                                                                                                            |     |                                                         |
| 17                          |            | LIDL_DatRqCpData START T_dly( 25000)                                                                                                                                                                                                                                                                                                                                                                                                                                                                                                                                                                                                                                 | DatRqCpData(<br>CpDataPdu_01(<br>TI_07( TCV_ti_v_2),<br>CpData_05(<br>TCV_TPOA1,<br>TCV_RPOA_MT,<br>TCV_Rpmr,<br>C_Tzone0)),<br>TCV_chSms) |     | CP-DATA(RP-Data SMS<br>DELIVER), n->ms<br>class 2 MT-SM |
| 18                          | L_080<br>7 | ?TIMEOUT T_dly                                                                                                                                                                                                                                                                                                                                                                                                                                                                                                                                                                                                                                                       |                                                                                                                                            | (F) |                                                         |
| 19                          |            | L?DL_DatInCpDataAck START T_dly( 60000)                                                                                                                                                                                                                                                                                                                                                                                                                                                                                                                                                                                                                              | DatInCpDataAck(<br>CpDataAckPdu_01(<br>TI_08( TCV_ti_v_2)))                                                                                |     | CP-ACK ms->n                                            |

|    |            |                                                                 |                                                                                                 |     |                                                                 |
|----|------------|-----------------------------------------------------------------|-------------------------------------------------------------------------------------------------|-----|-----------------------------------------------------------------|
| 20 |            | <b>ltree_sms2</b><br>(TCV_Res := OO_SIMSimulAttIndOK())         |                                                                                                 |     | ME attempt to store SM on SIM? Status OK ('9000')               |
| 21 | L_080<br>8 | [NOT TCV_Res]                                                   |                                                                                                 | (F) |                                                                 |
| 22 |            | [TCV_Res]                                                       |                                                                                                 |     |                                                                 |
| 23 | L_080<br>9 | ?TIMEOUT T_dly                                                  |                                                                                                 | (F) |                                                                 |
| 24 |            | L?DL_DatInCpData CANCEL T_dly                                   | DatInCpData(<br>TCV_chSms,<br>CpDataPdu_02(<br>TI_08( TCV_ti_v_2),<br>CpData_02(<br>TCV_Rpmr))) |     | CP-DATA(RP-Ack) ms->n                                           |
| 25 |            | LIDL_DatRqCpDataAck                                             | DatRqCpDataAck(<br>CpDataAckPdu_02(<br>TI_07( TCV_ti_v_2),<br>TCV_chSms)                        |     | CP-ACK n->ms                                                    |
| 26 |            | <b>ltree_sms3</b><br>(TCV_Res := OO_SIMSimulAttIndMemProblem()) |                                                                                                 |     | ME attempt to store SM on SIM? Status 'memory problem' ('9240') |
| 27 | L_081<br>0 | [NOT TCV_Res]                                                   |                                                                                                 | (F) |                                                                 |
| 28 |            | [TCV_Res]                                                       |                                                                                                 |     |                                                                 |
| 29 |            | [TSPC_StoreRcvSMSME]                                            |                                                                                                 |     |                                                                 |
| 30 | L_081<br>1 | ?TIMEOUT T_dly                                                  |                                                                                                 | (F) |                                                                 |
| 31 |            | L?DL_DatInCpData CANCEL T_dly                                   | DatInCpData(<br>TCV_chSms,<br>CpDataPdu_02(<br>TI_08( TCV_ti_v_2),<br>CpData_07(<br>TCV_Rpmr))) |     | CP-DATA(RP-Error: Protocol Error, unspecified)                  |
| 32 |            | LIDL_DatRqCpDataAck                                             | DatRqCpDataAck(<br>CpDataAckPdu_02(<br>TI_07( TCV_ti_v_2),<br>TCV_chSms)                        |     | CP-ACK n->ms                                                    |
| 33 |            | [NOT TSPC_StoreRcvSMSME]                                        |                                                                                                 |     |                                                                 |
| 34 | L_081<br>2 | ?TIMEOUT T_dly                                                  |                                                                                                 | (F) |                                                                 |
| 35 |            | L?DL_DatInCpData CANCEL T_dly                                   | DatInCpData(<br>TCV_chSms,<br>CpDataPdu_02(<br>TI_08( TCV_ti_v_2),<br>CpData_08(<br>TCV_Rpmr))) |     | CP-DATA(RP-Error: Memory capacity exceeded)                     |
| 36 |            | LIDL_DatRqCpDataAck                                             | DatRqCpDataAck(<br>CpDataAckPdu_02(<br>TI_07( TCV_ti_v_2),<br>TCV_chSms)                        |     | CP-ACK n->ms                                                    |
| 37 |            | <b>ltree_set_sapi3_SDCCH_MT</b><br>LIDL_EstRq                   | DLEstRq(TCV_ch)                                                                                 |     |                                                                 |
| 38 |            | L?DL_EstCo                                                      | DLEstCo(TCV_ch)                                                                                 |     |                                                                 |

Detailed Comments:

| Test Case Dynamic Behaviour |            |                                                                                                                                                                                                                                                                                                                                                                                                                                                                                                                                                                                                                  |                               |     |          |
|-----------------------------|------------|------------------------------------------------------------------------------------------------------------------------------------------------------------------------------------------------------------------------------------------------------------------------------------------------------------------------------------------------------------------------------------------------------------------------------------------------------------------------------------------------------------------------------------------------------------------------------------------------------------------|-------------------------------|-----|----------|
| <b>Test Case Name:</b>      |            | TC_34_2_7                                                                                                                                                                                                                                                                                                                                                                                                                                                                                                                                                                                                        |                               |     |          |
| <b>Group:</b>               |            | GSM_L3_MS_v4210/SM/                                                                                                                                                                                                                                                                                                                                                                                                                                                                                                                                                                                              |                               |     |          |
| <b>Purpose:</b>             |            | To verify the correct implementation of the replace mechanism for Replace Short Messages.                                                                                                                                                                                                                                                                                                                                                                                                                                                                                                                        |                               |     |          |
| <b>Default:</b>             |            | OtherEventsFail                                                                                                                                                                                                                                                                                                                                                                                                                                                                                                                                                                                                  |                               |     |          |
| Nr                          | Label      | Behaviour Description                                                                                                                                                                                                                                                                                                                                                                                                                                                                                                                                                                                            | CRef                          | V   | Comments |
| 1                           |            | START T_guard(300)                                                                                                                                                                                                                                                                                                                                                                                                                                                                                                                                                                                               |                               |     |          |
| 2                           |            | (TCV_Null:=OO_EmptyMessageStorage(),<br>TCV_TPOA1:='1111111111'O,<br>TCV_TPOA2:='2222222222'O,<br>TCV_RPOA1:='3333333333'O,<br>TCV_RPOA2:='4444444444'O, TCV_Rpmr:='00'O)                                                                                                                                                                                                                                                                                                                                                                                                                                        |                               |     |          |
| 3                           |            | +IdleUpdated( C_E_default, C_CellA, C_SCH_A,<br>C_BCCH_A_1, C_Immass, C_S0, C_SlotNU,<br>C_SlotNU, C_SlotNU, C_BCC, C_TxInt_5,<br>C_Max_1, C_NECL_0, C_ATT_0, TimingAdv( 0),<br>C_BABR_0, C_cch_1Comb, C_BPM_3,<br>C_T3212_0, C_ci_cellA, C_MCC_1, C_PLMN_1,<br>C_LAC_1, CellOpt_01, CellChDes_02,<br>CellChDes_03, C_CellReselectHys12,<br>C_MaxPwrLvIG, C_MaxPwrLvID,<br>BcchFreqLst_01, BcchFreqLst_Omit,<br>BcchFreqLst_48, BcchFreqLst_Omit,<br>C_noRestablishment, C_BCC, C_NCC,<br>C_Start_Tmsi, TSPX_SDCCH4SubDef,<br>TSPX_CKSNDf, TSPX_RANDDef, C_arfcnA,<br>C_arfcnAd, TSPX_IMSI, C_Test_fh, C_NCCP_2) |                               |     |          |
| 4                           |            | REPEAT Itree_RandomTypes UNTIL [NOT(<br>TCV_SMTypeM = TCV_SMTypeN)]                                                                                                                                                                                                                                                                                                                                                                                                                                                                                                                                              |                               |     |          |
| 5                           | body       | +Itree_part1                                                                                                                                                                                                                                                                                                                                                                                                                                                                                                                                                                                                     |                               |     |          |
| 6                           |            | +ChanRel_end( TCV_ch)                                                                                                                                                                                                                                                                                                                                                                                                                                                                                                                                                                                            |                               |     |          |
|                             |            | <b>Itree_RandomTypes</b>                                                                                                                                                                                                                                                                                                                                                                                                                                                                                                                                                                                         |                               |     |          |
| 7                           |            | (TCV_SMTypeM:=OC_Random(1, 7),<br>TCV_SMTypeN:=OC_Random(1, 7))                                                                                                                                                                                                                                                                                                                                                                                                                                                                                                                                                  |                               |     |          |
|                             |            | <b>Itree_part1</b>                                                                                                                                                                                                                                                                                                                                                                                                                                                                                                                                                                                               |                               |     |          |
| 8                           |            | +Itree_sms1( "First short message. ")                                                                                                                                                                                                                                                                                                                                                                                                                                                                                                                                                                            |                               |     |          |
| 9                           |            | +Itree_Release                                                                                                                                                                                                                                                                                                                                                                                                                                                                                                                                                                                                   |                               |     |          |
| 10                          |            | +Itree_sms1( "Second short message. ")                                                                                                                                                                                                                                                                                                                                                                                                                                                                                                                                                                           |                               |     |          |
| 11                          |            | +Itree_Release                                                                                                                                                                                                                                                                                                                                                                                                                                                                                                                                                                                                   |                               |     |          |
| 12                          |            | +Itree_sms1( "Third short message. ")                                                                                                                                                                                                                                                                                                                                                                                                                                                                                                                                                                            |                               |     |          |
| 13                          |            | +Itree_Release                                                                                                                                                                                                                                                                                                                                                                                                                                                                                                                                                                                                   |                               |     |          |
| 14                          |            | +Itree_sms1( "Fourth short message. ")                                                                                                                                                                                                                                                                                                                                                                                                                                                                                                                                                                           |                               |     |          |
| 15                          |            | +Itree_Release                                                                                                                                                                                                                                                                                                                                                                                                                                                                                                                                                                                                   |                               |     |          |
| 16                          |            | +Itree_sms1( "Fifth short message. ")                                                                                                                                                                                                                                                                                                                                                                                                                                                                                                                                                                            |                               |     |          |
| 17                          |            | (TCV_Res :=<br>OO_CheckAllSMPresentBut4th())                                                                                                                                                                                                                                                                                                                                                                                                                                                                                                                                                                     |                               |     |          |
| 18                          | L_081<br>3 | [NOT TCV_Res]                                                                                                                                                                                                                                                                                                                                                                                                                                                                                                                                                                                                    |                               | (F) |          |
| 19                          | L_081<br>4 | [TCV_Res]                                                                                                                                                                                                                                                                                                                                                                                                                                                                                                                                                                                                        |                               | (P) |          |
|                             |            | <b>Itree_Release</b>                                                                                                                                                                                                                                                                                                                                                                                                                                                                                                                                                                                             |                               |     |          |
| 20                          |            | +ChanRel( TCV_ch)                                                                                                                                                                                                                                                                                                                                                                                                                                                                                                                                                                                                |                               |     |          |
| 21                          |            | (TCV_Null := OM_CphMd( TCV_ch, CphMod_02,<br>TCV_CphKey))                                                                                                                                                                                                                                                                                                                                                                                                                                                                                                                                                        |                               |     |          |
|                             |            | <b>Itree_Environment</b>                                                                                                                                                                                                                                                                                                                                                                                                                                                                                                                                                                                         |                               |     |          |
| 22                          |            | +Wait(C_T_Wait1)                                                                                                                                                                                                                                                                                                                                                                                                                                                                                                                                                                                                 |                               |     |          |
| 23                          |            | +RRmtcallprepare(TimingAdv( 0), TSPX_RANDDef)                                                                                                                                                                                                                                                                                                                                                                                                                                                                                                                                                                    |                               |     |          |
| 24                          |            | +Itree_set_sapi3_SDCCH_MT                                                                                                                                                                                                                                                                                                                                                                                                                                                                                                                                                                                        |                               |     |          |
| 25                          |            | (TCV_ti_v_2:='000'B, TCV_chSms:=TCV_ch)                                                                                                                                                                                                                                                                                                                                                                                                                                                                                                                                                                          |                               |     |          |
|                             |            | <b>Itree_sms1( text: IA5String)</b>                                                                                                                                                                                                                                                                                                                                                                                                                                                                                                                                                                              |                               |     |          |
| 26                          |            | +Itree_Environment                                                                                                                                                                                                                                                                                                                                                                                                                                                                                                                                                                                               |                               |     |          |
| 27                          |            | LIDL_DatRqCpData START T_dly( 25000)                                                                                                                                                                                                                                                                                                                                                                                                                                                                                                                                                                             | DatRqCpData(<br>CpDataPdu_16( |     | RP-Data  |

|                           |            |                                               |                                                                                                                 |     |        |
|---------------------------|------------|-----------------------------------------------|-----------------------------------------------------------------------------------------------------------------|-----|--------|
| 28                        | L_081<br>5 | ?TIMEOUT T_dly                                | TCV_TPOA1,<br>TCV_RPOA1,<br>TCV_SMTTypeN, text,<br>TI_07( TCV_ti_v_2),<br>TCV_Rpmr,<br>C_Tzone1),<br>TCV_chSms) | (F) |        |
| 29                        |            | L?DL_DatInCpDataAck START T_dly( 60000)       | DatInCpDataAck(<br>CpDataAckPdu_01(<br>TI_08( TCV_ti_v_2)))                                                     |     |        |
| 30                        | L_081<br>6 | ?TIMEOUT T_dly                                |                                                                                                                 | (F) |        |
| 31                        |            | L?DL_DatInCpData CANCEL T_dly                 | DatInCpData(<br>TCV_chSms,<br>CpDataPdu_02(<br>TI_08( TCV_ti_v_2),<br>CpData_02(<br>TCV_Rpmr)))                 |     | RP-Ack |
| 32                        |            | L!DL_DatRqCpDataAck                           | DatRqCpDataAck(<br>CpDataAckPdu_02(<br>TI_07( TCV_ti_v_2)),<br>TCV_chSms)                                       |     |        |
| 33                        |            | <b>Itree_set_sapi3_SDCCH_MT</b><br>L!DL_EstRq | DLEstRq(TCV_ch)                                                                                                 |     |        |
| 34                        |            | L?DL_EstCo                                    | DLEstCo(TCV_ch)                                                                                                 |     |        |
| <b>Detailed Comments:</b> |            |                                               |                                                                                                                 |     |        |



| Test Case Dynamic Behaviour |       |                                                                                                                                                                                                                                                                                                                                                                                                                                                                                                                                                                                                                  |                                                                                                                                                 |   |                                                                                                                                        |
|-----------------------------|-------|------------------------------------------------------------------------------------------------------------------------------------------------------------------------------------------------------------------------------------------------------------------------------------------------------------------------------------------------------------------------------------------------------------------------------------------------------------------------------------------------------------------------------------------------------------------------------------------------------------------|-------------------------------------------------------------------------------------------------------------------------------------------------|---|----------------------------------------------------------------------------------------------------------------------------------------|
| <b>Test Case Name:</b>      |       | TC_34_2_8                                                                                                                                                                                                                                                                                                                                                                                                                                                                                                                                                                                                        |                                                                                                                                                 |   |                                                                                                                                        |
| <b>Group:</b>               |       | GSM_L3_MS_v4210/SM/                                                                                                                                                                                                                                                                                                                                                                                                                                                                                                                                                                                              |                                                                                                                                                 |   |                                                                                                                                        |
| <b>Purpose:</b>             |       | To verify that the MS is able to send a Reply Short Message back to the correct originating SME even if in the meantime it receives another Short Message.                                                                                                                                                                                                                                                                                                                                                                                                                                                       |                                                                                                                                                 |   |                                                                                                                                        |
| <b>Default:</b>             |       | OtherEventsFail                                                                                                                                                                                                                                                                                                                                                                                                                                                                                                                                                                                                  |                                                                                                                                                 |   |                                                                                                                                        |
| Nr                          | Label | Behaviour Description                                                                                                                                                                                                                                                                                                                                                                                                                                                                                                                                                                                            | CRef                                                                                                                                            | V | Comments                                                                                                                               |
| 1                           |       | START T_guard(300)                                                                                                                                                                                                                                                                                                                                                                                                                                                                                                                                                                                               |                                                                                                                                                 |   |                                                                                                                                        |
| 2                           |       | (TCV_Null := OO_EmptyMessageStorage(),<br>TCV_RPOA1 := '1111111111'O, TCV_RPOA2 :=<br>'2222222222'O, TCV_RPDA_MT := '3333333333'O,<br>TCV_TPOA1 := '4444444444'O, TCV_TPOA2 :=<br>'5555555555'O, TCV_RPOA_MO :=<br>TCV_RPDA_MT, TCV_RPDA_MO := TCV_RPOA1,<br>TCV_TPDA := TCV_TPOA1, TCV_Rpmr := '00'O)                                                                                                                                                                                                                                                                                                           |                                                                                                                                                 |   | n->ms, 1st SM<br>n->ms, 2nd SM<br>n->ms, both<br>n->ms, 1st SM<br>n->ms, 2nd SM<br>ms->n, both<br>ms->n, 1st reply<br>ms->n, 1st reply |
| 3                           |       | +IdleUpdated( C_E_default, C_CellA, C_SCH_A,<br>C_BCCH_A_1, C_ImmAss, C_S0, C_SlotNU,<br>C_SlotNU, C_SlotNU, C_BCC, C_TxInt_5,<br>C_Max_1, C_NECl_0, C_ATT_0, TimingAdv( 0),<br>C_BABR_0, C_cch_1Comb, C_BPM_3,<br>C_T3212_0, C_ci_cellA, C_MCC_1, C_PLMN_1,<br>C_LAC_1, CellOpt_01, CellChDes_02,<br>CellChDes_03, C_CellReselectHys12,<br>C_MaxPwrLvlG, C_MaxPwrLvlD,<br>BcchFreqLst_01, BcchFreqLst_Omit,<br>BcchFreqLst_48, BcchFreqLst_Omit,<br>C_noRestablishment, C_BCC, C_NCC,<br>C_Start_Tmsi, TSPX_SDCCH4SubDef,<br>TSPX_CKSNDf, TSPX_RANDDef, C_arfcnA,<br>C_arfcnAd, TSPX_IMSI, C_Test_fh, C_NCCP_2) |                                                                                                                                                 |   |                                                                                                                                        |
| 4                           | body  | +ltree_part1                                                                                                                                                                                                                                                                                                                                                                                                                                                                                                                                                                                                     |                                                                                                                                                 |   |                                                                                                                                        |
| 5                           |       | +ltree_part2                                                                                                                                                                                                                                                                                                                                                                                                                                                                                                                                                                                                     |                                                                                                                                                 |   |                                                                                                                                        |
| 6                           |       | +ChanRel_end( TCV_ch)                                                                                                                                                                                                                                                                                                                                                                                                                                                                                                                                                                                            |                                                                                                                                                 |   |                                                                                                                                        |
|                             |       | <b>ltree_Release</b>                                                                                                                                                                                                                                                                                                                                                                                                                                                                                                                                                                                             |                                                                                                                                                 |   |                                                                                                                                        |
| 7                           |       | +ChanRel( TCV_ch)                                                                                                                                                                                                                                                                                                                                                                                                                                                                                                                                                                                                |                                                                                                                                                 |   |                                                                                                                                        |
| 8                           |       | (TCV_Null := OM_CphMd( TCV_ch, CphMod_02,<br>TCV_CphKey))                                                                                                                                                                                                                                                                                                                                                                                                                                                                                                                                                        |                                                                                                                                                 |   |                                                                                                                                        |
|                             |       | <b>ltree_Environment1</b>                                                                                                                                                                                                                                                                                                                                                                                                                                                                                                                                                                                        |                                                                                                                                                 |   |                                                                                                                                        |
| 9                           |       | +Wait(C_T_Wait1)                                                                                                                                                                                                                                                                                                                                                                                                                                                                                                                                                                                                 |                                                                                                                                                 |   |                                                                                                                                        |
| 10                          |       | +RRmtcallprepare( TimingAdv( 0),<br>TSPX_RANDDef)                                                                                                                                                                                                                                                                                                                                                                                                                                                                                                                                                                |                                                                                                                                                 |   |                                                                                                                                        |
| 11                          |       | +ltree_set_sapi3_SDCCH_MT                                                                                                                                                                                                                                                                                                                                                                                                                                                                                                                                                                                        |                                                                                                                                                 |   |                                                                                                                                        |
| 12                          |       | (TCV_ti_v_2 := '000'B, TCV_chSms := TCV_ch)                                                                                                                                                                                                                                                                                                                                                                                                                                                                                                                                                                      |                                                                                                                                                 |   |                                                                                                                                        |
|                             |       | <b>ltree_Environment2</b>                                                                                                                                                                                                                                                                                                                                                                                                                                                                                                                                                                                        |                                                                                                                                                 |   |                                                                                                                                        |
| 13                          |       | L?DL_RaInChRq( TCV_Rr := DL_RaInChRq.<br>msg.ecau_rrf, TCV_Fn := DL_RaInChRq.fn)                                                                                                                                                                                                                                                                                                                                                                                                                                                                                                                                 | ChReq(<br>ChRequest_15)                                                                                                                         |   |                                                                                                                                        |
| 14                          |       | ACTIVATE(OtherEventsFail_02)                                                                                                                                                                                                                                                                                                                                                                                                                                                                                                                                                                                     |                                                                                                                                                 |   | To match ChReq retrans.                                                                                                                |
| 15                          |       | LIDL_UdatRqImmAss                                                                                                                                                                                                                                                                                                                                                                                                                                                                                                                                                                                                | ImmAss( TCV_agch,<br>ImmAsgn_01Def(<br>TCV_Rr, TCV_Fn,<br>TSPX_SDCCH4SubD<br>ef, TCV_slot,<br>TCV_tsc,<br>TCV_chdescr_arfcn,<br>TimingAdv( 0))) |   |                                                                                                                                        |
| 16                          |       | L?DL_EstInCmsRq                                                                                                                                                                                                                                                                                                                                                                                                                                                                                                                                                                                                  | CMSerReq(<br>CMSerReq_09)                                                                                                                       |   |                                                                                                                                        |
| 17                          |       | ACTIVATE(OtherEventsFail)                                                                                                                                                                                                                                                                                                                                                                                                                                                                                                                                                                                        |                                                                                                                                                 |   | Restore normal default<br>tree                                                                                                         |
| 18                          |       | +Authentication(TCV_ch, TCV_cksN,<br>TSPX_RANDDef)                                                                                                                                                                                                                                                                                                                                                                                                                                                                                                                                                               |                                                                                                                                                 |   |                                                                                                                                        |
| 19                          |       | +Cipherring_on(TCV_ch)                                                                                                                                                                                                                                                                                                                                                                                                                                                                                                                                                                                           |                                                                                                                                                 |   |                                                                                                                                        |
| 20                          |       | +ltree_set_sapi3_SDCCH_MO                                                                                                                                                                                                                                                                                                                                                                                                                                                                                                                                                                                        |                                                                                                                                                 |   |                                                                                                                                        |
|                             |       | <b>ltree_part1</b>                                                                                                                                                                                                                                                                                                                                                                                                                                                                                                                                                                                               |                                                                                                                                                 |   |                                                                                                                                        |

|    |            |                                                                                                                     |                                                                                                                        |                                     |
|----|------------|---------------------------------------------------------------------------------------------------------------------|------------------------------------------------------------------------------------------------------------------------|-------------------------------------|
| 21 |            | +ltree_sms1( TCV_TPOA1, TCV_RPOA1, "The first short message. ")                                                     |                                                                                                                        |                                     |
| 22 |            | (TCV_CB1 := TCV_SMcntns)                                                                                            |                                                                                                                        |                                     |
| 23 |            | +ltree_Release                                                                                                      |                                                                                                                        |                                     |
| 24 |            | [TSPC_StoreRcvSMSME OR<br>TSPC_StoreRcvSMSSIM]                                                                      |                                                                                                                        | SM can be stored                    |
| 25 |            | +ltree_sms1( TCV_TPOA2, TCV_RPOA2,<br>"The second short message. ")                                                 |                                                                                                                        |                                     |
| 26 |            | (TCV_CB2 := TCV_SMcntns)                                                                                            |                                                                                                                        |                                     |
| 27 |            | +ltree_Release                                                                                                      |                                                                                                                        |                                     |
| 28 |            | [NOT(TSPC_StoreRcvSMSME) AND<br>NOT(TSPC_StoreRcvSMSSIM)]                                                           |                                                                                                                        | SM cannot be stored                 |
|    |            | <b>ltree_part2</b>                                                                                                  |                                                                                                                        |                                     |
| 29 |            | (TCV_CB3 := OO_DisplaySMAndSendReplySM( 1,<br>160, TCV_CB1))                                                        |                                                                                                                        | TCV_CB3 holds the 1st<br>reply data |
| 30 |            | +ltree_sms2( TCV_CB3)                                                                                               |                                                                                                                        | Reply SM                            |
| 31 |            | +ltree_Release                                                                                                      |                                                                                                                        |                                     |
| 32 |            | [TSPC_StoreRcvSMSME OR<br>TSPC_StoreRcvSMSSIM]                                                                      |                                                                                                                        | SM can be stored                    |
| 33 |            | (TCV_RPDA_MO := TCV_RPOA2,<br>TCV_TPDA := TCV_TPOA2, TCV_CB4 :=<br>OO_DisplaySMAndSendReplySM( 2, 160,<br>TCV_CB2)) |                                                                                                                        |                                     |
| 34 |            | +ltree_sms2( TCV_CB4)                                                                                               |                                                                                                                        | Reply SM                            |
| 35 |            | [NOT(TSPC_StoreRcvSMSME) AND<br>NOT(TSPC_StoreRcvSMSSIM)]                                                           |                                                                                                                        | SM cannot be stored                 |
|    |            | <b>ltree_sms1( tpoa1: BCDN; rpoa_mt: BCDN; text:<br/>IA5String)</b>                                                 |                                                                                                                        |                                     |
| 36 |            | +ltree_Environment1                                                                                                 |                                                                                                                        |                                     |
| 37 |            | L!DL_DatRqCpData ( TCV_SMcntns :=<br>DL_DatRqCpData.msg.CPdata.rpdata.rpusdat.tpde<br>liver.ud) START T_dly( 25000) | DatRqCpData(<br>CpDataPdu_17(<br>tpoa1, rpoa_mt, text,<br>TI_07( TCV_ti_v_2),<br>TCV_Rpmr,<br>C_Tzone6),<br>TCV_chSms) | RP-Data                             |
| 38 | L_081<br>7 | ?TIMEOUT T_dly                                                                                                      |                                                                                                                        | (F)                                 |
| 39 | L_081<br>8 | L?DL_DatInCpDataAck START T_dly( 60000)                                                                             | DatInCpDataAck(<br>CpDataAckPdu_01(<br>TI_08( TCV_ti_v_2)))                                                            | (P)                                 |
| 40 | L_081<br>9 | ?TIMEOUT T_dly                                                                                                      |                                                                                                                        | (F)                                 |
| 41 | L_082<br>0 | L?DL_DatInCpData CANCEL T_dly                                                                                       | DatInCpData(<br>TCV_chSms,<br>CpDataPdu_02(<br>TI_08( TCV_ti_v_2),<br>CpData_02(<br>TCV_Rpmr)))                        | (P) RP-Ack                          |
| 42 |            | L!DL_DatRqCpDataAck                                                                                                 | DatRqCpDataAck(<br>CpDataAckPdu_02(<br>TI_07( TCV_ti_v_2)),<br>TCV_chSms)                                              |                                     |
|    |            | <b>ltree_sms2( tpud:TPUD)</b>                                                                                       |                                                                                                                        |                                     |
| 43 |            | +ltree_Environment2                                                                                                 |                                                                                                                        |                                     |
| 44 |            | L?DL_DatInCpData( TCV_Rpmr :=<br>DL_DatInCpData.msg.CPdata.rpdata.rpmr,<br>TCV_ti_v := DL_DatInCpData.msg.ti.v)     | DatInCpData(<br>TCV_chSms,<br>CpDataPdu_18(<br>TCV_TPDA,TCV_RP<br>DA_MT, tpud))                                        | RP-Data, TP-submit                  |
| 45 |            | L!DL_DatRqCpDataAck                                                                                                 | DatRqCpDataAck(<br>CpDataAckPdu_01(<br>TI_08( TCV_ti_v)),<br>TCV_chSms)                                                |                                     |
| 46 |            | L!DL_DatRqCpData START T_dly(25000)                                                                                 | DatRqCpData(<br>CpDataPdu_02(<br>TI_08( TCV_ti_v),<br>CpData_04(<br>TCV_Rpmr)),                                        | RP-Ack                              |

|                           |            |                                  |                                                           |     |  |
|---------------------------|------------|----------------------------------|-----------------------------------------------------------|-----|--|
| 47                        | L_082<br>1 | ?TIMEOUT T_dly                   | TCV_chSms)                                                | (F) |  |
| 48                        | L_082<br>2 | L?DL_DatInCpDataAck CANCEL T_dly | DatInCpDataAck(<br>CpDataAckPdu_02(<br>TI_07( TCV_ti_v))) | (P) |  |
|                           |            | <b>Itree_set_sapi3_SDCCH_MT</b>  |                                                           |     |  |
| 49                        |            | L!DL_EstRq                       | DLEstRq( TCV_ch)                                          |     |  |
| 50                        |            | L?DL_EstCo                       | DLEstCo( TCV_ch)                                          |     |  |
|                           |            | <b>Itree_set_sapi3_SDCCH_MO</b>  |                                                           |     |  |
| 51                        |            | L?DL_EstIn                       | DLEstInd_2( TCV_ch)                                       |     |  |
| <b>Detailed Comments:</b> |            |                                  |                                                           |     |  |

| Test Case Dynamic Behaviour |            |                                                                                                                                                                                                                                                                                                                                                                                                                                                                                                                                                                        |      |     |                                          |
|-----------------------------|------------|------------------------------------------------------------------------------------------------------------------------------------------------------------------------------------------------------------------------------------------------------------------------------------------------------------------------------------------------------------------------------------------------------------------------------------------------------------------------------------------------------------------------------------------------------------------------|------|-----|------------------------------------------|
| <b>Test Case Name:</b>      |            | TC_34_3                                                                                                                                                                                                                                                                                                                                                                                                                                                                                                                                                                |      |     |                                          |
| <b>Group:</b>               |            | GSM_L3_MS_v4210/SM/                                                                                                                                                                                                                                                                                                                                                                                                                                                                                                                                                    |      |     |                                          |
| <b>Purpose:</b>             |            | This test verifies that an MS is able to receive SMS-CB messages.<br>This test verifies that a MS is able to respond to a paging requested during the transmission of a cell broadcast short message.                                                                                                                                                                                                                                                                                                                                                                  |      |     |                                          |
| <b>Default:</b>             |            | OtherEventsFail                                                                                                                                                                                                                                                                                                                                                                                                                                                                                                                                                        |      |     |                                          |
| Nr                          | Label      | Behaviour Description                                                                                                                                                                                                                                                                                                                                                                                                                                                                                                                                                  | CRef | V   | Comments                                 |
| 1                           |            | START T_guard(300)                                                                                                                                                                                                                                                                                                                                                                                                                                                                                                                                                     |      |     |                                          |
| 2                           |            | (TCV_CBch := C_CBCH_A)                                                                                                                                                                                                                                                                                                                                                                                                                                                                                                                                                 |      |     |                                          |
| 3                           |            | +IdleUpdated( C_E_default, C_CellA, C_SCH_A, C_BCCH_A_1, C_Immass, C_S0, C_SlotNU, C_SlotNU, C_SlotNU, C_BCC, C_TxInt_5, C_Max_1, C_NECI_0, C_ATT_0, TimingAdv( 0), C_BABR_0, C_cch_1Comb, C_BPM_0, C_T3212_0, C_ci_cellA, C_MCC_1, C_PLMN_1, C_LAC_1, CellOpt_01, CellChDes_02, CellChDes_03, C_CellReselectHys12, C_MaxPwrLvIG, C_MaxPwrLvID, BcchFreqLst_01, BcchFreqLst_Omit, BcchFreqLst_48, BcchFreqLst_Omit, C_Restablishment, C_BCC, C_NCC, C_Start_Tmsi, TSPX_SDCCH4SubDef, TSPX_CKSNDf, TSPX_RANDDef, C_arfcnA, C_arfcnAd, TSPX_IMSI, C_Test_cbms, C_NCCP_2) |      |     |                                          |
| 4                           | body       | +ltree_body                                                                                                                                                                                                                                                                                                                                                                                                                                                                                                                                                            |      |     |                                          |
|                             |            | <b>ltree_body</b>                                                                                                                                                                                                                                                                                                                                                                                                                                                                                                                                                      |      |     |                                          |
| 5                           |            | +SendSMSCBMessage( SerialNumber_01)                                                                                                                                                                                                                                                                                                                                                                                                                                                                                                                                    |      |     | Send cell broadcast message              |
| 6                           |            | (TCV_Res := OO_CheckCBSMReceived( 93, TCV_SMSCBpack))                                                                                                                                                                                                                                                                                                                                                                                                                                                                                                                  |      |     |                                          |
| 7                           | L_082<br>3 | [NOT TCV_Res]                                                                                                                                                                                                                                                                                                                                                                                                                                                                                                                                                          |      | (F) |                                          |
| 8                           | L_082<br>4 | [TCV_Res]                                                                                                                                                                                                                                                                                                                                                                                                                                                                                                                                                              |      | (P) |                                          |
| 9                           |            | +SendSMSCBMessage( SerialNumber_02)                                                                                                                                                                                                                                                                                                                                                                                                                                                                                                                                    |      |     | Send cell broadcast message              |
| 10                          |            | (TCV_Res := OO_CheckCBSMReceived( 93,TCV_SMSCBpack))                                                                                                                                                                                                                                                                                                                                                                                                                                                                                                                   |      |     |                                          |
| 11                          | L_082<br>5 | [NOT TCV_Res]                                                                                                                                                                                                                                                                                                                                                                                                                                                                                                                                                          |      | (F) |                                          |
| 12                          | L_082<br>6 | [TCV_Res]                                                                                                                                                                                                                                                                                                                                                                                                                                                                                                                                                              |      | (P) |                                          |
| 13                          |            | +SendSMSCBMessage( SerialNumber_03)                                                                                                                                                                                                                                                                                                                                                                                                                                                                                                                                    |      |     | Send cell broadcast message              |
| 14                          |            | (TCV_Res := OO_CheckCBSMReceived( 93, TCV_SMSCBpack))                                                                                                                                                                                                                                                                                                                                                                                                                                                                                                                  |      |     |                                          |
| 15                          | L_082<br>7 | [NOT TCV_Res]                                                                                                                                                                                                                                                                                                                                                                                                                                                                                                                                                          |      | (F) |                                          |
| 16                          | L_082<br>8 | [TCV_Res]                                                                                                                                                                                                                                                                                                                                                                                                                                                                                                                                                              |      | (P) |                                          |
| 17                          |            | +ltree_body2                                                                                                                                                                                                                                                                                                                                                                                                                                                                                                                                                           |      |     |                                          |
|                             |            | <b>ltree_body2</b>                                                                                                                                                                                                                                                                                                                                                                                                                                                                                                                                                     |      |     |                                          |
| 18                          |            | +SendSMSCBMessage( SerialNumber_01)                                                                                                                                                                                                                                                                                                                                                                                                                                                                                                                                    |      |     | Send cell broadcast message              |
| 19                          |            | (TCV_Res := OO_CheckCBSMReceived( 93, TCV_SMSCBpack))                                                                                                                                                                                                                                                                                                                                                                                                                                                                                                                  |      |     |                                          |
| 20                          | L_082<br>9 | [NOT TCV_Res]                                                                                                                                                                                                                                                                                                                                                                                                                                                                                                                                                          |      | (F) |                                          |
| 21                          | L_083<br>0 | [TCV_Res]                                                                                                                                                                                                                                                                                                                                                                                                                                                                                                                                                              |      | (P) |                                          |
| 22                          |            | (TCV_Null := OM_SendSMSCBWhilePaging( TCV_CBch))                                                                                                                                                                                                                                                                                                                                                                                                                                                                                                                       |      |     | Send cell broadcast message while paging |
| 23                          |            | +SendSMSCBMessage( SerialNumber_02)                                                                                                                                                                                                                                                                                                                                                                                                                                                                                                                                    |      |     | Send cell broadcast message              |
| 24                          |            | +localtree                                                                                                                                                                                                                                                                                                                                                                                                                                                                                                                                                             |      |     |                                          |

|                           |            |                                                                                           |                                                                                                                           |                                                |
|---------------------------|------------|-------------------------------------------------------------------------------------------|---------------------------------------------------------------------------------------------------------------------------|------------------------------------------------|
| 25                        |            | (TCV_Res := OO_CheckCBSMReceived( 93, TCV_SMSCBpack))                                     |                                                                                                                           |                                                |
| 26                        |            | [NOT TCV_Res]                                                                             |                                                                                                                           |                                                |
| 27                        |            | +localtree2                                                                               |                                                                                                                           |                                                |
| 28                        | L_083<br>1 | [TCV_Res]                                                                                 |                                                                                                                           | (P)                                            |
| 29                        |            | +localtree2                                                                               |                                                                                                                           |                                                |
|                           |            | <b>localtree2</b>                                                                         |                                                                                                                           |                                                |
| 30                        |            | +SendSMSCBMessage( SerialNumber_03)                                                       |                                                                                                                           | Send cell broadcast message                    |
| 31                        |            | (TCV_Res := OO_CheckCBSMReceived( 93, TCV_SMSCBpack))                                     |                                                                                                                           |                                                |
| 32                        | L_083<br>2 | [NOT TCV_Res]                                                                             |                                                                                                                           | (F)                                            |
| 33                        | L_083<br>3 | [TCV_Res]                                                                                 |                                                                                                                           | (P)                                            |
|                           |            | <b>localtree</b>                                                                          |                                                                                                                           |                                                |
| 34                        |            | L!DL_UdatRqPg1Rq                                                                          | PgReq1( TCV_PgCh, TCV_Pgg, PgReqTp1_01)                                                                                   |                                                |
| 35                        |            | START T_dly( 5000)                                                                        |                                                                                                                           |                                                |
| 36                        | L_083<br>4 | ?TIMEOUT T_dly                                                                            |                                                                                                                           | (F)                                            |
| 37                        |            | L?DL_RaInChRq( TCV_Rr := DL_RaInChRq.msg.ecau_rrf, TCV_Fn := DL_RaInChRq.fn) CANCEL T_dly | ChReq( ChRequest_17)                                                                                                      |                                                |
| 38                        |            | L!DL_UdatRqImm                                                                            | ImmAss( TCV_agch, ImmAsgn_01Def( TCV_Rr, TCV_Fn, TSPX_SDCCH4SubDef, TCV_slot, TCV_tsc, TCV_chdescr_arfcn, TimingAdv( 0))) |                                                |
| 39                        |            | L?DL_EstInPgRes                                                                           | PagingRes( PagingRes_01)                                                                                                  |                                                |
| 40                        |            | +ChanRel(TCV_ch)                                                                          |                                                                                                                           |                                                |
|                           |            | <b>SendSMSCBMessage( serial_number:SERIAL_NUMBER)</b>                                     |                                                                                                                           |                                                |
| 41                        |            | L!DL_UdatRqSMSCBData( TCV_CB1 := DL_UdatRqSMSCBData.msg.message_contents)                 | SMSCBReq( TCV_CBch, SMSCB_01( serial_number))                                                                             | First block                                    |
| 42                        |            | L!DL_UdatRqSMSCBData( TCV_CB2 := DL_UdatRqSMSCBData.msg.message_contents)                 | SMSCBReq( TCV_CBch, SMSCB_02( '0001'B, '0'B, 17, 38))                                                                     | Second block, message octets 17 to 38          |
| 43                        |            | L!DL_UdatRqSMSCBData( TCV_CB3 := DL_UdatRqSMSCBData.msg.message_contents)                 | SMSCBReq( TCV_CBch, SMSCB_02( '0010'B, '0'B, 39, 60))                                                                     | Third block, message octets 39 to 60           |
| 44                        |            | L!DL_UdatRqSMSCBData( TCV_CB4 := DL_UdatRqSMSCBData.msg.message_contents)                 | SMSCBReq( TCV_CBch, SMSCB_02( '0011'B, '1'B, 61, 82))                                                                     | Fourth and last block, message octets 61 to 82 |
| 45                        |            | (TCV_SMSCBpack := SMSCBdata( TCV_CB1, TCV_CB2, TCV_CB3, TCV_CB4))                         |                                                                                                                           | 4 blocks data                                  |
| <b>Detailed Comments:</b> |            |                                                                                           |                                                                                                                           |                                                |

Test Step Library

Test Step Group management

| Test Step Dynamic Behaviour                                                             |       |                                                                                                                              |      |   |          |
|-----------------------------------------------------------------------------------------|-------|------------------------------------------------------------------------------------------------------------------------------|------|---|----------|
| <b>Test Step Name:</b> StopAllBCCH                                                      |       |                                                                                                                              |      |   |          |
| <b>Group:</b> GSM_L3_MS_v4210/management/                                               |       |                                                                                                                              |      |   |          |
| <b>Objective:</b> To stop the RF transmission of all BCCH channels in all active cells. |       |                                                                                                                              |      |   |          |
| <b>Default:</b> OtherEventsFail                                                         |       |                                                                                                                              |      |   |          |
| Nr                                                                                      | Label | Behaviour Description                                                                                                        | CRef | V | Comments |
| 1                                                                                       |       | [TSPC_PGSM OR TSPC_EGSM]                                                                                                     |      |   |          |
| 2                                                                                       |       | (TCV_Null := OM_StopAllBCCH(C_BCCH_A_1, C_BCCH_B_1, C_BCCH_C_1, C_BCCH_D_1, C_BCCH_E_1, C_BCCH_F_1, C_BCCH_G_1, C_BCCH_H_1)) |      |   |          |
| 3                                                                                       |       | [TSPC_DCS]                                                                                                                   |      |   |          |
| 4                                                                                       |       | (TCV_Null := OM_StopAllBCCH(C_BCCH_A_1, C_BCCH_B_1, C_BCCH_C_1, C_BCCH_D_1, C_BCCH_E_1, C_BCCH_F_1, C_BCCH_G_1, "dummy"))    |      |   |          |
| <b>Detailed Comments:</b>                                                               |       |                                                                                                                              |      |   |          |

| Test Step Dynamic Behaviour                                                                                                                                                        |       |                                                |                           |     |          |
|------------------------------------------------------------------------------------------------------------------------------------------------------------------------------------|-------|------------------------------------------------|---------------------------|-----|----------|
| <b>Test Step Name:</b> Stopmaindcch(ch_main:LOGICCH; ch_sacch:LOGICCH)                                                                                                             |       |                                                |                           |     |          |
| <b>Group:</b> GSM_L3_MS_v4210/management/                                                                                                                                          |       |                                                |                           |     |          |
| <b>Objective:</b> To stop the transmission of main dcch channel and wait till no more uplink SACCH frame.                                                                          |       |                                                |                           |     |          |
| <b>Default:</b> OtherEventsFail_01                                                                                                                                                 |       |                                                |                           |     |          |
| <b>Comments:</b> `ch_main` identifying a main dcch channel and 'ch_sacch' a sacch channel.                                                                                         |       |                                                |                           |     |          |
| Nr                                                                                                                                                                                 | Label | Behaviour Description                          | CRef                      | V   | Comments |
| 1                                                                                                                                                                                  |       | (TCV_Null := OM_Deactivate(ch_main, ch_sacch)) |                           |     |          |
| 2                                                                                                                                                                                  |       | (TCV_Null := OM_StartMsrReport( ch_sacch))     |                           |     | 1.       |
|                                                                                                                                                                                    |       | START T_dly1(C_T_mrsrp)                        |                           |     |          |
| 3                                                                                                                                                                                  |       | (TCV_Res := FALSE)                             |                           |     |          |
| 4                                                                                                                                                                                  |       | REPEAT ltree_rcvmsr UNTIL [TCV_Res]            |                           |     |          |
| 5                                                                                                                                                                                  |       | (TCV_Null := OM_StopMsrReport(ch_sacch))       |                           |     |          |
| 6                                                                                                                                                                                  |       | <b>ltree_rcvmsr</b><br>L?DL_UdatInMsrRpt       | MsrRept(<br>MsrReport_02) |     | 2.       |
| 7                                                                                                                                                                                  |       | START T_dly1(C_T_mrsrp)                        |                           |     |          |
| 8                                                                                                                                                                                  | L_083 | ?TIMEOUT T_dly1                                |                           | (P) |          |
| 9                                                                                                                                                                                  | 5     | (TCV_Res := TRUE)                              |                           |     |          |
| <b>Detailed Comments:</b>                                                                                                                                                          |       |                                                |                           |     |          |
| 1. Wait until there is no more SACCH frames in the uplink direction.                                                                                                               |       |                                                |                           |     |          |
| 2. If any measurement report message with any contents has been received, restart the timer again. The loop is watched by the T_guard in the default test step OtherEventsFail_01. |       |                                                |                           |     |          |
| This test step is called by TC_26_7_4_3_2, TC_26_7_4_3_3, TC_26_7_4_3_4.                                                                                                           |       |                                                |                           |     |          |

## Test Step Group ChConfig

| Test Step Dynamic Behaviour |       |                                                                                                                                                                                    |      |   |          |
|-----------------------------|-------|------------------------------------------------------------------------------------------------------------------------------------------------------------------------------------|------|---|----------|
| <b>Test Step Name:</b>      |       | CCConfigTCH( sub:B_1; acttype:BITSTRING; slot:SN; tsc:TSC; ta:TA; babr, cch_con, bpm:B_3; mod:B_8; Freqg, Freqd:FRQPARA; arfcng, arfcnd:INTEGER)                                   |      |   |          |
| <b>Group:</b>               |       | GSM_L3_MS_v4210/management/ChConfig/                                                                                                                                               |      |   |          |
| <b>Objective:</b>           |       | Configure Tester for TCH/H or TCH/F depending on TCV_ChRate.                                                                                                                       |      |   |          |
| <b>Default:</b>             |       | OtherEvents                                                                                                                                                                        |      |   |          |
| Nr                          | Label | Behaviour Description                                                                                                                                                              | CRef | V | Comments |
| 1                           |       | [TCV_ChRate = C_Full]                                                                                                                                                              |      |   | 1.       |
| 2                           |       | +FullRateCh_A_1( acttype, slot, tsc, ChMod( mod), Freqg, Freqd, arfcng, arfcnd, ta, babr, cch_con, bpm)                                                                            |      |   |          |
| 3                           |       | [TCV_ChRate = C_Half]                                                                                                                                                              |      |   | 2.       |
| 4                           |       | +HalfRateCh_A_1( sub, acttype, slot, tsc, ChMod( mod), Freqg, Freqd, arfcng, arfcnd, ta, babr, cch_con, bpm)                                                                       |      |   |          |
| <b>Detailed Comments:</b>   |       | 1. Full rate channel needed, to setup a physical channel as full rate traffic channel.<br>2. Half rate channel needed, to setup the physical channel as half rate traffic channel. |      |   |          |

| Test Step Dynamic Behaviour |       |                                                                                                                                                                                    |      |   |          |
|-----------------------------|-------|------------------------------------------------------------------------------------------------------------------------------------------------------------------------------------|------|---|----------|
| <b>Test Step Name:</b>      |       | CCConfigTCH_B( sub:B_1; acttype:BITSTRING; slot:SN; tsc:TSC; ta:TA; babr, cch_con, bpm:B_3; mod:B_8; Freqg, Freqd:FRQPARA; arfcng, arfcnd:INTEGER)                                 |      |   |          |
| <b>Group:</b>               |       | GSM_L3_MS_v4210/management/ChConfig/                                                                                                                                               |      |   |          |
| <b>Objective:</b>           |       | Configure Tester for TCH/H or TCH/F depending on TCV_ChRate.                                                                                                                       |      |   |          |
| <b>Default:</b>             |       | OtherEvents                                                                                                                                                                        |      |   |          |
| Nr                          | Label | Behaviour Description                                                                                                                                                              | CRef | V | Comments |
| 1                           |       | [TCV_ChRate = C_Full]                                                                                                                                                              |      |   | 1.       |
| 2                           |       | [arfcng <> C_Noarfcn]                                                                                                                                                              |      |   |          |
| 3                           |       | +FullRateCh_B_1( acttype, slot, tsc, ChMod(mod), FreqTCH( arfcng), FreqTCH( arfcnd), ta, babr, cch_con, bpm)                                                                       |      |   |          |
| 4                           |       | [TSPC_PGSM OR TSPC_EGSM]                                                                                                                                                           |      |   |          |
| 5                           |       | (TCV_tch_arfcn:= arfcng)                                                                                                                                                           |      |   |          |
| 6                           |       | [TSPC_DCS]                                                                                                                                                                         |      |   |          |
| 7                           |       | (TCV_tch_arfcn:= arfcnd)                                                                                                                                                           |      |   |          |
| 8                           |       | [arfcng = C_Noarfcn]                                                                                                                                                               |      |   |          |
| 9                           |       | +FullRateCh_B_1( acttype, slot, tsc, ChMod(mod), Freqg, Freqd, ta, babr, cch_con, bpm)                                                                                             |      |   |          |
| 10                          |       | [TCV_ChRate = C_Half]                                                                                                                                                              |      |   | 2.       |
| 11                          |       | [arfcng <> C_Noarfcn]                                                                                                                                                              |      |   |          |
| 12                          |       | +HalfRateCh_B_1( sub, acttype, slot, tsc, ChMod(mod), FreqTCH( arfcng), FreqTCH( arfcnd), ta, babr, cch_con, bpm)                                                                  |      |   |          |
| 13                          |       | [TSPC_PGSM OR TSPC_EGSM]                                                                                                                                                           |      |   |          |
| 14                          |       | (TCV_tch_arfcn:= arfcng)                                                                                                                                                           |      |   |          |
| 15                          |       | [TSPC_DCS]                                                                                                                                                                         |      |   |          |
| 16                          |       | (TCV_tch_arfcn:= arfcnd)                                                                                                                                                           |      |   |          |
| 17                          |       | [arfcng = C_Noarfcn]                                                                                                                                                               |      |   |          |
| 18                          |       | +HalfRateCh_B_1( sub, acttype, slot, tsc, ChMod(mod), Freqg, Freqd, ta, babr, cch_con, bpm)                                                                                        |      |   |          |
| <b>Detailed Comments:</b>   |       | 1. Full rate channel needed, to setup a physical channel as full rate traffic channel.<br>2. Half rate channel needed, to setup the physical channel as half rate traffic channel. |      |   |          |

| <b>Test Step Dynamic Behaviour</b> |       |                                                                                                                                                                                    |      |   |          |
|------------------------------------|-------|------------------------------------------------------------------------------------------------------------------------------------------------------------------------------------|------|---|----------|
| <b>Test Step Name:</b>             |       | CCConfigTCH_nociph( sub:B_1; acttype:BITSTRING; slot:SN; tsc:TSC; ta:TA; babr, cch_con, bpm:B_3; mod:B_8; Freqg, Freqd:FRQPARA; arfcng, arfcnd:INTEGER)                            |      |   |          |
| <b>Group:</b>                      |       | GSM_L3_MS_v4210/management/ChConfig/                                                                                                                                               |      |   |          |
| <b>Objective:</b>                  |       | Configure Tester for TCH/H or TCH/F depending on TCV_ChRate.                                                                                                                       |      |   |          |
| <b>Default:</b>                    |       | OtherEvents                                                                                                                                                                        |      |   |          |
| Nr                                 | Label | Behaviour Description                                                                                                                                                              | CRef | V | Comments |
| 1                                  |       | [TCV_ChRate = C_Full]                                                                                                                                                              |      |   | 1.       |
| 2                                  |       | [arfcng <> C_Noarfcn]                                                                                                                                                              |      |   |          |
| 3                                  |       | +FullRateCh_A_1_nociph( acttype, slot, tsc, ChMod(mod), FreqTCH( arfcng), FreqTCH( arfcnd), ta, babr, cch_con, bpm)                                                                |      |   |          |
| 4                                  |       | [TSPC_PGSM OR TSPC_EGSM]                                                                                                                                                           |      |   |          |
| 5                                  |       | (TCV_tch_arfcn:= arfcng)                                                                                                                                                           |      |   |          |
| 6                                  |       | [TSPC_DCS]                                                                                                                                                                         |      |   |          |
| 7                                  |       | (TCV_tch_arfcn:= arfcnd)                                                                                                                                                           |      |   |          |
| 8                                  |       | [arfcng = C_Noarfcn]                                                                                                                                                               |      |   |          |
| 9                                  |       | +FullRateCh_A_1_nociph( acttype, slot, tsc, ChMod(mod), Freqg, Freqd, ta, babr, cch_con, bpm)                                                                                      |      |   |          |
| 10                                 |       | [TCV_ChRate = C_Half]                                                                                                                                                              |      |   | 2.       |
| 11                                 |       | [arfcng <> C_Noarfcn]                                                                                                                                                              |      |   |          |
| 12                                 |       | +HalfRateCh_A_1_nociph( sub, acttype, slot, tsc, ChMod(mod), FreqTCH( arfcng), FreqTCH(arfcnd), ta, babr, cch_con, bpm)                                                            |      |   |          |
| 13                                 |       | [TSPC_PGSM OR TSPC_EGSM]                                                                                                                                                           |      |   |          |
| 14                                 |       | (TCV_tch_arfcn:= arfcng)                                                                                                                                                           |      |   |          |
| 15                                 |       | [TSPC_DCS]                                                                                                                                                                         |      |   |          |
| 16                                 |       | (TCV_tch_arfcn:= arfcnd)                                                                                                                                                           |      |   |          |
| 17                                 |       | [arfcng = C_Noarfcn]                                                                                                                                                               |      |   |          |
| 18                                 |       | +HalfRateCh_A_1_nociph( sub, acttype, slot, tsc, ChMod(mod), Freqg, Freqd, ta, babr, cch_con, bpm)                                                                                 |      |   |          |
| <b>Detailed Comments:</b>          |       | 1. Full rate channel needed, to setup a physical channel as full rate traffic channel.<br>2. Half rate channel needed, to setup the physical channel as half rate traffic channel. |      |   |          |



| Test Step Dynamic Behaviour |       |                                                                                                                                                                                    |      |   |          |
|-----------------------------|-------|------------------------------------------------------------------------------------------------------------------------------------------------------------------------------------|------|---|----------|
| <b>Test Step Name:</b>      |       | CCConfigTCH_pwr( sub:B_1; acttypeT:BITSTRING; slotT:SN; tscT:TSC; ta:TA; babr, cch_con, bpm:B_3; chmod:B_8; Freqg, Freqd:FRQPARA; mspwr: INTEGER)                                  |      |   |          |
| <b>Group:</b>               |       | GSM_L3_MS_v4210/management/ChConfig/                                                                                                                                               |      |   |          |
| <b>Objective:</b>           |       | Configure Tester for TCH/H or TCH/F depending on TCV_ChRate. Set power level according to parameter.                                                                               |      |   |          |
| <b>Default:</b>             |       | OtherEvents                                                                                                                                                                        |      |   |          |
| Nr                          | Label | Behaviour Description                                                                                                                                                              | CRef | V | Comments |
| 1                           |       | [TCV_ChRate = C_Full]                                                                                                                                                              |      |   | 1.       |
| 2                           |       | (TCV_chTch := C_FACCHF_A_1, TCV_sacchTch := C_SACCHF_A_1, TCV_chtype := '00001'B)                                                                                                  |      |   |          |
| 3                           |       | [TSPC_PGSM OR TSPC_EGSM]                                                                                                                                                           |      |   |          |
| 4                           |       | +Config_FACCHF_A_1( 63, mspwr, ChMod(chmod), acttypeT, slotT, tscT, Freqg, C_TCHF_ACCHF_1, ta, babr, cch_con, bpm)                                                                 |      |   |          |
| 5                           |       | +SysInfo_SacchSending( TCV_sacchTch, TCV_sysinfo5, TCV_sysinfo6)                                                                                                                   |      |   |          |
| 6                           |       | (TCV_Null := OM_CphMd( TCV_chTch, CphMod_01, TCV_CphKey))                                                                                                                          |      |   |          |
| 7                           |       | [TSPC_DCS]                                                                                                                                                                         |      |   |          |
| 8                           |       | +Config_FACCHF_A_1( 63, mspwr, ChMod(chmod), acttypeT, slotT, tscT, Freqd, C_TCHF_ACCHF_1, ta, babr, cch_con, bpm)                                                                 |      |   |          |
| 9                           |       | +SysInfo_SacchSending( TCV_sacchTch, TCV_sysinfo5, TCV_sysinfo6)                                                                                                                   |      |   |          |
| 10                          |       | (TCV_Null := OM_CphMd( TCV_chTch, CphMod_01, TCV_CphKey))                                                                                                                          |      |   |          |
| 11                          |       | [TCV_ChRate = C_Half]                                                                                                                                                              |      |   | 2.       |
| 12                          |       | (TCV_chTch := OC_SubchOfFacch( sub, C_CellA, 1), TCV_sacchTch := OC_SubchOfSacch( sub, C_CellA, 1))                                                                                |      |   |          |
| 13                          |       | [TSPC_PGSM OR TSPC_EGSM]                                                                                                                                                           |      |   |          |
| 14                          |       | +Config_FACCHH_A_1(63, mspwr, ChMod(chmod), acttypeT, slotT, tscT, Freqg, C_TCHH_ACCHH_1, ta, babr, cch_con, bpm)                                                                  |      |   |          |
| 15                          |       | +SysInfo_SacchSending( TCV_sacchTch, TCV_sysinfo5, TCV_sysinfo6)                                                                                                                   |      |   |          |
| 16                          |       | +localtree_selTCHH                                                                                                                                                                 |      |   |          |
| 17                          |       | (TCV_Null := OM_CphMd( TCV_chTch, CphMod_01, TCV_CphKey))                                                                                                                          |      |   |          |
| 18                          |       | [TSPC_DCS]                                                                                                                                                                         |      |   |          |
| 19                          |       | +Config_FACCHH_A_1(63, mspwr, ChMod(chmod), acttypeT, slotT, tscT, Freqd, C_TCHH_ACCHH_1, ta, babr, cch_con, bpm)                                                                  |      |   |          |
| 20                          |       | +SysInfo_SacchSending( TCV_sacchTch, TCV_sysinfo5, TCV_sysinfo6)                                                                                                                   |      |   |          |
| 21                          |       | +localtree_selTCHH                                                                                                                                                                 |      |   |          |
| 22                          |       | (TCV_Null := OM_CphMd( TCV_chTch, CphMod_01, TCV_CphKey))                                                                                                                          |      |   |          |
| 23                          |       | <b>localtree_selTCHH</b><br>[sub = '0'B]                                                                                                                                           |      |   |          |
| 24                          |       | (TCV_chtype := '00010'B)                                                                                                                                                           |      |   |          |
| 25                          |       | [sub = '1'B]                                                                                                                                                                       |      |   |          |
| 26                          |       | (TCV_chtype := '00011'B)                                                                                                                                                           |      |   |          |
| <b>Detailed Comments:</b>   |       | 1. Full rate channel needed, to setup a physical channel as full rate traffic channel.<br>2. Half rate channel needed, to setup the physical channel as half rate traffic channel. |      |   |          |

| Test Step Dynamic Behaviour |       |                                                                                                                                                                                                                                                           |      |   |          |
|-----------------------------|-------|-----------------------------------------------------------------------------------------------------------------------------------------------------------------------------------------------------------------------------------------------------------|------|---|----------|
| <b>Test Step Name:</b>      |       | Config_CBMS_A_1(par_bspwr, par_mspwr:INTEGER; chmod:CHMOD; acttype:BITSTRING; slot:SN; tsc:TSC; rf:FRQPARA; chcmbn:LOGCH; ta:TA; babr, cch_con, bpm:B_3)                                                                                                  |      |   |          |
| <b>Group:</b>               |       | GSM_L3_MS_v4210/management/ChConfig/                                                                                                                                                                                                                      |      |   |          |
| <b>Objective:</b>           |       | To set a physical channel and map FCCH, SCH, BCCH, CCCH, SDCCH4 and CBCH onto the physical channel which represents cell A.                                                                                                                               |      |   |          |
| <b>Default:</b>             |       | OtherEvents                                                                                                                                                                                                                                               |      |   |          |
| Nr                          | Label | Behaviour Description                                                                                                                                                                                                                                     | CRef | V | Comments |
| 1                           |       | (TCV_Null := OM_ChConf( par_bspwr, par_mspwr, acttype, chmod, ta, slot, tsc, rf, chcmbn, 0, 0, babr, cch_con, bpm, PgReqTp1Norm, '0B, '0B, C_CellA, C_FCCH_A, C_SCH_A, C_BCCH_A_1, C_PCH_A_1, C_AGCH_A_1, C_RACH_A_1, C_SDCCH4_A, C_SACCHC4_A, C_CBCH_A)) |      |   |          |
| 2                           |       | (TCV_Null := OM_Assoc( C_SDCCH4_A, C_SDCCH40_A, C_SDCCH41_A, C_SDCCH42_A, C_SDCCH43_A, "dummy", "dummy", "dummy", "dummy", C_SACCHC4_A, C_SACCHC40_A, C_SACCHC41_A, C_SACCHC42_A, C_SACCHC43_A, "dummy", "dummy", "dummy", "dummy"))                      |      |   |          |
| <b>Detailed Comments:</b>   |       |                                                                                                                                                                                                                                                           |      |   |          |

| Test Step Dynamic Behaviour |       |                                                                                                                                                                                                                                                 |      |   |          |
|-----------------------------|-------|-------------------------------------------------------------------------------------------------------------------------------------------------------------------------------------------------------------------------------------------------|------|---|----------|
| <b>Test Step Name:</b>      |       | Config_FACCHF_A_1(par_bspwr, par_mspwr:INTEGER; chmod:CHMOD; acttype:BITSTRING; slot:SN; tsc:TSC; rf:FRQPARA; chcmbn:LOGCH; ta:TA; babr, cch_con, bpm:B_3)                                                                                      |      |   |          |
| <b>Group:</b>               |       | GSM_L3_MS_v4210/management/ChConfig/                                                                                                                                                                                                            |      |   |          |
| <b>Objective:</b>           |       | To set one physical channel used as TCHF_ACCH's of cell A.                                                                                                                                                                                      |      |   |          |
| <b>Default:</b>             |       | OtherEvents                                                                                                                                                                                                                                     |      |   |          |
| Nr                          | Label | Behaviour Description                                                                                                                                                                                                                           | CRef | V | Comments |
| 1                           |       | (TCV_Null := OM_ChConf( par_bspwr, par_mspwr, acttype, chmod, ta, slot, tsc, rf, chcmbn, 0, 0, babr, cch_con, bpm, PgReqTp1Norm, '0B, '0B, C_CellA, "dummy", "dummy", "dummy", "dummy", "dummy", "dummy", C_FACCHF_A_1, C_SACCHF_A_1, "dummy")) |      |   |          |
| <b>Detailed Comments:</b>   |       |                                                                                                                                                                                                                                                 |      |   |          |

| Test Step Dynamic Behaviour |       |                                                                                                                                                                                                                                                 |      |   |          |
|-----------------------------|-------|-------------------------------------------------------------------------------------------------------------------------------------------------------------------------------------------------------------------------------------------------|------|---|----------|
| <b>Test Step Name:</b>      |       | Config_FACCHF_A_2(par_bspwr, par_mspwr:INTEGER; chmod:CHMOD; acttype:BITSTRING; slot:SN; tsc:TSC; rf:FRQPARA; chcmbn:LOGCH; ta:TA; babr, cch_con, bpm:B_3)                                                                                      |      |   |          |
| <b>Group:</b>               |       | GSM_L3_MS_v4210/management/ChConfig/                                                                                                                                                                                                            |      |   |          |
| <b>Objective:</b>           |       | To set one physical channel used as TCHF_ACCH's for instance 2 of cell A.                                                                                                                                                                       |      |   |          |
| <b>Default:</b>             |       | OtherEvents                                                                                                                                                                                                                                     |      |   |          |
| Nr                          | Label | Behaviour Description                                                                                                                                                                                                                           | CRef | V | Comments |
| 1                           |       | (TCV_Null := OM_ChConf( par_bspwr, par_mspwr, acttype, chmod, ta, slot, tsc, rf, chcmbn, 0, 0, babr, cch_con, bpm, PgReqTp1Norm, '0B, '0B, C_CellA, "dummy", "dummy", "dummy", "dummy", "dummy", "dummy", C_FACCHF_A_2, C_SACCHF_A_2, "dummy")) |      |   |          |
| <b>Detailed Comments:</b>   |       |                                                                                                                                                                                                                                                 |      |   |          |

| Test Step Dynamic Behaviour |       |                                                                                                                                                                                                                                                   |      |   |          |
|-----------------------------|-------|---------------------------------------------------------------------------------------------------------------------------------------------------------------------------------------------------------------------------------------------------|------|---|----------|
| <b>Test Step Name:</b>      |       | Config_FACCHF_B_1(par_bspwr, par_mspwr:INTEGER; chmod:CHMOD; acttype:BITSTRING; slot:SN; tsc:TSC; rf:FRQPARA; chcmbn:LOGCH; ta:TA; babr, cch_con, bpm:B_3)                                                                                        |      |   |          |
| <b>Group:</b>               |       | GSM_L3_MS_v4210/management/ChConfig/                                                                                                                                                                                                              |      |   |          |
| <b>Objective:</b>           |       | To set one physical channel used as TCHF_ACCH's of cell B.                                                                                                                                                                                        |      |   |          |
| <b>Default:</b>             |       | OtherEvents                                                                                                                                                                                                                                       |      |   |          |
| Nr                          | Label | Behaviour Description                                                                                                                                                                                                                             | CRef | V | Comments |
| 1                           |       | (TCV_Null := OM_ChConf( par_bspwr, par_mspwr, acttype, chmod, ta, slot, tsc, rf, chcmbn, 0, 0, babr, cch_con, bpm, PgReqTp1Norm, '0'B, '0'B, C_CellB, "dummy", "dummy", "dummy", "dummy", "dummy", "dummy", C_FACCHF_B_1, C_SACCHF_B_1, "dummy")) |      |   |          |
| <b>Detailed Comments:</b>   |       |                                                                                                                                                                                                                                                   |      |   |          |

| Test Step Dynamic Behaviour |       |                                                                                                                                                                                                                                                   |      |   |          |
|-----------------------------|-------|---------------------------------------------------------------------------------------------------------------------------------------------------------------------------------------------------------------------------------------------------|------|---|----------|
| <b>Test Step Name:</b>      |       | Config_FACCHF_H_1(par_bspwr, par_mspwr:INTEGER; chmod:CHMOD; acttype:BITSTRING; slot:SN; tsc:TSC; rf:FRQPARA; chcmbn:LOGCH; ta:TA; babr, cch_con, bpm:B_3)                                                                                        |      |   |          |
| <b>Group:</b>               |       | GSM_L3_MS_v4210/management/ChConfig/                                                                                                                                                                                                              |      |   |          |
| <b>Objective:</b>           |       | To set one physical channel used as TCHF_ACCH's of cell H.                                                                                                                                                                                        |      |   |          |
| <b>Default:</b>             |       | OtherEvents                                                                                                                                                                                                                                       |      |   |          |
| Nr                          | Label | Behaviour Description                                                                                                                                                                                                                             | CRef | V | Comments |
| 1                           |       | (TCV_Null := OM_ChConf( par_bspwr, par_mspwr, acttype, chmod, ta, slot, tsc, rf, chcmbn, 0, 0, babr, cch_con, bpm, PgReqTp1Norm, '0'B, '0'B, C_CellH, "dummy", "dummy", "dummy", "dummy", "dummy", "dummy", C_FACCHF_H_1, C_SACCHF_H_1, "dummy")) |      |   |          |
| <b>Detailed Comments:</b>   |       |                                                                                                                                                                                                                                                   |      |   |          |

| Test Step Dynamic Behaviour |       |                                                                                                                                                                                                                                                   |      |   |          |
|-----------------------------|-------|---------------------------------------------------------------------------------------------------------------------------------------------------------------------------------------------------------------------------------------------------|------|---|----------|
| <b>Test Step Name:</b>      |       | Config_FACCHH_A_1(par_bspwr, par_mspwr:INTEGER; chmod:CHMOD; acttype:BITSTRING; slot:SN; tsc:TSC; rf:FRQPARA; chcmbn:LOGCH; ta:TA; babr, cch_con, bpm:B_3)                                                                                        |      |   |          |
| <b>Group:</b>               |       | GSM_L3_MS_v4210/management/ChConfig/                                                                                                                                                                                                              |      |   |          |
| <b>Objective:</b>           |       | To set one physical channel used as TCHH_ACCH's of cell A.                                                                                                                                                                                        |      |   |          |
| <b>Default:</b>             |       | OtherEvents                                                                                                                                                                                                                                       |      |   |          |
| Nr                          | Label | Behaviour Description                                                                                                                                                                                                                             | CRef | V | Comments |
| 1                           |       | (TCV_Null := OM_ChConf( par_bspwr, par_mspwr, acttype, chmod, ta, slot, tsc, rf, chcmbn, 0, 0, babr, cch_con, bpm, PgReqTp1Norm, '0'B, '0'B, C_CellA, "dummy", "dummy", "dummy", "dummy", "dummy", "dummy", C_FACCHH_A_1, C_SACCHH_A_1, "dummy")) |      |   |          |
| 2                           |       | (TCV_Null := OM_Assoc( C_FACCHH_A_1, C_FACCHH0_A_1, C_FACCHH1_A_1, "dummy", "dummy", "dummy", "dummy", "dummy", "dummy", C_SACCHH_A_1, C_SACCHH0_A_1, C_SACCHH1_A_1, "dummy", "dummy", "dummy", "dummy", "dummy", "dummy"))                       |      |   |          |
| <b>Detailed Comments:</b>   |       |                                                                                                                                                                                                                                                   |      |   |          |

| Test Step Dynamic Behaviour                                                                                                                                                       |       |                                                                                                                                                                                                                                                 |      |   |          |
|-----------------------------------------------------------------------------------------------------------------------------------------------------------------------------------|-------|-------------------------------------------------------------------------------------------------------------------------------------------------------------------------------------------------------------------------------------------------|------|---|----------|
| <b>Test Step Name:</b> Config_FACCHH_A_2(par_bspwr, par_mspwr:INTEGER; chmod:CHMOD; acttype:BITSTRING; slot:SN; tsc:TSC; rf:FRQPARA; chcmbn:LOGCH; ta:TA; babr, cch_con, bpm:B_3) |       |                                                                                                                                                                                                                                                 |      |   |          |
| <b>Group:</b> GSM_L3_MS_v4210/management/ChConfig/                                                                                                                                |       |                                                                                                                                                                                                                                                 |      |   |          |
| <b>Objective:</b> To set one physical channel used as TCHH_ACCH's of cell A.                                                                                                      |       |                                                                                                                                                                                                                                                 |      |   |          |
| <b>Default:</b> OtherEvents                                                                                                                                                       |       |                                                                                                                                                                                                                                                 |      |   |          |
| Nr                                                                                                                                                                                | Label | Behaviour Description                                                                                                                                                                                                                           | CRef | V | Comments |
| 1                                                                                                                                                                                 |       | (TCV_Null := OM_ChConf( par_bspwr, par_mspwr, acttype, chmod, ta, slot, tsc, rf, chcmbn, 0, 0, babr, cch_con, bpm, PgReqTp1Norm, '0B, '0B, C_CellA, "dummy", "dummy", "dummy", "dummy", "dummy", "dummy", C_FACCHH_A_2, C_SACCHH_A_2, "dummy")) |      |   |          |
| 2                                                                                                                                                                                 |       | (TCV_Null := OM_Assoc( C_FACCHH_A_2, C_FACCHH0_A_2, C_FACCHH1_A_2, "dummy", "dummy", "dummy", "dummy", "dummy", "dummy", C_SACCHH_A_2, C_SACCHH0_A_2, C_SACCHH1_A_2, "dummy", "dummy", "dummy", "dummy", "dummy", "dummy", "dummy", "dummy"))   |      |   |          |
| <b>Detailed Comments:</b>                                                                                                                                                         |       |                                                                                                                                                                                                                                                 |      |   |          |

| Test Step Dynamic Behaviour                                                                                                                                                       |       |                                                                                                                                                                                                                                                 |      |   |          |
|-----------------------------------------------------------------------------------------------------------------------------------------------------------------------------------|-------|-------------------------------------------------------------------------------------------------------------------------------------------------------------------------------------------------------------------------------------------------|------|---|----------|
| <b>Test Step Name:</b> Config_FACCHH_B_1(par_bspwr, par_mspwr:INTEGER; chmod:CHMOD; acttype:BITSTRING; slot:SN; tsc:TSC; rf:FRQPARA; chcmbn:LOGCH; ta:TA; babr, cch_con, bpm:B_3) |       |                                                                                                                                                                                                                                                 |      |   |          |
| <b>Group:</b> GSM_L3_MS_v4210/management/ChConfig/                                                                                                                                |       |                                                                                                                                                                                                                                                 |      |   |          |
| <b>Objective:</b> To set one physical channel used as TCHH_ACCH's of cell B.                                                                                                      |       |                                                                                                                                                                                                                                                 |      |   |          |
| <b>Default:</b> OtherEvents                                                                                                                                                       |       |                                                                                                                                                                                                                                                 |      |   |          |
| Nr                                                                                                                                                                                | Label | Behaviour Description                                                                                                                                                                                                                           | CRef | V | Comments |
| 1                                                                                                                                                                                 |       | (TCV_Null := OM_ChConf( par_bspwr, par_mspwr, acttype, chmod, ta, slot, tsc, rf, chcmbn, 0, 0, babr, cch_con, bpm, PgReqTp1Norm, '0B, '0B, C_CellB, "dummy", "dummy", "dummy", "dummy", "dummy", "dummy", C_FACCHH_B_1, C_SACCHH_B_1, "dummy")) |      |   |          |
| 2                                                                                                                                                                                 |       | (TCV_Null := OM_Assoc( C_FACCHH_B_1, C_FACCHH0_B_1, C_FACCHH1_B_1, "dummy", "dummy", "dummy", "dummy", "dummy", "dummy", C_SACCHH_B_1, C_SACCHH0_B_1, C_SACCHH1_B_1, "dummy", "dummy", "dummy", "dummy", "dummy", "dummy", "dummy", "dummy"))   |      |   |          |
| <b>Detailed Comments:</b>                                                                                                                                                         |       |                                                                                                                                                                                                                                                 |      |   |          |

| Test Step Dynamic Behaviour                                                                                                                                                          |       |                                                                                                                                                                                                                                                   |      |   |          |
|--------------------------------------------------------------------------------------------------------------------------------------------------------------------------------------|-------|---------------------------------------------------------------------------------------------------------------------------------------------------------------------------------------------------------------------------------------------------|------|---|----------|
| <b>Test Step Name:</b> Config_BCCH_CCCH_A_1(par_bspwr, par_mspwr:INTEGER; chmod:CHMOD; acttype:BITSTRING; slot:SN; tsc:TSC; rf:FRQPARA; chcmbn:LOGCH; ta:TA; babr, cch_con, bpm:B_3) |       |                                                                                                                                                                                                                                                   |      |   |          |
| <b>Group:</b> GSM_L3_MS_v4210/management/ChConfig/                                                                                                                                   |       |                                                                                                                                                                                                                                                   |      |   |          |
| <b>Objective:</b> To set a physical channel and map FCCH, SCH, BCCH and CCCH onto the physical channel which represents cell A.                                                      |       |                                                                                                                                                                                                                                                   |      |   |          |
| <b>Default:</b> OtherEvents                                                                                                                                                          |       |                                                                                                                                                                                                                                                   |      |   |          |
| Nr                                                                                                                                                                                   | Label | Behaviour Description                                                                                                                                                                                                                             | CRef | V | Comments |
| 1                                                                                                                                                                                    |       | (TCV_Null := OM_ChConf( par_bspwr, par_mspwr, acttype, chmod, ta, slot, tsc, rf, chcmbn, 0, 0, babr, cch_con, bpm, PgReqTp1Norm, '0B, '0B, C_CellA, C_FCCH_A, C_SCH_A, C_BCCH_A_1, C_PCH_A_1, C_AGCH_A_1, C_RACH_A_1, "dummy", "dummy", "dummy")) |      |   |          |
| <b>Detailed Comments:</b>                                                                                                                                                            |       |                                                                                                                                                                                                                                                   |      |   |          |

| Test Step Dynamic Behaviour |       |                                                                                                                                                                                                                                                    |      |   |          |
|-----------------------------|-------|----------------------------------------------------------------------------------------------------------------------------------------------------------------------------------------------------------------------------------------------------|------|---|----------|
| <b>Test Step Name:</b>      |       | Config_BCCH_CCCH_A_2(par_bspwr, par_mspwr:INTEGER; chmod:CHMOD; acttype:BITSTRING; slot:SN; tsc:TSC; rf:FRQPARA; chcmbn:LOGCH; ta:TA; babr, cch_con, bpm:B_3)                                                                                      |      |   |          |
| <b>Group:</b>               |       | GSM_L3_MS_v4210/management/ChConfig/                                                                                                                                                                                                               |      |   |          |
| <b>Objective:</b>           |       | To set a physical channel and map the second BCCH, CCCH onto the physical channel which represents cell A.                                                                                                                                         |      |   |          |
| <b>Default:</b>             |       | OtherEvents                                                                                                                                                                                                                                        |      |   |          |
| Nr                          | Label | Behaviour Description                                                                                                                                                                                                                              | CRef | V | Comments |
| 1                           |       | (TCV_Null := OM_ChConf( par_bspwr, par_mspwr, acttype, chmod, ta, slot, tsc, rf, chcmbn, 0, 0, babr, cch_con, bpm, PgReqTp1Norm, '0'B, '0'B, C_CellA, "dummy", "dummy", C_BCCH_A_2, C_PCH_A_2, C_AGCH_A_2, C_RACH_A_2, "dummy", "dummy", "dummy")) |      |   |          |
| <b>Detailed Comments:</b>   |       |                                                                                                                                                                                                                                                    |      |   |          |

| Test Step Dynamic Behaviour |       |                                                                                                                                                                                                                                                    |      |   |          |
|-----------------------------|-------|----------------------------------------------------------------------------------------------------------------------------------------------------------------------------------------------------------------------------------------------------|------|---|----------|
| <b>Test Step Name:</b>      |       | Config_BCCH_CCCH_A_3(par_bspwr, par_mspwr:INTEGER; chmod:CHMOD; acttype:BITSTRING; slot:SN; tsc:TSC; rf:FRQPARA; chcmbn:LOGCH; ta:TA; babr, cch_con, bpm:B_3)                                                                                      |      |   |          |
| <b>Group:</b>               |       | GSM_L3_MS_v4210/management/ChConfig/                                                                                                                                                                                                               |      |   |          |
| <b>Objective:</b>           |       | To set a physical channel and map the third BCCH, CCCH onto the physical channel which represents cell A.                                                                                                                                          |      |   |          |
| <b>Default:</b>             |       | OtherEvents                                                                                                                                                                                                                                        |      |   |          |
| Nr                          | Label | Behaviour Description                                                                                                                                                                                                                              | CRef | V | Comments |
| 1                           |       | (TCV_Null := OM_ChConf( par_bspwr, par_mspwr, acttype, chmod, ta, slot, tsc, rf, chcmbn, 0, 0, babr, cch_con, bpm, PgReqTp1Norm, '0'B, '0'B, C_CellA, "dummy", "dummy", C_BCCH_A_3, C_PCH_A_3, C_AGCH_A_3, C_RACH_A_3, "dummy", "dummy", "dummy")) |      |   |          |
| <b>Detailed Comments:</b>   |       |                                                                                                                                                                                                                                                    |      |   |          |

| Test Step Dynamic Behaviour |       |                                                                                                                                                                                                                                                    |      |   |          |
|-----------------------------|-------|----------------------------------------------------------------------------------------------------------------------------------------------------------------------------------------------------------------------------------------------------|------|---|----------|
| <b>Test Step Name:</b>      |       | Config_BCCH_CCCH_A_4(par_bspwr, par_mspwr:INTEGER; chmod:CHMOD; acttype:BITSTRING; slot:SN; tsc:TSC; rf:FRQPARA; chcmbn:LOGCH; ta:TA; babr, cch_con, bpm:B_3)                                                                                      |      |   |          |
| <b>Group:</b>               |       | GSM_L3_MS_v4210/management/ChConfig/                                                                                                                                                                                                               |      |   |          |
| <b>Objective:</b>           |       | To set a physical channel and map the fourth BCCH, CCCH onto the physical channel which represents cell A.                                                                                                                                         |      |   |          |
| <b>Default:</b>             |       | OtherEvents                                                                                                                                                                                                                                        |      |   |          |
| Nr                          | Label | Behaviour Description                                                                                                                                                                                                                              | CRef | V | Comments |
| 1                           |       | (TCV_Null := OM_ChConf( par_bspwr, par_mspwr, acttype, chmod, ta, slot, tsc, rf, chcmbn, 0, 0, babr, cch_con, bpm, PgReqTp1Norm, '0'B, '0'B, C_CellA, "dummy", "dummy", C_BCCH_A_4, C_PCH_A_4, C_AGCH_A_4, C_RACH_A_4, "dummy", "dummy", "dummy")) |      |   |          |
| <b>Detailed Comments:</b>   |       |                                                                                                                                                                                                                                                    |      |   |          |

| Test Step Dynamic Behaviour |       |                                                                                                                                                                                                                                                     |      |   |          |
|-----------------------------|-------|-----------------------------------------------------------------------------------------------------------------------------------------------------------------------------------------------------------------------------------------------------|------|---|----------|
| <b>Test Step Name:</b>      |       | Config_BCCH_CCCH_B_1(par_bspwr, par_mspwr:INTEGER; chmod:CHMOD; acttype:BITSTRING; slot:SN; tsc:TSC; rf:FRQPARA; chcmbn:LOGCH; ta:TA; babr, cch_con, bpm:B_3)                                                                                       |      |   |          |
| <b>Group:</b>               |       | GSM_L3_MS_v4210/management/ChConfig/                                                                                                                                                                                                                |      |   |          |
| <b>Objective:</b>           |       | To set a physical channel and map FCCH, SCH, BCCH and CCCH onto the physical channel which represents cell B.                                                                                                                                       |      |   |          |
| <b>Default:</b>             |       | OtherEvents                                                                                                                                                                                                                                         |      |   |          |
| Nr                          | Label | Behaviour Description                                                                                                                                                                                                                               | CRef | V | Comments |
| 1                           |       | (TCV_Null := OM_ChConf( par_bspwr, par_mspwr, acttype, chmod, ta, slot, tsc, rf, chcmbn, 0, 0, babr, cch_con, bpm, PgReqTp1Norm, '0'B, '0'B, C_CellB, C_FCCH_B, C_SCH_B, C_BCCH_B_1, C_PCH_B_1, C_AGCH_B_1, C_RACH_B_1, "dummy", "dummy", "dummy")) |      |   |          |
| <b>Detailed Comments:</b>   |       |                                                                                                                                                                                                                                                     |      |   |          |

| Test Step Dynamic Behaviour |       |                                                                                                                                                                                                                                                       |      |   |          |
|-----------------------------|-------|-------------------------------------------------------------------------------------------------------------------------------------------------------------------------------------------------------------------------------------------------------|------|---|----------|
| <b>Test Step Name:</b>      |       | Config_BCCH_CCCH_B_ho_1(par_bspwr, par_mspwr:INTEGER; chmod:CHMOD; acttype:BITSTRING; slot:SN; tsc:TSC; rf:FRQPARA; chcmbn:LOGCH; ta:TA; babr, cch_con, bpm:B_3; td, fn:INTEGER)                                                                      |      |   |          |
| <b>Group:</b>               |       | GSM_L3_MS_v4210/management/ChConfig/                                                                                                                                                                                                                  |      |   |          |
| <b>Objective:</b>           |       | To set a physical channel and map FCCH, SCH, BCCH and CCCH onto the physical channel which represents cell B with controllable td and fn.                                                                                                             |      |   |          |
| <b>Default:</b>             |       | OtherEvents                                                                                                                                                                                                                                           |      |   |          |
| Nr                          | Label | Behaviour Description                                                                                                                                                                                                                                 | CRef | V | Comments |
| 1                           |       | (TCV_Null := OM_ChConf( par_bspwr, par_mspwr, acttype, chmod, ta, slot, tsc, rf, chcmbn, td, fn, babr, cch_con, bpm, PgReqTp1Norm, '0'B, '0'B, C_CellB, C_FCCH_B, C_SCH_B, C_BCCH_B_1, C_PCH_B_1, C_AGCH_B_1, C_RACH_B_1, "dummy", "dummy", "dummy")) |      |   |          |
| <b>Detailed Comments:</b>   |       |                                                                                                                                                                                                                                                       |      |   |          |

| Test Step Dynamic Behaviour |       |                                                                                                                                                                                                                                                            |      |   |          |
|-----------------------------|-------|------------------------------------------------------------------------------------------------------------------------------------------------------------------------------------------------------------------------------------------------------------|------|---|----------|
| <b>Test Step Name:</b>      |       | Config_SDCCH4_A_1(par_bspwr, par_mspwr:INTEGER; chmod:CHMOD; acttype:BITSTRING; slot:SN; tsc:TSC; rf:FRQPARA; chcmbn:LOGCH; ta:TA; babr, cch_con, bpm:B_3)                                                                                                 |      |   |          |
| <b>Group:</b>               |       | GSM_L3_MS_v4210/management/ChConfig/                                                                                                                                                                                                                       |      |   |          |
| <b>Objective:</b>           |       | To set a physical channel and map FCCH, SCH, BCCH, CCCH and SDCCH4 onto the physical channel which represents cell A.                                                                                                                                      |      |   |          |
| <b>Default:</b>             |       | OtherEvents                                                                                                                                                                                                                                                |      |   |          |
| Nr                          | Label | Behaviour Description                                                                                                                                                                                                                                      | CRef | V | Comments |
| 1                           |       | (TCV_Null := OM_ChConf( par_bspwr, par_mspwr, acttype, chmod, ta, slot, tsc, rf, chcmbn, 0, 0, babr, cch_con, bpm, PgReqTp1Norm, '0'B, '0'B, C_CellA, C_FCCH_A, C_SCH_A, C_BCCH_A_1, C_PCH_A_1, C_AGCH_A_1, C_RACH_A_1, C_SDCCH4_A, C_SACCHC4_A, "dummy")) |      |   |          |
| 2                           |       | (TCV_Null := OM_Assoc( C_SDCCH4_A, C_SDCCH40_A, C_SDCCH41_A, C_SDCCH42_A, C_SDCCH43_A, "dummy", "dummy", "dummy", "dummy", C_SACCHC4_A, C_SACCHC40_A, C_SACCHC41_A, C_SACCHC42_A, C_SACCHC43_A, "dummy", "dummy", "dummy", "dummy"))                       |      |   |          |
| <b>Detailed Comments:</b>   |       |                                                                                                                                                                                                                                                            |      |   |          |

| Test Step Dynamic Behaviour |       |                                                                                                                                                                                                                                                            |      |   |          |
|-----------------------------|-------|------------------------------------------------------------------------------------------------------------------------------------------------------------------------------------------------------------------------------------------------------------|------|---|----------|
| <b>Test Step Name:</b>      |       | Config_SDCCH4_B_1(par_bspwr, par_mspwr:INTEGER; chmod:CHMOD; acttype:BITSTRING; slot:SN; tsc:TSC; rf:FRQPARA; chcmbn:LOGCH; ta:TA; babr, cch_con, bpm:B_3)                                                                                                 |      |   |          |
| <b>Group:</b>               |       | GSM_L3_MS_v4210/management/ChConfig/                                                                                                                                                                                                                       |      |   |          |
| <b>Objective:</b>           |       | To set a physical channel and map FCCH, SCH, BCCH, CCCH and SDCCH4 onto the physical channel which represents cell B.                                                                                                                                      |      |   |          |
| <b>Default:</b>             |       | OtherEvents                                                                                                                                                                                                                                                |      |   |          |
| Nr                          | Label | Behaviour Description                                                                                                                                                                                                                                      | CRef | V | Comments |
| 1                           |       | (TCV_Null := OM_ChConf( par_bspwr, par_mspwr, acttype, chmod, ta, slot, tsc, rf, chcmbn, 0, 0, babr, cch_con, bpm, PgReqTp1Norm, '0'B, '0'B, C_CellB, C_FCCH_B, C_SCH_B, C_BCCH_B_1, C_PCH_B_1, C_AGCH_B_1, C_RACH_B_1, C_SDCCH4_B, C_SACCHC4_B, "dummy")) |      |   |          |
| 2                           |       | (TCV_Null := OM_Assoc( C_SDCCH4_B, C_SDCCH40_B, C_SDCCH41_B, C_SDCCH42_B, C_SDCCH43_B, "dummy", "dummy", "dummy", "dummy", C_SACCHC4_B, C_SACCHC40_B, C_SACCHC41_B, C_SACCHC42_B, C_SACCHC43_B, "dummy", "dummy", "dummy", "dummy"))                       |      |   |          |
| <b>Detailed Comments:</b>   |       |                                                                                                                                                                                                                                                            |      |   |          |

| Test Step Dynamic Behaviour |       |                                                                                                                                                                                                                                                              |      |   |          |
|-----------------------------|-------|--------------------------------------------------------------------------------------------------------------------------------------------------------------------------------------------------------------------------------------------------------------|------|---|----------|
| <b>Test Step Name:</b>      |       | Config_SDCCH4_B_ho_1(par_bspwr, par_mspwr:INTEGER; chmod:CHMOD; acttype:BITSTRING; slot:SN; tsc:TSC; rf:FRQPARA; chcmbn:LOGCH; ta:TA; babr, cch_con, bpm:B_3; td, fn:INTEGER)                                                                                |      |   |          |
| <b>Group:</b>               |       | GSM_L3_MS_v4210/management/ChConfig/                                                                                                                                                                                                                         |      |   |          |
| <b>Objective:</b>           |       | To set a physical channel and map FCCH, SCH, BCCH, CCCH and SDCCH4 onto the physical channel which represents cell B with controlable ta and fn.                                                                                                             |      |   |          |
| <b>Default:</b>             |       | OtherEvents                                                                                                                                                                                                                                                  |      |   |          |
| Nr                          | Label | Behaviour Description                                                                                                                                                                                                                                        | CRef | V | Comments |
| 1                           |       | (TCV_Null := OM_ChConf( par_bspwr, par_mspwr, acttype, chmod, ta, slot, tsc, rf, chcmbn, td, fn, babr, cch_con, bpm, PgReqTp1Norm, '0'B, '0'B, C_CellB, C_FCCH_B, C_SCH_B, C_BCCH_B_1, C_PCH_B_1, C_AGCH_B_1, C_RACH_B_1, C_SDCCH4_B, C_SACCHC4_B, "dummy")) |      |   |          |
| 2                           |       | (TCV_Null := OM_Assoc( C_SDCCH4_B, C_SDCCH40_B, C_SDCCH41_B, C_SDCCH42_B, C_SDCCH43_B, "dummy", "dummy", "dummy", "dummy", C_SACCHC4_B, C_SACCHC40_B, C_SACCHC41_B, C_SACCHC42_B, C_SACCHC43_B, "dummy", "dummy", "dummy", "dummy"))                         |      |   |          |
| <b>Detailed Comments:</b>   |       |                                                                                                                                                                                                                                                              |      |   |          |

| Test Step Dynamic Behaviour |       |                                                                                                                                                                                                                                                           |      |   |          |
|-----------------------------|-------|-----------------------------------------------------------------------------------------------------------------------------------------------------------------------------------------------------------------------------------------------------------|------|---|----------|
| <b>Test Step Name:</b>      |       | Config_SDCCH4_C_1(par_bspwr, par_mspwr:INTEGER; chmod:CHMOD; acttype:BITSTRING; slot:SN; tsc:TSC; rf:FRQPARA; hcmbn:LOGCH; ta:TA; babr, cch_con, bpm:B_3)                                                                                                 |      |   |          |
| <b>Group:</b>               |       | GSM_L3_MS_v4210/management/ChConfig/                                                                                                                                                                                                                      |      |   |          |
| <b>Objective:</b>           |       | To set a physical channel and map FCCH, SCH, BCCH, CCCH and SDCCH4 onto the physical channel which represents cell C.                                                                                                                                     |      |   |          |
| <b>Default:</b>             |       | OtherEvents                                                                                                                                                                                                                                               |      |   |          |
| Nr                          | Label | Behaviour Description                                                                                                                                                                                                                                     | CRef | V | Comments |
| 1                           |       | (TCV_Null := OM_ChConf( par_bspwr, par_mspwr, acttype, chmod, ta, slot, tsc, rf, hcmbn, 0, 0, babr, cch_con, bpm, PgReqTp1Norm, '0'B, '0'B, C_CellC, C_FCCH_C, C_SCH_C, C_BCCH_C_1, C_PCH_C_1, C_AGCH_C_1, C_RACH_C_1, C_SDCCH4_C, C_SACCHC4_C, "dummy")) |      |   |          |
| 2                           |       | (TCV_Null := OM_Assoc( C_SDCCH4_C, C_SDCCH40_C, C_SDCCH41_C, C_SDCCH42_C, C_SDCCH43_C, "dummy", "dummy", "dummy", "dummy", C_SACCHC4_C, C_SACCHC40_C, C_SACCHC41_C, C_SACCHC42_C, C_SACCHC43_C, "dummy", "dummy", "dummy", "dummy"))                      |      |   |          |
| <b>Detailed Comments:</b>   |       |                                                                                                                                                                                                                                                           |      |   |          |

| Test Step Dynamic Behaviour |       |                                                                                                                                                                                                                                                           |      |   |          |
|-----------------------------|-------|-----------------------------------------------------------------------------------------------------------------------------------------------------------------------------------------------------------------------------------------------------------|------|---|----------|
| <b>Test Step Name:</b>      |       | Config_SDCCH4_D_1(par_bspwr, par_mspwr:INTEGER; chmod:CHMOD; acttype:BITSTRING; slot:SN; tsc:TSC; rf:FRQPARA; hcmbn:LOGCH; ta:TA; babr, cch_con, bpm:B_3)                                                                                                 |      |   |          |
| <b>Group:</b>               |       | GSM_L3_MS_v4210/management/ChConfig/                                                                                                                                                                                                                      |      |   |          |
| <b>Objective:</b>           |       | To set a physical channel and map FCCH, SCH, BCCH, CCCH and SDCCH4 onto the physical channel which represents cell D                                                                                                                                      |      |   |          |
| <b>Default:</b>             |       | OtherEvents                                                                                                                                                                                                                                               |      |   |          |
| Nr                          | Label | Behaviour Description                                                                                                                                                                                                                                     | CRef | V | Comments |
| 1                           |       | (TCV_Null := OM_ChConf( par_bspwr, par_mspwr, acttype, chmod, ta, slot, tsc, rf, hcmbn, 0, 0, babr, cch_con, bpm, PgReqTp1Norm, '0'B, '0'B, C_CellD, C_FCCH_D, C_SCH_D, C_BCCH_D_1, C_PCH_D_1, C_AGCH_D_1, C_RACH_D_1, C_SDCCH4_D, C_SACCHC4_D, "dummy")) |      |   |          |
| 2                           |       | (TCV_Null := OM_Assoc( C_SDCCH4_D, C_SDCCH40_D, C_SDCCH41_D, C_SDCCH42_D, C_SDCCH43_D, "dummy", "dummy", "dummy", "dummy", C_SACCHC4_D, C_SACCHC40_D, C_SACCHC41_D, C_SACCHC42_D, C_SACCHC43_D, "dummy", "dummy", "dummy", "dummy"))                      |      |   |          |
| <b>Detailed Comments:</b>   |       |                                                                                                                                                                                                                                                           |      |   |          |



| Test Step Dynamic Behaviour |       |                                                                                                                                                                                                                                                            |      |   |          |
|-----------------------------|-------|------------------------------------------------------------------------------------------------------------------------------------------------------------------------------------------------------------------------------------------------------------|------|---|----------|
| <b>Test Step Name:</b>      |       | Config_SDCCH4_E_1(par_bspwr, par_mspwr:INTEGER; chmod:CHMOD; acttype:BITSTRING; slot:SN; tsc:TSC; rf:FRQPARA; chcmbn:LOGCH; ta:TA; babr, cch_con, bpm:B_3)                                                                                                 |      |   |          |
| <b>Group:</b>               |       | GSM_L3_MS_v4210/management/ChConfig/                                                                                                                                                                                                                       |      |   |          |
| <b>Objective:</b>           |       | To set a physical channel and map FCCH, SCH, BCCH, CCCH and SDCCH4 onto the physical channel which represents cell E                                                                                                                                       |      |   |          |
| <b>Default:</b>             |       | OtherEvents                                                                                                                                                                                                                                                |      |   |          |
| Nr                          | Label | Behaviour Description                                                                                                                                                                                                                                      | CRef | V | Comments |
| 1                           |       | (TCV_Null := OM_ChConf( par_bspwr, par_mspwr, acttype, chmod, ta, slot, tsc, rf, chcmbn, 0, 0, babr, cch_con, bpm, PgReqTp1Norm, '0'B, '0'B, C_CellE, C_FCCH_E, C_SCH_E, C_BCCH_E_1, C_PCH_E_1, C_AGCH_E_1, C_RACH_E_1, C_SDCCH4_E, C_SACCHC4_E, "dummy")) |      |   |          |
| 2                           |       | (TCV_Null := OM_Assoc( C_SDCCH4_E, C_SDCCH40_E, C_SDCCH41_E, C_SDCCH42_E, C_SDCCH43_E, "dummy", "dummy", "dummy", "dummy", C_SACCHC4_E, C_SACCHC40_E, C_SACCHC41_E, C_SACCHC42_E, C_SACCHC43_E, "dummy", "dummy", "dummy", "dummy"))                       |      |   |          |
| <b>Detailed Comments:</b>   |       |                                                                                                                                                                                                                                                            |      |   |          |

| Test Step Dynamic Behaviour |       |                                                                                                                                                                                                                                                            |      |   |          |
|-----------------------------|-------|------------------------------------------------------------------------------------------------------------------------------------------------------------------------------------------------------------------------------------------------------------|------|---|----------|
| <b>Test Step Name:</b>      |       | Config_SDCCH4_F_1(par_bspwr, par_mspwr:INTEGER; chmod:CHMOD; acttype:BITSTRING; slot:SN; tsc:TSC; rf:FRQPARA; chcmbn:LOGCH; ta:TA; babr, cch_con, bpm:B_3)                                                                                                 |      |   |          |
| <b>Group:</b>               |       | GSM_L3_MS_v4210/management/ChConfig/                                                                                                                                                                                                                       |      |   |          |
| <b>Objective:</b>           |       | To set a physical channel and map FCCH, SCH, BCCH, CCCH and SDCCH4 onto the physical channel which represents cell F                                                                                                                                       |      |   |          |
| <b>Default:</b>             |       | OtherEvents                                                                                                                                                                                                                                                |      |   |          |
| Nr                          | Label | Behaviour Description                                                                                                                                                                                                                                      | CRef | V | Comments |
| 1                           |       | (TCV_Null := OM_ChConf( par_bspwr, par_mspwr, acttype, chmod, ta, slot, tsc, rf, chcmbn, 0, 0, babr, cch_con, bpm, PgReqTp1Norm, '0'B, '0'B, C_CellF, C_FCCH_F, C_SCH_F, C_BCCH_F_1, C_PCH_F_1, C_AGCH_F_1, C_RACH_F_1, C_SDCCH4_F, C_SACCHC4_F, "dummy")) |      |   |          |
| 2                           |       | (TCV_Null := OM_Assoc( C_SDCCH4_F, C_SDCCH40_F, C_SDCCH41_F, C_SDCCH42_F, C_SDCCH43_F, "dummy", "dummy", "dummy", "dummy", C_SACCHC4_F, C_SACCHC40_F, C_SACCHC41_F, C_SACCHC42_F, C_SACCHC43_F, "dummy", "dummy", "dummy", "dummy"))                       |      |   |          |
| <b>Detailed Comments:</b>   |       |                                                                                                                                                                                                                                                            |      |   |          |

| Test Step Dynamic Behaviour |       |                                                                                                                                                                                                                                                            |      |   |          |
|-----------------------------|-------|------------------------------------------------------------------------------------------------------------------------------------------------------------------------------------------------------------------------------------------------------------|------|---|----------|
| <b>Test Step Name:</b>      |       | Config_SDCCH4_G_1(par_bspwr, par_mspwr:INTEGER; chmod:CHMOD; acttype:BITSTRING; slot:SN; tsc:TSC; rf:FRQPARA; chcmbn:LOGCH; ta:TA; babr, cch_con, bpm:B_3)                                                                                                 |      |   |          |
| <b>Group:</b>               |       | GSM_L3_MS_v4210/management/ChConfig/                                                                                                                                                                                                                       |      |   |          |
| <b>Objective:</b>           |       | To set a physical channel and map FCCH, SCH, BCCH, CCCH and SDCCH4 onto the physical channel which represents cell G                                                                                                                                       |      |   |          |
| <b>Default:</b>             |       | OtherEvents                                                                                                                                                                                                                                                |      |   |          |
| Nr                          | Label | Behaviour Description                                                                                                                                                                                                                                      | CRef | V | Comments |
| 1                           |       | (TCV_Null := OM_ChConf( par_bspwr, par_mspwr, acttype, chmod, ta, slot, tsc, rf, chcmbn, 0, 0, babr, cch_con, bpm, PgReqTp1Norm, '0'B, '0'B, C_CellG, C_FCCH_G, C_SCH_G, C_BCCH_G_1, C_PCH_G_1, C_AGCH_G_1, C_RACH_G_1, C_SDCCH4_G, C_SACCHC4_G, "dummy")) |      |   |          |
| 2                           |       | (TCV_Null := OM_Assoc( C_SDCCH4_G, C_SDCCH40_G, C_SDCCH41_G, C_SDCCH42_G, C_SDCCH43_G, "dummy", "dummy", "dummy", "dummy", C_SACCHC4_G, C_SACCHC40_G, C_SACCHC41_G, C_SACCHC42_G, C_SACCHC43_G, "dummy", "dummy", "dummy"))                                |      |   |          |
| <b>Detailed Comments:</b>   |       |                                                                                                                                                                                                                                                            |      |   |          |

| Test Step Dynamic Behaviour |       |                                                                                                                                                                                                                                                            |      |   |          |
|-----------------------------|-------|------------------------------------------------------------------------------------------------------------------------------------------------------------------------------------------------------------------------------------------------------------|------|---|----------|
| <b>Test Step Name:</b>      |       | Config_SDCCH4_H_1(par_bspwr, par_mspwr:INTEGER; chmod:CHMOD; acttype:BITSTRING; slot:SN; tsc:TSC; rf:FRQPARA; chcmbn:LOGCH; ta:TA; babr, cch_con, bpm:B_3)                                                                                                 |      |   |          |
| <b>Group:</b>               |       | GSM_L3_MS_v4210/management/ChConfig/                                                                                                                                                                                                                       |      |   |          |
| <b>Objective:</b>           |       | To set a physical channel and map FCCH, SCH, BCCH, CCCH and SDCCH4 onto the physical channel which represents cell H                                                                                                                                       |      |   |          |
| <b>Default:</b>             |       | OtherEvents                                                                                                                                                                                                                                                |      |   |          |
| Nr                          | Label | Behaviour Description                                                                                                                                                                                                                                      | CRef | V | Comments |
| 1                           |       | (TCV_Null := OM_ChConf( par_bspwr, par_mspwr, acttype, chmod, ta, slot, tsc, rf, chcmbn, 0, 0, babr, cch_con, bpm, PgReqTp1Norm, '0'B, '0'B, C_CellH, C_FCCH_H, C_SCH_H, C_BCCH_H_1, C_PCH_H_1, C_AGCH_H_1, C_RACH_H_1, C_SDCCH4_H, C_SACCHC4_H, "dummy")) |      |   |          |
| 2                           |       | (TCV_Null := OM_Assoc( C_SDCCH4_H, C_SDCCH40_H, C_SDCCH41_H, C_SDCCH42_H, C_SDCCH43_H, "dummy", "dummy", "dummy", "dummy", C_SACCHC4_H, C_SACCHC40_H, C_SACCHC41_H, C_SACCHC42_H, C_SACCHC43_H, "dummy", "dummy", "dummy", "dummy"))                       |      |   |          |
| <b>Detailed Comments:</b>   |       |                                                                                                                                                                                                                                                            |      |   |          |

| Test Step Dynamic Behaviour |       |                                                                                                                                                                                                                                                                                                              |      |   |          |
|-----------------------------|-------|--------------------------------------------------------------------------------------------------------------------------------------------------------------------------------------------------------------------------------------------------------------------------------------------------------------|------|---|----------|
| <b>Test Step Name:</b>      |       | Config_SDCCH8_A_1(par_bspwr, par_mspwr:INTEGER; chmod:CHMOD; acttype:BITSTRING; slot:SN; tsc:TSC; rf:FRQPARA; chcmbn:LOGCH; ta:TA; babr, cch_con, bpm:B_3)                                                                                                                                                   |      |   |          |
| <b>Group:</b>               |       | GSM_L3_MS_v4210/management/ChConfig/                                                                                                                                                                                                                                                                         |      |   |          |
| <b>Objective:</b>           |       | To set one physical channel used as SDCCH8 channel for instance 1 of cell A.                                                                                                                                                                                                                                 |      |   |          |
| <b>Default:</b>             |       | OtherEvents                                                                                                                                                                                                                                                                                                  |      |   |          |
| Nr                          | Label | Behaviour Description                                                                                                                                                                                                                                                                                        | CRef | V | Comments |
| 1                           |       | (TCV_Null := OM_ChConf( par_bspwr, par_mspwr, acttype, chmod, ta, slot, tsc, rf, chcmbn, 0, 0, babr, cch_con, bpm, PgReqTp1Norm, '0'B, '0'B, C_CellA, "dummy", "dummy", "dummy", "dummy", "dummy", "dummy", C_SDCCH8_A_1, C_SACCHC8_A_1, "dummy"))                                                           |      |   |          |
| 2                           |       | (TCV_Null := OM_Assoc( C_SDCCH8_A_1, C_SDCCH80_A_1, C_SDCCH81_A_1, C_SDCCH82_A_1, C_SDCCH83_A_1, C_SDCCH84_A_1, C_SDCCH85_A_1, C_SDCCH86_A_1, C_SDCCH87_A_1, C_SACCHC8_A_1, C_SACCHC80_A_1, C_SACCHC81_A_1, C_SACCHC82_A_1, C_SACCHC83_A_1, C_SACCHC84_A_1, C_SACCHC85_A_1, C_SACCHC86_A_1, C_SACCHC87_A_1)) |      |   |          |
| <b>Detailed Comments:</b>   |       |                                                                                                                                                                                                                                                                                                              |      |   |          |

| Test Step Dynamic Behaviour |       |                                                                                                                                                                                                                                                                                                              |      |   |          |
|-----------------------------|-------|--------------------------------------------------------------------------------------------------------------------------------------------------------------------------------------------------------------------------------------------------------------------------------------------------------------|------|---|----------|
| <b>Test Step Name:</b>      |       | Config_SDCCH8_A_2(par_bspwr, par_mspwr:INTEGER; chmod:CHMOD; acttype:BITSTRING; slot:SN; tsc:TSC; rf:FRQPARA; chcmbn:LOGCH; ta:TA; babr, cch_con, bpm:B_3)                                                                                                                                                   |      |   |          |
| <b>Group:</b>               |       | GSM_L3_MS_v4210/management/ChConfig/                                                                                                                                                                                                                                                                         |      |   |          |
| <b>Objective:</b>           |       | To set one physical channel used as SDCCH8 channel for instance 2 of cell A.                                                                                                                                                                                                                                 |      |   |          |
| <b>Default:</b>             |       | OtherEvents                                                                                                                                                                                                                                                                                                  |      |   |          |
| Nr                          | Label | Behaviour Description                                                                                                                                                                                                                                                                                        | CRef | V | Comments |
| 1                           |       | (TCV_Null := OM_ChConf( par_bspwr, par_mspwr, acttype, chmod, ta, slot, tsc, rf, chcmbn, 0, 0, babr, cch_con, bpm, PgReqTp1Norm, '0'B, '0'B, C_CellA, "dummy", "dummy", "dummy", "dummy", "dummy", "dummy", C_SDCCH8_A_2, C_SACCHC8_A_2, "dummy"))                                                           |      |   |          |
| 2                           |       | (TCV_Null := OM_Assoc( C_SDCCH8_A_2, C_SDCCH80_A_2, C_SDCCH81_A_2, C_SDCCH82_A_2, C_SDCCH83_A_2, C_SDCCH84_A_2, C_SDCCH85_A_2, C_SDCCH86_A_2, C_SDCCH87_A_2, C_SACCHC8_A_2, C_SACCHC80_A_2, C_SACCHC81_A_2, C_SACCHC82_A_2, C_SACCHC83_A_2, C_SACCHC84_A_2, C_SACCHC85_A_2, C_SACCHC86_A_2, C_SACCHC87_A_2)) |      |   |          |
| <b>Detailed Comments:</b>   |       |                                                                                                                                                                                                                                                                                                              |      |   |          |

| Test Step Dynamic Behaviour                                                                                                                                                       |       |                                                                                                                                                                                                                                                                                                              |      |   |          |
|-----------------------------------------------------------------------------------------------------------------------------------------------------------------------------------|-------|--------------------------------------------------------------------------------------------------------------------------------------------------------------------------------------------------------------------------------------------------------------------------------------------------------------|------|---|----------|
| <b>Test Step Name:</b> Config_SDCCH8_B_1(par_bspwr, par_mspwr:INTEGER; chmod:CHMOD; acttype:BITSTRING; slot:SN; tsc:TSC; rf:FRQPARA; chcmbn:LOGCH; ta:TA; babr, cch_con, bpm:B_3) |       |                                                                                                                                                                                                                                                                                                              |      |   |          |
| <b>Group:</b> GSM_L3_MS_v4210/management/ChConfig/                                                                                                                                |       |                                                                                                                                                                                                                                                                                                              |      |   |          |
| <b>Objective:</b> To set one physical channel used as SDCCH8 channel for instance 1 of cell B.                                                                                    |       |                                                                                                                                                                                                                                                                                                              |      |   |          |
| <b>Default:</b> OtherEvents                                                                                                                                                       |       |                                                                                                                                                                                                                                                                                                              |      |   |          |
| Nr                                                                                                                                                                                | Label | Behaviour Description                                                                                                                                                                                                                                                                                        | CRef | V | Comments |
| 1                                                                                                                                                                                 |       | (TCV_Null := OM_ChConf( par_bspwr, par_mspwr, acttype, chmod, ta, slot, tsc, rf, chcmbn, 0, 0, babr, cch_con, bpm, PgReqTp1Norm, '0'B, '0'B, C_CellB, "dummy", "dummy", "dummy", "dummy", "dummy", "dummy", C_SDCCH8_B_1, C_SACCHC8_B_1, "dummy"))                                                           |      |   |          |
| 2                                                                                                                                                                                 |       | (TCV_Null := OM_Assoc( C_SDCCH8_B_1, C_SDCCH80_B_1, C_SDCCH81_B_1, C_SDCCH82_B_1, C_SDCCH83_B_1, C_SDCCH84_B_1, C_SDCCH85_B_1, C_SDCCH86_B_1, C_SDCCH87_B_1, C_SACCHC8_B_1, C_SACCHC80_B_1, C_SACCHC81_B_1, C_SACCHC82_B_1, C_SACCHC83_B_1, C_SACCHC84_B_1, C_SACCHC85_B_1, C_SACCHC86_B_1, C_SACCHC87_B_1)) |      |   |          |
| <b>Detailed Comments:</b>                                                                                                                                                         |       |                                                                                                                                                                                                                                                                                                              |      |   |          |

| Test Step Dynamic Behaviour                                                                                                                                          |       |                                                                                                                                                             |      |   |          |
|----------------------------------------------------------------------------------------------------------------------------------------------------------------------|-------|-------------------------------------------------------------------------------------------------------------------------------------------------------------|------|---|----------|
| <b>Test Step Name:</b> CombinedBCCH_A_CBMS( par_bspwr, mtmcgsm, mtmcdds, arfcn1, arfcn2:INTEGER; acttype:BITSTRING; slot:SN; tsc:TSC; ta:TA; babr, cch_con, bpm:B_3) |       |                                                                                                                                                             |      |   |          |
| <b>Group:</b> GSM_L3_MS_v4210/management/ChConfig/                                                                                                                   |       |                                                                                                                                                             |      |   |          |
| <b>Objective:</b> To set a physical channel and map FCCH, SCH, BCCH, CCCH and SDCCH4 onto the physical channel which represents cell A.                              |       |                                                                                                                                                             |      |   |          |
| <b>Default:</b> OtherEvents                                                                                                                                          |       |                                                                                                                                                             |      |   |          |
| <b>Comments:</b> time slot = 0, ARFCN = 20 (GSM900) or ARFCN = 590 (DCS1800) cell A for RR testing.                                                                  |       |                                                                                                                                                             |      |   |          |
| Nr                                                                                                                                                                   | Label | Behaviour Description                                                                                                                                       | CRef | V | Comments |
| 1                                                                                                                                                                    |       | [TSPC_PGSM OR TSPC_EGSM]                                                                                                                                    |      |   | 1.       |
| 2                                                                                                                                                                    |       | +Config_CBMS_A_1( par_bspwr, mtmcgsm, ChMod_sign, acttype, slot, tsc, FreqBCCH( arfcn1), C_CBCH_FCCH_SCH_BCCH_CCCH_SDCCH4_S ACCHC4, ta, babr, cch_con, bpm) |      |   |          |
| 3                                                                                                                                                                    |       | [TSPC_DCS]                                                                                                                                                  |      |   | 2.       |
| 4                                                                                                                                                                    |       | +Config_CBMS_A_1( par_bspwr, mtmcdds, ChMod_sign, acttype, slot, tsc, FreqBCCH( arfcn2), C_CBCH_FCCH_SCH_BCCH_CCCH_SDCCH4_S ACCHC4, ta, babr, cch_con, bpm) |      |   |          |
| <b>Detailed Comments:</b><br>1. For P-GSM900.<br>2. For DCS1800.                                                                                                     |       |                                                                                                                                                             |      |   |          |

| Test Step Dynamic Behaviour |       |                                                                                                                                                         |      |   |          |
|-----------------------------|-------|---------------------------------------------------------------------------------------------------------------------------------------------------------|------|---|----------|
| <b>Test Step Name:</b>      |       | CombinedBCCH_A(par_bspwr, mtmcgsm, mtmcdcs, arfcn1, arfcn2:INTEGER; acttype:BITSTRING; slot:SN; tsc:TSC; ta:TA; babr, cch_con, bpm:B_3)                 |      |   |          |
| <b>Group:</b>               |       | GSM_L3_MS_v4210/management/ChConfig/                                                                                                                    |      |   |          |
| <b>Objective:</b>           |       | To set a physical channel and map FCCH, SCH, BCCH, CCCH and SDCCH4 onto the physical channel which represents cell A.                                   |      |   |          |
| <b>Default:</b>             |       | OtherEvents                                                                                                                                             |      |   |          |
| Nr                          | Label | Behaviour Description                                                                                                                                   | CRef | V | Comments |
| 1                           |       | [TSPC_PGSM OR TSPC_EGSM]                                                                                                                                |      |   | 1.       |
| 2                           |       | +Config_SDCCH4_A_1(par_bspwr, mtmcgsm, ChMod_sign, acttype, slot, tsc, FreqBCCH( arfcn1), C_FCCH_SCH_BCCH_CCCH_SDCCH4_SACCHC 4, ta, babr, cch_con, bpm) |      |   |          |
| 3                           |       | [TSPC_DCS]                                                                                                                                              |      |   | 2.       |
| 4                           |       | +Config_SDCCH4_A_1(par_bspwr, mtmcdcs, ChMod_sign, acttype, slot, tsc, FreqBCCH( arfcn2), C_FCCH_SCH_BCCH_CCCH_SDCCH4_SACCHC 4, ta, babr, cch_con, bpm) |      |   |          |
| <b>Detailed Comments:</b>   |       | 1. For P-GSM900.<br>2. For DCS1800.                                                                                                                     |      |   |          |

| Test Step Dynamic Behaviour |       |                                                                                                                                                         |      |   |          |
|-----------------------------|-------|---------------------------------------------------------------------------------------------------------------------------------------------------------|------|---|----------|
| <b>Test Step Name:</b>      |       | CombinedBCCH_B(par_bspwr, mtmcgsm, mtmcdcs, arfcn1, arfcn2:INTEGER; acttype:BITSTRING; slot:SN; tsc:TSC; ta:TA; babr, cch_con, bpm:B_3)                 |      |   |          |
| <b>Group:</b>               |       | GSM_L3_MS_v4210/management/ChConfig/                                                                                                                    |      |   |          |
| <b>Objective:</b>           |       | To set a physical channel and map FCCH, SCH, BCCH, CCCH and SDCCH4 onto the physical channel which represents cell B.                                   |      |   |          |
| <b>Default:</b>             |       | OtherEvents                                                                                                                                             |      |   |          |
| Nr                          | Label | Behaviour Description                                                                                                                                   | CRef | V | Comments |
| 1                           |       | [TSPC_PGSM OR TSPC_EGSM]                                                                                                                                |      |   | 1.       |
| 2                           |       | +Config_SDCCH4_B_1(par_bspwr, mtmcgsm, ChMod_sign, acttype, slot, tsc, FreqBCCH( arfcn1), C_FCCH_SCH_BCCH_CCCH_SDCCH4_SACCHC 4, ta, babr, cch_con, bpm) |      |   |          |
| 3                           |       | [TSPC_DCS]                                                                                                                                              |      |   | 2.       |
| 4                           |       | +Config_SDCCH4_B_1(par_bspwr, mtmcdcs, ChMod_sign, acttype, slot, tsc, FreqBCCH( arfcn2), C_FCCH_SCH_BCCH_CCCH_SDCCH4_SACCHC 4, ta, babr, cch_con, bpm) |      |   |          |
| <b>Detailed Comments:</b>   |       | 1. For P-GSM900.<br>2. For DCS1800.                                                                                                                     |      |   |          |

| Test Step Dynamic Behaviour |       |                                                                                                                                                                    |      |   |          |
|-----------------------------|-------|--------------------------------------------------------------------------------------------------------------------------------------------------------------------|------|---|----------|
| <b>Test Step Name:</b>      |       | CombinedBCCH_B_ho(par_bspwr, mtmcgsm, mtmcdcs, arfcn1, arfcn2:INTEGER; acttype:BITSTRING; slot:SN; tsc:TSC; ta:TA; babr, cch_con, bpm:B_3; td, fn:INTEGER)         |      |   |          |
| <b>Group:</b>               |       | GSM_L3_MS_v4210/management/ChConfig/                                                                                                                               |      |   |          |
| <b>Objective:</b>           |       | To set a physical channel and map FCCH, SCH, BCCH, CCCH and SDCCH4 onto the physical channel which represents cell B.                                              |      |   |          |
| <b>Default:</b>             |       | OtherEvents                                                                                                                                                        |      |   |          |
| Nr                          | Label | Behaviour Description                                                                                                                                              | CRef | V | Comments |
| 1                           |       | [TSPC_PGSM OR TSPC_EGSM]                                                                                                                                           |      |   | 1.       |
| 2                           |       | +Config_SDCCH4_B_ho_1(par_bspwr, mtmcgsm, ChMod_sign, acttype, slot, tsc, FreqBCCH( arfcn1), C_FCCH_SCH_BCCH_CCCH_SDCCH4_SACCHC 4, ta, babr, cch_con, bpm, td, fn) |      |   |          |
| 3                           |       | [TSPC_DCS]                                                                                                                                                         |      |   | 2.       |
| 4                           |       | +Config_SDCCH4_B_ho_1(par_bspwr, mtmcdcs, ChMod_sign, acttype, slot, tsc, FreqBCCH( arfcn2), C_FCCH_SCH_BCCH_CCCH_SDCCH4_SACCHC 4, ta, babr, cch_con, bpm, td, fn) |      |   |          |
| <b>Detailed Comments:</b>   |       | 1. For P-GSM900.<br>2. For DCS1800.                                                                                                                                |      |   |          |

| Test Step Dynamic Behaviour |       |                                                                                                                                                          |      |   |          |
|-----------------------------|-------|----------------------------------------------------------------------------------------------------------------------------------------------------------|------|---|----------|
| <b>Test Step Name:</b>      |       | CombinedBCCH_C(par_bspwr, mtmcgsm, mtmcddcs, arfcn1, arfcn2:INTEGER; acttype:BITSTRING; slot:SN; tsc:TSC; ta:TA; babr, cch_con, bpm:B_3)                 |      |   |          |
| <b>Group:</b>               |       | GSM_L3_MS_v4210/management/ChConfig/                                                                                                                     |      |   |          |
| <b>Objective:</b>           |       | To set a physical channel and map FCCH, SCH, BCCH, CCCH and SDCCH4 onto the physical channel which represents cell C.                                    |      |   |          |
| <b>Default:</b>             |       | OtherEvents                                                                                                                                              |      |   |          |
| Nr                          | Label | Behaviour Description                                                                                                                                    | CRef | V | Comments |
| 1                           |       | [TSPC_PGSM OR TSPC_EGSM]                                                                                                                                 |      |   | 1.       |
| 2                           |       | +Config_SDCCH4_C_1(par_bspwr, mtmcgsm, ChMod_sign, acttype, slot, tsc, FreqBCCH( arfcn1), C_FCCH_SCH_BCCH_CCCH_SDCCH4_SACCHC 4, ta, babr, cch_con, bpm)  |      |   |          |
| 3                           |       | [TSPC_DCS]                                                                                                                                               |      |   | 2.       |
| 4                           |       | +Config_SDCCH4_C_1(par_bspwr, mtmcddcs, ChMod_sign, acttype, slot, tsc, FreqBCCH( arfcn2), C_FCCH_SCH_BCCH_CCCH_SDCCH4_SACCHC 4, ta, babr, cch_con, bpm) |      |   |          |
| <b>Detailed Comments:</b>   |       | 1. For P-GSM900.<br>2. For DCS1800.                                                                                                                      |      |   |          |

| Test Step Dynamic Behaviour |       |                                                                                                                                                          |      |   |          |
|-----------------------------|-------|----------------------------------------------------------------------------------------------------------------------------------------------------------|------|---|----------|
| <b>Test Step Name:</b>      |       | CombinedBCCH_D(par_bspwr, mtmcgsm, mtmcddcs, arfcn1, arfcn2:INTEGER; acttype:BITSTRING; slot:SN; tsc:TSC; ta:TA; babr, cch_con, bpm:B_3)                 |      |   |          |
| <b>Group:</b>               |       | GSM_L3_MS_v4210/management/ChConfig/                                                                                                                     |      |   |          |
| <b>Objective:</b>           |       | To set a physical channel and map FCCH, SCH, BCCH, CCCH and SDCCH4 onto the physical channel which represents cell D.                                    |      |   |          |
| <b>Default:</b>             |       | OtherEvents                                                                                                                                              |      |   |          |
| Nr                          | Label | Behaviour Description                                                                                                                                    | CRef | V | Comments |
| 1                           |       | [TSPC_PGSM OR TSPC_EGSM]                                                                                                                                 |      |   | 1.       |
| 2                           |       | +Config_SDCCH4_D_1(par_bspwr, mtmcgsm, ChMod_sign, acttype, slot, tsc, FreqBCCH( arfcn1), C_FCCH_SCH_BCCH_CCCH_SDCCH4_SACCHC 4, ta, babr, cch_con, bpm)  |      |   |          |
| 3                           |       | [TSPC_DCS]                                                                                                                                               |      |   | 2.       |
| 4                           |       | +Config_SDCCH4_D_1(par_bspwr, mtmcddcs, ChMod_sign, acttype, slot, tsc, FreqBCCH( arfcn2), C_FCCH_SCH_BCCH_CCCH_SDCCH4_SACCHC 4, ta, babr, cch_con, bpm) |      |   |          |
| <b>Detailed Comments:</b>   |       | 1. For P-GSM900.<br>2. For DCS1800.                                                                                                                      |      |   |          |

| Test Step Dynamic Behaviour |       |                                                                                                                                                          |      |   |          |
|-----------------------------|-------|----------------------------------------------------------------------------------------------------------------------------------------------------------|------|---|----------|
| <b>Test Step Name:</b>      |       | CombinedBCCH_E(par_bspwr, mtmcgsm, mtmcddcs, arfcn1, arfcn2:INTEGER; acttype:BITSTRING; slot:SN; tsc:TSC; ta:TA; babr, cch_con, bpm:B_3)                 |      |   |          |
| <b>Group:</b>               |       | GSM_L3_MS_v4210/management/ChConfig/                                                                                                                     |      |   |          |
| <b>Objective:</b>           |       | To set a physical channel and map FCCH, SCH, BCCH, CCCH and SDCCH4 onto the physical channel which represents cell E.                                    |      |   |          |
| <b>Default:</b>             |       | OtherEvents                                                                                                                                              |      |   |          |
| Nr                          | Label | Behaviour Description                                                                                                                                    | CRef | V | Comments |
| 1                           |       | [TSPC_PGSM OR TSPC_EGSM]                                                                                                                                 |      |   | 1.       |
| 2                           |       | +Config_SDCCH4_E_1(par_bspwr, mtmcgsm, ChMod_sign, acttype, slot, tsc, FreqBCCH( arfcn1), C_FCCH_SCH_BCCH_CCCH_SDCCH4_SACCHC 4, ta, babr, cch_con, bpm)  |      |   |          |
| 3                           |       | [TSPC_DCS]                                                                                                                                               |      |   | 2.       |
| 4                           |       | +Config_SDCCH4_E_1(par_bspwr, mtmcddcs, ChMod_sign, acttype, slot, tsc, FreqBCCH( arfcn2), C_FCCH_SCH_BCCH_CCCH_SDCCH4_SACCHC 4, ta, babr, cch_con, bpm) |      |   |          |
| <b>Detailed Comments:</b>   |       | 1. For P-GSM900.<br>2. For DCS1800.                                                                                                                      |      |   |          |

| Test Step Dynamic Behaviour |       |                                                                                                                                                         |      |   |          |
|-----------------------------|-------|---------------------------------------------------------------------------------------------------------------------------------------------------------|------|---|----------|
| <b>Test Step Name:</b>      |       | CombinedBCCH_F(par_bspwr, mtmcgsm, mtmcdcs, arfcn1, arfcn2:INTEGER; acttype:BITSTRING; slot:SN; tsc:TSC; ta:TA; babr, cch_con, bpm:B_3)                 |      |   |          |
| <b>Group:</b>               |       | GSM_L3_MS_v4210/management/ChConfig/                                                                                                                    |      |   |          |
| <b>Objective:</b>           |       | To set a physical channel and map FCCH, SCH, BCCH, CCCH and SDCCH4 onto the physical channel which represents cell F.                                   |      |   |          |
| <b>Default:</b>             |       | OtherEvents                                                                                                                                             |      |   |          |
| Nr                          | Label | Behaviour Description                                                                                                                                   | CRef | V | Comments |
| 1                           |       | [TSPC_PGSM OR TSPC_EGSM]                                                                                                                                |      |   | 1.       |
| 2                           |       | +Config_SDCCH4_F_1(par_bspwr, mtmcgsm, ChMod_sign, acttype, slot, tsc, FreqBCCH( arfcn1), C_FCCH_SCH_BCCH_CCCH_SDCCH4_SACCHC 4, ta, babr, cch_con, bpm) |      |   |          |
| 3                           |       | [TSPC_DCS]                                                                                                                                              |      |   | 2.       |
| 4                           |       | +Config_SDCCH4_F_1(par_bspwr, mtmcdcs, ChMod_sign, acttype, slot, tsc, FreqBCCH( arfcn2), C_FCCH_SCH_BCCH_CCCH_SDCCH4_SACCHC 4, ta, babr, cch_con, bpm) |      |   |          |
| <b>Detailed Comments:</b>   |       | 1. For P-GSM900.<br>2. For DCS1800.                                                                                                                     |      |   |          |

| Test Step Dynamic Behaviour |       |                                                                                                                                                         |      |   |          |
|-----------------------------|-------|---------------------------------------------------------------------------------------------------------------------------------------------------------|------|---|----------|
| <b>Test Step Name:</b>      |       | CombinedBCCH_G(par_bspwr, mtmcgsm, mtmcdcs, arfcn1, arfcn2: INTEGER; acttype:BITSTRING; slot:SN; tsc:TSC; ta:TA; babr, cch_con, bpm:B_3)                |      |   |          |
| <b>Group:</b>               |       | GSM_L3_MS_v4210/management/ChConfig/                                                                                                                    |      |   |          |
| <b>Objective:</b>           |       | To set a physical channel and map FCCH, SCH, BCCH, CCCH and SDCCH4 onto the physical channel which represents cell G.                                   |      |   |          |
| <b>Default:</b>             |       | OtherEvents                                                                                                                                             |      |   |          |
| Nr                          | Label | Behaviour Description                                                                                                                                   | CRef | V | Comments |
| 1                           |       | [TSPC_PGSM OR TSPC_EGSM]                                                                                                                                |      |   | 1.       |
| 2                           |       | +Config_SDCCH4_G_1(par_bspwr, mtmcgsm, ChMod_sign, acttype, slot, tsc, FreqBCCH( arfcn1), C_FCCH_SCH_BCCH_CCCH_SDCCH4_SACCHC 4, ta, babr, cch_con, bpm) |      |   |          |
| 3                           |       | [TSPC_DCS]                                                                                                                                              |      |   | 2.       |
| 4                           |       | +Config_SDCCH4_G_1(par_bspwr, mtmcdcs, ChMod_sign, acttype, slot, tsc, FreqBCCH( arfcn2), C_FCCH_SCH_BCCH_CCCH_SDCCH4_SACCHC 4, ta, babr, cch_con, bpm) |      |   |          |
| <b>Detailed Comments:</b>   |       | 1. For P-GSM900.<br>2. For DCS1800.                                                                                                                     |      |   |          |

| Test Step Dynamic Behaviour |       |                                                                                                                                                         |      |   |          |
|-----------------------------|-------|---------------------------------------------------------------------------------------------------------------------------------------------------------|------|---|----------|
| <b>Test Step Name:</b>      |       | CombinedBCCH_G_sp(par_bspwr, mtmcgsm, mtmcdcs, arfcn1, arfcn2, arfcn3:INTEGER; acttype:BITSTRING; slot:SN; tsc:TSC; ta:TA; babr, cch_con, bpm:B_3)      |      |   |          |
| <b>Group:</b>               |       | GSM_L3_MS_v4210/management/ChConfig/                                                                                                                    |      |   |          |
| <b>Objective:</b>           |       | To set a physical channel and map FCCH, SCH, BCCH, CCCH and SDCCH4 onto the physical channel which represents cell G.                                   |      |   |          |
| <b>Default:</b>             |       | OtherEvents                                                                                                                                             |      |   |          |
| Nr                          | Label | Behaviour Description                                                                                                                                   | CRef | V | Comments |
| 1                           |       | [TSPC_PGSM]                                                                                                                                             |      |   | 1.       |
| 2                           |       | +Config_SDCCH4_G_1(par_bspwr, mtmcgsm, ChMod_sign, acttype, slot, tsc, FreqBCCH( arfcn1), C_FCCH_SCH_BCCH_CCCH_SDCCH4_SACCHC 4, ta, babr, cch_con, bpm) |      |   |          |
| 3                           |       | [TSPC_EGSM]                                                                                                                                             |      |   | 1.       |
| 4                           |       | +Config_SDCCH4_G_1(par_bspwr, mtmcgsm, ChMod_sign, acttype, slot, tsc, FreqBCCH( arfcn2), C_FCCH_SCH_BCCH_CCCH_SDCCH4_SACCHC 4, ta, babr, cch_con, bpm) |      |   |          |
| 5                           |       | [TSPC_DCS]                                                                                                                                              |      |   | 2.       |
| 6                           |       | +Config_SDCCH4_G_1(par_bspwr, mtmcdcs, ChMod_sign, acttype, slot, tsc, FreqBCCH( arfcn3), C_FCCH_SCH_BCCH_CCCH_SDCCH4_SACCHC 4, ta, babr, cch_con, bpm) |      |   |          |
| <b>Detailed Comments:</b>   |       | 1. For P-GSM900.<br>2. For DCS1800.                                                                                                                     |      |   |          |

| Test Step Dynamic Behaviour |       |                                                                                                                                                         |      |   |          |
|-----------------------------|-------|---------------------------------------------------------------------------------------------------------------------------------------------------------|------|---|----------|
| <b>Test Step Name:</b>      |       | CombinedBCCH_H(par_bspwr, mtmcgsm, mtmcdcs, arfcn1, arfcn2:INTEGER; acttype:BITSTRING; slot:SN; tsc:TSC; ta:TA; babr, cch_con, bpm:B_3)                 |      |   |          |
| <b>Group:</b>               |       | GSM_L3_MS_v4210/management/ChConfig/                                                                                                                    |      |   |          |
| <b>Objective:</b>           |       | To set a physical channel and map FCCH, SCH, BCCH, CCCH and SDCCH4 onto the physical channel which represents cell H.                                   |      |   |          |
| <b>Default:</b>             |       | OtherEvents                                                                                                                                             |      |   |          |
| Nr                          | Label | Behaviour Description                                                                                                                                   | CRef | V | Comments |
| 1                           |       | [TSPC_PGSM OR TSPC_EGSM]                                                                                                                                |      |   | 1.       |
| 2                           |       | +Config_SDCCH4_H_1(par_bspwr, mtmcgsm, ChMod_sign, acttype, slot, tsc, FreqBCCH( arfcn1), C_FCCH_SCH_BCCH_CCCH_SDCCH4_SACCHC 4, ta, babr, cch_con, bpm) |      |   |          |
| 3                           |       | [TSPC_DCS]                                                                                                                                              |      |   | 2.       |
| 4                           |       | +Config_SDCCH4_H_1(par_bspwr, mtmcdcs, ChMod_sign, acttype, slot, tsc, FreqBCCH( arfcn2), C_FCCH_SCH_BCCH_CCCH_SDCCH4_SACCHC 4, ta, babr, cch_con, bpm) |      |   |          |
| <b>Detailed Comments:</b>   |       | 1. For P-GSM900.<br>2. For DCS1800.                                                                                                                     |      |   |          |



| Test Step Dynamic Behaviour |       |                                                                                                                                            |      |   |          |
|-----------------------------|-------|--------------------------------------------------------------------------------------------------------------------------------------------|------|---|----------|
| <b>Test Step Name:</b>      |       | NonCombinedBCCH_A(par_bspwr, mtmcgsm, mtmcdds, arfcn1, arfcn2:INTEGER; acttype:BITSTRING; slot:SN; tsc:TSC; ta:TA; babr, cch_con, bpm:B_3) |      |   |          |
| <b>Group:</b>               |       | GSM_L3_MS_v4210/management/ChConfig/                                                                                                       |      |   |          |
| <b>Objective:</b>           |       | To set one physical channel used as FCHH_SCH_BCCH_CCCH for cell A.                                                                         |      |   |          |
| <b>Default:</b>             |       | OtherEvents                                                                                                                                |      |   |          |
| Nr                          | Label | Behaviour Description                                                                                                                      | CRef | V | Comments |
| 1                           |       | [TSPC_PGSM OR TSPC_EGSM]                                                                                                                   |      |   | 1.       |
| 2                           |       | +Config_BCCH_CCCH_A_1(par_bspwr, mtmcgsm, ChMod_sign, acttype, slot, tsc, FreqBCCH( arfcn1), C_FCCH_SCH_BCCH_CCCH, ta, babr, cch_con, bpm) |      |   |          |
| 3                           |       | [TSPC_DCS]                                                                                                                                 |      |   | 2.       |
| 4                           |       | +Config_BCCH_CCCH_A_1(par_bspwr, mtmcdds, ChMod_sign, acttype, slot, tsc, FreqBCCH( arfcn2), C_FCCH_SCH_BCCH_CCCH, ta, babr, cch_con, bpm) |      |   |          |
| <b>Detailed Comments:</b>   |       | 1. For P-GSM900.<br>2. For DCS1800.                                                                                                        |      |   |          |

| Test Step Dynamic Behaviour |       |                                                                                                                            |      |   |          |
|-----------------------------|-------|----------------------------------------------------------------------------------------------------------------------------|------|---|----------|
| <b>Test Step Name:</b>      |       | NonCombinedBCCH_A_2(acttype:BITSTRING; slot:SN; tsc:TSC; ta:TA; babr, cch_con, bpm:B_3)                                    |      |   |          |
| <b>Group:</b>               |       | GSM_L3_MS_v4210/management/ChConfig/                                                                                       |      |   |          |
| <b>Objective:</b>           |       | To set a physical channel and map the second BCCH, CCCH onto the physical channel which represents cell A.                 |      |   |          |
| <b>Default:</b>             |       | OtherEvents                                                                                                                |      |   |          |
| Nr                          | Label | Behaviour Description                                                                                                      | CRef | V | Comments |
| 1                           |       | [TSPC_PGSM OR TSPC_EGSM]                                                                                                   |      |   | 1.       |
| 2                           |       | +Config_BCCH_CCCH_A_2(63, 19, ChMod_sign, acttype, slot, tsc, FreqBCCH( C_arfcnA), C_BCCH_CCCH_2, ta, babr, cch_con, bpm)  |      |   |          |
| 3                           |       | [TSPC_DCS]                                                                                                                 |      |   | 2.       |
| 4                           |       | +Config_BCCH_CCCH_A_2(63, 15, ChMod_sign, acttype, slot, tsc, FreqBCCH( C_arfcnAd), C_BCCH_CCCH_2, ta, babr, cch_con, bpm) |      |   |          |
| <b>Detailed Comments:</b>   |       | 1. For P-GSM900.<br>2. For DCS1800.                                                                                        |      |   |          |

| Test Step Dynamic Behaviour |       |                                                                                                                            |      |   |          |
|-----------------------------|-------|----------------------------------------------------------------------------------------------------------------------------|------|---|----------|
| <b>Test Step Name:</b>      |       | NonCombinedBCCH_A_3(acttype:BITSTRING; slot:SN; tsc:TSC; ta:TA; babr, cch_con, bpm:B_3)                                    |      |   |          |
| <b>Group:</b>               |       | GSM_L3_MS_v4210/management/ChConfig/                                                                                       |      |   |          |
| <b>Objective:</b>           |       | To set a physical channel and map the third BCCH, CCCH onto the physical channel which represents cell A.                  |      |   |          |
| <b>Default:</b>             |       | OtherEvents                                                                                                                |      |   |          |
| <b>Comments:</b>            |       | time slot = 4, ARFCN = TSPX_BCCHcarrierA                                                                                   |      |   |          |
| Nr                          | Label | Behaviour Description                                                                                                      | CRef | V | Comments |
| 1                           |       | [TSPC_PGSM OR TSPC_EGSM]                                                                                                   |      |   | 1.       |
| 2                           |       | +Config_BCCH_CCCH_A_3(63, 19, ChMod_sign, acttype, slot, tsc, FreqBCCH( C_arfcnA), C_BCCH_CCCH_3, ta, babr, cch_con, bpm)  |      |   |          |
| 3                           |       | [TSPC_DCS]                                                                                                                 |      |   | 2.       |
| 4                           |       | +Config_BCCH_CCCH_A_3(63, 15, ChMod_sign, acttype, slot, tsc, FreqBCCH( C_arfcnAd), C_BCCH_CCCH_3, ta, babr, cch_con, bpm) |      |   |          |
| <b>Detailed Comments:</b>   |       | 1. For P-GSM900.<br>2. For DCS1800.                                                                                        |      |   |          |

| Test Step Dynamic Behaviour |       |                                                                                                                            |      |   |          |
|-----------------------------|-------|----------------------------------------------------------------------------------------------------------------------------|------|---|----------|
| <b>Test Step Name:</b>      |       | NonCombinedBCCH_A_4(acttype:BITSTRING; slot:SN; tsc:TSC; ta:TA; babr, cch_con, bpm:B_3)                                    |      |   |          |
| <b>Group:</b>               |       | GSM_L3_MS_v4210/management/ChConfig/                                                                                       |      |   |          |
| <b>Objective:</b>           |       | To set a physical channel and map the fourth BCCH, CCCH onto the physical channel which represents cell A.                 |      |   |          |
| <b>Default:</b>             |       | OtherEvents                                                                                                                |      |   |          |
| <b>Comments:</b>            |       | time slot = 6, ARFCN = TSPX_BCCHcarrierA                                                                                   |      |   |          |
| Nr                          | Label | Behaviour Description                                                                                                      | CRef | V | Comments |
| 1                           |       | [TSPC_PGSM OR TSPC_EGSM]                                                                                                   |      |   | 1.       |
| 2                           |       | +Config_BCCH_CCCH_A_4(63, 19, ChMod_sign, acttype, slot, tsc, FreqBCCH( C_arfcnA), C_BCCH_CCCH_4, ta, babr, cch_con, bpm)  |      |   |          |
| 3                           |       | [TSPC_DCS]                                                                                                                 |      |   | 2.       |
| 4                           |       | +Config_BCCH_CCCH_A_4(63, 15, ChMod_sign, acttype, slot, tsc, FreqBCCH( C_arfcnAd), C_BCCH_CCCH_4, ta, babr, cch_con, bpm) |      |   |          |
| <b>Detailed Comments:</b>   |       | 1. For P-GSM900.<br>2. For DCS1800.                                                                                        |      |   |          |

| Test Step Dynamic Behaviour |       |                                                                                                                                            |      |   |          |
|-----------------------------|-------|--------------------------------------------------------------------------------------------------------------------------------------------|------|---|----------|
| <b>Test Step Name:</b>      |       | NonCombinedBCCH_B(par_bspwr, mtmcgsm, mtmcdds, arfcn1, arfcn2:INTEGER; acttype:BITSTRING; slot:SN; tsc:TSC; ta:TA; babr, cch_con, bpm:B_3) |      |   |          |
| <b>Group:</b>               |       | GSM_L3_MS_v4210/management/ChConfig/                                                                                                       |      |   |          |
| <b>Objective:</b>           |       | To set a physical channel and map FCCH, SCH, BCCH, CCCH onto the physical channel which represents cell B for RR testing.                  |      |   |          |
| <b>Default:</b>             |       | OtherEvents                                                                                                                                |      |   |          |
| Nr                          | Label | Behaviour Description                                                                                                                      | CRef | V | Comments |
| 1                           |       | [TSPC_PGSM]                                                                                                                                |      |   | 1.       |
| 2                           |       | +Config_BCCH_CCCH_B_1(par_bspwr, mtmcgsm, ChMod_sign, acttype, slot, tsc, FreqBCCH( arfcn1), C_FCCH_SCH_BCCH_CCCH, ta, babr, cch_con, bpm) |      |   |          |
| 3                           |       | [TSPC_DCS]                                                                                                                                 |      |   | 2.       |
| 4                           |       | +Config_BCCH_CCCH_B_1(par_bspwr, mtmcdds, ChMod_sign, acttype, slot, tsc, FreqBCCH( arfcn2), C_FCCH_SCH_BCCH_CCCH, ta, babr, cch_con, bpm) |      |   |          |
| <b>Detailed Comments:</b>   |       | 1. For P-GSM900.<br>1.1 Frequenz and cell_id for cell B in HO cases<br>2. For DCS1800.<br>2.1 Frequenz and cell_id for cell B in HO cases  |      |   |          |

| Test Step Dynamic Behaviour |       |                                                                                                                                                               |      |   |          |
|-----------------------------|-------|---------------------------------------------------------------------------------------------------------------------------------------------------------------|------|---|----------|
| <b>Test Step Name:</b>      |       | NonCombinedBCCH_B_ho(par_bspwr, mtmcgsm, mtmcdcs, arfcn1, arfcn2:INTEGER; acttype:BITSTRING; slot:SN; tsc:TSC; ta:TA; babr, cch_con, bpm:B_3; td, fn:INTEGER) |      |   |          |
| <b>Group:</b>               |       | GSM_L3_MS_v4210/management/ChConfig/                                                                                                                          |      |   |          |
| <b>Objective:</b>           |       | To set a physical channel and map FCCH, SCH, BCCH, CCCH onto the physical channel which represents cell B for RR testing.                                     |      |   |          |
| <b>Default:</b>             |       | OtherEvents                                                                                                                                                   |      |   |          |
| Nr                          | Label | Behaviour Description                                                                                                                                         | CRef | V | Comments |
| 1                           |       | [TSPC_PGSM]                                                                                                                                                   |      |   | 1.       |
| 2                           |       | +Config_BCCH_CCCH_B_ho_1(par_bspwr, mtmcgsm, ChMod_sign, acttype, slot, tsc, FreqBCCH( arfcn1), C_FCCH_SCH_BCCH_CCCH, ta, babr, cch_con, bpm, td, fn)         |      |   |          |
| 3                           |       | [TSPC_DCS]                                                                                                                                                    |      |   | 2.       |
| 4                           |       | +Config_BCCH_CCCH_B_ho_1(par_bspwr, mtmcdcs, ChMod_sign, acttype, slot, tsc, FreqBCCH( arfcn2), C_FCCH_SCH_BCCH_CCCH, ta, babr, cch_con, bpm, td, fn)         |      |   |          |
| <b>Detailed Comments:</b>   |       | 1. For P-GSM900.<br>1.1 Frequenz and cell_id for cell B in HO cases<br>2. For DCS1800.<br>2.1 Frequenz and cell_id for cell B in HO cases                     |      |   |          |

| Test Step Dynamic Behaviour |       |                                                                                                                                                  |      |   |             |
|-----------------------------|-------|--------------------------------------------------------------------------------------------------------------------------------------------------|------|---|-------------|
| <b>Test Step Name:</b>      |       | FullRateCh_A_1(acttypeT:BITSTRING; slotT:SN; tscT:TSC; chmod:CHMOD; Freqg, Freqd:FRQPARA; arfcng, arfcnd:INTEGER; ta:TA; babr, cch_con, bpm:B_3) |      |   |             |
| <b>Group:</b>               |       | GSM_L3_MS_v4210/management/ChConfig/                                                                                                             |      |   |             |
| <b>Objective:</b>           |       | To set one physical channel used as TCHF_ACCH's for instance 1 of cell A.                                                                        |      |   |             |
| <b>Default:</b>             |       | OtherEvents                                                                                                                                      |      |   |             |
| Nr                          | Label | Behaviour Description                                                                                                                            | CRef | V | Comments    |
| 1                           |       | [arfcng <> C_Noarfcn]                                                                                                                            |      |   | Non hopping |
| 2                           |       | +FullRateCh_A_1_nociph( acttypeT, slotT, tscT, chmod, FreqTCH( arfcng), FreqTCH( arfcnd), ta, babr, cch_con, bpm)                                |      |   |             |
| 3                           |       | (TCV_Null := OM_CphMd( TCV_chTch, CphMod_01, TCV_CphKey))                                                                                        |      |   |             |
| 4                           |       | [TSPC_PGSM OR TSPC_EGSM]                                                                                                                         |      |   |             |
| 5                           |       | (TCV_tch_arfcn:= arfcng)                                                                                                                         |      |   |             |
| 6                           |       | [TSPC_DCS]                                                                                                                                       |      |   |             |
| 7                           |       | (TCV_tch_arfcn:= arfcnd)                                                                                                                         |      |   |             |
| 8                           |       | [arfcng = C_Noarfcn]                                                                                                                             |      |   | Hopping     |
| 9                           |       | +FullRateCh_A_1_nociph( acttypeT, slotT, tscT, chmod, Freqg, Freqd, ta, babr, cch_con, bpm)                                                      |      |   |             |
| 10                          |       | (TCV_Null := OM_CphMd( TCV_chTch, CphMod_01, TCV_CphKey))                                                                                        |      |   |             |
| <b>Detailed Comments:</b>   |       |                                                                                                                                                  |      |   |             |

| Test Step Dynamic Behaviour |       |                                                                                                                                 |      |   |          |
|-----------------------------|-------|---------------------------------------------------------------------------------------------------------------------------------|------|---|----------|
| <b>Test Step Name:</b>      |       | FullRateCh_A_1_nociph( actypeT:BITSTRING; slotT:SN; tscT:TSC; chmod:CHMOD; Freqg, Freqd:FRQPARA; ta:TA; babr, cch_con, bpm:B_3) |      |   |          |
| <b>Group:</b>               |       | GSM_L3_MS_v4210/management/ChConfig/                                                                                            |      |   |          |
| <b>Objective:</b>           |       | To set one physical channel used as TCHF_ACCH's for instance 1 of cell A.                                                       |      |   |          |
| <b>Default:</b>             |       | OtherEvents                                                                                                                     |      |   |          |
| Nr                          | Label | Behaviour Description                                                                                                           | CRef | V | Comments |
| 1                           |       | (TCV_chTch := C_FACCHF_A_1, TCV_sacchTch := C_SACCHF_A_1, TCV_chtype := '00001'B)                                               |      |   |          |
| 2                           |       | [TSPC_PGSM OR TSPC_EGSM]                                                                                                        |      |   |          |
| 3                           |       | +Config_FACCHF_A_1( 63, 19, chmod, actypeT, slotT, tscT, Freqg, C_TCHF_ACCHF_1, ta, babr, cch_con, bpm)                         |      |   |          |
| 4                           |       | +SysInfo_SacchSending( TCV_sacchTch, TCV_sysinfo5, TCV_sysinfo6)                                                                |      |   |          |
| 5                           |       | [TSPC_DCS]                                                                                                                      |      |   |          |
| 6                           |       | +Config_FACCHF_A_1( 63, 15, chmod, actypeT, slotT, tscT, Freqd, C_TCHF_ACCHF_1, ta, babr, cch_con, bpm)                         |      |   |          |
| 7                           |       | +SysInfo_SacchSending( TCV_sacchTch, TCV_sysinfo5, TCV_sysinfo6)                                                                |      |   |          |
| <b>Detailed Comments:</b>   |       |                                                                                                                                 |      |   |          |

| Test Step Dynamic Behaviour |       |                                                                                                                        |      |   |          |
|-----------------------------|-------|------------------------------------------------------------------------------------------------------------------------|------|---|----------|
| <b>Test Step Name:</b>      |       | FullRateCh_A_2(actypeT:BITSTRING; slotT:SN; tscT:TSC; chmod:CHMOD; Freqg,Freqd:FRQPARA; ta:TA; babr, cch_con, bpm:B_3) |      |   |          |
| <b>Group:</b>               |       | GSM_L3_MS_v4210/management/ChConfig/                                                                                   |      |   |          |
| <b>Objective:</b>           |       | To set one physical channel used as TCHF_ACCH's for instance 2 of cell A for TC_26_6_13_1.                             |      |   |          |
| <b>Default:</b>             |       | OtherEvents                                                                                                            |      |   |          |
| <b>Comments:</b>            |       | used as after time channel.                                                                                            |      |   |          |
| Nr                          | Label | Behaviour Description                                                                                                  | CRef | V | Comments |
| 1                           |       | +FullRateCh_A_2_nociph( actypeT, slotT, tscT, chmod, Freqg,Freqd, ta, babr, cch_con, bpm)                              |      |   |          |
| 2                           |       | (TCV_Null := OM_CphMd( TCV_chTch1, CphMod_01, TCV_CphKey))                                                             |      |   |          |
| <b>Detailed Comments:</b>   |       |                                                                                                                        |      |   |          |

| Test Step Dynamic Behaviour |       |                                                                                                                               |      |   |          |
|-----------------------------|-------|-------------------------------------------------------------------------------------------------------------------------------|------|---|----------|
| <b>Test Step Name:</b>      |       | FullRateCh_A_2_nociph(actypeT:BITSTRING; slotT:SN; tscT:TSC; chmod:CHMOD; Freqg,Freqd:FRQPARA; ta:TA; babr, cch_con, bpm:B_3) |      |   |          |
| <b>Group:</b>               |       | GSM_L3_MS_v4210/management/ChConfig/                                                                                          |      |   |          |
| <b>Objective:</b>           |       | To set one physical channel used as TCHF_ACCH's for instance 2 of cell A for TC_26_6_13_1.                                    |      |   |          |
| <b>Default:</b>             |       | OtherEvents                                                                                                                   |      |   |          |
| <b>Comments:</b>            |       | used as after time channel.                                                                                                   |      |   |          |
| Nr                          | Label | Behaviour Description                                                                                                         | CRef | V | Comments |
| 1                           |       | (TCV_chTch1 := C_FACCHF_A_2, TCV_sacchTch1 := C_SACCHF_A_2)                                                                   |      |   |          |
| 2                           |       | [TSPC_PGSM OR TSPC_EGSM]                                                                                                      |      |   |          |
| 3                           |       | +Config_FACCHF_A_2(63, 19, chmod, actypeT, slotT, tscT, Freqg, C_TCHF_ACCHF_2, ta, babr, cch_con, bpm)                        |      |   |          |
| 4                           |       | +SysInfo_SacchSending( TCV_sacchTch1, TCV_sysinfo5, TCV_sysinfo6)                                                             |      |   |          |
| 5                           |       | [TSPC_DCS]                                                                                                                    |      |   |          |
| 6                           |       | +Config_FACCHF_A_2(63, 15, chmod, actypeT, slotT, tscT, Freqd, C_TCHF_ACCHF_2, ta, babr, cch_con, bpm)                        |      |   |          |
| 7                           |       | +SysInfo_SacchSending( TCV_sacchTch1, TCV_sysinfo5, TCV_sysinfo6)                                                             |      |   |          |
| <b>Detailed Comments:</b>   |       |                                                                                                                               |      |   |          |

| Test Step Dynamic Behaviour |       |                                                                                                                        |      |   |          |
|-----------------------------|-------|------------------------------------------------------------------------------------------------------------------------|------|---|----------|
| <b>Test Step Name:</b>      |       | FullRateCh_B_1(actypeT:BITSTRING; slotT:SN; tscT:TSC; chmod:CHMOD; Freqg,Freqd:FRQPARA; ta:TA; babr, cch_con, bpm:B_3) |      |   |          |
| <b>Group:</b>               |       | GSM_L3_MS_v4210/management/ChConfig/                                                                                   |      |   |          |
| <b>Objective:</b>           |       | To set one physical channel used as TCHF_ACCH's for instance 1 of cell B.                                              |      |   |          |
| <b>Default:</b>             |       | OtherEvents                                                                                                            |      |   |          |
| <b>Comments:</b>            |       | FullRateCh_B_1.                                                                                                        |      |   |          |
| Nr                          | Label | Behaviour Description                                                                                                  | CRef | V | Comments |
| 1                           |       | +FullRateCh_B_1_nociph( actypeT, slotT, tscT, chmod, Freqg, Freqd, ta, babr, cch_con, bpm)                             |      |   |          |
| 2                           |       | (TCV_Null := OM_CphMd( TCV_chTch, CphMod_01, TCV_CphKey))                                                              |      |   |          |
| <b>Detailed Comments:</b>   |       |                                                                                                                        |      |   |          |

| Test Step Dynamic Behaviour |       |                                                                                                                               |      |   |          |
|-----------------------------|-------|-------------------------------------------------------------------------------------------------------------------------------|------|---|----------|
| <b>Test Step Name:</b>      |       | FullRateCh_B_1_nociph(actypeT:BITSTRING; slotT:SN; tscT:TSC; chmod:CHMOD; Freqg,Freqd:FRQPARA; ta:TA; babr, cch_con, bpm:B_3) |      |   |          |
| <b>Group:</b>               |       | GSM_L3_MS_v4210/management/ChConfig/                                                                                          |      |   |          |
| <b>Objective:</b>           |       | To set one physical channel used as TCHF_ACCH's for instance 1 of cell B.                                                     |      |   |          |
| <b>Default:</b>             |       | OtherEvents                                                                                                                   |      |   |          |
| <b>Comments:</b>            |       | Used in TC_26_6_13_5 for after time channel                                                                                   |      |   |          |
| Nr                          | Label | Behaviour Description                                                                                                         | CRef | V | Comments |
| 1                           |       | (TCV_chTch := C_FACCHF_B_1, TCV_sacchTch := C_SACCHF_B_1)                                                                     |      |   |          |
| 2                           |       | [TSPC_PGSM OR TSPC_EGSM]                                                                                                      |      |   |          |
| 3                           |       | +Config_FACCHF_B_1(63, 19, chmod, actypeT, slotT, tscT, Freqg, C_TCHF_ACCHF_1, ta, babr, cch_con, bpm)                        |      |   |          |
| 4                           |       | +SysInfo_SacchSending( TCV_sacchTch, TCV_sysinfo5_B, TCV_sysinfo6_B)                                                          |      |   |          |
| 5                           |       | [TSPC_DCS]                                                                                                                    |      |   |          |
| 6                           |       | +Config_FACCHF_B_1(63, 15, chmod, actypeT, slotT, tscT, Freqd, C_TCHF_ACCHF_1, ta, babr, cch_con, bpm)                        |      |   |          |
| 7                           |       | +SysInfo_SacchSending( TCV_sacchTch, TCV_sysinfo5_B, TCV_sysinfo6_B)                                                          |      |   |          |
| <b>Detailed Comments:</b>   |       |                                                                                                                               |      |   |          |

| Test Step Dynamic Behaviour |       |                                                                                                                                                           |      |   |             |
|-----------------------------|-------|-----------------------------------------------------------------------------------------------------------------------------------------------------------|------|---|-------------|
| <b>Test Step Name:</b>      |       | HalfRateCh_A_1( sub:B_1; actypeT:BITSTRING; slotT:SN; tscT:TSC; chmod:CHMOD; Freqg, Freqd:FRQPARA; arfcng, arfcnd:INTEGER; ta:TA; babr, cch_con, bpm:B_3) |      |   |             |
| <b>Group:</b>               |       | GSM_L3_MS_v4210/management/ChConfig/                                                                                                                      |      |   |             |
| <b>Objective:</b>           |       | To set one physical channel used as TCHH_ACCH's for instance 1 of cell A.                                                                                 |      |   |             |
| <b>Default:</b>             |       | OtherEvents                                                                                                                                               |      |   |             |
| Nr                          | Label | Behaviour Description                                                                                                                                     | CRef | V | Comments    |
| 1                           |       | [arfcng <> C_Noarfcn]                                                                                                                                     |      |   | not hopping |
| 2                           |       | +HalfRateCh_A_1_nociph( sub, actypeT, slotT, tscT, chmod, FreqTCH( arfcng), FreqTCH( arfcnd), ta, babr, cch_con, bpm)                                     |      |   |             |
| 3                           |       | (TCV_Null := OM_CphMd( TCV_chTch, CphMod_01, TCV_CphKey))                                                                                                 |      |   |             |
| 4                           |       | [TSPC_PGSM OR TSPC_EGSM]                                                                                                                                  |      |   |             |
| 5                           |       | (TCV_tch_arfcn:= arfcng)                                                                                                                                  |      |   |             |
| 6                           |       | [TSPC_DCS]                                                                                                                                                |      |   |             |
| 7                           |       | (TCV_tch_arfcn:= arfcnd)                                                                                                                                  |      |   |             |
| 8                           |       | [arfcng = C_Noarfcn]                                                                                                                                      |      |   | hopping     |
| 9                           |       | +HalfRateCh_A_1_nociph( sub, actypeT, slotT, tscT, chmod, Freqg, Freqd, ta, babr, cch_con, bpm)                                                           |      |   |             |
| 10                          |       | (TCV_Null := OM_CphMd( TCV_chTch, CphMod_01, TCV_CphKey))                                                                                                 |      |   |             |
| <b>Detailed Comments:</b>   |       |                                                                                                                                                           |      |   |             |

| Test Step Dynamic Behaviour                                                                                                                                      |       |                                                                                                         |      |   |          |
|------------------------------------------------------------------------------------------------------------------------------------------------------------------|-------|---------------------------------------------------------------------------------------------------------|------|---|----------|
| <b>Test Step Name:</b> HalfRateCh_A_1_nociph( sub:B_1; acttypeT:BITSTRING; slotT:SN; tscT:TSC; chmod:CHMOD; Freqg, Freqd:FRQPARA; ta:TA; babr, cch_con, bpm:B_3) |       |                                                                                                         |      |   |          |
| <b>Group:</b> GSM_L3_MS_v4210/management/ChConfig/                                                                                                               |       |                                                                                                         |      |   |          |
| <b>Objective:</b> To set one physical channel used as TCHH_ACCH's for instance 1 of cell A.                                                                      |       |                                                                                                         |      |   |          |
| <b>Default:</b> OtherEvents                                                                                                                                      |       |                                                                                                         |      |   |          |
| Nr                                                                                                                                                               | Label | Behaviour Description                                                                                   | CRef | V | Comments |
| 1                                                                                                                                                                |       | (TCV_chTch := OC_SubchOfFacchh( sub, C_CellA, 1), TCV_sacchTch := OC_SubchOfSacchh( sub, C_CellA, 1))   |      |   |          |
| 2                                                                                                                                                                |       | [TSPC_PGSM OR TSPC_EGSM]                                                                                |      |   |          |
| 3                                                                                                                                                                |       | +Config_FACCHH_A_1(63, 19, chmod, acttypeT, slotT, tscT, Freqg, C_TCHH_ACCHH_1, ta, babr, cch_con, bpm) |      |   |          |
| 4                                                                                                                                                                |       | +SysInfo_SacchSending( TCV_sacchTch, TCV_sysinfo5, TCV_sysinfo6)                                        |      |   |          |
| 5                                                                                                                                                                |       | +localtree                                                                                              |      |   |          |
| 6                                                                                                                                                                |       | [TSPC_DCS]                                                                                              |      |   |          |
| 7                                                                                                                                                                |       | +Config_FACCHH_A_1(63, 15, chmod, acttypeT, slotT, tscT, Freqd, C_TCHH_ACCHH_1, ta, babr, cch_con, bpm) |      |   |          |
| 8                                                                                                                                                                |       | +SysInfo_SacchSending( TCV_sacchTch, TCV_sysinfo5, TCV_sysinfo6)                                        |      |   |          |
| 9                                                                                                                                                                |       | +localtree                                                                                              |      |   |          |
|                                                                                                                                                                  |       | <b>localtree</b>                                                                                        |      |   |          |
| 10                                                                                                                                                               |       | [sub = '0'B]                                                                                            |      |   |          |
| 11                                                                                                                                                               |       | (TCV_chtype := '00010'B)                                                                                |      |   |          |
| 12                                                                                                                                                               |       | [sub = '1'B]                                                                                            |      |   |          |
| 13                                                                                                                                                               |       | (TCV_chtype := '00011'B)                                                                                |      |   |          |
| <b>Detailed Comments:</b>                                                                                                                                        |       |                                                                                                         |      |   |          |

| Test Step Dynamic Behaviour                                                                                                                                  |       |                                                                                                      |      |   |          |
|--------------------------------------------------------------------------------------------------------------------------------------------------------------|-------|------------------------------------------------------------------------------------------------------|------|---|----------|
| <b>Test Step Name:</b> HalfRateCh_A_2(bstring:B_1; acttypeT:BITSTRING; slotT:SN; tscT:TSC; chmod:CHMOD; Freqg, Freqd:FRQPARA; ta:TA; babr, cch_con, bpm:B_3) |       |                                                                                                      |      |   |          |
| <b>Group:</b> GSM_L3_MS_v4210/management/ChConfig/                                                                                                           |       |                                                                                                      |      |   |          |
| <b>Objective:</b> To set one physical channel used as TCHH_ACCH's for instance 2 of cell A for TC_26_6_13_1.                                                 |       |                                                                                                      |      |   |          |
| <b>Default:</b> OtherEvents                                                                                                                                  |       |                                                                                                      |      |   |          |
| <b>Comments:</b> used for after time channel.                                                                                                                |       |                                                                                                      |      |   |          |
| Nr                                                                                                                                                           | Label | Behaviour Description                                                                                | CRef | V | Comments |
| 1                                                                                                                                                            |       | +HalfRateCh_A_2_nociph( bstring, acttypeT, slotT, tscT, chmod, Freqg, Freqd, ta, babr, cch_con, bpm) |      |   |          |
| 2                                                                                                                                                            |       | (TCV_Null := OM_CphMd( TCV_chTch1, CphMod_01, TCV_CphKey))                                           |      |   |          |
| <b>Detailed Comments:</b>                                                                                                                                    |       |                                                                                                      |      |   |          |

| Test Step Dynamic Behaviour |       |                                                                                                                                             |      |   |          |
|-----------------------------|-------|---------------------------------------------------------------------------------------------------------------------------------------------|------|---|----------|
| <b>Test Step Name:</b>      |       | HalfRateCh_A_2_nociph(bstring:B_1; acttypeT:BITSTRING; slotT:SN; tscT:TSC; chmod:CHMOD; Freqg,Freqd:FRQPARA; ta:TA; babr, cch_con, bpm:B_3) |      |   |          |
| <b>Group:</b>               |       | GSM_L3_MS_v4210/management/ChConfig/                                                                                                        |      |   |          |
| <b>Objective:</b>           |       | To set one physical channel used as TCHH_ACCH's for instance 2 of cell A for TC_26_6_13_1.                                                  |      |   |          |
| <b>Default:</b>             |       | OtherEvents                                                                                                                                 |      |   |          |
| <b>Comments:</b>            |       | used for after time channel.                                                                                                                |      |   |          |
| Nr                          | Label | Behaviour Description                                                                                                                       | CRef | V | Comments |
| 1                           |       | (TCV_chTch1 := OC_SubchOfFacchh( bstring, C_CellA, 2), TCV_sacchTch1 := OC_SubchOfSacchh( bstring, C_CellA, 2))                             |      |   |          |
| 2                           |       | [TSPC_PGSM OR TSPC_EGSM]                                                                                                                    |      |   |          |
| 3                           |       | +Config_FACCHH_A_2(63, 19, chmod, acttypeT, slotT, tscT, Freqg, C_TCHH_ACCHH_2, ta, babr, cch_con, bpm)                                     |      |   |          |
| 4                           |       | +SysInfo_SacchSending( TCV_sacchTch1, TCV_sysinfo5, TCV_sysinfo6)                                                                           |      |   |          |
| 5                           |       | [TSPC_DCS]                                                                                                                                  |      |   |          |
| 6                           |       | +Config_FACCHH_A_2(63, 15, chmod, acttypeT, slotT, tscT, Freqd, C_TCHH_ACCHH_2, ta, babr, cch_con, bpm)                                     |      |   |          |
| 7                           |       | +SysInfo_SacchSending( TCV_sacchTch1, TCV_sysinfo5, TCV_sysinfo6)                                                                           |      |   |          |
| <b>Detailed Comments:</b>   |       |                                                                                                                                             |      |   |          |

| Test Step Dynamic Behaviour |       |                                                                                                                                      |      |   |          |
|-----------------------------|-------|--------------------------------------------------------------------------------------------------------------------------------------|------|---|----------|
| <b>Test Step Name:</b>      |       | HalfRateCh_B_1(bstring:B_1; acttypeT:BITSTRING; slotT:SN; tscT:TSC; chmod:CHMOD; Freqg,Freqd:FRQPARA; ta:TA; babr, cch_con, bpm:B_3) |      |   |          |
| <b>Group:</b>               |       | GSM_L3_MS_v4210/management/ChConfig/                                                                                                 |      |   |          |
| <b>Objective:</b>           |       | To set one physical channel used as TCHH_ACCH's for instance 1 of cell B                                                             |      |   |          |
| <b>Default:</b>             |       | OtherEvents                                                                                                                          |      |   |          |
| <b>Comments:</b>            |       | used as after time channel assigned by handover command                                                                              |      |   |          |
| Nr                          | Label | Behaviour Description                                                                                                                | CRef | V | Comments |
| 1                           |       | +HalfRateCh_B_1_nociph( bstring, acttypeT, slotT, tscT, chmod, Freqg, Freqd, ta, babr, cch_con, bpm)                                 |      |   |          |
| 2                           |       | (TCV_Null := OM_CphMd( TCV_chTch, CphMod_01, TCV_CphKey))                                                                            |      |   |          |
| <b>Detailed Comments:</b>   |       |                                                                                                                                      |      |   |          |

| Test Step Dynamic Behaviour                                                                                                                                        |       |                                                                                                               |      |   |          |
|--------------------------------------------------------------------------------------------------------------------------------------------------------------------|-------|---------------------------------------------------------------------------------------------------------------|------|---|----------|
| <b>Test Step Name:</b> HalfRateCh_B_1_nociph(bstring:B_1; acttypeT:BITSTRING; slotT:SN; tscT:TSC; chmod:CHMOD; Freqg,Freqd:FRQPARA; ta:TA; babr, cch_con, bpm:B_3) |       |                                                                                                               |      |   |          |
| <b>Group:</b> GSM_L3_MS_v4210/management/ChConfig/                                                                                                                 |       |                                                                                                               |      |   |          |
| <b>Objective:</b> To set one physical channel used as TCHH_ACCH's for instance 1 of cell B                                                                         |       |                                                                                                               |      |   |          |
| <b>Default:</b> OtherEvents                                                                                                                                        |       |                                                                                                               |      |   |          |
| <b>Comments:</b> used as after time channel assigned by handover command                                                                                           |       |                                                                                                               |      |   |          |
| Nr                                                                                                                                                                 | Label | Behaviour Description                                                                                         | CRef | V | Comments |
| 1                                                                                                                                                                  |       | (TCV_chTch := OC_SubchOfFacchh( bstring, C_CellB, 1), TCV_sacchTch := OC_SubchOfSacchh( bstring, C_CellB, 1)) |      |   |          |
| 2                                                                                                                                                                  |       | [TSPC_PGSM OR TSPC_EGSM]                                                                                      |      |   |          |
| 3                                                                                                                                                                  |       | +Config_FACCHH_B_1(63, 19, chmod, acttypeT, slotT, tscT, Freqg, C_TCHH_ACCHH_1, ta, babr, cch_con, bpm)       |      |   |          |
| 4                                                                                                                                                                  |       | +SysInfo_SacchSending( TCV_sacchTch, TCV_sysinfo5_B, TCV_sysinfo6_B)                                          |      |   |          |
| 5                                                                                                                                                                  |       | [TSPC_DCS]                                                                                                    |      |   |          |
| 6                                                                                                                                                                  |       | +Config_FACCHH_B_1(63, 15, chmod, acttypeT, slotT, tscT, Freqd, C_TCHH_ACCHH_1, ta, babr, cch_con, bpm)       |      |   |          |
| 7                                                                                                                                                                  |       | +SysInfo_SacchSending( TCV_sacchTch, TCV_sysinfo5_B, TCV_sysinfo6_B)                                          |      |   |          |
| <b>Detailed Comments:</b>                                                                                                                                          |       |                                                                                                               |      |   |          |

| Test Step Dynamic Behaviour                                                                                                                                   |       |                                                                                                  |      |   |          |
|---------------------------------------------------------------------------------------------------------------------------------------------------------------|-------|--------------------------------------------------------------------------------------------------|------|---|----------|
| <b>Test Step Name:</b> SDCCH8_A_1(bstring:BITSTRING; acttypeT:BITSTRING; slotT:SN; tscT:TSC; chmod:CHMOD; Freqg,Freqd:FRQPARA; ta:TA; babr, cch_con, bpm:B_3) |       |                                                                                                  |      |   |          |
| <b>Group:</b> GSM_L3_MS_v4210/management/ChConfig/                                                                                                            |       |                                                                                                  |      |   |          |
| <b>Objective:</b> To set one physical channel used as SDCCH8 channel for instance 1 of cell A.                                                                |       |                                                                                                  |      |   |          |
| <b>Default:</b> OtherEvents                                                                                                                                   |       |                                                                                                  |      |   |          |
| Nr                                                                                                                                                            | Label | Behaviour Description                                                                            | CRef | V | Comments |
| 1                                                                                                                                                             |       | +SDCCH8_A_1_nociph( bstring, acttypeT, slotT, tscT, chmod, Freqg, Freqd, ta, babr, cch_con, bpm) |      |   |          |
| 2                                                                                                                                                             |       | (TCV_Null := OM_CphMd( TCV_ch, CphMod_01, TCV_CphKey))                                           |      |   |          |
| <b>Detailed Comments:</b>                                                                                                                                     |       |                                                                                                  |      |   |          |

| Test Step Dynamic Behaviour                                                                                                                                    |       |                                                                                                             |      |   |          |
|----------------------------------------------------------------------------------------------------------------------------------------------------------------|-------|-------------------------------------------------------------------------------------------------------------|------|---|----------|
| <b>Test Step Name:</b> SDCCH8_A_1_nociph(bstring:B_3; acttypeT:BITSTRING; slotT:SN; tscT:TSC; chmod:CHMOD; Freqg,Freqd:FRQPARA; ta:TA; babr, cch_con, bpm:B_3) |       |                                                                                                             |      |   |          |
| <b>Group:</b> GSM_L3_MS_v4210/management/ChConfig/                                                                                                             |       |                                                                                                             |      |   |          |
| <b>Objective:</b> To set one physical channel used as SDCCH8 channel for instance 1 of cell A.                                                                 |       |                                                                                                             |      |   |          |
| <b>Default:</b> OtherEvents                                                                                                                                    |       |                                                                                                             |      |   |          |
| Nr                                                                                                                                                             | Label | Behaviour Description                                                                                       | CRef | V | Comments |
| 1                                                                                                                                                              |       | (TCV_ch := OC_SubchOfSdcch8( bstring, C_CellA, 1), TCV_sacch8 := OC_SubchOfSacch8( bstring, C_CellA, 1))    |      |   |          |
| 2                                                                                                                                                              |       | [TSPC_PGSM OR TSPC_EGSM]                                                                                    |      |   |          |
| 3                                                                                                                                                              |       | +Config_SDCCH8_A_1(63, 19, chmod, acttypeT, slotT, tscT, Freqg, C_SDCCH8_SACCHC8_1, ta, babr, cch_con, bpm) |      |   |          |
| 4                                                                                                                                                              |       | +SysInfo_SacchSending(TCV_sacch8, TCV_sysinfo5, TCV_sysinfo6)                                               |      |   |          |
| 5                                                                                                                                                              |       | [TSPC_DCS]                                                                                                  |      |   |          |
| 6                                                                                                                                                              |       | +Config_SDCCH8_A_1(63, 19, chmod, acttypeT, slotT, tscT, Freqd, C_SDCCH8_SACCHC8_1, ta, babr, cch_con, bpm) |      |   |          |
| 7                                                                                                                                                              |       | +SysInfo_SacchSending(TCV_sacch8, TCV_sysinfo5, TCV_sysinfo6)                                               |      |   |          |
| <b>Detailed Comments:</b>                                                                                                                                      |       |                                                                                                             |      |   |          |



| Test Step Dynamic Behaviour |       |                                                                                                                                         |      |   |          |
|-----------------------------|-------|-----------------------------------------------------------------------------------------------------------------------------------------|------|---|----------|
| <b>Test Step Name:</b>      |       | SDCCH8_A_2_nociph(bstring:B_3; acttypeT:BITSTRING; slotT:SN; tscT:TSC; chmod:CHMOD; Freqg,Freqd:FRQPARA; ta:TA; babr, cch_con, bpm:B_3) |      |   |          |
| <b>Group:</b>               |       | GSM_L3_MS_v4210/management/ChConfig/                                                                                                    |      |   |          |
| <b>Objective:</b>           |       | To set one physical channel used as hopping SDCCH8 channel for instance 2 of cell A, for TC_26_6_13_1.                                  |      |   |          |
| <b>Default:</b>             |       | OtherEvents                                                                                                                             |      |   |          |
| <b>Comments:</b>            |       | hopping parameters are from PIXIT, used as before time channel.                                                                         |      |   |          |
| Nr                          | Label | Behaviour Description                                                                                                                   | CRef | V | Comments |
| 1                           |       | (TCV_chTch := OC_SubchOfSdcch8( bstring, C_CellA, 2), TCV_sacchTch := OC_SubchOfSacch8( bstring, C_CellA, 2))                           |      |   |          |
| 2                           |       | [TSPC_PGSM OR TSPC_EGSM]                                                                                                                |      |   |          |
| 3                           |       | +Config_SDCCH8_A_2(63, 19, chmod, acttypeT, slotT, tscT, Freqg, C_SDCCH8_SACCHC8_2, ta, babr, cch_con, bpm)                             |      |   |          |
| 4                           |       | +SysInfo_SacchSending( TCV_sacchTch, TCV_sysinfo5, TCV_sysinfo6)                                                                        |      |   |          |
| 5                           |       | [TSPC_DCS]                                                                                                                              |      |   |          |
| 6                           |       | +Config_SDCCH8_A_2(63, 15, chmod, acttypeT, slotT, tscT, Freqd, C_SDCCH8_SACCHC8_2, ta, babr, cch_con, bpm)                             |      |   |          |
| 7                           |       | +SysInfo_SacchSending( TCV_sacchTch, TCV_sysinfo5, TCV_sysinfo6)                                                                        |      |   |          |
| <b>Detailed Comments:</b>   |       |                                                                                                                                         |      |   |          |

| Test Step Dynamic Behaviour |       |                                                                                                                                  |      |   |          |
|-----------------------------|-------|----------------------------------------------------------------------------------------------------------------------------------|------|---|----------|
| <b>Test Step Name:</b>      |       | SDCCH8_B_1(bstring:B_3; acttypeT:BITSTRING; slotT:SN; tscT:TSC; chmod:CHMOD; Freqg,Freqd:FRQPARA; ta:TA; babr, cch_con, bpm:B_3) |      |   |          |
| <b>Group:</b>               |       | GSM_L3_MS_v4210/management/ChConfig/                                                                                             |      |   |          |
| <b>Objective:</b>           |       | To set one physical channel used as hopping SDCCH8 channel for instance 1 of cell B.                                             |      |   |          |
| <b>Default:</b>             |       | OtherEvents                                                                                                                      |      |   |          |
| Nr                          | Label | Behaviour Description                                                                                                            | CRef | V | Comments |
| 1                           |       | +SDCCH8_B_1_nociph( bstring, acttypeT, slotT, tscT, chmod, Freqg, Freqd, ta, babr, cch_con, bpm)                                 |      |   |          |
| 2                           |       | (TCV_Null := OM_CphMd( TCV_chTch, CphMod_01, TCV_CphKey))                                                                        |      |   |          |
| <b>Detailed Comments:</b>   |       |                                                                                                                                  |      |   |          |

| Test Step Dynamic Behaviour                                                                                                                                     |       |                                                                                                               |      |   |          |
|-----------------------------------------------------------------------------------------------------------------------------------------------------------------|-------|---------------------------------------------------------------------------------------------------------------|------|---|----------|
| <b>Test Step Name:</b> SDCCH8_B_1_nociph(bstring:B_3; acttypeT:BITSTRING; slotT:SN; tscT:TSC; chmod:CHMOD; Freqg,Freqd:FRQPARAM; ta:TA; babr, cch_con, bpm:B_3) |       |                                                                                                               |      |   |          |
| <b>Group:</b> GSM_L3_MS_v4210/management/ChConfig/                                                                                                              |       |                                                                                                               |      |   |          |
| <b>Objective:</b> To set one physical channel used as hopping SDCCH8 channel for instance 1 of cell B For TC_26_6_13_5.                                         |       |                                                                                                               |      |   |          |
| <b>Default:</b> OtherEvents                                                                                                                                     |       |                                                                                                               |      |   |          |
| <b>Comments:</b> hopping parameters are from PIXIT, used by handover command after time channel.                                                                |       |                                                                                                               |      |   |          |
| Nr                                                                                                                                                              | Label | Behaviour Description                                                                                         | CRef | V | Comments |
| 1                                                                                                                                                               |       | (TCV_chTch := OC_SubchOfSdcch8( bstring, C_CellB, 1), TCV_sacchTch := OC_SubchOfSacch8( bstring, C_CellB, 1)) |      |   |          |
| 2                                                                                                                                                               |       | [TSPC_PGSM OR TSPC_EGSM]                                                                                      |      |   |          |
| 3                                                                                                                                                               |       | +Config_SDCCH8_B_1(63, 19, chmod, acttypeT, slotT, tscT, Freqg, C_SDCCH8_SACCHC8_1, ta, babr, cch_con, bpm)   |      |   |          |
| 4                                                                                                                                                               |       | +SysInfo_SacchSending( TCV_sacchTch, TCV_sysinfo5_B, TCV_sysinfo6_B)                                          |      |   |          |
| 5                                                                                                                                                               |       | [TSPC_DCS]                                                                                                    |      |   |          |
| 6                                                                                                                                                               |       | +Config_SDCCH8_B_1(63, 15, chmod, acttypeT, slotT, tscT, Freqd, C_SDCCH8_SACCHC8_1, ta, babr, cch_con, bpm)   |      |   |          |
| 7                                                                                                                                                               |       | +SysInfo_SacchSending( TCV_sacchTch, TCV_sysinfo5_B, TCV_sysinfo6_B)                                          |      |   |          |
| <b>Detailed Comments:</b>                                                                                                                                       |       |                                                                                                               |      |   |          |

## Test Step Group Miscellaneous

| Test Step Dynamic Behaviour                                                                             |       |                                                      |      |   |          |
|---------------------------------------------------------------------------------------------------------|-------|------------------------------------------------------|------|---|----------|
| <b>Test Step Name:</b> Adjust_gsmanddcs_powerlvl(powerlevel1,powerlevel2:INTEGER; pdu_ass: ASS_CMD_PDU) |       |                                                      |      |   |          |
| <b>Group:</b> GSM_L3_MS_v4210/Miscellaneous/                                                            |       |                                                      |      |   |          |
| <b>Objective:</b>                                                                                       |       |                                                      |      |   |          |
| <b>Default:</b> OtherEvents                                                                             |       |                                                      |      |   |          |
| Nr                                                                                                      | Label | Behaviour Description                                | CRef | V | Comments |
| 1                                                                                                       |       | [TSPC_PGSM OR TSPC_EGSM]                             |      |   |          |
| 2                                                                                                       |       | [powerlevel1 <> 0]                                   |      |   |          |
| 3                                                                                                       |       | (pdu_ass.pcmd := Pcmd_19(INT_TO_BIT(powerlevel1,5))) |      |   |          |
| 4                                                                                                       |       | [powerlevel1 = 0]                                    |      |   |          |
| 5                                                                                                       |       | [TSPC_DCS]                                           |      |   |          |
| 6                                                                                                       |       | (pdu_ass.pcmd := Pcmd_19(INT_TO_BIT(powerlevel2,5))) |      |   |          |
| <b>Detailed Comments:</b>                                                                               |       |                                                      |      |   |          |

| Test Step Dynamic Behaviour |            |                                                                                                                                                                                                                |                                                                    |     |          |
|-----------------------------|------------|----------------------------------------------------------------------------------------------------------------------------------------------------------------------------------------------------------------|--------------------------------------------------------------------|-----|----------|
| <b>Test Step Name:</b>      |            | AOC_CHK_FAC(ti:TI)                                                                                                                                                                                             |                                                                    |     |          |
| <b>Group:</b>               |            | GSM_L3_MS_v4210/Miscellaneous/                                                                                                                                                                                 |                                                                    |     |          |
| <b>Objective:</b>           |            | Reception of FACILITY and callinh check_AOCCackTime                                                                                                                                                            |                                                                    |     |          |
| <b>Default:</b>             |            | OtherEventsFail                                                                                                                                                                                                |                                                                    |     |          |
| Nr                          | Label      | Behaviour Description                                                                                                                                                                                          | CRef                                                               | V   | Comments |
| 1                           |            | L?DL_DatInConnAck                                                                                                                                                                                              | ConnAckRcv(ConnectAck_02( ti))                                     |     |          |
| 2                           |            | (TCV_Fn := OM_ReturnFn( TCV_chTch))                                                                                                                                                                            |                                                                    |     | 1.       |
| 3                           | L_083<br>6 | L?DL_DatInFac ( TCV_Fn1 := DL_DatInFac.fn)<br>CANCEL T_dly1                                                                                                                                                    | FacilityRcv( FacilityPdu_26( ti, facilityIErcv( FwdChAdvRslt_01))) | (P) | 2.       |
| 4                           |            | +Check_Time(C_T_Wait_FAC)                                                                                                                                                                                      |                                                                    |     |          |
| 5                           | L_083<br>7 | ?TIMEOUT T_dly1                                                                                                                                                                                                |                                                                    | (F) |          |
| 6                           |            | +PostLinkRelEnd( TCV_chTch)                                                                                                                                                                                    |                                                                    |     |          |
| 7                           | L_083<br>8 | L?DL_DatInFac ( TCV_Fn1 := DL_DatInFac.fn)                                                                                                                                                                     | FacilityRcv( FacilityPdu_26( ti, facilityIErcv( FwdChAdvRslt_01))) | (P) | 2.       |
| 8                           |            | (TCV_Fn := OM_ReturnFn( TCV_chTch))                                                                                                                                                                            |                                                                    |     | 1.       |
| 9                           |            | L?DL_DatInConnAck CANCEL T_dly1                                                                                                                                                                                | ConnAckRcv(ConnectAck_02( ti))                                     |     |          |
| 10                          |            | +Check_Time(C_T_Wait_FAC)                                                                                                                                                                                      |                                                                    |     |          |
| 11                          | L_083<br>9 | ?TIMEOUT T_dly1                                                                                                                                                                                                |                                                                    | (F) |          |
| 12                          |            | +PostLinkRelEnd( TCV_chTch)                                                                                                                                                                                    |                                                                    |     |          |
| 13                          | L_084<br>0 | ?TIMEOUT T_dly1                                                                                                                                                                                                |                                                                    | (F) |          |
| 14                          |            | +PostLinkRelEnd( TCV_chTch)                                                                                                                                                                                    |                                                                    |     |          |
| <b>Detailed Comments:</b>   |            | 1. Get the first frame number for transmitting of CONNECT message containing AOC information.<br>2. TCV_Fn1 contains the first frame number of the received FACILITY message with AOC acknowledge from mobile. |                                                                    |     |          |

| Test Step Dynamic Behaviour |            |                                                                                                           |                           |     |          |
|-----------------------------|------------|-----------------------------------------------------------------------------------------------------------|---------------------------|-----|----------|
| <b>Test Step Name:</b>      |            | AssCh_complete(oldch,newch:LOGICCH; pdu_ass: ASS_CMD_PDU)                                                 |                           |     |          |
| <b>Group:</b>               |            | GSM_L3_MS_v4210/Miscellaneous/                                                                            |                           |     |          |
| <b>Objective:</b>           |            | To provide a generic test step to Assign a traffic channel. Assign complete expected and verdict is PASS. |                           |     |          |
| <b>Default:</b>             |            | OtherEvents                                                                                               |                           |     |          |
| Nr                          | Label      | Behaviour Description                                                                                     | CRef                      | V   | Comments |
| 1                           |            | L!DL_DatRqAssCmd START T_dlyAss                                                                           | AssCmd(oldch,pdu_a ss)    |     |          |
| 2                           | L_084<br>1 | ?TIMEOUT T_dlyAss                                                                                         |                           | (F) |          |
| 3                           |            | +PostLinkRelEnd(oldch)                                                                                    |                           |     |          |
| 4                           |            | L?DL_EstIn (TCV_FnAss := DL_EstIn.fn) CANCEL T_dlyAss                                                     | DLEstInd(newch)           |     |          |
| 5                           | L_084<br>2 | L?DL_DatInAssCom                                                                                          | AssCmp(newch, AsgnCmp_02) | (P) |          |
| 6                           |            | L!MDL_RelRq                                                                                               | MDLRelReq(oldch)          |     |          |
| 7                           |            | L?DL_EstIn CANCEL T_dlyAss                                                                                | DLEstInd(oldch)           |     |          |
| 8                           | L_084<br>3 | L?DL_DatInAssfl                                                                                           | AssFI_any_cau(oldch)      | (F) |          |
| 9                           |            | +PostLinkRelEnd(oldch)                                                                                    |                           |     |          |
| <b>Detailed Comments:</b>   |            |                                                                                                           |                           |     |          |

| Test Step Dynamic Behaviour |       |                                                                                                          |                    |     |          |
|-----------------------------|-------|----------------------------------------------------------------------------------------------------------|--------------------|-----|----------|
| <b>Test Step Name:</b>      |       | AssCh_failure(ch:LOGICCH; pdu_ass: ASS_CMD_PDU; any:BOOLEAN)                                             |                    |     |          |
| <b>Group:</b>               |       | GSM_L3_MS_v4210/Miscellaneous/                                                                           |                    |     |          |
| <b>Objective:</b>           |       | To provide a generic test step to Assign a traffic channel. Assign failure expected and verdict is PASS. |                    |     |          |
| <b>Default:</b>             |       | OtherEventsFail                                                                                          |                    |     |          |
| Nr                          | Label | Behaviour Description                                                                                    | CRef               | V   | Comments |
| 1                           |       | L!DL_DatRqAssCmd START T_dlyAss(4000)                                                                    | AssCmd(ch,pdu_ass) |     |          |
| 2                           |       | [any]                                                                                                    |                    |     |          |
| 3                           | L_084 | ?TIMEOUT T_dlyAss                                                                                        |                    | (F) |          |
| 4                           | 4     | +PostLinkRelEnd(ch)                                                                                      |                    |     |          |
| 5                           |       | L?DL_EstIn (TCV_FnAss := DL_EstIn.fn)<br>CANCEL T_dlyAss                                                 | DLEstInd(ch)       |     |          |
| 6                           | L_084 | L?DL_DatInAssfl                                                                                          | AssFI_any_cau(ch)  | (P) |          |
| 7                           | 5     | [NOT any]                                                                                                |                    |     |          |
| 8                           | L_084 | ?TIMEOUT T_dlyAss                                                                                        |                    | (F) |          |
| 9                           | 6     | +PostLinkRelEnd(ch)                                                                                      |                    |     |          |
| 10                          |       | L?DL_EstIn (TCV_FnAss := DL_EstIn.fn)<br>CANCEL T_dlyAss                                                 | DLEstInd(ch)       |     |          |
| 11                          | L_084 | L?DL_DatInAssfl                                                                                          | AssFI_02(ch)       | (P) |          |
| 7                           | 7     |                                                                                                          |                    |     |          |
| <b>Detailed Comments:</b>   |       |                                                                                                          |                    |     |          |

| Test Step Dynamic Behaviour |       |                                                                                                                                 |      |   |           |
|-----------------------------|-------|---------------------------------------------------------------------------------------------------------------------------------|------|---|-----------|
| <b>Test Step Name:</b>      |       | AssCmdGen( cell:CellID; rate:IA5String; slot:SN; tsc:TSC; sch:B_1)                                                              |      |   |           |
| <b>Group:</b>               |       | GSM_L3_MS_v4210/Miscellaneous/                                                                                                  |      |   |           |
| <b>Objective:</b>           |       | To generate the ASSIGNMENT COMMAND message.                                                                                     |      |   |           |
| <b>Default:</b>             |       | OtherEvents                                                                                                                     |      |   |           |
| Nr                          | Label | Behaviour Description                                                                                                           | CRef | V | Comments  |
| 1                           |       | [rate <> C_Half]                                                                                                                |      |   | Full rate |
| 2                           |       | (TCV_Tchtype := '00001'B)                                                                                                       |      |   |           |
| 3                           |       | +ltree_Asgn                                                                                                                     |      |   | Half rate |
| 4                           |       | [rate = C_Half]                                                                                                                 |      |   |           |
| 5                           |       | [sch = '0'B]                                                                                                                    |      |   |           |
| 6                           |       | (TCV_Tchtype := '00010'B)                                                                                                       |      |   |           |
| 7                           |       | +ltree_Asgn                                                                                                                     |      |   |           |
| 8                           |       | [sch = '1'B]                                                                                                                    |      |   |           |
| 9                           |       | (TCV_Tchtype := '00011'B)                                                                                                       |      |   |           |
| 10                          |       | +ltree_Asgn                                                                                                                     |      |   |           |
| <b>ltree_Asgn</b>           |       |                                                                                                                                 |      |   |           |
| 11                          |       | [cell = C_CellA]                                                                                                                |      |   |           |
| 12                          |       | +ltree_AsgnTchA                                                                                                                 |      |   |           |
| 13                          |       | [cell = C_CellB]                                                                                                                |      |   |           |
| 14                          |       | +ltree_AsgnTchB                                                                                                                 |      |   |           |
| <b>ltree_AsgnTchA</b>       |       |                                                                                                                                 |      |   |           |
| 15                          |       | [TSPC_PGSM OR TSPC_EGSM]                                                                                                        |      |   |           |
| 16                          |       | (TCV_AssCmd := AsgnCmd_nfh( TCV_Tchtype, slot, tsc, 7, C_arfcn_tchA, CellChDes_Omit, TCV_ChMod, StartingTm_omit, CphMod_omit))  |      |   |           |
| 17                          |       | [TSPC_DCS]                                                                                                                      |      |   |           |
| 18                          |       | (TCV_AssCmd := AsgnCmd_nfh( TCV_Tchtype, slot, tsc, 3, C_arfcn_tchAd, CellChDes_Omit, TCV_ChMod, StartingTm_omit, CphMod_omit)) |      |   |           |
| <b>ltree_AsgnTchB</b>       |       |                                                                                                                                 |      |   |           |
| 19                          |       | [TSPC_PGSM OR TSPC_EGSM]                                                                                                        |      |   |           |
| 20                          |       | (TCV_AssCmd := AsgnCmd_nfh( TCV_Tchtype, slot, tsc, 7, C_arfcn_tchB, CellChDes_Omit, TCV_ChMod, StartingTm_omit, CphMod_omit))  |      |   |           |
| 21                          |       | [TSPC_DCS]                                                                                                                      |      |   |           |
| 22                          |       | (TCV_AssCmd := AsgnCmd_nfh( TCV_Tchtype, slot, tsc, 3, C_arfcn_tchBd, CellChDes_Omit, TCV_ChMod, StartingTm_omit, CphMod_omit)) |      |   |           |
| <b>Detailed Comments:</b>   |       | The test step makes the assumption that the channel rate is known when the test step is called.                                 |      |   |           |

| Test Step Dynamic Behaviour                                                                                                                                                                                            |       |                                                                                                                |      |   |           |
|------------------------------------------------------------------------------------------------------------------------------------------------------------------------------------------------------------------------|-------|----------------------------------------------------------------------------------------------------------------|------|---|-----------|
| <b>Test Step Name:</b> AssCmdGen_fh( rate:IA5String; slot:SN; tsc:TSC; sch:B_1; par_pwlvlg, par_pwlvld:INTEGER; maio:MAIO; hsn:HSN; frql_g, frql_d:FRQL; cchd_g, cchd_d:CCHD; chmod:CHMOD; ma_g, ma_d:MA; Cphms:CPHMS) |       |                                                                                                                |      |   |           |
| <b>Group:</b> GSM_L3_MS_v4210/Miscellaneous/                                                                                                                                                                           |       |                                                                                                                |      |   |           |
| <b>Objective:</b> To generate a ASSIGNMENT COMMAND message in case of hopping without starting time.                                                                                                                   |       |                                                                                                                |      |   |           |
| <b>Default:</b> OtherEvents                                                                                                                                                                                            |       |                                                                                                                |      |   |           |
| Nr                                                                                                                                                                                                                     | Label | Behaviour Description                                                                                          | CRef | V | Comments  |
| 1                                                                                                                                                                                                                      |       | [rate <> C_Half]                                                                                               |      |   | Full rate |
| 2                                                                                                                                                                                                                      |       | (TCV_Tchtype := '00001'B)                                                                                      |      |   |           |
| 3                                                                                                                                                                                                                      |       | +ltree_Asgn                                                                                                    |      |   |           |
| 4                                                                                                                                                                                                                      |       | [rate = C_Half]                                                                                                |      |   | Half rate |
| 5                                                                                                                                                                                                                      |       | [sch = '0'B]                                                                                                   |      |   |           |
| 6                                                                                                                                                                                                                      |       | (TCV_Tchtype := '00010'B)                                                                                      |      |   |           |
| 7                                                                                                                                                                                                                      |       | +ltree_Asgn                                                                                                    |      |   |           |
| 8                                                                                                                                                                                                                      |       | [sch = '1'B]                                                                                                   |      |   |           |
| 9                                                                                                                                                                                                                      |       | (TCV_Tchtype := '00011'B)                                                                                      |      |   |           |
| 10                                                                                                                                                                                                                     |       | +ltree_Asgn                                                                                                    |      |   |           |
| <b>ltree_Asgn</b>                                                                                                                                                                                                      |       |                                                                                                                |      |   |           |
| 11                                                                                                                                                                                                                     |       | [TSPC_PGSM OR TSPC_EGSM]                                                                                       |      |   |           |
| 12                                                                                                                                                                                                                     |       | (TCV_AssCmd := AsgnCmd_fh( slot, tsc, TCV_Tchtype, par_pwlvlg, maio, hsn, frql_g, cchd_g, chmod, ma_g, Cphms)) |      |   |           |
| 13                                                                                                                                                                                                                     |       | [TSPC_DCS]                                                                                                     |      |   |           |
| 14                                                                                                                                                                                                                     |       | (TCV_AssCmd := AsgnCmd_fh( slot, tsc, TCV_Tchtype, par_pwlvld, maio, hsn, frql_d, cchd_d, chmod, ma_d, Cphms)) |      |   |           |
| <b>Detailed Comments:</b>                                                                                                                                                                                              |       |                                                                                                                |      |   |           |

| Test Step Dynamic Behaviour                                                    |            |                                                           |                                        |     |          |
|--------------------------------------------------------------------------------|------------|-----------------------------------------------------------|----------------------------------------|-----|----------|
| <b>Test Step Name:</b> Authentication(ch: LOGICCH; cksn: BITSTRING; rand:RAND) |            |                                                           |                                        |     |          |
| <b>Group:</b> GSM_L3_MS_v4210/Miscellaneous/                                   |            |                                                           |                                        |     |          |
| <b>Objective:</b>                                                              |            |                                                           |                                        |     |          |
| <b>Default:</b> OtherEventsFail                                                |            |                                                           |                                        |     |          |
| Nr                                                                             | Label      | Behaviour Description                                     | CRef                                   | V   | Comments |
| 1                                                                              |            | L!DL_DatRqAuthRq                                          | AuthReq( ch, AuthRequest( cksn, rand)) |     |          |
| 2                                                                              |            | L?DL_DatInAuthRes ( TCV_Sres := DL_DatInAuthRes.msg.sres) | AuthRes( AuthResponse)                 |     |          |
| 3                                                                              |            | (TCV_Res := OC_ChkSRES( TCV_Sres, TSPX_Ki, rand))         |                                        |     |          |
| 4                                                                              | L_084<br>8 | [NOT TCV_Res]                                             |                                        | (F) | 1)       |
| 5                                                                              | L_084<br>9 | [TCV_Res]                                                 |                                        | (P) |          |
| <b>Detailed Comments:</b> Authentication fails.                                |            |                                                           |                                        |     |          |

| Test Step Dynamic Behaviour |       |                                                                                                                                                                                                                                                                                                                                                                                                                                                                                                                                                                                                                                                                                |      |   |                    |
|-----------------------------|-------|--------------------------------------------------------------------------------------------------------------------------------------------------------------------------------------------------------------------------------------------------------------------------------------------------------------------------------------------------------------------------------------------------------------------------------------------------------------------------------------------------------------------------------------------------------------------------------------------------------------------------------------------------------------------------------|------|---|--------------------|
| <b>Test Step Name:</b>      |       | CallProcGen(setup:SETUP_MO_PDU; srv:SERVICES)                                                                                                                                                                                                                                                                                                                                                                                                                                                                                                                                                                                                                                  |      |   |                    |
| <b>Group:</b>               |       | GSM_L3_MS_v4210/Miscellaneous/                                                                                                                                                                                                                                                                                                                                                                                                                                                                                                                                                                                                                                                 |      |   |                    |
| <b>Objective:</b>           |       | To generate a CALL PROCEEDING message which is compatible with input value 'setup'..                                                                                                                                                                                                                                                                                                                                                                                                                                                                                                                                                                                           |      |   |                    |
| <b>Default:</b>             |       | OtherEvents                                                                                                                                                                                                                                                                                                                                                                                                                                                                                                                                                                                                                                                                    |      |   |                    |
| <b>Comments:</b>            |       | The generated CALL PROCEEDING is in TCV_CallProc. This test step can handle the following dual mode services: the first BCAP is speech or the second BCAP is speech                                                                                                                                                                                                                                                                                                                                                                                                                                                                                                            |      |   |                    |
| Nr                          | Label | Behaviour Description                                                                                                                                                                                                                                                                                                                                                                                                                                                                                                                                                                                                                                                          | CRef | V | Comments           |
| 1                           |       | (TCV_CallProc := CallProced_03, TCV_CallProc.ti := TCV_TI)                                                                                                                                                                                                                                                                                                                                                                                                                                                                                                                                                                                                                     |      |   |                    |
| 2                           |       | [(srv = C_AltSpchData) OR ( srv = C_SpchData)<br>OR (srv = C_AltSpchFax)]                                                                                                                                                                                                                                                                                                                                                                                                                                                                                                                                                                                                      |      |   | dual service       |
| 3                           |       | [setup.bcap1.itc = C_Speech]                                                                                                                                                                                                                                                                                                                                                                                                                                                                                                                                                                                                                                                   |      |   | 1st BCAP is speech |
| 4                           |       | (TCV_ce3 := setup.bcap2.ce)                                                                                                                                                                                                                                                                                                                                                                                                                                                                                                                                                                                                                                                    |      |   |                    |
| 5                           |       | [(TCV_ce3 <> C_BothT) OR(TCV_ce3 <><br>C_BothNT)]                                                                                                                                                                                                                                                                                                                                                                                                                                                                                                                                                                                                                              |      |   | 1.                 |
| 6                           |       | [(TCV_ce3 = C_BothT) OR (TCV_ce3 =<br>C_BothNT)]                                                                                                                                                                                                                                                                                                                                                                                                                                                                                                                                                                                                                               |      |   | 2.                 |
| 7                           |       | (TCV_CallProc.bcap1 := setup.bcap1,<br>TCV_CallProc.bcap1.rchr := '00'B,<br>TCV_CallProc.bcri := setup.bcri,<br>TCV_CallProc.bcap2 := setup.bcap2,<br>TCV_CallProc.bcap2.ce :=<br>INT_TO_BIT((BIT_TO_INT(setup.bcap2.ce)<br>-2), 2), TCV_CallProc.bcap2.nirr :=<br>C_nirr_nomeaning)                                                                                                                                                                                                                                                                                                                                                                                           |      |   |                    |
| 8                           |       | [NOT (setup.bcap1.itc = C_Speech)]                                                                                                                                                                                                                                                                                                                                                                                                                                                                                                                                                                                                                                             |      |   |                    |
| 9                           |       | (TCV_ce1 := setup.bcap1.ce)                                                                                                                                                                                                                                                                                                                                                                                                                                                                                                                                                                                                                                                    |      |   |                    |
| 10                          |       | [(TCV_ce1 <> C_BothT) AND(TCV_ce1 <><br>C_BothNT)]                                                                                                                                                                                                                                                                                                                                                                                                                                                                                                                                                                                                                             |      |   | 3.                 |
| 11                          |       | [(TCV_ce1 = C_BothT) OR (TCV_ce1 =<br>C_BothNT)]                                                                                                                                                                                                                                                                                                                                                                                                                                                                                                                                                                                                                               |      |   | 4.                 |
| 12                          |       | (TCV_CallProc.bcap1 := setup.bcap1,<br>TCV_CallProc.bcap1.ce :=<br>INT_TO_BIT((BIT_TO_INT(setup.bcap1.ce)<br>-2), 2), TCV_CallProc.bcap1.nirr :=<br>C_nirr_nomeaning, TCV_CallProc.bcri :=<br>setup.bcri, TCV_CallProc.bcap2 :=<br>setup.bcap2, TCV_CallProc.bcap2.rchr :=<br>'11'B)                                                                                                                                                                                                                                                                                                                                                                                           |      |   |                    |
| 13                          |       | [(srv <> C_AltSpchData) AND( srv <> C_SpchData)<br>AND(srv <> C_AltSpchFax)]                                                                                                                                                                                                                                                                                                                                                                                                                                                                                                                                                                                                   |      |   |                    |
| 14                          |       | [srv = C_EmgCall]                                                                                                                                                                                                                                                                                                                                                                                                                                                                                                                                                                                                                                                              |      |   | 8.                 |
| 15                          |       | [srv <> C_EmgCall]                                                                                                                                                                                                                                                                                                                                                                                                                                                                                                                                                                                                                                                             |      |   |                    |
| 16                          |       | [setup.bcap1.itc = C_Speech]                                                                                                                                                                                                                                                                                                                                                                                                                                                                                                                                                                                                                                                   |      |   | 5.                 |
| 17                          |       | [setup.bcap1.itc <> C_Speech]                                                                                                                                                                                                                                                                                                                                                                                                                                                                                                                                                                                                                                                  |      |   |                    |
| 18                          |       | (TCV_ce1 := setup.bcap1.ce)                                                                                                                                                                                                                                                                                                                                                                                                                                                                                                                                                                                                                                                    |      |   |                    |
| 19                          |       | [(TCV_ce1 = C_BothT) OR (TCV_ce1 =<br>C_BothNT)]                                                                                                                                                                                                                                                                                                                                                                                                                                                                                                                                                                                                                               |      |   | 6.                 |
| 20                          |       | (TCV_CallProc.bcap1 := setup.bcap1,<br>TCV_CallProc.bcap1.ce :=<br>INT_TO_BIT((BIT_TO_INT(setup.bcap1.c<br>e) -2), 2), TCV_CallProc.bcap1.nirr :=<br>C_nirr_nomeaning)                                                                                                                                                                                                                                                                                                                                                                                                                                                                                                         |      |   |                    |
| 21                          |       | [(TCV_ce1 <> C_BothT) OR(TCV_ce1 <><br>C_BothNT)]                                                                                                                                                                                                                                                                                                                                                                                                                                                                                                                                                                                                                              |      |   | 7.                 |
| <b>Detailed Comments:</b>   |       | <ol style="list-style-type: none"> <li>1. BCAP1 is speech and BCAP2 does not require negotiation, the CallProc will contain no BCAP's</li> <li>2. BCAP1 is speech and BCAP2 requires negotiation</li> <li>3. BCAP2 is speech and BCAP1 does not require negotiation, the CallProc will contain no BCAP's</li> <li>4. BCAP2 is speech and BCAP1 requires negotiation</li> <li>5. BCAP2 does not exist and BCAP1 is speech, the CallProc will contain no BCAP's</li> <li>6. BCAP2 does not exist and BCAP1 requires negotiation</li> <li>7. BCAP2 does not exist and BCAP1 does not require negotiation</li> <li>8. Emergency call, the CallProc will contain no BCAP</li> </ol> |      |   |                    |

| Test Step Dynamic Behaviour                                                                                                                                                                                                                                   |       |                                                                                                                                                           |      |   |          |
|---------------------------------------------------------------------------------------------------------------------------------------------------------------------------------------------------------------------------------------------------------------|-------|-----------------------------------------------------------------------------------------------------------------------------------------------------------|------|---|----------|
| <b>Test Step Name:</b> CCAssignTCH(slot:SN; tsc:TSC)                                                                                                                                                                                                          |       |                                                                                                                                                           |      |   |          |
| <b>Group:</b> GSM_L3_MS_v4210/Miscellaneous/                                                                                                                                                                                                                  |       |                                                                                                                                                           |      |   |          |
| <b>Objective:</b> Send assign command TCH/H or TCH/F depending on TCV_ChRate and wait for establishment indication. This is used in CC testing.                                                                                                               |       |                                                                                                                                                           |      |   |          |
| <b>Default:</b> OtherEvents                                                                                                                                                                                                                                   |       |                                                                                                                                                           |      |   |          |
| <b>Comments:</b> The calling tree prepare three variables for the step: TCV_ChRate for the type of the channel, TCV_chMod with th channel mode IE for the channel, TCV_chTch contains the identifier fot the traffic channel and TCV_chtype the channel type. |       |                                                                                                                                                           |      |   |          |
| Nr                                                                                                                                                                                                                                                            | Label | Behaviour Description                                                                                                                                     | CRef | V | Comments |
| 1                                                                                                                                                                                                                                                             |       | (TCV_Null := OM_ChMdModi( TCV_chTch, TCV_ChMod), TCV_Null := OM_CphMd( TCV_chTch, CphMod_01, TCV_CphKey))                                                 |      |   |          |
| 2                                                                                                                                                                                                                                                             |       | +ltree_Asgn                                                                                                                                               |      |   | 1.       |
| 3                                                                                                                                                                                                                                                             |       | +AssCh_complete( TCV_ch, TCV_chTch, TCV_AssCmd)                                                                                                           |      |   | 2. 3.    |
| 4                                                                                                                                                                                                                                                             |       | <b>ltree_Asgn</b>                                                                                                                                         |      |   |          |
| 5                                                                                                                                                                                                                                                             |       | [TSPC_PGSM OR TSPC_EGSM]<br>(TCV_AssCmd := AsgnCmd_nfh( TCV_chtype, slot, tsc, 7, C_arfcn_tchA, CellChDes_Omit, TCV_ChMod, StartingTm_omit, CphMod_omit)) |      |   |          |
| 6                                                                                                                                                                                                                                                             |       | [TSPC_DCS]                                                                                                                                                |      |   |          |
| 7                                                                                                                                                                                                                                                             |       | (TCV_AssCmd := AsgnCmd_nfh( TCV_chtype, slot, tsc, 3, C_arfcn_tchAd, CellChDes_Omit, TCV_ChMod, StartingTm_omit, CphMod_omit))                            |      |   |          |
| <b>Detailed Comments:</b>                                                                                                                                                                                                                                     |       |                                                                                                                                                           |      |   |          |
| 1. To assign the suitable traffic channel to the MS.                                                                                                                                                                                                          |       |                                                                                                                                                           |      |   |          |
| 2. ASSIGN COMMAND with channel mode, channel description and power command.<br>The channel mode and type (TCH/H or TCH/F) and power command are supplied as parameter.                                                                                        |       |                                                                                                                                                           |      |   |          |
| 3. Different power command for DCS.                                                                                                                                                                                                                           |       |                                                                                                                                                           |      |   |          |



| Test Step Dynamic Behaviour |            |                                                                                                                                                                                                  |      |   |                       |
|-----------------------------|------------|--------------------------------------------------------------------------------------------------------------------------------------------------------------------------------------------------|------|---|-----------------------|
| <b>Test Step Name:</b>      |            | CCCH_group_Paging_group(ccd: CCD; imsi: HEXSTRING)                                                                                                                                               |      |   |                       |
| <b>Group:</b>               |            | GSM_L3_MS_v4210/Miscellaneous/                                                                                                                                                                   |      |   |                       |
| <b>Objective:</b>           |            | To calculate the CCCH group and the Paging group from the IMSI and the Control Channel Descriptor according to GSM 05.02, subclause 6.5.2.                                                       |      |   |                       |
| <b>Default:</b>             |            | OtherEvents                                                                                                                                                                                      |      |   |                       |
| Nr                          | Label      | Behaviour Description                                                                                                                                                                            | CRef | V | Comments              |
| 1                           |            | [ccd.ccch_con = '000'B]                                                                                                                                                                          |      |   |                       |
| 2                           |            | (TCV_bs_cc_chans := 1)                                                                                                                                                                           |      |   |                       |
| 3                           |            | +localtree1                                                                                                                                                                                      |      |   |                       |
| 4                           |            | [ccd.ccch_con = '001'B]                                                                                                                                                                          |      |   |                       |
| 5                           |            | (TCV_bs_cc_chans := 1)                                                                                                                                                                           |      |   |                       |
| 6                           |            | +localtree1                                                                                                                                                                                      |      |   |                       |
| 7                           |            | [ccd.ccch_con = '010'B]                                                                                                                                                                          |      |   |                       |
| 8                           |            | (TCV_bs_cc_chans := 2)                                                                                                                                                                           |      |   |                       |
| 9                           |            | +localtree1                                                                                                                                                                                      |      |   |                       |
| 10                          |            | [ccd.ccch_con = '100'B]                                                                                                                                                                          |      |   |                       |
| 11                          |            | (TCV_bs_cc_chans := 3)                                                                                                                                                                           |      |   |                       |
| 12                          |            | +localtree1                                                                                                                                                                                      |      |   |                       |
| 13                          |            | [ccd.ccch_con = '110'B]                                                                                                                                                                          |      |   |                       |
| 14                          |            | (TCV_bs_cc_chans := 4)                                                                                                                                                                           |      |   |                       |
| 15                          |            | +localtree1                                                                                                                                                                                      |      |   |                       |
| <b>localtree1</b>           |            |                                                                                                                                                                                                  |      |   |                       |
| 16                          |            | (TCV_bs_ag_blks_res := BIT_TO_INT(ccd.babr),<br>TCV_bs_pa_mfrms := (2 + BIT_TO_INT(ccd.bpm)))                                                                                                    |      |   |                       |
| 17                          |            | [ccd.ccch_con = '001'B]                                                                                                                                                                          |      |   | i.e. combined         |
| 18                          | L_085<br>0 | [(TCV_bs_ag_blks_res < 0)<br>OR(TCV_bs_ag_blks_res > 2)]                                                                                                                                         |      | I | Stop! A tester error. |
| 19                          |            | [(TCV_bs_ag_blks_res >= 0) AND<br>(TCV_bs_ag_blks_res <= 2)]                                                                                                                                     |      |   |                       |
| 20                          |            | (TCV_tmp := 3 - TCV_bs_ag_blks_res)                                                                                                                                                              |      |   |                       |
| 21                          |            | +localtree2                                                                                                                                                                                      |      |   |                       |
| 22                          |            | [ccd.ccch_con <> '001'B]                                                                                                                                                                         |      |   | i.e. not combined     |
| 23                          | L_085<br>1 | [(TCV_bs_ag_blks_res < 0)<br>OR(TCV_bs_ag_blks_res > 7)]                                                                                                                                         |      | I | Stop! A tester error. |
| 24                          |            | [(TCV_bs_ag_blks_res >= 0) AND<br>(TCV_bs_ag_blks_res <= 7)]                                                                                                                                     |      |   |                       |
| 25                          |            | (TCV_tmp := 9 - TCV_bs_ag_blks_res)                                                                                                                                                              |      |   |                       |
| 26                          |            | +localtree2                                                                                                                                                                                      |      |   | ini. TCV Pgg          |
| <b>localtree2</b>           |            |                                                                                                                                                                                                  |      |   |                       |
| 27                          |            | (TCV_tmp := TCV_tmp * TCV_bs_pa_mfrms)                                                                                                                                                           |      |   |                       |
| 28                          |            | (TCV_Pgg := INT_TO_BIT((((OC_BCDtoInt(imsi, 3))<br>MOD(TCV_bs_cc_chans * TCV_tmp)) MOD<br>TCV_tmp), 8), TCV_Ccchg :=<br>((((OC_BCDtoInt(imsi, 3)) MOD(TCV_bs_cc_chans *<br>TCV_tmp)) / TCV_tmp)) |      |   |                       |
| <b>Detailed Comments:</b>   |            |                                                                                                                                                                                                  |      |   |                       |

| Test Step Dynamic Behaviour |       |                                                                                  |                                                                                                                |   |          |
|-----------------------------|-------|----------------------------------------------------------------------------------|----------------------------------------------------------------------------------------------------------------|---|----------|
| <b>Test Step Name:</b>      |       | CCEstablishMO_SDCCH4( sub:B_2; ta:TA)                                            |                                                                                                                |   |          |
| <b>Group:</b>               |       | GSM_L3_MS_v4210/Miscellaneous/                                                   |                                                                                                                |   |          |
| <b>Objective:</b>           |       | Establish a MO SDCCH/4 connection. This is used in CC testing                    |                                                                                                                |   |          |
| <b>Default:</b>             |       | OtherEventsFail                                                                  |                                                                                                                |   |          |
| Nr                          | Label | Behaviour Description                                                            | CRef                                                                                                           | V | Comments |
| 1                           |       | L?DL_RaInChRq (TCV_Rr := DL_RaInChRq.<br>msg.ecau_rrf, TCV_Fn := DL_RaInChRq.fn) | ChReq(ChRequest_1<br>9)                                                                                        |   | 1.       |
| 2                           |       | L!DL_UdatRqImmass                                                                | ImmAss(TCV_agch,<br>ImmAsgn_01Def(TCV<br>_Rr, TCV_Fn, sub,<br>TCV_slot, TCV_tsc,<br>TCV_chdescr_arfcn,<br>ta)) |   |          |
| <b>Detailed Comments:</b>   |       | 1. To assign a SDCCH/4.                                                          |                                                                                                                |   |          |

| Test Step Dynamic Behaviour |       |                                                                                                                                                                                              |                                                                                                                                |   |                         |
|-----------------------------|-------|----------------------------------------------------------------------------------------------------------------------------------------------------------------------------------------------|--------------------------------------------------------------------------------------------------------------------------------|---|-------------------------|
| <b>Test Step Name:</b>      |       | CCEstablishMO_TCH( slot:SN; tsc:TSC; ta:TA)                                                                                                                                                  |                                                                                                                                |   |                         |
| <b>Group:</b>               |       | GSM_L3_MS_v4210/Miscellaneous/                                                                                                                                                               |                                                                                                                                |   |                         |
| <b>Objective:</b>           |       | Establish a MO TCH/F or TCH/H connection. This is used in CC testing                                                                                                                         |                                                                                                                                |   |                         |
| <b>Default:</b>             |       | OtherEvents                                                                                                                                                                                  |                                                                                                                                |   |                         |
| <b>Comments:</b>            |       | The calling tree shall prepare one variable for the step: TCV_ChRate for the type of the channel.<br>TCV_chTch contains the identifier for the traffic channel and TCV_cht the channel type. |                                                                                                                                |   |                         |
| Nr                          | Label | Behaviour Description                                                                                                                                                                        | CRef                                                                                                                           | V | Comments                |
| 1                           |       | L?DL_RaInChRq (TCV_Rr := DL_RaInChRq.<br>msg.ecau_rrf, TCV_Fn := DL_RaInChRq.fn)                                                                                                             | ChReq(ChRequest_1<br>9)                                                                                                        |   | To match ChReq retrans. |
| 2                           |       | ACTIVATE(OtherEvents_02)                                                                                                                                                                     | ImmAss(<br>C_AGCH_A_1,<br>ImmAsgn_nfh(<br>TCV_Rr, TCV_Fn,<br>TCV_chtype, slot, tsc,<br>ta, TCV_tch_arfcn,<br>C_normal_paging)) |   |                         |
| 3                           |       | LIDL_UdatRqImmass                                                                                                                                                                            |                                                                                                                                |   |                         |
| <b>Detailed Comments:</b>   |       | 1. To assign TCH/F or TCH/H.                                                                                                                                                                 |                                                                                                                                |   |                         |

| Test Step Dynamic Behaviour |       |                                                               |                                                                                                                    |   |                               |
|-----------------------------|-------|---------------------------------------------------------------|--------------------------------------------------------------------------------------------------------------------|---|-------------------------------|
| <b>Test Step Name:</b>      |       | CCEstablishMT_SDCCH4(ta:TA; sub:B_2; cksn:B_3)                |                                                                                                                    |   |                               |
| <b>Group:</b>               |       | GSM_L3_MS_v4210/Miscellaneous/                                |                                                                                                                    |   |                               |
| <b>Objective:</b>           |       | Establish a MT SDCCH/4 connection. This is used in CC testing |                                                                                                                    |   |                               |
| <b>Default:</b>             |       | OtherEvents                                                   |                                                                                                                    |   |                               |
| Nr                          | Label | Behaviour Description                                         | CRef                                                                                                               | V | Comments                      |
| 1                           |       | +CCPage                                                       | ImmAss( TCV_agch,<br>ImmAsgn_01Def(<br>TCV_Rr, TCV_Fn,<br>sub, TCV_slot,<br>TCV_tsc,<br>TCV_chdescr_arfcn,<br>ta)) |   | To match ChReq retrans.<br>1. |
| 2                           |       | ACTIVATE( OtherEvents_02)                                     |                                                                                                                    |   |                               |
| 3                           |       | LIDL_UdatRqImmass                                             |                                                                                                                    |   |                               |
| 4                           |       | L?DL_EstInPgRes                                               | PagingRes(<br>PagingRes_03( cksn))                                                                                 |   | Restore Normal default        |
| 5                           |       | ACTIVATE( OtherEvents)                                        |                                                                                                                    |   |                               |
| <b>Detailed Comments:</b>   |       | 1. To assign a SDCCH/4.                                       |                                                                                                                    |   |                               |

| Test Step Dynamic Behaviour |       |                                                                                                                                                                                           |                                                                                                                                |   |                         |
|-----------------------------|-------|-------------------------------------------------------------------------------------------------------------------------------------------------------------------------------------------|--------------------------------------------------------------------------------------------------------------------------------|---|-------------------------|
| <b>Test Step Name:</b>      |       | CCEstablishMT_TCH( slot:SN; tsc:TSC; ta:TA)                                                                                                                                               |                                                                                                                                |   |                         |
| <b>Group:</b>               |       | GSM_L3_MS_v4210/Miscellaneous/                                                                                                                                                            |                                                                                                                                |   |                         |
| <b>Objective:</b>           |       | Establish a MT TCH/F or TCH/H connection. This is used in CC testing                                                                                                                      |                                                                                                                                |   |                         |
| <b>Default:</b>             |       | OtherEvents                                                                                                                                                                               |                                                                                                                                |   |                         |
| <b>Comments:</b>            |       | The calling tree shall prepare one variable for the step: TCV_ChRate for the type of the channel. TCV_chTch contains the identifier for the traffic channel and TCV_cht the channel type. |                                                                                                                                |   |                         |
| Nr                          | Label | Behaviour Description                                                                                                                                                                     | CRef                                                                                                                           | V | Comments                |
| 1                           |       | +CCPage                                                                                                                                                                                   |                                                                                                                                |   | To match ChReq retrans. |
| 2                           |       | ACTIVATE(OtherEvents_02)                                                                                                                                                                  |                                                                                                                                |   |                         |
| 3                           |       | LIDL_UdatRqImmass                                                                                                                                                                         | ImmAss(<br>C_AGCH_A_1,<br>ImmAsgn_nfh(<br>TCV_Rr, TCV_Fn,<br>TCV_chtype, slot, tsc,<br>ta, TCV_tch_arfcn,<br>C_normal_paging)) |   |                         |
| 4                           |       | L?DL_EstInPgRes                                                                                                                                                                           | PagingRes(PagingRes_01)                                                                                                        |   |                         |
| 5                           |       | ACTIVATE(OtherEvents)                                                                                                                                                                     |                                                                                                                                |   | Restore Normal default  |
| <b>Detailed Comments:</b>   |       | 1. To assign TCH/F or TCH/H.                                                                                                                                                              |                                                                                                                                |   |                         |

| Test Step Dynamic Behaviour |       |                                                                                                                                                                                                               |                                         |   |          |
|-----------------------------|-------|---------------------------------------------------------------------------------------------------------------------------------------------------------------------------------------------------------------|-----------------------------------------|---|----------|
| <b>Test Step Name:</b>      |       | CC_Est_MT_Call                                                                                                                                                                                                |                                         |   |          |
| <b>Group:</b>               |       | GSM_L3_MS_v4210/Miscellaneous/                                                                                                                                                                                |                                         |   |          |
| <b>Objective:</b>           |       | To perform the CC message exchange to establish a mobile station terminating call (late assignment).                                                                                                          |                                         |   |          |
| <b>Default:</b>             |       | OtherEvents                                                                                                                                                                                                   |                                         |   |          |
| Nr                          | Label | Behaviour Description                                                                                                                                                                                         | CRef                                    | V | Comments |
| 1                           |       | (TCV_Setup_mt.sig := Signal_01)                                                                                                                                                                               |                                         |   | 1)       |
| 2                           |       | LIDL_DatRqSetup                                                                                                                                                                                               | SetupSnd( TCV_ch,<br>TCV_Setup_mt)      |   |          |
| 3                           |       | L?DL_DatInCallCo                                                                                                                                                                                              | CallCfm(<br>CallConfirm_01(<br>TI_01))  |   |          |
| 4                           |       | L?DL_DatInConn                                                                                                                                                                                                | ConnRcv(<br>Connect_01( TI_01))         |   |          |
| 5                           |       | L?DL_DatInAlert                                                                                                                                                                                               | AlertRcv(<br>AlertingInd_01(<br>TI_01)) |   |          |
| 6                           |       | (TCV_Null := OO_HookOff())                                                                                                                                                                                    |                                         |   |          |
| 7                           |       | L?DL_DatInConn                                                                                                                                                                                                | ConnRcv(<br>Connect_01( TI_01))         |   |          |
| <b>Detailed Comments:</b>   |       | 1. If the MS supports the bearer capabilities, which are give in Setup message, it has to accept them. However, it may still send bearer capabilities in the Call Confirm message for either EFR or Half Rate |                                         |   |          |

| Test Step Dynamic Behaviour |       |                                                                                                                                                                                                               |                                                        |   |           |
|-----------------------------|-------|---------------------------------------------------------------------------------------------------------------------------------------------------------------------------------------------------------------|--------------------------------------------------------|---|-----------|
| <b>Test Step Name:</b>      |       | CC_EstMsTermCall( rate:IA5String; sub:B_1)                                                                                                                                                                    |                                                        |   |           |
| <b>Group:</b>               |       | GSM_L3_MS_v4210/Miscellaneous/                                                                                                                                                                                |                                                        |   |           |
| <b>Objective:</b>           |       | To perform the CC message exchange to establish a mobile station terminating call with non hopping channel (speech or data call). (Similar to EstMsTermFullRateCallNonFH but without initial RRmtcallprepare) |                                                        |   |           |
| <b>Default:</b>             |       | OtherEvents                                                                                                                                                                                                   |                                                        |   |           |
| Nr                          | Label | Behaviour Description                                                                                                                                                                                         | CRef                                                   | V | Comments  |
| 1                           |       | +CC_Est_MT_Call                                                                                                                                                                                               |                                                        |   |           |
| 2                           |       | +ltree_Asgn                                                                                                                                                                                                   |                                                        |   |           |
| 3                           |       | +Adjust_gsmanddcs_powerlvl( 0, 15,<br>TCV_AssCmd)                                                                                                                                                             |                                                        |   |           |
| 4                           |       | +AssCh_complete( TCV_ch, TCV_chTch,<br>TCV_AssCmd)                                                                                                                                                            |                                                        |   |           |
| 5                           |       | L!DL_DatRqConnAck                                                                                                                                                                                             | ConnAckSnd(<br>TCV_chTch,<br>ConnectAck_01(<br>TI_02)) |   |           |
| 6                           |       | <b>ltree_Asgn</b><br>[rate <> C_Half]                                                                                                                                                                         |                                                        |   | Full rate |
| 7                           |       | (TCV_Tchtype := '00001'B)                                                                                                                                                                                     |                                                        |   |           |
| 8                           |       | (TCV_AssCmd := AsgnCmd_nfh( TCV_Tchtype,<br>TCV_asscmd_ts, TSPX_TscDef, 9,<br>TCV_tch_arfcn, CellChDes_Omit, TCV_ChMod,<br>StartingTm_omit, CphMod_omit))                                                     |                                                        |   |           |
| 9                           |       | [rate = C_Half]                                                                                                                                                                                               |                                                        |   | Half rate |
| 10                          |       | (TCV_Tchtype := INT_TO_BIT(( 2 + BIT_TO_INT(<br>sub)), 5))                                                                                                                                                    |                                                        |   |           |
| 11                          |       | (TCV_AssCmd := AsgnCmd_nfh( TCV_Tchtype,<br>TCV_asscmd_ts, TSPX_TscDef, 9,<br>TCV_tch_arfcn, CellChDes_Omit, TCV_ChMod,<br>StartingTm_omit, CphMod_omit))                                                     |                                                        |   |           |
| <b>Detailed Comments:</b>   |       |                                                                                                                                                                                                               |                                                        |   |           |

| Test Step Dynamic Behaviour |       |                                                                                                                                                        |                                                                                                                |   |          |
|-----------------------------|-------|--------------------------------------------------------------------------------------------------------------------------------------------------------|----------------------------------------------------------------------------------------------------------------|---|----------|
| <b>Test Step Name:</b>      |       | CCModifyTCH(slot :SN; tsc:TSC)                                                                                                                         |                                                                                                                |   |          |
| <b>Group:</b>               |       | GSM_L3_MS_v4210/Miscellaneous/                                                                                                                         |                                                                                                                |   |          |
| <b>Objective:</b>           |       | Send channel mode modify command and wait for successful completion. This is used for CC testing.                                                      |                                                                                                                |   |          |
| <b>Default:</b>             |       | OtherEvents                                                                                                                                            |                                                                                                                |   |          |
| <b>Comments:</b>            |       | The calling tree shall prepare two variables for the step: TCV_chtype for the type of the channel, TCV_ChMod with the channel mode IE for the channel. |                                                                                                                |   |          |
| Nr                          | Label | Behaviour Description                                                                                                                                  | CRef                                                                                                           | V | Comments |
| 1                           |       | (TCV_Null := OM_ChMdModi(TCV_chTch,<br>TCV_ChMod))                                                                                                     |                                                                                                                |   |          |
| 2                           |       | L!DL_DatRqChmmo                                                                                                                                        | ChmmoReqSnd(<br>TCV_chTch,<br>ChmomoReq_07(<br>TCV_chtype,<br>TCV_ChMod.mode,<br>slot, tsc,<br>TCV_tch_arfcn)) |   |          |
| 3                           |       | L?DL_DatInChmmoAck                                                                                                                                     | ChmmoAckRcv(<br>TCV_chTch,<br>ChmomoAck_08(<br>TCV_chtype,<br>TCV_ChMod.mode,<br>slot, tsc,<br>TCV_tch_arfcn)) |   |          |
| <b>Detailed Comments:</b>   |       |                                                                                                                                                        |                                                                                                                |   |          |

| Test Step Dynamic Behaviour |       |                                                                                                    |                                        |   |          |
|-----------------------------|-------|----------------------------------------------------------------------------------------------------|----------------------------------------|---|----------|
| <b>Test Step Name:</b>      |       | CCPage                                                                                             |                                        |   |          |
| <b>Group:</b>               |       | GSM_L3_MS_v4210/Miscellaneous/                                                                     |                                        |   |          |
| <b>Objective:</b>           |       | Send paging request and wait for channel request. This is used in CC testing.                      |                                        |   |          |
| <b>Default:</b>             |       | OtherEvents                                                                                        |                                        |   |          |
| <b>Comments:</b>            |       | TCV_Rr contains the request reference and TCV_Fn contains the frame number of the channel request. |                                        |   |          |
| Nr                          | Label | Behaviour Description                                                                              | CRef                                   | V | Comments |
| 1                           |       | L!DL_UdatRqPg1Rq                                                                                   | PgReq1(TCV_PgCh, TCV_Pgg, PgReqTp1_01) |   |          |
| 2                           |       | L?DL_RacInChRq (TCV_Rr := DL_RacInChRq.msg.ecau_rrf, TCV_Fn := DL_RacInChRq.fn)                    | ChReq(ChRequest_01)                    |   |          |
| <b>Detailed Comments:</b>   |       |                                                                                                    |                                        |   |          |

| Test Step Dynamic Behaviour |       |                                                                                                                                                                                |                                       |   |          |
|-----------------------------|-------|--------------------------------------------------------------------------------------------------------------------------------------------------------------------------------|---------------------------------------|---|----------|
| <b>Test Step Name:</b>      |       | CCstatuschk_01(ch: LOGICCH; st:CCSTATE)                                                                                                                                        |                                       |   |          |
| <b>Group:</b>               |       | GSM_L3_MS_v4210/Miscellaneous/                                                                                                                                                 |                                       |   |          |
| <b>Objective:</b>           |       | To check whether the MS under test is in the CC state `st` and cause = #30.                                                                                                    |                                       |   |          |
| <b>Default:</b>             |       | OtherEventsFail                                                                                                                                                                |                                       |   |          |
| <b>Comments:</b>            |       | if the cause value is #30 and the CC state value is `st`, the preliminary verdict is pass. This is used in the case of transaction initiated by test system, the DCCH is `ch`. |                                       |   |          |
| Nr                          | Label | Behaviour Description                                                                                                                                                          | CRef                                  | V | Comments |
| 1                           |       | L!DL_DatRqCcstEnq                                                                                                                                                              | CCStESnd( ch, CCStatusEq_01( TI_02))  |   |          |
| 2                           |       | L?DL_DatInCcst                                                                                                                                                                 | CCStRcv( ch, CCStatus_14( TI_01, st)) |   |          |
| <b>Detailed Comments:</b>   |       |                                                                                                                                                                                |                                       |   |          |

| Test Step Dynamic Behaviour              |            |                                                                                            |                                      |      |          |
|------------------------------------------|------------|--------------------------------------------------------------------------------------------|--------------------------------------|------|----------|
| <b>Test Step Name:</b>                   |            | CCstatuschk_02(ch: LOGICCH; st:CCSTATE; ti_orig, ti_dest: TI)                              |                                      |      |          |
| <b>Group:</b>                            |            | GSM_L3_MS_v4210/Miscellaneous/                                                             |                                      |      |          |
| <b>Objective:</b>                        |            | To check whether the MS under test is in the CC state `st` and cause = #30.                |                                      |      |          |
| <b>Default:</b>                          |            | OtherEvents                                                                                |                                      |      |          |
| <b>Comments:</b>                         |            | if the cause value is #30 and the CC state value is `st`, the preliminary verdict is pass. |                                      |      |          |
| Nr                                       | Label      | Behaviour Description                                                                      | CRef                                 | V    | Comments |
| 1                                        |            | L!DL_DatRqCcstEnq                                                                          | CCStESnd(ch, CCStatusEq_01(ti_orig)) |      |          |
| 2                                        |            | L?DL_DatInCcst (TCV_Cau := DL_DatInCcst.msg.cau, TCV_CCst := DL_DatInCcst.msg.cst)         | CCStRcv( ch, CCStatus_01(ti_dest))   |      |          |
| 3                                        |            | [(TCV_Cau.cau_class = '001'B) AND (TCV_Cau.cau_va = '1110'B)]                              |                                      |      |          |
| 4                                        |            | [TCV_CCst.csv = INT_TO_BIT(st, 6)]                                                         |                                      |      | 1.       |
| 5                                        | L_085<br>2 | [TCV_CCst.csv <> INT_TO_BIT(st, 6)]                                                        |                                      | ( I) | 2.       |
| 6                                        |            | +PostLinkRelEnd(ch)                                                                        |                                      |      |          |
| 7                                        | L_085<br>3 | [(TCV_Cau.cau_class <> '001'B) OR(TCV_Cau.cau_va<> '1110'B)]                               |                                      | ( I) | 3.       |
| 8                                        |            | +PostLinkRelEnd(ch)                                                                        |                                      |      |          |
| <b>Detailed Comments:</b>                |            |                                                                                            |                                      |      |          |
| 1. Now in CC state 'st' and cause = #30. |            |                                                                                            |                                      |      |          |
| 2. Not in CC state 'st'.                 |            |                                                                                            |                                      |      |          |
| 3. Cause is not #30.                     |            |                                                                                            |                                      |      |          |

| Test Step Dynamic Behaviour                                                                                                                                                                                                                                  |            |                                       |                                                   |     |          |
|--------------------------------------------------------------------------------------------------------------------------------------------------------------------------------------------------------------------------------------------------------------|------------|---------------------------------------|---------------------------------------------------|-----|----------|
| <b>Test Step Name:</b> CCstatuschk_03(st:CCSTATE; Ti:Ti)                                                                                                                                                                                                     |            |                                       |                                                   |     |          |
| <b>Group:</b> GSM_L3_MS_v4210/Miscellaneous/                                                                                                                                                                                                                 |            |                                       |                                                   |     |          |
| <b>Objective:</b> To check whether the MS under test is in the CC state `st` and cause = #30.                                                                                                                                                                |            |                                       |                                                   |     |          |
| <b>Default:</b> OtherEventsFail                                                                                                                                                                                                                              |            |                                       |                                                   |     |          |
| <b>Comments:</b> if the cause value is #30 and the CC state value is `st`, the preliminary verdict is pass. This is used in the case of DCCH = SDCCH4 and transaction initiated by the MS. The calling tree shall prepare the variable for the step: TCV_ch. |            |                                       |                                                   |     |          |
| Nr                                                                                                                                                                                                                                                           | Label      | Behaviour Description                 | CRef                                              | V   | Comments |
| 1                                                                                                                                                                                                                                                            |            | (TCV_TI1 := Ti, TCV_TI1.ti_f := '0'B) |                                                   |     |          |
| 2                                                                                                                                                                                                                                                            |            | L!DL_DatRqCcstEnq                     | CCStESnd( TCV_ch,<br>CCStatusEq_01( Ti))          |     |          |
| 3                                                                                                                                                                                                                                                            | L_085<br>4 | L?DL_DatInCcst                        | CCStRcv( TCV_ch,<br>CCStatus_14(<br>TCV_TI1, st)) | (P) |          |
| <b>Detailed Comments:</b>                                                                                                                                                                                                                                    |            |                                       |                                                   |     |          |

| Test Step Dynamic Behaviour                                                                                 |            |                           |                                               |     |          |
|-------------------------------------------------------------------------------------------------------------|------------|---------------------------|-----------------------------------------------|-----|----------|
| <b>Test Step Name:</b> CCstatuschk_05(st:CCSTATE; ti:Ti; ch: LOGICCH)                                       |            |                           |                                               |     |          |
| <b>Group:</b> GSM_L3_MS_v4210/Miscellaneous/                                                                |            |                           |                                               |     |          |
| <b>Objective:</b> To check whether the MS under test is in the CC state `st` and cause = #30.               |            |                           |                                               |     |          |
| <b>Default:</b> OtherEventsFail                                                                             |            |                           |                                               |     |          |
| <b>Comments:</b> if the cause value is #30 and the CC state value is `st`, the preliminary verdict is pass. |            |                           |                                               |     |          |
| Nr                                                                                                          | Label      | Behaviour Description     | CRef                                          | V   | Comments |
| 1                                                                                                           |            | (TCV_TI1.ti_v := ti.ti_v) |                                               |     |          |
| 2                                                                                                           |            | [ti.ti_f = '0'B]          |                                               |     |          |
| 3                                                                                                           |            | (TCV_TI1.ti_f := '1'B)    |                                               |     |          |
| 4                                                                                                           |            | +localtree                |                                               |     |          |
| 5                                                                                                           |            | [ti.ti_f = '1'B]          |                                               |     |          |
| 6                                                                                                           |            | (TCV_TI1.ti_f := '0'B)    |                                               |     |          |
| 7                                                                                                           |            | +localtree                |                                               |     |          |
| <b>localtree</b>                                                                                            |            |                           |                                               |     |          |
| 8                                                                                                           |            | L!DL_DatRqCcstEnq         | CCStESnd( ch,<br>CCStatusEq_01( ti))          |     |          |
| 9                                                                                                           | L_085<br>5 | L?DL_DatInCcst            | CCStRcv( ch,<br>CCStatus_14(TCV_TI<br>1, st)) | (P) |          |
| <b>Detailed Comments:</b>                                                                                   |            |                           |                                               |     |          |

| Test Step Dynamic Behaviour |            |                                                                                                                                                                                                                                                    |      |     |          |
|-----------------------------|------------|----------------------------------------------------------------------------------------------------------------------------------------------------------------------------------------------------------------------------------------------------|------|-----|----------|
| <b>Test Step Name:</b>      |            | Check_hoaccPwr(Hoacc:HOACC_PARA; exp_pwr:BITSTRING)                                                                                                                                                                                                |      |     |          |
| <b>Group:</b>               |            | GSM_L3_MS_v4210/Miscellaneous/                                                                                                                                                                                                                     |      |     |          |
| <b>Objective:</b>           |            | To check that the received handover access bursts' power levels are as expected                                                                                                                                                                    |      |     |          |
| <b>Default:</b>             |            | OtherEvents                                                                                                                                                                                                                                        |      |     |          |
| Nr                          | Label      | Behaviour Description                                                                                                                                                                                                                              | CRef | V   | Comments |
| 1                           |            | (TCV_mindbm := OC_OctToInt(Hoacc.min_mspwr),<br>TCV_maxdbm := OC_OctToInt(Hoacc.max_mspwr))                                                                                                                                                        |      |     | 1.       |
| 2                           |            | +localtree_PwrTol                                                                                                                                                                                                                                  |      |     |          |
| 3                           | L_105<br>1 | [(TCV_mindbm >= ((TCV_expdbm-TCV_n) MOD<br>256)) AND (TCV_maxdbm <=<br>(TCV_expdbm+TCV_n) MOD 256)]                                                                                                                                                |      | (P) | 2.       |
| 4                           | L_105<br>2 | [C_Yes]                                                                                                                                                                                                                                            |      | (F) |          |
|                             |            | <b>localtree_PwrTol</b>                                                                                                                                                                                                                            |      |     |          |
| 5                           |            | [TSPC_PGSM OR TSPC_EGSM]                                                                                                                                                                                                                           |      |     | 3.       |
| 6                           |            | (TCV_expdbm := 43 -(BIT_TO_INT(exp_pwr) * 2))                                                                                                                                                                                                      |      |     |          |
| 7                           |            | [TCV_expdbm <= 5]                                                                                                                                                                                                                                  |      |     |          |
| 8                           |            | (TCV_expdbm := 5, TCV_n := 5)                                                                                                                                                                                                                      |      |     |          |
| 9                           |            | [(TCV_expdbm > 5) AND (TCV_expdbm <= 11)]                                                                                                                                                                                                          |      |     |          |
| 10                          |            | (TCV_n := 5)                                                                                                                                                                                                                                       |      |     |          |
| 11                          |            | [(TCV_expdbm > 11) AND (TCV_expdbm <=<br>37)]                                                                                                                                                                                                      |      |     |          |
| 12                          |            | (TCV_n := 3)                                                                                                                                                                                                                                       |      |     |          |
| 13                          |            | [TCV_expdbm > 37]                                                                                                                                                                                                                                  |      |     |          |
| 14                          |            | (TCV_expdbm := 39, TCV_n := 2)                                                                                                                                                                                                                     |      |     |          |
| 15                          |            | [TSPC_DCS]                                                                                                                                                                                                                                         |      |     |          |
| 16                          |            | +localtree_DCSPwr                                                                                                                                                                                                                                  |      |     |          |
| 17                          |            | [TCV_expdbm <= 0]                                                                                                                                                                                                                                  |      |     |          |
| 18                          |            | (TCV_expdbm := 0, TCV_n := 5)                                                                                                                                                                                                                      |      |     |          |
| 19                          |            | [(TCV_expdbm > 0) AND (TCV_expdbm <= 2)]                                                                                                                                                                                                           |      |     |          |
| 20                          |            | (TCV_n := 5)                                                                                                                                                                                                                                       |      |     |          |
| 21                          |            | [(TCV_expdbm > 2) AND (TCV_expdbm <= 12)]                                                                                                                                                                                                          |      |     |          |
| 22                          |            | (TCV_n := 4)                                                                                                                                                                                                                                       |      |     |          |
| 23                          |            | [(TCV_expdbm > 12) AND (TCV_expdbm <=<br>34)]                                                                                                                                                                                                      |      |     |          |
| 24                          |            | (TCV_n := 3)                                                                                                                                                                                                                                       |      |     |          |
| 25                          |            | [TCV_expdbm > 34]                                                                                                                                                                                                                                  |      |     |          |
| 26                          |            | (TCV_n := 2)                                                                                                                                                                                                                                       |      |     |          |
|                             |            | <b>localtree_DCSPwr</b>                                                                                                                                                                                                                            |      |     |          |
| 27                          |            | [BIT_TO_INT(exp_pwr) <= 28]                                                                                                                                                                                                                        |      |     |          |
| 28                          |            | (TCV_expdbm := 30 -(BIT_TO_INT(exp_pwr) * 2))                                                                                                                                                                                                      |      |     |          |
| 29                          |            | [BIT_TO_INT(exp_pwr) > 28]                                                                                                                                                                                                                         |      |     |          |
| 30                          |            | (TCV_expdbm := (BIT_TO_INT(exp_pwr) * 2) - 30)                                                                                                                                                                                                     |      |     |          |
| <b>Detailed Comments:</b>   |            | 1. Convert powers to integers (TCV_mindbm, TCV_maxdbm).<br>2. Check power is within tolerance.<br>3. Convert expected power to dBm (TCV_expdbm) and work out tolerance (TCV_n). This is<br>different for DCS vs GSM (see GSM 05.05 section 4.1.1). |      |     |          |

| Test Step Dynamic Behaviour |            |                                                                                                                       |      |     |          |
|-----------------------------|------------|-----------------------------------------------------------------------------------------------------------------------|------|-----|----------|
| <b>Test Step Name:</b>      |            | Check_hoaccTiming(Hoacc:HOACC_PARA; exp_ta:BITSTRING)                                                                 |      |     |          |
| <b>Group:</b>               |            | GSM_L3_MS_v4210/Miscellaneous/                                                                                        |      |     |          |
| <b>Objective:</b>           |            | To check that the received handover access bursts' timing advance is as expected                                      |      |     |          |
| <b>Default:</b>             |            | OtherEvents                                                                                                           |      |     |          |
| Nr                          | Label      | Behaviour Description                                                                                                 | CRef | V   | Comments |
| 1                           |            | (TCV_expta := BIT_TO_INT(exp_ta))                                                                                     |      |     | 1.       |
| 2                           | L_105<br>0 | [(BIT_TO_INT(Hoacc.min_msta) >= ((TCV_expta-2) MOD 256)) AND (BIT_TO_INT(Hoacc.max_msta) <= ((TCV_expta+2) MOD 256))] |      | (P) | 2.       |
| 3                           | L_105<br>3 | [C_Yes]                                                                                                               |      | (F) |          |
| <b>Detailed Comments:</b>   |            | 1. Convert timing to integer (TCV_expta).<br>2. Check burst timing is within 2 bits.                                  |      |     |          |

| Test Step Dynamic Behaviour |            |                                |      |     |          |
|-----------------------------|------------|--------------------------------|------|-----|----------|
| <b>Test Step Name:</b>      |            | Check_Time(maxtime: INTEGER)   |      |     |          |
| <b>Group:</b>               |            | GSM_L3_MS_v4210/Miscellaneous/ |      |     |          |
| <b>Objective:</b>           |            |                                |      |     |          |
| <b>Default:</b>             |            | OtherEventsFail                |      |     |          |
| Nr                          | Label      | Behaviour Description          | CRef | V   | Comments |
| 1                           |            | +FnArith( TCV_Fn, TCV_Fn1)     |      |     |          |
| 2                           | L_085<br>6 | [TCV_Time <= maxtime]          |      | (P) |          |
| 3                           | L_085<br>7 | [TCV_Time > maxtime]           |      | (F) |          |
| <b>Detailed Comments:</b>   |            |                                |      |     |          |

| Test Step Dynamic Behaviour |            |                                                                                          |      |     |                                   |
|-----------------------------|------------|------------------------------------------------------------------------------------------|------|-----|-----------------------------------|
| <b>Test Step Name:</b>      |            | CheckMTDif(td:OCTETSTRING; y, k:INTEGER)                                                 |      |     |                                   |
| <b>Group:</b>               |            | GSM_L3_MS_v4210/Miscellaneous/                                                           |      |     |                                   |
| <b>Objective:</b>           |            | To check that the mobile time difference is within +/- 2 half bits of the expected value |      |     |                                   |
| <b>Default:</b>             |            | OtherEvents                                                                              |      |     |                                   |
| Nr                          | Label      | Behaviour Description                                                                    | CRef | V   | Comments                          |
| 1                           |            | (TCV_temp1 := OC_OctToInt(td)/8, TCV_temp2 := (k*2 + y) MOD 2097152)                     |      |     |                                   |
| 2                           | L_104<br>8 | [(TCV_temp1 >= TCV_temp2 - 2) AND (TCV_temp1 <= TCV_temp2 + 2)]                          |      | (P) | td must be within +/- 2 half bits |
| 3                           | L_104<br>9 | [C_Yes]                                                                                  |      | (F) |                                   |
| <b>Detailed Comments:</b>   |            |                                                                                          |      |     |                                   |



| Test Step Dynamic Behaviour |            |                                                                                            |                                                     |     |          |
|-----------------------------|------------|--------------------------------------------------------------------------------------------|-----------------------------------------------------|-----|----------|
| <b>Test Step Name:</b>      |            | CheckTIsInStateU0(mo: BOOLEAN; ch: LOGICCH)                                                |                                                     |     |          |
| <b>Group:</b>               |            | GSM_L3_MS_v4210/Miscellaneous/                                                             |                                                     |     |          |
| <b>Objective:</b>           |            | Check that all MO or MT CC entities in the MS are in state U0. This is used in CC testing. |                                                     |     |          |
| <b>Default:</b>             |            | OtherEventsFail                                                                            |                                                     |     |          |
| Nr                          | Label      | Behaviour Description                                                                      | CRef                                                | V   | Comments |
| 1                           |            | [mo]                                                                                       |                                                     |     |          |
| 2                           |            | (TCV_TI1.ti_f := '1'B, TCV_TI2.ti_f := '0'B)                                               |                                                     |     |          |
| 3                           |            | +localtree1                                                                                |                                                     |     |          |
| 4                           |            | [NOT mo]                                                                                   |                                                     |     |          |
| 5                           |            | (TCV_TI1.ti_f := '0'B, TCV_TI2.ti_f := '1'B)                                               |                                                     |     |          |
| 6                           |            | +localtree1                                                                                |                                                     |     |          |
| <b>localtree1</b>           |            |                                                                                            |                                                     |     |          |
| 7                           |            | (TCV_Cnt := 0)                                                                             |                                                     |     |          |
| 8                           |            | REPEAT localtree2 UNTIL [TCV_Cnt = 7]                                                      |                                                     |     |          |
| <b>localtree2</b>           |            |                                                                                            |                                                     |     |          |
| 9                           |            | (TCV_TI1.ti_v := INT_TO_BIT(TCV_Cnt, 3),<br>TCV_TI2.ti_v := INT_TO_BIT(TCV_Cnt, 3))        |                                                     |     |          |
| 10                          |            | LIDL_DatRqCcstEnq                                                                          | CCStESnd( ch,<br>CCStatusEq_01(<br>TCV_TI1))        |     |          |
| 11                          | L_085<br>8 | L?DL_DatInRelCmp                                                                           | RelComRcv(<br>ReleaseCmpRcv(<br>TCV_TI2, Cause_07)) | (P) | 1.       |
| 12                          |            | (TCV_Cnt := TCV_Cnt + 1)                                                                   |                                                     |     |          |
| <b>Detailed Comments:</b>   |            | 1. Cause #81 (invalid TI value)                                                            |                                                     |     |          |

| Test Step Dynamic Behaviour |            |                                                                                   |      |     |          |
|-----------------------------|------------|-----------------------------------------------------------------------------------|------|-----|----------|
| <b>Test Step Name:</b>      |            | ChkMsrmtRpt(index1, index2:INTEGER)                                               |      |     |          |
| <b>Group:</b>               |            | GSM_L3_MS_v4210/Miscellaneous/                                                    |      |     |          |
| <b>Objective:</b>           |            | Check whether the mesurment report is correct and assign the verdict accordingly. |      |     |          |
| <b>Default:</b>             |            | OtherEventsFail                                                                   |      |     |          |
| Nr                          | Label      | Behaviour Description                                                             | CRef | V   | Comments |
| 1                           |            | [TSPC_PGSM OR TSPC_EGSM]                                                          |      |     |          |
| 2                           |            | (TCV_Res := OC_MsrReptChk(TCV_MsrRes,<br>index1))                                 |      |     |          |
| 3                           | L_085<br>9 | [NOT TCV_Res]                                                                     |      | (F) |          |
| 4                           | L_086<br>0 | [TCV_Res]                                                                         |      | (P) |          |
| 5                           |            | [TSPC_DCS]                                                                        |      |     |          |
| 6                           |            | (TCV_Res := OC_MsrReptChk(TCV_MsrRes,<br>index2))                                 |      |     |          |
| 7                           | L_086<br>1 | [NOT TCV_Res]                                                                     |      | (F) |          |
| 8                           | L_086<br>2 | [TCV_Res]                                                                         |      | (P) |          |
| <b>Detailed Comments:</b>   |            |                                                                                   |      |     |          |

| Test Step Dynamic Behaviour |            |                                                          |                            |     |          |
|-----------------------------|------------|----------------------------------------------------------|----------------------------|-----|----------|
| <b>Test Step Name:</b>      |            | Ciphering_off(ch: LOGICCH)                               |                            |     |          |
| <b>Group:</b>               |            | GSM_L3_MS_v4210/Miscellaneous/                           |                            |     |          |
| <b>Objective:</b>           |            |                                                          |                            |     |          |
| <b>Default:</b>             |            | OtherEventsFail                                          |                            |     |          |
| Nr                          | Label      | Behaviour Description                                    | CRef                       | V   | Comments |
| 1                           |            | (TCV_Null := OM_CphMdChg(TCV_ch, CphMod_02, TCV_CphKey)) |                            |     |          |
| 2                           |            | L!DL_DatRqCphmCmd                                        | CphCmd( ch, CphModeCmd_02) |     |          |
| 3                           | L_086<br>3 | L?DL_DatInCphmCom                                        | CphCom(CphModeCmp_01)      | (P) |          |
| <b>Detailed Comments:</b>   |            |                                                          |                            |     |          |

| Test Step Dynamic Behaviour |            |                                                        |                           |     |          |
|-----------------------------|------------|--------------------------------------------------------|---------------------------|-----|----------|
| <b>Test Step Name:</b>      |            | Ciphering_on(ch: LOGICCH)                              |                           |     |          |
| <b>Group:</b>               |            | GSM_L3_MS_v4210/Miscellaneous/                         |                           |     |          |
| <b>Objective:</b>           |            | Send cipher command and wait for successful completion |                           |     |          |
| <b>Default:</b>             |            | OtherEventsFail                                        |                           |     |          |
| Nr                          | Label      | Behaviour Description                                  | CRef                      | V   | Comments |
| 1                           |            | (TCV_Null := OM_CphMdChg( ch, CphMod_01, TCV_CphKey))  |                           |     |          |
| 2                           |            | L!DL_DatRqCphmCmd                                      | CphCmd(ch, CphModeCmd_01) |     |          |
| 3                           | L_086<br>4 | L?DL_DatInCphmCom                                      | CphCom(CphModeCmp_01)     | (P) |          |
| <b>Detailed Comments:</b>   |            |                                                        |                           |     |          |

| Test Step Dynamic Behaviour                               |            |                                                  |                                    |     |          |
|-----------------------------------------------------------|------------|--------------------------------------------------|------------------------------------|-----|----------|
| <b>Test Step Name:</b>                                    |            | CMsrvcRq                                         |                                    |     |          |
| <b>Group:</b>                                             |            | GSM_L3_MS_v4210/Miscellaneous/                   |                                    |     |          |
| <b>Objective:</b>                                         |            |                                                  |                                    |     |          |
| <b>Default:</b>                                           |            | OtherEventsFail                                  |                                    |     |          |
| Nr                                                        | Label      | Behaviour Description                            | CRef                               | V   | Comments |
| 1                                                         |            | L?DL_DatInCmsRq                                  | CMSerDatReq(CMServiceReq_01)       |     | 1)       |
| 2                                                         |            | L!DL_DatRqCmsAcp                                 | CMSerAcp( TCV_ch, CMServiceAcp_01) |     |          |
| 3                                                         | L_086<br>5 | L?DL_DatInSetup (TCV_Mt := DL_DatInSetup.msg.mt) | SetupRcv(SetupInd_01)              | (P) | 2)       |
| 4                                                         | L_086<br>6 | L?DL_DatInRegister                               | Register_03(RegisterPdu_01)        | (P) | 2)       |
| 5                                                         | L_086<br>7 | L?DL_DatInCpData                                 | DatInCpData(TCV_ch, CpDataPdu_any) | (P) | 2)       |
| <b>Detailed Comments:</b>                                 |            |                                                  |                                    |     |          |
| 1) MS shall send a CM Service Request.                    |            |                                                  |                                    |     |          |
| 2) Any initial CM message is to expect.                   |            |                                                  |                                    |     |          |
| This test step is called in TC_26_7_4_3_4 & TC_26_7_5_8_2 |            |                                                  |                                    |     |          |

| Test Step Dynamic Behaviour |       |                                                                        |                                                               |   |          |
|-----------------------------|-------|------------------------------------------------------------------------|---------------------------------------------------------------|---|----------|
| <b>Test Step Name:</b>      |       | DTMFSignalling(n: INTEGER; ti_ms: TI; ti_ss: TI; ch: LOGICCH)          |                                                               |   |          |
| <b>Group:</b>               |       | GSM_L3_MS_v4210/Miscellaneous/                                         |                                                               |   |          |
| <b>Objective:</b>           |       |                                                                        |                                                               |   |          |
| <b>Default:</b>             |       | OtherEventsFail                                                        |                                                               |   |          |
| Nr                          | Label | Behaviour Description                                                  | CRef                                                          | V | Comments |
| 1                           |       | (TCV_Cnt:=0)                                                           |                                                               |   |          |
| 2                           |       | REPEAT localtree UNTIL [TCV_Cnt=n]                                     |                                                               |   |          |
|                             |       | <b>localtree</b>                                                       |                                                               |   |          |
| 3                           |       | L?DL_DatInStartDtmf(TCV_Char :=<br>DL_DatInStartDtmf.msg.kpf.kpf_info) | StartDTMFRcv(<br>StartDtmf_02( ti_ms))                        |   |          |
| 4                           |       | L!DL_DatRqStartDtmfAck                                                 | StartDTMFAckSnd(<br>ch, StartDtmfAck_01(<br>ti_ss, TCV_Char)) |   |          |
| 5                           |       | L?DL_DatInStopDtmf                                                     | StopDTMFRcv(<br>StopDtmf_01( ti_ms))                          |   |          |
| 6                           |       | L!DL_DatRqStopDtmfAck                                                  | StopDTMFAckSnd(<br>ch, StopDtmfAck_01(<br>ti_ss))             |   |          |
| 7                           |       | (TCV_Cnt:=TCV_Cnt+1)                                                   |                                                               |   |          |
| <b>Detailed Comments:</b>   |       |                                                                        |                                                               |   |          |

| Test Step Dynamic Behaviour                                                     |       |                                                                                    |                                                                                                                                 |   |                         |
|---------------------------------------------------------------------------------|-------|------------------------------------------------------------------------------------|---------------------------------------------------------------------------------------------------------------------------------|---|-------------------------|
| <b>Test Step Name:</b>                                                          |       | EstablishFacMO( t:INTEGER; comp:Component_T; sdcch:B_2; slot:SN; tsc:TSC; tch:B_1) |                                                                                                                                 |   |                         |
| <b>Group:</b>                                                                   |       | GSM_L3_MS_v4210/Miscellaneous/                                                     |                                                                                                                                 |   |                         |
| <b>Objective:</b>                                                               |       |                                                                                    |                                                                                                                                 |   |                         |
| <b>Default:</b>                                                                 |       | OtherEventsFail                                                                    |                                                                                                                                 |   |                         |
| Nr                                                                              | Label | Behaviour Description                                                              | CRef                                                                                                                            | V | Comments                |
| 1                                                                               |       | +InitCall( TCV_Service)                                                            |                                                                                                                                 |   |                         |
| 2                                                                               |       | L?DL_RaInChRq ( TCV_Rr := DL_RaInChRq.<br>msg.ecau_rrf, TCV_Fn := DL_RaInChRq.fn)  | ChReq(<br>ChRequest_15)                                                                                                         |   |                         |
| 3                                                                               |       | ACTIVATE( OtherEventsFail_02)                                                      |                                                                                                                                 |   | To match ChReq retrans. |
| 4                                                                               |       | L!DL_UdatRqImmss                                                                   | ImmAss( TCV_agch,<br>ImmAsgn_01Def(<br>TCV_Rr, TCV_Fn,<br>sdcch, TCV_slot,<br>TCV_tsc,<br>TCV_chdescr_arfcn,<br>TimingAdv( 0))) |   |                         |
| 5                                                                               |       | L?DL_EstInCmsRq                                                                    | CMSerReq(<br>CMSerReq_01)                                                                                                       |   |                         |
| 6                                                                               |       | ACTIVATE( OtherEventsFail)                                                         |                                                                                                                                 |   | Restore Normal default  |
| 7                                                                               |       | L!DL_DatRqCmsAcp                                                                   | CMSerAcp( TCV_ch,<br>CMSerAcp_01)                                                                                               |   |                         |
| 8                                                                               |       | +RcvSetupOrEsetup( TCV_Setup_mo,<br>TCV_Esetup, TCV_Ecall)                         |                                                                                                                                 |   |                         |
| 9                                                                               |       | L!DL_DatRqCallProc                                                                 | CallProc( TCV_ch,<br>TCV_CallProc)                                                                                              |   |                         |
| 10                                                                              |       | +AssCmdGen( TCV_cellid,<br>TCV_ChRate, slot, tsc, tch)                             |                                                                                                                                 |   |                         |
| 11                                                                              |       | +AssCh_complete( TCV_ch,<br>TCV_chTch, TCV_AssCmd)                                 |                                                                                                                                 |   |                         |
| 12                                                                              |       | L!DL_DatRqAlert                                                                    | AlertSnd(<br>TCV_chTch,<br>Alerting_01( TCV_TI))                                                                                |   |                         |
| 13                                                                              |       | L!DL_DatRqConn START<br>T_dly( t), START T_dly1(<br>10000)                         | ConnSnd(<br>TCV_chTch,<br>Connect_05( TCV_TI,<br>facilityIEtsndiei(<br>comp)))                                                  |   | 1.                      |
| 14                                                                              |       | +AOC_CHK_FAC(<br>TCV_TI0)                                                          |                                                                                                                                 |   |                         |
| <b>Detailed Comments:</b> 1. To send Facility IE of ForwardChargeAdvice - comp. |       |                                                                                    |                                                                                                                                 |   |                         |

| Test Step Dynamic Behaviour |       |                                                                                                                                                                                                                                                                                                                                                        |      |   |                                                                                                                         |
|-----------------------------|-------|--------------------------------------------------------------------------------------------------------------------------------------------------------------------------------------------------------------------------------------------------------------------------------------------------------------------------------------------------------|------|---|-------------------------------------------------------------------------------------------------------------------------|
| <b>Test Step Name:</b>      |       | FnArith(fn, fn1:FN)                                                                                                                                                                                                                                                                                                                                    |      |   |                                                                                                                         |
| <b>Group:</b>               |       | GSM_L3_MS_v4210/Miscellaneous/                                                                                                                                                                                                                                                                                                                         |      |   |                                                                                                                         |
| <b>Objective:</b>           |       |                                                                                                                                                                                                                                                                                                                                                        |      |   |                                                                                                                         |
| <b>Default:</b>             |       | OtherEventsFail                                                                                                                                                                                                                                                                                                                                        |      |   |                                                                                                                         |
| <b>Comments:</b>            |       | To calculate the difference of two frame numbers 'fn1' and 'fn'. The test step uses TCV_Cnt1, TCV_Cnt2, TCV_K and TCV_Time                                                                                                                                                                                                                             |      |   |                                                                                                                         |
| Nr                          | Label | Behaviour Description                                                                                                                                                                                                                                                                                                                                  | CRef | V | Comments                                                                                                                |
| 1                           |       | (TCV_Cnt1 := (51 * ((BIT_TO_INT( fn.t3) - BIT_TO_INT( fn.t2) + 26) MOD 26)) + BIT_TO_INT( fn.t3) + (1326 * BIT_TO_INT( fn.t1_)), TCV_Cnt2 := (51 * ((BIT_TO_INT( fn1.t3) - BIT_TO_INT( fn1.t2) + 26) MOD 26)) + BIT_TO_INT( fn1.t3) + (1326 * BIT_TO_INT( fn1.t1_)), TCV_K := ((TCV_Cnt2 - TCV_Cnt1 + 42432) MOD 42432), TCV_Time := TCV_K * 120 / 26) |      |   | GSM 04.08 section 10.5.2.30.<br>TCV_K stores the frame number difference.<br>TCV_Time stores the time difference in ms. |
| <b>Detailed Comments:</b>   |       |                                                                                                                                                                                                                                                                                                                                                        |      |   |                                                                                                                         |

| Test Step Dynamic Behaviour |            |                                             |                                              |     |          |
|-----------------------------|------------|---------------------------------------------|----------------------------------------------|-----|----------|
| <b>Test Step Name:</b>      |            | IdentityRequest(par_int:INTEGER; par_mi:MI) |                                              |     |          |
| <b>Group:</b>               |            | GSM_L3_MS_v4210/Miscellaneous/              |                                              |     |          |
| <b>Objective:</b>           |            |                                             |                                              |     |          |
| <b>Default:</b>             |            | OtherEventsFail                             |                                              |     |          |
| Nr                          | Label      | Behaviour Description                       | CRef                                         | V   | Comments |
| 1                           |            | +ltree_idrequest                            |                                              |     |          |
| 2                           | L_086<br>8 | L?DL_DatInIdRes                             | IDRes(<br>IDResponse_30(<br>par_mi))         | (P) |          |
| 3                           |            | <b>ltree_idrequest</b><br>[par_int=C_IMSI]  |                                              |     |          |
| 4                           |            | L!DL_DatRqIdRq                              | IDReq( TCV_ch,<br>IDRequest_01(<br>'0001'B)) |     | IMSI.    |
| 5                           |            | [par_int=C_TMSI]                            |                                              |     |          |
| 6                           |            | L!DL_DatRqIdRq                              | IDReq( TCV_ch,<br>IDRequest_01(<br>'0100'B)) |     | TMSI.    |
| 7                           |            | [par_int=C_IMEI]                            |                                              |     |          |
| 8                           |            | L!DL_DatRqIdRq                              | IDReq( TCV_ch,<br>IDRequest_01(<br>'0010'B)) |     | IMEI.    |
| 9                           |            | [par_int=C_IMEISV]                          |                                              |     |          |
| 10                          |            | L!DL_DatRqIdRq                              | IDReq( TCV_ch,<br>IDRequest_01(<br>'0011'B)) |     | IMSESV.  |
| <b>Detailed Comments:</b>   |            |                                             |                                              |     |          |

| Test Step Dynamic Behaviour |            |                                                                                                                                    |                                                                                                                                      |     |                                       |                      |
|-----------------------------|------------|------------------------------------------------------------------------------------------------------------------------------------|--------------------------------------------------------------------------------------------------------------------------------------|-----|---------------------------------------|----------------------|
| <b>Test Step Name:</b>      |            | ImsiAttach(par_mi:MI; ta:TA; mcc, mnc:OCTETSTRING; sim_rmvd:BOOLEAN)                                                               |                                                                                                                                      |     |                                       |                      |
| <b>Group:</b>               |            | GSM_L3_MS_v4210/Miscellaneous/                                                                                                     |                                                                                                                                      |     |                                       |                      |
| <b>Objective:</b>           |            |                                                                                                                                    |                                                                                                                                      |     |                                       |                      |
| <b>Default:</b>             |            | OtherEventsFail                                                                                                                    |                                                                                                                                      |     |                                       |                      |
| Nr                          | Label      | Behaviour Description                                                                                                              | CRef                                                                                                                                 | V   | Comments                              |                      |
| 1                           |            | [(sim_rmvd) AND(TSPC_SIMRmv)<br>AND(TSPC_DetachOnSIMRmv)]                                                                          |                                                                                                                                      |     | SIM has been removed during the test. |                      |
| 2                           |            | (TCV_Null := OO_SIMIns())                                                                                                          |                                                                                                                                      |     |                                       |                      |
| 3                           |            | +ltree_imsiattach                                                                                                                  |                                                                                                                                      |     |                                       |                      |
| 4                           |            | [TSPC_SwitchOnOff]                                                                                                                 |                                                                                                                                      |     |                                       |                      |
| 5                           |            | (TCV_Null := OO_SwitchOn())                                                                                                        |                                                                                                                                      |     |                                       |                      |
| 6                           |            | +ltree_imsiattach                                                                                                                  |                                                                                                                                      |     |                                       |                      |
| 7                           |            | [TSPC_DetachOnPwrDn]                                                                                                               |                                                                                                                                      |     |                                       |                      |
| 8                           |            | (TCV_Null := OO_PowerUp())                                                                                                         |                                                                                                                                      |     |                                       | Restore power source |
| 9                           |            | +ltree_imsiattach                                                                                                                  |                                                                                                                                      |     |                                       |                      |
| 10                          |            | [((NOT sim_rmvd) OR(NOT TSPC_SIMRmv)<br>OR(NOT TSPC_DetachOnSIMRmv)) AND(NOT<br>TSPC_SwitchOnOff) AND(NOT<br>TSPC_DetachOnPwrDn)]] |                                                                                                                                      |     |                                       | Restore power source |
| 11                          |            | (TCV_Null := OO_PowerUp())                                                                                                         |                                                                                                                                      |     | Restore power source                  |                      |
|                             |            | <b>ltree_imsiattach</b>                                                                                                            |                                                                                                                                      |     |                                       |                      |
| 12                          |            | L?DL_RaInChRq (TCV_Rr := DL_RaInChRq.<br>msg.ecau_rrf, TCV_Fn := DL_RaInChRq.fn)                                                   | ChReq(<br>ChRequest_09)                                                                                                              |     | To match ChReq retrans.               |                      |
| 13                          |            | ACTIVATE(OtherEventsFail_02)                                                                                                       |                                                                                                                                      |     |                                       |                      |
| 14                          |            | LIDL_UdatRqImm                                                                                                                     | ImmAss( TCV_agch,<br>ImmAsgn_01Def(<br>TCV_Rr, TCV_Fn,<br>TSPX_SDCCH4SubD<br>ef, TCV_slot,<br>TCV_tsc,<br>TCV_chdescr_arfcn,<br>ta)) |     |                                       |                      |
| 15                          | L_086<br>9 | L?DL_EstInLupRq                                                                                                                    | LocUp( TCV_ch,<br>LocUpdtReq_31(<br>par_mi, mcc, mnc,<br>TCV_lac,<br>C_imsi_attach,<br>TCV_cks))                                     | (P) |                                       |                      |
| 16                          |            | ACTIVATE(OtherEventsFail)                                                                                                          |                                                                                                                                      |     | Restore Normal default                |                      |
| 17                          |            | L!DL_DatRqLupAcp                                                                                                                   | LocAcp( TCV_ch,<br>LocUpdtAcp( mcc,<br>mnc, TCV_lac))                                                                                |     | No MI                                 |                      |
| 18                          |            | +ChanRel(TCV_ch)                                                                                                                   |                                                                                                                                      |     |                                       |                      |
| <b>Detailed Comments:</b>   |            |                                                                                                                                    |                                                                                                                                      |     |                                       |                      |

| Test Step Dynamic Behaviour |            |                                                                                                                                      |                                                                                                                                      |     |                                       |                      |
|-----------------------------|------------|--------------------------------------------------------------------------------------------------------------------------------------|--------------------------------------------------------------------------------------------------------------------------------------|-----|---------------------------------------|----------------------|
| <b>Test Step Name:</b>      |            | ImsiAttachIni(par_mi:MI; ta:TA; mcc, mnc:OCTETSTRING; sim_rmvd:BOOLEAN)                                                              |                                                                                                                                      |     |                                       |                      |
| <b>Group:</b>               |            | GSM_L3_MS_v4210/Miscellaneous/                                                                                                       |                                                                                                                                      |     |                                       |                      |
| <b>Objective:</b>           |            |                                                                                                                                      |                                                                                                                                      |     |                                       |                      |
| <b>Default:</b>             |            | OtherEventsFail                                                                                                                      |                                                                                                                                      |     |                                       |                      |
| Nr                          | Label      | Behaviour Description                                                                                                                | CRef                                                                                                                                 | V   | Comments                              |                      |
| 1                           |            | [(sim_rmvd) AND(TSPC_SIMRmv)<br>AND(TSPC_DetachOnSIMRmv)]                                                                            |                                                                                                                                      |     | SIM has been removed during the test. |                      |
| 2                           |            | (TCV_Null := OO_SIMIns())                                                                                                            |                                                                                                                                      |     |                                       |                      |
| 3                           |            | +ltree_imsiattachIni                                                                                                                 |                                                                                                                                      |     |                                       |                      |
| 4                           |            | [TSPC_SwitchOnOff]                                                                                                                   |                                                                                                                                      |     |                                       |                      |
| 5                           |            | (TCV_Null := OO_SwitchOn())                                                                                                          |                                                                                                                                      |     |                                       |                      |
| 6                           |            | +ltree_imsiattachIni                                                                                                                 |                                                                                                                                      |     |                                       |                      |
| 7                           |            | [TSPC_DetachOnPwrDn]                                                                                                                 |                                                                                                                                      |     |                                       |                      |
| 8                           |            | (TCV_Null := OO_PowerUp())                                                                                                           |                                                                                                                                      |     |                                       | Restore power source |
| 9                           |            | +ltree_imsiattachIni                                                                                                                 |                                                                                                                                      |     |                                       |                      |
| 10                          |            | (((NOT sim_rmvd) OR(NOT TSPC_SIMRmv)<br>OR(NOT TSPC_DetachOnSIMRmv)) AND(NOT<br>TSPC_SwitchOnOff) AND(NOT<br>TSPC_DetachOnPwrDn))]   |                                                                                                                                      |     |                                       | Restore power source |
| 11                          |            | (TCV_Null := OO_PowerUp())                                                                                                           |                                                                                                                                      |     | Restore power source                  |                      |
| 12                          |            | <b>ltree_imsiattachIni</b><br>L?DL_RaInChRq (TCV_Rr := DL_RaInChRq.<br>msg.ecau_rrf, TCV_Fn := DL_RaInChRq.fn) START<br>T_dly(15000) | ChReq(<br>ChRequest_09)                                                                                                              |     | To match ChReq retrans.               |                      |
| 13                          |            | ACTIVATE(OtherEventsFail_02)                                                                                                         |                                                                                                                                      |     |                                       |                      |
| 14                          |            | LIDL_UdatRqImmss                                                                                                                     | ImmAss( TCV_agch,<br>ImmAsgn_01Def(<br>TCV_Rr, TCV_Fn,<br>TSPX_SDCCH4SubD<br>ef, TCV_slot,<br>TCV_tsc,<br>TCV_chdescr_arfcn,<br>ta)) |     |                                       |                      |
| 15                          | L_087<br>0 | L?DL_EstInLupRq                                                                                                                      | LocUp( TCV_ch,<br>LocUpdtReq_31(<br>par_mi, mcc, mnc,<br>TCV_lac,<br>C_imsi_attach,<br>TCV_cks))                                     | (P) |                                       |                      |
| 16                          |            | ACTIVATE(OtherEventsFail)                                                                                                            |                                                                                                                                      |     | Restore Normal default                |                      |
| <b>Detailed Comments:</b>   |            | The test step is called in TC_26_7_5_8_1, TC_26_7_5_8_2, TC_26_7_5_8_3.                                                              |                                                                                                                                      |     |                                       |                      |

| Test Step Dynamic Behaviour |       |                                                                                                                                                           |      |   |                                       |                      |
|-----------------------------|-------|-----------------------------------------------------------------------------------------------------------------------------------------------------------|------|---|---------------------------------------|----------------------|
| <b>Test Step Name:</b>      |       | ImsiAttachNoReaction( par_int: INTEGER; sim_rmvd:BOOLEAN)                                                                                                 |      |   |                                       |                      |
| <b>Group:</b>               |       | GSM_L3_MS_v4210/Miscellaneous/                                                                                                                            |      |   |                                       |                      |
| <b>Objective:</b>           |       |                                                                                                                                                           |      |   |                                       |                      |
| <b>Default:</b>             |       | OtherEventsFail                                                                                                                                           |      |   |                                       |                      |
| Nr                          | Label | Behaviour Description                                                                                                                                     | CRef | V | Comments                              |                      |
| 1                           |       | [(sim_rmvd) AND(TSPC_SIMRmv)<br>AND(TSPC_DetachOnSIMRmv)]                                                                                                 |      |   | SIM has been removed during the test. |                      |
| 2                           |       | (TCV_Null := OO_SIMIns())                                                                                                                                 |      |   |                                       |                      |
| 3                           |       | +NoReaction(par_int)                                                                                                                                      |      |   |                                       |                      |
| 4                           |       | [TSPC_SwitchOnOff]                                                                                                                                        |      |   |                                       |                      |
| 5                           |       | (TCV_Null := OO_SwitchOn())                                                                                                                               |      |   |                                       |                      |
| 6                           |       | +NoReaction(par_int)                                                                                                                                      |      |   |                                       |                      |
| 7                           |       | [TSPC_DetachOnPwrDn]                                                                                                                                      |      |   |                                       |                      |
| 8                           |       | (TCV_Null := OO_PowerUp())                                                                                                                                |      |   |                                       | Restore power source |
| 9                           |       | +NoReaction(par_int)                                                                                                                                      |      |   |                                       |                      |
| 10                          |       | [(((NOT sim_rmvd) OR(NOT TSPC_SIMRmv)<br>OR((TSPC_SIMRmv) AND(NOT<br>TSPC_DetachOnSIMRmv))) AND(NOT<br>TSPC_SwitchOnOff) AND(NOT<br>TSPC_DetachOnPwrDn))] |      |   |                                       |                      |
| 11                          |       | (TCV_Null := OO_PowerUp())                                                                                                                                |      |   | Restore power source                  |                      |
| <b>Detailed Comments:</b>   |       |                                                                                                                                                           |      |   |                                       |                      |

| Test Step Dynamic Behaviour |            |                                                                                                                                                 |                                                                                                                                       |     |                          |                     |
|-----------------------------|------------|-------------------------------------------------------------------------------------------------------------------------------------------------|---------------------------------------------------------------------------------------------------------------------------------------|-----|--------------------------|---------------------|
| <b>Test Step Name:</b>      |            | ImsiDetach(par_mi:MI; ta:TA; sim_rmvd:BOOLEAN)                                                                                                  |                                                                                                                                       |     |                          |                     |
| <b>Group:</b>               |            | GSM_L3_MS_v4210/Miscellaneous/                                                                                                                  |                                                                                                                                       |     |                          |                     |
| <b>Objective:</b>           |            |                                                                                                                                                 |                                                                                                                                       |     |                          |                     |
| <b>Default:</b>             |            | OtherEventsFail                                                                                                                                 |                                                                                                                                       |     |                          |                     |
| Nr                          | Label      | Behaviour Description                                                                                                                           | CRef                                                                                                                                  | V   | Comments                 |                     |
| 1                           |            | [(sim_rmvd) AND(TSPC_SIMRmv)<br>AND(TSPC_DetachOnSIMRmv)]                                                                                       |                                                                                                                                       |     | SIM needs to be removed. |                     |
| 2                           |            | (TCV_Null :=OO_SIMRmv())                                                                                                                        |                                                                                                                                       |     |                          |                     |
| 3                           |            | +ltree_imsidetach                                                                                                                               |                                                                                                                                       |     |                          |                     |
| 4                           |            | [TSPC_SwitchOnOff]                                                                                                                              |                                                                                                                                       |     |                          |                     |
| 5                           |            | (TCV_Null := OO_SwitchOff())                                                                                                                    |                                                                                                                                       |     |                          |                     |
| 6                           |            | +ltree_imsidetach                                                                                                                               |                                                                                                                                       |     |                          |                     |
| 7                           |            | [TSPC_DetachOnPwrDn]                                                                                                                            |                                                                                                                                       |     |                          |                     |
| 8                           |            | (TCV_Null := OO_PowerDown())                                                                                                                    |                                                                                                                                       |     |                          | Remove power source |
| 9                           |            | +ltree_imsidetach                                                                                                                               |                                                                                                                                       |     |                          |                     |
| 10                          |            | (((NOT sim_rmvd) OR(NOT TSPC_SIMRmv)<br>OR(NOT TSPC_DetachOnSIMRmv)) AND(NOT<br>TSPC_SwitchOnOff) AND(NOT<br>TSPC_DetachOnPwrDn))]              |                                                                                                                                       |     |                          |                     |
| 11                          |            | (TCV_Null := OO_PowerDown())                                                                                                                    |                                                                                                                                       |     | Remove power source      |                     |
| 12                          |            | <b>ltree_imsidetach</b><br>L?DL_RacInChRq ( TCV_Rr := DL_RacInChRq.<br>msg.ecau_rrf, TCV_Fn := DL_RacInChRq.fn)                                 | ChReq(<br>ChRequest_02)                                                                                                               |     | To match ChReq retrans.  |                     |
| 13                          |            | ACTIVATE(OtherEventsFail_02)                                                                                                                    |                                                                                                                                       |     |                          |                     |
| 14                          |            | LIDL_UdatRqImmss                                                                                                                                | ImmAss( TCV_agch,<br>ImmAsgn_01Def(<br>TCV_Rr, TCV_Fn,<br>TSPX_SDCCCH4SubD<br>ef, TCV_slot,<br>TCV_tsc,<br>TCV_chdescr_arfcn,<br>ta)) |     |                          |                     |
| 15                          | L_087<br>1 | L?DL_EstInImsidIn                                                                                                                               | ImsiDet(<br>ImsiDetach_30(<br>par_mi))                                                                                                | (P) |                          |                     |
| 16                          |            | ACTIVATE(OtherEventsFail)                                                                                                                       |                                                                                                                                       |     | Restore normal default   |                     |
| 17                          |            | +ChanRel(TCV_ch)                                                                                                                                |                                                                                                                                       |     |                          |                     |
| <b>Detailed Comments:</b>   |            | If IMSI detach procedure has been executed, the channel will be released. If ATT=0 no detach has been executed, the channel is still connected. |                                                                                                                                       |     |                          |                     |



| Test Step Dynamic Behaviour                                                     |       |                                                                                                                                                          |      |   |                          |                     |
|---------------------------------------------------------------------------------|-------|----------------------------------------------------------------------------------------------------------------------------------------------------------|------|---|--------------------------|---------------------|
| <b>Test Step Name:</b> ImsiDetachNoReaction(par_int: INTEGER; sim_rmvd:BOOLEAN) |       |                                                                                                                                                          |      |   |                          |                     |
| <b>Group:</b> GSM_L3_MS_v4210/Miscellaneous/                                    |       |                                                                                                                                                          |      |   |                          |                     |
| <b>Objective:</b>                                                               |       |                                                                                                                                                          |      |   |                          |                     |
| <b>Default:</b> OtherEventsFail                                                 |       |                                                                                                                                                          |      |   |                          |                     |
| Nr                                                                              | Label | Behaviour Description                                                                                                                                    | CRef | V | Comments                 |                     |
| 1                                                                               |       | [(sim_rmvd) AND(TSPC_SIMRmv)<br>AND(TSPC_DetachOnSIMRmv)]                                                                                                |      |   | SIM needs to be removed. |                     |
| 2                                                                               |       | (TCV_Null :=OO_SIMRmv())                                                                                                                                 |      |   |                          |                     |
| 3                                                                               |       | +NoReaction(par_int)                                                                                                                                     |      |   |                          |                     |
| 4                                                                               |       | [TSPC_SwitchOnOff]                                                                                                                                       |      |   |                          |                     |
| 5                                                                               |       | (TCV_Null := OO_SwitchOff())                                                                                                                             |      |   |                          |                     |
| 6                                                                               |       | +NoReaction(par_int)                                                                                                                                     |      |   |                          |                     |
| 7                                                                               |       | [TSPC_DetachOnPwrDn]                                                                                                                                     |      |   |                          |                     |
| 8                                                                               |       | (TCV_Null := OO_PowerDown())                                                                                                                             |      |   |                          | Remove power source |
| 9                                                                               |       | +NoReaction(par_int)                                                                                                                                     |      |   |                          |                     |
| 10                                                                              |       | (((NOT sim_rmvd) OR(NOT TSPC_SIMRmv)<br>OR((TSPC_SIMRmv) AND(NOT<br>TSPC_DetachOnSIMRmv))) AND(NOT<br>TSPC_SwitchOnOff) AND(NOT<br>TSPC_DetachOnPwrDn))] |      |   |                          |                     |
| 11                                                                              |       | (TCV_Null := OO_PowerDown())                                                                                                                             |      |   | Remove power source      |                     |
| <b>Detailed Comments:</b>                                                       |       |                                                                                                                                                          |      |   |                          |                     |

| Test Step Dynamic Behaviour                                                                   |       |                                                                                                                                                                                                                                                                                                                                                                                                                                                                               |      |   |          |
|-----------------------------------------------------------------------------------------------|-------|-------------------------------------------------------------------------------------------------------------------------------------------------------------------------------------------------------------------------------------------------------------------------------------------------------------------------------------------------------------------------------------------------------------------------------------------------------------------------------|------|---|----------|
| <b>Test Step Name:</b> InCallModi1(srv:SERVICES)                                              |       |                                                                                                                                                                                                                                                                                                                                                                                                                                                                               |      |   |          |
| <b>Group:</b> GSM_L3_MS_v4210/Miscellaneous/                                                  |       |                                                                                                                                                                                                                                                                                                                                                                                                                                                                               |      |   |          |
| <b>Objective:</b> MMI action to initiate in-call modification to the basic service specified. |       |                                                                                                                                                                                                                                                                                                                                                                                                                                                                               |      |   |          |
| <b>Default:</b> OtherEvents                                                                   |       |                                                                                                                                                                                                                                                                                                                                                                                                                                                                               |      |   |          |
| <b>Comments:</b> TCV_Setup_mo1 has been initialised by the calling tree.                      |       |                                                                                                                                                                                                                                                                                                                                                                                                                                                                               |      |   |          |
| Nr                                                                                            | Label | Behaviour Description                                                                                                                                                                                                                                                                                                                                                                                                                                                         | CRef | V | Comments |
| 1                                                                                             |       | (TCV_Res := OO_InCallModi(srv))                                                                                                                                                                                                                                                                                                                                                                                                                                               |      |   | 1.       |
| 2                                                                                             |       | (TCV_B := TCV_Setup_mo1.bcap2, TCV_Bcap2 :=<br>Bcap_NoIEI(TCV_B.iel,TCV_B.extb3,TCV_B.rchr,T<br>CV_B.cs,TCV_B.tm,TCV_B.itc,TCV_B.extb4,TCV_<br>B.spb,TCV_B.strc,TCV_B.dplx,TCV_B.config,TC<br>V_B.nirr,TCV_B.est,TCV_B.extb5,TCV_B.accid,TC<br>V_B.ra,TCV_B.sacp,TCV_B.extb6,TCV_B.l1id,TCV<br>_B.uil1,TCV_B.sb,TCV_B.extb6a,TCV_B.nsb,TCV_<br>_B.nb,TCV_B.ndb,TCV_B.ur,TCV_B.extb6b,TCV_B.i<br>r,TCV_B.nictx,TCV_B.nicrx,TCV_B.pi,TCV_B.extb6<br>c,TCV_B.ce,TCV_B.modemt))   |      |   |          |
| 3                                                                                             |       | (TCV_B := TCV_Setup_mo1.bcap1, TCV_Bcap1<br>:=<br>Bcap_NoIEI(TCV_B.iel,TCV_B.extb3,TCV_B.rchr,<br>TCV_B.cs,TCV_B.tm,TCV_B.itc,TCV_B.extb4,TC<br>V_B.spb,TCV_B.strc,TCV_B.dplx,TCV_B.config<br>,TCV_B.nirr,TCV_B.est,TCV_B.extb5,TCV_B.acci<br>d,TCV_B.ra,TCV_B.sacp,TCV_B.extb6,TCV_B.l1i<br>d,TCV_B.uil1,TCV_B.sb,TCV_B.extb6a,TCV_B.n<br>sb,TCV_B.nb,TCV_B.ndb,TCV_B.ur,TCV_B.extb<br>6b,TCV_B.ir,TCV_B.nictx,TCV_B.nicrx,TCV_B.pi,<br>TCV_B.extb6c,TCV_B.ce,TCV_B.modemt)) |      |   |          |
| <b>Detailed Comments:</b> 1. MMI action to initiate in-call modification.                     |       |                                                                                                                                                                                                                                                                                                                                                                                                                                                                               |      |   |          |

| Test Step Dynamic Behaviour                                                                |       |                          |                                                                      |   |          |
|--------------------------------------------------------------------------------------------|-------|--------------------------|----------------------------------------------------------------------|---|----------|
| <b>Test Step Name:</b> MM_LUP(newmi:MI; mcc, newmnc, newlac:OCTETSTRING; locup:B_2; ta:TA) |       |                          |                                                                      |   |          |
| <b>Group:</b> GSM_L3_MS_v4210/Miscellaneous/                                               |       |                          |                                                                      |   |          |
| <b>Objective:</b>                                                                          |       |                          |                                                                      |   |          |
| <b>Default:</b> OtherEventsFail                                                            |       |                          |                                                                      |   |          |
| Nr                                                                                         | Label | Behaviour Description    | CRef                                                                 | V | Comments |
| 1                                                                                          |       | +MM_LupInit5( locup, ta) |                                                                      |   |          |
| 2                                                                                          |       | L!DL_DatRqLupAcp         | LocAcp( TCV_ch,<br>LocUpdtAcp_01(<br>newmi, mcc,<br>newmnc, newlac)) |   |          |
| 3                                                                                          |       | L?DL_DatInTmsireCom      | TmsiReallocCmp(<br>TCV_ch)                                           |   |          |
| 4                                                                                          |       | +ChanRel( TCV_ch)        |                                                                      |   |          |
| <b>Detailed Comments:</b>                                                                  |       |                          |                                                                      |   |          |

| Test Step Dynamic Behaviour                                                                                                 |            |                                                         |                                                                   |     |          |
|-----------------------------------------------------------------------------------------------------------------------------|------------|---------------------------------------------------------|-------------------------------------------------------------------|-----|----------|
| <b>Test Step Name:</b> MM_LUP2(newmi:MI; lup_mi:MI; mcc, mnc, oldlac, newlac:OCTETSTRING; locup:B_2; cksn:BITSTRING; ta:TA) |            |                                                         |                                                                   |     |          |
| <b>Group:</b> GSM_L3_MS_v4210/Miscellaneous/                                                                                |            |                                                         |                                                                   |     |          |
| <b>Objective:</b>                                                                                                           |            |                                                         |                                                                   |     |          |
| <b>Default:</b> OtherEventsFail                                                                                             |            |                                                         |                                                                   |     |          |
| Nr                                                                                                                          | Label      | Behaviour Description                                   | CRef                                                              | V   | Comments |
| 1                                                                                                                           |            | +MM_LupInit( lup_mi, mcc, mnc, oldlac, locup, cksn, ta) |                                                                   |     |          |
| 2                                                                                                                           |            | L!DL_DatRqLupAcp                                        | LocAcp( TCV_ch,<br>LocUpdtAcp_01(<br>newmi, mcc, mnc,<br>newlac)) |     |          |
| 3                                                                                                                           | L_087<br>3 | L?DL_DatInTmsireCom                                     | TmsiReallocCmp(<br>TCV_ch)                                        | (P) |          |
| 4                                                                                                                           |            | +ChanRel( TCV_ch)                                       |                                                                   |     |          |
| <b>Detailed Comments:</b>                                                                                                   |            |                                                         |                                                                   |     |          |

| Test Step Dynamic Behaviour                                                  |            |                          |                                                  |     |            |
|------------------------------------------------------------------------------|------------|--------------------------|--------------------------------------------------|-----|------------|
| <b>Test Step Name:</b> MM_LUP3(mcc, mnc, lac: OCTETSTRING; locup:B_2; ta:TA) |            |                          |                                                  |     |            |
| <b>Group:</b> GSM_L3_MS_v4210/Miscellaneous/                                 |            |                          |                                                  |     |            |
| <b>Objective:</b>                                                            |            |                          |                                                  |     |            |
| <b>Default:</b> OtherEventsFail                                              |            |                          |                                                  |     |            |
| Nr                                                                           | Label      | Behaviour Description    | CRef                                             | V   | Comments   |
| 1                                                                            |            | +MM_LupInit2( locup, ta) |                                                  |     |            |
| 2                                                                            | L_087<br>4 | L!DL_DatRqLupAcp         | LocAcp(TCV_ch,<br>LocUpdtAcp( mcc,<br>mnc, lac)) | (P) | without MI |
| 3                                                                            |            | +ChanRel(TCV_ch)         |                                                  |     |            |
| <b>Detailed Comments:</b>                                                    |            |                          |                                                  |     |            |

| Test Step Dynamic Behaviour |       |                                                                                                                        |                    |   |          |
|-----------------------------|-------|------------------------------------------------------------------------------------------------------------------------|--------------------|---|----------|
| <b>Test Step Name:</b>      |       | MM_LupAndStop( par_mi:MI; mcc, mnc, lac:OCTETSTRING; locup:B_2; cksn:BITSTRING; ta:TA; ch_sacch:LOGICCH; time:INTEGER) |                    |   |          |
| <b>Group:</b>               |       | GSM_L3_MS_v4210/Miscellaneous/                                                                                         |                    |   |          |
| <b>Objective:</b>           |       | OtherEventsFail                                                                                                        |                    |   |          |
| <b>Default:</b>             |       | OtherEventsFail                                                                                                        |                    |   |          |
| Nr                          | Label | Behaviour Description                                                                                                  | CRef               | V | Comments |
| 1                           |       | +MM_LupInit( par_mi, mcc, mnc, lac, locup, cksn, ta)                                                                   |                    |   |          |
| 2                           |       | +Stopmaindcch( TCV_ch, ch_sacch)                                                                                       |                    |   |          |
| 3                           |       | [time <> 0]                                                                                                            |                    |   |          |
| 4                           |       | +NoReaction( time)                                                                                                     |                    |   |          |
| 5                           |       | LIMDL_RelRq                                                                                                            | MDLRelReq( TCV_ch) |   |          |
| 6                           |       | (TCV_Null := OM_Reactivate( TCV_ch, ch_sacch))                                                                         |                    |   |          |
| 7                           |       | [time = 0]                                                                                                             |                    |   |          |
| 8                           |       | LIMDL_RelRq                                                                                                            | MDLRelReq( TCV_ch) |   |          |
| 9                           |       | (TCV_Null := OM_Reactivate( TCV_ch, ch_sacch))                                                                         |                    |   |          |
| <b>Detailed Comments:</b>   |       |                                                                                                                        |                    |   |          |

| Test Step Dynamic Behaviour                                                            |       |                                                                                             |                                                  |   |          |
|----------------------------------------------------------------------------------------|-------|---------------------------------------------------------------------------------------------|--------------------------------------------------|---|----------|
| <b>Test Step Name:</b>                                                                 |       | MM_LupAuthRpt( par_mi:MI; mcc, mnc, lac:OCTETSTRING; locup:B_2; cksn:B_3; rand:RAND; ta:TA) |                                                  |   |          |
| <b>Group:</b>                                                                          |       | GSM_L3_MS_v4210/Miscellaneous/                                                              |                                                  |   |          |
| <b>Objective:</b>                                                                      |       | To initialise Location Update and repeated Authentication procedures till T3210 times out.  |                                                  |   |          |
| <b>Default:</b>                                                                        |       | OtherEventsFail                                                                             |                                                  |   |          |
| Nr                                                                                     | Label | Behaviour Description                                                                       | CRef                                             | V | Comments |
| 1                                                                                      |       | +MM_LupInit(par_mi, mcc, mnc, lac, locup, cksn, ta)                                         |                                                  |   |          |
| 2                                                                                      |       | START T_dly( C_T_T3210min)                                                                  |                                                  |   |          |
| 3                                                                                      |       | (TCV_Cntstart := FALSE)                                                                     |                                                  |   |          |
| 4                                                                                      |       | REPEAT ltree_auth UNTIL [TCV_Cntstart]                                                      |                                                  |   |          |
| <b>ltree_auth</b>                                                                      |       |                                                                                             |                                                  |   |          |
| 5                                                                                      |       | L!DL_DatRqAuthRq                                                                            | AuthReq(TCV_ch, AuthRequest( TSPX_CKSNDf, rand)) |   |          |
| 6                                                                                      |       | ?TIMEOUT T_dly                                                                              |                                                  |   |          |
| 7                                                                                      |       | L?DL_DatInAuthRes                                                                           | AuthRes( AuthResponse)                           |   |          |
| 8                                                                                      |       | +ltree_rcvRel                                                                               |                                                  |   | 2.       |
| 9                                                                                      |       | +ltree_rcvRel                                                                               |                                                  |   | 2.       |
| 10                                                                                     |       | L?DL_DatInAuthRes                                                                           | AuthRes( AuthResponse)                           |   |          |
| <b>ltree_rcvRel</b>                                                                    |       |                                                                                             |                                                  |   |          |
| 11                                                                                     |       | L?DL_Relln                                                                                  | DLRelInd_01                                      |   | 2.       |
| 12                                                                                     |       | (TCV_Cntstart := TRUE)                                                                      |                                                  |   | Exit     |
| <b>Detailed Comments:</b>                                                              |       |                                                                                             |                                                  |   |          |
| 1. The test step is used in TC_26_7_4_3_2 and TC_26_7_4_3_3.                           |       |                                                                                             |                                                  |   |          |
| 2. The T3210 has expired. The MS aborts the RR connection on the main signalling link. |       |                                                                                             |                                                  |   |          |

| Test Step Dynamic Behaviour |            |                                                                                             |                                                         |     |          |
|-----------------------------|------------|---------------------------------------------------------------------------------------------|---------------------------------------------------------|-----|----------|
| <b>Test Step Name:</b>      |            | MM_LUPauth1(newtmsi: MI; mcc, mnc, lac:OCTETSTRING; locup:B_2; cksn: B_3; rand:RAND; ta:TA) |                                                         |     |          |
| <b>Group:</b>               |            | GSM_L3_MS_v4210/Miscellaneous/                                                              |                                                         |     |          |
| <b>Objective:</b>           |            | OtherEventsFail                                                                             |                                                         |     |          |
| <b>Default:</b>             |            | OtherEventsFail                                                                             |                                                         |     |          |
| Nr                          | Label      | Behaviour Description                                                                       | CRef                                                    | V   | Comments |
| 1                           |            | +MM_LupInit2( locup, ta)                                                                    |                                                         |     |          |
| 2                           |            | +Authentication(TCV_ch, cksn, rand)                                                         |                                                         |     |          |
| 3                           |            | LIDL_DatRqLupAcp                                                                            | LocAcp( TCV_ch, LocUpdtAcp_01( newtmsi, mcc, mnc, lac)) |     |          |
| 4                           | L_087<br>7 | L?DL_DatInTmsireCom                                                                         | TmsiReallocCmp( TCV_ch)                                 | (P) |          |
| <b>Detailed Comments:</b>   |            |                                                                                             |                                                         |     |          |

| Test Step Dynamic Behaviour |            |                                                                                                                                             |                                                             |     |          |
|-----------------------------|------------|---------------------------------------------------------------------------------------------------------------------------------------------|-------------------------------------------------------------|-----|----------|
| <b>Test Step Name:</b>      |            | MM_LUPauth2(newtmsi: MI; lup_mi:MI; mcc, mnc, old_lac, new_lac:OCTETSTRING; locup:B_2; old_ksn, new_ksn: B_3; rand:RAND; ta:TA)             |                                                             |     |          |
| <b>Group:</b>               |            | GSM_L3_MS_v4210/Miscellaneous/                                                                                                              |                                                             |     |          |
| <b>Objective:</b>           |            | OtherEventsFail                                                                                                                             |                                                             |     |          |
| <b>Default:</b>             |            | OtherEventsFail                                                                                                                             |                                                             |     |          |
| Nr                          | Label      | Behaviour Description                                                                                                                       | CRef                                                        | V   | Comments |
| 1                           |            | +MM_LupInit3( lup_mi, mcc, mnc, old_lac, locup, old_ksn, ta)                                                                                |                                                             |     | 1.       |
| 2                           |            | +Authentication(TCV_ch, new_ksn, rand)                                                                                                      |                                                             |     |          |
| 3                           |            | LIDL_DatRqLupAcp                                                                                                                            | LocAcp( TCV_ch, LocUpdtAcp_01( newtmsi, mcc, mnc, new_lac)) |     |          |
| 4                           | L_087<br>8 | L?DL_DatInTmsireCom                                                                                                                         | TmsiReallocCmp( TCV_ch)                                     | (P) |          |
| <b>Detailed Comments:</b>   |            | 1. The test step MM_LupInit3 cancels the timer T_dly when receiving CHANNEL REQUEST from the MS for location updating. Caution for its use. |                                                             |     |          |

| Test Step Dynamic Behaviour |            |                                                                                                        |                                                                                                                                      |     |                         |
|-----------------------------|------------|--------------------------------------------------------------------------------------------------------|--------------------------------------------------------------------------------------------------------------------------------------|-----|-------------------------|
| <b>Test Step Name:</b>      |            | MM_LUP_imsi( duration: INTEGER; newmi, lup_mi:MI; mcc, mnc, lac, newlac:OCTETSTRING; locup:B_2; ta:TA) |                                                                                                                                      |     |                         |
| <b>Group:</b>               |            | GSM_L3_MS_v4210/Miscellaneous/                                                                         |                                                                                                                                      |     |                         |
| <b>Objective:</b>           |            | OtherEventsFail                                                                                        |                                                                                                                                      |     |                         |
| <b>Default:</b>             |            | OtherEventsFail                                                                                        |                                                                                                                                      |     |                         |
| Nr                          | Label      | Behaviour Description                                                                                  | CRef                                                                                                                                 | V   | Comments                |
| 1                           |            | (TCV_Time := (duration + ((20 * duration) / 100)))                                                     |                                                                                                                                      |     |                         |
| 2                           |            | START T_dly( TCV_Time)                                                                                 |                                                                                                                                      |     |                         |
| 3                           |            | L?DL_RaInChRq (TCV_Rr := DL_RaInChRq.<br>msg.ecau_rrf, TCV_Fn := DL_RaInChRq.fn)                       | ChReq(<br>ChRequest_09)                                                                                                              |     |                         |
| 4                           |            | READTIMER T_dly( TCV_Time), CANCEL T_dly                                                               |                                                                                                                                      |     |                         |
| 5                           |            | ACTIVATE(OtherEventsFail_02)                                                                           |                                                                                                                                      |     |                         |
| 5                           |            | LIDL_UdatRqImmass                                                                                      | ImmAss( TCV_agch,<br>ImmAsgn_01Def(<br>TCV_Rr, TCV_Fn,<br>TSPX_SDCCH4SubD<br>ef, TCV_slot,<br>TCV_tsc,<br>TCV_chdescr_arfcn,<br>ta)) |     | To match ChReq retrans. |
| 6                           |            | L?DL_EstInLupRq                                                                                        | LocUp( TCV_ch,<br>LocUpdtReq_31(<br>lup_mi, mcc, mnc,<br>lac, locup,<br>TCV_cks))                                                    |     |                         |
| 7                           |            | ACTIVATE(OtherEventsFail)                                                                              |                                                                                                                                      |     |                         |
| 8                           |            | LIDL_DatRqLupAcp                                                                                       | LocAcp( TCV_ch,<br>LocUpdtAcp_01(<br>newmi, mcc, mnc,<br>newlac))                                                                    |     | Restore Normal default  |
| 9                           |            | +ChanRel( TCV_ch)                                                                                      |                                                                                                                                      |     |                         |
| 10                          | L_087<br>9 | [TCV_Time <= duration]                                                                                 |                                                                                                                                      | (P) |                         |
| 11                          | L_088<br>0 | [TCV_Time > duration]                                                                                  |                                                                                                                                      | (F) |                         |
| 12                          | L_088<br>1 | ?TIMEOUT T_dly                                                                                         |                                                                                                                                      | (F) |                         |
| <b>Detailed Comments:</b>   |            |                                                                                                        |                                                                                                                                      |     |                         |

| Test Step Dynamic Behaviour |            |                                                                                     |                                                                                                                                      |     |                         |
|-----------------------------|------------|-------------------------------------------------------------------------------------|--------------------------------------------------------------------------------------------------------------------------------------|-----|-------------------------|
| <b>Test Step Name:</b>      |            | MM_LupInIt( par_mi:MI; mcc, mnc, lac:OCTETSTRING; locup:B_2; cksn:BITSTRING; ta:TA) |                                                                                                                                      |     |                         |
| <b>Group:</b>               |            | GSM_L3_MS_v4210/Miscellaneous/                                                      |                                                                                                                                      |     |                         |
| <b>Objective:</b>           |            | OtherEventsFail                                                                     |                                                                                                                                      |     |                         |
| <b>Default:</b>             |            | OtherEventsFail                                                                     |                                                                                                                                      |     |                         |
| Nr                          | Label      | Behaviour Description                                                               | CRef                                                                                                                                 | V   | Comments                |
| 1                           |            | L?DL_RaInChRq (TCV_Rr := DL_RaInChRq.<br>msg.ecau_rrf, TCV_Fn := DL_RaInChRq.fn)    | ChReq(<br>ChRequest_09)                                                                                                              |     |                         |
| 2                           |            | ACTIVATE(OtherEventsFail_02)                                                        |                                                                                                                                      |     |                         |
| 3                           |            | LIDL_UdatRqImmass                                                                   | ImmAss( TCV_agch,<br>ImmAsgn_01Def(<br>TCV_Rr, TCV_Fn,<br>TSPX_SDCCH4SubD<br>ef, TCV_slot,<br>TCV_tsc,<br>TCV_chdescr_arfcn,<br>ta)) |     | To match ChReq retrans. |
| 4                           | L_088<br>2 | L?DL_EstInLupRq                                                                     | LocUp( TCV_ch,<br>LocUpdtReq_31(<br>par_mi, mcc, mnc,<br>lac, locup, cksn))                                                          | (P) |                         |
| 5                           |            | ACTIVATE(OtherEventsFail)                                                           |                                                                                                                                      |     | Restore Normal default  |
| <b>Detailed Comments:</b>   |            |                                                                                     |                                                                                                                                      |     |                         |

| Test Step Dynamic Behaviour                           |       |                                                                                  |                                                                                                                                      |   |                         |
|-------------------------------------------------------|-------|----------------------------------------------------------------------------------|--------------------------------------------------------------------------------------------------------------------------------------|---|-------------------------|
| <b>Test Step Name:</b> MM_LuplNit2( locup:B_2; ta:TA) |       |                                                                                  |                                                                                                                                      |   |                         |
| <b>Group:</b> GSM_L3_MS_v4210/Miscellaneous/          |       |                                                                                  |                                                                                                                                      |   |                         |
| <b>Objective:</b>                                     |       |                                                                                  |                                                                                                                                      |   |                         |
| <b>Default:</b> OtherEventsFail                       |       |                                                                                  |                                                                                                                                      |   |                         |
| Nr                                                    | Label | Behaviour Description                                                            | CRef                                                                                                                                 | V | Comments                |
| 1                                                     |       | L?DL_RaInChRq (TCV_Rr := DL_RaInChRq.<br>msg.ecau_rrf, TCV_Fn := DL_RaInChRq.fn) | ChReq(<br>ChRequest_09)                                                                                                              |   | To match ChReq retrans. |
| 2                                                     |       | ACTIVATE(OtherEventsFail_02)                                                     |                                                                                                                                      |   |                         |
| 3                                                     |       | LIDL_UdatRqImmss                                                                 | ImmAss( TCV_agch,<br>ImmAsgn_01Def(<br>TCV_Rr, TCV_Fn,<br>TSPX_SDCCH4SubD<br>ef, TCV_slot,<br>TCV_tsc,<br>TCV_chdescr_arfcn,<br>ta)) |   |                         |
| 4                                                     |       | L?DL_EstInLupRq                                                                  | LocUp( TCV_ch,<br>LocUpdtReq_01(<br>locup))                                                                                          |   |                         |
| 5                                                     |       | ACTIVATE(OtherEventsFail)                                                        |                                                                                                                                      |   | Restore Normal default  |
| <b>Detailed Comments:</b>                             |       |                                                                                  |                                                                                                                                      |   |                         |

| Test Step Dynamic Behaviour                                                                                 |            |                                                                                                  |                                                                                                                                      |     |                         |
|-------------------------------------------------------------------------------------------------------------|------------|--------------------------------------------------------------------------------------------------|--------------------------------------------------------------------------------------------------------------------------------------|-----|-------------------------|
| <b>Test Step Name:</b> MM_LuplNit3( par_mi:MI; mcc, mnc, lac:OCTETSTRING; locup:B_2; cksn:BITSTRING; ta:TA) |            |                                                                                                  |                                                                                                                                      |     |                         |
| <b>Group:</b> GSM_L3_MS_v4210/Miscellaneous/                                                                |            |                                                                                                  |                                                                                                                                      |     |                         |
| <b>Objective:</b>                                                                                           |            |                                                                                                  |                                                                                                                                      |     |                         |
| <b>Default:</b> OtherEventsFail                                                                             |            |                                                                                                  |                                                                                                                                      |     |                         |
| Nr                                                                                                          | Label      | Behaviour Description                                                                            | CRef                                                                                                                                 | V   | Comments                |
| 1                                                                                                           |            | L?DL_RaInChRq (TCV_Rr := DL_RaInChRq.<br>msg.ecau_rrf, TCV_Fn := DL_RaInChRq.fn)<br>CANCEL T_dly | ChReq(<br>ChRequest_09)                                                                                                              |     | To match ChReq retrans. |
| 2                                                                                                           |            | ACTIVATE(OtherEventsFail_02)                                                                     |                                                                                                                                      |     |                         |
| 3                                                                                                           |            | LIDL_UdatRqImmss                                                                                 | ImmAss( TCV_agch,<br>ImmAsgn_01Def(<br>TCV_Rr, TCV_Fn,<br>TSPX_SDCCH4SubD<br>ef, TCV_slot,<br>TCV_tsc,<br>TCV_chdescr_arfcn,<br>ta)) |     |                         |
| 4                                                                                                           | L_088<br>3 | L?DL_EstInLupRq                                                                                  | LocUp( TCV_ch,<br>LocUpdtReq_31(par_<br>mi, mcc, mnc, lac,<br>locup, cksn))                                                          | (P) |                         |
| 5                                                                                                           |            | ACTIVATE(OtherEventsFail)                                                                        |                                                                                                                                      |     | Restore Normal default  |
| <b>Detailed Comments:</b>                                                                                   |            |                                                                                                  |                                                                                                                                      |     |                         |

| Test Step Dynamic Behaviour |       |                                                                                                  |                                                                                                                                      |   |                         |
|-----------------------------|-------|--------------------------------------------------------------------------------------------------|--------------------------------------------------------------------------------------------------------------------------------------|---|-------------------------|
| <b>Test Step Name:</b>      |       | MM_LuplInit4( locup:B_2; ta:TA)                                                                  |                                                                                                                                      |   |                         |
| <b>Group:</b>               |       | GSM_L3_MS_v4210/Miscellaneous/                                                                   |                                                                                                                                      |   |                         |
| <b>Objective:</b>           |       |                                                                                                  |                                                                                                                                      |   |                         |
| <b>Default:</b>             |       | OtherEventsFail                                                                                  |                                                                                                                                      |   |                         |
| Nr                          | Label | Behaviour Description                                                                            | CRef                                                                                                                                 | V | Comments                |
| 1                           |       | L?DL_RaInChRq (TCV_Rr := DL_RaInChRq.<br>msg.ecau_rrf, TCV_Fn := DL_RaInChRq.fn)<br>CANCEL T_dly | ChReq(<br>ChRequest_09)                                                                                                              |   | To match ChReq retrans. |
| 2                           |       | ACTIVATE(OtherEventsFail_02)                                                                     |                                                                                                                                      |   |                         |
| 3                           |       | LIDL_UdatRqImmash                                                                                | ImmAss( TCV_agch,<br>ImmAsgn_01Def(<br>TCV_Rr, TCV_Fn,<br>TSPX_SDCCH4SubD<br>ef, TCV_slot,<br>TCV_tsc,<br>TCV_chdescr_arfcn,<br>ta)) |   |                         |
| 4                           |       | L?DL_EstInLupRq                                                                                  | LocUp( TCV_ch,<br>LocUpdtReq_01(<br>locup))                                                                                          |   |                         |
| 5                           |       | ACTIVATE(OtherEventsFail)                                                                        |                                                                                                                                      |   | Restore Normal default  |
| <b>Detailed Comments:</b>   |       |                                                                                                  |                                                                                                                                      |   |                         |

| Test Step Dynamic Behaviour |            |                                                                                  |                                                                                                                                      |     |                         |
|-----------------------------|------------|----------------------------------------------------------------------------------|--------------------------------------------------------------------------------------------------------------------------------------|-----|-------------------------|
| <b>Test Step Name:</b>      |            | MM_LuplInit5( locup:B_2; ta:TA)                                                  |                                                                                                                                      |     |                         |
| <b>Group:</b>               |            | GSM_L3_MS_v4210/Miscellaneous/                                                   |                                                                                                                                      |     |                         |
| <b>Objective:</b>           |            |                                                                                  |                                                                                                                                      |     |                         |
| <b>Default:</b>             |            | OtherEventsFail                                                                  |                                                                                                                                      |     |                         |
| Nr                          | Label      | Behaviour Description                                                            | CRef                                                                                                                                 | V   | Comments                |
| 1                           |            | L?DL_RaInChRq (TCV_Rr := DL_RaInChRq.<br>msg.ecau_rrf, TCV_Fn := DL_RaInChRq.fn) | ChReq(<br>ChRequest_02)                                                                                                              |     | To match ChReq retrans. |
| 2                           |            | ACTIVATE(OtherEventsFail_02)                                                     |                                                                                                                                      |     |                         |
| 3                           |            | LIDL_UdatRqImmash                                                                | ImmAss( TCV_agch,<br>ImmAsgn_01Def(<br>TCV_Rr, TCV_Fn,<br>TSPX_SDCCH4SubD<br>ef, TCV_slot,<br>TCV_tsc,<br>TCV_chdescr_arfcn,<br>ta)) |     |                         |
| 4                           | L_088<br>4 | L?DL_EstInLupRq                                                                  | LocUp( TCV_ch,<br>LocUpdtReq_01(<br>locup))                                                                                          | (P) |                         |
| 5                           |            | ACTIVATE(OtherEventsFail)                                                        |                                                                                                                                      |     | Restore Normal default  |
| <b>Detailed Comments:</b>   |            |                                                                                  |                                                                                                                                      |     |                         |

| Test Step Dynamic Behaviour                           |            |                                                                                                  |                                                                                                                                      |     |                         |
|-------------------------------------------------------|------------|--------------------------------------------------------------------------------------------------|--------------------------------------------------------------------------------------------------------------------------------------|-----|-------------------------|
| <b>Test Step Name:</b> MM_LupInit6( locup:B_2; ta:TA) |            |                                                                                                  |                                                                                                                                      |     |                         |
| <b>Group:</b> GSM_L3_MS_v4210/Miscellaneous/          |            |                                                                                                  |                                                                                                                                      |     |                         |
| <b>Objective:</b>                                     |            |                                                                                                  |                                                                                                                                      |     |                         |
| <b>Default:</b> OtherEventsFail                       |            |                                                                                                  |                                                                                                                                      |     |                         |
| Nr                                                    | Label      | Behaviour Description                                                                            | CRef                                                                                                                                 | V   | Comments                |
| 1                                                     |            | L?DL_RaInChRq (TCV_Rr := DL_RaInChRq.<br>msg.ecau_rrf, TCV_Fn := DL_RaInChRq.fn)<br>CANCEL T_dly | ChReq(<br>ChRequest_02)                                                                                                              |     | To match ChReq retrans. |
| 2                                                     |            | ACTIVATE(OtherEventsFail_02)                                                                     |                                                                                                                                      |     |                         |
| 3                                                     |            | LIDL_UdatRqImmss                                                                                 | ImmAss( TCV_agch,<br>ImmAsgn_01Def(<br>TCV_Rr, TCV_Fn,<br>TSPX_SDCCH4SubD<br>ef, TCV_slot,<br>TCV_tsc,<br>TCV_chdescr_arfcn,<br>ta)) |     |                         |
| 4                                                     | L_088<br>5 | L?DL_EstInLupRq                                                                                  | LocUp( TCV_ch,<br>LocUpdtReq_01(<br>locup))                                                                                          | (P) |                         |
| 5                                                     |            | ACTIVATE(OtherEventsFail)                                                                        |                                                                                                                                      |     | Restore Normal default  |
| <b>Detailed Comments:</b>                             |            |                                                                                                  |                                                                                                                                      |     |                         |

| Test Step Dynamic Behaviour                                                                                                                             |       |                                                                         |                                                                     |   |          |
|---------------------------------------------------------------------------------------------------------------------------------------------------------|-------|-------------------------------------------------------------------------|---------------------------------------------------------------------|---|----------|
| <b>Test Step Name:</b> MM_LUP_tmsirealloc(newtmsi:MI; expectedlup_mi:MI; mcc, mnc, lup_lac, lac: OCTETSTRING;<br>locup:B_2; lup_cksn: BITSTRING; ta:TA) |       |                                                                         |                                                                     |   |          |
| <b>Group:</b> GSM_L3_MS_v4210/Miscellaneous/                                                                                                            |       |                                                                         |                                                                     |   |          |
| <b>Objective:</b>                                                                                                                                       |       |                                                                         |                                                                     |   |          |
| <b>Default:</b> OtherEventsFail                                                                                                                         |       |                                                                         |                                                                     |   |          |
| Nr                                                                                                                                                      | Label | Behaviour Description                                                   | CRef                                                                | V | Comments |
| 1                                                                                                                                                       |       | +MM_LupInit( expectedlup_mi, mcc, mnc, lup_lac,<br>locup, lup_cksn, ta) |                                                                     |   |          |
| 2                                                                                                                                                       |       | +TmsiReallocation(newtmsi, mcc, mnc, lac)                               |                                                                     |   |          |
| 3                                                                                                                                                       |       | LIDL_DatRqLupAcp                                                        | LocAcp( TCV_ch,<br>LocUpdtAcp_01(<br>MiMsi_omit, mcc,<br>mnc, lac)) |   |          |
| <b>Detailed Comments:</b>                                                                                                                               |       |                                                                         |                                                                     |   |          |

| Test Step Dynamic Behaviour                                                     |            |                              |                                                   |     |          |
|---------------------------------------------------------------------------------|------------|------------------------------|---------------------------------------------------|-----|----------|
| <b>Test Step Name:</b> MM_LUPper( mcc, mnc, lac: OCTETSTRING; locup:B_2; ta:TA) |            |                              |                                                   |     |          |
| <b>Group:</b> GSM_L3_MS_v4210/Miscellaneous/                                    |            |                              |                                                   |     |          |
| <b>Objective:</b>                                                               |            |                              |                                                   |     |          |
| <b>Default:</b> OtherEventsFail                                                 |            |                              |                                                   |     |          |
| Nr                                                                              | Label      | Behaviour Description        | CRef                                              | V   | Comments |
| 1                                                                               |            | START T_dly(C_T_T3212min)    |                                                   |     | no MI    |
| 2                                                                               | L_088<br>6 | ?TIMEOUT T_dly               |                                                   | (P) |          |
| 3                                                                               |            | START T_dly( C_T_T3212dif*2) |                                                   |     |          |
| 4                                                                               |            | +MM_LupInit4( locup, ta)     |                                                   |     |          |
| 5                                                                               | L_088<br>7 | LIDL_DatRqLupAcp             | LocAcp( TCV_ch,<br>LocUpdtAcp( mcc,<br>mnc, lac)) | (P) |          |
| 6                                                                               | L_088<br>8 | ?TIMEOUT T_dly               |                                                   | (F) |          |
| <b>Detailed Comments:</b>                                                       |            |                              |                                                   |     |          |



| Test Step Dynamic Behaviour |            |                                                                              |                                                   |     |             |
|-----------------------------|------------|------------------------------------------------------------------------------|---------------------------------------------------|-----|-------------|
| <b>Test Step Name:</b>      |            | MM_LUPper2(par_timetol:INTEGER; locup:B_2; mcc, mnc, lac:OCTETSTRING; ta:TA) |                                                   |     |             |
| <b>Group:</b>               |            | GSM_L3_MS_v4210/Miscellaneous/                                               |                                                   |     |             |
| <b>Objective:</b>           |            |                                                                              |                                                   |     |             |
| <b>Default:</b>             |            | OtherEventsFail                                                              |                                                   |     |             |
| Nr                          | Label      | Behaviour Description                                                        | CRef                                              | V   | Comments    |
| 1                           |            | START T_dly(par_timetol)                                                     |                                                   |     |             |
| 2                           |            | +MM_LupInit4( locup, ta)                                                     |                                                   |     |             |
| 3                           | L_088<br>9 | LIDL_DatRqLupAcp                                                             | LocAcp( TCV_ch,<br>LocUpdtAcp( mcc,<br>mnc, lac)) | (P) | no MI, fop; |
| 4                           | L_089<br>0 | ?TIMEOUT T_dly                                                               |                                                   | (F) |             |
| <b>Detailed Comments:</b>   |            |                                                                              |                                                   |     |             |

| Test Step Dynamic Behaviour |            |                                                                                                               |                                                                   |     |                    |
|-----------------------------|------------|---------------------------------------------------------------------------------------------------------------|-------------------------------------------------------------------|-----|--------------------|
| <b>Test Step Name:</b>      |            | MM_LUPperauth(oldmi, newmi: MI; mcc, mnc, oldlac, newlac:OCTETSTRING; locup:B_2; cksn: B_3; rand:RAND; ta:TA) |                                                                   |     |                    |
| <b>Group:</b>               |            | GSM_L3_MS_v4210/Miscellaneous/                                                                                |                                                                   |     |                    |
| <b>Objective:</b>           |            |                                                                                                               |                                                                   |     |                    |
| <b>Default:</b>             |            | OtherEventsFail                                                                                               |                                                                   |     |                    |
| Nr                          | Label      | Behaviour Description                                                                                         | CRef                                                              | V   | Comments           |
| 1                           |            | START T_dly( C_T_T3212min)                                                                                    |                                                                   |     | T3212 - 15 s       |
| 2                           | L_089<br>1 | ?TIMEOUT T_dly                                                                                                |                                                                   | (P) |                    |
| 3                           |            | START T_dly( C_T_T3212dif * 2)                                                                                |                                                                   |     | 2 * 15 s tolerance |
| 4                           |            | +MM_LupInit3( oldmi, mcc, mnc, oldlac, locup,<br>cksn, ta)                                                    |                                                                   |     |                    |
| 5                           |            | +Authentication( TCV_ch, TCV_cksn, rand)                                                                      |                                                                   |     |                    |
| 6                           |            | LIDL_DatRqLupAcp                                                                                              | LocAcp( TCV_ch,<br>LocUpdtAcp_01(<br>newmi, mcc, mnc,<br>newlac)) |     |                    |
| 7                           |            | L?DL_DatInTmsireCom                                                                                           | TmsiReallocCmp(<br>TCV_ch)                                        |     |                    |
| 8                           | L_089<br>2 | ?TIMEOUT T_dly                                                                                                |                                                                   | (F) | T3212 + 15 s       |
| <b>Detailed Comments:</b>   |            |                                                                                                               |                                                                   |     |                    |

| Test Step Dynamic Behaviour |            |                                                |                                                |     |          |
|-----------------------------|------------|------------------------------------------------|------------------------------------------------|-----|----------|
| <b>Test Step Name:</b>      |            | MM_LUPperrej(par_rej:REJCAU; locup:B_2; ta:TA) |                                                |     |          |
| <b>Group:</b>               |            | GSM_L3_MS_v4210/Miscellaneous/                 |                                                |     |          |
| <b>Objective:</b>           |            |                                                |                                                |     |          |
| <b>Default:</b>             |            | OtherEventsFail                                |                                                |     |          |
| Nr                          | Label      | Behaviour Description                          | CRef                                           | V   | Comments |
| 1                           |            | START T_dly(C_T_T3212min)                      |                                                |     |          |
| 2                           | L_089<br>3 | ?TIMEOUT T_dly                                 |                                                | (P) |          |
| 3                           |            | START T_dly(C_T_T3212dif*2)                    |                                                |     |          |
| 4                           |            | +MM_LupInit4( locup, ta)                       |                                                |     |          |
| 5                           | L_089<br>4 | LIDL_DatRqLupRej                               | LocRej( TCV_ch,<br>LocUpdtRej_01(<br>par_rej)) | (P) |          |
| 6                           |            | +ChanRel(TCV_ch)                               |                                                |     |          |
| 7                           | L_089<br>5 | ?TIMEOUT T_dly                                 |                                                | (F) |          |
| <b>Detailed Comments:</b>   |            |                                                |                                                |     |          |

| Test Step Dynamic Behaviour                                                                                                                           |            |                                                       |                                          |     |          |
|-------------------------------------------------------------------------------------------------------------------------------------------------------|------------|-------------------------------------------------------|------------------------------------------|-----|----------|
| <b>Test Step Name:</b> MM_LUPperrej2(par_rej:REJCAU; par_mi:MI; par_toleranz: INTEGER; mcc, mnc, lac: OCTETSTRING; locup:B_2; cksn: BITSTRING; ta:TA) |            |                                                       |                                          |     |          |
| <b>Group:</b> GSM_L3_MS_v4210/Miscellaneous/                                                                                                          |            |                                                       |                                          |     |          |
| <b>Objective:</b>                                                                                                                                     |            |                                                       |                                          |     |          |
| <b>Default:</b> OtherEventsFail                                                                                                                       |            |                                                       |                                          |     |          |
| Nr                                                                                                                                                    | Label      | Behaviour Description                                 | CRef                                     | V   | Comments |
| 1                                                                                                                                                     |            | START T_dly( par_toleranz)                            |                                          |     |          |
| 2                                                                                                                                                     |            | +MM_LupInit3( par_mi, mcc, mnc, lac, locup, cksn, ta) |                                          |     |          |
| 3                                                                                                                                                     | L_089<br>6 | LIDL_DatRqLupRej                                      | LocRej( TCV_ch, LocUpdtRej_01( par_rej)) | (P) |          |
| 4                                                                                                                                                     |            | +ChanRel(TCV_ch)                                      |                                          |     |          |
| 5                                                                                                                                                     | L_089<br>7 | ?TIMEOUT T_dly                                        |                                          | (F) |          |
| <b>Detailed Comments:</b>                                                                                                                             |            |                                                       |                                          |     |          |

| Test Step Dynamic Behaviour                                                                                                       |            |                                                       |      |     |          |
|-----------------------------------------------------------------------------------------------------------------------------------|------------|-------------------------------------------------------|------|-----|----------|
| <b>Test Step Name:</b> MM_LUPperrej3(par_mi:MI;par_toleranz:INTEGER; mcc, mnc, lac:OCTETSTRING; locup:B_2; cksn:BITSTRING; ta:TA) |            |                                                       |      |     |          |
| <b>Group:</b> GSM_L3_MS_v4210/Miscellaneous/                                                                                      |            |                                                       |      |     |          |
| <b>Objective:</b>                                                                                                                 |            |                                                       |      |     |          |
| <b>Default:</b> OtherEventsFail                                                                                                   |            |                                                       |      |     |          |
| Nr                                                                                                                                | Label      | Behaviour Description                                 | CRef | V   | Comments |
| 1                                                                                                                                 |            | START T_dly( par_toleranz)                            |      |     |          |
| 2                                                                                                                                 |            | +MM_LupInit3( par_mi, mcc, mnc, lac, locup, cksn, ta) |      |     |          |
| 3                                                                                                                                 |            | +ChanRel(TCV_ch)                                      |      |     |          |
| 4                                                                                                                                 | L_089<br>8 | ?TIMEOUT T_dly                                        |      | (F) |          |
| <b>Detailed Comments:</b>                                                                                                         |            |                                                       |      |     |          |

| Test Step Dynamic Behaviour                                         |            |                          |                                          |     |          |
|---------------------------------------------------------------------|------------|--------------------------|------------------------------------------|-----|----------|
| <b>Test Step Name:</b> MM_LupRej(par_rej: REJCAU; locup:B_2; ta:TA) |            |                          |                                          |     |          |
| <b>Group:</b> GSM_L3_MS_v4210/Miscellaneous/                        |            |                          |                                          |     |          |
| <b>Objective:</b>                                                   |            |                          |                                          |     |          |
| <b>Default:</b> OtherEventsFail                                     |            |                          |                                          |     |          |
| Nr                                                                  | Label      | Behaviour Description    | CRef                                     | V   | Comments |
| 1                                                                   |            | +MM_LupInit2( locup, ta) |                                          |     |          |
| 2                                                                   | L_089<br>9 | LIDL_DatRqLupRej         | LocRej( TCV_ch, LocUpdtRej_01( par_rej)) | (P) |          |
| 3                                                                   |            | +ChanRel(TCV_ch)         |                                          |     |          |
| <b>Detailed Comments:</b>                                           |            |                          |                                          |     |          |

| Test Step Dynamic Behaviour                                                                                                |            |                                                      |                                          |     |          |
|----------------------------------------------------------------------------------------------------------------------------|------------|------------------------------------------------------|------------------------------------------|-----|----------|
| <b>Test Step Name:</b> MM_LupRej2(par_rej: REJCAU; par_mi:MI; mcc, mnc, lac:OCTETSTRING; locup:B_2; cksn:BITSTRING; ta:TA) |            |                                                      |                                          |     |          |
| <b>Group:</b> GSM_L3_MS_v4210/Miscellaneous/                                                                               |            |                                                      |                                          |     |          |
| <b>Objective:</b>                                                                                                          |            |                                                      |                                          |     |          |
| <b>Default:</b> OtherEventsFail                                                                                            |            |                                                      |                                          |     |          |
| Nr                                                                                                                         | Label      | Behaviour Description                                | CRef                                     | V   | Comments |
| 1                                                                                                                          |            | +MM_LupInit( par_mi, mcc, mnc, lac, locup, cksn, ta) |                                          |     |          |
| 2                                                                                                                          | L_090<br>0 | LIDL_DatRqLupRej                                     | LocRej( TCV_ch, LocUpdtRej_01( par_rej)) | (P) |          |
| 3                                                                                                                          |            | +ChanRel(TCV_ch)                                     |                                          |     |          |
| <b>Detailed Comments:</b>                                                                                                  |            |                                                      |                                          |     |          |

| Test Step Dynamic Behaviour |       |                                                                    |      |   |                          |
|-----------------------------|-------|--------------------------------------------------------------------|------|---|--------------------------|
| <b>Test Step Name:</b>      |       | MM_PwrOrSimOff(sim_rmvd:BOOLEAN)                                   |      |   |                          |
| <b>Group:</b>               |       | GSM_L3_MS_v4210/Miscellaneous/                                     |      |   |                          |
| <b>Objective:</b>           |       |                                                                    |      |   |                          |
| <b>Default:</b>             |       | OtherEventsFail                                                    |      |   |                          |
| Nr                          | Label | Behaviour Description                                              | CRef | V | Comments                 |
| 1                           |       | [(sim_rmvd) AND(TSPC_SIMRmv)]                                      |      |   | SIM needs to be removed. |
| 2                           |       | (TCV_Null :=OO_SIMRmv())                                           |      |   |                          |
| 3                           |       | [TSPC_SwitchOnOff]                                                 |      |   |                          |
| 4                           |       | (TCV_Null := OO_SwitchOff())                                       |      |   |                          |
| 5                           |       | [(((NOT sim_rmvd) OR(NOT TSPC_SIMRmv)) AND(NOT TSPC_SwitchOnOff))] |      |   |                          |
| 6                           |       | (TCV_Null := OO_PowerDown())                                       |      |   |                          |
| <b>Detailed Comments:</b>   |       |                                                                    |      |   |                          |

| Test Step Dynamic Behaviour |       |                                                                    |      |   |                      |
|-----------------------------|-------|--------------------------------------------------------------------|------|---|----------------------|
| <b>Test Step Name:</b>      |       | MM_PwrOrSimOn(sim_rmvd:BOOLEAN)                                    |      |   |                      |
| <b>Group:</b>               |       | GSM_L3_MS_v4210/Miscellaneous/                                     |      |   |                      |
| <b>Objective:</b>           |       |                                                                    |      |   |                      |
| <b>Default:</b>             |       | OtherEventsFail                                                    |      |   |                      |
| Nr                          | Label | Behaviour Description                                              | CRef | V | Comments             |
| 1                           |       | [(sim_rmvd) AND(TSPC_SIMRmv)]                                      |      |   | SIM has been removed |
| 2                           |       | (TCV_Null := OO_SIMIns())                                          |      |   |                      |
| 3                           |       | [TSPC_SwitchOnOff]                                                 |      |   |                      |
| 4                           |       | (TCV_Null := OO_SwitchOn())                                        |      |   |                      |
| 5                           |       | [(((NOT sim_rmvd) OR(NOT TSPC_SIMRmv)) AND(NOT TSPC_SwitchOnOff))] |      |   |                      |
| 6                           |       | (TCV_Null := OO_PowerUp())                                         |      |   |                      |
| <b>Detailed Comments:</b>   |       |                                                                    |      |   |                      |

| Test Step Dynamic Behaviour |            |                                                                                      |                                                                                                                                      |     |                         |
|-----------------------------|------------|--------------------------------------------------------------------------------------|--------------------------------------------------------------------------------------------------------------------------------------|-----|-------------------------|
| <b>Test Step Name:</b>      |            | MM_check_ecall1(ta:TA; mi:MI)                                                        |                                                                                                                                      |     |                         |
| <b>Group:</b>               |            | GSM_L3_MS_v4210/Miscellaneous/                                                       |                                                                                                                                      |     |                         |
| <b>Objective:</b>           |            |                                                                                      |                                                                                                                                      |     |                         |
| <b>Default:</b>             |            | OtherEventsFail                                                                      |                                                                                                                                      |     |                         |
| Nr                          | Label      | Behaviour Description                                                                | CRef                                                                                                                                 | V   | Comments                |
| 1                           |            | [TSPC_Serv_TS11]                                                                     |                                                                                                                                      |     |                         |
| 2                           |            | +BasicServiceMO(C_EmgCall,<br>TSPX_EmgCallRate)                                      |                                                                                                                                      |     |                         |
| 3                           |            | +InitCall(TCV_Service)                                                               |                                                                                                                                      |     |                         |
| 4                           |            | L?DL_RacInChRq ( TCV_Rr := DL_RacInChRq.<br>msg.ecau_rrf, TCV_Fn := DL_RacInChRq.fn) | ChReq(<br>ChRequest_16)                                                                                                              |     |                         |
| 5                           |            | ACTIVATE(OtherEventsFail_02)                                                         |                                                                                                                                      |     | To match ChReq retrans. |
| 6                           |            | L!DL_UdatRqImmss                                                                     | ImmAss( TCV_agch,<br>ImmAsgn_01Def(<br>TCV_Rr, TCV_Fn,<br>TSPX_SDCCH4SubD<br>ef, TCV_slot,<br>TCV_tsc,<br>TCV_chdescr_arfcn,<br>ta)) |     |                         |
| 7                           |            | L?DL_EstInCmsRq                                                                      | CMSerReq(<br>CMServiceReq_05(<br>mi))                                                                                                |     |                         |
| 8                           |            | ACTIVATE(OtherEventsFail)                                                            |                                                                                                                                      |     | Restore Normal default  |
| 9                           |            | LIDL_DatRqCmsAcp                                                                     | CMSerAcp( TCV_ch,<br>CMServiceAcp_01)                                                                                                |     |                         |
| 10                          |            | +RcvSetupOrEsetup(TCV_Setup_m<br>o, TCV_Esetup, TCV_Ecall)                           |                                                                                                                                      |     |                         |
| 11                          |            | +ltree_check_ti_flag                                                                 |                                                                                                                                      |     |                         |
| 12                          | L_090<br>1 | L!DL_DatRqRelCmp                                                                     | RelComSnd(<br>TCV_ch,<br>ReleaseCmp_04(<br>TCV_TI))                                                                                  | (P) |                         |
| 13                          |            | +ChanRel(TCV_ch)                                                                     |                                                                                                                                      |     |                         |
| 14                          |            | [NOT TSPC_Serv_TS11]                                                                 |                                                                                                                                      |     |                         |
| 15                          | L_090<br>2 | <b>ltree_check_ti_flag</b><br>[TCV_TI0.ti_f = '1'B]                                  |                                                                                                                                      | (F) |                         |
| 16                          |            | L!DL_DatRqChRel                                                                      | ChRel( TCV_ch,<br>ChRelease_01)                                                                                                      |     |                         |
| 17                          |            | L?DL_RelIn                                                                           | DLRelInd_01                                                                                                                          |     |                         |
| 18                          | L_090<br>3 | [TCV_TI0.ti_f = '0'B]                                                                |                                                                                                                                      | (P) |                         |
| <b>Detailed Comments:</b>   |            |                                                                                      |                                                                                                                                      |     |                         |

| Test Step Dynamic Behaviour |            |                                                                                   |                                                                                                                                      |     |                         |
|-----------------------------|------------|-----------------------------------------------------------------------------------|--------------------------------------------------------------------------------------------------------------------------------------|-----|-------------------------|
| <b>Test Step Name:</b>      |            | MM_check_ecall2(parexpected_mi: MI; parexpected_cksn: BITSTRING; ta:TA)           |                                                                                                                                      |     |                         |
| <b>Group:</b>               |            | GSM_L3_MS_v4210/Miscellaneous/                                                    |                                                                                                                                      |     |                         |
| <b>Objective:</b>           |            |                                                                                   |                                                                                                                                      |     |                         |
| <b>Default:</b>             |            | OtherEventsFail                                                                   |                                                                                                                                      |     |                         |
| Nr                          | Label      | Behaviour Description                                                             | CRef                                                                                                                                 | V   | Comments                |
| 1                           |            | [TSPC_Serv_TS11]                                                                  |                                                                                                                                      |     |                         |
| 2                           |            | +BasicServiceMO(C_EmgCall,<br>TSPX_EmgCallRate)                                   |                                                                                                                                      |     |                         |
| 3                           |            | +InitCall(TCV_Service)                                                            |                                                                                                                                      |     |                         |
| 4                           |            | L?DL_RaInChRq ( TCV_Rr := DL_RaInChRq.<br>msg.ecau_rrf, TCV_Fn := DL_RaInChRq.fn) | ChReq(<br>ChRequest_16)                                                                                                              |     |                         |
| 5                           |            | ACTIVATE(OtherEventsFail_02)                                                      |                                                                                                                                      |     |                         |
| 6                           |            | L!DL_UdatRqImmss                                                                  | ImmAss( TCV_agch,<br>ImmAsgn_01Def(<br>TCV_Rr, TCV_Fn,<br>TSPX_SDCCH4SubD<br>ef, TCV_slot,<br>TCV_tsc,<br>TCV_chdescr_arfcn,<br>ta)) |     | To match ChReq retrans. |
| 7                           |            | L?DL_EstInCmsRq                                                                   | CMSerReq(<br>CMSerReq_31(<br>parexpected_mi,<br>parexpected_cksn))                                                                   |     |                         |
| 8                           |            | ACTIVATE(OtherEventsFail)                                                         |                                                                                                                                      |     |                         |
| 9                           |            | L!DL_DatRqCmsAcp                                                                  | CMSerAcp( TCV_ch,<br>CMSerAcp_01)                                                                                                    |     | Restore Normal default  |
| 10                          |            | +RcvSetupOrEsetup(TCV_Setup_m<br>o, TCV_Esetup, TCV_Ecall)                        |                                                                                                                                      |     |                         |
| 11                          |            | +ltree_check_ti_flag                                                              |                                                                                                                                      |     |                         |
| 12                          | L_090<br>4 | L!DL_DatRqRelCmp                                                                  | RelComSnd(<br>TCV_ch,<br>ReleaseCmp_04(<br>TCV_TI))                                                                                  | (P) |                         |
| 13                          |            | +ChanRel(TCV_ch)                                                                  |                                                                                                                                      |     |                         |
| 14                          | L_090<br>5 | [NOT TSPC_Serv_TS11]                                                              |                                                                                                                                      | (P) |                         |
| 15                          | L_090<br>6 | <b>ltree_check_ti_flag</b><br>[TCV_TI0.ti_f = '1'B]                               |                                                                                                                                      | (F) |                         |
| 16                          |            | L!DL_DatRqChRel                                                                   | ChRel( TCV_ch,<br>ChRelease_01)                                                                                                      |     |                         |
| 17                          |            | L?DL_Relln                                                                        | DLRelInd_01                                                                                                                          |     |                         |
| 18                          | L_090<br>7 | [TCV_TI0.ti_f = '0'B]                                                             |                                                                                                                                      | (P) |                         |
| <b>Detailed Comments:</b>   |            |                                                                                   |                                                                                                                                      |     |                         |

| Test Step Dynamic Behaviour |            |                                    |      |     |          |
|-----------------------------|------------|------------------------------------|------|-----|----------|
| <b>Test Step Name:</b>      |            | MM_no_cmsservices(par_int:INTEGER) |      |     |          |
| <b>Group:</b>               |            | GSM_L3_MS_v4210/Miscellaneous/     |      |     |          |
| <b>Objective:</b>           |            |                                    |      |     |          |
| <b>Default:</b>             |            | OtherEventsFail                    |      |     |          |
| Nr                          | Label      | Behaviour Description              | CRef | V   | Comments |
| 1                           |            | +InitCall(TCV_Service)             |      |     |          |
| 2                           |            | START T_dly(par_int)               |      |     |          |
| 3                           | L_090<br>8 | ?TIMEOUT T_dly                     |      | (P) |          |
| <b>Detailed Comments:</b>   |            |                                    |      |     |          |

| Test Step Dynamic Behaviour                                                                         |            |                                                |                                                         |     |          |
|-----------------------------------------------------------------------------------------------------|------------|------------------------------------------------|---------------------------------------------------------|-----|----------|
| <b>Test Step Name:</b> MM_no_paging(par_mi: MI; par_checktime:INTEGER; ccd: CCD; activ_cell:CellID) |            |                                                |                                                         |     |          |
| <b>Group:</b> GSM_L3_MS_v4210/Miscellaneous/                                                        |            |                                                |                                                         |     |          |
| <b>Objective:</b>                                                                                   |            |                                                |                                                         |     |          |
| <b>Default:</b> OtherEventsFail                                                                     |            |                                                |                                                         |     |          |
| Nr                                                                                                  | Label      | Behaviour Description                          | CRef                                                    | V   | Comments |
| 1                                                                                                   |            | +CCCH_group_Paging_group( ccd, TSPX_IMSI)      |                                                         |     |          |
| 2                                                                                                   |            | +SelectPagingCh( activ_cell)                   |                                                         |     |          |
| 3                                                                                                   |            | LIDL_UdatRqPg1Rq START<br>T_dly(par_checktime) | PgReq1(TCV_PgCh,<br>TCV_Pgg,<br>PgReqTp1_30(par_mi<br>) |     |          |
| 4                                                                                                   | L_090<br>9 | ?TIMEOUT T_dly                                 |                                                         | (P) |          |
| <b>Detailed Comments:</b>                                                                           |            |                                                |                                                         |     |          |

| Test Step Dynamic Behaviour                        |            |                       |      |     |          |
|----------------------------------------------------|------------|-----------------------|------|-----|----------|
| <b>Test Step Name:</b> NoReaction(par_int:INTEGER) |            |                       |      |     |          |
| <b>Group:</b> GSM_L3_MS_v4210/Miscellaneous/       |            |                       |      |     |          |
| <b>Objective:</b>                                  |            |                       |      |     |          |
| <b>Default:</b> OtherEventsFail                    |            |                       |      |     |          |
| Nr                                                 | Label      | Behaviour Description | CRef | V   | Comments |
| 1                                                  |            | START T_dly(par_int)  |      |     |          |
| 2                                                  | L_091<br>0 | ?TIMEOUT T_dly        |      | (P) |          |
| <b>Detailed Comments:</b>                          |            |                       |      |     |          |

| Test Step Dynamic Behaviour |            |                                                                                                                                                                                                                                                                                                                                   |                                               |     |          |
|-----------------------------|------------|-----------------------------------------------------------------------------------------------------------------------------------------------------------------------------------------------------------------------------------------------------------------------------------------------------------------------------------|-----------------------------------------------|-----|----------|
| <b>Test Step Name:</b>      |            | RR_hocomp1(time_fn_fn1:INTEGER; ta:TA)                                                                                                                                                                                                                                                                                            |                                               |     |          |
| <b>Group:</b>               |            | GSM_L3_MS_v4210/Miscellaneous/                                                                                                                                                                                                                                                                                                    |                                               |     |          |
| <b>Objective:</b>           |            | To finish the HO-procedure. Timing advance = 20 bits period                                                                                                                                                                                                                                                                       |                                               |     |          |
| <b>Default:</b>             |            | RcvHdOvAcc, OtherEvents                                                                                                                                                                                                                                                                                                           |                                               |     |          |
| <b>Comments:</b>            |            | used var's: TCV_ch, TCV_Horf, TCV_Cntref                                                                                                                                                                                                                                                                                          |                                               |     |          |
| Nr                          | Label      | Behaviour Description                                                                                                                                                                                                                                                                                                             | CRef                                          | V   | Comments |
| 1                           |            | L?DL_RacInHoacc (TCV_FnBurst := DL_RacInHoacc.fn)                                                                                                                                                                                                                                                                                 | HndOvAccRcv(TCV_ch, HandOverAcc_02(TCV_Horf)) |     | 1.       |
| 2                           |            | L?DL_EstIn                                                                                                                                                                                                                                                                                                                        | DLEstInd(TCV_ch)                              |     |          |
| 3                           |            | (TCV_HoaccPara := OM_GetHoaccPara(TCV_ch))                                                                                                                                                                                                                                                                                        |                                               |     |          |
| 4                           | L_104<br>3 | [(OC_OctToInt(TCV_HoaccPara.num_bursts) >= TCV_Cntref) AND(OC_OctToInt(TCV_HoaccPara.num_bursts) <= (TCV_Cntref+20))]                                                                                                                                                                                                             |                                               | (P) | 2.       |
| 5                           |            | +localtree_continue                                                                                                                                                                                                                                                                                                               |                                               |     |          |
| 6                           | L_104<br>4 | [C_Yes]                                                                                                                                                                                                                                                                                                                           |                                               | (F) |          |
| 7                           |            | +localtree_continue                                                                                                                                                                                                                                                                                                               |                                               |     |          |
| <b>localtree_continue</b>   |            |                                                                                                                                                                                                                                                                                                                                   |                                               |     |          |
| 8                           |            | (TCV_Fn1:= OM_ReturnFn(TCV_ch))                                                                                                                                                                                                                                                                                                   |                                               |     |          |
| 9                           |            | L?DL_DatInHoCom( TCV_Fn := DL_DatInHoCom.fn)                                                                                                                                                                                                                                                                                      | HndOvCmpRcv(TCV_ch, HandOverCmp_20)           |     |          |
| 10                          |            | +FnArith( TCV_Fn1, TCV_Fn)                                                                                                                                                                                                                                                                                                        |                                               |     | 3.       |
| 11                          | L_091<br>1 | [TCV_Time > time_fn_fn1]                                                                                                                                                                                                                                                                                                          |                                               | (F) |          |
| 12                          | L_091<br>2 | [TCV_Time <= time_fn_fn1]                                                                                                                                                                                                                                                                                                         |                                               | (P) |          |
| <b>Detailed Comments:</b>   |            | <ol style="list-style-type: none"> <li>1. Match the 1st access burst. The access bursts except the 1st one are matched by the default test step RcvHdOvAcc.</li> <li>2. Check the number of access bursts received with tolerance +20 (10 for FACCH interleave &amp; 10 for MS processing).</li> <li>3. Check HO-time.</li> </ol> |                                               |     |          |

| Test Step Dynamic Behaviour                                                                                   |            |                                                   |                                               |     |          |
|---------------------------------------------------------------------------------------------------------------|------------|---------------------------------------------------|-----------------------------------------------|-----|----------|
| <b>Test Step Name:</b> RR_hocomp3(time_fn1_fn:INTEGER)                                                        |            |                                                   |                                               |     |          |
| <b>Group:</b> GSM_L3_MS_v4210/Miscellaneous/                                                                  |            |                                                   |                                               |     |          |
| <b>Objective:</b> To finish the HO-procedure.                                                                 |            |                                                   |                                               |     |          |
| <b>Default:</b> OtherEvents                                                                                   |            |                                                   |                                               |     |          |
| <b>Comments:</b> used var's:<br>TCV_ch, TCV_Horf, TCV_L1Head                                                  |            |                                                   |                                               |     |          |
| Nr                                                                                                            | Label      | Behaviour Description                             | CRef                                          | V   | Comments |
| 1                                                                                                             |            | (TCV_Cnt:=0, TCV_L1Head := OM_GetL1Hd(TCV_sacch)) |                                               |     | 1.       |
| 2                                                                                                             |            | REPEAT localtree_hoacc UNTIL [TCV_Cnt = 4]        |                                               |     |          |
| 3                                                                                                             |            | L?DL_EstIn                                        | DLEstInd( TCV_ch)                             |     |          |
| 4                                                                                                             |            | L?DL_DatInHoCom( TCV_Fn := DL_DatInHoCom.fn)      | HndOvCmpRcv(TCV_ch, HandOverCmp_20)           |     |          |
| 5                                                                                                             |            | +localtree_hotime                                 |                                               |     | 2.       |
| <b>localtree_hoacc</b>                                                                                        |            |                                                   |                                               |     |          |
| 6                                                                                                             |            | L?DL_RacInHoacc                                   | HndOvAccRcv(TCV_ch, HandOverAcc_02(TCV_Horf)) |     |          |
| 7                                                                                                             |            | (TCV_Cnt := TCV_Cnt + 1)                          |                                               |     |          |
| <b>localtree_hotime</b>                                                                                       |            |                                                   |                                               |     |          |
| 8                                                                                                             |            | +FnArith( TCV_Fn1, TCV_Fn)                        |                                               |     |          |
| 9                                                                                                             | L_091<br>3 | [TCV_Time > time_fn1_fn]                          |                                               | (F) |          |
| 10                                                                                                            | L_091<br>4 | [TCV_Time <= time_fn1_fn]                         |                                               | (P) |          |
| <b>Detailed Comments:</b> 1) Store first SACCH L1 header from MS to check TA and Power<br>2) Check of HO-time |            |                                                   |                                               |     |          |

| Test Step Dynamic Behaviour                                           |       |                                         |      |   |          |
|-----------------------------------------------------------------------|-------|-----------------------------------------|------|---|----------|
| <b>Test Step Name:</b> RRmtcallprepare(ta:TA; rand:RAND)              |       |                                         |      |   |          |
| <b>Group:</b> GSM_L3_MS_v4210/Miscellaneous/                          |       |                                         |      |   |          |
| <b>Objective:</b> To prepare a mobile terminating call establishment. |       |                                         |      |   |          |
| <b>Default:</b> OtherEvents                                           |       |                                         |      |   |          |
| Nr                                                                    | Label | Behaviour Description                   | CRef | V | Comments |
| 1                                                                     |       | +PreEstRRConn( TCV_slot, TCV_tsc, ta)   |      |   |          |
| 2                                                                     |       | +Authentication( TCV_ch, TCV_cks, rand) |      |   |          |
| 3                                                                     |       | +Cipherng_on( TCV_ch)                   |      |   |          |
| <b>Detailed Comments:</b>                                             |       |                                         |      |   |          |



| Test Step Dynamic Behaviour |       |                                                                                                                                                                                                                                                                                                     |                   |   |          |
|-----------------------------|-------|-----------------------------------------------------------------------------------------------------------------------------------------------------------------------------------------------------------------------------------------------------------------------------------------------------|-------------------|---|----------|
| <b>Test Step Name:</b>      |       | RcvSetupOrEsetup(Setup: SETUP_MO_PDU; Esetup:ESETUP_PDU; Ecall:BOOLEAN)                                                                                                                                                                                                                             |                   |   |          |
| <b>Group:</b>               |       | GSM_L3_MS_v4210/Miscellaneous/                                                                                                                                                                                                                                                                      |                   |   |          |
| <b>Objective:</b>           |       | To manage Setup Mobile Originated.                                                                                                                                                                                                                                                                  |                   |   |          |
| <b>Default:</b>             |       | OtherEvents                                                                                                                                                                                                                                                                                         |                   |   |          |
| Nr                          | Label | Behaviour Description                                                                                                                                                                                                                                                                               | CRef              | V | Comments |
| 1                           |       | [NOT Ecall]                                                                                                                                                                                                                                                                                         |                   |   |          |
| 2                           |       | L?DL_DatInSetup (TCV_Setup_mo1 :=<br>DL_DatInSetup.msg, TCV_TI :=<br>TCV_Setup_mo1.ti, TCV_TI0 := TCV_TI,<br>TCV_TI.ti_f := '1'B)                                                                                                                                                                   | SetupRcv(Setup)   |   |          |
| 3                           |       | +CallProcGen(TCV_Setup_mo1, TCV_Service)                                                                                                                                                                                                                                                            |                   |   |          |
| 4                           |       | [Ecall]                                                                                                                                                                                                                                                                                             |                   |   |          |
| 5                           |       | L?DL_DatInESetup (TCV_Esetup1 :=<br>DL_DatInESetup.msg, TCV_Setup_mo1.ti :=<br>TCV_Esetup1.ti, TCV_Setup_mo1.bcap1 :=<br>TCV_Esetup1.bcap, TCV_Setup_mo1.ccpd :=<br>TCV_Esetup1.ccpd, TCV_Setup_mo1.mt :=<br>TCV_Esetup1.mt, TCV_TI := TCV_Setup_mo1.ti,<br>TCV_TI0 := TCV_TI, TCV_TI.ti_f := '1'B) | ESetupRcv(Esetup) |   |          |
| 6                           |       | +CallProcGen(TCV_Setup_mo1, TCV_Service)                                                                                                                                                                                                                                                            |                   |   |          |
| <b>Detailed Comments:</b>   |       |                                                                                                                                                                                                                                                                                                     |                   |   |          |

| Test Step Dynamic Behaviour |            |                                                          |      |     |            |
|-----------------------------|------------|----------------------------------------------------------|------|-----|------------|
| <b>Test Step Name:</b>      |            | SendSeqNo_chk                                            |      |     |            |
| <b>Group:</b>               |            | GSM_L3_MS_v4210/Miscellaneous/                           |      |     |            |
| <b>Objective:</b>           |            | To check whether the sending sequence number is the same |      |     |            |
| <b>Default:</b>             |            | OtherEvents                                              |      |     |            |
| Nr                          | Label      | Behaviour Description                                    | CRef | V   | Comments   |
| 1                           | L_091<br>5 | [TCV_Mt1 = TCV_Mt]                                       |      | (P) | same N(SD) |
| 2                           | L_091<br>6 | [TCV_Mt1 <> TCV_Mt]                                      |      | (F) |            |
| <b>Detailed Comments:</b>   |            |                                                          |      |     |            |

| Test Step Dynamic Behaviour |       |                                                                                                                                                        |      |   |          |
|-----------------------------|-------|--------------------------------------------------------------------------------------------------------------------------------------------------------|------|---|----------|
| <b>Test Step Name:</b>      |       | SelectPagingCh(cell:CellID)                                                                                                                            |      |   |          |
| <b>Group:</b>               |       | GSM_L3_MS_v4210/Miscellaneous/                                                                                                                         |      |   |          |
| <b>Objective:</b>           |       | To assign a paging channel and an access grant channel to the variable TCV_PgCh and TCV_agch respectively, depending on the parameter 'cell' (cell ID) |      |   |          |
| <b>Default:</b>             |       | OtherEvents                                                                                                                                            |      |   |          |
| Nr                          | Label | Behaviour Description                                                                                                                                  | CRef | V | Comments |
| 1                           |       | [cell = C_CellA]                                                                                                                                       |      |   |          |
| 2                           |       | [TCV_Ccchg=0]                                                                                                                                          |      |   |          |
| 3                           |       | (TCV_PgCh := C_PCH_A_1, TCV_agch := C_AGCH_A_1)                                                                                                        |      |   |          |
| 4                           |       | [TCV_Ccchg=1]                                                                                                                                          |      |   |          |
| 5                           |       | (TCV_PgCh := C_PCH_A_2, TCV_agch := C_AGCH_A_2)                                                                                                        |      |   |          |
| 6                           |       | [TCV_Ccchg=2]                                                                                                                                          |      |   |          |
| 7                           |       | (TCV_PgCh := C_PCH_A_3, TCV_agch := C_AGCH_A_3)                                                                                                        |      |   |          |
| 8                           |       | [TCV_Ccchg=3]                                                                                                                                          |      |   |          |
| 9                           |       | (TCV_PgCh := C_PCH_A_4, TCV_agch := C_AGCH_A_4)                                                                                                        |      |   |          |
| 10                          |       | [cell = C_CellB]                                                                                                                                       |      |   |          |
| 11                          |       | [TCV_Ccchg=0]                                                                                                                                          |      |   |          |
| 12                          |       | (TCV_PgCh := C_PCH_B_1, TCV_agch := C_AGCH_B_1)                                                                                                        |      |   |          |
| 13                          |       | [TCV_Ccchg=1]                                                                                                                                          |      |   |          |
| 14                          |       | (TCV_PgCh := C_PCH_B_2, TCV_agch := C_AGCH_B_2)                                                                                                        |      |   |          |
| 15                          |       | [TCV_Ccchg=2]                                                                                                                                          |      |   |          |
| 16                          |       | (TCV_PgCh := C_PCH_B_3, TCV_agch := C_AGCH_B_3)                                                                                                        |      |   |          |
| 17                          |       | [TCV_Ccchg=3]                                                                                                                                          |      |   |          |
| 18                          |       | (TCV_PgCh := C_PCH_B_4, TCV_agch := C_AGCH_B_4)                                                                                                        |      |   |          |
| 19                          |       | [cell = C_CellC]                                                                                                                                       |      |   |          |
| 20                          |       | [TCV_Ccchg=0]                                                                                                                                          |      |   |          |
| 21                          |       | (TCV_PgCh := C_PCH_C_1, TCV_agch := C_AGCH_C_1)                                                                                                        |      |   |          |
| 22                          |       | [TCV_Ccchg=1]                                                                                                                                          |      |   |          |
| 23                          |       | (TCV_PgCh := C_PCH_C_2, TCV_agch := C_AGCH_C_2)                                                                                                        |      |   |          |
| 24                          |       | [TCV_Ccchg=2]                                                                                                                                          |      |   |          |
| 25                          |       | (TCV_PgCh := C_PCH_C_3, TCV_agch := C_AGCH_C_3)                                                                                                        |      |   |          |
| 26                          |       | [TCV_Ccchg=3]                                                                                                                                          |      |   |          |
| 27                          |       | (TCV_PgCh := C_PCH_C_4, TCV_agch := C_AGCH_C_4)                                                                                                        |      |   |          |
| <b>Detailed Comments:</b>   |       |                                                                                                                                                        |      |   |          |

| Test Step Dynamic Behaviour |       |                                     |      |   |          |
|-----------------------------|-------|-------------------------------------|------|---|----------|
| <b>Test Step Name:</b>      |       | Set_CellChDescr(cell:CellID)        |      |   |          |
| <b>Group:</b>               |       | GSM_L3_MS_v4210/Miscellaneous/      |      |   |          |
| <b>Objective:</b>           |       | To set the cell channel description |      |   |          |
| <b>Default:</b>             |       |                                     |      |   |          |
| <b>Comments:</b>            |       | used in TC_26_6_13                  |      |   |          |
| Nr                          | Label | Behaviour Description               | CRef | V | Comments |
| 1                           |       | [TSPC_PGSM OR TSPC_EGSM]            |      |   |          |
| 2                           |       | [cell = C_CellA]                    |      |   |          |
| 3                           |       | (TCV_cchd1 := CellChDes_20_Aman)    |      |   |          |
| 4                           |       | [cell = C_CellB]                    |      |   |          |
| 5                           |       | (TCV_cchd1 := CellChDes_20_Bman)    |      |   |          |
| 6                           |       | [TSPC_DCS]                          |      |   |          |
| 7                           |       | [cell = C_CellA]                    |      |   |          |
| 8                           |       | (TCV_cchd1 := CellChDes_203_Ad)     |      |   |          |
| 9                           |       | [cell = C_CellB]                    |      |   |          |
| 10                          |       | (TCV_cchd1 := CellChDes_201_Bd)     |      |   |          |
| <b>Detailed Comments:</b>   |       |                                     |      |   |          |

| Test Step Dynamic Behaviour |       |                                                                                                    |                     |   |          |
|-----------------------------|-------|----------------------------------------------------------------------------------------------------|---------------------|---|----------|
| <b>Test Step Name:</b>      |       | SetupRcvMo2(pdu_setup: SETUP_MO_PDU)                                                               |                     |   |          |
| <b>Group:</b>               |       | GSM_L3_MS_v4210/Miscellaneous/                                                                     |                     |   |          |
| <b>Objective:</b>           |       | To manage Setup Mobile Originated.                                                                 |                     |   |          |
| <b>Default:</b>             |       | OtherEvents                                                                                        |                     |   |          |
| Nr                          | Label | Behaviour Description                                                                              | CRef                | V | Comments |
| 1                           |       | L?DL_DatInSetup (TCV_Setup_mo := DL_DatInSetup.msg)                                                | SetupRcv(pdu_setup) |   |          |
| 2                           |       | +CallProcGen(TCV_Setup_mo, TCV_Service)                                                            |                     |   |          |
| 3                           |       | (TCV_TI1 := TCV_Setup_mo.ti, TCV_TI2 := TCV_TI1, TCV_TI2.ti_f := '1'B, TCV_CallProc.ti := TCV_TI2) |                     |   |          |
| <b>Detailed Comments:</b>   |       |                                                                                                    |                     |   |          |

| Test Step Dynamic Behaviour |       |                                                                                                                                              |      |   |          |
|-----------------------------|-------|----------------------------------------------------------------------------------------------------------------------------------------------|------|---|----------|
| <b>Test Step Name:</b>      |       | Switchcell( old_cell, activ_cell:CellID; lac:OCTETSTRING; subch, cksn, rand:BITSTRING; arfcngsm, arfcndcs:INTEGER; ccd: CCD; imsi:HEXSTRING) |      |   |          |
| <b>Group:</b>               |       | GSM_L3_MS_v4210/Miscellaneous/                                                                                                               |      |   |          |
| <b>Objective:</b>           |       | To force the MS to reselect cell A                                                                                                           |      |   |          |
| <b>Default:</b>             |       | OtherEvents                                                                                                                                  |      |   |          |
| Nr                          | Label | Behaviour Description                                                                                                                        | CRef | V | Comments |
| 1                           |       | +Varinit_fix( activ_cell, lac, subch, cksn, rand, arfcngsm, arfcndcs, ccd, imsi)                                                             |      |   |          |
| 2                           |       | (TCV_Null := OM_ChangeRFOf2Cells( activ_cell, C_E_default, old_cell, C_E_notsuitable))                                                       |      |   |          |
| <b>Detailed Comments:</b>   |       |                                                                                                                                              |      |   |          |

| Test Step Dynamic Behaviour |       |                                                                                                                  |      |   |          |
|-----------------------------|-------|------------------------------------------------------------------------------------------------------------------|------|---|----------|
| <b>Test Step Name:</b>      |       | SvcSupportedChk(svc:IA5String)                                                                                   |      |   |          |
| <b>Group:</b>               |       | GSM_L3_MS_v4210/Miscellaneous/                                                                                   |      |   |          |
| <b>Objective:</b>           |       | To check whether the Basic Service svc is supported against PICS answers.                                        |      |   |          |
| <b>Default:</b>             |       | OtherEvents                                                                                                      |      |   |          |
| <b>Comments:</b>            |       | In PICS, if the svc is declared supported, the test case variable TCV_supported is set to TRUE, otherwise FALSE. |      |   |          |
| Nr                          | Label | Behaviour Description                                                                                            | CRef | V | Comments |
| 1                           |       | (TCV_supported := C_No)                                                                                          |      |   |          |
| 2                           |       | [(svc = C_Telephony) AND TSPC_Serv_TS11]                                                                         |      |   | TS11     |
| 3                           |       | (TCV_supported := C_Yes)                                                                                         |      |   |          |
| 4                           |       | [(svc = C_EmgCall) AND TSPC_Serv_TS12]                                                                           |      |   | TS12     |
| 5                           |       | (TCV_supported := C_Yes)                                                                                         |      |   |          |
| 6                           |       | [(svc = C_AltSpchFax) AND TSPC_Serv_TS61]                                                                        |      |   | TS61     |
| 7                           |       | (TCV_supported := C_Yes)                                                                                         |      |   |          |
| 8                           |       | [(svc = C_AutoFax) AND TSPC_Serv_TS62]                                                                           |      |   | TS62     |
| 9                           |       | (TCV_supported := C_Yes)                                                                                         |      |   |          |
| 10                          |       | [(svc = C_Async300) AND TSPC_Serv_BS21]                                                                          |      |   | BS21     |
| 11                          |       | (TCV_supported := C_Yes)                                                                                         |      |   |          |
| 12                          |       | [(svc = C_Async1200) AND TSPC_Serv_BS22]                                                                         |      |   | BS22     |
| 13                          |       | (TCV_supported := C_Yes)                                                                                         |      |   |          |
| 14                          |       | [(svc = C_Async120075) AND TSPC_Serv_BS23]                                                                       |      |   | BS23     |
| 15                          |       | (TCV_supported := C_Yes)                                                                                         |      |   |          |
| 16                          |       | [(svc = C_Async2400) AND TSPC_Serv_BS24]                                                                         |      |   | BS24     |
| 17                          |       | (TCV_supported := C_Yes)                                                                                         |      |   |          |
| 18                          |       | [(svc = C_Async4800) AND TSPC_Serv_BS25]                                                                         |      |   | BS25     |
| 19                          |       | (TCV_supported := C_Yes)                                                                                         |      |   |          |
| 20                          |       | [(svc = C_Async9600) AND TSPC_Serv_BS26]                                                                         |      |   | BS26     |
| 21                          |       | (TCV_supported := C_Yes)                                                                                         |      |   |          |
| 22                          |       | [(svc = C_Sync1200) AND TSPC_Serv_BS31]                                                                          |      |   | BS31     |
| 23                          |       | (TCV_supported := C_Yes)                                                                                         |      |   |          |
| 24                          |       | [(svc = C_Sync2400) AND TSPC_Serv_BS32]                                                                          |      |   | BS32     |
| 25                          |       | (TCV_supported := C_Yes)                                                                                         |      |   |          |
| 26                          |       | [(svc = C_Sync4800) AND TSPC_Serv_BS33]                                                                          |      |   | BS33     |
| 27                          |       | (TCV_supported := C_Yes)                                                                                         |      |   |          |
| 28                          |       | [(svc = C_Sync9600) AND TSPC_Serv_BS34]                                                                          |      |   | BS34     |
| 29                          |       | (TCV_supported := C_Yes)                                                                                         |      |   |          |
| 30                          |       | [(svc = C_PAD300) AND TSPC_Serv_BS41]                                                                            |      |   | BS41     |
| 31                          |       | (TCV_supported := C_Yes)                                                                                         |      |   |          |
| 32                          |       | [(svc = C_PAD1200) AND TSPC_Serv_BS42]                                                                           |      |   | BS42     |
| 33                          |       | (TCV_supported := C_Yes)                                                                                         |      |   |          |
| 34                          |       | [(svc = C_PAD120075) AND TSPC_Serv_BS43]                                                                         |      |   | BS43     |
| 35                          |       | (TCV_supported := C_Yes)                                                                                         |      |   |          |
| 36                          |       | [(svc = C_PAD2400) AND TSPC_Serv_BS44]                                                                           |      |   | BS44     |
| 37                          |       | (TCV_supported := C_Yes)                                                                                         |      |   |          |
| 38                          |       | [(svc = C_PAD4800) AND TSPC_Serv_BS45]                                                                           |      |   | BS45     |
| 39                          |       | (TCV_supported := C_Yes)                                                                                         |      |   |          |
| 40                          |       | [(svc = C_PAD9600) AND TSPC_Serv_BS46]                                                                           |      |   | BS46     |
| 41                          |       | (TCV_supported := C_Yes)                                                                                         |      |   |          |
| 42                          |       | [(svc = C_Packet2400) AND TSPC_Serv_BS51]                                                                        |      |   | BS51     |
| 43                          |       | (TCV_supported := C_Yes)                                                                                         |      |   |          |
| 44                          |       | [(svc = C_Packet4800) AND TSPC_Serv_BS52]                                                                        |      |   | BS52     |
| 45                          |       | (TCV_supported := C_Yes)                                                                                         |      |   |          |
| 46                          |       | [(svc = C_Packet9600) AND TSPC_Serv_BS53]                                                                        |      |   | BS53     |
| 47                          |       | (TCV_supported := C_Yes)                                                                                         |      |   |          |
| 48                          |       | [(svc = C_AltSpchData) AND TSPC_Serv_BS61]                                                                       |      |   | BS61     |
| 49                          |       | (TCV_supported := C_Yes)                                                                                         |      |   |          |
| 50                          |       | [(svc = C_SpchData) AND TSPC_Serv_BS81]                                                                          |      |   | BS81     |
| 51                          |       | (TCV_supported := C_Yes)                                                                                         |      |   |          |
| 52                          |       | [C_Yes]                                                                                                          |      |   |          |
| <b>Detailed Comments:</b>   |       |                                                                                                                  |      |   |          |

| Test Step Dynamic Behaviour |            |                                                                                                          |      |     |                              |
|-----------------------------|------------|----------------------------------------------------------------------------------------------------------|------|-----|------------------------------|
| <b>Test Step Name:</b>      |            | Timadv_Pwrlvl_chk(k, y:INTEGER; pwrlvl:B_5)                                                              |      |     |                              |
| <b>Group:</b>               |            | GSM_L3_MS_v4210/Miscellaneous/                                                                           |      |     |                              |
| <b>Objective:</b>           |            | To check whether the power level and the timing advance in L1 head is correct.                           |      |     |                              |
| <b>Default:</b>             |            | OtherEvents                                                                                              |      |     |                              |
| Nr                          | Label      | Behaviour Description                                                                                    | CRef | V   | Comments                     |
| 1                           |            | (TCV_temp1 := BIT_TO_INT(TCV_L1Head.ta),<br>TCV_temp2 := (k*2 + y) MOD 256)                              |      |     |                              |
| 2                           | L_104<br>5 | [(TCV_temp2 >= 60) OR (TCV_temp2 = 0)<br>OR(TCV_temp1 > 63)]                                             |      | (I) |                              |
| 3                           | L_091<br>7 | [(TCV_temp2 >= TCV_temp1 - 2) AND<br>(TCV_temp2 <= TCV_temp1 + 2) AND<br>(TCV_L1Head.mspwrlvl = pwrlvl)] |      | (P) | TA must be within +/- 2 bits |
| 4                           | L_091<br>8 | [C_Yes]                                                                                                  |      | (F) |                              |
| <b>Detailed Comments:</b>   |            |                                                                                                          |      |     |                              |

| Test Step Dynamic Behaviour |            |                                                         |                                                      |     |          |
|-----------------------------|------------|---------------------------------------------------------|------------------------------------------------------|-----|----------|
| <b>Test Step Name:</b>      |            | TmsiReallocation(par_mi:MI; mcc, mnc, lac: OCTETSTRING) |                                                      |     |          |
| <b>Group:</b>               |            | GSM_L3_MS_v4210/Miscellaneous/                          |                                                      |     |          |
| <b>Objective:</b>           |            |                                                         |                                                      |     |          |
| <b>Default:</b>             |            | OtherEventsFail                                         |                                                      |     |          |
| Nr                          | Label      | Behaviour Description                                   | CRef                                                 | V   | Comments |
| 1                           |            | L!DL_DatRqTmsireCmd                                     | TmsiReallocSnd(<br>par_mi, TCV_ch,<br>mcc, mnc, lac) |     |          |
| 2                           | L_091<br>9 | L?DL_DatInTmsireCom                                     | TmsiReallocCmp(<br>TCV_ch)                           | (P) |          |
| <b>Detailed Comments:</b>   |            |                                                         |                                                      |     |          |

| Test Step Dynamic Behaviour |       |                                                   |      |   |          |
|-----------------------------|-------|---------------------------------------------------|------|---|----------|
| <b>Test Step Name:</b>      |       | Varinit_tch(arfcngsm, arfcndcs:INTEGER)           |      |   |          |
| <b>Group:</b>               |       | GSM_L3_MS_v4210/Miscellaneous/                    |      |   |          |
| <b>Objective:</b>           |       | To assign an initial arfcn value to TCV_tch_arfcn |      |   |          |
| <b>Default:</b>             |       | OtherEventsFail                                   |      |   |          |
| Nr                          | Label | Behaviour Description                             | CRef | V | Comments |
| 1                           |       | [TSPC_PGSM OR TSPC_EGSM]                          |      |   |          |
| 2                           |       | (TCV_tch_arfcn:= arfcngsm)                        |      |   |          |
| 3                           |       | [TSPC_DCS]                                        |      |   |          |
| 4                           |       | (TCV_tch_arfcn:= arfcndcs)                        |      |   |          |
| <b>Detailed Comments:</b>   |       |                                                   |      |   |          |

| Test Step Dynamic Behaviour |       |                                                                                                                                                                                                                                 |      |   |          |
|-----------------------------|-------|---------------------------------------------------------------------------------------------------------------------------------------------------------------------------------------------------------------------------------|------|---|----------|
| <b>Test Step Name:</b>      |       | Varinit_fix( activ_cell:CellID; lac:OCTETSTRING; subch:B_2; cksn:B_3; rand:RAND; arfcngsm, arfncdcs:INTEGER; ccd: CCD; imsi:HEXSTRING)                                                                                          |      |   |          |
| <b>Group:</b>               |       | GSM_L3_MS_v4210/Miscellaneous/                                                                                                                                                                                                  |      |   |          |
| <b>Objective:</b>           |       | OtherEventsFail                                                                                                                                                                                                                 |      |   |          |
| <b>Default:</b>             |       | OtherEventsFail                                                                                                                                                                                                                 |      |   |          |
| Nr                          | Label | Behaviour Description                                                                                                                                                                                                           | CRef | V | Comments |
| 1                           |       | (TCV_cellid := activ_cell, TCV_ch := OC_SubchOfSdcch4( subch, activ_cell), TCV_sacch := OC_SubchOfSacch4( subch, activ_cell), TCV_ia_ts := '000'B, TCV_lac := lac, TCV_ksn := cksn, TCV_CphKey := OC_CphKeyGen( TSPX_Ki, rand)) |      |   |          |
| 2                           |       | +CCCH_group_Paging_group( ccd, imsi)                                                                                                                                                                                            |      |   |          |
| 3                           |       | +SelectPagingCh( activ_cell)                                                                                                                                                                                                    |      |   |          |
| 4                           |       | [TSPC_PGSM OR TSPC_EGSM]                                                                                                                                                                                                        |      |   |          |
| 5                           |       | (TCV_chdescr_arfcn:= arfcngsm)                                                                                                                                                                                                  |      |   |          |
| 6                           |       | [TSPC_DCS]                                                                                                                                                                                                                      |      |   |          |
| 7                           |       | (TCV_chdescr_arfcn:= arfncdcs)                                                                                                                                                                                                  |      |   |          |
| <b>Detailed Comments:</b>   |       |                                                                                                                                                                                                                                 |      |   |          |

| Test Step Dynamic Behaviour                                                                                                                   |       |                                                         |      |   |          |
|-----------------------------------------------------------------------------------------------------------------------------------------------|-------|---------------------------------------------------------|------|---|----------|
| <b>Test Step Name:</b>                                                                                                                        |       | Wait(par_int:INTEGER)                                   |      |   |          |
| <b>Group:</b>                                                                                                                                 |       | GSM_L3_MS_v4210/Miscellaneous/                          |      |   |          |
| <b>Objective:</b>                                                                                                                             |       | OtherEventsFail                                         |      |   |          |
| <b>Default:</b>                                                                                                                               |       | OtherEventsFail                                         |      |   |          |
| <b>Comments:</b>                                                                                                                              |       | To check whether MS doesn't initiate any RR connections |      |   |          |
| Nr                                                                                                                                            | Label | Behaviour Description                                   | CRef | V | Comments |
| 1                                                                                                                                             |       | START T_dly(par_int)                                    |      |   |          |
| 2                                                                                                                                             |       | ?TIMEOUT T_dly                                          |      |   |          |
| <b>Detailed Comments:</b> This test step can be used, e.g. for 1s. delay of a PAGING REQUEST message following immediately a CHANNEL RELEASE. |       |                                                         |      |   |          |

| Test Step Dynamic Behaviour |       |                                                         |      |   |          |
|-----------------------------|-------|---------------------------------------------------------|------|---|----------|
| <b>Test Step Name:</b>      |       | WaitForInService                                        |      |   |          |
| <b>Group:</b>               |       | GSM_L3_MS_v4210/Miscellaneous/                          |      |   |          |
| <b>Objective:</b>           |       | To wait until the MS enters the Idle and updated state. |      |   |          |
| <b>Default:</b>             |       | OtherEvents                                             |      |   |          |
| Nr                          | Label | Behaviour Description                                   | CRef | V | Comments |
| 1                           |       | (TCV_Null:=OM_PgFill(TCV_cellid, PgReqTp1Reorg))        |      |   |          |
| 2                           |       | START T_dly(5000)                                       |      |   |          |
| 3                           |       | ?TIMEOUT T_dly                                          |      |   |          |
| 4                           |       | (TCV_Null:=OM_PgFill(TCV_cellid, PgReqTp1Norm))         |      |   |          |
| <b>Detailed Comments:</b>   |       |                                                         |      |   |          |

## Test Step Group SysInfo

| Test Step Dynamic Behaviour |       |                                                                                                                                                                                                                                                                                           |      |   |          |
|-----------------------------|-------|-------------------------------------------------------------------------------------------------------------------------------------------------------------------------------------------------------------------------------------------------------------------------------------------|------|---|----------|
| <b>Test Step Name:</b>      |       | ChgLAC_A(t, retr, neci, att:INTEGER; babr, cch_con, bpm:B_3; t3212:OCTETSTRING; mcc, mnc, lac:OCTETSTRING)                                                                                                                                                                                |      |   |          |
| <b>Group:</b>               |       | GSM_L3_MS_v4210/Miscellaneous/SysInfo/                                                                                                                                                                                                                                                    |      |   |          |
| <b>Objective:</b>           |       | To change the LAC of cell A and of System Information Messages according to used testcase.                                                                                                                                                                                                |      |   |          |
| <b>Default:</b>             |       | OtherEvents                                                                                                                                                                                                                                                                               |      |   |          |
| Nr                          | Label | Behaviour Description                                                                                                                                                                                                                                                                     | CRef | V | Comments |
| 1                           |       | +SysInfoSending_fh( C_SCH_A, C_BCCH_A_1, t, retr, neci, att, babr, cch_con, bpm, t3212, C_ci_cellA, mcc, mnc, lac, CellOpt_01, CellChDes_04, CellChDes_03, C_CellReselectHys12, C_MaxPwrLvlG, C_MaxPwrLvlD, BcchFreqLst_01, BcchFreqLst_48, C_noRestablishment, C_BCC, C_NCC_1, C_NCCP_2) |      |   |          |
| 2                           |       | (TCV_Ccd0A := TCV_Ccd0H, TCV_sysinfo5 := TCV_sysinf5, TCV_sysinfo6 := TCV_sysinf6)                                                                                                                                                                                                        |      |   |          |
| 3                           |       | +SysInfo_SacchSending(TCV_sacch, TCV_sysinfo5, TCV_sysinfo6)                                                                                                                                                                                                                              |      |   |          |
| <b>Detailed Comments:</b>   |       |                                                                                                                                                                                                                                                                                           |      |   |          |

| Test Step Dynamic Behaviour |       |                                                                                                                                                                                                                                                                                           |      |   |          |
|-----------------------------|-------|-------------------------------------------------------------------------------------------------------------------------------------------------------------------------------------------------------------------------------------------------------------------------------------------|------|---|----------|
| <b>Test Step Name:</b>      |       | ChgLAC_B(t, retr, neci, att:INTEGER; babr, cch_con, bpm:B_3; t3212:OCTETSTRING; mcc, mnc, lac:OCTETSTRING)                                                                                                                                                                                |      |   |          |
| <b>Group:</b>               |       | GSM_L3_MS_v4210/Miscellaneous/SysInfo/                                                                                                                                                                                                                                                    |      |   |          |
| <b>Objective:</b>           |       | To change the LAC of cell B and of System Information Messages according to used testcase.                                                                                                                                                                                                |      |   |          |
| <b>Default:</b>             |       | OtherEvents                                                                                                                                                                                                                                                                               |      |   |          |
| Nr                          | Label | Behaviour Description                                                                                                                                                                                                                                                                     | CRef | V | Comments |
| 1                           |       | +SysInfoSending_fh( C_SCH_B, C_BCCH_B_1, t, retr, neci, att, babr, cch_con, bpm, t3212, C_ci_cellB, mcc, mnc, lac, CellOpt_01, CellChDes_04, CellChDes_03, C_CellReselectHys12, C_MaxPwrLvlG, C_MaxPwrLvlD, BcchFreqLst_01, BcchFreqLst_48, C_noRestablishment, C_BCC, C_NCC_1, C_NCCP_2) |      |   |          |
| 2                           |       | (TCV_Ccd0B := TCV_Ccd0H, TCV_sysinfo5_B := TCV_sysinf5, TCV_sysinfo6_B := TCV_sysinf6)                                                                                                                                                                                                    |      |   |          |
| 3                           |       | +SysInfo_SacchSending( TCV_sacch_B, TCV_sysinfo5_B, TCV_sysinfo6_B)                                                                                                                                                                                                                       |      |   |          |
| <b>Detailed Comments:</b>   |       |                                                                                                                                                                                                                                                                                           |      |   |          |

| Test Step Dynamic Behaviour |       |                                                                                                                    |                                                                                                                                                              |   |          |
|-----------------------------|-------|--------------------------------------------------------------------------------------------------------------------|--------------------------------------------------------------------------------------------------------------------------------------------------------------|---|----------|
| <b>Test Step Name:</b>      |       | ChgLAI_C( att:INTEGER; babr, cch_con, bpm:B_3; t3212, mcc, par_mnc, lac:OCTETSTRING)                               |                                                                                                                                                              |   |          |
| <b>Group:</b>               |       | GSM_L3_MS_v4210/Miscellaneous/SysInfo/                                                                             |                                                                                                                                                              |   |          |
| <b>Objective:</b>           |       | To change the LAI of cell C to HPLMN.                                                                              |                                                                                                                                                              |   |          |
| <b>Default:</b>             |       | OtherEvents                                                                                                        |                                                                                                                                                              |   |          |
| Nr                          | Label | Behaviour Description                                                                                              | CRef                                                                                                                                                         | V | Comments |
| 1                           |       | (TCV_Tx := '0010'B, TCV_Max := '00'B, TCV_Neci := '0'B, TCV_Ccd0C := CntrlChDscrp(att, babr, cch_con, bpm, t3212)) |                                                                                                                                                              |   |          |
| 2                           |       | [TSPC_PGSM OR TSPC_EGSM]                                                                                           |                                                                                                                                                              |   |          |
| 3                           |       | LIDL_UdatRqSysinfo4                                                                                                | SysInfo4(C_BCCH_C_1, mcc, par_mnc, lac, C_CellReselectHys12, C_MaxPwrLvlG, TCV_Neci, TCV_Max, TCV_Tx, C_noRestablishment)                                    |   |          |
| 4                           |       | LIDL_UdatRqSysinfo6                                                                                                | SysInfo6(TCV_sacch_C, SysInf6( C_ci_cellC, mcc, par_mnc, lac, CellOpt_01))                                                                                   |   |          |
| 5                           |       | LIDL_UdatRqSysinfo3                                                                                                | SysInfo3(C_BCCH_C_1, C_ci_cellC, mcc, par_mnc, lac, TCV_Ccd0C, CellOpt_01, C_CellReselectHys12, C_MaxPwrLvlG, TCV_Neci, TCV_Max, TCV_Tx, C_noRestablishment) |   |          |
| 6                           |       | [TSPC_DCS]                                                                                                         |                                                                                                                                                              |   |          |
| 7                           |       | LIDL_UdatRqSysinfo4                                                                                                | SysInfo4(C_BCCH_C_1, mcc, par_mnc, lac, C_CellReselectHys12, C_MaxPwrLvlD, TCV_Neci, TCV_Max, TCV_Tx, C_noRestablishment)                                    |   |          |
| 8                           |       | LIDL_UdatRqSysinfo6                                                                                                | SysInfo6(TCV_sacch_C, SysInf6( C_ci_cellC, mcc, par_mnc, lac, CellOpt_01))                                                                                   |   |          |
| 9                           |       | LIDL_UdatRqSysinfo3                                                                                                | SysInfo3(C_BCCH_C_1, C_ci_cellC, mcc, par_mnc, lac, TCV_Ccd0C, CellOpt_01, C_CellReselectHys12, C_MaxPwrLvlD, TCV_Neci, TCV_Max, TCV_Tx, C_noRestablishment) |   |          |
| <b>Detailed Comments:</b>   |       |                                                                                                                    |                                                                                                                                                              |   |          |



| Test Step Dynamic Behaviour |       |                                                                                                                                                                                                                                                                |                                                                                                                                         |   |          |
|-----------------------------|-------|----------------------------------------------------------------------------------------------------------------------------------------------------------------------------------------------------------------------------------------------------------------|-----------------------------------------------------------------------------------------------------------------------------------------|---|----------|
| <b>Test Step Name:</b>      |       | SysInfoSending_cbms( sch, bcch:LOGICCH; t, retr, neci, att:INTEGER; babr, cch_con, bpm:B_3; t3212:OCTETSTRING; ci:CI; mcc, mnc, lac:OCTETSTRING; co:CO; crh, mtmcgsm, mtmcdcs:INTEGER; bcchflgsm, bcchfldcs:NCD; Re:B_1; bcc:BCC; ncc:NCC; nccp:NCCP; Sub:B_2) |                                                                                                                                         |   |          |
| <b>Group:</b>               |       | GSM_L3_MS_v4210/Miscellaneous/SysInfo/                                                                                                                                                                                                                         |                                                                                                                                         |   |          |
| <b>Objective:</b>           |       | To send system information messages for the CBMS tests.                                                                                                                                                                                                        |                                                                                                                                         |   |          |
| <b>Default:</b>             |       | OtherEvents                                                                                                                                                                                                                                                    |                                                                                                                                         |   |          |
| Nr                          | Label | Behaviour Description                                                                                                                                                                                                                                          | CRef                                                                                                                                    | V | Comments |
| 1                           |       | (TCV_Tx := OC_CnvtTx(t), TCV_Max := OC_CnvtMax(retr), TCV_Neci := INT_TO_BIT(neci,1), TCV_Ccd0H := CntrlChDscrp(att, babr, cch_con, bpm, t3212), TCV_Tchtype := INT_TO_BIT((4 + BIT_TO_INT( Sub)), 5))                                                         |                                                                                                                                         |   |          |
| 2                           |       | (TCV_sysinf6 := SysInf6( ci, mcc, mnc, lac, co))                                                                                                                                                                                                               |                                                                                                                                         |   |          |
| 3                           |       | LIDL_UdatRqSchinfo                                                                                                                                                                                                                                             | SyncInfo( sch, bcc, ncc)                                                                                                                |   |          |
| 4                           |       | +ltree_sysinfo                                                                                                                                                                                                                                                 |                                                                                                                                         |   |          |
|                             |       | <b>ltree_sysinfo</b>                                                                                                                                                                                                                                           |                                                                                                                                         |   |          |
| 5                           |       | [TSPC_PGSM OR TSPC_EGSM]                                                                                                                                                                                                                                       |                                                                                                                                         |   |          |
| 6                           |       | LIDL_UdatRqSysinfo4                                                                                                                                                                                                                                            | SysInfo4_CBMS( bcch, mcc, mnc, lac, crh, mtmcgsm, TCV_Neci, TCV_Max, TCV_Tx, Re, ChDescrp_nfhiei( TCV_Tchtype, C_S0, C_BCC, C_arfcnA))  |   |          |
| 7                           |       | LIDL_UdatRqSysinfo2                                                                                                                                                                                                                                            | SysInfo2( bcch, bcchflgsm, TCV_Max, TCV_Tx, Re, nccp)                                                                                   |   |          |
| 8                           |       | LIDL_UdatRqSysinfo1_nh                                                                                                                                                                                                                                         | SysInfo1_nh( bcch, ci, mcc, mnc, lac, TCV_Ccd0H, co, crh, mtmcgsm, TCV_Neci, TCV_Max, TCV_Tx, Re)                                       |   |          |
| 9                           |       | LIDL_UdatRqSysinfo3                                                                                                                                                                                                                                            | SysInfo3( bcch, ci, mcc, mnc, lac, TCV_Ccd0H, co, crh, mtmcgsm, TCV_Neci, TCV_Max, TCV_Tx, Re)                                          |   |          |
| 10                          |       | (TCV_sysinf5 := SysInf5(bcchflgsm))                                                                                                                                                                                                                            |                                                                                                                                         |   |          |
| 11                          |       | [TSPC_DCS]                                                                                                                                                                                                                                                     |                                                                                                                                         |   |          |
| 12                          |       | LIDL_UdatRqSysinfo4                                                                                                                                                                                                                                            | SysInfo4_CBMS( bcch, mcc, mnc, lac, crh, mtmcdcs, TCV_Neci, TCV_Max, TCV_Tx, Re, ChDescrp_nfhiei( TCV_Tchtype, C_S0, C_BCC, C_arfcnAd)) |   |          |
| 13                          |       | LIDL_UdatRqSysinfo2                                                                                                                                                                                                                                            | SysInfo2( bcch, bcchfldcs, TCV_Max, TCV_Tx, Re, nccp)                                                                                   |   |          |
| 14                          |       | LIDL_UdatRqSysinfo1_nh                                                                                                                                                                                                                                         | SysInfo1_nh( bcch, ci, mcc, mnc, lac, TCV_Ccd0H, co, crh, mtmcdcs, TCV_Neci, TCV_Max, TCV_Tx, Re)                                       |   |          |
| 15                          |       | LIDL_UdatRqSysinfo3                                                                                                                                                                                                                                            | SysInfo3( bcch, ci, mcc, mnc, lac, TCV_Ccd0H, co, crh, mtmcdcs, TCV_Neci, TCV_Max, TCV_Tx, Re)                                          |   |          |
| 16                          |       | (TCV_sysinf5 := SysInf5(bcchfldcs))                                                                                                                                                                                                                            |                                                                                                                                         |   |          |
| <b>Detailed Comments:</b>   |       |                                                                                                                                                                                                                                                                |                                                                                                                                         |   |          |

**Test Step Dynamic Behaviour**

**Test Step Name:** SysInfoSending\_fh( sch, bcch:LOGICCH; t, retr, neci, att:INTEGER; babr, cch\_con, bpm:B\_3; t3212:OCTETSTRING; ci:CI; mcc, mnc, lac:OCTETSTRING; co:CO; cchdgs, cchddcs:CCHD; crh, mtmcgs, mtmcdcs:INTEGER; bcchflgs, bcchfldcs:NCD; Re:B\_1; bcc:BCC; ncc:NCC; nccp:NCCP)

**Group:** GSM\_L3\_MS\_v4210/Miscellaneous/SysInfo/

**Objective:** To send system information messages for the L3 tests. The following parameters specified by input parameters:

- bcch: BCCH
- sch: SCH
- bcchfl: BCCH frequency list
- ci: Cell identity
- lai: Location area identification
- ccd: Control channel description
- csp: Cell selection parameters
- cchd: Cell channel description
- rachcpar: RACH controll paramenters

**Default:** OtherEvents

| Nr | Label | Behaviour Description                                                                                                                               | CRef                                                                                           | V | Comments |
|----|-------|-----------------------------------------------------------------------------------------------------------------------------------------------------|------------------------------------------------------------------------------------------------|---|----------|
| 1  |       | (TCV_Tx := OC_CnvtTx( t), TCV_Max := OC_CnvtMax( retr), TCV_Neci := INT_TO_BIT(neci,1), TCV_Ccd0H := CntrlChDscrp( att, babr, cch_con, bpm, t3212)) |                                                                                                |   |          |
| 2  |       | (TCV_sysinf6 := SysInf6(ci, mcc, mnc, lac, co))                                                                                                     |                                                                                                |   |          |
| 3  |       | LIDL_UdatRqSchinfo                                                                                                                                  | SyncInfo( sch, bcc, ncc)                                                                       |   |          |
| 4  |       | +ltree_sysinfo                                                                                                                                      |                                                                                                |   |          |
| 5  |       | <b>ltree_sysinfo</b>                                                                                                                                |                                                                                                |   |          |
| 6  |       | [TSPC_PGSM OR TSPC_EGSM]                                                                                                                            |                                                                                                |   |          |
| 7  |       | LIDL_UdatRqSysinfo1                                                                                                                                 | SysInfo1( bcch, cchdgs, TCV_Max, TCV_Tx, Re)                                                   |   |          |
| 8  |       | LIDL_UdatRqSysinfo2                                                                                                                                 | SysInfo2( bcch, bcchflgs, TCV_Max, TCV_Tx, Re, nccp)                                           |   |          |
| 9  |       | LIDL_UdatRqSysinfo3                                                                                                                                 | SysInfo3( bcch, ci, mcc, mnc, lac, TCV_Ccd0H, co, crh, mtmcgs, TCV_Neci, TCV_Max, TCV_Tx, Re)  |   |          |
| 10 |       | LIDL_UdatRqSysinfo4                                                                                                                                 | SysInfo4( bcch, mcc, mnc, lac, crh, mtmcgs, TCV_Neci, TCV_Max, TCV_Tx, Re)                     |   |          |
| 11 |       | (TCV_sysinf5 := SysInf5(bcchflgs))                                                                                                                  |                                                                                                |   |          |
| 12 |       | [TSPC_DCS]                                                                                                                                          |                                                                                                |   |          |
| 13 |       | LIDL_UdatRqSysinfo1                                                                                                                                 | SysInfo1( bcch, cchddcs, TCV_Max, TCV_Tx, Re)                                                  |   |          |
| 14 |       | LIDL_UdatRqSysinfo2                                                                                                                                 | SysInfo2( bcch, bcchfldcs, TCV_Max, TCV_Tx, Re, nccp)                                          |   |          |
| 15 |       | LIDL_UdatRqSysinfo3                                                                                                                                 | SysInfo3( bcch, ci, mcc, mnc, lac, TCV_Ccd0H, co, crh, mtmcdcs, TCV_Neci, TCV_Max, TCV_Tx, Re) |   |          |
| 16 |       | LIDL_UdatRqSysinfo4                                                                                                                                 | SysInfo4( bcch, mcc, mnc, lac, crh, mtmcdcs, TCV_Neci, TCV_Max, TCV_Tx, Re)                    |   |          |
| 17 |       | (TCV_sysinf5 := SysInf5(bcchfldcs), TCV_sysinf6.co.pwrc := '1'B)                                                                                    |                                                                                                |   |          |

**Detailed Comments:**

| Test Step Dynamic Behaviour |       |                                                                                                                                                                                                                                                                                |                                                                                                  |   |          |
|-----------------------------|-------|--------------------------------------------------------------------------------------------------------------------------------------------------------------------------------------------------------------------------------------------------------------------------------|--------------------------------------------------------------------------------------------------|---|----------|
| <b>Test Step Name:</b>      |       | SysInfoSending_nfh( sch, bcch:LOGICCH; t, retr, neci, att: INTEGER; babr, cch_con, bpm:B_3; t3212:OCTETSTRING; ci:CI; mcc, mnc, lac:OCTETSTRING; co:CO; crh, mtmcgsm, mtmcdcs:INTEGER; bcchflgsm, bcflaltgsm, bcchfldcs, bcflaltcdcs:NCD; Re:B_1; bcc:BCC; ncc:NCC; nccp:NCCP) |                                                                                                  |   |          |
| <b>Group:</b>               |       | GSM_L3_MS_v4210/Miscellaneous/SysInfo/                                                                                                                                                                                                                                         |                                                                                                  |   |          |
| <b>Objective:</b>           |       | To send system information messages with default parameters defined for the L3 tests for which no special parameters indicated.                                                                                                                                                |                                                                                                  |   |          |
| <b>Default:</b>             |       | OtherEvents                                                                                                                                                                                                                                                                    |                                                                                                  |   |          |
| Nr                          | Label | Behaviour Description                                                                                                                                                                                                                                                          | CRef                                                                                             | V | Comments |
| 1                           |       | (TCV_Tx := OC_CnvtTx(t), TCV_Max := OC_CnvtMax(retr), TCV_Neci := INT_TO_BIT(neci,1), TCV_Ccd0H := CntrlChDscrp(att, babr, cch_con, bpm, t3212))                                                                                                                               |                                                                                                  |   |          |
| 2                           |       | (TCV_sysinf6 := SysInf6(ci, mcc, mnc, lac, co))                                                                                                                                                                                                                                |                                                                                                  |   |          |
| 3                           |       | LIDL_UdatRqSchinfo                                                                                                                                                                                                                                                             | SynclInfo( sch, bcc, ncc)                                                                        |   |          |
| 4                           |       | +gsmOrDcs                                                                                                                                                                                                                                                                      |                                                                                                  |   |          |
|                             |       | <b>gsmOrDcs</b>                                                                                                                                                                                                                                                                |                                                                                                  |   |          |
| 5                           |       | [TSPC_PGSM OR TSPC_EGSM]                                                                                                                                                                                                                                                       |                                                                                                  |   | 1.       |
| 6                           |       | LIDL_UdatRqSysinfo4                                                                                                                                                                                                                                                            | SysInfo4(bcch, mcc, mnc, lac, crh, mtmcgsm, TCV_Neci, TCV_Max, TCV_Tx, Re)                       |   |          |
| 7                           |       | LIDL_UdatRqSysinfo1_nh                                                                                                                                                                                                                                                         | SysInfo1_nh(bcch, ci, mcc, mnc, lac, TCV_Ccd0H, co, crh, mtmcgsm, TCV_Neci, TCV_Max, TCV_Tx, Re) |   |          |
| 8                           |       | LIDL_UdatRqSysinfo3                                                                                                                                                                                                                                                            | SysInfo3(bcch, ci, mcc, mnc, lac, TCV_Ccd0H, co, crh, mtmcgsm, TCV_Neci, TCV_Max, TCV_Tx, Re)    |   |          |
| 9                           |       | [NOT TSPX_AltNb]                                                                                                                                                                                                                                                               |                                                                                                  |   | 3.       |
| 10                          |       | LIDL_UdatRqSysinfo2                                                                                                                                                                                                                                                            | SysInfo2(bcch, bcchflgsm, TCV_Max, TCV_Tx, Re, nccp)                                             |   |          |
| 11                          |       | (TCV_sysinf5 := SysInf5(bcchflgsm))                                                                                                                                                                                                                                            |                                                                                                  |   |          |
| 12                          |       | [TSPX_AltNb]                                                                                                                                                                                                                                                                   |                                                                                                  |   | 4.       |
| 13                          |       | LIDL_UdatRqSysinfo2                                                                                                                                                                                                                                                            | SysInfo2(bcch, bcflaltgsm, TCV_Max, TCV_Tx, Re, nccp)                                            |   |          |
| 14                          |       | (TCV_sysinf5 := SysInf5(bcflaltgsm))                                                                                                                                                                                                                                           |                                                                                                  |   |          |
| 15                          |       | [TSPC_DCS]                                                                                                                                                                                                                                                                     |                                                                                                  |   | 2.       |
| 16                          |       | LIDL_UdatRqSysinfo4                                                                                                                                                                                                                                                            | SysInfo4(bcch, mcc, mnc, lac, crh, mtmcdcs, TCV_Neci, TCV_Max, TCV_Tx, Re)                       |   |          |
| 17                          |       | LIDL_UdatRqSysinfo1_nh                                                                                                                                                                                                                                                         | SysInfo1_nh(bcch, ci, mcc, mnc, lac, TCV_Ccd0H, co, crh, mtmcdcs, TCV_Neci, TCV_Max, TCV_Tx, Re) |   |          |
| 18                          |       | LIDL_UdatRqSysinfo3                                                                                                                                                                                                                                                            | SysInfo3(bcch, ci, mcc, mnc, lac, TCV_Ccd0H, co, crh, mtmcdcs, TCV_Neci, TCV_Max, TCV_Tx, Re)    |   |          |
| 19                          |       | [NOT TSPX_AltNb]                                                                                                                                                                                                                                                               |                                                                                                  |   | 3.       |
| 20                          |       | LIDL_UdatRqSysinfo2                                                                                                                                                                                                                                                            | SysInfo2(bcch, bcchfldcs, TCV_Max, TCV_Tx, Re, nccp)                                             |   |          |
| 21                          |       | (TCV_sysinf5 := SysInf5(bcchfldcs))                                                                                                                                                                                                                                            |                                                                                                  |   |          |

|                                                    |  |                                      |                                                             |    |
|----------------------------------------------------|--|--------------------------------------|-------------------------------------------------------------|----|
| 22                                                 |  | [TSPX_AltNb]                         |                                                             |    |
| 23                                                 |  | L!DL_UdatRqSysinfo2                  | SysInfo2(bcch,<br>bcflaltdcs, TCV_Max,<br>TCV_Tx, Re, nccp) | 4. |
| 24                                                 |  | (TCV_sysinf5 := SysInf5(bcflaltdcs)) |                                                             |    |
| <b>Detailed Comments:</b>                          |  |                                      |                                                             |    |
| 1. For GSM900 mobile station testing.              |  |                                      |                                                             |    |
| 2. For DCS1800 mobile station testing.             |  |                                      |                                                             |    |
| 3. To use alternative neighbour cells description. |  |                                      |                                                             |    |
| 4. To use default neighbour cells description.     |  |                                      |                                                             |    |

| Test Step Dynamic Behaviour |       |                                                                                                                                                                                                                                                                                  |                                                                                                  |   |          |
|-----------------------------|-------|----------------------------------------------------------------------------------------------------------------------------------------------------------------------------------------------------------------------------------------------------------------------------------|--------------------------------------------------------------------------------------------------|---|----------|
| <b>Test Step Name:</b>      |       | SysInfoSending_nfhCb( sch, bcch:LOGICCH; t, retr, neci, att: INTEGER; babr, cch_con, bpm:B_3; t3212:OCTETSTRING; ci:CI; mcc, mnc, lac:OCTETSTRING; co:CO; crh, mtmcgsm, mtmcdcs:INTEGER; bcchflgsm, bcflaltgsm, bcchfldcs, bcflaltcdcs:NCD; Re:B_1; bcc:BCC; ncc:NCC; nccp:NCCP) |                                                                                                  |   |          |
| <b>Group:</b>               |       | GSM_L3_MS_v4210/Miscellaneous/SysInfo/                                                                                                                                                                                                                                           |                                                                                                  |   |          |
| <b>Objective:</b>           |       | To send system information messages with default parameters defined for the L3 tests for which no special parameters indicated.                                                                                                                                                  |                                                                                                  |   |          |
| <b>Default:</b>             |       | OtherEvents                                                                                                                                                                                                                                                                      |                                                                                                  |   |          |
| Nr                          | Label | Behaviour Description                                                                                                                                                                                                                                                            | CRef                                                                                             | V | Comments |
| 1                           |       | (TCV_Tx := OC_CnvtTx(t), TCV_Max := OC_CnvtMax(retr), TCV_Neci := INT_TO_BIT(neci,1), TCV_Ccd0H := CntrlChDscrp(att, babr, cch_con, bpm, t3212))                                                                                                                                 |                                                                                                  |   |          |
| 2                           |       | (TCV_sysinf6 := SysInf6(ci, mcc, mnc, lac, co))                                                                                                                                                                                                                                  |                                                                                                  |   |          |
| 3                           |       | LIDL_UdatRqSchinfo                                                                                                                                                                                                                                                               | SyncInfo( sch, bcc, ncc)                                                                         |   |          |
| 4                           |       | +gsmOrDcs                                                                                                                                                                                                                                                                        |                                                                                                  |   |          |
|                             |       | <b>gsmOrDcs</b>                                                                                                                                                                                                                                                                  |                                                                                                  |   |          |
| 5                           |       | [TSPC_PGSM OR TSPC_EGSM]                                                                                                                                                                                                                                                         |                                                                                                  |   | 1.       |
| 6                           |       | LIDL_UdatRqSysinfo4<br>(DL_UdatRqSysinfo4.msg.rachp.cba := '1'B)                                                                                                                                                                                                                 | SysInfo4(bcch, mcc, mnc, lac, crh, mtmcgsm, TCV_Neci, TCV_Max, TCV_Tx, Re)                       |   |          |
| 7                           |       | LIDL_UdatRqSysinfo1_nh<br>(DL_UdatRqSysinfo1_nh.msg.rachp.cba := '1'B)                                                                                                                                                                                                           | SysInfo1_nh(bcch, ci, mcc, mnc, lac, TCV_Ccd0H, co, crh, mtmcgsm, TCV_Neci, TCV_Max, TCV_Tx, Re) |   |          |
| 8                           |       | LIDL_UdatRqSysinfo3<br>(DL_UdatRqSysinfo3.msg.rachp.cba := '1'B)                                                                                                                                                                                                                 | SysInfo3(bcch, ci, mcc, mnc, lac, TCV_Ccd0H, co, crh, mtmcgsm, TCV_Neci, TCV_Max, TCV_Tx, Re)    |   |          |
| 9                           |       | [NOT TSPX_AltNb]                                                                                                                                                                                                                                                                 |                                                                                                  |   | 3.       |
| 10                          |       | LIDL_UdatRqSysinfo2<br>(DL_UdatRqSysinfo2.msg.rachp.cba := '1'B)                                                                                                                                                                                                                 | SysInfo2(bcch, bcchflgsm, TCV_Max, TCV_Tx, Re, nccp)                                             |   |          |
| 11                          |       | (TCV_sysinf5 := SysInf5(bcchflgsm))                                                                                                                                                                                                                                              |                                                                                                  |   |          |
| 12                          |       | [TSPX_AltNb]                                                                                                                                                                                                                                                                     |                                                                                                  |   | 4.       |
| 13                          |       | LIDL_UdatRqSysinfo2<br>(DL_UdatRqSysinfo2.msg.rachp.cba := '1'B)                                                                                                                                                                                                                 | SysInfo2(bcch, bcflaltgsm, TCV_Max, TCV_Tx, Re, nccp)                                            |   |          |
| 14                          |       | (TCV_sysinf5 := SysInf5(bcflaltgsm))                                                                                                                                                                                                                                             |                                                                                                  |   |          |
| 15                          |       | [TSPC_DCS]                                                                                                                                                                                                                                                                       |                                                                                                  |   | 2.       |
| 16                          |       | LIDL_UdatRqSysinfo4<br>(DL_UdatRqSysinfo4.msg.rachp.cba := '1'B)                                                                                                                                                                                                                 | SysInfo4(bcch, mcc, mnc, lac, crh, mtmcdcs, TCV_Neci, TCV_Max, TCV_Tx, Re)                       |   |          |
| 17                          |       | LIDL_UdatRqSysinfo1_nh<br>(DL_UdatRqSysinfo1_nh.msg.rachp.cba := '1'B)                                                                                                                                                                                                           | SysInfo1_nh(bcch, ci, mcc, mnc, lac, TCV_Ccd0H, co, crh, mtmcdcs, TCV_Neci, TCV_Max, TCV_Tx, Re) |   |          |
| 18                          |       | LIDL_UdatRqSysinfo3<br>(DL_UdatRqSysinfo3.msg.rachp.cba := '1'B)                                                                                                                                                                                                                 | SysInfo3(bcch, ci, mcc, mnc, lac, TCV_Ccd0H, co, crh, mtmcdcs, TCV_Neci, TCV_Max, TCV_Tx, Re)    |   |          |
| 19                          |       | [NOT TSPX_AltNb]                                                                                                                                                                                                                                                                 |                                                                                                  |   | 3.       |
| 20                          |       | LIDL_UdatRqSysinfo2<br>(DL_UdatRqSysinfo2.msg.rachp.cba := '1'B)                                                                                                                                                                                                                 | SysInfo2(bcch, bcchfldcs, TCV_Max, TCV_Tx, Re, nccp)                                             |   |          |
| 21                          |       | (TCV_sysinf5 := SysInf5(bcchfldcs))                                                                                                                                                                                                                                              |                                                                                                  |   |          |

|                                                                                                                                                                                                                                                             |                                                                   |                                                       |    |
|-------------------------------------------------------------------------------------------------------------------------------------------------------------------------------------------------------------------------------------------------------------|-------------------------------------------------------------------|-------------------------------------------------------|----|
| 22                                                                                                                                                                                                                                                          | [TSPX_AltNb]                                                      |                                                       | 4. |
| 23                                                                                                                                                                                                                                                          | L!DL_UdatRqSysinfo2<br>(DL_UdatRqSysinfo2.msg.rachcp.cba := '1'B) | SysInfo2(bcch, bcflaltdcs, TCV_Max, TCV_Tx, Re, nccp) |    |
| 24                                                                                                                                                                                                                                                          | (TCV_sysinf5 := SysInf5(bcflaltdcs))                              |                                                       |    |
| <b>Detailed Comments:</b>                                                                                                                                                                                                                                   |                                                                   |                                                       |    |
| <ol style="list-style-type: none"> <li>1. For GSM900 mobile station testing.</li> <li>2. For DCS1800 mobile station testing.</li> <li>3. To use alternative neighbour cells description.</li> <li>4. To use default neighbour cells description.</li> </ol> |                                                                   |                                                       |    |

| <b>Test Step Dynamic Behaviour</b>                                                                                                                                                                                                                                               |       |                                                                                                                                                  |                                                                                                 |   |          |
|----------------------------------------------------------------------------------------------------------------------------------------------------------------------------------------------------------------------------------------------------------------------------------|-------|--------------------------------------------------------------------------------------------------------------------------------------------------|-------------------------------------------------------------------------------------------------|---|----------|
| <b>Test Step Name:</b> SysInfoSending_e( sch, bcch:LOGICCH; t, retr, neci, att:INTEGER; babr, cch_con, bpm:B_3; t3212:OCTETSTRING; ci:CI; mcc, mnc, lac:OCTETSTRING; co:CO; cchdgsM:CCHD; crh, mtrmcgsM:INTEGER; bcchflgsM, bcchflegsm:NCD; Re:B_1; bcc:BCC; ncc:NCC; nccp:NCCP) |       |                                                                                                                                                  |                                                                                                 |   |          |
| <b>Group:</b> GSM_L3_MS_v4210/Miscellaneous/SysInfo/                                                                                                                                                                                                                             |       |                                                                                                                                                  |                                                                                                 |   |          |
| <b>Objective:</b> To send SYNCHRONIZATION CHANNEL INFORMATION and SYSTEM INFORMATION messages with default parameters except CCCH_CONF, Tx-integer, Max-Retrans and ATT which are specified by input parameters.                                                                 |       |                                                                                                                                                  |                                                                                                 |   |          |
| <b>Default:</b> OtherEvents                                                                                                                                                                                                                                                      |       |                                                                                                                                                  |                                                                                                 |   |          |
| Nr                                                                                                                                                                                                                                                                               | Label | Behaviour Description                                                                                                                            | CRef                                                                                            | V | Comments |
| 1                                                                                                                                                                                                                                                                                |       | (TCV_Tx := OC_CnvtTx(t), TCV_Max := OC_CnvtMax(retr), TCV_Neci := INT_TO_BIT(neci,1), TCV_Ccd0H := CntrlChDscrp(att, babr, cch_con, bpm, t3212)) |                                                                                                 |   |          |
| 2                                                                                                                                                                                                                                                                                |       | L!DL_UdatRqSchinfo                                                                                                                               | SynInfo( sch, bcc, ncc)                                                                         |   | 1.       |
| 3                                                                                                                                                                                                                                                                                |       | (TCV_sysinf6 := SysInf6( ci, mcc, mnc, lac, co))                                                                                                 |                                                                                                 |   |          |
| 4                                                                                                                                                                                                                                                                                |       | L!DL_UdatRqSysinfo1                                                                                                                              | SysInfo1( bcch, cchdgsM, TCV_Max, TCV_Tx, Re)                                                   |   | 2.       |
| 5                                                                                                                                                                                                                                                                                |       | L!DL_UdatRqSysinfo2<br>(DL_UdatRqSysinfo2.msg.bcchfl.extind := '1'B)                                                                             | SysInfo2( bcch, bcchflgsM, TCV_Max, TCV_Tx, Re, nccp)                                           |   |          |
| 6                                                                                                                                                                                                                                                                                |       | L!DL_UdatRqSysinfo2bis                                                                                                                           | SysInfo2bis( bcch, bcchflegsm)                                                                  |   |          |
| 7                                                                                                                                                                                                                                                                                |       | L!DL_UdatRqSysinfo4                                                                                                                              | SysInfo4( bcch, mcc, mnc, lac, crh, mtrmcgsM, TCV_Neci, TCV_Max, TCV_Tx, Re)                    |   |          |
| 8                                                                                                                                                                                                                                                                                |       | (TCV_sysinf5 := SysInf5( bcchflgsM), TCV_sysinfo5.bcchfl.extind := '1'B)                                                                         |                                                                                                 |   |          |
| 9                                                                                                                                                                                                                                                                                |       | (TCV_sysinfo5bis := SysInf5bis( bcchflegsm))                                                                                                     |                                                                                                 |   |          |
| 10                                                                                                                                                                                                                                                                               |       | L!DL_UdatRqSysinfo3                                                                                                                              | SysInfo3( bcch, ci, mcc, mnc, lac, TCV_Ccd0H, co, crh, mtrmcgsM, TCV_Neci, TCV_Max, TCV_Tx, Re) |   |          |
| <b>Detailed Comments:</b>                                                                                                                                                                                                                                                        |       |                                                                                                                                                  |                                                                                                 |   |          |
| <ol style="list-style-type: none"> <li>1. To send SYNCHRONIZATION INFORMATION message with default parameter for cell A.</li> <li>2. System Information Type 1 with Cell Channel Description for HO-testin in cell A (GSM900).</li> </ol>                                        |       |                                                                                                                                                  |                                                                                                 |   |          |

| Test Step Dynamic Behaviour |            |                                                                                                                                       |                               |   |          |
|-----------------------------|------------|---------------------------------------------------------------------------------------------------------------------------------------|-------------------------------|---|----------|
| <b>Test Step Name:</b>      |            | SysInfo_SacchSending(ch:LOGICCH; sysinfo5_pdu:SYSINFO5_PDU;<br>sysinfo6_pdu:SYSINFO6_PDU)                                             |                               |   |          |
| <b>Group:</b>               |            | GSM_L3_MS_v4210/Miscellaneous/SysInfo/                                                                                                |                               |   |          |
| <b>Objective:</b>           |            | To send SYSTEM INFORMATION 5 and 6 messages defined by parameters 'sysinfo5_pdu' and 'sysinfo6_pdu' in the parametrised 'ch' channel. |                               |   |          |
| <b>Default:</b>             |            | OtherEvents                                                                                                                           |                               |   |          |
| Nr                          | Label      | Behaviour Description                                                                                                                 | CRef                          | V | Comments |
| 1                           |            | [ch <> "dummy"]                                                                                                                       |                               |   |          |
| 2                           |            | L!DL_UdatRqSysinfo6                                                                                                                   | SysInfo6(ch,<br>sysinfo6_pdu) |   |          |
| 3                           |            | L!DL_UdatRqSysinfo5                                                                                                                   | SysInfo5(ch,<br>sysinfo5_pdu) |   |          |
| 4                           | L_092<br>0 | [ch = "dummy"]                                                                                                                        |                               | I |          |
| <b>Detailed Comments:</b>   |            |                                                                                                                                       |                               |   |          |

| Test Step Dynamic Behaviour |            |                                                                                                                   |                                     |   |          |
|-----------------------------|------------|-------------------------------------------------------------------------------------------------------------------|-------------------------------------|---|----------|
| <b>Test Step Name:</b>      |            | SysInfo_5bisSending(ch:LOGICCH; sysinfo5bis_pdu:SYSINFO5bis_PDU)                                                  |                                     |   |          |
| <b>Group:</b>               |            | GSM_L3_MS_v4210/Miscellaneous/SysInfo/                                                                            |                                     |   |          |
| <b>Objective:</b>           |            | To send SYSTEM INFORMATION 5bis message defined by parameters 'sysinfo5bis_pdu' in the parametrised 'ch' channel. |                                     |   |          |
| <b>Default:</b>             |            | OtherEvents                                                                                                       |                                     |   |          |
| Nr                          | Label      | Behaviour Description                                                                                             | CRef                                | V | Comments |
| 1                           |            | [ch <> "dummy"]                                                                                                   |                                     |   |          |
| 2                           |            | L!DL_UdatRqSysinfo5bis                                                                                            | SysInfo5bis(ch,<br>sysinfo5bis_pdu) |   |          |
| 3                           | L_092<br>1 | [ch = "dummy"]                                                                                                    |                                     | I |          |
| <b>Detailed Comments:</b>   |            |                                                                                                                   |                                     |   |          |

| <b>Test Step Dynamic Behaviour</b> |       |                                                                                                                    |                                                                                                                                                        |   |          |
|------------------------------------|-------|--------------------------------------------------------------------------------------------------------------------|--------------------------------------------------------------------------------------------------------------------------------------------------------|---|----------|
| <b>Test Step Name:</b>             |       | SetNECI(att:INTEGER; babr, cch_con, bpm:B_3; t3212, mcc, mnc, lac:OCTETSTRING)                                     |                                                                                                                                                        |   |          |
| <b>Group:</b>                      |       | GSM_L3_MS_v4210/Miscellaneous/SysInfo/                                                                             |                                                                                                                                                        |   |          |
| <b>Objective:</b>                  |       | To set the NECI =1.                                                                                                |                                                                                                                                                        |   |          |
| <b>Default:</b>                    |       | OtherEvents                                                                                                        |                                                                                                                                                        |   |          |
| Nr                                 | Label | Behaviour Description                                                                                              | CRef                                                                                                                                                   | V | Comments |
| 1                                  |       | (TCV_Tx := '0010'B, TCV_Max := '11'B, TCV_Neci := '1'B, TCV_Ccd0A := CntrlChDscrp(att, babr, cch_con, bpm, t3212)) |                                                                                                                                                        |   |          |
| 2                                  |       | [TSPC_PGSM OR TSPC_EGSM]                                                                                           |                                                                                                                                                        |   |          |
| 3                                  |       | LIDL_UdatRqSysinfo4                                                                                                | SysInfo4(C_BCCH_A_1, mcc, mnc, lac, C_CellReselectHys12, C_MaxPwrLvlG, TCV_Neci, TCV_Max, TCV_Tx, C_Restablishment)                                    |   |          |
| 4                                  |       | LIDL_UdatRqSysinfo3                                                                                                | SysInfo3(C_BCCH_A_1, C_ci_cellA, mcc, mnc, lac, TCV_Ccd0A, CellOpt_01, C_CellReselectHys12, C_MaxPwrLvlG, TCV_Neci, TCV_Max, TCV_Tx, C_Restablishment) |   |          |
| 5                                  |       | [TSPC_DCS]                                                                                                         |                                                                                                                                                        |   |          |
| 6                                  |       | LIDL_UdatRqSysinfo4                                                                                                | SysInfo4(C_BCCH_A_1, mcc, mnc, lac, C_CellReselectHys12, C_MaxPwrLvlD, TCV_Neci, TCV_Max, TCV_Tx, C_Restablishment)                                    |   |          |
| 7                                  |       | LIDL_UdatRqSysinfo3                                                                                                | SysInfo3(C_BCCH_A_1, C_ci_cellA, mcc, mnc, lac, TCV_Ccd0A, CellOpt_01, C_CellReselectHys12, C_MaxPwrLvlD, TCV_Neci, TCV_Max, TCV_Tx, C_Restablishment) |   |          |
| <b>Detailed Comments:</b>          |       |                                                                                                                    |                                                                                                                                                        |   |          |



| Test Step Dynamic Behaviour |       |                                                                                                                                                  |                                                                                                                                                            |   |          |
|-----------------------------|-------|--------------------------------------------------------------------------------------------------------------------------------------------------|------------------------------------------------------------------------------------------------------------------------------------------------------------|---|----------|
| <b>Test Step Name:</b>      |       | SetATT(t, retr, att, neci:INTEGER; babr, cch_con, bpm:B_3; t3212, mcc, mnc, lac:OCTETSTRING)                                                     |                                                                                                                                                            |   |          |
| <b>Group:</b>               |       | GSM_L3_MS_v4210/Miscellaneous/SysInfo/                                                                                                           |                                                                                                                                                            |   |          |
| <b>Objective:</b>           |       | To set the ATT flag to "MS's in the cell should apply IMSI attach and detach procedure"                                                          |                                                                                                                                                            |   |          |
| <b>Default:</b>             |       | OtherEvents                                                                                                                                      |                                                                                                                                                            |   |          |
| Nr                          | Label | Behaviour Description                                                                                                                            | CRef                                                                                                                                                       | V | Comments |
| 1                           |       | (TCV_Tx := OC_CnvtTx(t), TCV_Max := OC_CnvtMax(retr), TCV_Neci := INT_TO_BIT(neci,1), TCV_Ccd0A := CntrlChDscrp(att, babr, cch_con, bpm, t3212)) |                                                                                                                                                            |   |          |
| 2                           |       | [TSPC_PGSM OR TSPC_EGSM]                                                                                                                         |                                                                                                                                                            |   | 1.       |
| 3                           |       | LIDL_UdatRqSysinfo1_nh                                                                                                                           | SysInfo1_nh(C_BCC H_A_1, C_ci_cellA, mcc, mnc, lac, TCV_Ccd0A, CellOpt_01, C_CellReselectHys12, C_MaxPwrLvlG, TCV_Neci, TCV_Max, TCV_Tx, C_Restablishment) |   |          |
| 4                           |       | LIDL_UdatRqSysinfo3                                                                                                                              | SysInfo3(C_BCCH_A_1, C_ci_cellA, mcc, mnc, lac, TCV_Ccd0A, CellOpt_01, C_CellReselectHys12, C_MaxPwrLvlG, TCV_Neci, TCV_Max, TCV_Tx, C_Restablishment)     |   |          |
| 5                           |       | START T_dly(5000)                                                                                                                                |                                                                                                                                                            |   | 3.       |
| 6                           |       | ?TIMEOUT T_dly                                                                                                                                   |                                                                                                                                                            |   | 3.       |
| 7                           |       | [TSPC_DCS]                                                                                                                                       |                                                                                                                                                            |   | 2.       |
| 8                           |       | LIDL_UdatRqSysinfo1_nh                                                                                                                           | SysInfo1_nh(C_BCC H_A_1, C_ci_cellA, mcc, mnc, lac, TCV_Ccd0A, CellOpt_01, C_CellReselectHys12, C_MaxPwrLvlD, TCV_Neci, TCV_Max, TCV_Tx, C_Restablishment) |   |          |
| 9                           |       | LIDL_UdatRqSysinfo3                                                                                                                              | SysInfo3(C_BCCH_A_1, C_ci_cellA, mcc, mnc, lac, TCV_Ccd0A, CellOpt_01, C_CellReselectHys12, C_MaxPwrLvlD, TCV_Neci, TCV_Max, TCV_Tx, C_Restablishment)     |   |          |
| 10                          |       | START T_dly(5000)                                                                                                                                |                                                                                                                                                            |   | 3.       |
| 11                          |       | ?TIMEOUT T_dly                                                                                                                                   |                                                                                                                                                            |   | 3.       |
| <b>Detailed Comments:</b>   |       | 1. For P-GSM900.<br>2. For DCS1800.<br>3. Wait for 5 seconds to allow the MS read BCCH information.                                              |                                                                                                                                                            |   |          |

## Test Step Group OperatorOP

| Test Step Dynamic Behaviour |       |                                                |      |   |          |
|-----------------------------|-------|------------------------------------------------|------|---|----------|
| <b>Test Step Name:</b>      |       | InitCall(srv: SERVICES)                        |      |   |          |
| <b>Group:</b>               |       | GSM_L3_MS_v4210/OperatorOP/                    |      |   |          |
| <b>Objective:</b>           |       | To initiate a call of the basic service `srv`. |      |   |          |
| <b>Default:</b>             |       | OtherEvents                                    |      |   |          |
| Nr                          | Label | Behaviour Description                          | CRef | V | Comments |
| 1                           |       | (TCV_Null := OO_InitCall( srv))                |      |   |          |
| <b>Detailed Comments:</b>   |       |                                                |      |   |          |

| Test Step Dynamic Behaviour |       |                                        |      |   |          |
|-----------------------------|-------|----------------------------------------|------|---|----------|
| <b>Test Step Name:</b>      |       | InitCM(srv: SERVICES)                  |      |   |          |
| <b>Group:</b>               |       | GSM_L3_MS_v4210/OperatorOP/            |      |   |          |
| <b>Objective:</b>           |       | To initiate a CM service request.      |      |   |          |
| <b>Default:</b>             |       | OtherEvents                            |      |   |          |
| Nr                          | Label | Behaviour Description                  | CRef | V | Comments |
| 1                           |       | [TSPC_MOsvc]                           |      |   |          |
| 2                           |       | (TCV_Null := OO_InitCall(srv))         |      |   |          |
| 3                           |       | [TSPC_NonCallSS]                       |      |   |          |
| 4                           |       | (TCV_Null := OO_InitNonCallSS())       |      |   |          |
| 5                           |       | [TSPC_Serv_TS22]                       |      |   |          |
| 6                           |       | (TCV_Null := OO_SendMOShortMessage())  |      |   |          |
| 7                           | L_104 | [NOT TSPC_MOsvc AND NOT TSPC_Serv_TS22 |      | I |          |
| 8                           |       | AND NOT TSPC_NonCallSS]                |      |   |          |
| <b>Detailed Comments:</b>   |       |                                        |      |   |          |

| Test Step Dynamic Behaviour |       |                                                                           |      |   |          |
|-----------------------------|-------|---------------------------------------------------------------------------|------|---|----------|
| <b>Test Step Name:</b>      |       | InitNonCallSupp                                                           |      |   |          |
| <b>Group:</b>               |       | GSM_L3_MS_v4210/OperatorOP/                                               |      |   |          |
| <b>Objective:</b>           |       | To attempt a non call related supplementary service at the MS under test. |      |   |          |
| <b>Default:</b>             |       | OtherEvents                                                               |      |   |          |
| Nr                          | Label | Behaviour Description                                                     | CRef | V | Comments |
| 1                           |       | (TCV_Null := OO_InitNonCallSS())                                          |      |   |          |
| <b>Detailed Comments:</b>   |       |                                                                           |      |   |          |

| Test Step Dynamic Behaviour |       |                                                                      |      |   |          |
|-----------------------------|-------|----------------------------------------------------------------------|------|---|----------|
| <b>Test Step Name:</b>      |       | AtmpShortMsg                                                         |      |   |          |
| <b>Group:</b>               |       | GSM_L3_MS_v4210/OperatorOP/                                          |      |   |          |
| <b>Objective:</b>           |       | To attempt a short message service transaction at the MS under test. |      |   |          |
| <b>Default:</b>             |       | OtherEvents                                                          |      |   |          |
| Nr                          | Label | Behaviour Description                                                | CRef | V | Comments |
| 1                           |       | (TCV_Null := OO_SendMOShortMessage())                                |      |   |          |
| <b>Detailed Comments:</b>   |       |                                                                      |      |   |          |

| Test Step Dynamic Behaviour |            |                                                                        |      |     |          |
|-----------------------------|------------|------------------------------------------------------------------------|------|-----|----------|
| <b>Test Step Name:</b>      |            | CheckUssdStringDisplayed(strg: IA5String)                              |      |     |          |
| <b>Group:</b>               |            | GSM_L3_MS_v4210/OperatorOP/                                            |      |     |          |
| <b>Objective:</b>           |            | To check whether the correct USSD String 'strg' is displayed on the MS |      |     |          |
| <b>Default:</b>             |            | OtherEvents                                                            |      |     |          |
| Nr                          | Label      | Behaviour Description                                                  | CRef | V   | Comments |
| 1                           |            | (TCV_Res := OO_CheckUssdStringDisplayed( strg))                        |      |     |          |
| 2                           | L_092<br>2 | [TCV_Res]                                                              |      | (P) |          |
| 3                           | L_092<br>3 | [NOT TCV_Res]                                                          |      | (F) |          |
| <b>Detailed Comments:</b>   |            |                                                                        |      |     |          |

| Test Step Dynamic Behaviour |            |                                                             |      |   |          |
|-----------------------------|------------|-------------------------------------------------------------|------|---|----------|
| <b>Test Step Name:</b>      |            | PLMNsCHK                                                    |      |   |          |
| <b>Group:</b>               |            | GSM_L3_MS_v4210/OperatorOP/                                 |      |   |          |
| <b>Objective:</b>           |            | To check whether the MS presents a list of available PLMNs. |      |   |          |
| <b>Default:</b>             |            | OtherEvents                                                 |      |   |          |
| Nr                          | Label      | Behaviour Description                                       | CRef | V | Comments |
| 1                           |            | (TCV_Res := OO_PLMNsCHK())                                  |      |   |          |
| 2                           | L_092<br>4 | [TCV_Res]                                                   |      | P |          |
| 3                           | L_092<br>5 | [NOT TCV_Res]                                               |      | F |          |
| <b>Detailed Comments:</b>   |            |                                                             |      |   |          |

| Test Step Dynamic Behaviour |            |                                                     |      |     |          |
|-----------------------------|------------|-----------------------------------------------------|------|-----|----------|
| <b>Test Step Name:</b>      |            | RFtransCHK                                          |      |     |          |
| <b>Group:</b>               |            | GSM_L3_MS_v4210/OperatorOP/                         |      |     |          |
| <b>Objective:</b>           |            | To check whether the MS transmits any radio signal. |      |     |          |
| <b>Default:</b>             |            | OtherEvents                                         |      |     |          |
| Nr                          | Label      | Behaviour Description                               | CRef | V   | Comments |
| 1                           |            | (TCV_Res := OO_RFoutputCHK())                       |      |     |          |
| 2                           | L_092<br>6 | [TCV_Res]                                           |      | F   |          |
| 3                           | L_092<br>7 | [NOT TCV_Res]                                       |      | (P) |          |
| <b>Detailed Comments:</b>   |            |                                                     |      |     |          |

### Test Step Group Postambles

| Test Step Dynamic Behaviour                                                  |            |                                                                   |                             |   |          |
|------------------------------------------------------------------------------|------------|-------------------------------------------------------------------|-----------------------------|---|----------|
| <b>Test Step Name:</b>                                                       |            | PostLinkRelEnd(ch: LOGICCH)                                       |                             |   |          |
| <b>Group:</b>                                                                |            | GSM_L3_MS_v4210/Postambles/                                       |                             |   |          |
| <b>Objective:</b>                                                            |            | To release the RR connection and bring the MS back to Idle state. |                             |   |          |
| <b>Default:</b>                                                              |            | OtherEvents                                                       |                             |   |          |
| Nr                                                                           | Label      | Behaviour Description                                             | CRef                        | V | Comments |
| 1                                                                            |            | L!DL_DatRqChRel START T_release                                   | ChRel( ch,<br>ChRelease_01) |   |          |
| 2                                                                            |            | L?DL_Relln                                                        | DLRelInd_01                 |   |          |
| 3                                                                            | L_092<br>8 | CANCEL                                                            |                             | R | 1.       |
| 4                                                                            |            | ?TIMEOUT T_release                                                |                             |   |          |
| 5                                                                            | L_092<br>9 | CANCEL                                                            |                             | R | 1.       |
| <b>Detailed Comments:</b> 1. Cancel of all running timers and final verdict. |            |                                                                   |                             |   |          |

| Test Step Dynamic Behaviour |       |                                                                                |                                              |   |          |
|-----------------------------|-------|--------------------------------------------------------------------------------|----------------------------------------------|---|----------|
| <b>Test Step Name:</b>      |       | PostMainLinkRel(chnl:LOGICCH)                                                  |                                              |   |          |
| <b>Group:</b>               |       | GSM_L3_MS_v4210/Postambles/                                                    |                                              |   |          |
| <b>Objective:</b>           |       | To release the main signalling link `ch`, and bring the MS back to Idle state. |                                              |   |          |
| <b>Default:</b>             |       | OtherEvents                                                                    |                                              |   |          |
| Nr                          | Label | Behaviour Description                                                          | CRef                                         | V | Comments |
| 1                           |       | L!DL_DatRqChRel START T_release                                                | ChRel( chnl,<br>ChRelease_01)<br>DLRelInd_01 |   |          |
| 2                           |       | L?DL_Relln CANCEL T_release                                                    |                                              |   |          |
| 3                           |       | ?TIMEOUT T_release                                                             |                                              |   |          |
| <b>Detailed Comments:</b>   |       |                                                                                |                                              |   |          |

| Test Step Dynamic Behaviour |            |                                                                                         |                                           |   |          |
|-----------------------------|------------|-----------------------------------------------------------------------------------------|-------------------------------------------|---|----------|
| <b>Test Step Name:</b>      |            | ChanRel(ch: LOGICCH)                                                                    |                                           |   |          |
| <b>Group:</b>               |            | GSM_L3_MS_v4210/Postambles/                                                             |                                           |   |          |
| <b>Objective:</b>           |            | To release the RR connection on the channel TCV_ch and bring the MS back to Idle state. |                                           |   |          |
| <b>Default:</b>             |            | OtherEvents                                                                             |                                           |   |          |
| Nr                          | Label      | Behaviour Description                                                                   | CRef                                      | V | Comments |
| 1                           |            | L!DL_DatRqChRel START T_release                                                         | ChRel(ch,<br>ChRelease_01)<br>DLRelInd_01 |   |          |
| 2                           |            | L?DL_Relln CANCEL T_release                                                             |                                           |   |          |
| 3                           | L_093<br>0 | ?TIMEOUT T_release                                                                      |                                           |   | (F)      |
| <b>Detailed Comments:</b>   |            |                                                                                         |                                           |   |          |

| Test Step Dynamic Behaviour |            |                                                                                                 |                                           |   |          |  |
|-----------------------------|------------|-------------------------------------------------------------------------------------------------|-------------------------------------------|---|----------|--|
| <b>Test Step Name:</b>      |            | ChanRel_P(ch: LOGICCH)                                                                          |                                           |   |          |  |
| <b>Group:</b>               |            | GSM_L3_MS_v4210/Postambles/                                                                     |                                           |   |          |  |
| <b>Objective:</b>           |            | To release the RR connection on the channel TCV_chmaindcch and bring the MS back to Idle state. |                                           |   |          |  |
| <b>Default:</b>             |            | OtherEvents                                                                                     |                                           |   |          |  |
| Nr                          | Label      | Behaviour Description                                                                           | CRef                                      | V | Comments |  |
| 1                           |            | L!DL_DatRqChRel START T_release                                                                 | ChRel(ch,<br>ChRelease_01)<br>DLRelInd_01 |   |          |  |
| 2                           | L_093<br>1 | L?DL_Relln                                                                                      |                                           |   | (P)      |  |
| 3                           |            | ?TIMEOUT T_release                                                                              |                                           |   |          |  |
| <b>Detailed Comments:</b>   |            |                                                                                                 |                                           |   |          |  |

| Test Step Dynamic Behaviour |            |                                                                   |                                           |   |          |    |
|-----------------------------|------------|-------------------------------------------------------------------|-------------------------------------------|---|----------|----|
| <b>Test Step Name:</b>      |            | ChanRel_end(ch: LOGICCH)                                          |                                           |   |          |    |
| <b>Group:</b>               |            | GSM_L3_MS_v4210/Postambles/                                       |                                           |   |          |    |
| <b>Objective:</b>           |            | To release the RR connection and bring the MS back to Idle state. |                                           |   |          |    |
| <b>Default:</b>             |            | OtherEvents                                                       |                                           |   |          |    |
| Nr                          | Label      | Behaviour Description                                             | CRef                                      | V | Comments |    |
| 1                           |            | L!DL_DatRqChRel START T_release                                   | ChRel(ch,<br>ChRelease_01)<br>DLRelInd_01 |   |          |    |
| 2                           |            | L?DL_Relln                                                        |                                           |   |          |    |
| 3                           | L_093<br>2 | CANCEL                                                            |                                           |   | (P)      | 1. |
| 4                           |            | ?TIMEOUT T_release                                                |                                           |   |          |    |
| 5                           | L_093<br>3 | CANCEL                                                            |                                           |   | (F)      | 1. |
| <b>Detailed Comments:</b>   |            | 1. Cancel of all running timers.                                  |                                           |   |          |    |

| Test Step Dynamic Behaviour |       |                                                                                                                                                                                                                                                                                                   |      |   |          |
|-----------------------------|-------|---------------------------------------------------------------------------------------------------------------------------------------------------------------------------------------------------------------------------------------------------------------------------------------------------|------|---|----------|
| <b>Test Step Name:</b>      |       | RmvForbiddenPlmn( activ_cell:CellID; lac:OCTETSTRING; subch:B_2; cksn:B_3; rand:RAND; arfcngsm, arfcndcs:INTEGER; ccd: CCD; imsi:HEXSTRING)                                                                                                                                                       |      |   |          |
| <b>Group:</b>               |       | GSM_L3_MS_v4210/Postambles/                                                                                                                                                                                                                                                                       |      |   |          |
| <b>Objective:</b>           |       | To remove a forbidden PLMN in the list on SIM.                                                                                                                                                                                                                                                    |      |   |          |
| <b>Default:</b>             |       | OtherEventsFail                                                                                                                                                                                                                                                                                   |      |   |          |
| Nr                          | Label | Behaviour Description                                                                                                                                                                                                                                                                             | CRef | V | Comments |
| 1                           |       | +StartCellB( C_E_default, arfcngsm, arfcndcs, C_Immss, TCV_slot, TCV_tsc, TimingAdv( 30), C_TxInt_5, C_Max_1, C_NECL_0, C_ATT_0, C_BABR_0, C_cch_1Comb, C_BPM_3, C_T3212_1, C_MCC_1, C_PLMN_2, lac, CellChDes_04, CellChDes_03, BcchFreqLst_01, BcchFreqLst_48, C_noRestablishment, C_BCC, C_NCC) |      |   |          |
| 2                           |       | +Varinit_fix( activ_cell, lac, subch, cksn, rand, arfcngsm, arfcndcs, ccd, imsi)                                                                                                                                                                                                                  |      |   |          |
| 3                           |       | (TCV_Null := OM_StopCell( C_CellA))                                                                                                                                                                                                                                                               |      |   |          |
| 4                           |       | (TCV_Null := OO_PLMNselModeMan())                                                                                                                                                                                                                                                                 |      |   |          |
| 5                           |       | (TCV_Null := OO_SelPLMN( C_PLMN_2))                                                                                                                                                                                                                                                               |      |   |          |
| 6                           |       | +MM_LUP3( C_MCC_1, C_PLMN_2, lac, C_norm_period_attach, TimingAdv( 30))                                                                                                                                                                                                                           |      |   |          |
| 7                           |       | (TCV_Null := OO_PLMNselModeAuto())                                                                                                                                                                                                                                                                |      |   |          |
| <b>Detailed Comments:</b>   |       |                                                                                                                                                                                                                                                                                                   |      |   |          |

| Test Step Dynamic Behaviour |       |                                                                                                                                                                                                                                                                                                   |      |   |          |
|-----------------------------|-------|---------------------------------------------------------------------------------------------------------------------------------------------------------------------------------------------------------------------------------------------------------------------------------------------------|------|---|----------|
| <b>Test Step Name:</b>      |       | RmvForbiddenPlmn1( activ_cell:CellID; lac:OCTETSTRING; subch:B_2; cksn:B_3; rand:RAND; arfcngsm, arfcndcs:INTEGER; ccd: CCD; imsi:HEXSTRING)                                                                                                                                                      |      |   |          |
| <b>Group:</b>               |       | GSM_L3_MS_v4210/Postambles/                                                                                                                                                                                                                                                                       |      |   |          |
| <b>Objective:</b>           |       | To remove a forbidden PLMN in the list on SIM.                                                                                                                                                                                                                                                    |      |   |          |
| <b>Default:</b>             |       | OtherEventsFail                                                                                                                                                                                                                                                                                   |      |   |          |
| Nr                          | Label | Behaviour Description                                                                                                                                                                                                                                                                             | CRef | V | Comments |
| 1                           |       | +StartCellB( C_E_default, arfcngsm, arfcndcs, C_Immss, TCV_slot, TCV_tsc, TimingAdv( 30), C_TxInt_5, C_Max_1, C_NECL_0, C_ATT_0, C_BABR_0, C_cch_1Comb, C_BPM_3, C_T3212_1, C_MCC_1, C_PLMN_2, lac, CellChDes_04, CellChDes_03, BcchFreqLst_01, BcchFreqLst_48, C_noRestablishment, C_BCC, C_NCC) |      |   |          |
| 2                           |       | +Varinit_fix( activ_cell, lac, subch, cksn, rand, arfcngsm, arfcndcs, ccd, imsi)                                                                                                                                                                                                                  |      |   |          |
| 3                           |       | (TCV_Null := OO_PLMNselModeMan())                                                                                                                                                                                                                                                                 |      |   |          |
| 4                           |       | (TCV_Null := OO_SelPLMN( C_PLMN_2))                                                                                                                                                                                                                                                               |      |   |          |
| 5                           |       | +MM_LUP3( C_MCC_1, C_PLMN_2, lac, C_norm_period_attach, TimingAdv( 30))                                                                                                                                                                                                                           |      |   |          |
| 6                           |       | (TCV_Null := OO_PLMNselModeAuto())                                                                                                                                                                                                                                                                |      |   |          |
| <b>Detailed Comments:</b>   |       |                                                                                                                                                                                                                                                                                                   |      |   |          |

## Test Step Group Preambles

| Test Step Dynamic Behaviour |            |                                                                                                                                                                                            |      |   |                                 |
|-----------------------------|------------|--------------------------------------------------------------------------------------------------------------------------------------------------------------------------------------------|------|---|---------------------------------|
| <b>Test Step Name:</b>      |            | BasicServiceMO(svc:SERVICES; rate:RATE)                                                                                                                                                    |      |   |                                 |
| <b>Group:</b>               |            | GSM_L3_MS_v4210/Preambles/                                                                                                                                                                 |      |   |                                 |
| <b>Objective:</b>           |            | To generate a Bcap, an MO SETUP message and an appropriate channel mode based on the service and rate, as well as on several IXIT parameters, itc, ce, ur, synchronous bit for an MO call. |      |   |                                 |
| <b>Default:</b>             |            | OtherEvents                                                                                                                                                                                |      |   |                                 |
| <b>Comments:</b>            |            | Used for CC tests                                                                                                                                                                          |      |   |                                 |
| Nr                          | Label      | Behaviour Description                                                                                                                                                                      | CRef | V | Comments                        |
| 1                           |            | +local_init                                                                                                                                                                                |      |   | Default values                  |
| 2                           |            | [TCV_Service = C_EmgCall]                                                                                                                                                                  |      |   |                                 |
| 3                           |            | [(NOT TSPC_EFR_Speech_v2) AND(NOT TSPC_EFR_Speech_v3)]                                                                                                                                     |      |   |                                 |
| 4                           |            | (TCV_ChMod.mode := C_ChMod_r, TCV_Esetup := Setup_04(Bcap_Speech_MO(TCV_Rchr)), TCV_Ecall := C_Yes)                                                                                        |      |   | Emergency Call - Non EFR Mobile |
| 5                           |            | [TSPC_EFR_Speech_v2 OR TSPC_EFR_Speech_v3]                                                                                                                                                 |      |   |                                 |
| 6                           |            | (TCV_ChMod.mode := C_ChMod_r, TCV_Esetup := Setup_04(Bcap_Speech_Efr_MO(TCV_Rchr)), TCV_Ecall := C_Yes)                                                                                    |      |   | Emergency Call - EFR Mobile     |
| 7                           |            | [TCV_Service = C_Telephony]                                                                                                                                                                |      |   |                                 |
| 8                           |            | [(NOT TSPC_EFR_Speech_v2) AND(NOT TSPC_EFR_Speech_v3)]                                                                                                                                     |      |   |                                 |
| 9                           |            | (TCV_ChMod.mode := C_ChMod_r, TCV_Setup_mo := Setup_02(Bcap_Speech_MO(TCV_Rchr)))                                                                                                          |      |   | Speech - Non EFR Mobile         |
| 10                          |            | [TSPC_EFR_Speech_v2 OR TSPC_EFR_Speech_v3]                                                                                                                                                 |      |   |                                 |
| 11                          |            | (TCV_ChMod.mode := C_ChMod_r, TCV_Setup_mo := Setup_02(Bcap_Speech_Efr_MO(TCV_Rchr)))                                                                                                      |      |   | Speech - EFR Mobile             |
| 12                          |            | [TCV_Service = C_AltSpchFax]                                                                                                                                                               |      |   |                                 |
| 13                          |            | [rate = C_Full]                                                                                                                                                                            |      |   |                                 |
| 14                          |            | +TS61MO( C_AltSpchFax)                                                                                                                                                                     |      |   | Speech/fax                      |
| 15                          | L_093<br>4 | [rate <> C_Full]                                                                                                                                                                           |      | I | IXIT error                      |
| 16                          |            | [TCV_Service = C_AutoFax]                                                                                                                                                                  |      |   |                                 |
| 17                          |            | [rate = C_Full]                                                                                                                                                                            |      |   |                                 |
| 18                          |            | +TS62MO( C_AutoFax)                                                                                                                                                                        |      |   | Auto fax                        |
| 19                          | L_093<br>5 | [rate <> C_Full]                                                                                                                                                                           |      | I | IXIT error                      |
| 20                          |            | [TCV_Service = C_Async300]                                                                                                                                                                 |      |   |                                 |
| 21                          |            | +BS2xMO( C_Async300, TSPX_BS_21_sacp, TSPX_BS_21_T_NT, TSPX_BS_21_itc1, C_300bs, C_modemt_V21, TSPX_BS_21_ce)                                                                              |      |   | BS21                            |
| 22                          |            | [TCV_Service = C_Async1200]                                                                                                                                                                |      |   |                                 |
| 23                          |            | +BS2xMO( C_Async1200, TSPX_BS_22_sacp, TSPX_BS_22_T_NT, TSPX_BS_22_itc1, C_1200bs, C_modemt_V22, TSPX_BS_22_ce)                                                                            |      |   | BS22                            |
| 24                          |            | [TCV_Service = C_Async120075]                                                                                                                                                              |      |   |                                 |
| 25                          |            | +BS2xMO( C_Async120075, TSPX_BS_23_sacp, TSPX_BS_23_T_NT, TSPX_BS_23_itc, C_120075bs, C_modemt_V23, TSPX_BS_23_ce)                                                                         |      |   | BS23                            |
| 26                          |            | [TCV_Service = C_Async2400]                                                                                                                                                                |      |   |                                 |
| 27                          |            | (TCV_bcapListIndicator := C_modemList_ce)                                                                                                                                                  |      |   |                                 |
| 28                          |            | +BS2xMO( C_Async2400, TSPX_BS_24_sacp, TSPX_BS_24_T_NT, TSPX_BS_24_itc1, C_2400bs, TCV_MODEM, TSPX_BS_24_ce)                                                                               |      |   | BS24                            |
| 29                          |            | [TCV_Service = C_Async4800]                                                                                                                                                                |      |   |                                 |
| 30                          |            | +BS2xMO( C_Async4800, TSPX_BS_25_sacp, TSPX_BS_25_T_NT, TSPX_BS_25_itc1, C_4800bs, C_modemt_V32, TSPX_BS_25_ce)                                                                            |      |   | BS25                            |
| 31                          |            | [TCV_Service = C_Async9600]                                                                                                                                                                |      |   |                                 |
| 32                          |            | +BS2xMO( C_Async9600, TSPX_BS_26_sacp, TSPX_BS_26_T_NT, TSPX_BS_26_itc1,                                                                                                                   |      |   | BS26                            |

|    |                                                                                                                                                                                                                                                                                                                           |   |            |
|----|---------------------------------------------------------------------------------------------------------------------------------------------------------------------------------------------------------------------------------------------------------------------------------------------------------------------------|---|------------|
| 33 | C_9600bs, C_modemt_V32, TSPX_BS_26_ce)                                                                                                                                                                                                                                                                                    |   |            |
| 34 | [TCV_Service = C_Sync1200]<br>+BS3xMO( C_Sync1200, FALSE,<br>TSPX_BS_31_itc1, TSPX_BS_31_sacp1,<br>C_1200bs, C_transparent, C_modemt_V22)                                                                                                                                                                                 |   | BS31       |
| 35 | [TCV_Service = C_Sync2400]                                                                                                                                                                                                                                                                                                |   |            |
| 36 | (TCV_bcapListIndicator := C_modemLst_ce)                                                                                                                                                                                                                                                                                  |   |            |
| 37 | +BS3xMO( C_Sync2400,<br>TSPX_BS_32_X32_T_NT, TSPX_BS_32_itc1,<br>TSPX_BS_32_sacp1, C_2400bs,<br>TSPX_BS_32_X32_ce, TCV_MODEM)                                                                                                                                                                                             |   | BS32       |
| 38 | [TCV_Service = C_Sync4800]                                                                                                                                                                                                                                                                                                |   |            |
| 39 | +BS3xMO( C_Sync4800,<br>TSPX_BS_33_X32_T_NT, TSPX_BS_33_itc1,<br>TSPX_BS_33_sacp1, C_4800bs,<br>TSPX_BS_33_X32_ce, C_modemt_V32)                                                                                                                                                                                          |   | BS33       |
| 40 | [TCV_Service = C_Sync9600]                                                                                                                                                                                                                                                                                                |   |            |
| 41 | +BS3xMO( C_Sync9600,<br>TSPX_BS_34_X32_T_NT, TSPX_BS_34_itc1,<br>TSPX_BS_34_sacp1, C_9600bs,<br>TSPX_BS_34_X32_ce, C_modemt_V32)                                                                                                                                                                                          |   | BS34       |
| 42 | [TCV_Service = C_PAD300]                                                                                                                                                                                                                                                                                                  |   |            |
| 43 | +BS4xMO( C_PAD300, C_300bs,<br>TSPX_BS_41_ce, TSPX_BS_41_T_NT)                                                                                                                                                                                                                                                            |   | BS41       |
| 44 | [TCV_Service = C_PAD1200]                                                                                                                                                                                                                                                                                                 |   |            |
| 45 | +BS4xMO( C_PAD1200, C_1200bs,<br>TSPX_BS_42_ce, TSPX_BS_42_T_NT)                                                                                                                                                                                                                                                          |   | BS42       |
| 46 | [TCV_Service = C_PAD120075]                                                                                                                                                                                                                                                                                               |   |            |
| 47 | +BS4xMO( C_PAD120075, C_120075bs,<br>TSPX_BS_43_ce, TSPX_BS_43_T_NT)                                                                                                                                                                                                                                                      |   | BS43       |
| 48 | [TCV_Service = C_PAD2400]                                                                                                                                                                                                                                                                                                 |   |            |
| 49 | +BS4xMO( C_PAD2400, C_2400bs,<br>TSPX_BS_44_ce, TSPX_BS_44_T_NT)                                                                                                                                                                                                                                                          |   | BS44       |
| 50 | [TCV_Service = C_PAD4800]                                                                                                                                                                                                                                                                                                 |   |            |
| 51 | +BS4xMO( C_PAD4800, C_4800bs,<br>TSPX_BS_45_ce, TSPX_BS_45_T_NT)                                                                                                                                                                                                                                                          |   | BS45       |
| 52 | [TCV_Service = C_PAD9600]                                                                                                                                                                                                                                                                                                 |   |            |
| 53 | +BS4xMO( C_PAD9600, C_9600bs,<br>TSPX_BS_46_ce, TSPX_BS_46_T_NT)                                                                                                                                                                                                                                                          |   | BS46       |
| 54 | [TCV_Service = C_Packet2400]                                                                                                                                                                                                                                                                                              |   |            |
| 55 | +BS5xMO( C_Packet2400, C_2400bs)                                                                                                                                                                                                                                                                                          |   | BS51       |
| 56 | [TCV_Service = C_Packet4800]                                                                                                                                                                                                                                                                                              |   |            |
| 57 | +BS5xMO( C_Packet4800, C_4800bs)                                                                                                                                                                                                                                                                                          |   | BS52       |
| 58 | [TCV_Service = C_Packet9600]                                                                                                                                                                                                                                                                                              |   |            |
| 59 | +BS5xMO( C_Packet9600, C_9600bs)                                                                                                                                                                                                                                                                                          |   | BS53       |
| 60 | [TCV_Service = C_AltSpchData]                                                                                                                                                                                                                                                                                             |   |            |
| 61 | +BS61or81MO( C_AltSpchData,<br>TSPX_BS_61_A, TSPX_BS_61_A_ur1_T_NT,<br>TSPX_BS_61_A_ur1, TSPX_BS_61_A_ur1_ce,<br>TSPX_BS_61_S, TSPX_BS_61_S_ur1,<br>C_RI_alternate)                                                                                                                                                       |   | BS61       |
| 62 | [TCV_Service = C_SpchData]                                                                                                                                                                                                                                                                                                |   |            |
| 63 | +BS61or81MO( C_SpchData, TSPX_BS_81_A,<br>TSPX_BS_81_A_ur1_T_NT,<br>TSPX_BS_81_A_ur1, TSPX_BS_81_A_ur1_ce,<br>TSPX_BS_81_S, TSPX_BS_81_S_ur1,<br>C_RI_follow)                                                                                                                                                             |   | BS81       |
| 64 | L_093<br>6 [C_Yes]                                                                                                                                                                                                                                                                                                        | I | IXIT error |
| 65 | <b>local_init</b><br>(TCV_Service := svc, TCV_Rchr := C_Rchr_Full,<br>TCV_Ecall := C_No, TCV_ChRate := rate,<br>TCV_ChMod.iei := '01100011'B, TCV_ChMod.mode<br>:= C_ChMod_12k, TCV_ChModb.iei := '01100011'B,<br>TCV_ChModb.mode := C_ChMod_12k,<br>TCV_MODEM := C_modemt_none,<br>TCV_bcapListIndicator := C_modemt_ce) |   |            |
| 66 | [TSPC_DualRate]                                                                                                                                                                                                                                                                                                           |   |            |
| 67 | (TCV_Rchr := C_Rchr_DualForDualH0)                                                                                                                                                                                                                                                                                        |   |            |

|                           |                     |                                                                                                          |  |
|---------------------------|---------------------|----------------------------------------------------------------------------------------------------------|--|
| 68                        | [NOT TSPC_DualRate] |                                                                                                          |  |
| <b>Detailed Comments:</b> |                     | This test step is called in the preamble of test cases where an MO call is established in the test body. |  |

### Test Step Dynamic Behaviour

| <b>Test Step Name:</b>    | BasicServiceMOorTelephony(svc:SERVICES; rate:RATE) |                                                  |      |   |          |
|---------------------------|----------------------------------------------------|--------------------------------------------------|------|---|----------|
| <b>Group:</b>             | GSM_L3_MS_v4210/Preambles/                         |                                                  |      |   |          |
| <b>Objective:</b>         | To get a MO SETUP message with right BC IE.        |                                                  |      |   |          |
| <b>Default:</b>           | OtherEvents                                        |                                                  |      |   |          |
| <b>Comments:</b>          | Used for CC tests                                  |                                                  |      |   |          |
| Nr                        | Label                                              | Behaviour Description                            | CRef | V | Comments |
| 1                         |                                                    | [TSPC_Serv_TS11]                                 |      |   |          |
| 2                         |                                                    | +BasicServiceMO(C_Telephony,TSPX_Telephony_Rate) |      |   |          |
| 3                         |                                                    | [NOT TSPC_Serv_TS11]                             |      |   |          |
| 4                         |                                                    | +BasicServiceMO(svc,rate)                        |      |   |          |
| <b>Detailed Comments:</b> |                                                    |                                                  |      |   |          |



| Test Step Dynamic Behaviour |       |                                                                                                                                                                                                                                                 |      |   |                |
|-----------------------------|-------|-------------------------------------------------------------------------------------------------------------------------------------------------------------------------------------------------------------------------------------------------|------|---|----------------|
| <b>Test Step Name:</b>      |       | BasicServiceMT(svc:SERVICES; rate:RATE)                                                                                                                                                                                                         |      |   |                |
| <b>Group:</b>               |       | GSM_L3_MS_v4210/Preambles/                                                                                                                                                                                                                      |      |   |                |
| <b>Objective:</b>           |       | To generate a Bcap, an MT SETUP message and an appropriate channel mode based on the service and rate, as well as on several IXIT parameters, itc, ce, ur, synchronous bit for an MT call.<br>To generate a second SETUP message for TC_11_1_1. |      |   |                |
| <b>Default:</b>             |       | OtherEvents                                                                                                                                                                                                                                     |      |   |                |
| <b>Comments:</b>            |       | Used for CC tests                                                                                                                                                                                                                               |      |   |                |
| Nr                          | Label | Behaviour Description                                                                                                                                                                                                                           | CRef | V | Comments       |
| 1                           |       | (TCV_Service := svc, TCV_ChRate :=rate,<br>TCV_ChMod.iei := '01100011'B, TCV_ChMod.mode<br>:= C_ChMod_12k, TCV_ChModb.iei := '01100011'B,<br>TCV_ChModb.mode := C_ChMod_12k, TCV_2ndtest<br>:= C_No)                                            |      |   | Default values |
| 2                           |       | +SvcSupportedChk(svc)                                                                                                                                                                                                                           |      |   |                |
| 3                           |       | +local_main                                                                                                                                                                                                                                     |      |   |                |
|                             |       | <b>local_main</b>                                                                                                                                                                                                                               |      |   |                |
| 4                           |       | [TCV_Service = C_Telephony]                                                                                                                                                                                                                     |      |   |                |
| 5                           |       | (TCV_ChMod.mode := C_ChMod_r, TCV_Setup_mt<br>:= Setup_01(TI_02))                                                                                                                                                                               |      |   | Speech         |
| 6                           |       | +local_IFsetup_Telephony                                                                                                                                                                                                                        |      |   | Config speech  |
| 7                           |       | [TCV_Service = C_AltSpchFax]                                                                                                                                                                                                                    |      |   |                |
| 8                           |       | +TS61MT( C_AltSpchFax)                                                                                                                                                                                                                          |      |   | Speech/fax     |
| 9                           |       | [TCV_Service = C_AutoFax]                                                                                                                                                                                                                       |      |   |                |
| 10                          |       | +TS62MT( C_AutoFax)                                                                                                                                                                                                                             |      |   | Auto fax       |
| 11                          |       | [TCV_Service = C_Async300]                                                                                                                                                                                                                      |      |   |                |
| 12                          |       | +BS2xMT( C_Async300, TSPX_BS_21_more_itc,<br>TSPX_BS_21_T_NT, TSPX_BS_21_itc1,<br>TSPX_BS_21_itc2, C_300bs, C_modemt_V21,<br>TSPX_BS_21_ce)                                                                                                     |      |   | BS21           |
| 13                          |       | [TCV_Service = C_Async1200]                                                                                                                                                                                                                     |      |   |                |
| 14                          |       | +BS2xMT( C_Async1200, TSPX_BS_22_more_itc,<br>TSPX_BS_22_T_NT, TSPX_BS_22_itc1,<br>TSPX_BS_22_itc2, C_1200bs, C_modemt_V22,<br>TSPX_BS_22_ce)                                                                                                   |      |   | BS22           |
| 15                          |       | [TCV_Service = C_Async2400]                                                                                                                                                                                                                     |      |   |                |
| 16                          |       | +BS2xMT( C_Async2400, TSPX_BS_24_more_itc,<br>TSPX_BS_24_T_NT, TSPX_BS_24_itc1,<br>TSPX_BS_24_itc2, C_2400bs, C_modemt_V22bis,<br>TSPX_BS_24_ce)                                                                                                |      |   | BS24           |
| 17                          |       | [TCV_Service = C_Async4800]                                                                                                                                                                                                                     |      |   |                |
| 18                          |       | +BS2xMT( C_Async4800, TSPX_BS_25_more_itc,<br>TSPX_BS_25_T_NT, TSPX_BS_25_itc1,<br>TSPX_BS_25_itc2, C_4800bs, C_modemt_V32,<br>TSPX_BS_25_ce)                                                                                                   |      |   | BS25           |
| 19                          |       | [TCV_Service = C_Async9600]                                                                                                                                                                                                                     |      |   |                |
| 20                          |       | +BS2xMT( C_Async9600, TSPX_BS_26_more_itc,<br>TSPX_BS_26_T_NT, TSPX_BS_26_itc1,<br>TSPX_BS_26_itc2, C_9600bs, C_modemt_V32,<br>TSPX_BS_26_ce)                                                                                                   |      |   | BS26           |
| 21                          |       | [TCV_Service = C_Sync1200]                                                                                                                                                                                                                      |      |   |                |
| 22                          |       | +BS3xMT( C_Sync1200, TSPX_BS_31_more_itc,<br>C_No, TSPX_BS_31_more_sacp,<br>TSPX_BS_31_itc1, TSPX_BS_31_itc2,<br>TSPX_BS_31_sacp1, TSPX_BS_31_sacp2,<br>C_1200bs, C_transparent)                                                                |      |   | BS31           |
| 23                          |       | [TCV_Service = C_Sync2400]                                                                                                                                                                                                                      |      |   |                |
| 24                          |       | +BS3xMT( C_Sync2400, TSPX_BS_32_more_itc,<br>TSPX_BS_32_X32_T_NT,<br>TSPX_BS_32_more_sacp, TSPX_BS_32_itc1,<br>TSPX_BS_32_itc2, TSPX_BS_32_sacp1,<br>TSPX_BS_32_sacp2, C_2400bs,<br>TSPX_BS_32_X32_ce)                                          |      |   | BS32           |
| 25                          |       | [TCV_Service = C_Sync4800]                                                                                                                                                                                                                      |      |   |                |
| 26                          |       | +BS3xMT( C_Sync4800, TSPX_BS_33_more_itc,<br>TSPX_BS_33_X32_T_NT,<br>TSPX_BS_33_more_sacp, TSPX_BS_33_itc1,<br>TSPX_BS_33_itc2, TSPX_BS_33_sacp1,<br>TSPX_BS_33_sacp2, C_4800bs,                                                                |      |   | BS33           |

|    |            |                                                                                                                                                                                                                                                                                                                                                                                                                                                                                               |  |                   |
|----|------------|-----------------------------------------------------------------------------------------------------------------------------------------------------------------------------------------------------------------------------------------------------------------------------------------------------------------------------------------------------------------------------------------------------------------------------------------------------------------------------------------------|--|-------------------|
| 27 |            | TSPX_BS_33_X32_ce)                                                                                                                                                                                                                                                                                                                                                                                                                                                                            |  |                   |
| 28 |            | [TCV_Service = C_Sync9600]<br>+BS3xMT( C_Sync9600, TSPX_BS_34_more_itc,<br>TSPX_BS_34_X32_T_NT,<br>TSPX_BS_34_more_sacp, TSPX_BS_34_itc1,<br>TSPX_BS_34_itc2, TSPX_BS_34_sacp1,<br>TSPX_BS_34_sacp2, C_9600bs,<br>TSPX_BS_34_X32_ce)                                                                                                                                                                                                                                                          |  | BS34              |
| 29 |            | [TCV_Service = C_AltSpchData]                                                                                                                                                                                                                                                                                                                                                                                                                                                                 |  |                   |
| 30 |            | +BS61or81MT( C_AltSpchData, TSPX_BS_61_A,<br>TSPX_BS_61_A_ur1_T_NT,<br>TSPX_BS_61_A_ur2_T_NT,<br>TSPX_BS_61_A_more_ur, TSPX_BS_61_S,<br>TSPX_BS_61_S_more_ur, TSPX_BS_61_A_ur1,<br>TSPX_BS_61_A_ur2, TSPX_BS_61_S_ur1,<br>TSPX_BS_61_S_ur2, C_RI_alternate,<br>TSPX_BS_61_A_ur1_ce)                                                                                                                                                                                                           |  | BS61              |
| 31 |            | [TCV_Service = C_SpchData]                                                                                                                                                                                                                                                                                                                                                                                                                                                                    |  |                   |
| 32 |            | +BS61or81MT( C_SpchData, TSPX_BS_81_A,<br>TSPX_BS_81_A_ur1_T_NT,<br>TSPX_BS_81_A_ur2_T_NT,<br>TSPX_BS_81_A_more_ur, TSPX_BS_81_S,<br>TSPX_BS_81_S_more_ur, TSPX_BS_81_A_ur1,<br>TSPX_BS_81_A_ur2, TSPX_BS_81_S_ur1,<br>TSPX_BS_81_S_ur2, C_RI_follow,<br>TSPX_BS_81_A_ur1_ce)                                                                                                                                                                                                                 |  | BS81              |
| 33 | L_093<br>7 | [(TCV_Service <> C_Telephony) AND(TCV_Service<br><> C_AltSpchFax) AND(TCV_Service <> C_AutoFax)<br>AND(TCV_Service <> C_Async300)<br>AND(TCV_Service <> C_Async1200)<br>AND(TCV_Service <> C_Async2400)<br>AND(TCV_Service <> C_Async4800)<br>AND(TCV_Service <> C_Async9600)<br>AND(TCV_Service <> C_Sync1200)<br>AND(TCV_Service <> C_Sync2400)<br>AND(TCV_Service <> C_Sync4800)<br>AND(TCV_Service <> C_Sync9600)<br>AND(TCV_Service <> C_AltSpchData)<br>AND(TCV_Service <> C_SpchData)] |  | I                 |
| 34 |            | <b>local_IFsetup_Telephony</b><br>[TCV_supported]                                                                                                                                                                                                                                                                                                                                                                                                                                             |  |                   |
| 35 |            | (TCV_Null := OO_IFsetup_Telephony())                                                                                                                                                                                                                                                                                                                                                                                                                                                          |  |                   |
| 36 |            | [NOT TCV_supported]                                                                                                                                                                                                                                                                                                                                                                                                                                                                           |  |                   |
| 37 |            | [TCV_SpecialCase]                                                                                                                                                                                                                                                                                                                                                                                                                                                                             |  |                   |
| 38 |            | START T_dly(C_T_Wait)                                                                                                                                                                                                                                                                                                                                                                                                                                                                         |  |                   |
| 39 |            | ?TIMEOUT T_dly                                                                                                                                                                                                                                                                                                                                                                                                                                                                                |  |                   |
| 40 | L_093<br>8 | [NOT TCV_SpecialCase]                                                                                                                                                                                                                                                                                                                                                                                                                                                                         |  | I parameter error |

**Detailed Comments:** This test step is called in the preamble of test cases where an MT call is established in the test body.

| Test Step Dynamic Behaviour |       |                                                      |      |   |          |
|-----------------------------|-------|------------------------------------------------------|------|---|----------|
| <b>Test Step Name:</b>      |       | BasicServiceMTorTelephony(svc:SERVICES; rate:RATE)   |      |   |          |
| <b>Group:</b>               |       | GSM_L3_MS_v4210/Preambles/                           |      |   |          |
| <b>Objective:</b>           |       | To get a MT SETUP message with right BC IE.          |      |   |          |
| <b>Default:</b>             |       | OtherEvents                                          |      |   |          |
| <b>Comments:</b>            |       | Used for CC tests                                    |      |   |          |
| Nr                          | Label | Behaviour Description                                | CRef | V | Comments |
| 1                           |       | [TSPC_Serv_TS11]                                     |      |   |          |
| 2                           |       | +BasicServiceMT(C_Telephony,TSPX_Telephony_<br>Rate) |      |   |          |
| 3                           |       | [NOT TSPC_Serv_TS11]                                 |      |   |          |
| 4                           |       | +BasicServiceMT(svc,rate)                            |      |   |          |
| <b>Detailed Comments:</b>   |       |                                                      |      |   |          |

| Test Step Dynamic Behaviour |       |                                                                                                                                                                                                                                                                                                     |      |   |                                       |
|-----------------------------|-------|-----------------------------------------------------------------------------------------------------------------------------------------------------------------------------------------------------------------------------------------------------------------------------------------------------|------|---|---------------------------------------|
| <b>Test Step Name:</b>      |       | BS2xMO( srv:SERVICES; sacp: B_3; both:BOOLEAN; itc1:B_3; ur:B_4; modem:B_5; ce:B_2)                                                                                                                                                                                                                 |      |   |                                       |
| <b>Group:</b>               |       | GSM_L3_MS_v4210/Preambles/                                                                                                                                                                                                                                                                          |      |   |                                       |
| <b>Objective:</b>           |       | To generate an MO SETUP message with appropriate Bcap and LLC for BS2x service.                                                                                                                                                                                                                     |      |   |                                       |
| <b>Default:</b>             |       | OtherEvents                                                                                                                                                                                                                                                                                         |      |   |                                       |
| Nr                          | Label | Behaviour Description                                                                                                                                                                                                                                                                               | CRef | V | Comments                              |
| 1                           |       | (TCV_srv := srv, TCV_ur := ur, TCV_CE := C_BothT, TCV_ir := C_ir_16kbs)                                                                                                                                                                                                                             |      |   |                                       |
| 2                           |       | +local_pixitvaluechk                                                                                                                                                                                                                                                                                |      |   | validate IXIT values                  |
| 3                           |       | +local_selectCe                                                                                                                                                                                                                                                                                     |      |   | select a connection element           |
| 4                           |       | +local_bcap                                                                                                                                                                                                                                                                                         |      |   | generate BC                           |
| 5                           |       | +local_setupmsg                                                                                                                                                                                                                                                                                     |      |   | generate SETUP                        |
| 6                           |       | +Chmod(TCV_ChRate, TCV_ce, ur, srv)                                                                                                                                                                                                                                                                 |      |   | initiate channel mode variables       |
| 7                           |       | (TCV_Null :=<br>OO_IFsetup_BS2xorBS3x_MO(TCV_srv,<br>itc1, sacp, TCV_ce, TCV_ChRate))                                                                                                                                                                                                               |      |   | ask test operator to configure the MS |
|                             |       | <b>local_bcap</b>                                                                                                                                                                                                                                                                                   |      |   |                                       |
| 8                           |       | [NOT both]                                                                                                                                                                                                                                                                                          |      |   |                                       |
| 9                           |       | [TCV_ce = C_nottransparent]                                                                                                                                                                                                                                                                         |      |   |                                       |
| 10                          |       | [itc1 = C_UDI]                                                                                                                                                                                                                                                                                      |      |   |                                       |
| 11                          |       | +local_BS2x_UDI_NT(C_nottransparent, sacp)                                                                                                                                                                                                                                                          |      |   |                                       |
| 12                          |       | [itc1 = C_3100Hz]                                                                                                                                                                                                                                                                                   |      |   |                                       |
| 13                          |       | +local_BS2x_3100_NT(C_nottransparent, sacp)                                                                                                                                                                                                                                                         |      |   |                                       |
| 14                          |       | [TCV_ce = C_transparent]                                                                                                                                                                                                                                                                            |      |   | CE:T only MS                          |
| 15                          |       | [itc1 = C_UDI]                                                                                                                                                                                                                                                                                      |      |   |                                       |
| 16                          |       | +local_BS2x_UDI_T(sacp)                                                                                                                                                                                                                                                                             |      |   |                                       |
| 17                          |       | [itc1 = C_3100Hz]                                                                                                                                                                                                                                                                                   |      |   |                                       |
| 18                          |       | +local_BS2x_3100_T(sacp)                                                                                                                                                                                                                                                                            |      |   |                                       |
| 19                          |       | [both]                                                                                                                                                                                                                                                                                              |      |   |                                       |
| 20                          |       | [TCV_ce = C_transparent]                                                                                                                                                                                                                                                                            |      |   |                                       |
| 21                          |       | (TCV_bcapListIndicator := TCV_bcapListIndicator + 1)                                                                                                                                                                                                                                                |      |   |                                       |
| 22                          |       | [itc1 = C_UDI]                                                                                                                                                                                                                                                                                      |      |   |                                       |
| 23                          |       | +local_BS2x_UDI_Tboth(TCV_CE, sacp)                                                                                                                                                                                                                                                                 |      |   |                                       |
| 24                          |       | [itc1 = C_3100Hz]                                                                                                                                                                                                                                                                                   |      |   | 3.1kHz                                |
| 25                          |       | +local_BS2x_3100_Tboth(TCV_CE, sacp)                                                                                                                                                                                                                                                                |      |   |                                       |
| 26                          |       | [(TCV_ce = C_nottransparent)]                                                                                                                                                                                                                                                                       |      |   |                                       |
| 27                          |       | (TCV_bcapListIndicator := TCV_bcapListIndicator + 2)                                                                                                                                                                                                                                                |      |   |                                       |
| 28                          |       | [itc1 = C_UDI]                                                                                                                                                                                                                                                                                      |      |   |                                       |
| 29                          |       | +local_BS2x_UDI_NT(TCV_CE, sacp)                                                                                                                                                                                                                                                                    |      |   |                                       |
| 30                          |       | [itc1 = C_3100Hz]                                                                                                                                                                                                                                                                                   |      |   | 3.1kHz                                |
| 31                          |       | +local_BS2x_3100_NT(TCV_CE, sacp)                                                                                                                                                                                                                                                                   |      |   |                                       |
|                             |       | <b>local_BS2x_3100_NT(ce: B_2; sacp:B_3)</b>                                                                                                                                                                                                                                                        |      |   |                                       |
| 32                          |       | (TCV_BcapMO1 :=<br>OC_ModifyBcap(BcapX_MO(TCV_Rchr, C_3100Hz,<br>C_SDUintegrity, C_nirr_dontcare,<br>C_no_rate_adaption, sacp, C_Asynchronous,<br>C_stopbit_dontcare, C_databit_dontcare, ur,<br>C_ir_16kbs, C_parity_dontcare, cel, modem,<br>C_uil2p_dontcare), TCV_bcapListIndicator))           |      |   | 11.8.2.1.1.2                          |
|                             |       | <b>local_BS2x_UDI_NT(ce: B_2; sacp:B_3)</b>                                                                                                                                                                                                                                                         |      |   |                                       |
| 33                          |       | (TCV_BcapMO1 :=<br>OC_ModifyBcap(BcapX_MO(TCV_Rchr, C_UDI,<br>C_SDUintegrity, C_nirr_dontcare,<br>C_rate_adaption_V110, sacp, C_Asynchronous,<br>C_stopbit_dontcare, C_databit_dontcare, ur,<br>C_ir_16kbs, C_parity_dontcare, cel,<br>C_modemt_none, C_uil2p_dontcare),<br>TCV_bcapListIndicator)) |      |   | 11.8.2.1.1.4                          |
|                             |       | <b>local_BS2x_3100_T(sacp:B_3)</b>                                                                                                                                                                                                                                                                  |      |   |                                       |

|                                                  |                                                                                                                                                                                                                                                                                   |                                                                                |
|--------------------------------------------------|-----------------------------------------------------------------------------------------------------------------------------------------------------------------------------------------------------------------------------------------------------------------------------------|--------------------------------------------------------------------------------|
| 34                                               | [ur = C_9600bs]                                                                                                                                                                                                                                                                   |                                                                                |
| 35                                               | (TCV_BcapMO1 := Bcap_MO(TCV_Rchr, C_3100Hz, C_Unstructured, C_nirr_nomeaning, C_no_rate_adaption, sacp, C_Asynchrous, C_stopbit_dontcare, C_databit_dontcare, ur, C_ir_16kbs, C_parity_dontcare, C_transparent, modem))                                                           | 11.8.2.1.1.1                                                                   |
| 36                                               | [( ur = C_300bs) OR (ur = C_1200bs) OR (ur = C_120075bs) OR (ur = C_2400bs) OR (ur = C_4800bs)]                                                                                                                                                                                   |                                                                                |
| 37                                               | (TCV_BcapMO1 := Bcap_MO(TCV_Rchr, C_3100Hz, C_Unstructured, C_nirr_nomeaning, C_no_rate_adaption, sacp, C_Asynchrous, C_stopbit_dontcare, C_databit_dontcare, ur, C_ir_8kbs, C_parity_dontcare, C_transparent, modem), TCV_ir := C_ir_8kbs)                                       | 11.8.2.1.1.1                                                                   |
| <b>local_BS2x_UDI_T(sacp:B_3)</b>                |                                                                                                                                                                                                                                                                                   |                                                                                |
| 38                                               | [ur = C_9600bs]                                                                                                                                                                                                                                                                   |                                                                                |
| 39                                               | (TCV_BcapMO1 := Bcap_MO(TCV_Rchr, C_UDI, C_Unstructured, C_nirr_nomeaning, C_rate_adaption_V110, sacp, C_Asynchrous, C_stopbit_dontcare, C_databit_dontcare, ur, C_ir_16kbs, C_parity_dontcare, C_transparent, C_modemt_none))                                                    | 11.8.2.1.1.3                                                                   |
| 40                                               | [( ur = C_300bs) OR (ur = C_1200bs) OR (ur = C_120075bs) OR (ur = C_2400bs) OR (ur = C_4800bs)]                                                                                                                                                                                   |                                                                                |
| 41                                               | (TCV_BcapMO1 := Bcap_MO(TCV_Rchr, C_UDI, C_Unstructured, C_nirr_nomeaning, C_rate_adaption_V110, sacp, C_Asynchrous, C_stopbit_dontcare, C_databit_dontcare, ur, C_ir_8kbs, C_parity_dontcare, C_transparent, C_modemt_none), TCV_ir := C_ir_8kbs)                                | 11.8.2.1.1.3                                                                   |
| <b>local_BS2x_3100_Tboth(cel: B_2; sacp:B_3)</b> |                                                                                                                                                                                                                                                                                   |                                                                                |
| 42                                               | [ur <> C_9600bs]                                                                                                                                                                                                                                                                  |                                                                                |
| 43                                               | (TCV_BcapMO1 := OC_ModifyBcap(BcapX_MO(TCV_Rchr, C_3100Hz, C_struc_dontchk, C_nirr_dontcare, C_no_rate_adaption, sacp, C_Asynchrous, C_stopbit_dontcare, C_databit_dontcare, ur, C_ir_8or16kbs, C_parity_dontcare, cel, modem, C_uil2p_dontcare), TCV_bcapListIndicator))         | 11.8.2.1.1.1 combinrd with 11.8.2.1.1.2 , CE and structure without exact match |
| 44                                               | [ur = C_9600bs]                                                                                                                                                                                                                                                                   |                                                                                |
| 45                                               | (TCV_BcapMO1 := OC_ModifyBcap(BcapX_MO(TCV_Rchr, C_3100Hz, C_struc_dontchk, C_nirr_nomeaning, C_no_rate_adaption, sacp, C_Asynchrous, C_stopbit_dontcare, C_databit_dontcare, ur, C_ir_8or16kbs, C_parity_dontcare, cel, modem, C_uil2p_dontcare), TCV_bcapListIndicator))        | 11.8.2.1.1.1 combinrd with 11.8.2.1.1.2 , CE and structure without exact match |
| <b>local_BS2x_UDI_Tboth(cel: B_2; sacp:B_3)</b>  |                                                                                                                                                                                                                                                                                   |                                                                                |
| 46                                               | [ur = C_9600bs]                                                                                                                                                                                                                                                                   |                                                                                |
| 47                                               | (TCV_BcapMO1 := OC_ModifyBcap(BcapX_MO(TCV_Rchr, C_UDI, C_struc_dontchk, C_nirr_nomeaning, C_rate_adaption_V110, sacp, C_Asynchrous, C_stopbit_dontcare, C_databit_dontcare, ur, C_ir_8or16kbs, C_parity_dontcare, cel, C_modemt_none, C_uil2p_dontcare), TCV_bcapListIndicator)) | 11.8.2.1.1.3 combined with 11.8.2.1.1.4, CE and structure without exact match  |
| 48                                               | [ur <> C_9600bs]                                                                                                                                                                                                                                                                  |                                                                                |
| 49                                               | (TCV_BcapMO1 := OC_ModifyBcap(BcapX_MO(TCV_Rchr, C_UDI, C_struc_dontchk, C_nirr_dontcare, C_rate_adaption_V110, sacp, C_Asynchrous, C_stopbit_dontcare, C_databit_dontcare, ur, C_ir_8or16kbs, C_parity_dontcare, cel, C_modemt_none, C_uil2p_dontcare), TCV_bcapListIndicator))  | 11.8.2.1.1.3 combined with 11.8.2.1.1.4, CE and structure without exact match  |

|                           |            |                                                                                                                                                                                                                                                                                   |   |                |
|---------------------------|------------|-----------------------------------------------------------------------------------------------------------------------------------------------------------------------------------------------------------------------------------------------------------------------------------|---|----------------|
| 50                        |            | <b>local_setupmsg</b>                                                                                                                                                                                                                                                             |   |                |
| 51                        |            | [itc1 = C_UDI]<br>(TCV_Setup_mo := Setup_10_UDI(<br>TCV_BcapMO1, Llcmp_BS2xOrBS4x_UDI,<br>Hlcmp_AnyOrOmit))                                                                                                                                                                       |   |                |
| 52                        |            | [itc1 = C_3100Hz]                                                                                                                                                                                                                                                                 |   |                |
| 53                        |            | (TCV_Setup_mo := Setup_10_3100(<br>TCV_BcapMO1,<br>Llcmp_BS2xOrBS61aOrBS81a_3100,<br>Hlcmp_AnyOrOmit))                                                                                                                                                                            |   |                |
|                           |            | <b>local_selectCe</b>                                                                                                                                                                                                                                                             |   |                |
| 54                        |            | [both]                                                                                                                                                                                                                                                                            |   |                |
| 55                        |            | [(ur = C_300bs) OR (ur = C_120075bs) OR ( ur =<br>C_4800bs)]                                                                                                                                                                                                                      |   |                |
| 56                        |            | (TCV_ce := C_nottransparent)                                                                                                                                                                                                                                                      |   |                |
| 57                        |            | [(ur = C_1200bs) OR (ur = C_2400bs) OR ( ur =<br>C_9600bs)]                                                                                                                                                                                                                       |   |                |
| 58                        |            | (TCV_ce := C_transparent)                                                                                                                                                                                                                                                         |   |                |
| 59                        |            | [NOT both]                                                                                                                                                                                                                                                                        |   |                |
| 60                        |            | (TCV_ce := ce)                                                                                                                                                                                                                                                                    |   |                |
|                           |            | <b>local_pixitvaluechk</b>                                                                                                                                                                                                                                                        |   |                |
| 61                        | L_093<br>9 | [(ce <> C_transparent) AND( ce <> C_nottransparent)<br>AND(NOT both)]                                                                                                                                                                                                             | I | IXIT error     |
| 62                        | L_094<br>0 | [(itc1 <> C_UDI) AND(itc1 <> C_3100Hz)]                                                                                                                                                                                                                                           | I | IXIT error     |
| 63                        | L_094<br>1 | [(sacp <> C_I440_450) AND(sacp <> C_X28_nond)]                                                                                                                                                                                                                                    | I | IXIT error     |
| 64                        |            | [C_Yes]                                                                                                                                                                                                                                                                           |   | IXIT values OK |
| <b>Detailed Comments:</b> |            | The BS2x Bearer Capabilities and SETUP messages for MO is constructed according to section 11.8.2.1.1.1, section 11.8.2.1.1.2, section 11.8.2.1.1.3 and section 11.8.2.1.1.4 of GSM 11.10 and section B.1.2.1, section B.1.2.2, section B.1.2.1 and section B.2.2.2 of GSM 07.01. |   |                |
|                           |            | The algorithm for selecting parameters:<br>IF (TSPX_BS_2x_T_NT)<br>TCV_ce := C_nottransparent<br>ELSE<br>TCV_ce := TSPX_BS_2x_ce                                                                                                                                                  |   |                |
|                           |            | use (TCV_ce, TSPX_BS_2x_itc1, TSPX_BS_2x_sacp1, svc) for OO_IFsetup_BS2xorBS3x_MO                                                                                                                                                                                                 |   |                |

| Test Step Dynamic Behaviour |            |                                                                                                                                                                                                                               |      |   |              |
|-----------------------------|------------|-------------------------------------------------------------------------------------------------------------------------------------------------------------------------------------------------------------------------------|------|---|--------------|
| <b>Test Step Name:</b>      |            | BS2xMT( srv:SERVICES; more, both:BOOLEAN; itc1, itc2:B_3; ur:B_4; modem:B_5; ce:B_2)                                                                                                                                          |      |   |              |
| <b>Group:</b>               |            | GSM_L3_MS_v4210/Preambles/                                                                                                                                                                                                    |      |   |              |
| <b>Objective:</b>           |            | To generate an MT SETUP message with appropriate Bcap for BS2x service.                                                                                                                                                       |      |   |              |
| <b>Default:</b>             |            | OtherEvents                                                                                                                                                                                                                   |      |   |              |
| Nr                          | Label      | Behaviour Description                                                                                                                                                                                                         | CRef | V | Comments     |
| 1                           |            | +local_main                                                                                                                                                                                                                   |      |   |              |
| 2                           |            | +local_IFsetup                                                                                                                                                                                                                |      |   |              |
|                             |            | <b>local_main</b>                                                                                                                                                                                                             |      |   |              |
| 3                           |            | (TCV_srv := srv, TCV_itc := itc1)                                                                                                                                                                                             |      |   |              |
| 4                           |            | +local_bcap1                                                                                                                                                                                                                  |      |   |              |
| 5                           |            | (TCV_Setup_mt := Setup_20( TCV_BcapMT1, TI_02))                                                                                                                                                                               |      |   | 1st SETUP    |
| 6                           |            | +Chmod(TCV_ChRate, TCV_ce, ur, srv)                                                                                                                                                                                           |      |   | Ini ch mode  |
| 7                           |            | +local_bcap2                                                                                                                                                                                                                  |      |   |              |
| 8                           |            | (TCV_Setup_mt1:= Setup_20( TCV_BcapMT2, TI_02), TCV_2ndtest := C_Yes)                                                                                                                                                         |      |   | 2nd SETUP    |
|                             |            | <b>local_bcap1</b>                                                                                                                                                                                                            |      |   |              |
| 9                           |            | [itc1 = C_3100Hz]                                                                                                                                                                                                             |      |   | 3.1kHz       |
| 10                          |            | [both OR ( ce = C_nottransparent)]                                                                                                                                                                                            |      |   |              |
| 11                          |            | +local_BS2x_3100_NT(C_nottransparent)                                                                                                                                                                                         |      |   |              |
| 12                          |            | [NOT both AND ( ce = C_transparent)]                                                                                                                                                                                          |      |   |              |
| 13                          |            | +local_BS2x_3100_T                                                                                                                                                                                                            |      |   |              |
| 14                          |            | [itc1 = C_UDI]                                                                                                                                                                                                                |      |   | UDI          |
| 15                          |            | [both OR ( ce = C_nottransparent)]                                                                                                                                                                                            |      |   |              |
| 16                          |            | +local_BS2x_UDI_NT(C_nottransparent)                                                                                                                                                                                          |      |   |              |
| 17                          |            | [NOT both AND ( ce = C_transparent)]                                                                                                                                                                                          |      |   |              |
| 18                          |            | +local_BS2x_UDI_T                                                                                                                                                                                                             |      |   |              |
| 19                          | L_094<br>2 | [(itc1 <> C_3100Hz) AND(itc1 <> C_UDI)]                                                                                                                                                                                       |      | I |              |
|                             |            | <b>local_bcap2</b>                                                                                                                                                                                                            |      |   |              |
| 20                          |            | +local_itc                                                                                                                                                                                                                    |      |   |              |
| 21                          |            | +local_bcap                                                                                                                                                                                                                   |      |   |              |
| 22                          |            | (TCV_BcapMT2 := TCV_BcapMT1)                                                                                                                                                                                                  |      |   |              |
|                             |            | <b>local_itc</b>                                                                                                                                                                                                              |      |   |              |
| 23                          |            | (TCV_itc := itc1)                                                                                                                                                                                                             |      |   |              |
| 24                          |            | [more]                                                                                                                                                                                                                        |      |   | 3.1 kHz      |
| 25                          |            | (TCV_itc := itc2)                                                                                                                                                                                                             |      |   |              |
| 26                          |            | [NOT more]                                                                                                                                                                                                                    |      |   |              |
|                             |            | <b>local_bcap</b>                                                                                                                                                                                                             |      |   |              |
| 27                          |            | [both AND (TCV_itc = C_3100Hz)]                                                                                                                                                                                               |      |   |              |
| 28                          |            | +local_BS2x_3100_T                                                                                                                                                                                                            |      |   |              |
| 29                          |            | [both AND ( TCV_itc = C_UDI)]                                                                                                                                                                                                 |      |   | UDI          |
| 30                          |            | +local_BS2x_UDI_T                                                                                                                                                                                                             |      |   |              |
| 31                          |            | [NOT both AND (TCV_itc = C_3100Hz)]                                                                                                                                                                                           |      |   |              |
| 32                          |            | +local_BS2x_3100_NT( C_BothT)                                                                                                                                                                                                 |      |   |              |
| 33                          |            | [NOT both AND ( TCV_itc = C_UDI)]                                                                                                                                                                                             |      |   | UDI          |
| 34                          |            | +local_BS2x_UDI_NT( C_BothT)                                                                                                                                                                                                  |      |   |              |
| 35                          | L_094<br>3 | [(TCV_itc <> C_3100Hz) AND(TCV_itc <> C_UDI)]                                                                                                                                                                                 |      | I |              |
|                             |            | <b>local_BS2x_3100_NT(ce: B_2)</b>                                                                                                                                                                                            |      |   |              |
| 36                          |            | [TSPX_TE_FLCT = C_Inband]                                                                                                                                                                                                     |      |   |              |
| 37                          |            | (TCV_BcapMT1 := BcapX_MT( C_3100Hz, C_SDUIintegrity, C_nirr_nomeaning, C_no_rate_adaption, C_I440_450, C_Asynchrous, TSPX_TE_stopbit, TSPX_TE_databit, ur, C_ir_16kbs, TSPX_TE_parity, cel, modem, C_ISO6429), TCV_ce := cel) |      |   | 11.8.1.1.1.2 |

|    |            |                                                                                                                                                                                                                                                                                       |              |
|----|------------|---------------------------------------------------------------------------------------------------------------------------------------------------------------------------------------------------------------------------------------------------------------------------------------|--------------|
| 38 |            | [TSPX_TE_FLCT = C_Nocontrol]                                                                                                                                                                                                                                                          |              |
| 39 |            | (TCV_BcapMT1 := Bcap_X_MT( C_3100Hz,<br>C_SDUintegrity, C_nirr_nomeaning,<br>C_no_rate_adaption, C_I440_450,<br>C_Asynchronous, TSPX_TE_stopbit,<br>TSPX_TE_databit, ur, C_ir_16kbs,<br>TSPX_TE_parity, cel, modem, C_COPnoFLCT),<br>TCV_ce := cel)                                   | 11.8.1.1.1.2 |
| 40 | L_094<br>4 | [(TSPX_TE_FLCT = C_Outband)<br>OR((TSPX_TE_FLCT <> C_Inband)<br>AND(TSPX_TE_FLCT <> C_Nocontrol))]                                                                                                                                                                                    | I            |
| 41 |            | <b>local_BS2x_UDI_NT(cel: B_2)</b><br>[TSPX_TE_FLCT = C_Outband]                                                                                                                                                                                                                      |              |
| 42 |            | (TCV_BcapMT1 := Bcap_MT( C_UDI,<br>C_SDUintegrity, C_nirr_nomeaning,<br>C_rate_adaption_V110, C_I440_450,<br>C_Asynchronous, TSPX_TE_stopbit,<br>TSPX_TE_databit, ur, C_ir_16kbs,<br>TSPX_TE_parity, cel, C_modemt_none), TCV_ce<br>:= cel)                                           | 11.8.1.1.1.4 |
| 43 |            | [TSPX_TE_FLCT = C_Inband]                                                                                                                                                                                                                                                             |              |
| 44 |            | (TCV_BcapMT1 := Bcap_X_MT( C_UDI,<br>C_SDUintegrity, C_nirr_nomeaning,<br>C_rate_adaption_V110, C_I440_450,<br>C_Asynchronous, TSPX_TE_stopbit,<br>TSPX_TE_databit, ur, C_ir_16kbs,<br>TSPX_TE_parity, cel, C_modemt_none,<br>C_ISO6429), TCV_ce := cel)                              | 11.8.1.1.1.4 |
| 45 |            | [TSPX_TE_FLCT = C_Nocontrol]                                                                                                                                                                                                                                                          |              |
| 46 |            | (TCV_BcapMT1 := Bcap_X_MT( C_UDI,<br>C_SDUintegrity, C_nirr_nomeaning,<br>C_rate_adaption_V110, C_I440_450,<br>C_Asynchronous, TSPX_TE_stopbit,<br>TSPX_TE_databit, ur, C_ir_16kbs,<br>TSPX_TE_parity, cel, C_modemt_none,<br>C_COPnoFLCT), TCV_ce := cel)                            | 11.8.1.1.1.4 |
| 47 | L_094<br>5 | [(TSPX_TE_FLCT <> C_Outband)<br>AND(TSPX_TE_FLCT <> C_Inband)<br>AND(TSPX_TE_FLCT <> C_Nocontrol)]                                                                                                                                                                                    | I            |
| 48 |            | <b>local_BS2x_3100_T</b><br>[ur = C_9600bs]                                                                                                                                                                                                                                           |              |
| 49 |            | (TCV_BcapMT1 := Bcap_MT( C_3100Hz,<br>C_Unstructured, C_nirr_nomeaning,<br>C_no_rate_adaption, C_I440_450,<br>C_Asynchronous, TSPX_TE_stopbit,<br>TSPX_TE_databit, ur, C_ir_16kbs,<br>TSPX_TE_parity, C_transparent, modem),<br>TCV_itc2 := C_3100Hz, TCV_ce := C_transparent)        | 11.8.1.1.1.1 |
| 50 |            | [ur <> C_9600bs]                                                                                                                                                                                                                                                                      |              |
| 51 |            | (TCV_BcapMT1 := Bcap_MT( C_3100Hz,<br>C_Unstructured, C_nirr_nomeaning,<br>C_no_rate_adaption, C_I440_450,<br>C_Asynchronous, TSPX_TE_stopbit,<br>TSPX_TE_databit, ur, C_ir_8kbs, TSPX_TE_parity,<br>C_transparent, modem), TCV_itc2 := C_3100Hz,<br>TCV_ce := C_transparent)         | 11.8.1.1.1.1 |
| 52 |            | <b>local_BS2x_UDI_T</b><br>[ur = C_9600bs]                                                                                                                                                                                                                                            |              |
| 53 |            | (TCV_BcapMT1 := Bcap_MT( C_UDI,<br>C_Unstructured, C_nirr_nomeaning,<br>C_rate_adaption_V110, C_I440_450,<br>C_Asynchronous, TSPX_TE_stopbit,<br>TSPX_TE_databit, ur, C_ir_16kbs,<br>TSPX_TE_parity, C_transparent,<br>C_modemt_none), TCV_itc2 := C_UDI, TCV_ce :=<br>C_transparent) | 11.8.1.1.1.3 |
| 54 |            | [ur <> C_9600bs]                                                                                                                                                                                                                                                                      |              |
| 55 |            | (TCV_BcapMT1 := Bcap_MT( C_UDI,<br>C_Unstructured, C_nirr_nomeaning,<br>C_rate_adaption_V110, C_I440_450,                                                                                                                                                                             | 11.8.1.1.1.3 |

|    |            |                                                                                                                                                                     |   |                 |
|----|------------|---------------------------------------------------------------------------------------------------------------------------------------------------------------------|---|-----------------|
|    |            | C_Asynchronous, TSPX_TE_stopbit,<br>TSPX_TE_databit, ur, C_ir_8kbs, TSPX_TE_parity,<br>C_transparent, C_modem_none), TCV_itc2 :=<br>C_UDI, TCV_ce := C_transparent) |   |                 |
| 56 |            | <b>local_IFsetup</b>                                                                                                                                                |   |                 |
| 57 |            | [TCV_supported]                                                                                                                                                     |   |                 |
| 58 |            | (TCV_Null := OO_IFsetup_BS2x_MT(TCV_srv,<br>TCV_itc))                                                                                                               |   |                 |
| 59 |            | [NOT TCV_supported]                                                                                                                                                 |   |                 |
| 60 |            | [TCV_SpecialCase]                                                                                                                                                   |   |                 |
| 61 |            | START T_dly(C_T_Wait)                                                                                                                                               |   |                 |
| 62 | L_094<br>6 | ?TIMEOUT T_dly<br>[NOT TCV_SpecialCase]                                                                                                                             | I | Parameter error |

**Detailed Comments:**

The algorithm for derivation of BS2x Bearer Capabilities :

The Bearer Capability for 1st SETUP ( used for an MT call):

itc= TSPX\_BS\_2x\_itc1

IF itc=3.1kHz

IF TSPX\_BS\_2x\_T\_MT OR ( NOT TSPX\_BS\_2x\_T\_MT AND (TSPX\_BS\_2x\_ce = NT))

use coding of sec. 11.8.1.1.1.2 with (ce=NT)

ELSE IF NOT TSPX\_BS\_2x\_T\_MT AND (TSPX\_BS\_2x\_ce = T)

use coding of sec. 11.8.1.1.1.1 with (ce=T)

ELSE IF itc=udi

IF TSPX\_BS\_2x\_T\_MT OR ( NOT TSPX\_BS\_2x\_T\_MT AND (TSPX\_BS\_2x\_ce = NT))

use coding of sec. 11.8.1.1.1.4 with (ce=NT)

ELSE IF NOT TSPX\_BS\_2x\_T\_MT AND (TSPX\_BS\_2x\_ce = T)

use coding of sec. 11.8.1.1.1.3 with (ce=T)

The derived 2nd Bearer Capability for 2nd SETUP: (used for TC\_11\_1\_1)

IF TSPX\_BS\_2x\_more\_itc

itc=TSPX\_BS\_2x\_itc2

ELSE

itc= TSPX\_BS\_2x\_itc1

IF TSPX\_BS\_2x\_T\_NT

IF itc=3.1kHz use coding of sec. 11.8.1.1.1.1 with (ce=T)

IF itc=udi use coding of sec. 11.8.1.1.1.3 with (ce=T)

ELSE

IF itc=3.1Khz use coding of sec. 11.8.1.1.1.2 with (ce=both/T)

IF itc=udi use coding of sec. 11.8.1.1.1.4 with (ce=both/T)



| Test Step Dynamic Behaviour |            |                                                                                                          |      |   |                                       |
|-----------------------------|------------|----------------------------------------------------------------------------------------------------------|------|---|---------------------------------------|
| <b>Test Step Name:</b>      |            | BS3xMO( srv:SERVICES; both:BOOLEAN; itc1, sacp1:B_3; ur:B_4; ce:B_2; modem:B_5)                          |      |   |                                       |
| <b>Group:</b>               |            | GSM_L3_MS_v4210/Preambles/                                                                               |      |   |                                       |
| <b>Objective:</b>           |            | To generate an MO SETUP message with appropriate Bcap and LLC for BS3x service.                          |      |   |                                       |
| <b>Default:</b>             |            | OtherEvents                                                                                              |      |   |                                       |
| Nr                          | Label      | Behaviour Description                                                                                    | CRef | V | Comments                              |
| 1                           |            | (TCV_srv := srv, TCV_ur := ur, TCV_CE := C_BothT, TCV_ir := C_ir_16kbs, TCV_uil1p := C_no_rate_adaption) |      |   |                                       |
| 2                           |            | +local_pixitvaluechk                                                                                     |      |   | 2.                                    |
| 3                           |            | +local_selectCe                                                                                          |      |   | select a CE                           |
| 4                           |            | +local_bcap                                                                                              |      |   | generate BC                           |
| 5                           |            | +local_setupmsg                                                                                          |      |   | 3.                                    |
| 6                           |            | +Chmod(TCV_ChRate, TCV_ce, ur, srv)                                                                      |      |   | initiate channel mode variables       |
| 7                           |            | (TCV_Null := OO_IFsetup_BS2xorBS3x_MO(TCV_srv, itc1, sacp1, TCV_ce, TCV_ChRate))                         |      |   | ask test operator to configure the MS |
|                             |            | <b>local_bcap</b>                                                                                        |      |   |                                       |
| 8                           |            | [NOT both]                                                                                               |      |   |                                       |
| 9                           |            | [TCV_ce = C_nottransparent]                                                                              |      |   |                                       |
| 10                          |            | [itc1 = C_UDI]                                                                                           |      |   |                                       |
| 11                          |            | [sacp1 = C_X32]                                                                                          |      |   |                                       |
| 12                          |            | +local_BS3x_UDI_X32_NT                                                                                   |      |   |                                       |
| 13                          | L_094<br>7 | [sacp1 <> C_X32]                                                                                         |      | I | 5.                                    |
| 14                          |            | [itc1 = C_3100Hz]                                                                                        |      |   |                                       |
| 15                          | L_094<br>8 | [sacp1 <> C_X32]                                                                                         |      | I | 6.                                    |
| 16                          |            | [sacp1 = C_X32]                                                                                          |      |   |                                       |
| 17                          |            | +local_BS3x_3100_X32_NT(C_nottransparent)                                                                |      |   |                                       |
| 18                          |            | [TCV_ce = C_transparent]                                                                                 |      |   | CE:T only MS                          |
| 19                          |            | [itc1 = C_UDI]                                                                                           |      |   |                                       |
| 20                          | L_094<br>9 | [sacp1 = C_X32]                                                                                          |      | I | 7.                                    |
| 21                          |            | [sacp1<> C_X32]                                                                                          |      |   |                                       |
| 22                          |            | +local_BS3x_UDI_T(sacp1)                                                                                 |      |   |                                       |
| 23                          |            | [itc1 = C_3100Hz]                                                                                        |      |   |                                       |
| 24                          | L_095<br>0 | [sacp1 = C_X21]                                                                                          |      | I | 8.                                    |
| 25                          |            | [sacp1 = C_I440_450]                                                                                     |      |   |                                       |
| 26                          |            | +local_BS3x_3100_T                                                                                       |      |   |                                       |
| 27                          |            | [sacp1 = C_X32]                                                                                          |      |   |                                       |
| 28                          |            | +local_BS3x_3100_X32_T                                                                                   |      |   |                                       |
| 29                          |            | [both]                                                                                                   |      |   |                                       |
| 30                          |            | [TCV_ce = C_transparent]                                                                                 |      |   |                                       |
| 31                          |            | [itc1 = C_UDI]                                                                                           |      |   |                                       |
| 32                          | L_095<br>1 | [sacp1 = C_X32]                                                                                          |      | I | 7.                                    |
| 33                          |            | [sacp1<> C_X32]                                                                                          |      |   |                                       |
| 34                          |            | +local_BS3x_UDI_T(sacp1)                                                                                 |      |   |                                       |
| 35                          |            | [itc1 = C_3100Hz]                                                                                        |      |   | 3.1kHz                                |
| 36                          | L_095<br>2 | [sacp1 = C_X21]                                                                                          |      | I | 8.                                    |
| 37                          |            | [sacp1 = C_I440_450]                                                                                     |      |   |                                       |
| 38                          |            | +local_BS3x_3100_T                                                                                       |      |   |                                       |
| 39                          |            | [sacp1 = C_X32]                                                                                          |      |   |                                       |
| 40                          |            | (TCV_bcapListIndicator := TCV_bcapListIndicator + 1)                                                     |      |   |                                       |
| 41                          |            | +local_BS3x_3100_X32_NT(TCV_CE)                                                                          |      |   |                                       |
| 42                          |            | [(TCV_ce = C_nottransparent)]                                                                            |      |   |                                       |
| 43                          |            | [itc1 = C_UDI]                                                                                           |      |   |                                       |
| 44                          |            | [sacp1 = C_X32]                                                                                          |      |   |                                       |
| 45                          |            | +local_BS3x_UDI_X32_NT                                                                                   |      |   |                                       |

|                                        |            |                                                                                                                                                                                                                                                                                        |   |              |
|----------------------------------------|------------|----------------------------------------------------------------------------------------------------------------------------------------------------------------------------------------------------------------------------------------------------------------------------------------|---|--------------|
| 46                                     | L_095<br>3 | [sacp1 <> C_X32]                                                                                                                                                                                                                                                                       | I | 5.           |
| 47                                     |            | [itc1 = C_3100Hz]                                                                                                                                                                                                                                                                      |   | 3.1kHz       |
| 48                                     | L_095<br>4 | [sacp1 <> C_X32]                                                                                                                                                                                                                                                                       | I | 6.           |
| 49                                     |            | [sacp1 = C_X32]                                                                                                                                                                                                                                                                        |   |              |
| 50                                     |            | (TCV_bcapListIndicator :=<br>TCV_bcapListIndicator + 2)                                                                                                                                                                                                                                |   |              |
| 51                                     |            | +local_BS3x_3100_X32_Tboth(TCV_CE)                                                                                                                                                                                                                                                     |   |              |
| <b>local_setupmsg</b>                  |            |                                                                                                                                                                                                                                                                                        |   |              |
| 52                                     |            | [itc1 = C_UDI]                                                                                                                                                                                                                                                                         |   |              |
| 53                                     |            | (TCV_Setup_mo := Setup_10_UDI(<br>TCV_BcapMO1, Llcmp_BS3x_UDI,<br>Hlcmp_AnyOrOmit))                                                                                                                                                                                                    |   |              |
| 54                                     |            | [itc1 = C_3100Hz]                                                                                                                                                                                                                                                                      |   |              |
| 55                                     |            | (TCV_Setup_mo := Setup_10_3100(<br>TCV_BcapMO1,<br>Llcmp_BS3xOrBS61sOrBS81s_3100,<br>Hlcmp_AnyOrOmit))                                                                                                                                                                                 |   |              |
| <b>local_BS3x_3100_T</b>               |            |                                                                                                                                                                                                                                                                                        |   |              |
| 56                                     |            | [ur = C_9600bs]                                                                                                                                                                                                                                                                        |   |              |
| 57                                     |            | (TCV_BcapMO1 := Bcap_MO(TCV_Rchr,<br>C_3100Hz, C_Unstructured, C_nirr_nomeaning,<br>C_no_rate_adaption, C_I440_450,<br>C_Synchronous, C_stopbit_NA, C_databit_NA, ur,<br>C_ir_16kbs, C_parity_NA, C_transparent, modem))                                                               |   | 11.8.2.2.1.1 |
| 58                                     |            | [ur <> C_9600bs]                                                                                                                                                                                                                                                                       |   |              |
| 59                                     |            | (TCV_BcapMO1 := Bcap_MO(TCV_Rchr,<br>C_3100Hz, C_Unstructured, C_nirr_nomeaning,<br>C_no_rate_adaption, C_I440_450,<br>C_Synchronous, C_stopbit_NA, C_databit_NA, ur,<br>C_ir_8kbs, C_parity_NA, C_transparent, modem))                                                                |   | 11.8.2.2.1.1 |
| <b>local_BS3x_UDI_T(sacp:B_3)</b>      |            |                                                                                                                                                                                                                                                                                        |   |              |
| 60                                     |            | [ur = C_9600bs]                                                                                                                                                                                                                                                                        |   |              |
| 61                                     |            | (TCV_BcapMO1 := Bcap_MO(TCV_Rchr, C_UDI,<br>C_Unstructured, C_nirr_nomeaning,<br>C_rate_adaption_V110, sacp, C_Synchronous,<br>C_stopbit_NA, C_databit_NA, ur, C_ir_16kbs,<br>C_parity_NA, C_transparent, C_modemt_none),<br>TCV_uil1p := C_rate_adaption_V110)                        |   | 11.8.2.2.1.2 |
| 62                                     |            | [NOT (ur = C_9600bs)]                                                                                                                                                                                                                                                                  |   |              |
| 63                                     |            | (TCV_BcapMO1 := Bcap_MO(TCV_Rchr, C_UDI,<br>C_Unstructured, C_nirr_nomeaning,<br>C_rate_adaption_V110, sacp, C_Synchronous,<br>C_stopbit_NA, C_databit_NA, ur, C_ir_8kbs,<br>C_parity_NA, C_transparent, C_modemt_none),<br>TCV_ir := C_ir_8kbs, TCV_uil1p :=<br>C_rate_adaption_V110) |   | 11.8.2.2.1.2 |
| <b>local_BS3x_3100_X32_T</b>           |            |                                                                                                                                                                                                                                                                                        |   |              |
| 64                                     |            | [ur = C_9600bs]                                                                                                                                                                                                                                                                        |   |              |
| 65                                     |            | (TCV_BcapMO1 := Bcap_MO(TCV_Rchr,<br>C_3100Hz, C_Unstructured, C_nirr_nomeaning,<br>C_no_rate_adaption, C_X32, C_Synchronous,<br>C_stopbit_NA, C_databit_NA, ur, C_ir_16kbs,<br>C_parity_NA, C_transparent, modem))                                                                    |   | 11.8.2.2.1.3 |
| 66                                     |            | [ur <> C_9600bs]                                                                                                                                                                                                                                                                       |   |              |
| 67                                     |            | (TCV_BcapMO1 := Bcap_MO(TCV_Rchr,<br>C_3100Hz, C_Unstructured, C_nirr_nomeaning,<br>C_no_rate_adaption, C_X32, C_Synchronous,<br>C_stopbit_NA, C_databit_NA, ur, C_ir_8kbs,<br>C_parity_NA, C_transparent, modem))                                                                     |   | 11.8.2.2.1.3 |
| <b>local_BS3x_3100_X32_NT(ce2:B_2)</b> |            |                                                                                                                                                                                                                                                                                        |   |              |
| 68                                     |            | (TCV_BcapMO1 := OC_ModifyBcap(BcapX_MO(<br>TCV_Rchr, C_3100Hz, C_SDUIntegrity,<br>C_nirr_dontcare, C_no_rate_adaption, C_X32,<br>C_Synchronous, C_stopbit_NA, C_databit_NA, ur,                                                                                                        |   | 11.8.2.2.1.4 |

|                                                                                                                                                                                                                                                                                                                                                                                                                                                                                                                                                                                                                                                                                                                                                                                                                                                                        |            |                                                                                                                                                                                                                                                                                                                                                          |   |                                                                                            |
|------------------------------------------------------------------------------------------------------------------------------------------------------------------------------------------------------------------------------------------------------------------------------------------------------------------------------------------------------------------------------------------------------------------------------------------------------------------------------------------------------------------------------------------------------------------------------------------------------------------------------------------------------------------------------------------------------------------------------------------------------------------------------------------------------------------------------------------------------------------------|------------|----------------------------------------------------------------------------------------------------------------------------------------------------------------------------------------------------------------------------------------------------------------------------------------------------------------------------------------------------------|---|--------------------------------------------------------------------------------------------|
|                                                                                                                                                                                                                                                                                                                                                                                                                                                                                                                                                                                                                                                                                                                                                                                                                                                                        |            | C_ir_16kbs, C_parity_NA, ce2, modem, C_X25_fct),<br>TCV_bcapListIndicator))                                                                                                                                                                                                                                                                              |   |                                                                                            |
| 69                                                                                                                                                                                                                                                                                                                                                                                                                                                                                                                                                                                                                                                                                                                                                                                                                                                                     |            | <b>local_BS3x_UDI_X32_NT</b><br>(TCV_BcapMO1 :=<br>OC_ModifyBcap(BcapX_MO(TCV_Rchr, C_UDI,<br>C_SDUIntegrity, C_nirr_dontcare,<br>C_rate_adaption_X31, C_X32, C_Synchronous,<br>C_stopbit_NA, C_databit_NA, ur, C_ir_16kbs,<br>C_parity_NA, C_nottransparent, C_modemt_none,<br>C_X25_fct), TCV_bcapListIndicator), TCV_uil1p :=<br>C_rate_adaption_X31) |   | 11.8.2.2.1.5                                                                               |
| 70                                                                                                                                                                                                                                                                                                                                                                                                                                                                                                                                                                                                                                                                                                                                                                                                                                                                     |            | <b>local_BS3x_3100_X32_Tboth(ce2:B_2)</b><br>[ur = C_9600bs]                                                                                                                                                                                                                                                                                             |   |                                                                                            |
| 71                                                                                                                                                                                                                                                                                                                                                                                                                                                                                                                                                                                                                                                                                                                                                                                                                                                                     |            | (TCV_BcapMO1 := OC_ModifyBcap(BcapX_MO(<br>TCV_Rchr, C_3100Hz, C_struct_dontchk,<br>C_nirr_nomeaning, C_no_rate_adaption, C_X32,<br>C_Synchronous, C_stopbit_NA, C_databit_NA, ur,<br>C_ir_16kbs, C_parity_NA, ce2, modem,<br>C_X25_fct), TCV_bcapListIndicator))                                                                                        |   | 11.8.2.2.1.3 combined<br>with 11.8.2.2.1.4, CE and<br>structure without exact<br>match     |
| 72                                                                                                                                                                                                                                                                                                                                                                                                                                                                                                                                                                                                                                                                                                                                                                                                                                                                     |            | [ur <> C_9600bs]                                                                                                                                                                                                                                                                                                                                         |   |                                                                                            |
| 73                                                                                                                                                                                                                                                                                                                                                                                                                                                                                                                                                                                                                                                                                                                                                                                                                                                                     |            | (TCV_BcapMO1 := OC_ModifyBcap(BcapX_MO(<br>TCV_Rchr, C_3100Hz, C_struct_dontchk,<br>C_nirr_dontcare, C_no_rate_adaption, C_X32,<br>C_Synchronous, C_stopbit_NA, C_databit_NA, ur,<br>C_ir_8or16kbs, C_parity_NA, ce2, modem,<br>C_X25_fct), TCV_bcapListIndicator))                                                                                      |   | 11.8.2.2.1.3 combined<br>with 11.8.2.2.1.4, CE, IR<br>and structure without<br>exact match |
|                                                                                                                                                                                                                                                                                                                                                                                                                                                                                                                                                                                                                                                                                                                                                                                                                                                                        |            | <b>local_selectCe</b>                                                                                                                                                                                                                                                                                                                                    |   |                                                                                            |
| 74                                                                                                                                                                                                                                                                                                                                                                                                                                                                                                                                                                                                                                                                                                                                                                                                                                                                     |            | [both]                                                                                                                                                                                                                                                                                                                                                   |   |                                                                                            |
| 75                                                                                                                                                                                                                                                                                                                                                                                                                                                                                                                                                                                                                                                                                                                                                                                                                                                                     |            | [(ur = C_300bs) OR (ur = C_120075bs) OR ( ur =<br>C_4800bs)]                                                                                                                                                                                                                                                                                             |   |                                                                                            |
| 76                                                                                                                                                                                                                                                                                                                                                                                                                                                                                                                                                                                                                                                                                                                                                                                                                                                                     |            | (TCV_ce := C_transparent)                                                                                                                                                                                                                                                                                                                                |   |                                                                                            |
| 77                                                                                                                                                                                                                                                                                                                                                                                                                                                                                                                                                                                                                                                                                                                                                                                                                                                                     |            | [(ur = C_1200bs) OR (ur = C_2400bs) OR ( ur =<br>C_9600bs)]                                                                                                                                                                                                                                                                                              |   |                                                                                            |
| 78                                                                                                                                                                                                                                                                                                                                                                                                                                                                                                                                                                                                                                                                                                                                                                                                                                                                     |            | (TCV_ce := C_nottransparent)                                                                                                                                                                                                                                                                                                                             |   |                                                                                            |
| 79                                                                                                                                                                                                                                                                                                                                                                                                                                                                                                                                                                                                                                                                                                                                                                                                                                                                     |            | [NOT both]                                                                                                                                                                                                                                                                                                                                               |   |                                                                                            |
| 80                                                                                                                                                                                                                                                                                                                                                                                                                                                                                                                                                                                                                                                                                                                                                                                                                                                                     |            | (TCV_ce := ce)                                                                                                                                                                                                                                                                                                                                           |   |                                                                                            |
|                                                                                                                                                                                                                                                                                                                                                                                                                                                                                                                                                                                                                                                                                                                                                                                                                                                                        |            | <b>local_pixitvaluechk</b>                                                                                                                                                                                                                                                                                                                               |   |                                                                                            |
| 81                                                                                                                                                                                                                                                                                                                                                                                                                                                                                                                                                                                                                                                                                                                                                                                                                                                                     | L_095<br>5 | [(ce <> C_transparent) AND( ce <> C_nottransparent)<br>AND(NOT both)]                                                                                                                                                                                                                                                                                    | I | IXIT error                                                                                 |
| 82                                                                                                                                                                                                                                                                                                                                                                                                                                                                                                                                                                                                                                                                                                                                                                                                                                                                     | L_095<br>6 | [(itc1 <> C_UDI) AND(itc1 <> C_3100Hz)]                                                                                                                                                                                                                                                                                                                  | I | IXIT error                                                                                 |
| 83                                                                                                                                                                                                                                                                                                                                                                                                                                                                                                                                                                                                                                                                                                                                                                                                                                                                     | L_095<br>7 | [(sacp1 <> C_I440_450) AND(sacp1 <> C_X21)<br>AND(sacp1 <>C_X32)]                                                                                                                                                                                                                                                                                        | I | IXIT error                                                                                 |
| 84                                                                                                                                                                                                                                                                                                                                                                                                                                                                                                                                                                                                                                                                                                                                                                                                                                                                     | L_095<br>8 | [(ur = C_1200bs) AND (sacp1 = C_X32)]                                                                                                                                                                                                                                                                                                                    | I | 4.                                                                                         |
| 85                                                                                                                                                                                                                                                                                                                                                                                                                                                                                                                                                                                                                                                                                                                                                                                                                                                                     |            | [C_Yes]                                                                                                                                                                                                                                                                                                                                                  |   | IXIT values OK, but<br>combination not checked<br>yet                                      |
| <b>Detailed Comments:</b>                                                                                                                                                                                                                                                                                                                                                                                                                                                                                                                                                                                                                                                                                                                                                                                                                                              |            |                                                                                                                                                                                                                                                                                                                                                          |   |                                                                                            |
| <p>1. The BS3x Bearer Capabilities and SETUP messages for MO is constructed according to section 11.8.2.2.1.1, section 11.8.2.2.1.2, section 11.8.2.2.1.3, section 11.8.2.2.1.4 and section 11.8.2.2.1.5 of GSM 11.10 and section B.1.3.1.1, section B.1.3.1.2, section B.1.3.2.1, section B.1.3.2.2, section B.2.3.1 and section B.2.3.2 of GSM 07.01.</p> <p>2. validate IXIT values.</p> <p>3. generate SETUP.</p> <p>4. IXIT error, BS31 does not support X32.</p> <p>5. IXIT error, UDI non-X32 case has no non transparent mode.</p> <p>6. IXIT error, 3.1kHz non-X32 case has no non transparent mode.</p> <p>7. IXIT error, UDI X32 case has no transparent mode.</p> <p>8. IXIT error, 3.1kHz case has no X21 signalling access protocol.</p> <p>The algorithm for selecting parameters:<br/>IF (TSPX_BS_3x_T_NT)<br/>TCV_ce := C_nottransparent<br/>ELSE</p> |            |                                                                                                                                                                                                                                                                                                                                                          |   |                                                                                            |

TCV\_ce := TSPX\_BS\_3x\_ce

use (TCV\_ce, TSPX\_BS\_3x\_itc1, TSPX\_BS\_3x\_sacp1, svc) for OO\_IFsetup\_BS2xorBS3x\_MO

| Test Step Dynamic Behaviour |            |                                                                                                              |      |   |              |
|-----------------------------|------------|--------------------------------------------------------------------------------------------------------------|------|---|--------------|
| <b>Test Step Name:</b>      |            | BS3xMT( srv:SERVICES; more_itc, both, more_sacp:BOOLEAN; itc1, itc2, sacp1, sacp2:B_3; ur:B_4; ce:B_2)       |      |   |              |
| <b>Group:</b>               |            | GSM_L3_MS_v4210/Preambles/                                                                                   |      |   |              |
| <b>Objective:</b>           |            | To generate an MT SETUP message with appropriate Bcap for BS3x service.                                      |      |   |              |
| <b>Default:</b>             |            | OtherEvents                                                                                                  |      |   |              |
| Nr                          | Label      | Behaviour Description                                                                                        | CRef | V | Comments     |
| 1                           |            | +local_main                                                                                                  |      |   |              |
| 2                           |            | +local_IFsetup                                                                                               |      |   |              |
|                             |            | <b>local_main</b>                                                                                            |      |   |              |
| 3                           |            | (TCV_srv := srv, TCV_ur := ur, TCV_ur2 := ur, TCV_ce := C_transparent)                                       |      |   |              |
| 4                           |            | +local_bcap1                                                                                                 |      |   |              |
| 5                           |            | (TCV_BcapMT1 := TCV_BcapMT2)                                                                                 |      |   |              |
| 6                           |            | [more_itc OR more_sacp OR (itc1 = C_3100Hz) AND (sacp1 = C_X32)]                                             |      |   |              |
| 7                           |            | [more_itc]                                                                                                   |      |   |              |
| 8                           |            | +local_bcap2                                                                                                 |      |   |              |
| 9                           |            | (TCV_Setup_mt1 := Setup_20(TCV_BcapMT2, TI_02), TCV_2ndtest := C_Yes)                                        |      |   | 2nd SETUP    |
| 10                          |            | [NOT more_itc]                                                                                               |      |   |              |
| 11                          |            | [itc1 = C_3100Hz]                                                                                            |      |   |              |
| 12                          |            | (TCV_itc2 := C_3100Hz)                                                                                       |      |   |              |
| 13                          |            | [more_sacp]                                                                                                  |      |   |              |
| 14                          |            | +local_3100_1( sacp2)                                                                                        |      |   |              |
| 15                          |            | (TCV_Setup_mt1 := Setup_20(TCV_BcapMT2, TI_02), TCV_2ndtest := C_Yes, TCV_sacp2 := sacp2)                    |      |   | 2nd SETUP    |
| 16                          |            | [NOT more_sacp]                                                                                              |      |   |              |
| 17                          |            | [sacp1 = C_I440_450]                                                                                         |      |   | no second BC |
| 18                          |            | [sacp1 = C_X32]                                                                                              |      |   |              |
| 19                          |            | +local_3100_1( sacp1)                                                                                        |      |   |              |
| 20                          |            | (TCV_Setup_mt1 := Setup_20(TCV_BcapMT2, TI_02), TCV_2ndtest := C_Yes, TCV_sacp2 := sacp1)                    |      |   | 2nd SETUP    |
| 21                          | L_095<br>9 | [( sacp1 <> C_I440_450) AND( sacp1 <> C_X32)]                                                                |      | I |              |
| 22                          |            | [itc1 = C_UDI]                                                                                               |      |   |              |
| 23                          |            | [more_sacp]                                                                                                  |      |   |              |
| 24                          |            | +local_UDI( sacp2)                                                                                           |      |   |              |
| 25                          |            | (TCV_Setup_mt1 := Setup_20(TCV_BcapMT2, TI_02), TCV_2ndtest := C_Yes, TCV_sacp2 := sacp2, TCV_itc2 := C_UDI) |      |   | 2nd SETUP    |
| 26                          |            | [NOT more_sacp]                                                                                              |      |   | no second BC |
| 27                          |            | [(NOT more_itc) AND(NOT more_sacp) AND ((NOT(itc1=C_3100Hz)) OR (NOT(sacp1=C_X32)))]                         |      |   |              |
|                             |            | <b>local_bcap1</b>                                                                                           |      |   |              |
| 28                          |            | [itc1 = C_3100Hz]                                                                                            |      |   |              |
| 29                          |            | +local_3100( sacp1)                                                                                          |      |   |              |
| 30                          |            | (TCV_itc := C_3100Hz, TCV_sacp := sacp1)                                                                     |      |   |              |
| 31                          |            | (TCV_Setup_mt := Setup_20(TCV_BcapMT2, TI_02), TCV_sacp := sacp1)                                            |      |   | 1st SETUP    |
| 32                          |            | +Chmod(TCV_ChRate, TCV_ce, ur, srv)                                                                          |      |   |              |
| 33                          |            | [itc1 = C_UDI]                                                                                               |      |   |              |
| 34                          |            | +local_UDI( sacp1)                                                                                           |      |   |              |
| 35                          |            | (TCV_Setup_mt := Setup_20(TCV_BcapMT2, TI_02), TCV_sacp := sacp1, TCV_itc := C_UDI)                          |      |   |              |
| 36                          |            | [sacp1 = C_X32]                                                                                              |      |   |              |
| 37                          |            | +Chmod(TCV_ChRate, C_notransparent, ur, srv)                                                                 |      |   |              |

|    |            |                                                                 |   |                      |
|----|------------|-----------------------------------------------------------------|---|----------------------|
| 38 |            | [NOT (sacp1 = C_X32)]                                           |   |                      |
| 39 |            | +Chmod(TCV_ChRate, TCV_ce, ur, srv)                             |   |                      |
| 40 | L_096<br>0 | [(itc1 <> C_3100Hz) AND( itc1 <> C_UDI)]                        | I |                      |
| 41 |            | <b>local_bcap2</b>                                              |   |                      |
| 42 |            | [itc2 = C_3100Hz]                                               |   |                      |
| 43 |            | [more_sacp]                                                     |   |                      |
| 44 |            | +local_3100_1( sacp2)                                           |   |                      |
| 45 |            | (TCV_itc2 := C_3100Hz, TCV_sacp2 := sacp2)                      |   |                      |
| 46 |            | [NOT more_sacp AND(sacp1 <> C_X21)]                             |   |                      |
| 47 |            | +local_3100_1( sacp1)                                           |   |                      |
| 48 |            | (TCV_itc2 := C_3100Hz, TCV_sacp2 := sacp1)                      |   |                      |
| 49 |            | [NOT more_sacp AND (sacp1 = C_X21)]                             |   | no second BC         |
| 50 |            | [itc2 = C_UDI]                                                  |   |                      |
| 51 |            | [more_sacp]                                                     |   |                      |
| 52 |            | +local_UDI( sacp2)                                              |   |                      |
| 53 |            | (TCV_itc2 := C_UDI, TCV_sacp2 := sacp2)                         |   |                      |
| 54 |            | [NOT more_sacp]                                                 |   |                      |
| 55 |            | +local_UDI( sacp1)                                              |   |                      |
| 56 | L_096<br>1 | (TCV_itc2 := C_UDI, TCV_sacp2 := sacp1)                         |   |                      |
| 57 |            | [(itc2 <> C_3100Hz) AND( itc2 <> C_UDI)]                        | I |                      |
| 58 |            | <b>local_3100(sacp:B_3)</b>                                     |   |                      |
| 59 |            | [sacp = C_I440_450]                                             |   |                      |
| 60 |            | +local_BS3x_3100                                                |   |                      |
| 61 |            | [sacp = C_X32]                                                  |   |                      |
| 62 |            | [NOT ( ur= C_1200bs)]                                           |   |                      |
| 63 |            | [both OR (ce = C_nottransparent)]                               |   |                      |
| 64 |            | +local_BS3x_3100_X32_NT(C_nottransparent)                       |   |                      |
| 65 |            | (TCV_ce := C_nottransparent)                                    |   |                      |
| 66 |            | [NOT both AND (ce = C_transparent)]                             |   |                      |
| 67 |            | +local_BS3x_3100_X32_T                                          |   |                      |
| 68 | L_096<br>2 | [ur= C_1200bs]                                                  | I | BS31 not support X32 |
| 69 | L_096<br>3 | [( sacp <> C_I440_450) AND( sacp <> C_X32)]                     | I |                      |
| 70 |            | <b>local_3100_1(sacp:B_3)</b>                                   |   |                      |
| 71 |            | [sacp = C_I440_450]                                             |   |                      |
| 72 |            | +local_BS3x_3100                                                |   |                      |
| 73 |            | [sacp = C_X32]                                                  |   |                      |
| 74 |            | +local_BS3x_3100_X32_NT(C_BothT)                                |   |                      |
| 75 | L_096<br>4 | [( sacp <> C_I440_450) AND( sacp <> C_X32)]                     | I |                      |
| 76 |            | <b>local_UDI(sacp:B_3)</b>                                      |   |                      |
| 77 |            | [sacp = C_I440_450]                                             |   |                      |
| 78 |            | [ur = C_9600bs]                                                 |   |                      |
| 79 |            | +ltree_BS3x_UDI_I440_T( C_ir_16kbs)                             |   |                      |
| 80 |            | [ur <> C_9600bs]                                                |   |                      |
| 81 |            | +ltree_BS3x_UDI_I440_T( C_ir_8kbs)                              |   |                      |
| 82 |            | [sacp = C_X21]                                                  |   |                      |
| 83 |            | [ur = C_9600bs]                                                 |   |                      |
| 84 |            | +ltree_BS3x_UDI_X21_T( C_ir_16kbs)                              |   |                      |
| 85 |            | [ur <> C_9600bs]                                                |   |                      |
| 86 |            | +ltree_BS3x_UDI_X21_T( C_ir_8kbs)                               |   |                      |
| 87 |            | [sacp = C_X32]                                                  |   |                      |
| 88 |            | [ur <> C_1200bs]                                                |   |                      |
| 89 |            | +ltree_BS3x_UDI_X32_NT                                          |   |                      |
| 90 | L_096<br>5 | [ur = C_1200bs]                                                 | I |                      |
| 91 | L_096<br>6 | [( sacp <> C_I440_450) AND( sacp <> C_X21) AND( sacp <> C_X32)] | I |                      |

|     |            |                                                                                                                                                                                                                                                                     |              |
|-----|------------|---------------------------------------------------------------------------------------------------------------------------------------------------------------------------------------------------------------------------------------------------------------------|--------------|
| 88  |            | <b>ltree_BS3x_3100_T(ir:B_2; modemt:B_5)</b><br>(TCV_BcapMT2 := Bcap_MT( C_3100Hz,<br>C_Unstructured, C_nirr_nomeaning,<br>C_no_rate_adaption, C_I440_450, C_Synchronous,<br>C_stopbit_NA, C_databit_NA, ur, ir, C_parity_NA,<br>C_transparent, modemt))            | 11.8.1.2.1.1 |
| 89  |            | <b>ltree_BS3x_UDI_I440_T(ir:B_2)</b><br>(TCV_BcapMT2 := Bcap_MT( C_UDI,<br>C_Unstructured, C_nirr_nomeaning,<br>C_rate_adaption_V110, C_I440_450,<br>C_Synchronous, C_stopbit_NA, C_databit_NA, ur, ir,<br>C_parity_NA, C_transparent, C_modemt_none))              | 11.8.1.2.1.2 |
| 90  |            | <b>ltree_BS3x_UDI_X21_T(ir:B_2)</b><br>(TCV_BcapMT2 := Bcap_MT( C_UDI,<br>C_Unstructured, C_nirr_nomeaning,<br>C_rate_adaption_V110, C_X21, C_Synchronous,<br>C_stopbit_NA, C_databit_NA, ur, ir, C_parity_NA,<br>C_transparent, C_modemt_none))                    | 11.8.1.2.1.2 |
| 91  |            | <b>ltree_BS3x_3100_X32_T(ir:B_2; modemt:B_5)</b><br>(TCV_BcapMT2 := Bcap_MT( C_3100Hz,<br>C_Unstructured, C_nirr_nomeaning,<br>C_no_rate_adaption, C_X32, C_Synchronous,<br>C_stopbit_NA, C_databit_NA, ur, ir, C_parity_NA,<br>C_transparent, modemt))             | 11.8.1.2.1.3 |
| 92  |            | <b>ltree_BS3x_3100_X32_NT(modemt:B_5; ce1:B_2)</b><br>(TCV_BcapMT2 := BcapX_MT( C_3100Hz,<br>C_SDUintegrity, C_nirr_nomeaning,<br>C_no_rate_adaption, C_X32, C_Synchronous,<br>C_stopbit_NA, C_databit_NA, ur, C_ir_16kbs,<br>C_parity_NA, ce1, modemt, C_X25_fct)) | 11.8.1.2.1.4 |
| 93  |            | <b>ltree_BS3x_UDI_X32_NT</b><br>(TCV_BcapMT2 := BcapX_MT( C_UDI,<br>C_SDUintegrity, C_nirr_nomeaning,<br>C_rate_adaption_X31, C_X32, C_Synchronous,<br>C_stopbit_NA, C_databit_NA, ur, C_ir_16kbs,<br>C_parity_NA, C_nottransparent, C_modemt_none,<br>C_X25_fct))  | 11.8.1.2.1.5 |
| 94  |            | <b>local_BS3x_3100</b><br>[ur = C_1200bs]                                                                                                                                                                                                                           |              |
| 95  |            | +ltree_BS3x_3100_T( C_ir_8kbs, C_modemt_V22)                                                                                                                                                                                                                        |              |
| 96  |            | [ur = C_2400bs]                                                                                                                                                                                                                                                     |              |
| 97  |            | +ltree_BS3x_3100_T( C_ir_8kbs,<br>C_modemt_V22bis)                                                                                                                                                                                                                  |              |
| 98  |            | [ur = C_4800bs]                                                                                                                                                                                                                                                     |              |
| 99  |            | +ltree_BS3x_3100_T( C_ir_8kbs, C_modemt_V32)                                                                                                                                                                                                                        |              |
| 100 |            | [ur = C_9600bs]                                                                                                                                                                                                                                                     |              |
| 101 |            | +ltree_BS3x_3100_T( C_ir_16kbs,<br>C_modemt_V32)                                                                                                                                                                                                                    |              |
| 102 | L_096<br>7 | [(ur <> C_1200bs) AND(ur <> C_2400bs) AND(ur <><br>C_4800bs) AND(ur <> C_9600bs)]                                                                                                                                                                                   | I            |
| 103 |            | <b>local_BS3x_3100_X32_NT(ce2:B_2)</b><br>[ur = C_2400bs]                                                                                                                                                                                                           |              |
| 104 |            | +ltree_BS3x_3100_X32_NT( C_modemt_V22bis,<br>ce2)                                                                                                                                                                                                                   |              |
| 105 |            | [(ur = C_4800bs) OR (ur = C_9600bs)]                                                                                                                                                                                                                                |              |
| 106 |            | +ltree_BS3x_3100_X32_NT( C_modemt_V32, ce2)                                                                                                                                                                                                                         |              |
| 107 | L_096<br>8 | [(ur <> C_2400bs) AND(ur <> C_4800bs) AND(ur <><br>C_9600bs)]                                                                                                                                                                                                       | I            |
| 108 |            | <b>local_BS3x_3100_X32_T</b><br>[ur = C_2400bs]                                                                                                                                                                                                                     |              |
| 109 |            | +ltree_BS3x_3100_X32_T( C_ir_8kbs,<br>C_modemt_V22bis)                                                                                                                                                                                                              |              |

|     |            |                                                                 |   |                 |
|-----|------------|-----------------------------------------------------------------|---|-----------------|
| 110 |            | [ur = C_4800bs]                                                 |   |                 |
| 111 |            | +ltree_BS3x_3100_X32_T( C_ir_8kbs,<br>C_modemt_V32)             |   |                 |
| 112 |            | [ur = C_9600bs]                                                 |   |                 |
| 113 |            | +ltree_BS3x_3100_X32_T( C_ir_16kbs,<br>C_modemt_V32)            |   |                 |
| 114 | L_096<br>9 | [(ur <> C_2400bs) AND(ur <> C_4800bs) AND(ur <><br>C_9600bs)]   | I |                 |
|     |            | <b>local_IFsetup</b>                                            |   |                 |
| 115 |            | [TCV_supported]                                                 |   |                 |
| 116 |            | (TCV_Null := OO_IFsetup_BS3x_MT(TCV_srv,<br>TCV_itc, TCV_sacp)) |   |                 |
| 117 |            | [NOT TCV_supported]                                             |   |                 |
| 118 |            | [TCV_SpecialCase]                                               |   |                 |
| 119 |            | START T_dly(C_T_Wait)                                           |   |                 |
| 120 |            | ?TIMEOUT T_dly                                                  |   |                 |
| 121 | L_097<br>0 | [NOT TCV_SpecialCase]                                           | I | Parameter error |

**Detailed Comments:**

The algorithm for derivation of BS3x Bearer Capabilities :

The Bearer Capability for 1st SETUP ( used for an MT call):

itc= TSPX\_BS\_3x\_itc1

sacp= TSPX\_BS\_3x\_sacp1

IF itc= 3.1Khz

IF sacp= I440 use coding of sec. 11.8.1.2.1.1 with (ce=T)

IF sacp= X32

IF TSPX\_BS\_3x\_T\_NT OR (TSPX\_BS\_3x\_ce = NT)

use coding of sec. 11.8.1.2.1.4 with (ce= NT)

IF NOT TSPX\_BS\_3x\_T\_NT AND (TSPX\_BS\_3x\_ce = T)

use coding of sec. 11.8.1.2.1.3 with (ce= T)

IF itc=udi

IF sacp= I440 use coding of sec. 11.8.1.2.1.2 with (ce=T)

IF sacp= X21 use coding of sec. 11.8.1.2.1.2 with (ce=T)

IF sacp= X32 use coding of sec. 11.8.1.2.1.5 with (ce=NT)

The derived 2nd Bearer Capability for 2nd SETUP (used for TC\_11\_1\_ only):

Note: the 2nd BC is derived only IF

TSPX\_BS\_3x\_more\_itc OR TSPX\_BS\_3x\_more\_sacp OR

((TSPX\_BS\_3x\_itc1 = 3.1kHz) AND (TSPX\_BS\_3x\_sacp1 = X32))

IF TSPX\_BS\_3x\_more\_itc

itc= TSPX\_BS\_3x\_itc2

IF itc= 3.1kHz

IF TSP\_BS\_3x\_more\_sacp

sacp= TSPX\_BS\_3x\_sacp2

ELSE

sacp = TSPX\_BS\_3x\_sacp1

IF sacp= I440 use coding of sec. 11.8.1.2.1.1 with (ce=T)

IF sacp= X32 use coding of sec. 11.8.1.2.1.4 with (ce=both/T)

IF itc= udi

IF TSP\_BS\_3x\_more\_sacp

sacp= TSPX\_BS\_3x\_sacp2

IF sacp= I440 use coding of sec. 11.8.1.2.1.2 with (ce=T)

IF sacp= X21 use coding of sec. 11.8.1.2.1.2 with (ce=T)

IF sacp= X32 use coding of sec. 11.8.1.2.1.5 with (ce=NT)

ELSE

sacp= TSPX\_BS\_3x\_sacp1

IF sacp=I440 use coding of sec. 11.8.1.2.1.2 with (ce=T)

IF sacp= X32 use coding of sec. 11.8.1.2.1.5 with (ce=NT)

ELSE

itc= TSPX\_BS\_3x\_itc1

IF itc= 3.1kHz

IF TSPX\_BS\_3x\_more\_sacp

sacp= TSPX\_BS\_3x\_sacp2

IF sacp= I440



```
        use coding of sec. 11.8.1.2.1.1 with (ce=T)
    IF sacp= X32
        use coding of sec. 11.8.1.2.1.4 with (ce=both/T)
    ELSE
        sacp= TSPX_BS_3x_sacp1
    IF sacp= I440 no second Bearer Capability
    IF sacp= X32 use coding of sec. 11.8.1.2.1.4 with (ce=both/T)
IF itc= udi
IF TSP_BS_3x_more_sacp
sacp= TSPX_BS_3x_sacp2
    IF sacp= I440 use coding of sec. 11.8.1.2.1.2 with (ce=T)
    IF sacp= X21 use coding of sec. 11.8.1.2.1.2 with (ce=T)
    IF sacp= X32 use coding of sec. 11.8.1.2.1.5 with (ce=NT)
ELSE
    sacp= TSPX_BS_3x_sacp1
    IF sacp=I440 no second Bearer Capability
    IF sacp=X21 no second Bearer Capability
    IF sacp= X32 no second Bearer Capability
```

| Test Step Dynamic Behaviour |       |                                                                                                                                                                                                                                                                                      |      |   |                                    |
|-----------------------------|-------|--------------------------------------------------------------------------------------------------------------------------------------------------------------------------------------------------------------------------------------------------------------------------------------|------|---|------------------------------------|
| <b>Test Step Name:</b>      |       | BS4xMO( srv:SERVICES; ur:B_4; ce:B_2; both:BOOLEAN)                                                                                                                                                                                                                                  |      |   |                                    |
| <b>Group:</b>               |       | GSM_L3_MS_v4210/Preambles/                                                                                                                                                                                                                                                           |      |   |                                    |
| <b>Objective:</b>           |       | To generate an MO SETUP message with appropriate Bcap and LLC for BS4x service.                                                                                                                                                                                                      |      |   |                                    |
| <b>Default:</b>             |       | OtherEvents                                                                                                                                                                                                                                                                          |      |   |                                    |
| Nr                          | Label | Behaviour Description                                                                                                                                                                                                                                                                | CRef | V | Comments                           |
| 1                           |       | (TCV_srv := srv, TCV_ur := ur, TCV_CE := C_BothT, TCV_ir := C_ir_16kbs)                                                                                                                                                                                                              |      |   |                                    |
| 2                           |       | +local_pixitvaluechk                                                                                                                                                                                                                                                                 |      |   | validate IXIT values               |
| 3                           |       | +local_selectCe                                                                                                                                                                                                                                                                      |      |   | select a CE                        |
| 4                           |       | +local_bcap                                                                                                                                                                                                                                                                          |      |   | generate BC                        |
| 5                           |       | (TCV_Setup_mo := Setup_10_UDI(TCV_BcapMO1, Llcmp_BS2xOrBS4x_UDI, Hlcmp_AnyOrOmit))                                                                                                                                                                                                   |      |   | generate SETUP                     |
| 6                           |       | +Chmod(TCV_ChRate, TCV_ce, ur, srv)                                                                                                                                                                                                                                                  |      |   | initiate channel mode variables    |
| 7                           |       | (TCV_Null := OO_IFsetup_BS4x_MO(TCV_srv, TCV_ce, TCV_ChRate))                                                                                                                                                                                                                        |      |   | ask test operator to set up the MS |
| 8                           |       | <b>local_bcap</b>                                                                                                                                                                                                                                                                    |      |   |                                    |
| 9                           |       | [NOT both]                                                                                                                                                                                                                                                                           |      |   |                                    |
| 10                          |       | [TCV_ce = C_nottransparent]                                                                                                                                                                                                                                                          |      |   |                                    |
| 11                          |       | +local_BS4x_UDI_NT(C_nottransparent)                                                                                                                                                                                                                                                 |      |   |                                    |
| 12                          |       | [TCV_ce = C_transparent]                                                                                                                                                                                                                                                             |      |   | CE:T only MS                       |
| 13                          |       | [ur = C_9600bs]                                                                                                                                                                                                                                                                      |      |   |                                    |
| 14                          |       | +local_BS4x_UDI_T(C_ir_16kbs)                                                                                                                                                                                                                                                        |      |   |                                    |
| 15                          |       | [( ur = C_300bs) OR (ur = C_1200bs) OR (ur = C_120075bs) OR (ur = C_2400bs) OR (ur = C_4800bs)]                                                                                                                                                                                      |      |   |                                    |
| 16                          |       | +local_BS4x_UDI_T(C_ir_8kbs)                                                                                                                                                                                                                                                         |      |   |                                    |
| 17                          |       | [both]                                                                                                                                                                                                                                                                               |      |   |                                    |
| 18                          |       | [TCV_ce = C_transparent]                                                                                                                                                                                                                                                             |      |   |                                    |
| 19                          |       | (TCV_bcapListIndicator := TCV_bcapListIndicator + 1)                                                                                                                                                                                                                                 |      |   |                                    |
| 20                          |       | +local_BS4x_UDI_Tboth(TCV_CE)                                                                                                                                                                                                                                                        |      |   |                                    |
| 21                          |       | [(TCV_ce = C_nottransparent)]                                                                                                                                                                                                                                                        |      |   |                                    |
| 22                          |       | (TCV_bcapListIndicator := TCV_bcapListIndicator + 2)                                                                                                                                                                                                                                 |      |   |                                    |
| 23                          |       | +local_BS4x_UDI_NT(TCV_CE)                                                                                                                                                                                                                                                           |      |   |                                    |
| 24                          |       | <b>local_BS4x_UDI_T(ir:B_2)</b>                                                                                                                                                                                                                                                      |      |   | 11.8.2.3.1.1                       |
| 25                          |       | (TCV_BcapMO1 := Bcap_MO( TCV_Rchr, C_UDI, C_Unstructured, C_nirr_nomeaning, C_rate_adaption_V110, C_X28_unui, C_Asynchronous, C_stopbit_dontcare, C_databit_dontcare, ur, ir, C_parity_dontcare, C_transparent, C_modemt_none), TCV_ir := ir)                                        |      |   |                                    |
| 26                          |       | <b>local_BS4x_UDI_NT(ce1:B_2)</b>                                                                                                                                                                                                                                                    |      |   | 11.8.2.3.1.2                       |
| 27                          |       | [( ur = C_300bs) OR (ur = C_1200bs) OR (ur = C_120075bs) OR (ur = C_2400bs) OR (ur = C_4800bs)]                                                                                                                                                                                      |      |   |                                    |
| 28                          |       | (TCV_BcapMO1 := OC_ModifyBcap(BcapX_MO(TCV_Rchr, C_UDI, C_SDUintegrity, C_nirr_dontcare, C_rate_adaption_V110, C_X28_unui, C_Asynchronous, C_stopbit_dontcare, C_databit_dontcare, ur, C_ir_16kbs, C_parity_dontcare, ce1, C_modemt_none, C_uil2p_dontcare), TCV_bcapListIndicator)) |      |   |                                    |
| 29                          |       | [ur = C_9600bs]                                                                                                                                                                                                                                                                      |      |   |                                    |
| 30                          |       | (TCV_BcapMO1 := OC_ModifyBcap(BcapX_MO(TCV_Rchr, C_UDI, C_SDUintegrity, C_nirr_nomeaning, C_rate_adaption_V110, C_X28_unui, C_Asynchronous, C_stopbit_dontcare, C_databit_dontcare, ur, C_ir_16kbs, C_parity_dontcare, ce1, C_modemt_none,                                           |      |   | 11.8.2.3.1.2                       |

|                           |       |                                                                                                                                                                                                                                                                                            |   |                                                                                   |
|---------------------------|-------|--------------------------------------------------------------------------------------------------------------------------------------------------------------------------------------------------------------------------------------------------------------------------------------------|---|-----------------------------------------------------------------------------------|
|                           |       | C_uil2p_dontcare), TCV_bcapListIndicator))                                                                                                                                                                                                                                                 |   |                                                                                   |
| 28                        |       | <b>local_BS4x_UDI_Both(ce1:B_2)</b><br>[[ ur = C_300bs) OR (ur = C_1200bs) OR (ur = C_120075bs) OR (ur = C_2400bs) OR (ur = C_4800bs)]                                                                                                                                                     |   |                                                                                   |
| 29                        |       | (TCV_BcapMO1 := OC_ModifyBcap(BcapX_MO(TCV_Rchr, C_UDI, C_struct_dontchk, C_nirr_dontcare, C_rate_adaption_V110, C_X28_unui, C_Asynchrouous, C_stopbit_dontcare, C_databit_dontcare, ur, C_ir_8or16kbs, C_parity_dontcare, ce1, C_modemt_none, C_uil2p_dontcare), TCV_bcapListIndicator))  |   | 11.8.2.3.1.2 combined with 11.8.2.3.1.1, CE, IR and structure without exact match |
| 30                        |       | [ur = C_9600bs]                                                                                                                                                                                                                                                                            |   |                                                                                   |
| 31                        |       | (TCV_BcapMO1 := OC_ModifyBcap(BcapX_MO(TCV_Rchr, C_UDI, C_struct_dontchk, C_nirr_nomeaning, C_rate_adaption_V110, C_X28_unui, C_Asynchrouous, C_stopbit_dontcare, C_databit_dontcare, ur, C_ir_8or16kbs, C_parity_dontcare, ce1, C_modemt_none, C_uil2p_dontcare), TCV_bcapListIndicator)) |   | 11.8.2.3.1.2 combined with 11.8.2.3.1.1, CE, IR and structure without exact match |
| 32                        | L_097 | <b>local_pixitvaluechk</b><br>[(ce <> C_transparent) AND (ce <> C_nottransparent) AND(NOT both)]                                                                                                                                                                                           | I | IXIT error                                                                        |
| 33                        | 1     | [C_Yes]                                                                                                                                                                                                                                                                                    |   | IXIT values OK                                                                    |
| 34                        |       | <b>local_selectCe</b><br>[both]                                                                                                                                                                                                                                                            |   |                                                                                   |
| 35                        |       | [(ur = C_300bs) OR (ur = C_120075bs) OR (ur = C_4800bs)]                                                                                                                                                                                                                                   |   |                                                                                   |
| 36                        |       | (TCV_ce := C_nottransparent)                                                                                                                                                                                                                                                               |   |                                                                                   |
| 37                        |       | [(ur = C_1200bs) OR (ur = C_2400bs) OR (ur = C_9600bs)]                                                                                                                                                                                                                                    |   |                                                                                   |
| 38                        |       | (TCV_ce := C_transparent)                                                                                                                                                                                                                                                                  |   |                                                                                   |
| 39                        |       | [NOT both]                                                                                                                                                                                                                                                                                 |   |                                                                                   |
| 40                        |       | (TCV_ce := ce)                                                                                                                                                                                                                                                                             |   |                                                                                   |
| <b>Detailed Comments:</b> |       | The BS4x Bearer Capabilities and SETUP messages for MO is constructed according to section 11.8.2.3.1.1 and section 11.8.2.3.1.2 of GSM 11.10 and section B.1.4 and section B.2.2.1 of GSM 07.01.                                                                                          |   |                                                                                   |
|                           |       | The algorithm for selecting parameters:<br>IF (TSPX_BS_4x_T_NT)<br>IF (user rate is one of the C_300bs, C_120075bs, C_4800bs)<br>TCV_ce := C_nottransparent<br>ELSE /* user rate is one of C_1200bs, C_2400bs, C_9600bs \                                                                  |   |                                                                                   |

| Test Step Dynamic Behaviour                                                               |       |                                                                                                                                                                                                                               |      |   |              |
|-------------------------------------------------------------------------------------------|-------|-------------------------------------------------------------------------------------------------------------------------------------------------------------------------------------------------------------------------------|------|---|--------------|
| <b>Test Step Name:</b> BS5xMO( srv:SERVICES; ur:B_4)                                      |       |                                                                                                                                                                                                                               |      |   |              |
| <b>Group:</b> GSM_L3_MS_v4210/Preambles/                                                  |       |                                                                                                                                                                                                                               |      |   |              |
| <b>Objective:</b> To generate an MO SETUP message with appropriate Bcap for BS5x service. |       |                                                                                                                                                                                                                               |      |   |              |
| <b>Default:</b> OtherEvents                                                               |       |                                                                                                                                                                                                                               |      |   |              |
| Nr                                                                                        | Label | Behaviour Description                                                                                                                                                                                                         | CRef | V | Comments     |
| 1                                                                                         |       | (TCV_srv := srv, TCV_ur := ur)                                                                                                                                                                                                |      |   |              |
| 2                                                                                         |       | (TCV_BcapMO1 := BcapX_MO( TCV_Rchr, C_UDI, C_SDUintegrity, C_nirr_nomeaning, C_rate_adaption_X31, C_X32, C_Synchronous, C_stopbit_NA, C_databit_NA, ur, C_ir_16kbs, C_parity_NA, C_nottransparent, C_modemt_none, C_X25_fct)) |      |   | 11.8.2.4.1   |
| 3                                                                                         |       | (TCV_Setup_mo := Setup_10_UDI( TCV_BcapMO1, Llcmp_BS5x, Hlcmp_AnyOrOmit))                                                                                                                                                     |      |   |              |
| 4                                                                                         |       | +Chmod(TCV_ChRate, C_nottransparent, ur, srv)                                                                                                                                                                                 |      |   | channel mode |
| 5                                                                                         |       | (TCV_Null := OO_IFsetup_BS5x_MO(TCV_srv, TCV_ur, TCV_ChRate))                                                                                                                                                                 |      |   |              |
| <b>Detailed Comments:</b>                                                                 |       |                                                                                                                                                                                                                               |      |   |              |
| 1. Bearer Caoability is coded according to section 11.8.2.4.1 of GSM 11.10 ver 4.16       |       |                                                                                                                                                                                                                               |      |   |              |
| 2. low layer compatibility is coded according to section B.2.5 of GSM 07.01 ver 4.90      |       |                                                                                                                                                                                                                               |      |   |              |

| Test Step Dynamic Behaviour |       |                                                                                                                                                                                                                                                                    |      |   |                |
|-----------------------------|-------|--------------------------------------------------------------------------------------------------------------------------------------------------------------------------------------------------------------------------------------------------------------------|------|---|----------------|
| <b>Test Step Name:</b>      |       | BS61or81MO( srv:SERVICES; async, both: BOOLEAN; a_ur1: B_4; ce:B_2; sync:BOOLEAN; s_ur1: B_4; ri:B_8)                                                                                                                                                              |      |   |                |
| <b>Group:</b>               |       | GSM_L3_MS_v4210/Preambles/                                                                                                                                                                                                                                         |      |   |                |
| <b>Objective:</b>           |       | To get a MO SETUP message with right BC IE and LLC for BS61 or BS81 service.                                                                                                                                                                                       |      |   |                |
| <b>Default:</b>             |       | OtherEvents                                                                                                                                                                                                                                                        |      |   |                |
| Nr                          | Label | Behaviour Description                                                                                                                                                                                                                                              | CRef | V | Comments       |
| 1                           |       | (TCV_srv := srv, TCV_CE := C_BothT, TCV_ir := C_ir_8kbs, TCV_MODEM := C_modemt_none)                                                                                                                                                                               |      |   |                |
| 2                           |       | +local_pixitvaluechk                                                                                                                                                                                                                                               |      |   | 1.             |
| 3                           |       | +local_selectSaAndCe                                                                                                                                                                                                                                               |      |   | 2.             |
| 4                           |       | +local_bcap                                                                                                                                                                                                                                                        |      |   | generate BC    |
| 5                           |       | +local_setupmsg                                                                                                                                                                                                                                                    |      |   | generate SETUP |
| 6                           |       | +Chmod(TCV_ChRate, TCV_ce, TCV_ur, srv)                                                                                                                                                                                                                            |      |   |                |
| 7                           |       | (TCV_Null := OO_IFsetup_BS61orBS81_MO(TCV_srv, TCV_ur, TCV_sa, TCV_ce, TCV_ChRate))                                                                                                                                                                                |      |   |                |
|                             |       | <b>local_bcap</b>                                                                                                                                                                                                                                                  |      |   |                |
| 8                           |       | [TCV_sa = C_Synchronous]                                                                                                                                                                                                                                           |      |   |                |
| 9                           |       | [TCV_ur = C_1200bs]                                                                                                                                                                                                                                                |      |   |                |
| 10                          |       | +local_BS61or81_S_T( C_ir_8kbs, C_1200bs, C_modemt_V22)                                                                                                                                                                                                            |      |   |                |
| 11                          |       | [TCV_ur = C_2400bs]                                                                                                                                                                                                                                                |      |   |                |
| 12                          |       | (TCV_bcapListIndicator := C_modemlist_ce)                                                                                                                                                                                                                          |      |   |                |
| 13                          |       | +local_BS61or81_S_T( C_ir_8kbs, C_2400bs, TCV_MODEM)                                                                                                                                                                                                               |      |   |                |
| 14                          |       | [TCV_ur = C_4800bs]                                                                                                                                                                                                                                                |      |   |                |
| 15                          |       | +local_BS61or81_S_T( C_ir_8kbs, C_4800bs, C_modemt_V32)                                                                                                                                                                                                            |      |   |                |
| 16                          |       | [TCV_ur = C_9600bs]                                                                                                                                                                                                                                                |      |   |                |
| 17                          |       | +local_BS61or81_S_T( C_ir_16kbs, C_9600bs, C_modemt_V32)                                                                                                                                                                                                           |      |   |                |
| 18                          |       | (TCV_ir := C_ir_16kbs)                                                                                                                                                                                                                                             |      |   |                |
| 19                          |       | [TCV_sa = C_Asynchronous]                                                                                                                                                                                                                                          |      |   |                |
| 20                          |       | [(TCV_ce = C_transparent) AND(NOT both)]                                                                                                                                                                                                                           |      |   | CE:T only MS   |
| 21                          |       | +local_BS61or81_A_T(TCV_ur)                                                                                                                                                                                                                                        |      |   |                |
| 22                          |       | [(TCV_ce = C_nottransparent) AND(NOT both)]                                                                                                                                                                                                                        |      |   | CE:NT only MS  |
| 23                          |       | +local_BS61or81_A_NT(TCV_ur, C_nottransparent, C_SDUIegrity, C_nirr_dontcare, C_ir_16kbs)                                                                                                                                                                          |      |   |                |
| 24                          |       | [(TCV_ce = C_nottransparent) AND both]                                                                                                                                                                                                                             |      |   |                |
| 25                          |       | (TCV_bcapListIndicator := TCV_bcapListIndicator + 2)                                                                                                                                                                                                               |      |   |                |
| 26                          |       | +local_BS61or81_A_NT(TCV_ur, TCV_CE, C_SDUIegrity, C_nirr_dontcare, C_ir_16kbs)                                                                                                                                                                                    |      |   |                |
| 27                          |       | [(TCV_ce = C_transparent) AND both]                                                                                                                                                                                                                                |      |   |                |
| 28                          |       | (TCV_bcapListIndicator := TCV_bcapListIndicator + 1)                                                                                                                                                                                                               |      |   |                |
| 29                          |       | +local_BS61or81_A_NT( TCV_ur, TCV_CE, C_struc_dontchk, C_nirr_dontcare, C_ir_8or16kbs)                                                                                                                                                                             |      |   |                |
|                             |       | <b>local_BS61or81_A_T(ur:B_4)</b>                                                                                                                                                                                                                                  |      |   |                |
| 30                          |       | [ur = C_300bs]                                                                                                                                                                                                                                                     |      |   |                |
| 31                          |       | (TCV_BcapMO1 := Bcap_MO( TCV_Rchr, C_3100Hz, C_Unstructured, C_nirr_nomeaning, C_no_rate_adaption, C_I440_450, C_Asynchronous, C_stopbit_dontcare, C_databit_dontcare, ur, C_ir_8kbs, C_parity_dontcare, C_transparent, C_modemt_V21), TCV_modemt := C_modemt_V21) |      |   | 11.8.2.5.1     |
| 32                          |       | [ur = C_1200bs]                                                                                                                                                                                                                                                    |      |   |                |
| 33                          |       | (TCV_BcapMO1 := Bcap_MO( TCV_Rchr, C_3100Hz, C_Unstructured, C_nirr_nomeaning,                                                                                                                                                                                     |      |   | 11.8.2.5.1     |

|    |                                                                                                                                                                                                                                                                                                                                                                    |            |
|----|--------------------------------------------------------------------------------------------------------------------------------------------------------------------------------------------------------------------------------------------------------------------------------------------------------------------------------------------------------------------|------------|
|    | C_no_rate_adaption, C_I440_450,<br>C_Asynchronous, C_stopbit_dontcare,<br>C_databit_dontcare, ur, C_ir_8kbs,<br>C_parity_dontcare, C_transparent,<br>C_modemt_V22), TCV_modemt :=<br>C_modemt_V22)                                                                                                                                                                 |            |
| 34 | [ur = C_120075bs]                                                                                                                                                                                                                                                                                                                                                  |            |
| 35 | (TCV_BcapMO1 := Bcap_MO( TCV_Rchr,<br>C_3100Hz, C_Unstructured, C_nirr_nomeaning,<br>C_no_rate_adaption, C_I440_450,<br>C_Asynchronous, C_stopbit_dontcare,<br>C_databit_dontcare, ur, C_ir_8kbs,<br>C_parity_dontcare, C_transparent,<br>C_modemt_V23), TCV_modemt :=<br>C_modemt_V23)                                                                            | 11.8.2.5.1 |
| 36 | [ur = C_2400bs]                                                                                                                                                                                                                                                                                                                                                    |            |
| 37 | (TCV_bcapListIndicator := C_modemLst_ce,<br>TCV_BcapMO1 := OC_ModifyBcap(Bcap_MO(<br>TCV_Rchr, C_3100Hz, C_Unstructured,<br>C_nirr_nomeaning, C_no_rate_adaption,<br>C_I440_450, C_Asynchronous,<br>C_stopbit_dontcare, C_databit_dontcare, ur,<br>C_ir_8kbs, C_parity_dontcare, C_transparent,<br>TCV_MODEM), TCV_bcapListIndicator),<br>TCV_modemt := TCV_MODEM) | 11.8.2.5.1 |
| 38 | [ur = C_4800bs]                                                                                                                                                                                                                                                                                                                                                    |            |
| 39 | (TCV_BcapMO1 := Bcap_MO( TCV_Rchr,<br>C_3100Hz, C_Unstructured, C_nirr_nomeaning,<br>C_no_rate_adaption, C_I440_450,<br>C_Asynchronous, C_stopbit_dontcare,<br>C_databit_dontcare, ur, C_ir_8kbs,<br>C_parity_dontcare, C_transparent,<br>C_modemt_V32), TCV_modemt :=<br>C_modemt_V32)                                                                            | 11.8.2.5.1 |
| 40 | [ur = C_9600bs]                                                                                                                                                                                                                                                                                                                                                    |            |
| 41 | (TCV_BcapMO1 := Bcap_MO( TCV_Rchr,<br>C_3100Hz, C_Unstructured, C_nirr_nomeaning,<br>C_no_rate_adaption, C_I440_450,<br>C_Asynchronous, C_stopbit_dontcare,<br>C_databit_dontcare, ur, C_ir_16kbs,<br>C_parity_dontcare, C_transparent,<br>C_modemt_V32), TCV_modemt :=<br>C_modemt_V32)                                                                           | 11.8.2.5.1 |
| 42 | (TCV_ir := C_ir_16kbs)                                                                                                                                                                                                                                                                                                                                             |            |
|    | <b>local_BS61or81_A_NT(ur:B_4; ce:B_2; struc:B_2;<br/>nirr :B_1; ir:B_2)</b>                                                                                                                                                                                                                                                                                       |            |
| 43 | (TCV_ir := C_ir_16kbs)                                                                                                                                                                                                                                                                                                                                             |            |
| 44 | [ur = C_300bs]                                                                                                                                                                                                                                                                                                                                                     |            |
| 45 | (TCV_BcapMO1 :=<br>OC_ModifyBcap(BcapX_MO(TCV_Rchr,<br>C_3100Hz, struc, nirr, C_no_rate_adaption,<br>C_I440_450, C_Asynchronous,<br>C_stopbit_dontcare, C_databit_dontcare, ur, ir,<br>C_parity_dontcare, ce, C_modemt_V21,<br>C_uil2p_dontcare), TCV_bcapListIndicator),<br>TCV_modemt := C_modemt_V21)                                                           | 11.8.2.5.2 |
| 46 | [ur = C_1200bs]                                                                                                                                                                                                                                                                                                                                                    |            |
| 47 | (TCV_BcapMO1 :=<br>OC_ModifyBcap(BcapX_MO(TCV_Rchr,<br>C_3100Hz, struc, nirr, C_no_rate_adaption,<br>C_I440_450, C_Asynchronous,<br>C_stopbit_dontcare, C_databit_dontcare, ur, ir,<br>C_parity_dontcare, ce, C_modemt_V22,<br>C_uil2p_dontcare), TCV_bcapListIndicator),<br>TCV_modemt := C_modemt_V22)                                                           | 11.8.2.5.2 |
| 48 | [ur = C_120075bs]                                                                                                                                                                                                                                                                                                                                                  |            |
| 49 | (TCV_BcapMO1 :=<br>OC_ModifyBcap(BcapX_MO(TCV_Rchr,<br>C_3100Hz, struc, nirr, C_no_rate_adaption,<br>C_I440_450, C_Asynchronous,<br>C_stopbit_dontcare, C_databit_dontcare, ur, ir,<br>C_parity_dontcare, ce, C_modemt_V23,<br>C_uil2p_dontcare), TCV_bcapListIndicator),                                                                                          | 11.8.2.5.2 |

|    |            |                                                                                                                                                                                                                                                                                                                               |   |                |
|----|------------|-------------------------------------------------------------------------------------------------------------------------------------------------------------------------------------------------------------------------------------------------------------------------------------------------------------------------------|---|----------------|
| 50 |            | TCV_modemt := C_modemt_V23)                                                                                                                                                                                                                                                                                                   |   |                |
| 51 |            | [ur = C_2400bs]                                                                                                                                                                                                                                                                                                               |   |                |
| 52 |            | +local_BumpListIndicator<br>(TCV_BcapMO1 :=<br>OC_ModifyBcap(BcapX_MO(TCV_Rchr,<br>C_3100Hz, struc, nirr, C_no_rate_adaption,<br>C_I440_450, C_Asynchrous,<br>C_stopbit_dontcare, C_databit_dontcare, ur, ir,<br>C_parity_dontcare, ce, TCV_MODEM,<br>C_uil2p_dontcare), TCV_bcapListIndicator),<br>TCV_modemt := TCV_MODEM)  |   | 11.8.2.5.2     |
| 53 |            | [ur = C_4800bs]                                                                                                                                                                                                                                                                                                               |   |                |
| 54 |            | (TCV_BcapMO1 :=<br>OC_ModifyBcap(BcapX_MO(TCV_Rchr,<br>C_3100Hz, struc, nirr, C_no_rate_adaption,<br>C_I440_450, C_Asynchrous,<br>C_stopbit_dontcare, C_databit_dontcare, ur, ir,<br>C_parity_dontcare, ce, C_modemt_V32,<br>C_uil2p_dontcare), TCV_bcapListIndicator),<br>TCV_modemt := C_modemt_V32)                        |   | 11.8.2.5.2     |
| 55 |            | [ur = C_9600bs]                                                                                                                                                                                                                                                                                                               |   |                |
| 56 |            | (TCV_BcapMO1 :=<br>OC_ModifyBcap(BcapX_MO(TCV_Rchr,<br>C_3100Hz, struc, C_nirr_nomeaning,<br>C_no_rate_adaption, C_I440_450,<br>C_Asynchrous, C_stopbit_dontcare,<br>C_databit_dontcare, ur, C_ir_16kbs,<br>C_parity_dontcare, ce, C_modemt_V32,<br>C_uil2p_dontcare), TCV_bcapListIndicator),<br>TCV_modemt := C_modemt_V32) |   | 11.8.2.5.2     |
|    |            | <b>local_BumpListIndicator</b>                                                                                                                                                                                                                                                                                                |   |                |
| 57 |            | [TCV_bcapListIndicator < C_modemlist_ce]                                                                                                                                                                                                                                                                                      |   |                |
| 58 |            | (TCV_bcapListIndicator := TCV_bcapListIndicator +<br>3)                                                                                                                                                                                                                                                                       |   |                |
| 59 |            | [TCV_bcapListIndicator >= C_modemlist_ce]                                                                                                                                                                                                                                                                                     |   |                |
|    |            | <b>local_BS61or81_S_T( ir:B_2; ur: B_4;<br/>modemt:B_5)</b>                                                                                                                                                                                                                                                                   |   |                |
| 60 |            | (TCV_BcapMO1 :=<br>OC_ModifyBcap(Bcap_MO(TCV_Rchr, C_3100Hz,<br>C_Unstructured, C_nirr_nomeaning,<br>C_no_rate_adaption, C_I440_450, C_Synchronous,<br>C_stopbit_NA, C_databit_NA, ur, ir, C_parity_NA,<br>C_transparent, modemt), TCV_bcapListIndicator),<br>TCV_modemt := modemt)                                           |   | 11.8.2.5.3     |
|    |            | <b>local_pixitvaluechk</b>                                                                                                                                                                                                                                                                                                    |   |                |
| 61 | L_097<br>2 | [(ce <> C_transparent) AND( ce <> C_notransparent)<br>AND(NOT both) AND async]                                                                                                                                                                                                                                                | I | IXIT error     |
| 62 | L_097<br>3 | [(a_ur1 <> C_300bs) AND(a_ur1 <> C_1200bs)<br>AND(a_ur1 <> C_2400bs) AND(a_ur1 <> C_4800bs)<br>AND(a_ur1 <> C_9600bs) AND(a_ur1 <><br>C_120075bs) AND async]                                                                                                                                                                  | I | IXIT error     |
| 63 | L_097<br>4 | [(s_ur1 <> C_1200bs) AND(s_ur1 <> C_2400bs)<br>AND(s_ur1 <> C_4800bs) AND(s_ur1 <> C_9600bs)<br>AND sync]                                                                                                                                                                                                                     | I | IXIT error     |
| 64 |            | [C_Yes]                                                                                                                                                                                                                                                                                                                       |   | IXIT values OK |
|    |            | <b>local_selectSaAndCe</b>                                                                                                                                                                                                                                                                                                    |   |                |
| 65 |            | [async]                                                                                                                                                                                                                                                                                                                       |   | 3.             |
| 66 |            | (TCV_sa := C_Asynchrous, TCV_ur := a_ur1)                                                                                                                                                                                                                                                                                     |   |                |
| 67 |            | [both]                                                                                                                                                                                                                                                                                                                        |   |                |
| 68 |            | [(a_ur1 = C_300bs) OR (a_ur1 = C_120075bs)<br>OR ( a_ur1 = C_4800bs)]                                                                                                                                                                                                                                                         |   |                |
| 69 |            | (TCV_ce := C_notransparent)                                                                                                                                                                                                                                                                                                   |   |                |
| 70 |            | [(a_ur1 = C_1200bs) OR (a_ur1 = C_2400bs)<br>OR ( a_ur1 = C_9600bs)]                                                                                                                                                                                                                                                          |   |                |
| 71 |            | (TCV_ce := C_transparent)                                                                                                                                                                                                                                                                                                     |   |                |
| 72 |            | [NOT both]                                                                                                                                                                                                                                                                                                                    |   |                |
| 73 |            | (TCV_ce := ce)                                                                                                                                                                                                                                                                                                                |   |                |

|    |                                                                                                                                                                                                      |  |                |
|----|------------------------------------------------------------------------------------------------------------------------------------------------------------------------------------------------------|--|----------------|
| 74 | [sync]                                                                                                                                                                                               |  |                |
| 75 | (TCV_sa := C_Synchronous, TCV_ce :=<br>C_transparent, TCV_ur := s_ur1)                                                                                                                               |  |                |
|    | <b>local_setupmsg</b>                                                                                                                                                                                |  |                |
| 76 | [TCV_sa = C_Asynchronous]                                                                                                                                                                            |  |                |
| 77 | [(NOT TSPC_EFR_Speech_v2) AND(NOT<br>TSPC_EFR_Speech_v3)]                                                                                                                                            |  |                |
| 78 | (TCV_Setup_mo := Setup_11_3100( ri,<br>Bcap_Speech_MO(C_Rchr_dontcare),<br>TCV_BcapMO1, Llcmp_NotApplicable,<br>Llcmp_BS2xOrBS61aOrBS81a_3100, ri, ri,<br>Hlcmp_NotApplicable, Hlcmp_AnyOrOmit))     |  | Non EFR Mobile |
| 79 | [TSPC_EFR_Speech_v2 OR<br>TSPC_EFR_Speech_v3]                                                                                                                                                        |  |                |
| 80 | (TCV_Setup_mo := Setup_11_3100( ri,<br>Bcap_Speech_Efr_MO(C_Rchr_dontcare),<br>TCV_BcapMO1, Llcmp_NotApplicable,<br>Llcmp_BS2xOrBS61aOrBS81a_3100, ri, ri,<br>Hlcmp_NotApplicable, Hlcmp_AnyOrOmit)) |  | EFR Mobile     |
| 81 | [TCV_sa = C_Synchronous]                                                                                                                                                                             |  |                |
| 82 | [(NOT TSPC_EFR_Speech_v2) AND(NOT<br>TSPC_EFR_Speech_v3)]                                                                                                                                            |  |                |
| 83 | (TCV_Setup_mo := Setup_11_3100( ri,<br>Bcap_Speech_MO(C_Rchr_dontcare),<br>TCV_BcapMO1, Llcmp_NotApplicable,<br>Llcmp_BS3xOrBS61sOrBS81s_3100, ri, ri,<br>Hlcmp_NotApplicable, Hlcmp_AnyOrOmit))     |  | Non EFR Mobile |
| 84 | [TSPC_EFR_Speech_v2 OR<br>TSPC_EFR_Speech_v3]                                                                                                                                                        |  |                |
| 85 | (TCV_Setup_mo := Setup_11_3100( ri,<br>Bcap_Speech_Efr_MO(C_Rchr_dontcare),<br>TCV_BcapMO1, Llcmp_NotApplicable,<br>Llcmp_BS3xOrBS61sOrBS81s_3100, ri, ri,<br>Hlcmp_NotApplicable, Hlcmp_AnyOrOmit)) |  | EFR Mobile     |

**Detailed Comments:**

1. validate IXIT values
2. select sync or async mode and corresponding CE
3. If the MS supports both synchronous and asynchronous mode, selete the asynchronous mode
4. The BS61 or BS81 Bearer Capabilities and SETUP messages for MO is constructed according to section 11.8.2.5.1, section 11.8.2.5.2 and section 11.8.2.5.3 of GSM 11.10 and section B.1.6.1, section B.1.6.2.1, section B.1.6.2.2, section B.2.2.2 and section B.2.3.2 of GSM 07.01.

The algorithm for selecting parameters for BS61 basice service:

```

IF (TSPX_BS_61_A)
    TCV_sa := C_Asynchronous
    IF (TSPX_BS_61_A_ur1_T_NT)
        TCV_ce := C_nottransparent
    ELSE
        TCV_ce := TSPX_BS_61_A_ur1_ce
    use (TCV_sa, TCV_ce, TSPX_BS_61_A_ur1, svc) for OO_IFsetup_BS61orBS81_MO
ELSE
    TCV_sa := C_Synchronous
    use (TCV_sa, C_transparent, TSPX_BS_61_S_ur1, svc) for
OO_IFsetup_BS61orBS81_MO

```

The algorithm for selecting parameters for BS61 basice service is the same as above except using corresponding IXIT parameters.



| Test Step Dynamic Behaviour |       |                                                                                                                                           |      |   |             |
|-----------------------------|-------|-------------------------------------------------------------------------------------------------------------------------------------------|------|---|-------------|
| <b>Test Step Name:</b>      |       | BS61or81MT( srv:SERVICES; async, t_nt_ur1, t_nt_ur2, a_more_ur, sync, s_more_ur:BOOLEAN; a_ur1, a_ur2, s_ur1, s_ur2: B_4; ri:B_8; ce:B_2) |      |   |             |
| <b>Group:</b>               |       | GSM_L3_MS_v4210/Preambles/                                                                                                                |      |   |             |
| <b>Objective:</b>           |       | To get a MT SETUP message with right BC IE for BS61 or BS81 service.                                                                      |      |   |             |
| <b>Default:</b>             |       | OtherEvents                                                                                                                               |      |   |             |
| Nr                          | Label | Behaviour Description                                                                                                                     | Cref | V | Comments    |
| 1                           |       | +local_main                                                                                                                               |      |   |             |
| 2                           |       | +local_IFsetup                                                                                                                            |      |   |             |
|                             |       | <b>local_main</b>                                                                                                                         |      |   |             |
| 3                           |       | (TCV_srv := srv)                                                                                                                          |      |   |             |
| 4                           |       | (TCV_BcapMT1 := Bcap_Speech_MT)                                                                                                           |      |   |             |
| 5                           |       | [async]                                                                                                                                   |      |   | If asynchro |
| 6                           |       | +local_bcapa                                                                                                                              |      |   |             |
| 7                           |       | (TCV_Setup_mt := Setup_21( ri, TCV_BcapMT1, TCV_BcapMT2, TI_02), TCV_ur := a_ur1, TCV_sa := C_Asynchronous)                               |      |   | 1st SETUP   |
| 8                           |       | +Chmod(TCV_ChRate, TCV_ce, a_ur1, srv)                                                                                                    |      |   | 2nd ch mode |
| 9                           |       | (TCV_ChMod.mode := C_ChMod_r)                                                                                                             |      |   | Speech mode |
| 10                          |       | [sync]                                                                                                                                    |      |   |             |
| 11                          |       | +local_bcap2S(s_ur1)                                                                                                                      |      |   |             |
| 12                          |       | (TCV_Setup_mt1 := Setup_21( ri, TCV_BcapMT1, TCV_BcapMT2, TI_02), TCV_2ndtest :=C_Yes, TCV_ur2 := s_ur1, TCV_sa2 := C_Synchronous)        |      |   | 2nd SETUP   |
| 13                          |       | [a_more_ur]                                                                                                                               |      |   |             |
| 14                          |       | [t_nt_ur2]                                                                                                                                |      |   |             |
| 15                          |       | +local_bcap2A(a_ur2, C_transparent)                                                                                                       |      |   |             |
| 16                          |       | (TCV_Setup_mt1 := Setup_21( ri, TCV_BcapMT1, TCV_BcapMT2, TI_02), TCV_2ndtest :=C_Yes, TCV_ur2 := a_ur2, TCV_sa2 := C_Asynchronous)       |      |   | 2nd SETUP   |
| 17                          |       | [NOT t_nt_ur2]                                                                                                                            |      |   |             |
| 18                          |       | +local_bcap2A(a_ur2, C_BothT)                                                                                                             |      |   |             |
| 19                          |       | (TCV_Setup_mt1 := Setup_21( ri, TCV_BcapMT1, TCV_BcapMT2, TI_02), TCV_2ndtest :=C_Yes, TCV_ur2 := a_ur2, TCV_sa2 := C_Asynchronous)       |      |   | 2nd SETUP   |
| 20                          |       | [NOT a_more_ur]                                                                                                                           |      |   |             |
| 21                          |       | [t_nt_ur1]                                                                                                                                |      |   |             |
| 22                          |       | +local_bcap2A(a_ur1, C_transparent)                                                                                                       |      |   |             |
| 23                          |       | (TCV_Setup_mt1 := Setup_21( ri, TCV_BcapMT1, TCV_BcapMT2, TI_02), TCV_2ndtest := C_Yes, TCV_ur2 := a_ur1, TCV_sa2 := C_Asynchronous)      |      |   | 2nd SETUP   |
| 24                          |       | [NOT t_nt_ur1]                                                                                                                            |      |   |             |
| 25                          |       | +local_bcap2A(a_ur1, C_BothT)                                                                                                             |      |   |             |
| 26                          |       | (TCV_Setup_mt1 := Setup_21( ri, TCV_BcapMT1, TCV_BcapMT2, TI_02), TCV_2ndtest := C_Yes, TCV_ur2 := a_ur1, TCV_sa2 := C_Asynchronous)      |      |   | 2nd SETUP   |
| 27                          |       | [sync]                                                                                                                                    |      |   | If synchro  |
| 28                          |       | +local_bcap2S(s_ur1)                                                                                                                      |      |   |             |
| 29                          |       | (TCV_Setup_mt := Setup_21( ri, TCV_BcapMT1, TCV_BcapMT2, TI_02), TCV_ur := s_ur1, TCV_sa := C_Synchronous)                                |      |   | 1st SETUP   |
| 30                          |       | +Chmod(TCV_ChRate, C_transparent, s_ur1, srv)                                                                                             |      |   | 2nd ch mode |
| 31                          |       | (TCV_ChMod.mode := C_ChMod_r)                                                                                                             |      |   | Speech mode |
| 32                          |       | [s_more_ur]                                                                                                                               |      |   |             |

|    |            |                                                                                                                                                |   |              |
|----|------------|------------------------------------------------------------------------------------------------------------------------------------------------|---|--------------|
| 33 |            | +local_bcap2S(s_ur2)                                                                                                                           |   |              |
| 34 |            | (TCV_Setup_mt1 := Setup_21( ri,<br>TCV_BcapMT1, TCV_BcapMT2,<br>TI_02), TCV_2ndtest :=C_Yes,<br>TCV_ur2 := s_ur1, TCV_sa2 :=<br>C_Synchronous) |   | 2nd SETUP    |
| 35 |            | [NOT s_more_ur]                                                                                                                                |   | no second BC |
|    |            | <b>local_bcap2A(ur:B_4; ce2: B_2)</b>                                                                                                          |   |              |
| 36 |            | [ce2 = C_transparent]                                                                                                                          |   |              |
| 37 |            | [ur = C_300bs]                                                                                                                                 |   |              |
| 38 |            | +local_BS61or81_A_T( C_ir_8kbs, ur,<br>C_modemt_V21)                                                                                           |   |              |
| 39 |            | [ur = C_1200bs]                                                                                                                                |   |              |
| 40 |            | +local_BS61or81_A_T( C_ir_8kbs, ur,<br>C_modemt_V22)                                                                                           |   |              |
| 41 |            | [ur = C_2400bs]                                                                                                                                |   |              |
| 42 |            | +local_BS61or81_A_T( C_ir_8kbs, ur,<br>C_modemt_V22bis)                                                                                        |   |              |
| 43 |            | [ur = C_4800bs]                                                                                                                                |   |              |
| 44 |            | +local_BS61or81_A_T( C_ir_8kbs, ur,<br>C_modemt_V32)                                                                                           |   |              |
| 45 |            | [ur = C_9600bs]                                                                                                                                |   |              |
| 46 |            | +local_BS61or81_A_T( C_ir_16kbs, ur,<br>C_modemt_V32)                                                                                          |   |              |
| 47 | L_097<br>5 | [(ur <> C_300bs) AND(ur <> C_1200bs) AND(ur <><br>C_2400bs) AND(ur <> C_4800bs) AND(ur <><br>C_9600bs)]                                        | I |              |
| 48 |            | [ce2 = C_BothNT]                                                                                                                               |   |              |
| 49 |            | [ur = C_300bs]                                                                                                                                 |   |              |
| 50 |            | +local_BS61or81_A_NT(ur, C_modemt_V21,<br>C_BothNT)                                                                                            |   |              |
| 51 |            | [ur = C_1200bs]                                                                                                                                |   |              |
| 52 |            | +local_BS61or81_A_NT(ur, C_modemt_V22,<br>C_BothNT)                                                                                            |   |              |
| 53 |            | [ur = C_2400bs]                                                                                                                                |   |              |
| 54 |            | +local_BS61or81_A_NT(ur, C_modemt_V22bis,<br>C_BothNT)                                                                                         |   |              |
| 55 |            | [ur = C_4800bs]                                                                                                                                |   |              |
| 56 |            | +local_BS61or81_A_NT(ur, C_modemt_V32,<br>C_BothNT)                                                                                            |   |              |
| 57 |            | [ur = C_9600bs]                                                                                                                                |   |              |
| 58 |            | +local_BS61or81_A_NT(ur, C_modemt_V32,<br>C_BothNT)                                                                                            |   |              |
| 59 | L_097<br>6 | [(ur <> C_300bs) AND(ur <> C_1200bs) AND(ur <><br>C_2400bs) AND(ur <> C_4800bs) AND(ur <><br>C_9600bs)]                                        | I |              |
| 60 |            | [ce2 = C_nottransparent]                                                                                                                       |   |              |
| 61 |            | [ur = C_300bs]                                                                                                                                 |   |              |
| 62 |            | +local_BS61or81_A_NT(ur, C_modemt_V21,<br>C_nottransparent)                                                                                    |   |              |
| 63 |            | [ur = C_1200bs]                                                                                                                                |   |              |
| 64 |            | +local_BS61or81_A_NT(ur, C_modemt_V22,<br>C_nottransparent)                                                                                    |   |              |
| 65 |            | [ur = C_2400bs]                                                                                                                                |   |              |
| 66 |            | +local_BS61or81_A_NT(ur, C_modemt_V22bis,<br>C_nottransparent)                                                                                 |   |              |
| 67 |            | [ur = C_4800bs]                                                                                                                                |   |              |
| 68 |            | +local_BS61or81_A_NT(ur, C_modemt_V32,<br>C_nottransparent)                                                                                    |   |              |
| 69 |            | [ur = C_9600bs]                                                                                                                                |   |              |
| 70 |            | +local_BS61or81_A_NT(ur, C_modemt_V32,<br>C_nottransparent)                                                                                    |   |              |
| 71 | L_097<br>7 | [(ur <> C_300bs) AND(ur <> C_1200bs) AND(ur <><br>C_2400bs) AND(ur <> C_4800bs) AND(ur <><br>C_9600bs)]                                        | I |              |
| 72 | L_097<br>8 | [(ce2 <> C_nottransparent) AND(ce2 <> C_BothNT)<br>AND (ce2 = C_transparent)]                                                                  | I |              |

|    |                                                                                                                                                                                                                                     |            |  |
|----|-------------------------------------------------------------------------------------------------------------------------------------------------------------------------------------------------------------------------------------|------------|--|
|    | <b>local_bcap2S(ur:B_4)</b>                                                                                                                                                                                                         |            |  |
| 73 | [ur = C_1200bs]                                                                                                                                                                                                                     |            |  |
| 74 | +local_BS61or81_S_T( C_ir_8kbs, ur,<br>C_modemt_V22)                                                                                                                                                                                |            |  |
| 75 | [ur = C_2400bs]                                                                                                                                                                                                                     |            |  |
| 76 | +local_BS61or81_S_T( C_ir_8kbs, ur,<br>C_modemt_V22bis)                                                                                                                                                                             |            |  |
| 77 | [ur = C_4800bs]                                                                                                                                                                                                                     |            |  |
| 78 | +local_BS61or81_S_T( C_ir_8kbs, ur,<br>C_modemt_V32)                                                                                                                                                                                |            |  |
| 79 | [ur = C_9600bs]                                                                                                                                                                                                                     |            |  |
| 80 | +local_BS61or81_S_T( C_ir_16kbs, ur,<br>C_modemt_V32)                                                                                                                                                                               |            |  |
| 81 | L_097 9 [(ur <> C_1200bs) AND(ur <> C_2400bs) AND(ur <><br>C_4800bs) AND(ur <> C_9600bs)]                                                                                                                                           | I          |  |
|    | <b>local_BS61or81_A_T( ir:B_2; ur:B_4;<br/>modemt:B_5)</b>                                                                                                                                                                          |            |  |
| 82 | [TSPX_TE_FLCT = C_Outband]                                                                                                                                                                                                          |            |  |
| 83 | (TCV_BcapMT2 := Bcap_MT( C_3100Hz,<br>C_Unstructured, C_nirr_nomeaning,<br>C_no_rate_adaption, C_I440_450,<br>C_Asynchronous, TSPX_TE_stopbit,<br>TSPX_TE_databit, ur, ir, TSPX_TE_parity,<br>C_transparent, modemt))               | 11.8.1.3.1 |  |
| 84 | [TSPX_TE_FLCT = C_Inband]                                                                                                                                                                                                           |            |  |
| 85 | (TCV_BcapMT2 := BcapX_MT( C_3100Hz,<br>C_Unstructured, C_nirr_nomeaning,<br>C_no_rate_adaption, C_I440_450,<br>C_Asynchronous, TSPX_TE_stopbit,<br>TSPX_TE_databit, ur, ir, TSPX_TE_parity,<br>C_transparent, modemt, C_ISO6429))   | 11.8.1.3.1 |  |
| 86 | [TSPX_TE_FLCT = C_Nocontrol]                                                                                                                                                                                                        |            |  |
| 87 | (TCV_BcapMT2 := BcapX_MT( C_3100Hz,<br>C_Unstructured, C_nirr_nomeaning,<br>C_no_rate_adaption, C_I440_450,<br>C_Asynchronous, TSPX_TE_stopbit,<br>TSPX_TE_databit, ur, ir, TSPX_TE_parity,<br>C_transparent, modemt, C_COPnoFLCT)) | 11.8.1.3.1 |  |
| 88 | L_098 0 [(TSPX_TE_FLCT <> C_Outband)<br>AND(TSPX_TE_FLCT <> C_Inband)<br>AND(TSPX_TE_FLCT <> C_Nocontrol)]                                                                                                                          | I          |  |
|    | <b>local_BS61or81_A_NT(ur:B_4; modemt:B_5;<br/>cel:B_2)</b>                                                                                                                                                                         |            |  |
| 89 | [TSPX_TE_FLCT = C_Outband]                                                                                                                                                                                                          |            |  |
| 90 | (TCV_BcapMT2 := Bcap_MT( C_3100Hz,<br>C_SDUIntegrity, C_nirr_nomeaning,<br>C_no_rate_adaption, C_I440_450,<br>C_Asynchronous, TSPX_TE_stopbit,<br>TSPX_TE_databit, ur, C_ir_16kbs,<br>TSPX_TE_parity, cel, modemt))                 | 11.8.1.3.2 |  |
| 91 | [TSPX_TE_FLCT = C_Inband]                                                                                                                                                                                                           |            |  |
| 92 | (TCV_BcapMT2 := BcapX_MT( C_3100Hz,<br>C_SDUIntegrity, C_nirr_nomeaning,<br>C_no_rate_adaption, C_I440_450,<br>C_Asynchronous, TSPX_TE_stopbit,<br>TSPX_TE_databit, ur, C_ir_16kbs,<br>TSPX_TE_parity, cel, modemt, C_ISO6429))     | 11.8.1.3.2 |  |
| 93 | [TSPX_TE_FLCT = C_Nocontrol]                                                                                                                                                                                                        |            |  |
| 94 | (TCV_BcapMT2 := BcapX_MT( C_3100Hz,<br>C_SDUIntegrity, C_nirr_nomeaning,<br>C_no_rate_adaption, C_I440_450,<br>C_Asynchronous, TSPX_TE_stopbit,<br>TSPX_TE_databit, ur, C_ir_16kbs,<br>TSPX_TE_parity, cel, modemt, C_COPnoFLCT))   | 11.8.1.3.2 |  |
| 95 | L_098 1 [(TSPX_TE_FLCT <> C_Outband)<br>AND(TSPX_TE_FLCT <> C_Inband)<br>AND(TSPX_TE_FLCT <> C_Nocontrol)]                                                                                                                          | I          |  |
|    | <b>local_BS61or81_S_T( ir:B_2; ur: B_4;<br/>modemt:B_5)</b>                                                                                                                                                                         |            |  |

|            |                                                                                                                                                                                              |   |                 |
|------------|----------------------------------------------------------------------------------------------------------------------------------------------------------------------------------------------|---|-----------------|
| 96         | (TCV_BcapMT2 := Bcap_MT( C_3100Hz, C_Unstructured, C_nirr_nomeaning, C_no_rate_adaption, C_I440_450, C_Synchronous, C_stopbit_NA, C_databit_NA, ur, ir, C_parity_NA, C_transparent, modemt)) |   | 11.8.1.3.3      |
| 97         | <b>local_bcapa</b><br>[t_nt_ur1 OR (ce = C_nottransparent)]                                                                                                                                  |   |                 |
| 98         | +local_bcap2A(a_ur1, C_nottransparent)                                                                                                                                                       |   |                 |
| 99         | (TCV_ce := C_nottransparent)                                                                                                                                                                 |   |                 |
| 100        | [NOT t_nt_ur1 AND (ce = C_transparent)]                                                                                                                                                      |   |                 |
| 101        | +local_bcap2A(a_ur1, C_transparent)                                                                                                                                                          |   |                 |
| 102        | (TCV_ce := C_transparent)                                                                                                                                                                    |   |                 |
| 103        | <b>local_IFsetup</b><br>[TCV_supported]                                                                                                                                                      |   |                 |
| 104        | (TCV_Null := OO_IFsetup_BS61orBS81_MT(TCV_srv, TCV_ur, TCV_sa))                                                                                                                              |   |                 |
| 105        | [NOT TCV_supported]                                                                                                                                                                          |   |                 |
| 106        | [TCV_SpecialCase]                                                                                                                                                                            |   |                 |
| 107        | START T_dly(C_T_Wait)                                                                                                                                                                        |   |                 |
| 108        | ?TIMEOUT T_dly                                                                                                                                                                               |   |                 |
| 109        | [NOT TCV_SpecialCase]                                                                                                                                                                        | I | Parameter error |
| L_098<br>2 |                                                                                                                                                                                              |   |                 |

**Detailed Comments:** The algorithm for derivation of BS61 Bearer Capabilities:

The data Bearer Capability for 1st SETUP (used for an MT call):

```

IF TSPX_BS_61_A
  ur= TSPX_BS_61_A_ur1
  IF TSPX_BS_61_A_ur1_T_NT OR (TSPX_BS_61_A_ur1_ce = NT)
    use coding of sec. 11.8.1.3.2 with (ur & ce=NT)
  ELSE
    use coding of sec. 11.8.1.3.1 with (ur & ce=T)
ELSE
  IF TSPX_BS_61_S
    ur= TSPX_BS_61_S_ur1 use coding of sec. 11.8.1.3.3 with (ur & ce=T)
  
```

The 2nd Bearer Capability for second SETUP ( used for TC\_11\_1\_1):

Note: the 2nd BC is derived IF  
 (TSPX\_BS\_61\_A OR (TSPX\_BS\_61\_S AND TSPX\_BS\_61\_S\_more\_ur))

```

IF TSPX_BS_61_A AND TSPX_BS_61_S
  ur= TSPX_BS_61_S_ur1 use coding of sec. 11.8.1.3.3 with (ur & ce= T)
ELSE
  IF TSPX_BS_61_A_more_ur AND TSPX_BS_61_A
    ur= TSPX_BS_61_A_ur2
    IF TSPX_BS_61_A_ur2_T_NT
      use coding of sec. 11.8.1.3.1 with (ur & ce=T)
    ELSE
      use coding of sec. 11.8.1.3.2 with (ur & ce=both/T)
  ELSE
    IF TSPX_BS_61_S AND TSPX_BS_61_S_more_ur
      ur=TSPX_BS_61_S_ur2
      use coding of sec. 11.8.1.3.3 with (ur & ce= T)
    ELSE
      IF TSPX_BS_61_A
        ur= TSPX_BS_61_A_ur1
        IF TSPX_BS_61_A_ur1_T_NT
          use coding of sec. 11.8.1.3.1 with (ur & ce=T)
        ELSE
          use coding of sec. 11.8.1.3.2 with (ur & ce=both/T)
      
```

The algorithm for derivation of BS81 Bearer Capabilities is same as above except all parameters are changed to corresponding BS81's parameters.



| Test Step Dynamic Behaviour |            |                                                                                                                                                                                |      |   |                       |
|-----------------------------|------------|--------------------------------------------------------------------------------------------------------------------------------------------------------------------------------|------|---|-----------------------|
| <b>Test Step Name:</b>      |            | CallCfmGen(svc:SERVICES; rate:RATE)                                                                                                                                            |      |   |                       |
| <b>Group:</b>               |            | GSM_L3_MS_v4210/Preambles/                                                                                                                                                     |      |   |                       |
| <b>Objective:</b>           |            | To generate a CALL COMFIRMED based on the service and rate, as well as on several IXIT parameters, itc, ce, ur, synchronous bit for verifying received CALL COMFIRMED message. |      |   |                       |
| <b>Default:</b>             |            | OtherEvents                                                                                                                                                                    |      |   |                       |
| <b>Comments:</b>            |            | Used only for TC_11_2                                                                                                                                                          |      |   |                       |
| Nr                          | Label      | Behaviour Description                                                                                                                                                          | CRef | V | Comments              |
| 1                           |            | +local_init                                                                                                                                                                    |      |   | Default values        |
| 2                           |            | [TCV_Service = C_Telephony]                                                                                                                                                    |      |   |                       |
| 3                           |            | [(NOT TSPC_EFR_Speech_v2) AND(NOT TSPC_EFR_Speech_v3)]                                                                                                                         |      |   |                       |
| 4                           |            | (TCV_BcapMO1 := Bcap_Speech_MO(TCV_Rchr))                                                                                                                                      |      |   | TS11 - Non EFR Mobile |
| 5                           |            | +local_callcfm1                                                                                                                                                                |      |   |                       |
| 6                           |            | [TSPC_EFR_Speech_v2 OR TSPC_EFR_Speech_v3]                                                                                                                                     |      |   |                       |
| 7                           |            | (TCV_BcapMO1 := Bcap_Speech_Efr_MO(TCV_Rchr))                                                                                                                                  |      |   | TS11 - EFR Mobile     |
| 8                           |            | +local_callcfm1                                                                                                                                                                |      |   |                       |
| 9                           |            | [TCV_Service = C_AltSpchFax]                                                                                                                                                   |      |   |                       |
| 10                          |            | [rate = C_Full]                                                                                                                                                                |      |   |                       |
| 11                          |            | +local_TS61( C_AltSpchFax)                                                                                                                                                     |      |   | TS61                  |
| 12                          | L_098<br>3 | [rate <> C_Full]                                                                                                                                                               |      | I | IXIT error            |
| 13                          |            | [TCV_Service = C_AutoFax]                                                                                                                                                      |      |   |                       |
| 14                          |            | [rate = C_Full]                                                                                                                                                                |      |   |                       |
| 15                          |            | +local_TS62( C_AutoFax)                                                                                                                                                        |      |   | TS62                  |
| 16                          | L_098<br>4 | [rate <> C_Full]                                                                                                                                                               |      | I | IXIT error            |
| 17                          |            | [TCV_Service = C_Async300]                                                                                                                                                     |      |   |                       |
| 18                          |            | +local_BS2x( C_Async300, C_300bs, C_modemt_V21, TSPX_BS_21_ce)                                                                                                                 |      |   | BS21                  |
| 19                          |            | [TCV_Service = C_Async1200]                                                                                                                                                    |      |   |                       |
| 20                          |            | +local_BS2x( C_Async1200, C_1200bs, C_modemt_V22, TSPX_BS_22_ce)                                                                                                               |      |   | BS22                  |
| 21                          |            | [TCV_Service = C_Async120075]                                                                                                                                                  |      |   |                       |
| 22                          |            | +local_BS2x( C_Async120075, C_120075bs, C_modemt_V23, TSPX_BS_23_ce)                                                                                                           |      |   | BS23                  |
| 23                          |            | [TCV_Service = C_Async2400]                                                                                                                                                    |      |   |                       |
| 24                          |            | (TCV_bcapListIndicator := C_modemList_ce)                                                                                                                                      |      |   |                       |
| 25                          |            | +local_BS2x( C_Async2400, C_2400bs, TCV_MODEM, TSPX_BS_24_ce)                                                                                                                  |      |   | BS24                  |
| 26                          |            | [TCV_Service = C_Async4800]                                                                                                                                                    |      |   |                       |
| 27                          |            | +local_BS2x( C_Async4800, C_4800bs, C_modemt_V32, TSPX_BS_25_ce)                                                                                                               |      |   | BS25                  |
| 28                          |            | [TCV_Service = C_Async9600]                                                                                                                                                    |      |   |                       |
| 29                          |            | +local_BS2x( C_Async9600, C_9600bs, C_modemt_V32, TSPX_BS_26_ce)                                                                                                               |      |   | BS26                  |
| 30                          |            | [TCV_Service = C_Sync1200]                                                                                                                                                     |      |   |                       |
| 31                          |            | +local_BS3x( C_Sync1200, TSPX_BS_31_sacp1, C_1200bs, C_transparent, C_modemt_V22)                                                                                              |      |   | BS31                  |
| 32                          |            | [TCV_Service = C_Sync2400]                                                                                                                                                     |      |   |                       |
| 33                          |            | (TCV_bcapListIndicator := C_modemList_ce)                                                                                                                                      |      |   |                       |
| 34                          |            | +local_BS3x( C_Sync2400, TSPX_BS_32_sacp1, C_2400bs, TSPX_BS_32_X32_ce, TCV_MODEM)                                                                                             |      |   | BS32                  |
| 35                          |            | [TCV_Service = C_Sync4800]                                                                                                                                                     |      |   |                       |
| 36                          |            | +local_BS3x( C_Sync4800, TSPX_BS_33_sacp1, C_4800bs, TSPX_BS_33_X32_ce, C_modemt_V32)                                                                                          |      |   | BS33                  |
| 37                          |            | [TCV_Service = C_Sync9600]                                                                                                                                                     |      |   |                       |
| 38                          |            | +local_BS3x( C_Sync9600, TSPX_BS_34_sacp1, C_9600bs, TSPX_BS_34_X32_ce, C_modemt_V32)                                                                                          |      |   | BS34                  |
| 39                          |            | [TCV_Service = C_AltSpchData]                                                                                                                                                  |      |   |                       |
| 40                          |            | +local_BS61or81( C_AltSpchData, TSPX_BS_61_A, TSPX_BS_61_A_ur1,                                                                                                                |      |   | BS61                  |

|    |            |                                                                                                                                                                                                                                                                                                                    |   |                                          |
|----|------------|--------------------------------------------------------------------------------------------------------------------------------------------------------------------------------------------------------------------------------------------------------------------------------------------------------------------|---|------------------------------------------|
| 41 |            | TSPX_BS_61_A_ur1_ce, TSPX_BS_61_S,<br>TSPX_BS_61_S_ur1, C_RI_alternate)                                                                                                                                                                                                                                            |   |                                          |
| 42 |            | [TCV_Service = C_SpchData]<br>+local_BS61or81( C_SpchData, TSPX_BS_81_A,<br>TSPX_BS_81_A_ur1, TSPX_BS_81_A_ur1_ce,<br>TSPX_BS_81_S, TSPX_BS_81_S_ur1,<br>C_RI_follow)                                                                                                                                              |   | BS81                                     |
| 43 | L_098<br>5 | [C_Yes]                                                                                                                                                                                                                                                                                                            | I | IXIT error                               |
| 44 |            | <b>local_init</b><br>(TCV_Service := svc, TCV_Rchr := C_Rchr_Full,<br>TCV_MODEM := C_modemt_none,<br>TCV_bcapListIndicator := C_modemt_ce)                                                                                                                                                                         |   |                                          |
| 45 |            | [TSPC_DualRate]                                                                                                                                                                                                                                                                                                    |   |                                          |
| 46 |            | (TCV_Rchr := '1'?B)                                                                                                                                                                                                                                                                                                |   |                                          |
| 47 |            | [NOT TSPC_DualRate]                                                                                                                                                                                                                                                                                                |   |                                          |
| 48 | L_098<br>6 | <b>local_BS2x(svc:SERVICES; ur:B_4; modem:B_5;<br/>ce:B_2)</b><br>[(ce <> C_transparent) AND( ce <> C_nottransparent)]                                                                                                                                                                                             | I | IXIT value error                         |
| 49 |            | [C_Yes]                                                                                                                                                                                                                                                                                                            |   |                                          |
| 50 |            | +local_callCfm_BS2x(ce, ur, modem)                                                                                                                                                                                                                                                                                 |   | generate call confirmed<br>msg           |
| 51 |            | (TCV_Null := OO_IFsetup_BS2xorBS3x_MO(svc,<br>C_3100Hz, C_I440_450, ce, TCV_ChRate))                                                                                                                                                                                                                               |   | ask test operator to<br>configure the MS |
| 52 |            | <b>local_callCfm_BS2x(ce1: B_2; ur1:B_4;<br/>modem1:B_5)</b>                                                                                                                                                                                                                                                       |   |                                          |
| 53 |            | [ce1 = C_transparent]                                                                                                                                                                                                                                                                                              |   |                                          |
| 54 |            | [ur1 = C_9600bs]<br>(TCV_BcapMO1 :=<br>OC_ModifyBcap(Bcap_MO(TCV_Rchr,<br>C_3100Hz, C_Unstructured, C_nirr_nomeaning,<br>C_no_rate_adaption, C_I440_450,<br>C_Asynchronous, C_stopbit_dontcare,<br>C_databit_dontcare, ur1, C_ir_16kbs,<br>C_parity_dontcare, C_transparent, modem1),<br>TCV_bcapListIndicator))   |   | 11.8.2.1.1.1                             |
| 55 |            | +local_callcfm1                                                                                                                                                                                                                                                                                                    |   |                                          |
| 56 |            | [ur1 <> C_9600bs]                                                                                                                                                                                                                                                                                                  |   |                                          |
| 57 |            | (TCV_BcapMO1 :=<br>OC_ModifyBcap(Bcap_MO(TCV_Rchr,<br>C_3100Hz, C_Unstructured, C_nirr_nomeaning,<br>C_no_rate_adaption, C_I440_450,<br>C_Asynchronous, C_stopbit_dontcare,<br>C_databit_dontcare, ur1, C_ir_8kbs,<br>C_parity_dontcare, C_transparent, modem1),<br>TCV_bcapListIndicator))                        |   | 11.8.2.1.1.1                             |
| 58 |            | +local_callcfm1                                                                                                                                                                                                                                                                                                    |   |                                          |
| 59 |            | [ce1 = C_nottransparent]                                                                                                                                                                                                                                                                                           |   |                                          |
| 60 |            | (TCV_BcapMO1 :=<br>OC_ModifyBcap(BcapX_MO(TCV_Rchr,<br>C_3100Hz, C_SDUIntegrity, C_nirr_nomeaning,<br>C_no_rate_adaption, C_I440_450,<br>C_Asynchronous, C_stopbit_dontcare,<br>C_databit_dontcare, ur1, C_ir_16kbs,<br>C_parity_dontcare, C_nottransparent, modem1,<br>C_uil2p_dontcare), TCV_bcapListIndicator)) |   | 11.8.2.1.1.2                             |
| 61 |            | +local_callcfm1                                                                                                                                                                                                                                                                                                    |   |                                          |
| 62 | L_098<br>7 | <b>local_BS3x( svc:SERVICES; sacp:B_3; ur:B_4;<br/>ce:B_2; modem:B_5)</b><br>[((ce <> C_transparent) AND( ce <><br>C_nottransparent)) OR((sacp <> C_I440_450)<br>AND(sacp <> C_X32))]                                                                                                                              | I | IXIT value error                         |
| 63 |            | [C_Yes]                                                                                                                                                                                                                                                                                                            |   |                                          |
| 64 |            | +local_callCfm_BS3x(ce, ur, sacp, modem)                                                                                                                                                                                                                                                                           |   | generate call confirmed<br>msg           |
| 65 |            | (TCV_Null := OO_IFsetup_BS2xorBS3x_MO(svc,                                                                                                                                                                                                                                                                         |   | ask operator to configure                |

|    |                                                                                                                                                                                                                                                                        |   |                |
|----|------------------------------------------------------------------------------------------------------------------------------------------------------------------------------------------------------------------------------------------------------------------------|---|----------------|
|    | C_3100Hz, sacp, ce, TCV_ChRate))                                                                                                                                                                                                                                       |   | the MS         |
|    | <b>local_callCfm_BS3x(ce1: B_2; ur1: B_4; sacp1: B_3; modem1 :B_5)</b>                                                                                                                                                                                                 |   |                |
| 66 | [sacp1 = C_I440_450]                                                                                                                                                                                                                                                   |   |                |
| 67 | [ur1 = C_9600bs]                                                                                                                                                                                                                                                       |   |                |
| 68 | (TCV_BcapMO1 :=<br>OC_ModifyBcap(Bcap_MO(TCV_Rchr,<br>C_3100Hz, C_Unstructured, C_nirr_nomeaning,<br>C_no_rate_adaption, C_I440_450,<br>C_Synchronous, C_stopbit_NA, C_databit_NA,<br>ur1, C_ir_16kbs, C_parity_NA, C_transparent,<br>modem1), TCV_bcapListIndicator)) |   | 11.8.2.2.1.1   |
| 69 | +local_callcfm1                                                                                                                                                                                                                                                        |   |                |
| 70 | [ur1 <> C_9600bs]                                                                                                                                                                                                                                                      |   |                |
| 71 | (TCV_BcapMO1 :=<br>OC_ModifyBcap(Bcap_MO(TCV_Rchr,<br>C_3100Hz, C_Unstructured, C_nirr_nomeaning,<br>C_no_rate_adaption, C_I440_450,<br>C_Synchronous, C_stopbit_NA, C_databit_NA,<br>ur1, C_ir_8kbs, C_parity_NA, C_transparent,<br>modem1), TCV_bcapListIndicator))  |   | 11.8.2.2.1.1   |
| 72 | +local_callcfm1                                                                                                                                                                                                                                                        |   |                |
| 73 | [sacp1 = C_X32]                                                                                                                                                                                                                                                        |   |                |
| 74 | [ce1 = C_transparent]                                                                                                                                                                                                                                                  |   |                |
| 75 | [ur1 = C_9600bs]                                                                                                                                                                                                                                                       |   |                |
| 76 | (TCV_BcapMO1 :=<br>OC_ModifyBcap(Bcap_MO(TCV_Rchr,<br>C_3100Hz, C_Unstructured, C_nirr_nomeaning,<br>C_no_rate_adaption, C_X32, C_Synchronous,<br>C_stopbit_NA, C_databit_NA, ur1, C_ir_16kbs,<br>C_parity_NA, C_transparent, modem1),<br>TCV_bcapListIndicator))      |   | 11.8.2.2.1.3   |
| 77 | +local_callcfm1                                                                                                                                                                                                                                                        |   |                |
| 78 | [ur1 <> C_9600bs]                                                                                                                                                                                                                                                      |   |                |
| 79 | (TCV_BcapMO1 :=<br>OC_ModifyBcap(Bcap_MO(TCV_Rchr,<br>C_3100Hz, C_Unstructured, C_nirr_nomeaning,<br>C_no_rate_adaption, C_X32, C_Synchronous,<br>C_stopbit_NA, C_databit_NA, ur1, C_ir_8kbs,<br>C_parity_NA, C_transparent, modem1),<br>TCV_bcapListIndicator))       |   | 11.8.2.2.1.3   |
| 80 | +local_callcfm1                                                                                                                                                                                                                                                        |   |                |
| 81 | [ce1 = C_nottransparent]                                                                                                                                                                                                                                               |   |                |
| 82 | (TCV_BcapMO1 := OC_ModifyBcap(BcapX_MO(<br>TCV_Rchr, C_3100Hz, C_SDUintegrity,<br>C_nirr_nomeaning, C_no_rate_adaption, C_X32,<br>C_Synchronous, C_stopbit_NA, C_databit_NA,<br>ur1, C_ir_16kbs, C_parity_NA, ce1, modem1,<br>C_X25_fct), TCV_bcapListIndicator))      |   | 11.8.2.2.1.4   |
| 83 | +local_callcfm1                                                                                                                                                                                                                                                        |   |                |
|    | <b>local_BS61or81(svc1:SERVICES;<br/> async1:BOOLEAN; ur_a1:B_4; ce_a1:B_2;<br/> sync1:BOOLEAN; ur_s1:B_4; ri3: RPI)</b>                                                                                                                                               |   |                |
| 84 | L_098 [(ce_a1 <> C_transparent) AND( ce_a1 <><br>8 C_nottransparent) AND async1]                                                                                                                                                                                       | I | IXIT error     |
| 85 | L_098 [(ur_a1 <> C_300bs) AND(ur_a1 <> C_1200bs)<br>9 AND(ur_a1 <> C_2400bs) AND(ur_a1 <> C_4800bs)<br>AND(ur_a1 <> C_9600bs) AND(ur_a1 <><br>C_120075bs) AND async1]                                                                                                  | I | IXIT error     |
| 86 | L_099 [(ur_s1 <> C_1200bs) AND(ur_s1 <> C_2400bs)<br>0 AND(ur_s1 <> C_4800bs) AND(ur_s1 <> C_9600bs)<br>AND sync1]                                                                                                                                                     | I | IXIT error     |
| 87 | [C_Yes]                                                                                                                                                                                                                                                                |   | IXIT values OK |
| 88 | +local_callCfm_BS61or81(svc1, async1, ur_a1,<br>ce_a1, sync1, ur_s1, ri3)                                                                                                                                                                                              |   |                |
| 89 | (TCV_Null := OO_IFsetup_BS61orBS81_MO(svc,<br>TCV_ur, TCV_sa, TCV_ce, TCV_ChRate))                                                                                                                                                                                     |   |                |
|    | <b>local_callCfm_BS61or81(svc:SERVICES;<br/> async:BOOLEAN; ur_a:B_4; ce_a:B_2;</b>                                                                                                                                                                                    |   |                |



```

sync:BOOLEAN; ur_s:B_4; ri:RPI)
90 [async]
91   [ce_a = C_transparent]
92   (TCV_ur := ur_a, TCV_sa := C_Asynchronous,
93   TCV_ce := C_transparent)
94   [ur_a = C_300bs]
95     +local_Bs61or81_async_T(C_300bs,
96     C_modemt_V21, ri)
97   [ur_a = C_1200bs]
98     +local_Bs61or81_async_T(C_1200bs,
99     C_modemt_V22, ri)
100   [ur_a = C_120075bs]
101     +local_Bs61or81_async_T(C_120075bs,
102     C_modemt_V23, ri)
103   [ur_a = C_2400bs]
104     +local_Bs61or81_async_T(C_2400bs,
105     TCV_MODEM, ri)
106   [ur_a = C_4800bs]
107     +local_Bs61or81_async_T(C_4800bs,
108     C_modemt_V32, ri)
109   [ur_a = C_9600bs]
110     +local_Bs61or81_async_T(C_9600bs,
111     C_modemt_V32, ri)
112   [ce_a = C_nottransparent]
113   (TCV_ur := ur_a, TCV_sa := C_Asynchronous,
114   TCV_ce := C_nottransparent)
115   [ur_a = C_300bs]
116     +local_Bs61or81_async_NT( C_300bs,
117     C_modemt_V21, ri)
118   [ur_a = C_1200bs]
119     +local_Bs61or81_async_NT( C_1200bs,
120     C_modemt_V22, ri)
121   [ur_a = C_120075bs]
122     +local_Bs61or81_async_NT( C_120075bs,
123     C_modemt_V23, ri)
124   [ur_a = C_2400bs]
125     +local_Bs61or81_async_NT( C_2400bs,
126     TCV_MODEM, ri)
127   [ur_a = C_4800bs]
128     +local_Bs61or81_async_NT( C_1200bs,
129     C_modemt_V32, ri)
130   [ur_a = C_9600bs]
131     +local_Bs61or81_async_NT( C_1200bs,
132     C_modemt_V32, ri)
133 [sync]
134 (TCV_ur := ur_s, TCV_sa := C_Synchronous,
135 TCV_ce := C_transparent)
136 [ur_s = C_1200bs]
137   +local_Bs61or81_sync_T(C_1200bs,
138   C_modemt_V22, ri)
139 [ur_s = C_2400bs]
140   +local_Bs61or81_sync_T(C_2400bs,
141   TCV_MODEM, ri)
142 [ur_s = C_4800bs]
143   +local_Bs61or81_sync_T(C_4800bs,
144   C_modemt_V32, ri)
145 [ur_s = C_9600bs]
146   +local_Bs61or81_sync_T(C_9600bs,
147   C_modemt_V32, ri)
148
149 local_Bs61or81_async_T(usr:R; ri:RPI;
150 modemtp:B_5; rpi:RPI)
151 [usr <> C_9600bs]
152 (TCV_BcapMO1 := Bcap_MO( TCV_Rchr,
153 C_3100Hz, C_Unstructured, C_nirr_nomeaning,
154 C_no_rate_adaption, C_I440_450,
155 C_Asynchronous, C_stopbit_dontcare,
156 C_databit_dontcare, usr, C_ir_8kbs,
157 C_parity_dontcare, C_transparent, modemtp))

```

11.8.2.5.1

|     |            |                                                                                                                                                                                                                                                                            |            |                      |
|-----|------------|----------------------------------------------------------------------------------------------------------------------------------------------------------------------------------------------------------------------------------------------------------------------------|------------|----------------------|
| 131 |            | +local_callcfm2(rpi)                                                                                                                                                                                                                                                       |            |                      |
| 132 |            | [usrtr = C_9600bs]                                                                                                                                                                                                                                                         |            |                      |
| 133 |            | (TCV_BcapMO1 := Bcap_MO(TCV_Rchr,<br>C_3100Hz, C_Unstructured, C_nirr_nomeaning,<br>C_no_rate_adaption, C_I440_450,<br>C_Asynchronous, C_stopbit_dontcare,<br>C_databit_dontcare,usrtr, C_ir_16kbs,<br>C_parity_dontcare, C_transparent, modemp))                          | 11.8.2.5.1 |                      |
| 134 |            | +local_callcfm2(rpi)                                                                                                                                                                                                                                                       |            |                      |
|     |            | <b>local_Bs61or81_async_NT(usrtr1:B_4;<br/>modemp2:B_5; rpi:RPI)</b>                                                                                                                                                                                                       |            |                      |
| 135 |            | (TCV_BcapMO1 := BcapX_MO(TCV_Rchr,<br>C_3100Hz, C_SDUintegrity, C_nirr_nomeaning,<br>C_no_rate_adaption, C_I440_450, C_Asynchronous,<br>C_stopbit_dontcare, C_databit_dontcare, usrtr1,<br>C_ir_16kbs, C_parity_dontcare, C_nottransparent,<br>modemp2, C_uil2p_dontcare)) | 11.8.2.5.2 |                      |
| 136 |            | +local_callcfm2(rpi)                                                                                                                                                                                                                                                       |            |                      |
|     |            | <b>local_Bs61or81_sync_T(usrtr2:B_4; modemp2:<br/>B_5; rpi2:RPI)</b>                                                                                                                                                                                                       |            |                      |
| 137 |            | [usrtr2 <> C_9600bs]                                                                                                                                                                                                                                                       |            |                      |
| 138 |            | (TCV_BcapMO1 := Bcap_MO(TCV_Rchr,<br>C_3100Hz, C_Unstructured, C_nirr_nomeaning,<br>C_no_rate_adaption, C_I440_450,<br>C_Synchronous, C_stopbit_NA, C_databit_NA,<br>usrtr2, C_ir_8kbs, C_parity_NA, C_transparent,<br>modemp2))                                           | 11.8.2.5.3 |                      |
| 139 |            | +local_callcfm2(rpi2)                                                                                                                                                                                                                                                      |            |                      |
| 140 |            | [usrtr2 = C_9600bs]                                                                                                                                                                                                                                                        |            |                      |
| 141 |            | (TCV_BcapMO1 := Bcap_MO(TCV_Rchr,<br>C_3100Hz, C_Unstructured, C_nirr_nomeaning,<br>C_no_rate_adaption, C_I440_450,<br>C_Synchronous, C_stopbit_NA, C_databit_NA,<br>usrtr2, C_ir_16kbs, C_parity_NA, C_transparent,<br>modemp2))                                          | 11.8.2.5.3 |                      |
| 142 |            | +local_callcfm2(rpi2)                                                                                                                                                                                                                                                      |            |                      |
|     |            | <b>local_TS61(svc:SERVICES)</b>                                                                                                                                                                                                                                            |            |                      |
| 143 |            | (TCV_ur := TSPX_TS_61_ur1, TCV_ce :=<br>TSPX_TS_61_ce)                                                                                                                                                                                                                     |            |                      |
| 144 | L_099<br>1 | [(TCV_ur <> C_4800bs) AND(TCV_ur <><br>C_2400bs) AND(TCV_ur <> C_9600bs)]                                                                                                                                                                                                  | I          | IXIT parameter error |
| 145 | L_099<br>2 | [(TCV_ce <> C_transparent) AND(TCV_ce <><br>C_nottransparent)]                                                                                                                                                                                                             | I          | IXIT parameter error |
| 146 |            | [C_Yes]                                                                                                                                                                                                                                                                    |            |                      |
| 147 |            | +local_Bcap_TS6x                                                                                                                                                                                                                                                           |            |                      |
| 148 |            | +local_callcfm2(C_RI_alternate)                                                                                                                                                                                                                                            |            |                      |
| 149 |            | (TCV_Null := OO_IFsetup_TS6x_MO(svc,<br>TCV_ur, TCV_ce, TCV_ChRate))                                                                                                                                                                                                       |            |                      |
|     |            | <b>local_TS62(svc:SERVICES)</b>                                                                                                                                                                                                                                            |            |                      |
| 150 |            | (TCV_ur := TSPX_TS_62_ur1, TCV_ce :=<br>TSPX_TS_62_ce)                                                                                                                                                                                                                     |            |                      |
| 151 | L_099<br>3 | [(TCV_ur <> C_4800bs) AND(TCV_ur <><br>C_2400bs) AND(TCV_ur <> C_9600bs)]                                                                                                                                                                                                  | I          | IXIT parameter error |
| 152 | L_099<br>4 | [(TCV_ce <> C_transparent) AND(TCV_ce <><br>C_nottransparent)]                                                                                                                                                                                                             | I          | IXIT parameter error |
| 153 |            | [C_Yes]                                                                                                                                                                                                                                                                    |            |                      |
| 154 |            | +local_Bcap_TS6x                                                                                                                                                                                                                                                           |            |                      |
| 155 |            | +local_callcfm1                                                                                                                                                                                                                                                            |            |                      |
| 156 |            | (TCV_Null := OO_IFsetup_TS6x_MO(svc,<br>TCV_ur, TCV_ce, TCV_ChRate))                                                                                                                                                                                                       |            |                      |
|     |            | <b>local_Bcap_TS6x</b>                                                                                                                                                                                                                                                     |            |                      |
| 157 |            | [TCV_ce = C_transparent]                                                                                                                                                                                                                                                   |            |                      |
| 158 |            | [TCV_ur = C_9600bs]                                                                                                                                                                                                                                                        |            |                      |
| 159 |            | (TCV_BcapMO1 := Bcap_MO(TCV_Rchr,<br>C_FAX3, C_Unstructured, C_nirr_nomeaning,                                                                                                                                                                                             | 11.8.2.7.1 |                      |

|                                                                                                  |                                                                                                                                                                                                                                                                                     |  |                |
|--------------------------------------------------------------------------------------------------|-------------------------------------------------------------------------------------------------------------------------------------------------------------------------------------------------------------------------------------------------------------------------------------|--|----------------|
| 160                                                                                              | C_no_rate_adaption, C_sacp_NA,<br>C_Synchronous, C_stopbit_NA, C_databit_NA,<br>TCV_ur, C_ir_16kbs, C_parity_NA,<br>C_transparent, C_modemt_none))                                                                                                                                  |  |                |
| 161                                                                                              | [(TCV_ur = C_4800bs) OR (TCV_ur = C_2400bs)]<br>(TCV_BcapMO1 := Bcap_MO(TCV_Rchr,<br>C_FAX3, C_Unstructured, C_nirr_nomeaning,<br>C_no_rate_adaption, C_sacp_NA,<br>C_Synchronous, C_stopbit_NA, C_databit_NA,<br>TCV_ur, C_ir_8kbs, C_parity_NA, C_transparent,<br>C_modemt_none)) |  | 11.8.2.7.1     |
| 162                                                                                              | [TCV_ce = C_notransparent]                                                                                                                                                                                                                                                          |  |                |
| 163                                                                                              | (TCV_BcapMO1 := BcapX_MO(TCV_Rchr,<br>C_FAX3, C_SDUIntegrity, C_nirr_nomeaning,<br>C_no_rate_adaption, C_sacp_NA,<br>C_Synchronous, C_stopbit_NA, C_databit_NA,<br>TCV_ur, C_ir_16kbs, C_parity_NA,<br>C_notransparent, C_modemt_none, C_X25_flct))                                 |  | 11.8.2.7.2     |
| 164                                                                                              | <b>local_callcfm1</b><br>(TCV_CallCfm := CallConfirm_04(TI_01,<br>TCV_BcapMO1))                                                                                                                                                                                                     |  |                |
| 165                                                                                              | <b>local_callcfm2(rpi:RPI)</b><br>[(NOT TSPC_EFR_Speech_v2) AND(NOT<br>TSPC_EFR_Speech_v3)]                                                                                                                                                                                         |  |                |
| 166                                                                                              | (TCV_CallCfm := CallConfirm_05(TI_01, rpi,<br>Bcap_Speech_MO(TCV_Rchr), TCV_BcapMO1))                                                                                                                                                                                               |  | Non EFR Mobile |
| 167                                                                                              | [TSPC_EFR_Speech_v2 OR<br>TSPC_EFR_Speech_v3]                                                                                                                                                                                                                                       |  |                |
| 168                                                                                              | (TCV_CallCfm := CallConfirm_05(TI_01, rpi,<br>Bcap_Speech_Efr_MO(TCV_Rchr),<br>TCV_BcapMO1))                                                                                                                                                                                        |  | EFR Mobile     |
| <b>Detailed Comments:</b> The implementation of this test step is based on the SMG 7 Tdoc 266/96 |                                                                                                                                                                                                                                                                                     |  |                |

| Test Step Dynamic Behaviour |            |                                                                                                                                                                                                                                                                                   |      |   |                |
|-----------------------------|------------|-----------------------------------------------------------------------------------------------------------------------------------------------------------------------------------------------------------------------------------------------------------------------------------|------|---|----------------|
| <b>Test Step Name:</b>      |            | Chmod(rate:RATE; ce:B_2; ur:B_4; svc:SERVICES)                                                                                                                                                                                                                                    |      |   |                |
| <b>Group:</b>               |            | GSM_L3_MS_v4210/Preambles/                                                                                                                                                                                                                                                        |      |   |                |
| <b>Objective:</b>           |            | To assign correct values to the test case variables TCV_ChMod and TCV_ChModb.                                                                                                                                                                                                     |      |   |                |
| <b>Default:</b>             |            | OtherEvents                                                                                                                                                                                                                                                                       |      |   |                |
| <b>Comments:</b>            |            | The rules for assignment are in Table 10-1 of GSM 11.10 section 10.3. If the value for ce is "BothT", the rule for transparent is used. If the value for ce is "BothNT", the rule for non transparent is used. That means the preferred value will be used in test configuration. |      |   |                |
| Nr                          | Label      | Behaviour Description                                                                                                                                                                                                                                                             | CRef | V | Comments       |
| 1                           |            | +local_tree                                                                                                                                                                                                                                                                       |      |   |                |
| 2                           |            | [(svc = C_AltSpchData) OR (svc = C_SpchData)<br>OR ( svc = C_AltSpchFax)]                                                                                                                                                                                                         |      |   | dual mode call |
| 3                           |            | (TCV_ChMod.mode := C_ChMod_r)                                                                                                                                                                                                                                                     |      |   |                |
| 4                           |            | [(svc<> C_AltSpchData) AND(svc <> C_SpchData)<br>AND( svc <> C_AltSpchFax)]                                                                                                                                                                                                       |      |   |                |
|                             |            | <b>local_tree</b>                                                                                                                                                                                                                                                                 |      |   |                |
| 5                           |            | (((ce = C_nottransparent) OR (ce = C_BothNT)) AND<br>(rate = C_Full))                                                                                                                                                                                                             |      |   |                |
| 6                           |            | (TCV_ChMod.mode := C_ChMod_12k,<br>TCV_ChModb.mode := C_ChMod_12k)                                                                                                                                                                                                                |      |   |                |
| 7                           |            | (((ce = C_nottransparent) OR (ce = C_BothNT)) AND<br>(rate = C_Half))                                                                                                                                                                                                             |      |   |                |
| 8                           |            | [ur <> C_9600bs]                                                                                                                                                                                                                                                                  |      |   |                |
| 9                           |            | (TCV_ChMod.mode := C_ChMod_6k,<br>TCV_ChModb.mode := C_ChMod_6k)                                                                                                                                                                                                                  |      |   |                |
| 10                          | L_099<br>5 | [ur = C_9600bs]                                                                                                                                                                                                                                                                   |      | I | not applicable |
| 11                          |            | [(ce = C_transparent) OR ( ce = C_BothT)]                                                                                                                                                                                                                                         |      |   |                |
| 12                          |            | [(ur = C_9600bs) AND (rate = C_Full)]                                                                                                                                                                                                                                             |      |   |                |
| 13                          |            | (TCV_ChMod.mode := C_ChMod_12k,<br>TCV_ChModb.mode := C_ChMod_12k)                                                                                                                                                                                                                |      |   |                |
| 14                          |            | [ur = C_4800bs]                                                                                                                                                                                                                                                                   |      |   |                |
| 15                          |            | (TCV_ChMod.mode := C_ChMod_6k,<br>TCV_ChModb.mode := C_ChMod_6k)                                                                                                                                                                                                                  |      |   |                |
| 16                          |            | [(ur <> C_4800bs) AND(ur <> C_9600bs)]                                                                                                                                                                                                                                            |      |   |                |
| 17                          |            | (TCV_ChMod.mode := C_ChMod_3k,<br>TCV_ChModb.mode := C_ChMod_3k)                                                                                                                                                                                                                  |      |   |                |
| 18                          | L_099<br>6 | [(ur = C_9600bs) AND (rate = C_Half)]                                                                                                                                                                                                                                             |      | I | not applicable |
| <b>Detailed Comments:</b>   |            |                                                                                                                                                                                                                                                                                   |      |   |                |

| Test Step Dynamic Behaviour |       |                                                                                     |                                                                                                                      |   |                         |
|-----------------------------|-------|-------------------------------------------------------------------------------------|----------------------------------------------------------------------------------------------------------------------|---|-------------------------|
| <b>Test Step Name:</b>      |       | Est_MO_Call(ta:TA; rate:IA5String; rand:RAND; sdcch:B_2; slot:SN; tsc:TSC; tch:B_1) |                                                                                                                      |   |                         |
| <b>Group:</b>               |       | GSM_L3_MS_v4210/Preambles/                                                          |                                                                                                                      |   |                         |
| <b>Objective:</b>           |       | To establish a mobile station originating call using standard procedure.            |                                                                                                                      |   |                         |
| <b>Default:</b>             |       | OtherEvents                                                                         |                                                                                                                      |   |                         |
| Nr                          | Label | Behaviour Description                                                               | CRef                                                                                                                 | V | Comments                |
| 1                           |       | +InitCall( TCV_Service)                                                             |                                                                                                                      |   |                         |
| 2                           |       | L?DL_RaInChRq ( TCV_Rr := DL_RaInChRq.<br>msg.ecau_rrf, TCV_Fn := DL_RaInChRq.fn)   | ChReq(<br>ChRequest_15)                                                                                              |   |                         |
| 3                           |       | ACTIVATE( OtherEvents_02)                                                           |                                                                                                                      |   | To match ChReq retrans. |
| 4                           |       | LIDL_UdatRqImmss                                                                    | ImmAss( TCV_agch,<br>ImmAsgn_01Def(<br>TCV_Rr, TCV_Fn,<br>sdcch, TCV_slot,<br>TCV_tsc,<br>TCV_chdescr_arfcn,<br>ta)) |   |                         |
| 5                           |       | L?DL_EstInCmsRq                                                                     | CMSerReq(<br>CMSerReq_01)                                                                                            |   |                         |
| 6                           |       | ACTIVATE( OtherEvents)                                                              |                                                                                                                      |   | Restore Normal default  |
| 7                           |       | +Authentication( TCV_ch, TCV_cks, rand)                                             |                                                                                                                      |   |                         |
| 8                           |       | +Cipherring_on( TCV_ch)                                                             |                                                                                                                      |   |                         |
| 9                           |       | +RcvSetupOrEsetup(<br>TCV_Setup_mo, TCV_Esetup,<br>TCV_Ecall)                       |                                                                                                                      |   |                         |
| 10                          |       | LIDL_DatRqCallProc                                                                  | CallProc(TCV_ch,<br>TCV_CallProc)                                                                                    |   |                         |
| 11                          |       | LIDL_DatRqAlert                                                                     | AlertSnd( TCV_ch,<br>Alerting_01( TCV_TI))                                                                           |   |                         |
| 12                          |       | +AssCmdGen( TCV_cellid, rate,<br>slot, tsc, tch)                                    |                                                                                                                      |   |                         |
| 13                          |       | +AssCh_complete( TCV_ch,<br>TCV_chTch, TCV_AssCmd)                                  |                                                                                                                      |   |                         |
| 14                          |       | LIDL_DatRqConn                                                                      | ConnSnd(<br>TCV_chTch,<br>Connect_02(<br>TCV_TI))                                                                    |   |                         |
| 15                          |       | L?DL_DatInConnAck                                                                   | ConnAckRcv(<br>ConnectAck_02(<br>TCV_TI0))                                                                           |   |                         |
| <b>Detailed Comments:</b>   |       |                                                                                     |                                                                                                                      |   |                         |

| Test Step Dynamic Behaviour                    |       |                                                                                                                             |                                                                                                                                                             |   |                                    |
|------------------------------------------------|-------|-----------------------------------------------------------------------------------------------------------------------------|-------------------------------------------------------------------------------------------------------------------------------------------------------------|---|------------------------------------|
| <b>Test Step Name:</b>                         |       | Est_MO_Call_init( par1: OCTETSTRING; mag, mad:MA; ta:TA; tsc1:B_3; nfrqg, nfrqd:INTEGER)                                    |                                                                                                                                                             |   |                                    |
| <b>Group:</b>                                  |       | GSM_L3_MS_v4210/Preambles/                                                                                                  |                                                                                                                                                             |   |                                    |
| <b>Objective:</b>                              |       | To initiate a mobile originating call for the supported bearer capability. The channel in use is frequency hopping channel. |                                                                                                                                                             |   |                                    |
| <b>Default:</b>                                |       | OtherEvents                                                                                                                 |                                                                                                                                                             |   |                                    |
| <b>Comments:</b>                               |       | The test case variable TCV_Mt holds the message type of the received SETUP msg.                                             |                                                                                                                                                             |   |                                    |
| Nr                                             | Label | Behaviour Description                                                                                                       | CRef                                                                                                                                                        | V | Comments                           |
| 1                                              |       | (TCV_cellid:=C_CellA)                                                                                                       |                                                                                                                                                             |   |                                    |
| 2                                              |       | +InitCall( TCV_Service)                                                                                                     |                                                                                                                                                             |   |                                    |
| 3                                              |       | L?DL_RaInChRq (TCV_Rr := DL_RaInChRq.<br>msg.ecau_rfr, TCV_Fn := DL_RaInChRq.fn)                                            | ChReq(<br>ChRequest_15)                                                                                                                                     |   |                                    |
| 4                                              |       | ACTIVATE( OtherEvents_02)                                                                                                   |                                                                                                                                                             |   | To match ChReq retrans.            |
| 5                                              |       | +localtree_ia( par1)                                                                                                        |                                                                                                                                                             |   |                                    |
| 6                                              |       | L?DL_EstInCmsRq                                                                                                             | CMSerReq(<br>CMServiceReq_01)                                                                                                                               |   |                                    |
| 7                                              |       | ACTIVATE( OtherEvents)                                                                                                      |                                                                                                                                                             |   | Restore Normal default             |
| 8                                              |       | +ltree_continue                                                                                                             |                                                                                                                                                             |   |                                    |
| <b>ltree_continue</b>                          |       |                                                                                                                             |                                                                                                                                                             |   |                                    |
| 9                                              |       | (TCV_Null := OM_NoL2Ack(2,TCV_ch))                                                                                          |                                                                                                                                                             |   | Don't acknowledge setup<br>message |
| 10                                             |       | +Ciphering_on( TCV_ch)                                                                                                      |                                                                                                                                                             |   |                                    |
| 11                                             |       | L?DL_DatInSetup (TCV_Mt :=<br>DL_DatInSetup.msg.mt)                                                                         | SetupRcv(<br>SetupInd_01)                                                                                                                                   |   |                                    |
| <b>localtree_ia( par_chn: OCTETSTRING)</b>     |       |                                                                                                                             |                                                                                                                                                             |   |                                    |
| 12                                             |       | [par_chn = C_CHTCHF_NonFH]                                                                                                  |                                                                                                                                                             |   |                                    |
| 13                                             |       | (TCV_Tchtype := '00001'B)                                                                                                   |                                                                                                                                                             |   |                                    |
| 14                                             |       | +ltree_immass_nfh( TCV_tch_arfcn, tsc1)                                                                                     |                                                                                                                                                             |   |                                    |
| 15                                             |       | [par_chn = C_CHSDCCH4_NonFH]                                                                                                |                                                                                                                                                             |   |                                    |
| 16                                             |       | (TCV_Tchtype := INT_TO_BIT(( 4 + BIT_TO_INT(<br>TSPX_SDCCH4SubDef)), 5))                                                    |                                                                                                                                                             |   |                                    |
| 17                                             |       | +ltree_immass_nfh( TCV_chdescr_arfcn, tsc1)                                                                                 |                                                                                                                                                             |   |                                    |
| 18                                             |       | [par_chn = C_CHSDCCH8_NonFH]                                                                                                |                                                                                                                                                             |   |                                    |
| 19                                             |       | (TCV_Tchtype := INT_TO_BIT(( 8 + BIT_TO_INT(<br>TSPX_SDCCH8SubDef)), 5))                                                    |                                                                                                                                                             |   |                                    |
| 20                                             |       | +ltree_immass_nfh( TCV_tch_arfcn, tsc1)                                                                                     |                                                                                                                                                             |   |                                    |
| 21                                             |       | [par_chn = C_CHTCHF_FH]                                                                                                     |                                                                                                                                                             |   |                                    |
| 22                                             |       | (TCV_Tchtype := '00001'B)                                                                                                   |                                                                                                                                                             |   |                                    |
| 23                                             |       | +ltree_immass_fh(nfrqg, nfrqd)                                                                                              |                                                                                                                                                             |   |                                    |
| 24                                             |       | [par_chn = C_CHTCHH_FH]                                                                                                     |                                                                                                                                                             |   |                                    |
| 25                                             |       | (TCV_Tchtype := INT_TO_BIT(( 2 + BIT_TO_INT(<br>TSPX_TCHHSubDef)), 5))                                                      |                                                                                                                                                             |   |                                    |
| 26                                             |       | +ltree_immass_fh(nfrqg, nfrqd)                                                                                              |                                                                                                                                                             |   |                                    |
| 27                                             |       | [par_chn = C_CHTCHH_NonFH]                                                                                                  |                                                                                                                                                             |   |                                    |
| 28                                             |       | (TCV_Tchtype := INT_TO_BIT(( 2 + BIT_TO_INT(<br>TSPX_TCHHSubDef)), 5))                                                      |                                                                                                                                                             |   |                                    |
| 29                                             |       | +ltree_immass_nfh(TCV_tch_arfcn, tsc1)                                                                                      |                                                                                                                                                             |   |                                    |
| 30                                             |       | [par_chn = C_CHSDCCH8_FH]                                                                                                   |                                                                                                                                                             |   |                                    |
| 31                                             |       | (TCV_Tchtype := INT_TO_BIT(( 8 + BIT_TO_INT(<br>TSPX_SDCCH8SubDef)), 5))                                                    |                                                                                                                                                             |   |                                    |
| 32                                             |       | +ltree_immass_fh(nfrqg, nfrqd)                                                                                              |                                                                                                                                                             |   |                                    |
| <b>ltree_immass_fh(frqnog, frqnod:INTEGER)</b> |       |                                                                                                                             |                                                                                                                                                             |   |                                    |
| 33                                             |       | [TSPC_PGSM OR TSPC_EGSM]                                                                                                    |                                                                                                                                                             |   |                                    |
| 34                                             |       | (TCV_maio := INT_TO_BIT((TSPX_MAIO MOD<br>frqnog), 6), TCV_iel := mag.iel)                                                  |                                                                                                                                                             |   | 1.                                 |
| 35                                             |       | LIDL_UdatRqImm                                                                                                              | ImmAss( TCV_agch,<br>ImmAsgn_221(<br>TCV_Rr, TCV_Fn,<br>TCV_ia_ts, tsc1,<br>TCV_Tchtype,<br>TCV_maio,<br>INT_TO_BIT(TSPX_H<br>SN, 6), ta, mag,<br>TCV_iel)) |   |                                    |

|                           |                                                                                                                           |                                                                                                                                                                             |    |
|---------------------------|---------------------------------------------------------------------------------------------------------------------------|-----------------------------------------------------------------------------------------------------------------------------------------------------------------------------|----|
| 36<br>37<br>38            | [TSPC_DCS]<br>(TCV_maio := INT_TO_BIT((TSPX_MAIO MOD<br>frqnod), 6), TCV_iel := mad.iel)<br>LIDL_UdatRqImm <sub>ass</sub> | ImmAss( TCV_agch,<br>ImmAsgn_221(<br>TCV_Rr, TCV_Fn,<br>TCV_ia_ts, tsc1,<br>TCV_Tchtype,<br>TCV_maio,<br>INT_TO_BIT(TSPX_H<br>SN, 6), ta, mad,<br>TCV_iel))                 | 1. |
| 39                        | <b>Itree_imm<sub>ass</sub>_nfh( arfcn:INTEGER; tsc:B_3)</b><br>LIDL_UdatRqImm <sub>ass</sub>                              | ImmAss( TCV_agch,<br>ImmAsgn_nfh(<br>TCV_Rr, TCV_Fn,<br>TCV_Tchtype,<br>TCV_ia_ts, tsc, ta,<br>arfcn,<br>C_normal_paging))                                                  |    |
| <b>Detailed Comments:</b> |                                                                                                                           | 1. To make the MAIO is within 0 ... N-1, where N is the number of frequencies of MA. "frqnod" and "frqnod" are number of of frequencies of MA for GSM and DCS respectively. |    |

| Test Step Dynamic Behaviour |       |                                                                                                                                                                                          |                                               |   |           |
|-----------------------------|-------|------------------------------------------------------------------------------------------------------------------------------------------------------------------------------------------|-----------------------------------------------|---|-----------|
| <b>Test Step Name:</b>      |       | Est_MT_Call_FH( ta:TA; rate:IA5String; maio:MAIO; hsn:INTEGER; rand:RAND; slot:SN; tsc:TSC; tch:B_1)                                                                                     |                                               |   |           |
| <b>Group:</b>               |       | GSM_L3_MS_v4210/Preambles/                                                                                                                                                               |                                               |   |           |
| <b>Objective:</b>           |       | To establish a mobile station terminating call with hopping channel (speech or data call).                                                                                               |                                               |   |           |
| <b>Default:</b>             |       | OtherEvents                                                                                                                                                                              |                                               |   |           |
| <b>Comments:</b>            |       | used var's:<br>TCV_cellid, TCV_ch                                                                                                                                                        |                                               |   |           |
| Nr                          | Label | Behaviour Description                                                                                                                                                                    | CRef                                          | V | Comments  |
| 1                           |       | +RRmtcallprepare( ta, rand)                                                                                                                                                              |                                               |   |           |
| 2                           |       | +CC_Est_MT_Call                                                                                                                                                                          |                                               |   |           |
| 3                           |       | +localtree                                                                                                                                                                               |                                               |   |           |
| 4                           |       | +AssCh_complete( TCV_ch, TCV_chTch, TCV_AssCmd)                                                                                                                                          |                                               |   |           |
| 5                           |       | LIDL_DatRqConnAck                                                                                                                                                                        | ConnAckSnd( TCV_chTch, ConnectAck_01( TI_02)) |   |           |
|                             |       | <b>localtree</b>                                                                                                                                                                         |                                               |   |           |
| 6                           |       | [rate = C_Full]                                                                                                                                                                          |                                               |   | Full rate |
| 7                           |       | [TCV_cellid = C_CellA]                                                                                                                                                                   |                                               |   |           |
| 8                           |       | +AssCmdGen_fh( C_Full, slot, tsc, tch, 9, 15, maio, INT_TO_BIT( hsn, 6), Frql_20_A, Frql_20_Ad, CellChDes_Omit, CellChDes_Omit, ChMod_omit, MobilAlc_omit, MobilAlc_omit, CphMod_omit)   |                                               |   |           |
| 9                           |       | [TCV_cellid = C_CellB]                                                                                                                                                                   |                                               |   |           |
| 10                          |       | +AssCmdGen_fh( C_Full, slot, tsc, tch, 9, 15, maio, INT_TO_BIT( hsn, 6), Frql_20_B1, Frql_20_B8d, CellChDes_Omit, CellChDes_Omit, ChMod_omit, MobilAlc_omit, MobilAlc_omit, CphMod_omit) |                                               |   |           |
| 11                          |       | [rate = C_Half]                                                                                                                                                                          |                                               |   | Half rate |
| 12                          |       | [TCV_cellid = C_CellA]                                                                                                                                                                   |                                               |   |           |
| 13                          |       | +AssCmdGen_fh( C_Half, slot, tsc, tch, 9, 15, maio, INT_TO_BIT( hsn, 6), Frql_20_A, Frql_20_Ad, CellChDes_Omit, CellChDes_Omit, ChMod_omit, MobilAlc_omit, MobilAlc_omit, CphMod_omit)   |                                               |   |           |
| 14                          |       | [TCV_cellid = C_CellB]                                                                                                                                                                   |                                               |   |           |
| 15                          |       | +AssCmdGen_fh( C_Half, slot, tsc, tch, 9, 15, maio, INT_TO_BIT( hsn, 6), Frql_20_B3, Frql_20_B3d, CellChDes_Omit, CellChDes_Omit, ChMod_omit, MobilAlc_omit, MobilAlc_omit, CphMod_omit) |                                               |   |           |
| <b>Detailed Comments:</b>   |       |                                                                                                                                                                                          |                                               |   |           |

| Test Step Dynamic Behaviour |       |                                                                                                |      |   |          |
|-----------------------------|-------|------------------------------------------------------------------------------------------------|------|---|----------|
| <b>Test Step Name:</b>      |       | Est_MT_CallNonFH( ta:TA; rate:IA5String; sub:B_1; rand:RAND)                                   |      |   |          |
| <b>Group:</b>               |       | GSM_L3_MS_v4210/Preambles/                                                                     |      |   |          |
| <b>Objective:</b>           |       | To establish a mobile station terminating call with non hopping channel (speech or data call). |      |   |          |
| <b>Default:</b>             |       | OtherEvents                                                                                    |      |   |          |
| <b>Comments:</b>            |       | used var's:<br>TCV_cellid, TCV_chdescr_arfcn, TCV_Bcap1, TCV_chTch, TCV_asscmd_ts              |      |   |          |
| Nr                          | Label | Behaviour Description                                                                          | CRef | V | Comments |
| 1                           |       | +RRmtcallprepare(ta, rand)                                                                     |      |   |          |
| 2                           |       | +CC_EstMsTermCall( rate, sub)                                                                  |      |   |          |
| <b>Detailed Comments:</b>   |       |                                                                                                |      |   |          |



| Test Step Dynamic Behaviour |       |                                                                                                                                                                                                                                                                                                                                                                                                                                                                                                                      |                                                                                            |   |                           |
|-----------------------------|-------|----------------------------------------------------------------------------------------------------------------------------------------------------------------------------------------------------------------------------------------------------------------------------------------------------------------------------------------------------------------------------------------------------------------------------------------------------------------------------------------------------------------------|--------------------------------------------------------------------------------------------|---|---------------------------|
| <b>Test Step Name:</b>      |       | IdleUpdated( par_bspwr:INTEGER; activ_cell:CellID; sch, bcch:LOGICCH; acttype:BITSTRING; slot, slot2, slot3, slot4:SN; tsc:TSC; t, retr, neci, att:INTEGER; ta:TA; babr, cch_con, bpm:B_3; t3212:OCTETSTRING; ci:CI; mcc, mnc, lac:OCTETSTRING; co:CO; cchdgs, cchddcs:CCHD; crh, mtmcgsm, mtmcdds:INTEGER; bcchflgsm, bcflaltgsm, bcchfldcs, bcflaltdcs:NCD; Re:B_1; bcc:BCC; ncc:NCC; StartType:INTEGER; subch:B_2; cksn:B_3; rand:RAND; arfcngsm, arfcndcs:INTEGER; imsi:HEXSTRING; sysinfonb:INTEGER; nccp:NCCP) |                                                                                            |   |                           |
| <b>Group:</b>               |       | GSM_L3_MS_v4210/Preambles/                                                                                                                                                                                                                                                                                                                                                                                                                                                                                           |                                                                                            |   |                           |
| <b>Objective:</b>           |       | To ensure that the SIM is either updated to the initial conditions and the MS with CKSN valid, TMSI valid and idle updated in cell A, B or C; or idle updated without TMSI; or totally not updated and all LAI information deleted.                                                                                                                                                                                                                                                                                  |                                                                                            |   |                           |
| <b>Default:</b>             |       | OtherEvents                                                                                                                                                                                                                                                                                                                                                                                                                                                                                                          |                                                                                            |   |                           |
| Nr                          | Label | Behaviour Description                                                                                                                                                                                                                                                                                                                                                                                                                                                                                                | CRef                                                                                       | V | Comments                  |
| 1                           |       | (TCV_slot := slot, TCV_tsc := tsc, TCV_Ccd0H := CntrlChDscrp( att, babr, C_cch_1Comb, bpm, t3212))                                                                                                                                                                                                                                                                                                                                                                                                                   |                                                                                            |   |                           |
| 2                           |       | +MM_PwrOrSimOff( C_SIMneedRmv)                                                                                                                                                                                                                                                                                                                                                                                                                                                                                       |                                                                                            |   |                           |
| 3                           |       | +Varinit_fix( activ_cell, lac, subch, cksn, rand, arfcngsm, arfcndcs, TCV_Ccd0H, imsi)                                                                                                                                                                                                                                                                                                                                                                                                                               |                                                                                            |   |                           |
| 4                           |       | +ltree_chconf( C_cch_1Comb)                                                                                                                                                                                                                                                                                                                                                                                                                                                                                          |                                                                                            |   | Config LT                 |
| 5                           |       | +localtree1                                                                                                                                                                                                                                                                                                                                                                                                                                                                                                          |                                                                                            |   |                           |
| <b>localtree1</b>           |       |                                                                                                                                                                                                                                                                                                                                                                                                                                                                                                                      |                                                                                            |   |                           |
| 6                           |       | +ltree_sysinfo( 1, C_cch_1Comb)                                                                                                                                                                                                                                                                                                                                                                                                                                                                                      |                                                                                            |   | ATT= '1'B                 |
| 7                           |       | +MM_PwrOrSimOn( C_SIMneedRmv)                                                                                                                                                                                                                                                                                                                                                                                                                                                                                        |                                                                                            |   |                           |
| 8                           |       | +localtree_Lup_Auth                                                                                                                                                                                                                                                                                                                                                                                                                                                                                                  |                                                                                            |   |                           |
| <b>localtree_Lup_Auth</b>   |       |                                                                                                                                                                                                                                                                                                                                                                                                                                                                                                                      |                                                                                            |   |                           |
| 9                           |       | START T_dly( C_T_Wait1stChReq)                                                                                                                                                                                                                                                                                                                                                                                                                                                                                       |                                                                                            |   |                           |
| 10                          |       | L?DL_RaclnChRq( TCV_Rr := DL_RaclnChRq.msg.ecau_rrf, TCV_Fn := DL_RaclnChRq.fn)                                                                                                                                                                                                                                                                                                                                                                                                                                      | ChReq( ChRequest_02)                                                                       |   | Any channel request PDU   |
| 11                          |       | CANCEL T_dly                                                                                                                                                                                                                                                                                                                                                                                                                                                                                                         |                                                                                            |   |                           |
| 12                          |       | ACTIVATE(OtherEvents_02)                                                                                                                                                                                                                                                                                                                                                                                                                                                                                             |                                                                                            |   | To match ChReq retrans.   |
| 13                          |       | LIDL_UdatRqlmmiss                                                                                                                                                                                                                                                                                                                                                                                                                                                                                                    | ImmAss( TCV_agch, ImmAsgn_01Def( TCV_Rr, TCV_Fn, subch, slot, tsc, TCV_chdescr_arfcn, ta)) |   |                           |
| 14                          |       | L?DL_EstInLupRq                                                                                                                                                                                                                                                                                                                                                                                                                                                                                                      | LocUp( TCV_ch, LocUpdtReq_01( C_norm_period_attac h))                                      |   | Any location update type  |
| 15                          |       | ACTIVATE(OtherEvents)                                                                                                                                                                                                                                                                                                                                                                                                                                                                                                |                                                                                            |   | Restore Normal default    |
| 16                          |       | [StartType = C_Start_Rej]                                                                                                                                                                                                                                                                                                                                                                                                                                                                                            |                                                                                            |   |                           |
| 17                          |       | LIDL_DatRqLupRej                                                                                                                                                                                                                                                                                                                                                                                                                                                                                                     | LocRej( TCV_ch, LocUpdtRej_01( C_rc_LAnotallowed))                                         |   | Delete LAI, tmsi, cksn    |
| 18                          |       | +PostMainLinkRel(TCV_ch)                                                                                                                                                                                                                                                                                                                                                                                                                                                                                             |                                                                                            |   | Release Ch                |
| 19                          |       | +MM_PwrOrSimOff( C_SIMneedRmv)                                                                                                                                                                                                                                                                                                                                                                                                                                                                                       |                                                                                            |   |                           |
| 20                          |       | +localtree2                                                                                                                                                                                                                                                                                                                                                                                                                                                                                                          |                                                                                            |   |                           |
| 21                          |       | [StartType = C_Start_Imsi]                                                                                                                                                                                                                                                                                                                                                                                                                                                                                           |                                                                                            |   |                           |
| 22                          |       | +Authentication( TCV_ch, cksn, rand)                                                                                                                                                                                                                                                                                                                                                                                                                                                                                 |                                                                                            |   |                           |
| 23                          |       | LIDL_DatRqLupAcp                                                                                                                                                                                                                                                                                                                                                                                                                                                                                                     | LocAcp( TCV_ch, LocUpdtAcp_01( Milmsi_01iei, mcc, mnc, TCV_lac))                           |   | Location Accept with IMSI |
| 24                          |       | +PostMainLinkRel(TCV_ch)                                                                                                                                                                                                                                                                                                                                                                                                                                                                                             |                                                                                            |   | Release Ch                |
| 25                          |       | +localtree2                                                                                                                                                                                                                                                                                                                                                                                                                                                                                                          |                                                                                            |   |                           |
| 26                          |       | [(StartType = C_Start_Tmsi) OR (StartType = C_Start_TmsiOff)]                                                                                                                                                                                                                                                                                                                                                                                                                                                        |                                                                                            |   |                           |
| 27                          |       | +Authentication( TCV_ch, cksn, rand)                                                                                                                                                                                                                                                                                                                                                                                                                                                                                 |                                                                                            |   |                           |
| 28                          |       | LIDL_DatRqLupAcp                                                                                                                                                                                                                                                                                                                                                                                                                                                                                                     | LocAcp( TCV_ch, LocUpdtAcp_01( MiTmsi_01iei, mcc, mnc, TCV_lac))                           |   | Location Accept with TMSI |
| 29                          |       | L?DL_DatInTmsireCom                                                                                                                                                                                                                                                                                                                                                                                                                                                                                                  | TmsiReallocCmp( TCV_ch)                                                                    |   |                           |
| 30                          |       | +PostMainLinkRel(TCV_ch)                                                                                                                                                                                                                                                                                                                                                                                                                                                                                             |                                                                                            |   | Release Ch                |

|    |                                                                                                                                                                                          |                                                      |                               |
|----|------------------------------------------------------------------------------------------------------------------------------------------------------------------------------------------|------------------------------------------------------|-------------------------------|
| 30 | +localtree2                                                                                                                                                                              |                                                      |                               |
| 31 | [StartType = C_Start_PLMNnot]                                                                                                                                                            |                                                      |                               |
| 32 | LIDL_DatRqLupRej                                                                                                                                                                         | LocRej( TCV_ch,<br>LocUpdtRej_01(<br>C_rc_plmn_not)) | Delete LAI, tmsi, cksn        |
| 33 | +PostMainLinkRel(TCV_ch)                                                                                                                                                                 |                                                      | Release Ch                    |
| 34 | +localtree2                                                                                                                                                                              |                                                      |                               |
| 35 | L_099<br>7<br>[(StartType <> C_Start_Rej)<br>AND(StartType <> C_Start_Tmsi)<br>AND(StartType <> C_Start_TmsiOff)<br>AND(StartType <> C_Start_Imsi)<br>AND(StartType <> C_Start_PLMNnot)] |                                                      | I                             |
| 36 | ?TIMEOUT T_dly                                                                                                                                                                           |                                                      |                               |
| 37 | +ltree_rmvPLMNfbdnlist                                                                                                                                                                   |                                                      |                               |
|    | <b>localtree2</b>                                                                                                                                                                        |                                                      |                               |
| 38 | [(att = 1) AND(StartType <> C_Start_TmsiOff)]                                                                                                                                            |                                                      | ATT no change                 |
| 39 | [cch_con <> C_cch_1Comb]                                                                                                                                                                 |                                                      | If non combined               |
| 40 | +localtree3                                                                                                                                                                              |                                                      |                               |
| 41 | +ltree_PgReorg                                                                                                                                                                           |                                                      |                               |
| 42 | [cch_con = C_cch_1Comb]                                                                                                                                                                  |                                                      | If combined                   |
| 43 | [(att = 1) AND (StartType = C_Start_TmsiOff)]                                                                                                                                            |                                                      |                               |
| 44 | +ImsiDetach(MiTmsi_01, ta, C_SIMneedRmv)                                                                                                                                                 |                                                      | Switch off, detach            |
| 45 | [cch_con <> C_cch_1Comb]                                                                                                                                                                 |                                                      | If non combined               |
| 46 | +localtree3                                                                                                                                                                              |                                                      |                               |
| 47 | [cch_con = C_cch_1Comb]                                                                                                                                                                  |                                                      | If combined                   |
| 48 | [att = 0]                                                                                                                                                                                |                                                      |                               |
| 49 | [cch_con = C_cch_1Comb]                                                                                                                                                                  |                                                      | If combined                   |
| 50 | +ltree_sysinfo( 0, C_cch_1Comb)                                                                                                                                                          |                                                      | ATT=0                         |
| 51 | +ltree_PgReorg                                                                                                                                                                           |                                                      |                               |
| 52 | [cch_con <> C_cch_1Comb]                                                                                                                                                                 |                                                      | If non combined               |
| 53 | +localtree3                                                                                                                                                                              |                                                      |                               |
| 54 | +ltree_PgReorg                                                                                                                                                                           |                                                      |                               |
|    | <b>localtree3</b>                                                                                                                                                                        |                                                      |                               |
| 55 | (TCV_Ccd0H := CntrlChDscrp( att, babr, cch_con,<br>bpm, t3212))                                                                                                                          |                                                      |                               |
| 56 | +Varinit_fix( activ_cell, lac, subch, cksn, rand,<br>arfcngsm, arfcndcs, TCV_Ccd0H, imsi)                                                                                                |                                                      |                               |
| 57 | +ltree_chconf( cch_con)                                                                                                                                                                  |                                                      | Config LT                     |
| 58 | +ltree_sysinfo( att, cch_con)                                                                                                                                                            |                                                      |                               |
|    | <b>ltree_PgReorg</b>                                                                                                                                                                     |                                                      |                               |
| 59 | (TCV_Null:=OM_PgFill( activ_cell, PgReqTp1Reorg))                                                                                                                                        |                                                      |                               |
| 60 | START T_dly(5000)                                                                                                                                                                        |                                                      |                               |
| 61 | ?TIMEOUT T_dly                                                                                                                                                                           |                                                      |                               |
| 62 | (TCV_Null:=OM_PgFill( activ_cell,<br>PgReqTp1Norm))                                                                                                                                      |                                                      |                               |
|    | <b>ltree_sysinfo( attach:INTEGER; con_ch:B_3)</b>                                                                                                                                        |                                                      |                               |
| 63 | [activ_cell = C_CellA]                                                                                                                                                                   |                                                      |                               |
| 64 | +SysInfoSending( attach, con_ch)                                                                                                                                                         |                                                      | SI1-4, cellA                  |
| 65 | (TCV_Ccd0A := TCV_Ccd0H, TCV_sysinfo5 :=<br>TCV_sysinfo5, TCV_sysinfo6 := TCV_sysinfo6)                                                                                                  |                                                      |                               |
| 66 | [con_ch = C_cch_1Comb]                                                                                                                                                                   |                                                      | If combined                   |
| 67 | +SysInfo_SacchSending( TCV_sacch,<br>TCV_sysinfo5, TCV_sysinfo6)                                                                                                                         |                                                      | SI5, 6 on SACCH/C4, cell<br>A |
| 68 | [con_ch <> C_cch_1Comb]                                                                                                                                                                  |                                                      |                               |
| 69 | +ltree_sysinfo_other( attach)                                                                                                                                                            |                                                      | More SIs, cellA               |
| 70 | [activ_cell = C_CellB]                                                                                                                                                                   |                                                      |                               |
| 71 | +SysInfoSending( attach, con_ch)                                                                                                                                                         |                                                      | SI1-4, cellB                  |
| 72 | (TCV_Ccd0B := TCV_Ccd0H, TCV_sacch_B :=<br>TCV_sacch, TCV_sysinfo5_B := TCV_sysinfo5,<br>TCV_sysinfo6_B := TCV_sysinfo6)                                                                 |                                                      | SI5, 6 on SACCH/C4, cell<br>B |
| 73 | [con_ch = C_cch_1Comb]                                                                                                                                                                   |                                                      | If combined                   |
| 74 | +SysInfo_SacchSending( TCV_sacch_B,<br>TCV_sysinfo5_B, TCV_sysinfo6_B)                                                                                                                   |                                                      | SI5, 6 on SACCH/C4, cell<br>A |

|                                                     |                                                                                                                                                                                                              |                                   |
|-----------------------------------------------------|--------------------------------------------------------------------------------------------------------------------------------------------------------------------------------------------------------------|-----------------------------------|
| 75                                                  | [con_ch <> C_cch_1Comb]                                                                                                                                                                                      | No more SIs, cell B               |
| 76                                                  | [activ_cell = C_CellC]                                                                                                                                                                                       |                                   |
| 77                                                  | +SysInfoSending( attach, con_ch)                                                                                                                                                                             | SI1-4, cellC                      |
| 78                                                  | (TCV_Ccd0C := TCV_Ccd0H, TCV_sacch_C :=<br>TCV_sacch, TCV_sysinfo5_C := TCV_sysinfo5,<br>TCV_sysinfo6_C := TCV_sysinfo6)                                                                                     |                                   |
| 79                                                  | [con_ch = C_cch_1Comb]                                                                                                                                                                                       | If combined                       |
| 80                                                  | +SysInfo_SacchSending( TCV_sacch_C,<br>TCV_sysinfo5_C, TCV_sysinfo6_C)                                                                                                                                       | SI5, 6 on SACCH/C4, cell<br>C     |
| 81                                                  | [con_ch <> C_cch_1Comb]                                                                                                                                                                                      | No more SIs, cell C               |
| <b>SysInfoSending(attachb:INTEGER; con_chs:B_3)</b> |                                                                                                                                                                                                              |                                   |
| 82                                                  | [sysinfofb = C_Test_fh]                                                                                                                                                                                      | Hopping                           |
| 83                                                  | +SysInfoSending_fh( sch, bcch, t, retr, neci,<br>attachb, babr, con_chs, bpm, t3212, ci, mcc, mnc,<br>lac, co, cchdgs, cchddcs, crh, mtmcgsm,<br>mtmcdcs, bcchflgs, bcchfldcs, Re, bcc, ncc, nccp)           |                                   |
| 84                                                  | [sysinfofb = C_Test_nfh]                                                                                                                                                                                     | Non hopping                       |
| 85                                                  | +SysInfoSending_nfh( sch, bcch, t, retr, neci,<br>attachb, babr, con_chs, bpm, t3212, ci, mcc, mnc,<br>lac, co, crh, mtmcgsm, mtmcdcs, bcchflgs,<br>bcflaltgs, bcchfldcs, bcflaltdcs, Re, bcc, ncc,<br>nccp) |                                   |
| 86                                                  | [sysinfofb = C_Test_egsm]                                                                                                                                                                                    | EGSM                              |
| 87                                                  | +SysInfoSending_e( sch, bcch, t, retr, neci, attachb,<br>babr, con_chs, bpm, t3212, ci, mcc, mnc, lac, co,<br>cchdgs, crh, mtmcgsm, bcchflgs, bcchfldcs, Re,<br>bcc, ncc, nccp)                              |                                   |
| 88                                                  | [sysinfofb = C_Test_cbms]                                                                                                                                                                                    | CBMS                              |
| 89                                                  | +SysInfoSending_cbms( sch, bcch, t, retr, neci,<br>attachb, babr, con_chs, bpm, t3212, ci, mcc, mnc,<br>lac, co, crh, mtmcgsm, mtmcdcs, bcchflgs,<br>bcchfldcs, Re, bcc, ncc, nccp, subch)                   |                                   |
| <b>ltree_chconf( conf:B_3)</b>                      |                                                                                                                                                                                                              |                                   |
| 90                                                  | [activ_cell = C_CellA]                                                                                                                                                                                       |                                   |
| 91                                                  | +ltree_chconf_A( conf)                                                                                                                                                                                       | Config LT                         |
| 92                                                  | [activ_cell = C_CellB]                                                                                                                                                                                       |                                   |
| 93                                                  | +ltree_chconf_B( conf)                                                                                                                                                                                       | Config LT                         |
| 94                                                  | [activ_cell = C_CellC]                                                                                                                                                                                       |                                   |
| 95                                                  | +ltree_chconf_C( conf)                                                                                                                                                                                       | Config LT                         |
| <b>ltree_chconf_A( conf_a:B_3)</b>                  |                                                                                                                                                                                                              |                                   |
| 96                                                  | [conf_a = C_cch_1nonComb]                                                                                                                                                                                    |                                   |
| 97                                                  | +NonCombinedBCCH_A( par_bspwr, mtmcgsm,<br>mtmcdcs, arfcngsm, arfcndcs, acttype, slot, tsc, ta,<br>babr, conf_a, bpm)                                                                                        | 1 non combined CCCH,<br>cell A    |
| 98                                                  | (TCV_Upd := C_NotCombined)                                                                                                                                                                                   |                                   |
| 99                                                  | [conf_a = C_cch_1Comb]                                                                                                                                                                                       |                                   |
| 100                                                 | [sysinfofb <> C_Test_cbms]                                                                                                                                                                                   |                                   |
| 101                                                 | +CombinedBCCH_A( par_bspwr, mtmcgsm,<br>mtmcdcs, arfcngsm, arfcndcs, acttype, slot, tsc,<br>ta, babr, conf_a, bpm)                                                                                           | 1 combined CCCH, cell A           |
| 102                                                 | (TCV_Upd := C_Combined)                                                                                                                                                                                      |                                   |
| 103                                                 | [sysinfofb = C_Test_cbms]                                                                                                                                                                                    |                                   |
| 104                                                 | +CombinedBCCH_A_CBMS( par_bspwr,<br>mtmcgsm, mtmcdcs, arfcngsm, arfcndcs, acttype,<br>slot, tsc, ta, babr, conf_a, bpm)                                                                                      | 1 combined CCCH +<br>CBMS, cell A |
| 105                                                 | (TCV_Upd := C_Combined)                                                                                                                                                                                      |                                   |
| 106                                                 | [conf_a = C_cch_2nonComb]                                                                                                                                                                                    | 2 CCCHs                           |
| 107                                                 | +NonCombinedBCCH_A( par_bspwr, mtmcgsm,<br>mtmcdcs, arfcngsm, arfcndcs, acttype, slot, tsc, ta,<br>babr, conf_a, bpm)                                                                                        | 1st non combined CCCH,<br>cell A  |
| 108                                                 | +NonCombinedBCCH_A_2( acttype, slot2, tsc, ta,<br>babr, conf_a, bpm)                                                                                                                                         | 2nd non combined<br>CCCH, cell A  |
| 109                                                 | (TCV_Upd := C_NotCombined)                                                                                                                                                                                   |                                   |
| 110                                                 | [conf_a = C_cch_3nonComb]                                                                                                                                                                                    |                                   |
| 111                                                 | +NonCombinedBCCH_A( par_bspwr, mtmcgsm,<br>mtmcdcs, arfcngsm, arfcndcs, acttype, slot, tsc, ta,                                                                                                              | 1st non combined CCCH,<br>cell A  |

|     |            |                                                                                                                                                                                                                      |                                   |
|-----|------------|----------------------------------------------------------------------------------------------------------------------------------------------------------------------------------------------------------------------|-----------------------------------|
| 112 |            | babr, conf_a, bpm)<br>+NonCombinedBCCH_A_2( acttype, slot2, tsc, ta, babr, conf_a, bpm)                                                                                                                              | 2nd non combined CCCH, cell A     |
| 113 |            | +NonCombinedBCCH_A_3( acttype, slot3, tsc, ta, babr, conf_a, bpm)                                                                                                                                                    | 3rd non combined CCCH, cell A     |
| 114 |            | (TCV_Upd := C_NotCombined)                                                                                                                                                                                           |                                   |
| 115 |            | [conf_a = C_cch_4nonComb]                                                                                                                                                                                            |                                   |
| 116 |            | +NonCombinedBCCH_A( par_bspwr, mtmcgsm, mtmcdcs, arfcngsm, arfcndcs, acttype, slot, tsc, ta, babr, conf_a, bpm)                                                                                                      | 1st non combined CCCH, cell A     |
| 117 |            | +NonCombinedBCCH_A_2( acttype, slot2, tsc, ta, babr, conf_a, bpm)                                                                                                                                                    | 2nd non combined CCCH, cell A     |
| 118 |            | +NonCombinedBCCH_A_3( acttype, slot3, tsc, ta, babr, conf_a, bpm)                                                                                                                                                    | 3rd non combined CCCH, cell A     |
| 119 |            | +NonCombinedBCCH_A_4( acttype, slot4, tsc, ta, babr, conf_a, bpm)                                                                                                                                                    | 4th non combined CCCH, cell A     |
| 120 |            | (TCV_Upd := C_NotCombined)                                                                                                                                                                                           |                                   |
| 121 | L_099<br>8 | [[conf_a <> C_cch_1nonComb) AND(conf_a <> C_cch_2nonComb) AND(conf_a <> C_cch_3nonComb) AND(conf_a <> C_cch_4nonComb) AND(conf_a <> C_cch_1Comb)]                                                                    | I A wrong CCCH-CONF value, cell A |
| 122 |            | <b>ltree_chconf_B( conf_b:B_3)</b><br>[conf_b = C_cch_1nonComb]                                                                                                                                                      |                                   |
| 123 |            | +NonCombinedBCCH_B( par_bspwr, mtmcgsm, mtmcdcs, arfcngsm, arfcndcs, acttype, slot, tsc, ta, babr, conf_b, bpm)                                                                                                      | 1 non combined CCCH, cell B       |
| 124 |            | (TCV_Upd := C_NotCombined)                                                                                                                                                                                           |                                   |
| 125 |            | [conf_b = C_cch_1Comb]                                                                                                                                                                                               |                                   |
| 126 |            | +CombinedBCCH_B( par_bspwr, mtmcgsm, mtmcdcs, arfcngsm, arfcndcs, acttype, slot, tsc, ta, babr, conf_b, bpm)                                                                                                         | 1 combined CCCH, cell B           |
| 127 |            | (TCV_Upd := C_Combined)                                                                                                                                                                                              |                                   |
| 128 | L_099<br>9 | [[conf_b <> C_cch_1nonComb) AND(conf_b <> C_cch_1Comb)]                                                                                                                                                              | I A wrong CCCH-CONF value, cell B |
| 129 |            | <b>ltree_chconf_C( conf_c:B_3)</b><br>[conf_c = C_cch_1Comb]                                                                                                                                                         |                                   |
| 130 |            | +CombinedBCCH_C( par_bspwr, mtmcgsm, mtmcdcs, arfcngsm, arfcndcs, acttype, slot, tsc, ta, babr, conf_c, bpm)                                                                                                         | 1 combined CCCH, cell C           |
| 131 |            | (TCV_Upd := C_Combined)                                                                                                                                                                                              |                                   |
| 132 | L_100<br>0 | [conf_c <> C_cch_1Comb]                                                                                                                                                                                              | I                                 |
| 133 |            | <b>ltree_sysinfo_other( attach:INTEGER)</b><br>[[cch_con = C_cch_1nonComb) OR (cch_con = C_cch_1Comb)]                                                                                                               |                                   |
| 134 |            | [cch_con = C_cch_2nonComb]                                                                                                                                                                                           |                                   |
| 135 |            | +SysInfoSending_fh( sch, C_BCCH_A_2, t, retr, neci, attach, babr, cch_con, bpm, t3212, ci, mcc, mnc, lac, co, CellChDes_02, CellChDes_03, crh, mtmcgsm, mtmcdcs, BcchFreqLst_01, BcchFreqLst_48, Re, bcc, ncc, nccp) | SIs on 2nd CCCH                   |
| 136 |            | [cch_con = C_cch_3nonComb]                                                                                                                                                                                           |                                   |
| 137 |            | +SysInfoSending_fh( sch, C_BCCH_A_2, t, retr, neci, attach, babr, cch_con, bpm, t3212, ci, mcc, mnc, lac, co, CellChDes_02, CellChDes_03, crh, mtmcgsm, mtmcdcs, BcchFreqLst_01, BcchFreqLst_48, Re, bcc, ncc, nccp) | SIs on 2nd CCCH                   |
| 138 |            | +SysInfoSending_fh( sch, C_BCCH_A_3, t, retr, neci, attach, babr, cch_con, bpm, t3212, ci, mcc, mnc, lac, co, CellChDes_02, CellChDes_03, crh, mtmcgsm, mtmcdcs, BcchFreqLst_01, BcchFreqLst_48, Re, bcc, ncc, nccp) | SIs on 3rd CCCH                   |
| 139 |            | [cch_con = C_cch_4nonComb]                                                                                                                                                                                           |                                   |
| 140 |            | +SysInfoSending_fh( sch, C_BCCH_A_2, t, retr, neci, attach, babr, cch_con, bpm, t3212, ci, mcc, mnc, lac, co, CellChDes_02, CellChDes_03, crh, mtmcgsm, mtmcdcs, BcchFreqLst_01, BcchFreqLst_48, Re, bcc, ncc, nccp) | SIs on 2nd CCCH                   |

|     |                                                                                                                                                                                                                      |                                                                                                           |                                                       |
|-----|----------------------------------------------------------------------------------------------------------------------------------------------------------------------------------------------------------------------|-----------------------------------------------------------------------------------------------------------|-------------------------------------------------------|
| 141 | +SysInfoSending_fh( sch, C_BCCH_A_3, t, retr, neci, attach, babr, cch_con, bpm, t3212, ci, mcc, mnc, lac, co, CellChDes_02, CellChDes_03, crh, mtmcgsm, mtmcdcs, BcchFreqLst_01, BcchFreqLst_48, Re, bcc, ncc, nccp) |                                                                                                           | SIs on 3rd CCCH                                       |
| 142 | +SysInfoSending_fh( sch, C_BCCH_A_4, t, retr, neci, attach, babr, cch_con, bpm, t3212, ci, mcc, mnc, lac, co, CellChDes_02, CellChDes_03, crh, mtmcgsm, mtmcdcs, BcchFreqLst_01, BcchFreqLst_48, Re, bcc, ncc, nccp) |                                                                                                           | SIs on 4th CCCH                                       |
| 143 | <b>Itree_rmvPLMNfbdnlist</b><br>(TCV_Null := OO_PLMNselModeMan())                                                                                                                                                    |                                                                                                           |                                                       |
| 144 | (TCV_Null := OO_SelPLMN( mnc))                                                                                                                                                                                       |                                                                                                           |                                                       |
| 145 | L?DL_RaclnChRq (TCV_Rr := DL_RaclnChRq.<br>msg.ecau_rfq, TCV_Fn := DL_RaclnChRq.fn)<br>CANCEL T_dly                                                                                                                  | ChReq(<br>ChRequest_02)                                                                                   | Any channel request PDU                               |
| 146 | ACTIVATE(OtherEvents_02)                                                                                                                                                                                             |                                                                                                           | To match ChReq retrans.                               |
| 147 | LIDL_UdatRqImmass                                                                                                                                                                                                    | ImmAss( TCV_agch,<br>ImmAsgn_01Def(<br>TCV_Rr, TCV_Fn,<br>subch, slot, tsc,<br>TCV_chdescr_arfcn,<br>ta)) |                                                       |
| 148 | L?DL_EstInLupRq                                                                                                                                                                                                      | LocUp( TCV_ch,<br>LocUpdtReq_01(<br>C_norm_period_attac<br>h))                                            | Any location update type                              |
| 149 | ACTIVATE( OtherEvents)                                                                                                                                                                                               |                                                                                                           | Restore Normal default                                |
| 150 | [StartType = C_Start_PLMNnot]                                                                                                                                                                                        |                                                                                                           | The PLMN is already in<br>forbidden list on short SIM |
| 151 | LIDL_DatRqLupRej                                                                                                                                                                                                     | LocRej( TCV_ch,<br>LocUpdtRej_01(<br>C_rc_plmn_not))                                                      | Delete LAI, tmsi, cksn,<br>PLMN still in list         |
| 152 | +PostMainLinkRel( TCV_ch)                                                                                                                                                                                            |                                                                                                           | Release Ch                                            |
| 153 | (TCV_Null :=<br>OO_PLMNselModeAuto())                                                                                                                                                                                |                                                                                                           |                                                       |
| 154 | [StartType <> C_Start_PLMNnot]                                                                                                                                                                                       |                                                                                                           |                                                       |
| 155 | LIDL_DatRqLupAcp                                                                                                                                                                                                     | LocAcp( TCV_ch,<br>LocUpdtAcp_01(<br>MiTmsi_r02iei, mcc,<br>mnc, TCV_lac))                                | Location Accept with no<br>TMSI                       |
| 156 | +PostMainLinkRel( TCV_ch)                                                                                                                                                                                            |                                                                                                           | Release Ch                                            |
| 157 | L_100<br>1<br>(TCV_Null :=<br>OO_PLMNselModeAuto())                                                                                                                                                                  |                                                                                                           | I<br>No ChReq received:<br>Inconclusive               |

**Detailed Comments:**

| Formal Parameter Type | Comments & Explanations | Possible values |
|-----------------------|-------------------------|-----------------|
|-----------------------|-------------------------|-----------------|

|           |         |                          |                           |
|-----------|---------|--------------------------|---------------------------|
| par_bspwr | INTEGER | Base station power level | C_E_default, C_E_suitable |
|-----------|---------|--------------------------|---------------------------|

|            |        |                         |                           |
|------------|--------|-------------------------|---------------------------|
| activ_cell | CellID | Activated cell identity | C_CellA, C_CellB, C_CellC |
|------------|--------|-------------------------|---------------------------|

|     |         |                        |                                              |
|-----|---------|------------------------|----------------------------------------------|
| sch | LOGICCH | Sync. channel identity | If formal para activ_cell = C_CellA, C_SCH_A |
|     |         |                        | If formal para activ_cell = C_CellB, C_SCH_B |
|     |         |                        | If formal para activ_cell = C_CellC, C_SCH_C |

|      |         |                          |                                                 |
|------|---------|--------------------------|-------------------------------------------------|
| bcch | LOGICCH | 1st broadcast channel id | If formal para activ_cell = C_CellA, C_BCCH_A_1 |
|      |         |                          | If formal para activ_cell = C_CellB, C_BCCH_B_1 |
|      |         |                          | If formal para activ_cell = C_CellC, C_BCCH_C_1 |

|         |           |                                  |          |
|---------|-----------|----------------------------------|----------|
| acttype | BITSTRING | Type for activation of a channel | C_Immass |
|---------|-----------|----------------------------------|----------|

|      |    |                              |      |
|------|----|------------------------------|------|
| slot | SN | Slot number for the 1st slot | C_S0 |
|------|----|------------------------------|------|

|       |    |                                          |      |
|-------|----|------------------------------------------|------|
| slot2 | SN | Slot number for the 2nd slot             |      |
|       |    | In case of 2 or 3 or 4 non combined CCCH | C_S2 |

|         |           |                                              |                              |            |
|---------|-----------|----------------------------------------------|------------------------------|------------|
|         |           | Otherwise (1 combined or 1 non combined)     | C_SlotNU                     |            |
| slot3   | SN        | Slot number for the 3rd slot                 |                              |            |
|         |           | In case of 3 or 4 non combined CCCH          | C_S4                         |            |
|         |           | Otherwise (1 combined or 1, 2 non combined)  | C_SlotNU                     |            |
| slot4   | SN        | Slot number for the 4th slot                 |                              |            |
|         |           | In case of 4 non combined CCCH channels      | C_S6                         |            |
|         |           | Otherwise (1 combined, 1, 2, 3 non combined) | C_SlotNU                     |            |
| tsc     | TSC       | Training Sequence code                       | C_BCC                        |            |
| t       | INTEGER   | Rach Control Parameter field, Tx-Integer     |                              |            |
|         |           | for SysInfo1, SysInfo2, SysInfo3, SysInfo4   | C_TxInt_5,                   |            |
|         |           |                                              | C_TxInt_7,                   | C_TxInt_10 |
| retr    | INTEGER   | Rach Control Parameter field, Max-Retrans    |                              |            |
|         |           | for SysInfo1, SysInfo2, SysInfo3, SysInfo4   | C_Max_1,                     |            |
|         |           |                                              | C_Max_2,                     | C_Max_7    |
| neci    | INTEGER   | Requested value f. NECI bit in test case     | C_NECI_0,                    |            |
|         |           |                                              | C_NECI_1                     |            |
| att     | INTEGER   | Requested value f. ATTACH bit in test case   | C_ATT_0,                     |            |
|         |           |                                              | C_ATT_1                      |            |
| ta      | TA        | Requested Timing Advance value               |                              |            |
| babr    | B_3       | Number of blocks reserved for acces grant    |                              |            |
|         |           | If arbitrary                                 | TSPX_AGBLKSx                 |            |
|         |           | If fixed                                     | C_BABR_0, C_BABR_1, C_BABR_2 |            |
| cch_con | B_3       | Type of CCCH channel.                        |                              |            |
|         |           | If arbitrary                                 | TSPX_CcchConfx               |            |
|         |           | 1 combined CCCH channel                      | C_cch_1Comb                  |            |
|         |           | 1 non combined CCCH channel                  | C_cch_1nonComb               |            |
|         |           | 2 non combined CCCH channels                 | C_cch_2nonComb               |            |
|         |           | 3 non combined CCCH channels                 | C_cch_3nonComb               |            |
|         |           | 4 non combined CCCH channels                 | C_cch_4nonComb               |            |
| bpm     | B_3       | Number of multiframes for transmission       |                              |            |
|         |           | of PAGING REQUEST messages to the same       |                              |            |
|         |           | paging subgroup                              |                              |            |
|         |           | If arbitrary                                 | TSPX_PAMFRMSx                |            |
|         |           | If fixed (2, 4, 5, 9 multiframes)            | C_BPM_0, C_BPM_2,            |            |
|         |           |                                              | C_BPM_3, C_BPM_7             |            |
| t3212   | OCTETSTR. | Requested value for T3212 in test case       |                              | (Periodic  |
|         |           | Location Update Value)                       |                              |            |
|         |           | infinite                                     | C_T3212_0                    |            |
|         |           | 6 mn / 1 deci hours                          | C_T3212_1                    |            |
|         |           | 12 mn / 2 deci hours                         | C_T3212_2                    |            |
|         |           | 30 mn / 5 deci hours                         | C_T3212_5                    |            |
| ci      | CI        | Cell Identity                                |                              |            |
|         |           | If formal para activ_cell = C_CellA          | C_ci_CellA                   |            |
|         |           | If formal para activ_cell = C_CellB          | C_ci_CellB                   |            |
|         |           | If formal para activ_cell = C_CellC          | C_ci_CellC                   |            |
| mcc     | OCTETSTR. | Mobile Contry Code for the LAI               | C_MCC, C_MCC_x               |            |
| mnc     | OCTETSTR. | Mobile Network Code for the LAI              | C_PLMN_Home, C_PLMN_x        |            |
| lac     | OCTETSTR. | Local Area Code for the LAI                  | C_LAC_x                      |            |

|            |           |                                                                                                                                                                                                     |                                                                                                              |
|------------|-----------|-----------------------------------------------------------------------------------------------------------------------------------------------------------------------------------------------------|--------------------------------------------------------------------------------------------------------------|
| co         | CO        | Cell Options                                                                                                                                                                                        | CellOpt_xx                                                                                                   |
| cchdgs     | CCHD      | Cell Channels Description (GSM)<br>If formal para sysinfonb=C_Test_nfh CellChDes_omit<br>If formal para sysinfonb=C_Test_cbms CellChDes_omit<br>If formal para sysinfonb=C_Test_fh GSM CellChDes_xx |                                                                                                              |
| cchddcs    | CCHD      | Cell Channels Description (DCS)<br>If formal para sysinfonb=C_Test_nfh CellChDes_omit<br>If formal para sysinfonb=C_Test_cbms CellChDes_omit<br>If formal para sysinfonb=C_Test_fh DCS CellChDes_xx |                                                                                                              |
| crh        | INTEGER   | Cell Reselection Hysteresis                                                                                                                                                                         | C_CellReselectHys12,<br>C_CellReselectHys4                                                                   |
| mtmcgs     | INTEGER   | Requested maximum power level<br>for GSM MS                                                                                                                                                         | C_MaxPwrLvIG                                                                                                 |
| mtmcdcs    | INTEGER   | Requested maximum power level<br>for DCS MS                                                                                                                                                         | C_MaxPwrLvID                                                                                                 |
| bcchfgsm   | NCD       | Neighbour Cells Description for GSM                                                                                                                                                                 | BcchFreqLst_xx                                                                                               |
| bcflaltgs  | NCD       | Alternative Neighbour Cells Description for GSM.<br>If sysinfonb = C_Test_nfh Alternat.GSM BcchFreqLst_xx<br>Otherwise: BcchFreqLst_Omit                                                            |                                                                                                              |
| bcchfdcs   | NCD       | Neighbour Cells Description for DCS                                                                                                                                                                 | BcchFreqLst_xx                                                                                               |
| bcflaltdcs | NCD       | Alternative Neighbour Cells Description for DCS<br>If sysinfonb = C_Test_nfh Alternat.DCS BcchFreqLst_xx<br>Otherwise: BcchFreqLst_Omit                                                             |                                                                                                              |
| Re         | B_1       | Rach Control Parameter field,<br>Re-establishment bit for SysInfo1,<br>SysInfo2, SysInfo3, SysInfo4                                                                                                 | C_Restablishment,<br>C_noRestablishmen                                                                       |
| bcc        | BCC       | Base station Color Code                                                                                                                                                                             | C_BCC                                                                                                        |
| ncc        | NCC       | Network Color Code                                                                                                                                                                                  | C_NCC                                                                                                        |
| StartType  | INTEGER   | Initial conditions for MS<br>Starting without TMSI<br>Starting with Tmsi_01<br>Starting with Tmsi_01, MS deactivated<br>Starting with LAI deleted, MS deactivated<br>Starting with PLMN not allowed | C_Start_Imsi<br>C_Start_Tmsi<br>C_Start_TmsiOff<br>C_Start_Rej<br>C_Start_PLMNnot                            |
| subch      | BITSTRING | Selected sub-channel<br>If Formal para cch_con = C_cch_1Comb, TSPX_SDCCH4SubDef<br>TSPX_SDCCH4SubA,<br>SubB, SubC                                                                                   |                                                                                                              |
| cksn       | BITSTRING | Ciphering Key Sequence<br>for authentication TSPX_CKSNDf,                                                                                                                                           | Number used<br>TSPX_CKSNA, B,<br>C                                                                           |
| rand       | BITSTRING | Random Number for authentication                                                                                                                                                                    | TSPX_RANDDef,<br>TSPX_RANDA, B, C                                                                            |
| arfcngsm   | INTEGER   | BCCH channel ARFCN (GSM)<br>If sysinfonb = C_Test_fh<br>Otherwise:                                                                                                                                  | C_Noarfcn<br>If activ_cell = C_CellA<br>C_arfcnA_x<br>C_arfcnB_x<br>If<br>activ_cell = C_CellC<br>C_arfcnC_x |
| arfcndcs   | INTEGER   | BCCH channel ARFCN (DCS)<br>If sysinfonb = C_Test_fh                                                                                                                                                | C_Noarfcn                                                                                                    |

|                      |            |                                |                         |    |
|----------------------|------------|--------------------------------|-------------------------|----|
|                      | Otherwise: |                                | If activ_cell = C_CellA |    |
| C_arfcnAd_x          |            | If activ_cell = C_CellB        | C_arfcnBd_x             | If |
| activ_cell = C_CellC |            | C_arfcnCd_x                    |                         |    |
| imsi                 | HEXSTRING  | The expected IMSI              | TSPX_IMSI               |    |
|                      |            | In TC_26_7_3_2                 | C_shortIMSI             |    |
| sysinfofb            | INTEGER    | Type of sysinfo sending        |                         |    |
|                      |            | Frequency Hopping              | C_Test_fh               |    |
|                      |            | Non Frequency hopping          | C_Test_nfh              |    |
|                      |            | EGSM sequence                  | C_Test_egsm             |    |
|                      |            | CBMS sequence                  | C_Test_cbms             |    |
| nccp                 | NCCP       | Network Country Code Permitted |                         |    |
|                      |            | in SysInfo2                    | C_NCCP_2, C_NCCP_5      |    |



| Test Step Dynamic Behaviour |       |                                                                                                                                                                                                                                                                                                                                                                             |      |   |          |
|-----------------------------|-------|-----------------------------------------------------------------------------------------------------------------------------------------------------------------------------------------------------------------------------------------------------------------------------------------------------------------------------------------------------------------------------|------|---|----------|
| <b>Test Step Name:</b>      |       | PreEnterIdleState_r02(acttype:BITSTRING; slot:SN; tsc:TSC; tx, retrans:INTEGER; slot2:SN; slot3:SN; slot4:SN; ta:TA; att:INTEGER; babr, cch_con, bpm:B_3; t3212, mcc, mnc, lac:OCTETSTRING)                                                                                                                                                                                 |      |   |          |
| <b>Group:</b>               |       | GSM_L3_MS_v4210/Preambles/                                                                                                                                                                                                                                                                                                                                                  |      |   |          |
| <b>Objective:</b>           |       | To broadcast SYSTEM INFORMATION messages 2, 3, 4, 5 and 6 containing default parameters in cell A with the following exceptions :<br>- legal combination of CCCH-CONF, BS-AG-BLKS-RES, BS-PA-MFRMS are specified by parameters<br>- max retransmission and tx-integer can be assigned,<br>The test system is then waiting for the SUT (MS) entering the Idle updated state. |      |   |          |
| <b>Default:</b>             |       | OtherEvents                                                                                                                                                                                                                                                                                                                                                                 |      |   |          |
| <b>Comments:</b>            |       | The preamble is used for the RR tests.                                                                                                                                                                                                                                                                                                                                      |      |   |          |
| Nr                          | Label | Behaviour Description                                                                                                                                                                                                                                                                                                                                                       | CRef | V | Comments |
| 1                           |       | [cch_con = C_cch_1Comb]                                                                                                                                                                                                                                                                                                                                                     |      |   |          |
| 2                           |       | +CombinedBCCH_A( 63, C_MaxPwrLvIG, C_MaxPwrLvID, C_arfcnA, C_arfcnAd, acttype, slot, tsc, ta, babr, cch_con, bpm)                                                                                                                                                                                                                                                           |      |   |          |
| 3                           |       | +SysInfoSending_fh( C_SCH_A, C_BCCH_A_1, tx, retrans, 0, att, babr, cch_con, bpm, t3212, C_ci_cellA, mcc, mnc, lac, CellOpt_01, CellChDes_02, CellChDes_03, C_CellReselectHys12, C_MaxPwrLvIG, C_MaxPwrLvID, BcchFreqLst_01, BcchFreqLst_48, C_noRestablishment, C_BCC, C_NCC, C_NCCP_2)                                                                                    |      |   |          |
| 4                           |       | (TCV_Ccd0A := TCV_Ccd0H, TCV_sysinfo5 := TCV_sysinfo5, TCV_sysinfo6 := TCV_sysinfo6)                                                                                                                                                                                                                                                                                        |      |   |          |
| 5                           |       | +SysInfo_SacchSending(TCV_sacch, TCV_sysinfo5, TCV_sysinfo6)                                                                                                                                                                                                                                                                                                                |      |   |          |
| 6                           |       | [cch_con = C_cch_1nonComb]                                                                                                                                                                                                                                                                                                                                                  |      |   |          |
| 7                           |       | +localtree                                                                                                                                                                                                                                                                                                                                                                  |      |   |          |
| 8                           |       | [cch_con = C_cch_2nonComb]                                                                                                                                                                                                                                                                                                                                                  |      |   |          |
| 9                           |       | +NonCombinedBCCH_A_2(acttype,slot2,tsc, ta, babr, cch_con, bpm)                                                                                                                                                                                                                                                                                                             |      |   |          |
| 10                          |       | +SysInfoSending_fh( C_SCH_A, C_BCCH_A_2, tx, retrans, 0, att, babr, cch_con, bpm, t3212, C_ci_cellA, mcc, mnc, lac, CellOpt_01, CellChDes_02, CellChDes_03, C_CellReselectHys12, C_MaxPwrLvIG, C_MaxPwrLvID, BcchFreqLst_01, BcchFreqLst_48, C_noRestablishment, C_BCC, C_NCC, C_NCCP_2)                                                                                    |      |   |          |
| 11                          |       | +localtree                                                                                                                                                                                                                                                                                                                                                                  |      |   |          |
| 12                          |       | [cch_con = C_cch_3nonComb]                                                                                                                                                                                                                                                                                                                                                  |      |   |          |
| 13                          |       | +NonCombinedBCCH_A_2(acttype,slot2,tsc, ta, babr, cch_con, bpm)                                                                                                                                                                                                                                                                                                             |      |   |          |
| 14                          |       | +NonCombinedBCCH_A_3(acttype,slot3,tsc, ta, babr, cch_con, bpm)                                                                                                                                                                                                                                                                                                             |      |   |          |
| 15                          |       | +SysInfoSending_fh( C_SCH_A, C_BCCH_A_2, tx, retrans, 0, att, babr, cch_con, bpm, t3212, C_ci_cellA, mcc, mnc, lac, CellOpt_01, CellChDes_02, CellChDes_03, C_CellReselectHys12, C_MaxPwrLvIG, C_MaxPwrLvID, BcchFreqLst_01, BcchFreqLst_48, C_noRestablishment, C_BCC, C_NCC, C_NCCP_2)                                                                                    |      |   |          |
| 16                          |       | +SysInfoSending_fh( C_SCH_A, C_BCCH_A_3, tx, retrans, 0, att, babr, cch_con, bpm, t3212, C_ci_cellA, mcc, mnc, lac, CellOpt_01, CellChDes_02, CellChDes_03, C_CellReselectHys12, C_MaxPwrLvIG, C_MaxPwrLvID, BcchFreqLst_01, BcchFreqLst_48, C_noRestablishment, C_BCC, C_NCC, C_NCCP_2)                                                                                    |      |   |          |
| 17                          |       | +localtree                                                                                                                                                                                                                                                                                                                                                                  |      |   |          |
| 18                          |       | [cch_con = C_cch_4nonComb]                                                                                                                                                                                                                                                                                                                                                  |      |   |          |
| 19                          |       | +NonCombinedBCCH_A_2(acttype,slot2,tsc, ta, babr, cch_con, bpm)                                                                                                                                                                                                                                                                                                             |      |   |          |

|    |            |                                                                                                                                                                                                                                                                                          |   |          |
|----|------------|------------------------------------------------------------------------------------------------------------------------------------------------------------------------------------------------------------------------------------------------------------------------------------------|---|----------|
| 20 |            | +NonCombinedBCCH_A_3(acttype,slot3,tsc, ta, babr, cch_con, bpm)                                                                                                                                                                                                                          |   |          |
| 21 |            | +NonCombinedBCCH_A_4(acttype,slot4,tsc, ta, babr, cch_con, bpm)                                                                                                                                                                                                                          |   |          |
| 22 |            | +SysInfoSending_fh( C_SCH_A, C_BCCH_A_2, tx, retrans, 0, att, babr, cch_con, bpm, t3212, C_ci_cellA, mcc, mnc, lac, CellOpt_01, CellChDes_02, CellChDes_03, C_CellReselectHys12, C_MaxPwrLvlG, C_MaxPwrLvlD, BcchFreqLst_01, BcchFreqLst_48, C_noRestablishment, C_BCC, C_NCC, C_NCCP_2) |   |          |
| 23 |            | +SysInfoSending_fh( C_SCH_A, C_BCCH_A_3, tx, retrans, 0, att, babr, cch_con, bpm, t3212, C_ci_cellA, mcc, mnc, lac, CellOpt_01, CellChDes_02, CellChDes_03, C_CellReselectHys12, C_MaxPwrLvlG, C_MaxPwrLvlD, BcchFreqLst_01, BcchFreqLst_48, C_noRestablishment, C_BCC, C_NCC, C_NCCP_2) |   |          |
| 24 |            | +SysInfoSending_fh( C_SCH_A, C_BCCH_A_4, tx, retrans, 0, att, babr, cch_con, bpm, t3212, C_ci_cellA, mcc, mnc, lac, CellOpt_01, CellChDes_02, CellChDes_03, C_CellReselectHys12, C_MaxPwrLvlG, C_MaxPwrLvlD, BcchFreqLst_01, BcchFreqLst_48, C_noRestablishment, C_BCC, C_NCC, C_NCCP_2) |   |          |
| 25 |            | +localtree                                                                                                                                                                                                                                                                               |   |          |
| 26 | L_100<br>2 | [(cch_con = C_cch_2Comb) OR (cch_con = C_cch_3Comb) OR (cch_con = C_cch_4Comb)]                                                                                                                                                                                                          | I | Reserved |
| 27 |            | <b>localtree</b><br>+NonCombinedBCCH_A(63, C_MaxPwrLvlG, C_MaxPwrLvlD, C_arfcnA, C_arfcnAd, acttype,slot,tsc, ta, babr, cch_con, bpm)                                                                                                                                                    |   |          |
| 28 |            | +SysInfoSending_fh( C_SCH_A, C_BCCH_A_1, tx, retrans, 0, att, babr, cch_con, bpm, t3212, C_ci_cellA, mcc, mnc, lac, CellOpt_01, CellChDes_02, CellChDes_03, C_CellReselectHys12, C_MaxPwrLvlG, C_MaxPwrLvlD, BcchFreqLst_01, BcchFreqLst_48, C_noRestablishment, C_BCC, C_NCC, C_NCCP_2) |   |          |
| 29 |            | (TCV_Ccd0A := TCV_Ccd0H, TCV_sysinfo5 := TCV_sysinfo5, TCV_sysinfo6 := TCV_sysinfo6)                                                                                                                                                                                                     |   |          |

Detailed Comments:

| Test Step Dynamic Behaviour |       |                                                                                                  |                        |   |                             |
|-----------------------------|-------|--------------------------------------------------------------------------------------------------|------------------------|---|-----------------------------|
| <b>Test Step Name:</b>      |       | PreEnterCCstateU01_21( sub:B_2; ta:TA)                                                           |                        |   |                             |
| <b>Group:</b>               |       | GSM_L3_MS_v4210/Preambles/                                                                       |                        |   |                             |
| <b>Objective:</b>           |       | To bring the MS into CC state U0.1 by procedure in table 26.8.1.2/1. This is used in CC testing. |                        |   |                             |
| <b>Default:</b>             |       | OtherEvents                                                                                      |                        |   |                             |
| Nr                          | Label | Behaviour Description                                                                            | CRef                   | V | Comments                    |
| 1                           |       | +CCEstablishMO_SDCCH4( sub, ta)                                                                  |                        |   | 1.                          |
| 2                           |       | ACTIVATE(OtherEvents_02)                                                                         |                        |   | To match ChReq retrans.     |
| 3                           |       | L?DL_EstInCmsRq                                                                                  | CMSerReq( CMSerReq_04) |   |                             |
| 4                           |       | ACTIVATE(OtherEvents)                                                                            |                        |   | Restore Normal default tree |

Detailed Comments: 1. To assign SDCCH4 channel.

| Test Step Dynamic Behaviour |       |                                                                                                                                                                                                                                                                                                                  |      |   |          |
|-----------------------------|-------|------------------------------------------------------------------------------------------------------------------------------------------------------------------------------------------------------------------------------------------------------------------------------------------------------------------|------|---|----------|
| <b>Test Step Name:</b>      |       | PreEnterCCstateU1_21( sub:B_2; ta:TA)                                                                                                                                                                                                                                                                            |      |   |          |
| <b>Group:</b>               |       | GSM_L3_MS_v4210/Preambles/                                                                                                                                                                                                                                                                                       |      |   |          |
| <b>Objective:</b>           |       | To bring the MS into CC state U1 by procedure in table 26.8.1.2/1. This is used in CC testing.                                                                                                                                                                                                                   |      |   |          |
| <b>Default:</b>             |       | OtherEvents                                                                                                                                                                                                                                                                                                      |      |   |          |
| <b>Comments:</b>            |       | TCV_TI0 contains the transaction identifier from the MS, and TCV_TI contains the transaction identifier for test system to send CC message. The values of them are used in test body. The calling tree shall prepare two variables for the step: TCV_ch for the SDCCH4 subchannel; TCV_CphKey for ciphering key. |      |   |          |
| Nr                          | Label | Behaviour Description                                                                                                                                                                                                                                                                                            | CRef | V | Comments |
| 1                           |       | +PreEnterCCstateU01_21( sub, ta)                                                                                                                                                                                                                                                                                 |      |   |          |
| 2                           |       | +Ciphering_on( TCV_ch)                                                                                                                                                                                                                                                                                           |      |   |          |
| 3                           |       | +RcvSetupOrEsetup(TCV_Setup_mo, TCV_Esetup, TCV_Ecall)                                                                                                                                                                                                                                                           |      |   |          |
| 4                           |       | +CCstatuschk_02( TCV_ch, C_U1, TCV_TI, TCV_TI0)                                                                                                                                                                                                                                                                  |      |   |          |
| <b>Detailed Comments:</b>   |       |                                                                                                                                                                                                                                                                                                                  |      |   |          |

| Test Step Dynamic Behaviour                  |       |                                                                                                                                                                                       |                              |   |                         |
|----------------------------------------------|-------|---------------------------------------------------------------------------------------------------------------------------------------------------------------------------------------|------------------------------|---|-------------------------|
| <b>Test Step Name:</b>                       |       | PreEnterCCstateU1_22(slot:SN; tsc:TSC; ta:TA)                                                                                                                                         |                              |   |                         |
| <b>Group:</b>                                |       | GSM_L3_MS_v4210/Preambles/                                                                                                                                                            |                              |   |                         |
| <b>Objective:</b>                            |       | To bring the MS into CC state U1 by procedure in table 26.8.1.2/2. This is used in CC testing.                                                                                        |                              |   |                         |
| <b>Default:</b>                              |       | OtherEvents                                                                                                                                                                           |                              |   |                         |
| <b>Comments:</b>                             |       | TCV_TI0 contains the transaction identifier from the MS, and TCV_TI contains the transaction identifier for test system to send CC message. The values of them are used in test body. |                              |   |                         |
| Nr                                           | Label | Behaviour Description                                                                                                                                                                 | CRef                         | V | Comments                |
| 1                                            |       | +CCEstablishMO_TCH( slot, tsc, ta)                                                                                                                                                    |                              |   | 1.                      |
| 2                                            |       | ACTIVATE(OtherEvents_02)                                                                                                                                                              |                              |   | To match ChReq retrans. |
| 3                                            |       | L?DL_EstInCmsRq (TCV_Fn :=DL_EstInCmsRq.fn)                                                                                                                                           | CMSSerReq( CMSServiceReq_04) |   |                         |
| 4                                            |       | ACTIVATE(OtherEvents)                                                                                                                                                                 |                              |   | Restore Normal default  |
| 5                                            |       | +CCModifyTCH(slot, tsc)                                                                                                                                                               |                              |   |                         |
| 6                                            |       | +Ciphering_on(TCV_chTch)                                                                                                                                                              |                              |   |                         |
| 7                                            |       | +RcvSetupOrEsetup(TCV_Setup_mo, TCV_Esetup, TCV_Ecall)                                                                                                                                |                              |   |                         |
| 8                                            |       | +CCstatuschk_02(TCV_chTch, C_U1, TCV_TI, TCV_TI0)                                                                                                                                     |                              |   | 2.                      |
| <b>Detailed Comments:</b>                    |       |                                                                                                                                                                                       |                              |   |                         |
| 1. To assign TCH/F channel or TCH/H channel. |       |                                                                                                                                                                                       |                              |   |                         |
| 2. Check that CC is now state U1             |       |                                                                                                                                                                                       |                              |   |                         |

| Test Step Dynamic Behaviour                  |       |                                                                                                                                                                                       |                              |   |                         |
|----------------------------------------------|-------|---------------------------------------------------------------------------------------------------------------------------------------------------------------------------------------|------------------------------|---|-------------------------|
| <b>Test Step Name:</b>                       |       | PreEnterCCstateU1_22Timer(slot:SN; tsc:TSC; ta:TA)                                                                                                                                    |                              |   |                         |
| <b>Group:</b>                                |       | GSM_L3_MS_v4210/Preambles/                                                                                                                                                            |                              |   |                         |
| <b>Objective:</b>                            |       | To bring the MS into CC state U1 by procedure in table 26.8.1.2/2. This is used in CC testing.                                                                                        |                              |   |                         |
| <b>Default:</b>                              |       | OtherEvents                                                                                                                                                                           |                              |   |                         |
| <b>Comments:</b>                             |       | TCV_TI0 contains the transaction identifier from the MS, and TCV_TI contains the transaction identifier for test system to send CC message. The values of them are used in test body. |                              |   |                         |
| Nr                                           | Label | Behaviour Description                                                                                                                                                                 | CRef                         | V | Comments                |
| 1                                            |       | +CCEstablishMO_TCH(slot, tsc, ta)                                                                                                                                                     |                              |   | 1.                      |
| 2                                            |       | ACTIVATE(OtherEvents_02)                                                                                                                                                              |                              |   | To match ChReq retrans. |
| 3                                            |       | L?DL_EstInCmsRq (TCV_Fn :=DL_EstInCmsRq.fn) START T_dly(45000)                                                                                                                        | CMSSerReq( CMSServiceReq_04) |   |                         |
| 4                                            |       | ACTIVATE(OtherEvents)                                                                                                                                                                 |                              |   | Restore Normal default  |
| 5                                            |       | +CCModifyTCH(slot, tsc)                                                                                                                                                               |                              |   |                         |
| 6                                            |       | +Ciphering_on(TCV_chTch)                                                                                                                                                              |                              |   |                         |
| 7                                            |       | +RcvSetupOrEsetup(TCV_Setup_mo, TCV_Esetup, TCV_Ecall)                                                                                                                                |                              |   |                         |
| 8                                            |       | +CCstatuschk_02(TCV_chTch, C_U1, TCV_TI, TCV_TI0)                                                                                                                                     |                              |   | 2.                      |
| <b>Detailed Comments:</b>                    |       |                                                                                                                                                                                       |                              |   |                         |
| 1. To assign TCH/F channel or TCH/H channel. |       |                                                                                                                                                                                       |                              |   |                         |
| 2. Check that CC is now state U1             |       |                                                                                                                                                                                       |                              |   |                         |

| Test Step Dynamic Behaviour |       |                                                                                                                                                                                       |                                                |   |                         |
|-----------------------------|-------|---------------------------------------------------------------------------------------------------------------------------------------------------------------------------------------|------------------------------------------------|---|-------------------------|
| <b>Test Step Name:</b>      |       | PreEnterCCstateU1(slot:SN; tsc:TSC; ta:TA)                                                                                                                                            |                                                |   |                         |
| <b>Group:</b>               |       | GSM_L3_MS_v4210/Preambles/                                                                                                                                                            |                                                |   |                         |
| <b>Objective:</b>           |       | To bring the MS into CC state U1 by procedure in table 26.8.1.2/4. This is used in CC testing.                                                                                        |                                                |   |                         |
| <b>Default:</b>             |       | OtherEvents                                                                                                                                                                           |                                                |   |                         |
| <b>Comments:</b>            |       | TCV_TI contains the transaction identifier from the MS, and TCV_TI0 contains the transaction identifier for test system to send CC message. The values of them are used in test body. |                                                |   |                         |
| Nr                          | Label | Behaviour Description                                                                                                                                                                 | CRef                                           | V | Comments                |
| 1                           |       | +CCEstablishMO_TCH(slot, tsc, ta)                                                                                                                                                     |                                                |   | 1.                      |
| 2                           |       | ACTIVATE(OtherEvents_02)                                                                                                                                                              |                                                |   | To match ChReq retrans. |
| 3                           |       | L?DL_EstInCmsRq                                                                                                                                                                       | CMSerReq(CMServic<br>eReq_04)                  |   |                         |
| 4                           |       | ACTIVATE(OtherEvents)                                                                                                                                                                 |                                                |   | Restore Normal default  |
| 5                           |       | LIDL_DatRqldRq                                                                                                                                                                        | IDReq(TCV_chTch,<br>IDRequest_01('0001'<br>B)) |   | IMSI.                   |
| 6                           |       | L?DL_DatInIdRes                                                                                                                                                                       | IDRes(IDResponse_3<br>0(Milmsi_01))            |   |                         |
| 7                           |       | +Cipherring_on(TCV_chTch)                                                                                                                                                             |                                                |   |                         |
| 8                           |       | +RcvSetupOrEsetup(TCV_Setup_mo,<br>TCV_Esetup, TCV_Ecall)                                                                                                                             |                                                |   |                         |
| 9                           |       | +CCstatuschk_02(TCV_chTch,<br>C_U1, TCV_TI, TCV_TI0)                                                                                                                                  |                                                |   |                         |
| <b>Detailed Comments:</b>   |       | 1. To assign TCH/F channel or TCH/H channel.                                                                                                                                          |                                                |   |                         |

| Test Step Dynamic Behaviour |       |                                                                                                                                                                                                                                |                                                                                                                                      |   |                         |
|-----------------------------|-------|--------------------------------------------------------------------------------------------------------------------------------------------------------------------------------------------------------------------------------|--------------------------------------------------------------------------------------------------------------------------------------|---|-------------------------|
| <b>Test Step Name:</b>      |       | PreEnterCCstateU1(ta:TA; cksn:B_3; rand:RAND)                                                                                                                                                                                  |                                                                                                                                      |   |                         |
| <b>Group:</b>               |       | GSM_L3_MS_v4210/Preambles/                                                                                                                                                                                                     |                                                                                                                                      |   |                         |
| <b>Objective:</b>           |       | To establish a mobile originating call and put the MS under test in the CC state U1.                                                                                                                                           |                                                                                                                                      |   |                         |
| <b>Default:</b>             |       | OtherEvents                                                                                                                                                                                                                    |                                                                                                                                      |   |                         |
| <b>Comments:</b>            |       | test case variable TCV_TI0 holds the transaction ID used by the MS, and TCV_TI used by test system. The calling tree shall prepare two variables for the step: TCV_ch for the SDCCH4 subchannel; TCV_CphKey for ciphering key. |                                                                                                                                      |   |                         |
| Nr                          | Label | Behaviour Description                                                                                                                                                                                                          | CRef                                                                                                                                 | V | Comments                |
| 1                           |       | +InitCall( TCV_Service)                                                                                                                                                                                                        |                                                                                                                                      |   | 1.                      |
| 2                           |       | L?DL_RaInChRq (TCV_Rr := DL_RaInChRq.<br>msg.ecau_rrf, TCV_Fn := DL_RaInChRq.fn)                                                                                                                                               | ChReq(<br>ChRequest_04)                                                                                                              |   | To match ChReq retrans. |
| 3                           |       | ACTIVATE( OtherEvents_02)                                                                                                                                                                                                      |                                                                                                                                      |   |                         |
| 4                           |       | LIDL_UdatRqImmass                                                                                                                                                                                                              | ImmAss( TCV_agch,<br>ImmAsgn_01Def(<br>TCV_Rr, TCV_Fn,<br>TSPX_SDCCH4SubD<br>ef, TCV_slot,<br>TCV_tsc,<br>TCV_chdescr_arfcn,<br>ta)) |   |                         |
| 5                           |       | L?DL_EstInCmsRq                                                                                                                                                                                                                | CMSerReq(<br>CMServicReq_01)                                                                                                         |   | Restore Normal default  |
| 6                           |       | ACTIVATE( OtherEvents)                                                                                                                                                                                                         |                                                                                                                                      |   |                         |
| 7                           |       | +Authentication( TCV_ch, cksn, rand)                                                                                                                                                                                           |                                                                                                                                      |   |                         |
| 8                           |       | +Cipherring_on(TCV_ch)                                                                                                                                                                                                         |                                                                                                                                      |   |                         |
| 9                           |       | +RcvSetupOrEsetup(<br>TCV_Setup_mo, TCV_Esetup,<br>TCV_Ecall)                                                                                                                                                                  |                                                                                                                                      |   | 2.                      |
| 10                          |       | +CCstatuschk_02( TCV_ch, C_U1,<br>TCV_TI, TCV_TI0)                                                                                                                                                                             |                                                                                                                                      |   |                         |
| <b>Detailed Comments:</b>   |       | 1. To attempt a outgoing call at the MS.<br>2. In the state U1 now.                                                                                                                                                            |                                                                                                                                      |   |                         |

| Test Step Dynamic Behaviour |       |                                                                                                                                                                                                                                                                              |                                   |   |          |
|-----------------------------|-------|------------------------------------------------------------------------------------------------------------------------------------------------------------------------------------------------------------------------------------------------------------------------------|-----------------------------------|---|----------|
| <b>Test Step Name:</b>      |       | PreEnterCCstateU3(ta:TA; cksn:B_3; rand:RAND)                                                                                                                                                                                                                                |                                   |   |          |
| <b>Group:</b>               |       | GSM_L3_MS_v4210/Preambles/                                                                                                                                                                                                                                                   |                                   |   |          |
| <b>Objective:</b>           |       | To establish a mobile originating call and put the MS under test in the CC state U3.                                                                                                                                                                                         |                                   |   |          |
| <b>Default:</b>             |       | OtherEvents                                                                                                                                                                                                                                                                  |                                   |   |          |
| <b>Comments:</b>            |       | test case variable TCV_TI0 holds the transaction ID used by the MS, and TCV_TI is used by test system. The calling tree shall prepare two variables for the step: TCV_ch for the SDCCH4 subchannel; TCV_CphKey for ciphering key. The call setup is generic setup procedure. |                                   |   |          |
| Nr                          | Label | Behaviour Description                                                                                                                                                                                                                                                        | CRef                              | V | Comments |
| 1                           |       | +PreEnterCCstateU1( ta, cksn, rand)                                                                                                                                                                                                                                          |                                   |   | 1.       |
| 2                           |       | L!DL_DatRqCallProc                                                                                                                                                                                                                                                           | CallProc(TCV_ch,<br>TCV_CallProc) |   | 2.       |
| 3                           |       | +CCstatuschk_02( TCV_ch, C_U3, TCV_TI,<br>TCV_TI0)                                                                                                                                                                                                                           |                                   |   |          |
| <b>Detailed Comments:</b>   |       | 1. To initiate a mobile originating call at the MS.<br>2. Now in the state U3.                                                                                                                                                                                               |                                   |   |          |

| Test Step Dynamic Behaviour |       |                                                                                                                                                                                                                                                                                                                 |                                   |   |          |
|-----------------------------|-------|-----------------------------------------------------------------------------------------------------------------------------------------------------------------------------------------------------------------------------------------------------------------------------------------------------------------|-----------------------------------|---|----------|
| <b>Test Step Name:</b>      |       | PreEnterCCstateU3_21( sub:B_2; ta:TA)                                                                                                                                                                                                                                                                           |                                   |   |          |
| <b>Group:</b>               |       | GSM_L3_MS_v4210/Preambles/                                                                                                                                                                                                                                                                                      |                                   |   |          |
| <b>Objective:</b>           |       | To bring the MS into CC state U3 by procedure in table 26.8.1.2/1. This is used in CC testing.                                                                                                                                                                                                                  |                                   |   |          |
| <b>Default:</b>             |       | OtherEvents                                                                                                                                                                                                                                                                                                     |                                   |   |          |
| <b>Comments:</b>            |       | TCV_TI0 contains the transaction identifier from the MS, and TCV_TI contains the transaction identifier for test system to send CC message. The values of them are used in test body. The calling tree shall prepare two variables for the step: TCV_ch for the SDCCH4 subchannel; TCV_CphKey for ciphering key |                                   |   |          |
| Nr                          | Label | Behaviour Description                                                                                                                                                                                                                                                                                           | CRef                              | V | Comments |
| 1                           |       | +PreEnterCCstateU1_21( sub, ta)                                                                                                                                                                                                                                                                                 |                                   |   |          |
| 2                           |       | L!DL_DatRqCallProc                                                                                                                                                                                                                                                                                              | CallProc(TCV_ch,<br>TCV_CallProc) |   |          |
| 3                           |       | +CCstatuschk_02(TCV_ch, C_U3, TCV_TI,<br>TCV_TI0)                                                                                                                                                                                                                                                               |                                   |   |          |
| <b>Detailed Comments:</b>   |       | 1. To assign SDCCH4 channel.                                                                                                                                                                                                                                                                                    |                                   |   |          |

| Test Step Dynamic Behaviour |       |                                                                                                                                                                                       |                                      |   |          |
|-----------------------------|-------|---------------------------------------------------------------------------------------------------------------------------------------------------------------------------------------|--------------------------------------|---|----------|
| <b>Test Step Name:</b>      |       | PreEnterCCstateU3_22(slot:SN; tsc:TSC; ta:TA)                                                                                                                                         |                                      |   |          |
| <b>Group:</b>               |       | GSM_L3_MS_v4210/Preambles/                                                                                                                                                            |                                      |   |          |
| <b>Objective:</b>           |       | To bring the MS into CC state U3 by procedure in table 26.8.1.2/2. This is used in CC testing.                                                                                        |                                      |   |          |
| <b>Default:</b>             |       | OtherEvents                                                                                                                                                                           |                                      |   |          |
| <b>Comments:</b>            |       | TCV_TI0 contains the transaction identifier from the MS, and TCV_TI contains the transaction identifier for test system to send CC message. The values of them are used in test body. |                                      |   |          |
| Nr                          | Label | Behaviour Description                                                                                                                                                                 | CRef                                 | V | Comments |
| 1                           |       | +PreEnterCCstateU1_22(slot, tsc, ta)                                                                                                                                                  |                                      |   |          |
| 2                           |       | L!DL_DatRqCallProc                                                                                                                                                                    | CallProc(TCV_chTch,<br>TCV_CallProc) |   |          |
| 3                           |       | +CCstatuschk_02(TCV_chTch, C_U3, TCV_TI,<br>TCV_TI0)                                                                                                                                  |                                      |   |          |
| <b>Detailed Comments:</b>   |       |                                                                                                                                                                                       |                                      |   |          |

| Test Step Dynamic Behaviour |       |                                                                                                                                                                                                                                                                                                            |                                    |   |                             |
|-----------------------------|-------|------------------------------------------------------------------------------------------------------------------------------------------------------------------------------------------------------------------------------------------------------------------------------------------------------------|------------------------------------|---|-----------------------------|
| <b>Test Step Name:</b>      |       | PreEnterCCstateU3_23( sub:B_2; ta:TA; cksn:B_3; rand:RAND)                                                                                                                                                                                                                                                 |                                    |   |                             |
| <b>Group:</b>               |       | GSM_L3_MS_v4210/Preambles/                                                                                                                                                                                                                                                                                 |                                    |   |                             |
| <b>Objective:</b>           |       | To bring the MS into CC state U3 by procedure in table 26.8.1.2/3. This is used in CC testing.                                                                                                                                                                                                             |                                    |   |                             |
| <b>Default:</b>             |       | OtherEvents                                                                                                                                                                                                                                                                                                |                                    |   |                             |
| <b>Comments:</b>            |       | TCV_TI0 contains the transaction identifier from the MS, and TCV_TI contains the transaction identifier for test system to send CC message. Their values are used in test body. The calling tree shall prepare two variables for the step: TCV_ch for the SDCCH4 subchannel; TCV_CphKey for ciphering key. |                                    |   |                             |
| Nr                          | Label | Behaviour Description                                                                                                                                                                                                                                                                                      | CRef                               | V | Comments                    |
| 1                           |       | +CCEstablishMO_SDCCH4( sub, ta)                                                                                                                                                                                                                                                                            |                                    |   | To match ChReq retrans.     |
| 2                           |       | ACTIVATE( OtherEvents_02)                                                                                                                                                                                                                                                                                  |                                    |   |                             |
| 3                           |       | L?DL_EstInCmsRq                                                                                                                                                                                                                                                                                            | CMSerReq(<br>CMServiceReq_04)      |   |                             |
| 4                           |       | ACTIVATE( OtherEvents)                                                                                                                                                                                                                                                                                     |                                    |   | Restore Normal default tree |
| 5                           |       | +Ciphering_on( TCV_ch)                                                                                                                                                                                                                                                                                     |                                    |   |                             |
| 6                           |       | +RcvSetupOrEsetup( TCV_Setup_mo,<br>TCV_Esetup, TCV_Ecall)                                                                                                                                                                                                                                                 |                                    |   |                             |
| 7                           |       | +Authentication( TCV_ch, cksn, rand)                                                                                                                                                                                                                                                                       |                                    |   |                             |
| 8                           |       | LIDL_DatRqCallProc                                                                                                                                                                                                                                                                                         | CallProc( TCV_ch,<br>TCV_CallProc) |   |                             |
| 9                           |       | +CCstatuschk_02( TCV_ch, C_U3,<br>TCV_TI, TCV_TI0)                                                                                                                                                                                                                                                         |                                    |   |                             |
| <b>Detailed Comments:</b>   |       |                                                                                                                                                                                                                                                                                                            |                                    |   |                             |

| Test Step Dynamic Behaviour |       |                                                                                                                                                                                       |                                      |   |          |
|-----------------------------|-------|---------------------------------------------------------------------------------------------------------------------------------------------------------------------------------------|--------------------------------------|---|----------|
| <b>Test Step Name:</b>      |       | PreEnterCCstateU3_24( slot:SN; tsc:TSC; ta:TA)                                                                                                                                        |                                      |   |          |
| <b>Group:</b>               |       | GSM_L3_MS_v4210/Preambles/                                                                                                                                                            |                                      |   |          |
| <b>Objective:</b>           |       | To bring the MS into CC state U3 by procedure in table 26.8.1.2/4. This is used in CC testing.                                                                                        |                                      |   |          |
| <b>Default:</b>             |       | OtherEvents                                                                                                                                                                           |                                      |   |          |
| <b>Comments:</b>            |       | TCV_TI0 contains the transaction identifier from the MS, and TCV_TI contains the transaction identifier for test system to send CC message. The values of them are used in test body. |                                      |   |          |
| Nr                          | Label | Behaviour Description                                                                                                                                                                 | CRef                                 | V | Comments |
| 1                           |       | +PreEnterCCstateU1_24(slot, tsc, ta)                                                                                                                                                  |                                      |   |          |
| 2                           |       | +CCModifyTCH(slot, tsc)                                                                                                                                                               |                                      |   |          |
| 3                           |       | LIDL_DatRqCallProc                                                                                                                                                                    | CallProc(TCV_chTch,<br>TCV_CallProc) |   |          |
| 4                           |       | +CCstatuschk_02(TCV_chTch, C_U3, TCV_TI,<br>TCV_TI0)                                                                                                                                  |                                      |   |          |
| <b>Detailed Comments:</b>   |       |                                                                                                                                                                                       |                                      |   |          |

| Test Step Dynamic Behaviour |       |                                                                                                                                                                                       |                                          |   |          |
|-----------------------------|-------|---------------------------------------------------------------------------------------------------------------------------------------------------------------------------------------|------------------------------------------|---|----------|
| <b>Test Step Name:</b>      |       | PreEnterCCstateU4_21( sub:B_2; ta:TA)                                                                                                                                                 |                                          |   |          |
| <b>Group:</b>               |       | GSM_L3_MS_v4210/Preambles/                                                                                                                                                            |                                          |   |          |
| <b>Objective:</b>           |       | To bring the MS into CC state U4 by procedure in table 26.8.1.2/1. This is used in CC testing.                                                                                        |                                          |   |          |
| <b>Default:</b>             |       | OtherEvents                                                                                                                                                                           |                                          |   |          |
| <b>Comments:</b>            |       | TCV_TI contains the transaction identifier from the MS, and TCV_TI0 contains the transaction identifier for test system to send CC message. The values of them are used in test body. |                                          |   |          |
| Nr                          | Label | Behaviour Description                                                                                                                                                                 | CRef                                     | V | Comments |
| 1                           |       | +PreEnterCCstateU3_21( sub, ta)                                                                                                                                                       |                                          |   |          |
| 2                           |       | LIDL_DatRqAlert                                                                                                                                                                       | AlertSnd(TCV_ch,<br>Alerting_01(TCV_TI)) |   |          |
| 3                           |       | +CCstatuschk_02(TCV_ch, C_U4, TCV_TI,<br>TCV_TI0)                                                                                                                                     |                                          |   |          |
| <b>Detailed Comments:</b>   |       |                                                                                                                                                                                       |                                          |   |          |

| Test Step Dynamic Behaviour |       |                                                                                                                                                                                       |                                          |   |          |
|-----------------------------|-------|---------------------------------------------------------------------------------------------------------------------------------------------------------------------------------------|------------------------------------------|---|----------|
| <b>Test Step Name:</b>      |       | PreEnterCCstateU4_22( slot:SN; tsc:TSC; ta:TA)                                                                                                                                        |                                          |   |          |
| <b>Group:</b>               |       | GSM_L3_MS_v4210/Preambles/                                                                                                                                                            |                                          |   |          |
| <b>Objective:</b>           |       | To bring the MS into CC state U4 by procedure in table 26.8.1.2/2. This is used in CC testing.                                                                                        |                                          |   |          |
| <b>Default:</b>             |       | OtherEvents                                                                                                                                                                           |                                          |   |          |
| <b>Comments:</b>            |       | TCV_TI0 contains the transaction identifier from the MS, and TCV_TI contains the transaction identifier for test system to send CC message. The values of them are used in test body. |                                          |   |          |
| Nr                          | Label | Behaviour Description                                                                                                                                                                 | CRef                                     | V | Comments |
| 1                           |       | +PreEnterCCstateU3_22( slot, tsc, ta)                                                                                                                                                 |                                          |   |          |
| 2                           |       | LIDL_DatRqAlert                                                                                                                                                                       | AlertSnd(TCV_chTch, Alerting_01(TCV_TI)) |   |          |
| 3                           |       | +CCstatuschk_02(TCV_chTch, C_U4, TCV_TI, TCV_TI0)                                                                                                                                     |                                          |   |          |
| <b>Detailed Comments:</b>   |       |                                                                                                                                                                                       |                                          |   |          |

| Test Step Dynamic Behaviour |       |                                                                                                                                                                                                                                                                                                                  |                                          |   |          |
|-----------------------------|-------|------------------------------------------------------------------------------------------------------------------------------------------------------------------------------------------------------------------------------------------------------------------------------------------------------------------|------------------------------------------|---|----------|
| <b>Test Step Name:</b>      |       | PreEnterCCstateU4_23( sub:B_2; slot:SN; tsc:TSC; ta:TA; cksn:B_3; rand:RAND)                                                                                                                                                                                                                                     |                                          |   |          |
| <b>Group:</b>               |       | GSM_L3_MS_v4210/Preambles/                                                                                                                                                                                                                                                                                       |                                          |   |          |
| <b>Objective:</b>           |       | To bring the MS into CC state U4 by procedure in table 26.8.1.2/3. This is used in CC testing.                                                                                                                                                                                                                   |                                          |   |          |
| <b>Default:</b>             |       | OtherEvents                                                                                                                                                                                                                                                                                                      |                                          |   |          |
| <b>Comments:</b>            |       | TCV_TI0 contains the transaction identifier from the MS, and TCV_TI contains the transaction identifier for test system to send CC message. The values of them are used in test body. The calling tree shall prepare two variables for the step: TCV_ch for the SDCCH4 subchannel; TCV_CphKey for ciphering key. |                                          |   |          |
| Nr                          | Label | Behaviour Description                                                                                                                                                                                                                                                                                            | CRef                                     | V | Comments |
| 1                           |       | +PreEnterCCstateU3_23( sub, ta, cksn, rand)                                                                                                                                                                                                                                                                      |                                          |   |          |
| 2                           |       | +CCAssignTCH(slot, tsc)                                                                                                                                                                                                                                                                                          |                                          |   |          |
| 3                           |       | LIDL_DatRqAlert                                                                                                                                                                                                                                                                                                  | AlertSnd(TCV_chTch, Alerting_01(TCV_TI)) |   |          |
| 4                           |       | +CCstatuschk_02(TCV_chTch, C_U4, TCV_TI, TCV_TI0)                                                                                                                                                                                                                                                                |                                          |   |          |
| <b>Detailed Comments:</b>   |       |                                                                                                                                                                                                                                                                                                                  |                                          |   |          |

| Test Step Dynamic Behaviour |       |                                                                                                                                                                                       |                                          |   |          |
|-----------------------------|-------|---------------------------------------------------------------------------------------------------------------------------------------------------------------------------------------|------------------------------------------|---|----------|
| <b>Test Step Name:</b>      |       | PreEnterCCstateU4_24( slot:SN; tsc:TSC; ta:TA)                                                                                                                                        |                                          |   |          |
| <b>Group:</b>               |       | GSM_L3_MS_v4210/Preambles/                                                                                                                                                            |                                          |   |          |
| <b>Objective:</b>           |       | To bring the MS into CC state U4 by procedure in table 26.8.1.2/4. This is used in CC testing.                                                                                        |                                          |   |          |
| <b>Default:</b>             |       | OtherEvents                                                                                                                                                                           |                                          |   |          |
| <b>Comments:</b>            |       | TCV_TI0 contains the transaction identifier from the MS, and TCV_TI contains the transaction identifier for test system to send CC message. The values of them are used in test body. |                                          |   |          |
| Nr                          | Label | Behaviour Description                                                                                                                                                                 | CRef                                     | V | Comments |
| 1                           |       | +PreEnterCCstateU3_24( slot, tsc, ta)                                                                                                                                                 |                                          |   |          |
| 2                           |       | LIDL_DatRqAlert                                                                                                                                                                       | AlertSnd(TCV_chTch, Alerting_01(TCV_TI)) |   |          |
| 3                           |       | +CCstatuschk_02(TCV_chTch, C_U4, TCV_TI, TCV_TI0)                                                                                                                                     |                                          |   |          |
| <b>Detailed Comments:</b>   |       |                                                                                                                                                                                       |                                          |   |          |

| Test Step Dynamic Behaviour |       |                                                                                                |                                   |   |          |
|-----------------------------|-------|------------------------------------------------------------------------------------------------|-----------------------------------|---|----------|
| <b>Test Step Name:</b>      |       | PreEnterCCstateU6_32(ta:TA; sub:B_2; cksn:B_3)                                                 |                                   |   |          |
| <b>Group:</b>               |       | GSM_L3_MS_v4210/Preambles/                                                                     |                                   |   |          |
| <b>Objective:</b>           |       | To bring the MS into CC state U6 by procedure in table 26.8.1.3/2. This is used in CC testing. |                                   |   |          |
| <b>Default:</b>             |       | OtherEvents                                                                                    |                                   |   |          |
| <b>Comments:</b>            |       | State U6 is a transient state.                                                                 |                                   |   |          |
| Nr                          | Label | Behaviour Description                                                                          | CRef                              | V | Comments |
| 1                           |       | (TCV_Setup_mt.sig :=Signal_01)                                                                 |                                   |   | 1.       |
| 2                           |       | +CCEstablishMT_SDCCH4( ta, sub, cksn)                                                          |                                   |   |          |
| 3                           |       | +Cipherring_on(TCV_ch)                                                                         |                                   |   |          |
| 4                           |       | LIDL_DatRqSetup                                                                                | SetupSnd(TCV_ch,<br>TCV_Setup_mt) |   |          |
| <b>Detailed Comments:</b>   |       | 1. To assign SDCCH4 channel.                                                                   |                                   |   |          |

| Test Step Dynamic Behaviour |       |                                                                                                                                                                                                                                                                       |                                 |   |          |
|-----------------------------|-------|-----------------------------------------------------------------------------------------------------------------------------------------------------------------------------------------------------------------------------------------------------------------------|---------------------------------|---|----------|
| <b>Test Step Name:</b>      |       | PreEnterCCstateU7_31(ta:TA; sub:B_2; cksn:B_3; rand:RAND)                                                                                                                                                                                                             |                                 |   |          |
| <b>Group:</b>               |       | GSM_L3_MS_v4210/Preambles/                                                                                                                                                                                                                                            |                                 |   |          |
| <b>Objective:</b>           |       | To bring the MS into CC state U7 by procedure in table 26.8.1.3/1. This is used in CC testing.                                                                                                                                                                        |                                 |   |          |
| <b>Default:</b>             |       | OtherEvents                                                                                                                                                                                                                                                           |                                 |   |          |
| <b>Comments:</b>            |       | used only for the MS not support immediate connection. State U7 is transient state if the MS supports automatic connect after a specific time. The calling tree shall prepare two variables for the step: TCV_ch for SDCCH4 subchannel, TCV_CphKey for ciphering key. |                                 |   |          |
| Nr                          | Label | Behaviour Description                                                                                                                                                                                                                                                 | CRef                            | V | Comments |
| 1                           |       | +PreEnterCCstateU9_31(ta, sub, cksn, rand)                                                                                                                                                                                                                            |                                 |   |          |
| 2                           |       | L?DL_DatInAlert                                                                                                                                                                                                                                                       | AlertRcv(AlertingInd_02(TI_01)) |   |          |
| 3                           |       | +CCstatuschk_02(TCV_ch, C_U7, TI_02, TI_01)                                                                                                                                                                                                                           |                                 |   |          |
| <b>Detailed Comments:</b>   |       |                                                                                                                                                                                                                                                                       |                                 |   |          |

| Test Step Dynamic Behaviour |       |                                                                                                                                                                                                                                                                       |                                 |   |          |
|-----------------------------|-------|-----------------------------------------------------------------------------------------------------------------------------------------------------------------------------------------------------------------------------------------------------------------------|---------------------------------|---|----------|
| <b>Test Step Name:</b>      |       | PreEnterCCstateU7_32(ta:TA; sub:B_2; cksn:B_3)                                                                                                                                                                                                                        |                                 |   |          |
| <b>Group:</b>               |       | GSM_L3_MS_v4210/Preambles/                                                                                                                                                                                                                                            |                                 |   |          |
| <b>Objective:</b>           |       | To bring the MS into CC state U7 by procedure in table 26.8.1.3/2. This is used in CC testing.                                                                                                                                                                        |                                 |   |          |
| <b>Default:</b>             |       | OtherEvents                                                                                                                                                                                                                                                           |                                 |   |          |
| <b>Comments:</b>            |       | used only for the MS not support immediate connection. State U7 is transient state if the MS supports automatic connect after a specific time. The calling tree shall prepare two variables for the step: TCV_ch for SDCCH4 subchannel, TCV_CphKey for ciphering key. |                                 |   |          |
| Nr                          | Label | Behaviour Description                                                                                                                                                                                                                                                 | CRef                            | V | Comments |
| 1                           |       | +PreEnterCCstateU9_32(ta, sub, cksn)                                                                                                                                                                                                                                  |                                 |   |          |
| 2                           |       | L?DL_DatInAlert                                                                                                                                                                                                                                                       | AlertRcv(AlertingInd_02(TI_01)) |   |          |
| 3                           |       | +CCstatuschk_02(TCV_ch, C_U7, TI_02, TI_01)                                                                                                                                                                                                                           |                                 |   |          |
| <b>Detailed Comments:</b>   |       |                                                                                                                                                                                                                                                                       |                                 |   |          |



| Test Step Dynamic Behaviour |       |                                                                                                                                                                                                                                                                        |                                 |   |          |
|-----------------------------|-------|------------------------------------------------------------------------------------------------------------------------------------------------------------------------------------------------------------------------------------------------------------------------|---------------------------------|---|----------|
| <b>Test Step Name:</b>      |       | PreEnterCCstateU7_33( slot:SN; tsc:TSC; ta:TA; cksn:B_3; rand:RAND)                                                                                                                                                                                                    |                                 |   |          |
| <b>Group:</b>               |       | GSM_L3_MS_v4210/Preambles/                                                                                                                                                                                                                                             |                                 |   |          |
| <b>Objective:</b>           |       | To bring the MS into CC state U7 by procedure in table 26.8.1.3/3. This is used in CC testing.                                                                                                                                                                         |                                 |   |          |
| <b>Default:</b>             |       | OtherEvents                                                                                                                                                                                                                                                            |                                 |   |          |
| <b>Comments:</b>            |       | used only for the MS not support immediate connection. State U7 is transiet state if the MS supports automatic connect after a specific time. The calling tree shall prepare two variables for the step: TCV_chTch for traffic channel, TCV_CphKey for cipherring key. |                                 |   |          |
| Nr                          | Label | Behaviour Description                                                                                                                                                                                                                                                  | CRef                            | V | Comments |
| 1                           |       | +PreEnterCCstateU9_33( slot, tsc, ta, cksn, rand)                                                                                                                                                                                                                      |                                 |   |          |
| 2                           |       | L?DL_DatInAlert                                                                                                                                                                                                                                                        | AlertRcv(AlertingInd_02(TI_01)) |   |          |
| 3                           |       | +CCstatuschk_02(TCV_chTch, C_U7, TI_02, TI_01)                                                                                                                                                                                                                         |                                 |   |          |
| <b>Detailed Comments:</b>   |       |                                                                                                                                                                                                                                                                        |                                 |   |          |

| Test Step Dynamic Behaviour                                     |       |                                                                                                                         |                                 |   |          |
|-----------------------------------------------------------------|-------|-------------------------------------------------------------------------------------------------------------------------|---------------------------------|---|----------|
| <b>Test Step Name:</b>                                          |       | PreEnterCCstateU8_31(ta:TA; sub:B_2; cksn:B_3; rand:RAND)                                                               |                                 |   |          |
| <b>Group:</b>                                                   |       | GSM_L3_MS_v4210/Preambles/                                                                                              |                                 |   |          |
| <b>Objective:</b>                                               |       | To bring the MS into CC state U8 by procedure in table 26.8.1.3/1. This is used in CC testing.                          |                                 |   |          |
| <b>Default:</b>                                                 |       | OtherEvents                                                                                                             |                                 |   |          |
| <b>Comments:</b>                                                |       | The calling tree shall prepare two variables for the step: TCV_ch for SDCCH4 subchannel, TCV_CphKey for cipherring key. |                                 |   |          |
| Nr                                                              | Label | Behaviour Description                                                                                                   | CRef                            | V | Comments |
| 1                                                               |       | +PreEnterCCstateU9_31(ta, sub, cksn, rand)                                                                              |                                 |   |          |
| 2                                                               |       | L?DL_DatInAlert                                                                                                         | AlertRcv(AlertingInd_02(TI_01)) |   |          |
| 3                                                               |       | (TCV_Null := OO_HookOff())                                                                                              |                                 |   | 1.       |
| 4                                                               |       | L?DL_DatInConn                                                                                                          | ConnRcv(Connect_01( TI_01))     |   |          |
| 5                                                               |       | +CCstatuschk_02(TCV_ch, C_U8, TI_02, TI_01)                                                                             |                                 |   | 2.       |
| 6                                                               |       | L?DL_DatInConn                                                                                                          | ConnRcv(Connect_01( TI_01))     |   |          |
| 7                                                               |       | +CCstatuschk_02( TCV_ch, C_U8, TI_02, TI_01)                                                                            |                                 |   | 2.       |
| <b>Detailed Comments:</b>                                       |       |                                                                                                                         |                                 |   |          |
| 1. To accept the call by operator.                              |       |                                                                                                                         |                                 |   |          |
| 2. To check whether the MS is in the expected initial state U8. |       |                                                                                                                         |                                 |   |          |

| Test Step Dynamic Behaviour                                                                                                                                                                                 |       |                                                 |                                         |    |          |
|-------------------------------------------------------------------------------------------------------------------------------------------------------------------------------------------------------------|-------|-------------------------------------------------|-----------------------------------------|----|----------|
| <b>Test Step Name:</b> PreEnterCCstateU8_32(slot:SN; tsc:TSC; ta:TA; sub:B_2; cksn:B_3)                                                                                                                     |       |                                                 |                                         |    |          |
| <b>Group:</b> GSM_L3_MS_v4210/Preambles/                                                                                                                                                                    |       |                                                 |                                         |    |          |
| <b>Objective:</b> To bring the MS into CC state U8 by procedure in table 26.8.1.3/2. This is used in CC testing.                                                                                            |       |                                                 |                                         |    |          |
| <b>Default:</b> OtherEvents                                                                                                                                                                                 |       |                                                 |                                         |    |          |
| <b>Comments:</b> The calling tree shall prepare three variables for the step: TCV_ch for SDCCH4 subchannel, TCV_chTch for traffic channel, TCV_CphKey for ciphering key, TCV_AssCmd for ASSIGNMENT message. |       |                                                 |                                         |    |          |
| Nr                                                                                                                                                                                                          | Label | Behaviour Description                           | CRef                                    | V  | Comments |
| 1                                                                                                                                                                                                           |       | +PreEnterCCstateU9_32(ta, sub, cksn)            |                                         |    |          |
| 2                                                                                                                                                                                                           |       | L?DL_DatInConn                                  | ConnRcv(<br>Connect_01( TI_01))         |    |          |
| 3                                                                                                                                                                                                           |       | +CCAssignTCH(slot, tsc)                         |                                         |    |          |
| 4                                                                                                                                                                                                           |       | +CCstatuschk_02( TCV_chTch, C_U8, TI_02, TI_01) |                                         | 2. |          |
| 5                                                                                                                                                                                                           |       | L?DL_DatInAlert                                 | AlertRcv(<br>AlertingInd_02(<br>TI_01)) |    |          |
| 6                                                                                                                                                                                                           |       | (TCV_Null := OO_HookOff())                      |                                         | 1. |          |
| 7                                                                                                                                                                                                           |       | L?DL_DatInConn                                  | ConnRcv(<br>Connect_01( TI_01))         |    |          |
| 8                                                                                                                                                                                                           |       | +CCAssignTCH(slot, tsc)                         |                                         |    |          |
| 9                                                                                                                                                                                                           |       | +CCstatuschk_02( TCV_chTch, C_U8, TI_02, TI_01) |                                         | 2. |          |
| <b>Detailed Comments:</b>                                                                                                                                                                                   |       |                                                 |                                         |    |          |
| 1. To accept the call by operator.                                                                                                                                                                          |       |                                                 |                                         |    |          |
| 2. To verify whether the MS is in the expected initial state U8.                                                                                                                                            |       |                                                 |                                         |    |          |

| Test Step Dynamic Behaviour                                                                                                                                              |       |                                                   |                                         |    |          |
|--------------------------------------------------------------------------------------------------------------------------------------------------------------------------|-------|---------------------------------------------------|-----------------------------------------|----|----------|
| <b>Test Step Name:</b> PreEnterCCstateU8_33( slot:SN; tsc:TSC; ta:TA; cksn:B_3; rand:RAND)                                                                               |       |                                                   |                                         |    |          |
| <b>Group:</b> GSM_L3_MS_v4210/Preambles/                                                                                                                                 |       |                                                   |                                         |    |          |
| <b>Objective:</b> To bring the MS into CC state U8 by procedure in table 26.8.1.3/3. This is used in CC testing.                                                         |       |                                                   |                                         |    |          |
| <b>Default:</b> OtherEvents                                                                                                                                              |       |                                                   |                                         |    |          |
| <b>Comments:</b> The calling tree shall prepare three variables for the step: TCV_ch for SDCCH4 subchannel, TCV_chTch for traffic channel, TCV_CphKey for ciphering key. |       |                                                   |                                         |    |          |
| Nr                                                                                                                                                                       | Label | Behaviour Description                             | CRef                                    | V  | Comments |
| 1                                                                                                                                                                        |       | +PreEnterCCstateU9_33( slot, tsc, ta, cksn, rand) |                                         |    |          |
| 2                                                                                                                                                                        |       | L?DL_DatInAlert                                   | AlertRcv(<br>AlertingInd_02(<br>TI_01)) |    |          |
| 3                                                                                                                                                                        |       | (TCV_Null := OO_HookOff())                        |                                         |    |          |
| 4                                                                                                                                                                        |       | L?DL_DatInConn                                    | ConnRcv(<br>Connect_01( TI_01))         |    |          |
| 5                                                                                                                                                                        |       | +CCstatuschk_02( TCV_chTch, C_U8, TI_02, TI_01)   |                                         | 3. |          |
| 6                                                                                                                                                                        |       | L?DL_DatInConn                                    | ConnRcv(<br>Connect_01( TI_01))         |    |          |
| 7                                                                                                                                                                        |       | +CCstatuschk_02( TCV_chTch, C_U8, TI_02, TI_01)   |                                         | 3. |          |
| <b>Detailed Comments:</b>                                                                                                                                                |       |                                                   |                                         |    |          |
| 1. Immediate connection is not supported.                                                                                                                                |       |                                                   |                                         |    |          |
| 2. Immediate connection is supported.                                                                                                                                    |       |                                                   |                                         |    |          |
| 3. To verify whether the MS is in the expected initial state U8.                                                                                                         |       |                                                   |                                         |    |          |

| Test Step Dynamic Behaviour |       |                                                                                         |                                         |   |          |
|-----------------------------|-------|-----------------------------------------------------------------------------------------|-----------------------------------------|---|----------|
| <b>Test Step Name:</b>      |       | PreEnterCCstateU8_34_SS                                                                 |                                         |   |          |
| <b>Group:</b>               |       | GSM_L3_MS_v4210/Preambles/                                                              |                                         |   |          |
| <b>Objective:</b>           |       | To establish an MT call entering U8 with early assignment for SS test subgroup.         |                                         |   |          |
| <b>Default:</b>             |       | OtherEventsFail                                                                         |                                         |   |          |
| <b>Comments:</b>            |       | Used var's: TCV_cellid, TCV_chdescr_arfcn, TCV_Bcap1, TCV_chTch, TCV_asscmd_ts          |                                         |   |          |
| Nr                          | Label | Behaviour Description                                                                   | CRef                                    | V | Comments |
| 1                           |       | +PreEstRRConn(TCV_slot, TCV_tsc, TimingAdv( 0))                                         |                                         |   |          |
| 2                           |       | L!DL_DatRqSetup                                                                         | SetupSnd( TCV_ch,<br>TCV_Setup_mt)      |   |          |
| 3                           |       | +AssCmdGen( TCV_cellid, TCV_ChRate,<br>TSPX_TmSlitDef, TSPX_TscDef,<br>TSPX_TCHHSubDef) |                                         |   |          |
| 4                           |       | L?DL_DatInCallCo(<br>TCV_CallCfm:=DL_DatInCallCo.msg)                                   | CallCfm(<br>CallConfirm_01(<br>TI_01))  |   |          |
| 5                           |       | [NOT TSPX_Immconn]                                                                      |                                         |   |          |
| 6                           |       | +AssCh_complete( TCV_ch, TCV_chTch,<br>TCV_AssCmd)                                      |                                         |   |          |
| 7                           |       | L?DL_DatInAlert                                                                         | AlertRcv(<br>AlertingInd_01(<br>TI_01)) |   |          |
| 8                           |       | (TCV_Null:=OO_HookOff())                                                                |                                         |   |          |
| 9                           |       | L?DL_DatInConn                                                                          | ConnRcv(<br>Connect_01( TI_01))         |   |          |
| 10                          |       | [TSPX_Immconn]                                                                          |                                         |   |          |
| 11                          |       | L?DL_DatInConn                                                                          | ConnRcv(<br>Connect_01( TI_01))         |   |          |
| 12                          |       | +AssCh_complete( TCV_ch, TCV_chTch,<br>TCV_AssCmd)                                      |                                         |   |          |
| <b>Detailed Comments:</b>   |       |                                                                                         |                                         |   |          |

| Test Step Dynamic Behaviour                   |       |                                                                                                                                                                                                                                                                       |                                        |   |          |
|-----------------------------------------------|-------|-----------------------------------------------------------------------------------------------------------------------------------------------------------------------------------------------------------------------------------------------------------------------|----------------------------------------|---|----------|
| <b>Test Step Name:</b>                        |       | PreEnterCCstateU9_31(ta:TA; sub:B_2; cksn:B_3; rand:RAND)                                                                                                                                                                                                             |                                        |   |          |
| <b>Group:</b>                                 |       | GSM_L3_MS_v4210/Preambles/                                                                                                                                                                                                                                            |                                        |   |          |
| <b>Objective:</b>                             |       | To bring the MS into CC state U9 by procedure in table 26.8.1.3/1. This is used in CC testing.                                                                                                                                                                        |                                        |   |          |
| <b>Default:</b>                               |       | OtherEvents                                                                                                                                                                                                                                                           |                                        |   |          |
| <b>Comments:</b>                              |       | The state U9 is a transient state when the signal IE is included in the SETUP message. The calling tree shall prepare three variables for the test step: TCV_ChRate for the type of the channel, TCV_CphKey for the ciphering key and TCV_ChMod for the channel mode. |                                        |   |          |
| Nr                                            | Label | Behaviour Description                                                                                                                                                                                                                                                 | CRef                                   | V | Comments |
| 1                                             |       | (TCV_Setup_mt.sig := Signal_01)                                                                                                                                                                                                                                       |                                        |   |          |
| 2                                             |       | +CCEstablishMT_SDCCH4(ta, sub, cksn)                                                                                                                                                                                                                                  |                                        |   | 1.       |
| 3                                             |       | +Authentication(TCV_ch, cksn, rand)                                                                                                                                                                                                                                   |                                        |   | 2.       |
| 4                                             |       | +Ciphering_on(TCV_ch)                                                                                                                                                                                                                                                 |                                        |   | 3.       |
| 5                                             |       | L!DL_DatRqSetup                                                                                                                                                                                                                                                       | SetupSnd(TCV_ch,<br>TCV_Setup_mt)      |   |          |
| 6                                             |       | L?DL_DatInCallCo                                                                                                                                                                                                                                                      | CallCfm(<br>CallConfirm_01(<br>TI_01)) |   |          |
| <b>Detailed Comments:</b>                     |       |                                                                                                                                                                                                                                                                       |                                        |   |          |
| 1. To establish a MT SDCCH/4.                 |       |                                                                                                                                                                                                                                                                       |                                        |   |          |
| 2. To initiate authentication procedure.      |       |                                                                                                                                                                                                                                                                       |                                        |   |          |
| 3. To start ciphering on the traffic channel. |       |                                                                                                                                                                                                                                                                       |                                        |   |          |

| Test Step Dynamic Behaviour |       |                                                                                                                                                             |                                        |   |          |
|-----------------------------|-------|-------------------------------------------------------------------------------------------------------------------------------------------------------------|----------------------------------------|---|----------|
| <b>Test Step Name:</b>      |       | PreEnterCCstateU9_32(ta:TA; sub:B_2; cksn:B_3)                                                                                                              |                                        |   |          |
| <b>Group:</b>               |       | GSM_L3_MS_v4210/Preambles/                                                                                                                                  |                                        |   |          |
| <b>Objective:</b>           |       | To bring the MS into CC state U9 by procedure in table 26.8.1.3/2. This is used in CC testing.                                                              |                                        |   |          |
| <b>Default:</b>             |       | OtherEvents                                                                                                                                                 |                                        |   |          |
| <b>Comments:</b>            |       | The state U9 in the test step is a transient state. The calling tree shall prepare two variables for the test step TCV_ch of SDCCH4 subchannel, TCV_CphKey. |                                        |   |          |
| Nr                          | Label | Behaviour Description                                                                                                                                       | CRef                                   | V | Comments |
| 1                           |       | +PreEnterCCstateU6_32( ta, sub, cksn)                                                                                                                       |                                        |   |          |
| 2                           |       | L?DL_DatInCallCo                                                                                                                                            | CallCfm(<br>CallConfirm_01(<br>TI_01)) |   |          |
| <b>Detailed Comments:</b>   |       |                                                                                                                                                             |                                        |   |          |

| Test Step Dynamic Behaviour |       |                                                                                                                                                                                                                                                                       |                                   |   |          |
|-----------------------------|-------|-----------------------------------------------------------------------------------------------------------------------------------------------------------------------------------------------------------------------------------------------------------------------|-----------------------------------|---|----------|
| <b>Test Step Name:</b>      |       | PreEnterCCstateU9_33(slot:SN; tsc:TSC; ta:TA; cksn:B_3; rand:RAND)                                                                                                                                                                                                    |                                   |   |          |
| <b>Group:</b>               |       | GSM_L3_MS_v4210/Preambles/                                                                                                                                                                                                                                            |                                   |   |          |
| <b>Objective:</b>           |       | To bring the MS into CC state U9 by procedure in table 26.8.1.3/3. This is used in CC testing.                                                                                                                                                                        |                                   |   |          |
| <b>Default:</b>             |       | OtherEvents                                                                                                                                                                                                                                                           |                                   |   |          |
| <b>Comments:</b>            |       | The state U9 is a transient state when the signal IE is included in the SETUP message. The calling tree shall prepare three variables for the test step: TCV_ChRate for the type of the channel, TCV_CphKey for the ciphering key and TCV_ChMod for the channel mode. |                                   |   |          |
| Nr                          | Label | Behaviour Description                                                                                                                                                                                                                                                 | CRef                              | V | Comments |
| 1                           |       | (TCV_Setup_mt.sig := Signal_01)                                                                                                                                                                                                                                       |                                   |   |          |
| 2                           |       | +CCEstablishMT_TCH(slot, tsc, ta)                                                                                                                                                                                                                                     |                                   |   | 1.       |
| 3                           |       | +Authentication(TCV_chTch, cksn, rand)                                                                                                                                                                                                                                |                                   |   | 2.       |
| 4                           |       | +Ciphering_on(TCV_chTch)                                                                                                                                                                                                                                              |                                   |   | 3.       |
| 5                           |       | +CCModifyTCH(slot, tsc)                                                                                                                                                                                                                                               |                                   |   | 4.       |
| 6                           |       | L!DL_DatRqSetup                                                                                                                                                                                                                                                       | SetupSnd(TCV_chTch, TCV_Setup_mt) |   |          |
| 7                           |       | L?DL_DatInCallCo                                                                                                                                                                                                                                                      | CallCfm(CallConfirm_01(TI_01))    |   |          |
| <b>Detailed Comments:</b>   |       | <ol style="list-style-type: none"> <li>1. To establish an MT on TCH/F or TCH/H.</li> <li>2. To initiate authentication procedure.</li> <li>3. To start ciphering on the traffic channel.</li> <li>4. To modify the channel mode.</li> </ol>                           |                                   |   |          |

| Test Step Dynamic Behaviour |       |                                                                                                                                                                                                                                                                                                                |                                        |   |          |
|-----------------------------|-------|----------------------------------------------------------------------------------------------------------------------------------------------------------------------------------------------------------------------------------------------------------------------------------------------------------------|----------------------------------------|---|----------|
| <b>Test Step Name:</b>      |       | PreEnterCCstateU9_34(ta:TA; sub:B_2; cksn:B_3)                                                                                                                                                                                                                                                                 |                                        |   |          |
| <b>Group:</b>               |       | GSM_L3_MS_v4210/Preambles/                                                                                                                                                                                                                                                                                     |                                        |   |          |
| <b>Objective:</b>           |       | To bring the MS into CC state U9 by procedure in table 26.8.1.3/4. This is used in CC testing.                                                                                                                                                                                                                 |                                        |   |          |
| <b>Default:</b>             |       | OtherEvents                                                                                                                                                                                                                                                                                                    |                                        |   |          |
| <b>Comments:</b>            |       | The supported bearer capability is specified in the input parameter setup. The calling tree shall prepare two variables for the step: TCV_ch for SDCCH4 subchannel, TCV_CphKey for ciphering key. The `setup` shall contain no signal IE. The test step is used for the MS does not support immediate connect. |                                        |   |          |
| Nr                          | Label | Behaviour Description                                                                                                                                                                                                                                                                                          | CRef                                   | V | Comments |
| 1                           |       | +CCEstablishMT_SDCCH4(ta, sub, cksn)                                                                                                                                                                                                                                                                           |                                        |   | 1.       |
| 2                           |       | +Ciphering_on(TCV_ch)                                                                                                                                                                                                                                                                                          |                                        |   |          |
| 3                           |       | L!DL_DatRqSetup                                                                                                                                                                                                                                                                                                | SetupSnd(TCV_ch, TCV_Setup_mt)         |   | 2.       |
| 4                           |       | L?DL_DatInCallCo                                                                                                                                                                                                                                                                                               | CallCfm(<br>CallConfirm_01(<br>TI_01)) |   |          |
| 5                           |       | +CCstatuschk_02(TCV_ch, C_U9, TI_02, TI_01)                                                                                                                                                                                                                                                                    |                                        |   | 3.       |
| <b>Detailed Comments:</b>   |       | <ol style="list-style-type: none"> <li>1. To assign SDCCH4 channel.</li> <li>2. SETUP message without SIGNAL IE.</li> <li>3. To check whether the MS is in the initial state U9, if no the test step ends with inconclusive verdict in the default tree.</li> </ol>                                            |                                        |   |          |

| Test Step Dynamic Behaviour |            |                                                                                                                                                                                                                                                                                                                                                                                                    |                                               |     |          |
|-----------------------------|------------|----------------------------------------------------------------------------------------------------------------------------------------------------------------------------------------------------------------------------------------------------------------------------------------------------------------------------------------------------------------------------------------------------|-----------------------------------------------|-----|----------|
| <b>Test Step Name:</b>      |            | PreEnterCCstateU10( sub:B_2; setup:SETUP_MT_PDU; slot:SN; tsc:TSC; ta:TA; cksn:B_3; rand:RAND)                                                                                                                                                                                                                                                                                                     |                                               |     |          |
| <b>Group:</b>               |            | GSM_L3_MS_v4210/Preambles/                                                                                                                                                                                                                                                                                                                                                                         |                                               |     |          |
| <b>Objective:</b>           |            | To establish a mobile terminating call for the supported bearer capability and put the MS under test in the CC state U10.                                                                                                                                                                                                                                                                          |                                               |     |          |
| <b>Default:</b>             |            | OtherEvents                                                                                                                                                                                                                                                                                                                                                                                        |                                               |     |          |
| <b>Comments:</b>            |            | The supported bearer capability is specified in the input parameter setup, test case variable TCV_TI holds the transaction ID and the transaction ID =0. This is generic call set up procedure. The calling tree shall prepare three variables for the step: TCV_ch for SDCCH4 subchannel, TCV_chTch for traffic channel, TCV_CphKey for ciphering key. This test step is used for non RR testing. |                                               |     |          |
| Nr                          | Label      | Behaviour Description                                                                                                                                                                                                                                                                                                                                                                              | CRef                                          | V   | Comments |
| 1                           |            | +CCEstablishMT_SDCCH4(ta, sub, cksn)                                                                                                                                                                                                                                                                                                                                                               |                                               |     |          |
| 2                           |            | L!DL_DatRqAuthRq                                                                                                                                                                                                                                                                                                                                                                                   | AuthReq(TCV_ch, AuthRequest( cksn, rand))     |     |          |
| 3                           |            | L?DL_DatInAuthRes (TCV_Sres := DL_DatInAuthRes.msg.sres)                                                                                                                                                                                                                                                                                                                                           | AuthRes( AuthResponse)                        |     |          |
| 4                           |            | (TCV_Res := OC_ChkSRES(TCV_Sres, TSPX_Ki, rand))                                                                                                                                                                                                                                                                                                                                                   |                                               |     |          |
| 5                           | L_100<br>3 | [NOT TCV_Res]                                                                                                                                                                                                                                                                                                                                                                                      |                                               | (I) | 1.       |
| 6                           |            | +PostLinkRelEnd(TCV_ch)                                                                                                                                                                                                                                                                                                                                                                            |                                               |     |          |
| 7                           |            | [TCV_Res]                                                                                                                                                                                                                                                                                                                                                                                          |                                               |     |          |
| 8                           |            | +Ciphering_on(TCV_ch)                                                                                                                                                                                                                                                                                                                                                                              |                                               |     |          |
| 9                           |            | L!DL_DatRqSetup (TCV_TI.ti_f := '0'B, TCV_TI.ti_v := '000'B)                                                                                                                                                                                                                                                                                                                                       | SetupSnd( TCV_ch, setup)                      |     |          |
| 10                          |            | L?DL_DatInCallCo( TCV_CallCfm := DL_DatInCallCo.msg)                                                                                                                                                                                                                                                                                                                                               | CallCfm( CallConfirm_01( TI_01))              |     |          |
| 11                          |            | [TSPX_Immconn]                                                                                                                                                                                                                                                                                                                                                                                     |                                               |     |          |
| 12                          |            | L?DL_DatInConn                                                                                                                                                                                                                                                                                                                                                                                     | ConnRcv( Connect_01( TI_01))                  |     |          |
| 13                          |            | +CCAssignTCH(slot, tsc)                                                                                                                                                                                                                                                                                                                                                                            |                                               |     |          |
| 14                          |            | L!DL_DatRqConnAck                                                                                                                                                                                                                                                                                                                                                                                  | ConnAckSnd( TCV_chTch, ConnectAck_01( TI_02)) |     |          |
| 15                          |            | +CCstatuschk_02( TCV_chTch, C_U10, TI_02, TI_01)                                                                                                                                                                                                                                                                                                                                                   |                                               |     |          |
| 16                          |            | [NOT TSPX_Immconn]                                                                                                                                                                                                                                                                                                                                                                                 |                                               |     |          |
| 17                          |            | +CCAssignTCH(slot, tsc)                                                                                                                                                                                                                                                                                                                                                                            |                                               |     |          |
| 18                          |            | L?DL_DatInAlert                                                                                                                                                                                                                                                                                                                                                                                    | AlertRcv( AlertingInd_02( TI_01))             |     |          |
| 19                          |            | (TCV_Null := OO_HookOff())                                                                                                                                                                                                                                                                                                                                                                         |                                               |     |          |
| 20                          |            | L?DL_DatInConn                                                                                                                                                                                                                                                                                                                                                                                     | ConnRcv( Connect_01( TI_01))                  |     |          |
| 21                          |            | L!DL_DatRqConnAck                                                                                                                                                                                                                                                                                                                                                                                  | ConnAckSnd( TCV_chTch, ConnectAck_01( TI_02)) |     |          |
| 22                          |            | +CCstatuschk_02( TCV_chTch, C_U10, TI_02, TI_01)                                                                                                                                                                                                                                                                                                                                                   |                                               |     |          |
| <b>Detailed Comments:</b>   |            | 1. Authentication fails, inconclusive.                                                                                                                                                                                                                                                                                                                                                             |                                               |     |          |

| Test Step Dynamic Behaviour |            |                                                                                                                                                                                                                                                                                                                                                                                                    |                                               |     |          |
|-----------------------------|------------|----------------------------------------------------------------------------------------------------------------------------------------------------------------------------------------------------------------------------------------------------------------------------------------------------------------------------------------------------------------------------------------------------|-----------------------------------------------|-----|----------|
| <b>Test Step Name:</b>      |            | PreEnterCCstateU10_late( sub:B_2; setup:SETUP_MT_PDU; slot:SN; tsc:TSC; ta:TA; cksn:B_3; rand:RAND)                                                                                                                                                                                                                                                                                                |                                               |     |          |
| <b>Group:</b>               |            | GSM_L3_MS_v4210/Preambles/                                                                                                                                                                                                                                                                                                                                                                         |                                               |     |          |
| <b>Objective:</b>           |            | To establish a mobile terminating call for the supported bearer capability and put the MS under test in the CC state U10.                                                                                                                                                                                                                                                                          |                                               |     |          |
| <b>Default:</b>             |            | OtherEvents                                                                                                                                                                                                                                                                                                                                                                                        |                                               |     |          |
| <b>Comments:</b>            |            | The supported bearer capability is specified in the input parameter setup, test case variable TCV_TI holds the transaction ID and the transaction ID =0. This is generic call set up procedure. The calling tree shall prepare three variables for the step: TCV_ch for SDCCH4 subchannel, TCV_chTch for traffic channel, TCV_CphKey for ciphering key. This test step is used for non RR testing. |                                               |     |          |
| Nr                          | Label      | Behaviour Description                                                                                                                                                                                                                                                                                                                                                                              | CRef                                          | V   | Comments |
| 1                           |            | +CCEstablishMT_SDCCH4(ta, sub, cksn)                                                                                                                                                                                                                                                                                                                                                               |                                               |     |          |
| 2                           |            | L!DL_DatRqAuthRq                                                                                                                                                                                                                                                                                                                                                                                   | AuthReq( TCV_ch, AuthRequest( cksn, rand))    |     |          |
| 3                           |            | L?DL_DatInAuthRes (TCV_Sres := DL_DatInAuthRes.msg.sres)                                                                                                                                                                                                                                                                                                                                           | AuthRes( AuthResponse)                        |     |          |
| 4                           |            | (TCV_Res := OC_ChkSRES(TCV_Sres, TSPX_Ki, rand))                                                                                                                                                                                                                                                                                                                                                   |                                               |     |          |
| 5                           | L_100<br>4 | [NOT TCV_Res]                                                                                                                                                                                                                                                                                                                                                                                      |                                               | (I) | 1.       |
| 6                           |            | +PostLinkRelEnd(TCV_ch)                                                                                                                                                                                                                                                                                                                                                                            |                                               |     |          |
| 7                           |            | [TCV_Res]                                                                                                                                                                                                                                                                                                                                                                                          |                                               |     |          |
| 8                           |            | +Ciphering_on(TCV_ch)                                                                                                                                                                                                                                                                                                                                                                              |                                               |     |          |
| 9                           |            | (TCV_Setup_mt.sig := Signal_01)                                                                                                                                                                                                                                                                                                                                                                    |                                               |     |          |
| 10                          |            | L!DL_DatRqSetup ( TCV_TI.ti_f := '0'B, TCV_TI.ti_v := '000'B)                                                                                                                                                                                                                                                                                                                                      | SetupSnd( TCV_ch, setup)                      |     |          |
| 11                          |            | L?DL_DatInCallCo (TCV_CallCfm := DL_DatInCallCo.msg)                                                                                                                                                                                                                                                                                                                                               | CallCfm( CallConfirm_01( TI_01))              |     |          |
| 12                          |            | L?DL_DatInConn                                                                                                                                                                                                                                                                                                                                                                                     | ConnRcv( Connect_01( TI_01))                  |     |          |
| 13                          |            | +localtree                                                                                                                                                                                                                                                                                                                                                                                         |                                               |     |          |
| 14                          |            | L?DL_DatInAlert                                                                                                                                                                                                                                                                                                                                                                                    | AlertRcv( AlertingInd_02( TI_01))             |     |          |
| 15                          |            | (TCV_Null := OO_HookOff())                                                                                                                                                                                                                                                                                                                                                                         |                                               |     |          |
| 16                          |            | L?DL_DatInConn                                                                                                                                                                                                                                                                                                                                                                                     | ConnRcv( Connect_01( TI_01))                  |     |          |
| 17                          |            | +localtree                                                                                                                                                                                                                                                                                                                                                                                         |                                               |     |          |
| 18                          |            | <b>localtree</b><br>+CCAssignTCH(slot, tsc)                                                                                                                                                                                                                                                                                                                                                        |                                               |     |          |
| 19                          |            | L!DL_DatRqConnAck                                                                                                                                                                                                                                                                                                                                                                                  | ConnAckSnd( TCV_chTch, ConnectAck_01( TI_02)) |     |          |
| 20                          |            | +CCstatuschk_02(TCV_chTch, C_U10, TI_02, TI_01)                                                                                                                                                                                                                                                                                                                                                    |                                               |     |          |
| <b>Detailed Comments:</b>   |            | 1. Authentication fails, inconclusive.                                                                                                                                                                                                                                                                                                                                                             |                                               |     |          |

| Test Step Dynamic Behaviour |            |                                                                                                                                                                                                                                                                                                                                                                                                           |                                                                                                                    |   |                         |
|-----------------------------|------------|-----------------------------------------------------------------------------------------------------------------------------------------------------------------------------------------------------------------------------------------------------------------------------------------------------------------------------------------------------------------------------------------------------------|--------------------------------------------------------------------------------------------------------------------|---|-------------------------|
| <b>Test Step Name:</b>      |            | PreEnterCCstateU10_r01(Ta:TA; sub:B_2; powerlevelg,powerleveld:INTEGER; cksn:B_3; rand:RAND; slot:SN; tsc:TSC; tch:B_1; rate:IA5String)                                                                                                                                                                                                                                                                   |                                                                                                                    |   |                         |
| <b>Group:</b>               |            | GSM_L3_MS_v4210/Preambles/                                                                                                                                                                                                                                                                                                                                                                                |                                                                                                                    |   |                         |
| <b>Objective:</b>           |            | To establish a mobile terminating call for the supported bearer capability and put the MS in the CC state U10.                                                                                                                                                                                                                                                                                            |                                                                                                                    |   |                         |
| <b>Default:</b>             |            | OtherEvents                                                                                                                                                                                                                                                                                                                                                                                               |                                                                                                                    |   |                         |
| <b>Comments:</b>            |            | The supported bearer capability is specified in the input partameter setup, test case variable TCV_TI holds the transaction ID and the transaction ID =0. This is generic call set up procedure. The calling tree shall prepare three variables for the step: TCV_ch for SDCCH4 subchannel, TCV_chTch for traffic channel, TCV_CphKey for ciphering key. The timing advance is parameter. For RR testing. |                                                                                                                    |   |                         |
| Nr                          | Label      | Behaviour Description                                                                                                                                                                                                                                                                                                                                                                                     | CRef                                                                                                               | V | Comments                |
| 1                           |            | L!DL_UdatRqPg1Rq                                                                                                                                                                                                                                                                                                                                                                                          | PgReq1(TCV_PgCh, TCV_Pgg, PgReqTp1_01)                                                                             |   |                         |
| 2                           |            | L?DL_RacInChRq ( TCV_Rr := DL_RacInChRq.<br>msg.ecau_rrf, TCV_Fn := DL_RacInChRq.fn)                                                                                                                                                                                                                                                                                                                      | ChReq(<br>ChRequest_17)                                                                                            |   |                         |
| 3                           |            | ACTIVATE(OtherEvents_02)                                                                                                                                                                                                                                                                                                                                                                                  |                                                                                                                    |   | To match ChReq retrans. |
| 4                           |            | L!DL_UdatRqImmch                                                                                                                                                                                                                                                                                                                                                                                          | ImmAss( TCV_agch,<br>ImmAsgn_01Def(<br>TCV_Rr, TCV_Fn,<br>sub, TCV_slot,<br>TCV_tsc,<br>TCV_chdescr_arfcn,<br>Ta)) |   |                         |
| 5                           |            | L?DL_EstInPgRes                                                                                                                                                                                                                                                                                                                                                                                           | PagingRes(<br>PagingRes_01)                                                                                        |   |                         |
| 6                           |            | ACTIVATE(OtherEvents)                                                                                                                                                                                                                                                                                                                                                                                     |                                                                                                                    |   | Restore Normal default  |
| 7                           |            | L!DL_DatRqAuthRq                                                                                                                                                                                                                                                                                                                                                                                          | AuthReq(TCV_ch,<br>AuthRequest( cksn,<br>rand))                                                                    |   |                         |
| 8                           |            | L?DL_DatInAuthRes (TCV_Sres :=<br>DL_DatInAuthRes.msg.sres)                                                                                                                                                                                                                                                                                                                                               | AuthRes(<br>AuthResponse)                                                                                          |   |                         |
| 9                           |            | (TCV_Res :=<br>OC_ChkSRES(TCV_Sres, TSPX_Ki,<br>rand))                                                                                                                                                                                                                                                                                                                                                    |                                                                                                                    |   |                         |
| 10                          | L_100<br>5 | [NOT TCV_Res]                                                                                                                                                                                                                                                                                                                                                                                             |                                                                                                                    | I | 1.                      |
| 11                          |            | [TCV_Res]                                                                                                                                                                                                                                                                                                                                                                                                 |                                                                                                                    |   |                         |
| 12                          |            | +Ciphering_on(TCV_ch)                                                                                                                                                                                                                                                                                                                                                                                     |                                                                                                                    |   |                         |
| 13                          |            | +localtree                                                                                                                                                                                                                                                                                                                                                                                                |                                                                                                                    |   |                         |
| 14                          |            | <b>localtree</b><br>(TCV_Setup_mt.sig := Signal_01)                                                                                                                                                                                                                                                                                                                                                       |                                                                                                                    |   |                         |
| 15                          |            | L!DL_DatRqSetup (TCV_TI.ti_f := '0'B, TCV_TI.ti_v<br>:= '000'B)                                                                                                                                                                                                                                                                                                                                           | SetupSnd( TCV_ch,<br>TCV_Setup_mt)                                                                                 |   |                         |
| 16                          |            | L?DL_DatInCallCo<br>(TCV_CallCfm:=DL_DatInCallCo.msg)                                                                                                                                                                                                                                                                                                                                                     | CallCfm(<br>CallConfirm_01(<br>TI_01))                                                                             |   |                         |
| 17                          |            | L?DL_DatInConn                                                                                                                                                                                                                                                                                                                                                                                            | ConnRcv(<br>Connect_01( TI_01))                                                                                    |   |                         |
| 18                          |            | +localtree1                                                                                                                                                                                                                                                                                                                                                                                               |                                                                                                                    |   |                         |
| 19                          |            | L?DL_DatInAlert                                                                                                                                                                                                                                                                                                                                                                                           | AlertRcv(<br>AlertingInd_02(<br>TI_01))                                                                            |   |                         |
| 20                          |            | (TCV_Null := OO_HookOff())                                                                                                                                                                                                                                                                                                                                                                                |                                                                                                                    |   |                         |
| 21                          |            | L?DL_DatInConn                                                                                                                                                                                                                                                                                                                                                                                            | ConnRcv(<br>Connect_01( TI_01))                                                                                    |   |                         |
| 22                          |            | +localtree1                                                                                                                                                                                                                                                                                                                                                                                               |                                                                                                                    |   |                         |
| 23                          |            | <b>localtree1</b><br>+AssCmdGen( TCV_cellid, rate, slot, tsc, tch)                                                                                                                                                                                                                                                                                                                                        |                                                                                                                    |   |                         |
| 24                          |            | +Adjust_gsmanddcs_powerlvl( powerlevelg,<br>powerleveld, TCV_AssCmd)                                                                                                                                                                                                                                                                                                                                      |                                                                                                                    |   |                         |
| 25                          |            | +AssCh_complete( TCV_ch, TCV_chTch,<br>TCV_AssCmd)                                                                                                                                                                                                                                                                                                                                                        |                                                                                                                    |   |                         |
| 26                          |            | L!DL_DatRqConnAck                                                                                                                                                                                                                                                                                                                                                                                         | ConnAckSnd(<br>TCV_chTch,<br>ConnectAck_01(<br>TI_02))                                                             |   |                         |

|                                                                  |  |                                                  |  |  |
|------------------------------------------------------------------|--|--------------------------------------------------|--|--|
| 27                                                               |  | +CCstatuschk_02( TCV_chTch, C_U10, TI_02, TI_01) |  |  |
| <b>Detailed Comments:</b> 1. Authentication fails, inconclusive. |  |                                                  |  |  |

| Test Step Dynamic Behaviour                                                                                                                                                                                                                                                                                                       |       |                                                    |                                                                 |   |          |
|-----------------------------------------------------------------------------------------------------------------------------------------------------------------------------------------------------------------------------------------------------------------------------------------------------------------------------------|-------|----------------------------------------------------|-----------------------------------------------------------------|---|----------|
| <b>Test Step Name:</b> PreEnterCCstateU10_21( sub:B_2; slot:SN; tsc:TSC; ta:TA)                                                                                                                                                                                                                                                   |       |                                                    |                                                                 |   |          |
| <b>Group:</b> GSM_L3_MS_v4210/Preambles/                                                                                                                                                                                                                                                                                          |       |                                                    |                                                                 |   |          |
| <b>Objective:</b> To bring the MS into CC state U10 by procedure in table 26.8.1.2/1. This is used in CC testing.                                                                                                                                                                                                                 |       |                                                    |                                                                 |   |          |
| <b>Default:</b> OtherEvents                                                                                                                                                                                                                                                                                                       |       |                                                    |                                                                 |   |          |
| <b>Comments:</b> TCV_TI0 contains the transaction identifier from the MS, and TCV_TI contains the transaction identifier for test system to send CC message. The values of them are used in test body. The calling tree shall prepare two variables for the step: TCV_ch for the SDCCH4 subchannel; TCV_CphKey for ciphering key. |       |                                                    |                                                                 |   |          |
| Nr                                                                                                                                                                                                                                                                                                                                | Label | Behaviour Description                              | CRef                                                            | V | Comments |
| 1                                                                                                                                                                                                                                                                                                                                 |       | +PreEnterCCstateU4_21( sub, ta)                    |                                                                 |   | 1.       |
| 2                                                                                                                                                                                                                                                                                                                                 |       | +CCAssignTCH(slot, tsc)                            |                                                                 |   |          |
| 3                                                                                                                                                                                                                                                                                                                                 |       | L!DL_DatRqConn                                     | ConnSnd(TCV_chTch                                               |   |          |
| 4                                                                                                                                                                                                                                                                                                                                 |       | L?DL_DatInConnAck                                  | , Connect_02(TCV_TI))<br>ConnAckRcv(Connect<br>Ack_02(TCV_TI0)) |   |          |
| 5                                                                                                                                                                                                                                                                                                                                 |       | +CCstatuschk_02(TCV_chTch, C_U10, TCV_TI, TCV_TI0) |                                                                 |   |          |
| <b>Detailed Comments:</b> 1. To assign the suitable traffic channel to the MS.                                                                                                                                                                                                                                                    |       |                                                    |                                                                 |   |          |

| Test Step Dynamic Behaviour                                                                                                                                                                            |       |                                                    |                                                                 |   |          |
|--------------------------------------------------------------------------------------------------------------------------------------------------------------------------------------------------------|-------|----------------------------------------------------|-----------------------------------------------------------------|---|----------|
| <b>Test Step Name:</b> PreEnterCCstateU10_22( slot:SN; tsc:TSC; ta:TA)                                                                                                                                 |       |                                                    |                                                                 |   |          |
| <b>Group:</b> GSM_L3_MS_v4210/Preambles/                                                                                                                                                               |       |                                                    |                                                                 |   |          |
| <b>Objective:</b> To bring the MS into CC state U10 by procedure in table 26.8.1.2/2. This is used in CC testing.                                                                                      |       |                                                    |                                                                 |   |          |
| <b>Default:</b> OtherEvents                                                                                                                                                                            |       |                                                    |                                                                 |   |          |
| <b>Comments:</b> TCV_TI0 contains the transaction identifier from the MS, and TCV_TI contains the transaction identifier for test system to send CC message. The values of them are used in test body. |       |                                                    |                                                                 |   |          |
| Nr                                                                                                                                                                                                     | Label | Behaviour Description                              | CRef                                                            | V | Comments |
| 1                                                                                                                                                                                                      |       | +PreEnterCCstateU4_22( slot, tsc, ta)              |                                                                 |   |          |
| 2                                                                                                                                                                                                      |       | L!DL_DatRqConn                                     | ConnSnd(TCV_chTch                                               |   |          |
| 3                                                                                                                                                                                                      |       | L?DL_DatInConnAck                                  | , Connect_02(TCV_TI))<br>ConnAckRcv(Connect<br>Ack_02(TCV_TI0)) |   |          |
| 4                                                                                                                                                                                                      |       | +CCstatuschk_02(TCV_chTch, C_U10, TCV_TI, TCV_TI0) |                                                                 |   |          |
| <b>Detailed Comments:</b>                                                                                                                                                                              |       |                                                    |                                                                 |   |          |



| Test Step Dynamic Behaviour |       |                                                                                                                                                                                                                                                                                                                  |                                                    |   |          |
|-----------------------------|-------|------------------------------------------------------------------------------------------------------------------------------------------------------------------------------------------------------------------------------------------------------------------------------------------------------------------|----------------------------------------------------|---|----------|
| <b>Test Step Name:</b>      |       | PreEnterCCstateU11_23( sub:B_2; slot:SN; tsc:TSC; ta:TA; cksn:B_3; rand:RAND)                                                                                                                                                                                                                                    |                                                    |   |          |
| <b>Group:</b>               |       | GSM_L3_MS_v4210/Preambles/                                                                                                                                                                                                                                                                                       |                                                    |   |          |
| <b>Objective:</b>           |       | To bring the MS into CC state U11 by procedure in table 26.8.1.2/3. This is used in CC testing.                                                                                                                                                                                                                  |                                                    |   |          |
| <b>Default:</b>             |       | OtherEvents                                                                                                                                                                                                                                                                                                      |                                                    |   |          |
| <b>Comments:</b>            |       | TCV_TI0 contains the transaction identifier from the MS, and TCV_TI contains the transaction identifier for test system to send CC message. The values of them are used in test body. The calling tree shall prepare two variables for the step: TCV_ch for the SDCCH4 subchannel; TCV_CphKey for ciphering key. |                                                    |   |          |
| Nr                          | Label | Behaviour Description                                                                                                                                                                                                                                                                                            | CRef                                               | V | Comments |
| 1                           |       | +PreEnterCCstateU4_23( sub, slot, tsc, ta, cksn, rand)                                                                                                                                                                                                                                                           |                                                    |   |          |
| 2                           |       | L!DL_DatRqConn                                                                                                                                                                                                                                                                                                   | ConnSnd( TCV_chTch, Connect_02( TCV_TI))           |   |          |
| 3                           |       | L?DL_DatInConnAck                                                                                                                                                                                                                                                                                                | ConnAckRcv( ConnectAck_02( TCV_TI0))               |   |          |
| 4                           |       | (TCV_Null := OO_TermCall())                                                                                                                                                                                                                                                                                      |                                                    |   |          |
| 5                           |       | L?DL_DatInDisc (TCV_Cau0 := DL_DatInDisc.msg.cau, TCV_Fn := DL_DatInDisc.fn)                                                                                                                                                                                                                                     | DiscRcv( TCV_chTch, DisconnR( TCV_TI0, Cause_Def)) |   |          |
| 6                           |       | +CCstatuschk_02(TCV_chTch, C_U11, TCV_TI, TCV_TI0)                                                                                                                                                                                                                                                               |                                                    |   |          |
| <b>Detailed Comments:</b>   |       | <ol style="list-style-type: none"> <li>1. To assign SDCCH4 channel.</li> <li>2. Full rate channel needed, to setup a physical channel as full rate traffic channel.</li> <li>3. Half rate channel needed, to setup a physical channel as half rate traffic channel.</li> </ol>                                   |                                                    |   |          |

| Test Step Dynamic Behaviour |       |                                                                                                                                                                                                                                                                                                                  |                                                    |   |          |
|-----------------------------|-------|------------------------------------------------------------------------------------------------------------------------------------------------------------------------------------------------------------------------------------------------------------------------------------------------------------------|----------------------------------------------------|---|----------|
| <b>Test Step Name:</b>      |       | PreEnterCCstateU11_23Timer( sub:B_2; slot:SN; tsc:TSC; ta:TA; cksn:B_3; rand:RAND)                                                                                                                                                                                                                               |                                                    |   |          |
| <b>Group:</b>               |       | GSM_L3_MS_v4210/Preambles/                                                                                                                                                                                                                                                                                       |                                                    |   |          |
| <b>Objective:</b>           |       | To bring the MS into CC state U11 by procedure in table 26.8.1.2/3. This is used in CC testing.                                                                                                                                                                                                                  |                                                    |   |          |
| <b>Default:</b>             |       | OtherEvents                                                                                                                                                                                                                                                                                                      |                                                    |   |          |
| <b>Comments:</b>            |       | TCV_TI0 contains the transaction identifier from the MS, and TCV_TI contains the transaction identifier for test system to send CC message. The values of them are used in test body. The calling tree shall prepare two variables for the step: TCV_ch for the SDCCH4 subchannel; TCV_CphKey for ciphering key. |                                                    |   |          |
| Nr                          | Label | Behaviour Description                                                                                                                                                                                                                                                                                            | CRef                                               | V | Comments |
| 1                           |       | +PreEnterCCstateU4_23( sub, slot, tsc, ta, cksn, rand)                                                                                                                                                                                                                                                           |                                                    |   |          |
| 2                           |       | L!DL_DatRqConn                                                                                                                                                                                                                                                                                                   | ConnSnd( TCV_chTch, Connect_02( TCV_TI))           |   |          |
| 3                           |       | L?DL_DatInConnAck                                                                                                                                                                                                                                                                                                | ConnAckRcv( ConnectAck_02( TCV_TI0))               |   |          |
| 4                           |       | (TCV_Null := OO_TermCall())                                                                                                                                                                                                                                                                                      |                                                    |   |          |
| 5                           |       | L?DL_DatInDisc (TCV_Cau0 := DL_DatInDisc.msg.cau, TCV_Fn := DL_DatInDisc.fn) START T_dly(45000)                                                                                                                                                                                                                  | DiscRcv( TCV_chTch, DisconnR( TCV_TI0, Cause_Def)) |   |          |
| 6                           |       | +CCstatuschk_02(TCV_chTch, C_U11, TCV_TI, TCV_TI0)                                                                                                                                                                                                                                                               |                                                    |   |          |
| <b>Detailed Comments:</b>   |       | <ol style="list-style-type: none"> <li>1. To assign SDCCH4 channel.</li> <li>2. Full rate channel needed, to setup a physical channel as full rate traffic channel.</li> <li>3. Half rate channel needed, to setup a physical channel as half rate traffic channel.</li> </ol>                                   |                                                    |   |          |

| Test Step Dynamic Behaviour                                                                                                                                                                            |       |                                                       |                                                          |    |          |
|--------------------------------------------------------------------------------------------------------------------------------------------------------------------------------------------------------|-------|-------------------------------------------------------|----------------------------------------------------------|----|----------|
| <b>Test Step Name:</b> PreEnterCCstateU11_24( slot:SN; tsc:TSC; ta:TA)                                                                                                                                 |       |                                                       |                                                          |    |          |
| <b>Group:</b> GSM_L3_MS_v4210/Preambles/                                                                                                                                                               |       |                                                       |                                                          |    |          |
| <b>Objective:</b> To bring the MS into CC state U11 by procedure in table 26.8.1.2/4. This is used in CC testing.                                                                                      |       |                                                       |                                                          |    |          |
| <b>Default:</b> OtherEvents                                                                                                                                                                            |       |                                                       |                                                          |    |          |
| <b>Comments:</b> TCV_TI0 contains the transaction identifier from the MS, and TCV_TI contains the transaction identifier for test system to send CC message. The values of them are used in test body. |       |                                                       |                                                          |    |          |
| Nr                                                                                                                                                                                                     | Label | Behaviour Description                                 | CRef                                                     | V  | Comments |
| 1                                                                                                                                                                                                      |       | +PreEnterCCstateU4_24( slot, tsc, ta)                 |                                                          |    |          |
| 2                                                                                                                                                                                                      |       | L!DL_DatRqConn                                        | ConnSnd(<br>TCV_chTch,<br>Connect_02(<br>TCV_TI))        |    |          |
| 3                                                                                                                                                                                                      |       | L?DL_DatInConnAck                                     | ConnAckRcv(<br>ConnectAck_02(<br>TCV_TI0))               |    |          |
| 4                                                                                                                                                                                                      |       | (TCV_Null := OO_TermCall())                           |                                                          |    |          |
| 5                                                                                                                                                                                                      |       | L?DL_DatInDisc                                        | DiscRcv( TCV_chTch,<br>DisconnR( TCV_TI0,<br>Cause_Def)) |    |          |
| 6                                                                                                                                                                                                      |       | +CCstatuschk_02(TCV_chTch, C_U11,<br>TCV_TI, TCV_TI0) |                                                          | 1. |          |
| <b>Detailed Comments:</b> 1. Now in CC state U11 and cause = #30.                                                                                                                                      |       |                                                       |                                                          |    |          |

| Test Step Dynamic Behaviour                                                                                                                                                                                                                                                                                                                                                                |       |                                                       |                                                                                        |   |          |
|--------------------------------------------------------------------------------------------------------------------------------------------------------------------------------------------------------------------------------------------------------------------------------------------------------------------------------------------------------------------------------------------|-------|-------------------------------------------------------|----------------------------------------------------------------------------------------|---|----------|
| <b>Test Step Name:</b> PreEnterCCstateU12_21( sub:B_2; slot:SN; tsc:TSC; ta:TA)                                                                                                                                                                                                                                                                                                            |       |                                                       |                                                                                        |   |          |
| <b>Group:</b> GSM_L3_MS_v4210/Preambles/                                                                                                                                                                                                                                                                                                                                                   |       |                                                       |                                                                                        |   |          |
| <b>Objective:</b> To bring the MS into CC state U12 by procedure in table 26.8.1.2/1. This is used in CC testing.                                                                                                                                                                                                                                                                          |       |                                                       |                                                                                        |   |          |
| <b>Default:</b> OtherEvents                                                                                                                                                                                                                                                                                                                                                                |       |                                                       |                                                                                        |   |          |
| <b>Comments:</b> The DISCONNECT message containing progress indicator #8. TCV_TI0 contains the transaction identifier from the MS, and TCV_TI contains the transaction identifier for test system to send CC message. The values of them are used in test body. The calling tree shall prepare two variables for the step: TCV_ch for the SDCCH4 subchannel; TCV_CphKey for ciphering key. |       |                                                       |                                                                                        |   |          |
| Nr                                                                                                                                                                                                                                                                                                                                                                                         | Label | Behaviour Description                                 | CRef                                                                                   | V | Comments |
| 1                                                                                                                                                                                                                                                                                                                                                                                          |       | +PreEnterCCstateU10_21( sub, slot, tsc, ta)           |                                                                                        |   |          |
| 2                                                                                                                                                                                                                                                                                                                                                                                          |       | L!DL_DatRqDisc                                        | DiscSnd(TCV_chTch,<br>DisconnS(TCV_TI,<br>Cause_01,<br>Proglnd_03iei,<br>UuInfo_omit)) |   | 1.       |
| 3                                                                                                                                                                                                                                                                                                                                                                                          |       | +CCstatuschk_02(TCV_chTch, C_U12, TCV_TI,<br>TCV_TI0) |                                                                                        |   |          |
| <b>Detailed Comments:</b> 1. Progress indicator = #8.                                                                                                                                                                                                                                                                                                                                      |       |                                                       |                                                                                        |   |          |

| Test Step Dynamic Behaviour                                                                                                                                                                                                                                     |       |                                                       |                                                                                        |    |          |
|-----------------------------------------------------------------------------------------------------------------------------------------------------------------------------------------------------------------------------------------------------------------|-------|-------------------------------------------------------|----------------------------------------------------------------------------------------|----|----------|
| <b>Test Step Name:</b> PreEnterCCstateU12_22( slot:SN; tsc:TSC; ta:TA)                                                                                                                                                                                          |       |                                                       |                                                                                        |    |          |
| <b>Group:</b> GSM_L3_MS_v4210/Preambles/                                                                                                                                                                                                                        |       |                                                       |                                                                                        |    |          |
| <b>Objective:</b> To bring the MS into CC state U12 by procedure in table 26.8.1.2/2. This is used in CC testing.                                                                                                                                               |       |                                                       |                                                                                        |    |          |
| <b>Default:</b> OtherEvents                                                                                                                                                                                                                                     |       |                                                       |                                                                                        |    |          |
| <b>Comments:</b> The DISCONNECT message containing progress indicator #8. TCV_TI0 contains the transaction identifier from the MS, and TCV_TI contains the transaction identifier for test system to send CC message. The values of them are used in test body. |       |                                                       |                                                                                        |    |          |
| Nr                                                                                                                                                                                                                                                              | Label | Behaviour Description                                 | CRef                                                                                   | V  | Comments |
| 1                                                                                                                                                                                                                                                               |       | +PreEnterCCstateU10_22( slot, tsc, ta)                |                                                                                        |    |          |
| 2                                                                                                                                                                                                                                                               |       | L!DL_DatRqDisc                                        | DiscSnd(TCV_chTch,<br>DisconnS(TCV_TI,<br>Cause_01,<br>Proglnd_03iei,<br>UuInfo_omit)) |    |          |
| 3                                                                                                                                                                                                                                                               |       | +CCstatuschk_02(TCV_chTch, C_U12, TCV_TI,<br>TCV_TI0) |                                                                                        | 1. |          |
| <b>Detailed Comments:</b> 1. Now in CC state U12                                                                                                                                                                                                                |       |                                                       |                                                                                        |    |          |

| Test Step Dynamic Behaviour |       |                                                                                                                                                                                                                                                                                                                                                                           |                                                                            |   |          |
|-----------------------------|-------|---------------------------------------------------------------------------------------------------------------------------------------------------------------------------------------------------------------------------------------------------------------------------------------------------------------------------------------------------------------------------|----------------------------------------------------------------------------|---|----------|
| <b>Test Step Name:</b>      |       | PreEnterCCstateU12_23( sub:B_2; slot:SN; tsc:TSC; ta:TA; cksn:B_3; rand:RAND)                                                                                                                                                                                                                                                                                             |                                                                            |   |          |
| <b>Group:</b>               |       | GSM_L3_MS_v4210/Preambles/                                                                                                                                                                                                                                                                                                                                                |                                                                            |   |          |
| <b>Objective:</b>           |       | To bring the MS into CC state U12 by procedure in table 26.8.1.2/3. This is used in CC testing.                                                                                                                                                                                                                                                                           |                                                                            |   |          |
| <b>Default:</b>             |       | OtherEvents                                                                                                                                                                                                                                                                                                                                                               |                                                                            |   |          |
| <b>Comments:</b>            |       | The DISCONNECT message containing progress indicator #8. TCV_TI0 contains the transaction identifier from the MS, and TCV_TI contains the transaction identifier for test system to send CC message. The values of them are used in test body. The calling tree shall prepare two variables for the step: TCV_ch for the SDCCH4 subchannel; TCV_CphKey for ciphering key. |                                                                            |   |          |
| Nr                          | Label | Behaviour Description                                                                                                                                                                                                                                                                                                                                                     | CRef                                                                       | V | Comments |
| 1                           |       | +PreEnterCCstateU4_23( sub, slot, tsc, ta, cksn, rand)                                                                                                                                                                                                                                                                                                                    |                                                                            |   |          |
| 2                           |       | LIDL_DatRqConn                                                                                                                                                                                                                                                                                                                                                            | ConnSnd(TCV_chTch, Connect_02(TCV_TI))                                     |   |          |
| 3                           |       | L?DL_DatInConnAck                                                                                                                                                                                                                                                                                                                                                         | ConnAckRcv(ConnectAck_02(TCV_TI0))                                         |   |          |
| 4                           |       | LIDL_DatRqDisc                                                                                                                                                                                                                                                                                                                                                            | DiscSnd(TCV_chTch, DisconnS(TCV_TI, Cause_01, ProgInd_03iei, UuInfo_omit)) |   | 1.       |
| 5                           |       | +CCstatuschk_02(TCV_chTch, C_U12, TCV_TI, TCV_TI0)                                                                                                                                                                                                                                                                                                                        |                                                                            |   |          |
| <b>Detailed Comments:</b>   |       | 1. Progress indicator = #8.                                                                                                                                                                                                                                                                                                                                               |                                                                            |   |          |

| Test Step Dynamic Behaviour |       |                                                                                                                                                                                                                                                                                                                  |                                                                            |   |          |
|-----------------------------|-------|------------------------------------------------------------------------------------------------------------------------------------------------------------------------------------------------------------------------------------------------------------------------------------------------------------------|----------------------------------------------------------------------------|---|----------|
| <b>Test Step Name:</b>      |       | PreEnterCCstateU19_21( sub:B_2; slot:SN; tsc:TSC; ta:TA)                                                                                                                                                                                                                                                         |                                                                            |   |          |
| <b>Group:</b>               |       | GSM_L3_MS_v4210/Preambles/                                                                                                                                                                                                                                                                                       |                                                                            |   |          |
| <b>Objective:</b>           |       | To bring the MS into CC state U19 by procedure in table 26.8.1.2/1.                                                                                                                                                                                                                                              |                                                                            |   |          |
| <b>Default:</b>             |       | OtherEvents                                                                                                                                                                                                                                                                                                      |                                                                            |   |          |
| <b>Comments:</b>            |       | TCV_TI0 contains the transaction identifier from the MS, and TCV_TI contains the transaction identifier for test system to send CC message. The values of them are used in test body. The calling tree shall prepare two variables for the step: TCV_ch for the SDCCH4 subchannel; TCV_CphKey for ciphering key. |                                                                            |   |          |
| Nr                          | Label | Behaviour Description                                                                                                                                                                                                                                                                                            | CRef                                                                       | V | Comments |
| 1                           |       | +PreEnterCCstateU10_21( sub, slot, tsc, ta)                                                                                                                                                                                                                                                                      |                                                                            |   |          |
| 2                           |       | LIDL_DatRqDisc                                                                                                                                                                                                                                                                                                   | DiscSnd(TCV_chTch, DisconnS( TCV_TI, Cause_01, ProgInd_omit, UuInfo_omit)) |   |          |
| 3                           |       | L?DL_DatInRel                                                                                                                                                                                                                                                                                                    | ReleaseRcv(Release_10(TCV_TI0))                                            |   |          |
| 4                           |       | +CCstatuschk_02(TCV_chTch, C_U19, TCV_TI, TCV_TI0)                                                                                                                                                                                                                                                               |                                                                            |   |          |
| <b>Detailed Comments:</b>   |       |                                                                                                                                                                                                                                                                                                                  |                                                                            |   |          |

| Test Step Dynamic Behaviour                                                                                                                                                                            |       |                                                       |                                                                                            |   |          |
|--------------------------------------------------------------------------------------------------------------------------------------------------------------------------------------------------------|-------|-------------------------------------------------------|--------------------------------------------------------------------------------------------|---|----------|
| <b>Test Step Name:</b> PreEnterCCstateU19_24( slot:SN; tsc:TSC; ta:TA)                                                                                                                                 |       |                                                       |                                                                                            |   |          |
| <b>Group:</b> GSM_L3_MS_v4210/Preambles/                                                                                                                                                               |       |                                                       |                                                                                            |   |          |
| <b>Objective:</b> To bring the MS into CC state U19 by procedure in table 26.8.1.2/4. This is used in CC testing.                                                                                      |       |                                                       |                                                                                            |   |          |
| <b>Default:</b> OtherEvents                                                                                                                                                                            |       |                                                       |                                                                                            |   |          |
| <b>Comments:</b> TCV_TI0 contains the transaction identifier from the MS, and TCV_TI contains the transaction identifier for test system to send CC message. The values of them are used in test body. |       |                                                       |                                                                                            |   |          |
| Nr                                                                                                                                                                                                     | Label | Behaviour Description                                 | CRef                                                                                       | V | Comments |
| 1                                                                                                                                                                                                      |       | +PreEnterCCstateU4_24( slot, tsc, ta)                 |                                                                                            |   |          |
| 2                                                                                                                                                                                                      |       | L!DL_DatRqConn                                        | ConnSnd(<br>TCV_chTch,<br>Connect_02(<br>TCV_TI))                                          |   |          |
| 3                                                                                                                                                                                                      |       | L?DL_DatInConnAck                                     | ConnAckRcv(<br>ConnectAck_02(<br>TCV_TI0))                                                 |   |          |
| 4                                                                                                                                                                                                      |       | LIDL_DatRqDisc                                        | DiscSnd(<br>TCV_chTch,<br>DisconnS( TCV_TI,<br>Cause_01,<br>ProgInd_omit,<br>UuInfo_omit)) |   |          |
| 5                                                                                                                                                                                                      |       | L?DL_DatInRel (TCV_Fn := DL_DatInRel.fn)              | ReleaseRcv(<br>Release_10(<br>TCV_TI0))                                                    |   |          |
| 6                                                                                                                                                                                                      |       | +CCstatuschk_02(TCV_chTch, C_U19,<br>TCV_TI, TCV_TI0) |                                                                                            |   |          |
| <b>Detailed Comments:</b>                                                                                                                                                                              |       |                                                       |                                                                                            |   |          |

| Test Step Dynamic Behaviour                                                                                                                                                                            |       |                                                                |                                                                                            |   |          |
|--------------------------------------------------------------------------------------------------------------------------------------------------------------------------------------------------------|-------|----------------------------------------------------------------|--------------------------------------------------------------------------------------------|---|----------|
| <b>Test Step Name:</b> PreEnterCCstateU19_24Timer( slot:SN; tsc:TSC; ta:TA)                                                                                                                            |       |                                                                |                                                                                            |   |          |
| <b>Group:</b> GSM_L3_MS_v4210/Preambles/                                                                                                                                                               |       |                                                                |                                                                                            |   |          |
| <b>Objective:</b> To bring the MS into CC state U19 by procedure in table 26.8.1.2/4. This is used in CC testing.                                                                                      |       |                                                                |                                                                                            |   |          |
| <b>Default:</b> OtherEvents                                                                                                                                                                            |       |                                                                |                                                                                            |   |          |
| <b>Comments:</b> TCV_TI0 contains the transaction identifier from the MS, and TCV_TI contains the transaction identifier for test system to send CC message. The values of them are used in test body. |       |                                                                |                                                                                            |   |          |
| Nr                                                                                                                                                                                                     | Label | Behaviour Description                                          | CRef                                                                                       | V | Comments |
| 1                                                                                                                                                                                                      |       | +PreEnterCCstateU4_24( slot, tsc, ta)                          |                                                                                            |   |          |
| 2                                                                                                                                                                                                      |       | L!DL_DatRqConn                                                 | ConnSnd(<br>TCV_chTch,<br>Connect_02(<br>TCV_TI))                                          |   |          |
| 3                                                                                                                                                                                                      |       | L?DL_DatInConnAck                                              | ConnAckRcv(<br>ConnectAck_02(<br>TCV_TI0))                                                 |   |          |
| 4                                                                                                                                                                                                      |       | LIDL_DatRqDisc                                                 | DiscSnd(<br>TCV_chTch,<br>DisconnS( TCV_TI,<br>Cause_01,<br>ProgInd_omit,<br>UuInfo_omit)) |   |          |
| 5                                                                                                                                                                                                      |       | L?DL_DatInRel (TCV_Fn := DL_DatInRel.fn)<br>START T_dly(45000) | ReleaseRcv(<br>Release_10(<br>TCV_TI0))                                                    |   |          |
| 6                                                                                                                                                                                                      |       | +CCstatuschk_02(TCV_chTch, C_U19,<br>TCV_TI, TCV_TI0)          |                                                                                            |   |          |
| <b>Detailed Comments:</b>                                                                                                                                                                              |       |                                                                |                                                                                            |   |          |

| Test Step Dynamic Behaviour |       |                                                                                                                                                      |                                                                                                        |   |                         |
|-----------------------------|-------|------------------------------------------------------------------------------------------------------------------------------------------------------|--------------------------------------------------------------------------------------------------------|---|-------------------------|
| <b>Test Step Name:</b>      |       | PreEstRRConn(slot:SN; tsc:TSC; ta:TA)                                                                                                                |                                                                                                        |   |                         |
| <b>Group:</b>               |       | GSM_L3_MS_v4210/Preambles/                                                                                                                           |                                                                                                        |   |                         |
| <b>Objective:</b>           |       | To establish a RR connection on SDCCH subchannel defined by TSPX_SDCCH4SubDef in cell A                                                              |                                                                                                        |   |                         |
| <b>Default:</b>             |       | OtherEvents                                                                                                                                          |                                                                                                        |   |                         |
| <b>Comments:</b>            |       | The calling tree shall prepare variable for the step: TCV_ch for the SDCCH4 subchannel TSPX_SDCCH4SubDef. This test step is used for non RR testing. |                                                                                                        |   |                         |
| Nr                          | Label | Behaviour Description                                                                                                                                | CRef                                                                                                   | V | Comments                |
| 1                           |       | L!DL_UdatRqPg1Rq                                                                                                                                     | PgReq1(TCV_PgCh, TCV_Pgg, PgReqTp1_01)                                                                 |   | To match ChReq retrans. |
| 2                           |       | L?DL_RacInChRq ( TCV_Rr := DL_RacInChRq.msg.ecau_rrf, TCV_Fn := DL_RacInChRq.fn)                                                                     | ChReq(ChRequest_17)                                                                                    |   |                         |
| 3                           |       | ACTIVATE( OtherEvents_02)                                                                                                                            |                                                                                                        |   |                         |
| 4                           |       | L!DL_UdatRqImm                                                                                                                                       | ImmAss( TCV_agch, ImmAsgn_01Def( TCV_Rr, TCV_Fn, TSPX_SDCCH4SubDef, slot, tsc, TCV_chdescr_arfcn, ta)) |   |                         |
| 5                           |       | L?DL_EstInPgRes                                                                                                                                      | PagingRes(PagingRes_01)                                                                                |   | Restore Normal default  |
| 6                           |       | ACTIVATE(OtherEvents)                                                                                                                                |                                                                                                        |   |                         |
| <b>Detailed Comments:</b>   |       |                                                                                                                                                      |                                                                                                        |   |                         |

| Test Step Dynamic Behaviour |            |                                                                                  |                                                                                                                |     |                         |
|-----------------------------|------------|----------------------------------------------------------------------------------|----------------------------------------------------------------------------------------------------------------|-----|-------------------------|
| <b>Test Step Name:</b>      |            | PreEstRRC_MM( par_mi:MI; cksn:BITSTRING; ta:TA)                                  |                                                                                                                |     |                         |
| <b>Group:</b>               |            | GSM_L3_MS_v4210/Preambles/                                                       |                                                                                                                |     |                         |
| <b>Objective:</b>           |            | To establish a RR connection on C_SDCCH4_A_1                                     |                                                                                                                |     |                         |
| <b>Default:</b>             |            | OtherEvents                                                                      |                                                                                                                |     |                         |
| <b>Comments:</b>            |            | used var's:<br>TCV_Rr, TCV_Fn, TCV_Pgch, TCV_ia_ts, TCV_chdescr_arfcn            |                                                                                                                |     |                         |
| Nr                          | Label      | Behaviour Description                                                            | CRef                                                                                                           | V   | Comments                |
| 1                           |            | L!DL_UdatRqPg1Rq                                                                 | PgReq1(TCV_PgCh, TCV_Pgg, PgReqTp1_30(par_mi))                                                                 |     | To match ChReq retrans. |
| 2                           |            | L?DL_RacInChRq ( TCV_Rr := DL_RacInChRq.msg.ecau_rrf, TCV_Fn := DL_RacInChRq.fn) | ChReq(ChRequest_17)                                                                                            |     |                         |
| 3                           |            | ACTIVATE( OtherEvents_02)                                                        |                                                                                                                |     |                         |
| 4                           |            | L!DL_UdatRqImm                                                                   | ImmAss( TCV_agch, ImmAsgn_01Def( TCV_Rr, TCV_Fn, TSPX_SDCCH4SubDef, TCV_slot, TCV_tsc, TCV_chdescr_arfcn, ta)) |     |                         |
| 5                           | L_100<br>6 | L?DL_EstInPgRes                                                                  | PagingRes(PagingRes_30(par_mi, cksn))                                                                          | (P) | Restore Normal default  |
| 6                           |            | ACTIVATE( OtherEvents)                                                           |                                                                                                                |     |                         |
| <b>Detailed Comments:</b>   |            |                                                                                  |                                                                                                                |     |                         |

| Test Step Dynamic Behaviour |       |                                                                                                                                |                                                        |   |                         |
|-----------------------------|-------|--------------------------------------------------------------------------------------------------------------------------------|--------------------------------------------------------|---|-------------------------|
| <b>Test Step Name:</b>      |       | PreModifySetup( sub:B_2; slot:SN; tsc: TSC; ta:TA; cksn:B_3; rand:RAND)                                                        |                                                        |   |                         |
| <b>Group:</b>               |       | GSM_L3_MS_v4210/Preambles/                                                                                                     |                                                        |   |                         |
| <b>Objective:</b>           |       | To setup dual mode call and initiate MO incall modification. This is used in CC test group 26.8.1.4.5.                         |                                                        |   |                         |
| <b>Default:</b>             |       | OtherEvents                                                                                                                    |                                                        |   |                         |
| Nr                          | Label | Behaviour Description                                                                                                          | CRef                                                   | V | Comments                |
| 1                           |       | +InitCall( TCV_Service)                                                                                                        |                                                        |   | 1.                      |
| 2                           |       | +CCEstablishMO_SDCCH4( sub, ta)                                                                                                |                                                        |   |                         |
| 3                           |       | ACTIVATE( OtherEvents_02)                                                                                                      |                                                        |   | To match ChReq retrans. |
| 4                           |       | L?DL_EstInCmsRq                                                                                                                | CMSerReq(<br>CMServiceReq_04)                          |   |                         |
| 5                           |       | ACTIVATE( OtherEvents)                                                                                                         |                                                        |   | Restore Normal default  |
| 6                           |       | +ltree_continue                                                                                                                |                                                        |   |                         |
| <b>ltree_continue</b>       |       |                                                                                                                                |                                                        |   |                         |
| 7                           |       | +Ciphering_on( TCV_ch)                                                                                                         |                                                        |   |                         |
| 8                           |       | +RcvSetupOrEsetup( TCV_Setup_mo,<br>TCV_Esetup, TCV_Ecall)                                                                     |                                                        |   |                         |
| 9                           |       | +Authentication( TCV_ch, cksn, rand)                                                                                           |                                                        |   |                         |
| 10                          |       | LIDL_DatRqCallProc                                                                                                             | CallProc( TCV_ch,<br>TCV_CallProc)                     |   |                         |
| 11                          |       | +CCAssignTCH( slot, tsc)                                                                                                       |                                                        |   |                         |
| 12                          |       | LIDL_DatRqAlert                                                                                                                | AlertSnd(<br>TCV_chTch,<br>Alerting_01( TCV_TI))       |   |                         |
| 13                          |       | LIDL_DatRqConn                                                                                                                 | ConnSnd(<br>TCV_chTch,<br>Connect_02(<br>TCV_TI))      |   |                         |
| 14                          |       | L?DL_DatInConnAck                                                                                                              | ConnAckRcv(<br>ConnectAck_02(<br>TCV_TI0))             |   |                         |
| 15                          |       | +InCallModi1(<br>TSPX_MO_DualModSvc)                                                                                           |                                                        |   | 2.                      |
| 16                          |       | L?DL_DatInModify (TCV_Fn :=<br>DL_DatInModify.fn, TCV_Modify :=<br>DL_DatInModify.msg)                                         | ModifyRcv(<br>ModifyInd_01(<br>TCV_TI0,<br>TCV_Bcap2)) |   | 3.                      |
| <b>Detailed Comments:</b>   |       | 1. To attempt a dual mode call.<br>2. MMI action to initiate in-call modification.<br>3. The expected MODIFY message received. |                                                        |   |                         |

| Test Step Dynamic Behaviour |            |                                                                                                    |      |   |          |
|-----------------------------|------------|----------------------------------------------------------------------------------------------------|------|---|----------|
| <b>Test Step Name:</b>      |            | SpeechService                                                                                      |      |   |          |
| <b>Group:</b>               |            | GSM_L3_MS_v4210/Preambles/                                                                         |      |   |          |
| <b>Objective:</b>           |            | To select a speech service, if the MS supports Telephony the selected speech service is telephony. |      |   |          |
| <b>Default:</b>             |            | OtherEvents                                                                                        |      |   |          |
| Nr                          | Label      | Behaviour Description                                                                              | CRef | V | Comments |
| 1                           |            | [TSPC_Serv_TS11]                                                                                   |      |   |          |
| 2                           |            | +BasicServiceMO( C_Telephony,<br>TSPX_Telephony_Rate)                                              |      |   |          |
| 3                           |            | [TSPC_Serv_TS61]                                                                                   |      |   |          |
| 4                           |            | +BasicServiceMO( C_AltSpchFax, C_Full)                                                             |      |   |          |
| 5                           |            | [TSPC_Serv_BS61]                                                                                   |      |   |          |
| 6                           |            | +BasicServiceMO( C_AltSpchData, C_Full)                                                            |      |   |          |
| 7                           |            | [TSPC_Serv_BS81]                                                                                   |      |   |          |
| 8                           |            | +BasicServiceMO( C_SpchData, C_Full)                                                               |      |   |          |
| 9                           | L_100<br>7 | [C_Yes]                                                                                            |      | I | 1.       |
| <b>Detailed Comments:</b>   |            | 1. No speech service available                                                                     |      |   |          |

| Test Step Dynamic Behaviour |       |                                                                                                                                                                                                                                                    |      |   |          |
|-----------------------------|-------|----------------------------------------------------------------------------------------------------------------------------------------------------------------------------------------------------------------------------------------------------|------|---|----------|
| <b>Test Step Name:</b>      |       | StartCellA(par_bspwr:INTEGER; acttype:BITSTRING; slot:SN; tsc:TSC; ta:TA; t, retr, neci, att:INTEGER; babr, cch_con, bpm:B_3; t3212, mcc, mnc, lac:OCTETSTRING; cchdgs, cchddcs:CCHD; bcchflgsm, bcchfldcs:NCD; Re:B_1)                            |      |   |          |
| <b>Group:</b>               |       | GSM_L3_MS_v4210/Preambles/                                                                                                                                                                                                                         |      |   |          |
| <b>Objective:</b>           |       | To setup a physical channel as combined BCCH, CCCH and SDCCH4 then broadcast SYSTEM INFORMATION messages 2, 3, 4, 5 and 6 with default parameters of cell A.                                                                                       |      |   |          |
| <b>Default:</b>             |       | OtherEvents                                                                                                                                                                                                                                        |      |   |          |
| Nr                          | Label | Behaviour Description                                                                                                                                                                                                                              | CRef | V | Comments |
| 1                           |       | (TCV_sacch:= OC_SubchOfSacch4(TSPX_SDCCH4SubDef, C_CellA))                                                                                                                                                                                         |      |   |          |
| 2                           |       | +CombinedBCCH_A(par_bspwr, C_MaxPwrLvlG, C_MaxPwrLvlD, C_arfcnA, C_arfcnAd, acttype, slot, tsc, ta, babr, cch_con, bpm)                                                                                                                            |      |   |          |
| 3                           |       | +SysInfoSending_fh( C_SCH_A, C_BCCH_A_1, t, retr, neci, att, babr, cch_con, bpm, t3212, C_ci_cellA, mcc, mnc, lac, CellOpt_01, cchdgs, cchddcs, C_CellReselectHys12, C_MaxPwrLvlG, C_MaxPwrLvlD, bcchflgsm, bcchfldcs, Re, C_BCC, C_NCC, C_NCCP_2) |      |   |          |
| 4                           |       | (TCV_Ccd0A := TCV_Ccd0H, TCV_sysinfo5 := TCV_sysinfo5, TCV_sysinfo6 := TCV_sysinfo6)                                                                                                                                                               |      |   |          |
| 5                           |       | +SysInfo_SacchSending(TCV_sacch, TCV_sysinfo5, TCV_sysinfo6)                                                                                                                                                                                       |      |   |          |
| <b>Detailed Comments:</b>   |       |                                                                                                                                                                                                                                                    |      |   |          |

| Test Step Dynamic Behaviour |       |                                                                                                                                                                                                                                                                |      |   |          |
|-----------------------------|-------|----------------------------------------------------------------------------------------------------------------------------------------------------------------------------------------------------------------------------------------------------------------|------|---|----------|
| <b>Test Step Name:</b>      |       | StartCellA_1( par_bspwr:INTEGER; acttype:BITSTRING; slot:SN; tsc:TSC; ta:TA; t, retr, neci, att:INTEGER; babr, cch_con, bpm:B_3; t3212, mcc, mnc, lac:OCTETSTRING; bcchflgsm, bcflaltgsm, bcchfldcs, bcflaltdcs:NCD; Re:B_1)                                   |      |   |          |
| <b>Group:</b>               |       | GSM_L3_MS_v4210/Preambles/                                                                                                                                                                                                                                     |      |   |          |
| <b>Objective:</b>           |       | To set up a physical channel with parameters different from default and map FCCH, SCH, BCCH, CCCH and SDCCH4 onto the physical channel which represents cell A, then broadcast SYSTEM INFORMATION messages 2, 3, 4, 5 and 6 with default parameters of cell A. |      |   |          |
| <b>Default:</b>             |       | OtherEvents                                                                                                                                                                                                                                                    |      |   |          |
| Nr                          | Label | Behaviour Description                                                                                                                                                                                                                                          | CRef | V | Comments |
| 1                           |       | (TCV_sacch := OC_SubchOfSacch4(TSPX_SDCCH4SubDef, C_CellA))                                                                                                                                                                                                    |      |   |          |
| 2                           |       | +CombinedBCCH_A( par_bspwr, C_MaxPwrLvlG, C_MaxPwrLvlD, C_arfcnA, C_arfcnAd, acttype, slot, tsc, ta, babr, cch_con, bpm)                                                                                                                                       |      |   |          |
| 3                           |       | +SysInfoSending_nfh( C_SCH_A, C_BCCH_A_1, t, retr, neci, att, babr, cch_con, bpm, t3212, C_ci_cellA, mcc, mnc, lac, CellOpt_01, C_CellReselectHys12, C_MaxPwrLvlG, C_MaxPwrLvlD, bcchflgsm, bcflaltgsm, bcchfldcs, bcflaltdcs, Re, C_BCC, C_NCC_1, C_NCCP_2)   |      |   | 1.       |
| 4                           |       | (TCV_Ccd0A := TCV_Ccd0H, TCV_sysinfo5 := TCV_sysinfo5, TCV_sysinfo6 := TCV_sysinfo6)                                                                                                                                                                           |      |   |          |
| 5                           |       | +SysInfo_SacchSending(TCV_sacch, TCV_sysinfo5, TCV_sysinfo6)                                                                                                                                                                                                   |      |   |          |
| <b>Detailed Comments:</b>   |       |                                                                                                                                                                                                                                                                |      |   |          |

| Test Step Dynamic Behaviour |            |                                                                                                                                                                                                                                                                  |      |   |          |
|-----------------------------|------------|------------------------------------------------------------------------------------------------------------------------------------------------------------------------------------------------------------------------------------------------------------------|------|---|----------|
| <b>Test Step Name:</b>      |            | StartCellB(par_bspwr, arfcn1, arfcn2:INTEGER; acttype:BITSTRING; slot:SN; tsc:TSC; ta:TA; t, retr, neci, att:INTEGER; babr, cch_con, bpm:B_3; t3212, mcc, mnc, lac:OCTETSTRING; cchdgsm, cchddcs:CCHD; bcchflgsm, bcchfldcs:NCD; Re:BITSTRING; bcc:BCC; ncc:NCC) |      |   |          |
| <b>Group:</b>               |            | GSM_L3_MS_v4210/Preambles/                                                                                                                                                                                                                                       |      |   |          |
| <b>Objective:</b>           |            | To setup a physical channel as combined BCCH, CCCH and SDCCH4 then broadcast SYSTEM INFORMATION messages 2, 3, 4, 5 and 6 with default parameters of cell B.                                                                                                     |      |   |          |
| <b>Default:</b>             |            | OtherEvents                                                                                                                                                                                                                                                      |      |   |          |
| Nr                          | Label      | Behaviour Description                                                                                                                                                                                                                                            | CRef | V | Comments |
| 1                           |            | (TCV_sacch_B := OC_SubchOfSacch4(TSPX_SDCCH4SubDef, C_CellB))                                                                                                                                                                                                    |      |   |          |
| 2                           |            | +ltree_chconf                                                                                                                                                                                                                                                    |      |   |          |
| 3                           |            | +SysInfoSending_fh( C_SCH_B, C_BCCH_B_1, t, retr, neci, att, babr, cch_con, bpm, t3212, C_ci_cellB, mcc, mnc, lac, CellOpt_01, cchdgsm, cchddcs, C_CellReselectHys12, C_MaxPwrLvlG, C_MaxPwrLvlD, bcchflgsm, bcchfldcs, Re, bcc, ncc, C_NCCP_2)                  |      |   |          |
| 4                           |            | (TCV_Ccd0B := TCV_Ccd0H, TCV_sysinfo5_B := TCV_sysinfo5, TCV_sysinfo6_B := TCV_sysinfo6)                                                                                                                                                                         |      |   |          |
| 5                           |            | [cch_con = C_cch_1Comb]                                                                                                                                                                                                                                          |      |   |          |
| 6                           |            | +SysInfo_SacchSending( TCV_sacch_B, TCV_sysinfo5_B, TCV_sysinfo6_B)                                                                                                                                                                                              |      |   |          |
| 7                           |            | [cch_con = C_cch_1nonComb]                                                                                                                                                                                                                                       |      |   |          |
| 8                           | L_100<br>8 | [(cch_con <> C_cch_1nonComb) AND(cch_con <> C_cch_1Comb)]                                                                                                                                                                                                        |      | I |          |
|                             |            | <b>ltree_chconf</b>                                                                                                                                                                                                                                              |      |   |          |
| 9                           |            | [cch_con = C_cch_1Comb]                                                                                                                                                                                                                                          |      |   |          |
| 10                          |            | +CombinedBCCH_B( par_bspwr, C_MaxPwrLvlG, C_MaxPwrLvlD, arfcn1, arfcn2, acttype, slot, tsc, ta, babr, cch_con, bpm)                                                                                                                                              |      |   |          |
| 11                          |            | [cch_con = C_cch_1nonComb]                                                                                                                                                                                                                                       |      |   |          |
| 12                          |            | +NonCombinedBCCH_B( par_bspwr, C_MaxPwrLvlG, C_MaxPwrLvlD, arfcn1, arfcn2, acttype, slot, tsc, ta, babr, cch_con, bpm)                                                                                                                                           |      |   |          |
| 13                          | L_100<br>9 | [(cch_con <> C_cch_1nonComb) AND(cch_con <> C_cch_1Comb)]                                                                                                                                                                                                        |      | I |          |
| <b>Detailed Comments:</b>   |            |                                                                                                                                                                                                                                                                  |      |   |          |



| Test Step Dynamic Behaviour |       |                                                                                                                                                                                                                                                                                          |      |   |          |
|-----------------------------|-------|------------------------------------------------------------------------------------------------------------------------------------------------------------------------------------------------------------------------------------------------------------------------------------------|------|---|----------|
| <b>Test Step Name:</b>      |       | StartCellB_1( par_bspwr:INTEGER; acttype:BITSTRING; slot:SN; tsc:TSC; ta:TA; att:INTEGER; babr, cch_con, bpm:B_3; t3212, mcc, mnc, lac:OCTETSTRING; Re:BITSTRING; bcc:BCC; ncc:NCC)                                                                                                      |      |   |          |
| <b>Group:</b>               |       | GSM_L3_MS_v4210/Preambles/                                                                                                                                                                                                                                                               |      |   |          |
| <b>Objective:</b>           |       | To set up a physical channel and map FCCH, SCH, BCCH, CCCH and SDCCH4 onto the physical channel which represents cell B, then start transmission of default system information's for cell B.                                                                                             |      |   |          |
| <b>Default:</b>             |       | OtherEvents                                                                                                                                                                                                                                                                              |      |   |          |
| <b>Comments:</b>            |       | The location area code is different from the cell A.                                                                                                                                                                                                                                     |      |   |          |
| Nr                          | Label | Behaviour Description                                                                                                                                                                                                                                                                    | CRef | V | Comments |
| 1                           |       | (TCV_sacch_B := OC_SubchOfSacch4(TSPX_SDCCH4SubDef, C_CellB))                                                                                                                                                                                                                            |      |   |          |
| 2                           |       | +CombinedBCCH_B( par_bspwr, C_MaxPwrLvlG, C_MaxPwrLvlID, C_arfcnB, C_arfcnBd, acttype, slot, tsc, ta, babr, cch_con, bpm)                                                                                                                                                                |      |   |          |
| 3                           |       | +SysInfoSending_nfh( C_SCH_B, C_BCCH_B_1, C_TxInt_5, C_Max_1, C_NECl_0, att, babr, cch_con, bpm, t3212, C_ci_cellB, mcc, mnc, lac, CellOpt_01, C_CellReselectHys12, C_MaxPwrLvlG, C_MaxPwrLvlID, BcchFreqLst_01, BcchFreqLst_01, BcchFreqLst_48, BcchFreqLst_48, Re, bcc, ncc, C_NCCP_2) |      |   | 1.       |
| 4                           |       | (TCV_Ccd0B := TCV_Ccd0H, TCV_sysinfo5_B := TCV_sysinfo5, TCV_sysinfo6_B := TCV_sysinfo6)                                                                                                                                                                                                 |      |   |          |
| 5                           |       | +SysInfo_SacchSending( TCV_sacch_B, TCV_sysinfo5_B, TCV_sysinfo6_B)                                                                                                                                                                                                                      |      |   |          |
| <b>Detailed Comments:</b>   |       | 1. To send SYSTEM INFORMATION message with default parameter for cell B.                                                                                                                                                                                                                 |      |   |          |

| Test Step Dynamic Behaviour |            |                                                                                                                                                                                                                                                       |      |   |          |
|-----------------------------|------------|-------------------------------------------------------------------------------------------------------------------------------------------------------------------------------------------------------------------------------------------------------|------|---|----------|
| <b>Test Step Name:</b>      |            | StartCellB_egsm(par_bspwr, arfcn1, arfcn2:INTEGER; acttype:BITSTRING; slot:SN; tsc:TSC; ta:TA; t, retr, neci, att:INTEGER; babr, cch_con, bpm:B_3; t3212, mcc, mnc, lac:OCTETSTRING; cchdgm:CCHD; bcchf1, bcchf2:NCD; Re:BITSTRING; bcc:BCC; ncc:NCC) |      |   |          |
| <b>Group:</b>               |            | GSM_L3_MS_v4210/Preambles/                                                                                                                                                                                                                            |      |   |          |
| <b>Objective:</b>           |            | To setup a physical channel as combined BCCH, CCCH and SDCCH4 then broadcast SYSTEM INFORMATION messages 2, 3, 4, 5 and 6 with EGSM default parameters of cell B.                                                                                     |      |   |          |
| <b>Default:</b>             |            | OtherEvents                                                                                                                                                                                                                                           |      |   |          |
| Nr                          | Label      | Behaviour Description                                                                                                                                                                                                                                 | CRef | V | Comments |
| 1                           |            | (TCV_sacch_B := OC_SubchOfSacch4(TSPX_SDCCH4SubDef, C_CellB))                                                                                                                                                                                         |      |   |          |
| 2                           |            | +ltree_chconf                                                                                                                                                                                                                                         |      |   |          |
| 3                           |            | +SysInfoSending_e( C_SCH_B, C_BCCH_B_1, t, retr, neci, att, babr, cch_con, bpm, t3212, C_ci_cellB, mcc, mnc, lac, CellOpt_01, cchdgm, C_CellReselectHys12, C_MaxPwrLvlG, bcchf1, bcchf2, Re, bcc, ncc, C_NCCP_2)                                      |      |   |          |
| 4                           |            | (TCV_Ccd0B := TCV_Ccd0H, TCV_sysinfo5_B := TCV_sysinf5, TCV_sysinfo5bis_B := TCV_sysinfo5bis, TCV_sysinfo6_B := TCV_sysinf6)                                                                                                                          |      |   |          |
| 5                           |            | [cch_con = C_cch_1Comb]                                                                                                                                                                                                                               |      |   |          |
| 6                           |            | +SysInfo_SacchSending( TCV_sacch_B, TCV_sysinfo5_B, TCV_sysinfo6_B)                                                                                                                                                                                   |      |   |          |
| 7                           |            | [cch_con = C_cch_1nonComb]                                                                                                                                                                                                                            |      |   |          |
| 8                           | L_101<br>0 | [(cch_con <> C_cch_1nonComb) AND(cch_con <> C_cch_1Comb)]                                                                                                                                                                                             |      | I |          |
|                             |            | <b>ltree_chconf</b>                                                                                                                                                                                                                                   |      |   |          |
| 9                           |            | [cch_con = C_cch_1Comb]                                                                                                                                                                                                                               |      |   |          |
| 10                          |            | +CombinedBCCH_B( par_bspwr, C_MaxPwrLvlG, C_MaxPwrLvlD, arfcn1, arfcn2, acttype, slot, tsc, ta, babr, cch_con, bpm)                                                                                                                                   |      |   |          |
| 11                          |            | [cch_con = C_cch_1nonComb]                                                                                                                                                                                                                            |      |   |          |
| 12                          |            | +NonCombinedBCCH_B( par_bspwr, C_MaxPwrLvlG, C_MaxPwrLvlD, arfcn1, arfcn2, acttype, slot, tsc, ta, babr, cch_con, bpm)                                                                                                                                |      |   |          |
| 13                          | L_101<br>1 | [(cch_con <> C_cch_1nonComb) AND(cch_con <> C_cch_1Comb)]                                                                                                                                                                                             |      | I |          |
| <b>Detailed Comments:</b>   |            |                                                                                                                                                                                                                                                       |      |   |          |

| Test Step Dynamic Behaviour |            |                                                                                                                                                                                                                                                                                     |      |   |          |
|-----------------------------|------------|-------------------------------------------------------------------------------------------------------------------------------------------------------------------------------------------------------------------------------------------------------------------------------------|------|---|----------|
| <b>Test Step Name:</b>      |            | StartCellB_ho(par_bspwr, arfcn1, arfcn2:INTEGER; acttype:BITSTRING; slot:SN; tsc:TSC; ta:TA; t, retr, neci, att:INTEGER; babr, cch_con, bpm:B_3; t3212, mcc, mnc, lac:OCTETSTRING; cchdgsm, cchddcs:CCHD; bcchflgsm, bcchfldcs:NCD; Re:BITSTRING; bcc:BCC; ncc:NCC; td, fn:INTEGER) |      |   |          |
| <b>Group:</b>               |            | GSM_L3_MS_v4210/Preambles/                                                                                                                                                                                                                                                          |      |   |          |
| <b>Objective:</b>           |            | To setup a physical channel as combined BCCH, CCCH and SDCCH4 then broadcast SYSTEM INFORMATION messages 2, 3, 4, 5 and 6 with default parameters of cell B.                                                                                                                        |      |   |          |
| <b>Default:</b>             |            | OtherEvents                                                                                                                                                                                                                                                                         |      |   |          |
| Nr                          | Label      | Behaviour Description                                                                                                                                                                                                                                                               | CRef | V | Comments |
| 1                           |            | (TCV_sacch_B := OC_SubchOfSacch4(TSPX_SDCCH4SubDef, C_CellB))                                                                                                                                                                                                                       |      |   |          |
| 2                           |            | +ltree_chconf                                                                                                                                                                                                                                                                       |      |   |          |
| 3                           |            | +SysInfoSending_fh( C_SCH_B, C_BCCH_B_1, t, retr, neci, att, babr, cch_con, bpm, t3212, C_ci_cellB, mcc, mnc, lac, CellOpt_01, cchdgsm, cchddcs, C_CellReselectHys12, C_MaxPwrLvIG, C_MaxPwrLvID, bcchflgsm, bcchfldcs, Re, bcc, ncc, C_NCCP_2)                                     |      |   |          |
| 4                           |            | (TCV_Ccd0B := TCV_Ccd0H, TCV_sysinfo5_B := TCV_sysinfo5, TCV_sysinfo6_B := TCV_sysinfo6)                                                                                                                                                                                            |      |   |          |
| 5                           |            | [cch_con = C_cch_1Comb]                                                                                                                                                                                                                                                             |      |   |          |
| 6                           |            | +SysInfo_SacchSending( TCV_sacch_B, TCV_sysinfo5_B, TCV_sysinfo6_B)                                                                                                                                                                                                                 |      |   |          |
| 7                           |            | [cch_con = C_cch_1nonComb]                                                                                                                                                                                                                                                          |      |   |          |
| 8                           | L_101<br>2 | [(cch_con <> C_cch_1nonComb) AND(cch_con <> C_cch_1Comb)]                                                                                                                                                                                                                           |      | I |          |
|                             |            | <b>ltree_chconf</b>                                                                                                                                                                                                                                                                 |      |   |          |
| 9                           |            | [cch_con = C_cch_1Comb]                                                                                                                                                                                                                                                             |      |   |          |
| 10                          |            | +CombinedBCCH_B_ho( par_bspwr, C_MaxPwrLvIG, C_MaxPwrLvID, arfcn1, arfcn2, acttype, slot, tsc, ta, babr, cch_con, bpm, td, fn)                                                                                                                                                      |      |   |          |
| 11                          |            | [cch_con = C_cch_1nonComb]                                                                                                                                                                                                                                                          |      |   |          |
| 12                          |            | +NonCombinedBCCH_B_ho( par_bspwr, C_MaxPwrLvIG, C_MaxPwrLvID, arfcn1, arfcn2, acttype, slot, tsc, ta, babr, cch_con, bpm, td, fn)                                                                                                                                                   |      |   |          |
| 13                          | L_101<br>3 | [(cch_con <> C_cch_1nonComb) AND(cch_con <> C_cch_1Comb)]                                                                                                                                                                                                                           |      | I |          |
| <b>Detailed Comments:</b>   |            |                                                                                                                                                                                                                                                                                     |      |   |          |

| Test Step Dynamic Behaviour |       |                                                                                                                                                                                                                                                                    |      |    |          |
|-----------------------------|-------|--------------------------------------------------------------------------------------------------------------------------------------------------------------------------------------------------------------------------------------------------------------------|------|----|----------|
| <b>Test Step Name:</b>      |       | StartCellC( par_bspwr:INTEGER; actype:BITSTRING; slot:SN; tsc:TSC; ta:TA; att:INTEGER; babr, cch_con, bpm:B_3; t3212, mcc, mnc, lac:OCTETSTRING; Re:BITSTRING; bcc:BCC; ncc:NCC)                                                                                   |      |    |          |
| <b>Group:</b>               |       | GSM_L3_MS_v4210/Preambles/                                                                                                                                                                                                                                         |      |    |          |
| <b>Objective:</b>           |       | To setup a physical channel as combined BCCH, CCCH and SDCCH4 then broadcast SYSTEM INFORMATION messages 2, 3, 4, 5 and 6 with default parameters of cell C.                                                                                                       |      |    |          |
| <b>Default:</b>             |       | OtherEvents                                                                                                                                                                                                                                                        |      |    |          |
| <b>Comments:</b>            |       | IMSI attach/detach not allowed (ATT=0). Cell C belongs to PLMN1.                                                                                                                                                                                                   |      |    |          |
| Nr                          | Label | Behaviour Description                                                                                                                                                                                                                                              | CRef | V  | Comments |
| 1                           |       | (TCV_sacch_C := OC_SubchOfSacch4(TSPX_SDCCH4SubDef, C_CellC))                                                                                                                                                                                                      |      |    |          |
| 2                           |       | +CombinedBCCH_C( par_bspwr, C_MaxPwrLvlG, C_MaxPwrLvlD, C_arfcnC, C_arfcnCd, actype, slot, tsc, ta, babr, cch_con, bpm)                                                                                                                                            |      |    |          |
| 3                           |       | +SysInfoSending_nfh( C_SCH_C, C_BCCH_C_1, 5, 1, 0, att, babr, cch_con, bpm, t3212, C_ci_cellC, mcc, mnc, lac, CellOpt_01, C_CellReselectHys12, C_MaxPwrLvlG, C_MaxPwrLvlD, BcchFreqLst_07, BcchFreqLst_07, BcchFreqLst_15, BcchFreqLst_15, Re, bcc, ncc, C_NCCP_2) |      | 1. |          |
| 4                           |       | (TCV_Ccd0C := TCV_Ccd0H, TCV_sysinfo5_C := TCV_sysinfo5, TCV_sysinfo6_C := TCV_sysinfo6)                                                                                                                                                                           |      |    |          |
| 5                           |       | +SysInfo_SacchSending( TCV_sacch_C, TCV_sysinfo5_C, TCV_sysinfo6_C)                                                                                                                                                                                                |      |    |          |
| <b>Detailed Comments:</b>   |       |                                                                                                                                                                                                                                                                    |      |    |          |

| Test Step Dynamic Behaviour |       |                                                                                                                                                                                                                                                   |      |   |          |
|-----------------------------|-------|---------------------------------------------------------------------------------------------------------------------------------------------------------------------------------------------------------------------------------------------------|------|---|----------|
| <b>Test Step Name:</b>      |       | Start_2cells( actype:BITSTRING; slot:SN; tsc:TSC; ta:TA; att:INTEGER; babr, cch_con, bpm:B_3; t3212, mcc, mnc, lacA, lacB:OCTETSTRING)                                                                                                            |      |   |          |
| <b>Group:</b>               |       | GSM_L3_MS_v4210/Preambles/                                                                                                                                                                                                                        |      |   |          |
| <b>Objective:</b>           |       | To start cell A and cell B with default parameters except power level of cell A and power level of cell B and to bring the MS in Idle updated state on given cell.                                                                                |      |   |          |
|                             |       | A and B are from different location areas belonging to PLMN2. PLMN2 is different from HPLMN.                                                                                                                                                      |      |   |          |
|                             |       | IMSI attach detach is allowed in both cells.                                                                                                                                                                                                      |      |   |          |
|                             |       | T3212 value is 1/10 in both cells.                                                                                                                                                                                                                |      |   |          |
| <b>Default:</b>             |       | OtherEvents                                                                                                                                                                                                                                       |      |   |          |
| Nr                          | Label | Behaviour Description                                                                                                                                                                                                                             | CRef | V | Comments |
| 1                           |       | +StartCellB( C_E_default, C_arfcnB, C_arfcnBd, actype, slot, tsc, ta, C_TxInt_5, C_Max_1, C_NECl_0, att, babr, cch_con, bpm, t3212, mcc, mnc, lacB, CellChDes_04, CellChDes_03, BcchFreqLst_01, BcchFreqLst_48, C_noRestablishment, C_BCC, C_NCC) |      |   |          |
| 2                           |       | +StartCellA( C_E_neighbourdefault, actype, slot, tsc, ta, C_TxInt_5, C_Max_1, C_NECl_0, att, babr, cch_con, bpm, t3212, mcc, mnc, lacA, CellChDes_02, CellChDes_03, BcchFreqLst_01, BcchFreqLst_48, C_noRestablishment)                           |      |   |          |
| <b>Detailed Comments:</b>   |       |                                                                                                                                                                                                                                                   |      |   |          |

| Test Step Dynamic Behaviour |       |                                                                                                                                                                                                                                                                                                                                                                                                                                             |      |   |          |
|-----------------------------|-------|---------------------------------------------------------------------------------------------------------------------------------------------------------------------------------------------------------------------------------------------------------------------------------------------------------------------------------------------------------------------------------------------------------------------------------------------|------|---|----------|
| <b>Test Step Name:</b>      |       | StartMultiCells_01(acttype:BITSTRING; slot:SN; tsc:TSC; ta:TA; att:INTEGER; babr, cch_con, bpm:B_3; t3212, mcc2, mnc2, mcc3, mnc3, mcc4, mnc4, mcc5, mnc5, mcc6, mnc6, mcc7, mnc7, mcc8, mnc8, lac:OCTETSTRING)                                                                                                                                                                                                                             |      |   |          |
| <b>Group:</b>               |       | GSM_L3_MS_v4210/Preambles/                                                                                                                                                                                                                                                                                                                                                                                                                  |      |   |          |
| <b>Objective:</b>           |       | To setup 8 or 7 physical channels representing different cells then broadcast SYSTEM INFORMATION messages 2, 3, 4, 5 and 6 in multiple cells for idle mode testing.                                                                                                                                                                                                                                                                         |      |   |          |
| <b>Default:</b>             |       | OtherEvents                                                                                                                                                                                                                                                                                                                                                                                                                                 |      |   |          |
| <b>Comments:</b>            |       | The parameters for SYSTEM INFORMATION messages are defined in section 26.3.1 of GSM 11.10                                                                                                                                                                                                                                                                                                                                                   |      |   |          |
| Nr                          | Label | Behaviour Description                                                                                                                                                                                                                                                                                                                                                                                                                       | CRef | V | Comments |
| 1                           |       | (TCV_sacch_B := OC_SubchOfSacch4(TSPX_SDCCH4SubDef, C_CellB), TCV_sacch_C := OC_SubchOfSacch4(TSPX_SDCCH4SubDef, C_CellC), TCV_sacch_D := OC_SubchOfSacch4(TSPX_SDCCH4SubDef, C_CellD), TCV_sacch_E := OC_SubchOfSacch4(TSPX_SDCCH4SubDef, C_CellE), TCV_sacch_F := OC_SubchOfSacch4(TSPX_SDCCH4SubDef, C_CellF), TCV_sacch_G := OC_SubchOfSacch4(TSPX_SDCCH4SubDef, C_CellG), TCV_sacch_H := OC_SubchOfSacch4(TSPX_SDCCH4SubDef, C_CellH)) |      |   |          |
| 2                           |       | +cell2                                                                                                                                                                                                                                                                                                                                                                                                                                      |      |   |          |
| 3                           |       | +cell3                                                                                                                                                                                                                                                                                                                                                                                                                                      |      |   |          |
| 4                           |       | +cell4                                                                                                                                                                                                                                                                                                                                                                                                                                      |      |   |          |
| 5                           |       | +cell5                                                                                                                                                                                                                                                                                                                                                                                                                                      |      |   |          |
| 6                           |       | +cell6                                                                                                                                                                                                                                                                                                                                                                                                                                      |      |   |          |
| 7                           |       | [TSPC_PGSM OR TSPC_EGSM]                                                                                                                                                                                                                                                                                                                                                                                                                    |      |   |          |
| 8                           |       | +cell7g                                                                                                                                                                                                                                                                                                                                                                                                                                     |      |   |          |
| 9                           |       | +cell8                                                                                                                                                                                                                                                                                                                                                                                                                                      |      |   |          |
| 10                          |       | [TSPC_DCS]                                                                                                                                                                                                                                                                                                                                                                                                                                  |      |   |          |
| 11                          |       | +cell7d                                                                                                                                                                                                                                                                                                                                                                                                                                     |      |   |          |
|                             |       | <b>cell2</b>                                                                                                                                                                                                                                                                                                                                                                                                                                |      |   |          |
| 12                          |       | +CombinedBCCH_B(63, TSPX_MSTxpwrMax, TSPX_MSTxpwrMax, 7, 580, acttype, slot, tsc, ta, babr, cch_con, bpm)                                                                                                                                                                                                                                                                                                                                   |      |   |          |
| 13                          |       | +SysInfoSending_nfh(C_SCH_B, C_BCCH_B_1, C_TxInt_10, C_Max_2, C_NECl_0, att, babr, cch_con, bpm, t3212, C_ci_cellB, mcc2, mnc2, lac, CellOpt_02, C_CellReselectHys4, TSPX_MSTxpwrMax, TSPX_MSTxpwrMax, BcchFreqLst_06, BcchFreqLst_06, BcchFreqLst_14, BcchFreqLst_14, C_noRestablishment, C_BCC, C_NCC_1, C_NCCP_2)                                                                                                                        |      |   |          |
| 14                          |       | (TCV_Ccd0B := TCV_Ccd0H, TCV_sysinfo5_B := TCV_sysinf5, TCV_sysinfo6_B := TCV_sysinf6)                                                                                                                                                                                                                                                                                                                                                      |      |   |          |
| 15                          |       | +SysInfo_SacchSending(TCV_sacch_B, TCV_sysinfo5_B, TCV_sysinfo6_B)                                                                                                                                                                                                                                                                                                                                                                          |      |   |          |
|                             |       | <b>cell3</b>                                                                                                                                                                                                                                                                                                                                                                                                                                |      |   |          |
| 16                          |       | +CombinedBCCH_C(61, TSPX_MSTxpwrMax, TSPX_MSTxpwrMax, 39, 610, acttype, slot, tsc, ta, babr, cch_con, bpm)                                                                                                                                                                                                                                                                                                                                  |      |   |          |
| 17                          |       | +SysInfoSending_nfh(C_SCH_C, C_BCCH_C_1, C_TxInt_10, C_Max_2, C_NECl_0, att, babr, cch_con, bpm, t3212, C_ci_cellC, mcc3, mnc3, lac, CellOpt_02, C_CellReselectHys4, TSPX_MSTxpwrMax, TSPX_MSTxpwrMax, BcchFreqLst_07, BcchFreqLst_07, BcchFreqLst_15, BcchFreqLst_15, C_noRestablishment, C_BCC, C_NCC_2, C_NCCP_2)                                                                                                                        |      |   |          |
| 18                          |       | (TCV_Ccd0C := TCV_Ccd0H, TCV_sysinfo5_C := TCV_sysinf5, TCV_sysinfo6_C := TCV_sysinf6)                                                                                                                                                                                                                                                                                                                                                      |      |   |          |
| 19                          |       | +SysInfo_SacchSending(TCV_sacch_C, TCV_sysinfo5_C, TCV_sysinfo6_C)                                                                                                                                                                                                                                                                                                                                                                          |      |   |          |
|                             |       | <b>cell4</b>                                                                                                                                                                                                                                                                                                                                                                                                                                |      |   |          |

|    |                                                                                                                                                                                                                                                                                                                                               |  |  |  |
|----|-----------------------------------------------------------------------------------------------------------------------------------------------------------------------------------------------------------------------------------------------------------------------------------------------------------------------------------------------|--|--|--|
| 20 | +CombinedBCCH_D(55, TSPX_MSTxpwrMax,<br>TSPX_MSTxpwrMax, 65, 702, acttype, slot, tsc, ta,<br>babr, cch_con, bpm)                                                                                                                                                                                                                              |  |  |  |
| 21 | +SysInfoSending_nfh( C_SCH_D, C_BCCH_D_1,<br>C_TxInt_10, C_Max_2, C_NECl_0, att, babr,<br>cch_con, bpm, t3212, C_ci_cellD, mcc4, mnc4, lac,<br>CellOpt_02, C_CellReselectHys4,<br>TSPX_MSTxpwrMax, TSPX_MSTxpwrMax,<br>BcchFreqLst_08, BcchFreqLst_08,<br>BcchFreqLst_16, BcchFreqLst_16,<br>C_noRestablishment, C_BCC, C_NCC_3,<br>C_NCCP_2) |  |  |  |
| 22 | (TCV_Ccd0D := TCV_Ccd0H, TCV_sysinfo5_D<br>:= TCV_sysinf5, TCV_sysinfo6_D :=<br>TCV_sysinf6)                                                                                                                                                                                                                                                  |  |  |  |
| 23 | +SysInfo_SacchSending( TCV_sacch_D,<br>TCV_sysinfo5_D, TCV_sysinfo6_D)                                                                                                                                                                                                                                                                        |  |  |  |
|    | <b>cell5</b>                                                                                                                                                                                                                                                                                                                                  |  |  |  |
| 24 | +CombinedBCCH_E(59, TSPX_MSTxpwrMax,<br>TSPX_MSTxpwrMax, 66, 703, acttype, slot, tsc, ta,<br>babr, cch_con, bpm)                                                                                                                                                                                                                              |  |  |  |
| 25 | +SysInfoSending_nfh( C_SCH_E, C_BCCH_E_1,<br>C_TxInt_10, C_Max_2, C_NECl_0, att, babr,<br>cch_con, bpm, t3212, C_ci_cellE, mcc5, mnc5, lac,<br>CellOpt_02, C_CellReselectHys4,<br>TSPX_MSTxpwrMax, TSPX_MSTxpwrMax,<br>BcchFreqLst_09, BcchFreqLst_09,<br>BcchFreqLst_17, BcchFreqLst_17,<br>C_noRestablishment, C_BCC, C_NCC_4,<br>C_NCCP_2) |  |  |  |
| 26 | (TCV_Ccd0E := TCV_Ccd0H, TCV_sysinfo5_E<br>:= TCV_sysinf5, TCV_sysinfo6_E :=<br>TCV_sysinf6)                                                                                                                                                                                                                                                  |  |  |  |
| 27 | +SysInfo_SacchSending( TCV_sacch_E,<br>TCV_sysinfo5_E, TCV_sysinfo6_E)                                                                                                                                                                                                                                                                        |  |  |  |
|    | <b>cell6</b>                                                                                                                                                                                                                                                                                                                                  |  |  |  |
| 28 | +CombinedBCCH_F(57, TSPX_MSTxpwrMax,<br>TSPX_MSTxpwrMax, 85, 830, acttype, slot, tsc, ta,<br>babr, cch_con, bpm)                                                                                                                                                                                                                              |  |  |  |
| 29 | +SysInfoSending_nfh( C_SCH_F, C_BCCH_F_1,<br>C_TxInt_10, C_Max_2, C_NECl_0, att, babr,<br>cch_con, bpm, t3212, C_ci_cellF, mcc6, mnc6, lac,<br>CellOpt_02, C_CellReselectHys4,<br>TSPX_MSTxpwrMax, TSPX_MSTxpwrMax,<br>BcchFreqLst_10, BcchFreqLst_10,<br>BcchFreqLst_18, BcchFreqLst_18,<br>C_noRestablishment, C_BCC, C_NCC_5,<br>C_NCCP_2) |  |  |  |
| 30 | (TCV_Ccd0F := TCV_Ccd0H, TCV_sysinfo5_F<br>:= TCV_sysinf5, TCV_sysinfo6_F := TCV_sysinf6)                                                                                                                                                                                                                                                     |  |  |  |
| 31 | +SysInfo_SacchSending( TCV_sacch_F,<br>TCV_sysinfo5_F, TCV_sysinfo6_F)                                                                                                                                                                                                                                                                        |  |  |  |
|    | <b>cell7g</b>                                                                                                                                                                                                                                                                                                                                 |  |  |  |
| 32 | +CombinedBCCH_G_sp(55, TSPX_MSTxpwrMax,<br>TSPX_MSTxpwrMax, 97, 985, 885, acttype, slot, tsc,<br>ta, babr, cch_con, bpm)                                                                                                                                                                                                                      |  |  |  |
| 33 | +SysInfoSending_nfh( C_SCH_G, C_BCCH_G_1,<br>C_TxInt_10, C_Max_2, C_NECl_0, att, babr,<br>cch_con, bpm, t3212, C_ci_cellG, mcc7, mnc7, lac,<br>CellOpt_02, C_CellReselectHys4,<br>TSPX_MSTxpwrMax, TSPX_MSTxpwrMax,<br>BcchFreqLst_11, BcchFreqLst_11,<br>BcchFreqLst_19, BcchFreqLst_19,<br>C_noRestablishment, C_BCC, C_NCC_6,<br>C_NCCP_2) |  |  |  |
| 34 | (TCV_Ccd0G := TCV_Ccd0H, TCV_sysinfo5_G<br>:= TCV_sysinf5, TCV_sysinfo6_G :=<br>TCV_sysinf6)                                                                                                                                                                                                                                                  |  |  |  |
| 35 | +SysInfo_SacchSending( TCV_sacch_G,<br>TCV_sysinfo5_G, TCV_sysinfo6_G)                                                                                                                                                                                                                                                                        |  |  |  |

|                           |                                                                                                                                                                                                                                                                                                                                                 |  |  |
|---------------------------|-------------------------------------------------------------------------------------------------------------------------------------------------------------------------------------------------------------------------------------------------------------------------------------------------------------------------------------------------|--|--|
|                           |                                                                                                                                                                                                                                                                                                                                                 |  |  |
| 36                        | <b>cell7d</b><br>+CombinedBCCH_G_sp(55, TSPX_MSTxpwrMax,<br>TSPX_MSTxpwrMax, 97, 985, 885, acttype, slot, tsc,<br>ta, babr, cch_con, bpm)                                                                                                                                                                                                       |  |  |
| 37                        | +SysInfoSending_nfhCb( C_SCH_G,<br>C_BCCH_G_1, C_TxInt_10, C_Max_2, C_NECl_0,<br>att, babr, cch_con, bpm, t3212, C_ci_cellG, mcc8,<br>mnc8, lac, CellOpt_02, C_CellReselectHys4,<br>TSPX_MSTxpwrMax, TSPX_MSTxpwrMax,<br>BcchFreqLst_11, BcchFreqLst_11,<br>BcchFreqLst_19, BcchFreqLst_19,<br>C_noRestablishment, C_BCC, C_NCC_6,<br>C_NCCP_2) |  |  |
| 38                        | (TCV_Ccd0G := TCV_Ccd0H, TCV_sysinfo5_G<br>:= TCV_sysinf5, TCV_sysinfo6_G :=<br>TCV_sysinf6)                                                                                                                                                                                                                                                    |  |  |
| 39                        | +SysInfo_SacchSending( TCV_sacch_G,<br>TCV_sysinfo5_G, TCV_sysinfo6_G)                                                                                                                                                                                                                                                                          |  |  |
|                           | <b>cell8</b>                                                                                                                                                                                                                                                                                                                                    |  |  |
| 40                        | +CombinedBCCH_H(53, TSPX_MSTxpwrMax,<br>TSPX_MSTxpwrMax, 124, 124, acttype, slot, tsc, ta,<br>babr, cch_con, bpm)                                                                                                                                                                                                                               |  |  |
| 41                        | +SysInfoSending_nfh( C_SCH_H, C_BCCH_H_1,<br>C_TxInt_10, C_Max_2, C_NECl_0, att, babr,<br>cch_con, bpm, t3212, C_ci_cellH, mcc8, mnc8, lac,<br>CellOpt_02, C_CellReselectHys4,<br>TSPX_MSTxpwrMax, TSPX_MSTxpwrMax,<br>BcchFreqLst_12, BcchFreqLst_12,<br>BcchFreqLst_12, BcchFreqLst_12,<br>C_noRestablishment, C_BCC, C_NCC_7,<br>C_NCCP_2)   |  |  |
| 42                        | (TCV_sysinfo5_H := TCV_sysinf5,<br>TCV_sysinfo6_H := TCV_sysinf6)                                                                                                                                                                                                                                                                               |  |  |
| 43                        | +SysInfo_SacchSending( TCV_sacch_H,<br>TCV_sysinfo5_H, TCV_sysinfo6_H)                                                                                                                                                                                                                                                                          |  |  |
| <b>Detailed Comments:</b> |                                                                                                                                                                                                                                                                                                                                                 |  |  |

| Test Step Dynamic Behaviour |       |                                                                                                                                                                                                                                                                                                    |      |   |          |
|-----------------------------|-------|----------------------------------------------------------------------------------------------------------------------------------------------------------------------------------------------------------------------------------------------------------------------------------------------------|------|---|----------|
| <b>Test Step Name:</b>      |       | StartMultiCells_02(bcchfl_gsm, bcchfl_dcs:NCD; acttype:BITSTRING; slot:SN; tsc:TSC; ta:TA; att:INTEGER; babr, cch_con, bpm:B_3; t3212, mcc, mnc, lacB, lacC, lacD, lacE, lacF, lacG, lacH:OCTETSTRING)                                                                                             |      |   |          |
| <b>Group:</b>               |       | GSM_L3_MS_v4210/Preambles/                                                                                                                                                                                                                                                                         |      |   |          |
| <b>Objective:</b>           |       | To broadcast SYSTEM INFORMATION messages 1, 2, 3, 4, 5 and 6 in multiple cells for measurement testing. Neighbour cells description for cell S1 is a formal parameter.                                                                                                                             |      |   |          |
| <b>Default:</b>             |       | OtherEvents                                                                                                                                                                                                                                                                                        |      |   |          |
| <b>Comments:</b>            |       | The parameters for SYSTEM INFORMATION messages are defined in section 26.6.3 of GSM 11.10                                                                                                                                                                                                          |      |   |          |
| Nr                          | Label | Behaviour Description                                                                                                                                                                                                                                                                              | CRef | V | Comments |
| 1                           |       | +cellN1                                                                                                                                                                                                                                                                                            |      |   |          |
| 2                           |       | +cellN2                                                                                                                                                                                                                                                                                            |      |   |          |
| 3                           |       | +cellN3                                                                                                                                                                                                                                                                                            |      |   |          |
| 4                           |       | +cellN4                                                                                                                                                                                                                                                                                            |      |   |          |
| 5                           |       | +cellN5                                                                                                                                                                                                                                                                                            |      |   |          |
| 6                           |       | +cellN6                                                                                                                                                                                                                                                                                            |      |   |          |
| 7                           |       | +cellN7                                                                                                                                                                                                                                                                                            |      |   |          |
|                             |       | <b>cellN1</b>                                                                                                                                                                                                                                                                                      |      |   |          |
| 8                           |       | +CombinedBCCH_B(28, C_MaxPwrLvlG, C_MaxPwrLvlD, 8, 530, acttype, slot, tsc, ta, babr, cch_con, bpm)                                                                                                                                                                                                |      |   |          |
| 9                           |       | +SysInfoSending_fh( C_SCH_B, C_BCCH_B_1, C_TxInt_5, C_Max_1, C_NECl_0, att, babr, cch_con, bpm, t3212, C_ci_cellB, mcc, mnc, lacB, CellOpt_01, CellChDes_05, CellChDes_05d, C_CellReselectHys12, C_MaxPwrLvlG, C_MaxPwrLvlD, bcchfl_gsm, bcchfl_dcs, C_noRestablishment, C_BCC, C_NCC, C_NCCP_2)   |      |   |          |
| 10                          |       | (TCV_Ccd0B := TCV_Ccd0H)                                                                                                                                                                                                                                                                           |      |   |          |
|                             |       | <b>cellN2</b>                                                                                                                                                                                                                                                                                      |      |   |          |
| 11                          |       | +CombinedBCCH_C(33, C_MaxPwrLvlG, C_MaxPwrLvlD, 14, 602, acttype, slot, tsc, ta, babr, cch_con, bpm)                                                                                                                                                                                               |      |   |          |
| 12                          |       | +SysInfoSending_fh( C_SCH_C, C_BCCH_C_1, C_TxInt_5, C_Max_1, C_NECl_0, att, babr, cch_con, bpm, t3212, C_ci_cellC, mcc, mnc, lacC, CellOpt_01, CellChDes_06, CellChDes_06d, C_CellReselectHys12, C_MaxPwrLvlG, C_MaxPwrLvlD, bcchfl_gsm, bcchfl_dcs, C_noRestablishment, C_BCC_7, C_NCC, C_NCCP_2) |      |   |          |
| 13                          |       | (TCV_Ccd0C := TCV_Ccd0H)                                                                                                                                                                                                                                                                           |      |   |          |
|                             |       | <b>cellN3</b>                                                                                                                                                                                                                                                                                      |      |   |          |
| 14                          |       | +CombinedBCCH_D(38, C_MaxPwrLvlG, C_MaxPwrLvlD, 20, 665, acttype, slot, tsc, ta, babr, cch_con, bpm)                                                                                                                                                                                               |      |   |          |
| 15                          |       | +SysInfoSending_fh( C_SCH_D, C_BCCH_D_1, C_TxInt_5, C_Max_1, C_NECl_0, att, babr, cch_con, bpm, t3212, C_ci_cellD, mcc, mnc, lacD, CellOpt_01, CellChDes_07, CellChDes_07d, C_CellReselectHys12, C_MaxPwrLvlG, C_MaxPwrLvlD, bcchfl_gsm, bcchfl_dcs, C_noRestablishment, C_BCC_1, C_NCC, C_NCCP_2) |      |   | ncc = 1  |
| 16                          |       | (TCV_Ccd0D := TCV_Ccd0H)                                                                                                                                                                                                                                                                           |      |   |          |
|                             |       | <b>cellN4</b>                                                                                                                                                                                                                                                                                      |      |   |          |
| 17                          |       | +CombinedBCCH_E(58, C_MaxPwrLvlG, C_MaxPwrLvlD, 26, 762, acttype, slot, tsc, ta, babr, cch_con, bpm)                                                                                                                                                                                               |      |   |          |
| 18                          |       | +SysInfoSending_fh( C_SCH_E, C_BCCH_E_1, C_TxInt_5, C_Max_1, C_NECl_0, att, babr, cch_con, bpm, t3212, C_ci_cellE, mcc, mnc, lacE, CellOpt_01, CellChDes_08, CellChDes_08d, C_CellReselectHys12, C_MaxPwrLvlG, C_MaxPwrLvlD, bcchfl_gsm, bcchfl_dcs,                                               |      |   | ncc = 1  |



|                           |                                                                                                                                                                                                                                                                                                                         |         |  |
|---------------------------|-------------------------------------------------------------------------------------------------------------------------------------------------------------------------------------------------------------------------------------------------------------------------------------------------------------------------|---------|--|
| 19                        | C_noRestablishment, C_BCC_3, C_NCC,<br>C_NCCP_2)<br>(TCV_Ccd0E := TCV_Ccd0H)                                                                                                                                                                                                                                            |         |  |
| 20                        | <b>cellN5</b><br>+CombinedBCCH_F(63, C_MaxPwrLvlG,<br>C_MaxPwrLvlD, 32, 686, acttype, slot, tsc, ta, babr,<br>cch_con, bpm)                                                                                                                                                                                             |         |  |
| 21                        | +SysInfoSending_fh( C_SCH_F, C_BCCH_F_1,<br>C_TxInt_5, C_Max_1, C_NECI_0, att, babr,<br>cch_con, bpm, t3212, C_ci_cellF, mcc, mnc, lacF,<br>CellOpt_01, CellChDes_09, CellChDes_09d,<br>C_CellReselectHys12, C_MaxPwrLvlG,<br>C_MaxPwrLvlD, bcchfl_gsm, bcchfl_dcs,<br>C_noRestablishment, C_BCC, C_NCC,<br>C_NCCP_2)   | ncc = 1 |  |
| 22                        | (TCV_Ccd0F := TCV_Ccd0H)                                                                                                                                                                                                                                                                                                |         |  |
| 23                        | <b>cellN6</b><br>+CombinedBCCH_G(68, C_MaxPwrLvlG,<br>C_MaxPwrLvlD, 38, 549, acttype, slot, tsc, ta, babr,<br>cch_con, bpm)                                                                                                                                                                                             |         |  |
| 24                        | +SysInfoSending_fh( C_SCH_G, C_BCCH_G_1,<br>C_TxInt_5, C_Max_1, C_NECI_0, att, babr,<br>cch_con, bpm, t3212, C_ci_cellG, mcc, mnc, lacG,<br>CellOpt_01, CellChDes_10, CellChDes_10d,<br>C_CellReselectHys12, C_MaxPwrLvlG,<br>C_MaxPwrLvlD, bcchfl_gsm, bcchfl_dcs,<br>C_noRestablishment, C_BCC_7, C_NCC,<br>C_NCCP_2) |         |  |
| 25                        | (TCV_Ccd0G := TCV_Ccd0H)                                                                                                                                                                                                                                                                                                |         |  |
| 26                        | <b>cellN7</b><br>+CombinedBCCH_H(73, C_MaxPwrLvlG,<br>C_MaxPwrLvlD, 44, 810, acttype, slot, tsc, ta, babr,<br>cch_con, bpm)                                                                                                                                                                                             |         |  |
| 27                        | +SysInfoSending_fh( C_SCH_H, C_BCCH_H_1,<br>C_TxInt_5, C_Max_1, C_NECI_0, att, babr,<br>cch_con, bpm, t3212, C_ci_cellH, mcc, mnc, lacH,<br>CellOpt_01, CellChDes_11, CellChDes_11d,<br>C_CellReselectHys12, C_MaxPwrLvlG,<br>C_MaxPwrLvlD, bcchfl_gsm, bcchfl_dcs,<br>C_noRestablishment, C_BCC_1, C_NCC,<br>C_NCCP_2) |         |  |
| <b>Detailed Comments:</b> |                                                                                                                                                                                                                                                                                                                         |         |  |

| Test Step Dynamic Behaviour                                                                                                                                                                                                          |       |                                                                                                                                                                                                                                                                                                    |      |   |          |
|--------------------------------------------------------------------------------------------------------------------------------------------------------------------------------------------------------------------------------------|-------|----------------------------------------------------------------------------------------------------------------------------------------------------------------------------------------------------------------------------------------------------------------------------------------------------|------|---|----------|
| <b>Test Step Name:</b> StartMultiCells_02e(bcchfl_gsm, bcchfl_dcs:NCD; acttype:BITSTRING; slot:SN; tsc:TSC; ta:TA; att:INTEGER; babr, cch_con, bpm:B_3; t3212, mcc, mnc, lacA, lacB, lacC, lacD, lacE, lacF, lacG, lacH:OCTETSTRING) |       |                                                                                                                                                                                                                                                                                                    |      |   |          |
| <b>Group:</b> GSM_L3_MS_v4210/Preambles/                                                                                                                                                                                             |       |                                                                                                                                                                                                                                                                                                    |      |   |          |
| <b>Objective:</b> To broadcast SYSTEM INFORMATION messages 1, 2, 3, 4, 5 and 6 in multiple cells for measurement testing. Neighbour cells description for cell S1 is a formal parameter.                                             |       |                                                                                                                                                                                                                                                                                                    |      |   |          |
| <b>Default:</b> OtherEvents                                                                                                                                                                                                          |       |                                                                                                                                                                                                                                                                                                    |      |   |          |
| <b>Comments:</b> The parameters for SYSTEM INFORMATION messages are defined in section 26.10.2 of GSM 11.10                                                                                                                          |       |                                                                                                                                                                                                                                                                                                    |      |   |          |
| Nr                                                                                                                                                                                                                                   | Label | Behaviour Description                                                                                                                                                                                                                                                                              | CRef | V | Comments |
| 1                                                                                                                                                                                                                                    |       | +cellN1                                                                                                                                                                                                                                                                                            |      |   |          |
| 2                                                                                                                                                                                                                                    |       | +cellN2                                                                                                                                                                                                                                                                                            |      |   |          |
| 3                                                                                                                                                                                                                                    |       | +cellN3                                                                                                                                                                                                                                                                                            |      |   |          |
| 4                                                                                                                                                                                                                                    |       | +cellN4                                                                                                                                                                                                                                                                                            |      |   |          |
| 5                                                                                                                                                                                                                                    |       | +cellN5                                                                                                                                                                                                                                                                                            |      |   |          |
| 6                                                                                                                                                                                                                                    |       | +cellN6                                                                                                                                                                                                                                                                                            |      |   |          |
| 7                                                                                                                                                                                                                                    |       | +cellN7                                                                                                                                                                                                                                                                                            |      |   |          |
| <b>cellN1</b>                                                                                                                                                                                                                        |       |                                                                                                                                                                                                                                                                                                    |      |   |          |
| 8                                                                                                                                                                                                                                    |       | +CombinedBCCH_B(28, C_MaxPwrLvlG, C_MaxPwrLvlD, C_arfcnEgsm, C_arfcnEgsm, acttype, slot, tsc, ta, babr, cch_con, bpm)                                                                                                                                                                              |      |   |          |
| 9                                                                                                                                                                                                                                    |       | +SysInfoSending_fh( C_SCH_B, C_BCCH_B_1, C_TxInt_5, C_Max_1, C_NECI_0, att, babr, cch_con, bpm, t3212, C_ci_cellB, mcc, mnc, lacB, CellOpt_01, CellChDes_05, CellChDes_05d, C_CellReselectHys12, C_MaxPwrLvlG, C_MaxPwrLvlD, bcchfl_gsm, bcchfl_dcs, C_noRestablishment, C_BCC, C_NCC, C_NCCP_2)   |      |   |          |
| 10                                                                                                                                                                                                                                   |       | (TCV_Ccd0B := TCV_Ccd0H)                                                                                                                                                                                                                                                                           |      |   |          |
| <b>cellN2</b>                                                                                                                                                                                                                        |       |                                                                                                                                                                                                                                                                                                    |      |   |          |
| 11                                                                                                                                                                                                                                   |       | +CombinedBCCH_C(33, C_MaxPwrLvlG, C_MaxPwrLvlD, 1005, 1005, acttype, slot, tsc, ta, babr, cch_con, bpm)                                                                                                                                                                                            |      |   |          |
| 12                                                                                                                                                                                                                                   |       | +SysInfoSending_fh( C_SCH_C, C_BCCH_C_1, C_TxInt_5, C_Max_1, C_NECI_0, att, babr, cch_con, bpm, t3212, C_ci_cellC, mcc, mnc, lacC, CellOpt_01, CellChDes_06, CellChDes_06d, C_CellReselectHys12, C_MaxPwrLvlG, C_MaxPwrLvlD, bcchfl_gsm, bcchfl_dcs, C_noRestablishment, C_BCC_7, C_NCC, C_NCCP_2) |      |   |          |
| 13                                                                                                                                                                                                                                   |       | (TCV_Ccd0C := TCV_Ccd0H)                                                                                                                                                                                                                                                                           |      |   |          |
| <b>cellN3</b>                                                                                                                                                                                                                        |       |                                                                                                                                                                                                                                                                                                    |      |   |          |
| 14                                                                                                                                                                                                                                   |       | +CombinedBCCH_D(38, C_MaxPwrLvlG, C_MaxPwrLvlD, 0, 0, acttype, slot, tsc, ta, babr, cch_con, bpm)                                                                                                                                                                                                  |      |   |          |
| 15                                                                                                                                                                                                                                   |       | +SysInfoSending_fh( C_SCH_D, C_BCCH_D_1, C_TxInt_5, C_Max_1, C_NECI_0, att, babr, cch_con, bpm, t3212, C_ci_cellD, mcc, mnc, lacD, CellOpt_01, CellChDes_07, CellChDes_07d, C_CellReselectHys12, C_MaxPwrLvlG, C_MaxPwrLvlD, bcchfl_gsm, bcchfl_dcs, C_noRestablishment, C_BCC_1, C_NCC, C_NCCP_2) |      |   | ncc = 1  |
| 16                                                                                                                                                                                                                                   |       | (TCV_Ccd0D := TCV_Ccd0H)                                                                                                                                                                                                                                                                           |      |   |          |
| <b>cellN4</b>                                                                                                                                                                                                                        |       |                                                                                                                                                                                                                                                                                                    |      |   |          |
| 17                                                                                                                                                                                                                                   |       | +CombinedBCCH_E(58, C_MaxPwrLvlG, C_MaxPwrLvlD, 26, 26, acttype, slot, tsc, ta, babr, cch_con, bpm)                                                                                                                                                                                                |      |   |          |
| 18                                                                                                                                                                                                                                   |       | +SysInfoSending_fh( C_SCH_E, C_BCCH_E_1, C_TxInt_5, C_Max_1, C_NECI_0, att, babr, cch_con, bpm, t3212, C_ci_cellE, mcc, mnc, lacE, CellOpt_01, CellChDes_08, CellChDes_08d, C_CellReselectHys12, C_MaxPwrLvlG, C_MaxPwrLvlD, bcchfl_gsm, bcchfl_dcs,                                               |      |   | ncc = 1  |

|                           |                                                                                                                                                                                                                                                                                                                         |         |  |
|---------------------------|-------------------------------------------------------------------------------------------------------------------------------------------------------------------------------------------------------------------------------------------------------------------------------------------------------------------------|---------|--|
| 19                        | C_noRestablishment, C_BCC_3, C_NCC,<br>C_NCCP_2)<br>(TCV_Ccd0E := TCV_Ccd0H)                                                                                                                                                                                                                                            |         |  |
| 20                        | <b>cellN5</b><br>+CombinedBCCH_F(63, C_MaxPwrLvlG,<br>C_MaxPwrLvlD, 1020, 1020, acttype, slot, tsc, ta,<br>babr, cch_con, bpm)                                                                                                                                                                                          |         |  |
| 21                        | +SysInfoSending_fh( C_SCH_F, C_BCCH_F_1,<br>C_TxInt_5, C_Max_1, C_NECI_0, att, babr,<br>cch_con, bpm, t3212, C_ci_cellF, mcc, mnc, lacF,<br>CellOpt_01, CellChDes_09, CellChDes_09d,<br>C_CellReselectHys12, C_MaxPwrLvlG,<br>C_MaxPwrLvlD, bcchfl_gsm, bcchfl_dcs,<br>C_noRestablishment, C_BCC, C_NCC,<br>C_NCCP_2)   | ncc = 1 |  |
| 22                        | (TCV_Ccd0F := TCV_Ccd0H)                                                                                                                                                                                                                                                                                                |         |  |
| 23                        | <b>cellN6</b><br>+CombinedBCCH_G(68, C_MaxPwrLvlG,<br>C_MaxPwrLvlD, 38, 38, acttype, slot, tsc, ta, babr,<br>cch_con, bpm)                                                                                                                                                                                              |         |  |
| 24                        | +SysInfoSending_fh( C_SCH_G, C_BCCH_G_1,<br>C_TxInt_5, C_Max_1, C_NECI_0, att, babr,<br>cch_con, bpm, t3212, C_ci_cellG, mcc, mnc, lacG,<br>CellOpt_01, CellChDes_10, CellChDes_10d,<br>C_CellReselectHys12, C_MaxPwrLvlG,<br>C_MaxPwrLvlD, bcchfl_gsm, bcchfl_dcs,<br>C_noRestablishment, C_BCC_7, C_NCC,<br>C_NCCP_2) |         |  |
| 25                        | (TCV_Ccd0G := TCV_Ccd0H)                                                                                                                                                                                                                                                                                                |         |  |
| 26                        | <b>cellN7</b><br>+CombinedBCCH_H(73, C_MaxPwrLvlG,<br>C_MaxPwrLvlD, 1003, 1003, acttype, slot, tsc, ta,<br>babr, cch_con, bpm)                                                                                                                                                                                          |         |  |
| 27                        | +SysInfoSending_fh( C_SCH_H, C_BCCH_H_1,<br>C_TxInt_5, C_Max_1, C_NECI_0, att, babr,<br>cch_con, bpm, t3212, C_ci_cellH, mcc, mnc, lacH,<br>CellOpt_01, CellChDes_11, CellChDes_11d,<br>C_CellReselectHys12, C_MaxPwrLvlG,<br>C_MaxPwrLvlD, bcchfl_gsm, bcchfl_dcs,<br>C_noRestablishment, C_BCC_1, C_NCC,<br>C_NCCP_2) |         |  |
| <b>Detailed Comments:</b> |                                                                                                                                                                                                                                                                                                                         |         |  |

| <b>Test Step Dynamic Behaviour</b>                                                                                                                                                                                            |       |                                                                                                                                                                                                                                                                                                           |      |   |          |
|-------------------------------------------------------------------------------------------------------------------------------------------------------------------------------------------------------------------------------|-------|-----------------------------------------------------------------------------------------------------------------------------------------------------------------------------------------------------------------------------------------------------------------------------------------------------------|------|---|----------|
| <b>Test Step Name:</b> StartMultiCells_03(bcchfl_gsm, bcchfl_dcs:NCD; acttype:BITSTRING; slot:SN; tsc:TSC; ta:TA; att:INTEGER; babr, cch_con, bpm:B_3; t3212, mcc, mnc, lacA, lacC, lacD, lacE, lacF, lacG, lacH:OCTETSTRING) |       |                                                                                                                                                                                                                                                                                                           |      |   |          |
| <b>Group:</b> GSM_L3_MS_v4210/Preambles/                                                                                                                                                                                      |       |                                                                                                                                                                                                                                                                                                           |      |   |          |
| <b>Objective:</b> To broadcast SYSTEM INFORMATION messages 1, 2, 3, 4, 5 and 6 in multiple cells for measurement testing. Neighbour cells description for cell S1 is a formal parameter.                                      |       |                                                                                                                                                                                                                                                                                                           |      |   |          |
| <b>Default:</b> OtherEvents                                                                                                                                                                                                   |       |                                                                                                                                                                                                                                                                                                           |      |   |          |
| <b>Comments:</b> The parameters for SYSTEM INFORMATION messages are defined in section 26.6.3 of GSM 11.10                                                                                                                    |       |                                                                                                                                                                                                                                                                                                           |      |   |          |
| Nr                                                                                                                                                                                                                            | Label | Behaviour Description                                                                                                                                                                                                                                                                                     | CRef | V | Comments |
| 1                                                                                                                                                                                                                             |       | +cellS                                                                                                                                                                                                                                                                                                    |      |   |          |
| 2                                                                                                                                                                                                                             |       | +cellN2                                                                                                                                                                                                                                                                                                   |      |   |          |
| 3                                                                                                                                                                                                                             |       | +cellN3                                                                                                                                                                                                                                                                                                   |      |   |          |
| 4                                                                                                                                                                                                                             |       | +cellN4                                                                                                                                                                                                                                                                                                   |      |   |          |
| 5                                                                                                                                                                                                                             |       | +cellN5                                                                                                                                                                                                                                                                                                   |      |   |          |
| 6                                                                                                                                                                                                                             |       | +cellN6                                                                                                                                                                                                                                                                                                   |      |   |          |
| 7                                                                                                                                                                                                                             |       | +cellN1                                                                                                                                                                                                                                                                                                   |      |   |          |
| <b>cellS</b>                                                                                                                                                                                                                  |       |                                                                                                                                                                                                                                                                                                           |      |   |          |
| 8                                                                                                                                                                                                                             |       | +CombinedBCCH_A(C_E_neighbourdefault, C_MaxPwrLvlG, C_MaxPwrLvlD, C_arfcn_2, C_arfcnAd_2, acttype, slot, tsc, ta, babr, cch_con, bpm)                                                                                                                                                                     |      |   |          |
| 9                                                                                                                                                                                                                             |       | +SysInfoSending_fh( C_SCH_A, C_BCCH_A_1, C_TxInt_5, C_Max_1, C_NECI_0, att, babr, cch_con, bpm, t3212, C_ci_cellA, mcc, mnc, lacA, CellOpt_03, CellChDes_02, CellChDes_03, C_CellReselectHys12, C_MaxPwrLvlG, C_MaxPwrLvlD, BcchFreqLst_35, BcchFreqLst_27, C_noRestablishment, C_BCC_3, C_NCC, C_NCCP_2) |      |   |          |
| 10                                                                                                                                                                                                                            |       | (TCV_Ccd0A := TCV_Ccd0H)                                                                                                                                                                                                                                                                                  |      |   |          |
| <b>cellN2</b>                                                                                                                                                                                                                 |       |                                                                                                                                                                                                                                                                                                           |      |   |          |
| 11                                                                                                                                                                                                                            |       | +CombinedBCCH_C(33, C_MaxPwrLvlG, C_MaxPwrLvlD, 14, 602, acttype, slot, tsc, ta, babr, cch_con, bpm)                                                                                                                                                                                                      |      |   |          |
| 12                                                                                                                                                                                                                            |       | +SysInfoSending_fh( C_SCH_C, C_BCCH_C_1, C_TxInt_5, C_Max_1, C_NECI_0, att, babr, cch_con, bpm, t3212, C_ci_cellC, mcc, mnc, lacC, CellOpt_01, CellChDes_06, CellChDes_06d, C_CellReselectHys12, C_MaxPwrLvlG, C_MaxPwrLvlD, bcchfl_gsm, bcchfl_dcs, C_noRestablishment, C_BCC_7, C_NCC, C_NCCP_2)        |      |   |          |
| 13                                                                                                                                                                                                                            |       | (TCV_Ccd0C := TCV_Ccd0H)                                                                                                                                                                                                                                                                                  |      |   |          |
| <b>cellN3</b>                                                                                                                                                                                                                 |       |                                                                                                                                                                                                                                                                                                           |      |   |          |
| 14                                                                                                                                                                                                                            |       | +CombinedBCCH_D(38, C_MaxPwrLvlG, C_MaxPwrLvlD, 20, 665, acttype, slot, tsc, ta, babr, cch_con, bpm)                                                                                                                                                                                                      |      |   |          |
| 15                                                                                                                                                                                                                            |       | +SysInfoSending_fh( C_SCH_D, C_BCCH_D_1, C_TxInt_5, C_Max_1, C_NECI_0, att, babr, cch_con, bpm, t3212, C_ci_cellD, mcc, mnc, lacD, CellOpt_01, CellChDes_07, CellChDes_07d, C_CellReselectHys12, C_MaxPwrLvlG, C_MaxPwrLvlD, bcchfl_gsm, bcchfl_dcs, C_noRestablishment, C_BCC_1, C_NCC, C_NCCP_2)        |      |   | ncc = 1  |
| 16                                                                                                                                                                                                                            |       | (TCV_Ccd0D := TCV_Ccd0H)                                                                                                                                                                                                                                                                                  |      |   |          |
| <b>cellN4</b>                                                                                                                                                                                                                 |       |                                                                                                                                                                                                                                                                                                           |      |   |          |
| 17                                                                                                                                                                                                                            |       | +CombinedBCCH_E(58, C_MaxPwrLvlG, C_MaxPwrLvlD, 26, 762, acttype, slot, tsc, ta, babr, cch_con, bpm)                                                                                                                                                                                                      |      |   |          |
| 18                                                                                                                                                                                                                            |       | +SysInfoSending_fh( C_SCH_E, C_BCCH_E_1, C_TxInt_5, C_Max_1, C_NECI_0, att, babr, cch_con, bpm, t3212, C_ci_cellE, mcc, mnc, lacE, CellOpt_01, CellChDes_08, CellChDes_08d, C_CellReselectHys12, C_MaxPwrLvlG,                                                                                            |      |   | ncc = 1  |

|                           |                                                                                                                                                                                                                                                                                                                          |  |         |
|---------------------------|--------------------------------------------------------------------------------------------------------------------------------------------------------------------------------------------------------------------------------------------------------------------------------------------------------------------------|--|---------|
| 19                        | C_MaxPwrLvlID, bcchfl_gsm, bcchfl_dcs,<br>C_noRestablishment, C_BCC_3, C_NCC,<br>C_NCCP_2)<br>(TCV_Ccd0E := TCV_Ccd0H)                                                                                                                                                                                                   |  |         |
| 20                        | <b>cellN5</b><br>+CombinedBCCH_F(63, C_MaxPwrLvlG,<br>C_MaxPwrLvlID, 32, 686, acttype, slot, tsc, ta, babr,<br>cch_con, bpm)                                                                                                                                                                                             |  |         |
| 21                        | +SysInfoSending_fh( C_SCH_F, C_BCCH_F_1,<br>C_TxInt_5, C_Max_1, C_NECI_0, att, babr,<br>cch_con, bpm, t3212, C_ci_cellF, mcc, mnc, lacF,<br>CellOpt_01, CellChDes_09, CellChDes_09d,<br>C_CellReselectHys12, C_MaxPwrLvlG,<br>C_MaxPwrLvlID, bcchfl_gsm, bcchfl_dcs,<br>C_noRestablishment, C_BCC, C_NCC,<br>C_NCCP_2)   |  | ncc = 1 |
| 22                        | (TCV_Ccd0F := TCV_Ccd0H)                                                                                                                                                                                                                                                                                                 |  |         |
| 23                        | <b>cellN6</b><br>+CombinedBCCH_G(68, C_MaxPwrLvlG,<br>C_MaxPwrLvlID, 38, 549, acttype, slot, tsc, ta, babr,<br>cch_con, bpm)                                                                                                                                                                                             |  |         |
| 24                        | +SysInfoSending_fh( C_SCH_G, C_BCCH_G_1,<br>C_TxInt_5, C_Max_1, C_NECI_0, att, babr,<br>cch_con, bpm, t3212, C_ci_cellG, mcc, mnc, lacG,<br>CellOpt_01, CellChDes_10, CellChDes_10d,<br>C_CellReselectHys12, C_MaxPwrLvlG,<br>C_MaxPwrLvlID, bcchfl_gsm, bcchfl_dcs,<br>C_noRestablishment, C_BCC_7, C_NCC,<br>C_NCCP_2) |  |         |
| 25                        | (TCV_Ccd0G := TCV_Ccd0H)                                                                                                                                                                                                                                                                                                 |  |         |
| 26                        | <b>cellN1</b><br>+CombinedBCCH_H(28, C_MaxPwrLvlG,<br>C_MaxPwrLvlID, 8, 530, acttype, slot, tsc, ta, babr,<br>cch_con, bpm)                                                                                                                                                                                              |  |         |
| 27                        | +SysInfoSending_fh( C_SCH_H, C_BCCH_H_1,<br>C_TxInt_5, C_Max_1, C_NECI_0, att, babr,<br>cch_con, bpm, t3212, C_ci_cellH, mcc, mnc, lacH,<br>CellOpt_01, CellChDes_05, CellChDes_05d,<br>C_CellReselectHys12, C_MaxPwrLvlG,<br>C_MaxPwrLvlID, bcchfl_gsm, bcchfl_dcs,<br>C_noRestablishment, C_BCC, C_NCC,<br>C_NCCP_2)   |  |         |
| <b>Detailed Comments:</b> |                                                                                                                                                                                                                                                                                                                          |  |         |

| Test Step Dynamic Behaviour |            |                                                                                                                                                                                                                                                              |      |   |                                  |
|-----------------------------|------------|--------------------------------------------------------------------------------------------------------------------------------------------------------------------------------------------------------------------------------------------------------------|------|---|----------------------------------|
| <b>Test Step Name:</b>      |            | TS61MO( srv:SERVICES)                                                                                                                                                                                                                                        |      |   |                                  |
| <b>Group:</b>               |            | GSM_L3_MS_v4210/Preambles/                                                                                                                                                                                                                                   |      |   |                                  |
| <b>Objective:</b>           |            | To generate an MO SETUP message with appropriate Bcap for TS61 service.                                                                                                                                                                                      |      |   |                                  |
| <b>Default:</b>             |            | OtherEvents                                                                                                                                                                                                                                                  |      |   |                                  |
| Nr                          | Label      | Behaviour Description                                                                                                                                                                                                                                        | CRef | V | Comments                         |
| 1                           |            | (TCV_srv := srv, TCV_ur := TSPX_TS_61_ur1, TCV_ce := C_BothT)                                                                                                                                                                                                |      |   |                                  |
| 2                           |            | +local_selectCe                                                                                                                                                                                                                                              |      |   |                                  |
| 3                           |            | +local_bcap                                                                                                                                                                                                                                                  |      |   | get the right BC                 |
| 4                           |            | [(NOT TSPC_EFR_Speech_v2) AND(NOT TSPC_EFR_Speech_v3)]                                                                                                                                                                                                       |      |   |                                  |
| 5                           |            | (TCV_Setup_mo := Setup_11_3100(C_RI_alternate, Bcap_Speech_MO(C_Rchr_dontcare), TCV_BcapMO1, Llcmp_NotApplicable, Llcmp_AnyOrOmit, C_RI_alternate, C_RI_alternate, Hlcmp_NotApplicable, Hlcmp_TS61))                                                         |      |   | Non EFR Mobile - generate SETUP  |
| 6                           |            | +Chmod(TCV_ChRate, TCV_ce, TCV_ur, srv)                                                                                                                                                                                                                      |      |   | initiate channel mode variables  |
| 7                           |            | (TCV_Null := OO_IFsetup_TS6x_MO(TCV_srv, TCV_ur, TCV_ce, TCV_ChRate))                                                                                                                                                                                        |      |   | ask operator to configure the MS |
| 8                           |            | [TSPC_EFR_Speech_v2 OR TSPC_EFR_Speech_v3]                                                                                                                                                                                                                   |      |   |                                  |
| 9                           |            | (TCV_Setup_mo := Setup_11_3100(C_RI_alternate, Bcap_Speech_Efr_MO(C_Rchr_dontcare), TCV_BcapMO1, Llcmp_NotApplicable, Llcmp_AnyOrOmit, C_RI_alternate, C_RI_alternate, Hlcmp_NotApplicable, Hlcmp_TS61))                                                     |      |   | EFR Mobile - generate SETUP      |
| 10                          |            | +Chmod(TCV_ChRate, TCV_ce, TCV_ur, srv)                                                                                                                                                                                                                      |      |   | initiate channel mode variables  |
| 11                          |            | (TCV_Null := OO_IFsetup_TS6x_MO(TCV_srv, TCV_ur, TCV_ce, TCV_ChRate))                                                                                                                                                                                        |      |   | ask operator to configure the MS |
| 12                          |            | <b>local_bcap</b><br>[TCV_ce = C_transparent]                                                                                                                                                                                                                |      |   |                                  |
| 13                          |            | [TCV_ur = C_9600bs]                                                                                                                                                                                                                                          |      |   |                                  |
| 14                          |            | +local_TS61_FAX3_T(C_9600bs, C_ir_16kbs)                                                                                                                                                                                                                     |      |   |                                  |
| 15                          |            | [(TCV_ur = C_4800bs) OR (TCV_ur = C_2400bs)]                                                                                                                                                                                                                 |      |   |                                  |
| 16                          |            | +local_TS61_FAX3_T(TCV_ur, C_ir_8kbs)                                                                                                                                                                                                                        |      |   |                                  |
| 17                          | L_101<br>4 | [(TCV_ur <> C_4800bs) AND(TCV_ur <> C_2400bs) AND(TCV_ur <> C_9600bs)]                                                                                                                                                                                       |      | I | IXIT parameter error             |
| 18                          |            | [TCV_ce = C_notransparent]                                                                                                                                                                                                                                   |      |   |                                  |
| 19                          |            | +local_TS61_FAX3_NT(TCV_ur)                                                                                                                                                                                                                                  |      |   |                                  |
| 20                          |            | <b>local_TS61_FAX3_T(ur:B_4; ir:B_2)</b><br>(TCV_BcapMO1 := Bcap_MO(TCV_Rchr, C_FAX3, C_Unstructured, C_nirr_nomeaning, C_no_rate_adaption, C_sacp_NA, C_Synchronous, C_stopbit_NA, C_databit_NA, ur, ir, C_parity_NA, C_transparent, C_modemt_none))        |      |   | 11.8.2.7.1                       |
| 21                          |            | <b>local_TS61_FAX3_NT(ur:B_4)</b><br>(TCV_bcapListIndicator := TCV_bcapListIndicator + 2)                                                                                                                                                                    |      |   |                                  |
| 22                          |            | [ur=C_9600bs]                                                                                                                                                                                                                                                |      |   |                                  |
| 23                          |            | (TCV_BcapMO1 := OC_ModifyBcap(BcapX_MO(TCV_Rchr, C_FAX3, C_SDUIntegrity, C_nirr_nomeaning, C_no_rate_adaption, C_sacp_NA, C_Synchronous, C_stopbit_NA, C_databit_NA, ur, C_ir_16kbs, C_parity_NA, TCV_CE, C_modemt_none, C_X25_fct), TCV_bcapListIndicator)) |      |   | 11.8.2.7.2                       |
| 24                          |            | [(ur=C_2400bs) OR (ur = C_4800bs)]                                                                                                                                                                                                                           |      |   |                                  |

|                           |            |                                                                                                                                                                                                                                                                                                                                                                                                                        |   |                      |
|---------------------------|------------|------------------------------------------------------------------------------------------------------------------------------------------------------------------------------------------------------------------------------------------------------------------------------------------------------------------------------------------------------------------------------------------------------------------------|---|----------------------|
| 25                        |            | (TCV_BcapMO1 :=<br>OC_ModifyBcap(BcapX_MO(TCV_Rchr,<br>C_FAX3, C_SDUIegrity, C_nirr_dontcare,<br>C_no_rate_adaption, C_sacp_NA,<br>C_Synchronous, C_stopbit_NA, C_databit_NA,<br>ur, C_ir_16kbs, C_parity_NA, TCV_CE,<br>C_modemt_none, C_X25_fct),<br>TCV_bcapListIndicator))                                                                                                                                         |   | 11.8.2.7.2           |
| 26                        | L_101<br>5 | [(ur <> C_2400bs) AND(ur <> C_4800bs) AND(ur<br><> C_9600bs)]                                                                                                                                                                                                                                                                                                                                                          | I | IXIT parameter error |
| 27                        |            | <b>local_selectCe</b><br>[TSPX_TS_61_T_NT]                                                                                                                                                                                                                                                                                                                                                                             |   |                      |
| 28                        |            | (TCV_ce := C_nottransparent)                                                                                                                                                                                                                                                                                                                                                                                           |   |                      |
| 29                        |            | [NOT TSPX_TS_61_T_NT]                                                                                                                                                                                                                                                                                                                                                                                                  |   |                      |
| 30                        |            | (TCV_ce := TSPX_TS_61_ce)                                                                                                                                                                                                                                                                                                                                                                                              |   |                      |
| <b>Detailed Comments:</b> |            | <p>The TS61 Bearer Capabilities and SETUP messages for MO is constructed according to section 11.8.2.7.1 and section 11.8.2.7.2 of GSM 11.10 and section B.1.10.2 and section B.2.10 of GSM 07.01.</p> <p>The algorithm for selecting parameters:<br/> IF (TSPX_BS_61_T_NT)<br/> TCV_ce := C_nottransparent<br/> ELSE<br/> TCV_ce := TSPX_BS_61_ce</p> <p>use (TCV_ce, TSPX_BS_61_ur1, svc) for OO_IFsetup_TS6x_MO</p> |   |                      |

| Test Step Dynamic Behaviour |            |                                                                                                                                                                                                                                                                                          |      |   |                            |
|-----------------------------|------------|------------------------------------------------------------------------------------------------------------------------------------------------------------------------------------------------------------------------------------------------------------------------------------------|------|---|----------------------------|
| <b>Test Step Name:</b>      |            | TS62MO( srv:SERVICES)                                                                                                                                                                                                                                                                    |      |   |                            |
| <b>Group:</b>               |            | GSM_L3_MS_v4210/Preambles/                                                                                                                                                                                                                                                               |      |   |                            |
| <b>Objective:</b>           |            | To generate an MO SETUP message with appropriate Bcap for TS62 service.                                                                                                                                                                                                                  |      |   |                            |
| <b>Default:</b>             |            | OtherEvents                                                                                                                                                                                                                                                                              |      |   |                            |
| Nr                          | Label      | Behaviour Description                                                                                                                                                                                                                                                                    | CRef | V | Comments                   |
| 1                           |            | (TCV_srv := srv, TCV_ur := TSPX_TS_62_ur1,<br>TCV_CE := C_BothT)                                                                                                                                                                                                                         |      |   | variables used in InitCall |
| 2                           |            | +local_selectCe                                                                                                                                                                                                                                                                          |      |   |                            |
| 3                           |            | +local_bcap                                                                                                                                                                                                                                                                              |      |   | get the right BC           |
| 4                           |            | (TCV_Setup_mo := Setup_10_3100(<br>TCV_BcapMO1, Llcmp_AnyOrOmit,<br>Hlcmp_TS62))                                                                                                                                                                                                         |      |   |                            |
| 5                           |            | +Chmod(TCV_ChRate, TCV_ce, TCV_ur,<br>srv)                                                                                                                                                                                                                                               |      |   |                            |
| 6                           |            | (TCV_Null :=<br>OO_IFsetup_TS6x_MO(TCV_srv, TCV_ur,<br>TCV_ce, TCV_ChRate))                                                                                                                                                                                                              |      |   |                            |
|                             |            | <b>local_bcap</b>                                                                                                                                                                                                                                                                        |      |   |                            |
| 7                           |            | [TCV_ce = C_transparent]                                                                                                                                                                                                                                                                 |      |   |                            |
| 8                           |            | [TCV_ur = C_9600bs]                                                                                                                                                                                                                                                                      |      |   |                            |
| 9                           |            | +local_TS62_FAX3_T(C_9600bs, C_ir_16kbs)                                                                                                                                                                                                                                                 |      |   |                            |
| 10                          |            | [(TCV_ur = C_4800bs) OR (TCV_ur = C_2400bs)]                                                                                                                                                                                                                                             |      |   |                            |
| 11                          |            | +local_TS62_FAX3_T(TCV_ur, C_ir_8kbs)                                                                                                                                                                                                                                                    |      |   |                            |
| 12                          | L_101<br>6 | [(TCV_ur <> C_4800bs) AND(TCV_ur <><br>C_2400bs) AND(TCV_ur <> C_9600bs)]                                                                                                                                                                                                                |      | I | IXIT parameter error       |
| 13                          |            | [TCV_ce = C_notransparent]                                                                                                                                                                                                                                                               |      |   |                            |
| 14                          |            | +local_TS62_FAX3_NT(TCV_ur)                                                                                                                                                                                                                                                              |      |   |                            |
|                             |            | <b>local_TS62_FAX3_T(ur:B_4; ir:B_2)</b>                                                                                                                                                                                                                                                 |      |   |                            |
| 15                          |            | (TCV_BcapMO1 := Bcap_MO(C_Rchr_dontcare,<br>C_FAX3, C_Unstructured, C_nirr_nomeaning,<br>C_no_rate_adaption, C_sacp_NA, C_Synchronous,<br>C_stopbit_NA, C_databit_NA, ur, ir, C_parity_NA,<br>C_transparent, C_modemt_none))                                                             |      |   | 11.8.2.7.1                 |
|                             |            | <b>local_TS62_FAX3_NT(ur:B_4)</b>                                                                                                                                                                                                                                                        |      |   |                            |
| 16                          |            | (TCV_bcapListIndicator := TCV_bcapListIndicator +<br>2)                                                                                                                                                                                                                                  |      |   |                            |
| 17                          |            | [ur = C_9600bs]                                                                                                                                                                                                                                                                          |      |   |                            |
| 18                          |            | (TCV_BcapMO1 :=<br>OC_ModifyBcap(BcapX_MO(C_Rchr_dontcare,<br>C_FAX3, C_SDUintegrity, C_nirr_nomeaning,<br>C_no_rate_adaption, C_sacp_NA,<br>C_Synchronous, C_stopbit_NA, C_databit_NA,<br>ur, C_ir_16kbs, C_parity_NA, TCV_CE,<br>C_modemt_none, C_X25_fct),<br>TCV_bcapListIndicator)) |      |   | 11.8.2.7.2                 |
| 19                          |            | [(ur = C_2400bs) OR (ur = C_4800bs)]                                                                                                                                                                                                                                                     |      |   |                            |
| 20                          |            | (TCV_BcapMO1 :=<br>OC_ModifyBcap(BcapX_MO(C_Rchr_dontcare,<br>C_FAX3, C_SDUintegrity, C_nirr_dontcare,<br>C_no_rate_adaption, C_sacp_NA,<br>C_Synchronous, C_stopbit_NA, C_databit_NA,<br>ur, C_ir_16kbs, C_parity_NA, TCV_CE,<br>C_modemt_none, C_X25_fct),<br>TCV_bcapListIndicator))  |      |   | 11.8.2.7.2                 |
| 21                          | L_101<br>7 | [(ur <> C_2400bs) AND(ur <> C_4800bs) AND(ur<br><> C_9600bs)]                                                                                                                                                                                                                            |      | I | IXIT parameter error       |
|                             |            | <b>local_selectCe</b>                                                                                                                                                                                                                                                                    |      |   |                            |
| 22                          |            | [TSPX_TS_62_T_NT]                                                                                                                                                                                                                                                                        |      |   |                            |
| 23                          |            | (TCV_ce := C_notransparent)                                                                                                                                                                                                                                                              |      |   |                            |
| 24                          |            | [NOT TSPX_TS_62_T_NT]                                                                                                                                                                                                                                                                    |      |   |                            |
| 25                          |            | (TCV_ce := TSPX_TS_62_ce)                                                                                                                                                                                                                                                                |      |   |                            |
| <b>Detailed Comments:</b>   |            | The TS62 Bearer Capabilities and SETUP messages for MO is constructed according to section 11.8.2.7.1 and section 11.8.2.7.2 of GSM 11.10 and section B.1.10.2 and section B.2.11 of GSM 07.01.                                                                                          |      |   |                            |



The algorithm for selecting parameters:

IF (TSPX\_BS\_62\_T\_NT)

TCV\_ce := C\_nottransparent

ELSE

TCV\_ce := TSPX\_BS\_62\_ce

use (TCV\_ce, TSPX\_BS\_62\_ur1, svc) for OO\_IFsetup\_TS6x\_MO

| Test Step Dynamic Behaviour |            |                                                                                                                                                                                                  |      |   |                  |
|-----------------------------|------------|--------------------------------------------------------------------------------------------------------------------------------------------------------------------------------------------------|------|---|------------------|
| <b>Test Step Name:</b>      |            | TS61MT( srv:SERVICES)                                                                                                                                                                            |      |   |                  |
| <b>Group:</b>               |            | GSM_L3_MS_v4210/Preambles/                                                                                                                                                                       |      |   |                  |
| <b>Objective:</b>           |            | To generate an MT SETUP message with appropriate Bcap for TS61 service.                                                                                                                          |      |   |                  |
| <b>Default:</b>             |            | OtherEvents                                                                                                                                                                                      |      |   |                  |
| Nr                          | Label      | Behaviour Description                                                                                                                                                                            | CRef | V | Comments         |
| 1                           |            | +local_maintree                                                                                                                                                                                  |      |   |                  |
| 2                           |            | +local_IFsetup                                                                                                                                                                                   |      |   |                  |
|                             |            | <b>local_maintree</b>                                                                                                                                                                            |      |   |                  |
| 3                           |            | (TCV_srv := srv, TCV_2ndtest := C_Yes)                                                                                                                                                           |      |   |                  |
| 4                           |            | (TCV_BcapMT1 := Bcap_Speech_MT)                                                                                                                                                                  |      |   | 1st Bcap         |
| 5                           |            | +local_first_SETUP_msg                                                                                                                                                                           |      |   |                  |
| 6                           |            | +local_second_SETUP_msg                                                                                                                                                                          |      |   |                  |
|                             |            | <b>local_first_SETUP_msg</b>                                                                                                                                                                     |      |   |                  |
| 7                           |            | (TCV_ur := TSPX_TS_61_ur1)                                                                                                                                                                       |      |   |                  |
| 8                           |            | [TSPX_TS_61_T_NT OR (TSPX_TS_61_ce = C_nottransparent)]                                                                                                                                          |      |   |                  |
| 9                           |            | +local_bcap2(TCV_ur, C_nottransparent)                                                                                                                                                           |      |   |                  |
| 10                          |            | (TCV_Setup_mt := Setup_21( C_RI_alternate, TCV_BcapMT1, TCV_BcapMT2, TI_02))                                                                                                                     |      |   |                  |
| 11                          |            | +Chmod(TCV_ChRate, C_nottransparent, TCV_ur, srv)                                                                                                                                                |      |   | 2nd channel mode |
| 12                          |            | (TCV_ChMod.mode := C_ChMod_r)                                                                                                                                                                    |      |   | Speech mode      |
| 13                          |            | [NOT TSPX_TS_61_T_NT AND (TSPX_TS_61_ce = C_transparent)]                                                                                                                                        |      |   |                  |
| 14                          |            | +local_bcap2(TCV_ur, C_transparent)                                                                                                                                                              |      |   |                  |
| 15                          |            | (TCV_Setup_mt := Setup_21( C_RI_alternate, TCV_BcapMT1, TCV_BcapMT2, TI_02))                                                                                                                     |      |   |                  |
| 16                          |            | +Chmod(TCV_ChRate, C_transparent, TCV_ur, srv)                                                                                                                                                   |      |   | 2nd channel mode |
| 17                          |            | (TCV_ChMod.mode := C_ChMod_r)                                                                                                                                                                    |      |   | Speech mode      |
|                             |            | <b>local_second_SETUP_msg</b>                                                                                                                                                                    |      |   |                  |
| 18                          |            | +local_userrate                                                                                                                                                                                  |      |   |                  |
| 19                          |            | [TSPX_TS_61_T_NT]                                                                                                                                                                                |      |   |                  |
| 20                          |            | +local_bcap2(TCV_ur2, C_transparent)                                                                                                                                                             |      |   |                  |
| 21                          |            | (TCV_Setup_mt1 := Setup_21( C_RI_alternate, TCV_BcapMT1, TCV_BcapMT2, TI_02))                                                                                                                    |      |   | 2nd Bcap         |
| 22                          |            | [NOT TSPX_TS_61_T_NT]                                                                                                                                                                            |      |   |                  |
| 23                          |            | +local_bcap2(TCV_ur2, C_BothT)                                                                                                                                                                   |      |   |                  |
| 24                          |            | (TCV_Setup_mt1 := Setup_21( C_RI_alternate, TCV_BcapMT1, TCV_BcapMT2, TI_02))                                                                                                                    |      |   |                  |
|                             |            | <b>local_bcap2(ur:B_4; ce:B_2)</b>                                                                                                                                                               |      |   |                  |
| 25                          |            | [ce = C_transparent]                                                                                                                                                                             |      |   |                  |
| 26                          |            | [(ur = C_2400bs) OR (ur = C_4800bs)]                                                                                                                                                             |      |   |                  |
| 27                          |            | +local_TS61_FAX3_T(ur, C_ir_8kbs)                                                                                                                                                                |      |   |                  |
| 28                          |            | [ur = C_9600bs]                                                                                                                                                                                  |      |   |                  |
| 29                          |            | +local_TS61_FAX3_T( ur, C_ir_16kbs)                                                                                                                                                              |      |   |                  |
| 30                          | L_101<br>8 | [(ur <> C_2400bs) AND(ur <> C_4800bs) AND(ur <> C_9600bs)]                                                                                                                                       |      | I |                  |
| 31                          |            | [ce = C_BothT]                                                                                                                                                                                   |      |   |                  |
| 32                          |            | +local_TS61_FAX3_NT( ur, C_BothT)                                                                                                                                                                |      |   |                  |
| 33                          |            | [ce = C_nottransparent]                                                                                                                                                                          |      |   |                  |
| 34                          |            | +local_TS61_FAX3_NT( ur, C_nottransparent)                                                                                                                                                       |      |   |                  |
| 35                          | L_101<br>9 | [(ce <> C_transparent) AND(ce <> C_BothT) AND(ce<> C_nottransparent)]                                                                                                                            |      | I |                  |
|                             |            | <b>local_TS61_FAX3_T(ur:B_4; ir:B_2)</b>                                                                                                                                                         |      |   |                  |
| 36                          |            | (TCV_BcapMT2 := Bcap_MT( C_FAX3, C_Unstructured, C_nirr_nomeaning, C_no_rate_adaption, C_sacp_NA, C_Synchronous, C_stopbit_NA, C_databit_NA, ur, ir, C_parity_NA, C_transparent, C_modemt_none)) |      |   | 11.8.1.5.1       |

|    |            |                                                                                                                                                                                                                                                          |  |   |                 |
|----|------------|----------------------------------------------------------------------------------------------------------------------------------------------------------------------------------------------------------------------------------------------------------|--|---|-----------------|
| 37 |            | <b>local_TS61_FAX3_NT(ur:B_4; ce1:B_2)</b><br>(TCV_BcapMT2 := Bcap_MT( C_FAX3,<br>C_SDUintegrity, C_nirr_nomeaning,<br>C_no_rate_adaption, C_sacp_NA, C_Synchronous,<br>C_stopbit_NA, C_databit_NA, ur, C_ir_16kbs,<br>C_parity_NA, ce1, C_modemt_none)) |  |   | 11.8.1.5.2      |
| 38 |            | <b>local_userrate</b><br>[TSPX_TS_61_more_ur]                                                                                                                                                                                                            |  |   |                 |
| 39 |            | (TCV_ur2 := TSPX_TS_61_ur2)                                                                                                                                                                                                                              |  |   |                 |
| 40 |            | [NOT TSPX_TS_61_more_ur]                                                                                                                                                                                                                                 |  |   |                 |
| 41 |            | (TCV_ur2 := TSPX_TS_61_ur1)                                                                                                                                                                                                                              |  |   |                 |
| 42 |            | <b>local_IFsetup</b><br>[TCV_supported]                                                                                                                                                                                                                  |  |   |                 |
| 43 |            | (TCV_Null := OO_IFsetup_TS6x_MT(TCV_srv,<br>TCV_ur))                                                                                                                                                                                                     |  |   |                 |
| 44 |            | [NOT TCV_supported]                                                                                                                                                                                                                                      |  |   |                 |
| 45 |            | [TCV_SpecialCase]                                                                                                                                                                                                                                        |  |   |                 |
| 46 |            | START T_dly(C_T_Wait)                                                                                                                                                                                                                                    |  |   |                 |
| 47 |            | ?TIMEOUT T_dly                                                                                                                                                                                                                                           |  |   |                 |
| 48 | L_102<br>0 | [NOT TCV_SpecialCase]                                                                                                                                                                                                                                    |  | I | Parameter error |

**Detailed Comments:**

The algorithm for derivation of TS61 Bearer Capabilities:

The 1st facsimile group 3 Bearer Capability ( used for an MT call):

ur= TSPX\_TS\_61\_ur1

IF TSPX\_TS\_61\_T\_NT OR (TSPX\_TS\_61\_ce = NT)

use coding 11.8.1.5.2 with (ur &amp; ce=NT)

ELSE

use coding 11.8.1.5.1 with (ur &amp; ce=T)

The 2nd facsimile group 3 Bearer Capabiility ( used for TC\_11\_1\_1):

IF TSPX\_TS\_61\_more\_ur

ur=TSPX\_TS\_61\_ur2

ELSE

ur=TSPX\_TS\_61\_ur1

IF TSPX\_TS\_61\_T\_NT

use coding 11.8.1.5.1 with (ur &amp; ce=T)

ELSE

use coding 11.8.1.5.2 with(ur &amp; ce=both/T)

| Test Step Dynamic Behaviour |            |                                                                                                                                                                                                  |      |   |            |
|-----------------------------|------------|--------------------------------------------------------------------------------------------------------------------------------------------------------------------------------------------------|------|---|------------|
| <b>Test Step Name:</b>      |            | TS62MT( srv:SERVICES)                                                                                                                                                                            |      |   |            |
| <b>Group:</b>               |            | GSM_L3_MS_v4210/Preambles/                                                                                                                                                                       |      |   |            |
| <b>Objective:</b>           |            | To generate an MT SETUP message with appropriate Bcap for TS62 service.                                                                                                                          |      |   |            |
| <b>Default:</b>             |            | OtherEvents                                                                                                                                                                                      |      |   |            |
| Nr                          | Label      | Behaviour Description                                                                                                                                                                            | CRef | V | Comments   |
| 1                           |            | +local_maintree                                                                                                                                                                                  |      |   |            |
| 2                           |            | (TCV_Null := OO_IFsetup_TS6x_MT(TCV_srv, TCV_ur))                                                                                                                                                |      |   |            |
|                             |            | <b>local_maintree</b>                                                                                                                                                                            |      |   |            |
| 3                           |            | (TCV_srv := srv, TCV_2ndtest := C_Yes)                                                                                                                                                           |      |   |            |
| 4                           |            | +local_first_SETUP_msg                                                                                                                                                                           |      |   |            |
| 5                           |            | +local_second_SETUP_msg                                                                                                                                                                          |      |   |            |
|                             |            | <b>local_first_SETUP_msg</b>                                                                                                                                                                     |      |   |            |
| 6                           |            | (TCV_ur := TSPX_TS_62_ur1)                                                                                                                                                                       |      |   |            |
| 7                           |            | [TSPX_TS_62_T_NT OR (TSPX_TS_62_ce = C_nottransparent)]                                                                                                                                          |      |   |            |
| 8                           |            | +local_bcap2(TCV_ur, C_nottransparent)                                                                                                                                                           |      |   |            |
| 9                           |            | (TCV_Setup_mt := Setup_20( TCV_BcapMT2, TI_02))                                                                                                                                                  |      |   |            |
| 10                          |            | +Chmod(TCV_ChRate, C_nottransparent, TCV_ur, srv)                                                                                                                                                |      |   |            |
| 11                          |            | [NOT TSPX_TS_62_T_NT AND (TSPX_TS_62_ce = C_transparent)]                                                                                                                                        |      |   |            |
| 12                          |            | +local_bcap2(TCV_ur, C_transparent)                                                                                                                                                              |      |   |            |
| 13                          |            | (TCV_Setup_mt := Setup_20( TCV_BcapMT2, TI_02))                                                                                                                                                  |      |   |            |
| 14                          |            | +Chmod(TCV_ChRate, C_transparent, TCV_ur, srv)                                                                                                                                                   |      |   |            |
|                             |            | <b>local_second_SETUP_msg</b>                                                                                                                                                                    |      |   |            |
| 15                          |            | +local_userrate                                                                                                                                                                                  |      |   |            |
| 16                          |            | [TSPX_TS_62_T_NT]                                                                                                                                                                                |      |   |            |
| 17                          |            | +local_bcap2(TCV_ur2, C_transparent)                                                                                                                                                             |      |   |            |
| 18                          |            | (TCV_Setup_mt1 := Setup_21( C_RI_alternate, TCV_BcapMT1, TCV_BcapMT2, TI_02))                                                                                                                    |      |   |            |
| 19                          |            | [NOT TSPX_TS_62_T_NT]                                                                                                                                                                            |      |   |            |
| 20                          |            | +local_bcap2(TCV_ur2, C_BothT)                                                                                                                                                                   |      |   |            |
| 21                          |            | (TCV_Setup_mt1 := Setup_21( C_RI_alternate, TCV_BcapMT1, TCV_BcapMT2, TI_02))                                                                                                                    |      |   |            |
|                             |            | <b>local_bcap2(ur:B_4; ce:B_2)</b>                                                                                                                                                               |      |   |            |
| 22                          |            | [ce = C_transparent]                                                                                                                                                                             |      |   |            |
| 23                          |            | [(ur = C_2400bs) OR (ur = C_4800bs)]                                                                                                                                                             |      |   |            |
| 24                          |            | +local_TS62_FAX3_T(ur, C_ir_8kbs)                                                                                                                                                                |      |   |            |
| 25                          |            | [ur = C_9600bs]                                                                                                                                                                                  |      |   |            |
| 26                          |            | +local_TS62_FAX3_T( ur, C_ir_16kbs)                                                                                                                                                              |      |   |            |
| 27                          | L_102<br>1 | [(ur <> C_2400bs) AND(ur <> C_4800bs) AND(ur <> C_9600bs)]                                                                                                                                       |      | I |            |
| 28                          |            | [ce = C_BothT]                                                                                                                                                                                   |      |   |            |
| 29                          |            | +local_TS62_FAX3_NT( ur, C_BothNT)                                                                                                                                                               |      |   |            |
| 30                          |            | [ce = C_nottransparent]                                                                                                                                                                          |      |   |            |
| 31                          |            | +local_TS62_FAX3_NT( ur, C_nottransparent)                                                                                                                                                       |      |   |            |
| 32                          | L_102<br>2 | [(ce <> C_transparent) AND(ce <> C_BothT) AND(ce<> C_nottransparent)]                                                                                                                            |      | I |            |
|                             |            | <b>local_TS62_FAX3_T(ur:B_4; ir:B_2)</b>                                                                                                                                                         |      |   |            |
| 33                          |            | (TCV_BcapMT2 := Bcap_MT( C_FAX3, C_Unstructured, C_nirr_nomeaning, C_no_rate_adaption, C_sacp_NA, C_Synchronous, C_stopbit_NA, C_databit_NA, ur, ir, C_parity_NA, C_transparent, C_modemt_none)) |      |   | 11.8.1.5.1 |
|                             |            | <b>local_TS62_FAX3_NT(ur:B_4; ce1:B_2)</b>                                                                                                                                                       |      |   |            |

|    |                                                                                                                                                                                                            |  |   |                 |
|----|------------------------------------------------------------------------------------------------------------------------------------------------------------------------------------------------------------|--|---|-----------------|
| 34 | (TCV_BcapMT2 := Bcap_MT( C_FAX3,<br>C_SDUintegrity, C_nirr_nomeaning,<br>C_no_rate_adaption, C_sacp_NA, C_Synchronous,<br>C_stopbit_NA, C_databit_NA, ur, C_ir_16kbs,<br>C_parity_NA, ce1, C_modemt_none)) |  |   | 11.8.1.5.2      |
|    | <b>local_userrate</b>                                                                                                                                                                                      |  |   |                 |
| 35 | [TSPX_TS_62_more_ur]                                                                                                                                                                                       |  |   |                 |
| 36 | (TCV_ur2 := TSPX_TS_62_ur2)                                                                                                                                                                                |  |   |                 |
| 37 | [NOT TSPX_TS_62_more_ur]                                                                                                                                                                                   |  |   |                 |
| 38 | (TCV_ur2 := TSPX_TS_62_ur1)                                                                                                                                                                                |  |   |                 |
|    | <b>local_IFsetup</b>                                                                                                                                                                                       |  |   |                 |
| 39 | [TCV_supported]                                                                                                                                                                                            |  |   |                 |
| 40 | (TCV_Null := OO_IFsetup_TS6x_MT(TCV_srv,<br>TCV_ur))                                                                                                                                                       |  |   |                 |
| 41 | [NOT TCV_supported]                                                                                                                                                                                        |  |   |                 |
| 42 | [TCV_SpecialCase]                                                                                                                                                                                          |  |   |                 |
| 43 | START T_dly(C_T_Wait)                                                                                                                                                                                      |  |   |                 |
| 44 | ?TIMEOUT T_dly                                                                                                                                                                                             |  |   |                 |
| 45 | L_102 [NOT TCV_SpecialCase]                                                                                                                                                                                |  | I | Parameter error |
| 3  |                                                                                                                                                                                                            |  |   |                 |

**Detailed Comments:** The algorithm for derivation of TS62 Bearer Capabilities:

The 1st Bearer Capability ( used for an MT call):  
ur= TSPX\_TS\_62\_ur1  
IF TSPX\_TS\_62\_T\_NT OR (TSPX\_TS\_62\_ce = NT)  
use coding 11.8.1.5.2 with (ur & ce=NT)  
ELSE  
use coding 11.8.1.5.1 with (ur & ce=T)

The 2nd Bearer Capability ( used for TC\_11\_1\_1):  
IF TSPX\_TS\_62\_more\_ur  
ur=TSPX\_TS\_62\_ur2  
ELSE  
ur=TSPX\_TS\_62\_ur1  
IF TSPX\_TS\_62\_T\_NT  
use coding 11.8.1.5.1 with (ur & ce=T)  
ELSE  
use coding 11.8.1.5.2 with(ur & ce=both/T)

Defaults Library

| Default Dynamic Behaviour |            |                                                                                                                                                                     |                                    |   |          |
|---------------------------|------------|---------------------------------------------------------------------------------------------------------------------------------------------------------------------|------------------------------------|---|----------|
| <b>Default Name:</b>      |            | OtherEvents                                                                                                                                                         |                                    |   |          |
| <b>Group:</b>             |            | GSM_L3_MS_v4210/                                                                                                                                                    |                                    |   |          |
| <b>Objective:</b>         |            | To match unexpected events and sign final verdict for preambles.                                                                                                    |                                    |   |          |
| <b>Comments:</b>          |            | used in preambles.                                                                                                                                                  |                                    |   |          |
| Nr                        | Label      | Behaviour Description                                                                                                                                               | CRef                               | V | Comments |
| 1                         |            | L?DL_Relln                                                                                                                                                          | DLRelInd_02                        |   | 4.       |
| 2                         |            | RETURN                                                                                                                                                              |                                    |   |          |
| 3                         |            | ?TIMEOUT T_guard                                                                                                                                                    |                                    |   | 1.       |
| 4                         |            | +ltree_SDCCH1_release                                                                                                                                               |                                    |   |          |
| 5                         |            | +ltree_SDCCH2_release                                                                                                                                               |                                    |   |          |
| 6                         |            | +ltree_TCH1_release                                                                                                                                                 |                                    |   |          |
| 7                         |            | +ltree_TCH2_release                                                                                                                                                 |                                    |   |          |
| 8                         |            | (TCV_Null := OO_TguardTimeOut())                                                                                                                                    |                                    |   |          |
| 9                         | L_102<br>4 | CANCEL                                                                                                                                                              |                                    | I | 3.       |
| 10                        |            | L?OTHERWISE                                                                                                                                                         |                                    |   | 2.       |
| 11                        |            | +ltree_SDCCH1_release                                                                                                                                               |                                    |   |          |
| 12                        |            | +ltree_SDCCH2_release                                                                                                                                               |                                    |   |          |
| 13                        |            | +ltree_TCH1_release                                                                                                                                                 |                                    |   |          |
| 14                        |            | +ltree_TCH2_release                                                                                                                                                 |                                    |   |          |
| 15                        |            | L?DL_Relln                                                                                                                                                          | DLRelInd_01                        |   |          |
| 16                        | L_102<br>5 | CANCEL                                                                                                                                                              |                                    | I | 3.       |
| 17                        |            | ?TIMEOUT T_guard                                                                                                                                                    |                                    |   | 1.       |
| 18                        | L_102<br>6 | CANCEL                                                                                                                                                              |                                    | I | 3.       |
| 19                        |            | <b>ltree_SDCCH1_release</b><br>[TCV_ch <> "dummy"]                                                                                                                  |                                    |   |          |
| 20                        |            | L!DL_DatRqChRel                                                                                                                                                     | ChRel(TCV_ch,<br>ChRelease_01)     |   |          |
| 21                        |            | [TCV_ch = "dummy"]                                                                                                                                                  |                                    |   |          |
| 22                        |            | <b>ltree_SDCCH2_release</b><br>[TCV_ch1 <> "dummy"]                                                                                                                 |                                    |   |          |
| 23                        |            | L!DL_DatRqChRel                                                                                                                                                     | ChRel(TCV_ch1,<br>ChRelease_01)    |   |          |
| 24                        |            | [TCV_ch1 = "dummy"]                                                                                                                                                 |                                    |   |          |
| 25                        |            | <b>ltree_TCH1_release</b><br>[TCV_chTch <> "dummy"]                                                                                                                 |                                    |   |          |
| 26                        |            | L!DL_DatRqChRel                                                                                                                                                     | ChRel(TCV_chTch,<br>ChRelease_01)  |   |          |
| 27                        |            | [TCV_chTch = "dummy"]                                                                                                                                               |                                    |   |          |
| 28                        |            | <b>ltree_TCH2_release</b><br>[TCV_chTch1 <> "dummy"]                                                                                                                |                                    |   |          |
| 29                        |            | L!DL_DatRqChRel                                                                                                                                                     | ChRel(TCV_chTch1,<br>ChRelease_01) |   |          |
| 30                        |            | [TCV_chTch1 = "dummy"]                                                                                                                                              |                                    |   |          |
| <b>Detailed Comments:</b> |            | 1. The guard timer times out, inconclusive.<br>2. Unexpected events, inconclusive.<br>3. Cancel of all running timers.<br>4. Local end termination request allowed. |                                    |   |          |

| Default Dynamic Behaviour |            |                                                                                                                |                                    |   |          |
|---------------------------|------------|----------------------------------------------------------------------------------------------------------------|------------------------------------|---|----------|
| <b>Default Name:</b>      |            | OtherEventsFail                                                                                                |                                    |   |          |
| <b>Group:</b>             |            | GSM_L3_MS_v4210/                                                                                               |                                    |   |          |
| <b>Objective:</b>         |            | To match unexpected events and fail the test case.                                                             |                                    |   |          |
| Nr                        | Label      | Behaviour Description                                                                                          | CRef                               | V | Comments |
| 1                         |            | L?DL_Relln                                                                                                     | DLRelInd_02                        |   |          |
| 2                         |            | RETURN                                                                                                         |                                    |   |          |
| 3                         |            | ?TIMEOUT T_guard                                                                                               |                                    |   | 1.       |
| 4                         |            | +ltree_SDCCH1_release                                                                                          |                                    |   |          |
| 5                         |            | +ltree_SDCCH2_release                                                                                          |                                    |   |          |
| 6                         |            | +ltree_TCH1_release                                                                                            |                                    |   |          |
| 7                         |            | +ltree_TCH2_release                                                                                            |                                    |   |          |
| 8                         |            | (TCV_Null := OO_TguardTimeOut())                                                                               |                                    |   |          |
| 9                         | L_102<br>7 | CANCEL                                                                                                         |                                    | I | 3.       |
| 10                        |            | L?OTHERWISE                                                                                                    |                                    |   | 2.       |
| 11                        |            | +ltree_SDCCH1_release                                                                                          |                                    |   |          |
| 12                        |            | +ltree_SDCCH2_release                                                                                          |                                    |   |          |
| 13                        |            | +ltree_TCH1_release                                                                                            |                                    |   |          |
| 14                        |            | +ltree_TCH2_release                                                                                            |                                    |   |          |
| 15                        |            | L?DL_Relln                                                                                                     | DLRelInd_01                        |   |          |
| 16                        | L_102<br>8 | CANCEL                                                                                                         |                                    | F | 3.       |
| 17                        |            | ?TIMEOUT T_guard                                                                                               |                                    |   |          |
| 18                        | L_102<br>9 | CANCEL                                                                                                         |                                    | F | 3.       |
| 19                        |            | <b>ltree_SDCCH1_release</b><br>[TCV_ch <> "dummy"]                                                             |                                    |   |          |
| 20                        |            | L!DL_DatRqChRel                                                                                                | ChRel(TCV_ch,<br>ChRelease_01)     |   |          |
| 21                        |            | [TCV_ch = "dummy"]                                                                                             |                                    |   |          |
| 22                        |            | <b>ltree_SDCCH2_release</b><br>[TCV_ch1 <> "dummy"]                                                            |                                    |   |          |
| 23                        |            | L!DL_DatRqChRel                                                                                                | ChRel(TCV_ch1,<br>ChRelease_01)    |   |          |
| 24                        |            | [TCV_ch1 = "dummy"]                                                                                            |                                    |   |          |
| 25                        |            | <b>ltree_TCH1_release</b><br>[TCV_chTch <> "dummy"]                                                            |                                    |   |          |
| 26                        |            | L!DL_DatRqChRel                                                                                                | ChRel(TCV_chTch,<br>ChRelease_01)  |   |          |
| 27                        |            | [TCV_chTch = "dummy"]                                                                                          |                                    |   |          |
| 28                        |            | <b>ltree_TCH2_release</b><br>[TCV_chTch1 <> "dummy"]                                                           |                                    |   |          |
| 29                        |            | L!DL_DatRqChRel                                                                                                | ChRel(TCV_chTch1,<br>ChRelease_01) |   |          |
| 30                        |            | [TCV_chTch1 = "dummy"]                                                                                         |                                    |   |          |
| <b>Detailed Comments:</b> |            | 1. The guard timer times out, inconclusive.<br>2. Unexpected events, fail.<br>3. Cancel of all running timers. |                                    |   |          |

| Default Dynamic Behaviour |            |                                                                                                                                                                                                                                                                                                                                                              |                                    |   |          |
|---------------------------|------------|--------------------------------------------------------------------------------------------------------------------------------------------------------------------------------------------------------------------------------------------------------------------------------------------------------------------------------------------------------------|------------------------------------|---|----------|
| <b>Default Name:</b>      |            | OtherEventsFail_01                                                                                                                                                                                                                                                                                                                                           |                                    |   |          |
| <b>Group:</b>             |            | GSM_L3_MS_v4210/                                                                                                                                                                                                                                                                                                                                             |                                    |   |          |
| <b>Objective:</b>         |            | To match irrelevant CHANNEL REQUEST msg and MEASUREMENT REPORT msg and return or match other unexpected events and fail the test case.                                                                                                                                                                                                                       |                                    |   |          |
| Nr                        | Label      | Behaviour Description                                                                                                                                                                                                                                                                                                                                        | CRef                               | V | Comments |
| 1                         |            | L?DL_Relln                                                                                                                                                                                                                                                                                                                                                   | DLRelInd_01                        |   | 6.       |
| 2                         |            | RETURN                                                                                                                                                                                                                                                                                                                                                       |                                    |   |          |
| 3                         |            | ?TIMEOUT T_guard                                                                                                                                                                                                                                                                                                                                             |                                    |   | 1.       |
| 4                         |            | +ltree_SDCCH1_release                                                                                                                                                                                                                                                                                                                                        |                                    |   |          |
| 5                         |            | +ltree_SDCCH2_release                                                                                                                                                                                                                                                                                                                                        |                                    |   |          |
| 6                         |            | +ltree_TCH1_release                                                                                                                                                                                                                                                                                                                                          |                                    |   |          |
| 7                         |            | +ltree_TCH2_release                                                                                                                                                                                                                                                                                                                                          |                                    |   |          |
| 8                         |            | (TCV_Null := OO_TguardTimeOut())                                                                                                                                                                                                                                                                                                                             |                                    |   |          |
| 9                         | L_103<br>0 | CANCEL                                                                                                                                                                                                                                                                                                                                                       |                                    | I | 5.       |
| 10                        |            | L?DL_RacInChRq                                                                                                                                                                                                                                                                                                                                               | ChReq(ChRequest_0<br>2)            |   | 2.       |
| 11                        |            | RETURN                                                                                                                                                                                                                                                                                                                                                       |                                    |   |          |
| 12                        |            | L?DL_UdatInMsrRpt                                                                                                                                                                                                                                                                                                                                            | MsrRept(<br>MsrReport_02)          |   | 3.       |
| 13                        |            | RETURN                                                                                                                                                                                                                                                                                                                                                       |                                    |   |          |
| 14                        |            | L?OTHERWISE                                                                                                                                                                                                                                                                                                                                                  |                                    |   | 4.       |
| 15                        |            | +ltree_SDCCH1_release                                                                                                                                                                                                                                                                                                                                        |                                    |   |          |
| 16                        |            | +ltree_SDCCH2_release                                                                                                                                                                                                                                                                                                                                        |                                    |   |          |
| 17                        |            | +ltree_TCH1_release                                                                                                                                                                                                                                                                                                                                          |                                    |   |          |
| 18                        |            | +ltree_TCH2_release                                                                                                                                                                                                                                                                                                                                          |                                    |   |          |
| 19                        |            | L?DL_Relln                                                                                                                                                                                                                                                                                                                                                   | DLRelInd_01                        |   |          |
| 20                        | L_103<br>1 | CANCEL                                                                                                                                                                                                                                                                                                                                                       |                                    | F | 5.       |
| 21                        |            | ?TIMEOUT T_guard                                                                                                                                                                                                                                                                                                                                             |                                    |   |          |
| 22                        | L_103<br>2 | CANCEL                                                                                                                                                                                                                                                                                                                                                       |                                    | F | 5.       |
| 23                        |            | <b>ltree_SDCCH1_release</b><br>[TCV_ch <> "dummy"]                                                                                                                                                                                                                                                                                                           |                                    |   |          |
| 24                        |            | L!DL_DatRqChRel                                                                                                                                                                                                                                                                                                                                              | ChRel(TCV_ch,<br>ChRelease_01)     |   |          |
| 25                        |            | [TCV_ch = "dummy"]                                                                                                                                                                                                                                                                                                                                           |                                    |   |          |
| 26                        |            | <b>ltree_SDCCH2_release</b><br>[TCV_ch1 <> "dummy"]                                                                                                                                                                                                                                                                                                          |                                    |   |          |
| 27                        |            | L!DL_DatRqChRel                                                                                                                                                                                                                                                                                                                                              | ChRel(TCV_ch1,<br>ChRelease_01)    |   |          |
| 28                        |            | [TCV_ch1 = "dummy"]                                                                                                                                                                                                                                                                                                                                          |                                    |   |          |
| 29                        |            | <b>ltree_TCH1_release</b><br>[TCV_chTch <> "dummy"]                                                                                                                                                                                                                                                                                                          |                                    |   |          |
| 30                        |            | L!DL_DatRqChRel                                                                                                                                                                                                                                                                                                                                              | ChRel(TCV_chTch,<br>ChRelease_01)  |   |          |
| 31                        |            | [TCV_chTch = "dummy"]                                                                                                                                                                                                                                                                                                                                        |                                    |   |          |
| 32                        |            | <b>ltree_TCH2_release</b><br>[TCV_chTch1 <> "dummy"]                                                                                                                                                                                                                                                                                                         |                                    |   |          |
| 33                        |            | L!DL_DatRqChRel                                                                                                                                                                                                                                                                                                                                              | ChRel(TCV_chTch1,<br>ChRelease_01) |   |          |
| 34                        |            | [TCV_chTch1 = "dummy"]                                                                                                                                                                                                                                                                                                                                       |                                    |   |          |
| <b>Detailed Comments:</b> |            | <ol style="list-style-type: none"> <li>1. The guard timer times out, inconclusive.</li> <li>2. To throw away any irrelevant channel request.</li> <li>3. To throw away any measurement report.</li> <li>4. Other unexpected events, fail.</li> <li>5. Cancel of all running timers.</li> <li>6. Cover also DLRelInd_02 for local end termination.</li> </ol> |                                    |   |          |



| Default Dynamic Behaviour |            |                                                                                                                                                                                              |                                    |   |          |
|---------------------------|------------|----------------------------------------------------------------------------------------------------------------------------------------------------------------------------------------------|------------------------------------|---|----------|
| <b>Default Name:</b>      |            | OtherEventsFail_02                                                                                                                                                                           |                                    |   |          |
| <b>Group:</b>             |            | GSM_L3_MS_v4210/                                                                                                                                                                             |                                    |   |          |
| <b>Objective:</b>         |            | To match unexpected events and fail the test case but ignore channel request messages that are sent before the lower tester has sent (and the MS received) the Immediate Assignment message. |                                    |   |          |
| Nr                        | Label      | Behaviour Description                                                                                                                                                                        | CRef                               | V | Comments |
| 1                         |            | L?DL_Relln                                                                                                                                                                                   | DLRelInd_02                        |   |          |
| 2                         |            | RETURN                                                                                                                                                                                       |                                    |   |          |
| 3                         |            | L?DL_RaInChRq                                                                                                                                                                                | ChReq(ChRequest_02)                |   | 1.       |
| 4                         |            | RETURN                                                                                                                                                                                       |                                    |   |          |
| 5                         |            | ?TIMEOUT T_guard                                                                                                                                                                             |                                    |   | 2.       |
| 6                         |            | +ltree_SDCCH1_release                                                                                                                                                                        |                                    |   |          |
| 7                         |            | +ltree_SDCCH2_release                                                                                                                                                                        |                                    |   |          |
| 8                         |            | +ltree_TCH1_release                                                                                                                                                                          |                                    |   |          |
| 9                         |            | +ltree_TCH2_release                                                                                                                                                                          |                                    |   |          |
| 10                        |            | (TCV_Null := OO_TguardTimeOut())                                                                                                                                                             |                                    |   |          |
| 11                        | L_103<br>3 | CANCEL                                                                                                                                                                                       |                                    | I | 4.       |
| 12                        |            | L?OTHERWISE                                                                                                                                                                                  |                                    |   | 3.       |
| 13                        |            | +ltree_SDCCH1_release                                                                                                                                                                        |                                    |   |          |
| 14                        |            | +ltree_SDCCH2_release                                                                                                                                                                        |                                    |   |          |
| 15                        |            | +ltree_TCH1_release                                                                                                                                                                          |                                    |   |          |
| 16                        |            | +ltree_TCH2_release                                                                                                                                                                          |                                    |   |          |
| 17                        |            | L?DL_Relln                                                                                                                                                                                   | DLRelInd_01                        |   |          |
| 18                        | L_103<br>4 | CANCEL                                                                                                                                                                                       |                                    | F | 4.       |
| 19                        |            | ?TIMEOUT T_guard                                                                                                                                                                             |                                    |   |          |
| 20                        | L_103<br>5 | CANCEL                                                                                                                                                                                       |                                    | F | 4.       |
| 21                        |            | <b>ltree_SDCCH1_release</b><br>[TCV_ch <> "dummy"]                                                                                                                                           |                                    |   |          |
| 22                        |            | LIDL_DatRqChRel                                                                                                                                                                              | ChRel(TCV_ch,<br>ChRelease_01)     |   |          |
| 23                        |            | [TCV_ch = "dummy"]                                                                                                                                                                           |                                    |   |          |
| 24                        |            | <b>ltree_SDCCH2_release</b><br>[TCV_ch1 <> "dummy"]                                                                                                                                          |                                    |   |          |
| 25                        |            | LIDL_DatRqChRel                                                                                                                                                                              | ChRel(TCV_ch1,<br>ChRelease_01)    |   |          |
| 26                        |            | [TCV_ch1 = "dummy"]                                                                                                                                                                          |                                    |   |          |
| 27                        |            | <b>ltree_TCH1_release</b><br>[TCV_chTch <> "dummy"]                                                                                                                                          |                                    |   |          |
| 28                        |            | LIDL_DatRqChRel                                                                                                                                                                              | ChRel(TCV_chTch,<br>ChRelease_01)  |   |          |
| 29                        |            | [TCV_chTch = "dummy"]                                                                                                                                                                        |                                    |   |          |
| 30                        |            | <b>ltree_TCH2_release</b><br>[TCV_chTch1 <> "dummy"]                                                                                                                                         |                                    |   |          |
| 31                        |            | LIDL_DatRqChRel                                                                                                                                                                              | ChRel(TCV_chTch1,<br>ChRelease_01) |   |          |
| 32                        |            | [TCV_chTch1 = "dummy"]                                                                                                                                                                       |                                    |   |          |
| <b>Detailed Comments:</b> |            | 1. To throw away any irrelevant channel request.<br>2. The guard timer times out, inconclusive.<br>3. Unexpected events, fail.<br>4. Cancel of all running timers.                           |                                    |   |          |

| Default Dynamic Behaviour |       |                                                     |      |   |          |
|---------------------------|-------|-----------------------------------------------------|------|---|----------|
| <b>Default Name:</b>      |       | OtherEvents_01                                      |      |   |          |
| <b>Group:</b>             |       | GSM_L3_MS_v4210/                                    |      |   |          |
| <b>Objective:</b>         |       | To match irrelevant messages and return             |      |   |          |
| Nr                        | Label | Behaviour Description                               | CRef | V | Comments |
| 1                         |       | L?OTHERWISE                                         |      |   | 1.       |
| 2                         |       | RETURN                                              |      |   |          |
| <b>Detailed Comments:</b> |       | 1. Cover also DLRelnd_02 for local end termination. |      |   |          |

| Default Dynamic Behaviour |            |                                                                                                                                                                                                            |                                    |   |          |
|---------------------------|------------|------------------------------------------------------------------------------------------------------------------------------------------------------------------------------------------------------------|------------------------------------|---|----------|
| <b>Default Name:</b>      |            | OtherEvents_02                                                                                                                                                                                             |                                    |   |          |
| <b>Group:</b>             |            | GSM_L3_MS_v4210/                                                                                                                                                                                           |                                    |   |          |
| <b>Objective:</b>         |            | To match unexpected events and sign final verdict for preambles but ignore channel request messages that are sent before the lower tester has sent (and the MS received) the Immediate Assignment message. |                                    |   |          |
| <b>Comments:</b>          |            | used in preambles.                                                                                                                                                                                         |                                    |   |          |
| Nr                        | Label      | Behaviour Description                                                                                                                                                                                      | CRef                               | V | Comments |
| 1                         |            | L?DL_Relln                                                                                                                                                                                                 | DLRelInd_02                        |   |          |
| 2                         |            | RETURN                                                                                                                                                                                                     |                                    |   |          |
| 3                         |            | L?DL_RaInChRq                                                                                                                                                                                              | ChReq(ChRequest_02)                |   | 1.       |
| 4                         |            | RETURN                                                                                                                                                                                                     |                                    |   |          |
| 5                         |            | ?TIMEOUT T_guard                                                                                                                                                                                           |                                    |   | 2.       |
| 6                         |            | +ltree_SDCCH1_release                                                                                                                                                                                      |                                    |   |          |
| 7                         |            | +ltree_SDCCH2_release                                                                                                                                                                                      |                                    |   |          |
| 8                         |            | +ltree_TCH1_release                                                                                                                                                                                        |                                    |   |          |
| 9                         |            | +ltree_TCH2_release                                                                                                                                                                                        |                                    |   |          |
| 10                        |            | (TCV_Null := OO_TguardTimeOut())                                                                                                                                                                           |                                    |   |          |
| 11                        | L_103<br>6 | CANCEL                                                                                                                                                                                                     |                                    | I | 4.       |
| 12                        |            | L?OTHERWISE                                                                                                                                                                                                |                                    |   | 3.       |
| 13                        |            | +ltree_SDCCH1_release                                                                                                                                                                                      |                                    |   |          |
| 14                        |            | +ltree_SDCCH2_release                                                                                                                                                                                      |                                    |   |          |
| 15                        |            | +ltree_TCH1_release                                                                                                                                                                                        |                                    |   |          |
| 16                        |            | +ltree_TCH2_release                                                                                                                                                                                        |                                    |   |          |
| 17                        |            | L?DL_Relln                                                                                                                                                                                                 | DLRelInd_01                        |   |          |
| 18                        | L_103<br>7 | CANCEL                                                                                                                                                                                                     |                                    | I | 4.       |
| 19                        |            | ?TIMEOUT T_guard                                                                                                                                                                                           |                                    |   | 2.       |
| 20                        | L_103<br>8 | CANCEL                                                                                                                                                                                                     |                                    | I | 4.       |
| 21                        |            | <b>ltree_SDCCH1_release</b><br>[TCV_ch <> "dummy"]                                                                                                                                                         |                                    |   |          |
| 22                        |            | L!DL_DatRqChRel                                                                                                                                                                                            | ChRel(TCV_ch,<br>ChRelease_01)     |   |          |
| 23                        |            | [TCV_ch = "dummy"]                                                                                                                                                                                         |                                    |   |          |
| 24                        |            | <b>ltree_SDCCH2_release</b><br>[TCV_ch1 <> "dummy"]                                                                                                                                                        |                                    |   |          |
| 25                        |            | L!DL_DatRqChRel                                                                                                                                                                                            | ChRel(TCV_ch1,<br>ChRelease_01)    |   |          |
| 26                        |            | [TCV_ch1 = "dummy"]                                                                                                                                                                                        |                                    |   |          |
| 27                        |            | <b>ltree_TCH1_release</b><br>[TCV_chTch <> "dummy"]                                                                                                                                                        |                                    |   |          |
| 28                        |            | L!DL_DatRqChRel                                                                                                                                                                                            | ChRel(TCV_chTch,<br>ChRelease_01)  |   |          |
| 29                        |            | [TCV_chTch = "dummy"]                                                                                                                                                                                      |                                    |   |          |
| 30                        |            | <b>ltree_TCH2_release</b><br>[TCV_chTch1 <> "dummy"]                                                                                                                                                       |                                    |   |          |
| 31                        |            | L!DL_DatRqChRel                                                                                                                                                                                            | ChRel(TCV_chTch1,<br>ChRelease_01) |   |          |
| 32                        |            | [TCV_chTch1 = "dummy"]                                                                                                                                                                                     |                                    |   |          |
| <b>Detailed Comments:</b> |            | 1. To throw away any irrelevant channel request.<br>2. The guard timer times out, inconclusive.<br>3. Unexpected events, inconclusive.<br>4. Cancel of all running timers.                                 |                                    |   |          |

| Default Dynamic Behaviour |       |                                                           |             |   |          |
|---------------------------|-------|-----------------------------------------------------------|-------------|---|----------|
| <b>Default Name:</b>      |       | RcvHdOvAcc                                                |             |   |          |
| <b>Group:</b>             |       | GSM_L3_MS_v4210/                                          |             |   |          |
| <b>Objective:</b>         |       | To match any HANDOVER ACCESS then return to calling tree. |             |   |          |
| Nr                        | Label | Behaviour Description                                     | CRef        | V | Comments |
| 1                         |       | L?DL_RacInHoacc                                           | HndOvAcc_01 |   |          |
| 2                         |       | RETURN                                                    |             |   |          |
| <b>Detailed Comments:</b> |       |                                                           |             |   |          |

**Annex B (normative): Partial IXIT proforma**

Notwithstanding the provisions of the copyright clause related to the text of this ETS, ETSI grants that users of this ETS may freely reproduce the PIXIT proforma in this annex so that it can be used for its intended purposes and may further publish the completed PIXIT.

**Introduction**

This partial IXIT proforma contained in this ETS, after augmented by the Test Realizer, is proposed to be provided to the client for completion, when the related Abstract Test Suite is to be used against client's Implementation Under Test (IUT).

Text in *italics* is comments for guidance for the production of a IXIT, and is not to be included in the actual IXIT.

The completed IXIT will normally be used in conjunction with the completed ICS, as it adds precision to the information provided by the ICS.

## B.1 Identification Summary

*This table is completed by the test laboratory. The item "Contract References" is optional.*

**Table 1: Identification Summary**

|                            |  |
|----------------------------|--|
| IXIT Reference Number      |  |
| Test Laboratory Name       |  |
| Date of Issue              |  |
| Issued to (name of client) |  |
| Contract References        |  |

## B.2 Abstract Test Suite Summary

*In the following table the test laboratory provides the version number of the protocol specification and the version number of ATS which are used in the conformance testing.*

**Table 2: ATS Summary**

|                                   |                    |
|-----------------------------------|--------------------|
| Protocol Specification            | ETS 300 557        |
| Version of Protocol Specification |                    |
| TSS & TP Specification            | ETS 300 607-1      |
| Version of TSS & TP Specification |                    |
| ATS Specification                 | ETS 300 607-3      |
| Version of ATS Specification      |                    |
| Abstract Test Method              | Remote Test Method |

## B.3 Test Laboratory

### B.3.1 Test Laboratory Identification

*The test laboratory provides the following information.*

**Table 3: Test Laboratory Identification**

|                         |  |
|-------------------------|--|
| Name of Test Laboratory |  |
| Postal Address          |  |
| Office address          |  |
| Telephone Number        |  |
| FAX Number              |  |

**B.3.2 Accreditation status of the test service**

*The test laboratory provides the following information.*

**Table 4: Accreditation status of the test service**

|                         |  |
|-------------------------|--|
| Accreditation status    |  |
| Accreditation Reference |  |

**B.3.3 Manager of Test Laboratory**

*The test laboratory provides the information about the manager of test laboratory in the following table.*

**Table 5: Manager of Test Laboratory**

|                                    |  |
|------------------------------------|--|
| Name of Manager of Test Laboratory |  |
| Telephone Number                   |  |
| FAX Number                         |  |
| E-mail Address                     |  |

**B.3.4 Contact person of Test Laboratory**

*The test laboratory provides the information about the contact person of test laboratory in the following table.*

**Table 6: Contact person of Test Laboratory**

|                                    |  |
|------------------------------------|--|
| Name of Contact of Test Laboratory |  |
| Telephone Number                   |  |
| FAX Number                         |  |
| E-mail Address                     |  |

**B.3.5 Means of Testing**

*In the table below, the test laboratory provides a statement of conformance of the Means Of Testing (MOT) to the reference standardized ATS, and identifies all restrictions for the test execution required by the MOT beyond those stated in the reference standardized ATS.*

**Table 7: Means of Testing**

| Means of Testing |
|------------------|
|------------------|



**B.3.6 Instructions for Completion**

*In this table, the test laboratory provides any specific instructions necessary for completion and return of the proforma from the client.*

**Table 8: Instruction for Completion**

| Instructions for Completion |
|-----------------------------|
|                             |

## B.4 Client

### B.4.1 Client Identification

*The client provides the identification in the following table.*

**Table 9: Client Identification**

|                  |  |
|------------------|--|
| Name of Client   |  |
| Postal Address   |  |
| Office Address   |  |
| Telephone Number |  |
| FAX Number       |  |

### B.4.2 Client Test Manager

*In this table the client provides information about the test manager.*

**Table 10: Client Test Manager**

|                             |  |
|-----------------------------|--|
| Name of Client Test Manager |  |
| Telephone Number            |  |
| FAX Number                  |  |
| E-mail Address              |  |

### B.4.3 Client Contact person

*In this table the client provides information about the test contact person.*

**Table 11: Client Contact person**

|                               |  |
|-------------------------------|--|
| Name of Client contact person |  |
| Telephone Number              |  |
| FAX Number                    |  |
| E-mail Address                |  |

**B.4.4 Test Facilities Required**

*In the following table, the client records the particular facilities required for testing, if a range of facilities is provided by the test laboratory.*

**Table 12: Test Facilities Required**

| Test Facilities Required |
|--------------------------|
|--------------------------|

## B.5 System Under Test

### B.5.1 SUT Information

*The client provides information about the SUT in the table below.*

**Table 13: SUT Information**

|                                 |  |
|---------------------------------|--|
| System Name                     |  |
| System Version                  |  |
| SCS Reference                   |  |
| Machine Configuration           |  |
| Operating System Identification |  |
| IUT Identification              |  |
| ICS Reference for the IUT       |  |

**B.5.2 Limitations of the SUT**

*In the table below, the client provides information explaining if any of the abstract tests cannot be executed.*

**Table 14: Limitation of the SUT**

| Limitations of the SUT |
|------------------------|
|------------------------|

**B.5.3 Environmental Conditions**

*In the table below the client provides information about any tighter environmental conditions for the correct operation of the SUT.*

**Table 15: Environmental Conditions**

| Environmental Conditions |
|--------------------------|
|                          |

## B.6 Ancillary Protocols

*This clause is completed by the client in conjunction with the test laboratory.*

*In the following tables, the client identifies relevant information concerning each ancillary protocol in the SUT other than the IUT itself. One table for one ancillary protocol.*

*Based on the MOT the test laboratory should create question proforma for each ancillary protocol in the blank space following each table. The information required is dependent on the MOT and the SUT, and covers all the addressing, parameter values, timer values and facilities (relevant to ETSS) as defined by the ICS for the ancillary protocol.*

### B.6.1 Ancillary Protocols 1

**Table 16: Ancillary Protocol 1**

|                           |         |
|---------------------------|---------|
| Protocol Name             | ETS 300 |
| Version number            |         |
| ICS Reference (optional)  |         |
| IXIT Reference (optional) |         |
| PCTR Reference (optional) |         |

### B.6.2 Ancillary Protocols 2

**Table 17: Ancillary Protocol 2**

|                           |         |
|---------------------------|---------|
| Protocol Name             | ETS 300 |
| Version number            |         |
| ICS Reference (optional)  |         |
| IXIT Reference (optional) |         |
| PCTR Reference (optional) |         |

## B.7 Protocol Layer Information for L3 of Mobile Station

### B.7.1 Information provided for test purposes by the MS supplier

| Item                     | Description                         | Type/Allowed values | Supported Value |
|--------------------------|-------------------------------------|---------------------|-----------------|
| TSPC_24DataF             | 2.4 k full rate data mode supported | BOOLEAN             |                 |
| TSPC_24DataH             | 2.4 k half rate data mode supported | BOOLEAN             |                 |
| TSPC_48DataF             | 4.8 k full rate data mode supported | BOOLEAN             |                 |
| TSPC_48DataH             | 4.8 k half rate data mode supported | BOOLEAN             |                 |
| TSPC_96Data              | 9.6 k full rate data mode supported | BOOLEAN             |                 |
| TSPC_Feat_A51            | ciphering algorithm A5/1 supported  | BOOLEAN             |                 |
| TSPC_Feat_A52            | ciphering algorithm A5/2 supported  | BOOLEAN             |                 |
| TSPC_AddCharSet          | A, B, C, D chars supported          | BOOLEAN             |                 |
| TSPC_AddInfo_PseudoSynch | Pseudo synchronised supported       | BOOLEAN             |                 |

| Item                | Description                                                    | Type/Allowed values | Supported Value |
|---------------------|----------------------------------------------------------------|---------------------|-----------------|
| TSPC_AlertInd       | alerting indication to the user supported                      | BOOLEAN             |                 |
| TSPC_SvcOnTCH       | at least one service on traffic channel supported              | BOOLEAN             |                 |
| TSPC_SMS            | at least one short message service supported                   | BOOLEAN             |                 |
| TSPC_SS             | at least one supplementary service supported                   | BOOLEAN             |                 |
| TSPC_AutoAutoMode   | automatically enter automatic selection of PLMN mode supported | BOOLEAN             |                 |
| TSPC_BasCharSet     | Chars 0-9, *, # supported                                      | BOOLEAN             |                 |
| TSPC_CalledNumDisp  | called number display supported                                | BOOLEAN             |                 |
| TSPC_DCS            | testing DCS1 800                                               | BOOLEAN             |                 |
| TSPC_DetachOnPwrDn  | detach on power down supported                                 | BOOLEAN             |                 |
| TSPC_DetachOnSIMRmv | detach on SIM remove supported                                 | BOOLEAN             |                 |
| TSPC_DispRcvSMS     | display of received SMS supported                              | BOOLEAN             |                 |
| TSPC_DualRate       | dual rate channel types supported                              | BOOLEAN             |                 |
| TSPC_EGSM           | both standard and extended GSM band supported                  | BOOLEAN             |                 |
| TSPC_EmgOnly        | the only circuit switched basic service is emergency call      | BOOLEAN             |                 |
| TSPC_followOnReq    | follow-on request procedure supported                          | BOOLEAN             |                 |
| TSPC_HalfRateData   | half rate data supported                                       | BOOLEAN             |                 |
| TSPC_HalfRateSpeech | half rate speech mode supported                                | BOOLEAN             |                 |
| TSPC_InCallMod      | In-Call modification supported                                 | BOOLEAN             |                 |
| TSPC_NoimmConn      | at least one service not support immediate connection          | BOOLEAN             |                 |
| TSPC_Feat_FND       | FND feature supported                                          | BOOLEAN             |                 |
| TSPC_NonCallSS      | non call related supplementary service supported               | BOOLEAN             |                 |
| TSPC_MTsvc          | at least one MT circuit switched basic service supported       | BOOLEAN             |                 |
| TSPC_MOsvc          | at least one MO circuit switched basic service supported       | BOOLEAN             |                 |
| TSPC_PGSM           | only standard GSM band supported                               | BOOLEAN             |                 |
| TSPC_RefusalCall    | refusal of call supported                                      | BOOLEAN             |                 |
| TSPC_ReplaceSMS     | replace SMS supported                                          | BOOLEAN             |                 |
| TSPC_ReplyProc      | (SMS) reply procedures supported                               | BOOLEAN             |                 |



| Item                  | Description                                        | Type/Allowed values | Supported Value |
|-----------------------|----------------------------------------------------|---------------------|-----------------|
| TSPC_RFamp            | RF amplification supported                         | BOOLEAN             |                 |
| TSPC_SDCCHOnly        | only SDCCH supported                               | BOOLEAN             |                 |
| TSPC_Serv_SS_AoCC     | AOCC SS supported                                  | BOOLEAN             |                 |
| TSPC_Serv_SS_BAIC     | BAIC SS supported                                  | BOOLEAN             |                 |
| TSPC_Serv_SS_BI       | BI SS supported                                    | BOOLEAN             |                 |
| TSPC_Serv_SS_BICRoam  | BICRoam SS supported                               | BOOLEAN             |                 |
| TSPC_Serv_SS_BAOC     | BAOC SS supported                                  | BOOLEAN             |                 |
| TSPC_Serv_SS_BOIC     | BOIC SS supported                                  | BOOLEAN             |                 |
| TSPC_Serv_SS_BOICexHC | BOICexHC SS supported                              | BOOLEAN             |                 |
| TSPC_Serv_SS_CFB      | CFB supported                                      | BOOLEAN             |                 |
| TSPC_Serv_SS_CFNry    | CFNry supported                                    | BOOLEAN             |                 |
| TSPC_Serv_SS_CFNrc    | CFNrc supported                                    | BOOLEAN             |                 |
| TSPC_Serv_SS_CFU      | CFU supported                                      | BOOLEAN             |                 |
| TSPC_Serv_SS_HOLD     | Call Hold SS supported                             | BOOLEAN             |                 |
| TSPC_Serv_SS_MPTY     | multiparty SS supported                            | BOOLEAN             |                 |
| TSPC_Serv_SS_unstruct | USSD supported                                     | BOOLEAN             |                 |
| TSPC_Serv_TS11        | telephony supported                                | BOOLEAN             |                 |
| TSPC_Serv_TS12        | emergency call supported                           | BOOLEAN             |                 |
| TSPC_Serv_TS21        | SMS MT/PP supported                                | BOOLEAN             |                 |
| TSPC_Serv_TS22        | SMS MO/PP supported                                | BOOLEAN             |                 |
| TSPC_Serv_TS23        | SMS cell broadcast supported                       | BOOLEAN             |                 |
| TSPC_Serv_TS61        | alternate speech and G3 fax (TS61) supported       | BOOLEAN             |                 |
| TSPC_Serv_TS62        | automatic G3 fax (TS62) supported                  | BOOLEAN             |                 |
| TSPC_Serv_BS21        | data circuit duplex async 300 bit/s supported      | BOOLEAN             |                 |
| TSPC_Serv_BS22        | data circuit duplex async 1 200 bit/s supported    | BOOLEAN             |                 |
| TSPC_Serv_BS23        | data circuit duplex async 1 200/75 bit/s supported | BOOLEAN             |                 |
| TSPC_Serv_BS24        | data circuit duplex async 2 400 bit/s supported    | BOOLEAN             |                 |
| TSPC_Serv_BS25        | data circuit duplex async 4 800 bit/s supported    | BOOLEAN             |                 |

| Item                 | Description                                                                          | Type/Allowed values | Supported Value |
|----------------------|--------------------------------------------------------------------------------------|---------------------|-----------------|
| TSPC_Serv_BS26       | data circuit duplex async<br>9 600 bit/s supported                                   | BOOLEAN             |                 |
| TSPC_Serv_BS31       | data circuit duplex sync 1 200<br>bit/s supported                                    | BOOLEAN             |                 |
| TSPC_Serv_BS32       | data circuit duplex sync 2 400<br>bit/s supported                                    | BOOLEAN             |                 |
| TSPC_Serv_BS33       | data circuit duplex sync 4 800<br>bit/s supported                                    | BOOLEAN             |                 |
| TSPC_Serv_BS34       | data circuit duplex sync 9 600<br>bit/s supported                                    | BOOLEAN             |                 |
| TSPC_Serv_BS41       | PAD access 300 bit/s<br>supported                                                    | BOOLEAN             |                 |
| TSPC_Serv_BS42       | PAD access 1 200 bit/s<br>supported                                                  | BOOLEAN             |                 |
| TSPC_Serv_BS43       | PAD access 1 200/75 bit/s<br>supported                                               | BOOLEAN             |                 |
| TSPC_Serv_BS44       | PAD access 2 400 bit/s<br>supported                                                  | BOOLEAN             |                 |
| TSPC_Serv_BS45       | PAD access 4 800 bit/s<br>supported                                                  | BOOLEAN             |                 |
| TSPC_Serv_BS46       | PAD access 9 600 bit/s<br>supported                                                  | BOOLEAN             |                 |
| TSPC_Serv_BS51       | packet access 2 400 bit/s<br>supported                                               | BOOLEAN             |                 |
| TSPC_Serv_BS52       | packet access 4 800 bit/s<br>supported                                               | BOOLEAN             |                 |
| TSPC_Serv_BS53       | packet access 9 600 bit/s<br>supported                                               | BOOLEAN             |                 |
| TSPC_Serv_BS61       | alternate speech/data (BS61)<br>supported                                            | BOOLEAN             |                 |
| TSPC_Serv_BS81       | speech followed data (BS81)<br>supported                                             | BOOLEAN             |                 |
| TSPC_SMSStatusRepCap | SMS status report capabilities<br>supported                                          | BOOLEAN             |                 |
| TSPC_StoreRcvSMSME   | Storage of received SMS in<br>ME supported                                           | BOOLEAN             |                 |
| TSPC_StoreRcvSMSSIM  | Storage of received SMS in<br>SIM supported                                          | BOOLEAN             |                 |
| TSPC_SIMRmv          | SIM removable without power<br>down supported                                        | BOOLEAN             |                 |
| TSPC_SwitchOnOff     | switch on/off supported                                                              | BOOLEAN             |                 |
| TSPC_TranspDataOnly  | only transparent data service<br>supported                                           | BOOLEAN             |                 |
| TSPX_TE_stopbit      | TE conf. number stop bits.<br>default value : '0'B, 1 bit                            | BITSTRING[1]        |                 |
| TSPX_TE_databit      | TE conf. number data bits.<br>default value : '1'B, 8 bits                           | BITSTRING[1]        |                 |
| TSPX_TE_FLCT         | TE flow control. default : 0,<br>outband flow control                                | 0, 1, 2             |                 |
| TSPX_TE_parity       | TE conf. parity. default :<br>'001'B, no parity                                      | BITSTRING[3]        |                 |
| TSPX_BS_21_its1      | its value supported for BS21.<br>default value : '001'B, UDI                         | BITSTRING[3]        |                 |
| TSPX_BS_21_more_its  | more than one its value<br>supported by BS21. default<br>value : FALSE, only one its | BOOLEAN             |                 |

| Item                | Description                                                                                                                                                                      | Type/Allowed values | Supported Value |
|---------------------|----------------------------------------------------------------------------------------------------------------------------------------------------------------------------------|---------------------|-----------------|
| TSPX_BS_21_T_NT     | both T and NT supported by BS21. default value : FALSE, not support both transparent and non transparent modes                                                                   | BOOLEAN             |                 |
| TSPX_BS_21_ce       | ce value used in MO call and if the answer to TSPX_BS_21_T_NT is FALSE, the manufacturer must precise which mode is supported by the MS. default value : '00'B, transparent mode | BITSTRING[2]        |                 |
| TSPX_BS_21_sacp     | sacp value used in MO call. default value : '001'B, 1440/450                                                                                                                     | BITSTRING[3]        |                 |
| TSPX_BS_21_itc2     | other itc value supported by BS21, it shall be different from the previous one if the answer to TSPX_BS_21_more_itc is TRUE. default value : '001'B, UDI                         | BITSTRING[3]        |                 |
| TSPX_BS_22_itc1     | itc value supported by BS22. default value : '010'B, 3.1kHz audio, exPLMN                                                                                                        | BITSTRING[3]        |                 |
| TSPX_BS_22_more_itc | more than one itc value supported by BS22. default value : FALSE, only one itc                                                                                                   | BOOLEAN             |                 |
| TSPX_BS_22_T_NT     | both T and NT supported by BS22. default value : FALSE, not support both transparent and non transparent modes                                                                   | BOOLEAN             |                 |
| TSPX_BS_22_ce       | ce value used in MO call and if the answer to TSPX_BS_22_T_NT is FALSE, the manufacturer must precise which mode is supported by the MS. default value : '01'B, non transparent  | BITSTRING[2]        |                 |
| TSPX_BS_22_sacp     | sacp value used in MO call. default value : '001'B, 1440/450                                                                                                                     | BITSTRING[3]        |                 |
| TSPX_BS_22_itc2     | other itc value supported by BS22, it shall be different from the previous one if the answer to TSPX_BS_22_more_itc is TRUE. default value : '010'B, 3.1kHz audio, exPLMN        | BITSTRING[3]        |                 |
| TSPX_BS_23_itc      | itc value supported by BS23. default value : '010'B, 3.1kHz audio, exPLMN                                                                                                        | BITSTRING[3]        |                 |
| TSPX_BS_23_T_NT     | both T and NT supported for BS23. default value : FALSE, not support both transparent and non transparent modes                                                                  | BOOLEAN             |                 |
| TSPX_BS_23_ce       | ce value used in MO call. default value : '00'B, transparent                                                                                                                     | BITSTRING[2]        |                 |
| TSPX_BS_23_sacp     | sacp value used in MO call. default value : '001'B, 1440/450                                                                                                                     | BITSTRING[3]        |                 |

| Item                | Description                                                                                                                                                                 | Type/Allowed values | Supported Value |
|---------------------|-----------------------------------------------------------------------------------------------------------------------------------------------------------------------------|---------------------|-----------------|
| TSPX_BS_24_itc1     | itc value supported by BS24. default value : '010'B, 3.1kHz audio, exPLMN                                                                                                   | BITSTRING[3]        |                 |
| TSPX_BS_24_more_itc | more than one itc value supported by BS24. default value : FALSE, only one itc                                                                                              | BOOLEAN             |                 |
| TSPX_BS_24_T_NT     | both T and NT supported by BS24. default value : FALSE, not support both transparent and non transparent modes                                                              | BOOLEAN             |                 |
| TSPX_BS_24_ce       | ce value used in MO call and if the answer to TSPX_BS_24_T_NT is FALSE, the manufacturer must precise which mode is supported by the MS. default value : '00'B, transparent | BITSTRING[2]        |                 |
| TSPX_BS_24_sacp     | sacp value used in MO call. default value : '001'B, I440/450                                                                                                                | BITSTRING[3]        |                 |
| TSPX_BS_24_itc2     | other itc value supported by BS24, it shall be different from the previous one if the answer to TSPX_BS_24_more_itc is TRUE. default value : '010'B, 3.1kHz audio, exPLMN   | BITSTRING[3]        |                 |
| TSPX_BS_25_itc1     | itc value supported by BS25. default value : '001'B, UDI                                                                                                                    | BITSTRING[3]        |                 |
| TSPX_BS_25_more_itc | more than one itc value supported by BS25. default value : FALSE, only one itc                                                                                              | BOOLEAN             |                 |
| TSPX_BS_25_T_NT     | both T and NT supported by BS25. default value : FALSE, not support both transparent and non transparent modes                                                              | BOOLEAN             |                 |
| TSPX_BS_25_ce       | ce value used in MO call and if the answer to TSPX_BS_25_T_NT is FALSE, the manufacturer must precise which mode is supported by the MS. default value : '00'B, transparent | BITSTRING[2]        |                 |
| TSPX_BS_25_sacp     | sacp value used in MO call. default value : '001'B, I440/450                                                                                                                | BITSTRING[3]        |                 |
| TSPX_BS_25_itc2     | other itc value supported by BS25, it shall be different from the previous one if the answer to TSPX_BS_25_more_itc is TRUE. default value : '001'B, UDI                    | BITSTRING[3]        |                 |
| TSPX_BS_26_itc1     | itc value supported by BS26. default value : '010'B, 3.1kHz audio, exPLMN                                                                                                   | BITSTRING[3]        |                 |
| TSPX_BS_26_more_itc | more than one itc value supported by BS26. default value : FALSE, only one itc                                                                                              | BOOLEAN             |                 |

| Item                 | Description                                                                                                                                                                 | Type/Allowed values | Supported Value |
|----------------------|-----------------------------------------------------------------------------------------------------------------------------------------------------------------------------|---------------------|-----------------|
| TSPX_BS_26_T_NT      | both T and NT supported by BS26. default value : FALSE, not support both transparent and non transparent modes                                                              | BOOLEAN             |                 |
| TSPX_BS_26_ce        | ce value used in MO call and if the answer to TSPX_BS_26_T_NT is FALSE, the manufacturer must precise which mode is supported by the MS. default value : '00'B, transparent | BITSTRING[2]        |                 |
| TSPX_BS_26_sacp      | sacp value used in MO call. default value : '001'B, I440/450                                                                                                                | BITSTRING[3]        |                 |
| TSPX_BS_26_itc2      | other itc value supported by BS26, it shall be differenet from the previous one if the answer to TSPX_BS_26_more_itc is TRUE. default value : '010'B, 3.1kHz audio, exPLMN  | BITSTRING[3]        |                 |
| TSPX_BS_31_more_itc  | more than one itc value supported by BS31. default value : FALSE, only one itc                                                                                              | BOOLEAN             |                 |
| TSPX_BS_31_more_sacp | more than one sacp value supported by BS31. default value : FALSE, only one sacp                                                                                            | BOOLEAN             |                 |
| TSPX_BS_31_itc1      | itc value supported by BS31. default value : '001'B, UDI                                                                                                                    | BITSTRING[3]        |                 |
| TSPX_BS_31_sacp1     | sacp value supported by BS31. default value : '001'B, I440/450                                                                                                              | BITSTRING[3]        |                 |
| TSPX_BS_31_itc2      | other itc value supported by BS31, it shall be differenet from the previous one if the answer to TSPX_BS_31_more_itc is TRUE. default value : '001'B, UDI                   | BITSTRING[3]        |                 |
| TSPX_BS_31_sacp2     | other sacp value supported by BS31, it shall be differenet from the previous one if the answer to TSPX_BS_31_more_sacp is TRUE. default value : '001'B, I440/450            | BITSTRING[3]        |                 |
| TSPX_BS_32_itc1      | itc value supported by BS32. default value : '010'B, 3.1kHz audio, exPLMN                                                                                                   | BITSTRING[3]        |                 |
| TSPX_BS_32_more_itc  | more than one itc value supported by BS32. default value : FALSE, only one itc                                                                                              | BOOLEAN             |                 |
| TSPX_BS_32_more_sacp | more than one sacp value supported by BS32. default value : FALSE, only one sacp                                                                                            | BOOLEAN             |                 |
| TSPX_BS_32_sacp1     | sacp value supported by BS32. default value : '110'B, X.32                                                                                                                  | BITSTRING[3]        |                 |

| Item                 | Description                                                                                                                                                                | Type/Allowed values | Supported Value |
|----------------------|----------------------------------------------------------------------------------------------------------------------------------------------------------------------------|---------------------|-----------------|
| TSPX_BS_32_X32_T_NT  | BS 32 both T and NT supported for X32 3.1kHz. default value : FALSE, not support both transparent and non transparent modes                                                | BOOLEAN             |                 |
| TSPX_BS_32_X32_ce    | if the answer to TSPX_BS_32_X32_T_NT is FALSE, the manufacturer must precise which mode is supported by the MS. default value : '01'B, non transparent                     | BITSTRING[2]        |                 |
| TSPX_BS_32_itc2      | other itc value supported by BS32, it shall be differenet from the previous one if the answer to TSPX_BS_32_more_itc is TRUE. default value : '010'B, 3.1kHz audio, exPLMN | BITSTRING[3]        |                 |
| TSPX_BS_32_sacp2     | other sacp value supported by BS32, it shall be differenet from the previous one if the answer to TSPX_BS_32_more_sacp is TRUE. default value : '110'B, X.32               | BITSTRING[3]        |                 |
| TSPX_BS_33_itc1      | itc value supported by BS33. default value : '001'B, UDI                                                                                                                   | BITSTRING[3]        |                 |
| TSPX_BS_33_more_itc  | more than one itc value supported by BS33. default value : FALSE, only one itc                                                                                             | BOOLEAN             |                 |
| TSPX_BS_33_more_sacp | more than one sacp value supported by BS33. default value : FALSE, only one sacp                                                                                           | BOOLEAN             |                 |
| TSPX_BS_33_sacp1     | sacp value supported by BS33. default value : '010'B, X.21                                                                                                                 | BITSTRING[3]        |                 |
| TSPX_BS_33_X32_T_NT  | BS 33 both T and NT supported for X32 3.1kHz. default value : FALSE, not support both transparent and non transparent modes                                                | BOOLEAN             |                 |
| TSPX_BS_33_X32_ce    | if the answer to TSPX_BS_33_X32_T_NT is FALSE, the manufacturer must precise which mode is supported by the MS. default value : '00'B, transparent                         | BITSTRING[2]        |                 |
| TSPX_BS_33_itc2      | other itc value supported by BS32, it shall be differenet from the previous one if the answer to TSPX_BS_33_more_itc is TRUE. default value : '001'B, UDI                  | BITSTRING[3]        |                 |

| Item                 | Description                                                                                                                                                               | Type/Allowed values | Supported Value |
|----------------------|---------------------------------------------------------------------------------------------------------------------------------------------------------------------------|---------------------|-----------------|
| TSPX_BS_33_sacp2     | other sacp value supported by BS33, it shall be different from the previous one if the answer to TSPX_BS_33_more_sacp is TRUE. default value : '010'B, X.21               | BITSTRING[3]        |                 |
| TSPX_BS_34_itc1      | itc value supported by BS34. default value : '010'B, 3.1kHz audio, exPLMN                                                                                                 | BITSTRING[3]        |                 |
| TSPX_BS_34_more_itc  | more than one itc value supported by BS34. default value : FALSE, only one itc                                                                                            | BOOLEAN             |                 |
| TSPX_BS_34_more_sacp | more than one sacp value supported by BS34. default value : FALSE, only one sacp                                                                                          | BOOLEAN             |                 |
| TSPX_BS_34_sacp1     | sacp value supported by BS34. default value : '001'B, I440/450                                                                                                            | BITSTRING[3]        |                 |
| TSPX_BS_34_X32_T_NT  | BS 34 both T and NT supported for X32 3.1kHz. default value : FALSE, not support both transparent and non transparent modes                                               | BOOLEAN             |                 |
| TSPX_BS_34_X32_ce    | if the answer to TSPX_BS_34_X32_T_NT is FALSE, the manufacturer must precise which mode is supported by the MS. default value : '00'B, transparent                        | BITSTRING[2]        |                 |
| TSPX_BS_34_itc2      | other itc value supported by BS34, it shall be different from the previous one if the answer to TSPX_BS_34_more_itc is TRUE. default value : '010'B, 3.1kHz audio, exPLMN | BITSTRING[3]        |                 |
| TSPX_BS_34_sacp2     | other sacp value supported by BS34, it shall be different from the previous one if the answer to TSPX_BS_34_more_sacp is TRUE. default value : '001'B, I440/450           | BITSTRING[3]        |                 |
| TSPX_BS_41_T_NT      | BS41 both T and NT supported . default value : FALSE, not support both                                                                                                    | BOOLEAN             |                 |
| TSPX_BS_41_ce        | ce value used in BS41 MO call. default value : '00'B, transparent                                                                                                         | BITSTRING[2]        |                 |
| TSPX_BS_42_T_NT      | BS42 both T and NT supported . default value : FALSE, not support both transparent and non transparent modes                                                              | BOOLEAN             |                 |
| TSPX_BS_42_ce        | ce value used in BS42 MO call. default value : '010'B, non transparent                                                                                                    | BITSTRING[2]        |                 |

| Item                 | Description                                                                                                                                                                                             | Type/Allowed values | Supported Value |
|----------------------|---------------------------------------------------------------------------------------------------------------------------------------------------------------------------------------------------------|---------------------|-----------------|
| TSPX_BS_43_T_NT      | BS43 both T and NT supported . default value : FALSE, not support both transparent and non transparent modes                                                                                            | BOOLEAN             |                 |
| TSPX_BS_43_ce        | ce value used in BS43 MO call. default value : '00'B, transparent                                                                                                                                       | BITSTRING[2]        |                 |
| TSPX_BS_44_T_NT      | BS44 both T and NT supported . default value : FALSE, not support both transparent and non transparent modes                                                                                            | BOOLEAN             |                 |
| TSPX_BS_44_ce        | ce value used in BS44 MO call. default value : '00'B, transparent                                                                                                                                       | BITSTRING[2]        |                 |
| TSPX_BS_45_T_NT      | BS45 both T and NT supported . default value : FALSE, not support both transparent and non transparent modes                                                                                            | BOOLEAN             |                 |
| TSPX_BS_45_ce        | ce value used in BS45 MO call. default value : '01'B, non transparent                                                                                                                                   | BITSTRING[2]        |                 |
| TSPX_BS_46_T_NT      | BS46 both T and NT supported . default value : FALSE, not support both transparent and non transparent modes                                                                                            | BOOLEAN             |                 |
| TSPX_BS_46_ce        | ce value used in BS46 MO call. default value : '00'B, transparent                                                                                                                                       | BITSTRING[2]        |                 |
| TSPX_BS_61_S         | synchronous data supported by BS 61 . default value : TRUE, synchronous mode                                                                                                                            | BOOLEAN             |                 |
| TSPX_BS_61_S_more_ur | more than one user rate for synchronous data service supported by BS61. default value : FALSE, only ine user rate                                                                                       | BOOLEAN             |                 |
| TSPX_BS_61_S_ur1     | usrer rate value supported for synchronous data service of BS61. default value : '0100'B, 4.8 kbit/s                                                                                                    | BITSTRING[4]        |                 |
| TSPX_BS_61_S_ur2     | another usrer rate value supported for synchronous data service of BS61. it shall be different from the previous one if the answer to TSPX_BS_61_S_more_ur is TRUE. default value : '0100'B, 4.8 kbit/s | BITSTRING[4]        |                 |
| TSPX_BS_61_A         | asynchronous data service supported by BS61 . default value : TRUE, asynchronous                                                                                                                        | BOOLEAN             |                 |
| TSPX_BS_61_A_ur1     | usrer rate value supported for asynchronous data service of BS61. default value : '0101'B, 9.6 kbit/s                                                                                                   | BITSTRING[4]        |                 |



| Item                  | Description                                                                                                                                                                                             | Type/Allowed values | Supported Value |
|-----------------------|---------------------------------------------------------------------------------------------------------------------------------------------------------------------------------------------------------|---------------------|-----------------|
| TSPX_BS_61_A_ur1_T_NT | both T and NT supported for the rate TSPX_BS_61_A_ur1 of BS61. default value : FALSE, not support both transparent and non transparent modes                                                            | BOOLEAN             |                 |
| TSPX_BS_61_A_ur1_ce   | if the answer to TSPX_BS_61_A_ur1_T_NT is FALSE, the manufacturer must precise which mode is supported by the MS. default value : '00'B, transparent                                                    | BITSTRING[2]        |                 |
| TSPX_BS_61_A_more_ur  | more than one user rate for asynchronous data service supported by BS61. default value : FALSE, only one user rate                                                                                      | BOOLEAN             |                 |
| TSPX_BS_61_A_ur2      | another user rate value supported for asynchronous data service of BS61. it shall be different from the previous one if the answer to TSPX_BS_61_A_more_ur is TRUE. default value : '0101'B, 9.6 kbit/s | BITSTRING[4]        |                 |
| TSPX_BS_61_A_ur2_T_NT | both T and NT supported for the rate TSPX_BS_61_A_ur2 of BS61. default value : FALSE, not support both transparent and non transparent modes                                                            | BOOLEAN             |                 |
| TSPX_BS_81_S          | synchronous data supported by BS 81. default value : TRUE, synchronous mode                                                                                                                             | BOOLEAN             |                 |
| TSPX_BS_81_S_more_ur  | more than one user rate for synchronous data service supported by BS81. default value : FALSE, only one user rate                                                                                       | BOOLEAN             |                 |
| TSPX_BS_81_S_ur1      | user rate value supported for synchronous data service of BS81. default value : '0101'B, 9.6 kbit/s                                                                                                     | BITSTRING[4]        |                 |
| TSPX_BS_81_S_ur2      | another user rate value supported for synchronous data service of BS81. it shall be different from the previous one if the answer to TSPX_BS_81_S_more_ur is TRUE. default value : '0101'B, 9.6 kbit/s  | BITSTRING[4]        |                 |
| TSPX_BS_81_A          | asynchronous data service supported by BS81. default value : TRUE, asynchronous mode                                                                                                                    | BOOLEAN             |                 |
| TSPX_BS_81_A_ur1      | user rate value supported for asynchronous data service of BS81. default value : '0100'B, 4.8 kbit/s                                                                                                    | BITSTRING[4]        |                 |

| Item                  | Description                                                                                                                                                                                             | Type/Allowed values | Supported Value |
|-----------------------|---------------------------------------------------------------------------------------------------------------------------------------------------------------------------------------------------------|---------------------|-----------------|
| TSPX_BS_81_A_ur1_T_NT | both T and NT supported for the rate TSPX_BS_81_A_ur1 of BS81. default value : FALSE, not support both transparent and non transparent modes                                                            | BOOLEAN             |                 |
| TSPX_BS_81_A_ur1_ce   | if the answer to TSPX_BS_81_A_ur1_T_NT is FALSE, the manufacturer must precise which mode is supported by the MS. default value : '01'B, non transparent                                                | BITSTRING[2]        |                 |
| TSPX_BS_81_A_more_ur  | more than one user rate for asynchronous data service supported by BS81. default value : FALSE, only one user rate                                                                                      | BOOLEAN             |                 |
| TSPX_BS_81_A_ur2      | another user rate value supported for asynchronous data service of BS81. it shall be different from the previous one if the answer to TSPX_BS_81_A_more_ur is TRUE. default value : '0100'B, 4.8 kbit/s | BITSTRING[4]        |                 |
| TSPX_BS_81_A_ur2_T_NT | both T and NT supported for the rate TSPX_BS_81_A_ur2 of BS81. default value : FALSE, not support both transparent and non transparent modes                                                            | BOOLEAN             |                 |
| TSPX_TS_61_T_NT       | both T and NT supported for TS61(fax). default value : FALSE, not support both transparent and non transparent modes                                                                                    | BOOLEAN             |                 |
| TSPX_TS_61_ce         | if the answer to TSPX_TS_61_T_NT is FALSE, the manufacturer must precise which mode is supported by the MS. default value : '01'B, non transparent                                                      | BITSTRING[2]        |                 |
| TSPX_TS_61_ur1        | user rate for TS61(fax). default value : '0101'B, 9.6 kbit/s                                                                                                                                            | BITSTRING[4]        |                 |
| TSPX_TS_61_more_ur    | more than one user rate supported for TS61. default value : FALSE, only one user rate                                                                                                                   | BOOLEAN             |                 |
| TSPX_TS_61_ur2        | another user rate for TS61, it shall be different from the previous one if the answer to TSPX_TS_61_more_ur is TRUE. default value : '0101'B, 9.6 kbit/s                                                | BITSTRING[4]        |                 |
| TSPX_TS_62_T_NT       | both T and NT supported for TS62. default value : FALSE, not support both transparent and non transparent modes                                                                                         | BOOLEAN             |                 |

| Item               | Description                                                                                                                                                                      | Type/Allowed values | Supported Value |
|--------------------|----------------------------------------------------------------------------------------------------------------------------------------------------------------------------------|---------------------|-----------------|
| TSPX_TS_62_ce      | if the answer to TSPX_TS_62_T_NT is FALSE, the manufacturer must precise which mode is supported by the MS. default value : '00'B, transparent                                   | BITSTRING[2]        |                 |
| TSPX_TS_62_ur1     | user rate for TS62. default value : '0100'B, 4.8 kbit/s                                                                                                                          | BITSTRING[4]        |                 |
| TSPX_TS_62_more_ur | more than one user rate supported by TS62. default value : FALSE, only one user rate                                                                                             | BOOLEAN             |                 |
| TSPX_TS_62_ur2     | another user rate for TS62, it shall be different from the previous one if the answer to TSPX_TS_62_more_ur is TRUE. default value : '0100'B, 4.8 kbit/s                         | BITSTRING[4]        |                 |
| TSPX_DTMF          | call control capabilities: value '1'B means MS supports DTMF                                                                                                                     | BITSTRING[1]        |                 |
| TSPX_modF          | any non signalling full rate channel mode for TC_26_6_4_1                                                                                                                        | BITSTRING[8]        |                 |
| TSPX_modH          | any non signalling half channel mode for TC_26_6_4_1                                                                                                                             | BITSTRING[8]        |                 |
| TSPX_anymod        | channel mode for TC_62_10_2_4_2. Any supported value except signalling and Full rate speech. possible values are '00000011'B 12k data, '00001011'B 6k data, '0010011'B 3.6k data | BITSTRING[8]        |                 |
| TSPX_CKSNA         | cipher key sequence number                                                                                                                                                       | BITSTRING[3]        |                 |
| TSPX_CKSNB         | cipher key sequence number                                                                                                                                                       | BITSTRING[3]        |                 |
| TSPX_CKSNC         | cipher key sequence number                                                                                                                                                       | BITSTRING[3]        |                 |
| TSPX_CKSNDf        | default cipher key sequence number                                                                                                                                               | BITSTRING[3]        |                 |
| TSPX_RfPwrCap      | RF power capability                                                                                                                                                              | BITSTRING[3]        |                 |
| TSPX_RevLevel      | Revision level of classmark 1                                                                                                                                                    | BITSTRING[2]        |                 |
| TSPX_CiphAlgA5_1   | A5/1 algorithm: '1'B : available, '0'B: not available                                                                                                                            | BITSTRING[1]        |                 |
| TSPX_CiphAlgA5_2   | A5/2 algorithm: '1'B : available, '0'B: not available                                                                                                                            | BITSTRING[1]        |                 |
| TSPX_CiphAlgA5_3   | A5/3 algorithm: '1'B : available, '0'B: not available                                                                                                                            | BITSTRING[1]        |                 |
| TSPX_CiphAlgA5_4   | A5/4 algorithm: '1'B : available, '0'B: not available                                                                                                                            | BITSTRING[1]        |                 |
| TSPX_CiphAlgA5_5   | A5/5 algorithm: '1'B : available, '0'B: not available                                                                                                                            | BITSTRING[1]        |                 |
| TSPX_CiphAlgA5_6   | A5/6 algorithm: '1'B : available, '0'B: not available                                                                                                                            | BITSTRING[1]        |                 |

| Item                   | Description                                                                                              | Type/Allowed values | Supported Value |
|------------------------|----------------------------------------------------------------------------------------------------------|---------------------|-----------------|
| TSPX_CiphAlgA5_7       | A5/7 algorithm: '1'B : available, '0'B: not available                                                    | BITSTRING[1]        |                 |
| TSPX_pSyncCap          | pseudo synchronisation capability, '0'B: not present '1'B: present                                       | BITSTRING[1]        |                 |
| TSPX_SSscrnInd         | SS screen indicator                                                                                      | BITSTRING[2]        |                 |
| TSPX_SMCap             | short message capability, '0'B: not present '1'B: present                                                | BITSTRING[1]        |                 |
| TSPX_frqCap            | frequency capability. DCS: reserved, GSM: '0'B not support extension band, '1'B support extension band   | BITSTRING[1]        |                 |
| TSPX_ClsMk3            | classmark 3 indicator, '0'B no addition capability info, '1'B additional capability info in class mark 3 | BITSTRING[1]        |                 |
| TSPX_RfPwrCapAmp       | RF power capability with external RF amplifier                                                           | BITSTRING[3]        |                 |
| TSPX_DTMFInd           | DTMF indication to user supported                                                                        | BOOLEAN             |                 |
| TSPX_IMEI              | IMEI of the MS.                                                                                          | HEXSTRING           |                 |
| TSPX_IMEISV            | IMEISV of the MS.<br>Used in: TC_26_6_8_5,<br>TC_26_7_3_1                                                | HEXSTRING           |                 |
| TSPX_TC1M              | timer value for GSM timer TC1M (for SMS)                                                                 | INTEGER             |                 |
| TSPX_MaxCPDataRetx     | max. number of CP data retransmissions for SMS                                                           | INTEGER             |                 |
| TSPX_Telephony_Immconn | Immediate connect for telephony supported ?                                                              | BOOLEAN             |                 |
| TSPX_Uupd              | user-user protocol discriminator                                                                         | BITSTRING[8]        |                 |
| TSPX_UuInfo            | user-user information                                                                                    | OCTETSTRING         |                 |

### B.7.2 MMI information

How is the Accumulated Call Meter (ACM) on the SIM read ?

NOTE: Used in Operation OO\_ACMIncCHK and OO\_ACMReading.

How is the ACM on the SIM reset to zero, and ACMmax set to 2 units?

NOTE: Used in Operation OO\_ACMSetting.

How is power amplification added to the mobile and removed?

NOTE: Used in Operation OO\_AddPwrAmp and OO\_RmvPwrAmp.

What alerting indication is given by the mobile?

NOTE: Used in Operation OO\_AltIndCHK.

How is the called party number displayed on the mobile?

NOTE: Used in Operation OO\_CalledNumCHK and OO\_CalledPtyNumCHK.

How is a call placed on Hold?

NOTE: Used in Operation OO\_CallHold.

How is the presence of short messages checked in the mobile and how are they displayed?

NOTE: Used in Operation OO\_CheckAllSMPresentBut4th and OO\_CheckMessageDisplayed and OO\_DisplaySMAndSendReplySM and OO\_ReadSMAndRemove and OO\_RecallAndDisplaySM.

How is the presence of Cell Broadcast short messages in the mobile checked?

NOTE: Used in Operation OO\_CheckCBSMReceived.

How is it checked whether the memory capacity of the SIM has been exceeded?

NOTE: Used in Operation OO\_CheckMCEFOOnSIM and OO\_CheckMCEFOOnSIMUnset.

How and where is the SIM inserted and removed?

NOTE: Used in Operation OO\_ConnectSIMSimulator and OO\_SIMIns and OO\_SIM2Ins and OO\_SIM3Ins and OO\_SIMRmv.

Does the MS have an 'END' key? If not, what method is used to replace its function?

NOTE: Used in Operation OO\_DepressEndKey.

How is a number entered in order to make an outgoing call?

NOTE: Used in Operation OO\_DialCalledNum.

How is a reply to a received short message sent?

NOTE: Used in Operation OO\_DisplaySMAndSendReplySM.

How is it checked which DTMF character has been sent?

NOTE: Used in Operation OO\_DTMFIndCHK.

How is the message store of the MS emptied?

NOTE: Used in OO\_EmptyMessageStorage.

How is a password on the MS entered?

NOTE: Used in Operation OO\_EnterPswd.

How is an incoming call answered?

NOTE: Used in Operation OO\_HookOff.

For each service on the MS which requires the MS to be connected to an interface on other equipment (e.g. a computer), how is that interface set up for the purpose?

NOTE: Used in Operation OO\_IFsetup.

How is an In-Call modification initiated on the MS?

NOTE: Used in Operation OO\_InCallMod.

For each mobile originating basic service supported by the MS, how is the MS configured to make an outgoing call on that service?

NOTE: Used in Operation OO\_InitCall.

How is the MS to configured accept standard MMI sequences for the initiation of supplementary services?

NOTE: Used in Operation OO\_InitSS

How is the MS checked whether it is in the normal service state (idle, updated).

NOTE: Used in Operation OO\_InServiceCHK and OO\_PressKeyWhenInService.

How is a Multi-Party call initiated on the MS.

NOTE: Used in Operation OO\_MptyCall

How is the MS configured to store received Class 1 short messages in the mobile equipment (rather than in the SIM)?

NOTE: Used in Operation OO\_MSSetupStoreClass1SMInMEMemory.

How is the list of available PLMNs checked?

NOTE: Used in Operation OO\_PLMNsCHK.

How is the PLMN selection mode switched to automatic selection.

NOTE: Used in operation OO\_PLMNselModeAuto.

How is the PLMN selection mode switched to manual selection.

NOTE: Used in operation OO\_PLMNselModeMan.

How is the power source for the MS removed and replaced. (Note, this is not the same as switching the Mobile on and off using the on/off switch.)

NOTE: Used in operation OO\_PowerUp and OO\_PowerDown.

How is a short message removed from the message store?

NOTE: Used in operation OO\_ReadSMAndRemove.

When in manual PLMN selection mode, how is a PLMN selected?

NOTE: Used in OperationOO\_SelPLMN

How is a short message sent from the MS?

NOTE: Used in operation OO\_SendMOShortMessage.

How is an SMS COMMAND message sent to delete the last short message sent?

NOTE: Used in OO\_SendSMSCOMMANDDe.

How is an SMS COMMAND message sent enquiring about the last short message sent?

NOTE: Used in OO\_SendSMS\_COMMANDEnq

How is Call Refusal set on the MS?

NOTE: Used in Operation OO\_SetRefuseCall.



|                                                                                                                    |
|--------------------------------------------------------------------------------------------------------------------|
| How is a DTMF digit sent?<br><br>NOTE: Used in operation OO_ShortKeyDepr.                                          |
| How is it checked whether a supplementary service result is correct?<br><br>NOTE: Used in Operation OO_SSresultCHK |
| How is the MS switched on and off?<br><br>NOTE: Used in operation OO_SwitchOn and OO_SwitchOff.                    |
| How is a call cleared?<br><br>NOTE: Used in operation OO_TermCall.                                                 |

### B.7.3 Test house specified parameters

| Item            | Description                                                  | Type/Allowed values | Value chosen |
|-----------------|--------------------------------------------------------------|---------------------|--------------|
| TSPX_AltNb      | use alternative neighbour cells description. default : FALSE | BOOLEAN             |              |
| TSPX_CphAlgA    | any supported ciphering algorithm                            | OCTETSTRING [1]     |              |
| TSPX_CphAlgB    | ciphering algorithm supported                                | OCTETSTRING [1]     |              |
| TSPX_CphAlgC    | ciphering algorithm supported                                | OCTETSTRING [1]     |              |
| TSPX_CphAlgD    | ciphering algorithm supported                                | OCTETSTRING [1]     |              |
| TSPX_CphAlgE    | ciphering algorithm supported                                | OCTETSTRING [1]     |              |
| TSPX_CphAlgDef  | default ciphering algorithm                                  | OCTETSTRING [1]     |              |
| TSPX_NoOfHoAccA | number of handover access bursts, value range 10 - 20        | INTEGER             |              |
| TSPX_NoOfHoAccB | number of handover access bursts, value range 10 - 20        | INTEGER             |              |
| TSPX_NoOfHoAccC | number of handover access bursts, value range 10 - 20        | INTEGER             |              |
| TSPX_NoOfHoAccD | number of handover access bursts, value range 5 - 10         | INTEGER             |              |
| TSPX_NoOfHoAccE | number of handover access bursts, value range 5 - 10         | INTEGER             |              |

| Item            | Description                                          | Type/Allowed values | Value chosen |
|-----------------|------------------------------------------------------|---------------------|--------------|
| TSPX_NoOfHoAccF | number of handover access bursts, value range 5 - 10 | INTEGER             |              |
| TSPX_NoOfHoAccG | number of handover access bursts, value range 2 - 5  | INTEGER             |              |
| TSPX_NoOfHoAccH | number of handover access bursts, value range 2 - 5  | INTEGER             |              |
| TSPX_NoOfHoAccI | number of handover access bursts, value range 2 - 5  | INTEGER             |              |
| TSPX_HoRefA     | Hand over reference, GSM 04.08, 10.5.2.15            | BITSTRING [8]       |              |
| TSPX_HoRefB     | Hand over reference, GSM 04.08, 10.5.2.15            | BITSTRING [8]       |              |
| TSPX_HoRefC     | Hand over reference, GSM 04.08, 10.5.2.15            | BITSTRING [8]       |              |
| TSPX_HoRefD     | Hand over reference, GSM 04.08, 10.5.2.15            | BITSTRING [8]       |              |
| TSPX_HoRefE     | Hand over reference, GSM 04.08, 10.5.2.15            | BITSTRING [8]       |              |
| TSPX_HoRefF     | Hand over reference, GSM 04.08, 10.5.2.15            | BITSTRING [8]       |              |
| TSPX_HoRefG     | Hand over reference, GSM 04.08, 10.5.2.15            | BITSTRING [8]       |              |
| TSPX_HoRefH     | Hand over reference, GSM 04.08, 10.5.2.15            | BITSTRING [8]       |              |
| TSPX_HoRefI     | Hand over reference, GSM 04.08, 10.5.2.15            | BITSTRING [8]       |              |
| TSPX_HoRefJ     | Hand over reference, GSM 04.08, 10.5.2.15            | BITSTRING [8]       |              |
| TSPX_HSN        | Hopping sequence number value range: 0 - 63          | INTEGER             |              |
| TSPX_IMSI       | IMSI of the MS                                       | HEXSTRING           |              |
| TSPX_Ki         | default authentication key used in testing           | BITSTRING           |              |
| TSPX_MAIO       | mobile allocation index offset, value range: 0 - 63  | INTEGER             |              |
| TSPX_MaxRetrans | Max-Retrans                                          | INTEGER             |              |
| TSPX_MSTxpwrMax | maximum output power from MS                         | 0..31               |              |
| TSPX_PwrlvIA    | power level, value between 2 to 15                   | INTEGER             |              |
| TSPX_PwrlvIB    | power level, value between 2 to 15                   | INTEGER             |              |
| TSPX_PwrlvIC    | power level, value between 2 to 15                   | INTEGER             |              |
| TSPX_PwrlvID    | power level, value between 2 to 15                   | INTEGER             |              |
| TSPX_RANDA      | challenge RAND                                       | BITSTRING [128]     |              |
| TSPX_RANDB      | challenge RAND                                       | BITSTRING [128]     |              |
| TSPX_RANDC      | challenge RAND                                       | BITSTRING [128]     |              |
| TSPX_RANDDef    | default challenge RAND                               | BITSTRING [128]     |              |

| Item                | Description                                                           | Type/Allowed values | Value chosen |
|---------------------|-----------------------------------------------------------------------|---------------------|--------------|
| TSPX_SDCCH4SubA     | TDMA offset of SDCCH/4 subchannel                                     | BITSTRING[2]        |              |
| TSPX_SDCCH4SubB     | TDMA offset of SDCCH/4 subchannel                                     | BITSTRING[2]        |              |
| TSPX_SDCCH4SubC     | TDMA offset of SDCCH/4 subchannel                                     | BITSTRING[2]        |              |
| TSPX_SDCCH4SubDef   | TDMA offset of default SDCCH/4 subchannel                             | BITSTRING[2]        |              |
| TSPX_SDCCH8SubA     | TDMA offset of SDCCH/8 subchannel                                     | BITSTRING[3]        |              |
| TSPX_SDCCH8SubB     | TDMA offset of SDCCH/8 subchannel                                     | BITSTRING[3]        |              |
| TSPX_SDCCH8SubC     | TDMA offset of SDCCH/8 subchannel                                     | BITSTRING[3]        |              |
| TSPX_SDCCH8SubD     | TDMA offset of SDCCH/8 subchannel                                     | BITSTRING[3]        |              |
| TSPX_SDCCH8SubE     | TDMA offset of SDCCH/8 subchannel                                     | BITSTRING[3]        |              |
| TSPX_SDCCH8SubF     | TDMA offset of SDCCH/8 subchannel                                     | BITSTRING[3]        |              |
| TSPX_SDCCH8SubG     | TDMA offset of SDCCH/8 subchannel                                     | BITSTRING[3]        |              |
| TSPX_SDCCH8SubDef   | TDMA offset of default SDCCH/8 subchannel                             | BITSTRING[3]        |              |
| TSPX_TimadvA        | timing advance                                                        | INTEGER             |              |
| TSPX_TimadvB        | timing advance                                                        | INTEGER             |              |
| TSPX_TimadvC        | timing advance                                                        | INTEGER             |              |
| TSPX_TmSlitA        | time slot                                                             | BITSTRING [3]       |              |
| TSPX_TmSlitB        | time slot                                                             | BITSTRING [3]       |              |
| TSPX_TmSlitC        | time slot                                                             | BITSTRING [3]       |              |
| TSPX_TmSlitD        | time slot                                                             | BITSTRING [3]       |              |
| TSPX_TmSlitE        | time slot                                                             | BITSTRING [3]       |              |
| TSPX_TmSlitF        | time slot                                                             | BITSTRING [3]       |              |
| TSPX_TmSlitG        | time slot                                                             | BITSTRING [3]       |              |
| TSPX_TmSlitDef      | default time slot                                                     | BITSTRING [3]       |              |
| TSPX_TmSlitNotZero  | time slot, arbitrarily value, but not zero.                           | BITSTRING [3]       |              |
| TSPX_TmSlitNotZero1 | time slot, arbitrarily value, but not zero and not TSPX_TmSlitNotZero | BITSTRING [3]       |              |
| TSPX_Txint          | Tx-Integer                                                            | INTEGER             |              |
| TSPX_TscA           | training sequence code                                                | BITSTRING [3]       |              |
| TSPX_TscB           | training sequence code                                                | BITSTRING [3]       |              |

| Item                  | Description                                                                                                                                                                            | Type/Allowed values | Value chosen |
|-----------------------|----------------------------------------------------------------------------------------------------------------------------------------------------------------------------------------|---------------------|--------------|
| TSPX_TscC             | training sequence code                                                                                                                                                                 | BITSTRING [3]       |              |
| TSPX_TscD             | training sequence code                                                                                                                                                                 | BITSTRING [3]       |              |
| TSPX_TscE             | training sequence code                                                                                                                                                                 | BITSTRING [3]       |              |
| TSPX_TscF             | training sequence code                                                                                                                                                                 | BITSTRING [3]       |              |
| TSPX_TscG             | training sequence code                                                                                                                                                                 | BITSTRING [3]       |              |
| TSPX_TscDef           | default TSC                                                                                                                                                                            | BITSTRING [3]       |              |
| TSPX_T3122            | value of timer T3122,<br>HEXSTRING[2]                                                                                                                                                  | HEXSTRING [2]       |              |
| TSPX_TCHcarrierA_ho   | the value can be chosen arbitrarily from cell allocation of cell A (GSM), but not BCCH carrier .possible value is : 10, 17, 26, 34, 42, 45, 46, 52, 59, 66, 73, 74, 75, 76, 108, 114   | INTEGER             |              |
| TSPX_TCHcarrierA_hod  | the value can be chosen arbitrarily from cell allocation of cell A (DCS), but not BCCH carrier . possible value is : 734,741,754,759,762,766,767, 773,775,779,782,791,798,829, 832,844 | INTEGER             |              |
| TSPX_TCHcarrierB      | TCH and SDCCH channel frequency number of cell B (GSM)                                                                                                                                 | INTEGER             |              |
| TSPX_TCHcarrierBd     | TCH and SDCCH channel frequency number of cell B (DCS)                                                                                                                                 | INTEGER             |              |
| TSPX_TCHcarrierB_ho   | the value can be chosen arbitrarily from cell allocation of cell B (GSM), but not BCCH carrier . possibles value is : 14,18,22,24,30,31,38,60,66,73 ,74,75,76,108,114                  | INTEGER             |              |
| TSPX_TCHcarrierB_hod  | not BCCH carrier of cell B. the value can be chosen arbitrarily from cell allocation of cell B (DCS), which is (739,743,746,749,756,758,761 ,771,779,782,791,798,829,832 ,844)         | INTEGER             |              |
| TSPX_TCHcarrierB2_ho  | Chosen arbitrarily from cell allocation B for GSM HO cases, but not BCCH carrier!                                                                                                      | INTEGER             |              |
| TSPX_TCHcarrierB2_hod | Chosen arbitrarily from cell allocation B for DCS HO cases, but not BCCH carrier!                                                                                                      | INTEGER             |              |
| TSPX_TCHHSubA         | TDMA offset of half rate subchannel                                                                                                                                                    | BITSTRING[1]        |              |
| TSPX_TCHHSubDef       | TDMA offset of default half rate subchannel                                                                                                                                            | BITSTRING[1]        |              |
| TSPX_TMSI             | TMSI of the MS used in test                                                                                                                                                            | OCTETSTRING[4]      |              |

| Item           | Description                                                                                                                               | Type/Allowed values | Value chosen |
|----------------|-------------------------------------------------------------------------------------------------------------------------------------------|---------------------|--------------|
| TSPX_TMSI1     | another TMSI used in test which shall differ from TSPX_TMSI, TSPX_TMSI + '01'O, TSPX_TMSI + '02'O, TSPX_TMSI + '03'O                      | OCTETSTRING[4]      |              |
| TSPX_k         | timing of cell A before cell B k bit periods for TC_26_6_5_4, TC_26_6_5_3.                                                                | INTEGER             |              |
| TSPX_y         | timing advance for TC_26_6_5_4, TC_26_6_5_3. the values of TSPX_k and TSPX_y shall be $0 < (2 * TSPX_k + TSPX_y) \text{ MOD } 256 < 60$ . | INTEGER             |              |
| TSPX_k1        | timing of cell A before cell B k bit periods for TC_26_6_5_5                                                                              | INTEGER             |              |
| TSPX_k2        | timing of cell A before cell B k bit periods for TC_26_6_5_6                                                                              | INTEGER             |              |
| TSPX_y2        | timing advance for TC_26_6_5_6, value range : 11 - 62.                                                                                    | INTEGER             |              |
| TSPX_k3        | timing of cell A before cell B k bit periods for TC_26_6_5_7                                                                              | INTEGER             |              |
| TSPX_y3        | timing advance for TC_26_6_5_7                                                                                                            | INTEGER             |              |
| TSPX_nPara     | the n'th ChReq for TC_26_6_1_2, shall be choose to [1..8], MAXRETRANS for TC_26_6_1_2 is 7 (See 11.10 for more explanation).              | INTEGER             |              |
| TSPX_kPara     | the k'th ChReq for TC_26_6_1_2                                                                                                            | INTEGER             |              |
| TSPX_rPara     | the r'th ChReq for TC_26_6_1_2                                                                                                            | INTEGER             |              |
| TSPX_i1Para    | for TC_26_1_2                                                                                                                             | INTEGER             |              |
| TSPX_i2Para    | for TC_26_1_2                                                                                                                             | INTEGER             |              |
| TSPX_i3Para    | the r'th ChReq for TC_26_6_1_2                                                                                                            | INTEGER             |              |
| TSPX_n1Para    | the n'th ChReq for TC_26_6_1_3                                                                                                            | INTEGER             |              |
| TSPX_i4Para    | for TC_26_6_1_3                                                                                                                           | INTEGER             |              |
| TSPX_xPara     | t3122 for TC_26_6_1_3                                                                                                                     | INTEGER             |              |
| TSPX_AGBLKS1   | BS-AG-BLKS-RES for TC_26_6_2_3_1, TC_26_6_2_1_1                                                                                           | INTEGER             |              |
| TSPX_PAMFRMS1  | BS-PA-MFRMS for TC_26_6_2_3_1 (shall not be set to 9), TC_26_6_2_1_1                                                                      | INTEGER             |              |
| TSPX_CcchConf1 | paging subchannel for TC_26_6_2_3_1, TC_26_6_2_1_1                                                                                        | BITSTRING[3]        |              |

| Item           | Description                                                                                                                           | Type/Allowed values | Value chosen |
|----------------|---------------------------------------------------------------------------------------------------------------------------------------|---------------------|--------------|
| TSPX_PgSubch   | paging subchannel for TC_26_6_2_3_1                                                                                                   | INTEGER             |              |
| TSPX_AGBLKS2   | BS-AG-BLKS-RES for TC_26_6_2_3_2, TC_26_6_2_1_2                                                                                       | INTEGER             |              |
| TSPX_PAMFRMS2  | BS-PA-MFRMS for TC_26_6_2_3_2, TC_26_6_2_1_2                                                                                          | INTEGER             |              |
| TSPX_CcchConf2 | paging subchannel for TC_26_6_2_3_2, TC_26_6_2_1_2                                                                                    | BITSTRING[3]        |              |
| TSPX_AGBLKS3   | BS-AG-BLKS-RES for TC_26_6_2_4, TC_26_6_2_2, TC_26_6_2_1_3                                                                            | INTEGER             |              |
| TSPX_PAMFRMS3  | BS-PA-MFRMS for TC_26_6_2_4, TC_26_6_2_2, TC_26_6_2_1_3                                                                               | INTEGER             |              |
| TSPX_CcchConf3 | paging subchannel for TC_26_6_2_4, TC_26_6_2_2, TC_26_6_2_1_3                                                                         | BITSTRING[3]        |              |
| TSPX_AGBLKS4   | BS-AG-BLKS-RES for TC_26_6_2_5                                                                                                        | INTEGER             |              |
| TSPX_PAMFRMS4  | BS-PA-MFRMS for TC_26_6_2_5                                                                                                           | INTEGER             |              |
| TSPX_CcchConf4 | paging subchannel for TC_26_6_2_5 (shall be in the set ('010', '100', '110'))                                                         | BITSTRING[3]        |              |
| TSPX_Chtp1     | channel type for TC_26_6_13_1, any value supported by the MS                                                                          | BITSTRING[5]        |              |
| TSPX_ChMod1    | channel mode for TC_26_6_13_1, any value for the channel type of TSPX_Chtp1                                                           | BITSTRING[8]        |              |
| TSPX_Tm1       | a value to calculate the starting time for TC_26_6_13_1, value between 60 -100                                                        | INTEGER             |              |
| TSPX_Maio1     | hopping parameter for TC_26_6_13_1, its value between 0 and (the number of frequencies) -1, which is defined in TSPX_Ma1, default : 2 | INTEGER             |              |
| TSPX_Ma1       | mobile allocation for TC_26_6_13_1, its value shall indicate number of frequencies between 1 and 17. default : '010101'0              | OCTETSTRING[3]      |              |
| TSPX_Hsn1      | hopping parameter for TC_26_6_13_1. default: 1                                                                                        | INTEGER             |              |
| TSPX_Maio2     | hopping parameter for TC_26_6_13_1, its value between 0 and (the number of frequencies) -1, which is defined in TSPX_Ma2, default : 8 | INTEGER             |              |

| Item        | Description                                                                                                                            | Type/Allowed values | Value chosen |
|-------------|----------------------------------------------------------------------------------------------------------------------------------------|---------------------|--------------|
| TSPX_Ma2    | mobile allocation for TC_26_6_13_1, its value shall indicate number of frequencies between 1 and 17. default : '01362A5'O              | OCTETSTRING[3]      |              |
| TSPX_Hsn2   | hopping parameter for TC_26_6_13_1, default : 6                                                                                        | INTEGER             |              |
| TSPX_Maio3  | hopping parameter for TC_26_6_13_1, its value between 0 and (the number of frequencies) -1, which is defined in TSPX_Ma3, default : 14 | INTEGER             |              |
| TSPX_Ma3    | mobile allocation for TC_26_6_13_1, its value shall indicate number of frequencies between 1 and 17. default : '01FFFA'O               | OCTETSTRING[3]      |              |
| TSPX_Hsn3   | hopping parameter for TC_26_6_13_1, default : 0                                                                                        | INTEGER             |              |
| TSPX_Chtp2  | channel type for TC_26_6_13_2, any value supported by the MS                                                                           | BITSTRING[5]        |              |
| TSPX_ChMod2 | channel mode for TC_26_6_13_2                                                                                                          | BITSTRING[8]        |              |
| TSPX_Maio4  | hopping parameter for TC_26_6_13_2, its value between 0 and (the number of frequencies) -1, which is defined in TSPX_Ma4, default : 3  | INTEGER             |              |
| TSPX_Ma4    | mobile allocation for TC_26_6_13_2, its value shall indicate number of frequencies between 1 and 17. default : '001141'O               | OCTETSTRING[3]      |              |
| TSPX_Hsn4   | hopping parameter for TC_26_6_13_2, default : 0                                                                                        | INTEGER             |              |
| TSPX_Maio5  | hopping parameter for TC_26_6_13_2, its value between 0 and (the number of frequencies) -1, which is defined in TSPX_Ma5, default : 9  | INTEGER             |              |
| TSPX_Ma5    | mobile allocation for TC_26_6_13_2, its value shall indicate number of frequencies between 1 and 17. default : '01ABCB'O               | OCTETSTRING[3]      |              |
| TSPX_Hsn5   | hopping parameter for TC_26_6_13_2, default : 16                                                                                       | INTEGER             |              |
| TSPX_Chtp3  | channel type for TC_26_6_13_3, any value supported by the MS                                                                           | BITSTRING[5]        |              |
| TSPX_Maio6  | hopping parameter for TC_26_6_13_3, its value between 0 and (the number of frequencies) -1, which is defined in TSPX_Ma6, default : 4  | INTEGER             |              |

| Item        | Description                                                                                                                            | Type/Allowed values | Value chosen |
|-------------|----------------------------------------------------------------------------------------------------------------------------------------|---------------------|--------------|
| TSPX_Ma6    | mobile allocation for TC_26_6_13_3, its value shall indicate number of frequencies between 1 and 17. default : '006248'O               | OCTETSTRING[3]      |              |
| TSPX_Hsn6   | hopping parameter for TC_26_6_13_3, default : 4                                                                                        | INTEGER             |              |
| TSPX_Maio7  | hopping parameter for TC_26_6_13_3, its value between 0 and (the number of frequencies) -1, which is defined in TSPX_Ma7, default : 10 | INTEGER             |              |
| TSPX_Ma7    | mobile allocation for TC_26_6_13_3, its value shall indicate number of frequencies between 2 and 17. default : '009AFB'O               | OCTETSTRING[3]      |              |
| TSPX_Chtp4  | channel type for TC_26_6_13_3, any value supported by the MS                                                                           | BITSTRING[5]        |              |
| TSPX_Maio8  | hopping parameter for TC_26_6_13_3, its value between 0 and (the number of frequencies) -1, which is defined in TSPX_Ma8, default : 1  | INTEGER             |              |
| TSPX_Ma8    | mobile allocation for TC_26_6_13_3, its value shall indicate number of frequencies between 2 and 17. default : '002800'O               | OCTETSTRING[3]      |              |
| TSPX_Hsn8   | hopping parameter for TC_26_6_13_3, default : 40                                                                                       | INTEGER             |              |
| TSPX_Maio9  | hopping parameter for TC_26_6_13_3, its value between 0 and (the number of frequencies) -1, which is defined in TSPX_Ma9, default : 15 | INTEGER             |              |
| TSPX_Ma9    | mobile allocation for TC_26_6_13_3, its value shall indicate number of frequencies between 2 and 17. default : '01FFFB'O               | OCTETSTRING[3]      |              |
| TSPX_Hsn9   | hopping parameter for TC_26_6_13_3, default : 8                                                                                        | INTEGER             |              |
| TSPX_Chtp5  | channel type for TC_26_6_13_4                                                                                                          | BITSTRING[5]        |              |
| TSPX_Maio10 | hopping parameter for TC_26_6_13_4, its value between 0 and (the number of frequencies) -1, which is defined in TSPX_Ma10, default : 5 | INTEGER             |              |
| TSPX_Ma10   | mobile allocation for TC_26_6_13_4, its value shall indicate number of frequencies between 1 and 17. default : '01D082'O               | OCTETSTRING[3]      |              |



| Item        | Description                                                                                                                             | Type/Allowed values | Value chosen |
|-------------|-----------------------------------------------------------------------------------------------------------------------------------------|---------------------|--------------|
| TSPX_Hsn10  | hopping parameter for TC_26_6_13_4, default: 0                                                                                          | INTEGER             |              |
| TSPX_Maio11 | hopping parameter for TC_26_6_13_4, its value between 0 and (the number of frequencies) -1, which is defined in TSPX_Ma11, default : 11 | INTEGER             |              |
| TSPX_Ma11   | mobile allocation for TC_26_6_13_4, its value shall indicate number of frequencies between 2 and 17. default : '00CFF3'O                | OCTETSTRING[3]      |              |
| TSPX_Chtp6  | channel type for TC_26_6_13_4                                                                                                           | BITSTRING[5]        |              |
| TSPX_Maio12 | hopping parameter for TC_26_6_13_4, its value between 0 and (the number of frequencies) -1, which is defined in TSPX_Ma12, default : 1  | INTEGER             |              |
| TSPX_Ma12   | mobile allocation for TC_26_6_13_4, its value shall indicate number of frequencies between 1 and 17. default : '010100'O                | OCTETSTRING[3]      |              |
| TSPX_Hsn12  | hopping parameter for TC_26_6_13_4, default : 39                                                                                        | INTEGER             |              |
| TSPX_Maio13 | hopping parameter for TC_26_6_13_4, its value between 0 and (the number of frequencies) -1, which is defined in TSPX_Ma13, default : 6  | INTEGER             |              |
| TSPX_Ma13   | mobile allocation for TC_26_6_13_4, its value shall indicate number of frequencies between 1 and 17. default : '00E690'O                | OCTETSTRING[3]      |              |
| TSPX_Hsn13  | hopping parameter for TC_26_6_13_4, default: 42                                                                                         | INTEGER             |              |
| TSPX_Chtp7  | channel type for TC_26_6_13_5                                                                                                           | BITSTRING[5]        |              |
| TSPX_ChMod4 | channel mode for TC_26_6_13_5                                                                                                           | BITSTRING[8]        |              |
| TSPX_Tm2    | a value to calculate the starting time for TC_26_6_13_5, value between 60 -100                                                          | INTEGER             |              |
| TSPX_Maio14 | hopping parameter for TC_26_6_13_5, its value between 0 and (the number of frequencies) -1, which is defined in TSPX_Ma14, default : 5  | INTEGER             |              |
| TSPX_Ma14   | mobile allocation for TC_26_6_13_5, its value shall indicate number of frequencies between 1 and 17. default : '014A28'O                | OCTETSTRING[3]      |              |

| Item        | Description                                                                                                                             | Type/Allowed values | Value chosen |
|-------------|-----------------------------------------------------------------------------------------------------------------------------------------|---------------------|--------------|
| TSPX_Hsn14  | hopping parameter for TC_26_6_13_5, default : 50                                                                                        | INTEGER             |              |
| TSPX_Maio15 | hopping parameter for TC_26_6_13_5, its value between 0 and (the number of frequencies) -1, which is defined in TSPX_Ma15, default : 12 | INTEGER             |              |
| TSPX_Ma15   | mobile allocation for TC_26_6_13_5, its value shall indicate number of frequencies between 1 and 16. default : '00FF79'O                | OCTETSTRING[3]      |              |
| TSPX_Hsn15  | hopping parameter for TC_26_6_13_5, default : 33                                                                                        | INTEGER             |              |
| TSPX_Maio16 | hopping parameter for TC_26_6_13_5, its value between 0 and (the number of frequencies) -1, which is defined in TSPX_Ma16, default : 2  | INTEGER             |              |
| TSPX_Ma16   | mobile allocation for TC_26_6_13_5, its value shall indicate number of frequencies between 1 and 16. default : '001110'O                | OCTETSTRING[3]      |              |
| TSPX_Hsn16  | hopping parameter for TC_26_6_13_5, default : 21                                                                                        | INTEGER             |              |
| TSPX_Chtp8  | channel type for TC_26_6_13_6                                                                                                           | BITSTRING[5]        |              |
| TSPX_ChMod5 | channel mode for TC_26_6_13_6                                                                                                           | BITSTRING[8]        |              |
| TSPX_Maio17 | hopping parameter for TC_26_6_13_6, its value between 0 and (the number of frequencies) -1, which is defined in TSPX_Ma17, default : 7  | INTEGER             |              |
| TSPX_Ma17   | mobile allocation for TC_26_6_13_6, its value shall indicate number of frequencies between 1 and 17. default : '00E6A1'O                | OCTETSTRING[3]      |              |
| TSPX_Hsn17  | hopping parameter for TC_26_6_13_6, default : 22                                                                                        | INTEGER             |              |
| TSPX_Maio18 | hopping parameter for TC_26_6_13_6, its value between 0 and (the number of frequencies) -1, which is defined in TSPX_Ma18, default : 13 | INTEGER             |              |
| TSPX_Ma18   | mobile allocation for TC_26_6_13_6, its value shall indicate number of frequencies between 1 and 16. default : '00FFF9'O                | OCTETSTRING[3]      |              |
| TSPX_Hsn18  | hopping parameter for TC_26_6_13_6, default : 9                                                                                         | INTEGER             |              |

| Item        | Description                                                                                                                             | Type/Allowed values | Value chosen |
|-------------|-----------------------------------------------------------------------------------------------------------------------------------------|---------------------|--------------|
| TSPX_Maio19 | hopping parameter for TC_26_6_13_6, its value between 0 and (the number of frequencies) -1, which is defined in TSPX_Ma19, default : 3  | INTEGER             |              |
| TSPX_Ma19   | mobile allocation for TC_26_6_13_6, its value shall indicate number of frequencies between 1 and 16. default : '001111'O                | OCTETSTRING[3]      |              |
| TSPX_Hsn19  | hopping parameter for TC_26_6_13_6, default : 44                                                                                        | INTEGER             |              |
| TSPX_Chtp9  | channel type for TC_26_6_13_7                                                                                                           | BITSTRING[5]        |              |
| TSPX_ChMod6 | channel mode for TC_26_6_13_7                                                                                                           | BITSTRING[8]        |              |
| TSPX_Maio20 | hopping parameter for TC_26_6_13_7, its value between 0 and (the number of frequencies) -1, which is defined in TSPX_Ma20, default : 8  | INTEGER             |              |
| TSPX_Ma20   | mobile allocation for TC_26_6_13_7, its value shall indicate number of frequencies between 1 and 17. default : '016699'O                | OCTETSTRING[3]      |              |
| TSPX_Hsn20  | hopping parameter for TC_26_6_13_7, default : 30                                                                                        | INTEGER             |              |
| TSPX_Maio21 | hopping parameter for TC_26_6_13_7, its value between 0 and (the number of frequencies) -1, which is defined in TSPX_Ma21, default : 14 | INTEGER             |              |
| TSPX_Ma21   | mobile allocation for TC_26_6_13_7, its value shall indicate number of frequencies between 1 and 17. default : '01FEFB'O                | OCTETSTRING[3]      |              |
| TSPX_Chtp10 | channel type for TC_26_6_13_7                                                                                                           | BITSTRING[5]        |              |
| TSPX_Maio22 | hopping parameter for TC_26_6_13_7, its value between 0 and (the number of frequencies) -1, which is defined in TSPX_Ma22, default : 4  | INTEGER             |              |
| TSPX_Ma22   | mobile allocation for TC_26_6_13_7, its value shall indicate number of frequencies between 1 and 16. default : '006241'O                | OCTETSTRING[3]      |              |
| TSPX_Hsn22  | hopping parameter for TC_26_6_13_7, default : 11                                                                                        | INTEGER             |              |

| Item        | Description                                                                                                                             | Type/Allowed values | Value chosen |
|-------------|-----------------------------------------------------------------------------------------------------------------------------------------|---------------------|--------------|
| TSPX_Maio23 | hopping parameter for TC_26_6_13_7, its value between 0 and (the number of frequencies) -1, which is defined in TSPX_Ma23, default : 11 | INTEGER             |              |
| TSPX_Ma23   | mobile allocation for TC_26_6_13_7, its value shall indicate number of frequencies between 1 and 16. default : '00FF1B'O                | OCTETSTRING[3]      |              |
| TSPX_Hsn23  | hopping parameter for TC_26_6_13_7, default : 60                                                                                        | INTEGER             |              |
| TSPX_Chtp11 | channel type for TC_26_6_13_8                                                                                                           | BITSTRING[5]        |              |
| TSPX_ChMod7 | channel mode for TC_26_6_13_8                                                                                                           | BITSTRING[8]        |              |
| TSPX_Maio24 | hopping parameter for TC_26_6_13_8, its value between 0 and (the number of frequencies) -1, which is defined in TSPX_Ma24, default : 9  | INTEGER             |              |
| TSPX_Ma24   | mobile allocation for TC_26_6_13_8, its value shall indicate number of frequencies between 1 and 17. default : '00E6E9'O                | OCTETSTRING[3]      |              |
| TSPX_Hsn24  | hopping parameter for TC_26_6_13_8, default : 7                                                                                         | INTEGER             |              |
| TSPX_Maio25 | hopping parameter for TC_26_6_13_8, its value between 0 and (the number of frequencies) -1, which is defined in TSPX_Ma25, default : 15 | INTEGER             |              |
| TSPX_Ma25   | mobile allocation for TC_26_6_13_8, its value shall indicate number of frequencies between 1 and 17. default : '01FFFB'O                | OCTETSTRING[3]      |              |
| TSPX_Chtp12 | channel type for TC_26_6_13_8                                                                                                           | BITSTRING[5]        |              |
| TSPX_Maio26 | hopping parameter for TC_26_6_13_8, its value between 0 and (the number of frequencies) -1, which is defined in TSPX_Ma26, default : 5  | INTEGER             |              |
| TSPX_Ma26   | mobile allocation for TC_26_6_13_8, its value shall indicate number of frequencies between 1 and 16. default : '009168'O                | OCTETSTRING[3]      |              |
| TSPX_Hsn26  | hopping parameter for TC_26_6_13_8, default : 9                                                                                         | INTEGER             |              |

| Item        | Description                                                                                                                              | Type/Allowed values | Value chosen |
|-------------|------------------------------------------------------------------------------------------------------------------------------------------|---------------------|--------------|
| TSPX_Maio27 | hopping parameter for TC_26_6_13_8, its value between 0 and (the number of frequencies) -1, which is defined in TSPX_Ma27, default : 1   | INTEGER             |              |
| TSPX_Ma27   | mobile allocation for TC_26_6_13_8, its value shall indicate number of frequencies between 1 and 16. default : '004080'O                 | OCTETSTRING[3]      |              |
| TSPX_Hsn27  | hopping parameter for TC_26_6_13_8, default : 38                                                                                         | INTEGER             |              |
| TSPX_Chtp13 | channel type for TC_26_6_13_9                                                                                                            | BITSTRING[5]        |              |
| TSPX_Tm3    | channel mode for TC_26_6_13_9, value between 60 -100                                                                                     | INTEGER             |              |
| TSPX_Maio28 | hopping parameter for TC_26_6_13_9, its value between 0 and (the number of frequencies) -1, which is defined in TSPX_Ma28, default : 10  | INTEGER             |              |
| TSPX_Ma28   | mobile allocation for TC_26_6_13_9, its value shall indicate number of frequencies between 1 and 17. default : '00EE7A'O                 | OCTETSTRING[3]      |              |
| TSPX_Hsn28  | hopping parameter for TC_26_6_13_9, default : 11                                                                                         | INTEGER             |              |
| TSPX_Maio29 | hopping parameter for TC_26_6_13_9, its value between 0 and (the number of frequencies) -1, which is defined in TSPX_Ma29, default : 6   | INTEGER             |              |
| TSPX_Ma29   | mobile allocation for TC_26_6_13_9, its value shall indicate number of frequencies between 1 and 17. default : '00F070'O                 | OCTETSTRING[3]      |              |
| TSPX_Chtp14 | channel type for TC_26_6_13_10                                                                                                           | BITSTRING[5]        |              |
| TSPX_Maio30 | hopping parameter for TC_26_6_13_10, its value between 0 and (the number of frequencies) -1, which is defined in TSPX_Ma30, default : 11 | INTEGER             |              |
| TSPX_Ma30   | mobile allocation for TC_26_6_13_10, its value shall indicate number of frequencies between 1 and 17. default : '017F69'O                | OCTETSTRING[3]      |              |
| TSPX_Hsn30  | hopping parameter for TC_26_6_13_10, default : 62                                                                                        | INTEGER             |              |

| Item           | Description                                                                                                                             | Type/Allowed values                                                                                                                                                                                                                                                                                                                                                      | Value chosen |
|----------------|-----------------------------------------------------------------------------------------------------------------------------------------|--------------------------------------------------------------------------------------------------------------------------------------------------------------------------------------------------------------------------------------------------------------------------------------------------------------------------------------------------------------------------|--------------|
| TSPX_Maio31    | hopping parameter for TC_26_6_13_10, its value between 0 and (the number of frequencies) -1, which is defined in TSPX_Ma31, default : 1 | INTEGER                                                                                                                                                                                                                                                                                                                                                                  |              |
| TSPX_Ma31      | mobile allocation for TC_26_6_13_10, its value shall indicate number of frequencies between 1 and 17. default : '000101'O               | OCTETSTRING[3]                                                                                                                                                                                                                                                                                                                                                           |              |
| TSPX_MOBscSvcA | any supported MO basic service                                                                                                          | "C_Telephony",<br>"C_EmgCallSRV",<br>"C_AltSpchG3",<br>"C_AutoG3",<br>"C_300cda",<br>"C_1200cda",<br>"C_120075cda",<br>"C_2400cda",<br>"C_4800cda",<br>"C_2400cds",<br>"C_4800cds",<br>"C_PAD300",<br>"C_PAD1200",<br>"C_PAD120075",<br>"C_PAD2400",<br>"C_PAD4800",<br>"C_PAD9600",<br>"C_Pkt2400",<br>"C_Pkt4800",<br>"C_Pkt9600",<br>"C_AltSpchData",<br>"C_SpchData" |              |
| TSPX_MOBscSvcB | any supported MO basic service                                                                                                          | "C_Telephony",<br>"C_EmgCallSRV",<br>"C_AltSpchG3",<br>"C_AutoG3",<br>"C_300cda",<br>"C_1200cda",<br>"C_120075cda",<br>"C_2400cda",<br>"C_4800cda",<br>"C_2400cds",<br>"C_4800cds",<br>"C_PAD300",<br>"C_PAD1200",<br>"C_PAD120075",<br>"C_PAD2400",<br>"C_PAD4800",<br>"C_PAD9600",<br>"C_Pkt2400",<br>"C_Pkt4800",<br>"C_Pkt9600",<br>"C_AltSpchData",<br>"C_SpchData" |              |









| Item           | Description                    | Type/Allowed values                                                                                                                                                                                                                                                                                                                                                      | Value chosen |
|----------------|--------------------------------|--------------------------------------------------------------------------------------------------------------------------------------------------------------------------------------------------------------------------------------------------------------------------------------------------------------------------------------------------------------------------|--------------|
| TSPX_MOBscSvcl | any supported MO basic service | "C_Telephony",<br>"C_EmgCallSRV",<br>"C_AltSpchG3",<br>"C_AutoG3",<br>"C_300cda",<br>"C_1200cda",<br>"C_120075cda",<br>"C_2400cda",<br>"C_4800cda",<br>"C_2400cds",<br>"C_4800cds",<br>"C_PAD300",<br>"C_PAD1200",<br>"C_PAD120075",<br>"C_PAD2400",<br>"C_PAD4800",<br>"C_PAD9600",<br>"C_Pkt2400",<br>"C_Pkt4800",<br>"C_Pkt9600",<br>"C_AltSpchData",<br>"C_SpchData" |              |
| TSPX_MOBscSvcJ | any supported MO basic service | "C_Telephony",<br>"C_EmgCallSRV",<br>"C_AltSpchG3",<br>"C_AutoG3",<br>"C_300cda",<br>"C_1200cda",<br>"C_120075cda",<br>"C_2400cda",<br>"C_4800cda",<br>"C_2400cds",<br>"C_4800cds",<br>"C_PAD300",<br>"C_PAD1200",<br>"C_PAD120075",<br>"C_PAD2400",<br>"C_PAD4800",<br>"C_PAD9600",<br>"C_Pkt2400",<br>"C_Pkt4800",<br>"C_Pkt9600",<br>"C_AltSpchData",<br>"C_SpchData" |              |







| Item           | Description                    | Type/Allowed values                                                                                                                                                                                                                                                                                                                                                      | Value chosen |
|----------------|--------------------------------|--------------------------------------------------------------------------------------------------------------------------------------------------------------------------------------------------------------------------------------------------------------------------------------------------------------------------------------------------------------------------|--------------|
| TSPX_MTBscSvcE | any supported MT basic service | "C_Telephony",<br>"C_EmgCallSRV",<br>"C_AltSpchG3",<br>"C_AutoG3",<br>"C_300cda",<br>"C_1200cda",<br>"C_120075cda",<br>"C_2400cda",<br>"C_4800cda",<br>"C_2400cds",<br>"C_4800cds",<br>"C_PAD300",<br>"C_PAD1200",<br>"C_PAD120075",<br>"C_PAD2400",<br>"C_PAD4800",<br>"C_PAD9600",<br>"C_Pkt2400",<br>"C_Pkt4800",<br>"C_Pkt9600",<br>"C_AltSpchData",<br>"C_SpchData" |              |
| TSPX_MTBscSvcF | any supported MT basic service | "C_Telephony",<br>"C_EmgCallSRV",<br>"C_AltSpchG3",<br>"C_AutoG3",<br>"C_300cda",<br>"C_1200cda",<br>"C_120075cda",<br>"C_2400cda",<br>"C_4800cda",<br>"C_2400cds",<br>"C_4800cds",<br>"C_PAD300",<br>"C_PAD1200",<br>"C_PAD120075",<br>"C_PAD2400",<br>"C_PAD4800",<br>"C_PAD9600",<br>"C_Pkt2400",<br>"C_Pkt4800",<br>"C_Pkt9600",<br>"C_AltSpchData",<br>"C_SpchData" |              |



| Item           | Description                    | Type/Allowed values                                                                                                                                                                                                                                                                                                                                                      | Value chosen |
|----------------|--------------------------------|--------------------------------------------------------------------------------------------------------------------------------------------------------------------------------------------------------------------------------------------------------------------------------------------------------------------------------------------------------------------------|--------------|
| TSPX_MTBscSvcI | any supported MT basic service | "C_Telephony",<br>"C_EmgCallSRV",<br>"C_AltSpchG3",<br>"C_AutoG3",<br>"C_300cda",<br>"C_1200cda",<br>"C_120075cda",<br>"C_2400cda",<br>"C_4800cda",<br>"C_2400cds",<br>"C_4800cds",<br>"C_PAD300",<br>"C_PAD1200",<br>"C_PAD120075",<br>"C_PAD2400",<br>"C_PAD4800",<br>"C_PAD9600",<br>"C_Pkt2400",<br>"C_Pkt4800",<br>"C_Pkt9600",<br>"C_AltSpchData",<br>"C_SpchData" |              |
| TSPX_MTBscSvcJ | any supported MT basic service | "C_Telephony",<br>"C_EmgCallSRV",<br>"C_AltSpchG3",<br>"C_AutoG3",<br>"C_300cda",<br>"C_1200cda",<br>"C_120075cda",<br>"C_2400cda",<br>"C_4800cda",<br>"C_2400cds",<br>"C_4800cds",<br>"C_PAD300",<br>"C_PAD1200",<br>"C_PAD120075",<br>"C_PAD2400",<br>"C_PAD4800",<br>"C_PAD9600",<br>"C_Pkt2400",<br>"C_Pkt4800",<br>"C_Pkt9600",<br>"C_AltSpchData",<br>"C_SpchData" |              |



| Item               | Description                                                 | Type/Allowed values                                                                                                                                                                                                                                                                                                                                                                                      | Value chosen |
|--------------------|-------------------------------------------------------------|----------------------------------------------------------------------------------------------------------------------------------------------------------------------------------------------------------------------------------------------------------------------------------------------------------------------------------------------------------------------------------------------------------|--------------|
| TSPX_MTNIC_BscSvcA | any supported MT basic service without immediate connection | "C_Telephony",<br>"C_EmgCallSRV",<br>"C_AltSpchG3",<br>"C_AutoG3",<br>"C_300cda",<br>"C_1200cda",<br>"C_120075cda",<br>"C_2400cda",<br>"C_4800cda",<br>"C_2400cda",<br>"C_4800cda",<br>"C_2400cda",<br>"C_4800cda",<br>"C_PAD300",<br>"C_PAD1200",<br>"C_PAD120075",<br>"C_PAD2400",<br>"C_PAD4800",<br>"C_PAD9600",<br>"C_Pkt2400",<br>"C_Pkt4800",<br>"C_Pkt9600",<br>"C_AltSpchData",<br>"C_SpchData" |              |
| TSPX_MTNIC_BscSvcB | any supported MT basic service without immediate connection | "C_Telephony",<br>"C_EmgCallSRV",<br>"C_AltSpchG3",<br>"C_AutoG3",<br>"C_300cda",<br>"C_1200cda",<br>"C_120075cda",<br>"C_2400cda",<br>"C_4800cda",<br>"C_2400cda",<br>"C_4800cda",<br>"C_2400cda",<br>"C_4800cda",<br>"C_PAD300",<br>"C_PAD1200",<br>"C_PAD120075",<br>"C_PAD2400",<br>"C_PAD4800",<br>"C_PAD9600",<br>"C_Pkt2400",<br>"C_Pkt4800",<br>"C_Pkt9600",<br>"C_AltSpchData",<br>"C_SpchData" |              |

| Item               | Description                                                 | Type/Allowed values                                                                                                                                                                                                                                                                                                                                                      | Value chosen |
|--------------------|-------------------------------------------------------------|--------------------------------------------------------------------------------------------------------------------------------------------------------------------------------------------------------------------------------------------------------------------------------------------------------------------------------------------------------------------------|--------------|
| TSPX_MTNIC_BscSvcC | any supported MT basic service without immediate connection | "C_Telephony",<br>"C_EmgCallSRV",<br>"C_AltSpchG3",<br>"C_AutoG3",<br>"C_300cda",<br>"C_1200cda",<br>"C_120075cda",<br>"C_2400cda",<br>"C_4800cda",<br>"C_2400cds",<br>"C_4800cds",<br>"C_PAD300",<br>"C_PAD1200",<br>"C_PAD120075",<br>"C_PAD2400",<br>"C_PAD4800",<br>"C_PAD9600",<br>"C_Pkt2400",<br>"C_Pkt4800",<br>"C_Pkt9600",<br>"C_AltSpchData",<br>"C_SpchData" |              |
| TSPX_MTNIC_BscSvcD | any supported MT basic service without immediate connection | "C_Telephony",<br>"C_EmgCallSRV",<br>"C_AltSpchG3",<br>"C_AutoG3",<br>"C_300cda",<br>"C_1200cda",<br>"C_120075cda",<br>"C_2400cda",<br>"C_4800cda",<br>"C_2400cds",<br>"C_4800cds",<br>"C_PAD300",<br>"C_PAD1200",<br>"C_PAD120075",<br>"C_PAD2400",<br>"C_PAD4800",<br>"C_PAD9600",<br>"C_Pkt2400",<br>"C_Pkt4800",<br>"C_Pkt9600",<br>"C_AltSpchData",<br>"C_SpchData" |              |

| Item               | Description                                                 | Type/Allowed values                                                                                                                                                                                                                                                                                                                                                                                      | Value chosen |
|--------------------|-------------------------------------------------------------|----------------------------------------------------------------------------------------------------------------------------------------------------------------------------------------------------------------------------------------------------------------------------------------------------------------------------------------------------------------------------------------------------------|--------------|
| TSPX_MTNIC_BscSvcE | any supported MT basic service without immediate connection | "C_Telephony",<br>"C_EmgCallSRV",<br>"C_AltSpchG3",<br>"C_AutoG3",<br>"C_300cda",<br>"C_1200cda",<br>"C_120075cda",<br>"C_2400cda",<br>"C_4800cda",<br>"C_2400cda",<br>"C_4800cda",<br>"C_2400cda",<br>"C_4800cda",<br>"C_PAD300",<br>"C_PAD1200",<br>"C_PAD120075",<br>"C_PAD2400",<br>"C_PAD4800",<br>"C_PAD9600",<br>"C_Pkt2400",<br>"C_Pkt4800",<br>"C_Pkt9600",<br>"C_AltSpchData",<br>"C_SpchData" |              |
| TSPX_MTNIC_BscSvcF | any supported MT basic service without immediate connection | "C_Telephony",<br>"C_EmgCallSRV",<br>"C_AltSpchG3",<br>"C_AutoG3",<br>"C_300cda",<br>"C_1200cda",<br>"C_120075cda",<br>"C_2400cda",<br>"C_4800cda",<br>"C_2400cda",<br>"C_4800cda",<br>"C_2400cda",<br>"C_4800cda",<br>"C_PAD300",<br>"C_PAD1200",<br>"C_PAD120075",<br>"C_PAD2400",<br>"C_PAD4800",<br>"C_PAD9600",<br>"C_Pkt2400",<br>"C_Pkt4800",<br>"C_Pkt9600",<br>"C_AltSpchData",<br>"C_SpchData" |              |

| Item               | Description                                                 | Type/Allowed values                                                                                                                                                                                                                                                                                                                                                      | Value chosen |
|--------------------|-------------------------------------------------------------|--------------------------------------------------------------------------------------------------------------------------------------------------------------------------------------------------------------------------------------------------------------------------------------------------------------------------------------------------------------------------|--------------|
| TSPX_MTNIC_BscSvcG | any supported MT basic service without immediate connection | "C_Telephony",<br>"C_EmgCallSRV",<br>"C_AltSpchG3",<br>"C_AutoG3",<br>"C_300cda",<br>"C_1200cda",<br>"C_120075cda",<br>"C_2400cda",<br>"C_4800cda",<br>"C_2400cds",<br>"C_4800cds",<br>"C_PAD300",<br>"C_PAD1200",<br>"C_PAD120075",<br>"C_PAD2400",<br>"C_PAD4800",<br>"C_PAD9600",<br>"C_Pkt2400",<br>"C_Pkt4800",<br>"C_Pkt9600",<br>"C_AltSpchData",<br>"C_SpchData" |              |
| TSPX_MTNIC_BscSvcH | any supported MT basic service without immediate connection | "C_Telephony",<br>"C_EmgCallSRV",<br>"C_AltSpchG3",<br>"C_AutoG3",<br>"C_300cda",<br>"C_1200cda",<br>"C_120075cda",<br>"C_2400cda",<br>"C_4800cda",<br>"C_2400cds",<br>"C_4800cds",<br>"C_PAD300",<br>"C_PAD1200",<br>"C_PAD120075",<br>"C_PAD2400",<br>"C_PAD4800",<br>"C_PAD9600",<br>"C_Pkt2400",<br>"C_Pkt4800",<br>"C_Pkt9600",<br>"C_AltSpchData",<br>"C_SpchData" |              |

| Item                | Description                                                 | Type/Allowed values                                                                                                                                                                                                                                                                                                                                                      | Value chosen |
|---------------------|-------------------------------------------------------------|--------------------------------------------------------------------------------------------------------------------------------------------------------------------------------------------------------------------------------------------------------------------------------------------------------------------------------------------------------------------------|--------------|
| TSPX_MTNIC_BscSvcI  | any supported MT basic service without immediate connection | "C_Telephony",<br>"C_EmgCallSRV",<br>"C_AltSpchG3",<br>"C_AutoG3",<br>"C_300cda",<br>"C_1200cda",<br>"C_120075cda",<br>"C_2400cda",<br>"C_4800cda",<br>"C_2400cda",<br>"C_4800cda",<br>"C_PAD300",<br>"C_PAD1200",<br>"C_PAD120075",<br>"C_PAD2400",<br>"C_PAD4800",<br>"C_PAD9600",<br>"C_Pkt2400",<br>"C_Pkt4800",<br>"C_Pkt9600",<br>"C_AltSpchData",<br>"C_SpchData" |              |
| TSPX_MTNIC_BscSvcJ  | any supported MT basic service without immediate connection | "C_Telephony",<br>"C_EmgCallSRV",<br>"C_AltSpchG3",<br>"C_AutoG3",<br>"C_300cda",<br>"C_1200cda",<br>"C_120075cda",<br>"C_2400cda",<br>"C_4800cda",<br>"C_2400cda",<br>"C_4800cda",<br>"C_PAD300",<br>"C_PAD1200",<br>"C_PAD120075",<br>"C_PAD2400",<br>"C_PAD4800",<br>"C_PAD9600",<br>"C_Pkt2400",<br>"C_Pkt4800",<br>"C_Pkt9600",<br>"C_AltSpchData",<br>"C_SpchData" |              |
| TSPX_Telephony_Rate | channel rate for TS11, default value : C_Full               | "F", "H"                                                                                                                                                                                                                                                                                                                                                                 |              |
| TSPX_MOChRateA      | channel rate for TSPX_MOBscSvcA, default value : C_Full     | "F", "H"                                                                                                                                                                                                                                                                                                                                                                 |              |
| TSPX_MOChRateB      | channel rate for TSPX_MOBscSvcB, default value : C_Full     | "F", "H"                                                                                                                                                                                                                                                                                                                                                                 |              |
| TSPX_MOChRateC      | channel rate for TSPX_MOBscSvcC, default value : C_Full     | "F", "H"                                                                                                                                                                                                                                                                                                                                                                 |              |
| TSPX_MOChRateD      | channel rate for TSPX_MOBscSvcD, default value : C_Full     | "F", "H"                                                                                                                                                                                                                                                                                                                                                                 |              |
| TSPX_MOChRateE      | channel rate for TSPX_MOBscSvcE, default value : C_Full     | "F", "H"                                                                                                                                                                                                                                                                                                                                                                 |              |

| Item               | Description                                                 | Type/Allowed values | Value chosen |
|--------------------|-------------------------------------------------------------|---------------------|--------------|
| TSPX_MOChRateF     | channel rate for TSPX_MOBscSvcF, default value : C_Full     | "F", "H"            |              |
| TSPX_MOChRateG     | channel rate for TSPX_MOBscSvcG, default value : C_Full     | "F", "H"            |              |
| TSPX_MOChRateH     | channel rate for TSPX_MOBscSvcH, default value : C_Full     | "F", "H"            |              |
| TSPX_MOChRateI     | channel rate for TSPX_MOBscSvcI, default value : C_Full     | "F", "H"            |              |
| TSPX_MOChRateJ     | channel rate for TSPX_MOBscSvcJ, default value : C_Full     | "F", "H"            |              |
| TSPX_MTChRateA     | channel rate for TSPX_MTBscSvcA, default value : C_Full     | "F", "H"            |              |
| TSPX_MTChRateB     | channel rate for TSPX_MTBscSvcB, default value : C_Full     | "F", "H"            |              |
| TSPX_MTChRateC     | channel rate for TSPX_MTBscSvcC, default value : C_Full     | "F", "H"            |              |
| TSPX_MTChRateD     | channel rate for TSPX_MTBscSvcD, default value : C_Full     | "F", "H"            |              |
| TSPX_MTChRateE     | channel rate for TSPX_MTBscSvcE, default value : C_Full     | "F", "H"            |              |
| TSPX_MTChRateF     | channel rate for TSPX_MTBscSvcF, default value : C_Full     | "F", "H"            |              |
| TSPX_MTChRateG     | channel rate for TSPX_MTBscSvcG, default value : C_Full     | "F", "H"            |              |
| TSPX_MTChRateH     | channel rate for TSPX_MTBscSvcH, default value : C_Full     | "F", "H"            |              |
| TSPX_MTChRateI     | channel rate for TSPX_MTBscSvcI, default value : C_Full     | "F", "H"            |              |
| TSPX_MTChRateJ     | channel rate for TSPX_MTBscSvcJ, default value : C_Full     | "F", "H"            |              |
| TSPX_MTNIC_ChRateA | channel rate for TSPX_MTNIC_BscSvcA, default value : C_Full | "F", "H"            |              |
| TSPX_MTNIC_ChRateB | channel rate for TSPX_MTNIC_BscSvcB, default value : C_Full | "F", "H"            |              |
| TSPX_MTNIC_ChRateC | channel rate for TSPX_MTNIC_BscSvcC, default value : C_Full | "F", "H"            |              |
| TSPX_MTNIC_ChRateD | channel rate for TSPX_MTNIC_BscSvcD, default value : C_Full | "F", "H"            |              |
| TSPX_MTNIC_ChRateE | channel rate for TSPX_MTNIC_BscSvcE, default value : C_Full | "F", "H"            |              |

| Item               | Description                                                 | Type/Allowed values                                                                                                                                                                                                                                                                                                                                                      | Value chosen |
|--------------------|-------------------------------------------------------------|--------------------------------------------------------------------------------------------------------------------------------------------------------------------------------------------------------------------------------------------------------------------------------------------------------------------------------------------------------------------------|--------------|
| TSPX_MTNIC_ChRateF | channel rate for TSPX_MTNIC_BscSvcF, default value : C_Full | "F", "H"                                                                                                                                                                                                                                                                                                                                                                 |              |
| TSPX_MTNIC_ChRateG | channel rate for TSPX_MTNIC_BscSvcG, default value : C_Full | "F", "H"                                                                                                                                                                                                                                                                                                                                                                 |              |
| TSPX_MTNIC_ChRateH | channel rate for TSPX_MTNIC_BscSvcH, default value : C_Full | "F", "H"                                                                                                                                                                                                                                                                                                                                                                 |              |
| TSPX_MTNIC_ChRateI | channel rate for TSPX_MTNIC_BscSvcI, default value : C_Full | "F", "H"                                                                                                                                                                                                                                                                                                                                                                 |              |
| TSPX_MTNIC_ChRateJ | channel rate for TSPX_MTNIC_BscSvcJ, default value : C_Full | "F", "H"                                                                                                                                                                                                                                                                                                                                                                 |              |
| TSPX_EmgCallRate   | Rate for the basic service supported for MO emergency calls | "F", "H"                                                                                                                                                                                                                                                                                                                                                                 |              |
| TSPX_MO_NonCallSS  | any supported MO non-call related supplementary service     | "C_Telephony",<br>"C_EmgCallSRV",<br>"C_AltSpchG3",<br>"C_AutoG3",<br>"C_300cda",<br>"C_1200cda",<br>"C_120075cda",<br>"C_2400cda",<br>"C_4800cda",<br>"C_2400cda",<br>"C_4800cda",<br>"C_PAD300",<br>"C_PAD1200",<br>"C_PAD120075",<br>"C_PAD2400",<br>"C_PAD4800",<br>"C_PAD9600",<br>"C_Pkt2400",<br>"C_Pkt4800",<br>"C_Pkt9600",<br>"C_AltSpchData",<br>"C_SpchData" |              |

| Item                | Description                                                    | Type/Allowed values                                                                                                                                                                                                                                                                                                                                                                                      | Value chosen |
|---------------------|----------------------------------------------------------------|----------------------------------------------------------------------------------------------------------------------------------------------------------------------------------------------------------------------------------------------------------------------------------------------------------------------------------------------------------------------------------------------------------|--------------|
| TSPX_MO_BscSvc_SMS  | any supported MO SMS calls                                     | "C_Telephony",<br>"C_EmgCallSRV",<br>"C_AltSpchG3",<br>"C_AutoG3",<br>"C_300cda",<br>"C_1200cda",<br>"C_120075cda",<br>"C_2400cda",<br>"C_4800cda",<br>"C_2400cda",<br>"C_4800cda",<br>"C_2400cda",<br>"C_4800cda",<br>"C_PAD300",<br>"C_PAD1200",<br>"C_PAD120075",<br>"C_PAD2400",<br>"C_PAD4800",<br>"C_PAD9600",<br>"C_Pkt2400",<br>"C_Pkt4800",<br>"C_Pkt9600",<br>"C_AltSpchData",<br>"C_SpchData" |              |
| TSPX_MO_DualModSvc  | any supported MO dual mode call                                | "C_Telephony",<br>"C_EmgCallSRV",<br>"C_AltSpchG3",<br>"C_AutoG3",<br>"C_300cda",<br>"C_1200cda",<br>"C_120075cda",<br>"C_2400cda",<br>"C_4800cda",<br>"C_2400cda",<br>"C_4800cda",<br>"C_2400cda",<br>"C_4800cda",<br>"C_PAD300",<br>"C_PAD1200",<br>"C_PAD120075",<br>"C_PAD2400",<br>"C_PAD4800",<br>"C_PAD9600",<br>"C_Pkt2400",<br>"C_Pkt4800",<br>"C_Pkt9600",<br>"C_AltSpchData",<br>"C_SpchData" |              |
| TSPX_MO_DualModRate | Rate for the supported MO dual mode call in TSPX_MO_DualModSvc | "F", "H"                                                                                                                                                                                                                                                                                                                                                                                                 |              |



**Annex C: PCTR Proforma**

Notwithstanding the provisions of the copyright clause related to the text of this ETS, ETSI grants that users of this ETS may freely reproduce the PCTR proforma in this annex so that it can be used for its intended purposes and may further publish the completed PCTR.

## PROTOCOL

### Conformance Test Report (PCTR)

Global System for Mobile Communication, GSM,  
User-Network Access

### Layer 3 Signalling Functions

|                |          |
|----------------|----------|
| Test Candidate |          |
| Name :         | SUT name |
| Model :        | model    |
| H/W version :  | hw       |
| S/W version :  | sw       |
| Serial No. :   | serienr  |

|                     |  |
|---------------------|--|
| Client              |  |
| Name :              |  |
| Street / No. :      |  |
| Postal Code / City: |  |
| Country :           |  |

*This Test Report shall not be reproduced except in full without the written permission of TEST LAB REFERENCE, and shall not be quoted out of context.*

**Annex D (normative): Enhanced Full Rate Abstract Test Suite****Suite overview****Suite structure**

| <b>Test Suite Structure</b> |                                      |
|-----------------------------|--------------------------------------|
| <b>Suite Name:</b>          | GSM_MS_EFR_4210                      |
| <b>Standards Ref:</b>       | ETS 300 557                          |
| <b>PICS Ref:</b>            |                                      |
| <b>PIXIT Ref:</b>           |                                      |
| <b>Test Method(s):</b>      | Distributed Single Layer Test Method |
| <b>Comments:</b>            | EFR ATS Version 4.21.0               |

| <b>Structure and Objectives</b> |                      |                               |                |
|---------------------------------|----------------------|-------------------------------|----------------|
| <b>Test Group Reference</b>     | <b>Selection Ref</b> | <b>Test Group Objective</b>   | <b>Page Nr</b> |
| GSM_MS_EFR_4210/EFR/            | SelExpr_0005         | Enhanced Full Rate signalling | 1814           |
| <b>Detailed Comments:</b>       |                      |                               |                |

## Test case index

| Test Case Index          |                 |               |                                                                                  |         |
|--------------------------|-----------------|---------------|----------------------------------------------------------------------------------|---------|
| Test Group Reference     | Test Case Id    | Selection ref | Description                                                                      | Page Nr |
| GSM_MS_EFR_4210<br>/EFR/ | TC_26_12_1      | SelExpr_0000  | EFR signalling/ test of the channel mode modify procedure                        | 1814    |
| GSM_MS_EFR_4210<br>/EFR/ | TC_26_12_2_1_1  | SelExpr_0001  | EFR signalling/ Handover/ active call/ successful case                           | 1817    |
| GSM_MS_EFR_4210<br>/EFR/ | TC_26_12_2_1_2  | SelExpr_0001  | EFR signalling/ Handover/ active call/ successful case                           | 1819    |
| GSM_MS_EFR_4210<br>/EFR/ | TC_26_12_2_1_3  | SelExpr_0001  | EFR signalling/ Handover/ active call/ successful case                           | 1821    |
| GSM_MS_EFR_4210<br>/EFR/ | TC_26_12_2_1_4  | SelExpr_0001  | EFR signalling/ Handover/ active call/ successful case                           | 1823    |
| GSM_MS_EFR_4210<br>/EFR/ | TC_26_12_2_1_5  | SelExpr_0001  | EFR signalling/ Handover/ active call/ successful case                           | 1825    |
| GSM_MS_EFR_4210<br>/EFR/ | TC_26_12_2_1_6  | SelExpr_0001  | EFR signalling/ Handover/ active call/ successful case                           | 1827    |
| GSM_MS_EFR_4210<br>/EFR/ | TC_26_12_2_1_7  | SelExpr_0001  | EFR signalling/ Handover/ active call/ successful case                           | 1829    |
| GSM_MS_EFR_4210<br>/EFR/ | TC_26_12_2_1_8  | SelExpr_0001  | EFR signalling/ Handover/ active call/ successful case                           | 1831    |
| GSM_MS_EFR_4210<br>/EFR/ | TC_26_12_2_1_9  | SelExpr_0001  | EFR signalling/ Handover/ active call/ successful case                           | 1833    |
| GSM_MS_EFR_4210<br>/EFR/ | TC_26_12_2_1_10 | SelExpr_0001  | EFR signalling/ Handover/ active call/ successful case                           | 1835    |
| GSM_MS_EFR_4210<br>/EFR/ | TC_26_12_2_1_11 | SelExpr_0001  | EFR signalling/ Handover/ active call/ successful case                           | 1837    |
| GSM_MS_EFR_4210<br>/EFR/ | TC_26_12_2_1_12 | SelExpr_0001  | EFR signalling/ Handover/ active call/ successful case                           | 1839    |
| GSM_MS_EFR_4210<br>/EFR/ | TC_26_12_2_1_13 | SelExpr_0001  | EFR signalling/ Handover/ active call/ successful case                           | 1841    |
| GSM_MS_EFR_4210<br>/EFR/ | TC_26_12_2_1_14 | SelExpr_0001  | EFR signalling/ Handover/ active call/ successful case                           | 1843    |
| GSM_MS_EFR_4210<br>/EFR/ | TC_26_12_2_1_15 | SelExpr_0001  | EFR signalling/ Handover/ active call/ successful case                           | 1845    |
| GSM_MS_EFR_4210<br>/EFR/ | TC_26_12_2_2_1  | SelExpr_0001  | EFR signalling/ Handover/ successful/ call under establishment/ non-synchronized | 1847    |
| GSM_MS_EFR_4210<br>/EFR/ | TC_26_12_2_2_2  | SelExpr_0001  | EFR signalling/ Handover/ successful/ call under establishment/ non-synchronized | 1849    |
| GSM_MS_EFR_4210<br>/EFR/ | TC_26_12_2_2_3  | SelExpr_0001  | EFR signalling/ Handover/ successful/ call under establishment/ non-synchronized | 1851    |
| GSM_MS_EFR_4210<br>/EFR/ | TC_26_12_2_2_4  | SelExpr_0001  | EFR signalling/ Handover/ successful/ call under establishment/ non-synchronized | 1853    |
| GSM_MS_EFR_4210<br>/EFR/ | TC_26_12_2_2_5  | SelExpr_0001  | EFR signalling/ Handover/ successful/ call under establishment/ non-synchronized | 1855    |
| GSM_MS_EFR_4210<br>/EFR/ | TC_26_12_2_2_6  | SelExpr_0001  | EFR signalling/ Handover/ successful/ call under establishment/ non-synchronized | 1857    |
| GSM_MS_EFR_4210<br>/EFR/ | TC_26_12_2_2_7  | SelExpr_0001  | EFR signalling/ Handover/ successful/ call under establishment/ non-synchronized | 1859    |
| GSM_MS_EFR_4210<br>/EFR/ | TC_26_12_2_2_8  | SelExpr_0001  | EFR signalling/ Handover/ successful/ call under establishment/ non-synchronized | 1861    |
| GSM_MS_EFR_4210<br>/EFR/ | TC_26_12_2_2_9  | SelExpr_0001  | EFR signalling/ Handover/ successful/ call under establishment/ non-synchronized | 1863    |
| GSM_MS_EFR_4210<br>/EFR/ | TC_26_12_2_2_10 | SelExpr_0001  | EFR signalling/ Handover/ successful/ call under establishment/ non-synchronized | 1865    |
| GSM_MS_EFR_4210<br>/EFR/ | TC_26_12_2_2_11 | SelExpr_0001  | EFR signalling/ Handover/ successful/ call under establishment/ non-synchronized | 1867    |
| GSM_MS_EFR_4210<br>/EFR/ | TC_26_12_3      | SelExpr_0001  | EFR Signalling/ Structured procedures/ MS originated call/ late assignment       | 1869    |
| GSM_MS_EFR_4210<br>/EFR/ | TC_26_12_4      | SelExpr_0002  | Structured procedures/ MS terminated call/ early assignment                      | 1872    |
| GSM_MS_EFR_4210<br>/EFR/ | TC_26_12_5      | SelExpr_0003  | Structured procedures/ emergency call                                            | 1875    |

Detailed Comments:

## Test step index

| Test Step Index                      |                         |                                                                                                                       |         |
|--------------------------------------|-------------------------|-----------------------------------------------------------------------------------------------------------------------|---------|
| Test Step Group Reference            | Test Step Id            | Description                                                                                                           | Page Nr |
| GSM_MS_EFR_4210/management/ChConfig/ | Config_CBMS_A_1         |                                                                                                                       | 1877    |
| GSM_MS_EFR_4210/management/ChConfig/ | Config_FACCHF_A_1       | To set one physical channel used as TCHF_ACCH's of cell A.                                                            | 1878    |
| GSM_MS_EFR_4210/management/ChConfig/ | Config_FACCHF_A_2       | To set one physical channel used as TCHF_ACCH's for instance 2 of cell A.                                             | 1878    |
| GSM_MS_EFR_4210/management/ChConfig/ | Config_FACCHF_B_1       | To set one physical channel used as TCHF_ACCH's of cell B.                                                            | 1878    |
| GSM_MS_EFR_4210/management/ChConfig/ | Config_FACCHH_A_1       | To set one physical channel used as TCHH_ACCH's of cell A.                                                            | 1879    |
| GSM_MS_EFR_4210/management/ChConfig/ | Config_FACCHH_A_2       | To set one physical channel used as TCHH_ACCH's of cell A.                                                            | 1879    |
| GSM_MS_EFR_4210/management/ChConfig/ | Config_FACCHH_B_1       | To set one physical channel used as TCHH_ACCH's of cell B.                                                            | 1879    |
| GSM_MS_EFR_4210/management/ChConfig/ | Config_BCCH_CCCH_A_1    | To set a physical channel and map FCCH, SCH, BCCH and CCCH onto the physical channel which represents cell A.         | 1880    |
| GSM_MS_EFR_4210/management/ChConfig/ | Config_BCCH_CCCH_A_ho_1 |                                                                                                                       | 1880    |
| GSM_MS_EFR_4210/management/ChConfig/ | Config_BCCH_CCCH_A_2    | To set a physical channel and map the second BCCH, CCCH onto the physical channel which represents cell A.            | 1880    |
| GSM_MS_EFR_4210/management/ChConfig/ | Config_BCCH_CCCH_A_3    | To set a physical channel and map the third BCCH, CCCH onto the physical channel which represents cell A.             | 1881    |
| GSM_MS_EFR_4210/management/ChConfig/ | Config_BCCH_CCCH_A_4    | To set a physical channel and map the fourth BCCH, CCCH onto the physical channel which represents cell A.            | 1881    |
| GSM_MS_EFR_4210/management/ChConfig/ | Config_BCCH_CCCH_B_1    | To set a physical channel and map FCCH, SCH, BCCH and CCCH onto the physical channel which represents cell B.         | 1881    |
| GSM_MS_EFR_4210/management/ChConfig/ | Config_BCCH_CCCH_B_ho_1 |                                                                                                                       | 1882    |
| GSM_MS_EFR_4210/management/ChConfig/ | Config_SDCCH4_A_1       | To set a physical channel and map FCCH, SCH, BCCH, CCCH and SDCCH4 onto the physical channel which represents cell A. | 1882    |
| GSM_MS_EFR_4210/management/ChConfig/ | Config_SDCCH4_A_ho_1    |                                                                                                                       | 1882    |
| GSM_MS_EFR_4210/management/ChConfig/ | Config_SDCCH4_B_1       | To set a physical channel and map FCCH, SCH, BCCH, CCCH and SDCCH4 onto the physical channel which represents cell B. | 1883    |
| GSM_MS_EFR_4210/management/ChConfig/ | Config_SDCCH4_B_ho_1    |                                                                                                                       | 1883    |
| GSM_MS_EFR_4210/management/ChConfig/ | Config_SDCCH4_C_1       | To set a physical channel and map FCCH, SCH, BCCH, CCCH and SDCCH4 onto the physical channel which represents cell C  | 1884    |
| GSM_MS_EFR_4210/management/ChConfig/ | Config_SDCCH8_A_1       |                                                                                                                       | 1884    |
| GSM_MS_EFR_4210/management/ChConfig/ | CombinedBCCH_A_C BMS    |                                                                                                                       | 1885    |
| GSM_MS_EFR_4210/management/ChConfig/ | CombinedBCCH_A          | To set a physical channel and map FCCH, SCH, BCCH, CCCH and SDCCH4 onto the physical channel which represents cell A. | 1885    |
| GSM_MS_EFR_4210/management/ChConfig/ | CombinedBCCH_A_ho       |                                                                                                                       | 1885    |
| GSM_MS_EFR_4210/management/ChConfig/ | CombinedBCCH_B          | To set a physical channel and map FCCH, SCH, BCCH, CCCH and SDCCH4 onto the physical channel which represents cell B. | 1886    |
| GSM_MS_EFR_4210/management/ChConfig/ | CombinedBCCH_B_ho       |                                                                                                                       | 1886    |
| GSM_MS_EFR_4210/management/ChConfig/ | CombinedBCCH_C          | To set a physical channel and map FCCH, SCH, BCCH, CCCH and SDCCH4 onto the physical channel which represents cell C. | 1886    |
| GSM_MS_EFR_4210/management/ChConfig/ | NonCombinedBCCH_A       | To set one physical channel used as FCHH_SCH_BCCH_CCCH for cell A.                                                    | 1887    |
| GSM_MS_EFR_4210/management/ChConfig/ | NonCombinedBCCH_A_2     | To set a physical channel and map the second BCCH, CCCH onto the physical channel which                               | 1887    |

|                                      |                           |                                                                                                                                 |      |
|--------------------------------------|---------------------------|---------------------------------------------------------------------------------------------------------------------------------|------|
| GSM_MS_EFR_4210/management/ChConfig/ | NonCombinedBCCH_A_3       | represents cell A.<br>To set a physical channel and map the third BCCH, CCCH onto the physical channel which represents cell A. | 1887 |
| GSM_MS_EFR_4210/management/ChConfig/ | NonCombinedBCCH_A_4       | To set a physical channel and map the fourth BCCH, CCCH onto the physical channel which represents cell A.                      | 1888 |
| GSM_MS_EFR_4210/management/ChConfig/ | NonCombinedBCCH_A_ho      |                                                                                                                                 | 1888 |
| GSM_MS_EFR_4210/management/ChConfig/ | NonCombinedBCCH_B         | To set a physical channel and map FCCH, SCH, BCCH, CCCH onto the physical channel which represents cell B for RR testing.       | 1889 |
| GSM_MS_EFR_4210/management/ChConfig/ | NonCombinedBCCH_B_ho      |                                                                                                                                 | 1889 |
| GSM_MS_EFR_4210/management/ChConfig/ | FullRateCh_A_1            | To set one physical channel used as TCHF_ACCH's for instance 1 of cell A.                                                       | 1890 |
| GSM_MS_EFR_4210/management/ChConfig/ | FullRateCh_A_1_nociph     | To set one physical channel used as TCHF_ACCH's for instance 1 of cell A.                                                       | 1890 |
| GSM_MS_EFR_4210/management/ChConfig/ | FullRateCh_A_2            | To set one physical channel used as TCHF_ACCH's for instance 2 of cell A for TC_26_6_13_1.                                      | 1890 |
| GSM_MS_EFR_4210/management/ChConfig/ | FullRateCh_A_2_nociph     | To set one physical channel used as TCHF_ACCH's for instance 2 of cell A for TC_26_6_13_1.                                      | 1891 |
| GSM_MS_EFR_4210/management/ChConfig/ | FullRateCh_B_1            | To set one physical channel used as TCHF_ACCH's for instance 1 of cell B.                                                       | 1891 |
| GSM_MS_EFR_4210/management/ChConfig/ | FullRateCh_B_1_nociph     | To set one physical channel used as TCHF_ACCH's for instance 1 of cell B.                                                       | 1891 |
| GSM_MS_EFR_4210/management/ChConfig/ | HalfRateCh_A_1            | To set one physical channel used as TCHH_ACCH's for instance 1 of cell A.                                                       | 1892 |
| GSM_MS_EFR_4210/management/ChConfig/ | HalfRateCh_A_1_nociph     | To set one physical channel used as TCHH_ACCH's for instance 1 of cell A.                                                       | 1892 |
| GSM_MS_EFR_4210/management/ChConfig/ | HalfRateCh_A_2            | To set one physical channel used as TCHH_ACCH's for instance 2 of cell A for TC_26_6_13_1.                                      | 1893 |
| GSM_MS_EFR_4210/management/ChConfig/ | HalfRateCh_A_2_nociph     | To set one physical channel used as TCHH_ACCH's for instance 2 of cell A for TC_26_6_13_1.                                      | 1893 |
| GSM_MS_EFR_4210/management/ChConfig/ | HalfRateCh_B_1            | To set one physical channel used as TCHH_ACCH's for instance 1 of cell B                                                        | 1893 |
| GSM_MS_EFR_4210/management/ChConfig/ | HalfRateCh_B_1_nociph     | To set one physical channel used as TCHH_ACCH's for instance 1 of cell B                                                        | 1894 |
| GSM_MS_EFR_4210/management/ChConfig/ | SDCCH8_A_1_nociph         |                                                                                                                                 | 1894 |
| GSM_MS_EFR_4210/Miscellaneous/       | Adjust_gsmanddcs_powerlvl |                                                                                                                                 | 1895 |
| GSM_MS_EFR_4210/Miscellaneous/       | AssCh_complete            |                                                                                                                                 | 1895 |
| GSM_MS_EFR_4210/Miscellaneous/       | AssCmdGen                 |                                                                                                                                 | 1896 |
| GSM_MS_EFR_4210/Miscellaneous/       | AssCmdGen_fh              |                                                                                                                                 | 1897 |
| GSM_MS_EFR_4210/Miscellaneous/       | Authentication            | To execute the authentication procedure.                                                                                        | 1897 |
| GSM_MS_EFR_4210/Miscellaneous/       | CallProcGen               | To generate a CALL PROCEEDING message .                                                                                         | 1898 |
| GSM_MS_EFR_4210/Miscellaneous/       | CCCH_group_Paging_group   |                                                                                                                                 | 1899 |
| GSM_MS_EFR_4210/Miscellaneous/       | CC_Est_MT_Call            |                                                                                                                                 | 1900 |
| GSM_MS_EFR_4210/Miscellaneous/       | CC_EstMsTermCall          |                                                                                                                                 | 1901 |
| GSM_MS_EFR_4210/Miscellaneous/       | Ciphering_on              | To switch on the ciphering.                                                                                                     | 1901 |
| GSM_MS_EFR_4210/Miscellaneous/       | EFR_ChkRcvSpchPre fs      |                                                                                                                                 | 1902 |
| GSM_MS_EFR_4210/Miscellaneous/       | EFR_SpchPrefInBCA P       |                                                                                                                                 | 1902 |
| GSM_MS_EFR_4210/Miscellaneous/       | EFR_RcvSetupOrEsetup      |                                                                                                                                 | 1903 |
| GSM_MS_EFR_4210/Miscellaneous/       | FnArith                   |                                                                                                                                 | 1904 |
| GSM_MS_EFR_4210/Miscellaneous/       | ImsiDetach                |                                                                                                                                 | 1904 |
| GSM_MS_EFR_4210/Miscellaneous/       | MM_PwrOrSimOff            |                                                                                                                                 | 1905 |
| GSM_MS_EFR_4210/Miscellaneous/       | MM_PwrOrSimOn             |                                                                                                                                 | 1905 |
| GSM_MS_EFR_4210/Miscellaneous/       | RcvSetupOrEsetup          |                                                                                                                                 | 1905 |
| GSM_MS_EFR_4210/Miscellaneous/       | RR_hocomp1                |                                                                                                                                 | 1906 |
| GSM_MS_EFR_4210/Miscellaneous/       | RRmtcallprepare           |                                                                                                                                 | 1906 |
| GSM_MS_EFR_4210/Miscellaneous/       | SelectPagingCh            |                                                                                                                                 | 1907 |
| GSM_MS_EFR_4210/Miscellaneous/       | SendSeqNo_chk             |                                                                                                                                 | 1907 |
| GSM_MS_EFR_4210/Miscellaneous/       | SvcSupportedChk           | To check whether the Basic Service svc is supported against PICS answers.                                                       | 1908 |

|                                                                              |                              |                                                                                                                                                                              |              |
|------------------------------------------------------------------------------|------------------------------|------------------------------------------------------------------------------------------------------------------------------------------------------------------------------|--------------|
| GSM_MS_EFR_4210/Miscellaneous/<br>GSM_MS_EFR_4210/Miscellaneous/<br>SysInfo/ | Varinit_fix<br>ChgLAC_A      | To change the LAC of cell A.                                                                                                                                                 | 1909<br>1909 |
| GSM_MS_EFR_4210/Miscellaneous/<br>SysInfo/                                   | ChgLAC_B                     | To change the LAC of cell B.                                                                                                                                                 | 1909         |
| GSM_MS_EFR_4210/Miscellaneous/<br>SysInfo/                                   | ChgLAI_C                     | To change the LAI of cell C to HPLMN.                                                                                                                                        | 1910         |
| GSM_MS_EFR_4210/Miscellaneous/<br>SysInfo/                                   | SysInfoSending_cbm<br>s      | To send system information messages for the CBMS tests.                                                                                                                      | 1911         |
| GSM_MS_EFR_4210/Miscellaneous/<br>SysInfo/                                   | SysInfoSending_fh            | To send system information messages for the L3 tests. The following parameters specified by input parameters.                                                                | 1912         |
| GSM_MS_EFR_4210/Miscellaneous/<br>SysInfo/                                   | SysInfoSending_nfh           | To send system information messages with default parameters defined for L3 tests for which no other special parameters indicated.                                            | 1913         |
| GSM_MS_EFR_4210/Miscellaneous/<br>SysInfo/                                   | SysInfoSending_nfhC<br>b     | To send system information messages with default parameters defined for L3 tests except that the cell is barred.                                                             | 1915         |
| GSM_MS_EFR_4210/Miscellaneous/<br>SysInfo/                                   | SysInfoSending_e             | Sending of Systeminformation for cell A in EGSM test case TC_26_10_2_2.                                                                                                      | 1916         |
| GSM_MS_EFR_4210/Miscellaneous/<br>SysInfo/                                   | SysInfo_SacchSendin<br>g     | To send SYSTEM INFORMATION 5 and 6 messages defined by parameters 'sysinfo5_pdu' and 'sysinfo6_pdu' in the parametrised 'ch' channel.                                        | 1917         |
| GSM_MS_EFR_4210/Miscellaneous/<br>SysInfo/                                   | SysInfo_5bisSending          | To send SYSTEM INFORMATION 5bis message defined by parameters 'sysinfo5bis_pdu' in the parametrised 'ch' channel.                                                            | 1917         |
| GSM_MS_EFR_4210/Miscellaneous/<br>SysInfo/                                   | SetNECI                      | To set the NECI =1.                                                                                                                                                          | 1918         |
| GSM_MS_EFR_4210/Miscellaneous/<br>SysInfo/                                   | SetATT                       | To set the ATT flag to "MS's in the cell should apply IMSI attach and detach procedure"                                                                                      | 1919         |
| GSM_MS_EFR_4210/OperatorOP/                                                  | InitCall                     | To initiate a call of the basic service `srv`.                                                                                                                               | 1920         |
| GSM_MS_EFR_4210/OperatorOP/                                                  | InitNonCallSupp              | To attempt a non call related supplementary service at the MS under test.                                                                                                    | 1920         |
| GSM_MS_EFR_4210/OperatorOP/                                                  | AtrmpShortMsg                | To attempt an MO short message service transaction at the MS under test.                                                                                                     | 1920         |
| GSM_MS_EFR_4210/OperatorOP/                                                  | CheckUssdStringDisp<br>layed | To check whether the correct USSD String is displayed on the MS                                                                                                              | 1920         |
| GSM_MS_EFR_4210/OperatorOP/                                                  | PLMNsCHK                     | To check whether the MS presents a list of available PLMNs.                                                                                                                  | 1920         |
| GSM_MS_EFR_4210/OperatorOP/                                                  | RFtransCHK                   | To check whether the MS transmits any radio signal.                                                                                                                          | 1921         |
| GSM_MS_EFR_4210/Postambles/                                                  | PostLinkRelEnd               | To release the RR connection and bring the MS back to Idle state.<br><br>This teststep decides the final verdict and therefor it shall be used only at the end of testcases. | 1921         |
| GSM_MS_EFR_4210/Postambles/                                                  | PostMainLinkRel              | To release the main signalling link `ch`, and bring the MS back to Idle state.                                                                                               | 1921         |
| GSM_MS_EFR_4210/Postambles/                                                  | ChanRel                      | To release the RR connection on the channel TCV_ch and bring the MS back to Idle state.                                                                                      | 1921         |
| GSM_MS_EFR_4210/Postambles/                                                  | ChanRel_P                    | To release the RR connection on the channel TCV_chmaindcch and bring the MS back to Idle state.<br><br>This teststep decides the verdict (P).                                | 1922         |
| GSM_MS_EFR_4210/Postambles/                                                  | ChanRel_end                  | To release the RR connection and bring the MS back to Idle state.<br><br>This teststep decides the final verdict and therefor it shall be used only at the end of testcases. | 1922         |
| GSM_MS_EFR_4210/Preambles/                                                   | Chmod                        | To assign correct values to the test case variables TCV_ChMod and TCV_ChModb.                                                                                                | 1923         |
| GSM_MS_EFR_4210/Preambles/                                                   | EFR_BasicServiceM<br>O       |                                                                                                                                                                              | 1924         |
| GSM_MS_EFR_4210/Preambles/                                                   | EFR_BasicServiceMT           |                                                                                                                                                                              | 1926         |
| GSM_MS_EFR_4210/Preambles/                                                   | Est_MO_Call_init             |                                                                                                                                                                              | 1927         |
| GSM_MS_EFR_4210/Preambles/                                                   | Est_MT_Call_FH               |                                                                                                                                                                              | 1929         |
| GSM_MS_EFR_4210/Preambles/                                                   | Est_MT_CallNonFH             |                                                                                                                                                                              | 1930         |
| GSM_MS_EFR_4210/Preambles/                                                   | IdleUpdated                  | This test step is called at the preamble of each test case.                                                                                                                  | 1931         |
| GSM_MS_EFR_4210/Preambles/                                                   | PreEstRRConn                 |                                                                                                                                                                              | 1938         |
| GSM_MS_EFR_4210/Preambles/                                                   | StartCellA_ho                |                                                                                                                                                                              | 1939         |
| GSM_MS_EFR_4210/Preambles/                                                   | StartCellB_ho                |                                                                                                                                                                              | 1940         |

Detailed Comments:

## Default index

| Default Index             |                    |                                                                                                                                                                                                            |         |
|---------------------------|--------------------|------------------------------------------------------------------------------------------------------------------------------------------------------------------------------------------------------------|---------|
| Default Group Reference   | Default Id         | Description                                                                                                                                                                                                | Page Nr |
| GSM_MS_EFR_4210/          | OtherEvents        | To match unexpected events and sign final verdict for preambles.                                                                                                                                           | 1941    |
| GSM_MS_EFR_4210/          | OtherEventsFail    | To match unexpected events and fail the test case.                                                                                                                                                         | 1942    |
| GSM_MS_EFR_4210/          | OtherEventsFail_01 | To match irrelevant CHANNEL REQUEST msg and return or match other unexpected events and fail the test case.                                                                                                | 1943    |
| GSM_MS_EFR_4210/          | OtherEventsFail_02 | To match unexpected events and fail the test case but ignore channel request messages that are sent before the lower tester has sent (and the MS received) the Immediate Assignment message.               | 1944    |
| GSM_MS_EFR_4210/          | OtherEvents_01     | To match irrelevant messages and return                                                                                                                                                                    | 1945    |
| GSM_MS_EFR_4210/          | OtherEvents_02     | To match unexpected events and sign final verdict for preambles but ignore channel request messages that are sent before the lower tester has sent (and the MS received) the Immediate Assignment message. | 1946    |
| GSM_MS_EFR_4210/          | RcvHdOvAcc         | To match any HANDOVER ACCESS then return to calling tree.                                                                                                                                                  | 1947    |
| <b>Detailed Comments:</b> |                    |                                                                                                                                                                                                            |         |

## Declarations Part

### Test suite type definitions

### Simple type definitions

| Simple Type Definitions |                                          |                                                                                                                                                                              |
|-------------------------|------------------------------------------|------------------------------------------------------------------------------------------------------------------------------------------------------------------------------|
| Type Name               | Type Definition                          | Comments                                                                                                                                                                     |
| B_1                     | BITSTRING [1]                            | Generic type for 1 bit value                                                                                                                                                 |
| B_2                     | BITSTRING [2]                            | Generic type for 2 bits value                                                                                                                                                |
| B_3                     | BITSTRING [3]                            | Generic type for 3 bits value                                                                                                                                                |
| B_4                     | BITSTRING [4]                            | Generic type for 4 bits value                                                                                                                                                |
| B_5                     | BITSTRING [5]                            | Generic type for 5 bits value                                                                                                                                                |
| B_6                     | BITSTRING [6]                            | Generic type for 6 bits value                                                                                                                                                |
| B_8                     | BITSTRING [8]                            | Generic type for 8 bits value                                                                                                                                                |
| BCCHFRQ                 | BITSTRING [5]                            | position of a bcch carrier in the bcch channel list                                                                                                                          |
| BCC                     | BITSTRING [3]                            | BS colour code                                                                                                                                                               |
| BCDN                    | OCTETSTRING [1..10]                      | BCD numbers,<br>GSM 04.08, 10.5.4.7, octet 4-13                                                                                                                              |
| BSIC                    | BITSTRING [6]                            | base station identity code                                                                                                                                                   |
| CCCH_CON                | BITSTRING[3]                             | number of physical channels for ccch<br>GSM 04.08, 10.5.2.11                                                                                                                 |
| CCSTATE                 | INTEGER(1,3,4,6,7,8,9,10,11,12,19,26,27) |                                                                                                                                                                              |
| CellID                  | IA5String                                | Cell identifier                                                                                                                                                              |
| CHANNEL                 | BITSTRING [2]                            | needed channel type                                                                                                                                                          |
| CHMOD_VAL               | BITSTRING[8]                             | value for channel mode<br>GSM 04.08, 10.5.2.6, 10.5.2.7                                                                                                                      |
| CH_TDMA                 | BITSTRING[5]                             | channel type and TDMA offset<br>GSM 04.08, 10.5.2.5                                                                                                                          |
| CI                      | OCTETSTRING [2]                          | cell identity, GSM 04.08, 10.5.1.1                                                                                                                                           |
| CKSN                    | BITSTRING[3]                             | ciphering key sequence number(only key sequence)<br>GSM 04.08, 10.5.1.2                                                                                                      |
| CLRSUP                  | BITSTRING('10100001'B)                   | CLIR suppression<br>GSM 04.08, 10.5.4.11a                                                                                                                                    |
| CLRINV                  | BITSTRING('10100010'B)                   | CLIR invocation<br>GSM 04.08, 10.5.4.11b                                                                                                                                     |
| CMSVTYPE                | BITSTRING [4]                            | CM service type                                                                                                                                                              |
| CP_CAU                  | OCTETSTRING [1]                          | cp cause<br>GSM 04.11, 8.1.4.2                                                                                                                                               |
| CPHALG                  | BITSTRING[3]                             | Ciphering algorithm identifier<br>GSM 04.08, 10.5.2.9                                                                                                                        |
| CS                      | BITSTRING [2]                            | coding standard                                                                                                                                                              |
| EstMode                 | OCTETSTRING [1]                          | establish mode                                                                                                                                                               |
| EXTB                    | BITSTRING [1]                            | extension bit                                                                                                                                                                |
| FCS                     | HEXSTRING [2]                            | TP failure cause                                                                                                                                                             |
| FLWCNTL                 | INTEGER(0, 1, 2)                         | type of flow control. 0--outband flow control; 1--inband flow control; 2-- no flow control                                                                                   |
| HORF                    | BITSTRING [8]                            | handover reference                                                                                                                                                           |
| HSN                     | BITSTRING[6]                             | Hopping sequence number<br>e.g.GSM 04.08 10.5.2.5                                                                                                                            |
| IDTYPE                  | B_4                                      | identity type                                                                                                                                                                |
| IEI_4                   | BITSTRING [4]                            | information element identifier, type 1                                                                                                                                       |
| IEI_8                   | BITSTRING [8]                            | information element identifier,<br>type 2-4                                                                                                                                  |
| L2FMTYPE                | INTEGER(1..3)                            | L2 frame type                                                                                                                                                                |
| LENGTH                  | OCTETSTRING [1]                          | IE length or L2 pseudo length. The L2 pseudo length is composed of a L2 pseudo length value, which is 6 bits long, and of 2 additional bits. See GSM 04.08 section 10.5.2.19 |
| LOGICCH                 | IA5String                                |                                                                                                                                                                              |



|                           |                                                                                                                                                                                                                                                                                                                                                                                     |                                                                        |
|---------------------------|-------------------------------------------------------------------------------------------------------------------------------------------------------------------------------------------------------------------------------------------------------------------------------------------------------------------------------------------------------------------------------------|------------------------------------------------------------------------|
| LOGCH                     | IA5String                                                                                                                                                                                                                                                                                                                                                                           |                                                                        |
| MAC                       | OCTETSTRING[3]                                                                                                                                                                                                                                                                                                                                                                      | mac, e.g. GSM 04.08 10.5.2.21                                          |
| MAIO                      | BITSTRING[6]                                                                                                                                                                                                                                                                                                                                                                        | MAIO, GSM 04.08 10.5.2.5                                               |
| MAXTXPOW                  | INTEGER(0..31)                                                                                                                                                                                                                                                                                                                                                                      | Max Tx Power Level<br>GSM 04.08, 10.5.2.4                              |
| MR                        | OCTETSTRING [1]                                                                                                                                                                                                                                                                                                                                                                     | SMS RP or TP message reference                                         |
| MT                        | BITSTRING[8]                                                                                                                                                                                                                                                                                                                                                                        | message type, structure of it see MTO                                  |
| MTI                       | BITSTRING [3]                                                                                                                                                                                                                                                                                                                                                                       | SMS RP message type indicator                                          |
| NCC                       | BITSTRING [3]                                                                                                                                                                                                                                                                                                                                                                       | PLMN colour code                                                       |
| NCCP                      | OCTETSTRING [1]                                                                                                                                                                                                                                                                                                                                                                     | ncc permitted                                                          |
| NTI                       | BITSTRING('10000000'B, '10000001'B, '10000010'B)                                                                                                                                                                                                                                                                                                                                    | notification indicator<br>GSM 04.08, 10.5.4.20                         |
| PD                        | B_4                                                                                                                                                                                                                                                                                                                                                                                 | Protocol discriminator                                                 |
| PGG                       | BITSTRING [8]                                                                                                                                                                                                                                                                                                                                                                       | the paging group of an MS to be paged in binary presentation           |
| RATE                      | IA5String("F", "H", "Fv2")                                                                                                                                                                                                                                                                                                                                                          |                                                                        |
| RAND                      | BITSTRING [128]                                                                                                                                                                                                                                                                                                                                                                     | random number                                                          |
| RCSD                      | BITSTRING [8]                                                                                                                                                                                                                                                                                                                                                                       | reverse call setup direction<br>GSM 04.08, 10.5.4.22a                  |
| RelMode                   | OCTETSTRING [1]                                                                                                                                                                                                                                                                                                                                                                     | release mode                                                           |
| REJCAU                    | OCTETSTRING [1]                                                                                                                                                                                                                                                                                                                                                                     | reject cause GSM 04.08, 10.5.3.6                                       |
| RPI                       | BITSTRING [8]                                                                                                                                                                                                                                                                                                                                                                       | repeat indicator                                                       |
| RRCAU                     | BITSTRING [8]                                                                                                                                                                                                                                                                                                                                                                       | RR cause GSM 04.08, 10.5.2.31                                          |
| RXLEV                     | BITSTRING [6]                                                                                                                                                                                                                                                                                                                                                                       | received signal strength                                               |
| SAPID                     | OCTETSTRING [1]                                                                                                                                                                                                                                                                                                                                                                     | sap identifier                                                         |
| SENDINGMODE               | INTEGER(1..4)                                                                                                                                                                                                                                                                                                                                                                       | the mode of sending two consecutive messages containing paging mode IE |
| SERVICES                  | IA5String("C_Telephony", "C_EmgCall", "C_AltSpchFax", "C_AutoFax", "C_Async300", "C_Async1200", "C_Async120075", "C_Async2400", "C_Async4800", "C_Async9600", "C_Sync1200", "C_Sync2400", "C_Sync4800", "C_Sync9600", "C_PAD300", "C_PAD1200", "C_PAD120075", "C_PAD2400", "C_PAD4800", "C_PAD9600", "C_Packet2400", "C_Packet4800", "C_Packet9600", "C_AltSpchData", "C_SpchData") |                                                                        |
| SHOCT                     | B_4                                                                                                                                                                                                                                                                                                                                                                                 | spare half octet for type 1 information element<br>GSM 04.08, 10.5.1.8 |
| SKI                       | B_4                                                                                                                                                                                                                                                                                                                                                                                 | Skip indicator                                                         |
| SN                        | BITSTRING [3]                                                                                                                                                                                                                                                                                                                                                                       | all possible slot number, GSM 04.08 10.5.2.5                           |
| SPB                       | B_1                                                                                                                                                                                                                                                                                                                                                                                 | spare bit                                                              |
| SP2B                      | B_2                                                                                                                                                                                                                                                                                                                                                                                 | 2 spare bits                                                           |
| SP3B                      | B_3                                                                                                                                                                                                                                                                                                                                                                                 | 3 spare bits                                                           |
| SP5B                      | B_5                                                                                                                                                                                                                                                                                                                                                                                 | 5 spare bits                                                           |
| SP6B                      | B_6                                                                                                                                                                                                                                                                                                                                                                                 | 6 spare bits                                                           |
| SRES                      | OCTETSTRING [4]                                                                                                                                                                                                                                                                                                                                                                     | authentication response signature                                      |
| TPCD                      | OCTETSTRING [1..157]                                                                                                                                                                                                                                                                                                                                                                | TP command data                                                        |
| TPSCTS                    | HEXSTRING [14]                                                                                                                                                                                                                                                                                                                                                                      | TP service centre time stamp                                           |
| TPUD                      | OCTETSTRING [1..140]                                                                                                                                                                                                                                                                                                                                                                | TP user data                                                           |
| TSC                       | B_3                                                                                                                                                                                                                                                                                                                                                                                 | Training sequence code, GSM 04.08 10.5.2.5                             |
| T1                        | BITSTRING [11]                                                                                                                                                                                                                                                                                                                                                                      |                                                                        |
| T1_                       | B_5                                                                                                                                                                                                                                                                                                                                                                                 | T1'                                                                    |
| T2                        | B_5                                                                                                                                                                                                                                                                                                                                                                                 |                                                                        |
| T3                        | BITSTRING [6]                                                                                                                                                                                                                                                                                                                                                                       |                                                                        |
| T3_                       | B_3                                                                                                                                                                                                                                                                                                                                                                                 | T3'                                                                    |
| TI_V                      | B_3                                                                                                                                                                                                                                                                                                                                                                                 | TI value                                                               |
| TMSI_V                    | OCTETSTRING[4]                                                                                                                                                                                                                                                                                                                                                                      | TMSI value is octetstring of length 4                                  |
| TZONES                    | INTEGER(-79..79)                                                                                                                                                                                                                                                                                                                                                                    | time zones in 15 minute steps                                          |
| WI                        | HEXSTRING [2]                                                                                                                                                                                                                                                                                                                                                                       | wait indication, unit in second                                        |
| <b>Detailed Comments:</b> |                                                                                                                                                                                                                                                                                                                                                                                     |                                                                        |

## Structured Type definitions

| Structured Type Definition |                 |                                                                  |
|----------------------------|-----------------|------------------------------------------------------------------|
| <b>Type Name:</b>          |                 | ACST                                                             |
| <b>Comments:</b>           |                 | Auxiliary states (CC information element)<br>GSM 04.08, 10.5.4.4 |
| Element Name               | Type Definition | Comments                                                         |
| iei                        | IEI_8           |                                                                  |
| iel                        | LENGTH          |                                                                  |
| extb                       | EXTB            |                                                                  |
| sp3b                       | SP3B            |                                                                  |
| has                        | BITSTRING [2]   |                                                                  |
| mpas                       | BITSTRING [2]   |                                                                  |
| <b>Detailed Comments:</b>  |                 |                                                                  |

| Structured Type Definition |                                                                   |          |
|----------------------------|-------------------------------------------------------------------|----------|
| <b>Type Name:</b>          | BCAP                                                              |          |
| <b>Comments:</b>           | Bearer capability (CC information element)<br>GSM 04.08, 10.5.4.5 |          |
| Element Name               | Type Definition                                                   | Comments |
| iei                        | IEI_8                                                             |          |
| iel                        | LENGTH                                                            |          |
| extb3                      | EXTB                                                              |          |
| rchr                       | BITSTRING [2]                                                     |          |
| cs                         | BITSTRING [1]                                                     |          |
| tm                         | BITSTRING [1]                                                     |          |
| itc                        | BITSTRING [3]                                                     |          |
| oct_3a_etc_1               | EFR_BCAP_3A_ETC                                                   |          |
| oct_3a_etc_2               | EFR_BCAP_3A_ETC                                                   |          |
| oct_3a_etc_3               | EFR_BCAP_3A_ETC                                                   |          |
| oct_3a_etc_4               | EFR_BCAP_3A_ETC                                                   |          |
| oct_3a_etc_5               | EFR_BCAP_3A_ETC                                                   |          |
| oct_3a_etc_6               | EFR_BCAP_3A_ETC                                                   |          |
| extb4                      | EXTB                                                              |          |
| spb                        | SPB                                                               |          |
| strc                       | BITSTRING [2]                                                     |          |
| dplxm                      | BITSTRING [1]                                                     |          |
| config                     | BITSTRING [1]                                                     |          |
| nirr                       | BITSTRING [1]                                                     |          |
| est                        | BITSTRING [1]                                                     |          |
| extb5                      | EXTB                                                              |          |
| accid                      | BITSTRING [2]                                                     |          |
| ra                         | BITSTRING [2]                                                     |          |
| sacp                       | BITSTRING [3]                                                     |          |
| extb6                      | EXTB                                                              |          |
| l1id                       | BITSTRING [2]                                                     |          |
| uil1                       | BITSTRING [4]                                                     |          |
| sb                         | BITSTRING [1]                                                     |          |
| extb6a                     | EXTB                                                              |          |
| nsb                        | BITSTRING [1]                                                     |          |
| nb                         | BITSTRING [1]                                                     |          |
| ndb                        | BITSTRING [1]                                                     |          |
| ur                         | BITSTRING [4]                                                     |          |
| extb6b                     | EXTB                                                              |          |
| ir                         | BITSTRING [2]                                                     |          |
| nictx                      | BITSTRING [1]                                                     |          |
| nicrx                      | BITSTRING [1]                                                     |          |
| pi                         | BITSTRING [3]                                                     |          |
| extb6c                     | EXTB                                                              |          |
| ce                         | BITSTRING [2]                                                     |          |
| modemt                     | BITSTRING [5]                                                     |          |
| extb7                      | EXTB                                                              |          |
| l2id                       | BITSTRING [2]                                                     |          |
| uil2                       | BITSTRING [5]                                                     |          |
| <b>Detailed Comments:</b>  |                                                                   |          |

| Structured Type Definition |                                 |          |
|----------------------------|---------------------------------|----------|
| <b>Type Name:</b>          | BLOCKTYPE                       |          |
| <b>Comments:</b>           | Block type,<br>GSM 04.12, 3.3.1 |          |
| Element Name               | Type Definition                 | Comments |
| spare1                     | SPB                             |          |
| lpd                        | BITSTRING[2]                    |          |
| lb                         | BITSTRING[1]                    |          |
| sequence_number            | BITSTRING[4]                    |          |
| <b>Detailed Comments:</b>  |                                 |          |

| Structured Type Definition                                              |                     |          |
|-------------------------------------------------------------------------|---------------------|----------|
| <b>Type Name:</b> CAU                                                   |                     |          |
| <b>Comments:</b> Cause (CC information element)<br>GSM 04.08, 10.5.4.11 |                     |          |
| Element Name                                                            | Type Definition     | Comments |
| iei                                                                     | IEI_8               |          |
| iel                                                                     | LENGTH              |          |
| extb3                                                                   | EXTB                |          |
| cs                                                                      | CS                  |          |
| spb                                                                     | SPB                 |          |
| location                                                                | BITSTRING [4]       |          |
| extb3a                                                                  | EXTB                |          |
| rec                                                                     | BITSTRING [7]       |          |
| extb4                                                                   | EXTB                |          |
| cau_class                                                               | BITSTRING [3]       |          |
| cau_va                                                                  | BITSTRING [4]       |          |
| cau_di                                                                  | OCTETSTRING [1..28] |          |
| <b>Detailed Comments:</b> &COMMON_U06                                   |                     |          |

| Structured Type Definition                                         |                 |          |
|--------------------------------------------------------------------|-----------------|----------|
| <b>Type Name:</b> CCCAP                                            |                 |          |
| <b>Comments:</b> Call Control Capabilities<br>GSM 04.08, 10.5.4.5a |                 |          |
| Element Name                                                       | Type Definition | Comments |
| iei                                                                | IEI_8           |          |
| iel                                                                | LENGTH          |          |
| spr                                                                | BITSTRING [7]   |          |
| dtmf                                                               | BITSTRING [1]   |          |
| <b>Detailed Comments:</b>                                          |                 |          |

| Structured Type Definition                                           |                 |          |
|----------------------------------------------------------------------|-----------------|----------|
| <b>Type Name:</b> CCD                                                |                 |          |
| <b>Comments:</b> Control channel description<br>GSM 04.08, 10.5.2.11 |                 |          |
| Element Name                                                         | Type Definition | Comments |
| spr1                                                                 | BITSTRING [1]   |          |
| att                                                                  | BITSTRING [1]   |          |
| babr                                                                 | BITSTRING [3]   |          |
| ccch_con                                                             | BITSTRING [3]   |          |
| spr2                                                                 | BITSTRING [5]   |          |
| bpm                                                                  | BITSTRING [3]   |          |
| t3212                                                                | OCTETSTRING [1] |          |
| <b>Detailed Comments:</b>                                            |                 |          |

| Structured Type Definition                                       |                  |          |
|------------------------------------------------------------------|------------------|----------|
| <b>Type Name:</b> CCHD                                           |                  |          |
| <b>Comments:</b> Cell channel description<br>GSM 04.08, 10.5.2.1 |                  |          |
| Element Name                                                     | Type Definition  | Comments |
| iei                                                              | IEI_8            |          |
| rfl                                                              | OCTETSTRING [16] |          |
| <b>Detailed Comments:</b>                                        |                  |          |

| Structured Type Definition |                                         |          |
|----------------------------|-----------------------------------------|----------|
| <b>Type Name:</b>          | CD                                      |          |
| <b>Comments:</b>           | Cell description<br>GSM 04.08, 10.5.2.2 |          |
| Element Name               | Type Definition                         | Comments |
| bcch_arfcn_h               | BITSTRING [2]                           |          |
| ncc                        | NCC                                     |          |
| bcc                        | BCC                                     |          |
| bcch_arfcn_l               | BITSTRING [8]                           |          |
| <b>Detailed Comments:</b>  | The info element is two octets long.    |          |

| Structured Type Definition |                                                                         |          |
|----------------------------|-------------------------------------------------------------------------|----------|
| <b>Type Name:</b>          | CDPN                                                                    |          |
| <b>Comments:</b>           | Called party BCD number (CC information element)<br>GSM 04.08, 10.5.4.7 |          |
| Element Name               | Type Definition                                                         | Comments |
| iei                        | IEI_8                                                                   |          |
| iel                        | LENGTH                                                                  |          |
| tonnpi                     | TON_NPI                                                                 |          |
| digits                     | BCDN                                                                    |          |
| <b>Detailed Comments:</b>  |                                                                         |          |

| Structured Type Definition |                                                                         |          |
|----------------------------|-------------------------------------------------------------------------|----------|
| <b>Type Name:</b>          | CDPS                                                                    |          |
| <b>Comments:</b>           | Called party subaddress (CC information element)<br>GSM 04.08, 10.5.4.8 |          |
| Element Name               | Type Definition                                                         | Comments |
| iei                        | IEI_8                                                                   |          |
| iel                        | LENGTH                                                                  |          |
| subad                      | SUBAD                                                                   |          |
| <b>Detailed Comments:</b>  |                                                                         |          |

| Structured Type Definition |                    |          |
|----------------------------|--------------------|----------|
| <b>Type Name:</b>          | CE                 |          |
| <b>Comments:</b>           | connection element |          |
| Element Name               | Type Definition    | Comments |
| TorBothTorBothNT           | B_2                |          |
| NTorBothTorBothNT          | B_2                |          |
| <b>Detailed Comments:</b>  |                    |          |

| Structured Type Definition |                                                                          |          |
|----------------------------|--------------------------------------------------------------------------|----------|
| <b>Type Name:</b>          | CGPN                                                                     |          |
| <b>Comments:</b>           | Calling party BCD number (CC information element)<br>GSM 04.08, 10.5.4.9 |          |
| Element Name               | Type Definition                                                          | Comments |
| iei                        | IEI_8                                                                    |          |
| iel                        | LENGTH                                                                   |          |
| tonnpi                     | TON_NPI                                                                  |          |
| psi                        | PI_SI                                                                    |          |
| digits                     | BCDN                                                                     |          |
| <b>Detailed Comments:</b>  |                                                                          |          |

| Structured Type Definition |                                                                           |          |
|----------------------------|---------------------------------------------------------------------------|----------|
| <b>Type Name:</b>          | CGPS                                                                      |          |
| <b>Comments:</b>           | Calling party subaddress (CC information element)<br>GSM 04.08, 10.5.4.10 |          |
| Element Name               | Type Definition                                                           | Comments |
| iei                        | IEI_8                                                                     |          |
| iel                        | LENGTH                                                                    |          |
| subad                      | SUBAD                                                                     |          |
| <b>Detailed Comments:</b>  |                                                                           |          |

| Structured Type Definition |                                            |          |
|----------------------------|--------------------------------------------|----------|
| <b>Type Name:</b>          | CHD                                        |          |
| <b>Comments:</b>           | Channel description<br>GSM 04.08, 10.5.2.5 |          |
| Element Name               | Type Definition                            | Comments |
| iei                        | IEI_8                                      |          |
| cht_schn                   | BITSTRING [5]                              |          |
| tn                         | BITSTRING [3]                              |          |
| tsc                        | BITSTRING [3]                              |          |
| hch                        | BITSTRING [1]                              |          |
| maio                       | BITSTRING [6]                              |          |
| hsn                        | BITSTRING [6]                              |          |
| spr                        | BITSTRING [2]                              |          |
| arfcn                      | BITSTRING [10]                             |          |
| <b>Detailed Comments:</b>  |                                            |          |

| Structured Type Definition |                                                              |          |
|----------------------------|--------------------------------------------------------------|----------|
| <b>Type Name:</b>          | CHMOD                                                        |          |
| <b>Comments:</b>           | Channel mode, channel mode2<br>GSM 04.08, 10.5.2.6, 10.5.2.7 |          |
| Element Name               | Type Definition                                              | Comments |
| iei                        | IEI_8                                                        |          |
| mode                       | B_8                                                          |          |
| <b>Detailed Comments:</b>  |                                                              |          |

| Structured Type Definition |                                        |          |
|----------------------------|----------------------------------------|----------|
| <b>Type Name:</b>          | CHNEED                                 |          |
| <b>Comments:</b>           | Channels needed<br>GSM 04.08, 10.5.2.8 |          |
| Element Name               | Type Definition                        | Comments |
| ch2                        | CHANNEL                                |          |
| ch1                        | CHANNEL                                |          |
| <b>Detailed Comments:</b>  |                                        |          |

| Structured Type Definition |                                                                   |          |
|----------------------------|-------------------------------------------------------------------|----------|
| <b>Type Name:</b>          | CNN                                                               |          |
| <b>Comments:</b>           | Connected number (CC information element)<br>GSM 04.08, 10.5.4.13 |          |
| Element Name               | Type Definition                                                   | Comments |
| iei                        | IEI_8                                                             |          |
| iel                        | LENGTH                                                            |          |
| tonnpi                     | TON_NPI                                                           |          |
| pisi                       | PI_SI                                                             |          |
| digits                     | BCDN                                                              |          |
| <b>Detailed Comments:</b>  |                                                                   |          |

| Structured Type Definition |                                                                       |          |
|----------------------------|-----------------------------------------------------------------------|----------|
| <b>Type Name:</b>          | CNS                                                                   |          |
| <b>Comments:</b>           | Connected subaddress (CC information element)<br>GSM 04.08, 10.5.4.14 |          |
| Element Name               | Type Definition                                                       | Comments |
| iei                        | IEI_8                                                                 |          |
| iel                        | LENGTH                                                                |          |
| subad                      | SUBAD                                                                 |          |
| <b>Detailed Comments:</b>  |                                                                       |          |

| Structured Type Definition |                                                    |          |
|----------------------------|----------------------------------------------------|----------|
| <b>Type Name:</b>          | CO                                                 |          |
| <b>Comments:</b>           | Cell options (BCCH / SACCH)<br>GSM 04.08, 10.5.2.3 |          |
| Element Name               | Type Definition                                    | Comments |
| sprb                       | BITSTRING [1]                                      |          |
| pwr                        | BITSTRING [1]                                      |          |
| dtx                        | BITSTRING [2]                                      |          |
| rlt                        | BITSTRING [4]                                      |          |
| <b>Detailed Comments:</b>  |                                                    |          |

| Structured Type Definition                                                                                                   |                                                    |          |
|------------------------------------------------------------------------------------------------------------------------------|----------------------------------------------------|----------|
| <b>Type Name:</b>                                                                                                            | Component_T                                        |          |
| <b>Comments:</b>                                                                                                             | Component for sending (downlink)<br>GSM 04.80, 3.6 |          |
| Element Name                                                                                                                 | Type Definition                                    | Comments |
| comp_part1                                                                                                                   | OCTETSTRING                                        |          |
| invokeld                                                                                                                     | OCTETSTRING [1]                                    |          |
| comp_part2                                                                                                                   | OCTETSTRING                                        |          |
| comp_part3                                                                                                                   | OCTETSTRING                                        |          |
| comp_part4                                                                                                                   | OCTETSTRING                                        |          |
| comp_part5                                                                                                                   | OCTETSTRING                                        |          |
| comp_part6                                                                                                                   | OCTETSTRING                                        |          |
| comp_part7                                                                                                                   | OCTETSTRING                                        |          |
| comp_part8                                                                                                                   | OCTETSTRING                                        |          |
| comp_part9                                                                                                                   | OCTETSTRING                                        |          |
| comp_part10                                                                                                                  | OCTETSTRING                                        |          |
| comp_part11                                                                                                                  | OCTETSTRING                                        |          |
| comp_part12                                                                                                                  | OCTETSTRING                                        |          |
| <b>Detailed Comments:</b> This component is defined for the use in the downlink (from the test system to the IUT) direction. |                                                    |          |

| Structured Type Definition                                                       |                                            |          |
|----------------------------------------------------------------------------------|--------------------------------------------|----------|
| <b>Type Name:</b>                                                                | CPDATA                                     |          |
| <b>Comments:</b>                                                                 | CP-User data element<br>GSM 04.11, 8.1.4.1 |          |
| Element Name                                                                     | Type Definition                            | Comments |
| iei                                                                              | IEI_8                                      |          |
| iel                                                                              | LENGTH                                     |          |
| rpack                                                                            | RPACK                                      |          |
| rpdata                                                                           | RPDATA                                     |          |
| rperr                                                                            | RPERR                                      |          |
| rpsmma                                                                           | RPSMMA                                     |          |
| <b>Detailed Comments:</b> One of the 4 types of rpdu is contained in the CPDATA. |                                            |          |

| Structured Type Definition |                                            |          |
|----------------------------|--------------------------------------------|----------|
| <b>Type Name:</b>          | CPHMS                                      |          |
| <b>Comments:</b>           | Cipher mode setting<br>GSM 04.08, 10.5.2.9 |          |
| Element Name               | Type Definition                            | Comments |
| iei                        | IEI_4                                      |          |
| algid                      | BITSTRING [3]                              |          |
| sc                         | BITSTRING [1]                              |          |
| <b>Detailed Comments:</b>  |                                            |          |

| Structured Type Definition |                                                      |          |
|----------------------------|------------------------------------------------------|----------|
| <b>Type Name:</b>          | CPHKS                                                |          |
| <b>Comments:</b>           | Ciphering key sequence number<br>GSM 04.08, 10.5.1.2 |          |
| Element Name               | Type Definition                                      | Comments |
| sprb                       | BITSTRING [1]                                        |          |
| ks                         | BITSTRING [3]                                        |          |
| <b>Detailed Comments:</b>  |                                                      |          |

| Structured Type Definition |                                         |          |
|----------------------------|-----------------------------------------|----------|
| <b>Type Name:</b>          | CPH_RES                                 |          |
| <b>Comments:</b>           | Cipher response<br>GSM 04.08, 10.5.2.10 |          |
| Element Name               | Type Definition                         | Comments |
| iei                        | IEI_4                                   |          |
| sprb                       | BITSTRING [3]                           |          |
| cr                         | BITSTRING [1]                           |          |
| <b>Detailed Comments:</b>  |                                         |          |

| Structured Type Definition |                                                  |          |
|----------------------------|--------------------------------------------------|----------|
| <b>Type Name:</b>          | CSP                                              |          |
| <b>Comments:</b>           | Cell selection parameters<br>GSM 04.08, 10.5.2.4 |          |
| Element Name               | Type Definition                                  | Comments |
| crh                        | BITSTRING [3]                                    |          |
| mtmc                       | BITSTRING [5]                                    |          |
| acs                        | BITSTRING [1]                                    |          |
| neci                       | BITSTRING [1]                                    |          |
| ram                        | BITSTRING [6]                                    |          |
| <b>Detailed Comments:</b>  |                                                  |          |

| Structured Type Definition |                                                             |          |
|----------------------------|-------------------------------------------------------------|----------|
| <b>Type Name:</b>          | CST                                                         |          |
| <b>Comments:</b>           | Call status (CC information element)<br>GSM 04.08, 10.5.4.6 |          |
| Element Name               | Type Definition                                             | Comments |
| cs                         | CS                                                          |          |
| csv                        | BITSTRING [6]                                               |          |
| <b>Detailed Comments:</b>  |                                                             |          |



| Structured Type Definition |                                                                                                                              |          |
|----------------------------|------------------------------------------------------------------------------------------------------------------------------|----------|
| <b>Type Name:</b>          | EFR_BCAP_3A_ETC                                                                                                              |          |
| <b>Comments:</b>           | Speech Versions preferences as supported by the EFR mobile - see GSM 04.08/10.5.4.5/octet 3a etc/"speech version indication" |          |
| Element Name               | Type Definition                                                                                                              | Comments |
| extb                       | EXTB                                                                                                                         |          |
| cod                        | BITSTRING[1]                                                                                                                 |          |
| spr2                       | BITSTRING[2]                                                                                                                 |          |
| svi                        | BITSTRING [4]                                                                                                                |          |
| <b>Detailed Comments:</b>  |                                                                                                                              |          |

| Structured Type Definition                                                                                                                                                                                               |                                                |          |
|--------------------------------------------------------------------------------------------------------------------------------------------------------------------------------------------------------------------------|------------------------------------------------|----------|
| <b>Type Name:</b>                                                                                                                                                                                                        | FIE                                            |          |
| <b>Comments:</b>                                                                                                                                                                                                         | Facility information element<br>GSM 04.80, 3.6 |          |
| Element Name                                                                                                                                                                                                             | Type Definition                                | Comments |
| iei                                                                                                                                                                                                                      | IEI_8                                          |          |
| iel                                                                                                                                                                                                                      | LENGTH                                         |          |
| components_1                                                                                                                                                                                                             | Components                                     |          |
| components_t                                                                                                                                                                                                             | Component_T                                    |          |
| <b>Detailed Comments:</b> When sending normally only one component is sent, but when receiving any number of components can be received even though normally we are only interested in one component during the testing. |                                                |          |

| Structured Type Definition                |                                                                                                       |          |
|-------------------------------------------|-------------------------------------------------------------------------------------------------------|----------|
| <b>Type Name:</b>                         | FN                                                                                                    |          |
| <b>Comments:</b>                          | The time in reference to the frame numbering corresponding to the absolute frame number modulo 42432. |          |
| Element Name                              | Type Definition                                                                                       | Comments |
| t1_                                       | T1_                                                                                                   |          |
| t3                                        | T3                                                                                                    |          |
| t2                                        | T2                                                                                                    |          |
| <b>Detailed Comments:</b> In STRT and RQR |                                                                                                       |          |

| Structured Type Definition |                                                    |          |
|----------------------------|----------------------------------------------------|----------|
| <b>Type Name:</b>          | FRQCHS                                             |          |
| <b>Comments:</b>           | Frequency channel sequence<br>GSM 04.08, 10.5.2.12 |          |
| Element Name               | Type Definition                                    | Comments |
| iei                        | IEI_8                                              |          |
| larfcn                     | OCTETSTRING [1]                                    |          |
| incs                       | OCTETSTRING [8]                                    |          |
| <b>Detailed Comments:</b>  |                                                    |          |

| Structured Type Definition                                                                                                |                                                                       |          |
|---------------------------------------------------------------------------------------------------------------------------|-----------------------------------------------------------------------|----------|
| <b>Type Name:</b>                                                                                                         | FRQL                                                                  |          |
| <b>Comments:</b>                                                                                                          | Frequency list, frequency short list<br>GSM 04.08, 10.5.2.5, 10.5.2.6 |          |
| Element Name                                                                                                              | Type Definition                                                       | Comments |
| iei                                                                                                                       | IEI_8                                                                 |          |
| iel                                                                                                                       | LENGTH                                                                |          |
| fl                                                                                                                        | OCTETSTRING                                                           |          |
| <b>Detailed Comments:</b> frequency short list has a fixed length of 10 octets and does not contain the length indicator. |                                                                       |          |

| Structured Type Definition |                                                                           |          |
|----------------------------|---------------------------------------------------------------------------|----------|
| <b>Type Name:</b>          | FRQPARA                                                                   |          |
| <b>Comments:</b>           | Parameters for Description of basic physical channel in frequency domain. |          |
| Element Name               | Type Definition                                                           | Comments |
| hch                        | BITSTRING[1]                                                              |          |
| maio                       | BITSTRING [6]                                                             |          |
| hsn                        | BITSTRING [6]                                                             |          |
| spr                        | BITSTRING [2]                                                             |          |
| arfcn                      | BITSTRING [10]                                                            |          |
| maclength                  | LENGTH                                                                    |          |
| mac_8n                     | BITSTRING [8]                                                             |          |
| mac_7n                     | BITSTRING [8]                                                             |          |
| mac_6n                     | BITSTRING [8]                                                             |          |
| mac_5n                     | BITSTRING [8]                                                             |          |
| mac_4n                     | BITSTRING [8]                                                             |          |
| mac_3n                     | BITSTRING [8]                                                             |          |
| mac_2n                     | BITSTRING [8]                                                             |          |
| mac_1n                     | BITSTRING [8]                                                             |          |
| flst                       | FRQL                                                                      |          |
| <b>Detailed Comments:</b>  |                                                                           |          |

| Structured Type Definition |                            |          |
|----------------------------|----------------------------|----------|
| <b>Type Name:</b>          | HOACC_PARA                 |          |
| <b>Comments:</b>           | Handover Access parameters |          |
| Element Name               | Type Definition            | Comments |
| num_bursts                 | OCTETSTRING[1]             |          |
| min_mspwr                  | OCTETSTRING[1]             |          |
| max_mspwr                  | OCTETSTRING[1]             |          |
| min_msta                   | BITSTRING[8]               |          |
| max_msta                   | BITSTRING[8]               |          |
| <b>Detailed Comments:</b>  |                            |          |

| Structured Type Definition |                                                                                      |          |
|----------------------------|--------------------------------------------------------------------------------------|----------|
| <b>Type Name:</b>          | HLCMP                                                                                |          |
| <b>Comments:</b>           | High layer compatibility (CC information element)<br>GSM 04.08, 10.5.4.16, ITU Q.931 |          |
| Element Name               | Type Definition                                                                      | Comments |
| iei                        | IEI_8                                                                                |          |
| iel                        | LENGTH                                                                               |          |
| extb3                      | EXTB                                                                                 |          |
| cs                         | BITSTRING [2]                                                                        |          |
| in                         | BITSTRING [3]                                                                        |          |
| pmp                        | BITSTRING [2]                                                                        |          |
| extb4                      | EXTB                                                                                 |          |
| hlci                       | BITSTRING [7]                                                                        |          |
| extb4a                     | EXTB                                                                                 |          |
| ehlci                      | BITSTRING [7]                                                                        |          |
| <b>Detailed Comments:</b>  |                                                                                      |          |

| Structured Type Definition |                    |          |
|----------------------------|--------------------|----------|
| <b>Type Name:</b>          | IARESTOCT          |          |
| <b>Comments:</b>           |                    |          |
| Element Name               | Type Definition    | Comments |
| iei                        | IEI_8              |          |
| iaroct1                    | OCTETSTRING[1..11] |          |
| iaroct2                    | IARESTOCT2         |          |
| <b>Detailed Comments:</b>  |                    |          |

| Structured Type Definition   |                   |          |
|------------------------------|-------------------|----------|
| <b>Type Name:</b> IARESTOCT2 |                   |          |
| <b>Comments:</b>             |                   |          |
| Element Name                 | Type Definition   | Comments |
| p                            | BITSTRING[2]      |          |
| frqparalen                   | BITSTRING[6]      |          |
| spbt1                        | BITSTRING[2]      |          |
| maio                         | BITSTRING[6]      |          |
| ma                           | OCTETSTRING[0..8] |          |
| spbt2                        | OCTETSTRING[0..8] |          |
| <b>Detailed Comments:</b>    |                   |          |

| Structured Type Definition                                     |                 |          |
|----------------------------------------------------------------|-----------------|----------|
| <b>Type Name:</b> KPF (keypad facility)                        |                 |          |
| <b>Comments:</b> keypad facility<br>GSM 04.08 clause 10.5.4.17 |                 |          |
| Element Name                                                   | Type Definition | Comments |
| iei                                                            | IEI_8           |          |
| extb                                                           | EXTB            |          |
| kpf_info                                                       | IA5String [1]   |          |
| <b>Detailed Comments:</b> Is extb needed?                      |                 |          |

| Structured Type Definition      |                 |          |
|---------------------------------|-----------------|----------|
| <b>Type Name:</b> L1HD          |                 |          |
| <b>Comments:</b> Layer 1 Header |                 |          |
| Element Name                    | Type Definition | Comments |
| spr1                            | BITSTRING[3]    |          |
| mshwrlvl                        | BITSTRING[5]    |          |
| spr2                            | BITSTRING[1]    |          |
| ta                              | BITSTRING[7]    |          |
| <b>Detailed Comments:</b>       |                 |          |

| Structured Type Definition                                           |                 |          |
|----------------------------------------------------------------------|-----------------|----------|
| <b>Type Name:</b> LAI                                                |                 |          |
| <b>Comments:</b> Location area identification<br>GSM 04.08, 10.5.1.3 |                 |          |
| Element Name                                                         | Type Definition | Comments |
| iei                                                                  | IEI_8           |          |
| mcc                                                                  | OCTETSTRING [2] |          |
| mnc                                                                  | OCTETSTRING [1] |          |
| lac                                                                  | OCTETSTRING [2] |          |
| <b>Detailed Comments:</b>                                            |                 |          |

| Structured Type Definition |                                                                                                                          |          |
|----------------------------|--------------------------------------------------------------------------------------------------------------------------|----------|
| <b>Type Name:</b>          | LLCMP                                                                                                                    |          |
| <b>Comments:</b>           | Low layer compatibility (CC information element)<br>GSM 04.08, 10.5.4.18 and ETS DE/SPS-5034-1 (update of ETS 300 102-1) |          |
| Element Name               | Type Definition                                                                                                          | Comments |
| iei                        | IEI_8                                                                                                                    |          |
| iel                        | LENGTH                                                                                                                   |          |
| extb3                      | EXTB                                                                                                                     |          |
| cs                         | BITSTRING [2]                                                                                                            |          |
| itc                        | BITSTRING [5]                                                                                                            |          |
| extb3a                     | EXTB                                                                                                                     |          |
| negind                     | BITSTRING[1]                                                                                                             |          |
| spb3a                      | SP6B                                                                                                                     |          |
| extb4                      | EXTB                                                                                                                     |          |
| tm                         | BITSTRING [2]                                                                                                            |          |
| itr                        | BITSTRING [5]                                                                                                            |          |
| extb4_1                    | EXTB                                                                                                                     |          |
| rateml                     | BITSTRING [7]                                                                                                            |          |
| extb5                      | EXTB                                                                                                                     |          |
| l1id                       | BITSTRING [2]                                                                                                            |          |
| uil1                       | BITSTRING [5]                                                                                                            |          |
| extb5a                     | EXTB                                                                                                                     |          |
| sb                         | BITSTRING [1]                                                                                                            |          |
| neg                        | BITSTRING [1]                                                                                                            |          |
| ur                         | BITSTRING [5]                                                                                                            |          |
| extb5b1                    | EXTB                                                                                                                     |          |
| ir                         | BITSTRING [2]                                                                                                            |          |
| nictx                      | BITSTRING [1]                                                                                                            |          |
| nicrx                      | BITSTRING [1]                                                                                                            |          |
| fctx                       | BITSTRING [1]                                                                                                            |          |
| fcrx                       | BITSTRING [1]                                                                                                            |          |
| spb5b1                     | SPB                                                                                                                      |          |
| extb5b2                    | EXTB                                                                                                                     |          |
| hdrb                       | BITSTRING[1]                                                                                                             |          |
| mfs                        | BITSTRING[1]                                                                                                             |          |
| mode                       | BITSTRING[1]                                                                                                             |          |
| llineg                     | BITSTRING[1]                                                                                                             |          |
| ass                        | BITSTRING[1]                                                                                                             |          |
| ibob                       | BITSTRING[1]                                                                                                             |          |
| spb5b2                     | SPB                                                                                                                      |          |
| extb5c                     | EXTB                                                                                                                     |          |
| nsb                        | BITSTRING [2]                                                                                                            |          |
| ndb                        | BITSTRING [2]                                                                                                            |          |
| pi                         | BITSTRING [3]                                                                                                            |          |
| extb5d                     | EXTB                                                                                                                     |          |
| dplxm                      | BITSTRING [1]                                                                                                            |          |
| modemt                     | BITSTRING [6]                                                                                                            |          |
| extb6                      | EXTB                                                                                                                     |          |
| l2id                       | BITSTRING [2]                                                                                                            |          |
| uil2                       | BITSTRING [5]                                                                                                            |          |
| extb6a1                    | EXTB                                                                                                                     |          |
| modl2                      | BITSTRING[2]                                                                                                             |          |
| spb6a1                     | SP3B                                                                                                                     |          |
| q933                       | BITSTRING [2]                                                                                                            |          |
| extb6a2                    | EXTB                                                                                                                     |          |
| usl2pi                     | BITSTRING[7]                                                                                                             |          |
| extb6b                     | EXTB                                                                                                                     |          |
| ws                         | BITSTRING[7]                                                                                                             |          |
| extb7                      | EXTB                                                                                                                     |          |
| l3id                       | BITSTRING [2]                                                                                                            |          |
| uil3                       | BITSTRING [5]                                                                                                            |          |
| extb7a1                    | EXTB                                                                                                                     |          |
| modl3                      | BITSTRING[2]                                                                                                             |          |
| spb7a1                     | SP5B                                                                                                                     |          |

|                           |               |  |
|---------------------------|---------------|--|
| extb7a2                   | EXTB          |  |
| usl3pi                    | BITSTRING[7]  |  |
| extb7b                    | EXTB          |  |
| spb7b                     | SP3B          |  |
| dps                       | BITSTRING [4] |  |
| extb7c                    | EXTB          |  |
| pws                       | BITSTRING[7]  |  |
| <b>Detailed Comments:</b> |               |  |

| Structured Type Definition |                                               |          |
|----------------------------|-----------------------------------------------|----------|
| <b>Type Name:</b>          | LUT                                           |          |
| <b>Comments:</b>           | Location updating type<br>GSM 04.08, 10.5.3.5 |          |
| Element Name               | Type Definition                               | Comments |
| foreq                      | BITSTRING [1]                                 |          |
| sprb                       | BITSTRING [1]                                 |          |
| lut                        | BITSTRING [2]                                 |          |
| <b>Detailed Comments:</b>  |                                               |          |

| Structured Type Definition |                                           |          |
|----------------------------|-------------------------------------------|----------|
| <b>Type Name:</b>          | MA                                        |          |
| <b>Comments:</b>           | Mobile allocation<br>GSM 04.08, 10.5.2.21 |          |
| Element Name               | Type Definition                           | Comments |
| iei                        | IEI_8                                     |          |
| iel                        | LENGTH                                    |          |
| mac_8n                     | BITSTRING [8]                             |          |
| mac_7n                     | BITSTRING [8]                             |          |
| mac_6n                     | BITSTRING [8]                             |          |
| mac_5n                     | BITSTRING [8]                             |          |
| mac_4n                     | BITSTRING [8]                             |          |
| mac_3n                     | BITSTRING [8]                             |          |
| mac_2n                     | BITSTRING [8]                             |          |
| mac_1n                     | BITSTRING [8]                             |          |
| <b>Detailed Comments:</b>  |                                           |          |

| Structured Type Definition |                                        |          |
|----------------------------|----------------------------------------|----------|
| <b>Type Name:</b>          | MI                                     |          |
| <b>Comments:</b>           | Mobile identity<br>GSM 04.08, 10.5.1.4 |          |
| Element Name               | Type Definition                        | Comments |
| iei                        | IEI_8                                  |          |
| iel                        | LENGTH                                 |          |
| idigit_1                   | BITSTRING [4]                          |          |
| oei                        | BITSTRING [1]                          |          |
| toi                        | BITSTRING [3]                          |          |
| idigits_other              | OCTETSTRING [0..7]                     |          |
| <b>Detailed Comments:</b>  |                                        |          |

| Structured Type Definition |                 |          |
|----------------------------|-----------------|----------|
| <b>Type Name:</b>          | MODEMTYPE       |          |
| <b>Comments:</b>           |                 |          |
| Element Name               | Type Definition | Comments |
| V22bisOrV26ter             | B_5             |          |
| <b>Detailed Comments:</b>  |                 |          |

| Structured Type Definition |                                                   |          |
|----------------------------|---------------------------------------------------|----------|
| <b>Type Name:</b>          | MSCLM1                                            |          |
| <b>Comments:</b>           | mobile station classmark 1<br>GSM 04.08, 10.5.1.5 |          |
| Element Name               | Type Definition                                   | Comments |
| spr1                       | BITSTRING [1]                                     |          |
| rl                         | BITSTRING [2]                                     |          |
| spr2                       | BITSTRING [1]                                     |          |
| a5_1                       | BITSTRING [1]                                     |          |
| rfpc                       | BITSTRING [3]                                     |          |
| <b>Detailed Comments:</b>  | 2 octets long                                     |          |

| Structured Type Definition |                                                   |          |
|----------------------------|---------------------------------------------------|----------|
| <b>Type Name:</b>          | MSCLM2                                            |          |
| <b>Comments:</b>           | mobile station classmark 2<br>GSM 04.08, 10.5.1.6 |          |
| Element Name               | Type Definition                                   | Comments |
| iel                        | LENGTH                                            |          |
| spr1                       | BITSTRING [1]                                     |          |
| rl                         | BITSTRING [2]                                     |          |
| spr2                       | BITSTRING [1]                                     |          |
| a5_1                       | BITSTRING [1]                                     |          |
| rfpc                       | BITSTRING [3]                                     |          |
| spr3                       | BITSTRING [1]                                     |          |
| psc                        | BITSTRING [1]                                     |          |
| sssi                       | BITSTRING [2]                                     |          |
| smc                        | BITSTRING [1]                                     |          |
| spr4                       | BITSTRING [2]                                     |          |
| fc                         | BITSTRING [1]                                     |          |
| cm3                        | BITSTRING [1]                                     |          |
| spr5                       | BITSTRING [5]                                     |          |
| a5_3                       | BITSTRING [1]                                     |          |
| a5_2                       | BITSTRING [1]                                     |          |
| <b>Detailed Comments:</b>  | 4 octets long                                     |          |

| Structured Type Definition |                                                   |          |
|----------------------------|---------------------------------------------------|----------|
| <b>Type Name:</b>          | MSCLM3                                            |          |
| <b>Comments:</b>           | Mobile station classmark 3<br>GSM 04.08, 10.5.1.7 |          |
| Element Name               | Type Definition                                   | Comments |
| iei                        | IEI_8                                             |          |
| iel                        | LENGTH                                            |          |
| spr1                       | BITSTRING [4]                                     |          |
| a5_7                       | BITSTRING [1]                                     |          |
| a5_6                       | BITSTRING [1]                                     |          |
| a5_5                       | BITSTRING [1]                                     |          |
| a5_4                       | BITSTRING [1]                                     |          |
| spr2                       | OCTETSTRING [11]                                  |          |
| <b>Detailed Comments:</b>  | The info element has 14 octets                    |          |

| Structured Type Definition |                                                   |          |
|----------------------------|---------------------------------------------------|----------|
| <b>Type Name:</b>          | MSRR                                              |          |
| <b>Comments:</b>           | measurement results<br>GSM 04.08, 10.5.2.20       |          |
| Element Name               | Type Definition                                   | Comments |
| ba_used                    | BITSTRING [1]                                     |          |
| dtx_used                   | BITSTRING [1]                                     |          |
| rxlev_fsc                  | RXLEV                                             |          |
| spr1                       | BITSTRING [1]                                     |          |
| meas_valid                 | BITSTRING [1]                                     |          |
| rxlev_ssc                  | RXLEV                                             |          |
| spr2                       | BITSTRING [1]                                     |          |
| rxqual_fsc                 | BITSTRING [3]                                     |          |
| rxqual_ssc                 | BITSTRING [3]                                     |          |
| no_nc                      | BITSTRING [3]                                     |          |
| rxlev_nc1                  | RXLEV                                             |          |
| bcchfrq_nc1                | BCCHFRQ                                           |          |
| bsic_nc1                   | BSIC                                              |          |
| rxlev_nc2                  | RXLEV                                             |          |
| bcchfrq_nc2                | BCCHFRQ                                           |          |
| bsic_nc2                   | BSIC                                              |          |
| rxlev_nc3                  | RXLEV                                             |          |
| bcchfrq_nc3                | BCCHFRQ                                           |          |
| bsic_nc3                   | BSIC                                              |          |
| rxlev_nc4                  | RXLEV                                             |          |
| bcchfrq_nc4                | BCCHFRQ                                           |          |
| bsic_nc4                   | BSIC                                              |          |
| rxlev_nc5                  | RXLEV                                             |          |
| bcchfrq_nc5                | BCCHFRQ                                           |          |
| bsic_nc5                   | BSIC                                              |          |
| rxlev_nc6                  | RXLEV                                             |          |
| bcchfrq_nc6                | BCCHFRQ                                           |          |
| bsic_nc6                   | BSIC                                              |          |
| <b>Detailed Comments:</b>  | The info element has a fixed length of 16 octets. |          |

| Structured Type Definition |                                                 |          |
|----------------------------|-------------------------------------------------|----------|
| <b>Type Name:</b>          | MTDIF                                           |          |
| <b>Comments:</b>           | Mobile time difference<br>GSM 04.08, 10.5.1.21a |          |
| Element Name               | Type Definition                                 | Comments |
| iei                        | IEI_8                                           |          |
| iel                        | LENGTH                                          |          |
| value                      | OCTETSTRING [3]                                 |          |
| <b>Detailed Comments:</b>  |                                                 |          |

| Structured Type Definition |                                                     |          |
|----------------------------|-----------------------------------------------------|----------|
| <b>Type Name:</b>          | NCD                                                 |          |
| <b>Comments:</b>           | Neighbour cells description<br>GSM 04.08, 10.5.2.22 |          |
| Element Name               | Type Definition                                     | Comments |
| rfl2                       | BITSTRING [2]                                       |          |
| extind                     | BITSTRING [1]                                       |          |
| baind                      | BITSTRING [1]                                       |          |
| rfl4                       | BITSTRING [4]                                       |          |
| rfl                        | OCTETSTRING [15]                                    |          |
| <b>Detailed Comments:</b>  |                                                     |          |

| Structured Type Definition |                                                       |          |
|----------------------------|-------------------------------------------------------|----------|
| <b>Type Name:</b>          | NCD2                                                  |          |
| <b>Comments:</b>           | Neighbour cells description2<br>GSM 04.08, 10.5.2.22b |          |
| Element Name               | Type Definition                                       | Comments |
| b128                       | BITSTRING [1]                                         |          |
| mbrpt                      | BITSTRING [2]                                         |          |
| baind                      | BITSTRING [1]                                         |          |
| b122_124                   | BITSTRING [3]                                         |          |
| rfl1                       | BITSTRING [1]                                         |          |
| rfl                        | OCTETSTRING [15]                                      |          |
| <b>Detailed Comments:</b>  |                                                       |          |

| Structured Type Definition |                                                                   |          |
|----------------------------|-------------------------------------------------------------------|----------|
| <b>Type Name:</b>          | PCMD                                                              |          |
| <b>Comments:</b>           | Power command and access type<br>GSM 04.08, 10.5.2.28, 10.5.2.28a |          |
| Element Name               | Type Definition                                                   | Comments |
| sprb                       | BITSTRING [3]                                                     |          |
| pl                         | BITSTRING [5]                                                     |          |
| <b>Detailed Comments:</b>  |                                                                   |          |

| Structured Type Definition |                                            |          |
|----------------------------|--------------------------------------------|----------|
| <b>Type Name:</b>          | PI                                         |          |
| <b>Comments:</b>           | Progress indicator<br>GSM 04.08, 10.5.4.21 |          |
| Element Name               | Type Definition                            | Comments |
| iei                        | IEI_8                                      |          |
| iel                        | LENGTH                                     |          |
| extb3                      | EXTB                                       |          |
| cs                         | BITSTRING [2]                              |          |
| spb                        | SPB                                        |          |
| loc                        | BITSTRING [4]                              |          |
| extb4                      | EXTB                                       |          |
| prd                        | BITSTRING [7]                              |          |
| <b>Detailed Comments:</b>  | total 4 octets                             |          |

| Structured Type Definition |                                                                                |          |
|----------------------------|--------------------------------------------------------------------------------|----------|
| <b>Type Name:</b>          | PI_SI                                                                          |          |
| <b>Comments:</b>           | Presentation indicator & screening indicator<br>GSM 04.08, 10.5.4.9, 10.5.4.13 |          |
| Element Name               | Type Definition                                                                | Comments |
| extb                       | EXTB                                                                           |          |
| pi                         | BITSTRING [2]                                                                  |          |
| sp3b                       | SP3B                                                                           |          |
| si                         | BITSTRING [2]                                                                  |          |
| <b>Detailed Comments:</b>  |                                                                                |          |



| Structured Type Definition |                                   |          |
|----------------------------|-----------------------------------|----------|
| <b>Type Name:</b>          | PM                                |          |
| <b>Comments:</b>           | Page mode<br>GSM 04.08, 10.5.2.26 |          |
| Element Name               | Type Definition                   | Comments |
| sprb                       | B_2                               |          |
| pgm                        | B_2                               |          |
| <b>Detailed Comments:</b>  |                                   |          |

| Structured Type Definition                                                 |                                                 |          |
|----------------------------------------------------------------------------|-------------------------------------------------|----------|
| <b>Type Name:</b>                                                          | RACHCP                                          |          |
| <b>Comments:</b>                                                           | Rach control parameters<br>GSM 04.08, 10.5.2.29 |          |
| Element Name                                                               | Type Definition                                 | Comments |
| maxrtx                                                                     | BITSTRING [2]                                   |          |
| txint                                                                      | BITSTRING [4]                                   |          |
| cba                                                                        | BITSTRING [1]                                   |          |
| re                                                                         | BITSTRING [1]                                   |          |
| acc_2                                                                      | BITSTRING [5]                                   |          |
| ec                                                                         | BITSTRING [1]                                   |          |
| acc_1                                                                      | BITSTRING [10]                                  |          |
| <b>Detailed Comments:</b> The info element has a fixed length of 3 octets. |                                                 |          |

| Structured Type Definition |                                                     |          |
|----------------------------|-----------------------------------------------------|----------|
| <b>Type Name:</b>          | RPACK                                               |          |
| <b>Comments:</b>           | SMS RP ACKNOWLEDGEMENT ms <-> n<br>GSM 04.11, 7.3.3 |          |
| Element Name               | Type Definition                                     | Comments |
| sprb                       | SP5B                                                |          |
| rpmti                      | MTI                                                 |          |
| rpmr                       | MR                                                  |          |
| <b>Detailed Comments:</b>  |                                                     |          |

| Structured Type Definition |                                            |          |
|----------------------------|--------------------------------------------|----------|
| <b>Type Name:</b>          | RPCAU                                      |          |
| <b>Comments:</b>           | RP user data element<br>GSM 04.11, 8.2.5.4 |          |
| Element Name               | Type Definition                            | Comments |
| iei                        | IEI_8                                      |          |
| iel                        | LENGTH                                     |          |
| extb2                      | EXTB                                       |          |
| rpcau_class                | BITSTRING [3]                              |          |
| rpcau_va                   | BITSTRING [4]                              |          |
| rpcau_di                   | OCTETSTRING [1]                            |          |
| <b>Detailed Comments:</b>  |                                            |          |

| Structured Type Definition |                                          |          |
|----------------------------|------------------------------------------|----------|
| <b>Type Name:</b>          | RPDATA                                   |          |
| <b>Comments:</b>           | SMS RP DATA ms <-> n<br>GSM 04.11, 7.3.1 |          |
| Element Name               | Type Definition                          | Comments |
| sprb                       | SP5B                                     |          |
| rpmti                      | MTI                                      |          |
| rpmr                       | MR                                       |          |
| rpOaddr                    | CDPN                                     |          |
| rpDaddr                    | CDPN                                     |          |
| rpusrdat                   | RPUSRDAT                                 |          |
| <b>Detailed Comments:</b>  |                                          |          |

| Structured Type Definition |                                           |          |
|----------------------------|-------------------------------------------|----------|
| <b>Type Name:</b>          | RPERR                                     |          |
| <b>Comments:</b>           | SMS RP ERROR ms <-> n<br>GSM 04.11, 7.3.4 |          |
| Element Name               | Type Definition                           | Comments |
| sprb                       | SP5B                                      |          |
| rpmti                      | MTI                                       |          |
| rpmr                       | MR                                        |          |
| rpcau                      | RPCAU                                     |          |
| rpusrdat                   | RPUSRDAT                                  |          |
| <b>Detailed Comments:</b>  |                                           |          |

| Structured Type Definition                    |                                         |          |
|-----------------------------------------------|-----------------------------------------|----------|
| <b>Type Name:</b>                             | RPSMMA                                  |          |
| <b>Comments:</b>                              | SMS RP SMMA ms -> n<br>GSM 04.11, 7.3.2 |          |
| Element Name                                  | Type Definition                         | Comments |
| sprb                                          | SP5B                                    |          |
| rpmti                                         | MTI                                     |          |
| rpmr                                          | MR                                      |          |
| <b>Detailed Comments:</b> SM memory available |                                         |          |

| Structured Type Definition                                                                                                                                                                                                                                                                  |                                                              |          |
|---------------------------------------------------------------------------------------------------------------------------------------------------------------------------------------------------------------------------------------------------------------------------------------------|--------------------------------------------------------------|----------|
| <b>Type Name:</b>                                                                                                                                                                                                                                                                           | RPUSRDAT                                                     |          |
| <b>Comments:</b>                                                                                                                                                                                                                                                                            | RP user data element<br>GSM 04.11, 8.2.5.3, GSM 03.40, 9.2.2 |          |
| Element Name                                                                                                                                                                                                                                                                                | Type Definition                                              | Comments |
| iei                                                                                                                                                                                                                                                                                         | IEI_8                                                        |          |
| iel                                                                                                                                                                                                                                                                                         | LENGTH                                                       |          |
| tpdeliver                                                                                                                                                                                                                                                                                   | SMDLVR                                                       |          |
| tpsubmit                                                                                                                                                                                                                                                                                    | SMSBMT                                                       |          |
| tpstatus_rpt                                                                                                                                                                                                                                                                                | SMST_RPT                                                     |          |
| tpcommand                                                                                                                                                                                                                                                                                   | SMCMD                                                        |          |
| tpdlvr_sbmt_rpt                                                                                                                                                                                                                                                                             | SMDLVR_RPT                                                   |          |
| <b>Detailed Comments:</b> One of the six tpd is contained in the RPUSRDATA. Since the structures of the messages SMS-Deliver-Report and SMS-Submit-Report are identical, they have been combined to tpdlvr_sbmt_rpt and therefore only five tp message types exist in this type definition. |                                                              |          |

| Structured Type Definition |                                           |          |
|----------------------------|-------------------------------------------|----------|
| <b>Type Name:</b>          | RQR                                       |          |
| <b>Comments:</b>           | Request reference<br>GSM 04.08, 10.5.2.30 |          |
| Element Name               | Type Definition                           | Comments |
| ra                         | BITSTRING [8]                             |          |
| fn                         | FN                                        |          |
| <b>Detailed Comments:</b>  |                                           |          |

| Structured Type Definition                                                 |                                         |          |
|----------------------------------------------------------------------------|-----------------------------------------|----------|
| <b>Type Name:</b>                                                          | SI3RO                                   |          |
| <b>Comments:</b>                                                           | SI3 Rest Octets<br>GSM 04.08, 10.5.2.34 |          |
| Element Name                                                               | Type Definition                         | Comments |
| pi                                                                         | BITSTRING [1]                           |          |
| cbq                                                                        | BITSTRING [1]                           |          |
| cro                                                                        | BITSTRING [6]                           |          |
| to                                                                         | BITSTRING [3]                           |          |
| pt                                                                         | BITSTRING [5]                           |          |
| poi                                                                        | BITSTRING [1]                           |          |
| po                                                                         | BITSTRING [2]                           |          |
| ti                                                                         | BITSTRING [1]                           |          |
| ecsc                                                                       | BITSTRING [1]                           |          |
| spr1                                                                       | BITSTRING [3]                           |          |
| spr2                                                                       | BITSTRING [8]                           |          |
| <b>Detailed Comments:</b> The info element has a fixed length of 4 octets. |                                         |          |

| Structured Type Definition                                                  |                                         |          |
|-----------------------------------------------------------------------------|-----------------------------------------|----------|
| <b>Type Name:</b>                                                           | SI4RO                                   |          |
| <b>Comments:</b>                                                            | SI4 Rest Octets<br>GSM 04.08, 10.5.2.35 |          |
| Element Name                                                                | Type Definition                         | Comments |
| pi                                                                          | BITSTRING [1]                           |          |
| cbq                                                                         | BITSTRING [1]                           |          |
| cro                                                                         | BITSTRING [6]                           |          |
| to                                                                          | BITSTRING [3]                           |          |
| pt                                                                          | BITSTRING [5]                           |          |
| poi                                                                         | BITSTRING [1]                           |          |
| po                                                                          | BITSTRING [2]                           |          |
| spr1                                                                        | BITSTRING [5]                           |          |
| spr2                                                                        | BITSTRING [8]                           |          |
| spr3                                                                        | BITSTRING [8]                           |          |
| spr4                                                                        | BITSTRING [8]                           |          |
| spr5                                                                        | BITSTRING [8]                           |          |
| spr6                                                                        | BITSTRING [8]                           |          |
| spr7                                                                        | BITSTRING [8]                           |          |
| spr8                                                                        | BITSTRING [8]                           |          |
| <b>Detailed Comments:</b> The info element has a fixed length of 10 octets. |                                         |          |

| Structured Type Definition |                                                   |          |
|----------------------------|---------------------------------------------------|----------|
| <b>Type Name:</b>          | SI7RO                                             |          |
| <b>Comments:</b>           | SI7 Rest Octets<br>GSM 04.08, 10.5.2.36           |          |
| Element Name               | Type Definition                                   | Comments |
| pi                         | BITSTRING [1]                                     |          |
| cbq                        | BITSTRING [1]                                     |          |
| cro                        | BITSTRING [6]                                     |          |
| to                         | BITSTRING [3]                                     |          |
| pt                         | BITSTRING [5]                                     |          |
| poi                        | BITSTRING [1]                                     |          |
| po                         | BITSTRING [2]                                     |          |
| spr1                       | BITSTRING [5]                                     |          |
| spr2                       | BITSTRING [8]                                     |          |
| spr3                       | BITSTRING [8]                                     |          |
| spr4                       | BITSTRING [8]                                     |          |
| spr5                       | BITSTRING [8]                                     |          |
| spr6                       | BITSTRING [8]                                     |          |
| spr7                       | BITSTRING [8]                                     |          |
| spr8                       | BITSTRING [8]                                     |          |
| spr9                       | BITSTRING [8]                                     |          |
| spr10                      | BITSTRING [8]                                     |          |
| spr11                      | BITSTRING [8]                                     |          |
| spr12                      | BITSTRING [8]                                     |          |
| spr13                      | BITSTRING [8]                                     |          |
| spr14                      | BITSTRING [8]                                     |          |
| spr15                      | BITSTRING [8]                                     |          |
| spr16                      | BITSTRING [8]                                     |          |
| spr17                      | BITSTRING [8]                                     |          |
| spr18                      | BITSTRING [8]                                     |          |
| <b>Detailed Comments:</b>  | The info element has a fixed length of 20 octets. |          |

| Structured Type Definition |                                                         |          |
|----------------------------|---------------------------------------------------------|----------|
| <b>Type Name:</b>          | SIGNAL                                                  |          |
| <b>Comments:</b>           | Signal (CC information element)<br>GSM 04.08, 10.5.4.23 |          |
| Element Name               | Type Definition                                         | Comments |
| iei                        | IEI_8                                                   |          |
| sigv                       | BITSTRING [8]                                           |          |
| <b>Detailed Comments:</b>  |                                                         |          |

| Structured Type Definition |                                             |          |
|----------------------------|---------------------------------------------|----------|
| <b>Type Name:</b>          | SERIAL_NUMBER                               |          |
| <b>Comments:</b>           | Serial number for SMSCB,<br>GSM 3.41, 9.3.2 |          |
| Element Name               | Type Definition                             | Comments |
| gs                         | BITSTRING[2]                                |          |
| message_code               | BITSTRING[10]                               |          |
| update_number              | BITSTRING[4]                                |          |
| <b>Detailed Comments:</b>  |                                             |          |

| Structured Type Definition |                                              |          |
|----------------------------|----------------------------------------------|----------|
| <b>Type Name:</b>          | SMCMD                                        |          |
| <b>Comments:</b>           | SMS COMMAND, ms - > n.<br>GSM 03.40, 9.2.2.4 |          |
| Element Name               | Type Definition                              | Comments |
| sprb1                      | SP2B                                         |          |
| srr                        | BITSTRING[1]                                 |          |
| sprb2                      | SP3B                                         |          |
| mti                        | BITSTRING [2]                                |          |
| mr                         | MR                                           |          |
| pid                        | TPPID                                        |          |
| ct                         | OCTETSTRING [1]                              |          |
| mn                         | OCTETSTRING [1]                              |          |
| da                         | TPA                                          |          |
| cdl                        | LENGTH                                       |          |
| cd                         | TPCD                                         |          |
| <b>Detailed Comments:</b>  |                                              |          |

| Structured Type Definition |                                              |          |
|----------------------------|----------------------------------------------|----------|
| <b>Type Name:</b>          | SMDLVR                                       |          |
| <b>Comments:</b>           | SMS DELIVER, n - > ms.<br>GSM 03.40, 9.2.2.1 |          |
| Element Name               | Type Definition                              | Comments |
| rp                         | BITSTRING [1]                                |          |
| udhi                       | BITSTRING [1]                                |          |
| sri                        | BITSTRING [1]                                |          |
| sprb2                      | SP2B                                         |          |
| mms                        | BITSTRING [1]                                |          |
| mti                        | BITSTRING [2]                                |          |
| oa                         | TPA                                          |          |
| pid                        | TPPID                                        |          |
| dcs                        | TPDCS                                        |          |
| scts                       | TPSCTS                                       |          |
| udl                        | LENGTH                                       |          |
| ud                         | TPUD                                         |          |
| <b>Detailed Comments:</b>  |                                              |          |

| Structured Type Definition |                                                                                                         |          |
|----------------------------|---------------------------------------------------------------------------------------------------------|----------|
| <b>Type Name:</b>          | SMDLVR_RPT                                                                                              |          |
| <b>Comments:</b>           | SMS DELIVER or SUBMIT REPORT contained in the RP ERROR PDU, n <-> ms.<br>GSM 03.40, 9.2.2.1a, 9.2.2.2a. |          |
| Element Name               | Type Definition                                                                                         | Comments |
| sprb1                      | SP6B                                                                                                    |          |
| mti                        | BITSTRING [2]                                                                                           |          |
| fcs                        | FCS                                                                                                     |          |
| <b>Detailed Comments:</b>  |                                                                                                         |          |

| Structured Type Definition |                                            |          |
|----------------------------|--------------------------------------------|----------|
| <b>Type Name:</b>          | SMSBMT                                     |          |
| <b>Comments:</b>           | SMS SUBMIT, ms -> n.<br>GSM 03.40, 9.2.2.2 |          |
| Element Name               | Type Definition                            | Comments |
| rp                         | BITSTRING [1]                              |          |
| udhi                       | BITSTRING [1]                              |          |
| srr                        | BITSTRING [1]                              |          |
| vpf                        | BITSTRING [2]                              |          |
| rd                         | BITSTRING [1]                              |          |
| mti                        | BITSTRING [2]                              |          |
| mr                         | MR                                         |          |
| da                         | TPA                                        |          |
| pid                        | TPPID                                      |          |
| dcs                        | TPDCS                                      |          |
| vp1                        | OCTETSTRING [1]                            |          |
| vp7                        | TPSCTS                                     |          |
| udl                        | LENGTH                                     |          |
| ud                         | TPUD                                       |          |
| <b>Detailed Comments:</b>  |                                            |          |

| Structured Type Definition |                                                                     |          |
|----------------------------|---------------------------------------------------------------------|----------|
| <b>Type Name:</b>          | SMSBpack                                                            |          |
| <b>Comments:</b>           | SMS cell broadcasting packing data n -> ms.<br>GSM 03.38, 6.1.2.2.1 |          |
| Element Name               | Type Definition                                                     | Comments |
| block1                     | OCTETSTRING [16]                                                    |          |
| block2                     | OCTETSTRING [22]                                                    |          |
| block3                     | OCTETSTRING [22]                                                    |          |
| block4                     | OCTETSTRING [22]                                                    |          |
| <b>Detailed Comments:</b>  |                                                                     |          |

| Structured Type Definition |                                                   |          |
|----------------------------|---------------------------------------------------|----------|
| <b>Type Name:</b>          | SMST_RPT                                          |          |
| <b>Comments:</b>           | SMS STATUS REPORT, n -> ms.<br>GSM 03.40, 9.2.2.3 |          |
| Element Name               | Type Definition                                   | Comments |
| sprb1                      | SP5B                                              |          |
| mms                        | BITSTRING [1]                                     |          |
| mti                        | BITSTRING [2]                                     |          |
| mr                         | MR                                                |          |
| ra                         | TPA                                               |          |
| scts                       | TPSCTS                                            |          |
| dt                         | TPSCTS                                            |          |
| st                         | TPST                                              |          |
| <b>Detailed Comments:</b>  |                                                   |          |

| Structured Type Definition |                                              |          |
|----------------------------|----------------------------------------------|----------|
| <b>Type Name:</b>          | SSVI                                         |          |
| <b>Comments:</b>           | SS version indicator<br>GSM 04.08, 10.5.4.24 |          |
| Element Name               | Type Definition                              | Comments |
| iei                        | IEI_8                                        |          |
| iel                        | LENGTH                                       |          |
| ssv                        | OCTETSTRING [1]                              |          |
| <b>Detailed Comments:</b>  |                                              |          |

| Structured Type Definition |                                       |          |
|----------------------------|---------------------------------------|----------|
| <b>Type Name:</b>          | STRT                                  |          |
| <b>Comments:</b>           | Starting time<br>GSM 04.08, 10.5.2.38 |          |
| Element Name               | Type Definition                       | Comments |
| iei                        | IEI_8                                 |          |
| fn                         | FN                                    |          |
| <b>Detailed Comments:</b>  |                                       |          |

| Structured Type Definition |                                                         |          |
|----------------------------|---------------------------------------------------------|----------|
| <b>Type Name:</b>          | SUBAD                                                   |          |
| <b>Comments:</b>           | Subaddress<br>GSM 04.08, 10.5.4.8, 10.5.4.10, 10.5.4.14 |          |
| Element Name               | Type Definition                                         | Comments |
| extb                       | EXTB                                                    |          |
| tos                        | BITSTRING [3]                                           |          |
| oei                        | BITSTRING [1]                                           |          |
| sp3b                       | SP3B                                                    |          |
| si                         | OCTETSTRING [2..23]                                     |          |
| <b>Detailed Comments:</b>  |                                                         |          |

| Structured Type Definition |                                                    |          |
|----------------------------|----------------------------------------------------|----------|
| <b>Type Name:</b>          | SYNCHI                                             |          |
| <b>Comments:</b>           | Synchronization indication<br>GSM 04.08, 10.5.2.39 |          |
| Element Name               | Type Definition                                    | Comments |
| iei                        | IEI_4                                              |          |
| nci                        | B_1                                                |          |
| rot                        | B_1                                                |          |
| si                         | B_2                                                |          |
| <b>Detailed Comments:</b>  |                                                    |          |

| Structured Type Definition |                                        |          |
|----------------------------|----------------------------------------|----------|
| <b>Type Name:</b>          | TA                                     |          |
| <b>Comments:</b>           | Timing advance<br>GSM 04.08, 10.5.2.40 |          |
| Element Name               | Type Definition                        | Comments |
| iei                        | IEI_8                                  |          |
| sprb                       | BITSTRING [2]                          |          |
| value                      | BITSTRING [6]                          |          |
| <b>Detailed Comments:</b>  |                                        |          |

| Structured Type Definition |                                         |          |
|----------------------------|-----------------------------------------|----------|
| <b>Type Name:</b>          | TDIF                                    |          |
| <b>Comments:</b>           | Time difference<br>GSM 04.08, 10.5.1.41 |          |
| Element Name               | Type Definition                         | Comments |
| iei                        | IEI_8                                   |          |
| iel                        | LENGTH                                  |          |
| value                      | OCTETSTRING [1]                         |          |
| <b>Detailed Comments:</b>  |                                         |          |

| Structured Type Definition |                                           |          |
|----------------------------|-------------------------------------------|----------|
| <b>Type Name:</b>          | TI                                        |          |
| <b>Comments:</b>           | Transaction identifier<br>GSM 04.08, 10.1 |          |
| Element Name               | Type Definition                           | Comments |
| ti_f                       | BITSTRING [1]                             |          |
| ti_v                       | TI_V                                      |          |
| <b>Detailed Comments:</b>  |                                           |          |

| Structured Type Definition |                                   |          |
|----------------------------|-----------------------------------|----------|
| <b>Type Name:</b>          | TMSI                              |          |
| <b>Comments:</b>           | Temporary<br>GSM 04.08, 10.5.2.42 |          |
| Element Name               | Type Definition                   | Comments |
| iei                        | IEI_8                             |          |
| tmsi_val                   | OCTETSTRING [4]                   |          |
| <b>Detailed Comments:</b>  |                                   |          |

| Structured Type Definition |                                                                                                   |          |
|----------------------------|---------------------------------------------------------------------------------------------------|----------|
| <b>Type Name:</b>          | TON_NPI                                                                                           |          |
| <b>Comments:</b>           | Type of number and numbering plan<br>GSM 04.08, 10.5.4.7, 10.5.4.9, 10.5.4.13, GSM 03.40, 9.1.2.5 |          |
| Element Name               | Type Definition                                                                                   | Comments |
| extb                       | EXTB                                                                                              |          |
| ton                        | BITSTRING [3]                                                                                     |          |
| npi                        | BITSTRING [4]                                                                                     |          |
| <b>Detailed Comments:</b>  |                                                                                                   |          |

| Structured Type Definition |                                  |          |
|----------------------------|----------------------------------|----------|
| <b>Type Name:</b>          | TPA                              |          |
| <b>Comments:</b>           | TP address<br>GSM 03.40, 9.1.2.5 |          |
| Element Name               | Type Definition                  | Comments |
| iel                        | LENGTH                           |          |
| tonnpi                     | TON_NPI                          |          |
| digits                     | BCDN                             |          |
| <b>Detailed Comments:</b>  |                                  |          |

| Structured Type Definition                                                       |                                           |          |
|----------------------------------------------------------------------------------|-------------------------------------------|----------|
| <b>Type Name:</b>                                                                | TPDCS                                     |          |
| <b>Comments:</b>                                                                 | SMS data coding scheme<br>GSM 03.38, 4, 5 |          |
| Element Name                                                                     | Type Definition                           | Comments |
| cg                                                                               | BITSTRING [4]                             |          |
| code                                                                             | BITSTRING [4]                             |          |
| <b>Detailed Comments:</b> Identifying the coding scheme within the TP user data. |                                           |          |



| Structured Type Definition |                                              |          |
|----------------------------|----------------------------------------------|----------|
| <b>Type Name:</b>          | TPPID                                        |          |
| <b>Comments:</b>           | TP protocol identifier<br>GSM 03.40, 9.2.3.9 |          |
| Element Name               | Type Definition                              | Comments |
| type                       | BITSTRING [2]                                |          |
| value                      | BITSTRING [6]                                |          |
| <b>Detailed Comments:</b>  |                                              |          |

| Structured Type Definition |                                  |          |
|----------------------------|----------------------------------|----------|
| <b>Type Name:</b>          | TPST                             |          |
| <b>Comments:</b>           | TP status<br>GSM 03.40, 9.2.3.15 |          |
| Element Name               | Type Definition                  | Comments |
| sprb1                      | SPB                              |          |
| value                      | BITSTRING [7]                    |          |
| <b>Detailed Comments:</b>  |                                  |          |

| Structured Type Definition |                 |          |
|----------------------------|-----------------|----------|
| <b>Type Name:</b>          | UNKWN           |          |
| <b>Comments:</b>           | unknown IE      |          |
| Element Name               | Type Definition | Comments |
| iei                        | IEI_8           |          |
| iel                        | LENGTH          |          |
| contents                   | OCTETSTRING     |          |
| <b>Detailed Comments:</b>  |                 |          |

| Structured Type Definition                                                                                        |                                   |          |
|-------------------------------------------------------------------------------------------------------------------|-----------------------------------|----------|
| <b>Type Name:</b>                                                                                                 | UU                                |          |
| <b>Comments:</b>                                                                                                  | User-user<br>GSM 04.08, 10.5.4.25 |          |
| Element Name                                                                                                      | Type Definition                   | Comments |
| iei                                                                                                               | IEI_8                             |          |
| iel                                                                                                               | LENGTH                            |          |
| uupd                                                                                                              | BITSTRING [8]                     |          |
| uui                                                                                                               | OCTETSTRING [1..128]              |          |
| <b>Detailed Comments:</b>                                                                                         |                                   |          |
| In SETUP, ALERTING, CONNECT, DISCONNECT, RELEASE and RELEASE COMPLETE messages the uui length is of 0 - 32 bytes. |                                   |          |
| In USER INFORMATION messages the uui length is of 1 - 128.                                                        |                                   |          |

ASN1 type definitions

| ASN.1 Type Definition                                                                                                                                                                                                                                                                                                                                                                                                                                                                                                                                                                                                                                                                                                                                                                                                                                                                                                                                                                                                                                                                                                                                                                                                                                         |                                                                                    |
|---------------------------------------------------------------------------------------------------------------------------------------------------------------------------------------------------------------------------------------------------------------------------------------------------------------------------------------------------------------------------------------------------------------------------------------------------------------------------------------------------------------------------------------------------------------------------------------------------------------------------------------------------------------------------------------------------------------------------------------------------------------------------------------------------------------------------------------------------------------------------------------------------------------------------------------------------------------------------------------------------------------------------------------------------------------------------------------------------------------------------------------------------------------------------------------------------------------------------------------------------------------|------------------------------------------------------------------------------------|
| <b>Type Name:</b>                                                                                                                                                                                                                                                                                                                                                                                                                                                                                                                                                                                                                                                                                                                                                                                                                                                                                                                                                                                                                                                                                                                                                                                                                                             | Component                                                                          |
| <b>Comments:</b>                                                                                                                                                                                                                                                                                                                                                                                                                                                                                                                                                                                                                                                                                                                                                                                                                                                                                                                                                                                                                                                                                                                                                                                                                                              | ASN1_Encoding: BER                                                                 |
| Type Definition                                                                                                                                                                                                                                                                                                                                                                                                                                                                                                                                                                                                                                                                                                                                                                                                                                                                                                                                                                                                                                                                                                                                                                                                                                               |                                                                                    |
| <pre>CHOICE {   registerSSComponents          RegisterSS_Components,   eraseSSComponents            EraseSS_Components,   activateSSComponents         ActivateSS_Components,   deactivateSSComponents       DeactivateSS_Components,   interrogateSSComponents      InterrogateSS_Components,   notifySSComponents           NotifySS_Components,   registerPasswordComponents   RegisterPassword_Components,   getPasswordComponents        GetPassword_Components,   processUnstructuredSSDataComponents ProcessUnstructuredSSData_Components,   forwardCheckSSIndicationComponents ForwardCheckSSIndication_Components,   processUnstructuredSSRequestComponents ProcessUnstructuredSSRequest_Components,   unstructuredSSRequestComponents UnstructuredSSRequest_Components,   unstructuredSSNotifyComponents UnstructuredSSNotify_Components,   forwardCUGInfoComponents     ForwardCUGInfo_Components,   splitMPTYComponents         SplitMPTY_Components,   retrieveMPTYComponents        RetrieveMPTY_Components,   holdMPTYComponents           HoldMPTY_Components,   buildMPTYComponents          BuildMPTY_Components,   forwardChargeAdviceComponents ForwardChargeAdvice_Components,   generalComponents            General_Components }</pre> |                                                                                    |
| <b>Detailed Comments:</b>                                                                                                                                                                                                                                                                                                                                                                                                                                                                                                                                                                                                                                                                                                                                                                                                                                                                                                                                                                                                                                                                                                                                                                                                                                     | Plural components as each type represents invoke, return result, return error etc. |

| ASN.1 Type Definition     |                                                                                                                                                                                                                 |
|---------------------------|-----------------------------------------------------------------------------------------------------------------------------------------------------------------------------------------------------------------|
| <b>Type Name:</b>         | Components                                                                                                                                                                                                      |
| <b>Comments:</b>          | GSM 04.80, 3.6                                                                                                                                                                                                  |
| Type Definition           |                                                                                                                                                                                                                 |
| SET OF Component          |                                                                                                                                                                                                                 |
| <b>Detailed Comments:</b> | ASN.1 transfer encoding rules:<br>BER is not wholly used for the type Components. The contents of Components, without the octets encoding the tag and the length of SET OF, is carried as the Components value. |

| <b>ASN.1 Type Definition</b>                                                                                                                                                                                                                                                                                                                                                                                                                                                                                                                                                                                                                                                                                                                                                                                                                                                                                                                                                                                                                                                                                                                                                                                                                                                                                                                                                                                                                                                                                                                                                                                                                                                                                                                                                                                                                                                                                                                                                                                                          |                                                 |
|---------------------------------------------------------------------------------------------------------------------------------------------------------------------------------------------------------------------------------------------------------------------------------------------------------------------------------------------------------------------------------------------------------------------------------------------------------------------------------------------------------------------------------------------------------------------------------------------------------------------------------------------------------------------------------------------------------------------------------------------------------------------------------------------------------------------------------------------------------------------------------------------------------------------------------------------------------------------------------------------------------------------------------------------------------------------------------------------------------------------------------------------------------------------------------------------------------------------------------------------------------------------------------------------------------------------------------------------------------------------------------------------------------------------------------------------------------------------------------------------------------------------------------------------------------------------------------------------------------------------------------------------------------------------------------------------------------------------------------------------------------------------------------------------------------------------------------------------------------------------------------------------------------------------------------------------------------------------------------------------------------------------------------------|-------------------------------------------------|
| <b>Type Name:</b>                                                                                                                                                                                                                                                                                                                                                                                                                                                                                                                                                                                                                                                                                                                                                                                                                                                                                                                                                                                                                                                                                                                                                                                                                                                                                                                                                                                                                                                                                                                                                                                                                                                                                                                                                                                                                                                                                                                                                                                                                     | ActivateSS_Components                           |
| <b>Comments:</b>                                                                                                                                                                                                                                                                                                                                                                                                                                                                                                                                                                                                                                                                                                                                                                                                                                                                                                                                                                                                                                                                                                                                                                                                                                                                                                                                                                                                                                                                                                                                                                                                                                                                                                                                                                                                                                                                                                                                                                                                                      | GSM 09.02, 14.5, 14.6.4, 14.6.6, 14.7.4, 14.7.7 |
| <b>Type Definition</b>                                                                                                                                                                                                                                                                                                                                                                                                                                                                                                                                                                                                                                                                                                                                                                                                                                                                                                                                                                                                                                                                                                                                                                                                                                                                                                                                                                                                                                                                                                                                                                                                                                                                                                                                                                                                                                                                                                                                                                                                                |                                                 |
| <pre> CHOICE {   activateSS_InvokeComp      [1] IMPLICIT SEQUENCE {                                 invokeID      InvokeIDType,                                 localValue     INTEGER (12),                                 ss_ForBS      SS_ForBS_Code },   activateSS_ReturnResultComp [2] IMPLICIT SEQUENCE {                                 invokeID      InvokeIDType,                                 result        SEQUENCE {                                               localValue     INTEGER (12),                                               ss_Info       SS_Info          }                                 },   activateSS_ReturnErrorComp CHOICE {                                 errorCodes    [3] IMPLICIT SEQUENCE { invokeID InvokeIDType, errorCode   ErrorLocalValues ( bearerServiceNotProvisioned   teleserviceNotProvisioned   illegalSS_Operation   dataMissing   unexpectedDataValue   negativePW_Check   numberOfPW_AttemptsViolation) },                                 callBarredErr [3] IMPLICIT SEQUENCE { invokeID InvokeIDType, errorCode   ErrorLocalValues ( callBarred ), parameter   CallBarringCause },                                 ss_ErrorStatusErr [3] IMPLICIT SEQUENCE { invokeID InvokeIDType, errorCode   ErrorLocalValues ( ss_ErrorStatus ), parameter   SS_Status },                                 ss_SubscriptionViolationeErr [3] IMPLICIT SEQUENCE { invokeID      InvokeIDType, errorCode   ErrorLocalValues (ss_SubscriptionViolation), parameter   SS_SubscriptionOption },                                 ss_IncompatibilityErr [3] IMPLICIT SEQUENCE { invokeID InvokeIDType, errorCode   ErrorLocalValues ( ss_Incompatibility ), parameter   SS_IncompatibilityCause },                                 systemFailureErr [3] IMPLICIT SEQUENCE { invokeID InvokeIDType, errorCode   ErrorLocalValues ( systemFailure ), parameter   NetworkResource}                                 },   activateSS_RejectComp      [4] IMPLICIT RejectComponent } </pre> |                                                 |
| <b>Detailed Comments:</b>                                                                                                                                                                                                                                                                                                                                                                                                                                                                                                                                                                                                                                                                                                                                                                                                                                                                                                                                                                                                                                                                                                                                                                                                                                                                                                                                                                                                                                                                                                                                                                                                                                                                                                                                                                                                                                                                                                                                                                                                             | Timer m (15 - 30 s)                             |

| <b>ASN.1 Type Definition</b>                                                                                                                                                                                                                                                                                                                                                                                                                                                                                                                                                                                                                                                                                                                                                                                                                                                                                                                                                                                                                                                                                                                                        |                              |
|---------------------------------------------------------------------------------------------------------------------------------------------------------------------------------------------------------------------------------------------------------------------------------------------------------------------------------------------------------------------------------------------------------------------------------------------------------------------------------------------------------------------------------------------------------------------------------------------------------------------------------------------------------------------------------------------------------------------------------------------------------------------------------------------------------------------------------------------------------------------------------------------------------------------------------------------------------------------------------------------------------------------------------------------------------------------------------------------------------------------------------------------------------------------|------------------------------|
| <b>Type Name:</b>                                                                                                                                                                                                                                                                                                                                                                                                                                                                                                                                                                                                                                                                                                                                                                                                                                                                                                                                                                                                                                                                                                                                                   | BuildMPTY_Components         |
| <b>Comments:</b>                                                                                                                                                                                                                                                                                                                                                                                                                                                                                                                                                                                                                                                                                                                                                                                                                                                                                                                                                                                                                                                                                                                                                    | GSM 04.80, 4.2               |
| <b>Type Definition</b>                                                                                                                                                                                                                                                                                                                                                                                                                                                                                                                                                                                                                                                                                                                                                                                                                                                                                                                                                                                                                                                                                                                                              |                              |
| <pre> CHOICE {   buildMPTY_InvokeComp      [1] IMPLICIT SEQUENCE {     invokeID                InvokeIDType,     localValue              INTEGER (124) },    buildMPTY_ReturnResultComp [2] IMPLICIT SEQUENCE {     invokeID                InvokeIDType,     result                  SEQUENCE {       localValue            INTEGER (124) }     },    buildMPTY_ReturnErrorComp CHOICE {     errorCodes              [3] IMPLICIT SEQUENCE { invokeID InvokeIDType, errorCode   ErrorLocalValues ( illegalSS_Operation   ss_NotAvailable   maxNumberOfMPTY_ParticipantsExceeded   resourcesNotAvailable ) },     ss_ErrorStatusErr      [3] IMPLICIT SEQUENCE { invokeID InvokeIDType, errorCode   ErrorLocalValues ( ss_ErrorStatus ), parameter   SS_Status },     ss_IncompatibilityErr  [3] IMPLICIT SEQUENCE { invokeID InvokeIDType, errorCode   ErrorLocalValues ( ss_Incompatibility ), parameter   SS_IncompatibilityCause },     systemFailureErr      [3] IMPLICIT SEQUENCE { invokeID InvokeIDType, errorCode   ErrorLocalValues ( systemFailure ), parameter   NetworkResource} },    buildMPTY_RejectComp      [4] IMPLICIT RejectComponent } </pre> |                              |
| <b>Detailed Comments:</b>                                                                                                                                                                                                                                                                                                                                                                                                                                                                                                                                                                                                                                                                                                                                                                                                                                                                                                                                                                                                                                                                                                                                           | Timer T_buildMPTY (5 - 30 s) |

| <b>ASN.1 Type Definition</b>                                                                                                                                                                                                                                                                                                                                                                                                                                                                                                                                                                                                                                                                                                                                                                                                                                                                                                                                                                                                                                                                                                                                                                                                                                                                                                                                                                                                                                                                                                              |                                                 |
|-------------------------------------------------------------------------------------------------------------------------------------------------------------------------------------------------------------------------------------------------------------------------------------------------------------------------------------------------------------------------------------------------------------------------------------------------------------------------------------------------------------------------------------------------------------------------------------------------------------------------------------------------------------------------------------------------------------------------------------------------------------------------------------------------------------------------------------------------------------------------------------------------------------------------------------------------------------------------------------------------------------------------------------------------------------------------------------------------------------------------------------------------------------------------------------------------------------------------------------------------------------------------------------------------------------------------------------------------------------------------------------------------------------------------------------------------------------------------------------------------------------------------------------------|-------------------------------------------------|
| <b>Type Name:</b>                                                                                                                                                                                                                                                                                                                                                                                                                                                                                                                                                                                                                                                                                                                                                                                                                                                                                                                                                                                                                                                                                                                                                                                                                                                                                                                                                                                                                                                                                                                         | DeactivateSS_Components                         |
| <b>Comments:</b>                                                                                                                                                                                                                                                                                                                                                                                                                                                                                                                                                                                                                                                                                                                                                                                                                                                                                                                                                                                                                                                                                                                                                                                                                                                                                                                                                                                                                                                                                                                          | GSM 09.02, 14.5, 14.6.4, 14.6.6, 14.7.4, 14.7.7 |
| <b>Type Definition</b>                                                                                                                                                                                                                                                                                                                                                                                                                                                                                                                                                                                                                                                                                                                                                                                                                                                                                                                                                                                                                                                                                                                                                                                                                                                                                                                                                                                                                                                                                                                    |                                                 |
| <pre> CHOICE {   deactivateSS_InviteComp      [1] IMPLICIT SEQUENCE {     invokeID                    InvokeIDType,     localValue                  INTEGER (13),     ss_ForBS                    SS_ForBS_Code },    deactivateSS_ReturnResultComp [2] IMPLICIT SEQUENCE {     invokeID                    InvokeIDType,     result                      SEQUENCE {       localValue                INTEGER (13),       ss_Info                    SS_Info } },    deactivateSS_ReturnErrorComp CHOICE {     errorCodes                  [3] IMPLICIT SEQUENCE { invokeID InvokeIDType, errorCode   ErrorLocalValues ( bearerServiceNotProvisioned   teleserviceNotProvisioned   illegalSS_Operation   dataMissing   unexpectedDataValue   negativePW_Check   numberOfPW_AttemptsViolation) }, callBarredErr                    [3] IMPLICIT SEQUENCE { invokeID InvokeIDType, errorCode   ErrorLocalValues ( callBarred ), parameter   CallBarringCause }, ss_ErrorStatusErr                [3] IMPLICIT SEQUENCE { invokeID InvokeIDType, errorCode   ErrorLocalValues ( ss_ErrorStatus ), parameter   SS_Status }, ss_SubscriptionViolationErr [3] IMPLICIT SEQUENCE { invokeID      InvokeIDType, errorCode   ErrorLocalValues (ss_SubscriptionViolation), parameter   SS_SubscriptionOption }, systemFailureErr                [3] IMPLICIT SEQUENCE { invokeID InvokeIDType, errorCode   ErrorLocalValues ( systemFailure ), parameter   NetworkResource} },    deactivateSS_RejectComp      [4] IMPLICIT RejectComponent } </pre> |                                                 |
| <b>Detailed Comments:</b>                                                                                                                                                                                                                                                                                                                                                                                                                                                                                                                                                                                                                                                                                                                                                                                                                                                                                                                                                                                                                                                                                                                                                                                                                                                                                                                                                                                                                                                                                                                 | Timer m                                         |

| <b>ASN.1 Type Definition</b>                                                                                                                                                                                                                                                                                                                                                                                                                                                                                                                                                                                                                                                                                                                                                                                                                                                                                                                                                                                                                                                                                                                                                                                                                                                                      |                                                 |
|---------------------------------------------------------------------------------------------------------------------------------------------------------------------------------------------------------------------------------------------------------------------------------------------------------------------------------------------------------------------------------------------------------------------------------------------------------------------------------------------------------------------------------------------------------------------------------------------------------------------------------------------------------------------------------------------------------------------------------------------------------------------------------------------------------------------------------------------------------------------------------------------------------------------------------------------------------------------------------------------------------------------------------------------------------------------------------------------------------------------------------------------------------------------------------------------------------------------------------------------------------------------------------------------------|-------------------------------------------------|
| <b>Type Name:</b>                                                                                                                                                                                                                                                                                                                                                                                                                                                                                                                                                                                                                                                                                                                                                                                                                                                                                                                                                                                                                                                                                                                                                                                                                                                                                 | EraseSS_Components                              |
| <b>Comments:</b>                                                                                                                                                                                                                                                                                                                                                                                                                                                                                                                                                                                                                                                                                                                                                                                                                                                                                                                                                                                                                                                                                                                                                                                                                                                                                  | GSM 09.02, 14.5, 14.6.4, 14.6.6, 14.7.4, 14.7.7 |
| <b>Type Definition</b>                                                                                                                                                                                                                                                                                                                                                                                                                                                                                                                                                                                                                                                                                                                                                                                                                                                                                                                                                                                                                                                                                                                                                                                                                                                                            |                                                 |
| <pre> CHOICE {   eraseSS_InvokeComp      [1] IMPLICIT SEQUENCE {     invokeID              InvokeIDType,     localValue            INTEGER (11),     ss_ForBS              SS_ForBS_Code },    eraseSS_ReturnResultComp [2] IMPLICIT SEQUENCE {     invokeID              InvokeIDType,     result                SEQUENCE {       localValue          INTEGER (11),       ss_Info             SS_Info } },    eraseSS_ReturnErrorComp CHOICE {     errorCodes            [3] IMPLICIT SEQUENCE { invokeID InvokeIDType, errorCode               ErrorLocalValues ( bearerServiceNotProvisioned   teleserviceNotProvisioned   illegalSS_Operation   dataMissing   unexpectedDataValue ) },     callBarredErr        [3] IMPLICIT SEQUENCE { invokeID InvokeIDType, errorCode               ErrorLocalValues ( callBarred ), parameter               CallBarringCause },     ss_ErrorStatusErr    [3] IMPLICIT SEQUENCE { invokeID InvokeIDType, errorCode               ErrorLocalValues ( ss_ErrorStatus ), parameter               SS_Status },     systemFailureErr     [3] IMPLICIT SEQUENCE { invokeID InvokeIDType, errorCode               ErrorLocalValues ( systemFailure ), parameter               NetworkResource} },    eraseSS_RejectComp     [4] IMPLICIT RejectComponent } </pre> |                                                 |
| <b>Detailed Comments:</b>                                                                                                                                                                                                                                                                                                                                                                                                                                                                                                                                                                                                                                                                                                                                                                                                                                                                                                                                                                                                                                                                                                                                                                                                                                                                         | Timer m                                         |

| <b>ASN.1 Type Definition</b>                                                                                                                                                                                                                                                                                                                                                                                                                                                                                                                                                                                                                                                                                                                                                                                                                                                                                                                                                                                                                                                                                                                                                                                                                                                                                                                                                                                                                                                                                                                                                   |                                |
|--------------------------------------------------------------------------------------------------------------------------------------------------------------------------------------------------------------------------------------------------------------------------------------------------------------------------------------------------------------------------------------------------------------------------------------------------------------------------------------------------------------------------------------------------------------------------------------------------------------------------------------------------------------------------------------------------------------------------------------------------------------------------------------------------------------------------------------------------------------------------------------------------------------------------------------------------------------------------------------------------------------------------------------------------------------------------------------------------------------------------------------------------------------------------------------------------------------------------------------------------------------------------------------------------------------------------------------------------------------------------------------------------------------------------------------------------------------------------------------------------------------------------------------------------------------------------------|--------------------------------|
| <b>Type Name:</b>                                                                                                                                                                                                                                                                                                                                                                                                                                                                                                                                                                                                                                                                                                                                                                                                                                                                                                                                                                                                                                                                                                                                                                                                                                                                                                                                                                                                                                                                                                                                                              | ForwardChargeAdvice_Components |
| <b>Comments:</b>                                                                                                                                                                                                                                                                                                                                                                                                                                                                                                                                                                                                                                                                                                                                                                                                                                                                                                                                                                                                                                                                                                                                                                                                                                                                                                                                                                                                                                                                                                                                                               | GSM 04.80, 4.2                 |
| <b>Type Definition</b>                                                                                                                                                                                                                                                                                                                                                                                                                                                                                                                                                                                                                                                                                                                                                                                                                                                                                                                                                                                                                                                                                                                                                                                                                                                                                                                                                                                                                                                                                                                                                         |                                |
| <pre> CHOICE {     forwardChargeAdvice_InvokeComp          [1] IMPLICIT SEQUENCE {         invokeID                            InvokeIDType,         localValue                          INTEGER (125),         forwardChargeAdviceArg              SEQUENCE {             ss_Code                          [0] SS_Code,             chargingInformation              [1] SEQUENCE{                 e1                            [1] INTEGER                 (0..max10TimesUnitsPerTime)  OPTIONAL,                 e2                            [2] INTEGER                 (0..max10TimesTimeInterval)  OPTIONAL,                 e3                            [3] INTEGER                 (0..max100TimesScalingFactor) OPTIONAL,                 e4                            [4] INTEGER                 (0..max10TimesIncrement)      OPTIONAL,                 e5                            [5] INTEGER                 (0..max10TimesIncrementPerDataInterval) OPTIONAL,                 e6                            [6] INTEGER                 (0..maxNumberOfSegmentsPerDataInterval) OPTIONAL,                 e7                            [7] INTEGER                 (0..max10TimesInitialTime)   OPTIONAL } } },     forwardChargeAdvice_ReturnResultComp    [2] IMPLICIT SEQUENCE {         invokeID                            InvokeIDType,         result                              SEQUENCE {             localValue                      INTEGER (125) } },     forwardChargeAdvice_RejectComp          [4] IMPLICIT RejectComponent } </pre> |                                |
| <b>Detailed Comments:</b>                                                                                                                                                                                                                                                                                                                                                                                                                                                                                                                                                                                                                                                                                                                                                                                                                                                                                                                                                                                                                                                                                                                                                                                                                                                                                                                                                                                                                                                                                                                                                      | Timer T_aoc = 1 - 40 s         |

| <b>ASN.1 Type Definition</b>                                                                                                                                                                                                                                                               |                                                 |
|--------------------------------------------------------------------------------------------------------------------------------------------------------------------------------------------------------------------------------------------------------------------------------------------|-------------------------------------------------|
| <b>Type Name:</b>                                                                                                                                                                                                                                                                          | ForwardCheckSSIndication_Components             |
| <b>Comments:</b>                                                                                                                                                                                                                                                                           | GSM 09.02, 14.5, 14.6.4, 14.6.6, 14.7.4, 14.7.7 |
| <b>Type Definition</b>                                                                                                                                                                                                                                                                     |                                                 |
| <pre> CHOICE {     forwardCheckSSIndication_InvokeComp     [1] IMPLICIT SEQUENCE {         invokeID                            InvokeIDType,         localValue                          INTEGER (38) },     forwardCheckSSIndication_RejectComp     [4] IMPLICIT RejectComponent } </pre> |                                                 |
| <b>Detailed Comments:</b>                                                                                                                                                                                                                                                                  |                                                 |

| <b>ASN.1 Type Definition</b>                                                                                                                                                                                                                                                                                                                                                                                                                                                                                                                                                                          |                           |
|-------------------------------------------------------------------------------------------------------------------------------------------------------------------------------------------------------------------------------------------------------------------------------------------------------------------------------------------------------------------------------------------------------------------------------------------------------------------------------------------------------------------------------------------------------------------------------------------------------|---------------------------|
| <b>Type Name:</b>                                                                                                                                                                                                                                                                                                                                                                                                                                                                                                                                                                                     | ForwardCUGInfo_Components |
| <b>Comments:</b>                                                                                                                                                                                                                                                                                                                                                                                                                                                                                                                                                                                      | GSM 04.80, 4.2            |
| <b>Type Definition</b>                                                                                                                                                                                                                                                                                                                                                                                                                                                                                                                                                                                |                           |
| <pre> CHOICE {     forwardCUGInfo_InvokeComp              [1] IMPLICIT SEQUENCE {         invokeID                            InvokeIDType,         localValue                          INTEGER (120),         forwardCUGInfo_Arg                  SEQUENCE{             cug_Index                        [0] IMPLICIT CUG_Index             suppressPrefCUG                  [1] IMPLICIT NULL                OPTIONAL,             suppressOA                       [2] IMPLICIT NULL                OPTIONAL } },     forwardCUGInfo_RejectComp              [4] IMPLICIT RejectComponent } </pre> |                           |
| <b>Detailed Comments:</b>                                                                                                                                                                                                                                                                                                                                                                                                                                                                                                                                                                             |                           |

| <b>ASN.1 Type Definition</b>                                                                                                                                                                                                                                                                                                                                                                                                                                                                                                                                                                                                                                                                                                                                                                                                                                                                                                           |                                                           |
|----------------------------------------------------------------------------------------------------------------------------------------------------------------------------------------------------------------------------------------------------------------------------------------------------------------------------------------------------------------------------------------------------------------------------------------------------------------------------------------------------------------------------------------------------------------------------------------------------------------------------------------------------------------------------------------------------------------------------------------------------------------------------------------------------------------------------------------------------------------------------------------------------------------------------------------|-----------------------------------------------------------|
| <b>Type Name:</b>                                                                                                                                                                                                                                                                                                                                                                                                                                                                                                                                                                                                                                                                                                                                                                                                                                                                                                                      | General_Components                                        |
| <b>Comments:</b>                                                                                                                                                                                                                                                                                                                                                                                                                                                                                                                                                                                                                                                                                                                                                                                                                                                                                                                       | Non specified components must match this type definition. |
| <b>Type Definition</b>                                                                                                                                                                                                                                                                                                                                                                                                                                                                                                                                                                                                                                                                                                                                                                                                                                                                                                                 |                                                           |
| <pre> CHOICE {   general_InvokeComp          [1] IMPLICIT General_InvokeComponent,   general_ReturnResultComp [2] IMPLICIT General_ReturnResultComponent,   general_ReturnErrorComp [3] IMPLICIT General_ReturnErrorComponent,   general_RejectComp         [4] IMPLICIT RejectComponent }  -- This is the General InvokeComponent -- General_InvokeComponent ::= SEQUENCE {   invokeID          InvokeIDType,   linked_ID        [0] IMPLICIT InvokeIDType OPTIONAL,   operation_value   Operation,   argument          ANY          OPTIONAL }  -- This is the General ReturnResultComponent -- General_ReturnResultComponent ::= SEQUENCE {   invokeID          InvokeIDType,   valueAndResult SEQUENCE {     operation_value Operation,     result          ANY          } OPTIONAL }  -- This is the General ReturnErrorComponent -- General_ReturnErrorComponent ::= SEQUENCE {   invokeID InvokeIDType,   error    ANY } </pre> |                                                           |
| <b>Detailed Comments:</b>                                                                                                                                                                                                                                                                                                                                                                                                                                                                                                                                                                                                                                                                                                                                                                                                                                                                                                              |                                                           |

| <b>ASN.1 Type Definition</b>                                                                                                                                                                                                                                                                                                                                                                                                                                                                                                                                     |                                                 |
|------------------------------------------------------------------------------------------------------------------------------------------------------------------------------------------------------------------------------------------------------------------------------------------------------------------------------------------------------------------------------------------------------------------------------------------------------------------------------------------------------------------------------------------------------------------|-------------------------------------------------|
| <b>Type Name:</b>                                                                                                                                                                                                                                                                                                                                                                                                                                                                                                                                                | GetPassword_Components                          |
| <b>Comments:</b>                                                                                                                                                                                                                                                                                                                                                                                                                                                                                                                                                 | GSM 09.02, 14.5, 14.6.4, 14.6.6, 14.7.4, 14.7.7 |
| <b>Type Definition</b>                                                                                                                                                                                                                                                                                                                                                                                                                                                                                                                                           |                                                 |
| <pre> CHOICE {   getPassword_InvokeComp [1] IMPLICIT SEQUENCE {     invokeID          InvokeIDType,     linkedID         [0] IMPLICIT InvokeIDType,     localValue       INTEGER (18),     guidanceInfo     ENUMERATED {       enterPW (0),       enterNewPW (1),       enterNewPW_Again (2) }   },    getPassword_ReturnResultComp [2] IMPLICIT SEQUENCE {     invokeID          InvokeIDType,     result SEQUENCE {       localValue       INTEGER (18),       currentPassword Password }   },    getPassword_RejectComp [4] IMPLICIT RejectComponent } </pre> |                                                 |
| <b>Detailed Comments:</b>                                                                                                                                                                                                                                                                                                                                                                                                                                                                                                                                        | Timer m                                         |



| <b>ASN.1 Type Definition</b>                                                                                                                                                                                                                                                                                                                                                                                                                                                                                                                                                                                                                                                                                                                                                                                                                                                                                                                                                                                                                                                                                                                                                                                                      |                             |
|-----------------------------------------------------------------------------------------------------------------------------------------------------------------------------------------------------------------------------------------------------------------------------------------------------------------------------------------------------------------------------------------------------------------------------------------------------------------------------------------------------------------------------------------------------------------------------------------------------------------------------------------------------------------------------------------------------------------------------------------------------------------------------------------------------------------------------------------------------------------------------------------------------------------------------------------------------------------------------------------------------------------------------------------------------------------------------------------------------------------------------------------------------------------------------------------------------------------------------------|-----------------------------|
| <b>Type Name:</b>                                                                                                                                                                                                                                                                                                                                                                                                                                                                                                                                                                                                                                                                                                                                                                                                                                                                                                                                                                                                                                                                                                                                                                                                                 | HoldMPTY_Components         |
| <b>Comments:</b>                                                                                                                                                                                                                                                                                                                                                                                                                                                                                                                                                                                                                                                                                                                                                                                                                                                                                                                                                                                                                                                                                                                                                                                                                  | GSM 04.80, 4.2              |
| <b>Type Definition</b>                                                                                                                                                                                                                                                                                                                                                                                                                                                                                                                                                                                                                                                                                                                                                                                                                                                                                                                                                                                                                                                                                                                                                                                                            |                             |
| <pre> CHOICE {   holdMPTY_InvokeComp      [1] IMPLICIT SEQUENCE {                                 invokeID                                 localValue                                 InvokeIDType,                                 INTEGER (123) },   holdMPTY_ReturnResultComp [2] IMPLICIT SEQUENCE {                                 invokeID                                 result                                 localValue                                 InvokeIDType,                                 SEQUENCE {                                 INTEGER (123) }   },   holdMPTY_ReturnErrorComp CHOICE {     errorCodes     InvokeIDType,     errorCode     ErrorLocalValues ( illegalSS_Operation   facilityNotSupported ) },     ss_ErrorStatusErr     InvokeIDType,     errorCode     ErrorLocalValues ( ss_ErrorStatus ),     parameter     SS_Status },     ss_IncompatibilityErr     InvokeIDType,     errorCode     ErrorLocalValues ( ss_Incompatibility ),     parameter     SS_IncompatibilityCause },     systemFailureErr     InvokeIDType,     errorCode     ErrorLocalValues ( systemFailure ),     parameter     NetworkResource} },   holdMPTY_RejectComp      [4] IMPLICIT RejectComponent } </pre> |                             |
| <b>Detailed Comments:</b>                                                                                                                                                                                                                                                                                                                                                                                                                                                                                                                                                                                                                                                                                                                                                                                                                                                                                                                                                                                                                                                                                                                                                                                                         | Timer T_holdMPTY (5 - 30 s) |

| <b>ASN.1 Type Definition</b>                                                                                                                                                                                                                                                                                                                                                                                                                                                                                                                                                                                                                                                                                                                                                                                                                                                                                                                                                                                                                                                                                                                                                                                                                                                                                                                                                                                                                                                                                                                                                                                                                  |                                                 |
|-----------------------------------------------------------------------------------------------------------------------------------------------------------------------------------------------------------------------------------------------------------------------------------------------------------------------------------------------------------------------------------------------------------------------------------------------------------------------------------------------------------------------------------------------------------------------------------------------------------------------------------------------------------------------------------------------------------------------------------------------------------------------------------------------------------------------------------------------------------------------------------------------------------------------------------------------------------------------------------------------------------------------------------------------------------------------------------------------------------------------------------------------------------------------------------------------------------------------------------------------------------------------------------------------------------------------------------------------------------------------------------------------------------------------------------------------------------------------------------------------------------------------------------------------------------------------------------------------------------------------------------------------|-------------------------------------------------|
| <b>Type Name:</b>                                                                                                                                                                                                                                                                                                                                                                                                                                                                                                                                                                                                                                                                                                                                                                                                                                                                                                                                                                                                                                                                                                                                                                                                                                                                                                                                                                                                                                                                                                                                                                                                                             | InterrogateSS_Components                        |
| <b>Comments:</b>                                                                                                                                                                                                                                                                                                                                                                                                                                                                                                                                                                                                                                                                                                                                                                                                                                                                                                                                                                                                                                                                                                                                                                                                                                                                                                                                                                                                                                                                                                                                                                                                                              | GSM 09.02, 14.5, 14.6.4, 14.6.6, 14.7.4, 14.7.7 |
| <b>Type Definition</b>                                                                                                                                                                                                                                                                                                                                                                                                                                                                                                                                                                                                                                                                                                                                                                                                                                                                                                                                                                                                                                                                                                                                                                                                                                                                                                                                                                                                                                                                                                                                                                                                                        |                                                 |
| <pre> CHOICE {   interrogateSS_InvokeComp      [1] IMPLICIT SEQUENCE {     invokeID                    InvokeIDType,     localValue                   INTEGER (14),     ss_ForBS                     SS_ForBS_Code },    interrogateSS_ReturnResultComp [2] IMPLICIT SEQUENCE {     invokeID                    InvokeIDType,     result                      SEQUENCE {       localValue                 INTEGER (14),       interrogateSS_Res          CHOICE {         ss_Status                [0] IMPLICIT         basicServiceGroupList   [2] IMPLICIT         forwardingFeatureList   [3] IMPLICIT         cli_RestrictionInfo     [4] IMPLICIT SEQUENCE {           ss_Status           cliRestrictionOption         }       }     }   },    SS_Status,    CliRestrictionOption         OPTIONAL } } } ,    interrogateSS_ReturnErrorComp CHOICE {     errorCodes                 [3] IMPLICIT SEQUENCE { invokeID     InvokeIDType,     errorCode                  ErrorLocalValues ( bearerServiceNotProvisioned       teleserviceNotProvisioned       illegalSS_Operation       ss_NotAvailable       dataMissing       unexpectedDataValue) },     callBarredErr              [3] IMPLICIT SEQUENCE { invokeID     InvokeIDType,     errorCode                  ErrorLocalValues ( callBarred ),     parameter                  CallBarringCause },     systemFailureErr           [3] IMPLICIT SEQUENCE { invokeID     InvokeIDType,     errorCode                  ErrorLocalValues ( systemFailure ),     parameter                  NetworkResource} },    interrogateSS_RejectComp     [4] IMPLICIT RejectComponent } </pre> |                                                 |
| <b>Detailed Comments:</b>                                                                                                                                                                                                                                                                                                                                                                                                                                                                                                                                                                                                                                                                                                                                                                                                                                                                                                                                                                                                                                                                                                                                                                                                                                                                                                                                                                                                                                                                                                                                                                                                                     | Timer m                                         |

| <b>ASN.1 Type Definition</b>                                                                                                                                                                                                                                                                                                                                                                                                                                                                                                                                                                                                                                                                                                                                                                                                                                                                                                         |                     |
|--------------------------------------------------------------------------------------------------------------------------------------------------------------------------------------------------------------------------------------------------------------------------------------------------------------------------------------------------------------------------------------------------------------------------------------------------------------------------------------------------------------------------------------------------------------------------------------------------------------------------------------------------------------------------------------------------------------------------------------------------------------------------------------------------------------------------------------------------------------------------------------------------------------------------------------|---------------------|
| <b>Type Name:</b>                                                                                                                                                                                                                                                                                                                                                                                                                                                                                                                                                                                                                                                                                                                                                                                                                                                                                                                    | NotifySS_Components |
| <b>Comments:</b>                                                                                                                                                                                                                                                                                                                                                                                                                                                                                                                                                                                                                                                                                                                                                                                                                                                                                                                     | GSM 04.80, 4.2      |
| <b>Type Definition</b>                                                                                                                                                                                                                                                                                                                                                                                                                                                                                                                                                                                                                                                                                                                                                                                                                                                                                                               |                     |
| <pre> CHOICE {   notifySS_InvokeComp          [1] IMPLICIT SEQUENCE {     invokeID                    InvokeIDType,     localValue                   INTEGER (16),     notifySS_Arg                 SEQUENCE{       ss_Code                    [1] IMPLICIT SS_Code     OPTIONAL,       ss_Status                   [4] IMPLICIT SS_Status     OPTIONAL,     (SIZE (1)) OPTIONAL,       ss_Notification             [5] IMPLICIT OCTET STRING     OPTIONAL,       callIsWaiting_Indicator     [14] IMPLICIT NULL     OPTIONAL,       callOnHold_Indicator       [15] IMPLICIT ENUMERATED { callRetrieved (0), callOnHold (1) }          OPTIONAL,       mpty_Indicator              [16] IMPLICIT NULL     OPTIONAL,       cug_Index                   [17] IMPLICIT CUG_Index     OPTIONAL,       clirSuppressionRejected [18] IMPLICIT NULL     OPTIONAL } },   notifySS_RejectComp          [4] IMPLICIT RejectComponent } </pre> |                     |
| <b>Detailed Comments:</b>                                                                                                                                                                                                                                                                                                                                                                                                                                                                                                                                                                                                                                                                                                                                                                                                                                                                                                            |                     |

| <b>ASN.1 Type Definition</b>                                                                                                                                                                                                                                                                                                                                                                                                                                                                                                                                                                                                                                                                                                                                                                                                                                                                                                                          |                                                 |
|-------------------------------------------------------------------------------------------------------------------------------------------------------------------------------------------------------------------------------------------------------------------------------------------------------------------------------------------------------------------------------------------------------------------------------------------------------------------------------------------------------------------------------------------------------------------------------------------------------------------------------------------------------------------------------------------------------------------------------------------------------------------------------------------------------------------------------------------------------------------------------------------------------------------------------------------------------|-------------------------------------------------|
| <b>Type Name:</b>                                                                                                                                                                                                                                                                                                                                                                                                                                                                                                                                                                                                                                                                                                                                                                                                                                                                                                                                     | ProcessUnstructuredSSData_Components            |
| <b>Comments:</b>                                                                                                                                                                                                                                                                                                                                                                                                                                                                                                                                                                                                                                                                                                                                                                                                                                                                                                                                      | GSM 09.02, 14.5, 14.6.4, 14.6.6, 14.7.4, 14.7.7 |
| <b>Type Definition</b>                                                                                                                                                                                                                                                                                                                                                                                                                                                                                                                                                                                                                                                                                                                                                                                                                                                                                                                                |                                                 |
| <pre> CHOICE {   processUnstructuredSSData_InvokeComp          [1] IMPLICIT SEQUENCE {     invokeID                    InvokeIDType,     localValue                   INTEGER (19),     ss_UserData                  SS_UserData },   processUnstructuredSSData_ReturnResultComp [2] IMPLICIT SEQUENCE {     invokeID                    InvokeIDType,     result                      SEQUENCE {       localValue                 INTEGER (19),       ss_UserData                SS_UserData } },   processUnstructuredSSData_ReturnErrorComp    CHOICE {     errorCodes                   [3] IMPLICIT SEQUENCE { invokeID InvokeIDType, errorCode   ErrorLocalValues (unexpectedDataValue) },     systemFailureErr            [3] IMPLICIT SEQUENCE { invokeID InvokeIDType, errorCode   ErrorLocalValues ( systemFailure ), parameter   NetworkResource} },   processUnstructuredSSData_RejectComp          [4] IMPLICIT RejectComponent } </pre> |                                                 |
| <b>Detailed Comments:</b>                                                                                                                                                                                                                                                                                                                                                                                                                                                                                                                                                                                                                                                                                                                                                                                                                                                                                                                             | Timer m                                         |

| <b>ASN.1 Type Definition</b>                                                                                                                                                                                                                                                                                                                                                                                                                                                                                                                                                                                                                                                                                                                                                                                                                                                                                                                                                                                                                                                                                                                                                                                                                                                                                                                                   |                                                 |
|----------------------------------------------------------------------------------------------------------------------------------------------------------------------------------------------------------------------------------------------------------------------------------------------------------------------------------------------------------------------------------------------------------------------------------------------------------------------------------------------------------------------------------------------------------------------------------------------------------------------------------------------------------------------------------------------------------------------------------------------------------------------------------------------------------------------------------------------------------------------------------------------------------------------------------------------------------------------------------------------------------------------------------------------------------------------------------------------------------------------------------------------------------------------------------------------------------------------------------------------------------------------------------------------------------------------------------------------------------------|-------------------------------------------------|
| <b>Type Name:</b>                                                                                                                                                                                                                                                                                                                                                                                                                                                                                                                                                                                                                                                                                                                                                                                                                                                                                                                                                                                                                                                                                                                                                                                                                                                                                                                                              | ProcessUnstructuredSSRequest_Components         |
| <b>Comments:</b>                                                                                                                                                                                                                                                                                                                                                                                                                                                                                                                                                                                                                                                                                                                                                                                                                                                                                                                                                                                                                                                                                                                                                                                                                                                                                                                                               | GSM 09.02, 14.5, 14.6.4, 14.6.6, 14.7.4, 14.7.7 |
| <b>Type Definition</b>                                                                                                                                                                                                                                                                                                                                                                                                                                                                                                                                                                                                                                                                                                                                                                                                                                                                                                                                                                                                                                                                                                                                                                                                                                                                                                                                         |                                                 |
| <pre> CHOICE {   processUnstructuredSSRequest_InvokeComp          [1] IMPLICIT SEQUENCE {     invokeID                                       InvokeIDType,     localValue                                     INTEGER (59),     ussd_Arg                                       USSD_Arg },    processUnstructuredSSRequest_ReturnResultComp    [2] IMPLICIT SEQUENCE {     invokeID                                       InvokeIDType,     result                                         SEQUENCE {       localValue                                     INTEGER (59),       ussd_Res                                       USSD_Res}     },    processUnstructuredSSRequest_ReturnErrorComp    CHOICE {     errorCodes                                     [3] IMPLICIT SEQUENCE { invokeID InvokeIDType, errorCode   ErrorLocalValues (dataMissing   unexpectedDataValue   unknownAlphabet) },     callBarredErr                                [3] IMPLICIT SEQUENCE { invokeID InvokeIDType, errorCode   ErrorLocalValues ( callBarred ), parameter   CallBarringCause },     systemFailureErr                              [3] IMPLICIT SEQUENCE { invokeID InvokeIDType, errorCode   ErrorLocalValues ( systemFailure ), parameter   NetworkResource}     },    processUnstructuredSSRequest_RejectComp          [4] IMPLICIT RejectComponent } </pre> |                                                 |
| <b>Detailed Comments:</b>                                                                                                                                                                                                                                                                                                                                                                                                                                                                                                                                                                                                                                                                                                                                                                                                                                                                                                                                                                                                                                                                                                                                                                                                                                                                                                                                      | Timer m                                         |

| <b>ASN.1 Type Definition</b>                                                                                                                                                                                                                                                                                                                                                                                                                                                                                                                                                                                                                                                                                                                                                                                                                                                                                                                                                                                                                                                                                                                                                                                                                                                                                                                                                                                                                                                                                                                        |                                                 |
|-----------------------------------------------------------------------------------------------------------------------------------------------------------------------------------------------------------------------------------------------------------------------------------------------------------------------------------------------------------------------------------------------------------------------------------------------------------------------------------------------------------------------------------------------------------------------------------------------------------------------------------------------------------------------------------------------------------------------------------------------------------------------------------------------------------------------------------------------------------------------------------------------------------------------------------------------------------------------------------------------------------------------------------------------------------------------------------------------------------------------------------------------------------------------------------------------------------------------------------------------------------------------------------------------------------------------------------------------------------------------------------------------------------------------------------------------------------------------------------------------------------------------------------------------------|-------------------------------------------------|
| <b>Type Name:</b>                                                                                                                                                                                                                                                                                                                                                                                                                                                                                                                                                                                                                                                                                                                                                                                                                                                                                                                                                                                                                                                                                                                                                                                                                                                                                                                                                                                                                                                                                                                                   | RegisterPassword_Components                     |
| <b>Comments:</b>                                                                                                                                                                                                                                                                                                                                                                                                                                                                                                                                                                                                                                                                                                                                                                                                                                                                                                                                                                                                                                                                                                                                                                                                                                                                                                                                                                                                                                                                                                                                    | GSM 09.02, 14.5, 14.6.4, 14.6.6, 14.7.4, 14.7.7 |
| <b>Type Definition</b>                                                                                                                                                                                                                                                                                                                                                                                                                                                                                                                                                                                                                                                                                                                                                                                                                                                                                                                                                                                                                                                                                                                                                                                                                                                                                                                                                                                                                                                                                                                              |                                                 |
| <pre> CHOICE {   registerPassword_InvokeComp      [1] IMPLICIT SEQUENCE {     invokeID                        InvokeIDType,     localValue                      INTEGER (17),     ss_Code                        SS_Code    },   registerPassword_ReturnResultComp [2] IMPLICIT SEQUENCE {     invokeID                        InvokeIDType,     result                          SEQUENCE {       localValue                    INTEGER (17),       newPassword                   Password   }     },   registerPassword_ReturnErrorComp CHOICE {     errorCodes                      [3] IMPLICIT SEQUENCE { invokeID InvokeIDType, errorCode   ErrorLocalValues ( dataMissing   unexpectedDataValue   negativePW_Check   numberOfPW_AttemptsViolation) },     callBarredErr                  [3] IMPLICIT SEQUENCE { invokeID InvokeIDType, errorCode   ErrorLocalValues ( callBarred ), parameter   CallBarringCause },     ss_SubscriptionViolationeErr    [3] IMPLICIT SEQUENCE { invokeID   InvokeIDType, errorCode   ErrorLocalValues (ss_SubscriptionViolation), parameter   SS_SubscriptionOption },     systemFailureErr               [3] IMPLICIT SEQUENCE { invokeID InvokeIDType, errorCode   ErrorLocalValues ( systemFailure ), parameter   NetworkResource},     pw_RegistrationFailureErr       [3] IMPLICIT SEQUENCE { invokeID   InvokeIDType, errorCode   ErrorLocalValues ( pw_RegistrationFailure ), parameter   PW_RegistrationFailureCause }   },   registerPassword_RejectComp      [4] IMPLICIT RejectComponent } </pre> |                                                 |
| <b>Detailed Comments:</b>                                                                                                                                                                                                                                                                                                                                                                                                                                                                                                                                                                                                                                                                                                                                                                                                                                                                                                                                                                                                                                                                                                                                                                                                                                                                                                                                                                                                                                                                                                                           | Timer m                                         |

| <b>ASN.1 Type Definition</b>                                                                                                                                                                                                                                                                                                                                                                                                                                                                                                                                                                                                                                                                                                                                                                                                                                                                                                                                                                                                                                                                                                                                                                                                                                                                                                                                                                                                                                     |                                                 |
|------------------------------------------------------------------------------------------------------------------------------------------------------------------------------------------------------------------------------------------------------------------------------------------------------------------------------------------------------------------------------------------------------------------------------------------------------------------------------------------------------------------------------------------------------------------------------------------------------------------------------------------------------------------------------------------------------------------------------------------------------------------------------------------------------------------------------------------------------------------------------------------------------------------------------------------------------------------------------------------------------------------------------------------------------------------------------------------------------------------------------------------------------------------------------------------------------------------------------------------------------------------------------------------------------------------------------------------------------------------------------------------------------------------------------------------------------------------|-------------------------------------------------|
| <b>Type Name:</b>                                                                                                                                                                                                                                                                                                                                                                                                                                                                                                                                                                                                                                                                                                                                                                                                                                                                                                                                                                                                                                                                                                                                                                                                                                                                                                                                                                                                                                                | RegisterSS_Components                           |
| <b>Comments:</b>                                                                                                                                                                                                                                                                                                                                                                                                                                                                                                                                                                                                                                                                                                                                                                                                                                                                                                                                                                                                                                                                                                                                                                                                                                                                                                                                                                                                                                                 | GSM 09.02, 14.5, 14.6.4, 14.6.6, 14.7.4, 14.7.7 |
| <b>Type Definition</b>                                                                                                                                                                                                                                                                                                                                                                                                                                                                                                                                                                                                                                                                                                                                                                                                                                                                                                                                                                                                                                                                                                                                                                                                                                                                                                                                                                                                                                           |                                                 |
| <pre> CHOICE {   registerSS_InvokeComp [1] IMPLICIT SEQUENCE {     invokeID          InvokeIDType,     localValue        INTEGER (10),     registerSS_Arg    SEQUENCE {       ss_Code          SS_Code,       basicService     BasicServiceCode     }   }   OPTIONAL,   forwardedToNumber [4] IMPLICIT AddressString   OPTIONAL,   forwardedToSubaddress [6] IMPLICIT   ISDN_SubaddressString OPTIONAL,   NoReplyConditionTime  OPTIONAL   noReplyConditionTime [5] IMPLICIT }  registerSS_ReturnResultComp [2] IMPLICIT SEQUENCE {   invokeID          InvokeIDType,   result            SEQUENCE {     localValue      INTEGER (10),     ss_Info         SS_Info   } }  registerSS_ReturnErrorComp CHOICE {   errorCodes [3] IMPLICIT SEQUENCE { invokeID InvokeIDType, errorCode   ErrorLocalValues ( bearerServiceNotProvisioned   teleserviceNotProvisioned   illegalSS_Operation   dataMissing   unexpectedDataValue ) }, callBarredErr [3] IMPLICIT SEQUENCE { invokeID InvokeIDType, errorCode     ErrorLocalValues ( callBarred ), parameter     CallBarringCause }, ss_IncompatibilityErr [3] IMPLICIT SEQUENCE { invokeID InvokeIDType, errorCode     ErrorLocalValues ( ss_Incompatibility ), parameter     SS_IncompatibilityCause }, systemFailureErr [3] IMPLICIT SEQUENCE { invokeID InvokeIDType, errorCode     ErrorLocalValues ( systemFailure ), parameter     NetworkResource} }  registerSS_RejectComp [4] IMPLICIT RejectComponent </pre> |                                                 |
| <b>Detailed Comments:</b>                                                                                                                                                                                                                                                                                                                                                                                                                                                                                                                                                                                                                                                                                                                                                                                                                                                                                                                                                                                                                                                                                                                                                                                                                                                                                                                                                                                                                                        | Timer m                                         |

| <b>ASN.1 Type Definition</b>                                                                                                                                                                                                                                                                                                                               |                                                                                                                          |
|------------------------------------------------------------------------------------------------------------------------------------------------------------------------------------------------------------------------------------------------------------------------------------------------------------------------------------------------------------|--------------------------------------------------------------------------------------------------------------------------|
| <b>Type Name:</b>                                                                                                                                                                                                                                                                                                                                          | RejectComponent                                                                                                          |
| <b>Comments:</b>                                                                                                                                                                                                                                                                                                                                           | ITU-T Q.767                                                                                                              |
| <b>Type Definition</b>                                                                                                                                                                                                                                                                                                                                     |                                                                                                                          |
| <pre> SEQUENCE {   invokedID CHOICE {     derivable          InvokeIDType,     notDerivable      NULL   },   problem CHOICE {     generalProblem [0] IMPLICIT GeneralProblem,     invokeProblem  [1] IMPLICIT InvokeProblem,     returnResultProblem [2] IMPLICIT ReturnResultProblem,     returnErrorProblem [3] IMPLICIT ReturnErrorProblem   } } </pre> |                                                                                                                          |
| <b>Detailed Comments:</b>                                                                                                                                                                                                                                                                                                                                  | Reject Component is not specific to any particular operation. The invokeID may be used to identify a specific operation. |

| <b>ASN.1 Type Definition</b>                                                                                                                                                                                                                                                                                                                                                                                                                                                                                                                                                                                                                                                                                                                                                                                                                                                                                                                                                                                                                                                                                          |                                 |
|-----------------------------------------------------------------------------------------------------------------------------------------------------------------------------------------------------------------------------------------------------------------------------------------------------------------------------------------------------------------------------------------------------------------------------------------------------------------------------------------------------------------------------------------------------------------------------------------------------------------------------------------------------------------------------------------------------------------------------------------------------------------------------------------------------------------------------------------------------------------------------------------------------------------------------------------------------------------------------------------------------------------------------------------------------------------------------------------------------------------------|---------------------------------|
| <b>Type Name:</b>                                                                                                                                                                                                                                                                                                                                                                                                                                                                                                                                                                                                                                                                                                                                                                                                                                                                                                                                                                                                                                                                                                     | RetrieveMPTY_Components         |
| <b>Comments:</b>                                                                                                                                                                                                                                                                                                                                                                                                                                                                                                                                                                                                                                                                                                                                                                                                                                                                                                                                                                                                                                                                                                      | GSM 04.80, 4.2                  |
| <b>Type Definition</b>                                                                                                                                                                                                                                                                                                                                                                                                                                                                                                                                                                                                                                                                                                                                                                                                                                                                                                                                                                                                                                                                                                |                                 |
| <pre> CHOICE {   retrieveMPTY_InvokeComp [1] IMPLICIT SEQUENCE {     invokeID          InvokeIDType,     localValue        INTEGER (122) },    retrieveMPTY_ReturnResultComp [2] IMPLICIT SEQUENCE {     invokeID          InvokeIDType,     result            SEQUENCE {       localValue      INTEGER (122) }     },    retrieveMPTY_ReturnErrorComp CHOICE {     errorCodes        [3] IMPLICIT SEQUENCE { invokeID InvokeIDType, errorCode           ErrorLocalValues ( illegalSS_Operation   facilityNotSupported ) },     ss_ErrorStatusErr [3] IMPLICIT SEQUENCE { invokeID InvokeIDType, errorCode           ErrorLocalValues ( ss_ErrorStatus ), parameter          SS_Status },     ss_IncompatibilityErr [3] IMPLICIT SEQUENCE { invokeID InvokeIDType, errorCode           ErrorLocalValues ( ss_Incompatibility ), parameter          SS_IncompatibilityCause },     systemFailureErr [3] IMPLICIT SEQUENCE { invokeID InvokeIDType, errorCode           ErrorLocalValues ( systemFailure ), parameter          NetworkResource}     },    retrieveMPTY_RejectComp [4] IMPLICIT RejectComponent } </pre> |                                 |
| <b>Detailed Comments:</b>                                                                                                                                                                                                                                                                                                                                                                                                                                                                                                                                                                                                                                                                                                                                                                                                                                                                                                                                                                                                                                                                                             | Timer T_retrieveMPTY (5 - 30 s) |

| <b>ASN.1 Type Definition</b>                                                                                                                                                                                                                                                                                                                                                                                                                                                                                                                                                                                                                                                                                                                                                                                                                                                                                                                                                                                                                                                                                                                                                                                                                                                                                                              |                              |
|-------------------------------------------------------------------------------------------------------------------------------------------------------------------------------------------------------------------------------------------------------------------------------------------------------------------------------------------------------------------------------------------------------------------------------------------------------------------------------------------------------------------------------------------------------------------------------------------------------------------------------------------------------------------------------------------------------------------------------------------------------------------------------------------------------------------------------------------------------------------------------------------------------------------------------------------------------------------------------------------------------------------------------------------------------------------------------------------------------------------------------------------------------------------------------------------------------------------------------------------------------------------------------------------------------------------------------------------|------------------------------|
| <b>Type Name:</b>                                                                                                                                                                                                                                                                                                                                                                                                                                                                                                                                                                                                                                                                                                                                                                                                                                                                                                                                                                                                                                                                                                                                                                                                                                                                                                                         | SplitMPTY_Components         |
| <b>Comments:</b>                                                                                                                                                                                                                                                                                                                                                                                                                                                                                                                                                                                                                                                                                                                                                                                                                                                                                                                                                                                                                                                                                                                                                                                                                                                                                                                          | GSM 04.80, 4.2               |
| <b>Type Definition</b>                                                                                                                                                                                                                                                                                                                                                                                                                                                                                                                                                                                                                                                                                                                                                                                                                                                                                                                                                                                                                                                                                                                                                                                                                                                                                                                    |                              |
| <pre> CHOICE {   splitMPTY_InvokeComp      [1] IMPLICIT SEQUENCE {                                 invokeID      InvokeIDType,                                 localValue     INTEGER (121) },   splitMPTY_ReturnResultComp [2] IMPLICIT SEQUENCE {                                 invokeID      InvokeIDType,                                 result        SEQUENCE {                                                 localValue     INTEGER (121) }                                 },   splitMPTY_ReturnErrorComp CHOICE {                                 errorCodes    [3] IMPLICIT SEQUENCE { invokeID InvokeIDType, errorCode   ErrorLocalValues ( illegalSS_Operation   facilityNotSupported ) },                                 ss_ErrorStatusErr [3] IMPLICIT SEQUENCE { invokeID InvokeIDType, errorCode   ErrorLocalValues ( ss_ErrorStatus ), parameter   SS_Status },                                 ss_IncompatibilityErr [3] IMPLICIT SEQUENCE { invokeID InvokeIDType, errorCode   ErrorLocalValues ( ss_Incompatibility ), parameter   SS_IncompatibilityCause },                                 systemFailureErr [3] IMPLICIT SEQUENCE { invokeID InvokeIDType, errorCode   ErrorLocalValues ( systemFailure ), parameter   NetworkResource} },   splitMPTY_RejectComp      [4] IMPLICIT RejectComponent } </pre> |                              |
| <b>Detailed Comments:</b>                                                                                                                                                                                                                                                                                                                                                                                                                                                                                                                                                                                                                                                                                                                                                                                                                                                                                                                                                                                                                                                                                                                                                                                                                                                                                                                 | Timer T_splitMPTY (5 - 30 s) |



| <b>ASN.1 Type Definition</b>                                                                                                                                                                                                                                                                                                                                                                                                                                                                                                                                                                                                                                                                                                                                                                                                                                                                                                              |                                                 |
|-------------------------------------------------------------------------------------------------------------------------------------------------------------------------------------------------------------------------------------------------------------------------------------------------------------------------------------------------------------------------------------------------------------------------------------------------------------------------------------------------------------------------------------------------------------------------------------------------------------------------------------------------------------------------------------------------------------------------------------------------------------------------------------------------------------------------------------------------------------------------------------------------------------------------------------------|-------------------------------------------------|
| <b>Type Name:</b>                                                                                                                                                                                                                                                                                                                                                                                                                                                                                                                                                                                                                                                                                                                                                                                                                                                                                                                         | UnstructuredSSNotify_Components                 |
| <b>Comments:</b>                                                                                                                                                                                                                                                                                                                                                                                                                                                                                                                                                                                                                                                                                                                                                                                                                                                                                                                          | GSM 09.02, 14.5, 14.6.4, 14.6.6, 14.7.4, 14.7.7 |
| <b>Type Definition</b>                                                                                                                                                                                                                                                                                                                                                                                                                                                                                                                                                                                                                                                                                                                                                                                                                                                                                                                    |                                                 |
| <pre> CHOICE {   unstructuredSSNotify_InvokeComp      [1] IMPLICIT SEQUENCE {     invokeID          InvokeIDType,     localValue        INTEGER (61),     ussd_Arg          USSD_Arg          },   unstructuredSSNotify_ReturnResultComp [2] IMPLICIT SEQUENCE {     invokeID          InvokeIDType,     result            SEQUENCE {       localValue      INTEGER (61) } },   unstructuredSSNotify_ReturnErrorComp CHOICE {     InvokeIDType,     errorCodes       [3] IMPLICIT SEQUENCE { invokeID InvokeIDType, errorCode           ErrorLocalValues ( illegalSubscriber   illegalEquipment   absentSubscriber   dataMissing   unexpectedDataValue   unknownAlphabet   ussd_Busy) },     systemFailureErr [3] IMPLICIT SEQUENCE { invokeID InvokeIDType, errorCode           ErrorLocalValues ( systemFailure ), parameter           NetworkResource} },   unstructuredSSNotify_RejectComp      [4] IMPLICIT RejectComponent } </pre> |                                                 |
| <b>Detailed Comments:</b>                                                                                                                                                                                                                                                                                                                                                                                                                                                                                                                                                                                                                                                                                                                                                                                                                                                                                                                 | Timer m                                         |

| <b>ASN.1 Type Definition</b>                                                                                                                                                                                                                                                                                                                                                                                                                                                                                                                                                                                                                                                                                                                                                                                                                                                                                                                                                                                                                                                                                                                                                                                               |                                                 |
|----------------------------------------------------------------------------------------------------------------------------------------------------------------------------------------------------------------------------------------------------------------------------------------------------------------------------------------------------------------------------------------------------------------------------------------------------------------------------------------------------------------------------------------------------------------------------------------------------------------------------------------------------------------------------------------------------------------------------------------------------------------------------------------------------------------------------------------------------------------------------------------------------------------------------------------------------------------------------------------------------------------------------------------------------------------------------------------------------------------------------------------------------------------------------------------------------------------------------|-------------------------------------------------|
| <b>Type Name:</b>                                                                                                                                                                                                                                                                                                                                                                                                                                                                                                                                                                                                                                                                                                                                                                                                                                                                                                                                                                                                                                                                                                                                                                                                          | UnstructuredSSRequest_Components                |
| <b>Comments:</b>                                                                                                                                                                                                                                                                                                                                                                                                                                                                                                                                                                                                                                                                                                                                                                                                                                                                                                                                                                                                                                                                                                                                                                                                           | GSM 09.02, 14.5, 14.6.4, 14.6.6, 14.7.4, 14.7.7 |
| <b>Type Definition</b>                                                                                                                                                                                                                                                                                                                                                                                                                                                                                                                                                                                                                                                                                                                                                                                                                                                                                                                                                                                                                                                                                                                                                                                                     |                                                 |
| <pre> CHOICE {     unstructuredSSRequest_InvokeComp          [1] IMPLICIT SEQUENCE {         invokeID                               InvokeIDType,         localValue                             INTEGER (60),         ussd_Arg                               USSD_Arg          },     unstructuredSSRequest_ReturnResultComp    [2] IMPLICIT SEQUENCE {         invokeID                               InvokeIDType,         result                                 SEQUENCE {             localValue                         INTEGER (60),             ussd_Res                           USSD_Res          } } ,     unstructuredSSRequest_ReturnErrorComp     CHOICE {         errorCodes                            [3] IMPLICIT SEQUENCE { invokeID InvokeIDType, errorCode   ErrorLocalValues ( illegalSubscriber   illegalEquipment   absentSubscriber   dataMissing   unexpectedDataValue   unknownAlphabet   ussd_Busy) },         systemFailureErr                     [3] IMPLICIT SEQUENCE { invokeID InvokeIDType, errorCode   ErrorLocalValues ( systemFailure ), parameter   NetworkResource} } ,     unstructuredSSRequest_RejectComp          [4] IMPLICIT RejectComponent      }                 </pre> |                                                 |
| <b>Detailed Comments:</b>                                                                                                                                                                                                                                                                                                                                                                                                                                                                                                                                                                                                                                                                                                                                                                                                                                                                                                                                                                                                                                                                                                                                                                                                  | Timer m                                         |

| <b>ASN.1 Type Definition</b>                  |                   |
|-----------------------------------------------|-------------------|
| <b>Type Name:</b>                             | AddressString     |
| <b>Comments:</b>                              | GSM 09.02, 14.7.8 |
| <b>Type Definition</b>                        |                   |
| OCTET STRING (SIZE ( 1 .. maxAddressLength )) |                   |
| <b>Detailed Comments:</b>                     |                   |

| <b>ASN.1 Type Definition</b> |                       |
|------------------------------|-----------------------|
| <b>Type Name:</b>            | Asn1Integer           |
| <b>Comments:</b>             | INTEGER of ASN.1 type |
| <b>Type Definition</b>       |                       |
| INTEGER                      |                       |
| <b>Detailed Comments:</b>    |                       |

| <b>ASN.1 Type Definition</b>                                                                                                                        |                   |
|-----------------------------------------------------------------------------------------------------------------------------------------------------|-------------------|
| <b>Type Name:</b>                                                                                                                                   | BasicServiceCode  |
| <b>Comments:</b>                                                                                                                                    | GSM 09.02, 14.7.8 |
| <b>Type Definition</b>                                                                                                                              |                   |
| <pre> CHOICE {     bearerService    [2] IMPLICIT BearerServiceCode,     teleservice      [3] IMPLICIT TeleserviceCode      }                 </pre> |                   |
| <b>Detailed Comments:</b>                                                                                                                           |                   |



| <b>ASN.1 Type Definition</b>                                                                                       |                      |
|--------------------------------------------------------------------------------------------------------------------|----------------------|
| <b>Type Name:</b>                                                                                                  | ClIRestrictionOption |
| <b>Comments:</b>                                                                                                   | GSM 09.02, 14.7.4    |
| <b>Type Definition</b>                                                                                             |                      |
| <pre> ENUMERATED {     permanent (0),     temporaryDefaultRestricted (1),     temporaryDefaultAllowed (2) } </pre> |                      |
| <b>Detailed Comments:</b>                                                                                          |                      |

| <b>ASN.1 Type Definition</b>                                                                                                                                            |                   |
|-------------------------------------------------------------------------------------------------------------------------------------------------------------------------|-------------------|
| <b>Type Name:</b>                                                                                                                                                       | CUG_Feature       |
| <b>Comments:</b>                                                                                                                                                        | GSM 09.02, 14.7.4 |
| <b>Type Definition</b>                                                                                                                                                  |                   |
| <pre> SEQUENCE {     basicService BasicServiceCode OPTIONAL,     preferentialCUG_Indicator CUG_Index OPTIONAL,     interCUG_Restrictions InterCUG_Restrictions } </pre> |                   |
| <b>Detailed Comments:</b>                                                                                                                                               |                   |

| <b>ASN.1 Type Definition</b>                                                |                   |
|-----------------------------------------------------------------------------|-------------------|
| <b>Type Name:</b>                                                           | CUG_FeatureList   |
| <b>Comments:</b>                                                            | GSM 09.02, 14.7.4 |
| <b>Type Definition</b>                                                      |                   |
| <pre> SEQUENCE SIZE (1.. maxNumOfBasicServiceGroups ) OF CUG_Feature </pre> |                   |
| <b>Detailed Comments:</b>                                                   |                   |

| <b>ASN.1 Type Definition</b>    |                                                   |
|---------------------------------|---------------------------------------------------|
| <b>Type Name:</b>               | CUG_Index                                         |
| <b>Comments:</b>                | GSM 09.02, 14.7.4                                 |
| <b>Type Definition</b>          |                                                   |
| <pre> INTEGER (0..32767) </pre> |                                                   |
| <b>Detailed Comments:</b>       | The internal structure is defined in ETS 300 138. |

| <b>ASN.1 Type Definition</b>         |                   |
|--------------------------------------|-------------------|
| <b>Type Name:</b>                    | CUG_Interlock     |
| <b>Comments:</b>                     | GSM 09.02, 14.7.4 |
| <b>Type Definition</b>               |                   |
| <pre> OCTET STRING (SIZE (4)) </pre> |                   |
| <b>Detailed Comments:</b>            |                   |

| <b>ASN.1 Type Definition</b>                                                                                          |                   |
|-----------------------------------------------------------------------------------------------------------------------|-------------------|
| <b>Type Name:</b>                                                                                                     | CUG_Info          |
| <b>Comments:</b>                                                                                                      | GSM 09.02, 14.7.4 |
| <b>Type Definition</b>                                                                                                |                   |
| <pre> SEQUENCE {     cug_SubscriptionList CUG_SubscriptionList,     cug_FeatureList CUG_FeatureList OPTIONAL } </pre> |                   |
| <b>Detailed Comments:</b>                                                                                             |                   |

| <b>ASN.1 Type Definition</b>                                                                                                                                                                                           |                   |
|------------------------------------------------------------------------------------------------------------------------------------------------------------------------------------------------------------------------|-------------------|
| <b>Type Name:</b>                                                                                                                                                                                                      | CUG_Subscription  |
| <b>Comments:</b>                                                                                                                                                                                                       | GSM 09.02, 14.7.4 |
| <b>Type Definition</b>                                                                                                                                                                                                 |                   |
| <pre>SEQUENCE {     cug_Index                CUG_Index,     cug_Interlock            CUG_Interlock,     intraCUG_Options         IntraCUG_Options,     basicServiceGroupList    BasicServiceGroupList OPTIONAL }</pre> |                   |
| <b>Detailed Comments:</b>                                                                                                                                                                                              |                   |

| <b>ASN.1 Type Definition</b>                         |                      |
|------------------------------------------------------|----------------------|
| <b>Type Name:</b>                                    | CUG_SubscriptionList |
| <b>Comments:</b>                                     | GSM 09.02, 14.7.4    |
| <b>Type Definition</b>                               |                      |
| SEQUENCE SIZE (1.. maxNumOfCUG ) OF CUG_Subscription |                      |
| <b>Detailed Comments:</b>                            |                      |

| <b>ASN.1 Type Definition</b>                                                                                                                                                                                                                                                                                                                                                                                                                                                                                                                                                                                                                                                                                                                                                                                                                                                                                                                                                                                                                                             |                  |
|--------------------------------------------------------------------------------------------------------------------------------------------------------------------------------------------------------------------------------------------------------------------------------------------------------------------------------------------------------------------------------------------------------------------------------------------------------------------------------------------------------------------------------------------------------------------------------------------------------------------------------------------------------------------------------------------------------------------------------------------------------------------------------------------------------------------------------------------------------------------------------------------------------------------------------------------------------------------------------------------------------------------------------------------------------------------------|------------------|
| <b>Type Name:</b>                                                                                                                                                                                                                                                                                                                                                                                                                                                                                                                                                                                                                                                                                                                                                                                                                                                                                                                                                                                                                                                        | ErrorLocalValues |
| <b>Comments:</b>                                                                                                                                                                                                                                                                                                                                                                                                                                                                                                                                                                                                                                                                                                                                                                                                                                                                                                                                                                                                                                                         | GSM 04.80, 4.5   |
| <b>Type Definition</b>                                                                                                                                                                                                                                                                                                                                                                                                                                                                                                                                                                                                                                                                                                                                                                                                                                                                                                                                                                                                                                                   |                  |
| <pre>INTEGER {     unknownSubscriber                (1),     illegalSubscriber                (9),     bearerServiceNotProvisioned      (10),     teleserviceNotProvisioned        (11),     illegalEquipment                  (12),     callBarred                        (13),     illegalSS_Operation              (16),     ss_ErrorStatus                    (17),     ss_NotAvailable                  (18),     ss_SubscriptionViolation          (19),     ss_Incompatibility                (20),     facilityNotSupported              (21),     absentSubscriber                  (27),     systemFailure                     (34),     dataMissing                       (35),     unexpectedDataValue               (36),     pw_RegistrationFailure             (37),     negativePW_Check                  (38),     numberOfPW_AttemptsViolation      (43),     unknownAlphabet                   (71),     ussd_Busy                          (72),     maxNumberOfMPTY_ParticipantsExceeded (126),     resourcesNotAvailable             (127) }</pre> |                  |
| <b>Detailed Comments:</b> Elements of INTEGER are global for the ATS.                                                                                                                                                                                                                                                                                                                                                                                                                                                                                                                                                                                                                                                                                                                                                                                                                                                                                                                                                                                                    |                  |

| <b>ASN.1 Type Definition</b>                                                                                                                                                                                                                                                                                                                                                                                                                                                                       |                   |
|----------------------------------------------------------------------------------------------------------------------------------------------------------------------------------------------------------------------------------------------------------------------------------------------------------------------------------------------------------------------------------------------------------------------------------------------------------------------------------------------------|-------------------|
| <b>Type Name:</b>                                                                                                                                                                                                                                                                                                                                                                                                                                                                                  | ForwardingFeature |
| <b>Comments:</b>                                                                                                                                                                                                                                                                                                                                                                                                                                                                                   | GSM 09.02, 14.7.4 |
| <b>Type Definition</b>                                                                                                                                                                                                                                                                                                                                                                                                                                                                             |                   |
| <pre>SEQUENCE {     basicService                BasicServiceCode                OPTIONAL,     ss_Status                    [4] IMPLICIT SS_Status OPTIONAL,     forwardedToNumber            [5] IMPLICIT ISDN_AddressString    OPTIONAL,     forwardedToSubaddress        [8] IMPLICIT ISDN_SubaddressString    OPTIONAL,     forwardingOptions            [6] IMPLICIT ForwardingOptions        OPTIONAL,     noReplyConditionTime         [7] IMPLICIT NoReplyConditionTime    OPTIONAL }</pre> |                   |
| <b>Detailed Comments:</b>                                                                                                                                                                                                                                                                                                                                                                                                                                                                          |                   |

| <b>ASN.1 Type Definition</b>                                       |                       |
|--------------------------------------------------------------------|-----------------------|
| <b>Type Name:</b>                                                  | ForwardingFeatureList |
| <b>Comments:</b>                                                   | GSM 09.02, 14.7.4     |
| <b>Type Definition</b>                                             |                       |
| SEQUENCE SIZE (1..maxNumOfBasicServiceGroups) OF ForwardingFeature |                       |
| <b>Detailed Comments:</b>                                          |                       |

| <b>ASN.1 Type Definition</b>                                                                                                               |                   |
|--------------------------------------------------------------------------------------------------------------------------------------------|-------------------|
| <b>Type Name:</b>                                                                                                                          | ForwardingInfo    |
| <b>Comments:</b>                                                                                                                           | GSM 09.02, 14.7.4 |
| <b>Type Definition</b>                                                                                                                     |                   |
| SEQUENCE {<br>ss_Code                                  SS_Code                  OPTIONAL,<br>forwardingFeatureList ForwardingFeatureList } |                   |
| <b>Detailed Comments:</b>                                                                                                                  |                   |

| <b>ASN.1 Type Definition</b> |                   |
|------------------------------|-------------------|
| <b>Type Name:</b>            | ForwardingOptions |
| <b>Comments:</b>             | GSM 09.02, 14.7.4 |
| <b>Type Definition</b>       |                   |
| OCTET STRING (SIZE (1))      |                   |
| <b>Detailed Comments:</b>    |                   |

| <b>ASN.1 Type Definition</b>                                                                 |                |
|----------------------------------------------------------------------------------------------|----------------|
| <b>Type Name:</b>                                                                            | GeneralProblem |
| <b>Comments:</b>                                                                             | ITU-T Q.767    |
| <b>Type Definition</b>                                                                       |                |
| TCAP_Problems { unrecognizedComponent<br>  mistypedComponent<br>  badlyStructuredComponent } |                |
| <b>Detailed Comments:</b> Type restricted to these three.                                    |                |

| <b>ASN.1 Type Definition</b> |                                                                                                                                                                                 |
|------------------------------|---------------------------------------------------------------------------------------------------------------------------------------------------------------------------------|
| <b>Type Name:</b>            | InterCUG_Restrictions                                                                                                                                                           |
| <b>Comments:</b>             | GSM 09.02, 14.7.4                                                                                                                                                               |
| <b>Type Definition</b>       |                                                                                                                                                                                 |
| OCTET STRING (SIZE (1))      |                                                                                                                                                                                 |
| <b>Detailed Comments:</b>    | bits: 876543: 000000 (unused)<br>bits 21: 00 CUG only facilities<br>01 CUG with outgoing access<br>10 CUG with incoming access<br>11 CUG with both outgoing and incoming access |

| <b>ASN.1 Type Definition</b>                                                               |                   |
|--------------------------------------------------------------------------------------------|-------------------|
| <b>Type Name:</b>                                                                          | IntraCUG_Options  |
| <b>Comments:</b>                                                                           | GSM 09.02, 14.7.4 |
| <b>Type Definition</b>                                                                     |                   |
| ENUMERATED {<br>noCUG_Restrictions (0),<br>cugIC_CallBarred (1),<br>cugOG_CallBarred (2) } |                   |
| <b>Detailed Comments:</b>                                                                  |                   |

| <b>ASN.1 Type Definition</b> |                                                                                                                                                                                                                                                                                                                                                                                                                                                                                                                                                                                                                                      |
|------------------------------|--------------------------------------------------------------------------------------------------------------------------------------------------------------------------------------------------------------------------------------------------------------------------------------------------------------------------------------------------------------------------------------------------------------------------------------------------------------------------------------------------------------------------------------------------------------------------------------------------------------------------------------|
| <b>Type Name:</b>            | InvokeIDType                                                                                                                                                                                                                                                                                                                                                                                                                                                                                                                                                                                                                         |
| <b>Comments:</b>             | ITU-T, Q.773                                                                                                                                                                                                                                                                                                                                                                                                                                                                                                                                                                                                                         |
| <b>Type Definition</b>       |                                                                                                                                                                                                                                                                                                                                                                                                                                                                                                                                                                                                                                      |
| INTEGER (-128 .. 127)        |                                                                                                                                                                                                                                                                                                                                                                                                                                                                                                                                                                                                                                      |
| <b>Detailed Comments:</b>    | <p>Values:</p> <p>Sending Components: If it is an invoke component then use Test Case Variable (with default) to set value. If another invoke component is sent the TCV should be incremented beforehand. If it is a return result, error or reject component in response to a received invoke component then use TCV also, making sure the value is set to the value of the received component beforehand.</p> <p>Receiving Components: If it is an invoke comp then use '?'. If it is a return result, error or reject component in response to a sent invoke component then use TCV value (as used in sent invoke component).</p> |

| <b>ASN.1 Type Definition</b>                                                                                                                                                                                                       |                             |
|------------------------------------------------------------------------------------------------------------------------------------------------------------------------------------------------------------------------------------|-----------------------------|
| <b>Type Name:</b>                                                                                                                                                                                                                  | InvokeProblem               |
| <b>Comments:</b>                                                                                                                                                                                                                   | ITU-T Q.767                 |
| <b>Type Definition</b>                                                                                                                                                                                                             |                             |
| <pre>TCAP_Problems {     duplicateInvokeID     unrecognizedOperation     mistypedArgument     resourceLimitation     initiatingRelease     unrecognizedLinkedID     linkedResponseUnexpected     unexpectedLinkedOperation }</pre> |                             |
| <b>Detailed Comments:</b>                                                                                                                                                                                                          | Type restricted to these 8. |

| <b>ASN.1 Type Definition</b>                         |                    |
|------------------------------------------------------|--------------------|
| <b>Type Name:</b>                                    | ISDN_AddressString |
| <b>Comments:</b>                                     | GSM 09.02, 14.7.8  |
| <b>Type Definition</b>                               |                    |
| ADDRESS STRING (SIZE ( 1 .. maxISDN_AddressLength )) |                    |
| <b>Detailed Comments:</b>                            |                    |

| <b>ASN.1 Type Definition</b>                          |                       |
|-------------------------------------------------------|-----------------------|
| <b>Type Name:</b>                                     | ISDN_SubaddressString |
| <b>Comments:</b>                                      | GSM 09.02, 14.7.8     |
| <b>Type Definition</b>                                |                       |
| OCTET STRING (SIZE ( 1 .. maxISDN_SubaddressLength )) |                       |
| <b>Detailed Comments:</b>                             |                       |

| <b>ASN.1 Type Definition</b>                                                                                                                   |                                             |
|------------------------------------------------------------------------------------------------------------------------------------------------|---------------------------------------------|
| <b>Type Name:</b>                                                                                                                              | NetworkResource                             |
| <b>Comments:</b>                                                                                                                               | GSM 09.02, 14.7.8,                          |
| <b>Type Definition</b>                                                                                                                         |                                             |
| <pre>ENUMERATED {     plmn (0),     hlr (1),     vlr (2),     pvlr (3),     controllingMSC (4),     vmsc (5),     eir (6),     rss (7) }</pre> |                                             |
| <b>Detailed Comments:</b>                                                                                                                      | Elements of INTEGER are global for the ATS. |

| <b>ASN.1 Type Definition</b> |                      |
|------------------------------|----------------------|
| <b>Type Name:</b>            | NoReplyConditionTime |
| <b>Comments:</b>             | GSM 09.02, 14.7.4    |
| Type Definition              |                      |
| INTEGER (5 .. 30 )           |                      |
| <b>Detailed Comments:</b>    |                      |

| <b>ASN.1 Type Definition</b>                                      |             |
|-------------------------------------------------------------------|-------------|
| <b>Type Name:</b>                                                 | Operation   |
| <b>Comments:</b>                                                  | ITU-T Q.767 |
| Type Definition                                                   |             |
| CHOICE {<br>localValue INTEGER,<br>globalValue OBJECT IDENTIFIER} |             |
| <b>Detailed Comments:</b>                                         |             |

| <b>ASN.1 Type Definition</b>                                   |                   |
|----------------------------------------------------------------|-------------------|
| <b>Type Name:</b>                                              | OverrideCategory  |
| <b>Comments:</b>                                               | GSM 09.02, 14.7.4 |
| Type Definition                                                |                   |
| ENUMERATED {<br>overrideEnabled (0),<br>overrideDisabled (1) } |                   |
| <b>Detailed Comments:</b>                                      |                   |

| <b>ASN.1 Type Definition</b>                                              |                   |
|---------------------------------------------------------------------------|-------------------|
| <b>Type Name:</b>                                                         | Password          |
| <b>Comments:</b>                                                          | GSM 09.02, 14.7.4 |
| Type Definition                                                           |                   |
| NumericString (FROM ("0" "1" "2" "3" "4" "5" "6" "7" "8" "9")) (SIZE (4)) |                   |
| <b>Detailed Comments:</b>                                                 |                   |

| <b>ASN.1 Type Definition</b>                                                          |                             |
|---------------------------------------------------------------------------------------|-----------------------------|
| <b>Type Name:</b>                                                                     | PW_RegistrationFailureCause |
| <b>Comments:</b>                                                                      | GSM 09.02, 14.7.7           |
| Type Definition                                                                       |                             |
| ENUMERATED {<br>undetermined (0),<br>invalidFormat (1),<br>newPasswordsMismatch (2) } |                             |
| <b>Detailed Comments:</b>                                                             |                             |

| <b>ASN.1 Type Definition</b>                                                                                                 |                    |
|------------------------------------------------------------------------------------------------------------------------------|--------------------|
| <b>Type Name:</b>                                                                                                            | ReturnErrorProblem |
| <b>Comments:</b>                                                                                                             | ITU-T Q.767        |
| Type Definition                                                                                                              |                    |
| TCAP_Problems ( unrecognizedInvokeID<br>returnErrorUnexpected<br>unrecognizedError<br>unexpectedError<br>mistypedParameter ) |                    |
| <b>Detailed Comments:</b> Type restricted to these 5.                                                                        |                    |



| ASN.1 Type Definition                                                                                                       |                                 |
|-----------------------------------------------------------------------------------------------------------------------------|---------------------------------|
| <b>Type Name:</b>                                                                                                           | ReturnResultProblem             |
| <b>Comments:</b>                                                                                                            | ITU-T Q.767                     |
| Type Definition                                                                                                             |                                 |
| <pre>TCAP_Problems { unrecognizedInvokeID                   returnResultUnexpected                   mistypedResult }</pre> |                                 |
| <b>Detailed Comments:</b>                                                                                                   | Type restricted to these three. |

| ASN.1 Type Definition     |                                                     |
|---------------------------|-----------------------------------------------------|
| <b>Type Name:</b>         | SS_Code                                             |
| <b>Comments:</b>          | GSM 09.02, 14.7.5                                   |
| Type Definition           |                                                     |
| OCTET STRING (SIZE (1))   |                                                     |
| <b>Detailed Comments:</b> | group (bits 8765), and specific service (bits 4321) |

| ASN.1 Type Definition                                                                                                                                                                                                                    |                   |
|------------------------------------------------------------------------------------------------------------------------------------------------------------------------------------------------------------------------------------------|-------------------|
| <b>Type Name:</b>                                                                                                                                                                                                                        | SS_Data           |
| <b>Comments:</b>                                                                                                                                                                                                                         | GSM 09.02, 14.7.4 |
| Type Definition                                                                                                                                                                                                                          |                   |
| <pre>SEQUENCE {   ss_Code          SS_Code          OPTIONAL,   ss_Status        [4] IMPLICIT SS_Status OPTIONAL,   ss_SubscriptionOption SS_SubscriptionOption OPTIONAL,   basicServiceGroupList BasicServiceGroupList OPTIONAL }</pre> |                   |
| <b>Detailed Comments:</b>                                                                                                                                                                                                                |                   |

| ASN.1 Type Definition                                                                            |                   |
|--------------------------------------------------------------------------------------------------|-------------------|
| <b>Type Name:</b>                                                                                | SS_ForBS_Code     |
| <b>Comments:</b>                                                                                 | GSM 09.02, 14.7.4 |
| Type Definition                                                                                  |                   |
| <pre>SEQUENCE {   ss_Code          SS_Code,   basicService     BasicServiceCode OPTIONAL }</pre> |                   |
| <b>Detailed Comments:</b>                                                                        |                   |

| ASN.1 Type Definition                                                                                                                                                        |                         |
|------------------------------------------------------------------------------------------------------------------------------------------------------------------------------|-------------------------|
| <b>Type Name:</b>                                                                                                                                                            | SS_IncompatibilityCause |
| <b>Comments:</b>                                                                                                                                                             | GSM 09.02, 14.7.8       |
| Type Definition                                                                                                                                                              |                         |
| <pre>SEQUENCE {   ss_Code          [1] IMPLICIT SS_Code OPTIONAL,   basicService     BasicServiceCode     OPTIONAL,   ss_Status        [4] SS_Status        OPTIONAL }</pre> |                         |
| <b>Detailed Comments:</b>                                                                                                                                                    |                         |

| ASN.1 Type Definition                                                                                                                                                                             |                   |
|---------------------------------------------------------------------------------------------------------------------------------------------------------------------------------------------------|-------------------|
| <b>Type Name:</b>                                                                                                                                                                                 | SS_Info           |
| <b>Comments:</b>                                                                                                                                                                                  | GSM 09.02, 14.7.4 |
| Type Definition                                                                                                                                                                                   |                   |
| <pre>CHOICE {   forwardingInfo [0] IMPLICIT ForwardingInfo,   callBarringInfo [1] IMPLICIT CallBarringInfo,   cug_Info       [2] IMPLICIT CUG_Info,   ss_Data        [3] IMPLICIT SS_Data }</pre> |                   |
| <b>Detailed Comments:</b>                                                                                                                                                                         |                   |

| <b>ASN.1 Type Definition</b> |                                                                                                                                                                                     |
|------------------------------|-------------------------------------------------------------------------------------------------------------------------------------------------------------------------------------|
| <b>Type Name:</b>            | SS_Status                                                                                                                                                                           |
| <b>Comments:</b>             | GSM 09.02, 14.7.4                                                                                                                                                                   |
| <b>Type Definition</b>       |                                                                                                                                                                                     |
| OCTET STRING (SIZE (1))      |                                                                                                                                                                                     |
| <b>Detailed Comments:</b>    | bits 8765: 0000 unused,<br>bits 4: SS state information Q bit,<br>bits 3: SS state information P bit,<br>bits 2: SS state information R bit,<br>bits 1: SS state information A bit. |

| <b>ASN.1 Type Definition</b>                                                                                                         |                       |
|--------------------------------------------------------------------------------------------------------------------------------------|-----------------------|
| <b>Type Name:</b>                                                                                                                    | SS_SubscriptionOption |
| <b>Comments:</b>                                                                                                                     | GSM 09.02, 14.7.4     |
| <b>Type Definition</b>                                                                                                               |                       |
| CHOICE {<br>overrideCategory          [1] IMPLICIT OverrideCategory,<br>cliRestrictionOption     [2] IMPLICIT CliRestrictionOption } |                       |
| <b>Detailed Comments:</b>                                                                                                            |                       |

| <b>ASN.1 Type Definition</b>                |                   |
|---------------------------------------------|-------------------|
| <b>Type Name:</b>                           | SS_UserData       |
| <b>Comments:</b>                            | GSM 09.02, 14.7.4 |
| <b>Type Definition</b>                      |                   |
| IA5String (SIZE (1 .. maxSignalInfoLength)) |                   |
| <b>Detailed Comments:</b>                   |                   |

| <b>ASN.1 Type Definition</b>                                                                                                                                                                                                                                                                                                                                                                                                                                                                                                                                                                                                                                                                                                                                                                                                                                                                                                                                                                                                                                                                                                                                                                                                                          |                                                                                                                                  |
|-------------------------------------------------------------------------------------------------------------------------------------------------------------------------------------------------------------------------------------------------------------------------------------------------------------------------------------------------------------------------------------------------------------------------------------------------------------------------------------------------------------------------------------------------------------------------------------------------------------------------------------------------------------------------------------------------------------------------------------------------------------------------------------------------------------------------------------------------------------------------------------------------------------------------------------------------------------------------------------------------------------------------------------------------------------------------------------------------------------------------------------------------------------------------------------------------------------------------------------------------------|----------------------------------------------------------------------------------------------------------------------------------|
| <b>Type Name:</b>                                                                                                                                                                                                                                                                                                                                                                                                                                                                                                                                                                                                                                                                                                                                                                                                                                                                                                                                                                                                                                                                                                                                                                                                                                     | TCAP_Problems                                                                                                                    |
| <b>Comments:</b>                                                                                                                                                                                                                                                                                                                                                                                                                                                                                                                                                                                                                                                                                                                                                                                                                                                                                                                                                                                                                                                                                                                                                                                                                                      | ITU-T Q.767                                                                                                                      |
| <b>Type Definition</b>                                                                                                                                                                                                                                                                                                                                                                                                                                                                                                                                                                                                                                                                                                                                                                                                                                                                                                                                                                                                                                                                                                                                                                                                                                |                                                                                                                                  |
| <pre> INTEGER {   unrecognizedComponent          (0),      -- GeneralProblem   unrecognizedInvokeID          (0),      -- ReturnResultProblem, ReturnErrorProblem   duplicateInvokeID              (0),      -- InvokeProblem   mistypedComponent              (1),      -- GeneralProblem   returnErrorUnexpected          (1),      -- ReturnErrorProblem   returnResultUnexpected         (1),      -- ReturnResultProblem   unrecognizedOperation          (1),      -- InvokeProblem   badlyStructuredComponent      (2),      -- GeneralProblem   unrecognizedError              (2),      -- ReturnErrorProblem   mistypedArgument               (2),      -- InvokeProblem, originally called mistypedParameter in TCAP   mistypedResult                 (2),      -- ReturnResultProblem   resourceLimitation             (3),      -- InvokeProblem   unexpectedError                (3),      -- ReturnErrorProblem   mistypedParameter              (4),      -- ReturnErrorProblem   initiatingRelease              (4),      -- InvokeProblem   unrecognizedLinkedID          (5),      -- InvokeProblem   linkedResponseUnexpected      (6),      -- InvokeProblem   unexpectedLinkedOperation      (7)      -- InvokeProblem } </pre> |                                                                                                                                  |
| <b>Detailed Comments:</b>                                                                                                                                                                                                                                                                                                                                                                                                                                                                                                                                                                                                                                                                                                                                                                                                                                                                                                                                                                                                                                                                                                                                                                                                                             | Errors of the same integer value are distinguished by their different parent types (General, Invoke, ReturnResult, ReturnError). |

| <b>ASN.1 Type Definition</b> |                   |
|------------------------------|-------------------|
| <b>Type Name:</b>            | TeleserviceCode   |
| <b>Comments:</b>             | GSM 09.02, 14.7.9 |
| <b>Type Definition</b>       |                   |
| OCTET STRING (SIZE (1))      |                   |
| <b>Detailed Comments:</b>    |                   |

| ASN.1 Type Definition                                                                                             |                   |
|-------------------------------------------------------------------------------------------------------------------|-------------------|
| <b>Type Name:</b>                                                                                                 | USSD_Arg          |
| <b>Comments:</b>                                                                                                  | GSM 09.02, 14.7.4 |
| Type Definition                                                                                                   |                   |
| SEQUENCE {<br>ussd_DataCodingScheme      USSD_DataCodingScheme,<br>ussd_String                      USSD_String } |                   |
| <b>Detailed Comments:</b>                                                                                         |                   |

| ASN.1 Type Definition                                                                                             |                   |
|-------------------------------------------------------------------------------------------------------------------|-------------------|
| <b>Type Name:</b>                                                                                                 | USSD_Res          |
| <b>Comments:</b>                                                                                                  | GSM 09.02, 14.7.4 |
| Type Definition                                                                                                   |                   |
| SEQUENCE {<br>ussd_DataCodingScheme      USSD_DataCodingScheme,<br>ussd_String                      USSD_String } |                   |
| <b>Detailed Comments:</b>                                                                                         |                   |

| ASN.1 Type Definition     |                       |
|---------------------------|-----------------------|
| <b>Type Name:</b>         | USSD_DataCodingScheme |
| <b>Comments:</b>          | GSM 09.02, 14.7.4     |
| Type Definition           |                       |
| OCTET STRING (SIZE (1))   |                       |
| <b>Detailed Comments:</b> |                       |

| ASN.1 Type Definition                         |                                                                                                                         |
|-----------------------------------------------|-------------------------------------------------------------------------------------------------------------------------|
| <b>Type Name:</b>                             | USSD_String                                                                                                             |
| <b>Comments:</b>                              | GSM 09.02, 14.7.4                                                                                                       |
| Type Definition                               |                                                                                                                         |
| OCTET STRING (SIZE (1..maxUSSD_StringLength)) |                                                                                                                         |
| <b>Detailed Comments:</b>                     | The structure of the contents of the USSD-String is dependent on the USSD-DataCodingScheme as described in TS GSM03.38. |

### Test suite operation definitions

| Test Suite Operation Definition                                                                   |                                            |
|---------------------------------------------------------------------------------------------------|--------------------------------------------|
| <b>Operation Name:</b>                                                                            | OC_Asn1intToOct(n:Asn1Integer; l: INTEGER) |
| <b>Result Type:</b>                                                                               | OCTETSTRING                                |
| <b>Comments:</b>                                                                                  |                                            |
| Description                                                                                       |                                            |
| OC_Asn1intToOct converts the ASN.1 INTEGER `n` into OCTETSTRING with length = `l`.                |                                            |
| for example:                                                                                      |                                            |
| OC_Asn1intToOct(14,1) = '0E'O;                                                                    |                                            |
| OC_Asn1intToOct(18,1) = '12'O;                                                                    |                                            |
| OC_Asn1intToOct(18,2) = '0012'O;                                                                  |                                            |
| OC_Asn1intToOct(-128,1) = '80'O (MSB (position p out of 1...p) represents $-2^{\exp(p-1)}$ );     |                                            |
| OC_Asn1intToOct(-32768,2) = '8000'O (MSB (position p out of 1...p) represents $-2^{\exp(p-1)}$ ). |                                            |
| <b>Detailed Comments:</b>                                                                         |                                            |

| <b>Test Suite Operation Definition</b>                                                                                                                                                                                                                                                                                                                                                                                                                                                                                                                                                                                                       |                                                                  |
|----------------------------------------------------------------------------------------------------------------------------------------------------------------------------------------------------------------------------------------------------------------------------------------------------------------------------------------------------------------------------------------------------------------------------------------------------------------------------------------------------------------------------------------------------------------------------------------------------------------------------------------------|------------------------------------------------------------------|
| <b>Operation Name:</b>                                                                                                                                                                                                                                                                                                                                                                                                                                                                                                                                                                                                                       | OC_Bcap(setup:SETUP_MO_PDU; callproc:CALL_PROC_PDU; mem:INTEGER) |
| <b>Result Type:</b>                                                                                                                                                                                                                                                                                                                                                                                                                                                                                                                                                                                                                          | BCAP                                                             |
| <b>Comments:</b>                                                                                                                                                                                                                                                                                                                                                                                                                                                                                                                                                                                                                             |                                                                  |
| Description                                                                                                                                                                                                                                                                                                                                                                                                                                                                                                                                                                                                                                  |                                                                  |
| OC_Bcap operation returns a bearer capability IE according the following rule:                                                                                                                                                                                                                                                                                                                                                                                                                                                                                                                                                               |                                                                  |
| <ul style="list-style-type: none"> <li>- for `mem` = 1: <ul style="list-style-type: none"> <li>- if bearer capability IE were presented in `callproc` the returned BC is the bearer capability 1 of the `callproc`;</li> <li>- otherwise, the returned bearer capability is the bearer capability 1 of the `setup`.</li> </ul> </li> <li>- for `mem` = 2: <ul style="list-style-type: none"> <li>- if bearer capability IE were presented in `callproc` the returned BC is the bearer capability 2 of the `callproc`;</li> <li>- otherwise, the returned bearer capability is the bearer capability 2 of the `setup`.</li> </ul> </li> </ul> |                                                                  |
| <b>Detailed Comments:</b>                                                                                                                                                                                                                                                                                                                                                                                                                                                                                                                                                                                                                    |                                                                  |

| <b>Test Suite Operation Definition</b>                                                                                                                                                                                                                                 |                                                 |
|------------------------------------------------------------------------------------------------------------------------------------------------------------------------------------------------------------------------------------------------------------------------|-------------------------------------------------|
| <b>Operation Name:</b>                                                                                                                                                                                                                                                 | OC_BinAdd(bitstr1:BITSTRING; bitstr2:BITSTRING) |
| <b>Result Type:</b>                                                                                                                                                                                                                                                    | BITSTRING                                       |
| <b>Comments:</b>                                                                                                                                                                                                                                                       |                                                 |
| Description                                                                                                                                                                                                                                                            |                                                 |
| OC_BinAdd operation performs binary addition of two input parameters `bitstr1` and `bitstr2`, then returns the result of the addition. These two input parameters shall have the same length, the result of the operation has the same length as the input parameters. |                                                 |
| for example:                                                                                                                                                                                                                                                           |                                                 |
| OC_BinAdd('01000'B, '00110'B) = '01110'B;                                                                                                                                                                                                                              |                                                 |
| OC_BinAdd('01000'B, '00011'B) = '01011'B;                                                                                                                                                                                                                              |                                                 |
| OC_BinAdd('00100'B, '00010'B) = '00110'B.                                                                                                                                                                                                                              |                                                 |
| <b>Detailed Comments:</b>                                                                                                                                                                                                                                              |                                                 |

| <b>Test Suite Operation Definition</b>                        |                                                      |
|---------------------------------------------------------------|------------------------------------------------------|
| <b>Operation Name:</b>                                        | OC_Bit7(bstring: B_8)                                |
| <b>Result Type:</b>                                           | BITSTRING                                            |
| <b>Comments:</b>                                              | The input parameter bstring is of type BITSTRING[8]. |
| Description                                                   |                                                      |
| OC_Bit7(bstring) returns the value of bit 7 in the `bstring`. |                                                      |
| for example:                                                  |                                                      |
| OC_Bit7('01010101'B) = '1'B,                                  |                                                      |
| OC_Bit7('10101010'B) = '0'B                                   |                                                      |
| <b>Detailed Comments:</b>                                     |                                                      |

| <b>Test Suite Operation Definition</b>                                                                                                                       |                                                            |
|--------------------------------------------------------------------------------------------------------------------------------------------------------------|------------------------------------------------------------|
| <b>Operation Name:</b>                                                                                                                                       | OC_BCDtoInt(bcdstring:HEXSTRING; relevant_digits: INTEGER) |
| <b>Result Type:</b>                                                                                                                                          | INTEGER                                                    |
| <b>Comments:</b>                                                                                                                                             |                                                            |
| Description                                                                                                                                                  |                                                            |
| The operation OC_BCDtoInt converts last 'relevant_digits' of an HEXSTRING containing BCD coded digits to an integer representation of these relevant digits. |                                                            |
| Example: OC_BCDtoInt('12345'H, 3) := 345                                                                                                                     |                                                            |
| <b>Detailed Comments:</b>                                                                                                                                    |                                                            |

| <b>Test Suite Operation Definition</b>                                                                                                                                                                                                                         |                                                           |
|----------------------------------------------------------------------------------------------------------------------------------------------------------------------------------------------------------------------------------------------------------------|-----------------------------------------------------------|
| <b>Operation Name:</b>                                                                                                                                                                                                                                         | OC_CalledNumCHK(callednum:OCTETSTRING; dialnum:IA5String) |
| <b>Result Type:</b>                                                                                                                                                                                                                                            | BOOLEAN                                                   |
| <b>Comments:</b>                                                                                                                                                                                                                                               |                                                           |
| <b>Description</b>                                                                                                                                                                                                                                             |                                                           |
| the operation OC_CalledNumCHK to check whether the called party number `callednum`, which is represented by OCTETSTRING, is the same as the dialed number `dialnum`, which is represented by IA5String. It returns TRUE if they are the same, otherwise FALSE. |                                                           |
| <b>Detailed Comments:</b>                                                                                                                                                                                                                                      |                                                           |

| <b>Test Suite Operation Definition</b>                                                                                                                                                                                                                                                                                                                               |                                                             |
|----------------------------------------------------------------------------------------------------------------------------------------------------------------------------------------------------------------------------------------------------------------------------------------------------------------------------------------------------------------------|-------------------------------------------------------------|
| <b>Operation Name:</b>                                                                                                                                                                                                                                                                                                                                               | OC_ChkSRES(sres:OCTETSTRING; ki: BITSTRING; rand:BITSTRING) |
| <b>Result Type:</b>                                                                                                                                                                                                                                                                                                                                                  | BOOLEAN                                                     |
| <b>Comments:</b>                                                                                                                                                                                                                                                                                                                                                     | sres is 32 bits value.                                      |
| <b>Description</b>                                                                                                                                                                                                                                                                                                                                                   |                                                             |
| OC_ChkSRES checks the input parameter `sres` according to the authentication algorithm defined in the following procedure. It returns TRUE if the `sres` is correct, otherwise it returns FALSE.                                                                                                                                                                     |                                                             |
| <ul style="list-style-type: none"> <li>- firstly the `ki` XOR to the `rand` results in RES1;</li> <li>- then compare the most significant 32 bits of the RES1 with the `sres`;</li> <li>- if they are equal, the `sres` is correct and the operation returns TRUE;</li> <li>- if they are not equal, the `sres` is wrong and the operation returns FALSE.</li> </ul> |                                                             |
| NOTE: this procedure is the test algorithm for authentication defined by GSM.                                                                                                                                                                                                                                                                                        |                                                             |
| <b>Detailed Comments:</b>                                                                                                                                                                                                                                                                                                                                            |                                                             |

| <b>Test Suite Operation Definition</b>                                                                                                                                                                                                           |                         |
|--------------------------------------------------------------------------------------------------------------------------------------------------------------------------------------------------------------------------------------------------|-------------------------|
| <b>Operation Name:</b>                                                                                                                                                                                                                           | OC_CvntMax(max:INTEGER) |
| <b>Result Type:</b>                                                                                                                                                                                                                              | B_2                     |
| <b>Comments:</b>                                                                                                                                                                                                                                 |                         |
| <b>Description</b>                                                                                                                                                                                                                               |                         |
| The allowed integer values for max are 1, 2, 4, 7 (maximum number of retransmissions). The result BITSTRING is 2 bits long. OC_CvntMax converts the input integer `max` into a BITSTRING according to the following rule:                        |                         |
| <ol style="list-style-type: none"> <li>1. the result is '00'B if the `max` = 1,</li> <li>2. the result is '01'B if the `max` = 2,</li> <li>3. the result is '10'B if the `max` = 4,</li> <li>4. the result is '11'B if the `max` = 7.</li> </ol> |                         |
| for example:                                                                                                                                                                                                                                     |                         |
| OC_CvntMax(1) = '00'B,<br>OC_CvntMax(7) = '11'B.                                                                                                                                                                                                 |                         |
| <b>Detailed Comments:</b>                                                                                                                                                                                                                        |                         |

| <b>Test Suite Operation Definition</b>                                                                                                                                                                                                                                                                                                                                                                                                                                                                                                                                                                                                                                                                                                                                                                                                                                                                                                                                                                                                                                                   |                                      |
|------------------------------------------------------------------------------------------------------------------------------------------------------------------------------------------------------------------------------------------------------------------------------------------------------------------------------------------------------------------------------------------------------------------------------------------------------------------------------------------------------------------------------------------------------------------------------------------------------------------------------------------------------------------------------------------------------------------------------------------------------------------------------------------------------------------------------------------------------------------------------------------------------------------------------------------------------------------------------------------------------------------------------------------------------------------------------------------|--------------------------------------|
| <b>Operation Name:</b>                                                                                                                                                                                                                                                                                                                                                                                                                                                                                                                                                                                                                                                                                                                                                                                                                                                                                                                                                                                                                                                                   | OC_CnvtTx(tx:INTEGER)                |
| <b>Result Type:</b>                                                                                                                                                                                                                                                                                                                                                                                                                                                                                                                                                                                                                                                                                                                                                                                                                                                                                                                                                                                                                                                                      | B_4                                  |
| <b>Comments:</b>                                                                                                                                                                                                                                                                                                                                                                                                                                                                                                                                                                                                                                                                                                                                                                                                                                                                                                                                                                                                                                                                         | The result BITSTRING is 4 bits long. |
| <b>Description</b>                                                                                                                                                                                                                                                                                                                                                                                                                                                                                                                                                                                                                                                                                                                                                                                                                                                                                                                                                                                                                                                                       |                                      |
| <p>OC_CnvtTx converts the input integer `tx` into a BITSTRING according the following rule:</p> <ol style="list-style-type: none"> <li>1. the result is '0000'B if the `tx` = 3,</li> <li>2. the result is '0001'B if the `tx` = 4,</li> <li>3. the result is '0010'B if the `tx` = 5,</li> <li>4. the result is '0011'B if the `tx` = 6,</li> <li>5. the result is '0100'B if the `tx` = 7,</li> <li>6. the result is '0101'B if the `tx` = 8,</li> <li>7. the result is '0110'B if the `tx` = 9,</li> <li>8. the result is '0111'B if the `tx` = 10,</li> <li>9. the result is '1000'B if the `tx` = 11,</li> <li>10. the result is '1001'B if the `tx` = 12,</li> <li>11. the result is '1010'B if the `tx` = 14,</li> <li>12. the result is '1011'B if the `tx` = 16,</li> <li>13. the result is '1100'B if the `tx` = 20,</li> <li>14. the result is '1101'B if the `tx` = 25,</li> <li>15. the result is '1110'B if the `tx` = 32,</li> <li>16. the result is '1111'B if the `tx` = 50.</li> </ol> <p>for example:</p> <p>OC_CnvtTx(3) = '0000'B,<br/> OC_CvntTx(5) = '0010'B.</p> |                                      |
| <b>Detailed Comments:</b>                                                                                                                                                                                                                                                                                                                                                                                                                                                                                                                                                                                                                                                                                                                                                                                                                                                                                                                                                                                                                                                                |                                      |

| <b>Test Suite Operation Definition</b>                                                                                                                                                                                                                                                                                                                                                                                                                                                                                                                                                                                                                                   |                                                          |
|--------------------------------------------------------------------------------------------------------------------------------------------------------------------------------------------------------------------------------------------------------------------------------------------------------------------------------------------------------------------------------------------------------------------------------------------------------------------------------------------------------------------------------------------------------------------------------------------------------------------------------------------------------------------------|----------------------------------------------------------|
| <b>Operation Name:</b>                                                                                                                                                                                                                                                                                                                                                                                                                                                                                                                                                                                                                                                   | OC_CodeSMSCBMessage(firstoct: INTEGER; lastoct: INTEGER) |
| <b>Result Type:</b>                                                                                                                                                                                                                                                                                                                                                                                                                                                                                                                                                                                                                                                      | OCTETSTRING                                              |
| <b>Comments:</b>                                                                                                                                                                                                                                                                                                                                                                                                                                                                                                                                                                                                                                                         |                                                          |
| <b>Description</b>                                                                                                                                                                                                                                                                                                                                                                                                                                                                                                                                                                                                                                                       |                                                          |
| <p>The operation codes a part of the contents for a cell broadcast short message. The cell broadcast short message, is 82 octets long, i.e. 93 characters, each represented by 7 bits. As many as possible different characters are sent, the characters are those corresponding to the 7-bit representation of the integers 0, 1, 2, ..., 92. The bits are arranged acc. to GSM 03.38, clause 6.1.2.1.1. The result of this operation is the octetstring of the octets 'firstoct' to 'lastoct' (16 octets for the first message block, 22 octets for the 2nd, 3rd and 4th blocks), with the octets of the cell broadcast short message being numbered from 1 to 82.</p> |                                                          |
| <b>Detailed Comments:</b>                                                                                                                                                                                                                                                                                                                                                                                                                                                                                                                                                                                                                                                |                                                          |

| <b>Test Suite Operation Definition</b>                                                                                                                                                      |                                        |
|---------------------------------------------------------------------------------------------------------------------------------------------------------------------------------------------|----------------------------------------|
| <b>Operation Name:</b>                                                                                                                                                                      | OC_CodingOfUssdString(text: IA5String) |
| <b>Result Type:</b>                                                                                                                                                                         | OCTETSTRING                            |
| <b>Comments:</b>                                                                                                                                                                            |                                        |
| <b>Description</b>                                                                                                                                                                          |                                        |
| <p>This operation provides the coding for a USSD String 'text' in the default alpabet, each character represented by 7 bits. The bits are arranged acc. to GSM 03.38, clause 6.1.2.2.1.</p> |                                        |
| <b>Detailed Comments:</b>                                                                                                                                                                   |                                        |

| <b>Test Suite Operation Definition</b>                                                                                                                                                                                                                                                                                                                                                                                                                                                                                                                                 |                                                   |
|------------------------------------------------------------------------------------------------------------------------------------------------------------------------------------------------------------------------------------------------------------------------------------------------------------------------------------------------------------------------------------------------------------------------------------------------------------------------------------------------------------------------------------------------------------------------|---------------------------------------------------|
| <b>Operation Name:</b>                                                                                                                                                                                                                                                                                                                                                                                                                                                                                                                                                 | OC_ComputeSMContents(NumberOfCharacters: INTEGER) |
| <b>Result Type:</b>                                                                                                                                                                                                                                                                                                                                                                                                                                                                                                                                                    | OCTETSTRING                                       |
| <b>Comments:</b>                                                                                                                                                                                                                                                                                                                                                                                                                                                                                                                                                       | max. 160 characters, i.e. 140 octets.             |
| <b>Description</b>                                                                                                                                                                                                                                                                                                                                                                                                                                                                                                                                                     |                                                   |
| This operation provides a short message's contents with a specified number of characters 'NumberOfCharacters', each represented by 7 bits. As possible different characters are sent, the characters are those corresponding to the 7-bit representation of 0, 1, 2, ... up to ('NumberOfCharacters' - 1). If more than 128 characters are sent, the rest of the characters is the corresponding to 0, 1, ... up to (NumberOfCharacters - 128 - 1), e.g. for 160 characters: 0, 1, ..., 127, 0, 1, ..., 31. The bits are arranged acc. to GSM 03.38, clause 6.1.2.1.1. |                                                   |
| <b>Detailed Comments:</b>                                                                                                                                                                                                                                                                                                                                                                                                                                                                                                                                              |                                                   |

| <b>Test Suite Operation Definition</b>                                                                                                                                                                                                                                                                                                                                                                                     |                                                                        |
|----------------------------------------------------------------------------------------------------------------------------------------------------------------------------------------------------------------------------------------------------------------------------------------------------------------------------------------------------------------------------------------------------------------------------|------------------------------------------------------------------------|
| <b>Operation Name:</b>                                                                                                                                                                                                                                                                                                                                                                                                     | OC_ComputeSMContentsSpecText(NumbOfIA5chara: INTEGER; text: IA5String) |
| <b>Result Type:</b>                                                                                                                                                                                                                                                                                                                                                                                                        | OCTETSTRING                                                            |
| <b>Comments:</b>                                                                                                                                                                                                                                                                                                                                                                                                           | max. 160 characters, i.e. 140 octets.                                  |
| <b>Description</b>                                                                                                                                                                                                                                                                                                                                                                                                         |                                                                        |
| This operation provides a short message's contents with a specified number of characters 'NumbOfIA5chara', each represented by 7 bits. 'text' is used as contents of the short message. If 'text' contains less than 'NumberOfCharacters' characters, 'text' is repeated until the short message reaches the 'NumberOfCharacters' characters long. The bits packing is arranged according. to GSM 03.38, clause 6.1.2.1.1. |                                                                        |
| <b>Detailed Comments:</b>                                                                                                                                                                                                                                                                                                                                                                                                  |                                                                        |

| <b>Test Suite Operation Definition</b>                                                                                                                                                                                                                                                                                       |                                                                                    |
|------------------------------------------------------------------------------------------------------------------------------------------------------------------------------------------------------------------------------------------------------------------------------------------------------------------------------|------------------------------------------------------------------------------------|
| <b>Operation Name:</b>                                                                                                                                                                                                                                                                                                       | OC_CphKeyGen(ki:BITSTRING; rand:BITSTRING)                                         |
| <b>Result Type:</b>                                                                                                                                                                                                                                                                                                          | BITSTRING                                                                          |
| <b>Comments:</b>                                                                                                                                                                                                                                                                                                             | both ki and rand are 128 bits values, the result of the operation is 64 bits value |
| <b>Description</b>                                                                                                                                                                                                                                                                                                           |                                                                                    |
| OC_CphKeyGen generates the ciphering key from the input parameters according to the following procedure:                                                                                                                                                                                                                     |                                                                                    |
| <ul style="list-style-type: none"> <li>- firstly the `ki` XOR to the `rand` results in RES1;</li> <li>- then discard the most significant 32 bits of the RES;</li> <li>- the next 64 bits of RES1 are the ciphering key, the operation returns this value.</li> <li>- the 32 least significant bits are not used.</li> </ul> |                                                                                    |
| <b>Detailed Comments:</b>                                                                                                                                                                                                                                                                                                    |                                                                                    |

| <b>Test Suite Operation Definition</b>                                                                                                              |                                   |
|-----------------------------------------------------------------------------------------------------------------------------------------------------|-----------------------------------|
| <b>Operation Name:</b>                                                                                                                              | OC_FirstDigi(bcddigits:HEXSTRING) |
| <b>Result Type:</b>                                                                                                                                 | B_4                               |
| <b>Comments:</b>                                                                                                                                    |                                   |
| <b>Description</b>                                                                                                                                  |                                   |
| The input parameter bcddigits shall be a BCD string (subset of HEXSTRING), the resut is a BITSTRING[4] of a binary representation of one BCD digit. |                                   |
| The function of the OC_FirstDigi is to return the first (most significant) digit of the input parameter `bcddigits`.                                |                                   |
| for example:                                                                                                                                        |                                   |
| OC_FirstDigi('12345') = '0001'B,                                                                                                                    |                                   |
| OC_FirstDigi('012345678') = '0000'B.                                                                                                                |                                   |
| <b>Detailed Comments:</b>                                                                                                                           |                                   |

| <b>Test Suite Operation Definition</b>                                                                                                                                                                                                                                                                                                                                                                                                                                                                                                 |                              |
|----------------------------------------------------------------------------------------------------------------------------------------------------------------------------------------------------------------------------------------------------------------------------------------------------------------------------------------------------------------------------------------------------------------------------------------------------------------------------------------------------------------------------------------|------------------------------|
| <b>Operation Name:</b>                                                                                                                                                                                                                                                                                                                                                                                                                                                                                                                 | OC_FnInc(fn:FN; inc:INTEGER) |
| <b>Result Type:</b>                                                                                                                                                                                                                                                                                                                                                                                                                                                                                                                    | FN                           |
| <b>Comments:</b>                                                                                                                                                                                                                                                                                                                                                                                                                                                                                                                       |                              |
| <b>Description</b>                                                                                                                                                                                                                                                                                                                                                                                                                                                                                                                     |                              |
| <p>The function of OC_FnInc operation to increase frame number with `inc`. The frame number to be incremented is the input parameter `fn` in FN type and the increment `inc` is in INTEGER type, the incremented frame number is returned in FN type.</p> <pre> OC_FnInc(fn, inc) FN fn; INTEGER inc; { int fmin; FN frmout;  fmin = 51 * ((fn.t3 - fn.t2) MOD 26) + fn.t3 + 1326 * fn.t1_ ;  frmout.t1_ = ((fmin + inc) DIV 1326) MOD 32; frmout.t2 = (fmin + inc) MOD 26; frmout.t3 = (fmin + inc) MOD 51; return (frmout); } </pre> |                              |
| <b>Detailed Comments:</b>                                                                                                                                                                                                                                                                                                                                                                                                                                                                                                              |                              |

| <b>Test Suite Operation Definition</b>                                                                                                                                                                                                                                                                                                                                                                                          |                                    |
|---------------------------------------------------------------------------------------------------------------------------------------------------------------------------------------------------------------------------------------------------------------------------------------------------------------------------------------------------------------------------------------------------------------------------------|------------------------------------|
| <b>Operation Name:</b>                                                                                                                                                                                                                                                                                                                                                                                                          | OC_GetSCTimeStamp(timezone:TZONES) |
| <b>Result Type:</b>                                                                                                                                                                                                                                                                                                                                                                                                             | TPSCTS                             |
| <b>Comments:</b>                                                                                                                                                                                                                                                                                                                                                                                                                | TPSCTS is HEXSTRING[14]            |
| <b>Description</b>                                                                                                                                                                                                                                                                                                                                                                                                              |                                    |
| <p>This Operation provides the hexstring containing the service center time stamp (SCTS) according to GSM 03.40, clauses 9.2.2.1 and 9.2.3.11. The TSO reads the current time of the test systems clock and transforms the time in combination with the input parameter 'timezone' into a service center time stamp.</p> <p>Example:<br/> 1996 April 18, 15:32:46, timezone=4<br/> OC_GetSCTimeStamp returns 69408151236440</p> |                                    |
| <b>Detailed Comments:</b>                                                                                                                                                                                                                                                                                                                                                                                                       |                                    |

| <b>Test Suite Operation Definition</b>                                                                                                                                                                                                                |                                          |
|-------------------------------------------------------------------------------------------------------------------------------------------------------------------------------------------------------------------------------------------------------|------------------------------------------|
| <b>Operation Name:</b>                                                                                                                                                                                                                                | OC_IncTmsi(tmsi:TMSI_V; inc:OCTETSTRING) |
| <b>Result Type:</b>                                                                                                                                                                                                                                   | TMSI_V                                   |
| <b>Comments:</b>                                                                                                                                                                                                                                      | the `tmsi` is 4 OCTETs long              |
| <b>Description</b>                                                                                                                                                                                                                                    |                                          |
| <p>OC_IncTmsi operation adds the two input parameters and returns the result. An overflow of addition is allowed.</p> <p>For example :</p> <pre> OC_IncTmsi('33542140'O + '01'O) = '33542141'O; OC_IncTmsi('21322140'O + '08'O) = '21322148'O. </pre> |                                          |
| <b>Detailed Comments:</b>                                                                                                                                                                                                                             |                                          |



| Test Suite Operation Definition                                                                                                                                                                          |                                                    |
|----------------------------------------------------------------------------------------------------------------------------------------------------------------------------------------------------------|----------------------------------------------------|
| <b>Operation Name:</b>                                                                                                                                                                                   | OC_InRang(tx: INTEGER; maxret:INTEGER; m: INTEGER) |
| <b>Result Type:</b>                                                                                                                                                                                      | BOOLEAN                                            |
| <b>Comments:</b>                                                                                                                                                                                         |                                                    |
| Description                                                                                                                                                                                              |                                                    |
| The operation returns TRUE if $(m \text{ DIV } (\maxret * ((230 + \maxret - 1) / \maxret)))$ is inside the following interval:<br>$[0.8 - ((tx+1)/2) \text{ DIV } tx; 1.2 - ((tx+1)/2) \text{ DIV } tx]$ |                                                    |
| where / is integer division, DIV is float division, m, tx and maxret are input parameters of the operation.                                                                                              |                                                    |
| <b>Detailed Comments:</b>                                                                                                                                                                                |                                                    |

| Test Suite Operation Definition                                          |                                    |
|--------------------------------------------------------------------------|------------------------------------|
| <b>Operation Name:</b>                                                   | OC_IntToOct(n:INTEGER; l: INTEGER) |
| <b>Result Type:</b>                                                      | OCTETSTRING                        |
| <b>Comments:</b>                                                         |                                    |
| Description                                                              |                                    |
| OC_IntToOct converts the INTEGER `n` into OCTETSTRING with length = `l`. |                                    |
| for example:                                                             |                                    |
| OC_IntToOct(14,1) = '0E'O;                                               |                                    |
| OC_IntToOct(18,1) = '12'O;                                               |                                    |
| OC_IntToOct(18,2) = '0012'O.                                             |                                    |
| <b>Detailed Comments:</b>                                                |                                    |

| Test Suite Operation Definition                                                           |                                             |
|-------------------------------------------------------------------------------------------|---------------------------------------------|
| <b>Operation Name:</b>                                                                    | OC_LeastBits(bstring:BITSTRING; lg:INTEGER) |
| <b>Result Type:</b>                                                                       | BITSTRING                                   |
| <b>Comments:</b>                                                                          |                                             |
| Description                                                                               |                                             |
| OC_LeastBits operation returns the `lg` least significant bits of the original `bstring`. |                                             |
| for example:                                                                              |                                             |
| OC_LeastBits('110011000101010'B, 3) = '010'B,                                             |                                             |
| OC_LeastBits('110011000101010'B, 6) = '101010'B.                                          |                                             |
| <b>Detailed Comments:</b>                                                                 |                                             |

| Test Suite Operation Definition                                                                          |                                 |
|----------------------------------------------------------------------------------------------------------|---------------------------------|
| <b>Operation Name:</b>                                                                                   | OC_LengthOf(identity_field :MI) |
| <b>Result Type:</b>                                                                                      | INTEGER                         |
| <b>Comments:</b>                                                                                         |                                 |
| Description                                                                                              |                                 |
| OC_LengthOf operation returns the actual length of the `identity_field`, the unit of length is in OCTET. |                                 |
| <b>Detailed Comments:</b>                                                                                |                                 |

| Test Suite Operation Definition                                                                                   |                             |
|-------------------------------------------------------------------------------------------------------------------|-----------------------------|
| <b>Operation Name:</b>                                                                                            | OC_LengthOfBCDN(bcdn :BCDN) |
| <b>Result Type:</b>                                                                                               | INTEGER                     |
| <b>Comments:</b>                                                                                                  |                             |
| Description                                                                                                       |                             |
| OC_LengthOfBCDN operation returns the actual length of an IE of type BCDN `bcdn`, the unit of length is in OCTET. |                             |
| <b>Detailed Comments:</b>                                                                                         |                             |

| <b>Test Suite Operation Definition</b>                                                                         |                                    |
|----------------------------------------------------------------------------------------------------------------|------------------------------------|
| <b>Operation Name:</b>                                                                                         | OC_LengthOfComp(comp: Component_T) |
| <b>Result Type:</b>                                                                                            | LENGTH                             |
| <b>Comments:</b>                                                                                               |                                    |
| <b>Description</b>                                                                                             |                                    |
| OC_LengthOfComp operation returns the actual length of the Component_T `comp`, the unit of length is in OCTET. |                                    |
| <b>Detailed Comments:</b>                                                                                      |                                    |

| <b>Test Suite Operation Definition</b>                                                             |                                    |
|----------------------------------------------------------------------------------------------------|------------------------------------|
| <b>Operation Name:</b>                                                                             | OC_LengthOfString(strg: IA5String) |
| <b>Result Type:</b>                                                                                | INTEGER                            |
| <b>Comments:</b>                                                                                   |                                    |
| <b>Description</b>                                                                                 |                                    |
| OC_LengthOfString operation returns the actual length (number of characters) of the string `strg`. |                                    |
| <b>Detailed Comments:</b>                                                                          |                                    |

| <b>Test Suite Operation Definition</b>                                                                                                                                                                                                                                                                                                                                                                                                                                                                                                                                                                                                                                                                                                                                                       |                                                                              |
|----------------------------------------------------------------------------------------------------------------------------------------------------------------------------------------------------------------------------------------------------------------------------------------------------------------------------------------------------------------------------------------------------------------------------------------------------------------------------------------------------------------------------------------------------------------------------------------------------------------------------------------------------------------------------------------------------------------------------------------------------------------------------------------------|------------------------------------------------------------------------------|
| <b>Operation Name:</b>                                                                                                                                                                                                                                                                                                                                                                                                                                                                                                                                                                                                                                                                                                                                                                       | OC_LookupS(t: INTEGER; combined :BOOLEAN)                                    |
| <b>Result Type:</b>                                                                                                                                                                                                                                                                                                                                                                                                                                                                                                                                                                                                                                                                                                                                                                          | INTEGER                                                                      |
| <b>Comments:</b>                                                                                                                                                                                                                                                                                                                                                                                                                                                                                                                                                                                                                                                                                                                                                                             | the algorithm is derived from Table 3.1/GSM 04.08 for values of parameter S. |
| <b>Description</b>                                                                                                                                                                                                                                                                                                                                                                                                                                                                                                                                                                                                                                                                                                                                                                           |                                                                              |
| <p>This operation returns an INTEGER according the following algorithm:</p> <pre> OC_LookupS( t, comb) INTEGER t; BOOLEAN combined; {   switch (t)   { case 3:     case 8:     case 14:     case 50:       if (combined) then         return(41)       else return(55);       break;     case 4:     case 9:     case 16:       if (combined) then         return(52)       else return(76);       break;     case 5:     case 10:     case 20:       if (combined) then         return(58)       else return(109);       break;     case 6:     case 11:     case 25:       if (combined) then         return(86)       else return(163);       break;     case 7:     case 12:     case 32:       if (combined) then         return(115)       else return(217);       break;   } } </pre> |                                                                              |
| <b>Detailed Comments:</b>                                                                                                                                                                                                                                                                                                                                                                                                                                                                                                                                                                                                                                                                                                                                                                    |                                                                              |

| <b>Test Suite Operation Definition</b>                                                            |                                             |
|---------------------------------------------------------------------------------------------------|---------------------------------------------|
| <b>Operation Name:</b>                                                                            | OC_MostBits(bstring:BITSTRING; lg :INTEGER) |
| <b>Result Type:</b>                                                                               | BITSTRING                                   |
| <b>Comments:</b>                                                                                  |                                             |
| <b>Description</b>                                                                                |                                             |
| OC_MostBits operation returns the `lg` most significant bits of the original `bstring`.           |                                             |
| for example:                                                                                      |                                             |
| OC_LeastBits('110011000101010'B, 3) = '110'B,<br>OC_LeastBits('110011000101010'B, 6) = '110011'B. |                                             |
| <b>Detailed Comments:</b>                                                                         |                                             |

| <b>Test Suite Operation Definition</b>                                                                                                                                                                                                                                                                                                                                                                                                                                                                                                                                                                                                                                                                                                                                                                                                                                                                                                                                                                                                                                                                                                                                                                                                                                                                                                                                                                                                                                                                                                                                                                                                                                                                                                                                                                                                                                                                                                                                                                                                                                                                                                                                                                                                                                                                                                                                                                                                                                                              |                                                               |
|-----------------------------------------------------------------------------------------------------------------------------------------------------------------------------------------------------------------------------------------------------------------------------------------------------------------------------------------------------------------------------------------------------------------------------------------------------------------------------------------------------------------------------------------------------------------------------------------------------------------------------------------------------------------------------------------------------------------------------------------------------------------------------------------------------------------------------------------------------------------------------------------------------------------------------------------------------------------------------------------------------------------------------------------------------------------------------------------------------------------------------------------------------------------------------------------------------------------------------------------------------------------------------------------------------------------------------------------------------------------------------------------------------------------------------------------------------------------------------------------------------------------------------------------------------------------------------------------------------------------------------------------------------------------------------------------------------------------------------------------------------------------------------------------------------------------------------------------------------------------------------------------------------------------------------------------------------------------------------------------------------------------------------------------------------------------------------------------------------------------------------------------------------------------------------------------------------------------------------------------------------------------------------------------------------------------------------------------------------------------------------------------------------------------------------------------------------------------------------------------------------|---------------------------------------------------------------|
| <b>Operation Name:</b>                                                                                                                                                                                                                                                                                                                                                                                                                                                                                                                                                                                                                                                                                                                                                                                                                                                                                                                                                                                                                                                                                                                                                                                                                                                                                                                                                                                                                                                                                                                                                                                                                                                                                                                                                                                                                                                                                                                                                                                                                                                                                                                                                                                                                                                                                                                                                                                                                                                                              | OC_MsrReptChk(msrres: MSRR; index: INTEGER)                   |
| <b>Result Type:</b>                                                                                                                                                                                                                                                                                                                                                                                                                                                                                                                                                                                                                                                                                                                                                                                                                                                                                                                                                                                                                                                                                                                                                                                                                                                                                                                                                                                                                                                                                                                                                                                                                                                                                                                                                                                                                                                                                                                                                                                                                                                                                                                                                                                                                                                                                                                                                                                                                                                                                 | BOOLEAN                                                       |
| <b>Comments:</b>                                                                                                                                                                                                                                                                                                                                                                                                                                                                                                                                                                                                                                                                                                                                                                                                                                                                                                                                                                                                                                                                                                                                                                                                                                                                                                                                                                                                                                                                                                                                                                                                                                                                                                                                                                                                                                                                                                                                                                                                                                                                                                                                                                                                                                                                                                                                                                                                                                                                                    | parameter index is used for selecting different match pattern |
| <b>Description</b>                                                                                                                                                                                                                                                                                                                                                                                                                                                                                                                                                                                                                                                                                                                                                                                                                                                                                                                                                                                                                                                                                                                                                                                                                                                                                                                                                                                                                                                                                                                                                                                                                                                                                                                                                                                                                                                                                                                                                                                                                                                                                                                                                                                                                                                                                                                                                                                                                                                                                  |                                                               |
| OC_MsrReptChk operation checks whether the received measurement report contains correct values:                                                                                                                                                                                                                                                                                                                                                                                                                                                                                                                                                                                                                                                                                                                                                                                                                                                                                                                                                                                                                                                                                                                                                                                                                                                                                                                                                                                                                                                                                                                                                                                                                                                                                                                                                                                                                                                                                                                                                                                                                                                                                                                                                                                                                                                                                                                                                                                                     |                                                               |
| <p>1. when the `index` = 1:</p> <pre> if set { { msrres.bcchfrq_nc1, msrres.bsic_nc1}, { msrres.bcchfrq_nc2, msrres.bsic_nc2},         { msrres.bcchfrq_nc3, msrres.bsic_nc3}, { msrres.bcchfrq_nc4, msrres.bsic_nc4},         { msrres.bcchfrq_nc5, msrres.bsic_nc5}, { msrres.bcchfrq_nc6, msrres.bsic_nc6}       } equals to set { {'00000'B, '001011'B}, {'01111'B, '001001'B},       {'10101'B, '001011'B}, {'10110'B, '001101'B},       {'11100'B, '001111'B}, {'11111'B, '001001'B}     } then the operation returns TRUE otherwise FALSE.</pre> <p>2. when the `index` = 2:</p> <pre> if set { { msrres.bcchfrq_nc1, msrres.bsic_nc1}, { msrres.bcchfrq_nc2, msrres.bsic_nc2},         { msrres.bcchfrq_nc3, msrres.bsic_nc3}, { msrres.bcchfrq_nc4, msrres.bsic_nc4},         { msrres.bcchfrq_nc5, msrres.bsic_nc5}, { msrres.bcchfrq_nc6, msrres.bsic_nc6}       } equals to set { {'00000'B, '001011'B}, {'00100'B, '001001'B},       {'00110'B, '001011'B}, {'00101'B, '001101'B},       {'00010'B, '001111'B}, {'00111'B, '001001'B}     } then the operation returns TRUE otherwise FALSE.</pre> <p>3. when the `index` = 3:</p> <pre> if set { { msrres.bcchfrq_nc1, msrres.bsic_nc1}, { msrres.bcchfrq_nc2, msrres.bsic_nc2},         { msrres.bcchfrq_nc3, msrres.bsic_nc3}, { msrres.bcchfrq_nc4, msrres.bsic_nc4},         { msrres.bcchfrq_nc5, msrres.bsic_nc5}, { msrres.bcchfrq_nc6, msrres.bsic_nc6}       } equals to set { {'00001'B, '001011'B}, {'00101'B, '001001'B},       {'00111'B, '001011'B}, {'00110'B, '001101'B},       {'00011'B, '001111'B}, {'01000'B, '001001'B}     } then the operation returns TRUE otherwise FALSE.</pre> <p>4. when the `index` = 4 :</p> <pre> if set { { msrres.bcchfrq_nc1, msrres.bsic_nc1}, { msrres.bcchfrq_nc2, msrres.bsic_nc2},         { msrres.bcchfrq_nc3, msrres.bsic_nc3}, { msrres.bcchfrq_nc4, msrres.bsic_nc4},       } equals to set { {'00000'B, '001011'B}, {'00010'B, '001111'B},       {'00001'B, '001111'B}, {'00011'B, '001001'B}     } then the operation returns TRUE otherwise FALSE.</pre> <p>5. when the `index` = 5 :</p> <pre> if set { { msrres.bcchfrq_nc1, msrres.bsic_nc1}, { msrres.bcchfrq_nc2, msrres.bsic_nc2},         { msrres.bcchfrq_nc3, msrres.bsic_nc3}, { msrres.bcchfrq_nc4, msrres.bsic_nc4},       } equals to set { {'00000'B, '001011'B}, {'00010'B, '001111'B},       {'00001'B, '001111'B}, {'00100'B, '001001'B}     } then the operation returns TRUE otherwise FALSE.</pre> |                                                               |

6. when the `index` = 6:  
if set { { msrres.bcchfrq\_nc1, msrres.bsic\_nc1}, { msrres.bcchfrq\_nc2, msrres.bsic\_nc2},  
{ msrres.bcchfrq\_nc3, msrres.bsic\_nc3}, { msrres.bcchfrq\_nc4, msrres.bsic\_nc4},  
{ msrres.bcchfrq\_nc5, msrres.bsic\_nc5}, { msrres.bcchfrq\_nc6, msrres.bsic\_nc6}  
}  
equals to  
set { {'00000'B, '001011'B}, {'00011'B, '001001'B},  
{ '00100'B, '001011'B}, {'00101'B, '001101'B},  
{ '00110'B, '001111'B}, {'00111'B, '001001'B}  
}  
then the operation returns TRUE otherwise FALSE.

7. when the `index` = 7:  
if set { { msrres.bcchfrq\_nc1, msrres.bsic\_nc1}, { msrres.bcchfrq\_nc2, msrres.bsic\_nc2},  
{ msrres.bcchfrq\_nc3, msrres.bsic\_nc3}, { msrres.bcchfrq\_nc4, msrres.bsic\_nc4},  
{ msrres.bcchfrq\_nc5, msrres.bsic\_nc5}, { msrres.bcchfrq\_nc6, msrres.bsic\_nc6}  
}  
equals to  
set { {'00000'B, '001011'B}, {'00100'B, '001001'B},  
{ '00110'B, '001011'B}, {'00101'B, '001101'B},  
{ '00010'B, '001111'B}, {'00111'B, '001001'B}  
}  
then the operation returns TRUE otherwise FALSE.

8. when the `index` = 8 :  
if set { { msrres.bcchfrq\_nc1, msrres.bsic\_nc1}, { msrres.bcchfrq\_nc2, msrres.bsic\_nc2}  
}  
equals to  
set { {'00000'B, '001011'B}, {'00010'B, '001101'B}  
}  
then the operation returns TRUE otherwise FALSE.

9. when the `index` = 9 :  
if set { { msrres.bcchfrq\_nc1, msrres.bsic\_nc1}, { msrres.bcchfrq\_nc2, msrres.bsic\_nc2}  
}  
equals to  
set { {'00110'B, '001011'B}, {'00111'B, '001101'B}  
}  
then the operation returns TRUE otherwise FALSE.

10. when the `index` = 10 :  
if set { { msrres.bcchfrq\_nc1, msrres.bsic\_nc1}, { msrres.bcchfrq\_nc2, msrres.bsic\_nc2}  
}  
equals to  
set { {'00011'B, '001011'B}, {'00101'B, '001101'B}  
}  
then the operation returns TRUE otherwise FALSE.

**Detailed Comments:**

| <b>Test Suite Operation Definition</b>                                                                                                                                                |                                                                                                         |
|---------------------------------------------------------------------------------------------------------------------------------------------------------------------------------------|---------------------------------------------------------------------------------------------------------|
| <b>Operation Name:</b>                                                                                                                                                                | OC_OeBit(bcddigits:HEXSTRING)                                                                           |
| <b>Result Type:</b>                                                                                                                                                                   | BITSTRING                                                                                               |
| <b>Comments:</b>                                                                                                                                                                      | The input parameter `bcddigits` is really BCD string (subset of HEXSTRING), the result is BITSTRING[1]. |
| <b>Description</b>                                                                                                                                                                    |                                                                                                         |
| The function of the OC_OeBit is as the following:                                                                                                                                     |                                                                                                         |
| <ol style="list-style-type: none"> <li>1. it returns '1'B, if the length of the `bcddigits` is odd,</li> <li>2. it returns '0'B, if the length of the `bcddigits` is even.</li> </ol> |                                                                                                         |
| for example:                                                                                                                                                                          |                                                                                                         |
| OC_OeBit('12583') = '1'B,                                                                                                                                                             |                                                                                                         |
| OC_OeBit('87259957') = '0'B.                                                                                                                                                          |                                                                                                         |
| <b>Detailed Comments:</b>                                                                                                                                                             |                                                                                                         |

| <b>Test Suite Operation Definition</b>                    |                                |
|-----------------------------------------------------------|--------------------------------|
| <b>Operation Name:</b>                                    | OC_OctToInt(ostr: OCTETSTRING) |
| <b>Result Type:</b>                                       | INTEGER                        |
| <b>Comments:</b>                                          |                                |
| <b>Description</b>                                        |                                |
| OC_OctToInt converts the OCTETSTRING `ostr` into INTEGER. |                                |
| <b>Detailed Comments:</b>                                 |                                |

| <b>Test Suite Operation Definition</b>                                                                                                                                                                                                                                                             |                                     |
|----------------------------------------------------------------------------------------------------------------------------------------------------------------------------------------------------------------------------------------------------------------------------------------------------|-------------------------------------|
| <b>Operation Name:</b>                                                                                                                                                                                                                                                                             | OC_OctToInvokelDType(o:OCTETSTRING) |
| <b>Result Type:</b>                                                                                                                                                                                                                                                                                | InvokelDType                        |
| <b>Comments:</b>                                                                                                                                                                                                                                                                                   |                                     |
| <b>Description</b>                                                                                                                                                                                                                                                                                 |                                     |
| OC_OctToInvokelDType converts the OCTETSTRING `o` into InvokelDType, with the MSB of `o` representing the negative value $-2^{\exp(n-1)}$ , for example '80'O->'10000000'B-> -128. The rest of the bits can code positive values up to $+2^{\exp(n-2)-1}$ , for example '4F'O->'01111111'B-> +127. |                                     |
| for example:                                                                                                                                                                                                                                                                                       |                                     |
| OC_OctToInvokelDType('80'O) = -128;                                                                                                                                                                                                                                                                |                                     |
| OC_OctToInvokelDType('81'O) = -128+1 = -127;                                                                                                                                                                                                                                                       |                                     |
| OC_OctToInvokelDType('40'O) = +64.                                                                                                                                                                                                                                                                 |                                     |
| OC_OctToInvokelDType('7F'O) = +127.                                                                                                                                                                                                                                                                |                                     |
| OC_OctToInvokelDType('C0'O) = -128+64 = -64.                                                                                                                                                                                                                                                       |                                     |
| <b>Detailed Comments:</b>                                                                                                                                                                                                                                                                          |                                     |

| <b>Test Suite Operation Definition</b>                                                                                                                                                                                                                                                                                                                                                                                                                                                                                                                                                       |                                                                                                                                                                              |
|----------------------------------------------------------------------------------------------------------------------------------------------------------------------------------------------------------------------------------------------------------------------------------------------------------------------------------------------------------------------------------------------------------------------------------------------------------------------------------------------------------------------------------------------------------------------------------------------|------------------------------------------------------------------------------------------------------------------------------------------------------------------------------|
| <b>Operation Name:</b>                                                                                                                                                                                                                                                                                                                                                                                                                                                                                                                                                                       | OC_OtherDigi(bcddigits:HEXSTRING)                                                                                                                                            |
| <b>Result Type:</b>                                                                                                                                                                                                                                                                                                                                                                                                                                                                                                                                                                          | OCTETSTRING                                                                                                                                                                  |
| <b>Comments:</b>                                                                                                                                                                                                                                                                                                                                                                                                                                                                                                                                                                             | The input parameter `bcddigits` is really BCD string (subset of HEXSTRING), the result is an even BCD digits except that the next to last may either be 'F'H or a BCD digit. |
| <b>Description</b>                                                                                                                                                                                                                                                                                                                                                                                                                                                                                                                                                                           |                                                                                                                                                                              |
| <p>The function of the OC_OtherDigi is as the following:</p> <ol style="list-style-type: none"> <li>1. If the number of the `bcddigits` is odd, the operation removes the most significant digit, and then reverses the order of each pair of digits;</li> <li>2. If the number of the `bcddigits` is even, first the operation suffixes the `bcddigits` with 'F'H, then removes the most significant digit, and then reverses the order of each pair of digits.</li> </ol> <p>for example:</p> <p>OC_OtherDigi('12345') = '3254',<br/>           OC_OtherDigi('12345678') = '325476F8'.</p> |                                                                                                                                                                              |
| <b>Detailed Comments:</b>                                                                                                                                                                                                                                                                                                                                                                                                                                                                                                                                                                    |                                                                                                                                                                              |

| <b>Test Suite Operation Definition</b>                                                                                                                                                                                                                                                                                                          |                                               |
|-------------------------------------------------------------------------------------------------------------------------------------------------------------------------------------------------------------------------------------------------------------------------------------------------------------------------------------------------|-----------------------------------------------|
| <b>Operation Name:</b>                                                                                                                                                                                                                                                                                                                          | OC_PosinSet(set: Components; comp: Component) |
| <b>Result Type:</b>                                                                                                                                                                                                                                                                                                                             | INTEGER                                       |
| <b>Comments:</b>                                                                                                                                                                                                                                                                                                                                |                                               |
| <b>Description</b>                                                                                                                                                                                                                                                                                                                              |                                               |
| <p>The operation OC_PosinSet returns the position of component `comp` within the SET `set`.</p> <p>for example:</p> <p>if the set = { registerSSComponents, eraseSSComponents, activateSSComponents, deactivateSSComponents }</p> <p>OC_PosinSet(set, registerSSComponents) = 0,<br/>           OC_PosinSet(set, activateSSComponents) = 2.</p> |                                               |
| <b>Detailed Comments:</b>                                                                                                                                                                                                                                                                                                                       |                                               |



| <b>Test Suite Operation Definition</b>                                                                                                                                                                                                                                                                                                                                                                                                                                                                                                                                                                                                                                                                                                                                                                                                                                                                                                                                                                                                                                                                                                                                                                                                                                                                                                                                                                                                                                                                                                                                                                                                                                                                                                                                                                                                                                                                                                                                                                                                                                                                                                                                                                                                                                                                                                                                                                                                                                                                                                                                                                                                                                                                                                                                                                                                                                                                                                                                                                                                                                                                                                                                                                                                                                                                                                                                                                                                                                                                                                                                                                                                                                                                                                                                                                                                                                                                                              |                                                           |
|-------------------------------------------------------------------------------------------------------------------------------------------------------------------------------------------------------------------------------------------------------------------------------------------------------------------------------------------------------------------------------------------------------------------------------------------------------------------------------------------------------------------------------------------------------------------------------------------------------------------------------------------------------------------------------------------------------------------------------------------------------------------------------------------------------------------------------------------------------------------------------------------------------------------------------------------------------------------------------------------------------------------------------------------------------------------------------------------------------------------------------------------------------------------------------------------------------------------------------------------------------------------------------------------------------------------------------------------------------------------------------------------------------------------------------------------------------------------------------------------------------------------------------------------------------------------------------------------------------------------------------------------------------------------------------------------------------------------------------------------------------------------------------------------------------------------------------------------------------------------------------------------------------------------------------------------------------------------------------------------------------------------------------------------------------------------------------------------------------------------------------------------------------------------------------------------------------------------------------------------------------------------------------------------------------------------------------------------------------------------------------------------------------------------------------------------------------------------------------------------------------------------------------------------------------------------------------------------------------------------------------------------------------------------------------------------------------------------------------------------------------------------------------------------------------------------------------------------------------------------------------------------------------------------------------------------------------------------------------------------------------------------------------------------------------------------------------------------------------------------------------------------------------------------------------------------------------------------------------------------------------------------------------------------------------------------------------------------------------------------------------------------------------------------------------------------------------------------------------------------------------------------------------------------------------------------------------------------------------------------------------------------------------------------------------------------------------------------------------------------------------------------------------------------------------------------------------------------------------------------------------------------------------------------------------------|-----------------------------------------------------------|
| <b>Operation Name:</b>                                                                                                                                                                                                                                                                                                                                                                                                                                                                                                                                                                                                                                                                                                                                                                                                                                                                                                                                                                                                                                                                                                                                                                                                                                                                                                                                                                                                                                                                                                                                                                                                                                                                                                                                                                                                                                                                                                                                                                                                                                                                                                                                                                                                                                                                                                                                                                                                                                                                                                                                                                                                                                                                                                                                                                                                                                                                                                                                                                                                                                                                                                                                                                                                                                                                                                                                                                                                                                                                                                                                                                                                                                                                                                                                                                                                                                                                                                              | OC_RachSlots(fn1:FN; fn2:FN; cmbn: BOOLEAN; mode:INTEGER) |
| <b>Result Type:</b>                                                                                                                                                                                                                                                                                                                                                                                                                                                                                                                                                                                                                                                                                                                                                                                                                                                                                                                                                                                                                                                                                                                                                                                                                                                                                                                                                                                                                                                                                                                                                                                                                                                                                                                                                                                                                                                                                                                                                                                                                                                                                                                                                                                                                                                                                                                                                                                                                                                                                                                                                                                                                                                                                                                                                                                                                                                                                                                                                                                                                                                                                                                                                                                                                                                                                                                                                                                                                                                                                                                                                                                                                                                                                                                                                                                                                                                                                                                 | INTEGER                                                   |
| <b>Comments:</b>                                                                                                                                                                                                                                                                                                                                                                                                                                                                                                                                                                                                                                                                                                                                                                                                                                                                                                                                                                                                                                                                                                                                                                                                                                                                                                                                                                                                                                                                                                                                                                                                                                                                                                                                                                                                                                                                                                                                                                                                                                                                                                                                                                                                                                                                                                                                                                                                                                                                                                                                                                                                                                                                                                                                                                                                                                                                                                                                                                                                                                                                                                                                                                                                                                                                                                                                                                                                                                                                                                                                                                                                                                                                                                                                                                                                                                                                                                                    |                                                           |
| Description                                                                                                                                                                                                                                                                                                                                                                                                                                                                                                                                                                                                                                                                                                                                                                                                                                                                                                                                                                                                                                                                                                                                                                                                                                                                                                                                                                                                                                                                                                                                                                                                                                                                                                                                                                                                                                                                                                                                                                                                                                                                                                                                                                                                                                                                                                                                                                                                                                                                                                                                                                                                                                                                                                                                                                                                                                                                                                                                                                                                                                                                                                                                                                                                                                                                                                                                                                                                                                                                                                                                                                                                                                                                                                                                                                                                                                                                                                                         |                                                           |
| <p>OC_RachSlots calculates the number of RACH slots between frame number `fn1` and `fn2` excluding the slots in `fn1` and `fn2`, then return the result of the calculation.</p> <p>If mode=0, 'fn1' denotes the (first) frame number for sending Paging Request, while 'fn2' denotes the (first) frame number for the received Channel Request. If mode=1 'fn1' and 'fn2' denote the (first) frame number for the received two subsequent Channel Requests. Any other values for mode is not allowed.</p> <p>Since the number of RACH slots depends on the RACH being combined or not with dedicated channels, the parameter 'cmbn' is needed: TRUE --&gt; combined, FALSE--&gt; not combined.</p> <p>It is assumed that the distance between fn1 and fn2 is not more than one group of 42432 TDMA frames (modulo 42432 is used to calculate t1' of fn1 and fn2). This is equivalent to approximately 196 seconds. The 51 TDMA frames in a multiframe are numbered 0 to 50.</p> <p>fn1' := fn1 mod 51<br/>fn2' := fn2 mod 51</p> <p>CASE 1: cmbn is FALSE ('not combined')</p> <p>When 'not combined', all slots are RACH slots.</p> <p>1.1 mode=0 (sending paging message at fn1)<br/>The paging uses the numbered frames 6 - 9, 12 -19, 22-29, 32-39 and 42-49.</p> <p>1.1.1 If fn1 is not in the paging TDMA frame mapping, it leads testing to a test system error.<br/>IF (fn1' &lt; 6) OR (9 &lt; fn1' &lt; 12) OR (19 &lt; fn1' &lt; 22) OR (29 &lt; fn1' &lt; 32) OR (39 &lt; fn1' &lt; 42) OR (fn1' &gt;49),<br/>A test system error! The calling test case shall re-run again.<br/>OTHERWISE</p> <p>1.1.2 The number of RACH slots is equal to the number of frames between fn1 + 3 and fn2. The fn1 is added by 3 because a page message occupies 4 slots. The fn1 indicates the first slot of the paging message.<br/>IF (fn1 + 3) &lt; fn2, OC_RachSlots := fn2 - (fn1 + 3) - 1 = fn2 - fn1 - 4,</p> <p>1.1.3 If fn1+3 is equal to or greater than fn2, then this is due to fn2 being in the next group of 42432 frames. In this case 42432 frames have to be added.<br/>IF fn2 &lt;= (fn1 + 3), OC_RachSlots := fn2 -fn1 - 3 + 42432 -1 = fn2 -fn1 + 42428</p> <p>1.2 mode=1 (receiving channel request at fn1)<br/>The number of RACH slots is equal to the number of frames between fn1 and fn2</p> <p>1.2.1 IF fn1 &lt; fn2, OC_RachSlots := fn2 - fn1 - 1,<br/>1.2.2 IF fn2 &lt;= fn1, OC_RachSlots := fn2 -fn1 + 42432 -1 = fn2 -fn1 + 42431</p> <p>CASE 2: cmbn is TRUE ('combined')</p> <p>When combined only the slots of the numbered frames 4, 5, 14 to 36, 45 and 46 in each multiframe are RACH slots, i.e.total 27 frames per multiframe.</p> <p>2.1 mode=0 (sending paging message at fn1)<br/>The paging uses the numbered frames 6 - 9 and 12 -19.</p> <p>2.1.1 If fn1 is not in the paging TDMA frame mapping, it leads testing to a test system error. If fn2 is not in the RACH TDMA frame mapping, it leads testing to fail.<br/><br/>IF (fn2' &lt; 4) OR (5 &lt; fn2' &lt; 14) OR (36 &lt; fn2' &lt; 45) OR (fn2' &gt; 46), OC_RachSlots := -9999<br/>IF (fn1' &lt; 6) OR (9 &lt; fn1' &lt; 12) OR (fn1' &gt;19), A test system error! The calling test case shall re-run again.<br/>OTHERWISE</p> <p>2.1.2 Calculation of the number 'c' multiframe between fn1 + 3 and fn2. If fn1 + 3 is equal to or greater than fn2, then this is due to fn2 being in the next group of 42432 frames. In this case 42432 frames have to be added. '/' shall be the integer division, i.e. the result is also integer. Fractions are discarded.</p> <p>2.1.2.1 IF (fn1 + 3) &lt; fn2, c := fn2 / 51 - (fn1 + 3) / 51<br/>2.1.2.2 IF fn2 &lt;= (fn1 + 3), c := fn2 / 51 - (fn1 + 3) / 51 + 42432 / 51 = fn2 / 51 - (fn1 + 3) / 51 + 832</p> <p>2.1.3 Calculation of the number of frames 'a' to be subtracted according to the position of fn1' within the multiframe<br/>IF (5 &lt; fn1' &lt; 9), a := 2</p> |                                                           |

|                                                                                                                                                                                                                                                                                                                                                                                                                                                                                                                                                                                                                                                                                                                                                                                                                                                                                                                                                                                                                                                                                                                                                                                                                                                                                                                                                        |
|--------------------------------------------------------------------------------------------------------------------------------------------------------------------------------------------------------------------------------------------------------------------------------------------------------------------------------------------------------------------------------------------------------------------------------------------------------------------------------------------------------------------------------------------------------------------------------------------------------------------------------------------------------------------------------------------------------------------------------------------------------------------------------------------------------------------------------------------------------------------------------------------------------------------------------------------------------------------------------------------------------------------------------------------------------------------------------------------------------------------------------------------------------------------------------------------------------------------------------------------------------------------------------------------------------------------------------------------------------|
| <p>IF (fn1' =9),           a := 3<br/> IF (11 &lt; fn1' &lt; 20),   a := fn1'-8</p> <p>2.2 mode=1 (receiving channel request at fn1)</p> <p>2.2.1 If fn1 or fn2 are not in the RACH TDMA frame mapping, it leads testing to fail.<br/> IF (fn2' &lt; 4) OR (5 &lt; fn2' &lt; 14) OR (36 &lt; fn2' &lt; 45) OR (fn2' &gt; 46)<br/> OR (fn1' &lt; 6) OR (9 &lt; fn1' &lt; 12) OR (fn1' &gt; 19), OC_RachSlots := -9999</p> <p>2.2.2 Calculation of the number 'c' multiframes between fn1 and fn2<br/> 2.2.2.1 IF fn1 &lt; fn2,   c := fn2 / 51 - fn1 / 51<br/> 2.2.2.2 IF fn2 &lt;= fn1   c := fn2 / 51 - fn1 / 51 + 42432 / 51 = fn2 / 51 - fn1 / 51 + 832</p> <p>2.2.3 Calculation of the number of frames 'a' to be subtracted according to the position of fn1' within the multiframe<br/> IF (3 &lt; fn1' &lt; 6:),     a:= fn1' - 3<br/> IF (13 &lt; fn1' &lt; 37),   a:= fn1' - 11<br/> IF (44 &lt; fn1' &lt; 47),   a:= fn1' - 19</p> <p>2.3 Calculation of the number of slots 'b' to be added according to the position of fn2' within the multiframe<br/> IF (3 &lt; fn2' &lt; 6:),     b:= fn2' - 4<br/> IF (13 &lt; fn2' &lt; 37),   b:= fn2' - 12<br/> IF (44 &lt; fn2' &lt; 47),   b:= fn2' - 20</p> <p>2.4 Calculation of the number of RACH slots. There are 27 RACH slots in each multiframe.<br/> OC_RachSlots := 27 * c + b - a</p> |
| <p><b>Detailed Comments:</b>        TC_26_2_1_1 uses mode=0. TC_26_2_1_2 uses mode=1.</p>                                                                                                                                                                                                                                                                                                                                                                                                                                                                                                                                                                                                                                                                                                                                                                                                                                                                                                                                                                                                                                                                                                                                                                                                                                                              |

| <b>Test Suite Operation Definition</b>                                                               |                                   |
|------------------------------------------------------------------------------------------------------|-----------------------------------|
| <b>Operation Name:</b>                                                                               | OC_Random(n1:INTEGER; n2:INTEGER) |
| <b>Result Type:</b>                                                                                  | INTEGER                           |
| <b>Comments:</b>                                                                                     |                                   |
| <b>Description</b>                                                                                   |                                   |
| This operation randomly returns one number from the following candidates:<br>'n1', 'n1'+1, ..., 'n2' |                                   |
| <b>Detailed Comments:</b>                                                                            |                                   |

| <b>Test Suite Operation Definition</b>                                                    |                                                     |
|-------------------------------------------------------------------------------------------|-----------------------------------------------------|
| <b>Operation Name:</b>                                                                    | OC_RcsdPresent(msg:MODIFY_PDU)                      |
| <b>Result Type:</b>                                                                       | BOOLEAN                                             |
| <b>Comments:</b>                                                                          | To check if RCSD IE is present or not in Modify PDU |
| <b>Description</b>                                                                        |                                                     |
| IF RCSD IE is present in the PDU passed on input parameter return TRUE ELSE return FALSE. |                                                     |
| <b>Detailed Comments:</b>                                                                 |                                                     |

| <b>Test Suite Operation Definition</b>                                                                                                                                                                                                                                                                                                                                                                                                                                                                                                                                                                                                                                                                                                                                                                                                               |                                                                                                                                                                                                                                                                                                                                                                                                                                                                                                                                                                                                                                        |
|------------------------------------------------------------------------------------------------------------------------------------------------------------------------------------------------------------------------------------------------------------------------------------------------------------------------------------------------------------------------------------------------------------------------------------------------------------------------------------------------------------------------------------------------------------------------------------------------------------------------------------------------------------------------------------------------------------------------------------------------------------------------------------------------------------------------------------------------------|----------------------------------------------------------------------------------------------------------------------------------------------------------------------------------------------------------------------------------------------------------------------------------------------------------------------------------------------------------------------------------------------------------------------------------------------------------------------------------------------------------------------------------------------------------------------------------------------------------------------------------------|
| <b>Operation Name:</b>                                                                                                                                                                                                                                                                                                                                                                                                                                                                                                                                                                                                                                                                                                                                                                                                                               | OC_SaveAndProc1(val:INTEGER; mode :INTEGER; cnt:INTEGER; cmbnd:BOOLEAN)                                                                                                                                                                                                                                                                                                                                                                                                                                                                                                                                                                |
| <b>Result Type:</b>                                                                                                                                                                                                                                                                                                                                                                                                                                                                                                                                                                                                                                                                                                                                                                                                                                  | BOOLEAN                                                                                                                                                                                                                                                                                                                                                                                                                                                                                                                                                                                                                                |
| <b>Comments:</b>                                                                                                                                                                                                                                                                                                                                                                                                                                                                                                                                                                                                                                                                                                                                                                                                                                     | This operation is used for storing and analysing the CHANNEL REQUEST message distribution.                                                                                                                                                                                                                                                                                                                                                                                                                                                                                                                                             |
| <b>Description</b>                                                                                                                                                                                                                                                                                                                                                                                                                                                                                                                                                                                                                                                                                                                                                                                                                                   |                                                                                                                                                                                                                                                                                                                                                                                                                                                                                                                                                                                                                                        |
| <p>The function of this operation is defined as an pseudo C code:</p> <pre> #define SAVE 0; #define PROC 1;  OC_SaveAndProc(val, mode,cnt) INTEGER   val, mode,cnt; BOOLEAN   combined; { static INTEGER  buf[200]; int i, j, n; if (mode == SAVE)     { cnt = cnt mod 200;       if (cmbnd == C_NotCombined) AND (val&lt;(151 + 8)) then           { buf[cnt] = val;             return (TRUE);           }       if (cmbnd == C_Combined) AND (val&lt;(81 + 8)) then           { buf[cnt] = val;             return (TRUE);           }       else return (FALSE);     } if (mode == PROC)     {       for (i=0, i&lt;200, i++)           { n=0;             for (j=0, j&lt;200, j++)                 if (buf[j] == buf[i])                     n = n+1;             if (n &gt; 41) return (FALSE);           }       return(TRUE);     } } </pre> |                                                                                                                                                                                                                                                                                                                                                                                                                                                                                                                                                                                                                                        |
| <b>Detailed Comments:</b>                                                                                                                                                                                                                                                                                                                                                                                                                                                                                                                                                                                                                                                                                                                                                                                                                            | <p>This test suite operation has two operation modes :</p> <ul style="list-style-type: none"> <li>- when the mode is SAVE and the val is less than 89 for combined or 159 for non-combined, it saves the value val into internal buffer and returns TRUE, otherwise returns FALSE. 200 values will be stored in the internal buffer when the operation is invoked 200 times.</li> <li>- When the mode is PROC, it analyses the values stored in the internal buffer, if no more than 41 of them are equal the operation returns TRUE, otherwise returns FALSE. ( i.e. for all n, <math>CARD\{ k f(k) = n \} \leq 41</math>)</li> </ul> |

| <b>Test Suite Operation Definition</b>                                                                                                                                                                                                                                                                                                                                                                                                                                                                                                                                                                                               |                                                                                                                                                                                                                                                                                                                                                                                                                                                        |
|--------------------------------------------------------------------------------------------------------------------------------------------------------------------------------------------------------------------------------------------------------------------------------------------------------------------------------------------------------------------------------------------------------------------------------------------------------------------------------------------------------------------------------------------------------------------------------------------------------------------------------------|--------------------------------------------------------------------------------------------------------------------------------------------------------------------------------------------------------------------------------------------------------------------------------------------------------------------------------------------------------------------------------------------------------------------------------------------------------|
| <b>Operation Name:</b>                                                                                                                                                                                                                                                                                                                                                                                                                                                                                                                                                                                                               | OC_SaveAndProc3(val:BITSTRING; mode :INTEGER; cnt:INTEGER)                                                                                                                                                                                                                                                                                                                                                                                             |
| <b>Result Type:</b>                                                                                                                                                                                                                                                                                                                                                                                                                                                                                                                                                                                                                  | BOOLEAN                                                                                                                                                                                                                                                                                                                                                                                                                                                |
| <b>Comments:</b>                                                                                                                                                                                                                                                                                                                                                                                                                                                                                                                                                                                                                     | This operation is used for storing and analysing the random reference.                                                                                                                                                                                                                                                                                                                                                                                 |
| <b>Description</b>                                                                                                                                                                                                                                                                                                                                                                                                                                                                                                                                                                                                                   |                                                                                                                                                                                                                                                                                                                                                                                                                                                        |
| <p>The function of this operation is defined as an pseudo C code:</p> <pre> #define SAVE 0; #define PROC 1;  OC_SaveAndProc(val, mode,cnt) BITSTRING[8] val; INTEGER    mode,cnt; {   static BITSTRING[8]  buf[7];   int i, j, n=7;   if (mode == SAVE)     { cnt = cnt mod 7;       buf[cnt] = val;       return(TRUE);     }   if (mode == PROC)     {       for (i=0, i&lt;6, i++)         { for (j=i+1, j&lt;7, j++)             if (buf[j] == buf[i])               { n = n-1;                 break;               }           }         if (n&gt;=4) then           return(TRUE)         else  return (FALSE);     } } </pre> |                                                                                                                                                                                                                                                                                                                                                                                                                                                        |
| <b>Detailed Comments:</b>                                                                                                                                                                                                                                                                                                                                                                                                                                                                                                                                                                                                            | <p>The function of this test suite operation is :</p> <ul style="list-style-type: none"> <li>- it saves the value val into internal buffer when the mode = SAVE. 7 values will be stored in the internal buffer when the operation is invoked 7 times.</li> <li>- it compares the values stored in the internal buffer when the mode = PROC, if 4 or more than 4 of them are different the operation returns TRUE, otherwise returns FALSE.</li> </ul> |

| <b>Test Suite Operation Definition</b>                                                                                                                                                                                                                                                                                                                                                                                                                                                                                                                                                                                                                                                                                                                                                                                                                                                                                                                                                                                                                                                                                                                                                                                                                                                                                                                                                                                                                                                                                                                                                                                                                                                                                     |                                                                                                                                                                                                                                                                                                                                                  |
|----------------------------------------------------------------------------------------------------------------------------------------------------------------------------------------------------------------------------------------------------------------------------------------------------------------------------------------------------------------------------------------------------------------------------------------------------------------------------------------------------------------------------------------------------------------------------------------------------------------------------------------------------------------------------------------------------------------------------------------------------------------------------------------------------------------------------------------------------------------------------------------------------------------------------------------------------------------------------------------------------------------------------------------------------------------------------------------------------------------------------------------------------------------------------------------------------------------------------------------------------------------------------------------------------------------------------------------------------------------------------------------------------------------------------------------------------------------------------------------------------------------------------------------------------------------------------------------------------------------------------------------------------------------------------------------------------------------------------|--------------------------------------------------------------------------------------------------------------------------------------------------------------------------------------------------------------------------------------------------------------------------------------------------------------------------------------------------|
| <b>Operation Name:</b>                                                                                                                                                                                                                                                                                                                                                                                                                                                                                                                                                                                                                                                                                                                                                                                                                                                                                                                                                                                                                                                                                                                                                                                                                                                                                                                                                                                                                                                                                                                                                                                                                                                                                                     | OC_SaveAndRetrv(val:RQR; mode, idx, ex: INTEGER)                                                                                                                                                                                                                                                                                                 |
| <b>Result Type:</b>                                                                                                                                                                                                                                                                                                                                                                                                                                                                                                                                                                                                                                                                                                                                                                                                                                                                                                                                                                                                                                                                                                                                                                                                                                                                                                                                                                                                                                                                                                                                                                                                                                                                                                        | RQR                                                                                                                                                                                                                                                                                                                                              |
| <b>Comments:</b>                                                                                                                                                                                                                                                                                                                                                                                                                                                                                                                                                                                                                                                                                                                                                                                                                                                                                                                                                                                                                                                                                                                                                                                                                                                                                                                                                                                                                                                                                                                                                                                                                                                                                                           | This operation is used for storing and retrieving the random reference.                                                                                                                                                                                                                                                                          |
| Description                                                                                                                                                                                                                                                                                                                                                                                                                                                                                                                                                                                                                                                                                                                                                                                                                                                                                                                                                                                                                                                                                                                                                                                                                                                                                                                                                                                                                                                                                                                                                                                                                                                                                                                |                                                                                                                                                                                                                                                                                                                                                  |
| <p>The function of this test suite operation is (in prose):</p> <ul style="list-style-type: none"> <li>- it saves the value val into internal buffer buf[idx] when the mode = SAVE and ex = 0. Maximum 9 values can be stored. The idx is ranged between 1-9.</li> <li>- it returns the value stored in the internal buffer buf[idx] when the mode = RETRV and ex = 0.</li> <li>- it returns a value which is different from any value stored in the buf and also different from any values which have been returned by the consecutive invocation of this operation with <math>ex \neq 0</math>, if <math>ex \neq 0</math>. The idx is ranged between 10-13.</li> </ul> <p>The function of this operation is defined as an pseudo C code:</p> <pre> #define SAVE 0; #define RETRV 1;  OC_SaveAndRetrv(val, mode, idx, ex) RQR      val; INTEGER  mode, idx, ex; {   int i, j;   static RQR  buf[14];   if ((mode == SAVE) AND (ex == 0))   {     buf[idx] = val;     buf[10].ra = '00000000'B;     buf[10].fn = '00'O;     buf[11].ra = '00000000'B;     buf[11].fn = '00'O;     buf[12].ra = '00000000'B;     buf[12].fn = '00'O;     buf[13].ra = '00000000'B;     buf[13].fn = '00'O;     return (buf[10]);   }   if ((mode == RETRV) AND (ex == 0))     return (buf[idx]);   if (ex != 0)   {     buf[0].ra = buf[1].ra + '00000001'B;     buf[0].fn = buf[1].fn;     for (j=1, j &lt; 13, j++)     {       for (i=1, i &lt; 14, i++)         if (buf[0] == buf[i])           { buf[0].ra = buf[i].ra + '00000001'B;             break;           }     }     if (i == 14)     {       buf[idx].ra = buf[0].ra;       return (buf[0]);     }   }   buf[idx].ra = buf[j].ra+'00000001'B;   return (buf[idx]); } </pre> |                                                                                                                                                                                                                                                                                                                                                  |
| <b>Detailed Comments:</b>                                                                                                                                                                                                                                                                                                                                                                                                                                                                                                                                                                                                                                                                                                                                                                                                                                                                                                                                                                                                                                                                                                                                                                                                                                                                                                                                                                                                                                                                                                                                                                                                                                                                                                  | <ol style="list-style-type: none"> <li>0. The pseudo C code gives one of the possible implementations for the OC description in prose.</li> <li>1. '00'O should be understood as equivalence of Fn_01, a TTCN structured type constraint.</li> <li>2. The OC can save maximum 13 RQR values. In SAVE mode, idx is ranged between 1-9.</li> </ol> |

3. For  $ex < 0$ , there are maximum 13 scans. In each scan a new value is assigned to  $buf[0].ra$ . If there is a 'non-match' in one of the 13 scans the  $buf[0]$  is returned. In case of 'all-match' for the 13 scans, the pair of ( $buf[i].ra + '00000001'$  at the last scan,  $buf[idx].fn$  is returned ( $idx$  is ranged between 10 - 13).

### Test Suite Operation Definition

**Operation Name:** OC\_StartTime(frmn:FN; t, i:INTEGER)

**Result Type:** STRT

**Comments:**

#### Description

OC\_StartTime operation generates the STARTING TIME IE according to the input parameters.

(\* frmn is the current frame number,  
t is the "delay" in applying the new frequencies,  
i is the contents of the starting time IE. \*)

OC\_StartTime(frmn, t, i)

INTEGER t, i;

FN frmn;

{

int tmp;

STRT strt;

$tmp = 51 * ((frmn.t3 - frmn.t2) \text{ MOD } 26) + frmn.t3 + 1326 * frmn.t1_;$

$tmp = (tmp + t) \text{ MOD } 42432;$

$strt.fn.t1_ = (tmp \text{ DIV } 1326) \text{ MOD } 32;$

$strt.fn.t2 = tmp \text{ MOD } 26;$

$strt.fn.t3 = tmp \text{ MOD } 51;$

$strt.iei = \text{OMIT};$

if ( $i == 1$ )  $strt.iei := '01111100'B$  /\* if  $i=1$  the information element identifier shall be included \

**Detailed Comments:**

### Test Suite Operation Definition

**Operation Name:** OC\_SubOctet(src:OCTETSTRING; len :INTEGER)

**Result Type:** OCTETSTRING

**Comments:**

#### Description

OC\_SubOctet(src, len) is the octetstring of length `len` starting from the leftmost position of the source octetstring `src`.

For example : OC\_SubOctet('123456789ABCDEF'O, 4) = '12345678'O

**Detailed Comments:**

| <b>Test Suite Operation Definition</b>                                                                                                                                                                                                                                                                                                                                                                                                                                                                                                                                                                                                                                                                                                                                                                                                                                                                                                                                                                                                                                                                                                                                                                                                                                                                                                                                                                                                                                                                                                                                                                                                                                                                                                                                                                                                                                                                                                                                                                                                                                                                                                                                                 |                                                        |
|----------------------------------------------------------------------------------------------------------------------------------------------------------------------------------------------------------------------------------------------------------------------------------------------------------------------------------------------------------------------------------------------------------------------------------------------------------------------------------------------------------------------------------------------------------------------------------------------------------------------------------------------------------------------------------------------------------------------------------------------------------------------------------------------------------------------------------------------------------------------------------------------------------------------------------------------------------------------------------------------------------------------------------------------------------------------------------------------------------------------------------------------------------------------------------------------------------------------------------------------------------------------------------------------------------------------------------------------------------------------------------------------------------------------------------------------------------------------------------------------------------------------------------------------------------------------------------------------------------------------------------------------------------------------------------------------------------------------------------------------------------------------------------------------------------------------------------------------------------------------------------------------------------------------------------------------------------------------------------------------------------------------------------------------------------------------------------------------------------------------------------------------------------------------------------------|--------------------------------------------------------|
| <b>Operation Name:</b>                                                                                                                                                                                                                                                                                                                                                                                                                                                                                                                                                                                                                                                                                                                                                                                                                                                                                                                                                                                                                                                                                                                                                                                                                                                                                                                                                                                                                                                                                                                                                                                                                                                                                                                                                                                                                                                                                                                                                                                                                                                                                                                                                                 | OC_SubchOfFacch(subch: B_1; cell:CellID; inst:INTEGER) |
| <b>Result Type:</b>                                                                                                                                                                                                                                                                                                                                                                                                                                                                                                                                                                                                                                                                                                                                                                                                                                                                                                                                                                                                                                                                                                                                                                                                                                                                                                                                                                                                                                                                                                                                                                                                                                                                                                                                                                                                                                                                                                                                                                                                                                                                                                                                                                    | LOGICCH                                                |
| <b>Comments:</b>                                                                                                                                                                                                                                                                                                                                                                                                                                                                                                                                                                                                                                                                                                                                                                                                                                                                                                                                                                                                                                                                                                                                                                                                                                                                                                                                                                                                                                                                                                                                                                                                                                                                                                                                                                                                                                                                                                                                                                                                                                                                                                                                                                       | subch is of type BITSTRING[1]                          |
| <b>Description</b>                                                                                                                                                                                                                                                                                                                                                                                                                                                                                                                                                                                                                                                                                                                                                                                                                                                                                                                                                                                                                                                                                                                                                                                                                                                                                                                                                                                                                                                                                                                                                                                                                                                                                                                                                                                                                                                                                                                                                                                                                                                                                                                                                                     |                                                        |
| <p>OC_SubchOfFacch operation returns a logic channel identifier for FACCHH subchannel indicated by the input parameters `subch`, `cell` and `inst`, where `subch` is the subchannel number, `cell` is the cell identifier which the channel belongs to, `inst` is the instance of the channel.</p> <p>for example:</p> <pre> OC_SubchOfFacch('0'B, C_CellA, 1) = C_FACCHH0_A_1; OC_SubchOfFacch('1'B, C_CellA, 1) = C_FACCHH1_A_1; OC_SubchOfFacch('0'B, C_CellB, 1) = C_FACCHH0_B_1; OC_SubchOfFacch('1'B, C_CellB, 1) = C_FACCHH1_B_1. </pre> <p>pseudo C code definition for the operation as following :</p> <pre> OC_SubchOfFacch(subch, cell, inst) BITSTRING subch; CellID cell; INTEGER inst; {     LOGICCH logch;     if (subch=='0'B &amp;&amp; cell == C_CellA)         switch (inst)         {             case 1 : logch = C_FACCHH0_A_1; break;             case 2 : logch = C_FACCHH0_A_2; break;             case 3 : logch = C_FACCHH0_A_3; break;         }     if (subch=='0'B &amp;&amp; cell == C_CellB)         switch (inst)         {             case 1 : logch = C_FACCHH0_B_1; break;             case 2 : logch = C_FACCHH0_B_2; break;             case 3 : logch = C_FACCHH0_B_3; break;         }     if (subch=='0'B &amp;&amp; cell == C_CellC)         switch (inst)         {             case 1 : logch = C_FACCHH0_C_1; break;             case 2 : logch = C_FACCHH0_C_2; break;             case 3 : logch = C_FACCHH0_C_3; break;         }     if (subch=='1'B &amp;&amp; cell == C_CellA)         switch (inst)         {             case 1 : logch = C_FACCHH1_A_1; break;             case 2 : logch = C_FACCHH1_A_2; break;             case 3 : logch = C_FACCHH1_A_3; break;         }     if (subch=='1'B &amp;&amp; cell == C_CellB)         switch (inst)         {             case 1 : logch = C_FACCHH1_B_1; break;             case 2 : logch = C_FACCHH1_B_2; break;             case 3 : logch = C_FACCHH1_B_3; break;         }     if (subch=='1'B &amp;&amp; cell == C_CellC)         switch (inst)         {             case 1 : logch = C_FACCHH1_C_1; break;             case 2 : logch = C_FACCHH1_C_2; break; </pre> |                                                        |

```
        case 3 : logch = C_FACCHH1_C_3; break;
    }
    return(logch);
}
```

**Detailed Comments:**



| <b>Test Suite Operation Definition</b>                                                                                                                                                                                                                                                                                                                                                                                                                                                                                                                                                                                                                                                                                                                                                                                                                                                                                                                                                                                                                                                                                                                                                                                                                                                                                                                                                                                                                                                                                                                                                                                                                                                                                                                                                                                                                                                                                                                                                                                                                                                                                                                                                                                                                                                                                       |                                                         |
|------------------------------------------------------------------------------------------------------------------------------------------------------------------------------------------------------------------------------------------------------------------------------------------------------------------------------------------------------------------------------------------------------------------------------------------------------------------------------------------------------------------------------------------------------------------------------------------------------------------------------------------------------------------------------------------------------------------------------------------------------------------------------------------------------------------------------------------------------------------------------------------------------------------------------------------------------------------------------------------------------------------------------------------------------------------------------------------------------------------------------------------------------------------------------------------------------------------------------------------------------------------------------------------------------------------------------------------------------------------------------------------------------------------------------------------------------------------------------------------------------------------------------------------------------------------------------------------------------------------------------------------------------------------------------------------------------------------------------------------------------------------------------------------------------------------------------------------------------------------------------------------------------------------------------------------------------------------------------------------------------------------------------------------------------------------------------------------------------------------------------------------------------------------------------------------------------------------------------------------------------------------------------------------------------------------------------|---------------------------------------------------------|
| <b>Operation Name:</b>                                                                                                                                                                                                                                                                                                                                                                                                                                                                                                                                                                                                                                                                                                                                                                                                                                                                                                                                                                                                                                                                                                                                                                                                                                                                                                                                                                                                                                                                                                                                                                                                                                                                                                                                                                                                                                                                                                                                                                                                                                                                                                                                                                                                                                                                                                       | OC_SubchOfSacchh(subch: B_1; cell:CellID; inst:INTEGER) |
| <b>Result Type:</b>                                                                                                                                                                                                                                                                                                                                                                                                                                                                                                                                                                                                                                                                                                                                                                                                                                                                                                                                                                                                                                                                                                                                                                                                                                                                                                                                                                                                                                                                                                                                                                                                                                                                                                                                                                                                                                                                                                                                                                                                                                                                                                                                                                                                                                                                                                          | LOGICCH                                                 |
| <b>Comments:</b>                                                                                                                                                                                                                                                                                                                                                                                                                                                                                                                                                                                                                                                                                                                                                                                                                                                                                                                                                                                                                                                                                                                                                                                                                                                                                                                                                                                                                                                                                                                                                                                                                                                                                                                                                                                                                                                                                                                                                                                                                                                                                                                                                                                                                                                                                                             | subch is of type BITSTRING[1]                           |
| <b>Description</b>                                                                                                                                                                                                                                                                                                                                                                                                                                                                                                                                                                                                                                                                                                                                                                                                                                                                                                                                                                                                                                                                                                                                                                                                                                                                                                                                                                                                                                                                                                                                                                                                                                                                                                                                                                                                                                                                                                                                                                                                                                                                                                                                                                                                                                                                                                           |                                                         |
| <p>OC_SubchOfSacchh operation returns a logic channel identifier for SACCHH subchannel indicated by the input parameters `subch`, `cell` and `inst`, where `subch` is the subchannel number, `cell` is the cell identifier which the channel belongs to, `inst` is the instance of the channel.</p> <p>for example:</p> <pre> OC_SubchOfSacchh('0'B, C_CellA, 1) = C_SACCHH0_A_1; OC_SubchOfSacchh('1'B, C_CellA, 1) = C_SACCHH1_A_1; OC_SubchOfSacchh('0'B, C_CellB, 1) = C_SACCHH0_B_1; OC_SubchOfSacchh('1'B, C_CellB, 1) = C_SACCHH1_B_1. </pre> <p>pseudo C code definition for the operation as following :</p> <pre> OC_SubchOfSacchh(subch, cell, inst) BITSTRING subch; CellID cell; INTEGER inst; {     LOGICCH logch;     if (subch=='0'B &amp;&amp; cell == C_CellA)         switch (inst)             {                 case 1 : logch = C_SACCHH0_A_1; break;                 case 2 : logch = C_SACCHH0_A_2; break;                 case 3 : logch = C_SACCHH0_A_3; break;             }     if (subch=='0'B &amp;&amp; cell == C_CellB)         switch (inst)             {                 case 1 : logch = C_SACCHH0_B_1; break;                 case 2 : logch = C_SACCHH0_B_2; break;                 case 3 : logch = C_SACCHH0_B_3; break;             }     if (subch=='0'B &amp;&amp; cell == C_CellC)         switch (inst)             {                 case 1 : logch = C_SACCHH0_C_1; break;                 case 2 : logch = C_SACCHH0_C_2; break;                 case 3 : logch = C_SACCHH0_C_3; break;             }     if (subch=='1'B &amp;&amp; cell == C_CellA)         switch (inst)             {                 case 1 : logch = C_SACCHH1_A_1; break;                 case 2 : logch = C_SACCHH1_A_2; break;                 case 3 : logch = C_SACCHH1_A_3; break;             }     if (subch=='1'B &amp;&amp; cell == C_CellB)         switch (inst)             {                 case 1 : logch = C_SACCHH1_B_1; break;                 case 2 : logch = C_SACCHH1_B_2; break;                 case 3 : logch = C_SACCHH1_B_3; break;             }     if (subch=='1'B &amp;&amp; cell == C_CellC)         switch (inst)             {                 case 1 : logch = C_SACCHH1_C_1; break;                 case 2 : logch = C_SACCHH1_C_2; break;             } } </pre> |                                                         |

```

        case 3 : logch = C_SACCHH1_C_3; break;
    }
    return(logch);
}
    
```

**Detailed Comments:**

### Test Suite Operation Definition

**Operation Name:** OC\_SubchOfSacch4(subch: B\_2; cell:CellID)  
**Result Type:** LOGICCH  
**Comments:**

#### Description

OC\_SubchOfSacch4 operation returns a logic channel identifier for SACCH4 subchannel indicated by the input parameters `subch` and `cell`, where `subch` is the TDMA offset, `cell` is the cell identifier which the channel belongs to.

for example:

```

OC_SubchOfSacch4('00'B, C_CellA) = C_SACCHC40_A;
OC_SubchOfSacch4('01'B, C_CellA) = C_SACCHC41_A;
OC_SubchOfSacch4('10'B, C_CellA) = C_SACCHC42_A;
OC_SubchOfSacch4('11'B, C_CellA) = C_SACCHC43_A;
OC_SubchOfSacch4('00'B, C_CellB) = C_SACCHC40_B;
OC_SubchOfSacch4('01'B, C_CellB) = C_SACCHC41_B.
    
```

pseudo C code definition for the operation as following :

```

OC_SubchOfSacch4(subch, cell)
BITSTRING subch;
CellID cell;
{
    LOGICCH logch;
    if (cell == C_CellA)
        switch (subch)
        {
            case '00'B : logch = C_SACCHC40_A; break;
            case '01'B : logch = C_SACCHC41_A; break;
            case '10'B : logch = C_SACCHC42_A; break;
            case '11'B : logch = C_SACCHC43_A; break;
        }
    if (cell == C_CellB)
        switch (subch)
        {
            case '00'B : logch = C_SACCHC40_B; break;
            case '01'B : logch = C_SACCHC41_B; break;
            case '10'B : logch = C_SACCHC42_B; break;
            case '11'B : logch = C_SACCHC43_B; break;
        }
    if (cell == C_CellC)
        switch (subch)
        {
            case '00'B : logch = C_SACCHC40_C; break;
            case '01'B : logch = C_SACCHC41_C; break;
            case '10'B : logch = C_SACCHC42_C; break;
            case '11'B : logch = C_SACCHC43_C; break;
        }
    return(logch);
}
    
```

**Detailed Comments:**

| <b>Test Suite Operation Definition</b>                                                                                                                                                                                                                                                                                                                                                                                                                                                                                                                                                                                                                                                                                                                                                                                                                                                                                                                                                                                                                                                                                                                                                                                                                                                                                                                                                                                                                                                                                                                                                                                                                                                                                                                                                                                                                                                                                                                                                                                                                                                                                                                                                                                                                                                                                                                                                                                                                                                                                                                                                                                                                                                                         |                                                         |
|----------------------------------------------------------------------------------------------------------------------------------------------------------------------------------------------------------------------------------------------------------------------------------------------------------------------------------------------------------------------------------------------------------------------------------------------------------------------------------------------------------------------------------------------------------------------------------------------------------------------------------------------------------------------------------------------------------------------------------------------------------------------------------------------------------------------------------------------------------------------------------------------------------------------------------------------------------------------------------------------------------------------------------------------------------------------------------------------------------------------------------------------------------------------------------------------------------------------------------------------------------------------------------------------------------------------------------------------------------------------------------------------------------------------------------------------------------------------------------------------------------------------------------------------------------------------------------------------------------------------------------------------------------------------------------------------------------------------------------------------------------------------------------------------------------------------------------------------------------------------------------------------------------------------------------------------------------------------------------------------------------------------------------------------------------------------------------------------------------------------------------------------------------------------------------------------------------------------------------------------------------------------------------------------------------------------------------------------------------------------------------------------------------------------------------------------------------------------------------------------------------------------------------------------------------------------------------------------------------------------------------------------------------------------------------------------------------------|---------------------------------------------------------|
| <b>Operation Name:</b>                                                                                                                                                                                                                                                                                                                                                                                                                                                                                                                                                                                                                                                                                                                                                                                                                                                                                                                                                                                                                                                                                                                                                                                                                                                                                                                                                                                                                                                                                                                                                                                                                                                                                                                                                                                                                                                                                                                                                                                                                                                                                                                                                                                                                                                                                                                                                                                                                                                                                                                                                                                                                                                                                         | OC_SubchOfSacch8(subch: B_3; cell:CellID; inst:INTEGER) |
| <b>Result Type:</b>                                                                                                                                                                                                                                                                                                                                                                                                                                                                                                                                                                                                                                                                                                                                                                                                                                                                                                                                                                                                                                                                                                                                                                                                                                                                                                                                                                                                                                                                                                                                                                                                                                                                                                                                                                                                                                                                                                                                                                                                                                                                                                                                                                                                                                                                                                                                                                                                                                                                                                                                                                                                                                                                                            | LOGICCH                                                 |
| <b>Comments:</b>                                                                                                                                                                                                                                                                                                                                                                                                                                                                                                                                                                                                                                                                                                                                                                                                                                                                                                                                                                                                                                                                                                                                                                                                                                                                                                                                                                                                                                                                                                                                                                                                                                                                                                                                                                                                                                                                                                                                                                                                                                                                                                                                                                                                                                                                                                                                                                                                                                                                                                                                                                                                                                                                                               | offset is of type BITSTRING[3]                          |
| <b>Description</b>                                                                                                                                                                                                                                                                                                                                                                                                                                                                                                                                                                                                                                                                                                                                                                                                                                                                                                                                                                                                                                                                                                                                                                                                                                                                                                                                                                                                                                                                                                                                                                                                                                                                                                                                                                                                                                                                                                                                                                                                                                                                                                                                                                                                                                                                                                                                                                                                                                                                                                                                                                                                                                                                                             |                                                         |
| <p>OC_SubchOfSacch8 operation returns a logic channel identifier for SACCHC8 subchannel indicated by the input parameters `subch`, `cell` and `inst`, where `subch` is the TDMA offset, `cell` is the cell identifier which the channel belongs to, `inst` is the instance of the channel.</p> <p>for example:</p> <pre> OC_SubchOfSacch8('000'B, C_CellA, 1) = C_SACCHC80_A_1; OC_SubchOfSacch8('001'B, C_CellA, 1) = C_SACCHC81_A_1; OC_SubchOfSacch8('010'B, C_CellA, 1) = C_SACCHC82_A_1; OC_SubchOfSacch8('011'B, C_CellA, 1) = C_SACCHC83_A_1; OC_SubchOfSacch8('100'B, C_CellA, 1) = C_SACCHC84_A_1; OC_SubchOfSacch8('101'B, C_CellA, 1) = C_SACCHC85_A_1; OC_SubchOfSacch8('110'B, C_CellA, 1) = C_SACCHC86_A_1; OC_SubchOfSacch8('111'B, C_CellA, 1) = C_SACCHC87_A_1; OC_SubchOfSacch8('000'B, C_CellB, 1) = C_SACCHC80_B_1; OC_SubchOfSacch8('001'B, C_CellB, 1) = C_SACCHC81_B_1; OC_SubchOfSacch8('000'B, C_CellC, 2) = C_SACCHC80_C_2; OC_SubchOfSacch8('001'B, C_CellC, 2) = C_SACCHC81_C_2. </pre> <p>pseudo C code definition for the operation as following :</p> <pre> OC_SubchOfSacch8(subch, cell, inst) BITSTRING subch; CellID cell; INTEGER inst; {     LOGICCH logch;     if (inst==1 &amp;&amp; cell == C_CellA)         switch (subch)         {             case '000'B : logch = C_SACCHC80_A_1; break;             case '001'B : logch = C_SACCHC81_A_1; break;             case '010'B : logch = C_SACCHC82_A_1; break;             case '011'B : logch = C_SACCHC83_A_1; break;             case '100'B : logch = C_SACCHC84_A_1; break;             case '101'B : logch = C_SACCHC85_A_1; break;             case '110'B : logch = C_SACCHC86_A_1; break;             case '111'B : logch = C_SACCHC87_A_1; break;         }     if (inst==2 &amp;&amp; cell == C_CellA)         switch (subch)         {             case '000'B : logch = C_SACCHC80_A_2; break;             case '001'B : logch = C_SACCHC81_A_2; break;             case '010'B : logch = C_SACCHC82_A_2; break;             case '011'B : logch = C_SACCHC83_A_2; break;             case '100'B : logch = C_SACCHC84_A_2; break;             case '101'B : logch = C_SACCHC85_A_2; break;             case '110'B : logch = C_SACCHC86_A_2; break;             case '111'B : logch = C_SACCHC87_A_2; break;         }     if (inst==3 &amp;&amp; cell == C_CellA)         switch (subch)         {             case '000'B : logch = C_SACCHC80_A_3; break;             case '001'B : logch = C_SACCHC81_A_3; break;             case '010'B : logch = C_SACCHC82_A_3; break;             case '011'B : logch = C_SACCHC83_A_3; break;             case '100'B : logch = C_SACCHC84_A_3; break; </pre> |                                                         |

```
    case '101'B : logch = C_SACCHC85_A_3; break;
    case '110'B : logch = C_SACCHC86_A_3; break;
    case '111'B : logch = C_SACCHC87_A_3; break;
  }
if (inst==1 && cell == C_CellB)
  switch (subch)
  {
    case '000'B : logch = C_SACCHC80_B_1; break;
    case '001'B : logch = C_SACCHC81_B_1; break;
    case '010'B : logch = C_SACCHC82_B_1; break;
    case '011'B : logch = C_SACCHC83_B_1; break;
    case '100'B : logch = C_SACCHC84_B_1; break;
    case '101'B : logch = C_SACCHC85_B_1; break;
    case '110'B : logch = C_SACCHC86_B_1; break;
    case '111'B : logch = C_SACCHC87_B_1; break;
  }
if (inst==2 && cell == C_CellB)
  switch (subch)
  {
    case '000'B : logch = C_SACCHC80_B_2; break;
    case '001'B : logch = C_SACCHC81_B_2; break;
    case '010'B : logch = C_SACCHC82_B_2; break;
    case '011'B : logch = C_SACCHC83_B_2; break;
    case '100'B : logch = C_SACCHC84_B_2; break;
    case '101'B : logch = C_SACCHC85_B_2; break;
    case '110'B : logch = C_SACCHC86_B_2; break;
    case '111'B : logch = C_SACCHC87_B_2; break;
  }
if (inst==3 && cell == C_CellB)
  switch (subch)
  {
    case '000'B : logch = C_SACCHC80_B_3; break;
    case '001'B : logch = C_SACCHC81_B_3; break;
    case '010'B : logch = C_SACCHC82_B_3; break;
    case '011'B : logch = C_SACCHC83_B_3; break;
    case '100'B : logch = C_SACCHC84_B_3; break;
    case '101'B : logch = C_SACCHC85_B_3; break;
    case '110'B : logch = C_SACCHC86_B_3; break;
    case '111'B : logch = C_SACCHC87_B_3; break;
  }
if (inst==1 && cell == C_CellC)
  switch (subch)
  {
    case '000'B : logch = C_SACCHC80_C_1; break;
    case '001'B : logch = C_SACCHC81_C_1; break;
    case '010'B : logch = C_SACCHC82_C_1; break;
    case '011'B : logch = C_SACCHC83_C_1; break;
    case '100'B : logch = C_SACCHC84_C_1; break;
    case '101'B : logch = C_SACCHC85_C_1; break;
    case '110'B : logch = C_SACCHC86_C_1; break;
    case '111'B : logch = C_SACCHC87_C_1; break;
  }
if (inst==2 && cell == C_CellC)
  switch (subch)
  {
    case '000'B : logch = C_SACCHC80_C_2; break;
    case '001'B : logch = C_SACCHC81_C_2; break;
    case '010'B : logch = C_SACCHC82_C_2; break;
    case '011'B : logch = C_SACCHC83_C_2; break;
    case '100'B : logch = C_SACCHC84_C_2; break;
    case '101'B : logch = C_SACCHC85_C_2; break;
    case '110'B : logch = C_SACCHC86_C_2; break;
    case '111'B : logch = C_SACCHC87_C_2; break;
  }
if (inst==3 && cell == C_CellC)
```

```
switch (subch)
{
  case '000'B : logch = C_SACCHC80_C_3; break;
  case '001'B : logch = C_SACCHC81_C_3; break;
  case '010'B : logch = C_SACCHC82_C_3; break;
  case '011'B : logch = C_SACCHC83_C_3; break;
  case '100'B : logch = C_SACCHC84_C_3; break;
  case '101'B : logch = C_SACCHC85_C_3; break;
  case '110'B : logch = C_SACCHC86_C_3; break;
  case '111'B : logch = C_SACCHC87_C_3; break;
}
return(logch);
}
```

**Detailed Comments:**

| <b>Test Suite Operation Definition</b>                                                                                                                                                                                                                                                                                                                                                                                                                                                                                                                                                                                                                                                                                                                                                                                                                                                                                                                                                                                                                                                                                                                                                                                                                                                                                                                                                                                                                                                                                                                  |                                           |
|---------------------------------------------------------------------------------------------------------------------------------------------------------------------------------------------------------------------------------------------------------------------------------------------------------------------------------------------------------------------------------------------------------------------------------------------------------------------------------------------------------------------------------------------------------------------------------------------------------------------------------------------------------------------------------------------------------------------------------------------------------------------------------------------------------------------------------------------------------------------------------------------------------------------------------------------------------------------------------------------------------------------------------------------------------------------------------------------------------------------------------------------------------------------------------------------------------------------------------------------------------------------------------------------------------------------------------------------------------------------------------------------------------------------------------------------------------------------------------------------------------------------------------------------------------|-------------------------------------------|
| <b>Operation Name:</b>                                                                                                                                                                                                                                                                                                                                                                                                                                                                                                                                                                                                                                                                                                                                                                                                                                                                                                                                                                                                                                                                                                                                                                                                                                                                                                                                                                                                                                                                                                                                  | OC_SubchOfSdcch4(subch: B_2; cell:CellID) |
| <b>Result Type:</b>                                                                                                                                                                                                                                                                                                                                                                                                                                                                                                                                                                                                                                                                                                                                                                                                                                                                                                                                                                                                                                                                                                                                                                                                                                                                                                                                                                                                                                                                                                                                     | LOGICCH                                   |
| <b>Comments:</b>                                                                                                                                                                                                                                                                                                                                                                                                                                                                                                                                                                                                                                                                                                                                                                                                                                                                                                                                                                                                                                                                                                                                                                                                                                                                                                                                                                                                                                                                                                                                        |                                           |
| Description                                                                                                                                                                                                                                                                                                                                                                                                                                                                                                                                                                                                                                                                                                                                                                                                                                                                                                                                                                                                                                                                                                                                                                                                                                                                                                                                                                                                                                                                                                                                             |                                           |
| <p>OC_SubchOfSdcch4 operation returns a logic channel identifier for SDCCH4 subchannel indicated by the input parameters `subch` and `cell`, where `subch` is the TDMA offset, `cell` is the cell identifier which the channel belongs to.</p> <p>for example:</p> <pre> OC_SubchOfSdcch4('00'B, C_CellA) = C_SDCCH40_A; OC_SubchOfSdcch4('01'B, C_CellA) = C_SDCCH41_A; OC_SubchOfSdcch4('10'B, C_CellA) = C_SDCCH42_A; OC_SubchOfSdcch4('11'B, C_CellA) = C_SDCCH43_A; OC_SubchOfSdcch4('00'B, C_CellB) = C_SDCCH40_B; OC_SubchOfSdcch4('01'B, C_CellB) = C_SDCCH41_B.</pre> <p>pseudo C code definition for the operation as following :</p> <pre> OC_SubchOfSdcch4(subch, cell) BITSTRING subch; CellID cell; {   LOGICCH logch;   if (cell == C_CellA)     switch (subch)       {         case '00'B : logch = C_SDCCH40_A; break;         case '01'B : logch = C_SDCCH41_A; break;         case '10'B : logch = C_SDCCH42_A; break;         case '11'B : logch = C_SDCCH43_A; break;       }   if (cell == C_CellB)     switch (subch)       {         case '00'B : logch = C_SDCCH40_B; break;         case '01'B : logch = C_SDCCH41_B; break;         case '10'B : logch = C_SDCCH42_B; break;         case '11'B : logch = C_SDCCH43_B; break;       }   if (cell == C_CellC)     switch (subch)       {         case '00'B : logch = C_SDCCH40_C; break;         case '01'B : logch = C_SDCCH41_C; break;         case '10'B : logch = C_SDCCH42_C; break;         case '11'B : logch = C_SDCCH43_C; break;       }   return(logch); }</pre> |                                           |
| <b>Detailed Comments:</b>                                                                                                                                                                                                                                                                                                                                                                                                                                                                                                                                                                                                                                                                                                                                                                                                                                                                                                                                                                                                                                                                                                                                                                                                                                                                                                                                                                                                                                                                                                                               |                                           |

| <b>Test Suite Operation Definition</b>                                                                                                                                                                                                                                                                                                                                                                                                                                                                                                                                                                                                                                                                                                                                                                                                                                                                                                                                                                                                                                                                                                                                                                                                                                                                                                                                                                                                                                                                                                                                                                                                                                                                                                                                                                                                                                                                                                                                                                                                                                                                                                                                                                                                                                                                                                                                                                                                                                                               |                                                         |
|------------------------------------------------------------------------------------------------------------------------------------------------------------------------------------------------------------------------------------------------------------------------------------------------------------------------------------------------------------------------------------------------------------------------------------------------------------------------------------------------------------------------------------------------------------------------------------------------------------------------------------------------------------------------------------------------------------------------------------------------------------------------------------------------------------------------------------------------------------------------------------------------------------------------------------------------------------------------------------------------------------------------------------------------------------------------------------------------------------------------------------------------------------------------------------------------------------------------------------------------------------------------------------------------------------------------------------------------------------------------------------------------------------------------------------------------------------------------------------------------------------------------------------------------------------------------------------------------------------------------------------------------------------------------------------------------------------------------------------------------------------------------------------------------------------------------------------------------------------------------------------------------------------------------------------------------------------------------------------------------------------------------------------------------------------------------------------------------------------------------------------------------------------------------------------------------------------------------------------------------------------------------------------------------------------------------------------------------------------------------------------------------------------------------------------------------------------------------------------------------------|---------------------------------------------------------|
| <b>Operation Name:</b>                                                                                                                                                                                                                                                                                                                                                                                                                                                                                                                                                                                                                                                                                                                                                                                                                                                                                                                                                                                                                                                                                                                                                                                                                                                                                                                                                                                                                                                                                                                                                                                                                                                                                                                                                                                                                                                                                                                                                                                                                                                                                                                                                                                                                                                                                                                                                                                                                                                                               | OC_SubchOfSdcch8(subch: B_3; cell:CellID; inst:INTEGER) |
| <b>Result Type:</b>                                                                                                                                                                                                                                                                                                                                                                                                                                                                                                                                                                                                                                                                                                                                                                                                                                                                                                                                                                                                                                                                                                                                                                                                                                                                                                                                                                                                                                                                                                                                                                                                                                                                                                                                                                                                                                                                                                                                                                                                                                                                                                                                                                                                                                                                                                                                                                                                                                                                                  | LOGICCH                                                 |
| <b>Comments:</b>                                                                                                                                                                                                                                                                                                                                                                                                                                                                                                                                                                                                                                                                                                                                                                                                                                                                                                                                                                                                                                                                                                                                                                                                                                                                                                                                                                                                                                                                                                                                                                                                                                                                                                                                                                                                                                                                                                                                                                                                                                                                                                                                                                                                                                                                                                                                                                                                                                                                                     | offset is of type BITSTRING[3]                          |
| <b>Description</b>                                                                                                                                                                                                                                                                                                                                                                                                                                                                                                                                                                                                                                                                                                                                                                                                                                                                                                                                                                                                                                                                                                                                                                                                                                                                                                                                                                                                                                                                                                                                                                                                                                                                                                                                                                                                                                                                                                                                                                                                                                                                                                                                                                                                                                                                                                                                                                                                                                                                                   |                                                         |
| <p>OC_SubchOfSdcch8 operation returns a logic channel identifier for SDCCH8 subchannel indicated by the input parameters `subch`, `cell` and `inst`, where `subch` is the TDMA offset, `cell` is the cell identifier which the channel belongs to, `inst` is the instance of the channel.</p> <p>for example:</p> <pre> OC_SubchOfSdcch8('000'B, C_CellA, 1) = C_SDCCH80_A_1; OC_SubchOfSdcch8('001'B, C_CellA, 1) = C_SDCCH81_A_1; OC_SubchOfSdcch8('010'B, C_CellA, 1) = C_SDCCH82_A_1; OC_SubchOfSdcch8('011'B, C_CellA, 1) = C_SDCCH83_A_1; OC_SubchOfSdcch8('100'B, C_CellA, 1) = C_SDCCH84_A_1; OC_SubchOfSdcch8('101'B, C_CellA, 1) = C_SDCCH85_A_1; OC_SubchOfSdcch8('110'B, C_CellA, 1) = C_SDCCH86_A_1; OC_SubchOfSdcch8('111'B, C_CellA, 1) = C_SDCCH87_A_1; OC_SubchOfSdcch8('000'B, C_CellB, 1) = C_SDCCH80_B_1; OC_SubchOfSdcch8('001'B, C_CellB, 1) = C_SDCCH81_B_1; OC_SubchOfSdcch8('000'B, C_CellC, 2) = C_SDCCH80_C_2; OC_SubchOfSdcch8('001'B, C_CellC, 2) = C_SDCCH81_C_2.</pre> <p>pseudo C code definition for the operation as following :</p> <pre> OC_SubchOfSdcch8(subch, cell, inst) BITSTRING subch; CellID cell; INTEGER inst; {   LOGICCH logch;   if (inst==1 &amp;&amp; cell == C_CellA)     switch (subch)     {       case '000'B : logch = C_SDCCH80_A_1; break;       case '001'B : logch = C_SDCCH81_A_1; break;       case '010'B : logch = C_SDCCH82_A_1; break;       case '011'B : logch = C_SDCCH83_A_1; break;       case '100'B : logch = C_SDCCH84_A_1; break;       case '101'B : logch = C_SDCCH85_A_1; break;       case '110'B : logch = C_SDCCH86_A_1; break;       case '111'B : logch = C_SDCCH87_A_1; break;     }   if (inst==2 &amp;&amp; cell == C_CellA)     switch (subch)     {       case '000'B : logch = C_SDCCH80_A_2; break;       case '001'B : logch = C_SDCCH81_A_2; break;       case '010'B : logch = C_SDCCH82_A_2; break;       case '011'B : logch = C_SDCCH83_A_2; break;       case '100'B : logch = C_SDCCH84_A_2; break;       case '101'B : logch = C_SDCCH85_A_2; break;       case '110'B : logch = C_SDCCH86_A_2; break;       case '111'B : logch = C_SDCCH87_A_2; break;     }   if (inst==3 &amp;&amp; cell == C_CellA)     switch (subch)     {       case '000'B : logch = C_SDCCH80_A_3; break;       case '001'B : logch = C_SDCCH81_A_3; break;       case '010'B : logch = C_SDCCH82_A_3; break;       case '011'B : logch = C_SDCCH83_A_3; break;       case '100'B : logch = C_SDCCH84_A_3; break;</pre> |                                                         |

```
    case '101'B : logch = C_SDCCH85_A_3; break;
    case '110'B : logch = C_SDCCH86_A_3; break;
    case '111'B : logch = C_SDCCH87_A_3; break;
  }
if (inst==1 && cell == C_CellB)
  switch (subch)
  {
    case '000'B : logch = C_SDCCH80_B_1; break;
    case '001'B : logch = C_SDCCH81_B_1; break;
    case '010'B : logch = C_SDCCH82_B_1; break;
    case '011'B : logch = C_SDCCH83_B_1; break;
    case '100'B : logch = C_SDCCH84_B_1; break;
    case '101'B : logch = C_SDCCH85_B_1; break;
    case '110'B : logch = C_SDCCH86_B_1; break;
    case '111'B : logch = C_SDCCH87_B_1; break;
  }
if (inst==2 && cell == C_CellB)
  switch (subch)
  {
    case '000'B : logch = C_SDCCH80_B_2; break;
    case '001'B : logch = C_SDCCH81_B_2; break;
    case '010'B : logch = C_SDCCH82_B_2; break;
    case '011'B : logch = C_SDCCH83_B_2; break;
    case '100'B : logch = C_SDCCH84_B_2; break;
    case '101'B : logch = C_SDCCH85_B_2; break;
    case '110'B : logch = C_SDCCH86_B_2; break;
    case '111'B : logch = C_SDCCH87_B_2; break;
  }
if (inst==3 && cell == C_CellB)
  switch (subch)
  {
    case '000'B : logch = C_SDCCH80_B_3; break;
    case '001'B : logch = C_SDCCH81_B_3; break;
    case '010'B : logch = C_SDCCH82_B_3; break;
    case '011'B : logch = C_SDCCH83_B_3; break;
    case '100'B : logch = C_SDCCH84_B_3; break;
    case '101'B : logch = C_SDCCH85_B_3; break;
    case '110'B : logch = C_SDCCH86_B_3; break;
    case '111'B : logch = C_SDCCH87_B_3; break;
  }
if (inst==1 && cell == C_CellC)
  switch (subch)
  {
    case '000'B : logch = C_SDCCH80_C_1; break;
    case '001'B : logch = C_SDCCH81_C_1; break;
    case '010'B : logch = C_SDCCH82_C_1; break;
    case '011'B : logch = C_SDCCH83_C_1; break;
    case '100'B : logch = C_SDCCH84_C_1; break;
    case '101'B : logch = C_SDCCH85_C_1; break;
    case '110'B : logch = C_SDCCH86_C_1; break;
    case '111'B : logch = C_SDCCH87_C_1; break;
  }
if (inst==2 && cell == C_CellC)
  switch (subch)
  {
    case '000'B : logch = C_SDCCH80_C_2; break;
    case '001'B : logch = C_SDCCH81_C_2; break;
    case '010'B : logch = C_SDCCH82_C_2; break;
    case '011'B : logch = C_SDCCH83_C_2; break;
    case '100'B : logch = C_SDCCH84_C_2; break;
    case '101'B : logch = C_SDCCH85_C_2; break;
    case '110'B : logch = C_SDCCH86_C_2; break;
    case '111'B : logch = C_SDCCH87_C_2; break;
  }
if (inst==3 && cell == C_CellC)
```



|                                                                                                                                                                                                                                                                                                                                                                                                                                  |
|----------------------------------------------------------------------------------------------------------------------------------------------------------------------------------------------------------------------------------------------------------------------------------------------------------------------------------------------------------------------------------------------------------------------------------|
| <pre> switch (subch) {   case '000'B : logch = C_SDCCH80_C_3; break;   case '001'B : logch = C_SDCCH81_C_3; break;   case '010'B : logch = C_SDCCH82_C_3; break;   case '011'B : logch = C_SDCCH83_C_3; break;   case '100'B : logch = C_SDCCH84_C_3; break;   case '101'B : logch = C_SDCCH85_C_3; break;   case '110'B : logch = C_SDCCH86_C_3; break;   case '111'B : logch = C_SDCCH87_C_3; break; } return(logch); } </pre> |
| <b>Detailed Comments:</b>                                                                                                                                                                                                                                                                                                                                                                                                        |

| <b>Test Suite Operation Definition</b>                                                                                                                                                                                                                                                                                                                                                                                                                                                                                                                                                                                                                                                                                                                                                                                                                                                                                                   |                                                 |
|------------------------------------------------------------------------------------------------------------------------------------------------------------------------------------------------------------------------------------------------------------------------------------------------------------------------------------------------------------------------------------------------------------------------------------------------------------------------------------------------------------------------------------------------------------------------------------------------------------------------------------------------------------------------------------------------------------------------------------------------------------------------------------------------------------------------------------------------------------------------------------------------------------------------------------------|-------------------------------------------------|
| <b>Operation Name:</b>                                                                                                                                                                                                                                                                                                                                                                                                                                                                                                                                                                                                                                                                                                                                                                                                                                                                                                                   | OM_2Msgs(ch:LOGICCH; pgg:PGG; mode:SENDINGMODE) |
| <b>Result Type:</b>                                                                                                                                                                                                                                                                                                                                                                                                                                                                                                                                                                                                                                                                                                                                                                                                                                                                                                                      | BOOLEAN                                         |
| <b>Comments:</b>                                                                                                                                                                                                                                                                                                                                                                                                                                                                                                                                                                                                                                                                                                                                                                                                                                                                                                                         |                                                 |
| <b>Description</b>                                                                                                                                                                                                                                                                                                                                                                                                                                                                                                                                                                                                                                                                                                                                                                                                                                                                                                                       |                                                 |
| <p>OM_2Msgs puts the layer 2 emulator into a special operation mode then returns. In this special mode the layer 2 emulator sends the next two consecutive messages in the following way:</p> <ul style="list-style-type: none"> <li>- send the first message on the paging subchannel indicated by the `pgg` and `ch`;</li> <li>- if the `mode` = C_NxtButOne, send the second message in the next but one paging sub block;</li> <li>- if the `mode` = C_FmrAGB, send the second message in a former access grant block;</li> <li>- if the `mode` = C_BfReOcc, send the second message before the MS's original paging subchannel re-occurs but later than the next paging block of that CCCH (paging block not belong to the MS);</li> <li>- if the `mode` = C_NxtButOneNxt, nothing is sent in the next but one paging sub block, then send the second message in the next paging subblock of the MS's paging subchannel.</li> </ul> |                                                 |
| <b>Detailed Comments:</b>                                                                                                                                                                                                                                                                                                                                                                                                                                                                                                                                                                                                                                                                                                                                                                                                                                                                                                                |                                                 |

| <b>Test Suite Operation Definition</b>                                                                                                                                                                                                                                                                                                                                                                                                                                                                                                                                                                                                                                                                                                                                                                                                                                                                                                                                                                                                                                                                                                                                                                                                                                                                                                                                                                                                                                                                                                                                                                                                                                                                                                                                                                                                                                                                                                                                                                                                                                                                                                                                                                                                                                                                                                                                                                                                                                                                                                                                                                                                                                                                                                                                                                                                                                                                                                                                                                                                                                                                                                                                                                                                                                                                                                                                                                                                   |                                                                                                                                                                                                                                                                                                                                                 |
|------------------------------------------------------------------------------------------------------------------------------------------------------------------------------------------------------------------------------------------------------------------------------------------------------------------------------------------------------------------------------------------------------------------------------------------------------------------------------------------------------------------------------------------------------------------------------------------------------------------------------------------------------------------------------------------------------------------------------------------------------------------------------------------------------------------------------------------------------------------------------------------------------------------------------------------------------------------------------------------------------------------------------------------------------------------------------------------------------------------------------------------------------------------------------------------------------------------------------------------------------------------------------------------------------------------------------------------------------------------------------------------------------------------------------------------------------------------------------------------------------------------------------------------------------------------------------------------------------------------------------------------------------------------------------------------------------------------------------------------------------------------------------------------------------------------------------------------------------------------------------------------------------------------------------------------------------------------------------------------------------------------------------------------------------------------------------------------------------------------------------------------------------------------------------------------------------------------------------------------------------------------------------------------------------------------------------------------------------------------------------------------------------------------------------------------------------------------------------------------------------------------------------------------------------------------------------------------------------------------------------------------------------------------------------------------------------------------------------------------------------------------------------------------------------------------------------------------------------------------------------------------------------------------------------------------------------------------------------------------------------------------------------------------------------------------------------------------------------------------------------------------------------------------------------------------------------------------------------------------------------------------------------------------------------------------------------------------------------------------------------------------------------------------------------------------|-------------------------------------------------------------------------------------------------------------------------------------------------------------------------------------------------------------------------------------------------------------------------------------------------------------------------------------------------|
| <b>Operation Name:</b>                                                                                                                                                                                                                                                                                                                                                                                                                                                                                                                                                                                                                                                                                                                                                                                                                                                                                                                                                                                                                                                                                                                                                                                                                                                                                                                                                                                                                                                                                                                                                                                                                                                                                                                                                                                                                                                                                                                                                                                                                                                                                                                                                                                                                                                                                                                                                                                                                                                                                                                                                                                                                                                                                                                                                                                                                                                                                                                                                                                                                                                                                                                                                                                                                                                                                                                                                                                                                   | OM_Assoc(lgch1:LOGICCH; sublgch1:LOGICCH; sublgch2:LOGICCH; sublgch3:LOGICCH; sublgch4:LOGICCH; sublgch5:LOGICCH; sublgch6:LOGICCH; sublgch7: LOGICCH; sublgch8:LOGICCH; lgch2:LOGICCH; sublgch9:LOGICCH; sublgch10:LOGICCH; sublgch11:LOGICCH; sublgch12:LOGICCH; sublgch13:LOGICCH; sublgch14:LOGICCH; sublgch15: LOGICCH; sublgch16:LOGICCH) |
| <b>Result Type:</b>                                                                                                                                                                                                                                                                                                                                                                                                                                                                                                                                                                                                                                                                                                                                                                                                                                                                                                                                                                                                                                                                                                                                                                                                                                                                                                                                                                                                                                                                                                                                                                                                                                                                                                                                                                                                                                                                                                                                                                                                                                                                                                                                                                                                                                                                                                                                                                                                                                                                                                                                                                                                                                                                                                                                                                                                                                                                                                                                                                                                                                                                                                                                                                                                                                                                                                                                                                                                                      | BOOLEAN                                                                                                                                                                                                                                                                                                                                         |
| <b>Comments:</b>                                                                                                                                                                                                                                                                                                                                                                                                                                                                                                                                                                                                                                                                                                                                                                                                                                                                                                                                                                                                                                                                                                                                                                                                                                                                                                                                                                                                                                                                                                                                                                                                                                                                                                                                                                                                                                                                                                                                                                                                                                                                                                                                                                                                                                                                                                                                                                                                                                                                                                                                                                                                                                                                                                                                                                                                                                                                                                                                                                                                                                                                                                                                                                                                                                                                                                                                                                                                                         |                                                                                                                                                                                                                                                                                                                                                 |
| <b>Description</b>                                                                                                                                                                                                                                                                                                                                                                                                                                                                                                                                                                                                                                                                                                                                                                                                                                                                                                                                                                                                                                                                                                                                                                                                                                                                                                                                                                                                                                                                                                                                                                                                                                                                                                                                                                                                                                                                                                                                                                                                                                                                                                                                                                                                                                                                                                                                                                                                                                                                                                                                                                                                                                                                                                                                                                                                                                                                                                                                                                                                                                                                                                                                                                                                                                                                                                                                                                                                                       |                                                                                                                                                                                                                                                                                                                                                 |
| <p>OM_Assoc operation associates the sub logic channel identifiers `sublgch1` to `sublgch8` and `sublgch9` to `sublgch16` with the generic "parent" channel identifier `lgch1` and `lgch2` respectively, therefore the subchannel identifiers can refer to the corresponding channels configured by OM_ChConf operation.</p> <p>The `lgch1` can be an identifier for SDCCH4, SDCCH8, FACCH and the `lgch2` can be SACCHC4, SACCHC8, and SACCHH.</p> <p>"dummy" in the actual parameter list means the corresponding parameter is not used.</p> <p>Naming convention for logical channel constants:</p> <p style="text-align: center;">C_&lt;channel type&gt;[&lt;rate&gt;][&lt;subchannel&gt;][_&lt;cell&gt;][_&lt;instance&gt;]</p> <p>e.g.: C_FACCH H 0 _C _3 =&gt; C_FACCH0_C_3</p> <p>channel type: FCCH, SCH, BCCH, CBCH, PCH, RACH, FACCH, SACCH, SDCCH, DCCH</p> <p>rate: F(ull), H(alf), 4 (fourths, C4 for SACCHC4), 8 (eighths, C8 for SACCHC8).</p> <p>subchannel: H: 0, 1<br/>(C)4: 0, ..., 3<br/>(C)8: 0, ..., 7</p> <p>cell: A, ..., H</p> <p>instance: 1, ..., 3 When several channels of the same type can exist in one cell simultaneously (in different time slots and / or on different frequencies) they are identified by their instance. The parameters of ChConf are used to specify the frequency and slot of this instance of the channel type.</p> <p>Not all possible combinations of this naming syntax have been used. According to the elements that are used / omitted the name can have a special meaning.</p> <p>Examples:                      Comments:</p> <p>C_FCCH_A                      FCCH of cell A.<br/> C_SCH_A                        SCH of cell A.<br/> C_BCCH_A_1                    First instance of a BCCH in cell A.<br/> C_CBCH_A                      CBCH of cell A.<br/> C_PCH_A_1                     First instance of a PCH in cell A (there is one instance of the PCH per BCCH in the cell).<br/> C_AGCH_A_1                    First instance of a AGCH in cell A (there is one instance of the AGCH per BCCH in the cell).<br/> C_RACH_A_1                    First instance of a RACH in cell A.<br/> C_FACCHF_A_1                 First instance of a full rate FACCH in cell A.<br/> C_FACCHH_A_1                 First instance of a half rate FACCH in cell A (all subchannels).<br/> C_FACCHH0_A_1                Subchannel 0 of the first instance of a half rate FACCH in cell A.<br/> C_SACCHF_A_1                 First instance of a full rate SACCH in cell A.<br/> C_SACCHH_A_1                 First instance of a half rate SACCH in cell A (all subchannels).<br/> C_SACCHH1_A_1                Subchannel 1 of the first instance of a half rate SACCH in cell A.<br/> C_SACCHC4_A                  SACCH/4 of cell A (all subchannels).<br/> C_SACCHC43_A                 Subchannel 3 of the SACCH/4 of cell A.<br/> C_SACCHC8_A_1                First instance of a SACCH/8 in cell A (all subchannels).<br/> C_SACCHC87_A_1               Subchannel 7 of the first instance of a SACCH/8 in cell A.<br/> C_SDCCH4_A                    SDCCH/4 of cell A (all subchannels).<br/> C_SDCCH42_A                  Subchannel 2 of the SDCCH/4 of cell A.<br/> C_SDCCH87_A_1                First instance of a SDCCH/8 in cell A (all subchannels).<br/> C_SDCCH87_A_1                Subchannel 7 of the first instance of a SDCCH/8 in cell A.</p> |                                                                                                                                                                                                                                                                                                                                                 |

This list covers all types of combinations used in the TTCN for the time being.

When the meaning refers to 'all' subchannels of a channel (eg. C\_FACCHH\_A\_1), it means that all active subchannels of this channel activated previously by OM\_ChConf, are associated with a logical channel identifier in the OM\_Assoc.

**Detailed Comments:**

### Test Suite Operation Definition

**Operation Name:** OM\_BmInfo(ch:LOGICCH; mode:B\_8)  
**Result Type:** BOOLEAN  
**Comments:** mode is of type BITSTRING[8], imode is a part of the channel mode IE

#### Description

OM\_BmInfo operation checks whether the MS starts transmitting Bm channel information according to the new channel mode 'mode'. The operation returns TRUE if the result of the check is correct otherwise the TSO returns FALSE.

**Detailed Comments:**

### Test Suite Operation Definition

**Operation Name:** OM\_ChangeRFOf2Cells( cellid1:CellID; bspwr1:INTEGER; cellid2:CellID; bspwr2:INTEGER)  
**Result Type:** BOOLEAN  
**Comments:**

#### Description

This TSO is used to change the RF level of the cell 'cellid1' to the RF level 'bspwr1' and the RF level of the cell 'cellid2' to the RF level 'bspwr2' [dBuVemf], then the TSO returns TRUE.

The main use of this TSO is to force the Mobile Station (MS) to select a new cell according to the GSM 05.08 and GSM 03.22.

For the MS to select the new cell then the path loss criterion parameter (C1) of the old will have to be less than zero (C1 < 0). This criterion is defined as:

$$C1 = (A - \max(B,0))$$

when A - Received Level Average - (RXLEV ACCESS MIN)  
 B - MS TXPWR MAX CCH - P {non DCS 1800}  
           - MS TXPWR MAX XXH + POWEROFFSET - P {DCS 1800}  
 RXLEV ACCESS MIN - Minimum received level at the MS required for access to the system.  
 MS TCPWR MAX CCH - Maximum TX power level an MS may use when accessing the system until otherwise commanded.  
 POWER OFFSET - The power offset to be used in conjunction with the MS TCPWR MAX CCH parameter by the class 3 DCS 1800 MS.  
 P - Maximum RF output power of the MS.

All values are expressed in dBm.

In most test cases MS TXPWR MAX CCH and the POWER OFFSET will be set at their minimum values thus C1 = A (B always being negative). Suitable levels of cells will be either 63 dBuV(C\_E\_default), 53 dBuV(C\_E\_neighbourdefault) or 45 dBuV(C\_E\_suitable). Assuming that the MS uses a RXLEV ACCESS MIN between -110 and -115 dBm then to ensure that C1 < 0 the test system's output needs to be set to ensure the level input detected by the MS is less than -123 dBm or lower (-115 plus an 8 dB for discrimination between C1 and C2 values and 0, GSM 11.10-1 section 20). At or below -123 dBm the MS is not expected to calculate C1. this value of -123 dBm corresponds to -10 dBuV (C\_E\_notsuitable).

**Detailed Comments:**

| <b>Test Suite Operation Definition</b>                                                                                                                                                                                                                                                                                                                                                                                                                                                                                                                                                                                                                                                                                                                                                                                                                                                                                                                                                                                                                                                                                                                                                                                                                                                                                                                                                                                                                                                                                                                                                                                                                                                                                                                                                                                                                                                                                                                                                                                                                                                                                                                                                                                                                                                                                                                                                                                                                                                                                                                                                                                                                                                                                                                                                                                                                                                                                                                                                                                                                                                                                                                                                                                                                                                                                                                                                                                                                                                                                                                                                                                                                                                                                                                                                                                                                                                                                                                                                                                                                                                                                                                                                                         |                                                                                                                                                                                                                                                                                                                                                                                   |
|----------------------------------------------------------------------------------------------------------------------------------------------------------------------------------------------------------------------------------------------------------------------------------------------------------------------------------------------------------------------------------------------------------------------------------------------------------------------------------------------------------------------------------------------------------------------------------------------------------------------------------------------------------------------------------------------------------------------------------------------------------------------------------------------------------------------------------------------------------------------------------------------------------------------------------------------------------------------------------------------------------------------------------------------------------------------------------------------------------------------------------------------------------------------------------------------------------------------------------------------------------------------------------------------------------------------------------------------------------------------------------------------------------------------------------------------------------------------------------------------------------------------------------------------------------------------------------------------------------------------------------------------------------------------------------------------------------------------------------------------------------------------------------------------------------------------------------------------------------------------------------------------------------------------------------------------------------------------------------------------------------------------------------------------------------------------------------------------------------------------------------------------------------------------------------------------------------------------------------------------------------------------------------------------------------------------------------------------------------------------------------------------------------------------------------------------------------------------------------------------------------------------------------------------------------------------------------------------------------------------------------------------------------------------------------------------------------------------------------------------------------------------------------------------------------------------------------------------------------------------------------------------------------------------------------------------------------------------------------------------------------------------------------------------------------------------------------------------------------------------------------------------------------------------------------------------------------------------------------------------------------------------------------------------------------------------------------------------------------------------------------------------------------------------------------------------------------------------------------------------------------------------------------------------------------------------------------------------------------------------------------------------------------------------------------------------------------------------------------------------------------------------------------------------------------------------------------------------------------------------------------------------------------------------------------------------------------------------------------------------------------------------------------------------------------------------------------------------------------------------------------------------------------------------------------------------------------------|-----------------------------------------------------------------------------------------------------------------------------------------------------------------------------------------------------------------------------------------------------------------------------------------------------------------------------------------------------------------------------------|
| <b>Operation Name:</b>                                                                                                                                                                                                                                                                                                                                                                                                                                                                                                                                                                                                                                                                                                                                                                                                                                                                                                                                                                                                                                                                                                                                                                                                                                                                                                                                                                                                                                                                                                                                                                                                                                                                                                                                                                                                                                                                                                                                                                                                                                                                                                                                                                                                                                                                                                                                                                                                                                                                                                                                                                                                                                                                                                                                                                                                                                                                                                                                                                                                                                                                                                                                                                                                                                                                                                                                                                                                                                                                                                                                                                                                                                                                                                                                                                                                                                                                                                                                                                                                                                                                                                                                                                                         | OM_ChConf(bspwr: INTEGER; mspwr:INTEGER; acttype:BITSTRING; chmod:CHMOD; ta:TA; slot:SN; tsc:TSC; rf:FRQPARA; chcmbn:LOGCH; td:INTEGER; fn:INTEGER; babr, cch_con, bpm:B_3; pgfil:PG1_RQ_PDU; dtxu:BITSTRING; dtxd:BITSTRING; cell:CellID; lgch1:LOGICCH; lgch2:LOGICCH; lgch3:LOGICCH; lgch4:LOGICCH; lgch5:LOGICCH; lgch6:LOGICCH; lgch7:LOGICCH; lgch8:LOGICCH; lgch9:LOGICCH) |
| <b>Result Type:</b>                                                                                                                                                                                                                                                                                                                                                                                                                                                                                                                                                                                                                                                                                                                                                                                                                                                                                                                                                                                                                                                                                                                                                                                                                                                                                                                                                                                                                                                                                                                                                                                                                                                                                                                                                                                                                                                                                                                                                                                                                                                                                                                                                                                                                                                                                                                                                                                                                                                                                                                                                                                                                                                                                                                                                                                                                                                                                                                                                                                                                                                                                                                                                                                                                                                                                                                                                                                                                                                                                                                                                                                                                                                                                                                                                                                                                                                                                                                                                                                                                                                                                                                                                                                            | BOOLEAN                                                                                                                                                                                                                                                                                                                                                                           |
| <b>Comments:</b>                                                                                                                                                                                                                                                                                                                                                                                                                                                                                                                                                                                                                                                                                                                                                                                                                                                                                                                                                                                                                                                                                                                                                                                                                                                                                                                                                                                                                                                                                                                                                                                                                                                                                                                                                                                                                                                                                                                                                                                                                                                                                                                                                                                                                                                                                                                                                                                                                                                                                                                                                                                                                                                                                                                                                                                                                                                                                                                                                                                                                                                                                                                                                                                                                                                                                                                                                                                                                                                                                                                                                                                                                                                                                                                                                                                                                                                                                                                                                                                                                                                                                                                                                                                               |                                                                                                                                                                                                                                                                                                                                                                                   |
| <b>Description</b>                                                                                                                                                                                                                                                                                                                                                                                                                                                                                                                                                                                                                                                                                                                                                                                                                                                                                                                                                                                                                                                                                                                                                                                                                                                                                                                                                                                                                                                                                                                                                                                                                                                                                                                                                                                                                                                                                                                                                                                                                                                                                                                                                                                                                                                                                                                                                                                                                                                                                                                                                                                                                                                                                                                                                                                                                                                                                                                                                                                                                                                                                                                                                                                                                                                                                                                                                                                                                                                                                                                                                                                                                                                                                                                                                                                                                                                                                                                                                                                                                                                                                                                                                                                             |                                                                                                                                                                                                                                                                                                                                                                                   |
| <p>The operation sets the configuration of a basic physical channel according to the input parameters and map logic channel combination onto it:</p> <ul style="list-style-type: none"> <li>- bspwr: base station power level in dBuV;</li> <li>- mspwr: mobile station power level in "power control level";</li> <li>- acttype: type of activation: <ul style="list-style-type: none"> <li>- '000'B activation for intra-cell channel change ---- immediate assignment;</li> <li>- '001'B activation for intra-cell channel change ---- assignment;</li> <li>- '010'B activation for inter-cell channel change ---- asynchronous handover;</li> <li>- '011'B activation for inter-cell channel change ---- synchronous handover;</li> <li>- '100'B activation for additional assignment;</li> </ul> <p style="margin-left: 20px;">NOTE: the types defined above are all the same, no real difference</p> <ul style="list-style-type: none"> <li>- '101'B activation for receiving only;</li> </ul> </li> <li>- chmod: channel mode;</li> <li>- ta: timing advance ---- receive timing ta bit periods in advance of the normal receive timing if the channel is a dedicated channel ;</li> <li>- slot: time slot;</li> <li>- tsc: Training sequence code for normal bursts;</li> <li>- rf: ARFCN or hopping parameters;</li> <li>- chcmbn: logic channel combination mapping to the physical channel;</li> <li>- td: timing difference between the cell and conceptual timing reference ---- to make 2 cells with different timebase;</li> <li>- fn: initial frame number offset to the timing base counter ---- to make 2 cells with different frame numbers;</li> <li>- babr number of blocks reserved for access grant</li> <li>- cch-con CCCH/SDCCHs configuration</li> <li>- bpm multiframe period for transmission of PAGING REQUEST</li> <li>- pgfil: paging filling contents;</li> <li>- dtxu: mobile station discontinuous transmission: <ul style="list-style-type: none"> <li>- '0'B mobile station discontinuous transmission is not applied;</li> <li>- '1'B mobile station discontinuous transmission is applied;</li> </ul> </li> <li>- dtxd: base station discontinuous transmission: <ul style="list-style-type: none"> <li>- '0'B base station discontinuous transmission is not applied;</li> <li>- '1'B base station discontinuous transmission is applied;</li> </ul> </li> <li>- cell: cell identifier;</li> <li>- lgch1: logic channel identifier for the channel FCCH;</li> <li>- lgch2: logic channel identifier for the channel SCH;</li> <li>- lgch3: logic channel identifier for the channel BCCH;</li> <li>- lgch4: logic channel identifier for the channel PCH;</li> <li>- lgch5: logic channel identifier for the channel AGCH;</li> <li>- lgch6: logic channel identifier for the channel RACH;</li> <li>- lgch7: logic channel identifier for the channel FACCH or SDCCH;</li> <li>- lgch8: logic channel identifier for the channel SACCH;</li> <li>- lgch9: logic channel identifier for the channel CBCH;</li> </ul> <p>For parameters lgch1 to lgch9 "dummy" in the actual parameter list means that the corresponding parameters are not used.</p> <p>In the test cases the logic channel identifiers lgch1 to lgch9 are used to refer the logic channels configured by the operation. There are only generic identifiers for SDCCH4 or SDCCH8 or FACCHH channel and SACCHC4 or SACCHC8 or SACCHH, identifiers for subchannels of SDCCH4 or SDCCH8 or FACCHH and SACCHC4 or SACCHC8 or SACCHH are linked to the generic identifiers by OM_Assoc operation and in turn refer to the sub logic channels configured by the operation.</p> <p>Channel re-use whithiin OM_ChConf:</p> <p>When an OM_ChConf calls is made then the following rules can be applied for deciding whether or not to re-use existing physical channel.</p> <p>Decode the 'chcmbn' (channel combination) parameter to determine the new channel type.</p> <p>If new channel = "C_FCCH_SCH_BCCH_CCCH_SDCCH4_SACCHC4" (combined) or<br/> if new channel = "C_CBCH_FCCH_SCH_BCCH_CCCH_SDCCH4_SACCHC4" (combined + SMS) then re-use any existing control channel configuration with same CellID.</p> |                                                                                                                                                                                                                                                                                                                                                                                   |

|                                                                                                                                                                                                                                                                                                                                                                                                                                                                                                                                                                                                                                                                                                                               |
|-------------------------------------------------------------------------------------------------------------------------------------------------------------------------------------------------------------------------------------------------------------------------------------------------------------------------------------------------------------------------------------------------------------------------------------------------------------------------------------------------------------------------------------------------------------------------------------------------------------------------------------------------------------------------------------------------------------------------------|
| <p>If new channel = "C_FCCH_SCH_BCCH_CCCH" (non-combined) then use any combined, combined + SMS or non-combined control channel configuration with the same CellID.</p> <p>If new channel = "C_BCCH_CCCH_2", "C_BCCH_CCCH_3" or "C_BCCH_CCCH_4" (ccch-group) then re-use any existing ccch-group control channel configuration with the same CellID and the slot, or re-use any existing combined, combined + SMS with the same CellID.</p> <p>If new channel = "C_TCHF_ACCHF_1", "C_TCHF_ACCHF_2", "C_TCHH_ACCHH_1", "C_TCHH_ACCHH_2" (traffic) or "C_SDCCH8_SACCHC8_1", "C_SDCCH8_SACCHC8_2", "C_SDCCH8_SACCHC8_3" (dedicated) then re-use any existing traffic or dedicated channel with the same channel description.</p> |
| <b>Detailed Comments:</b>                                                                                                                                                                                                                                                                                                                                                                                                                                                                                                                                                                                                                                                                                                     |

| Test Suite Operation Definition                                                                                                                                                          |                                       |
|------------------------------------------------------------------------------------------------------------------------------------------------------------------------------------------|---------------------------------------|
| <b>Operation Name:</b>                                                                                                                                                                   | OM_ChMdModi(ch:LOGICCH; chmod: CHMOD) |
| <b>Result Type:</b>                                                                                                                                                                      | BOOLEAN                               |
| <b>Comments:</b>                                                                                                                                                                         |                                       |
| Description                                                                                                                                                                              |                                       |
| OM_ChMdModi operation passes channel mode IE for channel `ch` to lower layer emulator and requests the emulator to set the `ch` to the mode `chmod`. After the mode changed, it returns. |                                       |
| <b>Detailed Comments:</b>                                                                                                                                                                |                                       |

| Test Suite Operation Definition                                                                                                                                                                                                                                                |                                                       |
|--------------------------------------------------------------------------------------------------------------------------------------------------------------------------------------------------------------------------------------------------------------------------------|-------------------------------------------------------|
| <b>Operation Name:</b>                                                                                                                                                                                                                                                         | OM_CphMdChg(ch:LOGICCH; cphmod: CPHMS; key:BITSTRING) |
| <b>Result Type:</b>                                                                                                                                                                                                                                                            | BOOLEAN                                               |
| <b>Comments:</b>                                                                                                                                                                                                                                                               |                                                       |
| Description                                                                                                                                                                                                                                                                    |                                                       |
| OM_CphMdChg operation passes ciphering parameters for channel `ch` to lower layer and sets the lower layer emulator into a special operation mode in which lower layer starts the 3-step ciphering mode setting sequence when the next L3 message on the channel `ch` arrives. |                                                       |
| <b>Detailed Comments:</b>                                                                                                                                                                                                                                                      |                                                       |

| Test Suite Operation Definition                                                                                                                                                                                                                                                      |                                                    |
|--------------------------------------------------------------------------------------------------------------------------------------------------------------------------------------------------------------------------------------------------------------------------------------|----------------------------------------------------|
| <b>Operation Name:</b>                                                                                                                                                                                                                                                               | OM_CphMd(ch:LOGICCH; cphmod: CPHMS; key:BITSTRING) |
| <b>Result Type:</b>                                                                                                                                                                                                                                                                  | BOOLEAN                                            |
| <b>Comments:</b>                                                                                                                                                                                                                                                                     |                                                    |
| Description                                                                                                                                                                                                                                                                          |                                                    |
| OM_CphMd operation passes ciphering parameters for channel `ch` to lower layer and sets the channel `ch` in the ciphering mode `cphmod`. This operation puts the channel `ch` into specified ciphering mode `cphmod` immediately without the 3-step ciphering mode setting sequence. |                                                    |
| <b>Detailed Comments:</b>                                                                                                                                                                                                                                                            |                                                    |

| Test Suite Operation Definition                                                                                                                                                |                                                                                                                                                                                                                      |
|--------------------------------------------------------------------------------------------------------------------------------------------------------------------------------|----------------------------------------------------------------------------------------------------------------------------------------------------------------------------------------------------------------------|
| <b>Operation Name:</b>                                                                                                                                                         | OM_ComingFn(ch:LOGICCH)                                                                                                                                                                                              |
| <b>Result Type:</b>                                                                                                                                                            | FN                                                                                                                                                                                                                   |
| <b>Comments:</b>                                                                                                                                                               |                                                                                                                                                                                                                      |
| Description                                                                                                                                                                    |                                                                                                                                                                                                                      |
| OM_ComingFn operation returns the frame number (FN modulo 42432) which is about 5 seconds later than current frame number and is able to carry L3 message on the channel `ch`. |                                                                                                                                                                                                                      |
| <b>Detailed Comments:</b>                                                                                                                                                      | The delay of about 5 seconds ensures that there is still enough time left for higher layer controller to prepare next TTCN send event after the OM_ComingFn returns. the exact delay value is up to the implementor. |

| <b>Test Suite Operation Definition</b>                                                                                                                                                                                                                                                                                                                                                                                                                                                                                                                                                                                                                                                                                                                                                                                                                                                                                                                                         |                                                                                                                                                                                                                                                          |
|--------------------------------------------------------------------------------------------------------------------------------------------------------------------------------------------------------------------------------------------------------------------------------------------------------------------------------------------------------------------------------------------------------------------------------------------------------------------------------------------------------------------------------------------------------------------------------------------------------------------------------------------------------------------------------------------------------------------------------------------------------------------------------------------------------------------------------------------------------------------------------------------------------------------------------------------------------------------------------|----------------------------------------------------------------------------------------------------------------------------------------------------------------------------------------------------------------------------------------------------------|
| <b>Operation Name:</b>                                                                                                                                                                                                                                                                                                                                                                                                                                                                                                                                                                                                                                                                                                                                                                                                                                                                                                                                                         | OM_Deactivate(ch1, ch2:LOGICCH)                                                                                                                                                                                                                          |
| <b>Result Type:</b>                                                                                                                                                                                                                                                                                                                                                                                                                                                                                                                                                                                                                                                                                                                                                                                                                                                                                                                                                            | BOOLEAN                                                                                                                                                                                                                                                  |
| <b>Comments:</b>                                                                                                                                                                                                                                                                                                                                                                                                                                                                                                                                                                                                                                                                                                                                                                                                                                                                                                                                                               |                                                                                                                                                                                                                                                          |
| <b>Description</b>                                                                                                                                                                                                                                                                                                                                                                                                                                                                                                                                                                                                                                                                                                                                                                                                                                                                                                                                                             |                                                                                                                                                                                                                                                          |
| <p>OM_Deactivate operation deactivates the logical channels `ch1` and `ch2`, then returns TRUE.</p> <p>The ch1 can be a DCCH or a TCH, the ch2 is the associated SACCH.</p> <p>Deactivation of an active SDCCH channel can be done by stopping transmission; this means that for the bursts on the BCCH carriers, dummy bursts shall be transmitted, for other bursts nothing shall be transmitted. Alternatively the deactivation of a SDCCH can be done by transmitting bad blocks on the SACCH with the parity bits set incorrectly. This will lead to a radio link failure in the MS.</p> <p>Deactivation of a TCH channel can be done by stopping transmission if it is non-BCCH.</p> <p>Deactivation of a SACCH_T can be done by transmitting bad blocks on the SACCH_T with the parity bits set incorrectly. The wrong channel coding on the SACCH will lead to a radio link failure in the MS after several seconds depending on the system information messages..</p> |                                                                                                                                                                                                                                                          |
| <b>Detailed Comments:</b>                                                                                                                                                                                                                                                                                                                                                                                                                                                                                                                                                                                                                                                                                                                                                                                                                                                                                                                                                      | <p>The TSO is called in</p> <p>TC_26_7_3_2, TC_26_7_4_3_2, TC_26_7_4_3_3, TC_26_7_4_3_4 on a SDCCH/4/SACCH/C4 channel in downlink,</p> <p>TC_26_2_4_1, TC_26_2_4_2, TC_26_8_2_1, TC_26_8_2_2, TC_26_8_2_3 on TCH/SACCH_T channel in both directions.</p> |

| <b>Test Suite Operation Definition</b>                                                                                                                                                                                                                                                                                                                                                                                                                                                                                                                                                                                                                                                                                                                                                                                                                                                                                                                                                                                                                                                                                                                                                                                                                                      |                                                                 |
|-----------------------------------------------------------------------------------------------------------------------------------------------------------------------------------------------------------------------------------------------------------------------------------------------------------------------------------------------------------------------------------------------------------------------------------------------------------------------------------------------------------------------------------------------------------------------------------------------------------------------------------------------------------------------------------------------------------------------------------------------------------------------------------------------------------------------------------------------------------------------------------------------------------------------------------------------------------------------------------------------------------------------------------------------------------------------------------------------------------------------------------------------------------------------------------------------------------------------------------------------------------------------------|-----------------------------------------------------------------|
| <b>Operation Name:</b>                                                                                                                                                                                                                                                                                                                                                                                                                                                                                                                                                                                                                                                                                                                                                                                                                                                                                                                                                                                                                                                                                                                                                                                                                                                      | OM_FHCHK(ch:LOGICCH; ca:CCHD; ma:MA; cd:CHD; t :INTEGER; fn:FN) |
| <b>Result Type:</b>                                                                                                                                                                                                                                                                                                                                                                                                                                                                                                                                                                                                                                                                                                                                                                                                                                                                                                                                                                                                                                                                                                                                                                                                                                                         | BOOLEAN                                                         |
| <b>Comments:</b>                                                                                                                                                                                                                                                                                                                                                                                                                                                                                                                                                                                                                                                                                                                                                                                                                                                                                                                                                                                                                                                                                                                                                                                                                                                            |                                                                 |
| <b>Description</b>                                                                                                                                                                                                                                                                                                                                                                                                                                                                                                                                                                                                                                                                                                                                                                                                                                                                                                                                                                                                                                                                                                                                                                                                                                                          |                                                                 |
| <p>After the SS has been configured to start / change frequency hopping at a particular start time, this TSO instructs the SS to check whether the MS correctly uses the hopping frequencies on and after the expected start time according to the frequency parameters.</p> <p>If `t` = 0 or 32024 &lt;= `t` &lt;= 42431 the operation checks that the new frequencies starts "without delay".</p> <p>If 0 &lt; `t` &lt;= 31000 the operation checks that the new frequencies starts "on" the frame number of (X + t) mod 42432, where x = 51 * ((fn.t3 - fn.t2) MOD 26) + fn.t3 + 1326 * fn.t1.</p> <p>If 31000 &lt; `t` &lt; 32024, or `t` &lt; 0 or `t` &gt; 42431 then the test has been configured incorrectly and should be re-run with a permitted value for `t`.</p> <p>This check is performed at the uplink RF burst level by sampling for a period of 3 seconds from the start time and should therefore be called immediately after the SS has been configured to start / change hopping. The operation returns TRUE if the MS behaviour is correct, otherwise it returns FALSE.</p> <p>Note: before this TSO is called, a layer 3 message must be sent to the MS to command the MS to start / change hopping using the same frequency hopping parameters.</p> |                                                                 |
| <b>Detailed Comments:</b>                                                                                                                                                                                                                                                                                                                                                                                                                                                                                                                                                                                                                                                                                                                                                                                                                                                                                                                                                                                                                                                                                                                                                                                                                                                   |                                                                 |

| <b>Test Suite Operation Definition</b>                                                                                                                                                                           |                                                                                                                                                                                                                                                                                                                               |
|------------------------------------------------------------------------------------------------------------------------------------------------------------------------------------------------------------------|-------------------------------------------------------------------------------------------------------------------------------------------------------------------------------------------------------------------------------------------------------------------------------------------------------------------------------|
| <b>Operation Name:</b>                                                                                                                                                                                           | OM_FreeResource(ch :LOGICCH)                                                                                                                                                                                                                                                                                                  |
| <b>Result Type:</b>                                                                                                                                                                                              | BOOLEAN                                                                                                                                                                                                                                                                                                                       |
| <b>Comments:</b>                                                                                                                                                                                                 |                                                                                                                                                                                                                                                                                                                               |
| <b>Description</b>                                                                                                                                                                                               |                                                                                                                                                                                                                                                                                                                               |
| <p>OM_FreeResource operation instructs the lower layer emulator to release the resources which have been allocated to the logical channel "ch". After the resources are released the operation returns TRUE.</p> |                                                                                                                                                                                                                                                                                                                               |
| <b>Detailed Comments:</b>                                                                                                                                                                                        | <p>In some test cases (most of them are hanhover test cases) different channels are needed while the test goes on. the purpose of the operation is to reuse lower layer resources (e.g. tranceivers), which have been allocated to the previous channel, for configing another channel required in the next testing step.</p> |

| <b>Test Suite Operation Definition</b>                                                                                                                                                                                                                                                                                                                                                                                                                                                                                                                                                                                                                                                                                                                                                                                                |                                                                      |
|---------------------------------------------------------------------------------------------------------------------------------------------------------------------------------------------------------------------------------------------------------------------------------------------------------------------------------------------------------------------------------------------------------------------------------------------------------------------------------------------------------------------------------------------------------------------------------------------------------------------------------------------------------------------------------------------------------------------------------------------------------------------------------------------------------------------------------------|----------------------------------------------------------------------|
| <b>Operation Name:</b>                                                                                                                                                                                                                                                                                                                                                                                                                                                                                                                                                                                                                                                                                                                                                                                                                | OM_FreqDef(st:STRT; ma:MA; ch :LOGICCH; chd: CHD; ca:CCHD; frmn: FN) |
| <b>Result Type:</b>                                                                                                                                                                                                                                                                                                                                                                                                                                                                                                                                                                                                                                                                                                                                                                                                                   | BOOLEAN                                                              |
| <b>Comments:</b>                                                                                                                                                                                                                                                                                                                                                                                                                                                                                                                                                                                                                                                                                                                                                                                                                      |                                                                      |
| <b>Description</b>                                                                                                                                                                                                                                                                                                                                                                                                                                                                                                                                                                                                                                                                                                                                                                                                                    |                                                                      |
| <p>OM_FreqDef operation passes the frequency hopping parameters for channel `ch` to lower layer emulator. The emulator starts using these frequency parameters at the frame number indicated by starting time `st`. The parameter 'frmn' indicates a reference frame number at which the first burst of the message, FREQUENCY REDEFINITION, ASSIGNMENT COMMAND or HANDOVER COMMAND, containing starting time is sent in the concerned cell.</p> <p>If <math>0 \leq (st - frmn) \bmod 42432 \leq 31623</math>, the indicated time is the next time when frame number mod 42432 is equal to st.</p> <p>If <math>32024 \leq (st - frmn) \bmod 42432 \leq 42431</math>, the indicated time has already elapsed. After completely sending out the message containing the parameter starting time the tester starts frequency hopping.</p> |                                                                      |
| <b>Detailed Comments:</b>                                                                                                                                                                                                                                                                                                                                                                                                                                                                                                                                                                                                                                                                                                                                                                                                             |                                                                      |

| <b>Test Suite Operation Definition</b>                                                                                                                                                                                                                                                                                                                                                                                                                                                         |                             |
|------------------------------------------------------------------------------------------------------------------------------------------------------------------------------------------------------------------------------------------------------------------------------------------------------------------------------------------------------------------------------------------------------------------------------------------------------------------------------------------------|-----------------------------|
| <b>Operation Name:</b>                                                                                                                                                                                                                                                                                                                                                                                                                                                                         | OM_GetHoaccPara(ch:LOGICCH) |
| <b>Result Type:</b>                                                                                                                                                                                                                                                                                                                                                                                                                                                                            | HOACC_PARA                  |
| <b>Comments:</b>                                                                                                                                                                                                                                                                                                                                                                                                                                                                               |                             |
| <b>Description</b>                                                                                                                                                                                                                                                                                                                                                                                                                                                                             |                             |
| <p>OM_GetHoaccPara instructs the lower layer emulator to return the total number of the handover access bursts received on channel `ch`, the observed minimum and maximum power levels in dBm modulo 256 and the observed minimum and maximum timing advance in bits modulo 256. The lower layer emulator starts the observation of handover access bursts as soon as sending out a HANDOVER COMMAND message. The TSO returns an accumulative result of the observation when it is called.</p> |                             |
| <b>Detailed Comments:</b>                                                                                                                                                                                                                                                                                                                                                                                                                                                                      |                             |

| <b>Test Suite Operation Definition</b>                                                                                                      |                        |
|---------------------------------------------------------------------------------------------------------------------------------------------|------------------------|
| <b>Operation Name:</b>                                                                                                                      | OM_GetL1Hd(ch:LOGICCH) |
| <b>Result Type:</b>                                                                                                                         | L1HD                   |
| <b>Comments:</b>                                                                                                                            |                        |
| <b>Description</b>                                                                                                                          |                        |
| <p>OM_GetL1Hd instructs the L 2 emulator to read the L 1 header of the next SACCH frame received on channel `ch` and return this value.</p> |                        |
| <b>Detailed Comments:</b>                                                                                                                   |                        |

| <b>Test Suite Operation Definition</b>                                                                                                                                                                                                                                                            |                               |
|---------------------------------------------------------------------------------------------------------------------------------------------------------------------------------------------------------------------------------------------------------------------------------------------------|-------------------------------|
| <b>Operation Name:</b>                                                                                                                                                                                                                                                                            | OM_LowerLayerFail(ch:LOGICCH) |
| <b>Result Type:</b>                                                                                                                                                                                                                                                                               | BOOLEAN                       |
| <b>Comments:</b>                                                                                                                                                                                                                                                                                  |                               |
| <b>Description</b>                                                                                                                                                                                                                                                                                |                               |
| <p>This operation is to force the lower layer failure, then it returns.</p> <p>The lower layer failure can be any one of layer 1 failures or layer 2 failures.</p> <ul style="list-style-type: none"> <li>- layer 1 failure, see GSM 05.08;</li> <li>- layer 2 failure, see GSM 04.06.</li> </ul> |                               |
| <b>Detailed Comments:</b>                                                                                                                                                                                                                                                                         |                               |

| <b>Test Suite Operation Definition</b>                                                                                                                                                                                                                                                                                                                                                                                                                                                                                     |                                    |
|----------------------------------------------------------------------------------------------------------------------------------------------------------------------------------------------------------------------------------------------------------------------------------------------------------------------------------------------------------------------------------------------------------------------------------------------------------------------------------------------------------------------------|------------------------------------|
| <b>Operation Name:</b>                                                                                                                                                                                                                                                                                                                                                                                                                                                                                                     | OM_NoL2Ack(i:INTEGER; ch: LOGICCH) |
| <b>Result Type:</b>                                                                                                                                                                                                                                                                                                                                                                                                                                                                                                        | BOOLEAN                            |
| <b>Comments:</b>                                                                                                                                                                                                                                                                                                                                                                                                                                                                                                           |                                    |
| <b>Description</b>                                                                                                                                                                                                                                                                                                                                                                                                                                                                                                         |                                    |
| <p>When the parameter i&gt;0 the layer 2 emulator is put into a special operation mode then the TSO returns. In this special mode the layer 2 emulator shall not acknowledge the 'i'th occurrence of the L2 I frame which has the more data bit "M" = 0 on the channel 'ch'.</p> <p>The layer 2 emulator resumes normal operation when</p> <ul style="list-style-type: none"> <li>- either the TSO is called again with i = 0 on the same 'ch',</li> <li>- or a data link SABM message is received on the 'ch'.</li> </ul> |                                    |
| <b>Detailed Comments:</b>                                                                                                                                                                                                                                                                                                                                                                                                                                                                                                  |                                    |

| <b>Test Suite Operation Definition</b>                                                                                                                                                                                                                                                 |                            |
|----------------------------------------------------------------------------------------------------------------------------------------------------------------------------------------------------------------------------------------------------------------------------------------|----------------------------|
| <b>Operation Name:</b>                                                                                                                                                                                                                                                                 | OM_NotAckSetup(ch:LOGICCH) |
| <b>Result Type:</b>                                                                                                                                                                                                                                                                    | BOOLEAN                    |
| <b>Comments:</b>                                                                                                                                                                                                                                                                       |                            |
| <b>Description</b>                                                                                                                                                                                                                                                                     |                            |
| <p>This operation puts the layer 2 emulator into a special operation mode then returns. In this special mode the layer 2 emulator will not acknowledge the last L 2 frame which carries the SETUP message, and the layer 2 emulator resumes normal operation after this L 2 frame.</p> |                            |
| <b>Detailed Comments:</b>                                                                                                                                                                                                                                                              |                            |

| <b>Test Suite Operation Definition</b>                                                                                                                                                                                                                                                                                                                                                                                                                                                                                                                                                                |                                                     |
|-------------------------------------------------------------------------------------------------------------------------------------------------------------------------------------------------------------------------------------------------------------------------------------------------------------------------------------------------------------------------------------------------------------------------------------------------------------------------------------------------------------------------------------------------------------------------------------------------------|-----------------------------------------------------|
| <b>Operation Name:</b>                                                                                                                                                                                                                                                                                                                                                                                                                                                                                                                                                                                | OM_NoUAforDISC(ch:LOGICCH)                          |
| <b>Result Type:</b>                                                                                                                                                                                                                                                                                                                                                                                                                                                                                                                                                                                   | BOOLEAN                                             |
| <b>Comments:</b>                                                                                                                                                                                                                                                                                                                                                                                                                                                                                                                                                                                      |                                                     |
| <b>Description</b>                                                                                                                                                                                                                                                                                                                                                                                                                                                                                                                                                                                    |                                                     |
| <p>OM_NoUAforDISC and OM_ResumUAforDISC are a pair of TSOs. OM_NoUAforDISC forces the L2 emulator of the tester to enter a specific mode. OM_ResumUAforDISC resumes the L2 emulator to a normal L2 operational mode.</p> <p>In the specific mode on receiving a DISC on the channel 'ch', the L2 emulator</p> <ul style="list-style-type: none"> <li>- does not respond with a UA,</li> <li>- remains in the multiple-frame established state,</li> <li>- indicates that the DISC has been received (by means of subsequent DL_RELEASE_INDICATION ASPs).</li> </ul> <p>Then the TSO returns TRUE.</p> |                                                     |
| <b>Detailed Comments:</b>                                                                                                                                                                                                                                                                                                                                                                                                                                                                                                                                                                             | The TSO is called in TC_26_6_12_2 and TC_26_6_12_4. |

| <b>Test Suite Operation Definition</b>                                                                                                                                                                                                                                                                                                                                                                                        |                                                   |
|-------------------------------------------------------------------------------------------------------------------------------------------------------------------------------------------------------------------------------------------------------------------------------------------------------------------------------------------------------------------------------------------------------------------------------|---------------------------------------------------|
| <b>Operation Name:</b>                                                                                                                                                                                                                                                                                                                                                                                                        | OM_PgFill(cellid:CellID; msg:PG1_RQ_PDU)          |
| <b>Result Type:</b>                                                                                                                                                                                                                                                                                                                                                                                                           | BOOLEAN                                           |
| <b>Comments:</b>                                                                                                                                                                                                                                                                                                                                                                                                              | The result returned by the operation is not used. |
| <b>Description</b>                                                                                                                                                                                                                                                                                                                                                                                                            |                                                   |
| <p>OM_PgFill operation sets up the contents of paging filling frame to be sent on all paging subchannels continuously. If the contents of paging filling frame in cell 'cellid' have not been set up, the operation sets the contents to 'msg'. If paging filling frame in cell 'cellid' has been set up, the operation changes the paging filling message to 'msg'. After the required action has been taken it returns.</p> |                                                   |
| <b>Detailed Comments:</b>                                                                                                                                                                                                                                                                                                                                                                                                     |                                                   |



| <b>Test Suite Operation Definition</b>                                                                                                                                                                          |                                                                                                                   |
|-----------------------------------------------------------------------------------------------------------------------------------------------------------------------------------------------------------------|-------------------------------------------------------------------------------------------------------------------|
| <b>Operation Name:</b>                                                                                                                                                                                          | OM_Reactivate(ch1, ch2:LOGICCH)                                                                                   |
| <b>Result Type:</b>                                                                                                                                                                                             | BOOLEAN                                                                                                           |
| <b>Comments:</b>                                                                                                                                                                                                |                                                                                                                   |
| <b>Description</b>                                                                                                                                                                                              |                                                                                                                   |
| The TSO OM_Reactivate reactivates the logical channels `ch1` and `ch2` which were previously deactivated by the OM_Deactivate. Then the TSO returns TRUE. The ch1 is an SDCCH, the ch2 is the associated SACCH. |                                                                                                                   |
| Reactivation of deactivated SDCCH/SACCH channels means to restart normal transmissions both on the SDCCH and the associated SACCH as specified in the ETS 300 574 (GSM 05.02).                                  |                                                                                                                   |
| <b>Detailed Comments:</b>                                                                                                                                                                                       | The TSO is called in TC_26_7_3_2, TC_26_7_4_3_2, TC_26_7_4_3_3, TC_26_7_4_3_4 on the SDCCH/4 / SACCH/C4 channels. |

| <b>Test Suite Operation Definition</b>                                                                                        |                         |
|-------------------------------------------------------------------------------------------------------------------------------|-------------------------|
| <b>Operation Name:</b>                                                                                                        | OM_ReturnFn(ch:LOGICCH) |
| <b>Result Type:</b>                                                                                                           | FN                      |
| <b>Comments:</b>                                                                                                              |                         |
| <b>Description</b>                                                                                                            |                         |
| OM_ReturnFn operation returns the frame number (FN modulo 42432) on which the last L3 message was sent on logic channel `ch`. |                         |
| <b>Detailed Comments:</b>                                                                                                     |                         |

| <b>Test Suite Operation Definition</b>                                                                                                                                                              |                                                     |
|-----------------------------------------------------------------------------------------------------------------------------------------------------------------------------------------------------|-----------------------------------------------------|
| <b>Operation Name:</b>                                                                                                                                                                              | OM_ResumUAforDISC(ch:LOGICCH)                       |
| <b>Result Type:</b>                                                                                                                                                                                 | BOOLEAN                                             |
| <b>Comments:</b>                                                                                                                                                                                    |                                                     |
| <b>Description</b>                                                                                                                                                                                  |                                                     |
| OM_NoUAforDISC and OM_ResumUAforDISC are a pair of TSOs. OM_NoUAforDISC forces the L2 emulator to enter a specific mode. OM_ResumUAforDISC resumes the L2 emulator to a normal L2 operational mode. |                                                     |
| OM_ResumeUAforDISC cancels the effect of OM_NoUAforDISC, returning L2 on the channel `ch` to normal operation in the multiple-frame established state.                                              |                                                     |
| Then the TSO returns TRUE.                                                                                                                                                                          |                                                     |
| <b>Detailed Comments:</b>                                                                                                                                                                           | The TSO is called in TC_26_6_12_2 and TC_26_6_12_4. |

| <b>Test Suite Operation Definition</b>                                                                                                                                                                                                           |                                                   |
|--------------------------------------------------------------------------------------------------------------------------------------------------------------------------------------------------------------------------------------------------|---------------------------------------------------|
| <b>Operation Name:</b>                                                                                                                                                                                                                           | OM_SendSMSCBWhilePaging(ch:LOGICCH)               |
| <b>Result Type:</b>                                                                                                                                                                                                                              | BOOLEAN                                           |
| <b>Comments:</b>                                                                                                                                                                                                                                 | The result returned by the operation is not used. |
| <b>Description</b>                                                                                                                                                                                                                               |                                                   |
| The TSO makes the lower layers send the second SMSCB message at the same time as the MS is paged.                                                                                                                                                |                                                   |
| This shall be achieved by paging the MS immediately after the first block of the CB message has been sent. The SS shall ensure that the page is transmitted on the radio interface prior to the transmission of the 4th block of the CB message. |                                                   |
| <b>Detailed Comments:</b>                                                                                                                                                                                                                        |                                                   |

| <b>Test Suite Operation Definition</b>                                                                                                                                                                                                                                                                                      |                                  |
|-----------------------------------------------------------------------------------------------------------------------------------------------------------------------------------------------------------------------------------------------------------------------------------------------------------------------------|----------------------------------|
| <b>Operation Name:</b>                                                                                                                                                                                                                                                                                                      | OM_SendNextOn(ch:LOGICCH; fn:FN) |
| <b>Result Type:</b>                                                                                                                                                                                                                                                                                                         | BOOLEAN                          |
| <b>Comments:</b>                                                                                                                                                                                                                                                                                                            |                                  |
| <b>Description</b>                                                                                                                                                                                                                                                                                                          |                                  |
| OM_SendNextOn operation sets the lower layer emulator into a special operation mode then returns. In the special mode the lower layer emulator sends the next L3 message on the indicated frame number `fn` on the `ch` channel. After the next L3 message is sent, the lower layer resumes normal operation automatically. |                                  |
| <b>Detailed Comments:</b>                                                                                                                                                                                                                                                                                                   |                                  |

| <b>Test Suite Operation Definition</b>                                                                                                                                                                                                                                                                                                                                                                             |                                          |
|--------------------------------------------------------------------------------------------------------------------------------------------------------------------------------------------------------------------------------------------------------------------------------------------------------------------------------------------------------------------------------------------------------------------|------------------------------------------|
| <b>Operation Name:</b>                                                                                                                                                                                                                                                                                                                                                                                             | OM_SendNextOnHO(ch:LOGICCH; cnt:INTEGER) |
| <b>Result Type:</b>                                                                                                                                                                                                                                                                                                                                                                                                | BOOLEAN                                  |
| <b>Comments:</b>                                                                                                                                                                                                                                                                                                                                                                                                   | Used in non-synchronised handover tests  |
| <b>Description</b>                                                                                                                                                                                                                                                                                                                                                                                                 |                                          |
| OM_SendNextOnHO operation sets the lower layer emulator into a special operation mode then returns. In the special mode the lower layer emulator waits for the number of Handover bursts specified by the parameter 'cnt' on channel 'ch' before sending the next L3 message. After the message is sent, the lower layer resumes normal operation automatically. The TSO does not affect any TTCN receiving event. |                                          |
| <b>Detailed Comments:</b>                                                                                                                                                                                                                                                                                                                                                                                          |                                          |

| <b>Test Suite Operation Definition</b>                                                                                                                                                                                                                                                                                                                                                                                                                                                             |                                                   |
|----------------------------------------------------------------------------------------------------------------------------------------------------------------------------------------------------------------------------------------------------------------------------------------------------------------------------------------------------------------------------------------------------------------------------------------------------------------------------------------------------|---------------------------------------------------|
| <b>Operation Name:</b>                                                                                                                                                                                                                                                                                                                                                                                                                                                                             | OM_StartMsrReport(ch:LOGICCH)                     |
| <b>Result Type:</b>                                                                                                                                                                                                                                                                                                                                                                                                                                                                                | BOOLEAN                                           |
| <b>Comments:</b>                                                                                                                                                                                                                                                                                                                                                                                                                                                                                   | The result returned by the operation is not used. |
| <b>Description</b>                                                                                                                                                                                                                                                                                                                                                                                                                                                                                 |                                                   |
| The operation starts the reporting of received MEASUREMENT REPORT message to layer 3 emulator, then it returns with value TRUE.<br>Measurement Reports shall be disable by default. By default means that the tester filters them out from the TTCN in-buffer. This operation enables the reports entering the TTCN in-buffer. The OM_StopMsrReport operation disables the reports entering the TTCN in-buffer. When starting each test case, the measurement reports are filtered out by default. |                                                   |
| <b>Detailed Comments:</b>                                                                                                                                                                                                                                                                                                                                                                                                                                                                          |                                                   |

| <b>Test Suite Operation Definition</b>                                                                                                                                                                                                                                                                                                                                    |                                                                               |
|---------------------------------------------------------------------------------------------------------------------------------------------------------------------------------------------------------------------------------------------------------------------------------------------------------------------------------------------------------------------------|-------------------------------------------------------------------------------|
| <b>Operation Name:</b>                                                                                                                                                                                                                                                                                                                                                    | OM_StopAllBCCH(cell1, cell2, cell3, cell4, cell5, cell6, cell7, cell8:CellID) |
| <b>Result Type:</b>                                                                                                                                                                                                                                                                                                                                                       | BOOLEAN                                                                       |
| <b>Comments:</b>                                                                                                                                                                                                                                                                                                                                                          | The result returned by the operation is not used.                             |
| <b>Description</b>                                                                                                                                                                                                                                                                                                                                                        |                                                                               |
| The TSO stops the RF transmission on all BCCH channels including dummy bursts in the indicated cells, but keeps the uplink CCCH reception active. After all transmission have been stopped the TSO returns TRUE.<br>If a cell in the parameter list is not in use a "dummy" value needs to be assigned to it by the calling test case.<br>The TSO is called in TC_26_3_3. |                                                                               |
| <b>Detailed Comments:</b>                                                                                                                                                                                                                                                                                                                                                 |                                                                               |

| <b>Test Suite Operation Definition</b>                                                                                                                                                                                                                                                                                                                                                                                                                                |                                                   |
|-----------------------------------------------------------------------------------------------------------------------------------------------------------------------------------------------------------------------------------------------------------------------------------------------------------------------------------------------------------------------------------------------------------------------------------------------------------------------|---------------------------------------------------|
| <b>Operation Name:</b>                                                                                                                                                                                                                                                                                                                                                                                                                                                | OM_StopCell(cell:CellID)                          |
| <b>Result Type:</b>                                                                                                                                                                                                                                                                                                                                                                                                                                                   | BOOLEAN                                           |
| <b>Comments:</b>                                                                                                                                                                                                                                                                                                                                                                                                                                                      | The result returned by the operation is not used. |
| <b>Description</b>                                                                                                                                                                                                                                                                                                                                                                                                                                                    |                                                   |
| The TSO stops completely all RF transmission of the specific cell `cell`, including the dummy bursts on other slots. After all RF transmission have been stopped the TSO returns TRUE.<br>The cell shall be deleted from the lower layer tester and therefore if the cell 'cell' is required again by the calling test case it needs to be re-configured.<br>The TSO is called in TC_26_3_4, TC_26_6_6_1, TC_26_7_4_2_2_1, TC_26_7_4_2_2_2, TC_26_7_4_6, TC_31_6_2_3. |                                                   |
| <b>Detailed Comments:</b>                                                                                                                                                                                                                                                                                                                                                                                                                                             |                                                   |

| <b>Test Suite Operation Definition</b>                                                                                                                                                                                                                                                                                                                                                                                                                                                                                       |                                                   |
|------------------------------------------------------------------------------------------------------------------------------------------------------------------------------------------------------------------------------------------------------------------------------------------------------------------------------------------------------------------------------------------------------------------------------------------------------------------------------------------------------------------------------|---------------------------------------------------|
| <b>Operation Name:</b>                                                                                                                                                                                                                                                                                                                                                                                                                                                                                                       | OM_StopMsrReport(ch:LOGICCH)                      |
| <b>Result Type:</b>                                                                                                                                                                                                                                                                                                                                                                                                                                                                                                          | BOOLEAN                                           |
| <b>Comments:</b>                                                                                                                                                                                                                                                                                                                                                                                                                                                                                                             | The result returned by the operation is not used. |
| <b>Description</b>                                                                                                                                                                                                                                                                                                                                                                                                                                                                                                           |                                                   |
| The operation stops the reporting of received MEASUREMENT REPORT message to layer 3 emulator, after measurement report stops it returns with value TRUE.<br>Measurement Reports shall be disable by default. By default means that the tester filters them out from the TTCN in-buffer. This operation disables the reports entering the TTCN in-buffer. The OM_StartMsrReport operation enables the reports entering the TTCN in-buffer. When starting each test case, the measurement reports are filtered out by default. |                                                   |
| <b>Detailed Comments:</b>                                                                                                                                                                                                                                                                                                                                                                                                                                                                                                    |                                                   |

| <b>Test Suite Operation Definition</b>                                                                                                                                                                                                                                                                                                                           |                              |
|------------------------------------------------------------------------------------------------------------------------------------------------------------------------------------------------------------------------------------------------------------------------------------------------------------------------------------------------------------------|------------------------------|
| <b>Operation Name:</b>                                                                                                                                                                                                                                                                                                                                           | OO_ACMIncCHK(para:IA5String) |
| <b>Result Type:</b>                                                                                                                                                                                                                                                                                                                                              | BOOLEAN                      |
| <b>Comments:</b>                                                                                                                                                                                                                                                                                                                                                 |                              |
| <b>Description</b>                                                                                                                                                                                                                                                                                                                                               |                              |
| <p>the OO_ACMIncCHK operation requests (e.g. from the control console of the test system) the test operator to read the value of ACM on SIM and check the increment of the value. Then the operator informs the test system whether the increment is as description `para`, if it is as the description the operation returns TRUE, otherwise returns FALSE.</p> |                              |
| <p>The value of ACM can be read either via MMI or by removing the SIM and using SIM reader.</p>                                                                                                                                                                                                                                                                  |                              |
| <b>Detailed Comments:</b>                                                                                                                                                                                                                                                                                                                                        |                              |

| <b>Test Suite Operation Definition</b>                                                                                                                                                                                                                                       |               |
|------------------------------------------------------------------------------------------------------------------------------------------------------------------------------------------------------------------------------------------------------------------------------|---------------|
| <b>Operation Name:</b>                                                                                                                                                                                                                                                       | OO_ACMReading |
| <b>Result Type:</b>                                                                                                                                                                                                                                                          | BOOLEAN       |
| <b>Comments:</b>                                                                                                                                                                                                                                                             |               |
| <b>Description</b>                                                                                                                                                                                                                                                           |               |
| <p>the OO_ACMReading operation requests (e.g. from the control console of the test system) the test operator to read and note the value of ACM on SIM. After the operator finishes the action, he informs the test system and the operation returns with the value TRUE.</p> |               |
| <p>The value of ACM can be read either via MMI or by removing the SIM and using SIM reader.</p>                                                                                                                                                                              |               |
| <b>Detailed Comments:</b>                                                                                                                                                                                                                                                    |               |

| <b>Test Suite Operation Definition</b>                                                                                                                                                                                                                       |               |
|--------------------------------------------------------------------------------------------------------------------------------------------------------------------------------------------------------------------------------------------------------------|---------------|
| <b>Operation Name:</b>                                                                                                                                                                                                                                       | OO_ACMSetting |
| <b>Result Type:</b>                                                                                                                                                                                                                                          | BOOLEAN       |
| <b>Comments:</b>                                                                                                                                                                                                                                             |               |
| <b>Description</b>                                                                                                                                                                                                                                           |               |
| <p>the OO_ACMSetting operation requests (e.g. from the control console of the test system) the test operator to reset the ACM to zero and set the ACMmax to 2 units. After the operator finishes the action and informs the test system it returns TRUE.</p> |               |
| <b>Detailed Comments:</b>                                                                                                                                                                                                                                    |               |

| <b>Test Suite Operation Definition</b>                                                                                                                           |              |
|------------------------------------------------------------------------------------------------------------------------------------------------------------------|--------------|
| <b>Operation Name:</b>                                                                                                                                           | OO_AddPwrAmp |
| <b>Result Type:</b>                                                                                                                                              | BOOLEAN      |
| <b>Comments:</b>                                                                                                                                                 |              |
| <b>Description</b>                                                                                                                                               |              |
| <p>This operation requests (e.g. from the control console of the test system) the test operator to add power amplification at the Mobile Station under test.</p> |              |
| <p>After the operator finishes the action, he informs the test system and the operation returns with the value TRUE.</p>                                         |              |
| <b>Detailed Comments:</b>                                                                                                                                        |              |

| <b>Test Suite Operation Definition</b>                                                                                                                                                                                                                                                                                                                                                                                                                 |              |
|--------------------------------------------------------------------------------------------------------------------------------------------------------------------------------------------------------------------------------------------------------------------------------------------------------------------------------------------------------------------------------------------------------------------------------------------------------|--------------|
| <b>Operation Name:</b>                                                                                                                                                                                                                                                                                                                                                                                                                                 | OO_AltIndCHK |
| <b>Result Type:</b>                                                                                                                                                                                                                                                                                                                                                                                                                                    | BOOLEAN      |
| <b>Comments:</b>                                                                                                                                                                                                                                                                                                                                                                                                                                       |              |
| <b>Description</b>                                                                                                                                                                                                                                                                                                                                                                                                                                     |              |
| <p>This operation first requests (e.g. from the control console of the test system) the test operator to check whether the alerting indication is generated. If the operator informs (e.g. from the control console of the test system) the test system that the alerting indication is generated, the operation returns TRUE. If the operator informs the test system that the alerting indication is not generated, the operation returns FALSE.</p> |              |
| <b>Detailed Comments:</b>                                                                                                                                                                                                                                                                                                                                                                                                                              |              |

| <b>Test Suite Operation Definition</b>                                                                                                                                                                                                                                                                                                                                                                                                        |                 |
|-----------------------------------------------------------------------------------------------------------------------------------------------------------------------------------------------------------------------------------------------------------------------------------------------------------------------------------------------------------------------------------------------------------------------------------------------|-----------------|
| <b>Operation Name:</b>                                                                                                                                                                                                                                                                                                                                                                                                                        | OO_CalledNumCHK |
| <b>Result Type:</b>                                                                                                                                                                                                                                                                                                                                                                                                                           | BOOLEAN         |
| <b>Comments:</b>                                                                                                                                                                                                                                                                                                                                                                                                                              |                 |
| <b>Description</b>                                                                                                                                                                                                                                                                                                                                                                                                                            |                 |
| This operation first requests (e.g. from the control console of the test system) the test operator to check whether the called party number is correctly displayed on the mobile station. If the operator informs (e.g. from the control console of the test system) the test system that the display is correct, the operation returns TRUE. If the operator informs the test system that the display is wrong, the operation returns FALSE. |                 |
| <b>Detailed Comments:</b>                                                                                                                                                                                                                                                                                                                                                                                                                     |                 |

| <b>Test Suite Operation Definition</b>                                                                                                                                                                                                                                                                                                                                                                                                       |                              |
|----------------------------------------------------------------------------------------------------------------------------------------------------------------------------------------------------------------------------------------------------------------------------------------------------------------------------------------------------------------------------------------------------------------------------------------------|------------------------------|
| <b>Operation Name:</b>                                                                                                                                                                                                                                                                                                                                                                                                                       | OO_CalledPtyNumCHK(num:CDPN) |
| <b>Result Type:</b>                                                                                                                                                                                                                                                                                                                                                                                                                          | BOOLEAN                      |
| <b>Comments:</b>                                                                                                                                                                                                                                                                                                                                                                                                                             |                              |
| <b>Description</b>                                                                                                                                                                                                                                                                                                                                                                                                                           |                              |
| This operation first requests (e.g. from the control console of the test system) the test operator to check whether the called party number `num` is the one that was entered into the MS. If the operator informs (e.g. from the control console of the test system) the test system that the number is correct, the operation returns TRUE. If the operator informs the test system that the number is wrong, the operation returns FALSE. |                              |
| <b>Detailed Comments:</b>                                                                                                                                                                                                                                                                                                                                                                                                                    |                              |

| <b>Test Suite Operation Definition</b>                                                                                                                                                                                                                                                                                                                                                                                                              |                            |
|-----------------------------------------------------------------------------------------------------------------------------------------------------------------------------------------------------------------------------------------------------------------------------------------------------------------------------------------------------------------------------------------------------------------------------------------------------|----------------------------|
| <b>Operation Name:</b>                                                                                                                                                                                                                                                                                                                                                                                                                              | OO_CheckAllSMPresentBut4th |
| <b>Result Type:</b>                                                                                                                                                                                                                                                                                                                                                                                                                                 | BOOLEAN                    |
| <b>Comments:</b>                                                                                                                                                                                                                                                                                                                                                                                                                                    |                            |
| <b>Description</b>                                                                                                                                                                                                                                                                                                                                                                                                                                  |                            |
| This operation requests (e.g. from the control console of the test system) the test operator to check if the mobile station under test has stored all short messages during the test case but not the 4th one which should have been replaced by the 5th(cf. GSM 11.10, clause 34.2.7.4). The messages are displayed. Then the operation returns.<br>TRUE: All SM present but not the 4th<br>FALSE: 4th SM present or 1st, 2nd, 3rd or 5th missing. |                            |
| <b>Detailed Comments:</b>                                                                                                                                                                                                                                                                                                                                                                                                                           |                            |

| <b>Test Suite Operation Definition</b>                                                                                                                                                                                                                                                                                                                                                                                                                                                                                                                                             |                                                              |
|------------------------------------------------------------------------------------------------------------------------------------------------------------------------------------------------------------------------------------------------------------------------------------------------------------------------------------------------------------------------------------------------------------------------------------------------------------------------------------------------------------------------------------------------------------------------------------|--------------------------------------------------------------|
| <b>Operation Name:</b>                                                                                                                                                                                                                                                                                                                                                                                                                                                                                                                                                             | OO_CheckCBSMReceived(NumbOfIA5chara: INTEGER; msg:SMSCBpack) |
| <b>Result Type:</b>                                                                                                                                                                                                                                                                                                                                                                                                                                                                                                                                                                | BOOLEAN                                                      |
| <b>Comments:</b>                                                                                                                                                                                                                                                                                                                                                                                                                                                                                                                                                                   |                                                              |
| <b>Description</b>                                                                                                                                                                                                                                                                                                                                                                                                                                                                                                                                                                 |                                                              |
| This operation requests (e.g. from the control console of the test system) the test operator to check whether the MS under test has correctly received the cell broadcast short message represented by 'msg' . Then the TSO returns<br>TRUE: if the CBSM has been correctly received,<br>FALSE: if non or an incorrect CBSM has been received.<br>The TSO needs to convert the 'msg' into IA5 string according to the packing character rules specified in the section 6.1.2 of ETS 300 628 (GSM 03.38). The 'NumbOfIA5chara' indicates the number of IA5 characters in the 'msg'. |                                                              |
| <b>Detailed Comments:</b>                                                                                                                                                                                                                                                                                                                                                                                                                                                                                                                                                          |                                                              |

| <b>Test Suite Operation Definition</b>                                                                                                                                                                                                                                                                          |                    |
|-----------------------------------------------------------------------------------------------------------------------------------------------------------------------------------------------------------------------------------------------------------------------------------------------------------------|--------------------|
| <b>Operation Name:</b>                                                                                                                                                                                                                                                                                          | OO_CheckMCEFOOnSIM |
| <b>Result Type:</b>                                                                                                                                                                                                                                                                                             | BOOLEAN            |
| <b>Comments:</b>                                                                                                                                                                                                                                                                                                |                    |
| <b>Description</b>                                                                                                                                                                                                                                                                                              |                    |
| This operation requests (e.g. from the control console of the test system) the test operator to check if the Memory Capacity Exceeded Flag has been set on the SIM simulator and to inform the test system of the result of the checking. If the checking succeeds the operation returns TRUE, FALSE otherwise. |                    |
| <b>Detailed Comments:</b>                                                                                                                                                                                                                                                                                       |                    |

| <b>Test Suite Operation Definition</b>                                                                                                                                                                                                                                                                            |                         |
|-------------------------------------------------------------------------------------------------------------------------------------------------------------------------------------------------------------------------------------------------------------------------------------------------------------------|-------------------------|
| <b>Operation Name:</b>                                                                                                                                                                                                                                                                                            | OO_CheckMCEFOOnSIMUnset |
| <b>Result Type:</b>                                                                                                                                                                                                                                                                                               | BOOLEAN                 |
| <b>Comments:</b>                                                                                                                                                                                                                                                                                                  |                         |
| <b>Description</b>                                                                                                                                                                                                                                                                                                |                         |
| This operation requests (e.g. from the control console of the test system) the test operator to check if the Memory Capacity Exceeded Flag has been unset on the SIM simulator and to inform the test system of the result of the checking. If the checking succeeds the operation returns TRUE, FALSE otherwise. |                         |
| <b>Detailed Comments:</b>                                                                                                                                                                                                                                                                                         |                         |

| <b>Test Suite Operation Definition</b>                                                                                                                                                                                                                                                                                                                                                                                                                                                                                                                                                                                                                                                                                                                 |                                                                  |
|--------------------------------------------------------------------------------------------------------------------------------------------------------------------------------------------------------------------------------------------------------------------------------------------------------------------------------------------------------------------------------------------------------------------------------------------------------------------------------------------------------------------------------------------------------------------------------------------------------------------------------------------------------------------------------------------------------------------------------------------------------|------------------------------------------------------------------|
| <b>Operation Name:</b>                                                                                                                                                                                                                                                                                                                                                                                                                                                                                                                                                                                                                                                                                                                                 | OO_CheckMessageDisplayed(NumOfIA5chara:INTEGER; msg:OCTETSTRING) |
| <b>Result Type:</b>                                                                                                                                                                                                                                                                                                                                                                                                                                                                                                                                                                                                                                                                                                                                    | BOOLEAN                                                          |
| <b>Comments:</b>                                                                                                                                                                                                                                                                                                                                                                                                                                                                                                                                                                                                                                                                                                                                       |                                                                  |
| <b>Description</b>                                                                                                                                                                                                                                                                                                                                                                                                                                                                                                                                                                                                                                                                                                                                     |                                                                  |
| This operation requests (e.g. from the control console of the test system) the test operator to check if the mobile station under test indicates that an SM has arrived. If the MS provides the functionality to display MT messages, it is checked that the message contents represented by 'msg' is correctly displayed. Then the operation returns<br>TRUE: if the MS indicates SM reception (and displays correct message),<br>FALSE: if the MS does not indicate SM reception (or displays incorrect message).<br>The TSO needs to convert the 'msg' into IA5 string according to the packing character rules specified in the section 6.1.2 of ETS 300 628 (GSM 03.38). The 'NumOfIA5chara' indicates the number of IA5 characters in the 'msg'. |                                                                  |
| <b>Detailed Comments:</b>                                                                                                                                                                                                                                                                                                                                                                                                                                                                                                                                                                                                                                                                                                                              |                                                                  |

| <b>Test Suite Operation Definition</b>                                                                                                                                                                                                                                                                   |                                              |
|----------------------------------------------------------------------------------------------------------------------------------------------------------------------------------------------------------------------------------------------------------------------------------------------------------|----------------------------------------------|
| <b>Operation Name:</b>                                                                                                                                                                                                                                                                                   | OO_CheckUssdStringDisplayed(strg: IA5String) |
| <b>Result Type:</b>                                                                                                                                                                                                                                                                                      | BOOLEAN                                      |
| <b>Comments:</b>                                                                                                                                                                                                                                                                                         |                                              |
| <b>Description</b>                                                                                                                                                                                                                                                                                       |                                              |
| This operation requests (e.g. from the control console of the test system) the test operator to check if the mobile station under test displays the Ussd String 'strg'. Then the operation returns.<br>TRUE: MS displays the correct Ussd String.<br>FALSE: MS does not display the correct Ussd String. |                                              |
| <b>Detailed Comments:</b>                                                                                                                                                                                                                                                                                |                                              |

| <b>Test Suite Operation Definition</b>                                                                                                                                                                                                                                                                                                                                                                                    |                        |
|---------------------------------------------------------------------------------------------------------------------------------------------------------------------------------------------------------------------------------------------------------------------------------------------------------------------------------------------------------------------------------------------------------------------------|------------------------|
| <b>Operation Name:</b>                                                                                                                                                                                                                                                                                                                                                                                                    | OO_ConnectSIMSimulator |
| <b>Result Type:</b>                                                                                                                                                                                                                                                                                                                                                                                                       | BOOLEAN                |
| <b>Comments:</b>                                                                                                                                                                                                                                                                                                                                                                                                          |                        |
| <b>Description</b>                                                                                                                                                                                                                                                                                                                                                                                                        |                        |
| This operation requests (e.g. from the control console of the test system) the test operator to connect the SIM simulator to the mobile station under test.<br>For the contents of the SIM simulator the operator refers to the initial conditions of the test case acc. GSM 11.10, clause 34.2.3.3.<br>After the operator finishes the action, he informs the test system and the operation returns with the value TRUE. |                        |
| <b>Detailed Comments:</b>                                                                                                                                                                                                                                                                                                                                                                                                 |                        |

| <b>Test Suite Operation Definition</b>                                                                                                                             |                  |
|--------------------------------------------------------------------------------------------------------------------------------------------------------------------|------------------|
| <b>Operation Name:</b>                                                                                                                                             | OO_DepressEndKey |
| <b>Result Type:</b>                                                                                                                                                | BOOLEAN          |
| <b>Comments:</b>                                                                                                                                                   |                  |
| <b>Description</b>                                                                                                                                                 |                  |
| This operation requests (e.g. from the control console of the test system) the test operator to depress the 'END' key of the Mobile Stations keypad, then returns. |                  |
| <b>Detailed Comments:</b>                                                                                                                                          |                  |

| <b>Test Suite Operation Definition</b>                                                                                                                                                                                                                                                                                                                       |                  |
|--------------------------------------------------------------------------------------------------------------------------------------------------------------------------------------------------------------------------------------------------------------------------------------------------------------------------------------------------------------|------------------|
| <b>Operation Name:</b>                                                                                                                                                                                                                                                                                                                                       | OO_DialCalledNum |
| <b>Result Type:</b>                                                                                                                                                                                                                                                                                                                                          | BOOLEAN          |
| <b>Comments:</b>                                                                                                                                                                                                                                                                                                                                             |                  |
| <b>Description</b>                                                                                                                                                                                                                                                                                                                                           |                  |
| <p>This operation requests (e.g. from the control console of the test system) the test operator to dial the called party number at the Mobile Station under test but not press the "SEND" key (i.e. not initiate the call setup).<br/> After the operator finishes the action, he informs the test system and the operation returns with the value TRUE.</p> |                  |
| <b>Detailed Comments:</b>                                                                                                                                                                                                                                                                                                                                    |                  |

| <b>Test Suite Operation Definition</b>                                                                                                                                                                                                                                                                                                                                                                                                                                                                                                                                                                                                                                                                                                                                   |                                                                         |
|--------------------------------------------------------------------------------------------------------------------------------------------------------------------------------------------------------------------------------------------------------------------------------------------------------------------------------------------------------------------------------------------------------------------------------------------------------------------------------------------------------------------------------------------------------------------------------------------------------------------------------------------------------------------------------------------------------------------------------------------------------------------------|-------------------------------------------------------------------------|
| <b>Operation Name:</b>                                                                                                                                                                                                                                                                                                                                                                                                                                                                                                                                                                                                                                                                                                                                                   | OO_DisplaySMAndSendReplySM(n, NumbOfIA5chara: INTEGER; msg:OCTETSTRING) |
| <b>Result Type:</b>                                                                                                                                                                                                                                                                                                                                                                                                                                                                                                                                                                                                                                                                                                                                                      | OCTETSTRING                                                             |
| <b>Comments:</b>                                                                                                                                                                                                                                                                                                                                                                                                                                                                                                                                                                                                                                                                                                                                                         |                                                                         |
| <b>Description</b>                                                                                                                                                                                                                                                                                                                                                                                                                                                                                                                                                                                                                                                                                                                                                       |                                                                         |
| <p>This operation requests (e.g. from the control console of the test system) the test operator to display the 'n'-th short message received in the arriving order and to check whether the short message contents represented by 'msg' is correctly displayed.<br/> Then the TSO asks the operator to send a reply short message from the mobile.<br/> After the operator finishes the action, the operation returns with the message contents sent in OCTETSTRING.<br/> The TSO needs to convert the 'msg' into IA5 string and the IA5 text entered by the operator into OCTETSTRING according to the packing character rules specified in the section 6.1.2 of ETS 300 628 (GSM 03.38). The 'NumbOfIA5chara' indicates the number of IA5 characters in the 'msg'.</p> |                                                                         |
| <b>Detailed Comments:</b>                                                                                                                                                                                                                                                                                                                                                                                                                                                                                                                                                                                                                                                                                                                                                |                                                                         |

| <b>Test Suite Operation Definition</b>                                                                                                                                                                                                                                                                                                                                                                                                                                          |                                    |
|---------------------------------------------------------------------------------------------------------------------------------------------------------------------------------------------------------------------------------------------------------------------------------------------------------------------------------------------------------------------------------------------------------------------------------------------------------------------------------|------------------------------------|
| <b>Operation Name:</b>                                                                                                                                                                                                                                                                                                                                                                                                                                                          | OO_DTMFIndCHK(character:IA5String) |
| <b>Result Type:</b>                                                                                                                                                                                                                                                                                                                                                                                                                                                             | BOOLEAN                            |
| <b>Comments:</b>                                                                                                                                                                                                                                                                                                                                                                                                                                                                |                                    |
| <b>Description</b>                                                                                                                                                                                                                                                                                                                                                                                                                                                              |                                    |
| <p>This operation first requests (e.g. from the control console of the test system) the test operator to check whether the 'character' is indicated by the DTMF indicator of the MS. If the operator informs (e.g. from the control console of the test system) the test system that the MS does not give the indication of 'character', the operation returns FALSE. If the operator informs the test system that the MS gives the indication, the operation returns TRUE.</p> |                                    |
| <b>Detailed Comments:</b>                                                                                                                                                                                                                                                                                                                                                                                                                                                       |                                    |

| <b>Test Suite Operation Definition</b>                                                                                                                                                                                                                                                    |                        |
|-------------------------------------------------------------------------------------------------------------------------------------------------------------------------------------------------------------------------------------------------------------------------------------------|------------------------|
| <b>Operation Name:</b>                                                                                                                                                                                                                                                                    | OO_EmptyMessageStorage |
| <b>Result Type:</b>                                                                                                                                                                                                                                                                       | BOOLEAN                |
| <b>Comments:</b>                                                                                                                                                                                                                                                                          |                        |
| <b>Description</b>                                                                                                                                                                                                                                                                        |                        |
| <p>This operation requests (e.g. from the control console of the test system) the test operator to empty the message storage of the mobile station under test.<br/> After the operator finishes the action, he informs the test system and the operation returns with the value TRUE.</p> |                        |
| <b>Detailed Comments:</b>                                                                                                                                                                                                                                                                 |                        |

| <b>Test Suite Operation Definition</b>                                                                                                                                                                                                                                                                                                                   |                              |
|----------------------------------------------------------------------------------------------------------------------------------------------------------------------------------------------------------------------------------------------------------------------------------------------------------------------------------------------------------|------------------------------|
| <b>Operation Name:</b>                                                                                                                                                                                                                                                                                                                                   | OO_EnterPswd(pswd:IA5String) |
| <b>Result Type:</b>                                                                                                                                                                                                                                                                                                                                      | BOOLEAN                      |
| <b>Comments:</b>                                                                                                                                                                                                                                                                                                                                         |                              |
| <b>Description</b>                                                                                                                                                                                                                                                                                                                                       |                              |
| <p>This TSO displays a message on the control console to inform the operator that he is to enter a given password (the actual password is given by 'pswd') on the mobile. The operation waits for the operator to acknowledge the request, which may be done before or after entering the password into the mobile, and then returns the value TRUE.</p> |                              |
| <b>Detailed Comments:</b>                                                                                                                                                                                                                                                                                                                                |                              |

| <b>Test Suite Operation Definition</b>                                                                                                                                                                                                                                                                                                            |            |
|---------------------------------------------------------------------------------------------------------------------------------------------------------------------------------------------------------------------------------------------------------------------------------------------------------------------------------------------------|------------|
| <b>Operation Name:</b>                                                                                                                                                                                                                                                                                                                            | OO_HookOff |
| <b>Result Type:</b>                                                                                                                                                                                                                                                                                                                               | BOOLEAN    |
| <b>Comments:</b>                                                                                                                                                                                                                                                                                                                                  |            |
| <b>Description</b>                                                                                                                                                                                                                                                                                                                                |            |
| <p>This operation requests (e.g. from the control console of the test system) the test operator to answer the mobile terminating call at the Mobile Station under test.</p> <p>This operation waits for the operator to acknowledge the request which may be done before or after the call has been answered and then returns the value TRUE.</p> |            |
| <b>Detailed Comments:</b>                                                                                                                                                                                                                                                                                                                         |            |

| <b>Test Suite Operation Definition</b>                                                                                                                                                                                                                                                                                                                                                                                                                                                                                                                                                                                                                                      |                        |
|-----------------------------------------------------------------------------------------------------------------------------------------------------------------------------------------------------------------------------------------------------------------------------------------------------------------------------------------------------------------------------------------------------------------------------------------------------------------------------------------------------------------------------------------------------------------------------------------------------------------------------------------------------------------------------|------------------------|
| <b>Operation Name:</b>                                                                                                                                                                                                                                                                                                                                                                                                                                                                                                                                                                                                                                                      | OO_IFsetup_Telephony   |
| <b>Result Type:</b>                                                                                                                                                                                                                                                                                                                                                                                                                                                                                                                                                                                                                                                         | BOOLEAN                |
| <b>Comments:</b>                                                                                                                                                                                                                                                                                                                                                                                                                                                                                                                                                                                                                                                            |                        |
| <b>Description</b>                                                                                                                                                                                                                                                                                                                                                                                                                                                                                                                                                                                                                                                          |                        |
| <p>This TSO requests (e.g. from the control console of the test system) the test operator to setup the external interface, or configuration of the MS in such a way that the MS is able to successfully receive the call for telephony service. If the MS supports both telephony without immediate connection mode and telephony with immediate connection mode, set the MS in telephony without immediate connection mode. After the operator finishes the required action and informs the test system, the TSO returns with value TRUE.</p> <p>This TSO is used in MO call test cases except TC_11_2, where this TSO is call for single-numbering scheme MT testing.</p> |                        |
| <b>Detailed Comments:</b>                                                                                                                                                                                                                                                                                                                                                                                                                                                                                                                                                                                                                                                   | used for TS11 and TS12 |

| <b>Test Suite Operation Definition</b>                                                                                                                                                                                                                                                                                                                                                                                                                                                                                                                                                                                                                                                                                                                                                                                                                                                                                                                                                                                                                                                                                                                                                                                                                                                                                                                                                                                                                                                                                                                                                                                                                                                                                                                                                                                                                                                                                                                                                                                                                                                                                                                                                                                                                                                                                                                                                                                                                                                                                                    |                                                                               |
|-------------------------------------------------------------------------------------------------------------------------------------------------------------------------------------------------------------------------------------------------------------------------------------------------------------------------------------------------------------------------------------------------------------------------------------------------------------------------------------------------------------------------------------------------------------------------------------------------------------------------------------------------------------------------------------------------------------------------------------------------------------------------------------------------------------------------------------------------------------------------------------------------------------------------------------------------------------------------------------------------------------------------------------------------------------------------------------------------------------------------------------------------------------------------------------------------------------------------------------------------------------------------------------------------------------------------------------------------------------------------------------------------------------------------------------------------------------------------------------------------------------------------------------------------------------------------------------------------------------------------------------------------------------------------------------------------------------------------------------------------------------------------------------------------------------------------------------------------------------------------------------------------------------------------------------------------------------------------------------------------------------------------------------------------------------------------------------------------------------------------------------------------------------------------------------------------------------------------------------------------------------------------------------------------------------------------------------------------------------------------------------------------------------------------------------------------------------------------------------------------------------------------------------------|-------------------------------------------------------------------------------|
| <b>Operation Name:</b>                                                                                                                                                                                                                                                                                                                                                                                                                                                                                                                                                                                                                                                                                                                                                                                                                                                                                                                                                                                                                                                                                                                                                                                                                                                                                                                                                                                                                                                                                                                                                                                                                                                                                                                                                                                                                                                                                                                                                                                                                                                                                                                                                                                                                                                                                                                                                                                                                                                                                                                    | OO_IFsetup_BS2xorBS3x_MO(srv:SERVICES; itc, sacp:B_3; ce:B_2; rate:IA5String) |
| <b>Result Type:</b>                                                                                                                                                                                                                                                                                                                                                                                                                                                                                                                                                                                                                                                                                                                                                                                                                                                                                                                                                                                                                                                                                                                                                                                                                                                                                                                                                                                                                                                                                                                                                                                                                                                                                                                                                                                                                                                                                                                                                                                                                                                                                                                                                                                                                                                                                                                                                                                                                                                                                                                       | BOOLEAN                                                                       |
| <b>Comments:</b>                                                                                                                                                                                                                                                                                                                                                                                                                                                                                                                                                                                                                                                                                                                                                                                                                                                                                                                                                                                                                                                                                                                                                                                                                                                                                                                                                                                                                                                                                                                                                                                                                                                                                                                                                                                                                                                                                                                                                                                                                                                                                                                                                                                                                                                                                                                                                                                                                                                                                                                          |                                                                               |
| Description                                                                                                                                                                                                                                                                                                                                                                                                                                                                                                                                                                                                                                                                                                                                                                                                                                                                                                                                                                                                                                                                                                                                                                                                                                                                                                                                                                                                                                                                                                                                                                                                                                                                                                                                                                                                                                                                                                                                                                                                                                                                                                                                                                                                                                                                                                                                                                                                                                                                                                                               |                                                                               |
| <p>This TSO requests (e.g. from the control console of the test system) the test operator to setup the external interface, or the MS configuration in such a way that the MS, when triggered, is able to initiate the call for the BS2x or BS3x service `srv` with the specified itc, sacp, ce values. After the operator finishes the required action and informs the test system, the TSO returns with value TRUE.</p> <p>This TSO is used in MO call test cases except TC_11_2, where this TSO is call for single-numbering scheme MT testing.</p> <p>Three negotiable parameters, number of stop bit, number of data bit, parity information, are asked as global IXIT paramters for all TE configurations. If necessary, the test operator refers to the manual provided by manufacturer to configure the MS.</p> <p>The possible values are:</p> <p>1) srv ----- basic service</p> <ul style="list-style-type: none"> <li>- C_Async300            Basic Service 21, Asynchronous 300 bps</li> <li>- C_Async1200         Basic Service 22, Asynchronous 1.2 kbps</li> <li>- C_Async120075       Basic Service 23, Asynchronous 1200/75 bps</li> <li>- C_Async2400         Basic Service 24, Asynchronous 2.4 kbps</li> <li>- C_Async4800         Basic Service 25, Asynchronous 4.8 kbps</li> <li>- C_Async9600         Basic Service 26, Asynchronous 9.6 kbps</li> <li>- C_Sync1200           Basic Service 31, Synchronous 1.2 kbps</li> <li>- C_Sync2400           Basic Service 32, Synchronous 2.4 kbps</li> <li>- C_Sync4800           Basic Service 33, Synchronous 4.8 kbps</li> <li>- C_Sync9600           Basic Service 34, Synchronous 9.6 kbps</li> </ul> <p>2) itc ----- information transfer capability</p> <ul style="list-style-type: none"> <li>- '001'B                unrestricted digital information</li> <li>- '010'B                3.1 kHz audio, ex PLMN</li> </ul> <p>3) sacp ---- signalling access protocol</p> <ul style="list-style-type: none"> <li>- '001'B                I.440/450</li> <li>- '010'B                X.21</li> <li>- '101'B                X.28 - non dedicated PAD</li> <li>- '110'B                X.32</li> </ul> <p>4) ce ----- connection element</p> <ul style="list-style-type: none"> <li>- '00'B                 transparent</li> <li>- '01'B                 non transparent</li> </ul> <p>5) rate ----- channel rate</p> <ul style="list-style-type: none"> <li>- C_Full                full rate channel</li> <li>- C_Half                half rate channel</li> </ul> |                                                                               |
| <b>Detailed Comments:</b>                                                                                                                                                                                                                                                                                                                                                                                                                                                                                                                                                                                                                                                                                                                                                                                                                                                                                                                                                                                                                                                                                                                                                                                                                                                                                                                                                                                                                                                                                                                                                                                                                                                                                                                                                                                                                                                                                                                                                                                                                                                                                                                                                                                                                                                                                                                                                                                                                                                                                                                 | Used for BS21, BS22, BS23, BS24, BS25, BS26, BS31, BS32, BS33, BS34           |



| <b>Test Suite Operation Definition</b>                                                                                                                                                                                                                                                                                                                                                                                                                                                                                                                                                                                                                                                                                                                                                                                                                                                                                                                                                                                                                                                                                                                                                                                                                                                                                                                                                                                                                                                                                                                                 |                                                          |
|------------------------------------------------------------------------------------------------------------------------------------------------------------------------------------------------------------------------------------------------------------------------------------------------------------------------------------------------------------------------------------------------------------------------------------------------------------------------------------------------------------------------------------------------------------------------------------------------------------------------------------------------------------------------------------------------------------------------------------------------------------------------------------------------------------------------------------------------------------------------------------------------------------------------------------------------------------------------------------------------------------------------------------------------------------------------------------------------------------------------------------------------------------------------------------------------------------------------------------------------------------------------------------------------------------------------------------------------------------------------------------------------------------------------------------------------------------------------------------------------------------------------------------------------------------------------|----------------------------------------------------------|
| <b>Operation Name:</b>                                                                                                                                                                                                                                                                                                                                                                                                                                                                                                                                                                                                                                                                                                                                                                                                                                                                                                                                                                                                                                                                                                                                                                                                                                                                                                                                                                                                                                                                                                                                                 | OO_IFsetup_BS4x_MO(srv:SERVICES; ce:B_2; rate:IA5String) |
| <b>Result Type:</b>                                                                                                                                                                                                                                                                                                                                                                                                                                                                                                                                                                                                                                                                                                                                                                                                                                                                                                                                                                                                                                                                                                                                                                                                                                                                                                                                                                                                                                                                                                                                                    | BOOLEAN                                                  |
| <b>Comments:</b>                                                                                                                                                                                                                                                                                                                                                                                                                                                                                                                                                                                                                                                                                                                                                                                                                                                                                                                                                                                                                                                                                                                                                                                                                                                                                                                                                                                                                                                                                                                                                       |                                                          |
| <b>Description</b>                                                                                                                                                                                                                                                                                                                                                                                                                                                                                                                                                                                                                                                                                                                                                                                                                                                                                                                                                                                                                                                                                                                                                                                                                                                                                                                                                                                                                                                                                                                                                     |                                                          |
| <p>This TSO requests (e.g. from the control console of the test system) the test operator to setup the external interface, or the MS configuration in such a way that the MS, when triggered, is able to initiate the call for the BS4x service `srv` with specified ur and ce values. After the operator finishes the required action and informs the test system, the TSO returns with value TRUE.</p> <p>Three negotiable parameters, number of stop bit, number of data bit, parity information, are asked as global IXIT parameters for all TE configurations. If necessary, the test operator refers to the manual provided by manufacturer to configure the MS.</p> <p>The possible values are:</p> <p>1) srv ----- basic service</p> <ul style="list-style-type: none"> <li>- C_PAD300            Basic Service 41, PAD access 300 bps</li> <li>- C_PAD1200         Basic Service 42, PAD access 1.2 kbps</li> <li>- C_PAD120075      Basic Service 43, PAD access 1200/75 bps</li> <li>- C_PAD2400         Basic Service 44, PAD access 2.4 kbps</li> <li>- C_PAD4800         Basic Service 45, PAD access 4.8 kbps</li> <li>- C_PAD9600         Basic Service 46, PAD access 9.6 kbps</li> </ul> <p>2) ce ----- connection element</p> <ul style="list-style-type: none"> <li>- '00'B                transparent</li> <li>- '01'B                non transparent</li> </ul> <p>3) rate ----- channel rate</p> <ul style="list-style-type: none"> <li>- C_Full                full rate channel</li> <li>- C_Half                half rate channel</li> </ul> |                                                          |
| <b>Detailed Comments:</b>                                                                                                                                                                                                                                                                                                                                                                                                                                                                                                                                                                                                                                                                                                                                                                                                                                                                                                                                                                                                                                                                                                                                                                                                                                                                                                                                                                                                                                                                                                                                              | Used for BS41, BS42, BS43, BS44, BS45, BS46              |

| <b>Test Suite Operation Definition</b>                                                                                                                                                                                                                                                                                                                                                                                                                                                                                                                                                                                                                                                                                                                                                                                                                                                                                                                                                                                                                                                                                                                                                                                                                                                                                                                                                            |                                                          |
|---------------------------------------------------------------------------------------------------------------------------------------------------------------------------------------------------------------------------------------------------------------------------------------------------------------------------------------------------------------------------------------------------------------------------------------------------------------------------------------------------------------------------------------------------------------------------------------------------------------------------------------------------------------------------------------------------------------------------------------------------------------------------------------------------------------------------------------------------------------------------------------------------------------------------------------------------------------------------------------------------------------------------------------------------------------------------------------------------------------------------------------------------------------------------------------------------------------------------------------------------------------------------------------------------------------------------------------------------------------------------------------------------|----------------------------------------------------------|
| <b>Operation Name:</b>                                                                                                                                                                                                                                                                                                                                                                                                                                                                                                                                                                                                                                                                                                                                                                                                                                                                                                                                                                                                                                                                                                                                                                                                                                                                                                                                                                            | OO_IFsetup_BS5x_MO(srv:SERVICES; ur:B_4; rate:IA5String) |
| <b>Result Type:</b>                                                                                                                                                                                                                                                                                                                                                                                                                                                                                                                                                                                                                                                                                                                                                                                                                                                                                                                                                                                                                                                                                                                                                                                                                                                                                                                                                                               | BOOLEAN                                                  |
| <b>Comments:</b>                                                                                                                                                                                                                                                                                                                                                                                                                                                                                                                                                                                                                                                                                                                                                                                                                                                                                                                                                                                                                                                                                                                                                                                                                                                                                                                                                                                  |                                                          |
| <b>Description</b>                                                                                                                                                                                                                                                                                                                                                                                                                                                                                                                                                                                                                                                                                                                                                                                                                                                                                                                                                                                                                                                                                                                                                                                                                                                                                                                                                                                |                                                          |
| <p>This TSO requests (e.g. from the control console of the test system) the test operator to setup the external interface, or the MS configuration in such a way that the MS, when triggered, is able to initiate the call for the BS5x service `srv` with the specified ur value. After the operator finishes the required action and informs the test system, the TSO returns with value TRUE.</p> <p>Three negotiable parameters, number of stop bit, number of data bit, parity information, are asked as global IXIT parameters for all TE configurations. If necessary, the test operator refers to the manual provided by manufacturer to configure the MS.</p> <p>The possible values are:</p> <p>1) srv ----- basic service</p> <ul style="list-style-type: none"> <li>- C_Packet2400        Basic Service 51, Packet access 2.4 kbps</li> <li>- C_Packet4800        Basic Service 52, Packet access 4.8 kbps</li> <li>- C_Packet9600        Basic Service 53, Packet access 9.6 kbps</li> </ul> <p>2) ur ----- user rate</p> <ul style="list-style-type: none"> <li>- '0011'B              2400 bit/s</li> <li>- '0100'B              4800 bit/s</li> <li>- '0101'B              9600 bit/s</li> </ul> <p>3) rate ----- channel rate</p> <ul style="list-style-type: none"> <li>- C_Full                full rate channel</li> <li>- C_Half                half rate channel</li> </ul> |                                                          |
| <b>Detailed Comments:</b>                                                                                                                                                                                                                                                                                                                                                                                                                                                                                                                                                                                                                                                                                                                                                                                                                                                                                                                                                                                                                                                                                                                                                                                                                                                                                                                                                                         | Used for BS51, BS52, BS53                                |

| <b>Test Suite Operation Definition</b>                                                                                                                                                                                                                                                                                                                                                                                                                                                                                                                                                                                                                                                                                                                                                                                                                                                                                                                                                                                                                                                                                                                                                                                                                                                                                                                                                                                                                                                                                                                                                                                                                                                                                                                                                                                                                                                                                                                                     |                                                                                |
|----------------------------------------------------------------------------------------------------------------------------------------------------------------------------------------------------------------------------------------------------------------------------------------------------------------------------------------------------------------------------------------------------------------------------------------------------------------------------------------------------------------------------------------------------------------------------------------------------------------------------------------------------------------------------------------------------------------------------------------------------------------------------------------------------------------------------------------------------------------------------------------------------------------------------------------------------------------------------------------------------------------------------------------------------------------------------------------------------------------------------------------------------------------------------------------------------------------------------------------------------------------------------------------------------------------------------------------------------------------------------------------------------------------------------------------------------------------------------------------------------------------------------------------------------------------------------------------------------------------------------------------------------------------------------------------------------------------------------------------------------------------------------------------------------------------------------------------------------------------------------------------------------------------------------------------------------------------------------|--------------------------------------------------------------------------------|
| <b>Operation Name:</b>                                                                                                                                                                                                                                                                                                                                                                                                                                                                                                                                                                                                                                                                                                                                                                                                                                                                                                                                                                                                                                                                                                                                                                                                                                                                                                                                                                                                                                                                                                                                                                                                                                                                                                                                                                                                                                                                                                                                                     | OO_IFsetup_BS61orBS81_MO(srv:SERVICES; ur:B_4; sa:B_1; ce:B_2; rate:IA5String) |
| <b>Result Type:</b>                                                                                                                                                                                                                                                                                                                                                                                                                                                                                                                                                                                                                                                                                                                                                                                                                                                                                                                                                                                                                                                                                                                                                                                                                                                                                                                                                                                                                                                                                                                                                                                                                                                                                                                                                                                                                                                                                                                                                        | BOOLEAN                                                                        |
| <b>Comments:</b>                                                                                                                                                                                                                                                                                                                                                                                                                                                                                                                                                                                                                                                                                                                                                                                                                                                                                                                                                                                                                                                                                                                                                                                                                                                                                                                                                                                                                                                                                                                                                                                                                                                                                                                                                                                                                                                                                                                                                           |                                                                                |
| <b>Description</b>                                                                                                                                                                                                                                                                                                                                                                                                                                                                                                                                                                                                                                                                                                                                                                                                                                                                                                                                                                                                                                                                                                                                                                                                                                                                                                                                                                                                                                                                                                                                                                                                                                                                                                                                                                                                                                                                                                                                                         |                                                                                |
| <p>This TSO requests (e.g. from the control console of the test system) the test operator to setup the external interface, or the MS configuration in such a way that the MS, when triggered, is able to initiate the call for BS61 or BS81 with the specified ur, ce and sa values, and the first bearer capability is speech. After the operator finishes the required action and informs the test system, the TSO returns with value TRUE.</p> <p>This TSO is used in MO call test cases except TC_11_2, where this TSO is call for single-numbering scheme MT testing.</p> <p>Three negotiable parameters, number of stop bit, number of data bit, parity information, are asked as global IXIT parameters for all TE configurations. If necessary, the test operator refers to the manual provided by manufacturer to configure the MS.</p> <p>The possible values are:</p> <p>1) srv ----- basic service</p> <ul style="list-style-type: none"> <li>- C_AltSpchData      Basic Service 61, Alternatie Speech/data</li> <li>- C_SpchData         Basic Service 81, Speech followed by data</li> </ul> <p>2) ur ----- user rate</p> <ul style="list-style-type: none"> <li>- '0001'B            300 bit/s</li> <li>- '0010'B            1200 bit/s</li> <li>- '0111'B            1200/75 bit/s</li> <li>- '0011'B            2400 bit/s</li> <li>- '0100'B            4800 bit/s</li> <li>- '0101'B            9600 bit/s</li> </ul> <p>3) sa ----- synchronous/asynchronous</p> <ul style="list-style-type: none"> <li>- '0'B                synchronous</li> <li>- '1'B                asynchronous</li> </ul> <p>4) ce ----- connection element</p> <ul style="list-style-type: none"> <li>- '00'B               transparent</li> <li>- '01'B               non transparent</li> </ul> <p>5) rate ----- channel rate</p> <ul style="list-style-type: none"> <li>- C_Full              full rate channel</li> <li>- C_Half              half rate channel</li> </ul> |                                                                                |
| <b>Detailed Comments:</b>                                                                                                                                                                                                                                                                                                                                                                                                                                                                                                                                                                                                                                                                                                                                                                                                                                                                                                                                                                                                                                                                                                                                                                                                                                                                                                                                                                                                                                                                                                                                                                                                                                                                                                                                                                                                                                                                                                                                                  | used for BS61 and BS81                                                         |

| <b>Test Suite Operation Definition</b>                                                                                                                                                                                                                                                                                                                                                                                                                                                                                                                                                                                                                                                                                                                                                                                                                                                                                                                                                                                                                                                                                                                                                                                                                                                                                                                                                                                                                                                                                                                                                                                                                                               |                                                                  |
|--------------------------------------------------------------------------------------------------------------------------------------------------------------------------------------------------------------------------------------------------------------------------------------------------------------------------------------------------------------------------------------------------------------------------------------------------------------------------------------------------------------------------------------------------------------------------------------------------------------------------------------------------------------------------------------------------------------------------------------------------------------------------------------------------------------------------------------------------------------------------------------------------------------------------------------------------------------------------------------------------------------------------------------------------------------------------------------------------------------------------------------------------------------------------------------------------------------------------------------------------------------------------------------------------------------------------------------------------------------------------------------------------------------------------------------------------------------------------------------------------------------------------------------------------------------------------------------------------------------------------------------------------------------------------------------|------------------------------------------------------------------|
| <b>Operation Name:</b>                                                                                                                                                                                                                                                                                                                                                                                                                                                                                                                                                                                                                                                                                                                                                                                                                                                                                                                                                                                                                                                                                                                                                                                                                                                                                                                                                                                                                                                                                                                                                                                                                                                               | OO_IFsetup_TS6x_MO(srv:SERVICES; ur:B_4; ce:B_2; rate:IA5String) |
| <b>Result Type:</b>                                                                                                                                                                                                                                                                                                                                                                                                                                                                                                                                                                                                                                                                                                                                                                                                                                                                                                                                                                                                                                                                                                                                                                                                                                                                                                                                                                                                                                                                                                                                                                                                                                                                  | BOOLEAN                                                          |
| <b>Comments:</b>                                                                                                                                                                                                                                                                                                                                                                                                                                                                                                                                                                                                                                                                                                                                                                                                                                                                                                                                                                                                                                                                                                                                                                                                                                                                                                                                                                                                                                                                                                                                                                                                                                                                     |                                                                  |
| <b>Description</b>                                                                                                                                                                                                                                                                                                                                                                                                                                                                                                                                                                                                                                                                                                                                                                                                                                                                                                                                                                                                                                                                                                                                                                                                                                                                                                                                                                                                                                                                                                                                                                                                                                                                   |                                                                  |
| <p>This TSO requests (e.g. from the control console of the test system) the test operator to setup the external interface, or the MS configuration in such a way that the MS, when triggered, is able to initiate the call for TS61 and TS62 with the specified ur and ce values, and the first bearer capability is speech. After the operator finishes the required action and informs the test system, the TSO returns with value TRUE.</p> <p>This TSO is used in MO call test cases except TC_11_2, where this TSO is call for single-numbering scheme MT testing.</p> <p>Three negotiable parameters, number of stop bit, number of data bit, parity information, are asked as global IXIT parameters for all TE configurations. If necessary, the test operator refers to the manual provided by manufacturer to configure the MS.</p> <p>The possible values are:</p> <p>1) srv ----- basic service</p> <ul style="list-style-type: none"> <li>- C_AltSpchFax      Teleservice 61, Alternatie Speech and Facsimile group 3</li> <li>- C_AutoFax          Teleservice 62, Automatic Facsimile group 3</li> </ul> <p>2) ur ----- user rate</p> <ul style="list-style-type: none"> <li>- '0011'B            2400 bit/s</li> <li>- '0100'B            4800 bit/s</li> <li>- '0101'B            9600 bit/s</li> </ul> <p>3) ce ----- connection element</p> <ul style="list-style-type: none"> <li>- '00'B                transparent</li> <li>- '01'B                non transparent</li> </ul> <p>4) rate ----- channel rate</p> <ul style="list-style-type: none"> <li>- C_Full                full rate channel</li> <li>- C_Half                half rate channel</li> </ul> |                                                                  |
| <b>Detailed Comments:</b>                                                                                                                                                                                                                                                                                                                                                                                                                                                                                                                                                                                                                                                                                                                                                                                                                                                                                                                                                                                                                                                                                                                                                                                                                                                                                                                                                                                                                                                                                                                                                                                                                                                            | used for TS61 and TS62                                           |

| <b>Test Suite Operation Definition</b>                                                                                                                                                                                                                                                                                                                                                                                                                                                                                                                                                                                                                            |                                           |
|-------------------------------------------------------------------------------------------------------------------------------------------------------------------------------------------------------------------------------------------------------------------------------------------------------------------------------------------------------------------------------------------------------------------------------------------------------------------------------------------------------------------------------------------------------------------------------------------------------------------------------------------------------------------|-------------------------------------------|
| <b>Operation Name:</b>                                                                                                                                                                                                                                                                                                                                                                                                                                                                                                                                                                                                                                            | OO_IFsetup_BS2x_MT(srv:SERVICES; itc:B_3) |
| <b>Result Type:</b>                                                                                                                                                                                                                                                                                                                                                                                                                                                                                                                                                                                                                                               | BOOLEAN                                   |
| <b>Comments:</b>                                                                                                                                                                                                                                                                                                                                                                                                                                                                                                                                                                                                                                                  |                                           |
| <b>Description</b>                                                                                                                                                                                                                                                                                                                                                                                                                                                                                                                                                                                                                                                |                                           |
| <p>This TSO requests (e.g. from the control console of the test system) the test operator to setup the external interface, or the MS configuration in such a way that the MS is able to successfully receive the call for the BS2x service `srv` with the specified itc value. After the operator finishes the required action and informs the test system, the TSO returns with value TRUE.</p> <p>Three negotiable parameters, number of stop bit, number of data bit, parity information, are asked as global IXIT paramters for all TE configurations. If necessary, the test operator refers to the manual provided by manufacturer to configure the MS.</p> |                                           |
| <b>Detailed Comments:</b>                                                                                                                                                                                                                                                                                                                                                                                                                                                                                                                                                                                                                                         | Used for BS21, BS22, BS24, BS25, BS26     |

| <b>Test Suite Operation Definition</b>                                                                                                                                                                                                                                                                                                                                                                                                                                                                                                                                                                                                                                   |                                                 |
|--------------------------------------------------------------------------------------------------------------------------------------------------------------------------------------------------------------------------------------------------------------------------------------------------------------------------------------------------------------------------------------------------------------------------------------------------------------------------------------------------------------------------------------------------------------------------------------------------------------------------------------------------------------------------|-------------------------------------------------|
| <b>Operation Name:</b>                                                                                                                                                                                                                                                                                                                                                                                                                                                                                                                                                                                                                                                   | OO_IFsetup_BS3x_MT(srv:SERVICES; itc, sacp:B_3) |
| <b>Result Type:</b>                                                                                                                                                                                                                                                                                                                                                                                                                                                                                                                                                                                                                                                      | BOOLEAN                                         |
| <b>Comments:</b>                                                                                                                                                                                                                                                                                                                                                                                                                                                                                                                                                                                                                                                         |                                                 |
| <b>Description</b>                                                                                                                                                                                                                                                                                                                                                                                                                                                                                                                                                                                                                                                       |                                                 |
| <p>This TSO requests (e.g. from the control console of the test system) the test operator to setup the external interface, or the MS configuration in such a way that the MS is able to successfully receive the call for the BS3x service `srv` with specified itc and sacp values. After the operator finishes the required action and informs the test system, the TSO returns with value TRUE.</p> <p>Three negotiable parameters, number of stop bit, number of data bit, parity information, are asked as global IXIT parameters for all TE configurations. If necessary, the test operator refers to the manual provided by manufacturer to configure the MS.</p> |                                                 |
| <b>Detailed Comments:</b>                                                                                                                                                                                                                                                                                                                                                                                                                                                                                                                                                                                                                                                | Used for BS31, BS32, BS33, BS34                 |

| <b>Test Suite Operation Definition</b>                                                                                                                                                                                                                                                                                                                                                                                                                                                                                                                                                                                                                          |                                                        |
|-----------------------------------------------------------------------------------------------------------------------------------------------------------------------------------------------------------------------------------------------------------------------------------------------------------------------------------------------------------------------------------------------------------------------------------------------------------------------------------------------------------------------------------------------------------------------------------------------------------------------------------------------------------------|--------------------------------------------------------|
| <b>Operation Name:</b>                                                                                                                                                                                                                                                                                                                                                                                                                                                                                                                                                                                                                                          | OO_IFsetup_BS61orBS81_MT(srv:SERVICES; ur:B_4; sa:B_1) |
| <b>Result Type:</b>                                                                                                                                                                                                                                                                                                                                                                                                                                                                                                                                                                                                                                             | BOOLEAN                                                |
| <b>Comments:</b>                                                                                                                                                                                                                                                                                                                                                                                                                                                                                                                                                                                                                                                |                                                        |
| <b>Description</b>                                                                                                                                                                                                                                                                                                                                                                                                                                                                                                                                                                                                                                              |                                                        |
| <p>This TSO requests (e.g. from the control console of the test system) the test operator to setup the external interface, or the MS configuration in such a way that the MS is able to successfully receive the call for BS61 or BS81 with the specified ur and sa values. After the operator finishes the required action and informs the test system, the TSO returns with value TRUE.</p> <p>Three negotiable parameters, number of stop bit, number of data bit, parity information, are asked as global IXIT parameters for all TE configurations. If necessary, the test operator refers to the manual provided by manufacturer to configure the MS.</p> |                                                        |
| <b>Detailed Comments:</b>                                                                                                                                                                                                                                                                                                                                                                                                                                                                                                                                                                                                                                       | used for BS61 and BS81                                 |

| <b>Test Suite Operation Definition</b>                                                                                                                                                                                                                                                                                                                                                                                                                                                                                                                                                                                                                   |                                          |
|----------------------------------------------------------------------------------------------------------------------------------------------------------------------------------------------------------------------------------------------------------------------------------------------------------------------------------------------------------------------------------------------------------------------------------------------------------------------------------------------------------------------------------------------------------------------------------------------------------------------------------------------------------|------------------------------------------|
| <b>Operation Name:</b>                                                                                                                                                                                                                                                                                                                                                                                                                                                                                                                                                                                                                                   | OO_IFsetup_TS6x_MT(srv:SERVICES; ur:B_4) |
| <b>Result Type:</b>                                                                                                                                                                                                                                                                                                                                                                                                                                                                                                                                                                                                                                      | BOOLEAN                                  |
| <b>Comments:</b>                                                                                                                                                                                                                                                                                                                                                                                                                                                                                                                                                                                                                                         |                                          |
| <b>Description</b>                                                                                                                                                                                                                                                                                                                                                                                                                                                                                                                                                                                                                                       |                                          |
| <p>This TSO requests (e.g. from the control console of the test system) the test operator to setup the external interface, or the MS configuration in such a way that the MS is able to successfully receive the call for TS61 and TS62 with the specified ur value. After the operator finishes the required action and informs the test system, the TSO returns with value TRUE.</p> <p>Three negotiable parameters, number of stop bit, number of data bit, parity information, are asked as global IXIT parameters for all TE configurations. If necessary, the test operator refers to the manual provided by manufacturer to configure the MS.</p> |                                          |
| <b>Detailed Comments:</b>                                                                                                                                                                                                                                                                                                                                                                                                                                                                                                                                                                                                                                | used for TS61 and TS62                   |

| <b>Test Suite Operation Definition</b>                                                                                                                                                                                                                                                                                                                                                                                                                                                                                                                                                                                                                                                                                                                                                                                                                                                                                                                                                                                                                |                             |
|-------------------------------------------------------------------------------------------------------------------------------------------------------------------------------------------------------------------------------------------------------------------------------------------------------------------------------------------------------------------------------------------------------------------------------------------------------------------------------------------------------------------------------------------------------------------------------------------------------------------------------------------------------------------------------------------------------------------------------------------------------------------------------------------------------------------------------------------------------------------------------------------------------------------------------------------------------------------------------------------------------------------------------------------------------|-----------------------------|
| <b>Operation Name:</b>                                                                                                                                                                                                                                                                                                                                                                                                                                                                                                                                                                                                                                                                                                                                                                                                                                                                                                                                                                                                                                | OO_InCallModi(srv:SERVICES) |
| <b>Result Type:</b>                                                                                                                                                                                                                                                                                                                                                                                                                                                                                                                                                                                                                                                                                                                                                                                                                                                                                                                                                                                                                                   | BOOLEAN                     |
| <b>Comments:</b>                                                                                                                                                                                                                                                                                                                                                                                                                                                                                                                                                                                                                                                                                                                                                                                                                                                                                                                                                                                                                                      |                             |
| <b>Description</b>                                                                                                                                                                                                                                                                                                                                                                                                                                                                                                                                                                                                                                                                                                                                                                                                                                                                                                                                                                                                                                    |                             |
| <p>This operation requests (e.g. from the control console of the test system) the test operator to initiate a in-call modification at the Mobile Station under test, which is triggered by the calling tone identification (CNG) received by the MS, for the basic service 'srv', then returns TRUE. The calling test step can pass the 'srv' value either as TSPX or constant to the TSO.</p> <p>The possible service values include (see also test suite constant declarations):</p> <p>1) Teleservices</p> <ul style="list-style-type: none"> <li>- C_Telephony</li> <li>- C_EmgCall</li> <li>- C_AltSpchFax</li> <li>- C_AutoFax</li> </ul> <p>2) Bearer services</p> <ul style="list-style-type: none"> <li>- C_Async300, C_Async1200, C_Async120075, C_Async2400, C_Async4800, C_Async9600</li> <li>- C_Sync1200, C_Sync2400, C_Sync4800, C_Sync9600</li> <li>- C_PAD300, C_PAD1200, C_PAD120075, C_PAD2400, C_PAD4800, C_PAD9600</li> <li>- C_Packet2400, C_Packet4800, C_Packet9600</li> <li>- C_AltSpchData</li> <li>- C_SpchData</li> </ul> |                             |
| <b>Detailed Comments:</b>                                                                                                                                                                                                                                                                                                                                                                                                                                                                                                                                                                                                                                                                                                                                                                                                                                                                                                                                                                                                                             |                             |

| <b>Test Suite Operation Definition</b>                                                                                                                                                                                                                                                                                                                                                                                                                                                                                                                                                                                                                                                                                                                                                                                                                                                                                                                                                                                                                                                                                                                                                                                                                                                                                                                                                                                                                                                                                                                                                                                                                                                                                                                                                                                                                                                                                                                                                                                                                                                                                     |                           |               |       |      |             |       |      |                |       |      |             |       |      |              |       |      |               |       |      |                 |       |      |               |       |      |               |       |      |               |       |      |              |       |      |              |       |      |              |       |      |              |       |      |            |       |      |             |       |      |               |       |      |             |       |      |             |       |      |             |       |      |                |       |      |                |       |      |                |       |      |                 |       |      |              |       |      |
|----------------------------------------------------------------------------------------------------------------------------------------------------------------------------------------------------------------------------------------------------------------------------------------------------------------------------------------------------------------------------------------------------------------------------------------------------------------------------------------------------------------------------------------------------------------------------------------------------------------------------------------------------------------------------------------------------------------------------------------------------------------------------------------------------------------------------------------------------------------------------------------------------------------------------------------------------------------------------------------------------------------------------------------------------------------------------------------------------------------------------------------------------------------------------------------------------------------------------------------------------------------------------------------------------------------------------------------------------------------------------------------------------------------------------------------------------------------------------------------------------------------------------------------------------------------------------------------------------------------------------------------------------------------------------------------------------------------------------------------------------------------------------------------------------------------------------------------------------------------------------------------------------------------------------------------------------------------------------------------------------------------------------------------------------------------------------------------------------------------------------|---------------------------|---------------|-------|------|-------------|-------|------|----------------|-------|------|-------------|-------|------|--------------|-------|------|---------------|-------|------|-----------------|-------|------|---------------|-------|------|---------------|-------|------|---------------|-------|------|--------------|-------|------|--------------|-------|------|--------------|-------|------|--------------|-------|------|------------|-------|------|-------------|-------|------|---------------|-------|------|-------------|-------|------|-------------|-------|------|-------------|-------|------|----------------|-------|------|----------------|-------|------|----------------|-------|------|-----------------|-------|------|--------------|-------|------|
| <b>Operation Name:</b>                                                                                                                                                                                                                                                                                                                                                                                                                                                                                                                                                                                                                                                                                                                                                                                                                                                                                                                                                                                                                                                                                                                                                                                                                                                                                                                                                                                                                                                                                                                                                                                                                                                                                                                                                                                                                                                                                                                                                                                                                                                                                                     | OO_InitCall(srv:SERVICES) |               |       |      |             |       |      |                |       |      |             |       |      |              |       |      |               |       |      |                 |       |      |               |       |      |               |       |      |               |       |      |              |       |      |              |       |      |              |       |      |              |       |      |            |       |      |             |       |      |               |       |      |             |       |      |             |       |      |             |       |      |                |       |      |                |       |      |                |       |      |                 |       |      |              |       |      |
| <b>Result Type:</b>                                                                                                                                                                                                                                                                                                                                                                                                                                                                                                                                                                                                                                                                                                                                                                                                                                                                                                                                                                                                                                                                                                                                                                                                                                                                                                                                                                                                                                                                                                                                                                                                                                                                                                                                                                                                                                                                                                                                                                                                                                                                                                        | BOOLEAN                   |               |       |      |             |       |      |                |       |      |             |       |      |              |       |      |               |       |      |                 |       |      |               |       |      |               |       |      |               |       |      |              |       |      |              |       |      |              |       |      |              |       |      |            |       |      |             |       |      |               |       |      |             |       |      |             |       |      |             |       |      |                |       |      |                |       |      |                |       |      |                 |       |      |              |       |      |
| <b>Comments:</b>                                                                                                                                                                                                                                                                                                                                                                                                                                                                                                                                                                                                                                                                                                                                                                                                                                                                                                                                                                                                                                                                                                                                                                                                                                                                                                                                                                                                                                                                                                                                                                                                                                                                                                                                                                                                                                                                                                                                                                                                                                                                                                           |                           |               |       |      |             |       |      |                |       |      |             |       |      |              |       |      |               |       |      |                 |       |      |               |       |      |               |       |      |               |       |      |              |       |      |              |       |      |              |       |      |              |       |      |            |       |      |             |       |      |               |       |      |             |       |      |             |       |      |             |       |      |                |       |      |                |       |      |                |       |      |                 |       |      |              |       |      |
| <b>Description</b>                                                                                                                                                                                                                                                                                                                                                                                                                                                                                                                                                                                                                                                                                                                                                                                                                                                                                                                                                                                                                                                                                                                                                                                                                                                                                                                                                                                                                                                                                                                                                                                                                                                                                                                                                                                                                                                                                                                                                                                                                                                                                                         |                           |               |       |      |             |       |      |                |       |      |             |       |      |              |       |      |               |       |      |                 |       |      |               |       |      |               |       |      |               |       |      |              |       |      |              |       |      |              |       |      |              |       |      |            |       |      |             |       |      |               |       |      |             |       |      |             |       |      |             |       |      |                |       |      |                |       |      |                |       |      |                 |       |      |              |       |      |
| <p>This operation requests (e.g. from the control console of the test system) the test operator to initiate an MS originating call for the basic service `srv`, then returns TRUE. The calling test step can pass the 'srv' value either as TSPX or constant to the TSO. The necessary MS configuration has been done in the corresponding TSO OO_IFsetup_xx...xx_MO before this TSO is called.</p> <p>The possible service values include (see also test suite constant declarations):</p> <p>1) Teleservices</p> <table border="0"> <tr><td>- C_Telephony</td><td>-----</td><td>TS11</td></tr> <tr><td>- C_EmgCall</td><td>-----</td><td>TS12</td></tr> <tr><td>- C_AltSpchFax</td><td>-----</td><td>TS61</td></tr> <tr><td>- C_AutoFax</td><td>-----</td><td>TS62</td></tr> </table> <p>2) Bearer services</p> <table border="0"> <tr><td>- C_Async300</td><td>-----</td><td>BS21</td></tr> <tr><td>- C_Async1200</td><td>-----</td><td>BS22</td></tr> <tr><td>- C_Async120075</td><td>-----</td><td>BS23</td></tr> <tr><td>- C_Async2400</td><td>-----</td><td>BS24</td></tr> <tr><td>- C_Async4800</td><td>-----</td><td>BS25</td></tr> <tr><td>- C_Async9600</td><td>-----</td><td>BS26</td></tr> <tr><td>- C_Sync1200</td><td>-----</td><td>BS31</td></tr> <tr><td>- C_Sync2400</td><td>-----</td><td>BS32</td></tr> <tr><td>- C_Sync4800</td><td>-----</td><td>BS33</td></tr> <tr><td>- C_Sync9600</td><td>-----</td><td>BS34</td></tr> <tr><td>- C_PAD300</td><td>-----</td><td>BS41</td></tr> <tr><td>- C_PAD1200</td><td>-----</td><td>BS42</td></tr> <tr><td>- C_PAD120075</td><td>-----</td><td>BS43</td></tr> <tr><td>- C_PAD2400</td><td>-----</td><td>BS44</td></tr> <tr><td>- C_PAD4800</td><td>-----</td><td>BS45</td></tr> <tr><td>- C_PAD9600</td><td>-----</td><td>BS46</td></tr> <tr><td>- C_Packet2400</td><td>-----</td><td>BS51</td></tr> <tr><td>- C_Packet4800</td><td>-----</td><td>BS52</td></tr> <tr><td>- C_Packet9600</td><td>-----</td><td>BS53</td></tr> <tr><td>- C_AltSpchData</td><td>-----</td><td>BS61</td></tr> <tr><td>- C_SpchData</td><td>-----</td><td>BS81</td></tr> </table> |                           | - C_Telephony | ----- | TS11 | - C_EmgCall | ----- | TS12 | - C_AltSpchFax | ----- | TS61 | - C_AutoFax | ----- | TS62 | - C_Async300 | ----- | BS21 | - C_Async1200 | ----- | BS22 | - C_Async120075 | ----- | BS23 | - C_Async2400 | ----- | BS24 | - C_Async4800 | ----- | BS25 | - C_Async9600 | ----- | BS26 | - C_Sync1200 | ----- | BS31 | - C_Sync2400 | ----- | BS32 | - C_Sync4800 | ----- | BS33 | - C_Sync9600 | ----- | BS34 | - C_PAD300 | ----- | BS41 | - C_PAD1200 | ----- | BS42 | - C_PAD120075 | ----- | BS43 | - C_PAD2400 | ----- | BS44 | - C_PAD4800 | ----- | BS45 | - C_PAD9600 | ----- | BS46 | - C_Packet2400 | ----- | BS51 | - C_Packet4800 | ----- | BS52 | - C_Packet9600 | ----- | BS53 | - C_AltSpchData | ----- | BS61 | - C_SpchData | ----- | BS81 |
| - C_Telephony                                                                                                                                                                                                                                                                                                                                                                                                                                                                                                                                                                                                                                                                                                                                                                                                                                                                                                                                                                                                                                                                                                                                                                                                                                                                                                                                                                                                                                                                                                                                                                                                                                                                                                                                                                                                                                                                                                                                                                                                                                                                                                              | -----                     | TS11          |       |      |             |       |      |                |       |      |             |       |      |              |       |      |               |       |      |                 |       |      |               |       |      |               |       |      |               |       |      |              |       |      |              |       |      |              |       |      |              |       |      |            |       |      |             |       |      |               |       |      |             |       |      |             |       |      |             |       |      |                |       |      |                |       |      |                |       |      |                 |       |      |              |       |      |
| - C_EmgCall                                                                                                                                                                                                                                                                                                                                                                                                                                                                                                                                                                                                                                                                                                                                                                                                                                                                                                                                                                                                                                                                                                                                                                                                                                                                                                                                                                                                                                                                                                                                                                                                                                                                                                                                                                                                                                                                                                                                                                                                                                                                                                                | -----                     | TS12          |       |      |             |       |      |                |       |      |             |       |      |              |       |      |               |       |      |                 |       |      |               |       |      |               |       |      |               |       |      |              |       |      |              |       |      |              |       |      |              |       |      |            |       |      |             |       |      |               |       |      |             |       |      |             |       |      |             |       |      |                |       |      |                |       |      |                |       |      |                 |       |      |              |       |      |
| - C_AltSpchFax                                                                                                                                                                                                                                                                                                                                                                                                                                                                                                                                                                                                                                                                                                                                                                                                                                                                                                                                                                                                                                                                                                                                                                                                                                                                                                                                                                                                                                                                                                                                                                                                                                                                                                                                                                                                                                                                                                                                                                                                                                                                                                             | -----                     | TS61          |       |      |             |       |      |                |       |      |             |       |      |              |       |      |               |       |      |                 |       |      |               |       |      |               |       |      |               |       |      |              |       |      |              |       |      |              |       |      |              |       |      |            |       |      |             |       |      |               |       |      |             |       |      |             |       |      |             |       |      |                |       |      |                |       |      |                |       |      |                 |       |      |              |       |      |
| - C_AutoFax                                                                                                                                                                                                                                                                                                                                                                                                                                                                                                                                                                                                                                                                                                                                                                                                                                                                                                                                                                                                                                                                                                                                                                                                                                                                                                                                                                                                                                                                                                                                                                                                                                                                                                                                                                                                                                                                                                                                                                                                                                                                                                                | -----                     | TS62          |       |      |             |       |      |                |       |      |             |       |      |              |       |      |               |       |      |                 |       |      |               |       |      |               |       |      |               |       |      |              |       |      |              |       |      |              |       |      |              |       |      |            |       |      |             |       |      |               |       |      |             |       |      |             |       |      |             |       |      |                |       |      |                |       |      |                |       |      |                 |       |      |              |       |      |
| - C_Async300                                                                                                                                                                                                                                                                                                                                                                                                                                                                                                                                                                                                                                                                                                                                                                                                                                                                                                                                                                                                                                                                                                                                                                                                                                                                                                                                                                                                                                                                                                                                                                                                                                                                                                                                                                                                                                                                                                                                                                                                                                                                                                               | -----                     | BS21          |       |      |             |       |      |                |       |      |             |       |      |              |       |      |               |       |      |                 |       |      |               |       |      |               |       |      |               |       |      |              |       |      |              |       |      |              |       |      |              |       |      |            |       |      |             |       |      |               |       |      |             |       |      |             |       |      |             |       |      |                |       |      |                |       |      |                |       |      |                 |       |      |              |       |      |
| - C_Async1200                                                                                                                                                                                                                                                                                                                                                                                                                                                                                                                                                                                                                                                                                                                                                                                                                                                                                                                                                                                                                                                                                                                                                                                                                                                                                                                                                                                                                                                                                                                                                                                                                                                                                                                                                                                                                                                                                                                                                                                                                                                                                                              | -----                     | BS22          |       |      |             |       |      |                |       |      |             |       |      |              |       |      |               |       |      |                 |       |      |               |       |      |               |       |      |               |       |      |              |       |      |              |       |      |              |       |      |              |       |      |            |       |      |             |       |      |               |       |      |             |       |      |             |       |      |             |       |      |                |       |      |                |       |      |                |       |      |                 |       |      |              |       |      |
| - C_Async120075                                                                                                                                                                                                                                                                                                                                                                                                                                                                                                                                                                                                                                                                                                                                                                                                                                                                                                                                                                                                                                                                                                                                                                                                                                                                                                                                                                                                                                                                                                                                                                                                                                                                                                                                                                                                                                                                                                                                                                                                                                                                                                            | -----                     | BS23          |       |      |             |       |      |                |       |      |             |       |      |              |       |      |               |       |      |                 |       |      |               |       |      |               |       |      |               |       |      |              |       |      |              |       |      |              |       |      |              |       |      |            |       |      |             |       |      |               |       |      |             |       |      |             |       |      |             |       |      |                |       |      |                |       |      |                |       |      |                 |       |      |              |       |      |
| - C_Async2400                                                                                                                                                                                                                                                                                                                                                                                                                                                                                                                                                                                                                                                                                                                                                                                                                                                                                                                                                                                                                                                                                                                                                                                                                                                                                                                                                                                                                                                                                                                                                                                                                                                                                                                                                                                                                                                                                                                                                                                                                                                                                                              | -----                     | BS24          |       |      |             |       |      |                |       |      |             |       |      |              |       |      |               |       |      |                 |       |      |               |       |      |               |       |      |               |       |      |              |       |      |              |       |      |              |       |      |              |       |      |            |       |      |             |       |      |               |       |      |             |       |      |             |       |      |             |       |      |                |       |      |                |       |      |                |       |      |                 |       |      |              |       |      |
| - C_Async4800                                                                                                                                                                                                                                                                                                                                                                                                                                                                                                                                                                                                                                                                                                                                                                                                                                                                                                                                                                                                                                                                                                                                                                                                                                                                                                                                                                                                                                                                                                                                                                                                                                                                                                                                                                                                                                                                                                                                                                                                                                                                                                              | -----                     | BS25          |       |      |             |       |      |                |       |      |             |       |      |              |       |      |               |       |      |                 |       |      |               |       |      |               |       |      |               |       |      |              |       |      |              |       |      |              |       |      |              |       |      |            |       |      |             |       |      |               |       |      |             |       |      |             |       |      |             |       |      |                |       |      |                |       |      |                |       |      |                 |       |      |              |       |      |
| - C_Async9600                                                                                                                                                                                                                                                                                                                                                                                                                                                                                                                                                                                                                                                                                                                                                                                                                                                                                                                                                                                                                                                                                                                                                                                                                                                                                                                                                                                                                                                                                                                                                                                                                                                                                                                                                                                                                                                                                                                                                                                                                                                                                                              | -----                     | BS26          |       |      |             |       |      |                |       |      |             |       |      |              |       |      |               |       |      |                 |       |      |               |       |      |               |       |      |               |       |      |              |       |      |              |       |      |              |       |      |              |       |      |            |       |      |             |       |      |               |       |      |             |       |      |             |       |      |             |       |      |                |       |      |                |       |      |                |       |      |                 |       |      |              |       |      |
| - C_Sync1200                                                                                                                                                                                                                                                                                                                                                                                                                                                                                                                                                                                                                                                                                                                                                                                                                                                                                                                                                                                                                                                                                                                                                                                                                                                                                                                                                                                                                                                                                                                                                                                                                                                                                                                                                                                                                                                                                                                                                                                                                                                                                                               | -----                     | BS31          |       |      |             |       |      |                |       |      |             |       |      |              |       |      |               |       |      |                 |       |      |               |       |      |               |       |      |               |       |      |              |       |      |              |       |      |              |       |      |              |       |      |            |       |      |             |       |      |               |       |      |             |       |      |             |       |      |             |       |      |                |       |      |                |       |      |                |       |      |                 |       |      |              |       |      |
| - C_Sync2400                                                                                                                                                                                                                                                                                                                                                                                                                                                                                                                                                                                                                                                                                                                                                                                                                                                                                                                                                                                                                                                                                                                                                                                                                                                                                                                                                                                                                                                                                                                                                                                                                                                                                                                                                                                                                                                                                                                                                                                                                                                                                                               | -----                     | BS32          |       |      |             |       |      |                |       |      |             |       |      |              |       |      |               |       |      |                 |       |      |               |       |      |               |       |      |               |       |      |              |       |      |              |       |      |              |       |      |              |       |      |            |       |      |             |       |      |               |       |      |             |       |      |             |       |      |             |       |      |                |       |      |                |       |      |                |       |      |                 |       |      |              |       |      |
| - C_Sync4800                                                                                                                                                                                                                                                                                                                                                                                                                                                                                                                                                                                                                                                                                                                                                                                                                                                                                                                                                                                                                                                                                                                                                                                                                                                                                                                                                                                                                                                                                                                                                                                                                                                                                                                                                                                                                                                                                                                                                                                                                                                                                                               | -----                     | BS33          |       |      |             |       |      |                |       |      |             |       |      |              |       |      |               |       |      |                 |       |      |               |       |      |               |       |      |               |       |      |              |       |      |              |       |      |              |       |      |              |       |      |            |       |      |             |       |      |               |       |      |             |       |      |             |       |      |             |       |      |                |       |      |                |       |      |                |       |      |                 |       |      |              |       |      |
| - C_Sync9600                                                                                                                                                                                                                                                                                                                                                                                                                                                                                                                                                                                                                                                                                                                                                                                                                                                                                                                                                                                                                                                                                                                                                                                                                                                                                                                                                                                                                                                                                                                                                                                                                                                                                                                                                                                                                                                                                                                                                                                                                                                                                                               | -----                     | BS34          |       |      |             |       |      |                |       |      |             |       |      |              |       |      |               |       |      |                 |       |      |               |       |      |               |       |      |               |       |      |              |       |      |              |       |      |              |       |      |              |       |      |            |       |      |             |       |      |               |       |      |             |       |      |             |       |      |             |       |      |                |       |      |                |       |      |                |       |      |                 |       |      |              |       |      |
| - C_PAD300                                                                                                                                                                                                                                                                                                                                                                                                                                                                                                                                                                                                                                                                                                                                                                                                                                                                                                                                                                                                                                                                                                                                                                                                                                                                                                                                                                                                                                                                                                                                                                                                                                                                                                                                                                                                                                                                                                                                                                                                                                                                                                                 | -----                     | BS41          |       |      |             |       |      |                |       |      |             |       |      |              |       |      |               |       |      |                 |       |      |               |       |      |               |       |      |               |       |      |              |       |      |              |       |      |              |       |      |              |       |      |            |       |      |             |       |      |               |       |      |             |       |      |             |       |      |             |       |      |                |       |      |                |       |      |                |       |      |                 |       |      |              |       |      |
| - C_PAD1200                                                                                                                                                                                                                                                                                                                                                                                                                                                                                                                                                                                                                                                                                                                                                                                                                                                                                                                                                                                                                                                                                                                                                                                                                                                                                                                                                                                                                                                                                                                                                                                                                                                                                                                                                                                                                                                                                                                                                                                                                                                                                                                | -----                     | BS42          |       |      |             |       |      |                |       |      |             |       |      |              |       |      |               |       |      |                 |       |      |               |       |      |               |       |      |               |       |      |              |       |      |              |       |      |              |       |      |              |       |      |            |       |      |             |       |      |               |       |      |             |       |      |             |       |      |             |       |      |                |       |      |                |       |      |                |       |      |                 |       |      |              |       |      |
| - C_PAD120075                                                                                                                                                                                                                                                                                                                                                                                                                                                                                                                                                                                                                                                                                                                                                                                                                                                                                                                                                                                                                                                                                                                                                                                                                                                                                                                                                                                                                                                                                                                                                                                                                                                                                                                                                                                                                                                                                                                                                                                                                                                                                                              | -----                     | BS43          |       |      |             |       |      |                |       |      |             |       |      |              |       |      |               |       |      |                 |       |      |               |       |      |               |       |      |               |       |      |              |       |      |              |       |      |              |       |      |              |       |      |            |       |      |             |       |      |               |       |      |             |       |      |             |       |      |             |       |      |                |       |      |                |       |      |                |       |      |                 |       |      |              |       |      |
| - C_PAD2400                                                                                                                                                                                                                                                                                                                                                                                                                                                                                                                                                                                                                                                                                                                                                                                                                                                                                                                                                                                                                                                                                                                                                                                                                                                                                                                                                                                                                                                                                                                                                                                                                                                                                                                                                                                                                                                                                                                                                                                                                                                                                                                | -----                     | BS44          |       |      |             |       |      |                |       |      |             |       |      |              |       |      |               |       |      |                 |       |      |               |       |      |               |       |      |               |       |      |              |       |      |              |       |      |              |       |      |              |       |      |            |       |      |             |       |      |               |       |      |             |       |      |             |       |      |             |       |      |                |       |      |                |       |      |                |       |      |                 |       |      |              |       |      |
| - C_PAD4800                                                                                                                                                                                                                                                                                                                                                                                                                                                                                                                                                                                                                                                                                                                                                                                                                                                                                                                                                                                                                                                                                                                                                                                                                                                                                                                                                                                                                                                                                                                                                                                                                                                                                                                                                                                                                                                                                                                                                                                                                                                                                                                | -----                     | BS45          |       |      |             |       |      |                |       |      |             |       |      |              |       |      |               |       |      |                 |       |      |               |       |      |               |       |      |               |       |      |              |       |      |              |       |      |              |       |      |              |       |      |            |       |      |             |       |      |               |       |      |             |       |      |             |       |      |             |       |      |                |       |      |                |       |      |                |       |      |                 |       |      |              |       |      |
| - C_PAD9600                                                                                                                                                                                                                                                                                                                                                                                                                                                                                                                                                                                                                                                                                                                                                                                                                                                                                                                                                                                                                                                                                                                                                                                                                                                                                                                                                                                                                                                                                                                                                                                                                                                                                                                                                                                                                                                                                                                                                                                                                                                                                                                | -----                     | BS46          |       |      |             |       |      |                |       |      |             |       |      |              |       |      |               |       |      |                 |       |      |               |       |      |               |       |      |               |       |      |              |       |      |              |       |      |              |       |      |              |       |      |            |       |      |             |       |      |               |       |      |             |       |      |             |       |      |             |       |      |                |       |      |                |       |      |                |       |      |                 |       |      |              |       |      |
| - C_Packet2400                                                                                                                                                                                                                                                                                                                                                                                                                                                                                                                                                                                                                                                                                                                                                                                                                                                                                                                                                                                                                                                                                                                                                                                                                                                                                                                                                                                                                                                                                                                                                                                                                                                                                                                                                                                                                                                                                                                                                                                                                                                                                                             | -----                     | BS51          |       |      |             |       |      |                |       |      |             |       |      |              |       |      |               |       |      |                 |       |      |               |       |      |               |       |      |               |       |      |              |       |      |              |       |      |              |       |      |              |       |      |            |       |      |             |       |      |               |       |      |             |       |      |             |       |      |             |       |      |                |       |      |                |       |      |                |       |      |                 |       |      |              |       |      |
| - C_Packet4800                                                                                                                                                                                                                                                                                                                                                                                                                                                                                                                                                                                                                                                                                                                                                                                                                                                                                                                                                                                                                                                                                                                                                                                                                                                                                                                                                                                                                                                                                                                                                                                                                                                                                                                                                                                                                                                                                                                                                                                                                                                                                                             | -----                     | BS52          |       |      |             |       |      |                |       |      |             |       |      |              |       |      |               |       |      |                 |       |      |               |       |      |               |       |      |               |       |      |              |       |      |              |       |      |              |       |      |              |       |      |            |       |      |             |       |      |               |       |      |             |       |      |             |       |      |             |       |      |                |       |      |                |       |      |                |       |      |                 |       |      |              |       |      |
| - C_Packet9600                                                                                                                                                                                                                                                                                                                                                                                                                                                                                                                                                                                                                                                                                                                                                                                                                                                                                                                                                                                                                                                                                                                                                                                                                                                                                                                                                                                                                                                                                                                                                                                                                                                                                                                                                                                                                                                                                                                                                                                                                                                                                                             | -----                     | BS53          |       |      |             |       |      |                |       |      |             |       |      |              |       |      |               |       |      |                 |       |      |               |       |      |               |       |      |               |       |      |              |       |      |              |       |      |              |       |      |              |       |      |            |       |      |             |       |      |               |       |      |             |       |      |             |       |      |             |       |      |                |       |      |                |       |      |                |       |      |                 |       |      |              |       |      |
| - C_AltSpchData                                                                                                                                                                                                                                                                                                                                                                                                                                                                                                                                                                                                                                                                                                                                                                                                                                                                                                                                                                                                                                                                                                                                                                                                                                                                                                                                                                                                                                                                                                                                                                                                                                                                                                                                                                                                                                                                                                                                                                                                                                                                                                            | -----                     | BS61          |       |      |             |       |      |                |       |      |             |       |      |              |       |      |               |       |      |                 |       |      |               |       |      |               |       |      |               |       |      |              |       |      |              |       |      |              |       |      |              |       |      |            |       |      |             |       |      |               |       |      |             |       |      |             |       |      |             |       |      |                |       |      |                |       |      |                |       |      |                 |       |      |              |       |      |
| - C_SpchData                                                                                                                                                                                                                                                                                                                                                                                                                                                                                                                                                                                                                                                                                                                                                                                                                                                                                                                                                                                                                                                                                                                                                                                                                                                                                                                                                                                                                                                                                                                                                                                                                                                                                                                                                                                                                                                                                                                                                                                                                                                                                                               | -----                     | BS81          |       |      |             |       |      |                |       |      |             |       |      |              |       |      |               |       |      |                 |       |      |               |       |      |               |       |      |               |       |      |              |       |      |              |       |      |              |       |      |              |       |      |            |       |      |             |       |      |               |       |      |             |       |      |             |       |      |             |       |      |                |       |      |                |       |      |                |       |      |                 |       |      |              |       |      |
| <b>Detailed Comments:</b>                                                                                                                                                                                                                                                                                                                                                                                                                                                                                                                                                                                                                                                                                                                                                                                                                                                                                                                                                                                                                                                                                                                                                                                                                                                                                                                                                                                                                                                                                                                                                                                                                                                                                                                                                                                                                                                                                                                                                                                                                                                                                                  |                           |               |       |      |             |       |      |                |       |      |             |       |      |              |       |      |               |       |      |                 |       |      |               |       |      |               |       |      |               |       |      |              |       |      |              |       |      |              |       |      |              |       |      |            |       |      |             |       |      |               |       |      |             |       |      |             |       |      |             |       |      |                |       |      |                |       |      |                |       |      |                 |       |      |              |       |      |

| <b>Test Suite Operation Definition</b>                                                                                                                                                                                                                                                                          |                  |
|-----------------------------------------------------------------------------------------------------------------------------------------------------------------------------------------------------------------------------------------------------------------------------------------------------------------|------------------|
| <b>Operation Name:</b>                                                                                                                                                                                                                                                                                          | OO_InitNonCallSS |
| <b>Result Type:</b>                                                                                                                                                                                                                                                                                             | BOOLEAN          |
| <b>Comments:</b>                                                                                                                                                                                                                                                                                                |                  |
| <b>Description</b>                                                                                                                                                                                                                                                                                              |                  |
| <p>This operation requests (e.g. from the control console of the test system) the test operator to initiate a non call related supplementary service which is supported by the MS.</p> <p>After the operator finishes the action, he informs the test system and the operation returns with the value TRUE.</p> |                  |
| <b>Detailed Comments:</b>                                                                                                                                                                                                                                                                                       |                  |

| <b>Test Suite Operation Definition</b>                                                                                                                                    |                              |
|---------------------------------------------------------------------------------------------------------------------------------------------------------------------------|------------------------------|
| <b>Operation Name:</b>                                                                                                                                                    | OO_InitSS(action: IA5String) |
| <b>Result Type:</b>                                                                                                                                                       | BOOLEAN                      |
| <b>Comments:</b>                                                                                                                                                          |                              |
| <b>Description</b>                                                                                                                                                        |                              |
| This operation requests (e.g. from the control console of the test system) the test operator to initiate the required supplementary service by the MMI sequence `action`. |                              |
| After the operator finishes the action, he informs the test system and the operation returns with the value TRUE.                                                         |                              |
| <b>Detailed Comments:</b>                                                                                                                                                 |                              |

| <b>Test Suite Operation Definition</b>                                                                                                                                                                                                                                                                                                                                                                                                                                                                                                      |                 |
|---------------------------------------------------------------------------------------------------------------------------------------------------------------------------------------------------------------------------------------------------------------------------------------------------------------------------------------------------------------------------------------------------------------------------------------------------------------------------------------------------------------------------------------------|-----------------|
| <b>Operation Name:</b>                                                                                                                                                                                                                                                                                                                                                                                                                                                                                                                      | OO_InServiceCHK |
| <b>Result Type:</b>                                                                                                                                                                                                                                                                                                                                                                                                                                                                                                                         | BOOLEAN         |
| <b>Comments:</b>                                                                                                                                                                                                                                                                                                                                                                                                                                                                                                                            |                 |
| <b>Description</b>                                                                                                                                                                                                                                                                                                                                                                                                                                                                                                                          |                 |
| This operation first requests (e.g. from the control console of the test system) the test operator to check whether the Mobile Station under test is in normal service state ("Idle, updated")-- listening to CCCH and BCCH and with U1 UPDATED status. If the operator informs (e.g. from the control console of the test system) the test system that the MS does not give any service indication, the operation returns FALSE. If the operator informs the test system that the MS gives service indication, the operation returns TRUE. |                 |
| <b>Detailed Comments:</b>                                                                                                                                                                                                                                                                                                                                                                                                                                                                                                                   |                 |

| <b>Test Suite Operation Definition</b>                                                                                                |         |
|---------------------------------------------------------------------------------------------------------------------------------------|---------|
| <b>Operation Name:</b>                                                                                                                | OO_Key  |
| <b>Result Type:</b>                                                                                                                   | BOOLEAN |
| <b>Comments:</b>                                                                                                                      |         |
| <b>Description</b>                                                                                                                    |         |
| This operation returns TRUE if a key of the SS' keyboard has been pressed. Otherwise it returns FALSE.                                |         |
| After OO_PressKeyWhenInService was called, the TSO is then continuously called until the test operator hits a key or a timer expires. |         |
| <b>Detailed Comments:</b>                                                                                                             |         |

| <b>Test Suite Operation Definition</b>                                                                                                                                                                                                                                 |             |
|------------------------------------------------------------------------------------------------------------------------------------------------------------------------------------------------------------------------------------------------------------------------|-------------|
| <b>Operation Name:</b>                                                                                                                                                                                                                                                 | OO_MptyCall |
| <b>Result Type:</b>                                                                                                                                                                                                                                                    | BOOLEAN     |
| <b>Comments:</b>                                                                                                                                                                                                                                                       |             |
| <b>Description</b>                                                                                                                                                                                                                                                     |             |
| This operation requests (e.g. from the control console of the test system) the test operator to enter MultiParty MMI command at the Mobile Station under test, then it returns with the value TRUE after the operator finishes the action and informs the test system. |             |
| <b>Detailed Comments:</b>                                                                                                                                                                                                                                              |             |

| <b>Test Suite Operation Definition</b>                                                                                                                                                                              |                                   |
|---------------------------------------------------------------------------------------------------------------------------------------------------------------------------------------------------------------------|-----------------------------------|
| <b>Operation Name:</b>                                                                                                                                                                                              | OO_MSSetupStoreClass1SMInMEMemory |
| <b>Result Type:</b>                                                                                                                                                                                                 | BOOLEAN                           |
| <b>Comments:</b>                                                                                                                                                                                                    |                                   |
| <b>Description</b>                                                                                                                                                                                                  |                                   |
| This operation requests (e.g. from the control console of the test system) the test operator to setup the MS under test to store class 1 SM in the ME memory (by way of MMI, as described in PICS/PIXIT statement). |                                   |
| After the operator finishes the action, he informs the test system and the operation returns with the value TRUE.                                                                                                   |                                   |
| <b>Detailed Comments:</b>                                                                                                                                                                                           |                                   |

| <b>Test Suite Operation Definition</b>                                                                                                                                                                                                                                                                                                                                                                                                                                                                                                                                         |             |
|--------------------------------------------------------------------------------------------------------------------------------------------------------------------------------------------------------------------------------------------------------------------------------------------------------------------------------------------------------------------------------------------------------------------------------------------------------------------------------------------------------------------------------------------------------------------------------|-------------|
| <b>Operation Name:</b>                                                                                                                                                                                                                                                                                                                                                                                                                                                                                                                                                         | OO_PLMNsCHK |
| <b>Result Type:</b>                                                                                                                                                                                                                                                                                                                                                                                                                                                                                                                                                            | BOOLEAN     |
| <b>Comments:</b>                                                                                                                                                                                                                                                                                                                                                                                                                                                                                                                                                               |             |
| <b>Description</b>                                                                                                                                                                                                                                                                                                                                                                                                                                                                                                                                                             |             |
| This operation first requests (e.g. from the control console of the test system) the test operator to check whether the Mobile Station presents a list of available PLMNs. The list shall include the MNC and MCC of cells 1 to 7, but not cell 8 (for GSM900) or cells 1 to 6, but not cell 7 (for DCS1800). If the operator informs (e.g. from the control console of the test system) the test system that the MS correctly presents the list, the operation returns TRUE. If the operator informs the test system that the list is incorrect, the operation returns FALSE. |             |
| <b>Detailed Comments:</b>                                                                                                                                                                                                                                                                                                                                                                                                                                                                                                                                                      |             |

| <b>Test Suite Operation Definition</b>                                                                                                                              |                    |
|---------------------------------------------------------------------------------------------------------------------------------------------------------------------|--------------------|
| <b>Operation Name:</b>                                                                                                                                              | OO_PLMNselModeAuto |
| <b>Result Type:</b>                                                                                                                                                 | BOOLEAN            |
| <b>Comments:</b>                                                                                                                                                    |                    |
| <b>Description</b>                                                                                                                                                  |                    |
| This operation switches the PLMN selection mode of the MS to automatic selection. After correctly switching of the mode the operation returns TRUE otherwise FALSE. |                    |
| <b>Detailed Comments:</b>                                                                                                                                           |                    |

| <b>Test Suite Operation Definition</b>                                                                                                                           |                   |
|------------------------------------------------------------------------------------------------------------------------------------------------------------------|-------------------|
| <b>Operation Name:</b>                                                                                                                                           | OO_PLMNselModeMan |
| <b>Result Type:</b>                                                                                                                                              | BOOLEAN           |
| <b>Comments:</b>                                                                                                                                                 |                   |
| <b>Description</b>                                                                                                                                               |                   |
| This operation switches the PLMN selection mode of the MS to manual selection. After correctly switching of the mode the operation returns TRUE otherwise FALSE. |                   |
| <b>Detailed Comments:</b>                                                                                                                                        |                   |

| <b>Test Suite Operation Definition</b>                                                                                                                                                                       |            |
|--------------------------------------------------------------------------------------------------------------------------------------------------------------------------------------------------------------|------------|
| <b>Operation Name:</b>                                                                                                                                                                                       | OO_PowerUp |
| <b>Result Type:</b>                                                                                                                                                                                          | BOOLEAN    |
| <b>Comments:</b>                                                                                                                                                                                             |            |
| <b>Description</b>                                                                                                                                                                                           |            |
| This operation requests (e.g. from the control console of the test system) the test operator to power up the Mobile Station under test and to inform after the test system, then it returns with value TRUE. |            |
| <b>Detailed Comments:</b>                                                                                                                                                                                    |            |

| <b>Test Suite Operation Definition</b>                                                                                                                                                                         |              |
|----------------------------------------------------------------------------------------------------------------------------------------------------------------------------------------------------------------|--------------|
| <b>Operation Name:</b>                                                                                                                                                                                         | OO_PowerDown |
| <b>Result Type:</b>                                                                                                                                                                                            | BOOLEAN      |
| <b>Comments:</b>                                                                                                                                                                                               |              |
| <b>Description</b>                                                                                                                                                                                             |              |
| This operation requests (e.g. from the control console of the test system) the test operator to power down the Mobile Station under test and to inform after the test system, then it returns with value TRUE. |              |
| <b>Detailed Comments:</b>                                                                                                                                                                                      |              |

| <b>Test Suite Operation Definition</b>                                                                                                                                                                                                                                                                              |                          |
|---------------------------------------------------------------------------------------------------------------------------------------------------------------------------------------------------------------------------------------------------------------------------------------------------------------------|--------------------------|
| <b>Operation Name:</b>                                                                                                                                                                                                                                                                                              | OO_PressKeyWhenInService |
| <b>Result Type:</b>                                                                                                                                                                                                                                                                                                 | BOOLEAN                  |
| <b>Comments:</b>                                                                                                                                                                                                                                                                                                    |                          |
| <b>Description</b>                                                                                                                                                                                                                                                                                                  |                          |
| This operation requests (e.g. from the control console of the test system) the test operator to press any key when the MS shows the service indicator, then returns. The return value is always TRUE.<br>Working with OO_Key together, the TSO displays a prompt to the test operator and then immediately returns. |                          |
| <b>Detailed Comments:</b>                                                                                                                                                                                                                                                                                           |                          |

| <b>Test Suite Operation Definition</b>                                                                                                                                                                                                                                                                                                                                                                                                                                                                                                                                                                                                                                                                                                              |                                                                  |
|-----------------------------------------------------------------------------------------------------------------------------------------------------------------------------------------------------------------------------------------------------------------------------------------------------------------------------------------------------------------------------------------------------------------------------------------------------------------------------------------------------------------------------------------------------------------------------------------------------------------------------------------------------------------------------------------------------------------------------------------------------|------------------------------------------------------------------|
| <b>Operation Name:</b>                                                                                                                                                                                                                                                                                                                                                                                                                                                                                                                                                                                                                                                                                                                              | OO_RecallAndDisplaySM(NumbOfIA5chara: INTEGER; msg: OCTETSTRING) |
| <b>Result Type:</b>                                                                                                                                                                                                                                                                                                                                                                                                                                                                                                                                                                                                                                                                                                                                 | BOOLEAN                                                          |
| <b>Comments:</b>                                                                                                                                                                                                                                                                                                                                                                                                                                                                                                                                                                                                                                                                                                                                    |                                                                  |
| <b>Description</b>                                                                                                                                                                                                                                                                                                                                                                                                                                                                                                                                                                                                                                                                                                                                  |                                                                  |
| This operation requests (e.g. from the control console of the test system) the test operator to recall and display an SM stored in the ME of the MS under test e.g. by means of the MMI. Then the operator checks whether the short message contents represented by 'msg' is correctly displayed. The TSO returns<br>TRUE: if SM can be recalled and displayed correctly in comparison with the 'msg',<br>FALSE: if SM can not be recalled or displayed, or displayed incorrectly in comparison with the 'msg'.<br>The TSO needs to convert the 'msg' into IA5 string according to the packing character rules specified in the section 6.1.2 of ETS 300 628 (GSM 03.38). The 'NumbOfIA5chara' indicates the number of IA5 characters in the 'msg'. |                                                                  |
| <b>Detailed Comments:</b>                                                                                                                                                                                                                                                                                                                                                                                                                                                                                                                                                                                                                                                                                                                           |                                                                  |

| <b>Test Suite Operation Definition</b>                                                                                                                                                                                                                                                                                                |                |
|---------------------------------------------------------------------------------------------------------------------------------------------------------------------------------------------------------------------------------------------------------------------------------------------------------------------------------------|----------------|
| <b>Operation Name:</b>                                                                                                                                                                                                                                                                                                                | OO_RemoveOneSM |
| <b>Result Type:</b>                                                                                                                                                                                                                                                                                                                   | BOOLEAN        |
| <b>Comments:</b>                                                                                                                                                                                                                                                                                                                      |                |
| <b>Description</b>                                                                                                                                                                                                                                                                                                                    |                |
| This operation requests (e.g. from the control console of the test system) the test operator to remove one of the SM from the message store and then to inform the test system. It does not matter which short message has been removed. After that the operation returns with value TRUE. The returned value is not used in the ATS. |                |
| <b>Detailed Comments:</b>                                                                                                                                                                                                                                                                                                             |                |

| <b>Test Suite Operation Definition</b>                                                                                                                                                                                                                 |               |
|--------------------------------------------------------------------------------------------------------------------------------------------------------------------------------------------------------------------------------------------------------|---------------|
| <b>Operation Name:</b>                                                                                                                                                                                                                                 | OO_RemvPwrAmp |
| <b>Result Type:</b>                                                                                                                                                                                                                                    | BOOLEAN       |
| <b>Comments:</b>                                                                                                                                                                                                                                       |               |
| <b>Description</b>                                                                                                                                                                                                                                     |               |
| This operation requests (e.g. from the control console of the test system) the test operator to remove the added power amplification at the Mobile Station under test and to inform after the test system, then the operation returns with value TRUE. |               |
| <b>Detailed Comments:</b>                                                                                                                                                                                                                              |               |

| <b>Test Suite Operation Definition</b>                                                                                                                                                                                                                                                                                                                                                                                                 |                |
|----------------------------------------------------------------------------------------------------------------------------------------------------------------------------------------------------------------------------------------------------------------------------------------------------------------------------------------------------------------------------------------------------------------------------------------|----------------|
| <b>Operation Name:</b>                                                                                                                                                                                                                                                                                                                                                                                                                 | OO_RFoutputCHK |
| <b>Result Type:</b>                                                                                                                                                                                                                                                                                                                                                                                                                    | BOOLEAN        |
| <b>Comments:</b>                                                                                                                                                                                                                                                                                                                                                                                                                       |                |
| <b>Description</b>                                                                                                                                                                                                                                                                                                                                                                                                                     |                |
| This operation first requests (e.g. from the control console of the test system) the test operator to check whether the Mobile Station produces any RF output. If the operator informs (e.g. from the control console of the test system) the test system that the MS does not produce any RF output, the operation returns FALSE. If the operator informs the test system that the MS produces RF output, the operation returns TRUE. |                |
| <b>Detailed Comments:</b>                                                                                                                                                                                                                                                                                                                                                                                                              |                |



| <b>Test Suite Operation Definition</b>                                                                                                                                                                                      |                                  |
|-----------------------------------------------------------------------------------------------------------------------------------------------------------------------------------------------------------------------------|----------------------------------|
| <b>Operation Name:</b>                                                                                                                                                                                                      | OO_SelPLMN(par_plmn:OCTETSTRING) |
| <b>Result Type:</b>                                                                                                                                                                                                         | BOOLEAN                          |
| <b>Comments:</b>                                                                                                                                                                                                            |                                  |
| <b>Description</b>                                                                                                                                                                                                          |                                  |
| This operation requests (e.g. from the control console of the test system) the test operator to select the given PLMN in par_plmn manually, and to inform after the test system then the operation returns with value TRUE. |                                  |
| <b>Detailed Comments:</b>                                                                                                                                                                                                   |                                  |

| <b>Test Suite Operation Definition</b>                                                                                                                                                                                                                                                                                       |                       |
|------------------------------------------------------------------------------------------------------------------------------------------------------------------------------------------------------------------------------------------------------------------------------------------------------------------------------|-----------------------|
| <b>Operation Name:</b>                                                                                                                                                                                                                                                                                                       | OO_SendMOShortMessage |
| <b>Result Type:</b>                                                                                                                                                                                                                                                                                                          | BOOLEAN               |
| <b>Comments:</b>                                                                                                                                                                                                                                                                                                             |                       |
| <b>Description</b>                                                                                                                                                                                                                                                                                                           |                       |
| This operation requests (e.g. from the control console of the test system) the test operator to send a short message from the mobile station under test.<br>The operation waits for the operator to acknowledge the request which may be done before or after sending the MO Short Message, and then returns the value TRUE. |                       |
| <b>Detailed Comments:</b>                                                                                                                                                                                                                                                                                                    |                       |

| <b>Test Suite Operation Definition</b>                                                                                                                                                                                                                                                                    |                      |
|-----------------------------------------------------------------------------------------------------------------------------------------------------------------------------------------------------------------------------------------------------------------------------------------------------------|----------------------|
| <b>Operation Name:</b>                                                                                                                                                                                                                                                                                    | OO_SendSMSCOMMANDDel |
| <b>Result Type:</b>                                                                                                                                                                                                                                                                                       | BOOLEAN              |
| <b>Comments:</b>                                                                                                                                                                                                                                                                                          |                      |
| <b>Description</b>                                                                                                                                                                                                                                                                                        |                      |
| This operation requests (e.g. from the control console of the test system) the test operator to send a SMS COMMAND message from the mobile station under test containing requiring to delete the previously submitted SM and then to inform the test system. Then, the operation returns with value TRUE. |                      |
| <b>Detailed Comments:</b>                                                                                                                                                                                                                                                                                 |                      |

| <b>Test Suite Operation Definition</b>                                                                                                                                                                                                                                                                 |                      |
|--------------------------------------------------------------------------------------------------------------------------------------------------------------------------------------------------------------------------------------------------------------------------------------------------------|----------------------|
| <b>Operation Name:</b>                                                                                                                                                                                                                                                                                 | OO_SendSMSCOMMANDEnq |
| <b>Result Type:</b>                                                                                                                                                                                                                                                                                    | BOOLEAN              |
| <b>Comments:</b>                                                                                                                                                                                                                                                                                       |                      |
| <b>Description</b>                                                                                                                                                                                                                                                                                     |                      |
| This operation requests (e.g. from the control console of the test system) the test operator to send a SMS COMMAND message from the mobile station under test containing an enquiry about the previously submitted SM and then to inform the test system. Then, the operation returns with value TRUE. |                      |
| <b>Detailed Comments:</b>                                                                                                                                                                                                                                                                              |                      |

| <b>Test Suite Operation Definition</b>                                                                                                                                                                                                                                                              |                  |
|-----------------------------------------------------------------------------------------------------------------------------------------------------------------------------------------------------------------------------------------------------------------------------------------------------|------------------|
| <b>Operation Name:</b>                                                                                                                                                                                                                                                                              | OO_SetRefuseCall |
| <b>Result Type:</b>                                                                                                                                                                                                                                                                                 | BOOLEAN          |
| <b>Comments:</b>                                                                                                                                                                                                                                                                                    |                  |
| <b>Description</b>                                                                                                                                                                                                                                                                                  |                  |
| This operation first requests (e.g. from the control console of the test system) the test operator to enable call refusal on the MS. After the operator completes the action and informs (e.g. from the control console of the test system) the test system, the operation returns with value TRUE. |                  |
| <b>Detailed Comments:</b>                                                                                                                                                                                                                                                                           |                  |

| <b>Test Suite Operation Definition</b>                                                                                                                                                                                                                                                                                                                                     |                               |
|----------------------------------------------------------------------------------------------------------------------------------------------------------------------------------------------------------------------------------------------------------------------------------------------------------------------------------------------------------------------------|-------------------------------|
| <b>Operation Name:</b>                                                                                                                                                                                                                                                                                                                                                     | OO_ShortKeyDepr(ch:IA5String) |
| <b>Result Type:</b>                                                                                                                                                                                                                                                                                                                                                        | BOOLEAN                       |
| <b>Comments:</b>                                                                                                                                                                                                                                                                                                                                                           |                               |
| <b>Description</b>                                                                                                                                                                                                                                                                                                                                                         |                               |
| This operation requests (e.g. from the control console of the test system) the test operator to cause a DTMF tone to be generated, e.g. by short depression of the key `ch` on the Mobile Station under test. The operation waits for the operator to acknowledge the request which may be done before or after generating the DTMF tone, and then returns the value TRUE. |                               |
| <b>Detailed Comments:</b>                                                                                                                                                                                                                                                                                                                                                  |                               |

| <b>Test Suite Operation Definition</b>                                                                                                                                                                                                                                                                                 |           |
|------------------------------------------------------------------------------------------------------------------------------------------------------------------------------------------------------------------------------------------------------------------------------------------------------------------------|-----------|
| <b>Operation Name:</b>                                                                                                                                                                                                                                                                                                 | OO_SIMIns |
| <b>Result Type:</b>                                                                                                                                                                                                                                                                                                    | BOOLEAN   |
| <b>Comments:</b>                                                                                                                                                                                                                                                                                                       |           |
| <b>Description</b>                                                                                                                                                                                                                                                                                                     |           |
| This operation requests (e.g. from the control console of the test system) the test operator to insert the SIM card into the Mobile Station under test. After the operator completes the action and informs (e.g. from the control console of the test system) the test system, the operation returns with value TRUE. |           |
| <b>Detailed Comments:</b>                                                                                                                                                                                                                                                                                              |           |

| <b>Test Suite Operation Definition</b>                                                                                                                                                                                                                                                                                   |            |
|--------------------------------------------------------------------------------------------------------------------------------------------------------------------------------------------------------------------------------------------------------------------------------------------------------------------------|------------|
| <b>Operation Name:</b>                                                                                                                                                                                                                                                                                                   | OO_SIM2Ins |
| <b>Result Type:</b>                                                                                                                                                                                                                                                                                                      | BOOLEAN    |
| <b>Comments:</b>                                                                                                                                                                                                                                                                                                         |            |
| <b>Description</b>                                                                                                                                                                                                                                                                                                       |            |
| This operation requests (e.g. from the control console of the test system) the test operator to insert the SIM card 2 into the Mobile Station under test. After the operator completes the action and informs (e.g. from the control console of the test system) the test system, the operation returns with value TRUE. |            |
| The SIM Card 2 shall contain the following parameter values, which are different from default values(SIM Card 1):                                                                                                                                                                                                        |            |
| IMSI= '001011234'                                                                                                                                                                                                                                                                                                        |            |
| HPLMN_search_period=6min.                                                                                                                                                                                                                                                                                                |            |
| <b>Detailed Comments:</b>                                                                                                                                                                                                                                                                                                |            |

| <b>Test Suite Operation Definition</b>                                                                                                                                                                                                                                                 |            |
|----------------------------------------------------------------------------------------------------------------------------------------------------------------------------------------------------------------------------------------------------------------------------------------|------------|
| <b>Operation Name:</b>                                                                                                                                                                                                                                                                 | OO_SIM3Ins |
| <b>Result Type:</b>                                                                                                                                                                                                                                                                    | BOOLEAN    |
| <b>Comments:</b>                                                                                                                                                                                                                                                                       |            |
| <b>Description</b>                                                                                                                                                                                                                                                                     |            |
| This operation requests (e.g. from the control console of the test system) the test operator to insert the SIM card 3 into the Mobile Station under test and turn the MS power on, after the test operator finishes the action and informs the test system it returns with value TRUE. |            |
| The SIM Card 3 shall contain fixed dialling number allocated and activated.                                                                                                                                                                                                            |            |
| <b>Detailed Comments:</b>                                                                                                                                                                                                                                                              |            |

| <b>Test Suite Operation Definition</b>                                                                                                                                                                                                                                                                                 |           |
|------------------------------------------------------------------------------------------------------------------------------------------------------------------------------------------------------------------------------------------------------------------------------------------------------------------------|-----------|
| <b>Operation Name:</b>                                                                                                                                                                                                                                                                                                 | OO_SIMRmv |
| <b>Result Type:</b>                                                                                                                                                                                                                                                                                                    | BOOLEAN   |
| <b>Comments:</b>                                                                                                                                                                                                                                                                                                       |           |
| <b>Description</b>                                                                                                                                                                                                                                                                                                     |           |
| This operation requests (e.g. from the control console of the test system) the test operator to remove the SIM card from the Mobile Station under test. After the operator completes the action and informs (e.g. from the control console of the test system) the test system, the operation returns with value TRUE. |           |
| <b>Detailed Comments:</b>                                                                                                                                                                                                                                                                                              |           |

| <b>Test Suite Operation Definition</b>                                                                                                                                                                                                                                                                                                                        |                     |
|---------------------------------------------------------------------------------------------------------------------------------------------------------------------------------------------------------------------------------------------------------------------------------------------------------------------------------------------------------------|---------------------|
| <b>Operation Name:</b>                                                                                                                                                                                                                                                                                                                                        | OO_SIMSimulAttIndOK |
| <b>Result Type:</b>                                                                                                                                                                                                                                                                                                                                           | BOOLEAN             |
| <b>Comments:</b>                                                                                                                                                                                                                                                                                                                                              |                     |
| <b>Description</b>                                                                                                                                                                                                                                                                                                                                            |                     |
| <p>This operation requests (e.g. from the control console of the test system) the test operator to check whether the SIM simulator indicates an attempt made by the ME to store the short message in the SIM. The SIM simulator returns the status response "OK" ('90 00"). Then returns.</p> <p>Attempt indicated: TRUE<br/>Attempt NOT indicated: FALSE</p> |                     |
| <b>Detailed Comments:</b>                                                                                                                                                                                                                                                                                                                                     |                     |

| <b>Test Suite Operation Definition</b>                                                                                                                                                                                                                                                                                                                                    |                             |
|---------------------------------------------------------------------------------------------------------------------------------------------------------------------------------------------------------------------------------------------------------------------------------------------------------------------------------------------------------------------------|-----------------------------|
| <b>Operation Name:</b>                                                                                                                                                                                                                                                                                                                                                    | OO_SIMSimulAttIndMemProblem |
| <b>Result Type:</b>                                                                                                                                                                                                                                                                                                                                                       | BOOLEAN                     |
| <b>Comments:</b>                                                                                                                                                                                                                                                                                                                                                          |                             |
| <b>Description</b>                                                                                                                                                                                                                                                                                                                                                        |                             |
| <p>This operation requests (e.g. from the control console of the test system) the test operator to check whether the SIM simulator indicates an attempt made by the ME to store the short message in the SIM. The SIM simulator returns the status response "Memory Problem" ('92 40"). Then returns.</p> <p>Attempt indicated: TRUE<br/>Attempt NOT indicated: FALSE</p> |                             |
| <b>Detailed Comments:</b>                                                                                                                                                                                                                                                                                                                                                 |                             |

| <b>Test Suite Operation Definition</b>                                                                                                                                                                                                                                                                                                                                                                                                             |                             |
|----------------------------------------------------------------------------------------------------------------------------------------------------------------------------------------------------------------------------------------------------------------------------------------------------------------------------------------------------------------------------------------------------------------------------------------------------|-----------------------------|
| <b>Operation Name:</b>                                                                                                                                                                                                                                                                                                                                                                                                                             | OO_SSresultCHK(svc:INTEGER) |
| <b>Result Type:</b>                                                                                                                                                                                                                                                                                                                                                                                                                                | BOOLEAN                     |
| <b>Comments:</b>                                                                                                                                                                                                                                                                                                                                                                                                                                   |                             |
| <b>Description</b>                                                                                                                                                                                                                                                                                                                                                                                                                                 |                             |
| <p>This operation first requests (e.g. from the control console of the test system) the test operator to check the user indication of the result of the supplementary service `svc`. If the operator informs (e.g. from the control console of the test system) the test system that the indication is correct, the operation returns TRUE. If the operator informs the test system that the indication is wrong, the operation returns FALSE.</p> |                             |
| <b>Detailed Comments:</b>                                                                                                                                                                                                                                                                                                                                                                                                                          |                             |

| <b>Test Suite Operation Definition</b>                                                                                                                                                                                                                                                                                                                                 |             |
|------------------------------------------------------------------------------------------------------------------------------------------------------------------------------------------------------------------------------------------------------------------------------------------------------------------------------------------------------------------------|-------------|
| <b>Operation Name:</b>                                                                                                                                                                                                                                                                                                                                                 | OO_SwitchOn |
| <b>Result Type:</b>                                                                                                                                                                                                                                                                                                                                                    | BOOLEAN     |
| <b>Comments:</b>                                                                                                                                                                                                                                                                                                                                                       |             |
| <b>Description</b>                                                                                                                                                                                                                                                                                                                                                     |             |
| <p>This operation requests (e.g. from the control console of the test system) the test operator to switch on (or if there is no switch then to restore the power to) the Mobile Station under test. After the operator completes the action and informs (e.g. from the control console of the test system) the test system, the operation returns with value TRUE.</p> |             |
| <b>Detailed Comments:</b>                                                                                                                                                                                                                                                                                                                                              |             |

| <b>Test Suite Operation Definition</b>                                                                                                                                                                                                                                                                                                                                   |              |
|--------------------------------------------------------------------------------------------------------------------------------------------------------------------------------------------------------------------------------------------------------------------------------------------------------------------------------------------------------------------------|--------------|
| <b>Operation Name:</b>                                                                                                                                                                                                                                                                                                                                                   | OO_SwitchOff |
| <b>Result Type:</b>                                                                                                                                                                                                                                                                                                                                                      | BOOLEAN      |
| <b>Comments:</b>                                                                                                                                                                                                                                                                                                                                                         |              |
| <b>Description</b>                                                                                                                                                                                                                                                                                                                                                       |              |
| <p>This operation requests (e.g. from the control console of the test system) the test operator to switch off (or if there is no switch then to remove the power from) the Mobile Station under test. After the operator completes the action and informs (e.g. from the control console of the test system) the test system, the operation returns with value TRUE.</p> |              |
| <b>Detailed Comments:</b>                                                                                                                                                                                                                                                                                                                                                |              |

| <b>Test Suite Operation Definition</b>                                                                                                                                                                                                                                                                                                                                                                                                                                                              |                   |
|-----------------------------------------------------------------------------------------------------------------------------------------------------------------------------------------------------------------------------------------------------------------------------------------------------------------------------------------------------------------------------------------------------------------------------------------------------------------------------------------------------|-------------------|
| <b>Operation Name:</b>                                                                                                                                                                                                                                                                                                                                                                                                                                                                              | OO_TCHThroConnCHK |
| <b>Result Type:</b>                                                                                                                                                                                                                                                                                                                                                                                                                                                                                 | BOOLEAN           |
| <b>Comments:</b>                                                                                                                                                                                                                                                                                                                                                                                                                                                                                    |                   |
| <b>Description</b>                                                                                                                                                                                                                                                                                                                                                                                                                                                                                  |                   |
| This operation first requests (e.g. from the control console of the test system) the test operator to check whether the TCH is through connected. The SS has to generate a noise pattern so that the operator can check this. If the operator informs (e.g. from the control console of the test system) the test system that the TCH is through connected, the operation returns TRUE. If the operator informs the test system that the TCH is not through connected, the operation returns FALSE. |                   |
| <b>Detailed Comments:</b>                                                                                                                                                                                                                                                                                                                                                                                                                                                                           |                   |

| <b>Test Suite Operation Definition</b>                                                                                                                                                                                                                                     |             |
|----------------------------------------------------------------------------------------------------------------------------------------------------------------------------------------------------------------------------------------------------------------------------|-------------|
| <b>Operation Name:</b>                                                                                                                                                                                                                                                     | OO_TermCall |
| <b>Result Type:</b>                                                                                                                                                                                                                                                        | BOOLEAN     |
| <b>Comments:</b>                                                                                                                                                                                                                                                           |             |
| <b>Description</b>                                                                                                                                                                                                                                                         |             |
| This operation first requests (e.g. from the control console of the test system) the test operator to terminate the ongoing call. After the operator completes the action and informs (e.g. from the control console of the test system) the test system, it returns TRUE. |             |
| <b>Detailed Comments:</b>                                                                                                                                                                                                                                                  |             |

| <b>Test Suite Operation Definition</b>                                                                                                                                                                                                  |                  |
|-----------------------------------------------------------------------------------------------------------------------------------------------------------------------------------------------------------------------------------------|------------------|
| <b>Operation Name:</b>                                                                                                                                                                                                                  | OO_TguardTimeOut |
| <b>Result Type:</b>                                                                                                                                                                                                                     | BOOLEAN          |
| <b>Comments:</b>                                                                                                                                                                                                                        |                  |
| <b>Description</b>                                                                                                                                                                                                                      |                  |
| This operation informs (e.g. from the control console of the test system) the test operator that the T_guard timer has expired during the test case leading to an inconclusive or fail verdict and returns immediately with value TRUE. |                  |
| <b>Detailed Comments:</b>                                                                                                                                                                                                               |                  |

| <b>Test Suite Operation Definition</b>                                                                                                                                                                                                                                                                                                                                                                                          |                |
|---------------------------------------------------------------------------------------------------------------------------------------------------------------------------------------------------------------------------------------------------------------------------------------------------------------------------------------------------------------------------------------------------------------------------------|----------------|
| <b>Operation Name:</b>                                                                                                                                                                                                                                                                                                                                                                                                          | OO_ToneStopCHK |
| <b>Result Type:</b>                                                                                                                                                                                                                                                                                                                                                                                                             | BOOLEAN        |
| <b>Comments:</b>                                                                                                                                                                                                                                                                                                                                                                                                                |                |
| <b>Description</b>                                                                                                                                                                                                                                                                                                                                                                                                              |                |
| This operation first requests (e.g. from the control console of the test system) the test operator to check whether the MS stops the tone generation. If the operator informs (e.g. from the control console of the test system) the test system that the MS does not stop tone generation, the operation returns FALSE. If the operator informs the test system that the MS stops tone generation, the operation returns TRUE. |                |
| Definition of "tone generation":                                                                                                                                                                                                                                                                                                                                                                                                |                |
| -During MO call: MS generates alerting tone/presents inband information sent by the network.                                                                                                                                                                                                                                                                                                                                    |                |
| -During MT call: MS generates ringing tone.                                                                                                                                                                                                                                                                                                                                                                                     |                |
| <b>Detailed Comments:</b>                                                                                                                                                                                                                                                                                                                                                                                                       |                |

## Test suite parameter declarations

| Test Suite Parameter Declarations |         |                         |                                                                |
|-----------------------------------|---------|-------------------------|----------------------------------------------------------------|
| Parameter Name                    | Type    | PICS/PIXIT Ref          | Comments                                                       |
| TSPC_24DataF                      | BOOLEAN | PICS Table A.25 Item 12 | 2.4 k full rate data mode supported                            |
| TSPC_24DataH                      | BOOLEAN | PICS Table A.25 Item 13 | 2.4 k half rate data mode supported                            |
| TSPC_48DataF                      | BOOLEAN | PICS Table A.25 Item 14 | 4.8 k full rate data mode supported                            |
| TSPC_48DataH                      | BOOLEAN | PICS Table A.25 Item 15 | 4.8 k half rate data mode supported                            |
| TSPC_96Data                       | BOOLEAN | PICS Table A.25 Item 16 | 9.6 k full rate data mode supported                            |
| TSPC_Feat_A51                     | BOOLEAN | PICS Table A.2 Item 17  | ciphering algorithm A5/1 supported                             |
| TSPC_Feat_A52                     | BOOLEAN | PICS Table A.2 Item 18  | ciphering algorithm A5/2 supported                             |
| TSPC_AddCharSet                   | BOOLEAN | PICS Table A.25 Item 47 | A, B, C, D chars supported                                     |
| TSPC_AddInfo_PseudoSynch          | BOOLEAN | PICS                    | Pseudo synchronised supported                                  |
| TSPC_AlertInd                     | BOOLEAN | PICS Table A.25 Item 49 | alerting indication to the user supported                      |
| TSPC_SvcOnTCH                     | BOOLEAN | PICS Table A.25 Item 22 | at least one service on traffic channel supported              |
| TSPC_SMS                          | BOOLEAN | PICS Table A.25 Item 31 | at least one short message service supported                   |
| TSPC_SS                           | BOOLEAN | PICS Table A.25 Item 29 | at least one supplementary service supported                   |
| TSPC_AutoAutoMode                 | BOOLEAN | PICS Table A.25 Item 48 | automatically enter automatic selection of PLMN mode supported |
| TSPC_BasCharSet                   | BOOLEAN | PICS Table A.25 Item 46 | Chars 0-9, *, # supported                                      |
| TSPC_CalledNumDisp                | BOOLEAN | PICS Table A.2 Item 1   | called number display supported                                |
| TSPC_DCS                          | BOOLEAN | PICS Table A.1 Item 3   | testing DCS1800                                                |
| TSPC_DetachOnPwrDn                | BOOLEAN | PICS Table A.25 Item 38 | detach on power down supported                                 |
| TSPC_DetachOnSIMRmv               | BOOLEAN | PICS Table A.25 Item 39 | detach on SIM remove supported                                 |
| TSPC_DisprcvSMS                   | BOOLEAN | PICS Table A.25 Item 34 | display of received SMS supported                              |
| TSPC_DualRate                     | BOOLEAN | PICS Table A.25 Item 23 | dual rate channel types supported                              |
| TSPC_EGSM                         | BOOLEAN | PICS Table A.1 Item 2   | both standard and extended GSM band supported                  |
| TSPC_EmgOnly                      | BOOLEAN | PICS Table A.25 Item 27 | the only circuit switched basic service is emergency call      |
| TSPC_followOnReq                  | BOOLEAN | PICS Table A.25 Item 53 | follow-on request procedure supported                          |
| TSPC_HalfRateData                 | BOOLEAN | PICS Table A.25 Item 6  | half rate data supported                                       |
| TSPC_HalfRateSpeech               | BOOLEAN | PICS Table A.25 Item 3  | half rate speech mode supported                                |
| TSPC_InCallMod                    | BOOLEAN | PICS Table A.25 Item 52 | In-Call modification supported                                 |
| TSPC_NoimmConn                    | BOOLEAN | PICS Table A.25 Item 51 | at least one service not support immediate connection          |
| TSPC_Feat_FND                     | BOOLEAN | PICS Table A.2 Item 21  | FND feature supported                                          |
| TSPC_NonCallSS                    | BOOLEAN | PICS Table A.25 Item 30 | non call related supplementary service supported               |
| TSPC_MTsvc                        | BOOLEAN | PICS Table A.25 Item 19 | at least one MT circuit switched basic service supported       |
| TSPC_MOsvc                        | BOOLEAN | PICS Table A.25 Item 20 | at least one MO circuit switched basic service supported       |
| TSPC_PGSM                         | BOOLEAN | PICS Table A.1 Item 1   | only standard GSM band supported                               |
| TSPC_RefusalCall                  | BOOLEAN | PICS Table A.25 Item 54 | refusal of call supported                                      |
| TSPC_ReplaceSMS                   | BOOLEAN | PICS Table A.25 Item 33 | replace SMS supported                                          |
| TSPC_ReplyProc                    | BOOLEAN | PICS Table A.25 Item 32 | (SMS) reply procedures supported                               |
| TSPC_RFAmp                        | BOOLEAN | PICS Table A.25 Item 55 | RF amplification supported                                     |
| TSPC_SDCCHOnly                    | BOOLEAN | PICS Table A.25 Item 21 | only SDCCCH supported                                          |
| TSPC_Serv_SS_AoCC                 | BOOLEAN | PICS Table A.5 Item 14  | AOCC SS supported                                              |
| TSPC_Serv_SS_BAIC                 | BOOLEAN | PICS Table A.5 Item 18  | BAIC SS supported                                              |
| TSPC_Serv_SS_BI                   | BOOLEAN | PICS                    | BI SS supported                                                |

|                       |         |                         |                                                   |
|-----------------------|---------|-------------------------|---------------------------------------------------|
| TSPC_Serv_SS_BICRoam  | BOOLEAN | PICS Table A.5 Item 19  | BICRoam SS supported                              |
| TSPC_Serv_SS_BAOC     | BOOLEAN | PICS Table A.5 Item 15  | BAOC SS supported                                 |
| TSPC_Serv_SS_BOIC     | BOOLEAN | PICS Table A.5 Item 16  | BOIC SS supported                                 |
| TSPC_Serv_SS_BOICexHC | BOOLEAN | PICS Table A.5 Item 17  | BOICexHC SS supported                             |
| TSPC_Serv_SS_CFB      | BOOLEAN | PICS Table A.5 Item 6   | CFB supported                                     |
| TSPC_Serv_SS_CFNry    | BOOLEAN | PICS Table A.5 Item 7   | CFNry supported                                   |
| TSPC_Serv_SS_CFNrc    | BOOLEAN | PICS Table A.5 Item 8   | CFNrc supported                                   |
| TSPC_Serv_SS_CFU      | BOOLEAN | PICS Table A.5 Item 5   | CFU supported                                     |
| TSPC_Serv_SS_HOLD     | BOOLEAN | PICS Table A.5 Item 10  | Call Hold SS supported                            |
| TSPC_Serv_SS_MPTY     | BOOLEAN | PICS Table A.5 Item 11  | multiparty SS supported                           |
| TSPC_Serv_SS_unstruct | BOOLEAN | PICS                    | USSD supported                                    |
| TSPC_Serv_TS11        | BOOLEAN | PICS Table A.3 Item 1   | telephony supported                               |
| TSPC_Serv_TS12        | BOOLEAN | PICS Table A.3 Item 2   | emergency call supported                          |
| TSPC_Serv_TS21        | BOOLEAN | PICS Table A.3 Item 3   | SMS MT/PP supported                               |
| TSPC_Serv_TS22        | BOOLEAN | PICS Table A.3 Item 4   | SMS MO/PP supported                               |
| TSPC_Serv_TS23        | BOOLEAN | PICS Table A.3 Item 5   | SMS cell broadcast supported                      |
| TSPC_Serv_TS61        | BOOLEAN | PICS                    | alternate speech and G3 fax (TS61) supported      |
| TSPC_Serv_TS62        | BOOLEAN | PICS                    | automatic G3 fax (TS62) supported                 |
| TSPC_Serv_BS21        | BOOLEAN | PICS Table A.4 Item 1   | data circuit duplex async 300 bit/s supported     |
| TSPC_Serv_BS22        | BOOLEAN | PICS Table A.4 Item 2   | data circuit duplex async 1200 bit/s supported    |
| TSPC_Serv_BS23        | BOOLEAN | PICS Table A.4 Item 3   | data circuit duplex async 1200/75 bit/s supported |
| TSPC_Serv_BS24        | BOOLEAN | PICS Table A.4 Item 4   | data circuit duplex async 2400 bit/s supported    |
| TSPC_Serv_BS25        | BOOLEAN | PICS Table A.4 Item 5   | data circuit duplex async 4800 bit/s supported    |
| TSPC_Serv_BS26        | BOOLEAN | PICS Table A.4 Item 6   | data circuit duplex async 9600 bit/s supported    |
| TSPC_Serv_BS31        | BOOLEAN | PICS Table A.4 Item 7   | data circuit duplex sync 1200 bit/s supported     |
| TSPC_Serv_BS32        | BOOLEAN | PICS Table A.4 Item 8   | data circuit duplex sync 2400 bit/s supported     |
| TSPC_Serv_BS33        | BOOLEAN | PICS Table A.4 Item 9   | data circuit duplex sync 4800 bit/s supported     |
| TSPC_Serv_BS34        | BOOLEAN | PICS Table A.4 Item 10  | data circuit duplex sync 9600 bit/s supported     |
| TSPC_Serv_BS41        | BOOLEAN | PICS Table A.4 Item 11  | PAD access 300 bit/s supported                    |
| TSPC_Serv_BS42        | BOOLEAN | PICS Table A.4 Item 12  | PAD access 1200 bit/s supported                   |
| TSPC_Serv_BS43        | BOOLEAN | PICS Table A.4 Item 13  | PAD access 1200/75 bit/s supported                |
| TSPC_Serv_BS44        | BOOLEAN | PICS Table A.4 Item 14  | PAD access 2400 bit/s supported                   |
| TSPC_Serv_BS45        | BOOLEAN | PICS Table A.4 Item 15  | PAD access 4800 bit/s supported                   |
| TSPC_Serv_BS46        | BOOLEAN | PICS Table A.4 Item 16  | PAD access 9600 bit/s supported                   |
| TSPC_Serv_BS51        | BOOLEAN | PICS Table A.4 Item 17  | packet access 2400 bit/s supported                |
| TSPC_Serv_BS52        | BOOLEAN | PICS Table A.4 Item 18  | packet access 4800 bit/s supported                |
| TSPC_Serv_BS53        | BOOLEAN | PICS Table A.4 Item 19  | packet access 9600 bit/s supported                |
| TSPC_Serv_BS61        | BOOLEAN | PICS                    | alternate speech/data (BS61) supported            |
| TSPC_Serv_BS81        | BOOLEAN | PICS                    | speech followed data (BS81) supported             |
| TSPC_SMSStatusRepCap  | BOOLEAN | PICS Table A.25 Item 35 | SMS status report capabilities supported          |
| TSPC_StoreRcvSMSME    | BOOLEAN | PICS Table A.25 Item 37 | Storage of received SMS in ME supported           |
| TSPC_StoreRcvSMSSIM   | BOOLEAN | PICS Table A.25 Item 36 | Storage of received SMS in SIM supported          |
| TSPC_SIMRmv           | BOOLEAN | PICS Table A.25 Item 40 | SIM removable without power down supported        |
| TSPC_SwitchOnOff      | BOOLEAN | PICS Table A.2 Item 15  | switch on/off supported                           |
| TSPC_TranspDataOnly   | BOOLEAN | PICS Table A.25 Item 9  | only transparent data service supported           |
| TSPC_CC               | BOOLEAN | PICS Table A.25 Item 26 | CC protocol for at least one BC                   |

|                      |         |                         |                                                                                                                                                                                  |
|----------------------|---------|-------------------------|----------------------------------------------------------------------------------------------------------------------------------------------------------------------------------|
| TSPC_TeleSvc         | BOOLEAN | PICS Table A.25 Item 25 | supported                                                                                                                                                                        |
| TSPC_EFR             | BOOLEAN |                         | at least one teleservice supported                                                                                                                                               |
|                      |         |                         | Set to TRUE for GSM-900 Phase 2+ (EFR) MS which supports any EFR features, and FALSE otherwise.                                                                                  |
| TSPC_EFR_Speech_v2   | BOOLEAN |                         | Set to TRUE for GSM-900 Phase 2+ (EFR) MS which supports Speech Version 2 and FALSE otherwise.                                                                                   |
| TSPC_EFR_Speech_v3   | BOOLEAN |                         | Set to TRUE for GSM-900 Phase 2+ (EFR) MS which supports Speech Version 3 and FALSE otherwise.                                                                                   |
| TSPC_EFR_EmgCallBcap | BOOLEAN |                         | Set to TRUE if received ESETUP msg contains bearer capability IE, otherwise FALSE.                                                                                               |
| TSPC_FullRateSpeech  | BOOLEAN | PICS Table A.25 Item 2  | full rate speech mode supported                                                                                                                                                  |
| TSPC_FullRateOnly    | BOOLEAN | PICS Table A.25 Item 24 | only full rate channel type supported                                                                                                                                            |
| TSPX_AltNb           | BOOLEAN | PIXIT                   | use alternative neighbour cells description. default : FALSE                                                                                                                     |
| TSPX_TE_stopbit      | B_1     | PIXIT                   | TE conf. number stop bits. default value : '0'B, 1 bit                                                                                                                           |
| TSPX_TE_databit      | B_1     | PIXIT                   | TE conf. number data bits. default value : '1'B, 8 bits                                                                                                                          |
| TSPX_TE_FLCT         | FLWCNTL | PIXIT                   | TE flow control. default : 0, outband flow control                                                                                                                               |
| TSPX_TE_parity       | B_3     | PIXIT                   | TE conf. parity. default : '001'B, no parity                                                                                                                                     |
| TSPX_BS_21_itc1      | B_3     | PIXIT                   | itc value supported for BS21. default value : '001'B, UDI                                                                                                                        |
| TSPX_BS_21_more_itc  | BOOLEAN | PIXIT                   | more than one itc value supported by BS21. default value : FALSE, only one itc                                                                                                   |
| TSPX_BS_21_T_NT      | BOOLEAN | PIXIT                   | both T and NT supported by BS21. default value : FALSE, not support both transparent and non transparent modes                                                                   |
| TSPX_BS_21_ce        | B_2     | PIXIT                   | ce value used in MO call and if the answer to TSPX_BS_21_T_NT is FALSE, the manufacturer must precise which mode is supported by the MS. default value : '00'B, transparent mode |
| TSPX_BS_21_sacp      | B_3     | PIXIT                   | sacp value used in MO call. default value : '001'B, 1440/450                                                                                                                     |
| TSPX_BS_21_itc2      | B_3     | PIXIT                   | other itc value supported by BS21, it shall be different from the previous one if the answer to TSPX_BS_21_more_itc is TRUE. default value : '001'B, UDI                         |
| TSPX_BS_22_itc1      | B_3     | PIXIT                   | itc value supported by BS22. default value : '010'B, 3.1kHz audio, exPLMN                                                                                                        |
| TSPX_BS_22_more_itc  | BOOLEAN | PIXIT                   | more than one itc value supported by BS22. default value : FALSE, only one itc                                                                                                   |
| TSPX_BS_22_T_NT      | BOOLEAN | PIXIT                   | both T and NT supported by BS22. default value : FALSE, not support both transparent and non transparent modes                                                                   |
| TSPX_BS_22_ce        | B_2     | PIXIT                   | ce value used in MO call and if the answer to TSPX_BS_22_T_NT is FALSE, the manufacturer must precise which mode is supported by the MS. default value : '01'B, non transparent  |
| TSPX_BS_22_sacp      | B_3     | PIXIT                   | sacp value used in MO call. default value : '001'B, 1440/450                                                                                                                     |
| TSPX_BS_22_itc2      | B_3     | PIXIT                   | other itc value supported by                                                                                                                                                     |

|                     |         |       |                                                                                                                                                                                                                            |
|---------------------|---------|-------|----------------------------------------------------------------------------------------------------------------------------------------------------------------------------------------------------------------------------|
| TSPX_BS_23_itc      | B_3     | PIXIT | BS22, it shall be differenet from the previous one if the answer to TSPX_BS_22_more_itc is TRUE. default value : '010'B, 3.1kHz audio, exPLMN<br>itc value supported by BS23. default value : '010'B, 3.1kHz audio, exPLMN |
| TSPX_BS_23_T_NT     | BOOLEAN | PIXIT | both T and NT supported for BS23. default value : FALSE, not support both transparent and non transparent modes                                                                                                            |
| TSPX_BS_23_ce       | B_2     | PIXIT | ce value used in MO call. default value : '00'B, transparent                                                                                                                                                               |
| TSPX_BS_23_sacp     | B_3     | PIXIT | sacp value used in MO call. default value : '001'B, I440/450                                                                                                                                                               |
| TSPX_BS_24_itc1     | B_3     | PIXIT | itc value supported by BS24. default value : '010'B, 3.1kHz audio, exPLMN                                                                                                                                                  |
| TSPX_BS_24_more_itc | BOOLEAN | PIXIT | more than one itc value supported by BS24. default value : FALSE, only one itc                                                                                                                                             |
| TSPX_BS_24_T_NT     | BOOLEAN | PIXIT | both T and NT supported by BS24. default value : FALSE, not support both transparent and non transparent modes                                                                                                             |
| TSPX_BS_24_ce       | B_2     | PIXIT | ce value used in MO call and if the answer to TSPX_BS_24_T_NT is FALSE, the manufacturer must precise which mode is supported by the MS. default value : '00'B, transparent                                                |
| TSPX_BS_24_sacp     | B_3     | PIXIT | sacp value used in MO call. default value : '001'B, I440/450                                                                                                                                                               |
| TSPX_BS_24_itc2     | B_3     | PIXIT | other itc value supported by BS24, it shall be differenet from the previous one if the answer to TSPX_BS_24_more_itc is TRUE. default value : '010'B, 3.1kHz audio, exPLMN                                                 |
| TSPX_BS_25_itc1     | B_3     | PIXIT | itc value supported by BS25. default value : '001'B, UDI                                                                                                                                                                   |
| TSPX_BS_25_more_itc | BOOLEAN | PIXIT | more than one itc value supported by BS25. default value : FALSE, only one itc                                                                                                                                             |
| TSPX_BS_25_T_NT     | BOOLEAN | PIXIT | both T and NT supported by BS25. default value : FALSE, not support both transparent and non transparent modes                                                                                                             |
| TSPX_BS_25_ce       | B_2     | PIXIT | ce value used in MO call and if the answer to TSPX_BS_25_T_NT is FALSE, the manufacturer must precise which mode is supported by the MS. default value : '00'B, transparent                                                |
| TSPX_BS_25_sacp     | B_3     | PIXIT | sacp value used in MO call. default value : '001'B, I440/450                                                                                                                                                               |
| TSPX_BS_25_itc2     | B_3     | PIXIT | other itc value supported by BS25, it shall be differenet from the previous one if the answer to TSPX_BS_25_more_itc is TRUE. default value : '001'B, UDI                                                                  |
| TSPX_BS_26_itc1     | B_3     | PIXIT | itc value supported by BS26. default value : '010'B, 3.1kHz audio, exPLMN                                                                                                                                                  |
| TSPX_BS_26_more_itc | BOOLEAN | PIXIT | more than one itc value supported by BS26. default value : FALSE, only one itc                                                                                                                                             |
| TSPX_BS_26_T_NT     | BOOLEAN | PIXIT | both T and NT supported by BS26. default value : FALSE, not support both transparent and non transparent modes                                                                                                             |



|                      |         |       |                                                                                                                                                                             |
|----------------------|---------|-------|-----------------------------------------------------------------------------------------------------------------------------------------------------------------------------|
| TSPX_BS_26_ce        | B_2     | PIXIT | ce value used in MO call and if the answer to TSPX_BS_26_T_NT is FALSE, the manufacturer must precise which mode is supported by the MS. default value : '00'B, transparent |
| TSPX_BS_26_sacp      | B_3     | PIXIT | sacp value used in MO call. default value : '001'B, I440/450                                                                                                                |
| TSPX_BS_26_itc2      | B_3     | PIXIT | other itc value supported by BS26, it shall be differenet from the previous one if the answer to TSPX_BS_26_more_itc is TRUE. default value : '010'B, 3.1kHz audio, exPLMN  |
| TSPX_BS_31_more_itc  | BOOLEAN | PIXIT | more than one itc value supported by BS31. default value : FALSE, only one itc                                                                                              |
| TSPX_BS_31_more_sacp | BOOLEAN | PIXIT | more than one sacp value supported by BS31. default value : FALSE, only one sacp                                                                                            |
| TSPX_BS_31_itc1      | B_3     | PIXIT | itc value supported by BS31. default value : '001'B, UDI                                                                                                                    |
| TSPX_BS_31_sacp1     | B_3     | PIXIT | sacp value supported by BS31. default value : '001'B, I440/450                                                                                                              |
| TSPX_BS_31_itc2      | B_3     | PIXIT | other itc value supported by BS31, it shall be differenet from the previous one if the answer to TSPX_BS_31_more_itc is TRUE. default value : '001'B, UDI                   |
| TSPX_BS_31_sacp2     | B_3     | PIXIT | other sacp value supported by BS31, it shall be differenet from the previous one if the answer to TSPX_BS_31_more_sacp is TRUE. default value : '001'B, I440/450            |
| TSPX_BS_32_itc1      | B_3     | PIXIT | itc value supported by BS32. default value : '010'B, 3.1kHz audio, exPLMN                                                                                                   |
| TSPX_BS_32_more_itc  | BOOLEAN | PIXIT | more than one itc value supported by BS32. default value : FALSE, only one itc                                                                                              |
| TSPX_BS_32_more_sacp | BOOLEAN | PIXIT | more than one sacp value supported by BS32. default value : FALSE, only one sacp                                                                                            |
| TSPX_BS_32_sacp1     | B_3     | PIXIT | sacp value supported by BS32. default value : '110'B, X.32                                                                                                                  |
| TSPX_BS_32_X32_T_NT  | BOOLEAN | PIXIT | BS 32 both T and NT supported for X32 3.1kHz. default value : FALSE, not support both transparent and non transparent modes                                                 |
| TSPX_BS_32_X32_ce    | B_2     | PIXIT | if the answer to TSPX_BS_32_X32_T_NT is FALSE, the manufacturer must precise which mode is supported by the MS. default value : '01'B, non transparent                      |
| TSPX_BS_32_itc2      | B_3     | PIXIT | other itc value supported by BS32, it shall be differenet from the previous one if the answer to TSPX_BS_32_more_itc is TRUE. default value : '010'B, 3.1kHz audio, exPLMN  |
| TSPX_BS_32_sacp2     | B_3     | PIXIT | other sacp value supported by BS32, it shall be differenet from the previous one if the answer to TSPX_BS_32_more_sacp is TRUE. default value : '110'B, X.32                |
| TSPX_BS_33_itc1      | B_3     | PIXIT | itc value supported by BS33. default value : '001'B, UDI                                                                                                                    |
| TSPX_BS_33_more_itc  | BOOLEAN | PIXIT | more than one itc value supported by BS33. default value : FALSE, only one itc                                                                                              |

|                      |         |       |                                                                                                                                                                            |
|----------------------|---------|-------|----------------------------------------------------------------------------------------------------------------------------------------------------------------------------|
| TSPX_BS_33_more_sacp | BOOLEAN | PIXIT | more than one sacp value supported by BS33. default value : FALSE, only one sacp                                                                                           |
| TSPX_BS_33_sacp1     | B_3     | PIXIT | sacp value supported by BS33. default value : '010'B, X.21                                                                                                                 |
| TSPX_BS_33_X32_T_NT  | BOOLEAN | PIXIT | BS 33 both T and NT supported for X32 3.1kHz. default value : FALSE, not support both transparent and non transparent modes                                                |
| TSPX_BS_33_X32_ce    | B_2     | PIXIT | if the answer to TSPX_BS_33_X32_T_NT is FALSE, the manufacturer must precise which mode is supported by the MS. default value : '00'B, transparent                         |
| TSPX_BS_33_itc2      | B_3     | PIXIT | other itc value supported by BS32, it shall be differenet from the previous one if the answer to TSPX_BS_33_more_itc is TRUE. default value : '001'B, UDI                  |
| TSPX_BS_33_sacp2     | B_3     | PIXIT | other sacp value supported by BS33, it shall be differenet from the previous one if the answer to TSPX_BS_33_more_sacp is TRUE. default value : '010'B, X.21               |
| TSPX_BS_34_itc1      | B_3     | PIXIT | itc value supported by BS34. default value : '010'B, 3.1kHz audio, exPLMN                                                                                                  |
| TSPX_BS_34_more_itc  | BOOLEAN | PIXIT | more than one itc value supported by BS34. default value : FALSE, only one itc                                                                                             |
| TSPX_BS_34_more_sacp | BOOLEAN | PIXIT | more than one sacp value supported by BS34. default value : FALSE, only one sacp                                                                                           |
| TSPX_BS_34_sacp1     | B_3     | PIXIT | sacp value supported by BS34. default value : '001'B, I440/450                                                                                                             |
| TSPX_BS_34_X32_T_NT  | BOOLEAN | PIXIT | BS 34 both T and NT supported for X32 3.1kHz. default value : FALSE, not support both transparent and non transparent modes                                                |
| TSPX_BS_34_X32_ce    | B_2     | PIXIT | if the answer to TSPX_BS_34_X32_T_NT is FALSE, the manufacturer must precise which mode is supported by the MS. default value : '00'B, transparent                         |
| TSPX_BS_34_itc2      | B_3     | PIXIT | other itc value supported by BS34, it shall be differenet from the previous one if the answer to TSPX_BS_34_more_itc is TRUE. default value : '010'B, 3.1kHz audio, exPLMN |
| TSPX_BS_34_sacp2     | B_3     | PIXIT | other sacp value supported by BS34, it shall be differenet from the previous one if the answer to TSPX_BS_34_more_sacp is TRUE. default value : '001'B, I440/450           |
| TSPX_BS_41_T_NT      | BOOLEAN | PIXIT | BS41 both T and NT supported . default value : FALSE, not support both                                                                                                     |
| TSPX_BS_41_ce        | B_2     | PIXIT | ce value used in BS41 MO call. default value : '00'B, transparent                                                                                                          |
| TSPX_BS_42_T_NT      | BOOLEAN | PIXIT | BS42 both T and NT supported . default value : FALSE, not support both transparent and non transparent modes                                                               |
| TSPX_BS_42_ce        | B_2     | PIXIT | ce value used in BS42 MO call. default value : '010'B, non transparent                                                                                                     |
| TSPX_BS_43_T_NT      | BOOLEAN | PIXIT | BS43 both T and NT supported . default value : FALSE, not                                                                                                                  |

|                       |         |       |                                                                                                                                                                                                          |
|-----------------------|---------|-------|----------------------------------------------------------------------------------------------------------------------------------------------------------------------------------------------------------|
| TSPX_BS_43_ce         | B_2     | PIXIT | support both transparent and non transparent modes                                                                                                                                                       |
| TSPX_BS_44_T_NT       | BOOLEAN | PIXIT | ce value used in BS43 MO call. default value : '00'B, transparent                                                                                                                                        |
| TSPX_BS_44_ce         | B_2     | PIXIT | BS44 both T and NT supported . default value : FALSE, not support both transparent and non transparent modes                                                                                             |
| TSPX_BS_45_T_NT       | BOOLEAN | PIXIT | ce value used in BS44 MO call. default value : '00'B, transparent                                                                                                                                        |
| TSPX_BS_45_ce         | B_2     | PIXIT | BS45 both T and NT supported . default value : FALSE, not support both transparent and non transparent modes                                                                                             |
| TSPX_BS_46_T_NT       | BOOLEAN | PIXIT | ce value used in BS45 MO call. default value : '01'B, non transparent                                                                                                                                    |
| TSPX_BS_46_ce         | B_2     | PIXIT | BS46 both T and NT supported . default value : FALSE, not support both transparent and non transparent modes                                                                                             |
| TSPX_BS_61_S          | BOOLEAN | PIXIT | ce value used in BS46 MO call. default value : '00'B, transparent                                                                                                                                        |
| TSPX_BS_61_S_more_ur  | BOOLEAN | PIXIT | synchronous data supported by BS 61 . default value : TRUE, synchronous mode                                                                                                                             |
| TSPX_BS_61_S_ur1      | B_4     | PIXIT | more than one user rate for synchronous data service supported by BS61. default value : FALSE, only ine user rate                                                                                        |
| TSPX_BS_61_S_ur2      | B_4     | PIXIT | usrer rate value supported for synchronous data service of BS61. default value : '0100'B, 4.8 kbit/s                                                                                                     |
| TSPX_BS_61_A          | BOOLEAN | PIXIT | another usrer rate value supported for synchronous data service of BS61. it shall be different from the previous one if the answer to TSPX_BS_61_S_more_ur is TRUE. default value : '0100'B, 4.8 kbit/s  |
| TSPX_BS_61_A_ur1      | B_4     | PIXIT | asynchronous data service supported by BS61 . default value : TRUE, asynchronous                                                                                                                         |
| TSPX_BS_61_A_ur1_T_NT | BOOLEAN | PIXIT | usrer rate value supported for asynchronous data service of BS61. default value : '0101'B, 9.6 kbit/s                                                                                                    |
| TSPX_BS_61_A_ur1_ce   | B_2     | PIXIT | both T and NT supported for the rate TSPX_BS_61_A_ur1 of BS61. default value : FALSE, not support both transparent and non transparent modes                                                             |
| TSPX_BS_61_A_more_ur  | BOOLEAN | PIXIT | if the answer to TSPX_BS_61_A_ur1_T_NT is FALSE, the manufacturer must precise which mode is supported by the MS. default value : '00'B, transparent                                                     |
| TSPX_BS_61_A_ur2      | B_4     | PIXIT | more than one user rate for asynchronous data service supported by BS61. default value : FALSE, only one user rate                                                                                       |
| TSPX_BS_61_A_ur2_T_NT | BOOLEAN | PIXIT | another usrer rate value supported for asynchronous data service of BS61. it shall be different from the previous one if the answer to TSPX_BS_61_A_more_ur is TRUE. default value : '0101'B, 9.6 kbit/s |
|                       |         |       | both T and NT supported for the rate TSPX_BS_61_A_ur2 of BS61. default value : FALSE, not                                                                                                                |

|                       |         |       |                                                                                                                                                                                                          |
|-----------------------|---------|-------|----------------------------------------------------------------------------------------------------------------------------------------------------------------------------------------------------------|
| TSPX_BS_81_S          | BOOLEAN | PIXIT | support both transparent and non transparent modes                                                                                                                                                       |
| TSPX_BS_81_S_more_ur  | BOOLEAN | PIXIT | synchronous data supported by BS 81. default value : TRUE, synchronous mode                                                                                                                              |
| TSPX_BS_81_S_ur1      | B_4     | PIXIT | more than one user rate for synchronous data service supported by BS81. default value : FALSE, only one user rate                                                                                        |
| TSPX_BS_81_S_ur2      | B_4     | PIXIT | usrer rate value supported for synchronous data service of BS81. default value : '0101'B, 9.6 kbit/s                                                                                                     |
| TSPX_BS_81_A          | BOOLEAN | PIXIT | another usrer rate value supported for synchronous data service of BS81. it shall be different from the previous one if the answer to TSPX_BS_81_S_more_ur is TRUE. default value : '0101'B, 9.6 kbit/s  |
| TSPX_BS_81_A_ur1      | B_4     | PIXIT | asynchronous data service supported by BS81. default value : TRUE, asynchronous mode                                                                                                                     |
| TSPX_BS_81_A_ur1_T_NT | BOOLEAN | PIXIT | usrer rate value supported for asynchronous data service of BS81. default value : '0100'B, 4.8 kbit/s                                                                                                    |
| TSPX_BS_81_A_ur1_ce   | B_2     | PIXIT | both T and NT supported for the rate TSPX_BS_81_A_ur1 of BS81. default value : FALSE, not support both transparent and non transparent modes                                                             |
| TSPX_BS_81_A_more_ur  | BOOLEAN | PIXIT | if the answer to TSPX_BS_81_A_ur1_T_NT is FALSE, the manufacturer must precise which mode is supported by the MS. default value : '01'B, non transparent                                                 |
| TSPX_BS_81_A_ur2      | B_4     | PIXIT | more than one user rate for asynchronous data service supported by BS81. default value : FALSE, only one user rate                                                                                       |
| TSPX_BS_81_A_ur2_T_NT | BOOLEAN | PIXIT | another usrer rate value supported for asynchronous data service of BS81. it shall be different from the previous one if the answer to TSPX_BS_81_A_more_ur is TRUE. default value : '0100'B, 4.8 kbit/s |
| TSPX_TS_61_T_NT       | BOOLEAN | PIXIT | both T and NT supported for the rate TSPX_BS_81_A_ur2 of BS81. default value : FALSE, not support both transparent and non transparent modes                                                             |
| TSPX_TS_61_ce         | B_2     | PIXIT | both T and NT supported for TS61(fax). default value : FALSE, not support both transparent and non transparent modes                                                                                     |
| TSPX_TS_61_ur1        | B_4     | PIXIT | if the answer to TSPX_TS_61_T_NT is FALSE, the manufacturer must precise which mode is supported by the MS. default value : '01'B, non transparent                                                       |
| TSPX_TS_61_more_ur    | BOOLEAN | PIXIT | user rate for TS61(fax). default value : '0101'B, 9.6 kbit/s                                                                                                                                             |
| TSPX_TS_61_ur2        | B_4     | PIXIT | more than one user rate supported for TS61. default value : FALSE, only one user rate                                                                                                                    |
|                       |         |       | another user rate for TS61, it shall be different from the previous one if the answer to TSPX_TS_61_more_ur is TRUE.                                                                                     |

|                    |           |       |                                                                                                                                                                                     |
|--------------------|-----------|-------|-------------------------------------------------------------------------------------------------------------------------------------------------------------------------------------|
| TSPX_TS_62_T_NT    | BOOLEAN   | PIXIT | default value : '0101'B, 9.6 kbit/s both T and NT supported for TS62. default value : FALSE, not support both transparent and non transparent modes                                 |
| TSPX_TS_62_ce      | B_2       | PIXIT | if the answer to TSPX_TS_62_T_NT is FALSE, the manufacturer must precise which mode is supported by the MS. default value : '00'B, transparent                                      |
| TSPX_TS_62_ur1     | B_4       | PIXIT | user rate for TS62. default value : '0100'B, 4.8 kbit/s                                                                                                                             |
| TSPX_TS_62_more_ur | BOOLEAN   | PIXIT | more than one user rate supported by TS62. default value : FALSE, only one user rate                                                                                                |
| TSPX_TS_62_ur2     | B_4       | PIXIT | another user rate for TS62, it shall be different from the previous one if the answer to TSPX_TS_62_more_ur is TRUE. default value : '0100'B, 4.8 kbit/s                            |
| TSPX_DTMF          | B_1       | PIXIT | call control capabilities: value '1'B means MS supports DTMF                                                                                                                        |
| TSPX_modF          | CHMOD_VAL | PIXIT | any non signalling full rate channel mode for TC_26_6_4_1                                                                                                                           |
| TSPX_modH          | CHMOD_VAL | PIXIT | any non signalling half channel mode for TC_26_6_4_1                                                                                                                                |
| TSPX_anymod        | CHMOD_VAL | PIXIT | channel mode for TC_62_10_2_4_2. Any supported value except signalling and Full rate speech. possible values are '00000011'B' 12k data, '00001011'B' 6k data, '0010011'B' 3.6k data |
| TSPX_CKSNA         | CKSN      | PIXIT | cipher key sequence number                                                                                                                                                          |
| TSPX_CKSNB         | CKSN      | PIXIT | cipher key sequence number                                                                                                                                                          |
| TSPX_CKSNC         | CKSN      | PIXIT | cipher key sequence number                                                                                                                                                          |
| TSPX_CKSNDef       | CKSN      | PIXIT | default cipher key sequence number                                                                                                                                                  |
| TSPX_RfPwrCap      | B_3       | PIXIT | RF power capability                                                                                                                                                                 |
| TSPX_RevLevel      | B_2       | PIXIT | Revision level of classmark 1                                                                                                                                                       |
| TSPX_CiphAlgA5_1   | B_1       | PIXIT | A5/1 algorithm: '1'B : available, '0'B: not available                                                                                                                               |
| TSPX_CiphAlgA5_2   | B_1       | PIXIT | A5/2 algorithm: '1'B : available, '0'B: not available                                                                                                                               |
| TSPX_CiphAlgA5_3   | B_1       | PIXIT | A5/3 algorithm: '1'B : available, '0'B: not available                                                                                                                               |
| TSPX_CiphAlgA5_4   | B_1       | PIXIT | A5/4 algorithm: '1'B : available, '0'B: not available                                                                                                                               |
| TSPX_CiphAlgA5_5   | B_1       | PIXIT | A5/5 algorithm: '1'B : available, '0'B: not available                                                                                                                               |
| TSPX_CiphAlgA5_6   | B_1       | PIXIT | A5/6 algorithm: '1'B : available, '0'B: not available                                                                                                                               |
| TSPX_CiphAlgA5_7   | B_1       | PIXIT | A5/7 algorithm: '1'B : available, '0'B: not available                                                                                                                               |
| TSPX_pSyncCap      | B_1       | PIXIT | pseudo synchronisation capability, '0'B: not present '1'B: present                                                                                                                  |
| TSPX_SSscrnInd     | B_2       | PIXIT | SS screen indicator                                                                                                                                                                 |
| TSPX_SMCap         | B_1       | PIXIT | short message capability, '0'B: not present '1'B: present                                                                                                                           |
| TSPX_frqCap        | B_1       | PIXIT | frequency capability. DCS: reserved, GSM: '0'B not support extension band, '1'B support extension band                                                                              |
| TSPX_ClsMk3        | B_1       | PIXIT | classmark 3 indicator, '0'B no addition capability info, '1'B additional capability info in class mark 3                                                                            |
| TSPX_RfPwrCapAmp   | B_3       | PIXIT | RF power capability with external RF amplifier                                                                                                                                      |
| TSPX_CphAlga       | CPHALG    | PIXIT | any supported ciphering algorithm                                                                                                                                                   |

|                 |           |       |                                                        |
|-----------------|-----------|-------|--------------------------------------------------------|
| TSPX_CphAlgB    | CPHALG    | PIXIT | ciphering algorithm supported                          |
| TSPX_CphAlgC    | CPHALG    | PIXIT | ciphering algorithm supported                          |
| TSPX_CphAlgD    | CPHALG    | PIXIT | ciphering algorithm supported                          |
| TSPX_CphAlgE    | CPHALG    | PIXIT | ciphering algorithm supported                          |
| TSPX_CphAlgDef  | CPHALG    | PIXIT | default ciphering algorithm                            |
| TSPX_DTMFInd    | BOOLEAN   | PIXIT | DTMF indication to user supported                      |
| TSPX_NoOfHoAccA | INTEGER   | PIXIT | number of handover access bursts, value range 10 - 20  |
| TSPX_NoOfHoAccB | INTEGER   | PIXIT | number of handover access bursts, value range 10 - 20  |
| TSPX_NoOfHoAccC | INTEGER   | PIXIT | number of handover access bursts, value range 10 - 20  |
| TSPX_NoOfHoAccD | INTEGER   | PIXIT | number of handover access bursts, value range 5 - 10   |
| TSPX_NoOfHoAccE | INTEGER   | PIXIT | number of handover access bursts, value range 5 - 10   |
| TSPX_NoOfHoAccF | INTEGER   | PIXIT | number of handover access bursts, value range 5 - 10   |
| TSPX_NoOfHoAccG | INTEGER   | PIXIT | number of handover access bursts, value range 2 - 5    |
| TSPX_NoOfHoAccH | INTEGER   | PIXIT | number of handover access bursts, value range 2 - 5    |
| TSPX_NoOfHoAccI | INTEGER   | PIXIT | number of handover access bursts, value range 2 - 5    |
| TSPX_HoRefA     | HORF      | PIXIT | Hand over reference, GSM 04.08, 10.5.2.15              |
| TSPX_HoRefB     | HORF      | PIXIT | Hand over reference, GSM 04.08, 10.5.2.15              |
| TSPX_HoRefC     | HORF      | PIXIT | Hand over reference, GSM 04.08, 10.5.2.15              |
| TSPX_HoRefD     | HORF      | PIXIT | Hand over reference, GSM 04.08, 10.5.2.15              |
| TSPX_HoRefE     | HORF      | PIXIT | Hand over reference, GSM 04.08, 10.5.2.15              |
| TSPX_HoRefF     | HORF      | PIXIT | Hand over reference, GSM 04.08, 10.5.2.15              |
| TSPX_HoRefG     | HORF      | PIXIT | Hand over reference, GSM 04.08, 10.5.2.15              |
| TSPX_HoRefH     | HORF      | PIXIT | Hand over reference, GSM 04.08, 10.5.2.15              |
| TSPX_HoRefI     | HORF      | PIXIT | Hand over reference, GSM 04.08, 10.5.2.15              |
| TSPX_HoRefJ     | HORF      | PIXIT | Hand over reference, GSM 04.08, 10.5.2.15              |
| TSPX_HSN        | INTEGER   | PIXIT | Hopping sequence number value range: 0 - 63            |
| TSPX_IMSI       | HEXSTRING | PIXIT | IMSI of the MS                                         |
| TSPX_IMEI       | HEXSTRING | PIXIT | IMEI of the MS.                                        |
| TSPX_IMEISV     | HEXSTRING | PIXIT | IMEISV of the MS.<br>Used in: TC_26_6_8_5, TC_26_7_3_1 |
| TSPX_Ki         | BITSTRING | PIXIT | default authentication key used in testing             |
| TSPX_MAIO       | INTEGER   | PIXIT | mobile allocation index offset, value range: 0 - 63    |
| TSPX_MaxRetrans | INTEGER   | PIXIT | Max-Retrans                                            |
| TSPX_MSTxpwrMax | MAXTXPOW  | PIXIT | maximum output power from MS                           |
| TSPX_PwrIvIA    | INTEGER   | PIXIT | power level, value between 2 to 15                     |
| TSPX_PwrIvIB    | INTEGER   | PIXIT | power level, value between 2 to 15                     |
| TSPX_PwrIvIC    | INTEGER   | PIXIT | power level, value between 2 to 15                     |
| TSPX_PwrIvID    | INTEGER   | PIXIT | power level, value between 2 to 15                     |
| TSPX_RANDA      | RAND      | PIXIT | challenge RAND                                         |
| TSPX_RANDB      | RAND      | PIXIT | challenge RAND                                         |

|                      |         |       |                                                                                                                                                                                      |
|----------------------|---------|-------|--------------------------------------------------------------------------------------------------------------------------------------------------------------------------------------|
| TSPX_RANDC           | RAND    | PIXIT | challenge RAND                                                                                                                                                                       |
| TSPX_RANDDef         | RAND    | PIXIT | default challenge RAND                                                                                                                                                               |
| TSPX_SDCCH4SubA      | B_2     | PIXIT | TDMA offset of SDCCH/4 subchannel                                                                                                                                                    |
| TSPX_SDCCH4SubB      | B_2     | PIXIT | TDMA offset of SDCCH/4 subchannel                                                                                                                                                    |
| TSPX_SDCCH4SubC      | B_2     | PIXIT | TDMA offset of SDCCH/4 subchannel                                                                                                                                                    |
| TSPX_SDCCH4SubDef    | B_2     | PIXIT | TDMA offset of default SDCCH/4 subchannel                                                                                                                                            |
| TSPX_SDCCH8SubA      | B_3     | PIXIT | TDMA offset of SDCCH/8 subchannel                                                                                                                                                    |
| TSPX_SDCCH8SubB      | B_3     | PIXIT | TDMA offset of SDCCH/8 subchannel                                                                                                                                                    |
| TSPX_SDCCH8SubC      | B_3     | PIXIT | TDMA offset of SDCCH/8 subchannel                                                                                                                                                    |
| TSPX_SDCCH8SubD      | B_3     | PIXIT | TDMA offset of SDCCH/8 subchannel                                                                                                                                                    |
| TSPX_SDCCH8SubE      | B_3     | PIXIT | TDMA offset of SDCCH/8 subchannel                                                                                                                                                    |
| TSPX_SDCCH8SubF      | B_3     | PIXIT | TDMA offset of SDCCH/8 subchannel                                                                                                                                                    |
| TSPX_SDCCH8SubG      | B_3     | PIXIT | TDMA offset of SDCCH/8 subchannel                                                                                                                                                    |
| TSPX_SDCCH8SubDef    | B_3     | PIXIT | TDMA offset of default SDCCH/8 subchannel                                                                                                                                            |
| TSPX_TC1M            | INTEGER | PIXIT | timer value for GSM timer TC1M (for SMS)                                                                                                                                             |
| TSPX_MaxCPDataRetx   | INTEGER | PIXIT | max. number of CP data retransmissions for SMS                                                                                                                                       |
| TSPX_Immconn         | BOOLEAN | PIXIT | Immediate connect supported                                                                                                                                                          |
| TSPX_TimadvA         | INTEGER | PIXIT | timing advance                                                                                                                                                                       |
| TSPX_TimadvB         | INTEGER | PIXIT | timing advance                                                                                                                                                                       |
| TSPX_TimadvC         | INTEGER | PIXIT | timing advance                                                                                                                                                                       |
| TSPX_TmSltA          | SN      | PIXIT | time slot                                                                                                                                                                            |
| TSPX_TmSltB          | SN      | PIXIT | time slot                                                                                                                                                                            |
| TSPX_TmSltC          | SN      | PIXIT | time slot                                                                                                                                                                            |
| TSPX_TmSltD          | SN      | PIXIT | time slot                                                                                                                                                                            |
| TSPX_TmSltE          | SN      | PIXIT | time slot                                                                                                                                                                            |
| TSPX_TmSltF          | SN      | PIXIT | time slot                                                                                                                                                                            |
| TSPX_TmSltG          | SN      | PIXIT | time slot                                                                                                                                                                            |
| TSPX_TmSltDef        | SN      | PIXIT | default time slot                                                                                                                                                                    |
| TSPX_TmSltNotZero    | SN      | PIXIT | time slot, arbitrarily value, but not zero.                                                                                                                                          |
| TSPX_TmSltNotZero1   | SN      | PIXIT | time slot, arbitrarily value, but not zero and not TSPX_TmSltNotZero                                                                                                                 |
| TSPX_Txint           | INTEGER | PIXIT | Tx-Integer                                                                                                                                                                           |
| TSPX_TscA            | TSC     | PIXIT | training sequence code                                                                                                                                                               |
| TSPX_TscB            | TSC     | PIXIT | training sequence code                                                                                                                                                               |
| TSPX_TscC            | TSC     | PIXIT | training sequence code                                                                                                                                                               |
| TSPX_TscD            | TSC     | PIXIT | training sequence code                                                                                                                                                               |
| TSPX_TscE            | TSC     | PIXIT | training sequence code                                                                                                                                                               |
| TSPX_TscF            | TSC     | PIXIT | training sequence code                                                                                                                                                               |
| TSPX_TscG            | TSC     | PIXIT | training sequence code                                                                                                                                                               |
| TSPX_TscDef          | TSC     | PIXIT | default TSC                                                                                                                                                                          |
| TSPX_T3122           | WI      | PIXIT | value of timer T3122, HEXSTRING[2]                                                                                                                                                   |
| TSPX_TCHcarrierA_ho  | INTEGER | PIXIT | the value can be chosen arbitrarily from cell allocation of cell A (GSM), but not BCCH carrier .possible value is : 10, 17, 26, 34, 42, 45, 46, 52, 59, 66, 73, 74, 75, 76, 108, 114 |
| TSPX_TCHcarrierA_hod | INTEGER | PIXIT | the value can be chosen arbitrarily from cell allocation of cell A (DCS), but not BCCH carrier . possible value is : 734,741,754,759,762,766,767,773,775,779,782,791,798,829,832,8   |

|                       |             |       |                                                                                                                                                                              |
|-----------------------|-------------|-------|------------------------------------------------------------------------------------------------------------------------------------------------------------------------------|
| TSPX_TCHcarrierB      | INTEGER     | PIXIT | 44<br>TCH and SDCCH channel frequency number of cell B (GSM)                                                                                                                 |
| TSPX_TCHcarrierBd     | INTEGER     | PIXIT | TCH and SDCCH channel frequency number of cell B (DCS)                                                                                                                       |
| TSPX_TCHcarrierB_ho   | INTEGER     | PIXIT | the value can be chosen arbitrarily from cell allocation of cell B (GSM), but not BCCH carrier . possibles value is : 14,18,22,24,30,31,38,60,66,73,74,75,76,108,114         |
| TSPX_TCHcarrierB_hod  | INTEGER     | PIXIT | not BCCH carrier of cell B. the value can be chosen arbitrarily from cell allocation of cell B (DCS), which is (739,743,746,749,756,758,761,771,779,782,791,798,829,832,844) |
| TSPX_TCHcarrierB2_ho  | INTEGER     | PIXIT | Chosen arbitrarily from cell allocation B for GSM HO cases, but not BCCH carrier!                                                                                            |
| TSPX_TCHcarrierB2_hod | INTEGER     | PIXIT | Chosen arbitrarily from cell allocation B for DCS HO cases, but not BCCH carrier!                                                                                            |
| TSPX_TCHHSubA         | B_1         | PIXIT | TDMA offset of half rate subchannel                                                                                                                                          |
| TSPX_TCHHSubDef       | B_1         | PIXIT | TDMA offset of default half rate subchannel                                                                                                                                  |
| TSPX_TMSI             | TMSI_V      | PIXIT | TMSI of the MS used in test                                                                                                                                                  |
| TSPX_TMSI1            | TMSI_V      | PIXIT | another TMSI used in test which shall differ from TSPX_TMSI, TSPX_TMSI + '01'O<br>TSPX_TMSI + '02'O<br>TSPX_TMSI + '03'O                                                     |
| TSPX_Uupd             | B_8         | PIXIT | user-user protocol discriminator                                                                                                                                             |
| TSPX_UuInfo           | OCTETSTRING | PIXIT | user-user information                                                                                                                                                        |
| TSPX_k                | INTEGER     | PIXIT | timing of cell A before cell B k bit periods for TC_26_6_5_1, TC_26_6_5_2_?, TC_26_6_5_3_?, TC_26_6_5_4_?.                                                                   |
| TSPX_y                | INTEGER     | PIXIT | timing advance for TC_26_6_5_3_?, TC_26_6_5_4_?, TC_26_6_5_5_?. The values of TSPX_k (or TSPX_k1) and TSPX_y: $0 < (2 * TSPX_k + TSPX_y) \text{ MOD } 256 < 60$ .            |
| TSPX_k1               | INTEGER     | PIXIT | timing of cell A before cell B k bit periods for TC_26_6_5_5_?                                                                                                               |
| TSPX_k2               | INTEGER     | PIXIT | timing of cell A before cell B k bit periods for TC_26_6_5_6                                                                                                                 |
| TSPX_y2               | INTEGER     | PIXIT | timing advance for TC_26_6_5_6, value range : 11 - 62.                                                                                                                       |
| TSPX_k3               | INTEGER     | PIXIT | timing of cell A before cell B k bit periods for TC_26_6_5_7                                                                                                                 |
| TSPX_y3               | INTEGER     | PIXIT | timing advance for TC_26_6_5_7                                                                                                                                               |
| TSPX_nPara            | INTEGER     | PIXIT | the n'th ChReq for TC_26_6_1_2, shall be choose to [1..8], MAXRETRANS for TC_26_6_1_2 is 7 (See 11.10 for more explanation).                                                 |
| TSPX_kPara            | INTEGER     | PIXIT | the k'th ChReq for TC_26_6_1_2                                                                                                                                               |
| TSPX_rPara            | INTEGER     | PIXIT | the r'th ChReq for TC_26_6_1_2                                                                                                                                               |
| TSPX_i1Para           | INTEGER     | PIXIT | for TC_26_1_2                                                                                                                                                                |
| TSPX_i2Para           | INTEGER     | PIXIT | for TC_26_1_2                                                                                                                                                                |
| TSPX_i3Para           | INTEGER     | PIXIT | the r'th ChReq for TC_26_6_1_2                                                                                                                                               |
| TSPX_n1Para           | INTEGER     | PIXIT | the n'th ChReq for TC_26_6_1_3                                                                                                                                               |
| TSPX_i4Para           | INTEGER     | PIXIT | for TC_26_6_1_3                                                                                                                                                              |
| TSPX_xPara            | INTEGER     | PIXIT | t3122 for TC_26_6_1_3                                                                                                                                                        |
| TSPX_AGBLKS1          | INTEGER     | PIXIT | BS-AG-BLKS-RES for TC_26_6_2_3_1, TC_26_6_2_1_1                                                                                                                              |



|                |           |       |                                                                                                                                        |
|----------------|-----------|-------|----------------------------------------------------------------------------------------------------------------------------------------|
| TSPX_PAMFRMS1  | INTEGER   | PIXIT | BS-PA-MFRMS for TC_26_6_2_3_1 (shall not be set to 9), TC_26_6_2_1_1                                                                   |
| TSPX_CcchConf1 | CCCH_CON  | PIXIT | paging subchannel for TC_26_6_2_3_1, TC_26_6_2_1_1                                                                                     |
| TSPX_PgSubch   | INTEGER   | PIXIT | paging subchannel for TC_26_6_2_3_1                                                                                                    |
| TSPX_AGBLKS2   | INTEGER   | PIXIT | BS-AG-BLKS-RES for TC_26_6_2_3_2, TC_26_6_2_1_2                                                                                        |
| TSPX_PAMFRMS2  | INTEGER   | PIXIT | BS-PA-MFRMS for TC_26_6_2_3_2, TC_26_6_2_1_2                                                                                           |
| TSPX_CcchConf2 | CCCH_CON  | PIXIT | paging subchannel for TC_26_6_2_3_2, TC_26_6_2_1_2                                                                                     |
| TSPX_AGBLKS3   | INTEGER   | PIXIT | BS-AG-BLKS-RES for TC_26_6_2_4, TC_26_6_2_2, TC_26_6_2_1_3                                                                             |
| TSPX_PAMFRMS3  | INTEGER   | PIXIT | BS-PA-MFRMS for TC_26_6_2_4, TC_26_6_2_2, TC_26_6_2_1_3                                                                                |
| TSPX_CcchConf3 | CCCH_CON  | PIXIT | paging subchannel for TC_26_6_2_4, TC_26_6_2_2, TC_26_6_2_1_3                                                                          |
| TSPX_AGBLKS4   | INTEGER   | PIXIT | BS-AG-BLKS-RES for TC_26_6_2_5                                                                                                         |
| TSPX_PAMFRMS4  | INTEGER   | PIXIT | BS-PA-MFRMS for TC_26_6_2_5                                                                                                            |
| TSPX_CcchConf4 | CCCH_CON  | PIXIT | paging subchannel for TC_26_6_2_5 (shall be in the set ('010', '100', '110'))                                                          |
| TSPX_Chtp1     | CH_TDMA   | PIXIT | channel type for TC_26_6_13_1, any value supported by the MS                                                                           |
| TSPX_ChMod1    | CHMOD_VAL | PIXIT | channel mode for TC_26_6_13_1, any value for the channel type of TSPX_Chtp1                                                            |
| TSPX_Maio1     | INTEGER   | PIXIT | hopping parameter for TC_26_6_13_1, its value between 0 and (the number of frequencies) -1, which is defined in TSPX_Ma1, default : 2  |
| TSPX_Ma1       | MAC       | PIXIT | mobile allocation for TC_26_6_13_1, its value shall indicate number of frequencies between 1 and 17. default : '010101'O               |
| TSPX_Hsn1      | INTEGER   | PIXIT | hopping parameter for TC_26_6_13_1. default: 1                                                                                         |
| TSPX_Maio2     | INTEGER   | PIXIT | hopping parameter for TC_26_6_13_1, its value between 0 and (the number of frequencies) -1, which is defined in TSPX_Ma2, default : 8  |
| TSPX_Ma2       | MAC       | PIXIT | mobile allocation for TC_26_6_13_1, its value shall indicate number of frequencies between 1 and 17. default : '01362A5'O              |
| TSPX_Hsn2      | INTEGER   | PIXIT | hopping parameter for TC_26_6_13_1, default : 6                                                                                        |
| TSPX_Maio3     | INTEGER   | PIXIT | hopping parameter for TC_26_6_13_1, its value between 0 and (the number of frequencies) -1, which is defined in TSPX_Ma3, default : 14 |
| TSPX_Ma3       | MAC       | PIXIT | mobile allocation for TC_26_6_13_1, its value shall indicate number of frequencies between 1 and 17. default : '01FFFA'O               |
| TSPX_Hsn3      | INTEGER   | PIXIT | hopping parameter for TC_26_6_13_1, default : 0                                                                                        |

|             |           |       |                                                                                                                                        |
|-------------|-----------|-------|----------------------------------------------------------------------------------------------------------------------------------------|
| TSPX_Chtp2  | CH_TDMA   | PIXIT | channel type for TC_26_6_13_2, any value supported by the MS                                                                           |
| TSPX_ChMod2 | CHMOD_VAL | PIXIT | channel mode for TC_26_6_13_2                                                                                                          |
| TSPX_Maio4  | INTEGER   | PIXIT | hopping parameter for TC_26_6_13_2, its value between 0 and (the number of frequencies) -1, which is defined in TSPX_Ma4, default : 3  |
| TSPX_Ma4    | MAC       | PIXIT | mobile allocation for TC_26_6_13_2, its value shall indicate number of frequencies between 1 and 17. default : '001141'O               |
| TSPX_Hsn4   | INTEGER   | PIXIT | hopping parameter for TC_26_6_13_2, default : 0                                                                                        |
| TSPX_Maio5  | INTEGER   | PIXIT | hopping parameter for TC_26_6_13_2, its value between 0 and (the number of frequencies) -1, which is defined in TSPX_Ma5, default : 9  |
| TSPX_Ma5    | MAC       | PIXIT | mobile allocation for TC_26_6_13_2, its value shall indicate number of frequencies between 1 and 17. default : '01ABCB'O               |
| TSPX_Hsn5   | INTEGER   | PIXIT | hopping parameter for TC_26_6_13_2, default : 16                                                                                       |
| TSPX_Chtp3  | CH_TDMA   | PIXIT | channel type for TC_26_6_13_3, any value supported by the MS                                                                           |
| TSPX_Maio6  | INTEGER   | PIXIT | hopping parameter for TC_26_6_13_3, its value between 0 and (the number of frequencies) -1, which is defined in TSPX_Ma6, default : 4  |
| TSPX_Ma6    | MAC       | PIXIT | mobile allocation for TC_26_6_13_3, its value shall indicate number of frequencies between 1 and 17. default : '006248'O               |
| TSPX_Hsn6   | INTEGER   | PIXIT | hopping parameter for TC_26_6_13_3, default : 4                                                                                        |
| TSPX_Maio7  | INTEGER   | PIXIT | hopping parameter for TC_26_6_13_3, its value between 0 and (the number of frequencies) -1, which is defined in TSPX_Ma7, default : 10 |
| TSPX_Ma7    | MAC       | PIXIT | mobile allocation for TC_26_6_13_3, its value shall indicate number of frequencies between 2 and 17. default : '009AFB'O               |
| TSPX_Chtp4  | CH_TDMA   | PIXIT | channel type for TC_26_6_13_3, any value supported by the MS                                                                           |
| TSPX_Maio8  | INTEGER   | PIXIT | hopping parameter for TC_26_6_13_3, its value between 0 and (the number of frequencies) -1, which is defined in TSPX_Ma8, default : 1  |
| TSPX_Ma8    | MAC       | PIXIT | mobile allocation for TC_26_6_13_3, its value shall indicate number of frequencies between 2 and 17. default : '002800'O               |
| TSPX_Hsn8   | INTEGER   | PIXIT | hopping parameter for TC_26_6_13_3, default : 40                                                                                       |
| TSPX_Maio9  | INTEGER   | PIXIT | hopping parameter for TC_26_6_13_3, its value between 0 and (the number of frequencies) -1, which is defined in TSPX_Ma9, default : 15 |
| TSPX_Ma9    | MAC       | PIXIT | mobile allocation for TC_26_6_13_3, its value shall indicate number of frequencies between 2 and 17. default :                         |

|             |           |       |                                                                                                                                         |
|-------------|-----------|-------|-----------------------------------------------------------------------------------------------------------------------------------------|
| TSPX_Hsn9   | INTEGER   | PIXIT | '01FFFB'O<br>hopping parameter for TC_26_6_13_3, default : 8                                                                            |
| TSPX_Chtp5  | CH_TDMA   | PIXIT | SDCCH8 subchannel immediately assigned, TC_26_6_13_4                                                                                    |
| TSPX_Maio10 | INTEGER   | PIXIT | hopping parameter for TC_26_6_13_4, its value between 0 and (the number of frequencies) -1, which is defined in TSPX_Ma10, default : 5  |
| TSPX_Ma10   | MAC       | PIXIT | mobile allocation for TC_26_6_13_4, its value shall indicate number of frequencies between 1 and 17. default : '01D082'O                |
| TSPX_Hsn10  | INTEGER   | PIXIT | hopping parameter for TC_26_6_13_4, default: 0                                                                                          |
| TSPX_Maio11 | INTEGER   | PIXIT | hopping parameter for TC_26_6_13_4, its value between 0 and (the number of frequencies) -1, which is defined in TSPX_Ma11, default : 11 |
| TSPX_Ma11   | MAC       | PIXIT | mobile allocation for TC_26_6_13_4, its value shall indicate number of frequencies between 2 and 17. default : '00CFF3'O                |
| TSPX_Chtp6  | CH_TDMA   | PIXIT | channel type of a non- existing channel in Assignment Cmd, TC_26_6_13_4                                                                 |
| TSPX_Maio12 | INTEGER   | PIXIT | hopping parameter for TC_26_6_13_4, its value between 0 and (the number of frequencies) -1, which is defined in TSPX_Ma12, default : 1  |
| TSPX_Ma12   | MAC       | PIXIT | mobile allocation for TC_26_6_13_4, its value shall indicate number of frequencies between 1 and 17. default : '010100'O                |
| TSPX_Hsn12  | INTEGER   | PIXIT | hopping parameter for TC_26_6_13_4, default : 39                                                                                        |
| TSPX_Maio13 | INTEGER   | PIXIT | hopping parameter for TC_26_6_13_4, its value between 0 and (the number of frequencies) -1, which is defined in TSPX_Ma13, default : 6  |
| TSPX_Ma13   | MAC       | PIXIT | mobile allocation for TC_26_6_13_4, its value shall indicate number of frequencies between 1 and 17. default : '00E690'O                |
| TSPX_Hsn13  | INTEGER   | PIXIT | hopping parameter for TC_26_6_13_4, default: 42                                                                                         |
| TSPX_Chtp7  | CH_TDMA   | PIXIT | channel type for TC_26_6_13_5                                                                                                           |
| TSPX_ChMod4 | CHMOD_VAL | PIXIT | channel mode for TC_26_6_13_5                                                                                                           |
| TSPX_Maio14 | INTEGER   | PIXIT | hopping parameter for TC_26_6_13_5, its value between 0 and (the number of frequencies) -1, which is defined in TSPX_Ma14, default : 5  |
| TSPX_Ma14   | MAC       | PIXIT | mobile allocation for TC_26_6_13_5, its value shall indicate number of frequencies between 1 and 17. default : '014A28'O                |
| TSPX_Hsn14  | INTEGER   | PIXIT | hopping parameter for TC_26_6_13_5, default : 50                                                                                        |
| TSPX_Maio15 | INTEGER   | PIXIT | hopping parameter for TC_26_6_13_5, its value between 0 and (the number of frequencies) -1, which is defined in TSPX_Ma15, default : 12 |
| TSPX_Ma15   | MAC       | PIXIT | mobile allocation for                                                                                                                   |

|             |           |       |                                                                                                                                         |
|-------------|-----------|-------|-----------------------------------------------------------------------------------------------------------------------------------------|
|             |           |       | TC_26_6_13_5, its value shall indicate number of frequencies between 1 and 16. default : '00FF79'O                                      |
| TSPX_Hsn15  | INTEGER   | PIXIT | hopping parameter for TC_26_6_13_5, default : 33                                                                                        |
| TSPX_Maio16 | INTEGER   | PIXIT | hopping parameter for TC_26_6_13_5, its value between 0 and (the number of frequencies) -1, which is defined in TSPX_Ma16, default : 2  |
| TSPX_Ma16   | MAC       | PIXIT | mobile allocation for TC_26_6_13_5, its value shall indicate number of frequencies between 1 and 16. default : '001110'O                |
| TSPX_Hsn16  | INTEGER   | PIXIT | hopping parameter for TC_26_6_13_5, default : 21                                                                                        |
| TSPX_Chtp8  | CH_TDMA   | PIXIT | channel type for TC_26_6_13_6                                                                                                           |
| TSPX_ChMod5 | CHMOD_VAL | PIXIT | channel mode for TC_26_6_13_6                                                                                                           |
| TSPX_Maio17 | INTEGER   | PIXIT | hopping parameter for TC_26_6_13_6, its value between 0 and (the number of frequencies) -1, which is defined in TSPX_Ma17, default : 7  |
| TSPX_Ma17   | MAC       | PIXIT | mobile allocation for TC_26_6_13_6, its value shall indicate number of frequencies between 1 and 17. default : '00E6A1'O                |
| TSPX_Hsn17  | INTEGER   | PIXIT | hopping parameter for TC_26_6_13_6, default : 22                                                                                        |
| TSPX_Maio18 | INTEGER   | PIXIT | hopping parameter for TC_26_6_13_6, its value between 0 and (the number of frequencies) -1, which is defined in TSPX_Ma18, default : 13 |
| TSPX_Ma18   | MAC       | PIXIT | mobile allocation for TC_26_6_13_6, its value shall indicate number of frequencies between 1 and 16. default : '00FFF9'O                |
| TSPX_Hsn18  | INTEGER   | PIXIT | hopping parameter for TC_26_6_13_6, default : 9                                                                                         |
| TSPX_Maio19 | INTEGER   | PIXIT | hopping parameter for TC_26_6_13_6, its value between 0 and (the number of frequencies) -1, which is defined in TSPX_Ma19, default : 3  |
| TSPX_Ma19   | MAC       | PIXIT | mobile allocation for TC_26_6_13_6, its value shall indicate number of frequencies between 1 and 16. default : '001111'O                |
| TSPX_Hsn19  | INTEGER   | PIXIT | hopping parameter for TC_26_6_13_6, default : 44                                                                                        |
| TSPX_Chtp9  | CH_TDMA   | PIXIT | channel type for TC_26_6_13_7                                                                                                           |
| TSPX_ChMod6 | CHMOD_VAL | PIXIT | channel mode for TC_26_6_13_7                                                                                                           |
| TSPX_Maio20 | INTEGER   | PIXIT | hopping parameter for TC_26_6_13_7, its value between 0 and (the number of frequencies) -1, which is defined in TSPX_Ma20, default : 8  |
| TSPX_Ma20   | MAC       | PIXIT | mobile allocation for TC_26_6_13_7, its value shall indicate number of frequencies between 1 and 17. default : '016699'O                |
| TSPX_Hsn20  | INTEGER   | PIXIT | hopping parameter for TC_26_6_13_7, default : 30                                                                                        |
| TSPX_Maio21 | INTEGER   | PIXIT | hopping parameter for TC_26_6_13_7, its value between 0 and (the number of frequencies) -1, which is defined in                         |

|             |           |       |                                                                                                                                                                 |
|-------------|-----------|-------|-----------------------------------------------------------------------------------------------------------------------------------------------------------------|
| TSPX_Ma21   | MAC       | PIXIT | TSPX_Ma21, default : 14<br>mobile allocation for<br>TC_26_6_13_7, its value shall<br>indicate number of frequencies<br>between 1 and 17. default :<br>'01FEFB'O |
| TSPX_Chtp10 | CH_TDMA   | PIXIT | channel type for TC_26_6_13_7                                                                                                                                   |
| TSPX_Maio22 | INTEGER   | PIXIT | hopping parameter for<br>TC_26_6_13_7, its value between<br>0 and (the number of frequencies)<br>-1, which is defined in<br>TSPX_Ma22, default : 4              |
| TSPX_Ma22   | MAC       | PIXIT | mobile allocation for<br>TC_26_6_13_7, its value shall<br>indicate number of frequencies<br>between 1 and 16. default :<br>'006241'O                            |
| TSPX_Hsn22  | INTEGER   | PIXIT | hopping parameter for<br>TC_26_6_13_7, default : 11                                                                                                             |
| TSPX_Maio23 | INTEGER   | PIXIT | hopping parameter for<br>TC_26_6_13_7, its value between<br>0 and (the number of frequencies)<br>-1, which is defined in<br>TSPX_Ma23, default : 11             |
| TSPX_Ma23   | MAC       | PIXIT | mobile allocation for<br>TC_26_6_13_7, its value shall<br>indicate number of frequencies<br>between 1 and 16. default :<br>'00FF1B'O                            |
| TSPX_Hsn23  | INTEGER   | PIXIT | hopping parameter for<br>TC_26_6_13_7, default : 60                                                                                                             |
| TSPX_Chtp11 | CH_TDMA   | PIXIT | SDCCH8 subchannel immediately<br>assigned, TC_26_6_13_8                                                                                                         |
| TSPX_ChMod7 | CHMOD_VAL | PIXIT | channel mode for TC_26_6_13_8                                                                                                                                   |
| TSPX_Maio24 | INTEGER   | PIXIT | hopping parameter for<br>TC_26_6_13_8, its value between<br>0 and (the number of frequencies)<br>-1, which is defined in<br>TSPX_Ma24, default : 9              |
| TSPX_Ma24   | MAC       | PIXIT | mobile allocation for<br>TC_26_6_13_8, its value shall<br>indicate number of frequencies<br>between 1 and 17. default :<br>'00E6E9'O                            |
| TSPX_Hsn24  | INTEGER   | PIXIT | hopping parameter for<br>TC_26_6_13_8, default : 7                                                                                                              |
| TSPX_Maio25 | INTEGER   | PIXIT | hopping parameter for<br>TC_26_6_13_8, its value between<br>0 and (the number of frequencies)<br>-1, which is defined in<br>TSPX_Ma25, default : 15             |
| TSPX_Ma25   | MAC       | PIXIT | mobile allocation for<br>TC_26_6_13_8, its value shall<br>indicate number of frequencies<br>between 1 and 17. default :<br>'01FFFB'O                            |
| TSPX_Chtp12 | CH_TDMA   | PIXIT | channel type of a non- existing<br>channel in Assignment Cmd,<br>TC_26_6_13_8                                                                                   |
| TSPX_Maio26 | INTEGER   | PIXIT | hopping parameter for<br>TC_26_6_13_8, its value between<br>0 and (the number of frequencies)<br>-1, which is defined in<br>TSPX_Ma26, default : 5              |
| TSPX_Ma26   | MAC       | PIXIT | mobile allocation for<br>TC_26_6_13_8, its value shall<br>indicate number of frequencies<br>between 1 and 16. default :<br>'009168'O                            |
| TSPX_Hsn26  | INTEGER   | PIXIT | hopping parameter for<br>TC_26_6_13_8, default : 9                                                                                                              |
| TSPX_Maio27 | INTEGER   | PIXIT | hopping parameter for<br>TC_26_6_13_8, its value between<br>0 and (the number of frequencies)                                                                   |

|                    |          |       |                                                                                                                                          |
|--------------------|----------|-------|------------------------------------------------------------------------------------------------------------------------------------------|
| TSPX_Ma27          | MAC      | PIXIT | -1, which is defined in TSPX_Ma27, default : 1                                                                                           |
| TSPX_Hsn27         | INTEGER  | PIXIT | mobile allocation for TC_26_6_13_8, its value shall indicate number of frequencies between 1 and 16. default : '004080'O                 |
| TSPX_Chtp13        | CH_TDMA  | PIXIT | hopping parameter for TC_26_6_13_8, default : 38                                                                                         |
| TSPX_Tm3           | INTEGER  | PIXIT | channel type for TC_26_6_13_9                                                                                                            |
| TSPX_Maio28        | INTEGER  | PIXIT | channel mode for TC_26_6_13_9, value between 60 -100                                                                                     |
| TSPX_Ma28          | MAC      | PIXIT | hopping parameter for TC_26_6_13_9, its value between 0 and (the number of frequencies) -1, which is defined in TSPX_Ma28, default : 10  |
| TSPX_Hsn28         | INTEGER  | PIXIT | mobile allocation for TC_26_6_13_9, its value shall indicate number of frequencies between 1 and 17. default : '00EE7A'O                 |
| TSPX_Maio29        | INTEGER  | PIXIT | hopping parameter for TC_26_6_13_9, default : 11                                                                                         |
| TSPX_Ma29          | MAC      | PIXIT | hopping parameter for TC_26_6_13_9, its value between 0 and (the number of frequencies) -1, which is defined in TSPX_Ma29, default : 6   |
| TSPX_Chtp14        | CH_TDMA  | PIXIT | mobile allocation for TC_26_6_13_9, its value shall indicate number of frequencies between 1 and 17. default : '00F070'O                 |
| TSPX_Maio30        | INTEGER  | PIXIT | channel type for TC_26_6_13_10                                                                                                           |
| TSPX_Ma30          | MAC      | PIXIT | hopping parameter for TC_26_6_13_10, its value between 0 and (the number of frequencies) -1, which is defined in TSPX_Ma30, default : 11 |
| TSPX_Hsn30         | INTEGER  | PIXIT | mobile allocation for TC_26_6_13_10, its value shall indicate number of frequencies between 1 and 17. default : '017F69'O                |
| TSPX_Maio31        | INTEGER  | PIXIT | hopping parameter for TC_26_6_13_10, default : 62                                                                                        |
| TSPX_Ma31          | MAC      | PIXIT | hopping parameter for TC_26_6_13_10, its value between 0 and (the number of frequencies) -1, which is defined in TSPX_Ma31, default : 1  |
| TSPX_MOBscSvcA     | SERVICES | PIXIT | mobile allocation for TC_26_6_13_10, its value shall indicate number of frequencies between 1 and 17. default : '000101'O                |
| TSPX_MOBscSvcB     | SERVICES | PIXIT | any supported MO basic service                                                                                                           |
| TSPX_MOBscSvcC     | SERVICES | PIXIT | any supported MO basic service                                                                                                           |
| TSPX_MOBscSvcD     | SERVICES | PIXIT | any supported MO basic service                                                                                                           |
| TSPX_MOBscSvcE     | SERVICES | PIXIT | any supported MO basic service                                                                                                           |
| TSPX_MOBscSvcF     | SERVICES | PIXIT | any supported MO basic service                                                                                                           |
| TSPX_MOBscSvcG     | SERVICES | PIXIT | any supported MO basic service                                                                                                           |
| TSPX_MOBscSvcH     | SERVICES | PIXIT | any supported MO basic service                                                                                                           |
| TSPX_MOBscSvcI     | SERVICES | PIXIT | any supported MO basic service                                                                                                           |
| TSPX_MOBscSvcJ     | SERVICES | PIXIT | any supported MO basic service                                                                                                           |
| TSPX_MT_DualModSvc | SERVICES | PIXIT | any supported MO basic service                                                                                                           |
| TSPX_MT_NonSptSvc  | SERVICES | PIXIT | any supported MT dual mode service                                                                                                       |
| TSPX_MTBscSvcA     | SERVICES | PIXIT | any not supported MT basic service                                                                                                       |
|                    |          |       | service                                                                                                                                  |
|                    |          |       | any supported MT basic service                                                                                                           |

|                     |          |       |                                                                |
|---------------------|----------|-------|----------------------------------------------------------------|
| TSPX_MTBscSvcB      | SERVICES | PIXIT | any supported MT basic service                                 |
| TSPX_MTBscSvcC      | SERVICES | PIXIT | any supported MT basic service                                 |
| TSPX_MTBscSvcD      | SERVICES | PIXIT | any supported MT basic service                                 |
| TSPX_MTBscSvcE      | SERVICES | PIXIT | any supported MT basic service                                 |
| TSPX_MTBscSvcF      | SERVICES | PIXIT | any supported MT basic service                                 |
| TSPX_MTBscSvcG      | SERVICES | PIXIT | any supported MT basic service                                 |
| TSPX_MTBscSvcH      | SERVICES | PIXIT | any supported MT basic service                                 |
| TSPX_MTBscSvcI      | SERVICES | PIXIT | any supported MT basic service                                 |
| TSPX_MTBscSvcJ      | SERVICES | PIXIT | any supported MT basic service                                 |
| TSPX_MTNIC_BscSvcA  | SERVICES | PIXIT | any supported MT basic service<br>without immediate connection |
| TSPX_MTNIC_BscSvcB  | SERVICES | PIXIT | any supported MT basic service<br>without immediate connection |
| TSPX_MTNIC_BscSvcC  | SERVICES | PIXIT | any supported MT basic service<br>without immediate connection |
| TSPX_MTNIC_BscSvcD  | SERVICES | PIXIT | any supported MT basic service<br>without immediate connection |
| TSPX_MTNIC_BscSvcE  | SERVICES | PIXIT | any supported MT basic service<br>without immediate connection |
| TSPX_MTNIC_BscSvcF  | SERVICES | PIXIT | any supported MT basic service<br>without immediate connection |
| TSPX_MTNIC_BscSvcG  | SERVICES | PIXIT | any supported MT basic service<br>without immediate connection |
| TSPX_MTNIC_BscSvcH  | SERVICES | PIXIT | any supported MT basic service<br>without immediate connection |
| TSPX_MTNIC_BscSvcI  | SERVICES | PIXIT | any supported MT basic service<br>without immediate connection |
| TSPX_MTNIC_BscSvcJ  | SERVICES | PIXIT | any supported MT basic service<br>without immediate connection |
| TSPX_Telephony_Rate | RATE     | PIXIT | channel rate for TS11, default<br>value : C_Full               |
| TSPX_MOChRateA      | RATE     | PIXIT | channel rate for<br>TSPX_MOBscSvcA, default value<br>: C_Full  |
| TSPX_MOChRateB      | RATE     | PIXIT | channel rate for<br>TSPX_MOBscSvcB, default value<br>: C_Full  |
| TSPX_MOChRateC      | RATE     | PIXIT | channel rate for<br>TSPX_MOBscSvcC, default value<br>: C_Full  |
| TSPX_MOChRateD      | RATE     | PIXIT | channel rate for<br>TSPX_MOBscSvcD, default value<br>: C_Full  |
| TSPX_MOChRateE      | RATE     | PIXIT | channel rate for<br>TSPX_MOBscSvcE, default value<br>: C_Full  |
| TSPX_MOChRateF      | RATE     | PIXIT | channel rate for<br>TSPX_MOBscSvcF, default value<br>: C_Full  |
| TSPX_MOChRateG      | RATE     | PIXIT | channel rate for<br>TSPX_MOBscSvcG, default value<br>: C_Full  |
| TSPX_MOChRateH      | RATE     | PIXIT | channel rate for<br>TSPX_MOBscSvcH, default value<br>: C_Full  |
| TSPX_MOChRateI      | RATE     | PIXIT | channel rate for<br>TSPX_MOBscSvcI, default value :<br>C_Full  |
| TSPX_MOChRateJ      | RATE     | PIXIT | channel rate for<br>TSPX_MOBscSvcJ, default value<br>: C_Full  |
| TSPX_MTChRateA      | RATE     | PIXIT | channel rate for<br>TSPX_MTBscSvcA, default value<br>: C_Full  |
| TSPX_MTChRateB      | RATE     | PIXIT | channel rate for<br>TSPX_MTBscSvcB, default value<br>: C_Full  |
| TSPX_MTChRateC      | RATE     | PIXIT | channel rate for<br>TSPX_MTBscSvcC, default value<br>: C_Full  |
| TSPX_MTChRateD      | RATE     | PIXIT | channel rate for                                               |

|                      |          |       |                                                                |
|----------------------|----------|-------|----------------------------------------------------------------|
| TSPX_MTChRateE       | RATE     | PIXIT | TSPX_MTBscSvcD, default value : C_Full                         |
| TSPX_MTChRateF       | RATE     | PIXIT | channel rate for TSPX_MTBscSvcE, default value : C_Full        |
| TSPX_MTChRateG       | RATE     | PIXIT | channel rate for TSPX_MTBscSvcF, default value : C_Full        |
| TSPX_MTChRateH       | RATE     | PIXIT | channel rate for TSPX_MTBscSvcG, default value : C_Full        |
| TSPX_MTChRateI       | RATE     | PIXIT | channel rate for TSPX_MTBscSvcH, default value : C_Full        |
| TSPX_MTChRateJ       | RATE     | PIXIT | channel rate for TSPX_MTBscSvcI, default value : C_Full        |
| TSPX_MTNIC_ChRateA   | RATE     | PIXIT | channel rate for TSPX_MTNIC_BscSvcJ, default value : C_Full    |
| TSPX_MTNIC_ChRateB   | RATE     | PIXIT | channel rate for TSPX_MTNIC_BscSvcA, default value : C_Full    |
| TSPX_MTNIC_ChRateC   | RATE     | PIXIT | channel rate for TSPX_MTNIC_BscSvcB, default value : C_Full    |
| TSPX_MTNIC_ChRateD   | RATE     | PIXIT | channel rate for TSPX_MTNIC_BscSvcC, default value : C_Full    |
| TSPX_MTNIC_ChRateE   | RATE     | PIXIT | channel rate for TSPX_MTNIC_BscSvcD, default value : C_Full    |
| TSPX_MTNIC_ChRateF   | RATE     | PIXIT | channel rate for TSPX_MTNIC_BscSvcE, default value : C_Full    |
| TSPX_MTNIC_ChRateG   | RATE     | PIXIT | channel rate for TSPX_MTNIC_BscSvcF, default value : C_Full    |
| TSPX_MTNIC_ChRateH   | RATE     | PIXIT | channel rate for TSPX_MTNIC_BscSvcG, default value : C_Full    |
| TSPX_MTNIC_ChRateI   | RATE     | PIXIT | channel rate for TSPX_MTNIC_BscSvcH, default value : C_Full    |
| TSPX_MTNIC_ChRateJ   | RATE     | PIXIT | channel rate for TSPX_MTNIC_BscSvcI, default value : C_Full    |
| TSPX_EmgCallRate     | RATE     | PIXIT | channel rate for TSPX_MTNIC_BscSvcJ, default value : C_Full    |
| TSPX_MO_NonCallSS    | SERVICES | PIXIT | Rate for the basic service supported for MO emergency calls    |
| TSPX_MO_BscSvc_SMS   | SERVICES | PIXIT | any supported MO non-call related supplementary service        |
| TSPX_MO_DualModSvc   | SERVICES | PIXIT | any supported MO SMS calls                                     |
| TSPX_MO_DualModRate  | RATE     | PIXIT | any supported MO dual mode call                                |
| TSPX_EFR_SpchPrefsNo | INTEGER  | PIXIT | Rate for the supported MO dual mode call in TSPX_MO_DualModSvc |
| TSPX_EFR_SpchPref1   | B_4      | PIXIT | Total no. of Speech Versions supported                         |
| TSPX_EFR_SpchPref2   | B_4      | PIXIT | Speech Version supported, No.1                                 |
| TSPX_EFR_SpchPref3   | B_4      | PIXIT | Speech Version supported, No.2                                 |
|                      |          |       | Speech Version supported, No.3                                 |

Detailed Comments:



## Test case selection expression definitions

| Test Case Selection Expression Definitions |                                                                 |          |
|--------------------------------------------|-----------------------------------------------------------------|----------|
| Expression Name                            | Selection Expression                                            | Comments |
| SelExpr_0000                               | (TSPC_FullRateOnly OR<br>TSPC_DualRate) AND TSPC_EFR            |          |
| SelExpr_0001                               | (TSPC_CC AND TSPC_FullRateOnly)<br>AND TSPC_EFR                 |          |
| SelExpr_0002                               | TSPC_TeleSvc AND TSPC_EFR                                       |          |
| SelExpr_0003                               | (TSPC_FullRateSpeech OR<br>TSPC_HalfRateSpeech) AND<br>TSPC_EFR |          |
| SelExpr_0005                               | TRUE                                                            |          |
| <b>Detailed Comments:</b>                  |                                                                 |          |

## Test suite constant declarations

| Test Suite Constant Declarations |         |        |                                                        |
|----------------------------------|---------|--------|--------------------------------------------------------|
| Constant Name                    | Type    | Value  | Comments                                               |
| C_arfcnA                         | INTEGER | 20     | ARFCN 20                                               |
| C_arfcn_1                        | INTEGER | 1      | ARFCN 1                                                |
| C_arfcn_2                        | INTEGER | 2      | ARFCN 2                                                |
| C_arfcn_1015                     | INTEGER | 1015   | ARFCN 1015                                             |
| C_arfcn_10                       | INTEGER | 10     | ARFCN 10                                               |
| C_arfcn_34                       | INTEGER | 34     | ARFCN 34                                               |
| C_arfcnB                         | INTEGER | 10     | ARFCN of cell B                                        |
| C_arfcnC                         | INTEGER | 30     | ARFCN 30                                               |
| C_arfcnH                         | INTEGER | 44     | ARFCN 44                                               |
| C_arfcnAd                        | INTEGER | 590    | ARFCN 590                                              |
| C_arfcnAd_1                      | INTEGER | 520    | ARFCN 520                                              |
| C_arfcnAd_2                      | INTEGER | 514    | ARFCN 514                                              |
| C_arfcnAd_3                      | INTEGER | 715    | ARFCN 715                                              |
| C_arfcnAd_4                      | INTEGER | 747    | ARFCN 747                                              |
| C_arfcnAd_5                      | INTEGER | 734    | ARFCN 734                                              |
| C_arfcnAd_6                      | INTEGER | 759    | ARFCN 759                                              |
| C_arfcnBd                        | INTEGER | 520    | ARFCN 520                                              |
| C_arfcnCd                        | INTEGER | 700    | ARFCN 700                                              |
| C_arfcnHd                        | INTEGER | 810    | ARFCN 810                                              |
| C_arfcn_tchA                     | INTEGER | 30     | ARFCN f30                                              |
| C_arfcn_tchAd                    | INTEGER | 650    | ARFCN 650                                              |
| C_arfcn_tchB                     | INTEGER | 114    | ARFCN 114                                              |
| C_arfcn_tchBd                    | INTEGER | 844    | ARFCN 844                                              |
| C_arfcnEgsm                      | INTEGER | 990    | ARFCN 990                                              |
| C_arfcnEgsm_iacmd                | INTEGER | 20     | ARFCN 20                                               |
| C_arfcnEgsm_asscmd               | INTEGER | 20     | ARFCN 20                                               |
| C_BCCHcarrierA_ho                | INTEGER | 20     | BCCH frequency number of cell A for Ho cases (GSM: 20) |
| C_BCCHcarrierA_hod               | INTEGER | 747    | BCCH frequency number of cell A for Ho cases (DCS:747) |
| C_BCCHcarrierB_ho                | INTEGER | 40     | BCCH frequency number of cell B for Ho cases (GSM: 40) |
| C_BCCHcarrierB_hod               | INTEGER | 764    | BCCH frequency number of cell B for Ho cases (DCS:764) |
| C_Noarfcn                        | INTEGER | 65534  | No arfcn defined ( hopping channel)                    |
| C_ATT_0                          | INTEGER | 0      | Attach value 0                                         |
| C_ATT_1                          | INTEGER | 1      | Attach value 1                                         |
| C_NCC                            | NCC     | '001'B | Network color code                                     |
| C_NCC_0                          | NCC     | '000'B | Network color code value '000'B                        |
| C_NCC_1                          | NCC     | '001'B | Network color code value '001'B                        |
| C_NCC_2                          | NCC     | '010'B | Network color code value '010'B                        |
| C_NCC_3                          | NCC     | '011'B | Network color code value '011'B                        |
| C_NCC_4                          | NCC     | '100'B | Network color code value '100'B                        |
| C_NCC_5                          | NCC     | '101'B | Network color code value '101'B                        |
| C_NCCP_2                         | NCCP    | '02'O  | Network color code permitted value '02'O               |
| C_NCCP_10                        | NCCP    | '0A'O  | Network color code permitted value '0A'O               |
| C_BCC                            | BCC     | '101'B | Base Station color code                                |
| C_BCC_0                          | BCC     | '000'B | Base Station color code value 0                        |
| C_BCC_1                          | BCC     | '001'B | Base Station color code value 1                        |
| C_BCC_5                          | BCC     | '101'B | Base Station color code value 5                        |
| C_cch_1nonComb                   | B_3     | '000'B | cch_con = 1 basic ch non combined                      |
| C_cch_1Comb                      | B_3     | '001'B | cch_con = 1 basic ch combined                          |

|                      |             |                                     |                                                                                                                                                                                               |
|----------------------|-------------|-------------------------------------|-----------------------------------------------------------------------------------------------------------------------------------------------------------------------------------------------|
| C_cch_2Comb          | B_3         | '011'B                              | cch_con = 2 basic ch combined                                                                                                                                                                 |
| C_cch_3Comb          | B_3         | '101'B                              | cch_con = 3 basic ch combined                                                                                                                                                                 |
| C_cch_4Comb          | B_3         | '111'B                              | cch_con = 4 basic ch combined                                                                                                                                                                 |
| C_cch_2nonComb       | B_3         | '010'B                              | cch_con = 2 basic chs non combined                                                                                                                                                            |
| C_cch_3nonComb       | B_3         | '100'B                              | cch_con = 3 basic chs non combined                                                                                                                                                            |
| C_cch_4nonComb       | B_3         | '110'B                              | cch_con = 4 basic chs non combined                                                                                                                                                            |
| C_cch_XnonComb       | B_3         | '??0'B                              | cch_con = non combined                                                                                                                                                                        |
| C_cch_NotAllowed     | B_3         | '??1'B                              | all number value permitted<br>cch_con = value reserved after testing '001'B                                                                                                                   |
| C_cchd_e_407         | OCTETSTRING | '8DEA0DF4CC6C4AFAFB1000000000000'O  | f-list for cellchdescr using of 128 format. The coded set is {980, 981, 982, 983, 990, 991, 992, 993, 994, 1000, 1005, 1010, 1015}.<br>Length = 16<br>TC_26_10_4, k=2, c=1<br>TC_26.10.6, c=1 |
| C_cchd_e_412         | OCTETSTRING | '0002080000007F02000008000080000'O  | f-list for cellchdescr using of bit map 0 format. The coded set is {20, 40, 66, 73, 74, 75, 76, 77, 78, 79, 108, 114,115}<br>Length = 16<br>TC_26_10_4, k=2, c=6                              |
| C_cchd_e_414         | OCTETSTRING | '00000000000000002000020002000000'O | f-list for cellchdescr using of bit map 0 format.<br>Length = 16<br>f_list: 30, 50 ,70<br>TC: 26.10.6 c=6                                                                                     |
| C_cchd_e_415         | OCTETSTRING | '841EEA893EF9814380000000000000'O   | f-list for cellchdescr using range 1024 format. The coded set is {0, 30, 40, 66, 80, 1005, 1010, 1015}.<br>Length = 16<br>TC_26_10_4, k=2, c=4 TC: 26.10.6 c=4                                |
| C_ChMod_s            | CHMOD_VAL   | '00000000'B                         | Mode : signalling only.                                                                                                                                                                       |
| C_ChMod_r            | CHMOD_VAL   | '00000001'B                         | Mode : speech full or half rate.                                                                                                                                                              |
| C_ChMod_r2           | CHMOD_VAL   | '00100001'B                         | Mode : enhanced speech full or half rate - version 2.                                                                                                                                         |
| C_ChMod_r3           | CHMOD_VAL   | '01000001'B                         | Mode : enhanced speech full or half rate - version 3.                                                                                                                                         |
| C_ChMod_12k          | CHMOD_VAL   | '00000011'B                         | Mode : 12k radio rate.                                                                                                                                                                        |
| C_ChMod_6k           | CHMOD_VAL   | '00001011'B                         | Mode : 6k radio rate.                                                                                                                                                                         |
| C_ChMod_3k           | CHMOD_VAL   | '00010011'B                         | Mode : 3.6k radio rate.                                                                                                                                                                       |
| C_Sap0               | SAPID       | '00'O                               | service access point 0                                                                                                                                                                        |
| C_Sap3               | SAPID       | '03'O                               | service access point 3                                                                                                                                                                        |
| C_CellA              | CellID      | "C_CellA"                           | cell A -- cell 1                                                                                                                                                                              |
| C_CellB              | CellID      | "C_CellB"                           | cell B -- cell 2                                                                                                                                                                              |
| C_CellC              | CellID      | "C_CellC"                           | cell C -- cell 3                                                                                                                                                                              |
| C_CellD              | CellID      | "C_CellD"                           | cell D -- cell 4                                                                                                                                                                              |
| C_CellE              | CellID      | "C_CellE"                           | cell E -- cell 5                                                                                                                                                                              |
| C_CellF              | CellID      | "C_CellF"                           | cell F -- cell 6                                                                                                                                                                              |
| C_CellG              | CellID      | "C_CellG"                           | cell G -- cell 7                                                                                                                                                                              |
| C_CellH              | CellID      | "C_CellH"                           | cell H -- cell 8                                                                                                                                                                              |
| C_ci_cellA           | CI          | '0001'O                             | Cell Id for cell A                                                                                                                                                                            |
| C_ci_cellB           | CI          | '0002'O                             | Cell Id for cell B                                                                                                                                                                            |
| C_ci_cellC           | CI          | '0003'O                             | Cell Id for cell C                                                                                                                                                                            |
| C_ci_cellD           | CI          | '0004'O                             | Cell Id for cell D                                                                                                                                                                            |
| C_ci_cellE           | CI          | '0005'O                             | Cell Id for cell E                                                                                                                                                                            |
| C_ci_cellF           | CI          | '0006'O                             | Cell Id for cell F                                                                                                                                                                            |
| C_ci_cellG           | CI          | '0007'O                             | Cell Id for cell G                                                                                                                                                                            |
| C_ci_cellH           | CI          | '0008'O                             | Cell Id for cell H                                                                                                                                                                            |
| C_cks_nokoey         | BITSTRING   | '111'B                              | No key available                                                                                                                                                                              |
| C_E_default          | INTEGER     | 63                                  | Default field strength                                                                                                                                                                        |
| C_E_neighbourdefault | INTEGER     | 53                                  | Default field strength of                                                                                                                                                                     |

|                      |             |                                     |                                                                                                                                                                                                                                           |
|----------------------|-------------|-------------------------------------|-------------------------------------------------------------------------------------------------------------------------------------------------------------------------------------------------------------------------------------------|
| C_E_suitable         | INTEGER     | 45                                  | neighbouring cells.                                                                                                                                                                                                                       |
| C_E_notsuitable      | INTEGER     | -10                                 | Field strength of a suitable cell                                                                                                                                                                                                         |
| C_E_notsuitable_fSel | INTEGER     | 24                                  | Field strength of a not suitable cell for reselection                                                                                                                                                                                     |
| C_flist_e_401        | OCTETSTRING | '8DF68AEC00'O                       | Field strength of a not suitable cell for selection                                                                                                                                                                                       |
| C_flist_e_402        | OCTETSTRING | '8A2481FF03F8'O                     | It includes the list of f's in EGSM test cases. The coded set is {1005, 1010, 1015}. range 128 format<br>Length = 5<br>TC_26_10_4, k=1, c=1 TC: 26.10.5.1 k=1/2,c=1                                                                       |
| C_flist_e_403        | OCTETSTRING | '89EA00BFC040'O                     | It includes the list of f's in EGSM test cases. The coded set is {73, 74, 75, 76, 77}, range 256 format.<br>Length = 6<br>TC_26_10_4, k=1, c=2 TC: 26.10.5.1 k=1/2,c=2                                                                    |
| C_flist_e_404        | OCTETSTRING | '801EED02BEC0'O                     | It includes the list of f's in EGSM test cases. The coded set is {980, 981, 982, 983}, range 512 format.<br>Length = 6<br>TC_26_10_4, k=1, c=3 TC: 26.10.5.1 k=1/2,c=3                                                                    |
| C_flist_e_405        | OCTETSTRING | '8FEA001E000010'O                   | It includes the list of f's in EGSM test cases. The coded set is {30, 40, 1010, 1015}, range 1024 format.<br>Length = 6<br>TC_26_10_4, k=1, c=4 TC: 26.10.5.1 k=1/2,c=4                                                                   |
| C_flist_e_406        | OCTETSTRING | '00000000000000020000008000080000'O | It includes the list of f's in EGSM test cases. The coded set is {980, 991, 992, 993, 994, 1015}.<br>Length = 7<br>TC_26_10_4, k=1, c=5 TC: 26.10.5.1 k=1/2,c=5                                                                           |
| C_flist_e_407        | OCTETSTRING | '8DEA0DF4CC6C4AFAFB100000000000'O   | It includes the list of f's in EGSM test cases. The coded set is {20, 40, 66}, bitmap 0 format.<br>Length = 16<br>TC_26_10_4, k=1, c=6 TC: 26.10.5.1 k=2,c=6                                                                              |
| C_flist_e_408        | OCTETSTRING | '8A0A1CFD3EF4610E2FFFFA0000'O       | It includes the list of f's in EGSM test cases. The coded set is {980, 981, 982, 983, 990, 991, 992, 993, 994, 1000, 1005, 1010, 1015}, range 128 format.<br>Length = 16<br>TC_26_10_4, k=2, c=1 TC: 26.10.5.1 k=3,c=1<br>TC: 26.10.6 c=1 |
| C_flist_e_409        | OCTETSTRING | '89EA037F433C7B042BFEBFEC10000000'O | It includes the list of f's in EGSM test cases. The coded set is {20, 40, 66, 73, 74, 75, 76, 77, 78, 79, 108, 114, 115}, range 256 format.<br>Length = 13<br>TC_26_10_4, k=2, c=2 TC: 26.10.5.1 k=3,c=2<br>TC: 26.10.6 c=2               |
|                      |             |                                     | It includes the list of f's in EGSM test cases. The coded set is {980, 981, 982, 983, 990, 991, 992, 993, 994, 1000, 1005, 1010, 1015}, range 512 format.<br>Length = 16<br>TC_26_10_4, k=2, c=3 TC: 26.10.5.2 k=3,c=3<br>TC: 26.10.6 c=3 |

|               |             |                                     |                                                                                                                                                                                                                                                |
|---------------|-------------|-------------------------------------|------------------------------------------------------------------------------------------------------------------------------------------------------------------------------------------------------------------------------------------------|
| C_flist_e_410 | OCTETSTRING | '841EEA893EF98143B161'O             | Length = 10<br>TC: 26.10.5.2 k=3,c=4                                                                                                                                                                                                           |
| C_flist_e_411 | OCTETSTRING | '8FEA703E084210'O                   | It includes the list of f's in EGSM test cases. The coded set is {980, 981, 982, 983, 990, 991, 992, 993, 994, 1000, 1005, 1010, 1015}, variable bitmap format.<br>Length = 7<br>TC_26_10_4, k=2, c=5 TC: 26.10.5.1 k=3,c=5<br>TC: 26.10.6 c=5 |
| C_flist_e_412 | OCTETSTRING | '0002080000007F020000008000080000'O | It includes the list of f's in EGSM test cases. The coded set is {20, 40, 66, 73, 74, 75, 76, 77, 78, 79, 108, 114, 115}, bitmap 0 format.<br>Length = 16<br>TC_26_10_4, k=2, c=6 TC: 26.10.5.1 k=3,c=6                                        |
| C_flist_e_415 | OCTETSTRING | '841EEA893EF9814380'O               | It includes the list of f's in EGSM test cases. The coded set is {0, 30, 40, 66, 80, 1005, 1010, 1015}, range 1024 format.<br>Length = 9<br>Format: 1024<br>TC_26_10_4, k=2, c=4 TC: 26.10.6 c=4                                               |
| C_flist_e_416 | OCTETSTRING | '0002080000007F020000008000080000'O | bit map 0 format. The coded set is {20, 40, 66, 73, 74, 75, 76, 77, 78, 79, 108, 114}<br>Length = 16                                                                                                                                           |
| C_BABR_0      | B_3         | '000'B                              | BABR value 0                                                                                                                                                                                                                                   |
| C_BABR_1      | B_3         | '001'B                              | BABR value 1                                                                                                                                                                                                                                   |
| C_BABR_2      | B_3         | '010'B                              | BABR value 2                                                                                                                                                                                                                                   |
| C_BPM_0       | B_3         | '000'B                              | BPM value 0, 2 multiframe                                                                                                                                                                                                                      |
| C_BPM_2       | B_3         | '010'B                              | BPM value 2, 4 multiframe                                                                                                                                                                                                                      |
| C_BPM_3       | B_3         | '011'B                              | BPM value 3, 5 multiframe                                                                                                                                                                                                                      |
| C_BPM_7       | B_3         | '111'B                              | BPM value 7, 9 multiframe                                                                                                                                                                                                                      |
| C_T3212_0     | OCTETSTRING | '00'O                               | T3212 infinite                                                                                                                                                                                                                                 |
| C_T3212_1     | OCTETSTRING | '01'O                               | T3212 6 mn / 1 deci hours                                                                                                                                                                                                                      |
| C_T3212_2     | OCTETSTRING | '02'O                               | T3212 12 mn / 2 deci hours                                                                                                                                                                                                                     |
| C_T3212_5     | OCTETSTRING | '05'O                               | T3212 30 mn / 5 deci hours                                                                                                                                                                                                                     |
| C_IMSI        | INTEGER     | 0                                   | MI type: IMSI                                                                                                                                                                                                                                  |
| C_TMSI        | INTEGER     | 1                                   | MI type: TMSI                                                                                                                                                                                                                                  |
| C_IMEI        | INTEGER     | 2                                   | MI type: IMEI                                                                                                                                                                                                                                  |
| C_IMEISV      | INTEGER     | 3                                   | MI type: IMEISV                                                                                                                                                                                                                                |
| C_shortIMSI   | HEXSTRING   | '001011234'H                        | A short IMSI                                                                                                                                                                                                                                   |
| C_LAC_1       | OCTETSTRING | '0001'O                             | lac 1.                                                                                                                                                                                                                                         |
| C_LAC_2       | OCTETSTRING | '0002'O                             | lac 2.                                                                                                                                                                                                                                         |
| C_LAC_3       | OCTETSTRING | '0003'O                             | lac 3.                                                                                                                                                                                                                                         |
| C_LAC_4       | OCTETSTRING | '0004'O                             | lac 4.                                                                                                                                                                                                                                         |
| C_LAC_5       | OCTETSTRING | '0005'O                             | lac 5.                                                                                                                                                                                                                                         |
| C_LAC_6       | OCTETSTRING | '0006'O                             | lac 6.                                                                                                                                                                                                                                         |
| C_LAC_7       | OCTETSTRING | '0007'O                             | lac 7.                                                                                                                                                                                                                                         |
| C_LAC_8       | OCTETSTRING | '0008'O                             | lac 8.                                                                                                                                                                                                                                         |
| C_LAC_spe     | OCTETSTRING | '5344'O                             | lac '5344'H.                                                                                                                                                                                                                                   |
| C_lacdeleted  | OCTETSTRING | 'FFFE'O                             | lac value deleted.                                                                                                                                                                                                                             |
| C_MCC_1       | OCTETSTRING | '00F1'O                             | MCC 1                                                                                                                                                                                                                                          |
| C_MCC_2       | OCTETSTRING | '00F2'O                             | MCC 2                                                                                                                                                                                                                                          |
| C_MCC_3       | OCTETSTRING | '00F3'O                             | MCC 3                                                                                                                                                                                                                                          |
| C_MCC_4       | OCTETSTRING | '00F4'O                             | MCC 4                                                                                                                                                                                                                                          |
| C_MCC_5       | OCTETSTRING | '00F5'O                             | MCC 5                                                                                                                                                                                                                                          |
| C_MCC_6       | OCTETSTRING | '00F6'O                             | MCC 6                                                                                                                                                                                                                                          |
| C_MCC_7       | OCTETSTRING | '00F7'O                             | MCC 7                                                                                                                                                                                                                                          |
| C_MCC_8       | OCTETSTRING | '00F8'O                             | MCC 8                                                                                                                                                                                                                                          |
| C_MCC_9       | OCTETSTRING | '013B'O                             | MCC 9                                                                                                                                                                                                                                          |
| C_Max_1       | INTEGER     | 1                                   | Max Retrans value 1                                                                                                                                                                                                                            |
| C_Max_2       | INTEGER     | 2                                   | Max Retrans value 2                                                                                                                                                                                                                            |

|               |             |              |                                           |
|---------------|-------------|--------------|-------------------------------------------|
| C_Max_7       | INTEGER     | 7            | Max Retrans value 7                       |
| C_NECI_0      | INTEGER     | 0            | NECI value 0, not supported               |
| C_NECI_1      | INTEGER     | 1            | NECI value 1, supported                   |
| C_PLMN_1      | OCTETSTRING | '10'O        | PLMN 1 (mnc=01)                           |
| C_PLMN_2      | OCTETSTRING | '20'O        | PLMN 2 (mnc=02)                           |
| C_PLMN_3      | OCTETSTRING | '30'O        | PLMN 3 (mnc=03)                           |
| C_PLMN_4      | OCTETSTRING | 'F0'O        | PLMN 4                                    |
| C_PLMN_5      | OCTETSTRING | 'F2'O        | PLMN 5                                    |
| C_PLMN_6      | OCTETSTRING | 'F3'O        | PLMN 6                                    |
| C_PLMN_7      | OCTETSTRING | 'F4'O        | PLMN 7                                    |
| C_PLMN_8      | OCTETSTRING | 'F5'O        | PLMN 8                                    |
| C_PLMN_9      | OCTETSTRING | 'F6'O        | PLMN 9                                    |
| C_PLMN_10     | OCTETSTRING | 'F7'O        | PLMN 10                                   |
| C_PLMN_Home   | OCTETSTRING | '10'O        | PLMN 1 (mnc=01)                           |
| C_TxInt_5     | INTEGER     | 5            | Tx Integer value 5                        |
| C_TxInt_7     | INTEGER     | 7            | Tx Integer value 7                        |
| C_TxInt_10    | INTEGER     | 10           | Tx Integer value 10                       |
| C_NotCombined | BOOLEAN     | FALSE        | CCCH not combined with SDCCH              |
| C_Combined    | BOOLEAN     | TRUE         | CCCH combined with SDCCH                  |
| C_FCCH_A      | LOGICCH     | "C_FCCH_A"   | frequency correction channel of cell A(1) |
| C_FCCH_B      | LOGICCH     | "C_FCCH_B"   | frequency correction channel of cell B(2) |
| C_FCCH_C      | LOGICCH     | "C_FCCH_C"   | frequency correction channel of cell C(3) |
| C_FCCH_D      | LOGICCH     | "C_FCCH_D"   | frequency correction channel of cell D(4) |
| C_FCCH_E      | LOGICCH     | "C_FCCH_E"   | frequency correction channel of cell E(5) |
| C_FCCH_F      | LOGICCH     | "C_FCCH_F"   | frequency correction channel of cell F(6) |
| C_FCCH_G      | LOGICCH     | "C_FCCH_G"   | frequency correction channel of cell G(7) |
| C_FCCH_H      | LOGICCH     | "C_FCCH_H"   | frequency correction channel of cell H(8) |
| C_SCH_A       | LOGICCH     | "C_SCH_A"    | sync channel of cell A(1)                 |
| C_SCH_B       | LOGICCH     | "C_SCH_B"    | sync channel of cell B(2)                 |
| C_SCH_C       | LOGICCH     | "C_SCH_C"    | sync channel of cell C(3)                 |
| C_SCH_D       | LOGICCH     | "C_SCH_D"    | sync channel of cell D(4)                 |
| C_SCH_E       | LOGICCH     | "C_SCH_E"    | sync channel of cell E(5)                 |
| C_SCH_F       | LOGICCH     | "C_SCH_F"    | sync channel of cell F(6)                 |
| C_SCH_G       | LOGICCH     | "C_SCH_G"    | sync channel of cell G(7)                 |
| C_SCH_H       | LOGICCH     | "C_SCH_H"    | sync channel of cell H(8)                 |
| C_BCCH_A_1    | LOGICCH     | "C_BCCH_A_1" | 1st broadcast channel of cell A           |
| C_BCCH_A_2    | LOGICCH     | "C_BCCH_A_2" | 2nd broadcast channel of cell A           |
| C_BCCH_A_3    | LOGICCH     | "C_BCCH_A_3" | 3rd broadcast channel of cell A           |
| C_BCCH_A_4    | LOGICCH     | "C_BCCH_A_4" | 4th broadcast channel of cell A           |
| C_BCCH_B_1    | LOGICCH     | "C_BCCH_B_1" | 1st broadcast channel of cell B           |
| C_BCCH_C_1    | LOGICCH     | "C_BCCH_C_1" | 1st broadcast channel of cell C           |
| C_BCCH_D_1    | LOGICCH     | "C_BCCH_D_1" | 1st broadcast channel of cell D           |
| C_BCCH_E_1    | LOGICCH     | "C_BCCH_E_1" | 1st broadcast channel of cell E           |
| C_BCCH_F_1    | LOGICCH     | "C_BCCH_F_1" | 1st broadcast channel of cell F           |
| C_BCCH_G_1    | LOGICCH     | "C_BCCH_G_1" | 1st broadcast channel of cell G           |
| C_BCCH_H_1    | LOGICCH     | "C_BCCH_H_1" | 1st broadcast channel of cell H           |
| C_CBCH_A      | LOGICCH     | "C_CBCH_A"   | Cell broadcast channel in cell A          |
| C_AGCH_A_1    | LOGICCH     | "C_AGCH_A_1" | 1st down link CCCH (AGCH) of cell A       |
| C_AGCH_A_2    | LOGICCH     | "C_AGCH_A_2" | 2nd down link CCCH (AGCH) of cell A       |
| C_AGCH_A_3    | LOGICCH     | "C_AGCH_A_3" | 3rd down link CCCH (AGCH) of cell A       |
| C_AGCH_A_4    | LOGICCH     | "C_AGCH_A_4" | 4th down link CCCH (AGCH) of cell A       |
| C_AGCH_B_1    | LOGICCH     | "C_AGCH_B_1" | 1st down link CCCH (AGCH) of cell B       |
| C_AGCH_B_2    | LOGICCH     | "C_AGCH_B_2" | 2nd down link CCCH (AGCH) of cell B       |

|              |         |                |                                             |
|--------------|---------|----------------|---------------------------------------------|
| C_AGCH_B_3   | LOGICCH | "C_AGCH_B_3"   | 3rd down link CCCH (AGCH) of cell B         |
| C_AGCH_B_4   | LOGICCH | "C_AGCH_B_4"   | 4th down link CCCH (AGCH) of cell B         |
| C_AGCH_C_1   | LOGICCH | "C_AGCH_C_1"   | 1st down link CCCH (AGCH) of cell C         |
| C_AGCH_C_2   | LOGICCH | "C_AGCH_C_2"   | 2nd down link CCCH (AGCH) of cell C         |
| C_AGCH_C_3   | LOGICCH | "C_AGCH_C_3"   | 3rd down link CCCH (AGCH) of cell C         |
| C_AGCH_C_4   | LOGICCH | "C_AGCH_C_4"   | 4th down link CCCH (AGCH) of cell C         |
| C_AGCH_D_1   | LOGICCH | "C_AGCH_D_1"   | 1st down link CCCH (AGCH) of cell D         |
| C_AGCH_E_1   | LOGICCH | "C_AGCH_E_1"   | 1st down link CCCH (AGCH) of cell E         |
| C_AGCH_F_1   | LOGICCH | "C_AGCH_F_1"   | 1st down link CCCH (AGCH) of cell F         |
| C_AGCH_G_1   | LOGICCH | "C_AGCH_G_1"   | 1st down link CCCH (AGCH) of cell G         |
| C_AGCH_H_1   | LOGICCH | "C_AGCH_H_1"   | 1st down link CCCH (AGCH) of cell H         |
| C_PCH_A_1    | LOGICCH | "C_PCH_A_1"    | 1st down link CCCH (PCH) of cell A          |
| C_PCH_A_2    | LOGICCH | "C_PCH_A_2"    | 2nd down link CCCH (PCH) of cell A          |
| C_PCH_A_3    | LOGICCH | "C_PCH_A_3"    | 3rd down link CCCH (PCH) of cell A          |
| C_PCH_A_4    | LOGICCH | "C_PCH_A_4"    | 4th down link CCCH (PCH) of cell A          |
| C_PCH_B_1    | LOGICCH | "C_PCH_B_1"    | 1st down link CCCH (PCH) of cell B          |
| C_PCH_B_2    | LOGICCH | "C_PCH_B_2"    | 2nd down link CCCH (PCH) of cell B          |
| C_PCH_B_3    | LOGICCH | "C_PCH_B_3"    | 3rd down link CCCH (PCH) of cell B          |
| C_PCH_B_4    | LOGICCH | "C_PCH_B_4"    | 4th down link CCCH (PCH) of cell B          |
| C_PCH_C_1    | LOGICCH | "C_PCH_C_1"    | 1st down link CCCH (PCH) of cell C          |
| C_PCH_C_2    | LOGICCH | "C_PCH_C_2"    | 2nd down link CCCH (PCH) of cell C          |
| C_PCH_C_3    | LOGICCH | "C_PCH_C_3"    | 3rd down link CCCH (PCH) of cell C          |
| C_PCH_C_4    | LOGICCH | "C_PCH_C_4"    | 4th down link CCCH (PCH) of cell C          |
| C_PCH_D_1    | LOGICCH | "C_PCH_D_1"    | 1st down link CCCH (PCH and AGCH) of cell D |
| C_PCH_E_1    | LOGICCH | "C_PCH_E_1"    | 1st down link CCCH (PCH) of cell E          |
| C_PCH_F_1    | LOGICCH | "C_PCH_F_1"    | 1st down link CCCH (PCH) of cell F          |
| C_PCH_G_1    | LOGICCH | "C_PCH_G_1"    | 1st down link CCCH (PCH) of cell G          |
| C_PCH_H_1    | LOGICCH | "C_PCH_H_1"    | 1st down link CCCH (PCH) of cell H          |
| C_RACH_A_1   | LOGICCH | "C_RACH_A_1"   | 1st uplink CCCH (RACH) of cell A            |
| C_RACH_A_2   | LOGICCH | "C_RACH_A_2"   | 2nd uplink CCCH (RACH) of cell A            |
| C_RACH_A_3   | LOGICCH | "C_RACH_A_3"   | 3rd uplink CCCH (RACH) of cell A            |
| C_RACH_A_4   | LOGICCH | "C_RACH_A_4"   | 4th uplink CCCH (RACH) of cell A            |
| C_RACH_B_1   | LOGICCH | "C_RACH_B_1"   | 1st uplink CCCH (RACH) of cell B            |
| C_RACH_C_1   | LOGICCH | "C_RACH_C_1"   | 1st uplink CCCH (RACH) of cell C            |
| C_RACH_D_1   | LOGICCH | "C_RACH_D_1"   | 1st uplink CCCH (RACH) of cell D            |
| C_RACH_E_1   | LOGICCH | "C_RACH_E_1"   | 1st uplink CCCH (RACH) of cell E            |
| C_RACH_F_1   | LOGICCH | "C_RACH_F_1"   | 1st uplink CCCH (RACH) of cell F            |
| C_RACH_G_1   | LOGICCH | "C_RACH_G_1"   | 1st uplink CCCH (RACH) of cell G            |
| C_RACH_H_1   | LOGICCH | "C_RACH_H_1"   | 1st uplink CCCH (RACH) of cell H            |
| C_FACCHF_A_1 | LOGICCH | "C_FACCHF_A_1" | FACCH associated with 1st TCH/F of cell A   |

|               |         |                 |                                            |
|---------------|---------|-----------------|--------------------------------------------|
| C_FACCHF_A_2  | LOGICCH | "C_FACCHF_A_2"  | FACCH associated with 2nd TCH/F of cell A  |
| C_FACCHF_A_3  | LOGICCH | "C_FACCHF_A_3"  | FACCH associated with 3rd TCH/F of cell A  |
| C_FACCHF_B_1  | LOGICCH | "C_FACCHF_B_1"  | FACCH associated with 1st TCH/F of cell B  |
| C_FACCHF_B_2  | LOGICCH | "C_FACCHF_B_2"  | FACCH associated with 2nd TCH/F of cell B  |
| C_FACCHF_B_3  | LOGICCH | "C_FACCHF_B_3"  | FACCH associated with 3rd TCH/F of cell B  |
| C_FACCHF_C_1  | LOGICCH | "C_FACCHF_C_1"  | FACCH associated with 1st TCH/F of cell C  |
| C_FACCHF_C_2  | LOGICCH | "C_FACCHF_C_2"  | FACCH associated with 2nd TCH/F of cell C  |
| C_FACCHF_C_3  | LOGICCH | "C_FACCHF_C_3"  | FACCH associated with 3rd TCH/F of cell C  |
| C_FACCHF_H_1  | LOGICCH | "C_FACCHF_H_1"  | FACCH associated with 1st TCH/F of cell H  |
| C_FACCHH_A_1  | LOGICCH | "C_FACCHH_A_1"  | FACCH associated with 1st TCH/H of cell A  |
| C_FACCHH_A_2  | LOGICCH | "C_FACCHH_A_2"  | FACCH associated with 2nd TCH/H of cell A  |
| C_FACCHH_A_3  | LOGICCH | "C_FACCHH_A_3"  | FACCH associated with 3rd TCH/H of cell A  |
| C_FACCHH_B_1  | LOGICCH | "C_FACCHH_B_1"  | FACCH associated with 1st TCH/H of cell B  |
| C_FACCHH_B_2  | LOGICCH | "C_FACCHH_B_2"  | FACCH associated with 2nd TCH/H of cell B  |
| C_FACCHH_B_3  | LOGICCH | "C_FACCHH_B_3"  | FACCH associated with 3rd TCH/H of cell B  |
| C_FACCHH_C_1  | LOGICCH | "C_FACCHH_C_1"  | FACCH associated with 1st TCH/H of cell C  |
| C_FACCHH_C_2  | LOGICCH | "C_FACCHH_C_2"  | FACCH associated with 2nd TCH/H of cell C  |
| C_FACCHH_C_3  | LOGICCH | "C_FACCHH_C_3"  | FACCH associated with 3rd TCH/H of cell C  |
| C_FACCHH0_A_1 | LOGICCH | "C_FACCHH0_A_1" | FACCH associated with 1st TCH/H0 of cell A |
| C_FACCHH1_A_1 | LOGICCH | "C_FACCHH1_A_1" | FACCH associated with 1st TCH/H1 of cell A |
| C_FACCHH0_A_2 | LOGICCH | "C_FACCHH0_A_2" | FACCH associated with 2nd TCH/H0 of cell A |
| C_FACCHH1_A_2 | LOGICCH | "C_FACCHH1_A_2" | FACCH associated with 2nd TCH/H1 of cell A |
| C_FACCHH0_A_3 | LOGICCH | "C_FACCHH0_A_3" | FACCH associated with 3rd TCH/H0 of cell A |
| C_FACCHH1_A_3 | LOGICCH | "C_FACCHH1_A_3" | FACCH associated with 3rd TCH/H1 of cell A |
| C_FACCHH0_B_1 | LOGICCH | "C_FACCHH0_B_1" | FACCH associated with 1st TCH/H0 of cell B |
| C_FACCHH1_B_1 | LOGICCH | "C_FACCHH1_B_1" | FACCH associated with 1st TCH/H1 of cell B |
| C_FACCHH0_B_2 | LOGICCH | "C_FACCHH0_B_2" | FACCH associated with 2nd TCH/H0 of cell B |
| C_FACCHH1_B_2 | LOGICCH | "C_FACCHH1_B_2" | FACCH associated with 2nd TCH/H1 of cell B |
| C_FACCHH0_B_3 | LOGICCH | "C_FACCHH0_B_3" | FACCH associated with 3rd TCH/H0 of cell B |
| C_FACCHH1_B_3 | LOGICCH | "C_FACCHH1_B_3" | FACCH associated with 3rd TCH/H1 of cell B |
| C_FACCHH0_C_1 | LOGICCH | "C_FACCHH0_C_1" | FACCH associated with 1st TCH/H0 of cell C |
| C_FACCHH1_C_1 | LOGICCH | "C_FACCHH1_C_1" | FACCH associated with 1st TCH/H1 of cell C |
| C_FACCHH0_C_2 | LOGICCH | "C_FACCHH0_C_2" | FACCH associated with 2nd TCH/H0 of cell C |
| C_FACCHH1_C_2 | LOGICCH | "C_FACCHH1_C_2" | FACCH associated with 2nd TCH/H1 of cell C |
| C_FACCHH0_C_3 | LOGICCH | "C_FACCHH0_C_3" | FACCH associated with 3rd TCH/H0 of cell C |
| C_FACCHH1_C_3 | LOGICCH | "C_FACCHH1_C_3" | FACCH associated with 3rd TCH/H1 of cell C |



|               |         |                 |                                             |
|---------------|---------|-----------------|---------------------------------------------|
| C_SACCH_A     | LOGICCH | "C_SACCH_A"     | TCH/H1 of cell C                            |
| C_SACCH_B     | LOGICCH | "C_SACCH_B"     | all SACCHs of cell A                        |
| C_SACCH_C     | LOGICCH | "C_SACCH_C"     | all SACCHs of cell B                        |
| C_SACCH_D     | LOGICCH | "C_SACCH_D"     | all SACCHs of cell C                        |
| C_SACCH_E     | LOGICCH | "C_SACCH_E"     | all SACCHs of cell D                        |
| C_SACCH_F     | LOGICCH | "C_SACCH_F"     | all SACCHs of cell E                        |
| C_SACCH_G     | LOGICCH | "C_SACCH_G"     | all SACCHs of cell F                        |
| C_SACCH_H     | LOGICCH | "C_SACCH_H"     | all SACCHs of cell G                        |
| C_SACCHF_A_1  | LOGICCH | "C_SACCHF_A_1"  | all SACCHs of cell H                        |
| C_SACCHF_A_2  | LOGICCH | "C_SACCHF_A_2"  | SACCH associated with 1st TCH/F of cell A   |
| C_SACCHF_B_1  | LOGICCH | "C_SACCHF_B_1"  | SACCH associated with 2nd TCH/F of cell A   |
| C_SACCHF_B_2  | LOGICCH | "C_SACCHF_B_2"  | SACCH associated with 1st TCH/F of cell B   |
| C_SACCHF_H_1  | LOGICCH | "C_SACCHF_H_1"  | SACCH associated with 2nd TCH/F of cell B   |
| C_SACCHH_A_1  | LOGICCH | "C_SACCHH_A_1"  | SACCH associated with 1st TCH/F of cell H   |
| C_SACCHH_A_2  | LOGICCH | "C_SACCHH_A_2"  | SACCH associated with 1st TCH/H of cell A   |
| C_SACCHH_A_3  | LOGICCH | "C_SACCHH_A_3"  | SACCH associated with 2nd TCH/H of cell A   |
| C_SACCHH_B_1  | LOGICCH | "C_SACCHH_B_1"  | SACCH associated with 3rd TCH/H of cell A   |
| C_SACCHH_B_2  | LOGICCH | "C_SACCHH_B_2"  | SACCH associated with 1st TCH/H of cell B   |
| C_SACCHH_B_3  | LOGICCH | "C_SACCHH_B_3"  | SACCH associated with 2nd TCH/H of cell B   |
| C_SACCHH_C_1  | LOGICCH | "C_SACCHH_C_1"  | SACCH associated with 3rd TCH/H of cell B   |
| C_SACCHH_C_2  | LOGICCH | "C_SACCHH_C_2"  | SACCH associated with 1st TCH/H of cell C   |
| C_SACCHH_C_3  | LOGICCH | "C_SACCHH_C_3"  | SACCH associated with 2nd TCH/H of cell C   |
| C_SACCHH0_A_1 | LOGICCH | "C_SACCHH0_A_1" | SACCH associated with 3rd TCH/H of cell C   |
| C_SACCHH1_A_1 | LOGICCH | "C_SACCHH1_A_1" | SACCH associated with 1st TCH/H_0 of cell A |
| C_SACCHH0_A_2 | LOGICCH | "C_SACCHH0_A_2" | SACCH associated with 1st TCH/H_1 of cell A |
| C_SACCHH1_A_2 | LOGICCH | "C_SACCHH1_A_2" | SACCH associated with 2nd TCH/H_0 of cell A |
| C_SACCHH0_A_3 | LOGICCH | "C_SACCHH0_A_3" | SACCH associated with 2nd TCH/H_1 of cell A |
| C_SACCHH1_A_3 | LOGICCH | "C_SACCHH1_A_3" | SACCH associated with 3rd TCH/H_0 of cell A |
| C_SACCHH0_B_1 | LOGICCH | "C_SACCHH0_B_1" | SACCH associated with 3rd TCH/H_1 of cell A |
| C_SACCHH1_B_1 | LOGICCH | "C_SACCHH1_B_1" | SACCH associated with 1st TCH/H_0 of cell B |
| C_SACCHH0_B_2 | LOGICCH | "C_SACCHH0_B_2" | SACCH associated with 1st TCH/H_1 of cell B |
| C_SACCHH1_B_2 | LOGICCH | "C_SACCHH1_B_2" | SACCH associated with 2nd TCH/H_0 of cell B |
| C_SACCHH0_B_3 | LOGICCH | "C_SACCHH0_B_3" | SACCH associated with 2nd TCH/H_1 of cell B |
| C_SACCHH1_B_3 | LOGICCH | "C_SACCHH1_B_3" | SACCH associated with 3rd TCH/H_0 of cell B |
| C_SACCHH0_C_1 | LOGICCH | "C_SACCHH0_C_1" | SACCH associated with 3rd TCH/H_1 of cell B |
| C_SACCHH1_C_1 | LOGICCH | "C_SACCHH1_C_1" | SACCH associated with 1st TCH/H_0 of cell C |
| C_SACCHH0_C_2 | LOGICCH | "C_SACCHH0_C_2" | SACCH associated with 1st TCH/H_1 of cell C |
| C_SACCHH1_C_2 | LOGICCH | "C_SACCHH1_C_2" | SACCH associated with 2nd TCH/H_0 of cell C |
| C_SACCHH0_C_3 | LOGICCH | "C_SACCHH0_C_3" | SACCH associated with 2nd TCH/H_1 of cell C |
|               |         |                 | SACCH associated with 3rd TCH/H_0 of cell C |

|               |         |                 |                                                                     |
|---------------|---------|-----------------|---------------------------------------------------------------------|
| C_SACCHH1_C_3 | LOGICCH | "C_SACCHH1_C_3" | TCH/H_0 of cell C<br>SACCH associated with 3rd<br>TCH/H_1 of cell C |
| C_SACCHC4_A   | LOGICCH | "C_SACCHC4_A"   | SACCHC4 channel of cell A                                           |
| C_SACCHC4_B   | LOGICCH | "C_SACCHC4_B"   | SACCHC4 channel of cell B                                           |
| C_SACCHC4_C   | LOGICCH | "C_SACCHC4_C"   | SACCHC4 channel of cell C                                           |
| C_SACCHC4_D   | LOGICCH | "C_SACCHC4_D"   | SACCHC4 channel of cell D                                           |
| C_SACCHC4_E   | LOGICCH | "C_SACCHC4_E"   | SACCHC4 channel of cell E                                           |
| C_SACCHC4_F   | LOGICCH | "C_SACCHC4_F"   | SACCHC4 channel of cell F                                           |
| C_SACCHC4_G   | LOGICCH | "C_SACCHC4_G"   | SACCHC4 channel of cell G                                           |
| C_SACCHC4_H   | LOGICCH | "C_SACCHC4_H"   | SACCHC4 channel of cell H                                           |
| C_SACCHC40_A  | LOGICCH | "C_SACCHC40_A"  | SACCH/C4(0) associated with<br>SDCCH/4(0) of cell A                 |
| C_SACCHC41_A  | LOGICCH | "C_SACCHC41_A"  | SACCH/C4(1) associated with<br>SDCCH/4(1) of cell A                 |
| C_SACCHC42_A  | LOGICCH | "C_SACCHC42_A"  | SACCH/C4(2) associated with<br>SDCCH/4(2) of cell A                 |
| C_SACCHC43_A  | LOGICCH | "C_SACCHC43_A"  | SACCH/C4(3) associated with<br>SDCCH/4(3) of cell A                 |
| C_SACCHC40_B  | LOGICCH | "C_SACCHC40_B"  | SACCH/C4(0) associated with<br>SDCCH/4(0) of cell B                 |
| C_SACCHC41_B  | LOGICCH | "C_SACCHC41_B"  | SACCH/C4(1) associated with<br>SDCCH/4(1) of cell B                 |
| C_SACCHC42_B  | LOGICCH | "C_SACCHC42_B"  | SACCH/C4(2) associated with<br>SDCCH/4(2) of cell B                 |
| C_SACCHC43_B  | LOGICCH | "C_SACCHC43_B"  | SACCH/C4(3) associated with<br>SDCCH/4(3) of cell B                 |
| C_SACCHC40_C  | LOGICCH | "C_SACCHC40_C"  | SACCH/C4(0) associated with<br>SDCCH/4(0) of cell C                 |
| C_SACCHC41_C  | LOGICCH | "C_SACCHC41_C"  | SACCH/C4(1) associated with<br>SDCCH/4(1) of cell C                 |
| C_SACCHC42_C  | LOGICCH | "C_SACCHC42_C"  | SACCH/C4(2) associated with<br>SDCCH/4(2) of cell C                 |
| C_SACCHC43_C  | LOGICCH | "C_SACCHC43_C"  | SACCH/C4(3) associated with<br>SDCCH/4(3) of cell C                 |
| C_SACCHC40_D  | LOGICCH | "C_SACCHC40_D"  | SACCH/C4(0) associated with<br>SDCCH/4(0) of cell D                 |
| C_SACCHC41_D  | LOGICCH | "C_SACCHC41_D"  | SACCH/C4(1) associated with<br>SDCCH/4(1) of cell D                 |
| C_SACCHC42_D  | LOGICCH | "C_SACCHC42_D"  | SACCH/C4(2) associated with<br>SDCCH/4(2) of cell D                 |
| C_SACCHC43_D  | LOGICCH | "C_SACCHC43_D"  | SACCH/C4(3) associated with<br>SDCCH/4(3) of cell D                 |
| C_SACCHC40_E  | LOGICCH | "C_SACCHC40_E"  | SACCH/C4(0) associated with<br>SDCCH/4(0) of cell E                 |
| C_SACCHC41_E  | LOGICCH | "C_SACCHC41_E"  | SACCH/C4(1) associated with<br>SDCCH/4(1) of cell E                 |
| C_SACCHC42_E  | LOGICCH | "C_SACCHC42_E"  | SACCH/C4(2) associated with<br>SDCCH/4(2) of cell E                 |
| C_SACCHC43_E  | LOGICCH | "C_SACCHC43_E"  | SACCH/C4(3) associated with<br>SDCCH/4(3) of cell E                 |
| C_SACCHC40_F  | LOGICCH | "C_SACCHC40_F"  | SACCH/C4(0) associated with<br>SDCCH/4(0) of cell F                 |
| C_SACCHC41_F  | LOGICCH | "C_SACCHC41_F"  | SACCH/C4(1) associated with<br>SDCCH/4(1) of cell F                 |
| C_SACCHC42_F  | LOGICCH | "C_SACCHC42_F"  | SACCH/C4(2) associated with<br>SDCCH/4(2) of cell F                 |
| C_SACCHC43_F  | LOGICCH | "C_SACCHC43_F"  | SACCH/C4(3) associated with<br>SDCCH/4(3) of cell F                 |
| C_SACCHC40_G  | LOGICCH | "C_SACCHC40_G"  | SACCH/C4(0) associated with<br>SDCCH/4(0) of cell G                 |
| C_SACCHC41_G  | LOGICCH | "C_SACCHC41_G"  | SACCH/C4(1) associated with<br>SDCCH/4(1) of cell G                 |
| C_SACCHC42_G  | LOGICCH | "C_SACCHC42_G"  | SACCH/C4(2) associated with<br>SDCCH/4(2) of cell G                 |
| C_SACCHC43_G  | LOGICCH | "C_SACCHC43_G"  | SACCH/C4(3) associated with<br>SDCCH/4(3) of cell G                 |
| C_SACCHC40_H  | LOGICCH | "C_SACCHC40_C"  | SACCH/C4(0) associated with<br>SDCCH/4(0) of cell H                 |
| C_SACCHC41_H  | LOGICCH | "C_SACCHC41_C"  | SACCH/C4(1) associated with                                         |

|                |         |                  |                                                                          |
|----------------|---------|------------------|--------------------------------------------------------------------------|
| C_SACCHC42_H   | LOGICCH | "C_SACCHC42_C"   | SDCCH/4(1) of cell H<br>SACCH/C4(2) associated with SDCCH/4(2) of cell H |
| C_SACCHC43_H   | LOGICCH | "C_SACCHC43_C"   | SACCH/C4(3) associated with SDCCH/4(3) of cell H                         |
| C_SACCHC8_A_1  | LOGICCH | "C_SACCHC8_A_1"  | 1st SACCH/8 channel of cell A                                            |
| C_SACCHC8_A_2  | LOGICCH | "C_SACCHC8_A_2"  | 2nd SACCH/8 channel of cell A                                            |
| C_SACCHC8_A_3  | LOGICCH | "C_SACCHC8_A_3"  | 3rd SACCH/8 channel of cell A                                            |
| C_SACCHC8_B_1  | LOGICCH | "C_SACCHC8_B_1"  | 1st SACCH/8 channel of cell B                                            |
| C_SACCHC8_B_2  | LOGICCH | "C_SACCHC8_B_2"  | 2nd SACCH/8 channel of cell B                                            |
| C_SACCHC8_B_3  | LOGICCH | "C_SACCHC8_B_3"  | 3rd SACCH/8 channel of cell B                                            |
| C_SACCHC8_C_1  | LOGICCH | "C_SACCHC8_C_1"  | 1st SACCH/8 channel of cell C                                            |
| C_SACCHC8_C_2  | LOGICCH | "C_SACCHC8_C_2"  | 2nd SACCH/8 channel of cell C                                            |
| C_SACCHC8_C_3  | LOGICCH | "C_SACCHC8_C_3"  | 3rd SACCH/8 channel of cell C                                            |
| C_SACCHC80_A_1 | LOGICCH | "C_SACCHC80_A_1" | SACCH/C8(0) associated with 1st SDCCH/8(0) of cell A                     |
| C_SACCHC81_A_1 | LOGICCH | "C_SACCHC81_A_1" | SACCH/C8(1) associated with 1st SDCCH/8(1) of cell A                     |
| C_SACCHC82_A_1 | LOGICCH | "C_SACCHC82_A_1" | SACCH/C8(2) associated with 1st SDCCH/8(2) of cell A                     |
| C_SACCHC83_A_1 | LOGICCH | "C_SACCHC83_A_1" | SACCH/C8(3) associated with 1st SDCCH/8(3) of cell A                     |
| C_SACCHC84_A_1 | LOGICCH | "C_SACCHC84_A_1" | SACCH/C8(4) associated with 1st SDCCH/8(4) of cell A                     |
| C_SACCHC85_A_1 | LOGICCH | "C_SACCHC85_A_1" | SACCH/C8(5) associated with 1st SDCCH/8(5) of cell A                     |
| C_SACCHC86_A_1 | LOGICCH | "C_SACCHC86_A_1" | SACCH/C8(6) associated with 1st SDCCH/8(6) of cell A                     |
| C_SACCHC87_A_1 | LOGICCH | "C_SACCHC87_A_1" | SACCH/C8(7) associated with 1st SDCCH/8(7) of cell A                     |
| C_SACCHC80_A_2 | LOGICCH | "C_SACCHC80_A_2" | SACCH/C8(0) associated with 2nd SDCCH/8(0) of cell A                     |
| C_SACCHC81_A_2 | LOGICCH | "C_SACCHC81_A_2" | SACCH/C8(1) associated with 2nd SDCCH/8(1) of cell A                     |
| C_SACCHC82_A_2 | LOGICCH | "C_SACCHC82_A_2" | SACCH/C8(2) associated with 2nd SDCCH/8(2) of cell A                     |
| C_SACCHC83_A_2 | LOGICCH | "C_SACCHC83_A_2" | SACCH/C8(3) associated with 2nd SDCCH/8(3) of cell A                     |
| C_SACCHC84_A_2 | LOGICCH | "C_SACCHC84_A_2" | SACCH/C8(4) associated with 2nd SDCCH/8(4) of cell A                     |
| C_SACCHC85_A_2 | LOGICCH | "C_SACCHC85_A_2" | SACCH/C8(5) associated with 2nd SDCCH/8(5) of cell A                     |
| C_SACCHC86_A_2 | LOGICCH | "C_SACCHC86_A_2" | SACCH/C8(6) associated with 2nd SDCCH/8(6) of cell A                     |
| C_SACCHC87_A_2 | LOGICCH | "C_SACCHC87_A_2" | SACCH/C8(7) associated with 2nd SDCCH/8(7) of cell A                     |
| C_SACCHC80_A_3 | LOGICCH | "C_SACCHC80_A_3" | SACCH/C8(0) associated with 3rd SDCCH/8(0) of cell A                     |
| C_SACCHC81_A_3 | LOGICCH | "C_SACCHC81_A_3" | SACCH/C8(1) associated with 3rd SDCCH/8(1) of cell A                     |
| C_SACCHC82_A_3 | LOGICCH | "C_SACCHC82_A_3" | SACCH/C8(2) associated with 3rd SDCCH/8(2) of cell A                     |
| C_SACCHC83_A_3 | LOGICCH | "C_SACCHC83_A_3" | SACCH/C8(3) associated with 3rd SDCCH/8(3) of cell A                     |
| C_SACCHC84_A_3 | LOGICCH | "C_SACCHC84_A_3" | SACCH/C8(4) associated with 3rd SDCCH/8(4) of cell A                     |
| C_SACCHC85_A_3 | LOGICCH | "C_SACCHC85_A_3" | SACCH/C8(5) associated with 3rd SDCCH/8(5) of cell A                     |
| C_SACCHC86_A_3 | LOGICCH | "C_SACCHC86_A_3" | SACCH/C8(6) associated with 3rd SDCCH/8(6) of cell A                     |
| C_SACCHC87_A_3 | LOGICCH | "C_SACCHC87_A_3" | SACCH/C8(7) associated with 3rd SDCCH/8(7) of cell A                     |
| C_SACCHC80_B_1 | LOGICCH | "C_SACCHC80_B_1" | SACCH/C8(0) associated with 1st SDCCH/8(0) of cell B                     |
| C_SACCHC81_B_1 | LOGICCH | "C_SACCHC81_B_1" | SACCH/C8(1) associated with 1st SDCCH/8(1) of cell B                     |
| C_SACCHC82_B_1 | LOGICCH | "C_SACCHC82_B_1" | SACCH/C8(2) associated with 1st SDCCH/8(2) of cell B                     |
| C_SACCHC83_B_1 | LOGICCH | "C_SACCHC83_B_1" | SACCH/C8(3) associated with 1st SDCCH/8(3) of cell B                     |

|                |         |                  |                                                      |
|----------------|---------|------------------|------------------------------------------------------|
| C_SACCHC84_B_1 | LOGICCH | "C_SACCHC84_B_1" | SACCH/C8(4) associated with 1st SDCCH/8(4) of cell B |
| C_SACCHC85_B_1 | LOGICCH | "C_SACCHC85_B_1" | SACCH/C8(5) associated with 1st SDCCH/8(5) of cell B |
| C_SACCHC86_B_1 | LOGICCH | "C_SACCHC86_B_1" | SACCH/C8(6) associated with 1st SDCCH/8(6) of cell B |
| C_SACCHC87_B_1 | LOGICCH | "C_SACCHC87_B_1" | SACCH/C8(7) associated with 1st SDCCH/8(7) of cell B |
| C_SACCHC80_B_2 | LOGICCH | "C_SACCHC80_B_2" | SACCH/C8(0) associated with 2nd SDCCH/8(0) of cell B |
| C_SACCHC81_B_2 | LOGICCH | "C_SACCHC81_B_2" | SACCH/C8(1) associated with 2nd SDCCH/8(1) of cell B |
| C_SACCHC82_B_2 | LOGICCH | "C_SACCHC82_B_2" | SACCH/C8(2) associated with 2nd SDCCH/8(2) of cell B |
| C_SACCHC83_B_2 | LOGICCH | "C_SACCHC83_B_2" | SACCH/C8(3) associated with 2nd SDCCH/8(3) of cell B |
| C_SACCHC84_B_2 | LOGICCH | "C_SACCHC84_B_2" | SACCH/C8(4) associated with 2nd SDCCH/8(4) of cell B |
| C_SACCHC85_B_2 | LOGICCH | "C_SACCHC85_B_2" | SACCH/C8(5) associated with 2nd SDCCH/8(5) of cell B |
| C_SACCHC86_B_2 | LOGICCH | "C_SACCHC86_B_2" | SACCH/C8(6) associated with 2nd SDCCH/8(6) of cell B |
| C_SACCHC87_B_2 | LOGICCH | "C_SACCHC87_B_2" | SACCH/C8(7) associated with 2nd SDCCH/8(7) of cell B |
| C_SACCHC80_B_3 | LOGICCH | "C_SACCHC80_B_3" | SACCH/C8(0) associated with 3rd SDCCH/8(0) of cell B |
| C_SACCHC81_B_3 | LOGICCH | "C_SACCHC81_B_3" | SACCH/C8(1) associated with 3rd SDCCH/8(1) of cell B |
| C_SACCHC82_B_3 | LOGICCH | "C_SACCHC82_B_3" | SACCH/C8(2) associated with 3rd SDCCH/8(2) of cell B |
| C_SACCHC83_B_3 | LOGICCH | "C_SACCHC83_B_3" | SACCH/C8(3) associated with 3rd SDCCH/8(3) of cell B |
| C_SACCHC84_B_3 | LOGICCH | "C_SACCHC84_B_3" | SACCH/C8(4) associated with 3rd SDCCH/8(4) of cell B |
| C_SACCHC85_B_3 | LOGICCH | "C_SACCHC85_B_3" | SACCH/C8(5) associated with 3rd SDCCH/8(5) of cell B |
| C_SACCHC86_B_3 | LOGICCH | "C_SACCHC86_B_3" | SACCH/C8(6) associated with 3rd SDCCH/8(6) of cell B |
| C_SACCHC87_B_3 | LOGICCH | "C_SACCHC87_B_3" | SACCH/C8(7) associated with 3rd SDCCH/8(7) of cell B |
| C_SACCHC80_C_1 | LOGICCH | "C_SACCHC80_C_1" | SACCH/C8(0) associated with 1st SDCCH/8(0) of cell C |
| C_SACCHC81_C_1 | LOGICCH | "C_SACCHC81_C_1" | SACCH/C8(1) associated with 1st SDCCH/8(1) of cell C |
| C_SACCHC82_C_1 | LOGICCH | "C_SACCHC82_C_1" | SACCH/C8(2) associated with 1st SDCCH/8(2) of cell C |
| C_SACCHC83_C_1 | LOGICCH | "C_SACCHC83_C_1" | SACCH/C8(3) associated with 1st SDCCH/8(3) of cell C |
| C_SACCHC84_C_1 | LOGICCH | "C_SACCHC84_C_1" | SACCH/C8(4) associated with 1st SDCCH/8(4) of cell C |
| C_SACCHC85_C_1 | LOGICCH | "C_SACCHC85_C_1" | SACCH/C8(5) associated with 1st SDCCH/8(5) of cell C |
| C_SACCHC86_C_1 | LOGICCH | "C_SACCHC86_C_1" | SACCH/C8(6) associated with 1st SDCCH/8(6) of cell C |
| C_SACCHC87_C_1 | LOGICCH | "C_SACCHC87_C_1" | SACCH/C8(7) associated with 1st SDCCH/8(7) of cell C |
| C_SACCHC80_C_2 | LOGICCH | "C_SACCHC80_C_2" | SACCH/C8(0) associated with 2nd SDCCH/8(0) of cell C |
| C_SACCHC81_C_2 | LOGICCH | "C_SACCHC81_C_2" | SACCH/C8(1) associated with 2nd SDCCH/8(1) of cell C |
| C_SACCHC82_C_2 | LOGICCH | "C_SACCHC82_C_2" | SACCH/C8(2) associated with 2nd SDCCH/8(2) of cell C |
| C_SACCHC83_C_2 | LOGICCH | "C_SACCHC83_C_2" | SACCH/C8(3) associated with 2nd SDCCH/8(3) of cell C |
| C_SACCHC84_C_2 | LOGICCH | "C_SACCHC84_C_2" | SACCH/C8(4) associated with 2nd SDCCH/8(4) of cell C |
| C_SACCHC85_C_2 | LOGICCH | "C_SACCHC85_C_2" | SACCH/C8(5) associated with 2nd SDCCH/8(5) of cell C |
| C_SACCHC86_C_2 | LOGICCH | "C_SACCHC86_C_2" | SACCH/C8(6) associated with 2nd SDCCH/8(6) of cell C |
| C_SACCHC87_C_2 | LOGICCH | "C_SACCHC87_C_2" | SACCH/C8(7) associated with                          |

|                |         |                  |                                                      |
|----------------|---------|------------------|------------------------------------------------------|
| C_SACCHC80_C_3 | LOGICCH | "C_SACCHC80_C_3" | 2nd SDCCH/8(7) of cell C                             |
| C_SACCHC81_C_3 | LOGICCH | "C_SACCHC81_C_3" | SACCH/C8(0) associated with 3rd SDCCH/8(0) of cell C |
| C_SACCHC82_C_3 | LOGICCH | "C_SACCHC82_C_3" | SACCH/C8(1) associated with 3rd SDCCH/8(1) of cell C |
| C_SACCHC83_C_3 | LOGICCH | "C_SACCHC83_C_3" | SACCH/C8(2) associated with 3rd SDCCH/8(2) of cell C |
| C_SACCHC84_C_3 | LOGICCH | "C_SACCHC84_C_3" | SACCH/C8(3) associated with 3rd SDCCH/8(3) of cell C |
| C_SACCHC85_C_3 | LOGICCH | "C_SACCHC85_C_3" | SACCH/C8(4) associated with 3rd SDCCH/8(4) of cell C |
| C_SACCHC86_C_3 | LOGICCH | "C_SACCHC86_C_3" | SACCH/C8(5) associated with 3rd SDCCH/8(5) of cell C |
| C_SACCHC87_C_3 | LOGICCH | "C_SACCHC87_C_3" | SACCH/C8(6) associated with 3rd SDCCH/8(6) of cell C |
| C_SDCCH4_A     | LOGICCH | "C_SDCCH4_A"     | SACCH/C8(7) associated with 3rd SDCCH/8(7) of cell C |
| C_SDCCH4_B     | LOGICCH | "C_SDCCH4_B"     | SDCCH/4 channel of cell A                            |
| C_SDCCH4_C     | LOGICCH | "C_SDCCH4_C"     | SDCCH/4 channel of cell B                            |
| C_SDCCH4_D     | LOGICCH | "C_SDCCH4_D"     | SDCCH/4 channel of cell C                            |
| C_SDCCH4_E     | LOGICCH | "C_SDCCH4_E"     | SDCCH/4 channel of cell D                            |
| C_SDCCH4_F     | LOGICCH | "C_SDCCH4_F"     | SDCCH/4 channel of cell E                            |
| C_SDCCH4_G     | LOGICCH | "C_SDCCH4_G"     | SDCCH/4 channel of cell F                            |
| C_SDCCH4_H     | LOGICCH | "C_SDCCH4_H"     | SDCCH/4 channel of cell G                            |
| C_SDCCH40_A    | LOGICCH | "C_SDCCH40_A"    | SDCCH/4 channel of cell H                            |
| C_SDCCH41_A    | LOGICCH | "C_SDCCH40_A"    | SDCCH/4(0) of cell A                                 |
| C_SDCCH42_A    | LOGICCH | "C_SDCCH41_A"    | SDCCH/4(1) of cell A                                 |
| C_SDCCH43_A    | LOGICCH | "C_SDCCH42_A"    | SDCCH/4(2) of cell A                                 |
| C_SDCCH40_B    | LOGICCH | "C_SDCCH43_A"    | SDCCH/4(3) of cell A                                 |
| C_SDCCH41_B    | LOGICCH | "C_SDCCH40_B"    | SDCCH/4(0) of cell B                                 |
| C_SDCCH42_B    | LOGICCH | "C_SDCCH41_B"    | SDCCH/4(1) of cell B                                 |
| C_SDCCH43_B    | LOGICCH | "C_SDCCH42_B"    | SDCCH/4(2) of cell B                                 |
| C_SDCCH40_C    | LOGICCH | "C_SDCCH43_B"    | SDCCH/4(3) of cell B                                 |
| C_SDCCH41_C    | LOGICCH | "C_SDCCH40_C"    | SDCCH/4(0) of cell C                                 |
| C_SDCCH42_C    | LOGICCH | "C_SDCCH41_C"    | SDCCH/4(1) of cell C                                 |
| C_SDCCH43_C    | LOGICCH | "C_SDCCH42_C"    | SDCCH/4(2) of cell C                                 |
| C_SDCCH40_D    | LOGICCH | "C_SDCCH43_C"    | SDCCH/4(3) of cell C                                 |
| C_SDCCH41_D    | LOGICCH | "C_SDCCH40_D"    | SDCCH/4(0) of cell D                                 |
| C_SDCCH42_D    | LOGICCH | "C_SDCCH41_D"    | SDCCH/4(1) of cell D                                 |
| C_SDCCH43_D    | LOGICCH | "C_SDCCH42_D"    | SDCCH/4(2) of cell D                                 |
| C_SDCCH40_E    | LOGICCH | "C_SDCCH43_D"    | SDCCH/4(3) of cell D                                 |
| C_SDCCH41_E    | LOGICCH | "C_SDCCH40_E"    | SDCCH/4(0) of cell E                                 |
| C_SDCCH42_E    | LOGICCH | "C_SDCCH41_E"    | SDCCH/4(1) of cell E                                 |
| C_SDCCH43_E    | LOGICCH | "C_SDCCH42_E"    | SDCCH/4(2) of cell E                                 |
| C_SDCCH40_F    | LOGICCH | "C_SDCCH43_E"    | SDCCH/4(3) of cell E                                 |
| C_SDCCH41_F    | LOGICCH | "C_SDCCH40_F"    | SDCCH/4(0) of cell F                                 |
| C_SDCCH42_F    | LOGICCH | "C_SDCCH41_F"    | SDCCH/4(1) of cell F                                 |
| C_SDCCH43_F    | LOGICCH | "C_SDCCH42_F"    | SDCCH/4(2) of cell F                                 |
| C_SDCCH40_G    | LOGICCH | "C_SDCCH43_F"    | SDCCH/4(3) of cell F                                 |
| C_SDCCH41_G    | LOGICCH | "C_SDCCH40_G"    | SDCCH/4(0) of cell G                                 |
| C_SDCCH42_G    | LOGICCH | "C_SDCCH41_G"    | SDCCH/4(1) of cell G                                 |
| C_SDCCH43_G    | LOGICCH | "C_SDCCH42_G"    | SDCCH/4(2) of cell G                                 |
| C_SDCCH40_H    | LOGICCH | "C_SDCCH43_G"    | SDCCH/4(3) of cell G                                 |
| C_SDCCH41_H    | LOGICCH | "C_SDCCH40_H"    | SDCCH/4(0) of cell H                                 |
| C_SDCCH42_H    | LOGICCH | "C_SDCCH41_H"    | SDCCH/4(1) of cell H                                 |
| C_SDCCH43_H    | LOGICCH | "C_SDCCH42_H"    | SDCCH/4(2) of cell H                                 |
| C_SDCCH8_A_1   | LOGICCH | "C_SDCCH43_H"    | SDCCH/4(3) of cell H                                 |
| C_SDCCH8_A_2   | LOGICCH | "C_SDCCH8_A_1"   | 1st SDCCH/8 channel of cell A                        |
| C_SDCCH8_A_3   | LOGICCH | "C_SDCCH8_A_2"   | 2nd SDCCH/8 channel of cell A                        |
| C_SDCCH8_B_1   | LOGICCH | "C_SDCCH8_A_3"   | 3rd SDCCH/8 channel of cell A                        |
| C_SDCCH8_B_2   | LOGICCH | "C_SDCCH8_B_1"   | 1st SDCCH/8 channel of cell B                        |
| C_SDCCH80_A_1  | LOGICCH | "C_SDCCH8_B_2"   | 2nd SDCCH/8 channel of cell B                        |
| C_SDCCH81_A_1  | LOGICCH | "C_SDCCH80_A_1"  | 1st SDCCH/8(0) of cell A                             |
| C_SDCCH82_A_1  | LOGICCH | "C_SDCCH81_A_1"  | 1st SDCCH/8(1) of cell A                             |
| C_SDCCH83_A_1  | LOGICCH | "C_SDCCH82_A_1"  | 1st SDCCH/8(2) of cell A                             |
|                |         | "C_SDCCH83_A_1"  | 1st SDCCH/8(3) of cell A                             |



|                                                  |             |                                                    |                                                                                                                                                 |
|--------------------------------------------------|-------------|----------------------------------------------------|-------------------------------------------------------------------------------------------------------------------------------------------------|
| C_SDCCH85_C_3                                    | LOGICCH     | "C_SDCCH85_C_3"                                    | 3rd SDCCH/8(5) of cell C                                                                                                                        |
| C_SDCCH86_C_3                                    | LOGICCH     | "C_SDCCH86_C_3"                                    | 3rd SDCCH/8(6) of cell C                                                                                                                        |
| C_SDCCH87_C_3                                    | LOGICCH     | "C_SDCCH87_C_3"                                    | 3rd SDCCH/8(7) of cell C                                                                                                                        |
| C_CHSDCCH8_FH                                    | OCTETSTRING | '00'O                                              | ch.type SDCCH8 with FH                                                                                                                          |
| C_CHSDCCH8_NonFH                                 | OCTETSTRING | '01'O                                              | ch.type SDCCH8 No FH                                                                                                                            |
| C_CHSDCCH4_NonFH                                 | OCTETSTRING | '03'O                                              | ch.type SDCCH4 No FH                                                                                                                            |
| C_CHTCHF_FH                                      | OCTETSTRING | '04'O                                              | ch.type TCHF FH                                                                                                                                 |
| C_CHTCHF_NonFH                                   | OCTETSTRING | '05'O                                              | ch.type TCHF NonFH                                                                                                                              |
| C_CHTCHH_FH                                      | OCTETSTRING | '06'O                                              | ch.type TCHH FH                                                                                                                                 |
| C_CHTCHH_NonFH                                   | OCTETSTRING | '07'O                                              | ch.type TCHH NonFH                                                                                                                              |
| C_TCHF_ACCHF_1                                   | LOGCH       | "C_TCHF_ACCHF_1"                                   | first TCH/F + ACCHs type channel                                                                                                                |
| C_TCHF_ACCHF_2                                   | LOGCH       | "C_TCHF_ACCHF_2"                                   | second TCH/F + ACCHs type channel                                                                                                               |
| C_TCHH_ACCHH_1                                   | LOGCH       | "C_TCHH_ACCHH_1"                                   | first TCH/H + ACCHs type channel                                                                                                                |
| C_TCHH_ACCHH_2                                   | LOGCH       | "C_TCHH_ACCHH_2"                                   | second TCH/H + ACCHs type channel                                                                                                               |
| C_FCCH_SCH_BCCH_CCH<br>H                         | LOGCH       | "C_FCCH_SCH_BCCH_CCH<br>H"                         | FCCH_SCH_BCCH_CCH type channel                                                                                                                  |
| C_BCCH_CCCH_2                                    | LOGCH       | "C_BCCH_CCCH_2"                                    | second BCCH_CCCH type channel                                                                                                                   |
| C_BCCH_CCCH_3                                    | LOGCH       | "C_BCCH_CCCH_3"                                    | third BCCH_CCCH type channel                                                                                                                    |
| C_BCCH_CCCH_4                                    | LOGCH       | "C_BCCH_CCCH_4"                                    | fourth BCCH_CCCH type channel                                                                                                                   |
| C_FCCH_SCH_BCCH_CCH<br>H_SDCCH4_SACCHC4          | LOGCH       | "C_FCCH_SCH_BCCH_CCH<br>H_SDCCH4_SACCHC4"          | combined CCCH type channel                                                                                                                      |
| C_CBCH_FCCH_SCH_BCC<br>H_CCCH_SDCCH4_SACCH<br>C4 | LOGCH       | "C_CBCH_FCCH_SCH_BCC<br>H_CCCH_SDCCH4_SACCH<br>C4" | combined CCCH type channel for cell broadcast SM                                                                                                |
| C_SDCCH8_SACCHC8_1                               | LOGCH       | "C_SDCCH8_SACCHC8_1"                               | first SDCCH/8 type channel                                                                                                                      |
| C_SDCCH8_SACCHC8_2                               | LOGCH       | "C_SDCCH8_SACCHC8_2"                               | second SDCCH/8 type channel                                                                                                                     |
| C_SDCCH8_SACCHC8_3                               | LOGCH       | "C_SDCCH8_SACCHC8_3"                               | 3rd SDCCH/8 type channel                                                                                                                        |
| C_S0                                             | SN          | '000'B                                             | time slot 0                                                                                                                                     |
| C_S2                                             | SN          | '010'B                                             | time slot 2                                                                                                                                     |
| C_S3                                             | SN          | '011'B                                             | time slot 3                                                                                                                                     |
| C_S4                                             | SN          | '100'B                                             | time slot 4                                                                                                                                     |
| C_S6                                             | SN          | '110'B                                             | time slot 6                                                                                                                                     |
| C_SAVE                                           | INTEGER     | 0                                                  | the OC_SaveAndProc saves input values                                                                                                           |
| C_PROC                                           | INTEGER     | 1                                                  | the OC_SvaAndProc processes saved values                                                                                                        |
| C_RETRV                                          | INTEGER     | 1                                                  |                                                                                                                                                 |
| C_U1                                             | CCSTATE     | 1                                                  | CC state U1                                                                                                                                     |
| C_U3                                             | CCSTATE     | 3                                                  | CC state U3                                                                                                                                     |
| C_U4                                             | CCSTATE     | 4                                                  | CC state U4                                                                                                                                     |
| C_U6                                             | CCSTATE     | 6                                                  | CC state U6                                                                                                                                     |
| C_U7                                             | CCSTATE     | 7                                                  | CC state U7                                                                                                                                     |
| C_U8                                             | CCSTATE     | 8                                                  | CC state U8                                                                                                                                     |
| C_U9                                             | CCSTATE     | 9                                                  | CC state U9                                                                                                                                     |
| C_U10                                            | CCSTATE     | 10                                                 | CC state U10                                                                                                                                    |
| C_U11                                            | CCSTATE     | 11                                                 | CC state U11                                                                                                                                    |
| C_U12                                            | CCSTATE     | 12                                                 | CC state U12                                                                                                                                    |
| C_U19                                            | CCSTATE     | 19                                                 | CC state U19                                                                                                                                    |
| C_U26                                            | CCSTATE     | 26                                                 | CC state U26                                                                                                                                    |
| C_NxtButOne                                      | SENDINGMODE | 1                                                  | send the second message on the next but one paging subblock                                                                                     |
| C_FmrAGB                                         | SENDINGMODE | 2                                                  | send the second message on the former access grant block                                                                                        |
| C_BfReOcc                                        | SENDINGMODE | 3                                                  | send the second message before the MS's original paging subchannel re-occurs, but later than the next paging block of that CCCH                 |
| C_NxtButOneNxt                                   | SENDINGMODE | 4                                                  | nothing is sent in the next but one paging sub block, then send the second message<br>in the next paging subblock of the MS's paging subchannel |

|                    |           |                 |                                                         |
|--------------------|-----------|-----------------|---------------------------------------------------------|
| C_CMServiceTypeE   | CMSVTYPE  | '0010'B         | CM Service Type for emergency call.                     |
| C_Telephony        | IA5String | "C_Telephony"   | telephony service (TS11)                                |
| C_EmgCall          | IA5String | "C_EmgCall"     | emergency call service (TS12)                           |
| C_AltSpchFax       | IA5String | "C_AltSpchFax"  | alternate speech and G3 fax service (TS61)              |
| C_AutoFax          | IA5String | "C_AutoFax"     | automatic G3 fax service (TS62)                         |
| C_Async300         | IA5String | "C_Async300"    | data circuit duplex async. 300 bit/s service (BS21)     |
| C_Async1200        | IA5String | "C_Async1200"   | data circuit duplex async. 1200 bit/s service (BS22)    |
| C_Async120075      | IA5String | "C_Async120075" | data circuit duplex async. 1200/75 bit/s service (BS23) |
| C_Async2400        | IA5String | "C_Async2400"   | data circuit duplex async. 2400 bit/s service (BS24)    |
| C_Async4800        | IA5String | "C_Async4800"   | data circuit duplex async. 4800 bit/s service (BS25)    |
| C_Async9600        | IA5String | "C_Async9600"   | data circuit duplex async 9600 bit/s service (BS26)     |
| C_Sync1200         | IA5String | "C_Sync1200"    | data circuit duplex sync. 1200 bit/s service (BS31)     |
| C_Sync2400         | IA5String | "C_Sync2400"    | data circuit duplex sync. 2400 bit/s service (BS32)     |
| C_Sync4800         | IA5String | "C_Sync4800"    | data circuit duplex sync. 4800 bit/s service (BS33)     |
| C_Sync9600         | IA5String | "C_Sync9600"    | data circuit duplex sync 9600 bit/s service (BS34)      |
| C_PAD300           | IA5String | "C_PAD300"      | PAD access 300 bit/s service (BS41)                     |
| C_PAD1200          | IA5String | "C_PAD1200"     | PAD access 1200 bit/s service (BS42)                    |
| C_PAD120075        | IA5String | "C_PAD120075"   | PAD access 1200/75 bit/s service (BS43)                 |
| C_PAD2400          | IA5String | "C_PAD2400"     | PAD access 2400 bit/s service (BS44)                    |
| C_PAD4800          | IA5String | "C_PAD4800"     | PAD access 4800 bit/s service (BS45)                    |
| C_PAD9600          | IA5String | "C_PAD9600"     | PAD access 9600 bit/s service (BS46)                    |
| C_Packet2400       | IA5String | "C_Packet2400"  | packt access 2400 bit/s service (BS51)                  |
| C_Packet4800       | IA5String | "C_Packet4800"  | packt access 4800 bit/s service (BS52)                  |
| C_Packet9600       | IA5String | "C_Packet9600"  | packt access 9600 bit/s service (BS53)                  |
| C_AltSpchData      | IA5String | "C_AltSpchData" | alternate speech/data service (BS61)                    |
| C_SpchData         | IA5String | "C_SpchData"    | speech followed data service (BS81)                     |
| C_L                | INTEGER   | 1               | L command of L 2                                        |
| C_one              | INTEGER   | 1               | one frequency, no hopping                               |
| C_Immass           | BITSTRING | '000'B          | activation for immediate assignment                     |
| C_Ass              | BITSTRING | '001'B          | activation for assignment                               |
| C_Asynho           | BITSTRING | '010'B          | activation for non synchronous handover                 |
| C_Synho            | BITSTRING | '011'B          | activation for synchronous handover                     |
| C_Rcv              | BITSTRING | '101'B          | activation for receiving only                           |
| C_LocEndRel        | RelMode   | '01'O           | local end release                                       |
| C_MaxPwrLvID       | INTEGER   | 15              | Max power level for MS DCS                              |
| C_MaxPwrLvIG       | INTEGER   | 19              | Max power level for MS GSM                              |
| C_rc_conditIEerror | REJCAU    | '64'O           | reject cause:<br>Conditional IE error                   |
| C_rc_congestion    | REJCAU    | '16'O           | reject cause:<br>congestion                             |
| C_rc_illegal_ms    | REJCAU    | '03'O           | reject cause:<br>illegal MS                             |
| C_rc_illegal_me    | REJCAU    | '06'O           | reject cause:                                           |



|                       |         |             |                                                                             |
|-----------------------|---------|-------------|-----------------------------------------------------------------------------|
| C_rc_imsiunknownhrlr  | REJCAU  | '02'O       | illegal ME                                                                  |
| C_rc_imsiunknownvrlr  | REJCAU  | '04'O       | reject cause:<br>IMSI unknown in HLR                                        |
| C_rc_invalidmaninfo   | REJCAU  | '60'O       | reject cause:<br>IMSI unknown in VLR                                        |
| C_rc_LAnotallowed     | REJCAU  | '0C'O       | reject cause:<br>invalid mandatory information                              |
| C_rc_networkfailure   | REJCAU  | '11'O       | reject cause:<br>LocationArea is not allowed                                |
| C_rc_notidentified    | REJCAU  | '26'O       | reject cause:<br>network failure                                            |
| C_rc_plmn_not         | REJCAU  | '0B'O       | reject cause:<br>can not be identified                                      |
| C_rc_protocolerror    | REJCAU  | '6F'O       | reject cause:<br>PLMN not allowed                                           |
| C_rc_reqservoptnotsub | REJCAU  | '21'O       | reject cause:<br>Protocol error unspecified                                 |
| C_rc_roamingnot       | REJCAU  | '0D'O       | reject cause:<br>requested service option not<br>subscribed                 |
| C_Restablishment      | B_1     | '0'B        | reject cause:<br>Roaming not allowed                                        |
| C_noRestablishment    | B_1     | '1'B        | Restablishment allowed                                                      |
| C_SlotNU              | SN      | '111'B      | No restablishment allowed                                                   |
| C_CellReselectHys12   | INTEGER | 6           | Slot Number not used                                                        |
| C_CellReselectHys4    | INTEGER | 2           | Cell Reselection Hysteresis value<br>12db                                   |
| C_RI_alternate        | B_8     | '11010001'B | Cell Reselection Hysteresis value<br>4db                                    |
| C_RI_follow           | B_8     | '11010011'B | Bcap repeat indicator for alternate<br>(circular selection)                 |
| C_SIMIn               | BOOLEAN | FALSE       | Bcap repeat indicator for<br>successive (sequential selection)              |
| C_SIMneedRmv          | BOOLEAN | TRUE        | SIM is always inserted in a test<br>case                                    |
| C_Yes                 | BOOLEAN | TRUE        | Removal of SIM is needed in a<br>test case (SIM is not always<br>inserted.) |
| C_No                  | BOOLEAN | FALSE       |                                                                             |
| C_Start_Imsi          | INTEGER | 1           | Test case body starts without<br>TMSI                                       |
| C_Start_Tmsi          | INTEGER | 2           | Test case body starts with<br>Tmsi_01                                       |
| C_Start_TmsiOff       | INTEGER | 5           | Test case body starts with<br>Tmsi_01. MS has been<br>deactivated.          |
| C_Start_Rej           | INTEGER | 3           | Test case body starts with LAI<br>deleted. MS has been<br>deactivated.      |
| C_Start_PLMNnot       | INTEGER | 4           | Test case body starts with PLMN<br>not allowed                              |
| C_Test_fh             | INTEGER | 1           | Test case with possibly frequency<br>hopping                                |
| C_Test_nfh            | INTEGER | 2           | Test case with no frequency<br>hopping                                      |
| C_Test_egsm           | INTEGER | 3           | Test case for egsm                                                          |
| C_Test_cbms           | INTEGER | 4           | Test case for CBMS                                                          |
| C_normal_updating     | B_2     | '00'B       | normal location updating                                                    |
| C_periodic_updating   | B_2     | '01'B       | periodic location updating                                                  |
| C_normalOrperiodic    | B_2     | '0?'B       | periodic or normal location<br>updating                                     |
| C_imsi_attach         | B_2     | '10'B       | location updating IMSI attach                                               |
| C_norm_period_attach  | B_2     | '??'B       | imsi attach or periodic location<br>updating or normal location<br>updating |
| C_normal_paging       | B_2     | '00'B       | normal page mode                                                            |
| C_extended_paging     | B_2     | '01'B       | extended paging                                                             |

|                       |         |        |                                                                         |
|-----------------------|---------|--------|-------------------------------------------------------------------------|
| C_reorg_paging        | B_2     | '10'B  | paging reorganisation                                                   |
| C_sab_paging          | B_2     | '11'B  | same as before paging                                                   |
| C_non_synchronised    | B_2     | '00'B  | non-synchronised                                                        |
| C_synchronised        | B_2     | '01'B  | synchronised                                                            |
| C_pre_synchronised    | B_2     | '10'B  | pre-synchronised                                                        |
| C_pseudo_synchronised | B_2     | '11'B  | pseudo-synchronised                                                     |
| C_not_report_otd      | B_1     | '0'B   | not report observed time difference                                     |
| C_report_otd          | B_1     | '1'B   | report observed time difference                                         |
| C_Tzone0              | TZONES  | 0      | Time zone 0 (used in TC_34_2_1, TC_34_2_5_3)                            |
| C_Tzone1              | TZONES  | 4      | Time zone 4 (used in TC_34_2_2, TC_34_2_7)                              |
| C_Tzone2              | TZONES  | 10     | Time zone 10 (used in TC_34_2_3)                                        |
| C_Tzone3              | TZONES  | 15     | Time zone 15 (used in TC_34_2_4)                                        |
| C_Tzone4              | TZONES  | 25     | Time zone 25 (used in TC_34_2_5_1)                                      |
| C_Tzone5              | TZONES  | 35     | Time zone 35 (used in TC_34_2_5_2)                                      |
| C_Tzone6              | TZONES  | 45     | Time zone 45 (used in TC_34_2_8)                                        |
| C_T_AssCmd            | INTEGER | 900    | 600ms + 300ms(tolerance)                                                |
| C_T_Wait1stChReq      | INTEGER | 35000  | max time for full BCCH data decoding                                    |
| C_T_mrsrp             | INTEGER | 1500   | 3 times time btw 2 msr rpt.                                             |
| C_T_T3124             | INTEGER | 675    | T3124(675ms)                                                            |
| C_T_T3211plus         | INTEGER | 20000  | 20s                                                                     |
| C_T_T3212             | INTEGER | 360000 | T3212(6min)                                                             |
| C_T_T3212min          | INTEGER | 345000 | T3212(6min) - 15sec                                                     |
| C_T_T3212dif          | INTEGER | 15000  | Difference between T3212 and T3212min                                   |
| C_T_T3210             | INTEGER | 20000  | timer T3210 in ms                                                       |
| C_T_T3211min          | INTEGER | 13500  | 90% T3211 in ms                                                         |
| C_T_T3230min          | INTEGER | 13500  | 90% T3230 in ms                                                         |
| C_T_T3240min          | INTEGER | 9000   | 90% T3240 in ms                                                         |
| C_T_T3240tol          | INTEGER | 2000   | 20% T3240 in ms                                                         |
| C_T_Wait              | INTEGER | 5000   | 5s. T3126max                                                            |
| C_T_Wait1             | INTEGER | 1000   | 1s                                                                      |
| C_T_Wait_FAC          | INTEGER | 1500   | 1.5s Facility response time (1s) + tolerance (0.5s)                     |
| C_release_time        | INTEGER | 11     | release timer value                                                     |
| C_RegCFNRy            | INTEGER | 1      | registration of call forwarding service for CFNRy (speech)              |
| C_RegCFU              | INTEGER | 2      | registration of call forwarding service for CFU (all facsimile)         |
| C_RegCF               | INTEGER | 3      | registration of call forwarding service for CF (all facsimile)          |
| C_ErsCFC              | INTEGER | 4      | erasure of call forwarding service for CFC (all facsimile)              |
| C_ErsCFNRc            | INTEGER | 5      | erasure of call forwarding service for CFNRc (all basic services)       |
| C_ErsCFNRy            | INTEGER | 6      | erasure of call forwarding service for CFNRy (all facsimile)            |
| C_ActCF               | INTEGER | 7      | activation of call forwarding service for CF (all synchronous services) |
| C_ActCFU              | INTEGER | 8      | activation of call forwarding service for CFU (all basic services)      |
| C_DeactCFC            | INTEGER | 9      | deactivation of call forwarding service for CFC (speech)                |
| C_DeactCFNRc          | INTEGER | 10     | deactivation of call forwarding service for CFNRc (all facsimile)       |
| C_InterrogCFC         | INTEGER | 11     | interrogation of call forwarding service for CFC (Speech)               |
| C_InterrogCFB         | INTEGER | 12     | interrogation of call forwarding service for CFB (all basic)            |

|                      |             |        |                                                                                                            |
|----------------------|-------------|--------|------------------------------------------------------------------------------------------------------------|
| C_NotifyCFB          | INTEGER     | 13     | services)<br>notification of call forwarding service for CFB (incoming call is forwarded)                  |
| C_NotifyCFU          | INTEGER     | 14     | notification of call forwarding service for CFU (provisioned, registered, active)                          |
| C_NotifyCFC          | INTEGER     | 15     | notification of call forwarding service for CFC (provisioned, registered, active)                          |
| C_NotifyCFNRc        | INTEGER     | 16     | notification of call forwarding service for CFNRc (Ms not reachable)                                       |
| C_RegPswd            | INTEGER     | 17     | Registration of password for all call barring services                                                     |
| C_ActBOAC            | INTEGER     | 18     | Activation of BOAC                                                                                         |
| C_ActBICRoam         | INTEGER     | 19     | Activation of BICRoam                                                                                      |
| C_ActBOIC            | INTEGER     | 20     | Activation of BOIC                                                                                         |
| C_ActBAIC            | INTEGER     | 21     | Activation of BAIC                                                                                         |
| C_DeactBO            | INTEGER     | 22     | Deactivation of BO                                                                                         |
| C_DeactBI            | INTEGER     | 23     | Deactivation of BI                                                                                         |
| C_DeactBOICExHC      | INTEGER     | 24     | Deactivation of BOICExHC                                                                                   |
| C_NotifyBI           | INTEGER     | 25     | Notify of BI                                                                                               |
| C_InterrogBOIC       | INTEGER     | 26     | Interrogation of BOIC                                                                                      |
| C_InterrogBOICExHC   | INTEGER     | 27     | Interrogation of BOICExHC                                                                                  |
| C_Full               | IA5String   | "F"    | full rate channel (any speech version or data)                                                             |
| C_Full_v2            | IA5String   | "Fv2"  | full rate speech channel, version 2                                                                        |
| C_Half               | IA5String   | "H"    | half rate channel                                                                                          |
| C_nirr_dontcare      | B_1         | '?'B   | NIRR no meaning or requested                                                                               |
| C_Rchr_dontcare      | B_2         | '??'B  | radio channel requirement not checked                                                                      |
| C_Rchr_Full          | B_2         | '01'B  | radio channel requirement : full rate                                                                      |
| C_Rchr_DualForDualH  | B_2         | '1?'B  | radio channel requirement : dual rate support/half rate preferred or dual rate support/full rate preferred |
| C_Rchr_DualForDualH0 | B_2         | '10'B  | radio channel requirement : dual rate support/half rate preferred or dual rate support/full rate preferred |
| C_StartingTimeHO     | INTEGER     | 238    | Starting time 238 (1.1s), in TC_26_6_5_1, TC_26_6_5_4_2                                                    |
| C_StrT_1000          | INTEGER     | 1000   | Starting time 1000, in TC_26_6_13_1                                                                        |
| C_Norm               | OCTETSTRING | '00'O  | Establish mode: normal                                                                                     |
| C_Speech             | B_3         | '000'B | Info. Transfer Cap. speech                                                                                 |
| C_3100Hz             | B_3         | '010'B | Info. Transfer Cap. 3.1 kHz                                                                                |
| C_UDI                | B_3         | '001'B | Info. Transfer Cap. UDI                                                                                    |
| C_FAX3               | B_3         | '011'B | Info. Transfer Cap. FAX3                                                                                   |
| C_SDUintegrity       | B_2         | '00'B  | Structure SDU integrity                                                                                    |
| C_Unstructured       | B_2         | '11'B  | Structure Unstructured                                                                                     |
| C_struct_dontchk     | B_2         | '??'B  | Structure not checked                                                                                      |
| C_nirr_nomeaning     | B_1         | '0'B   | NIRR no meaning                                                                                            |
| C_no_rate_adaption   | B_2         | '00'B  | Rate adaption no                                                                                           |
| C_rate_adaption_V110 | B_2         | '01'B  | Rate adaption V110                                                                                         |
| C_rate_adaption_X31  | B_2         | '10'B  | Rate adaption X31 flag                                                                                     |
| C_sacp_NA            | B_3         | '001'B | Signaling access NA (sec.11.8.1.5.1)                                                                       |
| C_I440_450           | B_3         | '001'B | Signaling access I440/450                                                                                  |
| C_X21                | B_3         | '010'B | Signaling access X21                                                                                       |
| C_X28_unui           | B_3         | '100'B | Signaling access X28 U NUI                                                                                 |
| C_X28_nond           | B_3         | '101'B | Signaling access X28 non dedicated                                                                         |
| C_X32                | B_3         | '110'B | Signaling access X32                                                                                       |
| C_Synchronous        | B_1         | '0'B   | Synchronous                                                                                                |
| C_Asynchrous         | B_1         | '1'B   | Asynchronous                                                                                               |
| C_stopbit_NA         | B_1         | '0'B   | Number of Stop bits NA                                                                                     |

|                                    |             |          |                               |
|------------------------------------|-------------|----------|-------------------------------|
| C_stopbit_dontcare                 | B_1         | '?'B     | Number of Stop bits not care  |
| C_databit_NA                       | B_1         | '1'B     | Number of Data bits not care  |
| C_databit_dontcare                 | B_1         | '?'B     | Number of Data bits NA        |
| C_300bs                            | B_4         | '0001'B  | User rate 300 bs              |
| C_1200bs                           | B_4         | '0010'B  | User rate 1200 bs             |
| C_120075bs                         | B_4         | '0111'B  | User rate 1200/75 bs          |
| C_2400bs                           | B_4         | '0011'B  | User rate 2400 bs             |
| C_4800bs                           | B_4         | '0100'B  | User rate 4800 bs             |
| C_9600bs                           | B_4         | '0101'B  | User rate 9600 bs             |
| C_parity_NA                        | B_3         | '011'B   | Parity NA                     |
| C_parity_dontcare                  | B_3         | '???'B   | Parity not care               |
| C_ir_8kbs                          | B_2         | '10'B    | Intermediate rate 8 Kbs       |
| C_ir_16kbs                         | B_2         | '11'B    | Intermediate rate 16 Kbs      |
| C_ir_8or16kbs                      | B_2         | '1?'B    | Intermediate rate 8 or 16 Kbs |
| C_transparent                      | B_2         | '00'B    | Connection element T          |
| C_nottransparent                   | B_2         | '01'B    | Connection element NT         |
| C_BothT                            | B_2         | '10'B    | Connection element both T     |
| C_BothNT                           | B_2         | '11'B    | Connection element both NT    |
| C_modemt_none                      | B_5         | '00000'B | no modem                      |
| C_modemt_V21                       | B_5         | '00001'B | modem V21                     |
| C_modemt_V22                       | B_5         | '00010'B | modem V22                     |
| C_modemt_V22bis                    | B_5         | '00011'B | modem V22bis                  |
| C_modemt_V23                       | B_5         | '00100'B | modem V23                     |
| C_modemt_V32                       | B_5         | '00110'B | modem V32                     |
| C_ISO6429                          | B_5         | '01000'B | Inband flow control           |
| C_COPnoFLCT                        | B_5         | '01100'B | No flow control               |
| C_X25_flct                         | B_5         | '00110'B | X25 flow control              |
| C_Outband                          | FLWCNTL     | 0        | outband flow control          |
| C_Inband                           | FLWCNTL     | 1        | outband flow control          |
| C_Nocontrol                        | FLWCNTL     | 2        | outband flow control          |
| C_uil2p_dontcare                   | B_5         | '?????'B | not checked                   |
| C_HSN_0                            | INTEGER     | 0        | cyclic hopping                |
| maxAddressLength                   | Asn1Integer | 20       |                               |
| maxISDN_AddressLength              | Asn1Integer | 9        |                               |
| maxISDN_SubaddressLength           | Asn1Integer | 21       |                               |
| maxNumOfBasicServiceGroups         | Asn1Integer | 13       |                               |
| maxNumOfCUG                        | Asn1Integer | 10       |                               |
| maxNumberOfSegmentsPerDataInterval | Asn1Integer | 8191     |                               |
| maxSignalInfoLength                | Asn1Integer | 200      |                               |
| maxUSSD_StringLength               | Asn1Integer | 160      |                               |
| max10TimesIncrement                | Asn1Integer | 8191     |                               |
| max10TimesIncrementPerDataInterval | Asn1Integer | 8191     |                               |
| max10TimesInitialTime              | Asn1Integer | 8191     |                               |
| max100TimesScalingFactor           | Asn1Integer | 8191     |                               |
| max10TimesTimeInterval             | Asn1Integer | 8191     |                               |
| max10TimesUnitsPerTime             | Asn1Integer | 8191     |                               |
| <b>Detailed Comments:</b>          |             |          |                               |

## Test case variable declarations

| Test Case Variable Declarations |               |                                                                                                                                                                                                                                                                                                                                                                                                                                                                                                                                        |                                                            |
|---------------------------------|---------------|----------------------------------------------------------------------------------------------------------------------------------------------------------------------------------------------------------------------------------------------------------------------------------------------------------------------------------------------------------------------------------------------------------------------------------------------------------------------------------------------------------------------------------------|------------------------------------------------------------|
| Variable Name                   | Type          | Value                                                                                                                                                                                                                                                                                                                                                                                                                                                                                                                                  | Comments                                                   |
| TCV_CC                          | BOOLEAN       | TSPC_Serv_TS11 OR<br>TSPC_Serv_TS12 OR<br>TSPC_Serv_TS61 OR<br>TSPC_Serv_TS62 OR<br>TSPC_Serv_BS21 OR<br>TSPC_Serv_BS22 OR<br>TSPC_Serv_BS23 OR<br>TSPC_Serv_BS24 OR<br>TSPC_Serv_BS25 OR<br>TSPC_Serv_BS26 OR<br>TSPC_Serv_BS31 OR<br>TSPC_Serv_BS32 OR<br>TSPC_Serv_BS33 OR<br>TSPC_Serv_BS34 OR<br>TSPC_Serv_BS41 OR<br>TSPC_Serv_BS42 OR<br>TSPC_Serv_BS43 OR<br>TSPC_Serv_BS44 OR<br>TSPC_Serv_BS45 OR<br>TSPC_Serv_BS46 OR<br>TSPC_Serv_BS51 OR<br>TSPC_Serv_BS52 OR<br>TSPC_Serv_BS53 OR<br>TSPC_Serv_BS61 OR<br>TSPC_Serv_BS81 |                                                            |
| TCV_AssCmd                      | ASS_CMD_PDU   |                                                                                                                                                                                                                                                                                                                                                                                                                                                                                                                                        | to hold ASSIGNMENT<br>COMMAND PDU                          |
| TCV_Bcap1                       | BCAP          |                                                                                                                                                                                                                                                                                                                                                                                                                                                                                                                                        | to hold bearer capability                                  |
| TCV_BcapMT1                     | BCAP          |                                                                                                                                                                                                                                                                                                                                                                                                                                                                                                                                        | to hold BC for MT call                                     |
| TCV_BcapMO1                     | BCAP          |                                                                                                                                                                                                                                                                                                                                                                                                                                                                                                                                        | to hold BC for MO call                                     |
| TCV_Bcap2                       | BCAP          |                                                                                                                                                                                                                                                                                                                                                                                                                                                                                                                                        | to hold bearer capability                                  |
| TCV_BcapMT2                     | BCAP          |                                                                                                                                                                                                                                                                                                                                                                                                                                                                                                                                        | to hold BC for MT call                                     |
| TCV_bs_ag_blks_res              | INTEGER       |                                                                                                                                                                                                                                                                                                                                                                                                                                                                                                                                        |                                                            |
| TCV_bs_cc_chans                 | INTEGER       |                                                                                                                                                                                                                                                                                                                                                                                                                                                                                                                                        |                                                            |
| TCV_bs_pa_mfrms                 | INTEGER       |                                                                                                                                                                                                                                                                                                                                                                                                                                                                                                                                        |                                                            |
| TCV_CalledNum                   | CDPN          |                                                                                                                                                                                                                                                                                                                                                                                                                                                                                                                                        | to hold called party number                                |
| TCV_CallProc                    | CALL_PROC_PDU |                                                                                                                                                                                                                                                                                                                                                                                                                                                                                                                                        | to hold CALL PROCEEDING PDU                                |
| TCV_CallCfm                     | CALL_CO_PDU   |                                                                                                                                                                                                                                                                                                                                                                                                                                                                                                                                        | to hold CALL CONFIRM PDU                                   |
| TCV_Cau                         | CAU           |                                                                                                                                                                                                                                                                                                                                                                                                                                                                                                                                        | to hold cause                                              |
| TCV_Cau0                        | CAU           |                                                                                                                                                                                                                                                                                                                                                                                                                                                                                                                                        | to hold cause                                              |
| TCV_CAgsm                       | CCHD          |                                                                                                                                                                                                                                                                                                                                                                                                                                                                                                                                        | To compute Cell Channel<br>Descriptor for gsm              |
| TCV_CAdcs                       | CCHD          |                                                                                                                                                                                                                                                                                                                                                                                                                                                                                                                                        | To compute Cell Channel<br>Descriptor for dcs              |
| TCV_CB1                         | OCTETSTRING   |                                                                                                                                                                                                                                                                                                                                                                                                                                                                                                                                        | store SMSCB block data                                     |
| TCV_CB2                         | OCTETSTRING   |                                                                                                                                                                                                                                                                                                                                                                                                                                                                                                                                        | store SMSCB block data                                     |
| TCV_CB3                         | OCTETSTRING   |                                                                                                                                                                                                                                                                                                                                                                                                                                                                                                                                        | store SMSCB block data                                     |
| TCV_CB4                         | OCTETSTRING   |                                                                                                                                                                                                                                                                                                                                                                                                                                                                                                                                        | store SMSCB block data                                     |
| TCV_CE                          | CE            |                                                                                                                                                                                                                                                                                                                                                                                                                                                                                                                                        |                                                            |
| TCV_Ccchg                       | INTEGER       |                                                                                                                                                                                                                                                                                                                                                                                                                                                                                                                                        | CCCH_GROUP                                                 |
| TCV_Ccd0A                       | CCD           |                                                                                                                                                                                                                                                                                                                                                                                                                                                                                                                                        | a copy of control channel<br>description in use for cell A |
| TCV_Ccd0B                       | CCD           |                                                                                                                                                                                                                                                                                                                                                                                                                                                                                                                                        | a copy of control channel<br>description in use for cell B |
| TCV_Ccd0C                       | CCD           |                                                                                                                                                                                                                                                                                                                                                                                                                                                                                                                                        | a copy of control channel<br>description in use for cell C |
| TCV_Ccd0D                       | CCD           |                                                                                                                                                                                                                                                                                                                                                                                                                                                                                                                                        | a copy of control channel<br>description in use for cell D |
| TCV_Ccd0E                       | CCD           |                                                                                                                                                                                                                                                                                                                                                                                                                                                                                                                                        | a copy of control channel<br>description in use for cell E |
| TCV_Ccd0F                       | CCD           |                                                                                                                                                                                                                                                                                                                                                                                                                                                                                                                                        | a copy of control channel<br>description in use for cell F |
| TCV_Ccd0G                       | CCD           |                                                                                                                                                                                                                                                                                                                                                                                                                                                                                                                                        | a copy of control channel<br>description in use for cell G |
| TCV_Ccd0H                       | CCD           |                                                                                                                                                                                                                                                                                                                                                                                                                                                                                                                                        | a copy of control channel<br>description in use for cell H |

|                |             |          |                                                                                          |
|----------------|-------------|----------|------------------------------------------------------------------------------------------|
| TCV_cchdescr   | OCTETSTRING |          | Frequency list of Cell Channel Descr, used in EGSM                                       |
| TCV_CCSt       | CST         |          | to hold call status                                                                      |
| TCV_cchannel   | B_3         |          | to hold the type of the control channel in IdleUpdated test step                         |
| TCV_ch         | LOGICCH     | "dummy"  | to hold logic channel                                                                    |
| TCV_ch1        | LOGICCH     | "dummy"  | to hold logic channel                                                                    |
| TCV_sacch      | LOGICCH     | "dummy"  | to hold logic channel                                                                    |
| TCV_sacch_B    | LOGICCH     | "dummy"  | to hold logic channel                                                                    |
| TCV_sacch_C    | LOGICCH     | "dummy"  | to hold logic channel                                                                    |
| TCV_sacch_D    | LOGICCH     | "dummy"  | to hold logic channel                                                                    |
| TCV_sacch_E    | LOGICCH     | "dummy"  | to hold logic channel                                                                    |
| TCV_sacch_F    | LOGICCH     | "dummy"  | to hold logic channel                                                                    |
| TCV_sacch_G    | LOGICCH     | "dummy"  | to hold logic channel                                                                    |
| TCV_sacch_H    | LOGICCH     | "dummy"  | to hold logic channel                                                                    |
| TCV_sacch8     | LOGICCH     | "dummy"  | to hold logic channel                                                                    |
| TCV_sacchTch   | LOGICCH     | "dummy"  | to hold logic channel                                                                    |
| TCV_sacchTch1  | LOGICCH     | "dummy"  | to hold logic channel                                                                    |
| TCV_sacchTch_H | LOGICCH     | "dummy"  | to hold logic channel                                                                    |
| TCV_chTch      | LOGICCH     | "dummy"  | to hold logic channel                                                                    |
| TCV_chTch1     | LOGICCH     | "dummy"  | to hold logic channel                                                                    |
| TCV_chSms      | LOGICCH     | "dummy"  | to hold logic channel                                                                    |
| TCV_agch       | LOGICCH     | "dummy"  | downlink access grant channel                                                            |
| TCV_WorkingCh  | LOGICCH     | "dummy"  | to hold logic channel                                                                    |
| TCV_cellid     | CellID      |          | to hold the cell identifier                                                              |
| TCV_Char       | IA5String   |          | to hold the IA5 char. corresponding to a DTMF tone                                       |
| TCV_chd1       | CHD         |          | to hold channel description IE                                                           |
| TCV_cchd1      | CCHD        |          | to hold cell channel description IE                                                      |
| TCV_ChMod      | CHMOD       |          | to hold channel mode IE                                                                  |
| TCV_ChModb     | CHMOD       |          | to hold channel mode IE for second mode in dual mode services                            |
| TCV_Tchtype    | CH_TDMA     | '00001'B | Traffic channel type and TDMA offset in channel description IE                           |
| TCV_chtype     | CH_TDMA     |          | to channel type and TDMA offset in channel description IE                                |
| TCV_cksn       | BITSTRING   |          | to hold the CKSN.                                                                        |
| TCV_Cnt        | INTEGER     |          | general loop counter                                                                     |
| TCV_Cnt1       | INTEGER     |          | general loop counter                                                                     |
| TCV_Cnt2       | INTEGER     |          | general loop counter                                                                     |
| TCV_Cntstart   | BOOLEAN     | FALSE    | general loop counter start decision                                                      |
| TCV_Cntref     | INTEGER     |          | Reference for general loop counter                                                       |
| TCV_CphAlg     | BITSTRING   |          | ciphering algorithm                                                                      |
| TCV_CphKey     | BITSTRING   |          | ciphering key                                                                            |
| TCV_CphMd      | CPHMS       |          | ciphering mode setting                                                                   |
| TCV_CPDataRetx | INTEGER     |          | Number of CP Data retransmissions for SMS                                                |
| TCV_ChRate     | IA5String   | C_Full   | to hold channel rate                                                                     |
| TCV_ChRate1    | IA5String   | C_Full   | to hold channel rate                                                                     |
| TCV_counter_c  | INTEGER     |          | loop counter c                                                                           |
| TCV_counter_k  | INTEGER     |          | loop counter k                                                                           |
| TCV_Fk         | INTEGER     |          | to hold an interval between events                                                       |
| TCV_flist      | OCTETSTRING |          | Frequency List, used in EGSM for IE "frequency list" or "frequency short list"           |
| TCV_flistl     | LENGTH      |          | Length of Frequency List, used in EGSM for IE "frequency list" or "frequency short list" |
| TCV_Fn         | FN          |          | to hold the frame number (T1' , T2, T3)                                                  |
| TCV_Fn1        | FN          |          | to hold the frame number (T1' , T2, T3)                                                  |
| TCV_FnAss      | FN          |          | to hold the frame number in AssCmd statement                                             |
| TCV_FnBurst    | FN          |          | to hold the frame number of first                                                        |

|                     |              |         |                                                                           |
|---------------------|--------------|---------|---------------------------------------------------------------------------|
| TCV_FollowingOctets | OCTETSTRING  |         | burst of handover access                                                  |
| TCV_HoaccPara       | HOACC_PARA   |         | Contains the octets following the invoke id                               |
| TCV_Horf            | HORF         |         | Handover access timing and power                                          |
| TCV_HoCMD           | HO_CMD_PDU   |         | Variable for HO reference in HO-Messages of HO cases.                     |
| TCV_Hrf             | HORF         |         | to hold handover PDU                                                      |
| TCV_iel             | LENGTH       |         | to hold handover reference                                                |
| TCV_kcnt            | INTEGER      |         | Length of IE                                                              |
| TCV_K               | INTEGER      |         | loop counter                                                              |
| TCV_L1Head0         | L1HD         |         | to hold L 1 header                                                        |
| TCV_L1Head          | L1HD         |         | to hold L 1 header                                                        |
| TCV_lac             | OCTETSTRING  |         | to hold the lac. 2 octets                                                 |
| TCV_lacunknown      | OCTETSTRING  | '??'O   | to hold a wild card lac when the lac is unknown                           |
| TCV_n               | INTEGER      |         |                                                                           |
| TCV_Neci            | BITSTRING    |         | counter                                                                   |
| TCV_M               | INTEGER      |         | to hold MAIO                                                              |
| TCV_maio            | MAIO         |         | Mobile Allocation in EGSM. It includes the 1.octet of MA                  |
| TCV_mae1            | BITSTRING    |         | Mobile Allocation in EGSM. It includes the 2.octet of MA                  |
| TCV_mae2            | BITSTRING    |         | to hold Max-retrans bitstring                                             |
| TCV_Max             | BITSTRING    |         | RP error Memory Capacity Exceeded was sent                                |
| TCV_MemCapExcd      | BOOLEAN      |         | to hold measurement results                                               |
| TCV_MsrRes          | MSRR         |         | to hold message type                                                      |
| TCV_Mt              | BITSTRING    |         | to hold message type                                                      |
| TCV_Mt1             | BITSTRING    |         | To hold Modify message                                                    |
| TCV_Modify          | MODIFY_PDU   |         | to collect useless result from some test suite operations                 |
| TCV_Null            | BOOLEAN      |         | logical channel for paging                                                |
| TCV_PgCh            | LOGICCH      | "dummy" | paging group                                                              |
| TCV_Pgg             | PGG          |         | Contains the octets previous to the invoke id                             |
| TCV_PreviousOctets  | OCTETSTRING  |         | RP error Protocol Error Unspecified was sent                              |
| TCV_ProtErrorUnspec | BOOLEAN      |         | to hold the power level                                                   |
| TCV_Pwrlvl          | BITSTRING    |         | power level for HO_CMD, used in HO cases.                                 |
| TCV_Pwrlvl_ho       | BITSTRING    |         | to hold Radio channel requirement                                         |
| TCV_Rchr            | B_2          |         | to hold the result of a test suite operation                              |
| TCV_Res             | BOOLEAN      |         | RP message reference for SMS                                              |
| TCV_Rpmr            | MR           |         | to hold the request reference                                             |
| TCV_Rqr             | RQR          |         | to hold the request reference differing from TCV_Rqr                      |
| TCV_Rqr9            | RQR          |         | to hold the request reference differing from TCV_Rqr, TCV_Rqr9            |
| TCV_Rqr10           | RQR          |         | to hold the request reference differing from TCV_Rqr, TCV_Rqr9, TCV_Rqr10 |
| TCV_Rqr11           | RQR          |         | to hold the random request reference                                      |
| TCV_Rr              | BITSTRING    |         | to hold the random reference                                              |
| TCV_Rr1             | BITSTRING    |         | to hold basicservice selected                                             |
| TCV_Service         | SERVICES     |         | to hold basicservice selected                                             |
| TCV_Service1        | SERVICES     |         | to hold the SETUP PDU (MO)                                                |
| TCV_Setup_mo        | SETUP_MO_PDU |         | to hold the SETUP PDU (MO)                                                |
| TCV_Setup_mo1       | SETUP_MO_PDU |         | to hold the SETUP PDU (MT)                                                |
| TCV_Setup_mt        | SETUP_MT_PDU |         | to hold the 2nd SETUP PDU (MT)                                            |
| TCV_Setup_mt1       | SETUP_MT_PDU |         | 2nd test required in TC_11_1_1                                            |
| TCV_2ndtest         | BOOLEAN      |         | Holds 1st Speech Verson                                                   |
| TCV_EFR_svi1        | B_4          |         |                                                                           |

|                   |                 |                  |                                                                                            |
|-------------------|-----------------|------------------|--------------------------------------------------------------------------------------------|
| TCV_EFR_svi2      | B_4             |                  | Indication from received BCAP<br>Holds 2nd Speech Version<br>Indication from received BCAP |
| TCV_EFR_svi3      | B_4             |                  | Holds 3rd Speech Version<br>Indication from received BCAP                                  |
| TCV_Esetup        | ESETUP_PDU      |                  | to hold the emergency SETUP<br>PDU                                                         |
| TCV_Esetup1       | ESETUP_PDU      |                  | to hold the emergency SETUP<br>PDU                                                         |
| TCV_Ecall         | BOOLEAN         | FALSE            | it is set to TRUE, if the service<br>under test is emergency call                          |
| TCV_slot          | SN              |                  | To hold the default slot used<br>during the entire TC.                                     |
| TCV_slt2          | SN              |                  | To hold a second working slot<br>number.                                                   |
| TCV_Sres          | OCTETSTRING     |                  | to hold the SRES returned                                                                  |
| TCV_sysinfo5      | SYSINFO5_PDU    |                  | to hold the SysInfo5 PDU                                                                   |
| TCV_sysinfo5      | SYSINFO5_PDU    |                  | to hold the SysInfo5 PDU for cell<br>A                                                     |
| TCV_sysinfo5bis   | SYSINFO5bis_PDU |                  | to hold the SysInfo5bis PDU for<br>cell A                                                  |
| TCV_sysinfo5_B    | SYSINFO5_PDU    |                  | to hold the SysInfo5 PDU for cell<br>B                                                     |
| TCV_sysinfo5_C    | SYSINFO5_PDU    |                  | to hold the SysInfo5 PDU for cell<br>c                                                     |
| TCV_sysinfo5_D    | SYSINFO5_PDU    |                  | to hold the SysInfo5 PDU for cell<br>D                                                     |
| TCV_sysinfo5_E    | SYSINFO5_PDU    |                  | to hold the SysInfo5 PDU for cell<br>E                                                     |
| TCV_sysinfo5_F    | SYSINFO5_PDU    |                  | to hold the SysInfo5 PDU for cell<br>F                                                     |
| TCV_sysinfo5_G    | SYSINFO5_PDU    |                  | to hold the SysInfo5 PDU for cell<br>G                                                     |
| TCV_sysinfo5_H    | SYSINFO5_PDU    |                  | to hold the SysInfo5 PDU for cell<br>H                                                     |
| TCV_sysinfo5bis_A | SYSINFO5bis_PDU |                  | to hold the SysInfo5bis PDU for<br>cell A(TC_26_10_2_4_1)                                  |
| TCV_sysinfo5bis_B | SYSINFO5bis_PDU |                  | to hold the SysInfo5bis PDU for<br>cell B                                                  |
| TCV_sysinfo6      | SYSINFO6_PDU    |                  | to hold the SysInfo6 PDU                                                                   |
| TCV_sysinfo6      | SYSINFO6_PDU    |                  | to hold the SysInfo6 PDU for cell<br>A                                                     |
| TCV_sysinfo6_B    | SYSINFO6_PDU    |                  | to hold the SysInfo6 PDU for cell<br>B                                                     |
| TCV_sysinfo6_C    | SYSINFO6_PDU    |                  | to hold the SysInfo6 PDU for cell<br>C                                                     |
| TCV_sysinfo6_D    | SYSINFO6_PDU    |                  | to hold the SysInfo6 PDU for cell<br>D                                                     |
| TCV_sysinfo6_E    | SYSINFO6_PDU    |                  | to hold the SysInfo6 PDU for cell<br>E                                                     |
| TCV_sysinfo6_F    | SYSINFO6_PDU    |                  | to hold the SysInfo6 PDU for cell<br>F                                                     |
| TCV_sysinfo6_G    | SYSINFO6_PDU    |                  | to hold the SysInfo6 PDU for cell<br>G                                                     |
| TCV_sysinfo6_H    | SYSINFO6_PDU    |                  | to hold the SysInfo6 PDU for cell<br>H                                                     |
| TCV_temp          | INTEGER         |                  | to hold results of expressions that<br>are to be passed as parameters                      |
| TCV_ti_v          | TI_V            |                  | to hold the transaction id. value                                                          |
| TCV_ti_v_2        | TI_V            |                  | to hold the transaction id. value<br>for another transaction                               |
| TCV_T             | INTEGER         |                  | to hold Tx-integer chosen<br>randomly                                                      |
| TCV_T_TwiceTC1M   | INTEGER         | TSPX_TC1M * 2000 | Twice TC1M in ms                                                                           |
| TCV_chdescr_arfcn | INTEGER         |                  | ARFCN carrier of actual cell                                                               |
| TCV_tch_arfcn     | INTEGER         |                  | ARFCN carrier for traffic channel                                                          |
| TCV_asscmd_ts     | BITSTRING       |                  | Time slot for channel description<br>in assignment cmd.                                    |
| TCV_ts            | BITSTRING       |                  | Time slot for channel description<br>in handover cmd.                                      |



|                 |             |         |                                                                  |
|-----------------|-------------|---------|------------------------------------------------------------------|
| TCV_ia_ts       | BITSTRING   |         | Time slot for channel description in immediate assignment        |
| TCV_tsc         | TSC         |         | To hold the default training sequence used during the entire TC. |
| TCV_Td          | OCTETSTRING |         | to hold timing difference                                        |
| TCV_Time        | INTEGER     |         | to hold the measured value of T310 or T305 or T308               |
| TCV_TI          | TI          |         | to hold the transaction ID for MO calls in sending events        |
| TCV_TI0         | TI          |         | to hold the transaction ID for MO calls in receiving events      |
| TCV_TI1         | TI          |         | to hold the transaction ID                                       |
| TCV_TI2         | TI          |         | to hold the transaction ID                                       |
| TCV_TI3         | TI          |         | to hold the transaction ID                                       |
| TCV_tmp         | INTEGER     |         | temporary integer variable                                       |
| TCV_Tx          | BITSTRING   |         | to hold Tx bitstring                                             |
| TCV_S           | INTEGER     |         | to hold the S parameter                                          |
| TCV_Upd         | BOOLEAN     |         | to hold the information whether the MS is updated or not.        |
| TCV_UssdString  | IA5String   |         | String for USS Data                                              |
| TCV_UssdString1 | IA5String   |         | String for USS Data                                              |
| TCV_UssdString2 | IA5String   |         | String for USS Data                                              |
| TCV_Invkld      | OCTETSTRING |         | to hold SS transaction ID                                        |
| TCV_Invkld0     | OCTETSTRING |         | to hold SS transaction ID                                        |
| TCV_Invkld1     | OCTETSTRING |         | to hold SS transaction ID                                        |
| TCV_Comp        | Components  |         | to hold SS Components                                            |
| TCV_Strt        | STRT        |         | to hold starting time                                            |
| TCV_CBch        | LOGICCH     | "dummy" | Cell Broadcast channel                                           |
| TCV_Tpmr        | MR          |         | TP message reference                                             |
| TCV_TPOA1       | BCDN        |         | TP originating address digits                                    |
| TCV_TPOA2       | BCDN        |         | TP originating address digits                                    |
| TCV_TPDA        | BCDN        |         | TP destination address digits                                    |
| TCV_RPOA_MT     | BCDN        |         | RP originating address digits for MT short messages              |
| TCV_RPOA_MO     | BCDN        |         | RP originating address digits for MO short messages              |
| TCV_RPOA1       | BCDN        |         | RP originating address digits for MT short messages              |
| TCV_RPOA2       | BCDN        |         | RP originating address digits for MT short messages              |
| TCV_RPDA_MT     | BCDN        |         | RP destination address digits for MT short messages              |
| TCV_RPDA_MO     | BCDN        |         | RP destination address digits for MO short messages              |
| TCV_SMTtypeM    | INTEGER     |         | Replace short message type                                       |
| TCV_SMTtypeN    | INTEGER     |         | Replace short message type                                       |
| TCV_SMcntns     | OCTETSTRING |         | short message contents                                           |
| TCV_SMSCBpack   | SMSCBpack   |         | CB message contents                                              |
| TCV_freq        | FRQPARA     |         | to hold Freq type constraints                                    |
| TCV_srv         | SERVICES    |         | to hold MT service                                               |
| TCV_ur          | B_4         |         | to hold user rate                                                |
| TCV_itc         | B_3         |         | to hold information transfer capability                          |
| TCV_sacp        | B_3         |         | to hold service access protocol                                  |
| TCV_ce          | B_2         |         | to hold connection element                                       |
| TCV_ce1         | B_2         |         | to hold connection element                                       |
| TCV_ce3         | B_2         |         | to hold connection element                                       |
| TCV_sa          | B_1         |         | to hold synchronous/asynchronous                                 |
| TCV_ir          | B_2         |         | to hold intermediate rate                                        |
| TCV_uil1p       | B_2         |         | to hold user information layer 1 protocol                        |
| TCV_modemt      | B_5         |         | to hold modem type                                               |
| TCV_MODEM       | MODEMTYPE   |         |                                                                  |
| TCV_ur2         | B_4         |         | to hold user rate for second configuration                       |
| TCV_itc2        | B_3         |         | to hold information transfer                                     |

|                           |         |       |                                                                                                                                                                                                                                                                                                                  |
|---------------------------|---------|-------|------------------------------------------------------------------------------------------------------------------------------------------------------------------------------------------------------------------------------------------------------------------------------------------------------------------|
| TCV_sacp2                 | B_3     |       | capability for second configuration to hold service access protocol for second configuration to hold structure to hold synchronous/asynchronous for second configuration used for indicating a selected service is declared supported or not used for indicating whether a test case tests non-supported service |
| TCV_strc                  | B_2     |       |                                                                                                                                                                                                                                                                                                                  |
| TCV_sa2                   | B_1     |       |                                                                                                                                                                                                                                                                                                                  |
| TCV_supported             | BOOLEAN | FALSE |                                                                                                                                                                                                                                                                                                                  |
| TCV_SpecialCase           | BOOLEAN | FALSE |                                                                                                                                                                                                                                                                                                                  |
| <b>Detailed Comments:</b> |         |       |                                                                                                                                                                                                                                                                                                                  |

**PCO declarations**

| PCO Declarations                                                                                                                                                                                                                                                                                                                                                                                                                     |        |      |          |
|--------------------------------------------------------------------------------------------------------------------------------------------------------------------------------------------------------------------------------------------------------------------------------------------------------------------------------------------------------------------------------------------------------------------------------------|--------|------|----------|
| PCO Name                                                                                                                                                                                                                                                                                                                                                                                                                             | Type   | Role | Comments |
| L                                                                                                                                                                                                                                                                                                                                                                                                                                    | SAP0_3 | LT   |          |
| <b>Detailed Comments:</b>                                                                                                                                                                                                                                                                                                                                                                                                            |        |      |          |
| 1. The PCO consists of multiple SAPs: the SAP0 and SAP3.<br>2. The lower tester (LT) is the user of the data link layer service.<br>3. The SAP0 at the lower tester controlling and observing the exchange of CC, MM, RR and SS PDUs (messages) on the DCCH, SACCH and/or RACH, BCCH, CCCH channels.<br>4. The SAP3 at the lower tester controlling and observing the exchange of SMS PDUs (messages) on the DCCH or SACCH channels. |        |      |          |

**Timer declarations**

| Timer Declarations                                                                                                                                                                                                                                                                                                                                                                          |                |      |                             |
|---------------------------------------------------------------------------------------------------------------------------------------------------------------------------------------------------------------------------------------------------------------------------------------------------------------------------------------------------------------------------------------------|----------------|------|-----------------------------|
| Timer Name                                                                                                                                                                                                                                                                                                                                                                                  | Duration       | Unit | Comments                    |
| T_dly                                                                                                                                                                                                                                                                                                                                                                                       |                | ms   | general purpose delay timer |
| T_dly1                                                                                                                                                                                                                                                                                                                                                                                      |                | ms   | general purpose delay timer |
| T_dly2                                                                                                                                                                                                                                                                                                                                                                                      |                | ms   | general purpose delay timer |
| T_dlyAss                                                                                                                                                                                                                                                                                                                                                                                    | 5000           | ms   | AssCmd timer, 1)            |
| T_guard                                                                                                                                                                                                                                                                                                                                                                                     | 300            | s    | guard timer                 |
| T_release                                                                                                                                                                                                                                                                                                                                                                                   | C_release_time | s    | release timer               |
| <b>Detailed Comments:</b>                                                                                                                                                                                                                                                                                                                                                                   |                |      |                             |
| 1) In order to give to the lower tester enough time to dequeue and to send out the call SETUP and the other call establishment related messages in the sending buffer before starting sending of ASSIGNMENT COMMAND message, the default value 5s is used in the test step AssCh_complete. In the test step AssCh_failure the timer value is set to 4s. For the TC_26_6_4_1, 600ms is used. |                |      |                             |

**ASP type definitions**

**TTCN ASP Type definitions**

| ASP Type Definition       |                                                                                                                                       |          |
|---------------------------|---------------------------------------------------------------------------------------------------------------------------------------|----------|
| <b>ASP Name:</b>          | DL_EstRq (DL_ESTABLISH_REQUEST)                                                                                                       |          |
| <b>PCO Type:</b>          | SAP0_3                                                                                                                                |          |
| <b>Comments:</b>          | The ASP is used to request the establishment of multiple frame operation (L3 -> L2). The normal establishment procedure is initiated. |          |
| Parameter Name            | Parameter Type                                                                                                                        | Comments |
| sapi                      | SAPID                                                                                                                                 |          |
| logic_ch                  | LOGICCH                                                                                                                               |          |
| establish_mode            | EstMode                                                                                                                               |          |
| <b>Detailed Comments:</b> |                                                                                                                                       |          |

| ASP Type Definition       |                                                                                                                                              |          |
|---------------------------|----------------------------------------------------------------------------------------------------------------------------------------------|----------|
| <b>ASP Name:</b>          | DL_EstIn (DL_ESTABLISH_INDICATION)                                                                                                           |          |
| <b>PCO Type:</b>          | SAP0_3                                                                                                                                       |          |
| <b>Comments:</b>          | The ASP is used to indicate the establishment of multiple frame operation (L2 -> L3). The normal establishment procedure has been initiated. |          |
| Parameter Name            | Parameter Type                                                                                                                               | Comments |
| sapi                      | SAPID                                                                                                                                        |          |
| logic_ch                  | LOGICCH                                                                                                                                      |          |
| establish_mode            | EstMode                                                                                                                                      |          |
| fn                        | FN                                                                                                                                           |          |
| <b>Detailed Comments:</b> |                                                                                                                                              |          |

| ASP Type Definition       |                                                                                                                                                                                                                     |          |
|---------------------------|---------------------------------------------------------------------------------------------------------------------------------------------------------------------------------------------------------------------|----------|
| <b>ASP Name:</b>          | DL_EstInCmsRq (DL_ESTABLISH_INDICATION_CM_SERVICE_REQUEST)                                                                                                                                                          |          |
| <b>PCO Type:</b>          | SAP0_3                                                                                                                                                                                                              |          |
| <b>Comments:</b>          | The ASP is used to indicate the establishment of multiple frame operation due to the receipt of the MM CM SERVICE REQUEST message (L2 -> L3). The contention resolution establishment procedure has been initiated. |          |
| Parameter Name            | Parameter Type                                                                                                                                                                                                      | Comments |
| sapi                      | SAPID                                                                                                                                                                                                               |          |
| logic_ch                  | LOGICCH                                                                                                                                                                                                             |          |
| establish_mode            | EstMode                                                                                                                                                                                                             |          |
| msg                       | CMS_RQ_PDU                                                                                                                                                                                                          |          |
| fn                        | FN                                                                                                                                                                                                                  |          |
| <b>Detailed Comments:</b> |                                                                                                                                                                                                                     |          |

| ASP Type Definition       |                                                                                                                                                                                                                            |          |
|---------------------------|----------------------------------------------------------------------------------------------------------------------------------------------------------------------------------------------------------------------------|----------|
| <b>ASP Name:</b>          | DL_EstInLupRq (DL_ESTABLISH_INDICATION_LOCATION_UPDATING_REQUEST)                                                                                                                                                          |          |
| <b>PCO Type:</b>          | SAP0_3                                                                                                                                                                                                                     |          |
| <b>Comments:</b>          | The ASP is used to indicate the establishment of multiple frame operation due to the receipt of the MM LOCATION UPDATING REQUEST message (L2 -> L3). The contention resolution establishment procedure has been initiated. |          |
| Parameter Name            | Parameter Type                                                                                                                                                                                                             | Comments |
| sapi                      | SAPID                                                                                                                                                                                                                      |          |
| logic_ch                  | LOGICCH                                                                                                                                                                                                                    |          |
| establish_mode            | EstMode                                                                                                                                                                                                                    |          |
| msg                       | LUP_RQ_PDU                                                                                                                                                                                                                 |          |
| fn                        | FN                                                                                                                                                                                                                         |          |
| <b>Detailed Comments:</b> |                                                                                                                                                                                                                            |          |

| ASP Type Definition       |                                                                                                                                                                                                                         |          |
|---------------------------|-------------------------------------------------------------------------------------------------------------------------------------------------------------------------------------------------------------------------|----------|
| <b>ASP Name:</b>          | DL_EstInImsidIn (DL_ESTABLISH_INDICATION_IMSI_DETACH_INDICATION)                                                                                                                                                        |          |
| <b>PCO Type:</b>          | SAP0_3                                                                                                                                                                                                                  |          |
| <b>Comments:</b>          | The ASP is used to indicate the establishment of multiple frame operation due to the receipt of the MM IMSI DETACH INDICATION message (L2 -> L3). The contention resolution establishment procedure has been initiated. |          |
| Parameter Name            | Parameter Type                                                                                                                                                                                                          | Comments |
| sapi                      | SAPID                                                                                                                                                                                                                   |          |
| logic_ch                  | LOGICCH                                                                                                                                                                                                                 |          |
| establish_mode            | EstMode                                                                                                                                                                                                                 |          |
| msg                       | IMSID_IN_PDU                                                                                                                                                                                                            |          |
| fn                        | FN                                                                                                                                                                                                                      |          |
| <b>Detailed Comments:</b> |                                                                                                                                                                                                                         |          |

| ASP Type Definition       |                                                                                                                                                                                                                  |          |
|---------------------------|------------------------------------------------------------------------------------------------------------------------------------------------------------------------------------------------------------------|----------|
| <b>ASP Name:</b>          | DL_EstInPgRes (DL_ESTABLISH_INDICATION_PAGING_RESPONSE)                                                                                                                                                          |          |
| <b>PCO Type:</b>          | SAP0_3                                                                                                                                                                                                           |          |
| <b>Comments:</b>          | The ASP is used to indicate the establishment of multiple frame operation due to the receipt of the RR PAGING RESPONSE message (L2 -> L3). The contention resolution establishment procedure has been initiated. |          |
| Parameter Name            | Parameter Type                                                                                                                                                                                                   | Comments |
| sapi                      | SAPID                                                                                                                                                                                                            |          |
| logic_ch                  | LOGICCH                                                                                                                                                                                                          |          |
| establish_mode            | EstMode                                                                                                                                                                                                          |          |
| msg                       | PG_RES_PDU                                                                                                                                                                                                       |          |
| fn                        | FN                                                                                                                                                                                                               |          |
| <b>Detailed Comments:</b> |                                                                                                                                                                                                                  |          |

| ASP Type Definition       |                                                                                                                                                                                                                             |          |
|---------------------------|-----------------------------------------------------------------------------------------------------------------------------------------------------------------------------------------------------------------------------|----------|
| <b>ASP Name:</b>          | DL_EstInCmreRq (DL_ESTABLISH_INDICATION_CM_REESTABLISHMENT_REQUEST)                                                                                                                                                         |          |
| <b>PCO Type:</b>          | SAP0_3                                                                                                                                                                                                                      |          |
| <b>Comments:</b>          | The ASP is used to indicate the establishment of multiple frame operation due to the receipt of the MM CM REESTABLISHMENT REQUEST message (L2 -> L3). The contention resolution establishment procedure has been initiated. |          |
| Parameter Name            | Parameter Type                                                                                                                                                                                                              | Comments |
| sapi                      | SAPID                                                                                                                                                                                                                       |          |
| logic_ch                  | LOGICCH                                                                                                                                                                                                                     |          |
| establish_mode            | EstMode                                                                                                                                                                                                                     |          |
| msg                       | CMRE_RQ_PDU                                                                                                                                                                                                                 |          |
| fn                        | FN                                                                                                                                                                                                                          |          |
| <b>Detailed Comments:</b> |                                                                                                                                                                                                                             |          |

| ASP Type Definition       |                                                                                                       |          |
|---------------------------|-------------------------------------------------------------------------------------------------------|----------|
| <b>ASP Name:</b>          | DL_EstCo (DL_ESTABLISH_CONFIRM)                                                                       |          |
| <b>PCO Type:</b>          | SAP0_3                                                                                                |          |
| <b>Comments:</b>          | The ASP is used by the L2 to inform the L3 about the establishment of multiple frame link (L2 -> L3). |          |
| Parameter Name            | Parameter Type                                                                                        | Comments |
| sapi                      | SAPID                                                                                                 |          |
| logic_ch                  | LOGICCH                                                                                               |          |
| establish_mode            | EstMode                                                                                               |          |
| <b>Detailed Comments:</b> |                                                                                                       |          |

| ASP Type Definition       |                                                                                                                                                       |          |
|---------------------------|-------------------------------------------------------------------------------------------------------------------------------------------------------|----------|
| <b>ASP Name:</b>          | DL_RelIn (DL_RELEASE_INDICATION)                                                                                                                      |          |
| <b>PCO Type:</b>          | SAP0_3                                                                                                                                                |          |
| <b>Comments:</b>          | The ASP is used to indicate the termination of an established multiple frame operation or to report an unsuccessful establishment attempt (L2 -> L3). |          |
| Parameter Name            | Parameter Type                                                                                                                                        | Comments |
| sapi                      | SAPID                                                                                                                                                 |          |
| logic_ch                  | LOGICCH                                                                                                                                               |          |
| release_mode              | RelMode                                                                                                                                               |          |
| outstanding_indicator     | BOOLEAN                                                                                                                                               |          |
| fn                        | FN                                                                                                                                                    |          |
| <b>Detailed Comments:</b> | The outstanding indicator indicates whether or not there are outstanding acknowledgements or unsolved DL_DATA_REQUEST primitives.                     |          |

| ASP Type Definition       |                                                                                      |          |
|---------------------------|--------------------------------------------------------------------------------------|----------|
| <b>ASP Name:</b>          | DL_RaInChRq (DL_RANDOM_ACCESS_INDICATION_CHANNEL_REQUEST)                            |          |
| <b>PCO Type:</b>          | SAP0_3                                                                               |          |
| <b>Comments:</b>          | The ASP is used to indicate the arrival of an RR CHANNEL REQUEST message (L2 -> L3). |          |
| Parameter Name            | Parameter Type                                                                       | Comments |
| sapi                      | SAPID                                                                                |          |
| logic_ch                  | LOGICCH                                                                              |          |
| fn                        | FN                                                                                   |          |
| msg                       | CH_RQ_PDU                                                                            |          |
| <b>Detailed Comments:</b> |                                                                                      |          |

| ASP Type Definition       |                                                                                      |          |
|---------------------------|--------------------------------------------------------------------------------------|----------|
| <b>ASP Name:</b>          | DL_RaInHoacc (DL_RADOM_ACCESS_INDICATION_HANDOVER_ACCESS)                            |          |
| <b>PCO Type:</b>          | SAP0_3                                                                               |          |
| <b>Comments:</b>          | The ASP is used to indicate the arrival of an RR HANDOVER ACCESS message (L2 -> L3). |          |
| Parameter Name            | Parameter Type                                                                       | Comments |
| sapi                      | SAPID                                                                                |          |
| logic_ch                  | LOGICCH                                                                              |          |
| msg                       | HOACC_PDU                                                                            |          |
| fn                        | FN                                                                                   |          |
| <b>Detailed Comments:</b> |                                                                                      |          |

| ASP Type Definition       |                                                                                                                               |          |
|---------------------------|-------------------------------------------------------------------------------------------------------------------------------|----------|
| <b>ASP Name:</b>          | DL_UdatRqImmass (DL_UNIT_DATA_REQUEST_IMMEDIATE_ASSIGNMENT)                                                                   |          |
| <b>PCO Type:</b>          | SAP0_3                                                                                                                        |          |
| <b>Comments:</b>          | The ASP is used to request the transmission of the RR IMMEDIATE ASSIGNMENT message using unacknowledged operation (L3 -> L2). |          |
| Parameter Name            | Parameter Type                                                                                                                | Comments |
| sapi                      | SAPID                                                                                                                         |          |
| logic_ch                  | LOGICCH                                                                                                                       |          |
| msg                       | IMMASS_PDU                                                                                                                    |          |
| <b>Detailed Comments:</b> |                                                                                                                               |          |

| ASP Type Definition       |                                                                                                                                                        |          |
|---------------------------|--------------------------------------------------------------------------------------------------------------------------------------------------------|----------|
| <b>ASP Name:</b>          | DL_UdatRqImmass_sp (DL_UNIT_DATA_REQUEST_IMMEDIATE_ASSIGNMENT)                                                                                         |          |
| <b>PCO Type:</b>          | SAP0_3                                                                                                                                                 |          |
| <b>Comments:</b>          | The ASP is used to request the transmission of the RR IMMEDIATE ASSIGNMENT message using unacknowledged operation (L3 -> L2) on the MS paging channel. |          |
| Parameter Name            | Parameter Type                                                                                                                                         | Comments |
| sapi                      | SAPID                                                                                                                                                  |          |
| logic_ch                  | LOGICCH                                                                                                                                                |          |
| pgg                       | PGG                                                                                                                                                    |          |
| msg                       | IMMASS_PDU                                                                                                                                             |          |
| <b>Detailed Comments:</b> |                                                                                                                                                        |          |

| ASP Type Definition       |                                                                                                                                        |          |
|---------------------------|----------------------------------------------------------------------------------------------------------------------------------------|----------|
| <b>ASP Name:</b>          | DL_UdatRqImmassx (DL_UNIT_DATA_REQUEST_IMMEDIATE_ASSIGNMENT_EXTENDED)                                                                  |          |
| <b>PCO Type:</b>          | SAP0_3                                                                                                                                 |          |
| <b>Comments:</b>          | The ASP is used to request the transmission of the RR IMMEDIATE ASSIGNMENT EXTENDED message using unacknowledged operation (L3 -> L2). |          |
| Parameter Name            | Parameter Type                                                                                                                         | Comments |
| sapi                      | SAPID                                                                                                                                  |          |
| logic_ch                  | LOGICCH                                                                                                                                |          |
| msg                       | IMMASSX_PDU                                                                                                                            |          |
| <b>Detailed Comments:</b> |                                                                                                                                        |          |

| ASP Type Definition       |                                                                                                                                                                 |          |
|---------------------------|-----------------------------------------------------------------------------------------------------------------------------------------------------------------|----------|
| <b>ASP Name:</b>          | DL_UdatRqImmassx_sp<br>(DL_UNIT_DATA_REQUEST_IMMEDIATE_ASSIGNMENT_EXTENDED)                                                                                     |          |
| <b>PCO Type:</b>          | SAP0_3                                                                                                                                                          |          |
| <b>Comments:</b>          | The ASP is used to request the transmission of the RR IMMEDIATE ASSIGNMENT EXTENDED message using unacknowledged operation (L3 -> L2) on the MS paging channel. |          |
| Parameter Name            | Parameter Type                                                                                                                                                  | Comments |
| sapi                      | SAPID                                                                                                                                                           |          |
| logic_ch                  | LOGICCH                                                                                                                                                         |          |
| pgg                       | PGG                                                                                                                                                             |          |
| msg                       | IMMASSX_PDU                                                                                                                                                     |          |
| <b>Detailed Comments:</b> |                                                                                                                                                                 |          |

| ASP Type Definition       |                                                                                                                                      |          |
|---------------------------|--------------------------------------------------------------------------------------------------------------------------------------|----------|
| <b>ASP Name:</b>          | DL_UdatRqImmassRej (DL_UNIT_DATA_REQUEST_IMMEDIATE_ASSIGNMENT_REJECT)                                                                |          |
| <b>PCO Type:</b>          | SAP0_3                                                                                                                               |          |
| <b>Comments:</b>          | The ASP is used to request the transmission of the RR IMMEDIATE ASSIGNMENT REJECT message using unacknowledged operation (L3 -> L2). |          |
| Parameter Name            | Parameter Type                                                                                                                       | Comments |
| sapi                      | SAPID                                                                                                                                |          |
| logic_ch                  | LOGICCH                                                                                                                              |          |
| msg                       | IMMASS_REJ_PDU                                                                                                                       |          |
| <b>Detailed Comments:</b> |                                                                                                                                      |          |

| ASP Type Definition       |                                                                                                                                                               |          |
|---------------------------|---------------------------------------------------------------------------------------------------------------------------------------------------------------|----------|
| <b>ASP Name:</b>          | DL_UdatRqImmassRej_sp (DL_UNIT_DATA_REQUEST_IMMEDIATE_ASSIGNMENT_REJECT)                                                                                      |          |
| <b>PCO Type:</b>          | SAP0_3                                                                                                                                                        |          |
| <b>Comments:</b>          | The ASP is used to request the transmission of the RR IMMEDIATE ASSIGNMENT REJECT message using unacknowledged operation (L3 -> L2) on the MS paging channel. |          |
| Parameter Name            | Parameter Type                                                                                                                                                | Comments |
| sapi                      | SAPID                                                                                                                                                         |          |
| logic_ch                  | LOGICCH                                                                                                                                                       |          |
| pgg                       | PGG                                                                                                                                                           |          |
| msg                       | IMMASS_REJ_PDU                                                                                                                                                |          |
| <b>Detailed Comments:</b> |                                                                                                                                                               |          |

| ASP Type Definition       |                                                                                                                         |          |
|---------------------------|-------------------------------------------------------------------------------------------------------------------------|----------|
| <b>ASP Name:</b>          | DL_UdatInMsrRpt (DL_DATA_INDICATION_MEASUREMENT_REPORT)                                                                 |          |
| <b>PCO Type:</b>          | SAP0_3                                                                                                                  |          |
| <b>Comments:</b>          | The ASP is used to indicate the receipt of the RR MEASUREMENT REPORT message using unacknowledged operation (L2 -> L3). |          |
| Parameter Name            | Parameter Type                                                                                                          | Comments |
| sapi                      | SAPID                                                                                                                   |          |
| logic_ch                  | LOGICCH                                                                                                                 |          |
| msg                       | MSR_RPT_PDU                                                                                                             |          |
| fn                        | FN                                                                                                                      |          |
| <b>Detailed Comments:</b> | The ASPs are continuously received during the testing.                                                                  |          |

| ASP Type Definition       |                                                                                                          |          |
|---------------------------|----------------------------------------------------------------------------------------------------------|----------|
| <b>ASP Name:</b>          | DL_UdatRqSMSCBData (DL_UNIT_DATA_REQUEST_SMSCB_DATA)                                                     |          |
| <b>PCO Type:</b>          | SAP0_3                                                                                                   |          |
| <b>Comments:</b>          | The ASP is used to request the transmission of the SMSCB data using unacknowledged operation (L3 -> L2). |          |
| Parameter Name            | Parameter Type                                                                                           | Comments |
| sapi                      | SAPID                                                                                                    |          |
| logic_ch                  | LOGICCH                                                                                                  |          |
| msg                       | SMSCB_PDU                                                                                                |          |
| <b>Detailed Comments:</b> |                                                                                                          |          |

| ASP Type Definition       |                                                                                                                                |          |
|---------------------------|--------------------------------------------------------------------------------------------------------------------------------|----------|
| <b>ASP Name:</b>          | DL_UdatRqPg1Rq (DL_UNIT_DATA_REQUEST_PAGING_REQUEST_TYPE1)                                                                     |          |
| <b>PCO Type:</b>          | SAP0_3                                                                                                                         |          |
| <b>Comments:</b>          | The ASP is used to request the transmission of the RR PAGING REQUEST TYPE 1 message using unacknowledged operation (L3 -> L2). |          |
| Parameter Name            | Parameter Type                                                                                                                 | Comments |
| sapi                      | SAPID                                                                                                                          |          |
| logic_ch                  | LOGICCH                                                                                                                        |          |
| pgg                       | PGG                                                                                                                            |          |
| msg                       | PG1_RQ_PDU                                                                                                                     |          |
| <b>Detailed Comments:</b> |                                                                                                                                |          |

| ASP Type Definition       |                                                                                                                                |          |
|---------------------------|--------------------------------------------------------------------------------------------------------------------------------|----------|
| <b>ASP Name:</b>          | DL_UdatRqPg2Rq (DL_UNIT_DATA_REQUEST_PAGING_REQUEST_TYPE2)                                                                     |          |
| <b>PCO Type:</b>          | SAP0_3                                                                                                                         |          |
| <b>Comments:</b>          | The ASP is used to request the transmission of the RR PAGING REQUEST TYPE 2 message using unacknowledged operation (L3 -> L2). |          |
| Parameter Name            | Parameter Type                                                                                                                 | Comments |
| sapi                      | SAPID                                                                                                                          |          |
| logic_ch                  | LOGICCH                                                                                                                        |          |
| pgg                       | PGG                                                                                                                            |          |
| msg                       | PG2_RQ_PDU                                                                                                                     |          |
| <b>Detailed Comments:</b> |                                                                                                                                |          |

| ASP Type Definition       |                                                                                                                                |          |
|---------------------------|--------------------------------------------------------------------------------------------------------------------------------|----------|
| <b>ASP Name:</b>          | DL_UdatRqPg3Rq (DL_UNIT_DATA_REQUEST_PAGING_REQUEST_TYPE3)                                                                     |          |
| <b>PCO Type:</b>          | SAP0_3                                                                                                                         |          |
| <b>Comments:</b>          | The ASP is used to request the transmission of the RR PAGING REQUEST TYPE 3 message using unacknowledged operation (L3 -> L2). |          |
| Parameter Name            | Parameter Type                                                                                                                 | Comments |
| sapi                      | SAPID                                                                                                                          |          |
| logic_ch                  | LOGICCH                                                                                                                        |          |
| pgg                       | PGG                                                                                                                            |          |
| msg                       | PG3_RQ_PDU                                                                                                                     |          |
| <b>Detailed Comments:</b> |                                                                                                                                |          |

| ASP Type Definition       |                                                                                                                                              |          |
|---------------------------|----------------------------------------------------------------------------------------------------------------------------------------------|----------|
| <b>ASP Name:</b>          | DL_UdatRqSchinfo<br>(DL_UNIT_DATA_REQUEST_SYNCHRONIZATION_CHANNEL_INFORMATION)                                                               |          |
| <b>PCO Type:</b>          | SAP0_3                                                                                                                                       |          |
| <b>Comments:</b>          | The ASP is used to request the transmission of the RR SYNCHRONIZATION CHANNEL INFORMATION message using unacknowledged operation (L3 -> L2). |          |
| Parameter Name            | Parameter Type                                                                                                                               | Comments |
| sapi                      | SAPID                                                                                                                                        |          |
| logic_ch                  | LOGICCH                                                                                                                                      |          |
| msg                       | SCHINFO_PDU                                                                                                                                  |          |
| <b>Detailed Comments:</b> |                                                                                                                                              |          |

| ASP Type Definition       |                                                                                                                                    |          |
|---------------------------|------------------------------------------------------------------------------------------------------------------------------------|----------|
| <b>ASP Name:</b>          | DL_UdatRqSysinfo1 (DL_UNIT_DATA_REQUEST_SYSTEM_INFORMATION_TYPE1)                                                                  |          |
| <b>PCO Type:</b>          | SAP0_3                                                                                                                             |          |
| <b>Comments:</b>          | The ASP is used to request the transmission of the RR SYSTEM INFORMATION TYPE 1 message using unacknowledged operation (L3 -> L2). |          |
| Parameter Name            | Parameter Type                                                                                                                     | Comments |
| sapi                      | SAPID                                                                                                                              |          |
| logic_ch                  | LOGICCH                                                                                                                            |          |
| msg                       | SYSINFO1_PDU                                                                                                                       |          |
| <b>Detailed Comments:</b> |                                                                                                                                    |          |

| ASP Type Definition       |                                                                                                                |          |
|---------------------------|----------------------------------------------------------------------------------------------------------------|----------|
| <b>ASP Name:</b>          | DL_UdatRqSysinfo1_nh (DL_UNIT_DATA_REQUEST_SYSTEM_INFORMATION_TYPE1)                                           |          |
| <b>PCO Type:</b>          | SAP0_3                                                                                                         |          |
| <b>Comments:</b>          | The ASP is used to request the transmission of the RR SYSTEM INFORMATION TYPE 3 message in case of non hopping |          |
| Parameter Name            | Parameter Type                                                                                                 | Comments |
| sapi                      | SAPID                                                                                                          |          |
| logic_ch                  | LOGICCH                                                                                                        |          |
| msg                       | SYSINFO3_PDU                                                                                                   |          |
| <b>Detailed Comments:</b> |                                                                                                                |          |

| ASP Type Definition       |                                                                                                                                    |          |
|---------------------------|------------------------------------------------------------------------------------------------------------------------------------|----------|
| <b>ASP Name:</b>          | DL_UdatRqSysinfo2 (DL_UNIT_DATA_REQUEST_SYSTEM_INFORMATION_TYPE2)                                                                  |          |
| <b>PCO Type:</b>          | SAP0_3                                                                                                                             |          |
| <b>Comments:</b>          | The ASP is used to request the transmission of the RR SYSTEM INFORMATION TYPE 2 message using unacknowledged operation (L3 -> L2). |          |
| Parameter Name            | Parameter Type                                                                                                                     | Comments |
| sapi                      | SAPID                                                                                                                              |          |
| logic_ch                  | LOGICCH                                                                                                                            |          |
| msg                       | SYSINFO2_PDU                                                                                                                       |          |
| <b>Detailed Comments:</b> |                                                                                                                                    |          |

| ASP Type Definition       |                                                                                                                                       |          |
|---------------------------|---------------------------------------------------------------------------------------------------------------------------------------|----------|
| <b>ASP Name:</b>          | DL_UdatRqSysinfo2bis (DL_UNIT_DATA_REQUEST_SYSTEM_INFORMATION_TYPE2bis)                                                               |          |
| <b>PCO Type:</b>          | SAP0_3                                                                                                                                |          |
| <b>Comments:</b>          | The ASP is used to request the transmission of the RR SYSTEM INFORMATION TYPE 2bis message using unacknowledged operation (L3 -> L2). |          |
| Parameter Name            | Parameter Type                                                                                                                        | Comments |
| sapi                      | SAPID                                                                                                                                 |          |
| logic_ch                  | LOGICCH                                                                                                                               |          |
| msg                       | SYSINFO2bis_PDU                                                                                                                       |          |
| <b>Detailed Comments:</b> |                                                                                                                                       |          |



| ASP Type Definition       |                                                                                                                                       |          |
|---------------------------|---------------------------------------------------------------------------------------------------------------------------------------|----------|
| <b>ASP Name:</b>          | DL_UdatRqSysinfo2ter (DL_UNIT_DATA_REQUEST_SYSTEM_INFORMATION_TYPE2ter)                                                               |          |
| <b>PCO Type:</b>          | SAP0_3                                                                                                                                |          |
| <b>Comments:</b>          | The ASP is used to request the transmission of the RR SYSTEM INFORMATION TYPE 2ter message using unacknowledged operation (L3 -> L2). |          |
| Parameter Name            | Parameter Type                                                                                                                        | Comments |
| sapi                      | SAPID                                                                                                                                 |          |
| logic_ch                  | LOGICCH                                                                                                                               |          |
| msg                       | SYSINFO2ter_PDU                                                                                                                       |          |
| <b>Detailed Comments:</b> |                                                                                                                                       |          |

| ASP Type Definition       |                                                                                                                                    |          |
|---------------------------|------------------------------------------------------------------------------------------------------------------------------------|----------|
| <b>ASP Name:</b>          | DL_UdatRqSysinfo3 (DL_UNIT_DATA_REQUEST_SYSTEM_INFORMATION_TYPE3)                                                                  |          |
| <b>PCO Type:</b>          | SAP0_3                                                                                                                             |          |
| <b>Comments:</b>          | The ASP is used to request the transmission of the RR SYSTEM INFORMATION TYPE 3 message using unacknowledged operation (L3 -> L2). |          |
| Parameter Name            | Parameter Type                                                                                                                     | Comments |
| sapi                      | SAPID                                                                                                                              |          |
| logic_ch                  | LOGICCH                                                                                                                            |          |
| msg                       | SYSINFO3_PDU                                                                                                                       |          |
| <b>Detailed Comments:</b> |                                                                                                                                    |          |

| ASP Type Definition       |                                                                                                                                    |          |
|---------------------------|------------------------------------------------------------------------------------------------------------------------------------|----------|
| <b>ASP Name:</b>          | DL_UdatRqSysinfo4 (DL_UNIT_DATA_REQUEST_SYSTEM_INFORMATION_TYPE4)                                                                  |          |
| <b>PCO Type:</b>          | SAP0_3                                                                                                                             |          |
| <b>Comments:</b>          | The ASP is used to request the transmission of the RR SYSTEM INFORMATION TYPE 4 message using unacknowledged operation (L3 -> L2). |          |
| Parameter Name            | Parameter Type                                                                                                                     | Comments |
| sapi                      | SAPID                                                                                                                              |          |
| logic_ch                  | LOGICCH                                                                                                                            |          |
| msg                       | SYSINFO4_PDU                                                                                                                       |          |
| <b>Detailed Comments:</b> |                                                                                                                                    |          |

| ASP Type Definition       |                                                                                                                                    |          |
|---------------------------|------------------------------------------------------------------------------------------------------------------------------------|----------|
| <b>ASP Name:</b>          | DL_UdatRqSysinfo5 (DL_UNIT_DATA_REQUEST_SYSTEM_INFORMATION_TYPE5)                                                                  |          |
| <b>PCO Type:</b>          | SAP0_3                                                                                                                             |          |
| <b>Comments:</b>          | The ASP is used to request the transmission of the RR SYSTEM INFORMATION TYPE 5 message using unacknowledged operation (L3 -> L2). |          |
| Parameter Name            | Parameter Type                                                                                                                     | Comments |
| sapi                      | SAPID                                                                                                                              |          |
| logic_ch                  | LOGICCH                                                                                                                            |          |
| msg                       | SYSINFO5_PDU                                                                                                                       |          |
| <b>Detailed Comments:</b> |                                                                                                                                    |          |

| ASP Type Definition       |                                                                                                                                       |          |
|---------------------------|---------------------------------------------------------------------------------------------------------------------------------------|----------|
| <b>ASP Name:</b>          | DL_UdatRqSysinfo5bis (DL_UNIT_DATA_REQUEST_SYSTEM_INFORMATION_TYPE5bis)                                                               |          |
| <b>PCO Type:</b>          | SAP0_3                                                                                                                                |          |
| <b>Comments:</b>          | The ASP is used to request the transmission of the RR SYSTEM INFORMATION TYPE 5bis message using unacknowledged operation (L3 -> L2). |          |
| Parameter Name            | Parameter Type                                                                                                                        | Comments |
| sapi                      | SAPID                                                                                                                                 |          |
| logic_ch                  | LOGICCH                                                                                                                               |          |
| msg                       | SYSINFO5bis_PDU                                                                                                                       |          |
| <b>Detailed Comments:</b> |                                                                                                                                       |          |

| ASP Type Definition       |                                                                                                                                       |          |
|---------------------------|---------------------------------------------------------------------------------------------------------------------------------------|----------|
| <b>ASP Name:</b>          | DL_UdatRqSysinfo5ter (DL_UNIT_DATA_REQUEST_SYSTEM_INFORMATION_TYPE5ter)                                                               |          |
| <b>PCO Type:</b>          | SAP0_3                                                                                                                                |          |
| <b>Comments:</b>          | The ASP is used to request the transmission of the RR SYSTEM INFORMATION TYPE 5ter message using unacknowledged operation (L3 -> L2). |          |
| Parameter Name            | Parameter Type                                                                                                                        | Comments |
| sapi                      | SAPID                                                                                                                                 |          |
| logic_ch                  | LOGICCH                                                                                                                               |          |
| msg                       | SYSINFO5ter_PDU                                                                                                                       |          |
| <b>Detailed Comments:</b> |                                                                                                                                       |          |

| ASP Type Definition       |                                                                                                                                    |          |
|---------------------------|------------------------------------------------------------------------------------------------------------------------------------|----------|
| <b>ASP Name:</b>          | DL_UdatRqSysinfo6 (DL_UNIT_DATA_REQUEST_SYSTEM_INFORMATION_TYPE6)                                                                  |          |
| <b>PCO Type:</b>          | SAP0_3                                                                                                                             |          |
| <b>Comments:</b>          | The ASP is used to request the transmission of the RR SYSTEM INFORMATION TYPE 6 message using unacknowledged operation (L3 -> L2). |          |
| Parameter Name            | Parameter Type                                                                                                                     | Comments |
| sapi                      | SAPID                                                                                                                              |          |
| logic_ch                  | LOGICCH                                                                                                                            |          |
| msg                       | SYSINFO6_PDU                                                                                                                       |          |
| <b>Detailed Comments:</b> |                                                                                                                                    |          |

| ASP Type Definition       |                                                                                                                                    |          |
|---------------------------|------------------------------------------------------------------------------------------------------------------------------------|----------|
| <b>ASP Name:</b>          | DL_UdatRqSysinfo7 (DL_UNIT_DATA_REQUEST_SYSTEM_INFORMATION_TYPE7)                                                                  |          |
| <b>PCO Type:</b>          | SAP0_3                                                                                                                             |          |
| <b>Comments:</b>          | The ASP is used to request the transmission of the RR SYSTEM INFORMATION TYPE 7 message using unacknowledged operation (L3 -> L2). |          |
| Parameter Name            | Parameter Type                                                                                                                     | Comments |
| sapi                      | SAPID                                                                                                                              |          |
| logic_ch                  | LOGICCH                                                                                                                            |          |
| msg                       | SYSINFO7_PDU                                                                                                                       |          |
| <b>Detailed Comments:</b> |                                                                                                                                    |          |

| ASP Type Definition       |                                                                                                                                    |          |
|---------------------------|------------------------------------------------------------------------------------------------------------------------------------|----------|
| <b>ASP Name:</b>          | DL_UdatRqSysinfo8 (DL_UNIT_DATA_REQUEST_SYSTEM_INFORMATION_TYPE8)                                                                  |          |
| <b>PCO Type:</b>          | SAP0_3                                                                                                                             |          |
| <b>Comments:</b>          | The ASP is used to request the transmission of the RR SYSTEM INFORMATION TYPE 8 message using unacknowledged operation (L3 -> L2). |          |
| Parameter Name            | Parameter Type                                                                                                                     | Comments |
| sapi                      | SAPID                                                                                                                              |          |
| logic_ch                  | LOGICCH                                                                                                                            |          |
| msg                       | SYSINFO8_PDU                                                                                                                       |          |
| <b>Detailed Comments:</b> |                                                                                                                                    |          |

| ASP Type Definition       |                                                                                                                       |          |
|---------------------------|-----------------------------------------------------------------------------------------------------------------------|----------|
| <b>ASP Name:</b>          | DL_UdatInCImChn (DL_UdatINDICATION_CLASSMARK_CHANGE)                                                                  |          |
| <b>PCO Type:</b>          | SAP0_3                                                                                                                |          |
| <b>Comments:</b>          | The ASP is used to indicate the receipt of the RR CLASSMARK CHANGE message using unacknowledged operation (L2 -> L3). |          |
| Parameter Name            | Parameter Type                                                                                                        | Comments |
| sapi                      | SAPID                                                                                                                 |          |
| logic_ch                  | LOGICCH                                                                                                               |          |
| msg                       | CLM_CHN_PDU                                                                                                           |          |
| fn                        | FN                                                                                                                    |          |
| <b>Detailed Comments:</b> |                                                                                                                       |          |

| ASP Type Definition       |                                                                                                                           |          |
|---------------------------|---------------------------------------------------------------------------------------------------------------------------|----------|
| <b>ASP Name:</b>          | DL_DatRqAssCmd (DL_DATA_REQUEST_ASSIGNMENT_COMMAND)                                                                       |          |
| <b>PCO Type:</b>          | SAP0_3                                                                                                                    |          |
| <b>Comments:</b>          | The ASP is used to request the transmission of the RR ASSIGNMENT COMMAND message using acknowledged operation (L3 -> L2). |          |
| Parameter Name            | Parameter Type                                                                                                            | Comments |
| sapi                      | SAPID                                                                                                                     |          |
| logic_ch                  | LOGICCH                                                                                                                   |          |
| msg                       | ASS_CMD_PDU                                                                                                               |          |
| <b>Detailed Comments:</b> |                                                                                                                           |          |

| ASP Type Definition                                                                                                            |                                                                                                                        |          |
|--------------------------------------------------------------------------------------------------------------------------------|------------------------------------------------------------------------------------------------------------------------|----------|
| <b>ASP Name:</b>                                                                                                               | DL_DatInAssCom (DL_DATA_INDICATION_ASSIGNMENT_COMPLETE)                                                                |          |
| <b>PCO Type:</b>                                                                                                               | SAP0_3                                                                                                                 |          |
| <b>Comments:</b>                                                                                                               | The ASP is used to indicate the receipt of the RR ASSIGNMENT COMPLETE message using acknowledged operation (L2 -> L3). |          |
| Parameter Name                                                                                                                 | Parameter Type                                                                                                         | Comments |
| sapi                                                                                                                           | SAPID                                                                                                                  |          |
| logic_ch                                                                                                                       | LOGICCH                                                                                                                |          |
| msg                                                                                                                            | ASS_COM_PDU                                                                                                            |          |
| fn                                                                                                                             | FN                                                                                                                     |          |
| <b>Detailed Comments:</b> The ASP is a result of the ASP DL_RESUME_REQUEST of the SUT sending the ASSIGNMENT COMPLETE message. |                                                                                                                        |          |

| ASP Type Definition                                                                                                              |                                                                                                                       |          |
|----------------------------------------------------------------------------------------------------------------------------------|-----------------------------------------------------------------------------------------------------------------------|----------|
| <b>ASP Name:</b>                                                                                                                 | DL_DatInAssfl (DL_DATA_INDICATION_ASSIGNMENT_FAILURE)                                                                 |          |
| <b>PCO Type:</b>                                                                                                                 | SAP0_3                                                                                                                |          |
| <b>Comments:</b>                                                                                                                 | The ASP is used to indicate the receipt of the RR ASSIGNMENT FAILURE message using acknowledged operation (L2 -> L3). |          |
| Parameter Name                                                                                                                   | Parameter Type                                                                                                        | Comments |
| sapi                                                                                                                             | SAPID                                                                                                                 |          |
| logic_ch                                                                                                                         | LOGICCH                                                                                                               |          |
| msg                                                                                                                              | ASSFL_PDU                                                                                                             |          |
| fn                                                                                                                               | FN                                                                                                                    |          |
| <b>Detailed Comments:</b> The ASP is a result of the ASP DL_RECONNECT_REQUEST of the SUT sending the ASSIGNMENT FAILURE message. |                                                                                                                       |          |

| ASP Type Definition       |                                                                                          |          |
|---------------------------|------------------------------------------------------------------------------------------|----------|
| <b>ASP Name:</b>          | DL_DatInCmsRq (DL_DATA_INDICATION_CM_SERVICE_REQUEST)                                    |          |
| <b>PCO Type:</b>          | SAP0_3                                                                                   |          |
| <b>Comments:</b>          | The ASP is used to indicate the receipt of the MM CM SERVICE REQUEST message (L2 -> L3). |          |
| Parameter Name            | Parameter Type                                                                           | Comments |
| sapi                      | SAPID                                                                                    |          |
| logic_ch                  | LOGICCH                                                                                  |          |
| msg                       | CMS_RQ_PDU                                                                               |          |
| fn                        | FN                                                                                       |          |
| <b>Detailed Comments:</b> |                                                                                          |          |

| ASP Type Definition       |                                                                                                                            |          |
|---------------------------|----------------------------------------------------------------------------------------------------------------------------|----------|
| <b>ASP Name:</b>          | DL_DatRqChmmo (DL_DATA_REQUEST_CHANNEL_MODE_MODIFY)                                                                        |          |
| <b>PCO Type:</b>          | SAP0_3                                                                                                                     |          |
| <b>Comments:</b>          | The ASP is used to request the transmission of the RR CHANNEL MODE MODIFY message using acknowledged operation (L3 -> L2). |          |
| Parameter Name            | Parameter Type                                                                                                             | Comments |
| sapi                      | SAPID                                                                                                                      |          |
| logic_ch                  | LOGICCH                                                                                                                    |          |
| msg                       | CHMMO_PDU                                                                                                                  |          |
| <b>Detailed Comments:</b> |                                                                                                                            |          |

| ASP Type Definition       |                                                                                                                                    |          |
|---------------------------|------------------------------------------------------------------------------------------------------------------------------------|----------|
| <b>ASP Name:</b>          | DL_DatInChmmoAck (DL_DATA_INDICATION_CHANNEL_MODE_MODIFY_ACKNOWLEDGE)                                                              |          |
| <b>PCO Type:</b>          | SAP0_3                                                                                                                             |          |
| <b>Comments:</b>          | The ASP is used to indicate the receipt of the RR CHANNEL MODE MODIFY ACKNOWLEDGE message using acknowledged operation (L2 -> L3). |          |
| Parameter Name            | Parameter Type                                                                                                                     | Comments |
| sapi                      | SAPID                                                                                                                              |          |
| logic_ch                  | LOGICCH                                                                                                                            |          |
| msg                       | CHMMO_ACK_PDU                                                                                                                      |          |
| fn                        | FN                                                                                                                                 |          |
| <b>Detailed Comments:</b> |                                                                                                                                    |          |

| ASP Type Definition       |                                                                                                                        |          |
|---------------------------|------------------------------------------------------------------------------------------------------------------------|----------|
| <b>ASP Name:</b>          | DL_DatRqChRel (DL_DATA_REQUEST_CHANNEL_RELEASE)                                                                        |          |
| <b>PCO Type:</b>          | SAP0_3                                                                                                                 |          |
| <b>Comments:</b>          | The ASP is used to request the transmission of the RR CHANNEL_RELEASE message using acknowledged operation (L3 -> L2). |          |
| Parameter Name            | Parameter Type                                                                                                         | Comments |
| sapi                      | SAPID                                                                                                                  |          |
| logic_ch                  | LOGICCH                                                                                                                |          |
| msg                       | CH_REL_PDU                                                                                                             |          |
| <b>Detailed Comments:</b> |                                                                                                                        |          |

| ASP Type Definition       |                                                                                                                        |          |
|---------------------------|------------------------------------------------------------------------------------------------------------------------|----------|
| <b>ASP Name:</b>          | DL_DatRqChRelErr (DL_DATA_REQUEST_CHANNEL_RELEASE_ERROR)                                                               |          |
| <b>PCO Type:</b>          | SAP0_3                                                                                                                 |          |
| <b>Comments:</b>          | The ASP is used to request the transmission of the RR CHANNEL_RELEASE message using acknowledged operation (L3 -> L2). |          |
| Parameter Name            | Parameter Type                                                                                                         | Comments |
| sapi                      | SAPID                                                                                                                  |          |
| logic_ch                  | LOGICCH                                                                                                                |          |
| msg                       | CH_REL_PDU_ERR                                                                                                         |          |
| <b>Detailed Comments:</b> |                                                                                                                        |          |

| ASP Type Definition       |                                                                                                                               |          |
|---------------------------|-------------------------------------------------------------------------------------------------------------------------------|----------|
| <b>ASP Name:</b>          | DL_DatRqCphmCmd (DL_DATA_REQUEST_CIPHERING_MODE_COMMAND)                                                                      |          |
| <b>PCO Type:</b>          | SAP0_3                                                                                                                        |          |
| <b>Comments:</b>          | The ASP is used to request the transmission of the RR CIPHERING_MODE_COMMAND message using acknowledged operation (L3 -> L2). |          |
| Parameter Name            | Parameter Type                                                                                                                | Comments |
| sapi                      | SAPID                                                                                                                         |          |
| logic_ch                  | LOGICCH                                                                                                                       |          |
| msg                       | CPHM_CMD_PDU                                                                                                                  |          |
| <b>Detailed Comments:</b> |                                                                                                                               |          |

| ASP Type Definition       |                                                                                                                                       |          |
|---------------------------|---------------------------------------------------------------------------------------------------------------------------------------|----------|
| <b>ASP Name:</b>          | DL_DatRqCphmCmdErr (DL_DATA_REQUEST_CIPHERING_MODE_COMMAND_ERROR)                                                                     |          |
| <b>PCO Type:</b>          | SAP0_3                                                                                                                                |          |
| <b>Comments:</b>          | The ASP is used to request the transmission of the invalid RR CIPHERING_MODE_COMMAND message using acknowledged operation (L3 -> L2). |          |
| Parameter Name            | Parameter Type                                                                                                                        | Comments |
| sapi                      | SAPID                                                                                                                                 |          |
| logic_ch                  | LOGICCH                                                                                                                               |          |
| msg                       | CPHM_CMD_PDU_ERR                                                                                                                      |          |
| <b>Detailed Comments:</b> |                                                                                                                                       |          |

| ASP Type Definition       |                                                                                                                            |          |
|---------------------------|----------------------------------------------------------------------------------------------------------------------------|----------|
| <b>ASP Name:</b>          | DL_DatInCphmCom (DL_DATA_INDICATION_CIPHERING_MODE_COMPLETE)                                                               |          |
| <b>PCO Type:</b>          | SAP0_3                                                                                                                     |          |
| <b>Comments:</b>          | The ASP is used to indicate the receipt of the RR CIPHERING MODE COMPLETE message using acknowledged operation (L2 -> L3). |          |
| Parameter Name            | Parameter Type                                                                                                             | Comments |
| sapi                      | SAPID                                                                                                                      |          |
| logic_ch                  | LOGICCH                                                                                                                    |          |
| msg                       | CPHM_COM_PDU                                                                                                               |          |
| fn                        | FN                                                                                                                         |          |
| <b>Detailed Comments:</b> |                                                                                                                            |          |

| ASP Type Definition       |                                                                                                                     |          |
|---------------------------|---------------------------------------------------------------------------------------------------------------------|----------|
| <b>ASP Name:</b>          | DL_DatInClmChn (DL_DAT_INDICATION_CLASSMARK_CHANGE)                                                                 |          |
| <b>PCO Type:</b>          | SAP0_3                                                                                                              |          |
| <b>Comments:</b>          | The ASP is used to indicate the receipt of the RR CLASSMARK CHANGE message using acknowledged operation (L2 -> L3). |          |
| Parameter Name            | Parameter Type                                                                                                      | Comments |
| sapi                      | SAPID                                                                                                               |          |
| logic_ch                  | LOGICCH                                                                                                             |          |
| msg                       | CLM_CHN_PDU                                                                                                         |          |
| fn                        | FN                                                                                                                  |          |
| <b>Detailed Comments:</b> |                                                                                                                     |          |

| ASP Type Definition       |                                                                                                                          |          |
|---------------------------|--------------------------------------------------------------------------------------------------------------------------|----------|
| <b>ASP Name:</b>          | DL_DatRqClmEnq (DL_DATA_REQUEST_CLASSMARK_ENQUIRY)                                                                       |          |
| <b>PCO Type:</b>          | SAP0_3                                                                                                                   |          |
| <b>Comments:</b>          | The ASP is used to request the transmission of the RR CLASSMARK ENQUIRY message using acknowledged operation (L3 -> L2). |          |
| Parameter Name            | Parameter Type                                                                                                           | Comments |
| sapi                      | SAPID                                                                                                                    |          |
| logic_ch                  | LOGICCH                                                                                                                  |          |
| msg                       | CLM_ENQ_PDU                                                                                                              |          |
| <b>Detailed Comments:</b> |                                                                                                                          |          |

| ASP Type Definition       |                                                                                                                               |          |
|---------------------------|-------------------------------------------------------------------------------------------------------------------------------|----------|
| <b>ASP Name:</b>          | DL_DatRqFrqre (DL_DATA_REQUEST_FREQUENCY_REDEFINITION)                                                                        |          |
| <b>PCO Type:</b>          | SAP0_3                                                                                                                        |          |
| <b>Comments:</b>          | The ASP is used to request the transmission of the RR FREQUENCY REDEFINITION message using acknowledged operation (L3 -> L2). |          |
| Parameter Name            | Parameter Type                                                                                                                | Comments |
| sapi                      | SAPID                                                                                                                         |          |
| logic_ch                  | LOGICCH                                                                                                                       |          |
| msg                       | FRQRE_PDU                                                                                                                     |          |
| <b>Detailed Comments:</b> |                                                                                                                               |          |

| ASP Type Definition       |                                                                                                                         |          |
|---------------------------|-------------------------------------------------------------------------------------------------------------------------|----------|
| <b>ASP Name:</b>          | DL_DatRqHoCmd (DL_DATA_REQUEST_HANDOVER_COMMAND)                                                                        |          |
| <b>PCO Type:</b>          | SAP0_3                                                                                                                  |          |
| <b>Comments:</b>          | The ASP is used to request the transmission of the RR HANDOVER COMMAND message using acknowledged operation (L3 -> L2). |          |
| Parameter Name            | Parameter Type                                                                                                          | Comments |
| sapi                      | SAPID                                                                                                                   |          |
| logic_ch                  | LOGICCH                                                                                                                 |          |
| msg                       | HO_CMD_PDU                                                                                                              |          |
| <b>Detailed Comments:</b> |                                                                                                                         |          |

| ASP Type Definition       |                                                                                                                      |          |
|---------------------------|----------------------------------------------------------------------------------------------------------------------|----------|
| <b>ASP Name:</b>          | DL_DatInHoCom (DL_DATA_INDICATION_HANDOVER_COMPLETE)                                                                 |          |
| <b>PCO Type:</b>          | SAP0_3                                                                                                               |          |
| <b>Comments:</b>          | The ASP is used to indicate the receipt of the RR HANDOVER COMPLETE message using acknowledged operation (L2 -> L3). |          |
| Parameter Name            | Parameter Type                                                                                                       | Comments |
| sapi                      | SAPID                                                                                                                |          |
| logic_ch                  | LOGICCH                                                                                                              |          |
| msg                       | HO_COM_PDU                                                                                                           |          |
| fn                        | FN                                                                                                                   |          |
| <b>Detailed Comments:</b> | The ASP is a result of the ASP DL_RESUME_REQUEST of the SUT sending the HANDOVER COMPLETE message.                   |          |

| ASP Type Definition       |                                                                                                                     |          |
|---------------------------|---------------------------------------------------------------------------------------------------------------------|----------|
| <b>ASP Name:</b>          | DL_DatInHofl (DL_DATA_INDICATION_HANDOVER_FAILURE)                                                                  |          |
| <b>PCO Type:</b>          | SAP0_3                                                                                                              |          |
| <b>Comments:</b>          | The ASP is used to indicate the receipt of the RR HANDOVER FAILURE message using acknowledged operation (L2 -> L3). |          |
| Parameter Name            | Parameter Type                                                                                                      | Comments |
| sapi                      | SAPID                                                                                                               |          |
| logic_ch                  | LOGICCH                                                                                                             |          |
| msg                       | HOFL_PDU                                                                                                            |          |
| fn                        | FN                                                                                                                  |          |
| <b>Detailed Comments:</b> | The ASP is a result of the ASP DL_RECONNECT_REQUEST of the SUT sending the HANDOVER FAILURE message.                |          |

| ASP Type Definition       |                                                                                                                             |          |
|---------------------------|-----------------------------------------------------------------------------------------------------------------------------|----------|
| <b>ASP Name:</b>          | DL_DatRqPhyinfo (DL_DATA_REQUEST_PHYSICAL_INFORMATION)                                                                      |          |
| <b>PCO Type:</b>          | SAP0_3                                                                                                                      |          |
| <b>Comments:</b>          | The ASP is used to request the transmission of the RR PHYSICAL INFORMATION message using acknowledged operation (L3 -> L2). |          |
| Parameter Name            | Parameter Type                                                                                                              | Comments |
| sapi                      | SAPID                                                                                                                       |          |
| logic_ch                  | LOGICCH                                                                                                                     |          |
| msg                       | PHYINFO_PDU                                                                                                                 |          |
| <b>Detailed Comments:</b> |                                                                                                                             |          |

| ASP Type Definition       |                                                                                                           |          |
|---------------------------|-----------------------------------------------------------------------------------------------------------|----------|
| <b>ASP Name:</b>          | DL_DatInRrst (DL_DATA_INDICATION_RR_STATUS)                                                               |          |
| <b>PCO Type:</b>          | SAP0_3                                                                                                    |          |
| <b>Comments:</b>          | The ASP is used to indicate the receipt of the RR STATUS message using acknowledged operation (L2 -> L3). |          |
| Parameter Name            | Parameter Type                                                                                            | Comments |
| sapi                      | SAPID                                                                                                     |          |
| logic_ch                  | LOGICCH                                                                                                   |          |
| msg                       | RRST_PDU                                                                                                  |          |
| fn                        | FN                                                                                                        |          |
| <b>Detailed Comments:</b> |                                                                                                           |          |

| ASP Type Definition       |                                                                                                                              |          |
|---------------------------|------------------------------------------------------------------------------------------------------------------------------|----------|
| <b>ASP Name:</b>          | DL_DatRqAuthRej (DL_DATA_REQUEST_AUTHENTICATION_REJECT)                                                                      |          |
| <b>PCO Type:</b>          | SAP0_3                                                                                                                       |          |
| <b>Comments:</b>          | The ASP is used to request the transmission of the MM AUTHENTICATION REJECT message using acknowledged operation (L3 -> L2). |          |
| Parameter Name            | Parameter Type                                                                                                               | Comments |
| sapi                      | SAPID                                                                                                                        |          |
| logic_ch                  | LOGICCH                                                                                                                      |          |
| msg                       | AUTH_REJ_PDU                                                                                                                 |          |
| <b>Detailed Comments:</b> |                                                                                                                              |          |

| ASP Type Definition       |                                                                                                                               |          |
|---------------------------|-------------------------------------------------------------------------------------------------------------------------------|----------|
| <b>ASP Name:</b>          | DL_DatRqAuthRq (DL_DATA_REQUEST_AUTHENTICATION_REQUEST)                                                                       |          |
| <b>PCO Type:</b>          | SAP0_3                                                                                                                        |          |
| <b>Comments:</b>          | The ASP is used to request the transmission of the MM AUTHENTICATION REQUEST message using acknowledged operation (L3 -> L2). |          |
| Parameter Name            | Parameter Type                                                                                                                | Comments |
| sapi                      | SAPID                                                                                                                         |          |
| logic_ch                  | LOGICCH                                                                                                                       |          |
| msg                       | AUTH_RQ_PDU                                                                                                                   |          |
| <b>Detailed Comments:</b> |                                                                                                                               |          |

| ASP Type Definition       |                                                                                                                            |          |
|---------------------------|----------------------------------------------------------------------------------------------------------------------------|----------|
| <b>ASP Name:</b>          | DL_DatInAuthRes (DL_DATA_INDICATION_AUTHENTICATION_RESPONSE)                                                               |          |
| <b>PCO Type:</b>          | SAP0_3                                                                                                                     |          |
| <b>Comments:</b>          | The ASP is used to indicate the receipt of the MM AUTHENTICATION RESPONSE message using acknowledged operation (L2 -> L3). |          |
| Parameter Name            | Parameter Type                                                                                                             | Comments |
| sapi                      | SAPID                                                                                                                      |          |
| logic_ch                  | LOGICCH                                                                                                                    |          |
| msg                       | AUTH_RES_PDU                                                                                                               |          |
| fn                        | FN                                                                                                                         |          |
| <b>Detailed Comments:</b> |                                                                                                                            |          |

| ASP Type Definition       |                                                                                                                          |          |
|---------------------------|--------------------------------------------------------------------------------------------------------------------------|----------|
| <b>ASP Name:</b>          | DL_DatRqCmsAcP (DL_DATA_REQUEST_CM_SERVICE_ACCEPT)                                                                       |          |
| <b>PCO Type:</b>          | SAP0_3                                                                                                                   |          |
| <b>Comments:</b>          | The ASP is used to request the transmission of the MM CM SERVICE ACCEPT message using acknowledged operation (L3 -> L2). |          |
| Parameter Name            | Parameter Type                                                                                                           | Comments |
| sapi                      | SAPID                                                                                                                    |          |
| logic_ch                  | LOGICCH                                                                                                                  |          |
| msg                       | CMS_ACP_PDU                                                                                                              |          |
| <b>Detailed Comments:</b> |                                                                                                                          |          |

| ASP Type Definition       |                                                                                                                          |          |
|---------------------------|--------------------------------------------------------------------------------------------------------------------------|----------|
| <b>ASP Name:</b>          | DL_DatRqCmsRej (DL_DATA_REQUEST_CM_SERVICE_REJECT)                                                                       |          |
| <b>PCO Type:</b>          | SAP0_3                                                                                                                   |          |
| <b>Comments:</b>          | The ASP is used to request the transmission of the MM CM SERVICE REJECT message using acknowledged operation (L3 -> L2). |          |
| Parameter Name            | Parameter Type                                                                                                           | Comments |
| sapi                      | SAPID                                                                                                                    |          |
| logic_ch                  | LOGICCH                                                                                                                  |          |
| msg                       | CMS_REJ_PDU                                                                                                              |          |
| <b>Detailed Comments:</b> |                                                                                                                          |          |

| ASP Type Definition       |                                                                                                              |          |
|---------------------------|--------------------------------------------------------------------------------------------------------------|----------|
| <b>ASP Name:</b>          | DL_DatRqAbrt (DL_DATA_REQUEST_ABORT)                                                                         |          |
| <b>PCO Type:</b>          | SAP0_3                                                                                                       |          |
| <b>Comments:</b>          | The ASP is used to request the transmission of the MM ABORT message using acknowledged operation (L3 -> L2). |          |
| Parameter Name            | Parameter Type                                                                                               | Comments |
| sapi                      | SAPID                                                                                                        |          |
| logic_ch                  | LOGICCH                                                                                                      |          |
| msg                       | ABRT_PDU                                                                                                     |          |
| <b>Detailed Comments:</b> |                                                                                                              |          |

| ASP Type Definition       |                                                                                                                         |          |
|---------------------------|-------------------------------------------------------------------------------------------------------------------------|----------|
| <b>ASP Name:</b>          | DL_DatRqIdRq (DL_DATA_REQUEST_IDENTITY_REQUEST)                                                                         |          |
| <b>PCO Type:</b>          | SAP0_3                                                                                                                  |          |
| <b>Comments:</b>          | The ASP is used to request the transmission of the MM IDENTITY REQUEST message using acknowledged operation (L3 -> L2). |          |
| Parameter Name            | Parameter Type                                                                                                          | Comments |
| sapi                      | SAPID                                                                                                                   |          |
| logic_ch                  | LOGICCH                                                                                                                 |          |
| msg                       | ID_RQ_PDU                                                                                                               |          |
| <b>Detailed Comments:</b> |                                                                                                                         |          |



| ASP Type Definition       |                                                                                                                      |          |
|---------------------------|----------------------------------------------------------------------------------------------------------------------|----------|
| <b>ASP Name:</b>          | DL_DatInIdRes (DL_DATA_INDICATION_IDENTIFY_RESPONSE)                                                                 |          |
| <b>PCO Type:</b>          | SAP0_3                                                                                                               |          |
| <b>Comments:</b>          | The ASP is used to indicate the receipt of the MM IDENTITY RESPONSE message using acknowledged operation (L2 -> L3). |          |
| Parameter Name            | Parameter Type                                                                                                       | Comments |
| sapi                      | SAPID                                                                                                                |          |
| logic_ch                  | LOGICCH                                                                                                              |          |
| msg                       | ID_RES_PDU                                                                                                           |          |
| fn                        | FN                                                                                                                   |          |
| <b>Detailed Comments:</b> |                                                                                                                      |          |

| ASP Type Definition       |                                                                                                                                 |          |
|---------------------------|---------------------------------------------------------------------------------------------------------------------------------|----------|
| <b>ASP Name:</b>          | DL_DatRqLupAcp (DL_DATA_REQUEST_LOCATION_UPDATING_ACCEPT)                                                                       |          |
| <b>PCO Type:</b>          | SAP0_3                                                                                                                          |          |
| <b>Comments:</b>          | The ASP is used to request the transmission of the MM LOCATION UPDATING ACCEPT message using acknowledged operation (L3 -> L2). |          |
| Parameter Name            | Parameter Type                                                                                                                  | Comments |
| sapi                      | SAPID                                                                                                                           |          |
| logic_ch                  | LOGICCH                                                                                                                         |          |
| msg                       | LUP_ACP_PDU                                                                                                                     |          |
| <b>Detailed Comments:</b> |                                                                                                                                 |          |

| ASP Type Definition       |                                                                                                                                 |          |
|---------------------------|---------------------------------------------------------------------------------------------------------------------------------|----------|
| <b>ASP Name:</b>          | DL_DatRqLupAcpErr (DL_DATA_REQUEST_LOCATION_UPDATING_ACCEPT_ERR)                                                                |          |
| <b>PCO Type:</b>          | SAP0_3                                                                                                                          |          |
| <b>Comments:</b>          | The ASP is used to request the transmission of the MM LOCATION UPDATING ACCEPT message using acknowledged operation (L3 -> L2). |          |
| Parameter Name            | Parameter Type                                                                                                                  | Comments |
| sapi                      | SAPID                                                                                                                           |          |
| logic_ch                  | LOGICCH                                                                                                                         |          |
| msg                       | LUP_ACP_PDU_ERR                                                                                                                 |          |
| <b>Detailed Comments:</b> |                                                                                                                                 |          |

| ASP Type Definition       |                                                                                                                                 |          |
|---------------------------|---------------------------------------------------------------------------------------------------------------------------------|----------|
| <b>ASP Name:</b>          | DL_DatRqLupRej (DL_DATA_REQUEST_LOCATION_UPDATING_REJECT)                                                                       |          |
| <b>PCO Type:</b>          | SAP0_3                                                                                                                          |          |
| <b>Comments:</b>          | The ASP is used to request the transmission of the MM LOCATION UPDATING REJECT message using acknowledged operation (L3 -> L2). |          |
| Parameter Name            | Parameter Type                                                                                                                  | Comments |
| sapi                      | SAPID                                                                                                                           |          |
| logic_ch                  | LOGICCH                                                                                                                         |          |
| msg                       | LUP_REJ_PDU                                                                                                                     |          |
| <b>Detailed Comments:</b> |                                                                                                                                 |          |

| ASP Type Definition       |                                                                                                           |          |
|---------------------------|-----------------------------------------------------------------------------------------------------------|----------|
| <b>ASP Name:</b>          | DL_DatInMmst (DL_DATA_INDICATION_MM_STATUS)                                                               |          |
| <b>PCO Type:</b>          | SAP0_3                                                                                                    |          |
| <b>Comments:</b>          | The ASP is used to indicate the receipt of the MM STATUS message using acknowledged operation (L2 -> L3). |          |
| Parameter Name            | Parameter Type                                                                                            | Comments |
| sapi                      | SAPID                                                                                                     |          |
| logic_ch                  | LOGICCH                                                                                                   |          |
| msg                       | MMST_PDU                                                                                                  |          |
| fn                        | FN                                                                                                        |          |
| <b>Detailed Comments:</b> |                                                                                                           |          |

| ASP Type Definition       |                                                                                                                                  |          |
|---------------------------|----------------------------------------------------------------------------------------------------------------------------------|----------|
| <b>ASP Name:</b>          | DL_DatRqTmsireCmd (DL_DATA_REQUEST_TMSI_REALLOCATION_COMMAND)                                                                    |          |
| <b>PCO Type:</b>          | SAP0_3                                                                                                                           |          |
| <b>Comments:</b>          | The ASP is used to request the transmission of the MM TMSI REALLOCATION COMMAND message using acknowledged operation (L3 -> L2). |          |
| Parameter Name            | Parameter Type                                                                                                                   | Comments |
| sapi                      | SAPID                                                                                                                            |          |
| logic_ch                  | LOGICCH                                                                                                                          |          |
| msg                       | TMSIRE_CMD_PDU                                                                                                                   |          |
| <b>Detailed Comments:</b> |                                                                                                                                  |          |

| ASP Type Definition       |                                                                                                                               |          |
|---------------------------|-------------------------------------------------------------------------------------------------------------------------------|----------|
| <b>ASP Name:</b>          | DL_DatInTmsireCom (DL_DATA_INDICATION_TMSI_REALLOCATION_COMPLETE)                                                             |          |
| <b>PCO Type:</b>          | SAP0_3                                                                                                                        |          |
| <b>Comments:</b>          | The ASP is used to indicate the receipt of the MM TMSI REALLOCATION COMPLETE message using acknowledged operation (L2 -> L3). |          |
| Parameter Name            | Parameter Type                                                                                                                | Comments |
| sapi                      | SAPID                                                                                                                         |          |
| logic_ch                  | LOGICCH                                                                                                                       |          |
| msg                       | TMSIRE_COM_PDU                                                                                                                |          |
| fn                        | FN                                                                                                                            |          |
| <b>Detailed Comments:</b> |                                                                                                                               |          |

| ASP Type Definition       |                                                                                                                 |          |
|---------------------------|-----------------------------------------------------------------------------------------------------------------|----------|
| <b>ASP Name:</b>          | DL_DatRqAlert (DL_DATA_REQUEST_ALERTING)                                                                        |          |
| <b>PCO Type:</b>          | SAP0_3                                                                                                          |          |
| <b>Comments:</b>          | The ASP is used to request the transmission of the CC ALERTING message using acknowledged operation (L3 -> L2). |          |
| Parameter Name            | Parameter Type                                                                                                  | Comments |
| sapi                      | SAPID                                                                                                           |          |
| logic_ch                  | LOGICCH                                                                                                         |          |
| msg                       | ALERT_PDU                                                                                                       |          |
| <b>Detailed Comments:</b> |                                                                                                                 |          |

| ASP Type Definition       |                                                                                                             |          |
|---------------------------|-------------------------------------------------------------------------------------------------------------|----------|
| <b>ASP Name:</b>          | DL_DatInAlert (DL_DATA_INDICATION_ALERTING)                                                                 |          |
| <b>PCO Type:</b>          | SAP0_3                                                                                                      |          |
| <b>Comments:</b>          | The ASP is used to indicate the receipt of the CC ALERTING message using acknowledged operation (L2 -> L3). |          |
| Parameter Name            | Parameter Type                                                                                              | Comments |
| sapi                      | SAPID                                                                                                       |          |
| logic_ch                  | LOGICCH                                                                                                     |          |
| msg                       | ALERT_PDU                                                                                                   |          |
| fn                        | FN                                                                                                          |          |
| <b>Detailed Comments:</b> |                                                                                                             |          |

| ASP Type Definition       |                                                                                                                   |          |
|---------------------------|-------------------------------------------------------------------------------------------------------------------|----------|
| <b>ASP Name:</b>          | DL_DatInCallCo (DL_DATA_INDICATION_CALL_CONFIRMED)                                                                |          |
| <b>PCO Type:</b>          | SAP0_3                                                                                                            |          |
| <b>Comments:</b>          | The ASP is used to indicate the receipt of the CC CALL CONFIRMED message using acknowledged operation (L2 -> L3). |          |
| Parameter Name            | Parameter Type                                                                                                    | Comments |
| sapi                      | SAPID                                                                                                             |          |
| logic_ch                  | LOGICCH                                                                                                           |          |
| msg                       | CALL_CO_PDU                                                                                                       |          |
| fn                        | FN                                                                                                                |          |
| <b>Detailed Comments:</b> |                                                                                                                   |          |

| ASP Type Definition       |                                                                                                                        |          |
|---------------------------|------------------------------------------------------------------------------------------------------------------------|----------|
| <b>ASP Name:</b>          | DL_DatRqCallProc (DL_DATA_REQUEST_CALL_PROCEEDING)                                                                     |          |
| <b>PCO Type:</b>          | SAP0_3                                                                                                                 |          |
| <b>Comments:</b>          | The ASP is used to request the transmission of the CC CALL PROCEEDING message using acknowledged operation (L3 -> L2). |          |
| Parameter Name            | Parameter Type                                                                                                         | Comments |
| sapi                      | SAPID                                                                                                                  |          |
| logic_ch                  | LOGICCH                                                                                                                |          |
| msg                       | CALL_PROC_PDU                                                                                                          |          |
| <b>Detailed Comments:</b> |                                                                                                                        |          |

| ASP Type Definition       |                                                                                                                |          |
|---------------------------|----------------------------------------------------------------------------------------------------------------|----------|
| <b>ASP Name:</b>          | DL_DatRqConn (DL_DATA_REQUEST_CONNECT)                                                                         |          |
| <b>PCO Type:</b>          | SAP0_3                                                                                                         |          |
| <b>Comments:</b>          | The ASP is used to request the transmission of the CC CONNECT message using acknowledged operation (L3 -> L2). |          |
| Parameter Name            | Parameter Type                                                                                                 | Comments |
| sapi                      | SAPID                                                                                                          |          |
| logic_ch                  | LOGICCH                                                                                                        |          |
| msg                       | CONN_PDU                                                                                                       |          |
| <b>Detailed Comments:</b> |                                                                                                                |          |

| <b>ASP Type Definition</b> |                                                                                                                |          |
|----------------------------|----------------------------------------------------------------------------------------------------------------|----------|
| <b>ASP Name:</b>           | DL_DatRqConnErr (DL_DATA_REQUEST_CONNECT_ERR)                                                                  |          |
| <b>PCO Type:</b>           | SAP0_3                                                                                                         |          |
| <b>Comments:</b>           | The ASP is used to request the transmission of the CC CONNECT message using acknowledged operation (L3 -> L2). |          |
| Parameter Name             | Parameter Type                                                                                                 | Comments |
| sapi                       | SAPID                                                                                                          |          |
| logic_ch                   | LOGICCH                                                                                                        |          |
| msg                        | CONN_PDU_ERR                                                                                                   |          |
| <b>Detailed Comments:</b>  |                                                                                                                |          |

| <b>ASP Type Definition</b> |                                                                                                            |          |
|----------------------------|------------------------------------------------------------------------------------------------------------|----------|
| <b>ASP Name:</b>           | DL_DatInConn (DL_DATA_INDICATION_CONNECT)                                                                  |          |
| <b>PCO Type:</b>           | SAP0_3                                                                                                     |          |
| <b>Comments:</b>           | The ASP is used to indicate the receipt of the CC CONNECT message using acknowledged operation (L2 -> L3). |          |
| Parameter Name             | Parameter Type                                                                                             | Comments |
| sapi                       | SAPID                                                                                                      |          |
| logic_ch                   | LOGICCH                                                                                                    |          |
| msg                        | CONN_PDU                                                                                                   |          |
| fn                         | FN                                                                                                         |          |
| <b>Detailed Comments:</b>  |                                                                                                            |          |

| <b>ASP Type Definition</b> |                                                                                                                            |          |
|----------------------------|----------------------------------------------------------------------------------------------------------------------------|----------|
| <b>ASP Name:</b>           | DL_DatRqConnAck (DL_DATA_REQUEST_CONNECT_ACKNOWLEDGE)                                                                      |          |
| <b>PCO Type:</b>           | SAP0_3                                                                                                                     |          |
| <b>Comments:</b>           | The ASP is used to request the transmission of the CC CONNECT ACKNOWLEDGE message using acknowledged operation (L3 -> L2). |          |
| Parameter Name             | Parameter Type                                                                                                             | Comments |
| sapi                       | SAPID                                                                                                                      |          |
| logic_ch                   | LOGICCH                                                                                                                    |          |
| msg                        | CONN_ACK_PDU                                                                                                               |          |
| <b>Detailed Comments:</b>  |                                                                                                                            |          |

| <b>ASP Type Definition</b> |                                                                                                                          |          |
|----------------------------|--------------------------------------------------------------------------------------------------------------------------|----------|
| <b>ASP Name:</b>           | DL_DatInConnAck (DL_DATA_INDICATION_CONNECT_ACKNOWLEDGE)                                                                 |          |
| <b>PCO Type:</b>           | SAP0_3                                                                                                                   |          |
| <b>Comments:</b>           | The ASP is used to indicate the reception of the CC CONNECT ACKNOWLEDGE message using acknowledged operation (L2 -> L3). |          |
| Parameter Name             | Parameter Type                                                                                                           | Comments |
| sapi                       | SAPID                                                                                                                    |          |
| logic_ch                   | LOGICCH                                                                                                                  |          |
| msg                        | CONN_ACK_PDU                                                                                                             |          |
| fn                         | FN                                                                                                                       |          |
| <b>Detailed Comments:</b>  |                                                                                                                          |          |

| ASP Type Definition       |                                                                                                                   |          |
|---------------------------|-------------------------------------------------------------------------------------------------------------------|----------|
| <b>ASP Name:</b>          | DL_DatRqDisc (DL_DATA_REQUEST_DISCONNECT)                                                                         |          |
| <b>PCO Type:</b>          | SAP0_3                                                                                                            |          |
| <b>Comments:</b>          | The ASP is used to request the transmission of the CC DISCONNECT message using acknowledged operation (L3 -> L2). |          |
| Parameter Name            | Parameter Type                                                                                                    | Comments |
| sapi                      | SAPID                                                                                                             |          |
| logic_ch                  | LOGICCH                                                                                                           |          |
| msg                       | DISC_PDU                                                                                                          |          |
| <b>Detailed Comments:</b> |                                                                                                                   |          |

| ASP Type Definition       |                                                                                                                   |          |
|---------------------------|-------------------------------------------------------------------------------------------------------------------|----------|
| <b>ASP Name:</b>          | DL_DatRqDiscErr (DL_DATA_REQUEST_DISCONNECT_ERR)                                                                  |          |
| <b>PCO Type:</b>          | SAP0_3                                                                                                            |          |
| <b>Comments:</b>          | The ASP is used to request the transmission of the CC DISCONNECT message using acknowledged operation (L3 -> L2). |          |
| Parameter Name            | Parameter Type                                                                                                    | Comments |
| sapi                      | SAPID                                                                                                             |          |
| logic_ch                  | LOGICCH                                                                                                           |          |
| msg                       | DISC_PDU_ERR                                                                                                      |          |
| <b>Detailed Comments:</b> |                                                                                                                   |          |

| ASP Type Definition       |                                                                                                               |          |
|---------------------------|---------------------------------------------------------------------------------------------------------------|----------|
| <b>ASP Name:</b>          | DL_DatInDisc (DL_DATA_INDICATION_DISCONNECT)                                                                  |          |
| <b>PCO Type:</b>          | SAP0_3                                                                                                        |          |
| <b>Comments:</b>          | The ASP is used to indicate the receipt of the CC DISCONNECT message using acknowledged operation (L2 -> L3). |          |
| Parameter Name            | Parameter Type                                                                                                | Comments |
| sapi                      | SAPID                                                                                                         |          |
| logic_ch                  | LOGICCH                                                                                                       |          |
| msg                       | DISC_PDU                                                                                                      |          |
| fn                        | FN                                                                                                            |          |
| <b>Detailed Comments:</b> |                                                                                                               |          |

| ASP Type Definition       |                                                                                                                    |          |
|---------------------------|--------------------------------------------------------------------------------------------------------------------|----------|
| <b>ASP Name:</b>          | DL_DatInESetup (DL_DATA_INDICATION_EMERGENCY_SETUP)                                                                |          |
| <b>PCO Type:</b>          | SAP0_3                                                                                                             |          |
| <b>Comments:</b>          | The ASP is used to indicate the receipt of the CC EMERGENCY_SETUP message using acknowledged operation (L2 -> L3). |          |
| Parameter Name            | Parameter Type                                                                                                     | Comments |
| sapi                      | SAPID                                                                                                              |          |
| logic_ch                  | LOGICCH                                                                                                            |          |
| msg                       | ESETUP_PDU                                                                                                         |          |
| fn                        | FN                                                                                                                 |          |
| <b>Detailed Comments:</b> |                                                                                                                    |          |

| ASP Type Definition       |                                                                                                                 |          |
|---------------------------|-----------------------------------------------------------------------------------------------------------------|----------|
| <b>ASP Name:</b>          | DL_DatRqFac (DL_DATA_REQUEST_FACILITY)                                                                          |          |
| <b>PCO Type:</b>          | SAP0_3                                                                                                          |          |
| <b>Comments:</b>          | The ASP is used to request the transmission of the CC FACILITY message using acknowledged operation (L3 -> L2). |          |
| Parameter Name            | Parameter Type                                                                                                  | Comments |
| sapi                      | SAPID                                                                                                           |          |
| logic_ch                  | LOGICCH                                                                                                         |          |
| msg                       | FAC_PDU                                                                                                         |          |
| <b>Detailed Comments:</b> |                                                                                                                 |          |

| ASP Type Definition       |                                                                                                             |          |
|---------------------------|-------------------------------------------------------------------------------------------------------------|----------|
| <b>ASP Name:</b>          | DL_DatInFac (DL_DATA_INDICATION_FACILITY)                                                                   |          |
| <b>PCO Type:</b>          | SAP0_3                                                                                                      |          |
| <b>Comments:</b>          | The ASP is used to indicate the receipt of the CC FACILITY message using acknowledged operation (L2 -> L3). |          |
| Parameter Name            | Parameter Type                                                                                              | Comments |
| sapi                      | SAPID                                                                                                       |          |
| logic_ch                  | LOGICCH                                                                                                     |          |
| msg                       | FAC_PDU                                                                                                     |          |
| fn                        | FN                                                                                                          |          |
| <b>Detailed Comments:</b> |                                                                                                             |          |

| ASP Type Definition       |                                                                                                         |          |
|---------------------------|---------------------------------------------------------------------------------------------------------|----------|
| <b>ASP Name:</b>          | DL_DatInHold (DL_DATA_INDICATION_HOLD)                                                                  |          |
| <b>PCO Type:</b>          | SAP0_3                                                                                                  |          |
| <b>Comments:</b>          | The ASP is used to indicate the receipt of the CC HOLD message using acknowledged operation (L2 -> L3). |          |
| Parameter Name            | Parameter Type                                                                                          | Comments |
| sapi                      | SAPID                                                                                                   |          |
| logic_ch                  | LOGICCH                                                                                                 |          |
| msg                       | HOLD_PDU                                                                                                |          |
| fn                        | FN                                                                                                      |          |
| <b>Detailed Comments:</b> |                                                                                                         |          |

| ASP Type Definition       |                                                                                                                         |          |
|---------------------------|-------------------------------------------------------------------------------------------------------------------------|----------|
| <b>ASP Name:</b>          | DL_DatRqHoldAck (DL_DATA_REQUEST_HOLD_ACKNOWLEDGE)                                                                      |          |
| <b>PCO Type:</b>          | SAP0_3                                                                                                                  |          |
| <b>Comments:</b>          | The ASP is used to request the transmission of the CC HOLD ACKNOWLEDGE message using acknowledged operation (L3 -> L2). |          |
| Parameter Name            | Parameter Type                                                                                                          | Comments |
| sapi                      | SAPID                                                                                                                   |          |
| logic_ch                  | LOGICCH                                                                                                                 |          |
| msg                       | HOLD_ACK_PDU                                                                                                            |          |
| <b>Detailed Comments:</b> |                                                                                                                         |          |

| ASP Type Definition       |                                                                                                               |          |
|---------------------------|---------------------------------------------------------------------------------------------------------------|----------|
| <b>ASP Name:</b>          | DL_DatRqModify (DL_DATA_REQUEST_MODIFY)                                                                       |          |
| <b>PCO Type:</b>          | SAP0_3                                                                                                        |          |
| <b>Comments:</b>          | The ASP is used to request the transmission of the CC MODIFY message using acknowledged operation (L3 -> L2). |          |
| Parameter Name            | Parameter Type                                                                                                | Comments |
| sapi                      | SAPID                                                                                                         |          |
| logic_ch                  | LOGICCH                                                                                                       |          |
| msg                       | MODIFY_PDU                                                                                                    |          |
| <b>Detailed Comments:</b> |                                                                                                               |          |

| ASP Type Definition       |                                                                                                           |          |
|---------------------------|-----------------------------------------------------------------------------------------------------------|----------|
| <b>ASP Name:</b>          | DL_DatInModify (DL_DATA_INDICATION_MODIFY)                                                                |          |
| <b>PCO Type:</b>          | SAP0_3                                                                                                    |          |
| <b>Comments:</b>          | The ASP is used to indicate the receipt of the CC MODIFY message using acknowledged operation (L2 -> L3). |          |
| Parameter Name            | Parameter Type                                                                                            | Comments |
| sapi                      | SAPID                                                                                                     |          |
| logic_ch                  | LOGICCH                                                                                                   |          |
| msg                       | MODIFY_PDU                                                                                                |          |
| fn                        | FN                                                                                                        |          |
| <b>Detailed Comments:</b> |                                                                                                           |          |

| ASP Type Definition       |                                                                                                                        |          |
|---------------------------|------------------------------------------------------------------------------------------------------------------------|----------|
| <b>ASP Name:</b>          | DL_DatRqModifyCom (DL_DATA_REQUEST_MODIFY_COMPLETE)                                                                    |          |
| <b>PCO Type:</b>          | SAP0_3                                                                                                                 |          |
| <b>Comments:</b>          | The ASP is used to request the transmission of the CC MODIFY COMPLETE message using acknowledged operation (L3 -> L2). |          |
| Parameter Name            | Parameter Type                                                                                                         | Comments |
| sapi                      | SAPID                                                                                                                  |          |
| logic_ch                  | LOGICCH                                                                                                                |          |
| msg                       | MODIFY_COM_PDU                                                                                                         |          |
| <b>Detailed Comments:</b> |                                                                                                                        |          |

| ASP Type Definition       |                                                                                                                      |          |
|---------------------------|----------------------------------------------------------------------------------------------------------------------|----------|
| <b>ASP Name:</b>          | DL_DatRqModifyRej (DL_DATA_REQUEST_MODIFY_REJECT)                                                                    |          |
| <b>PCO Type:</b>          | SAP0_3                                                                                                               |          |
| <b>Comments:</b>          | The ASP is used to request the transmission of the CC MODIFY REJECT message using acknowledged operation (L3 -> L2). |          |
| Parameter Name            | Parameter Type                                                                                                       | Comments |
| sapi                      | SAPID                                                                                                                |          |
| logic_ch                  | LOGICCH                                                                                                              |          |
| msg                       | MODIFY_REJ_PDU                                                                                                       |          |
| <b>Detailed Comments:</b> |                                                                                                                      |          |

| ASP Type Definition       |                                                                                                                  |          |
|---------------------------|------------------------------------------------------------------------------------------------------------------|----------|
| <b>ASP Name:</b>          | DL_DatInModifyRej (DL_DATA_INDICATION_MODIFY_REJECT)                                                             |          |
| <b>PCO Type:</b>          | SAP0_3                                                                                                           |          |
| <b>Comments:</b>          | The ASP is used to indicate the receipt of the CC MODIFY REJECT message using acknowledged operation (L2 -> L3). |          |
| Parameter Name            | Parameter Type                                                                                                   | Comments |
| sapi                      | SAPID                                                                                                            |          |
| logic_ch                  | LOGICCH                                                                                                          |          |
| msg                       | MODIFY_REJ_PDU                                                                                                   |          |
| fn                        | FN                                                                                                               |          |
| <b>Detailed Comments:</b> |                                                                                                                  |          |

| ASP Type Definition       |                                                                                                               |          |
|---------------------------|---------------------------------------------------------------------------------------------------------------|----------|
| <b>ASP Name:</b>          | DL_DatRqNotify (DL_DATA_REQUEST_NOTIFY)                                                                       |          |
| <b>PCO Type:</b>          | SAP0_3                                                                                                        |          |
| <b>Comments:</b>          | The ASP is used to request the transmission of the CC NOTIFY message using acknowledged operation (L3 -> L2). |          |
| Parameter Name            | Parameter Type                                                                                                | Comments |
| sapi                      | SAPID                                                                                                         |          |
| logic_ch                  | LOGICCH                                                                                                       |          |
| msg                       | NOTIFY_PDU                                                                                                    |          |
| <b>Detailed Comments:</b> |                                                                                                               |          |

| ASP Type Definition       |                                                                                                                 |          |
|---------------------------|-----------------------------------------------------------------------------------------------------------------|----------|
| <b>ASP Name:</b>          | DL_DatRqProg (DL_DATA_REQUEST_PROGRESS)                                                                         |          |
| <b>PCO Type:</b>          | SAP0_3                                                                                                          |          |
| <b>Comments:</b>          | The ASP is used to request the transmission of the CC PROGRESS message using acknowledged operation (L3 -> L2). |          |
| Parameter Name            | Parameter Type                                                                                                  | Comments |
| sapi                      | SAPID                                                                                                           |          |
| logic_ch                  | LOGICCH                                                                                                         |          |
| msg                       | PROG_PDU                                                                                                        |          |
| <b>Detailed Comments:</b> |                                                                                                                 |          |

| ASP Type Definition       |                                                                                                                 |          |
|---------------------------|-----------------------------------------------------------------------------------------------------------------|----------|
| <b>ASP Name:</b>          | DL_DatRqRegister (DL_DATA_REQUEST_REGISTER)                                                                     |          |
| <b>PCO Type:</b>          | SAP0_3                                                                                                          |          |
| <b>Comments:</b>          | The ASP is used to request the transmission of the SS REGISTER message using acknowledged operation (L3 -> L2). |          |
| Parameter Name            | Parameter Type                                                                                                  | Comments |
| sapi                      | SAPID                                                                                                           |          |
| logic_ch                  | LOGICCH                                                                                                         |          |
| msg                       | REGISTER_PDU                                                                                                    |          |
| <b>Detailed Comments:</b> |                                                                                                                 |          |



| ASP Type Definition       |                                                                                                      |          |
|---------------------------|------------------------------------------------------------------------------------------------------|----------|
| <b>ASP Name:</b>          | DL_DatInRegister (DL_DATA_INDICATION_REGISTER)                                                       |          |
| <b>PCO Type:</b>          | SAP0_3                                                                                               |          |
| <b>Comments:</b>          | The ASP is used to receive the transmission of the SS REGISTER message using acknowledged operation. |          |
| Parameter Name            | Parameter Type                                                                                       | Comments |
| sapi                      | SAPID                                                                                                |          |
| logic_ch                  | LOGICCH                                                                                              |          |
| msg                       | REGISTER_PDU                                                                                         |          |
| fn                        | FN                                                                                                   |          |
| <b>Detailed Comments:</b> |                                                                                                      |          |

| ASP Type Definition       |                                                                                                                |          |
|---------------------------|----------------------------------------------------------------------------------------------------------------|----------|
| <b>ASP Name:</b>          | DL_DatRqRel (DL_DATA_REQUEST_RELEASE)                                                                          |          |
| <b>PCO Type:</b>          | SAP0_3                                                                                                         |          |
| <b>Comments:</b>          | The ASP is used to request the transmission of the CC RELEASE message using acknowledged operation (L3 -> L2). |          |
| Parameter Name            | Parameter Type                                                                                                 | Comments |
| sapi                      | SAPID                                                                                                          |          |
| logic_ch                  | LOGICCH                                                                                                        |          |
| msg                       | REL_PDU                                                                                                        |          |
| <b>Detailed Comments:</b> |                                                                                                                |          |

| ASP Type Definition       |                                                                                                            |          |
|---------------------------|------------------------------------------------------------------------------------------------------------|----------|
| <b>ASP Name:</b>          | DL_DatInRel (DL_DATA_INDICATION_RELEASE)                                                                   |          |
| <b>PCO Type:</b>          | SAP0_3                                                                                                     |          |
| <b>Comments:</b>          | The ASP is used to indicate the receipt of the CC RELEASE message using acknowledged operation (L2 -> L3). |          |
| Parameter Name            | Parameter Type                                                                                             | Comments |
| sapi                      | SAPID                                                                                                      |          |
| logic_ch                  | LOGICCH                                                                                                    |          |
| msg                       | REL_PDU                                                                                                    |          |
| fn                        | FN                                                                                                         |          |
| <b>Detailed Comments:</b> |                                                                                                            |          |

| ASP Type Definition       |                                                                                                                         |          |
|---------------------------|-------------------------------------------------------------------------------------------------------------------------|----------|
| <b>ASP Name:</b>          | DL_DatRqRelCmp (DL_DATA_REQUEST_RELEASE_COMPLETE)                                                                       |          |
| <b>PCO Type:</b>          | SAP0_3                                                                                                                  |          |
| <b>Comments:</b>          | The ASP is used to request the transmission of the CC RELEASE COMPLETE message using acknowledged operation (L3 -> L2). |          |
| Parameter Name            | Parameter Type                                                                                                          | Comments |
| sapi                      | SAPID                                                                                                                   |          |
| logic_ch                  | LOGICCH                                                                                                                 |          |
| msg                       | REL_COM_PDU                                                                                                             |          |
| <b>Detailed Comments:</b> |                                                                                                                         |          |

| ASP Type Definition       |                                                                                                                     |          |
|---------------------------|---------------------------------------------------------------------------------------------------------------------|----------|
| <b>ASP Name:</b>          | DL_DatInRelCmp (DL_DATA_INDICATION_RELEASE_COMPLETE)                                                                |          |
| <b>PCO Type:</b>          | SAP0_3                                                                                                              |          |
| <b>Comments:</b>          | The ASP is used to indicate the receipt of the CC RELEASE COMPLETE message using acknowledged operation (L2 -> L3). |          |
| Parameter Name            | Parameter Type                                                                                                      | Comments |
| sapi                      | SAPID                                                                                                               |          |
| logic_ch                  | LOGICCH                                                                                                             |          |
| msg                       | REL_COM_PDU                                                                                                         |          |
| fn                        | FN                                                                                                                  |          |
| <b>Detailed Comments:</b> |                                                                                                                     |          |

| ASP Type Definition       |                                                                                                              |          |
|---------------------------|--------------------------------------------------------------------------------------------------------------|----------|
| <b>ASP Name:</b>          | DL_DatRqSetup (DL_DATA_REQUEST_SETUP)                                                                        |          |
| <b>PCO Type:</b>          | SAP0_3                                                                                                       |          |
| <b>Comments:</b>          | The ASP is used to request the transmission of the CC SETUP message using acknowledged operation (L3 -> L2). |          |
| Parameter Name            | Parameter Type                                                                                               | Comments |
| sapi                      | SAPID                                                                                                        |          |
| logic_ch                  | LOGICCH                                                                                                      |          |
| msg                       | SETUP_MT_PDU                                                                                                 |          |
| <b>Detailed Comments:</b> |                                                                                                              |          |

| ASP Type Definition       |                                                                                                          |          |
|---------------------------|----------------------------------------------------------------------------------------------------------|----------|
| <b>ASP Name:</b>          | DL_DatInSetup (DL_DATA_INDICATION_SETUP)                                                                 |          |
| <b>PCO Type:</b>          | SAP0_3                                                                                                   |          |
| <b>Comments:</b>          | The ASP is used to indicate the receipt of the CC SETUP message using acknowledged operation (L2 -> L3). |          |
| Parameter Name            | Parameter Type                                                                                           | Comments |
| sapi                      | SAPID                                                                                                    |          |
| logic_ch                  | LOGICCH                                                                                                  |          |
| msg                       | SETUP_MO_PDU                                                                                             |          |
| fn                        | FN                                                                                                       |          |
| <b>Detailed Comments:</b> |                                                                                                          |          |

| ASP Type Definition       |                                                                                                               |          |
|---------------------------|---------------------------------------------------------------------------------------------------------------|----------|
| <b>ASP Name:</b>          | DL_DatInStartDtmf (DL_DATA_INDICATION_START_DTMF)                                                             |          |
| <b>PCO Type:</b>          | SAP0_3                                                                                                        |          |
| <b>Comments:</b>          | The ASP is used to indicate the receipt of the CC START_DTMF message using acknowledged operation (L2 -> L3). |          |
| Parameter Name            | Parameter Type                                                                                                | Comments |
| sapi                      | SAPID                                                                                                         |          |
| logic_ch                  | LOGICCH                                                                                                       |          |
| msg                       | START_DTMF_PDU                                                                                                |          |
| fn                        | FN                                                                                                            |          |
| <b>Detailed Comments:</b> |                                                                                                               |          |

| ASP Type Definition       |                                                                                                                               |          |
|---------------------------|-------------------------------------------------------------------------------------------------------------------------------|----------|
| <b>ASP Name:</b>          | DL_DatRqStartDtmfAck (DL_DATA_REQUEST_START_DTMF_ACKNOWLEDGE)                                                                 |          |
| <b>PCO Type:</b>          | SAP0_3                                                                                                                        |          |
| <b>Comments:</b>          | The ASP is used to request the transmission of the CC START DTMF ACKNOWLEDGE message using acknowledged operation (L3 -> L2). |          |
| Parameter Name            | Parameter Type                                                                                                                | Comments |
| sapi                      | SAPID                                                                                                                         |          |
| logic_ch                  | LOGICCH                                                                                                                       |          |
| msg                       | START_DTMF_ACK_PDU                                                                                                            |          |
| <b>Detailed Comments:</b> |                                                                                                                               |          |

| ASP Type Definition       |                                                                                                                         |          |
|---------------------------|-------------------------------------------------------------------------------------------------------------------------|----------|
| <b>ASP Name:</b>          | DL_DatRqStartDtmfRej (DL_DATA_REQUEST_START_DTMF_REJCT)                                                                 |          |
| <b>PCO Type:</b>          | SAP0_3                                                                                                                  |          |
| <b>Comments:</b>          | The ASP is used to request the transmission of the CC START DTMF REJCT message using acknowledged operation (L3 -> L2). |          |
| Parameter Name            | Parameter Type                                                                                                          | Comments |
| sapi                      | SAPID                                                                                                                   |          |
| logic_ch                  | LOGICCH                                                                                                                 |          |
| msg                       | START_DTMF_REJ_PDU                                                                                                      |          |
| <b>Detailed Comments:</b> |                                                                                                                         |          |

| ASP Type Definition       |                                                                                                              |          |
|---------------------------|--------------------------------------------------------------------------------------------------------------|----------|
| <b>ASP Name:</b>          | DL_DatInStopDtmf (DL_DATA_INDICATION_STOP_DTMF)                                                              |          |
| <b>PCO Type:</b>          | SAP0_3                                                                                                       |          |
| <b>Comments:</b>          | The ASP is used to indicate the receipt of the CC STOP_DTMF message using acknowledged operation (L2 -> L3). |          |
| Parameter Name            | Parameter Type                                                                                               | Comments |
| sapi                      | SAPID                                                                                                        |          |
| logic_ch                  | LOGICCH                                                                                                      |          |
| msg                       | STOP_DTMF_PDU                                                                                                |          |
| fn                        | FN                                                                                                           |          |
| <b>Detailed Comments:</b> |                                                                                                              |          |

| ASP Type Definition       |                                                                                                                              |          |
|---------------------------|------------------------------------------------------------------------------------------------------------------------------|----------|
| <b>ASP Name:</b>          | DL_DatRqStopDtmfAck (DL_DATA_REQUEST_STOP_DTMF_ACKNOWLEDGE)                                                                  |          |
| <b>PCO Type:</b>          | SAP0_3                                                                                                                       |          |
| <b>Comments:</b>          | The ASP is used to request the transmission of the CC STOP DTMF ACKNOWLEDGE message using acknowledged operation (L3 -> L2). |          |
| Parameter Name            | Parameter Type                                                                                                               | Comments |
| sapi                      | SAPID                                                                                                                        |          |
| logic_ch                  | LOGICCH                                                                                                                      |          |
| msg                       | STOP_DTMF_ACK_PDU                                                                                                            |          |
| <b>Detailed Comments:</b> |                                                                                                                              |          |

| ASP Type Definition       |                                                                                                               |          |
|---------------------------|---------------------------------------------------------------------------------------------------------------|----------|
| <b>ASP Name:</b>          | DL_DatRqCcst (DL_DATA_REQUEST_CC_STATUS)                                                                      |          |
| <b>PCO Type:</b>          | SAP0_3                                                                                                        |          |
| <b>Comments:</b>          | The ASP is used to request the transmission of the CC STATUS message using acknowledged operation (L3 -> L2). |          |
| Parameter Name            | Parameter Type                                                                                                | Comments |
| sapi                      | SAPID                                                                                                         |          |
| logic_ch                  | LOGICCH                                                                                                       |          |
| msg                       | CCST_PDU                                                                                                      |          |
| <b>Detailed Comments:</b> |                                                                                                               |          |

| ASP Type Definition       |                                                                                                           |          |
|---------------------------|-----------------------------------------------------------------------------------------------------------|----------|
| <b>ASP Name:</b>          | DL_DatInCcst (DL_DATA_INDICATION_CC_STATUS)                                                               |          |
| <b>PCO Type:</b>          | SAP0_3                                                                                                    |          |
| <b>Comments:</b>          | The ASP is used to indicate the receipt of the CC STATUS message using acknowledged operation (L2 -> L3). |          |
| Parameter Name            | Parameter Type                                                                                            | Comments |
| sapi                      | SAPID                                                                                                     |          |
| logic_ch                  | LOGICCH                                                                                                   |          |
| msg                       | CCST_PDU                                                                                                  |          |
| fn                        | FN                                                                                                        |          |
| <b>Detailed Comments:</b> |                                                                                                           |          |

| ASP Type Definition       |                                                                                                                   |          |
|---------------------------|-------------------------------------------------------------------------------------------------------------------|----------|
| <b>ASP Name:</b>          | DL_DatRqCcstEnq (DL_DATA_REQUEST_CC_STATUS_ENQ)                                                                   |          |
| <b>PCO Type:</b>          | SAP0_3                                                                                                            |          |
| <b>Comments:</b>          | The ASP is used to request the transmission of the CC STATUS_ENQ message using acknowledged operation (L3 -> L2). |          |
| Parameter Name            | Parameter Type                                                                                                    | Comments |
| sapi                      | SAPID                                                                                                             |          |
| logic_ch                  | LOGICCH                                                                                                           |          |
| msg                       | CCST_ENQ_PDU                                                                                                      |          |
| <b>Detailed Comments:</b> |                                                                                                                   |          |

| ASP Type Definition       |                                                                                  |          |
|---------------------------|----------------------------------------------------------------------------------|----------|
| <b>ASP Name:</b>          | DL_DatRqUndefCC (DL_DATA_REQUEST)                                                |          |
| <b>PCO Type:</b>          | SAP0_3                                                                           |          |
| <b>Comments:</b>          | The ASP is used to transmit any message using acknowledged operation (L3 -> L2). |          |
| Parameter Name            | Parameter Type                                                                   | Comments |
| sapi                      | SAPID                                                                            |          |
| logic_ch                  | LOGICCH                                                                          |          |
| msg                       | CONN_PDU                                                                         |          |
| <b>Detailed Comments:</b> |                                                                                  |          |

| ASP Type Definition       |                                                                                  |          |
|---------------------------|----------------------------------------------------------------------------------|----------|
| <b>ASP Name:</b>          | DL_DatRqUndefMM (DL_DATA_REQUEST)                                                |          |
| <b>PCO Type:</b>          | SAP0_3                                                                           |          |
| <b>Comments:</b>          | The ASP is used to transmit any message using acknowledged operation (L3 -> L2). |          |
| Parameter Name            | Parameter Type                                                                   | Comments |
| sapi                      | SAPID                                                                            |          |
| logic_ch                  | LOGICCH                                                                          |          |
| msg                       | ID_RES_PDU                                                                       |          |
| <b>Detailed Comments:</b> |                                                                                  |          |

| ASP Type Definition       |                                                                                  |          |
|---------------------------|----------------------------------------------------------------------------------|----------|
| <b>ASP Name:</b>          | DL_DatRqUndefRR (DL_DATA_REQUEST)                                                |          |
| <b>PCO Type:</b>          | SAP0_3                                                                           |          |
| <b>Comments:</b>          | The ASP is used to transmit any message using acknowledged operation (L3 -> L2). |          |
| Parameter Name            | Parameter Type                                                                   | Comments |
| sapi                      | SAPID                                                                            |          |
| logic_ch                  | LOGICCH                                                                          |          |
| msg                       | PART_REL_PDU                                                                     |          |
| <b>Detailed Comments:</b> |                                                                                  |          |

| ASP Type Definition       |                                                                                  |          |
|---------------------------|----------------------------------------------------------------------------------|----------|
| <b>ASP Name:</b>          | DL_DatRqUnknown (DL_DATA_REQUEST)                                                |          |
| <b>PCO Type:</b>          | SAP0_3                                                                           |          |
| <b>Comments:</b>          | The ASP is used to transmit any message using acknowledged operation (L3 -> L2). |          |
| Parameter Name            | Parameter Type                                                                   | Comments |
| sapi                      | SAPID                                                                            |          |
| logic_ch                  | LOGICCH                                                                          |          |
| msg                       | CCST_ENQ_PDU                                                                     |          |
| <b>Detailed Comments:</b> |                                                                                  |          |

| ASP Type Definition       |                                                                                                                    |          |
|---------------------------|--------------------------------------------------------------------------------------------------------------------|----------|
| <b>ASP Name:</b>          | DL_DatInCpData (DL_DATA_INDICATION_CP_DATA)                                                                        |          |
| <b>PCO Type:</b>          | SAP0_3                                                                                                             |          |
| <b>Comments:</b>          | The ASP is used to indicate the receipt of the SMS CP DATA message using acknowledged operation (L2 -> L3) for MT. |          |
| Parameter Name            | Parameter Type                                                                                                     | Comments |
| sapi                      | SAPID                                                                                                              |          |
| logic_ch                  | LOGICCH                                                                                                            |          |
| msg                       | CP_DATA_PDU                                                                                                        |          |
| fn                        | FN                                                                                                                 |          |
| <b>Detailed Comments:</b> |                                                                                                                    |          |

| ASP Type Definition       |                                                                                                                        |          |
|---------------------------|------------------------------------------------------------------------------------------------------------------------|----------|
| <b>ASP Name:</b>          | DL_DatRqCpData (DL_DATA_REQUEST_CP_DATA)                                                                               |          |
| <b>PCO Type:</b>          | SAP0_3                                                                                                                 |          |
| <b>Comments:</b>          | The ASP is used to request the transmission of the SMS CP DATA message using acknowledged operation (L3 -> L2) for MO. |          |
| Parameter Name            | Parameter Type                                                                                                         | Comments |
| sapi                      | SAPID                                                                                                                  |          |
| logic_ch                  | LOGICCH                                                                                                                |          |
| msg                       | CP_DATA_PDU                                                                                                            |          |
| <b>Detailed Comments:</b> |                                                                                                                        |          |

| ASP Type Definition       |                                                                                                              |          |
|---------------------------|--------------------------------------------------------------------------------------------------------------|----------|
| <b>ASP Name:</b>          | DL_DatInCpDataAck (DL_DATA_INDICATION_CPDATA_ACKNOWLEDGE)                                                    |          |
| <b>PCO Type:</b>          | SAP0_3                                                                                                       |          |
| <b>Comments:</b>          | The ASP is used to indicate the receipt of the SMS CP DATA message using acknowledged operation (L2 -> L3) . |          |
| Parameter Name            | Parameter Type                                                                                               | Comments |
| sapi                      | SAPID                                                                                                        |          |
| logic_ch                  | LOGICCH                                                                                                      |          |
| msg                       | CPDATA_ACK_PDU                                                                                               |          |
| fn                        | FN                                                                                                           |          |
| <b>Detailed Comments:</b> |                                                                                                              |          |

| ASP Type Definition       |                                                                                                                         |          |
|---------------------------|-------------------------------------------------------------------------------------------------------------------------|----------|
| <b>ASP Name:</b>          | DL_DatRqCpDataAck (DL_DATA_REQUEST_CPDATA_ACKNOWLEDGE)                                                                  |          |
| <b>PCO Type:</b>          | SAP0_3                                                                                                                  |          |
| <b>Comments:</b>          | The ASP is used to request the transmission of the CP DATA ACKNOWLEDGE message using acknowledged operation (L3 -> L2). |          |
| Parameter Name            | Parameter Type                                                                                                          | Comments |
| sapi                      | SAPID                                                                                                                   |          |
| logic_ch                  | LOGICCH                                                                                                                 |          |
| msg                       | CPDATA_ACK_PDU                                                                                                          |          |
| <b>Detailed Comments:</b> |                                                                                                                         |          |

| ASP Type Definition       |                                                                                                                         |          |
|---------------------------|-------------------------------------------------------------------------------------------------------------------------|----------|
| <b>ASP Name:</b>          | DL_DatRqCpError (DL_DATA_REQUEST_CP_ERROR)                                                                              |          |
| <b>PCO Type:</b>          | SAP0_3                                                                                                                  |          |
| <b>Comments:</b>          | The ASP is used to request the transmission of the SMS CP ERROR message using acknowledged operation (L3 -> L2) for MO. |          |
| Parameter Name            | Parameter Type                                                                                                          | Comments |
| sapi                      | SAPID                                                                                                                   |          |
| logic_ch                  | LOGICCH                                                                                                                 |          |
| msg                       | CPERR_PDU                                                                                                               |          |
| <b>Detailed Comments:</b> |                                                                                                                         |          |

| ASP Type Definition       |                                                                                                                                                                          |          |
|---------------------------|--------------------------------------------------------------------------------------------------------------------------------------------------------------------------|----------|
| <b>ASP Name:</b>          | MDL_ReIRq (MDL_RELEASE_REQUEST)                                                                                                                                          |          |
| <b>PCO Type:</b>          | SAP0_3                                                                                                                                                                   |          |
| <b>Comments:</b>          | The ASP is used to request the local end termination of a previous established acknowledged mode operation (L3 -> L2). The local end termination procedure is initiated. |          |
| Parameter Name            | Parameter Type                                                                                                                                                           | Comments |
| sapi                      | SAPID                                                                                                                                                                    |          |
| logic_ch                  | LOGICCH                                                                                                                                                                  |          |
| release_mode              | RelMode                                                                                                                                                                  |          |
| <b>Detailed Comments:</b> |                                                                                                                                                                          |          |

### PDU type definitions

#### TTCN PDU Type definitions

| PDU Type Definition       |                                                    |          |
|---------------------------|----------------------------------------------------|----------|
| <b>PDU Name:</b>          | ASS_CMD_PDU                                        |          |
| <b>PCO Type:</b>          | SAP0_3                                             |          |
| <b>Comments:</b>          | RR ASSSIGNMENT COMMAND n -> ms<br>GSM 04.08, 9.1.2 |          |
| Field Name                | Field Type                                         | Comments |
| ski                       | SKI                                                |          |
| rrpd                      | PD                                                 |          |
| mt                        | MT                                                 |          |
| ch1d_at                   | CHD                                                |          |
| pcmd                      | PCMD                                               |          |
| frql_at                   | FRQL                                               |          |
| cchd                      | CCHD                                               |          |
| ch1mod                    | CHMOD                                              |          |
| ch2d_at                   | CHD                                                |          |
| ch2mod                    | CHMOD                                              |          |
| ma_at                     | MA                                                 |          |
| strt                      | STRT                                               |          |
| frql_bt                   | FRQL                                               |          |
| ch1d_bt                   | CHD                                                |          |
| ch2d_bt                   | CHD                                                |          |
| frqchs_bt                 | FRQCHS                                             |          |
| ma_bt                     | MA                                                 |          |
| cphms                     | CPHMS                                              |          |
| <b>Detailed Comments:</b> |                                                    |          |

| PDU Type Definition       |                                                    |          |
|---------------------------|----------------------------------------------------|----------|
| <b>PDU Name:</b>          | ASS_COM_PDU                                        |          |
| <b>PCO Type:</b>          | SAP0_3                                             |          |
| <b>Comments:</b>          | RR ASSIGNMENT COMPLETE ms -> n<br>GSM 04.08, 9.1.3 |          |
| Field Name                | Field Type                                         | Comments |
| ski                       | SKI                                                |          |
| rrpd                      | PD                                                 |          |
| mt                        | MT                                                 |          |
| rrcau                     | RRCAU                                              |          |
| <b>Detailed Comments:</b> |                                                    |          |

| PDU Type Definition       |                                                   |          |
|---------------------------|---------------------------------------------------|----------|
| <b>PDU Name:</b>          | ASSFL_PDU                                         |          |
| <b>PCO Type:</b>          | SAP0_3                                            |          |
| <b>Comments:</b>          | RR ASSIGNMENT FAILURE ms -> n<br>GSM 04.08, 9.1.4 |          |
| Field Name                | Field Type                                        | Comments |
| ski                       | SKI                                               |          |
| rrpd                      | PD                                                |          |
| mt                        | MT                                                |          |
| rrcau                     | RRCAU                                             |          |
| <b>Detailed Comments:</b> |                                                   |          |

| PDU Type Definition       |                                                    |          |
|---------------------------|----------------------------------------------------|----------|
| <b>PDU Name:</b>          | CHMMO_PDU                                          |          |
| <b>PCO Type:</b>          | SAP0_3                                             |          |
| <b>Comments:</b>          | RR CHANNEL MODE MODIFY n -> ms<br>GSM 04.08, 9.1.5 |          |
| Field Name                | Field Type                                         | Comments |
| ski                       | SKI                                                |          |
| rrpd                      | PD                                                 |          |
| mt                        | MT                                                 |          |
| chd                       | CHD                                                |          |
| chmod                     | CHMOD                                              |          |
| <b>Detailed Comments:</b> |                                                    |          |

| PDU Type Definition       |                                                                |          |
|---------------------------|----------------------------------------------------------------|----------|
| <b>PDU Name:</b>          | CHMMO_ACK_PDU                                                  |          |
| <b>PCO Type:</b>          | SAP0_3                                                         |          |
| <b>Comments:</b>          | RR CHANNEL MODE MODIFY ACKNOWLEDGE ms -> n<br>GSM 04.08, 9.1.6 |          |
| Field Name                | Field Type                                                     | Comments |
| ski                       | SKI                                                            |          |
| rrpd                      | PD                                                             |          |
| mt                        | MT                                                             |          |
| chd                       | CHD                                                            |          |
| chmod                     | CHMOD                                                          |          |
| <b>Detailed Comments:</b> |                                                                |          |

| PDU Type Definition       |                                                |          |
|---------------------------|------------------------------------------------|----------|
| <b>PDU Name:</b>          | CH_REL_PDU                                     |          |
| <b>PCO Type:</b>          | SAP0_3                                         |          |
| <b>Comments:</b>          | RR CHANNEL RELEASE n -> ms<br>GSM 04.08, 9.1.7 |          |
| Field Name                | Field Type                                     | Comments |
| ski                       | SKI                                            |          |
| rrpd                      | PD                                             |          |
| mt                        | MT                                             |          |
| rrcau                     | RRCAU                                          |          |
| <b>Detailed Comments:</b> |                                                |          |

| PDU Type Definition       |                                                                                 |          |
|---------------------------|---------------------------------------------------------------------------------|----------|
| <b>PDU Name:</b>          | CH_REL_PDU_ERR                                                                  |          |
| <b>PCO Type:</b>          | SAP0_3                                                                          |          |
| <b>Comments:</b>          | RR CHANNEL RELEASE containing additional unknown IE n -> ms<br>GSM 04.08, 9.1.7 |          |
| Field Name                | Field Type                                                                      | Comments |
| ski                       | SKI                                                                             |          |
| rrpd                      | PD                                                                              |          |
| mt                        | MT                                                                              |          |
| rrcau                     | RRCAU                                                                           |          |
| add                       | OCTETSTRING                                                                     |          |
| <b>Detailed Comments:</b> |                                                                                 |          |

| PDU Type Definition       |                                                |          |
|---------------------------|------------------------------------------------|----------|
| <b>PDU Name:</b>          | CH_RQ_PDU                                      |          |
| <b>PCO Type:</b>          | SAP0_3                                         |          |
| <b>Comments:</b>          | RR CHANNEL REQUEST ms -> n<br>GSM 04.08, 9.1.8 |          |
| Field Name                | Field Type                                     | Comments |
| ecau_rrf                  | BITSTRING [8]                                  |          |
| <b>Detailed Comments:</b> |                                                |          |

| PDU Type Definition       |                                                       |          |
|---------------------------|-------------------------------------------------------|----------|
| <b>PDU Name:</b>          | CPHM_CMD_PDU                                          |          |
| <b>PCO Type:</b>          | SAP0_3                                                |          |
| <b>Comments:</b>          | RR CIPHERING MODE COMMAND n -> ms<br>GSM 04.08, 9.1.9 |          |
| Field Name                | Field Type                                            | Comments |
| ski                       | SKI                                                   |          |
| rrpd                      | PD                                                    |          |
| mt                        | MT                                                    |          |
| cph_res                   | CPH_RES                                               |          |
| cphms                     | CPHMS                                                 |          |
| <b>Detailed Comments:</b> |                                                       |          |



| PDU Type Definition       |                                                                          |          |
|---------------------------|--------------------------------------------------------------------------|----------|
| <b>PDU Name:</b>          | CPHM_CMD_PDU_ERR                                                         |          |
| <b>PCO Type:</b>          | SAP0_3                                                                   |          |
| <b>Comments:</b>          | RR CIPHERING MODE COMMAND with additional unknown IE<br>GSM 04.08, 9.1.9 |          |
| Field Name                | Field Type                                                               | Comments |
| ski                       | SKI                                                                      |          |
| rrpd                      | PD                                                                       |          |
| mt                        | MT                                                                       |          |
| cph_res                   | CPH_RES                                                                  |          |
| cphms                     | CPHMS                                                                    |          |
| add                       | OCTETSTRING                                                              |          |
| <b>Detailed Comments:</b> |                                                                          |          |

| PDU Type Definition       |                                                         |          |
|---------------------------|---------------------------------------------------------|----------|
| <b>PDU Name:</b>          | CPHM_COM_PDU                                            |          |
| <b>PCO Type:</b>          | SAP0_3                                                  |          |
| <b>Comments:</b>          | RR CIPHERING MODE COMPLETE ms -> n<br>GSM 04.08, 9.1.10 |          |
| Field Name                | Field Type                                              | Comments |
| ski                       | SKI                                                     |          |
| rrpd                      | PD                                                      |          |
| mt                        | MT                                                      |          |
| mei                       | MI                                                      |          |
| <b>Detailed Comments:</b> |                                                         |          |

| PDU Type Definition       |                                                  |          |
|---------------------------|--------------------------------------------------|----------|
| <b>PDU Name:</b>          | CLM_CHN_PDU                                      |          |
| <b>PCO Type:</b>          | SAP0_3                                           |          |
| <b>Comments:</b>          | RR CLASSMARK CHANGE ms -> n<br>GSM 04.08, 9.1.11 |          |
| Field Name                | Field Type                                       | Comments |
| ski                       | SKI                                              |          |
| rrpd                      | PD                                               |          |
| mt                        | MT                                               |          |
| msclm                     | MSCLM2                                           |          |
| msclm_adi                 | MSCLM3                                           |          |
| <b>Detailed Comments:</b> |                                                  |          |

| PDU Type Definition       |                                                   |          |
|---------------------------|---------------------------------------------------|----------|
| <b>PDU Name:</b>          | CLM_ENQ_PDU                                       |          |
| <b>PCO Type:</b>          | SAP0_3                                            |          |
| <b>Comments:</b>          | RR CLASSMARK ENQUIRY n -> ms<br>GSM 04.08, 9.1.12 |          |
| Field Name                | Field Type                                        | Comments |
| ski                       | SKI                                               |          |
| rrpd                      | PD                                                |          |
| mt                        | MT                                                |          |
| <b>Detailed Comments:</b> |                                                   |          |

| PDU Type Definition       |                                                         |          |
|---------------------------|---------------------------------------------------------|----------|
| <b>PDU Name:</b>          | FRQRE_PDU                                               |          |
| <b>PCO Type:</b>          | SAP0_3                                                  |          |
| <b>Comments:</b>          | RR FREQUENCY REDEFINITIONY n -> ms<br>GSM 04.08, 9.1.13 |          |
| Field Name                | Field Type                                              | Comments |
| ski                       | SKI                                                     |          |
| rrpd                      | PD                                                      |          |
| mt                        | MT                                                      |          |
| chd                       | CHD                                                     |          |
| ma                        | MA                                                      |          |
| strt                      | STRT                                                    |          |
| cchd                      | CCHD                                                    |          |
| <b>Detailed Comments:</b> |                                                         |          |

| PDU Type Definition       |                                                 |          |
|---------------------------|-------------------------------------------------|----------|
| <b>PDU Name:</b>          | HOACC_PDU                                       |          |
| <b>PCO Type:</b>          | SAP0_3                                          |          |
| <b>Comments:</b>          | RR HANDOVER ACCESS ms -> n<br>GSM 04.08, 9.1.14 |          |
| Field Name                | Field Type                                      | Comments |
| horf                      | HORF                                            |          |
| <b>Detailed Comments:</b> |                                                 |          |

| PDU Type Definition       |                                                  |          |
|---------------------------|--------------------------------------------------|----------|
| <b>PDU Name:</b>          | HO_CMD_PDU                                       |          |
| <b>PCO Type:</b>          | SAP0_3                                           |          |
| <b>Comments:</b>          | RR HANDOVER COMMAND n -> ms<br>GSM 04.08, 9.1.15 |          |
| Field Name                | Field Type                                       | Comments |
| ski                       | SKI                                              |          |
| rrpd                      | PD                                               |          |
| mt                        | MT                                               |          |
| cd                        | CD                                               |          |
| ch1d_at                   | CHD                                              |          |
| horf                      | HORF                                             |          |
| pcmd                      | PCMD                                             |          |
| synchi                    | SYNCHI                                           |          |
| frqsl_at                  | FRQL                                             |          |
| frql_at                   | FRQL                                             |          |
| cchd                      | CCHD                                             |          |
| ch1mod                    | CHMOD                                            |          |
| ch2d_at                   | CHD                                              |          |
| ch2mod                    | CHMOD                                            |          |
| frqchs_at                 | FRQCHS                                           |          |
| ma_at                     | MA                                               |          |
| strt                      | STRT                                             |          |
| rtdif                     | TDIF                                             |          |
| ta                        | TA                                               |          |
| frqsl_bt                  | FRQL                                             |          |
| frql_bt                   | FRQL                                             |          |
| ch1d_bt                   | CHD                                              |          |
| ch2d_bt                   | CHD                                              |          |
| frqchs_bt                 | FRQCHS                                           |          |
| ma_bt                     | MA                                               |          |
| cphms                     | CPHMS                                            |          |
| <b>Detailed Comments:</b> |                                                  |          |

| PDU Type Definition       |                                                   |          |
|---------------------------|---------------------------------------------------|----------|
| <b>PDU Name:</b>          | HO_COM_PDU                                        |          |
| <b>PCO Type:</b>          | SAP0_3                                            |          |
| <b>Comments:</b>          | RR HANDOVER COMPLETE ms -> n<br>GSM 04.08, 9.1.16 |          |
| Field Name                | Field Type                                        | Comments |
| ski                       | SKI                                               |          |
| rrpd                      | PD                                                |          |
| mt                        | MT                                                |          |
| rrcau                     | RRCAU                                             |          |
| motdif                    | MTDIF                                             |          |
| <b>Detailed Comments:</b> |                                                   |          |

| PDU Type Definition       |                                                  |          |
|---------------------------|--------------------------------------------------|----------|
| <b>PDU Name:</b>          | HOFL_PDU                                         |          |
| <b>PCO Type:</b>          | SAP0_3                                           |          |
| <b>Comments:</b>          | RR HANDOVER FAILURE ms -> n<br>GSM 04.08, 9.1.17 |          |
| Field Name                | Field Type                                       | Comments |
| ski                       | SKI                                              |          |
| rrpd                      | PD                                               |          |
| mt                        | MT                                               |          |
| rrcau                     | RRCAU                                            |          |
| <b>Detailed Comments:</b> |                                                  |          |

| PDU Type Definition                                                    |                                                      |          |
|------------------------------------------------------------------------|------------------------------------------------------|----------|
| <b>PDU Name:</b>                                                       | IMMASS_PDU                                           |          |
| <b>PCO Type:</b>                                                       | SAP0_3                                               |          |
| <b>Comments:</b>                                                       | RR IMMEDIATE ASSIGNMENT n -> ms<br>GSM 04.08, 9.1.18 |          |
| Field Name                                                             | Field Type                                           | Comments |
| l2_pl                                                                  | LENGTH                                               |          |
| ski                                                                    | SKI                                                  |          |
| rrpd                                                                   | PD                                                   |          |
| mt                                                                     | MT                                                   |          |
| shoct                                                                  | SHOCT                                                |          |
| pm                                                                     | PM                                                   |          |
| chd                                                                    | CHD                                                  |          |
| rqr                                                                    | RQR                                                  |          |
| ta                                                                     | TA                                                   |          |
| ma                                                                     | MA                                                   |          |
| strt                                                                   | STRT                                                 |          |
| iaroct                                                                 | IARESTOCT                                            |          |
| <b>Detailed Comments:</b> The message has a fixed length of 23 octets. |                                                      |          |

| PDU Type Definition       |                                                      |          |
|---------------------------|------------------------------------------------------|----------|
| <b>PDU Name:</b>          | IMMASSX_PDU                                          |          |
| <b>PCO Type:</b>          | SAP0_3                                               |          |
| <b>Comments:</b>          | RR IMMEDIATE ASSIGNMENT n -> ms<br>GSM 04.08, 9.1.19 |          |
| Field Name                | Field Type                                           | Comments |
| l2_pl                     | LENGTH                                               |          |
| ski                       | SKI                                                  |          |
| rrpd                      | PD                                                   |          |
| mt                        | MT                                                   |          |
| shoct                     | SHOCT                                                |          |
| pm                        | PM                                                   |          |
| chd1                      | CHD                                                  |          |
| rqr1                      | RQR                                                  |          |
| ta1                       | TA                                                   |          |
| chd2                      | CHD                                                  |          |
| rqr2                      | RQR                                                  |          |
| ta2                       | TA                                                   |          |
| ma                        | MA                                                   |          |
| strt                      | STRT                                                 |          |
| iaxroct                   | OCTETSTRING [1..4]                                   |          |
| <b>Detailed Comments:</b> | The message has a fixed length of 23 octets.         |          |

| PDU Type Definition       |                                                  |          |
|---------------------------|--------------------------------------------------|----------|
| <b>PDU Name:</b>          | IMMASS_REJ_PDU                                   |          |
| <b>PCO Type:</b>          | SAP0_3                                           |          |
| <b>Comments:</b>          | RR IMMEDIATE REJECT n -> ms<br>GSM 04.08, 9.1.20 |          |
| Field Name                | Field Type                                       | Comments |
| l2_pl                     | LENGTH                                           |          |
| ski                       | SKI                                              |          |
| rrpd                      | PD                                               |          |
| mt                        | MT                                               |          |
| shoct                     | SHOCT                                            |          |
| pm                        | PM                                               |          |
| rqr1                      | RQR                                              |          |
| wi1                       | WI                                               |          |
| rqr2                      | RQR                                              |          |
| wi2                       | WI                                               |          |
| rqr3                      | RQR                                              |          |
| wi3                       | WI                                               |          |
| rqr4                      | RQR                                              |          |
| wi4                       | WI                                               |          |
| iarroct                   | OCTETSTRING [3]                                  |          |
| <b>Detailed Comments:</b> | The message has a fixed length of 23 octets.     |          |

| PDU Type Definition       |                                                    |          |
|---------------------------|----------------------------------------------------|----------|
| <b>PDU Name:</b>          | MSR_RPT_PDU                                        |          |
| <b>PCO Type:</b>          | SAP0_3                                             |          |
| <b>Comments:</b>          | RR MEASUREMENT REPORT ms -> n<br>GSM 04.08, 9.1.21 |          |
| Field Name                | Field Type                                         | Comments |
| ski                       | SKI                                                |          |
| rrpd                      | PD                                                 |          |
| mt                        | MT                                                 |          |
| msrr                      | MSRR                                               |          |
| <b>Detailed Comments:</b> |                                                    |          |

| PDU Type Definition       |                                                      |          |
|---------------------------|------------------------------------------------------|----------|
| <b>PDU Name:</b>          | PG1_RQ_PDU                                           |          |
| <b>PCO Type:</b>          | SAP0_3                                               |          |
| <b>Comments:</b>          | RR PAGING REQUEST_TYPE1 n -> ms<br>GSM 04.08, 9.1.22 |          |
| Field Name                | Field Type                                           | Comments |
| l2_pl                     | LENGTH                                               |          |
| ski                       | SKI                                                  |          |
| rrpd                      | PD                                                   |          |
| mt                        | MT                                                   |          |
| chn_m1_2                  | CHNEED                                               |          |
| pm                        | PM                                                   |          |
| mi1                       | MI                                                   |          |
| mi2                       | MI                                                   |          |
| p1roct                    | OCTETSTRING [0..17]                                  |          |
| <b>Detailed Comments:</b> | The message has a fixed length of 23 octets.         |          |

| PDU Type Definition       |                                                      |          |
|---------------------------|------------------------------------------------------|----------|
| <b>PDU Name:</b>          | PG2_RQ_PDU                                           |          |
| <b>PCO Type:</b>          | SAP0_3                                               |          |
| <b>Comments:</b>          | RR PAGING REQUEST TYPE2 n -> ms<br>GSM 04.08, 9.1.23 |          |
| Field Name                | Field Type                                           | Comments |
| l2_pl                     | LENGTH                                               |          |
| ski                       | SKI                                                  |          |
| rrpd                      | PD                                                   |          |
| mt                        | MT                                                   |          |
| chn_m1_2                  | CHNEED                                               |          |
| pm                        | PM                                                   |          |
| mi1                       | TMSI                                                 |          |
| mi2                       | TMSI                                                 |          |
| mi3                       | MI                                                   |          |
| p2roct                    | OCTETSTRING [1..11]                                  |          |
| <b>Detailed Comments:</b> | The message has a fixed length of 23 octets.         |          |

| PDU Type Definition       |                                                                                   |          |
|---------------------------|-----------------------------------------------------------------------------------|----------|
| <b>PDU Name:</b>          | PG3_RQ_PDU                                                                        |          |
| <b>PCO Type:</b>          | SAP0_3                                                                            |          |
| <b>Comments:</b>          | RR PAGING REQUEST TYPE3 n -> ms<br>GSM 04.08, 9.1.24                              |          |
| Field Name                | Field Type                                                                        | Comments |
| l2_pl                     | LENGTH                                                                            |          |
| ski                       | SKI                                                                               |          |
| rrpd                      | PD                                                                                |          |
| mt                        | MT                                                                                |          |
| chn_m1_2                  | CHNEED                                                                            |          |
| pm                        | PM                                                                                |          |
| mi1                       | TMSI                                                                              |          |
| mi2                       | TMSI                                                                              |          |
| mi3                       | TMSI                                                                              |          |
| mi4                       | TMSI                                                                              |          |
| p3roct                    | OCTETSTRING [3]                                                                   |          |
| <b>Detailed Comments:</b> | The message has an L2 pseudo length of 19 octets and a total length of 23 octets. |          |

| PDU Type Definition       |                                                 |          |
|---------------------------|-------------------------------------------------|----------|
| <b>PDU Name:</b>          | PG_RES_PDU                                      |          |
| <b>PCO Type:</b>          | SAP0_3                                          |          |
| <b>Comments:</b>          | RR PAGING RESPONSE ms -> n<br>GSM 04.08, 9.1.25 |          |
| Field Name                | Field Type                                      | Comments |
| ski                       | SKI                                             |          |
| rrpd                      | PD                                              |          |
| mt                        | MT                                              |          |
| shoct                     | SHOCT                                           |          |
| cphksn                    | CPHKSJ                                          |          |
| msclm                     | MSCLM2                                          |          |
| mi                        | MI                                              |          |
| <b>Detailed Comments:</b> |                                                 |          |

| PDU Type Definition       |                                                 |          |
|---------------------------|-------------------------------------------------|----------|
| <b>PDU Name:</b>          | PART_REL_PDU                                    |          |
| <b>PCO Type:</b>          | SAP0_3                                          |          |
| <b>Comments:</b>          | RR PARTIAL RELEASE n -> ms<br>GSM 04.08, 9.1.26 |          |
| Field Name                | Field Type                                      | Comments |
| ski                       | SKI                                             |          |
| rrpd                      | PD                                              |          |
| mt                        | MT                                              |          |
| chd                       | MAC                                             |          |
| <b>Detailed Comments:</b> |                                                 |          |

| PDU Type Definition       |                                                            |          |
|---------------------------|------------------------------------------------------------|----------|
| <b>PDU Name:</b>          | PHYINFO_PDU                                                |          |
| <b>PCO Type:</b>          | SAP0_3                                                     |          |
| <b>Comments:</b>          | RR PHYSICAL INFORMATION n -> ms<br>GSM 04.08 clause 9.1.28 |          |
| Field Name                | Field Type                                                 | Comments |
| ski                       | SKI                                                        |          |
| rrpd                      | PD                                                         |          |
| mt                        | MT                                                         |          |
| ta                        | TA                                                         |          |
| <b>Detailed Comments:</b> |                                                            |          |

| PDU Type Definition       |                                         |          |
|---------------------------|-----------------------------------------|----------|
| <b>PDU Name:</b>          | RRST_PDU                                |          |
| <b>PCO Type:</b>          | SAP0_3                                  |          |
| <b>Comments:</b>          | RR STATUS n <-> ms<br>GSM 04.08, 9.1.29 |          |
| Field Name                | Field Type                              | Comments |
| ski                       | SKI                                     |          |
| rrpd                      | PD                                      |          |
| mt                        | MT                                      |          |
| rrcau                     | RRCAU                                   |          |
| <b>Detailed Comments:</b> |                                         |          |

| PDU Type Definition       |                                                                     |          |
|---------------------------|---------------------------------------------------------------------|----------|
| <b>PDU Name:</b>          | SCHINFO_PDU                                                         |          |
| <b>PCO Type:</b>          | SAP0_3                                                              |          |
| <b>Comments:</b>          | RR SYNCHRONIZATION CHANNEL INFORMATION n -> ms<br>GSM 04.08, 9.1.30 |          |
| Field Name                | Field Type                                                          | Comments |
| ncc                       | NCC                                                                 |          |
| bcc                       | BCC                                                                 |          |
| t1                        | T1                                                                  |          |
| t2                        | T2                                                                  |          |
| t3_                       | T3_                                                                 |          |
| <b>Detailed Comments:</b> | SCHINFO_PDU has a total length of 25 bits (GSM 04.04).              |          |

| PDU Type Definition       |                                                                                   |          |
|---------------------------|-----------------------------------------------------------------------------------|----------|
| <b>PDU Name:</b>          | SYSINFO1_PDU                                                                      |          |
| <b>PCO Type:</b>          | SAP0_3                                                                            |          |
| <b>Comments:</b>          | RR SYSTEM INFORMATION TYPE1 n -> ms<br>GSM 04.08, 9.1.31                          |          |
| Field Name                | Field Type                                                                        | Comments |
| l2_pl                     | LENGTH                                                                            |          |
| ski                       | SKI                                                                               |          |
| rrpd                      | PD                                                                                |          |
| mt                        | MT                                                                                |          |
| cchd                      | CCHD                                                                              |          |
| rachcp                    | RACHCP                                                                            |          |
| si1roct                   | OCTETSTRING [1]                                                                   |          |
| <b>Detailed Comments:</b> | The message has an L2 pseudo length of 21 octets and a total length of 23 octets. |          |

| PDU Type Definition       |                                                                                   |          |
|---------------------------|-----------------------------------------------------------------------------------|----------|
| <b>PDU Name:</b>          | SYSINFO2_PDU                                                                      |          |
| <b>PCO Type:</b>          | SAP0_3                                                                            |          |
| <b>Comments:</b>          | RR SYSTEM INFORMATION TYPE2 n -> ms<br>GSM 04.08, 9.1.32                          |          |
| Field Name                | Field Type                                                                        | Comments |
| l2_pl                     | LENGTH                                                                            |          |
| ski                       | SKI                                                                               |          |
| rrpd                      | PD                                                                                |          |
| mt                        | MT                                                                                |          |
| bcchfl                    | NCD                                                                               |          |
| nccp                      | NCCP                                                                              |          |
| rachcp                    | RACHCP                                                                            |          |
| <b>Detailed Comments:</b> | The message has an L2 pseudo length of 22 octets and a total length of 23 octets. |          |

| PDU Type Definition       |                                                                                                                                                                                                                                                      |          |
|---------------------------|------------------------------------------------------------------------------------------------------------------------------------------------------------------------------------------------------------------------------------------------------|----------|
| <b>PDU Name:</b>          | SYSINFO2bis_PDU                                                                                                                                                                                                                                      |          |
| <b>PCO Type:</b>          | SAP0_3                                                                                                                                                                                                                                               |          |
| <b>Comments:</b>          | RR SYSTEM INFORMATION TYPE2bis or 2ter n -> ms<br>GSM 04.08, 9.1.33, 9.1.33a                                                                                                                                                                         |          |
| Field Name                | Field Type                                                                                                                                                                                                                                           | Comments |
| l2_pl                     | LENGTH                                                                                                                                                                                                                                               |          |
| ski                       | SKI                                                                                                                                                                                                                                                  |          |
| rrpd                      | PD                                                                                                                                                                                                                                                   |          |
| mt                        | MT                                                                                                                                                                                                                                                   |          |
| xbcchfl                   | NCD                                                                                                                                                                                                                                                  |          |
| rachcp                    | RACHCP                                                                                                                                                                                                                                               |          |
| si2bisroct                | OCTETSTRING [1..4]                                                                                                                                                                                                                                   |          |
| <b>Detailed Comments:</b> | This PDU type is used both for SYSINFO2bis, as well as for 2ter.<br>The 2bis message has an L2 pseudo length of 21 octets and a total length of 23 octets.<br>The 2ter message has an L2 pseudo length of 18 octets and a total length of 23 octets. |          |

| PDU Type Definition       |                                                                                        |          |
|---------------------------|----------------------------------------------------------------------------------------|----------|
| <b>PDU Name:</b>          | SYSINFO2ter_PDU                                                                        |          |
| <b>PCO Type:</b>          | SAP0_3                                                                                 |          |
| <b>Comments:</b>          | RR SYSTEM INFORMATION 2ter n -> ms<br>GSM 04.08, 9.1.34                                |          |
| Field Name                | Field Type                                                                             | Comments |
| l2_pl                     | LENGTH                                                                                 |          |
| ski                       | SKI                                                                                    |          |
| rrpd                      | PD                                                                                     |          |
| mt                        | MT                                                                                     |          |
| xbcchfl                   | NCD2                                                                                   |          |
| si2terroct                | OCTETSTRING[4]                                                                         |          |
| <b>Detailed Comments:</b> | The 2ter message has an L2 pseudo length of 18 octets and a total length of 23 octets. |          |

| PDU Type Definition       |                                                                                   |          |
|---------------------------|-----------------------------------------------------------------------------------|----------|
| <b>PDU Name:</b>          | SYSINFO3_PDU                                                                      |          |
| <b>PCO Type:</b>          | SAP0_3                                                                            |          |
| <b>Comments:</b>          | RR SYSTEM INFORMATION TYPE3 n -> ms<br>GSM 04.08, 9.1.34                          |          |
| Field Name                | Field Type                                                                        | Comments |
| l2_pl                     | LENGTH                                                                            |          |
| ski                       | SKI                                                                               |          |
| rrpd                      | PD                                                                                |          |
| mt                        | MT                                                                                |          |
| ci                        | CI                                                                                |          |
| lai                       | LAI                                                                               |          |
| ccd                       | CCD                                                                               |          |
| co                        | CO                                                                                |          |
| csp                       | CSP                                                                               |          |
| rachcp                    | RACHCP                                                                            |          |
| si3roct                   | SI3RO                                                                             |          |
| <b>Detailed Comments:</b> | The message has an L2 pseudo length of 18 octets and a total length of 23 octets. |          |



| PDU Type Definition       |                                                          |          |
|---------------------------|----------------------------------------------------------|----------|
| <b>PDU Name:</b>          | SYSINFO4_PDU                                             |          |
| <b>PCO Type:</b>          | SAP0_3                                                   |          |
| <b>Comments:</b>          | RR SYSTEM INFORMATION TYPE4 n -> ms<br>GSM 04.08, 9.1.35 |          |
| Field Name                | Field Type                                               | Comments |
| l2_pl                     | LENGTH                                                   |          |
| ski                       | SKI                                                      |          |
| rrpd                      | PD                                                       |          |
| mt                        | MT                                                       |          |
| lai                       | LAI                                                      |          |
| csp                       | CSP                                                      |          |
| rachcp                    | RACHCP                                                   |          |
| cbchd                     | CHD                                                      |          |
| cbchma                    | MA                                                       |          |
| si4roct                   | SI4RO                                                    |          |
| <b>Detailed Comments:</b> | The message has a total length of 23 octets.             |          |

| PDU Type Definition       |                                                          |          |
|---------------------------|----------------------------------------------------------|----------|
| <b>PDU Name:</b>          | SYSINFO5_PDU                                             |          |
| <b>PCO Type:</b>          | SAP0_3                                                   |          |
| <b>Comments:</b>          | RR SYSTEM INFORMATION TYPE5 n -> ms<br>GSM 04.08, 9.1.36 |          |
| Field Name                | Field Type                                               | Comments |
| ski                       | SKI                                                      |          |
| rrpd                      | PD                                                       |          |
| mt                        | MT                                                       |          |
| bcchfl                    | NCD                                                      |          |
| <b>Detailed Comments:</b> |                                                          |          |

| PDU Type Definition       |                                                             |          |
|---------------------------|-------------------------------------------------------------|----------|
| <b>PDU Name:</b>          | SYSINFO5bis_PDU                                             |          |
| <b>PCO Type:</b>          | SAP0_3                                                      |          |
| <b>Comments:</b>          | RR SYSTEM INFORMATION TYPE5bis n -> ms<br>GSM 04.08, 9.1.38 |          |
| Field Name                | Field Type                                                  | Comments |
| ski                       | SKI                                                         |          |
| rrpd                      | PD                                                          |          |
| mt                        | MT                                                          |          |
| xbcchfl                   | NCD                                                         |          |
| <b>Detailed Comments:</b> |                                                             |          |

| PDU Type Definition       |                                                             |          |
|---------------------------|-------------------------------------------------------------|----------|
| <b>PDU Name:</b>          | SYSINFO5ter_PDU                                             |          |
| <b>PCO Type:</b>          | SAP0_3                                                      |          |
| <b>Comments:</b>          | RR SYSTEM INFORMATION TYPE5ter n -> ms<br>GSM 04.08, 9.1.39 |          |
| Field Name                | Field Type                                                  | Comments |
| ski                       | SKI                                                         |          |
| rrpd                      | PD                                                          |          |
| mt                        | MT                                                          |          |
| xbcchfl                   | NCD2                                                        |          |
| <b>Detailed Comments:</b> |                                                             |          |

| PDU Type Definition       |                                                          |          |
|---------------------------|----------------------------------------------------------|----------|
| <b>PDU Name:</b>          | SYSINFO6_PDU                                             |          |
| <b>PCO Type:</b>          | SAP0_3                                                   |          |
| <b>Comments:</b>          | RR SYSTEM INFORMATION TYPE6 n -> ms<br>GSM 04.08, 9.1.38 |          |
| Field Name                | Field Type                                               | Comments |
| ski                       | SKI                                                      |          |
| rrpd                      | PD                                                       |          |
| mt                        | MT                                                       |          |
| ci                        | CI                                                       |          |
| lai                       | LAI                                                      |          |
| co                        | CO                                                       |          |
| nccp                      | NCCP                                                     |          |
| <b>Detailed Comments:</b> |                                                          |          |

| PDU Type Definition                                                    |                                                          |          |
|------------------------------------------------------------------------|----------------------------------------------------------|----------|
| <b>PDU Name:</b>                                                       | SYSINFO7_PDU                                             |          |
| <b>PCO Type:</b>                                                       | SAP0_3                                                   |          |
| <b>Comments:</b>                                                       | RR SYSTEM INFORMATION TYPE7 n -> ms<br>GSM 04.08, 9.1.41 |          |
| Field Name                                                             | Field Type                                               | Comments |
| l2_pl                                                                  | LENGTH                                                   |          |
| ski                                                                    | SKI                                                      |          |
| rrpd                                                                   | PD                                                       |          |
| mt                                                                     | MT                                                       |          |
| si7roct                                                                | SI7RO                                                    |          |
| <b>Detailed Comments:</b> The message has a total length of 23 octets. |                                                          |          |

| PDU Type Definition                                                    |                                                          |          |
|------------------------------------------------------------------------|----------------------------------------------------------|----------|
| <b>PDU Name:</b>                                                       | SYSINFO8_PDU                                             |          |
| <b>PCO Type:</b>                                                       | SAP0_3                                                   |          |
| <b>Comments:</b>                                                       | RR SYSTEM INFORMATION TYPE8 n -> ms<br>GSM 04.08, 9.1.42 |          |
| Field Name                                                             | Field Type                                               | Comments |
| l2_pl                                                                  | LENGTH                                                   |          |
| ski                                                                    | SKI                                                      |          |
| rrpd                                                                   | PD                                                       |          |
| mt                                                                     | MT                                                       |          |
| si8roct                                                                | SI7RO                                                    |          |
| <b>Detailed Comments:</b> The message has a total length of 23 octets. |                                                          |          |

| PDU Type Definition       |                                      |          |
|---------------------------|--------------------------------------|----------|
| <b>PDU Name:</b>          | ABRT_PDU                             |          |
| <b>PCO Type:</b>          | SAP0_3                               |          |
| <b>Comments:</b>          | MM ABORT n -> ms<br>GSM 04.08, 9.2.8 |          |
| Field Name                | Field Type                           | Comments |
| ski                       | SKI                                  |          |
| mmpd                      | PD                                   |          |
| mt                        | MT                                   |          |
| rejcau                    | REJCAU                               |          |
| <b>Detailed Comments:</b> |                                      |          |

| PDU Type Definition       |                                                      |          |
|---------------------------|------------------------------------------------------|----------|
| <b>PDU Name:</b>          | AUTH_REJ_PDU                                         |          |
| <b>PCO Type:</b>          | SAP0_3                                               |          |
| <b>Comments:</b>          | MM AUTHENTICATION REJECT n -> ms<br>GSM 04.08, 9.2.1 |          |
| Field Name                | Field Type                                           | Comments |
| ski                       | SKI                                                  |          |
| mmpd                      | PD                                                   |          |
| mt                        | MT                                                   |          |
| <b>Detailed Comments:</b> |                                                      |          |

| PDU Type Definition       |                                                       |          |
|---------------------------|-------------------------------------------------------|----------|
| <b>PDU Name:</b>          | AUTH_RQ_PDU                                           |          |
| <b>PCO Type:</b>          | SAP0_3                                                |          |
| <b>Comments:</b>          | MM AUTHENTICATION REQUEST n -> ms<br>GSM 04.08, 9.2.2 |          |
| Field Name                | Field Type                                            | Comments |
| ski                       | SKI                                                   |          |
| mmpd                      | PD                                                    |          |
| mt                        | MT                                                    |          |
| shoct                     | SHOCT                                                 |          |
| cphksn                    | CPHKSJN                                               |          |
| rand                      | RAND                                                  |          |
| <b>Detailed Comments:</b> |                                                       |          |

| PDU Type Definition       |                                                        |          |
|---------------------------|--------------------------------------------------------|----------|
| <b>PDU Name:</b>          | AUTH_RES_PDU                                           |          |
| <b>PCO Type:</b>          | SAP0_3                                                 |          |
| <b>Comments:</b>          | MM AUTHENTICATION RESPONSE ms -> n<br>GSM 04.08, 9.2.3 |          |
| Field Name                | Field Type                                             | Comments |
| ski                       | SKI                                                    |          |
| mmpd                      | PD                                                     |          |
| mt                        | MT                                                     |          |
| sres                      | SRES                                                   |          |
| <b>Detailed Comments:</b> |                                                        |          |

| PDU Type Definition       |                                                           |          |
|---------------------------|-----------------------------------------------------------|----------|
| <b>PDU Name:</b>          | CMRE_RQ_PDU                                               |          |
| <b>PCO Type:</b>          | SAP0_3                                                    |          |
| <b>Comments:</b>          | MM CM REESTABLISHMENT REQUEST ms -> n<br>GSM 04.08, 9.2.4 |          |
| Field Name                | Field Type                                                | Comments |
| ski                       | SKI                                                       |          |
| mmpd                      | PD                                                        |          |
| mt                        | MT                                                        |          |
| shoct                     | SHOCT                                                     |          |
| cphksn                    | CPHKSJN                                                   |          |
| msclm                     | MSCLM2                                                    |          |
| mi                        | MI                                                        |          |
| lai                       | LAI                                                       |          |
| <b>Detailed Comments:</b> |                                                           |          |

| PDU Type Definition       |                                                  |          |
|---------------------------|--------------------------------------------------|----------|
| <b>PDU Name:</b>          | CMS_ACP_PDU                                      |          |
| <b>PCO Type:</b>          | SAP0_3                                           |          |
| <b>Comments:</b>          | MM CM SERVICE ACCEPT n -> ms<br>GSM 04.08, 9.2.5 |          |
| Field Name                | Field Type                                       | Comments |
| ski                       | SKI                                              |          |
| mmpd                      | PD                                               |          |
| mt                        | MT                                               |          |
| <b>Detailed Comments:</b> |                                                  |          |

| PDU Type Definition       |                                                  |          |
|---------------------------|--------------------------------------------------|----------|
| <b>PDU Name:</b>          | CMS_REJ_PDU                                      |          |
| <b>PCO Type:</b>          | SAP0_3                                           |          |
| <b>Comments:</b>          | MM CM SERVICE REJECT n -> ms<br>GSM 04.08, 9.2.6 |          |
| Field Name                | Field Type                                       | Comments |
| ski                       | SKI                                              |          |
| mmpd                      | PD                                               |          |
| mt                        | MT                                               |          |
| mmcau                     | REJCAU                                           |          |
| <b>Detailed Comments:</b> |                                                  |          |

| PDU Type Definition       |                                                   |          |
|---------------------------|---------------------------------------------------|----------|
| <b>PDU Name:</b>          | CMS_RQ_PDU                                        |          |
| <b>PCO Type:</b>          | SAP0_3                                            |          |
| <b>Comments:</b>          | MM CM SERVICE REQUEST ms -> n<br>GSM 04.08, 9.2.9 |          |
| Field Name                | Field Type                                        | Comments |
| ski                       | SKI                                               |          |
| mmpd                      | PD                                                |          |
| mt                        | MT                                                |          |
| cphksn                    | CPHKSN                                            |          |
| svtype                    | CMSVTYPE                                          |          |
| msclm                     | MSCLM2                                            |          |
| mi                        | MI                                                |          |
| <b>Detailed Comments:</b> |                                                   |          |

| PDU Type Definition       |                                                  |          |
|---------------------------|--------------------------------------------------|----------|
| <b>PDU Name:</b>          | ID_RQ_PDU                                        |          |
| <b>PCO Type:</b>          | SAP0_3                                           |          |
| <b>Comments:</b>          | MM IDENTITY REQUEST n -> ms<br>GSM 04.08, 9.2.10 |          |
| Field Name                | Field Type                                       | Comments |
| ski                       | SKI                                              |          |
| mmpd                      | PD                                               |          |
| mt                        | MT                                               |          |
| shoct                     | SHOCT                                            |          |
| idtype                    | IDTYPE                                           |          |
| <b>Detailed Comments:</b> |                                                  |          |

| PDU Type Definition       |                                                   |          |
|---------------------------|---------------------------------------------------|----------|
| <b>PDU Name:</b>          | ID_RES_PDU                                        |          |
| <b>PCO Type:</b>          | SAP0_3                                            |          |
| <b>Comments:</b>          | MM IDENTITY RESPONSE ms -> n<br>GSM 04.08, 9.2.11 |          |
| Field Name                | Field Type                                        | Comments |
| ski                       | SKI                                               |          |
| mmpd                      | PD                                                |          |
| mt                        | MT                                                |          |
| mi                        | MI                                                |          |
| <b>Detailed Comments:</b> |                                                   |          |

| PDU Type Definition       |                                                        |          |
|---------------------------|--------------------------------------------------------|----------|
| <b>PDU Name:</b>          | IMSID_IN_PDU                                           |          |
| <b>PCO Type:</b>          | SAP0_3                                                 |          |
| <b>Comments:</b>          | MM IMSI DETACH INDICATION ms -> n<br>GSM 04.08, 9.2.12 |          |
| Field Name                | Field Type                                             | Comments |
| ski                       | SKI                                                    |          |
| mmpd                      | PD                                                     |          |
| mt                        | MT                                                     |          |
| msclm                     | MSCLM1                                                 |          |
| mi                        | MI                                                     |          |
| <b>Detailed Comments:</b> |                                                        |          |

| PDU Type Definition       |                                                          |          |
|---------------------------|----------------------------------------------------------|----------|
| <b>PDU Name:</b>          | LUP_ACP_PDU                                              |          |
| <b>PCO Type:</b>          | SAP0_3                                                   |          |
| <b>Comments:</b>          | MM LOCATION UPDATING ACCEPT n -> ms<br>GSM 04.08, 9.2.13 |          |
| Field Name                | Field Type                                               | Comments |
| ski                       | SKI                                                      |          |
| mmpd                      | PD                                                       |          |
| mt                        | MT                                                       |          |
| lai                       | LAI                                                      |          |
| mi                        | MI                                                       |          |
| fop                       | IEI_8                                                    |          |
| <b>Detailed Comments:</b> |                                                          |          |

| PDU Type Definition       |                                                          |          |
|---------------------------|----------------------------------------------------------|----------|
| <b>PDU Name:</b>          | LUP_ACP_PDU_ERR                                          |          |
| <b>PCO Type:</b>          | SAP0_3                                                   |          |
| <b>Comments:</b>          | MM LOCATION UPDATING ACCEPT n -> ms<br>GSM 04.08, 9.2.13 |          |
| Field Name                | Field Type                                               | Comments |
| ski                       | SKI                                                      |          |
| mmpd                      | PD                                                       |          |
| mt                        | MT                                                       |          |
| lai                       | LAI                                                      |          |
| mi                        | MI                                                       |          |
| dupmi                     | MI                                                       |          |
| <b>Detailed Comments:</b> |                                                          |          |

| PDU Type Definition       |                                                          |          |
|---------------------------|----------------------------------------------------------|----------|
| <b>PDU Name:</b>          | LUP_REJ_PDU                                              |          |
| <b>PCO Type:</b>          | SAP0_3                                                   |          |
| <b>Comments:</b>          | MM LOCATION UPDATING REJECT n -> ms<br>GSM 04.08, 9.2.14 |          |
| Field Name                | Field Type                                               | Comments |
| ski                       | SKI                                                      |          |
| mmpd                      | PD                                                       |          |
| mt                        | MT                                                       |          |
| rejcau                    | REJCAU                                                   |          |
| <b>Detailed Comments:</b> |                                                          |          |

| PDU Type Definition       |                                                           |          |
|---------------------------|-----------------------------------------------------------|----------|
| <b>PDU Name:</b>          | LUP_RQ_PDU                                                |          |
| <b>PCO Type:</b>          | SAP0_3                                                    |          |
| <b>Comments:</b>          | MM LOCATION UPDATING REQUEST ms -> n<br>GSM 04.08, 9.2.15 |          |
| Field Name                | Field Type                                                | Comments |
| ski                       | SKI                                                       |          |
| mmpd                      | PD                                                        |          |
| mt                        | MT                                                        |          |
| cphksn                    | CPHKSN                                                    |          |
| lutype                    | LUT                                                       |          |
| lai                       | LAI                                                       |          |
| msclm                     | MSCLM1                                                    |          |
| mi                        | MI                                                        |          |
| <b>Detailed Comments:</b> |                                                           |          |

| PDU Type Definition       |                                         |          |
|---------------------------|-----------------------------------------|----------|
| <b>PDU Name:</b>          | MMST_PDU                                |          |
| <b>PCO Type:</b>          | SAP0_3                                  |          |
| <b>Comments:</b>          | MM STATUS n <-> ms<br>GSM 04.08, 9.2.16 |          |
| Field Name                | Field Type                              | Comments |
| ski                       | SKI                                     |          |
| mmpd                      | PD                                      |          |
| mt                        | MT                                      |          |
| rejcau                    | REJCAU                                  |          |
| <b>Detailed Comments:</b> |                                         |          |

| PDU Type Definition       |                                                           |          |
|---------------------------|-----------------------------------------------------------|----------|
| <b>PDU Name:</b>          | TMSIRE_CMD_PDU                                            |          |
| <b>PCO Type:</b>          | SAP0_3                                                    |          |
| <b>Comments:</b>          | MM TMSI REALLOCATION COMMAND n -> ms<br>GSM 04.08, 9.2.17 |          |
| Field Name                | Field Type                                                | Comments |
| ski                       | SKI                                                       |          |
| mmpd                      | PD                                                        |          |
| mt                        | MT                                                        |          |
| lai                       | LAI                                                       |          |
| mi                        | MI                                                        |          |
| <b>Detailed Comments:</b> |                                                           |          |

| PDU Type Definition       |                                                            |          |
|---------------------------|------------------------------------------------------------|----------|
| <b>PDU Name:</b>          | TMSIRE_COM_PDU                                             |          |
| <b>PCO Type:</b>          | SAP0_3                                                     |          |
| <b>Comments:</b>          | MM TMSI REALLOCATION COMPLETE ms -> n<br>GSM 04.08, 9.2.18 |          |
| Field Name                | Field Type                                                 | Comments |
| ski                       | SKI                                                        |          |
| mmpd                      | PD                                                         |          |
| mt                        | MT                                                         |          |
| <b>Detailed Comments:</b> |                                                            |          |

| PDU Type Definition       |                                          |          |
|---------------------------|------------------------------------------|----------|
| <b>PDU Name:</b>          | ALERT_PDU                                |          |
| <b>PCO Type:</b>          | SAP0_3                                   |          |
| <b>Comments:</b>          | CC ALERTING ms <-> n<br>GSM 04.08, 9.3.1 |          |
| Field Name                | Field Type                               | Comments |
| ti                        | TI                                       |          |
| ccpd                      | PD                                       |          |
| mt                        | MT                                       |          |
| fie                       | FIE                                      |          |
| pi                        | PI                                       |          |
| uu                        | UU                                       |          |
| ssvi                      | SSVI                                     |          |
| <b>Detailed Comments:</b> |                                          |          |

| PDU Type Definition       |                                               |          |
|---------------------------|-----------------------------------------------|----------|
| <b>PDU Name:</b>          | CALL_CO_PDU                                   |          |
| <b>PCO Type:</b>          | SAP0_3                                        |          |
| <b>Comments:</b>          | CC CALL CONFIRMED ms -> n<br>GSM 04.08, 9.3.2 |          |
| Field Name                | Field Type                                    | Comments |
| ti                        | TI                                            |          |
| ccpd                      | PD                                            |          |
| mt                        | MT                                            |          |
| bcri                      | RPI                                           |          |
| bcap1                     | BCAP                                          |          |
| bcap2                     | BCAP                                          |          |
| cau                       | CAU                                           |          |
| cccap                     | CCCAP                                         |          |
| <b>Detailed Comments:</b> |                                               |          |

| PDU Type Definition       |                                                |          |
|---------------------------|------------------------------------------------|----------|
| <b>PDU Name:</b>          | CALL_PROC_PDU                                  |          |
| <b>PCO Type:</b>          | SAP0_3                                         |          |
| <b>Comments:</b>          | CC CALL PROCEEDING n -> ms<br>GSM 04.08, 9.3.3 |          |
| Field Name                | Field Type                                     | Comments |
| ti                        | TI                                             |          |
| ccpd                      | PD                                             |          |
| mt                        | MT                                             |          |
| bcri                      | RPI                                            |          |
| bcap1                     | BCAP                                           |          |
| bcap2                     | BCAP                                           |          |
| fie                       | FIE                                            |          |
| pi                        | PI                                             |          |
| <b>Detailed Comments:</b> |                                                |          |

| PDU Type Definition       |                                         |          |
|---------------------------|-----------------------------------------|----------|
| <b>PDU Name:</b>          | CONN_PDU                                |          |
| <b>PCO Type:</b>          | SAP0_3                                  |          |
| <b>Comments:</b>          | CC CONNECT n <-> ms<br>GSM 04.08, 9.3.5 |          |
| Field Name                | Field Type                              | Comments |
| ti                        | TI                                      |          |
| ccpd                      | PD                                      |          |
| mt                        | MT                                      |          |
| fie                       | FIE                                     |          |
| pi                        | PI                                      |          |
| cnr                       | CNN                                     |          |
| cns                       | CNS                                     |          |
| uu                        | UU                                      |          |
| ssvi                      | SSVI                                    |          |
| <b>Detailed Comments:</b> |                                         |          |

| PDU Type Definition       |                                                |          |
|---------------------------|------------------------------------------------|----------|
| <b>PDU Name:</b>          | CONN_PDU_ERR                                   |          |
| <b>PCO Type:</b>          | SAP0_3                                         |          |
| <b>Comments:</b>          | CC CONNECT n <-> ms<br>Used as invalid message |          |
| Field Name                | Field Type                                     | Comments |
| ti                        | TI                                             |          |
| ccpd                      | PD                                             |          |
| mt                        | MT                                             |          |
| unknown                   | UNKWN                                          |          |
| <b>Detailed Comments:</b> |                                                |          |

| PDU Type Definition       |                                                     |          |
|---------------------------|-----------------------------------------------------|----------|
| <b>PDU Name:</b>          | CONN_ACK_PDU                                        |          |
| <b>PCO Type:</b>          | SAP0_3                                              |          |
| <b>Comments:</b>          | CC CONNECT ACKNOWLEDGE ms <-> n<br>GSM 04.08, 9.3.6 |          |
| Field Name                | Field Type                                          | Comments |
| ti                        | TI                                                  |          |
| ccpd                      | PD                                                  |          |
| mt                        | MT                                                  |          |
| <b>Detailed Comments:</b> |                                                     |          |

| PDU Type Definition       |                                                              |          |
|---------------------------|--------------------------------------------------------------|----------|
| <b>PDU Name:</b>          | DISC_PDU                                                     |          |
| <b>PCO Type:</b>          | SAP0_3                                                       |          |
| <b>Comments:</b>          | CC DISCONNECT ms <-> n (both directions)<br>GSM 04.08, 9.3.7 |          |
| Field Name                | Field Type                                                   | Comments |
| ti                        | TI                                                           |          |
| ccpd                      | PD                                                           |          |
| mt                        | MT                                                           |          |
| cau                       | CAU                                                          |          |
| fie                       | FIE                                                          |          |
| pi                        | PI                                                           |          |
| uu                        | UU                                                           |          |
| ssvi                      | SSVI                                                         |          |
| <b>Detailed Comments:</b> |                                                              |          |



| PDU Type Definition       |              |          |
|---------------------------|--------------|----------|
| <b>PDU Name:</b>          | DISC_PDU_ERR |          |
| <b>PCO Type:</b>          | SAP0_3       |          |
| <b>Comments:</b>          |              |          |
| Field Name                | Field Type   | Comments |
| ti                        | TI           |          |
| ccpd                      | PD           |          |
| mt                        | MT           |          |
| cau                       | CAU          |          |
| unknown                   | UNKWN        |          |
| <b>Detailed Comments:</b> |              |          |

| PDU Type Definition       |                                                |          |
|---------------------------|------------------------------------------------|----------|
| <b>PDU Name:</b>          | ESETUP_PDU                                     |          |
| <b>PCO Type:</b>          | SAP0_3                                         |          |
| <b>Comments:</b>          | CC EMERGENCY SETUP ms -> n<br>GSM 04.08, 9.3.8 |          |
| Field Name                | Field Type                                     | Comments |
| ti                        | TI                                             |          |
| ccpd                      | PD                                             |          |
| mt                        | MT                                             |          |
| bcap                      | BCAP                                           |          |
| <b>Detailed Comments:</b> |                                                |          |

| PDU Type Definition       |                                          |          |
|---------------------------|------------------------------------------|----------|
| <b>PDU Name:</b>          | FAC_PDU                                  |          |
| <b>PCO Type:</b>          | SAP0_3                                   |          |
| <b>Comments:</b>          | CC FACILITY n <-> ms<br>GSM 04.08, 9.3.9 |          |
| Field Name                | Field Type                               | Comments |
| ti                        | TI                                       |          |
| cc_sspd                   | PD                                       |          |
| mt                        | MT                                       |          |
| fie                       | FIE                                      |          |
| ssvi                      | SSVI                                     |          |
| <b>Detailed Comments:</b> |                                          |          |

| PDU Type Definition       |                                      |          |
|---------------------------|--------------------------------------|----------|
| <b>PDU Name:</b>          | HOLD_PDU                             |          |
| <b>PCO Type:</b>          | SAP0_3                               |          |
| <b>Comments:</b>          | CC HOLD ms -> n<br>GSM 04.08, 9.3.10 |          |
| Field Name                | Field Type                           | Comments |
| ti                        | TI                                   |          |
| ccpd                      | PD                                   |          |
| mt                        | MT                                   |          |
| <b>Detailed Comments:</b> |                                      |          |

| PDU Type Definition       |                                                  |          |
|---------------------------|--------------------------------------------------|----------|
| <b>PDU Name:</b>          | HOLD_ACK_PDU                                     |          |
| <b>PCO Type:</b>          | SAP0_3                                           |          |
| <b>Comments:</b>          | CC HOLD ACKNOWLEDGE n -> ms<br>GSM 04.08, 9.3.11 |          |
| Field Name                | Field Type                                       | Comments |
| ti                        | TI                                               |          |
| ccpd                      | PD                                               |          |
| mt                        | MT                                               |          |
| <b>Detailed Comments:</b> |                                                  |          |

| PDU Type Definition       |                                         |          |
|---------------------------|-----------------------------------------|----------|
| <b>PDU Name:</b>          | MODIFY_PDU                              |          |
| <b>PCO Type:</b>          | SAP0_3                                  |          |
| <b>Comments:</b>          | CC MODIFY ms <-> n<br>GSM 04.08, 9.3.13 |          |
| Field Name                | Field Type                              | Comments |
| ti                        | TI                                      |          |
| ccpd                      | PD                                      |          |
| mt                        | MT                                      |          |
| bcap                      | BCAP                                    |          |
| llcmp                     | LLCMP                                   |          |
| hlcmp                     | HLCMP                                   |          |
| rcsd                      | RCSD                                    |          |
| <b>Detailed Comments:</b> |                                         |          |

| PDU Type Definition       |                                                  |          |
|---------------------------|--------------------------------------------------|----------|
| <b>PDU Name:</b>          | MODIFY_COM_PDU                                   |          |
| <b>PCO Type:</b>          | SAP0_3                                           |          |
| <b>Comments:</b>          | CC MODIFY COMPLETE ms <-> n<br>GSM 04.08, 9.3.14 |          |
| Field Name                | Field Type                                       | Comments |
| ti                        | TI                                               |          |
| ccpd                      | PD                                               |          |
| mt                        | MT                                               |          |
| bcap                      | BCAP                                             |          |
| llcmp                     | LLCMP                                            |          |
| hlcmp                     | HLCMP                                            |          |
| rcsd                      | RCSD                                             |          |
| <b>Detailed Comments:</b> |                                                  |          |

| PDU Type Definition       |                                                |          |
|---------------------------|------------------------------------------------|----------|
| <b>PDU Name:</b>          | MODIFY_REJ_PDU                                 |          |
| <b>PCO Type:</b>          | SAP0_3                                         |          |
| <b>Comments:</b>          | CC MODIFY REJECT ms <-> n<br>GSM 04.08, 9.3.15 |          |
| Field Name                | Field Type                                     | Comments |
| ti                        | TI                                             |          |
| ccpd                      | PD                                             |          |
| mt                        | MT                                             |          |
| bcap                      | BCAP                                           |          |
| cau                       | CAU                                            |          |
| llcmp                     | LLCMP                                          |          |
| hlcmp                     | HLCMP                                          |          |
| <b>Detailed Comments:</b> |                                                |          |

| PDU Type Definition       |                                         |          |
|---------------------------|-----------------------------------------|----------|
| <b>PDU Name:</b>          | NOTIFY_PDU                              |          |
| <b>PCO Type:</b>          | SAP0_3                                  |          |
| <b>Comments:</b>          | CC NOTIFY ms <-> n<br>GSM 04.08, 9.3.16 |          |
| Field Name                | Field Type                              | Comments |
| ti                        | TI                                      |          |
| ccpd                      | PD                                      |          |
| mt                        | MT                                      |          |
| nti                       | NTI                                     |          |
| <b>Detailed Comments:</b> |                                         |          |

| PDU Type Definition       |                                        |          |
|---------------------------|----------------------------------------|----------|
| <b>PDU Name:</b>          | REGISTER_PDU                           |          |
| <b>PCO Type:</b>          | SAP0_3                                 |          |
| <b>Comments:</b>          | SS REGISTER ms <-> n<br>GSM 04.80, 2.4 |          |
| Field Name                | Field Type                             | Comments |
| ti                        | TI                                     |          |
| sspd                      | PD                                     |          |
| mt                        | MT                                     |          |
| fie                       | FIE                                    |          |
| ssvi                      | SSVI                                   |          |
| <b>Detailed Comments:</b> |                                        |          |

| PDU Type Definition       |                                          |          |
|---------------------------|------------------------------------------|----------|
| <b>PDU Name:</b>          | PROG_PDU                                 |          |
| <b>PCO Type:</b>          | SAP0_3                                   |          |
| <b>Comments:</b>          | CC PROGRESS n -> ms<br>GSM 04.08, 9.3.17 |          |
| Field Name                | Field Type                               | Comments |
| ti                        | TI                                       |          |
| ccpd                      | PD                                       |          |
| mt                        | MT                                       |          |
| pi                        | PI                                       |          |
| uu                        | UU                                       |          |
| <b>Detailed Comments:</b> |                                          |          |

| PDU Type Definition       |                                          |          |
|---------------------------|------------------------------------------|----------|
| <b>PDU Name:</b>          | REL_PDU                                  |          |
| <b>PCO Type:</b>          | SAP0_3                                   |          |
| <b>Comments:</b>          | CC RELEASE n <-> ms<br>GSM 04.08, 9.3.18 |          |
| Field Name                | Field Type                               | Comments |
| ti                        | TI                                       |          |
| ccpd                      | PD                                       |          |
| mt                        | MT                                       |          |
| cau                       | CAU                                      |          |
| cau2                      | CAU                                      |          |
| fie                       | FIE                                      |          |
| uu                        | UU                                       |          |
| ssvi                      | SSVI                                     |          |
| <b>Detailed Comments:</b> |                                          |          |

| PDU Type Definition       |                                                                         |          |
|---------------------------|-------------------------------------------------------------------------|----------|
| <b>PDU Name:</b>          | REL_COM_PDU                                                             |          |
| <b>PCO Type:</b>          | SAP0_3                                                                  |          |
| <b>Comments:</b>          | CC or SS RELEASE COMPLETE n <-> ms<br>GSM 04.08, 9.3.19; GSM 04.80, 2.5 |          |
| Field Name                | Field Type                                                              | Comments |
| ti                        | TI                                                                      |          |
| cc_sspd                   | PD                                                                      |          |
| mt                        | MT                                                                      |          |
| cau                       | CAU                                                                     |          |
| fie                       | FIE                                                                     |          |
| uu                        | UU                                                                      |          |
| ssvi                      | SSVI                                                                    |          |
| <b>Detailed Comments:</b> |                                                                         |          |

| PDU Type Definition       |                                         |          |
|---------------------------|-----------------------------------------|----------|
| <b>PDU Name:</b>          | SETUP_MO_PDU                            |          |
| <b>PCO Type:</b>          | SAP0_3                                  |          |
| <b>Comments:</b>          | CC SETUP n <- ms<br>GSM 04.08, 9.3.23.2 |          |
| Field Name                | Field Type                              | Comments |
| ti                        | TI                                      |          |
| ccpd                      | PD                                      |          |
| mt                        | MT                                      |          |
| bcri                      | RPI                                     |          |
| bcap1                     | BCAP                                    |          |
| bcap2                     | BCAP                                    |          |
| fie                       | FIE                                     |          |
| cgps                      | CGPS                                    |          |
| cdpn                      | CDPN                                    |          |
| cdps                      | CDPS                                    |          |
| llcri                     | RPI                                     |          |
| llcmp1                    | LLCMP                                   |          |
| llcmp2                    | LLCMP                                   |          |
| hlcri                     | RPI                                     |          |
| hlcmp1                    | HLCMP                                   |          |
| hlcmp2                    | HLCMP                                   |          |
| uu                        | UU                                      |          |
| ssvi                      | SSVI                                    |          |
| clirsup                   | CLRSUP                                  |          |
| clirinv                   | CLRINV                                  |          |
| cccacp                    | CCCACAP                                 |          |
| <b>Detailed Comments:</b> |                                         |          |

| PDU Type Definition       |                                         |          |
|---------------------------|-----------------------------------------|----------|
| <b>PDU Name:</b>          | SETUP_MT_PDU                            |          |
| <b>PCO Type:</b>          | SAP0_3                                  |          |
| <b>Comments:</b>          | CC SETUP n -> ms<br>GSM 04.08, 9.3.23.1 |          |
| Field Name                | Field Type                              | Comments |
| ti                        | TI                                      |          |
| ccpd                      | PD                                      |          |
| mt                        | MT                                      |          |
| bcri                      | RPI                                     |          |
| bcap1                     | BCAP                                    |          |
| bcap2                     | BCAP                                    |          |
| fie                       | FIE                                     |          |
| pi                        | PI                                      |          |
| sig                       | SIGNAL                                  |          |
| cgpn                      | CGPN                                    |          |
| cgps                      | CGPS                                    |          |
| cdpn                      | CDPN                                    |          |
| cdps                      | CDPS                                    |          |
| llcri                     | RPI                                     |          |
| llcmp1                    | LLCMP                                   |          |
| llcmp2                    | LLCMP                                   |          |
| hlcri                     | RPI                                     |          |
| hlcmp1                    | HLCMP                                   |          |
| hlcmp2                    | HLCMP                                   |          |
| uu                        | UU                                      |          |
| <b>Detailed Comments:</b> |                                         |          |

| PDU Type Definition       |                                 |          |
|---------------------------|---------------------------------|----------|
| <b>PDU Name:</b>          | SMSCB_PDU                       |          |
| <b>PCO Type:</b>          | SAP0_3                          |          |
| <b>Comments:</b>          | SMSCB message<br>GSM 03.41, 9.3 |          |
| Field Name                | Field Type                      | Comments |
| blocktype                 | BLOCKTYPE                       |          |
| serial_number             | SERIAL_NUMBER                   |          |
| message_id                | OCTETSTRING[2]                  |          |
| dcs                       | TPDCS                           |          |
| page_param                | BITSTRING[8]                    |          |
| message_contents          | OCTETSTRING                     |          |
| <b>Detailed Comments:</b> |                                 |          |

| PDU Type Definition       |                                            |          |
|---------------------------|--------------------------------------------|----------|
| <b>PDU Name:</b>          | START_DTMF_PDU                             |          |
| <b>PCO Type:</b>          | SAP0_3                                     |          |
| <b>Comments:</b>          | CC START DTMF ms -> n<br>GSM 04.08, 9.3.24 |          |
| Field Name                | Field Type                                 | Comments |
| ti                        | TI                                         |          |
| ccpd                      | PD                                         |          |
| mt                        | MT                                         |          |
| kpf                       | KPF                                        |          |
| <b>Detailed Comments:</b> |                                            |          |

| PDU Type Definition       |                                                        |          |
|---------------------------|--------------------------------------------------------|----------|
| <b>PDU Name:</b>          | START_DTMF_ACK_PDU                                     |          |
| <b>PCO Type:</b>          | SAP0_3                                                 |          |
| <b>Comments:</b>          | CC START DTMF ACKNOWLEDGE n -> ms<br>GSM 04.08, 9.3.25 |          |
| Field Name                | Field Type                                             | Comments |
| ti                        | TI                                                     |          |
| ccpd                      | PD                                                     |          |
| mt                        | MT                                                     |          |
| kpf                       | KPF                                                    |          |
| <b>Detailed Comments:</b> |                                                        |          |

| PDU Type Definition       |                                                   |          |
|---------------------------|---------------------------------------------------|----------|
| <b>PDU Name:</b>          | START_DTMF_REJ_PDU                                |          |
| <b>PCO Type:</b>          | SAP0_3                                            |          |
| <b>Comments:</b>          | CC START DTMF REJECT n -> ms<br>GSM 04.08, 9.3.26 |          |
| Field Name                | Field Type                                        | Comments |
| ti                        | TI                                                |          |
| ccpd                      | PD                                                |          |
| mt                        | MT                                                |          |
| cau                       | CAU                                               |          |
| <b>Detailed Comments:</b> |                                                   |          |

| PDU Type Definition       |                                         |          |
|---------------------------|-----------------------------------------|----------|
| <b>PDU Name:</b>          | CCST_PDU                                |          |
| <b>PCO Type:</b>          | SAP0_3                                  |          |
| <b>Comments:</b>          | CC STATUS n <-> ms<br>GSM 04.08, 9.3.27 |          |
| Field Name                | Field Type                              | Comments |
| ti                        | TI                                      |          |
| ccpd                      | PD                                      |          |
| mt                        | MT                                      |          |
| cau                       | CAU                                     |          |
| cst                       | CST                                     |          |
| acst                      | ACST                                    |          |
| <b>Detailed Comments:</b> |                                         |          |

| PDU Type Definition       |                                                 |          |
|---------------------------|-------------------------------------------------|----------|
| <b>PDU Name:</b>          | CCST_ENQ_PDU                                    |          |
| <b>PCO Type:</b>          | SAP0_3                                          |          |
| <b>Comments:</b>          | CC STATUS ENQUIRY ms <-> n<br>GSM 04.08, 9.3.28 |          |
| Field Name                | Field Type                                      | Comments |
| ti                        | TI                                              |          |
| ccpd                      | PD                                              |          |
| mt                        | MT                                              |          |
| <b>Detailed Comments:</b> |                                                 |          |

| PDU Type Definition       |                                           |          |
|---------------------------|-------------------------------------------|----------|
| <b>PDU Name:</b>          | STOP_DTMF_PDU                             |          |
| <b>PCO Type:</b>          | SAP0_3                                    |          |
| <b>Comments:</b>          | CC STOP DTMF ms -> n<br>GSM 04.08, 9.3.29 |          |
| Field Name                | Field Type                                | Comments |
| ti                        | TI                                        |          |
| ccpd                      | PD                                        |          |
| mt                        | MT                                        |          |
| <b>Detailed Comments:</b> |                                           |          |

| PDU Type Definition       |                                                       |          |
|---------------------------|-------------------------------------------------------|----------|
| <b>PDU Name:</b>          | STOP_DTMF_ACK_PDU                                     |          |
| <b>PCO Type:</b>          | SAP0_3                                                |          |
| <b>Comments:</b>          | CC STOP DTMF acknowledge n -> ms<br>GSM 04.08, 9.3.30 |          |
| Field Name                | Field Type                                            | Comments |
| ti                        | TI                                                    |          |
| ccpd                      | PD                                                    |          |
| mt                        | MT                                                    |          |
| <b>Detailed Comments:</b> |                                                       |          |

| PDU Type Definition                                                                                                                                                               |                                          |          |
|-----------------------------------------------------------------------------------------------------------------------------------------------------------------------------------|------------------------------------------|----------|
| <b>PDU Name:</b>                                                                                                                                                                  | CP_DATA_PDU                              |          |
| <b>PCO Type:</b>                                                                                                                                                                  | SAP0_3                                   |          |
| <b>Comments:</b>                                                                                                                                                                  | SMS CP DATA ms <-> n<br>GSM 04.11, 7.2.1 |          |
| Field Name                                                                                                                                                                        | Field Type                               | Comments |
| ti                                                                                                                                                                                | TI                                       |          |
| smspd                                                                                                                                                                             | PD                                       |          |
| mt                                                                                                                                                                                | MT                                       |          |
| CPdata                                                                                                                                                                            | CPDATA                                   |          |
| <b>Detailed Comments:</b> CPDATA contains RPDU - RP_ACK or RP_ERROR, either returning to the MS in case of MO, or reporting the outcome of a MT messaging attempt in case of MT . |                                          |          |

| PDU Type Definition       |                                                  |          |
|---------------------------|--------------------------------------------------|----------|
| <b>PDU Name:</b>          | CPDATA_ACK_PDU                                   |          |
| <b>PCO Type:</b>          | SAP0_3                                           |          |
| <b>Comments:</b>          | CP DATA ACKNOWLEDGE ms <-> n<br>GSM 04.11, 7.2.2 |          |
| Field Name                | Field Type                                       | Comments |
| ti                        | TI                                               |          |
| smspd                     | PD                                               |          |
| mt                        | MT                                               |          |
| <b>Detailed Comments:</b> |                                                  |          |

| PDU Type Definition       |                                                                                                                                                         |          |
|---------------------------|---------------------------------------------------------------------------------------------------------------------------------------------------------|----------|
| <b>PDU Name:</b>          | CPERR_PDU                                                                                                                                               |          |
| <b>PCO Type:</b>          | SAP0_3                                                                                                                                                  |          |
| <b>Comments:</b>          | CP_ERROR n <-> ms<br>GSM 04.11, 7.2.3                                                                                                                   |          |
| Field Name                | Field Type                                                                                                                                              | Comments |
| ti                        | TI                                                                                                                                                      |          |
| smspd                     | PD                                                                                                                                                      |          |
| mt                        | MT                                                                                                                                                      |          |
| cp_cause                  | CP_CAU                                                                                                                                                  |          |
| <b>Detailed Comments:</b> | CP_UDAT contains RPDU, RP_ACK or RP_ERROR, either returning to the MS in case of MO, or reporting the outcome of a MT messaging attempt in case of MT . |          |



## Constraints Part

### Test suite type constraint declarations

### Structured type constraint declarations

| <b>Structured Type Constraint</b> |                                                                                                          |          |
|-----------------------------------|----------------------------------------------------------------------------------------------------------|----------|
| <b>Constraint Name:</b>           | EFR_Bcap_Speech_MO2(rcr:B_2)                                                                             |          |
| <b>Structured Type:</b>           | BCAP                                                                                                     |          |
| <b>Derivation Path:</b>           |                                                                                                          |          |
| <b>Comments:</b>                  | speech bearer capability for direction ms->n. An EFR ms MUST send two 3a_etc (speech preference) octets. |          |
| Element Name                      | Element Value                                                                                            | Comments |
| iei                               | '00000100'B                                                                                              |          |
| iel                               | '03'O                                                                                                    |          |
| extb3                             | '0'B                                                                                                     |          |
| rchr                              | rcr                                                                                                      |          |
| cs                                | '0'B                                                                                                     |          |
| tm                                | '0'B                                                                                                     |          |
| itc                               | '000'B                                                                                                   |          |
| oct_3a_etc_1                      | EFR_Bcap_3a_etc                                                                                          |          |
| oct_3a_etc_2                      | EFR_Bcap_3a_etc                                                                                          |          |
| oct_3a_etc_3                      | -                                                                                                        |          |
| oct_3a_etc_4                      | -                                                                                                        |          |
| oct_3a_etc_5                      | -                                                                                                        |          |
| oct_3a_etc_6                      | -                                                                                                        |          |
| extb4                             | -                                                                                                        |          |
| spb                               | -                                                                                                        |          |
| strc                              | -                                                                                                        |          |
| dplxm                             | -                                                                                                        |          |
| config                            | -                                                                                                        |          |
| nirr                              | -                                                                                                        |          |
| est                               | -                                                                                                        |          |
| extb5                             | -                                                                                                        |          |
| accid                             | -                                                                                                        |          |
| ra                                | -                                                                                                        |          |
| sacp                              | -                                                                                                        |          |
| extb6                             | -                                                                                                        |          |
| l1id                              | -                                                                                                        |          |
| uil1                              | -                                                                                                        |          |
| sb                                | -                                                                                                        |          |
| extb6a                            | -                                                                                                        |          |
| nsb                               | -                                                                                                        |          |
| nb                                | -                                                                                                        |          |
| ndb                               | -                                                                                                        |          |
| ur                                | -                                                                                                        |          |
| extb6b                            | -                                                                                                        |          |
| ir                                | -                                                                                                        |          |
| nictx                             | -                                                                                                        |          |
| nicrx                             | -                                                                                                        |          |
| pi                                | -                                                                                                        |          |
| extb6c                            | -                                                                                                        |          |
| ce                                | -                                                                                                        |          |
| modemt                            | -                                                                                                        |          |
| extb7                             | -                                                                                                        |          |
| l2id                              | -                                                                                                        |          |
| uil2                              | -                                                                                                        |          |
| <b>Detailed Comments:</b>         |                                                                                                          |          |

| <b>Structured Type Constraint</b> |                                                                                                            |          |
|-----------------------------------|------------------------------------------------------------------------------------------------------------|----------|
| <b>Constraint Name:</b>           | EFR_Bcap_Speech_MO3(rcr:B_2)                                                                               |          |
| <b>Structured Type:</b>           | BCAP                                                                                                       |          |
| <b>Derivation Path:</b>           |                                                                                                            |          |
| <b>Comments:</b>                  | speech bearer capability for direction ms->n. An EFR ms must send THREE 3a_etc (speech preference) octets. |          |
| Element Name                      | Element Value                                                                                              | Comments |
| iei                               | '00000100'B                                                                                                |          |
| iel                               | '04'O                                                                                                      |          |
| extb3                             | '0'B                                                                                                       |          |
| rchr                              | rcr                                                                                                        |          |
| cs                                | '0'B                                                                                                       |          |
| tm                                | '0'B                                                                                                       |          |
| itc                               | '000'B                                                                                                     |          |
| oct_3a_etc_1                      | EFR_Bcap_3a_etc                                                                                            |          |
| oct_3a_etc_2                      | EFR_Bcap_3a_etc                                                                                            |          |
| oct_3a_etc_3                      | EFR_Bcap_3a_etc                                                                                            |          |
| oct_3a_etc_4                      | -                                                                                                          |          |
| oct_3a_etc_5                      | -                                                                                                          |          |
| oct_3a_etc_6                      | -                                                                                                          |          |
| extb4                             | -                                                                                                          |          |
| spb                               | -                                                                                                          |          |
| strc                              | -                                                                                                          |          |
| dplxm                             | -                                                                                                          |          |
| config                            | -                                                                                                          |          |
| nirr                              | -                                                                                                          |          |
| est                               | -                                                                                                          |          |
| extb5                             | -                                                                                                          |          |
| accid                             | -                                                                                                          |          |
| ra                                | -                                                                                                          |          |
| sacp                              | -                                                                                                          |          |
| extb6                             | -                                                                                                          |          |
| l1id                              | -                                                                                                          |          |
| uil1                              | -                                                                                                          |          |
| sb                                | -                                                                                                          |          |
| extb6a                            | -                                                                                                          |          |
| nsb                               | -                                                                                                          |          |
| nb                                | -                                                                                                          |          |
| ndb                               | -                                                                                                          |          |
| ur                                | -                                                                                                          |          |
| extb6b                            | -                                                                                                          |          |
| ir                                | -                                                                                                          |          |
| nictx                             | -                                                                                                          |          |
| nicrx                             | -                                                                                                          |          |
| pi                                | -                                                                                                          |          |
| extb6c                            | -                                                                                                          |          |
| ce                                | -                                                                                                          |          |
| modemt                            | -                                                                                                          |          |
| extb7                             | -                                                                                                          |          |
| l2id                              | -                                                                                                          |          |
| uil2                              | -                                                                                                          |          |
| <b>Detailed Comments:</b>         |                                                                                                            |          |

| Structured Type Constraint |                                              |          |
|----------------------------|----------------------------------------------|----------|
| <b>Constraint Name:</b>    | EFR_Bcap_Speech_MT                           |          |
| <b>Structured Type:</b>    | BCAP                                         |          |
| <b>Derivation Path:</b>    |                                              |          |
| <b>Comments:</b>           | speech bearer capability for direction n->ms |          |
| Element Name               | Element Value                                | Comments |
| iei                        | '00000100'B                                  |          |
| iel                        | '01'O                                        |          |
| extb3                      | '1'B                                         |          |
| rchr                       | '01'B                                        |          |
| cs                         | '0'B                                         |          |
| tm                         | '0'B                                         |          |
| itc                        | '000'B                                       |          |
| oct_3a_etc_1               | -                                            |          |
| oct_3a_etc_2               | -                                            |          |
| oct_3a_etc_3               | -                                            |          |
| oct_3a_etc_4               | -                                            |          |
| oct_3a_etc_5               | -                                            |          |
| oct_3a_etc_6               | -                                            |          |
| extb4                      | -                                            |          |
| spb                        | -                                            |          |
| strc                       | -                                            |          |
| dplxm                      | -                                            |          |
| config                     | -                                            |          |
| nirr                       | -                                            |          |
| est                        | -                                            |          |
| extb5                      | -                                            |          |
| accid                      | -                                            |          |
| ra                         | -                                            |          |
| sacp                       | -                                            |          |
| extb6                      | -                                            |          |
| l1id                       | -                                            |          |
| uil1                       | -                                            |          |
| sb                         | -                                            |          |
| extb6a                     | -                                            |          |
| nsb                        | -                                            |          |
| nb                         | -                                            |          |
| ndb                        | -                                            |          |
| ur                         | -                                            |          |
| extb6b                     | -                                            |          |
| ir                         | -                                            |          |
| nictx                      | -                                            |          |
| nicrx                      | -                                            |          |
| pi                         | -                                            |          |
| extb6c                     | -                                            |          |
| ce                         | -                                            |          |
| modemt                     | -                                            |          |
| extb7                      | -                                            |          |
| l2id                       | -                                            |          |
| uil2                       | -                                            |          |
| <b>Detailed Comments:</b>  |                                              |          |

| <b>Structured Type Constraint</b> |                                              |          |
|-----------------------------------|----------------------------------------------|----------|
| <b>Constraint Name:</b>           | EFR_Bcap_Speech_MT2                          |          |
| <b>Structured Type:</b>           | BCAP                                         |          |
| <b>Derivation Path:</b>           |                                              |          |
| <b>Comments:</b>                  | speech bearer capability for direction n->ms |          |
| Element Name                      | Element Value                                | Comments |
| iei                               | '00000100'B                                  |          |
| iel                               | '01'O                                        |          |
| extb3                             | '0'B                                         |          |
| rchr                              | '01'B                                        |          |
| cs                                | '0'B                                         |          |
| tm                                | '0'B                                         |          |
| itc                               | '000'B                                       |          |
| oct_3a_etc_1                      | EFR_Bcap_3a_etc                              |          |
| oct_3a_etc_2                      | EFR_Bcap_3a_etc                              |          |
| oct_3a_etc_3                      | -                                            |          |
| oct_3a_etc_4                      | -                                            |          |
| oct_3a_etc_5                      | -                                            |          |
| oct_3a_etc_6                      | -                                            |          |
| extb4                             | -                                            |          |
| spb                               | -                                            |          |
| strc                              | -                                            |          |
| dplxm                             | -                                            |          |
| config                            | -                                            |          |
| nirr                              | -                                            |          |
| est                               | -                                            |          |
| extb5                             | -                                            |          |
| accid                             | -                                            |          |
| ra                                | -                                            |          |
| sacp                              | -                                            |          |
| extb6                             | -                                            |          |
| l1id                              | -                                            |          |
| uil1                              | -                                            |          |
| sb                                | -                                            |          |
| extb6a                            | -                                            |          |
| nsb                               | -                                            |          |
| nb                                | -                                            |          |
| ndb                               | -                                            |          |
| ur                                | -                                            |          |
| extb6b                            | -                                            |          |
| ir                                | -                                            |          |
| nictx                             | -                                            |          |
| nicrx                             | -                                            |          |
| pi                                | -                                            |          |
| extb6c                            | -                                            |          |
| ce                                | -                                            |          |
| modemt                            | -                                            |          |
| extb7                             | -                                            |          |
| l2id                              | -                                            |          |
| uil2                              | -                                            |          |
| <b>Detailed Comments:</b>         |                                              |          |

| Structured Type Constraint |                                              |          |
|----------------------------|----------------------------------------------|----------|
| <b>Constraint Name:</b>    | EFR_Bcap_Speech_MT3                          |          |
| <b>Structured Type:</b>    | BCAP                                         |          |
| <b>Derivation Path:</b>    |                                              |          |
| <b>Comments:</b>           | speech bearer capability for direction n->ms |          |
| Element Name               | Element Value                                | Comments |
| iei                        | '00000100'B                                  |          |
| iel                        | '01'O                                        |          |
| extb3                      | '0'B                                         |          |
| rchr                       | '01'B                                        |          |
| cs                         | '0'B                                         |          |
| tm                         | '0'B                                         |          |
| itc                        | '000'B                                       |          |
| oct_3a_etc_1               | EFR_Bcap_3a_etc                              |          |
| oct_3a_etc_2               | EFR_Bcap_3a_etc                              |          |
| oct_3a_etc_3               | EFR_Bcap_3a_etc                              |          |
| oct_3a_etc_4               | -                                            |          |
| oct_3a_etc_5               | -                                            |          |
| oct_3a_etc_6               | -                                            |          |
| extb4                      | -                                            |          |
| spb                        | -                                            |          |
| strc                       | -                                            |          |
| dplxm                      | -                                            |          |
| config                     | -                                            |          |
| nirr                       | -                                            |          |
| est                        | -                                            |          |
| extb5                      | -                                            |          |
| accid                      | -                                            |          |
| ra                         | -                                            |          |
| sacp                       | -                                            |          |
| extb6                      | -                                            |          |
| l1id                       | -                                            |          |
| uil1                       | -                                            |          |
| sb                         | -                                            |          |
| extb6a                     | -                                            |          |
| nsb                        | -                                            |          |
| nb                         | -                                            |          |
| ndb                        | -                                            |          |
| ur                         | -                                            |          |
| extb6b                     | -                                            |          |
| ir                         | -                                            |          |
| nictx                      | -                                            |          |
| nicrx                      | -                                            |          |
| pi                         | -                                            |          |
| extb6c                     | -                                            |          |
| ce                         | -                                            |          |
| modemt                     | -                                            |          |
| extb7                      | -                                            |          |
| l2id                       | -                                            |          |
| uil2                       | -                                            |          |
| <b>Detailed Comments:</b>  |                                              |          |



| Structured Type Constraint |                                                                                                                                                 |          |
|----------------------------|-------------------------------------------------------------------------------------------------------------------------------------------------|----------|
| <b>Constraint Name:</b>    | BcchFreqLst_03                                                                                                                                  |          |
| <b>Structured Type:</b>    | NCD                                                                                                                                             |          |
| <b>Derivation Path:</b>    |                                                                                                                                                 |          |
| <b>Comments:</b>           | Default neighbour cells description for SYSTEM INFORMATION 2 and 5 for DCS1800 for cell B with the ARFCN list = {520, 600, 700, 780, 810, 870}. |          |
| Element Name               | Element Value                                                                                                                                   | Comments |
| rfl2                       | '10'B                                                                                                                                           |          |
| extind                     | '0'B                                                                                                                                            |          |
| baind                      | '0'B                                                                                                                                            |          |
| rfl4                       | '1001'B                                                                                                                                         |          |
| rfl                        | '04412C168E44000000000000000000'O                                                                                                               |          |
| <b>Detailed Comments:</b>  |                                                                                                                                                 |          |

| Structured Type Constraint |                                                                                     |          |
|----------------------------|-------------------------------------------------------------------------------------|----------|
| <b>Constraint Name:</b>    | BcchFreqLst_04                                                                      |          |
| <b>Structured Type:</b>    | NCD                                                                                 |          |
| <b>Derivation Path:</b>    | BcchFreqLst_01.                                                                     |          |
| <b>Comments:</b>           | Alternative neighbour cells description for SYSTEM INFORMATION 2 and 5 for DCS1800. |          |
| Element Name               | Element Value                                                                       | Comments |
| rfl2                       | '10'B                                                                               |          |
| extind                     | '0'B                                                                                |          |
| baind                      | '0'B                                                                                |          |
| rfl4                       | '1001'B                                                                             |          |
| rfl                        | '09412C168E44000000000000000000'O                                                   |          |
| <b>Detailed Comments:</b>  |                                                                                     |          |

| Structured Type Constraint |                                                                                            |          |
|----------------------------|--------------------------------------------------------------------------------------------|----------|
| <b>Constraint Name:</b>    | BcchFreqLst_45                                                                             |          |
| <b>Structured Type:</b>    | NCD                                                                                        |          |
| <b>Derivation Path:</b>    | BcchFreqLst_01.                                                                            |          |
| <b>Comments:</b>           | Default neighbour cells description of cell B for SYSTEM INFORMATION 2 and 5 under GSM900. |          |
| Element Name               | Element Value                                                                              | Comments |
| rfl                        | '8020080200800000000000000000200'O                                                         |          |
| <b>Detailed Comments:</b>  |                                                                                            |          |

| Structured Type Constraint |                                                                                                                                        |          |
|----------------------------|----------------------------------------------------------------------------------------------------------------------------------------|----------|
| <b>Constraint Name:</b>    | BcchFreqLst_47                                                                                                                         |          |
| <b>Structured Type:</b>    | NCD                                                                                                                                    |          |
| <b>Derivation Path:</b>    |                                                                                                                                        |          |
| <b>Comments:</b>           | Default neighbour cells description for SYSTEM INFORMATION 2bis and 5bis in cell B under EGSMwith the ARFCN list = {1005, 1010, 1015}. |          |
| Element Name               | Element Value                                                                                                                          | Comments |
| rfl2                       | '10'B                                                                                                                                  |          |
| extind                     | '1'B                                                                                                                                   |          |
| baind                      | '0'B                                                                                                                                   |          |
| rfl4                       | '1101'B                                                                                                                                |          |
| rfl                        | 'F68AEC000000000000000000000000'O                                                                                                      |          |
| <b>Detailed Comments:</b>  |                                                                                                                                        |          |

| Structured Type Constraint |                                                                                                                                                                                   |          |
|----------------------------|-----------------------------------------------------------------------------------------------------------------------------------------------------------------------------------|----------|
| <b>Constraint Name:</b>    | BcchFreqLst_48                                                                                                                                                                    |          |
| <b>Structured Type:</b>    | NCD                                                                                                                                                                               |          |
| <b>Derivation Path:</b>    |                                                                                                                                                                                   |          |
| <b>Comments:</b>           | Default neighbour cells description for SYSTEM INFORMATION 2 and 5 for DCS1800 for cell B in RR, MM and SMS test cases with the ARFCN list = {520, 590, 600, 700, 780, 810, 870}. |          |
| Element Name               | Element Value                                                                                                                                                                     | Comments |
| rfl2                       | '10'B                                                                                                                                                                             |          |
| extind                     | '0'B                                                                                                                                                                              |          |
| baind                      | '0'B                                                                                                                                                                              |          |
| rfl4                       | '1001'B                                                                                                                                                                           |          |
| rfl                        | '04411307BB00C80000000000000000'O                                                                                                                                                 |          |
| <b>Detailed Comments:</b>  |                                                                                                                                                                                   |          |

| Structured Type Constraint |               |          |
|----------------------------|---------------|----------|
| <b>Constraint Name:</b>    | CallCntrlCap  |          |
| <b>Structured Type:</b>    | CCCAP         |          |
| <b>Derivation Path:</b>    |               |          |
| <b>Comments:</b>           | CC state 'st' |          |
| Element Name               | Element Value | Comments |
| iei                        | '00010101'B   |          |
| iel                        | '01'O         |          |
| spr                        | '0000000'B    |          |
| dtmf                       | TSPX_DTMF     |          |
| <b>Detailed Comments:</b>  |               |          |

| Structured Type Constraint |                                                                    |          |
|----------------------------|--------------------------------------------------------------------|----------|
| <b>Constraint Name:</b>    | Cause_01                                                           |          |
| <b>Structured Type:</b>    | CAU                                                                |          |
| <b>Derivation Path:</b>    |                                                                    |          |
| <b>Comments:</b>           | cause information element with cause value = #16, location = user. |          |
| Element Name               | Element Value                                                      | Comments |
| iei                        | -                                                                  |          |
| iel                        | '02'O                                                              |          |
| extb3                      | '1'B                                                               |          |
| cs                         | '11'B                                                              |          |
| spb                        | '0'B                                                               |          |
| location                   | '0000'B                                                            |          |
| extb3a                     | -                                                                  |          |
| rec                        | -                                                                  |          |
| extb4                      | '1'B                                                               |          |
| cau_class                  | '001'B                                                             |          |
| cau_va                     | '0000'B                                                            |          |
| cau_di                     | -                                                                  |          |
| <b>Detailed Comments:</b>  |                                                                    |          |



| Structured Type Constraint |                                                                           |          |
|----------------------------|---------------------------------------------------------------------------|----------|
| <b>Constraint Name:</b>    | Cause_Def                                                                 |          |
| <b>Structured Type:</b>    | CAU                                                                       |          |
| <b>Derivation Path:</b>    |                                                                           |          |
| <b>Comments:</b>           | cause information element with any valid cause value, any valid location. |          |
| Element Name               | Element Value                                                             | Comments |
| iei                        | -                                                                         |          |
| iel                        | ?                                                                         |          |
| extb3                      | '1'B                                                                      |          |
| cs                         | '11'B                                                                     |          |
| spb                        | '0'B                                                                      |          |
| location                   | ('0000'B, '0001'B, '0010'B, '0011'B, '0100'B, '0101'B, '0111'B, '1010'B)  |          |
| extb3a                     | -                                                                         |          |
| rec                        | -                                                                         |          |
| extb4                      | ?                                                                         |          |
| cau_class                  | ?                                                                         |          |
| cau_va                     | ?                                                                         |          |
| cau_di                     | *                                                                         |          |
| <b>Detailed Comments:</b>  |                                                                           |          |

| Structured Type Constraint |                 |          |
|----------------------------|-----------------|----------|
| <b>Constraint Name:</b>    | CellChDes_Omit  |          |
| <b>Structured Type:</b>    | CCHD            |          |
| <b>Derivation Path:</b>    |                 |          |
| <b>Comments:</b>           | Omit descriptor |          |
| Element Name               | Element Value   | Comments |
| iei                        | -               |          |
| rfl                        | -               |          |
| <b>Detailed Comments:</b>  |                 |          |

| Structured Type Constraint |                                                                        |          |
|----------------------------|------------------------------------------------------------------------|----------|
| <b>Constraint Name:</b>    | CellChDes_02                                                           |          |
| <b>Structured Type:</b>    | CCHD                                                                   |          |
| <b>Derivation Path:</b>    |                                                                        |          |
| <b>Comments:</b>           | for cell A in RR testing of GSM 900 with the ARFCN_list={20,30,50,70}. |          |
| Element Name               | Element Value                                                          | Comments |
| iei                        | -                                                                      |          |
| rfl                        | '0000000000000000200002000020080000'<br>O                              |          |
| <b>Detailed Comments:</b>  |                                                                        |          |

| Structured Type Constraint |                                                                                  |          |
|----------------------------|----------------------------------------------------------------------------------|----------|
| <b>Constraint Name:</b>    | CellChDes_03                                                                     |          |
| <b>Structured Type:</b>    | CCHD                                                                             |          |
| <b>Derivation Path:</b>    |                                                                                  |          |
| <b>Comments:</b>           | for cell A in RR testing of DCS1800 with the ARFCN list = {590, 650, 750, 850}.. |          |
| Element Name               | Element Value                                                                    | Comments |
| iei                        | -                                                                                |          |
| rfl                        | '89272827190000000000000000000000'<br>O                                          |          |
| <b>Detailed Comments:</b>  |                                                                                  |          |



| Structured Type Constraint |                                                                                                                                                |          |
|----------------------------|------------------------------------------------------------------------------------------------------------------------------------------------|----------|
| <b>Constraint Name:</b>    | CellChDes_20_Bman                                                                                                                              |          |
| <b>Structured Type:</b>    | CCHD                                                                                                                                           |          |
| <b>Derivation Path:</b>    |                                                                                                                                                |          |
| <b>Comments:</b>           | for cell B in RR testing of GSM 900 HO cases with the complete Cell Allocation ARFCN_list={14,18,22,24,30,31,38,40,60,66,73,74,75,76,108,114}. |          |
| Element Name               | Element Value                                                                                                                                  | Comments |
| iei                        | -                                                                                                                                              |          |
| rfl                        | '000208000000F0208000A060A22000'<br>O                                                                                                          |          |
| <b>Detailed Comments:</b>  |                                                                                                                                                |          |

| Structured Type Constraint |                                                                                                                                                                               |          |
|----------------------------|-------------------------------------------------------------------------------------------------------------------------------------------------------------------------------|----------|
| <b>Constraint Name:</b>    | CellChDes_201_Bd                                                                                                                                                              |          |
| <b>Structured Type:</b>    | CCHD                                                                                                                                                                          |          |
| <b>Derivation Path:</b>    |                                                                                                                                                                               |          |
| <b>Comments:</b>           | Cell Channel Description for cell B in RR testing of DCS1800 HO cases with the ARFCN_list={739,743,746,749,756,758,761,764,771,779,782,791,798,829,832,844} using 256 format. |          |
| Element Name               | Element Value                                                                                                                                                                 | Comments |
| iei                        | -                                                                                                                                                                             |          |
| rfl                        | '8A71907137B602C5DEF7A348D800000'<br>0'O                                                                                                                                      |          |
| <b>Detailed Comments:</b>  |                                                                                                                                                                               |          |

| Structured Type Constraint |                                                |          |
|----------------------------|------------------------------------------------|----------|
| <b>Constraint Name:</b>    | CellDescrp(ncc1, bcc1:B_3; par_arfcn: INTEGER) |          |
| <b>Structured Type:</b>    | CD                                             |          |
| <b>Derivation Path:</b>    |                                                |          |
| <b>Comments:</b>           | BCCH channel for Cell A                        |          |
| Element Name               | Element Value                                  | Comments |
| bcch_arfcn_h               | OC_MostBits( INT_TO_BIT( par_arfcn, 10), 2)    |          |
| ncc                        | ncc1                                           |          |
| bcc                        | bcc1                                           |          |
| bcch_arfcn_l               | OC_LeastBits( INT_TO_BIT( par_arfcn, 10), 8)   |          |
| <b>Detailed Comments:</b>  |                                                |          |

| Structured Type Constraint |               |          |
|----------------------------|---------------|----------|
| <b>Constraint Name:</b>    | CellOpt_01    |          |
| <b>Structured Type:</b>    | CO            |          |
| <b>Derivation Path:</b>    |               |          |
| <b>Comments:</b>           |               |          |
| Element Name               | Element Value | Comments |
| sprb                       | '0'B          |          |
| pwr                        | '0'B          |          |
| dtx                        | '10'B         |          |
| rlt                        | '0001'B       |          |
| <b>Detailed Comments:</b>  |               |          |

| Structured Type Constraint |                                          |          |
|----------------------------|------------------------------------------|----------|
| <b>Constraint Name:</b>    | CellSelPara(crh, mtmc:INTEGER; neci:B_1) |          |
| <b>Structured Type:</b>    | CSP                                      |          |
| <b>Derivation Path:</b>    |                                          |          |
| <b>Comments:</b>           | Default value.                           |          |
| Element Name               | Element Value                            | Comments |
| crh                        | INT_TO_BIT(crh, 3)                       |          |
| mtmc                       | INT_TO_BIT(mtmc, 5)                      |          |
| acs                        | '0'B                                     |          |
| neci                       | neci                                     |          |
| ram                        | '000000'B                                |          |
| <b>Detailed Comments:</b>  |                                          |          |

| Structured Type Constraint |                                                                                           |          |
|----------------------------|-------------------------------------------------------------------------------------------|----------|
| <b>Constraint Name:</b>    | ChDescrp_fh( par_chtype: CH_TDMA; ts_ccch: SN; tsc:TSC; maio:MAIO; hsn:HSN)               |          |
| <b>Structured Type:</b>    | CHD                                                                                       |          |
| <b>Derivation Path:</b>    |                                                                                           |          |
| <b>Comments:</b>           | A derived constraint for <<Channel description >>ie with TCH/F freq. hopping in any CELL. |          |
| Element Name               | Element Value                                                                             | Comments |
| iei                        | -                                                                                         |          |
| cht_schn                   | par_chtype                                                                                |          |
| tn                         | ts_ccch                                                                                   |          |
| tsc                        | tsc                                                                                       |          |
| hch                        | '1'B                                                                                      |          |
| maio                       | maio                                                                                      |          |
| hsn                        | hsn                                                                                       |          |
| spr                        | -                                                                                         |          |
| arfcn                      | -                                                                                         |          |
| <b>Detailed Comments:</b>  |                                                                                           |          |

| Structured Type Constraint |                                                                    |          |
|----------------------------|--------------------------------------------------------------------|----------|
| <b>Constraint Name:</b>    | ChDescrp_nfh(type:CH_TDMA; slot:SN; tsc:TSC; par_arfcn: INTEGER)   |          |
| <b>Structured Type:</b>    | CHD                                                                |          |
| <b>Derivation Path:</b>    |                                                                    |          |
| <b>Comments:</b>           | Channel description for CC testing, non hopping, no starting time. |          |
| Element Name               | Element Value                                                      | Comments |
| iei                        | -                                                                  |          |
| cht_schn                   | type                                                               |          |
| tn                         | slot                                                               |          |
| tsc                        | tsc                                                                |          |
| hch                        | '0'B                                                               |          |
| maio                       | -                                                                  |          |
| hsn                        | -                                                                  |          |
| spr                        | '00'B                                                              |          |
| arfcn                      | INT_TO_BIT(par_arfcn, 10)                                          |          |
| <b>Detailed Comments:</b>  |                                                                    |          |

| Structured Type Constraint |                  |          |
|----------------------------|------------------|----------|
| <b>Constraint Name:</b>    | ChMod( mode:B_8) |          |
| <b>Structured Type:</b>    | CHMOD            |          |
| <b>Derivation Path:</b>    |                  |          |
| <b>Comments:</b>           |                  |          |
| Element Name               | Element Value    | Comments |
| iei                        | -                |          |
| mode                       | mode             |          |
| <b>Detailed Comments:</b>  |                  |          |

| Structured Type Constraint |                    |          |
|----------------------------|--------------------|----------|
| <b>Constraint Name:</b>    | ChMod_omit         |          |
| <b>Structured Type:</b>    | CHMOD              |          |
| <b>Derivation Path:</b>    |                    |          |
| <b>Comments:</b>           | parametrised mode. |          |
| Element Name               | Element Value      | Comments |
| iei                        | -                  |          |
| mode                       | -                  |          |
| <b>Detailed Comments:</b>  |                    |          |

| Structured Type Constraint |                                             |          |
|----------------------------|---------------------------------------------|----------|
| <b>Constraint Name:</b>    | ChMod_EFR2                                  |          |
| <b>Structured Type:</b>    | CHMOD                                       |          |
| <b>Derivation Path:</b>    | ChMod_sign.                                 |          |
| <b>Comments:</b>           | enhanced full/half rate speech - version 2. |          |
| Element Name               | Element Value                               | Comments |
| mode                       | C_ChMod_r2                                  |          |
| <b>Detailed Comments:</b>  |                                             |          |

| Structured Type Constraint |                             |          |
|----------------------------|-----------------------------|----------|
| <b>Constraint Name:</b>    | ChMod_EFR2_iei              |          |
| <b>Structured Type:</b>    | CHMOD                       |          |
| <b>Derivation Path:</b>    |                             |          |
| <b>Comments:</b>           | Version 2 full rate speech. |          |
| Element Name               | Element Value               | Comments |
| iei                        | '01100011'B                 |          |
| mode                       | C_ChMod_r2                  |          |
| <b>Detailed Comments:</b>  |                             |          |

| Structured Type Constraint |                                             |          |
|----------------------------|---------------------------------------------|----------|
| <b>Constraint Name:</b>    | ChMod_EFR3                                  |          |
| <b>Structured Type:</b>    | CHMOD                                       |          |
| <b>Derivation Path:</b>    | ChMod_sign.                                 |          |
| <b>Comments:</b>           | enhanced full/half rate speech - version 3. |          |
| Element Name               | Element Value                               | Comments |
| mode                       | C_ChMod_r3                                  |          |
| <b>Detailed Comments:</b>  |                                             |          |

| Structured Type Constraint |                 |          |
|----------------------------|-----------------|----------|
| <b>Constraint Name:</b>    | ChMod_sign      |          |
| <b>Structured Type:</b>    | CHMOD           |          |
| <b>Derivation Path:</b>    |                 |          |
| <b>Comments:</b>           | signalling only |          |
| Element Name               | Element Value   | Comments |
| iei                        | -               |          |
| mode                       | C_ChMod_s       |          |
| <b>Detailed Comments:</b>  |                 |          |

| Structured Type Constraint |                 |          |
|----------------------------|-----------------|----------|
| <b>Constraint Name:</b>    | ChMod_sign_iei  |          |
| <b>Structured Type:</b>    | CHMOD           |          |
| <b>Derivation Path:</b>    |                 |          |
| <b>Comments:</b>           | signalling only |          |
| Element Name               | Element Value   | Comments |
| iei                        | '01100011'B     |          |
| mode                       | C_ChMod_s       |          |
| <b>Detailed Comments:</b>  |                 |          |

| Structured Type Constraint |                           |          |
|----------------------------|---------------------------|----------|
| <b>Constraint Name:</b>    | ChMod_speech              |          |
| <b>Structured Type:</b>    | CHMOD                     |          |
| <b>Derivation Path:</b>    | ChMod_sign.               |          |
| <b>Comments:</b>           | speech full or half rate. |          |
| Element Name               | Element Value             | Comments |
| mode                       | C_ChMod_r                 |          |
| <b>Detailed Comments:</b>  |                           |          |

| Structured Type Constraint |                           |          |
|----------------------------|---------------------------|----------|
| <b>Constraint Name:</b>    | ChMod_speech_iei          |          |
| <b>Structured Type:</b>    | CHMOD                     |          |
| <b>Derivation Path:</b>    |                           |          |
| <b>Comments:</b>           | speech full or half rate. |          |
| Element Name               | Element Value             | Comments |
| iei                        | '01100011'B               |          |
| mode                       | C_ChMod_r                 |          |
| <b>Detailed Comments:</b>  |                           |          |

| Structured Type Constraint |                                                     |          |
|----------------------------|-----------------------------------------------------|----------|
| <b>Constraint Name:</b>    | ChMod_12k                                           |          |
| <b>Structured Type:</b>    | CHMOD                                               |          |
| <b>Derivation Path:</b>    | ChMod_sign.                                         |          |
| <b>Comments:</b>           | data 9.6 kb/s full rate, ( 12.0 kb/s air interface) |          |
| Element Name               | Element Value                                       | Comments |
| mode                       | C_ChMod_12k                                         |          |
| <b>Detailed Comments:</b>  |                                                     |          |

| Structured Type Constraint |                                                   |          |
|----------------------------|---------------------------------------------------|----------|
| <b>Constraint Name:</b>    | ChMod_6k                                          |          |
| <b>Structured Type:</b>    | CHMOD                                             |          |
| <b>Derivation Path:</b>    | ChMod_sign.                                       |          |
| <b>Comments:</b>           | data 4.8 kb/s full rate, (6.0 kb/s air interface) |          |
| Element Name               | Element Value                                     | Comments |
| mode                       | C_ChMod_6k                                        |          |
| <b>Detailed Comments:</b>  |                                                   |          |

| Structured Type Constraint |                                                   |          |
|----------------------------|---------------------------------------------------|----------|
| <b>Constraint Name:</b>    | ChMod_3k                                          |          |
| <b>Structured Type:</b>    | CHMOD                                             |          |
| <b>Derivation Path:</b>    | ChMod_sign.                                       |          |
| <b>Comments:</b>           | data 2.4 kb/s full rate, (3.6 kb/s air interface) |          |
| Element Name               | Element Value                                     | Comments |
| mode                       | C_ChMod_3k                                        |          |
| <b>Detailed Comments:</b>  |                                                   |          |

| Structured Type Constraint |               |          |
|----------------------------|---------------|----------|
| <b>Constraint Name:</b>    | Chneed_01     |          |
| <b>Structured Type:</b>    | CHNEED        |          |
| <b>Derivation Path:</b>    |               |          |
| <b>Comments:</b>           | any channel   |          |
| Element Name               | Element Value | Comments |
| ch2                        | '00'B         |          |
| ch1                        | '00'B         |          |
| <b>Detailed Comments:</b>  |               |          |

| Structured Type Constraint |               |          |
|----------------------------|---------------|----------|
| <b>Constraint Name:</b>    | CiphRes_01    |          |
| <b>Structured Type:</b>    | CPH_RES       |          |
| <b>Derivation Path:</b>    |               |          |
| <b>Comments:</b>           |               |          |
| Element Name               | Element Value | Comments |
| iei                        | -             |          |
| sprb                       | '000'B        |          |
| cr                         | '0'B          |          |
| <b>Detailed Comments:</b>  |               |          |

| Structured Type Constraint |                  |          |
|----------------------------|------------------|----------|
| <b>Constraint Name:</b>    | ClassMark2       |          |
| <b>Structured Type:</b>    | MSCLM2           |          |
| <b>Derivation Path:</b>    |                  |          |
| <b>Comments:</b>           |                  |          |
| Element Name               | Element Value    | Comments |
| iel                        | '03'O            |          |
| spr1                       | '0'B             |          |
| rl                         | TSPX_RevLevel    |          |
| spr2                       | '0'B             |          |
| a5_1                       | TSPX_CiphAlgA5_1 |          |
| rfpc                       | TSPX_RfPwrCap    |          |
| spr3                       | '0'B             |          |
| psc                        | TSPX_pSyncCap    |          |
| sssi                       | TSPX_SSscrnInd   |          |
| smc                        | TSPX_SMCap       |          |
| spr4                       | '00'B            |          |
| fc                         | TSPX_frqCap      |          |
| cm3                        | TSPX_ClsMk3      |          |
| spr5                       | '00000'B         |          |
| a5_3                       | TSPX_CiphAlgA5_3 |          |
| a5_2                       | TSPX_CiphAlgA5_2 |          |
| <b>Detailed Comments:</b>  |                  |          |

| Structured Type Constraint |                                                                       |          |
|----------------------------|-----------------------------------------------------------------------|----------|
| <b>Constraint Name:</b>    | CntrlChDscrp(att: INTEGER; babr, cch_con, bpm:B_3; timer:OCTETSTRING) |          |
| <b>Structured Type:</b>    | CCD                                                                   |          |
| <b>Derivation Path:</b>    |                                                                       |          |
| <b>Comments:</b>           | Generic Control channel descriptor.                                   |          |
| Element Name               | Element Value                                                         | Comments |
| spr1                       | '0'B                                                                  |          |
| att                        | INT_TO_BIT(att,1)                                                     |          |
| babr                       | babr                                                                  |          |
| ccch_con                   | cch_con                                                               |          |
| spr2                       | '00000'B                                                              |          |
| bpm                        | bpm                                                                   |          |
| t3212                      | timer                                                                 |          |
| <b>Detailed Comments:</b>  |                                                                       |          |

| Structured Type Constraint |                        |          |
|----------------------------|------------------------|----------|
| <b>Constraint Name:</b>    | CphKeySN_01( cksn:B_3) |          |
| <b>Structured Type:</b>    | CPHKS                  |          |
| <b>Derivation Path:</b>    |                        |          |
| <b>Comments:</b>           |                        |          |
| Element Name               | Element Value          | Comments |
| sprb                       | '0'B                   |          |
| ks                         | cksn                   |          |
| <b>Detailed Comments:</b>  |                        |          |

| Structured Type Constraint |                             |          |
|----------------------------|-----------------------------|----------|
| <b>Constraint Name:</b>    | CphKeySN_07(par: BITSTRING) |          |
| <b>Structured Type:</b>    | CPHKS                       |          |
| <b>Derivation Path:</b>    |                             |          |
| <b>Comments:</b>           |                             |          |
| Element Name               | Element Value               | Comments |
| sprb                       | '0'B                        |          |
| ks                         | par                         |          |
| <b>Detailed Comments:</b>  |                             |          |

| Structured Type Constraint |               |          |
|----------------------------|---------------|----------|
| <b>Constraint Name:</b>    | CphMod_omit   |          |
| <b>Structured Type:</b>    | CPHMS         |          |
| <b>Derivation Path:</b>    |               |          |
| <b>Comments:</b>           |               |          |
| Element Name               | Element Value | Comments |
| iei                        | -             |          |
| algid                      | -             |          |
| sc                         | -             |          |
| <b>Detailed Comments:</b>  |               |          |



| Structured Type Constraint |                |          |
|----------------------------|----------------|----------|
| <b>Constraint Name:</b>    | CphMod_01      |          |
| <b>Structured Type:</b>    | CPHMS          |          |
| <b>Derivation Path:</b>    |                |          |
| <b>Comments:</b>           |                |          |
| Element Name               | Element Value  | Comments |
| iei                        | -              |          |
| algid                      | TSPX_CphAlgDef |          |
| sc                         | '1'B           |          |
| <b>Detailed Comments:</b>  |                |          |

| Structured Type Constraint |               |          |
|----------------------------|---------------|----------|
| <b>Constraint Name:</b>    | CphMod_02     |          |
| <b>Structured Type:</b>    | CPHMS         |          |
| <b>Derivation Path:</b>    | CphMod_01.    |          |
| <b>Comments:</b>           | No ciphering  |          |
| Element Name               | Element Value | Comments |
| sc                         | '0'B          |          |
| <b>Detailed Comments:</b>  |               |          |

| Structured Type Constraint |                         |          |
|----------------------------|-------------------------|----------|
| <b>Constraint Name:</b>    | FreqBCCH(arfcn:INTEGER) |          |
| <b>Structured Type:</b>    | FRQPARA                 |          |
| <b>Derivation Path:</b>    |                         |          |
| <b>Comments:</b>           | Broadcast channel.      |          |
| Element Name               | Element Value           | Comments |
| hch                        | '0'B                    |          |
| maio                       | -                       |          |
| hsn                        | -                       |          |
| spr                        | '00'B                   |          |
| arfcn                      | INT_TO_BIT( arfcn, 10)  |          |
| maclength                  | '00'O                   |          |
| mac_8n                     | -                       |          |
| mac_7n                     | -                       |          |
| mac_6n                     | -                       |          |
| mac_5n                     | -                       |          |
| mac_4n                     | -                       |          |
| mac_3n                     | -                       |          |
| mac_2n                     | -                       |          |
| mac_1n                     | -                       |          |
| flst                       | -                       |          |
| <b>Detailed Comments:</b>  |                         |          |

| Structured Type Constraint |                |          |
|----------------------------|----------------|----------|
| <b>Constraint Name:</b>    | Freqchseq_omit |          |
| <b>Structured Type:</b>    | FRQCHS         |          |
| <b>Derivation Path:</b>    |                |          |
| <b>Comments:</b>           |                |          |
| Element Name               | Element Value  | Comments |
| iei                        | -              |          |
| larfcn                     | -              |          |
| incs                       | -              |          |
| <b>Detailed Comments:</b>  |                |          |

| Structured Type Constraint |                                                         |          |
|----------------------------|---------------------------------------------------------|----------|
| <b>Constraint Name:</b>    | Freqchseq_03                                            |          |
| <b>Structured Type:</b>    | FRQCHS                                                  |          |
| <b>Derivation Path:</b>    |                                                         |          |
| <b>Comments:</b>           | Frequency channel sequence with the List_ARFCN={14,114} |          |
| Element Name               | Element Value                                           | Comments |
| iei                        | '01101001'B                                             |          |
| larfcn                     | '0E'O                                                   |          |
| incs                       | '000000A000000000'O                                     |          |
| <b>Detailed Comments:</b>  |                                                         |          |

| Structured Type Constraint |                                                                                                                      |          |
|----------------------------|----------------------------------------------------------------------------------------------------------------------|----------|
| <b>Constraint Name:</b>    | Freqchseq_06                                                                                                         |          |
| <b>Structured Type:</b>    | FRQCHS                                                                                                               |          |
| <b>Derivation Path:</b>    |                                                                                                                      |          |
| <b>Comments:</b>           | Frequency channel sequence with the<br>List_ARFCN={14,18,22,24,30,31,38,53,66,73,74,75,76,108,114}<br>see Frql_20_B5 |          |
| Element Name               | Element Value                                                                                                        | Comments |
| iei                        | '01101001'B                                                                                                          |          |
| larfcn                     | '0E'O                                                                                                                |          |
| incs                       | '442617FD71110026'O                                                                                                  |          |
| <b>Detailed Comments:</b>  |                                                                                                                      |          |

| Structured Type Constraint |                                                                                        |          |
|----------------------------|----------------------------------------------------------------------------------------|----------|
| <b>Constraint Name:</b>    | Freqchseq_22                                                                           |          |
| <b>Structured Type:</b>    | FRQCHS                                                                                 |          |
| <b>Derivation Path:</b>    |                                                                                        |          |
| <b>Comments:</b>           | Frequency channel sequence with the List_ARFCN={10,17,20,26,59,66,73,74,75,76,108,114} |          |
| Element Name               | Element Value                                                                          | Comments |
| iei                        | '01101001'B                                                                            |          |
| larfcn                     | '0A'O                                                                                  |          |
| incs                       | '7360037711100260'O                                                                    |          |
| <b>Detailed Comments:</b>  |                                                                                        |          |

| Structured Type Constraint |                                               |          |
|----------------------------|-----------------------------------------------|----------|
| <b>Constraint Name:</b>    | FreqTCH( arfcn:INTEGER)                       |          |
| <b>Structured Type:</b>    | FRQPARA                                       |          |
| <b>Derivation Path:</b>    |                                               |          |
| <b>Comments:</b>           | Default Traffic channel non frequency hopping |          |
| Element Name               | Element Value                                 | Comments |
| hch                        | '0'B                                          |          |
| maio                       | -                                             |          |
| hsn                        | -                                             |          |
| spr                        | '00'B                                         |          |
| arfcn                      | INT_TO_BIT( arfcn, 10)                        |          |
| maclength                  | '00'O                                         |          |
| mac_8n                     | -                                             |          |
| mac_7n                     | -                                             |          |
| mac_6n                     | -                                             |          |
| mac_5n                     | -                                             |          |
| mac_4n                     | -                                             |          |
| mac_3n                     | -                                             |          |
| mac_2n                     | -                                             |          |
| mac_1n                     | -                                             |          |
| flst                       | -                                             |          |
| <b>Detailed Comments:</b>  |                                               |          |

| Structured Type Constraint |                                                     |          |
|----------------------------|-----------------------------------------------------|----------|
| <b>Constraint Name:</b>    | FreqTCH_omit                                        |          |
| <b>Structured Type:</b>    | FRQPARA                                             |          |
| <b>Derivation Path:</b>    |                                                     |          |
| <b>Comments:</b>           | Omitted FRQPARA when not needed in parameters list. |          |
| Element Name               | Element Value                                       | Comments |
| hch                        | -                                                   |          |
| maio                       | -                                                   |          |
| hsn                        | -                                                   |          |
| spr                        | -                                                   |          |
| arfcn                      | -                                                   |          |
| maclength                  | -                                                   |          |
| mac_8n                     | -                                                   |          |
| mac_7n                     | -                                                   |          |
| mac_6n                     | -                                                   |          |
| mac_5n                     | -                                                   |          |
| mac_4n                     | -                                                   |          |
| mac_3n                     | -                                                   |          |
| mac_2n                     | -                                                   |          |
| mac_1n                     | -                                                   |          |
| flst                       | -                                                   |          |
| <b>Detailed Comments:</b>  |                                                     |          |

| Structured Type Constraint |                                              |          |
|----------------------------|----------------------------------------------|----------|
| <b>Constraint Name:</b>    | FreqTCHa_hof1                                |          |
| <b>Structured Type:</b>    | FRQPARA                                      |          |
| <b>Derivation Path:</b>    |                                              |          |
| <b>Comments:</b>           | a hopping traffic channel of cell A for GSM. |          |
| Element Name               | Element Value                                | Comments |
| hch                        | '1'B                                         |          |
| maio                       | INT_TO_BIT((TSPX_MAIO MOD 12), 6)            |          |
| hsn                        | INT_TO_BIT(TSPX_HSN, 6)                      |          |
| spr                        | -                                            |          |
| arfcn                      | -                                            |          |
| maclength                  | '02'O                                        |          |
| mac_8n                     | '00001111'B                                  |          |
| mac_7n                     | '11111111'B                                  |          |
| mac_6n                     | -                                            |          |
| mac_5n                     | -                                            |          |
| mac_4n                     | -                                            |          |
| mac_3n                     | -                                            |          |
| mac_2n                     | -                                            |          |
| mac_1n                     | -                                            |          |
| flst                       | FrqI_20_A                                    |          |
| <b>Detailed Comments:</b>  |                                              |          |

| Structured Type Constraint |                                         |          |
|----------------------------|-----------------------------------------|----------|
| <b>Constraint Name:</b>    | FreqTCHa_hof1d                          |          |
| <b>Structured Type:</b>    | FRQPARA                                 |          |
| <b>Derivation Path:</b>    |                                         |          |
| <b>Comments:</b>           | a hopping channel of cell A for DCS1800 |          |
| Element Name               | Element Value                           | Comments |
| hch                        | '1'B                                    |          |
| maio                       | INT_TO_BIT((TSPX_MAIO MOD 9), 6)        |          |
| hsn                        | INT_TO_BIT(TSPX_HSN, 6)                 |          |
| spr                        | -                                       |          |
| arfcn                      | -                                       |          |
| maclength                  | '02'O                                   |          |
| mac_8n                     | '00000001'B                             |          |
| mac_7n                     | '11111111'B                             |          |
| mac_6n                     | -                                       |          |
| mac_5n                     | -                                       |          |
| mac_4n                     | -                                       |          |
| mac_3n                     | -                                       |          |
| mac_2n                     | -                                       |          |
| mac_1n                     | -                                       |          |
| flst                       | Frql_20_Ad                              |          |
| <b>Detailed Comments:</b>  |                                         |          |

| Structured Type Constraint |                                                                                                                       |          |
|----------------------------|-----------------------------------------------------------------------------------------------------------------------|----------|
| <b>Constraint Name:</b>    | FreqTCHa_hof_ind3                                                                                                     |          |
| <b>Structured Type:</b>    | FRQPARA                                                                                                               |          |
| <b>Derivation Path:</b>    |                                                                                                                       |          |
| <b>Comments:</b>           | a hopping traffic channel of cell A for GSM which indicates three frequencies (73, 74, 75) used in TC_26_12_2_2, M=7. |          |
| Element Name               | Element Value                                                                                                         | Comments |
| hch                        | '1'B                                                                                                                  |          |
| maio                       | INT_TO_BIT((TSPX_MAIO MOD 3), 6)                                                                                      |          |
| hsn                        | INT_TO_BIT(TSPX_HSN, 6)                                                                                               |          |
| spr                        | -                                                                                                                     |          |
| arfcn                      | -                                                                                                                     |          |
| maclength                  | '03'O                                                                                                                 |          |
| mac_8n                     | '00000000'B                                                                                                           |          |
| mac_7n                     | '00111000'B                                                                                                           |          |
| mac_6n                     | '00000000'B                                                                                                           |          |
| mac_5n                     | -                                                                                                                     |          |
| mac_4n                     | -                                                                                                                     |          |
| mac_3n                     | -                                                                                                                     |          |
| mac_2n                     | -                                                                                                                     |          |
| mac_1n                     | -                                                                                                                     |          |
| flst                       | Frql_20_A0                                                                                                            |          |
| <b>Detailed Comments:</b>  |                                                                                                                       |          |

| Structured Type Constraint |                                                                                                                      |          |
|----------------------------|----------------------------------------------------------------------------------------------------------------------|----------|
| <b>Constraint Name:</b>    | FreqTCHa_hof_ind3d                                                                                                   |          |
| <b>Structured Type:</b>    | FRQPARA                                                                                                              |          |
| <b>Derivation Path:</b>    |                                                                                                                      |          |
| <b>Comments:</b>           | a hopping channel of cell A for DCS1800 which indicates only 3 frequencies (734, 762, 791) used in TC_26_12_2_2, M=7 |          |
| Element Name               | Element Value                                                                                                        | Comments |
| hch                        | '1'B                                                                                                                 |          |
| maio                       | INT_TO_BIT((TSPX_MAIO MOD 3), 6)                                                                                     |          |
| hsn                        | INT_TO_BIT(TSPX_HSN, 6)                                                                                              |          |
| spr                        | -                                                                                                                    |          |
| arfcn                      | -                                                                                                                    |          |
| maclength                  | '03'O                                                                                                                |          |
| mac_8n                     | '00000000'B                                                                                                          |          |
| mac_7n                     | '00010000'B                                                                                                          |          |
| mac_6n                     | '00100001'B                                                                                                          |          |
| mac_5n                     | -                                                                                                                    |          |
| mac_4n                     | -                                                                                                                    |          |
| mac_3n                     | -                                                                                                                    |          |
| mac_2n                     | -                                                                                                                    |          |
| mac_1n                     | -                                                                                                                    |          |
| flst                       | Frql_20_A0d                                                                                                          |          |
| <b>Detailed Comments:</b>  |                                                                                                                      |          |

| Structured Type Constraint |                                                                                                                              |          |
|----------------------------|------------------------------------------------------------------------------------------------------------------------------|----------|
| <b>Constraint Name:</b>    | FreqTCHa_hof_ind5                                                                                                            |          |
| <b>Structured Type:</b>    | FRQPARA                                                                                                                      |          |
| <b>Derivation Path:</b>    |                                                                                                                              |          |
| <b>Comments:</b>           | a hopping traffic channel of cell A for GSM which indicates five frequencies (17, 34, 46, 52, 73) used in TC_26_12_2_2, M=6. |          |
| Element Name               | Element Value                                                                                                                | Comments |
| hch                        | '1'B                                                                                                                         |          |
| maio                       | INT_TO_BIT((TSPX_MAIO MOD 5), 6)                                                                                             |          |
| hsn                        | INT_TO_BIT(TSPX_HSN, 6)                                                                                                      |          |
| spr                        | -                                                                                                                            |          |
| arfcn                      | -                                                                                                                            |          |
| maclength                  | '03'O                                                                                                                        |          |
| mac_8n                     | '00000000'B                                                                                                                  |          |
| mac_7n                     | '00001001'B                                                                                                                  |          |
| mac_6n                     | '10010010'B                                                                                                                  |          |
| mac_5n                     | -                                                                                                                            |          |
| mac_4n                     | -                                                                                                                            |          |
| mac_3n                     | -                                                                                                                            |          |
| mac_2n                     | -                                                                                                                            |          |
| mac_1n                     | -                                                                                                                            |          |
| flst                       | Frql_20_A0                                                                                                                   |          |
| <b>Detailed Comments:</b>  |                                                                                                                              |          |

| Structured Type Constraint |                                                                                                                                |          |
|----------------------------|--------------------------------------------------------------------------------------------------------------------------------|----------|
| <b>Constraint Name:</b>    | FreqTCHa_hof_ind5d                                                                                                             |          |
| <b>Structured Type:</b>    | FRQPARA                                                                                                                        |          |
| <b>Derivation Path:</b>    |                                                                                                                                |          |
| <b>Comments:</b>           | a hopping channel of cell A for DCS1800 which indicates only 5 frequencies (734, 741, 762, 791, 832) used in TC_26_12_2_2, M=6 |          |
| Element Name               | Element Value                                                                                                                  | Comments |
| hch                        | '1'B                                                                                                                           |          |
| maio                       | INT_TO_BIT((TSPX_MAIO MOD 5), 6)                                                                                               |          |
| hsn                        | INT_TO_BIT(TSPX_HSN, 6)                                                                                                        |          |
| spr                        | -                                                                                                                              |          |
| arfcn                      | -                                                                                                                              |          |
| maclength                  | '03'O                                                                                                                          |          |
| mac_8n                     | '00000000'B                                                                                                                    |          |
| mac_7n                     | '10010000'B                                                                                                                    |          |
| mac_6n                     | '00100011'B                                                                                                                    |          |
| mac_5n                     | -                                                                                                                              |          |
| mac_4n                     | -                                                                                                                              |          |
| mac_3n                     | -                                                                                                                              |          |
| mac_2n                     | -                                                                                                                              |          |
| mac_1n                     | -                                                                                                                              |          |
| flst                       | Frql_20_A0d                                                                                                                    |          |
| <b>Detailed Comments:</b>  |                                                                                                                                |          |

| Structured Type Constraint |                                  |          |
|----------------------------|----------------------------------|----------|
| <b>Constraint Name:</b>    | FreqTCHb_hof6                    |          |
| <b>Structured Type:</b>    | FRQPARA                          |          |
| <b>Derivation Path:</b>    |                                  |          |
| <b>Comments:</b>           |                                  |          |
| Element Name               | Element Value                    | Comments |
| hch                        | '1'B                             |          |
| maio                       | INT_TO_BIT((TSPX_MAIO MOD 2), 6) |          |
| hsn                        | INT_TO_BIT(TSPX_HSN, 6)          |          |
| spr                        | -                                |          |
| arfcn                      | -                                |          |
| maclength                  | '02'O                            |          |
| mac_8n                     | '10000000'B                      |          |
| mac_7n                     | '00000001'B                      |          |
| mac_6n                     | -                                |          |
| mac_5n                     | -                                |          |
| mac_4n                     | -                                |          |
| mac_3n                     | -                                |          |
| mac_2n                     | -                                |          |
| mac_1n                     | -                                |          |
| flst                       | Frql_20_B0                       |          |
| <b>Detailed Comments:</b>  |                                  |          |

| Structured Type Constraint |                                  |          |
|----------------------------|----------------------------------|----------|
| <b>Constraint Name:</b>    | FreqTCHb_hof6d                   |          |
| <b>Structured Type:</b>    | FRQPARA                          |          |
| <b>Derivation Path:</b>    |                                  |          |
| <b>Comments:</b>           |                                  |          |
| Element Name               | Element Value                    | Comments |
| hch                        | '1'B                             |          |
| maio                       | INT_TO_BIT((TSPX_MAIO MOD 3), 6) |          |
| hsn                        | '000000'B                        |          |
| spr                        | -                                |          |
| arfcn                      | -                                |          |
| maclength                  | '01'O                            |          |
| mac_8n                     | '00000111'B                      |          |
| mac_7n                     | -                                |          |
| mac_6n                     | -                                |          |
| mac_5n                     | -                                |          |
| mac_4n                     | -                                |          |
| mac_3n                     | -                                |          |
| mac_2n                     | -                                |          |
| mac_1n                     | -                                |          |
| flst                       | Frql_20_B10d                     |          |
| <b>Detailed Comments:</b>  |                                  |          |

| Structured Type Constraint |                                   |          |
|----------------------------|-----------------------------------|----------|
| <b>Constraint Name:</b>    | FreqTCHb_hof1                     |          |
| <b>Structured Type:</b>    | FRQPARA                           |          |
| <b>Derivation Path:</b>    |                                   |          |
| <b>Comments:</b>           | Broadcast channel of cell B.      |          |
| Element Name               | Element Value                     | Comments |
| hch                        | '1'B                              |          |
| maio                       | INT_TO_BIT((TSPX_MAIO MOD 12), 6) |          |
| hsn                        | INT_TO_BIT(TSPX_HSN, 6)           |          |
| spr                        | -                                 |          |
| arfcn                      | -                                 |          |
| maclength                  | '02'O                             |          |
| mac_8n                     | '00001111'B                       |          |
| mac_7n                     | '11111111'B                       |          |
| mac_6n                     | -                                 |          |
| mac_5n                     | -                                 |          |
| mac_4n                     | -                                 |          |
| mac_3n                     | -                                 |          |
| mac_2n                     | -                                 |          |
| mac_1n                     | -                                 |          |
| flst                       | Frql_20_B3                        |          |
| <b>Detailed Comments:</b>  |                                   |          |

| Structured Type Constraint |                                                 |          |
|----------------------------|-------------------------------------------------|----------|
| <b>Constraint Name:</b>    | FreqTCHb_hof1d                                  |          |
| <b>Structured Type:</b>    | FRQPARA                                         |          |
| <b>Derivation Path:</b>    |                                                 |          |
| <b>Comments:</b>           | Broadcast channel of cell B for hopping DCS1800 |          |
| Element Name               | Element Value                                   | Comments |
| hch                        | '1'B                                            |          |
| maio                       | INT_TO_BIT((TSPX_MAIO MOD 12), 6)               |          |
| hsn                        | INT_TO_BIT(TSPX_HSN, 6)                         |          |
| spr                        | -                                               |          |
| arfcn                      | -                                               |          |
| maclength                  | '02'O                                           |          |
| mac_8n                     | '00001111'B                                     |          |
| mac_7n                     | '11111111'B                                     |          |
| mac_6n                     | -                                               |          |
| mac_5n                     | -                                               |          |
| mac_4n                     | -                                               |          |
| mac_3n                     | -                                               |          |
| mac_2n                     | -                                               |          |
| mac_1n                     | -                                               |          |
| flst                       | Frql_20_B3d                                     |          |
| <b>Detailed Comments:</b>  |                                                 |          |

| Structured Type Constraint |                                   |          |
|----------------------------|-----------------------------------|----------|
| <b>Constraint Name:</b>    | FreqTCHb_hof3                     |          |
| <b>Structured Type:</b>    | FRQPARA                           |          |
| <b>Derivation Path:</b>    |                                   |          |
| <b>Comments:</b>           |                                   |          |
| Element Name               | Element Value                     | Comments |
| hch                        | '1'B                              |          |
| maio                       | INT_TO_BIT((TSPX_MAIO MOD 15), 6) |          |
| hsn                        | INT_TO_BIT(TSPX_HSN, 6)           |          |
| spr                        | -                                 |          |
| arfcn                      | -                                 |          |
| maclength                  | '02'O                             |          |
| mac_8n                     | '01111111'B                       |          |
| mac_7n                     | '11111111'B                       |          |
| mac_6n                     | -                                 |          |
| mac_5n                     | -                                 |          |
| mac_4n                     | -                                 |          |
| mac_3n                     | -                                 |          |
| mac_2n                     | -                                 |          |
| mac_1n                     | -                                 |          |
| flst                       | Frql_20_B5                        |          |
| <b>Detailed Comments:</b>  |                                   |          |



| Structured Type Constraint |                                   |          |
|----------------------------|-----------------------------------|----------|
| <b>Constraint Name:</b>    | FreqTCHb_hof3d                    |          |
| <b>Structured Type:</b>    | FRQPARA                           |          |
| <b>Derivation Path:</b>    |                                   |          |
| <b>Comments:</b>           |                                   |          |
| Element Name               | Element Value                     | Comments |
| hch                        | '1'B                              |          |
| maio                       | INT_TO_BIT((TSPX_MAIO MOD 11), 6) |          |
| hsn                        | INT_TO_BIT(TSPX_HSN, 6)           |          |
| spr                        | -                                 |          |
| arfcn                      | -                                 |          |
| maclength                  | '02'O                             |          |
| mac_8n                     | '00000111'B                       |          |
| mac_7n                     | '11111111'B                       |          |
| mac_6n                     | -                                 |          |
| mac_5n                     | -                                 |          |
| mac_4n                     | -                                 |          |
| mac_3n                     | -                                 |          |
| mac_2n                     | -                                 |          |
| mac_1n                     | -                                 |          |
| flst                       | Frql_20_B5d                       |          |
| <b>Detailed Comments:</b>  |                                   |          |

| Structured Type Constraint |                                                        |          |
|----------------------------|--------------------------------------------------------|----------|
| <b>Constraint Name:</b>    | FreqTCHb_hof_ind8                                      |          |
| <b>Structured Type:</b>    | FRQPARA                                                |          |
| <b>Derivation Path:</b>    |                                                        |          |
| <b>Comments:</b>           | a hopping traffic channel (TC_26_12_2_2, M = 6 and 10) |          |
| Element Name               | Element Value                                          | Comments |
| hch                        | '1'B                                                   |          |
| maio                       | INT_TO_BIT((TSPX_MAIO MOD 8), 6)                       |          |
| hsn                        | INT_TO_BIT(TSPX_HSN, 6)                                |          |
| spr                        | -                                                      |          |
| arfcn                      | -                                                      |          |
| maclength                  | '01'O                                                  |          |
| mac_8n                     | '11111111'B                                            |          |
| mac_7n                     | -                                                      |          |
| mac_6n                     | -                                                      |          |
| mac_5n                     | -                                                      |          |
| mac_4n                     | -                                                      |          |
| mac_3n                     | -                                                      |          |
| mac_2n                     | -                                                      |          |
| mac_1n                     | -                                                      |          |
| flst                       | Frql_ind8B                                             |          |
| <b>Detailed Comments:</b>  |                                                        |          |

| Structured Type Constraint |                                                                            |          |
|----------------------------|----------------------------------------------------------------------------|----------|
| <b>Constraint Name:</b>    | FreqTCHb_hof_ind8d                                                         |          |
| <b>Structured Type:</b>    | FRQPARA                                                                    |          |
| <b>Derivation Path:</b>    |                                                                            |          |
| <b>Comments:</b>           | Broadcast channel of cell B for hopping DCS1800 (TC_26_12_2_2, M=6 and 10) |          |
| Element Name               | Element Value                                                              | Comments |
| hch                        | '1'B                                                                       |          |
| maio                       | INT_TO_BIT((TSPX_MAIO MOD 8), 6)                                           |          |
| hsn                        | INT_TO_BIT(TSPX_HSN, 6)                                                    |          |
| spr                        | -                                                                          |          |
| arfcn                      | -                                                                          |          |
| maclength                  | '01'O                                                                      |          |
| mac_8n                     | '11111111'B                                                                |          |
| mac_7n                     | -                                                                          |          |
| mac_6n                     | -                                                                          |          |
| mac_5n                     | -                                                                          |          |
| mac_4n                     | -                                                                          |          |
| mac_3n                     | -                                                                          |          |
| mac_2n                     | -                                                                          |          |
| mac_1n                     | -                                                                          |          |
| flst                       | Frql_ind8Bd                                                                |          |
| <b>Detailed Comments:</b>  |                                                                            |          |

| Structured Type Constraint |                                               |          |
|----------------------------|-----------------------------------------------|----------|
| <b>Constraint Name:</b>    | FreqSDCCHa_hof1                               |          |
| <b>Structured Type:</b>    | FRQPARA                                       |          |
| <b>Derivation Path:</b>    |                                               |          |
| <b>Comments:</b>           | hopping with {73,74,75} of cell allocation A. |          |
| Element Name               | Element Value                                 | Comments |
| hch                        | '1'B                                          |          |
| maio                       | INT_TO_BIT((TSPX_MAIO MOD 3), 6)              |          |
| hsn                        | INT_TO_BIT(TSPX_HSN, 6)                       |          |
| spr                        | -                                             |          |
| arfcn                      | -                                             |          |
| maclength                  | '03'O                                         |          |
| mac_8n                     | '00000000'B                                   |          |
| mac_7n                     | '00111000'B                                   |          |
| mac_6n                     | '00000000'B                                   |          |
| mac_5n                     | -                                             |          |
| mac_4n                     | -                                             |          |
| mac_3n                     | -                                             |          |
| mac_2n                     | -                                             |          |
| mac_1n                     | -                                             |          |
| flst                       | Frql_20_A0                                    |          |
| <b>Detailed Comments:</b>  |                                               |          |

| Structured Type Constraint |                                                                      |          |
|----------------------------|----------------------------------------------------------------------|----------|
| <b>Constraint Name:</b>    | FreqSDCCHa_hof1d                                                     |          |
| <b>Structured Type:</b>    | FRQPARA                                                              |          |
| <b>Derivation Path:</b>    |                                                                      |          |
| <b>Comments:</b>           | a hopping channel of cell A with {773,775,779} of cell allocation A. |          |
| Element Name               | Element Value                                                        | Comments |
| hch                        | '1'B                                                                 |          |
| maio                       | INT_TO_BIT((TSPX_MAIO MOD 3), 6)                                     |          |
| hsn                        | INT_TO_BIT(TSPX_HSN, 6)                                              |          |
| spr                        | -                                                                    |          |
| arfcn                      | -                                                                    |          |
| maclength                  | '03'O                                                                |          |
| mac_8n                     | '00000000'B                                                          |          |
| mac_7n                     | '00000111'B                                                          |          |
| mac_6n                     | '00000000'B                                                          |          |
| mac_5n                     | -                                                                    |          |
| mac_4n                     | -                                                                    |          |
| mac_3n                     | -                                                                    |          |
| mac_2n                     | -                                                                    |          |
| mac_1n                     | -                                                                    |          |
| flst                       | Frql_20_A0d                                                          |          |
| <b>Detailed Comments:</b>  |                                                                      |          |

| Structured Type Constraint |               |          |
|----------------------------|---------------|----------|
| <b>Constraint Name:</b>    | Frql_omit     |          |
| <b>Structured Type:</b>    | FRQL          |          |
| <b>Derivation Path:</b>    |               |          |
| <b>Comments:</b>           |               |          |
| Element Name               | Element Value | Comments |
| iei                        | -             |          |
| iel                        | -             |          |
| fl                         | -             |          |
| <b>Detailed Comments:</b>  |               |          |

| Structured Type Constraint |                                                                                                             |          |
|----------------------------|-------------------------------------------------------------------------------------------------------------|----------|
| <b>Constraint Name:</b>    | Frql_20_A                                                                                                   |          |
| <b>Structured Type:</b>    | FRQL                                                                                                        |          |
| <b>Derivation Path:</b>    |                                                                                                             |          |
| <b>Comments:</b>           | frequency list, after time used in HO_case in cell A.<br>List_ARFCN={10,17,20,26,59,66,73,74,75,76,108,114} |          |
| Element Name               | Element Value                                                                                               | Comments |
| iei                        | '00000101'B                                                                                                 |          |
| iel                        | '10'O                                                                                                       |          |
| fl                         | '0002080000000F020400000002090200'<br>O                                                                     |          |
| <b>Detailed Comments:</b>  |                                                                                                             |          |

| Structured Type Constraint |                                                                                                                       |          |
|----------------------------|-----------------------------------------------------------------------------------------------------------------------|----------|
| <b>Constraint Name:</b>    | FrqI_20_A0                                                                                                            |          |
| <b>Structured Type:</b>    | FRQL                                                                                                                  |          |
| <b>Derivation Path:</b>    |                                                                                                                       |          |
| <b>Comments:</b>           | Complete Cell Allocation of cell A in HO cases.<br>ARFCN_list={10,17,20,26,34,42,45,46,52,59,66,73,74,75,76,108,114}. |          |
| Element Name               | Element Value                                                                                                         | Comments |
| iei                        | '00000101'B                                                                                                           |          |
| iel                        | '10'O                                                                                                                 |          |
| fl                         | '0002080000000F020408320202090200'<br>O                                                                               |          |
| <b>Detailed Comments:</b>  |                                                                                                                       |          |

| Structured Type Constraint |                                                                                                                                                                                                                                             |          |
|----------------------------|---------------------------------------------------------------------------------------------------------------------------------------------------------------------------------------------------------------------------------------------|----------|
| <b>Constraint Name:</b>    | FrqI_20_A0d                                                                                                                                                                                                                                 |          |
| <b>Structured Type:</b>    | FRQL                                                                                                                                                                                                                                        |          |
| <b>Derivation Path:</b>    |                                                                                                                                                                                                                                             |          |
| <b>Comments:</b>           | Complete Cell Allocation of Cell A in HO cases using 512 format.<br>frequency list, after time for a target cell used in HO_case in cell A for DCS1800.<br>List_ARFCN={734,741,747,754,759,762,766,767,773,775,779,782,791,798,829,832,844} |          |
| Element Name               | Element Value                                                                                                                                                                                                                               | Comments |
| iei                        | '00000101'B                                                                                                                                                                                                                                 |          |
| iel                        | '10'O                                                                                                                                                                                                                                       |          |
| fl                         | '896F0A7CC5FC700A8B9F7FF45246334'<br>0'O                                                                                                                                                                                                    |          |
| <b>Detailed Comments:</b>  |                                                                                                                                                                                                                                             |          |

| Structured Type Constraint |                                                                                                                                |          |
|----------------------------|--------------------------------------------------------------------------------------------------------------------------------|----------|
| <b>Constraint Name:</b>    | FrqI_20_Ad                                                                                                                     |          |
| <b>Structured Type:</b>    | FRQL                                                                                                                           |          |
| <b>Derivation Path:</b>    |                                                                                                                                |          |
| <b>Comments:</b>           | frequency list used in HO_case in cell A for DCS1800 using 256 format for the List_ARFCN={747,775,779,782,791,798,829,832,844} |          |
| Element Name               | Element Value                                                                                                                  | Comments |
| iei                        | '00000101'B                                                                                                                    |          |
| iel                        | '09'O                                                                                                                          |          |
| fl                         | '8B7599F045EFA499C0'O                                                                                                          |          |
| <b>Detailed Comments:</b>  |                                                                                                                                |          |

| Structured Type Constraint |                                                                                                                                   |          |
|----------------------------|-----------------------------------------------------------------------------------------------------------------------------------|----------|
| <b>Constraint Name:</b>    | FrqI_20_B0                                                                                                                        |          |
| <b>Structured Type:</b>    | FRQL                                                                                                                              |          |
| <b>Derivation Path:</b>    |                                                                                                                                   |          |
| <b>Comments:</b>           | Complete Cell Allocation of cell B in HO cases.<br>all of the CA: ARFCN_list={14,18,22,24,30,31,38,40,60,66,73,74,75,76,108,114}. |          |
| Element Name               | Element Value                                                                                                                     | Comments |
| iei                        | '00000101'B                                                                                                                       |          |
| iel                        | '10'O                                                                                                                             |          |
| fl                         | '0002080000000F02080000A060A22000'<br>O                                                                                           |          |
| <b>Detailed Comments:</b>  |                                                                                                                                   |          |

| Structured Type Constraint |                                                                                                       |          |
|----------------------------|-------------------------------------------------------------------------------------------------------|----------|
| <b>Constraint Name:</b>    | Frql_20_B1                                                                                            |          |
| <b>Structured Type:</b>    | FRQL                                                                                                  |          |
| <b>Derivation Path:</b>    |                                                                                                       |          |
| <b>Comments:</b>           | frequency list, after time for cell B.<br>List_ARFCN={14,18,22,24,30,31,38,53,66,73,74,75,76,108,114} |          |
| Element Name               | Element Value                                                                                         | Comments |
| iei                        | '00000101'B                                                                                           |          |
| iel                        | '10'O                                                                                                 |          |
| fl                         | '0002080000000F020010002060222000'<br>O                                                               |          |
| <b>Detailed Comments:</b>  |                                                                                                       |          |

| Structured Type Constraint |                                                                                           |          |
|----------------------------|-------------------------------------------------------------------------------------------|----------|
| <b>Constraint Name:</b>    | Frql_20_B3                                                                                |          |
| <b>Structured Type:</b>    | FRQL                                                                                      |          |
| <b>Derivation Path:</b>    |                                                                                           |          |
| <b>Comments:</b>           | frequency list, after time for cell B. List_ARFCN={14,18,22,24,60,66,73,74,75,76,108,114} |          |
| Element Name               | Element Value                                                                             | Comments |
| iei                        | '00000101'B                                                                               |          |
| iel                        | '10'O                                                                                     |          |
| fl                         | '0002080000000F02080000000A22000'<br>O                                                    |          |
| <b>Detailed Comments:</b>  |                                                                                           |          |

| Structured Type Constraint |                                                                                                                                     |          |
|----------------------------|-------------------------------------------------------------------------------------------------------------------------------------|----------|
| <b>Constraint Name:</b>    | Frql_20_B3d                                                                                                                         |          |
| <b>Structured Type:</b>    | FRQL                                                                                                                                |          |
| <b>Derivation Path:</b>    |                                                                                                                                     |          |
| <b>Comments:</b>           | frequency list, after time for cell B using 1024 format.<br>List_ARFCN={749, 758, 761, 764, 771, 779, 782, 791, 798, 829, 832, 844} |          |
| Element Name               | Element Value                                                                                                                       | Comments |
| iei                        | '00000101'B                                                                                                                         |          |
| iel                        | '0D'O                                                                                                                               |          |
| fl                         | '830EF70BFEB843C3FBF9F1D018'O                                                                                                       |          |
| <b>Detailed Comments:</b>  |                                                                                                                                     |          |

| Structured Type Constraint |                                                                                                       |          |
|----------------------------|-------------------------------------------------------------------------------------------------------|----------|
| <b>Constraint Name:</b>    | Frql_20_B5                                                                                            |          |
| <b>Structured Type:</b>    | FRQL                                                                                                  |          |
| <b>Derivation Path:</b>    |                                                                                                       |          |
| <b>Comments:</b>           | frequency list, after time for cell B.<br>List_ARFCN={14,18,22,24,30,31,38,53,66,73,74,75,76,108,114} |          |
| Element Name               | Element Value                                                                                         | Comments |
| iei                        | '00000101'B                                                                                           |          |
| iel                        | '10'O                                                                                                 |          |
| fl                         | '0002080000000F020010002060A22000'<br>O                                                               |          |
| <b>Detailed Comments:</b>  |                                                                                                       |          |

| Structured Type Constraint |                                                                                                              |          |
|----------------------------|--------------------------------------------------------------------------------------------------------------|----------|
| <b>Constraint Name:</b>    | Frql_20_B5d                                                                                                  |          |
| <b>Structured Type:</b>    | FRQL                                                                                                         |          |
| <b>Derivation Path:</b>    |                                                                                                              |          |
| <b>Comments:</b>           | frequency list, after time for cell B.<br>List_ARFCN={756, 758, 761, 771, 779, 782, 791, 798, 829, 832, 844} |          |
| Element Name               | Element Value                                                                                                | Comments |
| iei                        | '00000101'B                                                                                                  |          |
| iel                        | '09'O                                                                                                        |          |
| fl                         | '8D7A23B07B3D7FD4D0'O                                                                                        |          |
| <b>Detailed Comments:</b>  |                                                                                                              |          |

| Structured Type Constraint |                                                                                                                                                                                            |          |
|----------------------------|--------------------------------------------------------------------------------------------------------------------------------------------------------------------------------------------|----------|
| <b>Constraint Name:</b>    | Frql_20_B8d                                                                                                                                                                                |          |
| <b>Structured Type:</b>    | FRQL                                                                                                                                                                                       |          |
| <b>Derivation Path:</b>    |                                                                                                                                                                                            |          |
| <b>Comments:</b>           | frequency list, after time for cell B using 1024 format.<br>List_ARFCN= complete cell allocation of cell B in HO cases.<br>739,743,746,749,756,758,761,764,771,779,782,791,798,829,832,844 |          |
| Element Name               | Element Value                                                                                                                                                                              | Comments |
| iei                        | '00000101'B                                                                                                                                                                                |          |
| iel                        | '10'O                                                                                                                                                                                      |          |
| fl                         | '8303F886FDBC0148BEFDFBF41890633<br>C'O                                                                                                                                                    |          |
| <b>Detailed Comments:</b>  |                                                                                                                                                                                            |          |

| Structured Type Constraint |                                                                                   |          |
|----------------------------|-----------------------------------------------------------------------------------|----------|
| <b>Constraint Name:</b>    | Frql_20_B10d                                                                      |          |
| <b>Structured Type:</b>    | FRQL                                                                              |          |
| <b>Derivation Path:</b>    |                                                                                   |          |
| <b>Comments:</b>           | frequency list, after time for cell B using range 256 format, ARFCN={764,779,782} |          |
| Element Name               | Element Value                                                                     | Comments |
| iei                        | '00000101'B                                                                       |          |
| iel                        | '04'O                                                                             |          |
| fl                         | '8B7E097D'O                                                                       |          |
| <b>Detailed Comments:</b>  |                                                                                   |          |

| Structured Type Constraint |                                                                                         |          |
|----------------------------|-----------------------------------------------------------------------------------------|----------|
| <b>Constraint Name:</b>    | Frql_ind8B                                                                              |          |
| <b>Structured Type:</b>    | FRQL                                                                                    |          |
| <b>Derivation Path:</b>    |                                                                                         |          |
| <b>Comments:</b>           | Uses bit map 0 to allocate the following 8 frequencies:(14, 18, 24, 30, 38, 60, 73, 74) |          |
| Element Name               | Element Value                                                                           | Comments |
| iei                        | '00000101'B                                                                             |          |
| iel                        | '10'O                                                                                   |          |
| fl                         | '00000000000003000800002020422000'<br>O                                                 |          |
| <b>Detailed Comments:</b>  |                                                                                         |          |

| Structured Type Constraint |                                                                                                 |          |
|----------------------------|-------------------------------------------------------------------------------------------------|----------|
| <b>Constraint Name:</b>    | Frql_ind8Bd                                                                                     |          |
| <b>Structured Type:</b>    | FRQL                                                                                            |          |
| <b>Derivation Path:</b>    |                                                                                                 |          |
| <b>Comments:</b>           | Uses range 256 to allocate the following 8 frequencies:(739, 743, 746, 749, 761, 771, 782, 791) |          |
| Element Name               | Element Value                                                                                   | Comments |
| iei                        | '00000101'B                                                                                     |          |
| iel                        | '08'O                                                                                           |          |
| fl                         | '8B718B712BEEA192'O                                                                             |          |
| <b>Detailed Comments:</b>  |                                                                                                 |          |

| Structured Type Constraint                                                |                                                             |          |
|---------------------------------------------------------------------------|-------------------------------------------------------------|----------|
| <b>Constraint Name:</b>                                                   | Hlcmp_AnyOrOmit                                             |          |
| <b>Structured Type:</b>                                                   | HLCMP                                                       |          |
| <b>Derivation Path:</b>                                                   |                                                             |          |
| <b>Comments:</b>                                                          | High Layer Compatibility IE with parameter "any" or "omit". |          |
| Element Name                                                              | Element Value                                               | Comments |
| iei                                                                       | '01111101'B IF_PRESENT                                      |          |
| iel                                                                       | *                                                           |          |
| extb3                                                                     | *                                                           |          |
| cs                                                                        | *                                                           |          |
| in                                                                        | *                                                           |          |
| pmp                                                                       | *                                                           |          |
| extb4                                                                     | *                                                           |          |
| hlci                                                                      | *                                                           |          |
| extb4a                                                                    | *                                                           |          |
| ehlci                                                                     | *                                                           |          |
| <b>Detailed Comments:</b> used in test cases where the HLC is not checked |                                                             |          |

| Structured Type Constraint |                                                                                       |          |
|----------------------------|---------------------------------------------------------------------------------------|----------|
| <b>Constraint Name:</b>    | Hlcmp_NotApplicable                                                                   |          |
| <b>Structured Type:</b>    | HLCMP                                                                                 |          |
| <b>Derivation Path:</b>    |                                                                                       |          |
| <b>Comments:</b>           | High Layer Compatibility IE wich is not applicable for a specific service (empty IE). |          |
| Element Name               | Element Value                                                                         | Comments |
| iei                        | '01111101'B                                                                           |          |
| iel                        | '00'O                                                                                 |          |
| extb3                      | -                                                                                     |          |
| cs                         | -                                                                                     |          |
| in                         | -                                                                                     |          |
| pmp                        | -                                                                                     |          |
| extb4                      | -                                                                                     |          |
| hlci                       | -                                                                                     |          |
| extb4a                     | -                                                                                     |          |
| ehlci                      | -                                                                                     |          |
| <b>Detailed Comments:</b>  |                                                                                       |          |





| Structured Type Constraint |                                                                        |          |
|----------------------------|------------------------------------------------------------------------|----------|
| <b>Constraint Name:</b>    | Llcmp_AnyOrOmit                                                        |          |
| <b>Structured Type:</b>    | LLCMP                                                                  |          |
| <b>Derivation Path:</b>    |                                                                        |          |
| <b>Comments:</b>           | High Layer Compatibility IE which has any or omit value in all fields. |          |
| Element Name               | Element Value                                                          | Comments |
| iei                        | '01111100'B IF_PRESENT                                                 |          |
| iel                        | *                                                                      |          |
| extb3                      | *                                                                      |          |
| cs                         | *                                                                      |          |
| itc                        | *                                                                      |          |
| extb3a                     | *                                                                      |          |
| negind                     | *                                                                      |          |
| spb3a                      | *                                                                      |          |
| extb4                      | *                                                                      |          |
| tm                         | *                                                                      |          |
| itr                        | *                                                                      |          |
| extb4_1                    | *                                                                      |          |
| rateml                     | *                                                                      |          |
| extb5                      | *                                                                      |          |
| l1id                       | *                                                                      |          |
| uil1                       | *                                                                      |          |
| extb5a                     | *                                                                      |          |
| sb                         | *                                                                      |          |
| neg                        | *                                                                      |          |
| ur                         | *                                                                      |          |
| extb5b1                    | *                                                                      |          |
| ir                         | *                                                                      |          |
| nictx                      | *                                                                      |          |
| nicrx                      | *                                                                      |          |
| fctx                       | *                                                                      |          |
| fcrx                       | *                                                                      |          |
| spb5b1                     | *                                                                      |          |
| extb5b2                    | *                                                                      |          |
| hdrb                       | *                                                                      |          |
| mfs                        | *                                                                      |          |
| mode                       | *                                                                      |          |
| llineg                     | *                                                                      |          |
| ass                        | *                                                                      |          |
| ibob                       | *                                                                      |          |
| spb5b2                     | *                                                                      |          |
| extb5c                     | *                                                                      |          |
| nsb                        | *                                                                      |          |
| ndb                        | *                                                                      |          |
| pi                         | *                                                                      |          |
| extb5d                     | *                                                                      |          |
| dplxm                      | *                                                                      |          |
| modemt                     | *                                                                      |          |
| extb6                      | *                                                                      |          |
| l2id                       | *                                                                      |          |
| uil2                       | *                                                                      |          |
| extb6a1                    | *                                                                      |          |
| modl2                      | *                                                                      |          |
| spb6a1                     | *                                                                      |          |
| q933                       | *                                                                      |          |
| extb6a2                    | *                                                                      |          |
| usl2pi                     | *                                                                      |          |
| extb6b                     | *                                                                      |          |
| ws                         | *                                                                      |          |
| extb7                      | *                                                                      |          |
| l3id                       | *                                                                      |          |
| uil3                       | *                                                                      |          |
| extb7a1                    | *                                                                      |          |
| modl3                      | *                                                                      |          |

|         |   |  |
|---------|---|--|
| spb7a1  | * |  |
| extb7a2 | * |  |
| usl3pi  | * |  |
| extb7b  | * |  |
| spb7b   | * |  |
| dps     | * |  |
| extb7c  | * |  |
| pws     | * |  |

**Detailed Comments:**

| Structured Type Constraint |                                                                                        |          |
|----------------------------|----------------------------------------------------------------------------------------|----------|
| <b>Constraint Name:</b>    | Llcmp_NotApplicable                                                                    |          |
| <b>Structured Type:</b>    | LLCMP                                                                                  |          |
| <b>Derivation Path:</b>    |                                                                                        |          |
| <b>Comments:</b>           | High Layer Compatibility IE which is not applicable for a specific service (empty IE). |          |
| Element Name               | Element Value                                                                          | Comments |
| iei                        | '01111100'B                                                                            |          |
| iel                        | '00'O                                                                                  |          |
| extb3                      | -                                                                                      |          |
| cs                         | -                                                                                      |          |
| itc                        | -                                                                                      |          |
| extb3a                     | -                                                                                      |          |
| negind                     | -                                                                                      |          |
| spb3a                      | -                                                                                      |          |
| extb4                      | -                                                                                      |          |
| tm                         | -                                                                                      |          |
| itr                        | -                                                                                      |          |
| extb4_1                    | -                                                                                      |          |
| rateml                     | -                                                                                      |          |
| extb5                      | -                                                                                      |          |
| l1id                       | -                                                                                      |          |
| uil1                       | -                                                                                      |          |
| extb5a                     | -                                                                                      |          |
| sb                         | -                                                                                      |          |
| neg                        | -                                                                                      |          |
| ur                         | -                                                                                      |          |
| extb5b1                    | -                                                                                      |          |
| ir                         | -                                                                                      |          |
| nictx                      | -                                                                                      |          |
| nicrx                      | -                                                                                      |          |
| fctx                       | -                                                                                      |          |
| fcrx                       | -                                                                                      |          |
| spb5b1                     | -                                                                                      |          |
| extb5b2                    | -                                                                                      |          |
| hdrb                       | -                                                                                      |          |
| mfs                        | -                                                                                      |          |
| mode                       | -                                                                                      |          |
| llineg                     | -                                                                                      |          |
| ass                        | -                                                                                      |          |
| ibob                       | -                                                                                      |          |
| spb5b2                     | -                                                                                      |          |
| extb5c                     | -                                                                                      |          |
| nsb                        | -                                                                                      |          |
| ndb                        | -                                                                                      |          |
| pi                         | -                                                                                      |          |
| extb5d                     | -                                                                                      |          |
| dplxm                      | -                                                                                      |          |
| modemt                     | -                                                                                      |          |
| extb6                      | -                                                                                      |          |
| l2id                       | -                                                                                      |          |
| uil2                       | -                                                                                      |          |
| extb6a1                    | -                                                                                      |          |
| modl2                      | -                                                                                      |          |
| spb6a1                     | -                                                                                      |          |
| q933                       | -                                                                                      |          |
| extb6a2                    | -                                                                                      |          |
| usl2pi                     | -                                                                                      |          |
| extb6b                     | -                                                                                      |          |
| ws                         | -                                                                                      |          |
| extb7                      | -                                                                                      |          |
| l3id                       | -                                                                                      |          |
| uil3                       | -                                                                                      |          |
| extb7a1                    | -                                                                                      |          |
| modl3                      | -                                                                                      |          |

|         |   |  |
|---------|---|--|
| spb7a1  | - |  |
| extb7a2 | - |  |
| usl3pi  | - |  |
| extb7b  | - |  |
| spb7b   | - |  |
| dps     | - |  |
| extb7c  | - |  |
| pws     | - |  |

**Detailed Comments:**

| Structured Type Constraint |                                                                     |          |
|----------------------------|---------------------------------------------------------------------|----------|
| <b>Constraint Name:</b>    | Llcmp_BS2xOrBS4x_UDI                                                |          |
| <b>Structured Type:</b>    | LLCMP                                                               |          |
| <b>Derivation Path:</b>    |                                                                     |          |
| <b>Comments:</b>           | Lower Layer Compatibility IE for a setup PDU, B.2.2.1 of GSM 07.01. |          |
| Element Name               | Element Value                                                       | Comments |
| iei                        | '01111100'B                                                         |          |
| iel                        | ('06'O, '07'O, '08'O, '09'O, '0A'O, '0B'O, '0C'O, '0D'O, '0E'O)     |          |
| extb3                      | '?'B                                                                |          |
| cs                         | '00'B                                                               |          |
| itc                        | '01000'B                                                            |          |
| extb3a                     | '1'B IF_PRESENT                                                     |          |
| negind                     | *                                                                   |          |
| spb3a                      | '000000'B IF_PRESENT                                                |          |
| extb4                      | '1'B                                                                |          |
| tm                         | '00'B                                                               |          |
| itr                        | '10000'B                                                            |          |
| extb4_1                    | -                                                                   |          |
| rateml                     | -                                                                   |          |
| extb5                      | '0'B                                                                |          |
| l1id                       | '01'B                                                               |          |
| uil1                       | '00001'B                                                            |          |
| extb5a                     | '0'B                                                                |          |
| sb                         | '1'B                                                                |          |
| neg                        | '0'B                                                                |          |
| ur                         | ('00010'B, '00011'B, '00101'B, '01000'B, '10111'B, '11110'B)        |          |
| extb5b1                    | '0'B                                                                |          |
| ir                         | ('01'B, '10'B)                                                      |          |
| nictx                      | '?'B                                                                |          |
| nicrx                      | '?'B                                                                |          |
| fctx                       | '0'B                                                                |          |
| fctx                       | '0'B                                                                |          |
| spb5b1                     | '0'B                                                                |          |
| extb5b2                    | -                                                                   |          |
| hdrb                       | -                                                                   |          |
| mfs                        | -                                                                   |          |
| mode                       | -                                                                   |          |
| llineg                     | -                                                                   |          |
| ass                        | -                                                                   |          |
| ibob                       | -                                                                   |          |
| spb5b2                     | -                                                                   |          |
| extb5c                     | '?'B                                                                |          |
| nsb                        | ('01'B, '11'B)                                                      |          |
| ndb                        | ('10'B, '11'B)                                                      |          |
| pi                         | ('000'B, '010'B, '011'B, '100'B, '101'B)                            |          |
| extb5d                     | '1'B IF_PRESENT                                                     |          |
| dplxm                      | *                                                                   |          |
| modemt                     | *                                                                   |          |
| extb6                      | *                                                                   |          |
| l2id                       | *                                                                   |          |
| uil2                       | *                                                                   |          |
| extb6a1                    | *                                                                   |          |
| modl2                      | *                                                                   |          |
| spb6a1                     | *                                                                   |          |
| q933                       | *                                                                   |          |
| extb6a2                    | *                                                                   |          |
| usl2pi                     | *                                                                   |          |
| extb6b                     | *                                                                   |          |
| ws                         | *                                                                   |          |
| extb7                      | *                                                                   |          |
| l3id                       | *                                                                   |          |
| uil3                       | *                                                                   |          |

|                           |                                                                                                               |  |
|---------------------------|---------------------------------------------------------------------------------------------------------------|--|
| extb7a1                   | *                                                                                                             |  |
| modl3                     | *                                                                                                             |  |
| spb7a1                    | *                                                                                                             |  |
| extb7a2                   | *                                                                                                             |  |
| usl3pi                    | *                                                                                                             |  |
| extb7b                    | *                                                                                                             |  |
| spb7b                     | *                                                                                                             |  |
| dps                       | *                                                                                                             |  |
| extb7c                    | *                                                                                                             |  |
| pws                       | *                                                                                                             |  |
| <b>Detailed Comments:</b> | Corresponding to the Bearer Services 21 ... 26, 41 ... 46 Unrestrict digital information transfer capability. |  |

| <b>Structured Type Constraint</b> |                                                                                                                                           |          |
|-----------------------------------|-------------------------------------------------------------------------------------------------------------------------------------------|----------|
| <b>Constraint Name:</b>           | Llcmp_BS2xOrBS61aOrBS81a_3100                                                                                                             |          |
| <b>Structured Type:</b>           | LLCMP                                                                                                                                     |          |
| <b>Derivation Path:</b>           | Llcmp_BS2xOrBS4x_UDI.                                                                                                                     |          |
| <b>Comments:</b>                  | Lower Layer Compatibility IE for a setup PDU, B.2.2.2 of GSM 07.01.                                                                       |          |
| Element Name                      | Element Value                                                                                                                             | Comments |
| iel                               | ('07'O,'08'O,'09'O,'0A'O,'0B'O,'0C'O,'0D'O,'0E'O)                                                                                         |          |
| extb3                             | '?'B                                                                                                                                      |          |
| cs                                | '00'B                                                                                                                                     |          |
| itc                               | '10000'B                                                                                                                                  |          |
| extb4                             | '1'B                                                                                                                                      |          |
| tm                                | '00'B                                                                                                                                     |          |
| itr                               | '10000'B                                                                                                                                  |          |
| extb5                             | '0'B                                                                                                                                      |          |
| l1id                              | '01'B                                                                                                                                     |          |
| uil1                              | '00011'B                                                                                                                                  |          |
| extb5a                            | '0'B                                                                                                                                      |          |
| sb                                | ?                                                                                                                                         |          |
| neg                               | ?                                                                                                                                         |          |
| ur                                | ?                                                                                                                                         |          |
| extb5b1                           | '0'B                                                                                                                                      |          |
| ir                                | ?                                                                                                                                         |          |
| nictx                             | ?                                                                                                                                         |          |
| nicrx                             | ?                                                                                                                                         |          |
| fctx                              | ?                                                                                                                                         |          |
| fcrx                              | ?                                                                                                                                         |          |
| spb5b1                            | '0'B                                                                                                                                      |          |
| extb5c                            | '0'B                                                                                                                                      |          |
| nsb                               | ?                                                                                                                                         |          |
| ndb                               | ?                                                                                                                                         |          |
| pi                                | ?                                                                                                                                         |          |
| extb5d                            | '1'B                                                                                                                                      |          |
| dplxm                             | ?                                                                                                                                         |          |
| modemt                            | ('010001'B,'010010'B,'010011'B,'010100'B,'010111'B,'011100'B)                                                                             |          |
| <b>Detailed Comments:</b>         | Corresponding to the Bearer Services 21 ... 26, 61 Asynchronous or 81 Asynchronous 3.1 kHz audio ex-PLMN information transfer capability. |          |

| Structured Type Constraint |                                                                                                      |          |
|----------------------------|------------------------------------------------------------------------------------------------------|----------|
| <b>Constraint Name:</b>    | Llcmp_BS3x_UDI                                                                                       |          |
| <b>Structured Type:</b>    | LLCMP                                                                                                |          |
| <b>Derivation Path:</b>    | Llcmp_BS2xOrBS4x_UDI.                                                                                |          |
| <b>Comments:</b>           | Lower Layer Compatibility IE for a setup PDU, B.2.3.1 of GSM 07.01.                                  |          |
| Element Name               | Element Value                                                                                        | Comments |
| iel                        | ('05'O, '06'O, '07'O, '08'O, '09'O, '0A'O, '0B'O, '0C'O, '0D'O, '0E'O)                               |          |
| extb3                      | '?B                                                                                                  |          |
| cs                         | '00'B                                                                                                |          |
| itc                        | '01000'B                                                                                             |          |
| extb4                      | '1'B                                                                                                 |          |
| tm                         | '00'B                                                                                                |          |
| itr                        | '10000'B                                                                                             |          |
| extb5                      | '0'B                                                                                                 |          |
| l1id                       | '01'B                                                                                                |          |
| uil1                       | ('00001'B, '01001'B)                                                                                 |          |
| extb5a                     | '0'B                                                                                                 |          |
| sb                         | '0'B                                                                                                 |          |
| neg                        | '0'B                                                                                                 |          |
| ur                         | ('00010'B, '00011'B, '00101'B, '01000'B)                                                             |          |
| extb5b1                    | '?B                                                                                                  |          |
| ir                         | ('01'B, '10'B)                                                                                       |          |
| nictx                      | '?B                                                                                                  |          |
| nicrx                      | '?B                                                                                                  |          |
| fctx                       | '?B                                                                                                  |          |
| fcrx                       | '?B                                                                                                  |          |
| spb5b1                     | '0'B                                                                                                 |          |
| extb5c                     | '0'B IF_PRESENT                                                                                      |          |
| nsb                        | *                                                                                                    |          |
| ndb                        | *                                                                                                    |          |
| pi                         | *                                                                                                    |          |
| extb5d                     | '1'B IF_PRESENT                                                                                      |          |
| dplxm                      | *                                                                                                    |          |
| modemt                     | *                                                                                                    |          |
| extb6                      | *                                                                                                    |          |
| l2id                       | '10'B IF_PRESENT                                                                                     |          |
| uil2                       | ('00110'B, '00111'B) IF_PRESENT                                                                      |          |
| extb7                      | *                                                                                                    |          |
| l3id                       | '11'B IF_PRESENT                                                                                     |          |
| uil3                       | ('00110'B, '00111'B) IF_PRESENT                                                                      |          |
| <b>Detailed Comments:</b>  | Corresponding to the Bearer Services 31 ... 34 unrestricted digital information transfer capability. |          |

| Structured Type Constraint |                                                                                                                                |          |
|----------------------------|--------------------------------------------------------------------------------------------------------------------------------|----------|
| <b>Constraint Name:</b>    | Llcmp_BS3xOrBS61sOrBS81s_3100                                                                                                  |          |
| <b>Structured Type:</b>    | LLCMP                                                                                                                          |          |
| <b>Derivation Path:</b>    | Llcmp_BS2xOrBS4x_UDI.                                                                                                          |          |
| <b>Comments:</b>           | Lower Layer Compatibility IE for a setup PDU, B.2.3.2 of GSM 07.01.                                                            |          |
| Element Name               | Element Value                                                                                                                  | Comments |
| iel                        | ('03'O, '04'O, '08'O, '09'O, '0A'O, '0B'O, '0C'O, '0D'O, '0E'O)                                                                |          |
| extb3                      | '?'B                                                                                                                           |          |
| cs                         | '00'B                                                                                                                          |          |
| itc                        | '10000'B                                                                                                                       |          |
| extb4                      | '1'B                                                                                                                           |          |
| tm                         | '00'B                                                                                                                          |          |
| itr                        | '10000'B                                                                                                                       |          |
| extb5                      | '?'B                                                                                                                           |          |
| l1id                       | '01'B                                                                                                                          |          |
| uil1                       | '00011'B                                                                                                                       |          |
| extb5a                     | '0'B IF_PRESENT                                                                                                                |          |
| sb                         | *                                                                                                                              |          |
| neg                        | *                                                                                                                              |          |
| ur                         | *                                                                                                                              |          |
| extb5b1                    | *                                                                                                                              |          |
| ir                         | *                                                                                                                              |          |
| nictx                      | *                                                                                                                              |          |
| nicrx                      | *                                                                                                                              |          |
| fctx                       | *                                                                                                                              |          |
| fcrx                       | *                                                                                                                              |          |
| spb5b1                     | *                                                                                                                              |          |
| extb5c                     | '0'B IF_PRESENT                                                                                                                |          |
| nsb                        | *                                                                                                                              |          |
| ndb                        | *                                                                                                                              |          |
| pi                         | *                                                                                                                              |          |
| extb5d                     | '1'B IF_PRESENT                                                                                                                |          |
| dplxm                      | *                                                                                                                              |          |
| modemt                     | ('010010'B, '010011'B, '010111'B, '011100'B) IF_PRESENT                                                                        |          |
| extb6                      | *                                                                                                                              |          |
| l2id                       | '10'B IF_PRESENT                                                                                                               |          |
| uil2                       | ('00110'B, '00111'B) IF_PRESENT                                                                                                |          |
| extb7                      | *                                                                                                                              |          |
| l3id                       | '11'B IF_PRESENT                                                                                                               |          |
| uil3                       | ('00110'B, '00111'B) IF_PRESENT                                                                                                |          |
| <b>Detailed Comments:</b>  | Corresponding to the Bearer Services 31 ... 34, 61 Synchronous or 81 Synchronous 3.1kHz audio information transfer capability. |          |



| Structured Type Constraint |                                                                                                      |          |
|----------------------------|------------------------------------------------------------------------------------------------------|----------|
| <b>Constraint Name:</b>    | Llcmp_BS5x                                                                                           |          |
| <b>Structured Type:</b>    | LLCMP                                                                                                |          |
| <b>Derivation Path:</b>    | Llcmp_BS2xOrBS4x_UDI.                                                                                |          |
| <b>Comments:</b>           | Lower Layer Compatibility IE for a setup PDU, B.2.5.1 of GSM 07.01.                                  |          |
| Element Name               | Element Value                                                                                        | Comments |
| iel                        | ('06'O,'07'O,'08'O,'09'O,'0A'O,'0B'O,'0C'O,'0D'O,'0E'O)                                              |          |
| extb3                      | '?'B                                                                                                 |          |
| cs                         | '00'B                                                                                                |          |
| itc                        | '01000'B                                                                                             |          |
| extb4                      | '1'B                                                                                                 |          |
| tm                         | '00'B                                                                                                |          |
| itr                        | '10000'B                                                                                             |          |
| extb5                      | '0'B                                                                                                 |          |
| l1id                       | '01'B                                                                                                |          |
| uil1                       | '01001'B                                                                                             |          |
| extb5a                     | '?'B                                                                                                 |          |
| sb                         | '0'B                                                                                                 |          |
| neg                        | '0'B                                                                                                 |          |
| ur                         | ('00011'B,'00101'B,'01000'B)                                                                         |          |
| extb5b1                    | *                                                                                                    |          |
| ir                         | *                                                                                                    |          |
| nictx                      | *                                                                                                    |          |
| nicrx                      | *                                                                                                    |          |
| fctx                       | *                                                                                                    |          |
| fcrx                       | *                                                                                                    |          |
| spb5b1                     | *                                                                                                    |          |
| extb5c                     | *                                                                                                    |          |
| nsb                        | *                                                                                                    |          |
| ndb                        | *                                                                                                    |          |
| pi                         | *                                                                                                    |          |
| extb5d                     | *                                                                                                    |          |
| dplxm                      | *                                                                                                    |          |
| modemt                     | *                                                                                                    |          |
| extb6                      | ?                                                                                                    |          |
| l2id                       | '10'B                                                                                                |          |
| uil2                       | ('00110'B,'00111'B)                                                                                  |          |
| extb7                      | ?                                                                                                    |          |
| l3id                       | '11'B                                                                                                |          |
| uil3                       | ('00110'B,'00111'B)                                                                                  |          |
| <b>Detailed Comments:</b>  | Corresponding to the Bearer Services 51 ... 53 unrestricted digital information transfer capability. |          |

| Structured Type Constraint |                                      |          |
|----------------------------|--------------------------------------|----------|
| <b>Constraint Name:</b>    | LocAreald(mcc, mnc, lac:OCTETSTRING) |          |
| <b>Structured Type:</b>    | LAI                                  |          |
| <b>Derivation Path:</b>    |                                      |          |
| <b>Comments:</b>           | Cell A default value for L3 test     |          |
| Element Name               | Element Value                        | Comments |
| iei                        | -                                    |          |
| mcc                        | mcc                                  |          |
| mnc                        | mnc                                  |          |
| lac                        | lac                                  |          |
| <b>Detailed Comments:</b>  |                                      |          |

| Structured Type Constraint |                        |          |
|----------------------------|------------------------|----------|
| <b>Constraint Name:</b>    | LocUpType( locup:B_2)  |          |
| <b>Structured Type:</b>    | LUT                    |          |
| <b>Derivation Path:</b>    |                        |          |
| <b>Comments:</b>           | location updating type |          |
| Element Name               | Element Value          | Comments |
| foreq                      | '?'B                   |          |
| sprb                       | '0'B                   |          |
| lut                        | locup                  |          |
| <b>Detailed Comments:</b>  |                        |          |

| Structured Type Constraint |                                                   |          |
|----------------------------|---------------------------------------------------|----------|
| <b>Constraint Name:</b>    | Milmsi_01iei                                      |          |
| <b>Structured Type:</b>    | MI                                                |          |
| <b>Derivation Path:</b>    |                                                   |          |
| <b>Comments:</b>           | the TSPX_IMSI is the IMSI of the MS under test    |          |
| Element Name               | Element Value                                     | Comments |
| iei                        | '00010111'B                                       |          |
| iel                        | OC_IntToOct(((<br>LENGTH_OF(TSPX_IMSI))/2 + 1),1) |          |
| idigit_1                   | OC_FirstDigi(TSPX_IMSI)                           |          |
| oei                        | OC_OeBit(TSPX_IMSI)                               |          |
| toi                        | '001'B                                            |          |
| idigits_other              | OC_OtherDigi(TSPX_IMSI)                           |          |
| <b>Detailed Comments:</b>  |                                                   |          |

| Structured Type Constraint |                                                   |          |
|----------------------------|---------------------------------------------------|----------|
| <b>Constraint Name:</b>    | Milmsi_01                                         |          |
| <b>Structured Type:</b>    | MI                                                |          |
| <b>Derivation Path:</b>    |                                                   |          |
| <b>Comments:</b>           | the TSPX_IMSI is the IMSI of the MS under test    |          |
| Element Name               | Element Value                                     | Comments |
| iei                        | -                                                 |          |
| iel                        | OC_IntToOct(((<br>LENGTH_OF(TSPX_IMSI))/2 + 1),1) |          |
| idigit_1                   | OC_FirstDigi(TSPX_IMSI)                           |          |
| oei                        | OC_OeBit(TSPX_IMSI)                               |          |
| toi                        | '001'B                                            |          |
| idigits_other              | OC_OtherDigi(TSPX_IMSI)                           |          |
| <b>Detailed Comments:</b>  |                                                   |          |

| Structured Type Constraint |                                                                                                                              |          |
|----------------------------|------------------------------------------------------------------------------------------------------------------------------|----------|
| <b>Constraint Name:</b>    | Milmsi_02                                                                                                                    |          |
| <b>Structured Type:</b>    | MI                                                                                                                           |          |
| <b>Derivation Path:</b>    |                                                                                                                              |          |
| <b>Comments:</b>           | This constraint is used in paging filling message. No mobile is paged (Type of identity is set to '000'B, i.e. no identity). |          |
| Element Name               | Element Value                                                                                                                | Comments |
| iei                        | -                                                                                                                            |          |
| iel                        | '01'O                                                                                                                        |          |
| idigit_1                   | '1111'B                                                                                                                      |          |
| oei                        | '0'B                                                                                                                         |          |
| toi                        | '000'B                                                                                                                       |          |
| idigits_other              | -                                                                                                                            |          |
| <b>Detailed Comments:</b>  |                                                                                                                              |          |

| Structured Type Constraint |                           |          |
|----------------------------|---------------------------|----------|
| <b>Constraint Name:</b>    | MiTmsi_01                 |          |
| <b>Structured Type:</b>    | MI                        |          |
| <b>Derivation Path:</b>    |                           |          |
| <b>Comments:</b>           | default TMSI for testing. |          |
| Element Name               | Element Value             | Comments |
| iei                        | -                         |          |
| iel                        | '05'O                     |          |
| idigit_1                   | '1111'B                   |          |
| oei                        | '0'B                      |          |
| toi                        | '100'B                    |          |
| idigits_other              | TSPX_TMSI                 |          |
| <b>Detailed Comments:</b>  |                           |          |

| Structured Type Constraint |                           |          |
|----------------------------|---------------------------|----------|
| <b>Constraint Name:</b>    | MiTmsi_01iei              |          |
| <b>Structured Type:</b>    | MI                        |          |
| <b>Derivation Path:</b>    |                           |          |
| <b>Comments:</b>           | default TMSI for testing. |          |
| Element Name               | Element Value             | Comments |
| iei                        | '00010111'B               |          |
| iel                        | '05'O                     |          |
| idigit_1                   | '1111'B                   |          |
| oei                        | '0'B                      |          |
| toi                        | '100'B                    |          |
| idigits_other              | TSPX_TMSI                 |          |
| <b>Detailed Comments:</b>  |                           |          |

| Structured Type Constraint |               |          |
|----------------------------|---------------|----------|
| <b>Constraint Name:</b>    | MiTmsi_02     |          |
| <b>Structured Type:</b>    | MI            |          |
| <b>Derivation Path:</b>    |               |          |
| <b>Comments:</b>           | A new TMSI    |          |
| Element Name               | Element Value | Comments |
| iei                        | -             |          |
| iel                        | '05'O         |          |
| idigit_1                   | '1111'B       |          |
| oei                        | '0'B          |          |
| toi                        | '100'B        |          |
| idigits_other              | TSPX_TMSI1    |          |
| <b>Detailed Comments:</b>  |               |          |

| Structured Type Constraint |                                                     |          |
|----------------------------|-----------------------------------------------------|----------|
| <b>Constraint Name:</b>    | MiTmsi_r02iei                                       |          |
| <b>Structured Type:</b>    | MI                                                  |          |
| <b>Derivation Path:</b>    |                                                     |          |
| <b>Comments:</b>           | default TMSI for testing with toi setting to no id. |          |
| Element Name               | Element Value                                       | Comments |
| iei                        | '00010111'B                                         |          |
| iel                        | '05'O                                               |          |
| idigit_1                   | '1111'B                                             |          |
| oei                        | '0'B                                                |          |
| toi                        | '000'B                                              |          |
| idigits_other              | TSPX_TMSI                                           |          |
| <b>Detailed Comments:</b>  |                                                     |          |

| Structured Type Constraint            |               |          |
|---------------------------------------|---------------|----------|
| <b>Constraint Name:</b> MoblAllc_omit |               |          |
| <b>Structured Type:</b> MA            |               |          |
| <b>Derivation Path:</b>               |               |          |
| <b>Comments:</b>                      |               |          |
| Element Name                          | Element Value | Comments |
| iei                                   | -             |          |
| iel                                   | -             |          |
| mac_8n                                | -             |          |
| mac_7n                                | -             |          |
| mac_6n                                | -             |          |
| mac_5n                                | -             |          |
| mac_4n                                | -             |          |
| mac_3n                                | -             |          |
| mac_2n                                | -             |          |
| mac_1n                                | -             |          |
| <b>Detailed Comments:</b>             |               |          |

| Structured Type Constraint          |               |          |
|-------------------------------------|---------------|----------|
| <b>Constraint Name:</b> MoblAllc_01 |               |          |
| <b>Structured Type:</b> MA          |               |          |
| <b>Derivation Path:</b>             |               |          |
| <b>Comments:</b> non hopping        |               |          |
| Element Name                        | Element Value | Comments |
| iei                                 | -             |          |
| iel                                 | '00'O         |          |
| mac_8n                              | -             |          |
| mac_7n                              | -             |          |
| mac_6n                              | -             |          |
| mac_5n                              | -             |          |
| mac_4n                              | -             |          |
| mac_3n                              | -             |          |
| mac_2n                              | -             |          |
| mac_1n                              | -             |          |
| <b>Detailed Comments:</b>           |               |          |

| Structured Type Constraint             |               |          |
|----------------------------------------|---------------|----------|
| <b>Constraint Name:</b> MoblAllc_01iei |               |          |
| <b>Structured Type:</b> MA             |               |          |
| <b>Derivation Path:</b>                |               |          |
| <b>Comments:</b> non hopping           |               |          |
| Element Name                           | Element Value | Comments |
| iei                                    | '01110010'B   |          |
| iel                                    | '00'O         |          |
| mac_8n                                 | -             |          |
| mac_7n                                 | -             |          |
| mac_6n                                 | -             |          |
| mac_5n                                 | -             |          |
| mac_4n                                 | -             |          |
| mac_3n                                 | -             |          |
| mac_2n                                 | -             |          |
| mac_1n                                 | -             |          |
| <b>Detailed Comments:</b>              |               |          |

| Structured Type Constraint |                                              |          |
|----------------------------|----------------------------------------------|----------|
| <b>Constraint Name:</b>    | MoblAllc_ind5A                               |          |
| <b>Structured Type:</b>    | MA                                           |          |
| <b>Derivation Path:</b>    |                                              |          |
| <b>Comments:</b>           | Indicates 5 frequencies (17, 34, 46, 52, 73) |          |
| Element Name               | Element Value                                | Comments |
| iei                        | -                                            |          |
| iel                        | '03'O                                        |          |
| mac_8n                     | '00000000'B                                  |          |
| mac_7n                     | '00001001'B                                  |          |
| mac_6n                     | '10010010'B                                  |          |
| mac_5n                     | -                                            |          |
| mac_4n                     | -                                            |          |
| mac_3n                     | -                                            |          |
| mac_2n                     | -                                            |          |
| mac_1n                     | -                                            |          |
| <b>Detailed Comments:</b>  |                                              |          |

| Structured Type Constraint |                                                   |          |
|----------------------------|---------------------------------------------------|----------|
| <b>Constraint Name:</b>    | MoblAllc_ind5Ad                                   |          |
| <b>Structured Type:</b>    | MA                                                |          |
| <b>Derivation Path:</b>    |                                                   |          |
| <b>Comments:</b>           | Indicates 5 frequencies (734, 741, 762, 791, 832) |          |
| Element Name               | Element Value                                     | Comments |
| iei                        | -                                                 |          |
| iel                        | '03'O                                             |          |
| mac_8n                     | '00000000'B                                       |          |
| mac_7n                     | '10010000'B                                       |          |
| mac_6n                     | '00100011'B                                       |          |
| mac_5n                     | -                                                 |          |
| mac_4n                     | -                                                 |          |
| mac_3n                     | -                                                 |          |
| mac_2n                     | -                                                 |          |
| mac_1n                     | -                                                 |          |
| <b>Detailed Comments:</b>  |                                                   |          |

| Structured Type Constraint |                                                                              |          |
|----------------------------|------------------------------------------------------------------------------|----------|
| <b>Constraint Name:</b>    | MoblAllc_281                                                                 |          |
| <b>Structured Type:</b>    | MA                                                                           |          |
| <b>Derivation Path:</b>    |                                                                              |          |
| <b>Comments:</b>           | hopping with<br>indicates to the ARFCN_list={73,74,75} of cell allocation A. |          |
| Element Name               | Element Value                                                                | Comments |
| iei                        | -                                                                            |          |
| iel                        | '03'O                                                                        |          |
| mac_8n                     | '00000000'B                                                                  |          |
| mac_7n                     | '00111000'B                                                                  |          |
| mac_6n                     | '00000000'B                                                                  |          |
| mac_5n                     | -                                                                            |          |
| mac_4n                     | -                                                                            |          |
| mac_3n                     | -                                                                            |          |
| mac_2n                     | -                                                                            |          |
| mac_1n                     | -                                                                            |          |
| <b>Detailed Comments:</b>  |                                                                              |          |

| Structured Type Constraint |                                                                                 |          |
|----------------------------|---------------------------------------------------------------------------------|----------|
| <b>Constraint Name:</b>    | MoblAllc_281d                                                                   |          |
| <b>Structured Type:</b>    | MA                                                                              |          |
| <b>Derivation Path:</b>    |                                                                                 |          |
| <b>Comments:</b>           | hopping with<br>indicates to the ARFCN_list={773,775,779} of cell allocation A. |          |
| Element Name               | Element Value                                                                   | Comments |
| iei                        | -                                                                               |          |
| iel                        | '03'O                                                                           |          |
| mac_8n                     | '00000000'B                                                                     |          |
| mac_7n                     | '00000111'B                                                                     |          |
| mac_6n                     | '00000000'B                                                                     |          |
| mac_5n                     | -                                                                               |          |
| mac_4n                     | -                                                                               |          |
| mac_3n                     | -                                                                               |          |
| mac_2n                     | -                                                                               |          |
| mac_1n                     | -                                                                               |          |
| <b>Detailed Comments:</b>  |                                                                                 |          |

| Structured Type Constraint |                                                                                 |          |
|----------------------------|---------------------------------------------------------------------------------|----------|
| <b>Constraint Name:</b>    | MoblAllc_ad281d                                                                 |          |
| <b>Structured Type:</b>    | MA                                                                              |          |
| <b>Derivation Path:</b>    |                                                                                 |          |
| <b>Comments:</b>           | hopping with<br>indicates to the ARFCN_list={734,762,791} of cell allocation A. |          |
| Element Name               | Element Value                                                                   | Comments |
| iei                        | -                                                                               |          |
| iel                        | '03'O                                                                           |          |
| mac_8n                     | '00000000'B                                                                     |          |
| mac_7n                     | '00010000'B                                                                     |          |
| mac_6n                     | '00100001'B                                                                     |          |
| mac_5n                     | -                                                                               |          |
| mac_4n                     | -                                                                               |          |
| mac_3n                     | -                                                                               |          |
| mac_2n                     | -                                                                               |          |
| mac_1n                     | -                                                                               |          |
| <b>Detailed Comments:</b>  |                                                                                 |          |

| Structured Type Constraint |                                              |          |
|----------------------------|----------------------------------------------|----------|
| <b>Constraint Name:</b>    | MsrResult_02                                 |          |
| <b>Structured Type:</b>    | MSRR                                         |          |
| <b>Derivation Path:</b>    |                                              |          |
| <b>Comments:</b>           | A measurement results IE matching any value. |          |
| Element Name               | Element Value                                | Comments |
| ba_used                    | ?                                            |          |
| dtx_used                   | '0'B                                         |          |
| rxlev_fsc                  | ?                                            |          |
| spr1                       | '0'B                                         |          |
| meas_valid                 | ?                                            |          |
| rxlev_ssc                  | ?                                            |          |
| spr2                       | '0'B                                         |          |
| rxqual_fsc                 | ?                                            |          |
| rxqual_ssc                 | ?                                            |          |
| no_nc                      | ?                                            |          |
| rxlev_nc1                  | *                                            |          |
| bcchfrq_nc1                | *                                            |          |
| bsic_nc1                   | *                                            |          |
| rxlev_nc2                  | *                                            |          |
| bcchfrq_nc2                | *                                            |          |
| bsic_nc2                   | *                                            |          |
| rxlev_nc3                  | *                                            |          |
| bcchfrq_nc3                | *                                            |          |
| bsic_nc3                   | *                                            |          |
| rxlev_nc4                  | *                                            |          |
| bcchfrq_nc4                | *                                            |          |
| bsic_nc4                   | *                                            |          |
| rxlev_nc5                  | *                                            |          |
| bcchfrq_nc5                | *                                            |          |
| bsic_nc5                   | *                                            |          |
| rxlev_nc6                  | *                                            |          |
| bcchfrq_nc6                | *                                            |          |
| bsic_nc6                   | *                                            |          |
| <b>Detailed Comments:</b>  |                                              |          |

| Structured Type Constraint |                                 |          |
|----------------------------|---------------------------------|----------|
| <b>Constraint Name:</b>    | NT_BothT_BothNTorT_BothT_BothNT |          |
| <b>Structured Type:</b>    | CE                              |          |
| <b>Derivation Path:</b>    |                                 |          |
| <b>Comments:</b>           |                                 |          |
| Element Name               | Element Value                   | Comments |
| TorBothTorBothNT           | ('00'B, '10'B, '11'B)           |          |
| NTorBothTorBothNT          | ('01'B, '10'B, '11'B)           |          |
| <b>Detailed Comments:</b>  |                                 |          |

| Structured Type Constraint |                               |          |
|----------------------------|-------------------------------|----------|
| <b>Constraint Name:</b>    | Pcmd_19(powerlevel:BITSTRING) |          |
| <b>Structured Type:</b>    | PCMD                          |          |
| <b>Derivation Path:</b>    |                               |          |
| <b>Comments:</b>           |                               |          |
| Element Name               | Element Value                 | Comments |
| sprb                       | '000'B                        |          |
| pl                         | powerlevel                    |          |
| <b>Detailed Comments:</b>  |                               |          |

| Structured Type Constraint |                                                              |          |
|----------------------------|--------------------------------------------------------------|----------|
| <b>Constraint Name:</b>    | Pcmd_20( powerlevel:B_5)                                     |          |
| <b>Structured Type:</b>    | PCMD                                                         |          |
| <b>Derivation Path:</b>    |                                                              |          |
| <b>Comments:</b>           | PowerCmd used in synchronized and non synchronized HO cases. |          |
| Element Name               | Element Value                                                | Comments |
| sprb                       | '011'B                                                       |          |
| pl                         | powerlevel                                                   |          |
| <b>Detailed Comments:</b>  |                                                              |          |

| Structured Type Constraint |                    |          |
|----------------------------|--------------------|----------|
| <b>Constraint Name:</b>    | Pm( pgm:B_2)       |          |
| <b>Structured Type:</b>    | PM                 |          |
| <b>Derivation Path:</b>    |                    |          |
| <b>Comments:</b>           | normal paging mode |          |
| Element Name               | Element Value      | Comments |
| sprb                       | '00'B              |          |
| pgm                        | pgm                |          |
| <b>Detailed Comments:</b>  |                    |          |

| Structured Type Constraint |                             |          |
|----------------------------|-----------------------------|----------|
| <b>Constraint Name:</b>    | ProgInd_omit                |          |
| <b>Structured Type:</b>    | PI                          |          |
| <b>Derivation Path:</b>    |                             |          |
| <b>Comments:</b>           | Omitted Progress Indicator. |          |
| Element Name               | Element Value               | Comments |
| iei                        | -                           |          |
| iel                        | -                           |          |
| extb3                      | -                           |          |
| cs                         | -                           |          |
| spb                        | -                           |          |
| loc                        | -                           |          |
| extb4                      | -                           |          |
| prd                        | -                           |          |
| <b>Detailed Comments:</b>  |                             |          |

| Structured Type Constraint |                                             |          |
|----------------------------|---------------------------------------------|----------|
| <b>Constraint Name:</b>    | RachCntrlPara(maxtx:B_2; txint:B_4; re:B_1) |          |
| <b>Structured Type:</b>    | RACHCP                                      |          |
| <b>Derivation Path:</b>    |                                             |          |
| <b>Comments:</b>           | Default value for L 3 testing.              |          |
| Element Name               | Element Value                               | Comments |
| maxrtx                     | maxtx                                       |          |
| txint                      | txint                                       |          |
| cba                        | '0'B                                        |          |
| re                         | re                                          |          |
| acc_2                      | '00000'B                                    |          |
| ec                         | '0'B                                        |          |
| acc_1                      | '0000000000'B                               |          |
| <b>Detailed Comments:</b>  |                                             |          |



| Structured Type Constraint |                                                  |          |
|----------------------------|--------------------------------------------------|----------|
| <b>Constraint Name:</b>    | RachCntrlPara_r01                                |          |
| <b>Structured Type:</b>    | RACHCP                                           |          |
| <b>Derivation Path:</b>    |                                                  |          |
| <b>Comments:</b>           | Call reestablishment is not allowed in the cell. |          |
| Element Name               | Element Value                                    | Comments |
| maxrtx                     | '00'B                                            |          |
| txint                      | '0010'B                                          |          |
| cba                        | '0'B                                             |          |
| re                         | '1'B                                             |          |
| acc_2                      | '00000'B                                         |          |
| ec                         | '0'B                                             |          |
| acc_1                      | '0000000000'B                                    |          |
| <b>Detailed Comments:</b>  |                                                  |          |

| Structured Type Constraint |                |          |
|----------------------------|----------------|----------|
| <b>Constraint Name:</b>    | RelTmdDif_omit |          |
| <b>Structured Type:</b>    | TDIF           |          |
| <b>Derivation Path:</b>    |                |          |
| <b>Comments:</b>           |                |          |
| Element Name               | Element Value  | Comments |
| iei                        | -              |          |
| iel                        | -              |          |
| value                      | -              |          |
| <b>Detailed Comments:</b>  |                |          |

| Structured Type Constraint |                              |          |
|----------------------------|------------------------------|----------|
| <b>Constraint Name:</b>    | Rqr2(Rr: BITSTRING; Fn: FN)  |          |
| <b>Structured Type:</b>    | RQR                          |          |
| <b>Derivation Path:</b>    |                              |          |
| <b>Comments:</b>           | To address the MS under test |          |
| Element Name               | Element Value                | Comments |
| ra                         | Rr                           |          |
| fn                         | Fn                           |          |
| <b>Detailed Comments:</b>  |                              |          |

| Structured Type Constraint |                                |          |
|----------------------------|--------------------------------|----------|
| <b>Constraint Name:</b>    | SI3RestOctetDef                |          |
| <b>Structured Type:</b>    | SI3RO                          |          |
| <b>Derivation Path:</b>    |                                |          |
| <b>Comments:</b>           | Default value for L 3 testing. |          |
| Element Name               | Element Value                  | Comments |
| pi                         | '0'B                           |          |
| cbq                        | '0'B                           |          |
| cro                        | '101011'B                      |          |
| to                         | '001'B                         |          |
| pt                         | '01011'B                       |          |
| poi                        | '0'B                           |          |
| po                         | '01'B                          |          |
| ti                         | '0'B                           |          |
| ecsc                       | '1'B                           |          |
| spr1                       | '011'B                         |          |
| spr2                       | '00101011'B                    |          |
| <b>Detailed Comments:</b>  |                                |          |

| Structured Type Constraint |                                |          |
|----------------------------|--------------------------------|----------|
| <b>Constraint Name:</b>    | SI4RestOctetDef                |          |
| <b>Structured Type:</b>    | SI4RO                          |          |
| <b>Derivation Path:</b>    |                                |          |
| <b>Comments:</b>           | Default value for L 3 testing. |          |
| Element Name               | Element Value                  | Comments |
| pi                         | '0'B                           |          |
| cbq                        | '0'B                           |          |
| cro                        | '101011'B                      |          |
| to                         | '001'B                         |          |
| pt                         | '01011'B                       |          |
| poi                        | '0'B                           |          |
| po                         | '01'B                          |          |
| spr1                       | '01011'B                       |          |
| spr2                       | '00101011'B                    |          |
| spr3                       | '00101011'B                    |          |
| spr4                       | '00101011'B                    |          |
| spr5                       | '00101011'B                    |          |
| spr6                       | '00101011'B                    |          |
| spr7                       | '00101011'B                    |          |
| spr8                       | '00101011'B                    |          |
| <b>Detailed Comments:</b>  |                                |          |

| Structured Type Constraint |                                        |          |
|----------------------------|----------------------------------------|----------|
| <b>Constraint Name:</b>    | SI4RestOctet_CBMS                      |          |
| <b>Structured Type:</b>    | SI4RO                                  |          |
| <b>Derivation Path:</b>    |                                        |          |
| <b>Comments:</b>           | Rest octets for SMSCB SysInf4 message. |          |
| Element Name               | Element Value                          | Comments |
| pi                         | '0'B                                   |          |
| cbq                        | '0'B                                   |          |
| cro                        | '101011'B                              |          |
| to                         | '001'B                                 |          |
| pt                         | '01011'B                               |          |
| poi                        | '0'B                                   |          |
| po                         | '01'B                                  |          |
| spr1                       | '01011'B                               |          |
| spr2                       | '00101011'B                            |          |
| spr3                       | -                                      |          |
| spr4                       | -                                      |          |
| spr5                       | -                                      |          |
| spr6                       | -                                      |          |
| spr7                       | -                                      |          |
| spr8                       | -                                      |          |
| <b>Detailed Comments:</b>  |                                        |          |

| Structured Type Constraint |                                       |          |
|----------------------------|---------------------------------------|----------|
| <b>Constraint Name:</b>    | Signal_01                             |          |
| <b>Structured Type:</b>    | SIGNAL                                |          |
| <b>Derivation Path:</b>    |                                       |          |
| <b>Comments:</b>           | signal value is arbitrarily selected. |          |
| Element Name               | Element Value                         | Comments |
| iei                        | '00110100'B                           |          |
| sigv                       | '00000000'B                           |          |
| <b>Detailed Comments:</b>  |                                       |          |

| Structured Type Constraint |                 |          |
|----------------------------|-----------------|----------|
| <b>Constraint Name:</b>    | StartingTm_omit |          |
| <b>Structured Type:</b>    | STRT            |          |
| <b>Derivation Path:</b>    |                 |          |
| <b>Comments:</b>           |                 |          |
| Element Name               | Element Value   | Comments |
| iei                        | -               |          |
| fn                         | -               |          |
| <b>Detailed Comments:</b>  |                 |          |

| Structured Type Constraint |                          |          |
|----------------------------|--------------------------|----------|
| <b>Constraint Name:</b>    | Synchi( rot:B_1; si:B_2) |          |
| <b>Structured Type:</b>    | SYNCHI                   |          |
| <b>Derivation Path:</b>    |                          |          |
| <b>Comments:</b>           |                          |          |
| Element Name               | Element Value            | Comments |
| iei                        | '1101'B                  |          |
| nci                        | '0'B                     |          |
| rot                        | rot                      |          |
| si                         | si                       |          |
| <b>Detailed Comments:</b>  |                          |          |

| Structured Type Constraint |               |          |
|----------------------------|---------------|----------|
| <b>Constraint Name:</b>    | Synchi_omit   |          |
| <b>Structured Type:</b>    | SYNCHI        |          |
| <b>Derivation Path:</b>    |               |          |
| <b>Comments:</b>           |               |          |
| Element Name               | Element Value | Comments |
| iei                        | -             |          |
| nci                        | -             |          |
| rot                        | -             |          |
| si                         | -             |          |
| <b>Detailed Comments:</b>  |               |          |

| Structured Type Constraint |                                      |          |
|----------------------------|--------------------------------------|----------|
| <b>Constraint Name:</b>    | TimingAdv( bits:INTEGER)             |          |
| <b>Structured Type:</b>    | TA                                   |          |
| <b>Derivation Path:</b>    |                                      |          |
| <b>Comments:</b>           | Time Advance value is parameterized. |          |
| Element Name               | Element Value                        | Comments |
| iei                        | -                                    |          |
| sprb                       | '00'B                                |          |
| value                      | INT_TO_BIT(bits, 6)                  |          |
| <b>Detailed Comments:</b>  |                                      |          |

| Structured Type Constraint |                                    |          |
|----------------------------|------------------------------------|----------|
| <b>Constraint Name:</b>    | TimingAdv_omit                     |          |
| <b>Structured Type:</b>    | TA                                 |          |
| <b>Derivation Path:</b>    |                                    |          |
| <b>Comments:</b>           | Time Advance value is pameterized. |          |
| Element Name               | Element Value                      | Comments |
| iei                        | -                                  |          |
| sprb                       | -                                  |          |
| value                      | -                                  |          |
| <b>Detailed Comments:</b>  |                                    |          |

| Structured Type Constraint |                                                                 |          |
|----------------------------|-----------------------------------------------------------------|----------|
| <b>Constraint Name:</b>    | TI_01                                                           |          |
| <b>Structured Type:</b>    | TI                                                              |          |
| <b>Derivation Path:</b>    |                                                                 |          |
| <b>Comments:</b>           | used by the MS in the transaction initiated by the test system. |          |
| Element Name               | Element Value                                                   | Comments |
| ti_f                       | '1'B                                                            |          |
| ti_v                       | '000'B                                                          |          |
| <b>Detailed Comments:</b>  |                                                                 |          |

| Structured Type Constraint |                                                                                  |          |
|----------------------------|----------------------------------------------------------------------------------|----------|
| <b>Constraint Name:</b>    | TI_02                                                                            |          |
| <b>Structured Type:</b>    | TI                                                                               |          |
| <b>Derivation Path:</b>    |                                                                                  |          |
| <b>Comments:</b>           | used in the messages sent to the MS in the transaction initiated by test system. |          |
| Element Name               | Element Value                                                                    | Comments |
| ti_f                       | '0'B                                                                             |          |
| ti_v                       | '000'B                                                                           |          |
| <b>Detailed Comments:</b>  |                                                                                  |          |

| Structured Type Constraint |                                                        |          |
|----------------------------|--------------------------------------------------------|----------|
| <b>Constraint Name:</b>    | TI_09                                                  |          |
| <b>Structured Type:</b>    | TI                                                     |          |
| <b>Derivation Path:</b>    |                                                        |          |
| <b>Comments:</b>           | used by the MS in the transaction initiated by the MS. |          |
| Element Name               | Element Value                                          | Comments |
| ti_f                       | '0'B                                                   |          |
| ti_v                       | ?                                                      |          |
| <b>Detailed Comments:</b>  |                                                        |          |

| Structured Type Constraint |                 |          |
|----------------------------|-----------------|----------|
| <b>Constraint Name:</b>    | UuInfo_omit     |          |
| <b>Structured Type:</b>    | UU              |          |
| <b>Derivation Path:</b>    |                 |          |
| <b>Comments:</b>           | Omitted UuInfo. |          |
| Element Name               | Element Value   | Comments |
| iei                        | -               |          |
| iel                        | -               |          |
| uupd                       | -               |          |
| uui                        | -               |          |
| <b>Detailed Comments:</b>  |                 |          |

| Structured Type Constraint |                      |          |
|----------------------------|----------------------|----------|
| <b>Constraint Name:</b>    | V22bisOrV26ter       |          |
| <b>Structured Type:</b>    | MODEMTYPE            |          |
| <b>Derivation Path:</b>    |                      |          |
| <b>Comments:</b>           |                      |          |
| Element Name               | Element Value        | Comments |
| V22bisOrV26ter             | ('00011'B, '00101'B) |          |
| <b>Detailed Comments:</b>  |                      |          |

### ASN1 type constraints

| ASN.1 Type Constraint Declaration |                             |            |
|-----------------------------------|-----------------------------|------------|
| <b>Constraint Name:</b>           | ActivateSS_01               |            |
| <b>ASN.1 Type:</b>                | Component                   |            |
| <b>Derivation Path:</b>           |                             |            |
| <b>Comments:</b>                  | CF all synchronous services |            |
| Constraint Value                  |                             |            |
| activateSSComponents              | activateSS_InvokeComp       | {          |
| ?,                                |                             | invokeID   |
| 12,                               |                             | localValue |
|                                   |                             | ss_ForBS   |
| {                                 |                             |            |
| ss_Code                           | '20'H,                      |            |
| basicService                      | bearerService               | '68'H      |
| }                                 |                             | }          |
| <b>Detailed Comments:</b>         |                             |            |

| ASN.1 Type Constraint Declaration |                        |            |
|-----------------------------------|------------------------|------------|
| <b>Constraint Name:</b>           | ActivateSS_02          |            |
| <b>ASN.1 Type:</b>                | Component              |            |
| <b>Derivation Path:</b>           |                        |            |
| <b>Comments:</b>                  | CFU all basic services |            |
| Constraint Value                  |                        |            |
| activateSSComponents              | activateSS_InvokeComp  | {          |
| ?,                                |                        | invokeID   |
| 12,                               |                        | localValue |
|                                   |                        | ss_ForBS   |
| {                                 |                        |            |
| ss_Code                           | '21'H                  |            |
| }                                 |                        | }          |
| <b>Detailed Comments:</b>         |                        |            |

| <b>ASN.1 Type Constraint Declaration</b> |                               |
|------------------------------------------|-------------------------------|
| <b>Constraint Name:</b>                  | ActivateSS_03                 |
| <b>ASN.1 Type:</b>                       | Component                     |
| <b>Derivation Path:</b>                  |                               |
| <b>Comments:</b>                         | BAOC all synchronous services |
| <b>Constraint Value</b>                  |                               |
| activateSSComponents                     | activateSS_InvokeComp         |
| ?,                                       | {                             |
| 12,                                      | invokeID                      |
|                                          | localValue                    |
|                                          | ss_ForBS                      |
| {                                        |                               |
| ss_Code                                  | '92'H,                        |
| basicService                             | bearerService                 |
|                                          | '68'H                         |
| }                                        | }                             |
| <b>Detailed Comments:</b>                |                               |

| <b>ASN.1 Type Constraint Declaration</b> |                       |
|------------------------------------------|-----------------------|
| <b>Constraint Name:</b>                  | ActivateSS_04         |
| <b>ASN.1 Type:</b>                       | Component             |
| <b>Derivation Path:</b>                  |                       |
| <b>Comments:</b>                         | BIC-Roam              |
| <b>Constraint Value</b>                  |                       |
| activateSSComponents                     | activateSS_InvokeComp |
| ?,                                       | {                     |
| 12,                                      | invokeID              |
|                                          | localValue            |
|                                          | ss_ForBS              |
| {                                        |                       |
| ss_Code                                  | '9B'H -- BIC-Roam     |
| }                                        | }                     |
| <b>Detailed Comments:</b>                |                       |

| <b>ASN.1 Type Constraint Declaration</b> |                       |
|------------------------------------------|-----------------------|
| <b>Constraint Name:</b>                  | ActivateSS_05         |
| <b>ASN.1 Type:</b>                       | Component             |
| <b>Derivation Path:</b>                  |                       |
| <b>Comments:</b>                         | BOIC                  |
| <b>Constraint Value</b>                  |                       |
| activateSSComponents                     | activateSS_InvokeComp |
| ?,                                       | {                     |
| 12,                                      | invokeID              |
|                                          | localValue            |
|                                          | ss_ForBS              |
| {                                        |                       |
| ss_Code                                  | '93'H                 |
| }                                        | }                     |
| <b>Detailed Comments:</b>                |                       |

| <b>ASN.1 Type Constraint Declaration</b> |                       |
|------------------------------------------|-----------------------|
| <b>Constraint Name:</b>                  | ActivateSS_06         |
| <b>ASN.1 Type:</b>                       | Component             |
| <b>Derivation Path:</b>                  |                       |
| <b>Comments:</b>                         | BAIC                  |
| <b>Constraint Value</b>                  |                       |
| activateSSComponents                     | activateSS_InvokeComp |
| ?,                                       | {                     |
| 12,                                      | invokeID              |
|                                          | localValue            |
|                                          | ss_ForBS              |
| {                                        |                       |
| ss_Code                                  | '9A'H                 |
| }                                        | }                     |
| <b>Detailed Comments:</b>                |                       |

| <b>ASN.1 Type Constraint Declaration</b> |                          |
|------------------------------------------|--------------------------|
| <b>Constraint Name:</b>                  | BldMptySS_01             |
| <b>ASN.1 Type:</b>                       | Component                |
| <b>Derivation Path:</b>                  |                          |
| <b>Comments:</b>                         | build multiparty request |
| <b>Constraint Value</b>                  |                          |
| buildMPTYComponents                      | buildMPTY_InvokeComp     |
| ?,                                       | {                        |
| 124                                      | invokeID                 |
|                                          | localValue               |
|                                          | }                        |
| <b>Detailed Comments:</b>                |                          |

| <b>ASN.1 Type Constraint Declaration</b> |                                                                              |
|------------------------------------------|------------------------------------------------------------------------------|
| <b>Constraint Name:</b>                  | Comps_01( comp:Component)                                                    |
| <b>ASN.1 Type:</b>                       | Components                                                                   |
| <b>Derivation Path:</b>                  |                                                                              |
| <b>Comments:</b>                         | A received FIE may contain several components, but at least contains "comp". |
| <b>Constraint Value</b>                  |                                                                              |
| SUPERSET( { comp } )                     |                                                                              |
| <b>Detailed Comments:</b>                |                                                                              |

| <b>ASN.1 Type Constraint Declaration</b>                                   |                                                     |
|----------------------------------------------------------------------------|-----------------------------------------------------|
| <b>Constraint Name:</b>                                                    | DeactivateSS_01                                     |
| <b>ASN.1 Type:</b>                                                         | Component                                           |
| <b>Derivation Path:</b>                                                    |                                                     |
| <b>Comments:</b>                                                           | CFC for speech                                      |
| <b>Constraint Value</b>                                                    |                                                     |
| deactivateSSComponents                                                     | deactivateSS_InvokeComp                             |
| <pre> ?, 13, { ss_Code      '28'H, basicService teleservice '10'H } </pre> | <pre> {   invokeID   localValue   ss_ForBS } </pre> |
| <b>Detailed Comments:</b>                                                  |                                                     |

| <b>ASN.1 Type Constraint Declaration</b>                                   |                                                     |
|----------------------------------------------------------------------------|-----------------------------------------------------|
| <b>Constraint Name:</b>                                                    | DeactivateSS_02                                     |
| <b>ASN.1 Type:</b>                                                         | Component                                           |
| <b>Derivation Path:</b>                                                    |                                                     |
| <b>Comments:</b>                                                           | CFNRc for all facsimile                             |
| <b>Constraint Value</b>                                                    |                                                     |
| deactivateSSComponents                                                     | deactivateSS_InvokeComp                             |
| <pre> ?, 13, { ss_Code      '2B'H, basicService teleservice '60'H } </pre> | <pre> {   invokeID   localValue   ss_ForBS } </pre> |
| <b>Detailed Comments:</b>                                                  |                                                     |



| <b>ASN.1 Type Constraint Declaration</b> |                          |
|------------------------------------------|--------------------------|
| <b>Constraint Name:</b>                  | DeactivateSS_03          |
| <b>ASN.1 Type:</b>                       | Component                |
| <b>Derivation Path:</b>                  |                          |
| <b>Comments:</b>                         | deactivation for barring |
| <b>Constraint Value</b>                  |                          |
| deactivateSSComponents                   | deactivateSS_InvokeComp  |
| ?,                                       | {                        |
| 13,                                      | invokeID                 |
|                                          | localValue               |
|                                          | ss_ForBS                 |
| {                                        |                          |
| ss_Code       '90'H,                     |                          |
| basicService   teleservice   '10'H       |                          |
| }                                        | }                        |
| <b>Detailed Comments:</b>                |                          |

| <b>ASN.1 Type Constraint Declaration</b> |                                            |
|------------------------------------------|--------------------------------------------|
| <b>Constraint Name:</b>                  | DeactivateSS_04                            |
| <b>ASN.1 Type:</b>                       | Component                                  |
| <b>Derivation Path:</b>                  |                                            |
| <b>Comments:</b>                         | deactivation for barring of outgoing calls |
| <b>Constraint Value</b>                  |                                            |
| deactivateSSComponents                   | deactivateSS_InvokeComp                    |
| ?,                                       | {                                          |
| 13,                                      | invokeID                                   |
|                                          | localValue                                 |
|                                          | ss_ForBS                                   |
| {                                        |                                            |
| ss_Code       '91'H,                     |                                            |
| basicService   teleservice   '60'H       |                                            |
| }                                        | }                                          |
| <b>Detailed Comments:</b>                |                                            |

| <b>ASN.1 Type Constraint Declaration</b> |                                            |
|------------------------------------------|--------------------------------------------|
| <b>Constraint Name:</b>                  | DeactivateSS_05                            |
| <b>ASN.1 Type:</b>                       | Component                                  |
| <b>Derivation Path:</b>                  |                                            |
| <b>Comments:</b>                         | deactivation for barring of incoming calls |
| <b>Constraint Value</b>                  |                                            |
| deactivateSSComponents                   | deactivateSS_InvokeComp                    |
| ?,                                       | {                                          |
| 13,                                      | invokeID                                   |
|                                          | localValue                                 |
|                                          | ss_ForBS                                   |
| {                                        |                                            |
| ss_Code       '99'H                      |                                            |
| }                                        | }                                          |
| <b>Detailed Comments:</b>                |                                            |

| <b>ASN.1 Type Constraint Declaration</b>   |                                                     |
|--------------------------------------------|-----------------------------------------------------|
| <b>Constraint Name:</b>                    | DeactivateSS_06                                     |
| <b>ASN.1 Type:</b>                         | Component                                           |
| <b>Derivation Path:</b>                    |                                                     |
| <b>Comments:</b>                           | deactivation for BOICExHC                           |
| <b>Constraint Value</b>                    |                                                     |
| deactivateSSComponents                     | deactivateSS_InvokeComp                             |
| <pre> ?, 13, { ss_Code      '94'H } </pre> | <pre> {   invokeID   localValue   ss_ForBS } </pre> |
| <b>Detailed Comments:</b>                  |                                                     |

| <b>ASN.1 Type Constraint Declaration</b>                                   |                                                     |
|----------------------------------------------------------------------------|-----------------------------------------------------|
| <b>Constraint Name:</b>                                                    | EraseSS_01                                          |
| <b>ASN.1 Type:</b>                                                         | Component                                           |
| <b>Derivation Path:</b>                                                    |                                                     |
| <b>Comments:</b>                                                           | CFC for all facsimile                               |
| <b>Constraint Value</b>                                                    |                                                     |
| eraseSSComponents                                                          | eraseSS_InvokeComp                                  |
| <pre> ?, 11, { ss_Code      '28'H, basicService teleservice '60'H } </pre> | <pre> {   invokeID   localValue   ss_ForBS } </pre> |
| <b>Detailed Comments:</b>                                                  |                                                     |

| <b>ASN.1 Type Constraint Declaration</b>   |                                                     |
|--------------------------------------------|-----------------------------------------------------|
| <b>Constraint Name:</b>                    | EraseSS_02                                          |
| <b>ASN.1 Type:</b>                         | Component                                           |
| <b>Derivation Path:</b>                    |                                                     |
| <b>Comments:</b>                           | CFNRc for all basic services                        |
| <b>Constraint Value</b>                    |                                                     |
| eraseSSComponents                          | eraseSS_InvokeComp                                  |
| <pre> ?, 11, { ss_Code      '2B'H } </pre> | <pre> {   invokeID   localValue   ss_ForBS } </pre> |
| <b>Detailed Comments:</b>                  |                                                     |

| <b>ASN.1 Type Constraint Declaration</b>                                       |                                                     |
|--------------------------------------------------------------------------------|-----------------------------------------------------|
| <b>Constraint Name:</b>                                                        | EraseSS_03                                          |
| <b>ASN.1 Type:</b>                                                             | Component                                           |
| <b>Derivation Path:</b>                                                        |                                                     |
| <b>Comments:</b>                                                               | CFU for speech                                      |
| <b>Constraint Value</b>                                                        |                                                     |
| eraseSSComponents                                                              | eraseSS_InvokeComp                                  |
| <pre> ?, 11, {   ss_Code      '21'H,   basicService teleservice '10'H } </pre> | <pre> {   invokeID   localValue   ss_ForBS } </pre> |
| <b>Detailed Comments:</b>                                                      |                                                     |

| <b>ASN.1 Type Constraint Declaration</b>                                       |                                                     |
|--------------------------------------------------------------------------------|-----------------------------------------------------|
| <b>Constraint Name:</b>                                                        | EraseSS_04                                          |
| <b>ASN.1 Type:</b>                                                             | Component                                           |
| <b>Derivation Path:</b>                                                        |                                                     |
| <b>Comments:</b>                                                               | CFNRy for all facsimile                             |
| <b>Constraint Value</b>                                                        |                                                     |
| eraseSSComponents                                                              | eraseSS_InvokeComp                                  |
| <pre> ?, 11, {   ss_Code      '2A'H,   basicService teleservice '60'H } </pre> | <pre> {   invokeID   localValue   ss_ForBS } </pre> |
| <b>Detailed Comments:</b>                                                      |                                                     |

| <b>ASN.1 Type Constraint Declaration</b> |                                      |
|------------------------------------------|--------------------------------------|
| <b>Constraint Name:</b>                  | FwdChAdvRslt_01                      |
| <b>ASN.1 Type:</b>                       | Component                            |
| <b>Derivation Path:</b>                  |                                      |
| <b>Comments:</b>                         |                                      |
| <b>Constraint Value</b>                  |                                      |
| forwardChargeAdviceComponents            | forwardChargeAdvice_ReturnResultComp |
| <pre> { 0, * } </pre>                    | <pre> {   invokeID   result } </pre> |
| <b>Detailed Comments:</b>                |                                      |

| <b>ASN.1 Type Constraint Declaration</b> |                              |
|------------------------------------------|------------------------------|
| <b>Constraint Name:</b>                  | GetPasswdRslt_01             |
| <b>ASN.1 Type:</b>                       | Component                    |
| <b>Derivation Path:</b>                  |                              |
| <b>Comments:</b>                         |                              |
| <b>Constraint Value</b>                  |                              |
| getPasswordComponents                    | getPassword_ReturnResultComp |
| 0,                                       | { invokeID                   |
|                                          | result {                     |
| localValue 18,                           |                              |
| currentPassword "1234"                   | }                            |
|                                          | }                            |
| <b>Detailed Comments:</b>                |                              |

| <b>ASN.1 Type Constraint Declaration</b> |                              |
|------------------------------------------|------------------------------|
| <b>Constraint Name:</b>                  | GetPasswdRslt_02             |
| <b>ASN.1 Type:</b>                       | Component                    |
| <b>Derivation Path:</b>                  |                              |
| <b>Comments:</b>                         |                              |
| <b>Constraint Value</b>                  |                              |
| getPasswordComponents                    | getPassword_ReturnResultComp |
| 0,                                       | { invokeID                   |
|                                          | result {                     |
| localValue 18,                           |                              |
| currentPassword "9876"                   | }                            |
|                                          | }                            |
| <b>Detailed Comments:</b>                |                              |

| <b>ASN.1 Type Constraint Declaration</b> |                              |
|------------------------------------------|------------------------------|
| <b>Constraint Name:</b>                  | GetPasswdRslt_03             |
| <b>ASN.1 Type:</b>                       | Component                    |
| <b>Derivation Path:</b>                  |                              |
| <b>Comments:</b>                         |                              |
| <b>Constraint Value</b>                  |                              |
| getPasswordComponents                    | getPassword_ReturnResultComp |
| 0,                                       | { invokeID                   |
|                                          | result {                     |
| localValue 18,                           |                              |
| currentPassword "9877"                   | }                            |
|                                          | }                            |
| <b>Detailed Comments:</b>                |                              |

| <b>ASN.1 Type Constraint Declaration</b> |                                                                                                                                                                 |
|------------------------------------------|-----------------------------------------------------------------------------------------------------------------------------------------------------------------|
| <b>Constraint Name:</b>                  | InterrogateSS_01                                                                                                                                                |
| <b>ASN.1 Type:</b>                       | Component                                                                                                                                                       |
| <b>Derivation Path:</b>                  |                                                                                                                                                                 |
| <b>Comments:</b>                         | CFB for all basic services                                                                                                                                      |
| <b>Constraint Value</b>                  |                                                                                                                                                                 |
| interrogateSSComponents                  | interrogateSS_InvokeComp {<br>invokeID                   ?,<br>localValue                14,<br>ss_ForBS                 {<br>ss_Code           '29'H<br>}<br>} |
| <b>Detailed Comments:</b>                |                                                                                                                                                                 |

| <b>ASN.1 Type Constraint Declaration</b> |                                                                                                                                                 |
|------------------------------------------|-------------------------------------------------------------------------------------------------------------------------------------------------|
| <b>Constraint Name:</b>                  | InterrogateSS_02                                                                                                                                |
| <b>ASN.1 Type:</b>                       | Component                                                                                                                                       |
| <b>Derivation Path:</b>                  |                                                                                                                                                 |
| <b>Comments:</b>                         | CFNRy for Speech                                                                                                                                |
| <b>Constraint Value</b>                  |                                                                                                                                                 |
| interrogateSSComponents                  | interrogateSS_InvokeComp {<br>invokeID<br>localValue<br>ss_ForBS<br>ss_Code           '2A'H, --CNFRy<br>basicService   teleservice   '10'H<br>} |
| <b>Detailed Comments:</b>                |                                                                                                                                                 |

| <b>ASN.1 Type Constraint Declaration</b> |                                                                                                  |
|------------------------------------------|--------------------------------------------------------------------------------------------------|
| <b>Constraint Name:</b>                  | InterrogateSS_03                                                                                 |
| <b>ASN.1 Type:</b>                       | Component                                                                                        |
| <b>Derivation Path:</b>                  |                                                                                                  |
| <b>Comments:</b>                         | CFNRc for all basic services                                                                     |
| <b>Constraint Value</b>                  |                                                                                                  |
| interrogateSSComponents                  | interrogateSS_InvokeComp {<br>invokeID<br>localValue<br>ss_ForBS<br>ss_Code           '2B'H<br>} |
| <b>Detailed Comments:</b>                |                                                                                                  |

| <b>ASN.1 Type Constraint Declaration</b> |                          |
|------------------------------------------|--------------------------|
| <b>Constraint Name:</b>                  | InterrogateSS_04         |
| <b>ASN.1 Type:</b>                       | Component                |
| <b>Derivation Path:</b>                  |                          |
| <b>Comments:</b>                         | CFB for all facsimile    |
| <b>Constraint Value</b>                  |                          |
| interrogateSSComponents                  | interrogateSS_InvokeComp |
| ?,                                       | {                        |
| 14,                                      | invokeID                 |
|                                          | localValue               |
|                                          | ss_ForBS                 |
| {                                        |                          |
| ss_Code       '29'H,                     |                          |
| basicService   teleservice   '60'H       |                          |
| }                                        | }                        |
| <b>Detailed Comments:</b>                |                          |

| <b>ASN.1 Type Constraint Declaration</b> |                          |
|------------------------------------------|--------------------------|
| <b>Constraint Name:</b>                  | InterrogateSS_05         |
| <b>ASN.1 Type:</b>                       | Component                |
| <b>Derivation Path:</b>                  |                          |
| <b>Comments:</b>                         | BICRoam                  |
| <b>Constraint Value</b>                  |                          |
| interrogateSSComponents                  | interrogateSS_InvokeComp |
| ?,                                       | {                        |
| 14,                                      | invokeID                 |
|                                          | localValue               |
|                                          | ss_ForBS                 |
| {                                        |                          |
| ss_Code       '9B'H                      |                          |
| }                                        | }                        |
| <b>Detailed Comments:</b>                |                          |

| <b>ASN.1 Type Constraint Declaration</b> |                          |
|------------------------------------------|--------------------------|
| <b>Constraint Name:</b>                  | InterrogateSS_06         |
| <b>ASN.1 Type:</b>                       | Component                |
| <b>Derivation Path:</b>                  |                          |
| <b>Comments:</b>                         | BOIC                     |
| <b>Constraint Value</b>                  |                          |
| interrogateSSComponents                  | interrogateSS_InvokeComp |
| ?,                                       | {                        |
| 14,                                      | invokeID                 |
|                                          | localValue               |
|                                          | ss_ForBS                 |
| {                                        |                          |
| ss_Code       '93'H                      |                          |
| }                                        | }                        |
| <b>Detailed Comments:</b>                |                          |

| <b>ASN.1 Type Constraint Declaration</b> |                          |
|------------------------------------------|--------------------------|
| <b>Constraint Name:</b>                  | InterrogateSS_07         |
| <b>ASN.1 Type:</b>                       | Component                |
| <b>Derivation Path:</b>                  |                          |
| <b>Comments:</b>                         | BAIC                     |
| <b>Constraint Value</b>                  |                          |
| interrogateSSComponents                  | interrogateSS_InvokeComp |
| ?,                                       | {                        |
| 14,                                      | invokeID                 |
|                                          | localValue               |
|                                          | ss_ForBS                 |
| {                                        |                          |
| ss_Code                                  | '9A'H                    |
| }                                        | }                        |
| <b>Detailed Comments:</b>                |                          |

| <b>ASN.1 Type Constraint Declaration</b> |                          |
|------------------------------------------|--------------------------|
| <b>Constraint Name:</b>                  | InterrogateSS_08         |
| <b>ASN.1 Type:</b>                       | Component                |
| <b>Derivation Path:</b>                  |                          |
| <b>Comments:</b>                         | BOICExHC                 |
| <b>Constraint Value</b>                  |                          |
| interrogateSSComponents                  | interrogateSS_InvokeComp |
| ?,                                       | {                        |
| 14,                                      | invokeID                 |
|                                          | localValue               |
|                                          | ss_ForBS                 |
| {                                        |                          |
| ss_Code                                  | '94'H                    |
| }                                        | }                        |
| <b>Detailed Comments:</b>                |                          |

| <b>ASN.1 Type Constraint Declaration</b> |                                        |
|------------------------------------------|----------------------------------------|
| <b>Constraint Name:</b>                  | NotificationSS_07(Invkid: OCTETSTRING) |
| <b>ASN.1 Type:</b>                       | Component                              |
| <b>Derivation Path:</b>                  |                                        |
| <b>Comments:</b>                         |                                        |
| <b>Constraint Value</b>                  |                                        |
| unstructuredSSNotifyComponents           | unstructuredSSNotify_ReturnResultComp  |
| OC_OctToInvokeIDType(Invkid),            | {                                      |
|                                          | invokeID                               |
|                                          | result                                 |
|                                          | {                                      |
| localValue                               | 61                                     |
|                                          | }                                      |
|                                          | }                                      |
| <b>Detailed Comments:</b>                |                                        |

| <b>ASN.1 Type Constraint Declaration</b> |                                        |
|------------------------------------------|----------------------------------------|
| <b>Constraint Name:</b>                  | NotificationSS_09(Invkid: OCTETSTRING) |
| <b>ASN.1 Type:</b>                       | Component                              |
| <b>Derivation Path:</b>                  |                                        |
| <b>Comments:</b>                         |                                        |
| <b>Constraint Value</b>                  |                                        |
| unstructuredSSNotifyComponents           | unstructuredSSNotify_ReturnErrorComp   |
|                                          | errorCodes                             |
|                                          | {                                      |
| OC_OctToInvokeIDType(Invkid),            | invokeID                               |
| ussd_Busy                                | errorCode                              |
|                                          | }                                      |
| <b>Detailed Comments:</b>                |                                        |

| <b>ASN.1 Type Constraint Declaration</b> |                                               |
|------------------------------------------|-----------------------------------------------|
| <b>Constraint Name:</b>                  | RegisterSS_01                                 |
| <b>ASN.1 Type:</b>                       | Component                                     |
| <b>Derivation Path:</b>                  |                                               |
| <b>Comments:</b>                         | CFNRy Speech                                  |
| <b>Constraint Value</b>                  |                                               |
| registerSSComponents                     | registerSS_InvokeComp {                       |
| invokeID                                 | ?,                                            |
| localValue                               | 10,                                           |
| registerSS_Arg {                         |                                               |
| ss_Code                                  | '2A'H,                                        |
| basicService teleservice                 | '10'H,                                        |
| forwardedToNumber                        | '8100342143'H,                                |
|                                          | -- Unknown Number/ISDN telephony + '00431234' |
| noReplyConditionTime                     | 5                                             |
| }                                        | }                                             |
| }                                        | }                                             |
| <b>Detailed Comments:</b>                |                                               |

| <b>ASN.1 Type Constraint Declaration</b> |                                               |
|------------------------------------------|-----------------------------------------------|
| <b>Constraint Name:</b>                  | RegisterSS_02                                 |
| <b>ASN.1 Type:</b>                       | Component                                     |
| <b>Derivation Path:</b>                  |                                               |
| <b>Comments:</b>                         | CFU                                           |
| <b>Constraint Value</b>                  |                                               |
| registerSSComponents                     | registerSS_InvokeComp {                       |
| invokeID                                 | ?,                                            |
| localValue                               | 10,                                           |
| registerSS_Arg {                         |                                               |
| ss_Code                                  | '21'H,                                        |
| basicService teleservice                 | '60'H,                                        |
| forwardedToNumber                        | '8100342143'H                                 |
|                                          | -- Unknown Number/ISDN telephony + '00431234' |
| }                                        | }                                             |
| }                                        | }                                             |
| <b>Detailed Comments:</b>                |                                               |



| <b>ASN.1 Type Constraint Declaration</b> |                                               |
|------------------------------------------|-----------------------------------------------|
| <b>Constraint Name:</b>                  | RegisterSS_03                                 |
| <b>ASN.1 Type:</b>                       | Component                                     |
| <b>Derivation Path:</b>                  |                                               |
| <b>Comments:</b>                         | CFB                                           |
| <b>Constraint Value</b>                  |                                               |
| registerSSComponents                     | registerSS_InvokeComp {                       |
| invokeID                                 | ?,                                            |
| localValue                               | 10,                                           |
| registerSS_Arg                           | {                                             |
| ss_Code                                  | '29'H,                                        |
| basicService                             | bearerService                                 |
|                                          | '60'H,                                        |
| forwardedToNumber                        | '8100342143'H                                 |
|                                          | -- Unknown Number/ISDN telephony + '00431234' |
|                                          | }                                             |
|                                          | }                                             |
| <b>Detailed Comments:</b>                |                                               |

| <b>ASN.1 Type Constraint Declaration</b> |                                               |
|------------------------------------------|-----------------------------------------------|
| <b>Constraint Name:</b>                  | RegisterSS_04                                 |
| <b>ASN.1 Type:</b>                       | Component                                     |
| <b>Derivation Path:</b>                  |                                               |
| <b>Comments:</b>                         | CF for all facsimile                          |
| <b>Constraint Value</b>                  |                                               |
| registerSSComponents                     | registerSS_InvokeComp {                       |
| invokeID                                 | ?,                                            |
| localValue                               | 10,                                           |
| registerSS_Arg                           | {                                             |
| ss_Code                                  | '20'H,                                        |
| basicService                             | teleservice                                   |
|                                          | '60'H,                                        |
| forwardedToNumber                        | '8100342143'H                                 |
|                                          | -- Unknown Number/ISDN telephony + '00431234' |
|                                          | }                                             |
|                                          | }                                             |
| <b>Detailed Comments:</b>                |                                               |

| <b>ASN.1 Type Constraint Declaration</b> |                                |
|------------------------------------------|--------------------------------|
| <b>Constraint Name:</b>                  | RegPasswdSS_01                 |
| <b>ASN.1 Type:</b>                       | Component                      |
| <b>Derivation Path:</b>                  |                                |
| <b>Comments:</b>                         | All call restriction services. |
| <b>Constraint Value</b>                  |                                |
| registerPasswordComponents               | registerPassword_InvokeComp    |
| ?                                        | {                              |
| 17,                                      | invokeID                       |
| '90'H                                    | localValue                     |
|                                          | ss_Code                        |
|                                          | }                              |
| <b>Detailed Comments:</b>                |                                |

| <b>ASN.1 Type Constraint Declaration</b> |                                          |
|------------------------------------------|------------------------------------------|
| <b>Constraint Name:</b>                  | ProcessUSSData_01(ussdString: IA5String) |
| <b>ASN.1 Type:</b>                       | Component                                |
| <b>Derivation Path:</b>                  |                                          |
| <b>Comments:</b>                         |                                          |
| <b>Constraint Value</b>                  |                                          |
| processUnstructuredSSDataComponents      | processUnstructuredSSData_InvokeComp     |
| ?,                                       | {                                        |
| 19,                                      | invokeID                                 |
| ussdString                               | localValue                               |
|                                          | ss_UserData                              |
|                                          | }                                        |
| <b>Detailed Comments:</b>                |                                          |

| <b>ASN.1 Type Constraint Declaration</b>      |                                         |
|-----------------------------------------------|-----------------------------------------|
| <b>Constraint Name:</b>                       | ProcessUSSReq_01(ussdString: IA5String) |
| <b>ASN.1 Type:</b>                            | Component                               |
| <b>Derivation Path:</b>                       |                                         |
| <b>Comments:</b>                              |                                         |
| <b>Constraint Value</b>                       |                                         |
| processUnstructuredSSRequestComponents        | processUnstructuredSSRequest_InvokeComp |
| ?,                                            | {                                       |
| 59,                                           | invokeID                                |
|                                               | localValue                              |
|                                               | ussd_Arg                                |
| {                                             |                                         |
| ussd_DataCodingScheme 'F0'0,                  |                                         |
| ussd_String OC_CodingOfUssdString(ussdString) |                                         |
| }                                             | }                                       |
| <b>Detailed Comments:</b>                     |                                         |

| <b>ASN.1 Type Constraint Declaration</b>      |                                                         |
|-----------------------------------------------|---------------------------------------------------------|
| <b>Constraint Name:</b>                       | USSDReq_04( Invkid :OCTETSTRING; ussdString: IA5String) |
| <b>ASN.1 Type:</b>                            | Component                                               |
| <b>Derivation Path:</b>                       |                                                         |
| <b>Comments:</b>                              | ReturnResult for Unstructured SS request                |
| <b>Constraint Value</b>                       |                                                         |
| unstructuredSSRequestComponents               | unstructuredSSRequest_ReturnResultComp                  |
| OC_OctToInvokeIDType( Invkid) ,               | {                                                       |
| localValue 60 ,                               | invokeID                                                |
| ussd_Res                                      | result                                                  |
| {                                             | {                                                       |
| ussd_DataCodingScheme 'F0'0,                  |                                                         |
| ussd_String OC_CodingOfUssdString(ussdString) |                                                         |
| }                                             | }                                                       |
|                                               | }                                                       |
|                                               | }                                                       |
| <b>Detailed Comments:</b>                     |                                                         |

| <b>ASN.1 Type Constraint Declaration</b> |                                                                       |
|------------------------------------------|-----------------------------------------------------------------------|
| <b>Constraint Name:</b>                  | USSDReq_05( Invkid :OCTETSTRING)                                      |
| <b>ASN.1 Type:</b>                       | Component                                                             |
| <b>Derivation Path:</b>                  |                                                                       |
| <b>Comments:</b>                         | Return Error for UnstructuredSS-Request with the error code USSD Busy |
| <b>Constraint Value</b>                  |                                                                       |
| unstructuredSSRequestComponents          | unstructuredSSRequest_ReturnErrorComp<br>errorCodes                   |
| OC_OctToInvokeIDType( Invkid) ,          | {<br>invokeID                                                         |
| ussd_Busy                                | errorCode<br>}                                                        |
| <b>Detailed Comments:</b>                |                                                                       |

**ASP constraint declarations****TTCN ASP constraint declarations**

| <b>ASP Constraint Declaration</b> |                                |          |
|-----------------------------------|--------------------------------|----------|
| <b>Constraint Name:</b>           | AlertRcv(pdu: ALERT_PDU)       |          |
| <b>ASP Type:</b>                  | DL_DatInAlert                  |          |
| <b>Derivation Path:</b>           |                                |          |
| <b>Comments:</b>                  | To receive an ALERTING message |          |
| Parameter Name                    | Parameter Value                | Comments |
| sapi                              | C_Sap0                         |          |
| logic_ch                          | ?                              |          |
| msg                               | pdu                            |          |
| fn                                | ?                              |          |
| <b>Detailed Comments:</b>         |                                |          |

| <b>ASP Constraint Declaration</b> |                                       |          |
|-----------------------------------|---------------------------------------|----------|
| <b>Constraint Name:</b>           | AlertSnd( ch:LOGICCH; pdu: ALERT_PDU) |          |
| <b>ASP Type:</b>                  | DL_DatRqAlert                         |          |
| <b>Derivation Path:</b>           |                                       |          |
| <b>Comments:</b>                  | To send an ALERTING message           |          |
| Parameter Name                    | Parameter Value                       | Comments |
| sapi                              | C_Sap0                                |          |
| logic_ch                          | ch                                    |          |
| msg                               | pdu                                   |          |
| <b>Detailed Comments:</b>         |                                       |          |

| <b>ASP Constraint Declaration</b> |                                                                            |          |
|-----------------------------------|----------------------------------------------------------------------------|----------|
| <b>Constraint Name:</b>           | AssCmd(ch:LOGICCH; pdu: ASS_CMD_PDU)                                       |          |
| <b>ASP Type:</b>                  | DL_DatRqAssCmd                                                             |          |
| <b>Derivation Path:</b>           |                                                                            |          |
| <b>Comments:</b>                  | To send an ASSIGNMENT COMMAND message which is assigned in send statement. |          |
| Parameter Name                    | Parameter Value                                                            | Comments |
| sapi                              | C_Sap0                                                                     |          |
| logic_ch                          | ch                                                                         |          |
| msg                               | pdu                                                                        |          |
| <b>Detailed Comments:</b>         |                                                                            |          |

| ASP Constraint Declaration |                                                   |          |
|----------------------------|---------------------------------------------------|----------|
| <b>Constraint Name:</b>    | AssCmp(ch:LOGICCH; pdu:ASS_COM_PDU)               |          |
| <b>ASP Type:</b>           | DL_DatInAssCom                                    |          |
| <b>Derivation Path:</b>    |                                                   |          |
| <b>Comments:</b>           | To match any received ASSIGNMENT COMPLETE message |          |
| Parameter Name             | Parameter Value                                   | Comments |
| sapi                       | C_Sap0                                            |          |
| logic_ch                   | ch                                                |          |
| msg                        | pdu                                               |          |
| fn                         | ?                                                 |          |
| <b>Detailed Comments:</b>  |                                                   |          |

| ASP Constraint Declaration |                            |          |
|----------------------------|----------------------------|----------|
| <b>Constraint Name:</b>    | AssFl_any_cau(ch: LOGICCH) |          |
| <b>ASP Type:</b>           | DL_DatInAssfl              |          |
| <b>Derivation Path:</b>    |                            |          |
| <b>Comments:</b>           |                            |          |
| Parameter Name             | Parameter Value            | Comments |
| sapi                       | C_Sap0                     |          |
| logic_ch                   | ch                         |          |
| msg                        | AssgnFl_01                 |          |
| fn                         | ?                          |          |
| <b>Detailed Comments:</b>  |                            |          |

| ASP Constraint Declaration |                                                                |          |
|----------------------------|----------------------------------------------------------------|----------|
| <b>Constraint Name:</b>    | AuthReq(ch: LOGICCH; pdu: AUTH_RQ_PDU)                         |          |
| <b>ASP Type:</b>           | DL_DatRqAuthRq                                                 |          |
| <b>Derivation Path:</b>    |                                                                |          |
| <b>Comments:</b>           | To send an AUTHENTICATION REQUEST message with default values. |          |
| Parameter Name             | Parameter Value                                                | Comments |
| sapi                       | C_Sap0                                                         |          |
| logic_ch                   | ch                                                             |          |
| msg                        | pdu                                                            |          |
| <b>Detailed Comments:</b>  |                                                                |          |

| ASP Constraint Declaration |                                                                                |          |
|----------------------------|--------------------------------------------------------------------------------|----------|
| <b>Constraint Name:</b>    | AuthRes(pdu: AUTH_RES_PDU)                                                     |          |
| <b>ASP Type:</b>           | DL_DatInAuthRes                                                                |          |
| <b>Derivation Path:</b>    |                                                                                |          |
| <b>Comments:</b>           | To match any received AUTHENTICATION RESPONSE message which contains any SRES. |          |
| Parameter Name             | Parameter Value                                                                | Comments |
| sapi                       | C_Sap0                                                                         |          |
| logic_ch                   | ?                                                                              |          |
| msg                        | pdu                                                                            |          |
| fn                         | ?                                                                              |          |
| <b>Detailed Comments:</b>  |                                                                                |          |

| ASP Constraint Declaration |                                         |          |
|----------------------------|-----------------------------------------|----------|
| <b>Constraint Name:</b>    | CallCfm( pdu: CALL_CO_PDU)              |          |
| <b>ASP Type:</b>           | DL_DatInCallCo                          |          |
| <b>Derivation Path:</b>    |                                         |          |
| <b>Comments:</b>           | To receive a CC CALL CONFIRMED message. |          |
| Parameter Name             | Parameter Value                         | Comments |
| sapi                       | C_Sap0                                  |          |
| logic_ch                   | ?                                       |          |
| msg                        | pdu                                     |          |
| fn                         | ?                                       |          |
| <b>Detailed Comments:</b>  |                                         |          |

| ASP Constraint Declaration |                                           |          |
|----------------------------|-------------------------------------------|----------|
| <b>Constraint Name:</b>    | CallProc(ch: LOGICCH; pdu: CALL_PROC_PDU) |          |
| <b>ASP Type:</b>           | DL_DatRqCallProc                          |          |
| <b>Derivation Path:</b>    |                                           |          |
| <b>Comments:</b>           | To send a CALL PROCEEDING message.        |          |
| Parameter Name             | Parameter Value                           | Comments |
| sapi                       | C_Sap0                                    |          |
| logic_ch                   | ch                                        |          |
| msg                        | pdu                                       |          |
| <b>Detailed Comments:</b>  |                                           |          |

| ASP Constraint Declaration |                                            |          |
|----------------------------|--------------------------------------------|----------|
| <b>Constraint Name:</b>    | ChmmoAckRcv(ch:LOGICCH; msg:CHMMO_ACK_PDU) |          |
| <b>ASP Type:</b>           | DL_DatInChmmoAck                           |          |
| <b>Derivation Path:</b>    |                                            |          |
| <b>Comments:</b>           |                                            |          |
| Parameter Name             | Parameter Value                            | Comments |
| sapi                       | C_Sap0                                     |          |
| logic_ch                   | ch                                         |          |
| msg                        | msg                                        |          |
| fn                         | ?                                          |          |
| <b>Detailed Comments:</b>  |                                            |          |

| ASP Constraint Declaration |                                        |          |
|----------------------------|----------------------------------------|----------|
| <b>Constraint Name:</b>    | ChmmoReqSnd(ch:LOGICCH; msg:CHMMO_PDU) |          |
| <b>ASP Type:</b>           | DL_DatRqChmmo                          |          |
| <b>Derivation Path:</b>    |                                        |          |
| <b>Comments:</b>           |                                        |          |
| Parameter Name             | Parameter Value                        | Comments |
| sapi                       | C_Sap0                                 |          |
| logic_ch                   | ch                                     |          |
| msg                        | msg                                    |          |
| <b>Detailed Comments:</b>  |                                        |          |

| ASP Constraint Declaration |                                     |          |
|----------------------------|-------------------------------------|----------|
| <b>Constraint Name:</b>    | ChRel(ch: LOGICCH; pdu: CH_REL_PDU) |          |
| <b>ASP Type:</b>           | DL_DatRqChRel                       |          |
| <b>Derivation Path:</b>    |                                     |          |
| <b>Comments:</b>           | To send a CHANNEL RELEASE message.  |          |
| Parameter Name             | Parameter Value                     | Comments |
| sapi                       | C_Sap0                              |          |
| logic_ch                   | ch                                  |          |
| msg                        | pdu                                 |          |
| <b>Detailed Comments:</b>  |                                     |          |

| ASP Constraint Declaration |                                                              |          |
|----------------------------|--------------------------------------------------------------|----------|
| <b>Constraint Name:</b>    | ChReq(pdu: CH_RQ_PDU)                                        |          |
| <b>ASP Type:</b>           | DL_RacInChRq                                                 |          |
| <b>Derivation Path:</b>    |                                                              |          |
| <b>Comments:</b>           | To receive a primitive containing a CHANNEL REQUEST message. |          |
| Parameter Name             | Parameter Value                                              | Comments |
| sapi                       | C_Sap0                                                       |          |
| logic_ch                   | ?                                                            |          |
| fn                         | ?                                                            |          |
| msg                        | pdu                                                          |          |
| <b>Detailed Comments:</b>  |                                                              |          |

| ASP Constraint Declaration |                                          |          |
|----------------------------|------------------------------------------|----------|
| <b>Constraint Name:</b>    | CMSerReq(pdu: CMS_RQ_PDU)                |          |
| <b>ASP Type:</b>           | DL_EstInCmsRq                            |          |
| <b>Derivation Path:</b>    |                                          |          |
| <b>Comments:</b>           | To receive a CM SERVICE REQUEST message. |          |
| Parameter Name             | Parameter Value                          | Comments |
| sapi                       | C_Sap0                                   |          |
| logic_ch                   | ?                                        |          |
| establish_mode             | ?                                        |          |
| msg                        | pdu                                      |          |
| fn                         | ?                                        |          |
| <b>Detailed Comments:</b>  |                                          |          |

| ASP Constraint Declaration |                                          |          |
|----------------------------|------------------------------------------|----------|
| <b>Constraint Name:</b>    | ConnAckRcv(pdu: CONN_ACK_PDU)            |          |
| <b>ASP Type:</b>           | DL_DatInConnAck                          |          |
| <b>Derivation Path:</b>    |                                          |          |
| <b>Comments:</b>           | To receive a CONNECT ACKNOWLEDGE message |          |
| Parameter Name             | Parameter Value                          | Comments |
| sapi                       | C_Sap0                                   |          |
| logic_ch                   | ?                                        |          |
| msg                        | pdu                                      |          |
| fn                         | ?                                        |          |
| <b>Detailed Comments:</b>  |                                          |          |

| ASP Constraint Declaration |                                           |          |
|----------------------------|-------------------------------------------|----------|
| <b>Constraint Name:</b>    | ConnAckSnd(ch:LOGICCH; pdu: CONN_ACK_PDU) |          |
| <b>ASP Type:</b>           | DL_DatRqConnAck                           |          |
| <b>Derivation Path:</b>    |                                           |          |
| <b>Comments:</b>           | To send a CONNECT ACKNOWLEDGE message.    |          |
| Parameter Name             | Parameter Value                           | Comments |
| sapi                       | C_Sap0                                    |          |
| logic_ch                   | ch                                        |          |
| msg                        | pdu                                       |          |
| <b>Detailed Comments:</b>  |                                           |          |

| ASP Constraint Declaration |                                  |          |
|----------------------------|----------------------------------|----------|
| <b>Constraint Name:</b>    | ConnRcv(pdu: CONN_PDU)           |          |
| <b>ASP Type:</b>           | DL_DatInConn                     |          |
| <b>Derivation Path:</b>    |                                  |          |
| <b>Comments:</b>           | To receive a CC CONNECT message. |          |
| Parameter Name             | Parameter Value                  | Comments |
| sapi                       | C_Sap0                           |          |
| logic_ch                   | ?                                |          |
| msg                        | pdu                              |          |
| fn                         | ?                                |          |
| <b>Detailed Comments:</b>  |                                  |          |

| ASP Constraint Declaration |                                     |          |
|----------------------------|-------------------------------------|----------|
| <b>Constraint Name:</b>    | ConnSnd(ch: LOGICCH; pdu: CONN_PDU) |          |
| <b>ASP Type:</b>           | DL_DatRqConn                        |          |
| <b>Derivation Path:</b>    |                                     |          |
| <b>Comments:</b>           | To send a CC CONNECT message.       |          |
| Parameter Name             | Parameter Value                     | Comments |
| sapi                       | C_Sap0                              |          |
| logic_ch                   | ch                                  |          |
| msg                        | pdu                                 |          |
| <b>Detailed Comments:</b>  |                                     |          |

| ASP Constraint Declaration |                                           |          |
|----------------------------|-------------------------------------------|----------|
| <b>Constraint Name:</b>    | CphCmd(ch: LOGICCH; pdu: CPHM_CMD_PDU)    |          |
| <b>ASP Type:</b>           | DL_DatRqCphmCmd                           |          |
| <b>Derivation Path:</b>    |                                           |          |
| <b>Comments:</b>           | To send a CIPHERING MODE COMMAND message. |          |
| Parameter Name             | Parameter Value                           | Comments |
| sapi                       | C_Sap0                                    |          |
| logic_ch                   | ch                                        |          |
| msg                        | pdu                                       |          |
| <b>Detailed Comments:</b>  |                                           |          |

| ASP Constraint Declaration |                                               |          |
|----------------------------|-----------------------------------------------|----------|
| <b>Constraint Name:</b>    | CphCom(pdu: CPHM_COM_PDU)                     |          |
| <b>ASP Type:</b>           | DL_DatInCphmCom                               |          |
| <b>Derivation Path:</b>    |                                               |          |
| <b>Comments:</b>           | To receive a CIPHERING MODE COMPLETE message. |          |
| Parameter Name             | Parameter Value                               | Comments |
| sapi                       | C_Sap0                                        |          |
| logic_ch                   | ?                                             |          |
| msg                        | pdu                                           |          |
| fn                         | ?                                             |          |
| <b>Detailed Comments:</b>  |                                               |          |

| ASP Constraint Declaration |                                         |          |
|----------------------------|-----------------------------------------|----------|
| <b>Constraint Name:</b>    | DiscRcv(ch:LOGICCH; pdu: DISC_PDU)      |          |
| <b>ASP Type:</b>           | DL_DatInDisc                            |          |
| <b>Derivation Path:</b>    |                                         |          |
| <b>Comments:</b>           | To match a received DISCONNECT message. |          |
| Parameter Name             | Parameter Value                         | Comments |
| sapi                       | C_Sap0                                  |          |
| logic_ch                   | ch                                      |          |
| msg                        | pdu                                     |          |
| fn                         | ?                                       |          |
| <b>Detailed Comments:</b>  |                                         |          |

| ASP Constraint Declaration |                                    |          |
|----------------------------|------------------------------------|----------|
| <b>Constraint Name:</b>    | DiscSnd(ch:LOGICCH; pdu: DISC_PDU) |          |
| <b>ASP Type:</b>           | DL_DatRqDisc                       |          |
| <b>Derivation Path:</b>    |                                    |          |
| <b>Comments:</b>           | To send a DISCONNECT message.      |          |
| Parameter Name             | Parameter Value                    | Comments |
| sapi                       | C_Sap0                             |          |
| logic_ch                   | ch                                 |          |
| msg                        | pdu                                |          |
| <b>Detailed Comments:</b>  |                                    |          |

| ASP Constraint Declaration |                                                  |          |
|----------------------------|--------------------------------------------------|----------|
| <b>Constraint Name:</b>    | DLEstInd(ch :LOGICCH)                            |          |
| <b>ASP Type:</b>           | DL_EstIn                                         |          |
| <b>Derivation Path:</b>    |                                                  |          |
| <b>Comments:</b>           | Indication of a layer 2 connection establishment |          |
| Parameter Name             | Parameter Value                                  | Comments |
| sapi                       | C_Sap0                                           |          |
| logic_ch                   | ch                                               |          |
| establish_mode             | ?                                                |          |
| fn                         | ?                                                |          |
| <b>Detailed Comments:</b>  |                                                  |          |



| ASP Constraint Declaration |                                                                 |          |
|----------------------------|-----------------------------------------------------------------|----------|
| <b>Constraint Name:</b>    | DLRelInd_01                                                     |          |
| <b>ASP Type:</b>           | DL_Relln                                                        |          |
| <b>Derivation Path:</b>    |                                                                 |          |
| <b>Comments:</b>           | Layer 2 indication of the layer 2 connection has been released. |          |
| Parameter Name             | Parameter Value                                                 | Comments |
| sapi                       | C_Sap0                                                          |          |
| logic_ch                   | ?                                                               |          |
| release_mode               | ?                                                               |          |
| outstanding_indicator      | ?                                                               |          |
| fn                         | ?                                                               |          |
| <b>Detailed Comments:</b>  |                                                                 |          |

| ASP Constraint Declaration |                                                                 |          |
|----------------------------|-----------------------------------------------------------------|----------|
| <b>Constraint Name:</b>    | DLRelInd_02                                                     |          |
| <b>ASP Type:</b>           | DL_Relln                                                        |          |
| <b>Derivation Path:</b>    |                                                                 |          |
| <b>Comments:</b>           | Layer 2 indication of the layer 2 connection has been released. |          |
| Parameter Name             | Parameter Value                                                 | Comments |
| sapi                       | C_Sap0                                                          |          |
| logic_ch                   | ?                                                               |          |
| release_mode               | C_LocEndRel                                                     |          |
| outstanding_indicator      | ?                                                               |          |
| fn                         | ?                                                               |          |
| <b>Detailed Comments:</b>  |                                                                 |          |

| ASP Constraint Declaration |                                             |          |
|----------------------------|---------------------------------------------|----------|
| <b>Constraint Name:</b>    | ESetupRcv(pdu: ESETUP_PDU)                  |          |
| <b>ASP Type:</b>           | DL_DatInESetup                              |          |
| <b>Derivation Path:</b>    |                                             |          |
| <b>Comments:</b>           | To receive an emergency call SETUP message. |          |
| Parameter Name             | Parameter Value                             | Comments |
| sapi                       | C_Sap0                                      |          |
| logic_ch                   | ?                                           |          |
| msg                        | pdu                                         |          |
| fn                         | ?                                           |          |
| <b>Detailed Comments:</b>  |                                             |          |

| ASP Constraint Declaration |                                                         |          |
|----------------------------|---------------------------------------------------------|----------|
| <b>Constraint Name:</b>    | HndOvCmpRcv(ch:LOGICCH; msg:HO_COM_PDU)                 |          |
| <b>ASP Type:</b>           | DL_DatInHoCom                                           |          |
| <b>Derivation Path:</b>    |                                                         |          |
| <b>Comments:</b>           | To receive any HANDOVER COMPLETE message on channel ch. |          |
| Parameter Name             | Parameter Value                                         | Comments |
| sapi                       | C_Sap0                                                  |          |
| logic_ch                   | ch                                                      |          |
| msg                        | msg                                                     |          |
| fn                         | ?                                                       |          |
| <b>Detailed Comments:</b>  |                                                         |          |

| ASP Constraint Declaration |                                                                                 |          |
|----------------------------|---------------------------------------------------------------------------------|----------|
| <b>Constraint Name:</b>    | HndOvSnd(ch:LOGICCH; msg:HO_CMD_PDU)                                            |          |
| <b>ASP Type:</b>           | DL_DatRqHoCmd                                                                   |          |
| <b>Derivation Path:</b>    |                                                                                 |          |
| <b>Comments:</b>           | To send a HANOVER COMMAND indicating a finely synchronised intra cell handover. |          |
| Parameter Name             | Parameter Value                                                                 | Comments |
| sapi                       | C_Sap0                                                                          |          |
| logic_ch                   | ch                                                                              |          |
| msg                        | msg                                                                             |          |
| <b>Detailed Comments:</b>  |                                                                                 |          |

| ASP Constraint Declaration |                                         |          |
|----------------------------|-----------------------------------------|----------|
| <b>Constraint Name:</b>    | HndOvAcc_01                             |          |
| <b>ASP Type:</b>           | DL_RaInHoacc                            |          |
| <b>Derivation Path:</b>    |                                         |          |
| <b>Comments:</b>           | To received any HANOVER ACCESS message. |          |
| Parameter Name             | Parameter Value                         | Comments |
| sapi                       | C_Sap0                                  |          |
| logic_ch                   | ?                                       |          |
| msg                        | HandOverAcc_01                          |          |
| fn                         | ?                                       |          |
| <b>Detailed Comments:</b>  |                                         |          |

| ASP Constraint Declaration |                                                         |          |
|----------------------------|---------------------------------------------------------|----------|
| <b>Constraint Name:</b>    | HndOvAccRcv(ch: LOGICCH; msg:HOACC_PDU)                 |          |
| <b>ASP Type:</b>           | DL_RaInHoacc                                            |          |
| <b>Derivation Path:</b>    |                                                         |          |
| <b>Comments:</b>           | To received any HANOVER ACCESS message on channel `ch`. |          |
| Parameter Name             | Parameter Value                                         | Comments |
| sapi                       | C_Sap0                                                  |          |
| logic_ch                   | ch                                                      |          |
| msg                        | msg                                                     |          |
| fn                         | ?                                                       |          |
| <b>Detailed Comments:</b>  |                                                         |          |

| ASP Constraint Declaration |                                                                      |          |
|----------------------------|----------------------------------------------------------------------|----------|
| <b>Constraint Name:</b>    | HndOvFIRcv(ch:LOGICCH; msg :HOFL_PDU)                                |          |
| <b>ASP Type:</b>           | DL_DatInHofl                                                         |          |
| <b>Derivation Path:</b>    |                                                                      |          |
| <b>Comments:</b>           | To match a received HANOVER FAILURE message containing any RR cause. |          |
| Parameter Name             | Parameter Value                                                      | Comments |
| sapi                       | C_Sap0                                                               |          |
| logic_ch                   | ch                                                                   |          |
| msg                        | msg                                                                  |          |
| fn                         | ?                                                                    |          |
| <b>Detailed Comments:</b>  |                                                                      |          |

| <b>ASP Constraint Declaration</b> |                                          |          |
|-----------------------------------|------------------------------------------|----------|
| <b>Constraint Name:</b>           | ImmAss(ch: LOGICCH; pdu: IMMASS_PDU)     |          |
| <b>ASP Type:</b>                  | DL_UdatRqImm                             |          |
| <b>Derivation Path:</b>           |                                          |          |
| <b>Comments:</b>                  | To send an IMMEDIATE ASSIGNMENT message. |          |
| Parameter Name                    | Parameter Value                          | Comments |
| sapi                              | C_Sap0                                   |          |
| logic_ch                          | ch                                       |          |
| msg                               | pdu                                      |          |
| <b>Detailed Comments:</b>         |                                          |          |

| <b>ASP Constraint Declaration</b> |                                                                                                                   |          |
|-----------------------------------|-------------------------------------------------------------------------------------------------------------------|----------|
| <b>Constraint Name:</b>           | ImsiDet( pdu:IMSID_IN_PDU)                                                                                        |          |
| <b>ASP Type:</b>                  | DL_EstInImsidIn                                                                                                   |          |
| <b>Derivation Path:</b>           |                                                                                                                   |          |
| <b>Comments:</b>                  | To match a received IMSI DETACH INDICATION message matching any MS classmark1 value and any mobile identity value |          |
| Parameter Name                    | Parameter Value                                                                                                   | Comments |
| sapi                              | C_Sap0                                                                                                            |          |
| logic_ch                          | ?                                                                                                                 |          |
| establish_mode                    | ?                                                                                                                 |          |
| msg                               | pdu                                                                                                               |          |
| fn                                | ?                                                                                                                 |          |
| <b>Detailed Comments:</b>         |                                                                                                                   |          |

| <b>ASP Constraint Declaration</b> |                                                                                               |          |
|-----------------------------------|-----------------------------------------------------------------------------------------------|----------|
| <b>Constraint Name:</b>           | LocAcp( ch:LOGICCH; pdu:LUP_ACP_PDU)                                                          |          |
| <b>ASP Type:</b>                  | DL_DatRqLupAcp                                                                                |          |
| <b>Derivation Path:</b>           |                                                                                               |          |
| <b>Comments:</b>                  | To send a LOCATION UPDATING ACCEPT message with a new mobile identity TMSI and location area. |          |
| Parameter Name                    | Parameter Value                                                                               | Comments |
| sapi                              | C_Sap0                                                                                        |          |
| logic_ch                          | ch                                                                                            |          |
| msg                               | pdu                                                                                           |          |
| <b>Detailed Comments:</b>         |                                                                                               |          |

| <b>ASP Constraint Declaration</b> |                                                                                                        |          |
|-----------------------------------|--------------------------------------------------------------------------------------------------------|----------|
| <b>Constraint Name:</b>           | LocUp( ch: LOGICCH; pdu:LUP_RQ_PDU)                                                                    |          |
| <b>ASP Type:</b>                  | DL_EstInLupRq                                                                                          |          |
| <b>Derivation Path:</b>           |                                                                                                        |          |
| <b>Comments:</b>                  | To match a received LOCATION UPDATING REQUEST message containing location updating type = IMSI attach. |          |
| Parameter Name                    | Parameter Value                                                                                        | Comments |
| sapi                              | C_Sap0                                                                                                 |          |
| logic_ch                          | ch                                                                                                     |          |
| establish_mode                    | ?                                                                                                      |          |
| msg                               | pdu                                                                                                    |          |
| fn                                | ?                                                                                                      |          |
| <b>Detailed Comments:</b>         |                                                                                                        |          |

| ASP Constraint Declaration |                                                                                                                  |          |
|----------------------------|------------------------------------------------------------------------------------------------------------------|----------|
| <b>Constraint Name:</b>    | LocRej( ch: LOGICCH; pdu:LUP_REJ_PDU)                                                                            |          |
| <b>ASP Type:</b>           | DL_DatRqLupRej                                                                                                   |          |
| <b>Derivation Path:</b>    |                                                                                                                  |          |
| <b>Comments:</b>           | To send a LOCATION UPDATING REJECT message containing the reject cause IMSI unknown in HLR.<br>Used var's:<br>ch |          |
| Parameter Name             | Parameter Value                                                                                                  | Comments |
| sapi                       | C_Sap0                                                                                                           |          |
| logic_ch                   | ch                                                                                                               |          |
| msg                        | pdu                                                                                                              |          |
| <b>Detailed Comments:</b>  |                                                                                                                  |          |

| ASP Constraint Declaration |                        |          |
|----------------------------|------------------------|----------|
| <b>Constraint Name:</b>    | MDLRelReq(ch :LOGICCH) |          |
| <b>ASP Type:</b>           | MDL_RelRq              |          |
| <b>Derivation Path:</b>    |                        |          |
| <b>Comments:</b>           |                        |          |
| Parameter Name             | Parameter Value        | Comments |
| sapi                       | C_Sap0                 |          |
| logic_ch                   | ch                     |          |
| release_mode               | C_LocEndRel            |          |
| <b>Detailed Comments:</b>  |                        |          |

| ASP Constraint Declaration |                                                              |          |
|----------------------------|--------------------------------------------------------------|----------|
| <b>Constraint Name:</b>    | MsrRept( pdu:MSR_RPT_PDU)                                    |          |
| <b>ASP Type:</b>           | DL_UdatInMsrRpt                                              |          |
| <b>Derivation Path:</b>    |                                                              |          |
| <b>Comments:</b>           | To receive a measurement report without measurement results. |          |
| Parameter Name             | Parameter Value                                              | Comments |
| sapi                       | C_Sap0                                                       |          |
| logic_ch                   | ?                                                            |          |
| msg                        | pdu                                                          |          |
| fn                         | ?                                                            |          |
| <b>Detailed Comments:</b>  |                                                              |          |

| ASP Constraint Declaration |                                                                                                                                                                                                                                                  |          |
|----------------------------|--------------------------------------------------------------------------------------------------------------------------------------------------------------------------------------------------------------------------------------------------|----------|
| <b>Constraint Name:</b>    | PgReq1(ch:LOGICCH; pgg:PGG; pg1_req_pdu: PG1_RQ_PDU)                                                                                                                                                                                             |          |
| <b>ASP Type:</b>           | DL_UdatRqPg1Rq                                                                                                                                                                                                                                   |          |
| <b>Derivation Path:</b>    |                                                                                                                                                                                                                                                  |          |
| <b>Comments:</b>           | To send a PAGING REQUEST TYPE 1 message to the paging group indicated by the parameter pgg which is derived from system parameters. The PAGING REQUEST TYPE1 message requests normal paging mode, any channel and for the MS identity TSPX_TMSI. |          |
| Parameter Name             | Parameter Value                                                                                                                                                                                                                                  | Comments |
| sapi                       | C_Sap0                                                                                                                                                                                                                                           |          |
| logic_ch                   | ch                                                                                                                                                                                                                                               |          |
| pgg                        | pgg                                                                                                                                                                                                                                              |          |
| msg                        | pg1_req_pdu                                                                                                                                                                                                                                      |          |
| <b>Detailed Comments:</b>  |                                                                                                                                                                                                                                                  |          |

| ASP Constraint Declaration |                                       |          |
|----------------------------|---------------------------------------|----------|
| <b>Constraint Name:</b>    | PagingRes(pdu: PG_RES_PDU)            |          |
| <b>ASP Type:</b>           | DL_EstInPgRes                         |          |
| <b>Derivation Path:</b>    |                                       |          |
| <b>Comments:</b>           | To receive a PAGING RESPONSE message. |          |
| Parameter Name             | Parameter Value                       | Comments |
| sapi                       | C_Sap0                                |          |
| logic_ch                   | ?                                     |          |
| establish_mode             | ?                                     |          |
| msg                        | pdu                                   |          |
| fn                         | ?                                     |          |
| <b>Detailed Comments:</b>  |                                       |          |

| ASP Constraint Declaration |                                |          |
|----------------------------|--------------------------------|----------|
| <b>Constraint Name:</b>    | PhyInfo_01(ch: LOGICCH; ta:TA) |          |
| <b>ASP Type:</b>           | DL_DatRqPhyinfo                |          |
| <b>Derivation Path:</b>    |                                |          |
| <b>Comments:</b>           |                                |          |
| Parameter Name             | Parameter Value                | Comments |
| sapi                       | C_Sap0                         |          |
| logic_ch                   | ch                             |          |
| msg                        | Phyinfo_01(ta)                 |          |
| <b>Detailed Comments:</b>  |                                |          |

| ASP Constraint Declaration |                                  |          |
|----------------------------|----------------------------------|----------|
| <b>Constraint Name:</b>    | ReleaseRcv(pdu: REL_PDU)         |          |
| <b>ASP Type:</b>           | DL_DatInRel                      |          |
| <b>Derivation Path:</b>    |                                  |          |
| <b>Comments:</b>           | To receive a CC RELEASE message. |          |
| Parameter Name             | Parameter Value                  | Comments |
| sapi                       | C_Sap0                           |          |
| logic_ch                   | ?                                |          |
| msg                        | pdu                              |          |
| fn                         | ?                                |          |
| <b>Detailed Comments:</b>  |                                  |          |

| ASP Constraint Declaration |                                       |          |
|----------------------------|---------------------------------------|----------|
| <b>Constraint Name:</b>    | ReleaseSnd(ch: LOGICCH; pdu: REL_PDU) |          |
| <b>ASP Type:</b>           | DL_DatRqRel                           |          |
| <b>Derivation Path:</b>    |                                       |          |
| <b>Comments:</b>           | To send a RELEASE message.            |          |
| Parameter Name             | Parameter Value                       | Comments |
| sapi                       | C_Sap0                                |          |
| logic_ch                   | ch                                    |          |
| msg                        | pdu                                   |          |
| <b>Detailed Comments:</b>  |                                       |          |

| ASP Constraint Declaration |                                        |          |
|----------------------------|----------------------------------------|----------|
| <b>Constraint Name:</b>    | RelComRcv(pdu: REL_COM_PDU)            |          |
| <b>ASP Type:</b>           | DL_DatInRelCmp                         |          |
| <b>Derivation Path:</b>    |                                        |          |
| <b>Comments:</b>           | To receive a RELEASE COMPLETE message. |          |
| Parameter Name             | Parameter Value                        | Comments |
| sapi                       | C_Sap0                                 |          |
| logic_ch                   | ?                                      |          |
| msg                        | pdu                                    |          |
| fn                         | ?                                      |          |
| <b>Detailed Comments:</b>  |                                        |          |

| ASP Constraint Declaration |                                          |          |
|----------------------------|------------------------------------------|----------|
| <b>Constraint Name:</b>    | RelComSnd(ch: LOGICCH; pdu: REL_COM_PDU) |          |
| <b>ASP Type:</b>           | DL_DatRqRelCmp                           |          |
| <b>Derivation Path:</b>    |                                          |          |
| <b>Comments:</b>           | To send a RELEASE COMPLETE message.      |          |
| Parameter Name             | Parameter Value                          | Comments |
| sapi                       | C_Sap0                                   |          |
| logic_ch                   | ch                                       |          |
| msg                        | pdu                                      |          |
| <b>Detailed Comments:</b>  |                                          |          |

| ASP Constraint Declaration |                             |          |
|----------------------------|-----------------------------|----------|
| <b>Constraint Name:</b>    | SetupRcv(pdu: SETUP_MO_PDU) |          |
| <b>ASP Type:</b>           | DL_DatInSetup               |          |
| <b>Derivation Path:</b>    |                             |          |
| <b>Comments:</b>           | To receive a SETUP message. |          |
| Parameter Name             | Parameter Value             | Comments |
| sapi                       | C_Sap0                      |          |
| logic_ch                   | ?                           |          |
| msg                        | pdu                         |          |
| fn                         | ?                           |          |
| <b>Detailed Comments:</b>  |                             |          |

| ASP Constraint Declaration |                                                                   |          |
|----------------------------|-------------------------------------------------------------------|----------|
| <b>Constraint Name:</b>    | SetupSnd(ch: LOGICCH; setup: SETUP_MT_PDU)                        |          |
| <b>ASP Type:</b>           | DL_DatRqSetup                                                     |          |
| <b>Derivation Path:</b>    |                                                                   |          |
| <b>Comments:</b>           | To send a SETUP message which is the input parameter of this ASP. |          |
| Parameter Name             | Parameter Value                                                   | Comments |
| sapi                       | C_Sap0                                                            |          |
| logic_ch                   | ch                                                                |          |
| msg                        | setup                                                             |          |
| <b>Detailed Comments:</b>  |                                                                   |          |

| ASP Constraint Declaration |                                                                      |          |
|----------------------------|----------------------------------------------------------------------|----------|
| <b>Constraint Name:</b>    | SyncInfo(ch:LOGICCH; bcc:BCC; ncc:NCC)                               |          |
| <b>ASP Type:</b>           | DL_UdatRqSchinfo                                                     |          |
| <b>Derivation Path:</b>    |                                                                      |          |
| <b>Comments:</b>           | To send SYNCHRONIZATION INFORMATION message with default parameters. |          |
| Parameter Name             | Parameter Value                                                      | Comments |
| sapi                       | C_Sap0                                                               |          |
| logic_ch                   | ch                                                                   |          |
| msg                        | SyncInfor( bcc, ncc)                                                 |          |
| <b>Detailed Comments:</b>  |                                                                      |          |

| ASP Constraint Declaration |                                                                       |          |
|----------------------------|-----------------------------------------------------------------------|----------|
| <b>Constraint Name:</b>    | SysInfo1(ch:LOGICCH; cchd:CCHD; maxtx:B_2; txint:B_4; re:B_1)         |          |
| <b>ASP Type:</b>           | DL_UdatRqSysinfo1                                                     |          |
| <b>Derivation Path:</b>    |                                                                       |          |
| <b>Comments:</b>           | To send SYSTEM INFORMATION TYPE 1 in cell A for RR testing of GSM900. |          |
| Parameter Name             | Parameter Value                                                       | Comments |
| sapi                       | C_Sap0                                                                |          |
| logic_ch                   | ch                                                                    |          |
| msg                        | SysInf1(cchd, maxtx, txint, re)                                       |          |
| <b>Detailed Comments:</b>  |                                                                       |          |

| ASP Constraint Declaration |                                                                                                                                      |          |
|----------------------------|--------------------------------------------------------------------------------------------------------------------------------------|----------|
| <b>Constraint Name:</b>    | SysInfo1_nh(ch:LOGICCH; ci:CI; mcc, mnc, lac:OCTETSTRING; ccd:CCD; co:CO; crh, mtmc:INTEGER; neci:B_1; maxtx:B_2; txint:B_4; re:B_1) |          |
| <b>ASP Type:</b>           | DL_UdatRqSysinfo1_nh                                                                                                                 |          |
| <b>Derivation Path:</b>    |                                                                                                                                      |          |
| <b>Comments:</b>           |                                                                                                                                      |          |
| Parameter Name             | Parameter Value                                                                                                                      | Comments |
| sapi                       | C_Sap0                                                                                                                               |          |
| logic_ch                   | ch                                                                                                                                   |          |
| msg                        | SysInf3(ci, mcc, mnc, lac, ccd, co, crh, mtmc, neci, maxtx, txint, re)                                                               |          |
| <b>Detailed Comments:</b>  |                                                                                                                                      |          |

| ASP Constraint Declaration |                                                                                                                            |          |
|----------------------------|----------------------------------------------------------------------------------------------------------------------------|----------|
| <b>Constraint Name:</b>    | SysInfo2(ch: LOGICCH; bcchfl: NCD; maxtx:B_2; txint:B_4; re:B_1; nccp:NCCP)                                                |          |
| <b>ASP Type:</b>           | DL_UdatRqSysinfo2                                                                                                          |          |
| <b>Derivation Path:</b>    |                                                                                                                            |          |
| <b>Comments:</b>           | To send the default SYSTEM INFORMATION TYPE 2 message containing default neighbour cells description in cell B for GSM900. |          |
| Parameter Name             | Parameter Value                                                                                                            | Comments |
| sapi                       | C_Sap0                                                                                                                     |          |
| logic_ch                   | ch                                                                                                                         |          |
| msg                        | SysInf2(bcchfl, maxtx, txint, re, nccp)                                                                                    |          |
| <b>Detailed Comments:</b>  |                                                                                                                            |          |

| ASP Constraint Declaration |                                                                                      |          |
|----------------------------|--------------------------------------------------------------------------------------|----------|
| <b>Constraint Name:</b>    | SysInfo2bis(ch: LOGICCH; bcchflegsm: NCD)                                            |          |
| <b>ASP Type:</b>           | DL_UdatRqSysinfo2bis                                                                 |          |
| <b>Derivation Path:</b>    |                                                                                      |          |
| <b>Comments:</b>           | SYSTEM INFORMATION 2bis in cell A under EGSM with the ARFCN list = {988, 990, 1003}. |          |
| Parameter Name             | Parameter Value                                                                      | Comments |
| sapi                       | C_Sap0                                                                               |          |
| logic_ch                   | ch                                                                                   |          |
| msg                        | SysInf2bis(bcchflegsm)                                                               |          |
| <b>Detailed Comments:</b>  |                                                                                      |          |

| ASP Constraint Declaration |                                                                                                                                   |          |
|----------------------------|-----------------------------------------------------------------------------------------------------------------------------------|----------|
| <b>Constraint Name:</b>    | SysInfo3(ch:LOGICCH; ci:CI; mcc, mnc, lac:OCTETSTRING; ccd:CCD; co:CO; crh, mtmc:INTEGER; neci:B_1; maxtx:B_2; txint:B_4; re:B_1) |          |
| <b>ASP Type:</b>           | DL_UdatRqSysinfo3                                                                                                                 |          |
| <b>Derivation Path:</b>    |                                                                                                                                   |          |
| <b>Comments:</b>           |                                                                                                                                   |          |
| Parameter Name             | Parameter Value                                                                                                                   | Comments |
| sapi                       | C_Sap0                                                                                                                            |          |
| logic_ch                   | ch                                                                                                                                |          |
| msg                        | SysInf3(ci, mcc, mnc, lac, ccd, co, crh, mtmc, neci, maxtx, txint, re)                                                            |          |
| <b>Detailed Comments:</b>  |                                                                                                                                   |          |

| ASP Constraint Declaration |                                                                                                            |          |
|----------------------------|------------------------------------------------------------------------------------------------------------|----------|
| <b>Constraint Name:</b>    | SysInfo4(ch:LOGICCH; mcc, mnc, lac:OCTETSTRING; crh, mtmc:INTEGER; neci:B_1; maxtx:B_2; txint:B_4; re:B_1) |          |
| <b>ASP Type:</b>           | DL_UdatRqSysinfo4                                                                                          |          |
| <b>Derivation Path:</b>    |                                                                                                            |          |
| <b>Comments:</b>           | To send a default SYSTEM INFORMATION TYPE 4 message                                                        |          |
| Parameter Name             | Parameter Value                                                                                            | Comments |
| sapi                       | C_Sap0                                                                                                     |          |
| logic_ch                   | ch                                                                                                         |          |
| msg                        | SysInf4(mcc, mnc, lac, crh, mtmc, neci, maxtx, txint, re)                                                  |          |
| <b>Detailed Comments:</b>  |                                                                                                            |          |

| ASP Constraint Declaration |                                                                                                                            |          |
|----------------------------|----------------------------------------------------------------------------------------------------------------------------|----------|
| <b>Constraint Name:</b>    | SysInfo4_CBMS(ch:LOGICCH; mcc, mnc, lac:OCTETSTRING; crh, mtmc:INTEGER; neci:B_1; maxtx:B_2; txint:B_4; re:B_1; cbchd:CHD) |          |
| <b>ASP Type:</b>           | DL_UdatRqSysinfo4                                                                                                          |          |
| <b>Derivation Path:</b>    |                                                                                                                            |          |
| <b>Comments:</b>           | To send a SYSTEM INFORMATION TYPE 4 message for SMS CB with the values or GSM 11.10, 34.3                                  |          |
| Parameter Name             | Parameter Value                                                                                                            | Comments |
| sapi                       | C_Sap0                                                                                                                     |          |
| logic_ch                   | ch                                                                                                                         |          |
| msg                        | SysInf4_CBMS(mcc, mnc, lac, crh, mtmc, neci, maxtx, txint, re, cbchd)                                                      |          |
| <b>Detailed Comments:</b>  |                                                                                                                            |          |



| <b>ASP Constraint Declaration</b> |                                                     |          |
|-----------------------------------|-----------------------------------------------------|----------|
| <b>Constraint Name:</b>           | SysInfo5(sacch: LOGICCH; sysinfo5_pdu:SYSINFO5_PDU) |          |
| <b>ASP Type:</b>                  | DL_UdatRqSysinfo5                                   |          |
| <b>Derivation Path:</b>           |                                                     |          |
| <b>Comments:</b>                  | To send a SYSTEM INFORMATION TYPE 5 message.        |          |
| Parameter Name                    | Parameter Value                                     | Comments |
| sapi                              | C_Sap0                                              |          |
| logic_ch                          | sacch                                               |          |
| msg                               | sysinfo5_pdu                                        |          |
| <b>Detailed Comments:</b>         |                                                     |          |

| <b>ASP Constraint Declaration</b> |                                                              |          |
|-----------------------------------|--------------------------------------------------------------|----------|
| <b>Constraint Name:</b>           | SysInfo5bis(sacch: LOGICCH; sysinfo5bis_pdu:SYSINFO5bis_PDU) |          |
| <b>ASP Type:</b>                  | DL_UdatRqSysinfo5bis                                         |          |
| <b>Derivation Path:</b>           |                                                              |          |
| <b>Comments:</b>                  | To send a SYSTEM INFORMATION TYPE 5bis message.              |          |
| Parameter Name                    | Parameter Value                                              | Comments |
| sapi                              | C_Sap0                                                       |          |
| logic_ch                          | sacch                                                        |          |
| msg                               | sysinfo5bis_pdu                                              |          |
| <b>Detailed Comments:</b>         |                                                              |          |

| <b>ASP Constraint Declaration</b> |                                                     |          |
|-----------------------------------|-----------------------------------------------------|----------|
| <b>Constraint Name:</b>           | SysInfo6(sacch: LOGICCH; sysinfo6_pdu:SYSINFO6_PDU) |          |
| <b>ASP Type:</b>                  | DL_UdatRqSysinfo6                                   |          |
| <b>Derivation Path:</b>           |                                                     |          |
| <b>Comments:</b>                  | To send a SYSTEM INFORMATION TYPE 6 message.        |          |
| Parameter Name                    | Parameter Value                                     | Comments |
| sapi                              | C_Sap0                                              |          |
| logic_ch                          | sacch                                               |          |
| msg                               | sysinfo6_pdu                                        |          |
| <b>Detailed Comments:</b>         |                                                     |          |

| <b>ASP Constraint Declaration</b> |                                                                |          |
|-----------------------------------|----------------------------------------------------------------|----------|
| <b>Constraint Name:</b>           | TmsiReallocSnd( par:MI; ch:LOGICCH; mcc, mnc, lac:OCTETSTRING) |          |
| <b>ASP Type:</b>                  | DL_DatRqTmsireCmd                                              |          |
| <b>Derivation Path:</b>           |                                                                |          |
| <b>Comments:</b>                  | To send a TMSI REALLOCATION COMMAND message.                   |          |
| Parameter Name                    | Parameter Value                                                | Comments |
| sapi                              | C_Sap0                                                         |          |
| logic_ch                          | ch                                                             |          |
| msg                               | TmsiReallocCmd(par, mcc, mnc, lac)                             |          |
| <b>Detailed Comments:</b>         |                                                                |          |

| ASP Constraint Declaration |                                                  |          |
|----------------------------|--------------------------------------------------|----------|
| <b>Constraint Name:</b>    | TmsiReallocCmp( ch:LOGICCH)                      |          |
| <b>ASP Type:</b>           | DL_DatInTmsireCom                                |          |
| <b>Derivation Path:</b>    |                                                  |          |
| <b>Comments:</b>           | To receive a TMSI REALLOCATION COMPLETE message. |          |
| Parameter Name             | Parameter Value                                  | Comments |
| sapi                       | C_Sap0                                           |          |
| logic_ch                   | ch                                               |          |
| msg                        | TmsiReallocComp                                  |          |
| fn                         | ?                                                |          |
| <b>Detailed Comments:</b>  |                                                  |          |

## PDU constraint declarations

## TTCN PDU constraint declarations

| PDU Constraint Declaration |                                                                          |          |
|----------------------------|--------------------------------------------------------------------------|----------|
| <b>Constraint Name:</b>    | Alerting_01(Ti :TI)                                                      |          |
| <b>PDU Type:</b>           | ALERT_PDU                                                                |          |
| <b>Derivation Path:</b>    |                                                                          |          |
| <b>Comments:</b>           | An ALERTING message containing mandatory IE's only to be sent to the MS. |          |
| Field Name                 | Field Value                                                              | Comments |
| ti                         | Ti                                                                       |          |
| ccpd                       | '0011'B                                                                  |          |
| mt                         | '00000001'B                                                              |          |
| fie                        | -                                                                        |          |
| pi                         | -                                                                        |          |
| uu                         | -                                                                        |          |
| ssvi                       | -                                                                        |          |
| <b>Detailed Comments:</b>  |                                                                          |          |

| PDU Constraint Declaration |                                       |          |
|----------------------------|---------------------------------------|----------|
| <b>Constraint Name:</b>    | AlertingInd_01( ti:TI)                |          |
| <b>PDU Type:</b>           | ALERT_PDU                             |          |
| <b>Derivation Path:</b>    |                                       |          |
| <b>Comments:</b>           | To match an received ALERTING message |          |
| Field Name                 | Field Value                           | Comments |
| ti                         | ti                                    |          |
| ccpd                       | '0011'B                               |          |
| mt                         | '0?000001'B                           |          |
| fie                        | *                                     |          |
| pi                         | -                                     |          |
| uu                         | *                                     |          |
| ssvi                       | *                                     |          |
| <b>Detailed Comments:</b>  |                                       |          |

| PDU Constraint Declaration |                                                                                                                                             |          |
|----------------------------|---------------------------------------------------------------------------------------------------------------------------------------------|----------|
| <b>Constraint Name:</b>    | AsgnCmd_fh( slot:SN; tsc:TSC; chtype:CH_TDMA; par_pwlvl:INTEGER; maio:MAIO; hsn:HSN; frql:FRQL; Cchd:CCHD; chmod:CHMOD; ma:MA; Cphms:CPHMS) |          |
| <b>PDU Type:</b>           | ASS_CMD_PDU                                                                                                                                 |          |
| <b>Derivation Path:</b>    |                                                                                                                                             |          |
| <b>Comments:</b>           | An ASSIGNMENT COMMAND message for hopping without starting time.                                                                            |          |
| Field Name                 | Field Value                                                                                                                                 | Comments |
| ski                        | '0000'B                                                                                                                                     |          |
| rrpd                       | '0110'B                                                                                                                                     |          |
| mt                         | '00101110'B                                                                                                                                 |          |
| ch1d_at                    | ChDescrp_fh(chtype, slot, tsc, maio, hsn)                                                                                                   |          |
| pcmd                       | Pcmd_19(INT_TO_BIT(par_pwlvl, 5))                                                                                                           |          |
| frql_at                    | frql                                                                                                                                        |          |
| cchd                       | Cchd                                                                                                                                        |          |
| ch1mod                     | chmod                                                                                                                                       |          |
| ch2d_at                    | -                                                                                                                                           |          |
| ch2mod                     | -                                                                                                                                           |          |
| ma_at                      | ma                                                                                                                                          |          |
| strt                       | -                                                                                                                                           |          |
| frql_bt                    | -                                                                                                                                           |          |
| ch1d_bt                    | -                                                                                                                                           |          |
| ch2d_bt                    | -                                                                                                                                           |          |
| frqchs_bt                  | -                                                                                                                                           |          |
| ma_bt                      | -                                                                                                                                           |          |
| cphms                      | Cphms                                                                                                                                       |          |
| <b>Detailed Comments:</b>  |                                                                                                                                             |          |

| PDU Constraint Declaration                    |                                                                                                                        |          |
|-----------------------------------------------|------------------------------------------------------------------------------------------------------------------------|----------|
| <b>Constraint Name:</b>                       | AsgnCmd_nfh( type:CH_TDMA; slot:SN; tsc:TSC; par_pwlvl, arfcn:INTEGER; cchd:CCHD; chmod:CHMOD; strt:STRT; cphms:CPHMS) |          |
| <b>PDU Type:</b>                              | ASS_CMD_PDU                                                                                                            |          |
| <b>Derivation Path:</b>                       |                                                                                                                        |          |
| <b>Comments:</b>                              | An ASSIGNMENT COMMAND message. The channel mode and type are specified as parameters.                                  |          |
| Field Name                                    | Field Value                                                                                                            | Comments |
| ski                                           | '0000'B                                                                                                                |          |
| rrpd                                          | '0110'B                                                                                                                |          |
| mt                                            | '00101110'B                                                                                                            |          |
| ch1d_at                                       | ChDescrp_nfh( type, slot, tsc, arfcn)                                                                                  |          |
| pcmd                                          | Pcmd_19(INT_TO_BIT(par_pwlvl, 5))                                                                                      |          |
| frql_at                                       | -                                                                                                                      |          |
| cchd                                          | cchd                                                                                                                   |          |
| ch1mod                                        | chmod                                                                                                                  |          |
| ch2d_at                                       | -                                                                                                                      |          |
| ch2mod                                        | -                                                                                                                      |          |
| ma_at                                         | -                                                                                                                      |          |
| strt                                          | strt                                                                                                                   |          |
| frql_bt                                       | -                                                                                                                      |          |
| ch1d_bt                                       | -                                                                                                                      |          |
| ch2d_bt                                       | -                                                                                                                      |          |
| frqchs_bt                                     | -                                                                                                                      |          |
| ma_bt                                         | -                                                                                                                      |          |
| cphms                                         | cphms                                                                                                                  |          |
| <b>Detailed Comments:</b> used iin CC testing |                                                                                                                        |          |

| PDU Constraint Declaration |                                                      |          |
|----------------------------|------------------------------------------------------|----------|
| <b>Constraint Name:</b>    | AsgnCmp_02                                           |          |
| <b>PDU Type:</b>           | ASS_COM_PDU                                          |          |
| <b>Derivation Path:</b>    |                                                      |          |
| <b>Comments:</b>           | An ASSIGNMENT COMPLETE message containing any cause. |          |
| Field Name                 | Field Value                                          | Comments |
| ski                        | '0000'B                                              |          |
| rrpd                       | '0110'B                                              |          |
| mt                         | '00101001'B                                          |          |
| rrcau                      | ?                                                    |          |
| <b>Detailed Comments:</b>  |                                                      |          |

| PDU Constraint Declaration |             |          |
|----------------------------|-------------|----------|
| <b>Constraint Name:</b>    | AsgnFI_01   |          |
| <b>PDU Type:</b>           | ASSFL_PDU   |          |
| <b>Derivation Path:</b>    |             |          |
| <b>Comments:</b>           |             |          |
| Field Name                 | Field Value | Comments |
| ski                        | '0000'B     |          |
| rrpd                       | '0110'B     |          |
| mt                         | '00101111'B |          |
| rrcau                      | ?           |          |
| <b>Detailed Comments:</b>  |             |          |

| PDU Constraint Declaration |                                                                                                                           |          |
|----------------------------|---------------------------------------------------------------------------------------------------------------------------|----------|
| <b>Constraint Name:</b>    | AuthRequest(cksn: B_3; rand:RAND)                                                                                         |          |
| <b>PDU Type:</b>           | AUTH_RQ_PDU                                                                                                               |          |
| <b>Derivation Path:</b>    |                                                                                                                           |          |
| <b>Comments:</b>           | An AUTHENTICATION REQUEST message containing default ciphering key sequence number and default challenge RAND from PIXIT. |          |
| Field Name                 | Field Value                                                                                                               | Comments |
| ski                        | '0000'B                                                                                                                   |          |
| mmpd                       | '0101'B                                                                                                                   |          |
| mt                         | '00010010'B                                                                                                               |          |
| shoct                      | '0000'B                                                                                                                   |          |
| cphksn                     | CphKeySN_07(cksn)                                                                                                         |          |
| rand                       | rand                                                                                                                      |          |
| <b>Detailed Comments:</b>  |                                                                                                                           |          |

| PDU Constraint Declaration |                                                       |          |
|----------------------------|-------------------------------------------------------|----------|
| <b>Constraint Name:</b>    | AuthResponse                                          |          |
| <b>PDU Type:</b>           | AUTH_RES_PDU                                          |          |
| <b>Derivation Path:</b>    |                                                       |          |
| <b>Comments:</b>           | An AUTHENTICATION RESPONSE message matching any SRES. |          |
| Field Name                 | Field Value                                           | Comments |
| ski                        | '0000'B                                               |          |
| mmpd                       | '0101'B                                               |          |
| mt                         | '0?010100'B                                           |          |
| sres                       | ?                                                     |          |
| <b>Detailed Comments:</b>  |                                                       |          |

| PDU Constraint Declaration |                                                |          |
|----------------------------|------------------------------------------------|----------|
| <b>Constraint Name:</b>    | CallConfirm_01( ti:TI)                         |          |
| <b>PDU Type:</b>           | CALL_CO_PDU                                    |          |
| <b>Derivation Path:</b>    |                                                |          |
| <b>Comments:</b>           | a CALL CONFIRMED message with TI parameterized |          |
| Field Name                 | Field Value                                    | Comments |
| ti                         | ti                                             |          |
| ccpd                       | '0011'B                                        |          |
| mt                         | '0?001000'B                                    |          |
| bcri                       | *                                              |          |
| bcap1                      | *                                              |          |
| bcap2                      | *                                              |          |
| cau                        | -                                              |          |
| cccap                      | *                                              |          |
| <b>Detailed Comments:</b>  |                                                |          |

| PDU Constraint Declaration |                                                          |          |
|----------------------------|----------------------------------------------------------|----------|
| <b>Constraint Name:</b>    | CallConfirm_04( ti:TI; Bcap1:BCAP)                       |          |
| <b>PDU Type:</b>           | CALL_CO_PDU                                              |          |
| <b>Derivation Path:</b>    |                                                          |          |
| <b>Comments:</b>           | a CALL CONFIRMED message with TI and bcap1 parameterized |          |
| Field Name                 | Field Value                                              | Comments |
| ti                         | ti                                                       |          |
| ccpd                       | '0011'B                                                  |          |
| mt                         | '0?001000'B                                              |          |
| bcri                       | -                                                        |          |
| bcap1                      | Bcap1                                                    |          |
| bcap2                      | -                                                        |          |
| cau                        | -                                                        |          |
| cccap                      | *                                                        |          |
| <b>Detailed Comments:</b>  |                                                          |          |

| PDU Constraint Declaration |                                                                         |          |
|----------------------------|-------------------------------------------------------------------------|----------|
| <b>Constraint Name:</b>    | CallConfirm_20( ti:TI)                                                  |          |
| <b>PDU Type:</b>           | CALL_CO_PDU                                                             |          |
| <b>Derivation Path:</b>    |                                                                         |          |
| <b>Comments:</b>           | a CALL CONFIRMED message without bearer capability information elements |          |
| Field Name                 | Field Value                                                             | Comments |
| ti                         | ti                                                                      |          |
| ccpd                       | '0011'B                                                                 |          |
| mt                         | '0?001000'B                                                             |          |
| bcri                       | -                                                                       |          |
| bcap1                      | -                                                                       |          |
| bcap2                      | -                                                                       |          |
| cau                        | -                                                                       |          |
| cccap                      | *                                                                       |          |
| <b>Detailed Comments:</b>  |                                                                         |          |

| PDU Constraint Declaration |                                          |          |
|----------------------------|------------------------------------------|----------|
| <b>Constraint Name:</b>    | CallConfirm_Efr_20( ti:TI)               |          |
| <b>PDU Type:</b>           | CALL_CO_PDU                              |          |
| <b>Derivation Path:</b>    |                                          |          |
| <b>Comments:</b>           | a CALL CONFIRMED message for EFR Mobiles |          |
| Field Name                 | Field Value                              | Comments |
| ti                         | ti                                       |          |
| ccpd                       | '0011'B                                  |          |
| mt                         | '0?001000'B                              |          |
| bcri                       | -                                        |          |
| bcap1                      | *                                        |          |
| bcap2                      | -                                        |          |
| cau                        | -                                        |          |
| cccap                      | *                                        |          |
| <b>Detailed Comments:</b>  |                                          |          |

| PDU Constraint Declaration |                                                         |          |
|----------------------------|---------------------------------------------------------|----------|
| <b>Constraint Name:</b>    | CallProced_03                                           |          |
| <b>PDU Type:</b>           | CALL_PROC_PDU                                           |          |
| <b>Derivation Path:</b>    |                                                         |          |
| <b>Comments:</b>           | An CALL PROCEEDING message templet used for CallProcGen |          |
| Field Name                 | Field Value                                             | Comments |
| ti                         | ?                                                       |          |
| ccpd                       | '0011'B                                                 |          |
| mt                         | '00000010'B                                             |          |
| bcri                       | -                                                       |          |
| bcap1                      | -                                                       |          |
| bcap2                      | -                                                       |          |
| fie                        | -                                                       |          |
| pi                         | -                                                       |          |
| <b>Detailed Comments:</b>  |                                                         |          |

| PDU Constraint Declaration |                                    |          |
|----------------------------|------------------------------------|----------|
| <b>Constraint Name:</b>    | ChmomoAck_01(chmd:CHMOD; chd: CHD) |          |
| <b>PDU Type:</b>           | CHMMO_ACK_PDU                      |          |
| <b>Derivation Path:</b>    |                                    |          |
| <b>Comments:</b>           |                                    |          |
| Field Name                 | Field Value                        | Comments |
| ski                        | '0000'B                            |          |
| rrpd                       | '0110'B                            |          |
| mt                         | '00010111'B                        |          |
| chd                        | chd                                |          |
| chmod                      | chmd                               |          |
| <b>Detailed Comments:</b>  |                                    |          |

| PDU Constraint Declaration |                                                                  |          |
|----------------------------|------------------------------------------------------------------|----------|
| <b>Constraint Name:</b>    | ChmomoReq_01(chmd:CHMOD; chd:CHD)                                |          |
| <b>PDU Type:</b>           | CHMMO_PDU                                                        |          |
| <b>Derivation Path:</b>    |                                                                  |          |
| <b>Comments:</b>           | the channel being modified is default full rate traffic channel. |          |
| Field Name                 | Field Value                                                      | Comments |
| ski                        | '0000'B                                                          |          |
| rrpd                       | '0110'B                                                          |          |
| mt                         | '00010000'B                                                      |          |
| chd                        | chd                                                              |          |
| chmod                      | chmd                                                             |          |
| <b>Detailed Comments:</b>  |                                                                  |          |

| PDU Constraint Declaration |                                                        |          |
|----------------------------|--------------------------------------------------------|----------|
| <b>Constraint Name:</b>    | ChRelease_01                                           |          |
| <b>PDU Type:</b>           | CH_REL_PDU                                             |          |
| <b>Derivation Path:</b>    |                                                        |          |
| <b>Comments:</b>           | A CHANNEL RELEASE message with RR cause = normal event |          |
| Field Name                 | Field Value                                            | Comments |
| ski                        | '0000'B                                                |          |
| rrpd                       | '0110'B                                                |          |
| mt                         | '00001101'B                                            |          |
| rrcau                      | '00000000'B                                            |          |
| <b>Detailed Comments:</b>  |                                                        |          |

| PDU Constraint Declaration |                                               |          |
|----------------------------|-----------------------------------------------|----------|
| <b>Constraint Name:</b>    | ChRequest_02                                  |          |
| <b>PDU Type:</b>           | CH_RQ_PDU                                     |          |
| <b>Derivation Path:</b>    |                                               |          |
| <b>Comments:</b>           | To match any received CHANNEL REQUEST message |          |
| Field Name                 | Field Value                                   | Comments |
| ecau_rrf                   | '????????'B                                   |          |
| <b>Detailed Comments:</b>  |                                               |          |

| PDU Constraint Declaration |                                                                                                                                                                                                                                           |          |
|----------------------------|-------------------------------------------------------------------------------------------------------------------------------------------------------------------------------------------------------------------------------------------|----------|
| <b>Constraint Name:</b>    | ChRequest_04                                                                                                                                                                                                                              |          |
| <b>PDU Type:</b>           | CH_RQ_PDU                                                                                                                                                                                                                                 |          |
| <b>Derivation Path:</b>    |                                                                                                                                                                                                                                           |          |
| <b>Comments:</b>           | To match the received CHANNEL REQUEST message which originates a call (establishment cause = '111'B), "Originating call and TCH/F is needed, or IMSI detach, SMS or SS procedures that can be completed with an SDCCH and NECI set to 0". |          |
| Field Name                 | Field Value                                                                                                                                                                                                                               | Comments |
| ecau_rrf                   | '111?????'B                                                                                                                                                                                                                               |          |
| <b>Detailed Comments:</b>  |                                                                                                                                                                                                                                           |          |

| PDU Constraint Declaration |                                                                                                                                                             |          |
|----------------------------|-------------------------------------------------------------------------------------------------------------------------------------------------------------|----------|
| <b>Constraint Name:</b>    | ChRequest_15                                                                                                                                                |          |
| <b>PDU Type:</b>           | CH_RQ_PDU                                                                                                                                                   |          |
| <b>Derivation Path:</b>    |                                                                                                                                                             |          |
| <b>Comments:</b>           | To match the received CHANNEL REQUEST message with establishment cause = '111'B or '0100'B or '0101'B --- initiate outgoing call or SDCCH other procedures. |          |
| Field Name                 | Field Value                                                                                                                                                 | Comments |
| ecau_rrf                   | ('111?????'B, '0100?????'B, '0101?????'B, '101?????'B, '0001?????'B)                                                                                        |          |
| <b>Detailed Comments:</b>  |                                                                                                                                                             |          |

| PDU Constraint Declaration |                                                                                                     |          |
|----------------------------|-----------------------------------------------------------------------------------------------------|----------|
| <b>Constraint Name:</b>    | ChRequest_16                                                                                        |          |
| <b>PDU Type:</b>           | CH_RQ_PDU                                                                                           |          |
| <b>Derivation Path:</b>    |                                                                                                     |          |
| <b>Comments:</b>           | To match the received CHANNEL REQUEST message with establishment cause = '101'B for emergency call. |          |
| Field Name                 | Field Value                                                                                         | Comments |
| ecau_rrf                   | '101?????'B                                                                                         |          |
| <b>Detailed Comments:</b>  |                                                                                                     |          |

| PDU Constraint Declaration |                                                                                  |          |
|----------------------------|----------------------------------------------------------------------------------|----------|
| <b>Constraint Name:</b>    | ChRequest_17                                                                     |          |
| <b>PDU Type:</b>           | CH_RQ_PDU                                                                        |          |
| <b>Derivation Path:</b>    |                                                                                  |          |
| <b>Comments:</b>           | A CHANNEL REQUEST message containing establishment cause = 100, 0010, 0011, 0001 |          |
| Field Name                 | Field Value                                                                      | Comments |
| ecau_rrf                   | ('100?????'B, '0010?????'B, '0011?????'B, '0001?????'B)                          |          |
| <b>Detailed Comments:</b>  |                                                                                  |          |

| PDU Constraint Declaration |                                                  |          |
|----------------------------|--------------------------------------------------|----------|
| <b>Constraint Name:</b>    | CMServiceReq_01                                  |          |
| <b>PDU Type:</b>           | CMS_RQ_PDU                                       |          |
| <b>Derivation Path:</b>    |                                                  |          |
| <b>Comments:</b>           | To match any received CM SERVICE REQUEST message |          |
| Field Name                 | Field Value                                      | Comments |
| ski                        | '0000'B                                          |          |
| mmpd                       | '0101'B                                          |          |
| mt                         | '0?100100'B                                      |          |
| cphksn                     | ?                                                |          |
| svtype                     | ?                                                |          |
| msclm                      | ?                                                |          |
| mi                         | ?                                                |          |
| <b>Detailed Comments:</b>  |                                                  |          |

| PDU Constraint Declaration |                                                                                                                                                                                                 |          |
|----------------------------|-------------------------------------------------------------------------------------------------------------------------------------------------------------------------------------------------|----------|
| <b>Constraint Name:</b>    | CMServiceReq_04                                                                                                                                                                                 |          |
| <b>PDU Type:</b>           | CMS_RQ_PDU                                                                                                                                                                                      |          |
| <b>Derivation Path:</b>    | CMServiceReq_01.                                                                                                                                                                                |          |
| <b>Comments:</b>           | To match a received CM SERVICE REQUEST message containing CM service type = "Mobile originating call establishment or packet mode connection establishment" or " emergency call establishment". |          |
| Field Name                 | Field Value                                                                                                                                                                                     | Comments |
| svtype                     | ('0001'B, '0010'B)                                                                                                                                                                              |          |
| <b>Detailed Comments:</b>  |                                                                                                                                                                                                 |          |



| PDU Constraint Declaration |                                                                                                 |          |
|----------------------------|-------------------------------------------------------------------------------------------------|----------|
| <b>Constraint Name:</b>    | CMServiceReq_06( cksn:B_3)                                                                      |          |
| <b>PDU Type:</b>           | CMS_RQ_PDU                                                                                      |          |
| <b>Derivation Path:</b>    |                                                                                                 |          |
| <b>Comments:</b>           | To match any received CM SERVICE REQUEST message for emergency call with TMSI and correct CKSN. |          |
| Field Name                 | Field Value                                                                                     | Comments |
| ski                        | '0000'B                                                                                         |          |
| mmpd                       | '0101'B                                                                                         |          |
| mt                         | '0?100100'B                                                                                     |          |
| cphksn                     | CphKeySN_01( cksn)                                                                              |          |
| svtype                     | C_CMServiceTypeE                                                                                |          |
| msclm                      | ?                                                                                               |          |
| mi                         | MiTmsi_01                                                                                       |          |
| <b>Detailed Comments:</b>  |                                                                                                 |          |

| PDU Constraint Declaration |                                                |          |
|----------------------------|------------------------------------------------|----------|
| <b>Constraint Name:</b>    | Connect_01( ti:TI)                             |          |
| <b>PDU Type:</b>           | CONN_PDU                                       |          |
| <b>Derivation Path:</b>    |                                                |          |
| <b>Comments:</b>           | CC CONNECT message matching any received value |          |
| Field Name                 | Field Value                                    | Comments |
| ti                         | ti                                             |          |
| ccpd                       | '0011'B                                        |          |
| mt                         | '0?000111'B                                    |          |
| fie                        | *                                              |          |
| pi                         | -                                              |          |
| cnn                        | -                                              |          |
| cns                        | *                                              |          |
| uu                         | *                                              |          |
| ssvi                       | *                                              |          |
| <b>Detailed Comments:</b>  |                                                |          |

| PDU Constraint Declaration |                                                    |          |
|----------------------------|----------------------------------------------------|----------|
| <b>Constraint Name:</b>    | Connect_02(Ti:TI)                                  |          |
| <b>PDU Type:</b>           | CONN_PDU                                           |          |
| <b>Derivation Path:</b>    |                                                    |          |
| <b>Comments:</b>           | CC CONNECT message containing mandatory IE's only. |          |
| Field Name                 | Field Value                                        | Comments |
| ti                         | Ti                                                 |          |
| ccpd                       | '0011'B                                            |          |
| mt                         | '00000111'B                                        |          |
| fie                        | -                                                  |          |
| pi                         | -                                                  |          |
| cnn                        | -                                                  |          |
| cns                        | -                                                  |          |
| uu                         | -                                                  |          |
| ssvi                       | -                                                  |          |
| <b>Detailed Comments:</b>  |                                                    |          |

| PDU Constraint Declaration |                                       |          |
|----------------------------|---------------------------------------|----------|
| <b>Constraint Name:</b>    | ConnectAck_01( ti:TI)                 |          |
| <b>PDU Type:</b>           | CONN_ACK_PDU                          |          |
| <b>Derivation Path:</b>    |                                       |          |
| <b>Comments:</b>           | A CONNECT ACKNOWLEDGE message n -> ms |          |
| Field Name                 | Field Value                           | Comments |
| ti                         | ti                                    |          |
| ccpd                       | '0011'B                               |          |
| mt                         | '00001111'B                           |          |
| <b>Detailed Comments:</b>  |                                       |          |

| PDU Constraint Declaration |                               |          |
|----------------------------|-------------------------------|----------|
| <b>Constraint Name:</b>    | ConnectAck_02(Ti:TI)          |          |
| <b>PDU Type:</b>           | CONN_ACK_PDU                  |          |
| <b>Derivation Path:</b>    |                               |          |
| <b>Comments:</b>           | A CONNECT ACKNOWLEDGE message |          |
| Field Name                 | Field Value                   | Comments |
| ti                         | Ti                            |          |
| ccpd                       | '0011'B                       |          |
| mt                         | '0?001111'B                   |          |
| <b>Detailed Comments:</b>  |                               |          |

| PDU Constraint Declaration |                                                                                |          |
|----------------------------|--------------------------------------------------------------------------------|----------|
| <b>Constraint Name:</b>    | CphModeCmd_01                                                                  |          |
| <b>PDU Type:</b>           | CPHM_CMD_PDU                                                                   |          |
| <b>Derivation Path:</b>    |                                                                                |          |
| <b>Comments:</b>           | CIPHERING MODE COMMAND message, the ciphering algorithm is specified by PIXIT. |          |
| Field Name                 | Field Value                                                                    | Comments |
| ski                        | '0000'B                                                                        |          |
| rrpd                       | '0110'B                                                                        |          |
| mt                         | '00110101'B                                                                    |          |
| cph_res                    | CiphRes_01                                                                     |          |
| cphms                      | CphMod_01                                                                      |          |
| <b>Detailed Comments:</b>  |                                                                                |          |

| PDU Constraint Declaration |                                                       |          |
|----------------------------|-------------------------------------------------------|----------|
| <b>Constraint Name:</b>    | CphModeCmp_01                                         |          |
| <b>PDU Type:</b>           | CPHM_COM_PDU                                          |          |
| <b>Derivation Path:</b>    |                                                       |          |
| <b>Comments:</b>           | To match any received CIPHERING MODE COMPLETE message |          |
| Field Name                 | Field Value                                           | Comments |
| ski                        | '0000'B                                               |          |
| rrpd                       | '0110'B                                               |          |
| mt                         | '00110010'B                                           |          |
| mei                        | *                                                     |          |
| <b>Detailed Comments:</b>  |                                                       |          |

| PDU Constraint Declaration |                                                                                         |          |
|----------------------------|-----------------------------------------------------------------------------------------|----------|
| <b>Constraint Name:</b>    | DisconnS(Ti:TI; cau:CAU; progind:PI; uuin:UU)                                           |          |
| <b>PDU Type:</b>           | DISC_PDU                                                                                |          |
| <b>Derivation Path:</b>    |                                                                                         |          |
| <b>Comments:</b>           | A DISCONNECT message that contains cause = normal clearing and progress indicator = #8. |          |
| Field Name                 | Field Value                                                                             | Comments |
| ti                         | Ti                                                                                      |          |
| ccpd                       | '0011'B                                                                                 |          |
| mt                         | '00100101'B                                                                             |          |
| cau                        | cau                                                                                     |          |
| fie                        | -                                                                                       |          |
| pi                         | progind                                                                                 |          |
| uu                         | uuinf                                                                                   |          |
| ssvi                       | -                                                                                       |          |
| <b>Detailed Comments:</b>  |                                                                                         |          |

| PDU Constraint Declaration |                                                                   |          |
|----------------------------|-------------------------------------------------------------------|----------|
| <b>Constraint Name:</b>    | DisconnR(Ti:TI; cau:CAU)                                          |          |
| <b>PDU Type:</b>           | DISC_PDU                                                          |          |
| <b>Derivation Path:</b>    |                                                                   |          |
| <b>Comments:</b>           | A default DISCONNECT message matching parametrised value ms -> n. |          |
| Field Name                 | Field Value                                                       | Comments |
| ti                         | Ti                                                                |          |
| ccpd                       | '0011'B                                                           |          |
| mt                         | '0?100101'B                                                       |          |
| cau                        | cau                                                               |          |
| fie                        | *                                                                 |          |
| pi                         | *                                                                 |          |
| uu                         | *                                                                 |          |
| ssvi                       | *                                                                 |          |
| <b>Detailed Comments:</b>  |                                                                   |          |

| PDU Constraint Declaration |                                               |          |
|----------------------------|-----------------------------------------------|----------|
| <b>Constraint Name:</b>    | HandOverAcc_01                                |          |
| <b>PDU Type:</b>           | HOACC_PDU                                     |          |
| <b>Derivation Path:</b>    |                                               |          |
| <b>Comments:</b>           | To match any received HANDOVER ACCESS message |          |
| Field Name                 | Field Value                                   | Comments |
| horf                       | ?                                             |          |
| <b>Detailed Comments:</b>  |                                               |          |

| PDU Constraint Declaration |                                                                               |          |
|----------------------------|-------------------------------------------------------------------------------|----------|
| <b>Constraint Name:</b>    | HandOverAcc_02(horef:HORF)                                                    |          |
| <b>PDU Type:</b>           | HOACC_PDU                                                                     |          |
| <b>Derivation Path:</b>    |                                                                               |          |
| <b>Comments:</b>           | To match a received HANDOVER ACCESS message with handover reference ` horef`. |          |
| Field Name                 | Field Value                                                                   | Comments |
| horf                       | horef                                                                         |          |
| <b>Detailed Comments:</b>  |                                                                               |          |

| PDU Constraint Declaration |                                                                                                                                                                                                                                  |          |
|----------------------------|----------------------------------------------------------------------------------------------------------------------------------------------------------------------------------------------------------------------------------|----------|
| <b>Constraint Name:</b>    | HandOverCmd_fh( type:CH_TDMA; slot:SN; tsc:TSC; ncc, bcc:B_3; sdccharfcn, mod, hsn:INTEGER; horf:HORF; pwlv:B_5; synchi:SYNCHI; frql1, frql2:FRQL; cchd:CCHD; chmod:CHMOD; frqchs:FRQCHS; ma:MA; rtdif:TDIF; ta:TA; cphms:CPHMS) |          |
| <b>PDU Type:</b>           | HO_CMD_PDU                                                                                                                                                                                                                       |          |
| <b>Derivation Path:</b>    |                                                                                                                                                                                                                                  |          |
| <b>Comments:</b>           | A derived HANOVER COMMAND containing TCH/F_FH in non synchronized new CELL A.                                                                                                                                                    |          |
| Field Name                 | Field Value                                                                                                                                                                                                                      | Comments |
| ski                        | '0000'B                                                                                                                                                                                                                          |          |
| rrpd                       | '0110'B                                                                                                                                                                                                                          |          |
| mt                         | '00101011'B                                                                                                                                                                                                                      |          |
| cd                         | CellDescrp( ncc, bcc, sdccharfcn)                                                                                                                                                                                                |          |
| ch1d_at                    | ChDescrp_fh( type, slot, tsc, INT_TO_BIT(( TSPX_MAIO MOD mod), 6), INT_TO_BIT( hsn, 6))                                                                                                                                          |          |
| horf                       | horf                                                                                                                                                                                                                             |          |
| pcmd                       | Pcmd_20( pwlv)                                                                                                                                                                                                                   |          |
| synchi                     | synchi                                                                                                                                                                                                                           |          |
| frqsl_at                   | frql1                                                                                                                                                                                                                            |          |
| frql_at                    | frql2                                                                                                                                                                                                                            |          |
| cchd                       | cchd                                                                                                                                                                                                                             |          |
| ch1mod                     | chmod                                                                                                                                                                                                                            |          |
| ch2d_at                    | -                                                                                                                                                                                                                                |          |
| ch2mod                     | -                                                                                                                                                                                                                                |          |
| frqchs_at                  | frqchs                                                                                                                                                                                                                           |          |
| ma_at                      | ma                                                                                                                                                                                                                               |          |
| strt                       | -                                                                                                                                                                                                                                |          |
| rtdif                      | rtdif                                                                                                                                                                                                                            |          |
| ta                         | ta                                                                                                                                                                                                                               |          |
| frqsl_bt                   | -                                                                                                                                                                                                                                |          |
| frql_bt                    | -                                                                                                                                                                                                                                |          |
| ch1d_bt                    | -                                                                                                                                                                                                                                |          |
| ch2d_bt                    | -                                                                                                                                                                                                                                |          |
| frqchs_bt                  | -                                                                                                                                                                                                                                |          |
| ma_bt                      | -                                                                                                                                                                                                                                |          |
| cphms                      | cphms                                                                                                                                                                                                                            |          |
| <b>Detailed Comments:</b>  |                                                                                                                                                                                                                                  |          |

| PDU Constraint Declaration |                                                                                                                                                                                |          |
|----------------------------|--------------------------------------------------------------------------------------------------------------------------------------------------------------------------------|----------|
| <b>Constraint Name:</b>    | HandOverCmd_nfh( type:CH_TDMA; slot:SN; tsc:TSC; ncc, bcc:B_3; sdccharfcn, tcharfcn:INTEGER; horf:HORF; pwlvl:B_5; synchi:SYNCHI; chmod:CHMOD; rtdif:TDIF; ta:TA; cphms:CPHMS) |          |
| <b>PDU Type:</b>           | HO_CMD_PDU                                                                                                                                                                     |          |
| <b>Derivation Path:</b>    |                                                                                                                                                                                |          |
| <b>Comments:</b>           | An HANOVER COMMAND indicating finely synchronised intra cell handover.                                                                                                         |          |
| Field Name                 | Field Value                                                                                                                                                                    | Comments |
| ski                        | '0000'B                                                                                                                                                                        |          |
| rrpd                       | '0110'B                                                                                                                                                                        |          |
| mt                         | '00101011'B                                                                                                                                                                    |          |
| cd                         | CellDescrp( ncc, bcc, sdccharfcn)                                                                                                                                              |          |
| ch1d_at                    | ChDescrp_nfh( type, slot, tsc, tcharfcn)                                                                                                                                       |          |
| horf                       | horf                                                                                                                                                                           |          |
| pcmd                       | Pcmd_20( pwlvl)                                                                                                                                                                |          |
| synchi                     | synchi                                                                                                                                                                         |          |
| frqsl_at                   | -                                                                                                                                                                              |          |
| frql_at                    | -                                                                                                                                                                              |          |
| cchd                       | -                                                                                                                                                                              |          |
| ch1mod                     | chmod                                                                                                                                                                          |          |
| ch2d_at                    | -                                                                                                                                                                              |          |
| ch2mod                     | -                                                                                                                                                                              |          |
| frqchs_at                  | -                                                                                                                                                                              |          |
| ma_at                      | -                                                                                                                                                                              |          |
| strt                       | -                                                                                                                                                                              |          |
| rtdif                      | rtdif                                                                                                                                                                          |          |
| ta                         | ta                                                                                                                                                                             |          |
| frqsl_bt                   | -                                                                                                                                                                              |          |
| frql_bt                    | -                                                                                                                                                                              |          |
| ch1d_bt                    | -                                                                                                                                                                              |          |
| ch2d_bt                    | -                                                                                                                                                                              |          |
| frqchs_bt                  | -                                                                                                                                                                              |          |
| ma_bt                      | -                                                                                                                                                                              |          |
| cphms                      | cphms                                                                                                                                                                          |          |
| <b>Detailed Comments:</b>  |                                                                                                                                                                                |          |

| PDU Constraint Declaration |                                                           |          |
|----------------------------|-----------------------------------------------------------|----------|
| <b>Constraint Name:</b>    | HandOverCmp_20                                            |          |
| <b>PDU Type:</b>           | HO_COM_PDU                                                |          |
| <b>Derivation Path:</b>    |                                                           |          |
| <b>Comments:</b>           | A basic received constraint for HANOVER COMPLETE message. |          |
| Field Name                 | Field Value                                               | Comments |
| ski                        | '0000'B                                                   |          |
| rrpd                       | '0110'B                                                   |          |
| mt                         | '00101100'B                                               |          |
| rrcau                      | '00000000'B                                               |          |
| motdif                     | *                                                         |          |
| <b>Detailed Comments:</b>  |                                                           |          |

| PDU Constraint Declaration |                                                   |          |
|----------------------------|---------------------------------------------------|----------|
| <b>Constraint Name:</b>    | HandOvFail_01                                     |          |
| <b>PDU Type:</b>           | HOFL_PDU                                          |          |
| <b>Derivation Path:</b>    |                                                   |          |
| <b>Comments:</b>           | A HANDOVER FAILURE message matching any RR cause. |          |
| Field Name                 | Field Value                                       | Comments |
| ski                        | '0000'B                                           |          |
| rrpd                       | '0110'B                                           |          |
| mt                         | '00101000'B                                       |          |
| rrcau                      | ?                                                 |          |
| <b>Detailed Comments:</b>  |                                                   |          |

| PDU Constraint Declaration |                                                                                           |          |
|----------------------------|-------------------------------------------------------------------------------------------|----------|
| <b>Constraint Name:</b>    | ImmAsgn_01Def(Rr: BITSTRING; Fn: FN; sub:B_2; slot:SN; tsc:TSC; par_arfcn:INTEGER; ta:TA) |          |
| <b>PDU Type:</b>           | IMMASS_PDU                                                                                |          |
| <b>Derivation Path:</b>    |                                                                                           |          |
| <b>Comments:</b>           | An IMMEDIATE ASSIGNMENT message to assign SDCCH/4 channel.                                |          |
| Field Name                 | Field Value                                                                               | Comments |
| l2_pl                      | '2D'O                                                                                     |          |
| ski                        | '0000'B                                                                                   |          |
| rrpd                       | '0110'B                                                                                   |          |
| mt                         | '00111111'B                                                                               |          |
| shoct                      | '0000'B                                                                                   |          |
| pm                         | Pm( C_normal_paging)                                                                      |          |
| chd                        | ChDescrp_nfh( INT_TO_BIT(( 4 + BIT_TO_INT( sub)), 5), slot, tsc, par_arfcn)               |          |
| rqr                        | Rqr2(Rr, Fn)                                                                              |          |
| ta                         | ta                                                                                        |          |
| ma                         | MoblAllic_01                                                                              |          |
| strt                       | -                                                                                         |          |
| iaroct                     | laRestOct_01                                                                              |          |
| <b>Detailed Comments:</b>  |                                                                                           |          |

| PDU Constraint Declaration |                                                                                                                          |          |
|----------------------------|--------------------------------------------------------------------------------------------------------------------------|----------|
| <b>Constraint Name:</b>    | ImmAsgn_221( Rr:BITSTRING; Fn:FN; ts_ccch:SN; tsc:TSC; par_chtype:CH_TDMA; maio:MAIO; hsn:HSN; ta:TA; ma:MA; iel:LENGTH) |          |
| <b>PDU Type:</b>           | IMMASS_PDU                                                                                                               |          |
| <b>Derivation Path:</b>    |                                                                                                                          |          |
| <b>Comments:</b>           | An IMMEDIATE ASSIGNMENT message.                                                                                         |          |
| Field Name                 | Field Value                                                                                                              | Comments |
| l2_pl                      | OC_IntToOct((( 11 + OC_OctToInt( iel)) * 4) + 1, 1)                                                                      |          |
| ski                        | '0000'B                                                                                                                  |          |
| rrpd                       | '0110'B                                                                                                                  |          |
| mt                         | '00111111'B                                                                                                              |          |
| shoct                      | '0000'B                                                                                                                  |          |
| pm                         | Pm( C_normal_paging)                                                                                                     |          |
| chd                        | ChDescrp_fh( par_chtype, ts_ccch, tsc, maio, hsn)                                                                        |          |
| rqr                        | Rqr2(Rr, Fn)                                                                                                             |          |
| ta                         | ta                                                                                                                       |          |
| ma                         | ma                                                                                                                       |          |
| strt                       | -                                                                                                                        |          |
| iaroct                     | laRestOct( iel)                                                                                                          |          |
| <b>Detailed Comments:</b>  |                                                                                                                          |          |

| PDU Constraint Declaration |                                                                                                     |          |
|----------------------------|-----------------------------------------------------------------------------------------------------|----------|
| <b>Constraint Name:</b>    | ImmAsgn_nfh(Rr: BITSTRING; Fn: FN; type: CH_TDMA; slot:SN; tsc:TSC; ta:TA; arfcn: INTEGER; pgm:B_2) |          |
| <b>PDU Type:</b>           | IMMASS_PDU                                                                                          |          |
| <b>Derivation Path:</b>    |                                                                                                     |          |
| <b>Comments:</b>           | An IMMEDIATE ASSIGNMENT message to assign TCH/F or TCH/H channel.                                   |          |
| Field Name                 | Field Value                                                                                         | Comments |
| l2_pl                      | '2D'O                                                                                               |          |
| ski                        | '0000'B                                                                                             |          |
| rrpd                       | '0110'B                                                                                             |          |
| mt                         | '00111111'B                                                                                         |          |
| shoct                      | '0000'B                                                                                             |          |
| pm                         | Pm( pgm)                                                                                            |          |
| chd                        | ChDescrp_nfh(type, slot, tsc, arfcn)                                                                |          |
| rqr                        | Rqr2(Rr, Fn)                                                                                        |          |
| ta                         | ta                                                                                                  |          |
| ma                         | MoblAllc_01                                                                                         |          |
| strt                       | -                                                                                                   |          |
| iaroct                     | laRestOct_01                                                                                        |          |
| <b>Detailed Comments:</b>  |                                                                                                     |          |

| PDU Constraint Declaration |                                                                                                |          |
|----------------------------|------------------------------------------------------------------------------------------------|----------|
| <b>Constraint Name:</b>    | ImmAsgn_r13(Rr: BITSTRING; Fn: FN; chd:CHD; ta:TA)                                             |          |
| <b>PDU Type:</b>           | IMMASS_PDU                                                                                     |          |
| <b>Derivation Path:</b>    |                                                                                                |          |
| <b>Comments:</b>           | An IMMEDIATE ASSIGNMENT message to assign TCH/F channel with a time advance of 30 bit periods. |          |
| Field Name                 | Field Value                                                                                    | Comments |
| l2_pl                      | '2D'O                                                                                          |          |
| ski                        | '0000'B                                                                                        |          |
| rrpd                       | '0110'B                                                                                        |          |
| mt                         | '00111111'B                                                                                    |          |
| shoct                      | '0000'B                                                                                        |          |
| pm                         | Pm( C_normal_paging)                                                                           |          |
| chd                        | chd                                                                                            |          |
| rqr                        | Rqr2(Rr, Fn)                                                                                   |          |
| ta                         | ta                                                                                             |          |
| ma                         | MoblAllc_01                                                                                    |          |
| strt                       | -                                                                                              |          |
| iaroct                     | laRestOct_01                                                                                   |          |
| <b>Detailed Comments:</b>  |                                                                                                |          |

| PDU Constraint Declaration |                                                                                 |          |
|----------------------------|---------------------------------------------------------------------------------|----------|
| <b>Constraint Name:</b>    | ImsiDetach_30(par:MI)                                                           |          |
| <b>PDU Type:</b>           | IMSID_IN_PDU                                                                    |          |
| <b>Derivation Path:</b>    |                                                                                 |          |
| <b>Comments:</b>           | IMSI DETACH INDICATION message matching any MS classmark1 value and given IMSI. |          |
| Field Name                 | Field Value                                                                     | Comments |
| ski                        | '0000'B                                                                         |          |
| mmpd                       | '0101'B                                                                         |          |
| mt                         | '0?000001'B                                                                     |          |
| msclm                      | ?                                                                               |          |
| mi                         | par                                                                             |          |
| <b>Detailed Comments:</b>  |                                                                                 |          |

| PDU Constraint Declaration |                                                       |          |
|----------------------------|-------------------------------------------------------|----------|
| <b>Constraint Name:</b>    | LocUpdtAcp_01(newmi: MI; mcc, mnc, lac:OCTETSTRING)   |          |
| <b>PDU Type:</b>           | LUP_ACP_PDU                                           |          |
| <b>Derivation Path:</b>    |                                                       |          |
| <b>Comments:</b>           | To assign a new TMSI with or without mobile identity. |          |
| Field Name                 | Field Value                                           | Comments |
| ski                        | '0000'B                                               |          |
| mmpd                       | '0101'B                                               |          |
| mt                         | '00000010'B                                           |          |
| lai                        | LocAreald(mcc, mnc, lac)                              |          |
| mi                         | newmi                                                 |          |
| fop                        | -                                                     |          |
| <b>Detailed Comments:</b>  |                                                       |          |

| PDU Constraint Declaration |                                                                        |          |
|----------------------------|------------------------------------------------------------------------|----------|
| <b>Constraint Name:</b>    | LocUpdtReq_01( locup:B_2)                                              |          |
| <b>PDU Type:</b>           | LUP_RQ_PDU                                                             |          |
| <b>Derivation Path:</b>    |                                                                        |          |
| <b>Comments:</b>           | A LOCATION UPDATING REQUEST message containing location updating type. |          |
| Field Name                 | Field Value                                                            | Comments |
| ski                        | '0000'B                                                                |          |
| mmpd                       | '0101'B                                                                |          |
| mt                         | '0?001000'B                                                            |          |
| cphksn                     | ?                                                                      |          |
| lutype                     | LocUpType( locup)                                                      |          |
| lai                        | ?                                                                      |          |
| msclm                      | ?                                                                      |          |
| mi                         | ?                                                                      |          |
| <b>Detailed Comments:</b>  |                                                                        |          |

| PDU Constraint Declaration |                                     |          |
|----------------------------|-------------------------------------|----------|
| <b>Constraint Name:</b>    | LocUpdtRej_01(par:REJCAU)           |          |
| <b>PDU Type:</b>           | LUP_REJ_PDU                         |          |
| <b>Derivation Path:</b>    |                                     |          |
| <b>Comments:</b>           | A LOCATION UPDATING REJECT message. |          |
| Field Name                 | Field Value                         | Comments |
| ski                        | '0000'B                             |          |
| mmpd                       | '0101'B                             |          |
| mt                         | '00000100'B                         |          |
| rejcau                     | par                                 |          |
| <b>Detailed Comments:</b>  |                                     |          |

| PDU Constraint Declaration |                                                      |          |
|----------------------------|------------------------------------------------------|----------|
| <b>Constraint Name:</b>    | MsrReport_02                                         |          |
| <b>PDU Type:</b>           | MSR_RPT_PDU                                          |          |
| <b>Derivation Path:</b>    |                                                      |          |
| <b>Comments:</b>           | A measurement report match any received MSR_RPT_PDU. |          |
| Field Name                 | Field Value                                          | Comments |
| ski                        | '0000'B                                              |          |
| rrpd                       | '0110'B                                              |          |
| mt                         | '00010101'B                                          |          |
| msrr                       | MsrResult_02                                         |          |
| <b>Detailed Comments:</b>  |                                                      |          |







| PDU Constraint Declaration |                                                                                    |          |
|----------------------------|------------------------------------------------------------------------------------|----------|
| <b>Constraint Name:</b>    | Release_08(Ti:TI)                                                                  |          |
| <b>PDU Type:</b>           | REL_PDU                                                                            |          |
| <b>Derivation Path:</b>    |                                                                                    |          |
| <b>Comments:</b>           | A CC RELEASE message with mandatory IE's only used in structured procedures test . |          |
| Field Name                 | Field Value                                                                        | Comments |
| ti                         | Ti                                                                                 |          |
| ccpd                       | '0011'B                                                                            |          |
| mt                         | '00101101'B                                                                        |          |
| cau                        | -                                                                                  |          |
| cau2                       | -                                                                                  |          |
| fie                        | -                                                                                  |          |
| uu                         | -                                                                                  |          |
| ssvi                       | -                                                                                  |          |
| <b>Detailed Comments:</b>  |                                                                                    |          |

| PDU Constraint Declaration |                                                                                            |          |
|----------------------------|--------------------------------------------------------------------------------------------|----------|
| <b>Constraint Name:</b>    | Release_10(Ti:TI)                                                                          |          |
| <b>PDU Type:</b>           | REL_PDU                                                                                    |          |
| <b>Derivation Path:</b>    |                                                                                            |          |
| <b>Comments:</b>           | A CC RELEASE message used to match any received CC RELEASE message with a controllable TI. |          |
| Field Name                 | Field Value                                                                                | Comments |
| ti                         | Ti                                                                                         |          |
| ccpd                       | '0011'B                                                                                    |          |
| mt                         | '0?101101'B                                                                                |          |
| cau                        | *                                                                                          |          |
| cau2                       | *                                                                                          |          |
| fie                        | *                                                                                          |          |
| uu                         | *                                                                                          |          |
| ssvi                       | *                                                                                          |          |
| <b>Detailed Comments:</b>  |                                                                                            |          |

| PDU Constraint Declaration |                                        |          |
|----------------------------|----------------------------------------|----------|
| <b>Constraint Name:</b>    | ReleaseCmp_03(Ti:TI)                   |          |
| <b>PDU Type:</b>           | REL_COM_PDU                            |          |
| <b>Derivation Path:</b>    |                                        |          |
| <b>Comments:</b>           | To match any received RELEASE message. |          |
| Field Name                 | Field Value                            | Comments |
| ti                         | Ti                                     |          |
| cc_sspd                    | '0011'B                                |          |
| mt                         | '0?101010'B                            |          |
| cau                        | *                                      |          |
| fie                        | *                                      |          |
| uu                         | *                                      |          |
| ssvi                       | *                                      |          |
| <b>Detailed Comments:</b>  |                                        |          |

| PDU Constraint Declaration |                                                                   |          |
|----------------------------|-------------------------------------------------------------------|----------|
| <b>Constraint Name:</b>    | ReleaseCmp_08(Ti :Ti)                                             |          |
| <b>PDU Type:</b>           | REL_COM_PDU                                                       |          |
| <b>Derivation Path:</b>    |                                                                   |          |
| <b>Comments:</b>           | A RELEASE COMPLETE message containing mandatory IEs only. n -> ms |          |
| Field Name                 | Field Value                                                       | Comments |
| ti                         | Ti                                                                |          |
| cc_sspd                    | '0011'B                                                           |          |
| mt                         | '00101010'B                                                       |          |
| cau                        | -                                                                 |          |
| fie                        | -                                                                 |          |
| uu                         | -                                                                 |          |
| ssvi                       | -                                                                 |          |
| <b>Detailed Comments:</b>  |                                                                   |          |

| PDU Constraint Declaration |                                                               |          |
|----------------------------|---------------------------------------------------------------|----------|
| <b>Constraint Name:</b>    | Setup_01( ti:Ti)                                              |          |
| <b>PDU Type:</b>           | SETUP_MT_PDU                                                  |          |
| <b>Derivation Path:</b>    |                                                               |          |
| <b>Comments:</b>           | A SETUP message containing speech bearer capability. n -> ms. |          |
| Field Name                 | Field Value                                                   | Comments |
| ti                         | ti                                                            |          |
| ccpd                       | '0011'B                                                       |          |
| mt                         | '00000101'B                                                   |          |
| bcri                       | -                                                             |          |
| bcap1                      | EFR_Bcap_Speech_MT                                            |          |
| bcap2                      | -                                                             |          |
| fie                        | -                                                             |          |
| pi                         | -                                                             |          |
| sig                        | -                                                             |          |
| cgpn                       | -                                                             |          |
| cgps                       | -                                                             |          |
| cdpn                       | -                                                             |          |
| cdps                       | -                                                             |          |
| llcri                      | -                                                             |          |
| llcmp1                     | -                                                             |          |
| llcmp2                     | -                                                             |          |
| hlcri                      | -                                                             |          |
| hlcmp1                     | -                                                             |          |
| hlcmp2                     | -                                                             |          |
| uu                         | -                                                             |          |
| <b>Detailed Comments:</b>  |                                                               |          |

| PDU Constraint Declaration |                                                              |          |
|----------------------------|--------------------------------------------------------------|----------|
| <b>Constraint Name:</b>    | Setup_02( bcap: BCAP)                                        |          |
| <b>PDU Type:</b>           | SETUP_MO_PDU                                                 |          |
| <b>Derivation Path:</b>    |                                                              |          |
| <b>Comments:</b>           | A SETUP message containing speech bearer capability. ms -> n |          |
| Field Name                 | Field Value                                                  | Comments |
| ti                         | ?                                                            |          |
| ccpd                       | '0011'B                                                      |          |
| mt                         | '0?000101'B                                                  |          |
| bcri                       | -                                                            |          |
| bcap1                      | bcap                                                         |          |
| bcap2                      | -                                                            |          |
| fie                        | *                                                            |          |
| cgps                       | *                                                            |          |
| cdpn                       | ?                                                            |          |
| cdps                       | *                                                            |          |
| llcri                      | *                                                            |          |
| llcmp1                     | *                                                            |          |
| llcmp2                     | *                                                            |          |
| hlcri                      | *                                                            |          |
| hlcmp1                     | *                                                            |          |
| hlcmp2                     | *                                                            |          |
| uu                         | *                                                            |          |
| ssvi                       | *                                                            |          |
| clirsup                    | *                                                            |          |
| clirinv                    | *                                                            |          |
| cccap                      | *                                                            |          |
| <b>Detailed Comments:</b>  |                                                              |          |

| PDU Constraint Declaration |                                                                             |          |
|----------------------------|-----------------------------------------------------------------------------|----------|
| <b>Constraint Name:</b>    | Setup_03( ti:T1)                                                            |          |
| <b>PDU Type:</b>           | SETUP_MT_PDU                                                                |          |
| <b>Derivation Path:</b>    |                                                                             |          |
| <b>Comments:</b>           | A SETUP message with mandatory IE's only. This is default for BIBO testing. |          |
| Field Name                 | Field Value                                                                 | Comments |
| ti                         | ti                                                                          |          |
| ccpd                       | '0011'B                                                                     |          |
| mt                         | '00000101'B                                                                 |          |
| bcri                       | -                                                                           |          |
| bcap1                      | -                                                                           |          |
| bcap2                      | -                                                                           |          |
| fie                        | -                                                                           |          |
| pi                         | -                                                                           |          |
| sig                        | -                                                                           |          |
| cgpn                       | -                                                                           |          |
| cgps                       | -                                                                           |          |
| cdpn                       | -                                                                           |          |
| cdps                       | -                                                                           |          |
| llcri                      | -                                                                           |          |
| llcmp1                     | -                                                                           |          |
| llcmp2                     | -                                                                           |          |
| hlcri                      | -                                                                           |          |
| hlcmp1                     | -                                                                           |          |
| hlcmp2                     | -                                                                           |          |
| uu                         | -                                                                           |          |
| <b>Detailed Comments:</b>  |                                                                             |          |

| PDU Constraint Declaration |                                                                        |          |
|----------------------------|------------------------------------------------------------------------|----------|
| <b>Constraint Name:</b>    | ESetupBcap( bcap: BCAP)                                                |          |
| <b>PDU Type:</b>           | ESETUP_PDU                                                             |          |
| <b>Derivation Path:</b>    |                                                                        |          |
| <b>Comments:</b>           | A Emergency call SETUP message with speech bearer capability. ms -> n. |          |
| Field Name                 | Field Value                                                            | Comments |
| ti                         | ?                                                                      |          |
| ccpd                       | '0011'B                                                                |          |
| mt                         | '0?001110'B                                                            |          |
| bcap                       | bcap                                                                   |          |
| <b>Detailed Comments:</b>  |                                                                        |          |

| PDU Constraint Declaration |                                                                           |          |
|----------------------------|---------------------------------------------------------------------------|----------|
| <b>Constraint Name:</b>    | ESetupNoBcap                                                              |          |
| <b>PDU Type:</b>           | ESETUP_PDU                                                                |          |
| <b>Derivation Path:</b>    |                                                                           |          |
| <b>Comments:</b>           | A Emergency call SETUP message without speech bearer capability. ms -> n. |          |
| Field Name                 | Field Value                                                               | Comments |
| ti                         | ?                                                                         |          |
| ccpd                       | '0011'B                                                                   |          |
| mt                         | '0?001110'B                                                               |          |
| bcap                       | -                                                                         |          |
| <b>Detailed Comments:</b>  |                                                                           |          |

| PDU Constraint Declaration |                                                                                                                                                       |          |
|----------------------------|-------------------------------------------------------------------------------------------------------------------------------------------------------|----------|
| <b>Constraint Name:</b>    | Setup_10_UDI(bcap: BCAP; llc1:LLCMP; hlc1:HLCMP)                                                                                                      |          |
| <b>PDU Type:</b>           | SETUP_MO_PDU                                                                                                                                          |          |
| <b>Derivation Path:</b>    |                                                                                                                                                       |          |
| <b>Comments:</b>           | A SETUP message containing bearer capability supported by the mobile station, used for Unrestricted digital information transfer capability. ms -> n. |          |
| Field Name                 | Field Value                                                                                                                                           | Comments |
| ti                         | ?                                                                                                                                                     |          |
| ccpd                       | '0011'B                                                                                                                                               |          |
| mt                         | '0?000101'B                                                                                                                                           |          |
| bcri                       | -                                                                                                                                                     |          |
| bcap1                      | bcap                                                                                                                                                  |          |
| bcap2                      | -                                                                                                                                                     |          |
| fie                        | *                                                                                                                                                     |          |
| cgps                       | *                                                                                                                                                     |          |
| cdpn                       | ?                                                                                                                                                     |          |
| cdps                       | *                                                                                                                                                     |          |
| llcri                      | -                                                                                                                                                     |          |
| llcmp1                     | llc1                                                                                                                                                  |          |
| llcmp2                     | -                                                                                                                                                     |          |
| hlc1                       | -                                                                                                                                                     |          |
| hlcmp1                     | hlc1 IF_PRESENT                                                                                                                                       |          |
| hlcmp2                     | -                                                                                                                                                     |          |
| uu                         | *                                                                                                                                                     |          |
| ssvi                       | *                                                                                                                                                     |          |
| clirsup                    | *                                                                                                                                                     |          |
| clirinv                    | *                                                                                                                                                     |          |
| cccacp                     | CallCntrlCap IF_PRESENT                                                                                                                               |          |
| <b>Detailed Comments:</b>  |                                                                                                                                                       |          |

| PDU Constraint Declaration |                                                                                                                                                |          |
|----------------------------|------------------------------------------------------------------------------------------------------------------------------------------------|----------|
| <b>Constraint Name:</b>    | Setup_10_3100(bcap: BCAP; llc1:LLCMP; hlc1:HLCMP)                                                                                              |          |
| <b>PDU Type:</b>           | SETUP_MO_PDU                                                                                                                                   |          |
| <b>Derivation Path:</b>    |                                                                                                                                                |          |
| <b>Comments:</b>           | A SETUP message containing bearer capability supported by the mobile station. used for 3.1 kHz audio information transfer capability. ms -> n. |          |
| Field Name                 | Field Value                                                                                                                                    | Comments |
| ti                         | ?                                                                                                                                              |          |
| ccpd                       | '0011'B                                                                                                                                        |          |
| mt                         | '0?000101'B                                                                                                                                    |          |
| bcri                       | -                                                                                                                                              |          |
| bcap1                      | bcap                                                                                                                                           |          |
| bcap2                      | -                                                                                                                                              |          |
| fie                        | *                                                                                                                                              |          |
| cgps                       | *                                                                                                                                              |          |
| cdpn                       | ?                                                                                                                                              |          |
| cdps                       | *                                                                                                                                              |          |
| llcri                      | -                                                                                                                                              |          |
| llcmp1                     | llc1 IF_PRESENT                                                                                                                                |          |
| llcmp2                     | -                                                                                                                                              |          |
| hlc1                       | -                                                                                                                                              |          |
| hlcmp1                     | hlc1 IF_PRESENT                                                                                                                                |          |
| hlcmp2                     | -                                                                                                                                              |          |
| uu                         | *                                                                                                                                              |          |
| ssvi                       | *                                                                                                                                              |          |
| clirsup                    | *                                                                                                                                              |          |
| clirinv                    | *                                                                                                                                              |          |
| cccap                      | CallCntrlCap IF_PRESENT                                                                                                                        |          |
| <b>Detailed Comments:</b>  |                                                                                                                                                |          |

| PDU Constraint Declaration |                                                                                                                                                      |          |
|----------------------------|------------------------------------------------------------------------------------------------------------------------------------------------------|----------|
| <b>Constraint Name:</b>    | Setup_11_3100(bcri1: RPI; bcap, bcap2nd: BCAP; llc1, llc2:LLCMP; llcri1, hlc1:RPI; hlc1, hlc2:HLCMP)                                                 |          |
| <b>PDU Type:</b>           | SETUP_MO_PDU                                                                                                                                         |          |
| <b>Derivation Path:</b>    |                                                                                                                                                      |          |
| <b>Comments:</b>           | A SETUP message containing two bearer capabilities supported by the mobile station, used for 3.1 kHz audio information transfer capability. ms -> n. |          |
| Field Name                 | Field Value                                                                                                                                          | Comments |
| ti                         | ?                                                                                                                                                    |          |
| ccpd                       | '0011'B                                                                                                                                              |          |
| mt                         | '0?000101'B                                                                                                                                          |          |
| bcri                       | bcri1                                                                                                                                                |          |
| bcap1                      | bcap                                                                                                                                                 |          |
| bcap2                      | bcap2nd                                                                                                                                              |          |
| fie                        | *                                                                                                                                                    |          |
| cgps                       | *                                                                                                                                                    |          |
| cdpn                       | ?                                                                                                                                                    |          |
| cdps                       | *                                                                                                                                                    |          |
| llcri                      | llcri1 IF_PRESENT                                                                                                                                    |          |
| llcmp1                     | llc1 IF_PRESENT                                                                                                                                      |          |
| llcmp2                     | llc2 IF_PRESENT                                                                                                                                      |          |
| hlc1                       | hlc1 IF_PRESENT                                                                                                                                      |          |
| hlcmp1                     | hlc1 IF_PRESENT                                                                                                                                      |          |
| hlcmp2                     | hlc2 IF_PRESENT                                                                                                                                      |          |
| uu                         | *                                                                                                                                                    |          |
| ssvi                       | *                                                                                                                                                    |          |
| clirsup                    | *                                                                                                                                                    |          |
| clirinv                    | *                                                                                                                                                    |          |
| cccap                      | CallCntrlCap IF_PRESENT                                                                                                                              |          |
| <b>Detailed Comments:</b>  |                                                                                                                                                      |          |

| PDU Constraint Declaration |                                                                               |          |
|----------------------------|-------------------------------------------------------------------------------|----------|
| <b>Constraint Name:</b>    | Setup_20(par: BCAP; ti:TI)                                                    |          |
| <b>PDU Type:</b>           | SETUP_MT_PDU                                                                  |          |
| <b>Derivation Path:</b>    |                                                                               |          |
| <b>Comments:</b>           | A SETUP message containing bearer capability supported by the mobile station. |          |
| Field Name                 | Field Value                                                                   | Comments |
| ti                         | ti                                                                            |          |
| ccpd                       | '0011'B                                                                       |          |
| mt                         | '00000101'B                                                                   |          |
| bcri                       | -                                                                             |          |
| bcap1                      | par                                                                           |          |
| bcap2                      | -                                                                             |          |
| fie                        | -                                                                             |          |
| pi                         | -                                                                             |          |
| sig                        | -                                                                             |          |
| cgpn                       | -                                                                             |          |
| cgps                       | -                                                                             |          |
| cdpn                       | -                                                                             |          |
| cdps                       | -                                                                             |          |
| llcri                      | -                                                                             |          |
| llcmp1                     | -                                                                             |          |
| llcmp2                     | -                                                                             |          |
| hlcri                      | -                                                                             |          |
| hlcmp1                     | -                                                                             |          |
| hlcmp2                     | -                                                                             |          |
| uu                         | -                                                                             |          |
| <b>Detailed Comments:</b>  |                                                                               |          |

| PDU Constraint Declaration |                                                                                     |          |
|----------------------------|-------------------------------------------------------------------------------------|----------|
| <b>Constraint Name:</b>    | Setup_21(par1:RPI; par2, par3 :BCAP; ti:TI)                                         |          |
| <b>PDU Type:</b>           | SETUP_MT_PDU                                                                        |          |
| <b>Derivation Path:</b>    |                                                                                     |          |
| <b>Comments:</b>           | A SETUP message containing two bearer capabilities supported by the mobile station. |          |
| Field Name                 | Field Value                                                                         | Comments |
| ti                         | ti                                                                                  |          |
| ccpd                       | '0011'B                                                                             |          |
| mt                         | '00000101'B                                                                         |          |
| bcri                       | par1                                                                                |          |
| bcap1                      | par2                                                                                |          |
| bcap2                      | par3                                                                                |          |
| fie                        | -                                                                                   |          |
| pi                         | -                                                                                   |          |
| sig                        | -                                                                                   |          |
| cgpn                       | -                                                                                   |          |
| cgps                       | -                                                                                   |          |
| cdpn                       | -                                                                                   |          |
| cdps                       | -                                                                                   |          |
| llcri                      | -                                                                                   |          |
| llcmp1                     | -                                                                                   |          |
| llcmp2                     | -                                                                                   |          |
| hlcri                      | -                                                                                   |          |
| hlcmp1                     | -                                                                                   |          |
| hlcmp2                     | -                                                                                   |          |
| uu                         | -                                                                                   |          |
| <b>Detailed Comments:</b>  |                                                                                     |          |



| PDU Constraint Declaration |                                     |          |
|----------------------------|-------------------------------------|----------|
| <b>Constraint Name:</b>    | SetupInd_01                         |          |
| <b>PDU Type:</b>           | SETUP_MO_PDU                        |          |
| <b>Derivation Path:</b>    |                                     |          |
| <b>Comments:</b>           | To match any received SETUP message |          |
| Field Name                 | Field Value                         | Comments |
| ti                         | TI_09                               |          |
| ccpd                       | '0011'B                             |          |
| mt                         | '0?000101'B                         |          |
| bcri                       | *                                   |          |
| bcap1                      | ?                                   |          |
| bcap2                      | *                                   |          |
| fie                        | *                                   |          |
| cgps                       | *                                   |          |
| cdpn                       | ?                                   |          |
| cdps                       | *                                   |          |
| llcri                      | *                                   |          |
| llcmp1                     | *                                   |          |
| llcmp2                     | *                                   |          |
| hlcri                      | *                                   |          |
| hlcmp1                     | *                                   |          |
| hlcmp2                     | *                                   |          |
| uu                         | *                                   |          |
| ssvi                       | *                                   |          |
| clirsup                    | *                                   |          |
| clirinv                    | *                                   |          |
| cccap                      | CallCntrlCap IF_PRESENT             |          |
| <b>Detailed Comments:</b>  |                                     |          |

| PDU Constraint Declaration                                                                                                                                                                                                                                                                                                                                                                                                                            |                              |          |
|-------------------------------------------------------------------------------------------------------------------------------------------------------------------------------------------------------------------------------------------------------------------------------------------------------------------------------------------------------------------------------------------------------------------------------------------------------|------------------------------|----------|
| <b>Constraint Name:</b>                                                                                                                                                                                                                                                                                                                                                                                                                               | Synclnfor( bcc:BCC; ncc:NCC) |          |
| <b>PDU Type:</b>                                                                                                                                                                                                                                                                                                                                                                                                                                      | SCHINFO_PDU                  |          |
| <b>Derivation Path:</b>                                                                                                                                                                                                                                                                                                                                                                                                                               |                              |          |
| <b>Comments:</b>                                                                                                                                                                                                                                                                                                                                                                                                                                      |                              |          |
| Field Name                                                                                                                                                                                                                                                                                                                                                                                                                                            | Field Value                  | Comments |
| ncc                                                                                                                                                                                                                                                                                                                                                                                                                                                   | ncc                          |          |
| bcc                                                                                                                                                                                                                                                                                                                                                                                                                                                   | bcc                          |          |
| t1                                                                                                                                                                                                                                                                                                                                                                                                                                                    | ?                            |          |
| t2                                                                                                                                                                                                                                                                                                                                                                                                                                                    | ?                            |          |
| t3_                                                                                                                                                                                                                                                                                                                                                                                                                                                   | ?                            |          |
| <b>Detailed Comments:</b>                                                                                                                                                                                                                                                                                                                                                                                                                             |                              |          |
| 1. The values of t1, t2 and t3_ shall be correctly set by the L2 simulation module when this message is sent to air on the synchronization channel. It is assumed that there is a set of timebase counters in the L2 module, these counters run continuously and keep the correct timeslot number SN and TDMA frame number FN as long as the test system is poweron , the T1, T2, T3' (values for t1, t2 and t3_) can be derived from these counters. |                              |          |

| PDU Constraint Declaration |                                                        |          |
|----------------------------|--------------------------------------------------------|----------|
| <b>Constraint Name:</b>    | SysInf1(cchd:CCHD; maxtx:B_2; txint:B_4; re:B_1)       |          |
| <b>PDU Type:</b>           | SYSINFO1_PDU                                           |          |
| <b>Derivation Path:</b>    |                                                        |          |
| <b>Comments:</b>           | Default parameters for cell A in RR testing of GSM 900 |          |
| Field Name                 | Field Value                                            | Comments |
| l2_pl                      | '55'O                                                  |          |
| ski                        | '0000'B                                                |          |
| rrpd                       | '0110'B                                                |          |
| mt                         | '00011001'B                                            |          |
| cchd                       | cchd                                                   |          |
| rachcp                     | RachCntrlPara(maxtx, txint, re)                        |          |
| si1roct                    | '2B'O                                                  |          |
| <b>Detailed Comments:</b>  |                                                        |          |

| PDU Constraint Declaration |                                                                         |          |
|----------------------------|-------------------------------------------------------------------------|----------|
| <b>Constraint Name:</b>    | SysInf2(bcchfl: NCD; maxtx:B_2; txint:B_4; re:B_1; nccp:NCCP)           |          |
| <b>PDU Type:</b>           | SYSINFO2_PDU                                                            |          |
| <b>Derivation Path:</b>    |                                                                         |          |
| <b>Comments:</b>           | SYSTEM INFORMATION TYPE2 containing default neighbour cells description |          |
| Field Name                 | Field Value                                                             | Comments |
| l2_pl                      | '59'O                                                                   |          |
| ski                        | '0000'B                                                                 |          |
| rrpd                       | '0110'B                                                                 |          |
| mt                         | '00011010'B                                                             |          |
| bcchfl                     | bcchfl                                                                  |          |
| nccp                       | nccp                                                                    |          |
| rachcp                     | RachCntrlPara(maxtx, txint, re)                                         |          |
| <b>Detailed Comments:</b>  |                                                                         |          |

| PDU Constraint Declaration |                                                                                      |          |
|----------------------------|--------------------------------------------------------------------------------------|----------|
| <b>Constraint Name:</b>    | SysInf2bis(bcchflegsm: NCD)                                                          |          |
| <b>PDU Type:</b>           | SYSINFO2bis_PDU                                                                      |          |
| <b>Derivation Path:</b>    |                                                                                      |          |
| <b>Comments:</b>           | SYSTEM INFORMATION 2bis in cell A under EGSM with the ARFCN list = {988, 990, 1003}. |          |
| Field Name                 | Field Value                                                                          | Comments |
| l2_pl                      | '55'O                                                                                |          |
| ski                        | '0000'B                                                                              |          |
| rrpd                       | '0110'B                                                                              |          |
| mt                         | '00000010'B                                                                          |          |
| xbcchfl                    | bcchflegsm                                                                           |          |
| rachcp                     | RachCntrlPara_r01                                                                    |          |
| si2bisroct                 | '00'O                                                                                |          |
| <b>Detailed Comments:</b>  |                                                                                      |          |

| PDU Constraint Declaration |                                                                                                                      |          |
|----------------------------|----------------------------------------------------------------------------------------------------------------------|----------|
| <b>Constraint Name:</b>    | SysInf3(ci:CI; mcc, mnc, lac:OCTETSTRING; ccd:CCD; co:CO; crh, mtmc:INTEGER; neci:B_1; maxtx:B_2; txint:B_4; re:B_1) |          |
| <b>PDU Type:</b>           | SYSINFO3_PDU                                                                                                         |          |
| <b>Derivation Path:</b>    |                                                                                                                      |          |
| <b>Comments:</b>           | CCCH combined or not with SDCCH                                                                                      |          |
| Field Name                 | Field Value                                                                                                          | Comments |
| l2_pl                      | '49'O                                                                                                                |          |
| ski                        | '0000'B                                                                                                              |          |
| rrpd                       | '0110'B                                                                                                              |          |
| mt                         | '00011011'B                                                                                                          |          |
| ci                         | ci                                                                                                                   |          |
| lai                        | LocAreald(mcc, mnc, lac)                                                                                             |          |
| ccd                        | ccd                                                                                                                  |          |
| co                         | co                                                                                                                   |          |
| csp                        | CellSelPara(crh, mtmc, neci)                                                                                         |          |
| rachcp                     | RachCntrlPara(maxtx, txint, re)                                                                                      |          |
| si3roct                    | SI3RestOctetDef                                                                                                      |          |
| <b>Detailed Comments:</b>  |                                                                                                                      |          |

| PDU Constraint Declaration |                                                                                               |          |
|----------------------------|-----------------------------------------------------------------------------------------------|----------|
| <b>Constraint Name:</b>    | SysInf4(mcc, mnc, lac:OCTETSTRING; crh, mtmc:INTEGER; neci:B_1; maxtx:B_2; txint:B_4; re:B_1) |          |
| <b>PDU Type:</b>           | SYSINFO4_PDU                                                                                  |          |
| <b>Derivation Path:</b>    |                                                                                               |          |
| <b>Comments:</b>           | A SYSTEM INFORMATION TYPE 4 message containing default values                                 |          |
| Field Name                 | Field Value                                                                                   | Comments |
| l2_pl                      | '31'O                                                                                         |          |
| ski                        | '0000'B                                                                                       |          |
| rrpd                       | '0110'B                                                                                       |          |
| mt                         | '00011100'B                                                                                   |          |
| lai                        | LocAreald(mcc, mnc, lac)                                                                      |          |
| csp                        | CellSelPara(crh, mtmc, neci)                                                                  |          |
| rachcp                     | RachCntrlPara(maxtx, txint, re)                                                               |          |
| cbchd                      | -                                                                                             |          |
| cbchma                     | -                                                                                             |          |
| si4roct                    | SI4RestOctetDef                                                                               |          |
| <b>Detailed Comments:</b>  |                                                                                               |          |

| PDU Constraint Declaration |                                                                                                               |          |
|----------------------------|---------------------------------------------------------------------------------------------------------------|----------|
| <b>Constraint Name:</b>    | SysInf4_CBMS(mcc, mnc, lac:OCTETSTRING; crh, mtmc:INTEGER; neci:B_1; maxtx:B_2; txint:B_4; re:B_1; cbchd:CHD) |          |
| <b>PDU Type:</b>           | SYSINFO4_PDU                                                                                                  |          |
| <b>Derivation Path:</b>    |                                                                                                               |          |
| <b>Comments:</b>           | To send a SYSTEM INFORMATION TYPE 4 message for SMS CB with the values or GSM 11.10, 34.3                     |          |
| Field Name                 | Field Value                                                                                                   | Comments |
| l2_pl                      | '49'O                                                                                                         |          |
| ski                        | '0000'B                                                                                                       |          |
| rrpd                       | '0110'B                                                                                                       |          |
| mt                         | '00011100'B                                                                                                   |          |
| lai                        | LocAreald(mcc, mnc, lac)                                                                                      |          |
| csp                        | CellSelPara(crh, mtmc, neci)                                                                                  |          |
| rachcp                     | RachCntrlPara(maxtx, txint, re)                                                                               |          |
| cbchd                      | cbchd                                                                                                         |          |
| cbchma                     | MoblAlc_01iei                                                                                                 |          |
| si4roct                    | SI4RestOctet_CBMS                                                                                             |          |
| <b>Detailed Comments:</b>  |                                                                                                               |          |

| PDU Constraint Declaration |                                                                                     |          |
|----------------------------|-------------------------------------------------------------------------------------|----------|
| <b>Constraint Name:</b>    | SysInf5(bcchfl: NCD)                                                                |          |
| <b>PDU Type:</b>           | SYSINFO5_PDU                                                                        |          |
| <b>Derivation Path:</b>    |                                                                                     |          |
| <b>Comments:</b>           | SYSTEM INFORMATION TYPE 5 containing default neighbour cells description for GSM900 |          |
| Field Name                 | Field Value                                                                         | Comments |
| ski                        | '0000'B                                                                             |          |
| rrpd                       | '0110'B                                                                             |          |
| mt                         | '00011101'B                                                                         |          |
| bcchfl                     | bcchfl                                                                              |          |
| <b>Detailed Comments:</b>  |                                                                                     |          |

| PDU Constraint Declaration |                                                                                                           |          |
|----------------------------|-----------------------------------------------------------------------------------------------------------|----------|
| <b>Constraint Name:</b>    | SysInf5bis(bcchfl: NCD)                                                                                   |          |
| <b>PDU Type:</b>           | SYSINFO5bis_PDU                                                                                           |          |
| <b>Derivation Path:</b>    |                                                                                                           |          |
| <b>Comments:</b>           | SYSTEM INFORMATION TYPE 5bis containing partial neighbour cells description with 1 frequency for DCS1800. |          |
| Field Name                 | Field Value                                                                                               | Comments |
| ski                        | '0000'B                                                                                                   |          |
| rrpd                       | '0110'B                                                                                                   |          |
| mt                         | '00000101'B                                                                                               |          |
| xbcchfl                    | bcchfl                                                                                                    |          |
| <b>Detailed Comments:</b>  |                                                                                                           |          |

| PDU Constraint Declaration |                                                                                   |          |
|----------------------------|-----------------------------------------------------------------------------------|----------|
| <b>Constraint Name:</b>    | SysInf6(ci:CI; mcc, mnc, lac:OCTETSTRING; co:CO)                                  |          |
| <b>PDU Type:</b>           | SYSINFO6_PDU                                                                      |          |
| <b>Derivation Path:</b>    |                                                                                   |          |
| <b>Comments:</b>           | A SYSTEM INFORMATION TYPE 6 message containing default parameters for RR testing. |          |
| Field Name                 | Field Value                                                                       | Comments |
| ski                        | '0000'B                                                                           |          |
| rrpd                       | '0110'B                                                                           |          |
| mt                         | '00011110'B                                                                       |          |
| ci                         | ci                                                                                |          |
| lai                        | LocAreald(mcc, mnc, lac)                                                          |          |
| co                         | co                                                                                |          |
| nccp                       | '02'O                                                                             |          |
| <b>Detailed Comments:</b>  |                                                                                   |          |

| PDU Constraint Declaration |                                                    |          |
|----------------------------|----------------------------------------------------|----------|
| <b>Constraint Name:</b>    | TmsiReallocCmd(par:MI; mcc, mnc, lac: OCTETSTRING) |          |
| <b>PDU Type:</b>           | TMSIRE_CMD_PDU                                     |          |
| <b>Derivation Path:</b>    |                                                    |          |
| <b>Comments:</b>           | TMSI REALLOCATION COMMAND message.                 |          |
| Field Name                 | Field Value                                        | Comments |
| ski                        | '0000'B                                            |          |
| mmpd                       | '0101'B                                            |          |
| mt                         | '00011010'B                                        |          |
| lai                        | LocAreald(mcc, mnc, lac)                           |          |
| mi                         | par                                                |          |
| <b>Detailed Comments:</b>  |                                                    |          |

| <b>PDU Constraint Declaration</b> |                                     |                 |
|-----------------------------------|-------------------------------------|-----------------|
| <b>Constraint Name:</b>           | TmsiReallocComp                     |                 |
| <b>PDU Type:</b>                  | TMSIRE_COM_PDU                      |                 |
| <b>Derivation Path:</b>           |                                     |                 |
| <b>Comments:</b>                  | TMSI REALLOCATION COMPLETE message. |                 |
| <b>Field Name</b>                 | <b>Field Value</b>                  | <b>Comments</b> |
| ski                               | '0000'B                             |                 |
| mmpd                              | '0101'B                             |                 |
| mt                                | '0?011011'B                         |                 |
| <b>Detailed Comments:</b>         |                                     |                 |

## Dynamic Part

### Test Cases

#### Test Group EFR

| Test Case Dynamic Behaviour                                                                                                                                                                                                                |       |                                                                                                                                                                                                                                                                                                                                                                                                                                                                                                                                                                           |                                                                           |   |                         |
|--------------------------------------------------------------------------------------------------------------------------------------------------------------------------------------------------------------------------------------------|-------|---------------------------------------------------------------------------------------------------------------------------------------------------------------------------------------------------------------------------------------------------------------------------------------------------------------------------------------------------------------------------------------------------------------------------------------------------------------------------------------------------------------------------------------------------------------------------|---------------------------------------------------------------------------|---|-------------------------|
| <b>Test Case Name:</b> TC_26_12_1                                                                                                                                                                                                          |       |                                                                                                                                                                                                                                                                                                                                                                                                                                                                                                                                                                           |                                                                           |   |                         |
| <b>Group:</b> GSM_MS_EFR_4210/EFR/                                                                                                                                                                                                         |       |                                                                                                                                                                                                                                                                                                                                                                                                                                                                                                                                                                           |                                                                           |   |                         |
| <b>Purpose:</b> To verify that the MS (in an RR connected state) with a TCH/F allocated acknowledging a CHANNEL MODE MODIFY message by sending a CHANNEL MODE MODIFY ACKNOWLEDGEMENT message specifying and switching to the correct mode. |       |                                                                                                                                                                                                                                                                                                                                                                                                                                                                                                                                                                           |                                                                           |   |                         |
| <ul style="list-style-type: none"> <li>- the new mode if that mode is supported</li> <li>- the old mode if the new mode is not supported.</li> </ul>                                                                                       |       |                                                                                                                                                                                                                                                                                                                                                                                                                                                                                                                                                                           |                                                                           |   |                         |
| This shall be verified for the channel modes                                                                                                                                                                                               |       |                                                                                                                                                                                                                                                                                                                                                                                                                                                                                                                                                                           |                                                                           |   |                         |
| <ul style="list-style-type: none"> <li>- speech full rate versions 1/2 and 3</li> <li>- data 9.6 Kb/s</li> <li>- data 4.8 Kb/s full rate</li> <li>- data 2.4 Kb/s full rate.</li> </ul>                                                    |       |                                                                                                                                                                                                                                                                                                                                                                                                                                                                                                                                                                           |                                                                           |   |                         |
| <b>Default:</b> OtherEventsFail                                                                                                                                                                                                            |       |                                                                                                                                                                                                                                                                                                                                                                                                                                                                                                                                                                           |                                                                           |   |                         |
| <b>Comments:</b> apply only to the MS supporting TCH/F (EFR).                                                                                                                                                                              |       |                                                                                                                                                                                                                                                                                                                                                                                                                                                                                                                                                                           |                                                                           |   |                         |
| Nr                                                                                                                                                                                                                                         | Label | Behaviour Description                                                                                                                                                                                                                                                                                                                                                                                                                                                                                                                                                     | CRef                                                                      | V | Comments                |
| 1                                                                                                                                                                                                                                          |       | START T_guard(300)                                                                                                                                                                                                                                                                                                                                                                                                                                                                                                                                                        |                                                                           |   |                         |
| 2                                                                                                                                                                                                                                          |       | +IdleUpdated( C_E_default, C_CellA, C_SCH_A, C_BCCH_A_1, C_Immass, C_S0, C_SlotNU, C_SlotNU, C_SlotNU, C_BCC, C_TxInt_5, C_Max_1, C_NECl_0, C_ATT_0, TimingAdv( 30), C_BABR_0, C_cch_1Comb, C_BPM_3, C_T3212_0, C_ci_cellA, C_MCC_1, C_PLMN_1, C_LAC_1, CellOpt_01, CellChDes_02, CellChDes_03, C_CellReselectHys12, C_MaxPwrLvlG, C_MaxPwrLvlD, BcchFreqLst_01, BcchFreqLst_Omit, BcchFreqLst_48, BcchFreqLst_Omit, C_noRestablishment, C_BCC, C_NCC, C_Start_Tmsi, TSPX_SDCCH4SubDef, TSPX_CKSNDDef, TSPX_RANDDef, C_arfcnA, C_arfcnAd, TSPX_IMSI, C_Test_fh, C_NCCP_2) |                                                                           |   | 1.                      |
| 3                                                                                                                                                                                                                                          |       | +gsmOrDcs                                                                                                                                                                                                                                                                                                                                                                                                                                                                                                                                                                 |                                                                           |   |                         |
| 4                                                                                                                                                                                                                                          |       | +FullRateCh_A_1_nociph( C_Ass, TSPX_TmSlitDef, TSPX_TscDef, ChMod_speech, FreqTCH( C_arfcn_tchA), FreqTCH( C_arfcn_tchAd), TimingAdv( 30), C_BABR_0, C_cch_1Comb, C_BPM_3)                                                                                                                                                                                                                                                                                                                                                                                                |                                                                           |   |                         |
| 5                                                                                                                                                                                                                                          |       | LIDL_UdatRqPg1Rq                                                                                                                                                                                                                                                                                                                                                                                                                                                                                                                                                          | PgReq1(TCV_PgCh, TCV_Pgg, PgReqTp1_05)                                    |   |                         |
| 6                                                                                                                                                                                                                                          |       | L?DL_RacInChRq (TCV_Rr := DL_RacInChRq.msg.ecau_rrf, TCV_Fn := DL_RacInChRq.fn)                                                                                                                                                                                                                                                                                                                                                                                                                                                                                           | ChReq( ChRequest_17)                                                      |   |                         |
| 7                                                                                                                                                                                                                                          |       | ACTIVATE( OtherEventsFail_02)                                                                                                                                                                                                                                                                                                                                                                                                                                                                                                                                             |                                                                           |   | To match ChReq retrans. |
| 8                                                                                                                                                                                                                                          |       | LIDL_UdatRqImm                                                                                                                                                                                                                                                                                                                                                                                                                                                                                                                                                            | ImmAss( TCV_agch, ImmAsgn_r13( TCV_Rr, TCV_Fn, TCV_chd1, TimingAdv( 30))) |   | 2.                      |
| 9                                                                                                                                                                                                                                          |       | L?DL_EstInPgRes                                                                                                                                                                                                                                                                                                                                                                                                                                                                                                                                                           | PagingRes( PagingRes_r02)                                                 |   |                         |
| 10                                                                                                                                                                                                                                         |       | ACTIVATE( OtherEventsFail)                                                                                                                                                                                                                                                                                                                                                                                                                                                                                                                                                |                                                                           |   | Restore Normal default  |
| 11                                                                                                                                                                                                                                         |       | +test_channel_modes                                                                                                                                                                                                                                                                                                                                                                                                                                                                                                                                                       |                                                                           |   |                         |
| <b>test_channel_modes</b>                                                                                                                                                                                                                  |       |                                                                                                                                                                                                                                                                                                                                                                                                                                                                                                                                                                           |                                                                           |   |                         |
| 12                                                                                                                                                                                                                                         |       | +set_FullSpeech_v2                                                                                                                                                                                                                                                                                                                                                                                                                                                                                                                                                        |                                                                           |   |                         |
| 13                                                                                                                                                                                                                                         |       | +test_24DataF                                                                                                                                                                                                                                                                                                                                                                                                                                                                                                                                                             |                                                                           |   |                         |
| 14                                                                                                                                                                                                                                         |       | +set_FullSpeech_v2                                                                                                                                                                                                                                                                                                                                                                                                                                                                                                                                                        |                                                                           |   |                         |
| 15                                                                                                                                                                                                                                         |       | +test_48DataF                                                                                                                                                                                                                                                                                                                                                                                                                                                                                                                                                             |                                                                           |   |                         |
| 16                                                                                                                                                                                                                                         |       | +set_FullSpeech_v2                                                                                                                                                                                                                                                                                                                                                                                                                                                                                                                                                        |                                                                           |   |                         |
| 17                                                                                                                                                                                                                                         |       | +test_96DataF                                                                                                                                                                                                                                                                                                                                                                                                                                                                                                                                                             |                                                                           |   |                         |

|    |            |                             |  |                                                                             |     |
|----|------------|-----------------------------|--|-----------------------------------------------------------------------------|-----|
| 18 |            | +set_FullSpeech_v2          |  |                                                                             |     |
| 19 |            | +test_FullSpeech_v1         |  |                                                                             |     |
| 20 |            | +set_FullSpeech_v2          |  |                                                                             |     |
| 21 |            | +test_FullSpeech_v3         |  |                                                                             |     |
| 22 |            | +PostMainLinkRel(TCV_chTch) |  |                                                                             |     |
|    |            | <b>set_FullSpeech_v2</b>    |  |                                                                             |     |
| 23 |            | L!DL_DatRqChmomo            |  | ChmomoReqSnd(<br>TCV_chTch,<br>ChmomoReq_01(<br>ChMod_EFR2,<br>TCV_chd1))   |     |
| 24 | E_00<br>01 | L?DL_DatInChmomoAck         |  | ChmomoAckRcv(<br>TCV_chTch,<br>ChmomoAck_01(<br>ChMod_EFR2,<br>TCV_chd1))   | (P) |
|    |            | <b>test_FullSpeech_v3</b>   |  |                                                                             |     |
| 25 |            | L!DL_DatRqChmomo            |  | ChmomoReqSnd(<br>TCV_chTch,<br>ChmomoReq_01(<br>ChMod_EFR3,<br>TCV_chd1))   |     |
| 26 |            | [TSPC_EFR_Speech_v3]        |  |                                                                             |     |
| 27 | E_00<br>02 | L?DL_DatInChmomoAck         |  | ChmomoAckRcv(<br>TCV_chTch,<br>ChmomoAck_01(<br>ChMod_EFR3,<br>TCV_chd1))   | (P) |
| 28 |            | [NOT TSPC_EFR_Speech_v3]    |  |                                                                             |     |
| 29 | E_00<br>03 | L?DL_DatInChmomoAck         |  | ChmomoAckRcv(<br>TCV_chTch,<br>ChmomoAck_01(<br>ChMod_EFR2,<br>TCV_chd1))   | (P) |
|    |            | <b>test_FullSpeech_v1</b>   |  |                                                                             |     |
| 30 |            | L!DL_DatRqChmomo            |  | ChmomoReqSnd(<br>TCV_chTch,<br>ChmomoReq_01(<br>ChMod_speech,<br>TCV_chd1)) |     |
| 31 | E_00<br>04 | L?DL_DatInChmomoAck         |  | ChmomoAckRcv(<br>TCV_chTch,<br>ChmomoAck_01(<br>ChMod_speech,<br>TCV_chd1)) | (P) |
|    |            | <b>test_24DataF</b>         |  |                                                                             |     |
| 32 |            | L!DL_DatRqChmomo            |  | ChmomoReqSnd(<br>TCV_chTch,<br>ChmomoReq_01(<br>ChMod_3k,<br>TCV_chd1))     |     |
| 33 |            | [TSPC_24DataF]              |  |                                                                             |     |
| 34 | E_00<br>05 | L?DL_DatInChmomoAck         |  | ChmomoAckRcv(<br>TCV_chTch,<br>ChmomoAck_01(<br>ChMod_3k,<br>TCV_chd1))     | (P) |
| 35 |            | [NOT TSPC_24DataF]          |  |                                                                             |     |
| 36 | E_00<br>06 | L?DL_DatInChmomoAck         |  | ChmomoAckRcv(<br>TCV_chTch,<br>ChmomoAck_01(<br>ChMod_EFR2,<br>TCV_chd1))   | (P) |
|    |            | <b>test_48DataF</b>         |  |                                                                             |     |
| 37 |            | L!DL_DatRqChmomo            |  | ChmomoReqSnd(<br>TCV_chTch,<br>ChmomoReq_01(<br>ChMod_EFR2,<br>TCV_chd1))   |     |

|                           |            |                                                                                      |                                                                         |     |
|---------------------------|------------|--------------------------------------------------------------------------------------|-------------------------------------------------------------------------|-----|
| 38                        |            | [TSPC_48DataF]                                                                       | ChMod_6k,<br>TCV_chd1))                                                 |     |
| 39                        | E_00<br>07 | L?DL_DatInChmмоAck                                                                   | ChmмоAckRcv(<br>TCV_chTch,<br>ChmмоAck_01(<br>ChMod_6k,<br>TCV_chd1))   | (P) |
| 40                        |            | [NOT TSPC_48DataF]                                                                   |                                                                         |     |
| 41                        | E_00<br>08 | L?DL_DatInChmмоAck                                                                   | ChmмоAckRcv(<br>TCV_chTch,<br>ChmмоAck_01(<br>ChMod_EFR2,<br>TCV_chd1)) | (P) |
| 42                        |            | <b>test_96DataF</b><br>L!DL_DatRqChmмо                                               | ChmмоReqSnd(<br>TCV_chTch,<br>ChmмоReq_01(<br>ChMod_12k,<br>TCV_chd1))  |     |
| 43                        |            | [TSPC_96Data]                                                                        |                                                                         |     |
| 44                        | E_00<br>09 | L?DL_DatInChmмоAck                                                                   | ChmмоAckRcv(<br>TCV_chTch,<br>ChmмоAck_01(<br>ChMod_12k,<br>TCV_chd1))  | (P) |
| 45                        |            | [NOT TSPC_96Data]                                                                    |                                                                         |     |
| 46                        | E_00<br>10 | L?DL_DatInChmмоAck                                                                   | ChmмоAckRcv(<br>TCV_chTch,<br>ChmмоAck_01(<br>ChMod_EFR2,<br>TCV_chd1)) | (P) |
| 47                        |            | <b>gsmOrDcs</b><br>[TSPC_PGSM OR TSPC_EGSM]                                          |                                                                         |     |
| 48                        |            | (TCV_chd1 := ChDescrp_nfh( '00001'B,<br>TSPX_TmSlitDef, TSPX_TscDef, C_arfcn_tchA))  |                                                                         |     |
| 49                        |            | [TSPC_DCS]                                                                           |                                                                         |     |
| 50                        |            | (TCV_chd1 := ChDescrp_nfh( '00001'B,<br>TSPX_TmSlitDef, TSPX_TscDef, C_arfcn_tchAd)) |                                                                         |     |
| <b>Detailed Comments:</b> |            | 1. Default system infirmations for RR testing.<br>2. TCH/F channel.                  |                                                                         |     |



| Test Case Dynamic Behaviour                                                                                                                                                                                                                                                     |       |                                                                                                                                                                                                                                                                                                                                                                                                                                                                                                                                                                                         |      |   |                                                                     |
|---------------------------------------------------------------------------------------------------------------------------------------------------------------------------------------------------------------------------------------------------------------------------------|-------|-----------------------------------------------------------------------------------------------------------------------------------------------------------------------------------------------------------------------------------------------------------------------------------------------------------------------------------------------------------------------------------------------------------------------------------------------------------------------------------------------------------------------------------------------------------------------------------------|------|---|---------------------------------------------------------------------|
| <b>Test Case Name:</b> TC_26_12_2_1_1                                                                                                                                                                                                                                           |       |                                                                                                                                                                                                                                                                                                                                                                                                                                                                                                                                                                                         |      |   |                                                                     |
| <b>Group:</b> GSM_MS_EFR_4210/EFR/                                                                                                                                                                                                                                              |       |                                                                                                                                                                                                                                                                                                                                                                                                                                                                                                                                                                                         |      |   |                                                                     |
| <b>Purpose:</b> To test that the MS shall correctly apply the handover procedure in the non-synchronized case when:<br>- a call is in progress and,<br>- handover is performed from a TCH/F, sv2, without frequency hopping towards a TCH/F,sv2, without frequency hopping and, |       |                                                                                                                                                                                                                                                                                                                                                                                                                                                                                                                                                                                         |      |   |                                                                     |
| <b>Default:</b> OtherEventsFail_01                                                                                                                                                                                                                                              |       |                                                                                                                                                                                                                                                                                                                                                                                                                                                                                                                                                                                         |      |   |                                                                     |
| Nr                                                                                                                                                                                                                                                                              | Label | Behaviour Description                                                                                                                                                                                                                                                                                                                                                                                                                                                                                                                                                                   | CRef | V | Comments                                                            |
| 1                                                                                                                                                                                                                                                                               |       | START T_guard(300)                                                                                                                                                                                                                                                                                                                                                                                                                                                                                                                                                                      |      |   |                                                                     |
| 2                                                                                                                                                                                                                                                                               |       | (TCV_asscmd_ts := TSPX_TmSlitA, TCV_T := TSPX_TimadvA, TCV_Pwrlvl_ho:= INT_TO_BIT(TSPX_PwrlvlA, 5))                                                                                                                                                                                                                                                                                                                                                                                                                                                                                     |      |   |                                                                     |
| 3                                                                                                                                                                                                                                                                               |       | +EFR_BasicServiceMT( TSPX_MTBscSvcI, TSPX_MTChRate)                                                                                                                                                                                                                                                                                                                                                                                                                                                                                                                                     |      |   |                                                                     |
| 4                                                                                                                                                                                                                                                                               |       | +IdleUpdated( C_E_default, C_CellA, C_SCH_A, C_BCCH_A_1, C_Immass, C_S0, C_SlotNU, C_SlotNU, C_SlotNU, C_BCC, C_TxInt_5, C_Max_7, C_NECI_0, C_ATT_0, TimingAdv(TCV_T), C_BABR_0, C_cch_1Comb, C_BPM_3, C_T3212_0, C_ci_cellA, C_MCC_1, C_PLMN_1, C_LAC_1, CellOpt_01, CellChDes_20_Aman, CellChDes_201_Ad, C_CellReselectHys12, C_MaxPwrLvlG, C_MaxPwrLvlD, BcchFreqLst_01, BcchFreqLst_Omit, BcchFreqLst_48, BcchFreqLst_Omit, C_noReestablishment, C_BCC, C_NCC, C_Start_Tmsi, TSPX_SDCCH4SubDef, TSPX_CKSNDDef, TSPX_RANDDef, C_arfcnA, C_arfcnAd_4, TSPX_IMSI, C_Test_fh, C_NCCP_2) |      |   |                                                                     |
| 5                                                                                                                                                                                                                                                                               |       | +StartCellB_ho( C_E_neighbourdefault, C_BCCHcarrierB_ho, C_BCCHcarrierB_hod, C_Immass, TCV_slot, TCV_tsc, TimingAdv(TCV_T), C_TxInt_5, C_Max_7, C_NECI_0, C_ATT_0, C_BABR_0, C_cch_1Comb, C_BPM_3, C_T3212_0, C_MCC_1, C_PLMN_1, C_LAC_2, CellChDes_20_Bman, CellChDes_201_Bd, BcchFreqLst_01, BcchFreqLst_48, C_noReestablishment, C_BCC, C_NCC, TSPX_k, 100)                                                                                                                                                                                                                          |      |   | frame number in cell B is 100 in advance of frame number in cell A. |
| 6                                                                                                                                                                                                                                                                               |       | +FullRateCh_A_1( C_Ass, TCV_asscmd_ts, TCV_tsc, ChMod_EFR2, FreqTCH_omit, FreqTCH_omit, TSPX_TCHcarrierA_ho, TSPX_TCHcarrierA_hod, TimingAdv(TCV_T), C_BABR_0, C_cch_1Comb, C_BPM_3)                                                                                                                                                                                                                                                                                                                                                                                                    |      |   | Set TCH/F, sv2, NonFH on cellA                                      |
| 7                                                                                                                                                                                                                                                                               |       | +Est_MT_CallNonFH( TimingAdv(TCV_T), C_Full_v2, TSPX_TCHHSubDef, TSPX_RANDDef)                                                                                                                                                                                                                                                                                                                                                                                                                                                                                                          |      |   | To establish a MT call with non hopping channel.                    |
| 8                                                                                                                                                                                                                                                                               | body  | (TCV_ch := TCV_chTch, TCV_chTch1:=TCV_ch)                                                                                                                                                                                                                                                                                                                                                                                                                                                                                                                                               |      |   |                                                                     |
| 9                                                                                                                                                                                                                                                                               |       | (TCV_n := 500, TCV_Cntref := TSPX_NoOfHoAccA, TCV_T := 20, TCV_Horf:= TSPX_HoRefA, TCV_ts := TSPX_TmSlitB, TCV_tsc := TSPX_TscA, TCV_chtype := '00001'B)                                                                                                                                                                                                                                                                                                                                                                                                                                |      |   | Parameters initialization for Handover procedure.                   |
| 10                                                                                                                                                                                                                                                                              |       | +FullRateCh_B_1( C_Asynho, TCV_ts, TCV_tsc, ChMod_EFR2, FreqTCH(TSPX_TCHcarrierB_ho), FreqTCH(TSPX_TCHcarrierB_hod), TimingAdv( TCV_T), C_BABR_0, C_cch_1Comb, C_BPM_3)                                                                                                                                                                                                                                                                                                                                                                                                                 |      |   | Set TCH/F, sv2, nonFH on cellB                                      |
| 11                                                                                                                                                                                                                                                                              |       | +ltree_arfcnB                                                                                                                                                                                                                                                                                                                                                                                                                                                                                                                                                                           |      |   |                                                                     |
| 12                                                                                                                                                                                                                                                                              |       | (TCV_HoCMD := HandOverCmd_nfh( TCV_chtype, TCV_ts, TCV_tsc,                                                                                                                                                                                                                                                                                                                                                                                                                                                                                                                             |      |   |                                                                     |

|                                                                                                                                                                                         |                                                                                                                                                                                                           |                                          |             |
|-----------------------------------------------------------------------------------------------------------------------------------------------------------------------------------------|-----------------------------------------------------------------------------------------------------------------------------------------------------------------------------------------------------------|------------------------------------------|-------------|
| 13                                                                                                                                                                                      | C_NCC, C_BCC,<br>TCV_chdescr_arfcn,<br>TCV_tch_arfcn, TCV_Horf,<br>TCV_Pwrlvl_ho, Synchi(<br>C_not_report_otd,<br>C_non_synchronised),<br>ChMod_omit, RelTmdDif_omit,<br>TimingAdv_omit,<br>CphMod_omit)) |                                          |             |
| 14                                                                                                                                                                                      | (TCV_ch := TCV_chTch)<br>(TCV_Null :=<br>OM_SendNextOnHO(TCV_<br>ch, TCV_Cntref))                                                                                                                         |                                          |             |
| 15                                                                                                                                                                                      | L!DL_DatRqHoCmd                                                                                                                                                                                           | HndOvSnd(<br>TCV_chTch1,<br>TCV_HoCMD)   | HO command  |
| 16                                                                                                                                                                                      | L!DL_DatRqPhyinfo                                                                                                                                                                                         | PhyInfo_01(TCV_ch,<br>TimingAdv( TCV_T)) | See Note 1. |
| 17                                                                                                                                                                                      | +RR_hocomp1(<br>TCV_n, TimingAdv(<br>TCV_T))                                                                                                                                                              |                                          |             |
| 18                                                                                                                                                                                      | +ChanRel_end(<br>TCV_ch)                                                                                                                                                                                  |                                          |             |
| 19                                                                                                                                                                                      | <b>ltree_arfcnB</b><br>[TSPC_PGSM OR TSPC_EGSM]                                                                                                                                                           |                                          |             |
| 20                                                                                                                                                                                      | (TCV_chdescr_arfcn := C_BCCHcarrierB_ho,<br>TCV_tch_arfcn := TSPX_TCHcarrierB_ho)                                                                                                                         |                                          |             |
| 21                                                                                                                                                                                      | [TSPC_DCS]                                                                                                                                                                                                |                                          |             |
| 22                                                                                                                                                                                      | (TCV_chdescr_arfcn := C_BCCHcarrierB_hod,<br>TCV_tch_arfcn := TSPX_TCHcarrierB_hod)                                                                                                                       |                                          |             |
| <b>Detailed Comments:</b> IUT enters state U10 with TCH/F_nonFH in cell A and then HandOver from TCH/F_nonFH sv2 of cell A to TCH/F_nonFH sv2 in cell B                                 |                                                                                                                                                                                                           |                                          |             |
| Notes:<br>1. PhyInfo is dequeued from the sending buffer, but held through OM_SendNextOnHO at the lower layers of the tester for sending till having received TCV_Cntref access bursts. |                                                                                                                                                                                                           |                                          |             |

| Test Case Dynamic Behaviour                                                                                                                                                                                                                                                                 |       |                                                                                                                                                                                                                                                                                                                                                                                                                                                                                                                                                                                                                                    |           |   |                                                                           |
|---------------------------------------------------------------------------------------------------------------------------------------------------------------------------------------------------------------------------------------------------------------------------------------------|-------|------------------------------------------------------------------------------------------------------------------------------------------------------------------------------------------------------------------------------------------------------------------------------------------------------------------------------------------------------------------------------------------------------------------------------------------------------------------------------------------------------------------------------------------------------------------------------------------------------------------------------------|-----------|---|---------------------------------------------------------------------------|
| <b>Test Case Name:</b> TC_26_12_2_1_2                                                                                                                                                                                                                                                       |       |                                                                                                                                                                                                                                                                                                                                                                                                                                                                                                                                                                                                                                    |           |   |                                                                           |
| <b>Group:</b> GSM_MS_EFR_4210/EFR/                                                                                                                                                                                                                                                          |       |                                                                                                                                                                                                                                                                                                                                                                                                                                                                                                                                                                                                                                    |           |   |                                                                           |
| <b>Purpose:</b> To test that the MS shall correctly apply the handover procedure in the non-synchronized case when:<br>- a call is in progress and,<br>- handover is performed from a TCH/F sv2, without frequency hopping on cell B towards a TCH/F, sv2, with frequency hopping on cell A |       |                                                                                                                                                                                                                                                                                                                                                                                                                                                                                                                                                                                                                                    |           |   |                                                                           |
| <b>Default:</b> OtherEventsFail_01                                                                                                                                                                                                                                                          |       |                                                                                                                                                                                                                                                                                                                                                                                                                                                                                                                                                                                                                                    |           |   |                                                                           |
| Nr                                                                                                                                                                                                                                                                                          | Label | Behaviour Description                                                                                                                                                                                                                                                                                                                                                                                                                                                                                                                                                                                                              | CRef      | V | Comments                                                                  |
| 1                                                                                                                                                                                                                                                                                           |       | START T_guard(300)                                                                                                                                                                                                                                                                                                                                                                                                                                                                                                                                                                                                                 |           |   |                                                                           |
| 2                                                                                                                                                                                                                                                                                           |       | (TCV_asscmd_ts := TSPX_TmSltA, TCV_T := 20,<br>TCV_Pwrlvl_ho:= INT_TO_BIT( TSPX_PwrlvlA, 5))                                                                                                                                                                                                                                                                                                                                                                                                                                                                                                                                       |           |   |                                                                           |
| 3                                                                                                                                                                                                                                                                                           |       | +EFR_BasicServiceMT( TSPX_MTBscSvcl,<br>TSPX_MTChRateI)                                                                                                                                                                                                                                                                                                                                                                                                                                                                                                                                                                            |           |   |                                                                           |
| 4                                                                                                                                                                                                                                                                                           |       | +IdleUpdated( C_E_default, C_CellB,<br>C_SCH_B, C_BCCH_B_1, C_Immass, C_S0,<br>C_SlotNU, C_SlotNU, C_SlotNU, C_BCC,<br>C_TxInt_5, C_Max_7, C_NECI_0, C_ATT_0,<br>TimingAdv(TCV_T), C_BABR_0,<br>C_cch_1Comb, C_BPM_3, C_T3212_0,<br>C_ci_cellB, C_MCC_1, C_PLMN_1, C_LAC_1,<br>CellOpt_01, CellChDes_20_Bman,<br>CellChDes_201_Bd, C_CellReselectHys12,<br>C_MaxPwrLvlG, C_MaxPwrLvlD,<br>BcchFreqLst_01, BcchFreqLst_Omit,<br>BcchFreqLst_48, BcchFreqLst_Omit,<br>C_noRestablishment, C_BCC, C_NCC,<br>C_Start_Tmsi, TSPX_SDCCH4SubDef,<br>TSPX_CKSNDf, TSPX_RANDDef, C_arfcnB,<br>C_arfcnBd, TSPX_IMSI, C_Test_fh,<br>C_NCCP_2) |           |   |                                                                           |
| 5                                                                                                                                                                                                                                                                                           |       | +StartCellA_ho( C_E_neighbourdefault,<br>C_BCCHcarrierA_ho, C_BCCHcarrierA_hod,<br>C_Immass, TCV_slot, TCV_tsc, TimingAdv(<br>TCV_T), C_TxInt_5, C_Max_7, C_NECI_0,<br>C_ATT_0, C_BABR_0, C_cch_1Comb,<br>C_BPM_3, C_T3212_0, C_MCC_1,<br>C_PLMN_1, C_LAC_2, CellChDes_20_Aman,<br>CellChDes_201_Ad, BcchFreqLst_01,<br>BcchFreqLst_48, C_noRestablishment,<br>C_BCC, C_NCC, TSPX_k, 100)                                                                                                                                                                                                                                          |           |   | frame number in cell A is<br>100 in advance of frame<br>number in cell B. |
| 6                                                                                                                                                                                                                                                                                           |       | +FullRateCh_B_1( C_Asynho,<br>TCV_asscmd_ts, TCV_tsc, ChMod_EFR2,<br>FreqTCH(TSPX_TCHcarrierB_ho),<br>FreqTCH(TSPX_TCHcarrierB_hod),<br>TimingAdv( TCV_T), C_BABR_0,<br>C_cch_1Comb, C_BPM_3)                                                                                                                                                                                                                                                                                                                                                                                                                                      |           |   | Set TCH/F, sv2, NonFH<br>on cellB                                         |
| 7                                                                                                                                                                                                                                                                                           |       | +ltree_arfcnB                                                                                                                                                                                                                                                                                                                                                                                                                                                                                                                                                                                                                      |           |   |                                                                           |
| 8                                                                                                                                                                                                                                                                                           |       | +Est_MT_CallNonFH(<br>TimingAdv(TCV_T), C_Full_v2,<br>TSPX_TCHHSubDef, TSPX_RANDDef)                                                                                                                                                                                                                                                                                                                                                                                                                                                                                                                                               |           |   | To establish a MTcall with<br>non hopping channel.                        |
| 9                                                                                                                                                                                                                                                                                           | body  | (TCV_ch := TCV_chTch,<br>TCV_chTch1:=TCV_ch)                                                                                                                                                                                                                                                                                                                                                                                                                                                                                                                                                                                       |           |   |                                                                           |
| 10                                                                                                                                                                                                                                                                                          |       | (TCV_n := 500, TCV_Cntref :=<br>TSPX_NoOfHoAccB, TCV_T :=<br>TSPX_TimadvA, TCV_ts :=<br>TSPX_TmSltNotZero, TCV_Horf:=<br>TSPX_HoRefB, TCV_tsc :=<br>TSPX_TscB, TCV_chtype :=<br>'00001'B)                                                                                                                                                                                                                                                                                                                                                                                                                                          |           |   | Parameters initialization<br>for Handover procedure.                      |
| 11                                                                                                                                                                                                                                                                                          |       | +FullRateCh_A_1( C_Asynho,<br>TCV_ts, TCV_tsc, ChMod_EFR2,<br>FreqTCHa_hof1,<br>FreqTCHa_hof1d, C_Noarfcn,<br>C_Noarfcn, TimingAdv( TCV_T),<br>C_BABR_0, C_cch_1Comb,<br>C_BPM_3)                                                                                                                                                                                                                                                                                                                                                                                                                                                  |           |   | Set TCH/F, sv2, FH on<br>cellA                                            |
| 12                                                                                                                                                                                                                                                                                          |       | (TCV_ch := TCV_chTch)                                                                                                                                                                                                                                                                                                                                                                                                                                                                                                                                                                                                              |           |   |                                                                           |
| 13                                                                                                                                                                                                                                                                                          |       | +ltree_BuildHoCMD                                                                                                                                                                                                                                                                                                                                                                                                                                                                                                                                                                                                                  |           |   |                                                                           |
| 14                                                                                                                                                                                                                                                                                          |       | (TCV_Null :=<br>OM_SendNextOnHO(TCV_<br>ch, TCV_Cntref))                                                                                                                                                                                                                                                                                                                                                                                                                                                                                                                                                                           |           |   |                                                                           |
| 15                                                                                                                                                                                                                                                                                          |       | L!DL_DatRqHoCmd                                                                                                                                                                                                                                                                                                                                                                                                                                                                                                                                                                                                                    | HndOvSnd( |   | HO command                                                                |

|                                                                                                                                                                               |  |                                                                                                                                                                                                                                                                                            |                                          |             |
|-------------------------------------------------------------------------------------------------------------------------------------------------------------------------------|--|--------------------------------------------------------------------------------------------------------------------------------------------------------------------------------------------------------------------------------------------------------------------------------------------|------------------------------------------|-------------|
| 16                                                                                                                                                                            |  | L!DL_DatRqPhyinfo                                                                                                                                                                                                                                                                          | TCV_chTch1,<br>TCV_HoCMD)                | See Note 1. |
| 17                                                                                                                                                                            |  | +RR_hocomp1(<br>TCV_n, TimingAdv(<br>TCV_T))                                                                                                                                                                                                                                               | PhyInfo_01(TCV_ch,<br>TimingAdv( TCV_T)) |             |
| 18                                                                                                                                                                            |  | +ChanRel_end(<br>TCV_ch)                                                                                                                                                                                                                                                                   |                                          |             |
| 19                                                                                                                                                                            |  | <b>ltree_arfcnB</b><br>[TSPC_PGSM OR TSPC_EGSM]                                                                                                                                                                                                                                            |                                          |             |
| 20                                                                                                                                                                            |  | (TCV_tch_arfcn := TSPX_TCHcarrierB_ho)                                                                                                                                                                                                                                                     |                                          |             |
| 21                                                                                                                                                                            |  | [TSPC_DCS]                                                                                                                                                                                                                                                                                 |                                          |             |
| 22                                                                                                                                                                            |  | (TCV_tch_arfcn := TSPX_TCHcarrierB_hod)                                                                                                                                                                                                                                                    |                                          |             |
| 23                                                                                                                                                                            |  | <b>ltree_BuildHoCMD</b><br>[TSPC_PGSM OR TSPC_EGSM]                                                                                                                                                                                                                                        |                                          |             |
| 24                                                                                                                                                                            |  | (TCV_HoCMD := HandOverCmd_fh( TCV_chtype,<br>TCV_ts, TCV_tsc, C_NCC, C_BCC, C_arfcnA, 12,<br>TSPX_HSN, TCV_Horf, TCV_Pwrlvl_ho,<br>Synchi_omit, Frql_omit, Frql_omit,<br>CellChDes_Omit, ChMod_omit, Freqchseq_22,<br>MoblAlIc_omit, RelTmdDif_omit, TimingAdv_omit,<br>CphMod_omit))      |                                          |             |
| 25                                                                                                                                                                            |  | [TSPC_DCS]                                                                                                                                                                                                                                                                                 |                                          |             |
| 26                                                                                                                                                                            |  | (TCV_HoCMD := HandOverCmd_fh( TCV_chtype,<br>TCV_ts, TCV_tsc, C_NCC, C_BCC, C_arfcnAd_4,<br>9, TSPX_HSN, TCV_Horf, TCV_Pwrlvl_ho,<br>Synchi_omit, Frql_20_Ad, Frql_omit,<br>CellChDes_Omit, ChMod_omit, Freqchseq_omit,<br>MoblAlIc_omit, RelTmdDif_omit, TimingAdv_omit,<br>CphMod_omit)) |                                          |             |
| <b>Detailed Comments:</b> HO from TCH/F_nonFH sv2 of cell A to TCH/F_nonFH sv2 in cell B                                                                                      |  |                                                                                                                                                                                                                                                                                            |                                          |             |
| Notes:                                                                                                                                                                        |  |                                                                                                                                                                                                                                                                                            |                                          |             |
| 1. PhyInfo is dequeued from the sending buffer, but held through OM_SendNextOnHO at the lower layers of the tester for sending till having received TCV_Cntref access bursts. |  |                                                                                                                                                                                                                                                                                            |                                          |             |

| Test Case Dynamic Behaviour                                                                                                                                                                                                                                                   |       |                                                                                                                                                                                                                                                                                                                                                                                                                                                                                                                                                                                       |      |   |                                                                     |
|-------------------------------------------------------------------------------------------------------------------------------------------------------------------------------------------------------------------------------------------------------------------------------|-------|---------------------------------------------------------------------------------------------------------------------------------------------------------------------------------------------------------------------------------------------------------------------------------------------------------------------------------------------------------------------------------------------------------------------------------------------------------------------------------------------------------------------------------------------------------------------------------------|------|---|---------------------------------------------------------------------|
| <b>Test Case Name:</b> TC_26_12_2_1_3                                                                                                                                                                                                                                         |       |                                                                                                                                                                                                                                                                                                                                                                                                                                                                                                                                                                                       |      |   |                                                                     |
| <b>Group:</b> GSM_MS_EFR_4210/EFR/                                                                                                                                                                                                                                            |       |                                                                                                                                                                                                                                                                                                                                                                                                                                                                                                                                                                                       |      |   |                                                                     |
| <b>Purpose:</b> To test that the MS shall correctly apply the handover procedure in the non-synchronized case when:<br>- a call is in progress and,<br>- handover is performed from a TCH/F, sv2, with frequency hopping towards a TCH/F, sv2, without frequency hopping and, |       |                                                                                                                                                                                                                                                                                                                                                                                                                                                                                                                                                                                       |      |   |                                                                     |
| <b>Default:</b> OtherEventsFail_01                                                                                                                                                                                                                                            |       |                                                                                                                                                                                                                                                                                                                                                                                                                                                                                                                                                                                       |      |   |                                                                     |
| Nr                                                                                                                                                                                                                                                                            | Label | Behaviour Description                                                                                                                                                                                                                                                                                                                                                                                                                                                                                                                                                                 | CRef | V | Comments                                                            |
| 1                                                                                                                                                                                                                                                                             |       | START T_guard(300)                                                                                                                                                                                                                                                                                                                                                                                                                                                                                                                                                                    |      |   |                                                                     |
| 2                                                                                                                                                                                                                                                                             |       | (TCV_asscmd_ts := TSPX_TmSlitA, TCV_T := TSPX_TimadvA, TCV_Pwrlvl_ho := INT_TO_BIT(TSPX_PwrlvlA, 5))                                                                                                                                                                                                                                                                                                                                                                                                                                                                                  |      |   |                                                                     |
| 3                                                                                                                                                                                                                                                                             |       | +EFR_BasicServiceMT( TSPX_MTBscSvcI, TSPX_MTChRateI)                                                                                                                                                                                                                                                                                                                                                                                                                                                                                                                                  |      |   |                                                                     |
| 4                                                                                                                                                                                                                                                                             |       | +IdleUpdated( C_E_default, C_CellA, C_SCH_A, C_BCCH_A_1, C_Immass, C_S0, C_SlotNU, C_SlotNU, C_SlotNU, C_BCC, C_TxInt_5, C_Max_7, C_NECI_0, C_ATT_0, TimingAdv(TCV_T), C_BABR_0, C_cch_1Comb, C_BPM_3, C_T3212_0, C_ci_cellA, C_MCC_1, C_PLMN_1, C_LAC_1, CellOpt_01, CellChDes_20_Aman, CellChDes_201_Ad, C_CellReselectHys12, C_MaxPwrLvlG, C_MaxPwrLvlD, BcchFreqLst_01, BcchFreqLst_Omit, BcchFreqLst_48, BcchFreqLst_Omit, C_noReestablishment, C_BCC, C_NCC, C_Start_Tmsi, TSPX_SDCCH4SubDef, TSPX_CKSNDf, TSPX_RANDDef, C_arfcnA, C_arfcnAd_4, TSPX_IMSI, C_Test_fh, C_NCCP_2) |      |   |                                                                     |
| 5                                                                                                                                                                                                                                                                             |       | +StartCellB_ho( C_E_neighbourdefault, C_BCCHcarrierB_ho, C_BCCHcarrierB_hod, C_Immass, TCV_slot, TCV_tsc, TimingAdv(TCV_T), C_TxInt_5, C_Max_7, C_NECI_0, C_ATT_0, C_BABR_0, C_cch_1Comb, C_BPM_3, C_T3212_0, C_MCC_1, C_PLMN_1, C_LAC_2, CellChDes_20_Bman, CellChDes_201_Bd, BcchFreqLst_01, BcchFreqLst_48, C_noReestablishment, C_BCC, C_NCC, TSPX_k, 100)                                                                                                                                                                                                                        |      |   | frame number in cell B is 100 in advance of frame number in cell A. |
| 6                                                                                                                                                                                                                                                                             |       | +FullRateCh_A_1( C_Asynho, TCV_asscmd_ts, TCV_tsc, ChMod_EFR2, FreqTCHa_hof1, FreqTCHa_hof1d, C_Noarfcn, C_Noarfcn, TimingAdv( TCV_T), C_BABR_0, C_cch_1Comb, C_BPM_3)                                                                                                                                                                                                                                                                                                                                                                                                                |      |   | Set TCH/F, sv2, FH on cellA                                         |
| 7                                                                                                                                                                                                                                                                             |       | +Est_MT_Call_FH( TimingAdv(TCV_T), C_Full_v2, INT_TO_BIT(TSPX_MAIO, 6), TSPX_HSN, TSPX_RANDDef, TCV_asscmd_ts, TSPX_TscDef, TSPX_TCHHSubDef)                                                                                                                                                                                                                                                                                                                                                                                                                                          |      |   | To establish a MTcall with hopping channel.                         |
| 8                                                                                                                                                                                                                                                                             | body  | (TCV_ch := TCV_chTch, TCV_chTch1:=TCV_ch)                                                                                                                                                                                                                                                                                                                                                                                                                                                                                                                                             |      |   |                                                                     |
| 9                                                                                                                                                                                                                                                                             |       | (TCV_n := 500, TCV_Cntref := TSPX_NoOfHoAccC, TCV_T := 20, TCV_ts := TSPX_TmSlitC, TCV_Horf:= TSPX_HoRefC, TCV_tsc := TSPX_TscC, TCV_chtype := '00001'B)                                                                                                                                                                                                                                                                                                                                                                                                                              |      |   | Parameters initialization for Handover procedure.                   |
| 10                                                                                                                                                                                                                                                                            |       | +FullRateCh_B_1( C_Asynho, TCV_ts, TCV_tsc, ChMod_EFR2, FreqTCH(TSPX_TCHcarrierB_ho), FreqTCH(TSPX_TCHcarrierB_hod), TimingAdv( TCV_T), C_BABR_0, C_cch_1Comb, C_BPM_3)                                                                                                                                                                                                                                                                                                                                                                                                               |      |   | Set TCH/F, sv2, NonFH on cellB                                      |
| 11                                                                                                                                                                                                                                                                            |       | +ltree_arfcnB                                                                                                                                                                                                                                                                                                                                                                                                                                                                                                                                                                         |      |   |                                                                     |
| 12                                                                                                                                                                                                                                                                            |       | (TCV_HoCMD := HandOverCmd_nfh( TCV_chtype, TCV_ts, TCV_tsc,                                                                                                                                                                                                                                                                                                                                                                                                                                                                                                                           |      |   |                                                                     |

|    |      |                                                                                                                                                                                                                                                            |                                          |                                                  |
|----|------|------------------------------------------------------------------------------------------------------------------------------------------------------------------------------------------------------------------------------------------------------------|------------------------------------------|--------------------------------------------------|
| 13 |      | C_NCC, C_BCC,<br>TCV_chdescr_arfcn,<br>TCV_tch_arfcn, TCV_Horf,<br>TCV_Pwrlvl_ho, Synchi(<br>C_report_otd,<br>C_non_synchronised),<br>ChMod_omit, RelTmdDif_omit,<br>TimingAdv_omit,<br>CphMod_omit))                                                      |                                          |                                                  |
| 14 |      | (TCV_ch := TCV_chTch)<br>(TCV_Fn :=<br>OM_ComingFn(<br>TCV_chTch1), TCV_Null:=<br>OM_SendNextOn(<br>TCV_chTch1, TCV_Fn),<br>TCV_Strt := OC_StartTime(<br>TCV_Fn, (C_StartingTimeH<br>O + 100), 1), TCV_Null :=<br>OM_SendNextOnHO(TCV_<br>ch, TCV_Cntref)) |                                          | starting time is set to 1.1<br>s plus 100 frames |
| 15 |      | LIDL_DatRqHoCmd(<br>DL_DatRqHoCmd.msg.str<br>t:= TCV_Strt)                                                                                                                                                                                                 | HndOvSnd(<br>TCV_chTch1,<br>TCV_HoCMD)   | HO command                                       |
| 16 |      | LIDL_DatRqPhyinfo                                                                                                                                                                                                                                          | PhyInfo_01(TCV_ch,<br>TimingAdv( TCV_T)) | See Note 1.                                      |
| 17 |      | +RR_hocomp1(<br>TCV_n, TimingAdv(<br>TCV_T))                                                                                                                                                                                                               |                                          |                                                  |
| 18 |      | +ltree_FirstBurstOn<br>TimeCHK                                                                                                                                                                                                                             |                                          |                                                  |
| 19 |      | +ChanRel_end(<br>TCV_ch)                                                                                                                                                                                                                                   |                                          |                                                  |
| 20 |      | <b>ltree_arfcnB</b><br>[TSPC_PGSM OR TSPC_EGSM]                                                                                                                                                                                                            |                                          |                                                  |
| 21 |      | (TCV_chdescr_arfcn := C_BCCHcarrierB_ho,<br>TCV_tch_arfcn := TSPX_TCHcarrierB_ho)                                                                                                                                                                          |                                          |                                                  |
| 22 |      | [TSPC_DCS]                                                                                                                                                                                                                                                 |                                          |                                                  |
| 23 |      | (TCV_chdescr_arfcn := C_BCCHcarrierB_hod,<br>TCV_tch_arfcn := TSPX_TCHcarrierB_hod)                                                                                                                                                                        |                                          |                                                  |
| 24 |      | <b>ltree_FirstBurstOnTimeCHK</b><br>+FnArith( TCV_FnBurst, TCV_Strt.fn)                                                                                                                                                                                    |                                          |                                                  |
| 25 | E_01 | [(TCV_Time > 5) OR(TCV_Time < 0)]                                                                                                                                                                                                                          |                                          | (F)                                              |
| 26 | 26   |                                                                                                                                                                                                                                                            |                                          |                                                  |
| 26 | E_01 | [(TCV_Time >= 0) AND(TCV_Time < 5)]                                                                                                                                                                                                                        |                                          | (P)                                              |
| 27 | 27   |                                                                                                                                                                                                                                                            |                                          |                                                  |

**Detailed Comments:** HO from TCH/F\_FH sv2 of cell A to TCH/F\_nonFH sv2 in cell B

**Notes:**

1. PhyInfo is dequeued from the sending buffer, but held through OM\_SendNextOnHO at the lower layers of the tester for sending till having received TCV\_Cntref access bursts.

| Test Case Dynamic Behaviour |       |                                                                                                                                                                                                                                                                                                                                                                                                                                                                                                                                                                                                                                    |      |   |                                                                           |
|-----------------------------|-------|------------------------------------------------------------------------------------------------------------------------------------------------------------------------------------------------------------------------------------------------------------------------------------------------------------------------------------------------------------------------------------------------------------------------------------------------------------------------------------------------------------------------------------------------------------------------------------------------------------------------------------|------|---|---------------------------------------------------------------------------|
| <b>Test Case Name:</b>      |       | TC_26_12_2_1_4                                                                                                                                                                                                                                                                                                                                                                                                                                                                                                                                                                                                                     |      |   |                                                                           |
| <b>Group:</b>               |       | GSM_MS_EFR_4210/EFR/                                                                                                                                                                                                                                                                                                                                                                                                                                                                                                                                                                                                               |      |   |                                                                           |
| <b>Purpose:</b>             |       | To test that the MS shall correctly apply the handover procedure in the non-synchronized case when:<br>- a call is in progress and,<br>- handover is performed from a TCH/F, sv2, without frequency hopping towards a TCH/F, sv1, without frequency hopping and,                                                                                                                                                                                                                                                                                                                                                                   |      |   |                                                                           |
| <b>Default:</b>             |       | OtherEventsFail_01                                                                                                                                                                                                                                                                                                                                                                                                                                                                                                                                                                                                                 |      |   |                                                                           |
| Nr                          | Label | Behaviour Description                                                                                                                                                                                                                                                                                                                                                                                                                                                                                                                                                                                                              | CRef | V | Comments                                                                  |
| 1                           |       | START T_guard(300)                                                                                                                                                                                                                                                                                                                                                                                                                                                                                                                                                                                                                 |      |   |                                                                           |
| 2                           |       | (TCV_asscmd_ts := TSPX_TmSlitA, TCV_T := 20,<br>TCV_PwrLvl_ho:= INT_TO_BIT(TSPX_PwrLvlA, 5))                                                                                                                                                                                                                                                                                                                                                                                                                                                                                                                                       |      |   |                                                                           |
| 3                           |       | +EFR_BasicServiceMT( TSPX_MTBscSvcl,<br>TSPX_MTChRateI)                                                                                                                                                                                                                                                                                                                                                                                                                                                                                                                                                                            |      |   |                                                                           |
| 4                           |       | +IdleUpdated( C_E_default, C_CellB,<br>C_SCH_B, C_BCCH_B_1, C_Immass, C_S0,<br>C_SlotNU, C_SlotNU, C_SlotNU, C_BCC,<br>C_TxInt_5, C_Max_7, C_NECl_0, C_ATT_0,<br>TimingAdv(TCV_T), C_BABR_0,<br>C_cch_1Comb, C_BPM_3, C_T3212_0,<br>C_ci_cellB, C_MCC_1, C_PLMN_1, C_LAC_1,<br>CellOpt_01, CellChDes_20_Bman,<br>CellChDes_201_Bd, C_CellReselectHys12,<br>C_MaxPwrLvlG, C_MaxPwrLvlD,<br>BcchFreqLst_01, BcchFreqLst_Omit,<br>BcchFreqLst_48, BcchFreqLst_Omit,<br>C_noRestablishment, C_BCC, C_NCC,<br>C_Start_Tmsi, TSPX_SDCCH4SubDef,<br>TSPX_CKSNDf, TSPX_RANDDef, C_arfcnB,<br>C_arfcnBd, TSPX_IMSI, C_Test_fh,<br>C_NCCP_2) |      |   |                                                                           |
| 5                           |       | +StartCellA_ho( C_E_neighbourdefault,<br>C_BCCHcarrierA_ho, C_BCCHcarrierA_hod,<br>C_Immass, TCV_slot, TCV_tsc, TimingAdv(<br>TCV_T), C_TxInt_5, C_Max_7, C_NECl_0,<br>C_ATT_0, C_BABR_0, C_cch_1Comb,<br>C_BPM_3, C_T3212_0, C_MCC_1,<br>C_PLMN_1, C_LAC_2, CellChDes_20_Aman,<br>CellChDes_201_Ad, BcchFreqLst_01,<br>BcchFreqLst_48, C_noRestablishment,<br>C_BCC, C_NCC, TSPX_k, 100)                                                                                                                                                                                                                                          |      |   | frame number in cell A is<br>100 in advance of frame<br>number in cell B. |
| 6                           |       | +FullRateCh_B_1( C_Asynho,<br>TCV_asscmd_ts, TCV_tsc, ChMod_EFR2,<br>FreqTCH(TSPX_TCHcarrierB_ho),<br>FreqTCH(TSPX_TCHcarrierB_hod),<br>TimingAdv( TCV_T), C_BABR_0,<br>C_cch_1Comb, C_BPM_3)                                                                                                                                                                                                                                                                                                                                                                                                                                      |      |   | Set TCH/F, sv2, NonFH<br>on cellB                                         |
| 7                           |       | +ltree_arfcnB                                                                                                                                                                                                                                                                                                                                                                                                                                                                                                                                                                                                                      |      |   |                                                                           |
| 8                           |       | +Est_MT_CallNonFH(<br>TimingAdv(TCV_T), C_Full_v2,<br>TSPX_TCHHSubDef, TSPX_RANDDef)                                                                                                                                                                                                                                                                                                                                                                                                                                                                                                                                               |      |   | To establish a MTcall with<br>non hopping channel.                        |
| 9                           | body  | (TCV_ch := TCV_chTch,<br>TCV_chTch1:=TCV_ch)                                                                                                                                                                                                                                                                                                                                                                                                                                                                                                                                                                                       |      |   |                                                                           |
| 10                          |       | (TCV_n := 500, TCV_Cntref :=<br>TSPX_NoOfHoAccA, TCV_T := 20,<br>TCV_ts := TSPX_TmSlitD,<br>TCV_Horf:= TSPX_HoRefD,<br>TCV_tsc := TSPX_TscD,<br>TCV_chtype := '00001'B)                                                                                                                                                                                                                                                                                                                                                                                                                                                            |      |   | Parameters initialization<br>for Handover procedure.                      |
| 11                          |       | +FullRateCh_A_1( C_Asynho,<br>TCV_ts, TCV_tsc,<br>ChMod_speech, FreqTCH_omit,<br>FreqTCH_omit,<br>TSPX_TCHcarrierA_ho,<br>TSPX_TCHcarrierA_hod,<br>TimingAdv( TCV_T), C_BABR_0,<br>C_cch_1Comb, C_BPM_3)                                                                                                                                                                                                                                                                                                                                                                                                                           |      |   | Set TCH/F, sv1, NonFH<br>on cellA                                         |
| 12                          |       | +ltree_arfcnA                                                                                                                                                                                                                                                                                                                                                                                                                                                                                                                                                                                                                      |      |   |                                                                           |
| 13                          |       | (TCV_HoCMD :=<br>HandOverCmd_nfh(<br>TCV_chtype, TCV_ts,<br>TCV_tsc, C_NCC, C_BCC,                                                                                                                                                                                                                                                                                                                                                                                                                                                                                                                                                 |      |   |                                                                           |

|                                                                                                                                                                                         |                                                                                                                                                                                                   |                                          |             |
|-----------------------------------------------------------------------------------------------------------------------------------------------------------------------------------------|---------------------------------------------------------------------------------------------------------------------------------------------------------------------------------------------------|------------------------------------------|-------------|
| 14                                                                                                                                                                                      | TCV_chdescr_arfcn,<br>TCV_tch_arfcn, TCV_Horf,<br>TCV_Pwrlvl_ho, Synchi(<br>C_not_report_otd,<br>C_non_synchronised),<br>ChMod_speech_iei,<br>RelTmdDif_omit,<br>TimingAdv_omit,<br>CphMod_omit)) |                                          |             |
| 15                                                                                                                                                                                      | (TCV_ch := TCV_chTch)                                                                                                                                                                             |                                          |             |
| 16                                                                                                                                                                                      | (TCV_Null :=<br>OM_SendNextOnHO(TC<br>V_ch, TCV_Cntref))                                                                                                                                          |                                          |             |
| 17                                                                                                                                                                                      | L!DL_DatRqHoCmd                                                                                                                                                                                   | HndOvSnd(<br>TCV_chTch1,<br>TCV_HoCMD)   | HO command  |
| 18                                                                                                                                                                                      | L!DL_DatRqPhyinfo                                                                                                                                                                                 | PhyInfo_01(TCV_ch,<br>TimingAdv( TCV_T)) | See Note 1. |
| 19                                                                                                                                                                                      | +RR_hocomp1(<br>TCV_n, TimingAdv(<br>TCV_T))                                                                                                                                                      |                                          |             |
| 20                                                                                                                                                                                      | +ChanRel_end(<br>TCV_ch)                                                                                                                                                                          |                                          |             |
| 21                                                                                                                                                                                      | <b>Itree_arfcnA</b><br>[TSPC_PGSM OR TSPC_EGSM]<br>(TCV_chdescr_arfcn := C_arfcnA, TCV_tch_arfcn<br>:= TSPX_TCHcarrierA_ho)                                                                       |                                          |             |
| 22                                                                                                                                                                                      | [TSPC_DCS]                                                                                                                                                                                        |                                          |             |
| 23                                                                                                                                                                                      | (TCV_chdescr_arfcn := C_arfcnAd_4,<br>TCV_tch_arfcn := TSPX_TCHcarrierA_hod)                                                                                                                      |                                          |             |
| 24                                                                                                                                                                                      | <b>Itree_arfcnB</b><br>[TSPC_PGSM OR TSPC_EGSM]<br>(TCV_tch_arfcn := TSPX_TCHcarrierB_ho)                                                                                                         |                                          |             |
| 25                                                                                                                                                                                      | [TSPC_DCS]                                                                                                                                                                                        |                                          |             |
| 26                                                                                                                                                                                      | (TCV_tch_arfcn := TSPX_TCHcarrierB_hod)                                                                                                                                                           |                                          |             |
| 27                                                                                                                                                                                      |                                                                                                                                                                                                   |                                          |             |
| <b>Detailed Comments:</b> HO from TCH/F_nonFH sv2 of cell B to TCH/F_nonFH sv1 in cell A                                                                                                |                                                                                                                                                                                                   |                                          |             |
| Notes:<br>1. PhyInfo is dequeued from the sending buffer, but held through OM_SendNextOnHO at the lower layers of the tester for sending till having received TCV_Cntref access bursts. |                                                                                                                                                                                                   |                                          |             |



| Test Case Dynamic Behaviour |       |                                                                                                                                                                                                                                                                                                                                                                                                                                                                                                                                                                                                                                         |      |   |                                                                           |
|-----------------------------|-------|-----------------------------------------------------------------------------------------------------------------------------------------------------------------------------------------------------------------------------------------------------------------------------------------------------------------------------------------------------------------------------------------------------------------------------------------------------------------------------------------------------------------------------------------------------------------------------------------------------------------------------------------|------|---|---------------------------------------------------------------------------|
| <b>Test Case Name:</b>      |       | TC_26_12_2_1_5                                                                                                                                                                                                                                                                                                                                                                                                                                                                                                                                                                                                                          |      |   |                                                                           |
| <b>Group:</b>               |       | GSM_MS_EFR_4210/EFR/                                                                                                                                                                                                                                                                                                                                                                                                                                                                                                                                                                                                                    |      |   |                                                                           |
| <b>Purpose:</b>             |       | To test that the MS shall correctly apply the handover procedure in the non-synchronized case when:<br>- a call is in progress and,<br>- handover is performed from a TCH/F, sv2, without frequency hopping towards a TCH/F without frequency hopping                                                                                                                                                                                                                                                                                                                                                                                   |      |   |                                                                           |
| <b>Default:</b>             |       | OtherEventsFail_01                                                                                                                                                                                                                                                                                                                                                                                                                                                                                                                                                                                                                      |      |   |                                                                           |
| Nr                          | Label | Behaviour Description                                                                                                                                                                                                                                                                                                                                                                                                                                                                                                                                                                                                                   | CRef | V | Comments                                                                  |
| 1                           |       | START T_guard(300)                                                                                                                                                                                                                                                                                                                                                                                                                                                                                                                                                                                                                      |      |   |                                                                           |
| 2                           |       | (TCV_asscmd_ts := TSPX_TmSlitA, TCV_T := 20,<br>TCV_PwrLvl_ho:= INT_TO_BIT(TSPX_PwrLvlA, 5))                                                                                                                                                                                                                                                                                                                                                                                                                                                                                                                                            |      |   |                                                                           |
| 3                           |       | +EFR_BasicServiceMT( TSPX_MTBscSvcl,<br>TSPX_MTChRate)                                                                                                                                                                                                                                                                                                                                                                                                                                                                                                                                                                                  |      |   |                                                                           |
| 4                           |       | +IdleUpdated( C_E_default, C_CellA,<br>C_SCH_A, C_BCCH_A_1, C_Immass, C_S0,<br>C_SlotNU, C_SlotNU, C_SlotNU, C_BCC,<br>C_TxInt_5, C_Max_7, C_NECI_0, C_ATT_0,<br>TimingAdv(TCV_T), C_BABR_0,<br>C_cch_1Comb, C_BPM_3, C_T3212_0,<br>C_ci_cellA, C_MCC_1, C_PLMN_1, C_LAC_1,<br>CellOpt_01, CellChDes_20_Aman,<br>CellChDes_201_Ad, C_CellReselectHys12,<br>C_MaxPwrLvlG, C_MaxPwrLvlD,<br>BcchFreqLst_01, BcchFreqLst_Omit,<br>BcchFreqLst_48, BcchFreqLst_Omit,<br>C_noReestablishment, C_BCC, C_NCC,<br>C_Start_Tmsi, TSPX_SDCCH4SubDef,<br>TSPX_CKSNDDef, TSPX_RANDDef, C_arfcnA,<br>C_arfcnAd_4, TSPX_IMSI, C_Test_fh,<br>C_NCCP_2) |      |   |                                                                           |
| 5                           |       | +StartCellB_ho( C_E_neighbourdefault,<br>C_BCCHcarrierB_ho, C_BCCHcarrierB_hod,<br>C_Immass, TCV_slot, TCV_tsc,<br>TimingAdv(TCV_T), C_TxInt_5, C_Max_7,<br>C_NECI_0, C_ATT_0, C_BABR_0,<br>C_cch_1Comb, C_BPM_3, C_T3212_0,<br>C_MCC_1, C_PLMN_1, C_LAC_2,<br>CellChDes_20_Bman, CellChDes_201_Bd,<br>BcchFreqLst_01, BcchFreqLst_48,<br>C_noReestablishment, C_BCC, C_NCC,<br>TSPX_k, 100)                                                                                                                                                                                                                                            |      |   | frame number in cell B is<br>100 in advance of frame<br>number in cell A. |
| 6                           |       | +FullRateCh_A_1( C_Asynho,<br>TCV_asscmd_ts, TCV_tsc,<br>ChMod_speech, FreqTCH_omit,<br>FreqTCH_omit, TSPX_TCHcarrierA_ho,<br>TSPX_TCHcarrierA_hod, TimingAdv(<br>TCV_T), C_BABR_0, C_cch_1Comb,<br>C_BPM_3)                                                                                                                                                                                                                                                                                                                                                                                                                            |      |   | Set TCH/F, sv1, NonFH<br>on cellA                                         |
| 7                           |       | +Est_MT_CallNonFH(<br>TimingAdv(TCV_T), C_Full,<br>TSPX_TCHHSubDef, TSPX_RANDDef)                                                                                                                                                                                                                                                                                                                                                                                                                                                                                                                                                       |      |   | To establish a MT call<br>with non hopping channel.                       |
| 8                           | body  | (TCV_ch := TCV_chTch,<br>TCV_chTch1:=TCV_ch)                                                                                                                                                                                                                                                                                                                                                                                                                                                                                                                                                                                            |      |   |                                                                           |
| 9                           |       | (TCV_n := 500, TCV_Cntref :=<br>TSPX_NoOfHoAccB, TCV_T :=<br>TSPX_TimadvB, TCV_ts :=<br>TSPX_TmSlitE, TCV_Horf:=<br>TSPX_HoRefE, TCV_tsc :=<br>TSPX_TscE, TCV_chtype :=<br>'00001'B)                                                                                                                                                                                                                                                                                                                                                                                                                                                    |      |   | Parameters initialization<br>for Handover procedure.                      |
| 10                          |       | +FullRateCh_B_1( C_Asynho,<br>TCV_ts, TCV_tsc, ChMod_EFR2,<br>FreqTCH(TSPX_TCHcarrierB_ho),<br>FreqTCH(TSPX_TCHcarrierB_hod),<br>TimingAdv( TCV_T), C_BABR_0,<br>C_cch_1Comb, C_BPM_3)                                                                                                                                                                                                                                                                                                                                                                                                                                                  |      |   | Set TCH/F, sv2, nonFH<br>on cellB                                         |
| 11                          |       | +ltree_arfcnB                                                                                                                                                                                                                                                                                                                                                                                                                                                                                                                                                                                                                           |      |   |                                                                           |
| 12                          |       | (TCV_HoCMD :=<br>HandOverCmd_nfh(<br>TCV_chtype, TCV_ts, TCV_tsc,<br>C_NCC, C_BCC,                                                                                                                                                                                                                                                                                                                                                                                                                                                                                                                                                      |      |   |                                                                           |

|    |                          |                                                                                                                                                                                          |                                          |             |
|----|--------------------------|------------------------------------------------------------------------------------------------------------------------------------------------------------------------------------------|------------------------------------------|-------------|
|    |                          | TCV_chdescr_arfcn,<br>TCV_tch_arfcn, TCV_Horf,<br>TCV_Pwrlvl_ho, Synchi(<br>C_not_report_otd,<br>C_non_synchronised),<br>ChMod_omit, RelTmdDif_omit,<br>TimingAdv_omit,<br>CphMod_omit)) |                                          |             |
| 13 |                          | (TCV_ch := TCV_chTch)                                                                                                                                                                    |                                          |             |
| 14 |                          | (TCV_Null :=<br>OM_SendNextOnHO(TCV_<br>ch, TCV_Cntref))                                                                                                                                 |                                          |             |
| 15 |                          | LIDL_DatRqHoCmd                                                                                                                                                                          | HndOvSnd(<br>TCV_chTch1,<br>TCV_HoCMD)   | HO command  |
| 16 |                          | LIDL_DatRqPhyinfo                                                                                                                                                                        | PhyInfo_01(TCV_ch,<br>TimingAdv( TCV_T)) | See Note 1. |
| 17 |                          | +RR_hocomp1(<br>TCV_n, TimingAdv(<br>TCV_T))                                                                                                                                             |                                          |             |
| 18 |                          | +ChanRel_end(<br>TCV_ch)                                                                                                                                                                 |                                          |             |
| 19 | <b>ltree_arfcnB</b>      |                                                                                                                                                                                          |                                          |             |
| 20 | [TSPC_PGSM OR TSPC_EGSM] | (TCV_chdescr_arfcn := C_BCCHcarrierB_ho,<br>TCV_tch_arfcn := TSPX_TCHcarrierB_ho)                                                                                                        |                                          |             |
| 21 | [TSPC_DCS]               |                                                                                                                                                                                          |                                          |             |
| 22 |                          | (TCV_chdescr_arfcn := C_BCCHcarrierB_hod,<br>TCV_tch_arfcn := TSPX_TCHcarrierB_hod)                                                                                                      |                                          |             |

**Detailed Comments:** HandOver from TCH/F\_nonFH sv1 of cell A to TCH/F\_nonFH sv2 in cell B

**Notes:**

1. PhyInfo is dequeued from the sending buffer, but held through OM\_SendNextOnHO at the lower layers of the tester for sending till having received TCV\_Cntref access bursts.

| Test Case Dynamic Behaviour                                                                                                                                                                                                                                                                 |       |                                                                                                                                                                                                                                                                                                                                                                                                                                                                                                                                                                                    |      |   |                                                                     |
|---------------------------------------------------------------------------------------------------------------------------------------------------------------------------------------------------------------------------------------------------------------------------------------------|-------|------------------------------------------------------------------------------------------------------------------------------------------------------------------------------------------------------------------------------------------------------------------------------------------------------------------------------------------------------------------------------------------------------------------------------------------------------------------------------------------------------------------------------------------------------------------------------------|------|---|---------------------------------------------------------------------|
| <b>Test Case Name:</b> TC_26_12_2_1_6                                                                                                                                                                                                                                                       |       |                                                                                                                                                                                                                                                                                                                                                                                                                                                                                                                                                                                    |      |   |                                                                     |
| <b>Group:</b> GSM_MS_EFR_4210/EFR/                                                                                                                                                                                                                                                          |       |                                                                                                                                                                                                                                                                                                                                                                                                                                                                                                                                                                                    |      |   |                                                                     |
| <b>Purpose:</b> To test that the MS shall correctly apply the handover procedure in the non-synchronized case when:<br>- a call is in progress and,<br>- handover is performed from a TCH/F sv2, without frequency hopping on cell B towards a TCH/F, sv1, with frequency hopping on cell A |       |                                                                                                                                                                                                                                                                                                                                                                                                                                                                                                                                                                                    |      |   |                                                                     |
| <b>Default:</b> OtherEventsFail_01                                                                                                                                                                                                                                                          |       |                                                                                                                                                                                                                                                                                                                                                                                                                                                                                                                                                                                    |      |   |                                                                     |
| Nr                                                                                                                                                                                                                                                                                          | Label | Behaviour Description                                                                                                                                                                                                                                                                                                                                                                                                                                                                                                                                                              | CRef | V | Comments                                                            |
| 1                                                                                                                                                                                                                                                                                           |       | START T_guard(300)                                                                                                                                                                                                                                                                                                                                                                                                                                                                                                                                                                 |      |   |                                                                     |
| 2                                                                                                                                                                                                                                                                                           |       | (TCV_asscmd_ts := TSPX_TmSlitA, TCV_T := TSPX_TimadvB, TCV_Pwrlvl_ho:= INT_TO_BIT(TSPX_PwrlvlA, 5))                                                                                                                                                                                                                                                                                                                                                                                                                                                                                |      |   |                                                                     |
| 3                                                                                                                                                                                                                                                                                           |       | +EFR_BasicServiceMT( TSPX_MTBscSvcI, TSPX_MTChRateI)                                                                                                                                                                                                                                                                                                                                                                                                                                                                                                                               |      |   |                                                                     |
| 4                                                                                                                                                                                                                                                                                           |       | +IdleUpdated( C_E_default, C_CellB, C_SCH_B, C_BCCH_B_1, C_Immass, C_S0, C_SlotNU, C_SlotNU, C_SlotNU, C_BCC, C_TxInt_5, C_Max_7, C_NECI_0, C_ATT_0, TimingAdv(TCV_T), C_BABR_0, C_cch_1Comb, C_BPM_3, C_T3212_0, C_ci_cellB, C_MCC_1, C_PLMN_1, C_LAC_1, CellOpt_01, CellChDes_20_Bman, CellChDes_201_Bd, C_CellReselectHys12, C_MaxPwrLvlG, C_MaxPwrLvlD, BcchFreqLst_01, BcchFreqLst_Omit, BcchFreqLst_48, BcchFreqLst_Omit, C_noRestablishment, C_BCC, C_NCC, C_Start_Tmsi, TSPX_SDCCH4SubDef, TSPX_CKSNDf, TSPX_RANDDef, C_arfcnB, C_arfcnBd, TSPX_IMSI, C_Test_fh, C_NCCP_2) |      |   |                                                                     |
| 5                                                                                                                                                                                                                                                                                           |       | +StartCellA_ho( C_E_neighbourdefault, C_BCCHcarrierA_ho, C_BCCHcarrierA_hod, C_Immass, TCV_slot, TCV_tsc, TimingAdv(TCV_T), C_TxInt_5, C_Max_7, C_NECI_0, C_ATT_0, C_BABR_0, C_cch_1Comb, C_BPM_3, C_T3212_0, C_MCC_1, C_PLMN_1, C_LAC_2, CellChDes_20_Aman, CellChDes_201_Ad, BcchFreqLst_01, BcchFreqLst_48, C_noRestablishment, C_BCC, C_NCC, TSPX_k, 100)                                                                                                                                                                                                                      |      |   | frame number in cell A is 100 in advance of frame number in cell B. |
| 6                                                                                                                                                                                                                                                                                           |       | +FullRateCh_B_1( C_Asynho, TCV_asscmd_ts, TCV_tsc, ChMod_EFR2, FreqTCH(TSPX_TCHcarrierB_ho), FreqTCH(TSPX_TCHcarrierB_hod), TimingAdv( TCV_T), C_BABR_0, C_cch_1Comb, C_BPM_3)                                                                                                                                                                                                                                                                                                                                                                                                     |      |   | Set TCH/F, sv2, NonFH on cellB                                      |
| 7                                                                                                                                                                                                                                                                                           |       | +ltree_arfcnB                                                                                                                                                                                                                                                                                                                                                                                                                                                                                                                                                                      |      |   |                                                                     |
| 8                                                                                                                                                                                                                                                                                           |       | +Est_MT_CallNonFH( TimingAdv(TCV_T), C_Full_v2, TSPX_TCHHSubDef, TSPX_RANDDef)                                                                                                                                                                                                                                                                                                                                                                                                                                                                                                     |      |   | To establish MTcall with NonFH channel.                             |
| 9                                                                                                                                                                                                                                                                                           | body  | (TCV_ch := TCV_chTch, TCV_chTch1:=TCV_ch)                                                                                                                                                                                                                                                                                                                                                                                                                                                                                                                                          |      |   |                                                                     |
| 10                                                                                                                                                                                                                                                                                          |       | (TCV_n := 500, TCV_Cntref := TSPX_NoOfHoAccC, TCV_T := TSPX_TimadvC, TCV_ts := TSPX_TmSlitNotZero, TCV_Horf:= TSPX_HoRefF, TCV_tsc := TSPX_TscF, TCV_chtype := '00001'B)                                                                                                                                                                                                                                                                                                                                                                                                           |      |   |                                                                     |
| 11                                                                                                                                                                                                                                                                                          |       | +FullRateCh_A_1( C_Asynho, TCV_ts, TCV_tsc, ChMod_speech, FreqTCHa_hof1, FreqTCHa_hof1d, C_Noarfcn, C_Noarfcn, TimingAdv( TCV_T), C_BABR_0, C_cch_1Comb, C_BPM_3)                                                                                                                                                                                                                                                                                                                                                                                                                  |      |   |                                                                     |
| 12                                                                                                                                                                                                                                                                                          |       | (TCV_ch := TCV_chTch)                                                                                                                                                                                                                                                                                                                                                                                                                                                                                                                                                              |      |   |                                                                     |
| 13                                                                                                                                                                                                                                                                                          |       | +ltree_BuildHoCMD                                                                                                                                                                                                                                                                                                                                                                                                                                                                                                                                                                  |      |   |                                                                     |
| 14                                                                                                                                                                                                                                                                                          |       | (TCV_Null := OM_SendNextOnHO(TCV_                                                                                                                                                                                                                                                                                                                                                                                                                                                                                                                                                  |      |   |                                                                     |

|                                                                                                                                                                               |                                                                                                                                                                                                                                                                                              |                                          |             |
|-------------------------------------------------------------------------------------------------------------------------------------------------------------------------------|----------------------------------------------------------------------------------------------------------------------------------------------------------------------------------------------------------------------------------------------------------------------------------------------|------------------------------------------|-------------|
| 15                                                                                                                                                                            | ch, TCV_Cntref))<br>L!DL_DatRqHoCmd                                                                                                                                                                                                                                                          | HndOvSnd(<br>TCV_chTch1,<br>TCV_HoCMD)   | HO command  |
| 16                                                                                                                                                                            | L!DL_DatRqPhyinfo                                                                                                                                                                                                                                                                            | PhyInfo_01(TCV_ch,<br>TimingAdv( TCV_T)) | See Note 1. |
| 17                                                                                                                                                                            | +RR_hocomp1(<br>TCV_n, TimingAdv(<br>TCV_T))                                                                                                                                                                                                                                                 |                                          |             |
| 18                                                                                                                                                                            | +ChanRel_end(<br>TCV_ch)                                                                                                                                                                                                                                                                     |                                          |             |
|                                                                                                                                                                               | <b>Itree_arfcnB</b>                                                                                                                                                                                                                                                                          |                                          |             |
| 19                                                                                                                                                                            | [TSPC_PGSM OR TSPC_EGSM]                                                                                                                                                                                                                                                                     |                                          |             |
| 20                                                                                                                                                                            | (TCV_tch_arfcn := TSPX_TCHcarrierB_ho)                                                                                                                                                                                                                                                       |                                          |             |
| 21                                                                                                                                                                            | [TSPC_DCS]                                                                                                                                                                                                                                                                                   |                                          |             |
| 22                                                                                                                                                                            | (TCV_tch_arfcn := TSPX_TCHcarrierB_hod)                                                                                                                                                                                                                                                      |                                          |             |
|                                                                                                                                                                               | <b>Itree_BuildHoCMD</b>                                                                                                                                                                                                                                                                      |                                          |             |
| 23                                                                                                                                                                            | [TSPC_PGSM OR TSPC_EGSM]                                                                                                                                                                                                                                                                     |                                          |             |
| 24                                                                                                                                                                            | (TCV_HoCMD := HandOverCmd_fh( TCV_chtype,<br>TCV_ts, TCV_tsc, C_NCC, C_BCC, C_arfcnA, 12,<br>TSPX_HSN, TCV_Horf, TCV_Pwrlvl_ho,<br>Synchi_omit, Frql_omit, Frql_omit,<br>CellChDes_Omit, ChMod_speech_iei,<br>Freqchseq_22, MobilAllc_omit, RelTmdDif_omit,<br>TimingAdv_omit, CphMod_omit)) |                                          |             |
| 25                                                                                                                                                                            | [TSPC_DCS]                                                                                                                                                                                                                                                                                   |                                          |             |
| 26                                                                                                                                                                            | (TCV_HoCMD := HandOverCmd_fh( TCV_chtype,<br>TCV_ts, TCV_tsc, C_NCC, C_BCC, C_arfcnAd_4,<br>9, TSPX_HSN, TCV_Horf, TCV_Pwrlvl_ho,<br>Synchi_omit, Frql_20_Ad, Frql_omit,<br>CellChDes_Omit, ChMod_omit, Freqchseq_omit,<br>MobilAllc_omit, RelTmdDif_omit, TimingAdv_omit,<br>CphMod_omit))  |                                          |             |
| <b>Detailed Comments:</b> HO from TCH/F_nonFH sv2 of cell B to TCH/F_FH sv1 in cell A                                                                                         |                                                                                                                                                                                                                                                                                              |                                          |             |
| Notes:                                                                                                                                                                        |                                                                                                                                                                                                                                                                                              |                                          |             |
| 1. PhyInfo is dequeued from the sending buffer, but held through OM_SendNextOnHO at the lower layers of the tester for sending till having received TCV_Cntref access bursts. |                                                                                                                                                                                                                                                                                              |                                          |             |

| Test Case Dynamic Behaviour                                                                                                                                                                                                                                                              |       |                                                                                                                                                                                                                                                                                                                                                                                                                                                                                                                                                                                      |      |   |                                                                     |
|------------------------------------------------------------------------------------------------------------------------------------------------------------------------------------------------------------------------------------------------------------------------------------------|-------|--------------------------------------------------------------------------------------------------------------------------------------------------------------------------------------------------------------------------------------------------------------------------------------------------------------------------------------------------------------------------------------------------------------------------------------------------------------------------------------------------------------------------------------------------------------------------------------|------|---|---------------------------------------------------------------------|
| <b>Test Case Name:</b> TC_26_12_2_1_7                                                                                                                                                                                                                                                    |       |                                                                                                                                                                                                                                                                                                                                                                                                                                                                                                                                                                                      |      |   |                                                                     |
| <b>Group:</b> GSM_MS_EFR_4210/EFR/                                                                                                                                                                                                                                                       |       |                                                                                                                                                                                                                                                                                                                                                                                                                                                                                                                                                                                      |      |   |                                                                     |
| <b>Purpose:</b> To test that the MS shall correctly apply the handover procedure in the non-synchronized case when:<br>- a call is in progress and,<br>- handover is performed from a TCH/F sv1, with frequency hopping on cell A towards a TCH/F, sv2, with frequency hopping on cell B |       |                                                                                                                                                                                                                                                                                                                                                                                                                                                                                                                                                                                      |      |   |                                                                     |
| <b>Default:</b> OtherEventsFail_01                                                                                                                                                                                                                                                       |       |                                                                                                                                                                                                                                                                                                                                                                                                                                                                                                                                                                                      |      |   |                                                                     |
| Nr                                                                                                                                                                                                                                                                                       | Label | Behaviour Description                                                                                                                                                                                                                                                                                                                                                                                                                                                                                                                                                                | CRef | V | Comments                                                            |
| 1                                                                                                                                                                                                                                                                                        |       | START T_guard(300)                                                                                                                                                                                                                                                                                                                                                                                                                                                                                                                                                                   |      |   |                                                                     |
| 2                                                                                                                                                                                                                                                                                        |       | (TCV_asscmd_ts := TSPX_TmSlitA, TCV_T := TSPX_TimadvA, TCV_Pwrlvl_ho:= INT_TO_BIT(TSPX_PwrlvlA, 5))                                                                                                                                                                                                                                                                                                                                                                                                                                                                                  |      |   |                                                                     |
| 3                                                                                                                                                                                                                                                                                        |       | +EFR_BasicServiceMT( TSPX_MTBscSvcI, TSPX_MTChRateI)                                                                                                                                                                                                                                                                                                                                                                                                                                                                                                                                 |      |   |                                                                     |
| 4                                                                                                                                                                                                                                                                                        |       | +IdleUpdated( C_E_default, C_CellA, C_SCH_A, C_BCCH_A_1, C_Immass, C_S0, C_SlotNU, C_SlotNU, C_SlotNU, C_BCC, C_TxInt_5, C_Max_7, C_NECI_0, C_ATT_0, TimingAdv(TCV_T), C_BABR_0, C_cch_1Comb, C_BPM_3, C_T3212_0, C_ci_cellA, C_MCC_1, C_PLMN_1, C_LAC_1, CellOpt_01, CellChDes_20_Aman, CellChDes_201_Ad, C_CellReselectHys12, C_MaxPwrLvlG, C_MaxPwrLvlD, BcchFreqLst_01, BcchFreqLst_Omit, BcchFreqLst_48, BcchFreqLst_Omit, C_noRestablishment, C_BCC, C_NCC, C_Start_Tmsi, TSPX_SDCCH4SubDef, TSPX_CKSNDf, TSPX_RANDDef, C_arfcnA, C_arfcnAd_4, TSPX_IMSI, C_Test_fh, C_NCCP_2) |      |   |                                                                     |
| 5                                                                                                                                                                                                                                                                                        |       | +StartCellB_ho( C_E_neighbourdefault, C_BCCHcarrierB_ho, C_BCCHcarrierB_hod, C_Immass, TCV_slot, TCV_tsc, TimingAdv(TCV_T), C_TxInt_5, C_Max_7, C_NECI_0, C_ATT_0, C_BABR_0, C_cch_1Comb, C_BPM_3, C_T3212_0, C_MCC_1, C_PLMN_1, C_LAC_2, CellChDes_20_Bman, CellChDes_201_Bd, BcchFreqLst_01, BcchFreqLst_48, C_noRestablishment, C_BCC, C_NCC, TSPX_k, 100)                                                                                                                                                                                                                        |      |   | frame number in cell B is 100 in advance of frame number in cell A. |
| 6                                                                                                                                                                                                                                                                                        |       | +FullRateCh_A_1( C_Asynho, TCV_asscmd_ts, TCV_tsc, ChMod_speech, FreqTCHa_hof1, FreqTCHa_hof1d, C_Noarfcn, C_Noarfcn, TimingAdv( TCV_T), C_BABR_0, C_cch_1Comb, C_BPM_3)                                                                                                                                                                                                                                                                                                                                                                                                             |      |   | Set TCH/F, sv1, FH on cellA                                         |
| 7                                                                                                                                                                                                                                                                                        |       | +Est_MT_Call_FH( TimingAdv(TCV_T), C_Full, INT_TO_BIT(TSPX_MAIO, 6), TSPX_HSN, TSPX_RANDDef, TCV_asscmd_ts, TSPX_TscDef, TSPX_TCHHSubDef)                                                                                                                                                                                                                                                                                                                                                                                                                                            |      |   | To establish a MTcall with hopping channel.                         |
| 8                                                                                                                                                                                                                                                                                        | body  | (TCV_ch := TCV_chTch, TCV_chTch1:=TCV_ch)                                                                                                                                                                                                                                                                                                                                                                                                                                                                                                                                            |      |   |                                                                     |
| 9                                                                                                                                                                                                                                                                                        |       | (TCV_n := 750, TCV_Cntref := TSPX_NoOfHoAccA, TCV_T := 20, TCV_ts := TSPX_TmSlitNotZero1, TCV_Horf:= TSPX_HoRefG, TCV_tsc := TSPX_TscG, TCV_chtype := '00001'B)                                                                                                                                                                                                                                                                                                                                                                                                                      |      |   | Parameters initialization for Handover procedure.                   |
| 10                                                                                                                                                                                                                                                                                       |       | +FullRateCh_B_1( C_Asynho, TCV_ts, TCV_tsc, ChMod_EFR2, FreqTCHb_hof1, FreqTCHb_hof1d, TimingAdv(TCV_T), C_BABR_0, C_cch_1Comb, C_BPM_3)                                                                                                                                                                                                                                                                                                                                                                                                                                             |      |   | Set TCH/F, sv2, FH on cellB                                         |
| 11                                                                                                                                                                                                                                                                                       |       | (TCV_ch := TCV_chTch)                                                                                                                                                                                                                                                                                                                                                                                                                                                                                                                                                                |      |   |                                                                     |
| 12                                                                                                                                                                                                                                                                                       |       | +ltree_BuildHoCMD                                                                                                                                                                                                                                                                                                                                                                                                                                                                                                                                                                    |      |   |                                                                     |
| 13                                                                                                                                                                                                                                                                                       |       | (TCV_Fn := OM_ComingFn( TCV_chTch1), TCV_Null:= OM_SendNextOn( TCV_chTch1, TCV_Fn),                                                                                                                                                                                                                                                                                                                                                                                                                                                                                                  |      |   | starting time is set to 1.1 s plus 100 frames                       |

|    |            |                                                                                                                                                                                                                                                                                                                                          |                                          |             |
|----|------------|------------------------------------------------------------------------------------------------------------------------------------------------------------------------------------------------------------------------------------------------------------------------------------------------------------------------------------------|------------------------------------------|-------------|
| 14 |            | TCV_Strt := OC_StartTime(<br>TCV_Fn,(C_StartingTimeHO<br>+ 100), 1))<br>(TCV_Null :=<br>OM_SendNextOnHO(TCV_<br>ch, TCV_Cntref))                                                                                                                                                                                                         |                                          |             |
| 15 |            | LIDL_DatRqHoCmd(<br>DL_DatRqHoCmd.msg.str<br>t:= TCV_Strt)                                                                                                                                                                                                                                                                               | HndOvSnd(<br>TCV_chTch1,<br>TCV_HoCMD)   | HO command  |
| 16 |            | LIDL_DatRqPhyinfo                                                                                                                                                                                                                                                                                                                        | PhyInfo_01(TCV_ch,<br>TimingAdv( TCV_T)) | See Note 1. |
| 17 |            | +RR_hocomp1(<br>TCV_n, TimingAdv(<br>TCV_T))                                                                                                                                                                                                                                                                                             |                                          |             |
| 18 |            | +ltree_FirstBurstOn<br>TimeCHK                                                                                                                                                                                                                                                                                                           |                                          |             |
| 19 |            | +ChanRel_end(<br>TCV_ch)                                                                                                                                                                                                                                                                                                                 |                                          |             |
| 20 |            | <b>ltree_BuildHoCMD</b><br>[TSPC_PGSM OR TSPC_EGSM]                                                                                                                                                                                                                                                                                      |                                          |             |
| 21 |            | (TCV_HoCMD := HandOverCmd_fh( TCV_chtype,<br>TCV_ts, TCV_tsc, C_NCC, C_BCC,<br>C_BCCHcarrierB_ho, 12, TSPX_HSN, TCV_Horf,<br>TCV_Pwrlvl_ho, Synchi( C_not_report_otd,<br>C_non_synchronised), Frql_omit, Frql_20_B3,<br>CellChDes_Omit, ChMod_omit, Freqchseq_omit,<br>MoblAllc_omit, RelTmdDif_omit, TimingAdv_omit,<br>CphMod_omit))   |                                          |             |
| 22 |            | [TSPC_DCS]                                                                                                                                                                                                                                                                                                                               |                                          |             |
| 23 |            | (TCV_HoCMD := HandOverCmd_fh( TCV_chtype,<br>TCV_ts, TCV_tsc, C_NCC, C_BCC,<br>C_BCCHcarrierB_hod, 12, TSPX_HSN, TCV_Horf,<br>TCV_Pwrlvl_ho, Synchi( C_not_report_otd,<br>C_non_synchronised), Frql_omit, Frql_20_B3d,<br>CellChDes_Omit, ChMod_omit, Freqchseq_omit,<br>MoblAllc_omit, RelTmdDif_omit, TimingAdv_omit,<br>CphMod_omit)) |                                          |             |
| 24 |            | <b>ltree_FirstBurstOnTimeCHK</b><br>+FnArith( TCV_FnBurst, TCV_Strt.fn)                                                                                                                                                                                                                                                                  |                                          |             |
| 25 | E_01<br>36 | [(TCV_Time > 5) OR(TCV_Time < 0)]                                                                                                                                                                                                                                                                                                        |                                          | (F)         |
| 26 | E_01<br>37 | [(TCV_Time >= 0) AND(TCV_Time < 5)]                                                                                                                                                                                                                                                                                                      |                                          | (P)         |

**Detailed Comments:** HO from TCH/F\_FH sv1 of cell A to TCH/F\_FH sv2 in cell B

Notes:  
 1. PhyInfo is dequeued from the sending buffer, but held through OM\_SendNextOnHO at the lower layers of the tester for sending till having received TCV\_Cntref access bursts.

| Test Case Dynamic Behaviour |       |                                                                                                                                                                                                                                                                                                                                                                                                                                                                                                                                                                                                                                     |           |   |                                                                           |
|-----------------------------|-------|-------------------------------------------------------------------------------------------------------------------------------------------------------------------------------------------------------------------------------------------------------------------------------------------------------------------------------------------------------------------------------------------------------------------------------------------------------------------------------------------------------------------------------------------------------------------------------------------------------------------------------------|-----------|---|---------------------------------------------------------------------------|
| <b>Test Case Name:</b>      |       | TC_26_12_2_1_8                                                                                                                                                                                                                                                                                                                                                                                                                                                                                                                                                                                                                      |           |   |                                                                           |
| <b>Group:</b>               |       | GSM_MS_EFR_4210/EFR/                                                                                                                                                                                                                                                                                                                                                                                                                                                                                                                                                                                                                |           |   |                                                                           |
| <b>Purpose:</b>             |       | To test that the MS shall correctly apply the handover procedure in the non-synchronized case when:<br>- a call is in progress and,<br>- handover is performed from a TCH/F, sv2, without frequency hopping towards a TCH/F, sv1, with frequency hopping                                                                                                                                                                                                                                                                                                                                                                            |           |   |                                                                           |
| <b>Default:</b>             |       | OtherEventsFail_01                                                                                                                                                                                                                                                                                                                                                                                                                                                                                                                                                                                                                  |           |   |                                                                           |
| Nr                          | Label | Behaviour Description                                                                                                                                                                                                                                                                                                                                                                                                                                                                                                                                                                                                               | Cref      | V | Comments                                                                  |
| 1                           |       | START T_guard(300)                                                                                                                                                                                                                                                                                                                                                                                                                                                                                                                                                                                                                  |           |   |                                                                           |
| 2                           |       | (TCV_asscmd_ts := TSPX_TmSlitA, TCV_T := 20,<br>TCV_PwrLvl_ho:= INT_TO_BIT( TSPX_PwrLvlA, 5))                                                                                                                                                                                                                                                                                                                                                                                                                                                                                                                                       |           |   |                                                                           |
| 3                           |       | +EFR_BasicServiceMT( TSPX_MTBscSvcl,<br>TSPX_MTChRate)                                                                                                                                                                                                                                                                                                                                                                                                                                                                                                                                                                              |           |   |                                                                           |
| 4                           |       | +IdleUpdated( C_E_default, C_CellB,<br>C_SCH_B, C_BCCH_B_1, C_Immass, C_S0,<br>C_SlotNU, C_SlotNU, C_SlotNU, C_BCC,<br>C_TxInt_5, C_Max_7, C_NECI_0, C_ATT_0,<br>TimingAdv(TCV_T), C_BABR_0,<br>C_cch_1Comb, C_BPM_3, C_T3212_0,<br>C_ci_cellB, C_MCC_1, C_PLMN_1, C_LAC_1,<br>CellOpt_01, CellChDes_20_Bman,<br>CellChDes_201_Bd, C_CellReselectHys12,<br>C_MaxPwrLvlG, C_MaxPwrLvlD,<br>BcchFreqLst_01, BcchFreqLst_Omit,<br>BcchFreqLst_48, BcchFreqLst_Omit,<br>C_noReestablishment, C_BCC, C_NCC,<br>C_Start_Tmsi, TSPX_SDCCH4SubDef,<br>TSPX_CKSNDf, TSPX_RANDDef, C_arfcnB,<br>C_arfcnBd, TSPX_IMSI, C_Test_fh,<br>C_NCCP_2) |           |   |                                                                           |
| 5                           |       | +StartCellA_ho( C_E_neighbourdefault,<br>C_BCCHcarrierA_ho, C_BCCHcarrierA_hod,<br>C_Immass, TCV_slot, TCV_tsc, TimingAdv(<br>TCV_T), C_TxInt_5, C_Max_7, C_NECI_0,<br>C_ATT_0, C_BABR_0, C_cch_1Comb,<br>C_BPM_3, C_T3212_0, C_MCC_1,<br>C_PLMN_1, C_LAC_2, CellChDes_20_Aman,<br>CellChDes_201_Ad, BcchFreqLst_01,<br>BcchFreqLst_48, C_noReestablishment,<br>C_BCC, C_NCC, TSPX_k, 100)                                                                                                                                                                                                                                          |           |   | frame number in cell A is<br>100 in advance of frame<br>number in cell B. |
| 6                           |       | +FullRateCh_B_1( C_Asynho,<br>TCV_asscmd_ts, TCV_tsc, ChMod_EFR2,<br>FreqTCHb_hof1, FreqTCHb_hof1d,<br>TimingAdv( TCV_T), C_BABR_0,<br>C_cch_1Comb, C_BPM_3)                                                                                                                                                                                                                                                                                                                                                                                                                                                                        |           |   | Set TCH/F, sv2, FH on<br>cellB                                            |
| 7                           |       | +Est_MT_Call_FH( TimingAdv(TCV_T),<br>C_Full_v2, INT_TO_BIT(TSPX_MAIO, 6),<br>TSPX_HSN, TSPX_RANDDef,<br>TCV_asscmd_ts, TSPX_TscDef,<br>TSPX_TCHHSubDef)                                                                                                                                                                                                                                                                                                                                                                                                                                                                            |           |   | To establish a MTcall with<br>hopping channel.                            |
| 8                           | body  | (TCV_ch := TCV_chTch,<br>TCV_chTch1:=TCV_ch)                                                                                                                                                                                                                                                                                                                                                                                                                                                                                                                                                                                        |           |   |                                                                           |
| 9                           |       | (TCV_n := 750, TCV_Cntref :=<br>TSPX_NoOfHoAccB, TCV_T :=<br>TSPX_TimadvA, TCV_ts :=<br>TSPX_TmSlitNotZero, TCV_Horf:=<br>TSPX_HoRefH, TCV_tsc :=<br>TSPX_TscA, TCV_chtype :=<br>'00001'B)                                                                                                                                                                                                                                                                                                                                                                                                                                          |           |   | Parameters initialization<br>for Handover procedure.                      |
| 10                          |       | +FullRateCh_A_1( C_Asynho,<br>TCV_ts, TCV_tsc, ChMod_speech,<br>FreqTCHa_hof1, FreqTCHa_hof1d,<br>C_Noarfcn, C_Noarfcn, TimingAdv(<br>TCV_T), C_BABR_0,<br>C_cch_1Comb, C_BPM_3)                                                                                                                                                                                                                                                                                                                                                                                                                                                    |           |   | Set TCH/F, sv1, NonFH<br>on cellA                                         |
| 11                          |       | (TCV_ch := TCV_chTch)                                                                                                                                                                                                                                                                                                                                                                                                                                                                                                                                                                                                               |           |   |                                                                           |
| 12                          |       | +tree_BuildHoCMD                                                                                                                                                                                                                                                                                                                                                                                                                                                                                                                                                                                                                    |           |   |                                                                           |
| 13                          |       | (TCV_Null :=<br>OM_SendNextOnHO(TCV_ch<br>, TCV_Cntref))                                                                                                                                                                                                                                                                                                                                                                                                                                                                                                                                                                            |           |   |                                                                           |
| 14                          |       | LIDL_DatRqHoCmd                                                                                                                                                                                                                                                                                                                                                                                                                                                                                                                                                                                                                     | HndOvSnd( |   | HO command                                                                |

|                                                                                                                                                                                         |  |                                                                                                                                                                                                                                                                                                                          |                                          |             |
|-----------------------------------------------------------------------------------------------------------------------------------------------------------------------------------------|--|--------------------------------------------------------------------------------------------------------------------------------------------------------------------------------------------------------------------------------------------------------------------------------------------------------------------------|------------------------------------------|-------------|
| 15                                                                                                                                                                                      |  | LIDL_DatRqPhyinfo                                                                                                                                                                                                                                                                                                        | TCV_chTch1,<br>TCV_HoCMD)                | See Note 1. |
| 16                                                                                                                                                                                      |  | +RR_hocomp1( TCV_n,<br>TimingAdv( TCV_T))                                                                                                                                                                                                                                                                                | PhyInfo_01(TCV_ch,<br>TimingAdv( TCV_T)) |             |
| 17                                                                                                                                                                                      |  | +ChanRel_end(<br>TCV_ch)                                                                                                                                                                                                                                                                                                 |                                          |             |
| 18                                                                                                                                                                                      |  | <b>Itree_BuildHoCMD</b>                                                                                                                                                                                                                                                                                                  |                                          |             |
| 19                                                                                                                                                                                      |  | [TSPC_PGSM OR TSPC_EGSM]<br>(TCV_HoCMD := HandOverCmd_fh( TCV_chtype,<br>TCV_ts, TCV_tsc, C_NCC, C_BCC, C_arfcnA, 12,<br>TSPX_HSN, TCV_Horf, TCV_Pwrlvl_ho,<br>Synchi_omit, Frql_omit, Frql_omit,<br>CellChDes_Omit, ChMod_speech_iei,<br>Freqchseq_22, MobilAllc_omit, RelTmdDif_omit,<br>TimingAdv_omit, CphMod_omit)) |                                          |             |
| 20                                                                                                                                                                                      |  | [TSPC_DCS]                                                                                                                                                                                                                                                                                                               |                                          |             |
| 21                                                                                                                                                                                      |  | (TCV_HoCMD := HandOverCmd_fh( TCV_chtype,<br>TCV_ts, TCV_tsc, C_NCC, C_BCC, C_arfcnAd_4,<br>9, TSPX_HSN, TCV_Horf, TCV_Pwrlvl_ho,<br>Synchi_omit, Frql_20_Ad, Frql_omit,<br>CellChDes_Omit, ChMod_omit, Freqchseq_omit,<br>MobilAllc_omit, RelTmdDif_omit, TimingAdv_omit,<br>CphMod_omit))                              |                                          |             |
| <b>Detailed Comments:</b> HandOver from TCH/F_FH sv2 of cell B to TCH/F_FH sv1 in cell A                                                                                                |  |                                                                                                                                                                                                                                                                                                                          |                                          |             |
| Notes:<br>1. PhyInfo is dequeued from the sending buffer, but held through OM_SendNextOnHO at the lower layers of the tester for sending till having received TCV_Cntref access bursts. |  |                                                                                                                                                                                                                                                                                                                          |                                          |             |



| Test Case Dynamic Behaviour                                                                                                                                                                                                                                              |       |                                                                                                                                                                                                                                                                                                                                                                                                                                                                                                                                                                                       |      |   |                                                                     |
|--------------------------------------------------------------------------------------------------------------------------------------------------------------------------------------------------------------------------------------------------------------------------|-------|---------------------------------------------------------------------------------------------------------------------------------------------------------------------------------------------------------------------------------------------------------------------------------------------------------------------------------------------------------------------------------------------------------------------------------------------------------------------------------------------------------------------------------------------------------------------------------------|------|---|---------------------------------------------------------------------|
| <b>Test Case Name:</b> TC_26_12_2_1_9                                                                                                                                                                                                                                    |       |                                                                                                                                                                                                                                                                                                                                                                                                                                                                                                                                                                                       |      |   |                                                                     |
| <b>Group:</b> GSM_MS_EFR_4210/EFR/                                                                                                                                                                                                                                       |       |                                                                                                                                                                                                                                                                                                                                                                                                                                                                                                                                                                                       |      |   |                                                                     |
| <b>Purpose:</b> To test that the MS shall correctly apply the handover procedure in the non-synchronized case when:<br>- a call is in progress and,<br>- handover is performed from a TCH/F, sv1, with frequency hopping towards a TCH/F, sv2, without frequency hopping |       |                                                                                                                                                                                                                                                                                                                                                                                                                                                                                                                                                                                       |      |   |                                                                     |
| <b>Default:</b> OtherEventsFail_01                                                                                                                                                                                                                                       |       |                                                                                                                                                                                                                                                                                                                                                                                                                                                                                                                                                                                       |      |   |                                                                     |
| Nr                                                                                                                                                                                                                                                                       | Label | Behaviour Description                                                                                                                                                                                                                                                                                                                                                                                                                                                                                                                                                                 | CRef | V | Comments                                                            |
| 1                                                                                                                                                                                                                                                                        |       | START T_guard(300)                                                                                                                                                                                                                                                                                                                                                                                                                                                                                                                                                                    |      |   |                                                                     |
| 2                                                                                                                                                                                                                                                                        |       | (TCV_asscmd_ts := TSPX_TmSlitA, TCV_T := TSPX_TimadvA, TCV_Pwrlvl_ho:= INT_TO_BIT(TSPX_PwrlvlA, 5))                                                                                                                                                                                                                                                                                                                                                                                                                                                                                   |      |   |                                                                     |
| 3                                                                                                                                                                                                                                                                        |       | +EFR_BasicServiceMT( TSPX_MTBscSvcl, TSPX_MTChRateI)                                                                                                                                                                                                                                                                                                                                                                                                                                                                                                                                  |      |   |                                                                     |
| 4                                                                                                                                                                                                                                                                        |       | +IdleUpdated( C_E_default, C_CellA, C_SCH_A, C_BCCH_A_1, C_Immass, C_S0, C_SlotNU, C_SlotNU, C_SlotNU, C_BCC, C_TxInt_5, C_Max_7, C_NECI_0, C_ATT_0, TimingAdv(TCV_T), C_BABR_0, C_cch_1Comb, C_BPM_3, C_T3212_0, C_ci_cellA, C_MCC_1, C_PLMN_1, C_LAC_1, CellOpt_01, CellChDes_20_Aman, CellChDes_201_Ad, C_CellReselectHys12, C_MaxPwrLvlG, C_MaxPwrLvlD, BcchFreqLst_01, BcchFreqLst_Omit, BcchFreqLst_48, BcchFreqLst_Omit, C_noReestablishment, C_BCC, C_NCC, C_Start_Tmsi, TSPX_SDCCH4SubDef, TSPX_CKSNDf, TSPX_RANDDef, C_arfcnA, C_arfcnAd_4, TSPX_IMSI, C_Test_fh, C_NCCP_2) |      |   |                                                                     |
| 5                                                                                                                                                                                                                                                                        |       | +StartCellB_ho( C_E_neighbourdefault, C_BCCHcarrierB_ho, C_BCCHcarrierB_hod, C_Immass, TCV_slot, TCV_tsc, TimingAdv(TCV_T), C_TxInt_5, C_Max_7, C_NECI_0, C_ATT_0, C_BABR_0, C_cch_1Comb, C_BPM_3, C_T3212_0, C_MCC_1, C_PLMN_1, C_LAC_2, CellChDes_20_Bman, CellChDes_201_Bd, BcchFreqLst_01, BcchFreqLst_48, C_noReestablishment, C_BCC, C_NCC, TSPX_k, 100)                                                                                                                                                                                                                        |      |   | frame number in cell B is 100 in advance of frame number in cell A. |
| 6                                                                                                                                                                                                                                                                        |       | +FullRateCh_A_1( C_Asynho, TCV_asscmd_ts, TCV_tsc, ChMod_speech, FreqTCHa_hof1, FreqTCHa_hof1d, C_Noarfcn, C_Noarfcn, TimingAdv( TCV_T), C_BABR_0, C_cch_1Comb, C_BPM_3)                                                                                                                                                                                                                                                                                                                                                                                                              |      |   | Set TCH/F, sv1, FH on cellA                                         |
| 7                                                                                                                                                                                                                                                                        |       | +Est_MT_Call_FH( TimingAdv(TCV_T), C_Full, INT_TO_BIT(TSPX_MAIO, 6), TSPX_HSN, TSPX_RANDDef, TCV_asscmd_ts, TSPX_TscDef, TSPX_TCHHSubDef)                                                                                                                                                                                                                                                                                                                                                                                                                                             |      |   | To establish a MTcall with hopping channel.                         |
| 8                                                                                                                                                                                                                                                                        | body  | (TCV_ch := TCV_chTch, TCV_chTch1:=TCV_ch)                                                                                                                                                                                                                                                                                                                                                                                                                                                                                                                                             |      |   |                                                                     |
| 9                                                                                                                                                                                                                                                                        |       | (TCV_n := 750, TCV_Cntref := TSPX_NoOfHoAccC, TCV_T := TSPX_TimadvB, TCV_ts := TSPX_TmSlitF, TCV_Horf:= TSPX_HoRefI, TCV_tsc := TSPX_TscB, TCV_chtype := '00001'B)                                                                                                                                                                                                                                                                                                                                                                                                                    |      |   | Parameters initialization for Handover procedure.                   |
| 10                                                                                                                                                                                                                                                                       |       | +FullRateCh_B_1( C_Asynho, TCV_ts, TCV_tsc, ChMod_EFR2, FreqTCH(TSPX_TCHcarrierB_ho), FreqTCH(TSPX_TCHcarrierB_hod), TimingAdv( TCV_T), C_BABR_0, C_cch_1Comb, C_BPM_3)                                                                                                                                                                                                                                                                                                                                                                                                               |      |   | Set TCH/F, sv2, nonFH on cellB                                      |
| 11                                                                                                                                                                                                                                                                       |       | +Itree_arfcnB                                                                                                                                                                                                                                                                                                                                                                                                                                                                                                                                                                         |      |   |                                                                     |
| 12                                                                                                                                                                                                                                                                       |       | (TCV_HoCMD := HandOverCmd_nfh(                                                                                                                                                                                                                                                                                                                                                                                                                                                                                                                                                        |      |   |                                                                     |

|                                                                                                                                                                                         |                                                                                                                                                                                                                                                                    |                                          |             |
|-----------------------------------------------------------------------------------------------------------------------------------------------------------------------------------------|--------------------------------------------------------------------------------------------------------------------------------------------------------------------------------------------------------------------------------------------------------------------|------------------------------------------|-------------|
| 13                                                                                                                                                                                      | TCV_chtype, TCV_ts, TCV_tsc,<br>C_NCC, C_BCC,<br>TCV_chdescr_arfcn,<br>TCV_tch_arfcn, TCV_Horf,<br>TCV_Pwrtrl_ho, Synchi(<br>C_not_report_otd,<br>C_non_synchronised),<br>ChMod_omit, RelTmdDif_omit,<br>TimingAdv_omit,<br>CphMod_omit))<br>(TCV_ch := TCV_chTch) |                                          |             |
| 14                                                                                                                                                                                      | (TCV_Null :=<br>OM_SendNextOnHO(TCV_<br>ch, TCV_Cntref))                                                                                                                                                                                                           |                                          |             |
| 15                                                                                                                                                                                      | L!DL_DatRqHoCmd                                                                                                                                                                                                                                                    | HndOvSnd(<br>TCV_chTch1,<br>TCV_HoCMD)   | HO command  |
| 16                                                                                                                                                                                      | L!DL_DatRqPhyinfo                                                                                                                                                                                                                                                  | PhyInfo_01(TCV_ch,<br>TimingAdv( TCV_T)) | See Note 1. |
| 17                                                                                                                                                                                      | +RR_hocomp1(<br>TCV_n, TimingAdv(<br>TCV_T))                                                                                                                                                                                                                       |                                          |             |
| 18                                                                                                                                                                                      | +ChanRel_end(<br>TCV_ch)                                                                                                                                                                                                                                           |                                          |             |
| 19                                                                                                                                                                                      | <b>ltree_arfcnB</b><br>[TSPC_PGSM OR TSPC_EGSM]                                                                                                                                                                                                                    |                                          |             |
| 20                                                                                                                                                                                      | (TCV_chdescr_arfcn := C_BCCHcarrierB_ho,<br>TCV_tch_arfcn := TSPX_TCHcarrierB_ho)                                                                                                                                                                                  |                                          |             |
| 21                                                                                                                                                                                      | [TSPC_DCS]                                                                                                                                                                                                                                                         |                                          |             |
| 22                                                                                                                                                                                      | (TCV_chdescr_arfcn := C_BCCHcarrierB_hod,<br>TCV_tch_arfcn := TSPX_TCHcarrierB_hod)                                                                                                                                                                                |                                          |             |
| <b>Detailed Comments:</b> HandOver from TCH/F_nonFH sv1 of cell A to TCH/F_nonFH sv2 in cell B                                                                                          |                                                                                                                                                                                                                                                                    |                                          |             |
| Notes:<br>1. PhyInfo is dequeued from the sending buffer, but held through OM_SendNextOnHO at the lower layers of the tester for sending till having received TCV_Cntref access bursts. |                                                                                                                                                                                                                                                                    |                                          |             |

| Test Case Dynamic Behaviour |       |                                                                                                                                                                                                                                                                                                                                                                                                                                                                                                                                                                                     |      |   |                                                                     |
|-----------------------------|-------|-------------------------------------------------------------------------------------------------------------------------------------------------------------------------------------------------------------------------------------------------------------------------------------------------------------------------------------------------------------------------------------------------------------------------------------------------------------------------------------------------------------------------------------------------------------------------------------|------|---|---------------------------------------------------------------------|
| <b>Test Case Name:</b>      |       | TC_26_12_2_1_10                                                                                                                                                                                                                                                                                                                                                                                                                                                                                                                                                                     |      |   |                                                                     |
| <b>Group:</b>               |       | GSM_MS_EFR_4210/EFR/                                                                                                                                                                                                                                                                                                                                                                                                                                                                                                                                                                |      |   |                                                                     |
| <b>Purpose:</b>             |       | o test that the MS shall correctly apply the handover procedure in the non-synchronized case when:<br>- a call is in progress and,<br>- handover is performed from a TCH/F, sv2, without frequency hopping towards a TCH/H, sv1, with frequency hopping                                                                                                                                                                                                                                                                                                                             |      |   |                                                                     |
| <b>Default:</b>             |       | OtherEventsFail_01                                                                                                                                                                                                                                                                                                                                                                                                                                                                                                                                                                  |      |   |                                                                     |
| Nr                          | Label | Behaviour Description                                                                                                                                                                                                                                                                                                                                                                                                                                                                                                                                                               | CRef | V | Comments                                                            |
| 1                           |       | START T_guard(300)                                                                                                                                                                                                                                                                                                                                                                                                                                                                                                                                                                  |      |   |                                                                     |
| 2                           |       | (TCV_asscmd_ts := TSPX_TmSlitA, TCV_T := TSPX_TimadvB, TCV_Pwrlvl_ho := INT_TO_BIT(TSPX_PwrlvlA, 5))                                                                                                                                                                                                                                                                                                                                                                                                                                                                                |      |   |                                                                     |
| 3                           |       | +EFR_BasicServiceMT( TSPX_MTBscSvcl, TSPX_MTChRateI)                                                                                                                                                                                                                                                                                                                                                                                                                                                                                                                                |      |   |                                                                     |
| 4                           |       | +IdleUpdated( C_E_default, C_CellB, C_SCH_B, C_BCCH_B_1, C_Immass, C_S0, C_SlotNU, C_SlotNU, C_SlotNU, C_BCC, C_TxInt_5, C_Max_7, C_NECI_0, C_ATT_0, TimingAdv(TCV_T), C_BABR_0, C_cch_1Comb, C_BPM_3, C_T3212_0, C_ci_cellB, C_MCC_1, C_PLMN_1, C_LAC_1, CellOpt_01, CellChDes_20_Bman, CellChDes_201_Bd, C_CellReselectHys12, C_MaxPwrLvlG, C_MaxPwrLvlD, BcchFreqLst_01, BcchFreqLst_Omit, BcchFreqLst_48, BcchFreqLst_Omit, C_noReestablishment, C_BCC, C_NCC, C_Start_Tmsi, TSPX_SDCCH4SubDef, TSPX_CKSNDf, TSPX_RANDDef, C_arfcnB, C_arfcnBd, TSPX_IMSI, C_Test_fh, C_NCCP_2) |      |   |                                                                     |
| 5                           |       | +StartCellA_ho( C_E_neighbourdefault, C_BCCHcarrierA_ho, C_BCCHcarrierA_hod, C_Immass, TCV_slot, TCV_tsc, TimingAdv(TCV_T), C_TxInt_5, C_Max_7, C_NECI_0, C_ATT_0, C_BABR_0, C_cch_1Comb, C_BPM_3, C_T3212_0, C_MCC_1, C_PLMN_1, C_LAC_2, CellChDes_20_Aman, CellChDes_201_Ad, BcchFreqLst_01, BcchFreqLst_48, C_noReestablishment, C_BCC, C_NCC, TSPX_k, 100)                                                                                                                                                                                                                      |      |   | frame number in cell A is 100 in advance of frame number in cell B. |
| 6                           |       | +FullRateCh_B_1( C_Asynho, TCV_asscmd_ts, TCV_tsc, ChMod_EFR2, FreqTCH(TSPX_TCHcarrierB_ho), FreqTCH(TSPX_TCHcarrierB_hod), TimingAdv( TCV_T), C_BABR_0, C_cch_1Comb, C_BPM_3)                                                                                                                                                                                                                                                                                                                                                                                                      |      |   | Set TCH/F, sv2, NonFH on cellB                                      |
| 7                           |       | +ltree_arfcnB                                                                                                                                                                                                                                                                                                                                                                                                                                                                                                                                                                       |      |   |                                                                     |
| 8                           |       | +Est_MT_CallNonFH( TimingAdv(TCV_T), C_Full_v2, TSPX_TCHHSubDef, TSPX_RANDDef)                                                                                                                                                                                                                                                                                                                                                                                                                                                                                                      |      |   | To establish MTcall with NonFH channel.                             |
| 9                           | body  | (TCV_ch := TCV_chTch, TCV_chTch1:=TCV_ch)                                                                                                                                                                                                                                                                                                                                                                                                                                                                                                                                           |      |   |                                                                     |
| 10                          |       | (TCV_n := 750, TCV_Cntref := TSPX_NoOfHoAccD, TCV_T := TSPX_TimadvC, TCV_ts := TSPX_TmSlitNotZero1, TCV_Horf:= TSPX_HoRefJ, TCV_tsc := TSPX_TscC, TCV_chtype := INT_TO_BIT((2+BIT_TO_INT(TSPX_TCHHSubA)),5))                                                                                                                                                                                                                                                                                                                                                                        |      |   |                                                                     |
| 11                          |       | +HalfRateCh_A_1( TSPX_TCHHSubA, C_Asynho, TCV_ts, TCV_tsc, ChMod_speech, FreqTCHa_hof1, FreqTCHa_hof1d, C_Noarfcn, C_Noarfcn, TimingAdv( TCV_T), C_BABR_0, C_cch_1Comb, C_BPM_3)                                                                                                                                                                                                                                                                                                                                                                                                    |      |   |                                                                     |
| 12                          |       | (TCV_ch := TCV_chTch)                                                                                                                                                                                                                                                                                                                                                                                                                                                                                                                                                               |      |   |                                                                     |

|                                                                                                                                                                               |  |                                                                                                                                                                                                                                                                                             |                                         |             |
|-------------------------------------------------------------------------------------------------------------------------------------------------------------------------------|--|---------------------------------------------------------------------------------------------------------------------------------------------------------------------------------------------------------------------------------------------------------------------------------------------|-----------------------------------------|-------------|
| 13                                                                                                                                                                            |  | +ltree_BuildHoCMD                                                                                                                                                                                                                                                                           |                                         |             |
| 14                                                                                                                                                                            |  | (TCV_Null :=<br>OM_SendNextOnHO(TCV_<br>ch, TCV_Cntref))                                                                                                                                                                                                                                    |                                         |             |
| 15                                                                                                                                                                            |  | L!DL_DatRqHoCcmd                                                                                                                                                                                                                                                                            | HndOvSnd(<br>TCV_chTch1,<br>TCV_HoCMD)  | HO command  |
| 16                                                                                                                                                                            |  | L!DL_DatRqPhyinfo                                                                                                                                                                                                                                                                           | PhyInfo_01(TCV_ch,<br>TimingAdv(TCV_T)) | See Note 1. |
| 17                                                                                                                                                                            |  | +RR_hocomp1(<br>TCV_n, TimingAdv(<br>TCV_T))                                                                                                                                                                                                                                                |                                         |             |
| 18                                                                                                                                                                            |  | +ChanRel_end(<br>TCV_ch)                                                                                                                                                                                                                                                                    |                                         |             |
|                                                                                                                                                                               |  | <b>ltree_arfcnB</b>                                                                                                                                                                                                                                                                         |                                         |             |
| 19                                                                                                                                                                            |  | [TSPC_PGSM OR TSPC_EGSM]                                                                                                                                                                                                                                                                    |                                         |             |
| 20                                                                                                                                                                            |  | (TCV_tch_arfcn := TSPX_TCHcarrierB_ho)                                                                                                                                                                                                                                                      |                                         |             |
| 21                                                                                                                                                                            |  | [TSPC_DCS]                                                                                                                                                                                                                                                                                  |                                         |             |
| 22                                                                                                                                                                            |  | (TCV_tch_arfcn := TSPX_TCHcarrierB_hod)                                                                                                                                                                                                                                                     |                                         |             |
|                                                                                                                                                                               |  | <b>ltree_BuildHoCMD</b>                                                                                                                                                                                                                                                                     |                                         |             |
| 23                                                                                                                                                                            |  | [TSPC_PGSM OR TSPC_EGSM]                                                                                                                                                                                                                                                                    |                                         |             |
| 24                                                                                                                                                                            |  | (TCV_HoCMD := HandOverCmd_fh( TCV_ctype,<br>TCV_ts, TCV_tsc, C_NCC, C_BCC, C_arfcnA, 12,<br>TSPX_HSN, TCV_Horf, TCV_Pwrlvl_ho,<br>Synchi_omit, Frql_omit, Frql_omit,<br>CellChDes_Omit, ChMod_speech_iei,<br>Freqchseq_22, MobilAllc_omit, RelTmdDif_omit,<br>TimingAdv_omit, CphMod_omit)) |                                         |             |
| 25                                                                                                                                                                            |  | [TSPC_DCS]                                                                                                                                                                                                                                                                                  |                                         |             |
| 26                                                                                                                                                                            |  | (TCV_HoCMD := HandOverCmd_fh( TCV_ctype,<br>TCV_ts, TCV_tsc, C_NCC, C_BCC, C_arfcnAd_4,<br>9, TSPX_HSN, TCV_Horf, TCV_Pwrlvl_ho,<br>Synchi_omit, Frql_20_Ad, Frql_omit,<br>CellChDes_Omit, ChMod_omit, Freqchseq_omit,<br>MobilAllc_omit, RelTmdDif_omit, TimingAdv_omit,<br>CphMod_omit))  |                                         |             |
| <b>Detailed Comments:</b> HandOver from TCH/F_non sv2 of cell B to TCH/H_FH sv1 in cell A                                                                                     |  |                                                                                                                                                                                                                                                                                             |                                         |             |
| Notes:                                                                                                                                                                        |  |                                                                                                                                                                                                                                                                                             |                                         |             |
| 1. PhyInfo is dequeued from the sending buffer, but held through OM_SendNextOnHO at the lower layers of the tester for sending till having received TCV_Cntref access bursts. |  |                                                                                                                                                                                                                                                                                             |                                         |             |

| Test Case Dynamic Behaviour |       |                                                                                                                                                                                                                                                                                                                                                                                                                                                                                                                                                                                       |      |   |                                                                     |
|-----------------------------|-------|---------------------------------------------------------------------------------------------------------------------------------------------------------------------------------------------------------------------------------------------------------------------------------------------------------------------------------------------------------------------------------------------------------------------------------------------------------------------------------------------------------------------------------------------------------------------------------------|------|---|---------------------------------------------------------------------|
| <b>Test Case Name:</b>      |       | TC_26_12_2_1_11                                                                                                                                                                                                                                                                                                                                                                                                                                                                                                                                                                       |      |   |                                                                     |
| <b>Group:</b>               |       | GSM_MS_EFR_4210/EFR/                                                                                                                                                                                                                                                                                                                                                                                                                                                                                                                                                                  |      |   |                                                                     |
| <b>Purpose:</b>             |       | To test that the MS shall correctly apply the handover procedure in the non-synchronized case when:<br>- a call is in progress and,<br>- handover is performed from a TCH/H, sv1, with frequency hopping towards a TCH/F, sv2, with frequency hopping                                                                                                                                                                                                                                                                                                                                 |      |   |                                                                     |
| <b>Default:</b>             |       | OtherEventsFail_01                                                                                                                                                                                                                                                                                                                                                                                                                                                                                                                                                                    |      |   |                                                                     |
| Nr                          | Label | Behaviour Description                                                                                                                                                                                                                                                                                                                                                                                                                                                                                                                                                                 | CRef | V | Comments                                                            |
| 1                           |       | START T_guard(300)                                                                                                                                                                                                                                                                                                                                                                                                                                                                                                                                                                    |      |   |                                                                     |
| 2                           |       | (TCV_asscmd_ts := TSPX_TmSlitA, TCV_T := TSPX_TimadvA, TCV_Pwrlvl_ho:= INT_TO_BIT(TSPX_PwrlvlA, 5))                                                                                                                                                                                                                                                                                                                                                                                                                                                                                   |      |   |                                                                     |
| 3                           |       | +EFR_BasicServiceMT( TSPX_MTBscSvcl, TSPX_MTChRateI)                                                                                                                                                                                                                                                                                                                                                                                                                                                                                                                                  |      |   |                                                                     |
| 4                           |       | +IdleUpdated( C_E_default, C_CellA, C_SCH_A, C_BCCH_A_1, C_Immass, C_S0, C_SlotNU, C_SlotNU, C_SlotNU, C_BCC, C_TxInt_5, C_Max_7, C_NECI_0, C_ATT_0, TimingAdv(TCV_T), C_BABR_0, C_cch_1Comb, C_BPM_3, C_T3212_0, C_ci_cellA, C_MCC_1, C_PLMN_1, C_LAC_1, CellOpt_01, CellChDes_20_Aman, CellChDes_201_Ad, C_CellReselectHys12, C_MaxPwrLvlG, C_MaxPwrLvlD, BcchFreqLst_01, BcchFreqLst_Omit, BcchFreqLst_48, BcchFreqLst_Omit, C_noReestablishment, C_BCC, C_NCC, C_Start_Tmsi, TSPX_SDCCH4SubDef, TSPX_CKSNDf, TSPX_RANDDef, C_arfcnA, C_arfcnAd_4, TSPX_IMSI, C_Test_fh, C_NCCP_2) |      |   |                                                                     |
| 5                           |       | +StartCellB_ho( C_E_neighbourdefault, C_BCCHcarrierB_ho, C_BCCHcarrierB_hod, C_Immass, TCV_slot, TCV_tsc, TimingAdv(TCV_T), C_TxInt_5, C_Max_7, C_NECI_0, C_ATT_0, C_BABR_0, C_cch_1Comb, C_BPM_3, C_T3212_0, C_MCC_1, C_PLMN_1, C_LAC_2, CellChDes_20_Bman, CellChDes_201_Bd, BcchFreqLst_01, BcchFreqLst_48, C_noReestablishment, C_BCC, C_NCC, TSPX_k, 100)                                                                                                                                                                                                                        |      |   | frame number in cell B is 100 in advance of frame number in cell A. |
| 6                           |       | +HalfRateCh_A_1( TSPX_TCHHSubA, C_Asynho, TCV_asscmd_ts, TCV_tsc, ChMod_speech, FreqTCHa_hof1, FreqTCHa_hof1d, C_Noarfcn, C_Noarfcn, TimingAdv( TCV_T), C_BABR_0, C_cch_1Comb, C_BPM_3)                                                                                                                                                                                                                                                                                                                                                                                               |      |   | Set TCH/H, sv1, FH on cellA                                         |
| 7                           |       | +Est_MT_Call_FH( TimingAdv(TCV_T), C_Half, INT_TO_BIT(TSPX_MAIO, 6), TSPX_HSN, TSPX_RANDDef, TCV_asscmd_ts, TSPX_TscDef, TSPX_TCHHSubDef)                                                                                                                                                                                                                                                                                                                                                                                                                                             |      |   | To establish a MTcall with hopping channel.                         |
| 8                           | body  | (TCV_ch := TCV_chTch, TCV_chTch1:=TCV_ch)                                                                                                                                                                                                                                                                                                                                                                                                                                                                                                                                             |      |   |                                                                     |
| 9                           |       | (TCV_n := 750, TCV_Cntref := TSPX_NoOfHoAccA, TCV_T := 20, TCV_ts := TSPX_TmSlitNotZero, TCV_Horf:= TSPX_HoRefA, TCV_tsc := TSPX_TscD, TCV_chtype := '00001'B)                                                                                                                                                                                                                                                                                                                                                                                                                        |      |   | Parameters initialization for Handover procedure.                   |
| 10                          |       | +FullRateCh_B_1( C_Asynho, TCV_ts, TCV_tsc, ChMod_EFR2, FreqTCHb_hof1, FreqTCHb_hof1d, TimingAdv(TCV_T), C_BABR_0, C_cch_1Comb, C_BPM_3)                                                                                                                                                                                                                                                                                                                                                                                                                                              |      |   | Set TCH/F, sv2, FH on cellB                                         |
| 11                          |       | (TCV_ch := TCV_chTch)                                                                                                                                                                                                                                                                                                                                                                                                                                                                                                                                                                 |      |   |                                                                     |
| 12                          |       | +ltree_BuildHoCMD                                                                                                                                                                                                                                                                                                                                                                                                                                                                                                                                                                     |      |   |                                                                     |
| 13                          |       | (TCV_Fn := OM_ComingFn( TCV_chTch1), TCV_Null:= OM_SendNextOn(                                                                                                                                                                                                                                                                                                                                                                                                                                                                                                                        |      |   | starting time is set to 1.1 s plus 100 frames                       |

|    |            |                                                                                                                                                                                                                                                                                                                                                                    |                                          |             |
|----|------------|--------------------------------------------------------------------------------------------------------------------------------------------------------------------------------------------------------------------------------------------------------------------------------------------------------------------------------------------------------------------|------------------------------------------|-------------|
| 14 |            | TCV_chTch1, TCV_Fn),<br>TCV_Strt := OC_StartTime(<br>TCV_Fn,(C_StartingTimeHO<br>+ 100), 1))<br>(TCV_Null :=<br>OM_SendNextOnHO(TCV_<br>ch, TCV_Cntref))                                                                                                                                                                                                           |                                          |             |
| 15 |            | L!DL_DatRqHoCmd(<br>DL_DatRqHoCmd.msg.str<br>t:= TCV_Strt)                                                                                                                                                                                                                                                                                                         | HndOvSnd(<br>TCV_chTch1,<br>TCV_HoCMD)   | HO command  |
| 16 |            | L!DL_DatRqPhyinfo                                                                                                                                                                                                                                                                                                                                                  | PhyInfo_01(TCV_ch,<br>TimingAdv( TCV_T)) | See Note 1. |
| 17 |            | +RR_hocomp1(<br>TCV_n, TimingAdv(<br>TCV_T))                                                                                                                                                                                                                                                                                                                       |                                          |             |
| 18 |            | +ChanRel_end(<br>TCV_ch)                                                                                                                                                                                                                                                                                                                                           |                                          |             |
| 19 |            | <b>Itree_BuildHoCMD</b>                                                                                                                                                                                                                                                                                                                                            |                                          |             |
| 20 |            | [TSPC_PGSM OR TSPC_EGSM]<br>(TCV_HoCMD := HandOverCmd_fh( TCV_chtype,<br>TCV_ts, TCV_tsc, C_NCC, C_BCC,<br>C_BCCHcarrierB_ho, 12, TSPX_HSN, TCV_Horf,<br>TCV_Pwrlvl_ho, Synchi( C_not_report_otd,<br>C_non_synchronised), Frql_omit, Frql_20_B3,<br>CellChDes_Omit, ChMod_omit, Freqchseq_omit,<br>MoblAllc_omit, RelTmdDif_omit, TimingAdv_omit,<br>CphMod_omit)) |                                          |             |
| 21 |            | [TSPC_DCS]                                                                                                                                                                                                                                                                                                                                                         |                                          |             |
| 22 |            | (TCV_HoCMD := HandOverCmd_fh( TCV_chtype,<br>TCV_ts, TCV_tsc, C_NCC, C_BCC,<br>C_BCCHcarrierB_hod, 12, TSPX_HSN, TCV_Horf,<br>TCV_Pwrlvl_ho, Synchi( C_not_report_otd,<br>C_non_synchronised), Frql_omit, Frql_20_B3d,<br>CellChDes_Omit, ChMod_omit, Freqchseq_omit,<br>MoblAllc_omit, RelTmdDif_omit, TimingAdv_omit,<br>CphMod_omit))                           |                                          |             |
| 23 |            | <b>Itree_FirstBurstOnTimeCHK</b><br>+FnArith( TCV_FnBurst, TCV_Strt.fn)                                                                                                                                                                                                                                                                                            |                                          |             |
| 24 | E_01<br>46 | [(TCV_Time > 5) OR(TCV_Time < 0)]                                                                                                                                                                                                                                                                                                                                  |                                          | (F)         |
| 25 | E_01<br>47 | [(TCV_Time >= 0) AND(TCV_Time < 5)]                                                                                                                                                                                                                                                                                                                                |                                          | (P)         |

**Detailed Comments:** HandOver from TCH/H\_FH sv1 of cell A to TCH/F\_FH sv2 in cell B

**Notes:**  
 1. PhyInfo is dequeued from the sending buffer, but held through OM\_SendNextOnHO at the lower layers of the tester for sending till having received TCV\_Cntref access bursts.

| Test Case Dynamic Behaviour |       |                                                                                                                                                                                                                                                                                                                                                                                                                                                                                                                                                                                                                                    |      |   |                                                                           |
|-----------------------------|-------|------------------------------------------------------------------------------------------------------------------------------------------------------------------------------------------------------------------------------------------------------------------------------------------------------------------------------------------------------------------------------------------------------------------------------------------------------------------------------------------------------------------------------------------------------------------------------------------------------------------------------------|------|---|---------------------------------------------------------------------------|
| <b>Test Case Name:</b>      |       | TC_26_12_2_1_12                                                                                                                                                                                                                                                                                                                                                                                                                                                                                                                                                                                                                    |      |   |                                                                           |
| <b>Group:</b>               |       | GSM_MS_EFR_4210/EFR/                                                                                                                                                                                                                                                                                                                                                                                                                                                                                                                                                                                                               |      |   |                                                                           |
| <b>Purpose:</b>             |       | To test that the MS shall correctly apply the handover procedure in the non-synchronized case when:<br>- a call is in progress and,<br>- handover is performed from a TCH/F, sv2, with frequency hopping towards a TCH/H, sv1, with frequency hopping                                                                                                                                                                                                                                                                                                                                                                              |      |   |                                                                           |
| <b>Default:</b>             |       | OtherEventsFail_01                                                                                                                                                                                                                                                                                                                                                                                                                                                                                                                                                                                                                 |      |   |                                                                           |
| Nr                          | Label | Behaviour Description                                                                                                                                                                                                                                                                                                                                                                                                                                                                                                                                                                                                              | CRef | V | Comments                                                                  |
| 1                           |       | START T_guard(300)                                                                                                                                                                                                                                                                                                                                                                                                                                                                                                                                                                                                                 |      |   |                                                                           |
| 2                           |       | (TCV_asscmd_ts := TSPX_TmSlitA, TCV_T := 20,<br>TCV_PwrLvl_ho:= INT_TO_BIT( TSPX_PwrLvlA, 5))                                                                                                                                                                                                                                                                                                                                                                                                                                                                                                                                      |      |   |                                                                           |
| 3                           |       | +EFR_BasicServiceMT( TSPX_MTBscSvcl,<br>TSPX_MTChRateI)                                                                                                                                                                                                                                                                                                                                                                                                                                                                                                                                                                            |      |   |                                                                           |
| 4                           |       | +IdleUpdated( C_E_default, C_CellB,<br>C_SCH_B, C_BCCH_B_1, C_Immass, C_S0,<br>C_SlotNU, C_SlotNU, C_SlotNU, C_BCC,<br>C_TxInt_5, C_Max_7, C_NECI_0, C_ATT_0,<br>TimingAdv(TCV_T), C_BABR_0,<br>C_cch_1Comb, C_BPM_3, C_T3212_0,<br>C_ci_cellB, C_MCC_1, C_PLMN_1, C_LAC_1,<br>CellOpt_01, CellChDes_20_Bman,<br>CellChDes_201_Bd, C_CellReselectHys12,<br>C_MaxPwrLvlG, C_MaxPwrLvlD,<br>BcchFreqLst_01, BcchFreqLst_Omit,<br>BcchFreqLst_48, BcchFreqLst_Omit,<br>C_noRestablishment, C_BCC, C_NCC,<br>C_Start_Tmsi, TSPX_SDCCH4SubDef,<br>TSPX_CKSNDf, TSPX_RANDDef, C_arfcnB,<br>C_arfcnBd, TSPX_IMSI, C_Test_fh,<br>C_NCCP_2) |      |   |                                                                           |
| 5                           |       | +StartCellA_ho( C_E_neighbourdefault,<br>C_BCCHcarrierA_ho, C_BCCHcarrierA_hod,<br>C_Immass, TCV_slot, TCV_tsc, TimingAdv(<br>TCV_T), C_TxInt_5, C_Max_7, C_NECI_0,<br>C_ATT_0, C_BABR_0, C_cch_1Comb,<br>C_BPM_3, C_T3212_0, C_MCC_1,<br>C_PLMN_1, C_LAC_2, CellChDes_20_Aman,<br>CellChDes_201_Ad, BcchFreqLst_01,<br>BcchFreqLst_48, C_noRestablishment,<br>C_BCC, C_NCC, TSPX_k, 100)                                                                                                                                                                                                                                          |      |   | frame number in cell A is<br>100 in advance of frame<br>number in cell B. |
| 6                           |       | +FullRateCh_B_1( C_Asynho,<br>TCV_asscmd_ts, TCV_tsc, ChMod_EFR2,<br>FreqTCHb_hof1, FreqTCHb_hof1d,<br>TimingAdv( TCV_T), C_BABR_0,<br>C_cch_1Comb, C_BPM_3)                                                                                                                                                                                                                                                                                                                                                                                                                                                                       |      |   | Set TCH/F, sv2, FH on<br>cellB                                            |
| 7                           |       | +Est_MT_Call_FH( TimingAdv(TCV_T),<br>C_Full_v2, INT_TO_BIT(TSPX_MAIO, 6),<br>TSPX_HSN, TSPX_RANDDef,<br>TCV_asscmd_ts, TSPX_TscDef,<br>TSPX_TCHHSubDef)                                                                                                                                                                                                                                                                                                                                                                                                                                                                           |      |   | To establish a MTcall with<br>hopping channel.                            |
| 8                           | body  | (TCV_ch := TCV_chTch,<br>TCV_chTch1:=TCV_ch)                                                                                                                                                                                                                                                                                                                                                                                                                                                                                                                                                                                       |      |   |                                                                           |
| 9                           |       | (TCV_n := 750, TCV_Cntref :=<br>TSPX_NoOfHoAccE, TCV_T :=<br>TSPX_TimadvA, TCV_ts :=<br>TSPX_TmSlitNotZero1, TCV_Horf:=<br>TSPX_HoRefB, TCV_tsc :=<br>TSPX_TscD, TCV_chtype :=<br>INT_TO_BIT((2+BIT_TO_INT(TSPX_<br>TCHHSubDef)),5))                                                                                                                                                                                                                                                                                                                                                                                               |      |   | Parameters initialization<br>for Handover procedure.                      |
| 10                          |       | +HalfRateCh_A_1(<br>TSPX_TCHHSubDef, C_Asynho,<br>TCV_ts, TCV_tsc, ChMod_speech,<br>FreqTCHa_hof1, FreqTCHa_hof1d,<br>C_Noarfcn, C_Noarfcn, TimingAdv(<br>TCV_T), C_BABR_0,<br>C_cch_1Comb, C_BPM_3)                                                                                                                                                                                                                                                                                                                                                                                                                               |      |   | Set TCH/H, sv1, FH on<br>cellA                                            |
| 11                          |       | (TCV_ch := TCV_chTch)                                                                                                                                                                                                                                                                                                                                                                                                                                                                                                                                                                                                              |      |   |                                                                           |
| 12                          |       | +Itree_BuildHoCMD                                                                                                                                                                                                                                                                                                                                                                                                                                                                                                                                                                                                                  |      |   |                                                                           |
| 13                          |       | (TCV_Null :=<br>OM_SendNextOnHO(TCV_ch                                                                                                                                                                                                                                                                                                                                                                                                                                                                                                                                                                                             |      |   |                                                                           |

|                                                                                                                                                                                         |                                                                                                                                                                                                                                                                                             |                                          |             |
|-----------------------------------------------------------------------------------------------------------------------------------------------------------------------------------------|---------------------------------------------------------------------------------------------------------------------------------------------------------------------------------------------------------------------------------------------------------------------------------------------|------------------------------------------|-------------|
| 14                                                                                                                                                                                      | , TCV_Cntref))<br>LIDL_DatRqHoCmd                                                                                                                                                                                                                                                           | HndOvSnd(<br>TCV_chTch1,<br>TCV_HoCMD)   | HO command  |
| 15                                                                                                                                                                                      | LIDL_DatRqPhyinfo                                                                                                                                                                                                                                                                           | PhyInfo_01(TCV_ch,<br>TimingAdv( TCV_T)) | See Note 1. |
| 16                                                                                                                                                                                      | +RR_hocomp1( TCV_n,<br>TimingAdv( TCV_T))                                                                                                                                                                                                                                                   |                                          |             |
| 17                                                                                                                                                                                      | +ChanRel_end(<br>TCV_ch)                                                                                                                                                                                                                                                                    |                                          |             |
| 18                                                                                                                                                                                      | <b>Itree_BuildHoCMD</b><br>[TSPC_PGSM OR TSPC_EGSM]                                                                                                                                                                                                                                         |                                          |             |
| 19                                                                                                                                                                                      | (TCV_HoCMD := HandOverCmd_fh( TCV_ctype,<br>TCV_ts, TCV_tsc, C_NCC, C_BCC, C_arfcnA, 12,<br>TSPX_HSN, TCV_Horf, TCV_Pwrlvl_ho,<br>Synchi_omit, Frql_omit, Frql_omit,<br>CellChDes_Omit, ChMod_speech_iei,<br>Freqchseq_22, MobilAllc_omit, RelTmdDif_omit,<br>TimingAdv_omit, CphMod_omit)) |                                          |             |
| 20                                                                                                                                                                                      | [TSPC_DCS]                                                                                                                                                                                                                                                                                  |                                          |             |
| 21                                                                                                                                                                                      | (TCV_HoCMD := HandOverCmd_fh( TCV_ctype,<br>TCV_ts, TCV_tsc, C_NCC, C_BCC, C_arfcnAd_4,<br>9, TSPX_HSN, TCV_Horf, TCV_Pwrlvl_ho,<br>Synchi_omit, Frql_20_Ad, Frql_omit,<br>CellChDes_Omit, ChMod_omit, Freqchseq_omit,<br>MobilAllc_omit, RelTmdDif_omit, TimingAdv_omit,<br>CphMod_omit))  |                                          |             |
| <b>Detailed Comments:</b> HandOver from TCH/F_FH sv2 of cell B to TCH/H_FH sv1 in cell A                                                                                                |                                                                                                                                                                                                                                                                                             |                                          |             |
| Notes:<br>1. PhyInfo is dequeued from the sending buffer, but held through OM_SendNextOnHO at the lower layers of the tester for sending till having received TCV_Cntref access bursts. |                                                                                                                                                                                                                                                                                             |                                          |             |



| Test Case Dynamic Behaviour |       |                                                                                                                                                                                                                                                                                                                                                                                                                                                                                                                                                                                       |      |   |                                                                     |
|-----------------------------|-------|---------------------------------------------------------------------------------------------------------------------------------------------------------------------------------------------------------------------------------------------------------------------------------------------------------------------------------------------------------------------------------------------------------------------------------------------------------------------------------------------------------------------------------------------------------------------------------------|------|---|---------------------------------------------------------------------|
| <b>Test Case Name:</b>      |       | TC_26_12_2_1_13                                                                                                                                                                                                                                                                                                                                                                                                                                                                                                                                                                       |      |   |                                                                     |
| <b>Group:</b>               |       | GSM_MS_EFR_4210/EFR/                                                                                                                                                                                                                                                                                                                                                                                                                                                                                                                                                                  |      |   |                                                                     |
| <b>Purpose:</b>             |       | To test that the MS shall correctly apply the handover procedure in the non-synchronized case when:<br>- a call is in progress and,<br>- handover is performed from a TCH/H, sv1, with frequency hopping towards a TCH/F,sv2, without frequency hopping                                                                                                                                                                                                                                                                                                                               |      |   |                                                                     |
| <b>Default:</b>             |       | OtherEventsFail_01                                                                                                                                                                                                                                                                                                                                                                                                                                                                                                                                                                    |      |   |                                                                     |
| Nr                          | Label | Behaviour Description                                                                                                                                                                                                                                                                                                                                                                                                                                                                                                                                                                 | CRef | V | Comments                                                            |
| 1                           |       | START T_guard(300)                                                                                                                                                                                                                                                                                                                                                                                                                                                                                                                                                                    |      |   |                                                                     |
| 2                           |       | (TCV_asscmd_ts := TSPX_TmSlitA, TCV_T := TSPX_TimadvA, TCV_Pwrlvl_ho:= INT_TO_BIT(TSPX_PwrlvlA, 5))                                                                                                                                                                                                                                                                                                                                                                                                                                                                                   |      |   |                                                                     |
| 3                           |       | +EFR_BasicServiceMT( TSPX_MTBscSvcl, TSPX_MTChRateI)                                                                                                                                                                                                                                                                                                                                                                                                                                                                                                                                  |      |   |                                                                     |
| 4                           |       | +IdleUpdated( C_E_default, C_CellA, C_SCH_A, C_BCCH_A_1, C_Immass, C_S0, C_SlotNU, C_SlotNU, C_SlotNU, C_BCC, C_TxInt_5, C_Max_7, C_NECI_0, C_ATT_0, TimingAdv(TCV_T), C_BABR_0, C_cch_1Comb, C_BPM_3, C_T3212_0, C_ci_cellA, C_MCC_1, C_PLMN_1, C_LAC_1, CellOpt_01, CellChDes_20_Aman, CellChDes_201_Ad, C_CellReselectHys12, C_MaxPwrLvlG, C_MaxPwrLvlD, BcchFreqLst_01, BcchFreqLst_Omit, BcchFreqLst_48, BcchFreqLst_Omit, C_noReestablishment, C_BCC, C_NCC, C_Start_Tmsi, TSPX_SDCCH4SubDef, TSPX_CKSNDf, TSPX_RANDDef, C_arfcnA, C_arfcnAd_4, TSPX_IMSI, C_Test_fh, C_NCCP_2) |      |   |                                                                     |
| 5                           |       | +StartCellB_ho( C_E_neighbourdefault, C_BCCHcarrierB_ho, C_BCCHcarrierB_hod, C_Immass, TCV_slot, TCV_tsc, TimingAdv(TCV_T), C_TxInt_5, C_Max_7, C_NECI_0, C_ATT_0, C_BABR_0, C_cch_1Comb, C_BPM_3, C_T3212_0, C_MCC_1, C_PLMN_1, C_LAC_2, CellChDes_20_Bman, CellChDes_201_Bd, BcchFreqLst_01, BcchFreqLst_48, C_noReestablishment, C_BCC, C_NCC, TSPX_k, 100)                                                                                                                                                                                                                        |      |   | frame number in cell B is 100 in advance of frame number in cell A. |
| 6                           |       | +HalfRateCh_A_1( TSPX_TCHHSubDef, C_Asynho, TCV_asscmd_ts, TCV_tsc, ChMod_speech, FreqTCHa_hof1, FreqTCHa_hof1d, C_Noarfcn, C_Noarfcn, TimingAdv( TCV_T), C_BABR_0, C_cch_1Comb, C_BPM_3)                                                                                                                                                                                                                                                                                                                                                                                             |      |   | Set TCH/H, sv1, FH on cellA                                         |
| 7                           |       | +Est_MT_Call_FH( TimingAdv(TCV_T), C_Half, INT_TO_BIT(TSPX_MAIO, 6), TSPX_HSN, TSPX_RANDDef, TCV_asscmd_ts, TSPX_TscDef, TSPX_TCHHSubDef)                                                                                                                                                                                                                                                                                                                                                                                                                                             |      |   | To establish a MTcall with hopping channel.                         |
| 8                           | body  | (TCV_ch := TCV_chTch, TCV_chTch1:=TCV_ch)                                                                                                                                                                                                                                                                                                                                                                                                                                                                                                                                             |      |   |                                                                     |
| 9                           |       | (TCV_n := 750, TCV_Cntref := TSPX_NoOfHoAccB, TCV_T := 20, TCV_ts := TSPX_TmSlitG, TCV_Horf:= TSPX_HoRefC, TCV_tsc := TSPX_TscD, TCV_chtype := '00001'B)                                                                                                                                                                                                                                                                                                                                                                                                                              |      |   | Parameters initialization for Handover procedure.                   |
| 10                          |       | +FullRateCh_B_1( C_Asynho, TCV_ts, TCV_tsc, ChMod_EFR2, FreqTCH(TSPX_TCHcarrierB_ho), FreqTCH(TSPX_TCHcarrierB_hod), TimingAdv( TCV_T), C_BABR_0, C_cch_1Comb, C_BPM_3)                                                                                                                                                                                                                                                                                                                                                                                                               |      |   | Set TCH/F, sv2, nonFH on cellB                                      |
| 11                          |       | +ltree_arfcnB                                                                                                                                                                                                                                                                                                                                                                                                                                                                                                                                                                         |      |   |                                                                     |
| 12                          |       | (TCV_HoCMD := HandOverCmd_nfh( TCV_chtype, TCV_ts, TCV_tsc,                                                                                                                                                                                                                                                                                                                                                                                                                                                                                                                           |      |   |                                                                     |

|                                                                                                                                                                                         |                                                                                                                                                                                                           |                                          |             |
|-----------------------------------------------------------------------------------------------------------------------------------------------------------------------------------------|-----------------------------------------------------------------------------------------------------------------------------------------------------------------------------------------------------------|------------------------------------------|-------------|
| 13                                                                                                                                                                                      | C_NCC, C_BCC,<br>TCV_chdescr_arfcn,<br>TCV_tch_arfcn, TCV_Horf,<br>TCV_Pwrlvl_ho, Synchi(<br>C_not_report_otd,<br>C_non_synchronised),<br>ChMod_omit, RelTmdDif_omit,<br>TimingAdv_omit,<br>CphMod_omit)) |                                          |             |
| 14                                                                                                                                                                                      | (TCV_ch := TCV_chTch)<br>(TCV_Null :=<br>OM_SendNextOnHO(TCV_<br>ch, TCV_Cntref))                                                                                                                         |                                          |             |
| 15                                                                                                                                                                                      | LIDL_DatRqHoCmd                                                                                                                                                                                           | HndOvSnd(<br>TCV_chTch1,<br>TCV_HoCMD)   | HO command  |
| 16                                                                                                                                                                                      | LIDL_DatRqPhyinfo                                                                                                                                                                                         | PhyInfo_01(TCV_ch,<br>TimingAdv( TCV_T)) | See Note 1. |
| 17                                                                                                                                                                                      | +RR_hocomp1(<br>TCV_n, TimingAdv(<br>TCV_T))                                                                                                                                                              |                                          |             |
| 18                                                                                                                                                                                      | +ChanRel_end(<br>TCV_ch)                                                                                                                                                                                  |                                          |             |
| 19                                                                                                                                                                                      | <b>ltree_arfcnB</b><br>[TSPC_PGSM OR TSPC_EGSM]                                                                                                                                                           |                                          |             |
| 20                                                                                                                                                                                      | (TCV_chdescr_arfcn := C_BCCHcarrierB_ho,<br>TCV_tch_arfcn := TSPX_TCHcarrierB_ho)                                                                                                                         |                                          |             |
| 21                                                                                                                                                                                      | [TSPC_DCS]                                                                                                                                                                                                |                                          |             |
| 22                                                                                                                                                                                      | (TCV_chdescr_arfcn := C_BCCHcarrierB_hod,<br>TCV_tch_arfcn := TSPX_TCHcarrierB_hod)                                                                                                                       |                                          |             |
| <b>Detailed Comments:</b> HandOver from TCH/H_FH sv1 of cell A to TCH/F_nonFH sv2 in cell B                                                                                             |                                                                                                                                                                                                           |                                          |             |
| Notes:<br>1. PhyInfo is dequeued from the sending buffer, but held through OM_SendNextOnHO at the lower layers of the tester for sending till having received TCV_Cntref access bursts. |                                                                                                                                                                                                           |                                          |             |

| Test Case Dynamic Behaviour                                                                                                                                                                                                                                                                    |       |                                                                                                                                                                                                                                                                                                                                                                                                                                                                                                                                                                                                                                    |      |   |                                                                           |
|------------------------------------------------------------------------------------------------------------------------------------------------------------------------------------------------------------------------------------------------------------------------------------------------|-------|------------------------------------------------------------------------------------------------------------------------------------------------------------------------------------------------------------------------------------------------------------------------------------------------------------------------------------------------------------------------------------------------------------------------------------------------------------------------------------------------------------------------------------------------------------------------------------------------------------------------------------|------|---|---------------------------------------------------------------------------|
| <b>Test Case Name:</b> TC_26_12_2_1_14                                                                                                                                                                                                                                                         |       |                                                                                                                                                                                                                                                                                                                                                                                                                                                                                                                                                                                                                                    |      |   |                                                                           |
| <b>Group:</b> GSM_MS_EFR_4210/EFR/                                                                                                                                                                                                                                                             |       |                                                                                                                                                                                                                                                                                                                                                                                                                                                                                                                                                                                                                                    |      |   |                                                                           |
| <b>Purpose:</b> To test that the MS shall correctly apply the handover procedure in the non-synchronized case when:<br>- a call is in progress and,<br>- handover is performed from a TCH/F sv2, without frequency hopping on cell B towards a TCH/H, sv1, with no frequency hopping on cell A |       |                                                                                                                                                                                                                                                                                                                                                                                                                                                                                                                                                                                                                                    |      |   |                                                                           |
| <b>Default:</b> OtherEventsFail_01                                                                                                                                                                                                                                                             |       |                                                                                                                                                                                                                                                                                                                                                                                                                                                                                                                                                                                                                                    |      |   |                                                                           |
| Nr                                                                                                                                                                                                                                                                                             | Label | Behaviour Description                                                                                                                                                                                                                                                                                                                                                                                                                                                                                                                                                                                                              | Cref | V | Comments                                                                  |
| 1                                                                                                                                                                                                                                                                                              |       | START T_guard(300)                                                                                                                                                                                                                                                                                                                                                                                                                                                                                                                                                                                                                 |      |   |                                                                           |
| 2                                                                                                                                                                                                                                                                                              |       | (TCV_asscmd_ts := TSPX_TmSltA, TCV_T := 20,<br>TCV_Pwrlvl_ho:= INT_TO_BIT( TSPX_PwrlvlA, 5))                                                                                                                                                                                                                                                                                                                                                                                                                                                                                                                                       |      |   |                                                                           |
| 3                                                                                                                                                                                                                                                                                              |       | +EFR_BasicServiceMT( TSPX_MTBscSvcl,<br>TSPX_MTChRate)                                                                                                                                                                                                                                                                                                                                                                                                                                                                                                                                                                             |      |   |                                                                           |
| 4                                                                                                                                                                                                                                                                                              |       | +IdleUpdated( C_E_default, C_CellB,<br>C_SCH_B, C_BCCH_B_1, C_Immass, C_S0,<br>C_SlotNU, C_SlotNU, C_SlotNU, C_BCC,<br>C_TxInt_5, C_Max_7, C_NECI_0, C_ATT_0,<br>TimingAdv(TCV_T), C_BABR_0,<br>C_cch_1Comb, C_BPM_3, C_T3212_0,<br>C_ci_cellB, C_MCC_1, C_PLMN_1, C_LAC_1,<br>CellOpt_01, CellChDes_20_Bman,<br>CellChDes_201_Bd, C_CellReselectHys12,<br>C_MaxPwrLvlG, C_MaxPwrLvlD,<br>BcchFreqLst_01, BcchFreqLst_Omit,<br>BcchFreqLst_48, BcchFreqLst_Omit,<br>C_noRestablishment, C_BCC, C_NCC,<br>C_Start_Tmsi, TSPX_SDCCH4SubDef,<br>TSPX_CKSNDf, TSPX_RANDDef, C_arfcnB,<br>C_arfcnBd, TSPX_IMSI, C_Test_fh,<br>C_NCCP_2) |      |   |                                                                           |
| 5                                                                                                                                                                                                                                                                                              |       | +StartCellA_ho( C_E_neighbourdefault,<br>C_BCCHcarrierA_ho, C_BCCHcarrierA_hod,<br>C_Immass, TCV_slot, TCV_tsc,<br>TimingAdv(TCV_T), C_TxInt_5, C_Max_7,<br>C_NECI_0, C_ATT_0, C_BABR_0,<br>C_cch_1Comb, C_BPM_3, C_T3212_0,<br>C_MCC_1, C_PLMN_1, C_LAC_2,<br>CellChDes_20_Aman, CellChDes_201_Ad,<br>BcchFreqLst_01, BcchFreqLst_48,<br>C_noRestablishment, C_BCC, C_NCC,<br>TSPX_k, 100)                                                                                                                                                                                                                                        |      |   | frame number in cell A is<br>100 in advance of frame<br>number in cell B. |
| 6                                                                                                                                                                                                                                                                                              |       | +FullRateCh_B_1( C_Asynho,<br>TCV_asscmd_ts, TCV_tsc, ChMod_EFR2,<br>FreqTCH(TSPX_TCHcarrierB_ho),<br>FreqTCH(TSPX_TCHcarrierB_hod),<br>TimingAdv( TCV_T), C_BABR_0,<br>C_cch_1Comb, C_BPM_3)                                                                                                                                                                                                                                                                                                                                                                                                                                      |      |   | Set TCH/F, sv2, NonFH<br>on cellB                                         |
| 7                                                                                                                                                                                                                                                                                              |       | +ltree_arfcnB                                                                                                                                                                                                                                                                                                                                                                                                                                                                                                                                                                                                                      |      |   |                                                                           |
| 8                                                                                                                                                                                                                                                                                              |       | +Est_MT_CallNonFH(<br>TimingAdv(TCV_T), C_Full_v2,<br>TSPX_TCHHSubDef, TSPX_RANDDef)                                                                                                                                                                                                                                                                                                                                                                                                                                                                                                                                               |      |   | To establish a MTcall with<br>non hopping channel.                        |
| 9                                                                                                                                                                                                                                                                                              | body  | (TCV_ch := TCV_chTch,<br>TCV_chTch1:=TCV_ch)                                                                                                                                                                                                                                                                                                                                                                                                                                                                                                                                                                                       |      |   |                                                                           |
| 10                                                                                                                                                                                                                                                                                             |       | (TCV_n := 750, TCV_Cntref :=<br>TSPX_NoOfHoAccF, TCV_T := 20,<br>TCV_ts := TSPX_TmSltA,<br>TCV_Horf:= TSPX_HoRefD,<br>TCV_tsc := TSPX_TscE,<br>TCV_chtype :=<br>INT_TO_BIT((2+BIT_TO_INT(TSP<br>X_TCHHSubA)),5))                                                                                                                                                                                                                                                                                                                                                                                                                   |      |   | Parameters initialization<br>for Handover procedure.                      |
| 11                                                                                                                                                                                                                                                                                             |       | +HalfRateCh_A_1(<br>TSPX_TCHHSubA, C_Asynho,<br>TCV_ts, TCV_tsc,<br>ChMod_speech, FreqTCH_omit,<br>FreqTCH_omit,<br>TSPX_TCHcarrierA_ho,<br>TSPX_TCHcarrierA_hod,<br>TimingAdv( TCV_T), C_BABR_0,<br>C_cch_1Comb, C_BPM_3)                                                                                                                                                                                                                                                                                                                                                                                                         |      |   | Set TCH/H, sv1,nonFH on<br>cellA                                          |
| 12                                                                                                                                                                                                                                                                                             |       | +ltree_arfcnA                                                                                                                                                                                                                                                                                                                                                                                                                                                                                                                                                                                                                      |      |   |                                                                           |
| 13                                                                                                                                                                                                                                                                                             |       | (TCV_HoCMD :=                                                                                                                                                                                                                                                                                                                                                                                                                                                                                                                                                                                                                      |      |   |                                                                           |

|                           |  |                                                                                                                                                                                                                                                                        |                                          |             |
|---------------------------|--|------------------------------------------------------------------------------------------------------------------------------------------------------------------------------------------------------------------------------------------------------------------------|------------------------------------------|-------------|
|                           |  | HandOverCmd_nfh(<br>TCV_chtype, TCV_ts,<br>TCV_tsc, C_NCC, C_BCC,<br>TCV_chdescr_arfcn,<br>TCV_tch_arfcn, TCV_Horf,<br>TCV_Pwrlvl_ho, Synchi(<br>C_not_report_otd,<br>C_non_synchronised),<br>ChMod_speech_iei,<br>RelTmdDif_omit,<br>TimingAdv_omit,<br>CphMod_omit)) |                                          |             |
| 14                        |  | (TCV_ch := TCV_chTch)                                                                                                                                                                                                                                                  |                                          |             |
| 15                        |  | (TCV_Null :=<br>OM_SendNextOnHO(TC<br>V_ch, TCV_Cntref))                                                                                                                                                                                                               |                                          |             |
| 16                        |  | L!DL_DatRqHoCmd                                                                                                                                                                                                                                                        | HndOvSnd(<br>TCV_chTch1,<br>TCV_HoCMD)   | HO command  |
| 17                        |  | L!DL_DatRqPhyinfo                                                                                                                                                                                                                                                      | PhyInfo_01(TCV_ch,<br>TimingAdv( TCV_T)) | See Note 1. |
| 18                        |  | +RR_hocomp1(<br>TCV_n, TimingAdv(<br>TCV_T))                                                                                                                                                                                                                           |                                          |             |
| 19                        |  | +ChanRel_end(<br>TCV_ch)                                                                                                                                                                                                                                               |                                          |             |
| 20                        |  | <b>ltree_arfcnA</b><br>[TSPC_PGSM OR TSPC_EGSM]                                                                                                                                                                                                                        |                                          |             |
| 21                        |  | (TCV_chdescr_arfcn := C_arfcnA, TCV_tch_arfcn<br>:= TSPX_TCHcarrierA_ho)                                                                                                                                                                                               |                                          |             |
| 22                        |  | [TSPC_DCS]                                                                                                                                                                                                                                                             |                                          |             |
| 23                        |  | (TCV_chdescr_arfcn := C_arfcnAd_4,<br>TCV_tch_arfcn := TSPX_TCHcarrierA_hod)                                                                                                                                                                                           |                                          |             |
| 24                        |  | <b>ltree_arfcnB</b><br>[TSPC_PGSM OR TSPC_EGSM]                                                                                                                                                                                                                        |                                          |             |
| 25                        |  | (TCV_tch_arfcn := TSPX_TCHcarrierB_ho)                                                                                                                                                                                                                                 |                                          |             |
| 26                        |  | [TSPC_DCS]                                                                                                                                                                                                                                                             |                                          |             |
| 27                        |  | (TCV_tch_arfcn := TSPX_TCHcarrierB_hod)                                                                                                                                                                                                                                |                                          |             |
| <b>Detailed Comments:</b> |  | HO from TCH/H_nonFH sv2 of cell B to TCH/F_nonFH sv1 in cell A                                                                                                                                                                                                         |                                          |             |
|                           |  | Notes:<br>1. PhyInfo is dequeued from the sending buffer, but held through OM_SendNextOnHO at the lower layers of the tester for sending till having received TCV_Cntref access bursts.                                                                                |                                          |             |

| Test Case Dynamic Behaviour                                                                                                                                                                                                                                                                    |       |                                                                                                                                                                                                                                                                                                                                                                                                                                                                                                                                                                                                                                      |      |   |                                                                           |
|------------------------------------------------------------------------------------------------------------------------------------------------------------------------------------------------------------------------------------------------------------------------------------------------|-------|--------------------------------------------------------------------------------------------------------------------------------------------------------------------------------------------------------------------------------------------------------------------------------------------------------------------------------------------------------------------------------------------------------------------------------------------------------------------------------------------------------------------------------------------------------------------------------------------------------------------------------------|------|---|---------------------------------------------------------------------------|
| <b>Test Case Name:</b> TC_26_12_2_1_15                                                                                                                                                                                                                                                         |       |                                                                                                                                                                                                                                                                                                                                                                                                                                                                                                                                                                                                                                      |      |   |                                                                           |
| <b>Group:</b> GSM_MS_EFR_4210/EFR/                                                                                                                                                                                                                                                             |       |                                                                                                                                                                                                                                                                                                                                                                                                                                                                                                                                                                                                                                      |      |   |                                                                           |
| <b>Purpose:</b> To test that the MS shall correctly apply the handover procedure in the non-synchronized case when:<br>- a call is in progress and,<br>- handover is performed from a TCH/H sv1, with no frequency hopping on cell A towards a TCH/F, sv2, with no frequency hopping on cell B |       |                                                                                                                                                                                                                                                                                                                                                                                                                                                                                                                                                                                                                                      |      |   |                                                                           |
| <b>Default:</b> OtherEventsFail_01                                                                                                                                                                                                                                                             |       |                                                                                                                                                                                                                                                                                                                                                                                                                                                                                                                                                                                                                                      |      |   |                                                                           |
| Nr                                                                                                                                                                                                                                                                                             | Label | Behaviour Description                                                                                                                                                                                                                                                                                                                                                                                                                                                                                                                                                                                                                | Cref | V | Comments                                                                  |
| 1                                                                                                                                                                                                                                                                                              |       | START T_guard(300)                                                                                                                                                                                                                                                                                                                                                                                                                                                                                                                                                                                                                   |      |   |                                                                           |
| 2                                                                                                                                                                                                                                                                                              |       | (TCV_asscmd_ts := TSPX_TmSItA, TCV_T := 20,<br>TCV_Pwrlvl_ho:= INT_TO_BIT( TSPX_PwrlvlA, 5))                                                                                                                                                                                                                                                                                                                                                                                                                                                                                                                                         |      |   |                                                                           |
| 3                                                                                                                                                                                                                                                                                              |       | +EFR_BasicServiceMT( TSPX_MTBscSvcl,<br>TSPX_MTChRateI)                                                                                                                                                                                                                                                                                                                                                                                                                                                                                                                                                                              |      |   |                                                                           |
| 4                                                                                                                                                                                                                                                                                              |       | +IdleUpdated( C_E_default, C_CellA,<br>C_SCH_A, C_BCCH_A_1, C_Immass, C_S0,<br>C_SlotNU, C_SlotNU, C_SlotNU, C_BCC,<br>C_TxInt_5, C_Max_7, C_NECI_0, C_ATT_0,<br>TimingAdv(TCV_T), C_BABR_0,<br>C_cch_1Comb, C_BPM_3, C_T3212_0,<br>C_ci_cellA, C_MCC_1, C_PLMN_1, C_LAC_1,<br>CellOpt_01, CellChDes_20_Aman,<br>CellChDes_201_Ad, C_CellReselectHys12,<br>C_MaxPwrLvlG, C_MaxPwrLvlD,<br>BcchFreqLst_01, BcchFreqLst_Omit,<br>BcchFreqLst_48, BcchFreqLst_Omit,<br>C_noRestablishment, C_BCC, C_NCC,<br>C_Start_Tmsi, TSPX_SDCCH4SubDef,<br>TSPX_CKSNDf, TSPX_RANDDef, C_arfcnA,<br>C_arfcnAd_4, TSPX_IMSI, C_Test_fh,<br>C_NCCP_2) |      |   |                                                                           |
| 5                                                                                                                                                                                                                                                                                              |       | +StartCellB_ho( C_E_neighbourdefault,<br>C_BCCHcarrierB_ho, C_BCCHcarrierB_hod,<br>C_Immass, TCV_slot, TCV_tsc,<br>TimingAdv(TCV_T), C_TxInt_5, C_Max_7,<br>C_NECI_0, C_ATT_0, C_BABR_0,<br>C_cch_1Comb, C_BPM_3, C_T3212_0,<br>C_MCC_1, C_PLMN_1, C_LAC_2,<br>CellChDes_20_Bman, CellChDes_201_Bd,<br>BcchFreqLst_01, BcchFreqLst_48,<br>C_noRestablishment, C_BCC, C_NCC,<br>TSPX_k, 100)                                                                                                                                                                                                                                          |      |   | frame number in cell B is<br>100 in advance of frame<br>number in cell A. |
| 6                                                                                                                                                                                                                                                                                              |       | +HalfRateCh_A_1( TSPX_TCHHSubA,<br>C_Asynho, TSPX_TmSItA, TCV_tsc,<br>ChMod_speech, FreqTCH_omit,<br>FreqTCH_omit, TSPX_TCHcarrierA_ho,<br>TSPX_TCHcarrierA_hod, TimingAdv(<br>TCV_T), C_BABR_0, C_cch_1Comb,<br>C_BPM_3)                                                                                                                                                                                                                                                                                                                                                                                                            |      |   | Set TCH/H, sv1, NonFH<br>on cellA                                         |
| 7                                                                                                                                                                                                                                                                                              |       | +Est_MT_CallNonFH(<br>TimingAdv(TCV_T), C_Half,<br>TSPX_TCHHSubDef, TSPX_RANDDef)                                                                                                                                                                                                                                                                                                                                                                                                                                                                                                                                                    |      |   | To establish a MT call<br>with non hopping channel.                       |
| 8                                                                                                                                                                                                                                                                                              | body  | (TCV_ch := TCV_chTch,<br>TCV_chTch1:=TCV_ch)                                                                                                                                                                                                                                                                                                                                                                                                                                                                                                                                                                                         |      |   |                                                                           |
| 9                                                                                                                                                                                                                                                                                              |       | (TCV_n :=750, TCV_Cntref :=<br>TSPX_NoOfHoAccC, TCV_T := 20,<br>TCV_ts := TSPX_TmSItB,<br>TCV_Horf:= TSPX_HoRefE, TCV_tsc<br>:= TSPX_TscF, TCV_chtype :=<br>'00001'B)                                                                                                                                                                                                                                                                                                                                                                                                                                                                |      |   | Parameters initialization<br>for Handover procedure.                      |
| 10                                                                                                                                                                                                                                                                                             |       | +FullRateCh_B_1( C_Asynho,<br>TCV_ts, TCV_tsc, ChMod_EFR2,<br>FreqTCH(TSPX_TCHcarrierB_ho),<br>FreqTCH(TSPX_TCHcarrierB_hod),<br>TimingAdv( TCV_T), C_BABR_0,<br>C_cch_1Comb, C_BPM_3)                                                                                                                                                                                                                                                                                                                                                                                                                                               |      |   | Set TCH/F, sv2, nonFH<br>on cellB                                         |
| 11                                                                                                                                                                                                                                                                                             |       | +ltree_arfcnB                                                                                                                                                                                                                                                                                                                                                                                                                                                                                                                                                                                                                        |      |   |                                                                           |
| 12                                                                                                                                                                                                                                                                                             |       | (TCV_HoCMD :=<br>HandOverCmd_nfh(<br>TCV_chtype, TCV_ts, TCV_tsc,<br>C_NCC, C_BCC,<br>TCV_chdescr_arfcn,<br>TCV_tch_arfcn, TCV_Horf,                                                                                                                                                                                                                                                                                                                                                                                                                                                                                                 |      |   |                                                                           |

|                           |                                                                                     |                                                                                                                                                                               |                                          |             |
|---------------------------|-------------------------------------------------------------------------------------|-------------------------------------------------------------------------------------------------------------------------------------------------------------------------------|------------------------------------------|-------------|
| 13                        |                                                                                     | TCV_Pwrlvl_ho, Synchi(<br>C_not_report_otd,<br>C_non_synchronised),<br>ChMod_omit, RelTmdDif_omit,<br>TimingAdv_omit,<br>CphMod_omit))<br>(TCV_ch := TCV_chTch)               |                                          |             |
| 14                        |                                                                                     | (TCV_Null :=<br>OM_SendNextOnHO(TCV_<br>ch, TCV_Cntref))                                                                                                                      |                                          |             |
| 15                        |                                                                                     | L!DL_DatRqHoCmd                                                                                                                                                               | HndOvSnd(<br>TCV_chTch1,<br>TCV_HoCMD)   | HO command  |
| 16                        |                                                                                     | L!DL_DatRqPhyinfo                                                                                                                                                             | PhyInfo_01(TCV_ch,<br>TimingAdv( TCV_T)) | See Note 1. |
| 17                        |                                                                                     | +RR_hocomp1(<br>TCV_n, TimingAdv(<br>TCV_T))                                                                                                                                  |                                          |             |
| 18                        |                                                                                     | +ChanRel_end(<br>TCV_ch)                                                                                                                                                      |                                          |             |
| 19                        | <b>ltree_arfcnB</b>                                                                 |                                                                                                                                                                               |                                          |             |
| 20                        | [TSPC_PGSM OR TSPC_EGSM]                                                            |                                                                                                                                                                               |                                          |             |
| 21                        | (TCV_chdescr_arfcn := C_BCCHcarrierB_ho,<br>TCV_tch_arfcn := TSPX_TCHcarrierB_ho)   |                                                                                                                                                                               |                                          |             |
| 22                        | [TSPC_DCS]                                                                          |                                                                                                                                                                               |                                          |             |
|                           | (TCV_chdescr_arfcn := C_BCCHcarrierB_hod,<br>TCV_tch_arfcn := TSPX_TCHcarrierB_hod) |                                                                                                                                                                               |                                          |             |
| <b>Detailed Comments:</b> |                                                                                     | HO from TCH/H_nonFH sv1 of cell A to TCH/F_nonFH sv2 in cell B                                                                                                                |                                          |             |
|                           |                                                                                     | Notes:                                                                                                                                                                        |                                          |             |
|                           |                                                                                     | 1. PhyInfo is dequeued from the sending buffer, but held through OM_SendNextOnHO at the lower layers of the tester for sending till having received TCV_Cntref access bursts. |                                          |             |

| Test Case Dynamic Behaviour |       |                                                                                                                                                                                                                                                                                                                                                                                                                                                                                                                                                                                        |                                       |   |                                                                             |
|-----------------------------|-------|----------------------------------------------------------------------------------------------------------------------------------------------------------------------------------------------------------------------------------------------------------------------------------------------------------------------------------------------------------------------------------------------------------------------------------------------------------------------------------------------------------------------------------------------------------------------------------------|---------------------------------------|---|-----------------------------------------------------------------------------|
| <b>Test Case Name:</b>      |       | TC_26_12_2_2_1                                                                                                                                                                                                                                                                                                                                                                                                                                                                                                                                                                         |                                       |   |                                                                             |
| <b>Group:</b>               |       | GSM_MS_EFR_4210/EFR/                                                                                                                                                                                                                                                                                                                                                                                                                                                                                                                                                                   |                                       |   |                                                                             |
| <b>Purpose:</b>             |       | To verify that the MS correctly applies the handover procedure from SDCCH/4 with no frequency hopping to TCH/F using full rate speech version 2 with frequency hopping.<br>To verify that if during call establishment a layer 3 MM or CC message just sent by the MS is not Layer 2 acknowledge before the channel change caused by the HANDOVER COMMAND message, the MS shall send the Layer 3 message to the new cell, using the same value in the N(SD) field, after the handover procedure.                                                                                       |                                       |   |                                                                             |
| <b>Default:</b>             |       | OtherEventsFail_01                                                                                                                                                                                                                                                                                                                                                                                                                                                                                                                                                                     |                                       |   |                                                                             |
| Nr                          | Label | Behaviour Description                                                                                                                                                                                                                                                                                                                                                                                                                                                                                                                                                                  | CRef                                  | V | Comments                                                                    |
| 1                           |       | START T_guard(300)                                                                                                                                                                                                                                                                                                                                                                                                                                                                                                                                                                     |                                       |   |                                                                             |
| 2                           |       | +EFR_BasicServiceMO(TSPX_MOBScSvcA, TSPX_MOChRateA)                                                                                                                                                                                                                                                                                                                                                                                                                                                                                                                                    |                                       |   |                                                                             |
| 3                           |       | (TCV_ia_ts:=TSPX_TmSltNotZero, TCV_ts:=000'B, TCV_tsc:=TSPX_TscA, TCV_Cntref:=TSPX_NoOfHoAccA, TCV_Horf:=TSPX_HoRefA, TCV_Pwrlvl_ho:=INT_TO_BIT(TSPX_PwrlvlA,5), TCV_cchannel:=C_cch_1Comb, TCV_T := 20)                                                                                                                                                                                                                                                                                                                                                                               |                                       |   | Parameters initialization for Immediate Assignment and Handover commands.   |
| 4                           |       | +IdleUpdated( C_E_default, C_CellA, C_SCH_A, C_BCCH_A_1, C_Immass, C_S0, C_SlotNU, C_SlotNU, C_SlotNU, C_BCC, C_TxInt_5, C_Max_7, C_NECl_0, C_ATT_0, TimingAdv( 30), C_BABR_0, TCV_cchannel, C_BPM_3, C_T3212_0, C_ci_cellA, C_MCC_1, C_PLMN_1, C_LAC_1, CellOpt_01, CellChDes_20_Aman, CellChDes_202_Adman, C_CellReselectHys12, C_MaxPwrLvlG, C_MaxPwrLvlD, BcchFreqLst_01, BcchFreqLst_Omit, BcchFreqLst_48, BcchFreqLst_Omit, C_noRestablishment, C_BCC, C_NCC, C_Start_Tmsi, TSPX_SDCCH4SubDef, TSPX_CKSNDf, TSPX_RANDDf, C_arfcnA, C_arfcnAd_4, TSPX_IMSI, C_Test_fh, C_NCCP_10) |                                       |   |                                                                             |
| 5                           |       | +StartCellB_ho( C_E_neighbourdefault, C_BCCHcarrierB_ho, C_BCCHcarrierB_hod, C_Immass, TCV_slot, TCV_tsc, TimingAdv( TCV_T), C_TxInt_5, C_Max_7, C_NECl_0, C_ATT_0, C_BABR_0, TCV_cchannel, C_BPM_3, C_T3212_0, C_MCC_1, C_PLMN_1, C_LAC_2, CellChDes_20_Bman, CellChDes_201_Bd, BcchFreqLst_01, BcchFreqLst_48, C_noRestablishment, C_BCC_0, C_NCC_3, TSPX_k, 0)                                                                                                                                                                                                                      |                                       |   | The timeslots of Cells A and B are not coincident at the antenna connector. |
| 6                           |       | +FullRateCh_B_1( C_Asynho, TCV_ts, TCV_tsc, ChMod_EFR2, FreqTCHb_hof3, FreqTCHb_hof3d, TimingAdv( TCV_T), C_BABR_0, TCV_cchannel, C_BPM_3)                                                                                                                                                                                                                                                                                                                                                                                                                                             |                                       |   | Set TCH/F FH on cellB                                                       |
| 7                           |       | +ltree_arfcnA                                                                                                                                                                                                                                                                                                                                                                                                                                                                                                                                                                          |                                       |   | Set the ARFCN for NonFH channel on cellA                                    |
| 8                           |       | +Est_MO_Call_init( C_CHSDCCH4_NonFH, MobilAllc_omit, MobilAllc_omit, TimingAdv( 30), C_BCC, C_one, C_one)                                                                                                                                                                                                                                                                                                                                                                                                                                                                              |                                       |   | Initiate MO call on cellA                                                   |
| 9                           | body  | +ltree_BuildHoCMD                                                                                                                                                                                                                                                                                                                                                                                                                                                                                                                                                                      |                                       |   |                                                                             |
| 10                          |       | (TCV_Null := OM_SendNextOnHO(TCV_chTch, TCV_Cntref))                                                                                                                                                                                                                                                                                                                                                                                                                                                                                                                                   |                                       |   |                                                                             |
| 11                          |       | L!DL_DatRqHoCmd                                                                                                                                                                                                                                                                                                                                                                                                                                                                                                                                                                        | HndOvSnd( TCV_ch, TCV_HoCMD)          |   | HO command                                                                  |
| 12                          |       | (TCV_ch:=TCV_chTch)                                                                                                                                                                                                                                                                                                                                                                                                                                                                                                                                                                    |                                       |   |                                                                             |
| 13                          |       | LIDL_DatRqPhyinfo                                                                                                                                                                                                                                                                                                                                                                                                                                                                                                                                                                      | PhyInfo_01(TCV_ch, TimingAdv( TCV_T)) |   | See Note 1.                                                                 |
| 14                          |       | +RR_hocomp1(500, TimingAdv( TCV_T))                                                                                                                                                                                                                                                                                                                                                                                                                                                                                                                                                    |                                       |   | Complete the HO procedure                                                   |
| 15                          |       | L?DL_DatInSetup (TCV_Mt1 := DL_DatInSetup.msg.mt)                                                                                                                                                                                                                                                                                                                                                                                                                                                                                                                                      | SetupRcv( SetupInd_01)                |   |                                                                             |
| 16                          |       | +SendSeqNo_chk                                                                                                                                                                                                                                                                                                                                                                                                                                                                                                                                                                         |                                       |   | Is N(SD) correct?                                                           |
| 17                          |       | +ChanRel_end()                                                                                                                                                                                                                                                                                                                                                                                                                                                                                                                                                                         |                                       |   |                                                                             |

|                           |  | TCV_ch)                                                                                                                                                                                                                                                                                              |  |  |  |
|---------------------------|--|------------------------------------------------------------------------------------------------------------------------------------------------------------------------------------------------------------------------------------------------------------------------------------------------------|--|--|--|
|                           |  | <b>Itree_arfcnA</b>                                                                                                                                                                                                                                                                                  |  |  |  |
| 18                        |  | [TSPC_PGSM OR TSPC_EGSM]                                                                                                                                                                                                                                                                             |  |  |  |
| 19                        |  | (TCV_tch_arfcn:=C_arfcnA)                                                                                                                                                                                                                                                                            |  |  |  |
| 20                        |  | [TSPC_DCS]                                                                                                                                                                                                                                                                                           |  |  |  |
| 21                        |  | (TCV_tch_arfcn:=C_arfcnAd_4)                                                                                                                                                                                                                                                                         |  |  |  |
|                           |  | <b>Itree_BuildHoCMD</b>                                                                                                                                                                                                                                                                              |  |  |  |
| 22                        |  | [TSPC_PGSM OR TSPC_EGSM]                                                                                                                                                                                                                                                                             |  |  |  |
| 23                        |  | (TCV_HoCMD:= HandOverCmd_fh( '00001'B,<br>TCV_ts, TCV_tsc, C_NCC_3, C_BCC_0,<br>C_BCCHcarrierB_ho, 15, TSPX_HSN, TCV_Horf,<br>TCV_Pwrlvl_ho, Synchi_omit, Frql_omit, Frql_omit,<br>CellChDes_Omit, ChMod_omit, Freqchseq_06,<br>MobiAllc_omit, RelTmdDif_omit, TimingAdv_omit,<br>CphMod_omit))      |  |  |  |
| 24                        |  | [TSPC_DCS]                                                                                                                                                                                                                                                                                           |  |  |  |
| 25                        |  | (TCV_HoCMD:= HandOverCmd_fh( '00001'B,<br>TCV_ts, TCV_tsc, C_NCC_3, C_BCC_0,<br>C_BCCHcarrierB_hod, 11, TSPX_HSN, TCV_Horf,<br>TCV_Pwrlvl_ho, Synchi_omit, Frql_20_B5d,<br>Frql_omit, CellChDes_Omit, ChMod_omit,<br>Freqchseq_omit, MobiAllc_omit, RelTmdDif_omit,<br>TimingAdv_omit, CphMod_omit)) |  |  |  |
| <b>Detailed Comments:</b> |  | HO from SDCCH/4, nonFH to TCH/F, sv2, FH                                                                                                                                                                                                                                                             |  |  |  |
|                           |  | Notes:                                                                                                                                                                                                                                                                                               |  |  |  |
|                           |  | 1. PhyInfo is dequeued from the sending buffer, but held through OM_SendNextOnHO at the lower layers of the tester for sending till having received TCV_Cntref access bursts.                                                                                                                        |  |  |  |



| Test Case Dynamic Behaviour |       |                                                                                                                                                                                                                                                                                                                                                                                                                                                                                                                                                                                         |      |   |                                                                             |
|-----------------------------|-------|-----------------------------------------------------------------------------------------------------------------------------------------------------------------------------------------------------------------------------------------------------------------------------------------------------------------------------------------------------------------------------------------------------------------------------------------------------------------------------------------------------------------------------------------------------------------------------------------|------|---|-----------------------------------------------------------------------------|
| <b>Test Case Name:</b>      |       | TC_26_12_2_2_2                                                                                                                                                                                                                                                                                                                                                                                                                                                                                                                                                                          |      |   |                                                                             |
| <b>Group:</b>               |       | GSM_MS_EFR_4210/EFR/                                                                                                                                                                                                                                                                                                                                                                                                                                                                                                                                                                    |      |   |                                                                             |
| <b>Purpose:</b>             |       | <p>To verify that the MS correctly applies the handover procedure from SDCCH/8 with frequency hopping to TCH/F using full rate speech version 2 without frequency hopping in the nonsynchronized case during call establishment.</p> <p>To verify that if during call establishment a layer 3 MM or CC message just sent by the MS is not Layer 2 acknowledge before the channel change caused by the HANDOVER COMMAND message, the MS shall send the Layer 3 message to the new cell, using the same value in the N(SD) field, after the handover procedure.</p>                       |      |   |                                                                             |
| <b>Default:</b>             |       | OtherEventsFail_01                                                                                                                                                                                                                                                                                                                                                                                                                                                                                                                                                                      |      |   |                                                                             |
| Nr                          | Label | Behaviour Description                                                                                                                                                                                                                                                                                                                                                                                                                                                                                                                                                                   | CRef | V | Comments                                                                    |
| 1                           |       | START T_guard(300)                                                                                                                                                                                                                                                                                                                                                                                                                                                                                                                                                                      |      |   |                                                                             |
| 2                           |       | +EFR_BasicServiceMO(TSPX_MOBScSvcA, TSPX_MOChRateA)                                                                                                                                                                                                                                                                                                                                                                                                                                                                                                                                     |      |   |                                                                             |
| 3                           |       | (TCV_ia_ts:=TSPX_TmSlTNotZero1, TCV_ts:=000'B, TCV_tsc:=TSPX_TscB, TCV_Cntref:=TSPX_NoOfHoAccB, TCV_Horf:=TSPX_HoRefB, TCV_Pwrlvl_ho:=INT_TO_BIT(TSPX_PwrlvlB,5), TCV_cchannel:=C_cch_1nonComb, TCV_T := 20)                                                                                                                                                                                                                                                                                                                                                                            |      |   | Parameters initialization for Immediate Assignment and Handover commands.   |
| 4                           |       | +IdleUpdated( C_E_default, C_CellA, C_SCH_A, C_BCCH_A_1, C_Immass, C_S0, C_SlotNU, C_SlotNU, C_SlotNU, C_BCC, C_TxInt_5, C_Max_7, C_NECl_0, C_ATT_0, TimingAdv( 30), C_BABR_0, TCV_cchannel, C_BPM_3, C_T3212_0, C_ci_cellA, C_MCC_1, C_PLMN_1, C_LAC_1, CellOpt_01, CellChDes_20_Aman, CellChDes_202_Adman, C_CellReselectHys12, C_MaxPwrLvlG, C_MaxPwrLvlD, BcchFreqLst_01, BcchFreqLst_Omit, BcchFreqLst_48, BcchFreqLst_Omit, C_noReestablishment, C_BCC, C_NCC, C_Start_Tmsi, TSPX_SDCCH4SubDef, TSPX_CKSNDf, TSPX_RANDDf, C_arfcnA, C_arfcnAd_4, TSPX_IMSI, C_Test_fh, C_NCCP_10) |      |   |                                                                             |
| 5                           |       | +StartCellB_ho( C_E_neighbourdefault, C_BCCHcarrierB_ho, C_BCCHcarrierB_hod, C_Immass, TCV_slot, TCV_tsc, TimingAdv( TCV_T), C_TxInt_5, C_Max_7, C_NECl_0, C_ATT_0, C_BABR_0, TCV_cchannel, C_BPM_3, C_T3212_0, C_MCC_1, C_PLMN_1, C_LAC_2, CellChDes_20_Bman, CellChDes_201_Bd, BcchFreqLst_01, BcchFreqLst_48, C_noReestablishment, C_BCC_0, C_NCC_3, TSPX_k, 0)                                                                                                                                                                                                                      |      |   | The timeslots of Cells A and B are not coincident at the antenna connector. |
| 6                           |       | +SDCCH8_A_1_nociph( TSPX_SDCCH8SubDef, C_Immass, TCV_ia_ts, TCV_tsc, ChMod_sign, FreqSDCCHa_hof1, FreqSDCCHa_hof1d, TimingAdv( 30), C_BABR_0, TCV_cchannel, C_BPM_3)                                                                                                                                                                                                                                                                                                                                                                                                                    |      |   | Set SDCCH/8 FH on cell A                                                    |
| 7                           |       | (TCV_ch :=TCV_chTch)                                                                                                                                                                                                                                                                                                                                                                                                                                                                                                                                                                    |      |   |                                                                             |
| 8                           |       | +FullRateCh_B_1( C_Asynho, TCV_ts, TCV_tsc, ChMod_EFR2, FreqTCH(TSPX_TCHcarrierB_ho), FreqTCH(TSPX_TCHcarrierB_hod), TimingAdv( TCV_T), C_BABR_0, TCV_cchannel, C_BPM_3)                                                                                                                                                                                                                                                                                                                                                                                                                |      |   | Set TCH/F nonFH on cellB                                                    |
| 9                           |       | +Est_MO_Call_init( C_CHSDCCH8_FH, MoblAlc_281, MoblAlc_281d, TimingAdv( 30), TCV_tsc, 3, 3)                                                                                                                                                                                                                                                                                                                                                                                                                                                                                             |      |   | Initiate MO call on cellA                                                   |
| 10                          |       | +ltree_arfcnB                                                                                                                                                                                                                                                                                                                                                                                                                                                                                                                                                                           |      |   |                                                                             |
| 11                          | body  | (TCV_HoCMD:= HandOverCmd_nfh( '00001'B, TCV_ts, TCV_tsc, C_NCC_3, C_BCC_0, TCV_chdescr_arfcn, TCV_tch_arfcn, TCV_Horf, TCV_Pwrlvl_ho, Synchi_omit, ChMod_omit, RelTmdDif_omit, TimingAdv_omit, CphMod_omit))                                                                                                                                                                                                                                                                                                                                                                            |      |   |                                                                             |

|                                                                                                                                                                                         |                                                                                 |                                          |                              |
|-----------------------------------------------------------------------------------------------------------------------------------------------------------------------------------------|---------------------------------------------------------------------------------|------------------------------------------|------------------------------|
| 12                                                                                                                                                                                      | (TCV_Null :=<br>OM_SendNextOnHO(TCV_chT<br>ch, TCV_Cntref))                     |                                          |                              |
| 13                                                                                                                                                                                      | L!DL_DatRqHoCmd                                                                 | HndOvSnd( TCV_ch,<br>TCV_HoCMD)          | HO command                   |
| 14                                                                                                                                                                                      | (TCV_ch:=TCV_chTch)                                                             |                                          |                              |
| 15                                                                                                                                                                                      | L!DL_DatRqPhyinfo                                                               | PhyInfo_01(TCV_ch,<br>TimingAdv( TCV_T)) | See Note 1.                  |
| 16                                                                                                                                                                                      | +RR_hocomp1(500,<br>TimingAdv( TCV_T))                                          |                                          | Complete the HO<br>procedure |
| 17                                                                                                                                                                                      | L?DL_DatInSetup<br>(TCV_Mt1 :=<br>DL_DatInSetup.msg.<br>mt)                     | SetupRcv(<br>SetupInd_01)                |                              |
| 18                                                                                                                                                                                      | +SendSeqNo_chk                                                                  |                                          | Is N(SD) correct?            |
| 19                                                                                                                                                                                      | +ChanRel_end(<br>TCV_ch)                                                        |                                          |                              |
| 20                                                                                                                                                                                      | <b>Itree_arfcnB</b><br>[TSPC_PGSM OR TSPC_EGSM]                                 |                                          |                              |
| 21                                                                                                                                                                                      | (TCV_tch_arfcn:=TSPX_TCHcarrierB_ho,<br>TCV_chdescr_arfcn:=C_BCCHcarrierB_ho)   |                                          |                              |
| 22                                                                                                                                                                                      | [TSPC_DCS]                                                                      |                                          |                              |
| 23                                                                                                                                                                                      | (TCV_tch_arfcn:=TSPX_TCHcarrierB_hod,<br>TCV_chdescr_arfcn:=C_BCCHcarrierB_hod) |                                          |                              |
| <b>Detailed Comments:</b> HandOver from SDCCH/8, FH to TCH/F, sv2, nonFH                                                                                                                |                                                                                 |                                          |                              |
| Notes:<br>1. PhyInfo is dequeued from the sending buffer, but held through OM_SendNextOnHO at the lower layers of the tester for sending till having received TCV_Cntref access bursts. |                                                                                 |                                          |                              |

| Test Case Dynamic Behaviour |       |                                                                                                                                                                                                                                                                                                                                                                                                                                                                                                                                                                                                                                      |                                          |   |                                                                             |
|-----------------------------|-------|--------------------------------------------------------------------------------------------------------------------------------------------------------------------------------------------------------------------------------------------------------------------------------------------------------------------------------------------------------------------------------------------------------------------------------------------------------------------------------------------------------------------------------------------------------------------------------------------------------------------------------------|------------------------------------------|---|-----------------------------------------------------------------------------|
| <b>Test Case Name:</b>      |       | TC_26_12_2_2_3                                                                                                                                                                                                                                                                                                                                                                                                                                                                                                                                                                                                                       |                                          |   |                                                                             |
| <b>Group:</b>               |       | GSM_MS_EFR_4210/EFR/                                                                                                                                                                                                                                                                                                                                                                                                                                                                                                                                                                                                                 |                                          |   |                                                                             |
| <b>Purpose:</b>             |       | <p>To verify that the MS correctly applies the handover procedure from SDCCH/8 without frequency hopping to TCH/F using full rate speech version 2 with frequency hopping in the nonsynchronized case during call establishment.</p> <p>To verify that if during call establishment a layer 3 MM or CC message just sent by the MS is not Layer 2 acknowledge before the channel change caused by the HANDOVER COMMAND message, the MS shall send the Layer 3 message to the new cell, using the same value in the N(SD) field, after the handover procedure.</p>                                                                    |                                          |   |                                                                             |
| <b>Default:</b>             |       | OtherEventsFail_01                                                                                                                                                                                                                                                                                                                                                                                                                                                                                                                                                                                                                   |                                          |   |                                                                             |
| Nr                          | Label | Behaviour Description                                                                                                                                                                                                                                                                                                                                                                                                                                                                                                                                                                                                                | CRef                                     | V | Comments                                                                    |
| 1                           |       | START T_guard(300)                                                                                                                                                                                                                                                                                                                                                                                                                                                                                                                                                                                                                   |                                          |   |                                                                             |
| 2                           |       | +EFR_BasicServiceMO(TSPX_MOBScSvcA,<br>TSPX_MOChRateA)                                                                                                                                                                                                                                                                                                                                                                                                                                                                                                                                                                               |                                          |   |                                                                             |
| 3                           |       | +ltree_data_init                                                                                                                                                                                                                                                                                                                                                                                                                                                                                                                                                                                                                     |                                          |   |                                                                             |
| 4                           |       | +IdleUpdated( C_E_default, C_CellA,<br>C_SCH_A, C_BCCH_A_1, C_Immass, C_S0,<br>C_SlotNU, C_SlotNU, C_SlotNU, C_BCC,<br>C_TxInt_5, C_Max_7, C_NECl_0, C_ATT_0,<br>TimingAdv( 30), C_BABR_0, TCV_cchannel,<br>C_BPM_3, C_T3212_0, C_ci_cellA,<br>C_MCC_1, C_PLMN_1, C_LAC_1, CellOpt_01,<br>CellChDes_20_Aman, CellChDes_202_Adman,<br>C_CellReselectHys12, C_MaxPwrLvIG,<br>C_MaxPwrLvID, BcchFreqLst_01,<br>BcchFreqLst_Omit, BcchFreqLst_48,<br>BcchFreqLst_Omit, C_noRestablishment,<br>C_BCC, C_NCC, C_Start_Tmsi,<br>TSPX_SDCCH4SubDef, TSPX_CKSNDf,<br>TSPX_RANDDef, C_arfcnA, C_arfcnAd_4,<br>TSPX_IMSI, C_Test_fh, C_NCCP_10) |                                          |   |                                                                             |
| 5                           |       | +StartCellB_ho( C_E_neighbourdefault,<br>C_BCCHcarrierB_ho, C_BCCHcarrierB_hod,<br>C_Immass, TCV_slot, TCV_tsc, TimingAdv(<br>TCV_T), C_TxInt_5, C_Max_7, C_NECl_0,<br>C_ATT_0, C_BABR_0, TCV_cchannel,<br>C_BPM_3, C_T3212_0, C_MCC_1,<br>C_PLMN_1, C_LAC_2, CellChDes_20_Bman,<br>CellChDes_201_Bd, BcchFreqLst_01,<br>BcchFreqLst_48, C_noRestablishment,<br>C_BCC_0, C_NCC_3, TSPX_k, 0)                                                                                                                                                                                                                                         |                                          |   | The timeslots of Cells A and B are not coincident at the antenna connector. |
| 6                           |       | +SDCCH8_A_1_nociph(<br>TSPX_SDCCH8SubDef, C_Immass,<br>TCV_ia_ts, TCV_tsc, ChMod_sign,<br>FreqTCH(TSPX_TCHcarrierA_ho),<br>FreqTCH(TSPX_TCHcarrierA_hod),<br>TimingAdv( 30), C_BABR_0,<br>TCV_cchannel, C_BPM_3)                                                                                                                                                                                                                                                                                                                                                                                                                     |                                          |   | Set SDCCH/8 nonFH on cell A                                                 |
| 7                           |       | (TCV_ch :=TCV_chTch)                                                                                                                                                                                                                                                                                                                                                                                                                                                                                                                                                                                                                 |                                          |   |                                                                             |
| 8                           |       | +FullRateCh_B_1( C_Asynho, TCV_ts,<br>TCV_tsc, ChMod_EFR2,<br>FreqTCHb_hof6, FreqTCHb_hof6d,<br>TimingAdv( TCV_T), C_BABR_0,<br>TCV_cchannel, C_BPM_3)                                                                                                                                                                                                                                                                                                                                                                                                                                                                               |                                          |   | Set TCH/F FH on cellB                                                       |
| 9                           |       | +ltree_arfcnA                                                                                                                                                                                                                                                                                                                                                                                                                                                                                                                                                                                                                        |                                          |   | Set the ARFCN for NonFH channel on cellA                                    |
| 10                          |       | +Est_MO_Call_init(<br>C_CHSDCCH8_NonFH,<br>MoblAllic_omit, MoblAllic_omit,<br>TimingAdv( 30), TCV_tsc, C_one,<br>C_one)                                                                                                                                                                                                                                                                                                                                                                                                                                                                                                              |                                          |   | Initiate MO call on cellA                                                   |
| 11                          | body  | +ltree_BuildHoCMD                                                                                                                                                                                                                                                                                                                                                                                                                                                                                                                                                                                                                    |                                          |   |                                                                             |
| 12                          |       | (TCV_Null :=<br>OM_SendNextOnHO(TCV_chT<br>ch, TCV_Cntref))                                                                                                                                                                                                                                                                                                                                                                                                                                                                                                                                                                          |                                          |   |                                                                             |
| 13                          |       | LIDL_DatRqHoCmd                                                                                                                                                                                                                                                                                                                                                                                                                                                                                                                                                                                                                      | HndOvSnd( TCV_ch,<br>TCV_HoCMD)          |   | HO command                                                                  |
| 14                          |       | (TCV_ch:=TCV_chTch)                                                                                                                                                                                                                                                                                                                                                                                                                                                                                                                                                                                                                  |                                          |   |                                                                             |
| 15                          |       | LIDL_DatRqPhyInfo                                                                                                                                                                                                                                                                                                                                                                                                                                                                                                                                                                                                                    | PhyInfo_01(TCV_ch,<br>TimingAdv( TCV_T)) |   | See Note 1.                                                                 |
| 16                          |       | +RR_hocomp1(500,<br>TimingAdv( TCV_T))                                                                                                                                                                                                                                                                                                                                                                                                                                                                                                                                                                                               |                                          |   | Complete the HO procedure                                                   |

|    |  |                                                                                                                                                                                                                                                                                                                                                       |                           |                   |
|----|--|-------------------------------------------------------------------------------------------------------------------------------------------------------------------------------------------------------------------------------------------------------------------------------------------------------------------------------------------------------|---------------------------|-------------------|
| 17 |  | L?DL_DatInSetup<br>(TCV_Mt1 :=<br>DL_DatInSetup.msg.<br>mt)                                                                                                                                                                                                                                                                                           | SetupRcv(<br>SetupInd_01) |                   |
| 18 |  | +SendSeqNo_chk                                                                                                                                                                                                                                                                                                                                        |                           | Is N(SD) correct? |
| 19 |  | +ChanRel_end(<br>TCV_ch)                                                                                                                                                                                                                                                                                                                              |                           |                   |
| 20 |  | <b>Itree_data_init</b><br>[TSPC_PGSM OR TSPC_EGSM]<br>(TCV_ia_ts:= '000'B, TCV_ts:= '000'B,<br>TCV_tsc:= TSPX_TscC,<br>TCV_Cntref:= TSPX_NoOfHoAccC,<br>TCV_Horf:= TSPX_HoRefC,<br>TCV_Pwrlvl_ho:= INT_TO_BIT(TSPX_PwrlvlC,5),<br>TCV_cchannel:= C_cch_1nonComb, TCV_T := 20)                                                                         |                           |                   |
| 22 |  | [TSPC_DCS]<br>(TCV_ia_ts:= '000'B, TCV_ts:= TSPX_TmSlitNotZero,<br>TCV_tsc:= TSPX_TscC,<br>TCV_Cntref:= TSPX_NoOfHoAccC,<br>TCV_Horf:= TSPX_HoRefC,<br>TCV_Pwrlvl_ho:= INT_TO_BIT(TSPX_PwrlvlC,5),<br>TCV_cchannel:= C_cch_1nonComb, TCV_T := 20)                                                                                                     |                           |                   |
| 24 |  | <b>Itree_arfcnA</b><br>[TSPC_PGSM OR TSPC_EGSM]<br>(TCV_tch_arfcn:= C_arfcnA)                                                                                                                                                                                                                                                                         |                           |                   |
| 26 |  | [TSPC_DCS]<br>(TCV_tch_arfcn:= C_arfcnAd_4)                                                                                                                                                                                                                                                                                                           |                           |                   |
| 28 |  | <b>Itree_BuildHoCMD</b><br>[TSPC_PGSM OR TSPC_EGSM]<br>(TCV_HoCMD:= HandOverCmd_fh( '00001'B,<br>TCV_ts, TCV_tsc, C_NCC_3, C_BCC_0,<br>C_BCCHcarrierB_ho, 2, TSPX_HSN, TCV_Horf,<br>TCV_Pwrlvl_ho, Synchi_omit, Frql_omit, Frql_omit,<br>CellChDes_Omit, ChMod_omit, Freqchseq_03,<br>MoblAllc_omit, RelTmdDif_omit, TimingAdv_omit,<br>CphMod_omit)) |                           |                   |
| 30 |  | [TSPC_DCS]<br>(TCV_HoCMD:= HandOverCmd_fh( '00001'B,<br>TCV_ts, TCV_tsc, C_NCC_3, C_BCC_0,<br>C_BCCHcarrierB_hod, 3, C_HSN_0, TCV_Horf,<br>TCV_Pwrlvl_ho, Synchi(C_not_report_otd,<br>C_non_synchronised), Frql_20_B10d, Frql_omit,<br>CellChDes_Omit, ChMod_omit, Freqchseq_omit,<br>MoblAllc_omit, RelTmdDif_omit, TimingAdv_omit,<br>CphMod_omit)) |                           |                   |

**Detailed Comments:** HandOver from SDCCH/8, nonFH to TCH/F, sv2, FH

Notes:

1. PhyInfo is dequeued from the sending buffer, but held through OM\_SendNextOnHO at the lower layers of the tester for sending till having received TCV\_Cntref access bursts.

| Test Case Dynamic Behaviour |       |                                                                                                                                                                                                                                                                                                                                                                                                                                                                                                                                                                                           |                   |   |                                                                             |
|-----------------------------|-------|-------------------------------------------------------------------------------------------------------------------------------------------------------------------------------------------------------------------------------------------------------------------------------------------------------------------------------------------------------------------------------------------------------------------------------------------------------------------------------------------------------------------------------------------------------------------------------------------|-------------------|---|-----------------------------------------------------------------------------|
| <b>Test Case Name:</b>      |       | TC_26_12_2_2_4                                                                                                                                                                                                                                                                                                                                                                                                                                                                                                                                                                            |                   |   |                                                                             |
| <b>Group:</b>               |       | GSM_MS_EFR_4210/EFR/                                                                                                                                                                                                                                                                                                                                                                                                                                                                                                                                                                      |                   |   |                                                                             |
| <b>Purpose:</b>             |       | <p>To verify that the MS correctly applies the handover procedure from TCH/F without frequency hopping to TCH/F using full rate speech version 2 with frequency hopping in the nonsynchronized case during call establishment.</p> <p>To verify that if during call establishment a layer 3 MM or CC message just sent by the MS is not Layer 2 acknowledge before the channel change caused by the HANDOVER COMMAND message, the MS shall send the Layer 3 message to the new cell, using the same value in the N(SD) field, after the handover procedure.</p>                           |                   |   |                                                                             |
| <b>Default:</b>             |       | OtherEventsFail_01                                                                                                                                                                                                                                                                                                                                                                                                                                                                                                                                                                        |                   |   |                                                                             |
| Nr                          | Label | Behaviour Description                                                                                                                                                                                                                                                                                                                                                                                                                                                                                                                                                                     | CRef              | V | Comments                                                                    |
| 1                           |       | START T_guard(300)                                                                                                                                                                                                                                                                                                                                                                                                                                                                                                                                                                        |                   |   |                                                                             |
| 2                           |       | +EFR_BasicServiceMO(TSPX_MOBScSvcA, TSPX_MOChRateA)                                                                                                                                                                                                                                                                                                                                                                                                                                                                                                                                       |                   |   |                                                                             |
| 3                           |       | (TCV_ia_ts:=TSPX_TmSlitNotZero, TCV_ts:=TSPX_TmSlitNotZero1, TCV_tsc:=TSPX_TscA, TCV_Cntref:=TSPX_NoOfHoAccA, TCV_Horf:=TSPX_HoRefA, TCV_Pwrlvl_ho:=INT_TO_BIT(TSPX_PwrlvlA,5), TCV_cchannel:=C_cch_1Comb, TCV_T := 20, TCV_ChMod.mode := C_ChMod_r)                                                                                                                                                                                                                                                                                                                                      |                   |   | Parameters initialization for Immediate Assignment and Handover commands.   |
| 4                           |       | +IdleUpdated( C_E_default, C_CellA, C_SCH_A, C_BCCH_A_1, C_Immass, C_S0, C_SlotNU, C_SlotNU, C_SlotNU, C_BCC, C_TxInt_5, C_Max_7, C_NECI_0, C_ATT_0, TimingAdv( 30), C_BABR_0, TCV_cchannel, C_BPM_3, C_T3212_0, C_ci_cellA, C_MCC_1, C_PLMN_1, C_LAC_1, CellOpt_01, CellChDes_20_Aman, CellChDes_202_Adman, C_CellReselectHys12, C_MaxPwrLvlG, C_MaxPwrLvlD, BcchFreqLst_01, BcchFreqLst_Omit, BcchFreqLst_48, BcchFreqLst_Omit, C_noRestablishment, C_BCC, C_NCC, C_Start_Tmsi, TSPX_SDCCH4SubDef, TSPX_CKSNDDef, TSPX_RANDDef, C_arfcnA, C_arfcnAd_4, TSPX_IMSI, C_Test_fh, C_NCCP_10) |                   |   |                                                                             |
| 5                           |       | +StartCellB_ho( C_E_neighbourdefault, C_BCCHcarrierB_ho, C_BCCHcarrierB_hod, C_Immass, TCV_slot, TCV_tsc, TimingAdv( TCV_T), C_TxInt_5, C_Max_7, C_NECI_0, C_ATT_0, C_BABR_0, TCV_cchannel, C_BPM_3, C_T3212_0, C_MCC_1, C_PLMN_1, C_LAC_2, CellChDes_20_Bman, CellChDes_201_Bd, BcchFreqLst_01, BcchFreqLst_48, C_noRestablishment, C_BCC_0, C_NCC_3, TSPX_k, 0)                                                                                                                                                                                                                         |                   |   | The timeslots of Cells A and B are not coincident at the antenna connector. |
| 6                           |       | +FullRateCh_A_1_nociph(C_Immass, TCV_ia_ts, TCV_tsc, TCV_ChMod, FreqTCH(TSPX_TCHcarrierA_ho), FreqTCH(TSPX_TCHcarrierA_hod), TimingAdv( 30), C_BABR_0, TCV_cchannel, C_BPM_3)                                                                                                                                                                                                                                                                                                                                                                                                             |                   |   | Set TCH/F nonFH on cell A                                                   |
| 7                           |       | (TCV_ch :=TCV_chTch)                                                                                                                                                                                                                                                                                                                                                                                                                                                                                                                                                                      |                   |   |                                                                             |
| 8                           |       | +FullRateCh_B_1( C_Asynho, TCV_ts, TCV_tsc, ChMod_EFR2, FreqTCHb_hof1, FreqTCHb_hof1d, TimingAdv( TCV_T), C_BABR_0, TCV_cchannel, C_BPM_3)                                                                                                                                                                                                                                                                                                                                                                                                                                                |                   |   | Set TCH/F FH on cellB                                                       |
| 9                           |       | +ltree_arfcnA                                                                                                                                                                                                                                                                                                                                                                                                                                                                                                                                                                             |                   |   | Set the ARFCN for NonFH channel on cellA                                    |
| 10                          |       | +Est_MO_Call_init( C_CHTCHF_NonFH, MobilAlc_omit, MobilAlc_omit, TimingAdv( 30), TCV_tsc, C_one, C_one)                                                                                                                                                                                                                                                                                                                                                                                                                                                                                   |                   |   | Initiate MO call on cellA                                                   |
| 11                          | body  | +ltree_BuildHoCMD                                                                                                                                                                                                                                                                                                                                                                                                                                                                                                                                                                         |                   |   |                                                                             |
| 12                          |       | (TCV_Null := OM_SendNextOnHO(TCV_chTch, TCV_Cntref))                                                                                                                                                                                                                                                                                                                                                                                                                                                                                                                                      |                   |   |                                                                             |
| 13                          |       | LIDL_DatRqHoCmd                                                                                                                                                                                                                                                                                                                                                                                                                                                                                                                                                                           | HndOvSnd( TCV_ch, |   | HO command                                                                  |

|                                                                                                                                                                               |                                                                                                                                                                                                                                                                                                                                       |                                          |                              |
|-------------------------------------------------------------------------------------------------------------------------------------------------------------------------------|---------------------------------------------------------------------------------------------------------------------------------------------------------------------------------------------------------------------------------------------------------------------------------------------------------------------------------------|------------------------------------------|------------------------------|
| 14                                                                                                                                                                            | (TCV_ch:=TCV_chTch)                                                                                                                                                                                                                                                                                                                   | TCV_HoCMD)                               |                              |
| 15                                                                                                                                                                            | LIDL_DatRqPhyinfo                                                                                                                                                                                                                                                                                                                     | PhyInfo_01(TCV_ch,<br>TimingAdv( TCV_T)) | See Note 1.                  |
| 16                                                                                                                                                                            | +RR_hocomp1(500,<br>TimingAdv( TCV_T))                                                                                                                                                                                                                                                                                                |                                          | Complete the HO<br>procedure |
| 17                                                                                                                                                                            | L?DL_DatInSetup<br>(TCV_Mt1 :=<br>DL_DatInSetup.msg.<br>mt)                                                                                                                                                                                                                                                                           | SetupRcv(<br>SetupInd_01)                |                              |
| 18                                                                                                                                                                            | +SendSeqNo_chk                                                                                                                                                                                                                                                                                                                        |                                          | Is N(SD) correct?            |
| 19                                                                                                                                                                            | +ChanRel_end(<br>TCV_ch)                                                                                                                                                                                                                                                                                                              |                                          |                              |
|                                                                                                                                                                               | <b>ltree_arfcnA</b>                                                                                                                                                                                                                                                                                                                   |                                          |                              |
| 20                                                                                                                                                                            | [TSPC_PGSM OR TSPC_EGSM]                                                                                                                                                                                                                                                                                                              |                                          |                              |
| 21                                                                                                                                                                            | (TCV_tch_arfcn:=66)                                                                                                                                                                                                                                                                                                                   |                                          |                              |
| 22                                                                                                                                                                            | [TSPC_DCS]                                                                                                                                                                                                                                                                                                                            |                                          |                              |
| 23                                                                                                                                                                            | (TCV_tch_arfcn:=754)                                                                                                                                                                                                                                                                                                                  |                                          |                              |
|                                                                                                                                                                               | <b>ltree_BuildHoCMD</b>                                                                                                                                                                                                                                                                                                               |                                          |                              |
| 24                                                                                                                                                                            | [TSPC_PGSM OR TSPC_EGSM]                                                                                                                                                                                                                                                                                                              |                                          |                              |
| 25                                                                                                                                                                            | (TCV_HoCMD:=HandOverCmd_fh( '00001'B,<br>TCV_ts, TCV_tsc, C_NCC_1, C_BCC_5,<br>C_BCCHcarrierB_ho, 12, TSPX_HSN, TCV_Horf,<br>TCV_Pwrlvl_ho, Synchi(C_not_report_otd,<br>C_non_synchronised), Frql_omit, Frql_20_B3,<br>CellChDes_Omit, ChMod_omit, Freqchseq_omit,<br>MoblAllc_omit, RelTmdDif_omit, TimingAdv_omit,<br>CphMod_omit)) |                                          |                              |
| 26                                                                                                                                                                            | [TSPC_DCS]                                                                                                                                                                                                                                                                                                                            |                                          |                              |
| 27                                                                                                                                                                            | (TCV_HoCMD:=HandOverCmd_fh( '00001'B,<br>TCV_ts, TCV_tsc, C_NCC_1, C_BCC_5,<br>C_BCCHcarrierB_hod, 12, TSPX_HSN, TCV_Horf,<br>TCV_Pwrlvl_ho, Synchi_omit, Frql_20_B3d,<br>Frql_omit, CellChDes_Omit, ChMod_omit,<br>Freqchseq_omit, MoblAllc_omit, RelTmdDif_omit,<br>TimingAdv_omit, CphMod_omit))                                   |                                          |                              |
| <b>Detailed Comments:</b> HandOver from TCH/F, nonFH to TCH/F, sv2, FH                                                                                                        |                                                                                                                                                                                                                                                                                                                                       |                                          |                              |
| Notes:                                                                                                                                                                        |                                                                                                                                                                                                                                                                                                                                       |                                          |                              |
| 1. PhyInfo is dequeued from the sending buffer, but held through OM_SendNextOnHO at the lower layers of the tester for sending till having received TCV_Cntref access bursts. |                                                                                                                                                                                                                                                                                                                                       |                                          |                              |

| Test Case Dynamic Behaviour |       |                                                                                                                                                                                                                                                                                                                                                                                                                                                                                                                                                                                           |      |   |                                                                             |
|-----------------------------|-------|-------------------------------------------------------------------------------------------------------------------------------------------------------------------------------------------------------------------------------------------------------------------------------------------------------------------------------------------------------------------------------------------------------------------------------------------------------------------------------------------------------------------------------------------------------------------------------------------|------|---|-----------------------------------------------------------------------------|
| <b>Test Case Name:</b>      |       | TC_26_12_2_2_5                                                                                                                                                                                                                                                                                                                                                                                                                                                                                                                                                                            |      |   |                                                                             |
| <b>Group:</b>               |       | GSM_MS_EFR_4210/EFR/                                                                                                                                                                                                                                                                                                                                                                                                                                                                                                                                                                      |      |   |                                                                             |
| <b>Purpose:</b>             |       | <p>To verify that the MS correctly applies the handover procedure from TCH/F without frequency hopping to TCH/F using full rate speech version 2 without frequency hopping in the nonsynchronized case during call establishment.</p> <p>To verify that if during call establishment a layer 3 MM or CC message just sent by the MS is not Layer 2 acknowledge before the channel change caused by the HANDOVER COMMAND message, the MS shall send the Layer 3 message to the new cell, using the same value in the N(SD) field, after the handover procedure.</p>                        |      |   |                                                                             |
| <b>Default:</b>             |       | OtherEventsFail_01                                                                                                                                                                                                                                                                                                                                                                                                                                                                                                                                                                        |      |   |                                                                             |
| Nr                          | Label | Behaviour Description                                                                                                                                                                                                                                                                                                                                                                                                                                                                                                                                                                     | CRef | V | Comments                                                                    |
| 1                           |       | START T_guard(300)                                                                                                                                                                                                                                                                                                                                                                                                                                                                                                                                                                        |      |   |                                                                             |
| 2                           |       | +EFR_BasicServiceMO(TSPX_MOBScSvcA, TSPX_MOChRateA)                                                                                                                                                                                                                                                                                                                                                                                                                                                                                                                                       |      |   |                                                                             |
| 3                           |       | (TCV_ia_ts:=TSPX_TmSltNotZero, TCV_ts:=TSPX_TmSltNotZero1, TCV_tsc:=TSPX_TscB, TCV_Cntref:=TSPX_NoOfHoAccB, TCV_Horf:=TSPX_HoRefB, TCV_Pwrlvl_ho:=INT_TO_BIT(TSPX_PwrlvlB,5), TCV_cchannel:=C_cch_1Comb, TCV_T := 20, TCV_ChMod.mode := C_ChMod_r)                                                                                                                                                                                                                                                                                                                                        |      |   | Parameters initialization for Immediate Assignment and Handover commands.   |
| 4                           |       | +IdleUpdated( C_E_default, C_CellA, C_SCH_A, C_BCCH_A_1, C_Immass, C_S0, C_SlotNU, C_SlotNU, C_SlotNU, C_BCC, C_TxInt_5, C_Max_7, C_NECI_0, C_ATT_0, TimingAdv( 30), C_BABR_0, TCV_cchannel, C_BPM_3, C_T3212_0, C_ci_cellA, C_MCC_1, C_PLMN_1, C_LAC_1, CellOpt_01, CellChDes_20_Aman, CellChDes_202_Adman, C_CellReselectHys12, C_MaxPwrLvlG, C_MaxPwrLvlD, BcchFreqLst_01, BcchFreqLst_Omit, BcchFreqLst_48, BcchFreqLst_Omit, C_noRestablishment, C_BCC, C_NCC, C_Start_Tmsi, TSPX_SDCCH4SubDef, TSPX_CKSNDDef, TSPX_RANDDef, C_arfcnA, C_arfcnAd_4, TSPX_IMSI, C_Test_fh, C_NCCP_10) |      |   |                                                                             |
| 5                           |       | +StartCellB_ho( C_E_neighbourdefault, C_BCCHcarrierB_ho, C_BCCHcarrierB_hod, C_Immass, TCV_slot, TCV_tsc, TimingAdv( TCV_T), C_TxInt_5, C_Max_7, C_NECI_0, C_ATT_0, C_BABR_0, TCV_cchannel, C_BPM_3, C_T3212_0, C_MCC_1, C_PLMN_1, C_LAC_2, CellChDes_20_Bman, CellChDes_201_Bd, BcchFreqLst_01, BcchFreqLst_48, C_noRestablishment, C_BCC_0, C_NCC_3, TSPX_k, 0)                                                                                                                                                                                                                         |      |   | The timeslots of Cells A and B are not coincident at the antenna connector. |
| 6                           |       | +FullRateCh_A_1_nociph(C_Immass, TCV_ia_ts, TCV_tsc, TCV_ChMod, FreqTCH(TSPX_TCHcarrierA_ho), FreqTCH(TSPX_TCHcarrierA_hod), TimingAdv( 30), C_BABR_0, TCV_cchannel, C_BPM_3)                                                                                                                                                                                                                                                                                                                                                                                                             |      |   | Set TCH/F nonFH on cell A                                                   |
| 7                           |       | (TCV_ch :=TCV_chTch)                                                                                                                                                                                                                                                                                                                                                                                                                                                                                                                                                                      |      |   |                                                                             |
| 8                           |       | +FullRateCh_B_1( C_Asynho, TCV_ts, TCV_tsc, ChMod_EFR2, FreqTCH(TSPX_TCHcarrierB_ho), FreqTCH(TSPX_TCHcarrierB_hod), TimingAdv( TCV_T), C_BABR_0, TCV_cchannel, C_BPM_3)                                                                                                                                                                                                                                                                                                                                                                                                                  |      |   | Set TCH/F nonFH on cellB                                                    |
| 9                           |       | +ltree_arfcnA                                                                                                                                                                                                                                                                                                                                                                                                                                                                                                                                                                             |      |   | Set the ARFCN for NonFH channel on cellA                                    |
| 10                          |       | +Est_MO_Call_init( C_CHTCHF_NonFH, MobilAlc_omit, MobilAlc_omit, TimingAdv( 30), TCV_tsc, C_one, C_one)                                                                                                                                                                                                                                                                                                                                                                                                                                                                                   |      |   | Initiate MO call on cellA                                                   |
| 11                          |       | +ltree_arfcnB                                                                                                                                                                                                                                                                                                                                                                                                                                                                                                                                                                             |      |   |                                                                             |
| 12                          | body  | +ltree_BuildHoCMD                                                                                                                                                                                                                                                                                                                                                                                                                                                                                                                                                                         |      |   |                                                                             |
| 13                          |       | (TCV_Null := OM_SendNextOnHO(TCV_chT                                                                                                                                                                                                                                                                                                                                                                                                                                                                                                                                                      |      |   |                                                                             |

|                                                                                                                                                                                         |                                                                                                                                                                                                               |                                          |                              |
|-----------------------------------------------------------------------------------------------------------------------------------------------------------------------------------------|---------------------------------------------------------------------------------------------------------------------------------------------------------------------------------------------------------------|------------------------------------------|------------------------------|
| 14                                                                                                                                                                                      | ch, TCV_Cntref)<br>LIDL_DatRqHoCmd                                                                                                                                                                            | HndOvSnd( TCV_ch,<br>TCV_HoCMD)          | HO command                   |
| 15                                                                                                                                                                                      | (TCV_ch:=TCV_chTch)                                                                                                                                                                                           |                                          |                              |
| 16                                                                                                                                                                                      | LIDL_DatRqPhyInfo                                                                                                                                                                                             | PhyInfo_01(TCV_ch,<br>TimingAdv( TCV_T)) | See Note 1.                  |
| 17                                                                                                                                                                                      | +RR_hocomp1(500,<br>TimingAdv( TCV_T))                                                                                                                                                                        |                                          | Complete the HO<br>procedure |
| 18                                                                                                                                                                                      | L?DL_DatInSetup<br>(TCV_Mt1 :=<br>DL_DatInSetup.msg.<br>mt)                                                                                                                                                   | SetupRcv(<br>SetupInd_01)                |                              |
| 19                                                                                                                                                                                      | +SendSeqNo_chk                                                                                                                                                                                                |                                          | Is N(SD) correct?            |
| 20                                                                                                                                                                                      | +ChanRel_end(<br>TCV_ch)                                                                                                                                                                                      |                                          |                              |
| 21                                                                                                                                                                                      | <b>Itree_arfcnA</b><br>[TSPC_PGSM OR TSPC_EGSM]                                                                                                                                                               |                                          |                              |
| 22                                                                                                                                                                                      | (TCV_tch_arfcn:=66)                                                                                                                                                                                           |                                          |                              |
| 23                                                                                                                                                                                      | [TSPC_DCS]                                                                                                                                                                                                    |                                          |                              |
| 24                                                                                                                                                                                      | (TCV_tch_arfcn:=791)                                                                                                                                                                                          |                                          |                              |
| 25                                                                                                                                                                                      | <b>Itree_arfcnB</b><br>[TSPC_PGSM OR TSPC_EGSM]                                                                                                                                                               |                                          |                              |
| 26                                                                                                                                                                                      | (TCV_tch_arfcn:=31,<br>TCV_chdescr_arfcn:=C_BCCHcarrierB_ho)                                                                                                                                                  |                                          |                              |
| 27                                                                                                                                                                                      | [TSPC_DCS]                                                                                                                                                                                                    |                                          |                              |
| 28                                                                                                                                                                                      | (TCV_tch_arfcn:=749,<br>TCV_chdescr_arfcn:=C_BCCHcarrierB_hod)                                                                                                                                                |                                          |                              |
| 29                                                                                                                                                                                      | <b>Itree_BuildHoCMD</b><br>[TSPC_PGSM OR TSPC_EGSM]                                                                                                                                                           |                                          |                              |
| 30                                                                                                                                                                                      | (TCV_HoCMD:=HandOverCmd_nfh( '00001'B,<br>TCV_ts, TCV_tsc, C_NCC_1, C_BCC_5,<br>TCV_chdescr_arfcn, 31, TCV_Horf,<br>TCV_Pwrlvl_ho, Synchi_omit, ChMod_omit,<br>RelTmdDif_omit, TimingAdv_omit, CphMod_omit))  |                                          |                              |
| 31                                                                                                                                                                                      | [TSPC_DCS]                                                                                                                                                                                                    |                                          |                              |
| 32                                                                                                                                                                                      | (TCV_HoCMD:=HandOverCmd_nfh( '00001'B,<br>TCV_ts, TCV_tsc, C_NCC_1, C_BCC_5,<br>TCV_chdescr_arfcn, 749, TCV_Horf,<br>TCV_Pwrlvl_ho, Synchi_omit, ChMod_omit,<br>RelTmdDif_omit, TimingAdv_omit, CphMod_omit)) |                                          |                              |
| <b>Detailed Comments:</b> HandOver from TCH/F, nonFH to TCH/F, sv2, nonFH                                                                                                               |                                                                                                                                                                                                               |                                          |                              |
| Notes:<br>1. PhyInfo is dequeued from the sending buffer, but held through OM_SendNextOnHO at the lower layers of the tester for sending till having received TCV_Cntref access bursts. |                                                                                                                                                                                                               |                                          |                              |



| Test Case Dynamic Behaviour                                                                                                                                                                                                                                                                                                                                                                                                                                                                                                                                       |       |                                                                                                                                                                                                                                                                                                                                                                                                                                                                                                                                                                                         |                              |   |                                                                             |
|-------------------------------------------------------------------------------------------------------------------------------------------------------------------------------------------------------------------------------------------------------------------------------------------------------------------------------------------------------------------------------------------------------------------------------------------------------------------------------------------------------------------------------------------------------------------|-------|-----------------------------------------------------------------------------------------------------------------------------------------------------------------------------------------------------------------------------------------------------------------------------------------------------------------------------------------------------------------------------------------------------------------------------------------------------------------------------------------------------------------------------------------------------------------------------------------|------------------------------|---|-----------------------------------------------------------------------------|
| <b>Test Case Name:</b> TC_26_12_2_2_6                                                                                                                                                                                                                                                                                                                                                                                                                                                                                                                             |       |                                                                                                                                                                                                                                                                                                                                                                                                                                                                                                                                                                                         |                              |   |                                                                             |
| <b>Group:</b> GSM_MS_EFR_4210/EFR/                                                                                                                                                                                                                                                                                                                                                                                                                                                                                                                                |       |                                                                                                                                                                                                                                                                                                                                                                                                                                                                                                                                                                                         |                              |   |                                                                             |
| <b>Purpose:</b> To verify that the MS correctly applies the handover procedure from TCH/F with frequency hopping to TCH/F using full rate speech version 2 with frequency hopping in the nonsynchronized case during call establishment.<br>To verify that if during call establishment a layer 3 MM or CC message just sent by the MS is not Layer 2 acknowledge before the channel change caused by the HANDOVER COMMAND message, the MS shall send the Layer 3 message to the new cell, using the same value in the N(SD) field, after the handover procedure. |       |                                                                                                                                                                                                                                                                                                                                                                                                                                                                                                                                                                                         |                              |   |                                                                             |
| <b>Default:</b> OtherEventsFail_01                                                                                                                                                                                                                                                                                                                                                                                                                                                                                                                                |       |                                                                                                                                                                                                                                                                                                                                                                                                                                                                                                                                                                                         |                              |   |                                                                             |
| Nr                                                                                                                                                                                                                                                                                                                                                                                                                                                                                                                                                                | Label | Behaviour Description                                                                                                                                                                                                                                                                                                                                                                                                                                                                                                                                                                   | CRef                         | V | Comments                                                                    |
| 1                                                                                                                                                                                                                                                                                                                                                                                                                                                                                                                                                                 |       | START T_guard(300)                                                                                                                                                                                                                                                                                                                                                                                                                                                                                                                                                                      |                              |   |                                                                             |
| 2                                                                                                                                                                                                                                                                                                                                                                                                                                                                                                                                                                 |       | +EFR_BasicServiceMO(TSPX_MOBScSvcA, TSPX_MOChRateA)                                                                                                                                                                                                                                                                                                                                                                                                                                                                                                                                     |                              |   |                                                                             |
| 3                                                                                                                                                                                                                                                                                                                                                                                                                                                                                                                                                                 |       | +ltree_data_init                                                                                                                                                                                                                                                                                                                                                                                                                                                                                                                                                                        |                              |   |                                                                             |
| 4                                                                                                                                                                                                                                                                                                                                                                                                                                                                                                                                                                 |       | +IdleUpdated( C_E_default, C_CellA, C_SCH_A, C_BCCH_A_1, C_Immass, C_S0, C_SlotNU, C_SlotNU, C_SlotNU, C_BCC, C_TxInt_5, C_Max_7, C_NECI_0, C_ATT_0, TimingAdv( 30), C_BABR_0, TCV_cchannel, C_BPM_3, C_T3212_0, C_ci_cellA, C_MCC_1, C_PLMN_1, C_LAC_1, CellOpt_01, CellChDes_20_Aman, CellChDes_202_Adman, C_CellReselectHys12, C_MaxPwrLvIG, C_MaxPwrLvID, BcchFreqLst_01, BcchFreqLst_Omit, BcchFreqLst_48, BcchFreqLst_Omit, C_noRestablishment, C_BCC, C_NCC, C_Start_Tmsi, TSPX_SDCCH4SubDef, TSPX_CKSNDf, TSPX_RANDDef, C_arfcnA, C_arfcnAd_4, TSPX_IMSI, C_Test_fh, C_NCCP_10) |                              |   |                                                                             |
| 5                                                                                                                                                                                                                                                                                                                                                                                                                                                                                                                                                                 |       | +StartCellB_ho( C_E_neighbourdefault, C_BCCHcarrierB_ho, C_BCCHcarrierB_hod, C_Immass, TCV_slot, TCV_tsc, TimingAdv( TCV_T), C_TxInt_5, C_Max_7, C_NECI_0, C_ATT_0, C_BABR_0, TCV_cchannel, C_BPM_3, C_T3212_0, C_MCC_1, C_PLMN_1, C_LAC_2, CellChDes_20_Bman, CellChDes_201_Bd, BcchFreqLst_01, BcchFreqLst_48, C_noRestablishment, C_BCC_0, C_NCC_3, TSPX_k, 0)                                                                                                                                                                                                                       |                              |   | The timeslots of Cells A and B are not coincident at the antenna connector. |
| 6                                                                                                                                                                                                                                                                                                                                                                                                                                                                                                                                                                 |       | +FullRateCh_A_1_nociph( C_Immass, TCV_ia_ts, TCV_tsc, TCV_ChMod, FreqTCHa_hof_ind5, FreqTCHa_hof_ind5d, TimingAdv( 30), C_BABR_0, TCV_cchannel, C_BPM_3)                                                                                                                                                                                                                                                                                                                                                                                                                                |                              |   | Set TCH/F FH on cell A                                                      |
| 7                                                                                                                                                                                                                                                                                                                                                                                                                                                                                                                                                                 |       | (TCV_ch:=TCV_chTch)                                                                                                                                                                                                                                                                                                                                                                                                                                                                                                                                                                     |                              |   | Store TCH on cell A for call setup                                          |
| 8                                                                                                                                                                                                                                                                                                                                                                                                                                                                                                                                                                 |       | +FullRateCh_B_1( C_Asynho, TCV_ts, TCV_tsc, ChMod_EFR2, FreqTCHb_hof_ind8, FreqTCHb_hof_ind8d, TimingAdv( TCV_T), C_BABR_0, TCV_cchannel, C_BPM_3)                                                                                                                                                                                                                                                                                                                                                                                                                                      |                              |   | Set TCH/F FH on cellB                                                       |
| 9                                                                                                                                                                                                                                                                                                                                                                                                                                                                                                                                                                 |       | +Est_MO_Call_init( C_CHTCHF_FH, MobilAllc_ind5A, MobilAllc_ind5Ad, TimingAdv( 30), TCV_tsc, 5, 5)                                                                                                                                                                                                                                                                                                                                                                                                                                                                                       |                              |   | Initiate MO call on cellA                                                   |
| 10                                                                                                                                                                                                                                                                                                                                                                                                                                                                                                                                                                | body  | +ltree_BuildHoCMD                                                                                                                                                                                                                                                                                                                                                                                                                                                                                                                                                                       |                              |   |                                                                             |
| 11                                                                                                                                                                                                                                                                                                                                                                                                                                                                                                                                                                |       | (TCV_Fn := OM_ComingFn( TCV_ch), TCV_Null:= OM_SendNextOn( TCV_ch, TCV_Fn), TCV_Strt := OC_StartTime( TCV_Fn,(C_StartingTimeHO + 100), 1))                                                                                                                                                                                                                                                                                                                                                                                                                                              |                              |   | Starting time is set to 1.1 s pluse 100 frames                              |
| 12                                                                                                                                                                                                                                                                                                                                                                                                                                                                                                                                                                |       | (TCV_Null := OM_SendNextOnHO(TCV_chTch, TCV_Cntref))                                                                                                                                                                                                                                                                                                                                                                                                                                                                                                                                    |                              |   |                                                                             |
| 13                                                                                                                                                                                                                                                                                                                                                                                                                                                                                                                                                                |       | LIDL_DatRqHoCmd( DL_DatRqHoCmd.msg.strt:= TCV_Strt)                                                                                                                                                                                                                                                                                                                                                                                                                                                                                                                                     | HndOvSnd( TCV_ch, TCV_HoCMD) |   | HO command                                                                  |
| 14                                                                                                                                                                                                                                                                                                                                                                                                                                                                                                                                                                |       | (TCV_ch:=TCV_chTch)                                                                                                                                                                                                                                                                                                                                                                                                                                                                                                                                                                     |                              |   |                                                                             |

|                         |                                                                                                                                                                                                                                                                                                                     |                                       |                                                                           |
|-------------------------|---------------------------------------------------------------------------------------------------------------------------------------------------------------------------------------------------------------------------------------------------------------------------------------------------------------------|---------------------------------------|---------------------------------------------------------------------------|
| 15                      | L!DL_DatRqPhyinfo                                                                                                                                                                                                                                                                                                   | PhyInfo_01(TCV_ch, TimingAdv( TCV_T)) | See Note 1.                                                               |
| 16                      | +RR_hocomp1(500, TimingAdv( TCV_T))                                                                                                                                                                                                                                                                                 |                                       | Complete the HO procedure                                                 |
| 17                      | L?DL_DatInSetup (TCV_Mt1 := DL_DatInSetup.msg.mt)                                                                                                                                                                                                                                                                   | SetupRcv( SetupInd_01)                |                                                                           |
| 18                      | +SendSeqNo_chk                                                                                                                                                                                                                                                                                                      |                                       | Is N(SD) correct?                                                         |
| 19                      | +ChanRel_end( TCV_ch)                                                                                                                                                                                                                                                                                               |                                       |                                                                           |
| <b>Itree_data_init</b>  |                                                                                                                                                                                                                                                                                                                     |                                       |                                                                           |
| 20                      | [TSPC_PGSM OR TSPC_EGSM]                                                                                                                                                                                                                                                                                            |                                       |                                                                           |
| 21                      | (TCV_ia_ts:=TSPX_TmSlitNotZero, TCV_ts:='000'B, TCV_tsc:=TSPX_TscC, TCV_Cntref:=TSPX_NoOfHoAccC, TCV_Horf:=TSPX_HoRefC, TCV_Pwrlvl_ho:=INT_TO_BIT(TSPX_PwrlvlC,5), TCV_cchannel:=C_cch_1Comb, TCV_T := 20, TCV_ChMod.mode := C_ChMod_r)                                                                             |                                       | Parameters initialization for Immediate Assignment and Handover commands. |
| 22                      | [TSPC_DCS]                                                                                                                                                                                                                                                                                                          |                                       |                                                                           |
| 23                      | (TCV_ia_ts:=TSPX_TmSlitNotZero, TCV_ts:=TSPX_TmSlitNotZero1, TCV_tsc:=TSPX_TscC, TCV_Cntref:=TSPX_NoOfHoAccC, TCV_Horf:=TSPX_HoRefC, TCV_Pwrlvl_ho:=INT_TO_BIT(TSPX_PwrlvlC,5), TCV_cchannel:=C_cch_1Comb, TCV_T := 20, TCV_ChMod.mode := C_ChMod_r)                                                                |                                       |                                                                           |
| <b>Itree_BuildHoCMD</b> |                                                                                                                                                                                                                                                                                                                     |                                       |                                                                           |
| 24                      | [TSPC_PGSM OR TSPC_EGSM]                                                                                                                                                                                                                                                                                            |                                       |                                                                           |
| 25                      | (TCV_HoCMD:=HandOverCmd_fh( '00001'B, TCV_ts, TSPX_TscB, C_NCC_3, C_BCC_0, C_BCCHcarrierB_ho, 8, TSPX_HSN, TCV_Horf, TCV_Pwrlvl_ho, Synchi(C_not_report_otd, C_non_synchronised), Frql_omit, Frql_ind8B, CellChDes_Omit, ChMod_omit, Freqchseq_omit, MoblAllc_omit, RelTmdDif_omit, TimingAdv_omit, CphMod_omit))   |                                       |                                                                           |
| 26                      | [TSPC_DCS]                                                                                                                                                                                                                                                                                                          |                                       |                                                                           |
| 27                      | (TCV_HoCMD:=HandOverCmd_fh( '00001'B, TCV_ts, TSPX_TscB, C_NCC_3, C_BCC_0, C_BCCHcarrierB_hod, 8, TSPX_HSN, TCV_Horf, TCV_Pwrlvl_ho, Synchi(C_not_report_otd, C_non_synchronised), Frql_omit, Frql_ind8Bd, CellChDes_Omit, ChMod_omit, Freqchseq_omit, MoblAllc_omit, RelTmdDif_omit, TimingAdv_omit, CphMod_omit)) |                                       |                                                                           |

**Detailed Comments:** HO from TCH/F, FH to TCH/F, sv2, FH

**Notes:**  
 1. PhyInfo is dequeued from the sending buffer, but held through OM\_SendNextOnHO at the lower layers of the tester for sending till having received TCV\_Cntref access bursts.

| Test Case Dynamic Behaviour |       |                                                                                                                                                                                                                                                                                                                                                                                                                                                                                                                                                                                         |      |   |                                                                             |
|-----------------------------|-------|-----------------------------------------------------------------------------------------------------------------------------------------------------------------------------------------------------------------------------------------------------------------------------------------------------------------------------------------------------------------------------------------------------------------------------------------------------------------------------------------------------------------------------------------------------------------------------------------|------|---|-----------------------------------------------------------------------------|
| <b>Test Case Name:</b>      |       | TC_26_12_2_2_7                                                                                                                                                                                                                                                                                                                                                                                                                                                                                                                                                                          |      |   |                                                                             |
| <b>Group:</b>               |       | GSM_MS_EFR_4210/EFR/                                                                                                                                                                                                                                                                                                                                                                                                                                                                                                                                                                    |      |   |                                                                             |
| <b>Purpose:</b>             |       | <p>To verify that the MS correctly applies the handover procedure from TCH/F with frequency hopping to TCH/F using full rate speech version 2 without frequency hopping in the nonsynchronized case during call establishment.</p> <p>To verify that if during call establishment a layer 3 MM or CC message just sent by the MS is not Layer 2 acknowledge before the channel change caused by the HANDOVER COMMAND message, the MS shall send the Layer 3 message to the new cell, using the same value in the N(SD) field, after the handover procedure.</p>                         |      |   |                                                                             |
| <b>Default:</b>             |       | OtherEventsFail_01                                                                                                                                                                                                                                                                                                                                                                                                                                                                                                                                                                      |      |   |                                                                             |
| Nr                          | Label | Behaviour Description                                                                                                                                                                                                                                                                                                                                                                                                                                                                                                                                                                   | CRef | V | Comments                                                                    |
| 1                           |       | START T_guard(300)                                                                                                                                                                                                                                                                                                                                                                                                                                                                                                                                                                      |      |   |                                                                             |
| 2                           |       | +EFR_BasicServiceMO(TSPX_MOBScSvcA, TSPX_MOChRateA)                                                                                                                                                                                                                                                                                                                                                                                                                                                                                                                                     |      |   |                                                                             |
| 3                           |       | (TCV_ia_ts:=TSPX_TmSlTNotZero, TCV_ts:=000'B, TCV_tsc:=TSPX_TscA, TCV_Cntref:=TSPX_NoOfHoAccA, TCV_Horf:=TSPX_HoRefA, TCV_Pwrlvl_ho:=INT_TO_BIT(TSPX_PwrlvlA,5), TCV_cchannel:=C_cch_1Comb, TCV_T := 20, TCV_ChMod.mode := C_ChMod_r)                                                                                                                                                                                                                                                                                                                                                   |      |   | Parameters initialization for Immediate Assignment and Handover commands.   |
| 4                           |       | +IdleUpdated( C_E_default, C_CellA, C_SCH_A, C_BCCH_A_1, C_Immass, C_S0, C_SlotNU, C_SlotNU, C_SlotNU, C_BCC, C_TxInt_5, C_Max_7, C_NECl_0, C_ATT_0, TimingAdv( 30), C_BABR_0, TCV_cchannel, C_BPM_3, C_T3212_0, C_ci_cellA, C_MCC_1, C_PLMN_1, C_LAC_1, CellOpt_01, CellChDes_20_Aman, CellChDes_202_Adman, C_CellReselectHys12, C_MaxPwrLvlG, C_MaxPwrLvlD, BcchFreqLst_01, BcchFreqLst_Omit, BcchFreqLst_48, BcchFreqLst_Omit, C_noReestablishment, C_BCC, C_NCC, C_Start_Tmsi, TSPX_SDCCH4SubDef, TSPX_CKSNDf, TSPX_RANDDf, C_arfcnA, C_arfcnAd_4, TSPX_IMSI, C_Test_fh, C_NCCP_10) |      |   |                                                                             |
| 5                           |       | +StartCellB_ho( C_E_neighbourdefault, C_BCCHcarrierB_ho, C_BCCHcarrierB_hod, C_Immass, TCV_slot, TCV_tsc, TimingAdv( TCV_T), C_TxInt_5, C_Max_7, C_NECl_0, C_ATT_0, C_BABR_0, TCV_cchannel, C_BPM_3, C_T3212_0, C_MCC_1, C_PLMN_1, C_LAC_2, CellChDes_20_Bman, CellChDes_201_Bd, BcchFreqLst_01, BcchFreqLst_48, C_noReestablishment, C_BCC_0, C_NCC_3, TSPX_k, 0)                                                                                                                                                                                                                      |      |   | The timeslots of Cells A and B are not coincident at the antenna connector. |
| 6                           |       | +FullRateCh_A_1_nociph( C_Immass, TCV_ia_ts, TCV_tsc, TCV_ChMod, FreqTCHa_hof_ind3, FreqTCHa_hof_ind3d, TimingAdv( 30), C_BABR_0, TCV_cchannel, C_BPM_3)                                                                                                                                                                                                                                                                                                                                                                                                                                |      |   | Set TCH/F FH on cell A                                                      |
| 7                           |       | (TCV_ch :=TCV_chTch)                                                                                                                                                                                                                                                                                                                                                                                                                                                                                                                                                                    |      |   |                                                                             |
| 8                           |       | +FullRateCh_B_1( C_Asynho, TCV_ts, TCV_tsc, ChMod_EFR2, FreqTCH(TSPX_TCHcarrierB_ho), FreqTCH(TSPX_TCHcarrierB_hod), TimingAdv( TCV_T), C_BABR_0, TCV_cchannel, C_BPM_3)                                                                                                                                                                                                                                                                                                                                                                                                                |      |   | Set TCH/F nonFH on cellB                                                    |
| 9                           |       | +Est_MO_Call_init( C_CHTCHF_FH, MobilAllc_281, MobilAllc_ad281d, TimingAdv( 30), TCV_tsc, 3, 3)                                                                                                                                                                                                                                                                                                                                                                                                                                                                                         |      |   | Initiate MO call on cellA                                                   |
| 10                          |       | +ltree_arfcnB                                                                                                                                                                                                                                                                                                                                                                                                                                                                                                                                                                           |      |   |                                                                             |
| 11                          |       | (TCV_HoCMD:= HandOverCmd_nfh( '00001'B, TCV_ts, TCV_tsc, C_NCC_3, C_BCC_0, TCV_chdescr_arfcn, TCV_tch_arfcn, TCV_Horf, TCV_Pwrlvl_ho, Synchi_omit, ChMod_omit, RelTmdDif_omit, TimingAdv_omit, CphMod_omit))                                                                                                                                                                                                                                                                                                                                                                            |      |   |                                                                             |
| 12                          |       | (TCV_Null :=                                                                                                                                                                                                                                                                                                                                                                                                                                                                                                                                                                            |      |   |                                                                             |

|                                                                                                                                                                                         |                                                                              |                                       |                           |
|-----------------------------------------------------------------------------------------------------------------------------------------------------------------------------------------|------------------------------------------------------------------------------|---------------------------------------|---------------------------|
| 13                                                                                                                                                                                      | OM_SendNextOnHO(TCV_ch, TCV_Cntref)<br>L!DL_DatRqHoCmd                       | HndOvSnd( TCV_ch, TCV_HoCMD)          | HO command                |
| 14                                                                                                                                                                                      | (TCV_ch:=TCV_chTch)                                                          |                                       |                           |
| 15                                                                                                                                                                                      | L!DL_DatRqPhyinfo                                                            | PhyInfo_01(TCV_ch, TimingAdv( TCV_T)) | See Note 1.               |
| 16                                                                                                                                                                                      | +RR_hocomp1(500, TimingAdv( TCV_T))                                          |                                       | Complete the HO procedure |
| 17                                                                                                                                                                                      | L?DL_DatInSetup (TCV_Mt1 := DL_DatInSetup.msg.mt)                            | SetupRcv( SetupInd_01)                |                           |
| 18                                                                                                                                                                                      | +SendSeqNo_chk                                                               |                                       | Is N(SD) correct?         |
| 19                                                                                                                                                                                      | +ChanRel_end( TCV_ch)                                                        |                                       |                           |
| 20                                                                                                                                                                                      | <b>ltree_arfcnB</b><br>[TSPC_PGSM OR TSPC_EGSM]                              |                                       |                           |
| 21                                                                                                                                                                                      | (TCV_tch_arfcn:=TSPX_TCHcarrierB_ho, TCV_chdescr_arfcn:=C_BCCHcarrierB_ho)   |                                       |                           |
| 22                                                                                                                                                                                      | [TSPC_DCS]                                                                   |                                       |                           |
| 23                                                                                                                                                                                      | (TCV_tch_arfcn:=TSPX_TCHcarrierB_hod, TCV_chdescr_arfcn:=C_BCCHcarrierB_hod) |                                       |                           |
| <b>Detailed Comments:</b> HandOver from TCH/F, FH to TCH/F, sv2, nonFH                                                                                                                  |                                                                              |                                       |                           |
| Notes:<br>1. PhyInfo is dequeued from the sending buffer, but held through OM_SendNextOnHO at the lower layers of the tester for sending till having received TCV_Cntref access bursts. |                                                                              |                                       |                           |

| Test Case Dynamic Behaviour |       |                                                                                                                                                                                                                                                                                                                                                                                                                                                                                                                                                                                         |                              |   |                                                                             |
|-----------------------------|-------|-----------------------------------------------------------------------------------------------------------------------------------------------------------------------------------------------------------------------------------------------------------------------------------------------------------------------------------------------------------------------------------------------------------------------------------------------------------------------------------------------------------------------------------------------------------------------------------------|------------------------------|---|-----------------------------------------------------------------------------|
| <b>Test Case Name:</b>      |       | TC_26_12_2_2_8                                                                                                                                                                                                                                                                                                                                                                                                                                                                                                                                                                          |                              |   |                                                                             |
| <b>Group:</b>               |       | GSM_MS_EFR_4210/EFR/                                                                                                                                                                                                                                                                                                                                                                                                                                                                                                                                                                    |                              |   |                                                                             |
| <b>Purpose:</b>             |       | <p>To verify that the MS correctly applies the handover procedure from TCH/H without frequency hopping to TCH/F using full rate speech version 2 with frequency hopping in the nonsynchronized case during call establishment.</p> <p>To verify that if during call establishment a layer 3 MM or CC message just sent by the MS is not Layer 2 acknowledge before the channel change caused by the HANDOVER COMMAND message, the MS shall send the Layer 3 message to the new cell, using the same value in the N(SD) field, after the handover procedure.</p>                         |                              |   |                                                                             |
| <b>Default:</b>             |       | OtherEventsFail_01                                                                                                                                                                                                                                                                                                                                                                                                                                                                                                                                                                      |                              |   |                                                                             |
| Nr                          | Label | Behaviour Description                                                                                                                                                                                                                                                                                                                                                                                                                                                                                                                                                                   | CRef                         | V | Comments                                                                    |
| 1                           |       | START T_guard(300)                                                                                                                                                                                                                                                                                                                                                                                                                                                                                                                                                                      |                              |   |                                                                             |
| 2                           |       | +EFR_BasicServiceMO(TSPX_MOBScSvcA, TSPX_MOChRateA)                                                                                                                                                                                                                                                                                                                                                                                                                                                                                                                                     |                              |   |                                                                             |
| 3                           |       | (TCV_ia_ts:=TSPX_TmSlitNotZero, TCV_ts:=TSPX_TmSlitNotZero1, TCV_tsc:=TSPX_TscA, TCV_Cntref:=TSPX_NoOfHoAccA, TCV_Horf:=TSPX_HoRefA, TCV_Pwrlvl_ho:=INT_TO_BIT(TSPX_PwrlvlA,5), TCV_cchannel:=C_cch_1Comb, TCV_T := 20)                                                                                                                                                                                                                                                                                                                                                                 |                              |   | Parameters initialization for Immediate Assignment and Handover commands.   |
| 4                           |       | +IdleUpdated( C_E_default, C_CellA, C_SCH_A, C_BCCH_A_1, C_Immass, C_S0, C_SlotNU, C_SlotNU, C_SlotNU, C_BCC, C_TxInt_5, C_Max_7, C_NECl_0, C_ATT_0, TimingAdv( 30), C_BABR_0, TCV_cchannel, C_BPM_3, C_T3212_0, C_ci_cellA, C_MCC_1, C_PLMN_1, C_LAC_1, CellOpt_01, CellChDes_20_Aman, CellChDes_202_Adman, C_CellReselectHys12, C_MaxPwrLvlG, C_MaxPwrLvlD, BcchFreqLst_01, BcchFreqLst_Omit, BcchFreqLst_48, BcchFreqLst_Omit, C_noReestablishment, C_BCC, C_NCC, C_Start_Tmsi, TSPX_SDCCH4SubDef, TSPX_CKSNDf, TSPX_RANDDf, C_arfcnA, C_arfcnAd_4, TSPX_IMSI, C_Test_fh, C_NCCP_10) |                              |   |                                                                             |
| 5                           |       | +StartCellB_ho( C_E_neighbourdefault, C_BCCHcarrierB_ho, C_BCCHcarrierB_hod, C_Immass, TCV_slot, TCV_tsc, TimingAdv( TCV_T), C_TxInt_5, C_Max_7, C_NECl_0, C_ATT_0, C_BABR_0, TCV_cchannel, C_BPM_3, C_T3212_0, C_MCC_1, C_PLMN_1, C_LAC_2, CellChDes_20_Bman, CellChDes_201_Bd, BcchFreqLst_01, BcchFreqLst_48, C_noReestablishment, C_BCC_0, C_NCC_3, TSPX_k, 0)                                                                                                                                                                                                                      |                              |   | The timeslots of Cells A and B are not coincident at the antenna connector. |
| 6                           |       | +HalfRateCh_A_1( TSPX_TCHHSubDef, C_Immass, TCV_ia_ts, TCV_tsc, TCV_ChMod, FreqTCH_omit, FreqTCH_omit, TSPX_TCHcarrierA_ho, TSPX_TCHcarrierA_hod, TimingAdv( 30), C_BABR_0, TCV_cchannel, C_BPM_3)                                                                                                                                                                                                                                                                                                                                                                                      |                              |   | Set TCH/H nonFH on cell A                                                   |
| 7                           |       | (TCV_ch :=TCV_chTch)                                                                                                                                                                                                                                                                                                                                                                                                                                                                                                                                                                    |                              |   |                                                                             |
| 8                           |       | +FullRateCh_B_1( C_Asynho, TCV_ts, TCV_tsc, ChMod_EFR2, FreqTCHb_hof1, FreqTCHb_hof1d, TimingAdv( TCV_T), C_BABR_0, TCV_cchannel, C_BPM_3)                                                                                                                                                                                                                                                                                                                                                                                                                                              |                              |   | Set TCH/F FH on cellB                                                       |
| 9                           |       | +ltree_arfcnA                                                                                                                                                                                                                                                                                                                                                                                                                                                                                                                                                                           |                              |   | Set the ARFCN for NonFH channel on cellA                                    |
| 10                          |       | +Est_MO_Call_init( C_CHTCHH_NonFH, MobilAllc_omit, MobilAllc_omit, TimingAdv( 30), TCV_tsc, C_one, C_one)                                                                                                                                                                                                                                                                                                                                                                                                                                                                               |                              |   | Initiate MO call on cellA                                                   |
| 11                          | body  | +ltree_BuildHoCMD                                                                                                                                                                                                                                                                                                                                                                                                                                                                                                                                                                       |                              |   |                                                                             |
| 12                          |       | (TCV_Null := OM_SendNextOnHO(TCV_chTch, TCV_Cntref))                                                                                                                                                                                                                                                                                                                                                                                                                                                                                                                                    |                              |   |                                                                             |
| 13                          |       | LIDL_DatRqHoCmd                                                                                                                                                                                                                                                                                                                                                                                                                                                                                                                                                                         | HndOvSnd( TCV_ch, TCV_HoCMD) |   | HO command                                                                  |

|                                                                                                                                                                               |                                                                                                                                                                                                                                                                                                                                       |                                          |                              |
|-------------------------------------------------------------------------------------------------------------------------------------------------------------------------------|---------------------------------------------------------------------------------------------------------------------------------------------------------------------------------------------------------------------------------------------------------------------------------------------------------------------------------------|------------------------------------------|------------------------------|
| 14                                                                                                                                                                            | (TCV_ch:=TCV_chTch)                                                                                                                                                                                                                                                                                                                   |                                          |                              |
| 15                                                                                                                                                                            | LIDL_DatRqPhyinfo                                                                                                                                                                                                                                                                                                                     | PhyInfo_01(TCV_ch,<br>TimingAdv( TCV_T)) | See Note 1.                  |
| 16                                                                                                                                                                            | +RR_hocomp1(500,<br>TimingAdv( TCV_T))                                                                                                                                                                                                                                                                                                |                                          | Complete the HO<br>procedure |
| 17                                                                                                                                                                            | L?DL_DatInSetup<br>(TCV_Mt1 :=<br>DL_DatInSetup.msg.<br>mt)                                                                                                                                                                                                                                                                           | SetupRcv(<br>SetupInd_01)                |                              |
| 18                                                                                                                                                                            | +SendSeqNo_chk                                                                                                                                                                                                                                                                                                                        |                                          | Is N(SD) correct?            |
| 19                                                                                                                                                                            | +ChanRel_end(<br>TCV_ch)                                                                                                                                                                                                                                                                                                              |                                          |                              |
|                                                                                                                                                                               | <b>Itree_arfcnA</b>                                                                                                                                                                                                                                                                                                                   |                                          |                              |
| 20                                                                                                                                                                            | [TSPC_PGSM OR TSPC_EGSM]                                                                                                                                                                                                                                                                                                              |                                          |                              |
| 21                                                                                                                                                                            | (TCV_tch_arfcn:=66)                                                                                                                                                                                                                                                                                                                   |                                          |                              |
| 22                                                                                                                                                                            | [TSPC_DCS]                                                                                                                                                                                                                                                                                                                            |                                          |                              |
| 23                                                                                                                                                                            | (TCV_tch_arfcn:=754)                                                                                                                                                                                                                                                                                                                  |                                          |                              |
|                                                                                                                                                                               | <b>Itree_BuildHoCMD</b>                                                                                                                                                                                                                                                                                                               |                                          |                              |
| 24                                                                                                                                                                            | [TSPC_PGSM OR TSPC_EGSM]                                                                                                                                                                                                                                                                                                              |                                          |                              |
| 25                                                                                                                                                                            | (TCV_HoCMD:=HandOverCmd_fh( '00001'B,<br>TCV_ts, TCV_tsc, C_NCC_1, C_BCC_5,<br>C_BCCHcarrierB_ho, 12, TSPX_HSN, TCV_Horf,<br>TCV_Pwrlvl_ho, Synchi(C_not_report_otd,<br>C_non_synchronised), Frql_omit, Frql_20_B3,<br>CellChDes_Omit, ChMod_omit, Freqchseq_omit,<br>MobiAllc_omit, RelTmdDif_omit, TimingAdv_omit,<br>CphMod_omit)) |                                          |                              |
| 26                                                                                                                                                                            | [TSPC_DCS]                                                                                                                                                                                                                                                                                                                            |                                          |                              |
| 27                                                                                                                                                                            | (TCV_HoCMD:=HandOverCmd_fh( '00001'B,<br>TCV_ts, TCV_tsc, C_NCC_1, C_BCC_5,<br>C_BCCHcarrierB_hod, 12, TSPX_HSN, TCV_Horf,<br>TCV_Pwrlvl_ho, Synchi_omit, Frql_20_B3d,<br>Frql_omit, CellChDes_Omit, ChMod_omit,<br>Freqchseq_omit, MobiAllc_omit, RelTmdDif_omit,<br>TimingAdv_omit, CphMod_omit))                                   |                                          |                              |
| <b>Detailed Comments:</b> HandOver from TCH/H, nonFH to TCH/F, sv2, FH                                                                                                        |                                                                                                                                                                                                                                                                                                                                       |                                          |                              |
| Notes:                                                                                                                                                                        |                                                                                                                                                                                                                                                                                                                                       |                                          |                              |
| 1. PhyInfo is dequeued from the sending buffer, but held through OM_SendNextOnHO at the lower layers of the tester for sending till having received TCV_Cntref access bursts. |                                                                                                                                                                                                                                                                                                                                       |                                          |                              |

| Test Case Dynamic Behaviour |       |                                                                                                                                                                                                                                                                                                                                                                                                                                                                                                                                                                                         |      |   |                                                                             |
|-----------------------------|-------|-----------------------------------------------------------------------------------------------------------------------------------------------------------------------------------------------------------------------------------------------------------------------------------------------------------------------------------------------------------------------------------------------------------------------------------------------------------------------------------------------------------------------------------------------------------------------------------------|------|---|-----------------------------------------------------------------------------|
| <b>Test Case Name:</b>      |       | TC_26_12_2_2_9                                                                                                                                                                                                                                                                                                                                                                                                                                                                                                                                                                          |      |   |                                                                             |
| <b>Group:</b>               |       | GSM_MS_EFR_4210/EFR/                                                                                                                                                                                                                                                                                                                                                                                                                                                                                                                                                                    |      |   |                                                                             |
| <b>Purpose:</b>             |       | <p>To verify that the MS correctly applies the handover procedure from TCH/H without frequency hopping to TCH/F using full rate speech version 2 without frequency hopping in the nonsynchronized case during call establishment.</p> <p>To verify that if during call establishment a layer 3 MM or CC message just sent by the MS is not Layer 2 acknowledge before the channel change caused by the HANDOVER COMMAND message, the MS shall send the Layer 3 message to the new cell, using the same value in the N(SD) field, after the handover procedure.</p>                      |      |   |                                                                             |
| <b>Default:</b>             |       | OtherEventsFail_01                                                                                                                                                                                                                                                                                                                                                                                                                                                                                                                                                                      |      |   |                                                                             |
| Nr                          | Label | Behaviour Description                                                                                                                                                                                                                                                                                                                                                                                                                                                                                                                                                                   | CRef | V | Comments                                                                    |
| 1                           |       | START T_guard(300)                                                                                                                                                                                                                                                                                                                                                                                                                                                                                                                                                                      |      |   |                                                                             |
| 2                           |       | +EFR_BasicServiceMO(TSPX_MOBScSvcA, TSPX_MOChRateA)                                                                                                                                                                                                                                                                                                                                                                                                                                                                                                                                     |      |   |                                                                             |
| 3                           |       | (TCV_ia_ts:=TSPX_TmSlitNotZero, TCV_ts:=TSPX_TmSlitNotZero1, TCV_tsc:=TSPX_TscB, TCV_Cntref:=TSPX_NoOfHoAccB, TCV_Horf:=TSPX_HoRefB, TCV_Pwrlvl_ho:=INT_TO_BIT(TSPX_PwrlvlB,5), TCV_cchannel:=C_cch_1Comb, TCV_T := 20)                                                                                                                                                                                                                                                                                                                                                                 |      |   | Parameters initialization for Immediate Assignment and Handover commands.   |
| 4                           |       | +IdleUpdated( C_E_default, C_CellA, C_SCH_A, C_BCCH_A_1, C_Immass, C_S0, C_SlotNU, C_SlotNU, C_SlotNU, C_BCC, C_TxInt_5, C_Max_7, C_NECl_0, C_ATT_0, TimingAdv( 30), C_BABR_0, TCV_cchannel, C_BPM_3, C_T3212_0, C_ci_cellA, C_MCC_1, C_PLMN_1, C_LAC_1, CellOpt_01, CellChDes_20_Aman, CellChDes_202_Adman, C_CellReselectHys12, C_MaxPwrLvlG, C_MaxPwrLvlD, BcchFreqLst_01, BcchFreqLst_Omit, BcchFreqLst_48, BcchFreqLst_Omit, C_noReestablishment, C_BCC, C_NCC, C_Start_Tmsi, TSPX_SDCCH4SubDef, TSPX_CKSNDf, TSPX_RANDDf, C_arfcnA, C_arfcnAd_4, TSPX_IMSI, C_Test_fh, C_NCCP_10) |      |   |                                                                             |
| 5                           |       | +StartCellB_ho( C_E_neighbourdefault, C_BCCHcarrierB_ho, C_BCCHcarrierB_hod, C_Immass, TCV_slot, TCV_tsc, TimingAdv( TCV_T), C_TxInt_5, C_Max_7, C_NECl_0, C_ATT_0, C_BABR_0, TCV_cchannel, C_BPM_3, C_T3212_0, C_MCC_1, C_PLMN_1, C_LAC_2, CellChDes_20_Bman, CellChDes_201_Bd, BcchFreqLst_01, BcchFreqLst_48, C_noReestablishment, C_BCC_0, C_NCC_3, TSPX_k, 0)                                                                                                                                                                                                                      |      |   | The timeslots of Cells A and B are not coincident at the antenna connector. |
| 6                           |       | +HalfRateCh_A_1( TSPX_TCHHSubDef, C_Immass, TCV_ia_ts, TCV_tsc, TCV_ChMod, FreqTCH_omit, FreqTCH_omit, TSPX_TCHcarrierA_ho, TSPX_TCHcarrierA_hod, TimingAdv( 30), C_BABR_0, TCV_cchannel, C_BPM_3)                                                                                                                                                                                                                                                                                                                                                                                      |      |   | Set TCH/H nonFH on cell A                                                   |
| 7                           |       | (TCV_ch :=TCV_chTch)                                                                                                                                                                                                                                                                                                                                                                                                                                                                                                                                                                    |      |   |                                                                             |
| 8                           |       | +FullRateCh_B_1( C_Asynho, TCV_ts, TCV_tsc, ChMod_EFR2, FreqTCH(TSPX_TCHcarrierB_ho), FreqTCH(TSPX_TCHcarrierB_hod), TimingAdv( TCV_T), C_BABR_0, TCV_cchannel, C_BPM_3)                                                                                                                                                                                                                                                                                                                                                                                                                |      |   | Set TCH/F nonFH on cellB                                                    |
| 9                           |       | +ltree_arfcnA                                                                                                                                                                                                                                                                                                                                                                                                                                                                                                                                                                           |      |   | Set the ARFCN for NonFH channel on cellA                                    |
| 10                          |       | +Est_MO_Call_init( C_CHTCHH_NonFH, MobilAlc_omit, MobilAlc_omit, TimingAdv( 30), TCV_tsc, C_one, C_one)                                                                                                                                                                                                                                                                                                                                                                                                                                                                                 |      |   |                                                                             |
| 11                          |       | +ltree_arfcnB                                                                                                                                                                                                                                                                                                                                                                                                                                                                                                                                                                           |      |   |                                                                             |
| 12                          | body  | +ltree_BuildHoCMD                                                                                                                                                                                                                                                                                                                                                                                                                                                                                                                                                                       |      |   |                                                                             |
| 13                          |       | (TCV_Fn := OM_ComingFn( TCV_ch), TCV_Null:= OM_SendNextOn( TCV_ch,                                                                                                                                                                                                                                                                                                                                                                                                                                                                                                                      |      |   | starting time is set to 1.1 s pluse 100 frames                              |

|                                                                                                                                                                               |                                                                                                                                                                                                               |                                          |             |
|-------------------------------------------------------------------------------------------------------------------------------------------------------------------------------|---------------------------------------------------------------------------------------------------------------------------------------------------------------------------------------------------------------|------------------------------------------|-------------|
| 14                                                                                                                                                                            | TCV_Fn), TCV_Strt :=<br>OC_StartTime(<br>TCV_Fn,(C_StartingTimeHO<br>+ 100), 1))<br>(TCV_Null :=<br>OM_SendNextOnHO(TCV_<br>chTch, TCV_Cntref))                                                               |                                          |             |
| 15                                                                                                                                                                            | L!DL_DatRqHoCmd(<br>DL_DatRqHoCmd.msg.str<br>t:= TCV_Strt)                                                                                                                                                    | HndOvSnd( TCV_ch,<br>TCV_HoCMD)          |             |
| 16                                                                                                                                                                            | (TCV_ch:=TCV_chTch)                                                                                                                                                                                           |                                          |             |
| 17                                                                                                                                                                            | L!DL_DatRqPhyinfo                                                                                                                                                                                             | PhyInfo_01(TCV_ch,<br>TimingAdv( TCV_T)) | See Note 1. |
| 18                                                                                                                                                                            | +RR_hocomp1(500,<br>TimingAdv(<br>TCV_T))                                                                                                                                                                     |                                          |             |
| 19                                                                                                                                                                            | L?DL_DatInSetup<br>(TCV_Mt1 :=<br>DL_DatInSetup.m<br>sg.mt)                                                                                                                                                   | SetupRcv(<br>SetupInd_01)                |             |
| 20                                                                                                                                                                            | +SendSeqNo_c<br>hk                                                                                                                                                                                            |                                          |             |
| 21                                                                                                                                                                            | +ChanRel_en<br>d( TCV_ch)                                                                                                                                                                                     |                                          |             |
| 22                                                                                                                                                                            | <b>Itree_arfcnA</b><br>[TSPC_PGSM OR TSPC_EGSM]                                                                                                                                                               |                                          |             |
| 23                                                                                                                                                                            | (TCV_tch_arfcn:=66)                                                                                                                                                                                           |                                          |             |
| 24                                                                                                                                                                            | [TSPC_DCS]                                                                                                                                                                                                    |                                          |             |
| 25                                                                                                                                                                            | (TCV_tch_arfcn:=791)                                                                                                                                                                                          |                                          |             |
| 26                                                                                                                                                                            | <b>Itree_arfcnB</b><br>[TSPC_PGSM OR TSPC_EGSM]                                                                                                                                                               |                                          |             |
| 27                                                                                                                                                                            | (TCV_tch_arfcn:=31,<br>TCV_chdescr_arfcn:=C_BCCHcarrierB_ho)                                                                                                                                                  |                                          |             |
| 28                                                                                                                                                                            | [TSPC_DCS]                                                                                                                                                                                                    |                                          |             |
| 29                                                                                                                                                                            | (TCV_tch_arfcn:=749,<br>TCV_chdescr_arfcn:=C_BCCHcarrierB_hod)                                                                                                                                                |                                          |             |
| 30                                                                                                                                                                            | <b>Itree_BuildHoCMD</b><br>[TSPC_PGSM OR TSPC_EGSM]                                                                                                                                                           |                                          |             |
| 31                                                                                                                                                                            | (TCV_HoCMD:=HandOverCmd_nfh( '00001'B,<br>TCV_ts, TCV_tsc, C_NCC_1, C_BCC_5,<br>TCV_chdescr_arfcn, 31, TCV_Horf,<br>TCV_Pwrlvl_ho, Synchi_omit, ChMod_omit,<br>RelTmdDif_omit, TimingAdv_omit, CphMod_omit))  |                                          |             |
| 32                                                                                                                                                                            | [TSPC_DCS]                                                                                                                                                                                                    |                                          |             |
| 33                                                                                                                                                                            | (TCV_HoCMD:=HandOverCmd_nfh( '00001'B,<br>TCV_ts, TCV_tsc, C_NCC_1, C_BCC_5,<br>TCV_chdescr_arfcn, 749, TCV_Horf,<br>TCV_Pwrlvl_ho, Synchi_omit, ChMod_omit,<br>RelTmdDif_omit, TimingAdv_omit, CphMod_omit)) |                                          |             |
| <b>Detailed Comments:</b> HandOver from TCH/H, nonFH to TCH/F, sv2, nonFH                                                                                                     |                                                                                                                                                                                                               |                                          |             |
| <b>Notes:</b>                                                                                                                                                                 |                                                                                                                                                                                                               |                                          |             |
| 1. PhyInfo is dequeued from the sending buffer, but held through OM_SendNextOnHO at the lower layers of the tester for sending till having received TCV_Cntref access bursts. |                                                                                                                                                                                                               |                                          |             |



| Test Case Dynamic Behaviour                                                                                                                                                                                                                                                                                                                                                                                                                                                                                                                                          |       |                                                                                                                                                                                                                                                                                                                                                                                                                                                                                                                                                                                         |                                       |   |                                                                             |
|----------------------------------------------------------------------------------------------------------------------------------------------------------------------------------------------------------------------------------------------------------------------------------------------------------------------------------------------------------------------------------------------------------------------------------------------------------------------------------------------------------------------------------------------------------------------|-------|-----------------------------------------------------------------------------------------------------------------------------------------------------------------------------------------------------------------------------------------------------------------------------------------------------------------------------------------------------------------------------------------------------------------------------------------------------------------------------------------------------------------------------------------------------------------------------------------|---------------------------------------|---|-----------------------------------------------------------------------------|
| <b>Test Case Name:</b> TC_26_12_2_2_10                                                                                                                                                                                                                                                                                                                                                                                                                                                                                                                               |       |                                                                                                                                                                                                                                                                                                                                                                                                                                                                                                                                                                                         |                                       |   |                                                                             |
| <b>Group:</b> GSM_MS_EFR_4210/EFR/                                                                                                                                                                                                                                                                                                                                                                                                                                                                                                                                   |       |                                                                                                                                                                                                                                                                                                                                                                                                                                                                                                                                                                                         |                                       |   |                                                                             |
| <b>Purpose:</b><br>To verify that the MS correctly applies the handover procedure from TCH/H with frequency hopping to TCH/F using full rate speech version 2 with frequency hopping in the nonsynchronized case during call establishment.<br>To verify that if during call establishment a layer 3 MM or CC message just sent by the MS is not Layer 2 acknowledge before the channel change caused by the HANDOVER COMMAND message, the MS shall send the Layer 3 message to the new cell, using the same value in the N(SD) field, after the handover procedure. |       |                                                                                                                                                                                                                                                                                                                                                                                                                                                                                                                                                                                         |                                       |   |                                                                             |
| <b>Default:</b> OtherEventsFail_01                                                                                                                                                                                                                                                                                                                                                                                                                                                                                                                                   |       |                                                                                                                                                                                                                                                                                                                                                                                                                                                                                                                                                                                         |                                       |   |                                                                             |
| Nr                                                                                                                                                                                                                                                                                                                                                                                                                                                                                                                                                                   | Label | Behaviour Description                                                                                                                                                                                                                                                                                                                                                                                                                                                                                                                                                                   | CRef                                  | V | Comments                                                                    |
| 1                                                                                                                                                                                                                                                                                                                                                                                                                                                                                                                                                                    |       | START T_guard(300)                                                                                                                                                                                                                                                                                                                                                                                                                                                                                                                                                                      |                                       |   |                                                                             |
| 2                                                                                                                                                                                                                                                                                                                                                                                                                                                                                                                                                                    |       | +EFR_BasicServiceMO(TSPX_MOBScSvcA, TSPX_MOChRateA)                                                                                                                                                                                                                                                                                                                                                                                                                                                                                                                                     |                                       |   |                                                                             |
| 3                                                                                                                                                                                                                                                                                                                                                                                                                                                                                                                                                                    |       | +ltree_data_init                                                                                                                                                                                                                                                                                                                                                                                                                                                                                                                                                                        |                                       |   |                                                                             |
| 4                                                                                                                                                                                                                                                                                                                                                                                                                                                                                                                                                                    |       | +IdleUpdated( C_E_default, C_CellA, C_SCH_A, C_BCCH_A_1, C_Immass, C_S0, C_SlotNU, C_SlotNU, C_SlotNU, C_BCC, C_TxInt_5, C_Max_7, C_NECI_0, C_ATT_0, TimingAdv( 30), C_BABR_0, TCV_cchannel, C_BPM_3, C_T3212_0, C_ci_cellA, C_MCC_1, C_PLMN_1, C_LAC_1, CellOpt_01, CellChDes_20_Aman, CellChDes_202_Adman, C_CellReselectHys12, C_MaxPwrLvIG, C_MaxPwrLvID, BcchFreqLst_01, BcchFreqLst_Omit, BcchFreqLst_48, BcchFreqLst_Omit, C_noRestablishment, C_BCC, C_NCC, C_Start_Tmsi, TSPX_SDCCH4SubDef, TSPX_CKSNDf, TSPX_RANDDef, C_arfcnA, C_arfcnAd_4, TSPX_IMSI, C_Test_fh, C_NCCP_10) |                                       |   |                                                                             |
| 5                                                                                                                                                                                                                                                                                                                                                                                                                                                                                                                                                                    |       | +StartCellB_ho( C_E_neighbourdefault, C_BCCHcarrierB_ho, C_BCCHcarrierB_hod, C_Immass, TCV_slot, TCV_tsc, TimingAdv( TCV_T), C_TxInt_5, C_Max_7, C_NECI_0, C_ATT_0, C_BABR_0, TCV_cchannel, C_BPM_3, C_T3212_0, C_MCC_1, C_PLMN_1, C_LAC_2, CellChDes_20_Bman, CellChDes_201_Bd, BcchFreqLst_01, BcchFreqLst_48, C_noRestablishment, C_BCC_0, C_NCC_3, TSPX_k, 0)                                                                                                                                                                                                                       |                                       |   | The timeslots of Cells A and B are not coincident at the antenna connector. |
| 6                                                                                                                                                                                                                                                                                                                                                                                                                                                                                                                                                                    |       | +HalfRateCh_A_1_nociph( TSPX_TCHHSubDef, C_Immass, TCV_ia_ts, TCV_tsc, TCV_ChMod, FreqTCHa_hof_ind5, FreqTCHa_hof_ind5d, TimingAdv( 30), C_BABR_0, TCV_cchannel, C_BPM_3)                                                                                                                                                                                                                                                                                                                                                                                                               |                                       |   | Set TCH/H FH on cell A                                                      |
| 7                                                                                                                                                                                                                                                                                                                                                                                                                                                                                                                                                                    |       | (TCV_ch :=TCV_chTch)                                                                                                                                                                                                                                                                                                                                                                                                                                                                                                                                                                    |                                       |   |                                                                             |
| 8                                                                                                                                                                                                                                                                                                                                                                                                                                                                                                                                                                    |       | +FullRateCh_B_1( C_Asynho, TCV_ts, TCV_tsc, ChMod_EFR2, FreqTCHb_hof_ind8, FreqTCHb_hof_ind8d, TimingAdv( TCV_T), C_BABR_0, TCV_cchannel, C_BPM_3)                                                                                                                                                                                                                                                                                                                                                                                                                                      |                                       |   | Set TCH/F FH on cellB                                                       |
| 9                                                                                                                                                                                                                                                                                                                                                                                                                                                                                                                                                                    |       | +Est_MO_Call_init( C_CHTCHH_FH, MobilAllc_ind5A, MobilAllc_ind5Ad, TimingAdv( 30), TCV_tsc, 5, 5)                                                                                                                                                                                                                                                                                                                                                                                                                                                                                       |                                       |   |                                                                             |
| 10                                                                                                                                                                                                                                                                                                                                                                                                                                                                                                                                                                   | body  | +ltree_BuildHoCMD                                                                                                                                                                                                                                                                                                                                                                                                                                                                                                                                                                       |                                       |   |                                                                             |
| 11                                                                                                                                                                                                                                                                                                                                                                                                                                                                                                                                                                   |       | (TCV_Null := OM_SendNextOnHO(TCV_chTch, TCV_Cntref))                                                                                                                                                                                                                                                                                                                                                                                                                                                                                                                                    |                                       |   |                                                                             |
| 12                                                                                                                                                                                                                                                                                                                                                                                                                                                                                                                                                                   |       | LIDL_DatRqHoCmd                                                                                                                                                                                                                                                                                                                                                                                                                                                                                                                                                                         | HndOvSnd( TCV_ch, TCV_HoCMD)          |   | HO command                                                                  |
| 13                                                                                                                                                                                                                                                                                                                                                                                                                                                                                                                                                                   |       | (TCV_ch:=TCV_chTch)                                                                                                                                                                                                                                                                                                                                                                                                                                                                                                                                                                     |                                       |   |                                                                             |
| 14                                                                                                                                                                                                                                                                                                                                                                                                                                                                                                                                                                   |       | LIDL_DatRqPhyinfo                                                                                                                                                                                                                                                                                                                                                                                                                                                                                                                                                                       | PhyInfo_01(TCV_ch, TimingAdv( TCV_T)) |   | See Note 1.                                                                 |
| 15                                                                                                                                                                                                                                                                                                                                                                                                                                                                                                                                                                   |       | +RR_hocomp1(500, TimingAdv( TCV_T))                                                                                                                                                                                                                                                                                                                                                                                                                                                                                                                                                     |                                       |   |                                                                             |
| 16                                                                                                                                                                                                                                                                                                                                                                                                                                                                                                                                                                   |       | L?DL_DatInSetup (TCV_Mt1 := DL_DatInSetup.msg.mt)                                                                                                                                                                                                                                                                                                                                                                                                                                                                                                                                       | SetupRcv( SetupInd_01)                |   |                                                                             |

|                           |  |                                                                                                                                                                                                                                                                                                                                                                    |  |                                                                                    |
|---------------------------|--|--------------------------------------------------------------------------------------------------------------------------------------------------------------------------------------------------------------------------------------------------------------------------------------------------------------------------------------------------------------------|--|------------------------------------------------------------------------------------|
| 17                        |  | +SendSeqNo_chk                                                                                                                                                                                                                                                                                                                                                     |  |                                                                                    |
| 18                        |  | +ChanRel_end(<br>TCV_ch)                                                                                                                                                                                                                                                                                                                                           |  |                                                                                    |
| 19                        |  | <b>ltree_data_init</b>                                                                                                                                                                                                                                                                                                                                             |  |                                                                                    |
| 20                        |  | [TSPC_PGSM OR TSPC_EGSM]<br>(TCV_ia_ts:=TSPX_TmSlitNotZero, TCV_ts:='000'B,<br>TCV_tsc:=TSPX_TscC,<br>TCV_Cntref:=TSPX_NoOfHoAccC,<br>TCV_Horf:=TSPX_HoRefC,<br>TCV_Pwrlvl_ho:=INT_TO_BIT(TSPX_PwrlvlC,5),<br>TCV_cchannel:=C_cch_1Comb, TCV_T := 20)                                                                                                              |  | Parameters initialization<br>for Immediate<br>Assignment and<br>Handover commands. |
| 21                        |  | [TSPC_DCS]                                                                                                                                                                                                                                                                                                                                                         |  |                                                                                    |
| 22                        |  | (TCV_ia_ts:=TSPX_TmSlitNotZero,<br>TCV_ts:=TSPX_TmSlitNotZero1,<br>TCV_tsc:=TSPX_TscC,<br>TCV_Cntref:=TSPX_NoOfHoAccC,<br>TCV_Horf:=TSPX_HoRefC,<br>TCV_Pwrlvl_ho:=INT_TO_BIT(TSPX_PwrlvlC,5),<br>TCV_cchannel:=C_cch_1Comb, TCV_T := 20)                                                                                                                          |  |                                                                                    |
| 23                        |  | <b>ltree_BuildHoCMD</b>                                                                                                                                                                                                                                                                                                                                            |  |                                                                                    |
| 24                        |  | [TSPC_PGSM OR TSPC_EGSM]<br>(TCV_HoCMD:=HandOverCmd_fh( '00001'B,<br>TCV_ts, TSPX_TscB, C_NCC_3, C_BCC_0,<br>C_BCCHcarrierB_ho, 8, TSPX_HSN, TCV_Horf,<br>TCV_Pwrlvl_ho, Synchi(C_not_report_otd,<br>C_non_synchronised), Frql_omit, Frql_ind8B,<br>CellChDes_Omit, ChMod_omit, Freqchseq_omit,<br>MoblAllc_omit, RelTmdDif_omit, TimingAdv_omit,<br>CphMod_omit)) |  |                                                                                    |
| 25                        |  | [TSPC_DCS]                                                                                                                                                                                                                                                                                                                                                         |  |                                                                                    |
| 26                        |  | (TCV_HoCMD:=HandOverCmd_fh( '00001'B,<br>TCV_ts, TSPX_TscB, C_NCC_3, C_BCC_0,<br>C_BCCHcarrierB_hod, 8, TSPX_HSN, TCV_Horf,<br>TCV_Pwrlvl_ho, Synchi(C_not_report_otd,<br>C_non_synchronised), Frql_omit, Frql_ind8Bd,<br>CellChDes_Omit, ChMod_omit, Freqchseq_omit,<br>MoblAllc_omit, RelTmdDif_omit, TimingAdv_omit,<br>CphMod_omit))                           |  |                                                                                    |
| <b>Detailed Comments:</b> |  | HandOver from TCH/H, FH to TCH/F, sv2, FH                                                                                                                                                                                                                                                                                                                          |  |                                                                                    |
|                           |  | Notes:<br>1. PhyInfo is dequeued from the sending buffer, but held through OM_SendNextOnHO at the lower layers of the tester for sending till having received TCV_Cntref access bursts.                                                                                                                                                                            |  |                                                                                    |

| Test Case Dynamic Behaviour |       |                                                                                                                                                                                                                                                                                                                                                                                                                                                                                                                                                                                          |      |   |                                                                             |
|-----------------------------|-------|------------------------------------------------------------------------------------------------------------------------------------------------------------------------------------------------------------------------------------------------------------------------------------------------------------------------------------------------------------------------------------------------------------------------------------------------------------------------------------------------------------------------------------------------------------------------------------------|------|---|-----------------------------------------------------------------------------|
| <b>Test Case Name:</b>      |       | TC_26_12_2_2_11                                                                                                                                                                                                                                                                                                                                                                                                                                                                                                                                                                          |      |   |                                                                             |
| <b>Group:</b>               |       | GSM_MS_EFR_4210/EFR/                                                                                                                                                                                                                                                                                                                                                                                                                                                                                                                                                                     |      |   |                                                                             |
| <b>Purpose:</b>             |       | <p>To verify that the MS correctly applies the handover procedure from TCH/H with frequency hopping to TCH/F using full rate speech version 2 with no frequency hopping in the nonsynchronized case during call establishment.</p> <p>To verify that if during call establishment a layer 3 MM or CC message just sent by the MS is not Layer 2 acknowledge before the channel change caused by the HANDOVER COMMAND message, the MS shall send the Layer 3 message to the new cell, using the same value in the N(SD) field, after the handover procedure.</p>                          |      |   |                                                                             |
| <b>Default:</b>             |       | OtherEventsFail_01                                                                                                                                                                                                                                                                                                                                                                                                                                                                                                                                                                       |      |   |                                                                             |
| Nr                          | Label | Behaviour Description                                                                                                                                                                                                                                                                                                                                                                                                                                                                                                                                                                    | CRef | V | Comments                                                                    |
| 1                           |       | START T_guard(300)                                                                                                                                                                                                                                                                                                                                                                                                                                                                                                                                                                       |      |   |                                                                             |
| 2                           |       | +EFR_BasicServiceMO(TSPX_MOBScSvcA, TSPX_MOChRateA)                                                                                                                                                                                                                                                                                                                                                                                                                                                                                                                                      |      |   |                                                                             |
| 3                           |       | (TCV_ia_ts:=TSPX_TmSlitNotZero, TCV_ts:=000'B, TCV_tsc:=TSPX_TscA, TCV_Cntref:=TSPX_NoOfHoAccA, TCV_Horf:=TSPX_HoRefA, TCV_Pwrlvl_ho:=INT_TO_BIT(TSPX_PwrlvlA,5), TCV_cchannel:=C_cch_1Comb, TCV_T := 20)                                                                                                                                                                                                                                                                                                                                                                                |      |   | Parameters initialization for Immediate Assignment and Handover commands.   |
| 4                           |       | +IdleUpdated( C_E_default, C_CellA, C_SCH_A, C_BCCH_A_1, C_Immass, C_S0, C_SlotNU, C_SlotNU, C_SlotNU, C_BCC, C_TxInt_5, C_Max_7, C_NECI_0, C_ATT_0, TimingAdv( 30), C_BABR_0, TCV_cchannel, C_BPM_3, C_T3212_0, C_ci_cellA, C_MCC_1, C_PLMN_1, C_LAC_1, CellOpt_01, CellChDes_20_Aman, CellChDes_202_Adman, C_CellReselectHys12, C_MaxPwrLvlG, C_MaxPwrLvlD, BcchFreqLst_01, BcchFreqLst_Omit, BcchFreqLst_48, BcchFreqLst_Omit, C_noRestablishment, C_BCC, C_NCC, C_Start_Tmsi, TSPX_SDCCCH4SubDef, TSPX_CKSNDf, TSPX_RANDDef, C_arfcnA, C_arfcnAd_4, TSPX_IMSI, C_Test_fh, C_NCCP_10) |      |   |                                                                             |
| 5                           |       | +StartCellB_ho( C_E_neighbourdefault, C_BCCHcarrierB_ho, C_BCCHcarrierB_hod, C_Immass, TCV_slot, TCV_tsc, TimingAdv( TCV_T), C_TxInt_5, C_Max_7, C_NECI_0, C_ATT_0, C_BABR_0, TCV_cchannel, C_BPM_3, C_T3212_0, C_MCC_1, C_PLMN_1, C_LAC_2, CellChDes_20_Bman, CellChDes_201_Bd, BcchFreqLst_01, BcchFreqLst_48, C_noRestablishment, C_BCC_0, C_NCC_3, TSPX_k, 0)                                                                                                                                                                                                                        |      |   | The timeslots of Cells A and B are not coincident at the antenna connector. |
| 6                           |       | +HalfRateCh_A_1_nociph( TSPX_TCHHSubDef, C_Immass, TCV_ia_ts, TCV_tsc, TCV_ChMod, FreqTCHa_hof_ind3, FreqTCHa_hof_ind3d, TimingAdv( 30), C_BABR_0, TCV_cchannel, C_BPM_3)                                                                                                                                                                                                                                                                                                                                                                                                                |      |   | Set TCH/H FH on cell A                                                      |
| 7                           |       | (TCV_ch :=TCV_chTch)                                                                                                                                                                                                                                                                                                                                                                                                                                                                                                                                                                     |      |   |                                                                             |
| 8                           |       | +FullRateCh_B_1( C_Asynho, TCV_ts, TCV_tsc, ChMod_EFR2, FreqTCH(TSPX_TCHcarrierB_ho), FreqTCH(TSPX_TCHcarrierB_hod), TimingAdv( TCV_T), C_BABR_0, TCV_cchannel, C_BPM_3)                                                                                                                                                                                                                                                                                                                                                                                                                 |      |   | Set TCH/F nonFH on cellB                                                    |
| 9                           |       | +Est_MO_Call_init( C_CHTCHH_FH, MobilAllc_281, MobilAllc_ad281d, TimingAdv( 30), TCV_tsc, 3, 3)                                                                                                                                                                                                                                                                                                                                                                                                                                                                                          |      |   | Initiate MO call on cellA                                                   |
| 10                          | body  | +ltree_arfcnB                                                                                                                                                                                                                                                                                                                                                                                                                                                                                                                                                                            |      |   |                                                                             |
| 11                          |       | (TCV_HoCMD:= HandOverCmd_nfh( '00001'B, TCV_ts, TCV_tsc, C_NCC_3, C_BCC_0, TCV_chdescr_arfcn, TCV_tch_arfcn, TCV_Horf, TCV_Pwrlvl_ho, Synchi_omit, ChMod_omit, RelTmdDif_omit, TimingAdv_omit, CphMod_omit))                                                                                                                                                                                                                                                                                                                                                                             |      |   |                                                                             |
| 12                          |       | (TCV_Null :=                                                                                                                                                                                                                                                                                                                                                                                                                                                                                                                                                                             |      |   |                                                                             |

|                                                                                                                                                                               |                                                                              |                                       |                           |
|-------------------------------------------------------------------------------------------------------------------------------------------------------------------------------|------------------------------------------------------------------------------|---------------------------------------|---------------------------|
| 13                                                                                                                                                                            | OM_SendNextOnHO(TCV_ch, TCV_Cntref)                                          |                                       |                           |
| 14                                                                                                                                                                            | LIDL_DatRqHoCmd                                                              | HndOvSnd( TCV_ch, TCV_HoCMD)          | HO command                |
| 15                                                                                                                                                                            | (TCV_ch:=TCV_chTch)                                                          |                                       |                           |
| 16                                                                                                                                                                            | LIDL_DatRqPhyinfo                                                            | PhyInfo_01(TCV_ch, TimingAdv( TCV_T)) | See Note 1.               |
| 17                                                                                                                                                                            | +RR_hocomp1(500, TimingAdv( TCV_T))                                          |                                       | Complete the HO procedure |
| 18                                                                                                                                                                            | L?DL_DatInSetup (TCV_Mt1 := DL_DatInSetup.msg.mt)                            | SetupRcv( SetupInd_01)                |                           |
| 19                                                                                                                                                                            | +SendSeqNo_chk +ChanRel_end( TCV_ch)                                         |                                       | Is N(SD) correct?         |
| 20                                                                                                                                                                            | <b>ltree_arfcnB</b>                                                          |                                       |                           |
| 21                                                                                                                                                                            | [TSPC_PGSM OR TSPC_EGSM]                                                     |                                       |                           |
| 22                                                                                                                                                                            | (TCV_tch_arfcn:=TSPX_TCHcarrierB_ho, TCV_chdescr_arfcn:=C_BCCHcarrierB_ho)   |                                       |                           |
| 23                                                                                                                                                                            | [TSPC_DCS]                                                                   |                                       |                           |
|                                                                                                                                                                               | (TCV_tch_arfcn:=TSPX_TCHcarrierB_hod, TCV_chdescr_arfcn:=C_BCCHcarrierB_hod) |                                       |                           |
| <b>Detailed Comments:</b> HO from TCH/H, FH to TCH/F, sv2, nonFH                                                                                                              |                                                                              |                                       |                           |
| Notes:                                                                                                                                                                        |                                                                              |                                       |                           |
| 1. PhyInfo is dequeued from the sending buffer, but held through OM_SendNextOnHO at the lower layers of the tester for sending till having received TCV_Cntref access bursts. |                                                                              |                                       |                           |

### Test Case Dynamic Behaviour

**Test Case Name:** TC\_26\_12\_3

**Group:** GSM\_MS\_EFR\_4210/EFR/

**Purpose:**

- 1) To verify that the MS indicates and includes in the mobile originating SETUP for speech call all the speech versions that it supports.
- 2) To verify that subsequently after receipt of an IMMEDIATE ASSIGNMENT message allocating an SDCCH, after completion of establishment of the main signalling link, after having sent a CM SERVICE REQUEST message, after having successfully performed authentication and cipher mode setting procedures, after having sent a SETUP message, after having received a CALL PROCEEDING message followed by an ALERTING message and an ASSIGNMENT COMMAND message allocating either speech full rate version 1 TCH or speech full rate version 2 TCH or speech half rate version 1 TCH (for an MS also supporting half rate), the MS sends an ASSIGNMENT COMPLETE message.
- 3) To verify that subsequently, after the suite of actions specified in test purposes 1 and 2, the MS after receiving a CONNECT message returns a CONNECT ACKNOWLEDGE message.
- 4) To verify that after the suite of actions specified in test purposes 1 and 2, the MS after receiving a CONNECT message attaches the user connection to the radio path. (This is checked by verifying that there is a point in time after transmission of the first L2 frame containing the (complete) CONNECT message, where the MS is sending appropriate speech or data frames whenever it doesn't have to transmit or acknowledge an I frame on layer 2 of the FACCH.)

These test purposes are tested for all rates supported by the MS (full rate versions 1 and 2, plus optional half rate version 1 support).

**Default:** OtherEventsFail

| Nr | Label      | Behaviour Description                                                                                                                                                                                                                                                                                                                                                                                                                                                                                                                                                                           | CRef | V | Comments             |
|----|------------|-------------------------------------------------------------------------------------------------------------------------------------------------------------------------------------------------------------------------------------------------------------------------------------------------------------------------------------------------------------------------------------------------------------------------------------------------------------------------------------------------------------------------------------------------------------------------------------------------|------|---|----------------------|
| 1  |            | START T_guard(300)                                                                                                                                                                                                                                                                                                                                                                                                                                                                                                                                                                              |      |   |                      |
| 2  |            | [TSPC_Serv_TS11]                                                                                                                                                                                                                                                                                                                                                                                                                                                                                                                                                                                |      |   | Telephony supported  |
| 3  |            | +EFR_BasicServiceMO( C_Telephony, C_Full_v2)                                                                                                                                                                                                                                                                                                                                                                                                                                                                                                                                                    |      |   | Init Full Rate v2.   |
| 4  |            | +local_testfullrate                                                                                                                                                                                                                                                                                                                                                                                                                                                                                                                                                                             |      |   | M = 1.               |
| 5  |            | (TCV_Null := OM_CphMd(TCV_ch, CphMod_02, TCV_CphKey))                                                                                                                                                                                                                                                                                                                                                                                                                                                                                                                                           |      |   |                      |
| 6  |            | +EFR_BasicServiceMO( C_Telephony, C_Full)                                                                                                                                                                                                                                                                                                                                                                                                                                                                                                                                                       |      |   | Init Full Rate v1.   |
| 7  |            | +local_testfullrate                                                                                                                                                                                                                                                                                                                                                                                                                                                                                                                                                                             |      |   | M = 2.               |
| 8  |            | [TSPC_DualRate]                                                                                                                                                                                                                                                                                                                                                                                                                                                                                                                                                                                 |      |   | Half rate supported. |
| 9  |            | (TCV_Null := OM_CphMd(TCV_ch, CphMod_02, TCV_CphKey))                                                                                                                                                                                                                                                                                                                                                                                                                                                                                                                                           |      |   |                      |
| 10 |            | +EFR_BasicServiceMO( C_Telephony, C_Half)                                                                                                                                                                                                                                                                                                                                                                                                                                                                                                                                                       |      |   | Init Half Rate v1.   |
| 11 |            | +local_testhalfrate                                                                                                                                                                                                                                                                                                                                                                                                                                                                                                                                                                             |      |   | M = 3.               |
| 12 |            | [NOT TSPC_DualRate]                                                                                                                                                                                                                                                                                                                                                                                                                                                                                                                                                                             |      |   |                      |
| 13 | E_00<br>23 | [C_Yes]                                                                                                                                                                                                                                                                                                                                                                                                                                                                                                                                                                                         |      | I | IXIT error           |
| 14 |            | <b>local_testfullrate</b><br>+IdleUpdated( C_E_default, C_CellA, C_SCH_A, C_BCCH_A_1, C_Immass, C_S0, C_SlotNU, C_SlotNU, C_SlotNU, C_BCC, C_TxInt_5, C_Max_1, C_NECL_0, C_ATT_0, TimingAdv( 0), C_BABR_0, C_cch_1Comb, C_BPM_3, C_T3212_0, C_ci_cellA, C_MCC_1, C_PLMN_1, C_LAC_1, CellOpt_01, CellChDes_Omit, CellChDes_Omit, C_CellReselectHys12, C_MaxPwrLvlG, C_MaxPwrLvlD, BcchFreqLst_45, BcchFreqLst_02, BcchFreqLst_03, BcchFreqLst_04, C_Restablishment, C_BCC, C_NCC, C_Start_Tmsi, TSPX_SDCCH4SubDef, TSPX_CKSNA, TSPX_RANDA, C_arfcnA, C_arfcnAd, TSPX_IMSI, C_Test_nfh, C_NCCP_2) |      |   |                      |
| 15 |            | +FullRateCh_A_1(C_Ass, TSPX_TmSlitDef, TSPX_TscDef, TCV_ChMod, FreqTCH_omit, FreqTCH_omit, C_arfcn_tchA, C_arfcn_tchAd, TimingAdv( 0), C_BABR_0, C_cch_1Comb, C_BPM_3)                                                                                                                                                                                                                                                                                                                                                                                                                          |      |   |                      |
| 16 |            | +local_initcall                                                                                                                                                                                                                                                                                                                                                                                                                                                                                                                                                                                 |      |   |                      |

|    |            |                                                                                                                                                                                                                                  |                                                                                                                                                 |     |                         |
|----|------------|----------------------------------------------------------------------------------------------------------------------------------------------------------------------------------------------------------------------------------|-------------------------------------------------------------------------------------------------------------------------------------------------|-----|-------------------------|
| 17 |            | <b>local_testhalfrate</b><br>+HalfRateCh_A_1( TSPX_TCHHSubDef, C_Ass,<br>TSPX_TmSltDef, TSPX_TscDef, TCV_ChMod,<br>FreqTCH_omit, FreqTCH_omit, C_arfcn_tchA,<br>C_arfcn_tchAd, TimingAdv( 0), C_BABR_0,<br>C_cch_1Comb, C_BPM_3) |                                                                                                                                                 |     | 7.                      |
| 18 |            | +local_initcall                                                                                                                                                                                                                  |                                                                                                                                                 |     |                         |
| 19 |            | <b>local_initcall</b><br>(TCV_Null := OO_DialCalledNum())                                                                                                                                                                        |                                                                                                                                                 |     | 4.                      |
| 20 |            | [TSPC_CalledNumDisp]                                                                                                                                                                                                             |                                                                                                                                                 |     |                         |
| 21 |            | (TCV_Res := OO_CalledNumCHK())                                                                                                                                                                                                   |                                                                                                                                                 |     | 5.                      |
| 22 | E_00<br>24 | [NOT TCV_Res]                                                                                                                                                                                                                    |                                                                                                                                                 | (F) |                         |
| 23 | E_00<br>25 | [TCV_Res]                                                                                                                                                                                                                        |                                                                                                                                                 | (P) |                         |
| 24 |            | +InitCall(TCV_Service)                                                                                                                                                                                                           |                                                                                                                                                 |     | 6.                      |
| 25 |            | +localtree                                                                                                                                                                                                                       |                                                                                                                                                 |     |                         |
| 26 |            | [NOT TSPC_CalledNumDisp]                                                                                                                                                                                                         |                                                                                                                                                 |     |                         |
| 27 |            | +InitCall(TCV_Service)                                                                                                                                                                                                           |                                                                                                                                                 |     |                         |
| 28 |            | +localtree                                                                                                                                                                                                                       |                                                                                                                                                 |     |                         |
| 29 | E_00<br>26 | <b>localtree</b><br>L?DL_RaInChRq (TCV_Rr := DL_RaInChRq.<br>msg.ecau_rrf, TCV_Fn := DL_RaInChRq.fn)                                                                                                                             | ChReq(<br>ChRequest_04)                                                                                                                         | (P) |                         |
| 30 |            | ACTIVATE(OtherEventsFail_02)                                                                                                                                                                                                     |                                                                                                                                                 |     | To match ChReq retrans. |
| 31 |            | LIDL_UdatRqImmss                                                                                                                                                                                                                 | ImmAss( TCV_agch,<br>ImmAsgn_01Def(<br>TCV_Rr, TCV_Fn,<br>TSPX_SDCCH4SubD<br>ef, TCV_slot,<br>TCV_tsc,<br>TCV_chdescr_arfcn,<br>TimingAdv( 0))) |     |                         |
| 32 |            | L?DL_EstInCmsRq                                                                                                                                                                                                                  | CMSerReq(<br>CMServiceReq_04)                                                                                                                   |     |                         |
| 33 |            | ACTIVATE(OtherEventsFail)                                                                                                                                                                                                        |                                                                                                                                                 |     | Restore Normal default  |
| 34 |            | L!DL_DatRqAuthRq                                                                                                                                                                                                                 | AuthReq(TCV_ch,<br>AuthRequest(<br>TSPX_CKSNA,<br>TSPX_RANDA))                                                                                  |     |                         |
| 35 |            | L?DL_DatInAuthRes (TCV_Sres :=<br>DL_DatInAuthRes.msg.sres)                                                                                                                                                                      | AuthRes(<br>AuthResponse)                                                                                                                       |     |                         |
| 36 |            | (TCV_Res :=<br>OC_ChkSRES(TCV_Sres, TSPX_Ki,<br>TSPX_RANDA))                                                                                                                                                                     |                                                                                                                                                 |     |                         |
| 37 | E_00<br>27 | [NOT TCV_Res]                                                                                                                                                                                                                    |                                                                                                                                                 | (F) |                         |
| 38 |            | +PostMainLinkRel(TCV_ch)                                                                                                                                                                                                         |                                                                                                                                                 |     |                         |
| 39 |            | [TCV_Res]                                                                                                                                                                                                                        |                                                                                                                                                 |     |                         |
| 40 |            | +localtree1                                                                                                                                                                                                                      |                                                                                                                                                 |     |                         |
| 41 |            | <b>localtree1</b><br>+Cipherring_on(TCV_ch)                                                                                                                                                                                      |                                                                                                                                                 |     |                         |
| 42 |            | +EFR_RcvSetupOrEsetup( TCV_Setup_mo,<br>TCV_Esetup, TCV_Ecall)                                                                                                                                                                   |                                                                                                                                                 |     |                         |
| 43 | E_00<br>28 | LIDL_DatRqCallProc                                                                                                                                                                                                               | CallProc(TCV_ch,<br>TCV_CallProc)                                                                                                               | (P) |                         |
| 44 |            | LIDL_DatRqAlert                                                                                                                                                                                                                  | AlertSnd( TCV_ch,<br>Alerting_01( TCV_TI))                                                                                                      |     |                         |
| 45 |            | [TSPC_AlertInd]                                                                                                                                                                                                                  |                                                                                                                                                 |     |                         |
| 46 |            | (TCV_Res := OO_AltIndCHK())                                                                                                                                                                                                      |                                                                                                                                                 |     |                         |
| 47 | E_00<br>29 | [NOT TCV_Res]                                                                                                                                                                                                                    |                                                                                                                                                 | (F) |                         |
| 48 |            | +PostMainLinkRel(TCV_ch)                                                                                                                                                                                                         |                                                                                                                                                 |     |                         |
| 49 |            | [TCV_Res]                                                                                                                                                                                                                        |                                                                                                                                                 |     |                         |
| 50 |            | +localtree2                                                                                                                                                                                                                      |                                                                                                                                                 |     |                         |
| 51 |            | [NOT TSPC_AlertInd]                                                                                                                                                                                                              |                                                                                                                                                 |     |                         |
| 52 |            | +localtree2                                                                                                                                                                                                                      |                                                                                                                                                 |     |                         |

|                           |            |                                                                                         |                                                                                            |     |
|---------------------------|------------|-----------------------------------------------------------------------------------------|--------------------------------------------------------------------------------------------|-----|
|                           |            | <b>localtree2</b>                                                                       |                                                                                            |     |
| 53                        |            | +AssCmdGen( TCV_cellid, TCV_ChRate,<br>TSPX_TmSlitDef, TSPX_TscDef,<br>TSPX_TCHHSubDef) |                                                                                            |     |
| 54                        |            | +AssCh_complete( TCV_ch, TCV_chTch,<br>TCV_AssCmd)                                      |                                                                                            |     |
| 55                        |            | +localtree3                                                                             |                                                                                            |     |
|                           |            | <b>localtree3</b>                                                                       |                                                                                            |     |
| 56                        |            | L!DL_DatRqConn                                                                          | ConnSnd(<br>TCV_chTch,<br>Connect_02(<br>TCV_TI))                                          |     |
| 57                        | E_00<br>30 | L?DL_DatInConnAck                                                                       | ConnAckRcv(<br>ConnectAck_02(<br>TCV_TIO))                                                 | (P) |
| 58                        |            | (TCV_Res := OO_TCHThroConnCHK())                                                        |                                                                                            |     |
| 59                        | E_00<br>31 | [NOT TCV_Res]                                                                           |                                                                                            | (F) |
| 60                        |            | +PostMainLinkRel(TCV_chTch)                                                             |                                                                                            |     |
| 61                        | E_00<br>32 | [TCV_Res]                                                                               |                                                                                            | (P) |
| 62                        |            | L!DL_DatRqDisc                                                                          | DiscSnd(<br>TCV_chTch,<br>DisconnS( TCV_TI,<br>Cause_01,<br>ProgInd_omit,<br>UuInfo_omit)) |     |
| 63                        | E_00<br>33 | L?DL_DatInRel                                                                           | ReleaseRcv(<br>Release_10(<br>TCV_TIO))                                                    | (P) |
| 64                        |            | L!DL_DatRqRelCmp                                                                        | RelComSnd(<br>TCV_chTch,<br>ReleaseCmp_08(<br>TCV_TI))                                     |     |
| 65                        |            | +PostMainLinkRel(TCV_chTch)                                                             |                                                                                            |     |
| <b>Detailed Comments:</b> |            |                                                                                         |                                                                                            |     |

### Test Case Dynamic Behaviour

|                        |                                                                                                                                                                                                                                                                                                                                                                                                                                                                                                                                                                                                                                                                                                                                                                                                                                                                                                                                                                                                                                                                                                                                                    |
|------------------------|----------------------------------------------------------------------------------------------------------------------------------------------------------------------------------------------------------------------------------------------------------------------------------------------------------------------------------------------------------------------------------------------------------------------------------------------------------------------------------------------------------------------------------------------------------------------------------------------------------------------------------------------------------------------------------------------------------------------------------------------------------------------------------------------------------------------------------------------------------------------------------------------------------------------------------------------------------------------------------------------------------------------------------------------------------------------------------------------------------------------------------------------------|
| <b>Test Case Name:</b> | TC_26_12_4                                                                                                                                                                                                                                                                                                                                                                                                                                                                                                                                                                                                                                                                                                                                                                                                                                                                                                                                                                                                                                                                                                                                         |
| <b>Group:</b>          | GSM_MS_EFR_4210/EFR/                                                                                                                                                                                                                                                                                                                                                                                                                                                                                                                                                                                                                                                                                                                                                                                                                                                                                                                                                                                                                                                                                                                               |
| <b>Purpose:</b>        | <p>1) In acceptance to a SETUP message indicating speech, the MS shall indicate and include in the CALL CONFIRMED message all the speech versions that it supports.</p> <p>2) To verify that upon receipt of the ASSIGNMENT COMMAND message specifying either speech full rate version 1 or speech full rate version 2 or speech half rate version 1 (for an MS also supporting half rate), the mobile station continues a mobile terminating call establishment with early assignment of traffic channel</p> <p style="padding-left: 20px;">a) by replying to the ASSIGNMENT COMMAND with an ASSIGNMENT COMPLETE message and,</p> <p style="padding-left: 20px;">b) by continuing the call establishment by through connecting TCH in both directions if it supports immediate connect, or by sending an ALERTING message otherwise.</p> <p>3) To verify that for speech calls, the mobile station shall attach the user connection at latest when sending the connect message, except if there is no compatible radio resource available at this time. In this case the attachment shall be delayed until such a resource becomes available.</p> |
| <b>Default:</b>        | OtherEventsFail                                                                                                                                                                                                                                                                                                                                                                                                                                                                                                                                                                                                                                                                                                                                                                                                                                                                                                                                                                                                                                                                                                                                    |

| Nr | Label      | Behaviour Description                                                                                                                                                                                                                                                                                                                                                                                                                                                                                                                                                                          | CRef | V | Comments |
|----|------------|------------------------------------------------------------------------------------------------------------------------------------------------------------------------------------------------------------------------------------------------------------------------------------------------------------------------------------------------------------------------------------------------------------------------------------------------------------------------------------------------------------------------------------------------------------------------------------------------|------|---|----------|
| 1  |            | START T_guard(300)                                                                                                                                                                                                                                                                                                                                                                                                                                                                                                                                                                             |      |   |          |
| 2  | body       | [TSPC_Serv_TS11]                                                                                                                                                                                                                                                                                                                                                                                                                                                                                                                                                                               |      |   |          |
| 3  |            | +EFR_BasicServiceMT( C_Telephony, C_Full_v2)                                                                                                                                                                                                                                                                                                                                                                                                                                                                                                                                                   |      |   |          |
| 4  |            | +local_testfullrate                                                                                                                                                                                                                                                                                                                                                                                                                                                                                                                                                                            |      |   | M = 1.   |
| 5  |            | (TCV_Null := OM_CphMd(TCV_ch, CphMod_02, TCV_CphKey))                                                                                                                                                                                                                                                                                                                                                                                                                                                                                                                                          |      |   |          |
| 6  |            | +EFR_BasicServiceMT( C_Telephony, C_Full)                                                                                                                                                                                                                                                                                                                                                                                                                                                                                                                                                      |      |   |          |
| 7  |            | +local_testfullrate                                                                                                                                                                                                                                                                                                                                                                                                                                                                                                                                                                            |      |   | M = 2.   |
| 8  |            | [TSPC_DualRate]                                                                                                                                                                                                                                                                                                                                                                                                                                                                                                                                                                                |      |   |          |
| 9  |            | (TCV_Null := OM_CphMd(TCV_ch, CphMod_02, TCV_CphKey))                                                                                                                                                                                                                                                                                                                                                                                                                                                                                                                                          |      |   |          |
| 10 |            | +EFR_BasicServiceMT( C_Telephony, C_Half)                                                                                                                                                                                                                                                                                                                                                                                                                                                                                                                                                      |      |   |          |
| 11 |            | +local_testhalfrate                                                                                                                                                                                                                                                                                                                                                                                                                                                                                                                                                                            |      |   | M = 3.   |
| 12 |            | [NOT TSPC_DualRate]                                                                                                                                                                                                                                                                                                                                                                                                                                                                                                                                                                            |      |   |          |
| 13 | E_00<br>34 | [C_Yes]                                                                                                                                                                                                                                                                                                                                                                                                                                                                                                                                                                                        |      | I |          |
| 14 |            | <b>local_testfullrate</b><br>+IdleUpdated( C_E_default, C_CellA, C_SCH_A, C_BCCH_A_1, C_Immss, C_S0, C_SlotNU, C_SlotNU, C_SlotNU, C_BCC, C_TxInt_5, C_Max_1, C_NECI_0, C_ATT_0, TimingAdv( 0), C_BABR_0, C_cch_1Comb, C_BPM_3, C_T3212_0, C_ci_cellA, C_MCC_1, C_PLMN_1, C_LAC_1, CellOpt_01, CellChDes_Omit, CellChDes_Omit, C_CellReselectHys12, C_MaxPwrLvIG, C_MaxPwrLvID, BcchFreqLst_45, BcchFreqLst_02, BcchFreqLst_03, BcchFreqLst_04, C_Restablishment, C_BCC, C_NCC, C_Start_Tmsi, TSPX_SDCCH4SubDef, TSPX_CKSNA, TSPX_RANDA, C_arfcnA, C_arfcnAd, TSPX_IMSI, C_Test_nfh, C_NCCP_2) |      |   |          |
| 15 |            | +FullRateCh_A_1( C_Ass, TSPX_TmSltDef, TSPX_TscDef, TCV_ChMod, FreqTCH_omit, FreqTCH_omit, C_arfcn_tchA, C_arfcn_tchAd, TimingAdv( 0), C_BABR_0, C_cch_1Comb, C_BPM_3)                                                                                                                                                                                                                                                                                                                                                                                                                         |      |   |          |
| 16 |            | +localtree( C_Full)                                                                                                                                                                                                                                                                                                                                                                                                                                                                                                                                                                            |      |   |          |
| 17 |            | <b>local_testhalfrate</b><br>+HalfRateCh_A_1( TSPX_TCHHSubDef, C_Ass, TSPX_TmSltDef, TSPX_TscDef, TCV_ChMod, FreqTCH_omit, FreqTCH_omit, C_arfcn_tchA, C_arfcn_tchAd, TimingAdv( 0), C_BABR_0, C_cch_1Comb, C_BPM_3)                                                                                                                                                                                                                                                                                                                                                                           |      |   | 4.       |
| 18 |            | +localtree( C_Half)                                                                                                                                                                                                                                                                                                                                                                                                                                                                                                                                                                            |      |   |          |



|    |                                                                                     |                                                                                                                                                 |                                            |
|----|-------------------------------------------------------------------------------------|-------------------------------------------------------------------------------------------------------------------------------------------------|--------------------------------------------|
| 19 | <b>localtree(rate:IA5String)</b><br>L!DL_UdatRqPg1Rq                                | PgReq1(TCV_PgCh,<br>TCV_Pgg,<br>PgReqTp1_01)                                                                                                    |                                            |
| 20 | L?DL_RacInChRq (TCV_Rr := DL_RacInChRq.<br>msg.ecau_rfq, TCV_Fn := DL_RacInChRq.fn) | ChReq(<br>ChRequest_17)                                                                                                                         |                                            |
| 21 | ACTIVATE(OtherEventsFail_02)                                                        |                                                                                                                                                 | To match ChReq retrans.                    |
| 22 | LIDL_UdatRqImmss                                                                    | ImmAss( TCV_agch,<br>ImmAsgn_01Def(<br>TCV_Rr, TCV_Fn,<br>TSPX_SDCCH4SubD<br>ef, TCV_slot,<br>TCV_tsc,<br>TCV_chdescr_arfcn,<br>TimingAdv( 0))) |                                            |
| 23 | L?DL_EstInPgRes                                                                     | PagingRes(<br>PagingRes_03(<br>TSPX_CKSNDf))                                                                                                    |                                            |
| 24 | ACTIVATE(OtherEventsFail)                                                           |                                                                                                                                                 | Restore Normal default                     |
| 25 | LIDL_DatRqAuthRq                                                                    | AuthReq(TCV_ch,<br>AuthRequest(<br>TSPX_CKSNA,<br>TSPX_RANDA))                                                                                  |                                            |
| 26 | L?DL_DatInAuthRes( TCV_Sres :=<br>DL_DatInAuthRes.msg.sres)                         | AuthRes(<br>AuthResponse)                                                                                                                       |                                            |
| 27 | (TCV_Res :=<br>OC_ChkSRES(TCV_Sres, TSPX_Ki,<br>TSPX_RANDA))                        |                                                                                                                                                 |                                            |
| 28 | E_00<br>35 [NOT TCV_Res]                                                            |                                                                                                                                                 | (F)                                        |
| 29 | +PostMainLinkRel( TCV_ch)                                                           |                                                                                                                                                 |                                            |
| 30 | E_00<br>36 [TCV_Res]                                                                |                                                                                                                                                 | (P) 5.                                     |
| 31 | +localtree1( rate)                                                                  |                                                                                                                                                 |                                            |
|    | <b>localtree1(rate:IA5String)</b>                                                   |                                                                                                                                                 |                                            |
| 32 | +Cipherring_on(TCV_ch)                                                              |                                                                                                                                                 |                                            |
| 33 | LIDL_DatRqSetup                                                                     | SetupSnd(TCV_ch,<br>TCV_Setup_mt)                                                                                                               | 6.                                         |
| 34 | +ltree_RcvCallConfirmed                                                             |                                                                                                                                                 |                                            |
| 35 | +EFR_ChkRcvSpchPrefs                                                                |                                                                                                                                                 | check all spchprefs are<br>present in bcap |
| 36 | [TSPX_Immconn]                                                                      |                                                                                                                                                 |                                            |
| 37 | L?DL_DatInConn                                                                      | ConnRcv(<br>Connect_01( TI_01))                                                                                                                 |                                            |
| 38 | +asstrafficch(rate)                                                                 |                                                                                                                                                 | 7.                                         |
| 39 | +localtree3                                                                         |                                                                                                                                                 |                                            |
| 40 | [NOT TSPX_Immconn]                                                                  |                                                                                                                                                 |                                            |
| 41 | +asstrafficch(rate)                                                                 |                                                                                                                                                 | 7.                                         |
| 42 | L?DL_DatInAlert                                                                     | AlertRcv(<br>AlertingInd_01(<br>TI_01))                                                                                                         |                                            |
| 43 | [TSPC_AlertInd]                                                                     |                                                                                                                                                 |                                            |
| 44 | (TCV_Res := OO_AltIndCHK())                                                         |                                                                                                                                                 |                                            |
| 45 | E_00<br>37 [NOT TCV_Res]                                                            |                                                                                                                                                 | (F) 8.                                     |
| 46 | +PostMainLinkRel(TCV_chTch)                                                         |                                                                                                                                                 |                                            |
| 47 | E_00<br>38 [TCV_Res]                                                                |                                                                                                                                                 | (P)                                        |
| 48 | (TCV_Null := OO_HookOff())                                                          |                                                                                                                                                 | 9.                                         |
| 49 | L?DL_DatInConn                                                                      | ConnRcv(<br>Connect_01( TI_01))                                                                                                                 |                                            |
| 50 | +localtree3                                                                         |                                                                                                                                                 |                                            |
| 51 | [NOT TSPC_AlertInd]                                                                 |                                                                                                                                                 |                                            |
| 52 | (TCV_Null := OO_HookOff())                                                          |                                                                                                                                                 | 9.                                         |
| 53 | L?DL_DatInConn                                                                      | ConnRcv(<br>Connect_01( TI_01))                                                                                                                 |                                            |
| 54 | +localtree3                                                                         |                                                                                                                                                 |                                            |
|    | <b>localtree3</b>                                                                   |                                                                                                                                                 |                                            |

|    |            |                                                                                                                                                                                                                                                         |                                                        |     |             |
|----|------------|---------------------------------------------------------------------------------------------------------------------------------------------------------------------------------------------------------------------------------------------------------|--------------------------------------------------------|-----|-------------|
| 55 |            | [TCV_Setup_mt.bcap1.itc = '000'B]                                                                                                                                                                                                                       |                                                        |     | Speech Call |
| 56 |            | (TCV_Res := OO_TCHThroConnCHK())                                                                                                                                                                                                                        |                                                        |     |             |
| 57 | E_00<br>39 | [NOT TCV_Res]                                                                                                                                                                                                                                           |                                                        | (F) |             |
| 58 |            | +PostMainLinkRel(TCV_chTch)                                                                                                                                                                                                                             |                                                        |     |             |
| 59 | E_00<br>40 | [TCV_Res]                                                                                                                                                                                                                                               |                                                        | (P) |             |
| 60 |            | LIDL_DatRqConnAck                                                                                                                                                                                                                                       | ConnAckSnd(<br>TCV_chTch,<br>ConnectAck_01(<br>TI_02)) |     |             |
| 61 |            | +localtree5                                                                                                                                                                                                                                             |                                                        |     |             |
| 62 |            | [TCV_Setup_mt.bcap1.itc <> '000'B]                                                                                                                                                                                                                      |                                                        |     | Data Call   |
| 63 |            | L!DL_DatRqConnAck                                                                                                                                                                                                                                       | ConnAckSnd(<br>TCV_chTch,<br>ConnectAck_01(<br>TI_02)) |     |             |
| 64 |            | (TCV_Res := OO_TCHThroConnCHK())                                                                                                                                                                                                                        |                                                        |     |             |
| 65 | E_00<br>41 | [NOT TCV_Res]                                                                                                                                                                                                                                           |                                                        | (F) |             |
| 66 |            | +PostMainLinkRel(TCV_chTch)                                                                                                                                                                                                                             |                                                        |     |             |
| 67 | E_00<br>42 | [TCV_Res]                                                                                                                                                                                                                                               |                                                        | (P) |             |
| 68 |            | +localtree5                                                                                                                                                                                                                                             |                                                        |     |             |
| 69 |            | <b>localtree5</b><br>(TCV_Null := OO_TermCall())                                                                                                                                                                                                        |                                                        |     |             |
| 70 |            | L?DL_DatInDisc                                                                                                                                                                                                                                          | DiscRcv( TCV_chTch,<br>DisconnR( TI_01,<br>Cause_Def)) |     |             |
| 71 |            | LIDL_DatRqRel                                                                                                                                                                                                                                           | ReleaseSnd(<br>TCV_chTch,<br>Release_08( TI_02))       |     |             |
| 72 |            | L?DL_DatInRelCmp                                                                                                                                                                                                                                        | RelComRcv(<br>ReleaseCmp_03(<br>TI_01))                |     |             |
| 73 |            | +PostMainLinkRel(TCV_chTch)                                                                                                                                                                                                                             |                                                        |     |             |
| 74 |            | <b>Itree_RcvCallConfirmed</b><br>[TSPX_EFR_SpchPrefsNo = 2]                                                                                                                                                                                             |                                                        |     |             |
| 75 |            | L?DL_DatInCallCo( TCV_CallCfm :=<br>DL_DatInCallCo.msg, TCV_EFR_svi1 :=<br>DL_DatInCallCo.msg.bcap1.oct_3a_etc_1.svi,<br>TCV_EFR_svi2 :=<br>DL_DatInCallCo.msg.bcap1.oct_3a_etc_2.svi)                                                                  | CallCfm(CallConfirm_<br>04(TI_01,<br>TCV_BcapMO1))     |     |             |
| 76 |            | [TSPX_EFR_SpchPrefsNo = 3]                                                                                                                                                                                                                              |                                                        |     |             |
| 77 |            | L?DL_DatInCallCo( TCV_CallCfm :=<br>DL_DatInCallCo.msg, TCV_EFR_svi1 :=<br>DL_DatInCallCo.msg.bcap1.oct_3a_etc_1.svi,<br>TCV_EFR_svi2 :=<br>DL_DatInCallCo.msg.bcap1.oct_3a_etc_2.svi,<br>TCV_EFR_svi3 :=<br>DL_DatInCallCo.msg.bcap1.oct_3a_etc_3.svi) | CallCfm(CallConfirm_<br>04(TI_01,<br>TCV_BcapMO1))     |     |             |
| 78 | E_00<br>43 | [C_Yes]                                                                                                                                                                                                                                                 |                                                        | I   | IXIT ERROR  |
| 79 |            | <b>asstrafficch(rate:IA5String)</b><br>(TCV_Res := FALSE)                                                                                                                                                                                               |                                                        |     |             |
| 80 |            | +AssCmdGen( TCV_cellid, rate, TSPX_TmSlitDef,<br>TSPX_TscDef, TSPX_TCHHSubDef)                                                                                                                                                                          |                                                        |     |             |
| 81 |            | +AssCh_complete(TCV_ch, TCV_chTch,<br>TCV_AssCmd)                                                                                                                                                                                                       |                                                        |     |             |

Detailed Comments:

| Test Case Dynamic Behaviour |            |                                                                                                                                                                                                                                                                                                                                                                                                                                                                                                                                                                                                                                                                                                                                                                                                                                                                                                                                                                                                                                                                                                                                                                               |                                                  |     |                         |
|-----------------------------|------------|-------------------------------------------------------------------------------------------------------------------------------------------------------------------------------------------------------------------------------------------------------------------------------------------------------------------------------------------------------------------------------------------------------------------------------------------------------------------------------------------------------------------------------------------------------------------------------------------------------------------------------------------------------------------------------------------------------------------------------------------------------------------------------------------------------------------------------------------------------------------------------------------------------------------------------------------------------------------------------------------------------------------------------------------------------------------------------------------------------------------------------------------------------------------------------|--------------------------------------------------|-----|-------------------------|
| <b>Test Case Name:</b>      |            | TC_26_12_5                                                                                                                                                                                                                                                                                                                                                                                                                                                                                                                                                                                                                                                                                                                                                                                                                                                                                                                                                                                                                                                                                                                                                                    |                                                  |     |                         |
| <b>Group:</b>               |            | GSM_MS_EFR_4210/EFR/                                                                                                                                                                                                                                                                                                                                                                                                                                                                                                                                                                                                                                                                                                                                                                                                                                                                                                                                                                                                                                                                                                                                                          |                                                  |     |                         |
| <b>Purpose:</b>             |            | <p>1) To verify that an MS supporting speech in the MM state "idle, updated", when made to call the number 112, sends a CHANNEL REQUEST message with establishment cause "emergency call".</p> <p>2) To verify that after assignment of a dedicated channel the first layer message sent by the MS on the assigned dedicated channel is a CM SERVICE REQUEST message specifying the correct CKSN and TMSI, with CM Service Type "emergency call establishment" .</p> <p>3) To verify that authentication and cipher mode setting are performed successfully.</p> <p>4) To verify that after cipher mode setting acceptance by the SS, the MS sends an EMERGENCY SETUP message.</p> <p>5) The EFR mobile station shall accept channel assignment to a TCH full rate speech version 1 or 2 and if it supports half rate, in addition it shall accept channel assignment to a TCH half rate speech version 1.</p> <p>6) After receipt of a CONNECT ACKNOWLEDGE message during correct establishment of the emergency call, the TCH shall be through connected in both directions if an appropriate TCH is available.</p> <p>7) To verify that the call is cleared correctly.</p> |                                                  |     |                         |
| <b>Default:</b>             |            | OtherEventsFail                                                                                                                                                                                                                                                                                                                                                                                                                                                                                                                                                                                                                                                                                                                                                                                                                                                                                                                                                                                                                                                                                                                                                               |                                                  |     |                         |
| Nr                          | Label      | Behaviour Description                                                                                                                                                                                                                                                                                                                                                                                                                                                                                                                                                                                                                                                                                                                                                                                                                                                                                                                                                                                                                                                                                                                                                         | CRef                                             | V   | Comments                |
| 1                           |            | [TSPC_Serv_TS11]                                                                                                                                                                                                                                                                                                                                                                                                                                                                                                                                                                                                                                                                                                                                                                                                                                                                                                                                                                                                                                                                                                                                                              |                                                  |     | Telephony supported     |
| 2                           |            | +EFR_BasicServiceMO( C_EmgCall, C_Full)                                                                                                                                                                                                                                                                                                                                                                                                                                                                                                                                                                                                                                                                                                                                                                                                                                                                                                                                                                                                                                                                                                                                       |                                                  |     | Init Full Rate v1.      |
| 3                           |            | +local_make_ecall                                                                                                                                                                                                                                                                                                                                                                                                                                                                                                                                                                                                                                                                                                                                                                                                                                                                                                                                                                                                                                                                                                                                                             |                                                  |     | M = 1.                  |
| 4                           |            | [TSPC_EFR_EmgCallBcap]                                                                                                                                                                                                                                                                                                                                                                                                                                                                                                                                                                                                                                                                                                                                                                                                                                                                                                                                                                                                                                                                                                                                                        |                                                  |     | BCAP present            |
| 5                           |            | (TCV_Null := OM_CphMd(TCV_ch, CphMod_02, TCV_CphKey))                                                                                                                                                                                                                                                                                                                                                                                                                                                                                                                                                                                                                                                                                                                                                                                                                                                                                                                                                                                                                                                                                                                         |                                                  |     |                         |
| 6                           |            | +EFR_BasicServiceMO( C_EmgCall, C_Full_v2)                                                                                                                                                                                                                                                                                                                                                                                                                                                                                                                                                                                                                                                                                                                                                                                                                                                                                                                                                                                                                                                                                                                                    |                                                  |     | Init Full Rate v2.      |
| 7                           |            | +local_make_ecall                                                                                                                                                                                                                                                                                                                                                                                                                                                                                                                                                                                                                                                                                                                                                                                                                                                                                                                                                                                                                                                                                                                                                             |                                                  |     | M = 2.                  |
| 8                           |            | [TSPC_DualRate]                                                                                                                                                                                                                                                                                                                                                                                                                                                                                                                                                                                                                                                                                                                                                                                                                                                                                                                                                                                                                                                                                                                                                               |                                                  |     | Half rate               |
| 9                           |            | (TCV_Null := OM_CphMd(TCV_ch, CphMod_02, TCV_CphKey))                                                                                                                                                                                                                                                                                                                                                                                                                                                                                                                                                                                                                                                                                                                                                                                                                                                                                                                                                                                                                                                                                                                         |                                                  |     |                         |
| 10                          |            | +EFR_BasicServiceMO( C_EmgCall, C_Half)                                                                                                                                                                                                                                                                                                                                                                                                                                                                                                                                                                                                                                                                                                                                                                                                                                                                                                                                                                                                                                                                                                                                       |                                                  |     | Init Half Rate v1.      |
| 11                          |            | +local_make_ecall                                                                                                                                                                                                                                                                                                                                                                                                                                                                                                                                                                                                                                                                                                                                                                                                                                                                                                                                                                                                                                                                                                                                                             |                                                  |     | M = 3.                  |
| 12                          |            | [NOT TSPC_DualRate]                                                                                                                                                                                                                                                                                                                                                                                                                                                                                                                                                                                                                                                                                                                                                                                                                                                                                                                                                                                                                                                                                                                                                           |                                                  |     |                         |
| 13                          |            | [NOT TSPC_EFR_EmgCallBcap]                                                                                                                                                                                                                                                                                                                                                                                                                                                                                                                                                                                                                                                                                                                                                                                                                                                                                                                                                                                                                                                                                                                                                    |                                                  |     |                         |
| 14                          | E_00<br>44 | [C_Yes]                                                                                                                                                                                                                                                                                                                                                                                                                                                                                                                                                                                                                                                                                                                                                                                                                                                                                                                                                                                                                                                                                                                                                                       |                                                  | I   | IXIT ERROR              |
|                             |            | <b>local_make_ecall</b>                                                                                                                                                                                                                                                                                                                                                                                                                                                                                                                                                                                                                                                                                                                                                                                                                                                                                                                                                                                                                                                                                                                                                       |                                                  |     |                         |
| 15                          |            | START T_guard(300)                                                                                                                                                                                                                                                                                                                                                                                                                                                                                                                                                                                                                                                                                                                                                                                                                                                                                                                                                                                                                                                                                                                                                            |                                                  |     |                         |
| 16                          |            | +IdleUpdated( C_E_default, C_CellA, C_SCH_A, C_BCCH_A_1, C_ImmAss, C_S0, C_SlotNU, C_SlotNU, C_SlotNU, C_BCC, C_TxInt_5, C_Max_1, C_NECl_0, C_ATT_0, TimingAdv( 0), C_BABR_0, C_cch_1Comb, C_BPM_3, C_T3212_0, C_ci_cellA, C_MCC_1, C_PLMN_1, C_LAC_1, CellOpt_01, CellChDes_Omit, CellChDes_Omit, C_CellReselectHys12, C_MaxPwrLvIG, C_MaxPwrLvID, BcchFreqLst_45, BcchFreqLst_02, BcchFreqLst_03, BcchFreqLst_04, C_Restablishment, C_BCC, C_NCC, C_Start_Tmsi, TSPX_SDCCH4SubDef, TSPX_CKSNA, TSPX_RANDA, C_arfcnA, C_arfcnAd, TSPX_IMSI, C_Test_nfh, C_NCCP_2)                                                                                                                                                                                                                                                                                                                                                                                                                                                                                                                                                                                                            |                                                  |     | 1.                      |
| 17                          | body       | +InitCall( TCV_Service)                                                                                                                                                                                                                                                                                                                                                                                                                                                                                                                                                                                                                                                                                                                                                                                                                                                                                                                                                                                                                                                                                                                                                       |                                                  |     |                         |
| 18                          | E_00<br>45 | L?DL_RaInChRq( TCV_Rr := DL_RaInChRq.msg.ecau_rrf, TCV_Fn := DL_RaInChRq.fn)                                                                                                                                                                                                                                                                                                                                                                                                                                                                                                                                                                                                                                                                                                                                                                                                                                                                                                                                                                                                                                                                                                  | ChReq( ChRequest_16)                             | (P) | 2.                      |
| 19                          |            | ACTIVATE( OtherEventsFail_02)                                                                                                                                                                                                                                                                                                                                                                                                                                                                                                                                                                                                                                                                                                                                                                                                                                                                                                                                                                                                                                                                                                                                                 |                                                  |     | To match ChReq retrans. |
| 20                          |            | L!DL_UdatRqImmAss                                                                                                                                                                                                                                                                                                                                                                                                                                                                                                                                                                                                                                                                                                                                                                                                                                                                                                                                                                                                                                                                                                                                                             | ImmAss( TCV_agch, ImmAsgn_01Def( TCV_Rr, TCV_Fn, |     |                         |

|    |            |                                                                                   |                                                                                                                |     |                        |
|----|------------|-----------------------------------------------------------------------------------|----------------------------------------------------------------------------------------------------------------|-----|------------------------|
| 21 | E_00<br>46 | L?DL_EstInCmsRq                                                                   | TSPX_SDCCH4SubDef, TCV_slot, TCV_tsc, TCV_chdescr_arfcn, TimingAdv( 0))<br>CMSerReq( CMSerReq_06( TSPX_CKSNA)) | (P) | 3.                     |
| 22 |            | ACTIVATE( OtherEventsFail)                                                        |                                                                                                                |     | Restore Normal default |
| 23 |            | LIDL_DatRqAuthRq                                                                  | AuthReq(TCV_ch, AuthRequest( TSPX_CKSNA, TSPX_RANDA))                                                          |     |                        |
| 24 |            | L?DL_DatInAuthRes( TCV_Sres := DL_DatInAuthRes.msg.sres)                          | AuthRes( AuthResponse)                                                                                         |     |                        |
| 25 |            | +local_continue                                                                   |                                                                                                                |     |                        |
| 26 |            | <b>local_continue</b><br>(TCV_Res := OC_ChkSRES(TCV_Sres, TSPX_Ki, TSPX_RANDA))   |                                                                                                                |     |                        |
| 27 | E_00<br>47 | [NOT TCV_Res]                                                                     |                                                                                                                | (F) | 4.                     |
| 28 |            | +PostMainLinkRel(TCV_ch)                                                          |                                                                                                                |     |                        |
| 29 | E_00<br>48 | [TCV_Res]                                                                         |                                                                                                                | (P) | 5.                     |
| 30 |            | +Cipherring_on(TCV_ch)                                                            |                                                                                                                |     |                        |
| 31 |            | +EFR_RcvSetupOrEsetup(TCV_Setup_mo, TCV_Esetup, TCV_Ecall)                        |                                                                                                                |     | 6.                     |
| 32 |            | +local_preferred_rate                                                             |                                                                                                                |     |                        |
| 33 |            | LIDL_DatRqCallProc                                                                | CallProc( TCV_ch, TCV_CallProc)                                                                                |     |                        |
| 34 |            | LIDL_DatRqAlert                                                                   | AlertSnd( TCV_ch, Alerting_01( TCV_TI))                                                                        |     |                        |
| 35 |            | +AssCmdGen( TCV_cellid, TCV_ChRate, TSPX_TmSlitDef, TSPX_TscDef, TSPX_TCHHSubDef) |                                                                                                                |     |                        |
| 36 |            | +AssCh_complete(TCV_ch, TCV_chTch, TCV_AssCmd)                                    |                                                                                                                |     |                        |
| 37 |            | +local_continue1                                                                  |                                                                                                                |     |                        |
| 38 |            | <b>local_continue1</b><br>LIDL_DatRqConn                                          | ConnSnd( TCV_chTch, Connect_02( TCV_TI))                                                                       |     |                        |
| 39 | E_00<br>49 | L?DL_DatInConnAck                                                                 | ConnAckRcv( ConnectAck_02( TCV_TI0))                                                                           | (P) |                        |
| 40 |            | (TCV_Res := OO_TCHThroConnCHK())                                                  |                                                                                                                |     |                        |
| 41 | E_00<br>50 | [NOT TCV_Res]                                                                     |                                                                                                                | (F) | 7.                     |
| 42 |            | +PostMainLinkRel(TCV_chTch)                                                       |                                                                                                                |     |                        |
| 43 | E_00<br>51 | [TCV_Res]                                                                         |                                                                                                                | (P) | 8.                     |
| 44 |            | LIDL_DatRqDisc                                                                    | DiscSnd( TCV_chTch, DisconnS( TCV_TI, Cause_01, ProgInd_omit, UuInfo_omit))                                    |     |                        |
| 45 | E_00<br>52 | L?DL_DatInRel                                                                     | ReleaseRcv( Release_10( TCV_TI0))                                                                              | (P) |                        |
| 46 |            | LIDL_DatRqRelCmp                                                                  | RelComSnd( TCV_chTch, ReleaseCmp_08( TCV_TI))                                                                  |     |                        |
| 47 |            | +PostMainLinkRel(TCV_chTch)                                                       |                                                                                                                |     |                        |
| 48 |            | <b>local_preferred_rate</b><br>(TCV_Rchr := TCV_Setup_mo1.bcap1.rchr)             |                                                                                                                |     |                        |

|                                                                                                                                                                                                                                                                                                                                                                                                                                                                                                                                                                                                                                                                                                                                                                                                                                                                                                                                        |                                                                                                                                                                                          |  |     |
|----------------------------------------------------------------------------------------------------------------------------------------------------------------------------------------------------------------------------------------------------------------------------------------------------------------------------------------------------------------------------------------------------------------------------------------------------------------------------------------------------------------------------------------------------------------------------------------------------------------------------------------------------------------------------------------------------------------------------------------------------------------------------------------------------------------------------------------------------------------------------------------------------------------------------------------|------------------------------------------------------------------------------------------------------------------------------------------------------------------------------------------|--|-----|
| 49                                                                                                                                                                                                                                                                                                                                                                                                                                                                                                                                                                                                                                                                                                                                                                                                                                                                                                                                     | [TCV_ChRate = C_Full]                                                                                                                                                                    |  | 9.  |
| 50                                                                                                                                                                                                                                                                                                                                                                                                                                                                                                                                                                                                                                                                                                                                                                                                                                                                                                                                     | +FullRateCh_A_1(C_Ass, TSPX_TmSlitDef, TSPX_TscDef, TCV_ChMod, FreqTCH_omit, FreqTCH_omit, C_arfcn_tchA, C_arfcn_tchAd, TimingAdv( 0), C_BABR_0, C_cch_1Comb, C_BPM_3)                   |  |     |
| 51                                                                                                                                                                                                                                                                                                                                                                                                                                                                                                                                                                                                                                                                                                                                                                                                                                                                                                                                     | [(TCV_ChRate = C_Half) AND ((TCV_Rchr = '10'B) OR (TCV_Rchr = '11'B))]                                                                                                                   |  | 10. |
| 52                                                                                                                                                                                                                                                                                                                                                                                                                                                                                                                                                                                                                                                                                                                                                                                                                                                                                                                                     | +HalfRateCh_A_1( TSPX_TCHHSubDef, C_Ass, TSPX_TmSlitDef, TSPX_TscDef, TCV_ChMod, FreqTCH_omit, FreqTCH_omit, C_arfcn_tchA, C_arfcn_tchAd, TimingAdv( 0), C_BABR_0, C_cch_1Comb, C_BPM_3) |  |     |
| <b>Detailed Comments:</b> <ol style="list-style-type: none"> <li>1. To setup a physical channels as BCCH CCCH and SDCCH4 combined channel.</li> <li>2. CHANNEL REQUEST with "emergency call establishment" cause received.</li> <li>3. CM SERVICE REQUEST with "emergency call establishment" service type correct TMSI and CKSN received.</li> <li>4. Authentication failed.</li> <li>5. Authentication passed.</li> <li>6. EMERGENCY SETUP with BC or without BC received.</li> <li>7. The TCH channel is not through connected, fail.</li> <li>8. The TCH channel is through connected.</li> <li>9. dual rate / full rate preferred" case. setup a physical channel as full rate traffic channel and the preferred full rate channel is to be assigned.</li> <li>10. dual rate / half rate preferred" case. setup a physical channel as half rate traffic channel and the preferred half rate channel is to be assigned.</li> </ol> |                                                                                                                                                                                          |  |     |

**Test Step Library**

**Test Step Group management**

**Test Step Group ChConfig**

| Test Step Dynamic Behaviour |       |                                                                                                                                                                                                                                                             |      |   |          |
|-----------------------------|-------|-------------------------------------------------------------------------------------------------------------------------------------------------------------------------------------------------------------------------------------------------------------|------|---|----------|
| <b>Test Step Name:</b>      |       | Config_CBMS_A_1(par_bspwr, par_mspwr:INTEGER; chmod:CHMOD; acttype:BITSTRING; slot:SN; tsc:TSC; rf:FRQPARA; chcmbn:LOGCH; ta:TA; babr, cch_con, bpm:B_3)                                                                                                    |      |   |          |
| <b>Group:</b>               |       | GSM_MS_EFR_4210/management/ChConfig/                                                                                                                                                                                                                        |      |   |          |
| <b>Objective:</b>           |       | To set a physical channel and map FCCH, SCH, BCCH, CCCH, SDCCH4 and CBCH onto the physical channel which represents cell A.                                                                                                                                 |      |   |          |
| <b>Default:</b>             |       | OtherEvents                                                                                                                                                                                                                                                 |      |   |          |
| Nr                          | Label | Behaviour Description                                                                                                                                                                                                                                       | CRef | V | Comments |
| 1                           |       | (TCV_Null := OM_ChConf( par_bspwr, par_mspwr, acttype, chmod, ta, slot, tsc, rf, chcmbn, 0, 0, babr, cch_con, bpm, PgReqTp1Norm, '0'B, '0'B, C_CellA, C_FCCH_A, C_SCH_A, C_BCCH_A_1, C_PCH_A_1, C_AGCH_A_1, C_RACH_A_1, C_SDCCH4_A, C_SACCHC4_A, C_CBCH_A)) |      |   |          |
| 2                           |       | (TCV_Null := OM_Assoc( C_SDCCH4_A, C_SDCCH40_A, C_SDCCH41_A, C_SDCCH42_A, C_SDCCH43_A, "dummy", "dummy", "dummy", "dummy", C_SACCHC4_A, C_SACCHC40_A, C_SACCHC41_A, C_SACCHC42_A, C_SACCHC43_A, "dummy", "dummy", "dummy", "dummy"))                        |      |   |          |
| <b>Detailed Comments:</b>   |       |                                                                                                                                                                                                                                                             |      |   |          |

| Test Step Dynamic Behaviour |       |                                                                                                                                                                                                                                                 |      |   |          |
|-----------------------------|-------|-------------------------------------------------------------------------------------------------------------------------------------------------------------------------------------------------------------------------------------------------|------|---|----------|
| <b>Test Step Name:</b>      |       | Config_FACCHF_A_1(par_bspwr, par_mspwr:INTEGER; chmod:CHMOD; acttype:BITSTRING; slot:SN; tsc:TSC; rf:FRQPARA; chcmbn:LOGCH; ta:TA; babr, cch_con, bpm:B_3)                                                                                      |      |   |          |
| <b>Group:</b>               |       | GSM_MS_EFR_4210/management/ChConfig/                                                                                                                                                                                                            |      |   |          |
| <b>Objective:</b>           |       | To set one physical channel used as TCHF_ACCH's of cell A.                                                                                                                                                                                      |      |   |          |
| <b>Default:</b>             |       | OtherEvents                                                                                                                                                                                                                                     |      |   |          |
| Nr                          | Label | Behaviour Description                                                                                                                                                                                                                           | CRef | V | Comments |
| 1                           |       | (TCV_Null := OM_ChConf( par_bspwr, par_mspwr, acttype, chmod, ta, slot, tsc, rf, chcmbn, 0, 0, babr, cch_con, bpm, PgReqTp1Norm, '0B, '0B, C_CellA, "dummy", "dummy", "dummy", "dummy", "dummy", "dummy", C_FACCHF_A_1, C_SACCHF_A_1, "dummy")) |      |   |          |
| <b>Detailed Comments:</b>   |       |                                                                                                                                                                                                                                                 |      |   |          |

| Test Step Dynamic Behaviour |       |                                                                                                                                                                                                                                                 |      |   |          |
|-----------------------------|-------|-------------------------------------------------------------------------------------------------------------------------------------------------------------------------------------------------------------------------------------------------|------|---|----------|
| <b>Test Step Name:</b>      |       | Config_FACCHF_A_2(par_bspwr, par_mspwr:INTEGER; chmod:CHMOD; acttype:BITSTRING; slot:SN; tsc:TSC; rf:FRQPARA; chcmbn:LOGCH; ta:TA; babr, cch_con, bpm:B_3)                                                                                      |      |   |          |
| <b>Group:</b>               |       | GSM_MS_EFR_4210/management/ChConfig/                                                                                                                                                                                                            |      |   |          |
| <b>Objective:</b>           |       | To set one physical channel used as TCHF_ACCH's for instance 2 of cell A.                                                                                                                                                                       |      |   |          |
| <b>Default:</b>             |       | OtherEvents                                                                                                                                                                                                                                     |      |   |          |
| Nr                          | Label | Behaviour Description                                                                                                                                                                                                                           | CRef | V | Comments |
| 1                           |       | (TCV_Null := OM_ChConf( par_bspwr, par_mspwr, acttype, chmod, ta, slot, tsc, rf, chcmbn, 0, 0, babr, cch_con, bpm, PgReqTp1Norm, '0B, '0B, C_CellA, "dummy", "dummy", "dummy", "dummy", "dummy", "dummy", C_FACCHF_A_2, C_SACCHF_A_2, "dummy")) |      |   |          |
| <b>Detailed Comments:</b>   |       |                                                                                                                                                                                                                                                 |      |   |          |

| Test Step Dynamic Behaviour |       |                                                                                                                                                                                                                                                 |      |   |          |
|-----------------------------|-------|-------------------------------------------------------------------------------------------------------------------------------------------------------------------------------------------------------------------------------------------------|------|---|----------|
| <b>Test Step Name:</b>      |       | Config_FACCHF_B_1(par_bspwr, par_mspwr:INTEGER; chmod:CHMOD; acttype:BITSTRING; slot:SN; tsc:TSC; rf:FRQPARA; chcmbn:LOGCH; ta:TA; babr, cch_con, bpm:B_3)                                                                                      |      |   |          |
| <b>Group:</b>               |       | GSM_MS_EFR_4210/management/ChConfig/                                                                                                                                                                                                            |      |   |          |
| <b>Objective:</b>           |       | To set one physical channel used as TCHF_ACCH's of cell B.                                                                                                                                                                                      |      |   |          |
| <b>Default:</b>             |       | OtherEvents                                                                                                                                                                                                                                     |      |   |          |
| Nr                          | Label | Behaviour Description                                                                                                                                                                                                                           | CRef | V | Comments |
| 1                           |       | (TCV_Null := OM_ChConf( par_bspwr, par_mspwr, acttype, chmod, ta, slot, tsc, rf, chcmbn, 0, 0, babr, cch_con, bpm, PgReqTp1Norm, '0B, '0B, C_CellB, "dummy", "dummy", "dummy", "dummy", "dummy", "dummy", C_FACCHF_B_1, C_SACCHF_B_1, "dummy")) |      |   |          |
| <b>Detailed Comments:</b>   |       |                                                                                                                                                                                                                                                 |      |   |          |

| Test Step Dynamic Behaviour |       |                                                                                                                                                                                                                                                   |      |   |          |
|-----------------------------|-------|---------------------------------------------------------------------------------------------------------------------------------------------------------------------------------------------------------------------------------------------------|------|---|----------|
| <b>Test Step Name:</b>      |       | Config_FACCHH_A_1(par_bspwr, par_mspwr:INTEGER; chmod:CHMOD; acttype:BITSTRING; slot:SN; tsc:TSC; rf:FRQPARA; chcmbn:LOGCH; ta:TA; babr, cch_con, bpm:B_3)                                                                                        |      |   |          |
| <b>Group:</b>               |       | GSM_MS_EFR_4210/management/ChConfig/                                                                                                                                                                                                              |      |   |          |
| <b>Objective:</b>           |       | To set one physical channel used as TCHH_ACCH's of cell A.                                                                                                                                                                                        |      |   |          |
| <b>Default:</b>             |       | OtherEvents                                                                                                                                                                                                                                       |      |   |          |
| Nr                          | Label | Behaviour Description                                                                                                                                                                                                                             | CRef | V | Comments |
| 1                           |       | (TCV_Null := OM_ChConf( par_bspwr, par_mspwr, acttype, chmod, ta, slot, tsc, rf, chcmbn, 0, 0, babr, cch_con, bpm, PgReqTp1Norm, '0'B, '0'B, C_CellA, "dummy", "dummy", "dummy", "dummy", "dummy", "dummy", C_FACCHH_A_1, C_SACCHH_A_1, "dummy")) |      |   |          |
| 2                           |       | (TCV_Null := OM_Assoc( C_FACCHH_A_1, C_FACCHH0_A_1, C_FACCHH1_A_1, "dummy", "dummy", "dummy", "dummy", "dummy", "dummy", C_SACCHH_A_1, C_SACCHH0_A_1, C_SACCHH1_A_1, "dummy", "dummy", "dummy", "dummy", "dummy", "dummy", "dummy", "dummy"))     |      |   |          |
| <b>Detailed Comments:</b>   |       |                                                                                                                                                                                                                                                   |      |   |          |

| Test Step Dynamic Behaviour |       |                                                                                                                                                                                                                                                   |      |   |          |
|-----------------------------|-------|---------------------------------------------------------------------------------------------------------------------------------------------------------------------------------------------------------------------------------------------------|------|---|----------|
| <b>Test Step Name:</b>      |       | Config_FACCHH_A_2(par_bspwr, par_mspwr:INTEGER; chmod:CHMOD; acttype:BITSTRING; slot:SN; tsc:TSC; rf:FRQPARA; chcmbn:LOGCH; ta:TA; babr, cch_con, bpm:B_3)                                                                                        |      |   |          |
| <b>Group:</b>               |       | GSM_MS_EFR_4210/management/ChConfig/                                                                                                                                                                                                              |      |   |          |
| <b>Objective:</b>           |       | To set one physical channel used as TCHH_ACCH's of cell A.                                                                                                                                                                                        |      |   |          |
| <b>Default:</b>             |       | OtherEvents                                                                                                                                                                                                                                       |      |   |          |
| Nr                          | Label | Behaviour Description                                                                                                                                                                                                                             | CRef | V | Comments |
| 1                           |       | (TCV_Null := OM_ChConf( par_bspwr, par_mspwr, acttype, chmod, ta, slot, tsc, rf, chcmbn, 0, 0, babr, cch_con, bpm, PgReqTp1Norm, '0'B, '0'B, C_CellA, "dummy", "dummy", "dummy", "dummy", "dummy", "dummy", C_FACCHH_A_2, C_SACCHH_A_2, "dummy")) |      |   |          |
| 2                           |       | (TCV_Null := OM_Assoc( C_FACCHH_A_2, C_FACCHH0_A_2, C_FACCHH1_A_2, "dummy", "dummy", "dummy", "dummy", "dummy", "dummy", C_SACCHH_A_2, C_SACCHH0_A_2, C_SACCHH1_A_2, "dummy", "dummy", "dummy", "dummy", "dummy", "dummy", "dummy", "dummy"))     |      |   |          |
| <b>Detailed Comments:</b>   |       |                                                                                                                                                                                                                                                   |      |   |          |

| Test Step Dynamic Behaviour |       |                                                                                                                                                                                                                                                   |      |   |          |
|-----------------------------|-------|---------------------------------------------------------------------------------------------------------------------------------------------------------------------------------------------------------------------------------------------------|------|---|----------|
| <b>Test Step Name:</b>      |       | Config_FACCHH_B_1(par_bspwr, par_mspwr:INTEGER; chmod:CHMOD; acttype:BITSTRING; slot:SN; tsc:TSC; rf:FRQPARA; chcmbn:LOGCH; ta:TA; babr, cch_con, bpm:B_3)                                                                                        |      |   |          |
| <b>Group:</b>               |       | GSM_MS_EFR_4210/management/ChConfig/                                                                                                                                                                                                              |      |   |          |
| <b>Objective:</b>           |       | To set one physical channel used as TCHH_ACCH's of cell B.                                                                                                                                                                                        |      |   |          |
| <b>Default:</b>             |       | OtherEvents                                                                                                                                                                                                                                       |      |   |          |
| Nr                          | Label | Behaviour Description                                                                                                                                                                                                                             | CRef | V | Comments |
| 1                           |       | (TCV_Null := OM_ChConf( par_bspwr, par_mspwr, acttype, chmod, ta, slot, tsc, rf, chcmbn, 0, 0, babr, cch_con, bpm, PgReqTp1Norm, '0'B, '0'B, C_CellB, "dummy", "dummy", "dummy", "dummy", "dummy", "dummy", C_FACCHH_B_1, C_SACCHH_B_1, "dummy")) |      |   |          |
| 2                           |       | (TCV_Null := OM_Assoc( C_FACCHH_B_1, C_FACCHH0_B_1, C_FACCHH1_B_1, "dummy", "dummy", "dummy", "dummy", "dummy", "dummy", C_SACCHH_B_1, C_SACCHH0_B_1, C_SACCHH1_B_1, "dummy", "dummy", "dummy", "dummy", "dummy", "dummy", "dummy", "dummy"))     |      |   |          |
| <b>Detailed Comments:</b>   |       |                                                                                                                                                                                                                                                   |      |   |          |

| Test Step Dynamic Behaviour |       |                                                                                                                                                                                                                                                     |      |   |          |
|-----------------------------|-------|-----------------------------------------------------------------------------------------------------------------------------------------------------------------------------------------------------------------------------------------------------|------|---|----------|
| <b>Test Step Name:</b>      |       | Config_BCCH_CCCH_A_1(par_bspwr, par_mspwr:INTEGER; chmod:CHMOD; acttype:BITSTRING; slot:SN; tsc:TSC; rf:FRQPARA; chcmbn:LOGCH; ta:TA; babr, cch_con, bpm:B_3)                                                                                       |      |   |          |
| <b>Group:</b>               |       | GSM_MS_EFR_4210/management/ChConfig/                                                                                                                                                                                                                |      |   |          |
| <b>Objective:</b>           |       | To set a physical channel and map FCCH, SCH, BCCH and CCCH onto the physical channel which represents cell A.                                                                                                                                       |      |   |          |
| <b>Default:</b>             |       | OtherEvents                                                                                                                                                                                                                                         |      |   |          |
| Nr                          | Label | Behaviour Description                                                                                                                                                                                                                               | CRef | V | Comments |
| 1                           |       | (TCV_Null := OM_ChConf( par_bspwr, par_mspwr, acttype, chmod, ta, slot, tsc, rf, chcmbn, 0, 0, babr, cch_con, bpm, PgReqTp1Norm, '0'B, '0'B, C_CellA, C_FCCH_A, C_SCH_A, C_BCCH_A_1, C_PCH_A_1, C_AGCH_A_1, C_RACH_A_1, "dummy", "dummy", "dummy")) |      |   |          |
| <b>Detailed Comments:</b>   |       |                                                                                                                                                                                                                                                     |      |   |          |

| Test Step Dynamic Behaviour |       |                                                                                                                                                                                                                                                       |      |   |          |
|-----------------------------|-------|-------------------------------------------------------------------------------------------------------------------------------------------------------------------------------------------------------------------------------------------------------|------|---|----------|
| <b>Test Step Name:</b>      |       | Config_BCCH_CCCH_A_ho_1(par_bspwr, par_mspwr:INTEGER; chmod:CHMOD; acttype:BITSTRING; slot:SN; tsc:TSC; rf:FRQPARA; chcmbn:LOGCH; ta:TA; babr, cch_con, bpm:B_3; td, fn:INTEGER)                                                                      |      |   |          |
| <b>Group:</b>               |       | GSM_MS_EFR_4210/management/ChConfig/                                                                                                                                                                                                                  |      |   |          |
| <b>Objective:</b>           |       | To set a physical channel and map FCCH, SCH, BCCH and CCCH onto the physical channel which represents cell A with controlable td and fn.                                                                                                              |      |   |          |
| <b>Default:</b>             |       | OtherEvents                                                                                                                                                                                                                                           |      |   |          |
| Nr                          | Label | Behaviour Description                                                                                                                                                                                                                                 | CRef | V | Comments |
| 1                           |       | (TCV_Null := OM_ChConf( par_bspwr, par_mspwr, acttype, chmod, ta, slot, tsc, rf, chcmbn, td, fn, babr, cch_con, bpm, PgReqTp1Norm, '0'B, '0'B, C_CellA, C_FCCH_A, C_SCH_A, C_BCCH_A_1, C_PCH_A_1, C_AGCH_A_1, C_RACH_A_1, "dummy", "dummy", "dummy")) |      |   |          |
| <b>Detailed Comments:</b>   |       |                                                                                                                                                                                                                                                       |      |   |          |

| Test Step Dynamic Behaviour |       |                                                                                                                                                                                                                                                    |      |   |          |
|-----------------------------|-------|----------------------------------------------------------------------------------------------------------------------------------------------------------------------------------------------------------------------------------------------------|------|---|----------|
| <b>Test Step Name:</b>      |       | Config_BCCH_CCCH_A_2(par_bspwr, par_mspwr:INTEGER; chmod:CHMOD; acttype:BITSTRING; slot:SN; tsc:TSC; rf:FRQPARA; chcmbn:LOGCH; ta:TA; babr, cch_con, bpm:B_3)                                                                                      |      |   |          |
| <b>Group:</b>               |       | GSM_MS_EFR_4210/management/ChConfig/                                                                                                                                                                                                               |      |   |          |
| <b>Objective:</b>           |       | To set a physical channel and map the second BCCH, CCCH onto the physical channel which represents cell A.                                                                                                                                         |      |   |          |
| <b>Default:</b>             |       | OtherEvents                                                                                                                                                                                                                                        |      |   |          |
| Nr                          | Label | Behaviour Description                                                                                                                                                                                                                              | CRef | V | Comments |
| 1                           |       | (TCV_Null := OM_ChConf( par_bspwr, par_mspwr, acttype, chmod, ta, slot, tsc, rf, chcmbn, 0, 0, babr, cch_con, bpm, PgReqTp1Norm, '0'B, '0'B, C_CellA, "dummy", "dummy", C_BCCH_A_2, C_PCH_A_2, C_AGCH_A_2, C_RACH_A_2, "dummy", "dummy", "dummy")) |      |   |          |
| <b>Detailed Comments:</b>   |       |                                                                                                                                                                                                                                                    |      |   |          |



| Test Step Dynamic Behaviour |       |                                                                                                                                                                                                                                                   |      |   |          |
|-----------------------------|-------|---------------------------------------------------------------------------------------------------------------------------------------------------------------------------------------------------------------------------------------------------|------|---|----------|
| <b>Test Step Name:</b>      |       | Config_BCCH_CCCH_A_3(par_bspwr, par_mspwr:INTEGER; chmod:CHMOD; actype:BITSTRING; slot:SN; tsc:TSC; rf:FRQPARA; chcmbn:LOGCH; ta:TA; babr, cch_con, bpm:B_3)                                                                                      |      |   |          |
| <b>Group:</b>               |       | GSM_MS_EFR_4210/management/ChConfig/                                                                                                                                                                                                              |      |   |          |
| <b>Objective:</b>           |       | To set a physical channel and map the third BCCH, CCCH onto the physical channel which represents cell A.                                                                                                                                         |      |   |          |
| <b>Default:</b>             |       | OtherEvents                                                                                                                                                                                                                                       |      |   |          |
| Nr                          | Label | Behaviour Description                                                                                                                                                                                                                             | CRef | V | Comments |
| 1                           |       | (TCV_Null := OM_ChConf( par_bspwr, par_mspwr, actype, chmod, ta, slot, tsc, rf, chcmbn, 0, 0, babr, cch_con, bpm, PgReqTp1Norm, '0'B, '0'B, C_CellA, "dummy", "dummy", C_BCCH_A_3, C_PCH_A_3, C_AGCH_A_3, C_RACH_A_3, "dummy", "dummy", "dummy")) |      |   |          |
| <b>Detailed Comments:</b>   |       |                                                                                                                                                                                                                                                   |      |   |          |

| Test Step Dynamic Behaviour |       |                                                                                                                                                                                                                                                   |      |   |          |
|-----------------------------|-------|---------------------------------------------------------------------------------------------------------------------------------------------------------------------------------------------------------------------------------------------------|------|---|----------|
| <b>Test Step Name:</b>      |       | Config_BCCH_CCCH_A_4(par_bspwr, par_mspwr:INTEGER; chmod:CHMOD; actype:BITSTRING; slot:SN; tsc:TSC; rf:FRQPARA; chcmbn:LOGCH; ta:TA; babr, cch_con, bpm:B_3)                                                                                      |      |   |          |
| <b>Group:</b>               |       | GSM_MS_EFR_4210/management/ChConfig/                                                                                                                                                                                                              |      |   |          |
| <b>Objective:</b>           |       | To set a physical channel and map the fourth BCCH, CCCH onto the physical channel which represents cell A.                                                                                                                                        |      |   |          |
| <b>Default:</b>             |       | OtherEvents                                                                                                                                                                                                                                       |      |   |          |
| Nr                          | Label | Behaviour Description                                                                                                                                                                                                                             | CRef | V | Comments |
| 1                           |       | (TCV_Null := OM_ChConf( par_bspwr, par_mspwr, actype, chmod, ta, slot, tsc, rf, chcmbn, 0, 0, babr, cch_con, bpm, PgReqTp1Norm, '0'B, '0'B, C_CellA, "dummy", "dummy", C_BCCH_A_4, C_PCH_A_4, C_AGCH_A_4, C_RACH_A_4, "dummy", "dummy", "dummy")) |      |   |          |
| <b>Detailed Comments:</b>   |       |                                                                                                                                                                                                                                                   |      |   |          |

| Test Step Dynamic Behaviour |       |                                                                                                                                                                                                                                                    |      |   |          |
|-----------------------------|-------|----------------------------------------------------------------------------------------------------------------------------------------------------------------------------------------------------------------------------------------------------|------|---|----------|
| <b>Test Step Name:</b>      |       | Config_BCCH_CCCH_B_1(par_bspwr, par_mspwr:INTEGER; chmod:CHMOD; actype:BITSTRING; slot:SN; tsc:TSC; rf:FRQPARA; chcmbn:LOGCH; ta:TA; babr, cch_con, bpm:B_3)                                                                                       |      |   |          |
| <b>Group:</b>               |       | GSM_MS_EFR_4210/management/ChConfig/                                                                                                                                                                                                               |      |   |          |
| <b>Objective:</b>           |       | To set a physical channel and map FCCH, SCH, BCCH and CCCH onto the physical channel which represents cell B.                                                                                                                                      |      |   |          |
| <b>Default:</b>             |       | OtherEvents                                                                                                                                                                                                                                        |      |   |          |
| Nr                          | Label | Behaviour Description                                                                                                                                                                                                                              | CRef | V | Comments |
| 1                           |       | (TCV_Null := OM_ChConf( par_bspwr, par_mspwr, actype, chmod, ta, slot, tsc, rf, chcmbn, 0, 0, babr, cch_con, bpm, PgReqTp1Norm, '0'B, '0'B, C_CellB, C_FCCH_B, C_SCH_B, C_BCCH_B_1, C_PCH_B_1, C_AGCH_B_1, C_RACH_B_1, "dummy", "dummy", "dummy")) |      |   |          |
| <b>Detailed Comments:</b>   |       |                                                                                                                                                                                                                                                    |      |   |          |

| Test Step Dynamic Behaviour                                                                                                                                                                             |       |                                                                                                                                                                                                                                                       |      |   |          |
|---------------------------------------------------------------------------------------------------------------------------------------------------------------------------------------------------------|-------|-------------------------------------------------------------------------------------------------------------------------------------------------------------------------------------------------------------------------------------------------------|------|---|----------|
| <b>Test Step Name:</b> Config_BCCH_CCCH_B_ho_1(par_bspwr, par_mspwr:INTEGER; chmod:CHMOD; acttype:BITSTRING; slot:SN; tsc:TSC; rf:FRQPARA; chcmbn:LOGCH; ta:TA; babr, cch_con, bpm:B_3; td, fn:INTEGER) |       |                                                                                                                                                                                                                                                       |      |   |          |
| <b>Group:</b> GSM_MS_EFR_4210/management/ChConfig/                                                                                                                                                      |       |                                                                                                                                                                                                                                                       |      |   |          |
| <b>Objective:</b> To set a physical channel and map FCCH, SCH, BCCH and CCCH onto the physical channel which represents cell B with controlable td and fn.                                              |       |                                                                                                                                                                                                                                                       |      |   |          |
| <b>Default:</b> OtherEvents                                                                                                                                                                             |       |                                                                                                                                                                                                                                                       |      |   |          |
| Nr                                                                                                                                                                                                      | Label | Behaviour Description                                                                                                                                                                                                                                 | CRef | V | Comments |
| 1                                                                                                                                                                                                       |       | (TCV_Null := OM_ChConf( par_bspwr, par_mspwr, acttype, chmod, ta, slot, tsc, rf, chcmbn, td, fn, babr, cch_con, bpm, PgReqTp1Norm, '0'B, '0'B, C_CellB, C_FCCH_B, C_SCH_B, C_BCCH_B_1, C_PCH_B_1, C_AGCH_B_1, C_RACH_B_1, "dummy", "dummy", "dummy")) |      |   |          |
| <b>Detailed Comments:</b>                                                                                                                                                                               |       |                                                                                                                                                                                                                                                       |      |   |          |

| Test Step Dynamic Behaviour                                                                                                                                                       |       |                                                                                                                                                                                                                                                            |      |   |          |
|-----------------------------------------------------------------------------------------------------------------------------------------------------------------------------------|-------|------------------------------------------------------------------------------------------------------------------------------------------------------------------------------------------------------------------------------------------------------------|------|---|----------|
| <b>Test Step Name:</b> Config_SDCCH4_A_1(par_bspwr, par_mspwr:INTEGER; chmod:CHMOD; acttype:BITSTRING; slot:SN; tsc:TSC; rf:FRQPARA; chcmbn:LOGCH; ta:TA; babr, cch_con, bpm:B_3) |       |                                                                                                                                                                                                                                                            |      |   |          |
| <b>Group:</b> GSM_MS_EFR_4210/management/ChConfig/                                                                                                                                |       |                                                                                                                                                                                                                                                            |      |   |          |
| <b>Objective:</b> To set a physical channel and map FCCH, SCH, BCCH, CCCH and SDCCH4 onto the physical channel which represents cell A.                                           |       |                                                                                                                                                                                                                                                            |      |   |          |
| <b>Default:</b> OtherEvents                                                                                                                                                       |       |                                                                                                                                                                                                                                                            |      |   |          |
| Nr                                                                                                                                                                                | Label | Behaviour Description                                                                                                                                                                                                                                      | CRef | V | Comments |
| 1                                                                                                                                                                                 |       | (TCV_Null := OM_ChConf( par_bspwr, par_mspwr, acttype, chmod, ta, slot, tsc, rf, chcmbn, 0, 0, babr, cch_con, bpm, PgReqTp1Norm, '0'B, '0'B, C_CellA, C_FCCH_A, C_SCH_A, C_BCCH_A_1, C_PCH_A_1, C_AGCH_A_1, C_RACH_A_1, C_SDCCH4_A, C_SACCHC4_A, "dummy")) |      |   |          |
| 2                                                                                                                                                                                 |       | (TCV_Null := OM_Assoc( C_SDCCH4_A, C_SDCCH40_A, C_SDCCH41_A, C_SDCCH42_A, C_SDCCH43_A, "dummy", "dummy", "dummy", "dummy", C_SACCHC4_A, C_SACCHC40_A, C_SACCHC41_A, C_SACCHC42_A, C_SACCHC43_A, "dummy", "dummy", "dummy", "dummy"))                       |      |   |          |
| <b>Detailed Comments:</b>                                                                                                                                                         |       |                                                                                                                                                                                                                                                            |      |   |          |

| Test Step Dynamic Behaviour                                                                                                                                                                          |       |                                                                                                                                                                                                                                                              |      |   |          |
|------------------------------------------------------------------------------------------------------------------------------------------------------------------------------------------------------|-------|--------------------------------------------------------------------------------------------------------------------------------------------------------------------------------------------------------------------------------------------------------------|------|---|----------|
| <b>Test Step Name:</b> Config_SDCCH4_A_ho_1(par_bspwr, par_mspwr:INTEGER; chmod:CHMOD; acttype:BITSTRING; slot:SN; tsc:TSC; rf:FRQPARA; chcmbn:LOGCH; ta:TA; babr, cch_con, bpm:B_3; td, fn:INTEGER) |       |                                                                                                                                                                                                                                                              |      |   |          |
| <b>Group:</b> GSM_MS_EFR_4210/management/ChConfig/                                                                                                                                                   |       |                                                                                                                                                                                                                                                              |      |   |          |
| <b>Objective:</b> To set a physical channel and map FCCH, SCH, BCCH, CCCH and SDCCH4 onto the physical channel which represents cell A with controlable ta and fn.                                   |       |                                                                                                                                                                                                                                                              |      |   |          |
| <b>Default:</b> OtherEvents                                                                                                                                                                          |       |                                                                                                                                                                                                                                                              |      |   |          |
| Nr                                                                                                                                                                                                   | Label | Behaviour Description                                                                                                                                                                                                                                        | CRef | V | Comments |
| 1                                                                                                                                                                                                    |       | (TCV_Null := OM_ChConf( par_bspwr, par_mspwr, acttype, chmod, ta, slot, tsc, rf, chcmbn, td, fn, babr, cch_con, bpm, PgReqTp1Norm, '0'B, '0'B, C_CellA, C_FCCH_A, C_SCH_A, C_BCCH_A_1, C_PCH_A_1, C_AGCH_A_1, C_RACH_A_1, C_SDCCH4_A, C_SACCHC4_A, "dummy")) |      |   |          |
| 2                                                                                                                                                                                                    |       | (TCV_Null := OM_Assoc( C_SDCCH4_A, C_SDCCH40_A, C_SDCCH41_A, C_SDCCH42_A, C_SDCCH43_A, "dummy", "dummy", "dummy", "dummy", C_SACCHC4_A, C_SACCHC40_A, C_SACCHC41_A, C_SACCHC42_A, C_SACCHC43_A, "dummy", "dummy", "dummy", "dummy"))                         |      |   |          |
| <b>Detailed Comments:</b>                                                                                                                                                                            |       |                                                                                                                                                                                                                                                              |      |   |          |

| Test Step Dynamic Behaviour |       |                                                                                                                                                                                                                                                            |      |   |          |
|-----------------------------|-------|------------------------------------------------------------------------------------------------------------------------------------------------------------------------------------------------------------------------------------------------------------|------|---|----------|
| <b>Test Step Name:</b>      |       | Config_SDCCH4_B_1(par_bspwr, par_mspwr:INTEGER; chmod:CHMOD; acttype:BITSTRING; slot:SN; tsc:TSC; rf:FRQPARA; chcmbn:LOGCH; ta:TA; babr, cch_con, bpm:B_3)                                                                                                 |      |   |          |
| <b>Group:</b>               |       | GSM_MS_EFR_4210/management/ChConfig/                                                                                                                                                                                                                       |      |   |          |
| <b>Objective:</b>           |       | To set a physical channel and map FCCH, SCH, BCCH, CCCH and SDCCH4 onto the physical channel which represents cell B.                                                                                                                                      |      |   |          |
| <b>Default:</b>             |       | OtherEvents                                                                                                                                                                                                                                                |      |   |          |
| Nr                          | Label | Behaviour Description                                                                                                                                                                                                                                      | CRef | V | Comments |
| 1                           |       | (TCV_Null := OM_ChConf( par_bspwr, par_mspwr, acttype, chmod, ta, slot, tsc, rf, chcmbn, 0, 0, babr, cch_con, bpm, PgReqTp1Norm, '0'B, '0'B, C_CellB, C_FCCH_B, C_SCH_B, C_BCCH_B_1, C_PCH_B_1, C_AGCH_B_1, C_RACH_B_1, C_SDCCH4_B, C_SACCHC4_B, "dummy")) |      |   |          |
| 2                           |       | (TCV_Null := OM_Assoc( C_SDCCH4_B, C_SDCCH40_B, C_SDCCH41_B, C_SDCCH42_B, C_SDCCH43_B, "dummy", "dummy", "dummy", "dummy", C_SACCHC4_B, C_SACCHC40_B, C_SACCHC41_B, C_SACCHC42_B, C_SACCHC43_B, "dummy", "dummy", "dummy", "dummy"))                       |      |   |          |
| <b>Detailed Comments:</b>   |       |                                                                                                                                                                                                                                                            |      |   |          |

| Test Step Dynamic Behaviour |       |                                                                                                                                                                                                                                                              |      |   |          |
|-----------------------------|-------|--------------------------------------------------------------------------------------------------------------------------------------------------------------------------------------------------------------------------------------------------------------|------|---|----------|
| <b>Test Step Name:</b>      |       | Config_SDCCH4_B_ho_1(par_bspwr, par_mspwr:INTEGER; chmod:CHMOD; acttype:BITSTRING; slot:SN; tsc:TSC; rf:FRQPARA; chcmbn:LOGCH; ta:TA; babr, cch_con, bpm:B_3; td, fn:INTEGER)                                                                                |      |   |          |
| <b>Group:</b>               |       | GSM_MS_EFR_4210/management/ChConfig/                                                                                                                                                                                                                         |      |   |          |
| <b>Objective:</b>           |       | To set a physical channel and map FCCH, SCH, BCCH, CCCH and SDCCH4 onto the physical channel which represents cell B with controlable ta and fn.                                                                                                             |      |   |          |
| <b>Default:</b>             |       | OtherEvents                                                                                                                                                                                                                                                  |      |   |          |
| Nr                          | Label | Behaviour Description                                                                                                                                                                                                                                        | CRef | V | Comments |
| 1                           |       | (TCV_Null := OM_ChConf( par_bspwr, par_mspwr, acttype, chmod, ta, slot, tsc, rf, chcmbn, td, fn, babr, cch_con, bpm, PgReqTp1Norm, '0'B, '0'B, C_CellB, C_FCCH_B, C_SCH_B, C_BCCH_B_1, C_PCH_B_1, C_AGCH_B_1, C_RACH_B_1, C_SDCCH4_B, C_SACCHC4_B, "dummy")) |      |   |          |
| 2                           |       | (TCV_Null := OM_Assoc( C_SDCCH4_B, C_SDCCH40_B, C_SDCCH41_B, C_SDCCH42_B, C_SDCCH43_B, "dummy", "dummy", "dummy", "dummy", C_SACCHC4_B, C_SACCHC40_B, C_SACCHC41_B, C_SACCHC42_B, C_SACCHC43_B, "dummy", "dummy", "dummy", "dummy"))                         |      |   |          |
| <b>Detailed Comments:</b>   |       |                                                                                                                                                                                                                                                              |      |   |          |

| Test Step Dynamic Behaviour |       |                                                                                                                                                                                                                                                            |      |   |          |
|-----------------------------|-------|------------------------------------------------------------------------------------------------------------------------------------------------------------------------------------------------------------------------------------------------------------|------|---|----------|
| <b>Test Step Name:</b>      |       | Config_SDCCH4_C_1(par_bspwr, par_mspwr:INTEGER; chmod:CHMOD; acttype:BITSTRING; slot:SN; tsc:TSC; rf:FRQPARA; chcmbn:LOGCH; ta:TA; babr, cch_con, bpm:B_3)                                                                                                 |      |   |          |
| <b>Group:</b>               |       | GSM_MS_EFR_4210/management/ChConfig/                                                                                                                                                                                                                       |      |   |          |
| <b>Objective:</b>           |       | To set a physical channel and map FCCH, SCH, BCCH, CCCH and SDCCH4 onto the physical channel which represents cell C.                                                                                                                                      |      |   |          |
| <b>Default:</b>             |       | OtherEvents                                                                                                                                                                                                                                                |      |   |          |
| Nr                          | Label | Behaviour Description                                                                                                                                                                                                                                      | CRef | V | Comments |
| 1                           |       | (TCV_Null := OM_ChConf( par_bspwr, par_mspwr, acttype, chmod, ta, slot, tsc, rf, chcmbn, 0, 0, babr, cch_con, bpm, PgReqTp1Norm, '0'B, '0'B, C_CellC, C_FCCH_C, C_SCH_C, C_BCCH_C_1, C_PCH_C_1, C_AGCH_C_1, C_RACH_C_1, C_SDCCH4_C, C_SACCHC4_C, "dummy")) |      |   |          |
| 2                           |       | (TCV_Null := OM_Assoc( C_SDCCH4_C, C_SDCCH40_C, C_SDCCH41_C, C_SDCCH42_C, C_SDCCH43_C, "dummy", "dummy", "dummy", "dummy", C_SACCHC4_C, C_SACCHC40_C, C_SACCHC41_C, C_SACCHC42_C, C_SACCHC43_C, "dummy", "dummy", "dummy", "dummy"))                       |      |   |          |
| <b>Detailed Comments:</b>   |       |                                                                                                                                                                                                                                                            |      |   |          |

| Test Step Dynamic Behaviour |       |                                                                                                                                                                                                                                                                                                              |      |   |          |
|-----------------------------|-------|--------------------------------------------------------------------------------------------------------------------------------------------------------------------------------------------------------------------------------------------------------------------------------------------------------------|------|---|----------|
| <b>Test Step Name:</b>      |       | Config_SDCCH8_A_1(par_bspwr, par_mspwr:INTEGER; chmod:CHMOD; acttype:BITSTRING; slot:SN; tsc:TSC; rf:FRQPARA; chcmbn:LOGCH; ta:TA; babr, cch_con, bpm:B_3)                                                                                                                                                   |      |   |          |
| <b>Group:</b>               |       | GSM_MS_EFR_4210/management/ChConfig/                                                                                                                                                                                                                                                                         |      |   |          |
| <b>Objective:</b>           |       | To set one physical channel used as SDCCH8 channel for instance 1 of cell A.                                                                                                                                                                                                                                 |      |   |          |
| <b>Default:</b>             |       | OtherEvents                                                                                                                                                                                                                                                                                                  |      |   |          |
| Nr                          | Label | Behaviour Description                                                                                                                                                                                                                                                                                        | CRef | V | Comments |
| 1                           |       | (TCV_Null := OM_ChConf( par_bspwr, par_mspwr, acttype, chmod, ta, slot, tsc, rf, chcmbn, 0, 0, babr, cch_con, bpm, PgReqTp1Norm, '0'B, '0'B, C_CellA, "dummy", "dummy", "dummy", "dummy", "dummy", "dummy", C_SDCCH8_A_1, C_SACCHC8_A_1, "dummy"))                                                           |      |   |          |
| 2                           |       | (TCV_Null := OM_Assoc( C_SDCCH8_A_1, C_SDCCH80_A_1, C_SDCCH81_A_1, C_SDCCH82_A_1, C_SDCCH83_A_1, C_SDCCH84_A_1, C_SDCCH85_A_1, C_SDCCH86_A_1, C_SDCCH87_A_1, C_SACCHC8_A_1, C_SACCHC80_A_1, C_SACCHC81_A_1, C_SACCHC82_A_1, C_SACCHC83_A_1, C_SACCHC84_A_1, C_SACCHC85_A_1, C_SACCHC86_A_1, C_SACCHC87_A_1)) |      |   |          |
| <b>Detailed Comments:</b>   |       |                                                                                                                                                                                                                                                                                                              |      |   |          |

| Test Step Dynamic Behaviour |       |                                                                                                                                                             |      |   |          |
|-----------------------------|-------|-------------------------------------------------------------------------------------------------------------------------------------------------------------|------|---|----------|
| <b>Test Step Name:</b>      |       | CombinedBCCH_A_CBMS( par_bspwr, mtmcgsm, mtmcdds, arfcn1, arfcn2:INTEGER; acttype:BITSTRING; slot:SN; tsc:TSC; ta:TA; babr, cch_con, bpm:B_3)               |      |   |          |
| <b>Group:</b>               |       | GSM_MS_EFR_4210/management/ChConfig/                                                                                                                        |      |   |          |
| <b>Objective:</b>           |       | To set a physical channel and map FCCH, SCH, BCCH, CCCH and SDCCH4 onto the physical channel which represents cell A.                                       |      |   |          |
| <b>Default:</b>             |       | OtherEvents                                                                                                                                                 |      |   |          |
| <b>Comments:</b>            |       | time slot = 0, ARFCN = 20 (GSM900) or ARFCN = 590 (DCS1800) cell A for RR testing.                                                                          |      |   |          |
| Nr                          | Label | Behaviour Description                                                                                                                                       | CRef | V | Comments |
| 1                           |       | [TSPC_PGSM OR TSPC_EGSM]                                                                                                                                    |      |   | 1.       |
| 2                           |       | +Config_CBMS_A_1( par_bspwr, mtmcgsm, ChMod_sign, acttype, slot, tsc, FreqBCCH( arfcn1), C_CBCH_FCCH_SCH_BCCH_CCCH_SDCCH4_S ACCHC4, ta, babr, cch_con, bpm) |      |   |          |
| 3                           |       | [TSPC_DCS]                                                                                                                                                  |      |   | 2.       |
| 4                           |       | +Config_CBMS_A_1( par_bspwr, mtmcdds, ChMod_sign, acttype, slot, tsc, FreqBCCH( arfcn2), C_CBCH_FCCH_SCH_BCCH_CCCH_SDCCH4_S ACCHC4, ta, babr, cch_con, bpm) |      |   |          |
| <b>Detailed Comments:</b>   |       | 1. For P-GSM900.<br>2. For DCS1800.                                                                                                                         |      |   |          |

| Test Step Dynamic Behaviour |       |                                                                                                                                                        |      |   |          |
|-----------------------------|-------|--------------------------------------------------------------------------------------------------------------------------------------------------------|------|---|----------|
| <b>Test Step Name:</b>      |       | CombinedBCCH_A(par_bspwr, mtmcgsm, mtmcdds, arfcn1, arfcn2:INTEGER; acttype:BITSTRING; slot:SN; tsc:TSC; ta:TA; babr, cch_con, bpm:B_3)                |      |   |          |
| <b>Group:</b>               |       | GSM_MS_EFR_4210/management/ChConfig/                                                                                                                   |      |   |          |
| <b>Objective:</b>           |       | To set a physical channel and map FCCH, SCH, BCCH, CCCH and SDCCH4 onto the physical channel which represents cell A.                                  |      |   |          |
| <b>Default:</b>             |       | OtherEvents                                                                                                                                            |      |   |          |
| Nr                          | Label | Behaviour Description                                                                                                                                  | CRef | V | Comments |
| 1                           |       | [TSPC_PGSM OR TSPC_EGSM]                                                                                                                               |      |   | 1.       |
| 2                           |       | +Config_SDCCH4_A_1(par_bspwr, mtmcgsm, ChMod_sign, acttype, slot, tsc, FreqBCCH( arfcn1), C_FCCH_SCH_BCCH_CCCH_SDCCH4_SACCHC4, ta, babr, cch_con, bpm) |      |   |          |
| 3                           |       | [TSPC_DCS]                                                                                                                                             |      |   | 2.       |
| 4                           |       | +Config_SDCCH4_A_1(par_bspwr, mtmcdds, ChMod_sign, acttype, slot, tsc, FreqBCCH( arfcn2), C_FCCH_SCH_BCCH_CCCH_SDCCH4_SACCHC4, ta, babr, cch_con, bpm) |      |   |          |
| <b>Detailed Comments:</b>   |       | 1. For P-GSM900.<br>2. For DCS1800.                                                                                                                    |      |   |          |

| Test Step Dynamic Behaviour |       |                                                                                                                                                                   |      |   |          |
|-----------------------------|-------|-------------------------------------------------------------------------------------------------------------------------------------------------------------------|------|---|----------|
| <b>Test Step Name:</b>      |       | CombinedBCCH_A_ho(par_bspwr, mtmcgsm, mtmcdds, arfcn1, arfcn2:INTEGER; acttype:BITSTRING; slot:SN; tsc:TSC; ta:TA; babr, cch_con, bpm:B_3; td, fn:INTEGER)        |      |   |          |
| <b>Group:</b>               |       | GSM_MS_EFR_4210/management/ChConfig/                                                                                                                              |      |   |          |
| <b>Objective:</b>           |       | To set a physical channel and map FCCH, SCH, BCCH, CCCH and SDCCH4 onto the physical channel which represents cell A.                                             |      |   |          |
| <b>Default:</b>             |       | OtherEvents                                                                                                                                                       |      |   |          |
| Nr                          | Label | Behaviour Description                                                                                                                                             | CRef | V | Comments |
| 1                           |       | [TSPC_PGSM OR TSPC_EGSM]                                                                                                                                          |      |   | 1.       |
| 2                           |       | +Config_SDCCH4_A_ho_1(par_bspwr, mtmcgsm, ChMod_sign, acttype, slot, tsc, FreqBCCH( arfcn1), C_FCCH_SCH_BCCH_CCCH_SDCCH4_SACCHC4, ta, babr, cch_con, bpm, td, fn) |      |   |          |
| 3                           |       | [TSPC_DCS]                                                                                                                                                        |      |   | 2.       |
| 4                           |       | +Config_SDCCH4_A_ho_1(par_bspwr, mtmcdds, ChMod_sign, acttype, slot, tsc, FreqBCCH( arfcn2), C_FCCH_SCH_BCCH_CCCH_SDCCH4_SACCHC4, ta, babr, cch_con, bpm, td, fn) |      |   |          |
| <b>Detailed Comments:</b>   |       | 1. For P-GSM900.<br>2. For DCS1800.                                                                                                                               |      |   |          |

| Test Step Dynamic Behaviour |       |                                                                                                                                                         |      |   |          |
|-----------------------------|-------|---------------------------------------------------------------------------------------------------------------------------------------------------------|------|---|----------|
| <b>Test Step Name:</b>      |       | CombinedBCCH_B(par_bspwr, mtmcgsm, mtmcdds, arfcn1, arfcn2:INTEGER; acttype:BITSTRING; slot:SN; tsc:TSC; ta:TA; babr, cch_con, bpm:B_3)                 |      |   |          |
| <b>Group:</b>               |       | GSM_MS_EFR_4210/management/ChConfig/                                                                                                                    |      |   |          |
| <b>Objective:</b>           |       | To set a physical channel and map FCCH, SCH, BCCH, CCCH and SDCCH4 onto the physical channel which represents cell B.                                   |      |   |          |
| <b>Default:</b>             |       | OtherEvents                                                                                                                                             |      |   |          |
| Nr                          | Label | Behaviour Description                                                                                                                                   | CRef | V | Comments |
| 1                           |       | [TSPC_PGSM OR TSPC_EGSM]                                                                                                                                |      |   | 1.       |
| 2                           |       | +Config_SDCCH4_B_1(par_bspwr, mtmcgsm, ChMod_sign, acttype, slot, tsc, FreqBCCH( arfcn1), C_FCCH_SCH_BCCH_CCCH_SDCCH4_SACCHC 4, ta, babr, cch_con, bpm) |      |   |          |
| 3                           |       | [TSPC_DCS]                                                                                                                                              |      |   | 2.       |
| 4                           |       | +Config_SDCCH4_B_1(par_bspwr, mtmcdds, ChMod_sign, acttype, slot, tsc, FreqBCCH( arfcn2), C_FCCH_SCH_BCCH_CCCH_SDCCH4_SACCHC 4, ta, babr, cch_con, bpm) |      |   |          |
| <b>Detailed Comments:</b>   |       | 1. For P-GSM900.<br>2. For DCS1800.                                                                                                                     |      |   |          |

| Test Step Dynamic Behaviour |       |                                                                                                                                                                    |      |   |          |
|-----------------------------|-------|--------------------------------------------------------------------------------------------------------------------------------------------------------------------|------|---|----------|
| <b>Test Step Name:</b>      |       | CombinedBCCH_B_ho(par_bspwr, mtmcgsm, mtmcdds, arfcn1, arfcn2:INTEGER; acttype:BITSTRING; slot:SN; tsc:TSC; ta:TA; babr, cch_con, bpm:B_3; td, fn:INTEGER)         |      |   |          |
| <b>Group:</b>               |       | GSM_MS_EFR_4210/management/ChConfig/                                                                                                                               |      |   |          |
| <b>Objective:</b>           |       | To set a physical channel and map FCCH, SCH, BCCH, CCCH and SDCCH4 onto the physical channel which represents cell B.                                              |      |   |          |
| <b>Default:</b>             |       | OtherEvents                                                                                                                                                        |      |   |          |
| Nr                          | Label | Behaviour Description                                                                                                                                              | CRef | V | Comments |
| 1                           |       | [TSPC_PGSM OR TSPC_EGSM]                                                                                                                                           |      |   | 1.       |
| 2                           |       | +Config_SDCCH4_B_ho_1(par_bspwr, mtmcgsm, ChMod_sign, acttype, slot, tsc, FreqBCCH( arfcn1), C_FCCH_SCH_BCCH_CCCH_SDCCH4_SACCHC 4, ta, babr, cch_con, bpm, td, fn) |      |   |          |
| 3                           |       | [TSPC_DCS]                                                                                                                                                         |      |   | 2.       |
| 4                           |       | +Config_SDCCH4_B_ho_1(par_bspwr, mtmcdds, ChMod_sign, acttype, slot, tsc, FreqBCCH( arfcn2), C_FCCH_SCH_BCCH_CCCH_SDCCH4_SACCHC 4, ta, babr, cch_con, bpm, td, fn) |      |   |          |
| <b>Detailed Comments:</b>   |       | 1. For P-GSM900.<br>2. For DCS1800.                                                                                                                                |      |   |          |

| Test Step Dynamic Behaviour |       |                                                                                                                                                         |      |   |          |
|-----------------------------|-------|---------------------------------------------------------------------------------------------------------------------------------------------------------|------|---|----------|
| <b>Test Step Name:</b>      |       | CombinedBCCH_C(par_bspwr, mtmcgsm, mtmcdds, arfcn1, arfcn2:INTEGER; acttype:BITSTRING; slot:SN; tsc:TSC; ta:TA; babr, cch_con, bpm:B_3)                 |      |   |          |
| <b>Group:</b>               |       | GSM_MS_EFR_4210/management/ChConfig/                                                                                                                    |      |   |          |
| <b>Objective:</b>           |       | To set a physical channel and map FCCH, SCH, BCCH, CCCH and SDCCH4 onto the physical channel which represents cell C.                                   |      |   |          |
| <b>Default:</b>             |       | OtherEvents                                                                                                                                             |      |   |          |
| Nr                          | Label | Behaviour Description                                                                                                                                   | CRef | V | Comments |
| 1                           |       | [TSPC_PGSM OR TSPC_EGSM]                                                                                                                                |      |   | 1.       |
| 2                           |       | +Config_SDCCH4_C_1(par_bspwr, mtmcgsm, ChMod_sign, acttype, slot, tsc, FreqBCCH( arfcn1), C_FCCH_SCH_BCCH_CCCH_SDCCH4_SACCHC 4, ta, babr, cch_con, bpm) |      |   |          |
| 3                           |       | [TSPC_DCS]                                                                                                                                              |      |   | 2.       |
| 4                           |       | +Config_SDCCH4_C_1(par_bspwr, mtmcdds, ChMod_sign, acttype, slot, tsc, FreqBCCH( arfcn2), C_FCCH_SCH_BCCH_CCCH_SDCCH4_SACCHC 4, ta, babr, cch_con, bpm) |      |   |          |
| <b>Detailed Comments:</b>   |       | 1. For P-GSM900.<br>2. For DCS1800.                                                                                                                     |      |   |          |

| Test Step Dynamic Behaviour |       |                                                                                                                                            |      |   |          |
|-----------------------------|-------|--------------------------------------------------------------------------------------------------------------------------------------------|------|---|----------|
| <b>Test Step Name:</b>      |       | NonCombinedBCCH_A(par_bspwr, mtmcgsm, mtmcdds, arfcn1, arfcn2:INTEGER; acttype:BITSTRING; slot:SN; tsc:TSC; ta:TA; babr, cch_con, bpm:B_3) |      |   |          |
| <b>Group:</b>               |       | GSM_MS_EFR_4210/management/ChConfig/                                                                                                       |      |   |          |
| <b>Objective:</b>           |       | To set one physical channel used as FCHH_SCH_BCCH_CCCH for cell A.                                                                         |      |   |          |
| <b>Default:</b>             |       | OtherEvents                                                                                                                                |      |   |          |
| Nr                          | Label | Behaviour Description                                                                                                                      | CRef | V | Comments |
| 1                           |       | [TSPC_PGSM OR TSPC_EGSM]                                                                                                                   |      |   | 1.       |
| 2                           |       | +Config_BCCH_CCCH_A_1(par_bspwr, mtmcgsm, ChMod_sign, acttype, slot, tsc, FreqBCCH( arfcn1), C_FCCH_SCH_BCCH_CCCH, ta, babr, cch_con, bpm) |      |   |          |
| 3                           |       | [TSPC_DCS]                                                                                                                                 |      |   | 2.       |
| 4                           |       | +Config_BCCH_CCCH_A_1(par_bspwr, mtmcdds, ChMod_sign, acttype, slot, tsc, FreqBCCH( arfcn2), C_FCCH_SCH_BCCH_CCCH, ta, babr, cch_con, bpm) |      |   |          |
| <b>Detailed Comments:</b>   |       | 1. For P-GSM900.<br>2. For DCS1800.                                                                                                        |      |   |          |

| Test Step Dynamic Behaviour |       |                                                                                                                            |      |   |          |
|-----------------------------|-------|----------------------------------------------------------------------------------------------------------------------------|------|---|----------|
| <b>Test Step Name:</b>      |       | NonCombinedBCCH_A_2(acttype:BITSTRING; slot:SN; tsc:TSC; ta:TA; babr, cch_con, bpm:B_3)                                    |      |   |          |
| <b>Group:</b>               |       | GSM_MS_EFR_4210/management/ChConfig/                                                                                       |      |   |          |
| <b>Objective:</b>           |       | To set a physical channel and map the second BCCH, CCCH onto the physical channel which represents cell A.                 |      |   |          |
| <b>Default:</b>             |       | OtherEvents                                                                                                                |      |   |          |
| Nr                          | Label | Behaviour Description                                                                                                      | CRef | V | Comments |
| 1                           |       | [TSPC_PGSM OR TSPC_EGSM]                                                                                                   |      |   | 1.       |
| 2                           |       | +Config_BCCH_CCCH_A_2(63, 19, ChMod_sign, acttype, slot, tsc, FreqBCCH( C_arfcnA), C_BCCH_CCCH_2, ta, babr, cch_con, bpm)  |      |   |          |
| 3                           |       | [TSPC_DCS]                                                                                                                 |      |   | 2.       |
| 4                           |       | +Config_BCCH_CCCH_A_2(63, 15, ChMod_sign, acttype, slot, tsc, FreqBCCH( C_arfcnAd), C_BCCH_CCCH_2, ta, babr, cch_con, bpm) |      |   |          |
| <b>Detailed Comments:</b>   |       | 1. For P-GSM900.<br>2. For DCS1800.                                                                                        |      |   |          |

| Test Step Dynamic Behaviour |       |                                                                                                                            |      |   |          |
|-----------------------------|-------|----------------------------------------------------------------------------------------------------------------------------|------|---|----------|
| <b>Test Step Name:</b>      |       | NonCombinedBCCH_A_3(acttype:BITSTRING; slot:SN; tsc:TSC; ta:TA; babr, cch_con, bpm:B_3)                                    |      |   |          |
| <b>Group:</b>               |       | GSM_MS_EFR_4210/management/ChConfig/                                                                                       |      |   |          |
| <b>Objective:</b>           |       | To set a physical channel and map the third BCCH, CCCH onto the physical channel which represents cell A.                  |      |   |          |
| <b>Default:</b>             |       | OtherEvents                                                                                                                |      |   |          |
| <b>Comments:</b>            |       | time slot = 4, ARFCN = TSPX_BCCHcarrierA                                                                                   |      |   |          |
| Nr                          | Label | Behaviour Description                                                                                                      | CRef | V | Comments |
| 1                           |       | [TSPC_PGSM OR TSPC_EGSM]                                                                                                   |      |   | 1.       |
| 2                           |       | +Config_BCCH_CCCH_A_3(63, 19, ChMod_sign, acttype, slot, tsc, FreqBCCH( C_arfcnA), C_BCCH_CCCH_3, ta, babr, cch_con, bpm)  |      |   |          |
| 3                           |       | [TSPC_DCS]                                                                                                                 |      |   | 2.       |
| 4                           |       | +Config_BCCH_CCCH_A_3(63, 15, ChMod_sign, acttype, slot, tsc, FreqBCCH( C_arfcnAd), C_BCCH_CCCH_3, ta, babr, cch_con, bpm) |      |   |          |
| <b>Detailed Comments:</b>   |       | 1. For P-GSM900.<br>2. For DCS1800.                                                                                        |      |   |          |

| Test Step Dynamic Behaviour |       |                                                                                                                            |      |   |          |
|-----------------------------|-------|----------------------------------------------------------------------------------------------------------------------------|------|---|----------|
| <b>Test Step Name:</b>      |       | NonCombinedBCCH_A_4(acttype:BITSTRING; slot:SN; tsc:TSC; ta:TA; babr, cch_con, bpm:B_3)                                    |      |   |          |
| <b>Group:</b>               |       | GSM_MS_EFR_4210/management/ChConfig/                                                                                       |      |   |          |
| <b>Objective:</b>           |       | To set a physical channel and map the fourth BCCH, CCCH onto the physical channel which represents cell A.                 |      |   |          |
| <b>Default:</b>             |       | OtherEvents                                                                                                                |      |   |          |
| <b>Comments:</b>            |       | time slot = 6, ARFCN = TSPX_BCCHcarrierA                                                                                   |      |   |          |
| Nr                          | Label | Behaviour Description                                                                                                      | CRef | V | Comments |
| 1                           |       | [TSPC_PGSM OR TSPC_EGSM]                                                                                                   |      |   | 1.       |
| 2                           |       | +Config_BCCH_CCCH_A_4(63, 19, ChMod_sign, acttype, slot, tsc, FreqBCCH( C_arfcnA), C_BCCH_CCCH_4, ta, babr, cch_con, bpm)  |      |   |          |
| 3                           |       | [TSPC_DCS]                                                                                                                 |      |   | 2.       |
| 4                           |       | +Config_BCCH_CCCH_A_4(63, 15, ChMod_sign, acttype, slot, tsc, FreqBCCH( C_arfcnAd), C_BCCH_CCCH_4, ta, babr, cch_con, bpm) |      |   |          |
| <b>Detailed Comments:</b>   |       | 1. For P-GSM900.<br>2. For DCS1800.                                                                                        |      |   |          |

| Test Step Dynamic Behaviour |       |                                                                                                                                                               |      |   |          |
|-----------------------------|-------|---------------------------------------------------------------------------------------------------------------------------------------------------------------|------|---|----------|
| <b>Test Step Name:</b>      |       | NonCombinedBCCH_A_ho(par_bspwr, mtmcgsm, mtmcdds, arfcn1, arfcn2:INTEGER; acttype:BITSTRING; slot:SN; tsc:TSC; ta:TA; babr, cch_con, bpm:B_3; td, fn:INTEGER) |      |   |          |
| <b>Group:</b>               |       | GSM_MS_EFR_4210/management/ChConfig/                                                                                                                          |      |   |          |
| <b>Objective:</b>           |       | To set a physical channel and map FCCH, SCH, BCCH, CCCH onto the physical channel which represents cell A for RR testing.                                     |      |   |          |
| <b>Default:</b>             |       | OtherEvents                                                                                                                                                   |      |   |          |
| Nr                          | Label | Behaviour Description                                                                                                                                         | CRef | V | Comments |
| 1                           |       | [TSPC_PGSM]                                                                                                                                                   |      |   | 1.       |
| 2                           |       | +Config_BCCH_CCCH_A_ho_1(par_bspwr, mtmcgsm, ChMod_sign, acttype, slot, tsc, FreqBCCH( arfcn1), C_FCCH_SCH_BCCH_CCCH, ta, babr, cch_con, bpm, td, fn)         |      |   |          |
| 3                           |       | [TSPC_DCS]                                                                                                                                                    |      |   | 2.       |
| 4                           |       | +Config_BCCH_CCCH_A_ho_1(par_bspwr, mtmcdds, ChMod_sign, acttype, slot, tsc, FreqBCCH( arfcn2), C_FCCH_SCH_BCCH_CCCH, ta, babr, cch_con, bpm, td, fn)         |      |   |          |
| <b>Detailed Comments:</b>   |       | 1. For P-GSM900.<br>1.1 Frequency and cell_id for cell A in HO cases<br>2. For DCS1800.<br>2.1 Frequency and cell_id for cell A in HO cases                   |      |   |          |



| Test Step Dynamic Behaviour |       |                                                                                                                                            |      |   |          |
|-----------------------------|-------|--------------------------------------------------------------------------------------------------------------------------------------------|------|---|----------|
| <b>Test Step Name:</b>      |       | NonCombinedBCCH_B(par_bspwr, mtmcgsm, mtmcdcs, arfcn1, arfcn2:INTEGER; acttype:BITSTRING; slot:SN; tsc:TSC; ta:TA; babr, cch_con, bpm:B_3) |      |   |          |
| <b>Group:</b>               |       | GSM_MS_EFR_4210/management/ChConfig/                                                                                                       |      |   |          |
| <b>Objective:</b>           |       | To set a physical channel and map FCCH, SCH, BCCH, CCCH onto the physical channel which represents cell B for RR testing.                  |      |   |          |
| <b>Default:</b>             |       | OtherEvents                                                                                                                                |      |   |          |
| Nr                          | Label | Behaviour Description                                                                                                                      | CRef | V | Comments |
| 1                           |       | [TSPC_PGSM]                                                                                                                                |      |   | 1.       |
| 2                           |       | +Config_BCCH_CCCH_B_1(par_bspwr, mtmcgsm, ChMod_sign, acttype, slot, tsc, FreqBCCH( arfcn1), C_FCCH_SCH_BCCH_CCCH, ta, babr, cch_con, bpm) |      |   |          |
| 3                           |       | [TSPC_DCS]                                                                                                                                 |      |   | 2.       |
| 4                           |       | +Config_BCCH_CCCH_B_1(par_bspwr, mtmcdcs, ChMod_sign, acttype, slot, tsc, FreqBCCH( arfcn2), C_FCCH_SCH_BCCH_CCCH, ta, babr, cch_con, bpm) |      |   |          |
| <b>Detailed Comments:</b>   |       | 1. For P-GSM900.<br>1.1 Frequenz and cell_id for cell B in HO cases<br>2. For DCS1800.<br>2.1 Frequenz and cell_id for cell B in HO cases  |      |   |          |

| Test Step Dynamic Behaviour |       |                                                                                                                                                               |      |   |          |
|-----------------------------|-------|---------------------------------------------------------------------------------------------------------------------------------------------------------------|------|---|----------|
| <b>Test Step Name:</b>      |       | NonCombinedBCCH_B_ho(par_bspwr, mtmcgsm, mtmcdcs, arfcn1, arfcn2:INTEGER; acttype:BITSTRING; slot:SN; tsc:TSC; ta:TA; babr, cch_con, bpm:B_3; td, fn:INTEGER) |      |   |          |
| <b>Group:</b>               |       | GSM_MS_EFR_4210/management/ChConfig/                                                                                                                          |      |   |          |
| <b>Objective:</b>           |       | To set a physical channel and map FCCH, SCH, BCCH, CCCH onto the physical channel which represents cell B for RR testing.                                     |      |   |          |
| <b>Default:</b>             |       | OtherEvents                                                                                                                                                   |      |   |          |
| Nr                          | Label | Behaviour Description                                                                                                                                         | CRef | V | Comments |
| 1                           |       | [TSPC_PGSM]                                                                                                                                                   |      |   | 1.       |
| 2                           |       | +Config_BCCH_CCCH_B_ho_1(par_bspwr, mtmcgsm, ChMod_sign, acttype, slot, tsc, FreqBCCH( arfcn1), C_FCCH_SCH_BCCH_CCCH, ta, babr, cch_con, bpm, td, fn)         |      |   |          |
| 3                           |       | [TSPC_DCS]                                                                                                                                                    |      |   | 2.       |
| 4                           |       | +Config_BCCH_CCCH_B_ho_1(par_bspwr, mtmcdcs, ChMod_sign, acttype, slot, tsc, FreqBCCH( arfcn2), C_FCCH_SCH_BCCH_CCCH, ta, babr, cch_con, bpm, td, fn)         |      |   |          |
| <b>Detailed Comments:</b>   |       | 1. For P-GSM900.<br>1.1 Frequenz and cell_id for cell B in HO cases<br>2. For DCS1800.<br>2.1 Frequenz and cell_id for cell B in HO cases                     |      |   |          |

| Test Step Dynamic Behaviour                                                                                                                                            |       |                                                                                                                  |      |   |             |         |
|------------------------------------------------------------------------------------------------------------------------------------------------------------------------|-------|------------------------------------------------------------------------------------------------------------------|------|---|-------------|---------|
| <b>Test Step Name:</b> FullRateCh_A_1(actypeT:BITSTRING; slotT:SN; tscT:TSC; chmod:CHMOD; Freqg, Freqd:FRQPARA; arfcng, arfcnd:INTEGER; ta:TA; babr, cch_con, bpm:B_3) |       |                                                                                                                  |      |   |             |         |
| <b>Group:</b> GSM_MS_EFR_4210/management/ChConfig/                                                                                                                     |       |                                                                                                                  |      |   |             |         |
| <b>Objective:</b> To set one physical channel used as TCHF_ACCH's for instance 1 of cell A.                                                                            |       |                                                                                                                  |      |   |             |         |
| <b>Default:</b> OtherEvents                                                                                                                                            |       |                                                                                                                  |      |   |             |         |
| Nr                                                                                                                                                                     | Label | Behaviour Description                                                                                            | CRef | V | Comments    |         |
| 1                                                                                                                                                                      |       | [arfcng <> C_Noarfcn]                                                                                            |      |   | Non hopping |         |
| 2                                                                                                                                                                      |       | +FullRateCh_A_1_nociph( actypeT, slotT, tscT, chmod, FreqTCH( arfcng), FreqTCH( arfcnd), ta, babr, cch_con, bpm) |      |   |             |         |
| 3                                                                                                                                                                      |       | (TCV_Null := OM_CphMd( TCV_chTch, CphMod_01, TCV_CphKey))                                                        |      |   |             |         |
| 4                                                                                                                                                                      |       | [TSPC_PGSM OR TSPC_EGSM]                                                                                         |      |   |             |         |
| 5                                                                                                                                                                      |       | (TCV_tch_arfcn:= arfcng)                                                                                         |      |   |             |         |
| 6                                                                                                                                                                      |       | [TSPC_DCS]                                                                                                       |      |   |             |         |
| 7                                                                                                                                                                      |       | (TCV_tch_arfcn:= arfcnd)                                                                                         |      |   |             |         |
| 8                                                                                                                                                                      |       | [arfcng = C_Noarfcn]                                                                                             |      |   |             | Hopping |
| 9                                                                                                                                                                      |       | +FullRateCh_A_1_nociph( actypeT, slotT, tscT, chmod, Freqg, Freqd, ta, babr, cch_con, bpm)                       |      |   |             |         |
| 10                                                                                                                                                                     |       | (TCV_Null := OM_CphMd( TCV_chTch, CphMod_01, TCV_CphKey))                                                        |      |   |             |         |
| <b>Detailed Comments:</b>                                                                                                                                              |       |                                                                                                                  |      |   |             |         |

| Test Step Dynamic Behaviour                                                                                                                            |       |                                                                                                         |      |   |          |
|--------------------------------------------------------------------------------------------------------------------------------------------------------|-------|---------------------------------------------------------------------------------------------------------|------|---|----------|
| <b>Test Step Name:</b> FullRateCh_A_1_nociph( actypeT:BITSTRING; slotT:SN; tscT:TSC; chmod:CHMOD; Freqg, Freqd:FRQPARA; ta:TA; babr, cch_con, bpm:B_3) |       |                                                                                                         |      |   |          |
| <b>Group:</b> GSM_MS_EFR_4210/management/ChConfig/                                                                                                     |       |                                                                                                         |      |   |          |
| <b>Objective:</b> To set one physical channel used as TCHF_ACCH's for instance 1 of cell A.                                                            |       |                                                                                                         |      |   |          |
| <b>Default:</b> OtherEvents                                                                                                                            |       |                                                                                                         |      |   |          |
| Nr                                                                                                                                                     | Label | Behaviour Description                                                                                   | CRef | V | Comments |
| 1                                                                                                                                                      |       | (TCV_chTch := C_FACCHF_A_1, TCV_sacchTch := C_SACCHF_A_1, TCV_ctype := '00001'B)                        |      |   |          |
| 2                                                                                                                                                      |       | [TSPC_PGSM OR TSPC_EGSM]                                                                                |      |   |          |
| 3                                                                                                                                                      |       | +Config_FACCHF_A_1( 63, 19, chmod, actypeT, slotT, tscT, Freqg, C_TCHF_ACCHF_1, ta, babr, cch_con, bpm) |      |   |          |
| 4                                                                                                                                                      |       | +SysInfo_SacchSending( TCV_sacchTch, TCV_sysinfo5, TCV_sysinfo6)                                        |      |   |          |
| 5                                                                                                                                                      |       | [TSPC_DCS]                                                                                              |      |   |          |
| 6                                                                                                                                                      |       | +Config_FACCHF_A_1( 63, 15, chmod, actypeT, slotT, tscT, Freqd, C_TCHF_ACCHF_1, ta, babr, cch_con, bpm) |      |   |          |
| 7                                                                                                                                                      |       | +SysInfo_SacchSending( TCV_sacchTch, TCV_sysinfo5, TCV_sysinfo6)                                        |      |   |          |
| <b>Detailed Comments:</b>                                                                                                                              |       |                                                                                                         |      |   |          |

| Test Step Dynamic Behaviour                                                                                                                    |       |                                                                                            |      |   |          |
|------------------------------------------------------------------------------------------------------------------------------------------------|-------|--------------------------------------------------------------------------------------------|------|---|----------|
| <b>Test Step Name:</b> FullRateCh_A_2(actypeT:BITSTRING; slotT:SN; tscT:TSC; chmod:CHMOD; Freqg, Freqd:FRQPARA; ta:TA; babr, cch_con, bpm:B_3) |       |                                                                                            |      |   |          |
| <b>Group:</b> GSM_MS_EFR_4210/management/ChConfig/                                                                                             |       |                                                                                            |      |   |          |
| <b>Objective:</b> To set one physical channel used as TCHF_ACCH's for instance 2 of cell A for TC_26_6_13_1.                                   |       |                                                                                            |      |   |          |
| <b>Default:</b> OtherEvents                                                                                                                    |       |                                                                                            |      |   |          |
| <b>Comments:</b> used as after time channel.                                                                                                   |       |                                                                                            |      |   |          |
| Nr                                                                                                                                             | Label | Behaviour Description                                                                      | CRef | V | Comments |
| 1                                                                                                                                              |       | +FullRateCh_A_2_nociph( actypeT, slotT, tscT, chmod, Freqg, Freqd, ta, babr, cch_con, bpm) |      |   |          |
| 2                                                                                                                                              |       | (TCV_Null := OM_CphMd( TCV_chTch1, CphMod_01, TCV_CphKey))                                 |      |   |          |
| <b>Detailed Comments:</b>                                                                                                                      |       |                                                                                            |      |   |          |

| Test Step Dynamic Behaviour |       |                                                                                                                               |      |   |          |
|-----------------------------|-------|-------------------------------------------------------------------------------------------------------------------------------|------|---|----------|
| <b>Test Step Name:</b>      |       | FullRateCh_A_2_nociph(actypeT:BITSTRING; slotT:SN; tscT:TSC; chmod:CHMOD; Freqg,Freqd:FRQPARA; ta:TA; babr, cch_con, bpm:B_3) |      |   |          |
| <b>Group:</b>               |       | GSM_MS_EFR_4210/management/ChConfig/                                                                                          |      |   |          |
| <b>Objective:</b>           |       | To set one physical channel used as TCHF_ACCH's for instance 2 of cell A for TC_26_6_13_1.                                    |      |   |          |
| <b>Default:</b>             |       | OtherEvents                                                                                                                   |      |   |          |
| <b>Comments:</b>            |       | used as after time channel.                                                                                                   |      |   |          |
| Nr                          | Label | Behaviour Description                                                                                                         | CRef | V | Comments |
| 1                           |       | (TCV_chTch1 := C_FACCHF_A_2, TCV_sacchTch1 := C_SACCHF_A_2)                                                                   |      |   |          |
| 2                           |       | [TSPC_PGSM OR TSPC_EGSM]                                                                                                      |      |   |          |
| 3                           |       | +Config_FACCHF_A_2(63, 19, chmod, actypeT, slotT, tscT, Freqg, C_TCHF_ACCHF_2, ta, babr, cch_con, bpm)                        |      |   |          |
| 4                           |       | +SysInfo_SacchSending( TCV_sacchTch1, TCV_sysinfo5, TCV_sysinfo6)                                                             |      |   |          |
| 5                           |       | [TSPC_DCS]                                                                                                                    |      |   |          |
| 6                           |       | +Config_FACCHF_A_2(63, 15, chmod, actypeT, slotT, tscT, Freqd, C_TCHF_ACCHF_2, ta, babr, cch_con, bpm)                        |      |   |          |
| 7                           |       | +SysInfo_SacchSending( TCV_sacchTch1, TCV_sysinfo5, TCV_sysinfo6)                                                             |      |   |          |
| <b>Detailed Comments:</b>   |       |                                                                                                                               |      |   |          |

| Test Step Dynamic Behaviour |       |                                                                                                                        |      |   |          |
|-----------------------------|-------|------------------------------------------------------------------------------------------------------------------------|------|---|----------|
| <b>Test Step Name:</b>      |       | FullRateCh_B_1(actypeT:BITSTRING; slotT:SN; tscT:TSC; chmod:CHMOD; Freqg,Freqd:FRQPARA; ta:TA; babr, cch_con, bpm:B_3) |      |   |          |
| <b>Group:</b>               |       | GSM_MS_EFR_4210/management/ChConfig/                                                                                   |      |   |          |
| <b>Objective:</b>           |       | To set one physical channel used as TCHF_ACCH's for instance 1 of cell B.                                              |      |   |          |
| <b>Default:</b>             |       | OtherEvents                                                                                                            |      |   |          |
| <b>Comments:</b>            |       | FullRateCh_B_1.                                                                                                        |      |   |          |
| Nr                          | Label | Behaviour Description                                                                                                  | CRef | V | Comments |
| 1                           |       | +FullRateCh_B_1_nociph( actypeT, slotT, tscT, chmod, Freqg, Freqd, ta, babr, cch_con, bpm)                             |      |   |          |
| 2                           |       | (TCV_Null := OM_CphMd( TCV_chTch, CphMod_01, TCV_CphKey))                                                              |      |   |          |
| <b>Detailed Comments:</b>   |       |                                                                                                                        |      |   |          |

| Test Step Dynamic Behaviour |       |                                                                                                                               |      |   |          |
|-----------------------------|-------|-------------------------------------------------------------------------------------------------------------------------------|------|---|----------|
| <b>Test Step Name:</b>      |       | FullRateCh_B_1_nociph(actypeT:BITSTRING; slotT:SN; tscT:TSC; chmod:CHMOD; Freqg,Freqd:FRQPARA; ta:TA; babr, cch_con, bpm:B_3) |      |   |          |
| <b>Group:</b>               |       | GSM_MS_EFR_4210/management/ChConfig/                                                                                          |      |   |          |
| <b>Objective:</b>           |       | To set one physical channel used as TCHF_ACCH's for instance 1 of cell B.                                                     |      |   |          |
| <b>Default:</b>             |       | OtherEvents                                                                                                                   |      |   |          |
| <b>Comments:</b>            |       | Used in TC_26_6_13_5 for after time channel                                                                                   |      |   |          |
| Nr                          | Label | Behaviour Description                                                                                                         | CRef | V | Comments |
| 1                           |       | (TCV_chTch := C_FACCHF_B_1, TCV_sacchTch := C_SACCHF_B_1)                                                                     |      |   |          |
| 2                           |       | [TSPC_PGSM OR TSPC_EGSM]                                                                                                      |      |   |          |
| 3                           |       | +Config_FACCHF_B_1(63, 19, chmod, actypeT, slotT, tscT, Freqg, C_TCHF_ACCHF_1, ta, babr, cch_con, bpm)                        |      |   |          |
| 4                           |       | +SysInfo_SacchSending( TCV_sacchTch, TCV_sysinfo5_B, TCV_sysinfo6_B)                                                          |      |   |          |
| 5                           |       | [TSPC_DCS]                                                                                                                    |      |   |          |
| 6                           |       | +Config_FACCHF_B_1(63, 15, chmod, actypeT, slotT, tscT, Freqd, C_TCHF_ACCHF_1, ta, babr, cch_con, bpm)                        |      |   |          |
| 7                           |       | +SysInfo_SacchSending( TCV_sacchTch, TCV_sysinfo5_B, TCV_sysinfo6_B)                                                          |      |   |          |
| <b>Detailed Comments:</b>   |       |                                                                                                                               |      |   |          |

| Test Step Dynamic Behaviour                                                                                                                                                       |       |                                                                                                                        |      |   |             |         |
|-----------------------------------------------------------------------------------------------------------------------------------------------------------------------------------|-------|------------------------------------------------------------------------------------------------------------------------|------|---|-------------|---------|
| <b>Test Step Name:</b> HalfRateCh_A_1( sub:B_1; acttypeT:BITSTRING; slotT:SN; tscT:TSC; chmod:CHMOD; Freqg, Freqd:FRQPARA; arfcng, arfcnd:INTEGER; ta:TA; babr, cch_con, bpm:B_3) |       |                                                                                                                        |      |   |             |         |
| <b>Group:</b> GSM_MS_EFR_4210/management/ChConfig/                                                                                                                                |       |                                                                                                                        |      |   |             |         |
| <b>Objective:</b> To set one physical channel used as TCHH_ACCH's for instance 1 of cell A.                                                                                       |       |                                                                                                                        |      |   |             |         |
| <b>Default:</b> OtherEvents                                                                                                                                                       |       |                                                                                                                        |      |   |             |         |
| Nr                                                                                                                                                                                | Label | Behaviour Description                                                                                                  | CRef | V | Comments    |         |
| 1                                                                                                                                                                                 |       | [arfcng <> C_Noarfcn]                                                                                                  |      |   | not hopping |         |
| 2                                                                                                                                                                                 |       | +HalfRateCh_A_1_nociph( sub, acttypeT, slotT, tscT, chmod, FreqTCH( arfcng), FreqTCH( arfcnd), ta, babr, cch_con, bpm) |      |   |             |         |
| 3                                                                                                                                                                                 |       | (TCV_Null := OM_CphMd( TCV_chTch, CphMod_01, TCV_CphKey))                                                              |      |   |             |         |
| 4                                                                                                                                                                                 |       | [TSPC_PGSM OR TSPC_EGSM]                                                                                               |      |   |             |         |
| 5                                                                                                                                                                                 |       | (TCV_tch_arfcn:= arfcng)                                                                                               |      |   |             |         |
| 6                                                                                                                                                                                 |       | [TSPC_DCS]                                                                                                             |      |   |             |         |
| 7                                                                                                                                                                                 |       | (TCV_tch_arfcn:= arfcnd)                                                                                               |      |   |             |         |
| 8                                                                                                                                                                                 |       | [arfcng = C_Noarfcn]                                                                                                   |      |   |             | hopping |
| 9                                                                                                                                                                                 |       | +HalfRateCh_A_1_nociph( sub, acttypeT, slotT, tscT, chmod, Freqg, Freqd, ta, babr, cch_con, bpm)                       |      |   |             |         |
| 10                                                                                                                                                                                |       | (TCV_Null := OM_CphMd( TCV_chTch, CphMod_01, TCV_CphKey))                                                              |      |   |             |         |
| <b>Detailed Comments:</b>                                                                                                                                                         |       |                                                                                                                        |      |   |             |         |

| Test Step Dynamic Behaviour                                                                                                                                      |       |                                                                                                         |      |   |          |
|------------------------------------------------------------------------------------------------------------------------------------------------------------------|-------|---------------------------------------------------------------------------------------------------------|------|---|----------|
| <b>Test Step Name:</b> HalfRateCh_A_1_nociph( sub:B_1; acttypeT:BITSTRING; slotT:SN; tscT:TSC; chmod:CHMOD; Freqg, Freqd:FRQPARA; ta:TA; babr, cch_con, bpm:B_3) |       |                                                                                                         |      |   |          |
| <b>Group:</b> GSM_MS_EFR_4210/management/ChConfig/                                                                                                               |       |                                                                                                         |      |   |          |
| <b>Objective:</b> To set one physical channel used as TCHH_ACCH's for instance 1 of cell A.                                                                      |       |                                                                                                         |      |   |          |
| <b>Default:</b> OtherEvents                                                                                                                                      |       |                                                                                                         |      |   |          |
| Nr                                                                                                                                                               | Label | Behaviour Description                                                                                   | CRef | V | Comments |
| 1                                                                                                                                                                |       | (TCV_chTch := OC_SubchOfFacchh( sub, C_CellA, 1), TCV_sacchTch := OC_SubchOfSacchh( sub, C_CellA, 1))   |      |   |          |
| 2                                                                                                                                                                |       | [TSPC_PGSM OR TSPC_EGSM]                                                                                |      |   |          |
| 3                                                                                                                                                                |       | +Config_FACCHH_A_1(63, 19, chmod, acttypeT, slotT, tscT, Freqg, C_TCHH_ACCHH_1, ta, babr, cch_con, bpm) |      |   |          |
| 4                                                                                                                                                                |       | +SysInfo_SacchSending( TCV_sacchTch, TCV_sysinfo5, TCV_sysinfo6)                                        |      |   |          |
| 5                                                                                                                                                                |       | +localtree                                                                                              |      |   |          |
| 6                                                                                                                                                                |       | [TSPC_DCS]                                                                                              |      |   |          |
| 7                                                                                                                                                                |       | +Config_FACCHH_A_1(63, 15, chmod, acttypeT, slotT, tscT, Freqd, C_TCHH_ACCHH_1, ta, babr, cch_con, bpm) |      |   |          |
| 8                                                                                                                                                                |       | +SysInfo_SacchSending( TCV_sacchTch, TCV_sysinfo5, TCV_sysinfo6)                                        |      |   |          |
| 9                                                                                                                                                                |       | +localtree                                                                                              |      |   |          |
| 10                                                                                                                                                               |       | <b>localtree</b><br>[sub = '0'B]                                                                        |      |   |          |
| 11                                                                                                                                                               |       | (TCV_chtype := '00010'B)                                                                                |      |   |          |
| 12                                                                                                                                                               |       | [sub = '1'B]                                                                                            |      |   |          |
| 13                                                                                                                                                               |       | (TCV_chtype := '00011'B)                                                                                |      |   |          |
| <b>Detailed Comments:</b>                                                                                                                                        |       |                                                                                                         |      |   |          |

| Test Step Dynamic Behaviour |       |                                                                                                                                     |      |   |          |
|-----------------------------|-------|-------------------------------------------------------------------------------------------------------------------------------------|------|---|----------|
| <b>Test Step Name:</b>      |       | HalfRateCh_A_2(bstring:B_1; actypeT:BITSTRING; slotT:SN; tscT:TSC; chmod:CHMOD; Freqg,Freqd:FRQPARA; ta:TA; babr, cch_con, bpm:B_3) |      |   |          |
| <b>Group:</b>               |       | GSM_MS_EFR_4210/management/ChConfig/                                                                                                |      |   |          |
| <b>Objective:</b>           |       | To set one physical channel used as TCHH_ACCH's for instance 2 of cell A for TC_26_6_13_1.                                          |      |   |          |
| <b>Default:</b>             |       | OtherEvents                                                                                                                         |      |   |          |
| <b>Comments:</b>            |       | used for after time channel.                                                                                                        |      |   |          |
| Nr                          | Label | Behaviour Description                                                                                                               | CRef | V | Comments |
| 1                           |       | +HalfRateCh_A_2_nociph( bstring, actypeT, slotT, tscT, chmod, Freqg, Freqd, ta, babr, cch_con, bpm)                                 |      |   |          |
| 2                           |       | (TCV_Null := OM_CphMd( TCV_chTch1, CphMod_01, TCV_CphKey))                                                                          |      |   |          |
| <b>Detailed Comments:</b>   |       |                                                                                                                                     |      |   |          |

| Test Step Dynamic Behaviour |       |                                                                                                                                            |      |   |          |
|-----------------------------|-------|--------------------------------------------------------------------------------------------------------------------------------------------|------|---|----------|
| <b>Test Step Name:</b>      |       | HalfRateCh_A_2_nociph(bstring:B_1; actypeT:BITSTRING; slotT:SN; tscT:TSC; chmod:CHMOD; Freqg,Freqd:FRQPARA; ta:TA; babr, cch_con, bpm:B_3) |      |   |          |
| <b>Group:</b>               |       | GSM_MS_EFR_4210/management/ChConfig/                                                                                                       |      |   |          |
| <b>Objective:</b>           |       | To set one physical channel used as TCHH_ACCH's for instance 2 of cell A for TC_26_6_13_1.                                                 |      |   |          |
| <b>Default:</b>             |       | OtherEvents                                                                                                                                |      |   |          |
| <b>Comments:</b>            |       | used for after time channel.                                                                                                               |      |   |          |
| Nr                          | Label | Behaviour Description                                                                                                                      | CRef | V | Comments |
| 1                           |       | (TCV_chTch1 := OC_SubchOfFacchh( bstring, C_CellA, 2), TCV_sacchTch1 := OC_SubchOfSacchh( bstring, C_CellA, 2))                            |      |   |          |
| 2                           |       | [TSPC_PGSM OR TSPC_EGSM]                                                                                                                   |      |   |          |
| 3                           |       | +Config_FACCHH_A_2(63, 19, chmod, actypeT, slotT, tscT, Freqg, C_TCHH_ACCHH_2, ta, babr, cch_con, bpm)                                     |      |   |          |
| 4                           |       | +SysInfo_SacchSending( TCV_sacchTch1, TCV_sysinfo5, TCV_sysinfo6)                                                                          |      |   |          |
| 5                           |       | [TSPC_DCS]                                                                                                                                 |      |   |          |
| 6                           |       | +Config_FACCHH_A_2(63, 15, chmod, actypeT, slotT, tscT, Freqd, C_TCHH_ACCHH_2, ta, babr, cch_con, bpm)                                     |      |   |          |
| 7                           |       | +SysInfo_SacchSending( TCV_sacchTch1, TCV_sysinfo5, TCV_sysinfo6)                                                                          |      |   |          |
| <b>Detailed Comments:</b>   |       |                                                                                                                                            |      |   |          |

| Test Step Dynamic Behaviour |       |                                                                                                                                     |      |   |          |
|-----------------------------|-------|-------------------------------------------------------------------------------------------------------------------------------------|------|---|----------|
| <b>Test Step Name:</b>      |       | HalfRateCh_B_1(bstring:B_1; actypeT:BITSTRING; slotT:SN; tscT:TSC; chmod:CHMOD; Freqg,Freqd:FRQPARA; ta:TA; babr, cch_con, bpm:B_3) |      |   |          |
| <b>Group:</b>               |       | GSM_MS_EFR_4210/management/ChConfig/                                                                                                |      |   |          |
| <b>Objective:</b>           |       | To set one physical channel used as TCHH_ACCH's for instance 1 of cell B                                                            |      |   |          |
| <b>Default:</b>             |       | OtherEvents                                                                                                                         |      |   |          |
| <b>Comments:</b>            |       | used as after time channel assigned by handover command                                                                             |      |   |          |
| Nr                          | Label | Behaviour Description                                                                                                               | CRef | V | Comments |
| 1                           |       | +HalfRateCh_B_1_nociph( bstring, actypeT, slotT, tscT, chmod, Freqg, Freqd, ta, babr, cch_con, bpm)                                 |      |   |          |
| 2                           |       | (TCV_Null := OM_CphMd( TCV_chTch, CphMod_01, TCV_CphKey))                                                                           |      |   |          |
| <b>Detailed Comments:</b>   |       |                                                                                                                                     |      |   |          |

| Test Step Dynamic Behaviour                                                                                                                                        |       |                                                                                                               |      |   |          |
|--------------------------------------------------------------------------------------------------------------------------------------------------------------------|-------|---------------------------------------------------------------------------------------------------------------|------|---|----------|
| <b>Test Step Name:</b> HalfRateCh_B_1_nociph(bstring:B_1; acttypeT:BITSTRING; slotT:SN; tscT:TSC; chmod:CHMOD; Freqg,Freqd:FRQPARA; ta:TA; babr, cch_con, bpm:B_3) |       |                                                                                                               |      |   |          |
| <b>Group:</b> GSM_MS_EFR_4210/management/ChConfig/                                                                                                                 |       |                                                                                                               |      |   |          |
| <b>Objective:</b> To set one physical channel used as TCHH_ACCH's for instance 1 of cell B                                                                         |       |                                                                                                               |      |   |          |
| <b>Default:</b> OtherEvents                                                                                                                                        |       |                                                                                                               |      |   |          |
| <b>Comments:</b> used as after time channel assigned by handover command                                                                                           |       |                                                                                                               |      |   |          |
| Nr                                                                                                                                                                 | Label | Behaviour Description                                                                                         | CRef | V | Comments |
| 1                                                                                                                                                                  |       | (TCV_chTch := OC_SubchOfFacchh( bstring, C_CellB, 1), TCV_sacchTch := OC_SubchOfSacchh( bstring, C_CellB, 1)) |      |   |          |
| 2                                                                                                                                                                  |       | [TSPC_PGSM OR TSPC_EGSM]                                                                                      |      |   |          |
| 3                                                                                                                                                                  |       | +Config_FACCHH_B_1(63, 19, chmod, acttypeT, slotT, tscT, Freqg, C_TCHH_ACCHH_1, ta, babr, cch_con, bpm)       |      |   |          |
| 4                                                                                                                                                                  |       | +SysInfo_SacchSending( TCV_sacchTch, TCV_sysinfo5_B, TCV_sysinfo6_B)                                          |      |   |          |
| 5                                                                                                                                                                  |       | [TSPC_DCS]                                                                                                    |      |   |          |
| 6                                                                                                                                                                  |       | +Config_FACCHH_B_1(63, 15, chmod, acttypeT, slotT, tscT, Freqd, C_TCHH_ACCHH_1, ta, babr, cch_con, bpm)       |      |   |          |
| 7                                                                                                                                                                  |       | +SysInfo_SacchSending( TCV_sacchTch, TCV_sysinfo5_B, TCV_sysinfo6_B)                                          |      |   |          |
| <b>Detailed Comments:</b>                                                                                                                                          |       |                                                                                                               |      |   |          |

| Test Step Dynamic Behaviour                                                                                                                                    |       |                                                                                                             |      |   |          |
|----------------------------------------------------------------------------------------------------------------------------------------------------------------|-------|-------------------------------------------------------------------------------------------------------------|------|---|----------|
| <b>Test Step Name:</b> SDCCH8_A_1_nociph(bstring:B_3; acttypeT:BITSTRING; slotT:SN; tscT:TSC; chmod:CHMOD; Freqg,Freqd:FRQPARA; ta:TA; babr, cch_con, bpm:B_3) |       |                                                                                                             |      |   |          |
| <b>Group:</b> GSM_MS_EFR_4210/management/ChConfig/                                                                                                             |       |                                                                                                             |      |   |          |
| <b>Objective:</b> To set one physical channel used as SDCCH8 channel for instance 1 of cell A.                                                                 |       |                                                                                                             |      |   |          |
| <b>Default:</b> OtherEvents                                                                                                                                    |       |                                                                                                             |      |   |          |
| Nr                                                                                                                                                             | Label | Behaviour Description                                                                                       | CRef | V | Comments |
| 1                                                                                                                                                              |       | (TCV_ch := OC_SubchOfSdcch8( bstring, C_CellA, 1), TCV_sacch8 := OC_SubchOfSacch8( bstring, C_CellA, 1))    |      |   |          |
| 2                                                                                                                                                              |       | [TSPC_PGSM OR TSPC_EGSM]                                                                                    |      |   |          |
| 3                                                                                                                                                              |       | +Config_SDCCH8_A_1(63, 19, chmod, acttypeT, slotT, tscT, Freqg, C_SDCCH8_SACCHC8_1, ta, babr, cch_con, bpm) |      |   |          |
| 4                                                                                                                                                              |       | +SysInfo_SacchSending(TCV_sacch8, TCV_sysinfo5, TCV_sysinfo6)                                               |      |   |          |
| 5                                                                                                                                                              |       | [TSPC_DCS]                                                                                                  |      |   |          |
| 6                                                                                                                                                              |       | +Config_SDCCH8_A_1(63, 19, chmod, acttypeT, slotT, tscT, Freqd, C_SDCCH8_SACCHC8_1, ta, babr, cch_con, bpm) |      |   |          |
| 7                                                                                                                                                              |       | +SysInfo_SacchSending(TCV_sacch8, TCV_sysinfo5, TCV_sysinfo6)                                               |      |   |          |
| <b>Detailed Comments:</b>                                                                                                                                      |       |                                                                                                             |      |   |          |

## Test Step Group Miscellaneous

| Test Step Dynamic Behaviour |       |                                                                                   |      |   |          |
|-----------------------------|-------|-----------------------------------------------------------------------------------|------|---|----------|
| <b>Test Step Name:</b>      |       | Adjust_gsmmanddcs_powerlvl(powerlevel1,powerlevel2:INTEGER; pdu_ass: ASS_CMD_PDU) |      |   |          |
| <b>Group:</b>               |       | GSM_MS_EFR_4210/Miscellaneous/                                                    |      |   |          |
| <b>Objective:</b>           |       |                                                                                   |      |   |          |
| <b>Default:</b>             |       | OtherEvents                                                                       |      |   |          |
| Nr                          | Label | Behaviour Description                                                             | CRef | V | Comments |
| 1                           |       | [TSPC_PGSM OR TSPC_EGSM]                                                          |      |   |          |
| 2                           |       | [powerlevel1 <> 0]                                                                |      |   |          |
| 3                           |       | (pdu_ass.pcmd :=<br>Pcmd_19(INT_TO_BIT(powerlevel1,5)))                           |      |   |          |
| 4                           |       | [powerlevel1 = 0]                                                                 |      |   |          |
| 5                           |       | [TSPC_DCS]                                                                        |      |   |          |
| 6                           |       | (pdu_ass.pcmd :=<br>Pcmd_19(INT_TO_BIT(powerlevel2,5)))                           |      |   |          |
| <b>Detailed Comments:</b>   |       |                                                                                   |      |   |          |

| Test Step Dynamic Behaviour |            |                                                                                                           |                              |     |          |
|-----------------------------|------------|-----------------------------------------------------------------------------------------------------------|------------------------------|-----|----------|
| <b>Test Step Name:</b>      |            | AssCh_complete(oldch,newch:LOGICCH; pdu_ass: ASS_CMD_PDU)                                                 |                              |     |          |
| <b>Group:</b>               |            | GSM_MS_EFR_4210/Miscellaneous/                                                                            |                              |     |          |
| <b>Objective:</b>           |            | To provide a generic test step to Assign a traffic channel. Assign complete expected and verdict is PASS. |                              |     |          |
| <b>Default:</b>             |            | OtherEvents                                                                                               |                              |     |          |
| Nr                          | Label      | Behaviour Description                                                                                     | CRef                         | V   | Comments |
| 1                           |            | L!DL_DatRqAssCmd START T_dlyAss                                                                           | AssCmd(oldch,pdu_a<br>ss)    |     |          |
| 2                           | E_00<br>53 | ?TIMEOUT T_dlyAss                                                                                         |                              | (F) |          |
| 3                           |            | +PostLinkRelEnd(oldch)                                                                                    |                              |     |          |
| 4                           |            | L?DL_EstIn (TCV_FnAss := DL_EstIn.fn) CANCEL<br>T_dlyAss                                                  | DLEstInd(newch)              |     |          |
| 5                           | E_00<br>54 | L?DL_DatInAssCom                                                                                          | AssCmp(newch,<br>AsgnCmp_02) | (P) |          |
| 6                           |            | L!MDL_RelRq                                                                                               | MDLRelReq(oldch)             |     |          |
| 7                           |            | L?DL_EstIn CANCEL T_dlyAss                                                                                | DLEstInd(oldch)              |     |          |
| 8                           | E_00<br>55 | L?DL_DatInAssfl                                                                                           | AssFl_any_cau(oldch)         | (F) |          |
| 9                           |            | +PostLinkRelEnd(oldch)                                                                                    |                              |     |          |
| <b>Detailed Comments:</b>   |            |                                                                                                           |                              |     |          |

| Test Step Dynamic Behaviour |       |                                                                                                                                       |      |   |           |           |
|-----------------------------|-------|---------------------------------------------------------------------------------------------------------------------------------------|------|---|-----------|-----------|
| <b>Test Step Name:</b>      |       | AssCmdGen( cell:CellID; rate:IA5String; slot:SN; tsc:TSC; sch:B_1)                                                                    |      |   |           |           |
| <b>Group:</b>               |       | GSM_MS_EFR_4210/Miscellaneous/                                                                                                        |      |   |           |           |
| <b>Objective:</b>           |       | To generate the ASSIGNMENT COMMAND message.                                                                                           |      |   |           |           |
| <b>Default:</b>             |       | OtherEvents                                                                                                                           |      |   |           |           |
| Nr                          | Label | Behaviour Description                                                                                                                 | CRef | V | Comments  |           |
| 1                           |       | [rate <> C_Half]                                                                                                                      |      |   | Full rate |           |
| 2                           |       | (TCV_Tchtype := '00001'B)                                                                                                             |      |   |           |           |
| 3                           |       | +ltree_Asgn                                                                                                                           |      |   |           |           |
| 4                           |       | [rate = C_Half]                                                                                                                       |      |   |           | Half rate |
| 5                           |       | [sch = '0'B]                                                                                                                          |      |   |           |           |
| 6                           |       | (TCV_Tchtype := '00010'B)                                                                                                             |      |   |           |           |
| 7                           |       | +ltree_Asgn                                                                                                                           |      |   |           |           |
| 8                           |       | [sch = '1'B]                                                                                                                          |      |   |           |           |
| 9                           |       | (TCV_Tchtype := '00011'B)                                                                                                             |      |   |           |           |
| 10                          |       | +ltree_Asgn                                                                                                                           |      |   |           |           |
|                             |       | <b>ltree_Asgn</b>                                                                                                                     |      |   |           |           |
| 11                          |       | [cell = C_CellA]                                                                                                                      |      |   |           |           |
| 12                          |       | +ltree_AsgnTchA                                                                                                                       |      |   |           |           |
| 13                          |       | [cell = C_CellB]                                                                                                                      |      |   |           |           |
| 14                          |       | +ltree_AsgnTchB                                                                                                                       |      |   |           |           |
|                             |       | <b>ltree_AsgnTchA</b>                                                                                                                 |      |   |           |           |
| 15                          |       | [TSPC_PGSM OR TSPC_EGSM]                                                                                                              |      |   |           |           |
| 16                          |       | (TCV_AssCmd := AsgnCmd_nfh( TCV_Tchtype,<br>slot, tsc, 7, C_arfcn_tchA, CellChDes_Omit,<br>TCV_ChMod, StartingTm_omit, CphMod_omit))  |      |   |           |           |
| 17                          |       | [TSPC_DCS]                                                                                                                            |      |   |           |           |
| 18                          |       | (TCV_AssCmd := AsgnCmd_nfh( TCV_Tchtype,<br>slot, tsc, 3, C_arfcn_tchAd, CellChDes_Omit,<br>TCV_ChMod, StartingTm_omit, CphMod_omit)) |      |   |           |           |
|                             |       | <b>ltree_AsgnTchB</b>                                                                                                                 |      |   |           |           |
| 19                          |       | [TSPC_PGSM OR TSPC_EGSM]                                                                                                              |      |   |           |           |
| 20                          |       | (TCV_AssCmd := AsgnCmd_nfh( TCV_Tchtype,<br>slot, tsc, 7, C_arfcn_tchB, CellChDes_Omit,<br>TCV_ChMod, StartingTm_omit, CphMod_omit))  |      |   |           |           |
| 21                          |       | [TSPC_DCS]                                                                                                                            |      |   |           |           |
| 22                          |       | (TCV_AssCmd := AsgnCmd_nfh( TCV_Tchtype,<br>slot, tsc, 3, C_arfcn_tchBd, CellChDes_Omit,<br>TCV_ChMod, StartingTm_omit, CphMod_omit)) |      |   |           |           |
| <b>Detailed Comments:</b>   |       | The test step makes the assumption that the channel rate is known when the test step is called.                                       |      |   |           |           |



| Test Step Dynamic Behaviour |       |                                                                                                                                                                                                 |      |   |           |
|-----------------------------|-------|-------------------------------------------------------------------------------------------------------------------------------------------------------------------------------------------------|------|---|-----------|
| <b>Test Step Name:</b>      |       | AssCmdGen_fh( rate:IA5String; slot:SN; tsc:TSC; sch:B_1; par_pwlvlg, par_pwlvid:INTEGER; maio:MAIO; hsn:HSN; frql_g, frql_d:FRQL; cchd_g, cchd_d:CCHD; chmod:CHMOD; ma_g, ma_d:MA; Cphms:CPHMS) |      |   |           |
| <b>Group:</b>               |       | GSM_MS_EFR_4210/Miscellaneous/                                                                                                                                                                  |      |   |           |
| <b>Objective:</b>           |       | To generate a ASSIGNMENT COMMAND message in case of hopping without starting time.                                                                                                              |      |   |           |
| <b>Default:</b>             |       | OtherEvents                                                                                                                                                                                     |      |   |           |
| Nr                          | Label | Behaviour Description                                                                                                                                                                           | CRef | V | Comments  |
| 1                           |       | [rate <> C_Half]                                                                                                                                                                                |      |   | Full rate |
| 2                           |       | (TCV_Tchtype := '00001'B)                                                                                                                                                                       |      |   |           |
| 3                           |       | +ltree_Asgn                                                                                                                                                                                     |      |   |           |
| 4                           |       | [rate = C_Half]                                                                                                                                                                                 |      |   | Half rate |
| 5                           |       | [sch = '0'B]                                                                                                                                                                                    |      |   |           |
| 6                           |       | (TCV_Tchtype := '00010'B)                                                                                                                                                                       |      |   |           |
| 7                           |       | +ltree_Asgn                                                                                                                                                                                     |      |   |           |
| 8                           |       | [sch = '1'B]                                                                                                                                                                                    |      |   |           |
| 9                           |       | (TCV_Tchtype := '00011'B)                                                                                                                                                                       |      |   |           |
| 10                          |       | +ltree_Asgn                                                                                                                                                                                     |      |   |           |
| <b>ltree_Asgn</b>           |       |                                                                                                                                                                                                 |      |   |           |
| 11                          |       | [TSPC_PGSM OR TSPC_EGSM]                                                                                                                                                                        |      |   |           |
| 12                          |       | (TCV_AssCmd := AsgnCmd_fh( slot, tsc, TCV_Tchtype, par_pwlvlg, maio, hsn, frql_g, cchd_g, chmod, ma_g, Cphms))                                                                                  |      |   |           |
| 13                          |       | [TSPC_DCS]                                                                                                                                                                                      |      |   |           |
| 14                          |       | (TCV_AssCmd := AsgnCmd_fh( slot, tsc, TCV_Tchtype, par_pwlvid, maio, hsn, frql_d, cchd_d, chmod, ma_d, Cphms))                                                                                  |      |   |           |
| <b>Detailed Comments:</b>   |       |                                                                                                                                                                                                 |      |   |           |

| Test Step Dynamic Behaviour                     |            |                                                           |                                        |     |          |
|-------------------------------------------------|------------|-----------------------------------------------------------|----------------------------------------|-----|----------|
| <b>Test Step Name:</b>                          |            | Authentication(ch: LOGICCH; cksn: BITSTRING; rand:RAND)   |                                        |     |          |
| <b>Group:</b>                                   |            | GSM_MS_EFR_4210/Miscellaneous/                            |                                        |     |          |
| <b>Objective:</b>                               |            |                                                           |                                        |     |          |
| <b>Default:</b>                                 |            | OtherEventsFail                                           |                                        |     |          |
| Nr                                              | Label      | Behaviour Description                                     | CRef                                   | V   | Comments |
| 1                                               |            | L!DL_DatRqAuthRq                                          | AuthReq( ch, AuthRequest( cksn, rand)) |     |          |
| 2                                               |            | L?DL_DatInAuthRes ( TCV_Sres := DL_DatInAuthRes.msg.sres) | AuthRes( AuthResponse)                 |     |          |
| 3                                               |            | (TCV_Res := OC_ChkSRES( TCV_Sres, TSPX_Ki, rand))         |                                        |     |          |
| 4                                               | E_00<br>56 | [NOT TCV_Res]                                             |                                        | (F) | 1)       |
| 5                                               | E_00<br>57 | [TCV_Res]                                                 |                                        | (P) |          |
| <b>Detailed Comments:</b> Authentication fails. |            |                                                           |                                        |     |          |

| <b>Test Step Dynamic Behaviour</b> |       |                                                                                                                                                                                                                                                                                                                                                                                                                                                                                                                                                                                                                                                                                |      |   |                    |
|------------------------------------|-------|--------------------------------------------------------------------------------------------------------------------------------------------------------------------------------------------------------------------------------------------------------------------------------------------------------------------------------------------------------------------------------------------------------------------------------------------------------------------------------------------------------------------------------------------------------------------------------------------------------------------------------------------------------------------------------|------|---|--------------------|
| <b>Test Step Name:</b>             |       | CallProcGen(setup:SETUP_MO_PDU; srv:SERVICES)                                                                                                                                                                                                                                                                                                                                                                                                                                                                                                                                                                                                                                  |      |   |                    |
| <b>Group:</b>                      |       | GSM_MS_EFR_4210/Miscellaneous/                                                                                                                                                                                                                                                                                                                                                                                                                                                                                                                                                                                                                                                 |      |   |                    |
| <b>Objective:</b>                  |       | To generate a CALL PROCEEDING message which is compatible with input value 'setup'..                                                                                                                                                                                                                                                                                                                                                                                                                                                                                                                                                                                           |      |   |                    |
| <b>Default:</b>                    |       | OtherEvents                                                                                                                                                                                                                                                                                                                                                                                                                                                                                                                                                                                                                                                                    |      |   |                    |
| <b>Comments:</b>                   |       | The generated CALL PROCEEDING is in TCV_CallProc. This test step can handle the following dual mode services: the first BCAP is speech or the second BCAP is speech                                                                                                                                                                                                                                                                                                                                                                                                                                                                                                            |      |   |                    |
| Nr                                 | Label | Behaviour Description                                                                                                                                                                                                                                                                                                                                                                                                                                                                                                                                                                                                                                                          | CRef | V | Comments           |
| 1                                  |       | (TCV_CallProc := CallProced_03, TCV_CallProc.ti := TCV_TI)                                                                                                                                                                                                                                                                                                                                                                                                                                                                                                                                                                                                                     |      |   |                    |
| 2                                  |       | [(srv = C_AltSpchData) OR ( srv = C_SpchData)<br>OR (srv = C_AltSpchFax)]                                                                                                                                                                                                                                                                                                                                                                                                                                                                                                                                                                                                      |      |   | dual service       |
| 3                                  |       | [setup.bcap1.itc = C_Speech]                                                                                                                                                                                                                                                                                                                                                                                                                                                                                                                                                                                                                                                   |      |   | 1st BCAP is speech |
| 4                                  |       | (TCV_ce3 := setup.bcap2.ce)                                                                                                                                                                                                                                                                                                                                                                                                                                                                                                                                                                                                                                                    |      |   |                    |
| 5                                  |       | [(TCV_ce3 <> C_BothT) OR(TCV_ce3 <><br>C_BothNT)]                                                                                                                                                                                                                                                                                                                                                                                                                                                                                                                                                                                                                              |      |   | 1.                 |
| 6                                  |       | [(TCV_ce3 = C_BothT) OR (TCV_ce3 =<br>C_BothNT)]                                                                                                                                                                                                                                                                                                                                                                                                                                                                                                                                                                                                                               |      |   | 2.                 |
| 7                                  |       | (TCV_CallProc.bcap1 := setup.bcap1,<br>TCV_CallProc.bcap1.rchr := '00'B,<br>TCV_CallProc.bcri := setup.bcri,<br>TCV_CallProc.bcap2 := setup.bcap2,<br>TCV_CallProc.bcap2.ce :=<br>INT_TO_BIT((BIT_TO_INT(setup.bcap2.ce)<br>-2), 2), TCV_CallProc.bcap2.nirr :=<br>C_nirr_nomeaning)                                                                                                                                                                                                                                                                                                                                                                                           |      |   |                    |
| 8                                  |       | [NOT (setup.bcap1.itc = C_Speech)]                                                                                                                                                                                                                                                                                                                                                                                                                                                                                                                                                                                                                                             |      |   |                    |
| 9                                  |       | (TCV_ce1 := setup.bcap1.ce)                                                                                                                                                                                                                                                                                                                                                                                                                                                                                                                                                                                                                                                    |      |   |                    |
| 10                                 |       | [(TCV_ce1 <> C_BothT) AND(TCV_ce1 <><br>C_BothNT)]                                                                                                                                                                                                                                                                                                                                                                                                                                                                                                                                                                                                                             |      |   | 3.                 |
| 11                                 |       | [(TCV_ce1 = C_BothT) OR (TCV_ce1 =<br>C_BothNT)]                                                                                                                                                                                                                                                                                                                                                                                                                                                                                                                                                                                                                               |      |   | 4.                 |
| 12                                 |       | (TCV_CallProc.bcap1 := setup.bcap1,<br>TCV_CallProc.bcap1.ce :=<br>INT_TO_BIT((BIT_TO_INT(setup.bcap1.ce)<br>-2), 2), TCV_CallProc.bcap1.nirr :=<br>C_nirr_nomeaning, TCV_CallProc.bcri :=<br>setup.bcri, TCV_CallProc.bcap2 :=<br>setup.bcap2, TCV_CallProc.bcap2.rchr :=<br>'11'B)                                                                                                                                                                                                                                                                                                                                                                                           |      |   |                    |
| 13                                 |       | [(srv <> C_AltSpchData) AND( srv <> C_SpchData)<br>AND(srv <> C_AltSpchFax)]                                                                                                                                                                                                                                                                                                                                                                                                                                                                                                                                                                                                   |      |   |                    |
| 14                                 |       | [srv = C_EmgCall]                                                                                                                                                                                                                                                                                                                                                                                                                                                                                                                                                                                                                                                              |      |   | 8.                 |
| 15                                 |       | [srv <> C_EmgCall]                                                                                                                                                                                                                                                                                                                                                                                                                                                                                                                                                                                                                                                             |      |   |                    |
| 16                                 |       | [setup.bcap1.itc = C_Speech]                                                                                                                                                                                                                                                                                                                                                                                                                                                                                                                                                                                                                                                   |      |   | 5.                 |
| 17                                 |       | [setup.bcap1.itc <> C_Speech]                                                                                                                                                                                                                                                                                                                                                                                                                                                                                                                                                                                                                                                  |      |   |                    |
| 18                                 |       | (TCV_ce1 := setup.bcap1.ce)                                                                                                                                                                                                                                                                                                                                                                                                                                                                                                                                                                                                                                                    |      |   |                    |
| 19                                 |       | [(TCV_ce1 = C_BothT) OR (TCV_ce1 =<br>C_BothNT)]                                                                                                                                                                                                                                                                                                                                                                                                                                                                                                                                                                                                                               |      |   | 6.                 |
| 20                                 |       | (TCV_CallProc.bcap1 := setup.bcap1,<br>TCV_CallProc.bcap1.ce :=<br>INT_TO_BIT((BIT_TO_INT(setup.bcap1.c<br>e) -2), 2), TCV_CallProc.bcap1.nirr :=<br>C_nirr_nomeaning)                                                                                                                                                                                                                                                                                                                                                                                                                                                                                                         |      |   |                    |
| 21                                 |       | [(TCV_ce1 <> C_BothT) OR(TCV_ce1 <><br>C_BothNT)]                                                                                                                                                                                                                                                                                                                                                                                                                                                                                                                                                                                                                              |      |   | 7.                 |
| <b>Detailed Comments:</b>          |       | <ol style="list-style-type: none"> <li>1. BCAP1 is speech and BCAP2 does not require negotiation, the CallProc will contain no BCAP's</li> <li>2. BCAP1 is speech and BCAP2 requires negotiation</li> <li>3. BCAP2 is speech and BCAP1 does not require negotiation, the CallProc will contain no BCAP's</li> <li>4. BCAP2 is speech and BCAP1 requires negotiation</li> <li>5. BCAP2 does not exist and BCAP1 is speech, the CallProc will contain no BCAP's</li> <li>6. BCAP2 does not exist and BCAP1 requires negotiation</li> <li>7. BCAP2 does not exist and BCAP1 does not require negotiation</li> <li>8. Emergency call, the CallProc will contain no BCAP</li> </ol> |      |   |                    |

| Test Step Dynamic Behaviour |            |                                                                                                                                                                                                  |      |   |                       |
|-----------------------------|------------|--------------------------------------------------------------------------------------------------------------------------------------------------------------------------------------------------|------|---|-----------------------|
| <b>Test Step Name:</b>      |            | CCCH_group_Paging_group(ccd: CCD; imsi: HEXSTRING)                                                                                                                                               |      |   |                       |
| <b>Group:</b>               |            | GSM_MS_EFR_4210/Miscellaneous/                                                                                                                                                                   |      |   |                       |
| <b>Objective:</b>           |            | To calculate the CCCH group and the Paging group from the IMSI and the Control Channel Descriptor according to GSM 05.02, subclause 6.5.2.                                                       |      |   |                       |
| <b>Default:</b>             |            | OtherEvents                                                                                                                                                                                      |      |   |                       |
| Nr                          | Label      | Behaviour Description                                                                                                                                                                            | CRef | V | Comments              |
| 1                           |            | [ccd.ccch_con = '000'B]                                                                                                                                                                          |      |   |                       |
| 2                           |            | (TCV_bs_cc_chans := 1)                                                                                                                                                                           |      |   |                       |
| 3                           |            | +localtree1                                                                                                                                                                                      |      |   |                       |
| 4                           |            | [ccd.ccch_con = '001'B]                                                                                                                                                                          |      |   |                       |
| 5                           |            | (TCV_bs_cc_chans := 1)                                                                                                                                                                           |      |   |                       |
| 6                           |            | +localtree1                                                                                                                                                                                      |      |   |                       |
| 7                           |            | [ccd.ccch_con = '010'B]                                                                                                                                                                          |      |   |                       |
| 8                           |            | (TCV_bs_cc_chans := 2)                                                                                                                                                                           |      |   |                       |
| 9                           |            | +localtree1                                                                                                                                                                                      |      |   |                       |
| 10                          |            | [ccd.ccch_con = '100'B]                                                                                                                                                                          |      |   |                       |
| 11                          |            | (TCV_bs_cc_chans := 3)                                                                                                                                                                           |      |   |                       |
| 12                          |            | +localtree1                                                                                                                                                                                      |      |   |                       |
| 13                          |            | [ccd.ccch_con = '110'B]                                                                                                                                                                          |      |   |                       |
| 14                          |            | (TCV_bs_cc_chans := 4)                                                                                                                                                                           |      |   |                       |
| 15                          |            | +localtree1                                                                                                                                                                                      |      |   |                       |
| <b>localtree1</b>           |            |                                                                                                                                                                                                  |      |   |                       |
| 16                          |            | (TCV_bs_ag_blks_res := BIT_TO_INT(ccd.babr),<br>TCV_bs_pa_mfrms := (2 + BIT_TO_INT(ccd.bpm)))                                                                                                    |      |   |                       |
| 17                          |            | [ccd.ccch_con = '001'B]                                                                                                                                                                          |      |   | i.e. combined         |
| 18                          | E_00<br>58 | [(TCV_bs_ag_blks_res < 0)<br>OR(TCV_bs_ag_blks_res > 2)]                                                                                                                                         |      | I | Stop! A tester error. |
| 19                          |            | [(TCV_bs_ag_blks_res >= 0) AND<br>(TCV_bs_ag_blks_res <= 2)]                                                                                                                                     |      |   |                       |
| 20                          |            | (TCV_tmp := 3 - TCV_bs_ag_blks_res)                                                                                                                                                              |      |   |                       |
| 21                          |            | +localtree2                                                                                                                                                                                      |      |   |                       |
| 22                          |            | [ccd.ccch_con <> '001'B]                                                                                                                                                                         |      |   | i.e. not combined     |
| 23                          | E_00<br>59 | [(TCV_bs_ag_blks_res < 0)<br>OR(TCV_bs_ag_blks_res > 7)]                                                                                                                                         |      | I | Stop! A tester error. |
| 24                          |            | [(TCV_bs_ag_blks_res >= 0) AND<br>(TCV_bs_ag_blks_res <= 7)]                                                                                                                                     |      |   |                       |
| 25                          |            | (TCV_tmp := 9 - TCV_bs_ag_blks_res)                                                                                                                                                              |      |   |                       |
| 26                          |            | +localtree2                                                                                                                                                                                      |      |   | ini. TCV Pgg          |
| <b>localtree2</b>           |            |                                                                                                                                                                                                  |      |   |                       |
| 27                          |            | (TCV_tmp := TCV_tmp * TCV_bs_pa_mfrms)                                                                                                                                                           |      |   |                       |
| 28                          |            | (TCV_Pgg := INT_TO_BIT((((OC_BCDtoInt(imsi, 3))<br>MOD(TCV_bs_cc_chans * TCV_tmp)) MOD<br>TCV_tmp), 8), TCV_Ccchg :=<br>((((OC_BCDtoInt(imsi, 3)) MOD(TCV_bs_cc_chans *<br>TCV_tmp)) / TCV_tmp)) |      |   |                       |
| <b>Detailed Comments:</b>   |            |                                                                                                                                                                                                  |      |   |                       |

| Test Step Dynamic Behaviour |       |                                                                                                                                                                                                              |                                         |    |          |
|-----------------------------|-------|--------------------------------------------------------------------------------------------------------------------------------------------------------------------------------------------------------------|-----------------------------------------|----|----------|
| <b>Test Step Name:</b>      |       | CC_Est_MT_Call                                                                                                                                                                                               |                                         |    |          |
| <b>Group:</b>               |       | GSM_MS_EFR_4210/Miscellaneous/                                                                                                                                                                               |                                         |    |          |
| <b>Objective:</b>           |       | To perform the CC message exchange to establish a mobile station terminating call (late assignment).                                                                                                         |                                         |    |          |
| <b>Default:</b>             |       | OtherEvents                                                                                                                                                                                                  |                                         |    |          |
| Nr                          | Label | Behaviour Description                                                                                                                                                                                        | CRef                                    | V  | Comments |
| 1                           |       | (TCV_Setup_mt.sig := Signal_01)                                                                                                                                                                              |                                         |    |          |
| 2                           |       | L!DL_DatRqSetup                                                                                                                                                                                              | SetupSnd( TCV_ch,<br>TCV_Setup_mt)      |    |          |
| 3                           |       | L?DL_DatInCallCo                                                                                                                                                                                             | CallCfm(<br>CallConfirm_01(<br>TI_01))  | 1) |          |
| 4                           |       | L?DL_DatInConn                                                                                                                                                                                               | ConnRcv(<br>Connect_01( TI_01))         |    |          |
| 5                           |       | L?DL_DatInAlert                                                                                                                                                                                              | AlertRcv(<br>AlertingInd_01(<br>TI_01)) |    |          |
| 6                           |       | (TCV_Null := OO_HookOff())                                                                                                                                                                                   |                                         |    |          |
| 7                           |       | L?DL_DatInConn                                                                                                                                                                                               | ConnRcv(<br>Connect_01( TI_01))         |    |          |
| <b>Detailed Comments:</b>   |       | 1. If the MS supports the bearer capabilities, which are give in Setup message, it has to accept them. However, it may still send bearer capabilites in the Call Confirm message for either EFR or Half Rate |                                         |    |          |

| Test Step Dynamic Behaviour |       |                                                                                                                                                                                                               |                                                        |   |              |
|-----------------------------|-------|---------------------------------------------------------------------------------------------------------------------------------------------------------------------------------------------------------------|--------------------------------------------------------|---|--------------|
| <b>Test Step Name:</b>      |       | CC_EstMsTermCall( rate:IA5String; sub:B_1)                                                                                                                                                                    |                                                        |   |              |
| <b>Group:</b>               |       | GSM_MS_EFR_4210/Miscellaneous/                                                                                                                                                                                |                                                        |   |              |
| <b>Objective:</b>           |       | To perform the CC message exchange to establish a mobile station terminating call with non hopping channel (speech or data call). (Similar to EstMsTermFullRateCallNonFH but without initial RRmtcallprepare) |                                                        |   |              |
| <b>Default:</b>             |       | OtherEvents                                                                                                                                                                                                   |                                                        |   |              |
| Nr                          | Label | Behaviour Description                                                                                                                                                                                         | CRef                                                   | V | Comments     |
| 1                           |       | +CC_Est_MT_Call                                                                                                                                                                                               |                                                        |   |              |
| 2                           |       | +ltree_Asgn                                                                                                                                                                                                   |                                                        |   |              |
| 3                           |       | +Adjust_gsmanddcs_powerlvl( 0, 15,<br>TCV_AssCmd)                                                                                                                                                             |                                                        |   |              |
| 4                           |       | +AssCh_complete( TCV_ch, TCV_chTch,<br>TCV_AssCmd)                                                                                                                                                            |                                                        |   |              |
| 5                           |       | L!DL_DatRqConnAck                                                                                                                                                                                             | ConnAckSnd(<br>TCV_chTch,<br>ConnectAck_01(<br>TI_02)) |   |              |
| <b>ltree_Asgn</b>           |       |                                                                                                                                                                                                               |                                                        |   |              |
| 6                           |       | [rate = C_Full]                                                                                                                                                                                               |                                                        |   | Full rate    |
| 7                           |       | (TCV_Tchtype := '00001'B)                                                                                                                                                                                     |                                                        |   |              |
| 8                           |       | (TCV_AssCmd := AsgnCmd_nfh( TCV_Tchtype,<br>TCV_asscmd_ts, TSPX_TscDef, 9,<br>TCV_tch_arfcn, CellChDes_Omit,<br>ChMod_speech_iei, StartingTm_omit,<br>CphMod_omit))                                           |                                                        |   |              |
| 9                           |       | [rate = C_Full_v2]                                                                                                                                                                                            |                                                        |   | Full rate v2 |
| 10                          |       | (TCV_Tchtype := '00001'B)                                                                                                                                                                                     |                                                        |   |              |
| 11                          |       | (TCV_AssCmd := AsgnCmd_nfh( TCV_Tchtype,<br>TCV_asscmd_ts, TSPX_TscDef, 9,<br>TCV_tch_arfcn, CellChDes_Omit,<br>ChMod_EFR2_iei, StartingTm_omit,<br>CphMod_omit))                                             |                                                        |   |              |
| 12                          |       | [rate = C_Half]                                                                                                                                                                                               |                                                        |   | Half rate    |
| 13                          |       | (TCV_Tchtype := INT_TO_BIT(( 2 + BIT_TO_INT(<br>sub)), 5))                                                                                                                                                    |                                                        |   |              |
| 14                          |       | (TCV_AssCmd := AsgnCmd_nfh( TCV_Tchtype,<br>TCV_asscmd_ts, TSPX_TscDef, 9,<br>TCV_tch_arfcn, CellChDes_Omit, ChMod_omit,<br>StartingTm_omit, CphMod_omit))                                                    |                                                        |   |              |
| <b>Detailed Comments:</b>   |       |                                                                                                                                                                                                               |                                                        |   |              |

| Test Step Dynamic Behaviour |            |                                                          |                              |     |          |
|-----------------------------|------------|----------------------------------------------------------|------------------------------|-----|----------|
| <b>Test Step Name:</b>      |            | Cipherring_on(ch: LOGICCH)                               |                              |     |          |
| <b>Group:</b>               |            | GSM_MS_EFR_4210/Miscellaneous/                           |                              |     |          |
| <b>Objective:</b>           |            | Send cipher command and wait for successful completion   |                              |     |          |
| <b>Default:</b>             |            | OtherEventsFail                                          |                              |     |          |
| Nr                          | Label      | Behaviour Description                                    | CRef                         | V   | Comments |
| 1                           |            | (TCV_Null := OM_CphMdChg( ch, CphMod_01,<br>TCV_CphKey)) |                              |     |          |
| 2                           |            | L!DL_DatRqCphmCmd                                        | CphCmd(ch,<br>CphModeCmd_01) |     |          |
| 3                           | E_00<br>60 | L?DL_DatInCphmCom                                        | CphCom(CphModeC<br>mp_01)    | (P) |          |
| <b>Detailed Comments:</b>   |            |                                                          |                              |     |          |

| Test Step Dynamic Behaviour                                                                                                                                                  |            |                                         |      |     |          |
|------------------------------------------------------------------------------------------------------------------------------------------------------------------------------|------------|-----------------------------------------|------|-----|----------|
| <b>Test Step Name:</b> EFR_ChkRcvSpchPrefs                                                                                                                                   |            |                                         |      |     |          |
| <b>Group:</b> GSM_MS_EFR_4210/Miscellaneous/                                                                                                                                 |            |                                         |      |     |          |
| <b>Objective:</b> OtherEvents                                                                                                                                                |            |                                         |      |     |          |
| <b>Default:</b>                                                                                                                                                              |            |                                         |      |     |          |
| <b>Comments:</b> Check speech versions received in EFR BCAP against IXIT file values. All supported speech versions must be present (in any order) in the received EFR BCAP. |            |                                         |      |     |          |
| Nr                                                                                                                                                                           | Label      | Behaviour Description                   | CRef | V   | Comments |
| 1                                                                                                                                                                            |            | +EFR_SpchPrefInBCAP(TSPX_EFR_SpchPref1) |      |     |          |
| 2                                                                                                                                                                            |            | +EFR_SpchPrefInBCAP(TSPX_EFR_SpchPref2) |      |     |          |
| 3                                                                                                                                                                            |            | [TSPX_EFR_SpchPrefsNo > 2]              |      |     |          |
| 4                                                                                                                                                                            |            | +EFR_SpchPrefInBCAP(TSPX_EFR_SpchPref3) |      |     |          |
| 5                                                                                                                                                                            | E_00<br>62 | [TSPX_EFR_SpchPrefsNo = 2]              |      | (P) |          |
| <b>Detailed Comments:</b>                                                                                                                                                    |            |                                         |      |     |          |

| Test Step Dynamic Behaviour                                                                     |            |                            |      |     |            |
|-------------------------------------------------------------------------------------------------|------------|----------------------------|------|-----|------------|
| <b>Test Step Name:</b> EFR_SpchPrefInBCAP(svi:B_4)                                              |            |                            |      |     |            |
| <b>Group:</b> GSM_MS_EFR_4210/Miscellaneous/                                                    |            |                            |      |     |            |
| <b>Objective:</b> OtherEvents                                                                   |            |                            |      |     |            |
| <b>Default:</b>                                                                                 |            |                            |      |     |            |
| <b>Comments:</b> Check for an individual speech preferences being present in received EFR BCAP. |            |                            |      |     |            |
| Nr                                                                                              | Label      | Behaviour Description      | CRef | V   | Comments   |
| 1                                                                                               | E_00<br>63 | [TCV_EFR_svi1 = svi]       |      | (P) |            |
| 2                                                                                               | E_00<br>64 | [TCV_EFR_svi2 = svi]       |      | (P) |            |
| 3                                                                                               |            | [TSPX_EFR_SpchPrefsNo = 3] |      |     |            |
| 4                                                                                               | E_00<br>65 | [TCV_EFR_svi3 = svi]       |      | (P) |            |
| 5                                                                                               | E_00<br>66 | [C_Yes]                    |      | I   | IXIT ERROR |
| <b>Detailed Comments:</b>                                                                       |            |                            |      |     |            |

| Test Step Dynamic Behaviour |            |                                                                                                                                                                                                                                                                                                                                                                                                                                                 |                   |   |                                            |
|-----------------------------|------------|-------------------------------------------------------------------------------------------------------------------------------------------------------------------------------------------------------------------------------------------------------------------------------------------------------------------------------------------------------------------------------------------------------------------------------------------------|-------------------|---|--------------------------------------------|
| <b>Test Step Name:</b>      |            | EFR_RcvSetupOrEsetup(Setup: SETUP_MO_PDU; Esetup:ESETUP_PDU; Ecall:BOOLEAN)                                                                                                                                                                                                                                                                                                                                                                     |                   |   |                                            |
| <b>Group:</b>               |            | GSM_MS_EFR_4210/Miscellaneous/                                                                                                                                                                                                                                                                                                                                                                                                                  |                   |   |                                            |
| <b>Objective:</b>           |            | To check that Mobile Originated SETUP or ESETUP message contains a bearer capability IE (optional for ESETUP) with all the speech versions supported by the EFR mobile. If matching is successful then a CALL PROCEEDING message response will be sent to the EFR mobile.                                                                                                                                                                       |                   |   |                                            |
| <b>Default:</b>             |            | OtherEvents                                                                                                                                                                                                                                                                                                                                                                                                                                     |                   |   |                                            |
| Nr                          | Label      | Behaviour Description                                                                                                                                                                                                                                                                                                                                                                                                                           | CRef              | V | Comments                                   |
| 1                           |            | [NOT Ecall]                                                                                                                                                                                                                                                                                                                                                                                                                                     |                   |   |                                            |
| 2                           |            | [TSPX_EFR_SpchPrefsNo = 2]                                                                                                                                                                                                                                                                                                                                                                                                                      |                   |   |                                            |
| 3                           |            | L?DL_DatInSetup (TCV_Setup_mo1 :=<br>DL_DatInSetup.msg, TCV_TI :=<br>TCV_Setup_mo1.ti, TCV_TI0 := TCV_TI,<br>TCV_TI.ti_f := '1'B, TCV_EFR_svi1 :=<br>TCV_Setup_mo1.bcap1.oct_3a_etc_1.svi,<br>TCV_EFR_svi2 :=<br>TCV_Setup_mo1.bcap1.oct_3a_etc_2.svi)<br>+ltree_chkspeech                                                                                                                                                                      | SetupRcv(Setup)   |   |                                            |
| 4                           |            |                                                                                                                                                                                                                                                                                                                                                                                                                                                 |                   |   |                                            |
| 5                           |            | [TSPX_EFR_SpchPrefsNo = 3]                                                                                                                                                                                                                                                                                                                                                                                                                      |                   |   |                                            |
| 6                           |            | L?DL_DatInSetup (TCV_Setup_mo1 :=<br>DL_DatInSetup.msg, TCV_TI :=<br>TCV_Setup_mo1.ti, TCV_TI0 := TCV_TI,<br>TCV_TI.ti_f := '1'B, TCV_EFR_svi1 :=<br>TCV_Setup_mo1.bcap1.oct_3a_etc_1.svi,<br>TCV_EFR_svi2 :=<br>TCV_Setup_mo1.bcap1.oct_3a_etc_2.svi,<br>TCV_EFR_svi3 :=<br>TCV_Setup_mo1.bcap1.oct_3a_etc_3.svi)<br>+ltree_chkspeech                                                                                                          | SetupRcv(Setup)   |   |                                            |
| 7                           |            |                                                                                                                                                                                                                                                                                                                                                                                                                                                 |                   |   |                                            |
| 8                           | E_00<br>67 | [C_Yes]                                                                                                                                                                                                                                                                                                                                                                                                                                         |                   | I | IXIT ERROR                                 |
| 9                           |            | [Ecall]                                                                                                                                                                                                                                                                                                                                                                                                                                         |                   |   |                                            |
| 10                          |            | [TSPC_EFR_EmgCallBcap]                                                                                                                                                                                                                                                                                                                                                                                                                          |                   |   |                                            |
| 11                          |            | [TSPX_EFR_SpchPrefsNo = 2]                                                                                                                                                                                                                                                                                                                                                                                                                      |                   |   |                                            |
| 12                          |            | L?DL_DatInESetup (TCV_Esetup1 :=<br>DL_DatInESetup.msg, TCV_Setup_mo1.ti :=<br>TCV_Esetup1.ti, TCV_Setup_mo1.bcap1 :=<br>TCV_Esetup1.bcap, TCV_Setup_mo1.ccpd :=<br>TCV_Esetup1.ccpd, TCV_Setup_mo1.mt :=<br>TCV_Esetup1.mt, TCV_TI :=<br>TCV_Setup_mo1.ti, TCV_TI0 := TCV_TI,<br>TCV_TI.ti_f := '1'B, TCV_EFR_svi1 :=<br>TCV_Setup_mo1.bcap1.oct_3a_etc_1.svi,<br>TCV_EFR_svi2 :=<br>TCV_Setup_mo1.bcap1.oct_3a_etc_2.svi)<br>+ltree_chkspeech | ESetupRcv(Esetup) |   |                                            |
| 13                          |            |                                                                                                                                                                                                                                                                                                                                                                                                                                                 |                   |   |                                            |
| 14                          |            | [TSPX_EFR_SpchPrefsNo = 3]                                                                                                                                                                                                                                                                                                                                                                                                                      |                   |   |                                            |
| 15                          |            | L?DL_DatInESetup (TCV_Esetup1 :=<br>DL_DatInESetup.msg, TCV_TI :=<br>TCV_Setup_mo1.ti, TCV_TI0 := TCV_TI,<br>TCV_TI.ti_f := '1'B, TCV_EFR_svi1 :=<br>TCV_Setup_mo1.bcap1.oct_3a_etc_1.svi,<br>TCV_EFR_svi2 :=<br>TCV_Setup_mo1.bcap1.oct_3a_etc_2.svi,<br>TCV_EFR_svi3 :=<br>TCV_Setup_mo1.bcap1.oct_3a_etc_3.svi)<br>+ltree_chkspeech                                                                                                          | ESetupRcv(Esetup) |   |                                            |
| 16                          |            |                                                                                                                                                                                                                                                                                                                                                                                                                                                 |                   |   |                                            |
| 17                          | E_00<br>68 | [C_Yes]                                                                                                                                                                                                                                                                                                                                                                                                                                         |                   | I | IXIT ERROR                                 |
| 18                          |            | [NOT TSPC_EFR_EmgCallBcap]                                                                                                                                                                                                                                                                                                                                                                                                                      |                   |   |                                            |
| 19                          |            | L?DL_DatInESetup (TCV_Esetup1 :=<br>DL_DatInESetup.msg, TCV_TI :=<br>TCV_Setup_mo1.ti, TCV_TI0 := TCV_TI,<br>TCV_TI.ti_f := '1'B)                                                                                                                                                                                                                                                                                                               | ESetupRcv(Esetup) |   |                                            |
| 20                          |            | +CallProcGen(TCV_Setup_mo1, TCV_Service)                                                                                                                                                                                                                                                                                                                                                                                                        |                   |   |                                            |
| 21                          |            | <b>ltree_chkspeech</b><br>+EFR_ChkRcvSpchPrefs                                                                                                                                                                                                                                                                                                                                                                                                  |                   |   | check all spchprefs are<br>present in bcap |
| 22                          |            | +CallProcGen(TCV_Setup_mo1, TCV_Service)                                                                                                                                                                                                                                                                                                                                                                                                        |                   |   |                                            |
| <b>Detailed Comments:</b>   |            |                                                                                                                                                                                                                                                                                                                                                                                                                                                 |                   |   |                                            |

| Test Step Dynamic Behaviour                                                                                                                 |       |                                                                                                                                                                                                                                                                                                                                                        |      |   |                                                                                                                         |
|---------------------------------------------------------------------------------------------------------------------------------------------|-------|--------------------------------------------------------------------------------------------------------------------------------------------------------------------------------------------------------------------------------------------------------------------------------------------------------------------------------------------------------|------|---|-------------------------------------------------------------------------------------------------------------------------|
| <b>Test Step Name:</b> FnArith(fn, fn1:FN)                                                                                                  |       |                                                                                                                                                                                                                                                                                                                                                        |      |   |                                                                                                                         |
| <b>Group:</b> GSM_MS_EFR_4210/Miscellaneous/                                                                                                |       |                                                                                                                                                                                                                                                                                                                                                        |      |   |                                                                                                                         |
| <b>Objective:</b>                                                                                                                           |       |                                                                                                                                                                                                                                                                                                                                                        |      |   |                                                                                                                         |
| <b>Default:</b> OtherEventsFail                                                                                                             |       |                                                                                                                                                                                                                                                                                                                                                        |      |   |                                                                                                                         |
| <b>Comments:</b> To calculate the difference of two frame numbers 'fn1' and 'fn'. The test step uses TCV_Cnt1, TCV_Cnt2, TCV_K and TCV_Time |       |                                                                                                                                                                                                                                                                                                                                                        |      |   |                                                                                                                         |
| Nr                                                                                                                                          | Label | Behaviour Description                                                                                                                                                                                                                                                                                                                                  | CRef | V | Comments                                                                                                                |
| 1                                                                                                                                           |       | (TCV_Cnt1 := (51 * ((BIT_TO_INT( fn.t3) - BIT_TO_INT( fn.t2) + 26) MOD 26)) + BIT_TO_INT( fn.t3) + (1326 * BIT_TO_INT( fn.t1_)), TCV_Cnt2 := (51 * ((BIT_TO_INT( fn1.t3) - BIT_TO_INT( fn1.t2) + 26) MOD 26)) + BIT_TO_INT( fn1.t3) + (1326 * BIT_TO_INT( fn1.t1_)), TCV_K := ((TCV_Cnt2 - TCV_Cnt1 + 42432) MOD 42432), TCV_Time := TCV_K * 120 / 26) |      |   | GSM 04.08 section 10.5.2.30.<br>TCV_K stores the frame number difference.<br>TCV_Time stores the time difference in ms. |
| <b>Detailed Comments:</b>                                                                                                                   |       |                                                                                                                                                                                                                                                                                                                                                        |      |   |                                                                                                                         |

| Test Step Dynamic Behaviour                                                                                                                                               |            |                                                                                                                           |                                                                                                                                      |     |                          |                     |
|---------------------------------------------------------------------------------------------------------------------------------------------------------------------------|------------|---------------------------------------------------------------------------------------------------------------------------|--------------------------------------------------------------------------------------------------------------------------------------|-----|--------------------------|---------------------|
| <b>Test Step Name:</b> ImsiDetach(par_mi:MI; ta:TA; sim_rmvd:BOOLEAN)                                                                                                     |            |                                                                                                                           |                                                                                                                                      |     |                          |                     |
| <b>Group:</b> GSM_MS_EFR_4210/Miscellaneous/                                                                                                                              |            |                                                                                                                           |                                                                                                                                      |     |                          |                     |
| <b>Objective:</b>                                                                                                                                                         |            |                                                                                                                           |                                                                                                                                      |     |                          |                     |
| <b>Default:</b> OtherEventsFail                                                                                                                                           |            |                                                                                                                           |                                                                                                                                      |     |                          |                     |
| Nr                                                                                                                                                                        | Label      | Behaviour Description                                                                                                     | CRef                                                                                                                                 | V   | Comments                 |                     |
| 1                                                                                                                                                                         |            | [(sim_rmvd) AND(TSPC_SIMRmv) AND(TSPC_DetachOnSIMRmv)]                                                                    |                                                                                                                                      |     | SIM needs to be removed. |                     |
| 2                                                                                                                                                                         |            | (TCV_Null := OO_SIMRmv())                                                                                                 |                                                                                                                                      |     |                          |                     |
| 3                                                                                                                                                                         |            | +ltree_imsidetach                                                                                                         |                                                                                                                                      |     |                          |                     |
| 4                                                                                                                                                                         |            | [TSPC_SwitchOnOff]                                                                                                        |                                                                                                                                      |     |                          |                     |
| 5                                                                                                                                                                         |            | (TCV_Null := OO_SwitchOff())                                                                                              |                                                                                                                                      |     |                          |                     |
| 6                                                                                                                                                                         |            | +ltree_imsidetach                                                                                                         |                                                                                                                                      |     |                          |                     |
| 7                                                                                                                                                                         |            | [TSPC_DetachOnPwrDn]                                                                                                      |                                                                                                                                      |     |                          |                     |
| 8                                                                                                                                                                         |            | (TCV_Null := OO_PowerDown())                                                                                              |                                                                                                                                      |     |                          | Remove power source |
| 9                                                                                                                                                                         |            | +ltree_imsidetach                                                                                                         |                                                                                                                                      |     |                          |                     |
| 10                                                                                                                                                                        |            | (((NOT sim_rmvd) OR(NOT TSPC_SIMRmv) OR(NOT TSPC_DetachOnSIMRmv)) AND(NOT TSPC_SwitchOnOff) AND(NOT TSPC_DetachOnPwrDn))] |                                                                                                                                      |     |                          | Remove power source |
| 11                                                                                                                                                                        |            | (TCV_Null := OO_PowerDown())                                                                                              |                                                                                                                                      |     | Remove power source      |                     |
| 12                                                                                                                                                                        |            | <b>ltree_imsidetach</b><br>L?DL_RacInChRq ( TCV_Rr := DL_RacInChRq.<br>msg.ecau_rrf, TCV_Fn := DL_RacInChRq.fn)           | ChReq(<br>ChRequest_02)                                                                                                              |     | To match ChReq retrans.  |                     |
| 13                                                                                                                                                                        |            | ACTIVATE(OtherEventsFail_02)                                                                                              |                                                                                                                                      |     |                          |                     |
| 14                                                                                                                                                                        |            | LIDL_UdatRqImmss                                                                                                          | ImmAss( TCV_agch,<br>ImmAsgn_01Def(<br>TCV_Rr, TCV_Fn,<br>TSPX_SDCCH4SubD<br>ef, TCV_slot,<br>TCV_tsc,<br>TCV_chdescr_arfcn,<br>ta)) |     |                          |                     |
| 15                                                                                                                                                                        | E_00<br>69 | L?DL_EstInImsidIn                                                                                                         | ImsiDet(<br>ImsiDetach_30(<br>par_mi))                                                                                               | (P) |                          |                     |
| 16                                                                                                                                                                        |            | ACTIVATE(OtherEventsFail)                                                                                                 |                                                                                                                                      |     | Restore normal default   |                     |
| 17                                                                                                                                                                        |            | +ChanRel(TCV_ch)                                                                                                          |                                                                                                                                      |     |                          |                     |
| <b>Detailed Comments:</b> If IMSI detach procedure has been executed, the channel will be released. If ATT=0 no detach has been executed, the channel is still connected. |            |                                                                                                                           |                                                                                                                                      |     |                          |                     |



| Test Step Dynamic Behaviour |       |                                                                    |      |   |                          |
|-----------------------------|-------|--------------------------------------------------------------------|------|---|--------------------------|
| <b>Test Step Name:</b>      |       | MM_PwrOrSimOff(sim_rmvd:BOOLEAN)                                   |      |   |                          |
| <b>Group:</b>               |       | GSM_MS_EFR_4210/Miscellaneous/                                     |      |   |                          |
| <b>Objective:</b>           |       |                                                                    |      |   |                          |
| <b>Default:</b>             |       | OtherEventsFail                                                    |      |   |                          |
| Nr                          | Label | Behaviour Description                                              | CRef | V | Comments                 |
| 1                           |       | [(sim_rmvd) AND(TSPC_SIMRmv)]                                      |      |   | SIM needs to be removed. |
| 2                           |       | (TCV_Null :=OO_SIMRmv())                                           |      |   |                          |
| 3                           |       | [TSPC_SwitchOnOff]                                                 |      |   |                          |
| 4                           |       | (TCV_Null := OO_SwitchOff())                                       |      |   |                          |
| 5                           |       | [(((NOT sim_rmvd) OR(NOT TSPC_SIMRmv)) AND(NOT TSPC_SwitchOnOff))] |      |   |                          |
| 6                           |       | (TCV_Null := OO_PowerDown())                                       |      |   |                          |
| <b>Detailed Comments:</b>   |       |                                                                    |      |   |                          |

| Test Step Dynamic Behaviour |       |                                                                    |      |   |                      |
|-----------------------------|-------|--------------------------------------------------------------------|------|---|----------------------|
| <b>Test Step Name:</b>      |       | MM_PwrOrSimOn(sim_rmvd:BOOLEAN)                                    |      |   |                      |
| <b>Group:</b>               |       | GSM_MS_EFR_4210/Miscellaneous/                                     |      |   |                      |
| <b>Objective:</b>           |       |                                                                    |      |   |                      |
| <b>Default:</b>             |       | OtherEventsFail                                                    |      |   |                      |
| Nr                          | Label | Behaviour Description                                              | CRef | V | Comments             |
| 1                           |       | [(sim_rmvd) AND(TSPC_SIMRmv)]                                      |      |   | SIM has been removed |
| 2                           |       | (TCV_Null := OO_SIMIns())                                          |      |   |                      |
| 3                           |       | [TSPC_SwitchOnOff]                                                 |      |   |                      |
| 4                           |       | (TCV_Null := OO_SwitchOn())                                        |      |   |                      |
| 5                           |       | [(((NOT sim_rmvd) OR(NOT TSPC_SIMRmv)) AND(NOT TSPC_SwitchOnOff))] |      |   |                      |
| 6                           |       | (TCV_Null := OO_PowerUp())                                         |      |   |                      |
| <b>Detailed Comments:</b>   |       |                                                                    |      |   |                      |

| Test Step Dynamic Behaviour |       |                                                                                                                                                                                                                                                                                   |                   |   |          |
|-----------------------------|-------|-----------------------------------------------------------------------------------------------------------------------------------------------------------------------------------------------------------------------------------------------------------------------------------|-------------------|---|----------|
| <b>Test Step Name:</b>      |       | RcvSetupOrEsetup(Setup: SETUP_MO_PDU; Esetup:ESETUP_PDU; Ecall:BOOLEAN)                                                                                                                                                                                                           |                   |   |          |
| <b>Group:</b>               |       | GSM_MS_EFR_4210/Miscellaneous/                                                                                                                                                                                                                                                    |                   |   |          |
| <b>Objective:</b>           |       | To manage Setup Mobile Originated.                                                                                                                                                                                                                                                |                   |   |          |
| <b>Default:</b>             |       | OtherEvents                                                                                                                                                                                                                                                                       |                   |   |          |
| Nr                          | Label | Behaviour Description                                                                                                                                                                                                                                                             | CRef              | V | Comments |
| 1                           |       | [NOT Ecall]                                                                                                                                                                                                                                                                       |                   |   |          |
| 2                           |       | L?DL_DatInSetup (TCV_Setup_mo1 := DL_DatInSetup.msg, TCV_TI := TCV_Setup_mo1.ti, TCV_TI0 := TCV_TI, TCV_TI.ti_f := '1'B)                                                                                                                                                          | SetupRcv(Setup)   |   |          |
| 3                           |       | +CallProcGen(TCV_Setup_mo1, TCV_Service)                                                                                                                                                                                                                                          |                   |   |          |
| 4                           |       | [Ecall]                                                                                                                                                                                                                                                                           |                   |   |          |
| 5                           |       | L?DL_DatInESetup (TCV_Esetup1 := DL_DatInESetup.msg, TCV_Setup_mo1.ti := TCV_Esetup1.ti, TCV_Setup_mo1.bcap1 := TCV_Esetup1.bcap, TCV_Setup_mo1.ccpd := TCV_Esetup1.ccpd, TCV_Setup_mo1.mt := TCV_Esetup1.mt, TCV_TI := TCV_Setup_mo1.ti, TCV_TI0 := TCV_TI, TCV_TI.ti_f := '1'B) | ESetupRcv(Esetup) |   |          |
| 6                           |       | +CallProcGen(TCV_Setup_mo1, TCV_Service)                                                                                                                                                                                                                                          |                   |   |          |
| <b>Detailed Comments:</b>   |       |                                                                                                                                                                                                                                                                                   |                   |   |          |

| Test Step Dynamic Behaviour |            |                                                                                                                                                                                                                                                                 |                                               |     |          |
|-----------------------------|------------|-----------------------------------------------------------------------------------------------------------------------------------------------------------------------------------------------------------------------------------------------------------------|-----------------------------------------------|-----|----------|
| <b>Test Step Name:</b>      |            | RR_hocomp1(time_fn_fn1:INTEGER; ta:TA)                                                                                                                                                                                                                          |                                               |     |          |
| <b>Group:</b>               |            | GSM_MS_EFR_4210/Miscellaneous/                                                                                                                                                                                                                                  |                                               |     |          |
| <b>Objective:</b>           |            | To finish the HO-procedure. Timing advance = 20 bits period                                                                                                                                                                                                     |                                               |     |          |
| <b>Default:</b>             |            | RcvHdOvAcc, OtherEvents                                                                                                                                                                                                                                         |                                               |     |          |
| <b>Comments:</b>            |            | used var's: TCV_ch, TCV_Horf, TCV_Cntref                                                                                                                                                                                                                        |                                               |     |          |
| Nr                          | Label      | Behaviour Description                                                                                                                                                                                                                                           | CRef                                          | V   | Comments |
| 1                           |            | L?DL_RacInHoacc (TCV_FnBurst := DL_RacInHoacc.fn)                                                                                                                                                                                                               | HndOvAccRcv(TCV_ch, HandOverAcc_02(TCV_Horf)) |     | 1.       |
| 2                           |            | L?DL_EstIn                                                                                                                                                                                                                                                      | DLEstInd(TCV_ch)                              |     |          |
| 3                           |            | (TCV_HoaccPara := OM_GetHoaccPara(TCV_ch))                                                                                                                                                                                                                      |                                               |     |          |
| 4                           | E_01<br>48 | [(OC_OctToInt(TCV_HoaccPara.num_bursts) >= TCV_Cntref) AND(OC_OctToInt(TCV_HoaccPara.num_bursts) <= (TCV_Cntref+20))]                                                                                                                                           |                                               | (P) | 2.       |
| 5                           |            | +localtree_continue                                                                                                                                                                                                                                             |                                               |     |          |
| 6                           | E_01<br>49 | [C_Yes]                                                                                                                                                                                                                                                         |                                               | (F) |          |
| 7                           |            | +localtree_continue                                                                                                                                                                                                                                             |                                               |     |          |
| <b>localtree_continue</b>   |            |                                                                                                                                                                                                                                                                 |                                               |     |          |
| 8                           |            | (TCV_Fn1:= OM_ReturnFn( TCV_ch))                                                                                                                                                                                                                                |                                               |     |          |
| 9                           |            | L?DL_DatInHoCom( TCV_Fn := DL_DatInHoCom.fn)                                                                                                                                                                                                                    | HndOvCmpRcv(TCV_ch, HandOverCmp_20)           |     |          |
| 10                          |            | +FnArith( TCV_Fn1, TCV_Fn)                                                                                                                                                                                                                                      |                                               |     | 3.       |
| 11                          | E_00<br>70 | [TCV_Time > time_fn_fn1]                                                                                                                                                                                                                                        |                                               | (F) |          |
| 12                          | E_00<br>71 | [TCV_Time <= time_fn_fn1]                                                                                                                                                                                                                                       |                                               | (P) |          |
| <b>Detailed Comments:</b>   |            | 1. Match the 1st access burst. The access bursts except the 1st one are matched by the default test step RcvHdOvAcc.<br>2. Check the number of access bursts received with tolerance +20 (10 for FACCH interleave & 10 for MS processing).<br>3. Check HO-time. |                                               |     |          |

| Test Step Dynamic Behaviour |       |                                                     |      |   |          |
|-----------------------------|-------|-----------------------------------------------------|------|---|----------|
| <b>Test Step Name:</b>      |       | RRmtcallprepare(ta:TA; rand:RAND)                   |      |   |          |
| <b>Group:</b>               |       | GSM_MS_EFR_4210/Miscellaneous/                      |      |   |          |
| <b>Objective:</b>           |       | To prepare a mobile terminating call establishment. |      |   |          |
| <b>Default:</b>             |       | OtherEvents                                         |      |   |          |
| Nr                          | Label | Behaviour Description                               | CRef | V | Comments |
| 1                           |       | +PreEstRRConn( TCV_slot, TCV_tsc, ta)               |      |   |          |
| 2                           |       | +Authentication( TCV_ch, TCV_cksns, rand)           |      |   |          |
| 3                           |       | +Cipherng_on( TCV_ch)                               |      |   |          |
| <b>Detailed Comments:</b>   |       |                                                     |      |   |          |

| Test Step Dynamic Behaviour |       |                                                                                                                                                        |      |   |          |
|-----------------------------|-------|--------------------------------------------------------------------------------------------------------------------------------------------------------|------|---|----------|
| <b>Test Step Name:</b>      |       | SelectPagingCh(cell:CellID)                                                                                                                            |      |   |          |
| <b>Group:</b>               |       | GSM_MS_EFR_4210/Miscellaneous/                                                                                                                         |      |   |          |
| <b>Objective:</b>           |       | To assign a paging channel and an access grant channel to the variable TCV_PgCh and TCV_agch respectively, depending on the parameter 'cell' (cell ID) |      |   |          |
| <b>Default:</b>             |       | OtherEvents                                                                                                                                            |      |   |          |
| Nr                          | Label | Behaviour Description                                                                                                                                  | CRef | V | Comments |
| 1                           |       | [cell = C_CellA]                                                                                                                                       |      |   |          |
| 2                           |       | [TCV_Ccchg=0]                                                                                                                                          |      |   |          |
| 3                           |       | (TCV_PgCh := C_PCH_A_1, TCV_agch := C_AGCH_A_1)                                                                                                        |      |   |          |
| 4                           |       | [TCV_Ccchg=1]                                                                                                                                          |      |   |          |
| 5                           |       | (TCV_PgCh := C_PCH_A_2, TCV_agch := C_AGCH_A_2)                                                                                                        |      |   |          |
| 6                           |       | [TCV_Ccchg=2]                                                                                                                                          |      |   |          |
| 7                           |       | (TCV_PgCh := C_PCH_A_3, TCV_agch := C_AGCH_A_3)                                                                                                        |      |   |          |
| 8                           |       | [TCV_Ccchg=3]                                                                                                                                          |      |   |          |
| 9                           |       | (TCV_PgCh := C_PCH_A_4, TCV_agch := C_AGCH_A_4)                                                                                                        |      |   |          |
| 10                          |       | [cell = C_CellB]                                                                                                                                       |      |   |          |
| 11                          |       | [TCV_Ccchg=0]                                                                                                                                          |      |   |          |
| 12                          |       | (TCV_PgCh := C_PCH_B_1, TCV_agch := C_AGCH_B_1)                                                                                                        |      |   |          |
| 13                          |       | [TCV_Ccchg=1]                                                                                                                                          |      |   |          |
| 14                          |       | (TCV_PgCh := C_PCH_B_2, TCV_agch := C_AGCH_B_2)                                                                                                        |      |   |          |
| 15                          |       | [TCV_Ccchg=2]                                                                                                                                          |      |   |          |
| 16                          |       | (TCV_PgCh := C_PCH_B_3, TCV_agch := C_AGCH_B_3)                                                                                                        |      |   |          |
| 17                          |       | [TCV_Ccchg=3]                                                                                                                                          |      |   |          |
| 18                          |       | (TCV_PgCh := C_PCH_B_4, TCV_agch := C_AGCH_B_4)                                                                                                        |      |   |          |
| 19                          |       | [cell = C_CellC]                                                                                                                                       |      |   |          |
| 20                          |       | [TCV_Ccchg=0]                                                                                                                                          |      |   |          |
| 21                          |       | (TCV_PgCh := C_PCH_C_1, TCV_agch := C_AGCH_C_1)                                                                                                        |      |   |          |
| 22                          |       | [TCV_Ccchg=1]                                                                                                                                          |      |   |          |
| 23                          |       | (TCV_PgCh := C_PCH_C_2, TCV_agch := C_AGCH_C_2)                                                                                                        |      |   |          |
| 24                          |       | [TCV_Ccchg=2]                                                                                                                                          |      |   |          |
| 25                          |       | (TCV_PgCh := C_PCH_C_3, TCV_agch := C_AGCH_C_3)                                                                                                        |      |   |          |
| 26                          |       | [TCV_Ccchg=3]                                                                                                                                          |      |   |          |
| 27                          |       | (TCV_PgCh := C_PCH_C_4, TCV_agch := C_AGCH_C_4)                                                                                                        |      |   |          |
| <b>Detailed Comments:</b>   |       |                                                                                                                                                        |      |   |          |

| Test Step Dynamic Behaviour |            |                                                          |      |     |            |
|-----------------------------|------------|----------------------------------------------------------|------|-----|------------|
| <b>Test Step Name:</b>      |            | SendSeqNo_chk                                            |      |     |            |
| <b>Group:</b>               |            | GSM_MS_EFR_4210/Miscellaneous/                           |      |     |            |
| <b>Objective:</b>           |            | To check whether the sending sequence number is the same |      |     |            |
| <b>Default:</b>             |            | OtherEvents                                              |      |     |            |
| Nr                          | Label      | Behaviour Description                                    | CRef | V   | Comments   |
| 1                           | E_00<br>72 | [TCV_Mt1 = TCV_Mt]                                       |      | (P) | same N(SD) |
| 2                           | E_00<br>73 | [TCV_Mt1 <> TCV_Mt]                                      |      | (F) |            |
| <b>Detailed Comments:</b>   |            |                                                          |      |     |            |

| Test Step Dynamic Behaviour |       |                                                                                                                  |      |   |          |
|-----------------------------|-------|------------------------------------------------------------------------------------------------------------------|------|---|----------|
| <b>Test Step Name:</b>      |       | SvcSupportedChk(svc:IA5String)                                                                                   |      |   |          |
| <b>Group:</b>               |       | GSM_MS_EFR_4210/Miscellaneous/                                                                                   |      |   |          |
| <b>Objective:</b>           |       | To check whether the Basic Service svc is supported against PICS answers.                                        |      |   |          |
| <b>Default:</b>             |       | OtherEvents                                                                                                      |      |   |          |
| <b>Comments:</b>            |       | In PICS, if the svc is declared supported, the test case variable TCV_supported is set to TRUE, otherwise FALSE. |      |   |          |
| Nr                          | Label | Behaviour Description                                                                                            | CRef | V | Comments |
| 1                           |       | (TCV_supported := C_No)                                                                                          |      |   |          |
| 2                           |       | [(svc = C_Telephony) AND TSPC_Serv_TS11]                                                                         |      |   | TS11     |
| 3                           |       | (TCV_supported := C_Yes)                                                                                         |      |   |          |
| 4                           |       | [(svc = C_EmgCall) AND TSPC_Serv_TS12]                                                                           |      |   | TS12     |
| 5                           |       | (TCV_supported := C_Yes)                                                                                         |      |   |          |
| 6                           |       | [(svc = C_AltSpchFax) AND TSPC_Serv_TS61]                                                                        |      |   | TS61     |
| 7                           |       | (TCV_supported := C_Yes)                                                                                         |      |   |          |
| 8                           |       | [(svc = C_AutoFax) AND TSPC_Serv_TS62]                                                                           |      |   | TS62     |
| 9                           |       | (TCV_supported := C_Yes)                                                                                         |      |   |          |
| 10                          |       | [(svc = C_Async300) AND TSPC_Serv_BS21]                                                                          |      |   | BS21     |
| 11                          |       | (TCV_supported := C_Yes)                                                                                         |      |   |          |
| 12                          |       | [(svc = C_Async1200) AND TSPC_Serv_BS22]                                                                         |      |   | BS22     |
| 13                          |       | (TCV_supported := C_Yes)                                                                                         |      |   |          |
| 14                          |       | [(svc = C_Async120075) AND TSPC_Serv_BS23]                                                                       |      |   | BS23     |
| 15                          |       | (TCV_supported := C_Yes)                                                                                         |      |   |          |
| 16                          |       | [(svc = C_Async2400) AND TSPC_Serv_BS24]                                                                         |      |   | BS24     |
| 17                          |       | (TCV_supported := C_Yes)                                                                                         |      |   |          |
| 18                          |       | [(svc = C_Async4800) AND TSPC_Serv_BS25]                                                                         |      |   | BS25     |
| 19                          |       | (TCV_supported := C_Yes)                                                                                         |      |   |          |
| 20                          |       | [(svc = C_Async9600) AND TSPC_Serv_BS26]                                                                         |      |   | BS26     |
| 21                          |       | (TCV_supported := C_Yes)                                                                                         |      |   |          |
| 22                          |       | [(svc = C_Sync1200) AND TSPC_Serv_BS31]                                                                          |      |   | BS31     |
| 23                          |       | (TCV_supported := C_Yes)                                                                                         |      |   |          |
| 24                          |       | [(svc = C_Sync2400) AND TSPC_Serv_BS32]                                                                          |      |   | BS32     |
| 25                          |       | (TCV_supported := C_Yes)                                                                                         |      |   |          |
| 26                          |       | [(svc = C_Sync4800) AND TSPC_Serv_BS33]                                                                          |      |   | BS33     |
| 27                          |       | (TCV_supported := C_Yes)                                                                                         |      |   |          |
| 28                          |       | [(svc = C_Sync9600) AND TSPC_Serv_BS34]                                                                          |      |   | BS34     |
| 29                          |       | (TCV_supported := C_Yes)                                                                                         |      |   |          |
| 30                          |       | [(svc = C_PAD300) AND TSPC_Serv_BS41]                                                                            |      |   | BS41     |
| 31                          |       | (TCV_supported := C_Yes)                                                                                         |      |   |          |
| 32                          |       | [(svc = C_PAD1200) AND TSPC_Serv_BS42]                                                                           |      |   | BS42     |
| 33                          |       | (TCV_supported := C_Yes)                                                                                         |      |   |          |
| 34                          |       | [(svc = C_PAD120075) AND TSPC_Serv_BS43]                                                                         |      |   | BS43     |
| 35                          |       | (TCV_supported := C_Yes)                                                                                         |      |   |          |
| 36                          |       | [(svc = C_PAD2400) AND TSPC_Serv_BS44]                                                                           |      |   | BS44     |
| 37                          |       | (TCV_supported := C_Yes)                                                                                         |      |   |          |
| 38                          |       | [(svc = C_PAD4800) AND TSPC_Serv_BS45]                                                                           |      |   | BS45     |
| 39                          |       | (TCV_supported := C_Yes)                                                                                         |      |   |          |
| 40                          |       | [(svc = C_PAD9600) AND TSPC_Serv_BS46]                                                                           |      |   | BS46     |
| 41                          |       | (TCV_supported := C_Yes)                                                                                         |      |   |          |
| 42                          |       | [(svc = C_Packet2400) AND TSPC_Serv_BS51]                                                                        |      |   | BS51     |
| 43                          |       | (TCV_supported := C_Yes)                                                                                         |      |   |          |
| 44                          |       | [(svc = C_Packet4800) AND TSPC_Serv_BS52]                                                                        |      |   | BS52     |
| 45                          |       | (TCV_supported := C_Yes)                                                                                         |      |   |          |
| 46                          |       | [(svc = C_Packet9600) AND TSPC_Serv_BS53]                                                                        |      |   | BS53     |
| 47                          |       | (TCV_supported := C_Yes)                                                                                         |      |   |          |
| 48                          |       | [(svc = C_AltSpchData) AND TSPC_Serv_BS61]                                                                       |      |   | BS61     |
| 49                          |       | (TCV_supported := C_Yes)                                                                                         |      |   |          |
| 50                          |       | [(svc = C_SpchData) AND TSPC_Serv_BS81]                                                                          |      |   | BS81     |
| 51                          |       | (TCV_supported := C_Yes)                                                                                         |      |   |          |
| 52                          |       | [C_Yes]                                                                                                          |      |   |          |
| <b>Detailed Comments:</b>   |       |                                                                                                                  |      |   |          |

| Test Step Dynamic Behaviour |       |                                                                                                                                                                                                                                 |      |   |          |
|-----------------------------|-------|---------------------------------------------------------------------------------------------------------------------------------------------------------------------------------------------------------------------------------|------|---|----------|
| <b>Test Step Name:</b>      |       | Varinit_fix( activ_cell:CellID; lac:OCTETSTRING; subch:B_2; cksn:B_3; rand:RAND; arfcngsm, arfcndcs:INTEGER; ccd: CCD; imsi:HEXSTRING)                                                                                          |      |   |          |
| <b>Group:</b>               |       | GSM_MS_EFR_4210/Miscellaneous/                                                                                                                                                                                                  |      |   |          |
| <b>Objective:</b>           |       |                                                                                                                                                                                                                                 |      |   |          |
| <b>Default:</b>             |       | OtherEventsFail                                                                                                                                                                                                                 |      |   |          |
| Nr                          | Label | Behaviour Description                                                                                                                                                                                                           | CRef | V | Comments |
| 1                           |       | (TCV_cellid := activ_cell, TCV_ch := OC_SubchOfSdcch4( subch, activ_cell), TCV_sacch := OC_SubchOfSacch4( subch, activ_cell), TCV_ia_ts := '000'B, TCV_lac := lac, TCV_ksn := cksn, TCV_CphKey := OC_CphKeyGen( TSPX_Ki, rand)) |      |   |          |
| 2                           |       | +CCCH_group_Paging_group( ccd, imsi)                                                                                                                                                                                            |      |   |          |
| 3                           |       | +SelectPagingCh( activ_cell)                                                                                                                                                                                                    |      |   |          |
| 4                           |       | [TSPC_PGSM OR TSPC_EGSM]                                                                                                                                                                                                        |      |   |          |
| 5                           |       | (TCV_chdescr_arfcn:= arfcngsm)                                                                                                                                                                                                  |      |   |          |
| 6                           |       | [TSPC_DCS]                                                                                                                                                                                                                      |      |   |          |
| 7                           |       | (TCV_chdescr_arfcn:= arfcndcs)                                                                                                                                                                                                  |      |   |          |
| <b>Detailed Comments:</b>   |       |                                                                                                                                                                                                                                 |      |   |          |

### Test Step Group SysInfo

| Test Step Dynamic Behaviour |       |                                                                                                                                                                                                                                                                                            |      |   |          |
|-----------------------------|-------|--------------------------------------------------------------------------------------------------------------------------------------------------------------------------------------------------------------------------------------------------------------------------------------------|------|---|----------|
| <b>Test Step Name:</b>      |       | ChgLAC_A(t, retr, neci, att:INTEGER; babr, cch_con, bpm:B_3; t3212:OCTETSTRING; mcc, mnc, lac:OCTETSTRING)                                                                                                                                                                                 |      |   |          |
| <b>Group:</b>               |       | GSM_MS_EFR_4210/Miscellaneous/SysInfo/                                                                                                                                                                                                                                                     |      |   |          |
| <b>Objective:</b>           |       | To change the LAC of cell A and of System Information Messages according to used testcase.                                                                                                                                                                                                 |      |   |          |
| <b>Default:</b>             |       | OtherEvents                                                                                                                                                                                                                                                                                |      |   |          |
| Nr                          | Label | Behaviour Description                                                                                                                                                                                                                                                                      | CRef | V | Comments |
| 1                           |       | +SysInfoSending_fh( C_SCH_A, C_BCCH_A_1, t, retr, neci, att, babr, cch_con, bpm, t3212, C_ci_cellA, mcc, mnc, lac, CellOpt_01, CellChDes_04, CellChDes_03, C_CellReselectHys12, C_MaxPwrLvlG, C_MaxPwrLvlD, BcchFreqLst_01, BcchFreqLst_48, C_noReestablishment, C_BCC, C_NCC_1, C_NCCP_2) |      |   |          |
| 2                           |       | (TCV_Ccd0A := TCV_Ccd0H, TCV_sysinfo5 := TCV_sysinf5, TCV_sysinfo6 := TCV_sysinf6)                                                                                                                                                                                                         |      |   |          |
| 3                           |       | +SysInfo_SacchSending(TCV_sacch, TCV_sysinfo5, TCV_sysinfo6)                                                                                                                                                                                                                               |      |   |          |
| <b>Detailed Comments:</b>   |       |                                                                                                                                                                                                                                                                                            |      |   |          |

| Test Step Dynamic Behaviour |       |                                                                                                                                                                                                                                                                                            |      |   |          |
|-----------------------------|-------|--------------------------------------------------------------------------------------------------------------------------------------------------------------------------------------------------------------------------------------------------------------------------------------------|------|---|----------|
| <b>Test Step Name:</b>      |       | ChgLAC_B(t, retr, neci, att:INTEGER; babr, cch_con, bpm:B_3; t3212:OCTETSTRING; mcc, mnc, lac:OCTETSTRING)                                                                                                                                                                                 |      |   |          |
| <b>Group:</b>               |       | GSM_MS_EFR_4210/Miscellaneous/SysInfo/                                                                                                                                                                                                                                                     |      |   |          |
| <b>Objective:</b>           |       | To change the LAC of cell B and of System Information Messages according to used testcase.                                                                                                                                                                                                 |      |   |          |
| <b>Default:</b>             |       | OtherEvents                                                                                                                                                                                                                                                                                |      |   |          |
| Nr                          | Label | Behaviour Description                                                                                                                                                                                                                                                                      | CRef | V | Comments |
| 1                           |       | +SysInfoSending_fh( C_SCH_B, C_BCCH_B_1, t, retr, neci, att, babr, cch_con, bpm, t3212, C_ci_cellB, mcc, mnc, lac, CellOpt_01, CellChDes_04, CellChDes_03, C_CellReselectHys12, C_MaxPwrLvlG, C_MaxPwrLvlD, BcchFreqLst_01, BcchFreqLst_48, C_noReestablishment, C_BCC, C_NCC_1, C_NCCP_2) |      |   |          |
| 2                           |       | (TCV_Ccd0B := TCV_Ccd0H, TCV_sysinfo5_B := TCV_sysinf5, TCV_sysinfo6_B := TCV_sysinf6)                                                                                                                                                                                                     |      |   |          |
| 3                           |       | +SysInfo_SacchSending( TCV_sacch_B, TCV_sysinfo5_B, TCV_sysinfo6_B)                                                                                                                                                                                                                        |      |   |          |
| <b>Detailed Comments:</b>   |       |                                                                                                                                                                                                                                                                                            |      |   |          |

| Test Step Dynamic Behaviour |       |                                                                                                                    |                                                                                                                                                              |   |          |
|-----------------------------|-------|--------------------------------------------------------------------------------------------------------------------|--------------------------------------------------------------------------------------------------------------------------------------------------------------|---|----------|
| <b>Test Step Name:</b>      |       | ChgLAI_C( att:INTEGER; babr, cch_con, bpm:B_3; t3212, mcc, par_mnc, lac:OCTETSTRING)                               |                                                                                                                                                              |   |          |
| <b>Group:</b>               |       | GSM_MS_EFR_4210/Miscellaneous/SysInfo/                                                                             |                                                                                                                                                              |   |          |
| <b>Objective:</b>           |       | To change the LAI of cell C to HPLMN.                                                                              |                                                                                                                                                              |   |          |
| <b>Default:</b>             |       | OtherEvents                                                                                                        |                                                                                                                                                              |   |          |
| Nr                          | Label | Behaviour Description                                                                                              | CRef                                                                                                                                                         | V | Comments |
| 1                           |       | (TCV_Tx := '0010'B, TCV_Max := '00'B, TCV_Neci := '0'B, TCV_Ccd0C := CntrlChDscrp(att, babr, cch_con, bpm, t3212)) |                                                                                                                                                              |   |          |
| 2                           |       | [TSPC_PGSM OR TSPC_EGSM]                                                                                           |                                                                                                                                                              |   |          |
| 3                           |       | LIDL_UdatRqSysinfo4                                                                                                | SysInfo4(C_BCCH_C_1, mcc, par_mnc, lac, C_CellReselectHys12, C_MaxPwrLvlG, TCV_Neci, TCV_Max, TCV_Tx, C_noRestablishment)                                    |   |          |
| 4                           |       | LIDL_UdatRqSysinfo6                                                                                                | SysInfo6(TCV_sacch_C, SysInf6( C_ci_cellC, mcc, par_mnc, lac, CellOpt_01))                                                                                   |   |          |
| 5                           |       | LIDL_UdatRqSysinfo3                                                                                                | SysInfo3(C_BCCH_C_1, C_ci_cellC, mcc, par_mnc, lac, TCV_Ccd0C, CellOpt_01, C_CellReselectHys12, C_MaxPwrLvlG, TCV_Neci, TCV_Max, TCV_Tx, C_noRestablishment) |   |          |
| 6                           |       | [TSPC_DCS]                                                                                                         |                                                                                                                                                              |   |          |
| 7                           |       | LIDL_UdatRqSysinfo4                                                                                                | SysInfo4(C_BCCH_C_1, mcc, par_mnc, lac, C_CellReselectHys12, C_MaxPwrLvlD, TCV_Neci, TCV_Max, TCV_Tx, C_noRestablishment)                                    |   |          |
| 8                           |       | LIDL_UdatRqSysinfo6                                                                                                | SysInfo6(TCV_sacch_C, SysInf6( C_ci_cellC, mcc, par_mnc, lac, CellOpt_01))                                                                                   |   |          |
| 9                           |       | LIDL_UdatRqSysinfo3                                                                                                | SysInfo3(C_BCCH_C_1, C_ci_cellC, mcc, par_mnc, lac, TCV_Ccd0C, CellOpt_01, C_CellReselectHys12, C_MaxPwrLvlD, TCV_Neci, TCV_Max, TCV_Tx, C_noRestablishment) |   |          |
| <b>Detailed Comments:</b>   |       |                                                                                                                    |                                                                                                                                                              |   |          |

| Test Step Dynamic Behaviour |       |                                                                                                                                                                                                                                                                |                                                                                                                                      |   |          |
|-----------------------------|-------|----------------------------------------------------------------------------------------------------------------------------------------------------------------------------------------------------------------------------------------------------------------|--------------------------------------------------------------------------------------------------------------------------------------|---|----------|
| <b>Test Step Name:</b>      |       | SysInfoSending_cbms( sch, bcch:LOGICCH; t, retr, neci, att:INTEGER; babr, cch_con, bpm:B_3; t3212:OCTETSTRING; ci:CI; mcc, mnc, lac:OCTETSTRING; co:CO; crh, mtmcgsm, mtmcdcs:INTEGER; bcchflgsm, bcchfldcs:NCD; Re:B_1; bcc:BCC; ncc:NCC; nccp:NCCP; Sub:B_2) |                                                                                                                                      |   |          |
| <b>Group:</b>               |       | GSM_MS_EFR_4210/Miscellaneous/SysInfo/                                                                                                                                                                                                                         |                                                                                                                                      |   |          |
| <b>Objective:</b>           |       | To send system information messages for the CBMS tests.                                                                                                                                                                                                        |                                                                                                                                      |   |          |
| <b>Default:</b>             |       | OtherEvents                                                                                                                                                                                                                                                    |                                                                                                                                      |   |          |
| Nr                          | Label | Behaviour Description                                                                                                                                                                                                                                          | CRef                                                                                                                                 | V | Comments |
| 1                           |       | (TCV_Tx := OC_CnvtTx(t), TCV_Max := OC_CnvtMax(retr), TCV_Neci := INT_TO_BIT(neci,1), TCV_Ccd0H := CntrlChDscrp(att, babr, cch_con, bpm, t3212), TCV_Tchtype := INT_TO_BIT((4 + BIT_TO_INT( Sub)), 5))                                                         |                                                                                                                                      |   |          |
| 2                           |       | (TCV_sysinf6 := SysInf6( ci, mcc, mnc, lac, co))                                                                                                                                                                                                               |                                                                                                                                      |   |          |
| 3                           |       | LIDL_UdatRqSschinfo                                                                                                                                                                                                                                            | SyncInfo( sch, bcc, ncc)                                                                                                             |   |          |
| 4                           |       | +ltree_sysinfo                                                                                                                                                                                                                                                 |                                                                                                                                      |   |          |
|                             |       | <b>ltree_sysinfo</b>                                                                                                                                                                                                                                           |                                                                                                                                      |   |          |
| 5                           |       | [TSPC_PGSM OR TSPC_EGSM]                                                                                                                                                                                                                                       |                                                                                                                                      |   |          |
| 6                           |       | LIDL_UdatRqSysinfo4                                                                                                                                                                                                                                            | SysInfo4_CBMS( bcch, mcc, mnc, lac, crh, mtmcgsm, TCV_Neci, TCV_Max, TCV_Tx, Re, ChDescrp_nfh( TCV_Tchtype, C_S0, C_BCC, C_arfcnA))  |   |          |
| 7                           |       | LIDL_UdatRqSysinfo2                                                                                                                                                                                                                                            | SysInfo2( bcch, bcchflgsm, TCV_Max, TCV_Tx, Re, nccp)                                                                                |   |          |
| 8                           |       | LIDL_UdatRqSysinfo1_nh                                                                                                                                                                                                                                         | SysInfo1_nh( bcch, ci, mcc, mnc, lac, TCV_Ccd0H, co, crh, mtmcgsm, TCV_Neci, TCV_Max, TCV_Tx, Re)                                    |   |          |
| 9                           |       | LIDL_UdatRqSysinfo3                                                                                                                                                                                                                                            | SysInfo3( bcch, ci, mcc, mnc, lac, TCV_Ccd0H, co, crh, mtmcgsm, TCV_Neci, TCV_Max, TCV_Tx, Re)                                       |   |          |
| 10                          |       | (TCV_sysinf5 := SysInf5(bcchflgsm))                                                                                                                                                                                                                            |                                                                                                                                      |   |          |
| 11                          |       | [TSPC_DCS]                                                                                                                                                                                                                                                     |                                                                                                                                      |   |          |
| 12                          |       | LIDL_UdatRqSysinfo4                                                                                                                                                                                                                                            | SysInfo4_CBMS( bcch, mcc, mnc, lac, crh, mtmcdcs, TCV_Neci, TCV_Max, TCV_Tx, Re, ChDescrp_nfh( TCV_Tchtype, C_S0, C_BCC, C_arfcnAd)) |   |          |
| 13                          |       | LIDL_UdatRqSysinfo2                                                                                                                                                                                                                                            | SysInfo2( bcch, bcchfldcs, TCV_Max, TCV_Tx, Re, nccp)                                                                                |   |          |
| 14                          |       | LIDL_UdatRqSysinfo1_nh                                                                                                                                                                                                                                         | SysInfo1_nh( bcch, ci, mcc, mnc, lac, TCV_Ccd0H, co, crh, mtmcdcs, TCV_Neci, TCV_Max, TCV_Tx, Re)                                    |   |          |
| 15                          |       | LIDL_UdatRqSysinfo3                                                                                                                                                                                                                                            | SysInfo3( bcch, ci, mcc, mnc, lac, TCV_Ccd0H, co, crh, mtmcdcs, TCV_Neci, TCV_Max, TCV_Tx, Re)                                       |   |          |
| 16                          |       | (TCV_sysinf5 := SysInf5(bcchfldcs))                                                                                                                                                                                                                            |                                                                                                                                      |   |          |
| <b>Detailed Comments:</b>   |       |                                                                                                                                                                                                                                                                |                                                                                                                                      |   |          |

### Test Step Dynamic Behaviour

**Test Step Name:** SysInfoSending\_fh( sch, bcch:LOGICCH; t, retr, neci, att:INTEGER; babr, cch\_con, bpm:B\_3; t3212:OCTETSTRING; ci:CI; mcc, mnc, lac:OCTETSTRING; co:CO; cchdgsm, cchddcs:CCHD; crh, mtmcgsm, mtmcdcs:INTEGER; bcchflgsm, bcchfldcs:NCD; Re:B\_1; bcc:BCC; ncc:NCC; nccp:NCCP)

**Group:** GSM\_MS\_EFR\_4210/Miscellaneous/SysInfo/

**Objective:** To send system information messages for the L3 tests. The following parameters specified by input parameters:

- bcch: BCCH
- sch: SCH
- bcchfl: BCCH frequency list
- ci: Cell identity
- lai: Location area identification
- ccd: Control channel description
- csp: Cell selection parameters
- cchd: Cell channel description
- rachcpar: RACH controll paramenterers

**Default:** OtherEvents

| Nr | Label | Behaviour Description                                                                                                                               | CRef                                                                                           | V | Comments |
|----|-------|-----------------------------------------------------------------------------------------------------------------------------------------------------|------------------------------------------------------------------------------------------------|---|----------|
| 1  |       | (TCV_Tx := OC_CnvtTx( t), TCV_Max := OC_CnvtMax( retr), TCV_Neci := INT_TO_BIT(neci,1), TCV_Ccd0H := CntrlChDscrp( att, babr, cch_con, bpm, t3212)) |                                                                                                |   |          |
| 2  |       | (TCV_sysinf6 := SysInf6(ci, mcc, mnc, lac, co))                                                                                                     |                                                                                                |   |          |
| 3  |       | LIDL_UdatRqSchinfo                                                                                                                                  | SyncInfo( sch, bcc, ncc)                                                                       |   |          |
| 4  |       | +ltree_sysinfo                                                                                                                                      |                                                                                                |   |          |
| 5  |       | <b>ltree_sysinfo</b>                                                                                                                                |                                                                                                |   |          |
| 6  |       | [TSPC_PGSM OR TSPC_EGSM]<br>LIDL_UdatRqSysinfo1                                                                                                     | SysInfo1( bcch, cchdgsm, TCV_Max, TCV_Tx, Re)                                                  |   |          |
| 7  |       | LIDL_UdatRqSysinfo2                                                                                                                                 | SysInfo2( bcch, bcchflgsm, TCV_Max, TCV_Tx, Re, nccp)                                          |   |          |
| 8  |       | LIDL_UdatRqSysinfo3                                                                                                                                 | SysInfo3( bcch, ci, mcc, mnc, lac, TCV_Ccd0H, co, crh, mtmcgsm, TCV_Neci, TCV_Max, TCV_Tx, Re) |   |          |
| 9  |       | LIDL_UdatRqSysinfo4                                                                                                                                 | SysInfo4( bcch, mcc, mnc, lac, crh, mtmcgsm, TCV_Neci, TCV_Max, TCV_Tx, Re)                    |   |          |
| 10 |       | (TCV_sysinf5 := SysInf5(bcchflgsm))                                                                                                                 |                                                                                                |   |          |
| 11 |       | [TSPC_DCS]                                                                                                                                          |                                                                                                |   |          |
| 12 |       | LIDL_UdatRqSysinfo1                                                                                                                                 | SysInfo1( bcch, cchddcs, TCV_Max, TCV_Tx, Re)                                                  |   |          |
| 13 |       | LIDL_UdatRqSysinfo2                                                                                                                                 | SysInfo2( bcch, bcchfldcs, TCV_Max, TCV_Tx, Re, nccp)                                          |   |          |
| 14 |       | LIDL_UdatRqSysinfo3                                                                                                                                 | SysInfo3( bcch, ci, mcc, mnc, lac, TCV_Ccd0H, co, crh, mtmcdcs, TCV_Neci, TCV_Max, TCV_Tx, Re) |   |          |
| 15 |       | LIDL_UdatRqSysinfo4                                                                                                                                 | SysInfo4( bcch, mcc, mnc, lac, crh, mtmcdcs, TCV_Neci, TCV_Max, TCV_Tx, Re)                    |   |          |
| 16 |       | (TCV_sysinf5 := SysInf5(bcchfldcs), TCV_sysinf6.co.pwrc := '1'B)                                                                                    |                                                                                                |   |          |

**Detailed Comments:**



| Test Step Dynamic Behaviour |       |                                                                                                                                                                                                                                                                                |                                                                                                  |   |          |
|-----------------------------|-------|--------------------------------------------------------------------------------------------------------------------------------------------------------------------------------------------------------------------------------------------------------------------------------|--------------------------------------------------------------------------------------------------|---|----------|
| <b>Test Step Name:</b>      |       | SysInfoSending_nfh( sch, bcch:LOGICCH; t, retr, neci, att: INTEGER; babr, cch_con, bpm:B_3; t3212:OCTETSTRING; ci:CI; mcc, mnc, lac:OCTETSTRING; co:CO; crh, mtmcgsm, mtmcdcs:INTEGER; bcchflgsm, bcflaltgsm, bcchfldcs, bcflaltcdcs:NCD; Re:B_1; bcc:BCC; ncc:NCC; nccp:NCCP) |                                                                                                  |   |          |
| <b>Group:</b>               |       | GSM_MS_EFR_4210/Miscellaneous/SysInfo/                                                                                                                                                                                                                                         |                                                                                                  |   |          |
| <b>Objective:</b>           |       | To send system information messages with default parameters defined for the L3 tests for which no special parameters indicated.                                                                                                                                                |                                                                                                  |   |          |
| <b>Default:</b>             |       | OtherEvents                                                                                                                                                                                                                                                                    |                                                                                                  |   |          |
| Nr                          | Label | Behaviour Description                                                                                                                                                                                                                                                          | CRef                                                                                             | V | Comments |
| 1                           |       | (TCV_Tx := OC_CnvtTx(t), TCV_Max := OC_CnvtMax(retr), TCV_Neci := INT_TO_BIT(neci,1), TCV_Ccd0H := CntrlChDscrp(att, babr, cch_con, bpm, t3212))                                                                                                                               |                                                                                                  |   |          |
| 2                           |       | (TCV_sysinf6 := SysInf6(ci, mcc, mnc, lac, co))                                                                                                                                                                                                                                |                                                                                                  |   |          |
| 3                           |       | LIDL_UdatRqSchinfo                                                                                                                                                                                                                                                             | SysInfo( sch, bcc, ncc)                                                                          |   |          |
| 4                           |       | +gsmOrDcs                                                                                                                                                                                                                                                                      |                                                                                                  |   |          |
|                             |       | <b>gsmOrDcs</b>                                                                                                                                                                                                                                                                |                                                                                                  |   |          |
| 5                           |       | [TSPC_PGSM OR TSPC_EGSM]                                                                                                                                                                                                                                                       |                                                                                                  |   | 1.       |
| 6                           |       | LIDL_UdatRqSysinfo4                                                                                                                                                                                                                                                            | SysInfo4(bcch, mcc, mnc, lac, crh, mtmcgsm, TCV_Neci, TCV_Max, TCV_Tx, Re)                       |   |          |
| 7                           |       | LIDL_UdatRqSysinfo1_nh                                                                                                                                                                                                                                                         | SysInfo1_nh(bcch, ci, mcc, mnc, lac, TCV_Ccd0H, co, crh, mtmcgsm, TCV_Neci, TCV_Max, TCV_Tx, Re) |   |          |
| 8                           |       | LIDL_UdatRqSysinfo3                                                                                                                                                                                                                                                            | SysInfo3(bcch, ci, mcc, mnc, lac, TCV_Ccd0H, co, crh, mtmcgsm, TCV_Neci, TCV_Max, TCV_Tx, Re)    |   |          |
| 9                           |       | [NOT TSPX_AltNb]                                                                                                                                                                                                                                                               |                                                                                                  |   | 3.       |
| 10                          |       | LIDL_UdatRqSysinfo2                                                                                                                                                                                                                                                            | SysInfo2(bcch, bcchflgsm, TCV_Max, TCV_Tx, Re, nccp)                                             |   |          |
| 11                          |       | (TCV_sysinf5 := SysInf5(bcchflgsm))                                                                                                                                                                                                                                            |                                                                                                  |   |          |
| 12                          |       | [TSPX_AltNb]                                                                                                                                                                                                                                                                   |                                                                                                  |   | 4.       |
| 13                          |       | LIDL_UdatRqSysinfo2                                                                                                                                                                                                                                                            | SysInfo2(bcch, bcflaltgsm, TCV_Max, TCV_Tx, Re, nccp)                                            |   |          |
| 14                          |       | (TCV_sysinf5 := SysInf5(bcflaltgsm))                                                                                                                                                                                                                                           |                                                                                                  |   |          |
| 15                          |       | [TSPC_DCS]                                                                                                                                                                                                                                                                     |                                                                                                  |   | 2.       |
| 16                          |       | LIDL_UdatRqSysinfo4                                                                                                                                                                                                                                                            | SysInfo4(bcch, mcc, mnc, lac, crh, mtmcdcs, TCV_Neci, TCV_Max, TCV_Tx, Re)                       |   |          |
| 17                          |       | LIDL_UdatRqSysinfo1_nh                                                                                                                                                                                                                                                         | SysInfo1_nh(bcch, ci, mcc, mnc, lac, TCV_Ccd0H, co, crh, mtmcdcs, TCV_Neci, TCV_Max, TCV_Tx, Re) |   |          |
| 18                          |       | LIDL_UdatRqSysinfo3                                                                                                                                                                                                                                                            | SysInfo3(bcch, ci, mcc, mnc, lac, TCV_Ccd0H, co, crh, mtmcdcs, TCV_Neci, TCV_Max, TCV_Tx, Re)    |   |          |
| 19                          |       | [NOT TSPX_AltNb]                                                                                                                                                                                                                                                               |                                                                                                  |   | 3.       |
| 20                          |       | LIDL_UdatRqSysinfo2                                                                                                                                                                                                                                                            | SysInfo2(bcch, bcchfldcs, TCV_Max, TCV_Tx, Re, nccp)                                             |   |          |
| 21                          |       | (TCV_sysinf5 := SysInf5(bcchfldcs))                                                                                                                                                                                                                                            |                                                                                                  |   |          |

|                                                                                                                                                                                                                      |  |                                      |                                                             |    |
|----------------------------------------------------------------------------------------------------------------------------------------------------------------------------------------------------------------------|--|--------------------------------------|-------------------------------------------------------------|----|
| 22                                                                                                                                                                                                                   |  | [TSPX_AltNb]                         |                                                             |    |
| 23                                                                                                                                                                                                                   |  | L!DL_UdatRqSysinfo2                  | SysInfo2(bcch,<br>bcflaltdcs, TCV_Max,<br>TCV_Tx, Re, nccp) | 4. |
| 24                                                                                                                                                                                                                   |  | (TCV_sysinf5 := SysInf5(bcflaltdcs)) |                                                             |    |
| <b>Detailed Comments:</b><br>1. For GSM900 mobile station testing.<br>2. For DCS1800 mobile station testing.<br>3. To use alternative neighbour cells description.<br>4. To use default neighbour cells description. |  |                                      |                                                             |    |

| Test Step Dynamic Behaviour |       |                                                                                                                                                                                                                                                                                  |                                                                                                  |   |          |
|-----------------------------|-------|----------------------------------------------------------------------------------------------------------------------------------------------------------------------------------------------------------------------------------------------------------------------------------|--------------------------------------------------------------------------------------------------|---|----------|
| <b>Test Step Name:</b>      |       | SysInfoSending_nfhCb( sch, bcch:LOGICCH; t, retr, neci, att: INTEGER; babr, cch_con, bpm:B_3; t3212:OCTETSTRING; ci:CI; mcc, mnc, lac:OCTETSTRING; co:CO; crh, mtmcgsm, mtmcdcs:INTEGER; bcchflgsm, bcflaltgsm, bcchfldcs, bcflaltcdcs:NCD; Re:B_1; bcc:BCC; ncc:NCC; nccp:NCCP) |                                                                                                  |   |          |
| <b>Group:</b>               |       | GSM_MS_EFR_4210/Miscellaneous/SysInfo/                                                                                                                                                                                                                                           |                                                                                                  |   |          |
| <b>Objective:</b>           |       | To send system information messages with default parameters defined for the L3 tests for which no special parameters indicated.                                                                                                                                                  |                                                                                                  |   |          |
| <b>Default:</b>             |       | OtherEvents                                                                                                                                                                                                                                                                      |                                                                                                  |   |          |
| Nr                          | Label | Behaviour Description                                                                                                                                                                                                                                                            | CRef                                                                                             | V | Comments |
| 1                           |       | (TCV_Tx := OC_CnvtTx(t), TCV_Max := OC_CnvtMax(retr), TCV_Neci := INT_TO_BIT(neci,1), TCV_Ccd0H := CntrlChDscrp(att, babr, cch_con, bpm, t3212))                                                                                                                                 |                                                                                                  |   |          |
| 2                           |       | (TCV_sysinf6 := SysInf6(ci, mcc, mnc, lac, co))                                                                                                                                                                                                                                  |                                                                                                  |   |          |
| 3                           |       | LIDL_UdatRqSchinfo                                                                                                                                                                                                                                                               | SynclInfo( sch, bcc, ncc)                                                                        |   |          |
| 4                           |       | +gsmOrDcs                                                                                                                                                                                                                                                                        |                                                                                                  |   |          |
|                             |       | <b>gsmOrDcs</b>                                                                                                                                                                                                                                                                  |                                                                                                  |   |          |
| 5                           |       | [TSPC_PGSM OR TSPC_EGSM]                                                                                                                                                                                                                                                         |                                                                                                  |   | 1.       |
| 6                           |       | LIDL_UdatRqSysinfo4<br>(DL_UdatRqSysinfo4.msg.rachcp.cba := '1'B)                                                                                                                                                                                                                | SysInfo4(bcch, mcc, mnc, lac, crh, mtmcgsm, TCV_Neci, TCV_Max, TCV_Tx, Re)                       |   |          |
| 7                           |       | LIDL_UdatRqSysinfo1_nh<br>(DL_UdatRqSysinfo1_nh.msg.rachcp.cba := '1'B)                                                                                                                                                                                                          | SysInfo1_nh(bcch, ci, mcc, mnc, lac, TCV_Ccd0H, co, crh, mtmcgsm, TCV_Neci, TCV_Max, TCV_Tx, Re) |   |          |
| 8                           |       | LIDL_UdatRqSysinfo3<br>(DL_UdatRqSysinfo3.msg.rachcp.cba := '1'B)                                                                                                                                                                                                                | SysInfo3(bcch, ci, mcc, mnc, lac, TCV_Ccd0H, co, crh, mtmcgsm, TCV_Neci, TCV_Max, TCV_Tx, Re)    |   |          |
| 9                           |       | [NOT TSPX_AltNb]                                                                                                                                                                                                                                                                 |                                                                                                  |   | 3.       |
| 10                          |       | LIDL_UdatRqSysinfo2<br>(DL_UdatRqSysinfo2.msg.rachcp.cba := '1'B)                                                                                                                                                                                                                | SysInfo2(bcch, bcchflgsm, TCV_Max, TCV_Tx, Re, nccp)                                             |   |          |
| 11                          |       | (TCV_sysinf5 := SysInf5(bcchflgsm))                                                                                                                                                                                                                                              |                                                                                                  |   |          |
| 12                          |       | [TSPX_AltNb]                                                                                                                                                                                                                                                                     |                                                                                                  |   | 4.       |
| 13                          |       | LIDL_UdatRqSysinfo2<br>(DL_UdatRqSysinfo2.msg.rachcp.cba := '1'B)                                                                                                                                                                                                                | SysInfo2(bcch, bcflaltgsm, TCV_Max, TCV_Tx, Re, nccp)                                            |   |          |
| 14                          |       | (TCV_sysinf5 := SysInf5(bcflaltgsm))                                                                                                                                                                                                                                             |                                                                                                  |   |          |
| 15                          |       | [TSPC_DCS]                                                                                                                                                                                                                                                                       |                                                                                                  |   | 2.       |
| 16                          |       | LIDL_UdatRqSysinfo4<br>(DL_UdatRqSysinfo4.msg.rachcp.cba := '1'B)                                                                                                                                                                                                                | SysInfo4(bcch, mcc, mnc, lac, crh, mtmcdcs, TCV_Neci, TCV_Max, TCV_Tx, Re)                       |   |          |
| 17                          |       | LIDL_UdatRqSysinfo1_nh<br>(DL_UdatRqSysinfo1_nh.msg.rachcp.cba := '1'B)                                                                                                                                                                                                          | SysInfo1_nh(bcch, ci, mcc, mnc, lac, TCV_Ccd0H, co, crh, mtmcdcs, TCV_Neci, TCV_Max, TCV_Tx, Re) |   |          |
| 18                          |       | LIDL_UdatRqSysinfo3<br>(DL_UdatRqSysinfo3.msg.rachcp.cba := '1'B)                                                                                                                                                                                                                | SysInfo3(bcch, ci, mcc, mnc, lac, TCV_Ccd0H, co, crh, mtmcdcs, TCV_Neci, TCV_Max, TCV_Tx, Re)    |   |          |
| 19                          |       | [NOT TSPX_AltNb]                                                                                                                                                                                                                                                                 |                                                                                                  |   | 3.       |
| 20                          |       | LIDL_UdatRqSysinfo2<br>(DL_UdatRqSysinfo2.msg.rachcp.cba := '1'B)                                                                                                                                                                                                                | SysInfo2(bcch, bcchfldcs, TCV_Max, TCV_Tx, Re, nccp)                                             |   |          |
| 21                          |       | (TCV_sysinf5 := SysInf5(bcchfldcs))                                                                                                                                                                                                                                              |                                                                                                  |   |          |

|                                                    |                                                                      |                                                             |    |
|----------------------------------------------------|----------------------------------------------------------------------|-------------------------------------------------------------|----|
| 22                                                 | [TSPX_AltNb]                                                         |                                                             | 4. |
| 23                                                 | L!DL_UdatRqSysinfo2<br>(DL_UdatRqSysinfo2.msg.rachcp.cba :=<br>'1'B) | SysInfo2(bcch,<br>bcflaltdcs, TCV_Max,<br>TCV_Tx, Re, nccp) |    |
| 24                                                 | (TCV_sysinf5 := SysInf5(bcflaltdcs))                                 |                                                             |    |
| <b>Detailed Comments:</b>                          |                                                                      |                                                             |    |
| 1. For GSM900 mobile station testing.              |                                                                      |                                                             |    |
| 2. For DCS1800 mobile station testing.             |                                                                      |                                                             |    |
| 3. To use alternative neighbour cells description. |                                                                      |                                                             |    |
| 4. To use default neighbour cells description.     |                                                                      |                                                             |    |

### Test Step Dynamic Behaviour

| <b>Test Step Name:</b>    |       | SysInfoSending_e( sch, bcch:LOGICCH; t, retr, neci, att:INTEGER; babr, cch_con, bpm:B_3; t3212:OCTETSTRING; ci:CI; mcc, mnc, lac:OCTETSTRING; co:CO; cchdgs: CCHD; crh, mtrmcgsm:INTEGER; bcchflgsm, bcchflegsm:NCD; Re:B_1; bcc:BCC; ncc:NCC; nccp:NCCP) |                                                                                                                |   |          |
|---------------------------|-------|-----------------------------------------------------------------------------------------------------------------------------------------------------------------------------------------------------------------------------------------------------------|----------------------------------------------------------------------------------------------------------------|---|----------|
| <b>Group:</b>             |       | GSM_MS_EFR_4210/Miscellaneous/SysInfo/                                                                                                                                                                                                                    |                                                                                                                |   |          |
| <b>Objective:</b>         |       | To send SYNCHRONIZATION CHANNEL INFORMATION and SYSTEM INFORMATION messages with default parameters except CCCH_CONF, Tx-integer, Max-Retrans and ATT which are specified by input parameters.                                                            |                                                                                                                |   |          |
| <b>Default:</b>           |       | OtherEvents                                                                                                                                                                                                                                               |                                                                                                                |   |          |
| Nr                        | Label | Behaviour Description                                                                                                                                                                                                                                     | CRef                                                                                                           | V | Comments |
| 1                         |       | (TCV_Tx := OC_CnvtTx(t), TCV_Max :=<br>OC_CnvtMax(retr), TCV_Neci := INT_TO_BIT(neci,1),<br>TCV_Ccd0H := CntrlChDscrp(att, babr, cch_con,<br>bpm, t3212))                                                                                                 |                                                                                                                |   |          |
| 2                         |       | L!DL_UdatRqSchinfo                                                                                                                                                                                                                                        | SysInfo( sch, bcc,<br>ncc)                                                                                     |   | 1.       |
| 3                         |       | (TCV_sysinf6 := SysInf6( ci, mcc, mnc, lac, co))                                                                                                                                                                                                          |                                                                                                                |   |          |
| 4                         |       | L!DL_UdatRqSysinfo1                                                                                                                                                                                                                                       | SysInfo1( bcch,<br>cchdgs, TCV_Max,<br>TCV_Tx, Re)                                                             |   | 2.       |
| 5                         |       | L!DL_UdatRqSysinfo2<br>(DL_UdatRqSysinfo2.msg.bcchfl.extind :=<br>'1'B)                                                                                                                                                                                   | SysInfo2( bcch,<br>bcchflgsm,<br>TCV_Max, TCV_Tx,<br>Re, nccp)                                                 |   |          |
| 6                         |       | L!DL_UdatRqSysinfo2bis                                                                                                                                                                                                                                    | SysInfo2bis( bcch,<br>bcchflegsm)                                                                              |   |          |
| 7                         |       | L!DL_UdatRqSysinfo4                                                                                                                                                                                                                                       | SysInfo4( bcch, mcc,<br>mnc, lac, crh,<br>mtrmcgsm, TCV_Neci,<br>TCV_Max, TCV_Tx,<br>Re)                       |   |          |
| 8                         |       | (TCV_sysinf5 := SysInf5( bcchflgsm),<br>TCV_sysinfo5.bcchfl.extind := '1'B)                                                                                                                                                                               |                                                                                                                |   |          |
| 9                         |       | (TCV_sysinfo5bis := SysInf5bis(<br>bcchflegsm))                                                                                                                                                                                                           |                                                                                                                |   |          |
| 10                        |       | L!DL_UdatRqSysinfo3                                                                                                                                                                                                                                       | SysInfo3( bcch, ci,<br>mcc, mnc, lac,<br>TCV_Ccd0H, co, crh,<br>mtrmcgsm, TCV_Neci,<br>TCV_Max, TCV_Tx,<br>Re) |   |          |
| <b>Detailed Comments:</b> |       | 1. To send SYNCHRONIZATION INFORMATION message with default parameter for cell A.                                                                                                                                                                         |                                                                                                                |   |          |
|                           |       | 2. System Information Type 1 with Cell Channel Description for HO-testin in cell A (GSM900).                                                                                                                                                              |                                                                                                                |   |          |

| Test Step Dynamic Behaviour |            |                                                                                                                                       |                               |   |          |
|-----------------------------|------------|---------------------------------------------------------------------------------------------------------------------------------------|-------------------------------|---|----------|
| <b>Test Step Name:</b>      |            | SysInfo_SacchSending(ch:LOGICCH; sysinfo5_pdu:SYSINFO5_PDU;<br>sysinfo6_pdu:SYSINFO6_PDU)                                             |                               |   |          |
| <b>Group:</b>               |            | GSM_MS_EFR_4210/Miscellaneous/SysInfo/                                                                                                |                               |   |          |
| <b>Objective:</b>           |            | To send SYSTEM INFORMATION 5 and 6 messages defined by parameters 'sysinfo5_pdu' and 'sysinfo6_pdu' in the parametrised 'ch' channel. |                               |   |          |
| <b>Default:</b>             |            | OtherEvents                                                                                                                           |                               |   |          |
| Nr                          | Label      | Behaviour Description                                                                                                                 | CRef                          | V | Comments |
| 1                           |            | [ch <> "dummy"]                                                                                                                       |                               |   |          |
| 2                           |            | L!DL_UdatRqSysinfo6                                                                                                                   | SysInfo6(ch,<br>sysinfo6_pdu) |   |          |
| 3                           |            | L!DL_UdatRqSysinfo5                                                                                                                   | SysInfo5(ch,<br>sysinfo5_pdu) |   |          |
| 4                           | E_00<br>74 | [ch = "dummy"]                                                                                                                        |                               | I |          |
| <b>Detailed Comments:</b>   |            |                                                                                                                                       |                               |   |          |

| Test Step Dynamic Behaviour |            |                                                                                                                   |                                     |   |          |
|-----------------------------|------------|-------------------------------------------------------------------------------------------------------------------|-------------------------------------|---|----------|
| <b>Test Step Name:</b>      |            | SysInfo_5bisSending(ch:LOGICCH; sysinfo5bis_pdu:SYSINFO5bis_PDU)                                                  |                                     |   |          |
| <b>Group:</b>               |            | GSM_MS_EFR_4210/Miscellaneous/SysInfo/                                                                            |                                     |   |          |
| <b>Objective:</b>           |            | To send SYSTEM INFORMATION 5bis message defined by parameters 'sysinfo5bis_pdu' in the parametrised 'ch' channel. |                                     |   |          |
| <b>Default:</b>             |            | OtherEvents                                                                                                       |                                     |   |          |
| Nr                          | Label      | Behaviour Description                                                                                             | CRef                                | V | Comments |
| 1                           |            | [ch <> "dummy"]                                                                                                   |                                     |   |          |
| 2                           |            | L!DL_UdatRqSysinfo5bis                                                                                            | SysInfo5bis(ch,<br>sysinfo5bis_pdu) |   |          |
| 3                           | E_00<br>75 | [ch = "dummy"]                                                                                                    |                                     | I |          |
| <b>Detailed Comments:</b>   |            |                                                                                                                   |                                     |   |          |

| <b>Test Step Dynamic Behaviour</b> |       |                                                                                                                    |                                                                                                                                                        |   |          |
|------------------------------------|-------|--------------------------------------------------------------------------------------------------------------------|--------------------------------------------------------------------------------------------------------------------------------------------------------|---|----------|
| <b>Test Step Name:</b>             |       | SetNECI(att:INTEGER; babr, cch_con, bpm:B_3; t3212, mcc, mnc, lac:OCTETSTRING)                                     |                                                                                                                                                        |   |          |
| <b>Group:</b>                      |       | GSM_MS_EFR_4210/Miscellaneous/SysInfo/                                                                             |                                                                                                                                                        |   |          |
| <b>Objective:</b>                  |       | To set the NECI =1.                                                                                                |                                                                                                                                                        |   |          |
| <b>Default:</b>                    |       | OtherEvents                                                                                                        |                                                                                                                                                        |   |          |
| Nr                                 | Label | Behaviour Description                                                                                              | CRef                                                                                                                                                   | V | Comments |
| 1                                  |       | (TCV_Tx := '0010'B, TCV_Max := '11'B, TCV_Neci := '1'B, TCV_Ccd0A := CntrlChDscrp(att, babr, cch_con, bpm, t3212)) |                                                                                                                                                        |   |          |
| 2                                  |       | [TSPC_PGSM OR TSPC_EGSM]                                                                                           |                                                                                                                                                        |   |          |
| 3                                  |       | LIDL_UdatRqSysinfo4                                                                                                | SysInfo4(C_BCCH_A_1, mcc, mnc, lac, C_CellReselectHys12, C_MaxPwrLvlG, TCV_Neci, TCV_Max, TCV_Tx, C_Restablishment)                                    |   |          |
| 4                                  |       | LIDL_UdatRqSysinfo3                                                                                                | SysInfo3(C_BCCH_A_1, C_ci_cellA, mcc, mnc, lac, TCV_Ccd0A, CellOpt_01, C_CellReselectHys12, C_MaxPwrLvlG, TCV_Neci, TCV_Max, TCV_Tx, C_Restablishment) |   |          |
| 5                                  |       | [TSPC_DCS]                                                                                                         |                                                                                                                                                        |   |          |
| 6                                  |       | LIDL_UdatRqSysinfo4                                                                                                | SysInfo4(C_BCCH_A_1, mcc, mnc, lac, C_CellReselectHys12, C_MaxPwrLvlD, TCV_Neci, TCV_Max, TCV_Tx, C_Restablishment)                                    |   |          |
| 7                                  |       | LIDL_UdatRqSysinfo3                                                                                                | SysInfo3(C_BCCH_A_1, C_ci_cellA, mcc, mnc, lac, TCV_Ccd0A, CellOpt_01, C_CellReselectHys12, C_MaxPwrLvlD, TCV_Neci, TCV_Max, TCV_Tx, C_Restablishment) |   |          |
| <b>Detailed Comments:</b>          |       |                                                                                                                    |                                                                                                                                                        |   |          |

| Test Step Dynamic Behaviour |       |                                                                                                                                                  |                                                                                                                                                                                        |   |          |
|-----------------------------|-------|--------------------------------------------------------------------------------------------------------------------------------------------------|----------------------------------------------------------------------------------------------------------------------------------------------------------------------------------------|---|----------|
| <b>Test Step Name:</b>      |       | SetATT(t, retr, att, neci:INTEGER; babr, cch_con, bpm:B_3; t3212, mcc, mnc, lac:OCTETSTRING)                                                     |                                                                                                                                                                                        |   |          |
| <b>Group:</b>               |       | GSM_MS_EFR_4210/Miscellaneous/SysInfo/                                                                                                           |                                                                                                                                                                                        |   |          |
| <b>Objective:</b>           |       | To set the ATT flag to "MS's in the cell should apply IMSI attach and detach procedure"                                                          |                                                                                                                                                                                        |   |          |
| <b>Default:</b>             |       | OtherEvents                                                                                                                                      |                                                                                                                                                                                        |   |          |
| Nr                          | Label | Behaviour Description                                                                                                                            | CRef                                                                                                                                                                                   | V | Comments |
| 1                           |       | (TCV_Tx := OC_CnvtTx(t), TCV_Max := OC_CnvtMax(retr), TCV_Neci := INT_TO_BIT(neci,1), TCV_Ccd0A := CntrlChDscrp(att, babr, cch_con, bpm, t3212)) |                                                                                                                                                                                        |   |          |
| 2                           |       | [TSPC_PGSM OR TSPC_EGSM]                                                                                                                         |                                                                                                                                                                                        |   | 1.       |
| 3                           |       | LIDL_UdatRqSysinfo1_nh                                                                                                                           | SysInfo1_nh(C_BCC<br>H_A_1, C_ci_cellA,<br>mcc, mnc, lac,<br>TCV_Ccd0A,<br>CellOpt_01,<br>C_CellReselectHys12<br>, C_MaxPwrLvlG,<br>TCV_Neci, TCV_Max,<br>TCV_Tx,<br>C_Restablishment) |   |          |
| 4                           |       | LIDL_UdatRqSysinfo3                                                                                                                              | SysInfo3(C_BCCH_A<br>_1, C_ci_cellA, mcc,<br>mnc, lac,<br>TCV_Ccd0A,<br>CellOpt_01,<br>C_CellReselectHys12<br>, C_MaxPwrLvlG,<br>TCV_Neci, TCV_Max,<br>TCV_Tx,<br>C_Restablishment)    |   |          |
| 5                           |       | START T_dly(5000)                                                                                                                                |                                                                                                                                                                                        |   | 3.       |
| 6                           |       | ?TIMEOUT T_dly                                                                                                                                   |                                                                                                                                                                                        |   | 3.       |
| 7                           |       | [TSPC_DCS]                                                                                                                                       |                                                                                                                                                                                        |   | 2.       |
| 8                           |       | LIDL_UdatRqSysinfo1_nh                                                                                                                           | SysInfo1_nh(C_BCC<br>H_A_1, C_ci_cellA,<br>mcc, mnc, lac,<br>TCV_Ccd0A,<br>CellOpt_01,<br>C_CellReselectHys12<br>, C_MaxPwrLvlD,<br>TCV_Neci, TCV_Max,<br>TCV_Tx,<br>C_Restablishment) |   |          |
| 9                           |       | LIDL_UdatRqSysinfo3                                                                                                                              | SysInfo3(C_BCCH_A<br>_1, C_ci_cellA, mcc,<br>mnc, lac,<br>TCV_Ccd0A,<br>CellOpt_01,<br>C_CellReselectHys12<br>, C_MaxPwrLvlD,<br>TCV_Neci, TCV_Max,<br>TCV_Tx,<br>C_Restablishment)    |   |          |
| 10                          |       | START T_dly(5000)                                                                                                                                |                                                                                                                                                                                        |   | 3.       |
| 11                          |       | ?TIMEOUT T_dly                                                                                                                                   |                                                                                                                                                                                        |   | 3.       |
| <b>Detailed Comments:</b>   |       | 1. For P-GSM900.<br>2. For DCS1800.<br>3. Wait for 5 seconds to allow the MS read BCCH information.                                              |                                                                                                                                                                                        |   |          |

Test Step Group OperatorOP

| Test Step Dynamic Behaviour |       |                                                |      |   |          |
|-----------------------------|-------|------------------------------------------------|------|---|----------|
| <b>Test Step Name:</b>      |       | InitCall(srv: SERVICES)                        |      |   |          |
| <b>Group:</b>               |       | GSM_MS_EFR_4210/OperatorOP/                    |      |   |          |
| <b>Objective:</b>           |       | To initiate a call of the basic service `srv`. |      |   |          |
| <b>Default:</b>             |       | OtherEvents                                    |      |   |          |
| Nr                          | Label | Behaviour Description                          | CRef | V | Comments |
| 1                           |       | (TCV_Null := OO_InitCall( srv))                |      |   |          |
| <b>Detailed Comments:</b>   |       |                                                |      |   |          |

| Test Step Dynamic Behaviour |       |                                                                           |      |   |          |
|-----------------------------|-------|---------------------------------------------------------------------------|------|---|----------|
| <b>Test Step Name:</b>      |       | InitNonCallSupp                                                           |      |   |          |
| <b>Group:</b>               |       | GSM_MS_EFR_4210/OperatorOP/                                               |      |   |          |
| <b>Objective:</b>           |       | To attempt a non call related supplementary service at the MS under test. |      |   |          |
| <b>Default:</b>             |       | OtherEvents                                                               |      |   |          |
| Nr                          | Label | Behaviour Description                                                     | CRef | V | Comments |
| 1                           |       | (TCV_Null := OO_InitNonCallSS())                                          |      |   |          |
| <b>Detailed Comments:</b>   |       |                                                                           |      |   |          |

| Test Step Dynamic Behaviour |       |                                                                      |      |   |          |
|-----------------------------|-------|----------------------------------------------------------------------|------|---|----------|
| <b>Test Step Name:</b>      |       | AtmpShortMsg                                                         |      |   |          |
| <b>Group:</b>               |       | GSM_MS_EFR_4210/OperatorOP/                                          |      |   |          |
| <b>Objective:</b>           |       | To attempt a short message service transaction at the MS under test. |      |   |          |
| <b>Default:</b>             |       | OtherEvents                                                          |      |   |          |
| Nr                          | Label | Behaviour Description                                                | CRef | V | Comments |
| 1                           |       | (TCV_Null := OO_SendMOShortMessage())                                |      |   |          |
| <b>Detailed Comments:</b>   |       |                                                                      |      |   |          |

| Test Step Dynamic Behaviour |            |                                                                        |      |     |          |
|-----------------------------|------------|------------------------------------------------------------------------|------|-----|----------|
| <b>Test Step Name:</b>      |            | CheckUssdStringDisplayed(strg: IA5String)                              |      |     |          |
| <b>Group:</b>               |            | GSM_MS_EFR_4210/OperatorOP/                                            |      |     |          |
| <b>Objective:</b>           |            | To check whether the correct USSD String 'strg' is displayed on the MS |      |     |          |
| <b>Default:</b>             |            | OtherEvents                                                            |      |     |          |
| Nr                          | Label      | Behaviour Description                                                  | CRef | V   | Comments |
| 1                           |            | (TCV_Res := OO_CheckUssdStringDisplayed( strg))                        |      |     |          |
| 2                           | E_00<br>76 | [TCV_Res]                                                              |      | (P) |          |
| 3                           | E_00<br>77 | [NOT TCV_Res]                                                          |      | (F) |          |
| <b>Detailed Comments:</b>   |            |                                                                        |      |     |          |

| Test Step Dynamic Behaviour |            |                                                             |      |   |          |
|-----------------------------|------------|-------------------------------------------------------------|------|---|----------|
| <b>Test Step Name:</b>      |            | PLMNsCHK                                                    |      |   |          |
| <b>Group:</b>               |            | GSM_MS_EFR_4210/OperatorOP/                                 |      |   |          |
| <b>Objective:</b>           |            | To check whether the MS presents a list of available PLMNs. |      |   |          |
| <b>Default:</b>             |            | OtherEvents                                                 |      |   |          |
| Nr                          | Label      | Behaviour Description                                       | CRef | V | Comments |
| 1                           |            | (TCV_Res := OO_PLMNsCHK())                                  |      |   |          |
| 2                           | E_00<br>78 | [TCV_Res]                                                   |      | P |          |
| 3                           | E_00<br>79 | [NOT TCV_Res]                                               |      | F |          |
| <b>Detailed Comments:</b>   |            |                                                             |      |   |          |



| Test Step Dynamic Behaviour |            |                                                     |      |     |          |
|-----------------------------|------------|-----------------------------------------------------|------|-----|----------|
| <b>Test Step Name:</b>      |            | RFtransCHK                                          |      |     |          |
| <b>Group:</b>               |            | GSM_MS_EFR_4210/OperatorOP/                         |      |     |          |
| <b>Objective:</b>           |            | To check whether the MS transmits any radio signal. |      |     |          |
| <b>Default:</b>             |            | OtherEvents                                         |      |     |          |
| Nr                          | Label      | Behaviour Description                               | CRef | V   | Comments |
| 1                           |            | (TCV_Res := OO_RFoutputCHK())                       |      |     |          |
| 2                           | E_00<br>80 | [TCV_Res]                                           |      | F   |          |
| 3                           | E_00<br>81 | [NOT TCV_Res]                                       |      | (P) |          |
| <b>Detailed Comments:</b>   |            |                                                     |      |     |          |

### Test Step Group Postambles

| Test Step Dynamic Behaviour                                                  |            |                                                                   |                             |   |          |
|------------------------------------------------------------------------------|------------|-------------------------------------------------------------------|-----------------------------|---|----------|
| <b>Test Step Name:</b>                                                       |            | PostLinkRelEnd(ch: LOGICCH)                                       |                             |   |          |
| <b>Group:</b>                                                                |            | GSM_MS_EFR_4210/Postambles/                                       |                             |   |          |
| <b>Objective:</b>                                                            |            | To release the RR connection and bring the MS back to Idle state. |                             |   |          |
| <b>Default:</b>                                                              |            | OtherEvents                                                       |                             |   |          |
| Nr                                                                           | Label      | Behaviour Description                                             | CRef                        | V | Comments |
| 1                                                                            |            | L!DL_DatRqChRel START T_release                                   | ChRel( ch,<br>ChRelease_01) |   |          |
| 2                                                                            |            | L?DL_RelIn                                                        | DLRelInd_01                 |   |          |
| 3                                                                            | E_00<br>82 | CANCEL                                                            |                             | R | 1.       |
| 4                                                                            |            | ?TIMEOUT T_release                                                |                             |   |          |
| 5                                                                            | E_00<br>83 | CANCEL                                                            |                             | R | 1.       |
| <b>Detailed Comments:</b> 1. Cancel of all running timers and final verdict. |            |                                                                   |                             |   |          |

| Test Step Dynamic Behaviour |       |                                                                                |                               |   |          |
|-----------------------------|-------|--------------------------------------------------------------------------------|-------------------------------|---|----------|
| <b>Test Step Name:</b>      |       | PostMainLinkRel(chnl:LOGICCH)                                                  |                               |   |          |
| <b>Group:</b>               |       | GSM_MS_EFR_4210/Postambles/                                                    |                               |   |          |
| <b>Objective:</b>           |       | To release the main signalling link `ch`, and bring the MS back to Idle state. |                               |   |          |
| <b>Default:</b>             |       | OtherEvents                                                                    |                               |   |          |
| Nr                          | Label | Behaviour Description                                                          | CRef                          | V | Comments |
| 1                           |       | L!DL_DatRqChRel START T_release                                                | ChRel( chnl,<br>ChRelease_01) |   |          |
| 2                           |       | L?DL_RelIn CANCEL T_release                                                    | DLRelInd_01                   |   |          |
| 3                           |       | ?TIMEOUT T_release                                                             |                               |   |          |
| <b>Detailed Comments:</b>   |       |                                                                                |                               |   |          |

| Test Step Dynamic Behaviour |            |                                                                                         |                            |     |          |
|-----------------------------|------------|-----------------------------------------------------------------------------------------|----------------------------|-----|----------|
| <b>Test Step Name:</b>      |            | ChanRel(ch: LOGICCH)                                                                    |                            |     |          |
| <b>Group:</b>               |            | GSM_MS_EFR_4210/Postambles/                                                             |                            |     |          |
| <b>Objective:</b>           |            | To release the RR connection on the channel TCV_ch and bring the MS back to Idle state. |                            |     |          |
| <b>Default:</b>             |            | OtherEvents                                                                             |                            |     |          |
| Nr                          | Label      | Behaviour Description                                                                   | CRef                       | V   | Comments |
| 1                           |            | L!DL_DatRqChRel START T_release                                                         | ChRel(ch,<br>ChRelease_01) |     |          |
| 2                           |            | L?DL_RelIn CANCEL T_release                                                             | DLRelInd_01                |     |          |
| 3                           | E_00<br>84 | ?TIMEOUT T_release                                                                      |                            | (F) |          |
| <b>Detailed Comments:</b>   |            |                                                                                         |                            |     |          |

| Test Step Dynamic Behaviour                                                                                       |            |                                 |                            |     |          |
|-------------------------------------------------------------------------------------------------------------------|------------|---------------------------------|----------------------------|-----|----------|
| <b>Test Step Name:</b> ChanRel_P(ch: LOGICCH)                                                                     |            |                                 |                            |     |          |
| <b>Group:</b> GSM_MS_EFR_4210/Postambles/                                                                         |            |                                 |                            |     |          |
| <b>Objective:</b> To release the RR connection on the channel TCV_chmaindcch and bring the MS back to Idle state. |            |                                 |                            |     |          |
| <b>Default:</b> OtherEvents                                                                                       |            |                                 |                            |     |          |
| Nr                                                                                                                | Label      | Behaviour Description           | CRef                       | V   | Comments |
| 1                                                                                                                 |            | L!DL_DatRqChRel START T_release | ChRel(ch,<br>ChRelease_01) |     |          |
| 2                                                                                                                 | E_00<br>85 | L?DL_Relln                      | DLRelInd_01                | (P) |          |
| 3                                                                                                                 |            | ?TIMEOUT T_release              |                            |     |          |
| <b>Detailed Comments:</b>                                                                                         |            |                                 |                            |     |          |

| Test Step Dynamic Behaviour                                                         |            |                                 |                            |     |          |
|-------------------------------------------------------------------------------------|------------|---------------------------------|----------------------------|-----|----------|
| <b>Test Step Name:</b> ChanRel_end(ch: LOGICCH)                                     |            |                                 |                            |     |          |
| <b>Group:</b> GSM_MS_EFR_4210/Postambles/                                           |            |                                 |                            |     |          |
| <b>Objective:</b> To release the RR connection and bring the MS back to Idle state. |            |                                 |                            |     |          |
| <b>Default:</b> OtherEvents                                                         |            |                                 |                            |     |          |
| Nr                                                                                  | Label      | Behaviour Description           | CRef                       | V   | Comments |
| 1                                                                                   |            | L!DL_DatRqChRel START T_release | ChRel(ch,<br>ChRelease_01) |     |          |
| 2                                                                                   |            | L?DL_Relln                      | DLRelInd_01                |     |          |
| 3                                                                                   | E_00<br>86 | CANCEL                          |                            | (P) | 1.       |
| 4                                                                                   |            | ?TIMEOUT T_release              |                            |     |          |
| 5                                                                                   | E_00<br>87 | CANCEL                          |                            | (F) | 1.       |
| <b>Detailed Comments:</b> 1. Cancel of all running timers.                          |            |                                 |                            |     |          |

## Test Step Group Preambles

| Test Step Dynamic Behaviour |            |                                                                                                                                                                                                                                                                                   |      |   |                |
|-----------------------------|------------|-----------------------------------------------------------------------------------------------------------------------------------------------------------------------------------------------------------------------------------------------------------------------------------|------|---|----------------|
| <b>Test Step Name:</b>      |            | Chmod(rate:RATE; ce:B_2; ur:B_4; svc:SERVICES)                                                                                                                                                                                                                                    |      |   |                |
| <b>Group:</b>               |            | GSM_MS_EFR_4210/Preambles/                                                                                                                                                                                                                                                        |      |   |                |
| <b>Objective:</b>           |            | To assign correct values to the test case variables TCV_ChMod and TCV_ChModb.                                                                                                                                                                                                     |      |   |                |
| <b>Default:</b>             |            | OtherEvents                                                                                                                                                                                                                                                                       |      |   |                |
| <b>Comments:</b>            |            | The rules for assignment are in Table 10-1 of GSM 11.10 section 10.3. If the value for ce is "BothT", the rule for transparent is used. If the value for ce is "BothNT", the rule for non transparent is used. That means the preferred value will be used in test configuration. |      |   |                |
| Nr                          | Label      | Behaviour Description                                                                                                                                                                                                                                                             | CRef | V | Comments       |
| 1                           |            | +local_tree                                                                                                                                                                                                                                                                       |      |   |                |
| 2                           |            | [(svc = C_AltSpchData) OR (svc = C_SpchData)<br>OR ( svc = C_AltSpchFax)]                                                                                                                                                                                                         |      |   | dual mode call |
| 3                           |            | (TCV_ChMod.mode := C_ChMod_r)                                                                                                                                                                                                                                                     |      |   |                |
| 4                           |            | [(svc<> C_AltSpchData) AND(svc <> C_SpchData)<br>AND( svc <> C_AltSpchFax)]                                                                                                                                                                                                       |      |   |                |
|                             |            | <b>local_tree</b>                                                                                                                                                                                                                                                                 |      |   |                |
| 5                           |            | [(ce = C_nottransparent) OR (ce = C_BothNT)) AND<br>(rate = C_Full)]                                                                                                                                                                                                              |      |   |                |
| 6                           |            | (TCV_ChMod.mode := C_ChMod_12k,<br>TCV_ChModb.mode := C_ChMod_12k)                                                                                                                                                                                                                |      |   |                |
| 7                           |            | [(ce = C_nottransparent) OR (ce = C_BothNT)) AND<br>(rate = C_Half)]                                                                                                                                                                                                              |      |   |                |
| 8                           |            | [ur <> C_9600bs]                                                                                                                                                                                                                                                                  |      |   |                |
| 9                           |            | (TCV_ChMod.mode := C_ChMod_6k,<br>TCV_ChModb.mode := C_ChMod_6k)                                                                                                                                                                                                                  |      |   |                |
| 10                          | E_00<br>88 | [ur = C_9600bs]                                                                                                                                                                                                                                                                   |      | I | not applicable |
| 11                          |            | [(ce = C_transparent) OR ( ce = C_BothT)]                                                                                                                                                                                                                                         |      |   |                |
| 12                          |            | [(ur = C_9600bs) AND (rate = C_Full)]                                                                                                                                                                                                                                             |      |   |                |
| 13                          |            | (TCV_ChMod.mode := C_ChMod_12k,<br>TCV_ChModb.mode := C_ChMod_12k)                                                                                                                                                                                                                |      |   |                |
| 14                          |            | [ur = C_4800bs]                                                                                                                                                                                                                                                                   |      |   |                |
| 15                          |            | (TCV_ChMod.mode := C_ChMod_6k,<br>TCV_ChModb.mode := C_ChMod_6k)                                                                                                                                                                                                                  |      |   |                |
| 16                          |            | [(ur <> C_4800bs) AND(ur <> C_9600bs)]                                                                                                                                                                                                                                            |      |   |                |
| 17                          |            | (TCV_ChMod.mode := C_ChMod_3k,<br>TCV_ChModb.mode := C_ChMod_3k)                                                                                                                                                                                                                  |      |   |                |
| 18                          | E_00<br>89 | [(ur = C_9600bs) AND (rate = C_Half)]                                                                                                                                                                                                                                             |      | I | not applicable |
| <b>Detailed Comments:</b>   |            |                                                                                                                                                                                                                                                                                   |      |   |                |

| Test Step Dynamic Behaviour |            |                                                                                                                                                                                                                                                                    |      |   |                            |
|-----------------------------|------------|--------------------------------------------------------------------------------------------------------------------------------------------------------------------------------------------------------------------------------------------------------------------|------|---|----------------------------|
| <b>Test Step Name:</b>      |            | EFR_BasicServiceMO(svc:SERVICES; rate:RATE)                                                                                                                                                                                                                        |      |   |                            |
| <b>Group:</b>               |            | GSM_MS_EFR_4210/Preambles/                                                                                                                                                                                                                                         |      |   |                            |
| <b>Objective:</b>           |            | To generate a EFR Bcap and a MO SETUP/ESETUP message (to match later against received MO SETUP/ESETUP message), and an appropriate channel mode based on the service and rate, as well as on several IXIT parameters, itc, ce, ur, synchronous bit for an MO call. |      |   |                            |
| <b>Default:</b>             |            | Bcap shall match the correct NUMBER of speech versions that the EFR mobile supports.<br>OtherEvents                                                                                                                                                                |      |   |                            |
| <b>Comments:</b>            |            | Used for CC tests                                                                                                                                                                                                                                                  |      |   |                            |
| Nr                          | Label      | Behaviour Description                                                                                                                                                                                                                                              | CRef | V | Comments                   |
| 1                           |            | +local_init                                                                                                                                                                                                                                                        |      |   | Default values             |
| 2                           |            | [TCV_Service = C_EmgCall]                                                                                                                                                                                                                                          |      |   |                            |
| 3                           |            | (TCV_Ecall := C_Yes)                                                                                                                                                                                                                                               |      |   | Emergency Call             |
| 4                           |            | [(TCV_ChRate = C_Full) OR (TCV_ChRate = C_Half)]                                                                                                                                                                                                                   |      |   |                            |
| 5                           |            | (TCV_ChMod.mode := C_ChMod_r)                                                                                                                                                                                                                                      |      |   | Speech v1                  |
| 6                           |            | [NOT TSPC_EFR_EmgCallBcap]                                                                                                                                                                                                                                         |      |   |                            |
| 7                           |            | (TCV_Esetup := ESetupNoBcap)                                                                                                                                                                                                                                       |      |   | Speech v1 - no bcap        |
| 8                           |            | [TSPX_EFR_SpchPrefsNo = 2]                                                                                                                                                                                                                                         |      |   |                            |
| 9                           |            | (TCV_Esetup := ESetupBcap(EFR_Bcap_Speech_MO2(TCV_Rchr)))                                                                                                                                                                                                          |      |   | Speech v1 - 2 speech prefs |
| 10                          |            | [TSPX_EFR_SpchPrefsNo = 3]                                                                                                                                                                                                                                         |      |   |                            |
| 11                          |            | (TCV_Esetup := ESetupBcap(EFR_Bcap_Speech_MO3(TCV_Rchr)))                                                                                                                                                                                                          |      |   | Speech v1 - 3 speech prefs |
| 12                          | E_00<br>90 | [C_Yes]                                                                                                                                                                                                                                                            |      | I | IXIT error                 |
| 13                          |            | [TCV_ChRate = C_Full_v2]                                                                                                                                                                                                                                           |      |   |                            |
| 14                          |            | (TCV_ChMod.mode := C_ChMod_r2,TCV_ChRate := C_Full)                                                                                                                                                                                                                |      |   | Speech v2                  |
| 15                          |            | [NOT TSPC_EFR_EmgCallBcap]                                                                                                                                                                                                                                         |      |   |                            |
| 16                          |            | (TCV_Esetup := ESetupNoBcap)                                                                                                                                                                                                                                       |      |   | Speech v2 - no bcap        |
| 17                          |            | [TSPX_EFR_SpchPrefsNo = 2]                                                                                                                                                                                                                                         |      |   |                            |
| 18                          |            | (TCV_Esetup := ESetupBcap(EFR_Bcap_Speech_MO2(TCV_Rchr)))                                                                                                                                                                                                          |      |   | Speech v2 - 2 speech prefs |
| 19                          |            | [TSPX_EFR_SpchPrefsNo = 3]                                                                                                                                                                                                                                         |      |   |                            |
| 20                          |            | (TCV_Esetup := ESetupBcap(EFR_Bcap_Speech_MO3(TCV_Rchr)))                                                                                                                                                                                                          |      |   | Speech v2 - 3 speech prefs |
| 21                          | E_00<br>91 | [C_Yes]                                                                                                                                                                                                                                                            |      | I | IXIT error                 |
| 22                          |            | [TCV_Service = C_Telephony]                                                                                                                                                                                                                                        |      |   |                            |
| 23                          |            | [(TCV_ChRate = C_Full) OR (TCV_ChRate = C_Half)]                                                                                                                                                                                                                   |      |   | Telephony                  |
| 24                          |            | (TCV_ChMod.mode := C_ChMod_r)                                                                                                                                                                                                                                      |      |   | Speech v1                  |
| 25                          |            | [TSPX_EFR_SpchPrefsNo = 2]                                                                                                                                                                                                                                         |      |   |                            |
| 26                          |            | (TCV_Setup_mo := Setup_02(EFR_Bcap_Speech_MO2(TCV_Rchr)))                                                                                                                                                                                                          |      |   | Speech v1 - 2 speech prefs |
| 27                          |            | [TSPX_EFR_SpchPrefsNo = 3]                                                                                                                                                                                                                                         |      |   |                            |
| 28                          |            | (TCV_Setup_mo := Setup_02(EFR_Bcap_Speech_MO3(TCV_Rchr)))                                                                                                                                                                                                          |      |   | Speech v1 - 3 speech prefs |
| 29                          | E_00<br>92 | [C_Yes]                                                                                                                                                                                                                                                            |      | I | IXIT error                 |
| 30                          |            | [TCV_ChRate = C_Full_v2]                                                                                                                                                                                                                                           |      |   |                            |
| 31                          |            | (TCV_ChMod.mode := C_ChMod_r2,TCV_ChRate := C_Full)                                                                                                                                                                                                                |      |   | Speech v2                  |
| 32                          |            | [TSPX_EFR_SpchPrefsNo = 2]                                                                                                                                                                                                                                         |      |   |                            |
| 33                          |            | (TCV_Setup_mo := Setup_02(EFR_Bcap_Speech_MO2(TCV_Rchr)))                                                                                                                                                                                                          |      |   | Speech v2 - 2 speech prefs |
| 34                          |            | [TSPX_EFR_SpchPrefsNo = 3]                                                                                                                                                                                                                                         |      |   |                            |
| 35                          |            | (TCV_Setup_mo := Setup_02(EFR_Bcap_Speech_MO3(TCV_Rchr)))                                                                                                                                                                                                          |      |   | Speech v2 - 3 speech prefs |

|                           |            |                                                                                                                                                                                                                                                                                  |  |   |            |
|---------------------------|------------|----------------------------------------------------------------------------------------------------------------------------------------------------------------------------------------------------------------------------------------------------------------------------------|--|---|------------|
| 36                        | E_00<br>93 | Rchr))<br>[C_Yes]                                                                                                                                                                                                                                                                |  | I | IXIT error |
| 37                        | E_00<br>94 | [C_Yes]                                                                                                                                                                                                                                                                          |  | I | IXIT error |
| 38                        |            | <b>local_init</b><br>(TCV_Service := svc, TCV_Rchr := C_Rchr_Full,<br>TCV_Ecall := C_No, TCV_ChRate :=rate,<br>TCV_ChMod.iei := '01100011'B, TCV_ChMod.mode<br>:= C_ChMod_12k, TCV_ChModb.iei := '01100011'B,<br>TCV_ChModb.mode := C_ChMod_12k,<br>TCV_MODEM := V22bisOrV26ter) |  |   |            |
| 39                        |            | [TSPC_DualRate]                                                                                                                                                                                                                                                                  |  |   |            |
| 40                        |            | (TCV_Rchr := C_Rchr_DualForDualH)                                                                                                                                                                                                                                                |  |   |            |
| 41                        |            | [NOT TSPC_DualRate]                                                                                                                                                                                                                                                              |  |   |            |
| <b>Detailed Comments:</b> |            | This test step is called in the preamble of test cases where an MO call is established in the test body.                                                                                                                                                                         |  |   |            |

| Test Step Dynamic Behaviour                                                                                                                                                                                                                                                                           |            |                                                                                                                                                                                                                               |      |   |                              |
|-------------------------------------------------------------------------------------------------------------------------------------------------------------------------------------------------------------------------------------------------------------------------------------------------------|------------|-------------------------------------------------------------------------------------------------------------------------------------------------------------------------------------------------------------------------------|------|---|------------------------------|
| <b>Test Step Name:</b> EFR_BasicServiceMT(svc:SERVICES; rate:RATE)                                                                                                                                                                                                                                    |            |                                                                                                                                                                                                                               |      |   |                              |
| <b>Group:</b> GSM_MS_EFR_4210/Preambles/                                                                                                                                                                                                                                                              |            |                                                                                                                                                                                                                               |      |   |                              |
| <b>Objective:</b> To generate a EFR Bcap (to match against received CALL CONNECTED Bcap), an MT SETUP or ESETUP message (to be sent to EFR mobile) and an appropriate channel mode based on the service and rate, as well as on several IXIT parameters, itc, ce, ur, synchronous bit for an MT call. |            |                                                                                                                                                                                                                               |      |   |                              |
| EFR Bcap shall match the correct NUMBER of speech versions that the EFR mobile supports.                                                                                                                                                                                                              |            |                                                                                                                                                                                                                               |      |   |                              |
| <b>Default:</b> OtherEvents                                                                                                                                                                                                                                                                           |            |                                                                                                                                                                                                                               |      |   |                              |
| <b>Comments:</b> Used for CC tests                                                                                                                                                                                                                                                                    |            |                                                                                                                                                                                                                               |      |   |                              |
| Nr                                                                                                                                                                                                                                                                                                    | Label      | Behaviour Description                                                                                                                                                                                                         | CRef | V | Comments                     |
| 1                                                                                                                                                                                                                                                                                                     |            | (TCV_Service := svc, TCV_ChRate :=rate,<br>TCV_ChMod.iei := '01100011'B, TCV_ChMod.mode<br>:= C_ChMod_12k, TCV_ChModb.iei := '01100011'B,<br>TCV_ChModb.mode := C_ChMod_12k, TCV_Rchr :=<br>C_Rchr_Full, TCV_2ndtest := C_No) |      |   | Default values               |
| 2                                                                                                                                                                                                                                                                                                     |            | [TSPC_DualRate]                                                                                                                                                                                                               |      |   |                              |
| 3                                                                                                                                                                                                                                                                                                     |            | (TCV_Rchr := C_Rchr_DualForDualH)                                                                                                                                                                                             |      |   |                              |
| 4                                                                                                                                                                                                                                                                                                     |            | +SvcSupportedChk(svc)                                                                                                                                                                                                         |      |   |                              |
| 5                                                                                                                                                                                                                                                                                                     |            | +local_main                                                                                                                                                                                                                   |      |   |                              |
| 6                                                                                                                                                                                                                                                                                                     |            | [NOT TSPC_DualRate]                                                                                                                                                                                                           |      |   |                              |
| 7                                                                                                                                                                                                                                                                                                     |            | +SvcSupportedChk(svc)                                                                                                                                                                                                         |      |   |                              |
| 8                                                                                                                                                                                                                                                                                                     |            | +local_main                                                                                                                                                                                                                   |      |   |                              |
| <b>local_main</b>                                                                                                                                                                                                                                                                                     |            |                                                                                                                                                                                                                               |      |   |                              |
| 9                                                                                                                                                                                                                                                                                                     |            | [TCV_Service = C_Telephony]                                                                                                                                                                                                   |      |   |                              |
| 10                                                                                                                                                                                                                                                                                                    |            | [TCV_ChRate = C_Full]                                                                                                                                                                                                         |      |   | Speech v1                    |
| 11                                                                                                                                                                                                                                                                                                    |            | (TCV_ChMod.mode := C_ChMod_r,<br>TCV_Setup_mt := Setup_01(TI_02))                                                                                                                                                             |      |   |                              |
| 12                                                                                                                                                                                                                                                                                                    |            | [TSPX_EFR_SpchPrefsNo = 2]                                                                                                                                                                                                    |      |   |                              |
| 13                                                                                                                                                                                                                                                                                                    |            | (TCV_BcapMO1 :=<br>EFR_Bcap_Speech_MO2(TCV_Rchr))                                                                                                                                                                             |      |   | EFR BCAP - 2 speech<br>prefs |
| 14                                                                                                                                                                                                                                                                                                    |            | +local_IFsetup_Telephony                                                                                                                                                                                                      |      |   | Config speech                |
| 15                                                                                                                                                                                                                                                                                                    |            | [TSPX_EFR_SpchPrefsNo = 3]                                                                                                                                                                                                    |      |   |                              |
| 16                                                                                                                                                                                                                                                                                                    |            | (TCV_BcapMO1 :=<br>EFR_Bcap_Speech_MO3(TCV_Rchr))                                                                                                                                                                             |      |   | EFR BCAP - 3 speech<br>prefs |
| 17                                                                                                                                                                                                                                                                                                    |            | +local_IFsetup_Telephony                                                                                                                                                                                                      |      |   | Config speech                |
| 18                                                                                                                                                                                                                                                                                                    | E_00<br>95 | [C_Yes]                                                                                                                                                                                                                       |      | I | IXIT error                   |
| 19                                                                                                                                                                                                                                                                                                    |            | [TCV_ChRate = C_Full_v2]                                                                                                                                                                                                      |      |   | Speech v2                    |
| 20                                                                                                                                                                                                                                                                                                    |            | (TCV_ChRate := C_Full,TCV_ChMod.mode :=<br>C_ChMod_r2,TCV_Setup_mt :=<br>Setup_01(TI_02))                                                                                                                                     |      |   |                              |
| 21                                                                                                                                                                                                                                                                                                    |            | [TSPX_EFR_SpchPrefsNo = 2]                                                                                                                                                                                                    |      |   |                              |
| 22                                                                                                                                                                                                                                                                                                    |            | (TCV_BcapMO1 :=<br>EFR_Bcap_Speech_MO2(TCV_Rchr))                                                                                                                                                                             |      |   | EFR BCAP - 2 speech<br>prefs |
| 23                                                                                                                                                                                                                                                                                                    |            | +local_IFsetup_Telephony                                                                                                                                                                                                      |      |   | Config speech                |
| 24                                                                                                                                                                                                                                                                                                    |            | [TSPX_EFR_SpchPrefsNo = 3]                                                                                                                                                                                                    |      |   |                              |
| 25                                                                                                                                                                                                                                                                                                    |            | (TCV_BcapMO1 :=<br>EFR_Bcap_Speech_MO3(TCV_Rchr))                                                                                                                                                                             |      |   | EFR BCAP - 3 speech<br>prefs |
| 26                                                                                                                                                                                                                                                                                                    |            | +local_IFsetup_Telephony                                                                                                                                                                                                      |      |   | Config speech                |
| 27                                                                                                                                                                                                                                                                                                    | E_00<br>96 | [C_Yes]                                                                                                                                                                                                                       |      | I | IXIT error                   |
| <b>local_IFsetup_Telephony</b>                                                                                                                                                                                                                                                                        |            |                                                                                                                                                                                                                               |      |   |                              |
| 28                                                                                                                                                                                                                                                                                                    |            | [TCV_supported]                                                                                                                                                                                                               |      |   |                              |
| 29                                                                                                                                                                                                                                                                                                    |            | (TCV_Null := OO_IFsetup_Telephony())                                                                                                                                                                                          |      |   |                              |
| 30                                                                                                                                                                                                                                                                                                    |            | [NOT TCV_supported]                                                                                                                                                                                                           |      |   |                              |
| 31                                                                                                                                                                                                                                                                                                    |            | [TCV_SpecialCase]                                                                                                                                                                                                             |      |   |                              |
| 32                                                                                                                                                                                                                                                                                                    |            | START T_dly(C_T_Wait)                                                                                                                                                                                                         |      |   |                              |
| 33                                                                                                                                                                                                                                                                                                    |            | ?TIMEOUT T_dly                                                                                                                                                                                                                |      |   |                              |
| 34                                                                                                                                                                                                                                                                                                    | E_00<br>97 | [NOT TCV_SpecialCase]                                                                                                                                                                                                         |      | I | parameter error              |
| <b>Detailed Comments:</b> This test step is called in the preamble of test cases where an MT call is established in the test body.                                                                                                                                                                    |            |                                                                                                                                                                                                                               |      |   |                              |

| Test Step Dynamic Behaviour                    |       |                                                                                                                             |                                                                                                                                                             |   |                                 |
|------------------------------------------------|-------|-----------------------------------------------------------------------------------------------------------------------------|-------------------------------------------------------------------------------------------------------------------------------------------------------------|---|---------------------------------|
| <b>Test Step Name:</b>                         |       | Est_MO_Call_init( par1: OCTETSTRING; mag, mad:MA; ta:TA; tsc1:B_3; nfrqg, nfrqd:INTEGER)                                    |                                                                                                                                                             |   |                                 |
| <b>Group:</b>                                  |       | GSM_MS_EFR_4210/Preambles/                                                                                                  |                                                                                                                                                             |   |                                 |
| <b>Objective:</b>                              |       | To initiate a mobile originating call for the supported bearer capability. The channel in use is frequency hopping channel. |                                                                                                                                                             |   |                                 |
| <b>Default:</b>                                |       | OtherEvents                                                                                                                 |                                                                                                                                                             |   |                                 |
| <b>Comments:</b>                               |       | The test case variable TCV_Mt holds the message type of the received SETUP msg.                                             |                                                                                                                                                             |   |                                 |
| Nr                                             | Label | Behaviour Description                                                                                                       | CRef                                                                                                                                                        | V | Comments                        |
| 1                                              |       | (TCV_cellid:=C_CellA)                                                                                                       |                                                                                                                                                             |   |                                 |
| 2                                              |       | +InitCall( TCV_Service)                                                                                                     |                                                                                                                                                             |   |                                 |
| 3                                              |       | L?DL_RaInChRq (TCV_Rr := DL_RaInChRq.<br>msg.ecau_rrf, TCV_Fn := DL_RaInChRq.fn)                                            | ChReq(<br>ChRequest_15)                                                                                                                                     |   |                                 |
| 4                                              |       | ACTIVATE( OtherEvents_02)                                                                                                   |                                                                                                                                                             |   | To match ChReq retrans.         |
| 5                                              |       | +localtree_ia( par1)                                                                                                        |                                                                                                                                                             |   |                                 |
| 6                                              |       | L?DL_EstInCmsRq                                                                                                             | CMSerReq(<br>CMServiceReq_01)                                                                                                                               |   |                                 |
| 7                                              |       | ACTIVATE( OtherEvents)                                                                                                      |                                                                                                                                                             |   | Restore Normal default          |
| 8                                              |       | +ltree_continue                                                                                                             |                                                                                                                                                             |   |                                 |
| <b>ltree_continue</b>                          |       |                                                                                                                             |                                                                                                                                                             |   |                                 |
| 9                                              |       | (TCV_Null := OM_NoL2Ack(2,TCV_ch))                                                                                          |                                                                                                                                                             |   | Don't acknowledge setup message |
| 10                                             |       | +Cipherring_on( TCV_ch)                                                                                                     |                                                                                                                                                             |   |                                 |
| 11                                             |       | L?DL_DatInSetup (TCV_Mt :=<br>DL_DatInSetup.msg.mt)                                                                         | SetupRcv(<br>SetupInd_01)                                                                                                                                   |   |                                 |
| <b>localtree_ia( par_chn: OCTETSTRING)</b>     |       |                                                                                                                             |                                                                                                                                                             |   |                                 |
| 12                                             |       | [par_chn = C_CHTCHF_NonFH]                                                                                                  |                                                                                                                                                             |   |                                 |
| 13                                             |       | (TCV_Tchtype := '00001'B)                                                                                                   |                                                                                                                                                             |   |                                 |
| 14                                             |       | +ltree_immass_nfh( TCV_tch_arfcn, tsc1)                                                                                     |                                                                                                                                                             |   |                                 |
| 15                                             |       | [par_chn = C_CHSDCCH4_NonFH]                                                                                                |                                                                                                                                                             |   |                                 |
| 16                                             |       | (TCV_Tchtype := INT_TO_BIT(( 4 + BIT_TO_INT(<br>TSPX_SDCCH4SubDef)), 5))                                                    |                                                                                                                                                             |   |                                 |
| 17                                             |       | +ltree_immass_nfh( TCV_chdescr_arfcn, tsc1)                                                                                 |                                                                                                                                                             |   |                                 |
| 18                                             |       | [par_chn = C_CHSDCCH8_NonFH]                                                                                                |                                                                                                                                                             |   |                                 |
| 19                                             |       | (TCV_Tchtype := INT_TO_BIT(( 8 + BIT_TO_INT(<br>TSPX_SDCCH8SubDef)), 5))                                                    |                                                                                                                                                             |   |                                 |
| 20                                             |       | +ltree_immass_nfh( TCV_tch_arfcn, tsc1)                                                                                     |                                                                                                                                                             |   |                                 |
| 21                                             |       | [par_chn = C_CHTCHF_FH]                                                                                                     |                                                                                                                                                             |   |                                 |
| 22                                             |       | (TCV_Tchtype := '00001'B)                                                                                                   |                                                                                                                                                             |   |                                 |
| 23                                             |       | +ltree_immass_fh(nfrqg, nfrqd)                                                                                              |                                                                                                                                                             |   |                                 |
| 24                                             |       | [par_chn = C_CHTCHH_FH]                                                                                                     |                                                                                                                                                             |   |                                 |
| 25                                             |       | (TCV_Tchtype := INT_TO_BIT(( 2 + BIT_TO_INT(<br>TSPX_TCHHSubDef)), 5))                                                      |                                                                                                                                                             |   |                                 |
| 26                                             |       | +ltree_immass_fh(nfrqg, nfrqd)                                                                                              |                                                                                                                                                             |   |                                 |
| 27                                             |       | [par_chn = C_CHTCHH_NonFH]                                                                                                  |                                                                                                                                                             |   |                                 |
| 28                                             |       | (TCV_Tchtype := INT_TO_BIT(( 2 + BIT_TO_INT(<br>TSPX_TCHHSubDef)), 5))                                                      |                                                                                                                                                             |   |                                 |
| 29                                             |       | +ltree_immass_nfh(TCV_tch_arfcn, tsc1)                                                                                      |                                                                                                                                                             |   |                                 |
| 30                                             |       | [par_chn = C_CHSDCCH8_FH]                                                                                                   |                                                                                                                                                             |   |                                 |
| 31                                             |       | (TCV_Tchtype := INT_TO_BIT(( 8 + BIT_TO_INT(<br>TSPX_SDCCH8SubDef)), 5))                                                    |                                                                                                                                                             |   |                                 |
| 32                                             |       | +ltree_immass_fh(nfrqg, nfrqd)                                                                                              |                                                                                                                                                             |   |                                 |
| <b>ltree_immass_fh(frqnog, frqnod:INTEGER)</b> |       |                                                                                                                             |                                                                                                                                                             |   |                                 |
| 33                                             |       | [TSPC_PGSM OR TSPC_EGSM]                                                                                                    |                                                                                                                                                             |   |                                 |
| 34                                             |       | (TCV_maio := INT_TO_BIT((TSPX_MAIO MOD<br>frqnog), 6), TCV_iel := mag.iel)                                                  |                                                                                                                                                             |   | 1.                              |
| 35                                             |       | LIDL_UdatRqImmass                                                                                                           | ImmAss( TCV_agch,<br>ImmAsgn_221(<br>TCV_Rr, TCV_Fn,<br>TCV_ia_ts, tsc1,<br>TCV_Tchtype,<br>TCV_maio,<br>INT_TO_BIT(TSPX_H<br>SN, 6), ta, mag,<br>TCV_iel)) |   |                                 |

|                                                                                                                                                                                                       |                                                  |                     |  |    |
|-------------------------------------------------------------------------------------------------------------------------------------------------------------------------------------------------------|--------------------------------------------------|---------------------|--|----|
| 36                                                                                                                                                                                                    | [TSPC_DCS]                                       |                     |  |    |
| 37                                                                                                                                                                                                    | (TCV_maio := INT_TO_BIT((TSPX_MAIO MOD           |                     |  | 1. |
|                                                                                                                                                                                                       | frqnod), 6), TCV_iel := mad.iel)                 |                     |  |    |
| 38                                                                                                                                                                                                    | LIDL_UdatRqlmass                                 | ImmAss( TCV_agch,   |  |    |
|                                                                                                                                                                                                       |                                                  | ImmAsgn_221(        |  |    |
|                                                                                                                                                                                                       |                                                  | TCV_Rr, TCV_Fn,     |  |    |
|                                                                                                                                                                                                       |                                                  | TCV_ia_ts, tsc1,    |  |    |
|                                                                                                                                                                                                       |                                                  | TCV_Tchtype,        |  |    |
|                                                                                                                                                                                                       |                                                  | TCV_maio,           |  |    |
|                                                                                                                                                                                                       |                                                  | INT_TO_BIT(TSPX_H   |  |    |
|                                                                                                                                                                                                       |                                                  | SN, 6), ta, mad,    |  |    |
|                                                                                                                                                                                                       |                                                  | TCV_iel))           |  |    |
|                                                                                                                                                                                                       |                                                  |                     |  |    |
| 39                                                                                                                                                                                                    | <b>ltree_immass_nfh( arfcn:INTEGER; tsc:B_3)</b> | ImmAss( TCV_agch,   |  |    |
|                                                                                                                                                                                                       | LIDL_UdatRqlmass                                 | ImmAsgn_nfh(        |  |    |
|                                                                                                                                                                                                       |                                                  | TCV_Rr, TCV_Fn,     |  |    |
|                                                                                                                                                                                                       |                                                  | TCV_Tchtype,        |  |    |
|                                                                                                                                                                                                       |                                                  | TCV_ia_ts, tsc, ta, |  |    |
|                                                                                                                                                                                                       |                                                  | arfcn,              |  |    |
|                                                                                                                                                                                                       |                                                  | C_normal_paging))   |  |    |
| <b>Detailed Comments:</b> 1. To make the MAIO is within 0 ... N-1, where N is the number of frequencies of MA. "frqnog" and "frqnod" are number of of frequencies of MA for GSM and DCS respectively. |                                                  |                     |  |    |



| Test Step Dynamic Behaviour |       |                                                                                                                                                                                                   |                                               |   |           |
|-----------------------------|-------|---------------------------------------------------------------------------------------------------------------------------------------------------------------------------------------------------|-----------------------------------------------|---|-----------|
| <b>Test Step Name:</b>      |       | Est_MT_Call_FH( ta:TA; rate:IA5String; maio:MAIO; hsn:INTEGER; rand:RAND; slot:SN; tsc:TSC; tch:B_1)                                                                                              |                                               |   |           |
| <b>Group:</b>               |       | GSM_MS_EFR_4210/Preambles/                                                                                                                                                                        |                                               |   |           |
| <b>Objective:</b>           |       | To establish a mobile station terminating call with hopping channel (speech or data call).                                                                                                        |                                               |   |           |
| <b>Default:</b>             |       | OtherEvents                                                                                                                                                                                       |                                               |   |           |
| <b>Comments:</b>            |       | used var's:<br>TCV_cellid, TCV_ch                                                                                                                                                                 |                                               |   |           |
| Nr                          | Label | Behaviour Description                                                                                                                                                                             | CRef                                          | V | Comments  |
| 1                           |       | +RRmtcallprepare( ta, rand)                                                                                                                                                                       |                                               |   |           |
| 2                           |       | +CC_Est_MT_Call                                                                                                                                                                                   |                                               |   |           |
| 3                           |       | +localtree                                                                                                                                                                                        |                                               |   |           |
| 4                           |       | +AssCh_complete( TCV_ch, TCV_chTch, TCV_AssCmd)                                                                                                                                                   |                                               |   |           |
| 5                           |       | L!DL_DatRqConnAck                                                                                                                                                                                 | ConnAckSnd( TCV_chTch, ConnectAck_01( TI_02)) |   |           |
| <b>localtree</b>            |       |                                                                                                                                                                                                   |                                               |   |           |
| 6                           |       | [rate = C_Full]                                                                                                                                                                                   |                                               |   | Full rate |
| 7                           |       | [TCV_cellid = C_CellA]                                                                                                                                                                            |                                               |   |           |
| 8                           |       | +AssCmdGen_fh( C_Full, slot, tsc, tch, 9, 15, maio, INT_TO_BIT( hsn, 6), Frql_20_A, Frql_20_Ad, CellChDes_Omit, CellChDes_Omit, ChMod_speech_iei, MobilAllc_omit, MobilAllc_omit, CphMod_omit)    |                                               |   |           |
| 9                           |       | [TCV_cellid = C_CellB]                                                                                                                                                                            |                                               |   |           |
| 10                          |       | +AssCmdGen_fh( C_Full, slot, tsc, tch, 9, 15, maio, INT_TO_BIT( hsn, 6), Frql_20_B3, Frql_20_B3d, CellChDes_Omit, CellChDes_Omit, ChMod_speech_iei, MobilAllc_omit, MobilAllc_omit, CphMod_omit)  |                                               |   |           |
| 11                          |       | [rate = C_Full_v2]                                                                                                                                                                                |                                               |   | Full rate |
| 12                          |       | [TCV_cellid = C_CellA]                                                                                                                                                                            |                                               |   |           |
| 13                          |       | +AssCmdGen_fh( C_Full_v2, slot, tsc, tch, 9, 15, maio, INT_TO_BIT( hsn, 6), Frql_20_A, Frql_20_Ad, CellChDes_Omit, CellChDes_Omit, ChMod_EFR2_iei, MobilAllc_omit, MobilAllc_omit, CphMod_omit)   |                                               |   |           |
| 14                          |       | [TCV_cellid = C_CellB]                                                                                                                                                                            |                                               |   |           |
| 15                          |       | +AssCmdGen_fh( C_Full_v2, slot, tsc, tch, 9, 15, maio, INT_TO_BIT( hsn, 6), Frql_20_B3, Frql_20_B3d, CellChDes_Omit, CellChDes_Omit, ChMod_EFR2_iei, MobilAllc_omit, MobilAllc_omit, CphMod_omit) |                                               |   |           |
| 16                          |       | [rate = C_Half]                                                                                                                                                                                   |                                               |   | Half rate |
| 17                          |       | [TCV_cellid = C_CellA]                                                                                                                                                                            |                                               |   |           |
| 18                          |       | +AssCmdGen_fh( C_Half, slot, tsc, tch, 9, 15, maio, INT_TO_BIT( hsn, 6), Frql_20_A0, Frql_20_A0d, CellChDes_Omit, CellChDes_Omit, ChMod_omit, MobilAllc_omit, MobilAllc_omit, CphMod_omit)        |                                               |   |           |
| 19                          |       | [TCV_cellid = C_CellB]                                                                                                                                                                            |                                               |   |           |
| 20                          |       | +AssCmdGen_fh( C_Half, slot, tsc, tch, 9, 15, maio, INT_TO_BIT( hsn, 6), Frql_20_B3, Frql_20_B3d, CellChDes_Omit, CellChDes_Omit, ChMod_omit, MobilAllc_omit, MobilAllc_omit, CphMod_omit)        |                                               |   |           |
| <b>Detailed Comments:</b>   |       |                                                                                                                                                                                                   |                                               |   |           |

|                                    |
|------------------------------------|
| <b>Test Step Dynamic Behaviour</b> |
|------------------------------------|

|                        |                                                                                                |
|------------------------|------------------------------------------------------------------------------------------------|
| <b>Test Step Name:</b> | Est_MT_CallNonFH( ta:TA; rate:IA5String; sub:B_1; rand:RAND)                                   |
| <b>Group:</b>          | GSM_MS_EFR_4210/Preambles/                                                                     |
| <b>Objective:</b>      | To establish a mobile station terminating call with non hopping channel (speech or data call). |
| <b>Default:</b>        | OtherEvents                                                                                    |
| <b>Comments:</b>       | used var's:<br>TCV_cellid, TCV_chdescr_arfcn, TCV_Bcap1, TCV_chTch, TCV_asscmd_ts              |

| Nr | Label | Behaviour Description         | CRef | V | Comments |
|----|-------|-------------------------------|------|---|----------|
| 1  |       | +RRmtcallprepare(ta, rand)    |      |   |          |
| 2  |       | +CC_EstMsTermCall( rate, sub) |      |   |          |

|                           |
|---------------------------|
| <b>Detailed Comments:</b> |
|---------------------------|

| Test Step Dynamic Behaviour |       |                                                                                                                                                                                                                                                                                                                                                                                                                                                                                                                       |                                                                                            |   |                           |
|-----------------------------|-------|-----------------------------------------------------------------------------------------------------------------------------------------------------------------------------------------------------------------------------------------------------------------------------------------------------------------------------------------------------------------------------------------------------------------------------------------------------------------------------------------------------------------------|--------------------------------------------------------------------------------------------|---|---------------------------|
| <b>Test Step Name:</b>      |       | IdleUpdated( par_bspwr:INTEGER; activ_cell:CellID; sch, bcch:LOGICCH; acttype:BITSTRING; slot, slot2, slot3, slot4:SN; tsc:TSC; t, retr, neci, att:INTEGER; ta:TA; babr, cch_con, bpm:B_3; t3212:OCTETSTRING; ci:CI; mcc, mnc, lac:OCTETSTRING; co:CO; cchdgsm, cchddcs:CCHD; crh, mtmcgsm, mtmcdcs:INTEGER; bcchflgsm, bcflaltgsm, bcchfldcs, bcflaltdcs:NCD; Re:B_1; bcc:BCC; ncc:NCC; StartType:INTEGER; subch:B_2; cksn:B_3; rand:RAND; arfcngsm, arfcndcs:INTEGER; imsi:HEXSTRING; sysinfonb:INTEGER; nccp:NCCP) |                                                                                            |   |                           |
| <b>Group:</b>               |       | GSM_MS_EFR_4210/Preambles/                                                                                                                                                                                                                                                                                                                                                                                                                                                                                            |                                                                                            |   |                           |
| <b>Objective:</b>           |       | To ensure that the SIM is either updated to the initial conditions and the MS with CKSN valid, TMSI valid and idle updated in cell A, B or C; or idle updated without TMSI; or totally not updated and all LAI information deleted.                                                                                                                                                                                                                                                                                   |                                                                                            |   |                           |
| <b>Default:</b>             |       | OtherEvents                                                                                                                                                                                                                                                                                                                                                                                                                                                                                                           |                                                                                            |   |                           |
| Nr                          | Label | Behaviour Description                                                                                                                                                                                                                                                                                                                                                                                                                                                                                                 | CRef                                                                                       | V | Comments                  |
| 1                           |       | (TCV_slot := slot, TCV_tsc := tsc, TCV_Ccd0H := CntrlChDscrp( att, babr, C_cch_1Comb, bpm, t3212))                                                                                                                                                                                                                                                                                                                                                                                                                    |                                                                                            |   |                           |
| 2                           |       | +MM_PwrOrSimOff( C_SIMneedRmv)                                                                                                                                                                                                                                                                                                                                                                                                                                                                                        |                                                                                            |   |                           |
| 3                           |       | +Varinit_fix( activ_cell, lac, subch, cksn, rand, arfcngsm, arfcndcs, TCV_Ccd0H, imsi)                                                                                                                                                                                                                                                                                                                                                                                                                                |                                                                                            |   |                           |
| 4                           |       | +ltree_chconf( C_cch_1Comb)                                                                                                                                                                                                                                                                                                                                                                                                                                                                                           |                                                                                            |   | Config LT                 |
| 5                           |       | +localtree1                                                                                                                                                                                                                                                                                                                                                                                                                                                                                                           |                                                                                            |   |                           |
| <b>localtree1</b>           |       |                                                                                                                                                                                                                                                                                                                                                                                                                                                                                                                       |                                                                                            |   |                           |
| 6                           |       | +ltree_sysinfo( 1, C_cch_1Comb)                                                                                                                                                                                                                                                                                                                                                                                                                                                                                       |                                                                                            |   | ATT= '1'B                 |
| 7                           |       | +MM_PwrOrSimOn( C_SIMneedRmv)                                                                                                                                                                                                                                                                                                                                                                                                                                                                                         |                                                                                            |   |                           |
| 8                           |       | +localtree_Lup_Auth                                                                                                                                                                                                                                                                                                                                                                                                                                                                                                   |                                                                                            |   |                           |
| <b>localtree_Lup_Auth</b>   |       |                                                                                                                                                                                                                                                                                                                                                                                                                                                                                                                       |                                                                                            |   |                           |
| 9                           |       | START T_dly( C_T_Wait1stChReq)                                                                                                                                                                                                                                                                                                                                                                                                                                                                                        |                                                                                            |   |                           |
| 10                          |       | L?DL_RaclnChRq (TCV_Rr := DL_RaclnChRq.msg.ecau_rrf, TCV_Fn := DL_RaclnChRq.fn)                                                                                                                                                                                                                                                                                                                                                                                                                                       | ChReq( ChRequest_02)                                                                       |   | Any channel request PDU   |
| 11                          |       | CANCEL T_dly                                                                                                                                                                                                                                                                                                                                                                                                                                                                                                          |                                                                                            |   |                           |
| 12                          |       | ACTIVATE(OtherEvents_02)                                                                                                                                                                                                                                                                                                                                                                                                                                                                                              |                                                                                            |   | To match ChReq retrans.   |
| 13                          |       | LIDL_UdatRqlmmass                                                                                                                                                                                                                                                                                                                                                                                                                                                                                                     | ImmAss( TCV_agch, ImmAsgn_01Def( TCV_Rr, TCV_Fn, subch, slot, tsc, TCV_chdescr_arfcn, ta)) |   |                           |
| 14                          |       | L?DL_EstlnLupRq                                                                                                                                                                                                                                                                                                                                                                                                                                                                                                       | LocUp( TCV_ch, LocUpdtReq_01( C_norm_period_attac h))                                      |   | Any location update type  |
| 15                          |       | ACTIVATE(OtherEvents)                                                                                                                                                                                                                                                                                                                                                                                                                                                                                                 |                                                                                            |   | Restore Normal default    |
| 16                          |       | [StartType = C_Start_Rej]                                                                                                                                                                                                                                                                                                                                                                                                                                                                                             |                                                                                            |   |                           |
| 17                          |       | LIDL_DatRqLupRej                                                                                                                                                                                                                                                                                                                                                                                                                                                                                                      | LocRej( TCV_ch, LocUpdtRej_01( C_rc_LAnotallowed))                                         |   | Delete LAI, tmsi, cksn    |
| 18                          |       | +PostMainLinkRel(TCV_ch)                                                                                                                                                                                                                                                                                                                                                                                                                                                                                              |                                                                                            |   | Release Ch                |
| 19                          |       | +MM_PwrOrSimOff( C_SIMneedRmv)                                                                                                                                                                                                                                                                                                                                                                                                                                                                                        |                                                                                            |   |                           |
| 20                          |       | +localtree2                                                                                                                                                                                                                                                                                                                                                                                                                                                                                                           |                                                                                            |   |                           |
| 21                          |       | [StartType = C_Start_Imsi]                                                                                                                                                                                                                                                                                                                                                                                                                                                                                            |                                                                                            |   |                           |
| 22                          |       | +Authentication( TCV_ch, cksn, rand)                                                                                                                                                                                                                                                                                                                                                                                                                                                                                  |                                                                                            |   |                           |
| 23                          |       | LIDL_DatRqLupAcp                                                                                                                                                                                                                                                                                                                                                                                                                                                                                                      | LocAcp( TCV_ch, LocUpdtAcp_01( MiImsi_01iei, mcc, mnc, TCV_lac))                           |   | Location Accept with IMSI |
| 24                          |       | +PostMainLinkRel(TCV_ch)                                                                                                                                                                                                                                                                                                                                                                                                                                                                                              |                                                                                            |   | Release Ch                |
| 25                          |       | +localtree2                                                                                                                                                                                                                                                                                                                                                                                                                                                                                                           |                                                                                            |   |                           |
| 26                          |       | [(StartType = C_Start_Tmsi) OR (StartType = C_Start_TmsiOff)]                                                                                                                                                                                                                                                                                                                                                                                                                                                         |                                                                                            |   |                           |
| 27                          |       | +Authentication( TCV_ch, cksn, rand)                                                                                                                                                                                                                                                                                                                                                                                                                                                                                  |                                                                                            |   |                           |
| 28                          |       | LIDL_DatRqLupAcp                                                                                                                                                                                                                                                                                                                                                                                                                                                                                                      | LocAcp( TCV_ch, LocUpdtAcp_01( MiTmsi_01iei, mcc, mnc, TCV_lac))                           |   | Location Accept with TMSI |
| 29                          |       | L?DL_DatlnTmsireCom                                                                                                                                                                                                                                                                                                                                                                                                                                                                                                   | TmsiReallocCmp( TCV_ch)                                                                    |   |                           |
| 30                          |       | +PostMainLinkRel(TCV_ch)                                                                                                                                                                                                                                                                                                                                                                                                                                                                                              |                                                                                            |   | Release Ch                |

|    |                                                                                                                          |                                                                                                                                                                            |                               |
|----|--------------------------------------------------------------------------------------------------------------------------|----------------------------------------------------------------------------------------------------------------------------------------------------------------------------|-------------------------------|
| 30 | +localtree2                                                                                                              |                                                                                                                                                                            |                               |
| 31 | [StartType = C_Start_PLMNnot]                                                                                            |                                                                                                                                                                            |                               |
| 32 | LIDL_DatRqLupRej                                                                                                         | LocRej( TCV_ch,<br>LocUpdtRej_01(<br>C_rc_plmn_not))                                                                                                                       | Delete LAI, tmsi, cksn        |
| 33 | +PostMainLinkRel(TCV_ch)                                                                                                 |                                                                                                                                                                            | Release Ch                    |
| 34 | +localtree2                                                                                                              |                                                                                                                                                                            |                               |
| 35 | E_00<br>98                                                                                                               | [(StartType <> C_Start_Rej)<br>AND(StartType <> C_Start_Tmsi)<br>AND(StartType <> C_Start_TmsiOff)<br>AND(StartType <> C_Start_Imsi)<br>AND(StartType <> C_Start_PLMNnot)] | I                             |
| 36 | ?TIMEOUT T_dly                                                                                                           |                                                                                                                                                                            |                               |
| 37 | +ltree_rmvPLMNfbdnlist                                                                                                   |                                                                                                                                                                            |                               |
|    | <b>localtree2</b>                                                                                                        |                                                                                                                                                                            |                               |
| 38 | [(att = 1) AND(StartType <> C_Start_TmsiOff)]                                                                            |                                                                                                                                                                            | ATT no change                 |
| 39 | [cch_con <> C_cch_1Comb]                                                                                                 |                                                                                                                                                                            | If non combined               |
| 40 | +localtree3                                                                                                              |                                                                                                                                                                            |                               |
| 41 | +ltree_PgReorg                                                                                                           |                                                                                                                                                                            |                               |
| 42 | [cch_con = C_cch_1Comb]                                                                                                  |                                                                                                                                                                            | If combined                   |
| 43 | [(att = 1) AND (StartType = C_Start_TmsiOff)]                                                                            |                                                                                                                                                                            |                               |
| 44 | +ImsiDetach(MiTmsi_01, ta, C_SIMneedRmv)                                                                                 |                                                                                                                                                                            | Switch off, detach            |
| 45 | [cch_con <> C_cch_1Comb]                                                                                                 |                                                                                                                                                                            | If non combined               |
| 46 | +localtree3                                                                                                              |                                                                                                                                                                            |                               |
| 47 | [cch_con = C_cch_1Comb]                                                                                                  |                                                                                                                                                                            | If combined                   |
| 48 | [att = 0]                                                                                                                |                                                                                                                                                                            |                               |
| 49 | [cch_con = C_cch_1Comb]                                                                                                  |                                                                                                                                                                            | If combined                   |
| 50 | +ltree_sysinfo( 0, C_cch_1Comb)                                                                                          |                                                                                                                                                                            | ATT=0                         |
| 51 | +ltree_PgReorg                                                                                                           |                                                                                                                                                                            |                               |
| 52 | [cch_con <> C_cch_1Comb]                                                                                                 |                                                                                                                                                                            | If non combined               |
| 53 | +localtree3                                                                                                              |                                                                                                                                                                            |                               |
| 54 | +ltree_PgReorg                                                                                                           |                                                                                                                                                                            |                               |
|    | <b>localtree3</b>                                                                                                        |                                                                                                                                                                            |                               |
| 55 | (TCV_Ccd0H := CntrlChDscrp( att, babr, cch_con,<br>bpm, t3212))                                                          |                                                                                                                                                                            |                               |
| 56 | +Varinit_fix( activ_cell, lac, subch, cksn, rand,<br>arfcngsm, arfcndcs, TCV_Ccd0H, imsi)                                |                                                                                                                                                                            |                               |
| 57 | +ltree_chconf( cch_con)                                                                                                  |                                                                                                                                                                            | Config LT                     |
| 58 | +ltree_sysinfo( att, cch_con)                                                                                            |                                                                                                                                                                            |                               |
|    | <b>ltree_PgReorg</b>                                                                                                     |                                                                                                                                                                            |                               |
| 59 | (TCV_Null:=OM_PgFill( activ_cell, PgReqTp1Reorg))                                                                        |                                                                                                                                                                            |                               |
| 60 | START T_dly(5000)                                                                                                        |                                                                                                                                                                            |                               |
| 61 | ?TIMEOUT T_dly                                                                                                           |                                                                                                                                                                            |                               |
| 62 | (TCV_Null:=OM_PgFill( activ_cell,<br>PgReqTp1Norm))                                                                      |                                                                                                                                                                            |                               |
|    | <b>ltree_sysinfo( attach:INTEGER; con_ch:B_3)</b>                                                                        |                                                                                                                                                                            |                               |
| 63 | [activ_cell = C_CellA]                                                                                                   |                                                                                                                                                                            |                               |
| 64 | +SysInfoSending( attach, con_ch)                                                                                         |                                                                                                                                                                            | SI1-4, cellA                  |
| 65 | (TCV_Ccd0A := TCV_Ccd0H, TCV_sysinfo5 :=<br>TCV_sysinfo5, TCV_sysinfo6 := TCV_sysinfo6)                                  |                                                                                                                                                                            |                               |
| 66 | [con_ch = C_cch_1Comb]                                                                                                   |                                                                                                                                                                            | If combined                   |
| 67 | +SysInfo_SacchSending( TCV_sacch,<br>TCV_sysinfo5, TCV_sysinfo6)                                                         |                                                                                                                                                                            | SI5, 6 on SACCH/C4, cell<br>A |
| 68 | [con_ch <> C_cch_1Comb]                                                                                                  |                                                                                                                                                                            |                               |
| 69 | +ltree_sysinfo_other( attach)                                                                                            |                                                                                                                                                                            | More SIs, cellA               |
| 70 | [activ_cell = C_CellB]                                                                                                   |                                                                                                                                                                            |                               |
| 71 | +SysInfoSending( attach, con_ch)                                                                                         |                                                                                                                                                                            | SI1-4, cellB                  |
| 72 | (TCV_Ccd0B := TCV_Ccd0H, TCV_sacch_B :=<br>TCV_sacch, TCV_sysinfo5_B := TCV_sysinfo5,<br>TCV_sysinfo6_B := TCV_sysinfo6) |                                                                                                                                                                            | SI5, 6 on SACCH/C4, cell<br>B |
| 73 | [con_ch = C_cch_1Comb]                                                                                                   |                                                                                                                                                                            | If combined                   |
| 74 | +SysInfo_SacchSending( TCV_sacch_B,<br>TCV_sysinfo5_B, TCV_sysinfo6_B)                                                   |                                                                                                                                                                            | SI5, 6 on SACCH/C4, cell<br>A |

|     |                                                                                                                                                                                                             |                                   |
|-----|-------------------------------------------------------------------------------------------------------------------------------------------------------------------------------------------------------------|-----------------------------------|
| 75  | [con_ch <> C_cch_1Comb]                                                                                                                                                                                     | No more SIs, cell B               |
| 76  | [activ_cell = C_CellC]                                                                                                                                                                                      |                                   |
| 77  | +SysInfoSending( attach, con_ch)                                                                                                                                                                            | SI1-4, cellC                      |
| 78  | (TCV_Ccd0C := TCV_Ccd0H, TCV_sacch_C :=<br>TCV_sacch, TCV_sysinfo5_C := TCV_sysinfo5,<br>TCV_sysinfo6_C := TCV_sysinfo6)                                                                                    |                                   |
| 79  | [con_ch = C_cch_1Comb]                                                                                                                                                                                      | If combined                       |
| 80  | +SysInfo_SacchSending( TCV_sacch_C,<br>TCV_sysinfo5_C, TCV_sysinfo6_C)                                                                                                                                      | SI5, 6 on SACCH/C4, cell<br>C     |
| 81  | [con_ch <> C_cch_1Comb]                                                                                                                                                                                     | No more SIs, cell C               |
|     | <b>SysInfoSending(attachb:INTEGER; con_chs:B_3)</b>                                                                                                                                                         |                                   |
| 82  | [sysinfofb = C_Test_fh]                                                                                                                                                                                     | Hopping                           |
| 83  | +SysInfoSending_fh( sch, bcch, t, retr, neci,<br>attachb, babr, con_chs, bpm, t3212, ci, mcc, mnc,<br>lac, co, cchdgs, cchddcs, crh, mtmcgs, m,<br>mtmcdcs, bcchflgs, bcchfldcs, Re, bcc, ncc, nccp)        |                                   |
| 84  | [sysinfofb = C_Test_nfh]                                                                                                                                                                                    | Non hopping                       |
| 85  | +SysInfoSending_nfh( sch, bcch, t, retr, neci,<br>attachb, babr, con_chs, bpm, t3212, ci, mcc, mnc,<br>lac, co, crh, mtmcgs, mtmcdcs, bcchflgs,<br>bcflaltgs, bcchfldcs, bcflaltdcs, Re, bcc, ncc,<br>nccp) |                                   |
| 86  | [sysinfofb = C_Test_egsm]                                                                                                                                                                                   | EGSM                              |
| 87  | +SysInfoSending_e( sch, bcch, t, retr, neci, attachb,<br>babr, con_chs, bpm, t3212, ci, mcc, mnc, lac, co,<br>cchdgs, crh, mtmcgs, bcchflgs, bcchfldcs, Re,<br>bcc, ncc, nccp)                              |                                   |
| 88  | [sysinfofb = C_Test_cbms]                                                                                                                                                                                   | CBMS                              |
| 89  | +SysInfoSending_cbms( sch, bcch, t, retr, neci,<br>attachb, babr, con_chs, bpm, t3212, ci, mcc, mnc,<br>lac, co, crh, mtmcgs, mtmcdcs, bcchflgs,<br>bcchfldcs, Re, bcc, ncc, nccp, subch)                   |                                   |
|     | <b>ltree_chconf( conf:B_3)</b>                                                                                                                                                                              |                                   |
| 90  | [activ_cell = C_CellA]                                                                                                                                                                                      |                                   |
| 91  | +ltree_chconf_A( conf)                                                                                                                                                                                      | Config LT                         |
| 92  | [activ_cell = C_CellB]                                                                                                                                                                                      |                                   |
| 93  | +ltree_chconf_B( conf)                                                                                                                                                                                      | Config LT                         |
| 94  | [activ_cell = C_CellC]                                                                                                                                                                                      |                                   |
| 95  | +ltree_chconf_C( conf)                                                                                                                                                                                      | Config LT                         |
|     | <b>ltree_chconf_A( conf_a:B_3)</b>                                                                                                                                                                          |                                   |
| 96  | [conf_a = C_cch_1nonComb]                                                                                                                                                                                   |                                   |
| 97  | +NonCombinedBCCH_A( par_bspwr, mtmcgs,<br>mtmcdcs, arfcngsm, arfcndcs, acttype, slot, tsc, ta,<br>babr, conf_a, bpm)                                                                                        | 1 non combined CCCH,<br>cell A    |
| 98  | (TCV_Upd := C_NotCombined)                                                                                                                                                                                  |                                   |
| 99  | [conf_a = C_cch_1Comb]                                                                                                                                                                                      |                                   |
| 100 | [sysinfofb <> C_Test_cbms]                                                                                                                                                                                  |                                   |
| 101 | +CombinedBCCH_A( par_bspwr, mtmcgs,<br>mtmcdcs, arfcngsm, arfcndcs, acttype, slot, tsc,<br>ta, babr, conf_a, bpm)                                                                                           | 1 combined CCCH, cell A           |
| 102 | (TCV_Upd := C_Combined)                                                                                                                                                                                     |                                   |
| 103 | [sysinfofb = C_Test_cbms]                                                                                                                                                                                   |                                   |
| 104 | +CombinedBCCH_A_CBMS( par_bspwr,<br>mtmcgs, mtmcdcs, arfcngsm, arfcndcs, acttype,<br>slot, tsc, ta, babr, conf_a, bpm)                                                                                      | 1 combined CCCH +<br>CBMS, cell A |
| 105 | (TCV_Upd := C_Combined)                                                                                                                                                                                     |                                   |
| 106 | [conf_a = C_cch_2nonComb]                                                                                                                                                                                   | 2 CCCHs                           |
| 107 | +NonCombinedBCCH_A( par_bspwr, mtmcgs,<br>mtmcdcs, arfcngsm, arfcndcs, acttype, slot, tsc, ta,<br>babr, conf_a, bpm)                                                                                        | 1st non combined CCCH,<br>cell A  |
| 108 | +NonCombinedBCCH_A_2( acttype, slot2, tsc, ta,<br>babr, conf_a, bpm)                                                                                                                                        | 2nd non combined<br>CCCH, cell A  |
| 109 | (TCV_Upd := C_NotCombined)                                                                                                                                                                                  |                                   |
| 110 | [conf_a = C_cch_3nonComb]                                                                                                                                                                                   |                                   |
| 111 | +NonCombinedBCCH_A( par_bspwr, mtmcgs,<br>mtmcdcs, arfcngsm, arfcndcs, acttype, slot, tsc, ta,                                                                                                              | 1st non combined CCCH,<br>cell A  |

|     |            |                                                                                                                                                                                                                      |                                   |
|-----|------------|----------------------------------------------------------------------------------------------------------------------------------------------------------------------------------------------------------------------|-----------------------------------|
| 112 |            | babr, conf_a, bpm)<br>+NonCombinedBCCH_A_2( acttype, slot2, tsc, ta, babr, conf_a, bpm)                                                                                                                              | 2nd non combined CCCH, cell A     |
| 113 |            | +NonCombinedBCCH_A_3( acttype, slot3, tsc, ta, babr, conf_a, bpm)                                                                                                                                                    | 3rd non combined CCCH, cell A     |
| 114 |            | (TCV_Upd := C_NotCombined)                                                                                                                                                                                           |                                   |
| 115 |            | [conf_a = C_cch_4nonComb]                                                                                                                                                                                            |                                   |
| 116 |            | +NonCombinedBCCH_A( par_bspwr, mtmcgsm, mtmcdcs, arfcngsm, arfcndcs, acttype, slot, tsc, ta, babr, conf_a, bpm)                                                                                                      | 1st non combined CCCH, cell A     |
| 117 |            | +NonCombinedBCCH_A_2( acttype, slot2, tsc, ta, babr, conf_a, bpm)                                                                                                                                                    | 2nd non combined CCCH, cell A     |
| 118 |            | +NonCombinedBCCH_A_3( acttype, slot3, tsc, ta, babr, conf_a, bpm)                                                                                                                                                    | 3rd non combined CCCH, cell A     |
| 119 |            | +NonCombinedBCCH_A_4( acttype, slot4, tsc, ta, babr, conf_a, bpm)                                                                                                                                                    | 4th non combined CCCH, cell A     |
| 120 |            | (TCV_Upd := C_NotCombined)                                                                                                                                                                                           |                                   |
| 121 | E_00<br>99 | [[conf_a <> C_cch_1nonComb) AND(conf_a <> C_cch_2nonComb) AND(conf_a <> C_cch_3nonComb) AND(conf_a <> C_cch_4nonComb) AND(conf_a <> C_cch_1Comb)]                                                                    | I A wrong CCCH-CONF value, cell A |
| 122 |            | <b>ltree_chconf_B( conf_b:B_3)</b><br>[conf_b = C_cch_1nonComb]                                                                                                                                                      |                                   |
| 123 |            | +NonCombinedBCCH_B( par_bspwr, mtmcgsm, mtmcdcs, arfcngsm, arfcndcs, acttype, slot, tsc, ta, babr, conf_b, bpm)                                                                                                      | 1 non combined CCCH, cell B       |
| 124 |            | (TCV_Upd := C_NotCombined)                                                                                                                                                                                           |                                   |
| 125 |            | [conf_b = C_cch_1Comb]                                                                                                                                                                                               |                                   |
| 126 |            | +CombinedBCCH_B( par_bspwr, mtmcgsm, mtmcdcs, arfcngsm, arfcndcs, acttype, slot, tsc, ta, babr, conf_b, bpm)                                                                                                         | 1 combined CCCH, cell B           |
| 127 |            | (TCV_Upd := C_Combined)                                                                                                                                                                                              |                                   |
| 128 | E_01<br>00 | [[conf_b <> C_cch_1nonComb) AND(conf_b <> C_cch_1Comb)]                                                                                                                                                              | I A wrong CCCH-CONF value, cell B |
| 129 |            | <b>ltree_chconf_C( conf_c:B_3)</b><br>[conf_c = C_cch_1Comb]                                                                                                                                                         |                                   |
| 130 |            | +CombinedBCCH_C( par_bspwr, mtmcgsm, mtmcdcs, arfcngsm, arfcndcs, acttype, slot, tsc, ta, babr, conf_c, bpm)                                                                                                         | 1 combined CCCH, cell C           |
| 131 |            | (TCV_Upd := C_Combined)                                                                                                                                                                                              |                                   |
| 132 | E_01<br>01 | [conf_c <> C_cch_1Comb]                                                                                                                                                                                              | I                                 |
| 133 |            | <b>ltree_sysinfo_other( attach:INTEGER)</b><br>[[cch_con = C_cch_1nonComb) OR (cch_con = C_cch_1Comb)]                                                                                                               |                                   |
| 134 |            | [cch_con = C_cch_2nonComb]                                                                                                                                                                                           |                                   |
| 135 |            | +SysInfoSending_fh( sch, C_BCCH_A_2, t, retr, neci, attach, babr, cch_con, bpm, t3212, ci, mcc, mnc, lac, co, CellChDes_02, CellChDes_03, crh, mtmcgsm, mtmcdcs, BcchFreqLst_01, BcchFreqLst_48, Re, bcc, ncc, nccp) | SIs on 2nd CCCH                   |
| 136 |            | [cch_con = C_cch_3nonComb]                                                                                                                                                                                           |                                   |
| 137 |            | +SysInfoSending_fh( sch, C_BCCH_A_2, t, retr, neci, attach, babr, cch_con, bpm, t3212, ci, mcc, mnc, lac, co, CellChDes_02, CellChDes_03, crh, mtmcgsm, mtmcdcs, BcchFreqLst_01, BcchFreqLst_48, Re, bcc, ncc, nccp) | SIs on 2nd CCCH                   |
| 138 |            | +SysInfoSending_fh( sch, C_BCCH_A_3, t, retr, neci, attach, babr, cch_con, bpm, t3212, ci, mcc, mnc, lac, co, CellChDes_02, CellChDes_03, crh, mtmcgsm, mtmcdcs, BcchFreqLst_01, BcchFreqLst_48, Re, bcc, ncc, nccp) | SIs on 3rd CCCH                   |
| 139 |            | [cch_con = C_cch_4nonComb]                                                                                                                                                                                           |                                   |
| 140 |            | +SysInfoSending_fh( sch, C_BCCH_A_2, t, retr, neci, attach, babr, cch_con, bpm, t3212, ci, mcc, mnc, lac, co, CellChDes_02, CellChDes_03, crh, mtmcgsm, mtmcdcs, BcchFreqLst_01, BcchFreqLst_48, Re, bcc, ncc, nccp) | SIs on 2nd CCCH                   |

|            |                                                                                                                                                                                                                      |                                                                                                           |                                                       |
|------------|----------------------------------------------------------------------------------------------------------------------------------------------------------------------------------------------------------------------|-----------------------------------------------------------------------------------------------------------|-------------------------------------------------------|
| 141        | +SysInfoSending_fh( sch, C_BCCH_A_3, t, retr, neci, attach, babr, cch_con, bpm, t3212, ci, mcc, mnc, lac, co, CellChDes_02, CellChDes_03, crh, mtmcgsm, mtmcdcs, BcchFreqLst_01, BcchFreqLst_48, Re, bcc, ncc, nccp) |                                                                                                           | SIs on 3rd CCCH                                       |
| 142        | +SysInfoSending_fh( sch, C_BCCH_A_4, t, retr, neci, attach, babr, cch_con, bpm, t3212, ci, mcc, mnc, lac, co, CellChDes_02, CellChDes_03, crh, mtmcgsm, mtmcdcs, BcchFreqLst_01, BcchFreqLst_48, Re, bcc, ncc, nccp) |                                                                                                           | SIs on 4th CCCH                                       |
| 143        | <b>Itree_rmvPLMNfbdnlist</b><br>(TCV_Null := OO_PLMNselModeMan())                                                                                                                                                    |                                                                                                           |                                                       |
| 144        | (TCV_Null := OO_SelPLMN( mnc))                                                                                                                                                                                       |                                                                                                           |                                                       |
| 145        | L?DL_RaclnChRq (TCV_Rr := DL_RaclnChRq.<br>msg.ecau_rfq, TCV_Fn := DL_RaclnChRq.fn)<br>CANCEL T_dly                                                                                                                  | ChReq(<br>ChRequest_02)                                                                                   | Any channel request PDU                               |
| 146        | ACTIVATE(OtherEvents_02)                                                                                                                                                                                             |                                                                                                           | To match ChReq retrans.                               |
| 147        | LIDL_UdatRqImmass                                                                                                                                                                                                    | ImmAss( TCV_agch,<br>ImmAsgn_01Def(<br>TCV_Rr, TCV_Fn,<br>subch, slot, tsc,<br>TCV_chdescr_arfcn,<br>ta)) |                                                       |
| 148        | L?DL_EstInLupRq                                                                                                                                                                                                      | LocUp( TCV_ch,<br>LocUpdtReq_01(<br>C_norm_period_attac<br>h))                                            | Any location update type                              |
| 149        | ACTIVATE( OtherEvents)                                                                                                                                                                                               |                                                                                                           | Restore Normal default                                |
| 150        | [StartType = C_Start_PLMNnot]                                                                                                                                                                                        |                                                                                                           | The PLMN is already in<br>forbidden list on short SIM |
| 151        | LIDL_DatRqLupRej                                                                                                                                                                                                     | LocRej( TCV_ch,<br>LocUpdtRej_01(<br>C_rc_plmn_not))                                                      | Delete LAI, tmsi, cksn,<br>PLMN still in list         |
| 152        | +PostMainLinkRel( TCV_ch)                                                                                                                                                                                            |                                                                                                           | Release Ch                                            |
| 153        | (TCV_Null :=<br>OO_PLMNselModeAuto())                                                                                                                                                                                |                                                                                                           |                                                       |
| 154        | [StartType <> C_Start_PLMNnot]                                                                                                                                                                                       |                                                                                                           |                                                       |
| 155        | LIDL_DatRqLupAcp                                                                                                                                                                                                     | LocAcp( TCV_ch,<br>LocUpdtAcp_01(<br>MiTmsi_r02iei, mcc,<br>mnc, TCV_lac))                                | Location Accept with no<br>TMSI                       |
| 156        | +PostMainLinkRel( TCV_ch)                                                                                                                                                                                            |                                                                                                           | Release Ch                                            |
| 157        | (TCV_Null :=<br>OO_PLMNselModeAuto())                                                                                                                                                                                |                                                                                                           | No ChReq received:<br>Inconclusive                    |
| E_01<br>02 |                                                                                                                                                                                                                      |                                                                                                           | I                                                     |

| Detailed Comments: | Formal Parameter Type | Comments & Explanations | Possible values                                                                                                                                                                   |
|--------------------|-----------------------|-------------------------|-----------------------------------------------------------------------------------------------------------------------------------------------------------------------------------|
|                    | par_bspwr             | INTEGER                 | Base station power level C_E_default, C_E_neighbourdefault                                                                                                                        |
|                    | activ_cell            | CellID                  | Activated cell identity C_CellA, C_CellB, C_CellC                                                                                                                                 |
|                    | sch                   | LOGICCH                 | Sync. channel identity<br>If formal para activ_cell = C_CellA, C_SCH_A<br>If formal para activ_cell = C_CellB, C_SCH_B<br>If formal para activ_cell = C_CellC, C_SCH_C            |
|                    | bcch                  | LOGICCH                 | 1st broadcast channel id<br>If formal para activ_cell = C_CellA, C_BCCH_A_1<br>If formal para activ_cell = C_CellB, C_BCCH_B_1<br>If formal para activ_cell = C_CellC, C_BCCH_C_1 |
|                    | acttype               | BITSTRING               | Type for activation of a channel C_Immass                                                                                                                                         |
|                    | slot                  | SN                      | Slot number for the 1st slot C_S0                                                                                                                                                 |
|                    | slot2                 | SN                      | Slot number for the 2nd slot<br>In case of 2 or 3 or 4 non combined CCCH C_S2                                                                                                     |

|         |           |                                              |                              |            |
|---------|-----------|----------------------------------------------|------------------------------|------------|
|         |           | Otherwise (1 combined or 1 non combined)     | C_SlotNU                     |            |
| slot3   | SN        | Slot number for the 3rd slot                 |                              |            |
|         |           | In case of 3 or 4 non combined CCCH          | C_S4                         |            |
|         |           | Otherwise (1 combined or 1, 2 non combined)  | C_SlotNU                     |            |
| slot4   | SN        | Slot number for the 4th slot                 |                              |            |
|         |           | In case of 4 non combined CCCH channels      | C_S6                         |            |
|         |           | Otherwise (1 combined, 1, 2, 3 non combined) | C_SlotNU                     |            |
| tsc     | TSC       | Training Sequence code                       | C_BCC                        |            |
| t       | INTEGER   | Rach Control Parameter field, Tx-Integer     |                              |            |
|         |           | for SysInfo1, SysInfo2, SysInfo3, SysInfo4   | C_TxInt_5,                   |            |
|         |           |                                              | C_TxInt_7,                   | C_TxInt_10 |
| retr    | INTEGER   | Rach Control Parameter field, Max-Retrans    |                              |            |
|         |           | for SysInfo1, SysInfo2, SysInfo3, SysInfo4   | C_Max_1,                     |            |
|         |           |                                              | C_Max_2,                     | C_Max_7    |
| neci    | INTEGER   | Requested value f. NECI bit in test case     | C_NECI_0,                    |            |
|         |           |                                              | C_NECI_1                     |            |
| att     | INTEGER   | Requested value f. ATTACH bit in test case   | C_ATT_0,                     |            |
|         |           |                                              | C_ATT_1                      |            |
| ta      | TA        | Requested Timing Advance value               |                              |            |
| babr    | B_3       | Number of blocks reserved for acces grant    |                              |            |
|         |           | If arbitrary                                 | TSPX_AGBLKSx                 |            |
|         |           | If fixed                                     | C_BABR_0, C_BABR_1, C_BABR_2 |            |
| cch_con | B_3       | Type of CCCH channel.                        |                              |            |
|         |           | If arbitrary                                 | TSPX_CcchConfx               |            |
|         |           | 1 combined CCCH channel                      | C_cch_1Comb                  |            |
|         |           | 1 non combined CCCH channel                  | C_cch_1nonComb               |            |
|         |           | 2 non combined CCCH channels                 | C_cch_2nonComb               |            |
|         |           | 3 non combined CCCH channels                 | C_cch_3nonComb               |            |
|         |           | 4 non combined CCCH channels                 | C_cch_4nonComb               |            |
| bpm     | B_3       | Number of multiframes for transmission       |                              |            |
|         |           | of PAGING REQUEST messages to the same       |                              |            |
|         |           | paging subgroup                              |                              |            |
|         |           | If arbitrary                                 | TSPX_PAMFRMSx                |            |
|         |           | If fixed (2, 4, 5, 9 multiframes)            | C_BPM_0, C_BPM_2,            |            |
|         |           |                                              | C_BPM_3, C_BPM_7             |            |
| t3212   | OCTETSTR. | Requested value for T3212 in test case       |                              | (Periodic  |
|         |           | Location Update Value)                       |                              |            |
|         |           | infinite                                     | C_T3212_0                    |            |
|         |           | 6 mn / 1 deci hours                          | C_T3212_1                    |            |
|         |           | 12 mn / 2 deci hours                         | C_T3212_2                    |            |
|         |           | 30 mn / 5 deci hours                         | C_T3212_5                    |            |
| ci      | CI        | Cell Identity                                |                              |            |
|         |           | If formal para activ_cell = C_CellA          | C_ci_CellA                   |            |
|         |           | If formal para activ_cell = C_CellB          | C_ci_CellB                   |            |
|         |           | If formal para activ_cell = C_CellC          | C_ci_CellC                   |            |
| mcc     | OCTETSTR. | Mobile Contry Code for the LAI               | C_MCC, C_MCC_x               |            |
| mnc     | OCTETSTR. | Mobile Network Code for the LAI              | C_PLMN_Home, C_PLMN_x        |            |
| lac     | OCTETSTR. | Local Area Code for the LAI                  | C_LAC_x                      |            |



|            |           |                                                                                                                                                                                                     |                                                                                                                 |
|------------|-----------|-----------------------------------------------------------------------------------------------------------------------------------------------------------------------------------------------------|-----------------------------------------------------------------------------------------------------------------|
| co         | CO        | Cell Options                                                                                                                                                                                        | CellOpt_xx                                                                                                      |
| cchdgs     | CCHD      | Cell Channels Description (GSM)<br>If formal para sysinfonb=C_Test_nfh CellChDes_omit<br>If formal para sysinfonb=C_Test_cbms CellChDes_omit<br>If formal para sysinfonb=C_Test_fh GSM CellChDes_xx |                                                                                                                 |
| cchddcs    | CCHD      | Cell Channels Description (DCS)<br>If formal para sysinfonb=C_Test_nfh CellChDes_omit<br>If formal para sysinfonb=C_Test_cbms CellChDes_omit<br>If formal para sysinfonb=C_Test_fh DCS CellChDes_xx |                                                                                                                 |
| crh        | INTEGER   | Cell Reselection Hysteresis                                                                                                                                                                         | C_CellReselectHys12,<br>C_CellReselectHys4                                                                      |
| mtmcgs     | INTEGER   | Requested maximum power level<br>for GSM MS                                                                                                                                                         | C_MaxPwrLvIG                                                                                                    |
| mtmcdcs    | INTEGER   | Requested maximum power level<br>for DCS MS                                                                                                                                                         | C_MaxPwrLvID                                                                                                    |
| bcchfgsm   | NCD       | Neighbour Cells Description for GSM                                                                                                                                                                 | BcchFreqLst_xx                                                                                                  |
| bcflaltgs  | NCD       | Alternative Neighbour Cells Description for GSM.<br>If sysinfonb = C_Test_nfh Alternat.GSM BcchFreqLst_xx<br>Otherwise: BcchFreqLst_Omit                                                            |                                                                                                                 |
| bcchfdcs   | NCD       | Neighbour Cells Description for DCS                                                                                                                                                                 | BcchFreqLst_xx                                                                                                  |
| bcflaltdcs | NCD       | Alternative Neighbour Cells Description for DCS<br>If sysinfonb = C_Test_nfh Alternat.DCS BcchFreqLst_xx<br>Otherwise: BcchFreqLst_Omit                                                             |                                                                                                                 |
| Re         | B_1       | Rach Control Parameter field,<br>Re-establishment bit for SysInfo1,<br>SysInfo2, SysInfo3, SysInfo4                                                                                                 | C_Restablishment,<br>C_noRestablishmen                                                                          |
| bcc        | BCC       | Base station Color Code                                                                                                                                                                             | C_BCC                                                                                                           |
| ncc        | NCC       | Network Color Code                                                                                                                                                                                  | C_NCC                                                                                                           |
| StartType  | INTEGER   | Initial conditions for MS<br>Starting without TMSI<br>Starting with Tmsi_01<br>Starting with Tmsi_01, MS deactivated<br>Starting with LAI deleted, MS deactivated<br>Starting with PLMN not allowed | C_Start_Imsi<br>C_Start_Tmsi<br>C_Start_TmsiOff<br>C_Start_Rej<br>C_Start_PLMNnot                               |
| subch      | BITSTRING | Selected sub-channel<br>If Formal para cch_con = C_cch_1Comb, TSPX_SDCCH4SubDef<br>TSPX_SDCCH4SubA,<br>SubB, SubC                                                                                   |                                                                                                                 |
| cksn       | BITSTRING | Ciphering Key Sequence<br>for authentication TSPX_CKSNDf,                                                                                                                                           | Number used<br>TSPX_CKSNA, B,<br>C                                                                              |
| rand       | BITSTRING | Random Number for authentication                                                                                                                                                                    | TSPX_RANDDef,<br>TSPX_RANDA, B, C                                                                               |
| arfcngsm   | INTEGER   | BCCH channel ARFCN (GSM)<br>If sysinfonb = C_Test_fh<br>Otherwise:                                                                                                                                  | C_Noarfcn<br>If activ_cell = C_CellA<br>C_arfcnA_x<br>If activ_cell = C_CellB<br>C_arfcnB_x<br>If<br>C_arfcnC_x |
| arfcndcs   | INTEGER   | BCCH channel ARFCN (DCS)<br>If sysinfonb = C_Test_fh                                                                                                                                                | C_Noarfcn                                                                                                       |

|                      |                                     |                         |    |
|----------------------|-------------------------------------|-------------------------|----|
| Otherwise:           | If activ_cell = C_CellB             | If activ_cell = C_CellA | If |
| C_arfcnAd_x          | C_arfcnCd_x                         | C_arfcnBd_x             |    |
| activ_cell = C_CellC |                                     |                         |    |
| imsi                 | HEXSTRING The expected IMSI         | TSPX_IMSI               |    |
|                      | In TC_26_7_3_2                      | C_shortIMSI             |    |
| sysinfofb            | INTEGER Type of sysinfo sending     |                         |    |
|                      | Frequency Hopping                   | C_Test_fh               |    |
|                      | Non Frequency hopping               | C_Test_nfh              |    |
|                      | EGSM sequence                       | C_Test_egsm             |    |
|                      | CBMS sequence                       | C_Test_cbms             |    |
| nccp                 | NCCP Network Country Code Permitted |                         |    |
|                      | in SysInfo2                         | C_NCCP_2, C_NCCP_5      |    |

### Test Step Dynamic Behaviour

**Test Step Name:** PreEstRRConn(slot:SN; tsc:TSC; ta:TA)  
**Group:** GSM\_MS\_EFR\_4210/Preambles/  
**Objective:** To establish a RR connection on SDCCH subchannel defined by TSPX\_SDCCH4SubDef in cell A  
**Default:** OtherEvents  
**Comments:** The calling tree shall prepare variable for the step: TCV\_ch for the SDCCH4 subchannel TSPX\_SDCCH4SubDef. This test step is used for non RR testing.

| Nr | Label | Behaviour Description                                                          | CRef                                                                                                   | V | Comments                |
|----|-------|--------------------------------------------------------------------------------|--------------------------------------------------------------------------------------------------------|---|-------------------------|
| 1  |       | LIDL_UdatRqPg1Rq                                                               | PgReq1(TCV_PgCh, TCV_Pgg, PgReqTp1_01)                                                                 |   | To match ChReq retrans. |
| 2  |       | L?DL_RaInChRq ( TCV_Rr := DL_RaInChRq, msg.ecau_rrf, TCV_Fn := DL_RaInChRq.fn) | ChReq( ChRequest_17)                                                                                   |   |                         |
| 3  |       | ACTIVATE( OtherEvents_02)                                                      |                                                                                                        |   |                         |
| 4  |       | LIDL_UdatRqImmss                                                               | ImmAss( TCV_agch, ImmAsgn_01Def( TCV_Rr, TCV_Fn, TSPX_SDCCH4SubDef, slot, tsc, TCV_chdescr_arfcn, ta)) |   |                         |
| 5  |       | L?DL_EstInPgRes                                                                | PagingRes( PagingRes_01)                                                                               |   | Restore Normal default  |
| 6  |       | ACTIVATE(OtherEvents)                                                          |                                                                                                        |   |                         |

**Detailed Comments:**

| Test Step Dynamic Behaviour |            |                                                                                                                                                                                                                                                                                     |      |   |          |
|-----------------------------|------------|-------------------------------------------------------------------------------------------------------------------------------------------------------------------------------------------------------------------------------------------------------------------------------------|------|---|----------|
| <b>Test Step Name:</b>      |            | StartCellA_ho(par_bspwr, arfcn1, arfcn2:INTEGER; acttype:BITSTRING; slot:SN; tsc:TSC; ta:TA; t, retr, neci, att:INTEGER; babr, cch_con, bpm:B_3; t3212, mcc, mnc, lac:OCTETSTRING; cchdgsm, cchddcs:CCHD; bcchflgsm, bcchfldcs:NCD; Re:BITSTRING; bcc:BCC; ncc:NCC; td, fn:INTEGER) |      |   |          |
| <b>Group:</b>               |            | GSM_MS_EFR_4210/Preambles/                                                                                                                                                                                                                                                          |      |   |          |
| <b>Objective:</b>           |            | To setup a physical channel as combined BCCH, CCCH and SDCCH4 then broadcast SYSTEM INFORMATION messages 2, 3, 4, 5 and 6 with default parameters of cell A.                                                                                                                        |      |   |          |
| <b>Default:</b>             |            | OtherEvents                                                                                                                                                                                                                                                                         |      |   |          |
| Nr                          | Label      | Behaviour Description                                                                                                                                                                                                                                                               | CRef | V | Comments |
| 1                           |            | (TCV_sacch := OC_SubchOfSacch4(TSPX_SDCCH4SubDef, C_CellA))                                                                                                                                                                                                                         |      |   |          |
| 2                           |            | +ltree_chconf                                                                                                                                                                                                                                                                       |      |   |          |
| 3                           |            | +SysInfoSending_fh( C_SCH_A, C_BCCH_A_1, t, retr, neci, att, babr, cch_con, bpm, t3212, C_ci_cellA, mcc, mnc, lac, CellOpt_01, cchdgsm, cchddcs, C_CellReselectHys12, C_MaxPwrLvIG, C_MaxPwrLvID, bcchflgsm, bcchfldcs, Re, bcc, ncc, C_NCCP_2)                                     |      |   |          |
| 4                           |            | (TCV_Ccd0A := TCV_Ccd0H, TCV_sysinfo5 := TCV_sysinfo5, TCV_sysinfo6 := TCV_sysinfo6)                                                                                                                                                                                                |      |   |          |
| 5                           |            | [cch_con = C_cch_1Comb]                                                                                                                                                                                                                                                             |      |   |          |
| 6                           |            | +SysInfo_SacchSending( TCV_sacch, TCV_sysinfo5, TCV_sysinfo6)                                                                                                                                                                                                                       |      |   |          |
| 7                           |            | [cch_con = C_cch_1nonComb]                                                                                                                                                                                                                                                          |      |   |          |
| 8                           | E_01<br>03 | [(cch_con <> C_cch_1nonComb) AND(cch_con <> C_cch_1Comb)]                                                                                                                                                                                                                           |      | I |          |
|                             |            | <b>ltree_chconf</b>                                                                                                                                                                                                                                                                 |      |   |          |
| 9                           |            | [cch_con = C_cch_1Comb]                                                                                                                                                                                                                                                             |      |   |          |
| 10                          |            | +CombinedBCCH_A_ho( par_bspwr, C_MaxPwrLvIG, C_MaxPwrLvID, arfcn1, arfcn2, acttype, slot, tsc, ta, babr, cch_con, bpm, td, fn)                                                                                                                                                      |      |   |          |
| 11                          |            | [cch_con = C_cch_1nonComb]                                                                                                                                                                                                                                                          |      |   |          |
| 12                          |            | +NonCombinedBCCH_A_ho( par_bspwr, C_MaxPwrLvIG, C_MaxPwrLvID, arfcn1, arfcn2, acttype, slot, tsc, ta, babr, cch_con, bpm, td, fn)                                                                                                                                                   |      |   |          |
| 13                          | E_01<br>04 | [(cch_con <> C_cch_1nonComb) AND(cch_con <> C_cch_1Comb)]                                                                                                                                                                                                                           |      | I |          |
| <b>Detailed Comments:</b>   |            |                                                                                                                                                                                                                                                                                     |      |   |          |

| Test Step Dynamic Behaviour                                                                                                                                                                                                                                                                               |            |                                                                                                                                                                                                                                                 |      |   |          |
|-----------------------------------------------------------------------------------------------------------------------------------------------------------------------------------------------------------------------------------------------------------------------------------------------------------|------------|-------------------------------------------------------------------------------------------------------------------------------------------------------------------------------------------------------------------------------------------------|------|---|----------|
| <b>Test Step Name:</b> StartCellB_ho(par_bspwr, arfcn1, arfcn2:INTEGER; actype:BITSTRING; slot:SN; tsc:TSC; ta:TA; t, retr, neci, att:INTEGER; babr, cch_con, bpm:B_3; t3212, mcc, mnc, lac:OCTETSTRING; cchdgsm, cchddcs:CCHD; bcchflgsm, bcchfldcs:NCD; Re:BITSTRING; bcc:BCC; ncc:NCC; td, fn:INTEGER) |            |                                                                                                                                                                                                                                                 |      |   |          |
| <b>Group:</b> GSM_MS_EFR_4210/Preambles/                                                                                                                                                                                                                                                                  |            |                                                                                                                                                                                                                                                 |      |   |          |
| <b>Objective:</b> To setup a physical channel as combined BCCH, CCCH and SDCCH4 then broadcast SYSTEM INFORMATION messages 2, 3, 4, 5 and 6 with default parameters of cell B.                                                                                                                            |            |                                                                                                                                                                                                                                                 |      |   |          |
| <b>Default:</b> OtherEvents                                                                                                                                                                                                                                                                               |            |                                                                                                                                                                                                                                                 |      |   |          |
| Nr                                                                                                                                                                                                                                                                                                        | Label      | Behaviour Description                                                                                                                                                                                                                           | CRef | V | Comments |
| 1                                                                                                                                                                                                                                                                                                         |            | (TCV_sacch_B := OC_SubchOfSacch4(TSPX_SDCCH4SubDef, C_CellB))                                                                                                                                                                                   |      |   |          |
| 2                                                                                                                                                                                                                                                                                                         |            | +ltree_chconf                                                                                                                                                                                                                                   |      |   |          |
| 3                                                                                                                                                                                                                                                                                                         |            | +SysInfoSending_fh( C_SCH_B, C_BCCH_B_1, t, retr, neci, att, babr, cch_con, bpm, t3212, C_ci_cellB, mcc, mnc, lac, CellOpt_01, cchdgsm, cchddcs, C_CellReselectHys12, C_MaxPwrLvlG, C_MaxPwrLvlD, bcchflgsm, bcchfldcs, Re, bcc, ncc, C_NCCP_2) |      |   |          |
| 4                                                                                                                                                                                                                                                                                                         |            | (TCV_Ccd0B := TCV_Ccd0H, TCV_sysinfo5_B := TCV_sysinfo5, TCV_sysinfo6_B := TCV_sysinfo6)                                                                                                                                                        |      |   |          |
| 5                                                                                                                                                                                                                                                                                                         |            | [cch_con = C_cch_1Comb]                                                                                                                                                                                                                         |      |   |          |
| 6                                                                                                                                                                                                                                                                                                         |            | +SysInfo_SacchSending( TCV_sacch_B, TCV_sysinfo5_B, TCV_sysinfo6_B)                                                                                                                                                                             |      |   |          |
| 7                                                                                                                                                                                                                                                                                                         |            | [cch_con = C_cch_1nonComb]                                                                                                                                                                                                                      |      |   |          |
| 8                                                                                                                                                                                                                                                                                                         | E_01<br>05 | [(cch_con <> C_cch_1nonComb) AND(cch_con <> C_cch_1Comb)]                                                                                                                                                                                       |      | I |          |
| 9                                                                                                                                                                                                                                                                                                         |            | <b>ltree_chconf</b><br>[cch_con = C_cch_1Comb]                                                                                                                                                                                                  |      |   |          |
| 10                                                                                                                                                                                                                                                                                                        |            | +CombinedBCCH_B_ho( par_bspwr, C_MaxPwrLvlG, C_MaxPwrLvlD, arfcn1, arfcn2, actype, slot, tsc, ta, babr, cch_con, bpm, td, fn)                                                                                                                   |      |   |          |
| 11                                                                                                                                                                                                                                                                                                        |            | [cch_con = C_cch_1nonComb]                                                                                                                                                                                                                      |      |   |          |
| 12                                                                                                                                                                                                                                                                                                        |            | +NonCombinedBCCH_B_ho( par_bspwr, C_MaxPwrLvlG, C_MaxPwrLvlD, arfcn1, arfcn2, actype, slot, tsc, ta, babr, cch_con, bpm, td, fn)                                                                                                                |      |   |          |
| 13                                                                                                                                                                                                                                                                                                        | E_01<br>06 | [(cch_con <> C_cch_1nonComb) AND(cch_con <> C_cch_1Comb)]                                                                                                                                                                                       |      | I |          |
| <b>Detailed Comments:</b>                                                                                                                                                                                                                                                                                 |            |                                                                                                                                                                                                                                                 |      |   |          |

## Defaults Library

| Default Dynamic Behaviour |            |                                                                                                                                                                     |                                    |   |          |
|---------------------------|------------|---------------------------------------------------------------------------------------------------------------------------------------------------------------------|------------------------------------|---|----------|
| <b>Default Name:</b>      |            | OtherEvents                                                                                                                                                         |                                    |   |          |
| <b>Group:</b>             |            | GSM_MS_EFR_4210/                                                                                                                                                    |                                    |   |          |
| <b>Objective:</b>         |            | To match unexpected events and sign final verdict for preambles.                                                                                                    |                                    |   |          |
| <b>Comments:</b>          |            | used in preambles.                                                                                                                                                  |                                    |   |          |
| Nr                        | Label      | Behaviour Description                                                                                                                                               | CRef                               | V | Comments |
| 1                         |            | L?DL_Relln                                                                                                                                                          | DLRelInd_02                        |   | 4.       |
| 2                         |            | RETURN                                                                                                                                                              |                                    |   |          |
| 3                         |            | ?TIMEOUT T_guard                                                                                                                                                    |                                    |   | 1.       |
| 4                         |            | +ltree_SDCCH1_release                                                                                                                                               |                                    |   |          |
| 5                         |            | +ltree_SDCCH2_release                                                                                                                                               |                                    |   |          |
| 6                         |            | +ltree_TCH1_release                                                                                                                                                 |                                    |   |          |
| 7                         |            | +ltree_TCH2_release                                                                                                                                                 |                                    |   |          |
| 8                         |            | (TCV_Null := OO_TguardTimeOut())                                                                                                                                    |                                    |   |          |
| 9                         | E_01<br>07 | CANCEL                                                                                                                                                              |                                    | I | 3.       |
| 10                        |            | L?OTHERWISE                                                                                                                                                         |                                    |   | 2.       |
| 11                        |            | +ltree_SDCCH1_release                                                                                                                                               |                                    |   |          |
| 12                        |            | +ltree_SDCCH2_release                                                                                                                                               |                                    |   |          |
| 13                        |            | +ltree_TCH1_release                                                                                                                                                 |                                    |   |          |
| 14                        |            | +ltree_TCH2_release                                                                                                                                                 |                                    |   |          |
| 15                        |            | L?DL_Relln                                                                                                                                                          | DLRelInd_01                        |   |          |
| 16                        | E_01<br>08 | CANCEL                                                                                                                                                              |                                    | I | 3.       |
| 17                        |            | ?TIMEOUT T_guard                                                                                                                                                    |                                    |   | 1.       |
| 18                        | E_01<br>09 | CANCEL                                                                                                                                                              |                                    | I | 3.       |
| 19                        |            | <b>ltree_SDCCH1_release</b><br>[TCV_ch <> "dummy"]                                                                                                                  |                                    |   |          |
| 20                        |            | L!DL_DatRqChRel                                                                                                                                                     | ChRel(TCV_ch,<br>ChRelease_01)     |   |          |
| 21                        |            | [TCV_ch = "dummy"]                                                                                                                                                  |                                    |   |          |
| 22                        |            | <b>ltree_SDCCH2_release</b><br>[TCV_ch1 <> "dummy"]                                                                                                                 |                                    |   |          |
| 23                        |            | L!DL_DatRqChRel                                                                                                                                                     | ChRel(TCV_ch1,<br>ChRelease_01)    |   |          |
| 24                        |            | [TCV_ch1 = "dummy"]                                                                                                                                                 |                                    |   |          |
| 25                        |            | <b>ltree_TCH1_release</b><br>[TCV_chTch <> "dummy"]                                                                                                                 |                                    |   |          |
| 26                        |            | L!DL_DatRqChRel                                                                                                                                                     | ChRel(TCV_chTch,<br>ChRelease_01)  |   |          |
| 27                        |            | [TCV_chTch = "dummy"]                                                                                                                                               |                                    |   |          |
| 28                        |            | <b>ltree_TCH2_release</b><br>[TCV_chTch1 <> "dummy"]                                                                                                                |                                    |   |          |
| 29                        |            | L!DL_DatRqChRel                                                                                                                                                     | ChRel(TCV_chTch1,<br>ChRelease_01) |   |          |
| 30                        |            | [TCV_chTch1 = "dummy"]                                                                                                                                              |                                    |   |          |
| <b>Detailed Comments:</b> |            | 1. The guard timer times out, inconclusive.<br>2. Unexpected events, inconclusive.<br>3. Cancel of all running timers.<br>4. Local end termination request allowed. |                                    |   |          |

| Default Dynamic Behaviour |       |                                                                                                                |                                    |   |          |
|---------------------------|-------|----------------------------------------------------------------------------------------------------------------|------------------------------------|---|----------|
| <b>Default Name:</b>      |       | OtherEventsFail                                                                                                |                                    |   |          |
| <b>Group:</b>             |       | GSM_MS_EFR_4210/                                                                                               |                                    |   |          |
| <b>Objective:</b>         |       | To match unexpected events and fail the test case.                                                             |                                    |   |          |
| Nr                        | Label | Behaviour Description                                                                                          | CRef                               | V | Comments |
| 1                         |       | L?DL_Relln                                                                                                     | DLRelInd_02                        |   |          |
| 2                         |       | RETURN                                                                                                         |                                    |   |          |
| 3                         |       | ?TIMEOUT T_guard                                                                                               |                                    |   | 1.       |
| 4                         |       | +ltree_SDCCH1_release                                                                                          |                                    |   |          |
| 5                         |       | +ltree_SDCCH2_release                                                                                          |                                    |   |          |
| 6                         |       | +ltree_TCH1_release                                                                                            |                                    |   |          |
| 7                         |       | +ltree_TCH2_release                                                                                            |                                    |   |          |
| 8                         |       | (TCV_Null := OO_TguardTimeOut())                                                                               |                                    |   |          |
| 9                         | E_01  | CANCEL                                                                                                         |                                    | I | 3.       |
| 10                        | 10    | L?OTHERWISE                                                                                                    |                                    |   | 2.       |
| 11                        |       | +ltree_SDCCH1_release                                                                                          |                                    |   |          |
| 12                        |       | +ltree_SDCCH2_release                                                                                          |                                    |   |          |
| 13                        |       | +ltree_TCH1_release                                                                                            |                                    |   |          |
| 14                        |       | +ltree_TCH2_release                                                                                            |                                    |   |          |
| 15                        |       | L?DL_Relln                                                                                                     | DLRelInd_01                        |   |          |
| 16                        | E_01  | CANCEL                                                                                                         |                                    | F | 3.       |
| 17                        | 11    | ?TIMEOUT T_guard                                                                                               |                                    |   |          |
| 18                        | E_01  | CANCEL                                                                                                         |                                    | F | 3.       |
| 18                        | 12    |                                                                                                                |                                    |   |          |
|                           |       | <b>ltree_SDCCH1_release</b>                                                                                    |                                    |   |          |
| 19                        |       | [TCV_ch <> "dummy"]                                                                                            |                                    |   |          |
| 20                        |       | L!DL_DatRqChRel                                                                                                | ChRel(TCV_ch,<br>ChRelease_01)     |   |          |
| 21                        |       | [TCV_ch = "dummy"]                                                                                             |                                    |   |          |
|                           |       | <b>ltree_SDCCH2_release</b>                                                                                    |                                    |   |          |
| 22                        |       | [TCV_ch1 <> "dummy"]                                                                                           |                                    |   |          |
| 23                        |       | L!DL_DatRqChRel                                                                                                | ChRel(TCV_ch1,<br>ChRelease_01)    |   |          |
| 24                        |       | [TCV_ch1 = "dummy"]                                                                                            |                                    |   |          |
|                           |       | <b>ltree_TCH1_release</b>                                                                                      |                                    |   |          |
| 25                        |       | [TCV_chTch <> "dummy"]                                                                                         |                                    |   |          |
| 26                        |       | L!DL_DatRqChRel                                                                                                | ChRel(TCV_chTch,<br>ChRelease_01)  |   |          |
| 27                        |       | [TCV_chTch = "dummy"]                                                                                          |                                    |   |          |
|                           |       | <b>ltree_TCH2_release</b>                                                                                      |                                    |   |          |
| 28                        |       | [TCV_chTch1 <> "dummy"]                                                                                        |                                    |   |          |
| 29                        |       | L!DL_DatRqChRel                                                                                                | ChRel(TCV_chTch1,<br>ChRelease_01) |   |          |
| 30                        |       | [TCV_chTch1 = "dummy"]                                                                                         |                                    |   |          |
| <b>Detailed Comments:</b> |       | 1. The guard timer times out, inconclusive.<br>2. Unexpected events, fail.<br>3. Cancel of all running timers. |                                    |   |          |

| Default Dynamic Behaviour |            |                                                                                                                                                                                                                                                                                                                                                              |                                    |   |          |
|---------------------------|------------|--------------------------------------------------------------------------------------------------------------------------------------------------------------------------------------------------------------------------------------------------------------------------------------------------------------------------------------------------------------|------------------------------------|---|----------|
| <b>Default Name:</b>      |            | OtherEventsFail_01                                                                                                                                                                                                                                                                                                                                           |                                    |   |          |
| <b>Group:</b>             |            | GSM_MS_EFR_4210/                                                                                                                                                                                                                                                                                                                                             |                                    |   |          |
| <b>Objective:</b>         |            | To match irrelevant CHANNEL REQUEST msg and MEASUREMENT REPORT msg and return or match other unexpected events and fail the test case.                                                                                                                                                                                                                       |                                    |   |          |
| Nr                        | Label      | Behaviour Description                                                                                                                                                                                                                                                                                                                                        | CRef                               | V | Comments |
| 1                         |            | L?DL_Relln                                                                                                                                                                                                                                                                                                                                                   | DLRelInd_01                        |   | 6.       |
| 2                         |            | RETURN                                                                                                                                                                                                                                                                                                                                                       |                                    |   |          |
| 3                         |            | ?TIMEOUT T_guard                                                                                                                                                                                                                                                                                                                                             |                                    |   | 1.       |
| 4                         |            | +ltree_SDCCH1_release                                                                                                                                                                                                                                                                                                                                        |                                    |   |          |
| 5                         |            | +ltree_SDCCH2_release                                                                                                                                                                                                                                                                                                                                        |                                    |   |          |
| 6                         |            | +ltree_TCH1_release                                                                                                                                                                                                                                                                                                                                          |                                    |   |          |
| 7                         |            | +ltree_TCH2_release                                                                                                                                                                                                                                                                                                                                          |                                    |   |          |
| 8                         |            | (TCV_Null := OO_TguardTimeOut())                                                                                                                                                                                                                                                                                                                             |                                    |   |          |
| 9                         | E_01<br>13 | CANCEL                                                                                                                                                                                                                                                                                                                                                       |                                    | I | 5.       |
| 10                        |            | L?DL_RaInChRq                                                                                                                                                                                                                                                                                                                                                | ChReq(ChRequest_0<br>2)            |   | 2.       |
| 11                        |            | RETURN                                                                                                                                                                                                                                                                                                                                                       |                                    |   |          |
| 12                        |            | L?DL_UdatInMsrRpt                                                                                                                                                                                                                                                                                                                                            | MsrRept(<br>MsrReport_02)          |   | 3.       |
| 13                        |            | RETURN                                                                                                                                                                                                                                                                                                                                                       |                                    |   |          |
| 14                        |            | L?OTHERWISE                                                                                                                                                                                                                                                                                                                                                  |                                    |   | 4.       |
| 15                        |            | +ltree_SDCCH1_release                                                                                                                                                                                                                                                                                                                                        |                                    |   |          |
| 16                        |            | +ltree_SDCCH2_release                                                                                                                                                                                                                                                                                                                                        |                                    |   |          |
| 17                        |            | +ltree_TCH1_release                                                                                                                                                                                                                                                                                                                                          |                                    |   |          |
| 18                        |            | +ltree_TCH2_release                                                                                                                                                                                                                                                                                                                                          |                                    |   |          |
| 19                        |            | L?DL_Relln                                                                                                                                                                                                                                                                                                                                                   | DLRelInd_01                        |   |          |
| 20                        | E_01<br>14 | CANCEL                                                                                                                                                                                                                                                                                                                                                       |                                    | F | 5.       |
| 21                        |            | ?TIMEOUT T_guard                                                                                                                                                                                                                                                                                                                                             |                                    |   |          |
| 22                        | E_01<br>15 | CANCEL                                                                                                                                                                                                                                                                                                                                                       |                                    | F | 5.       |
| 23                        |            | <b>ltree_SDCCH1_release</b><br>[TCV_ch <> "dummy"]                                                                                                                                                                                                                                                                                                           |                                    |   |          |
| 24                        |            | LIDL_DatRqChRel                                                                                                                                                                                                                                                                                                                                              | ChRel(TCV_ch,<br>ChRelease_01)     |   |          |
| 25                        |            | [TCV_ch = "dummy"]                                                                                                                                                                                                                                                                                                                                           |                                    |   |          |
| 26                        |            | <b>ltree_SDCCH2_release</b><br>[TCV_ch1 <> "dummy"]                                                                                                                                                                                                                                                                                                          |                                    |   |          |
| 27                        |            | LIDL_DatRqChRel                                                                                                                                                                                                                                                                                                                                              | ChRel(TCV_ch1,<br>ChRelease_01)    |   |          |
| 28                        |            | [TCV_ch1 = "dummy"]                                                                                                                                                                                                                                                                                                                                          |                                    |   |          |
| 29                        |            | <b>ltree_TCH1_release</b><br>[TCV_chTch <> "dummy"]                                                                                                                                                                                                                                                                                                          |                                    |   |          |
| 30                        |            | LIDL_DatRqChRel                                                                                                                                                                                                                                                                                                                                              | ChRel(TCV_chTch,<br>ChRelease_01)  |   |          |
| 31                        |            | [TCV_chTch = "dummy"]                                                                                                                                                                                                                                                                                                                                        |                                    |   |          |
| 32                        |            | <b>ltree_TCH2_release</b><br>[TCV_chTch1 <> "dummy"]                                                                                                                                                                                                                                                                                                         |                                    |   |          |
| 33                        |            | LIDL_DatRqChRel                                                                                                                                                                                                                                                                                                                                              | ChRel(TCV_chTch1,<br>ChRelease_01) |   |          |
| 34                        |            | [TCV_chTch1 = "dummy"]                                                                                                                                                                                                                                                                                                                                       |                                    |   |          |
| <b>Detailed Comments:</b> |            | <ol style="list-style-type: none"> <li>1. The guard timer times out, inconclusive.</li> <li>2. To throw away any irrelevant channel request.</li> <li>3. To throw away any measurement report.</li> <li>4. Other unexpected events, fail.</li> <li>5. Cancel of all running timers.</li> <li>6. Cover also DLRelInd_02 for local end termination.</li> </ol> |                                    |   |          |

| Default Dynamic Behaviour |            |                                                                                                                                                                                                                                        |                                    |   |          |
|---------------------------|------------|----------------------------------------------------------------------------------------------------------------------------------------------------------------------------------------------------------------------------------------|------------------------------------|---|----------|
| <b>Default Name:</b>      |            | OtherEventsFail_02                                                                                                                                                                                                                     |                                    |   |          |
| <b>Group:</b>             |            | GSM_MS_EFR_4210/                                                                                                                                                                                                                       |                                    |   |          |
| <b>Objective:</b>         |            | To match unexpected events and fail the test case but ignore channel request messages that are sent before the lower tester has sent (and the MS received) the Immediate Assignment message.                                           |                                    |   |          |
| Nr                        | Label      | Behaviour Description                                                                                                                                                                                                                  | CRef                               | V | Comments |
| 1                         |            | L?DL_RelIn                                                                                                                                                                                                                             | DLRelInd_02                        |   |          |
| 2                         |            | RETURN                                                                                                                                                                                                                                 |                                    |   |          |
| 3                         |            | L?DL_RaInChRq                                                                                                                                                                                                                          | ChReq(ChRequest_02)                |   | 1.       |
| 4                         |            | RETURN                                                                                                                                                                                                                                 |                                    |   |          |
| 5                         |            | ?TIMEOUT T_guard                                                                                                                                                                                                                       |                                    |   | 2.       |
| 6                         |            | +ltree_SDCCH1_release                                                                                                                                                                                                                  |                                    |   |          |
| 7                         |            | +ltree_SDCCH2_release                                                                                                                                                                                                                  |                                    |   |          |
| 8                         |            | +ltree_TCH1_release                                                                                                                                                                                                                    |                                    |   |          |
| 9                         |            | +ltree_TCH2_release                                                                                                                                                                                                                    |                                    |   |          |
| 10                        |            | (TCV_Null := OO_TguardTimeOut())                                                                                                                                                                                                       |                                    |   |          |
| 11                        | E_01<br>16 | CANCEL                                                                                                                                                                                                                                 |                                    | I | 4.       |
| 12                        |            | L?OTHERWISE                                                                                                                                                                                                                            |                                    |   | 3.       |
| 13                        |            | +ltree_SDCCH1_release                                                                                                                                                                                                                  |                                    |   |          |
| 14                        |            | +ltree_SDCCH2_release                                                                                                                                                                                                                  |                                    |   |          |
| 15                        |            | +ltree_TCH1_release                                                                                                                                                                                                                    |                                    |   |          |
| 16                        |            | +ltree_TCH2_release                                                                                                                                                                                                                    |                                    |   |          |
| 17                        |            | L?DL_RelIn                                                                                                                                                                                                                             | DLRelInd_01                        |   |          |
| 18                        | E_01<br>17 | CANCEL                                                                                                                                                                                                                                 |                                    | F | 4.       |
| 19                        |            | ?TIMEOUT T_guard                                                                                                                                                                                                                       |                                    |   |          |
| 20                        | E_01<br>18 | CANCEL                                                                                                                                                                                                                                 |                                    | F | 4.       |
| 21                        |            | <b>ltree_SDCCH1_release</b><br>[TCV_ch <> "dummy"]                                                                                                                                                                                     |                                    |   |          |
| 22                        |            | L!DL_DatRqChRel                                                                                                                                                                                                                        | ChRel(TCV_ch,<br>ChRelease_01)     |   |          |
| 23                        |            | [TCV_ch = "dummy"]                                                                                                                                                                                                                     |                                    |   |          |
| 24                        |            | <b>ltree_SDCCH2_release</b><br>[TCV_ch1 <> "dummy"]                                                                                                                                                                                    |                                    |   |          |
| 25                        |            | L!DL_DatRqChRel                                                                                                                                                                                                                        | ChRel(TCV_ch1,<br>ChRelease_01)    |   |          |
| 26                        |            | [TCV_ch1 = "dummy"]                                                                                                                                                                                                                    |                                    |   |          |
| 27                        |            | <b>ltree_TCH1_release</b><br>[TCV_chTch <> "dummy"]                                                                                                                                                                                    |                                    |   |          |
| 28                        |            | L!DL_DatRqChRel                                                                                                                                                                                                                        | ChRel(TCV_chTch,<br>ChRelease_01)  |   |          |
| 29                        |            | [TCV_chTch = "dummy"]                                                                                                                                                                                                                  |                                    |   |          |
| 30                        |            | <b>ltree_TCH2_release</b><br>[TCV_chTch1 <> "dummy"]                                                                                                                                                                                   |                                    |   |          |
| 31                        |            | L!DL_DatRqChRel                                                                                                                                                                                                                        | ChRel(TCV_chTch1,<br>ChRelease_01) |   |          |
| 32                        |            | [TCV_chTch1 = "dummy"]                                                                                                                                                                                                                 |                                    |   |          |
| <b>Detailed Comments:</b> |            | <ol style="list-style-type: none"> <li>1. To throw away any irrelevant channel request.</li> <li>2. The guard timer times out, inconclusive.</li> <li>3. Unexpected events, fail.</li> <li>4. Cancel of all running timers.</li> </ol> |                                    |   |          |



| Default Dynamic Behaviour |       |                                                      |      |   |          |
|---------------------------|-------|------------------------------------------------------|------|---|----------|
| <b>Default Name:</b>      |       | OtherEvents_01                                       |      |   |          |
| <b>Group:</b>             |       | GSM_MS_EFR_4210/                                     |      |   |          |
| <b>Objective:</b>         |       | To match irrelevant messages and return              |      |   |          |
| Nr                        | Label | Behaviour Description                                | CRef | V | Comments |
| 1                         |       | L?OTHERWISE                                          |      |   | 1.       |
| 2                         |       | RETURN                                               |      |   |          |
| <b>Detailed Comments:</b> |       | 1. Cover also DLRelInd_02 for local end termination. |      |   |          |

| Default Dynamic Behaviour   |            |                                                                                                                                                                                                                                                |                                    |   |          |
|-----------------------------|------------|------------------------------------------------------------------------------------------------------------------------------------------------------------------------------------------------------------------------------------------------|------------------------------------|---|----------|
| <b>Default Name:</b>        |            | OtherEvents_02                                                                                                                                                                                                                                 |                                    |   |          |
| <b>Group:</b>               |            | GSM_MS_EFR_4210/                                                                                                                                                                                                                               |                                    |   |          |
| <b>Objective:</b>           |            | To match unexpected events and sign final verdict for preambles but ignore channel request messages that are sent before the lower tester has sent (and the MS received) the Immediate Assignment message.                                     |                                    |   |          |
| <b>Comments:</b>            |            | used in preambles.                                                                                                                                                                                                                             |                                    |   |          |
| Nr                          | Label      | Behaviour Description                                                                                                                                                                                                                          | CRef                               | V | Comments |
| 1                           |            | L?DL_Relln                                                                                                                                                                                                                                     | DLRelInd_02                        |   |          |
| 2                           |            | RETURN                                                                                                                                                                                                                                         |                                    |   |          |
| 3                           |            | L?DL_RaInChRq                                                                                                                                                                                                                                  | ChReq(ChRequest_0<br>2)            |   | 1.       |
| 4                           |            | RETURN                                                                                                                                                                                                                                         |                                    |   |          |
| 5                           |            | ?TIMEOUT T_guard                                                                                                                                                                                                                               |                                    |   | 2.       |
| 6                           |            | +ltree_SDCCH1_release                                                                                                                                                                                                                          |                                    |   |          |
| 7                           |            | +ltree_SDCCH2_release                                                                                                                                                                                                                          |                                    |   |          |
| 8                           |            | +ltree_TCH1_release                                                                                                                                                                                                                            |                                    |   |          |
| 9                           |            | +ltree_TCH2_release                                                                                                                                                                                                                            |                                    |   |          |
| 10                          |            | (TCV_Null := OO_TguardTimeOut())                                                                                                                                                                                                               |                                    |   |          |
| 11                          | E_01<br>19 | CANCEL                                                                                                                                                                                                                                         |                                    | I | 4.       |
| 12                          |            | L?OTHERWISE                                                                                                                                                                                                                                    |                                    |   | 3.       |
| 13                          |            | +ltree_SDCCH1_release                                                                                                                                                                                                                          |                                    |   |          |
| 14                          |            | +ltree_SDCCH2_release                                                                                                                                                                                                                          |                                    |   |          |
| 15                          |            | +ltree_TCH1_release                                                                                                                                                                                                                            |                                    |   |          |
| 16                          |            | +ltree_TCH2_release                                                                                                                                                                                                                            |                                    |   |          |
| 17                          |            | L?DL_Relln                                                                                                                                                                                                                                     | DLRelInd_01                        |   |          |
| 18                          | E_01<br>20 | CANCEL                                                                                                                                                                                                                                         |                                    | I | 4.       |
| 19                          |            | ?TIMEOUT T_guard                                                                                                                                                                                                                               |                                    |   | 2.       |
| 20                          | E_01<br>21 | CANCEL                                                                                                                                                                                                                                         |                                    | I | 4.       |
| <b>ltree_SDCCH1_release</b> |            |                                                                                                                                                                                                                                                |                                    |   |          |
| 21                          |            | [TCV_ch <> "dummy"]                                                                                                                                                                                                                            |                                    |   |          |
| 22                          |            | L!DL_DatRqChRel                                                                                                                                                                                                                                | ChRel(TCV_ch,<br>ChRelease_01)     |   |          |
| 23                          |            | [TCV_ch = "dummy"]                                                                                                                                                                                                                             |                                    |   |          |
| <b>ltree_SDCCH2_release</b> |            |                                                                                                                                                                                                                                                |                                    |   |          |
| 24                          |            | [TCV_ch1 <> "dummy"]                                                                                                                                                                                                                           |                                    |   |          |
| 25                          |            | L!DL_DatRqChRel                                                                                                                                                                                                                                | ChRel(TCV_ch1,<br>ChRelease_01)    |   |          |
| 26                          |            | [TCV_ch1 = "dummy"]                                                                                                                                                                                                                            |                                    |   |          |
| <b>ltree_TCH1_release</b>   |            |                                                                                                                                                                                                                                                |                                    |   |          |
| 27                          |            | [TCV_chTch <> "dummy"]                                                                                                                                                                                                                         |                                    |   |          |
| 28                          |            | L!DL_DatRqChRel                                                                                                                                                                                                                                | ChRel(TCV_chTch,<br>ChRelease_01)  |   |          |
| 29                          |            | [TCV_chTch = "dummy"]                                                                                                                                                                                                                          |                                    |   |          |
| <b>ltree_TCH2_release</b>   |            |                                                                                                                                                                                                                                                |                                    |   |          |
| 30                          |            | [TCV_chTch1 <> "dummy"]                                                                                                                                                                                                                        |                                    |   |          |
| 31                          |            | L!DL_DatRqChRel                                                                                                                                                                                                                                | ChRel(TCV_chTch1,<br>ChRelease_01) |   |          |
| 32                          |            | [TCV_chTch1 = "dummy"]                                                                                                                                                                                                                         |                                    |   |          |
| <b>Detailed Comments:</b>   |            | <ol style="list-style-type: none"> <li>1. To throw away any irrelevant channel request.</li> <li>2. The guard timer times out, inconclusive.</li> <li>3. Unexpected events, inconclusive.</li> <li>4. Cancel of all running timers.</li> </ol> |                                    |   |          |

| Default Dynamic Behaviour |       |                                                           |             |   |          |
|---------------------------|-------|-----------------------------------------------------------|-------------|---|----------|
| <b>Default Name:</b>      |       | RcvHdOvAcc                                                |             |   |          |
| <b>Group:</b>             |       | GSM_MS_EFR_4210/                                          |             |   |          |
| <b>Objective:</b>         |       | To match any HANDOVER ACCESS then return to calling tree. |             |   |          |
| Nr                        | Label | Behaviour Description                                     | CRef        | V | Comments |
| 1                         |       | L?DL_RaInHoacc                                            | HndOvAcc_01 |   |          |
| 2                         |       | RETURN                                                    |             |   |          |
| <b>Detailed Comments:</b> |       |                                                           |             |   |          |

## Annex E (informative): Cell Selection Abstract Test Suite

### Suite overview

#### Suite structure

| Test Suite Structure   |                                      |
|------------------------|--------------------------------------|
| <b>Suite Name:</b>     | GSM_MS_CS_4210                       |
| <b>Standards Ref:</b>  | ETS 300 557                          |
| <b>PICS Ref:</b>       |                                      |
| <b>PIXIT Ref:</b>      |                                      |
| <b>Test Method(s):</b> | Distributed Single Layer Test Method |
| <b>Comments:</b>       | v4.21.0                              |

| Structure and Objectives      |               |                                          |         |
|-------------------------------|---------------|------------------------------------------|---------|
| Test Group Reference          | Selection Ref | Test Group Objective                     | Page Nr |
| GSM_MS_CS_4210/CellSelection/ | SelExpr_0000  | To verify cell selection and reselection | 2346    |
| <b>Detailed Comments:</b>     |               |                                          |         |

#### Test case index

| Test Case Index               |              |               |                                                                                                                          |         |
|-------------------------------|--------------|---------------|--------------------------------------------------------------------------------------------------------------------------|---------|
| Test Group Reference          | Test Case Id | Selection ref | Description                                                                                                              | Page Nr |
| GSM_MS_CS_4210/CellSelection/ | TC_20_1      | SelExpr_0000  | Cell selection                                                                                                           | 2346    |
| GSM_MS_CS_4210/CellSelection/ | TC_20_2      | SelExpr_0000  | Cell selection with varying signal strength values                                                                       | 2350    |
| GSM_MS_CS_4210/CellSelection/ | TC_20_4      | SelExpr_0000  | Cell reselection using TEMPORARY_OFFSET, CELL_RESELECT_OFFSET, POWER_OFFSET and PENALTY_TIME parameters                  | 2352    |
| GSM_MS_CS_4210/CellSelection/ | TC_20_5      | SelExpr_0000  | Cell reselection using parameters transmitted in the System Information type 2bis, type 2ter, type 7 and type 8 messages | 2355    |
| GSM_MS_CS_4210/CellSelection/ | TC_20_6      | SelExpr_0000  | Cell reselection timings                                                                                                 | 2357    |
| GSM_MS_CS_4210/CellSelection/ | TC_20_7      | SelExpr_0000  | Priority of cells                                                                                                        | 2361    |
| GSM_MS_CS_4210/CellSelection/ | TC_20_8      | SelExpr_0000  | Cell reselection when C1 (serving cell) < 0 for 5 seconds                                                                | 2365    |
| GSM_MS_CS_4210/CellSelection/ | TC_20_9      | SelExpr_0000  | Running average of the surrounding cell BCCH carrier signal levels                                                       | 2367    |
| GSM_MS_CS_4210/CellSelection/ | TC_20_10     | SelExpr_0000  | Running average of the serving cell BCCH carrier signal level                                                            | 2370    |
| GSM_MS_CS_4210/CellSelection/ | TC_20_12     | SelExpr_0000  | Decoding the BCCH information of the neighbour carriers on the list of six strongest neighbour carriers                  | 2372    |
| GSM_MS_CS_4210/CellSelection/ | TC_20_13     | SelExpr_0000  | Decoding the BSIC of the neighbour carriers on the list of six strongest neighbour carriers                              | 2374    |
| GSM_MS_CS_4210/CellSelection/ | TC_20_15     | SelExpr_0000  | Cell reselection due to MS rejection "LA not allowed"                                                                    | 2376    |
| GSM_MS_CS_4210/CellSelection/ | TC_20_16     | SelExpr_0000  | Downlink signalling failure                                                                                              | 2380    |
| GSM_MS_CS_4210/CellSelection/ | TC_20_17     | SelExpr_0000  | Cell selection if no suitable cell found in 10 s                                                                         | 2383    |
| <b>Detailed Comments:</b>     |              |               |                                                                                                                          |         |

## Test step index

| Test Step Index                      |                      |                                                                                                                             |         |
|--------------------------------------|----------------------|-----------------------------------------------------------------------------------------------------------------------------|---------|
| Test Step Group Reference            | Test Step Id         | Description                                                                                                                 | Page Nr |
| GSM_MS_CS_4210/management/           | StopAllBCCH          | To stop the RF transmission of all BCCH channels in all active cells.                                                       | 2384    |
| GSM_MS_CS_4210/management/Ch Config/ | Config_CBMS_A_1      | To set a physical channel and map FCCH, SCH, BCCH, CCCH, SDCCH4 and CBCH onto the physical channel which represents cell A. | 2385    |
| GSM_MS_CS_4210/management/Ch Config/ | Config_BCCH_CCCH_A_1 | To set a physical channel and map FCCH, SCH, BCCH and CCCH onto the physical channel which represents cell A.               | 2385    |
| GSM_MS_CS_4210/management/Ch Config/ | Config_BCCH_CCCH_A_2 | To set a physical channel and map the second BCCH, CCCH onto the physical channel which represents cell A.                  | 2385    |
| GSM_MS_CS_4210/management/Ch Config/ | Config_BCCH_CCCH_A_3 | To set a physical channel and map the third BCCH, CCCH onto the physical channel which represents cell A.                   | 2386    |
| GSM_MS_CS_4210/management/Ch Config/ | Config_BCCH_CCCH_A_4 | To set a physical channel and map the fourth BCCH, CCCH onto the physical channel which represents cell A.                  | 2386    |
| GSM_MS_CS_4210/management/Ch Config/ | Config_BCCH_CCCH_B_1 | To set a physical channel and map FCCH, SCH, BCCH and CCCH onto the physical channel which represents cell B.               | 2386    |
| GSM_MS_CS_4210/management/Ch Config/ | Config_SDCCH4_A_1    | To set a physical channel and map FCCH, SCH, BCCH, CCCH and SDCCH4 onto the physical channel which represents cell A.       | 2387    |
| GSM_MS_CS_4210/management/Ch Config/ | Config_SDCCH4_A_1_fn |                                                                                                                             | 2387    |
| GSM_MS_CS_4210/management/Ch Config/ | Config_SDCCH4_B_1    | To set a physical channel and map FCCH, SCH, BCCH, CCCH and SDCCH4 onto the physical channel which represents cell B.       | 2388    |
| GSM_MS_CS_4210/management/Ch Config/ | Config_SDCCH4_B_1_fn |                                                                                                                             | 2388    |
| GSM_MS_CS_4210/management/Ch Config/ | Config_SDCCH4_C_1    | To set a physical channel and map FCCH, SCH, BCCH, CCCH and SDCCH4 onto the physical channel which represents cell C.       | 2389    |
| GSM_MS_CS_4210/management/Ch Config/ | Config_SDCCH4_D_1    | To set a physical channel and map FCCH, SCH, BCCH, CCCH and SDCCH4 onto the physical channel which represents cell D.       | 2389    |
| GSM_MS_CS_4210/management/Ch Config/ | Config_SDCCH4_E_1    | To set a physical channel and map FCCH, SCH, BCCH, CCCH and SDCCH4 onto the physical channel which represents cell E.       | 2390    |
| GSM_MS_CS_4210/management/Ch Config/ | Config_SDCCH8_A_1    | To set one physical channel used as SDCCH8 channel for instance 1 of cell A.                                                | 2390    |
| GSM_MS_CS_4210/management/Ch Config/ | Config_SDCCH8_A_2    | To set one physical channel used as SDCCH8 channel for instance 2 of cell A.                                                | 2391    |
| GSM_MS_CS_4210/management/Ch Config/ | Config_SDCCH8_B_1    | To set one physical channel used as SDCCH8 channel for instance 1 of cell B.                                                | 2391    |
| GSM_MS_CS_4210/management/Ch Config/ | CombinedBCCH_A_C BMS | To set a physical channel and map FCCH, SCH, BCCH, CCCH and SDCCH4 onto the physical channel which represents cell A.       | 2392    |
| GSM_MS_CS_4210/management/Ch Config/ | CombinedBCCH_A       | To set a physical channel and map FCCH, SCH, BCCH, CCCH and SDCCH4 onto the physical channel which represents cell A.       | 2392    |
| GSM_MS_CS_4210/management/Ch Config/ | CombinedBCCH_A_fn    |                                                                                                                             | 2392    |
| GSM_MS_CS_4210/management/Ch Config/ | CombinedBCCH_B       | To set a physical channel and map FCCH, SCH, BCCH, CCCH and SDCCH4 onto the physical channel which represents cell B.       | 2393    |
| GSM_MS_CS_4210/management/Ch Config/ | CombinedBCCH_B_fn    |                                                                                                                             | 2393    |
| GSM_MS_CS_4210/management/Ch Config/ | CombinedBCCH_C       | To set a physical channel and map FCCH, SCH, BCCH, CCCH and SDCCH4 onto the physical channel which represents cell C.       | 2393    |
| GSM_MS_CS_4210/management/Ch Config/ | CombinedBCCH_D       | To set a physical channel and map FCCH, SCH, BCCH, CCCH and SDCCH4 onto the physical channel which represents cell D.       | 2394    |
| GSM_MS_CS_4210/management/Ch Config/ | CombinedBCCH_E       | To set a physical channel and map FCCH, SCH, BCCH, CCCH and SDCCH4 onto the physical channel which represents cell E.       | 2394    |

|                                       |                         |                                                                                                                                       |      |
|---------------------------------------|-------------------------|---------------------------------------------------------------------------------------------------------------------------------------|------|
| GSM_MS_CS_4210/management/Ch Config/  | NonCombinedBCCH_A       | To set one physical channel used as FCHH_SCH_BCCH_CCCH for cell A.                                                                    | 2394 |
| GSM_MS_CS_4210/management/Ch Config/  | NonCombinedBCCH_A_2     | To set a physical channel and map the second BCCH, CCCH onto the physical channel which represents cell A.                            | 2395 |
| GSM_MS_CS_4210/management/Ch Config/  | NonCombinedBCCH_A_3     | To set a physical channel and map the third BCCH, CCCH onto the physical channel which represents cell A.                             | 2395 |
| GSM_MS_CS_4210/management/Ch Config/  | NonCombinedBCCH_A_4     | To set a physical channel and map the fourth BCCH, CCCH onto the physical channel which represents cell A.                            | 2395 |
| GSM_MS_CS_4210/management/Ch Config/  | NonCombinedBCCH_B       | To set a physical channel and map FCCH, SCH, BCCH, CCCH onto the physical channel which represents cell B for RR testing.             | 2396 |
| GSM_MS_CS_4210/management/Ch Config/  | SDCCH8_A_1_nociph       | To set one physical channel used as SDCCH8 channel for instance 1 of cell A.                                                          | 2396 |
| GSM_MS_CS_4210/management/Ch Config/  | SDCCH8_A_2_nociph       | To set one physical channel used as hopping SDCCH8 channel for instance 2 of cell A, for TC_26_6_13_1.                                | 2397 |
| GSM_MS_CS_4210/management/Ch Config/  | SDCCH8_B_1_nociph       | To set one physical channel used as hopping SDCCH8 channel for instance 1 of cell B For TC_26_6_13_5.                                 | 2397 |
| GSM_MS_CS_4210/Miscellaneous/         | Authentication          | To execute the authentication procedure.                                                                                              | 2398 |
| GSM_MS_CS_4210/Miscellaneous/         | CCCH_group_Paging_group |                                                                                                                                       | 2399 |
| GSM_MS_CS_4210/Miscellaneous/         | ImsiAttach              |                                                                                                                                       | 2400 |
| GSM_MS_CS_4210/Miscellaneous/         | ImsiAttachIni           |                                                                                                                                       | 2401 |
| GSM_MS_CS_4210/Miscellaneous/         | ImsiAttachNoReaction    |                                                                                                                                       | 2402 |
| GSM_MS_CS_4210/Miscellaneous/         | ImsiDetach              |                                                                                                                                       | 2403 |
| GSM_MS_CS_4210/Miscellaneous/         | ImsiDetachNoReaction    |                                                                                                                                       | 2404 |
| GSM_MS_CS_4210/Miscellaneous/         | MM_LupInit2             |                                                                                                                                       | 2404 |
| GSM_MS_CS_4210/Miscellaneous/         | MM_LupRej               |                                                                                                                                       | 2404 |
| GSM_MS_CS_4210/Miscellaneous/         | MM_PwrOrSimOff          |                                                                                                                                       | 2405 |
| GSM_MS_CS_4210/Miscellaneous/         | MM_PwrOrSimOn           |                                                                                                                                       | 2405 |
| GSM_MS_CS_4210/Miscellaneous/         | NoReaction              | To check whether MS doesn't initiate any RR connections.                                                                              | 2405 |
| GSM_MS_CS_4210/Miscellaneous/         | PageOnCarriers          |                                                                                                                                       | 2406 |
| GSM_MS_CS_4210/Miscellaneous/         | Pause                   |                                                                                                                                       | 2407 |
| GSM_MS_CS_4210/Miscellaneous/         | SelectPagingCh          |                                                                                                                                       | 2407 |
| GSM_MS_CS_4210/Miscellaneous/         | Varinit_fix             |                                                                                                                                       | 2408 |
| GSM_MS_CS_4210/Miscellaneous/         | Wait                    |                                                                                                                                       | 2408 |
| GSM_MS_CS_4210/Miscellaneous/         | WaitForInService        | To wait until the MS enters the Idle and updated state.                                                                               | 2408 |
| GSM_MS_CS_4210/Miscellaneous/SysInfo/ | SysInfoSending_cbms     | To send system information messages for the CBMS tests.                                                                               | 2409 |
| GSM_MS_CS_4210/Miscellaneous/SysInfo/ | SysInfoSending_fh       | To send system information messages for the L3 tests. The following parameters specified by input parameters.                         | 2411 |
| GSM_MS_CS_4210/Miscellaneous/SysInfo/ | SysInfoSending_fh_bisA  |                                                                                                                                       | 2412 |
| GSM_MS_CS_4210/Miscellaneous/SysInfo/ | SysInfoSending_fh_bisB  |                                                                                                                                       | 2414 |
| GSM_MS_CS_4210/Miscellaneous/SysInfo/ | SysInfoSending_fh_rc    |                                                                                                                                       | 2416 |
| GSM_MS_CS_4210/Miscellaneous/SysInfo/ | SysInfoSending_fh_rpt   |                                                                                                                                       | 2418 |
| GSM_MS_CS_4210/Miscellaneous/SysInfo/ | SysInfoSending_fh_rpt   |                                                                                                                                       | 2420 |
| GSM_MS_CS_4210/Miscellaneous/SysInfo/ | SysInfoSending_nfh      | To send system information messages with default parameters defined for L3 tests for which no other special parameters indicated.     | 2422 |
| GSM_MS_CS_4210/Miscellaneous/SysInfo/ | SysInfoSending_nfhC     | To send system information messages with default parameters defined for L3 tests except that the cell is barred.                      | 2424 |
| GSM_MS_CS_4210/Miscellaneous/SysInfo/ | SysInfoSending_e        | Sending of Systeminformation for cell A in EGSM test case TC_26_10_2_2.                                                               | 2425 |
| GSM_MS_CS_4210/Miscellaneous/SysInfo/ | SysInfo_SacchSending    | To send SYSTEM INFORMATION 5 and 6 messages defined by parameters 'sysinfo5_pdu' and 'sysinfo6_pdu' in the parametrised 'ch' channel. | 2426 |

|                                       |                     |                                                                                                                                                                                                                                                                                                                               |      |
|---------------------------------------|---------------------|-------------------------------------------------------------------------------------------------------------------------------------------------------------------------------------------------------------------------------------------------------------------------------------------------------------------------------|------|
| GSM_MS_CS_4210/Miscellaneous/SysInfo/ | SysInfo_5bisSending | To send SYSTEM INFORMATION 5bis message defined by parameters 'sysinfo5bis_pdu' in the parametrised 'ch' channel.                                                                                                                                                                                                             | 2426 |
| GSM_MS_CS_4210/Miscellaneous/SysInfo/ | SetNECI             | To set the NECI =1.                                                                                                                                                                                                                                                                                                           | 2427 |
| GSM_MS_CS_4210/Miscellaneous/SysInfo/ | SetATT              | To set the ATT flag to "MS's in the cell should apply IMSI attach and detach procedure"                                                                                                                                                                                                                                       | 2428 |
| GSM_MS_CS_4210/OperatorOP/            | InitCall            |                                                                                                                                                                                                                                                                                                                               | 2429 |
| GSM_MS_CS_4210/OperatorOP/            | PLMNsCHK            | To check whether the MS presents a list of available PLMNs.                                                                                                                                                                                                                                                                   | 2429 |
| GSM_MS_CS_4210/Postambles/            | PostLinkRelEnd      | To release the RR connection and bring the MS back to Idle state.<br>This teststep decides the final verdict and therefor it shall be used only at the end of testcases.                                                                                                                                                      | 2429 |
| GSM_MS_CS_4210/Postambles/            | PostMainLinkRel     | To release the main signalling link `ch`, and bring the MS back to Idle state.                                                                                                                                                                                                                                                | 2429 |
| GSM_MS_CS_4210/Postambles/            | ChanRel             | To release the RR connection on the channel TCV_ch and bring the MS back to Idle state.                                                                                                                                                                                                                                       | 2430 |
| GSM_MS_CS_4210/Postambles/            | ChanRel_P           | To release the RR connection on the channel TCV_chmaindcch and bring the MS back to Idle state.<br>This teststep decides the verdict (P).                                                                                                                                                                                     | 2430 |
| GSM_MS_CS_4210/Postambles/            | ChanRel_end         | To release the RR connection and bring the MS back to Idle state.<br>This teststep decides the final verdict and therefor it shall be used only at the end of testcases.                                                                                                                                                      | 2430 |
| GSM_MS_CS_4210/Preambles/             | BasicServiceMO      | 1. This test step generates an appropriate MO SETUP message according to the IXIT parameters of Bearer services/Teleservices for an MO call.<br>2. The detailed algorithms for Bcap derivation for each Bearer service/Teleservice are described in test steps BS2xMO, BS3xMO, BS4xMO, BS5xMO, BS61or81MO, TS61MO and TS62MO. | 2431 |
| GSM_MS_CS_4210/Preambles/             | BS2xMO              | MO SETUP message with right Bcap for BS2x service.                                                                                                                                                                                                                                                                            | 2434 |
| GSM_MS_CS_4210/Preambles/             | BS3xMO              | MO SETUP message with right Bcap for BS3x service.                                                                                                                                                                                                                                                                            | 2437 |
| GSM_MS_CS_4210/Preambles/             | BS4xMO              | MO SETUP message with right Bcap for BS4x service.                                                                                                                                                                                                                                                                            | 2440 |
| GSM_MS_CS_4210/Preambles/             | BS5xMO              | MO SETUP message with right Bcap for BS5x service.                                                                                                                                                                                                                                                                            | 2442 |
| GSM_MS_CS_4210/Preambles/             | BS61or81MO          | To get a MO SETUP message with right BC IE for BS61 or BS81 service.                                                                                                                                                                                                                                                          | 2443 |
| GSM_MS_CS_4210/Preambles/             | Chmod               | To assign correct values to the test case variables TCV_ChMod and TCV_ChModb.                                                                                                                                                                                                                                                 | 2447 |
| GSM_MS_CS_4210/Preambles/             | IdleUpdated         | This test step is called at the preamble of each test case.                                                                                                                                                                                                                                                                   | 2448 |
| GSM_MS_CS_4210/Preambles/             | PreEstRRConn        | To establish a RR connection on TSPX_SDCCH4SubDef                                                                                                                                                                                                                                                                             | 2455 |
| GSM_MS_CS_4210/Preambles/             | PreEstRRC_MM        | To establish a RR connection for MM testcases.                                                                                                                                                                                                                                                                                | 2456 |
| GSM_MS_CS_4210/Preambles/             | TS61MO              | MO SETUP message with right Bcap for TS61 service.                                                                                                                                                                                                                                                                            | 2457 |
| GSM_MS_CS_4210/Preambles/             | TS62MO              | MO SETUP message with right Bcap for TS62 service.                                                                                                                                                                                                                                                                            | 2459 |

**Detailed Comments:**

## Default index

| Default Index             |                    |                                                                                                                                                                                                            |         |
|---------------------------|--------------------|------------------------------------------------------------------------------------------------------------------------------------------------------------------------------------------------------------|---------|
| Default Group Reference   | Default Id         | Description                                                                                                                                                                                                | Page Nr |
| GSM_MS_CS_4210/           | OtherEvents        | To match unexpected events and sign final verdict for preambles.                                                                                                                                           | 2461    |
| GSM_MS_CS_4210/           | OtherEventsFail    | To match unexpected events and fail the test case.                                                                                                                                                         | 2462    |
| GSM_MS_CS_4210/           | OtherEventsFail_01 | To match irrelevant CHANNEL REQUEST msg and return or match other unexpected events and fail the test case.                                                                                                | 2463    |
| GSM_MS_CS_4210/           | OtherEventsFail_02 | To match unexpected events and fail the test case but ignore channel request messages that are sent before the lower tester has sent (and the MS received) the Immediate Assignment message.               | 2464    |
| GSM_MS_CS_4210/           | OtherEvents_01     | To match irrelevant messages and return                                                                                                                                                                    | 2465    |
| GSM_MS_CS_4210/           | OtherEvents_02     | To match unexpected events and sign final verdict for preambles but ignore channel request messages that are sent before the lower tester has sent (and the MS received) the Immediate Assignment message. | 2466    |
| <b>Detailed Comments:</b> |                    |                                                                                                                                                                                                            |         |



## Declarations Part

## Test suite type definitions

## Simple type definitions

| Simple Type Definitions |                                          |                                                                                                                                                                              |
|-------------------------|------------------------------------------|------------------------------------------------------------------------------------------------------------------------------------------------------------------------------|
| Type Name               | Type Definition                          | Comments                                                                                                                                                                     |
| B_1                     | BITSTRING [1]                            | Generic type for 1 bit value                                                                                                                                                 |
| B_2                     | BITSTRING [2]                            | Generic type for 2 bits value                                                                                                                                                |
| B_3                     | BITSTRING [3]                            | Generic type for 3 bits value                                                                                                                                                |
| B_4                     | BITSTRING [4]                            | Generic type for 4 bits value                                                                                                                                                |
| B_5                     | BITSTRING [5]                            | Generic type for 5 bits value                                                                                                                                                |
| B_6                     | BITSTRING [6]                            | Generic type for 6 bits value                                                                                                                                                |
| B_8                     | BITSTRING [8]                            | Generic type for 8 bits value                                                                                                                                                |
| BCCHFRQ                 | BITSTRING [5]                            | position of a bcch carrier in the bcch channel list                                                                                                                          |
| BCC                     | BITSTRING [3]                            | BS colour code                                                                                                                                                               |
| BCDN                    | OCTETSTRING [1..10]                      | BCD numbers,<br>GSM 04.08, 10.5.4.7, octet 4-13                                                                                                                              |
| BSIC                    | BITSTRING [6]                            | base station identity code                                                                                                                                                   |
| CCCH_CON                | BITSTRING[3]                             | number of physical channels for ccch<br>GSM 04.08, 10.5.2.11                                                                                                                 |
| CCSTATE                 | INTEGER(1,3,4,6,7,8,9,10,11,12,19,26,27) |                                                                                                                                                                              |
| CellID                  | IA5String                                | Cell identifier                                                                                                                                                              |
| CHANNEL                 | BITSTRING [2]                            | needed channel type                                                                                                                                                          |
| CHMOD_VAL               | BITSTRING[8]                             | value for channel mode<br>GSM 04.08, 10.5.2.6, 10.5.2.7                                                                                                                      |
| CH_TDMA                 | BITSTRING[5]                             | channel type and TDMA offset<br>GSM 04.08, 10.5.2.5                                                                                                                          |
| CI                      | OCTETSTRING [2]                          | cell identity, GSM 04.08, 10.5.1.1                                                                                                                                           |
| CKSN                    | BITSTRING[3]                             | ciphering key sequence number(only key sequence)<br>GSM 04.08, 10.5.1.2                                                                                                      |
| CLRSUP                  | BITSTRING('10100001'B)                   | CLIR suppression<br>GSM 04.08, 10.5.4.11a                                                                                                                                    |
| CLRINV                  | BITSTRING('10100010'B)                   | CLIR invocation<br>GSM 04.08, 10.5.4.11b                                                                                                                                     |
| CMSVTYPE                | BITSTRING [4]                            | CM service type                                                                                                                                                              |
| CP_CAU                  | OCTETSTRING [1]                          | cp cause<br>GSM 04.11, 8.1.4.2                                                                                                                                               |
| CPHALG                  | BITSTRING[3]                             | Ciphering algorithm identifier<br>GSM 04.08, 10.5.2.9                                                                                                                        |
| CS                      | BITSTRING [2]                            | coding standard                                                                                                                                                              |
| EstMode                 | OCTETSTRING [1]                          | establish mode                                                                                                                                                               |
| EXTB                    | BITSTRING [1]                            | extension bit                                                                                                                                                                |
| FCS                     | HEXSTRING [2]                            | TP failure cause                                                                                                                                                             |
| FLWCNTL                 | INTEGER(0, 1, 2)                         | type of flow control. 0--outband flow control; 1--inband flow control; 2-- no flow control                                                                                   |
| HORF                    | BITSTRING [8]                            | handover reference                                                                                                                                                           |
| HSN                     | BITSTRING[6]                             | Hopping sequence number<br>e.g.GSM 04.08 10.5.2.5                                                                                                                            |
| IDTYPE                  | B_4                                      | identity type                                                                                                                                                                |
| IEI_4                   | BITSTRING [4]                            | information element identifier, type 1                                                                                                                                       |
| IEI_8                   | BITSTRING [8]                            | information element identifier,<br>type 2-4                                                                                                                                  |
| L2FMSTYPE               | INTEGER(1..3)                            | L2 frame type                                                                                                                                                                |
| LENGTH                  | OCTETSTRING [1]                          | IE length or L2 pseudo length. The L2 pseudo length is composed of a L2 pseudo length value, which is 6 bits long, and of 2 additional bits. See GSM 04.08 section 10.5.2.19 |
| LOGICCH                 | IA5String                                |                                                                                                                                                                              |

|                           |                                                                                                                                                                                                                                                                                                                                                                                     |                                                                        |
|---------------------------|-------------------------------------------------------------------------------------------------------------------------------------------------------------------------------------------------------------------------------------------------------------------------------------------------------------------------------------------------------------------------------------|------------------------------------------------------------------------|
| LOGCH                     | IA5String                                                                                                                                                                                                                                                                                                                                                                           |                                                                        |
| MAC                       | OCTETSTRING[3]                                                                                                                                                                                                                                                                                                                                                                      | mac, e.g. GSM 04.08 10.5.2.21                                          |
| MAIO                      | BITSTRING[6]                                                                                                                                                                                                                                                                                                                                                                        | MAIO,GSM 04.08 10.5.2.5                                                |
| MAXTXPOW                  | INTEGER(0..31)                                                                                                                                                                                                                                                                                                                                                                      | Max Tx Power Level<br>GSM 04.08, 10.5.2.4                              |
| MR                        | OCTETSTRING [1]                                                                                                                                                                                                                                                                                                                                                                     | SMS RP or TP message reference                                         |
| MT                        | BITSTRING[8]                                                                                                                                                                                                                                                                                                                                                                        | message type, structure of it see MT0                                  |
| MTI                       | BITSTRING [3]                                                                                                                                                                                                                                                                                                                                                                       | SMS RP message type indicator                                          |
| NCC                       | BITSTRING [3]                                                                                                                                                                                                                                                                                                                                                                       | PLMN colour code                                                       |
| NCCP                      | OCTETSTRING [1]                                                                                                                                                                                                                                                                                                                                                                     | ncc permitted                                                          |
| NTI                       | BITSTRING('1000000'B, '10000001'B, '10000010'B)                                                                                                                                                                                                                                                                                                                                     | notification indicator<br>GSM 04.08, 10.5.4.20                         |
| PD                        | B_4                                                                                                                                                                                                                                                                                                                                                                                 | Protocol discriminator                                                 |
| PGG                       | BITSTRING [8]                                                                                                                                                                                                                                                                                                                                                                       | the paging group of an MS to be paged in binary presentation           |
| RATE                      | IA5String("F", "H")                                                                                                                                                                                                                                                                                                                                                                 |                                                                        |
| RAND                      | BITSTRING [128]                                                                                                                                                                                                                                                                                                                                                                     | random number                                                          |
| RCSD                      | BITSTRING [8]                                                                                                                                                                                                                                                                                                                                                                       | reverse call setup direction<br>GSM 04.08, 10.5.4.22a                  |
| RelMode                   | OCTETSTRING [1]                                                                                                                                                                                                                                                                                                                                                                     | release mode                                                           |
| REJCAU                    | OCTETSTRING [1]                                                                                                                                                                                                                                                                                                                                                                     | reject cause GSM 04.08, 10.5.3.6                                       |
| RPI                       | BITSTRING [8]                                                                                                                                                                                                                                                                                                                                                                       | repeat indicator                                                       |
| RRCAU                     | BITSTRING [8]                                                                                                                                                                                                                                                                                                                                                                       | RR cause GSM 04.08, 10.5.2.31                                          |
| RXLEV                     | BITSTRING [6]                                                                                                                                                                                                                                                                                                                                                                       | received signal strength                                               |
| SAPID                     | OCTETSTRING [1]                                                                                                                                                                                                                                                                                                                                                                     | sap identifier                                                         |
| SENDINGMODE               | INTEGER(1..4)                                                                                                                                                                                                                                                                                                                                                                       | the mode of sending two consecutive messages containing paging mode IE |
| SERVICES                  | IA5String("C_Telephony", "C_EmgCall", "C_AltSpchFax", "C_AutoFax", "C_Async300", "C_Async1200", "C_Async120075", "C_Async2400", "C_Async4800", "C_Async9600", "C_Sync1200", "C_Sync2400", "C_Sync4800", "C_Sync9600", "C_PAD300", "C_PAD1200", "C_PAD120075", "C_PAD2400", "C_PAD4800", "C_PAD9600", "C_Packet2400", "C_Packet4800", "C_Packet9600", "C_AltSpchData", "C_SpchData") |                                                                        |
| SHOCT                     | B_4                                                                                                                                                                                                                                                                                                                                                                                 | spare half octet for type 1 information element<br>GSM 04.08, 10.5.1.8 |
| SKI                       | B_4                                                                                                                                                                                                                                                                                                                                                                                 | Skip indicator                                                         |
| SN                        | BITSTRING [3]                                                                                                                                                                                                                                                                                                                                                                       | all possible slot number, GSM 04.08 10.5.2.5                           |
| SPB                       | B_1                                                                                                                                                                                                                                                                                                                                                                                 | spare bit                                                              |
| SP2B                      | B_2                                                                                                                                                                                                                                                                                                                                                                                 | 2 spare bits                                                           |
| SP3B                      | B_3                                                                                                                                                                                                                                                                                                                                                                                 | 3 spare bits                                                           |
| SP5B                      | B_5                                                                                                                                                                                                                                                                                                                                                                                 | 5 spare bits                                                           |
| SP6B                      | B_6                                                                                                                                                                                                                                                                                                                                                                                 | 6 spare bits                                                           |
| SRES                      | OCTETSTRING [4]                                                                                                                                                                                                                                                                                                                                                                     | authentication response signature                                      |
| TPCD                      | OCTETSTRING [1..157]                                                                                                                                                                                                                                                                                                                                                                | TP command data                                                        |
| TPSCTS                    | HEXSTRING [14]                                                                                                                                                                                                                                                                                                                                                                      | TP service centre time stamp                                           |
| TPUD                      | OCTETSTRING [1..140]                                                                                                                                                                                                                                                                                                                                                                | TP user data                                                           |
| TSC                       | B_3                                                                                                                                                                                                                                                                                                                                                                                 | Training sequence code,GSM 04.08 10.5.2.5                              |
| T1                        | BITSTRING [11]                                                                                                                                                                                                                                                                                                                                                                      |                                                                        |
| T1_                       | B_5                                                                                                                                                                                                                                                                                                                                                                                 | T1'                                                                    |
| T2                        | B_5                                                                                                                                                                                                                                                                                                                                                                                 |                                                                        |
| T3                        | BITSTRING [6]                                                                                                                                                                                                                                                                                                                                                                       |                                                                        |
| T3_                       | B_3                                                                                                                                                                                                                                                                                                                                                                                 | T3'                                                                    |
| TI_V                      | B_3                                                                                                                                                                                                                                                                                                                                                                                 | TI value                                                               |
| TMSI_V                    | OCTETSTRING[4]                                                                                                                                                                                                                                                                                                                                                                      | TMSI value is octetstring of length 4                                  |
| TZONES                    | INTEGER(-79..79)                                                                                                                                                                                                                                                                                                                                                                    | time zones in 15 minute steps                                          |
| WI                        | HEXSTRING [2]                                                                                                                                                                                                                                                                                                                                                                       | wait indication, unit in second                                        |
| <b>Detailed Comments:</b> |                                                                                                                                                                                                                                                                                                                                                                                     |                                                                        |

**Structured Type definitions**

| <b>Structured Type Definition</b> |                 |                                                                  |
|-----------------------------------|-----------------|------------------------------------------------------------------|
| <b>Type Name:</b>                 |                 | ACST                                                             |
| <b>Comments:</b>                  |                 | Auxiliary states (CC information element)<br>GSM 04.08, 10.5.4.4 |
| Element Name                      | Type Definition | Comments                                                         |
| iei                               | IEI_8           |                                                                  |
| iel                               | LENGTH          |                                                                  |
| extb                              | EXTB            |                                                                  |
| sp3b                              | SP3B            |                                                                  |
| has                               | BITSTRING [2]   |                                                                  |
| mpas                              | BITSTRING [2]   |                                                                  |
| <b>Detailed Comments:</b>         |                 |                                                                  |

| <b>Structured Type Definition</b> |                 |                                                                                                                              |
|-----------------------------------|-----------------|------------------------------------------------------------------------------------------------------------------------------|
| <b>Type Name:</b>                 |                 | EFR_BCAP_3A_ETC                                                                                                              |
| <b>Comments:</b>                  |                 | Speech Versions preferences as supported by the EFR mobile - see GSM 04.08/10.5.4.5/octet 3a etc/"speech version indication" |
| Element Name                      | Type Definition | Comments                                                                                                                     |
| extb                              | EXTB            |                                                                                                                              |
| cod                               | BITSTRING[1]    |                                                                                                                              |
| spr2                              | BITSTRING[2]    |                                                                                                                              |
| svi                               | BITSTRING [4]   |                                                                                                                              |
| <b>Detailed Comments:</b>         |                 |                                                                                                                              |

| Structured Type Definition |                                                                   |          |
|----------------------------|-------------------------------------------------------------------|----------|
| <b>Type Name:</b>          | BCAP                                                              |          |
| <b>Comments:</b>           | Bearer capability (CC information element)<br>GSM 04.08, 10.5.4.5 |          |
| Element Name               | Type Definition                                                   | Comments |
| iei                        | IEI_8                                                             |          |
| iel                        | LENGTH                                                            |          |
| extb3                      | EXTB                                                              |          |
| rchr                       | BITSTRING [2]                                                     |          |
| cs                         | BITSTRING [1]                                                     |          |
| tm                         | BITSTRING [1]                                                     |          |
| itc                        | BITSTRING [3]                                                     |          |
| oct_3a_etc_1               | EFR_BCAP_3A_ETC                                                   |          |
| oct_3a_etc_2               | EFR_BCAP_3A_ETC                                                   |          |
| oct_3a_etc_3               | EFR_BCAP_3A_ETC                                                   |          |
| oct_3a_etc_4               | EFR_BCAP_3A_ETC                                                   |          |
| oct_3a_etc_5               | EFR_BCAP_3A_ETC                                                   |          |
| oct_3a_etc_6               | EFR_BCAP_3A_ETC                                                   |          |
| extb4                      | EXTB                                                              |          |
| spb                        | SPB                                                               |          |
| strc                       | BITSTRING [2]                                                     |          |
| dplxm                      | BITSTRING [1]                                                     |          |
| config                     | BITSTRING [1]                                                     |          |
| nirr                       | BITSTRING [1]                                                     |          |
| est                        | BITSTRING [1]                                                     |          |
| extb5                      | EXTB                                                              |          |
| accid                      | BITSTRING [2]                                                     |          |
| ra                         | BITSTRING [2]                                                     |          |
| sacp                       | BITSTRING [3]                                                     |          |
| extb6                      | EXTB                                                              |          |
| l1id                       | BITSTRING [2]                                                     |          |
| uil1                       | BITSTRING [4]                                                     |          |
| sb                         | BITSTRING [1]                                                     |          |
| extb6a                     | EXTB                                                              |          |
| nsb                        | BITSTRING [1]                                                     |          |
| nb                         | BITSTRING [1]                                                     |          |
| ndb                        | BITSTRING [1]                                                     |          |
| ur                         | BITSTRING [4]                                                     |          |
| extb6b                     | EXTB                                                              |          |
| ir                         | BITSTRING [2]                                                     |          |
| nictx                      | BITSTRING [1]                                                     |          |
| nicrx                      | BITSTRING [1]                                                     |          |
| pi                         | BITSTRING [3]                                                     |          |
| extb6c                     | EXTB                                                              |          |
| ce                         | BITSTRING [2]                                                     |          |
| modemt                     | BITSTRING [5]                                                     |          |
| extb7                      | EXTB                                                              |          |
| l2id                       | BITSTRING [2]                                                     |          |
| uil2                       | BITSTRING [5]                                                     |          |
| <b>Detailed Comments:</b>  |                                                                   |          |

| Structured Type Definition |                                 |          |
|----------------------------|---------------------------------|----------|
| <b>Type Name:</b>          | BLOCKTYPE                       |          |
| <b>Comments:</b>           | Block type,<br>GSM 04.12, 3.3.1 |          |
| Element Name               | Type Definition                 | Comments |
| spare1                     | SPB                             |          |
| lpd                        | BITSTRING[2]                    |          |
| lb                         | BITSTRING[1]                    |          |
| sequence_number            | BITSTRING[4]                    |          |
| <b>Detailed Comments:</b>  |                                 |          |

| Structured Type Definition |                                                        |          |
|----------------------------|--------------------------------------------------------|----------|
| <b>Type Name:</b>          | CAU                                                    |          |
| <b>Comments:</b>           | Cause (CC information element)<br>GSM 04.08, 10.5.4.11 |          |
| Element Name               | Type Definition                                        | Comments |
| iei                        | IEI_8                                                  |          |
| iel                        | LENGTH                                                 |          |
| extb3                      | EXTB                                                   |          |
| cs                         | CS                                                     |          |
| spb                        | SPB                                                    |          |
| location                   | BITSTRING [4]                                          |          |
| extb3a                     | EXTB                                                   |          |
| rec                        | BITSTRING [7]                                          |          |
| extb4                      | EXTB                                                   |          |
| cau_class                  | BITSTRING [3]                                          |          |
| cau_va                     | BITSTRING [4]                                          |          |
| cau_di                     | OCTETSTRING [1..28]                                    |          |
| <b>Detailed Comments:</b>  | &COMMON_U06                                            |          |

| Structured Type Definition |                                                   |          |
|----------------------------|---------------------------------------------------|----------|
| <b>Type Name:</b>          | CCCAP                                             |          |
| <b>Comments:</b>           | Call Control Capabilities<br>GSM 04.08, 10.5.4.5a |          |
| Element Name               | Type Definition                                   | Comments |
| iei                        | IEI_8                                             |          |
| iel                        | LENGTH                                            |          |
| spr                        | BITSTRING [7]                                     |          |
| dtmf                       | BITSTRING [1]                                     |          |
| <b>Detailed Comments:</b>  |                                                   |          |

| Structured Type Definition |                                                     |          |
|----------------------------|-----------------------------------------------------|----------|
| <b>Type Name:</b>          | CCD                                                 |          |
| <b>Comments:</b>           | Control channel description<br>GSM 04.08, 10.5.2.11 |          |
| Element Name               | Type Definition                                     | Comments |
| spr1                       | BITSTRING [1]                                       |          |
| att                        | BITSTRING [1]                                       |          |
| babr                       | BITSTRING [3]                                       |          |
| ccch_con                   | BITSTRING [3]                                       |          |
| spr2                       | BITSTRING [5]                                       |          |
| bpm                        | BITSTRING [3]                                       |          |
| t3212                      | OCTETSTRING [1]                                     |          |
| <b>Detailed Comments:</b>  |                                                     |          |

| Structured Type Definition |                                                 |          |
|----------------------------|-------------------------------------------------|----------|
| <b>Type Name:</b>          | CCHD                                            |          |
| <b>Comments:</b>           | Cell channel description<br>GSM 04.08, 10.5.2.1 |          |
| Element Name               | Type Definition                                 | Comments |
| iei                        | IEI_8                                           |          |
| rfl                        | OCTETSTRING [16]                                |          |
| <b>Detailed Comments:</b>  |                                                 |          |

| Structured Type Definition |                                         |          |
|----------------------------|-----------------------------------------|----------|
| <b>Type Name:</b>          | CD                                      |          |
| <b>Comments:</b>           | Cell description<br>GSM 04.08, 10.5.2.2 |          |
| Element Name               | Type Definition                         | Comments |
| bcch_arfcn_h               | BITSTRING [2]                           |          |
| ncc                        | NCC                                     |          |
| bcc                        | BCC                                     |          |
| bcch_arfcn_l               | BITSTRING [8]                           |          |
| <b>Detailed Comments:</b>  | The info element is two octets long.    |          |

| Structured Type Definition |                                                                         |          |
|----------------------------|-------------------------------------------------------------------------|----------|
| <b>Type Name:</b>          | CDPN                                                                    |          |
| <b>Comments:</b>           | Called party BCD number (CC information element)<br>GSM 04.08, 10.5.4.7 |          |
| Element Name               | Type Definition                                                         | Comments |
| iei                        | IEI_8                                                                   |          |
| iel                        | LENGTH                                                                  |          |
| tonnpi                     | TON_NPI                                                                 |          |
| digits                     | BCDN                                                                    |          |
| <b>Detailed Comments:</b>  |                                                                         |          |

| Structured Type Definition |                                                                         |          |
|----------------------------|-------------------------------------------------------------------------|----------|
| <b>Type Name:</b>          | CDPS                                                                    |          |
| <b>Comments:</b>           | Called party subaddress (CC information element)<br>GSM 04.08, 10.5.4.8 |          |
| Element Name               | Type Definition                                                         | Comments |
| iei                        | IEI_8                                                                   |          |
| iel                        | LENGTH                                                                  |          |
| subad                      | SUBAD                                                                   |          |
| <b>Detailed Comments:</b>  |                                                                         |          |

| Structured Type Definition |                    |          |
|----------------------------|--------------------|----------|
| <b>Type Name:</b>          | CE                 |          |
| <b>Comments:</b>           | connection element |          |
| Element Name               | Type Definition    | Comments |
| TorBothTorBothNT           | B_2                |          |
| NTorBothTorBothNT          | B_2                |          |
| <b>Detailed Comments:</b>  |                    |          |

| Structured Type Definition |                                                                          |          |
|----------------------------|--------------------------------------------------------------------------|----------|
| <b>Type Name:</b>          | CGPN                                                                     |          |
| <b>Comments:</b>           | Calling party BCD number (CC information element)<br>GSM 04.08, 10.5.4.9 |          |
| Element Name               | Type Definition                                                          | Comments |
| iei                        | IEI_8                                                                    |          |
| iel                        | LENGTH                                                                   |          |
| tonnpi                     | TON_NPI                                                                  |          |
| pi                         | PI_SI                                                                    |          |
| digits                     | BCDN                                                                     |          |
| <b>Detailed Comments:</b>  |                                                                          |          |

| Structured Type Definition |                                                                           |          |
|----------------------------|---------------------------------------------------------------------------|----------|
| <b>Type Name:</b>          | CGPS                                                                      |          |
| <b>Comments:</b>           | Calling party subaddress (CC information element)<br>GSM 04.08, 10.5.4.10 |          |
| Element Name               | Type Definition                                                           | Comments |
| iei                        | IEI_8                                                                     |          |
| iel                        | LENGTH                                                                    |          |
| subad                      | SUBAD                                                                     |          |
| <b>Detailed Comments:</b>  |                                                                           |          |

| Structured Type Definition |                                            |          |
|----------------------------|--------------------------------------------|----------|
| <b>Type Name:</b>          | CHD                                        |          |
| <b>Comments:</b>           | Channel description<br>GSM 04.08, 10.5.2.5 |          |
| Element Name               | Type Definition                            | Comments |
| iei                        | IEI_8                                      |          |
| cht_schn                   | BITSTRING [5]                              |          |
| tn                         | BITSTRING [3]                              |          |
| tsc                        | BITSTRING [3]                              |          |
| hch                        | BITSTRING [1]                              |          |
| maio                       | BITSTRING [6]                              |          |
| hsn                        | BITSTRING [6]                              |          |
| spr                        | BITSTRING [2]                              |          |
| arfcn                      | BITSTRING [10]                             |          |
| <b>Detailed Comments:</b>  |                                            |          |

| Structured Type Definition |                                                              |          |
|----------------------------|--------------------------------------------------------------|----------|
| <b>Type Name:</b>          | CHMOD                                                        |          |
| <b>Comments:</b>           | Channel mode, channel mode2<br>GSM 04.08, 10.5.2.6, 10.5.2.7 |          |
| Element Name               | Type Definition                                              | Comments |
| iei                        | IEI_8                                                        |          |
| mode                       | B_8                                                          |          |
| <b>Detailed Comments:</b>  |                                                              |          |

| Structured Type Definition |                                        |          |
|----------------------------|----------------------------------------|----------|
| <b>Type Name:</b>          | CHNEED                                 |          |
| <b>Comments:</b>           | Channels needed<br>GSM 04.08, 10.5.2.8 |          |
| Element Name               | Type Definition                        | Comments |
| ch2                        | CHANNEL                                |          |
| ch1                        | CHANNEL                                |          |
| <b>Detailed Comments:</b>  |                                        |          |

| Structured Type Definition |                                                                   |          |
|----------------------------|-------------------------------------------------------------------|----------|
| <b>Type Name:</b>          | CNN                                                               |          |
| <b>Comments:</b>           | Connected number (CC information element)<br>GSM 04.08, 10.5.4.13 |          |
| Element Name               | Type Definition                                                   | Comments |
| iei                        | IEI_8                                                             |          |
| iel                        | LENGTH                                                            |          |
| tonnpi                     | TON_NPI                                                           |          |
| pi                         | PI_SI                                                             |          |
| digits                     | BCDN                                                              |          |
| <b>Detailed Comments:</b>  |                                                                   |          |

| Structured Type Definition |                                                                       |          |
|----------------------------|-----------------------------------------------------------------------|----------|
| <b>Type Name:</b>          | CNS                                                                   |          |
| <b>Comments:</b>           | Connected subaddress (CC information element)<br>GSM 04.08, 10.5.4.14 |          |
| Element Name               | Type Definition                                                       | Comments |
| iei                        | IEI_8                                                                 |          |
| iel                        | LENGTH                                                                |          |
| subad                      | SUBAD                                                                 |          |
| <b>Detailed Comments:</b>  |                                                                       |          |

| Structured Type Definition |                                                    |          |
|----------------------------|----------------------------------------------------|----------|
| <b>Type Name:</b>          | CO                                                 |          |
| <b>Comments:</b>           | Cell options (BCCH / SACCH)<br>GSM 04.08, 10.5.2.3 |          |
| Element Name               | Type Definition                                    | Comments |
| sprb                       | BITSTRING [1]                                      |          |
| pwr                        | BITSTRING [1]                                      |          |
| dtx                        | BITSTRING [2]                                      |          |
| rlt                        | BITSTRING [4]                                      |          |
| <b>Detailed Comments:</b>  |                                                    |          |

| Structured Type Definition                                                                                                   |                                                    |          |
|------------------------------------------------------------------------------------------------------------------------------|----------------------------------------------------|----------|
| <b>Type Name:</b>                                                                                                            | Component_T                                        |          |
| <b>Comments:</b>                                                                                                             | Component for sending (downlink)<br>GSM 04.80, 3.6 |          |
| Element Name                                                                                                                 | Type Definition                                    | Comments |
| comp_part1                                                                                                                   | OCTETSTRING                                        |          |
| invokeld                                                                                                                     | OCTETSTRING [1]                                    |          |
| comp_part2                                                                                                                   | OCTETSTRING                                        |          |
| comp_part3                                                                                                                   | OCTETSTRING                                        |          |
| comp_part4                                                                                                                   | OCTETSTRING                                        |          |
| comp_part5                                                                                                                   | OCTETSTRING                                        |          |
| comp_part6                                                                                                                   | OCTETSTRING                                        |          |
| comp_part7                                                                                                                   | OCTETSTRING                                        |          |
| comp_part8                                                                                                                   | OCTETSTRING                                        |          |
| comp_part9                                                                                                                   | OCTETSTRING                                        |          |
| comp_part10                                                                                                                  | OCTETSTRING                                        |          |
| comp_part11                                                                                                                  | OCTETSTRING                                        |          |
| comp_part12                                                                                                                  | OCTETSTRING                                        |          |
| <b>Detailed Comments:</b> This component is defined for the use in the downlink (from the test system to the IUT) direction. |                                                    |          |

| Structured Type Definition                                                       |                                            |          |
|----------------------------------------------------------------------------------|--------------------------------------------|----------|
| <b>Type Name:</b>                                                                | CPDATA                                     |          |
| <b>Comments:</b>                                                                 | CP-User data element<br>GSM 04.11, 8.1.4.1 |          |
| Element Name                                                                     | Type Definition                            | Comments |
| iei                                                                              | IEI_8                                      |          |
| iel                                                                              | LENGTH                                     |          |
| rpack                                                                            | RPACK                                      |          |
| rpdata                                                                           | RPDATA                                     |          |
| rperr                                                                            | RPERR                                      |          |
| rpsmma                                                                           | RPSMMA                                     |          |
| <b>Detailed Comments:</b> One of the 4 types of rpdu is contained in the CPDATA. |                                            |          |



| Structured Type Definition |                                            |          |
|----------------------------|--------------------------------------------|----------|
| <b>Type Name:</b>          | CPHMS                                      |          |
| <b>Comments:</b>           | Cipher mode setting<br>GSM 04.08, 10.5.2.9 |          |
| Element Name               | Type Definition                            | Comments |
| iei                        | IEI_4                                      |          |
| algid                      | BITSTRING [3]                              |          |
| sc                         | BITSTRING [1]                              |          |
| <b>Detailed Comments:</b>  |                                            |          |

| Structured Type Definition |                                                      |          |
|----------------------------|------------------------------------------------------|----------|
| <b>Type Name:</b>          | CPHKS                                                |          |
| <b>Comments:</b>           | Ciphering key sequence number<br>GSM 04.08, 10.5.1.2 |          |
| Element Name               | Type Definition                                      | Comments |
| sprb                       | BITSTRING [1]                                        |          |
| ks                         | BITSTRING [3]                                        |          |
| <b>Detailed Comments:</b>  |                                                      |          |

| Structured Type Definition |                                         |          |
|----------------------------|-----------------------------------------|----------|
| <b>Type Name:</b>          | CPH_RES                                 |          |
| <b>Comments:</b>           | Cipher response<br>GSM 04.08, 10.5.2.10 |          |
| Element Name               | Type Definition                         | Comments |
| iei                        | IEI_4                                   |          |
| sprb                       | BITSTRING [3]                           |          |
| cr                         | BITSTRING [1]                           |          |
| <b>Detailed Comments:</b>  |                                         |          |

| Structured Type Definition |                                                  |          |
|----------------------------|--------------------------------------------------|----------|
| <b>Type Name:</b>          | CSP                                              |          |
| <b>Comments:</b>           | Cell selection parameters<br>GSM 04.08, 10.5.2.4 |          |
| Element Name               | Type Definition                                  | Comments |
| crh                        | BITSTRING [3]                                    |          |
| mtmc                       | BITSTRING [5]                                    |          |
| acs                        | BITSTRING [1]                                    |          |
| neci                       | BITSTRING [1]                                    |          |
| ram                        | BITSTRING [6]                                    |          |
| <b>Detailed Comments:</b>  |                                                  |          |

| Structured Type Definition |                                                             |          |
|----------------------------|-------------------------------------------------------------|----------|
| <b>Type Name:</b>          | CST                                                         |          |
| <b>Comments:</b>           | Call status (CC information element)<br>GSM 04.08, 10.5.4.6 |          |
| Element Name               | Type Definition                                             | Comments |
| cs                         | CS                                                          |          |
| csv                        | BITSTRING [6]                                               |          |
| <b>Detailed Comments:</b>  |                                                             |          |

| Structured Type Definition |                                                                                                                                                                                                |          |
|----------------------------|------------------------------------------------------------------------------------------------------------------------------------------------------------------------------------------------|----------|
| <b>Type Name:</b>          | FIE                                                                                                                                                                                            |          |
| <b>Comments:</b>           | Facility information element<br>GSM 04.80, 3.6                                                                                                                                                 |          |
| Element Name               | Type Definition                                                                                                                                                                                | Comments |
| iei                        | IEI_8                                                                                                                                                                                          |          |
| iel                        | LENGTH                                                                                                                                                                                         |          |
| components_1               | Components                                                                                                                                                                                     |          |
| components_t               | Component_T                                                                                                                                                                                    |          |
| <b>Detailed Comments:</b>  | When sending normally only one component is sent, but when receiving any number of components can be received even though normally we are only interested in one component during the testing. |          |

| Structured Type Definition |                                                                                                       |          |
|----------------------------|-------------------------------------------------------------------------------------------------------|----------|
| <b>Type Name:</b>          | FN                                                                                                    |          |
| <b>Comments:</b>           | The time in reference to the frame numbering corresponding to the absolute frame number modulo 42432. |          |
| Element Name               | Type Definition                                                                                       | Comments |
| t1_                        | T1_                                                                                                   |          |
| t3                         | T3                                                                                                    |          |
| t2                         | T2                                                                                                    |          |
| <b>Detailed Comments:</b>  | In STRT and RQR                                                                                       |          |

| Structured Type Definition |                                                    |          |
|----------------------------|----------------------------------------------------|----------|
| <b>Type Name:</b>          | FRQCHS                                             |          |
| <b>Comments:</b>           | Frequency channel sequence<br>GSM 04.08, 10.5.2.12 |          |
| Element Name               | Type Definition                                    | Comments |
| iei                        | IEI_8                                              |          |
| larfcn                     | OCTETSTRING [1]                                    |          |
| incs                       | OCTETSTRING [8]                                    |          |
| <b>Detailed Comments:</b>  |                                                    |          |

| Structured Type Definition |                                                                                                 |          |
|----------------------------|-------------------------------------------------------------------------------------------------|----------|
| <b>Type Name:</b>          | FRQL                                                                                            |          |
| <b>Comments:</b>           | Frequency list, frequency short list<br>GSM 04.08, 10.5.2.5, 10.5.2.6                           |          |
| Element Name               | Type Definition                                                                                 | Comments |
| iei                        | IEI_8                                                                                           |          |
| iel                        | LENGTH                                                                                          |          |
| fl                         | OCTETSTRING                                                                                     |          |
| <b>Detailed Comments:</b>  | frequency short list has a fixed length of 10 octets and does not contain the length indicator. |          |

| Structured Type Definition |                                                                           |          |
|----------------------------|---------------------------------------------------------------------------|----------|
| <b>Type Name:</b>          | FRQPARA                                                                   |          |
| <b>Comments:</b>           | Parameters for Description of basic physical channel in frequency domain. |          |
| Element Name               | Type Definition                                                           | Comments |
| hch                        | BITSTRING[1]                                                              |          |
| maio                       | BITSTRING [6]                                                             |          |
| hsn                        | BITSTRING [6]                                                             |          |
| spr                        | BITSTRING [2]                                                             |          |
| arfcn                      | BITSTRING [10]                                                            |          |
| maclength                  | LENGTH                                                                    |          |
| mac_8n                     | BITSTRING [8]                                                             |          |
| mac_7n                     | BITSTRING [8]                                                             |          |
| mac_6n                     | BITSTRING [8]                                                             |          |
| mac_5n                     | BITSTRING [8]                                                             |          |
| mac_4n                     | BITSTRING [8]                                                             |          |
| mac_3n                     | BITSTRING [8]                                                             |          |
| mac_2n                     | BITSTRING [8]                                                             |          |
| mac_1n                     | BITSTRING [8]                                                             |          |
| flst                       | FRQL                                                                      |          |
| <b>Detailed Comments:</b>  |                                                                           |          |

| Structured Type Definition |                                                                                      |          |
|----------------------------|--------------------------------------------------------------------------------------|----------|
| <b>Type Name:</b>          | HLCMP                                                                                |          |
| <b>Comments:</b>           | High layer compatibility (CC information element)<br>GSM 04.08, 10.5.4.16, ITU Q.931 |          |
| Element Name               | Type Definition                                                                      | Comments |
| iei                        | IEI_8                                                                                |          |
| iel                        | LENGTH                                                                               |          |
| extb3                      | EXTB                                                                                 |          |
| cs                         | BITSTRING [2]                                                                        |          |
| in                         | BITSTRING [3]                                                                        |          |
| pmp                        | BITSTRING [2]                                                                        |          |
| extb4                      | EXTB                                                                                 |          |
| hlci                       | BITSTRING [7]                                                                        |          |
| extb4a                     | EXTB                                                                                 |          |
| ehlci                      | BITSTRING [7]                                                                        |          |
| <b>Detailed Comments:</b>  |                                                                                      |          |

| Structured Type Definition |                            |          |
|----------------------------|----------------------------|----------|
| <b>Type Name:</b>          | HOACC_PARA                 |          |
| <b>Comments:</b>           | Handover Access parameters |          |
| Element Name               | Type Definition            | Comments |
| num_bursts                 | OCTETSTRING[1]             |          |
| min_mspwr                  | OCTETSTRING[1]             |          |
| max_mspwr                  | OCTETSTRING[1]             |          |
| min_msta                   | BITSTRING[8]               |          |
| max_msta                   | BITSTRING[8]               |          |
| <b>Detailed Comments:</b>  |                            |          |

| Structured Type Definition |                    |          |
|----------------------------|--------------------|----------|
| <b>Type Name:</b>          | IARESTOCT          |          |
| <b>Comments:</b>           |                    |          |
| Element Name               | Type Definition    | Comments |
| iei                        | IEI_8              |          |
| iaroct1                    | OCTETSTRING[1..11] |          |
| iaroct2                    | IARESTOCT2         |          |
| <b>Detailed Comments:</b>  |                    |          |

| Structured Type Definition |                   |          |
|----------------------------|-------------------|----------|
| <b>Type Name:</b>          | IARESTOCT2        |          |
| <b>Comments:</b>           |                   |          |
| Element Name               | Type Definition   | Comments |
| p                          | BITSTRING[2]      |          |
| frqparalen                 | BITSTRING[6]      |          |
| spbt1                      | BITSTRING[2]      |          |
| maio                       | BITSTRING[6]      |          |
| ma                         | OCTETSTRING[0..8] |          |
| spbt2                      | OCTETSTRING[0..8] |          |
| <b>Detailed Comments:</b>  |                   |          |

| Structured Type Definition                |                                               |          |
|-------------------------------------------|-----------------------------------------------|----------|
| <b>Type Name:</b>                         | KPF (keypad facility)                         |          |
| <b>Comments:</b>                          | keypad facility<br>GSM 04.08 clause 10.5.4.17 |          |
| Element Name                              | Type Definition                               | Comments |
| iei                                       | IEI_8                                         |          |
| extb                                      | EXTB                                          |          |
| kpf_info                                  | IA5String [1]                                 |          |
| <b>Detailed Comments:</b> Is extb needed? |                                               |          |

| Structured Type Definition |                 |          |
|----------------------------|-----------------|----------|
| <b>Type Name:</b>          | L1HD            |          |
| <b>Comments:</b>           | Layer 1 Header  |          |
| Element Name               | Type Definition | Comments |
| spr1                       | BITSTRING[3]    |          |
| mshwrlvl                   | BITSTRING[5]    |          |
| spr2                       | BITSTRING[1]    |          |
| ta                         | BITSTRING[7]    |          |
| <b>Detailed Comments:</b>  |                 |          |

| Structured Type Definition |                                                     |          |
|----------------------------|-----------------------------------------------------|----------|
| <b>Type Name:</b>          | LAI                                                 |          |
| <b>Comments:</b>           | Location area identification<br>GSM 04.08, 10.5.1.3 |          |
| Element Name               | Type Definition                                     | Comments |
| iei                        | IEI_8                                               |          |
| mcc                        | OCTETSTRING [2]                                     |          |
| mnc                        | OCTETSTRING [1]                                     |          |
| lac                        | OCTETSTRING [2]                                     |          |
| <b>Detailed Comments:</b>  |                                                     |          |

| Structured Type Definition |                                                                                                                          |          |
|----------------------------|--------------------------------------------------------------------------------------------------------------------------|----------|
| <b>Type Name:</b>          | LLCMP                                                                                                                    |          |
| <b>Comments:</b>           | Low layer compatibility (CC information element)<br>GSM 04.08, 10.5.4.18 and ETS DE/SPS-5034-1 (update of ETS 300 102-1) |          |
| Element Name               | Type Definition                                                                                                          | Comments |
| iei                        | IEI_8                                                                                                                    |          |
| iel                        | LENGTH                                                                                                                   |          |
| extb3                      | EXTB                                                                                                                     |          |
| cs                         | BITSTRING [2]                                                                                                            |          |
| itc                        | BITSTRING [5]                                                                                                            |          |
| extb3a                     | EXTB                                                                                                                     |          |
| negind                     | BITSTRING[1]                                                                                                             |          |
| spb3a                      | SP6B                                                                                                                     |          |
| extb4                      | EXTB                                                                                                                     |          |
| tm                         | BITSTRING [2]                                                                                                            |          |
| itr                        | BITSTRING [5]                                                                                                            |          |
| extb4_1                    | EXTB                                                                                                                     |          |
| rateml                     | BITSTRING [7]                                                                                                            |          |
| extb5                      | EXTB                                                                                                                     |          |
| l1id                       | BITSTRING [2]                                                                                                            |          |
| uil1                       | BITSTRING [5]                                                                                                            |          |
| extb5a                     | EXTB                                                                                                                     |          |
| sb                         | BITSTRING [1]                                                                                                            |          |
| neg                        | BITSTRING [1]                                                                                                            |          |
| ur                         | BITSTRING [5]                                                                                                            |          |
| extb5b1                    | EXTB                                                                                                                     |          |
| ir                         | BITSTRING [2]                                                                                                            |          |
| nictx                      | BITSTRING [1]                                                                                                            |          |
| nicrx                      | BITSTRING [1]                                                                                                            |          |
| fctx                       | BITSTRING [1]                                                                                                            |          |
| fcrx                       | BITSTRING [1]                                                                                                            |          |
| spb5b1                     | SPB                                                                                                                      |          |
| extb5b2                    | EXTB                                                                                                                     |          |
| hdrb                       | BITSTRING[1]                                                                                                             |          |
| mfs                        | BITSTRING[1]                                                                                                             |          |
| mode                       | BITSTRING[1]                                                                                                             |          |
| llineg                     | BITSTRING[1]                                                                                                             |          |
| ass                        | BITSTRING[1]                                                                                                             |          |
| ibob                       | BITSTRING[1]                                                                                                             |          |
| spb5b2                     | SPB                                                                                                                      |          |
| extb5c                     | EXTB                                                                                                                     |          |
| nsb                        | BITSTRING [2]                                                                                                            |          |
| ndb                        | BITSTRING [2]                                                                                                            |          |
| pi                         | BITSTRING [3]                                                                                                            |          |
| extb5d                     | EXTB                                                                                                                     |          |
| dplxm                      | BITSTRING [1]                                                                                                            |          |
| modemt                     | BITSTRING [6]                                                                                                            |          |
| extb6                      | EXTB                                                                                                                     |          |
| l2id                       | BITSTRING [2]                                                                                                            |          |
| uil2                       | BITSTRING [5]                                                                                                            |          |
| extb6a1                    | EXTB                                                                                                                     |          |
| modl2                      | BITSTRING[2]                                                                                                             |          |
| spb6a1                     | SP3B                                                                                                                     |          |
| q933                       | BITSTRING [2]                                                                                                            |          |
| extb6a2                    | EXTB                                                                                                                     |          |
| usl2pi                     | BITSTRING[7]                                                                                                             |          |
| extb6b                     | EXTB                                                                                                                     |          |
| ws                         | BITSTRING[7]                                                                                                             |          |
| extb7                      | EXTB                                                                                                                     |          |
| l3id                       | BITSTRING [2]                                                                                                            |          |
| uil3                       | BITSTRING [5]                                                                                                            |          |
| extb7a1                    | EXTB                                                                                                                     |          |
| modl3                      | BITSTRING[2]                                                                                                             |          |
| spb7a1                     | SP5B                                                                                                                     |          |

|                           |               |  |
|---------------------------|---------------|--|
| extb7a2                   | EXTB          |  |
| usl3pi                    | BITSTRING[7]  |  |
| extb7b                    | EXTB          |  |
| spb7b                     | SP3B          |  |
| dps                       | BITSTRING [4] |  |
| extb7c                    | EXTB          |  |
| pws                       | BITSTRING[7]  |  |
| <b>Detailed Comments:</b> |               |  |

| Structured Type Definition |                                               |          |
|----------------------------|-----------------------------------------------|----------|
| <b>Type Name:</b>          | LUT                                           |          |
| <b>Comments:</b>           | Location updating type<br>GSM 04.08, 10.5.3.5 |          |
| Element Name               | Type Definition                               | Comments |
| foreq                      | BITSTRING [1]                                 |          |
| sprb                       | BITSTRING [1]                                 |          |
| lut                        | BITSTRING [2]                                 |          |
| <b>Detailed Comments:</b>  |                                               |          |

| Structured Type Definition |                                           |          |
|----------------------------|-------------------------------------------|----------|
| <b>Type Name:</b>          | MA                                        |          |
| <b>Comments:</b>           | Mobile allocation<br>GSM 04.08, 10.5.2.21 |          |
| Element Name               | Type Definition                           | Comments |
| iei                        | IEI_8                                     |          |
| iel                        | LENGTH                                    |          |
| mac_8n                     | BITSTRING [8]                             |          |
| mac_7n                     | BITSTRING [8]                             |          |
| mac_6n                     | BITSTRING [8]                             |          |
| mac_5n                     | BITSTRING [8]                             |          |
| mac_4n                     | BITSTRING [8]                             |          |
| mac_3n                     | BITSTRING [8]                             |          |
| mac_2n                     | BITSTRING [8]                             |          |
| mac_1n                     | BITSTRING [8]                             |          |
| <b>Detailed Comments:</b>  |                                           |          |

| Structured Type Definition |                                        |          |
|----------------------------|----------------------------------------|----------|
| <b>Type Name:</b>          | MI                                     |          |
| <b>Comments:</b>           | Mobile identity<br>GSM 04.08, 10.5.1.4 |          |
| Element Name               | Type Definition                        | Comments |
| iei                        | IEI_8                                  |          |
| iel                        | LENGTH                                 |          |
| idigit_1                   | BITSTRING [4]                          |          |
| oei                        | BITSTRING [1]                          |          |
| toi                        | BITSTRING [3]                          |          |
| idigits_other              | OCTETSTRING [0..7]                     |          |
| <b>Detailed Comments:</b>  |                                        |          |

| Structured Type Definition |                 |          |
|----------------------------|-----------------|----------|
| <b>Type Name:</b>          | MODEMTYPE       |          |
| <b>Comments:</b>           |                 |          |
| Element Name               | Type Definition | Comments |
| V22bisOrV26ter             | B_5             |          |
| <b>Detailed Comments:</b>  |                 |          |

| Structured Type Definition |                                                   |          |
|----------------------------|---------------------------------------------------|----------|
| <b>Type Name:</b>          | MSCLM1                                            |          |
| <b>Comments:</b>           | mobile station classmark 1<br>GSM 04.08, 10.5.1.5 |          |
| Element Name               | Type Definition                                   | Comments |
| spr1                       | BITSTRING [1]                                     |          |
| rl                         | BITSTRING [2]                                     |          |
| spr2                       | BITSTRING [1]                                     |          |
| a5_1                       | BITSTRING [1]                                     |          |
| rfpc                       | BITSTRING [3]                                     |          |
| <b>Detailed Comments:</b>  | 2 octets long                                     |          |

| Structured Type Definition |                                                   |          |
|----------------------------|---------------------------------------------------|----------|
| <b>Type Name:</b>          | MSCLM2                                            |          |
| <b>Comments:</b>           | mobile station classmark 2<br>GSM 04.08, 10.5.1.6 |          |
| Element Name               | Type Definition                                   | Comments |
| iel                        | LENGTH                                            |          |
| spr1                       | BITSTRING [1]                                     |          |
| rl                         | BITSTRING [2]                                     |          |
| spr2                       | BITSTRING [1]                                     |          |
| a5_1                       | BITSTRING [1]                                     |          |
| rfpc                       | BITSTRING [3]                                     |          |
| spr3                       | BITSTRING [1]                                     |          |
| psc                        | BITSTRING [1]                                     |          |
| sssi                       | BITSTRING [2]                                     |          |
| smc                        | BITSTRING [1]                                     |          |
| spr4                       | BITSTRING [2]                                     |          |
| fc                         | BITSTRING [1]                                     |          |
| cm3                        | BITSTRING [1]                                     |          |
| spr5                       | BITSTRING [5]                                     |          |
| a5_3                       | BITSTRING [1]                                     |          |
| a5_2                       | BITSTRING [1]                                     |          |
| <b>Detailed Comments:</b>  | 4 octets long                                     |          |

| Structured Type Definition |                                                   |          |
|----------------------------|---------------------------------------------------|----------|
| <b>Type Name:</b>          | MSCLM3                                            |          |
| <b>Comments:</b>           | Mobile station classmark 3<br>GSM 04.08, 10.5.1.7 |          |
| Element Name               | Type Definition                                   | Comments |
| iei                        | IEI_8                                             |          |
| iel                        | LENGTH                                            |          |
| spr1                       | BITSTRING [4]                                     |          |
| a5_7                       | BITSTRING [1]                                     |          |
| a5_6                       | BITSTRING [1]                                     |          |
| a5_5                       | BITSTRING [1]                                     |          |
| a5_4                       | BITSTRING [1]                                     |          |
| spr2                       | OCTETSTRING [11]                                  |          |
| <b>Detailed Comments:</b>  | The info element has 14 octets                    |          |

| Structured Type Definition |                                                   |          |
|----------------------------|---------------------------------------------------|----------|
| <b>Type Name:</b>          | MSRR                                              |          |
| <b>Comments:</b>           | measurement results<br>GSM 04.08, 10.5.2.20       |          |
| Element Name               | Type Definition                                   | Comments |
| ba_used                    | BITSTRING [1]                                     |          |
| dtx_used                   | BITSTRING [1]                                     |          |
| rxlev_fsc                  | RXLEV                                             |          |
| spr1                       | BITSTRING [1]                                     |          |
| meas_valid                 | BITSTRING [1]                                     |          |
| rxlev_ssc                  | RXLEV                                             |          |
| spr2                       | BITSTRING [1]                                     |          |
| rxqual_fsc                 | BITSTRING [3]                                     |          |
| rxqual_ssc                 | BITSTRING [3]                                     |          |
| no_nc                      | BITSTRING [3]                                     |          |
| rxlev_nc1                  | RXLEV                                             |          |
| bcchfrq_nc1                | BCCHFRQ                                           |          |
| bsic_nc1                   | BSIC                                              |          |
| rxlev_nc2                  | RXLEV                                             |          |
| bcchfrq_nc2                | BCCHFRQ                                           |          |
| bsic_nc2                   | BSIC                                              |          |
| rxlev_nc3                  | RXLEV                                             |          |
| bcchfrq_nc3                | BCCHFRQ                                           |          |
| bsic_nc3                   | BSIC                                              |          |
| rxlev_nc4                  | RXLEV                                             |          |
| bcchfrq_nc4                | BCCHFRQ                                           |          |
| bsic_nc4                   | BSIC                                              |          |
| rxlev_nc5                  | RXLEV                                             |          |
| bcchfrq_nc5                | BCCHFRQ                                           |          |
| bsic_nc5                   | BSIC                                              |          |
| rxlev_nc6                  | RXLEV                                             |          |
| bcchfrq_nc6                | BCCHFRQ                                           |          |
| bsic_nc6                   | BSIC                                              |          |
| <b>Detailed Comments:</b>  | The info element has a fixed length of 16 octets. |          |

| Structured Type Definition |                                                 |          |
|----------------------------|-------------------------------------------------|----------|
| <b>Type Name:</b>          | MTDIF                                           |          |
| <b>Comments:</b>           | Mobile time difference<br>GSM 04.08, 10.5.1.21a |          |
| Element Name               | Type Definition                                 | Comments |
| iei                        | IEI_8                                           |          |
| iel                        | LENGTH                                          |          |
| value                      | OCTETSTRING [3]                                 |          |
| <b>Detailed Comments:</b>  |                                                 |          |

| Structured Type Definition |                                                     |          |
|----------------------------|-----------------------------------------------------|----------|
| <b>Type Name:</b>          | NCD                                                 |          |
| <b>Comments:</b>           | Neighbour cells description<br>GSM 04.08, 10.5.2.22 |          |
| Element Name               | Type Definition                                     | Comments |
| rfl2                       | BITSTRING [2]                                       |          |
| extind                     | BITSTRING [1]                                       |          |
| baind                      | BITSTRING [1]                                       |          |
| rfl4                       | BITSTRING [4]                                       |          |
| rfl                        | OCTETSTRING [15]                                    |          |
| <b>Detailed Comments:</b>  |                                                     |          |



| Structured Type Definition |                                                       |          |
|----------------------------|-------------------------------------------------------|----------|
| <b>Type Name:</b>          | NCD2                                                  |          |
| <b>Comments:</b>           | Neighbour cells description2<br>GSM 04.08, 10.5.2.22b |          |
| Element Name               | Type Definition                                       | Comments |
| b128                       | BITSTRING [1]                                         |          |
| mbrpt                      | BITSTRING [2]                                         |          |
| baind                      | BITSTRING [1]                                         |          |
| b122_124                   | BITSTRING [3]                                         |          |
| rfl1                       | BITSTRING [1]                                         |          |
| rfl                        | OCTETSTRING [15]                                      |          |
| <b>Detailed Comments:</b>  |                                                       |          |

| Structured Type Definition |                                                                   |          |
|----------------------------|-------------------------------------------------------------------|----------|
| <b>Type Name:</b>          | PCMD                                                              |          |
| <b>Comments:</b>           | Power command and access type<br>GSM 04.08, 10.5.2.28, 10.5.2.28a |          |
| Element Name               | Type Definition                                                   | Comments |
| sprb                       | BITSTRING [3]                                                     |          |
| pl                         | BITSTRING [5]                                                     |          |
| <b>Detailed Comments:</b>  |                                                                   |          |

| Structured Type Definition               |                                            |          |
|------------------------------------------|--------------------------------------------|----------|
| <b>Type Name:</b>                        | PI                                         |          |
| <b>Comments:</b>                         | Progress indicator<br>GSM 04.08, 10.5.4.21 |          |
| Element Name                             | Type Definition                            | Comments |
| iei                                      | IEI_8                                      |          |
| iel                                      | LENGTH                                     |          |
| extb3                                    | EXTB                                       |          |
| cs                                       | BITSTRING [2]                              |          |
| spb                                      | SPB                                        |          |
| loc                                      | BITSTRING [4]                              |          |
| extb4                                    | EXTB                                       |          |
| prd                                      | BITSTRING [7]                              |          |
| <b>Detailed Comments:</b> total 4 octets |                                            |          |

| Structured Type Definition |                                                                                |          |
|----------------------------|--------------------------------------------------------------------------------|----------|
| <b>Type Name:</b>          | PI_SI                                                                          |          |
| <b>Comments:</b>           | Presentation indicator & screening indicator<br>GSM 04.08, 10.5.4.9, 10.5.4.13 |          |
| Element Name               | Type Definition                                                                | Comments |
| extb                       | EXTB                                                                           |          |
| pi                         | BITSTRING [2]                                                                  |          |
| sp3b                       | SP3B                                                                           |          |
| si                         | BITSTRING [2]                                                                  |          |
| <b>Detailed Comments:</b>  |                                                                                |          |

| Structured Type Definition |                                   |          |
|----------------------------|-----------------------------------|----------|
| <b>Type Name:</b>          | PM                                |          |
| <b>Comments:</b>           | Page mode<br>GSM 04.08, 10.5.2.26 |          |
| Element Name               | Type Definition                   | Comments |
| sprb                       | B_2                               |          |
| pgm                        | B_2                               |          |
| <b>Detailed Comments:</b>  |                                   |          |

| Structured Type Definition                                                 |                                                 |          |
|----------------------------------------------------------------------------|-------------------------------------------------|----------|
| <b>Type Name:</b>                                                          | RACHCP                                          |          |
| <b>Comments:</b>                                                           | Rach control parameters<br>GSM 04.08, 10.5.2.29 |          |
| Element Name                                                               | Type Definition                                 | Comments |
| maxrtx                                                                     | BITSTRING [2]                                   |          |
| txint                                                                      | BITSTRING [4]                                   |          |
| cba                                                                        | BITSTRING [1]                                   |          |
| re                                                                         | BITSTRING [1]                                   |          |
| acc_2                                                                      | BITSTRING [5]                                   |          |
| ec                                                                         | BITSTRING [1]                                   |          |
| acc_1                                                                      | BITSTRING [10]                                  |          |
| <b>Detailed Comments:</b> The info element has a fixed length of 3 octets. |                                                 |          |

| Structured Type Definition |                                                     |          |
|----------------------------|-----------------------------------------------------|----------|
| <b>Type Name:</b>          | RPACK                                               |          |
| <b>Comments:</b>           | SMS RP ACKNOWLEDGEMENT ms <-> n<br>GSM 04.11, 7.3.3 |          |
| Element Name               | Type Definition                                     | Comments |
| sprb                       | SP5B                                                |          |
| rpmti                      | MTI                                                 |          |
| rpmr                       | MR                                                  |          |
| <b>Detailed Comments:</b>  |                                                     |          |

| Structured Type Definition |                                            |          |
|----------------------------|--------------------------------------------|----------|
| <b>Type Name:</b>          | RPCAU                                      |          |
| <b>Comments:</b>           | RP user data element<br>GSM 04.11, 8.2.5.4 |          |
| Element Name               | Type Definition                            | Comments |
| iei                        | IEI_8                                      |          |
| iel                        | LENGTH                                     |          |
| extb2                      | EXTB                                       |          |
| rpcau_class                | BITSTRING [3]                              |          |
| rpcau_va                   | BITSTRING [4]                              |          |
| rpcau_di                   | OCTETSTRING [1]                            |          |
| <b>Detailed Comments:</b>  |                                            |          |

| Structured Type Definition |                                          |          |
|----------------------------|------------------------------------------|----------|
| <b>Type Name:</b>          | RPDATA                                   |          |
| <b>Comments:</b>           | SMS RP DATA ms <-> n<br>GSM 04.11, 7.3.1 |          |
| Element Name               | Type Definition                          | Comments |
| sprb                       | SP5B                                     |          |
| rpmti                      | MTI                                      |          |
| rpmr                       | MR                                       |          |
| rpOaddr                    | CDPN                                     |          |
| rpDaddr                    | CDPN                                     |          |
| rpusrdat                   | RPUSRDAT                                 |          |
| <b>Detailed Comments:</b>  |                                          |          |

| Structured Type Definition |                                           |          |
|----------------------------|-------------------------------------------|----------|
| <b>Type Name:</b>          | RPERR                                     |          |
| <b>Comments:</b>           | SMS RP ERROR ms <-> n<br>GSM 04.11, 7.3.4 |          |
| Element Name               | Type Definition                           | Comments |
| sprb                       | SP5B                                      |          |
| rpmti                      | MTI                                       |          |
| rpmr                       | MR                                        |          |
| rpcau                      | RPCAU                                     |          |
| rpusrdat                   | RPUSRDAT                                  |          |
| <b>Detailed Comments:</b>  |                                           |          |

| Structured Type Definition                    |                                         |          |
|-----------------------------------------------|-----------------------------------------|----------|
| <b>Type Name:</b>                             | RPSMMA                                  |          |
| <b>Comments:</b>                              | SMS RP SMMA ms -> n<br>GSM 04.11, 7.3.2 |          |
| Element Name                                  | Type Definition                         | Comments |
| sprb                                          | SP5B                                    |          |
| rpmti                                         | MTI                                     |          |
| rpmr                                          | MR                                      |          |
| <b>Detailed Comments:</b> SM memory available |                                         |          |

| Structured Type Definition                                                                                                                                                                                                                                                                    |                                                              |          |
|-----------------------------------------------------------------------------------------------------------------------------------------------------------------------------------------------------------------------------------------------------------------------------------------------|--------------------------------------------------------------|----------|
| <b>Type Name:</b>                                                                                                                                                                                                                                                                             | RPUSRDAT                                                     |          |
| <b>Comments:</b>                                                                                                                                                                                                                                                                              | RP user data element<br>GSM 04.11, 8.2.5.3, GSM 03.40, 9.2.2 |          |
| Element Name                                                                                                                                                                                                                                                                                  | Type Definition                                              | Comments |
| iei                                                                                                                                                                                                                                                                                           | IEI_8                                                        |          |
| iel                                                                                                                                                                                                                                                                                           | LENGTH                                                       |          |
| tpdeliver                                                                                                                                                                                                                                                                                     | SMDLVR                                                       |          |
| tpsubmit                                                                                                                                                                                                                                                                                      | SMSBMT                                                       |          |
| tpstatus_rpt                                                                                                                                                                                                                                                                                  | SMST_RPT                                                     |          |
| tpcommand                                                                                                                                                                                                                                                                                     | SMCMD                                                        |          |
| tpdlvr_sbmt_rpt                                                                                                                                                                                                                                                                               | SMDLVR_RPT                                                   |          |
| <b>Detailed Comments:</b> One of the six tpdus is contained in the RPUSRDATA. Since the structures of the messages SMS-Deliver-Report and SMS-Submit-Report are identical, they have been combined to tpdlvr_sbmt_rpt and therefore only five tp message types exist in this type definition. |                                                              |          |

| Structured Type Definition |                                           |          |
|----------------------------|-------------------------------------------|----------|
| <b>Type Name:</b>          | RQR                                       |          |
| <b>Comments:</b>           | Request reference<br>GSM 04.08, 10.5.2.30 |          |
| Element Name               | Type Definition                           | Comments |
| ra                         | BITSTRING [8]                             |          |
| fn                         | FN                                        |          |
| <b>Detailed Comments:</b>  |                                           |          |

| Structured Type Definition                                                 |                                         |          |
|----------------------------------------------------------------------------|-----------------------------------------|----------|
| <b>Type Name:</b>                                                          | SI3RO                                   |          |
| <b>Comments:</b>                                                           | SI3 Rest Octets<br>GSM 04.08, 10.5.2.34 |          |
| Element Name                                                               | Type Definition                         | Comments |
| pi                                                                         | BITSTRING [1]                           |          |
| cbq                                                                        | BITSTRING [1]                           |          |
| cro                                                                        | BITSTRING [6]                           |          |
| to                                                                         | BITSTRING [3]                           |          |
| pt                                                                         | BITSTRING [5]                           |          |
| poi                                                                        | BITSTRING [1]                           |          |
| po                                                                         | BITSTRING [2]                           |          |
| ti                                                                         | BITSTRING [1]                           |          |
| ecsc                                                                       | BITSTRING [1]                           |          |
| spr1                                                                       | BITSTRING [3]                           |          |
| spr2                                                                       | BITSTRING [8]                           |          |
| <b>Detailed Comments:</b> The info element has a fixed length of 4 octets. |                                         |          |

| Structured Type Definition                                                  |                                         |          |
|-----------------------------------------------------------------------------|-----------------------------------------|----------|
| <b>Type Name:</b>                                                           | SI4RO                                   |          |
| <b>Comments:</b>                                                            | SI4 Rest Octets<br>GSM 04.08, 10.5.2.35 |          |
| Element Name                                                                | Type Definition                         | Comments |
| pi                                                                          | BITSTRING [1]                           |          |
| cbq                                                                         | BITSTRING [1]                           |          |
| cro                                                                         | BITSTRING [6]                           |          |
| to                                                                          | BITSTRING [3]                           |          |
| pt                                                                          | BITSTRING [5]                           |          |
| poi                                                                         | BITSTRING [1]                           |          |
| po                                                                          | BITSTRING [2]                           |          |
| spr1                                                                        | BITSTRING [5]                           |          |
| spr2                                                                        | BITSTRING [8]                           |          |
| spr3                                                                        | BITSTRING [8]                           |          |
| spr4                                                                        | BITSTRING [8]                           |          |
| spr5                                                                        | BITSTRING [8]                           |          |
| spr6                                                                        | BITSTRING [8]                           |          |
| spr7                                                                        | BITSTRING [8]                           |          |
| spr8                                                                        | BITSTRING [8]                           |          |
| <b>Detailed Comments:</b> The info element has a fixed length of 10 octets. |                                         |          |

| Structured Type Definition |                                                   |          |
|----------------------------|---------------------------------------------------|----------|
| <b>Type Name:</b>          | SI7RO                                             |          |
| <b>Comments:</b>           | SI7 Rest Octets<br>GSM 04.08, 10.5.2.36           |          |
| Element Name               | Type Definition                                   | Comments |
| pi                         | BITSTRING [1]                                     |          |
| cbq                        | BITSTRING [1]                                     |          |
| cro                        | BITSTRING [6]                                     |          |
| to                         | BITSTRING [3]                                     |          |
| pt                         | BITSTRING [5]                                     |          |
| poi                        | BITSTRING [1]                                     |          |
| po                         | BITSTRING [2]                                     |          |
| spr1                       | BITSTRING [5]                                     |          |
| spr2                       | BITSTRING [8]                                     |          |
| spr3                       | BITSTRING [8]                                     |          |
| spr4                       | BITSTRING [8]                                     |          |
| spr5                       | BITSTRING [8]                                     |          |
| spr6                       | BITSTRING [8]                                     |          |
| spr7                       | BITSTRING [8]                                     |          |
| spr8                       | BITSTRING [8]                                     |          |
| spr9                       | BITSTRING [8]                                     |          |
| spr10                      | BITSTRING [8]                                     |          |
| spr11                      | BITSTRING [8]                                     |          |
| spr12                      | BITSTRING [8]                                     |          |
| spr13                      | BITSTRING [8]                                     |          |
| spr14                      | BITSTRING [8]                                     |          |
| spr15                      | BITSTRING [8]                                     |          |
| spr16                      | BITSTRING [8]                                     |          |
| spr17                      | BITSTRING [8]                                     |          |
| spr18                      | BITSTRING [8]                                     |          |
| <b>Detailed Comments:</b>  | The info element has a fixed length of 20 octets. |          |

| Structured Type Definition |                                                         |          |
|----------------------------|---------------------------------------------------------|----------|
| <b>Type Name:</b>          | SIGNAL                                                  |          |
| <b>Comments:</b>           | Signal (CC information element)<br>GSM 04.08, 10.5.4.23 |          |
| Element Name               | Type Definition                                         | Comments |
| iei                        | IEI_8                                                   |          |
| sigv                       | BITSTRING [8]                                           |          |
| <b>Detailed Comments:</b>  |                                                         |          |

| Structured Type Definition |                                              |          |
|----------------------------|----------------------------------------------|----------|
| <b>Type Name:</b>          | SERIAL_NUMBER                                |          |
| <b>Comments:</b>           | Serial number for SMS CB,<br>GSM 3.41, 9.3.2 |          |
| Element Name               | Type Definition                              | Comments |
| gs                         | BITSTRING[2]                                 |          |
| message_code               | BITSTRING[10]                                |          |
| update_number              | BITSTRING[4]                                 |          |
| <b>Detailed Comments:</b>  |                                              |          |

| Structured Type Definition |                                             |          |
|----------------------------|---------------------------------------------|----------|
| <b>Type Name:</b>          | SMCMD                                       |          |
| <b>Comments:</b>           | SMS COMMAND, ms -> n.<br>GSM 03.40, 9.2.2.4 |          |
| Element Name               | Type Definition                             | Comments |
| sprb1                      | SP2B                                        |          |
| srr                        | BITSTRING[1]                                |          |
| sprb2                      | SP3B                                        |          |
| mti                        | BITSTRING [2]                               |          |
| mr                         | MR                                          |          |
| pid                        | TPPID                                       |          |
| ct                         | OCTETSTRING [1]                             |          |
| mn                         | OCTETSTRING [1]                             |          |
| da                         | TPA                                         |          |
| cdl                        | LENGTH                                      |          |
| cd                         | TPCD                                        |          |
| <b>Detailed Comments:</b>  |                                             |          |

| Structured Type Definition |                                             |          |
|----------------------------|---------------------------------------------|----------|
| <b>Type Name:</b>          | SMDLVR                                      |          |
| <b>Comments:</b>           | SMS DELIVER, n -> ms.<br>GSM 03.40, 9.2.2.1 |          |
| Element Name               | Type Definition                             | Comments |
| rp                         | BITSTRING [1]                               |          |
| udhi                       | BITSTRING [1]                               |          |
| sri                        | BITSTRING [1]                               |          |
| sprb2                      | SP2B                                        |          |
| mms                        | BITSTRING [1]                               |          |
| mti                        | BITSTRING [2]                               |          |
| oa                         | TPA                                         |          |
| pid                        | TPPID                                       |          |
| dcs                        | TPDCS                                       |          |
| scts                       | TPSCTS                                      |          |
| udl                        | LENGTH                                      |          |
| ud                         | TPUD                                        |          |
| <b>Detailed Comments:</b>  |                                             |          |

| Structured Type Definition |                                                                                                         |          |
|----------------------------|---------------------------------------------------------------------------------------------------------|----------|
| <b>Type Name:</b>          | SMDLVR_RPT                                                                                              |          |
| <b>Comments:</b>           | SMS DELIVER or SUBMIT REPORT contained in the RP ERROR PDU, n <-> ms.<br>GSM 03.40, 9.2.2.1a, 9.2.2.2a. |          |
| Element Name               | Type Definition                                                                                         | Comments |
| sprb1                      | SP6B                                                                                                    |          |
| mti                        | BITSTRING [2]                                                                                           |          |
| fcs                        | FCS                                                                                                     |          |
| <b>Detailed Comments:</b>  |                                                                                                         |          |

| Structured Type Definition |                                            |          |
|----------------------------|--------------------------------------------|----------|
| <b>Type Name:</b>          | SMSBMT                                     |          |
| <b>Comments:</b>           | SMS SUBMIT, ms -> n.<br>GSM 03.40, 9.2.2.2 |          |
| Element Name               | Type Definition                            | Comments |
| rp                         | BITSTRING [1]                              |          |
| udhi                       | BITSTRING [1]                              |          |
| srr                        | BITSTRING [1]                              |          |
| vpf                        | BITSTRING [2]                              |          |
| rd                         | BITSTRING [1]                              |          |
| mti                        | BITSTRING [2]                              |          |
| mr                         | MR                                         |          |
| da                         | TPA                                        |          |
| pid                        | TPPID                                      |          |
| dcs                        | TPDCS                                      |          |
| vp1                        | OCTETSTRING [1]                            |          |
| vp7                        | TPSCTS                                     |          |
| udl                        | LENGTH                                     |          |
| ud                         | TPUD                                       |          |
| <b>Detailed Comments:</b>  |                                            |          |

| Structured Type Definition |                                                                     |          |
|----------------------------|---------------------------------------------------------------------|----------|
| <b>Type Name:</b>          | SMSCBpack                                                           |          |
| <b>Comments:</b>           | SMS cell broadcasting packing data n -> ms.<br>GSM 03.38, 6.1.2.2.1 |          |
| Element Name               | Type Definition                                                     | Comments |
| block1                     | OCTETSTRING [16]                                                    |          |
| block2                     | OCTETSTRING [22]                                                    |          |
| block3                     | OCTETSTRING [22]                                                    |          |
| block4                     | OCTETSTRING [22]                                                    |          |
| <b>Detailed Comments:</b>  |                                                                     |          |

| Structured Type Definition |                                                   |          |
|----------------------------|---------------------------------------------------|----------|
| <b>Type Name:</b>          | SMST_RPT                                          |          |
| <b>Comments:</b>           | SMS STATUS REPORT, n -> ms.<br>GSM 03.40, 9.2.2.3 |          |
| Element Name               | Type Definition                                   | Comments |
| sprb1                      | SP5B                                              |          |
| mms                        | BITSTRING [1]                                     |          |
| mti                        | BITSTRING [2]                                     |          |
| mr                         | MR                                                |          |
| ra                         | TPA                                               |          |
| scts                       | TPSCTS                                            |          |
| dt                         | TPSCTS                                            |          |
| st                         | TPST                                              |          |
| <b>Detailed Comments:</b>  |                                                   |          |

| Structured Type Definition |                                              |          |
|----------------------------|----------------------------------------------|----------|
| <b>Type Name:</b>          | SSVI                                         |          |
| <b>Comments:</b>           | SS version indicator<br>GSM 04.08, 10.5.4.24 |          |
| Element Name               | Type Definition                              | Comments |
| iei                        | IEI_8                                        |          |
| iel                        | LENGTH                                       |          |
| ssv                        | OCTETSTRING [1]                              |          |
| <b>Detailed Comments:</b>  |                                              |          |

| Structured Type Definition |                                       |          |
|----------------------------|---------------------------------------|----------|
| <b>Type Name:</b>          | STRT                                  |          |
| <b>Comments:</b>           | Starting time<br>GSM 04.08, 10.5.2.38 |          |
| Element Name               | Type Definition                       | Comments |
| iei                        | IEI_8                                 |          |
| fn                         | FN                                    |          |
| <b>Detailed Comments:</b>  |                                       |          |

| Structured Type Definition |                                                         |          |
|----------------------------|---------------------------------------------------------|----------|
| <b>Type Name:</b>          | SUBAD                                                   |          |
| <b>Comments:</b>           | Subaddress<br>GSM 04.08, 10.5.4.8, 10.5.4.10, 10.5.4.14 |          |
| Element Name               | Type Definition                                         | Comments |
| extb                       | EXTB                                                    |          |
| tos                        | BITSTRING [3]                                           |          |
| oei                        | BITSTRING [1]                                           |          |
| sp3b                       | SP3B                                                    |          |
| si                         | OCTETSTRING [2..23]                                     |          |
| <b>Detailed Comments:</b>  |                                                         |          |

| Structured Type Definition |                                                    |          |
|----------------------------|----------------------------------------------------|----------|
| <b>Type Name:</b>          | SYNCHI                                             |          |
| <b>Comments:</b>           | Synchronization indication<br>GSM 04.08, 10.5.2.39 |          |
| Element Name               | Type Definition                                    | Comments |
| iei                        | IEI_4                                              |          |
| nci                        | B_1                                                |          |
| rot                        | B_1                                                |          |
| si                         | B_2                                                |          |
| <b>Detailed Comments:</b>  |                                                    |          |

| Structured Type Definition |                                        |          |
|----------------------------|----------------------------------------|----------|
| <b>Type Name:</b>          | TA                                     |          |
| <b>Comments:</b>           | Timing advance<br>GSM 04.08, 10.5.2.40 |          |
| Element Name               | Type Definition                        | Comments |
| iei                        | IEI_8                                  |          |
| sprb                       | BITSTRING [2]                          |          |
| value                      | BITSTRING [6]                          |          |
| <b>Detailed Comments:</b>  |                                        |          |

| Structured Type Definition |                                         |          |
|----------------------------|-----------------------------------------|----------|
| <b>Type Name:</b>          | TDIF                                    |          |
| <b>Comments:</b>           | Time difference<br>GSM 04.08, 10.5.1.41 |          |
| Element Name               | Type Definition                         | Comments |
| iei                        | IEI_8                                   |          |
| iel                        | LENGTH                                  |          |
| value                      | OCTETSTRING [1]                         |          |
| <b>Detailed Comments:</b>  |                                         |          |



| Structured Type Definition |                                           |          |
|----------------------------|-------------------------------------------|----------|
| <b>Type Name:</b>          | TI                                        |          |
| <b>Comments:</b>           | Transaction identifier<br>GSM 04.08, 10.1 |          |
| Element Name               | Type Definition                           | Comments |
| ti_f                       | BITSTRING [1]                             |          |
| ti_v                       | TI_V                                      |          |
| <b>Detailed Comments:</b>  |                                           |          |

| Structured Type Definition |                                   |          |
|----------------------------|-----------------------------------|----------|
| <b>Type Name:</b>          | TMSI                              |          |
| <b>Comments:</b>           | Temporary<br>GSM 04.08, 10.5.2.42 |          |
| Element Name               | Type Definition                   | Comments |
| iei                        | IEI_8                             |          |
| tmsi_val                   | OCTETSTRING [4]                   |          |
| <b>Detailed Comments:</b>  |                                   |          |

| Structured Type Definition |                                                                                                   |          |
|----------------------------|---------------------------------------------------------------------------------------------------|----------|
| <b>Type Name:</b>          | TON_NPI                                                                                           |          |
| <b>Comments:</b>           | Type of number and numbering plan<br>GSM 04.08, 10.5.4.7, 10.5.4.9, 10.5.4.13, GSM 03.40, 9.1.2.5 |          |
| Element Name               | Type Definition                                                                                   | Comments |
| extb                       | EXTB                                                                                              |          |
| ton                        | BITSTRING [3]                                                                                     |          |
| npi                        | BITSTRING [4]                                                                                     |          |
| <b>Detailed Comments:</b>  |                                                                                                   |          |

| Structured Type Definition |                                  |          |
|----------------------------|----------------------------------|----------|
| <b>Type Name:</b>          | TPA                              |          |
| <b>Comments:</b>           | TP address<br>GSM 03.40, 9.1.2.5 |          |
| Element Name               | Type Definition                  | Comments |
| iel                        | LENGTH                           |          |
| tonnpi                     | TON_NPI                          |          |
| digits                     | BCDN                             |          |
| <b>Detailed Comments:</b>  |                                  |          |

| Structured Type Definition                                                       |                                           |          |
|----------------------------------------------------------------------------------|-------------------------------------------|----------|
| <b>Type Name:</b>                                                                | TPDCS                                     |          |
| <b>Comments:</b>                                                                 | SMS data coding scheme<br>GSM 03.38, 4, 5 |          |
| Element Name                                                                     | Type Definition                           | Comments |
| cg                                                                               | BITSTRING [4]                             |          |
| code                                                                             | BITSTRING [4]                             |          |
| <b>Detailed Comments:</b> Identifying the coding scheme within the TP user data. |                                           |          |

| Structured Type Definition |                                              |          |
|----------------------------|----------------------------------------------|----------|
| <b>Type Name:</b>          | TPPID                                        |          |
| <b>Comments:</b>           | TP protocol identifier<br>GSM 03.40, 9.2.3.9 |          |
| Element Name               | Type Definition                              | Comments |
| type                       | BITSTRING [2]                                |          |
| value                      | BITSTRING [6]                                |          |
| <b>Detailed Comments:</b>  |                                              |          |

| Structured Type Definition |                                  |          |
|----------------------------|----------------------------------|----------|
| <b>Type Name:</b>          | TPST                             |          |
| <b>Comments:</b>           | TP status<br>GSM 03.40, 9.2.3.15 |          |
| Element Name               | Type Definition                  | Comments |
| sprb1                      | SPB                              |          |
| value                      | BITSTRING [7]                    |          |
| <b>Detailed Comments:</b>  |                                  |          |

| Structured Type Definition |                 |          |
|----------------------------|-----------------|----------|
| <b>Type Name:</b>          | UNKWN           |          |
| <b>Comments:</b>           | unknown IE      |          |
| Element Name               | Type Definition | Comments |
| iei                        | IEI_8           |          |
| iel                        | LENGTH          |          |
| contents                   | OCTETSTRING     |          |
| <b>Detailed Comments:</b>  |                 |          |

| Structured Type Definition                                                                                        |                                   |          |
|-------------------------------------------------------------------------------------------------------------------|-----------------------------------|----------|
| <b>Type Name:</b>                                                                                                 | UU                                |          |
| <b>Comments:</b>                                                                                                  | User-user<br>GSM 04.08, 10.5.4.25 |          |
| Element Name                                                                                                      | Type Definition                   | Comments |
| iei                                                                                                               | IEI_8                             |          |
| iel                                                                                                               | LENGTH                            |          |
| uupd                                                                                                              | BITSTRING [8]                     |          |
| uui                                                                                                               | OCTETSTRING [1..128]              |          |
| <b>Detailed Comments:</b>                                                                                         |                                   |          |
| In SETUP, ALERTING, CONNECT, DISCONNECT, RELEASE and RELEASE COMPLETE messages the uui length is of 0 - 32 bytes. |                                   |          |
| In USER INFORMATION messages the uui length is of 1 - 128.                                                        |                                   |          |

## ASN1 type definitions

| ASN.1 Type Definition                                                                                                                                                                                                                                                                                                                                                                                                                                                                                                                                                                                                                                                                                                                                                                                                                                                                                                                                                                                                                                                                                                                                                                                                                                            |                                                                                    |
|------------------------------------------------------------------------------------------------------------------------------------------------------------------------------------------------------------------------------------------------------------------------------------------------------------------------------------------------------------------------------------------------------------------------------------------------------------------------------------------------------------------------------------------------------------------------------------------------------------------------------------------------------------------------------------------------------------------------------------------------------------------------------------------------------------------------------------------------------------------------------------------------------------------------------------------------------------------------------------------------------------------------------------------------------------------------------------------------------------------------------------------------------------------------------------------------------------------------------------------------------------------|------------------------------------------------------------------------------------|
| <b>Type Name:</b>                                                                                                                                                                                                                                                                                                                                                                                                                                                                                                                                                                                                                                                                                                                                                                                                                                                                                                                                                                                                                                                                                                                                                                                                                                                | Component                                                                          |
| <b>Comments:</b>                                                                                                                                                                                                                                                                                                                                                                                                                                                                                                                                                                                                                                                                                                                                                                                                                                                                                                                                                                                                                                                                                                                                                                                                                                                 | ASN1_Encoding: BER                                                                 |
| Type Definition                                                                                                                                                                                                                                                                                                                                                                                                                                                                                                                                                                                                                                                                                                                                                                                                                                                                                                                                                                                                                                                                                                                                                                                                                                                  |                                                                                    |
| <pre> CHOICE {   registerSSComponents          RegisterSS_Components,   eraseSSComponents            EraseSS_Components,   activateSSComponents         ActivateSS_Components,   deactivateSSComponents       DeactivateSS_Components,   interrogateSSComponents      InterrogateSS_Components,   notifySSComponents           NotifySS_Components,   registerPasswordComponents   RegisterPassword_Components,   getPasswordComponents        GetPassword_Components,   processUnstructuredSSDataComponents ProcessUnstructuredSSData_Components,   forwardCheckSSIndicationComponents ForwardCheckSSIndication_Components,   processUnstructuredSSRequestComponents ProcessUnstructuredSSRequest_Components,   unstructuredSSRequestComponents UnstructuredSSRequest_Components,   unstructuredSSNotifyComponents UnstructuredSSNotify_Components,   forwardCUGInfoComponents     ForwardCUGInfo_Components,   splitMPTYComponents          SplitMPTY_Components,   retrieveMPTYComponents        RetrieveMPTY_Components,   holdMPTYComponents           HoldMPTY_Components,   buildMPTYComponents          BuildMPTY_Components,   forwardChargeAdviceComponents ForwardChargeAdvice_Components,   generalComponents            General_Components } </pre> |                                                                                    |
| <b>Detailed Comments:</b>                                                                                                                                                                                                                                                                                                                                                                                                                                                                                                                                                                                                                                                                                                                                                                                                                                                                                                                                                                                                                                                                                                                                                                                                                                        | Plural components as each type represents invoke, return result, return error etc. |

| ASN.1 Type Definition     |                                                                                                                                                                                                                            |
|---------------------------|----------------------------------------------------------------------------------------------------------------------------------------------------------------------------------------------------------------------------|
| <b>Type Name:</b>         | Components                                                                                                                                                                                                                 |
| <b>Comments:</b>          | GSM 04.80, 3.6                                                                                                                                                                                                             |
| Type Definition           |                                                                                                                                                                                                                            |
| SET OF Component          |                                                                                                                                                                                                                            |
| <b>Detailed Comments:</b> | <p>ASN.1 transfer encoding rules:</p> <p>BER is not wholly used for the type Components. The contents of Components, without the octets encoding the tag and the length of SET OF, is carried as the Components value.</p> |

| <b>ASN.1 Type Definition</b>                                                                                                                                                                                                                                                                                                                                                                                                                                                                                                                                                                                                                                                                                                                                                                                                                                                                                                                                                                                                                                                                                                                                                                                                                                                                                                                                                                                                                                                                                                                                                                                                                                                                                                                         |                                                 |
|------------------------------------------------------------------------------------------------------------------------------------------------------------------------------------------------------------------------------------------------------------------------------------------------------------------------------------------------------------------------------------------------------------------------------------------------------------------------------------------------------------------------------------------------------------------------------------------------------------------------------------------------------------------------------------------------------------------------------------------------------------------------------------------------------------------------------------------------------------------------------------------------------------------------------------------------------------------------------------------------------------------------------------------------------------------------------------------------------------------------------------------------------------------------------------------------------------------------------------------------------------------------------------------------------------------------------------------------------------------------------------------------------------------------------------------------------------------------------------------------------------------------------------------------------------------------------------------------------------------------------------------------------------------------------------------------------------------------------------------------------|-------------------------------------------------|
| <b>Type Name:</b>                                                                                                                                                                                                                                                                                                                                                                                                                                                                                                                                                                                                                                                                                                                                                                                                                                                                                                                                                                                                                                                                                                                                                                                                                                                                                                                                                                                                                                                                                                                                                                                                                                                                                                                                    | ActivateSS_Components                           |
| <b>Comments:</b>                                                                                                                                                                                                                                                                                                                                                                                                                                                                                                                                                                                                                                                                                                                                                                                                                                                                                                                                                                                                                                                                                                                                                                                                                                                                                                                                                                                                                                                                                                                                                                                                                                                                                                                                     | GSM 09.02, 14.5, 14.6.4, 14.6.6, 14.7.4, 14.7.7 |
| <b>Type Definition</b>                                                                                                                                                                                                                                                                                                                                                                                                                                                                                                                                                                                                                                                                                                                                                                                                                                                                                                                                                                                                                                                                                                                                                                                                                                                                                                                                                                                                                                                                                                                                                                                                                                                                                                                               |                                                 |
| <pre> CHOICE {   activateSS_InvokeComp          [1] IMPLICIT SEQUENCE {     invokeID                      InvokeIDType,     localValue                     INTEGER (12),     ss_ForBS                       SS_ForBS_Code },    activateSS_ReturnResultComp    [2] IMPLICIT SEQUENCE {     invokeID                      InvokeIDType,     result                         SEQUENCE {       localValue                   INTEGER (12),       ss_Info                      SS_Info } },    activateSS_ReturnErrorComp     CHOICE {     errorCodes                    [3] IMPLICIT SEQUENCE { invokeID InvokeIDType, errorCode   ErrorLocalValues ( bearerServiceNotProvisioned   teleserviceNotProvisioned   illegalSS_Operation   dataMissing   unexpectedDataValue   negativePW_Check   numberOfPW_AttemptsViolation) },     callBarredErr                [3] IMPLICIT SEQUENCE { invokeID InvokeIDType, errorCode   ErrorLocalValues ( callBarred ), parameter   CallBarringCause },     ss_ErrorStatusErr            [3] IMPLICIT SEQUENCE { invokeID InvokeIDType, errorCode   ErrorLocalValues ( ss_ErrorStatus ), parameter   SS_Status },     ss_SubscriptionViolationeErr [3] IMPLICIT SEQUENCE { invokeID      InvokeIDType, errorCode   ErrorLocalValues (ss_SubscriptionViolation), parameter   SS_SubscriptionOption },     ss_IncompatibilityErr       [3] IMPLICIT SEQUENCE { invokeID InvokeIDType, errorCode   ErrorLocalValues ( ss_Incompatibility ), parameter   SS_IncompatibilityCause },     systemFailureErr            [3] IMPLICIT SEQUENCE { invokeID InvokeIDType, errorCode   ErrorLocalValues ( systemFailure ), parameter   NetworkResource} },    activateSS_RejectComp          [4] IMPLICIT RejectComponent } </pre> |                                                 |
| <b>Detailed Comments:</b>                                                                                                                                                                                                                                                                                                                                                                                                                                                                                                                                                                                                                                                                                                                                                                                                                                                                                                                                                                                                                                                                                                                                                                                                                                                                                                                                                                                                                                                                                                                                                                                                                                                                                                                            | Timer m (15 - 30 s)                             |

| <b>ASN.1 Type Definition</b>                                                                                                                                                                                                                                                                                                                                                                                                                                                                                                                                                                                                                                                                                                                                                                                                                                                                                                                                                                                                                                                                                                                                                                                                                                 |                              |
|--------------------------------------------------------------------------------------------------------------------------------------------------------------------------------------------------------------------------------------------------------------------------------------------------------------------------------------------------------------------------------------------------------------------------------------------------------------------------------------------------------------------------------------------------------------------------------------------------------------------------------------------------------------------------------------------------------------------------------------------------------------------------------------------------------------------------------------------------------------------------------------------------------------------------------------------------------------------------------------------------------------------------------------------------------------------------------------------------------------------------------------------------------------------------------------------------------------------------------------------------------------|------------------------------|
| <b>Type Name:</b>                                                                                                                                                                                                                                                                                                                                                                                                                                                                                                                                                                                                                                                                                                                                                                                                                                                                                                                                                                                                                                                                                                                                                                                                                                            | BuildMPTY_Components         |
| <b>Comments:</b>                                                                                                                                                                                                                                                                                                                                                                                                                                                                                                                                                                                                                                                                                                                                                                                                                                                                                                                                                                                                                                                                                                                                                                                                                                             | GSM 04.80, 4.2               |
| <b>Type Definition</b>                                                                                                                                                                                                                                                                                                                                                                                                                                                                                                                                                                                                                                                                                                                                                                                                                                                                                                                                                                                                                                                                                                                                                                                                                                       |                              |
| <pre> CHOICE {     buildMPTY_InvokeComp          [1] IMPLICIT SEQUENCE {         invokeID                  InvokeIDType,         localValue                 INTEGER (124) },      buildMPTY_ReturnResultComp    [2] IMPLICIT SEQUENCE {         invokeID                  InvokeIDType,         result                    SEQUENCE {             localValue            INTEGER (124) }         },      buildMPTY_ReturnErrorComp     CHOICE {         errorCodes                [3] IMPLICIT SEQUENCE { invokeID InvokeIDType, errorCode    ErrorLocalValues ( illegalSS_Operation   ss_NotAvailable   maxNumberOfMPTY_ParticipantsExceeded   resourcesNotAvailable ) },         ss_ErrorStatusErr        [3] IMPLICIT SEQUENCE { invokeID InvokeIDType, errorCode    ErrorLocalValues ( ss_ErrorStatus ), parameter    SS_Status },         ss_IncompatibilityErr    [3] IMPLICIT SEQUENCE { invokeID InvokeIDType, errorCode    ErrorLocalValues ( ss_Incompatibility ), parameter    SS_IncompatibilityCause },         systemFailureErr        [3] IMPLICIT SEQUENCE { invokeID InvokeIDType, errorCode    ErrorLocalValues ( systemFailure ), parameter    NetworkResource} },      buildMPTY_RejectComp          [4] IMPLICIT RejectComponent } </pre> |                              |
| <b>Detailed Comments:</b>                                                                                                                                                                                                                                                                                                                                                                                                                                                                                                                                                                                                                                                                                                                                                                                                                                                                                                                                                                                                                                                                                                                                                                                                                                    | Timer T_buildMPTY (5 - 30 s) |

| ASN.1 Type Definition                                                                                                                                                                                                                                                                                                                                                                                                                                                                                                                                                                                                                                                                                                                                                                                                                                                                                                                                                                                                                                                                                                                                                                                                                                                                                                                                                                                                                                                                                                                    |                                                 |
|------------------------------------------------------------------------------------------------------------------------------------------------------------------------------------------------------------------------------------------------------------------------------------------------------------------------------------------------------------------------------------------------------------------------------------------------------------------------------------------------------------------------------------------------------------------------------------------------------------------------------------------------------------------------------------------------------------------------------------------------------------------------------------------------------------------------------------------------------------------------------------------------------------------------------------------------------------------------------------------------------------------------------------------------------------------------------------------------------------------------------------------------------------------------------------------------------------------------------------------------------------------------------------------------------------------------------------------------------------------------------------------------------------------------------------------------------------------------------------------------------------------------------------------|-------------------------------------------------|
| <b>Type Name:</b>                                                                                                                                                                                                                                                                                                                                                                                                                                                                                                                                                                                                                                                                                                                                                                                                                                                                                                                                                                                                                                                                                                                                                                                                                                                                                                                                                                                                                                                                                                                        | DeactivateSS_Components                         |
| <b>Comments:</b>                                                                                                                                                                                                                                                                                                                                                                                                                                                                                                                                                                                                                                                                                                                                                                                                                                                                                                                                                                                                                                                                                                                                                                                                                                                                                                                                                                                                                                                                                                                         | GSM 09.02, 14.5, 14.6.4, 14.6.6, 14.7.4, 14.7.7 |
| Type Definition                                                                                                                                                                                                                                                                                                                                                                                                                                                                                                                                                                                                                                                                                                                                                                                                                                                                                                                                                                                                                                                                                                                                                                                                                                                                                                                                                                                                                                                                                                                          |                                                 |
| <pre> CHOICE {   deactivateSS_InvokeComp      [1] IMPLICIT SEQUENCE {     invokeID                    InvokeIDType,     localValue                  INTEGER (13),     ss_ForBS                    SS_ForBS_Code },    deactivateSS_ReturnResultComp [2] IMPLICIT SEQUENCE {     invokeID                    InvokeIDType,     result                      SEQUENCE {       localValue                INTEGER (13),       ss_Info                   SS_Info } },    deactivateSS_ReturnErrorComp CHOICE {     errorCodes                  [3] IMPLICIT SEQUENCE { invokeID InvokeIDType, errorCode   ErrorLocalValues ( bearerServiceNotProvisioned   teleserviceNotProvisioned   illegalSS_Operation   dataMissing   unexpectedDataValue   negativePW_Check   numberOfPW_AttemptsViolation) },     callBarredErr              [3] IMPLICIT SEQUENCE { invokeID InvokeIDType, errorCode   ErrorLocalValues ( callBarred ), parameter   CallBarringCause },     ss_ErrorStatusErr          [3] IMPLICIT SEQUENCE { invokeID InvokeIDType, errorCode   ErrorLocalValues ( ss_ErrorStatus ), parameter   SS_Status },     ss_SubscriptionViolationeErr [3] IMPLICIT SEQUENCE { invokeID      InvokeIDType, errorCode   ErrorLocalValues (ss_SubscriptionViolation), parameter   SS_SubscriptionOption },     systemFailureErr           [3] IMPLICIT SEQUENCE { invokeID InvokeIDType, errorCode   ErrorLocalValues ( systemFailure ), parameter   NetworkResource} },    deactivateSS_RejectComp      [4] IMPLICIT RejectComponent } </pre> |                                                 |
| <b>Detailed Comments:</b>                                                                                                                                                                                                                                                                                                                                                                                                                                                                                                                                                                                                                                                                                                                                                                                                                                                                                                                                                                                                                                                                                                                                                                                                                                                                                                                                                                                                                                                                                                                | Timer m                                         |

| <b>ASN.1 Type Definition</b>                                                                                                                                                                                                                                                                                                                                                                                                                                                                                                                                                                                                                                                                                                                                                                                                                                                                                                                                                                                                                                                                                                                                                                                                                                                                                                                                                                                                                                                             |                                                 |
|------------------------------------------------------------------------------------------------------------------------------------------------------------------------------------------------------------------------------------------------------------------------------------------------------------------------------------------------------------------------------------------------------------------------------------------------------------------------------------------------------------------------------------------------------------------------------------------------------------------------------------------------------------------------------------------------------------------------------------------------------------------------------------------------------------------------------------------------------------------------------------------------------------------------------------------------------------------------------------------------------------------------------------------------------------------------------------------------------------------------------------------------------------------------------------------------------------------------------------------------------------------------------------------------------------------------------------------------------------------------------------------------------------------------------------------------------------------------------------------|-------------------------------------------------|
| <b>Type Name:</b>                                                                                                                                                                                                                                                                                                                                                                                                                                                                                                                                                                                                                                                                                                                                                                                                                                                                                                                                                                                                                                                                                                                                                                                                                                                                                                                                                                                                                                                                        | EraseSS_Components                              |
| <b>Comments:</b>                                                                                                                                                                                                                                                                                                                                                                                                                                                                                                                                                                                                                                                                                                                                                                                                                                                                                                                                                                                                                                                                                                                                                                                                                                                                                                                                                                                                                                                                         | GSM 09.02, 14.5, 14.6.4, 14.6.6, 14.7.4, 14.7.7 |
| <b>Type Definition</b>                                                                                                                                                                                                                                                                                                                                                                                                                                                                                                                                                                                                                                                                                                                                                                                                                                                                                                                                                                                                                                                                                                                                                                                                                                                                                                                                                                                                                                                                   |                                                 |
| <pre> CHOICE {   eraseSS_InvokeComp      [1] IMPLICIT SEQUENCE {                                 invokeID      InvokeIDType,                                 localValue     INTEGER (11),                                 ss_ForBS      SS_ForBS_Code },   eraseSS_ReturnResultComp [2] IMPLICIT SEQUENCE {                                 invokeID      InvokeIDType,                                 result        SEQUENCE {                                                 localValue     INTEGER (11),                                                 ss_Info       SS_Info      } },   eraseSS_ReturnErrorComp CHOICE {                                 errorCodes    [3] IMPLICIT SEQUENCE { invokeID InvokeIDType, errorCode   ErrorLocalValues ( bearerServiceNotProvisioned   teleserviceNotProvisioned   illegalSS_Operation   dataMissing   unexpectedDataValue ) },                                 callBarredErr [3] IMPLICIT SEQUENCE { invokeID InvokeIDType, errorCode   ErrorLocalValues ( callBarred ), parameter   CallBarringCause },                                 ss_ErrorStatusErr [3] IMPLICIT SEQUENCE { invokeID InvokeIDType, errorCode   ErrorLocalValues ( ss_ErrorStatus ), parameter   SS_Status },                                 systemFailureErr [3] IMPLICIT SEQUENCE { invokeID InvokeIDType, errorCode   ErrorLocalValues ( systemFailure ), parameter   NetworkResource} },   eraseSS_RejectComp      [4] IMPLICIT RejectComponent } </pre> |                                                 |
| <b>Detailed Comments:</b>                                                                                                                                                                                                                                                                                                                                                                                                                                                                                                                                                                                                                                                                                                                                                                                                                                                                                                                                                                                                                                                                                                                                                                                                                                                                                                                                                                                                                                                                | Timer m                                         |

| <b>ASN.1 Type Definition</b>                                                                                                                                                                                                                                                                                                                                                                                                                                                                                                                                                                                                                                                                                                                                                                                                                                                                                   |                                |
|----------------------------------------------------------------------------------------------------------------------------------------------------------------------------------------------------------------------------------------------------------------------------------------------------------------------------------------------------------------------------------------------------------------------------------------------------------------------------------------------------------------------------------------------------------------------------------------------------------------------------------------------------------------------------------------------------------------------------------------------------------------------------------------------------------------------------------------------------------------------------------------------------------------|--------------------------------|
| <b>Type Name:</b>                                                                                                                                                                                                                                                                                                                                                                                                                                                                                                                                                                                                                                                                                                                                                                                                                                                                                              | ForwardChargeAdvice_Components |
| <b>Comments:</b>                                                                                                                                                                                                                                                                                                                                                                                                                                                                                                                                                                                                                                                                                                                                                                                                                                                                                               | GSM 04.80, 4.2                 |
| <b>Type Definition</b>                                                                                                                                                                                                                                                                                                                                                                                                                                                                                                                                                                                                                                                                                                                                                                                                                                                                                         |                                |
| CHOICE {<br>forwardChargeAdvice_InvokeComp [1] IMPLICIT SEQUENCE {<br>invokeID InvokeIDType,<br>localValue INTEGER (125),<br>forwardChargeAdviceArg SEQUENCE {<br>ss_Code [0] SS_Code,<br>chargingInformation [1] SEQUENCE{<br>e1 [1] INTEGER<br>e2 [2] INTEGER<br>e3 [3] INTEGER<br>e4 [4] INTEGER<br>e5 [5] INTEGER<br>e6 [6] INTEGER<br>e7 [7] INTEGER<br>} } ,<br>(0..max10TimesUnitsPerTime) OPTIONAL,<br>(0..max10TimesTimeInterval) OPTIONAL,<br>(0..max100TimesScalingFactor) OPTIONAL,<br>(0..max10TimesIncrement) OPTIONAL,<br>(0..max10TimesIncrementPerDataInterval) OPTIONAL,<br>(0..maxNumberOfSegmentsPerDataInterval) OPTIONAL,<br>(0..max10TimesInitialTime) OPTIONAL } } ,<br>forwardChargeAdvice_ReturnResultComp [2] IMPLICIT SEQUENCE {<br>invokeID InvokeIDType,<br>result SEQUENCE {<br>localValue INTEGER (125) } } ,<br>forwardChargeAdvice_RejectComp [4] IMPLICIT RejectComponent } |                                |
| <b>Detailed Comments:</b>                                                                                                                                                                                                                                                                                                                                                                                                                                                                                                                                                                                                                                                                                                                                                                                                                                                                                      | Timer T_aoc = 1 - 40 s         |

| <b>ASN.1 Type Definition</b>                                                                                                                                                                           |                                                 |
|--------------------------------------------------------------------------------------------------------------------------------------------------------------------------------------------------------|-------------------------------------------------|
| <b>Type Name:</b>                                                                                                                                                                                      | ForwardCheckSSIndication_Components             |
| <b>Comments:</b>                                                                                                                                                                                       | GSM 09.02, 14.5, 14.6.4, 14.6.6, 14.7.4, 14.7.7 |
| <b>Type Definition</b>                                                                                                                                                                                 |                                                 |
| CHOICE {<br>forwardCheckSSIndication_InvokeComp [1] IMPLICIT SEQUENCE {<br>invokeID InvokeIDType,<br>localValue INTEGER (38) } ,<br>forwardCheckSSIndication_RejectComp [4] IMPLICIT RejectComponent } |                                                 |
| <b>Detailed Comments:</b>                                                                                                                                                                              |                                                 |

| <b>ASN.1 Type Definition</b>                                                                                                                                                                                                                                                                                                                                   |                           |
|----------------------------------------------------------------------------------------------------------------------------------------------------------------------------------------------------------------------------------------------------------------------------------------------------------------------------------------------------------------|---------------------------|
| <b>Type Name:</b>                                                                                                                                                                                                                                                                                                                                              | ForwardCUGInfo_Components |
| <b>Comments:</b>                                                                                                                                                                                                                                                                                                                                               | GSM 04.80, 4.2            |
| <b>Type Definition</b>                                                                                                                                                                                                                                                                                                                                         |                           |
| CHOICE {<br>forwardCUGInfo_InvokeComp [1] IMPLICIT SEQUENCE {<br>invokeID InvokeIDType,<br>localValue INTEGER (120),<br>forwardCUGInfo_Arg SEQUENCE{<br>cug_Index [0] IMPLICIT CUG_Index<br>suppressPrefCUG [1] IMPLICIT NULL OPTIONAL,<br>suppressOA [2] IMPLICIT NULL<br>} } ,<br>OPTIONAL } } ,<br>forwardCUGInfo_RejectComp [4] IMPLICIT RejectComponent } |                           |
| <b>Detailed Comments:</b>                                                                                                                                                                                                                                                                                                                                      |                           |



| <b>ASN.1 Type Definition</b>                                                                                                                                                                                                                                                                                                                                                                                                                                                                                                                                                                                                                                                                                                                                                                                                                                                                                                           |                                                           |
|----------------------------------------------------------------------------------------------------------------------------------------------------------------------------------------------------------------------------------------------------------------------------------------------------------------------------------------------------------------------------------------------------------------------------------------------------------------------------------------------------------------------------------------------------------------------------------------------------------------------------------------------------------------------------------------------------------------------------------------------------------------------------------------------------------------------------------------------------------------------------------------------------------------------------------------|-----------------------------------------------------------|
| <b>Type Name:</b>                                                                                                                                                                                                                                                                                                                                                                                                                                                                                                                                                                                                                                                                                                                                                                                                                                                                                                                      | General_Components                                        |
| <b>Comments:</b>                                                                                                                                                                                                                                                                                                                                                                                                                                                                                                                                                                                                                                                                                                                                                                                                                                                                                                                       | Non specified components must match this type definition. |
| <b>Type Definition</b>                                                                                                                                                                                                                                                                                                                                                                                                                                                                                                                                                                                                                                                                                                                                                                                                                                                                                                                 |                                                           |
| <pre> CHOICE {   general_InvokeComp          [1] IMPLICIT General_InvokeComponent,   general_ReturnResultComp [2] IMPLICIT General_ReturnResultComponent,   general_ReturnErrorComp [3] IMPLICIT General_ReturnErrorComponent,   general_RejectComp         [4] IMPLICIT RejectComponent }  -- This is the General InvokeComponent -- General_InvokeComponent ::= SEQUENCE {   invokeID          InvokeIDType,   linked_ID         [0] IMPLICIT InvokeIDType OPTIONAL,   operation_value   Operation,   argument          ANY          OPTIONAL }  -- This is the General ReturnResultComponent -- General_ReturnResultComponent ::= SEQUENCE {   invokeID          InvokeIDType,   valueAndResult SEQUENCE {     operation_value Operation,     result          ANY          } OPTIONAL }  -- This is the General ReturnErrorComponent -- General_ReturnErrorComponent ::= SEQUENCE {   invokeID InvokeIDType,   error   ANY } </pre> |                                                           |
| <b>Detailed Comments:</b>                                                                                                                                                                                                                                                                                                                                                                                                                                                                                                                                                                                                                                                                                                                                                                                                                                                                                                              |                                                           |

| <b>ASN.1 Type Definition</b>                                                                                                                                                                                                                                                                                                                                                                                                                                                                                                                                         |                                                 |
|----------------------------------------------------------------------------------------------------------------------------------------------------------------------------------------------------------------------------------------------------------------------------------------------------------------------------------------------------------------------------------------------------------------------------------------------------------------------------------------------------------------------------------------------------------------------|-------------------------------------------------|
| <b>Type Name:</b>                                                                                                                                                                                                                                                                                                                                                                                                                                                                                                                                                    | GetPassword_Components                          |
| <b>Comments:</b>                                                                                                                                                                                                                                                                                                                                                                                                                                                                                                                                                     | GSM 09.02, 14.5, 14.6.4, 14.6.6, 14.7.4, 14.7.7 |
| <b>Type Definition</b>                                                                                                                                                                                                                                                                                                                                                                                                                                                                                                                                               |                                                 |
| <pre> CHOICE {   getPassword_InvokeComp [1] IMPLICIT SEQUENCE {     invokeID          InvokeIDType,     linkedID          [0] IMPLICIT InvokeIDType,     localValue        INTEGER (18),     guidanceInfo      ENUMERATED {       enterPW (0),       enterNewPW (1),       enterNewPW_Again (2) }   },   getPassword_ReturnResultComp [2] IMPLICIT SEQUENCE {     invokeID          InvokeIDType,     result SEQUENCE {       localValue        INTEGER (18),       currentPassword   Password }   },   getPassword_RejectComp [4] IMPLICIT RejectComponent } </pre> |                                                 |
| <b>Detailed Comments:</b>                                                                                                                                                                                                                                                                                                                                                                                                                                                                                                                                            | Timer m                                         |

| <b>ASN.1 Type Definition</b>                                                                                                                                                                                                                                                                                                                                                                                                                                                                                                                                                                                                                                                                                                                                                                                                                                                                                                                                                                                                                                                                                                                                                                                                                                                                                                                                                    |                             |
|---------------------------------------------------------------------------------------------------------------------------------------------------------------------------------------------------------------------------------------------------------------------------------------------------------------------------------------------------------------------------------------------------------------------------------------------------------------------------------------------------------------------------------------------------------------------------------------------------------------------------------------------------------------------------------------------------------------------------------------------------------------------------------------------------------------------------------------------------------------------------------------------------------------------------------------------------------------------------------------------------------------------------------------------------------------------------------------------------------------------------------------------------------------------------------------------------------------------------------------------------------------------------------------------------------------------------------------------------------------------------------|-----------------------------|
| <b>Type Name:</b>                                                                                                                                                                                                                                                                                                                                                                                                                                                                                                                                                                                                                                                                                                                                                                                                                                                                                                                                                                                                                                                                                                                                                                                                                                                                                                                                                               | HoldMPTY_Components         |
| <b>Comments:</b>                                                                                                                                                                                                                                                                                                                                                                                                                                                                                                                                                                                                                                                                                                                                                                                                                                                                                                                                                                                                                                                                                                                                                                                                                                                                                                                                                                | GSM 04.80, 4.2              |
| <b>Type Definition</b>                                                                                                                                                                                                                                                                                                                                                                                                                                                                                                                                                                                                                                                                                                                                                                                                                                                                                                                                                                                                                                                                                                                                                                                                                                                                                                                                                          |                             |
| <pre> CHOICE {   holdMPTY_InvokeComp          [1] IMPLICIT SEQUENCE {                                 invokeID          InvokeIDType,                                 localValue         INTEGER (123) },   holdMPTY_ReturnResultComp    [2] IMPLICIT SEQUENCE {                                 invokeID          InvokeIDType,                                 result            SEQUENCE {                                                 localValue         INTEGER (123) }                                 },   holdMPTY_ReturnErrorComp     CHOICE {                                 errorCodes        [3] IMPLICIT SEQUENCE { invokeID InvokeIDType, errorCode   ErrorLocalValues ( illegalSS_Operation   facilityNotSupported ) },                                 ss_ErrorStatusErr [3] IMPLICIT SEQUENCE { invokeID InvokeIDType, errorCode   ErrorLocalValues ( ss_ErrorStatus ), parameter   SS_Status },                                 ss_IncompatibilityErr [3] IMPLICIT SEQUENCE { invokeID InvokeIDType, errorCode   ErrorLocalValues ( ss_Incompatibility ), parameter   SS_IncompatibilityCause },                                 systemFailureErr    [3] IMPLICIT SEQUENCE { invokeID InvokeIDType, errorCode   ErrorLocalValues ( systemFailure ), parameter   NetworkResource} },   holdMPTY_RejectComp          [4] IMPLICIT RejectComponent } </pre> |                             |
| <b>Detailed Comments:</b>                                                                                                                                                                                                                                                                                                                                                                                                                                                                                                                                                                                                                                                                                                                                                                                                                                                                                                                                                                                                                                                                                                                                                                                                                                                                                                                                                       | Timer T_holdMPTY (5 - 30 s) |

| <b>ASN.1 Type Definition</b>                                                                                                                                                                                                                                                                                                                                                                                                                                                                                                                                                                                                                                                                                                                                                                                                                                                                                                                                                                                                                                                                                                                                                                                                                                                                                                                                                                                                                                                                                                                                                       |                                                 |
|------------------------------------------------------------------------------------------------------------------------------------------------------------------------------------------------------------------------------------------------------------------------------------------------------------------------------------------------------------------------------------------------------------------------------------------------------------------------------------------------------------------------------------------------------------------------------------------------------------------------------------------------------------------------------------------------------------------------------------------------------------------------------------------------------------------------------------------------------------------------------------------------------------------------------------------------------------------------------------------------------------------------------------------------------------------------------------------------------------------------------------------------------------------------------------------------------------------------------------------------------------------------------------------------------------------------------------------------------------------------------------------------------------------------------------------------------------------------------------------------------------------------------------------------------------------------------------|-------------------------------------------------|
| <b>Type Name:</b>                                                                                                                                                                                                                                                                                                                                                                                                                                                                                                                                                                                                                                                                                                                                                                                                                                                                                                                                                                                                                                                                                                                                                                                                                                                                                                                                                                                                                                                                                                                                                                  | InterrogateSS_Components                        |
| <b>Comments:</b>                                                                                                                                                                                                                                                                                                                                                                                                                                                                                                                                                                                                                                                                                                                                                                                                                                                                                                                                                                                                                                                                                                                                                                                                                                                                                                                                                                                                                                                                                                                                                                   | GSM 09.02, 14.5, 14.6.4, 14.6.6, 14.7.4, 14.7.7 |
| <b>Type Definition</b>                                                                                                                                                                                                                                                                                                                                                                                                                                                                                                                                                                                                                                                                                                                                                                                                                                                                                                                                                                                                                                                                                                                                                                                                                                                                                                                                                                                                                                                                                                                                                             |                                                 |
| <pre> CHOICE {   interrogateSS_InvokeComp      [1] IMPLICIT SEQUENCE {     invokeID                    InvokeIDType,     localValue                   INTEGER (14),     ss_ForBS                     SS_ForBS_Code },    interrogateSS_ReturnResultComp [2] IMPLICIT SEQUENCE {     invokeID                    InvokeIDType,     result                      SEQUENCE {       localValue                 INTEGER (14),       interrogateSS_Res          CHOICE {         ss_Status                [0] IMPLICIT       },       basicServiceGroupList     [2] IMPLICIT     },     SS_Status,     ForwardingFeatureList,     cli_RestrictionInfo         [4] IMPLICIT SEQUENCE {       ss_Status     },     CliRestrictionOption      OPTIONAL } } } ,    interrogateSS_ReturnErrorComp CHOICE {     errorCodes                 [3] IMPLICIT SEQUENCE { invokeID     InvokeIDType,     errorCode                  ErrorLocalValues ( bearerServiceNotProvisioned       teleserviceNotProvisioned       illegalSS_Operation       ss_NotAvailable       dataMissing       unexpectedDataValue) },     callBarredErr              [3] IMPLICIT SEQUENCE { invokeID     InvokeIDType,     errorCode                  ErrorLocalValues ( callBarred ),     parameter                  CallBarringCause },     systemFailureErr           [3] IMPLICIT SEQUENCE { invokeID     InvokeIDType,     errorCode                  ErrorLocalValues ( systemFailure ),     parameter                  NetworkResource} } ,    interrogateSS_RejectComp     [4] IMPLICIT RejectComponent } </pre> |                                                 |
| <b>Detailed Comments:</b>                                                                                                                                                                                                                                                                                                                                                                                                                                                                                                                                                                                                                                                                                                                                                                                                                                                                                                                                                                                                                                                                                                                                                                                                                                                                                                                                                                                                                                                                                                                                                          | Timer m                                         |

| <b>ASN.1 Type Definition</b>                                                                                                                                                                                                                                                                                                                                                                                                                                                                                                                                                                                                                                                                                                                                                                                                                                                                                      |                     |
|-------------------------------------------------------------------------------------------------------------------------------------------------------------------------------------------------------------------------------------------------------------------------------------------------------------------------------------------------------------------------------------------------------------------------------------------------------------------------------------------------------------------------------------------------------------------------------------------------------------------------------------------------------------------------------------------------------------------------------------------------------------------------------------------------------------------------------------------------------------------------------------------------------------------|---------------------|
| <b>Type Name:</b>                                                                                                                                                                                                                                                                                                                                                                                                                                                                                                                                                                                                                                                                                                                                                                                                                                                                                                 | NotifySS_Components |
| <b>Comments:</b>                                                                                                                                                                                                                                                                                                                                                                                                                                                                                                                                                                                                                                                                                                                                                                                                                                                                                                  | GSM 04.80, 4.2      |
| <b>Type Definition</b>                                                                                                                                                                                                                                                                                                                                                                                                                                                                                                                                                                                                                                                                                                                                                                                                                                                                                            |                     |
| <pre> CHOICE {   notifySS_InvokeComp          [1] IMPLICIT SEQUENCE {     invokeID                    InvokeIDType,     localValue                   INTEGER (16),     notifySS_Arg                 SEQUENCE{       ss_Code                    [1] IMPLICIT SS_Code     OPTIONAL,       ss_Status                  [4] IMPLICIT SS_Status     OPTIONAL,       ss_Notification            [5] IMPLICIT OCTET STRING     (SIZE (1)) OPTIONAL,       callIsWaiting_Indicator    [14] IMPLICIT NULL     OPTIONAL,       callOnHold_Indicator       [15] IMPLICIT ENUMERATED { callRetrieved (0), callOnHold (1) }     OPTIONAL,       mpty_Indicator             [16] IMPLICIT NULL     OPTIONAL,       cug_Index                  [17] IMPLICIT CUG_Index     OPTIONAL,       clirSuppressionRejected    [18] IMPLICIT NULL     OPTIONAL }   },   notifySS_RejectComp          [4] IMPLICIT RejectComponent } </pre> |                     |
| <b>Detailed Comments:</b>                                                                                                                                                                                                                                                                                                                                                                                                                                                                                                                                                                                                                                                                                                                                                                                                                                                                                         |                     |

| <b>ASN.1 Type Definition</b>                                                                                                                                                                                                                                                                                                                                                                                                                                                                                                                                                                                                                                                                                                                                                                                                                                                                                                                                                            |                                                 |
|-----------------------------------------------------------------------------------------------------------------------------------------------------------------------------------------------------------------------------------------------------------------------------------------------------------------------------------------------------------------------------------------------------------------------------------------------------------------------------------------------------------------------------------------------------------------------------------------------------------------------------------------------------------------------------------------------------------------------------------------------------------------------------------------------------------------------------------------------------------------------------------------------------------------------------------------------------------------------------------------|-------------------------------------------------|
| <b>Type Name:</b>                                                                                                                                                                                                                                                                                                                                                                                                                                                                                                                                                                                                                                                                                                                                                                                                                                                                                                                                                                       | ProcessUnstructuredSSData_Components            |
| <b>Comments:</b>                                                                                                                                                                                                                                                                                                                                                                                                                                                                                                                                                                                                                                                                                                                                                                                                                                                                                                                                                                        | GSM 09.02, 14.5, 14.6.4, 14.6.6, 14.7.4, 14.7.7 |
| <b>Type Definition</b>                                                                                                                                                                                                                                                                                                                                                                                                                                                                                                                                                                                                                                                                                                                                                                                                                                                                                                                                                                  |                                                 |
| <pre> CHOICE {   processUnstructuredSSData_InvokeComp [1] IMPLICIT SEQUENCE {     invokeID                    InvokeIDType,     localValue                   INTEGER (19),     ss_UserData                  SS_UserData },   processUnstructuredSSData_ReturnResultComp [2] IMPLICIT SEQUENCE {     invokeID                    InvokeIDType,     result                      SEQUENCE {       localValue                 INTEGER (19),       ss_UserData                SS_UserData } } ,   processUnstructuredSSData_ReturnErrorComp CHOICE {     errorCodes                  [3] IMPLICIT SEQUENCE { invokeID InvokeIDType, errorCode                     ErrorLocalValues (unexpectedDataValue) },     systemFailureErr            [3] IMPLICIT SEQUENCE { invokeID InvokeIDType, errorCode                     ErrorLocalValues ( systemFailure ), parameter                      NetworkResource} },   processUnstructuredSSData_RejectComp [4] IMPLICIT RejectComponent } </pre> |                                                 |
| <b>Detailed Comments:</b>                                                                                                                                                                                                                                                                                                                                                                                                                                                                                                                                                                                                                                                                                                                                                                                                                                                                                                                                                               | Timer m                                         |

| <b>ASN.1 Type Definition</b>                                                                                                                                                                                                                                                                                                                                                                                                                                                                                                                                                                                                                                                                                                                                                                                                                                                                                                                                                                                                                                                                                                                                                                                                                                                                                                                                                         |                                                 |
|--------------------------------------------------------------------------------------------------------------------------------------------------------------------------------------------------------------------------------------------------------------------------------------------------------------------------------------------------------------------------------------------------------------------------------------------------------------------------------------------------------------------------------------------------------------------------------------------------------------------------------------------------------------------------------------------------------------------------------------------------------------------------------------------------------------------------------------------------------------------------------------------------------------------------------------------------------------------------------------------------------------------------------------------------------------------------------------------------------------------------------------------------------------------------------------------------------------------------------------------------------------------------------------------------------------------------------------------------------------------------------------|-------------------------------------------------|
| <b>Type Name:</b>                                                                                                                                                                                                                                                                                                                                                                                                                                                                                                                                                                                                                                                                                                                                                                                                                                                                                                                                                                                                                                                                                                                                                                                                                                                                                                                                                                    | ProcessUnstructuredSSRequest_Components         |
| <b>Comments:</b>                                                                                                                                                                                                                                                                                                                                                                                                                                                                                                                                                                                                                                                                                                                                                                                                                                                                                                                                                                                                                                                                                                                                                                                                                                                                                                                                                                     | GSM 09.02, 14.5, 14.6.4, 14.6.6, 14.7.4, 14.7.7 |
| <b>Type Definition</b>                                                                                                                                                                                                                                                                                                                                                                                                                                                                                                                                                                                                                                                                                                                                                                                                                                                                                                                                                                                                                                                                                                                                                                                                                                                                                                                                                               |                                                 |
| <pre> CHOICE {     processUnstructuredSSRequest_InvokeComp          [1] IMPLICIT SEQUENCE {         invokeID                                     InvokeIDType,         localValue                                  INTEGER (59),         ussd_Arg                                    USSD_Arg },      processUnstructuredSSRequest_ReturnResultComp    [2] IMPLICIT SEQUENCE {         invokeID                                     InvokeIDType,         result                                       SEQUENCE {             localValue                               INTEGER (59),             ussd_Res                                USSD_Res }     },      processUnstructuredSSRequest_ReturnErrorComp     CHOICE {         errorCodes                                  [3] IMPLICIT SEQUENCE { invokeID InvokeIDType, errorCode   ErrorLocalValues (dataMissing   unexpectedDataValue   unknownAlphabet) },         callBarredErr                              [3] IMPLICIT SEQUENCE { invokeID InvokeIDType, errorCode   ErrorLocalValues ( callBarred ), parameter   CallBarringCause },         systemFailureErr                            [3] IMPLICIT SEQUENCE { invokeID InvokeIDType, errorCode   ErrorLocalValues ( systemFailure ), parameter   NetworkResource} },      processUnstructuredSSRequest_RejectComp          [4] IMPLICIT RejectComponent     } </pre> |                                                 |
| <b>Detailed Comments:</b>                                                                                                                                                                                                                                                                                                                                                                                                                                                                                                                                                                                                                                                                                                                                                                                                                                                                                                                                                                                                                                                                                                                                                                                                                                                                                                                                                            | Timer m                                         |

| <b>ASN.1 Type Definition</b>                                                                                                                                                                                                                                                                                                                                                                                                                                                                                                                                                                                                                                                                                                                                                                                                                                                                                                                                                                                                                                                                                                                                                                                                                                                                                                                                                                                                                                                                                                                                                             |                                                 |
|------------------------------------------------------------------------------------------------------------------------------------------------------------------------------------------------------------------------------------------------------------------------------------------------------------------------------------------------------------------------------------------------------------------------------------------------------------------------------------------------------------------------------------------------------------------------------------------------------------------------------------------------------------------------------------------------------------------------------------------------------------------------------------------------------------------------------------------------------------------------------------------------------------------------------------------------------------------------------------------------------------------------------------------------------------------------------------------------------------------------------------------------------------------------------------------------------------------------------------------------------------------------------------------------------------------------------------------------------------------------------------------------------------------------------------------------------------------------------------------------------------------------------------------------------------------------------------------|-------------------------------------------------|
| <b>Type Name:</b>                                                                                                                                                                                                                                                                                                                                                                                                                                                                                                                                                                                                                                                                                                                                                                                                                                                                                                                                                                                                                                                                                                                                                                                                                                                                                                                                                                                                                                                                                                                                                                        | RegisterPassword_Components                     |
| <b>Comments:</b>                                                                                                                                                                                                                                                                                                                                                                                                                                                                                                                                                                                                                                                                                                                                                                                                                                                                                                                                                                                                                                                                                                                                                                                                                                                                                                                                                                                                                                                                                                                                                                         | GSM 09.02, 14.5, 14.6.4, 14.6.6, 14.7.4, 14.7.7 |
| <b>Type Definition</b>                                                                                                                                                                                                                                                                                                                                                                                                                                                                                                                                                                                                                                                                                                                                                                                                                                                                                                                                                                                                                                                                                                                                                                                                                                                                                                                                                                                                                                                                                                                                                                   |                                                 |
| <pre> CHOICE {   registerPassword_InvokeComp      [1] IMPLICIT SEQUENCE {     invokeID                        InvokeIDType,     localValue                      INTEGER (17),     ss_Code                        SS_Code      },   registerPassword_ReturnResultComp [2] IMPLICIT SEQUENCE {     invokeID                        InvokeIDType,     result                          SEQUENCE {       localValue                   INTEGER (17),       newPassword                   Password    }     },   registerPassword_ReturnErrorComp CHOICE {     errorCodes                      [3] IMPLICIT SEQUENCE { invokeID InvokeIDType, errorCode      ErrorLocalValues ( dataMissing   unexpectedDataValue   negativePW_Check   numberOfPW_AttemptsViolation) },     callBarredErr                    [3] IMPLICIT SEQUENCE { invokeID InvokeIDType, errorCode      ErrorLocalValues ( callBarred ), parameter      CallBarringCause },     ss_SubscriptionViolationeErr     [3] IMPLICIT SEQUENCE { invokeID   InvokeIDType, errorCode      ErrorLocalValues (ss_SubscriptionViolation), parameter      SS_SubscriptionOption },     systemFailureErr                 [3] IMPLICIT SEQUENCE { invokeID InvokeIDType, errorCode      ErrorLocalValues ( systemFailure ), parameter      NetworkResource},     pw_RegistrationFailureErr        [3] IMPLICIT SEQUENCE { invokeID   InvokeIDType, errorCode      ErrorLocalValues ( pw_RegistrationFailure ), parameter      PW_RegistrationFailureCause }     },   registerPassword_RejectComp      [4] IMPLICIT RejectComponent } </pre> |                                                 |
| <b>Detailed Comments:</b>                                                                                                                                                                                                                                                                                                                                                                                                                                                                                                                                                                                                                                                                                                                                                                                                                                                                                                                                                                                                                                                                                                                                                                                                                                                                                                                                                                                                                                                                                                                                                                | Timer m                                         |

| <b>ASN.1 Type Definition</b>                                                                                                                                                                                                                                                                                                                                                                                                                                                                                                                                                                                                                                                                                                                                                                                                                                                                                                                                                                                                                                                                                                                                                                                                                                                                                                                                                                                                                                                                                   |                                                 |
|----------------------------------------------------------------------------------------------------------------------------------------------------------------------------------------------------------------------------------------------------------------------------------------------------------------------------------------------------------------------------------------------------------------------------------------------------------------------------------------------------------------------------------------------------------------------------------------------------------------------------------------------------------------------------------------------------------------------------------------------------------------------------------------------------------------------------------------------------------------------------------------------------------------------------------------------------------------------------------------------------------------------------------------------------------------------------------------------------------------------------------------------------------------------------------------------------------------------------------------------------------------------------------------------------------------------------------------------------------------------------------------------------------------------------------------------------------------------------------------------------------------|-------------------------------------------------|
| <b>Type Name:</b>                                                                                                                                                                                                                                                                                                                                                                                                                                                                                                                                                                                                                                                                                                                                                                                                                                                                                                                                                                                                                                                                                                                                                                                                                                                                                                                                                                                                                                                                                              | RegisterSS_Components                           |
| <b>Comments:</b>                                                                                                                                                                                                                                                                                                                                                                                                                                                                                                                                                                                                                                                                                                                                                                                                                                                                                                                                                                                                                                                                                                                                                                                                                                                                                                                                                                                                                                                                                               | GSM 09.02, 14.5, 14.6.4, 14.6.6, 14.7.4, 14.7.7 |
| <b>Type Definition</b>                                                                                                                                                                                                                                                                                                                                                                                                                                                                                                                                                                                                                                                                                                                                                                                                                                                                                                                                                                                                                                                                                                                                                                                                                                                                                                                                                                                                                                                                                         |                                                 |
| <pre> CHOICE {   registerSS_InviteComp [1] IMPLICIT SEQUENCE {     invokeID          InvokeIDType,     localValue        INTEGER (10),     registerSS_Arg    SEQUENCE {       ss_Code          SS_Code,       basicService     BasicServiceCode     }   }   OPTIONAL,   forwardedToNumber [4] IMPLICIT AddressString   OPTIONAL,   forwardedToSubaddress [6] IMPLICIT   ISDN_SubaddressString OPTIONAL,   NoReplyConditionTime  OPTIONAL noReplyConditionTime [5] IMPLICIT   }   registerSS_ReturnResultComp [2] IMPLICIT SEQUENCE {     invokeID          InvokeIDType,     result            SEQUENCE {       localValue      INTEGER (10),       ss_Info         SS_Info     }   }   registerSS_ReturnErrorComp CHOICE {     errorCodes [3] IMPLICIT SEQUENCE { invokeID   InvokeIDType,   errorCode   ErrorLocalValues ( bearerServiceNotProvisioned     teleserviceNotProvisioned     illegalSS_Operation     dataMissing     unexpectedDataValue ) },   callBarredErr [3] IMPLICIT SEQUENCE { invokeID   InvokeIDType,   errorCode   ErrorLocalValues ( callBarred ),   parameter   CallBarringCause },   ss_IncompatibilityErr [3] IMPLICIT SEQUENCE { invokeID   InvokeIDType,   errorCode   ErrorLocalValues ( ss_Incompatibility ),   parameter   SS_IncompatibilityCause },   systemFailureErr [3] IMPLICIT SEQUENCE { invokeID   InvokeIDType,   errorCode   ErrorLocalValues ( systemFailure ),   parameter   NetworkResource} },   registerSS_RejectComp [4] IMPLICIT RejectComponent   } </pre> |                                                 |
| <b>Detailed Comments:</b>                                                                                                                                                                                                                                                                                                                                                                                                                                                                                                                                                                                                                                                                                                                                                                                                                                                                                                                                                                                                                                                                                                                                                                                                                                                                                                                                                                                                                                                                                      | Timer m                                         |

| <b>ASN.1 Type Definition</b>                                                                                                                                                                                                                                                                                                                                               |                                                                                                                          |
|----------------------------------------------------------------------------------------------------------------------------------------------------------------------------------------------------------------------------------------------------------------------------------------------------------------------------------------------------------------------------|--------------------------------------------------------------------------------------------------------------------------|
| <b>Type Name:</b>                                                                                                                                                                                                                                                                                                                                                          | RejectComponent                                                                                                          |
| <b>Comments:</b>                                                                                                                                                                                                                                                                                                                                                           | ITU-T Q.767                                                                                                              |
| <b>Type Definition</b>                                                                                                                                                                                                                                                                                                                                                     |                                                                                                                          |
| <pre> SEQUENCE {   invokedID CHOICE {     derivable          InvokeIDType,     notDerivable      NULL },   problem             CHOICE {     generalProblem     [0] IMPLICIT GeneralProblem,     invokeProblem      [1] IMPLICIT InvokeProblem,     returnResultProblem [2] IMPLICIT ReturnResultProblem,     returnErrorProblem [3] IMPLICIT ReturnErrorProblem } } </pre> |                                                                                                                          |
| <b>Detailed Comments:</b>                                                                                                                                                                                                                                                                                                                                                  | Reject Component is not specific to any particular operation. The invokeID may be used to identify a specific operation. |

| <b>ASN.1 Type Definition</b>                                                                                                                                                                                                                                                                                                                                                                                                                                                                                                                                                                                                                                                                                                                                                                                                                                                                                                                                                                                                                                                                                                                                                                                                                                                            |                                  |
|-----------------------------------------------------------------------------------------------------------------------------------------------------------------------------------------------------------------------------------------------------------------------------------------------------------------------------------------------------------------------------------------------------------------------------------------------------------------------------------------------------------------------------------------------------------------------------------------------------------------------------------------------------------------------------------------------------------------------------------------------------------------------------------------------------------------------------------------------------------------------------------------------------------------------------------------------------------------------------------------------------------------------------------------------------------------------------------------------------------------------------------------------------------------------------------------------------------------------------------------------------------------------------------------|----------------------------------|
| <b>Type Name:</b>                                                                                                                                                                                                                                                                                                                                                                                                                                                                                                                                                                                                                                                                                                                                                                                                                                                                                                                                                                                                                                                                                                                                                                                                                                                                       | RetrieveEMPTY_Components         |
| <b>Comments:</b>                                                                                                                                                                                                                                                                                                                                                                                                                                                                                                                                                                                                                                                                                                                                                                                                                                                                                                                                                                                                                                                                                                                                                                                                                                                                        | GSM 04.80, 4.2                   |
| <b>Type Definition</b>                                                                                                                                                                                                                                                                                                                                                                                                                                                                                                                                                                                                                                                                                                                                                                                                                                                                                                                                                                                                                                                                                                                                                                                                                                                                  |                                  |
| <pre> CHOICE {     retrieveEMPTY_InvokeComp [1] IMPLICIT SEQUENCE {         invokeID          InvokeIDType,         localValue        INTEGER (122) },      retrieveEMPTY_ReturnResultComp [2] IMPLICIT SEQUENCE {         invokeID          InvokeIDType,         result            SEQUENCE {             localValue    INTEGER (122) }         },      retrieveEMPTY_ReturnErrorComp CHOICE {         errorCodes          [3] IMPLICIT SEQUENCE { invokeID         InvokeIDType,         errorCode           ErrorLocalValues ( illegalSS_Operation           facilityNotSupported ) },         ss_ErrorStatusErr   [3] IMPLICIT SEQUENCE { invokeID         InvokeIDType,         errorCode           ErrorLocalValues ( ss_ErrorStatus ),         parameter           SS_Status },         ss_IncompatibilityErr [3] IMPLICIT SEQUENCE { invokeID         InvokeIDType,         errorCode           ErrorLocalValues ( ss_Incompatibility ),         parameter           SS_IncompatibilityCause },         systemFailureErr    [3] IMPLICIT SEQUENCE { invokeID         InvokeIDType,         errorCode           ErrorLocalValues ( systemFailure ),         parameter           NetworkResource} },      retrieveEMPTY_RejectComp [4] IMPLICIT RejectComponent }         </pre> |                                  |
| <b>Detailed Comments:</b>                                                                                                                                                                                                                                                                                                                                                                                                                                                                                                                                                                                                                                                                                                                                                                                                                                                                                                                                                                                                                                                                                                                                                                                                                                                               | Timer T_retrieveEMPTY (5 - 30 s) |



| <b>ASN.1 Type Definition</b>                                                                                                                                                                                                                                                                                                                                                                                                                                                                                                                                                                                                                                                                                                                                                                                                                                                                                                                                                                                                                                                                                                                                                                                                                        |                              |
|-----------------------------------------------------------------------------------------------------------------------------------------------------------------------------------------------------------------------------------------------------------------------------------------------------------------------------------------------------------------------------------------------------------------------------------------------------------------------------------------------------------------------------------------------------------------------------------------------------------------------------------------------------------------------------------------------------------------------------------------------------------------------------------------------------------------------------------------------------------------------------------------------------------------------------------------------------------------------------------------------------------------------------------------------------------------------------------------------------------------------------------------------------------------------------------------------------------------------------------------------------|------------------------------|
| <b>Type Name:</b>                                                                                                                                                                                                                                                                                                                                                                                                                                                                                                                                                                                                                                                                                                                                                                                                                                                                                                                                                                                                                                                                                                                                                                                                                                   | SplitMPTY_Components         |
| <b>Comments:</b>                                                                                                                                                                                                                                                                                                                                                                                                                                                                                                                                                                                                                                                                                                                                                                                                                                                                                                                                                                                                                                                                                                                                                                                                                                    | GSM 04.80, 4.2               |
| <b>Type Definition</b>                                                                                                                                                                                                                                                                                                                                                                                                                                                                                                                                                                                                                                                                                                                                                                                                                                                                                                                                                                                                                                                                                                                                                                                                                              |                              |
| <pre> CHOICE {   splitMPTY_InvokeComp      [1] IMPLICIT SEQUENCE {                                 invokeID      InvokeIDType,                                 localValue     INTEGER (121) },   splitMPTY_ReturnResultComp [2] IMPLICIT SEQUENCE {                                 invokeID      InvokeIDType,                                 result         SEQUENCE {                                                 localValue     INTEGER (121) }                                 },   splitMPTY_ReturnErrorComp CHOICE {     errorCodes               [3] IMPLICIT SEQUENCE { invokeID InvokeIDType, errorCode   ErrorLocalValues ( illegalSS_Operation   facilityNotSupported ) },     ss_ErrorStatusErr       [3] IMPLICIT SEQUENCE { invokeID InvokeIDType, errorCode   ErrorLocalValues ( ss_ErrorStatus ), parameter   SS_Status },     ss_IncompatibilityErr   [3] IMPLICIT SEQUENCE { invokeID InvokeIDType, errorCode   ErrorLocalValues ( ss_Incompatibility ), parameter   SS_IncompatibilityCause },     systemFailureErr       [3] IMPLICIT SEQUENCE { invokeID InvokeIDType, errorCode   ErrorLocalValues ( systemFailure ), parameter   NetworkResource} },   splitMPTY_RejectComp      [4] IMPLICIT RejectComponent } </pre> |                              |
| <b>Detailed Comments:</b>                                                                                                                                                                                                                                                                                                                                                                                                                                                                                                                                                                                                                                                                                                                                                                                                                                                                                                                                                                                                                                                                                                                                                                                                                           | Timer T_splitMPTY (5 - 30 s) |

| <b>ASN.1 Type Definition</b>                                                                                                                                                                                                                                                                                                                                                                                                                                                                                                                                                                                                                                                                                                                                                                                                                                                                                            |                                                 |
|-------------------------------------------------------------------------------------------------------------------------------------------------------------------------------------------------------------------------------------------------------------------------------------------------------------------------------------------------------------------------------------------------------------------------------------------------------------------------------------------------------------------------------------------------------------------------------------------------------------------------------------------------------------------------------------------------------------------------------------------------------------------------------------------------------------------------------------------------------------------------------------------------------------------------|-------------------------------------------------|
| <b>Type Name:</b>                                                                                                                                                                                                                                                                                                                                                                                                                                                                                                                                                                                                                                                                                                                                                                                                                                                                                                       | UnstructuredSSNotify_Components                 |
| <b>Comments:</b>                                                                                                                                                                                                                                                                                                                                                                                                                                                                                                                                                                                                                                                                                                                                                                                                                                                                                                        | GSM 09.02, 14.5, 14.6.4, 14.6.6, 14.7.4, 14.7.7 |
| <b>Type Definition</b>                                                                                                                                                                                                                                                                                                                                                                                                                                                                                                                                                                                                                                                                                                                                                                                                                                                                                                  |                                                 |
| <pre> CHOICE {   unstructuredSSNotify_InvokeComp      [1] IMPLICIT SEQUENCE {     invokeID          InvokeIDType,     localValue        INTEGER (61),     ussd_Arg          USSD_Arg          },   unstructuredSSNotify_ReturnResultComp [2] IMPLICIT SEQUENCE {     invokeID          InvokeIDType,     result            SEQUENCE {       localValue      INTEGER (61) } },   unstructuredSSNotify_ReturnErrorComp CHOICE {     errorCodes       [3] IMPLICIT SEQUENCE { invokeID InvokeIDType, errorCode          ErrorLocalValues ( illegalSubscriber   illegalEquipment   absentSubscriber   dataMissing   unexpectedDataValue   unknownAlphabet   ussd_Busy) }, systemFailureErr   [3] IMPLICIT SEQUENCE { invokeID InvokeIDType, errorCode          ErrorLocalValues ( systemFailure ), parameter          NetworkResource} },   unstructuredSSNotify_RejectComp      [4] IMPLICIT RejectComponent      } </pre> |                                                 |
| <b>Detailed Comments:</b>                                                                                                                                                                                                                                                                                                                                                                                                                                                                                                                                                                                                                                                                                                                                                                                                                                                                                               | Timer m                                         |

| <b>ASN.1 Type Definition</b>                                                                                                                                                                                                                                                                                                                                                                                                                                                                                                                                                                                                                                                                                                                                                                                                                                                                                                                                                                                                                                                                                                                                                                         |                                                 |
|------------------------------------------------------------------------------------------------------------------------------------------------------------------------------------------------------------------------------------------------------------------------------------------------------------------------------------------------------------------------------------------------------------------------------------------------------------------------------------------------------------------------------------------------------------------------------------------------------------------------------------------------------------------------------------------------------------------------------------------------------------------------------------------------------------------------------------------------------------------------------------------------------------------------------------------------------------------------------------------------------------------------------------------------------------------------------------------------------------------------------------------------------------------------------------------------------|-------------------------------------------------|
| <b>Type Name:</b>                                                                                                                                                                                                                                                                                                                                                                                                                                                                                                                                                                                                                                                                                                                                                                                                                                                                                                                                                                                                                                                                                                                                                                                    | UnstructuredSSRequest_Components                |
| <b>Comments:</b>                                                                                                                                                                                                                                                                                                                                                                                                                                                                                                                                                                                                                                                                                                                                                                                                                                                                                                                                                                                                                                                                                                                                                                                     | GSM 09.02, 14.5, 14.6.4, 14.6.6, 14.7.4, 14.7.7 |
| <b>Type Definition</b>                                                                                                                                                                                                                                                                                                                                                                                                                                                                                                                                                                                                                                                                                                                                                                                                                                                                                                                                                                                                                                                                                                                                                                               |                                                 |
| <pre> CHOICE {     unstructuredSSRequest_InvokeComp          [1] IMPLICIT SEQUENCE {         invokeID                               InvokeIDType,         localValue                             INTEGER (60),         ussd_Arg                               USSD_Arg          },     unstructuredSSRequest_ReturnResultComp    [2] IMPLICIT SEQUENCE {         invokeID                               InvokeIDType,         result                                 SEQUENCE {             localValue                         INTEGER (60),             ussd_Res                           USSD_Res          } },     unstructuredSSRequest_ReturnErrorComp     CHOICE {         errorCodes                            [3] IMPLICIT SEQUENCE { invokeID InvokeIDType, errorCode   ErrorLocalValues ( illegalSubscriber   illegalEquipment   absentSubscriber   dataMissing   unexpectedDataValue   unknownAlphabet   ussd_Busy) },         systemFailureErr                      [3] IMPLICIT SEQUENCE { invokeID InvokeIDType, errorCode   ErrorLocalValues ( systemFailure ), parameter   NetworkResource} },     unstructuredSSRequest_RejectComp          [4] IMPLICIT RejectComponent } </pre> |                                                 |
| <b>Detailed Comments:</b>                                                                                                                                                                                                                                                                                                                                                                                                                                                                                                                                                                                                                                                                                                                                                                                                                                                                                                                                                                                                                                                                                                                                                                            | Timer m                                         |

| <b>ASN.1 Type Definition</b>                  |                   |
|-----------------------------------------------|-------------------|
| <b>Type Name:</b>                             | AddressString     |
| <b>Comments:</b>                              | GSM 09.02, 14.7.8 |
| <b>Type Definition</b>                        |                   |
| OCTET STRING (SIZE ( 1 .. maxAddressLength )) |                   |
| <b>Detailed Comments:</b>                     |                   |

| <b>ASN.1 Type Definition</b> |                       |
|------------------------------|-----------------------|
| <b>Type Name:</b>            | Asn1Integer           |
| <b>Comments:</b>             | INTEGER of ASN.1 type |
| <b>Type Definition</b>       |                       |
| INTEGER                      |                       |
| <b>Detailed Comments:</b>    |                       |

| <b>ASN.1 Type Definition</b>                                                                                                   |                   |
|--------------------------------------------------------------------------------------------------------------------------------|-------------------|
| <b>Type Name:</b>                                                                                                              | BasicServiceCode  |
| <b>Comments:</b>                                                                                                               | GSM 09.02, 14.7.8 |
| <b>Type Definition</b>                                                                                                         |                   |
| <pre> CHOICE {     bearerService    [2] IMPLICIT BearerServiceCode,     teleservice      [3] IMPLICIT TeleserviceCode } </pre> |                   |
| <b>Detailed Comments:</b>                                                                                                      |                   |

| ASN.1 Type Definition                                                 |                       |
|-----------------------------------------------------------------------|-----------------------|
| <b>Type Name:</b>                                                     | BasicServiceGroupList |
| <b>Comments:</b>                                                      | GSM 09.02, 14.7.8     |
| Type Definition                                                       |                       |
| SEQUENCE SIZE ( 1 .. maxNumOfBasicServiceGroups ) OF BasicServiceCode |                       |
| <b>Detailed Comments:</b>                                             |                       |

| ASN.1 Type Definition     |                    |
|---------------------------|--------------------|
| <b>Type Name:</b>         | BearerServiceCode  |
| <b>Comments:</b>          | GSM 09.02, 14.7.10 |
| Type Definition           |                    |
| OCTET STRING (SIZE (1))   |                    |
| <b>Detailed Comments:</b> |                    |

| ASN.1 Type Definition                                                                                   |                   |
|---------------------------------------------------------------------------------------------------------|-------------------|
| <b>Type Name:</b>                                                                                       | CallBarringCause  |
| <b>Comments:</b>                                                                                        | GSM 09.02, 14.7.7 |
| Type Definition                                                                                         |                   |
| <pre> ENUMERATED {     barringServiceActive          (0),     operatorBarring              (1) } </pre> |                   |
| <b>Detailed Comments:</b>                                                                               |                   |

| ASN.1 Type Definition                                                                                                                |                    |
|--------------------------------------------------------------------------------------------------------------------------------------|--------------------|
| <b>Type Name:</b>                                                                                                                    | CallBarringFeature |
| <b>Comments:</b>                                                                                                                     | GSM 09.02, 14.7.4  |
| Type Definition                                                                                                                      |                    |
| <pre> SEQUENCE {     basicService      BasicServiceCode      OPTIONAL,     ss_Status        [4] IMPLICIT SS_Status OPTIONAL } </pre> |                    |
| <b>Detailed Comments:</b>                                                                                                            |                    |

| ASN.1 Type Definition                                               |                        |
|---------------------------------------------------------------------|------------------------|
| <b>Type Name:</b>                                                   | CallBarringFeatureList |
| <b>Comments:</b>                                                    | GSM 09.02, 14.7.4      |
| Type Definition                                                     |                        |
| SEQUENCE SIZE (1..maxNumOfBasicServiceGroups) OF CallBarringFeature |                        |
| <b>Detailed Comments:</b>                                           |                        |

| ASN.1 Type Definition                                                                                                       |                   |
|-----------------------------------------------------------------------------------------------------------------------------|-------------------|
| <b>Type Name:</b>                                                                                                           | CallBarringInfo   |
| <b>Comments:</b>                                                                                                            | GSM 09.02, 14.7.4 |
| Type Definition                                                                                                             |                   |
| <pre> SEQUENCE {     ss_Code          SS_Code          OPTIONAL,     callBarringFeatureList CallBarringFeatureList } </pre> |                   |
| <b>Detailed Comments:</b>                                                                                                   |                   |

| <b>ASN.1 Type Definition</b>                                                                                       |                      |
|--------------------------------------------------------------------------------------------------------------------|----------------------|
| <b>Type Name:</b>                                                                                                  | CliRestrictionOption |
| <b>Comments:</b>                                                                                                   | GSM 09.02, 14.7.4    |
| <b>Type Definition</b>                                                                                             |                      |
| <pre> ENUMERATED {     permanent (0),     temporaryDefaultRestricted (1),     temporaryDefaultAllowed (2) } </pre> |                      |
| <b>Detailed Comments:</b>                                                                                          |                      |

| <b>ASN.1 Type Definition</b>                                                                                                                                            |                   |
|-------------------------------------------------------------------------------------------------------------------------------------------------------------------------|-------------------|
| <b>Type Name:</b>                                                                                                                                                       | CUG_Feature       |
| <b>Comments:</b>                                                                                                                                                        | GSM 09.02, 14.7.4 |
| <b>Type Definition</b>                                                                                                                                                  |                   |
| <pre> SEQUENCE {     basicService BasicServiceCode OPTIONAL,     preferentialCUG_Indicator CUG_Index OPTIONAL,     interCUG_Restrictions InterCUG_Restrictions } </pre> |                   |
| <b>Detailed Comments:</b>                                                                                                                                               |                   |

| <b>ASN.1 Type Definition</b>                                   |                   |
|----------------------------------------------------------------|-------------------|
| <b>Type Name:</b>                                              | CUG_FeatureList   |
| <b>Comments:</b>                                               | GSM 09.02, 14.7.4 |
| <b>Type Definition</b>                                         |                   |
| SEQUENCE SIZE (1.. maxNumOfBasicServiceGroups ) OF CUG_Feature |                   |
| <b>Detailed Comments:</b>                                      |                   |

| <b>ASN.1 Type Definition</b>                                                |                   |
|-----------------------------------------------------------------------------|-------------------|
| <b>Type Name:</b>                                                           | CUG_Index         |
| <b>Comments:</b>                                                            | GSM 09.02, 14.7.4 |
| <b>Type Definition</b>                                                      |                   |
| INTEGER (0..32767)                                                          |                   |
| <b>Detailed Comments:</b> The internal structure is defined in ETS 300 138. |                   |

| <b>ASN.1 Type Definition</b> |                   |
|------------------------------|-------------------|
| <b>Type Name:</b>            | CUG_Interlock     |
| <b>Comments:</b>             | GSM 09.02, 14.7.4 |
| <b>Type Definition</b>       |                   |
| OCTET STRING (SIZE (4))      |                   |
| <b>Detailed Comments:</b>    |                   |

| <b>ASN.1 Type Definition</b>                                                                                          |                   |
|-----------------------------------------------------------------------------------------------------------------------|-------------------|
| <b>Type Name:</b>                                                                                                     | CUG_Info          |
| <b>Comments:</b>                                                                                                      | GSM 09.02, 14.7.4 |
| <b>Type Definition</b>                                                                                                |                   |
| <pre> SEQUENCE {     cug_SubscriptionList CUG_SubscriptionList,     cug_FeatureList CUG_FeatureList OPTIONAL } </pre> |                   |
| <b>Detailed Comments:</b>                                                                                             |                   |

| <b>ASN.1 Type Definition</b>                                                                                                                                                                                         |                   |
|----------------------------------------------------------------------------------------------------------------------------------------------------------------------------------------------------------------------|-------------------|
| <b>Type Name:</b>                                                                                                                                                                                                    | CUG_Subscription  |
| <b>Comments:</b>                                                                                                                                                                                                     | GSM 09.02, 14.7.4 |
| <b>Type Definition</b>                                                                                                                                                                                               |                   |
| <pre>SEQUENCE {     cug_Index                CUG_Index,     cug_Interlock            CUG_Interlock,     intraCUG_Options        IntraCUG_Options,     basicServiceGroupList   BasicServiceGroupList OPTIONAL }</pre> |                   |
| <b>Detailed Comments:</b>                                                                                                                                                                                            |                   |

| <b>ASN.1 Type Definition</b>                         |                      |
|------------------------------------------------------|----------------------|
| <b>Type Name:</b>                                    | CUG_SubscriptionList |
| <b>Comments:</b>                                     | GSM 09.02, 14.7.4    |
| <b>Type Definition</b>                               |                      |
| SEQUENCE SIZE (1.. maxNumOfCUG ) OF CUG_Subscription |                      |
| <b>Detailed Comments:</b>                            |                      |

| <b>ASN.1 Type Definition</b>                                                                                                                                                                                                                                                                                                                                                                                                                                                                                                                                                                                                                                                                                                                                                                                                                                                                                                                                                                                                                              |                  |
|-----------------------------------------------------------------------------------------------------------------------------------------------------------------------------------------------------------------------------------------------------------------------------------------------------------------------------------------------------------------------------------------------------------------------------------------------------------------------------------------------------------------------------------------------------------------------------------------------------------------------------------------------------------------------------------------------------------------------------------------------------------------------------------------------------------------------------------------------------------------------------------------------------------------------------------------------------------------------------------------------------------------------------------------------------------|------------------|
| <b>Type Name:</b>                                                                                                                                                                                                                                                                                                                                                                                                                                                                                                                                                                                                                                                                                                                                                                                                                                                                                                                                                                                                                                         | ErrorLocalValues |
| <b>Comments:</b>                                                                                                                                                                                                                                                                                                                                                                                                                                                                                                                                                                                                                                                                                                                                                                                                                                                                                                                                                                                                                                          | GSM 04.80, 4.5   |
| <b>Type Definition</b>                                                                                                                                                                                                                                                                                                                                                                                                                                                                                                                                                                                                                                                                                                                                                                                                                                                                                                                                                                                                                                    |                  |
| <pre>INTEGER {     unknownSubscriber                (1),     illegalSubscriber                (9),     bearerServiceNotProvisioned      (10),     teleserviceNotProvisioned        (11),     illegalEquipment                 (12),     callBarred                       (13),     illegalSS_Operation              (16),     ss_ErrorStatus                   (17),     ss_NotAvailable                  (18),     ss_SubscriptionViolation          (19),     ss_Incompatibility               (20),     facilityNotSupported              (21),     absentSubscriber                 (27),     systemFailure                    (34),     dataMissing                      (35),     unexpectedDataValue              (36),     pw_RegistrationFailure            (37),     negativePW_Check                 (38),     numberOfPW_AttemptsViolation     (43),     unknownAlphabet                  (71),     ussd_Busy                        (72),     maxNumberOfMPTY_ParticipantsExceeded (126),     resourcesNotAvailable            (127) }</pre> |                  |
| <b>Detailed Comments:</b> Elements of INTEGER are global for the ATS.                                                                                                                                                                                                                                                                                                                                                                                                                                                                                                                                                                                                                                                                                                                                                                                                                                                                                                                                                                                     |                  |

| <b>ASN.1 Type Definition</b>                                                                                                                                                                                                                                                                                                                                                                                                                                   |                   |
|----------------------------------------------------------------------------------------------------------------------------------------------------------------------------------------------------------------------------------------------------------------------------------------------------------------------------------------------------------------------------------------------------------------------------------------------------------------|-------------------|
| <b>Type Name:</b>                                                                                                                                                                                                                                                                                                                                                                                                                                              | ForwardingFeature |
| <b>Comments:</b>                                                                                                                                                                                                                                                                                                                                                                                                                                               | GSM 09.02, 14.7.4 |
| <b>Type Definition</b>                                                                                                                                                                                                                                                                                                                                                                                                                                         |                   |
| <pre>SEQUENCE {     basicService                BasicServiceCode OPTIONAL,     ss_Status                   [4] IMPLICIT SS_Status OPTIONAL,     forwardedToNumber           [5] IMPLICIT ISDN_AddressString OPTIONAL,     forwardedToSubaddress       [8] IMPLICIT ISDN_SubaddressString OPTIONAL,     forwardingOptions           [6] IMPLICIT ForwardingOptions OPTIONAL,     noReplyConditionTime        [7] IMPLICIT NoReplyConditionTime OPTIONAL }</pre> |                   |
| <b>Detailed Comments:</b>                                                                                                                                                                                                                                                                                                                                                                                                                                      |                   |



| <b>ASN.1 Type Definition</b> |                                                                                                                                                                                                                                                                                                                                                                                                                                                                                                                                                                                                                                      |
|------------------------------|--------------------------------------------------------------------------------------------------------------------------------------------------------------------------------------------------------------------------------------------------------------------------------------------------------------------------------------------------------------------------------------------------------------------------------------------------------------------------------------------------------------------------------------------------------------------------------------------------------------------------------------|
| <b>Type Name:</b>            | InvokeIDType                                                                                                                                                                                                                                                                                                                                                                                                                                                                                                                                                                                                                         |
| <b>Comments:</b>             | ITU-T, Q.773                                                                                                                                                                                                                                                                                                                                                                                                                                                                                                                                                                                                                         |
| <b>Type Definition</b>       |                                                                                                                                                                                                                                                                                                                                                                                                                                                                                                                                                                                                                                      |
| INTEGER (-128 .. 127)        |                                                                                                                                                                                                                                                                                                                                                                                                                                                                                                                                                                                                                                      |
| <b>Detailed Comments:</b>    | <p>Values:</p> <p>Sending Components: If it is an invoke component then use Test Case Variable (with default) to set value. If another invoke component is sent the TCV should be incremented beforehand. If it is a return result, error or reject component in response to a received invoke component then use TCV also, making sure the value is set to the value of the received component beforehand.</p> <p>Receiving Components: If it is an invoke comp then use '?'. If it is a return result, error or reject component in response to a sent invoke component then use TCV value (as used in sent invoke component).</p> |

| <b>ASN.1 Type Definition</b> |                                                                                                                                                                                              |
|------------------------------|----------------------------------------------------------------------------------------------------------------------------------------------------------------------------------------------|
| <b>Type Name:</b>            | InvokeProblem                                                                                                                                                                                |
| <b>Comments:</b>             | ITU-T Q.767                                                                                                                                                                                  |
| <b>Type Definition</b>       |                                                                                                                                                                                              |
| TCAP_Problems (              | duplicateInvokeID<br>unrecognizedOperation<br>mistypedArgument<br>resourceLimitation<br>initiatingRelease<br>unrecognizedLinkedID<br>linkedResponseUnexpected<br>unexpectedLinkedOperation ) |
| <b>Detailed Comments:</b>    | Type restricted to these 8.                                                                                                                                                                  |

| <b>ASN.1 Type Definition</b>                        |                    |
|-----------------------------------------------------|--------------------|
| <b>Type Name:</b>                                   | ISDN_AddressString |
| <b>Comments:</b>                                    | GSM 09.02, 14.7.8  |
| <b>Type Definition</b>                              |                    |
| AddressString (SIZE ( 1 .. maxISDN_AddressLength )) |                    |
| <b>Detailed Comments:</b>                           |                    |

| <b>ASN.1 Type Definition</b>                          |                       |
|-------------------------------------------------------|-----------------------|
| <b>Type Name:</b>                                     | ISDN_SubaddressString |
| <b>Comments:</b>                                      | GSM 09.02, 14.7.8     |
| <b>Type Definition</b>                                |                       |
| OCTET STRING (SIZE ( 1 .. maxISDN_SubaddressLength )) |                       |
| <b>Detailed Comments:</b>                             |                       |

| <b>ASN.1 Type Definition</b>                                                                                                |                                             |
|-----------------------------------------------------------------------------------------------------------------------------|---------------------------------------------|
| <b>Type Name:</b>                                                                                                           | NetworkResource                             |
| <b>Comments:</b>                                                                                                            | GSM 09.02, 14.7.8,                          |
| <b>Type Definition</b>                                                                                                      |                                             |
| ENUMERATED {<br>plmn (0),<br>hlr (1),<br>vlr (2),<br>pvlr (3),<br>controllingMSC (4),<br>vmsc (5),<br>eir (6),<br>rss (7) } |                                             |
| <b>Detailed Comments:</b>                                                                                                   | Elements of INTEGER are global for the ATS. |



| ASN.1 Type Definition     |                      |
|---------------------------|----------------------|
| <b>Type Name:</b>         | NoReplyConditionTime |
| <b>Comments:</b>          | GSM 09.02, 14.7.4    |
| Type Definition           |                      |
| INTEGER (5 .. 30 )        |                      |
| <b>Detailed Comments:</b> |                      |

| ASN.1 Type Definition                                             |             |
|-------------------------------------------------------------------|-------------|
| <b>Type Name:</b>                                                 | Operation   |
| <b>Comments:</b>                                                  | ITU-T Q.767 |
| Type Definition                                                   |             |
| CHOICE {<br>localValue INTEGER,<br>globalValue OBJECT IDENTIFIER} |             |
| <b>Detailed Comments:</b>                                         |             |

| ASN.1 Type Definition                                          |                   |
|----------------------------------------------------------------|-------------------|
| <b>Type Name:</b>                                              | OverrideCategory  |
| <b>Comments:</b>                                               | GSM 09.02, 14.7.4 |
| Type Definition                                                |                   |
| ENUMERATED {<br>overrideEnabled (0),<br>overrideDisabled (1) } |                   |
| <b>Detailed Comments:</b>                                      |                   |

| ASN.1 Type Definition                                                     |                   |
|---------------------------------------------------------------------------|-------------------|
| <b>Type Name:</b>                                                         | Password          |
| <b>Comments:</b>                                                          | GSM 09.02, 14.7.4 |
| Type Definition                                                           |                   |
| NumericString (FROM ("0" "1" "2" "3" "4" "5" "6" "7" "8" "9")) (SIZE (4)) |                   |
| <b>Detailed Comments:</b>                                                 |                   |

| ASN.1 Type Definition                                                                 |                             |
|---------------------------------------------------------------------------------------|-----------------------------|
| <b>Type Name:</b>                                                                     | PW_RegistrationFailureCause |
| <b>Comments:</b>                                                                      | GSM 09.02, 14.7.7           |
| Type Definition                                                                       |                             |
| ENUMERATED {<br>undetermined (0),<br>invalidFormat (1),<br>newPasswordsMismatch (2) } |                             |
| <b>Detailed Comments:</b>                                                             |                             |

| ASN.1 Type Definition                                                                                                        |                    |
|------------------------------------------------------------------------------------------------------------------------------|--------------------|
| <b>Type Name:</b>                                                                                                            | ReturnErrorProblem |
| <b>Comments:</b>                                                                                                             | ITU-T Q.767        |
| Type Definition                                                                                                              |                    |
| TCAP_Problems ( unrecognizedInvokeID<br>returnErrorUnexpected<br>unrecognizedError<br>unexpectedError<br>mistypedParameter ) |                    |
| <b>Detailed Comments:</b> Type restricted to these 5.                                                                        |                    |

| <b>ASN.1 Type Definition</b> |                                                                      |
|------------------------------|----------------------------------------------------------------------|
| <b>Type Name:</b>            | ReturnResultProblem                                                  |
| <b>Comments:</b>             | ITU-T Q.767                                                          |
| <b>Type Definition</b>       |                                                                      |
| TCAP_Problems                | ( unrecognizedInvokeID<br>returnResultUnexpected<br>mistypedResult ) |
| <b>Detailed Comments:</b>    | Type restricted to these three.                                      |

| <b>ASN.1 Type Definition</b> |                                                     |
|------------------------------|-----------------------------------------------------|
| <b>Type Name:</b>            | SS_Code                                             |
| <b>Comments:</b>             | GSM 09.02, 14.7.5                                   |
| <b>Type Definition</b>       |                                                     |
| OCTET STRING (SIZE (1))      |                                                     |
| <b>Detailed Comments:</b>    | group (bits 8765), and specific service (bits 4321) |

| <b>ASN.1 Type Definition</b> |                                  |
|------------------------------|----------------------------------|
| <b>Type Name:</b>            | SS_Data                          |
| <b>Comments:</b>             | GSM 09.02, 14.7.4                |
| <b>Type Definition</b>       |                                  |
| SEQUENCE {                   |                                  |
| ss_Code                      | SS_Code OPTIONAL,                |
| ss_Status                    | [4] IMPLICIT SS_Status OPTIONAL, |
| ss_SubscriptionOption        | SS_SubscriptionOption OPTIONAL,  |
| basicServiceGroupList        | BasicServiceGroupList OPTIONAL } |
| <b>Detailed Comments:</b>    |                                  |

| <b>ASN.1 Type Definition</b> |                             |
|------------------------------|-----------------------------|
| <b>Type Name:</b>            | SS_ForBS_Code               |
| <b>Comments:</b>             | GSM 09.02, 14.7.4           |
| <b>Type Definition</b>       |                             |
| SEQUENCE {                   |                             |
| ss_Code                      | SS_Code,                    |
| basicService                 | BasicServiceCode OPTIONAL } |
| <b>Detailed Comments:</b>    |                             |

| <b>ASN.1 Type Definition</b> |                                |
|------------------------------|--------------------------------|
| <b>Type Name:</b>            | SS_IncompatibilityCause        |
| <b>Comments:</b>             | GSM 09.02, 14.7.8              |
| <b>Type Definition</b>       |                                |
| SEQUENCE {                   |                                |
| ss_Code                      | [1] IMPLICIT SS_Code OPTIONAL, |
| basicService                 | BasicServiceCode OPTIONAL,     |
| ss_Status                    | [4] SS_Status OPTIONAL }       |
| <b>Detailed Comments:</b>    |                                |

| <b>ASN.1 Type Definition</b> |                               |
|------------------------------|-------------------------------|
| <b>Type Name:</b>            | SS_Info                       |
| <b>Comments:</b>             | GSM 09.02, 14.7.4             |
| <b>Type Definition</b>       |                               |
| CHOICE {                     |                               |
| forwardingInfo               | [0] IMPLICIT ForwardingInfo,  |
| callBarringInfo              | [1] IMPLICIT CallBarringInfo, |
| cug_Info                     | [2] IMPLICIT CUG_Info,        |
| ss_Data                      | [3] IMPLICIT SS_Data }        |
| <b>Detailed Comments:</b>    |                               |

| ASN.1 Type Definition     |                                                                                                                                                                                     |
|---------------------------|-------------------------------------------------------------------------------------------------------------------------------------------------------------------------------------|
| <b>Type Name:</b>         | SS_Status                                                                                                                                                                           |
| <b>Comments:</b>          | GSM 09.02, 14.7.4                                                                                                                                                                   |
| Type Definition           |                                                                                                                                                                                     |
| OCTET STRING (SIZE (1))   |                                                                                                                                                                                     |
| <b>Detailed Comments:</b> | bits 8765: 0000 unused,<br>bits 4: SS state information Q bit,<br>bits 3: SS state information P bit,<br>bits 2: SS state information R bit,<br>bits 1: SS state information A bit. |

| ASN.1 Type Definition                                                                                                                  |                       |
|----------------------------------------------------------------------------------------------------------------------------------------|-----------------------|
| <b>Type Name:</b>                                                                                                                      | SS_SubscriptionOption |
| <b>Comments:</b>                                                                                                                       | GSM 09.02, 14.7.4     |
| Type Definition                                                                                                                        |                       |
| CHOICE {<br>overrideCategory           [1] IMPLICIT OverrideCategory,<br>cliRestrictionOption      [2] IMPLICIT CliRestrictionOption } |                       |
| <b>Detailed Comments:</b>                                                                                                              |                       |

| ASN.1 Type Definition                       |                   |
|---------------------------------------------|-------------------|
| <b>Type Name:</b>                           | SS_UserData       |
| <b>Comments:</b>                            | GSM 09.02, 14.7.4 |
| Type Definition                             |                   |
| IA5String (SIZE (1 .. maxSignalInfoLength)) |                   |
| <b>Detailed Comments:</b>                   |                   |

| ASN.1 Type Definition                                                                                                                                                                                                                                                                                                                                                                                                                                                                                                                                                                                                                                                                                                                                                                                                                                                                                                                                                                                                                                                                                                                                                                                                                                     |                                                                                                                                  |
|-----------------------------------------------------------------------------------------------------------------------------------------------------------------------------------------------------------------------------------------------------------------------------------------------------------------------------------------------------------------------------------------------------------------------------------------------------------------------------------------------------------------------------------------------------------------------------------------------------------------------------------------------------------------------------------------------------------------------------------------------------------------------------------------------------------------------------------------------------------------------------------------------------------------------------------------------------------------------------------------------------------------------------------------------------------------------------------------------------------------------------------------------------------------------------------------------------------------------------------------------------------|----------------------------------------------------------------------------------------------------------------------------------|
| <b>Type Name:</b>                                                                                                                                                                                                                                                                                                                                                                                                                                                                                                                                                                                                                                                                                                                                                                                                                                                                                                                                                                                                                                                                                                                                                                                                                                         | TCAP_Problems                                                                                                                    |
| <b>Comments:</b>                                                                                                                                                                                                                                                                                                                                                                                                                                                                                                                                                                                                                                                                                                                                                                                                                                                                                                                                                                                                                                                                                                                                                                                                                                          | ITU-T Q.767                                                                                                                      |
| Type Definition                                                                                                                                                                                                                                                                                                                                                                                                                                                                                                                                                                                                                                                                                                                                                                                                                                                                                                                                                                                                                                                                                                                                                                                                                                           |                                                                                                                                  |
| <pre> INTEGER {   unrecognizedComponent           (0),     -- GeneralProblem   unrecognizedInvokeID            (0),     -- ReturnResultProblem, ReturnErrorProblem   duplicateInvokeID               (0),     -- InvokeProblem   mistypedComponent               (1),     -- GeneralProblem   returnErrorUnexpected           (1),     -- ReturnErrorProblem   returnResultUnexpected          (1),     -- ReturnResultProblem   unrecognizedOperation           (1),     -- InvokeProblem   badlyStructuredComponent       (2),     -- GeneralProblem   unrecognizedError               (2),     -- ReturnErrorProblem   mistypedArgument                (2),     -- InvokeProblem, originally called mistypedParameter in TCAP   mistypedResult                  (2),     -- ReturnResultProblem   resourceLimitation               (3),     -- InvokeProblem   unexpectedError                  (3),     -- ReturnErrorProblem   mistypedParameter               (4),     -- ReturnErrorProblem   initiatingRelease               (4),     -- InvokeProblem   unrecognizedLinkedID            (5),     -- InvokeProblem   linkedResponseUnexpected       (6),     -- InvokeProblem   unexpectedLinkedOperation       (7)     -- InvokeProblem } </pre> |                                                                                                                                  |
| <b>Detailed Comments:</b>                                                                                                                                                                                                                                                                                                                                                                                                                                                                                                                                                                                                                                                                                                                                                                                                                                                                                                                                                                                                                                                                                                                                                                                                                                 | Errors of the same integer value are distinguished by their different parent types (General, Invoke, ReturnResult, ReturnError). |

| ASN.1 Type Definition     |                   |
|---------------------------|-------------------|
| <b>Type Name:</b>         | TeleserviceCode   |
| <b>Comments:</b>          | GSM 09.02, 14.7.9 |
| Type Definition           |                   |
| OCTET STRING (SIZE (1))   |                   |
| <b>Detailed Comments:</b> |                   |

| <b>ASN.1 Type Definition</b>                                                                                    |                   |
|-----------------------------------------------------------------------------------------------------------------|-------------------|
| <b>Type Name:</b>                                                                                               | USSD_Arg          |
| <b>Comments:</b>                                                                                                | GSM 09.02, 14.7.4 |
| <b>Type Definition</b>                                                                                          |                   |
| SEQUENCE {<br>ussd_DataCodingScheme      USSD_DataCodingScheme,<br>ussd_String                    USSD_String } |                   |
| <b>Detailed Comments:</b>                                                                                       |                   |

| <b>ASN.1 Type Definition</b>                                                                                    |                   |
|-----------------------------------------------------------------------------------------------------------------|-------------------|
| <b>Type Name:</b>                                                                                               | USSD_Res          |
| <b>Comments:</b>                                                                                                | GSM 09.02, 14.7.4 |
| <b>Type Definition</b>                                                                                          |                   |
| SEQUENCE {<br>ussd_DataCodingScheme      USSD_DataCodingScheme,<br>ussd_String                    USSD_String } |                   |
| <b>Detailed Comments:</b>                                                                                       |                   |

| <b>ASN.1 Type Definition</b> |                       |
|------------------------------|-----------------------|
| <b>Type Name:</b>            | USSD_DataCodingScheme |
| <b>Comments:</b>             | GSM 09.02, 14.7.4     |
| <b>Type Definition</b>       |                       |
| OCTET STRING (SIZE (1))      |                       |
| <b>Detailed Comments:</b>    |                       |

| <b>ASN.1 Type Definition</b>                  |                                                                                                                         |
|-----------------------------------------------|-------------------------------------------------------------------------------------------------------------------------|
| <b>Type Name:</b>                             | USSD_String                                                                                                             |
| <b>Comments:</b>                              | GSM 09.02, 14.7.4                                                                                                       |
| <b>Type Definition</b>                        |                                                                                                                         |
| OCTET STRING (SIZE (1..maxUSSD_StringLength)) |                                                                                                                         |
| <b>Detailed Comments:</b>                     | The structure of the contents of the USSD-String is dependent on the USSD-DataCodingScheme as described in TS GSM03.38. |

**Test suite operation definitions**

| <b>Test Suite Operation Definition</b>                                                      |                                            |
|---------------------------------------------------------------------------------------------|--------------------------------------------|
| <b>Operation Name:</b>                                                                      | OC_Asn1intToOct(n:Asn1Integer; l: INTEGER) |
| <b>Result Type:</b>                                                                         | OCTETSTRING                                |
| <b>Comments:</b>                                                                            |                                            |
| <b>Description</b>                                                                          |                                            |
| OC_Asn1intToOct converts the ASN.1 INTEGER `n` into OCTETSTRING with length = `l`.          |                                            |
| for example:                                                                                |                                            |
| OC_Asn1intToOct(14,1) = '0E'O;                                                              |                                            |
| OC_Asn1intToOct(18,1) = '12'O;                                                              |                                            |
| OC_Asn1intToOct(18,2) = '0012'O;                                                            |                                            |
| OC_Asn1intToOct(-128,1) = '80'O (MSB (position p out of 1...p) represents -2exp(p-1) );     |                                            |
| OC_Asn1intToOct(-32768,2) = '8000'O (MSB (position p out of 1...p) represents -2exp(p-1) ). |                                            |
| <b>Detailed Comments:</b>                                                                   |                                            |

| <b>Test Suite Operation Definition</b>                                                                                                                                                                                                                                                                                                                                                                                                                                                                                                                                                                                                                                                                                             |                                                                  |
|------------------------------------------------------------------------------------------------------------------------------------------------------------------------------------------------------------------------------------------------------------------------------------------------------------------------------------------------------------------------------------------------------------------------------------------------------------------------------------------------------------------------------------------------------------------------------------------------------------------------------------------------------------------------------------------------------------------------------------|------------------------------------------------------------------|
| <b>Operation Name:</b>                                                                                                                                                                                                                                                                                                                                                                                                                                                                                                                                                                                                                                                                                                             | OC_Bcap(setup:SETUP_MO_PDU; callproc:CALL_PROC_PDU; mem:INTEGER) |
| <b>Result Type:</b>                                                                                                                                                                                                                                                                                                                                                                                                                                                                                                                                                                                                                                                                                                                | BCAP                                                             |
| <b>Comments:</b>                                                                                                                                                                                                                                                                                                                                                                                                                                                                                                                                                                                                                                                                                                                   |                                                                  |
| <b>Description</b>                                                                                                                                                                                                                                                                                                                                                                                                                                                                                                                                                                                                                                                                                                                 |                                                                  |
| <p>OC_Bcap operation returns a bearer capability IE according the following rule:</p> <ul style="list-style-type: none"> <li>- for `mem` = 1: <ul style="list-style-type: none"> <li>- if bearer capability IE were presented in `callproc` the returned BC is the bearer capability 1 of the `callproc`;</li> <li>- otherwise, the returned bearer capability is the bearer capability 1 of the `setup`.</li> </ul> </li> <li>- for `mem` = 2: <ul style="list-style-type: none"> <li>- if bearer capability IE were presented in `callproc` the returned BC is the bearer capability 2 of the `callproc`;</li> <li>- otherwise, the returned bearer capability is the bearer capability 2 of the `setup`.</li> </ul> </li> </ul> |                                                                  |
| <b>Detailed Comments:</b>                                                                                                                                                                                                                                                                                                                                                                                                                                                                                                                                                                                                                                                                                                          |                                                                  |

| <b>Test Suite Operation Definition</b>                                                                                                                                                                                                                                                                                                                                                                                                           |                                                 |
|--------------------------------------------------------------------------------------------------------------------------------------------------------------------------------------------------------------------------------------------------------------------------------------------------------------------------------------------------------------------------------------------------------------------------------------------------|-------------------------------------------------|
| <b>Operation Name:</b>                                                                                                                                                                                                                                                                                                                                                                                                                           | OC_BinAdd(bitstr1:BITSTRING; bitstr2:BITSTRING) |
| <b>Result Type:</b>                                                                                                                                                                                                                                                                                                                                                                                                                              | BITSTRING                                       |
| <b>Comments:</b>                                                                                                                                                                                                                                                                                                                                                                                                                                 |                                                 |
| <b>Description</b>                                                                                                                                                                                                                                                                                                                                                                                                                               |                                                 |
| <p>OC_BinAdd operation performs binary addition of two input parameters `bitstr1` and `bitstr2`, then returns the result of the addition. These two input parameters shall have the same length, the result of the operation has the same length as the input parameters.</p> <p>for example:</p> <p>OC_BinAdd('01000'B, '00110'B) = '01110'B;<br/> OC_BinAdd('01000'B, '00011'B) = '01011'B;<br/> OC_BinAdd('00100'B, '00010'B) = '00110'B.</p> |                                                 |
| <b>Detailed Comments:</b>                                                                                                                                                                                                                                                                                                                                                                                                                        |                                                 |

| <b>Test Suite Operation Definition</b>                                                                                                                        |                                                      |
|---------------------------------------------------------------------------------------------------------------------------------------------------------------|------------------------------------------------------|
| <b>Operation Name:</b>                                                                                                                                        | OC_Bit7(bstring: B_8)                                |
| <b>Result Type:</b>                                                                                                                                           | BITSTRING                                            |
| <b>Comments:</b>                                                                                                                                              | The input parameter bstring is of type BITSTRING[8]. |
| <b>Description</b>                                                                                                                                            |                                                      |
| <p>OC_Bit7(bstring) returns the value of bit 7 in the `bstring`.</p> <p>for example:</p> <p>OC_Bit7('01010101'B) = '1'B,<br/> OC_Bit7('10101010'B) = '0'B</p> |                                                      |
| <b>Detailed Comments:</b>                                                                                                                                     |                                                      |

| <b>Test Suite Operation Definition</b>                                                                                                                                                                              |                                                            |
|---------------------------------------------------------------------------------------------------------------------------------------------------------------------------------------------------------------------|------------------------------------------------------------|
| <b>Operation Name:</b>                                                                                                                                                                                              | OC_BCDtoInt(bcdstring:HEXSTRING; relevant_digits: INTEGER) |
| <b>Result Type:</b>                                                                                                                                                                                                 | INTEGER                                                    |
| <b>Comments:</b>                                                                                                                                                                                                    |                                                            |
| <b>Description</b>                                                                                                                                                                                                  |                                                            |
| <p>The operation OC_BCDtoInt converts last 'relevant_digits' of an HEXSTRING containing BCD coded digits to an integer representation of these relevant digits.</p> <p>Example: OC_BCDtoInt('12345'H, 3) := 345</p> |                                                            |
| <b>Detailed Comments:</b>                                                                                                                                                                                           |                                                            |

| <b>Test Suite Operation Definition</b>                                                                                                                                                                                                                         |                                                           |
|----------------------------------------------------------------------------------------------------------------------------------------------------------------------------------------------------------------------------------------------------------------|-----------------------------------------------------------|
| <b>Operation Name:</b>                                                                                                                                                                                                                                         | OC_CalledNumCHK(callednum:OCTETSTRING; dialnum:IA5String) |
| <b>Result Type:</b>                                                                                                                                                                                                                                            | BOOLEAN                                                   |
| <b>Comments:</b>                                                                                                                                                                                                                                               |                                                           |
| <b>Description</b>                                                                                                                                                                                                                                             |                                                           |
| the operation OC_CalledNumCHK to check whether the called party number `callednum`, which is represented by OCTETSTRING, is the same as the dialed number `dialnum`, which is represented by IA5String. It returns TRUE if they are the same, otherwise FALSE. |                                                           |
| <b>Detailed Comments:</b>                                                                                                                                                                                                                                      |                                                           |

| <b>Test Suite Operation Definition</b>                                                                                                                                                                                                                                                                                                                               |                                                             |
|----------------------------------------------------------------------------------------------------------------------------------------------------------------------------------------------------------------------------------------------------------------------------------------------------------------------------------------------------------------------|-------------------------------------------------------------|
| <b>Operation Name:</b>                                                                                                                                                                                                                                                                                                                                               | OC_ChkSRES(sres:OCTETSTRING; ki: BITSTRING; rand:BITSTRING) |
| <b>Result Type:</b>                                                                                                                                                                                                                                                                                                                                                  | BOOLEAN                                                     |
| <b>Comments:</b>                                                                                                                                                                                                                                                                                                                                                     | sres is 32 bits value.                                      |
| <b>Description</b>                                                                                                                                                                                                                                                                                                                                                   |                                                             |
| OC_ChkSRES checks the input parameter `sres` according to the authentication algorithm defined in the following procedure. It returns TRUE if the `sres` is correct, otherwise it returns FALSE.                                                                                                                                                                     |                                                             |
| <ul style="list-style-type: none"> <li>- firstly the `ki` XOR to the `rand` results in RES1;</li> <li>- then compare the most significant 32 bits of the RES1 with the `sres`;</li> <li>- if they are equal, the `sres` is correct and the operation returns TRUE;</li> <li>- if they are not equal, the `sres` is wrong and the operation returns FALSE.</li> </ul> |                                                             |
| NOTE: this procedure is the test algorithm for authentication defined by GSM.                                                                                                                                                                                                                                                                                        |                                                             |
| <b>Detailed Comments:</b>                                                                                                                                                                                                                                                                                                                                            |                                                             |

| <b>Test Suite Operation Definition</b>                                                                                                                                                                                                           |                         |
|--------------------------------------------------------------------------------------------------------------------------------------------------------------------------------------------------------------------------------------------------|-------------------------|
| <b>Operation Name:</b>                                                                                                                                                                                                                           | OC_CnvtMax(max:INTEGER) |
| <b>Result Type:</b>                                                                                                                                                                                                                              | B_2                     |
| <b>Comments:</b>                                                                                                                                                                                                                                 |                         |
| <b>Description</b>                                                                                                                                                                                                                               |                         |
| The allowed integer values for max are 1, 2, 4, 7 (maximum number of retransmissions). The result BITSTRING is 2 bits long. OC_CnvtMax converts the input integer `max` into a BITSTRING according to the following rule:                        |                         |
| <ol style="list-style-type: none"> <li>1. the result is '00'B if the `max` = 1,</li> <li>2. the result is '01'B if the `max` = 2,</li> <li>3. the result is '10'B if the `max` = 4,</li> <li>4. the result is '11'B if the `max` = 7.</li> </ol> |                         |
| for example:                                                                                                                                                                                                                                     |                         |
| OC_CnvtMax(1) = '00'B,<br>OC_CnvtMax(7) = '11'B.                                                                                                                                                                                                 |                         |
| <b>Detailed Comments:</b>                                                                                                                                                                                                                        |                         |

| <b>Test Suite Operation Definition</b>                                                                                                                                                                                                                                                                                                                                                                                                                                                                                                                                                                                                                                                                                                                                                                                                                                                                   |                                      |
|----------------------------------------------------------------------------------------------------------------------------------------------------------------------------------------------------------------------------------------------------------------------------------------------------------------------------------------------------------------------------------------------------------------------------------------------------------------------------------------------------------------------------------------------------------------------------------------------------------------------------------------------------------------------------------------------------------------------------------------------------------------------------------------------------------------------------------------------------------------------------------------------------------|--------------------------------------|
| <b>Operation Name:</b>                                                                                                                                                                                                                                                                                                                                                                                                                                                                                                                                                                                                                                                                                                                                                                                                                                                                                   | OC_CnvtTx(tx:INTEGER)                |
| <b>Result Type:</b>                                                                                                                                                                                                                                                                                                                                                                                                                                                                                                                                                                                                                                                                                                                                                                                                                                                                                      | B_4                                  |
| <b>Comments:</b>                                                                                                                                                                                                                                                                                                                                                                                                                                                                                                                                                                                                                                                                                                                                                                                                                                                                                         | The result BITSTRING is 4 bits long. |
| <b>Description</b>                                                                                                                                                                                                                                                                                                                                                                                                                                                                                                                                                                                                                                                                                                                                                                                                                                                                                       |                                      |
| OC_CnvtTx converts the input integer `tx` into a BITSTRING according the following rule:                                                                                                                                                                                                                                                                                                                                                                                                                                                                                                                                                                                                                                                                                                                                                                                                                 |                                      |
| <ol style="list-style-type: none"> <li>1. the result is '0000'B if the `tx` = 3,</li> <li>2. the result is '0001'B if the `tx` = 4,</li> <li>3. the result is '0010'B if the `tx` = 5,</li> <li>4. the result is '0011'B if the `tx` = 6,</li> <li>5. the result is '0100'B if the `tx` = 7,</li> <li>6. the result is '0101'B if the `tx` = 8,</li> <li>7. the result is '0110'B if the `tx` = 9,</li> <li>8. the result is '0111'B if the `tx` = 10,</li> <li>9. the result is '1000'B if the `tx` = 11,</li> <li>10. the result is '1001'B if the `tx` = 12,</li> <li>11. the result is '1010'B if the `tx` = 14,</li> <li>12. the result is '1011'B if the `tx` = 16,</li> <li>13. the result is '1100'B if the `tx` = 20,</li> <li>14. the result is '1101'B if the `tx` = 25,</li> <li>15. the result is '1110'B if the `tx` = 32,</li> <li>16. the result is '1111'B if the `tx` = 50.</li> </ol> |                                      |
| for example:                                                                                                                                                                                                                                                                                                                                                                                                                                                                                                                                                                                                                                                                                                                                                                                                                                                                                             |                                      |
| OC_CnvtTx(3) = '0000'B,<br>OC_CvntTx(5) = '0010'B.                                                                                                                                                                                                                                                                                                                                                                                                                                                                                                                                                                                                                                                                                                                                                                                                                                                       |                                      |
| <b>Detailed Comments:</b>                                                                                                                                                                                                                                                                                                                                                                                                                                                                                                                                                                                                                                                                                                                                                                                                                                                                                |                                      |

| <b>Test Suite Operation Definition</b>                                                                                                                                                                                                                                                                                                                                                                                                                                                                                                                                                                                                                            |                                                          |
|-------------------------------------------------------------------------------------------------------------------------------------------------------------------------------------------------------------------------------------------------------------------------------------------------------------------------------------------------------------------------------------------------------------------------------------------------------------------------------------------------------------------------------------------------------------------------------------------------------------------------------------------------------------------|----------------------------------------------------------|
| <b>Operation Name:</b>                                                                                                                                                                                                                                                                                                                                                                                                                                                                                                                                                                                                                                            | OC_CodeSMSCBMessage(firstoct: INTEGER; lastoct: INTEGER) |
| <b>Result Type:</b>                                                                                                                                                                                                                                                                                                                                                                                                                                                                                                                                                                                                                                               | OCTETSTRING                                              |
| <b>Comments:</b>                                                                                                                                                                                                                                                                                                                                                                                                                                                                                                                                                                                                                                                  |                                                          |
| <b>Description</b>                                                                                                                                                                                                                                                                                                                                                                                                                                                                                                                                                                                                                                                |                                                          |
| The operation codes a part of the contents for a cell broadcast short message. The cell broadcast short message, is 82 octets long, i.e. 93 characters, each represented by 7 bits. As many as possible different characters are sent, the characters are those corresponding to the 7-bit representation of the integers 0, 1, 2, ..., 92. The bits are arranged acc. to GSM 03.38, clause 6.1.2.1.1. The result of this operation is the octetstring of the octets 'firstoct' to 'lastoct' (16 octets for the first message block, 22 octets for the 2nd, 3rd and 4th blocks), with the octets of the cell broadcast short message being numbered from 1 to 82. |                                                          |
| <b>Detailed Comments:</b>                                                                                                                                                                                                                                                                                                                                                                                                                                                                                                                                                                                                                                         |                                                          |

| <b>Test Suite Operation Definition</b>                                                                                                                                               |                                        |
|--------------------------------------------------------------------------------------------------------------------------------------------------------------------------------------|----------------------------------------|
| <b>Operation Name:</b>                                                                                                                                                               | OC_CodingOfUssdString(text: IA5String) |
| <b>Result Type:</b>                                                                                                                                                                  | OCTETSTRING                            |
| <b>Comments:</b>                                                                                                                                                                     |                                        |
| <b>Description</b>                                                                                                                                                                   |                                        |
| This operation provides the coding for a USSD String 'text' in the default alpabet, each character represented by 7 bits. The bits are arranged acc. to GSM 03.38, clause 6.1.2.2.1. |                                        |
| <b>Detailed Comments:</b>                                                                                                                                                            |                                        |

| <b>Test Suite Operation Definition</b>                                                                                                                                                                                                                                                                                                                                                                                                                                                                                                                                 |                                                   |
|------------------------------------------------------------------------------------------------------------------------------------------------------------------------------------------------------------------------------------------------------------------------------------------------------------------------------------------------------------------------------------------------------------------------------------------------------------------------------------------------------------------------------------------------------------------------|---------------------------------------------------|
| <b>Operation Name:</b>                                                                                                                                                                                                                                                                                                                                                                                                                                                                                                                                                 | OC_ComputeSMContents(NumberOfCharacters: INTEGER) |
| <b>Result Type:</b>                                                                                                                                                                                                                                                                                                                                                                                                                                                                                                                                                    | OCTETSTRING                                       |
| <b>Comments:</b>                                                                                                                                                                                                                                                                                                                                                                                                                                                                                                                                                       | max. 160 characters, i.e. 140 octets.             |
| <b>Description</b>                                                                                                                                                                                                                                                                                                                                                                                                                                                                                                                                                     |                                                   |
| This operation provides a short message's contents with a specified number of characters 'NumberOfCharacters', each represented by 7 bits. As possible different characters are sent, the characters are those corresponding to the 7-bit representation of 0, 1, 2, ... up to ('NumberOfCharacters' - 1). If more than 128 characters are sent, the rest of the characters is the corresponding to 0, 1, ... up to (NumberOfCharacters - 128 - 1), e.g. for 160 characters: 0, 1, ..., 127, 0, 1, ..., 31. The bits are arranged acc. to GSM 03.38, clause 6.1.2.1.1. |                                                   |
| <b>Detailed Comments:</b>                                                                                                                                                                                                                                                                                                                                                                                                                                                                                                                                              |                                                   |

| <b>Test Suite Operation Definition</b>                                                                                                                                                                                                                                                                                                                                                                                     |                                                                        |
|----------------------------------------------------------------------------------------------------------------------------------------------------------------------------------------------------------------------------------------------------------------------------------------------------------------------------------------------------------------------------------------------------------------------------|------------------------------------------------------------------------|
| <b>Operation Name:</b>                                                                                                                                                                                                                                                                                                                                                                                                     | OC_ComputeSMContentsSpecText(NumbOfIA5chara: INTEGER; text: IA5String) |
| <b>Result Type:</b>                                                                                                                                                                                                                                                                                                                                                                                                        | OCTETSTRING                                                            |
| <b>Comments:</b>                                                                                                                                                                                                                                                                                                                                                                                                           | max. 160 characters, i.e. 140 octets.                                  |
| <b>Description</b>                                                                                                                                                                                                                                                                                                                                                                                                         |                                                                        |
| This operation provides a short message's contents with a specified number of characters 'NumbOfIA5chara', each represented by 7 bits. 'text' is used as contents of the short message. If "text" contains less than 'NumberOfCharacters' characters, 'text' is repeated until the short message reaches the 'NumberOfCharacters' characters long. The bits packing is arranged according. to GSM 03.38, clause 6.1.2.1.1. |                                                                        |
| <b>Detailed Comments:</b>                                                                                                                                                                                                                                                                                                                                                                                                  |                                                                        |

| <b>Test Suite Operation Definition</b>                                                                                                                                                                                                                                                                                       |                                                                                    |
|------------------------------------------------------------------------------------------------------------------------------------------------------------------------------------------------------------------------------------------------------------------------------------------------------------------------------|------------------------------------------------------------------------------------|
| <b>Operation Name:</b>                                                                                                                                                                                                                                                                                                       | OC_CphKeyGen(ki:BITSTRING; rand:BITSTRING)                                         |
| <b>Result Type:</b>                                                                                                                                                                                                                                                                                                          | BITSTRING                                                                          |
| <b>Comments:</b>                                                                                                                                                                                                                                                                                                             | both ki and rand are 128 bits values, the result of the operation is 64 bits value |
| <b>Description</b>                                                                                                                                                                                                                                                                                                           |                                                                                    |
| OC_CphKeyGen generates the ciphering key from the input parameters according to the following procedure:                                                                                                                                                                                                                     |                                                                                    |
| <ul style="list-style-type: none"> <li>- firstly the `ki` XOR to the `rand` results in RES1;</li> <li>- then discard the most significant 32 bits of the RES;</li> <li>- the next 64 bits of RES1 are the ciphering key, the operation returns this value.</li> <li>- the 32 least significant bits are not used.</li> </ul> |                                                                                    |
| <b>Detailed Comments:</b>                                                                                                                                                                                                                                                                                                    |                                                                                    |

| <b>Test Suite Operation Definition</b>                                                                                                               |                                   |
|------------------------------------------------------------------------------------------------------------------------------------------------------|-----------------------------------|
| <b>Operation Name:</b>                                                                                                                               | OC_FirstDigi(bcddigits:HEXSTRING) |
| <b>Result Type:</b>                                                                                                                                  | B_4                               |
| <b>Comments:</b>                                                                                                                                     |                                   |
| <b>Description</b>                                                                                                                                   |                                   |
| The input parameter bcddigits shall be a BCD string (subset of HEXSTRING), the result is a BITSTRING[4] of a binary representation of one BCD digit. |                                   |
| The function of the OC_FirstDigi is to return the first (most significant) digit of the input parameter `bcddigits`.                                 |                                   |
| for example:                                                                                                                                         |                                   |
| OC_FirstDigi('12345') = '0001'B,                                                                                                                     |                                   |
| OC_FirstDigi('012345678') = '0000'B.                                                                                                                 |                                   |
| <b>Detailed Comments:</b>                                                                                                                            |                                   |



| <b>Test Suite Operation Definition</b>                                                                                                                                                                                                                                                                                                                                                                                                                                                                                                                               |                              |
|----------------------------------------------------------------------------------------------------------------------------------------------------------------------------------------------------------------------------------------------------------------------------------------------------------------------------------------------------------------------------------------------------------------------------------------------------------------------------------------------------------------------------------------------------------------------|------------------------------|
| <b>Operation Name:</b>                                                                                                                                                                                                                                                                                                                                                                                                                                                                                                                                               | OC_FnInc(fn:FN; inc:INTEGER) |
| <b>Result Type:</b>                                                                                                                                                                                                                                                                                                                                                                                                                                                                                                                                                  | FN                           |
| <b>Comments:</b>                                                                                                                                                                                                                                                                                                                                                                                                                                                                                                                                                     |                              |
| <b>Description</b>                                                                                                                                                                                                                                                                                                                                                                                                                                                                                                                                                   |                              |
| <p>The function of OC_FnInc operation to increase frame number with `inc`. The frame number to be incremented is the input parameter `fn` in FN type and the increment `inc` is in INTEGER type, the incremented frame number is returned in FN type.</p> <pre> OC_FnInc(fn, inc) FN fn; INTEGER inc; { int fmin; FN frmout;      frmmin = 51 * ((fn.t3 - fn.t2) MOD 26) + fn.t3 + 1326 * fn.t1_ ;      frmout.t1_ = ((frmmin + inc) DIV 1326) MOD 32;     frmout.t2  = (frmmin + inc) MOD 26;     frmout.t3  = (frmmin + inc) MOD 51;     return (frmout); } </pre> |                              |
| <b>Detailed Comments:</b>                                                                                                                                                                                                                                                                                                                                                                                                                                                                                                                                            |                              |

| <b>Test Suite Operation Definition</b>                                                                                                                                                                                                                                                                                                                                                                                          |                                    |
|---------------------------------------------------------------------------------------------------------------------------------------------------------------------------------------------------------------------------------------------------------------------------------------------------------------------------------------------------------------------------------------------------------------------------------|------------------------------------|
| <b>Operation Name:</b>                                                                                                                                                                                                                                                                                                                                                                                                          | OC_GetSCTimeStamp(timezone:TZONES) |
| <b>Result Type:</b>                                                                                                                                                                                                                                                                                                                                                                                                             | TPSCTS                             |
| <b>Comments:</b>                                                                                                                                                                                                                                                                                                                                                                                                                | TPSCTS is HEXSTRING[14]            |
| <b>Description</b>                                                                                                                                                                                                                                                                                                                                                                                                              |                                    |
| <p>This Operation provides the hexstring containing the service center time stamp (SCTS) according to GSM 03.40, clauses 9.2.2.1 and 9.2.3.11. The TSO reads the current time of the test systems clock and transforms the time in combination with the input parameter 'timezone' into a service center time stamp.</p> <p>Example:<br/> 1996 April 18, 15:32:46, timezone=4<br/> OC_GetSCTimeStamp returns 69408151236440</p> |                                    |
| <b>Detailed Comments:</b>                                                                                                                                                                                                                                                                                                                                                                                                       |                                    |

| <b>Test Suite Operation Definition</b>                                                                                                                                                                                                                |                                          |
|-------------------------------------------------------------------------------------------------------------------------------------------------------------------------------------------------------------------------------------------------------|------------------------------------------|
| <b>Operation Name:</b>                                                                                                                                                                                                                                | OC_IncTmsi(tmsi:TMSI_V; inc:OCTETSTRING) |
| <b>Result Type:</b>                                                                                                                                                                                                                                   | TMSI_V                                   |
| <b>Comments:</b>                                                                                                                                                                                                                                      | the `tmsi` is 4 OCTETs long              |
| <b>Description</b>                                                                                                                                                                                                                                    |                                          |
| <p>OC_IncTmsi operation adds the two input parameters and returns the result. An overflow of addition is allowed.</p> <p>For example :</p> <pre> OC_IncTmsi('33542140'O + '01'O) = '33542141'O; OC_IncTmsi('21322140'O + '08'O) = '21322148'O. </pre> |                                          |
| <b>Detailed Comments:</b>                                                                                                                                                                                                                             |                                          |

| <b>Test Suite Operation Definition</b>                                                                                                                                                                   |                                                    |
|----------------------------------------------------------------------------------------------------------------------------------------------------------------------------------------------------------|----------------------------------------------------|
| <b>Operation Name:</b>                                                                                                                                                                                   | OC_InRang(tx: INTEGER; maxret:INTEGER; m: INTEGER) |
| <b>Result Type:</b>                                                                                                                                                                                      | BOOLEAN                                            |
| <b>Comments:</b>                                                                                                                                                                                         |                                                    |
| Description                                                                                                                                                                                              |                                                    |
| The operation returns TRUE if $(m \text{ DIV } (\maxret * ((230 + \maxret - 1) / \maxret)))$ is inside the following interval:<br>$[0.8 - ((tx+1)/2) \text{ DIV } tx; 1.2 - ((tx+1)/2) \text{ DIV } tx]$ |                                                    |
| where / is integer division, DIV is float division, m, tx and maxret are input parameters of the operation.                                                                                              |                                                    |
| <b>Detailed Comments:</b>                                                                                                                                                                                |                                                    |

| <b>Test Suite Operation Definition</b>                                   |                                    |
|--------------------------------------------------------------------------|------------------------------------|
| <b>Operation Name:</b>                                                   | OC_IntToOct(n:INTEGER; l: INTEGER) |
| <b>Result Type:</b>                                                      | OCTETSTRING                        |
| <b>Comments:</b>                                                         |                                    |
| Description                                                              |                                    |
| OC_IntToOct converts the INTEGER `n` into OCTETSTRING with length = `l`. |                                    |
| for example:                                                             |                                    |
| OC_IntToOct(14,1) = '0E'O;                                               |                                    |
| OC_IntToOct(18,1) = '12'O;                                               |                                    |
| OC_IntToOct(18,2) = '0012'O.                                             |                                    |
| <b>Detailed Comments:</b>                                                |                                    |

| <b>Test Suite Operation Definition</b>                                                    |                                             |
|-------------------------------------------------------------------------------------------|---------------------------------------------|
| <b>Operation Name:</b>                                                                    | OC_LeastBits(bstring:BITSTRING; lg:INTEGER) |
| <b>Result Type:</b>                                                                       | BITSTRING                                   |
| <b>Comments:</b>                                                                          |                                             |
| Description                                                                               |                                             |
| OC_LeastBits operation returns the `lg` least significant bits of the original `bstring`. |                                             |
| for example:                                                                              |                                             |
| OC_LeastBits('110011000101010'B, 3) = '010'B,                                             |                                             |
| OC_LeastBits('110011000101010'B, 6) = '101010'B.                                          |                                             |
| <b>Detailed Comments:</b>                                                                 |                                             |

| <b>Test Suite Operation Definition</b>                                                                   |                                 |
|----------------------------------------------------------------------------------------------------------|---------------------------------|
| <b>Operation Name:</b>                                                                                   | OC_LengthOf(identity_field :Ml) |
| <b>Result Type:</b>                                                                                      | INTEGER                         |
| <b>Comments:</b>                                                                                         |                                 |
| Description                                                                                              |                                 |
| OC_LengthOf operation returns the actual length of the `identity_field`, the unit of length is in OCTET. |                                 |
| <b>Detailed Comments:</b>                                                                                |                                 |

| <b>Test Suite Operation Definition</b>                                                                            |                             |
|-------------------------------------------------------------------------------------------------------------------|-----------------------------|
| <b>Operation Name:</b>                                                                                            | OC_LengthOfBCDN(bcdn :BCDN) |
| <b>Result Type:</b>                                                                                               | INTEGER                     |
| <b>Comments:</b>                                                                                                  |                             |
| Description                                                                                                       |                             |
| OC_LengthOfBCDN operation returns the actual length of an IE of type BCDN `bcdn`, the unit of length is in OCTET. |                             |
| <b>Detailed Comments:</b>                                                                                         |                             |

| <b>Test Suite Operation Definition</b>                                                                         |                                    |
|----------------------------------------------------------------------------------------------------------------|------------------------------------|
| <b>Operation Name:</b>                                                                                         | OC_LengthOfComp(comp: Component_T) |
| <b>Result Type:</b>                                                                                            | LENGTH                             |
| <b>Comments:</b>                                                                                               |                                    |
| <b>Description</b>                                                                                             |                                    |
| OC_LengthOfComp operation returns the actual length of the Component_T `comp`, the unit of length is in OCTET. |                                    |
| <b>Detailed Comments:</b>                                                                                      |                                    |

| <b>Test Suite Operation Definition</b>                                                             |                                    |
|----------------------------------------------------------------------------------------------------|------------------------------------|
| <b>Operation Name:</b>                                                                             | OC_LengthOfString(strg: IA5String) |
| <b>Result Type:</b>                                                                                | INTEGER                            |
| <b>Comments:</b>                                                                                   |                                    |
| <b>Description</b>                                                                                 |                                    |
| OC_LengthOfString operation returns the actual length (number of characters) of the string `strg`. |                                    |
| <b>Detailed Comments:</b>                                                                          |                                    |

| <b>Test Suite Operation Definition</b>                                                                                                                                                                                                                                                                                                                                                                                                                                                                                                                                                                                                                                                                         |                                                                              |
|----------------------------------------------------------------------------------------------------------------------------------------------------------------------------------------------------------------------------------------------------------------------------------------------------------------------------------------------------------------------------------------------------------------------------------------------------------------------------------------------------------------------------------------------------------------------------------------------------------------------------------------------------------------------------------------------------------------|------------------------------------------------------------------------------|
| <b>Operation Name:</b>                                                                                                                                                                                                                                                                                                                                                                                                                                                                                                                                                                                                                                                                                         | OC_LookupS(t: INTEGER; combined :BOOLEAN)                                    |
| <b>Result Type:</b>                                                                                                                                                                                                                                                                                                                                                                                                                                                                                                                                                                                                                                                                                            | INTEGER                                                                      |
| <b>Comments:</b>                                                                                                                                                                                                                                                                                                                                                                                                                                                                                                                                                                                                                                                                                               | the algorithm is derived from Table 3.1/GSM 04.08 for values of parameter S. |
| <b>Description</b>                                                                                                                                                                                                                                                                                                                                                                                                                                                                                                                                                                                                                                                                                             |                                                                              |
| This operation returns an INTEGER according the following algorithm:                                                                                                                                                                                                                                                                                                                                                                                                                                                                                                                                                                                                                                           |                                                                              |
| <pre>OC_LookupS( t, comb) INTEGER t; BOOLEAN combined; {   switch (t)   { case 3:     case 8:     case 14:     case 50:       if (combined) then         return(41)       else return(55);       break;     case 4:     case 9:     case 16:       if (combined) then         return(52)       else return(76);       break;     case 5:     case 10:     case 20:       if (combined) then         return(58)       else return(109);       break;     case 6:     case 11:     case 25:       if (combined) then         return(86)       else return(163);       break;     case 7:     case 12:     case 32:       if (combined) then         return(115)       else return(217);       break;   } }</pre> |                                                                              |
| <b>Detailed Comments:</b>                                                                                                                                                                                                                                                                                                                                                                                                                                                                                                                                                                                                                                                                                      |                                                                              |

| <b>Test Suite Operation Definition</b>                                                            |                                             |
|---------------------------------------------------------------------------------------------------|---------------------------------------------|
| <b>Operation Name:</b>                                                                            | OC_MostBits(bstring:BITSTRING; lg :INTEGER) |
| <b>Result Type:</b>                                                                               | BITSTRING                                   |
| <b>Comments:</b>                                                                                  |                                             |
| <b>Description</b>                                                                                |                                             |
| OC_MostBits operation returns the `lg` most significant bits of the original `bstring`.           |                                             |
| for example:                                                                                      |                                             |
| OC_LeastBits('110011000101010'B, 3) = '110'B,<br>OC_LeastBits('110011000101010'B, 6) = '110011'B. |                                             |
| <b>Detailed Comments:</b>                                                                         |                                             |

| <b>Test Suite Operation Definition</b>                                                                                                                                                                                                                                                                                                                                                                                                                                                                                                                                                                                                                                                                                                                                                                                                                                                                                                                                                                                                                                                                                                                                                                                                                                                                                                                                                                                                                                                                                                                                                                                                                                                                                                                                                                                                                                                                                                                                                                                                                                                                                                                                                                                                                                                                                                                                                                                                                                                                                                                                                                                                                                                                                                                                                                                              |                                                               |
|-------------------------------------------------------------------------------------------------------------------------------------------------------------------------------------------------------------------------------------------------------------------------------------------------------------------------------------------------------------------------------------------------------------------------------------------------------------------------------------------------------------------------------------------------------------------------------------------------------------------------------------------------------------------------------------------------------------------------------------------------------------------------------------------------------------------------------------------------------------------------------------------------------------------------------------------------------------------------------------------------------------------------------------------------------------------------------------------------------------------------------------------------------------------------------------------------------------------------------------------------------------------------------------------------------------------------------------------------------------------------------------------------------------------------------------------------------------------------------------------------------------------------------------------------------------------------------------------------------------------------------------------------------------------------------------------------------------------------------------------------------------------------------------------------------------------------------------------------------------------------------------------------------------------------------------------------------------------------------------------------------------------------------------------------------------------------------------------------------------------------------------------------------------------------------------------------------------------------------------------------------------------------------------------------------------------------------------------------------------------------------------------------------------------------------------------------------------------------------------------------------------------------------------------------------------------------------------------------------------------------------------------------------------------------------------------------------------------------------------------------------------------------------------------------------------------------------------|---------------------------------------------------------------|
| <b>Operation Name:</b>                                                                                                                                                                                                                                                                                                                                                                                                                                                                                                                                                                                                                                                                                                                                                                                                                                                                                                                                                                                                                                                                                                                                                                                                                                                                                                                                                                                                                                                                                                                                                                                                                                                                                                                                                                                                                                                                                                                                                                                                                                                                                                                                                                                                                                                                                                                                                                                                                                                                                                                                                                                                                                                                                                                                                                                                              | OC_MsrReptChk(msrres: MSRR; index:INTEGER)                    |
| <b>Result Type:</b>                                                                                                                                                                                                                                                                                                                                                                                                                                                                                                                                                                                                                                                                                                                                                                                                                                                                                                                                                                                                                                                                                                                                                                                                                                                                                                                                                                                                                                                                                                                                                                                                                                                                                                                                                                                                                                                                                                                                                                                                                                                                                                                                                                                                                                                                                                                                                                                                                                                                                                                                                                                                                                                                                                                                                                                                                 | BOOLEAN                                                       |
| <b>Comments:</b>                                                                                                                                                                                                                                                                                                                                                                                                                                                                                                                                                                                                                                                                                                                                                                                                                                                                                                                                                                                                                                                                                                                                                                                                                                                                                                                                                                                                                                                                                                                                                                                                                                                                                                                                                                                                                                                                                                                                                                                                                                                                                                                                                                                                                                                                                                                                                                                                                                                                                                                                                                                                                                                                                                                                                                                                                    | parameter index is used for selecting different match pattern |
| <b>Description</b>                                                                                                                                                                                                                                                                                                                                                                                                                                                                                                                                                                                                                                                                                                                                                                                                                                                                                                                                                                                                                                                                                                                                                                                                                                                                                                                                                                                                                                                                                                                                                                                                                                                                                                                                                                                                                                                                                                                                                                                                                                                                                                                                                                                                                                                                                                                                                                                                                                                                                                                                                                                                                                                                                                                                                                                                                  |                                                               |
| <p>OC_MsrReptChk operation checks whether the received measurement report contains correct values:</p> <ol style="list-style-type: none"> <li>1. when the `index` = 1: <ul style="list-style-type: none"> <li>if set { { msrres.bcchfrq_nc1, msrres.bsic_nc1}, { msrres.bcchfrq_nc2, msrres.bsic_nc2}, { msrres.bcchfrq_nc3, msrres.bsic_nc3}, { msrres.bcchfrq_nc4, msrres.bsic_nc4}, { msrres.bcchfrq_nc5, msrres.bsic_nc5}, { msrres.bcchfrq_nc6, msrres.bsic_nc6} }</li> <li>equals to</li> <li>set { {'0000'B, '001011'B}, {'01111'B, '001001'B}, {'10101'B, '001011'B}, {'10110'B, '001101'B}, {'11100'B, '001111'B}, {'11111'B, '001001'B} }</li> <li>then the operation returns TRUE otherwise FALSE.</li> </ul> </li> <li>2. when the `index` = 2: <ul style="list-style-type: none"> <li>if set { { msrres.bcchfrq_nc1, msrres.bsic_nc1}, { msrres.bcchfrq_nc2, msrres.bsic_nc2}, { msrres.bcchfrq_nc3, msrres.bsic_nc3}, { msrres.bcchfrq_nc4, msrres.bsic_nc4}, { msrres.bcchfrq_nc5, msrres.bsic_nc5}, { msrres.bcchfrq_nc6, msrres.bsic_nc6} }</li> <li>equals to</li> <li>set { {'0000'B, '001011'B}, {'00100'B, '001001'B}, {'00110'B, '001011'B}, {'00101'B, '001101'B}, {'00010'B, '001111'B}, {'00111'B, '001001'B} }</li> <li>then the operation returns TRUE otherwise FALSE.</li> </ul> </li> <li>3. when the `index` = 3: <ul style="list-style-type: none"> <li>if set { { msrres.bcchfrq_nc1, msrres.bsic_nc1}, { msrres.bcchfrq_nc2, msrres.bsic_nc2}, { msrres.bcchfrq_nc3, msrres.bsic_nc3}, { msrres.bcchfrq_nc4, msrres.bsic_nc4}, { msrres.bcchfrq_nc5, msrres.bsic_nc5}, { msrres.bcchfrq_nc6, msrres.bsic_nc6} }</li> <li>equals to</li> <li>set { {'00001'B, '001011'B}, {'00101'B, '001001'B}, {'00111'B, '001011'B}, {'00110'B, '001101'B}, {'00011'B, '001111'B}, {'01000'B, '001001'B} }</li> <li>then the operation returns TRUE otherwise FALSE.</li> </ul> </li> <li>4. when the `index` = 4 : <ul style="list-style-type: none"> <li>if set { { msrres.bcchfrq_nc1, msrres.bsic_nc1}, { msrres.bcchfrq_nc2, msrres.bsic_nc2}, { msrres.bcchfrq_nc3, msrres.bsic_nc3}, { msrres.bcchfrq_nc4, msrres.bsic_nc4}, }</li> <li>equals to</li> <li>set { {'00000'B, '001011'B}, {'00010'B, '001111'B}, {'00001'B, '001111'B}, {'00011'B, '001001'B} }</li> <li>then the operation returns TRUE otherwise FALSE.</li> </ul> </li> <li>5. when the `index` = 5 : <ul style="list-style-type: none"> <li>if set { { msrres.bcchfrq_nc1, msrres.bsic_nc1}, { msrres.bcchfrq_nc2, msrres.bsic_nc2}, { msrres.bcchfrq_nc3, msrres.bsic_nc3}, { msrres.bcchfrq_nc4, msrres.bsic_nc4}, }</li> <li>equals to</li> <li>set { {'00000'B, '001011'B}, {'00010'B, '001111'B}, {'00001'B, '001111'B}, {'00100'B, '001001'B} }</li> <li>then the operation returns TRUE otherwise FALSE.</li> </ul> </li> </ol> |                                                               |

6. when the `index` = 6:
- ```

if set { { msrres.bcchfrq_nc1, msrres.bsic_nc1}, { msrres.bcchfrq_nc2, msrres.bsic_nc2},
        { msrres.bcchfrq_nc3, msrres.bsic_nc3}, { msrres.bcchfrq_nc4, msrres.bsic_nc4},
        { msrres.bcchfrq_nc5, msrres.bsic_nc5}, { msrres.bcchfrq_nc6, msrres.bsic_nc6}
      }
equals to
set { {'00000'B, '001011'B}, {'00011'B, '001001'B},
      {'00100'B, '001011'B}, {'00101'B, '001101'B},
      {'00110'B, '001111'B}, {'00111'B, '001001'B}
    }
then the operation returns TRUE otherwise FALSE.

```
7. when the `index` = 7:
- ```

if set { { msrres.bcchfrq_nc1, msrres.bsic_nc1}, { msrres.bcchfrq_nc2, msrres.bsic_nc2},
        { msrres.bcchfrq_nc3, msrres.bsic_nc3}, { msrres.bcchfrq_nc4, msrres.bsic_nc4},
        { msrres.bcchfrq_nc5, msrres.bsic_nc5}, { msrres.bcchfrq_nc6, msrres.bsic_nc6}
      }
equals to
set { {'00000'B, '001011'B}, {'00100'B, '001001'B},
      {'00110'B, '001011'B}, {'00101'B, '001101'B},
      {'00010'B, '001111'B}, {'00111'B, '001001'B}
    }
then the operation returns TRUE otherwise FALSE.

```
8. when the `index` = 8 :
- ```

if set { { msrres.bcchfrq_nc1, msrres.bsic_nc1}, { msrres.bcchfrq_nc2, msrres.bsic_nc2}
      }
equals to
set { {'00000'B, '001011'B}, {'00010'B, '001101'B}
    }
then the operation returns TRUE otherwise FALSE.

```
9. when the `index` = 9 :
- ```

if set { { msrres.bcchfrq_nc1, msrres.bsic_nc1}, { msrres.bcchfrq_nc2, msrres.bsic_nc2}
      }
equals to
set { {'00110'B, '001011'B}, {'00111'B, '001101'B}
    }
then the operation returns TRUE otherwise FALSE.

```
10. when the `index` = 10 :
- ```

if set { { msrres.bcchfrq_nc1, msrres.bsic_nc1}, { msrres.bcchfrq_nc2, msrres.bsic_nc2}
      }
equals to
set { {'00011'B, '001011'B}, {'00101'B, '001101'B}
    }
then the operation returns TRUE otherwise FALSE.

```

**Detailed Comments:**

<b>Test Suite Operation Definition</b>	
<b>Operation Name:</b>	OC_OeBit(bcddigits:HEXSTRING)
<b>Result Type:</b>	BITSTRING
<b>Comments:</b>	The input parameter `bcddigits` is really BCD string (subset of HEXSTRING), the result is BITSTRING[1].
Description	
<p>The function of the OC_OeBit is as the following:</p> <ol style="list-style-type: none"> <li>1. it returns '1'B, if the length of the `bcddigits` is odd,</li> <li>2. it returns '0'B, if the length of the `bcddigits` is even.</li> </ol> <p>for example:</p> <p>OC_OeBit('12583') = '1'B,            OC_OeBit('87259957') = '0'B.</p>	
<b>Detailed Comments:</b>	

<b>Test Suite Operation Definition</b>	
<b>Operation Name:</b>	OC_OctToInt(ostr: OCTETSTRING)
<b>Result Type:</b>	INTEGER
<b>Comments:</b>	
Description	
OC_OctToInt converts the OCTETSTRING `ostr` into INTEGER.	
<b>Detailed Comments:</b>	

<b>Test Suite Operation Definition</b>	
<b>Operation Name:</b>	OC_OctToInteger(o:OCTETSTRING)
<b>Result Type:</b>	Integer
<b>Comments:</b>	
Description	
<p>OC_OctToInteger converts the OCTETSTRING `o` into Integer, with the MSB of `o` representing the negative value <math>-2^{\text{exp}(n-1)}</math>, for example '80'O-&gt;'1000000'B-&gt; -128. The rest of the bits can code positive values up to <math>+2^{\text{exp}(n-2)-1}</math>, for example '4F'O-&gt;'0111111'B-&gt; +127.</p> <p>for example:</p> <p>OC_OctToInteger('80'O) = -128;            OC_OctToInteger('81'O) = -128+1 = -127;            OC_OctToInteger('40'O) = +64.            OC_OctToInteger('7F'O) = +127.            OC_OctToInteger('C0'O) = -128+64 = -64.</p>	
<b>Detailed Comments:</b>	



<b>Test Suite Operation Definition</b>	
<b>Operation Name:</b>	OC_OtherDigi(bcddigits:HEXSTRING)
<b>Result Type:</b>	OCTETSTRING
<b>Comments:</b>	The input parameter `bcddigits` is really BCD string (subset of HEXSTRING), the result is an even BCD digits except that the next to last may either be 'F'H or a BCD digit.
<b>Description</b>	
<p>The function of the OC_OtherDigi is as the following:</p> <ol style="list-style-type: none"> <li>1. If the number of the `bcddigits` is odd, the operation removes the most significant digit, and then reverses the order of each pair of digits;</li> <li>2. If the number of the `bcddigits` is even, first the operation suffixes the `bcddigits` with 'F'H, then removes the most significant digit, and then reverses the order of each pair of digits.</li> </ol> <p>for example:</p> <p>OC_OtherDigi('12345') = '3254',            OC_OtherDigi('12345678') = '325476F8'.</p>	
<b>Detailed Comments:</b>	

<b>Test Suite Operation Definition</b>	
<b>Operation Name:</b>	OC_PosinSet(set: Components; comp: Component)
<b>Result Type:</b>	INTEGER
<b>Comments:</b>	
<b>Description</b>	
<p>The operation OC_PosinSet returns the position of component `comp` within the SET `set`.</p> <p>for example:</p> <p>if the set = { registerSSComponents, eraseSSComponents, activateSSComponents, deactivateSSComponents }</p> <p>OC_PosinSet(set, registerSSComponents) = 0,            OC_PosinSet(set, activateSSComponents) = 2.</p>	
<b>Detailed Comments:</b>	

<b>Test Suite Operation Definition</b>	
<b>Operation Name:</b>	OC_RachSlots(fn1:FN; fn2:FN; cmbn: BOOLEAN; mode:INTEGER)
<b>Result Type:</b>	INTEGER
<b>Comments:</b>	
Description	
<p>OC_RachSlots calculates the number of RACH slots between frame number `fn1` and `fn2` excluding the slots in `fn1` and `fn2`, then return the result of the calculation.</p> <p>If mode=0, 'fn1' denotes the (first) frame number for sending Paging Request, while 'fn2' denotes the (first) frame number for the received Channel Request. If mode=1 'fn1' and 'fn2' denote the (first) frame number for the received two subsequent Channel Requests. Any other values for mode is not allowed.</p> <p>Since the number of RACH slots depends on the RACH being combined or not with dedicated channels, the parameter 'cmbn' is needed: TRUE --&gt; combined, FALSE--&gt; not combined.</p> <p>It is assumed that the distance between fn1 and fn2 is not more than one group of 42432 TDMA frames (modulo 42432 is used to calculate t1' of fn1 and fn2). This is equivalent to approximately 196 seconds. The 51 TDMA frames in a multiframe are numbered 0 to 50.</p> <p>fn1' := fn1 mod 51  fn2' := fn2 mod 51</p> <p>CASE 1: cmbn is FALSE ('not combined')</p> <p>When 'not combined', all slots are RACH slots.</p> <p>1.1 mode=0 (sending paging message at fn1)</p> <p>The paging uses the numbered frames 6 - 9, 12 -19, 22-29, 32-39 and 42-49.</p> <p>1.1.1 If fn1 is not in the paging TDMA frame mapping, it leads testing to a test system error.  IF (fn1' &lt; 6) OR (9 &lt; fn1' &lt; 12) OR (19 &lt; fn1' &lt; 22) OR (29 &lt; fn1' &lt; 32) OR (39 &lt; fn1' &lt; 42) OR (fn1' &gt;49),  A test system error! The calling test case shall re-run again.  OTHERWISE</p> <p>1.1.2 The number of RACH slots is equal to the number of frames between fn1 + 3 and fn2. The fn1 is added by 3 because a page message occupies 4 slots. The fn1 indicates the first slot of the paging message.  IF (fn1 + 3) &lt; fn2, OC_RachSlots := fn2 - (fn1 + 3) -1 = fn2 - fn1 - 4,</p> <p>1.1.3 If fn1+3 is equal to or greater than fn2, then this is due to fn2 being in the next group of 42432 frames. In this case 42432 frames have to be added.  IF fn2 &lt;= (fn1 + 3), OC_RachSlots := fn2 -fn1 - 3 + 42432 -1 = fn2 -fn1 + 42428</p> <p>1.2 mode=1 (receiving channel request at fn1)</p> <p>The number of RACH slots is equal to the number of frames between fn1 and fn2</p> <p>1.2.1 IF fn1 &lt; fn2, OC_RachSlots := fn2 - fn1 - 1,  1.2.2 IF fn2 &lt;= fn1, OC_RachSlots := fn2 -fn1 + 42432 -1 = fn2 -fn1 + 42431</p> <p>CASE 2: cmbn is TRUE ('combined')</p> <p>When combined only the slots of the numbered frames 4, 5, 14 to 36, 45 and 46 in each multiframe are RACH slots, i.e.total 27 frames per multiframe.</p> <p>2.1 mode=0 (sending paging message at fn1)</p> <p>The paging uses the numbered frames 6 - 9 and 12 -19.</p> <p>2.1.1 If fn1 is not in the paging TDMA frame mapping, it leads testing to a test system error. If fn2 is not in the RACH TDMA frame mapping, it leads testing to fail.    IF (fn2' &lt; 4) OR (5 &lt; fn2' &lt; 14) OR (36 &lt; fn2' &lt; 45) OR (fn2' &gt; 46), OC_RachSlots := -9999  IF (fn1' &lt; 6) OR (9 &lt; fn1' &lt; 12) OR (fn1' &gt;19), A test system error! The calling test case shall re-run again.  OTHERWISE</p> <p>2.1.2 Calculation of the number 'c' multiframes between fn1 + 3 and fn2. If fn1 + 3 is equal to or greater than fn2, then this is due to fn2 being in the next group of 42432 frames. In this case 42432 frames have to be added. '/' shall be the integer division, i.e. the result is also integer. Fractions are discarded.</p> <p>2.1.2.1 IF (fn1 + 3) &lt; fn2, c := fn2 / 51 - (fn1 + 3) / 51  2.1.2.2 IF fn2 &lt;= (fn1 + 3), c := fn2 / 51 - (fn1 + 3) / 51 + 42432 / 51 = fn2 / 51 - (fn1 + 3) / 51 + 832</p> <p>2.1.3 Calculation of the number of frames 'a' to be subtracted according to the position of fn1' within the multiframe  IF (5 &lt; fn1' &lt; 9) , a := 2</p>	

<p>IF (<math>fn1' = 9</math>),            <math>a := 3</math>  IF (<math>11 &lt; fn1' &lt; 20</math>),    <math>a := fn1' - 8</math></p> <p>2.2 mode=1 (receiving channel request at fn1)</p> <p>2.2.1 If fn1 or fn2 are not in the RACH TDMA frame mapping, it leads testing to fail.  IF (<math>fn2' &lt; 4</math>) OR (<math>5 &lt; fn2' &lt; 14</math>) OR (<math>36 &lt; fn2' &lt; 45</math>) OR (<math>fn2' &gt; 46</math>)  OR (<math>fn1' &lt; 6</math>) OR (<math>9 &lt; fn1' &lt; 12</math>) OR (<math>fn1' &gt; 19</math>), OC_RachSlots := -9999</p> <p>2.2.2 Calculation of the number 'c' multiframes between fn1 and fn2  2.2.2.1 IF <math>fn1 &lt; fn2</math>, <math>c := fn2 / 51 - fn1 / 51</math>  2.2.2.2 IF <math>fn2 \leq fn1</math> <math>c := fn2 / 51 - fn1 / 51 + 42432 / 51 = fn2 / 51 - fn1 / 51 + 832</math></p> <p>2.2.3 Calculation of the number of frames 'a' to be subtracted according to the position of fn1' within the multiframe  IF (<math>3 &lt; fn1' &lt; 6</math>),        <math>a := fn1' - 3</math>  IF (<math>13 &lt; fn1' &lt; 37</math>),    <math>a := fn1' - 11</math>  IF (<math>44 &lt; fn1' &lt; 47</math>),    <math>a := fn1' - 19</math></p> <p>2.3 Calculation of the number of slots 'b' to be added according to the position of fn2' within the multiframe  IF (<math>3 &lt; fn2' &lt; 6</math>),        <math>b := fn2' - 4</math>  IF (<math>13 &lt; fn2' &lt; 37</math>),    <math>b := fn2' - 12</math>  IF (<math>44 &lt; fn2' &lt; 47</math>),    <math>b := fn2' - 20</math></p> <p>2.4 Calculation of the number of RACH slots. There are 27 RACH slots in each multiframe.  OC_RachSlots := <math>27 * c + b - a</math></p> <p><b>Detailed Comments:</b>        TC_26_2_1_1 uses mode=0. TC_26_2_1_2 uses mode=1.</p>
--

<b>Test Suite Operation Definition</b>	
<b>Operation Name:</b>	OC_Random(n1:INTEGER; n2:INTEGER)
<b>Result Type:</b>	INTEGER
<b>Comments:</b>	
<b>Description</b>	
This operation randomly returns one number from the following candidates: 'n1', 'n1'+1, ..., 'n2'	
<b>Detailed Comments:</b>	

<b>Test Suite Operation Definition</b>	
<b>Operation Name:</b>	OC_RcsdPresent(msg:MODIFY_PDU)
<b>Result Type:</b>	BOOLEAN
<b>Comments:</b>	To check if RCSD IE is present or not in Modify PDU
<b>Description</b>	
IF RCSD IE is present in the PDU passed on input parameter return TRUE ELSE return FALSE.	
<b>Detailed Comments:</b>	

<b>Test Suite Operation Definition</b>	
<b>Operation Name:</b>	OC_SaveAndProc1(val:INTEGER; mode :INTEGER; cnt:INTEGER; cmbnd:BOOLEAN)
<b>Result Type:</b>	BOOLEAN
<b>Comments:</b>	This operation is used for storing and analysing the CHANNEL REQUEST message distribution.
<b>Description</b>	
<p>The function of this operation is defined as an pseudo C code:</p> <pre> #define SAVE 0; #define PROC 1;  OC_SaveAndProc(val, mode,cnt) INTEGER    val, mode,cnt; BOOLEAN    combined; {   static INTEGER  buf[200];   int i, j, n;   if (mode == SAVE)     { cnt = cnt mod 200;       if (cmbnd == C_NotCombined) AND (val&lt;(151 + 8)) then         { buf[cnt] = val;           return (TRUE);         }       if (cmbnd == C_Combined) AND (val&lt;(81 + 8)) then         { buf[cnt] = val;           return (TRUE);         }       else return (FALSE);     }   if (mode == PROC)     {       for (i=0, i&lt;200, i++)         { n=0;           for (j=0, j&lt;200, j++)             if (buf[j] == buf[i])               n = n+1;           if (n &gt; 41) return (FALSE);         }       return(TRUE);     } } </pre>	
<b>Detailed Comments:</b>	<p>This test suite operation has two operation modes :</p> <ul style="list-style-type: none"> <li>- when the mode is SAVE and the val is less than 89 for combined or 159 for non-combined, it saves the value val into internal buffer and returns TRUE, otherwise returns FALSE. 200 values will be stored in the internal buffer when the operation is invoked 200 times.</li> <li>- When the mode is PROC, it analyses the values stored in the internal buffer, if no more than 41 of them are equal the operation returns TRUE, otherwise returns FALSE. ( i.e. for all n, <math>CARD\{ k f(k) = n \} \leq 41</math>)</li> </ul>

<b>Test Suite Operation Definition</b>	
<b>Operation Name:</b>	OC_SaveAndProc3(val:BITSTRING; mode :INTEGER; cnt:INTEGER)
<b>Result Type:</b>	BOOLEAN
<b>Comments:</b>	This operation is used for storing and analysing the random reference.
<b>Description</b>	
<p>The function of this operation is defined as an pseudo C code:</p> <pre> #define SAVE 0; #define PROC 1;  OC_SaveAndProc(val, mode,cnt) BITSTRING[8] val; INTEGER    mode,cnt; { static BITSTRING[8]  buf[7]; int i, j, n=7; if (mode == SAVE)     { cnt = cnt mod 7;       buf[cnt] = val;       return(TRUE);     } if (mode == PROC)     {     for (i=0, i&lt;6, i++)         { for (j=i+1, j&lt;7, j++)             if (buf[j] == buf[i])                 { n = n-1;                   break;                 }             }         }     if (n&gt;=4) then         return(TRUE)     else return (FALSE); } } </pre>	
<b>Detailed Comments:</b>	<p>The function of this test suite operation is :</p> <ul style="list-style-type: none"> <li>- it saves the value val into internal buffer when the mode = SAVE. 7 values will be stored in the internal buffer when the operation is invoked 7 times.</li> <li>- it compares the values stored in the internal buffer when the mode = PROC, if 4 or more than 4 of them are different the operation returns TRUE, otherwise returns FALSE.</li> </ul>

<b>Test Suite Operation Definition</b>	
<b>Operation Name:</b>	OC_SaveAndRetrv(val:RQR; mode, idx, ex: INTEGER)
<b>Result Type:</b>	RQR
<b>Comments:</b>	This operation is used for storing and retrieving the random reference.
Description	
<p>The function of this test suite operation is (in prose):</p> <ul style="list-style-type: none"> <li>- it saves the value val into internal buffer buff[idx] when the mode = SAVE and ex = 0. Maximum 9 values can be stored. The idx is ranged between 1-9.</li> <li>- it returns the value stored in the internal buffer buff[idx] when the mode = RETRV and ex = 0.</li> <li>- it returns a value which is different from any value stored in the buf and also different from any values which have been returned by the consecutive invocation of this operation with ex &lt;&gt; 0, if ex &lt;&gt; 0. The idx is ranged between 10-13.</li> </ul> <p>The function of this operation is defined as an pseudo C code:</p> <pre> #define SAVE 0; #define RETRV 1;  OC_SaveAndRetrv(val, mode, idx, ex) RQR      val; INTEGER  mode, idx, ex; {   int i, j;   static RQR  buf[14];   if ((mode == SAVE) AND (ex == 0))   {     buf[idx] = val;     buf[10].ra = '00000000'B;     buf[10].fn = '00'O;     buf[11].ra = '00000000'B;     buf[11].fn = '00'O;     buf[12].ra = '00000000'B;     buf[12].fn = '00'O;     buf[13].ra = '00000000'B;     buf[13].fn = '00'O;     return (buf[10]);   }   if ((mode == RETRV) AND (ex == 0))     return (buf[idx]);   if (ex != 0)   {     buf[0].ra = buf[1].ra + '00000001'B;     buf[0].fn = buf[1].fn;     for (j=1, j &lt; 13, j++)     {       for (i=1, i &lt; 14, i++)         if (buf[0] == buf[i])           { buf[0].ra = buf[i].ra + '00000001'B;             break;           }     }     if (i == 14)     {       buf[idx].ra = buf[0].ra;       return (buf[0]);     }   }   buf[idx].ra = buf[j].ra+'00000001'B;   return (buf[idx]); } </pre>	
<b>Detailed Comments:</b>	<p>0. The pseudo C code gives one of the possible implementations for the OC description in prose.</p> <p>1. '00'O should be understood as equivalence of Fn_01, a TTCN structured type constraint.</p> <p>2. The OC can save maximum 13 RQR values. In SAVE mode, idx is ranged between 1-9.</p>

3. For  $ex < > 0$ , there are maximum 13 scans. In each scan a new value is assigned to `buf[0].ra`. If there is a 'non-match' in one of the 13 scans the `buf[0]` is returned. In case of 'all-match' for the 13 scans, the pair of (`buf[i].ra + '00000001'` at the last scan, `buf[idx].fn` is returned (idx is ranged between 10 - 13).

### Test Suite Operation Definition

**Operation Name:** OC\_StartTime(frmn:FN; t, i:INTEGER)

**Result Type:** STRT

**Comments:**

#### Description

OC\_StartTime operation generates the STARTING TIME IE according to the input parameters.

(\* frmn is the current frame number,  
t is the "delay" in applying the new frequencies,  
i is the contents of the starting time IE. \*)

OC\_StartTime(frmn, t, i)

INTEGER t, i;

FN frmn;

{

int tmp;

STRT str;

$tmp = 51 * ((frmn.t3 - frmn.t2) \text{ MOD } 26) + frmn.t3 + 1326 * frmn.t1_;$

$tmp = (tmp + t) \text{ MOD } 42432;$

$str.fn.t1_ = (tmp \text{ DIV } 1326) \text{ MOD } 32;$

$str.fn.t2 = tmp \text{ MOD } 26;$

$str.fn.t3 = tmp \text{ MOD } 51;$

$str.iei = \text{OMIT};$

if (i == 1)  $str.iei := '01111100'B$  /\* if i=1 the information element identifier shall be included \

**Detailed Comments:**

### Test Suite Operation Definition

**Operation Name:** OC\_SubOctet(src:OCTETSTRING; len :INTEGER)

**Result Type:** OCTETSTRING

**Comments:**

#### Description

OC\_SubOctet(src, len) is the octetstring of length `len` starting from the leftmost position of the source octetstring `src`.

For example :  $\text{OC\_SubOctet}('123456789ABCDEF'O, 4) = '12345678'O$

**Detailed Comments:**

<b>Test Suite Operation Definition</b>	
<b>Operation Name:</b>	OC_SubchOfFacch(subch: B_1; cell:CellID; inst:INTEGER)
<b>Result Type:</b>	LOGICCH
<b>Comments:</b>	subch is of type BITSTRING[1]
<b>Description</b>	
<p>OC_SubchOfFacch operation returns a logic channel identifier for FACCHH subchannel indicated by the input parameters 'subch', 'cell' and 'inst', where 'subch' is the subchannel number, 'cell' is the cell identifier which the channel belongs to, 'inst' is the instance of the channel.</p> <p>for example:</p> <pre> OC_SubchOfFacch('0'B, C_CellA, 1) = C_FACCHH0_A_1; OC_SubchOfFacch('1'B, C_CellA, 1) = C_FACCHH1_A_1; OC_SubchOfFacch('0'B, C_CellB, 1) = C_FACCHH0_B_1; OC_SubchOfFacch('1'B, C_CellB, 1) = C_FACCHH1_B_1.</pre> <p>pseudo C code definition for the operation as following :</p> <pre> OC_SubchOfFacch(subch, cell, inst) BITSTRING subch; CellID cell; INTEGER inst; {   LOGICCH logch;   if (subch=='0'B &amp;&amp; cell == C_CellA)     switch (inst)     {       case 1 : logch = C_FACCHH0_A_1; break;       case 2 : logch = C_FACCHH0_A_2; break;       case 3 : logch = C_FACCHH0_A_3; break;     }   if (subch=='0'B &amp;&amp; cell == C_CellB)     switch (inst)     {       case 1 : logch = C_FACCHH0_B_1; break;       case 2 : logch = C_FACCHH0_B_2; break;       case 3 : logch = C_FACCHH0_B_3; break;     }   if (subch=='0'B &amp;&amp; cell == C_CellC)     switch (inst)     {       case 1 : logch = C_FACCHH0_C_1; break;       case 2 : logch = C_FACCHH0_C_2; break;       case 3 : logch = C_FACCHH0_C_3; break;     }   if (subch=='1'B &amp;&amp; cell == C_CellA)     switch (inst)     {       case 1 : logch = C_FACCHH1_A_1; break;       case 2 : logch = C_FACCHH1_A_2; break;       case 3 : logch = C_FACCHH1_A_3; break;     }   if (subch=='1'B &amp;&amp; cell == C_CellB)     switch (inst)     {       case 1 : logch = C_FACCHH1_B_1; break;       case 2 : logch = C_FACCHH1_B_2; break;       case 3 : logch = C_FACCHH1_B_3; break;     }   if (subch=='1'B &amp;&amp; cell == C_CellC)     switch (inst)     {       case 1 : logch = C_FACCHH1_C_1; break;       case 2 : logch = C_FACCHH1_C_2; break; </pre>	



```
        case 3 : logch = C_FACCHH1_C_3; break;
    }
    return(logch);
}
```

**Detailed Comments:**

<b>Test Suite Operation Definition</b>	
<b>Operation Name:</b>	OC_SubchOfSacchh(subch: B_1; cell:CellID; inst:INTEGER)
<b>Result Type:</b>	LOGICCH
<b>Comments:</b>	subch is of type BITSTRING[1]
<b>Description</b>	
<p>OC_SubchOfSacchh operation returns a logic channel identifier for SACCHH subchannel indicated by the input parameters `subch`, `cell` and `inst`, where `subch` is the subchannel number, `cell` is the cell identifier which the channel belongs to, `inst` is the instance of the channel.</p> <p>for example:</p> <pre> OC_SubchOfSacchh('0'B, C_CellA, 1) = C_SACCHH0_A_1; OC_SubchOfSacchh('1'B, C_CellA, 1) = C_SACCHH1_A_1; OC_SubchOfSacchh('0'B, C_CellB, 1) = C_SACCHH0_B_1; OC_SubchOfSacchh('1'B, C_CellB, 1) = C_SACCHH1_B_1. </pre> <p>pseudo C code definition for the operation as following :</p> <pre> OC_SubchOfSacchh(subch, cell, inst) BITSTRING subch; CellID cell; INTEGER inst; {   LOGICCH logch;   if (subch=='0'B &amp;&amp; cell == C_CellA)     switch (inst)     {       case 1 : logch = C_SACCHH0_A_1; break;       case 2 : logch = C_SACCHH0_A_2; break;       case 3 : logch = C_SACCHH0_A_3; break;     }   if (subch=='0'B &amp;&amp; cell == C_CellB)     switch (inst)     {       case 1 : logch = C_SACCHH0_B_1; break;       case 2 : logch = C_SACCHH0_B_2; break;       case 3 : logch = C_SACCHH0_B_3; break;     }   if (subch=='0'B &amp;&amp; cell == C_CellC)     switch (inst)     {       case 1 : logch = C_SACCHH0_C_1; break;       case 2 : logch = C_SACCHH0_C_2; break;       case 3 : logch = C_SACCHH0_C_3; break;     }   if (subch=='1'B &amp;&amp; cell == C_CellA)     switch (inst)     {       case 1 : logch = C_SACCHH1_A_1; break;       case 2 : logch = C_SACCHH1_A_2; break;       case 3 : logch = C_SACCHH1_A_3; break;     }   if (subch=='1'B &amp;&amp; cell == C_CellB)     switch (inst)     {       case 1 : logch = C_SACCHH1_B_1; break;       case 2 : logch = C_SACCHH1_B_2; break;       case 3 : logch = C_SACCHH1_B_3; break;     }   if (subch=='1'B &amp;&amp; cell == C_CellC)     switch (inst)     {       case 1 : logch = C_SACCHH1_C_1; break;       case 2 : logch = C_SACCHH1_C_2; break;     } } </pre>	

```

        case 3 : logch = C_SACCHH1_C_3; break;
    }
    return(logch);
}

```

**Detailed Comments:**

### Test Suite Operation Definition

**Operation Name:** OC\_SubchOfSacch4(subch: B\_2; cell:CellID)

**Result Type:** LOGICCH

**Comments:**

#### Description

OC\_SubchOfSacch4 operation returns a logic channel identifier for SACCHC4 subchannel indicated by the input parameters `subch` and `cell`, where `subch` is the TDMA offset, `cell` is the cell identifier which the channel belongs to.

for example:

```

OC_SubchOfSacch4('00'B, C_CellA) = C_SACCHC40_A;
OC_SubchOfSacch4('01'B, C_CellA) = C_SACCHC41_A;
OC_SubchOfSacch4('10'B, C_CellA) = C_SACCHC42_A;
OC_SubchOfSacch4('11'B, C_CellA) = C_SACCHC43_A;
OC_SubchOfSacch4('00'B, C_CellB) = C_SACCHC40_B;
OC_SubchOfSacch4('01'B, C_CellB) = C_SACCHC41_B.

```

pseudo C code definition for the operation as following :

```

OC_SubchOfSacch4(subch, cell)
BITSTRING subch;
CellID cell;
{
    LOGICCH logch;
    if (cell == C_CellA)
        switch (subch)
        {
            case '00'B : logch = C_SACCHC40_A; break;
            case '01'B : logch = C_SACCHC41_A; break;
            case '10'B : logch = C_SACCHC42_A; break;
            case '11'B : logch = C_SACCHC43_A; break;
        }
    if (cell == C_CellB)
        switch (subch)
        {
            case '00'B : logch = C_SACCHC40_B; break;
            case '01'B : logch = C_SACCHC41_B; break;
            case '10'B : logch = C_SACCHC42_B; break;
            case '11'B : logch = C_SACCHC43_B; break;
        }
    if (cell == C_CellC)
        switch (subch)
        {
            case '00'B : logch = C_SACCHC40_C; break;
            case '01'B : logch = C_SACCHC41_C; break;
            case '10'B : logch = C_SACCHC42_C; break;
            case '11'B : logch = C_SACCHC43_C; break;
        }
    return(logch);
}

```

**Detailed Comments:**

<b>Test Suite Operation Definition</b>	
<b>Operation Name:</b>	OC_SubchOfSacch8(subch: B_3; cell:CellID; inst:INTEGER)
<b>Result Type:</b>	LOGICCH
<b>Comments:</b>	offset is of type BITSTRING[3]
<b>Description</b>	
<p>OC_SubchOfSacch8 operation returns a logic channel identifier for SACCH8 subchannel indicated by the input parameters `subch`, `cell` and `inst`, where `subch` is the TDMA offset, `cell` is the cell identifier which the channel belongs to, `inst` is the instance of the channel.</p> <p>for example:</p> <pre> OC_SubchOfSacch8('000'B, C_CellA, 1) = C_SACCHC80_A_1; OC_SubchOfSacch8('001'B, C_CellA, 1) = C_SACCHC81_A_1; OC_SubchOfSacch8('010'B, C_CellA, 1) = C_SACCHC82_A_1; OC_SubchOfSacch8('011'B, C_CellA, 1) = C_SACCHC83_A_1; OC_SubchOfSacch8('100'B, C_CellA, 1) = C_SACCHC84_A_1; OC_SubchOfSacch8('101'B, C_CellA, 1) = C_SACCHC85_A_1; OC_SubchOfSacch8('110'B, C_CellA, 1) = C_SACCHC86_A_1; OC_SubchOfSacch8('111'B, C_CellA, 1) = C_SACCHC87_A_1; OC_SubchOfSacch8('000'B, C_CellB, 1) = C_SACCHC80_B_1; OC_SubchOfSacch8('001'B, C_CellB, 1) = C_SACCHC81_B_1; OC_SubchOfSacch8('000'B, C_CellC, 2) = C_SACCHC80_C_2; OC_SubchOfSacch8('001'B, C_CellC, 2) = C_SACCHC81_C_2.</pre> <p>pseudo C code definition for the operation as following :</p> <pre> OC_SubchOfSacch8(subch, cell, inst) BITSTRING subch; CellID cell; INTEGER inst; {   LOGICCH logch;   if (inst==1 &amp;&amp; cell == C_CellA)     switch (subch)     {       case '000'B : logch = C_SACCHC80_A_1; break;       case '001'B : logch = C_SACCHC81_A_1; break;       case '010'B : logch = C_SACCHC82_A_1; break;       case '011'B : logch = C_SACCHC83_A_1; break;       case '100'B : logch = C_SACCHC84_A_1; break;       case '101'B : logch = C_SACCHC85_A_1; break;       case '110'B : logch = C_SACCHC86_A_1; break;       case '111'B : logch = C_SACCHC87_A_1; break;     }   if (inst==2 &amp;&amp; cell == C_CellA)     switch (subch)     {       case '000'B : logch = C_SACCHC80_A_2; break;       case '001'B : logch = C_SACCHC81_A_2; break;       case '010'B : logch = C_SACCHC82_A_2; break;       case '011'B : logch = C_SACCHC83_A_2; break;       case '100'B : logch = C_SACCHC84_A_2; break;       case '101'B : logch = C_SACCHC85_A_2; break;       case '110'B : logch = C_SACCHC86_A_2; break;       case '111'B : logch = C_SACCHC87_A_2; break;     }   if (inst==3 &amp;&amp; cell == C_CellA)     switch (subch)     {       case '000'B : logch = C_SACCHC80_A_3; break;       case '001'B : logch = C_SACCHC81_A_3; break;       case '010'B : logch = C_SACCHC82_A_3; break;       case '011'B : logch = C_SACCHC83_A_3; break;       case '100'B : logch = C_SACCHC84_A_3; break;</pre>	

```
    case '101'B : logch = C_SACCHC85_A_3; break;
    case '110'B : logch = C_SACCHC86_A_3; break;
    case '111'B : logch = C_SACCHC87_A_3; break;
  }
if (inst==1 && cell == C_CellB)
  switch (subch)
  {
    case '000'B : logch = C_SACCHC80_B_1; break;
    case '001'B : logch = C_SACCHC81_B_1; break;
    case '010'B : logch = C_SACCHC82_B_1; break;
    case '011'B : logch = C_SACCHC83_B_1; break;
    case '100'B : logch = C_SACCHC84_B_1; break;
    case '101'B : logch = C_SACCHC85_B_1; break;
    case '110'B : logch = C_SACCHC86_B_1; break;
    case '111'B : logch = C_SACCHC87_B_1; break;
  }
if (inst==2 && cell == C_CellB)
  switch (subch)
  {
    case '000'B : logch = C_SACCHC80_B_2; break;
    case '001'B : logch = C_SACCHC81_B_2; break;
    case '010'B : logch = C_SACCHC82_B_2; break;
    case '011'B : logch = C_SACCHC83_B_2; break;
    case '100'B : logch = C_SACCHC84_B_2; break;
    case '101'B : logch = C_SACCHC85_B_2; break;
    case '110'B : logch = C_SACCHC86_B_2; break;
    case '111'B : logch = C_SACCHC87_B_2; break;
  }
if (inst==3 && cell == C_CellB)
  switch (subch)
  {
    case '000'B : logch = C_SACCHC80_B_3; break;
    case '001'B : logch = C_SACCHC81_B_3; break;
    case '010'B : logch = C_SACCHC82_B_3; break;
    case '011'B : logch = C_SACCHC83_B_3; break;
    case '100'B : logch = C_SACCHC84_B_3; break;
    case '101'B : logch = C_SACCHC85_B_3; break;
    case '110'B : logch = C_SACCHC86_B_3; break;
    case '111'B : logch = C_SACCHC87_B_3; break;
  }
if (inst==1 && cell == C_CellC)
  switch (subch)
  {
    case '000'B : logch = C_SACCHC80_C_1; break;
    case '001'B : logch = C_SACCHC81_C_1; break;
    case '010'B : logch = C_SACCHC82_C_1; break;
    case '011'B : logch = C_SACCHC83_C_1; break;
    case '100'B : logch = C_SACCHC84_C_1; break;
    case '101'B : logch = C_SACCHC85_C_1; break;
    case '110'B : logch = C_SACCHC86_C_1; break;
    case '111'B : logch = C_SACCHC87_C_1; break;
  }
if (inst==2 && cell == C_CellC)
  switch (subch)
  {
    case '000'B : logch = C_SACCHC80_C_2; break;
    case '001'B : logch = C_SACCHC81_C_2; break;
    case '010'B : logch = C_SACCHC82_C_2; break;
    case '011'B : logch = C_SACCHC83_C_2; break;
    case '100'B : logch = C_SACCHC84_C_2; break;
    case '101'B : logch = C_SACCHC85_C_2; break;
    case '110'B : logch = C_SACCHC86_C_2; break;
    case '111'B : logch = C_SACCHC87_C_2; break;
  }
if (inst==3 && cell == C_CellC)
```

```
switch (subch)
{
  case '000'B : logch = C_SACCHC80_C_3; break;
  case '001'B : logch = C_SACCHC81_C_3; break;
  case '010'B : logch = C_SACCHC82_C_3; break;
  case '011'B : logch = C_SACCHC83_C_3; break;
  case '100'B : logch = C_SACCHC84_C_3; break;
  case '101'B : logch = C_SACCHC85_C_3; break;
  case '110'B : logch = C_SACCHC86_C_3; break;
  case '111'B : logch = C_SACCHC87_C_3; break;
}
return(logch);
}
```

**Detailed Comments:**

<b>Test Suite Operation Definition</b>	
<b>Operation Name:</b>	OC_SubchOfSdcch4(subch: B_2; cell:CellID)
<b>Result Type:</b>	LOGICCH
<b>Comments:</b>	
Description	
<p>OC_SubchOfSdcch4 operation returns a logic channel identifier for SDCCH4 subchannel indicated by the input parameters `subch` and `cell`, where `subch` is the TDMA offset, `cell` is the cell identifier which the channel belongs to.</p> <p>for example:</p> <pre> OC_SubchOfSdcch4('00'B, C_CellA) = C_SDCCH40_A; OC_SubchOfSdcch4('01'B, C_CellA) = C_SDCCH41_A; OC_SubchOfSdcch4('10'B, C_CellA) = C_SDCCH42_A; OC_SubchOfSdcch4('11'B, C_CellA) = C_SDCCH43_A; OC_SubchOfSdcch4('00'B, C_CellB) = C_SDCCH40_B; OC_SubchOfSdcch4('01'B, C_CellB) = C_SDCCH41_B.</pre> <p>pseudo C code definition for the operation as following :</p> <pre> OC_SubchOfSdcch4(subch, cell) BITSTRING subch; CellID cell; {     LOGICCH logch;     if (cell == C_CellA)         switch (subch)         {             case '00'B : logch = C_SDCCH40_A; break;             case '01'B : logch = C_SDCCH41_A; break;             case '10'B : logch = C_SDCCH42_A; break;             case '11'B : logch = C_SDCCH43_A; break;         }     if (cell == C_CellB)         switch (subch)         {             case '00'B : logch = C_SDCCH40_B; break;             case '01'B : logch = C_SDCCH41_B; break;             case '10'B : logch = C_SDCCH42_B; break;             case '11'B : logch = C_SDCCH43_B; break;         }     if (cell == C_CellC)         switch (subch)         {             case '00'B : logch = C_SDCCH40_C; break;             case '01'B : logch = C_SDCCH41_C; break;             case '10'B : logch = C_SDCCH42_C; break;             case '11'B : logch = C_SDCCH43_C; break;         }     return(logch); }</pre>	
<b>Detailed Comments:</b>	

<b>Test Suite Operation Definition</b>	
<b>Operation Name:</b>	OC_SubchOfSdcch8(subch: B_3; cell:CellID; inst:INTEGER)
<b>Result Type:</b>	LOGICCH
<b>Comments:</b>	offset is of type BITSTRING[3]
<b>Description</b>	
<p>OC_SubchOfSdcch8 operation returns a logic channel identifier for SDCCH8 subchannel indicated by the input parameters `subch`, `cell` and `inst`, where `subch` is the TDMA offset, `cell` is the cell identifier which the channel belongs to, `inst` is the instance of the channel.</p> <p>for example:</p> <pre> OC_SubchOfSdcch8('000'B, C_CellA, 1) = C_SDCCH80_A_1; OC_SubchOfSdcch8('001'B, C_CellA, 1) = C_SDCCH81_A_1; OC_SubchOfSdcch8('010'B, C_CellA, 1) = C_SDCCH82_A_1; OC_SubchOfSdcch8('011'B, C_CellA, 1) = C_SDCCH83_A_1; OC_SubchOfSdcch8('100'B, C_CellA, 1) = C_SDCCH84_A_1; OC_SubchOfSdcch8('101'B, C_CellA, 1) = C_SDCCH85_A_1; OC_SubchOfSdcch8('110'B, C_CellA, 1) = C_SDCCH86_A_1; OC_SubchOfSdcch8('111'B, C_CellA, 1) = C_SDCCH87_A_1; OC_SubchOfSdcch8('000'B, C_CellB, 1) = C_SDCCH80_B_1; OC_SubchOfSdcch8('001'B, C_CellB, 1) = C_SDCCH81_B_1; OC_SubchOfSdcch8('000'B, C_CellC, 2) = C_SDCCH80_C_2; OC_SubchOfSdcch8('001'B, C_CellC, 2) = C_SDCCH81_C_2.</pre> <p>pseudo C code definition for the operation as following :</p> <pre> OC_SubchOfSdcch8(subch, cell, inst) BITSTRING subch; CellID cell; INTEGER inst; {     LOGICCH logch;     if (inst==1 &amp;&amp; cell == C_CellA)         switch (subch)         {             case '000'B : logch = C_SDCCH80_A_1; break;             case '001'B : logch = C_SDCCH81_A_1; break;             case '010'B : logch = C_SDCCH82_A_1; break;             case '011'B : logch = C_SDCCH83_A_1; break;             case '100'B : logch = C_SDCCH84_A_1; break;             case '101'B : logch = C_SDCCH85_A_1; break;             case '110'B : logch = C_SDCCH86_A_1; break;             case '111'B : logch = C_SDCCH87_A_1; break;         }     if (inst==2 &amp;&amp; cell == C_CellA)         switch (subch)         {             case '000'B : logch = C_SDCCH80_A_2; break;             case '001'B : logch = C_SDCCH81_A_2; break;             case '010'B : logch = C_SDCCH82_A_2; break;             case '011'B : logch = C_SDCCH83_A_2; break;             case '100'B : logch = C_SDCCH84_A_2; break;             case '101'B : logch = C_SDCCH85_A_2; break;             case '110'B : logch = C_SDCCH86_A_2; break;             case '111'B : logch = C_SDCCH87_A_2; break;         }     if (inst==3 &amp;&amp; cell == C_CellA)         switch (subch)         {             case '000'B : logch = C_SDCCH80_A_3; break;             case '001'B : logch = C_SDCCH81_A_3; break;             case '010'B : logch = C_SDCCH82_A_3; break;             case '011'B : logch = C_SDCCH83_A_3; break;             case '100'B : logch = C_SDCCH84_A_3; break;         } }</pre>	



```

    case '101'B : logch = C_SDCCH85_A_3; break;
    case '110'B : logch = C_SDCCH86_A_3; break;
    case '111'B : logch = C_SDCCH87_A_3; break;
  }
if (inst==1 && cell == C_CellB)
  switch (subch)
  {
    case '000'B : logch = C_SDCCH80_B_1; break;
    case '001'B : logch = C_SDCCH81_B_1; break;
    case '010'B : logch = C_SDCCH82_B_1; break;
    case '011'B : logch = C_SDCCH83_B_1; break;
    case '100'B : logch = C_SDCCH84_B_1; break;
    case '101'B : logch = C_SDCCH85_B_1; break;
    case '110'B : logch = C_SDCCH86_B_1; break;
    case '111'B : logch = C_SDCCH87_B_1; break;
  }
if (inst==2 && cell == C_CellB)
  switch (subch)
  {
    case '000'B : logch = C_SDCCH80_B_2; break;
    case '001'B : logch = C_SDCCH81_B_2; break;
    case '010'B : logch = C_SDCCH82_B_2; break;
    case '011'B : logch = C_SDCCH83_B_2; break;
    case '100'B : logch = C_SDCCH84_B_2; break;
    case '101'B : logch = C_SDCCH85_B_2; break;
    case '110'B : logch = C_SDCCH86_B_2; break;
    case '111'B : logch = C_SDCCH87_B_2; break;
  }
if (inst==3 && cell == C_CellB)
  switch (subch)
  {
    case '000'B : logch = C_SDCCH80_B_3; break;
    case '001'B : logch = C_SDCCH81_B_3; break;
    case '010'B : logch = C_SDCCH82_B_3; break;
    case '011'B : logch = C_SDCCH83_B_3; break;
    case '100'B : logch = C_SDCCH84_B_3; break;
    case '101'B : logch = C_SDCCH85_B_3; break;
    case '110'B : logch = C_SDCCH86_B_3; break;
    case '111'B : logch = C_SDCCH87_B_3; break;
  }
if (inst==1 && cell == C_CellC)
  switch (subch)
  {
    case '000'B : logch = C_SDCCH80_C_1; break;
    case '001'B : logch = C_SDCCH81_C_1; break;
    case '010'B : logch = C_SDCCH82_C_1; break;
    case '011'B : logch = C_SDCCH83_C_1; break;
    case '100'B : logch = C_SDCCH84_C_1; break;
    case '101'B : logch = C_SDCCH85_C_1; break;
    case '110'B : logch = C_SDCCH86_C_1; break;
    case '111'B : logch = C_SDCCH87_C_1; break;
  }
if (inst==2 && cell == C_CellC)
  switch (subch)
  {
    case '000'B : logch = C_SDCCH80_C_2; break;
    case '001'B : logch = C_SDCCH81_C_2; break;
    case '010'B : logch = C_SDCCH82_C_2; break;
    case '011'B : logch = C_SDCCH83_C_2; break;
    case '100'B : logch = C_SDCCH84_C_2; break;
    case '101'B : logch = C_SDCCH85_C_2; break;
    case '110'B : logch = C_SDCCH86_C_2; break;
    case '111'B : logch = C_SDCCH87_C_2; break;
  }
if (inst==3 && cell == C_CellC)

```

```

switch (subch)
{
  case '000'B : logch = C_SDCCH80_C_3; break;
  case '001'B : logch = C_SDCCH81_C_3; break;
  case '010'B : logch = C_SDCCH82_C_3; break;
  case '011'B : logch = C_SDCCH83_C_3; break;
  case '100'B : logch = C_SDCCH84_C_3; break;
  case '101'B : logch = C_SDCCH85_C_3; break;
  case '110'B : logch = C_SDCCH86_C_3; break;
  case '111'B : logch = C_SDCCH87_C_3; break;
}
return(logch);
}

```

**Detailed Comments:**

### Test Suite Operation Definition

**Operation Name:** OM\_2Msgs(ch:LOGICCH; pgg:PGG; mode:SENDINGMODE)**Result Type:** BOOLEAN**Comments:**

#### Description

OM\_2Msgs puts the layer 2 emulator into a special operation mode then returns. In this special mode the layer 2 emulator sends the next two consecutive messages in the following way:

- send the first message on the paging subchannel indicated by the `pgg` and `ch`;
- if the `mode` = C\_NxtButOne, send the second message in the next but one paging sub block;
- if the `mode` = C\_FmrAGB, send the second message in a former access grant block;
- if the `mode` = C\_BfReOcc, send the second message before the MS's original paging subchannel re-occurs but later than the next paging block of that CCCH (paging block not belong to the MS);
- if the `mode` = C\_NxtButOneNxt, nothing is sent in the next but one paging sub block, then send the second message in the next paging subblock of the MS's paging subchannel.

**Detailed Comments:**

<b>Test Suite Operation Definition</b>																																													
<b>Operation Name:</b>	OM_Assoc(lgch1:LOGICCH; sublgch1:LOGICCH; sublgch2:LOGICCH; sublgch3:LOGICCH; sublgch4:LOGICCH; sublgch5:LOGICCH; sublgch6:LOGICCH; sublgch7: LOGICCH; sublgch8:LOGICCH; lgch2:LOGICCH; sublgch9:LOGICCH; sublgch10:LOGICCH; sublgch11:LOGICCH; sublgch12:LOGICCH; sublgch13:LOGICCH; sublgch14:LOGICCH; sublgch15: LOGICCH; sublgch16:LOGICCH)																																												
<b>Result Type:</b>	BOOLEAN																																												
<b>Comments:</b>																																													
<b>Description</b>																																													
<p>OM_Assoc operation associates the sub logic channel identifiers `sublgch1` to `sublgch9` to `sublgch16` with the generic "parent" channel identifier `lgch1` and `lgch2` respectively, therefore the subchannel identifiers can refer to the corresponding channels configured by OM_ChConf operation.</p> <p>The `lgch1` can be an identifier for SDCCH4, SDCCH8, FACCH and the `lgch2` can be SACCH4, SACCH8, and SACCH.</p> <p>"dummy" in the actual parameter list means the corresponding parameter is not used.</p> <p>Naming convention for logical channel constants:</p> <p style="text-align: center;">C_&lt;channel type&gt;[&lt;rate&gt;][&lt;subchannel&gt;][&lt;cell&gt;][&lt;instance&gt;]</p> <p>e.g.: C_FACCH H 0 _C _3 =&gt; C_FACCHH0_C_3</p> <p>channel type: FCCH, SCH, BCCH, CBCH, PCH, RACH, FACCH, SACCH, SDCCH, DCCH</p> <p>rate: F(ull), H(alf), 4 (fourths, C4 for SACCH4), 8 (eighths, C8 for SACCH8).</p> <p>subchannel: H: 0, 1 (C)4: 0, ..., 3 (C)8: 0, ..., 7</p> <p>cell: A, ..., H</p> <p>instance: 1, ..., 3 When several channels of the same type can exist in one cell simultaneously (in different time slots and / or on different frequencies) they are identified by their instance. The parameters of ChConf are used to specify the frequency and slot of this instance of the channel type.</p> <p>Not all possible combinations of this naming syntax have been used. According to the elements that are used / omitted the name can have a special meaning.</p> <table border="0"> <tr> <td style="vertical-align: top;">Examples:</td> <td style="vertical-align: top;">Comments:</td> </tr> <tr> <td>C_FCCH_A</td> <td>FCCH of cell A.</td> </tr> <tr> <td>C_SCH_A</td> <td>SCH of cell A.</td> </tr> <tr> <td>C_BCCH_A_1</td> <td>First instance of a BCCH in cell A.</td> </tr> <tr> <td>C_CBCH_A</td> <td>CBCH of cell A.</td> </tr> <tr> <td>C_PCH_A_1</td> <td>First instance of a PCH in cell A (there is one instance of the PCH per BCCH in the cell).</td> </tr> <tr> <td>C_AGCH_A_1</td> <td>First instance of a AGCH in cell A (there is one instance of the AGCH per BCCH in the cell).</td> </tr> <tr> <td>C_RACH_A_1</td> <td>First instance of a RACH in cell A.</td> </tr> <tr> <td>C_FACCHF_A_1</td> <td>First instance of a full rate FACCH in cell A.</td> </tr> <tr> <td>C_FACCHH_A_1</td> <td>First instance of a half rate FACCH in cell A (all subchannels).</td> </tr> <tr> <td>C_FACCHH0_A_1</td> <td>Subchannel 0 of the first instance of a half rate FACCH in cell A.</td> </tr> <tr> <td>C_SACCHF_A_1</td> <td>First instance of a full rate SACCH in cell A.</td> </tr> <tr> <td>C_SACCHH_A_1</td> <td>First instance of a half rate SACCH in cell A (all subchannels).</td> </tr> <tr> <td>C_SACCHH1_A_1</td> <td>Subchannel 1 of the first instance of a half rate SACCH in cell A.</td> </tr> <tr> <td>C_SACCHC4_A</td> <td>SACCH/4 of cell A (all subchannels).</td> </tr> <tr> <td>C_SACCHC43_A</td> <td>Subchannel 3 of the SACCH/4 of cell A.</td> </tr> <tr> <td>C_SACCHC8_A_1</td> <td>First instance of a SACCH/8 in cell A (all subchannels).</td> </tr> <tr> <td>C_SACCHC87_A_1</td> <td>Subchannel 7 of the first instance of a SACCH/8 in cell A.</td> </tr> <tr> <td>C_SDCCH4_A</td> <td>SDCCH/4 of cell A (all subchannels).</td> </tr> <tr> <td>C_SDCCH42_A</td> <td>Subchannel 2 of the SDCCH/4 of cell A.</td> </tr> <tr> <td>C_SDCCH87_A_1</td> <td>First instance of a SDCCH/8 in cell A (all subchannels).</td> </tr> <tr> <td>C_SDCCH87_A_1</td> <td>Subchannel 7 of the first instance of a SDCCH/8 in cell A.</td> </tr> </table>		Examples:	Comments:	C_FCCH_A	FCCH of cell A.	C_SCH_A	SCH of cell A.	C_BCCH_A_1	First instance of a BCCH in cell A.	C_CBCH_A	CBCH of cell A.	C_PCH_A_1	First instance of a PCH in cell A (there is one instance of the PCH per BCCH in the cell).	C_AGCH_A_1	First instance of a AGCH in cell A (there is one instance of the AGCH per BCCH in the cell).	C_RACH_A_1	First instance of a RACH in cell A.	C_FACCHF_A_1	First instance of a full rate FACCH in cell A.	C_FACCHH_A_1	First instance of a half rate FACCH in cell A (all subchannels).	C_FACCHH0_A_1	Subchannel 0 of the first instance of a half rate FACCH in cell A.	C_SACCHF_A_1	First instance of a full rate SACCH in cell A.	C_SACCHH_A_1	First instance of a half rate SACCH in cell A (all subchannels).	C_SACCHH1_A_1	Subchannel 1 of the first instance of a half rate SACCH in cell A.	C_SACCHC4_A	SACCH/4 of cell A (all subchannels).	C_SACCHC43_A	Subchannel 3 of the SACCH/4 of cell A.	C_SACCHC8_A_1	First instance of a SACCH/8 in cell A (all subchannels).	C_SACCHC87_A_1	Subchannel 7 of the first instance of a SACCH/8 in cell A.	C_SDCCH4_A	SDCCH/4 of cell A (all subchannels).	C_SDCCH42_A	Subchannel 2 of the SDCCH/4 of cell A.	C_SDCCH87_A_1	First instance of a SDCCH/8 in cell A (all subchannels).	C_SDCCH87_A_1	Subchannel 7 of the first instance of a SDCCH/8 in cell A.
Examples:	Comments:																																												
C_FCCH_A	FCCH of cell A.																																												
C_SCH_A	SCH of cell A.																																												
C_BCCH_A_1	First instance of a BCCH in cell A.																																												
C_CBCH_A	CBCH of cell A.																																												
C_PCH_A_1	First instance of a PCH in cell A (there is one instance of the PCH per BCCH in the cell).																																												
C_AGCH_A_1	First instance of a AGCH in cell A (there is one instance of the AGCH per BCCH in the cell).																																												
C_RACH_A_1	First instance of a RACH in cell A.																																												
C_FACCHF_A_1	First instance of a full rate FACCH in cell A.																																												
C_FACCHH_A_1	First instance of a half rate FACCH in cell A (all subchannels).																																												
C_FACCHH0_A_1	Subchannel 0 of the first instance of a half rate FACCH in cell A.																																												
C_SACCHF_A_1	First instance of a full rate SACCH in cell A.																																												
C_SACCHH_A_1	First instance of a half rate SACCH in cell A (all subchannels).																																												
C_SACCHH1_A_1	Subchannel 1 of the first instance of a half rate SACCH in cell A.																																												
C_SACCHC4_A	SACCH/4 of cell A (all subchannels).																																												
C_SACCHC43_A	Subchannel 3 of the SACCH/4 of cell A.																																												
C_SACCHC8_A_1	First instance of a SACCH/8 in cell A (all subchannels).																																												
C_SACCHC87_A_1	Subchannel 7 of the first instance of a SACCH/8 in cell A.																																												
C_SDCCH4_A	SDCCH/4 of cell A (all subchannels).																																												
C_SDCCH42_A	Subchannel 2 of the SDCCH/4 of cell A.																																												
C_SDCCH87_A_1	First instance of a SDCCH/8 in cell A (all subchannels).																																												
C_SDCCH87_A_1	Subchannel 7 of the first instance of a SDCCH/8 in cell A.																																												

This list covers all types of combinations used in the TTCN for the time being.

When the meaning refers to 'all' subchannels of a channel (eg. C\_FACCHH\_A\_1), it means that all active subchannels of this channel activated previously by OM\_ChConf, are associated with a logical channel identifier in the OM\_Assoc.

**Detailed Comments:**

<b>Test Suite Operation Definition</b>	
<b>Operation Name:</b>	OM_BmInfo(ch:LOGICCH; mode:B_8)
<b>Result Type:</b>	BOOLEAN
<b>Comments:</b>	mode is of type BITSTRING[8], imode is a part of the channel mode IE
<b>Description</b>	
OM_BmInfo operation checks whether the MS starts transmitting Bm channel information according to the new channel mode 'mode'. The operation returns TRUE if the result of the check is correct otherwise the TSO returns FALSE.	
<b>Detailed Comments:</b>	

<b>Test Suite Operation Definition</b>	
<b>Operation Name:</b>	OM_ChangeRFOfCell( cellid1:CellID; bspwr1:INTEGER)
<b>Result Type:</b>	BOOLEAN
<b>Comments:</b>	
<b>Description</b>	
<p>This TSO is to change the RF level of the cell 'cellid1' to the RF level 'bspwr1', then the TSO returns TRUE.</p> <p>The major purpose of the TSO is to force the MS to reselect a new cell according to the GSM 05.08, section 6.6.2. The following example shows the use of the TSO.</p> <p>The default cell selection parameters in the ATS are set as:                      Cell reselect hysteresis: 12db                      MX TXPWR MX CCH:     minimu level (0)                      ACS:                 no additional cell selection parameter (0)                      RXLEV ACCESS MIN:     minimum (0).</p> <p>Therefore the path loss criterion parameter C1 equals to the reselection criterion parameter C2. In the whole ATS the C1 and C2 keeps greater than 10 (e.g. TC_26_7_4_2_3) for a cell not suitable. The MS received level average from a not suitable cell keeps also greater than 10 (-100 dBm) corresponding to the reference sensitivity level of DCS 1800 MS.</p> <p>For GSM arfcn = 20, F = 941 MHz , the fields strengths (E) on tester integral antenna:  <math>E \text{ (dB microV/m)} \geq (-110 + 10) \text{ (dBm)} + 20\log(941) + 77.2 = 36.7,</math>                      For DCS arfcn = 590, F = (-110 + 10) (dBm) + 20log(1820.8) + 77.2 = 42.4 (the formula see GSM 05.05, section 5 and GSM 05.08, section 8.1.4).</p> <p>In order to keep C1, C2 greater 10, a reasonable field strength making a cell not suitable is set to C_E_notsuitable = 45 in comparison with the default field strength C_E_default = 63. Considering that the cell reselect hysteresis is set to 12 db, the field strength of a cell being reselected need to be set to greater than 57. In the ATS the default value C_E_default (63) and C_E_notsuitable (45) are used for this TSO to force MS making cell reselection.</p> <p>C1 needs to be less than zero to force the MS reselect a better cell. For GSM, <math>E \leq 26.7</math>, for DCS, <math>E \leq 32.4</math>. The value C_E_notsuitable_sameLAI = 24 applies to the TSO to force the MS making cell reselection.</p>	
<b>Detailed Comments:</b>	

<b>Test Suite Operation Definition</b>	
<b>Operation Name:</b>	OM_ChangeRFOF2Cells( cellid1:CellID; bspwr1:INTEGER; cellid2:CellID; bspwr2:INTEGER)
<b>Result Type:</b>	BOOLEAN
<b>Comments:</b>	
<b>Description</b>	
<p>This TSO is to change the RF level of the cell 'cellid1' to the RF level 'bspwr1' and the RF level of the cell 'cellid2' to the RF level 'bspwr2' [dBuVemf], then the TSO returns TRUE.</p> <p>The major purpose of the TSO is to force the MS to reselect a new cell according to the GSM 05.08, section 6.6.2. The following example shows the use of the TSO.</p> <p>The default cell selection parameters in the ATS are set as:</p> <p>Cell reselect hysteresis: 12db</p> <p>MX TXPWR MX CCH:       minimu level (0)</p> <p>ACS:                   no additional cell selection parameter (0)</p> <p>RXLEV ACCESS MIN:     minimum (0).</p> <p>Therefore the path loss criterion parameter C1 equals to the reselection criterion parameter C2. In the whole ATS the C1 and C2 keeps greater than 10 (e.g. TC_26_7_4_2_3) for a cell not suitable. The MS received level average from a not suitable cell keeps also greater than 10 (-100 dBm) corresponding to the reference sensitivity level of DCS 1800 MS.</p> <p>For GSM arfcn = 20, F = 941 MHz , the fields strengths (E) on tester integral antenna:  <math>E \text{ (dB microV/m)} \geq (-110 + 10) \text{ (dBm)} + 20\log(941) + 77.2 = 36.7</math>,  For DCS arfcn = 590, F = (-110 + 10) (dBm) + 20log(1820.8) + 77.2 = 42.4 (the formula see GSM 05.05, section 5 and GSM 05.08, section 8.1.4).</p> <p>In order to keep C1, C2 greater 10, a reasonable field strength making a cell not suitable is set to C_E_otsuitable = 45 in comparison with the default field strength C_E_default = 63. Considering that the cell reselect hysteresis is set to 12 db, the field strength of a cell being reselected need to be set to greater than 57. In the ATS the default value C_E_default (63) and C_E_otsuitable (45) are used for this TSO to force MS making cell reselection assuming that the two cells have different location area..</p> <p>If two cells have the same location area (e.g. in TC_26_6_1_3), or although two cells have different LAI, the test cases needs to lower a cell power to a certain low level (e.g. in TC_26_7_4_2_4_1 and TC_26_7_4_2_4_5), C1 needs to be less than zero to force the MS reselect a better cell. For GSM, <math>E \leq 26.7</math>, for DCS, <math>E \leq 32.4</math>. The value C_E_otsuitable_sameLAI = 24 applies to the TSO to force the MS making cell reselection.</p>	
<b>Detailed Comments:</b>	

<b>Test Suite Operation Definition</b>	
<b>Operation Name:</b>	OM_ChConf(bspwr: INTEGER; mspwr:INTEGER; acttype:BITSTRING; chmod:CHMOD; ta:TA; slot:SN; tsc:TSC; rf:FRQPARA; chcmbn:LOGCH; td:INTEGER; fn:INTEGER; babr, cch_con, bpm:B_3; pgfil:PG1_RQ_PDU; dtxu:BITSTRING; dtxd:BITSTRING; cell:CellID; lgch1:LOGICCH; lgch2:LOGICCH; lgch3:LOGICCH; lgch4:LOGICCH; lgch5:LOGICCH; lgch6:LOGICCH; lgch7:LOGICCH; lgch8:LOGICCH; lgch9:LOGICCH)
<b>Result Type:</b>	BOOLEAN
<b>Comments:</b>	
<b>Description</b>	
<p>The operation sets the configuration of a basic physical channel according to the input parameters and map logic channel combination onto it:</p> <ul style="list-style-type: none"> <li>- bspwr: base station power level in dBuV;</li> <li>- mspwr: mobile station power level in "power control level";</li> <li>- acttype: type of activation:                             <ul style="list-style-type: none"> <li>- '000'B activation for intra-cell channel change ---- immediate assignment;</li> <li>- '001'B activation for intra-cell channel change ---- assignment;</li> <li>- '010'B activation for inter-cell channel change ---- asynchronous handover;</li> <li>- '011'B activation for inter-cell channel change ---- synchronous handover;</li> <li>- '100'B activation for additional assignment;</li> </ul>                             NOTE: the types defined above are all the same, no real difference                             <ul style="list-style-type: none"> <li>- '101'B activation for receiving only;</li> </ul> </li> <li>- chmod: channel mode;</li> <li>- ta: timing advance ---- receive timing ta bit periods in advance of the normal receive timing if the channel is a dedicated channel ;</li> <li>- slot: time slot;</li> <li>- tsc: Training sequence code for normal bursts;</li> <li>- rf: ARFCN or hopping parameters;</li> <li>- chcmbn: logic channel combination mapping to the physical channel;</li> <li>- td: timing difference between the cell and conceptual timing reference ---- to make 2 cells with different timebase;</li> <li>- fn: initial frame number offset to the timing base counter ---- to make 2 cells with different frame numbers;</li> <li>- babr number of blocks reserved for access grant</li> <li>- cch-con CCCH/SDCCHs configuration</li> <li>- bpm multiframe period for transmission of PAGING REQUEST</li> <li>- pgfil: paging filling contents;</li> <li>- dtxu: mobile station discontinuous transmission:                             <ul style="list-style-type: none"> <li>- '0'B mobile station discontinuous transmission is not applied;</li> <li>- '1'B mobile station discontinuous transmission is applied;</li> </ul> </li> <li>- dtxd: base station discontinuous transmission:                             <ul style="list-style-type: none"> <li>- '0'B base station discontinuous transmission is not applied;</li> <li>- '1'B base station discontinuous transmission is applied;</li> </ul> </li> <li>- cell: cell identifier;</li> <li>- lgch1: logic channel identifier for the channel FCCH;</li> <li>- lgch2: logic channel identifier for the channel SCH;</li> <li>- lgch3: logic channel identifier for the channel BCCH;</li> <li>- lgch4: logic channel identifier for the channel PCH;</li> <li>- lgch5: logic channel identifier for the channel AGCH;</li> <li>- lgch6: logic channel identifier for the channel RACH;</li> <li>- lgch7: logic channel identifier for the channel FACCH or SDCCH;</li> <li>- lgch8: logic channel identifier for the channel SACCH;</li> <li>- lgch9: logic channel identifier for the channel CBCH;</li> </ul> <p>For parameters lgch1 to lgch9 "dummy" in the actual parameter list means that the corresponding parameters are not used.</p> <p>In the test cases the logic channel identifiers lgch1 to lgch9 are used to refer the logic channels configured by the operation. There are only generic identifiers for SDCCH4 or SDCCH8 or FACCHH channel and SACCHC4 or SACCHC8 or SACCHH, identifiers for subchannels of SDCCH4 or SDCCH8 or FACCHH and SACCHC4 or SACCHC8 or SACCHH are linked to the generic identifiers by OM_Assoc operation and in turn refer to the sub logic channels configured by the operation.</p> <p>Channel re-use whithiin OM_ChConf:</p> <p>When an OM_ChConf calls is made then the following rules can be applied for deciding whether or not to re-use existing physical channel.</p> <p>Decode the 'chcmbn' (channel combination) parameter to determine the new channel type.</p> <p>If new channel = "C_FCCH_SCH_BCCH_CCCH_SDCCH4_SACCHC4" (combined) or                      if new channel = "C_CBCH_FCCH_SCH_BCCH_CCCH_SDCCH4_SACCHC4" (combined + SMS) then re-use any existing control channel configuration with same CellID.</p>	

<p>If new channel = "C_FCCH_SCH_BCCH_CCCH" (non-combined) then use any combined, combined + SMS or non-combined control channel configuration with the same CellID.</p> <p>If new channel = "C_BCCH_CCCH_2", "C_BCCH_CCCH_3" or "C_BCCH_CCCH_4" (ccch-group) then re-use any existing ccch-group control channel configuration with the same CellID and the slot, or re-use any existing combined, combined + SMS with the same CellID.</p> <p>If new channel = "C_TCHF_ACCHF_1", "C_TCHF_ACCHF_2", "C_TCHH_ACCHH_1", "C_TCHH_ACCHH_2" (traffic) or "C_SDCCH8_SACCHC8_1", "C_SDCCH8_SACCHC8_2", "C_SDCCH8_SACCHC8_3" (dedicated) then re-use any existing traffic or dedicated channel with the same channel description.</p>
<b>Detailed Comments:</b>

Test Suite Operation Definition	
<b>Operation Name:</b>	OM_ChMdModi(ch:LOGICCH; chmod: CHMOD)
<b>Result Type:</b>	BOOLEAN
<b>Comments:</b>	
Description	
OM_ChMdModi operation passes channel mode IE for channel `ch` to lower layer emulator and requests the emulator to set the `ch` to the mode `chmod`. After the mode changed, it returns.	
<b>Detailed Comments:</b>	

Test Suite Operation Definition	
<b>Operation Name:</b>	OM_CphMdChg(ch:LOGICCH; cphmod: CPHMS; key:BITSTRING)
<b>Result Type:</b>	BOOLEAN
<b>Comments:</b>	
Description	
OM_CphMdChg operation passes ciphering parameters for channel `ch` to lower layer and sets the lower layer emulator into a special operation mode in which lower layer starts the 3-step ciphering mode setting sequence when the next L3 message on the channel `ch` arrives.	
<b>Detailed Comments:</b>	

Test Suite Operation Definition	
<b>Operation Name:</b>	OM_CphMd(ch:LOGICCH; cphmod: CPHMS; key:BITSTRING)
<b>Result Type:</b>	BOOLEAN
<b>Comments:</b>	
Description	
OM_CphMd operation passes ciphering parameters for channel `ch` to lower layer and sets the channel `ch` in the ciphering mode `cphmod`. This operation puts the channel `ch` into specified ciphering mode `cphmod` immediately without the 3-step ciphering mode setting sequence.	
<b>Detailed Comments:</b>	

Test Suite Operation Definition	
<b>Operation Name:</b>	OM_ComingFn(ch:LOGICCH)
<b>Result Type:</b>	FN
<b>Comments:</b>	
Description	
OM_ComingFn operation returns the frame number (FN modulo 42432) which is about 5 seconds later than current frame number and is able to carry L3 message on the channel `ch`.	
<b>Detailed Comments:</b>	The delay of about 5 seconds ensures that there is still enough time left for higher layer controller to prepare next TTCN send event after the OM_ComingFn returns. the exact delay value is up to the implementor.

<b>Test Suite Operation Definition</b>	
<b>Operation Name:</b>	OM_CorruptPgBlks( pch:LOGICCH; pgg:PGG; blks:INTEGER)
<b>Result Type:</b>	BOOLEAN
<b>Comments:</b>	
<b>Description</b>	
This TSO corrupts the next 'blks' number of paging blocks of the paging channel 'pch' for paging group 'pgg'. The major purpose of the TSO is to force the MS to reselect a new cell by forcing the downlink signalling failure counter DSC to be < 0. The initial DSC value for the MS shall be initialised to a value equal to the nearest integer to 90/N where N is the BS_PA_MFRMS parameter for the cell the MS is camped on (see GSM 05.02). The DSC counter is decreased by 4 whenever it cannot decode a message in its paging subchannel.	
<b>Detailed Comments:</b>	

<b>Test Suite Operation Definition</b>	
<b>Operation Name:</b>	OM_Deactivate(ch1, ch2:LOGICCH)
<b>Result Type:</b>	BOOLEAN
<b>Comments:</b>	
<b>Description</b>	
OM_Deactivate operation deactivates the logical channels 'ch1' and 'ch2', then returns TRUE.	
The ch1 can be a DCCH or a TCH, the ch2 is the associated SACCH.	
Deactivation of an active SDCCH channel can be done by stopping transmission; this means that for the bursts on the BCCH carriers, dummy bursts shall be transmitted, for other bursts nothing shall be transmitted. Alternatively the deactivation of a SDCCH can be done by transmitting bad blocks on the SACCH with the parity bits set incorrectly. This will lead to a radio link failure in the MS.	
Deactivation of a TCH channel can be done by stopping transmission if it is non-BCCH.	
Deactivation of a SACCH_T can be done by transmitting bad blocks on the SACCH_T with the parity bits set incorrectly. The wrong channel coding on the SACCH will lead to a radio link failure in the MS after several seconds depending on the system information messages..	
<b>Detailed Comments:</b>	The TSO is called in TC_26_7_3_2, TC_26_7_4_3_2, TC_26_7_4_3_3, TC_26_7_4_3_4 on a SDCCH/4/SACCH/C4 channel in downlink, TC_26_2_4_1, TC_26_2_4_2, TC_26_8_2_1, TC_26_8_2_2, TC_26_8_2_3 on TCH/SACCH_T channel in both directions.

<b>Test Suite Operation Definition</b>	
<b>Operation Name:</b>	OM_FHCHK(ch:LOGICCH; ca:CCHD; ma:MA; cd:CHD; t :INTEGER; fn:FN)
<b>Result Type:</b>	BOOLEAN
<b>Comments:</b>	
<b>Description</b>	
After the SS has been configured to start / change frequency hopping at a particular start time, this TSO instructs the SS to check whether the MS correctly uses the hopping frequencies on and after the expected start time according to the frequency parameters.	
If $t = 0$ or $32024 \leq t \leq 42431$ the operation checks that the new frequencies starts "without delay". If $0 < t \leq 31000$ the operation checks that the new frequencies starts "on" the frame number of $(X + t) \bmod 42432$ , where $x = 51 * ((fn.t3 - fn.t2) \bmod 26) + fn.t3 + 1326 * fn.t1$ . If $31000 < t < 32024$ , or $t < 0$ or $t > 42431$ then the test has been configured incorrectly and should be re-run with a permitted value for $t$ .	
This check is performed at the uplink RF burst level by sampling for a period of 3 seconds from the start time and should therefore be called immediately after the SS has been configured to start / change hopping. The operation returns TRUE if the MS behaviour is correct, otherwise it returns FALSE.	
Note: before this TSO is called, a layer 3 message must be sent to the MS to command the MS to start / change hopping using the same frequency hopping parameters.	
<b>Detailed Comments:</b>	



<b>Test Suite Operation Definition</b>	
<b>Operation Name:</b>	OM_FreeResource(ch :LOGICCH)
<b>Result Type:</b>	BOOLEAN
<b>Comments:</b>	
<b>Description</b>	
OM_FreeResource operation instructs the lower layer emulator to release the resources which have been allocated to the logical channel "ch". After the resources are released the operation returns TRUE.	
<b>Detailed Comments:</b>	In some test cases (most of them are hanhover test cases) diffrent channels are needed while the test goes on. the purpose of the operation is to reuse lower layer resources (e.g. tranceivers), which have been allocated to the previous channel, for configing another channel required in the next testing step.

<b>Test Suite Operation Definition</b>	
<b>Operation Name:</b>	OM_FreqDef(st:STRT; ma:MA; ch :LOGICCH; chd: CHD; ca:CCHD; frmn: FN)
<b>Result Type:</b>	BOOLEAN
<b>Comments:</b>	
<b>Description</b>	
OM_FreqDef operation passes the frequency hopping parameters for channel `ch` to lower layer emulator. The emulator starts using these frequency parameters at the frame number indicated by starting time `st`. The parameter 'frmn' indicates a reference frame number at which the first burst of the message, FREQUENCY REDEFINITION, ASSIGNMENT COMMAND or HANDOVER COMMAND, containing starting time is sent in the concerned cell. If $0 \leq (st - frmn) \bmod 42432 \leq 31623$ , the indicated time is the next time when frame number mod 42432 is equal to st. If $32024 \leq (st - frmn) \bmod 42432 \leq 42431$ , the indicated time has already elapsed. After completely sending out the message containing the parameter starting time the tester starts frequency hopping.	
<b>Detailed Comments:</b>	

<b>Test Suite Operation Definition</b>	
<b>Operation Name:</b>	OM_GetHoaccPara(ch:LOGICCH)
<b>Result Type:</b>	HOACC_PARA
<b>Comments:</b>	
<b>Description</b>	
OM_GetHoaccPara instructs the L 2 emulator to return the number of handover access bursts received on the channel 'ch', along with the minimum and maximum measured timing advance in bits modulo 256, and the minimum and maximum measured powers in dBm modulo 256.	
<b>Detailed Comments:</b>	

<b>Test Suite Operation Definition</b>	
<b>Operation Name:</b>	OM_GetL1Hd(ch:LOGICCH)
<b>Result Type:</b>	L1HD
<b>Comments:</b>	
<b>Description</b>	
OM_GetL1Hd instructs the L 2 emulator to read the L 1 header of the next SACCH frame received on channel `ch` and return this value.	
<b>Detailed Comments:</b>	

<b>Test Suite Operation Definition</b>	
<b>Operation Name:</b>	OM_LowerLayerFail(ch:LOGICCH)
<b>Result Type:</b>	BOOLEAN
<b>Comments:</b>	
<b>Description</b>	
This operation is to force the lower layer failure, then it returns.	
The lower layer failure can be any one of layer 1 failures or layer 2 failures.	
<ul style="list-style-type: none"> <li>- layer 1 failure, see GSM 05.08;</li> <li>- layer 2 failure, see GSM 04.06.</li> </ul>	
<b>Detailed Comments:</b>	

<b>Test Suite Operation Definition</b>	
<b>Operation Name:</b>	OM_NoL2Ack(i:INTEGER; ch: LOGICCH)
<b>Result Type:</b>	BOOLEAN
<b>Comments:</b>	
<b>Description</b>	
When the parameter $i > 0$ the layer 2 emulator is put into a special operation mode then the TSO returns. In this special mode the layer 2 emulator shall not acknowledge the $i$ 'th occurrence of the L2 I frame which has the more data bit "M" = 0 on the channel 'ch'.	
The layer 2 emulator resumes normal operation when	
<ul style="list-style-type: none"> <li>- either the TSO is called again with <math>i = 0</math> on the same 'ch',</li> <li>- or a data link SABM message is received on the 'ch'.</li> </ul>	
<b>Detailed Comments:</b>	

<b>Test Suite Operation Definition</b>	
<b>Operation Name:</b>	OM_NotAckSetup(ch:LOGICCH)
<b>Result Type:</b>	BOOLEAN
<b>Comments:</b>	
<b>Description</b>	
This operation puts the layer 2 emulator into a special operation mode then returns. In this special mode the layer 2 emulator will not acknowledge the last L 2 frame which carries the SETUP message, and the layer 2 emulator resumes normal operation after this L 2 frame.	
<b>Detailed Comments:</b>	

<b>Test Suite Operation Definition</b>	
<b>Operation Name:</b>	OM_NoUAforDISC(ch:LOGICCH)
<b>Result Type:</b>	BOOLEAN
<b>Comments:</b>	
<b>Description</b>	
OM_NoUAforDISC and OM_ResumUAforDISC are a pair of TSOs. OM_NoUAforDISC forces the L2 emulator of the tester to enter a specific mode. OM_ResumUAforDISC resumes the L2 emulator to a normal L2 operational mode.	
In the specific mode on receiving a DISC on the channel 'ch', the L2 emulator	
<ul style="list-style-type: none"> <li>- does not respond with a UA,</li> <li>- remains in the multiple-frame established state,</li> <li>- indicates that the DISC has been received (by means of subsequent DL_RELEASE_INDICATION ASPs).</li> </ul>	
Then the TSO returns TRUE.	
<b>Detailed Comments:</b>	The TSO is called in TC_26_6_12_2 and TC_26_6_12_4.

Test Suite Operation Definition	
<b>Operation Name:</b>	OM_PgFill(cellid:CellID; msg:PG1_RQ_PDU)
<b>Result Type:</b>	BOOLEAN
<b>Comments:</b>	The result returned by the operation is not used.
Description	
OM_PgFill operation sets up the contents of paging filling frame to be sent on all paging subchannels continuously. If the contents of paging filling frame in cell `cellid` have not been set up, the operation sets the contents to `msg`. If paging filling frame in cell `cellid` has been set up, the operation changes the paging filling message to `msg`. After the required action has been taken it returns.	
<b>Detailed Comments:</b>	

Test Suite Operation Definition	
<b>Operation Name:</b>	OM_Reactivate(ch1, ch2:LOGICCH)
<b>Result Type:</b>	BOOLEAN
<b>Comments:</b>	
Description	
The TSO OM_Reactivate reactivates the logical channels `ch1` and `ch2` which were previously deactivated by the OM_Deactivate. Then the TSO returns TRUE. The ch1 is an SDCCH, the ch2 is the associated SACCH.	
Reactivation of deactivated SDCCH/SACCH channels means to restart normal transmissions both on the SDCCH and the associated SACCH as specified in the ETS 300 574 (GSM 05.02).	
<b>Detailed Comments:</b>	The TSO is called in TC_26_7_3_2, TC_26_7_4_3_2, TC_26_7_4_3_3, TC_26_7_4_3_4 on the SDCCH/4 / SACCH/C4 channels.

Test Suite Operation Definition	
<b>Operation Name:</b>	OM_ReturnFn(ch:LOGICCH)
<b>Result Type:</b>	FN
<b>Comments:</b>	
Description	
OM_ReturnFn operation returns the frame number (FN modulo 42432) on which the last L3 message was sent on logic channel `ch`.	
<b>Detailed Comments:</b>	

Test Suite Operation Definition	
<b>Operation Name:</b>	OM_ResumUAforDISC(ch:LOGICCH)
<b>Result Type:</b>	BOOLEAN
<b>Comments:</b>	
Description	
OM_NoUAforDISC and OM_ResumUAforDISC are a pair of TSOs. OM_NoUAforDISC forces the L2 emulator to enter a specific mode. OM_ResumUAforDISC resumes the L2 emulator to a normal L2 operational mode.	
OM_ResumUAforDISC cancels the effect of OM_NoUAforDISC, returning L2 on the channel `ch` to normal operation in the multiple-frame established state.	
Then the TSO returns TRUE.	
<b>Detailed Comments:</b>	The TSO is called in TC_26_6_12_2 and TC_26_6_12_4.

Test Suite Operation Definition	
<b>Operation Name:</b>	OM_SendSMSCBWhilePaging(ch:LOGICCH)
<b>Result Type:</b>	BOOLEAN
<b>Comments:</b>	The result returned by the operation is not used.
Description	
The TSO makes the lower layers send the second SMSCB message at the same time as the MS is paged.	
This shall be achieved by paging the MS immediately after the first block of the CB message has been sent. The SS shall ensure that the page is transmitted on the radio interface prior to the transmission of the 4th block of the CB message.	
<b>Detailed Comments:</b>	

<b>Test Suite Operation Definition</b>	
<b>Operation Name:</b>	OM_SendNextOn(ch:LOGICCH; fn:FN)
<b>Result Type:</b>	BOOLEAN
<b>Comments:</b>	
<b>Description</b>	
OM_SendNextOn operation sets the lower layer emulator into a special operation mode then returns. In the special mode the lower layer emulator sends the next L3 message on the indicated frame number `fn` on the `ch` channel. After the next L3 message is sent, the lower layer resumes normal operation automatically.	
<b>Detailed Comments:</b>	

<b>Test Suite Operation Definition</b>	
<b>Operation Name:</b>	OM_SendNextOnHO(ch:LOGICCH; cnt:INTEGER)
<b>Result Type:</b>	BOOLEAN
<b>Comments:</b>	
<b>Description</b>	
OM_SendNextOnHO operation sets the lower layer emulator into a special operation mode then returns. In the special mode the lower layer emulator waits for the number of Handover access bursts specified by the parameter `cnt` on channel `ch` before sending the next L 3 message. After the message is sent, the lower layer resumes normal operation automatically.	
<b>Detailed Comments:</b>	

<b>Test Suite Operation Definition</b>	
<b>Operation Name:</b>	OM_StartMsrReport(ch:LOGICCH)
<b>Result Type:</b>	BOOLEAN
<b>Comments:</b>	The result returned by the operation is not used.
<b>Description</b>	
The operation starts the reporting of received MEASUREMENT REPORT message to layer 3 emulator, then it returns with value TRUE.	
Measurement Reports shall be disable by default. By default means that the tester filters them out from the TTCN in-buffer. This operation enables the reports entering the TTCN in-buffer. The OM_StopMsrReport operation disables the reports entering the TTCN in-buffer. When starting each test case, the measurement reports are filtered out by default.	
<b>Detailed Comments:</b>	

<b>Test Suite Operation Definition</b>	
<b>Operation Name:</b>	OM_StopAllBCCH(cell1, cell2, cell3, cell4, cell5, cell6, cell7, cell8:CellID)
<b>Result Type:</b>	BOOLEAN
<b>Comments:</b>	The result returned by the operation is not used.
<b>Description</b>	
The TSO stops the RF transmission on all BCCH channels including dummy bursts in the indicated cells, but keeps the uplink CCCH reception active. After all transmission have been stopped the TSO returns TRUE.	
If a cell in the parameter list is not in use a "dummy" value needs to be assigned to it by the calling test case.	
The TSO is called in TC_26_3_3.	
<b>Detailed Comments:</b>	

<b>Test Suite Operation Definition</b>	
<b>Operation Name:</b>	OM_StopCell(cell:CellID)
<b>Result Type:</b>	BOOLEAN
<b>Comments:</b>	The result returned by the operation is not used.
<b>Description</b>	
The TSO stops completely all RF transmission of the specific cell `cell`, including the dummy bursts on other slots. After all RF transmission have been stopped the TSO returns TRUE.	
The cell shall be deleted from the lower layer tester and therefore if the cell `cell` is required again by the calling test case it needs to be re-configured.	
The TSO is called in TC_26_3_4, TC_26_6_6_1, TC_26_7_4_2_2_1, TC_26_7_4_2_2_2, TC_26_7_4_6, TC_31_6_2_3.	
<b>Detailed Comments:</b>	

Test Suite Operation Definition	
<b>Operation Name:</b>	OM_StopMsrReport(ch:LOGICCH)
<b>Result Type:</b>	BOOLEAN
<b>Comments:</b>	The result returned by the operation is not used.
Description	
The operation stops the reporting of received MEASUREMENT REPORT message to layer 3 emulator, after measurement report stops it returns with value TRUE.	
Measurement Reports shall be disable by default. By default means that the tester filters them out from the TTCN in-buffer. This operation disables the reports entering the TTCN in-buffer. The OM_StartMsrReport operation enables the reports entering the TTCN in-buffer. When starting each test case, the measurement reports are filtered out by default.	
<b>Detailed Comments:</b>	

Test Suite Operation Definition	
<b>Operation Name:</b>	OM_StopVaryRFOfCell(ch:LOGICCH)
<b>Result Type:</b>	BOOLEAN
<b>Comments:</b>	
Description	
This TSO tells channel 'ch' to stop varying the RF signal level, leaving the RF signal level for that channel at its current setting.	
<b>Detailed Comments:</b>	

Test Suite Operation Definition	
<b>Operation Name:</b>	OM_VaryRFOfCell(ch:LOGICCH; delay1, bspwr1, delay2, bspwr2:INTEGER)
<b>Result Type:</b>	BOOLEAN
<b>Comments:</b>	
Description	
This TSO tells channel 'ch' to change the RF level to 'bspwr1' after 'delay1' milliseconds, then to change the RF level to 'bspwr2' after a further 'delay2' milliseconds. This sequence is repeated until "OM_VaryRFOfCell" is called again or "OM_StopVaryRFOfCell" is called.	
<b>Detailed Comments:</b>	

Test Suite Operation Definition	
<b>Operation Name:</b>	OO_ACMIncCHK(para:IA5String)
<b>Result Type:</b>	BOOLEAN
<b>Comments:</b>	
Description	
the OO_ACMIncCHK operation requests (e.g. from the control console of the test system) the test operator to read the value of ACM on SIM and check the increment of the value. Then the operator informs the test system whether the increment is as description `para`, if it is as the description the operation returns TRUE, otherwise returns FALSE.	
The value of ACM can be read either via MMI or by removing the SIM and using SIM reader.	
<b>Detailed Comments:</b>	

Test Suite Operation Definition	
<b>Operation Name:</b>	OO_ACMReading
<b>Result Type:</b>	BOOLEAN
<b>Comments:</b>	
Description	
the OO_ACMReading operation requests (e.g. from the control console of the test system) the test operator to read and note the value of ACM on SIM. After the operator finishes the action, he informs the test system and the operation returns with the value TRUE.	
The value of ACM can be read either via MMI or by removing the SIM and using SIM reader.	
<b>Detailed Comments:</b>	

<b>Test Suite Operation Definition</b>	
<b>Operation Name:</b>	OO_ACMSSetting
<b>Result Type:</b>	BOOLEAN
<b>Comments:</b>	
<b>Description</b>	
the OO_ACMSSetting operation requests (e.g. from the control console of the test system) the test operator to reset the ACM to zero and set the ACMmax to 2 units. After the operator finishes the action and informs the test system it returns TRUE.	
<b>Detailed Comments:</b>	

<b>Test Suite Operation Definition</b>	
<b>Operation Name:</b>	OO_AddPwrAmp
<b>Result Type:</b>	BOOLEAN
<b>Comments:</b>	
<b>Description</b>	
This operation requests (e.g. from the control console of the test system) the test operator to add power amplification at the Mobile Station under test. After the operator finishes the action, he informs the test system and the operation returns with the value TRUE.	
<b>Detailed Comments:</b>	

<b>Test Suite Operation Definition</b>	
<b>Operation Name:</b>	OO_AltIndCHK
<b>Result Type:</b>	BOOLEAN
<b>Comments:</b>	
<b>Description</b>	
This operation first requests (e.g. from the control console of the test system) the test operator to check whether the alerting indication is generated. If the operator informs (e.g. from the control console of the test system) the test system that the alerting indication is generated, the operation returns TRUE. If the operator informs the test system that the alerting indication is not generated, the operation returns FALSE.	
<b>Detailed Comments:</b>	

<b>Test Suite Operation Definition</b>	
<b>Operation Name:</b>	OO_CalledNumCHK
<b>Result Type:</b>	BOOLEAN
<b>Comments:</b>	
<b>Description</b>	
This operation first requests (e.g. from the control console of the test system) the test operator to check whether the called party number is correctly displayed on the mobile station. If the operator informs (e.g. from the control console of the test system) the test system that the display is correct, the operation returns TRUE. If the operator informs the test system that the display is wrong, the operation returns FALSE.	
<b>Detailed Comments:</b>	

<b>Test Suite Operation Definition</b>	
<b>Operation Name:</b>	OO_CalledPtyNumCHK(num:CDPN)
<b>Result Type:</b>	BOOLEAN
<b>Comments:</b>	
<b>Description</b>	
This operation first requests (e.g. from the control console of the test system) the test operator to check whether the called party number `num` is the one that was entered into the MS. If the operator informs (e.g. from the control console of the test system) the test system that the number is correct, the operation returns TRUE. If the operator informs the test system that the number is wrong, the operation returns FALSE.	
<b>Detailed Comments:</b>	

<b>Test Suite Operation Definition</b>	
<b>Operation Name:</b>	OO_CheckAllSMPresentBut4th
<b>Result Type:</b>	BOOLEAN
<b>Comments:</b>	
<b>Description</b>	
This operation requests (e.g. from the control console of the test system) the test operator to check if the mobile station under test has stored all short messages during the test case but not the 4th one which should have been replaced by the 5th(cf. GSM 11.10, clause 34.2.7.4). The messages are displayed. Then the operation returns.	
TRUE: All SM present but not the 4th	
FALSE: 4th SM present or 1st, 2nd, 3rd or 5th missing.	
<b>Detailed Comments:</b>	

<b>Test Suite Operation Definition</b>	
<b>Operation Name:</b>	OO_CheckCBSMReceived(NumbOfIA5chara: INTEGER; msg:SMSCBpack)
<b>Result Type:</b>	BOOLEAN
<b>Comments:</b>	
<b>Description</b>	
This operation requests (e.g. from the control console of the test system) the test operator to check whether the MS under test has correctly received the cell broadcast short message represented by 'msg' . Then the TSO returns	
TRUE: if the CBSM has been correctly received,	
FALSE: if non or an incorrect CBSM has been received.	
The TSO needs to convert the 'msg' into IA5 string according to the packing character rules specified in the section 6.1.2 of ETS 300 628 (GSM 03.38). The 'NumbOfIA5chara' indicates the number of IA5 characters in the 'msg'.	
<b>Detailed Comments:</b>	

<b>Test Suite Operation Definition</b>	
<b>Operation Name:</b>	OO_CheckMCEFOOnSIM
<b>Result Type:</b>	BOOLEAN
<b>Comments:</b>	
<b>Description</b>	
This operation requests (e.g. from the control console of the test system) the test operator to check if the Memory Capacity Exceeded Flag has been set on the SIM simulator and to inform the test system of the result of the checking. If the checking succeeds the operation returns TRUE, FALSE otherwise.	
<b>Detailed Comments:</b>	

<b>Test Suite Operation Definition</b>	
<b>Operation Name:</b>	OO_CheckMCEFOOnSIMUnset
<b>Result Type:</b>	BOOLEAN
<b>Comments:</b>	
<b>Description</b>	
This operation requests (e.g. from the control console of the test system) the test operator to check if the Memory Capacity Exceeded Flag has been unset on the SIM simulator and to inform the test system of the result of the checking. If the checking succeeds the operation returns TRUE, FALSE otherwise.	
<b>Detailed Comments:</b>	

<b>Test Suite Operation Definition</b>	
<b>Operation Name:</b>	OO_CheckMessageDisplayed(NumbOfIA5chara:INTEGER; msg:OCTETSTRING)
<b>Result Type:</b>	BOOLEAN
<b>Comments:</b>	
<b>Description</b>	
<p>This operation requests (e.g. from the control console of the test system) the test operator to check if the mobile station under test indicates that an SM has arrived. If the MS provides the functionality to display MT messages, it is checked that the message contents represented by 'msg' is correctly displayed. Then the operation returns</p> <p>TRUE: if the MS indicates SM reception (and displays correct message),            FALSE: if the MS does not indicate SM reception (or displays incorrect message).</p> <p>The TSO needs to convert the 'msg' into IA5 string according to the packing character rules specified in the section 6.1.2 of ETS 300 628 (GSM 03.38). The 'NumbOfIA5chara' indicates the number of IA5 characters in the 'msg'.</p>	
<b>Detailed Comments:</b>	

<b>Test Suite Operation Definition</b>	
<b>Operation Name:</b>	OO_CheckUssdStringDisplayed(strg: IA5String)
<b>Result Type:</b>	BOOLEAN
<b>Comments:</b>	
<b>Description</b>	
<p>This operation requests (e.g. from the control console of the test system) the test operator to check if the mobile station under test displays the Ussd String 'strg'. Then the operation returns.</p> <p>TRUE: MS displays the correct Ussd String.            FALSE: MS does not display the correct Ussd String.</p>	
<b>Detailed Comments:</b>	

<b>Test Suite Operation Definition</b>	
<b>Operation Name:</b>	OO_ConnectSIMSimulator
<b>Result Type:</b>	BOOLEAN
<b>Comments:</b>	
<b>Description</b>	
<p>This operation requests (e.g. from the control console of the test system) the test operator to connect the SIM simulator to the mobile station under test.</p> <p>For the contents of the SIM simulator the operator refers to the initial conditions of the test case acc. GSM 11.10, clause 34.2.3.3.</p> <p>After the operator finishes the action, he informs the test system and the operation returns with the value TRUE.</p>	
<b>Detailed Comments:</b>	

<b>Test Suite Operation Definition</b>	
<b>Operation Name:</b>	OO_DepressEndKey
<b>Result Type:</b>	BOOLEAN
<b>Comments:</b>	
<b>Description</b>	
<p>This operation requests (e.g. from the control console of the test system) the test operator to depress the 'END' key of the Mobile Stations keypad, then returns.</p>	
<b>Detailed Comments:</b>	

<b>Test Suite Operation Definition</b>	
<b>Operation Name:</b>	OO_DialCalledNum
<b>Result Type:</b>	BOOLEAN
<b>Comments:</b>	
<b>Description</b>	
<p>This operation requests (e.g. from the control console of the test system) the test operator to dial the called party number at the Mobile Station under test but not press the "SEND" key (i.e. not initiate the call setup).</p> <p>After the operator finishes the action, he informs the test system and the operation returns with the value TRUE.</p>	
<b>Detailed Comments:</b>	



Test Suite Operation Definition	
<b>Operation Name:</b>	OO_DisplaySMAndSendReplySM(n, NumbOfIA5chara: INTEGER; msg:OCTETSTRING)
<b>Result Type:</b>	OCTETSTRING
<b>Comments:</b>	
Description	
<p>This operation requests (e.g. from the control console of the test system) the test operator to display the 'n'-th short message received in the arriving order and to check whether the short message contents represented by 'msg' is correctly displayed. Then the TSO asks the operator to send a reply short message from the mobile.</p> <p>After the operator finishes the action, the operation returns with the message contents sent in OCTETSTRING.</p> <p>The TSO needs to convert the 'msg' into IA5 string and the IA5 text entered by the operator into OCTETSTRING according to the packing character rules specified in the section 6.1.2 of ETS 300 628 (GSM 03.38). The 'NumbOfIA5chara' indicates the number of IA5 characters in the 'msg'.</p>	
<b>Detailed Comments:</b>	

Test Suite Operation Definition	
<b>Operation Name:</b>	OO_DTMFIndCHK(character:IA5String)
<b>Result Type:</b>	BOOLEAN
<b>Comments:</b>	
Description	
<p>This operation first requests (e.g. from the control console of the test system) the test operator to check whether the `character` is indicated by the DTMF indicator of the MS. If the operator informs (e.g. from the control console of the test system) the test system that the MS does not give the indication of `character`, the operation returns FALSE. If the operator informs the test system that the MS gives the indication, the operation returns TRUE.</p>	
<b>Detailed Comments:</b>	

Test Suite Operation Definition	
<b>Operation Name:</b>	OO_EmptyMessageStorage
<b>Result Type:</b>	BOOLEAN
<b>Comments:</b>	
Description	
<p>This operation requests (e.g. from the control console of the test system) the test operator to empty the message storage of the mobile station under test.</p> <p>After the operator finishes the action, he informs the test system and the operation returns with the value TRUE.</p>	
<b>Detailed Comments:</b>	

Test Suite Operation Definition	
<b>Operation Name:</b>	OO_EnterPswd(pswd:IA5String)
<b>Result Type:</b>	BOOLEAN
<b>Comments:</b>	
Description	
<p>This TSO displays a message on the control console to inform the operator that he is to enter a given password (the actual password is given by 'pswd') on the mobile. The operation waits for the operator to acknowledge the request, which may be done before or after entering the password into the mobile, and then returns the value TRUE.</p>	
<b>Detailed Comments:</b>	

Test Suite Operation Definition	
<b>Operation Name:</b>	OO_HookOff
<b>Result Type:</b>	BOOLEAN
<b>Comments:</b>	
Description	
<p>This operation requests (e.g. from the control console of the test system) the test operator to answer the mobile terminating call at the Mobile Station under test.</p> <p>This operation waits for the operator to acknowledge the request which may be done before or after the call has been answered and then returns the value TRUE.</p>	
<b>Detailed Comments:</b>	

<b>Test Suite Operation Definition</b>	
<b>Operation Name:</b>	OO_IFsetup_Telephony
<b>Result Type:</b>	BOOLEAN
<b>Comments:</b>	
<b>Description</b>	
<p>This TSO requests (e.g. from the control console of the test system) the test operator to setup the external interface, or configuration of the MS in such a way that the MS is able to successfully receive the call for telephony service. If the MS supports both telephony without immediate connection mode and telephony with immediate connection mode, set the MS in telephony without immediate connection mode. After the operator finishes the required action and informs the test system, the TSO returns with value TRUE.</p>	
<p>This TSO is used in MO call test cases except TC_11_2, where this TSO is call for single-numbering scheme MT testing.</p>	
<b>Detailed Comments:</b>	used for TS11 and TS12

<b>Test Suite Operation Definition</b>	
<b>Operation Name:</b>	OO_IFsetup_BS2xorBS3x_MO(srv:SERVICES; itc, sacp:B_3; ce:B_2; rate:IA5String)
<b>Result Type:</b>	BOOLEAN
<b>Comments:</b>	
<b>Description</b>	
<p>This TSO requests (e.g. from the control console of the test system) the test operator to setup the external interface, or the MS configuration in such a way that the MS, when triggered, is able to initiate the call for the BS2x or BS3x service `srv` with the specified itc, sacp, ce values. After the operator finishes the required action and informs the test system, the TSO returns with value TRUE.</p>	
<p>This TSO is used in MO call test cases except TC_11_2, where this TSO is call for single-numbering scheme MT testing.</p>	
<p>Three negotiable parameters, number of stop bit, number of data bit, parity information, are asked as global IXIT paramters for all TE configurations. If necessary, the test operator refers to the manual provided by manufacturer to configure the MS.</p>	
<p>The possible values are:</p>	
<p>1) srv ----- basic service</p>	
- C_Async300	Basic Service 21, Asynchronous 300 bps
- C_Async1200	Basic Service 22, Asynchronous 1.2 kbps
- C_Async120075	Basic Service 23, Asynchronous 1200/75 bps
- C_Async2400	Basic Service 24, Asynchronous 2.4 kbps
- C_Async4800	Basic Service 25, Asynchronous 4.8 kbps
- C_Async9600	Basic Service 26, Asynchronous 9.6 kbps
- C_Sync1200	Basic Service 31, Synchronous 1.2 kbps
- C_Sync2400	Basic Service 32, Synchronous 2.4 kbps
- C_Sync4800	Basic Service 33, Synchronous 4.8 kbps
- C_Sync9600	Basic Service 34, Synchronous 9.6 kbps
<p>2) itc ----- information transfer capability</p>	
- '001'B	unrestricted digital information
- '010'B	3.1 kHz audio, ex PLMN
<p>3) sacp ----- signalling access protocol</p>	
- '001'B	I.440/450
- '010'B	X.21
- '101'B	X.28 - non dedicated PAD
- '110'B	X.32
<p>4) ce ----- connection element</p>	
- '00'B	transparent
- '01'B	non transparent
<p>5) rate ----- channel rate</p>	
- C_Full	full rate channel
- C_Half	half rate channel
<b>Detailed Comments:</b>	Used for BS21, BS22, BS23, BS24, BS25, BS26, BS31, BS32, BS33, BS34

<b>Test Suite Operation Definition</b>	
<b>Operation Name:</b>	OO_IFsetup_BS4x_MO(srv:SERVICES; ce:B_2; rate:IA5String)
<b>Result Type:</b>	BOOLEAN
<b>Comments:</b>	
<b>Description</b>	
<p>This TSO requests (e.g. from the control console of the test system) the test operator to setup the external interface, or the MS configuration in such a way that the MS, when triggered, is able to initiate the call for the BS4x service `srv` with specified ur and ce values. After the operator finishes the required action and informs the test system, the TSO returns with value TRUE.</p> <p>Three negotiable parameters, number of stop bit, number of data bit, parity information, are asked as global IXIT parameters for all TE configurations. If necessary, the test operator refers to the manual provided by manufacturer to configure the MS.</p> <p>The possible values are:</p> <p>1) srv ----- basic service</p> <ul style="list-style-type: none"> <li>- C_PAD300            Basic Service 41, PAD access 300 bps</li> <li>- C_PAD1200        Basic Service 42, PAD access 1.2 kbps</li> <li>- C_PAD120075     Basic Service 43, PAD access 1200/75 bps</li> <li>- C_PAD2400        Basic Service 44, PAD access 2.4 kbps</li> <li>- C_PAD4800        Basic Service 45, PAD access 4.8 kbps</li> <li>- C_PAD9600        Basic Service 46, PAD access 9.6 kbps</li> </ul> <p>2) ce ----- connection element</p> <ul style="list-style-type: none"> <li>- '00'B             transparent</li> <li>- '01'B             non transparent</li> </ul> <p>3) rate ----- channel rate</p> <ul style="list-style-type: none"> <li>- C_Full            full rate channel</li> <li>- C_Half            half rate channel</li> </ul>	
<b>Detailed Comments:</b>	Used for BS41, BS42, BS43, BS44, BS45, BS46

<b>Test Suite Operation Definition</b>	
<b>Operation Name:</b>	OO_IFsetup_BS5x_MO(srv:SERVICES; ur:B_4; rate:IA5String)
<b>Result Type:</b>	BOOLEAN
<b>Comments:</b>	
<b>Description</b>	
<p>This TSO requests (e.g. from the control console of the test system) the test operator to setup the external interface, or the MS configuration in such a way that the MS, when triggered, is able to initiate the call for the BS5x service `srv` with the specified ur value. After the operator finishes the required action and informs the test system, the TSO returns with value TRUE.</p> <p>Three negotiable parameters, number of stop bit, number of data bit, parity information, are asked as global IXIT parameters for all TE configurations. If necessary, the test operator refers to the manual provided by manufacturer to configure the MS.</p> <p>The possible values are:</p> <p>1) srv ----- basic service</p> <ul style="list-style-type: none"> <li>- C_Packet2400     Basic Service 51, Packet access 2.4 kbps</li> <li>- C_Packet4800     Basic Service 52, Packet access 4.8 kbps</li> <li>- C_Packet9600     Basic Service 53, Packet access 9.6 kbps</li> </ul> <p>2) ur ----- user rate</p> <ul style="list-style-type: none"> <li>- '0011'B           2400 bit/s</li> <li>- '0100'B           4800 bit/s</li> <li>- '0101'B           9600 bit/s</li> </ul> <p>3) rate ----- channel rate</p> <ul style="list-style-type: none"> <li>- C_Full            full rate channel</li> <li>- C_Half            half rate channel</li> </ul>	
<b>Detailed Comments:</b>	Used for BS51, BS52, BS53

<b>Test Suite Operation Definition</b>	
<b>Operation Name:</b>	OO_IFsetup_BS61orBS81_MO(srv:SERVICES; ur:B_4; sa:B_1; ce:B_2; rate:IA5String)
<b>Result Type:</b>	BOOLEAN
<b>Comments:</b>	
<b>Description</b>	
<p>This TSO requests (e.g. from the control console of the test system) the test operator to setup the external interface, or the MS configuration in such a way that the MS, when triggered, is able to initiate the call for BS61 or BS81 with the specified ur, ce and sa values, and the first bearer capability is speech. After the operator finishes the required action and informs the test system, the TSO returns with value TRUE.</p> <p>This TSO is used in MO call test cases except TC_11_2, where this TSO is call for single-numbering scheme MT testing.</p> <p>Three negotiable parameters, number of stop bit, number of data bit, parity information, are asked as global IXIT parameters for all TE configurations. If necessary, the test operator refers to the manual provided by manufacturer to configure the MS.</p> <p>The possible values are:</p> <p>1) srv ----- basic service</p> <ul style="list-style-type: none"> <li>- C_AltSpchData      Basic Service 61, Alternatie Speech/data</li> <li>- C_SpchData         Basic Service 81, Speech followed by data</li> </ul> <p>2) ur ----- user rate</p> <ul style="list-style-type: none"> <li>- '0001'B            300 bit/s</li> <li>- '0010'B            1200 bit/s</li> <li>- '0111'B            1200/75 bit/s</li> <li>- '0011'B            2400 bit/s</li> <li>- '0100'B            4800 bit/s</li> <li>- '0101'B            9600 bit/s</li> </ul> <p>3) sa ----- synchronous/asynchronous</p> <ul style="list-style-type: none"> <li>- '0'B                synchronous</li> <li>- '1'B                asynchronous</li> </ul> <p>4) ce ----- connection element</p> <ul style="list-style-type: none"> <li>- '00'B               transparent</li> <li>- '01'B               non transparent</li> </ul> <p>5) rate ----- channel rate</p> <ul style="list-style-type: none"> <li>- C_Full              full rate channel</li> <li>- C_Half              half rate channel</li> </ul>	
<b>Detailed Comments:</b>	used for BS61 and BS81

<b>Test Suite Operation Definition</b>	
<b>Operation Name:</b>	OO_IFsetup_TS6x_MO(srv:SERVICES; ur:B_4; ce:B_2; rate:IA5String)
<b>Result Type:</b>	BOOLEAN
<b>Comments:</b>	
<b>Description</b>	
<p>This TSO requests (e.g. from the control console of the test system) the test operator to setup the external interface, or the MS configuration in such a way that the MS, when triggered, is able to initiate the call for TS61 and TS62 with the specified ur and ce values, and the first bearer capability is speech. After the operator finishes the required action and informs the test system, the TSO returns with value TRUE.</p> <p>This TSO is used in MO call test cases except TC_11_2, where this TSO is call for single-numbering scheme MT testing.</p> <p>Three negotiable parameters, number of stop bit, number of data bit, parity information, are asked as global IXIT parameters for all TE configurations. If necessary, the test operator refers to the manual provided by manufacturer to configure the MS.</p> <p>The possible values are:</p> <p>1) srv ----- basic service</p> <ul style="list-style-type: none"> <li>- C_AltSpchFax      Teleservice 61, Alternatie Speech and Facsimile group 3</li> <li>- C_AutoFax         Teleservice 62, Automatic Facsimile group 3</li> </ul> <p>2) ur ----- user rate</p> <ul style="list-style-type: none"> <li>- '0011'B            2400 bit/s</li> <li>- '0100'B            4800 bit/s</li> <li>- '0101'B            9600 bit/s</li> </ul> <p>3) ce ----- connection element</p> <ul style="list-style-type: none"> <li>- '00'B                transparent</li> <li>- '01'B                non transparent</li> </ul> <p>4) rate ----- channel rate</p> <ul style="list-style-type: none"> <li>- C_Full              full rate channel</li> <li>- C_Half              half rate channel</li> </ul>	
<b>Detailed Comments:</b>	used for TS61 and TS62

<b>Test Suite Operation Definition</b>	
<b>Operation Name:</b>	OO_IFsetup_BS2x_MT(srv:SERVICES; itc:B_3)
<b>Result Type:</b>	BOOLEAN
<b>Comments:</b>	
<b>Description</b>	
<p>This TSO requests (e.g. from the control console of the test system) the test operator to setup the external interface, or the MS configuration in such a way that the MS is able to successfully receive the call for the BS2x service `srv` with the specified itc value. After the operator finishes the required action and informs the test system, the TSO returns with value TRUE.</p> <p>Three negotiable parameters, number of stop bit, number of data bit, parity information, are asked as global IXIT paramters for all TE configurations. If necessary, the test operator refers to the manual provided by manufacturer to configure the MS.</p>	
<b>Detailed Comments:</b>	Used for BS21, BS22, BS24, BS25, BS26

<b>Test Suite Operation Definition</b>	
<b>Operation Name:</b>	OO_IFsetup_BS3x_MT(srv:SERVICES; itc, sacp:B_3)
<b>Result Type:</b>	BOOLEAN
<b>Comments:</b>	
<b>Description</b>	
<p>This TSO requests (e.g. from the control console of the test system) the test operator to setup the external interface, or the MS configuration in such a way that the MS is able to successfully receive the call for the BS3x service `srv` with specified itc and sacp values. After the operator finishes the required action and informs the test system, the TSO returns with value TRUE.</p> <p>Three negotiable parameters, number of stop bit, number of data bit, parity information, are asked as global IXIT parameters for all TE configurations. If necessary, the test operator refers to the manual provided by manufacturer to configure the MS.</p>	
<b>Detailed Comments:</b>	Used for BS31, BS32, BS33, BS34

<b>Test Suite Operation Definition</b>	
<b>Operation Name:</b>	OO_IFsetup_BS61orBS81_MT(srv:SERVICES; ur:B_4; sa:B_1)
<b>Result Type:</b>	BOOLEAN
<b>Comments:</b>	
Description	
<p>This TSO requests (e.g. from the control console of the test system) the test operator to setup the external interface, or the MS configuration in such a way that the MS is able to successfully receive the call for BS61 or BS81 with the specified ur and sa values. After the operator finishes the required action and informs the test system, the TSO returns with value TRUE.</p> <p>Three negotiable parameters, number of stop bit, number of data bit, parity information, are asked as global IXIT parameters for all TE configurations. If necessary, the test operator refers to the manual provided by manufacturer to configure the MS.</p>	
<b>Detailed Comments:</b>	used for BS61 and BS81

<b>Test Suite Operation Definition</b>	
<b>Operation Name:</b>	OO_IFsetup_TS6x_MT(srv:SERVICES; ur:B_4)
<b>Result Type:</b>	BOOLEAN
<b>Comments:</b>	
Description	
<p>This TSO requests (e.g. from the control console of the test system) the test operator to setup the external interface, or the MS configuration in such a way that the MS is able to successfully receive the call for TS61 and TS62 with the specified ur value. After the operator finishes the required action and informs the test system, the TSO returns with value TRUE.</p> <p>Three negotiable parameters, number of stop bit, number of data bit, parity information, are asked as global IXIT parameters for all TE configurations. If necessary, the test operator refers to the manual provided by manufacturer to configure the MS.</p>	
<b>Detailed Comments:</b>	used for TS61 and TS62

<b>Test Suite Operation Definition</b>	
<b>Operation Name:</b>	OO_InCallModi(srv:SERVICES)
<b>Result Type:</b>	BOOLEAN
<b>Comments:</b>	
Description	
<p>This operation requests (e.g. from the control console of the test system) the test operator to initiate a in-call modification at the Mobile Station under test, which is triggered by the calling tone identification (CNG) received by the MS, for the basic service 'srv', then returns TRUE. The calling test step can pass the 'srv' value either as TSPX or constant to the TSO.</p> <p>The possible service values include (see also test suite constant declarations):</p> <p>1) Teleservices</p> <ul style="list-style-type: none"> <li>- C_Telephony</li> <li>- C_EmgCall</li> <li>- C_AltSpchFax</li> <li>- C_AutoFax</li> </ul> <p>2) Bearer services</p> <ul style="list-style-type: none"> <li>- C_Async300, C_Async1200, C_Async120075, C_Async2400, C_Async4800, C_Async9600</li> <li>- C_Sync1200, C_Sync2400, C_Sync4800, C_Sync9600</li> <li>- C_PAD300, C_PAD1200, C_PAD120075, C_PAD2400, C_PAD4800, C_PAD9600</li> <li>- C_Packet2400, C_Packet4800, C_Packet9600</li> <li>- C_AltSpchData</li> <li>- C_SpchData</li> </ul>	
<b>Detailed Comments:</b>	

<b>Test Suite Operation Definition</b>																																																																												
<b>Operation Name:</b>	OO_InitCall(srv:SERVICES)																																																																											
<b>Result Type:</b>	BOOLEAN																																																																											
<b>Comments:</b>																																																																												
<b>Description</b>																																																																												
<p>This operation requests (e.g. from the control console of the test system) the test operator to initiate an MS originating call for the basic service `srv`, then returns TRUE. The calling test step can pass the 'srv' value either as TSPX or constant to the TSO. The necessary MS configuration has been done in the corresponding TSO OO_IFsetup_xx...xx_MO before this TSO is called.</p> <p>The possible service values include (see also test suite constant declarations):</p> <p>1) Teleservices</p> <table border="0"> <tr><td>- C_Telephony</td><td>-----</td><td>TS11</td></tr> <tr><td>- C_EmgCall</td><td>-----</td><td>TS12</td></tr> <tr><td>- C_AltSpchFax</td><td>-----</td><td>TS61</td></tr> <tr><td>- C_AutoFax</td><td>-----</td><td>TS62</td></tr> </table> <p>2) Bearer services</p> <table border="0"> <tr><td>- C_Async300</td><td>-----</td><td>BS21</td></tr> <tr><td>- C_Async1200</td><td>-----</td><td>BS22</td></tr> <tr><td>- C_Async120075</td><td>-----</td><td>BS23</td></tr> <tr><td>- C_Async2400</td><td>-----</td><td>BS24</td></tr> <tr><td>- C_Async4800</td><td>-----</td><td>BS25</td></tr> <tr><td>- C_Async9600</td><td>-----</td><td>BS26</td></tr> <tr><td>- C_Sync1200</td><td>-----</td><td>BS31</td></tr> <tr><td>- C_Sync2400</td><td>-----</td><td>BS32</td></tr> <tr><td>- C_Sync4800</td><td>-----</td><td>BS33</td></tr> <tr><td>- C_Sync9600</td><td>-----</td><td>BS34</td></tr> <tr><td>- C_PAD300</td><td>-----</td><td>BS41</td></tr> <tr><td>- C_PAD1200</td><td>-----</td><td>BS42</td></tr> <tr><td>- C_PAD120075</td><td>-----</td><td>BS43</td></tr> <tr><td>- C_PAD2400</td><td>-----</td><td>BS44</td></tr> <tr><td>- C_PAD4800</td><td>-----</td><td>BS45</td></tr> <tr><td>- C_PAD9600</td><td>-----</td><td>BS46</td></tr> <tr><td>- C_Packet2400</td><td>-----</td><td>BS51</td></tr> <tr><td>- C_Packet4800</td><td>-----</td><td>BS52</td></tr> <tr><td>- C_Packet9600</td><td>-----</td><td>BS53</td></tr> <tr><td>- C_AltSpchData</td><td>-----</td><td>BS61</td></tr> <tr><td>- C_SpchData</td><td>-----</td><td>BS81</td></tr> </table>		- C_Telephony	-----	TS11	- C_EmgCall	-----	TS12	- C_AltSpchFax	-----	TS61	- C_AutoFax	-----	TS62	- C_Async300	-----	BS21	- C_Async1200	-----	BS22	- C_Async120075	-----	BS23	- C_Async2400	-----	BS24	- C_Async4800	-----	BS25	- C_Async9600	-----	BS26	- C_Sync1200	-----	BS31	- C_Sync2400	-----	BS32	- C_Sync4800	-----	BS33	- C_Sync9600	-----	BS34	- C_PAD300	-----	BS41	- C_PAD1200	-----	BS42	- C_PAD120075	-----	BS43	- C_PAD2400	-----	BS44	- C_PAD4800	-----	BS45	- C_PAD9600	-----	BS46	- C_Packet2400	-----	BS51	- C_Packet4800	-----	BS52	- C_Packet9600	-----	BS53	- C_AltSpchData	-----	BS61	- C_SpchData	-----	BS81
- C_Telephony	-----	TS11																																																																										
- C_EmgCall	-----	TS12																																																																										
- C_AltSpchFax	-----	TS61																																																																										
- C_AutoFax	-----	TS62																																																																										
- C_Async300	-----	BS21																																																																										
- C_Async1200	-----	BS22																																																																										
- C_Async120075	-----	BS23																																																																										
- C_Async2400	-----	BS24																																																																										
- C_Async4800	-----	BS25																																																																										
- C_Async9600	-----	BS26																																																																										
- C_Sync1200	-----	BS31																																																																										
- C_Sync2400	-----	BS32																																																																										
- C_Sync4800	-----	BS33																																																																										
- C_Sync9600	-----	BS34																																																																										
- C_PAD300	-----	BS41																																																																										
- C_PAD1200	-----	BS42																																																																										
- C_PAD120075	-----	BS43																																																																										
- C_PAD2400	-----	BS44																																																																										
- C_PAD4800	-----	BS45																																																																										
- C_PAD9600	-----	BS46																																																																										
- C_Packet2400	-----	BS51																																																																										
- C_Packet4800	-----	BS52																																																																										
- C_Packet9600	-----	BS53																																																																										
- C_AltSpchData	-----	BS61																																																																										
- C_SpchData	-----	BS81																																																																										
<b>Detailed Comments:</b>																																																																												

<b>Test Suite Operation Definition</b>	
<b>Operation Name:</b>	OO_InitNonCallSS
<b>Result Type:</b>	BOOLEAN
<b>Comments:</b>	
<b>Description</b>	
<p>This operation requests (e.g. from the control console of the test system) the test operator to initiate a non call related supplementary service which is supported by the MS.</p> <p>After the operator finishes the action, he informs the test system and the operation returns with the value TRUE.</p>	
<b>Detailed Comments:</b>	

<b>Test Suite Operation Definition</b>	
<b>Operation Name:</b>	OO_InitSS(action: IA5String)
<b>Result Type:</b>	BOOLEAN
<b>Comments:</b>	
<b>Description</b>	
<p>This operation requests (e.g. from the control console of the test system) the test operator to initiate the required supplementary service by the MMI sequence `action`.</p> <p>After the operator finishes the action, he informs the test system and the operation returns with the value TRUE.</p>	
<b>Detailed Comments:</b>	

<b>Test Suite Operation Definition</b>	
<b>Operation Name:</b>	OO_InServiceCHK
<b>Result Type:</b>	BOOLEAN
<b>Comments:</b>	
<b>Description</b>	
<p>This operation first requests (e.g. from the control console of the test system) the test operator to check whether the Mobile Station under test is in normal service state ("Idle, updated")-- listening to CCCH and BCCH and with U1 UPDATED status. If the operator informs (e.g. from the control console of the test system) the test system that the MS does not give any service indication, the operation returns FALSE. If the operator informs the test system that the MS gives service indication, the operation returns TRUE.</p>	
<b>Detailed Comments:</b>	

<b>Test Suite Operation Definition</b>	
<b>Operation Name:</b>	OO_Key
<b>Result Type:</b>	BOOLEAN
<b>Comments:</b>	
<b>Description</b>	
<p>This operation returns TRUE if a key of the SS' keyboard has been pressed. Otherwise it returns FALSE.</p> <p>After OO_PressKeyWhenInService was called, the TSO is then continuously called until the test operator hits a key or a timer expires.</p>	
<b>Detailed Comments:</b>	

<b>Test Suite Operation Definition</b>	
<b>Operation Name:</b>	OO_MptyCall
<b>Result Type:</b>	BOOLEAN
<b>Comments:</b>	
<b>Description</b>	
<p>This operation requests (e.g. from the control console of the test system) the test operator to enter MultiParty MMI command at the Mobile Station under test, then it returns with the value TRUE after the operator finishes the action and informs the test system.</p>	
<b>Detailed Comments:</b>	

<b>Test Suite Operation Definition</b>	
<b>Operation Name:</b>	OO_MSSetupStoreClass1SMInMEMemory
<b>Result Type:</b>	BOOLEAN
<b>Comments:</b>	
<b>Description</b>	
<p>This operation requests (e.g. from the control console of the test system) the test operator to setup the MS under test to store class 1 SM in the ME memory (by way of MMI, as described in PICS/PIXIT statement).</p> <p>After the operator finishes the action, he informs the test system and the operation returns with the value TRUE.</p>	
<b>Detailed Comments:</b>	



<b>Test Suite Operation Definition</b>	
<b>Operation Name:</b>	OO_PLMNsCHK
<b>Result Type:</b>	BOOLEAN
<b>Comments:</b>	
<b>Description</b>	
This operation first requests (e.g. from the control console of the test system) the test operator to check whether the Mobile Station presents a list of available PLMNs. The list shall include the MNC and MCC of cells 1 to 7, but not cell 8 (for GSM900) or cells 1 to 6, but not cell 7 (for DCS1800). If the operator informs (e.g. from the control console of the test system) the test system that the MS correctly presents the list, the operation returns TRUE. If the operator informs the test system that the list is incorrect, the operation returns FALSE.	
<b>Detailed Comments:</b>	

<b>Test Suite Operation Definition</b>	
<b>Operation Name:</b>	OO_PLMNselModeAuto
<b>Result Type:</b>	BOOLEAN
<b>Comments:</b>	
<b>Description</b>	
This operation switches the PLMN selection mode of the MS to automatic selection. After correctly switching of the mode the operation returns TRUE otherwise FALSE.	
<b>Detailed Comments:</b>	

<b>Test Suite Operation Definition</b>	
<b>Operation Name:</b>	OO_PLMNselModeMan
<b>Result Type:</b>	BOOLEAN
<b>Comments:</b>	
<b>Description</b>	
This operation switches the PLMN selection mode of the MS to manual selection. After correctly switching of the mode the operation returns TRUE otherwise FALSE.	
<b>Detailed Comments:</b>	

<b>Test Suite Operation Definition</b>	
<b>Operation Name:</b>	OO_PowerUp
<b>Result Type:</b>	BOOLEAN
<b>Comments:</b>	
<b>Description</b>	
This operation requests (e.g. from the control console of the test system) the test operator to power up the Mobile Station under test and to inform after the test system, then it returns with value TRUE.	
<b>Detailed Comments:</b>	

<b>Test Suite Operation Definition</b>	
<b>Operation Name:</b>	OO_PowerDown
<b>Result Type:</b>	BOOLEAN
<b>Comments:</b>	
<b>Description</b>	
This operation requests (e.g. from the control console of the test system) the test operator to power down the Mobile Station under test and to inform after the test system, then it returns with value TRUE.	
<b>Detailed Comments:</b>	

<b>Test Suite Operation Definition</b>	
<b>Operation Name:</b>	OO_PressKeyWhenInService
<b>Result Type:</b>	BOOLEAN
<b>Comments:</b>	
<b>Description</b>	
<p>This operation requests (e.g. from the control console of the test system) the test operator to press any key when the MS shows the service indicator, then returns. The return value is always TRUE.</p> <p>Working with OO_Key together, the TSO displays a prompt to the test operator and then immediately returns.</p>	
<b>Detailed Comments:</b>	

<b>Test Suite Operation Definition</b>	
<b>Operation Name:</b>	OO_RecallAndDisplaySM(NumbOfIA5chara: INTEGER; msg: OCTETSTRING)
<b>Result Type:</b>	BOOLEAN
<b>Comments:</b>	
<b>Description</b>	
<p>This operation requests (e.g. from the control console of the test system) the test operator to recall and display an SM stored in the ME of the MS under test e.g. by means of the MMI. Then the operator checks whether the short message contents represented by 'msg' is correctly displayed. The TSO returns</p> <p>TRUE: if SM can be recalled and displayed correctly in comparison with the 'msg',</p> <p>FALSE: if SM can not be recalled or displayed, or displayed incorrectly in comparison with the 'msg'.</p> <p>The TSO needs to convert the 'msg' into IA5 string according to the packing character rules specified in the section 6.1.2 of ETS 300 628 (GSM 03.38). The 'NumbOfIA5chara' indicates the number of IA5 characters in the 'msg'.</p>	
<b>Detailed Comments:</b>	

<b>Test Suite Operation Definition</b>	
<b>Operation Name:</b>	OO_RemoveOneSM
<b>Result Type:</b>	BOOLEAN
<b>Comments:</b>	
<b>Description</b>	
<p>This operation requests (e.g. from the control console of the test system) the test operator to remove one of the SM from the message store and then to inform the test system. It does not matter which short message has been removed. After that the operation returns with value TRUE. The returned value is not used in the ATS.</p>	
<b>Detailed Comments:</b>	

<b>Test Suite Operation Definition</b>	
<b>Operation Name:</b>	OO_RemvPwrAmp
<b>Result Type:</b>	BOOLEAN
<b>Comments:</b>	
<b>Description</b>	
<p>This operation requests (e.g. from the control console of the test system) the test operator to remove the added power amplification at the Mobile Station under test and to inform after the test system, then the operation returns with value TRUE.</p>	
<b>Detailed Comments:</b>	

<b>Test Suite Operation Definition</b>	
<b>Operation Name:</b>	OO_RFoutputCHK
<b>Result Type:</b>	BOOLEAN
<b>Comments:</b>	
<b>Description</b>	
<p>This operation first requests (e.g. from the control console of the test system) the test operator to check whether the Mobile Station produces any RF output. If the operator informs (e.g. from the control console of the test system) the test system that the MS does not produce any RF output, the operation returns FALSE. If the operator informs the test system that the MS produces RF output, the operation returns TRUE.</p>	
<b>Detailed Comments:</b>	

<b>Test Suite Operation Definition</b>	
<b>Operation Name:</b>	OO_SelPLMN(par_plmn:OCTETSTRING)
<b>Result Type:</b>	BOOLEAN
<b>Comments:</b>	
<b>Description</b>	
This operation requests (e.g. from the control console of the test system) the test operator to select the given PLMN in par_plmn manually, and to inform after the test system then the operation returns with value TRUE.	
<b>Detailed Comments:</b>	

<b>Test Suite Operation Definition</b>	
<b>Operation Name:</b>	OO_SendMOShortMessage
<b>Result Type:</b>	BOOLEAN
<b>Comments:</b>	
<b>Description</b>	
This operation requests (e.g. from the control console of the test system) the test operator to send a short message from the mobile station under test. The operation waits for the operator to acknowledge the request which may be done before or after sending the MO Short Message, and then returns the value TRUE.	
<b>Detailed Comments:</b>	

<b>Test Suite Operation Definition</b>	
<b>Operation Name:</b>	OO_SendSMSCOMMANDDel
<b>Result Type:</b>	BOOLEAN
<b>Comments:</b>	
<b>Description</b>	
This operation requests (e.g. from the control console of the test system) the test operator to send a SMS COMMAND message from the mobile station under test containing requiring to delete the previously submitted SM and then to inform the test system. Then, the operation returns with value TRUE.	
<b>Detailed Comments:</b>	

<b>Test Suite Operation Definition</b>	
<b>Operation Name:</b>	OO_SendSMSCOMMANDEnq
<b>Result Type:</b>	BOOLEAN
<b>Comments:</b>	
<b>Description</b>	
This operation requests (e.g. from the control console of the test system) the test operator to send a SMS COMMAND message from the mobile station under test containing an enquiry about the previously submitted SM and then to inform the test system. Then, the operation returns with value TRUE.	
<b>Detailed Comments:</b>	

<b>Test Suite Operation Definition</b>	
<b>Operation Name:</b>	OO_SetCellTestMode
<b>Result Type:</b>	BOOLEAN
<b>Comments:</b>	
<b>Description</b>	
Instructs operator to switch MS to 'Cell Test Mode', used in test case 20.7.	
<b>Detailed Comments:</b>	

Test Suite Operation Definition	
<b>Operation Name:</b>	OO_SetRefuseCall
<b>Result Type:</b>	BOOLEAN
<b>Comments:</b>	
<b>Description</b>	
This operation first requests (e.g. from the control console of the test system) the test operator to enable call refusal on the MS. After the operator completes the action and informs (e.g. from the control console of the test system) the test system, the operation returns with value TRUE.	
<b>Detailed Comments:</b>	

Test Suite Operation Definition	
<b>Operation Name:</b>	OO_ShortKeyDepr(ch:IA5String)
<b>Result Type:</b>	BOOLEAN
<b>Comments:</b>	
<b>Description</b>	
This operation requests (e.g. from the control console of the test system) the test operator to cause a DTMF tone to be generated, e.g. by short depression of the key `ch` on the Mobile Station under test. The operation waits for the operator to acknowledge the request which may be done before or after generating the DTMF tone, and then returns the value TRUE.	
<b>Detailed Comments:</b>	

Test Suite Operation Definition	
<b>Operation Name:</b>	OO_SIMIns
<b>Result Type:</b>	BOOLEAN
<b>Comments:</b>	
<b>Description</b>	
This operation requests (e.g. from the control console of the test system) the test operator to insert the SIM card into the Mobile Station under test. After the operator completes the action and informs (e.g. from the control console of the test system) the test system, the operation returns with value TRUE.	
<b>Detailed Comments:</b>	

Test Suite Operation Definition	
<b>Operation Name:</b>	OO_SIM2Ins
<b>Result Type:</b>	BOOLEAN
<b>Comments:</b>	
<b>Description</b>	
This operation requests (e.g. from the control console of the test system) the test operator to insert the SIM card 2 into the Mobile Station under test. After the operator completes the action and informs (e.g. from the control console of the test system) the test system, the operation returns with value TRUE. The SIM Card 2 shall contain the following parameter values, which are different from default values(SIM Card 1): IMSI= '001011234' HPLMN_search_period=6min.	
<b>Detailed Comments:</b>	

Test Suite Operation Definition	
<b>Operation Name:</b>	OO_SIM3Ins
<b>Result Type:</b>	BOOLEAN
<b>Comments:</b>	
<b>Description</b>	
This operation requests (e.g. from the control console of the test system) the test operator to insert the SIM card 3 into the Mobile Station under test and turn the MS power on, after the test operator finishes the action and informs the test system it returns with value TRUE. The SIM Card 3 shall contain fixed dialling number allocated and activated.	
<b>Detailed Comments:</b>	

Test Suite Operation Definition	
<b>Operation Name:</b>	OO_SIMRmv
<b>Result Type:</b>	BOOLEAN
<b>Comments:</b>	
Description	
This operation requests (e.g. from the control console of the test system) the test operator to remove the SIM card from the Mobile Station under test. After the operator completes the action and informs (e.g. from the control console of the test system) the test system, the operation returns with value TRUE.	
<b>Detailed Comments:</b>	

Test Suite Operation Definition	
<b>Operation Name:</b>	OO_SIMSimulAttIndOK
<b>Result Type:</b>	BOOLEAN
<b>Comments:</b>	
Description	
This operation requests (e.g. from the control console of the test system) the test operator to check whether the SIM simulator indicates an attempt made by the ME to store the short message in the SIM. The SIM simulator returns the status response "OK" ('90 00"). Then returns. Attempt indicated: TRUE Attempt NOT indicated: FALSE	
<b>Detailed Comments:</b>	

Test Suite Operation Definition	
<b>Operation Name:</b>	OO_SIMSimulAttIndMemProblem
<b>Result Type:</b>	BOOLEAN
<b>Comments:</b>	
Description	
This operation requests (e.g. from the control console of the test system) the test operator to check whether the SIM simulator indicates an attempt made by the ME to store the short message in the SIM. The SIM simulator returns the status response "Memory Problem" ('92 40"). Then returns. Attempt indicated: TRUE Attempt NOT indicated: FALSE	
<b>Detailed Comments:</b>	

Test Suite Operation Definition	
<b>Operation Name:</b>	OO_SSresultCHK(svc:INTEGER)
<b>Result Type:</b>	BOOLEAN
<b>Comments:</b>	
Description	
This operation first requests (e.g. from the control console of the test system) the test operator to check the user indication of the result of the supplementary service `svc`. If the operator informs (e.g. from the control console of the test system) the test system that the indication is correct, the operation returns TRUE. If the operator informs the test system that the indication is wrong, the operation returns FALSE.	
<b>Detailed Comments:</b>	

Test Suite Operation Definition	
<b>Operation Name:</b>	OO_SwitchOn
<b>Result Type:</b>	BOOLEAN
<b>Comments:</b>	
Description	
This operation requests (e.g. from the control console of the test system) the test operator to switch on (or if there is no switch then to restore the power to) the Mobile Station under test. After the operator completes the action and informs (e.g. from the control console of the test system) the test system, the operation returns with value TRUE.	
<b>Detailed Comments:</b>	

<b>Test Suite Operation Definition</b>	
<b>Operation Name:</b>	OO_SwitchOff
<b>Result Type:</b>	BOOLEAN
<b>Comments:</b>	
<b>Description</b>	
This operation requests (e.g. from the control console of the test system) the test operator to switch off (or if there is no switch then to remove the power from) the Mobile Station under test. After the operator completes the action and informs (e.g. from the control console of the test system) the test system, the operation returns with value TRUE.	
<b>Detailed Comments:</b>	

<b>Test Suite Operation Definition</b>	
<b>Operation Name:</b>	OO_TCHthroConnCHK
<b>Result Type:</b>	BOOLEAN
<b>Comments:</b>	
<b>Description</b>	
This operation first requests (e.g. from the control console of the test system) the test operator to check whether the TCH is through connected. The SS has to generate a noise pattern so that the operator can check this. If the operator informs (e.g. from the control console of the test system) the test system that the TCH is through connected, the operation returns TRUE. If the operator informs the test system that the TCH is not through connected, the operation returns FALSE.	
<b>Detailed Comments:</b>	

<b>Test Suite Operation Definition</b>	
<b>Operation Name:</b>	OO_TermCall
<b>Result Type:</b>	BOOLEAN
<b>Comments:</b>	
<b>Description</b>	
This operation first requests (e.g. from the control console of the test system) the test operator to terminate the ongoing call. After the operator completes the action and informs (e.g. from the control console of the test system) the test system, it returns TRUE.	
<b>Detailed Comments:</b>	

<b>Test Suite Operation Definition</b>	
<b>Operation Name:</b>	OO_TguardTimeOut
<b>Result Type:</b>	BOOLEAN
<b>Comments:</b>	
<b>Description</b>	
This operation informs (e.g. from the control console of the test system) the test operator that the T_guard timer has expired during the test case leading to an inconclusive or fail verdict and returns immediately with value TRUE.	
<b>Detailed Comments:</b>	

<b>Test Suite Operation Definition</b>	
<b>Operation Name:</b>	OO_ToneStopCHK
<b>Result Type:</b>	BOOLEAN
<b>Comments:</b>	
<b>Description</b>	
This operation first requests (e.g. from the control console of the test system) the test operator to check whether the MS stops the tone generation. If the operator informs (e.g. from the control console of the test system) the test system that the MS does not stop tone generation, the operation returns FALSE. If the operator informs the test system that the MS stops tone generation, the operation returns TRUE.	
Definition of "tone generation":	
-During MO call: MS generates alerting tone/presents inband information sent by the network.	
-During MT call: MS generates ringing tone.	
<b>Detailed Comments:</b>	

## Test suite parameter declarations

Test Suite Parameter Declarations			
Parameter Name	Type	PICS/PIXIT Ref	Comments
TSPC_24DataF	BOOLEAN	PICS Table A.25 Item 12	2.4 k full rate data mode supported
TSPC_24DataH	BOOLEAN	PICS Table A.25 Item 13	2.4 k half rate data mode supported
TSPC_48DataF	BOOLEAN	PICS Table A.25 Item 14	4.8 k full rate data mode supported
TSPC_48DataH	BOOLEAN	PICS Table A.25 Item 15	4.8 k half rate data mode supported
TSPC_96Data	BOOLEAN	PICS Table A.25 Item 16	9.6 k full rate data mode supported
TSPC_Feat_A51	BOOLEAN	PICS Table A.2 Item 17	ciphering algorithm A5/1 supported
TSPC_Feat_A52	BOOLEAN	PICS Table A.2 Item 18	ciphering algorithm A5/2 supported
TSPC_AddCharSet	BOOLEAN	PICS Table A.25 Item 47	A, B, C, D chars supported
TSPC_AddInfo_PseudoSynch	BOOLEAN	PICS	Pseudo synchronised supported
TSPC_AlertInd	BOOLEAN	PICS Table A.25 Item 49	alerting indication to the user supported
TSPC_SvcOnTCH	BOOLEAN	PICS Table A.25 Item 22	at least one service on traffic channel supported
TSPC_SMS	BOOLEAN	PICS Table A.25 Item 31	at least one short message service supported
TSPC_SS	BOOLEAN	PICS Table A.25 Item 29	at least one supplementary service supported
TSPC_AutoAutoMode	BOOLEAN	PICS Table A.25 Item 48	automatically enter automatic selection of PLMN mode supported
TSPC_BasCharSet	BOOLEAN	PICS Table A.25 Item 46	Chars 0-9, *, # supported
TSPC_CalledNumDisp	BOOLEAN	PICS Table A.2 Item 1	called number display supported
TSPC_DCS	BOOLEAN	PICS Table A.1 Item 3	testing DCS1800
TSPC_DCS_Class3	BOOLEAN	PICS	testing DCS1800 class 3
TSPC_DetachOnPwrDn	BOOLEAN	PICS Table A.25 Item 38	detach on power down supported
TSPC_DetachOnSIMRmv	BOOLEAN	PICS Table A.25 Item 39	detach on SIM remove supported
TSPC_DisprcvSMS	BOOLEAN	PICS Table A.25 Item 34	display of received SMS supported
TSPC_DualRate	BOOLEAN	PICS Table A.25 Item 23	dual rate channel types supported
TSPC_EGSM	BOOLEAN	PICS Table A.1 Item 2	both standard and extended GSM band supported
TSPC_EmgOnly	BOOLEAN	PICS Table A.25 Item 27	the only circuit switched basic service is emergency call
TSPC_followOnReq	BOOLEAN	PICS Table A.25 Item 53	follow-on request procedure supported
TSPC_HalfRateData	BOOLEAN	PICS Table A.25 Item 6	half rate data supported
TSPC_HalfRateSpeech	BOOLEAN	PICS Table A.25 Item 3	half rate speech mode supported
TSPC_InCallMod	BOOLEAN	PICS Table A.25 Item 52	In-Call modification supported
TSPC_NoimmConn	BOOLEAN	PICS Table A.25 Item 51	at least one service not support immediate connection
TSPC_Feat_FND	BOOLEAN	PICS Table A.2 Item 21	FND feature supported
TSPC_NonCallSS	BOOLEAN	PICS Table A.25 Item 30	non call related supplementary service supported
TSPC_MTsvc	BOOLEAN	PICS Table A.25 Item 19	at least one MT circuit switched basic service supported
TSPC_MOsvc	BOOLEAN	PICS Table A.25 Item 20	at least one MO circuit switched basic service supported
TSPC_PGSM	BOOLEAN	PICS Table A.1 Item 1	only standard GSM band supported
TSPC_RefusalCall	BOOLEAN	PICS Table A.25 Item 54	refusal of call supported
TSPC_ReplaceSMS	BOOLEAN	PICS Table A.25 Item 33	replace SMS supported
TSPC_ReplyProc	BOOLEAN	PICS Table A.25 Item 32	(SMS) reply procedures supported
TSPC_RFAmp	BOOLEAN	PICS Table A.25 Item 55	RF amplification supported
TSPC_SDCCHOnly	BOOLEAN	PICS Table A.25 Item 21	only SDCCH supported
TSPC_Serv_SS_AoCC	BOOLEAN	PICS Table A.5 Item 14	AOCC SS supported
TSPC_Serv_SS_BAIC	BOOLEAN	PICS Table A.5 Item 18	BAIC SS supported

TSPC_Serv_SS_BI	BOOLEAN	PICS	BI SS supported
TSPC_Serv_SS_BICRoam	BOOLEAN	PICS Table A.5 Item 19	BICRoam SS supported
TSPC_Serv_SS_BAOC	BOOLEAN	PICS Table A.5 Item 15	BAOC SS supported
TSPC_Serv_SS_BOIC	BOOLEAN	PICS Table A.5 Item 16	BOIC SS supported
TSPC_Serv_SS_BOICexHC	BOOLEAN	PICS Table A.5 Item 17	BOICExHC SS supported
TSPC_Serv_SS_CFB	BOOLEAN	PICS Table A.5 Item 6	CFB supported
TSPC_Serv_SS_CFNry	BOOLEAN	PICS Table A.5 Item 7	CFNry supported
TSPC_Serv_SS_CFNrc	BOOLEAN	PICS Table A.5 Item 8	CFNrc supported
TSPC_Serv_SS_CFU	BOOLEAN	PICS Table A.5 Item 5	CFU supported
TSPC_Serv_SS_HOLD	BOOLEAN	PICS Table A.5 Item 10	Call Hold SS supported
TSPC_Serv_SS_MPTY	BOOLEAN	PICS Table A.5 Item 11	multiparty SS supported
TSPC_Serv_SS_unstruct	BOOLEAN	PICS	USSD supported
TSPC_Serv_TS11	BOOLEAN	PICS Table A.3 Item 1	telephony supported
TSPC_Serv_TS12	BOOLEAN	PICS Table A.3 Item 2	emergency call supported
TSPC_Serv_TS21	BOOLEAN	PICS Table A.3 Item 3	SMS MT/PP supported
TSPC_Serv_TS22	BOOLEAN	PICS Table A.3 Item 4	SMS MO/PP supported
TSPC_Serv_TS23	BOOLEAN	PICS Table A.3 Item 5	SMS cell broadcast supported
TSPC_Serv_TS61	BOOLEAN	PICS	alternate speech and G3 fax (TS61) supported
TSPC_Serv_TS62	BOOLEAN	PICS	automatic G3 fax (TS62) supported
TSPC_Serv_BS21	BOOLEAN	PICS Table A.4 Item 1	data circuit duplex async 300 bit/s supported
TSPC_Serv_BS22	BOOLEAN	PICS Table A.4 Item 2	data circuit duplex async 1200 bit/s supported
TSPC_Serv_BS23	BOOLEAN	PICS Table A.4 Item 3	data circuit duplex async 1200/75 bit/s supported
TSPC_Serv_BS24	BOOLEAN	PICS Table A.4 Item 4	data circuit duplex async 2400 bit/s supported
TSPC_Serv_BS25	BOOLEAN	PICS Table A.4 Item 5	data circuit duplex async 4800 bit/s supported
TSPC_Serv_BS26	BOOLEAN	PICS Table A.4 Item 6	data circuit duplex async 9600 bit/s supported
TSPC_Serv_BS31	BOOLEAN	PICS Table A.4 Item 7	data circuit duplex sync 1200 bit/s supported
TSPC_Serv_BS32	BOOLEAN	PICS Table A.4 Item 8	data circuit duplex sync 2400 bit/s supported
TSPC_Serv_BS33	BOOLEAN	PICS Table A.4 Item 9	data circuit duplex sync 4800 bit/s supported
TSPC_Serv_BS34	BOOLEAN	PICS Table A.4 Item 10	data circuit duplex sync 9600 bit/s supported
TSPC_Serv_BS41	BOOLEAN	PICS Table A.4 Item 11	PAD access 300 bit/s supported
TSPC_Serv_BS42	BOOLEAN	PICS Table A.4 Item 12	PAD access 1200 bit/s supported
TSPC_Serv_BS43	BOOLEAN	PICS Table A.4 Item 13	PAD access 1200/75 bit/s supported
TSPC_Serv_BS44	BOOLEAN	PICS Table A.4 Item 14	PAD access 2400 bit/s supported
TSPC_Serv_BS45	BOOLEAN	PICS Table A.4 Item 15	PAD access 4800 bit/s supported
TSPC_Serv_BS46	BOOLEAN	PICS Table A.4 Item 16	PAD access 9600 bit/s supported
TSPC_Serv_BS51	BOOLEAN	PICS Table A.4 Item 17	packet access 2400 bit/s supported
TSPC_Serv_BS52	BOOLEAN	PICS Table A.4 Item 18	packet access 4800 bit/s supported
TSPC_Serv_BS53	BOOLEAN	PICS Table A.4 Item 19	packet access 9600 bit/s supported
TSPC_Serv_BS61	BOOLEAN	PICS	alternate speech/data (BS61) supported
TSPC_Serv_BS81	BOOLEAN	PICS	speech followed data (BS81) supported
TSPC_SMSStatusRepCap	BOOLEAN	PICS Table A.25 Item 35	SMS status report capabilities supported
TSPC_StoreRcvSMSME	BOOLEAN	PICS Table A.25 Item 37	Storage of received SMS in ME supported
TSPC_StoreRcvSMSSIM	BOOLEAN	PICS Table A.25 Item 36	Storage of received SMS in SIM supported
TSPC_SIMRmv	BOOLEAN	PICS Table A.25 Item 40	SIM removable without power down supported
TSPC_SwitchOnOff	BOOLEAN	PICS Table A.2 Item 15	switch on/off supported
TSPC_TranspDataOnly	BOOLEAN	PICS Table A.25 Item 9	only transparent data service supported



TSPC_CC	BOOLEAN	PICS Table A.25 Item 26	CC protocol for at least one BC supported
TSPC_TeleSvc	BOOLEAN	PICS Table A.25 Item 25	at least one teleservice supported
TSPC_EFR	BOOLEAN		Set to TRUE for GSM-900 Phase 2+ (EFR) MS which supports any EFR features, and FALSE otherwise.
TSPC_EFR_Speech_v2	BOOLEAN		Set to TRUE for GSM-900 Phase 2+ (EFR) MS which supports Speech Version 2 and FALSE otherwise.
TSPC_EFR_Speech_v3	BOOLEAN		Set to TRUE for GSM-900 Phase 2+ (EFR) MS which supports Speech Version 3 and FALSE otherwise.
TSPC_EFR_EmgCallBcap	BOOLEAN		Set to TRUE if received ESETUP msg contains bearer capability IE, otherwise FALSE.
TSPC_FullRateSpeech	BOOLEAN	PICS Table A.25 Item 2	full rate speech mode supported
TSPC_FullRateOnly	BOOLEAN	PICS Table A.25 Item 24	only full rate channel type supported
TSPX_AltNb	BOOLEAN	PIXIT	use alternative neighbour cells description. default : FALSE
TSPX_TE_stopbit	B_1	PIXIT	TE conf. number stop bits. default value : '0'B, 1 bit
TSPX_TE_databit	B_1	PIXIT	TE conf. number data bits. default value : '1'B, 8 bits
TSPX_TE_FLCT	FLWCNTL	PIXIT	TE flow control. default : 0, outband flow control
TSPX_TE_parity	B_3	PIXIT	TE conf. parity. default : '001'B, no parity
TSPX_BS_21_itc1	B_3	PIXIT	itc value supported for BS21. default value : '001'B, UDI
TSPX_BS_21_more_itc	BOOLEAN	PIXIT	more than one itc value supported by BS21. default value : FALSE, only one itc
TSPX_BS_21_T_NT	BOOLEAN	PIXIT	both T and NT supported by BS21. default value : FALSE, not support both transparent and non transparent modes
TSPX_BS_21_ce	B_2	PIXIT	ce value used in MO call and if the answer to TSPX_BS_21_T_NT is FALSE, the manufacturer must precise which mode is supported by the MS. default value : '00'B, transparent mode
TSPX_BS_21_sacp	B_3	PIXIT	sacp value used in MO call. default value : '001'B, I440/450
TSPX_BS_21_itc2	B_3	PIXIT	other itc value supported by BS21, it shall be differenet from the previous one if the answer to TSPX_BS_21_more_itc is TRUE. default value : '001'B, UDI
TSPX_BS_22_itc1	B_3	PIXIT	itc value supported by BS22. default value : '010'B, 3.1kHz audio, exPLMN
TSPX_BS_22_more_itc	BOOLEAN	PIXIT	more than one itc value supported by BS22. default value : FALSE, only one itc
TSPX_BS_22_T_NT	BOOLEAN	PIXIT	both T and NT supported by BS22. default value : FALSE, not support both transparent and non transparent modes
TSPX_BS_22_ce	B_2	PIXIT	ce value used in MO call and if the answer to TSPX_BS_22_T_NT is FALSE, the manufacturer must precise which mode is supported by the MS. default value : '01'B, non transparent
TSPX_BS_22_sacp	B_3	PIXIT	sacp value used in MO call. default value : '001'B, I440/450

TSPX_BS_22_itc2	B_3	PIXIT	other itc value supported by BS22, it shall be differenet from the previous one if the answer to TSPX_BS_22_more_itc is TRUE. default value : '010'B, 3.1kHz audio, exPLMN
TSPX_BS_23_itc	B_3	PIXIT	itc value supported by BS23. default value : '010'B, 3.1kHz audio, exPLMN
TSPX_BS_23_T_NT	BOOLEAN	PIXIT	both T and NT supported for BS23. default value : FALSE, not support both transparent and non transparent modes
TSPX_BS_23_ce	B_2	PIXIT	ce value used in MO call. default value : '00'B, transparent
TSPX_BS_23_sacp	B_3	PIXIT	sacp value used in MO call. default value : '001'B, I440/450
TSPX_BS_24_itc1	B_3	PIXIT	itc value supported by BS24. default value : '010'B, 3.1kHz audio, exPLMN
TSPX_BS_24_more_itc	BOOLEAN	PIXIT	more than one itc value supported by BS24. default value : FALSE, only one itc
TSPX_BS_24_T_NT	BOOLEAN	PIXIT	both T and NT supported by BS24. default value : FALSE, not support both transparent and non transparent modes
TSPX_BS_24_ce	B_2	PIXIT	ce value used in MO call and if the answer to TSPX_BS_24_T_NT is FALSE, the manufacturer must precise which mode is supported by the MS. default value : '00'B, transparent
TSPX_BS_24_sacp	B_3	PIXIT	sacp value used in MO call. default value : '001'B, I440/450
TSPX_BS_24_itc2	B_3	PIXIT	other itc value supported by BS24, it shall be differenet from the previous one if the answer to TSPX_BS_24_more_itc is TRUE. default value : '010'B, 3.1kHz audio, exPLMN
TSPX_BS_25_itc1	B_3	PIXIT	itc value supported by BS25. default value : '001'B, UDI
TSPX_BS_25_more_itc	BOOLEAN	PIXIT	more than one itc value supported by BS25. default value : FALSE, only one itc
TSPX_BS_25_T_NT	BOOLEAN	PIXIT	both T and NT supported by BS25. default value : FALSE, not support both transparent and non transparent modes
TSPX_BS_25_ce	B_2	PIXIT	ce value used in MO call and if the answer to TSPX_BS_25_T_NT is FALSE, the manufacturer must precise which mode is supported by the MS. default value : '00'B, transparent
TSPX_BS_25_sacp	B_3	PIXIT	sacp value used in MO call. default value : '001'B, I440/450
TSPX_BS_25_itc2	B_3	PIXIT	other itc value supported by BS25, it shall be differenet from the previous one if the answer to TSPX_BS_25_more_itc is TRUE. default value : '001'B, UDI
TSPX_BS_26_itc1	B_3	PIXIT	itc value supported by BS26. default value : '010'B, 3.1kHz audio, exPLMN
TSPX_BS_26_more_itc	BOOLEAN	PIXIT	more than one itc value supported by BS26. default value : FALSE, only one itc
TSPX_BS_26_T_NT	BOOLEAN	PIXIT	both T and NT supported by BS26. default value : FALSE, not support both transparent and non

TSPX_BS_26_ce	B_2	PIXIT	transparent modes ce value used in MO call and if the answer to TSPX_BS_26_T_NT is FALSE, the manufacturer must precise which mode is supported by the MS. default value : '00'B, transparent
TSPX_BS_26_sacp	B_3	PIXIT	sacp value used in MO call. default value : '001'B, I440/450
TSPX_BS_26_itc2	B_3	PIXIT	other itc value supported by BS26, it shall be differenet from the previous one if the answer to TSPX_BS_26_more_itc is TRUE. default value : '010'B, 3.1kHz audio, exPLMN
TSPX_BS_31_more_itc	BOOLEAN	PIXIT	more than one itc value supported by BS31. default value : FALSE, only one itc
TSPX_BS_31_more_sacp	BOOLEAN	PIXIT	more than one sacp value supported by BS31. default value : FALSE, only one sacp
TSPX_BS_31_itc1	B_3	PIXIT	itc value supported by BS31. default value : '001'B, UDI
TSPX_BS_31_sacp1	B_3	PIXIT	sacp value supported by BS31. default value : '001'B, I440/450
TSPX_BS_31_itc2	B_3	PIXIT	other itc value supported by BS31, it shall be differenet from the previous one if the answer to TSPX_BS_31_more_itc is TRUE. default value : '001'B, UDI
TSPX_BS_31_sacp2	B_3	PIXIT	other sacp value supported by BS31, it shall be differenet from the previous one if the answer to TSPX_BS_31_more_sacp is TRUE. default value : '001'B, I440/450
TSPX_BS_32_itc1	B_3	PIXIT	itc value supported by BS32. default value : '010'B, 3.1kHz audio, exPLMN
TSPX_BS_32_more_itc	BOOLEAN	PIXIT	more than one itc value supported by BS32. default value : FALSE, only one itc
TSPX_BS_32_more_sacp	BOOLEAN	PIXIT	more than one sacp value supported by BS32. default value : FALSE, only one sacp
TSPX_BS_32_sacp1	B_3	PIXIT	sacp value supported by BS32. default value : '110'B, X.32
TSPX_BS_32_X32_T_NT	BOOLEAN	PIXIT	BS 32 both T and NT supported for X32 3.1kHz. default value : FALSE, not support both transparent and non transparent modes
TSPX_BS_32_X32_ce	B_2	PIXIT	if the answer to TSPX_BS_32_X32_T_NT is FALSE, the manufacturer must precise which mode is supported by the MS. default value : '01'B, non transparent
TSPX_BS_32_itc2	B_3	PIXIT	other itc value supported by BS32, it shall be differenet from the previous one if the answer to TSPX_BS_32_more_itc is TRUE. default value : '010'B, 3.1kHz audio, exPLMN
TSPX_BS_32_sacp2	B_3	PIXIT	other sacp value supported by BS32, it shall be differenet from the previous one if the answer to TSPX_BS_32_more_sacp is TRUE. default value : '110'B, X.32
TSPX_BS_33_itc1	B_3	PIXIT	itc value supported by BS33. default value : '001'B, UDI
TSPX_BS_33_more_itc	BOOLEAN	PIXIT	more than one itc value supported by BS33. default value : FALSE,

TSPX_BS_33_more_sacp	BOOLEAN	PIXIT	only one itc
TSPX_BS_33_sacp1	B_3	PIXIT	more than one sacp value supported by BS33. default value : FALSE, only one sacp
TSPX_BS_33_X32_T_NT	BOOLEAN	PIXIT	sacp value supported by BS33. default value : '010'B, X.21
TSPX_BS_33_X32_ce	B_2	PIXIT	BS 33 both T and NT supported for X32 3.1kHz. default value : FALSE, not support both transparent and non transparent modes
TSPX_BS_33_itc2	B_3	PIXIT	if the answer to TSPX_BS_33_X32_T_NT is FALSE, the manufacturer must precise which mode is supported by the MS. default value : '00'B, transparent
TSPX_BS_33_sacp2	B_3	PIXIT	other itc value supported by BS32, it shall be differenet from the previous one if the answer to TSPX_BS_33_more_itc is TRUE. default value : '001'B, UDI
TSPX_BS_34_itc1	B_3	PIXIT	other sacp value supported by BS33, it shall be differenet from the previous one if the answer to TSPX_BS_33_more_sacp is TRUE. default value : '010'B, X.21
TSPX_BS_34_more_itc	BOOLEAN	PIXIT	itc value supported by BS34. default value : '010'B, 3.1kHz audio, exPLMN
TSPX_BS_34_more_sacp	BOOLEAN	PIXIT	more than one itc value supported by BS34. default value : FALSE, only one itc
TSPX_BS_34_sacp1	B_3	PIXIT	more than one sacp value supported by BS34. default value : FALSE, only one sacp
TSPX_BS_34_X32_T_NT	BOOLEAN	PIXIT	sacp value supported by BS34. default value : '001'B, I440/450
TSPX_BS_34_X32_ce	B_2	PIXIT	BS 34 both T and NT supported for X32 3.1kHz. default value : FALSE, not support both transparent and non transparent modes
TSPX_BS_34_itc2	B_3	PIXIT	if the answer to TSPX_BS_34_X32_T_NT is FALSE, the manufacturer must precise which mode is supported by the MS. default value : '00'B, transparent
TSPX_BS_34_sacp2	B_3	PIXIT	other itc value supported by BS34, it shall be differenet from the previous one if the answer to TSPX_BS_34_more_itc is TRUE. default value : '010'B, 3.1kHz audio, exPLMN
TSPX_BS_41_T_NT	BOOLEAN	PIXIT	other sacp value supported by BS34, it shall be differenet from the previous one if the answer to TSPX_BS_34_more_sacp is TRUE. default value : '001'B, I440/450
TSPX_BS_41_ce	B_2	PIXIT	BS41 both T and NT supported . default value : FALSE, not support both
TSPX_BS_42_T_NT	BOOLEAN	PIXIT	ce value used in BS41 MO call. default value : '00'B, transparent
TSPX_BS_42_ce	B_2	PIXIT	BS42 both T and NT supported . default value : FALSE, not support both transparent and non transparent modes
TSPX_BS_43_T_NT	BOOLEAN	PIXIT	ce value used in BS42 MO call. default value : '010'B, non transparent
			BS43 both T and NT supported .

TSPX_BS_43_ce	B_2	PIXIT	default value : FALSE, not support both transparent and non transparent modes
TSPX_BS_44_T_NT	BOOLEAN	PIXIT	ce value used in BS43 MO call. default value : '00'B, transparent
TSPX_BS_44_ce	B_2	PIXIT	BS44 both T and NT supported . default value : FALSE, not support both transparent and non transparent modes
TSPX_BS_45_T_NT	BOOLEAN	PIXIT	ce value used in BS44 MO call. default value : '00'B, transparent
TSPX_BS_45_ce	B_2	PIXIT	BS45 both T and NT supported . default value : FALSE, not support both transparent and non transparent modes
TSPX_BS_46_T_NT	BOOLEAN	PIXIT	ce value used in BS45 MO call. default value : '01'B, non transparent
TSPX_BS_46_ce	B_2	PIXIT	BS46 both T and NT supported . default value : FALSE, not support both transparent and non transparent modes
TSPX_BS_61_S	BOOLEAN	PIXIT	ce value used in BS46 MO call. default value : '00'B, transparent
TSPX_BS_61_S_more_ur	BOOLEAN	PIXIT	synchronous data supported by BS 61 . default value : TRUE, synchronous mode
TSPX_BS_61_S_ur1	B_4	PIXIT	more than one user rate for synchronous data service supported by BS61. default value : FALSE, only ine user rate
TSPX_BS_61_S_ur2	B_4	PIXIT	usrer rate value supported for synchronous data service of BS61. default value : '0100'B, 4.8 kbit/s
TSPX_BS_61_A	BOOLEAN	PIXIT	another usrer rate value supported for synchronous data service of BS61. it shall be different from the previous one if the answer to TSPX_BS_61_S_more_ur is TRUE. default value : '0100'B, 4.8 kbit/s
TSPX_BS_61_A_ur1	B_4	PIXIT	asynchronous data service supported by BS61 . default value : TRUE, asynchronous
TSPX_BS_61_A_ur1_T_NT	BOOLEAN	PIXIT	usrer rate value supported for asynchronous data service of BS61. default value : '0101'B, 9.6 kbit/s
TSPX_BS_61_A_ur1_ce	B_2	PIXIT	both T and NT supported for the rate TSPX_BS_61_A_ur1 of BS61. default value : FALSE, not support both transparent and non transparent modes
TSPX_BS_61_A_more_ur	BOOLEAN	PIXIT	if the answer to TSPX_BS_61_A_ur1_T_NT is FALSE, the manufacturer must precise which mode is supported by the MS. default value : '00'B, transparent
TSPX_BS_61_A_ur2	B_4	PIXIT	more than one user rate for asynchronous data service supported by BS61. default value : FALSE, only one user rate
TSPX_BS_61_A_ur2_T_NT	BOOLEAN	PIXIT	another usrer rate value supported for asynchronous data service of BS61. it shall be different from the previous one if the answer to TSPX_BS_61_A_more_ur is TRUE. default value : '0101'B, 9.6 kbit/s
			both T and NT supported for the rate TSPX_BS_61_A_ur2 of

TSPX_BS_81_S	BOOLEAN	PIXIT	BS61. default value : FALSE, not support both transparent and non transparent modes
TSPX_BS_81_S_more_ur	BOOLEAN	PIXIT	synchronous data supported by BS 81. default value : TRUE, synchronous mode
TSPX_BS_81_S_ur1	B_4	PIXIT	more than one user rate for synchronous data service supported by BS81. default value : FALSE, only one user rate
TSPX_BS_81_S_ur2	B_4	PIXIT	usrer rate value supported for synchronous data service of BS81. default value : '0101'B, 9.6 kbit/s
TSPX_BS_81_A	BOOLEAN	PIXIT	another usrer rate value supported for synchronous data service of BS81. it shall be different from the previous one if the answer to TSPX_BS_81_S_more_ur is TRUE. default value : '0101'B, 9.6 kbit/s
TSPX_BS_81_A_ur1	B_4	PIXIT	asynchronous data service supported by BS81. default value : TRUE, asynchronous mode
TSPX_BS_81_A_ur1_T_NT	BOOLEAN	PIXIT	usrer rate value supported for asynchronous data service of BS81. default value : '0100'B, 4.8 kbit/s
TSPX_BS_81_A_ur1_ce	B_2	PIXIT	both T and NT supported for the rate TSPX_BS_81_A_ur1 of BS81. default value : FALSE, not support both transparent and non transparent modes
TSPX_BS_81_A_more_ur	BOOLEAN	PIXIT	if the answer to TSPX_BS_81_A_ur1_T_NT is FALSE, the manufacturer must precise which mode is supported by the MS. default value : '01'B, non transparent
TSPX_BS_81_A_ur2	B_4	PIXIT	more than one user rate for asynchronous data service supported by BS81. default value : FALSE, only one user rate
TSPX_BS_81_A_ur2_T_NT	BOOLEAN	PIXIT	another usrer rate value supported for asynchronous data service of BS81. it shall be different from the previous one if the answer to TSPX_BS_81_A_more_ur is TRUE. default value : '0100'B, 4.8 kbit/s
TSPX_TS_61_T_NT	BOOLEAN	PIXIT	both T and NT supported for the rate TSPX_BS_81_A_ur2 of BS81. default value : FALSE, not support both transparent and non transparent modes
TSPX_TS_61_ce	B_2	PIXIT	both T and NT supported for TS61(fax). default value : FALSE, not support both transparent and non transparent modes
TSPX_TS_61_ur1	B_4	PIXIT	if the answer to TSPX_TS_61_T_NT is FALSE, the manufacturer must precise which mode is supported by the MS. default value : '01'B, non transparent
TSPX_TS_61_more_ur	BOOLEAN	PIXIT	user rate for TS61(fax). default value : '0101'B, 9.6 kbit/s
TSPX_TS_61_ur2	B_4	PIXIT	more than one user rate supported for TS61. default value : FALSE, only one user rate
			another user rate for TS61, it shall be different from the previous one if the answer to

TSPX_TS_62_T_NT	BOOLEAN	PIXIT	TSPX_TS_61_more_ur is TRUE. default value : '0101'B, 9.6 kbit/s both T and NT supported for TS62. default value : FALSE, not support both transparent and non transparent modes
TSPX_TS_62_ce	B_2	PIXIT	if the answer to TSPX_TS_62_T_NT is FALSE, the manufacturer must precise which mode is supported by the MS. default value : '00'B, transparent
TSPX_TS_62_ur1	B_4	PIXIT	user rate for TS62. default value : '0100'B, 4.8 kbit/s
TSPX_TS_62_more_ur	BOOLEAN	PIXIT	more than one user rate supported by TS62. default value : FALSE, only one user rate
TSPX_TS_62_ur2	B_4	PIXIT	another user rate for TS62, it shall be different from the previous one if the answer to TSPX_TS_62_more_ur is TRUE. default value : '0100'B, 4.8 kbit/s
TSPX_DTMF	B_1	PIXIT	call control capabilities: value '1'B means MS supports DTMF
TSPX_modF	CHMOD_VAL	PIXIT	any non signalling full rate channel mode for TC_26_6_4_1
TSPX_modH	CHMOD_VAL	PIXIT	any non signalling half channel mode for TC_26_6_4_1
TSPX_anymod	CHMOD_VAL	PIXIT	channel mode for TC_62_10_2_4_2. Any supported value except signalling and Full rate speech. possible values are '00000011'B' 12k data, '00001011'B' 6k data, '0010011'B' 3.6k data
TSPX_CKSNA	CKSN	PIXIT	cipher key sequence number
TSPX_CKSNB	CKSN	PIXIT	cipher key sequence number
TSPX_CKSNC	CKSN	PIXIT	cipher key sequence number
TSPX_CKSNDf	CKSN	PIXIT	default cipher key sequence number
TSPX_RfPwrCap	B_3	PIXIT	RF power capability
TSPX_RevLevel	B_2	PIXIT	Revision level of classmark 1
TSPX_CiphAlgA5_1	B_1	PIXIT	A5/1 algorithm: '1'B : available, '0'B: not available
TSPX_CiphAlgA5_2	B_1	PIXIT	A5/2 algorithm: '1'B : available, '0'B: not available
TSPX_CiphAlgA5_3	B_1	PIXIT	A5/3 algorithm: '1'B : available, '0'B: not available
TSPX_CiphAlgA5_4	B_1	PIXIT	A5/4 algorithm: '1'B : available, '0'B: not available
TSPX_CiphAlgA5_5	B_1	PIXIT	A5/5 algorithm: '1'B : available, '0'B: not available
TSPX_CiphAlgA5_6	B_1	PIXIT	A5/6 algorithm: '1'B : available, '0'B: not available
TSPX_CiphAlgA5_7	B_1	PIXIT	A5/7 algorithm: '1'B : available, '0'B: not available
TSPX_pSyncCap	B_1	PIXIT	pseudo synchronisation capability, '0'B: not present '1'B: present
TSPX_SSscrnInd	B_2	PIXIT	SS screen indicator
TSPX_SMCap	B_1	PIXIT	short message capability, '0'B: not present '1'B: present
TSPX_freqCap	B_1	PIXIT	frequency capability. DCS: reserved, GSM: '0'B not support extension band, '1'B support extension band
TSPX_ClsMk3	B_1	PIXIT	classmark 3 indicator, '0'B no additional capability info, '1'B additional capability info in class mark 3
TSPX_RfPwrCapAmp	B_3	PIXIT	RF power capability with external RF amplifier

TSPX_CphAlgA	CPHALG	PIXIT	any supported ciphering algorithm
TSPX_CphAlgB	CPHALG	PIXIT	ciphering algorithm supported
TSPX_CphAlgC	CPHALG	PIXIT	ciphering algorithm supported
TSPX_CphAlgD	CPHALG	PIXIT	ciphering algorithm supported
TSPX_CphAlgE	CPHALG	PIXIT	ciphering algorithm supported
TSPX_CphAlgDef	CPHALG	PIXIT	default ciphering algorithm
TSPX_DTMFInd	BOOLEAN	PIXIT	DTMF indication to user supported
TSPX_NoOfHoAccA	INTEGER	PIXIT	number of handover access bursts, value range 10 - 20
TSPX_NoOfHoAccB	INTEGER	PIXIT	number of handover access bursts, value range 10 - 20
TSPX_NoOfHoAccC	INTEGER	PIXIT	number of handover access bursts, value range 10 - 20
TSPX_NoOfHoAccD	INTEGER	PIXIT	number of handover access bursts, value range 5 - 10
TSPX_NoOfHoAccE	INTEGER	PIXIT	number of handover access bursts, value range 5 - 10
TSPX_NoOfHoAccF	INTEGER	PIXIT	number of handover access bursts, value range 5 - 10
TSPX_NoOfHoAccG	INTEGER	PIXIT	number of handover access bursts, value range 2 - 5
TSPX_NoOfHoAccH	INTEGER	PIXIT	number of handover access bursts, value range 2 - 5
TSPX_NoOfHoAccI	INTEGER	PIXIT	number of handover access bursts, value range 2 - 5
TSPX_HoRefA	HORF	PIXIT	Hand over reference, GSM 04.08, 10.5.2.15
TSPX_HoRefB	HORF	PIXIT	Hand over reference, GSM 04.08, 10.5.2.15
TSPX_HoRefC	HORF	PIXIT	Hand over reference, GSM 04.08, 10.5.2.15
TSPX_HoRefD	HORF	PIXIT	Hand over reference, GSM 04.08, 10.5.2.15
TSPX_HoRefE	HORF	PIXIT	Hand over reference, GSM 04.08, 10.5.2.15
TSPX_HoRefF	HORF	PIXIT	Hand over reference, GSM 04.08, 10.5.2.15
TSPX_HoRefG	HORF	PIXIT	Hand over reference, GSM 04.08, 10.5.2.15
TSPX_HoRefH	HORF	PIXIT	Hand over reference, GSM 04.08, 10.5.2.15
TSPX_HoRefI	HORF	PIXIT	Hand over reference, GSM 04.08, 10.5.2.15
TSPX_HoRefJ	HORF	PIXIT	Hand over reference, GSM 04.08, 10.5.2.15
TSPX_HSN	INTEGER	PIXIT	Hopping sequence number value range: 0 - 63
TSPX_IMSI	HEXSTRING	PIXIT	IMSI of the MS
TSPX_IMEI	HEXSTRING	PIXIT	IMEI of the MS.
TSPX_IMEISV	HEXSTRING	PIXIT	IMEISV of the MS. Used in: TC_26_6_8_5, TC_26_7_3_1
TSPX_Ki	BITSTRING	PIXIT	default authentication key used in testing
TSPX_MAIO	INTEGER	PIXIT	mobile allocation index offset, value range: 0 - 63
TSPX_MaxRetrans	INTEGER	PIXIT	Max-Retrans
TSPX_MSTxpwrMax	MAXTXPOW	PIXIT	maximum output power from MS
TSPX_PwrIvlA	INTEGER	PIXIT	power level, value between 2 to 15
TSPX_PwrIvlB	INTEGER	PIXIT	power level, value between 2 to 15
TSPX_PwrIvlC	INTEGER	PIXIT	power level, value between 2 to 15
TSPX_PwrIvlD	INTEGER	PIXIT	power level, value between 2 to 15
TSPX_RANDA	RAND	PIXIT	challenge RAND



TSPX_RANDB	RAND	PIXIT	challenge RAND
TSPX_RANDC	RAND	PIXIT	challenge RAND
TSPX_RANDDef	RAND	PIXIT	default challenge RAND
TSPX_SDCCH4SubA	B_2	PIXIT	TDMA offset of SDCCH/4 subchannel
TSPX_SDCCH4SubB	B_2	PIXIT	TDMA offset of SDCCH/4 subchannel
TSPX_SDCCH4SubC	B_2	PIXIT	TDMA offset of SDCCH/4 subchannel
TSPX_SDCCH4SubDef	B_2	PIXIT	TDMA offset of default SDCCH/4 subchannel
TSPX_SDCCH8SubA	B_3	PIXIT	TDMA offset of SDCCH/8 subchannel
TSPX_SDCCH8SubB	B_3	PIXIT	TDMA offset of SDCCH/8 subchannel
TSPX_SDCCH8SubC	B_3	PIXIT	TDMA offset of SDCCH/8 subchannel
TSPX_SDCCH8SubD	B_3	PIXIT	TDMA offset of SDCCH/8 subchannel
TSPX_SDCCH8SubE	B_3	PIXIT	TDMA offset of SDCCH/8 subchannel
TSPX_SDCCH8SubF	B_3	PIXIT	TDMA offset of SDCCH/8 subchannel
TSPX_SDCCH8SubG	B_3	PIXIT	TDMA offset of SDCCH/8 subchannel
TSPX_SDCCH8SubDef	B_3	PIXIT	TDMA offset of default SDCCH/8 subchannel
TSPX_TC1M	INTEGER	PIXIT	timer value for GSM timer TC1M (for SMS)
TSPX_MaxCPDataRetx	INTEGER	PIXIT	max. number of CP data retransmissions for SMS
TSPX_Imconn	BOOLEAN	PIXIT	Immediate connect supported
TSPX_TimadvA	INTEGER	PIXIT	timing advance
TSPX_TimadvB	INTEGER	PIXIT	timing advance
TSPX_TimadvC	INTEGER	PIXIT	timing advance
TSPX_TmSltA	SN	PIXIT	time slot
TSPX_TmSltB	SN	PIXIT	time slot
TSPX_TmSltC	SN	PIXIT	time slot
TSPX_TmSltD	SN	PIXIT	time slot
TSPX_TmSltE	SN	PIXIT	time slot
TSPX_TmSltF	SN	PIXIT	time slot
TSPX_TmSltG	SN	PIXIT	time slot
TSPX_TmSltDef	SN	PIXIT	default time slot
TSPX_TmSltNotZero	SN	PIXIT	time slot, arbitrarily value, but not zero.
TSPX_TmSltNotZero1	SN	PIXIT	time slot, arbitrarily value, but not zero and not TSPX_TmSltNotZero
TSPX_Txint	INTEGER	PIXIT	Tx-Integer
TSPX_TscA	TSC	PIXIT	training sequence code
TSPX_TscB	TSC	PIXIT	training sequence code
TSPX_TscC	TSC	PIXIT	training sequence code
TSPX_TscD	TSC	PIXIT	training sequence code
TSPX_TscE	TSC	PIXIT	training sequence code
TSPX_TscF	TSC	PIXIT	training sequence code
TSPX_TscG	TSC	PIXIT	training sequence code
TSPX_TscDef	TSC	PIXIT	default TSC
TSPX_T3122	WI	PIXIT	value of timer T3122, HEXSTRING[2]
TSPX_TCHcarrierA_ho	INTEGER	PIXIT	the value can be chosen arbitrarily from cell allocation of cell A (GSM), but not BCCH carrier .possible value is : 10, 17, 26, 34, 42, 45, 46, 52, 59, 66, 73, 74, 75, 76, 108, 114
TSPX_TCHcarrierA_hod	INTEGER	PIXIT	the value can be chosen arbitrarily from cell allocation of cell A (DCS), but not BCCH carrier . possible value is :

			734,741,754,759,762,766,767,773,775,779,782,791,798,829,832,844
TSPX_TCHcarrierB	INTEGER	PIXIT	TCH and SDCCH channel frequency number of cell B (GSM)
TSPX_TCHcarrierBd	INTEGER	PIXIT	TCH and SDCCH channel frequency number of cell B (DCS)
TSPX_TCHcarrierB_ho	INTEGER	PIXIT	the value can be chosen arbitrarily from cell allocation of cell B (GSM), but not BCCH carrier . possibles value is : 14,18,22,24,30,31,38,60,66,73,74,75,76,108,114
TSPX_TCHcarrierB_hod	INTEGER	PIXIT	not BCCH carrier of cell B. the value can be chosen arbitrarily from cell allocation of cell B (DCS), which is (739,743,746,749,756,758,761,771,779,782,791,798,829,832,844)
TSPX_TCHcarrierB2_ho	INTEGER	PIXIT	Chosen arbitrarily from cell allocation B for GSM HO cases, but not BCCH carrier!
TSPX_TCHcarrierB2_hod	INTEGER	PIXIT	Chosen arbitrarily from cell allocation B for DCS HO cases, but not BCCH carrier!
TSPX_TCHHSubA	B_1	PIXIT	TDMA offset of half rate subchannel
TSPX_TCHHSubDef	B_1	PIXIT	TDMA offset of default half rate subchannel
TSPX_TMSI	TMSI_V	PIXIT	TMSI of the MS used in test
TSPX_TMSI1	TMSI_V	PIXIT	another TMSI used in test which shall differ from TSPX_TMSI, TSPX_TMSI + '01'O TSPX_TMSI + '02'O TSPX_TMSI + '03'O
TSPX_Uupd	B_8	PIXIT	user-user protocol discriminator
TSPX_UuInfo	OCTETSTRING	PIXIT	user-user information
TSPX_k	INTEGER	PIXIT	timing of cell A before cell B k bit periods for TC_26_6_5_1, TC_26_6_5_2_?, TC_26_6_5_3_?, TC_26_6_5_4_?.
TSPX_y	INTEGER	PIXIT	timing advance for TC_26_6_5_3_?, TC_26_6_5_4_?, TC_26_6_5_5_?. The values of TSPX_k (or TSPX_k1) and TSPX_y: $0 < (2 * TSPX_k + TSPX_y) \text{ MOD } 256 < 60$ .
TSPX_k1	INTEGER	PIXIT	timing of cell A before cell B k bit periods for TC_26_6_5_5_?
TSPX_k2	INTEGER	PIXIT	timing of cell A before cell B k bit periods for TC_26_6_5_6
TSPX_y2	INTEGER	PIXIT	timing advance for TC_26_6_5_6, value range : 11 - 62.
TSPX_k3	INTEGER	PIXIT	timing of cell A before cell B k bit periods for TC_26_6_5_7
TSPX_y3	INTEGER	PIXIT	timing advance for TC_26_6_5_7
TSPX_nPara	INTEGER	PIXIT	the n'th ChReq for TC_26_6_1_2, shall be choose to [1..8], MAXRETRANS for TC_26_6_1_2 is 7 (See 11.10 for more explanation).
TSPX_kPara	INTEGER	PIXIT	the k'th ChReq for TC_26_6_1_2
TSPX_rPara	INTEGER	PIXIT	the r'th ChReq for TC_26_6_1_2
TSPX_i1Para	INTEGER	PIXIT	for TC_26_1_2
TSPX_i2Para	INTEGER	PIXIT	for TC_26_1_2
TSPX_i3Para	INTEGER	PIXIT	the r'th ChReq for TC_26_6_1_2
TSPX_n1Para	INTEGER	PIXIT	the n'th ChReq for TC_26_6_1_3
TSPX_i4Para	INTEGER	PIXIT	for TC_26_6_1_3
TSPX_xPara	INTEGER	PIXIT	t3122 for TC_26_6_1_3
TSPX_AGBLKS1	INTEGER	PIXIT	BS-AG-BLKS-RES for

TSPX_PAMFRMS1	INTEGER	PIXIT	TC_26_6_2_3_1, TC_26_6_2_1_1
TSPX_CcchConf1	CCCH_CON	PIXIT	BS-PA-MFRMS for TC_26_6_2_3_1 (shall not be set to 9), TC_26_6_2_1_1
TSPX_PgSubch	INTEGER	PIXIT	paging subchannel for TC_26_6_2_3_1, TC_26_6_2_1_1
TSPX_AGBLKS2	INTEGER	PIXIT	paging subchannel for TC_26_6_2_3_1
TSPX_PAMFRMS2	INTEGER	PIXIT	BS-AG-BLKS-RES for TC_26_6_2_3_2, TC_26_6_2_1_2
TSPX_CcchConf2	CCCH_CON	PIXIT	BS-PA-MFRMS for TC_26_6_2_3_2, TC_26_6_2_1_2
TSPX_AGBLKS3	INTEGER	PIXIT	paging subchannel for TC_26_6_2_3_2, TC_26_6_2_1_2
TSPX_PAMFRMS3	INTEGER	PIXIT	BS-AG-BLKS-RES for TC_26_6_2_4, TC_26_6_2_2, TC_26_6_2_1_3
TSPX_CcchConf3	CCCH_CON	PIXIT	BS-PA-MFRMS for TC_26_6_2_4, TC_26_6_2_2, TC_26_6_2_1_3
TSPX_AGBLKS4	INTEGER	PIXIT	paging subchannel for TC_26_6_2_4, TC_26_6_2_2, TC_26_6_2_1_3
TSPX_PAMFRMS4	INTEGER	PIXIT	BS-AG-BLKS-RES for TC_26_6_2_5
TSPX_CcchConf4	CCCH_CON	PIXIT	BS-PA-MFRMS for TC_26_6_2_5
TSPX_Chtp1	CH_TDMA	PIXIT	paging subchannel for TC_26_6_2_5 (shall be in the set (‘010’, ‘100’, ‘110’))
TSPX_ChMod1	CHMOD_VAL	PIXIT	channel type for TC_26_6_13_1, any value supported by the MS
TSPX_Maio1	INTEGER	PIXIT	channel mode for TC_26_6_13_1, any value for the channel type of TSPX_Chtp1
TSPX_Ma1	MAC	PIXIT	hopping parameter for TC_26_6_13_1, its value between 0 and (the number of frequencies) -1, which is defined in TSPX_Ma1, default : 2
TSPX_Hsn1	INTEGER	PIXIT	mobile allocation for TC_26_6_13_1, its value shall indicate number of frequencies between 1 and 17. default : ‘010101’O
TSPX_Maio2	INTEGER	PIXIT	hopping parameter for TC_26_6_13_1. default: 1
TSPX_Ma2	MAC	PIXIT	hopping parameter for TC_26_6_13_1, its value between 0 and (the number of frequencies) -1, which is defined in TSPX_Ma2, default : 8
TSPX_Hsn2	INTEGER	PIXIT	mobile allocation for TC_26_6_13_1, its value shall indicate number of frequencies between 1 and 17. default :‘01362A5’O
TSPX_Maio3	INTEGER	PIXIT	hopping parameter for TC_26_6_13_1, default : 6
TSPX_Ma3	MAC	PIXIT	hopping parameter for TC_26_6_13_1, its value between 0 and (the number of frequencies) -1, which is defined in TSPX_Ma3, default : 14
			mobile allocation for TC_26_6_13_1, its value shall indicate number of frequencies between 1 and 17. default :‘01FFFA’O

TSPX_Hsn3	INTEGER	PIXIT	hopping parameter for TC_26_6_13_1, default : 0
TSPX_Chtp2	CH_TDMA	PIXIT	channel type for TC_26_6_13_2, any value supported by the MS
TSPX_ChMod2	CHMOD_VAL	PIXIT	channel mode for TC_26_6_13_2
TSPX_Maio4	INTEGER	PIXIT	hopping parameter for TC_26_6_13_2, its value between 0 and (the number of frequencies) -1, which is defined in TSPX_Ma4, default : 3
TSPX_Ma4	MAC	PIXIT	mobile allocation for TC_26_6_13_2, its value shall indicate number of frequencies between 1 and 17. default : '001141'O
TSPX_Hsn4	INTEGER	PIXIT	hopping parameter for TC_26_6_13_2, default : 0
TSPX_Maio5	INTEGER	PIXIT	hopping parameter for TC_26_6_13_2, its value between 0 and (the number of frequencies) -1, which is defined in TSPX_Ma5, default : 9
TSPX_Ma5	MAC	PIXIT	mobile allocation for TC_26_6_13_2, its value shall indicate number of frequencies between 1 and 17. default : '01ABCBO
TSPX_Hsn5	INTEGER	PIXIT	hopping parameter for TC_26_6_13_2, default : 16
TSPX_Chtp3	CH_TDMA	PIXIT	channel type for TC_26_6_13_3, any value supported by the MS
TSPX_Maio6	INTEGER	PIXIT	hopping parameter for TC_26_6_13_3, its value between 0 and (the number of frequencies) -1, which is defined in TSPX_Ma6, default : 4
TSPX_Ma6	MAC	PIXIT	mobile allocation for TC_26_6_13_3, its value shall indicate number of frequencies between 1 and 17. default : '006248'O
TSPX_Hsn6	INTEGER	PIXIT	hopping parameter for TC_26_6_13_3, default : 4
TSPX_Maio7	INTEGER	PIXIT	hopping parameter for TC_26_6_13_3, its value between 0 and (the number of frequencies) -1, which is defined in TSPX_Ma7, default : 10
TSPX_Ma7	MAC	PIXIT	mobile allocation for TC_26_6_13_3, its value shall indicate number of frequencies between 2 and 17. default : '009AFBO
TSPX_Chtp4	CH_TDMA	PIXIT	channel type for TC_26_6_13_3, any value supported by the MS
TSPX_Maio8	INTEGER	PIXIT	hopping parameter for TC_26_6_13_3, its value between 0 and (the number of frequencies) -1, which is defined in TSPX_Ma8, default : 1
TSPX_Ma8	MAC	PIXIT	mobile allocation for TC_26_6_13_3, its value shall indicate number of frequencies between 2 and 17. default : '002800'O
TSPX_Hsn8	INTEGER	PIXIT	hopping parameter for TC_26_6_13_3, default : 40
TSPX_Maio9	INTEGER	PIXIT	hopping parameter for TC_26_6_13_3, its value between 0 and (the number of frequencies) -1, which is defined in TSPX_Ma9, default : 15
TSPX_Ma9	MAC	PIXIT	mobile allocation for TC_26_6_13_3, its value shall

TSPX_Hsn9	INTEGER	PIXIT	indicate number of frequencies between 2 and 17. default : '01FFFB'O
TSPX_Chtp5	CH_TDMA	PIXIT	hopping parameter for TC_26_6_13_3, default : 8
TSPX_Maio10	INTEGER	PIXIT	SDCCH8 subchannel immediately assigned, TC_26_6_13_4
TSPX_Ma10	MAC	PIXIT	hopping parameter for TC_26_6_13_4, its value between 0 and (the number of frequencies) -1, which is defined in TSPX_Ma10, default : 5
TSPX_Hsn10	INTEGER	PIXIT	mobile allocation for TC_26_6_13_4, its value shall indicate number of frequencies between 1 and 17. default : '01D082'O
TSPX_Maio11	INTEGER	PIXIT	hopping parameter for TC_26_6_13_4, default: 0
TSPX_Ma11	MAC	PIXIT	hopping parameter for TC_26_6_13_4, its value between 0 and (the number of frequencies) -1, which is defined in TSPX_Ma11, default : 11
TSPX_Chtp6	CH_TDMA	PIXIT	mobile allocation for TC_26_6_13_4, its value shall indicate number of frequencies between 2 and 17. default : '00CFF3'O
TSPX_Maio12	INTEGER	PIXIT	channel type of a non- existing channel in Assignment Cmd, TC_26_6_13_4
TSPX_Ma12	MAC	PIXIT	hopping parameter for TC_26_6_13_4, its value between 0 and (the number of frequencies) -1, which is defined in TSPX_Ma12, default : 1
TSPX_Hsn12	INTEGER	PIXIT	mobile allocation for TC_26_6_13_4, its value shall indicate number of frequencies between 1 and 17. default : '010100'O
TSPX_Maio13	INTEGER	PIXIT	hopping parameter for TC_26_6_13_4, default : 39
TSPX_Ma13	MAC	PIXIT	hopping parameter for TC_26_6_13_4, its value between 0 and (the number of frequencies) -1, which is defined in TSPX_Ma13, default : 6
TSPX_Hsn13	INTEGER	PIXIT	mobile allocation for TC_26_6_13_4, its value shall indicate number of frequencies between 1 and 17. default : '00E690'O
TSPX_Chtp7	CH_TDMA	PIXIT	hopping parameter for TC_26_6_13_4, default: 42
TSPX_ChMod4	CHMOD_VAL	PIXIT	channel type for TC_26_6_13_5
TSPX_Maio14	INTEGER	PIXIT	channel mode for TC_26_6_13_5
TSPX_Ma14	MAC	PIXIT	hopping parameter for TC_26_6_13_5, its value between 0 and (the number of frequencies) -1, which is defined in TSPX_Ma14, default : 5
TSPX_Hsn14	INTEGER	PIXIT	mobile allocation for TC_26_6_13_5, its value shall indicate number of frequencies between 1 and 17. default : '014A28'O
TSPX_Maio15	INTEGER	PIXIT	hopping parameter for TC_26_6_13_5, default : 50
			hopping parameter for TC_26_6_13_5, its value between 0 and (the number of frequencies) -1, which is defined in

TSPX_Ma15	MAC	PIXIT	TSPX_Ma15, default : 12 mobile allocation for TC_26_6_13_5, its value shall indicate number of frequencies between 1 and 16. default : '00FF79'O
TSPX_Hsn15	INTEGER	PIXIT	hopping parameter for TC_26_6_13_5, default : 33
TSPX_Maio16	INTEGER	PIXIT	hopping parameter for TC_26_6_13_5, its value between 0 and (the number of frequencies) -1, which is defined in TSPX_Ma16, default : 2
TSPX_Ma16	MAC	PIXIT	mobile allocation for TC_26_6_13_5, its value shall indicate number of frequencies between 1 and 16. default : '001110'O
TSPX_Hsn16	INTEGER	PIXIT	hopping parameter for TC_26_6_13_5, default : 21
TSPX_Chtp8	CH_TDMA	PIXIT	channel type for TC_26_6_13_6
TSPX_ChMod5	CHMOD_VAL	PIXIT	channel mode for TC_26_6_13_6
TSPX_Maio17	INTEGER	PIXIT	hopping parameter for TC_26_6_13_6, its value between 0 and (the number of frequencies) -1, which is defined in TSPX_Ma17, default : 7
TSPX_Ma17	MAC	PIXIT	mobile allocation for TC_26_6_13_6, its value shall indicate number of frequencies between 1 and 17. default : '00E6A1'O
TSPX_Hsn17	INTEGER	PIXIT	hopping parameter for TC_26_6_13_6, default : 22
TSPX_Maio18	INTEGER	PIXIT	hopping parameter for TC_26_6_13_6, its value between 0 and (the number of frequencies) -1, which is defined in TSPX_Ma18, default : 13
TSPX_Ma18	MAC	PIXIT	mobile allocation for TC_26_6_13_6, its value shall indicate number of frequencies between 1 and 16. default : '00FFF9'O
TSPX_Hsn18	INTEGER	PIXIT	hopping parameter for TC_26_6_13_6, default : 9
TSPX_Maio19	INTEGER	PIXIT	hopping parameter for TC_26_6_13_6, its value between 0 and (the number of frequencies) -1, which is defined in TSPX_Ma19, default : 3
TSPX_Ma19	MAC	PIXIT	mobile allocation for TC_26_6_13_6, its value shall indicate number of frequencies between 1 and 16. default : '001111'O
TSPX_Hsn19	INTEGER	PIXIT	hopping parameter for TC_26_6_13_6, default : 44
TSPX_Chtp9	CH_TDMA	PIXIT	channel type for TC_26_6_13_7
TSPX_ChMod6	CHMOD_VAL	PIXIT	channel mode for TC_26_6_13_7
TSPX_Maio20	INTEGER	PIXIT	hopping parameter for TC_26_6_13_7, its value between 0 and (the number of frequencies) -1, which is defined in TSPX_Ma20, default : 8
TSPX_Ma20	MAC	PIXIT	mobile allocation for TC_26_6_13_7, its value shall indicate number of frequencies between 1 and 17. default : '016699'O
TSPX_Hsn20	INTEGER	PIXIT	hopping parameter for TC_26_6_13_7, default : 30
TSPX_Maio21	INTEGER	PIXIT	hopping parameter for TC_26_6_13_7, its value between

TSPX_Ma21	MAC	PIXIT	0 and (the number of frequencies) -1, which is defined in TSPX_Ma21, default : 14 mobile allocation for TC_26_6_13_7, its value shall indicate number of frequencies between 1 and 17. default : '01FEFB'O
TSPX_Chtp10 TSPX_Maio22	CH_TDMA INTEGER	PIXIT PIXIT	channel type for TC_26_6_13_7 hopping parameter for TC_26_6_13_7, its value between 0 and (the number of frequencies) -1, which is defined in TSPX_Ma22, default : 4
TSPX_Ma22	MAC	PIXIT	mobile allocation for TC_26_6_13_7, its value shall indicate number of frequencies between 1 and 16. default : '006241'O
TSPX_Hsn22	INTEGER	PIXIT	hopping parameter for TC_26_6_13_7, default : 11
TSPX_Maio23	INTEGER	PIXIT	hopping parameter for TC_26_6_13_7, its value between 0 and (the number of frequencies) -1, which is defined in TSPX_Ma23, default : 11
TSPX_Ma23	MAC	PIXIT	mobile allocation for TC_26_6_13_7, its value shall indicate number of frequencies between 1 and 16. default : '00FF1B'O
TSPX_Hsn23	INTEGER	PIXIT	hopping parameter for TC_26_6_13_7, default : 60
TSPX_Chtp11	CH_TDMA	PIXIT	SDCCH8 subchannel immediately assigned, TC_26_6_13_8
TSPX_ChMod7 TSPX_Maio24	CHMOD_VAL INTEGER	PIXIT PIXIT	channel mode for TC_26_6_13_8 hopping parameter for TC_26_6_13_8, its value between 0 and (the number of frequencies) -1, which is defined in TSPX_Ma24, default : 9
TSPX_Ma24	MAC	PIXIT	mobile allocation for TC_26_6_13_8, its value shall indicate number of frequencies between 1 and 17. default : '00E6E9'O
TSPX_Hsn24	INTEGER	PIXIT	hopping parameter for TC_26_6_13_8, default : 7
TSPX_Maio25	INTEGER	PIXIT	hopping parameter for TC_26_6_13_8, its value between 0 and (the number of frequencies) -1, which is defined in TSPX_Ma25, default : 15
TSPX_Ma25	MAC	PIXIT	mobile allocation for TC_26_6_13_8, its value shall indicate number of frequencies between 1 and 17. default : '01FFFB'O
TSPX_Chtp12	CH_TDMA	PIXIT	channel type of a non- existing channel in Assignment Cmd, TC_26_6_13_8
TSPX_Maio26	INTEGER	PIXIT	hopping parameter for TC_26_6_13_8, its value between 0 and (the number of frequencies) -1, which is defined in TSPX_Ma26, default : 5
TSPX_Ma26	MAC	PIXIT	mobile allocation for TC_26_6_13_8, its value shall indicate number of frequencies between 1 and 16. default : '009168'O
TSPX_Hsn26	INTEGER	PIXIT	hopping parameter for TC_26_6_13_8, default : 9
TSPX_Maio27	INTEGER	PIXIT	hopping parameter for

TSPX_Ma27	MAC	PIXIT	TC_26_6_13_8, its value between 0 and (the number of frequencies) -1, which is defined in TSPX_Ma27, default : 1
TSPX_Hsn27	INTEGER	PIXIT	mobile allocation for TC_26_6_13_8, its value shall indicate number of frequencies between 1 and 16. default : '004080'O
TSPX_Chtp13	CH_TDMA	PIXIT	hopping parameter for TC_26_6_13_8, default : 38
TSPX_Tm3	INTEGER	PIXIT	channel type for TC_26_6_13_9
TSPX_Maio28	INTEGER	PIXIT	channel mode for TC_26_6_13_9, value between 60 -100
TSPX_Ma28	MAC	PIXIT	hopping parameter for TC_26_6_13_9, its value between 0 and (the number of frequencies) -1, which is defined in TSPX_Ma28, default : 10
TSPX_Hsn28	INTEGER	PIXIT	mobile allocation for TC_26_6_13_9, its value shall indicate number of frequencies between 1 and 17. default : '00EE7A'O
TSPX_Maio29	INTEGER	PIXIT	hopping parameter for TC_26_6_13_9, default : 11
TSPX_Ma29	MAC	PIXIT	hopping parameter for TC_26_6_13_9, its value between 0 and (the number of frequencies) -1, which is defined in TSPX_Ma29, default : 6
TSPX_Chtp14	CH_TDMA	PIXIT	mobile allocation for TC_26_6_13_9, its value shall indicate number of frequencies between 1 and 17. default : '00F070'O
TSPX_Maio30	INTEGER	PIXIT	channel type for TC_26_6_13_10
TSPX_Ma30	MAC	PIXIT	hopping parameter for TC_26_6_13_10, its value between 0 and (the number of frequencies) -1, which is defined in TSPX_Ma30, default : 11
TSPX_Hsn30	INTEGER	PIXIT	mobile allocation for TC_26_6_13_10, its value shall indicate number of frequencies between 1 and 17. default : '017F69'O
TSPX_Maio31	INTEGER	PIXIT	hopping parameter for TC_26_6_13_10, default : 62
TSPX_Ma31	MAC	PIXIT	hopping parameter for TC_26_6_13_10, its value between 0 and (the number of frequencies) -1, which is defined in TSPX_Ma31, default : 1
TSPX_MOBscSvcA	SERVICES	PIXIT	mobile allocation for TC_26_6_13_10, its value shall indicate number of frequencies between 1 and 17. default : '000101'O
TSPX_MOBscSvcB	SERVICES	PIXIT	any supported MO basic service
TSPX_MOBscSvcC	SERVICES	PIXIT	any supported MO basic service
TSPX_MOBscSvcD	SERVICES	PIXIT	any supported MO basic service
TSPX_MOBscSvcE	SERVICES	PIXIT	any supported MO basic service
TSPX_MOBscSvcF	SERVICES	PIXIT	any supported MO basic service
TSPX_MOBscSvcG	SERVICES	PIXIT	any supported MO basic service
TSPX_MOBscSvcH	SERVICES	PIXIT	any supported MO basic service
TSPX_MOBscSvcI	SERVICES	PIXIT	any supported MO basic service
TSPX_MOBscSvcJ	SERVICES	PIXIT	any supported MO basic service
TSPX_MT_DualModSvc	SERVICES	PIXIT	any supported MT dual mode service
TSPX_MT_NonSptSvc	SERVICES	PIXIT	any not supported MT basic service



TSPX_MTBscSvcA	SERVICES	PIXIT	any supported MT basic service
TSPX_MTBscSvcB	SERVICES	PIXIT	any supported MT basic service
TSPX_MTBscSvcC	SERVICES	PIXIT	any supported MT basic service
TSPX_MTBscSvcD	SERVICES	PIXIT	any supported MT basic service
TSPX_MTBscSvcE	SERVICES	PIXIT	any supported MT basic service
TSPX_MTBscSvcF	SERVICES	PIXIT	any supported MT basic service
TSPX_MTBscSvcG	SERVICES	PIXIT	any supported MT basic service
TSPX_MTBscSvcH	SERVICES	PIXIT	any supported MT basic service
TSPX_MTBscSvcI	SERVICES	PIXIT	any supported MT basic service
TSPX_MTBscSvcJ	SERVICES	PIXIT	any supported MT basic service
TSPX_MTNIC_BscSvcA	SERVICES	PIXIT	any supported MT basic service without immediate connection
TSPX_MTNIC_BscSvcB	SERVICES	PIXIT	any supported MT basic service without immediate connection
TSPX_MTNIC_BscSvcC	SERVICES	PIXIT	any supported MT basic service without immediate connection
TSPX_MTNIC_BscSvcD	SERVICES	PIXIT	any supported MT basic service without immediate connection
TSPX_MTNIC_BscSvcE	SERVICES	PIXIT	any supported MT basic service without immediate connection
TSPX_MTNIC_BscSvcF	SERVICES	PIXIT	any supported MT basic service without immediate connection
TSPX_MTNIC_BscSvcG	SERVICES	PIXIT	any supported MT basic service without immediate connection
TSPX_MTNIC_BscSvcH	SERVICES	PIXIT	any supported MT basic service without immediate connection
TSPX_MTNIC_BscSvcI	SERVICES	PIXIT	any supported MT basic service without immediate connection
TSPX_MTNIC_BscSvcJ	SERVICES	PIXIT	any supported MT basic service without immediate connection
TSPX_Telephony_Rate	RATE	PIXIT	channel rate for TS11, default value : C_Full
TSPX_MOChRateA	RATE	PIXIT	channel rate for TSPX_MOBscSvcA, default value : C_Full
TSPX_MOChRateB	RATE	PIXIT	channel rate for TSPX_MOBscSvcB, default value : C_Full
TSPX_MOChRateC	RATE	PIXIT	channel rate for TSPX_MOBscSvcC, default value : C_Full
TSPX_MOChRateD	RATE	PIXIT	channel rate for TSPX_MOBscSvcD, default value : C_Full
TSPX_MOChRateE	RATE	PIXIT	channel rate for TSPX_MOBscSvcE, default value : C_Full
TSPX_MOChRateF	RATE	PIXIT	channel rate for TSPX_MOBscSvcF, default value : C_Full
TSPX_MOChRateG	RATE	PIXIT	channel rate for TSPX_MOBscSvcG, default value : C_Full
TSPX_MOChRateH	RATE	PIXIT	channel rate for TSPX_MOBscSvcH, default value : C_Full
TSPX_MOChRateI	RATE	PIXIT	channel rate for TSPX_MOBscSvcI, default value : C_Full
TSPX_MOChRateJ	RATE	PIXIT	channel rate for TSPX_MOBscSvcJ, default value : C_Full
TSPX_MTChRateA	RATE	PIXIT	channel rate for TSPX_MTBscSvcA, default value : C_Full
TSPX_MTChRateB	RATE	PIXIT	channel rate for TSPX_MTBscSvcB, default value : C_Full
TSPX_MTChRateC	RATE	PIXIT	channel rate for TSPX_MTBscSvcC, default value : C_Full

TSPX_MTChRateD	RATE	PIXIT	channel rate for TSPX_MTBscSvcD, default value : C_Full
TSPX_MTChRateE	RATE	PIXIT	channel rate for TSPX_MTBscSvcE, default value : C_Full
TSPX_MTChRateF	RATE	PIXIT	channel rate for TSPX_MTBscSvcF, default value : C_Full
TSPX_MTChRateG	RATE	PIXIT	channel rate for TSPX_MTBscSvcG, default value : C_Full
TSPX_MTChRateH	RATE	PIXIT	channel rate for TSPX_MTBscSvcH, default value : C_Full
TSPX_MTChRateI	RATE	PIXIT	channel rate for TSPX_MTBscSvcI, default value : C_Full
TSPX_MTChRateJ	RATE	PIXIT	channel rate for TSPX_MTBscSvcJ, default value : C_Full
TSPX_MTNIC_ChRateA	RATE	PIXIT	channel rate for TSPX_MTNIC_BscSvcA, default value : C_Full
TSPX_MTNIC_ChRateB	RATE	PIXIT	channel rate for TSPX_MTNIC_BscSvcB, default value : C_Full
TSPX_MTNIC_ChRateC	RATE	PIXIT	channel rate for TSPX_MTNIC_BscSvcC, default value : C_Full
TSPX_MTNIC_ChRateD	RATE	PIXIT	channel rate for TSPX_MTNIC_BscSvcD, default value : C_Full
TSPX_MTNIC_ChRateE	RATE	PIXIT	channel rate for TSPX_MTNIC_BscSvcE, default value : C_Full
TSPX_MTNIC_ChRateF	RATE	PIXIT	channel rate for TSPX_MTNIC_BscSvcF, default value : C_Full
TSPX_MTNIC_ChRateG	RATE	PIXIT	channel rate for TSPX_MTNIC_BscSvcG, default value : C_Full
TSPX_MTNIC_ChRateH	RATE	PIXIT	channel rate for TSPX_MTNIC_BscSvcH, default value : C_Full
TSPX_MTNIC_ChRateI	RATE	PIXIT	channel rate for TSPX_MTNIC_BscSvcI, default value : C_Full
TSPX_MTNIC_ChRateJ	RATE	PIXIT	channel rate for TSPX_MTNIC_BscSvcJ, default value : C_Full
TSPX_EmgCallRate	RATE	PIXIT	Rate for the basic service supported for MO emergency calls
TSPX_MO_NonCallSS	SERVICES	PIXIT	any supported MO non-call related supplementary service
TSPX_MO_BscSvc_SMS	SERVICES	PIXIT	any supported MO SMS calls
TSPX_MO_DualModSvc	SERVICES	PIXIT	any supported MO dual mode call
TSPX_MO_DualModRate	RATE	PIXIT	Rate for the supported MO dual mode call in TSPX_MO_DualModSvc
TSPX_aTav	INTEGER	PIXIT	averaging period a*Tav in milliseconds
TSPX_bTav	INTEGER	PIXIT	averaging period b*Tav in milliseconds
<b>Detailed Comments:</b>			

## Test case selection expression definitions

Test Case Selection Expression Definitions		
Expression Name	Selection Expression	Comments
SelExpr_0000	TRUE	General test group always selected
SelExpr_0001	TRUE	always selected
SelExpr_0002	TSPC_MTsvc	MT circuit switched basic service supported
SelExpr_0003	NOT TSPC_Serv_SS_AoCC	AOCC not supported
SelExpr_0004	TSPC_Serv_SS_AoCC AND(NOT TSPC_Serv_SS_HOLD)	AOCC supported but Call Hold not supported
SelExpr_0005	TSPC_Serv_SS_AoCC AND TSPC_Serv_SS_HOLD AND(NOT TSPC_Serv_SS_MPTY)	AOCC and Call Hold supported but multiparty not supported
SelExpr_0006	NOT TSPC_Feat_FND	FND feature not supported
SelExpr_0007	TSPC_MOsvc	MO circuit switched basic service supported
SelExpr_0100	TRUE	initial test group always selected
SelExpr_0101	TRUE	always selected
SelExpr_0102	TSPC_SvcOnTCH	at least one service on traffic channel supported
SelExpr_0103	TSPC_DualRate	half rate channel supported
SelExpr_0104	TSPC_Serv_BS21 OR TSPC_Serv_BS22 OR TSPC_Serv_BS23 OR TSPC_Serv_BS24 OR TSPC_Serv_BS25 OR TSPC_Serv_BS26 OR TSPC_Serv_BS31 OR TSPC_Serv_BS32 OR TSPC_Serv_BS33 OR TSPC_Serv_BS34 OR TSPC_Serv_BS41 OR TSPC_Serv_BS42 OR TSPC_Serv_BS43 OR TSPC_Serv_BS44 OR TSPC_Serv_BS45 OR TSPC_Serv_BS46 OR TSPC_Serv_BS51 OR TSPC_Serv_BS52 OR TSPC_Serv_BS53 OR TSPC_Serv_BS61 OR TSPC_Serv_BS81 OR TSPC_Serv_TS61 OR TSPC_Serv_TS62	at least one data service supported
SelExpr_0105	TSPC_NonCallSS	non call related supplementary service supported
SelExpr_0106	TSPC_Serv_TS22	MO short message service supported
SelExpr_0107	TSPC_Serv_TS11 OR TSPC_Serv_TS12	speech supported
SelExpr_0200	TRUE	idleMode test group always selected
SelExpr_0201	TRUE	always selected
SelExpr_0300	TRUE	BiBo test group always selected
SelExpr_0301	TSPC_Serv_TS11 OR TSPC_Serv_TS12 OR SelExpr_0104	CC protocol for at least one BC supported
SelExpr_0302	TRUE	always selected
SelExpr_0400	TRUE	RR test group always selected
SelExpr_0401	TRUE	always selected
SelExpr_0402	SelExpr_0301	CC protocol for at least one BC supported
SelExpr_0403	SelExpr_0301	Full rate traffic channel supported
SelExpr_0404	TSPC_DualRate	Dual rate traffic channel supported
SelExpr_0405	SelExpr_0301 AND(TSPC_Feat_A51 OR TSPC_Feat_A52)	call control protocol and (A5/1 or A5/2) algorithm supported
SelExpr_0406	SelExpr_0301 AND TSPC_RFamp	call control protocol and RF amplification supported
SelExpr_0407	SelExpr_0301	call control protocol and full rate traffic channel supported
SelExpr_0408	SelExpr_0301 AND TSPC_DualRate	call control protocol and dual rate traffic channel supported
SelExpr_0409	SelExpr_0301 AND TSPC_AddInfo_PseudoSynch	CC protocol for at least one BC supported and Pseudo synchronised supported
SelExpr_0410	TSPC_MOsvc	at least one MO circuit switched basic service supported
SelExpr_0500	TRUE	MM test group always selected
SelExpr_0501	TRUE	always selected
SelExpr_0502	TSPC_SIMRmv	SIM removable without power down supported
SelExpr_0503	TSPC_Serv_TS11 OR TSPC_Serv_TS12	speech supported

SelExpr_0504	TSPC_NonCallSS	The MS supports a non call related supplementary service operation during an active call
SelExpr_0600	TSPC_MOsvc OR TSPC_MTsvc	CC test group
SelExpr_0601	TSPC_MOsvc AND(NOT TSPC_EmgOnly)	at least one mobile originating circuit switched basic service supported and not only emergency call supported
SelExpr_0602	(TSPC_NoimmConn) AND TSPC_MTsvc	immediate connect not supported and at least one mobile terminated circuit switched basic service supported
SelExpr_0603	TSPC_RefusalCall AND TSPC_MTsvc	refusal of call supported and at least one mobile terminated circuit switched basic service supported
SelExpr_0604	TSPC_Serv_TS11 OR TSPC_Serv_TS12 OR TSPC_Serv_TS61 OR TSPC_Serv_BS61 OR TSPC_Serv_BS81	speech supported
SelExpr_0605	SelExpr_0604 AND TSPC_AlertInd	speech & alerting supported
SelExpr_0606	TSPC_MTsvc	at least one mobile terminated circuit switched basic service supported
SelExpr_0607	TSPC_Serv_TS61 OR TSPC_Serv_BS61 OR TSPC_Serv_BS81	dual mode services supported
SelExpr_0700	SelExpr_0301	StructureProc test group
SelExpr_0701	TSPC_Serv_TS11 OR TSPC_Serv_TS62	at least one teleservice (except emergency call and dual service) supported
SelExpr_0702	TSPC_Serv_TS12	emergency call supported
SelExpr_0703	TSPC_Serv_TS12 AND TSPC_DualRate	dual rate emergency call supported
SelExpr_0800	TSPC_SS	SS test group
SelExpr_0801	TSPC_Serv_SS_BOIC OR TSPC_Serv_SS_BAIC OR TSPC_Serv_SS_BOICexHC OR TSPC_Serv_SS_BICRoam OR TSPC_Serv_SS_BAOC	at least one of call restrictions supported
SelExpr_0802	TSPC_Serv_SS_AoCC	AOCC supported
SelExpr_0803	TSPC_Serv_SS_BOIC	BOIC supported
SelExpr_0804	TSPC_Serv_SS_BAIC	BAIC supported
SelExpr_0805	TSPC_Serv_SS_BOICexHC	BOICexHC supported
SelExpr_0806	TSPC_Serv_SS_BOICexHC OR TSPC_Serv_SS_BAIC	BOICexHC OR BAIC supported
SelExpr_0807	TSPC_Serv_SS_BOIC OR TSPC_Serv_SS_BICRoam	BOIC OR BICRoam supported
SelExpr_0808	TSPC_Serv_SS_BI	BI supported
SelExpr_0809	TSPC_Serv_SS_CFNry OR TSPC_Serv_SS_CFU	CFNry or CFU supported
SelExpr_0810	TSPC_Serv_SS_CFB OR TSPC_Serv_SS_CFU OR TSPC_Serv_SS_CFNrc OR TSPC_Serv_SS_CFNry	CFB or CFU or CFNry or CFNrc supported
SelExpr_0811	TSPC_Serv_SS_CFB OR TSPC_Serv_SS_CFNrc OR TSPC_Serv_SS_CFNry	CFNry or CFNrc or CFB supported
SelExpr_0812	TSPC_Serv_SS_CFNrc OR TSPC_Serv_SS_CFB	CFNrc or CFB supported
SelExpr_0813	TSPC_Serv_SS_CFB	CFB supported
SelExpr_0814	TSPC_Serv_SS_BICRoam OR TSPC_Serv_SS_BAOC	BAOC or BICRoam supported
SelExpr_0815	TRUE	always selected
SelExpr_0816	TSPC_Serv_SS_unstruct	USSD supported
SelExpr_0817	TSPC_Serv_SS_unstruct AND SelExpr_0301	USSD and CC protocol for at least one BC supported
SelExpr_0818	TSPC_Serv_SS_AoCC AND TSPC_SIMRmv	AOCC and SIM removable without power down supported
SelExpr_0819	TSPC_Serv_SS_AoCC AND TSPC_Serv_SS_HOLD	AOCC and Call Hold supported
SelExpr_0820	TSPC_Serv_SS_AoCC AND TSPC_Serv_SS_MPTY	AOCC and Multi Party service supported
SelExpr_0821	TSPC_Serv_SS_AoCC AND TSPC_SwitchOnOff	AOCC and switch on/off supported
SelExpr_0900	TSPC_SMS	SMS test group
SelExpr_0901	TSPC_Serv_TS21 AND SelExpr_0301	MT/PP supported and CC protocol for at least one BC supported

SelExpr_0902	TSPC_Serv_TS22 AND TSPC_Serv_TS21 AND SelExpr_0301	MO/PP supported and MT/PP supported and CC protocol for at least one BC supported
SelExpr_0903	TSPC_Serv_TS22 AND TSPC_StoreRcvSMSME AND TSPC_StoreRcvSMSSIM	MO/PP supported AND storage of SMS in the ME supported AND storage of SMS in the SIM supported
SelExpr_0904	TSPC_Serv_TS22 AND TSPC_Serv_TS21 AND TSPC_SMSSStatusRepCap	MO/PP supported AND MT/PP supported AND SMS Status report capabilities supported
SelExpr_0905	TSPC_Serv_TS21 AND TSPC_DisprcvSMS	MT/PP supported AND display of received short message supported
SelExpr_0906	TSPC_Serv_TS21 AND TSPC_DisprcvSMS AND(TSPC_StoreRcvSMSME OR TSPC_StoreRcvSMSSIM)	MT/PP supported AND display of received short message supported AND (storage of SMS in the ME supported OR storage of SMS in the SIM supported )
SelExpr_0907	TSPC_Serv_TS21 AND TSPC_StoreRcvSMSSIM	MT/PP supported AND display of received short message supported AND storage of SMS in the SIM supported
SelExpr_0908	TSPC_Serv_TS21 AND TSPC_ReplaceSMS AND TSPC_DisprcvSMS	MT/PP supported AND "replace short message" and "display of received short message" supported
SelExpr_0909	TSPC_Serv_TS22 AND TSPC_Serv_TS21 AND TSPC_ReplyProc AND TSPC_DisprcvSMS	MO/PP supported AND MT/PP supported AND "reply procedure" and "display of received short message" supported
SelExpr_1000	TSPC_EGSM	E- band supported
SelExpr_1001	SelExpr_0301	CC protocol for at least one BC supported
SelExpr_1002	TSPC_Serv_TS11 OR TSPC_Serv_TS61 OR TSPC_Serv_TS62	telephony supported or alternate speech/data supported or Teleservice automatic G3 fax supported
SelExpr_1003	TSPC_Serv_TS12	emergency call supported
<b>Detailed Comments:</b>		

## Test suite constant declarations

Test Suite Constant Declarations				
Constant Name	Type	Value	Comments	
C_arfcnA	INTEGER	20	ARFCN 20	
C_arfcnB	INTEGER	10	ARFCN of cell B	
C_arfcnC	INTEGER	30	ARFCN 30	
C_arfcnH	INTEGER	44	ARFCN 44	
C_arfcnAd	INTEGER	590	ARFCN 590	
C_arfcnBd	INTEGER	520	ARFCN 520	
C_arfcnCd	INTEGER	700	ARFCN 700	
C_arfcnHd	INTEGER	810	ARFCN 810	
C_arfcn_tchA	INTEGER	30	ARFCN f30	
C_arfcn_tchAd	INTEGER	650	ARFCN 650	
C_arfcn_tchB	INTEGER	114	ARFCN 114	
C_arfcn_tchBd	INTEGER	844	ARFCN 844	
C_arfcnEgsm	INTEGER	990	ARFCN 990	
C_arfcnEgsm_iacmd	INTEGER	20	ARFCN 20	
C_arfcnEgsm_asscmd	INTEGER	20	ARFCN 20	
C_BCCHcarrierB_ho	INTEGER	40	BCCH frequency number of cell B for Ho cases (GSM: 40)	
C_BCCHcarrierB_hod	INTEGER	764	BCCH frequency number of cell B for Ho cases (DCS:764)	
C_Noarfcn	INTEGER	65534	No arfcn defined ( hopping channel)	
C_ATT_0	INTEGER	0	Attach value 0	
C_ATT_1	INTEGER	1	Attach value 1	
C_NCC	NCC	'001'B	Network color code	
C_NCC_0	NCC	'000'B	Network color code value '000'B	
C_NCC_1	NCC	'001'B	Network color code value '001'B	
C_NCC_2	NCC	'010'B	Network color code value '010'B	
C_NCC_3	NCC	'011'B	Network color code value '011'B	
C_NCC_4	NCC	'100'B	Network color code value '100'B	
C_NCC_5	NCC	'101'B	Network color code value '101'B	
C_NCC_6	NCC	'110'B	Network color code value '110'B	
C_NCC_7	NCC	'111'B	Network color code value '111'B	
C_NCCP_2	NCCP	'02'O	Network color code permitted value '02'O	
C_NCCP_10	NCCP	'0A'O	Network color code permitted value '0A'O	
C_BCC	BCC	'101'B	Base Station color code	
C_BCC_0	BCC	'000'B	Base Station color code value 0	
C_BCC_1	BCC	'001'B	Base Station color code value 1	
C_BCC_3	BCC	'011'B	Base Station color code value 3	
C_BCC_5	BCC	'101'B	Base Station color code value 5	
C_BCC_7	BCC	'111'B	Base Station color code value 7	
C_cch_1nonComb	B_3	'000'B	cch_con = 1 basic ch non combined	
C_cch_1Comb	B_3	'001'B	cch_con = 1 basic ch combined	
C_cch_2Comb	B_3	'011'B	cch_con = 2 basic ch combined	
C_cch_3Comb	B_3	'101'B	cch_con = 3 basic ch combined	
C_cch_4Comb	B_3	'111'B	cch_con = 4 basic ch combined	
C_cch_2nonComb	B_3	'010'B	cch_con = 2 basic chs non combined	
C_cch_3nonComb	B_3	'100'B	cch_con = 3 basic chs non combined	
C_cch_4nonComb	B_3	'110'B	cch_con = 4 basic chs non combined	
C_cch_XnonComb	B_3	'???'B	cch_con = non combined all number value permitted	
C_cch_NotAllowed	B_3	'???'B	cch_con = value reserved after testing '001'B	
C_cchd_e_407	OCTETSTRING	'8DEA0DF4CC6C4AFAFB100	f-list for cellchdescr using of 128	

		00000000000'O	format. The coded set is {980, 981, 982, 983, 990, 991, 992, 993, 994, 1000, 1005, 1010, 1015}. Length = 16 TC_26_10_4, k=2, c=1 TC_26.10.6, c=1
C_cchd_e_408	OCTETSTRING	'8A0A1CFD3EF4610E2FFFF A0000000000'O	f-list for cellchdescr using of 256 format. The coded set is {20, 40, 66, 73, 74, 75, 76, 77, 78, 79, 108, 114,115} Length = 16 TC_26_10_4, k=2, c=2 TC_26.10.6, c=2
C_cchd_e_409	OCTETSTRING	'89EA037F433C7B042BFEBF EC10000000'O	f-list for cellchdescr using of 512 format. The coded set is {980, 981, 982, 983, 990, 991, 992, 993, 994, 1000, 1005, 1010, 1015}. Length = 16 TC_26_10_4, k=2, c=3 TC: 26.10.6 c=3
C_cchd_e_410	OCTETSTRING	'841EEA893EF98143B16100 0000000000'O	f-list for cellchdescr using of 1024 format. Length = 16
C_cchd_e_411	OCTETSTRING	'8FEA703E084210000000000 0000000000'O	f-list for cellchdescr using of variable bit format. The coded set is {980, 981, 982, 983, 990, 991, 992, 993, 994, 1000, 1005, 1010, 1015}. Length = 16 TC_26_10_4, k=2, c=5 TC: 26.10.6 c=5
C_cchd_e_412	OCTETSTRING	'0002080000007F020000008 000080000'O	f-list for cellchdescr using of bit map 0 format. The coded set is {20, 40, 66, 73, 74, 75, 76, 77, 78, 79, 108, 114,115} Length = 16 TC_26_10_4, k=2, c=6
C_cchd_e_414	OCTETSTRING	'00000000000000002000020 0002000000'O	f-list for cellchdescr using of bit map 0 format. Length = 16 f_list: 30, 50 ,70 TC: 26.10.6 c=6
C_cchd_e_415	OCTETSTRING	'841EEA893EF98143800000 0000000000'O	f-list for cellchdescr using range 1024 format. The coded set is {0, 30, 40, 66, 80, 1005, 1010, 1015}. Length = 16 TC_26_10_4, k=2, c=4 TC: 26.10.6 c=4
C_ChMod_s	CHMOD_VAL	'00000000'B	Mode : signalling only.
C_ChMod_r	CHMOD_VAL	'00000001'B	Mode : speech full or half rate.
C_ChMod_12k	CHMOD_VAL	'00000011'B	Mode : 12k radio rate.
C_ChMod_6k	CHMOD_VAL	'00001011'B	Mode : 6k radio rate.
C_ChMod_3k	CHMOD_VAL	'00010011'B	Mode : 3.6k radio rate.
C_Sap0	SAPID	'00'O	service access point 0
C_Sap3	SAPID	'03'O	service access point 3
C_CellA	CellID	"C_CellA"	cell A -- cell 1
C_CellB	CellID	"C_CellB"	cell B -- cell 2
C_CellC	CellID	"C_CellC"	cell C -- cell 3
C_CellD	CellID	"C_CellD"	cell D -- cell 4
C_CellE	CellID	"C_CellE"	cell E -- cell 5
C_CellF	CellID	"C_CellF"	cell F -- cell 6
C_CellG	CellID	"C_CellG"	cell G -- cell 7
C_CellH	CellID	"C_CellH"	cell H -- cell 8
C_ci_cellA	CI	'0001'O	Cell Id for cell A
C_ci_cellB	CI	'0002'O	Cell Id for cell B
C_ci_cellC	CI	'0003'O	Cell Id for cell C
C_ci_cellD	CI	'0004'O	Cell Id for cell D

C_ci_cellE	CI	'0005'O	Cell Id for cell E
C_ci_cellF	CI	'0006'O	Cell Id for cell F
C_ci_cellG	CI	'0007'O	Cell Id for cell G
C_ci_cellH	CI	'0008'O	Cell Id for cell H
C_cksn_nokey	BITSTRING	'111'B	No key available
C_E_default	INTEGER	63	Default field strength
C_E_suitable	INTEGER	45	Field strength of a suitable cell
C_E_notsuitable	INTEGER	0	Field strength of a not suitable cell for reselection
C_E_notsuitable_fSel	INTEGER	24	Field strength of a not suitable cell for selection
C_flist_e_401	OCTETSTRING	'8DF68AEC00'O	It includes the list of f's in EGSM test cases. The coded set is {1005, 1010, 1015}. range 128 format Length = 5 TC_26_10_4, k=1, c=1 TC: 26.10.5.1 k=1/2,c=1
C_flist_e_402	OCTETSTRING	'8A2481FF03F8'O	It includes the list of f's in EGSM test cases. The coded set is {73, 74, 75, 76, 77}, range 256 format. Length = 6 TC_26_10_4, k=1, c=2 TC: 26.10.5.1 k=1/2,c=2
C_flist_e_403	OCTETSTRING	'89EA00BFC040'O	It includes the list of f's in EGSM test cases. The coded set is {980, 981, 982, 983}, range 512 format. Length = 6 TC_26_10_4, k=1, c=3 TC: 26.10.5.1 k=1/2,c=3
C_flist_e_404	OCTETSTRING	'801EED02BEC0'O	It includes the list of f's in EGSM test cases. The coded set is {30, 40, 1010, 1015}, range 1024 format. Length = 6 TC_26_10_4, k=1, c=4 TC: 26.10.5.1 k=1/2,c=4
C_flist_e_405	OCTETSTRING	'8FEA001E000010'O	It includes the list of f's in EGSM test cases. The coded set is {980, 991, 992, 993, 994, 1015}. Length = 7 TC_26_10_4, k=1, c=5 TC: 26.10.5.1 k=1/2,c=5
C_flist_e_406	OCTETSTRING	'00000000000000020000008000080000'O	It includes the list of f's in EGSM test cases. The coded set is {20, 40, 66}, bitmap 0 format. Length = 16 TC_26_10_4, k=1, c=6 TC: 26.10.5.1 k=2,c=6
C_flist_e_407	OCTETSTRING	'8DEA0DF4CC6C4AFAFB100000000000'O	It includes the list of f's in EGSM test cases. The coded set is {980, 981, 982, 983, 990, 991, 992, 993, 994, 1000, 1005, 1010, 1015}, range 128 format. Length = 16 TC_26_10_4, k=2, c=1 TC: 26.10.5.1 k=3,c=1 TC: 26.10.6 c=1
C_flist_e_408	OCTETSTRING	'8A0A1CFD3EF4610E2FFFFA0000'O	It includes the list of f's in EGSM test cases. The coded set is {20, 40, 66, 73, 74, 75, 76, 77, 78, 79, 108, 114, 115}, range 256 format. Length = 13 TC_26_10_4, k=2, c=2 TC: 26.10.5.1 k=3,c=2 TC: 26.10.6 c=2
C_flist_e_409	OCTETSTRING	'89EA037F433C7B042BFEBFEC1000000'O	It includes the list of f's in EGSM test cases. The coded set is {980, 981, 982, 983, 990, 991, 992, 993, 994, 1000, 1005, 1010,



			1015}, range 512 format. Length = 16 TC_26_10_4, k=2, c=3 TC: 26.10.5.2 k=3,c=3 TC: 26.10.6 c=3 Length = 10 TC: 26.10.5.2 k=3,c=4
C_flist_e_410	OCTETSTRING	'841EEA893EF98143B161'O	
C_flist_e_411	OCTETSTRING	'8FEA703E084210'O	It includes the list of f's in EGSM test cases. The coded set is {980, 981, 982, 983, 990, 991, 992, 993, 994, 1000, 1005, 1010, 1015}, variable bitmap format. Length = 7 TC_26_10_4, k=2, c=5 TC: 26.10.5.1 k=3,c=5 TC: 26.10.6 c=5
C_flist_e_412	OCTETSTRING	'0002080000007F020000008000080000'O	It includes the list of f's in EGSM test cases. The coded set is {20, 40, 66, 73, 74, 75, 76, 77, 78, 79, 108, 114, 115}, bitmap 0 format. Length = 16 TC_26_10_4, k=2, c=6 TC: 26.10.5.1 k=3,c=6
C_flist_e_415	OCTETSTRING	'841EEA893EF9814380'O	It includes the list of f's in EGSM test cases. The coded set is {0, 30, 40, 66, 80, 1005, 1010, 1015}, range 1024 format. Length = 9 Format: 1024 TC_26_10_4, k=2, c=4 TC: 26.10.6 c=4
C_flist_e_416	OCTETSTRING	'0002080000007F020000008000080000'O	bit map 0 format. The coded set is {20, 40, 66, 73, 74, 75, 76, 77, 78, 79, 108, 114} Length = 16 BABR value 0 BABR value 1 BABR value 2 BPM value 0, 2 multiframe BPM value 2, 4 multiframe BPM value 3, 5 multiframe BPM value 4, 6 multiframe BPM value 7, 9 multiframe T3212 infinite T3212 6 mn / 1 deci hours T3212 12 mn / 2 deci hours T3212 30 mn / 5 deci hours MI type: IMSI MI type: TMSI MI type: IMEI MI type: IMEISV A short IMSI lac 1. lac 2. lac 3. lac 4. lac 5. lac 6. lac 7. lac 8. lac '1111'H lac '2222'H lac '5344'H. lac value deleted. MCC 1 MCC 2 MCC 3 MCC 4
C_BABR_0	B_3	'000'B	
C_BABR_1	B_3	'001'B	
C_BABR_2	B_3	'010'B	
C_BPM_0	B_3	'000'B	
C_BPM_2	B_3	'010'B	
C_BPM_3	B_3	'011'B	
C_BPM_4	B_3	'100'B	
C_BPM_7	B_3	'111'B	
C_T3212_0	OCTETSTRING	'00'O	
C_T3212_1	OCTETSTRING	'01'O	
C_T3212_2	OCTETSTRING	'02'O	
C_T3212_5	OCTETSTRING	'05'O	
C_IMSI	INTEGER	0	
C_TMSI	INTEGER	1	
C_IMEI	INTEGER	2	
C_IMEISV	INTEGER	3	
C_shortIMSI	HEXSTRING	'001011234'H	
C_LAC_1	OCTETSTRING	'0001'O	
C_LAC_2	OCTETSTRING	'0002'O	
C_LAC_3	OCTETSTRING	'0003'O	
C_LAC_4	OCTETSTRING	'0004'O	
C_LAC_5	OCTETSTRING	'0005'O	
C_LAC_6	OCTETSTRING	'0006'O	
C_LAC_7	OCTETSTRING	'0007'O	
C_LAC_8	OCTETSTRING	'0008'O	
C_LAC_1111	OCTETSTRING	'1111'O	
C_LAC_2222	OCTETSTRING	'2222'O	
C_LAC_spe	OCTETSTRING	'5344'O	
C_lacdeleted	OCTETSTRING	'FFFE'O	
C_MCC_1	OCTETSTRING	'00F1'O	
C_MCC_2	OCTETSTRING	'00F2'O	
C_MCC_3	OCTETSTRING	'00F3'O	
C_MCC_4	OCTETSTRING	'00F4'O	

C_MCC_5	OCTETSTRING	'00F5'O	MCC 5
C_MCC_6	OCTETSTRING	'00F6'O	MCC 6
C_MCC_7	OCTETSTRING	'00F7'O	MCC 7
C_MCC_8	OCTETSTRING	'00F8'O	MCC 8
C_MCC_9	OCTETSTRING	'013B'O	MCC 9
C_Max_1	INTEGER	1	Max Retrans value 1
C_Max_2	INTEGER	2	Max Retrans value 2
C_Max_7	INTEGER	7	Max Retrans value 7
C_NECI_0	INTEGER	0	NECI value 0, not supported
C_NECI_1	INTEGER	1	NECI value 1, supported
C_PLMN_1	OCTETSTRING	'10'O	PLMN 1 (mnc=01)
C_PLMN_2	OCTETSTRING	'20'O	PLMN 2 (mnc=02)
C_PLMN_3	OCTETSTRING	'30'O	PLMN 3 (mnc=03)
C_PLMN_4	OCTETSTRING	'F0'O	PLMN 4
C_PLMN_5	OCTETSTRING	'F2'O	PLMN 5
C_PLMN_6	OCTETSTRING	'F3'O	PLMN 6
C_PLMN_7	OCTETSTRING	'F4'O	PLMN 7
C_PLMN_8	OCTETSTRING	'F5'O	PLMN 8
C_PLMN_9	OCTETSTRING	'F6'O	PLMN 9
C_PLMN_10	OCTETSTRING	'F7'O	PLMN 10
C_PLMN_Home	OCTETSTRING	'10'O	PLMN 1 (mnc=01)
C_TxInt_5	INTEGER	5	Tx Integer value 5
C_TxInt_7	INTEGER	7	Tx Integer value 7
C_TxInt_10	INTEGER	10	Tx Integer value 10
C_NotCombined	BOOLEAN	FALSE	CCCH not combined with SDCCH
C_Combined	BOOLEAN	TRUE	CCCH combined with SDCCH
C_FCCH_A	LOGICCH	"C_FCCH_A"	frequency correction channel of cell A(1)
C_FCCH_B	LOGICCH	"C_FCCH_B"	frequency correction channel of cell B(2)
C_FCCH_C	LOGICCH	"C_FCCH_C"	frequency correction channel of cell C(3)
C_FCCH_D	LOGICCH	"C_FCCH_D"	frequency correction channel of cell D(4)
C_FCCH_E	LOGICCH	"C_FCCH_E"	frequency correction channel of cell E(5)
C_FCCH_F	LOGICCH	"C_FCCH_F"	frequency correction channel of cell F(6)
C_FCCH_G	LOGICCH	"C_FCCH_G"	frequency correction channel of cell G(7)
C_FCCH_H	LOGICCH	"C_FCCH_H"	frequency correction channel of cell H(8)
C_SCH_A	LOGICCH	"C_SCH_A"	sync channel of cell A(1)
C_SCH_B	LOGICCH	"C_SCH_B"	sync channel of cell B(2)
C_SCH_C	LOGICCH	"C_SCH_C"	sync channel of cell C(3)
C_SCH_D	LOGICCH	"C_SCH_D"	sync channel of cell D(4)
C_SCH_E	LOGICCH	"C_SCH_E"	sync channel of cell E(5)
C_SCH_F	LOGICCH	"C_SCH_F"	sync channel of cell F(6)
C_SCH_G	LOGICCH	"C_SCH_G"	sync channel of cell G(7)
C_SCH_H	LOGICCH	"C_SCH_H"	sync channel of cell H(8)
C_BCCH_A_1	LOGICCH	"C_BCCH_A_1"	1st broadcast channel of cell A
C_BCCH_A_2	LOGICCH	"C_BCCH_A_2"	2nd broadcast channel of cell A
C_BCCH_A_3	LOGICCH	"C_BCCH_A_3"	3rd broadcast channel of cell A
C_BCCH_A_4	LOGICCH	"C_BCCH_A_4"	4th broadcast channel of cell A
C_BCCH_B_1	LOGICCH	"C_BCCH_B_1"	1st broadcast channel of cell B
C_BCCH_C_1	LOGICCH	"C_BCCH_C_1"	1st broadcast channel of cell C
C_BCCH_D_1	LOGICCH	"C_BCCH_D_1"	1st broadcast channel of cell D
C_BCCH_E_1	LOGICCH	"C_BCCH_E_1"	1st broadcast channel of cell E
C_BCCH_F_1	LOGICCH	"C_BCCH_F_1"	1st broadcast channel of cell F
C_BCCH_G_1	LOGICCH	"C_BCCH_G_1"	1st broadcast channel of cell G
C_BCCH_H_1	LOGICCH	"C_BCCH_H_1"	1st broadcast channel of cell H
C_CBCH_A	LOGICCH	"C_CBCH_A"	Cell broadcast channel in cell A
C_AGCH_A_1	LOGICCH	"C_AGCH_A_1"	1st down link CCCH (AGCH) of cell A
C_AGCH_A_2	LOGICCH	"C_AGCH_A_2"	2nd down link CCCH (AGCH) of cell A

C_AGCH_A_3	LOGICCH	"C_AGCH_A_3"	3rd down link CCCH (AGCH) of cell A
C_AGCH_A_4	LOGICCH	"C_AGCH_A_4"	4th down link CCCH (AGCH) of cell A
C_AGCH_B_1	LOGICCH	"C_AGCH_B_1"	1st down link CCCH (AGCH) of cell B
C_AGCH_B_2	LOGICCH	"C_AGCH_B_2"	2nd down link CCCH (AGCH) of cell B
C_AGCH_B_3	LOGICCH	"C_AGCH_B_3"	3rd down link CCCH (AGCH) of cell B
C_AGCH_B_4	LOGICCH	"C_AGCH_B_4"	4th down link CCCH (AGCH) of cell B
C_AGCH_C_1	LOGICCH	"C_AGCH_C_1"	1st down link CCCH (AGCH) of cell C
C_AGCH_C_2	LOGICCH	"C_AGCH_C_2"	2nd down link CCCH (AGCH) of cell C
C_AGCH_C_3	LOGICCH	"C_AGCH_C_3"	3rd down link CCCH (AGCH) of cell C
C_AGCH_C_4	LOGICCH	"C_AGCH_C_4"	4th down link CCCH (AGCH) of cell C
C_AGCH_D_1	LOGICCH	"C_AGCH_D_1"	1st down link CCCH (AGCH) of cell D
C_AGCH_E_1	LOGICCH	"C_AGCH_E_1"	1st down link CCCH (AGCH) of cell E
C_AGCH_F_1	LOGICCH	"C_AGCH_F_1"	1st down link CCCH (AGCH) of cell F
C_AGCH_G_1	LOGICCH	"C_AGCH_G_1"	1st down link CCCH (AGCH) of cell G
C_AGCH_H_1	LOGICCH	"C_AGCH_H_1"	1st down link CCCH (AGCH) of cell H
C_PCH_A_1	LOGICCH	"C_PCH_A_1"	1st down link CCCH (PCH) of cell A
C_PCH_A_2	LOGICCH	"C_PCH_A_2"	2nd down link CCCH (PCH) of cell A
C_PCH_A_3	LOGICCH	"C_PCH_A_3"	3rd down link CCCH (PCH) of cell A
C_PCH_A_4	LOGICCH	"C_PCH_A_4"	4th down link CCCH (PCH) of cell A
C_PCH_B_1	LOGICCH	"C_PCH_B_1"	1st down link CCCH (PCH) of cell B
C_PCH_B_2	LOGICCH	"C_PCH_B_2"	2nd down link CCCH (PCH) of cell B
C_PCH_B_3	LOGICCH	"C_PCH_B_3"	3rd down link CCCH (PCH) of cell B
C_PCH_B_4	LOGICCH	"C_PCH_B_4"	4th down link CCCH (PCH) of cell B
C_PCH_C_1	LOGICCH	"C_PCH_C_1"	1st down link CCCH (PCH) of cell C
C_PCH_C_2	LOGICCH	"C_PCH_C_2"	2nd down link CCCH (PCH) of cell C
C_PCH_C_3	LOGICCH	"C_PCH_C_3"	3rd down link CCCH (PCH) of cell C
C_PCH_C_4	LOGICCH	"C_PCH_C_4"	4th down link CCCH (PCH) of cell C
C_PCH_D_1	LOGICCH	"C_PCH_D_1"	1st down link CCCH (PCH and AGCH) of cell D
C_PCH_E_1	LOGICCH	"C_PCH_E_1"	1st down link CCCH (PCH) of cell E
C_PCH_F_1	LOGICCH	"C_PCH_F_1"	1st down link CCCH (PCH) of cell F
C_PCH_G_1	LOGICCH	"C_PCH_G_1"	1st down link CCCH (PCH) of cell G
C_PCH_H_1	LOGICCH	"C_PCH_H_1"	1st down link CCCH (PCH) of cell H
C_RACH_A_1	LOGICCH	"C_RACH_A_1"	1st uplink CCCH (RACH) of cell A
C_RACH_A_2	LOGICCH	"C_RACH_A_2"	2nd uplink CCCH (RACH) of cell A
C_RACH_A_3	LOGICCH	"C_RACH_A_3"	3rd uplink CCCH (RACH) of cell A
C_RACH_A_4	LOGICCH	"C_RACH_A_4"	4th uplink CCCH (RACH) of cell A
C_RACH_B_1	LOGICCH	"C_RACH_B_1"	1st uplink CCCH (RACH) of cell B

C_RACH_C_1	LOGICCH	"C_RACH_C_1"	1st uplink CCCH (RACH) of cell C
C_RACH_D_1	LOGICCH	"C_RACH_D_1"	1st uplink CCCH (RACH) of cell D
C_RACH_E_1	LOGICCH	"C_RACH_E_1"	1st uplink CCCH (RACH) of cell E
C_RACH_F_1	LOGICCH	"C_RACH_F_1"	1st uplink CCCH (RACH) of cell F
C_RACH_G_1	LOGICCH	"C_RACH_G_1"	1st uplink CCCH (RACH) of cell G
C_RACH_H_1	LOGICCH	"C_RACH_H_1"	1st uplink CCCH (RACH) of cell H
C_FACCHF_A_1	LOGICCH	"C_FACCHF_A_1"	FACCH associated with 1st TCH/F of cell A
C_FACCHF_A_2	LOGICCH	"C_FACCHF_A_2"	FACCH associated with 2nd TCH/F of cell A
C_FACCHF_A_3	LOGICCH	"C_FACCHF_A_3"	FACCH associated with 3rd TCH/F of cell A
C_FACCHF_B_1	LOGICCH	"C_FACCHF_B_1"	FACCH associated with 1st TCH/F of cell B
C_FACCHF_B_2	LOGICCH	"C_FACCHF_B_2"	FACCH associated with 2nd TCH/F of cell B
C_FACCHF_B_3	LOGICCH	"C_FACCHF_B_3"	FACCH associated with 3rd TCH/F of cell B
C_FACCHF_C_1	LOGICCH	"C_FACCHF_C_1"	FACCH associated with 1st TCH/F of cell C
C_FACCHF_C_2	LOGICCH	"C_FACCHF_C_2"	FACCH associated with 2nd TCH/F of cell C
C_FACCHF_C_3	LOGICCH	"C_FACCHF_C_3"	FACCH associated with 3rd TCH/F of cell C
C_FACCHF_H_1	LOGICCH	"C_FACCHF_H_1"	FACCH associated with 1st TCH/F of cell H
C_FACCHH_A_1	LOGICCH	"C_FACCHH_A_1"	FACCH associated with 1st TCH/H of cell A
C_FACCHH_A_2	LOGICCH	"C_FACCHH_A_2"	FACCH associated with 2nd TCH/H of cell A
C_FACCHH_A_3	LOGICCH	"C_FACCHH_A_3"	FACCH associated with 3rd TCH/H of cell A
C_FACCHH_B_1	LOGICCH	"C_FACCHH_B_1"	FACCH associated with 1st TCH/H of cell B
C_FACCHH_B_2	LOGICCH	"C_FACCHH_B_2"	FACCH associated with 2nd TCH/H of cell B
C_FACCHH_B_3	LOGICCH	"C_FACCHH_B_3"	FACCH associated with 3rd TCH/H of cell B
C_FACCHH_C_1	LOGICCH	"C_FACCHH_C_1"	FACCH associated with 1st TCH/H of cell C
C_FACCHH_C_2	LOGICCH	"C_FACCHH_C_2"	FACCH associated with 2nd TCH/H of cell C
C_FACCHH_C_3	LOGICCH	"C_FACCHH_C_3"	FACCH associated with 3rd TCH/H of cell C
C_FACCHH0_A_1	LOGICCH	"C_FACCHH0_A_1"	FACCH associated with 1st TCH/H0 of cell A
C_FACCHH1_A_1	LOGICCH	"C_FACCHH1_A_1"	FACCH associated with 1st TCH/H1 of cell A
C_FACCHH0_A_2	LOGICCH	"C_FACCHH0_A_2"	FACCH associated with 2nd TCH/H0 of cell A
C_FACCHH1_A_2	LOGICCH	"C_FACCHH1_A_2"	FACCH associated with 2nd TCH/H1 of cell A
C_FACCHH0_A_3	LOGICCH	"C_FACCHH0_A_3"	FACCH associated with 3rd TCH/H0 of cell A
C_FACCHH1_A_3	LOGICCH	"C_FACCHH1_A_3"	FACCH associated with 3rd TCH/H1 of cell A
C_FACCHH0_B_1	LOGICCH	"C_FACCHH0_B_1"	FACCH associated with 1st TCH/H0 of cell B
C_FACCHH1_B_1	LOGICCH	"C_FACCHH1_B_1"	FACCH associated with 1st TCH/H1 of cell B
C_FACCHH0_B_2	LOGICCH	"C_FACCHH0_B_2"	FACCH associated with 2nd TCH/H0 of cell B
C_FACCHH1_B_2	LOGICCH	"C_FACCHH1_B_2"	FACCH associated with 2nd TCH/H1 of cell B
C_FACCHH0_B_3	LOGICCH	"C_FACCHH0_B_3"	FACCH associated with 3rd TCH/H0 of cell B
C_FACCHH1_B_3	LOGICCH	"C_FACCHH1_B_3"	FACCH associated with 3rd TCH/H1 of cell B
C_FACCHH0_C_1	LOGICCH	"C_FACCHH0_C_1"	FACCH associated with 1st TCH/H0 of cell C

C_FACCHH1_C_1	LOGICCH	"C_FACCHH1_C_1"	FACCH associated with 1st TCH/H1 of cell C
C_FACCHH0_C_2	LOGICCH	"C_FACCHH0_C_2"	FACCH associated with 2nd TCH/H0 of cell C
C_FACCHH1_C_2	LOGICCH	"C_FACCHH1_C_2"	FACCH associated with 2nd TCH/H1 of cell C
C_FACCHH0_C_3	LOGICCH	"C_FACCHH0_C_3"	FACCH associated with 3rd TCH/H0 of cell C
C_FACCHH1_C_3	LOGICCH	"C_FACCHH1_C_3"	FACCH associated with 3rd TCH/H1 of cell C
C_SACCH_A	LOGICCH	"C_SACCH_A"	all SACCHs of cell A
C_SACCH_B	LOGICCH	"C_SACCH_B"	all SACCHs of cell B
C_SACCH_C	LOGICCH	"C_SACCH_C"	all SACCHs of cell C
C_SACCH_D	LOGICCH	"C_SACCH_D"	all SACCHs of cell D
C_SACCH_E	LOGICCH	"C_SACCH_E"	all SACCHs of cell E
C_SACCH_F	LOGICCH	"C_SACCH_F"	all SACCHs of cell F
C_SACCH_G	LOGICCH	"C_SACCH_G"	all SACCHs of cell G
C_SACCH_H	LOGICCH	"C_SACCH_H"	all SACCHs of cell H
C_SACCHF_A_1	LOGICCH	"C_SACCHF_A_1"	SACCH associated with 1st TCH/F of cell A
C_SACCHF_A_2	LOGICCH	"C_SACCHF_A_2"	SACCH associated with 2nd TCH/F of cell A
C_SACCHF_B_1	LOGICCH	"C_SACCHF_B_1"	SACCH associated with 1st TCH/F of cell B
C_SACCHF_B_2	LOGICCH	"C_SACCHF_B_2"	SACCH associated with 2nd TCH/F of cell B
C_SACCHF_H_1	LOGICCH	"C_SACCHF_H_1"	SACCH associated with 1st TCH/F of cell H
C_SACCHH_A_1	LOGICCH	"C_SACCHH_A_1"	SACCH associated with 1st TCH/H of cell A
C_SACCHH_A_2	LOGICCH	"C_SACCHH_A_2"	SACCH associated with 2nd TCH/H of cell A
C_SACCHH_A_3	LOGICCH	"C_SACCHH_A_3"	SACCH associated with 3rd TCH/H of cell A
C_SACCHH_B_1	LOGICCH	"C_SACCHH_B_1"	SACCH associated with 1st TCH/H of cell B
C_SACCHH_B_2	LOGICCH	"C_SACCHH_B_2"	SACCH associated with 2nd TCH/H of cell B
C_SACCHH_B_3	LOGICCH	"C_SACCHH_B_3"	SACCH associated with 3rd TCH/H of cell B
C_SACCHH_C_1	LOGICCH	"C_SACCHH_C_1"	SACCH associated with 1st TCH/H of cell C
C_SACCHH_C_2	LOGICCH	"C_SACCHH_C_2"	SACCH associated with 2nd TCH/H of cell C
C_SACCHH_C_3	LOGICCH	"C_SACCHH_C_3"	SACCH associated with 3rd TCH/H of cell C
C_SACCHH0_A_1	LOGICCH	"C_SACCHH0_A_1"	SACCH associated with 1st TCH/H_0 of cell A
C_SACCHH1_A_1	LOGICCH	"C_SACCHH1_A_1"	SACCH associated with 1st TCH/H_1 of cell A
C_SACCHH0_A_2	LOGICCH	"C_SACCHH0_A_2"	SACCH associated with 2nd TCH/H_0 of cell A
C_SACCHH1_A_2	LOGICCH	"C_SACCHH1_A_2"	SACCH associated with 2nd TCH/H_1 of cell A
C_SACCHH0_A_3	LOGICCH	"C_SACCHH0_A_3"	SACCH associated with 3rd TCH/H_0 of cell A
C_SACCHH1_A_3	LOGICCH	"C_SACCHH1_A_3"	SACCH associated with 3rd TCH/H_1 of cell A
C_SACCHH0_B_1	LOGICCH	"C_SACCHH0_B_1"	SACCH associated with 1st TCH/H_0 of cell B
C_SACCHH1_B_1	LOGICCH	"C_SACCHH1_B_1"	SACCH associated with 1st TCH/H_1 of cell B
C_SACCHH0_B_2	LOGICCH	"C_SACCHH0_B_2"	SACCH associated with 2nd TCH/H_0 of cell B
C_SACCHH1_B_2	LOGICCH	"C_SACCHH1_B_2"	SACCH associated with 2nd TCH/H_1 of cell B
C_SACCHH0_B_3	LOGICCH	"C_SACCHH0_B_3"	SACCH associated with 3rd TCH/H_0 of cell B
C_SACCHH1_B_3	LOGICCH	"C_SACCHH1_B_3"	SACCH associated with 3rd TCH/H_1 of cell B

C_SACCHH0_C_1	LOGICCH	"C_SACCHH0_C_1"	SACCH associated with 1st TCH/H_0 of cell C
C_SACCHH1_C_1	LOGICCH	"C_SACCHH1_C_1"	SACCH associated with 1st TCH/H_1 of cell C
C_SACCHH0_C_2	LOGICCH	"C_SACCHH0_C_2"	SACCH associated with 2nd TCH/H_0 of cell C
C_SACCHH1_C_2	LOGICCH	"C_SACCHH1_C_2"	SACCH associated with 2nd TCH/H_1 of cell C
C_SACCHH0_C_3	LOGICCH	"C_SACCHH0_C_3"	SACCH associated with 3rd TCH/H_0 of cell C
C_SACCHH1_C_3	LOGICCH	"C_SACCHH1_C_3"	SACCH associated with 3rd TCH/H_1 of cell C
C_SACCHC4_A	LOGICCH	"C_SACCHC4_A"	SACCHC4 channel of cell A
C_SACCHC4_B	LOGICCH	"C_SACCHC4_B"	SACCHC4 channel of cell B
C_SACCHC4_C	LOGICCH	"C_SACCHC4_C"	SACCHC4 channel of cell C
C_SACCHC4_D	LOGICCH	"C_SACCHC4_D"	SACCHC4 channel of cell D
C_SACCHC4_E	LOGICCH	"C_SACCHC4_E"	SACCHC4 channel of cell E
C_SACCHC4_F	LOGICCH	"C_SACCHC4_F"	SACCHC4 channel of cell F
C_SACCHC4_G	LOGICCH	"C_SACCHC4_G"	SACCHC4 channel of cell G
C_SACCHC4_H	LOGICCH	"C_SACCHC4_H"	SACCHC4 channel of cell H
C_SACCHC40_A	LOGICCH	"C_SACCHC40_A"	SACCH/C4(0) associated with SDCCH/4(0) of cell A
C_SACCHC41_A	LOGICCH	"C_SACCHC41_A"	SACCH/C4(1) associated with SDCCH/4(1) of cell A
C_SACCHC42_A	LOGICCH	"C_SACCHC42_A"	SACCH/C4(2) associated with SDCCH/4(2) of cell A
C_SACCHC43_A	LOGICCH	"C_SACCHC43_A"	SACCH/C4(3) associated with SDCCH/4(3) of cell A
C_SACCHC40_B	LOGICCH	"C_SACCHC40_B"	SACCH/C4(0) associated with SDCCH/4(0) of cell B
C_SACCHC41_B	LOGICCH	"C_SACCHC41_B"	SACCH/C4(1) associated with SDCCH/4(1) of cell B
C_SACCHC42_B	LOGICCH	"C_SACCHC42_B"	SACCH/C4(2) associated with SDCCH/4(2) of cell B
C_SACCHC43_B	LOGICCH	"C_SACCHC43_B"	SACCH/C4(3) associated with SDCCH/4(3) of cell B
C_SACCHC40_C	LOGICCH	"C_SACCHC40_C"	SACCH/C4(0) associated with SDCCH/4(0) of cell C
C_SACCHC41_C	LOGICCH	"C_SACCHC41_C"	SACCH/C4(1) associated with SDCCH/4(1) of cell C
C_SACCHC42_C	LOGICCH	"C_SACCHC42_C"	SACCH/C4(2) associated with SDCCH/4(2) of cell C
C_SACCHC43_C	LOGICCH	"C_SACCHC43_C"	SACCH/C4(3) associated with SDCCH/4(3) of cell C
C_SACCHC40_D	LOGICCH	"C_SACCHC40_D"	SACCH/C4(0) associated with SDCCH/4(0) of cell D
C_SACCHC41_D	LOGICCH	"C_SACCHC41_D"	SACCH/C4(1) associated with SDCCH/4(1) of cell D
C_SACCHC42_D	LOGICCH	"C_SACCHC42_D"	SACCH/C4(2) associated with SDCCH/4(2) of cell D
C_SACCHC43_D	LOGICCH	"C_SACCHC43_D"	SACCH/C4(3) associated with SDCCH/4(3) of cell D
C_SACCHC40_E	LOGICCH	"C_SACCHC40_E"	SACCH/C4(0) associated with SDCCH/4(0) of cell E
C_SACCHC41_E	LOGICCH	"C_SACCHC41_E"	SACCH/C4(1) associated with SDCCH/4(1) of cell E
C_SACCHC42_E	LOGICCH	"C_SACCHC42_E"	SACCH/C4(2) associated with SDCCH/4(2) of cell E
C_SACCHC43_E	LOGICCH	"C_SACCHC43_E"	SACCH/C4(3) associated with SDCCH/4(3) of cell E
C_SACCHC40_F	LOGICCH	"C_SACCHC40_F"	SACCH/C4(0) associated with SDCCH/4(0) of cell F
C_SACCHC41_F	LOGICCH	"C_SACCHC41_F"	SACCH/C4(1) associated with SDCCH/4(1) of cell F
C_SACCHC42_F	LOGICCH	"C_SACCHC42_F"	SACCH/C4(2) associated with SDCCH/4(2) of cell F
C_SACCHC43_F	LOGICCH	"C_SACCHC43_F"	SACCH/C4(3) associated with SDCCH/4(3) of cell F
C_SACCHC40_G	LOGICCH	"C_SACCHC40_G"	SACCH/C4(0) associated with SDCCH/4(0) of cell G

C_SACCHC41_G	LOGICCH	"C_SACCHC41_G"	SACCH/C4(1) associated with SDCCH/4(1) of cell G
C_SACCHC42_G	LOGICCH	"C_SACCHC42_G"	SACCH/C4(2) associated with SDCCH/4(2) of cell G
C_SACCHC43_G	LOGICCH	"C_SACCHC43_G"	SACCH/C4(3) associated with SDCCH/4(3) of cell G
C_SACCHC40_H	LOGICCH	"C_SACCHC40_C"	SACCH/C4(0) associated with SDCCH/4(0) of cell H
C_SACCHC41_H	LOGICCH	"C_SACCHC41_C"	SACCH/C4(1) associated with SDCCH/4(1) of cell H
C_SACCHC42_H	LOGICCH	"C_SACCHC42_C"	SACCH/C4(2) associated with SDCCH/4(2) of cell H
C_SACCHC43_H	LOGICCH	"C_SACCHC43_C"	SACCH/C4(3) associated with SDCCH/4(3) of cell H
C_SACCHC8_A_1	LOGICCH	"C_SACCHC8_A_1"	1st SACCH/8 channel of cell A
C_SACCHC8_A_2	LOGICCH	"C_SACCHC8_A_2"	2nd SACCH/8 channel of cell A
C_SACCHC8_A_3	LOGICCH	"C_SACCHC8_A_3"	3rd SACCH/8 channel of cell A
C_SACCHC8_B_1	LOGICCH	"C_SACCHC8_B_1"	1st SACCH/8 channel of cell B
C_SACCHC8_B_2	LOGICCH	"C_SACCHC8_B_2"	2nd SACCH/8 channel of cell B
C_SACCHC8_B_3	LOGICCH	"C_SACCHC8_B_3"	3rd SACCH/8 channel of cell B
C_SACCHC8_C_1	LOGICCH	"C_SACCHC8_C_1"	1st SACCH/8 channel of cell C
C_SACCHC8_C_2	LOGICCH	"C_SACCHC8_C_2"	2nd SACCH/8 channel of cell C
C_SACCHC8_C_3	LOGICCH	"C_SACCHC8_C_3"	3rd SACCH/8 channel of cell C
C_SACCHC80_A_1	LOGICCH	"C_SACCHC80_A_1"	SACCH/C8(0) associated with 1st SDCCH/8(0) of cell A
C_SACCHC81_A_1	LOGICCH	"C_SACCHC81_A_1"	SACCH/C8(1) associated with 1st SDCCH/8(1) of cell A
C_SACCHC82_A_1	LOGICCH	"C_SACCHC82_A_1"	SACCH/C8(2) associated with 1st SDCCH/8(2) of cell A
C_SACCHC83_A_1	LOGICCH	"C_SACCHC83_A_1"	SACCH/C8(3) associated with 1st SDCCH/8(3) of cell A
C_SACCHC84_A_1	LOGICCH	"C_SACCHC84_A_1"	SACCH/C8(4) associated with 1st SDCCH/8(4) of cell A
C_SACCHC85_A_1	LOGICCH	"C_SACCHC85_A_1"	SACCH/C8(5) associated with 1st SDCCH/8(5) of cell A
C_SACCHC86_A_1	LOGICCH	"C_SACCHC86_A_1"	SACCH/C8(6) associated with 1st SDCCH/8(6) of cell A
C_SACCHC87_A_1	LOGICCH	"C_SACCHC87_A_1"	SACCH/C8(7) associated with 1st SDCCH/8(7) of cell A
C_SACCHC80_A_2	LOGICCH	"C_SACCHC80_A_2"	SACCH/C8(0) associated with 2nd SDCCH/8(0) of cell A
C_SACCHC81_A_2	LOGICCH	"C_SACCHC81_A_2"	SACCH/C8(1) associated with 2nd SDCCH/8(1) of cell A
C_SACCHC82_A_2	LOGICCH	"C_SACCHC82_A_2"	SACCH/C8(2) associated with 2nd SDCCH/8(2) of cell A
C_SACCHC83_A_2	LOGICCH	"C_SACCHC83_A_2"	SACCH/C8(3) associated with 2nd SDCCH/8(3) of cell A
C_SACCHC84_A_2	LOGICCH	"C_SACCHC84_A_2"	SACCH/C8(4) associated with 2nd SDCCH/8(4) of cell A
C_SACCHC85_A_2	LOGICCH	"C_SACCHC85_A_2"	SACCH/C8(5) associated with 2nd SDCCH/8(5) of cell A
C_SACCHC86_A_2	LOGICCH	"C_SACCHC86_A_2"	SACCH/C8(6) associated with 2nd SDCCH/8(6) of cell A
C_SACCHC87_A_2	LOGICCH	"C_SACCHC87_A_2"	SACCH/C8(7) associated with 2nd SDCCH/8(7) of cell A
C_SACCHC80_A_3	LOGICCH	"C_SACCHC80_A_3"	SACCH/C8(0) associated with 3rd SDCCH/8(0) of cell A
C_SACCHC81_A_3	LOGICCH	"C_SACCHC81_A_3"	SACCH/C8(1) associated with 3rd SDCCH/8(1) of cell A
C_SACCHC82_A_3	LOGICCH	"C_SACCHC82_A_3"	SACCH/C8(2) associated with 3rd SDCCH/8(2) of cell A
C_SACCHC83_A_3	LOGICCH	"C_SACCHC83_A_3"	SACCH/C8(3) associated with 3rd SDCCH/8(3) of cell A
C_SACCHC84_A_3	LOGICCH	"C_SACCHC84_A_3"	SACCH/C8(4) associated with 3rd SDCCH/8(4) of cell A
C_SACCHC85_A_3	LOGICCH	"C_SACCHC85_A_3"	SACCH/C8(5) associated with 3rd SDCCH/8(5) of cell A
C_SACCHC86_A_3	LOGICCH	"C_SACCHC86_A_3"	SACCH/C8(6) associated with 3rd SDCCH/8(6) of cell A
C_SACCHC87_A_3	LOGICCH	"C_SACCHC87_A_3"	SACCH/C8(7) associated with 3rd SDCCH/8(7) of cell A

C_SACCHC80_B_1	LOGICCH	"C_SACCHC80_B_1"	SDCCH/8(7) of cell A SACCH/C8(0) associated with 1st SDCCH/8(0) of cell B
C_SACCHC81_B_1	LOGICCH	"C_SACCHC81_B_1"	SACCH/C8(1) associated with 1st SDCCH/8(1) of cell B
C_SACCHC82_B_1	LOGICCH	"C_SACCHC82_B_1"	SACCH/C8(2) associated with 1st SDCCH/8(2) of cell B
C_SACCHC83_B_1	LOGICCH	"C_SACCHC83_B_1"	SACCH/C8(3) associated with 1st SDCCH/8(3) of cell B
C_SACCHC84_B_1	LOGICCH	"C_SACCHC84_B_1"	SACCH/C8(4) associated with 1st SDCCH/8(4) of cell B
C_SACCHC85_B_1	LOGICCH	"C_SACCHC85_B_1"	SACCH/C8(5) associated with 1st SDCCH/8(5) of cell B
C_SACCHC86_B_1	LOGICCH	"C_SACCHC86_B_1"	SACCH/C8(6) associated with 1st SDCCH/8(6) of cell B
C_SACCHC87_B_1	LOGICCH	"C_SACCHC87_B_1"	SACCH/C8(7) associated with 1st SDCCH/8(7) of cell B
C_SACCHC80_B_2	LOGICCH	"C_SACCHC80_B_2"	SACCH/C8(0) associated with 2nd SDCCH/8(0) of cell B
C_SACCHC81_B_2	LOGICCH	"C_SACCHC81_B_2"	SACCH/C8(1) associated with 2nd SDCCH/8(1) of cell B
C_SACCHC82_B_2	LOGICCH	"C_SACCHC82_B_2"	SACCH/C8(2) associated with 2nd SDCCH/8(2) of cell B
C_SACCHC83_B_2	LOGICCH	"C_SACCHC83_B_2"	SACCH/C8(3) associated with 2nd SDCCH/8(3) of cell B
C_SACCHC84_B_2	LOGICCH	"C_SACCHC84_B_2"	SACCH/C8(4) associated with 2nd SDCCH/8(4) of cell B
C_SACCHC85_B_2	LOGICCH	"C_SACCHC85_B_2"	SACCH/C8(5) associated with 2nd SDCCH/8(5) of cell B
C_SACCHC86_B_2	LOGICCH	"C_SACCHC86_B_2"	SACCH/C8(6) associated with 2nd SDCCH/8(6) of cell B
C_SACCHC87_B_2	LOGICCH	"C_SACCHC87_B_2"	SACCH/C8(7) associated with 2nd SDCCH/8(7) of cell B
C_SACCHC80_B_3	LOGICCH	"C_SACCHC80_B_3"	SACCH/C8(0) associated with 3rd SDCCH/8(0) of cell B
C_SACCHC81_B_3	LOGICCH	"C_SACCHC81_B_3"	SACCH/C8(1) associated with 3rd SDCCH/8(1) of cell B
C_SACCHC82_B_3	LOGICCH	"C_SACCHC82_B_3"	SACCH/C8(2) associated with 3rd SDCCH/8(2) of cell B
C_SACCHC83_B_3	LOGICCH	"C_SACCHC83_B_3"	SACCH/C8(3) associated with 3rd SDCCH/8(3) of cell B
C_SACCHC84_B_3	LOGICCH	"C_SACCHC84_B_3"	SACCH/C8(4) associated with 3rd SDCCH/8(4) of cell B
C_SACCHC85_B_3	LOGICCH	"C_SACCHC85_B_3"	SACCH/C8(5) associated with 3rd SDCCH/8(5) of cell B
C_SACCHC86_B_3	LOGICCH	"C_SACCHC86_B_3"	SACCH/C8(6) associated with 3rd SDCCH/8(6) of cell B
C_SACCHC87_B_3	LOGICCH	"C_SACCHC87_B_3"	SACCH/C8(7) associated with 3rd SDCCH/8(7) of cell B
C_SACCHC80_C_1	LOGICCH	"C_SACCHC80_C_1"	SACCH/C8(0) associated with 1st SDCCH/8(0) of cell C
C_SACCHC81_C_1	LOGICCH	"C_SACCHC81_C_1"	SACCH/C8(1) associated with 1st SDCCH/8(1) of cell C
C_SACCHC82_C_1	LOGICCH	"C_SACCHC82_C_1"	SACCH/C8(2) associated with 1st SDCCH/8(2) of cell C
C_SACCHC83_C_1	LOGICCH	"C_SACCHC83_C_1"	SACCH/C8(3) associated with 1st SDCCH/8(3) of cell C
C_SACCHC84_C_1	LOGICCH	"C_SACCHC84_C_1"	SACCH/C8(4) associated with 1st SDCCH/8(4) of cell C
C_SACCHC85_C_1	LOGICCH	"C_SACCHC85_C_1"	SACCH/C8(5) associated with 1st SDCCH/8(5) of cell C
C_SACCHC86_C_1	LOGICCH	"C_SACCHC86_C_1"	SACCH/C8(6) associated with 1st SDCCH/8(6) of cell C
C_SACCHC87_C_1	LOGICCH	"C_SACCHC87_C_1"	SACCH/C8(7) associated with 1st SDCCH/8(7) of cell C
C_SACCHC80_C_2	LOGICCH	"C_SACCHC80_C_2"	SACCH/C8(0) associated with 2nd SDCCH/8(0) of cell C
C_SACCHC81_C_2	LOGICCH	"C_SACCHC81_C_2"	SACCH/C8(1) associated with 2nd SDCCH/8(1) of cell C
C_SACCHC82_C_2	LOGICCH	"C_SACCHC82_C_2"	SACCH/C8(2) associated with 2nd SDCCH/8(2) of cell C



C_SACCHC83_C_2	LOGICCH	"C_SACCHC83_C_2"	SACCH/C8(3) associated with 2nd SDCCH/8(3) of cell C
C_SACCHC84_C_2	LOGICCH	"C_SACCHC84_C_2"	SACCH/C8(4) associated with 2nd SDCCH/8(4) of cell C
C_SACCHC85_C_2	LOGICCH	"C_SACCHC85_C_2"	SACCH/C8(5) associated with 2nd SDCCH/8(5) of cell C
C_SACCHC86_C_2	LOGICCH	"C_SACCHC86_C_2"	SACCH/C8(6) associated with 2nd SDCCH/8(6) of cell C
C_SACCHC87_C_2	LOGICCH	"C_SACCHC87_C_2"	SACCH/C8(7) associated with 2nd SDCCH/8(7) of cell C
C_SACCHC80_C_3	LOGICCH	"C_SACCHC80_C_3"	SACCH/C8(0) associated with 3rd SDCCH/8(0) of cell C
C_SACCHC81_C_3	LOGICCH	"C_SACCHC81_C_3"	SACCH/C8(1) associated with 3rd SDCCH/8(1) of cell C
C_SACCHC82_C_3	LOGICCH	"C_SACCHC82_C_3"	SACCH/C8(2) associated with 3rd SDCCH/8(2) of cell C
C_SACCHC83_C_3	LOGICCH	"C_SACCHC83_C_3"	SACCH/C8(3) associated with 3rd SDCCH/8(3) of cell C
C_SACCHC84_C_3	LOGICCH	"C_SACCHC84_C_3"	SACCH/C8(4) associated with 3rd SDCCH/8(4) of cell C
C_SACCHC85_C_3	LOGICCH	"C_SACCHC85_C_3"	SACCH/C8(5) associated with 3rd SDCCH/8(5) of cell C
C_SACCHC86_C_3	LOGICCH	"C_SACCHC86_C_3"	SACCH/C8(6) associated with 3rd SDCCH/8(6) of cell C
C_SACCHC87_C_3	LOGICCH	"C_SACCHC87_C_3"	SACCH/C8(7) associated with 3rd SDCCH/8(7) of cell C
C_SDCCH4_A	LOGICCH	"C_SDCCH4_A"	SDCCH/4 channel of cell A
C_SDCCH4_B	LOGICCH	"C_SDCCH4_B"	SDCCH/4 channel of cell B
C_SDCCH4_C	LOGICCH	"C_SDCCH4_C"	SDCCH/4 channel of cell C
C_SDCCH4_D	LOGICCH	"C_SDCCH4_D"	SDCCH/4 channel of cell D
C_SDCCH4_E	LOGICCH	"C_SDCCH4_E"	SDCCH/4 channel of cell E
C_SDCCH4_F	LOGICCH	"C_SDCCH4_F"	SDCCH/4 channel of cell F
C_SDCCH4_G	LOGICCH	"C_SDCCH4_G"	SDCCH/4 channel of cell G
C_SDCCH4_H	LOGICCH	"C_SDCCH4_H"	SDCCH/4 channel of cell H
C_SDCCH40_A	LOGICCH	"C_SDCCH40_A"	SDCCH/4(0) of cell A
C_SDCCH41_A	LOGICCH	"C_SDCCH41_A"	SDCCH/4(1) of cell A
C_SDCCH42_A	LOGICCH	"C_SDCCH42_A"	SDCCH/4(2) of cell A
C_SDCCH43_A	LOGICCH	"C_SDCCH43_A"	SDCCH/4(3) of cell A
C_SDCCH40_B	LOGICCH	"C_SDCCH40_B"	SDCCH/4(0) of cell B
C_SDCCH41_B	LOGICCH	"C_SDCCH41_B"	SDCCH/4(1) of cell B
C_SDCCH42_B	LOGICCH	"C_SDCCH42_B"	SDCCH/4(2) of cell B
C_SDCCH43_B	LOGICCH	"C_SDCCH43_B"	SDCCH/4(3) of cell B
C_SDCCH40_C	LOGICCH	"C_SDCCH40_C"	SDCCH/4(0) of cell C
C_SDCCH41_C	LOGICCH	"C_SDCCH41_C"	SDCCH/4(1) of cell C
C_SDCCH42_C	LOGICCH	"C_SDCCH42_C"	SDCCH/4(2) of cell C
C_SDCCH43_C	LOGICCH	"C_SDCCH43_C"	SDCCH/4(3) of cell C
C_SDCCH40_D	LOGICCH	"C_SDCCH40_D"	SDCCH/4(0) of cell D
C_SDCCH41_D	LOGICCH	"C_SDCCH41_D"	SDCCH/4(1) of cell D
C_SDCCH42_D	LOGICCH	"C_SDCCH42_D"	SDCCH/4(2) of cell D
C_SDCCH43_D	LOGICCH	"C_SDCCH43_D"	SDCCH/4(3) of cell D
C_SDCCH40_E	LOGICCH	"C_SDCCH40_E"	SDCCH/4(0) of cell E
C_SDCCH41_E	LOGICCH	"C_SDCCH41_E"	SDCCH/4(1) of cell E
C_SDCCH42_E	LOGICCH	"C_SDCCH42_E"	SDCCH/4(2) of cell E
C_SDCCH43_E	LOGICCH	"C_SDCCH43_E"	SDCCH/4(3) of cell E
C_SDCCH40_F	LOGICCH	"C_SDCCH40_F"	SDCCH/4(0) of cell F
C_SDCCH41_F	LOGICCH	"C_SDCCH41_F"	SDCCH/4(1) of cell F
C_SDCCH42_F	LOGICCH	"C_SDCCH42_F"	SDCCH/4(2) of cell F
C_SDCCH43_F	LOGICCH	"C_SDCCH43_F"	SDCCH/4(3) of cell F
C_SDCCH40_G	LOGICCH	"C_SDCCH40_G"	SDCCH/4(0) of cell G
C_SDCCH41_G	LOGICCH	"C_SDCCH41_G"	SDCCH/4(1) of cell G
C_SDCCH42_G	LOGICCH	"C_SDCCH42_G"	SDCCH/4(2) of cell G
C_SDCCH43_G	LOGICCH	"C_SDCCH43_G"	SDCCH/4(3) of cell G
C_SDCCH40_H	LOGICCH	"C_SDCCH40_H"	SDCCH/4(0) of cell H
C_SDCCH41_H	LOGICCH	"C_SDCCH41_H"	SDCCH/4(1) of cell H
C_SDCCH42_H	LOGICCH	"C_SDCCH42_H"	SDCCH/4(2) of cell H
C_SDCCH43_H	LOGICCH	"C_SDCCH43_H"	SDCCH/4(3) of cell H
C_SDCCH8_A_1	LOGICCH	"C_SDCCH8_A_1"	1st SDCCH/8 channel of cell A

C_SDCCH8_A_2	LOGICCH	"C_SDCCH8_A_2"	2nd SDCCH/8 channel of cell A
C_SDCCH8_A_3	LOGICCH	"C_SDCCH8_A_3"	3rd SDCCH/8 channel of cell A
C_SDCCH8_B_1	LOGICCH	"C_SDCCH8_B_1"	1st SDCCH/8 channel of cell B
C_SDCCH8_B_2	LOGICCH	"C_SDCCH8_B_2"	2nd SDCCH/8 channel of cell B
C_SDCCH80_A_1	LOGICCH	"C_SDCCH80_A_1"	1st SDCCH/8(0) of cell A
C_SDCCH81_A_1	LOGICCH	"C_SDCCH81_A_1"	1st SDCCH/8(1) of cell A
C_SDCCH82_A_1	LOGICCH	"C_SDCCH82_A_1"	1st SDCCH/8(2) of cell A
C_SDCCH83_A_1	LOGICCH	"C_SDCCH83_A_1"	1st SDCCH/8(3) of cell A
C_SDCCH84_A_1	LOGICCH	"C_SDCCH84_A_1"	1st SDCCH/8(4) of cell A
C_SDCCH85_A_1	LOGICCH	"C_SDCCH85_A_1"	1st SDCCH/8(5) of cell A
C_SDCCH86_A_1	LOGICCH	"C_SDCCH86_A_1"	1st SDCCH/8(6) of cell A
C_SDCCH87_A_1	LOGICCH	"C_SDCCH87_A_1"	1st SDCCH/8(7) of cell A
C_SDCCH80_A_2	LOGICCH	"C_SDCCH80_A_2"	2nd SDCCH/8(0) of cell A
C_SDCCH81_A_2	LOGICCH	"C_SDCCH81_A_2"	2nd SDCCH/8(1) of cell A
C_SDCCH82_A_2	LOGICCH	"C_SDCCH82_A_2"	2nd SDCCH/8(2) of cell A
C_SDCCH83_A_2	LOGICCH	"C_SDCCH83_A_2"	2nd SDCCH/8(3) of cell A
C_SDCCH84_A_2	LOGICCH	"C_SDCCH84_A_2"	2nd SDCCH/8(4) of cell A
C_SDCCH85_A_2	LOGICCH	"C_SDCCH85_A_2"	2nd SDCCH/8(5) of cell A
C_SDCCH86_A_2	LOGICCH	"C_SDCCH86_A_2"	2nd SDCCH/8(6) of cell A
C_SDCCH87_A_2	LOGICCH	"C_SDCCH87_A_2"	2nd SDCCH/8(7) of cell A
C_SDCCH80_A_3	LOGICCH	"C_SDCCH80_A_3"	3rd SDCCH/8(0) of cell A
C_SDCCH81_A_3	LOGICCH	"C_SDCCH81_A_3"	3rd SDCCH/8(1) of cell A
C_SDCCH82_A_3	LOGICCH	"C_SDCCH82_A_3"	3rd SDCCH/8(2) of cell A
C_SDCCH83_A_3	LOGICCH	"C_SDCCH83_A_3"	3rd SDCCH/8(3) of cell A
C_SDCCH84_A_3	LOGICCH	"C_SDCCH84_A_3"	3rd SDCCH/8(4) of cell A
C_SDCCH85_A_3	LOGICCH	"C_SDCCH85_A_3"	3rd SDCCH/8(5) of cell A
C_SDCCH86_A_3	LOGICCH	"C_SDCCH86_A_3"	3rd SDCCH/8(6) of cell A
C_SDCCH87_A_3	LOGICCH	"C_SDCCH87_A_3"	3rd SDCCH/8(7) of cell A
C_SDCCH80_B_1	LOGICCH	"C_SDCCH80_B_1"	1st SDCCH/8(0) of cell B
C_SDCCH81_B_1	LOGICCH	"C_SDCCH81_B_1"	1st SDCCH/8(1) of cell B
C_SDCCH82_B_1	LOGICCH	"C_SDCCH82_B_1"	1st SDCCH/8(2) of cell B
C_SDCCH83_B_1	LOGICCH	"C_SDCCH83_B_1"	1st SDCCH/8(3) of cell B
C_SDCCH84_B_1	LOGICCH	"C_SDCCH84_B_1"	1st SDCCH/8(4) of cell B
C_SDCCH85_B_1	LOGICCH	"C_SDCCH85_B_1"	1st SDCCH/8(5) of cell B
C_SDCCH86_B_1	LOGICCH	"C_SDCCH86_B_1"	1st SDCCH/8(6) of cell B
C_SDCCH87_B_1	LOGICCH	"C_SDCCH87_B_1"	1st SDCCH/8(7) of cell B
C_SDCCH80_B_2	LOGICCH	"C_SDCCH80_B_2"	2nd SDCCH/8(0) of cell B
C_SDCCH81_B_2	LOGICCH	"C_SDCCH81_B_2"	2nd SDCCH/8(1) of cell B
C_SDCCH82_B_2	LOGICCH	"C_SDCCH82_B_2"	2nd SDCCH/8(2) of cell B
C_SDCCH83_B_2	LOGICCH	"C_SDCCH83_B_2"	2nd SDCCH/8(3) of cell B
C_SDCCH84_B_2	LOGICCH	"C_SDCCH84_B_2"	2nd SDCCH/8(4) of cell B
C_SDCCH85_B_2	LOGICCH	"C_SDCCH85_B_2"	2nd SDCCH/8(5) of cell B
C_SDCCH86_B_2	LOGICCH	"C_SDCCH86_B_2"	2nd SDCCH/8(6) of cell B
C_SDCCH87_B_2	LOGICCH	"C_SDCCH87_B_2"	2nd SDCCH/8(7) of cell B
C_SDCCH80_B_3	LOGICCH	"C_SDCCH80_B_3"	3rd SDCCH/8(0) of cell B
C_SDCCH81_B_3	LOGICCH	"C_SDCCH81_B_3"	3rd SDCCH/8(1) of cell B
C_SDCCH82_B_3	LOGICCH	"C_SDCCH82_B_3"	3rd SDCCH/8(2) of cell B
C_SDCCH83_B_3	LOGICCH	"C_SDCCH83_B_3"	3rd SDCCH/8(3) of cell B
C_SDCCH84_B_3	LOGICCH	"C_SDCCH84_B_3"	3rd SDCCH/8(4) of cell B
C_SDCCH85_B_3	LOGICCH	"C_SDCCH85_B_3"	3rd SDCCH/8(5) of cell B
C_SDCCH86_B_3	LOGICCH	"C_SDCCH86_B_3"	3rd SDCCH/8(6) of cell B
C_SDCCH87_B_3	LOGICCH	"C_SDCCH87_B_3"	3rd SDCCH/8(7) of cell B
C_SDCCH80_C_1	LOGICCH	"C_SDCCH80_C_1"	1st SDCCH/8(0) of cell C
C_SDCCH81_C_1	LOGICCH	"C_SDCCH81_C_1"	1st SDCCH/8(1) of cell C
C_SDCCH82_C_1	LOGICCH	"C_SDCCH82_C_1"	1st SDCCH/8(2) of cell C
C_SDCCH83_C_1	LOGICCH	"C_SDCCH83_C_1"	1st SDCCH/8(3) of cell C
C_SDCCH84_C_1	LOGICCH	"C_SDCCH84_C_1"	1st SDCCH/8(4) of cell C
C_SDCCH85_C_1	LOGICCH	"C_SDCCH85_C_1"	1st SDCCH/8(5) of cell C
C_SDCCH86_C_1	LOGICCH	"C_SDCCH86_C_1"	1st SDCCH/8(6) of cell C
C_SDCCH87_C_1	LOGICCH	"C_SDCCH87_C_1"	1st SDCCH/8(7) of cell C
C_SDCCH80_C_2	LOGICCH	"C_SDCCH80_C_2"	2nd SDCCH/8(0) of cell C
C_SDCCH81_C_2	LOGICCH	"C_SDCCH81_C_2"	2nd SDCCH/8(1) of cell C
C_SDCCH82_C_2	LOGICCH	"C_SDCCH82_C_2"	2nd SDCCH/8(2) of cell C
C_SDCCH83_C_2	LOGICCH	"C_SDCCH83_C_2"	2nd SDCCH/8(3) of cell C
C_SDCCH84_C_2	LOGICCH	"C_SDCCH84_C_2"	2nd SDCCH/8(4) of cell C

C_SDCCH85_C_2	LOGICCH	"C_SDCCH85_C_2"	2nd SDCCH/8(5) of cell C
C_SDCCH86_C_2	LOGICCH	"C_SDCCH86_C_2"	2nd SDCCH/8(6) of cell C
C_SDCCH87_C_2	LOGICCH	"C_SDCCH87_C_2"	2nd SDCCH/8(7) of cell C
C_SDCCH80_C_3	LOGICCH	"C_SDCCH80_C_3"	3rd SDCCH/8(0) of cell C
C_SDCCH81_C_3	LOGICCH	"C_SDCCH81_C_3"	3rd SDCCH/8(1) of cell C
C_SDCCH82_C_3	LOGICCH	"C_SDCCH82_C_3"	3rd SDCCH/8(2) of cell C
C_SDCCH83_C_3	LOGICCH	"C_SDCCH83_C_3"	3rd SDCCH/8(3) of cell C
C_SDCCH84_C_3	LOGICCH	"C_SDCCH84_C_3"	3rd SDCCH/8(4) of cell C
C_SDCCH85_C_3	LOGICCH	"C_SDCCH85_C_3"	3rd SDCCH/8(5) of cell C
C_SDCCH86_C_3	LOGICCH	"C_SDCCH86_C_3"	3rd SDCCH/8(6) of cell C
C_SDCCH87_C_3	LOGICCH	"C_SDCCH87_C_3"	3rd SDCCH/8(7) of cell C
C_CHSDCCH8_FH	OCTETSTRING	'00'O	ch.type SDCCH8 with FH
C_CHSDCCH8_NonFH	OCTETSTRING	'01'O	ch.type SDCCH8 No FH
C_CHSDCCH4_NonFH	OCTETSTRING	'03'O	ch.type SDCCH4 NoFH
C_CHTCHF_FH	OCTETSTRING	'04'O	ch.type TCHF FH
C_CHTCHF_NonFH	OCTETSTRING	'05'O	ch.type TCHF NonFH
C_CHTCHH_FH	OCTETSTRING	'06'O	ch.type TCHH FH
C_TCHF_ACCHF_1	LOGCH	"C_TCHF_ACCHF_1"	first TCH/F + ACCHs type channel
C_TCHF_ACCHF_2	LOGCH	"C_TCHF_ACCHF_2"	second TCH/F + ACCHs type channel
C_TCHH_ACCHH_1	LOGCH	"C_TCHH_ACCHH_1"	first TCH/H + ACCHs type channel
C_TCHH_ACCHH_2	LOGCH	"C_TCHH_ACCHH_2"	second TCH/H + ACCHs type channel
C_FCCH_SCH_BCCH_CCC H	LOGCH	"C_FCCH_SCH_BCCH_CCC H"	FCCH_SCH_BCCH_CCC type channel
C_BCCH_CCCH_2	LOGCH	"C_BCCH_CCCH_2"	second BCCH_CCCH type channel
C_BCCH_CCCH_3	LOGCH	"C_BCCH_CCCH_3"	third BCCH_CCCH type channel
C_BCCH_CCCH_4	LOGCH	"C_BCCH_CCCH_4"	fourth BCCH_CCCH type channel
C_FCCH_SCH_BCCH_CCC H_SDCCH4_SACCHC4	LOGCH	"C_FCCH_SCH_BCCH_CCC H_SDCCH4_SACCHC4"	combined CCCH type channel
C_CBCH_FCCH_SCH_BCC H_CCCH_SDCCH4_SACCH C4	LOGCH	"C_CBCH_FCCH_SCH_BCC H_CCCH_SDCCH4_SACCH C4"	combined CCCH type channel for cell broadcast SM
C_SDCCH8_SACCHC8_1	LOGCH	"C_SDCCH8_SACCHC8_1"	first SDCCH/8 type channel
C_SDCCH8_SACCHC8_2	LOGCH	"C_SDCCH8_SACCHC8_2"	second SDCCH/8 type channel
C_SDCCH8_SACCHC8_3	LOGCH	"C_SDCCH8_SACCHC8_3"	3rd SDCCH/8 type channel
C_S0	SN	'000'B	time slot 0
C_S2	SN	'010'B	time slot 2
C_S3	SN	'011'B	time slot 3
C_S4	SN	'100'B	time slot 4
C_S6	SN	'110'B	time slot 6
C_SAVE	INTEGER	0	the OC_SaveAndProc saves input values
C_PROC	INTEGER	1	the OC_SvaAndProc processes saved values
C_RETRV	INTEGER	1	
C_U1	CCSTATE	1	CC state U1
C_U3	CCSTATE	3	CC state U3
C_U4	CCSTATE	4	CC state U4
C_U6	CCSTATE	6	CC state U6
C_U7	CCSTATE	7	CC state U7
C_U8	CCSTATE	8	CC state U8
C_U9	CCSTATE	9	CC state U9
C_U10	CCSTATE	10	CC state U10
C_U11	CCSTATE	11	CC state U11
C_U12	CCSTATE	12	CC state U12
C_U19	CCSTATE	19	CC state U19
C_U26	CCSTATE	26	CC state U26
C_NxtButOne	SENDINGMODE	1	send the second message on the next but one paging subblock
C_FmrAGB	SENDINGMODE	2	send the second message on the former access grant block
C_BfReOcc	SENDINGMODE	3	send the second message before the MS's original paging

C_NxtButOneNxt	SENDINGMODE	4	subchannel re-occurs, but later than the next paging block of that CCCH nothing is sent in the next but one paging sub block, then send the second message in the next paging subblock of the MS's paging subchannel
C_CMServiceTypeE	CMSVTYPE	'0010'B	CM Service Type for emergency call.
C_Telephony	IA5String	"C_Telephony"	telephony service (TS11)
C_EmgCall	IA5String	"C_EmgCall"	emergency call service (TS12)
C_AltSpchFax	IA5String	"C_AltSpchFax"	alternate speech and G3 fax service (TS61)
C_AutoFax	IA5String	"C_AutoFax"	automatic G3 fax service (TS62)
C_Async300	IA5String	"C_Async300"	data circuit duplex async. 300 bit/s service (BS21)
C_Async1200	IA5String	"C_Async1200"	data circuit duplex async. 1200 bit/s service (BS22)
C_Async120075	IA5String	"C_Async120075"	data circuit duplex async. 1200/75 bit/s service (BS23)
C_Async2400	IA5String	"C_Async2400"	data circuit duplex async. 2400 bit/s service (BS24)
C_Async4800	IA5String	"C_Async4800"	data circuit duplex async. 4800 bit/s service (BS25)
C_Async9600	IA5String	"C_Async9600"	data circuit duplex async 9600 bit/s service (BS26)
C_Sync1200	IA5String	"C_Sync1200"	data circuit duplex sync. 1200 bit/s service (BS31)
C_Sync2400	IA5String	"C_Sync2400"	data circuit duplex sync. 2400 bit/s service (BS32)
C_Sync4800	IA5String	"C_Sync4800"	data circuit duplex sync. 4800 bit/s service (BS33)
C_Sync9600	IA5String	"C_Sync9600"	data circuit duplex sync 9600 bit/s service (BS34)
C_PAD300	IA5String	"C_PAD300"	PAD access 300 bit/s service (BS41)
C_PAD1200	IA5String	"C_PAD1200"	PAD access 1200 bit/s service (BS42)
C_PAD120075	IA5String	"C_PAD120075"	PAD access 1200/75 bit/s service (BS43)
C_PAD2400	IA5String	"C_PAD2400"	PAD access 2400 bit/s service (BS44)
C_PAD4800	IA5String	"C_PAD4800"	PAD access 4800 bit/s service (BS45)
C_PAD9600	IA5String	"C_PAD9600"	PAD access 9600 bit/s service (BS46)
C_Packet2400	IA5String	"C_Packet2400"	packt access 2400 bit/s service (BS51)
C_Packet4800	IA5String	"C_Packet4800"	packt access 4800 bit/s service (BS52)
C_Packet9600	IA5String	"C_Packet9600"	packt access 9600 bit/s service (BS53)
C_AltSpchData	IA5String	"C_AltSpchData"	alternate speech/data service (BS61)
C_SpchData	IA5String	"C_SpchData"	speech followed data service (BS81)
C_I	INTEGER	1	I command of L 2
C_one	INTEGER	1	one frequency, no hopping
C_Imm	BITSTRING	'000'B	activation for immediate assignment
C_Ass	BITSTRING	'001'B	activation for assignment
C_Asynho	BITSTRING	'010'B	activation for non synchronous handover
C_Synho	BITSTRING	'011'B	activation for synchronous handover
C_Rcv	BITSTRING	'101'B	activation for receiving only
C_LocEndRel	RelMode	'01'O	local end release
C_MaxPwrLvID	INTEGER	15	Max power level for MS DCS
C_MaxPwrLvIG	INTEGER	19	Max power level for MS GSM

C_rc_conditlError	REJCAU	'64'O	reject cause: Conditional IE error
C_rc_congestion	REJCAU	'16'O	reject cause: congestion
C_rc_illegal_ms	REJCAU	'03'O	reject cause: illegal MS
C_rc_illegal_me	REJCAU	'06'O	reject cause: illegal ME
C_rc_imsiunknownhrlr	REJCAU	'02'O	reject cause: IMSI unknown in HLR
C_rc_imsiunknownvrlr	REJCAU	'04'O	reject cause: IMSI unknown in VLR
C_rc_invalidmaninfo	REJCAU	'60'O	reject cause: invalid mandatory information
C_rc_LAnotallowed	REJCAU	'0C'O	reject cause: LocationArea is not allowed
C_rc_networkfailure	REJCAU	'11'O	reject cause: network failure
C_rc_notidentified	REJCAU	'26'O	reject cause: can not be identified
C_rc_plmn_not	REJCAU	'0B'O	reject cause: PLMN not allowed
C_rc_protocolerror	REJCAU	'6F'O	reject cause: Protocol error unspecified
C_rc_reqservoptnotsub	REJCAU	'21'O	reject cause: requested service option not subscribed
C_rc_roamingnot	REJCAU	'0D'O	reject cause: Roaming not allowed
C_Restablishment	B_1	'0'B	Restablishment allowed
C_noRestablishment	B_1	'1'B	No restablishment allowed
C_SlotNU	SN	'111'B	Slot Number not used
C_CellReselectHys14	INTEGER	7	Cell Reselection Hysteresis value 14db
C_CellReselectHys12	INTEGER	6	Cell Reselection Hysteresis value 12db
C_CellReselectHys10	INTEGER	5	Cell Reselection Hysteresis value 10db
C_CellReselectHys4	INTEGER	2	Cell Reselection Hysteresis value 4db
C_RI_alternate	B_8	'11010001'B	Bcap repeat indicator for alternate (circular selection)
C_RI_follow	B_8	'11010011'B	Bcap repeat indicator for successive (sequential selection)
C_SIMIn	BOOLEAN	FALSE	SIM is always inserted in a test case
C_SIMneedRmv	BOOLEAN	TRUE	Removal of SIM is needed in a test case (SIM is not always inserted.)
C_Yes	BOOLEAN	TRUE	
C_No	BOOLEAN	FALSE	
C_Start_Imsi	INTEGER	1	Test case body starts without TMSI
C_Start_Tmsi	INTEGER	2	Test case body starts with Tmsi_01
C_Start_TmsiOff	INTEGER	5	Test case body starts with Tmsi_01. MS has been deactivated.
C_Start_Rej	INTEGER	3	Test case body starts with LAI deleted. MS has been deactivated.
C_Start_PLMNnot	INTEGER	4	Test case body starts with PLMN not allowed
C_Test_fh	INTEGER	1	Test case with possibly frequency hopping
C_Test_nfh	INTEGER	2	Test case with no frequency hopping
C_Test_egsm	INTEGER	3	Test case for egsm

C_Test_cbms	INTEGER	4	Test case for CBMS
C_normal_updating	B_2	'00'B	normal location updating
C_periodic_updating	B_2	'01'B	periodic location updating
C_normalOrperiodic	B_2	'0?'B	periodic or normal location updating
C_imsi_attach	B_2	'10'B	location updating IMSI attach
C_norm_period_attach	B_2	'??'B	imsi attach or periodic location updating or normal location updating
C_normal_paging	B_2	'00'B	normal page mode
C_extended_paging	B_2	'01'B	extended paging
C_reorg_paging	B_2	'10'B	paging reorganisation
C_sab_paging	B_2	'11'B	same as before paging
C_non_synchronised	B_2	'00'B	non-synchronised
C_synchronised	B_2	'01'B	synchronised
C_pre_synchronised	B_2	'10'B	pre-synchronised
C_pseudo_synchronised	B_2	'11'B	pseudo-synchronised
C_not_report_otd	B_1	'0'B	not report observed time difference
C_report_otd	B_1	'1'B	report observed time difference
C_Tzone0	TZONES	0	Time zone 0 (used in TC_34_2_1, TC_34_2_5_3)
C_Tzone1	TZONES	4	Time zone 4 (used in TC_34_2_2, TC_34_2_7)
C_Tzone2	TZONES	10	Time zone 10 (used in TC_34_2_3)
C_Tzone3	TZONES	15	Time zone 15 (used in TC_34_2_4)
C_Tzone4	TZONES	25	Time zone 25 (used in TC_34_2_5_1)
C_Tzone5	TZONES	35	Time zone 35 (used in TC_34_2_5_2)
C_Tzone6	TZONES	45	Time zone 45 (used in TC_34_2_8)
C_T_AssCmd	INTEGER	900	600ms + 300ms(tolerance)
C_T_Wait1stChReq	INTEGER	35000	max time for full BCCH data decoding
C_T_mrsrp	INTEGER	1500	3 times time btw 2 msr rpt.
C_T_T3124	INTEGER	675	T3124(675ms)
C_T_T3211plus	INTEGER	20000	20s
C_T_T3212	INTEGER	360000	T3212(6min)
C_T_T3212min	INTEGER	345000	T3212(6min) - 15sec
C_T_T3212dif	INTEGER	15000	Difference between T3212 and T3212min
C_T_T3210	INTEGER	20000	timer T3210 in ms
C_T_T3211min	INTEGER	13500	90% T3211 in ms
C_T_T3230min	INTEGER	13500	90% T3230 in ms
C_T_T3240min	INTEGER	9000	90% T3240 in ms
C_T_T3240tol	INTEGER	2000	20% T3240 in ms
C_T_Wait	INTEGER	5000	5s. T3126max
C_T_Wait1	INTEGER	1000	1s
C_T_Wait_FAC	INTEGER	1500	1.5s Facility response time (1s) + tolerance (0.5s)
C_release_time	INTEGER	11	release timer value
C_RegCFNRy	INTEGER	1	registration of call forwarding service for CFNRy (speech)
C_RegCFU	INTEGER	2	registration of call forwarding service for CFU (all facsimile)
C_RegCF	INTEGER	3	registration of call forwarding service for CF (all facsimile)
C_ErsCFC	INTEGER	4	erasure of call forwarding service for CFC (all facsimile)
C_ErsCFNRc	INTEGER	5	erasure of call forwarding service for CFNRc (all basic services)
C_ErsCFNRy	INTEGER	6	erasure of call forwarding service for CFNRy (all facsimile)
C_ActCF	INTEGER	7	activation of call forwarding service for CF (all synchronous services)

C_ActCFU	INTEGER	8	activation of call forwarding service for CFU (all basic services)
C_DeactCFC	INTEGER	9	deactivation of call forwarding service for CFC (speech)
C_DeactCFNRc	INTEGER	10	deactivation of call forwarding service for CFNRc (all facsimile)
C_InterrogCFC	INTEGER	11	interrogation of call forwarding service for CFC (Speech)
C_InterrogCFB	INTEGER	12	interrogation of call forwarding service for CFB (all basic services)
C_NotifyCFB	INTEGER	13	notification of call forwarding service for CFB (incoming call is forwarded)
C_NotifyCFU	INTEGER	14	notification of call forwarding service for CFU (provisioned, registered, active)
C_NotifyCFC	INTEGER	15	notification of call forwarding service for CFC (provisioned, registered, active)
C_NotifyCFNRc	INTEGER	16	notification of call forwarding service for CFNRc (Ms not reachable)
C_RegPswd	INTEGER	17	Registration of password for all call barring services
C_ActBOAC	INTEGER	18	Activation of BOAC
C_ActBICRoam	INTEGER	19	Activation of BICRoam
C_ActBOIC	INTEGER	20	Activation of BOIC
C_ActBAIC	INTEGER	21	Activation of BAIC
C_DeactBO	INTEGER	22	Deactivation of BO
C_DeactBI	INTEGER	23	Deactivation of BI
C_DeactBOICExHC	INTEGER	24	Deactivation of BOICExHC
C_NotifyBI	INTEGER	25	Notify of BI
C_InterrogBOIC	INTEGER	26	Interrogation of BOIC
C_InterrogBOICExHC	INTEGER	27	Interrogation of BOICExHC
C_Full	IA5String	"F"	full rate channel
C_Half	IA5String	"H"	half rate channel
C_nirr_dontcare	B_1	'?'B	NIRR no meaning or requested
C_Rchr_dontcare	B_2	'??'B	radio channel requirement not checked
C_Rchr_Full	B_2	'01'B	radio channel requirement : full rate
C_Rchr_DualForDualH	B_2	'1?'B	radio channel requirement : dual rate support/half rate preferred or dual rate support/full rate preferred
C_Rchr_DualForDualH0	B_2	'10'B	radio channel requirement : dual rate support/half rate preferred or dual rate support/full rate preferred
C_StartingTimeHO	INTEGER	238	Starting time 238 (1.1s), in TC_26_6_5_1, TC_26_6_5_4_2
C_StrT_1000	INTEGER	1000	Starting time 1000, in TC_26_6_13_1
C_Norm	OCTETSTRING	'00'O	Establish mode: normal
C_Speech	B_3	'000'B	Info. Transfer Cap. speech
C_3100Hz	B_3	'010'B	Info. Transfer Cap. 3.1 kHz
C_UDI	B_3	'001'B	Info. Transfer Cap. UDI
C_FAX3	B_3	'011'B	Info. Transfer Cap. FAX3
C_SDUIntegrity	B_2	'00'B	Structure SDU integrity
C_Unstructured	B_2	'11'B	Structure Unstructured
C_struc_dontchk	B_2	'??'B	Structure not checked
C_nirr_nomeaning	B_1	'0'B	NIRR no meaning
C_no_rate_adaption	B_2	'00'B	Rate adaption no
C_rate_adaption_V110	B_2	'01'B	Rate adaption V110
C_rate_adaption_X31	B_2	'10'B	Rate adaption X31 flag
C_sacp_NA	B_3	'001'B	Signaling access NA (sec.11.8.1.5.1)

C_I440_450	B_3	'001'B	Signaling access I440/450
C_X21	B_3	'010'B	Signaling access X21
C_X28_unui	B_3	'100'B	Signaling access X28 U NUI
C_X28_nond	B_3	'101'B	Signaling access X28 non dedicated
C_X32	B_3	'110'B	Signaling access X32
C_Synchronous	B_1	'0'B	Synchronous
C_Asynchronous	B_1	'1'B	Asynchronous
C_stopbit_NA	B_1	'0'B	Number of Stop bits NA
C_stopbit_dontcare	B_1	'?'B	Number of Stop bits not care
C_databit_NA	B_1	'1'B	Number of Data bits not care
C_databit_dontcare	B_1	'?'B	Number of Data bits NA
C_300bs	B_4	'0001'B	User rate 300 bs
C_1200bs	B_4	'0010'B	User rate 1200 bs
C_120075bs	B_4	'0111'B	User rate 1200/75 bs
C_2400bs	B_4	'0011'B	User rate 2400 bs
C_4800bs	B_4	'0100'B	User rate 4800 bs
C_9600bs	B_4	'0101'B	User rate 9600 bs
C_parity_NA	B_3	'011'B	Parity NA
C_parity_dontcare	B_3	'???'B	Parity not care
C_ir_8kbs	B_2	'10'B	Intermediate rate 8 Kbs
C_ir_16kbs	B_2	'11'B	Intermediate rate 16 Kbs
C_ir_8or16kbs	B_2	'1?'B	Intermediate rate 8 or 16 Kbs
C_transparent	B_2	'00'B	Connection element T
C_nottransparent	B_2	'01'B	Connection element NT
C_BothT	B_2	'10'B	Connection element both T
C_BothNT	B_2	'11'B	Connection element both NT
C_modemt_none	B_5	'00000'B	no modem
C_modemt_V21	B_5	'00001'B	modem V21
C_modemt_V22	B_5	'00010'B	modem V22
C_modemt_V22bis	B_5	'00011'B	modem V22bis
C_modemt_V23	B_5	'00100'B	modem V23
C_modemt_V32	B_5	'00110'B	modem V32
C_ISO6429	B_5	'01000'B	Inband flow control
C_COPnoFLCT	B_5	'01100'B	No flow control
C_X25_fict	B_5	'00110'B	X25 flow control
C_Outband	FLWCNTL	0	outband flow control
C_Inband	FLWCNTL	1	outband flow control
C_Nocontrol	FLWCNTL	2	outband flow control
C_ui12p_dontcare	B_5	'?????'B	not checked
C_HSN_0	INTEGER	0	cyclic hopping
maxAddressLength	Asn1Integer	20	
maxISDN_AddressLength	Asn1Integer	9	
maxISDN_SubaddressLength	Asn1Integer	21	
maxNumOfBasicServiceGroups	Asn1Integer	13	
maxNumOfCUG	Asn1Integer	10	
maxNumberOfSegmentsPerDataInterval	Asn1Integer	8191	
maxSignalInfoLength	Asn1Integer	200	
maxUSSD_StringLength	Asn1Integer	160	
max10TimesIncrement	Asn1Integer	8191	
max10TimesIncrementPerDataInterval	Asn1Integer	8191	
max10TimesInitialTime	Asn1Integer	8191	
max100TimesScalingFactor	Asn1Integer	8191	
max10TimesTimeInterval	Asn1Integer	8191	
max10TimesUnitsPerTime	Asn1Integer	8191	

Detailed Comments:



## Test case variable declarations

Test Case Variable Declarations			
Variable Name	Type	Value	Comments
TCV_CC	BOOLEAN	TSPC_Serv_TS11 OR TSPC_Serv_TS12 OR TSPC_Serv_TS61 OR TSPC_Serv_TS62 OR TSPC_Serv_BS21 OR TSPC_Serv_BS22 OR TSPC_Serv_BS23 OR TSPC_Serv_BS24 OR TSPC_Serv_BS25 OR TSPC_Serv_BS26 OR TSPC_Serv_BS31 OR TSPC_Serv_BS32 OR TSPC_Serv_BS33 OR TSPC_Serv_BS34 OR TSPC_Serv_BS41 OR TSPC_Serv_BS42 OR TSPC_Serv_BS43 OR TSPC_Serv_BS44 OR TSPC_Serv_BS45 OR TSPC_Serv_BS46 OR TSPC_Serv_BS51 OR TSPC_Serv_BS52 OR TSPC_Serv_BS53 OR TSPC_Serv_BS61 OR TSPC_Serv_BS81	
TCV_AssCmd	ASS_CMD_PDU		to hold ASSIGNMENT COMMAND PDU
TCV_Bcap1	BCAP		to hold bearer capability
TCV_BcapMT1	BCAP		to hold BC for MT call
TCV_BcapMO1	BCAP		to hold BC for MO call
TCV_Bcap2	BCAP		to hold bearer capability
TCV_BcapMT2	BCAP		to hold BC for MT call
TCV_bs_ag_blks_res	INTEGER		
TCV_bs_cc_chans	INTEGER		
TCV_bs_pa_mfrms	INTEGER		
TCV_CalledNum	CDPN		to hold called party number
TCV_CallProc	CALL_PROC_PDU		to hold CALL PROCEEDING PDU
TCV_CallCfm	CALL_CO_PDU		to hold CALL CONFIRM PDU
TCV_Cau	CAU		to hold cause
TCV_Cau0	CAU		to hold cause
TCV_CAgsm	CCHD		To compute Cell Channel Descriptor for gsm
TCV_CAdcs	CCHD		To compute Cell Channel Descriptor for dcs
TCV_CB1	OCTETSTRING		store SMSCB block data
TCV_CB2	OCTETSTRING		store SMSCB block data
TCV_CB3	OCTETSTRING		store SMSCB block data
TCV_CB4	OCTETSTRING		store SMSCB block data
TCV_CE	CE		
TCV_Ccchg	INTEGER		CCCH_GROUP
TCV_Ccd0A	CCD		a copy of control channel description in use for cell A
TCV_Ccd0B	CCD		a copy of control channel description in use for cell B
TCV_Ccd0C	CCD		a copy of control channel description in use for cell C
TCV_Ccd0D	CCD		a copy of control channel description in use for cell D
TCV_Ccd0E	CCD		a copy of control channel description in use for cell E
TCV_Ccd0F	CCD		a copy of control channel description in use for cell F
TCV_Ccd0G	CCD		a copy of control channel description in use for cell G
TCV_Ccd0H	CCD		a copy of control channel description in use for cell H

TCV_cchdescr	OCTETSTRING		Frequency list of Cell Channel Descr, used in EGSM
TCV_CCSt	CST		to hold call status
TCV_ch	LOGICCH	"dummy"	to hold logic channel
TCV_ch1	LOGICCH	"dummy"	to hold logic channel
TCV_sacch	LOGICCH	"dummy"	to hold logic channel
TCV_sacch_B	LOGICCH	"dummy"	to hold logic channel
TCV_sacch_C	LOGICCH	"dummy"	to hold logic channel
TCV_sacch_D	LOGICCH	"dummy"	to hold logic channel
TCV_sacch_E	LOGICCH	"dummy"	to hold logic channel
TCV_sacch_F	LOGICCH	"dummy"	to hold logic channel
TCV_sacch_G	LOGICCH	"dummy"	to hold logic channel
TCV_sacch_H	LOGICCH	"dummy"	to hold logic channel
TCV_sacch8	LOGICCH	"dummy"	to hold logic channel
TCV_sacchTch	LOGICCH	"dummy"	to hold logic channel
TCV_sacchTch1	LOGICCH	"dummy"	to hold logic channel
TCV_sacchTch_H	LOGICCH	"dummy"	to hold logic channel
TCV_chTch	LOGICCH	"dummy"	to hold logic channel
TCV_chTch1	LOGICCH	"dummy"	to hold logic channel
TCV_chSms	LOGICCH	"dummy"	to hold logic channel
TCV_agch	LOGICCH	"dummy"	downlink access grant channel
TCV_WorkingCh	LOGICCH	"dummy"	to hold logic channel
TCV_cellid	CellID		to hold the cell identifier
TCV_Char	IA5String		to hold the IA5 char. corresponding to a DTMF tone
TCV_chd1	CHD		to hold channel description IE
TCV_cchd1	CCHD		to hold cell channel description IE
TCV_ChMod	CHMOD		to hold channel mode IE
TCV_ChModb	CHMOD		to hold channel mode IE for second mode in dual mode services
TCV_Tchtype	CH_TDMA	'00001'B	Traffic channel type and TDMA offset in channel description IE
TCV_chtype	CH_TDMA		to channel type and TDMA offset in channel description IE
TCV_cksn	BITSTRING		to hold the CKSN.
TCV_Cnt	INTEGER		general loop counter
TCV_Cnt1	INTEGER		general loop counter
TCV_Cnt2	INTEGER		general loop counter
TCV_Cntstart	BOOLEAN	FALSE	general loop counter start decision
TCV_Cntref	INTEGER		Reference for general loop counter
TCV_CphAlg	BITSTRING		ciphering algorithm
TCV_CphKey	BITSTRING		ciphering key
TCV_CphMd	CPHMS		ciphering mode setting
TCV_CPDataRetx	INTEGER		Number of CP Data retransmissions for SMS
TCV_ChRate	IA5String	C_Full	to hold channel rate
TCV_ChRate1	IA5String	C_Full	to hold channel rate
TCV_counter_c	INTEGER		loop counter c
TCV_counter_k	INTEGER		loop counter k
TCV_Fk	INTEGER		to hold an interval between events
TCV_flist	OCTETSTRING		Frequency List, used in EGSM for IE "frequency list" or "frequency short list"
TCV_flistl	LENGTH		Length of Frequency List, used in EGSM for IE "frequency list" or "frequency short list"
TCV_Fn	FN		to hold the frame number (T1', T2, T3)
TCV_Fn1	FN		to hold the frame number (T1', T2, T3)
TCV_FnAss	FN		to hold the frame number in AssCmd statement
TCV_FollowingOctets	OCTETSTRING		Contains the octets following the invoke id
TCV_Horf	HORF		Variable for HO reference in HO-

TCV_HoCMD	HO_CMD_PDU		Messages of HO cases.
TCV_Hrf	HORF		to hold handover PDU
TCV_iel	LENGTH		to hold handover reference
TCV_kcnt	INTEGER		Length of IE
TCV_K	INTEGER		loop counter
TCV_L1Head0	L1HD		to hold L 1 header
TCV_L1Head	L1HD		to hold L 1 header
TCV_lac	OCTETSTRING		to hold the lac. 2 octets
TCV_lacunknown	OCTETSTRING	'??'O	to hold a wild card lac when the lac is unknown
TCV_n	INTEGER		
TCV_Neci	BITSTRING		
TCV_M	INTEGER		counter
TCV_maio	MAIO		to hold MAIO
TCV_mae1	BITSTRING		Mobile Allocation in EGSM. It includes the 1.octet of MA
TCV_mae2	BITSTRING		Mobile Allocation in EGSM. It includes the 2.octet of MA
TCV_Max	BITSTRING		to hold Max-retrans bitstring
TCV_MemCapExcd	BOOLEAN		RP error Memory Capacity Exceeded was sent
TCV_MsrRes	MSRR		to hold measurement results
TCV_Mt	BITSTRING		to hold message type
TCV_Mt1	BITSTRING		to hold message type
TCV_Modify	MODIFY_PDU		To hold Modify message
TCV_Null	BOOLEAN		to collect useless result from some test suite operations
TCV_PgCh	LOGICCH	"dummy"	logical channel for paging
TCV_Pgg	PGG		paging group
TCV_PO	B_2		power offset
TCV_PreviousOctets	OCTETSTRING		Contains the octets previous to the invoke id
TCV_ProtErrorUnspec	BOOLEAN		RP error Protocol Error Unspecified was sent
TCV_Pwrlvl	BITSTRING		to hold the power level
TCV_Pwrlvl_ho	BITSTRING		power level for HO_CMD, used in HO cases.
TCV_Rchr	B_2		to hold Radio channel requirement
TCV_ReceivedRACHs	INTEGER		to hold the number of RACHs currently received
TCV_Res	BOOLEAN		to hold the result of a test suite operation
TCV_Rpmr	MR		RP message reference for SMS
TCV_Rqr	RQR		to hold the request reference
TCV_Rqr9	RQR		to hold the request reference differing from TCV_Rqr
TCV_Rqr10	RQR		to hold the request reference differing from TCV_Rqr, TCV_Rqr9
TCV_Rqr11	RQR		to hold the request reference differing from TCV_Rqr, TCV_Rqr9, TCV_Rqr10
TCV_Rr	BITSTRING		to hold the random request reference
TCV_Rr1	BITSTRING		to hold the random reference
TCV_Service	SERVICES		to hold basicservice selected
TCV_Service1	SERVICES		to hold basicservice selected
TCV_Setup_mo	SETUP_MO_PDU		to hold the SETUP PDU (MO)
TCV_Setup_mo1	SETUP_MO_PDU		to hold the SETUP PDU (MO)
TCV_Setup_mt	SETUP_MT_PDU		to hold the SETUP PDU (MT)
TCV_Setup_mt1	SETUP_MT_PDU		to hold the 2nd SETUP PDU (MT)
TCV_2ndtest	BOOLEAN		2nd test required in TC_11_1_1
TCV_Esetup	ESETUP_PDU		to hold the emergency SETUP PDU
TCV_Esetup1	ESETUP_PDU		to hold the emergency SETUP PDU

TCV_Ecall	BOOLEAN	FALSE	it is set to TRUE, if the service under test is emergency call
TCV_slot	SN		To hold the default slot used during the entire TC.
TCV_slt2	SN		To hold a second working slot number.
TCV_Sres	OCTETSTRING		to hold the SRES returned
TCV_sysinf5	SYSINFO5_PDU		to hold the SysInfo5 PDU
TCV_sysinfo5	SYSINFO5_PDU		to hold the SysInfo5 PDU for cell A
TCV_sysinfo5bis	SYSINFO5bis_PDU		to hold the SysInfo5bis PDU for cell A
TCV_sysinfo5_B	SYSINFO5_PDU		to hold the SysInfo5 PDU for cell B
TCV_sysinfo5_C	SYSINFO5_PDU		to hold the SysInfo5 PDU for cell c
TCV_sysinfo5_D	SYSINFO5_PDU		to hold the SysInfo5 PDU for cell D
TCV_sysinfo5_E	SYSINFO5_PDU		to hold the SysInfo5 PDU for cell E
TCV_sysinfo5_F	SYSINFO5_PDU		to hold the SysInfo5 PDU for cell F
TCV_sysinfo5_G	SYSINFO5_PDU		to hold the SysInfo5 PDU for cell G
TCV_sysinfo5_H	SYSINFO5_PDU		to hold the SysInfo5 PDU for cell H
TCV_sysinfo5bis_A	SYSINFO5bis_PDU		to hold the SysInfo5bis PDU for cell A(TC_26_10_2_4_1)
TCV_sysinfo5bis_B	SYSINFO5bis_PDU		to hold the SysInfo5bis PDU for cell B
TCV_sysinf6	SYSINFO6_PDU		to hold the SysInfo6 PDU
TCV_sysinfo6	SYSINFO6_PDU		to hold the SysInfo6 PDU for cell A
TCV_sysinfo6_B	SYSINFO6_PDU		to hold the SysInfo6 PDU for cell B
TCV_sysinfo6_C	SYSINFO6_PDU		to hold the SysInfo6 PDU for cell C
TCV_sysinfo6_D	SYSINFO6_PDU		to hold the SysInfo6 PDU for cell D
TCV_sysinfo6_E	SYSINFO6_PDU		to hold the SysInfo6 PDU for cell E
TCV_sysinfo6_F	SYSINFO6_PDU		to hold the SysInfo6 PDU for cell F
TCV_sysinfo6_G	SYSINFO6_PDU		to hold the SysInfo6 PDU for cell G
TCV_sysinfo6_H	SYSINFO6_PDU		to hold the SysInfo6 PDU for cell H
TCV_temp	INTEGER		to hold results of expressions that are to be passed as parameters
TCV_ti_v	TI_V		to hold the transaction id. value
TCV_ti_v_2	TI_V		to hold the transaction id. value for another transaction
TCV_T	INTEGER		to hold Tx-integer chosen randomly
TCV_T_TwiceTC1M	INTEGER	TSPX_TC1M * 2000	Twice TC1M in ms
TCV_chdescr_arfcn	INTEGER		ARFCN carrier of actual cell
TCV_tch_arfcn	INTEGER		ARFCN carrier for traffic channel
TCV_asscmd_ts	BITSTRING		Time slot for channel description in assignment cmd.
TCV_ts	BITSTRING		Time slot for channel description in handover cmd.
TCV_ia_ts	BITSTRING		Time slot for channel description in immediate assignment
TCV_tsc	TSC		To hold the default training sequence used during the entire TC.
TCV_Td	OCTETSTRING		to hold timing difference
TCV_Time	INTEGER		to hold the measured value of T310 or T305 or T308
TCV_TI	TI		to hold the transaction ID for MO

TCV_TI0	TI		calls in sending evets
TCV_TI1	TI		to hold the transaction ID for MO calls in receiving evets
TCV_TI2	TI		to hold the transaction ID
TCV_TI3	TI		to hold the transaction ID
TCV_tmp	INTEGER		temporary integer variable
TCV_Tx	BITSTRING		to hold Tx bitstring
TCV_S	INTEGER		to hold the S parameter
TCV_Upd	BOOLEAN		to hold the information whether the MS is updated or not,.
TCV_UssdString	IA5String		String for USS Data
TCV_UssdString1	IA5String		String for USS Data
TCV_UssdString2	IA5String		String for USS Data
TCV_Invkld	OCTETSTRING		to hold SS transaction ID
TCV_Invkld0	OCTETSTRING		to hold SS transaction ID
TCV_Invkld1	OCTETSTRING		to hold SS transaction ID
TCV_Comp	Components		to hold SS Components
TCV_Strt	STRT		to hold starting time
TCV_CBch	LOGICCH	"dummy"	Cell Broadcast channel
TCV_Tpmr	MR		TP message reference
TCV_TPOA1	BCDN		TP originating address digits
TCV_TPOA2	BCDN		TP originating address digits
TCV_TPDA	BCDN		TP destination address digits
TCV_RPOA_MT	BCDN		RP originating address digits for MT short messages
TCV_RPOA_MO	BCDN		RP originating address digits for MO short messages
TCV_RPOA1	BCDN		RP originating address digits for MT short messages
TCV_RPOA2	BCDN		RP originating address digits for MT short messages
TCV_RPDA_MT	BCDN		RP destination address digits for MT short messages
TCV_RPDA_MO	BCDN		RP destination address digits for MO short messages
TCV_SMTTypeM	INTEGER		Replace short message type
TCV_SMTTypeN	INTEGER		Replace short message type
TCV_SMcntns	OCTETSTRING		short message contents
TCV_SMSCBpack	SMSCBpack		CB message contents
TCV_freq	FRQPARA		to hold Freq type constraints
TCV_srv	SERVICES		to hold MT service
TCV_ur	B_4		to hold user rate
TCV_itc	B_3		to hold information transfer capability
TCV_sacp	B_3		to hold service access protocol
TCV_ce	B_2		to hold connection element
TCV_ce1	B_2		to hold connection element
TCV_ce3	B_2		to hold connection element
TCV_sa	B_1		to hold synchronous/asynchronous
TCV_ir	B_2		to hold intermediate rate
TCV_uil1p	B_2		to hold user information layer 1 protocol
TCV_modemt	B_5		to hold modem type
TCV_MODEM	MODEMTYPE		
TCV_ur2	B_4		to hold user rate for second configuration
TCV_itc2	B_3		to hold information transfer capability for second configuration
TCV_sacp2	B_3		to hold service access protocol for second configuration
TCV_strc	B_2		to hold structure
TCV_sa2	B_1		to hold synchronous/asynchronous for second configuration
TCV_supported	BOOLEAN	FALSE	used for indicating a selected service is declared supported or

TCV_SpecialCase	BOOLEAN	FALSE	not used for indicating whether a test case tests non-supported service
<b>Detailed Comments:</b>			

### PCO declarations

PCO Declarations			
PCO Name	Type	Role	Comments
L	SAP0_3	LT	
<b>Detailed Comments:</b>			
<ol style="list-style-type: none"> <li>1. The PCO consists of multiple SAPs: the SAP0 and SAP3.</li> <li>2. The lower tester (LT) is the user of the data link layer service.</li> <li>3. The SAP0 at the lower tester controlling and observing the exchange of CC, MM, RR and SS PDUs (messages) on the DCCH, SACCH and/or RACH, BCCH, CCCH channels.</li> <li>4. The SAP3 at the lower tester controlling and observing the exchange of SMS PDUs (messages) on the DCCH or SACCH channels.</li> </ol>			

### Timer declarations

Timer Declarations			
Timer Name	Duration	Unit	Comments
T_dly		ms	general purpose delay timer
T_dly1		ms	general purpose delay timer
T_dly2		ms	general purpose delay timer
T_dlyAss	5000	ms	AssCmd timer, 1)
T_guard	300	s	guard timer
T_release	C_release_time	s	release timer
T_pause		ms	pause timer
<b>Detailed Comments:</b>			
<p>1) In order to give to the lower tester enough time to dequeue and to send out the call SETUP and the other call establishment related messages in the sending buffer before starting sending of ASSIGNMENT COMMAND message, the default value 5s is used in the test step AssCh_complete. In the test step AssCh_failure the timer value is set to 4s. For the TC_26_6_4_1, 600ms is used.</p>			

### ASP type definitions

#### TTCN ASP Type definitions

ASP Type Definition		
<b>ASP Name:</b>	DL_EstRq (DL_ESTABLISH_REQUEST)	
<b>PCO Type:</b>	SAP0_3	
<b>Comments:</b>	The ASP is used to request the establishment of multiple frame operation (L3 -> L2). The normal establishment procedure is initiated.	
Parameter Name	Parameter Type	Comments
sapi	SAPID	
logic_ch	LOGICCH	
establish_mode	EstMode	
<b>Detailed Comments:</b>		

ASP Type Definition		
<b>ASP Name:</b>	DL_EstIn (DL_ESTABLISH_INDICATION)	
<b>PCO Type:</b>	SAP0_3	
<b>Comments:</b>	The ASP is used to indicate the establishment of multiple frame operation (L2 -> L3). The normal establishment procedure has been initiated.	
Parameter Name	Parameter Type	Comments
sapi	SAPID	
logic_ch	LOGICCH	
establish_mode	EstMode	
fn	FN	
<b>Detailed Comments:</b>		

ASP Type Definition		
<b>ASP Name:</b>	DL_EstInCmsRq (DL_ESTABLISH_INDICATION_CM_SERVICE_REQUEST)	
<b>PCO Type:</b>	SAP0_3	
<b>Comments:</b>	The ASP is used to indicate the establishment of multiple frame operation due to the receipt of the MM CM SERVICE REQUEST message (L2 -> L3). The contention resolution establishment procedure has been initiated.	
Parameter Name	Parameter Type	Comments
sapi	SAPID	
logic_ch	LOGICCH	
establish_mode	EstMode	
msg	CMS_RQ_PDU	
fn	FN	
<b>Detailed Comments:</b>		

ASP Type Definition		
<b>ASP Name:</b>	DL_EstInLupRq (DL_ESTABLISH_INDICATION_LOCATION_UPDATING_REQUEST)	
<b>PCO Type:</b>	SAP0_3	
<b>Comments:</b>	The ASP is used to indicate the establishment of multiple frame operation due to the receipt of the MM LOCATION UPDATING REQUEST message (L2 -> L3). The contention resolution establishment procedure has been initiated.	
Parameter Name	Parameter Type	Comments
sapi	SAPID	
logic_ch	LOGICCH	
establish_mode	EstMode	
msg	LUP_RQ_PDU	
fn	FN	
<b>Detailed Comments:</b>		

ASP Type Definition		
<b>ASP Name:</b>	DL_EstInImsidIn (DL_ESTABLISH_INDICATION_IMSI_DETACH_INDICATION)	
<b>PCO Type:</b>	SAP0_3	
<b>Comments:</b>	The ASP is used to indicate the establishment of multiple frame operation due to the receipt of the MM IMSI DETACH INDICATION message (L2 -> L3). The contention resolution establishment procedure has been initiated.	
Parameter Name	Parameter Type	Comments
sapi	SAPID	
logic_ch	LOGICCH	
establish_mode	EstMode	
msg	IMSID_IN_PDU	
fn	FN	
<b>Detailed Comments:</b>		

ASP Type Definition		
<b>ASP Name:</b>	DL_EstInPgRes (DL_ESTABLISH_INDICATION_PAGING_RESPONSE)	
<b>PCO Type:</b>	SAP0_3	
<b>Comments:</b>	The ASP is used to indicate the establishment of multiple frame operation due to the receipt of the RR PAGING RESPONSE message (L2 -> L3). The contention resolution establishment procedure has been initiated.	
Parameter Name	Parameter Type	Comments
sapi	SAPID	
logic_ch	LOGICCH	
establish_mode	EstMode	
msg	PG_RES_PDU	
fn	FN	
<b>Detailed Comments:</b>		

ASP Type Definition		
<b>ASP Name:</b>	DL_EstInCmreRq (DL_ESTABLISH_INDICATION_CM_REESTABLISHMENT_REQUEST)	
<b>PCO Type:</b>	SAP0_3	
<b>Comments:</b>	The ASP is used to indicate the establishment of multiple frame operation due to the receipt of the MM CM REESTABLISHMENT REQUEST message (L2 -> L3). The contention resolution establishment procedure has been initiated.	
Parameter Name	Parameter Type	Comments
sapi	SAPID	
logic_ch	LOGICCH	
establish_mode	EstMode	
msg	CMRE_RQ_PDU	
fn	FN	
<b>Detailed Comments:</b>		

ASP Type Definition		
<b>ASP Name:</b>	DL_EstCo (DL_ESTABLISH_CONFIRM)	
<b>PCO Type:</b>	SAP0_3	
<b>Comments:</b>	The ASP is used by the L2 to inform the L3 about the establishment of multiple frame link (L2 -> L3).	
Parameter Name	Parameter Type	Comments
sapi	SAPID	
logic_ch	LOGICCH	
establish_mode	EstMode	
<b>Detailed Comments:</b>		

ASP Type Definition		
<b>ASP Name:</b>	DL_RelIn (DL_RELEASE_INDICATION)	
<b>PCO Type:</b>	SAP0_3	
<b>Comments:</b>	The ASP is used to indicate the termination of an established multiple frame operation or to report an unsuccessful establishment attempt (L2 -> L3).	
Parameter Name	Parameter Type	Comments
sapi	SAPID	
logic_ch	LOGICCH	
release_mode	RelMode	
outstanding_indicator	BOOLEAN	
fn	FN	
<b>Detailed Comments:</b>	The outstanding indicator indicates whether or not there are outstanding acknowledgements or unsolved DL_DATA_REQUEST primitives.	



ASP Type Definition		
<b>ASP Name:</b>	DL_RaInChRq (DL_RANDOM_ACCESS_INDICATION_CHANNEL_REQUEST)	
<b>PCO Type:</b>	SAP0_3	
<b>Comments:</b>	The ASP is used to indicate the arrival of an RR CHANNEL REQUEST message (L2 -> L3).	
Parameter Name	Parameter Type	Comments
sapi	SAPID	
logic_ch	LOGICCH	
fn	FN	
msg	CH_RQ_PDU	
<b>Detailed Comments:</b>		

ASP Type Definition		
<b>ASP Name:</b>	DL_RaInHoacc (DL_RADOM_ACCESS_INDICATION_HANDOVER_ACCESS)	
<b>PCO Type:</b>	SAP0_3	
<b>Comments:</b>	The ASP is used to indicate the arrival of an RR HANDOVER ACCESS message (L2 -> L3).	
Parameter Name	Parameter Type	Comments
sapi	SAPID	
logic_ch	LOGICCH	
msg	HOACC_PDU	
fn	FN	
<b>Detailed Comments:</b>		

ASP Type Definition		
<b>ASP Name:</b>	DL_UdatRqImmass (DL_UNIT_DATA_REQUEST_IMMEDIATE_ASSIGNMENT)	
<b>PCO Type:</b>	SAP0_3	
<b>Comments:</b>	The ASP is used to request the transmission of the RR IMMEDIATE ASSIGNMENT message using unacknowledged operation (L3 -> L2).	
Parameter Name	Parameter Type	Comments
sapi	SAPID	
logic_ch	LOGICCH	
msg	IMMASS_PDU	
<b>Detailed Comments:</b>		

ASP Type Definition		
<b>ASP Name:</b>	DL_UdatRqImmass_sp (DL_UNIT_DATA_REQUEST_IMMEDIATE_ASSIGNMENT)	
<b>PCO Type:</b>	SAP0_3	
<b>Comments:</b>	The ASP is used to request the transmission of the RR IMMEDIATE ASSIGNMENT message using unacknowledged operation (L3 -> L2) on the MS paging channel.	
Parameter Name	Parameter Type	Comments
sapi	SAPID	
logic_ch	LOGICCH	
pgg	PGG	
msg	IMMASS_PDU	
<b>Detailed Comments:</b>		

ASP Type Definition		
<b>ASP Name:</b>	DL_UdatRqImmassx (DL_UNIT_DATA_REQUEST_IMMEDIATE_ASSIGNMENT_EXTENDED)	
<b>PCO Type:</b>	SAP0_3	
<b>Comments:</b>	The ASP is used to request the transmission of the RR IMMEDIATE ASSIGNMENT EXTENDED message using unacknowledged operation (L3 -> L2).	
Parameter Name	Parameter Type	Comments
sapi	SAPID	
logic_ch	LOGICCH	
msg	IMMASSX_PDU	
<b>Detailed Comments:</b>		

ASP Type Definition		
<b>ASP Name:</b>	DL_UdatRqImmassx_sp (DL_UNIT_DATA_REQUEST_IMMEDIATE_ASSIGNMENT_EXTENDED)	
<b>PCO Type:</b>	SAP0_3	
<b>Comments:</b>	The ASP is used to request the transmission of the RR IMMEDIATE ASSIGNMENT EXTENDED message using unacknowledged operation (L3 -> L2) on the MS paging channel.	
Parameter Name	Parameter Type	Comments
sapi	SAPID	
logic_ch	LOGICCH	
pgg	PGG	
msg	IMMASSX_PDU	
<b>Detailed Comments:</b>		

ASP Type Definition		
<b>ASP Name:</b>	DL_UdatRqImmassRej (DL_UNIT_DATA_REQUEST_IMMEDIATE_ASSIGNMENT_REJECT)	
<b>PCO Type:</b>	SAP0_3	
<b>Comments:</b>	The ASP is used to request the transmission of the RR IMMEDIATE ASSIGNMENT REJECT message using unacknowledged operation (L3 -> L2).	
Parameter Name	Parameter Type	Comments
sapi	SAPID	
logic_ch	LOGICCH	
msg	IMMASS_REJ_PDU	
<b>Detailed Comments:</b>		

ASP Type Definition		
<b>ASP Name:</b>	DL_UdatRqImmassRej_sp (DL_UNIT_DATA_REQUEST_IMMEDIATE_ASSIGNMENT_REJECT)	
<b>PCO Type:</b>	SAP0_3	
<b>Comments:</b>	The ASP is used to request the transmission of the RR IMMEDIATE ASSIGNMENT REJECT message using unacknowledged operation (L3 -> L2) on the MS paging channel.	
Parameter Name	Parameter Type	Comments
sapi	SAPID	
logic_ch	LOGICCH	
pgg	PGG	
msg	IMMASS_REJ_PDU	
<b>Detailed Comments:</b>		

ASP Type Definition		
<b>ASP Name:</b>	DL_UdatInMsrRpt (DL_DATA_INDICATION_MEASUREMENT_REPORT)	
<b>PCO Type:</b>	SAP0_3	
<b>Comments:</b>	The ASP is used to indicate the receipt of the RR MEASUREMENT REPORT message using unacknowledged operation (L2 -> L3).	
Parameter Name	Parameter Type	Comments
sapi	SAPID	
logic_ch	LOGICCH	
msg	MSR_RPT_PDU	
fn	FN	
<b>Detailed Comments:</b>	The ASPs are continuously received during the testing.	

ASP Type Definition		
<b>ASP Name:</b>	DL_UdatRqSMSCBData (DL_UNIT_DATA_REQUEST_SMSCB_DATA)	
<b>PCO Type:</b>	SAP0_3	
<b>Comments:</b>	The ASP is used to request the transmission of the SMSCB data using unacknowledged operation (L3 -> L2).	
Parameter Name	Parameter Type	Comments
sapi	SAPID	
logic_ch	LOGICCH	
msg	SMSCB_PDU	
<b>Detailed Comments:</b>		

ASP Type Definition		
<b>ASP Name:</b>	DL_UdatRqPg1Rq (DL_UNIT_DATA_REQUEST_PAGING_REQUEST_TYPE1)	
<b>PCO Type:</b>	SAP0_3	
<b>Comments:</b>	The ASP is used to request the transmission of the RR PAGING REQUEST TYPE 1 message using unacknowledged operation (L3 -> L2).	
Parameter Name	Parameter Type	Comments
sapi	SAPID	
logic_ch	LOGICCH	
pgg	PGG	
msg	PG1_RQ_PDU	
<b>Detailed Comments:</b>		

ASP Type Definition		
<b>ASP Name:</b>	DL_UdatRqPg2Rq (DL_UNIT_DATA_REQUEST_PAGING_REQUEST_TYPE2)	
<b>PCO Type:</b>	SAP0_3	
<b>Comments:</b>	The ASP is used to request the transmission of the RR PAGING REQUEST TYPE 2 message using unacknowledged operation (L3 -> L2).	
Parameter Name	Parameter Type	Comments
sapi	SAPID	
logic_ch	LOGICCH	
pgg	PGG	
msg	PG2_RQ_PDU	
<b>Detailed Comments:</b>		

ASP Type Definition		
<b>ASP Name:</b>	DL_UdatRqPg3Rq (DL_UNIT_DATA_REQUEST_PAGING_REQUEST_TYPE3)	
<b>PCO Type:</b>	SAP0_3	
<b>Comments:</b>	The ASP is used to request the transmission of the RR PAGING REQUEST TYPE 3 message using unacknowledged operation (L3 -> L2).	
Parameter Name	Parameter Type	Comments
sapi	SAPID	
logic_ch	LOGICCH	
pgg	PGG	
msg	PG3_RQ_PDU	
<b>Detailed Comments:</b>		

ASP Type Definition		
<b>ASP Name:</b>	DL_UdatRqSchinfo (DL_UNIT_DATA_REQUEST_SYNCHRONIZATION_CHANNEL_INFORMATION)	
<b>PCO Type:</b>	SAP0_3	
<b>Comments:</b>	The ASP is used to request the transmission of the RR SYNCHRONIZATION CHANNEL INFORMATION message using unacknowledged operation (L3 -> L2).	
Parameter Name	Parameter Type	Comments
sapi	SAPID	
logic_ch	LOGICCH	
msg	SCHINFO_PDU	
<b>Detailed Comments:</b>		

ASP Type Definition		
<b>ASP Name:</b>	DL_UdatRqSysinfo1 (DL_UNIT_DATA_REQUEST_SYSTEM_INFORMATION_TYPE1)	
<b>PCO Type:</b>	SAP0_3	
<b>Comments:</b>	The ASP is used to request the transmission of the RR SYSTEM INFORMATION TYPE 1 message using unacknowledged operation (L3 -> L2).	
Parameter Name	Parameter Type	Comments
sapi	SAPID	
logic_ch	LOGICCH	
msg	SYSINFO1_PDU	
<b>Detailed Comments:</b>		

ASP Type Definition		
<b>ASP Name:</b>	DL_UdatRqSysinfo1_nh (DL_UNIT_DATA_REQUEST_SYSTEM_INFORMATION_TYPE1)	
<b>PCO Type:</b>	SAP0_3	
<b>Comments:</b>	The ASP is used to request the transmission of the RR SYSTEM INFORMATION TYPE 3 message in case of non hopping	
Parameter Name	Parameter Type	Comments
sapi	SAPID	
logic_ch	LOGICCH	
msg	SYSINFO3_PDU	
<b>Detailed Comments:</b>		

ASP Type Definition		
<b>ASP Name:</b>	DL_UdatRqSysinfo2 (DL_UNIT_DATA_REQUEST_SYSTEM_INFORMATION_TYPE2)	
<b>PCO Type:</b>	SAP0_3	
<b>Comments:</b>	The ASP is used to request the transmission of the RR SYSTEM INFORMATION TYPE 2 message using unacknowledged operation (L3 -> L2).	
Parameter Name	Parameter Type	Comments
sapi	SAPID	
logic_ch	LOGICCH	
msg	SYSINFO2_PDU	
<b>Detailed Comments:</b>		

ASP Type Definition		
<b>ASP Name:</b>	DL_UdatRqSysinfo2bis (DL_UNIT_DATA_REQUEST_SYSTEM_INFORMATION_TYPE2bis)	
<b>PCO Type:</b>	SAP0_3	
<b>Comments:</b>	The ASP is used to request the transmission of the RR SYSTEM INFORMATION TYPE 2bis message using unacknowledged operation (L3 -> L2).	
Parameter Name	Parameter Type	Comments
sapi	SAPID	
logic_ch	LOGICCH	
msg	SYSINFO2bis_PDU	
<b>Detailed Comments:</b>		

ASP Type Definition		
<b>ASP Name:</b>	DL_UdatRqSysinfo2ter (DL_UNIT_DATA_REQUEST_SYSTEM_INFORMATION_TYPE2ter)	
<b>PCO Type:</b>	SAP0_3	
<b>Comments:</b>	The ASP is used to request the transmission of the RR SYSTEM INFORMATION TYPE 2ter message using unacknowledged operation (L3 -> L2).	
Parameter Name	Parameter Type	Comments
sapi	SAPID	
logic_ch	LOGICCH	
msg	SYSINFO2ter_PDU	
<b>Detailed Comments:</b>		

ASP Type Definition		
<b>ASP Name:</b>	DL_UdatRqSysinfo3 (DL_UNIT_DATA_REQUEST_SYSTEM_INFORMATION_TYPE3)	
<b>PCO Type:</b>	SAP0_3	
<b>Comments:</b>	The ASP is used to request the transmission of the RR SYSTEM INFORMATION TYPE 3 message using unacknowledged operation (L3 -> L2).	
Parameter Name	Parameter Type	Comments
sapi	SAPID	
logic_ch	LOGICCH	
msg	SYSINFO3_PDU	
<b>Detailed Comments:</b>		

ASP Type Definition		
<b>ASP Name:</b>	DL_UdatRqSysinfo4 (DL_UNIT_DATA_REQUEST_SYSTEM_INFORMATION_TYPE4)	
<b>PCO Type:</b>	SAP0_3	
<b>Comments:</b>	The ASP is used to request the transmission of the RR SYSTEM INFORMATION TYPE 4 message using unacknowledged operation (L3 -> L2).	
Parameter Name	Parameter Type	Comments
sapi	SAPID	
logic_ch	LOGICCH	
msg	SYSINFO4_PDU	
<b>Detailed Comments:</b>		

ASP Type Definition		
<b>ASP Name:</b>	DL_UdatRqSysinfo5 (DL_UNIT_DATA_REQUEST_SYSTEM_INFORMATION_TYPE5)	
<b>PCO Type:</b>	SAP0_3	
<b>Comments:</b>	The ASP is used to request the transmission of the RR SYSTEM INFORMATION TYPE 5 message using unacknowledged operation (L3 -> L2).	
Parameter Name	Parameter Type	Comments
sapi	SAPID	
logic_ch	LOGICCH	
msg	SYSINFO5_PDU	
<b>Detailed Comments:</b>		

ASP Type Definition		
<b>ASP Name:</b>	DL_UdatRqSysinfo5bis (DL_UNIT_DATA_REQUEST_SYSTEM_INFORMATION_TYPE5bis)	
<b>PCO Type:</b>	SAP0_3	
<b>Comments:</b>	The ASP is used to request the transmission of the RR SYSTEM INFORMATION TYPE 5bis message using unacknowledged operation (L3 -> L2).	
Parameter Name	Parameter Type	Comments
sapi	SAPID	
logic_ch	LOGICCH	
msg	SYSINFO5bis_PDU	
<b>Detailed Comments:</b>		

ASP Type Definition		
<b>ASP Name:</b>	DL_UdatRqSysinfo5ter (DL_UNIT_DATA_REQUEST_SYSTEM_INFORMATION_TYPE5ter)	
<b>PCO Type:</b>	SAP0_3	
<b>Comments:</b>	The ASP is used to request the transmission of the RR SYSTEM INFORMATION TYPE 5ter message using unacknowledged operation (L3 -> L2).	
Parameter Name	Parameter Type	Comments
sapi	SAPID	
logic_ch	LOGICCH	
msg	SYSINFO5ter_PDU	
<b>Detailed Comments:</b>		

ASP Type Definition		
<b>ASP Name:</b>	DL_UdatRqSysinfo6 (DL_UNIT_DATA_REQUEST_SYSTEM_INFORMATION_TYPE6)	
<b>PCO Type:</b>	SAP0_3	
<b>Comments:</b>	The ASP is used to request the transmission of the RR SYSTEM INFORMATION TYPE 6 message using unacknowledged operation (L3 -> L2).	
Parameter Name	Parameter Type	Comments
sapi	SAPID	
logic_ch	LOGICCH	
msg	SYSINFO6_PDU	
<b>Detailed Comments:</b>		

ASP Type Definition		
<b>ASP Name:</b>	DL_UdatRqSysinfo7 (DL_UNIT_DATA_REQUEST_SYSTEM_INFORMATION_TYPE7)	
<b>PCO Type:</b>	SAP0_3	
<b>Comments:</b>	The ASP is used to request the transmission of the RR SYSTEM INFORMATION TYPE 7 message using unacknowledged operation (L3 -> L2).	
Parameter Name	Parameter Type	Comments
sapi	SAPID	
logic_ch	LOGICCH	
msg	SYSINFO7_PDU	
<b>Detailed Comments:</b>		

ASP Type Definition		
<b>ASP Name:</b>	DL_UdatRqSysinfo8 (DL_UNIT_DATA_REQUEST_SYSTEM_INFORMATION_TYPE8)	
<b>PCO Type:</b>	SAP0_3	
<b>Comments:</b>	The ASP is used to request the transmission of the RR SYSTEM INFORMATION TYPE 8 message using unacknowledged operation (L3 -> L2).	
Parameter Name	Parameter Type	Comments
sapi	SAPID	
logic_ch	LOGICCH	
msg	SYSINFO8_PDU	
<b>Detailed Comments:</b>		

ASP Type Definition		
<b>ASP Name:</b>	DL_UdatInCImChn (DL_UdatINDICATION_CLASSMARK_CHANGE)	
<b>PCO Type:</b>	SAP0_3	
<b>Comments:</b>	The ASP is used to indicate the receipt of the RR CLASSMARK CHANGE message using unacknowledged operation (L2 -> L3).	
Parameter Name	Parameter Type	Comments
sapi	SAPID	
logic_ch	LOGICCH	
msg	CLM_CHN_PDU	
fn	FN	
<b>Detailed Comments:</b>		

ASP Type Definition		
<b>ASP Name:</b>	DL_DatRqAssCmd (DL_DATA_REQUEST_ASSIGNMENT_COMMAND)	
<b>PCO Type:</b>	SAP0_3	
<b>Comments:</b>	The ASP is used to request the transmission of the RR ASSIGNMENT COMMAND message using acknowledged operation (L3 -> L2).	
Parameter Name	Parameter Type	Comments
sapi	SAPID	
logic_ch	LOGICCH	
msg	ASS_CMD_PDU	
<b>Detailed Comments:</b>		

ASP Type Definition		
<b>ASP Name:</b>	DL_DatInAssCom (DL_DATA_INDICATION_ASSIGNMENT_COMPLETE)	
<b>PCO Type:</b>	SAP0_3	
<b>Comments:</b>	The ASP is used to indicate the receipt of the RR ASSIGNMENT COMPLETE message using acknowledged operation (L2 -> L3).	
Parameter Name	Parameter Type	Comments
sapi	SAPID	
logic_ch	LOGICCH	
msg	ASS_COM_PDU	
fn	FN	
<b>Detailed Comments:</b> The ASP is a result of the ASP DL_RESUME_REQUEST of the SUT sending the ASSIGNMENT COMPLETE message.		

ASP Type Definition		
<b>ASP Name:</b>	DL_DatInAssfl (DL_DATA_INDICATION_ASSIGNMENT_FAILURE)	
<b>PCO Type:</b>	SAP0_3	
<b>Comments:</b>	The ASP is used to indicate the receipt of the RR ASSIGNMENT FAILURE message using acknowledged operation (L2 -> L3).	
Parameter Name	Parameter Type	Comments
sapi	SAPID	
logic_ch	LOGICCH	
msg	ASSFL_PDU	
fn	FN	
<b>Detailed Comments:</b> The ASP is a result of the ASP DL_RECONNECT_REQUEST of the SUT sending the ASSIGNMENT FAILURE message.		

ASP Type Definition		
<b>ASP Name:</b>	DL_DatInCmsRq (DL_DATA_INDICATION_CM_SERVICE_REQUEST)	
<b>PCO Type:</b>	SAP0_3	
<b>Comments:</b>	The ASP is used to indicate the receipt of the MM CM SERVICE REQUEST message (L2 -> L3).	
Parameter Name	Parameter Type	Comments
sapi	SAPID	
logic_ch	LOGICCH	
msg	CMS_RQ_PDU	
fn	FN	
<b>Detailed Comments:</b>		

ASP Type Definition		
<b>ASP Name:</b>	DL_DatRqChmmo (DL_DATA_REQUEST_CHANNEL_MODE_MODIFY)	
<b>PCO Type:</b>	SAP0_3	
<b>Comments:</b>	The ASP is used to request the transmission of the RR CHANNEL MODE MODIFY message using acknowledged operation (L3 -> L2).	
Parameter Name	Parameter Type	Comments
sapi	SAPID	
logic_ch	LOGICCH	
msg	CHMMO_PDU	
<b>Detailed Comments:</b>		

ASP Type Definition		
<b>ASP Name:</b>	DL_DatInChmmoAck (DL_DATA_INDICATION_CHANNEL_MODE_MODIFY_ACKNOWLEDGE)	
<b>PCO Type:</b>	SAP0_3	
<b>Comments:</b>	The ASP is used to indicate the receipt of the RR CHANNEL MODE MODIFY ACKNOWLEDGE message using acknowledged operation (L2 -> L3).	
Parameter Name	Parameter Type	Comments
sapi	SAPID	
logic_ch	LOGICCH	
msg	CHMMO_ACK_PDU	
fn	FN	
<b>Detailed Comments:</b>		

ASP Type Definition		
<b>ASP Name:</b>	DL_DatRqChRel (DL_DATA_REQUEST_CHANNEL_RELEASE)	
<b>PCO Type:</b>	SAP0_3	
<b>Comments:</b>	The ASP is used to request the transmission of the RR CHANNEL_RELEASE message using acknowledged operation (L3 -> L2).	
Parameter Name	Parameter Type	Comments
sapi	SAPID	
logic_ch	LOGICCH	
msg	CH_REL_PDU	
<b>Detailed Comments:</b>		

ASP Type Definition		
<b>ASP Name:</b>	DL_DatRqChRelErr (DL_DATA_REQUEST_CHANNEL_RELEASE_ERROR)	
<b>PCO Type:</b>	SAP0_3	
<b>Comments:</b>	The ASP is used to request the transmission of the RR CHANNEL_RELEASE message using acknowledged operation (L3 -> L2).	
Parameter Name	Parameter Type	Comments
sapi	SAPID	
logic_ch	LOGICCH	
msg	CH_REL_PDU_ERR	
<b>Detailed Comments:</b>		

ASP Type Definition		
<b>ASP Name:</b>	DL_DatRqCphmCmd (DL_DATA_REQUEST_CIPHERING_MODE_COMMAND)	
<b>PCO Type:</b>	SAP0_3	
<b>Comments:</b>	The ASP is used to request the transmission of the RR CIPHERING_MODE_COMMAND message using acknowledged operation (L3 -> L2).	
Parameter Name	Parameter Type	Comments
sapi	SAPID	
logic_ch	LOGICCH	
msg	CPHM_CMD_PDU	
<b>Detailed Comments:</b>		



ASP Type Definition		
<b>ASP Name:</b>	DL_DatRqCphmCmdErr (DL_DATA_REQUEST_CIPHERING_MODE_COMMAND_ERROR)	
<b>PCO Type:</b>	SAP0_3	
<b>Comments:</b>	The ASP is used to request the transmission of the invalid RR CIPHERING_MODE_COMMAND message using acknowledged operation (L3 -> L2).	
Parameter Name	Parameter Type	Comments
sapi	SAPID	
logic_ch	LOGICCH	
msg	CPHM_CMD_PDU_ERR	
<b>Detailed Comments:</b>		

ASP Type Definition		
<b>ASP Name:</b>	DL_DatInCphmCom (DL_DATA_INDICATION_CIPHERING_MODE_COMPLETE)	
<b>PCO Type:</b>	SAP0_3	
<b>Comments:</b>	The ASP is used to indicate the receipt of the RR CIPHERING MODE COMPLETE message using acknowledged operation (L2 -> L3).	
Parameter Name	Parameter Type	Comments
sapi	SAPID	
logic_ch	LOGICCH	
msg	CPHM_COM_PDU	
fn	FN	
<b>Detailed Comments:</b>		

ASP Type Definition		
<b>ASP Name:</b>	DL_DatInClmChn (DL_DAT_INDICATION_CLASSMARK_CHANGE)	
<b>PCO Type:</b>	SAP0_3	
<b>Comments:</b>	The ASP is used to indicate the receipt of the RR CLASSMARK CHANGE message using acknowledged operation (L2 -> L3).	
Parameter Name	Parameter Type	Comments
sapi	SAPID	
logic_ch	LOGICCH	
msg	CLM_CHN_PDU	
fn	FN	
<b>Detailed Comments:</b>		

ASP Type Definition		
<b>ASP Name:</b>	DL_DatRqClmEnq (DL_DATA_REQUEST_CLASSMARK_ENQUIRY)	
<b>PCO Type:</b>	SAP0_3	
<b>Comments:</b>	The ASP is used to request the transmission of the RR CLASSMARK ENQUIRY message using acknowledged operation (L3 -> L2).	
Parameter Name	Parameter Type	Comments
sapi	SAPID	
logic_ch	LOGICCH	
msg	CLM_ENQ_PDU	
<b>Detailed Comments:</b>		

ASP Type Definition		
<b>ASP Name:</b>	DL_DatRqFrqre (DL_DATA_REQUEST_FREQUENCY_REDEFINITION)	
<b>PCO Type:</b>	SAP0_3	
<b>Comments:</b>	The ASP is used to request the transmission of the RR FREQUENCY REDEFINITION message using acknowledged operation (L3 -> L2).	
Parameter Name	Parameter Type	Comments
sapi	SAPID	
logic_ch	LOGICCH	
msg	FRQRE_PDU	
<b>Detailed Comments:</b>		

ASP Type Definition		
<b>ASP Name:</b>	DL_DatRqHoCmd (DL_DATA_REQUEST_HANDOVER_COMMAND)	
<b>PCO Type:</b>	SAP0_3	
<b>Comments:</b>	The ASP is used to request the transmission of the RR HANDOVER COMMAND message using acknowledged operation (L3 -> L2).	
Parameter Name	Parameter Type	Comments
sapi	SAPID	
logic_ch	LOGICCH	
msg	HO_CMD_PDU	
<b>Detailed Comments:</b>		

ASP Type Definition		
<b>ASP Name:</b>	DL_DatInHoCom (DL_DATA_INDICATION_HANDOVER_COMPLETE)	
<b>PCO Type:</b>	SAP0_3	
<b>Comments:</b>	The ASP is used to indicate the receipt of the RR HANDOVER COMPLETE message using acknowledged operation (L2 -> L3).	
Parameter Name	Parameter Type	Comments
sapi	SAPID	
logic_ch	LOGICCH	
msg	HO_COM_PDU	
fn	FN	
<b>Detailed Comments:</b>	The ASP is a result of the ASP DL_RESUME_REQUEST of the SUT sending the HANDOVER COMPLETE message.	

ASP Type Definition		
<b>ASP Name:</b>	DL_DatInHofl (DL_DATA_INDICATION_HANDOVER_FAILURE)	
<b>PCO Type:</b>	SAP0_3	
<b>Comments:</b>	The ASP is used to indicate the receipt of the RR HANDOVER FAILURE message using acknowledged operation (L2 -> L3).	
Parameter Name	Parameter Type	Comments
sapi	SAPID	
logic_ch	LOGICCH	
msg	HOFL_PDU	
fn	FN	
<b>Detailed Comments:</b>	The ASP is a result of the ASP DL_RECONNECT_REQUEST of the SUT sending the HANDOVER FAILURE message.	

ASP Type Definition		
<b>ASP Name:</b>	DL_DatRqPhyinfo (DL_DATA_REQUEST_PHYSICAL_INFORMATION)	
<b>PCO Type:</b>	SAP0_3	
<b>Comments:</b>	The ASP is used to request the transmission of the RR PHYSICAL INFORMATION message using acknowledged operation (L3 -> L2).	
Parameter Name	Parameter Type	Comments
sapi	SAPID	
logic_ch	LOGICCH	
msg	PHYINFO_PDU	
<b>Detailed Comments:</b>		

ASP Type Definition		
<b>ASP Name:</b>	DL_DatInRrst (DL_DATA_INDICATION_RR_STATUS)	
<b>PCO Type:</b>	SAP0_3	
<b>Comments:</b>	The ASP is used to indicate the receipt of the RR STATUS message using acknowledged operation (L2 -> L3).	
Parameter Name	Parameter Type	Comments
sapi	SAPID	
logic_ch	LOGICCH	
msg	RRST_PDU	
fn	FN	
<b>Detailed Comments:</b>		

ASP Type Definition		
<b>ASP Name:</b>	DL_DatRqAuthRej (DL_DATA_REQUEST_AUTHENTICATION_REJECT)	
<b>PCO Type:</b>	SAP0_3	
<b>Comments:</b>	The ASP is used to request the transmission of the MM AUTHENTICATION REJECT message using acknowledged operation (L3 -> L2).	
Parameter Name	Parameter Type	Comments
sapi	SAPID	
logic_ch	LOGICCH	
msg	AUTH_REJ_PDU	
<b>Detailed Comments:</b>		

ASP Type Definition		
<b>ASP Name:</b>	DL_DatRqAuthRq (DL_DATA_REQUEST_AUTHENTICATION_REQUEST)	
<b>PCO Type:</b>	SAP0_3	
<b>Comments:</b>	The ASP is used to request the transmission of the MM AUTHENTICATION REQUEST message using acknowledged operation (L3 -> L2).	
Parameter Name	Parameter Type	Comments
sapi	SAPID	
logic_ch	LOGICCH	
msg	AUTH_RQ_PDU	
<b>Detailed Comments:</b>		

ASP Type Definition		
<b>ASP Name:</b>	DL_DatInAuthRes (DL_DATA_INDICATION_AUTHENTICATION_RESPONSE)	
<b>PCO Type:</b>	SAP0_3	
<b>Comments:</b>	The ASP is used to indicate the receipt of the MM AUTHENTICATION RESPONSE message using acknowledged operation (L2 -> L3).	
Parameter Name	Parameter Type	Comments
sapi	SAPID	
logic_ch	LOGICCH	
msg	AUTH_RES_PDU	
fn	FN	
<b>Detailed Comments:</b>		

ASP Type Definition		
<b>ASP Name:</b>	DL_DatRqCmsAcP (DL_DATA_REQUEST_CM_SERVICE_ACCEPT)	
<b>PCO Type:</b>	SAP0_3	
<b>Comments:</b>	The ASP is used to request the transmission of the MM CM SERVICE ACCEPT message using acknowledged operation (L3 -> L2).	
Parameter Name	Parameter Type	Comments
sapi	SAPID	
logic_ch	LOGICCH	
msg	CMS_ACP_PDU	
<b>Detailed Comments:</b>		

ASP Type Definition		
<b>ASP Name:</b>	DL_DatRqCmsRej (DL_DATA_REQUEST_CM_SERVICE_REJECT)	
<b>PCO Type:</b>	SAP0_3	
<b>Comments:</b>	The ASP is used to request the transmission of the MM CM SERVICE REJECT message using acknowledged operation (L3 -> L2).	
Parameter Name	Parameter Type	Comments
sapi	SAPID	
logic_ch	LOGICCH	
msg	CMS_REJ_PDU	
<b>Detailed Comments:</b>		

ASP Type Definition		
<b>ASP Name:</b>	DL_DatRqAbrt (DL_DATA_REQUEST_ABORT)	
<b>PCO Type:</b>	SAP0_3	
<b>Comments:</b>	The ASP is used to request the transmission of the MM ABORT message using acknowledged operation (L3 -> L2).	
Parameter Name	Parameter Type	Comments
sapi	SAPID	
logic_ch	LOGICCH	
msg	ABRT_PDU	
<b>Detailed Comments:</b>		

ASP Type Definition		
<b>ASP Name:</b>	DL_DatRqIdRq (DL_DATA_REQUEST_IDENTITY_REQUEST)	
<b>PCO Type:</b>	SAP0_3	
<b>Comments:</b>	The ASP is used to request the transmission of the MM IDENTITY REQUEST message using acknowledged operation (L3 -> L2).	
Parameter Name	Parameter Type	Comments
sapi	SAPID	
logic_ch	LOGICCH	
msg	ID_RQ_PDU	
<b>Detailed Comments:</b>		

ASP Type Definition		
<b>ASP Name:</b>	DL_DatInIdRes (DL_DATA_INDICATION_IDENTIFY_RESPONSE)	
<b>PCO Type:</b>	SAP0_3	
<b>Comments:</b>	The ASP is used to indicate the receipt of the MM IDENTITY RESPONSE message using acknowledged operation (L2 -> L3).	
Parameter Name	Parameter Type	Comments
sapi	SAPID	
logic_ch	LOGICCH	
msg	ID_RES_PDU	
fn	FN	
<b>Detailed Comments:</b>		

ASP Type Definition		
<b>ASP Name:</b>	DL_DatRqLupAcp (DL_DATA_REQUEST_LOCATION_UPDATING_ACCEPT)	
<b>PCO Type:</b>	SAP0_3	
<b>Comments:</b>	The ASP is used to request the transmission of the MM LOCATION UPDATING ACCEPT message using acknowledged operation (L3 -> L2).	
Parameter Name	Parameter Type	Comments
sapi	SAPID	
logic_ch	LOGICCH	
msg	LUP_ACP_PDU	
<b>Detailed Comments:</b>		

ASP Type Definition		
<b>ASP Name:</b>	DL_DatRqLupAcpErr (DL_DATA_REQUEST_LOCATION_UPDATING_ACCEPT_ERR)	
<b>PCO Type:</b>	SAP0_3	
<b>Comments:</b>	The ASP is used to request the transmission of the MM LOCATION UPDATING ACCEPT message using acknowledged operation (L3 -> L2).	
Parameter Name	Parameter Type	Comments
sapi	SAPID	
logic_ch	LOGICCH	
msg	LUP_ACP_PDU_ERR	
<b>Detailed Comments:</b>		

ASP Type Definition		
<b>ASP Name:</b>	DL_DatRqLupRej (DL_DATA_REQUEST_LOCATION_UPDATING_REJECT)	
<b>PCO Type:</b>	SAP0_3	
<b>Comments:</b>	The ASP is used to request the transmission of the MM LOCATION UPDATING REJECT message using acknowledged operation (L3 -> L2).	
Parameter Name	Parameter Type	Comments
sapi	SAPID	
logic_ch	LOGICCH	
msg	LUP_REJ_PDU	
<b>Detailed Comments:</b>		

ASP Type Definition		
<b>ASP Name:</b>	DL_DatInMmst (DL_DATA_INDICATION_MM_STATUS)	
<b>PCO Type:</b>	SAP0_3	
<b>Comments:</b>	The ASP is used to indicate the receipt of the MM STATUS message using acknowledged operation (L2 -> L3).	
Parameter Name	Parameter Type	Comments
sapi	SAPID	
logic_ch	LOGICCH	
msg	MMST_PDU	
fn	FN	
<b>Detailed Comments:</b>		

ASP Type Definition		
<b>ASP Name:</b>	DL_DatRqTmsireCmd (DL_DATA_REQUEST_TMSI_REALLOCATION_COMMAND)	
<b>PCO Type:</b>	SAP0_3	
<b>Comments:</b>	The ASP is used to request the transmission of the MM TMSI REALLOCATION COMMAND message using acknowledged operation (L3 -> L2).	
Parameter Name	Parameter Type	Comments
sapi	SAPID	
logic_ch	LOGICCH	
msg	TMSIRE_CMD_PDU	
<b>Detailed Comments:</b>		

ASP Type Definition		
<b>ASP Name:</b>	DL_DatInTmsireCom (DL_DATA_INDICATION_TMSI_REALLOCATION_COMPLETE)	
<b>PCO Type:</b>	SAP0_3	
<b>Comments:</b>	The ASP is used to indicate the receipt of the MM TMSI REALLOCATION COMPLETE message using acknowledged operation (L2 -> L3).	
Parameter Name	Parameter Type	Comments
sapi	SAPID	
logic_ch	LOGICCH	
msg	TMSIRE_COM_PDU	
fn	FN	
<b>Detailed Comments:</b>		

ASP Type Definition		
<b>ASP Name:</b>	DL_DatRqAlert (DL_DATA_REQUEST_ALERTING)	
<b>PCO Type:</b>	SAP0_3	
<b>Comments:</b>	The ASP is used to request the transmission of the CC ALERTING message using acknowledged operation (L3 -> L2).	
Parameter Name	Parameter Type	Comments
sapi	SAPID	
logic_ch	LOGICCH	
msg	ALERT_PDU	
<b>Detailed Comments:</b>		

ASP Type Definition		
<b>ASP Name:</b>	DL_DatInAlert (DL_DATA_INDICATION_ALERTING)	
<b>PCO Type:</b>	SAP0_3	
<b>Comments:</b>	The ASP is used to indicate the receipt of the CC ALERTING message using acknowledged operation (L2 -> L3).	
Parameter Name	Parameter Type	Comments
sapi	SAPID	
logic_ch	LOGICCH	
msg	ALERT_PDU	
fn	FN	
<b>Detailed Comments:</b>		

ASP Type Definition		
<b>ASP Name:</b>	DL_DatInCallCo (DL_DATA_INDICATION_CALL_CONFIRMED)	
<b>PCO Type:</b>	SAP0_3	
<b>Comments:</b>	The ASP is used to indicate the receipt of the CC CALL CONFIRMED message using acknowledged operation (L2 -> L3).	
Parameter Name	Parameter Type	Comments
sapi	SAPID	
logic_ch	LOGICCH	
msg	CALL_CO_PDU	
fn	FN	
<b>Detailed Comments:</b>		

ASP Type Definition		
<b>ASP Name:</b>	DL_DatRqCallProc (DL_DATA_REQUEST_CALL_PROCEEDING)	
<b>PCO Type:</b>	SAP0_3	
<b>Comments:</b>	The ASP is used to request the transmission of the CC CALL PROCEEDING message using acknowledged operation (L3 -> L2).	
Parameter Name	Parameter Type	Comments
sapi	SAPID	
logic_ch	LOGICCH	
msg	CALL_PROC_PDU	
<b>Detailed Comments:</b>		

ASP Type Definition		
<b>ASP Name:</b>	DL_DatRqConn (DL_DATA_REQUEST_CONNECT)	
<b>PCO Type:</b>	SAP0_3	
<b>Comments:</b>	The ASP is used to request the transmission of the CC CONNECT message using acknowledged operation (L3 -> L2).	
Parameter Name	Parameter Type	Comments
sapi	SAPID	
logic_ch	LOGICCH	
msg	CONN_PDU	
<b>Detailed Comments:</b>		

ASP Type Definition		
<b>ASP Name:</b>	DL_DatRqConnErr (DL_DATA_REQUEST_CONNECT_ERR)	
<b>PCO Type:</b>	SAP0_3	
<b>Comments:</b>	The ASP is used to request the transmission of the CC CONNECT message using acknowledged operation (L3 -> L2).	
Parameter Name	Parameter Type	Comments
sapi	SAPID	
logic_ch	LOGICCH	
msg	CONN_PDU_ERR	
<b>Detailed Comments:</b>		

ASP Type Definition		
<b>ASP Name:</b>	DL_DatInConn (DL_DATA_INDICATION_CONNECT)	
<b>PCO Type:</b>	SAP0_3	
<b>Comments:</b>	The ASP is used to indicate the receipt of the CC CONNECT message using acknowledged operation (L2 -> L3).	
Parameter Name	Parameter Type	Comments
sapi	SAPID	
logic_ch	LOGICCH	
msg	CONN_PDU	
fn	FN	
<b>Detailed Comments:</b>		

ASP Type Definition		
<b>ASP Name:</b>	DL_DatRqConnAck (DL_DATA_REQUEST_CONNECT_ACKNOWLEDGE)	
<b>PCO Type:</b>	SAP0_3	
<b>Comments:</b>	The ASP is used to request the transmission of the CC CONNECT ACKNOWLEDGE message using acknowledged operation (L3 -> L2).	
Parameter Name	Parameter Type	Comments
sapi	SAPID	
logic_ch	LOGICCH	
msg	CONN_ACK_PDU	
<b>Detailed Comments:</b>		

ASP Type Definition		
<b>ASP Name:</b>	DL_DatInConnAck (DL_DATA_INDICATION_CONNECT_ACKNOWLEDGE)	
<b>PCO Type:</b>	SAP0_3	
<b>Comments:</b>	The ASP is used to indicate the reception of the CC CONNECT ACKNOWLEDGE message using acknowledged operation (L2 -> L3).	
Parameter Name	Parameter Type	Comments
sapi	SAPID	
logic_ch	LOGICCH	
msg	CONN_ACK_PDU	
fn	FN	
<b>Detailed Comments:</b>		



ASP Type Definition		
<b>ASP Name:</b>	DL_DatRqDisc (DL_DATA_REQUEST_DISCONNECT)	
<b>PCO Type:</b>	SAP0_3	
<b>Comments:</b>	The ASP is used to request the transmission of the CC DISCONNECT message using acknowledged operation (L3 -> L2).	
Parameter Name	Parameter Type	Comments
sapi	SAPID	
logic_ch	LOGICCH	
msg	DISC_PDU	
<b>Detailed Comments:</b>		

ASP Type Definition		
<b>ASP Name:</b>	DL_DatRqDiscErr (DL_DATA_REQUEST_DISCONNECT_ERR)	
<b>PCO Type:</b>	SAP0_3	
<b>Comments:</b>	The ASP is used to request the transmission of the CC DISCONNECT message using acknowledged operation (L3 -> L2).	
Parameter Name	Parameter Type	Comments
sapi	SAPID	
logic_ch	LOGICCH	
msg	DISC_PDU_ERR	
<b>Detailed Comments:</b>		

ASP Type Definition		
<b>ASP Name:</b>	DL_DatInDisc (DL_DATA_INDICATION_DISCONNECT)	
<b>PCO Type:</b>	SAP0_3	
<b>Comments:</b>	The ASP is used to indicate the receipt of the CC DISCONNECT message using acknowledged operation (L2 -> L3).	
Parameter Name	Parameter Type	Comments
sapi	SAPID	
logic_ch	LOGICCH	
msg	DISC_PDU	
fn	FN	
<b>Detailed Comments:</b>		

ASP Type Definition		
<b>ASP Name:</b>	DL_DatInESetup (DL_DATA_INDICATION_EMERGENCY_SETUP)	
<b>PCO Type:</b>	SAP0_3	
<b>Comments:</b>	The ASP is used to indicate the receipt of the CC EMERGENCY_SETUP message using acknowledged operation (L2 -> L3).	
Parameter Name	Parameter Type	Comments
sapi	SAPID	
logic_ch	LOGICCH	
msg	ESETUP_PDU	
fn	FN	
<b>Detailed Comments:</b>		

ASP Type Definition		
<b>ASP Name:</b>	DL_DatRqFac (DL_DATA_REQUEST_FACILITY)	
<b>PCO Type:</b>	SAP0_3	
<b>Comments:</b>	The ASP is used to request the transmission of the CC FACILITY message using acknowledged operation (L3 -> L2).	
Parameter Name	Parameter Type	Comments
sapi	SAPID	
logic_ch	LOGICCH	
msg	FAC_PDU	
<b>Detailed Comments:</b>		

ASP Type Definition		
<b>ASP Name:</b>	DL_DatInFac (DL_DATA_INDICATION_FACILITY)	
<b>PCO Type:</b>	SAP0_3	
<b>Comments:</b>	The ASP is used to indicate the receipt of the CC FACILITY message using acknowledged operation (L2 -> L3).	
Parameter Name	Parameter Type	Comments
sapi	SAPID	
logic_ch	LOGICCH	
msg	FAC_PDU	
fn	FN	
<b>Detailed Comments:</b>		

ASP Type Definition		
<b>ASP Name:</b>	DL_DatInHold (DL_DATA_INDICATION_HOLD)	
<b>PCO Type:</b>	SAP0_3	
<b>Comments:</b>	The ASP is used to indicate the receipt of the CC HOLD message using acknowledged operation (L2 -> L3).	
Parameter Name	Parameter Type	Comments
sapi	SAPID	
logic_ch	LOGICCH	
msg	HOLD_PDU	
fn	FN	
<b>Detailed Comments:</b>		

ASP Type Definition		
<b>ASP Name:</b>	DL_DatRqHoldAck (DL_DATA_REQUEST_HOLD_ACKNOWLEDGE)	
<b>PCO Type:</b>	SAP0_3	
<b>Comments:</b>	The ASP is used to request the transmission of the CC HOLD ACKNOWLEDGE message using acknowledged operation (L3 -> L2).	
Parameter Name	Parameter Type	Comments
sapi	SAPID	
logic_ch	LOGICCH	
msg	HOLD_ACK_PDU	
<b>Detailed Comments:</b>		

ASP Type Definition		
<b>ASP Name:</b>	DL_DatRqModify (DL_DATA_REQUEST_MODIFY)	
<b>PCO Type:</b>	SAP0_3	
<b>Comments:</b>	The ASP is used to request the transmission of the CC MODIFY message using acknowledged operation (L3 -> L2).	
Parameter Name	Parameter Type	Comments
sapi	SAPID	
logic_ch	LOGICCH	
msg	MODIFY_PDU	
<b>Detailed Comments:</b>		

ASP Type Definition		
<b>ASP Name:</b>	DL_DatInModify (DL_DATA_INDICATION_MODIFY)	
<b>PCO Type:</b>	SAP0_3	
<b>Comments:</b>	The ASP is used to indicate the receipt of the CC MODIFY message using acknowledged operation (L2 -> L3).	
Parameter Name	Parameter Type	Comments
sapi	SAPID	
logic_ch	LOGICCH	
msg	MODIFY_PDU	
fn	FN	
<b>Detailed Comments:</b>		

ASP Type Definition		
<b>ASP Name:</b>	DL_DatRqModifyCom (DL_DATA_REQUEST_MODIFY_COMPLETE)	
<b>PCO Type:</b>	SAP0_3	
<b>Comments:</b>	The ASP is used to request the transmission of the CC MODIFY COMPLETE message using acknowledged operation (L3 -> L2).	
Parameter Name	Parameter Type	Comments
sapi	SAPID	
logic_ch	LOGICCH	
msg	MODIFY_COM_PDU	
<b>Detailed Comments:</b>		

ASP Type Definition		
<b>ASP Name:</b>	DL_DatRqModifyRej (DL_DATA_REQUEST_MODIFY_REJECT)	
<b>PCO Type:</b>	SAP0_3	
<b>Comments:</b>	The ASP is used to request the transmission of the CC MODIFY REJECT message using acknowledged operation (L3 -> L2).	
Parameter Name	Parameter Type	Comments
sapi	SAPID	
logic_ch	LOGICCH	
msg	MODIFY_REJ_PDU	
<b>Detailed Comments:</b>		

ASP Type Definition		
<b>ASP Name:</b>	DL_DatInModifyRej (DL_DATA_INDICATION_MODIFY_REJECT)	
<b>PCO Type:</b>	SAP0_3	
<b>Comments:</b>	The ASP is used to indicate the receipt of the CC MODIFY REJECT message using acknowledged operation (L2 -> L3).	
Parameter Name	Parameter Type	Comments
sapi	SAPID	
logic_ch	LOGICCH	
msg	MODIFY_REJ_PDU	
fn	FN	
<b>Detailed Comments:</b>		

ASP Type Definition		
<b>ASP Name:</b>	DL_DatRqNotify (DL_DATA_REQUEST_NOTIFY)	
<b>PCO Type:</b>	SAP0_3	
<b>Comments:</b>	The ASP is used to request the transmission of the CC NOTIFY message using acknowledged operation (L3 -> L2).	
Parameter Name	Parameter Type	Comments
sapi	SAPID	
logic_ch	LOGICCH	
msg	NOTIFY_PDU	
<b>Detailed Comments:</b>		

ASP Type Definition		
<b>ASP Name:</b>	DL_DatRqProg (DL_DATA_REQUEST_PROGRESS)	
<b>PCO Type:</b>	SAP0_3	
<b>Comments:</b>	The ASP is used to request the transmission of the CC PROGRESS message using acknowledged operation (L3 -> L2).	
Parameter Name	Parameter Type	Comments
sapi	SAPID	
logic_ch	LOGICCH	
msg	PROG_PDU	
<b>Detailed Comments:</b>		

ASP Type Definition		
<b>ASP Name:</b>	DL_DatRqRegister (DL_DATA_REQUEST_REGISTER)	
<b>PCO Type:</b>	SAP0_3	
<b>Comments:</b>	The ASP is used to request the transmission of the SS REGISTER message using acknowledged operation (L3 -> L2).	
Parameter Name	Parameter Type	Comments
sapi	SAPID	
logic_ch	LOGICCH	
msg	REGISTER_PDU	
<b>Detailed Comments:</b>		

ASP Type Definition		
<b>ASP Name:</b>	DL_DatInRegister (DL_DATA_INDICATION_REGISTER)	
<b>PCO Type:</b>	SAP0_3	
<b>Comments:</b>	The ASP is used to receive the transmission of the SS REGISTER message using acknowledged operation.	
Parameter Name	Parameter Type	Comments
sapi	SAPID	
logic_ch	LOGICCH	
msg	REGISTER_PDU	
fn	FN	
<b>Detailed Comments:</b>		

ASP Type Definition		
<b>ASP Name:</b>	DL_DatRqRel (DL_DATA_REQUEST_RELEASE)	
<b>PCO Type:</b>	SAP0_3	
<b>Comments:</b>	The ASP is used to request the transmission of the CC RELEASE message using acknowledged operation (L3 -> L2).	
Parameter Name	Parameter Type	Comments
sapi	SAPID	
logic_ch	LOGICCH	
msg	REL_PDU	
<b>Detailed Comments:</b>		

ASP Type Definition		
<b>ASP Name:</b>	DL_DatInRel (DL_DATA_INDICATION_RELEASE)	
<b>PCO Type:</b>	SAP0_3	
<b>Comments:</b>	The ASP is used to indicate the receipt of the CC RELEASE message using acknowledged operation (L2 -> L3).	
Parameter Name	Parameter Type	Comments
sapi	SAPID	
logic_ch	LOGICCH	
msg	REL_PDU	
fn	FN	
<b>Detailed Comments:</b>		

ASP Type Definition		
<b>ASP Name:</b>	DL_DatRqRelCmp (DL_DATA_REQUEST_RELEASE_COMPLETE)	
<b>PCO Type:</b>	SAP0_3	
<b>Comments:</b>	The ASP is used to request the transmission of the CC RELEASE COMPLETE message using acknowledged operation (L3 -> L2).	
Parameter Name	Parameter Type	Comments
sapi	SAPID	
logic_ch	LOGICCH	
msg	REL_COM_PDU	
<b>Detailed Comments:</b>		

ASP Type Definition		
<b>ASP Name:</b>	DL_DatInRelCmp (DL_DATA_INDICATION_RELEASE_COMPLETE)	
<b>PCO Type:</b>	SAP0_3	
<b>Comments:</b>	The ASP is used to indicate the receipt of the CC RELEASE COMPLETE message using acknowledged operation (L2 -> L3).	
Parameter Name	Parameter Type	Comments
sapi	SAPID	
logic_ch	LOGICCH	
msg	REL_COM_PDU	
fn	FN	
<b>Detailed Comments:</b>		

ASP Type Definition		
<b>ASP Name:</b>	DL_DatRqSetup (DL_DATA_REQUEST_SETUP)	
<b>PCO Type:</b>	SAP0_3	
<b>Comments:</b>	The ASP is used to request the transmission of the CC SETUP message using acknowledged operation (L3 -> L2).	
Parameter Name	Parameter Type	Comments
sapi	SAPID	
logic_ch	LOGICCH	
msg	SETUP_MT_PDU	
<b>Detailed Comments:</b>		

ASP Type Definition		
<b>ASP Name:</b>	DL_DatInSetup (DL_DATA_INDICATION_SETUP)	
<b>PCO Type:</b>	SAP0_3	
<b>Comments:</b>	The ASP is used to indicate the receipt of the CC SETUP message using acknowledged operation (L2 -> L3).	
Parameter Name	Parameter Type	Comments
sapi	SAPID	
logic_ch	LOGICCH	
msg	SETUP_MO_PDU	
fn	FN	
<b>Detailed Comments:</b>		

ASP Type Definition		
<b>ASP Name:</b>	DL_DatInStartDtmf (DL_DATA_INDICATION_START_DTMF)	
<b>PCO Type:</b>	SAP0_3	
<b>Comments:</b>	The ASP is used to indicate the receipt of the CC START_DTMF message using acknowledged operation (L2 -> L3).	
Parameter Name	Parameter Type	Comments
sapi	SAPID	
logic_ch	LOGICCH	
msg	START_DTMF_PDU	
fn	FN	
<b>Detailed Comments:</b>		

ASP Type Definition		
<b>ASP Name:</b>	DL_DatRqStartDtmfAck (DL_DATA_REQUEST_START_DTMF_ACKNOWLEDGE)	
<b>PCO Type:</b>	SAP0_3	
<b>Comments:</b>	The ASP is used to request the transmission of the CC START DTMF ACKNOWLEDGE message using acknowledged operation (L3 -> L2).	
Parameter Name	Parameter Type	Comments
sapi	SAPID	
logic_ch	LOGICCH	
msg	START_DTMF_ACK_PDU	
<b>Detailed Comments:</b>		

ASP Type Definition		
<b>ASP Name:</b>	DL_DatRqStartDtmfRej (DL_DATA_REQUEST_START_DTMF_REJCT)	
<b>PCO Type:</b>	SAP0_3	
<b>Comments:</b>	The ASP is used to request the transmission of the CC START DTMF REJCT message using acknowledged operation (L3 -> L2).	
Parameter Name	Parameter Type	Comments
sapi	SAPID	
logic_ch	LOGICCH	
msg	START_DTMF_REJ_PDU	
<b>Detailed Comments:</b>		

ASP Type Definition		
<b>ASP Name:</b>	DL_DatInStopDtmf (DL_DATA_INDICATION_STOP_DTMF)	
<b>PCO Type:</b>	SAP0_3	
<b>Comments:</b>	The ASP is used to indicate the receipt of the CC STOP_DTMF message using acknowledged operation (L2 -> L3).	
Parameter Name	Parameter Type	Comments
sapi	SAPID	
logic_ch	LOGICCH	
msg	STOP_DTMF_PDU	
fn	FN	
<b>Detailed Comments:</b>		

ASP Type Definition		
<b>ASP Name:</b>	DL_DatRqStopDtmfAck (DL_DATA_REQUEST_STOP_DTMF_ACKNOWLEDGE)	
<b>PCO Type:</b>	SAP0_3	
<b>Comments:</b>	The ASP is used to request the transmission of the CC STOP DTMF ACKNOWLEDGE message using acknowledged operation (L3 -> L2).	
Parameter Name	Parameter Type	Comments
sapi	SAPID	
logic_ch	LOGICCH	
msg	STOP_DTMF_ACK_PDU	
<b>Detailed Comments:</b>		

ASP Type Definition		
<b>ASP Name:</b>	DL_DatRqCcst (DL_DATA_REQUEST_CC_STATUS)	
<b>PCO Type:</b>	SAP0_3	
<b>Comments:</b>	The ASP is used to request the transmission of the CC STATUS message using acknowledged operation (L3 -> L2).	
Parameter Name	Parameter Type	Comments
sapi	SAPID	
logic_ch	LOGICCH	
msg	CCST_PDU	
<b>Detailed Comments:</b>		

ASP Type Definition		
<b>ASP Name:</b>	DL_DatInCcst (DL_DATA_INDICATION_CC_STATUS)	
<b>PCO Type:</b>	SAP0_3	
<b>Comments:</b>	The ASP is used to indicate the receipt of the CC STATUS message using acknowledged operation (L2 -> L3).	
Parameter Name	Parameter Type	Comments
sapi	SAPID	
logic_ch	LOGICCH	
msg	CCST_PDU	
fn	FN	
<b>Detailed Comments:</b>		

ASP Type Definition		
<b>ASP Name:</b>	DL_DatRqCcstEnq (DL_DATA_REQUEST_CC_STATUS_ENQ)	
<b>PCO Type:</b>	SAP0_3	
<b>Comments:</b>	The ASP is used to request the transmission of the CC STATUS_ENQ message using acknowledged operation (L3 -> L2).	
Parameter Name	Parameter Type	Comments
sapi	SAPID	
logic_ch	LOGICCH	
msg	CCST_ENQ_PDU	
<b>Detailed Comments:</b>		

ASP Type Definition		
<b>ASP Name:</b>	DL_DatRqUndefCC (DL_DATA_REQUEST)	
<b>PCO Type:</b>	SAP0_3	
<b>Comments:</b>	The ASP is used to transmit any message using acknowledged operation (L3 -> L2).	
Parameter Name	Parameter Type	Comments
sapi	SAPID	
logic_ch	LOGICCH	
msg	CONN_PDU	
<b>Detailed Comments:</b>		

ASP Type Definition		
<b>ASP Name:</b>	DL_DatRqUndefMM (DL_DATA_REQUEST)	
<b>PCO Type:</b>	SAP0_3	
<b>Comments:</b>	The ASP is used to transmit any message using acknowledged operation (L3 -> L2).	
Parameter Name	Parameter Type	Comments
sapi	SAPID	
logic_ch	LOGICCH	
msg	ID_RES_PDU	
<b>Detailed Comments:</b>		

ASP Type Definition		
<b>ASP Name:</b>	DL_DatRqUndefRR (DL_DATA_REQUEST)	
<b>PCO Type:</b>	SAP0_3	
<b>Comments:</b>	The ASP is used to transmit any message using acknowledged operation (L3 -> L2).	
Parameter Name	Parameter Type	Comments
sapi	SAPID	
logic_ch	LOGICCH	
msg	PART_REL_PDU	
<b>Detailed Comments:</b>		



ASP Type Definition		
<b>ASP Name:</b>	DL_DatRqUnknown (DL_DATA_REQUEST)	
<b>PCO Type:</b>	SAP0_3	
<b>Comments:</b>	The ASP is used to transmit any message using acknowledged operation (L3 -> L2).	
Parameter Name	Parameter Type	Comments
sapi	SAPID	
logic_ch	LOGICCH	
msg	CCST_ENQ_PDU	
<b>Detailed Comments:</b>		

ASP Type Definition		
<b>ASP Name:</b>	DL_DatInCpData (DL_DATA_INDICATION_CP_DATA)	
<b>PCO Type:</b>	SAP0_3	
<b>Comments:</b>	The ASP is used to indicate the receipt of the SMS CP DATA message using acknowledged operation (L2 -> L3) for MT.	
Parameter Name	Parameter Type	Comments
sapi	SAPID	
logic_ch	LOGICCH	
msg	CP_DATA_PDU	
fn	FN	
<b>Detailed Comments:</b>		

ASP Type Definition		
<b>ASP Name:</b>	DL_DatRqCpData (DL_DATA_REQUEST_CP_DATA)	
<b>PCO Type:</b>	SAP0_3	
<b>Comments:</b>	The ASP is used to request the transmission of the SMS CP DATA message using acknowledged operation (L3 -> L2) for MO.	
Parameter Name	Parameter Type	Comments
sapi	SAPID	
logic_ch	LOGICCH	
msg	CP_DATA_PDU	
<b>Detailed Comments:</b>		

ASP Type Definition		
<b>ASP Name:</b>	DL_DatInCpDataAck (DL_DATA_INDICATION_CPDATA_ACKNOWLEDGE)	
<b>PCO Type:</b>	SAP0_3	
<b>Comments:</b>	The ASP is used to indicate the receipt of the SMS CP DATA message using acknowledged operation (L2 -> L3) .	
Parameter Name	Parameter Type	Comments
sapi	SAPID	
logic_ch	LOGICCH	
msg	CPDATA_ACK_PDU	
fn	FN	
<b>Detailed Comments:</b>		

ASP Type Definition		
<b>ASP Name:</b>	DL_DatRqCpDataAck (DL_DATA_REQUEST_CPDATA_ACKNOWLEDGE)	
<b>PCO Type:</b>	SAP0_3	
<b>Comments:</b>	The ASP is used to request the transmission of the CP DATA ACKNOWLEDGE message using acknowledged operation (L3 -> L2).	
Parameter Name	Parameter Type	Comments
sapi	SAPID	
logic_ch	LOGICCH	
msg	CPDATA_ACK_PDU	
<b>Detailed Comments:</b>		

ASP Type Definition		
<b>ASP Name:</b>	DL_DatRqCpError (DL_DATA_REQUEST_CP_ERROR)	
<b>PCO Type:</b>	SAP0_3	
<b>Comments:</b>	The ASP is used to request the transmission of the SMS CP ERROR message using acknowledged operation (L3 -> L2) for MO.	
Parameter Name	Parameter Type	Comments
sapi	SAPID	
logic_ch	LOGICCH	
msg	CPERR_PDU	
<b>Detailed Comments:</b>		

ASP Type Definition		
<b>ASP Name:</b>	MDL_ReIRq (MDL_RELEASE_REQUEST)	
<b>PCO Type:</b>	SAP0_3	
<b>Comments:</b>	The ASP is used to request the local end termination of a previous established acknowledged mode operation (L3 -> L2). The local end termination procedure is initiated.	
Parameter Name	Parameter Type	Comments
sapi	SAPID	
logic_ch	LOGICCH	
release_mode	RelMode	
<b>Detailed Comments:</b>		

## PDU type definitions

### TTCN PDU Type definitions

PDU Type Definition		
<b>PDU Name:</b>	ASS_CMD_PDU	
<b>PCO Type:</b>	SAP0_3	
<b>Comments:</b>	RR ASSSIGNMENT COMMAND n -> ms GSM 04.08, 9.1.2	
Field Name	Field Type	Comments
ski	SKI	
rrpd	PD	
mt	MT	
ch1d_at	CHD	
pcmd	PCMD	
frql_at	FRQL	
cchd	CCHD	
ch1mod	CHMOD	
ch2d_at	CHD	
ch2mod	CHMOD	
ma_at	MA	
strt	STRT	
frql_bt	FRQL	
ch1d_bt	CHD	
ch2d_bt	CHD	
frqchs_bt	FRQCHS	
ma_bt	MA	
cphms	CPHMS	
<b>Detailed Comments:</b>		

PDU Type Definition		
<b>PDU Name:</b>	ASS_COM_PDU	
<b>PCO Type:</b>	SAP0_3	
<b>Comments:</b>	RR ASSIGNMENT COMPLETE ms -> n GSM 04.08, 9.1.3	
Field Name	Field Type	Comments
ski	SKI	
rrpd	PD	
mt	MT	
rrcau	RRCAU	
<b>Detailed Comments:</b>		

PDU Type Definition		
<b>PDU Name:</b>	ASSFL_PDU	
<b>PCO Type:</b>	SAP0_3	
<b>Comments:</b>	RR ASSIGNMENT FAILURE ms -> n GSM 04.08, 9.1.4	
Field Name	Field Type	Comments
ski	SKI	
rrpd	PD	
mt	MT	
rrcau	RRCAU	
<b>Detailed Comments:</b>		

PDU Type Definition		
<b>PDU Name:</b>	CHMMO_PDU	
<b>PCO Type:</b>	SAP0_3	
<b>Comments:</b>	RR CHANNEL MODE MODIFY n -> ms GSM 04.08, 9.1.5	
Field Name	Field Type	Comments
ski	SKI	
rrpd	PD	
mt	MT	
chd	CHD	
chmod	CHMOD	
<b>Detailed Comments:</b>		

PDU Type Definition		
<b>PDU Name:</b>	CHMMO_ACK_PDU	
<b>PCO Type:</b>	SAP0_3	
<b>Comments:</b>	RR CHANNEL MODE MODIFY ACKNOWLEDGE ms -> n GSM 04.08, 9.1.6	
Field Name	Field Type	Comments
ski	SKI	
rrpd	PD	
mt	MT	
chd	CHD	
chmod	CHMOD	
<b>Detailed Comments:</b>		

PDU Type Definition		
<b>PDU Name:</b>	CH_REL_PDU	
<b>PCO Type:</b>	SAP0_3	
<b>Comments:</b>	RR CHANNEL RELEASE n -> ms GSM 04.08, 9.1.7	
Field Name	Field Type	Comments
ski	SKI	
rrpd	PD	
mt	MT	
rrcau	RRCAU	
<b>Detailed Comments:</b>		

PDU Type Definition		
<b>PDU Name:</b>	CH_REL_PDU_ERR	
<b>PCO Type:</b>	SAP0_3	
<b>Comments:</b>	RR CHANNEL RELEASE containing additional unknown IE n -> ms GSM 04.08, 9.1.7	
Field Name	Field Type	Comments
ski	SKI	
rrpd	PD	
mt	MT	
rrcau	RRCAU	
add	OCTETSTRING	
<b>Detailed Comments:</b>		

PDU Type Definition		
<b>PDU Name:</b>	CH_RQ_PDU	
<b>PCO Type:</b>	SAP0_3	
<b>Comments:</b>	RR CHANNEL REQUEST ms -> n GSM 04.08, 9.1.8	
Field Name	Field Type	Comments
ecau_rrf	BITSTRING [8]	
<b>Detailed Comments:</b>		

PDU Type Definition		
<b>PDU Name:</b>	CPHM_CMD_PDU	
<b>PCO Type:</b>	SAP0_3	
<b>Comments:</b>	RR CIPHERING MODE COMMAND n -> ms GSM 04.08, 9.1.9	
Field Name	Field Type	Comments
ski	SKI	
rrpd	PD	
mt	MT	
cph_res	CPH_RES	
cphms	CPHMS	
<b>Detailed Comments:</b>		

PDU Type Definition		
<b>PDU Name:</b>	CPHM_CMD_PDU_ERR	
<b>PCO Type:</b>	SAP0_3	
<b>Comments:</b>	RR CIPHERING MODE COMMAND with additional unknown IE GSM 04.08, 9.1.9	
Field Name	Field Type	Comments
ski	SKI	
rrpd	PD	
mt	MT	
cph_res	CPH_RES	
cphms	CPHMS	
add	OCTETSTRING	
<b>Detailed Comments:</b>		

PDU Type Definition		
<b>PDU Name:</b>	CPHM_COM_PDU	
<b>PCO Type:</b>	SAP0_3	
<b>Comments:</b>	RR CIPHERING MODE COMPLETE ms -> n GSM 04.08, 9.1.10	
Field Name	Field Type	Comments
ski	SKI	
rrpd	PD	
mt	MT	
mei	MI	
<b>Detailed Comments:</b>		

PDU Type Definition		
<b>PDU Name:</b>	CLM_CHN_PDU	
<b>PCO Type:</b>	SAP0_3	
<b>Comments:</b>	RR CLASSMARK CHANGE ms -> n GSM 04.08, 9.1.11	
Field Name	Field Type	Comments
ski	SKI	
rrpd	PD	
mt	MT	
msclm	MSCLM2	
msclm_adi	MSCLM3	
<b>Detailed Comments:</b>		

PDU Type Definition		
<b>PDU Name:</b>	CLM_ENQ_PDU	
<b>PCO Type:</b>	SAP0_3	
<b>Comments:</b>	RR CLASSMARK ENQUIRY n -> ms GSM 04.08, 9.1.12	
Field Name	Field Type	Comments
ski	SKI	
rrpd	PD	
mt	MT	
<b>Detailed Comments:</b>		

PDU Type Definition		
<b>PDU Name:</b>	FRQRE_PDU	
<b>PCO Type:</b>	SAP0_3	
<b>Comments:</b>	RR FREQUENCY REDEFINITIONY n -> ms GSM 04.08, 9.1.13	
Field Name	Field Type	Comments
ski	SKI	
rrpd	PD	
mt	MT	
chd	CHD	
ma	MA	
strt	STRT	
cchd	CCHD	
<b>Detailed Comments:</b>		

PDU Type Definition		
<b>PDU Name:</b>	HOACC_PDU	
<b>PCO Type:</b>	SAP0_3	
<b>Comments:</b>	RR HANDOVER ACCESS ms -> n GSM 04.08, 9.1.14	
Field Name	Field Type	Comments
horf	HORF	
<b>Detailed Comments:</b>		

PDU Type Definition		
<b>PDU Name:</b>	HO_CMD_PDU	
<b>PCO Type:</b>	SAP0_3	
<b>Comments:</b>	RR HANDOVER COMMAND n -> ms GSM 04.08, 9.1.15	
Field Name	Field Type	Comments
ski	SKI	
rrpd	PD	
mt	MT	
cd	CD	
ch1d_at	CHD	
horf	HORF	
pcmd	PCMD	
synchi	SYNCHI	
frqsl_at	FRQL	
frql_at	FRQL	
cchd	CCHD	
ch1mod	CHMOD	
ch2d_at	CHD	
ch2mod	CHMOD	
frqchs_at	FRQCHS	
ma_at	MA	
strt	STRT	
rtdif	TDIF	
ta	TA	
frqsl_bt	FRQL	
frql_bt	FRQL	
ch1d_bt	CHD	
ch2d_bt	CHD	
frqchs_bt	FRQCHS	
ma_bt	MA	
cphms	CPHMS	
<b>Detailed Comments:</b>		

PDU Type Definition		
<b>PDU Name:</b>	HO_COM_PDU	
<b>PCO Type:</b>	SAP0_3	
<b>Comments:</b>	RR HANDOVER COMPLETE ms -> n GSM 04.08, 9.1.16	
Field Name	Field Type	Comments
ski	SKI	
rrpd	PD	
mt	MT	
rrcau	RRCAU	
motdif	MTDIF	
<b>Detailed Comments:</b>		

PDU Type Definition		
<b>PDU Name:</b>	HOFL_PDU	
<b>PCO Type:</b>	SAP0_3	
<b>Comments:</b>	RR HANDOVER FAILURE ms -> n GSM 04.08, 9.1.17	
Field Name	Field Type	Comments
ski	SKI	
rrpd	PD	
mt	MT	
rrcau	RRCAU	
<b>Detailed Comments:</b>		

PDU Type Definition		
<b>PDU Name:</b>	IMMASS_PDU	
<b>PCO Type:</b>	SAP0_3	
<b>Comments:</b>	RR IMMEDIATE ASSIGNMENT n -> ms GSM 04.08, 9.1.18	
Field Name	Field Type	Comments
l2_pl	LENGTH	
ski	SKI	
rrpd	PD	
mt	MT	
shoct	SHOCT	
pm	PM	
chd	CHD	
rqr	RQR	
ta	TA	
ma	MA	
strt	STRT	
iaroct	IARESTOCT	
<b>Detailed Comments:</b> The message has a fixed length of 23 octets.		

PDU Type Definition		
<b>PDU Name:</b>	IMMASSX_PDU	
<b>PCO Type:</b>	SAP0_3	
<b>Comments:</b>	RR IMMEDIATE ASSIGNMENT n -> ms GSM 04.08, 9.1.19	
Field Name	Field Type	Comments
l2_pl	LENGTH	
ski	SKI	
rrpd	PD	
mt	MT	
shoct	SHOCT	
pm	PM	
chd1	CHD	
rqr1	RQR	
ta1	TA	
chd2	CHD	
rqr2	RQR	
ta2	TA	
ma	MA	
strt	STRT	
iaxroct	OCTETSTRING [1..4]	
<b>Detailed Comments:</b>	The message has a fixed length of 23 octets.	

PDU Type Definition		
<b>PDU Name:</b>	IMMASS_REJ_PDU	
<b>PCO Type:</b>	SAP0_3	
<b>Comments:</b>	RR IMMEDIATE REJECT n -> ms GSM 04.08, 9.1.20	
Field Name	Field Type	Comments
l2_pl	LENGTH	
ski	SKI	
rrpd	PD	
mt	MT	
shoct	SHOCT	
pm	PM	
rqr1	RQR	
wi1	WI	
rqr2	RQR	
wi2	WI	
rqr3	RQR	
wi3	WI	
rqr4	RQR	
wi4	WI	
iarroct	OCTETSTRING [3]	
<b>Detailed Comments:</b>	The message has a fixed length of 23 octets.	

PDU Type Definition		
<b>PDU Name:</b>	MSR_RPT_PDU	
<b>PCO Type:</b>	SAP0_3	
<b>Comments:</b>	RR MEASUREMENT REPORT ms -> n GSM 04.08, 9.1.21	
Field Name	Field Type	Comments
ski	SKI	
rrpd	PD	
mt	MT	
msrr	MSRR	
<b>Detailed Comments:</b>		



PDU Type Definition		
<b>PDU Name:</b>	PG1_RQ_PDU	
<b>PCO Type:</b>	SAP0_3	
<b>Comments:</b>	RR PAGING REQUEST_TYPE1 n -> ms GSM 04.08, 9.1.22	
Field Name	Field Type	Comments
l2_pl	LENGTH	
ski	SKI	
rrpd	PD	
mt	MT	
chn_m1_2	CHNEED	
pm	PM	
mi1	MI	
mi2	MI	
p1roct	OCTETSTRING [0..17]	
<b>Detailed Comments:</b>	The message has a fixed length of 23 octets.	

PDU Type Definition		
<b>PDU Name:</b>	PG2_RQ_PDU	
<b>PCO Type:</b>	SAP0_3	
<b>Comments:</b>	RR PAGING REQUEST TYPE2 n -> ms GSM 04.08, 9.1.23	
Field Name	Field Type	Comments
l2_pl	LENGTH	
ski	SKI	
rrpd	PD	
mt	MT	
chn_m1_2	CHNEED	
pm	PM	
mi1	TMSI	
mi2	TMSI	
mi3	MI	
p2roct	OCTETSTRING [1..11]	
<b>Detailed Comments:</b>	The message has a fixed length of 23 octets.	

PDU Type Definition		
<b>PDU Name:</b>	PG3_RQ_PDU	
<b>PCO Type:</b>	SAP0_3	
<b>Comments:</b>	RR PAGING REQUEST TYPE3 n -> ms GSM 04.08, 9.1.24	
Field Name	Field Type	Comments
l2_pl	LENGTH	
ski	SKI	
rrpd	PD	
mt	MT	
chn_m1_2	CHNEED	
pm	PM	
mi1	TMSI	
mi2	TMSI	
mi3	TMSI	
mi4	TMSI	
p3roct	OCTETSTRING [3]	
<b>Detailed Comments:</b>	The message has an L2 pseudo length of 19 octets and a total length of 23 octets.	

PDU Type Definition		
<b>PDU Name:</b>	PG_RES_PDU	
<b>PCO Type:</b>	SAP0_3	
<b>Comments:</b>	RR PAGING RESPONSE ms -> n GSM 04.08, 9.1.25	
Field Name	Field Type	Comments
ski	SKI	
rrpd	PD	
mt	MT	
shoct	SHOCT	
cphksn	CPHKSN	
msclm	MSCLM2	
mi	MI	
<b>Detailed Comments:</b>		

PDU Type Definition		
<b>PDU Name:</b>	PART_REL_PDU	
<b>PCO Type:</b>	SAP0_3	
<b>Comments:</b>	RR PARTIAL RELEASE n -> ms GSM 04.08, 9.1.26	
Field Name	Field Type	Comments
ski	SKI	
rrpd	PD	
mt	MT	
chd	MAC	
<b>Detailed Comments:</b>		

PDU Type Definition		
<b>PDU Name:</b>	PHYINFO_PDU	
<b>PCO Type:</b>	SAP0_3	
<b>Comments:</b>	RR PHYSICAL INFORMATION n -> ms GSM 04.08 clause 9.1.28	
Field Name	Field Type	Comments
ski	SKI	
rrpd	PD	
mt	MT	
ta	TA	
<b>Detailed Comments:</b>		

PDU Type Definition		
<b>PDU Name:</b>	RRST_PDU	
<b>PCO Type:</b>	SAP0_3	
<b>Comments:</b>	RR STATUS n <-> ms GSM 04.08, 9.1.29	
Field Name	Field Type	Comments
ski	SKI	
rrpd	PD	
mt	MT	
rrcau	RRCAU	
<b>Detailed Comments:</b>		

PDU Type Definition		
<b>PDU Name:</b>	SCHINFO_PDU	
<b>PCO Type:</b>	SAP0_3	
<b>Comments:</b>	RR SYNCHRONIZATION CHANNEL INFORMATION n -> ms GSM 04.08, 9.1.30	
Field Name	Field Type	Comments
ncc	NCC	
bcc	BCC	
t1	T1	
t2	T2	
t3_	T3_	
<b>Detailed Comments:</b>	SCHINFO_PDU has a total length of 25 bits (GSM 04.04).	

PDU Type Definition		
<b>PDU Name:</b>	SYSINFO1_PDU	
<b>PCO Type:</b>	SAP0_3	
<b>Comments:</b>	RR SYSTEM INFORMATION TYPE1 n -> ms GSM 04.08, 9.1.31	
Field Name	Field Type	Comments
l2_pl	LENGTH	
ski	SKI	
rrpd	PD	
mt	MT	
cchd	CCHD	
rachcp	RACHCP	
si1roct	OCTETSTRING [1]	
<b>Detailed Comments:</b>	The message has an L2 pseudo length of 21 octets and a total length of 23 octets.	

PDU Type Definition		
<b>PDU Name:</b>	SYSINFO2_PDU	
<b>PCO Type:</b>	SAP0_3	
<b>Comments:</b>	RR SYSTEM INFORMATION TYPE2 n -> ms GSM 04.08, 9.1.32	
Field Name	Field Type	Comments
l2_pl	LENGTH	
ski	SKI	
rrpd	PD	
mt	MT	
bcchfl	NCD	
nccp	NCCP	
rachcp	RACHCP	
<b>Detailed Comments:</b>	The message has an L2 pseudo length of 22 octets and a total length of 23 octets.	

PDU Type Definition		
<b>PDU Name:</b>	SYSINFO2bis_PDU	
<b>PCO Type:</b>	SAP0_3	
<b>Comments:</b>	RR SYSTEM INFORMATION TYPE2bis or 2ter n -> ms GSM 04.08, 9.1.33, 9.1.33a	
Field Name	Field Type	Comments
l2_pl	LENGTH	
ski	SKI	
rrpd	PD	
mt	MT	
xbcchfl	NCD	
rachcp	RACHCP	
si2bisroct	OCTETSTRING [1..4]	
<b>Detailed Comments:</b>	This PDU type is used both for SYSINFO2bis, as well as for 2ter. The 2bis message has an L2 pseudo length of 21 octets and a total length of 23 octets. The 2ter message has an L2 pseudo length of 18 octets and a total length of 23 octets.	

PDU Type Definition		
<b>PDU Name:</b>	SYSINFO2ter_PDU	
<b>PCO Type:</b>	SAP0_3	
<b>Comments:</b>	RR SYSTEM INFORMATION 2ter n -> ms GSM 04.08, 9.1.34	
Field Name	Field Type	Comments
l2_pl	LENGTH	
ski	SKI	
rrpd	PD	
mt	MT	
xbcchfl	NCD2	
si2terroct	OCTETSTRING[4]	
<b>Detailed Comments:</b>	The 2ter message has an L2 pseudo length of 18 octets and a total length of 23 octets.	

PDU Type Definition		
<b>PDU Name:</b>	SYSINFO3_PDU	
<b>PCO Type:</b>	SAP0_3	
<b>Comments:</b>	RR SYSTEM INFORMATION TYPE3 n -> ms GSM 04.08, 9.1.34	
Field Name	Field Type	Comments
l2_pl	LENGTH	
ski	SKI	
rrpd	PD	
mt	MT	
ci	CI	
lai	LAI	
ccd	CCD	
co	CO	
csp	CSP	
rachcp	RACHCP	
si3roct	SI3RO	
<b>Detailed Comments:</b>	The message has an L2 pseudo length of 18 octets and a total length of 23 octets.	

PDU Type Definition		
<b>PDU Name:</b>	SYSINFO4_PDU	
<b>PCO Type:</b>	SAP0_3	
<b>Comments:</b>	RR SYSTEM INFORMATION TYPE4 n -> ms GSM 04.08, 9.1.35	
Field Name	Field Type	Comments
l2_pl	LENGTH	
ski	SKI	
rrpd	PD	
mt	MT	
lai	LAI	
csp	CSP	
rachcp	RACHCP	
cbchd	CHD	
cbchma	MA	
si4roct	SI4RO	
<b>Detailed Comments:</b>	The message has a total length of 23 octets.	

PDU Type Definition		
<b>PDU Name:</b>	SYSINFO5_PDU	
<b>PCO Type:</b>	SAP0_3	
<b>Comments:</b>	RR SYSTEM INFORMATION TYPE5 n -> ms GSM 04.08, 9.1.36	
Field Name	Field Type	Comments
ski	SKI	
rrpd	PD	
mt	MT	
bcchfl	NCD	
<b>Detailed Comments:</b>		

PDU Type Definition		
<b>PDU Name:</b>	SYSINFO5bis_PDU	
<b>PCO Type:</b>	SAP0_3	
<b>Comments:</b>	RR SYSTEM INFORMATION TYPE5bis n -> ms GSM 04.08, 9.1.38	
Field Name	Field Type	Comments
ski	SKI	
rrpd	PD	
mt	MT	
xbcchfl	NCD	
<b>Detailed Comments:</b>		

PDU Type Definition		
<b>PDU Name:</b>	SYSINFO5ter_PDU	
<b>PCO Type:</b>	SAP0_3	
<b>Comments:</b>	RR SYSTEM INFORMATION TYPE5ter n -> ms GSM 04.08, 9.1.39	
Field Name	Field Type	Comments
ski	SKI	
rrpd	PD	
mt	MT	
xbcchfl	NCD2	
<b>Detailed Comments:</b>		

PDU Type Definition		
<b>PDU Name:</b>	SYSINFO6_PDU	
<b>PCO Type:</b>	SAP0_3	
<b>Comments:</b>	RR SYSTEM INFORMATION TYPE6 n -> ms GSM 04.08, 9.1.38	
Field Name	Field Type	Comments
ski	SKI	
rrpd	PD	
mt	MT	
ci	CI	
lai	LAI	
co	CO	
nccp	NCCP	
<b>Detailed Comments:</b>		

PDU Type Definition		
<b>PDU Name:</b>	SYSINFO7_PDU	
<b>PCO Type:</b>	SAP0_3	
<b>Comments:</b>	RR SYSTEM INFORMATION TYPE7 n -> ms GSM 04.08, 9.1.41	
Field Name	Field Type	Comments
l2_pl	LENGTH	
ski	SKI	
rrpd	PD	
mt	MT	
si7roct	SI7RO	
<b>Detailed Comments:</b> The message has a total length of 23 octets.		

PDU Type Definition		
<b>PDU Name:</b>	SYSINFO8_PDU	
<b>PCO Type:</b>	SAP0_3	
<b>Comments:</b>	RR SYSTEM INFORMATION TYPE8 n -> ms GSM 04.08, 9.1.42	
Field Name	Field Type	Comments
l2_pl	LENGTH	
ski	SKI	
rrpd	PD	
mt	MT	
si8roct	SI7RO	
<b>Detailed Comments:</b> The message has a total length of 23 octets.		

PDU Type Definition		
<b>PDU Name:</b>	ABRT_PDU	
<b>PCO Type:</b>	SAP0_3	
<b>Comments:</b>	MM ABORT n -> ms GSM 04.08, 9.2.8	
Field Name	Field Type	Comments
ski	SKI	
mmpd	PD	
mt	MT	
rejcau	REJCAU	
<b>Detailed Comments:</b>		

PDU Type Definition		
<b>PDU Name:</b>	AUTH_REJ_PDU	
<b>PCO Type:</b>	SAP0_3	
<b>Comments:</b>	MM AUTHENTICATION REJECT n -> ms GSM 04.08, 9.2.1	
Field Name	Field Type	Comments
ski	SKI	
mmpd	PD	
mt	MT	
<b>Detailed Comments:</b>		

PDU Type Definition		
<b>PDU Name:</b>	AUTH_RQ_PDU	
<b>PCO Type:</b>	SAP0_3	
<b>Comments:</b>	MM AUTHENTICATION REQUEST n -> ms GSM 04.08, 9.2.2	
Field Name	Field Type	Comments
ski	SKI	
mmpd	PD	
mt	MT	
shoct	SHOCT	
cphksn	CPHKS	
rand	RAND	
<b>Detailed Comments:</b>		

PDU Type Definition		
<b>PDU Name:</b>	AUTH_RES_PDU	
<b>PCO Type:</b>	SAP0_3	
<b>Comments:</b>	MM AUTHENTICATION RESPONSE ms -> n GSM 04.08, 9.2.3	
Field Name	Field Type	Comments
ski	SKI	
mmpd	PD	
mt	MT	
sres	SRES	
<b>Detailed Comments:</b>		

PDU Type Definition		
<b>PDU Name:</b>	CMRE_RQ_PDU	
<b>PCO Type:</b>	SAP0_3	
<b>Comments:</b>	MM CM REESTABLISHMENT REQUEST ms -> n GSM 04.08, 9.2.4	
Field Name	Field Type	Comments
ski	SKI	
mmpd	PD	
mt	MT	
shoct	SHOCT	
cphksn	CPHKS	
msclm	MSCLM2	
mi	MI	
lai	LAI	
<b>Detailed Comments:</b>		

PDU Type Definition		
<b>PDU Name:</b>	CMS_ACP_PDU	
<b>PCO Type:</b>	SAP0_3	
<b>Comments:</b>	MM CM SERVICE ACCEPT n -> ms GSM 04.08, 9.2.5	
Field Name	Field Type	Comments
ski	SKI	
mmpd	PD	
mt	MT	
<b>Detailed Comments:</b>		

PDU Type Definition		
<b>PDU Name:</b>	CMS_REJ_PDU	
<b>PCO Type:</b>	SAP0_3	
<b>Comments:</b>	MM CM SERVICE REJECT n -> ms GSM 04.08, 9.2.6	
Field Name	Field Type	Comments
ski	SKI	
mmpd	PD	
mt	MT	
mmcau	REJCAU	
<b>Detailed Comments:</b>		

PDU Type Definition		
<b>PDU Name:</b>	CMS_RQ_PDU	
<b>PCO Type:</b>	SAP0_3	
<b>Comments:</b>	MM CM SERVICE REQUEST ms -> n GSM 04.08, 9.2.9	
Field Name	Field Type	Comments
ski	SKI	
mmpd	PD	
mt	MT	
cphksn	CPHKSN	
svtype	CMSVTYPE	
msclm	MSCLM2	
mi	MI	
<b>Detailed Comments:</b>		

PDU Type Definition		
<b>PDU Name:</b>	ID_RQ_PDU	
<b>PCO Type:</b>	SAP0_3	
<b>Comments:</b>	MM IDENTITY REQUEST n -> ms GSM 04.08, 9.2.10	
Field Name	Field Type	Comments
ski	SKI	
mmpd	PD	
mt	MT	
shoct	SHOCT	
idtype	IDTYPE	
<b>Detailed Comments:</b>		



PDU Type Definition		
<b>PDU Name:</b>	ID_RES_PDU	
<b>PCO Type:</b>	SAP0_3	
<b>Comments:</b>	MM IDENTITY RESPONSE ms -> n GSM 04.08, 9.2.11	
Field Name	Field Type	Comments
ski	SKI	
mmpd	PD	
mt	MT	
mi	MI	
<b>Detailed Comments:</b>		

PDU Type Definition		
<b>PDU Name:</b>	IMSID_IN_PDU	
<b>PCO Type:</b>	SAP0_3	
<b>Comments:</b>	MM IMSI DETACH INDICATION ms -> n GSM 04.08, 9.2.12	
Field Name	Field Type	Comments
ski	SKI	
mmpd	PD	
mt	MT	
msclm	MSCLM1	
mi	MI	
<b>Detailed Comments:</b>		

PDU Type Definition		
<b>PDU Name:</b>	LUP_ACP_PDU	
<b>PCO Type:</b>	SAP0_3	
<b>Comments:</b>	MM LOCATION UPDATING ACCEPT n -> ms GSM 04.08, 9.2.13	
Field Name	Field Type	Comments
ski	SKI	
mmpd	PD	
mt	MT	
lai	LAI	
mi	MI	
fop	IEI_8	
<b>Detailed Comments:</b>		

PDU Type Definition		
<b>PDU Name:</b>	LUP_ACP_PDU_ERR	
<b>PCO Type:</b>	SAP0_3	
<b>Comments:</b>	MM LOCATION UPDATING ACCEPT n -> ms GSM 04.08, 9.2.13	
Field Name	Field Type	Comments
ski	SKI	
mmpd	PD	
mt	MT	
lai	LAI	
mi	MI	
dupmi	MI	
<b>Detailed Comments:</b>		

PDU Type Definition		
<b>PDU Name:</b>	LUP_REJ_PDU	
<b>PCO Type:</b>	SAP0_3	
<b>Comments:</b>	MM LOCATION UPDATING REJECT n -> ms GSM 04.08, 9.2.14	
Field Name	Field Type	Comments
ski	SKI	
mmpd	PD	
mt	MT	
rejcau	REJCAU	
<b>Detailed Comments:</b>		

PDU Type Definition		
<b>PDU Name:</b>	LUP_RQ_PDU	
<b>PCO Type:</b>	SAP0_3	
<b>Comments:</b>	MM LOCATION UPDATING REQUEST ms -> n GSM 04.08, 9.2.15	
Field Name	Field Type	Comments
ski	SKI	
mmpd	PD	
mt	MT	
cphksn	CPHKS	
lutype	LUT	
lai	LAI	
msclm	MSCLM1	
mi	MI	
<b>Detailed Comments:</b>		

PDU Type Definition		
<b>PDU Name:</b>	MMST_PDU	
<b>PCO Type:</b>	SAP0_3	
<b>Comments:</b>	MM STATUS n <-> ms GSM 04.08, 9.2.16	
Field Name	Field Type	Comments
ski	SKI	
mmpd	PD	
mt	MT	
rejcau	REJCAU	
<b>Detailed Comments:</b>		

PDU Type Definition		
<b>PDU Name:</b>	TMSIRE_CMD_PDU	
<b>PCO Type:</b>	SAP0_3	
<b>Comments:</b>	MM TMSI REALLOCATION COMMAND n -> ms GSM 04.08, 9.2.17	
Field Name	Field Type	Comments
ski	SKI	
mmpd	PD	
mt	MT	
lai	LAI	
mi	MI	
<b>Detailed Comments:</b>		

PDU Type Definition		
<b>PDU Name:</b>	TMSIRE_COM_PDU	
<b>PCO Type:</b>	SAP0_3	
<b>Comments:</b>	MM TMSI REALLOCATION COMPLETE ms -> n GSM 04.08, 9.2.18	
Field Name	Field Type	Comments
ski	SKI	
mmpd	PD	
mt	MT	
<b>Detailed Comments:</b>		

PDU Type Definition		
<b>PDU Name:</b>	ALERT_PDU	
<b>PCO Type:</b>	SAP0_3	
<b>Comments:</b>	CC ALERTING ms <-> n GSM 04.08, 9.3.1	
Field Name	Field Type	Comments
ti	TI	
ccpd	PD	
mt	MT	
fie	FIE	
pi	PI	
uu	UU	
ssvi	SSVI	
<b>Detailed Comments:</b>		

PDU Type Definition		
<b>PDU Name:</b>	CALL_CO_PDU	
<b>PCO Type:</b>	SAP0_3	
<b>Comments:</b>	CC CALL CONFIRMED ms -> n GSM 04.08, 9.3.2	
Field Name	Field Type	Comments
ti	TI	
ccpd	PD	
mt	MT	
bcri	RPI	
bcap1	BCAP	
bcap2	BCAP	
cau	CAU	
cccap	CCCAP	
<b>Detailed Comments:</b>		

PDU Type Definition		
<b>PDU Name:</b>	CALL_PROC_PDU	
<b>PCO Type:</b>	SAP0_3	
<b>Comments:</b>	CC CALL PROCEEDING n -> ms GSM 04.08, 9.3.3	
Field Name	Field Type	Comments
ti	TI	
ccpd	PD	
mt	MT	
bcri	RPI	
bcap1	BCAP	
bcap2	BCAP	
fie	FIE	
pi	PI	
<b>Detailed Comments:</b>		

PDU Type Definition		
<b>PDU Name:</b>	CONN_PDU	
<b>PCO Type:</b>	SAP0_3	
<b>Comments:</b>	CC CONNECT n <-> ms GSM 04.08, 9.3.5	
Field Name	Field Type	Comments
ti	TI	
ccpd	PD	
mt	MT	
fie	FIE	
pi	PI	
cnr	CNN	
cns	CNS	
uu	UU	
ssvi	SSVI	
<b>Detailed Comments:</b>		

PDU Type Definition		
<b>PDU Name:</b>	CONN_PDU_ERR	
<b>PCO Type:</b>	SAP0_3	
<b>Comments:</b>	CC CONNECT n <-> ms Used as invalid message	
Field Name	Field Type	Comments
ti	TI	
ccpd	PD	
mt	MT	
unknown	UNKWN	
<b>Detailed Comments:</b>		

PDU Type Definition		
<b>PDU Name:</b>	CONN_ACK_PDU	
<b>PCO Type:</b>	SAP0_3	
<b>Comments:</b>	CC CONNECT ACKNOWLEDGE ms <-> n GSM 04.08, 9.3.6	
Field Name	Field Type	Comments
ti	TI	
ccpd	PD	
mt	MT	
<b>Detailed Comments:</b>		

PDU Type Definition		
<b>PDU Name:</b>	DISC_PDU	
<b>PCO Type:</b>	SAP0_3	
<b>Comments:</b>	CC DISCONNECT ms <-> n (both directions) GSM 04.08, 9.3.7	
Field Name	Field Type	Comments
ti	TI	
ccpd	PD	
mt	MT	
cau	CAU	
fie	FIE	
pi	PI	
uu	UU	
ssvi	SSVI	
<b>Detailed Comments:</b>		

PDU Type Definition		
<b>PDU Name:</b>	DISC_PDU_ERR	
<b>PCO Type:</b>	SAP0_3	
<b>Comments:</b>		
Field Name	Field Type	Comments
ti	TI	
ccpd	PD	
mt	MT	
cau	CAU	
unknown	UNKWN	
<b>Detailed Comments:</b>		

PDU Type Definition		
<b>PDU Name:</b>	ESETUP_PDU	
<b>PCO Type:</b>	SAP0_3	
<b>Comments:</b>	CC EMERGENCY SETUP ms -> n GSM 04.08, 9.3.8	
Field Name	Field Type	Comments
ti	TI	
ccpd	PD	
mt	MT	
bcap	BCAP	
<b>Detailed Comments:</b>		

PDU Type Definition		
<b>PDU Name:</b>	FAC_PDU	
<b>PCO Type:</b>	SAP0_3	
<b>Comments:</b>	CC FACILITY n <-> ms GSM 04.08, 9.3.9	
Field Name	Field Type	Comments
ti	TI	
cc_sspd	PD	
mt	MT	
fie	FIE	
ssvi	SSVI	
<b>Detailed Comments:</b>		

PDU Type Definition		
<b>PDU Name:</b>	HOLD_PDU	
<b>PCO Type:</b>	SAP0_3	
<b>Comments:</b>	CC HOLD ms -> n GSM 04.08, 9.3.10	
Field Name	Field Type	Comments
ti	TI	
ccpd	PD	
mt	MT	
<b>Detailed Comments:</b>		

PDU Type Definition		
<b>PDU Name:</b>	HOLD_ACK_PDU	
<b>PCO Type:</b>	SAP0_3	
<b>Comments:</b>	CC HOLD ACKNOWLEDGE n -> ms GSM 04.08, 9.3.11	
Field Name	Field Type	Comments
ti	TI	
ccpd	PD	
mt	MT	
<b>Detailed Comments:</b>		

PDU Type Definition		
<b>PDU Name:</b>	MODIFY_PDU	
<b>PCO Type:</b>	SAP0_3	
<b>Comments:</b>	CC MODIFY ms <-> n GSM 04.08, 9.3.13	
Field Name	Field Type	Comments
ti	TI	
ccpd	PD	
mt	MT	
bcap	BCAP	
llcmp	LLCMP	
hlcmp	HLCMP	
rcsd	RCSD	
<b>Detailed Comments:</b>		

PDU Type Definition		
<b>PDU Name:</b>	MODIFY_COM_PDU	
<b>PCO Type:</b>	SAP0_3	
<b>Comments:</b>	CC MODIFY COMPLETE ms <-> n GSM 04.08, 9.3.14	
Field Name	Field Type	Comments
ti	TI	
ccpd	PD	
mt	MT	
bcap	BCAP	
llcmp	LLCMP	
hlcmp	HLCMP	
rcsd	RCSD	
<b>Detailed Comments:</b>		

PDU Type Definition		
<b>PDU Name:</b>	MODIFY_REJ_PDU	
<b>PCO Type:</b>	SAP0_3	
<b>Comments:</b>	CC MODIFY REJECT ms <-> n GSM 04.08, 9.3.15	
Field Name	Field Type	Comments
ti	TI	
ccpd	PD	
mt	MT	
bcap	BCAP	
cau	CAU	
llcmp	LLCMP	
hlcmp	HLCMP	
<b>Detailed Comments:</b>		

PDU Type Definition		
<b>PDU Name:</b>	NOTIFY_PDU	
<b>PCO Type:</b>	SAP0_3	
<b>Comments:</b>	CC NOTIFY ms <-> n GSM 04.08, 9.3.16	
Field Name	Field Type	Comments
ti	TI	
ccpd	PD	
mt	MT	
nti	NTI	
<b>Detailed Comments:</b>		

PDU Type Definition		
<b>PDU Name:</b>	REGISTER_PDU	
<b>PCO Type:</b>	SAP0_3	
<b>Comments:</b>	SS REGISTER ms <-> n GSM 04.80, 2.4	
Field Name	Field Type	Comments
ti	TI	
sspd	PD	
mt	MT	
fie	FIE	
ssvi	SSVI	
<b>Detailed Comments:</b>		

PDU Type Definition		
<b>PDU Name:</b>	PROG_PDU	
<b>PCO Type:</b>	SAP0_3	
<b>Comments:</b>	CC PROGRESS n -> ms GSM 04.08, 9.3.17	
Field Name	Field Type	Comments
ti	TI	
ccpd	PD	
mt	MT	
pi	PI	
uu	UU	
<b>Detailed Comments:</b>		

PDU Type Definition		
<b>PDU Name:</b>	REL_PDU	
<b>PCO Type:</b>	SAP0_3	
<b>Comments:</b>	CC RELEASE n <-> ms GSM 04.08, 9.3.18	
Field Name	Field Type	Comments
ti	TI	
ccpd	PD	
mt	MT	
cau	CAU	
cau2	CAU	
fie	FIE	
uu	UU	
ssvi	SSVI	
<b>Detailed Comments:</b>		

PDU Type Definition		
<b>PDU Name:</b>	REL_COM_PDU	
<b>PCO Type:</b>	SAP0_3	
<b>Comments:</b>	CC or SS RELEASE COMPLETE n <-> ms GSM 04.08, 9.3.19; GSM 04.80, 2.5	
Field Name	Field Type	Comments
ti	TI	
cc_sspd	PD	
mt	MT	
cau	CAU	
fie	FIE	
uu	UU	
ssvi	SSVI	
<b>Detailed Comments:</b>		

PDU Type Definition		
<b>PDU Name:</b>	SETUP_MO_PDU	
<b>PCO Type:</b>	SAP0_3	
<b>Comments:</b>	CC SETUP n <- ms GSM 04.08, 9.3.23.2	
Field Name	Field Type	Comments
ti	TI	
ccpd	PD	
mt	MT	
bcri	RPI	
bcap1	BCAP	
bcap2	BCAP	
fie	FIE	
cgps	CGPS	
cdpn	CDPN	
cdps	CDPS	
llcri	RPI	
llcmp1	LLCMP	
llcmp2	LLCMP	
hlcri	RPI	
hlcmp1	HLCMP	
hlcmp2	HLCMP	
uu	UU	
ssvi	SSVI	
clirsup	CLRSUP	
clirinv	CLRINV	
cccacp	CCCAP	
<b>Detailed Comments:</b>		



PDU Type Definition		
<b>PDU Name:</b>	SETUP_MT_PDU	
<b>PCO Type:</b>	SAP0_3	
<b>Comments:</b>	CC SETUP n -> ms GSM 04.08, 9.3.23.1	
Field Name	Field Type	Comments
ti	TI	
ccpd	PD	
mt	MT	
bcri	RPI	
bcap1	BCAP	
bcap2	BCAP	
fie	FIE	
pi	PI	
sig	SIGNAL	
cgpn	CGPN	
cgps	CGPS	
cdpn	CDPN	
cdps	CDPS	
llcri	RPI	
llcmp1	LLCMP	
llcmp2	LLCMP	
hlcri	RPI	
hlcmp1	HLCMP	
hlcmp2	HLCMP	
uu	UU	
<b>Detailed Comments:</b>		

PDU Type Definition		
<b>PDU Name:</b>	SMSCB_PDU	
<b>PCO Type:</b>	SAP0_3	
<b>Comments:</b>	SMSCB message GSM 03.41, 9.3	
Field Name	Field Type	Comments
blocktype	BLOCKTYPE	
serial_number	SERIAL_NUMBER	
message_id	OCTETSTRING[2]	
dcs	TPDCS	
page_param	BITSTRING[8]	
message_contents	OCTETSTRING	
<b>Detailed Comments:</b>		

PDU Type Definition		
<b>PDU Name:</b>	START_DTMF_PDU	
<b>PCO Type:</b>	SAP0_3	
<b>Comments:</b>	CC START DTMF ms -> n GSM 04.08, 9.3.24	
Field Name	Field Type	Comments
ti	TI	
ccpd	PD	
mt	MT	
kpf	KPF	
<b>Detailed Comments:</b>		

PDU Type Definition		
<b>PDU Name:</b>	START_DTMF_ACK_PDU	
<b>PCO Type:</b>	SAP0_3	
<b>Comments:</b>	CC START DTMF ACKNOWLEDGE n -> ms GSM 04.08, 9.3.25	
Field Name	Field Type	Comments
ti	TI	
ccpd	PD	
mt	MT	
kpf	KPF	
<b>Detailed Comments:</b>		

PDU Type Definition		
<b>PDU Name:</b>	START_DTMF_REJ_PDU	
<b>PCO Type:</b>	SAP0_3	
<b>Comments:</b>	CC START DTMF REJECT n -> ms GSM 04.08, 9.3.26	
Field Name	Field Type	Comments
ti	TI	
ccpd	PD	
mt	MT	
cau	CAU	
<b>Detailed Comments:</b>		

PDU Type Definition		
<b>PDU Name:</b>	CCST_PDU	
<b>PCO Type:</b>	SAP0_3	
<b>Comments:</b>	CC STATUS n <-> ms GSM 04.08, 9.3.27	
Field Name	Field Type	Comments
ti	TI	
ccpd	PD	
mt	MT	
cau	CAU	
cst	CST	
acst	ACST	
<b>Detailed Comments:</b>		

PDU Type Definition		
<b>PDU Name:</b>	CCST_ENQ_PDU	
<b>PCO Type:</b>	SAP0_3	
<b>Comments:</b>	CC STATUS ENQUIRY ms <-> n GSM 04.08, 9.3.28	
Field Name	Field Type	Comments
ti	TI	
ccpd	PD	
mt	MT	
<b>Detailed Comments:</b>		

PDU Type Definition		
<b>PDU Name:</b>	STOP_DTMF_PDU	
<b>PCO Type:</b>	SAP0_3	
<b>Comments:</b>	CC STOP DTMF ms -> n GSM 04.08, 9.3.29	
Field Name	Field Type	Comments
ti	TI	
ccpd	PD	
mt	MT	
<b>Detailed Comments:</b>		

PDU Type Definition		
<b>PDU Name:</b>	STOP_DTMF_ACK_PDU	
<b>PCO Type:</b>	SAP0_3	
<b>Comments:</b>	CC STOP DTMF acknowledge n -> ms GSM 04.08, 9.3.30	
Field Name	Field Type	Comments
ti	TI	
ccpd	PD	
mt	MT	
<b>Detailed Comments:</b>		

PDU Type Definition		
<b>PDU Name:</b>	CP_DATA_PDU	
<b>PCO Type:</b>	SAP0_3	
<b>Comments:</b>	SMS CP DATA ms <-> n GSM 04.11, 7.2.1	
Field Name	Field Type	Comments
ti	TI	
smspd	PD	
mt	MT	
CPdata	CPDATA	
<b>Detailed Comments:</b> CPDATA contains RPDU - RP_ACK or RP_ERROR, either returning to the MS in case of MO, or reporting the outcome of a MT messaging attempt in case of MT .		

PDU Type Definition		
<b>PDU Name:</b>	CPDATA_ACK_PDU	
<b>PCO Type:</b>	SAP0_3	
<b>Comments:</b>	CP DATA ACKNOWLEDGE ms <-> n GSM 04.11, 7.2.2	
Field Name	Field Type	Comments
ti	TI	
smspd	PD	
mt	MT	
<b>Detailed Comments:</b>		

PDU Type Definition		
<b>PDU Name:</b>	CPERR_PDU	
<b>PCO Type:</b>	SAP0_3	
<b>Comments:</b>	CP_ERROR n <-> ms GSM 04.11, 7.2.3	
Field Name	Field Type	Comments
ti	TI	
smspd	PD	
mt	MT	
cp_cause	CP_CAU	
<b>Detailed Comments:</b>	CP_UDAT contains RPDU, RP_ACK or RP_ERROR, either returning to the MS in case of MO, or reporting the outcome of a MT messaging attempt in case of MT .	

## Constraints Part

### Test suite type constraint declarations

### Structured type constraint declarations

Structured Type Constraint		
<b>Constraint Name:</b>	Bcap_MO(rchr1:B_2; itc1:B_3; strc1:B_2; nirr:B_1; ra1 :B_2; sacp:B_3; sb, nsb1, ndb1:B_1; ur1:B_4; ir1:B_2; parity:B_3; ce1:B_2; modemt1:B_5)	
<b>Structured Type:</b>	BCAP	
<b>Derivation Path:</b>		
<b>Comments:</b>	BS bearer capability without OCTET 7 for direction ms -> n	
Element Name	Element Value	Comments
iei	'00000100'B	
iel	'07'O	
extb3	'1'B	
rchr	rchr1	
cs	'0'B	
tm	'0'B	
itc	itc1	
oct_3a_etc_1	-	
oct_3a_etc_2	-	
oct_3a_etc_3	-	
oct_3a_etc_4	-	
oct_3a_etc_5	-	
oct_3a_etc_6	-	
extb4	'1'B	
spb	'0'B	
strc	strc1	
dplx	'1'B	
config	'0'B	
nirr	nirr	
est	'0'B	
extb5	'1'B	
accid	'00'B	
ra	ra1	
sacp	sacp	
extb6	'0'B	
l1id	'01'B	
uil1	'0000'B	
sb	sb	
extb6a	'0'B	
nsb	nsb1	
nb	'0'B	
ndb	ndb1	
ur	ur1	
extb6b	'0'B	
ir	ir1	
nictx	'0'B	
nicrx	'0'B	
pi	parity	
extb6c	'1'B	
ce	ce1	
modemt	modemt1	
extb7	-	
l2id	-	
uil2	-	
<b>Detailed Comments:</b>		

<b>Structured Type Constraint</b>		
<b>Constraint Name:</b>	BcapX_MO(rchr1:B_2; itc1:B_3; strc1:B_2; nirr:B_1; ra1 :B_2; sacp:B_3; sb, nsb1, ndb1:B_1; ur1:B_4; ir1:B_2; parity:B_3; ce1:B_2; modemt1:B_5; fctl:B_5)	
<b>Structured Type:</b>	BCAP	
<b>Derivation Path:</b>		
<b>Comments:</b>	BS bearer capability with OCTET 7 for direction ms -> n	
Element Name	Element Value	Comments
iei	'00000100'B	
iel	('07'O, '08'O)	
extb3	'1'B	
rchr	rchr1	
cs	'0'B	
tm	'0'B	
itc	itc1	
oct_3a_etc_1	-	
oct_3a_etc_2	-	
oct_3a_etc_3	-	
oct_3a_etc_4	-	
oct_3a_etc_5	-	
oct_3a_etc_6	-	
extb4	'1'B	
spb	'0'B	
strc	strc1	
dplx	'1'B	
config	'0'B	
nirr	nirr	
est	'0'B	
extb5	'1'B	
accid	'00'B	
ra	ra1	
sacp	sacp	
extb6	'0'B	
l1id	'01'B	
uil1	'0000'B	
sb	sb	
extb6a	'0'B	
nsb	nsb1	
nb	'0'B	
ndb	ndb1	
ur	ur1	
extb6b	'0'B	
ir	ir1	
nictx	'0'B	
nicrx	'0'B	
pi	parity	
extb6c	'1'B	
ce	ce1	
modemt	modemt1	
extb7	'1'B IF_PRESENT	
l2id	'10'B IF_PRESENT	
uil2	fctl IF_PRESENT	
<b>Detailed Comments:</b>		

Structured Type Constraint		
<b>Constraint Name:</b>	Bcap_Speech_Efr_MO(rcr:B_2)	
<b>Structured Type:</b>	BCAP	
<b>Derivation Path:</b>		
<b>Comments:</b>	EFR speech bearer capability for direction ms->n	
Element Name	Element Value	Comments
iei	'00000100'B	
iel	('03'O, '04'O, '05'O, '06'O, '07'O)	
extb3	'0'B	
rchr	rcr	
cs	'0'B	
tm	'0'B	
itc	'000'B	
oct_3a_etc_1	?	
oct_3a_etc_2	?	
oct_3a_etc_3	*	
oct_3a_etc_4	*	
oct_3a_etc_5	*	
oct_3a_etc_6	*	
extb4	-	
spb	-	
strc	-	
dplxm	-	
config	-	
nirr	-	
est	-	
extb5	-	
accid	-	
ra	-	
sacp	-	
extb6	-	
l1id	-	
uil1	-	
sb	-	
extb6a	-	
nsb	-	
nb	-	
ndb	-	
ur	-	
extb6b	-	
ir	-	
nictx	-	
nicrx	-	
pi	-	
extb6c	-	
ce	-	
modemt	-	
extb7	-	
l2id	-	
uil2	-	
<b>Detailed Comments:</b>		

<b>Structured Type Constraint</b>		
<b>Constraint Name:</b>	Bcap_Speech_MO(rcr:B_2)	
<b>Structured Type:</b>	BCAP	
<b>Derivation Path:</b>		
<b>Comments:</b>	speech bearer capability for direction ms->n.	
Element Name	Element Value	Comments
iei	'00000100'B	
iel	'01'O	
extb3	'1'B	
rchr	rcr	
cs	'0'B	
tm	'0'B	
itc	'000'B	
oct_3a_etc_1	-	
oct_3a_etc_2	-	
oct_3a_etc_3	-	
oct_3a_etc_4	-	
oct_3a_etc_5	-	
oct_3a_etc_6	-	
extb4	-	
spb	-	
strc	-	
dplxm	-	
config	-	
nirr	-	
est	-	
extb5	-	
accid	-	
ra	-	
sacp	-	
extb6	-	
l1id	-	
uil1	-	
sb	-	
extb6a	-	
nsb	-	
nb	-	
ndb	-	
ur	-	
extb6b	-	
ir	-	
nictx	-	
nicrx	-	
pi	-	
extb6c	-	
ce	-	
modemt	-	
extb7	-	
l2id	-	
uil2	-	
<b>Detailed Comments:</b>		



Structured Type Constraint		
<b>Constraint Name:</b>	BcchFreqLst_Omit	
<b>Structured Type:</b>	NCD	
<b>Derivation Path:</b>		
<b>Comments:</b>	Omit neighbour cells description	
Element Name	Element Value	Comments
rfl2	-	
extind	-	
baind	-	
rfl4	-	
rfl	-	
<b>Detailed Comments:</b>		

Structured Type Constraint		
<b>Constraint Name:</b>	BcchFreqLst_01	
<b>Structured Type:</b>	NCD	
<b>Derivation Path:</b>		
<b>Comments:</b>	Default neighbour cells description for SYSTEM INFORMATION 2 and 5 under GSM900 with the ARFCN list = {10, 20, 40, 80, 90, 100, 110, 120}.	
Element Name	Element Value	Comments
rfl2	'00'B	
extind	'0'B	
baind	'0'B	
rfl4	'0000'B	
rfl	'802008020080000000008000080200'O	
<b>Detailed Comments:</b>		

Structured Type Constraint		
<b>Constraint Name:</b>	BcchFreqLst_47	
<b>Structured Type:</b>	NCD	
<b>Derivation Path:</b>		
<b>Comments:</b>	Default neighbour cells description for SYSTEM INFORMATION 2bis and 5bis in cell B under EGSM with the ARFCN list = {1005, 1010, 1015}.	
Element Name	Element Value	Comments
rfl2	'10'B	
extind	'1'B	
baind	'0'B	
rfl4	'1101'B	
rfl	'F68AEC0000000000000000000000'O	
<b>Detailed Comments:</b>		

Structured Type Constraint		
<b>Constraint Name:</b>	BcchFreqLst_48	
<b>Structured Type:</b>	NCD	
<b>Derivation Path:</b>		
<b>Comments:</b>	Default neighbour cells description for SYSTEM INFORMATION 2 and 5 for DCS1800 for cell B in RR, MM and SMS test cases with the ARFCN list = {520, 590, 600, 700, 780, 810, 870}.	
Element Name	Element Value	Comments
rfl2	'10'B	
extind	'0'B	
baind	'0'B	
rfl4	'1001'B	
rfl	'04411307BB00C80000000000000000'O	
<b>Detailed Comments:</b>		

Structured Type Constraint		
<b>Constraint Name:</b>	BcchFreqLst_50	
<b>Structured Type:</b>	NCD	
<b>Derivation Path:</b>		
<b>Comments:</b>	Default neighbour cells description for SYSTEM INFORMATION 2 and 5 under GSM900 with the ARFCN list = {3, 9, 18, 25, 41, 43, 49, 50, 54, 58, 62, 66, 70, 80, 92, 124}.	
Element Name	Element Value	Comments
rfl2	'00'B	
extind	'0'B	
baind	'0'B	
rfl4	'1000'B	
rfl	'000000080080222223050001020104'O	
<b>Detailed Comments:</b>		

Structured Type Constraint		
<b>Constraint Name:</b>	BcchFreqLst_51	
<b>Structured Type:</b>	NCD	
<b>Derivation Path:</b>		
<b>Comments:</b>	Default neighbour cells description for SYSTEM INFORMATION 2 and 5 under DCS1800 with the ARFCN list = {512, 543, 568, 589, 602, 641, 662, 683, 696, 711, 732, 754, 794, 851, 870, 871, 872, 884}.	
Element Name	Element Value	Comments
rfl2	'10'B	
extind	'0'B	
baind	'0'B	
rfl4	'1001'B	
rfl	'0031EE85660D545ABFEB88D30DA0FF'O	
<b>Detailed Comments:</b>		

Structured Type Constraint		
<b>Constraint Name:</b>	BcchFreqLst_52	
<b>Structured Type:</b>	NCD	
<b>Derivation Path:</b>		
<b>Comments:</b>	Default neighbour cells description for SYSTEM INFORMATION 2bis under EGSMwith the ARFCN list = {985, 989, 995, 1010, 1014}.	
Element Name	Element Value	Comments
rfl2	'10'B	
extind	'1'B	
baind	'0'B	
rfl4	'1001'B	
rfl	'EC867C413D00000000000000000000'O	
<b>Detailed Comments:</b>		

Structured Type Constraint		
<b>Constraint Name:</b>	BcchFreqLst_53	
<b>Structured Type:</b>	NCD	
<b>Derivation Path:</b>		
<b>Comments:</b>	Default neighbour cells description for SYSTEM INFORMATION 2 and 5 under GSM900 with the ARFCN list = {3, 9, 18, 25}.	
Element Name	Element Value	Comments
rfl2	'00'B	
extind	'0'B	
baind	'0'B	
rfl4	'1000'B	
rfl	'00000000000000000000000001020104'O	
<b>Detailed Comments:</b>		

Structured Type Constraint		
<b>Constraint Name:</b>	BcchFreqLst_54	
<b>Structured Type:</b>	NCD	
<b>Derivation Path:</b>		
<b>Comments:</b>	Default neighbour cells description for SYSTEM INFORMATION 2 and 5 under DCS1800 with the ARFCN list = {512, 543, 568, 589}.	
Element Name	Element Value	Comments
rfl2	'10'B	
extind	'0'B	
baind	'0'B	
rfl4	'1001'B	
rfl	'000E39C54000000000000000000000'O	
<b>Detailed Comments:</b>		

Structured Type Constraint		
<b>Constraint Name:</b>	BcchFreqLst_55	
<b>Structured Type:</b>	NCD	
<b>Derivation Path:</b>		
<b>Comments:</b>	Default neighbour cells description for SYSTEM INFORMATION 2bis under EGSMwith the ARFCN list = {985}.	
Element Name	Element Value	Comments
rfl2	'10'B	
extind	'1'B	
baind	'0'B	
rfl4	'1001'B	
rfl	'EC8000000000000000000000000000'O	
<b>Detailed Comments:</b>		

Structured Type Constraint		
<b>Constraint Name:</b>	BcchFreqLst_56	
<b>Structured Type:</b>	NCD	
<b>Derivation Path:</b>		
<b>Comments:</b>	Default neighbour cells description for SYSTEM INFORMATION 2bis under EGSMwith the ARFCN list = {9, 43, 70, 500, 550, 990, 995}.	
Element Name	Element Value	Comments
rfl2	'10'B	
extind	'1'B	
baind	'0'B	
rfl4	'0000'B	
rfl	'09ED88BEF29086C000000000000000'O	
<b>Detailed Comments:</b>		

Structured Type Constraint		
<b>Constraint Name:</b>	BcchFreqLst_57	
<b>Structured Type:</b>	NCD	
<b>Derivation Path:</b>		
<b>Comments:</b>	Default neighbour cells description for SYSTEM INFORMATION 2 and 5 under GSM900 with the ARFCN list = {3, 18, 25, 41, 43, 49, 50, 54, 58, 62, 66, 70, 80, 92, 124}.	
Element Name	Element Value	Comments
rfl2	'00'B	
extind	'0'B	
baind	'0'B	
rfl4	'1000'B	
rfl	'00000008008022223050001020004'O	
<b>Detailed Comments:</b>		

Structured Type Constraint		
<b>Constraint Name:</b>	BcchFreqLst_58	
<b>Structured Type:</b>	NCD	
<b>Derivation Path:</b>		
<b>Comments:</b>	Default neighbour cells description for SYSTEM INFORMATION 2 and 5 under DCS1800 with the ARFCN list = {512, 568, 589, 602, 641, 662, 683, 696, 711, 732, 754, 794, 851, 870, 871, 872, 884}.	
Element Name	Element Value	Comments
rf12	'10'B	
extind	'0'B	
baind	'0'B	
rf14	'1001'B	
rf1	'00372EA2A20C440B38B3FE7A0F3160' O	
<b>Detailed Comments:</b>		

Structured Type Constraint		
<b>Constraint Name:</b>	BcchFreqLst_59	
<b>Structured Type:</b>	NCD	
<b>Derivation Path:</b>		
<b>Comments:</b>	Default neighbour cells description for SYSTEM INFORMATION 2 and 5 under GSM900 with the ARFCN list = {3, 9, 18, 25, 41}.	
Element Name	Element Value	Comments
rf12	'00'B	
extind	'0'B	
baind	'0'B	
rf14	'1000'B	
rf1	'00000000000000000000010001020104'O	
<b>Detailed Comments:</b>		

Structured Type Constraint		
<b>Constraint Name:</b>	BcchFreqLst_60	
<b>Structured Type:</b>	NCD	
<b>Derivation Path:</b>		
<b>Comments:</b>	Default neighbour cells description for SYSTEM INFORMATION 2 and 5 under GSM900 with the ARFCN list = {3, 18, 25, 41}.	
Element Name	Element Value	Comments
rf12	'00'B	
extind	'0'B	
baind	'0'B	
rf14	'1000'B	
rf1	'00000000000000000000010001020004'O	
<b>Detailed Comments:</b>		

Structured Type Constraint		
<b>Constraint Name:</b>	BcchFreqLst_61	
<b>Structured Type:</b>	NCD	
<b>Derivation Path:</b>		
<b>Comments:</b>	Default neighbour cells description for SYSTEM INFORMATION 2 and 5 under DCS1800 with the ARFCN list = {512, 543, 568, 589, 602}.	
Element Name	Element Value	Comments
rf12	'10'B	
extind	'0'B	
baind	'0'B	
rf14	'1001'B	
rf1	'00137AC3738000000000000000000'O	
<b>Detailed Comments:</b>		

Structured Type Constraint		
<b>Constraint Name:</b>	BcchFreqLst_62	
<b>Structured Type:</b>	NCD	
<b>Derivation Path:</b>		
<b>Comments:</b>	Default neighbour cells description for SYSTEM INFORMATION 2 and 5 under GSM900 with the ARFCN list = {3, 9, 18, 25, 41, 43, 49}.	
Element Name	Element Value	Comments
rfl2	'00'B	
extind	'0'B	
baind	'0'B	
rfl4	'1000'B	
rfl	'000000000000000000001050001020104'O	
<b>Detailed Comments:</b>		

Structured Type Constraint		
<b>Constraint Name:</b>	BcchFreqLst_63	
<b>Structured Type:</b>	NCD	
<b>Derivation Path:</b>		
<b>Comments:</b>	Default neighbour cells description for SYSTEM INFORMATION 2 and 5 under GSM900 with the ARFCN list = {3, 18, 25, 41, 43, 49}.	
Element Name	Element Value	Comments
rfl2	'00'B	
extind	'0'B	
baind	'0'B	
rfl4	'1000'B	
rfl	'000000000000000000001050001020004'O	
<b>Detailed Comments:</b>		

Structured Type Constraint		
<b>Constraint Name:</b>	BcchFreqLst_64	
<b>Structured Type:</b>	NCD	
<b>Derivation Path:</b>		
<b>Comments:</b>	Default neighbour cells description for SYSTEM INFORMATION 2 and 5 under DCS1800 with the ARFCN list = {512, 543, 568, 589, 602, 641, 662}.	
Element Name	Element Value	Comments
rfl2	'10'B	
extind	'0'B	
baind	'0'B	
rfl4	'1001'B	
rfl	'0016B78F33EB2A000000000000000'O	
<b>Detailed Comments:</b>		

Structured Type Constraint		
<b>Constraint Name:</b>	BcchFreqLst2_65	
<b>Structured Type:</b>	NCD2	
<b>Derivation Path:</b>		
<b>Comments:</b>	Default neighbour cells description type 2 for SYSTEM INFORMATION 2 and 5 for DCS1800 with the ARFCN list = {45, 76, 891, 905, 985}.	
Element Name	Element Value	Comments
b128	'1'B	
mbrpt	'00'B	
baind	'0'B	
b122_124	'001'B	
rfl1	'1'B	
rfl	'D9D81CBCB84000000000000000000'O	
<b>Detailed Comments:</b>		

Structured Type Constraint		
<b>Constraint Name:</b>	CallCntrlCap	
<b>Structured Type:</b>	CCCAP	
<b>Derivation Path:</b>		
<b>Comments:</b>	CC state 'st'	
Element Name	Element Value	Comments
iei	'00010101'B	
iel	'01'O	
spr	'0000000'B	
dtmf	TSPX_DTMF	
<b>Detailed Comments:</b>		

Structured Type Constraint		
<b>Constraint Name:</b>	CellChDes_02	
<b>Structured Type:</b>	CCHD	
<b>Derivation Path:</b>		
<b>Comments:</b>	for cell A in RR testing of GSM 900 with the ARFCN_list={20,30,50,70}.	
Element Name	Element Value	Comments
iei	-	
rfl	'00000000000000200002000020080000' O	
<b>Detailed Comments:</b>		

Structured Type Constraint		
<b>Constraint Name:</b>	CellChDes_03	
<b>Structured Type:</b>	CCHD	
<b>Derivation Path:</b>		
<b>Comments:</b>	for cell A in RR testing of DCS1800 with the ARFCN list = {590, 650, 750, 850}..	
Element Name	Element Value	Comments
iei	-	
rfl	'89272827190000000000000000000000' O	
<b>Detailed Comments:</b>		

Structured Type Constraint		
<b>Constraint Name:</b>	CellChDes_04	
<b>Structured Type:</b>	CCHD	
<b>Derivation Path:</b>		
<b>Comments:</b>	for cell B in RR testing of GSM 900.	
Element Name	Element Value	Comments
iei	-	
rfl	'000000000000000000000000000000200' O	
<b>Detailed Comments:</b>		

Structured Type Constraint		
<b>Constraint Name:</b>	CellChDes_24	
<b>Structured Type:</b>	CCHD	
<b>Derivation Path:</b>		
<b>Comments:</b>	for cell selection testing : 3, 9, 18, 25, 41, 43, 49, 50, 54, 58, 62, 66, 70, 80, 92, 124	
Element Name	Element Value	Comments
iei	-	
rfl	'08000000080080222223050001020104' O	
<b>Detailed Comments:</b>		

Structured Type Constraint		
<b>Constraint Name:</b>	CellChDes_24d	
<b>Structured Type:</b>	CCHD	
<b>Derivation Path:</b>		
<b>Comments:</b>	for cell selection testing : 512, 543, 568, 589, 602, 641, 662, 683, 696, 711, 732, 754, 794, 851, 870, 871, 872, 884	
Element Name	Element Value	Comments
iei	-	
rfl	'890031EE85660D545ABFEB88D30DA0 FF'O	
<b>Detailed Comments:</b>		

Structured Type Constraint		
<b>Constraint Name:</b>	CellOpt_01	
<b>Structured Type:</b>	CO	
<b>Derivation Path:</b>		
<b>Comments:</b>		
Element Name	Element Value	Comments
sprb	'0'B	
pwrc	'0'B	
dtx	'10'B	
rlt	'0001'B	
<b>Detailed Comments:</b>		

Structured Type Constraint		
<b>Constraint Name:</b>	CellSelPara(crh, mtmc:INTEGER; neci:B_1)	
<b>Structured Type:</b>	CSP	
<b>Derivation Path:</b>		
<b>Comments:</b>	Default value.	
Element Name	Element Value	Comments
crh	INT_TO_BIT(crh, 3)	
mtmc	INT_TO_BIT(mtmc, 5)	
acs	'0'B	
neci	neci	
ram	'000000'B	
<b>Detailed Comments:</b>		

Structured Type Constraint		
<b>Constraint Name:</b>	CellSelPara_bis(crh, mtmc:INTEGER; neci:B_1; ram:B_6)	
<b>Structured Type:</b>	CSP	
<b>Derivation Path:</b>		
<b>Comments:</b>	Default value.	
Element Name	Element Value	Comments
crh	INT_TO_BIT(crh, 3)	
mtmc	INT_TO_BIT(mtmc, 5)	
acs	'1'B	
neci	neci	
ram	ram	
<b>Detailed Comments:</b>		

Structured Type Constraint		
<b>Constraint Name:</b>	CellSelPara_ram(crh, mtmc:INTEGER; neci:B_1; ram:B_6)	
<b>Structured Type:</b>	CSP	
<b>Derivation Path:</b>		
<b>Comments:</b>	Default value.	
Element Name	Element Value	Comments
crh	INT_TO_BIT(crh, 3)	
mtmc	INT_TO_BIT(mtmc, 5)	
acs	'0'B	
neci	neci	
ram	ram	
<b>Detailed Comments:</b>		

Structured Type Constraint		
<b>Constraint Name:</b>	ChDescrp_nfh(type:CH_TDMA; slot:SN; tsc:TSC; par_arfcn: INTEGER)	
<b>Structured Type:</b>	CHD	
<b>Derivation Path:</b>		
<b>Comments:</b>	Channel description for CC testing, non hopping, no starting time.	
Element Name	Element Value	Comments
iei	-	
cht_schn	type	
tn	slot	
tsc	tsc	
hch	'0'B	
maio	-	
hsn	-	
spr	'00'B	
arfcn	INT_TO_BIT(par_arfcn, 10)	
<b>Detailed Comments:</b>		

Structured Type Constraint		
<b>Constraint Name:</b>	ChMod_r01	
<b>Structured Type:</b>	CHMOD	
<b>Derivation Path:</b>		
<b>Comments:</b>	for TC_26_6_13_1	
Element Name	Element Value	Comments
iei	'01100011'B	
mode	TSPX_ChMod1	
<b>Detailed Comments:</b>		

Structured Type Constraint		
<b>Constraint Name:</b>	ChMod_sign	
<b>Structured Type:</b>	CHMOD	
<b>Derivation Path:</b>		
<b>Comments:</b>	signalling only	
Element Name	Element Value	Comments
iei	-	
mode	C_ChMod_s	
<b>Detailed Comments:</b>		



Structured Type Constraint		
<b>Constraint Name:</b>	Chneed_01	
<b>Structured Type:</b>	CHNEED	
<b>Derivation Path:</b>		
<b>Comments:</b>	any channel	
Element Name	Element Value	Comments
ch2	'00'B	
ch1	'00'B	
<b>Detailed Comments:</b>		

Structured Type Constraint		
<b>Constraint Name:</b>	ClassMark1	
<b>Structured Type:</b>	MSCLM1	
<b>Derivation Path:</b>		
<b>Comments:</b>		
Element Name	Element Value	Comments
spr1	'0'B	
rl	TSPX_RevLevel	
spr2	'0'B	
a5_1	TSPX_CiphAlgA5_1	
rfpc	TSPX_RfPwrCap	
<b>Detailed Comments:</b>		

Structured Type Constraint		
<b>Constraint Name:</b>	CntrlChDscrp(att: INTEGER; babr, cch_con, bpm:B_3; timer:OCTETSTRING)	
<b>Structured Type:</b>	CCD	
<b>Derivation Path:</b>		
<b>Comments:</b>	Generic Control channel descriptor.	
Element Name	Element Value	Comments
spr1	'0'B	
att	INT_TO_BIT(att,1)	
babr	babr	
cch_con	cch_con	
spr2	'00000'B	
bpm	bpm	
t3212	timer	
<b>Detailed Comments:</b>		

Structured Type Constraint		
<b>Constraint Name:</b>	CphKeySN_07(par: BITSTRING)	
<b>Structured Type:</b>	CPHKS	
<b>Derivation Path:</b>		
<b>Comments:</b>		
Element Name	Element Value	Comments
sprb	'0'B	
ks	par	
<b>Detailed Comments:</b>		

Structured Type Constraint		
<b>Constraint Name:</b>	Fn_01	
<b>Structured Type:</b>	FN	
<b>Derivation Path:</b>		
<b>Comments:</b>	not pertaining to the MS under test	
Element Name	Element Value	Comments
t1_	'00000'B	
t3	'000000'B	
t2	'00000'B	
<b>Detailed Comments:</b>		

Structured Type Constraint		
<b>Constraint Name:</b>	FreqBCCH(arfcn:INTEGER)	
<b>Structured Type:</b>	FRQPARA	
<b>Derivation Path:</b>		
<b>Comments:</b>	Broadcast channel.	
Element Name	Element Value	Comments
hch	'0'B	
maio	-	
hsn	-	
spr	'00'B	
arfcn	INT_TO_BIT( arfcn, 10)	
maclength	'00'O	
mac_8n	-	
mac_7n	-	
mac_6n	-	
mac_5n	-	
mac_4n	-	
mac_3n	-	
mac_2n	-	
mac_1n	-	
flst	-	
<b>Detailed Comments:</b>		

Structured Type Constraint		
<b>Constraint Name:</b>	FreqTCHa1	
<b>Structured Type:</b>	FRQPARA	
<b>Derivation Path:</b>		
<b>Comments:</b>	Traffic channel for cell A, ARFCN = 124 hopping, for GSM900.	
Element Name	Element Value	Comments
hch	'1'B	
maio	'000000'B	
hsn	'111111'B	
spr	-	
arfcn	-	
maclength	'01'O	
mac_8n	'00000001'B	
mac_7n	-	
mac_6n	-	
mac_5n	-	
mac_4n	-	
mac_3n	-	
mac_2n	-	
mac_1n	-	
flst	Frql_04	
<b>Detailed Comments:</b>		

Structured Type Constraint		
<b>Constraint Name:</b>	Frql_04	
<b>Structured Type:</b>	FRQL	
<b>Derivation Path:</b>		
<b>Comments:</b>	frequency list for GSM900 hopping channel with only one frequency, ARFCN = 124	
Element Name	Element Value	Comments
iei	'00000101'B	
iel	'10'O	
fl	'08000000000000000000000000000000' O	
<b>Detailed Comments:</b>		

Structured Type Constraint		
<b>Constraint Name:</b>	Hlcmp_AnyOrOmit	
<b>Structured Type:</b>	HLCMP	
<b>Derivation Path:</b>		
<b>Comments:</b>	High Layer Compatibility IE with parameter "any" or "omit".	
Element Name	Element Value	Comments
iei	'01111101'B IF_PRESENT	
iel	*	
extb3	*	
cs	*	
in	*	
pmpp	*	
extb4	*	
hlci	*	
extb4a	*	
ehlci	*	
<b>Detailed Comments:</b> used in test cases where the HLC is not checked		

Structured Type Constraint		
<b>Constraint Name:</b>	Hlcmp_NotApplicable	
<b>Structured Type:</b>	HLCMP	
<b>Derivation Path:</b>		
<b>Comments:</b>	High Layer Compatibility IE which is not applicable for a specific service (empty IE).	
Element Name	Element Value	Comments
iei	'01111101'B	
iel	'00'O	
extb3	-	
cs	-	
in	-	
pmpp	-	
extb4	-	
hlci	-	
extb4a	-	
ehlci	-	
<b>Detailed Comments:</b>		



Structured Type Constraint		
<b>Constraint Name:</b>	IaRestOct_01	
<b>Structured Type:</b>	IARESTOCT	
<b>Derivation Path:</b>		
<b>Comments:</b>		
Element Name	Element Value	Comments
iei	-	
iaroct1	'2B2B2B2B2B2B2B2B2B2B'O	
iaroct2	-	
<b>Detailed Comments:</b>		

<b>Structured Type Constraint</b>		
<b>Constraint Name:</b>	Llcmp_AnyOrOmit	
<b>Structured Type:</b>	LLCMP	
<b>Derivation Path:</b>		
<b>Comments:</b>	High Layer Compatibility IE which has any or omit value in all fields.	
Element Name	Element Value	Comments
iei	'01111100'B IF_PRESENT	
iel	*	
extb3	*	
cs	*	
itc	*	
extb3a	*	
negind	*	
spb3a	*	
extb4	*	
tm	*	
itr	*	
extb4_1	*	
rateml	*	
extb5	*	
l1id	*	
uil1	*	
extb5a	*	
sb	*	
neg	*	
ur	*	
extb5b1	*	
ir	*	
nictx	*	
nicrx	*	
fctx	*	
fcrx	*	
spb5b1	*	
extb5b2	*	
hdrb	*	
mfs	*	
mode	*	
llineg	*	
ass	*	
ibob	*	
spb5b2	*	
extb5c	*	
nsb	*	
ndb	*	
pi	*	
extb5d	*	
dplxm	*	
modemt	*	
extb6	*	
l2id	*	
uil2	*	
extb6a1	*	
modl2	*	
spb6a1	*	
q933	*	
extb6a2	*	
usl2pi	*	
extb6b	*	
ws	*	
extb7	*	
l3id	*	
uil3	*	
extb7a1	*	
modl3	*	

spb7a1	*	
extb7a2	*	
usl3pi	*	
extb7b	*	
spb7b	*	
dps	*	
extb7c	*	
pws	*	
<b>Detailed Comments:</b>		

Structured Type Constraint		
<b>Constraint Name:</b>	Llcmp_NotApplicable	
<b>Structured Type:</b>	LLCMP	
<b>Derivation Path:</b>		
<b>Comments:</b>	High Layer Compatibility IE which is not applicable for a specific service (empty IE).	
Element Name	Element Value	Comments
iei	'01111100'B	
iel	'00'O	
extb3	-	
cs	-	
itc	-	
extb3a	-	
negind	-	
spb3a	-	
extb4	-	
tm	-	
itr	-	
extb4_1	-	
rateml	-	
extb5	-	
l1id	-	
uil1	-	
extb5a	-	
sb	-	
neg	-	
ur	-	
extb5b1	-	
ir	-	
nictx	-	
nicrx	-	
fctx	-	
fcrx	-	
spb5b1	-	
extb5b2	-	
hdrb	-	
mfs	-	
mode	-	
llineg	-	
ass	-	
ibob	-	
spb5b2	-	
extb5c	-	
nsb	-	
ndb	-	
pi	-	
extb5d	-	
dplxm	-	
modemt	-	
extb6	-	
l2id	-	
uil2	-	
extb6a1	-	
modl2	-	
spb6a1	-	
q933	-	
extb6a2	-	
usl2pi	-	
extb6b	-	
ws	-	
extb7	-	
l3id	-	
uil3	-	
extb7a1	-	
modl3	-	



spb7a1	-	
extb7a2	-	
usl3pi	-	
extb7b	-	
spb7b	-	
dps	-	
extb7c	-	
pws	-	

**Detailed Comments:**

Structured Type Constraint		
<b>Constraint Name:</b>	Llcmp_BS2xOrBS4x_UDI	
<b>Structured Type:</b>	LLCMP	
<b>Derivation Path:</b>		
<b>Comments:</b>	Lower Layer Compatibility IE for a setup PDU, B.2.2.1 of GSM 07.01.	
Element Name	Element Value	Comments
iei	'01111100'B	
iel	('06'O, '07'O, '08'O, '09'O, '0A'O, '0B'O, '0C'O, '0D'O, '0E'O)	
extb3	'?'B	
cs	'00'B	
itc	'01000'B	
extb3a	'1'B IF_PRESENT	
negind	*	
spb3a	'000000'B IF_PRESENT	
extb4	'1'B	
tm	'00'B	
itr	'10000'B	
extb4_1	-	
rateml	-	
extb5	'0'B	
l1id	'01'B	
uil1	'00001'B	
extb5a	'0'B	
sb	'1'B	
neg	'0'B	
ur	('00010'B, '00011'B, '00101'B, '01000'B, '10111'B, '11110'B)	
extb5b1	'0'B	
ir	('01'B, '10'B)	
nictx	'?'B	
nicrx	'?'B	
fctx	'0'B	
fcrx	'0'B	
spb5b1	'0'B	
extb5b2	-	
hdrb	-	
mfs	-	
mode	-	
llineg	-	
ass	-	
ibob	-	
spb5b2	-	
extb5c	'?'B	
nsb	('01'B, '11'B)	
ndb	('10'B, '11'B)	
pi	('000'B, '010'B, '011'B, '100'B, '101'B)	
extb5d	'1'B IF_PRESENT	
dplxm	*	
modemt	*	
extb6	*	
l2id	*	
uil2	*	
extb6a1	*	
modl2	*	
spb6a1	*	
q933	*	
extb6a2	*	
usl2pi	*	
extb6b	*	
ws	*	
extb7	*	
l3id	*	
uil3	*	

extb7a1	*	
modl3	*	
spb7a1	*	
extb7a2	*	
usl3pi	*	
extb7b	*	
spb7b	*	
dps	*	
extb7c	*	
pws	*	
<b>Detailed Comments:</b>	Corresponding to the Bearer Services 21 ... 26, 41 ... 46 Unrestrict digital information transfer capability.	

Structured Type Constraint		
<b>Constraint Name:</b>	Llcmp_BS2xOrBS61aOrBS81a_3100	
<b>Structured Type:</b>	LLCMP	
<b>Derivation Path:</b>	Llcmp_BS2xOrBS4x_UDI.	
<b>Comments:</b>	Lower Layer Compatibility IE for a setup PDU, B.2.2.2 of GSM 07.01.	
Element Name	Element Value	Comments
iel	('07'O,'08'O,'09'O,'0A'O,'0B'O,'0C'O,'0D'O,'0E'O)	
extb3	'?'B	
cs	'00'B	
itc	'10000'B	
extb4	'1'B	
tm	'00'B	
itr	'10000'B	
extb5	'0'B	
l1id	'01'B	
uil1	'00011'B	
extb5a	'0'B	
sb	?	
neg	?	
ur	?	
extb5b1	'0'B	
ir	?	
nictx	?	
nicrx	?	
fctx	?	
fcrx	?	
spb5b1	'0'B	
extb5c	'0'B	
nsb	?	
ndb	?	
pi	?	
extb5d	'1'B	
dplxm	?	
modemt	('010001'B,'010010'B,'010011'B,'010100'B,'010111'B,'011100'B)	
<b>Detailed Comments:</b>	Corresponding to the Bearer Services 21 ... 26, 61 Asynchronous or 81 Asynchronous 3.1 kHz audio ex-PLMN information transfer capability.	

<b>Structured Type Constraint</b>		
<b>Constraint Name:</b>	Llcmp_BS3x_UDI	
<b>Structured Type:</b>	LLCMP	
<b>Derivation Path:</b>	Llcmp_BS2xOrBS4x_UDI.	
<b>Comments:</b>	Lower Layer Compatibility IE for a setup PDU, B.2.3.1 of GSM 07.01.	
Element Name	Element Value	Comments
iel	('05'O, '06'O, '07'O, '08'O, '09'O, '0A'O, '0B'O, '0C'O, '0D'O, '0E'O)	
extb3	'?B	
cs	'00'B	
itc	'01000'B	
extb4	'1'B	
tm	'00'B	
itr	'10000'B	
extb5	'0'B	
l1id	'01'B	
uil1	('00001'B, '01001'B)	
extb5a	'0'B	
sb	'0'B	
neg	'0'B	
ur	('00010'B, '00011'B, '00101'B, '01000'B)	
extb5b1	'?B	
ir	('01'B, '10'B)	
nictx	'?B	
nicrx	'?B	
fctx	'?B	
fcrx	'?B	
spb5b1	'0'B	
extb5c	'0'B IF_PRESENT	
nsb	*	
ndb	*	
pi	*	
extb5d	'1'B IF_PRESENT	
dplx	*	
modemt	*	
extb6	*	
l2id	'10'B IF_PRESENT	
uil2	('00110'B, '00111'B) IF_PRESENT	
extb7	*	
l3id	'11'B IF_PRESENT	
uil3	('00110'B, '00111'B) IF_PRESENT	
<b>Detailed Comments:</b>	Corresponding to the Bearer Services 31 ... 34 unrestricted digital information transfer capability.	

Structured Type Constraint		
<b>Constraint Name:</b>	Llcmp_BS3xOrBS61sOrBS81s_3100	
<b>Structured Type:</b>	LLCMP	
<b>Derivation Path:</b>	Llcmp_BS2xOrBS4x_UDI.	
<b>Comments:</b>	Lower Layer Compatibility IE for a setup PDU, B.2.3.2 of GSM 07.01.	
Element Name	Element Value	Comments
iel	('03'O,'04'O,'08'O,'09'O,'0A'O,'0B'O,'0C'O,'0D'O,'0E'O)	
extb3	'?'B	
cs	'00'B	
itc	'10000'B	
extb4	'1'B	
tm	'00'B	
itr	'10000'B	
extb5	'?'B	
l1id	'01'B	
uil1	'00011'B	
extb5a	'0'B IF_PRESENT	
sb	*	
neg	*	
ur	*	
extb5b1	*	
ir	*	
nictx	*	
nicrx	*	
fctx	*	
fcrx	*	
spb5b1	*	
extb5c	'0'B IF_PRESENT	
nsb	*	
ndb	*	
pi	*	
extb5d	'1'B IF_PRESENT	
dplxm	*	
modemt	('010010'B,'010011'B,'010111'B,'011100'B) IF_PRESENT	
extb6	*	
l2id	'10'B IF_PRESENT	
uil2	('00110'B,'00111'B) IF_PRESENT	
extb7	*	
l3id	'11'B IF_PRESENT	
uil3	('00110'B,'00111'B) IF_PRESENT	
<b>Detailed Comments:</b>	Corresponding to the Bearer Services 31 ... 34, 61 Synchronous or 81 Synchronous 3.1kHz audio information transfer capability.	

Structured Type Constraint		
<b>Constraint Name:</b>	Llcmp_BS5x	
<b>Structured Type:</b>	LLCMP	
<b>Derivation Path:</b>	Llcmp_BS2xOrBS4x_UDI.	
<b>Comments:</b>	Lower Layer Compatibility IE for a setup PDU, B.2.5.1 of GSM 07.01.	
Element Name	Element Value	Comments
iel	('06'O, '07'O, '08'O, '09'O, '0A'O, '0B'O, '0C'O, '0D'O, '0E'O)	
extb3	'?'B	
cs	'00'B	
itc	'01000'B	
extb4	'1'B	
tm	'00'B	
itr	'10000'B	
extb5	'0'B	
l1id	'01'B	
uil1	'01001'B	
extb5a	'?'B	
sb	'0'B	
neg	'0'B	
ur	('00011'B, '00101'B, '01000'B)	
extb5b1	*	
ir	*	
nictx	*	
nicrx	*	
fctx	*	
fcrx	*	
spb5b1	*	
extb5c	*	
nsb	*	
ndb	*	
pi	*	
extb5d	*	
dplxm	*	
modemt	*	
extb6	?	
l2id	'10'B	
uil2	('00110'B, '00111'B)	
extb7	?	
l3id	'11'B	
uil3	('00110'B, '00111'B)	
<b>Detailed Comments:</b>	Corresponding to the Bearer Services 51 ... 53 unrestricted digital information transfer capability.	

Structured Type Constraint		
<b>Constraint Name:</b>	LocAreald(mcc, mnc, lac:OCTETSTRING)	
<b>Structured Type:</b>	LAI	
<b>Derivation Path:</b>		
<b>Comments:</b>	Cell A default value for L3 test	
Element Name	Element Value	Comments
iei	-	
mcc	mcc	
mnc	mnc	
lac	lac	
<b>Detailed Comments:</b>		

Structured Type Constraint		
<b>Constraint Name:</b>	LocUpType( locup:B_2)	
<b>Structured Type:</b>	LUT	
<b>Derivation Path:</b>		
<b>Comments:</b>	location updating type	
Element Name	Element Value	Comments
foreq	'?'B	
sprb	'0'B	
lut	locup	
<b>Detailed Comments:</b>		

Structured Type Constraint		
<b>Constraint Name:</b>	Milmsi_01	
<b>Structured Type:</b>	MI	
<b>Derivation Path:</b>		
<b>Comments:</b>	the TSPX_IMSI is the IMSI of the MS under test	
Element Name	Element Value	Comments
iei	-	
iel	OC_IntToOct((( LENGTH_OF(TSPX_IMSI))/2 + 1),1)	
idigit_1	OC_FirstDigi( TSPX_IMSI)	
oei	OC_OeBit( TSPX_IMSI)	
toi	'001'B	
idigits_other	OC_OtherDigi( TSPX_IMSI)	
<b>Detailed Comments:</b>		

Structured Type Constraint		
<b>Constraint Name:</b>	Milmsi_01iei	
<b>Structured Type:</b>	MI	
<b>Derivation Path:</b>		
<b>Comments:</b>	the TSPX_IMSI is the IMSI of the MS under test	
Element Name	Element Value	Comments
iei	'00010111'B	
iel	OC_IntToOct((( LENGTH_OF(TSPX_IMSI))/2 + 1),1)	
idigit_1	OC_FirstDigi( TSPX_IMSI)	
oei	OC_OeBit( TSPX_IMSI)	
toi	'001'B	
idigits_other	OC_OtherDigi( TSPX_IMSI)	
<b>Detailed Comments:</b>		

Structured Type Constraint		
<b>Constraint Name:</b>	Milmsi_02	
<b>Structured Type:</b>	MI	
<b>Derivation Path:</b>		
<b>Comments:</b>	This constraint is used in paging filling message. No mobile is paged (Type of identity is set to '000'B, i.e. no identity).	
Element Name	Element Value	Comments
iei	-	
iel	'01'O	
idigit_1	'1111'B	
oei	'0'B	
toi	'000'B	
idigits_other	-	
<b>Detailed Comments:</b>		

Structured Type Constraint		
<b>Constraint Name:</b>	Milmsi_r01	
<b>Structured Type:</b>	MI	
<b>Derivation Path:</b>		
<b>Comments:</b>	An another IMSI differing from Milmsi_01 for RR testing.	
Element Name	Element Value	Comments
iei	-	
iel	'07'O	
idigit_1	'0000'B	
oei	'1'B	
toi	'001'B	
idigits_other	'981032547698'O	
<b>Detailed Comments:</b>	IMSI has 13 digits: '08 90 12 34 56 78 9'	

Structured Type Constraint		
<b>Constraint Name:</b>	Milmsi_r01iei	
<b>Structured Type:</b>	MI	
<b>Derivation Path:</b>		
<b>Comments:</b>	An another IMSI differing from Milmsi_01 for RR testing.	
Element Name	Element Value	Comments
iei	'00010111'B	
iel	'07'O	
idigit_1	'0000'B	
oei	'1'B	
toi	'001'B	
idigits_other	'981032547698'O	
<b>Detailed Comments:</b>	IMSI has 13 digits: '08 90 12 34 56 78 9'	

Structured Type Constraint		
<b>Constraint Name:</b>	MiTmsi_01	
<b>Structured Type:</b>	MI	
<b>Derivation Path:</b>		
<b>Comments:</b>	default TMSI for testing.	
Element Name	Element Value	Comments
iei	-	
iel	'05'O	
idigit_1	'1111'B	
oei	'0'B	
toi	'100'B	
idigits_other	TSPX_TMSI	
<b>Detailed Comments:</b>		

Structured Type Constraint		
<b>Constraint Name:</b>	MiTmsi_01iei	
<b>Structured Type:</b>	MI	
<b>Derivation Path:</b>		
<b>Comments:</b>	default TMSI for testing.	
Element Name	Element Value	Comments
iei	'00010111'B	
iel	'05'O	
idigit_1	'1111'B	
oei	'0'B	
toi	'100'B	
idigits_other	TSPX_TMSI	
<b>Detailed Comments:</b>		



Structured Type Constraint		
<b>Constraint Name:</b>	MiTmsi_02	
<b>Structured Type:</b>	MI	
<b>Derivation Path:</b>		
<b>Comments:</b>	A new TMSI	
Element Name	Element Value	Comments
iei	-	
iel	'05'O	
idigit_1	'1111'B	
oei	'0'B	
toi	'100'B	
idigits_other	TSPX_TMSI1	
<b>Detailed Comments:</b>		

Structured Type Constraint		
<b>Constraint Name:</b>	MiTmsi_02iei	
<b>Structured Type:</b>	MI	
<b>Derivation Path:</b>		
<b>Comments:</b>	A new TMSI	
Element Name	Element Value	Comments
iei	'00010111'B	
iel	'05'O	
idigit_1	'1111'B	
oei	'0'B	
toi	'100'B	
idigits_other	TSPX_TMSI1	
<b>Detailed Comments:</b>		

Structured Type Constraint		
<b>Constraint Name:</b>	MiTmsi_r01	
<b>Structured Type:</b>	MI	
<b>Derivation Path:</b>		
<b>Comments:</b>	A TMSI differs from MiTmsi_01	
Element Name	Element Value	Comments
iei	-	
iel	'05'O	
idigit_1	'1111'B	
oei	'0'B	
toi	'100'B	
idigits_other	OC_IncTmsi(TSPX_TMSI, '01'O)	
<b>Detailed Comments:</b> Note: the TSPX_TMSI + '01'O shall not be identical to TSPX_TMSI1		

Structured Type Constraint		
<b>Constraint Name:</b>	MiTmsi_r02	
<b>Structured Type:</b>	MI	
<b>Derivation Path:</b>		
<b>Comments:</b>	default TMSI for testing with toi setting to no id.	
Element Name	Element Value	Comments
iei	-	
iel	'05'O	
idigit_1	'1111'B	
oei	'0'B	
toi	'000'B	
idigits_other	TSPX_TMSI	
<b>Detailed Comments:</b>		

Structured Type Constraint		
<b>Constraint Name:</b>	MiTmsi_r02iei	
<b>Structured Type:</b>	MI	
<b>Derivation Path:</b>		
<b>Comments:</b>	default TMSI for testing with toi setting to no id.	
Element Name	Element Value	Comments
iei	'00010111'B	
iel	'05'O	
idigit_1	'1111'B	
oei	'0'B	
toi	'000'B	
idigits_other	TSPX_TMSI	
<b>Detailed Comments:</b>		

Structured Type Constraint		
<b>Constraint Name:</b>	MoblAllc_01	
<b>Structured Type:</b>	MA	
<b>Derivation Path:</b>		
<b>Comments:</b>	non hopping	
Element Name	Element Value	Comments
iei	-	
iel	'00'O	
mac_8n	-	
mac_7n	-	
mac_6n	-	
mac_5n	-	
mac_4n	-	
mac_3n	-	
mac_2n	-	
mac_1n	-	
<b>Detailed Comments:</b>		

Structured Type Constraint		
<b>Constraint Name:</b>	MoblAllc_01iei	
<b>Structured Type:</b>	MA	
<b>Derivation Path:</b>		
<b>Comments:</b>	non hopping	
Element Name	Element Value	Comments
iei	'01110010'B	
iel	'00'O	
mac_8n	-	
mac_7n	-	
mac_6n	-	
mac_5n	-	
mac_4n	-	
mac_3n	-	
mac_2n	-	
mac_1n	-	
<b>Detailed Comments:</b>		

Structured Type Constraint		
<b>Constraint Name:</b>	MoblAllc_02	
<b>Structured Type:</b>	MA	
<b>Derivation Path:</b>	MoblAllc_01.	
<b>Comments:</b>	hopping	
Element Name	Element Value	Comments
iei	'01110010'B	
iel	'01'O	
mac_8n	'00000010'B	
<b>Detailed Comments:</b>		

Structured Type Constraint		
<b>Constraint Name:</b>	MoblAllc_04	
<b>Structured Type:</b>	MA	
<b>Derivation Path:</b>		
<b>Comments:</b>	hopping used in TC_26_6_4_2_2.	
Element Name	Element Value	Comments
iei	'01110010'B	
iel	'01'O	
mac_8n	'00001110'B	
mac_7n	-	
mac_6n	-	
mac_5n	-	
mac_4n	-	
mac_3n	-	
mac_2n	-	
mac_1n	-	
<b>Detailed Comments:</b>		

Structured Type Constraint		
<b>Constraint Name:</b>	MoblAllc_20_A0	
<b>Structured Type:</b>	MA	
<b>Derivation Path:</b>		
<b>Comments:</b>	hopping with 0001 1111 1111 1111 1111 indicates all of the frequencies in CA of cell A with ARFCN_list={10,17,20,26,34,42,45,46,52,59,66,73,74,75,76,108,114}	
Element Name	Element Value	Comments
iei	-	
iel	'03'O	
mac_8n	'00000001'B	
mac_7n	'11111111'B	
mac_6n	'11111111'B	
mac_5n	-	
mac_4n	-	
mac_3n	-	
mac_2n	-	
mac_1n	-	
<b>Detailed Comments:</b>		

Structured Type Constraint		
<b>Constraint Name:</b>	MoblAllc_20_A1	
<b>Structured Type:</b>	MA	
<b>Derivation Path:</b>		
<b>Comments:</b>	indicates all of the frequencies in CA of cell A with ARFCN_list={10,17,20,26,34,42,45,46,52,59,66,73,74,75,76,108,114} except for the BCCH frequency 20.	
Element Name	Element Value	Comments
iei	'01110010'B	
iel	'03'O	
mac_8n	'00000001'B	
mac_7n	'11111111'B	
mac_6n	'11111011'B	
mac_5n	-	
mac_4n	-	
mac_3n	-	
mac_2n	-	
mac_1n	-	
<b>Detailed Comments:</b>		

Structured Type Constraint		
<b>Constraint Name:</b>	MoblAllc_20_A3d	
<b>Structured Type:</b>	MA	
<b>Derivation Path:</b>		
<b>Comments:</b>	indicates all of the frequencies in CA of cell A ARFCN_list={734,741,747,754,759,762,766,767,773,775,779,782,791,798,829,832,844} except 747 and 767.	
Element Name	Element Value	Comments
iei	-	
iel	'03'O	
mac_8n	'00000001'B	
mac_7n	'11111111'B	
mac_6n	'01111011'B	
mac_5n	-	
mac_4n	-	
mac_3n	-	
mac_2n	-	
mac_1n	-	
<b>Detailed Comments:</b>		

Structured Type Constraint		
<b>Constraint Name:</b>	MoblAllc_252	
<b>Structured Type:</b>	MA	
<b>Derivation Path:</b>		
<b>Comments:</b>	hopping with 0001 1100 indicates ARFCN_list={40,66,73,74,75,76,108,114} to the ARFCN_list={73,74,75}.	
Element Name	Element Value	Comments
iei	'01110010'B	
iel	'01'O	
mac_8n	'00011100'B	
mac_7n	-	
mac_6n	-	
mac_5n	-	
mac_4n	-	
mac_3n	-	
mac_2n	-	
mac_1n	-	
<b>Detailed Comments:</b>		

Structured Type Constraint		
<b>Constraint Name:</b>	MoblAllc_252d	
<b>Structured Type:</b>	MA	
<b>Derivation Path:</b>		
<b>Comments:</b>	hopping with 0111 0000 0 List_ARFCN={761,764,771,779,782,791,798,829,832} to the ARFCN_list={791,798,829}.	
Element Name	Element Value	Comments
iei	'01110010'B	
iel	'02'O	
mac_8n	'00000000'B	
mac_7n	'11100000'B	
mac_6n	-	
mac_5n	-	
mac_4n	-	
mac_3n	-	
mac_2n	-	
mac_1n	-	
<b>Detailed Comments:</b>		

Structured Type Constraint		
<b>Constraint Name:</b>	MoblAllc_22	
<b>Structured Type:</b>	MA	
<b>Derivation Path:</b>		
<b>Comments:</b>	hopping with all of f's from cell allocation of cell B with except of {764,832,844}	
Element Name	Element Value	Comments
iei	'01110010'B	
iel	'02'O	
mac_8n	'00111111'B	
mac_7n	'01111111'B	
mac_6n	-	
mac_5n	-	
mac_4n	-	
mac_3n	-	
mac_2n	-	
mac_1n	-	
<b>Detailed Comments:</b>		

Structured Type Constraint		
<b>Constraint Name:</b>	MoblAllc_281	
<b>Structured Type:</b>	MA	
<b>Derivation Path:</b>		
<b>Comments:</b>	hopping with indicates to the ARFCN_list={73,74,75} of cell allocation A.	
Element Name	Element Value	Comments
iei	-	
iel	'03'O	
mac_8n	'00000000'B	
mac_7n	'00111000'B	
mac_6n	'00000000'B	
mac_5n	-	
mac_4n	-	
mac_3n	-	
mac_2n	-	
mac_1n	-	
<b>Detailed Comments:</b>		

Structured Type Constraint		
<b>Constraint Name:</b>	MobilAllc_281d	
<b>Structured Type:</b>	MA	
<b>Derivation Path:</b>		
<b>Comments:</b>	hopping with indicates to the ARFCN_list={773,775,779} of cell allocation A.	
Element Name	Element Value	Comments
iei	-	
iel	'03'O	
mac_8n	'00000000'B	
mac_7n	'00000111'B	
mac_6n	'00000000'B	
mac_5n	-	
mac_4n	-	
mac_3n	-	
mac_2n	-	
mac_1n	-	
<b>Detailed Comments:</b>		

Structured Type Constraint		
<b>Constraint Name:</b>	MobilAllc_281e	
<b>Structured Type:</b>	MA	
<b>Derivation Path:</b>		
<b>Comments:</b>	hopping sequence with EGSM frequencies. The frequencies which are used in the mobile hopping sequence are {0, 80, 1005, 1010}.	
Element Name	Element Value	Comments
iei	-	
iel	'01'O	
mac_8n	'10111000'B	
mac_7n	-	
mac_6n	-	
mac_5n	-	
mac_4n	-	
mac_3n	-	
mac_2n	-	
mac_1n	-	
<b>Detailed Comments:</b>		

Structured Type Constraint		
<b>Constraint Name:</b>	MobilAllc_281e2	
<b>Structured Type:</b>	MA	
<b>Derivation Path:</b>		
<b>Comments:</b>	hopping with indicates to the ARFCN_list={20,66,78} of E-GSM cell allocation with ARFCN_List={20,40,66,73,74,75,76,77,78,79,108,114}	
Element Name	Element Value	Comments
iei	-	
iel	'02'O	
mac_8n	'00000001'B	
mac_7n	'00000101'B	
mac_6n	-	
mac_5n	-	
mac_4n	-	
mac_3n	-	
mac_2n	-	
mac_1n	-	
<b>Detailed Comments:</b>		

Structured Type Constraint		
<b>Constraint Name:</b>	MoblAllc_282	
<b>Structured Type:</b>	MA	
<b>Derivation Path:</b>		
<b>Comments:</b>	hopping with indicates to the Complete Cell Allocation of cell A with except for BCCH-f	
Element Name	Element Value	Comments
iei	-	
iel	'03'O	
mac_8n	'00000001'B	
mac_7n	'11111111'B	
mac_6n	'11111011'B	
mac_5n	-	
mac_4n	-	
mac_3n	-	
mac_2n	-	
mac_1n	-	
<b>Detailed Comments:</b>		

Structured Type Constraint		
<b>Constraint Name:</b>	MoblAllc_20_B1	
<b>Structured Type:</b>	MA	
<b>Derivation Path:</b>		
<b>Comments:</b>	hopping with 1111 1111 1111 1111 ARFCN_list={14,18,22,24,30,31,38,40,60,66,73,74,75,76,108,114}.	
Element Name	Element Value	Comments
iei	-	
iel	'02'O	
mac_8n	'11111111'B	
mac_7n	'11111111'B	
mac_6n	-	
mac_5n	-	
mac_4n	-	
mac_3n	-	
mac_2n	-	
mac_1n	-	
<b>Detailed Comments:</b>		

Structured Type Constraint		
<b>Constraint Name:</b>	MoblAllc_20_B1iei	
<b>Structured Type:</b>	MA	
<b>Derivation Path:</b>		
<b>Comments:</b>	hopping with ARFCN_list={14,18,22,24,30,31,38,40,60,66,73,74,75,76,108,114}.	
Element Name	Element Value	Comments
iei	'01110010'B	
iel	'02'O	
mac_8n	'10100111'B	
mac_7n	-	
mac_6n	-	
mac_5n	-	
mac_4n	-	
mac_3n	-	
mac_2n	-	
mac_1n	-	
<b>Detailed Comments:</b>		

Structured Type Constraint		
<b>Constraint Name:</b>	MoblAllc_20_Be1(par_ma: BITSTRING)	
<b>Structured Type:</b>	MA	
<b>Derivation Path:</b>		
<b>Comments:</b>	hopping with par_ma	
Element Name	Element Value	Comments
iei	-	
iel	'01'O	
mac_8n	par_ma	
mac_7n	-	
mac_6n	-	
mac_5n	-	
mac_4n	-	
mac_3n	-	
mac_2n	-	
mac_1n	-	
<b>Detailed Comments:</b>		

Structured Type Constraint		
<b>Constraint Name:</b>	MoblAllc_20_Be2(par_ma1: BITSTRING; par_ma2: BITSTRING)	
<b>Structured Type:</b>	MA	
<b>Derivation Path:</b>		
<b>Comments:</b>	hopping with par_ma1 and par_ma2	
Element Name	Element Value	Comments
iei	-	
iel	'02'O	
mac_8n	par_ma1	
mac_7n	par_ma2	
mac_6n	-	
mac_5n	-	
mac_4n	-	
mac_3n	-	
mac_2n	-	
mac_1n	-	
<b>Detailed Comments:</b>		

Structured Type Constraint		
<b>Constraint Name:</b>	MoblAllc_20_Be2iei(par_ma1: BITSTRING; par_ma2: BITSTRING)	
<b>Structured Type:</b>	MA	
<b>Derivation Path:</b>		
<b>Comments:</b>	hopping with par_ma1 and par_ma2	
Element Name	Element Value	Comments
iei	'01110010'B	
iel	'02'O	
mac_8n	par_ma1	
mac_7n	par_ma2	
mac_6n	-	
mac_5n	-	
mac_4n	-	
mac_3n	-	
mac_2n	-	
mac_1n	-	
<b>Detailed Comments:</b>		



Structured Type Constraint		
<b>Constraint Name:</b>	MoblAllc_20_A2	
<b>Structured Type:</b>	MA	
<b>Derivation Path:</b>		
<b>Comments:</b>	hopping with default Cell Allocation of HO cases and only one frequency in hopping	
Element Name	Element Value	Comments
iei	-	
iel	'03'O	
mac_8n	'00000001'B	
mac_7n	'00000000'B	
mac_6n	'00000000'B	
mac_5n	-	
mac_4n	-	
mac_3n	-	
mac_2n	-	
mac_1n	-	
<b>Detailed Comments:</b>		

Structured Type Constraint		
<b>Constraint Name:</b>	MoblAllc_20_A2iei	
<b>Structured Type:</b>	MA	
<b>Derivation Path:</b>		
<b>Comments:</b>	hopping with 1000 0000 0000 0000 indicates from default Cell Allocation of HO cases with the ARFCN_List={10,17,20,26,34,42,45,46,52,59,66,73,74,75,76,108,114} the ARFCN_list={114}	
Element Name	Element Value	Comments
iei	'01110010'B	
iel	'03'O	
mac_8n	'00000001'B	
mac_7n	'00000000'B	
mac_6n	'00000000'B	
mac_5n	-	
mac_4n	-	
mac_3n	-	
mac_2n	-	
mac_1n	-	
<b>Detailed Comments:</b>		

Structured Type Constraint		
<b>Constraint Name:</b>	MoblAllc_20_A3	
<b>Structured Type:</b>	MA	
<b>Derivation Path:</b>		
<b>Comments:</b>	indicates all of the frequencies in CA of cell A ARFCN_list={10,17,20,26,34,42,45,46,52,59,66,73,74,75,76,108,114} except 20 and 52.	
Element Name	Element Value	Comments
iei	-	
iel	'03'O	
mac_8n	'00000001'B	
mac_7n	'11111110'B	
mac_6n	'11111011'B	
mac_5n	-	
mac_4n	-	
mac_3n	-	
mac_2n	-	
mac_1n	-	
<b>Detailed Comments:</b>		

Structured Type Constraint		
<b>Constraint Name:</b> MoblAllc_omit		
<b>Structured Type:</b> MA		
<b>Derivation Path:</b>		
<b>Comments:</b>		
Element Name	Element Value	Comments
iei	-	
iel	-	
mac_8n	-	
mac_7n	-	
mac_6n	-	
mac_5n	-	
mac_4n	-	
mac_3n	-	
mac_2n	-	
mac_1n	-	
<b>Detailed Comments:</b>		

Structured Type Constraint		
<b>Constraint Name:</b> MoblAllc_r01		
<b>Structured Type:</b> MA		
<b>Derivation Path:</b>		
<b>Comments:</b>		
Element Name	Element Value	Comments
iei	'01110010'B	
iel	'02'O	
mac_8n	'0000011'B	
mac_7n	'11111011'B	
mac_6n	-	
mac_5n	-	
mac_4n	-	
mac_3n	-	
mac_2n	-	
mac_1n	-	
<b>Detailed Comments:</b>		

Structured Type Constraint		
<b>Constraint Name:</b> MoblAllc_r02		
<b>Structured Type:</b> MA		
<b>Derivation Path:</b>		
<b>Comments:</b>		
Element Name	Element Value	Comments
iei	'01110010'B	
iel	'02'O	
mac_8n	'00000111'B	
mac_7n	'11100011'B	
mac_6n	-	
mac_5n	-	
mac_4n	-	
mac_3n	-	
mac_2n	-	
mac_1n	-	
<b>Detailed Comments:</b>		

Structured Type Constraint		
<b>Constraint Name:</b>	MoblAllc_r03	
<b>Structured Type:</b>	MA	
<b>Derivation Path:</b>	MoblAllc_r01.	
<b>Comments:</b>		
Element Name	Element Value	Comments
iel	'01'O	
mac_8n	'00000001'B	
mac_7n	-	
<b>Detailed Comments:</b>		

Structured Type Constraint		
<b>Constraint Name:</b>	MoblAllc_r04	
<b>Structured Type:</b>	MA	
<b>Derivation Path:</b>		
<b>Comments:</b>		
Element Name	Element Value	Comments
iei	'01110010'B	
iel	'02'O	
mac_8n	'00000001'B	
mac_7n	'11000111'B	
mac_6n	-	
mac_5n	-	
mac_4n	-	
mac_3n	-	
mac_2n	-	
mac_1n	-	
<b>Detailed Comments:</b>		

Structured Type Constraint		
<b>Constraint Name:</b>	MoblAllc_r05	
<b>Structured Type:</b>	MA	
<b>Derivation Path:</b>	MoblAllc_r01.	
<b>Comments:</b>	used in TC_26_6_13_1 for immediate assignment command	
Element Name	Element Value	Comments
iei	-	
iel	'03'O	
mac_8n	INT_TO_BIT((OC_OctToInt(TSPX_Ma1) / 65536), 8)	
mac_7n	INT_TO_BIT(((OC_OctToInt(TSPX_Ma1) / 256) MOD 256), 8)	
mac_6n	INT_TO_BIT((OC_OctToInt(TSPX_Ma1) MOD 256), 8)	
mac_5n	-	
mac_4n	-	
mac_3n	-	
mac_2n	-	
mac_1n	-	
<b>Detailed Comments:</b>		

Structured Type Constraint		
<b>Constraint Name:</b>	MobilAllc_r06	
<b>Structured Type:</b>	MA	
<b>Derivation Path:</b>		
<b>Comments:</b>	used in TC_26_6_13_1 after time	
Element Name	Element Value	Comments
iei	'01110010'B	
iel	'03'O	
mac_8n	INT_TO_BIT((OC_OctToInt(TSPX_Ma2) / 65536), 8)	
mac_7n	INT_TO_BIT(((OC_OctToInt(TSPX_Ma2) / 256) MOD 256), 8)	
mac_6n	INT_TO_BIT((OC_OctToInt(TSPX_Ma2) MOD 256), 8)	
mac_5n	-	
mac_4n	-	
mac_3n	-	
mac_2n	-	
mac_1n	-	
<b>Detailed Comments:</b>		

Structured Type Constraint		
<b>Constraint Name:</b>	MobilAllc_r07	
<b>Structured Type:</b>	MA	
<b>Derivation Path:</b>		
<b>Comments:</b>	used in TC_26_6_13_1 and TC_26_6_13_2 before time	
Element Name	Element Value	Comments
iei	'01110010'B	
iel	'03'O	
mac_8n	INT_TO_BIT((OC_OctToInt(TSPX_Ma3) / 65536), 8)	
mac_7n	INT_TO_BIT(((OC_OctToInt(TSPX_Ma3) / 256) MOD 256), 8)	
mac_6n	INT_TO_BIT((OC_OctToInt(TSPX_Ma3) MOD 256), 8)	
mac_5n	-	
mac_4n	-	
mac_3n	-	
mac_2n	-	
mac_1n	-	
<b>Detailed Comments:</b>		

Structured Type Constraint		
<b>Constraint Name:</b>	MobilAllc_r08	
<b>Structured Type:</b>	MA	
<b>Derivation Path:</b>	MobilAllc_r01.MobilAllc_r05.	
<b>Comments:</b>	used in TC_26_6_13_2 for immediate assignment command	
Element Name	Element Value	Comments
mac_8n	INT_TO_BIT((OC_OctToInt(TSPX_Ma4) / 65536), 8)	
mac_7n	INT_TO_BIT(((OC_OctToInt(TSPX_Ma4) / 256) MOD 256), 8)	
mac_6n	INT_TO_BIT((OC_OctToInt(TSPX_Ma4) MOD 256), 8)	
<b>Detailed Comments:</b>		

Structured Type Constraint		
<b>Constraint Name:</b>	MoblAllc_r09	
<b>Structured Type:</b>	MA	
<b>Derivation Path:</b>		
<b>Comments:</b>	used in TC_26_6_13_2 after time	
Element Name	Element Value	Comments
iei	'01110010'B	
iel	'03'O	
mac_8n	INT_TO_BIT((OC_OctToInt(TSPX_Ma5) / 65536), 8)	
mac_7n	INT_TO_BIT(((OC_OctToInt(TSPX_Ma5) / 256) MOD 256), 8)	
mac_6n	INT_TO_BIT((OC_OctToInt(TSPX_Ma5) MOD 256), 8)	
mac_5n	-	
mac_4n	-	
mac_3n	-	
mac_2n	-	
mac_1n	-	
<b>Detailed Comments:</b>		

Structured Type Constraint		
<b>Constraint Name:</b>	MoblAllc_r10	
<b>Structured Type:</b>	MA	
<b>Derivation Path:</b>	MoblAllc_r01.MoblAllc_r05.	
<b>Comments:</b>	used in TC_26_6_13_3 for immediate assignment	
Element Name	Element Value	Comments
mac_8n	INT_TO_BIT((OC_OctToInt(TSPX_Ma6) / 65536), 8)	
mac_7n	INT_TO_BIT(((OC_OctToInt(TSPX_Ma6) / 256) MOD 256), 8)	
mac_6n	INT_TO_BIT((OC_OctToInt(TSPX_Ma6) MOD 256), 8)	
<b>Detailed Comments:</b>		

Structured Type Constraint		
<b>Constraint Name:</b>	MoblAllc_r11	
<b>Structured Type:</b>	MA	
<b>Derivation Path:</b>		
<b>Comments:</b>	used in TC_26_6_13_3 for frequency redefinition	
Element Name	Element Value	Comments
iei	-	
iel	'03'O	
mac_8n	INT_TO_BIT((OC_OctToInt(TSPX_Ma7) / 65536), 8)	
mac_7n	INT_TO_BIT(((OC_OctToInt(TSPX_Ma7) / 256) MOD 256), 8)	
mac_6n	INT_TO_BIT((OC_OctToInt(TSPX_Ma7) MOD 256), 8)	
mac_5n	-	
mac_4n	-	
mac_3n	-	
mac_2n	-	
mac_1n	-	
<b>Detailed Comments:</b>		

Structured Type Constraint		
<b>Constraint Name:</b>	MoblAllc_r12	
<b>Structured Type:</b>	MA	
<b>Derivation Path:</b>	MoblAllc_r11.	
<b>Comments:</b>	used in TC_26_6_13_3 for assignment command after time	
Element Name	Element Value	Comments
iei	'01110010'B	
mac_8n	INT_TO_BIT((OC_OctToInt(TSPX_Ma8) / 65536), 8)	
mac_7n	INT_TO_BIT(((OC_OctToInt(TSPX_Ma8) / 256) MOD 256), 8)	
mac_6n	INT_TO_BIT((OC_OctToInt(TSPX_Ma8) MOD 256), 8)	
<b>Detailed Comments:</b>		

Structured Type Constraint		
<b>Constraint Name:</b>	MoblAllc_r13	
<b>Structured Type:</b>	MA	
<b>Derivation Path:</b>		
<b>Comments:</b>	used in TC_26_6_13_3 for assignment command before time	
Element Name	Element Value	Comments
iei	'01110010'B	
iel	'03'O	
mac_8n	INT_TO_BIT((OC_OctToInt(TSPX_Ma9) / 65536), 8)	
mac_7n	INT_TO_BIT(((OC_OctToInt(TSPX_Ma9) / 256) MOD 256), 8)	
mac_6n	INT_TO_BIT((OC_OctToInt(TSPX_Ma9) MOD 256), 8)	
mac_5n	-	
mac_4n	-	
mac_3n	-	
mac_2n	-	
mac_1n	-	
<b>Detailed Comments:</b>		

Structured Type Constraint		
<b>Constraint Name:</b>	MoblAllc_r14	
<b>Structured Type:</b>	MA	
<b>Derivation Path:</b>	MoblAllc_r01.MoblAllc_r05.	
<b>Comments:</b>	used in TC_26_6_13_4 for immediate assignment	
Element Name	Element Value	Comments
mac_8n	INT_TO_BIT((OC_OctToInt(TSPX_Ma10) / 65536), 8)	
mac_7n	INT_TO_BIT(((OC_OctToInt(TSPX_Ma10) / 256) MOD 256), 8)	
mac_6n	INT_TO_BIT((OC_OctToInt(TSPX_Ma10) MOD 256), 8)	
<b>Detailed Comments:</b>		

Structured Type Constraint		
<b>Constraint Name:</b>	MoblAllc_r15	
<b>Structured Type:</b>	MA	
<b>Derivation Path:</b>	MoblAllc_r01.MoblAllc_r05.	
<b>Comments:</b>	used in TC_26_6_13_4 for frequency redefinition	
Element Name	Element Value	Comments
mac_8n	INT_TO_BIT((OC_OctToInt(TSPX_Ma11) / 65536), 8)	
mac_7n	INT_TO_BIT(((OC_OctToInt(TSPX_Ma11) / 256) MOD 256), 8)	
mac_6n	INT_TO_BIT((OC_OctToInt(TSPX_Ma11) MOD 256), 8)	
<b>Detailed Comments:</b>		

Structured Type Constraint		
<b>Constraint Name:</b>	MoblAllc_r16	
<b>Structured Type:</b>	MA	
<b>Derivation Path:</b>		
<b>Comments:</b>	used in TC_26_6_13_4 for assignment command after time	
Element Name	Element Value	Comments
iei	'01110010'B	
iel	'03'O	
mac_8n	INT_TO_BIT((OC_OctToInt(TSPX_Ma12) / 65536), 8)	
mac_7n	INT_TO_BIT(((OC_OctToInt(TSPX_Ma12) / 256) MOD 256), 8)	
mac_6n	INT_TO_BIT((OC_OctToInt(TSPX_Ma12) MOD 256), 8)	
mac_5n	-	
mac_4n	-	
mac_3n	-	
mac_2n	-	
mac_1n	-	
<b>Detailed Comments:</b>		

Structured Type Constraint		
<b>Constraint Name:</b>	MoblAllc_r17	
<b>Structured Type:</b>	MA	
<b>Derivation Path:</b>		
<b>Comments:</b>	used in TC_26_6_13_4 for assignment command before time	
Element Name	Element Value	Comments
iei	'01110010'B	
iel	'03'O	
mac_8n	INT_TO_BIT((OC_OctToInt(TSPX_Ma13) / 65536), 8)	
mac_7n	INT_TO_BIT(((OC_OctToInt(TSPX_Ma13) / 256) MOD 256), 8)	
mac_6n	INT_TO_BIT((OC_OctToInt(TSPX_Ma13) MOD 256), 8)	
mac_5n	-	
mac_4n	-	
mac_3n	-	
mac_2n	-	
mac_1n	-	
<b>Detailed Comments:</b>		

Structured Type Constraint		
<b>Constraint Name:</b>	MoblAllc_r18	
<b>Structured Type:</b>	MA	
<b>Derivation Path:</b>	MoblAllc_r01.MoblAllc_r05.	
<b>Comments:</b>	used in TC_26_6_13_5 for immediate assignment	
Element Name	Element Value	Comments
mac_8n	INT_TO_BIT((OC_OctToInt(TSPX_Ma14) / 65536), 8)	
mac_7n	INT_TO_BIT(((OC_OctToInt(TSPX_Ma14) / 256) MOD 256), 8)	
mac_6n	INT_TO_BIT((OC_OctToInt(TSPX_Ma14) MOD 256), 8)	
<b>Detailed Comments:</b>		

Structured Type Constraint		
<b>Constraint Name:</b>	MoblAllc_r20	
<b>Structured Type:</b>	MA	
<b>Derivation Path:</b>	MoblAllc_r01.MoblAllc_r05.	
<b>Comments:</b>	used in TC_26_6_13_5 for handover before time	
Element Name	Element Value	Comments
mac_8n	INT_TO_BIT((OC_OctToInt(TSPX_Ma16) / 65536), 8)	
mac_7n	INT_TO_BIT(((OC_OctToInt(TSPX_Ma16) / 256) MOD 256), 8)	
mac_6n	INT_TO_BIT((OC_OctToInt(TSPX_Ma16) MOD 256), 8)	
<b>Detailed Comments:</b>		

Structured Type Constraint		
<b>Constraint Name:</b>	MoblAllc_r21	
<b>Structured Type:</b>	MA	
<b>Derivation Path:</b>	MoblAllc_r01.MoblAllc_r05.	
<b>Comments:</b>	used in TC_26_6_13_6 for immediate assignment	
Element Name	Element Value	Comments
mac_8n	INT_TO_BIT((OC_OctToInt(TSPX_Ma17) / 65536), 8)	
mac_7n	INT_TO_BIT(((OC_OctToInt(TSPX_Ma17) / 256) MOD 256), 8)	
mac_6n	INT_TO_BIT((OC_OctToInt(TSPX_Ma17) MOD 256), 8)	
<b>Detailed Comments:</b>		

Structured Type Constraint		
<b>Constraint Name:</b>	MoblAllc_r22	
<b>Structured Type:</b>	MA	
<b>Derivation Path:</b>	MoblAllc_r01.MoblAllc_r05.	
<b>Comments:</b>	used in TC_26_6_13_6 for handover after time	
Element Name	Element Value	Comments
mac_8n	INT_TO_BIT((OC_OctToInt(TSPX_Ma18) / 65536), 8)	
mac_7n	INT_TO_BIT(((OC_OctToInt(TSPX_Ma18) / 256) MOD 256), 8)	
mac_6n	INT_TO_BIT((OC_OctToInt(TSPX_Ma18) MOD 256), 8)	
<b>Detailed Comments:</b>		



Structured Type Constraint		
<b>Constraint Name:</b>	MoblAllc_r23	
<b>Structured Type:</b>	MA	
<b>Derivation Path:</b>	MoblAllc_r01.MoblAllc_r05.	
<b>Comments:</b>	used in TC_26_6_13_6 for handover before time	
Element Name	Element Value	Comments
mac_8n	INT_TO_BIT((OC_OctToInt(TSPX_Ma19) / 65536), 8)	
mac_7n	INT_TO_BIT(((OC_OctToInt(TSPX_Ma19) / 256) MOD 256), 8)	
mac_6n	INT_TO_BIT((OC_OctToInt(TSPX_Ma19) MOD 256), 8)	
<b>Detailed Comments:</b>		

Structured Type Constraint		
<b>Constraint Name:</b>	MoblAllc_r24	
<b>Structured Type:</b>	MA	
<b>Derivation Path:</b>	MoblAllc_r01.MoblAllc_r05.	
<b>Comments:</b>	used in TC_26_6_13_7 for immediate assignment	
Element Name	Element Value	Comments
mac_8n	INT_TO_BIT((OC_OctToInt(TSPX_Ma20) / 65536), 8)	
mac_7n	INT_TO_BIT(((OC_OctToInt(TSPX_Ma20) / 256) MOD 256), 8)	
mac_6n	INT_TO_BIT((OC_OctToInt(TSPX_Ma20) MOD 256), 8)	
<b>Detailed Comments:</b>		

Structured Type Constraint		
<b>Constraint Name:</b>	MoblAllc_r25	
<b>Structured Type:</b>	MA	
<b>Derivation Path:</b>	MoblAllc_r01.MoblAllc_r05.	
<b>Comments:</b>	used in TC_26_6_13_7 for frequency redefinition	
Element Name	Element Value	Comments
mac_8n	INT_TO_BIT((OC_OctToInt(TSPX_Ma21) / 65536), 8)	
mac_7n	INT_TO_BIT(((OC_OctToInt(TSPX_Ma21) / 256) MOD 256), 8)	
mac_6n	INT_TO_BIT((OC_OctToInt(TSPX_Ma21) MOD 256), 8)	
<b>Detailed Comments:</b>		

Structured Type Constraint		
<b>Constraint Name:</b>	MoblAllc_r26	
<b>Structured Type:</b>	MA	
<b>Derivation Path:</b>	MoblAllc_r01.MoblAllc_r05.	
<b>Comments:</b>	used in TC_26_6_13_7 for HANDOVER COMMAND after time	
Element Name	Element Value	Comments
mac_8n	INT_TO_BIT((OC_OctToInt(TSPX_Ma22) / 65536), 8)	
mac_7n	INT_TO_BIT(((OC_OctToInt(TSPX_Ma22) / 256) MOD 256), 8)	
mac_6n	INT_TO_BIT((OC_OctToInt(TSPX_Ma22) MOD 256), 8)	
<b>Detailed Comments:</b>		

Structured Type Constraint		
<b>Constraint Name:</b>	MoblAllc_r27	
<b>Structured Type:</b>	MA	
<b>Derivation Path:</b>	MoblAllc_r01.MoblAllc_r05.	
<b>Comments:</b>	used in TC_26_6_13_7 for HANDOVER COMMAND before time	
Element Name	Element Value	Comments
mac_8n	INT_TO_BIT((OC_OctToInt(TSPX_Ma23) / 65536), 8)	
mac_7n	INT_TO_BIT(((OC_OctToInt(TSPX_Ma23) / 256) MOD 256), 8)	
mac_6n	INT_TO_BIT((OC_OctToInt(TSPX_Ma23) MOD 256), 8)	
<b>Detailed Comments:</b>		

Structured Type Constraint		
<b>Constraint Name:</b>	MoblAllc_r28	
<b>Structured Type:</b>	MA	
<b>Derivation Path:</b>	MoblAllc_r01.MoblAllc_r05.	
<b>Comments:</b>	used in TC_26_6_13_8 for immediate assignment	
Element Name	Element Value	Comments
mac_8n	INT_TO_BIT((OC_OctToInt(TSPX_Ma24) / 65536), 8)	
mac_7n	INT_TO_BIT(((OC_OctToInt(TSPX_Ma24) / 256) MOD 256), 8)	
mac_6n	INT_TO_BIT((OC_OctToInt(TSPX_Ma24) MOD 256), 8)	
<b>Detailed Comments:</b>		

Structured Type Constraint		
<b>Constraint Name:</b>	MoblAllc_r29	
<b>Structured Type:</b>	MA	
<b>Derivation Path:</b>	MoblAllc_r01.MoblAllc_r05.	
<b>Comments:</b>	used in TC_26_6_13_8 for frequency redefinition	
Element Name	Element Value	Comments
mac_8n	INT_TO_BIT((OC_OctToInt(TSPX_Ma25) / 65536), 8)	
mac_7n	INT_TO_BIT(((OC_OctToInt(TSPX_Ma25) / 256) MOD 256), 8)	
mac_6n	INT_TO_BIT((OC_OctToInt(TSPX_Ma25) MOD 256), 8)	
<b>Detailed Comments:</b>		

Structured Type Constraint		
<b>Constraint Name:</b>	MoblAllc_r30	
<b>Structured Type:</b>	MA	
<b>Derivation Path:</b>	MoblAllc_r01.MoblAllc_r05.	
<b>Comments:</b>	used in TC_26_6_13_8 for HANDOVER COMMAND after time	
Element Name	Element Value	Comments
mac_8n	INT_TO_BIT((OC_OctToInt(TSPX_Ma26) / 65536), 8)	
mac_7n	INT_TO_BIT(((OC_OctToInt(TSPX_Ma26) / 256) MOD 256), 8)	
mac_6n	INT_TO_BIT((OC_OctToInt(TSPX_Ma26) MOD 256), 8)	
<b>Detailed Comments:</b>		

Structured Type Constraint		
<b>Constraint Name:</b>	MoblAllc_r31	
<b>Structured Type:</b>	MA	
<b>Derivation Path:</b>	MoblAllc_r01.MoblAllc_r05.	
<b>Comments:</b>	used in TC_26_6_13_8 for HANDOVER COMMAND before time	
Element Name	Element Value	Comments
mac_8n	INT_TO_BIT((OC_OctToInt(TSPX_Ma27) / 65536), 8)	
mac_7n	INT_TO_BIT(((OC_OctToInt(TSPX_Ma27) / 256) MOD 256), 8)	
mac_6n	INT_TO_BIT((OC_OctToInt(TSPX_Ma27) MOD 256), 8)	
<b>Detailed Comments:</b>		

Structured Type Constraint		
<b>Constraint Name:</b>	MoblAllc_r32	
<b>Structured Type:</b>	MA	
<b>Derivation Path:</b>	MoblAllc_r01.MoblAllc_r05.	
<b>Comments:</b>	used in TC_26_6_13_9 for immediate assignment, after time	
Element Name	Element Value	Comments
mac_8n	INT_TO_BIT((OC_OctToInt(TSPX_Ma28) / 65536), 8)	
mac_7n	INT_TO_BIT(((OC_OctToInt(TSPX_Ma28) / 256) MOD 256), 8)	
mac_6n	INT_TO_BIT((OC_OctToInt(TSPX_Ma28) MOD 256), 8)	
<b>Detailed Comments:</b>		

Structured Type Constraint		
<b>Constraint Name:</b>	MoblAllc_r33	
<b>Structured Type:</b>	MA	
<b>Derivation Path:</b>	MoblAllc_r01.MoblAllc_r05.	
<b>Comments:</b>	used in TC_26_6_13_10 for immediate assignment	
Element Name	Element Value	Comments
mac_8n	INT_TO_BIT((OC_OctToInt(TSPX_Ma30) / 65536), 8)	
mac_7n	INT_TO_BIT(((OC_OctToInt(TSPX_Ma30) / 256) MOD 256), 8)	
mac_6n	INT_TO_BIT((OC_OctToInt(TSPX_Ma30) MOD 256), 8)	
<b>Detailed Comments:</b>		

Structured Type Constraint		
<b>Constraint Name:</b>	MsrResult_01	
<b>Structured Type:</b>	MSRR	
<b>Derivation Path:</b>		
<b>Comments:</b>	A measurement results IE containing no measurement results.	
Element Name	Element Value	Comments
ba_used	'1'B	
dtx_used	'0'B	
rxlev_fsc	?	
spr1	'0'B	
meas_valid	'0'B	
rxlev_ssc	?	
spr2	'0'B	
rxqual_fsc	?	
rxqual_ssc	?	
no_nc	('000'B, '111'B)	
rxlev_nc1	'000000'B	
bcchfrq_nc1	'00000'B	
bsic_nc1	'000000'B	
rxlev_nc2	'000000'B	
bcchfrq_nc2	'00000'B	
bsic_nc2	'000000'B	
rxlev_nc3	'000000'B	
bcchfrq_nc3	'00000'B	
bsic_nc3	'000000'B	
rxlev_nc4	'000000'B	
bcchfrq_nc4	'00000'B	
bsic_nc4	'000000'B	
rxlev_nc5	'000000'B	
bcchfrq_nc5	'00000'B	
bsic_nc5	'000000'B	
rxlev_nc6	'000000'B	
bcchfrq_nc6	'00000'B	
bsic_nc6	'000000'B	
<b>Detailed Comments:</b>		

Structured Type Constraint		
<b>Constraint Name:</b>	MsrResult_02	
<b>Structured Type:</b>	MSRR	
<b>Derivation Path:</b>		
<b>Comments:</b>	A measurement results IE matching any value.	
Element Name	Element Value	Comments
ba_used	?	
dtx_used	'0'B	
rxlev_fsc	?	
spr1	'0'B	
meas_valid	?	
rxlev_ssc	?	
spr2	'0'B	
rxqual_fsc	?	
rxqual_ssc	?	
no_nc	?	
rxlev_nc1	*	
bcchfrq_nc1	*	
bsic_nc1	*	
rxlev_nc2	*	
bcchfrq_nc2	*	
bsic_nc2	*	
rxlev_nc3	*	
bcchfrq_nc3	*	
bsic_nc3	*	
rxlev_nc4	*	
bcchfrq_nc4	*	
bsic_nc4	*	
rxlev_nc5	*	
bcchfrq_nc5	*	
bsic_nc5	*	
rxlev_nc6	*	
bcchfrq_nc6	*	
bsic_nc6	*	
<b>Detailed Comments:</b>		

Structured Type Constraint		
<b>Constraint Name:</b>	MsrResult_03	
<b>Structured Type:</b>	MSRR	
<b>Derivation Path:</b>		
<b>Comments:</b>	A measurement results IE containing 6 measurement results.	
Element Name	Element Value	Comments
ba_used	'1'B	
dtx_used	'0'B	
rxlev_fsc	?	
spr1	'0'B	
meas_valid	'0'B	
rxlev_ssc	?	
spr2	'0'B	
rxqual_fsc	?	
rxqual_ssc	?	
no_nc	'110'B	
rxlev_nc1	?	
bcchfrq_nc1	?	
bsic_nc1	?	
rxlev_nc2	?	
bcchfrq_nc2	?	
bsic_nc2	?	
rxlev_nc3	?	
bcchfrq_nc3	?	
bsic_nc3	?	
rxlev_nc4	?	
bcchfrq_nc4	?	
bsic_nc4	?	
rxlev_nc5	?	
bcchfrq_nc5	?	
bsic_nc5	?	
rxlev_nc6	?	
bcchfrq_nc6	?	
bsic_nc6	?	
<b>Detailed Comments:</b>		

Structured Type Constraint		
<b>Constraint Name:</b>	MsrResult_03e1	
<b>Structured Type:</b>	MSRR	
<b>Derivation Path:</b>		
<b>Comments:</b>	A measurement results IE containing 6 measurement results for EGSM.	
Element Name	Element Value	Comments
ba_used	'1'B	
dtx_used	'0'B	
rxlev_fsc	?	
spr1	'0'B	
meas_valid	'0'B	
rxlev_ssc	?	
spr2	'0'B	
rxqual_fsc	?	
rxqual_ssc	?	
no_nc	'110'B	
rxlev_nc1	?	
bcchfrq_nc1	'00001'B	
bsic_nc1	'001011'B	
rxlev_nc2	?	
bcchfrq_nc2	'00010'B	
bsic_nc2	'001111'B	
rxlev_nc3	?	
bcchfrq_nc3	'00100'B	
bsic_nc3	'001101'B	
rxlev_nc4	?	
bcchfrq_nc4	'00101'B	
bsic_nc4	'001001'B	
rxlev_nc5	?	
bcchfrq_nc5	'00110'B	
bsic_nc5	'001111'B	
rxlev_nc6	?	
bcchfrq_nc6	'00111'B	
bsic_nc6	'001101'B	
<b>Detailed Comments:</b>		

Structured Type Constraint		
<b>Constraint Name:</b>	MsrResult_03e2	
<b>Structured Type:</b>	MSRR	
<b>Derivation Path:</b>		
<b>Comments:</b>	A measurement results IE containing 6 measurement results for EGSM.	
Element Name	Element Value	Comments
ba_used	'1'B	
dtx_used	'0'B	
rxlev_fsc	?	
spr1	'0'B	
meas_valid	'0'B	
rxlev_ssc	?	
spr2	'0'B	
rxqual_fsc	?	
rxqual_ssc	?	
no_nc	'110'B	
rxlev_nc1	?	
bcchfrq_nc1	'00010'B	
bsic_nc1	'001011'B	
rxlev_nc2	?	
bcchfrq_nc2	'00011'B	
bsic_nc2	'001111'B	
rxlev_nc3	?	
bcchfrq_nc3	'00100'B	
bsic_nc3	'001101'B	
rxlev_nc4	?	
bcchfrq_nc4	'00101'B	
bsic_nc4	'001001'B	
rxlev_nc5	?	
bcchfrq_nc5	'00110'B	
bsic_nc5	'001111'B	
rxlev_nc6	?	
bcchfrq_nc6	'00001'B	
bsic_nc6	'001100'B	
<b>Detailed Comments:</b>		



Structured Type Constraint		
<b>Constraint Name:</b>	MsrResult_03e3	
<b>Structured Type:</b>	MSRR	
<b>Derivation Path:</b>		
<b>Comments:</b>	A measurement results IE containing 6 measurement results for EGSM.	
Element Name	Element Value	Comments
ba_used	'1'B	
dtx_used	'0'B	
rxlev_fsc	?	
spr1	'0'B	
meas_valid	'0'B	
rxlev_ssc	?	
spr2	'0'B	
rxqual_fsc	?	
rxqual_ssc	?	
no_nc	'110'B	
rxlev_nc1	?	
bcchfrq_nc1	'00010'B	
bsic_nc1	'001011'B	
rxlev_nc2	?	
bcchfrq_nc2	'00011'B	
bsic_nc2	'001111'B	
rxlev_nc3	?	
bcchfrq_nc3	'00110'B	
bsic_nc3	'001001'B	
rxlev_nc4	?	
bcchfrq_nc4	'01000'B	
bsic_nc4	'001111'B	
rxlev_nc5	?	
bcchfrq_nc5	'01000'B	
bsic_nc5	'001101'B	
rxlev_nc6	?	
bcchfrq_nc6	'00001'B	
bsic_nc6	'001100'B	
<b>Detailed Comments:</b>		

Structured Type Constraint		
<b>Constraint Name:</b>	MsrResult_03e4	
<b>Structured Type:</b>	MSRR	
<b>Derivation Path:</b>		
<b>Comments:</b>	A measurement results IE containing 6 measurement results for EGSM.	
Element Name	Element Value	Comments
ba_used	'1'B	
dtx_used	'0'B	
rxlev_fsc	?	
spr1	'0'B	
meas_valid	'0'B	
rxlev_ssc	?	
spr2	'0'B	
rxqual_fsc	?	
rxqual_ssc	?	
no_nc	'110'B	
rxlev_nc1	?	
bcchfrq_nc1	'00010'B	
bsic_nc1	'001011'B	
rxlev_nc2	?	
bcchfrq_nc2	'00011'B	
bsic_nc2	'001111'B	
rxlev_nc3	?	
bcchfrq_nc3	'00110'B	
bsic_nc3	'001101'B	
rxlev_nc4	?	
bcchfrq_nc4	'00111'B	
bsic_nc4	'001001'B	
rxlev_nc5	?	
bcchfrq_nc5	'01000'B	
bsic_nc5	'001111'B	
rxlev_nc6	?	
bcchfrq_nc6	'00001'B	
bsic_nc6	'001100'B	
<b>Detailed Comments:</b>		

Structured Type Constraint		
<b>Constraint Name:</b>	MsrResult_03e5	
<b>Structured Type:</b>	MSRR	
<b>Derivation Path:</b>		
<b>Comments:</b>	A measurement results IE containing 6 measurement results for EGSM.	
Element Name	Element Value	Comments
ba_used	'1'B	
dtx_used	'0'B	
rxlev_fsc	?	
spr1	'0'B	
meas_valid	'0'B	
rxlev_ssc	?	
spr2	'0'B	
rxqual_fsc	?	
rxqual_ssc	?	
no_nc	'110'B	
rxlev_nc1	?	
bcchfrq_nc1	'00010'B	
bsic_nc1	'001011'B	
rxlev_nc2	?	
bcchfrq_nc2	'00011'B	
bsic_nc2	'001111'B	
rxlev_nc3	?	
bcchfrq_nc3	'00101'B	
bsic_nc3	'001101'B	
rxlev_nc4	?	
bcchfrq_nc4	'00110'B	
bsic_nc4	'001001'B	
rxlev_nc5	?	
bcchfrq_nc5	'00111'B	
bsic_nc5	'001111'B	
rxlev_nc6	?	
bcchfrq_nc6	'00001'B	
bsic_nc6	'001100'B	
<b>Detailed Comments:</b>		

Structured Type Constraint		
<b>Constraint Name:</b>	MsrResult_04	
<b>Structured Type:</b>	MSRR	
<b>Derivation Path:</b>	MsrResult_03.	
<b>Comments:</b>	A measurement results IE containing 4 measurement results.	
Element Name	Element Value	Comments
no_nc	'100'B	
bcchfrq_nc1	('00000'B, '00001'B, '00011'B, '00100'B)	
bsic_nc1	('001011'B, '001111'B, '001001'B)	
bcchfrq_nc2	('00000'B, '00001'B, '00011'B, '00100'B)	
bsic_nc2	('001011'B, '001111'B, '001001'B)	
bcchfrq_nc3	('00000'B, '00001'B, '00011'B, '00100'B)	
bsic_nc3	('001011'B, '001111'B, '001001'B)	
bcchfrq_nc4	('00000'B, '00001'B, '00011'B, '00100'B)	
bsic_nc4	('001011'B, '001111'B, '001001'B)	
rxlev_nc5	'000000'B	
bcchfrq_nc5	'00000'B	
bsic_nc5	'000000'B	
rxlev_nc6	'000000'B	
bcchfrq_nc6	'00000'B	
bsic_nc6	'000000'B	
<b>Detailed Comments:</b>		

Structured Type Constraint		
<b>Constraint Name:</b>	MsrResult_04e	
<b>Structured Type:</b>	MSRR	
<b>Derivation Path:</b>	MsrResult_03.	
<b>Comments:</b>	A measurement results IE containing 3 measurement results for EGSM	
Element Name	Element Value	Comments
no_nc	'100'B	
rxlev_nc1	?	
bcchfrq_nc1	'00001'B	
bsic_nc1	'001011'B	
rxlev_nc2	?	
bcchfrq_nc2	'00011'B	
bsic_nc2	'001101'B	
rxlev_nc3	?	
bcchfrq_nc3	'00110'B	
bsic_nc3	'001001'B	
<b>Detailed Comments:</b>		

Structured Type Constraint		
<b>Constraint Name:</b>	MsrResult_05	
<b>Structured Type:</b>	MSRR	
<b>Derivation Path:</b>	MsrResult_03.	
<b>Comments:</b>	A measurement results IE containing 6 measurement results and DTX was used.	
Element Name	Element Value	Comments
dtx_used	'1'B	
bcchfrq_nc1	('00000'B, '00011'B, '00100'B, '00101'B, '00110'B, '00111'B)	
bsic_nc1	('001011'B, '001101'B, '001111'B, '001001'B)	
bcchfrq_nc2	('00000'B, '00011'B, '00100'B, '00101'B, '00110'B, '00111'B)	
bsic_nc2	('001011'B, '001101'B, '001111'B, '001001'B)	
bcchfrq_nc3	('00000'B, '00011'B, '00100'B, '00101'B, '00110'B, '00111'B)	
bsic_nc3	('001011'B, '001101'B, '001111'B, '001001'B)	
bcchfrq_nc4	('00001'B, '00100'B, '00101'B, '00110'B, '00111'B, '01000'B)	
bsic_nc4	('001011'B, '001101'B, '001111'B, '001001'B)	
bcchfrq_nc5	('00001'B, '00100'B, '00101'B, '00110'B, '00111'B, '01000'B)	
bsic_nc5	('001011'B, '001101'B, '001111'B, '001001'B)	
bcchfrq_nc6	('00001'B, '00100'B, '00101'B, '00110'B, '00111'B, '01000'B)	
bsic_nc6	('001011'B, '001101'B, '001111'B, '001001'B)	
<b>Detailed Comments:</b>		

Structured Type Constraint		
<b>Constraint Name:</b>	MsrResult_06	
<b>Structured Type:</b>	MSRR	
<b>Derivation Path:</b>	MsrResult_03.MsrResult_05.	
<b>Comments:</b>	A measurement results IE containing 6 measurement results and DTX is not checked.	
Element Name	Element Value	Comments
dtx_used	?	
<b>Detailed Comments:</b>		

Structured Type Constraint		
<b>Constraint Name:</b>	MsrResult_07	
<b>Structured Type:</b>	MSRR	
<b>Derivation Path:</b>	MsrResult_03.	
<b>Comments:</b>	A measurement results IE containing 2 measurement results.	
Element Name	Element Value	Comments
ba_used	'1'B	
dtx_used	'0'B	
rxlev_fsc	?	
spr1	'0'B	
meas_valid	'0'B	
rxlev_ssc	?	
spr2	'0'B	
rxqual_fsc	?	
rxqual_ssc	?	
no_nc	'010'B	
rxlev_nc1	?	
bcchfrq_nc1	('00000'B, '00010'B)	
bsic_nc1	('001011'B, '001101'B)	
rxlev_nc2	?	
bcchfrq_nc2	('00000'B, '00010'B)	
bsic_nc2	('001011'B, '001101'B)	
rxlev_nc3	'000000'B	
bcchfrq_nc3	'00000'B	
bsic_nc3	'000000'B	
rxlev_nc4	'000000'B	
bcchfrq_nc4	'00000'B	
bsic_nc4	'000000'B	
rxlev_nc5	'000000'B	
bcchfrq_nc5	'00000'B	
bsic_nc5	'000000'B	
rxlev_nc6	'000000'B	
bcchfrq_nc6	'00000'B	
bsic_nc6	'000000'B	
<b>Detailed Comments:</b>		

Structured Type Constraint		
<b>Constraint Name:</b>	Mtdif_01(ta_a, td_b:INTEGER)	
<b>Structured Type:</b>	MTDIF	
<b>Derivation Path:</b>		
<b>Comments:</b>	ta_a: timing advance in cell A, td_b: time difference leg in cell B.	
Element Name	Element Value	Comments
iei	'01110111'B	
iel	'03'O	
value	(OC_IntToOct(((2*td_b + ta_a) MOD 2097152)-2), 3), OC_IntToOct(((2*td_b + ta_a) MOD 2097152)-1), 3), OC_IntToOct(((2*td_b + ta_a) MOD 2097152), 3), OC_IntToOct(((2*td_b + ta_a) MOD 2097152)+1), 3), OC_IntToOct(((2*td_b + ta_a) MOD 2097152)+2), 3))	
<b>Detailed Comments:</b>		

Structured Type Constraint		
<b>Constraint Name:</b>	NT_BothT_BothNTorT_BothT_BothNT	
<b>Structured Type:</b>	CE	
<b>Derivation Path:</b>		
<b>Comments:</b>		
Element Name	Element Value	Comments
TorBothTorBothNT	('00'B, '10'B, '11'B)	
NTorBothTorBothNT	('01'B, '10'B, '11'B)	
<b>Detailed Comments:</b>		

Structured Type Constraint		
<b>Constraint Name:</b>	Pcmd_19(powerlevel:BITSTRING)	
<b>Structured Type:</b>	PCMD	
<b>Derivation Path:</b>		
<b>Comments:</b>		
Element Name	Element Value	Comments
sprb	'000'B	
pl	powerlevel	
<b>Detailed Comments:</b>		

Structured Type Constraint		
<b>Constraint Name:</b>	Pcmd_20( powerlevel:B_5)	
<b>Structured Type:</b>	PCMD	
<b>Derivation Path:</b>		
<b>Comments:</b>	PowerCmd used in synchronized and non synchronized HO cases.	
Element Name	Element Value	Comments
sprb	'011'B	
pl	powerlevel	
<b>Detailed Comments:</b>		

Structured Type Constraint		
<b>Constraint Name:</b>	Pm( pgm:B_2)	
<b>Structured Type:</b>	PM	
<b>Derivation Path:</b>		
<b>Comments:</b>	normal paging mode	
Element Name	Element Value	Comments
sprb	'00'B	
pgm	pgm	
<b>Detailed Comments:</b>		

Structured Type Constraint		
<b>Constraint Name:</b>	Pm_02	
<b>Structured Type:</b>	PM	
<b>Derivation Path:</b>		
<b>Comments:</b>	normal paging mode with arbitrary spare bits.	
Element Name	Element Value	Comments
sprb	'11'B	
pgm	'00'B	
<b>Detailed Comments:</b>		

Structured Type Constraint		
<b>Constraint Name:</b>	ProgInd_omit	
<b>Structured Type:</b>	PI	
<b>Derivation Path:</b>		
<b>Comments:</b>	Omitted Progress Indicator.	
Element Name	Element Value	Comments
iei	-	
iel	-	
extb3	-	
cs	-	
spb	-	
loc	-	
extb4	-	
prd	-	
<b>Detailed Comments:</b>		

Structured Type Constraint		
<b>Constraint Name:</b>	ProgInd_01	
<b>Structured Type:</b>	PI	
<b>Derivation Path:</b>		
<b>Comments:</b>	Progress Indicator with progress description #8 (inband info now available)	
Element Name	Element Value	Comments
iei	'00011110'B	
iel	'02'O	
extb3	'1'B	
cs	'11'B	
spb	'1'B	
loc	'0000'B	
extb4	'1'B	
prd	'0001000'B	
<b>Detailed Comments:</b>		

Structured Type Constraint		
<b>Constraint Name:</b>	ProgInd_02	
<b>Structured Type:</b>	PI	
<b>Derivation Path:</b>		
<b>Comments:</b>	Progress Indicator containing progress indicator #4.	
Element Name	Element Value	Comments
iei	-	
iel	'02'O	
extb3	'1'B	
cs	'11'B	
spb	'0'B	
loc	'0001'B	
extb4	'1'B	
prd	'0000100'B	
<b>Detailed Comments:</b>		

Structured Type Constraint		
<b>Constraint Name:</b>	ProgInd_03	
<b>Structured Type:</b>	PI	
<b>Derivation Path:</b>		
<b>Comments:</b>	Progress Indicator containing progress indicator #8.	
Element Name	Element Value	Comments
iei	-	
iel	'02'O	
extb3	'1'B	
cs	'11'B	
spb	'0'B	
loc	'0001'B	
extb4	'1'B	
prd	'0001000'B	
<b>Detailed Comments:</b>		

Structured Type Constraint		
<b>Constraint Name:</b>	ProgInd_03iei	
<b>Structured Type:</b>	PI	
<b>Derivation Path:</b>		
<b>Comments:</b>	Progress Indicator containing progress indicator #8.	
Element Name	Element Value	Comments
iei	'00011110'B	
iel	'02'O	
extb3	'1'B	
cs	'11'B	
spb	'0'B	
loc	'0001'B	
extb4	'1'B	
prd	'0001000'B	
<b>Detailed Comments:</b>		

Structured Type Constraint		
<b>Constraint Name:</b>	RachCntrlPara(maxtx:B_2; txint:B_4; re:B_1)	
<b>Structured Type:</b>	RACHCP	
<b>Derivation Path:</b>		
<b>Comments:</b>	Default value for L 3 testing.	
Element Name	Element Value	Comments
maxrtx	maxtx	
txint	txint	
cba	'0'B	
re	re	
acc_2	'00000'B	
ec	'0'B	
acc_1	'0000000000'B	
<b>Detailed Comments:</b>		



Structured Type Constraint		
<b>Constraint Name:</b>	RachCntrlPara_cba(maxtx:B_2; txint:B_4; re:B_1; cba:B_1; acc:B_5)	
<b>Structured Type:</b>	RACHCP	
<b>Derivation Path:</b>		
<b>Comments:</b>	Default value for L 3 testing.	
Element Name	Element Value	Comments
maxrtx	maxtx	
txint	txint	
cba	cba	
re	re	
acc_2	acc	
ec	'0'B	
acc_1	'0000000000'B	
<b>Detailed Comments:</b>		

Structured Type Constraint		
<b>Constraint Name:</b>	RachCntrlPara_01	
<b>Structured Type:</b>	RACHCP	
<b>Derivation Path:</b>		
<b>Comments:</b>	Default value for L 3 testing.	
Element Name	Element Value	Comments
maxrtx	'00'B	
txint	'0010'B	
cba	'0'B	
re	'0'B	
acc_2	'00000'B	
ec	'0'B	
acc_1	'0000000000'B	
<b>Detailed Comments:</b>		

Structured Type Constraint		
<b>Constraint Name:</b>	RachCntrlPara_r01	
<b>Structured Type:</b>	RACHCP	
<b>Derivation Path:</b>		
<b>Comments:</b>	Call reestablishment is not allowed in the cell.	
Element Name	Element Value	Comments
maxrtx	'00'B	
txint	'0010'B	
cba	'0'B	
re	'1'B	
acc_2	'00000'B	
ec	'0'B	
acc_1	'0000000000'B	
<b>Detailed Comments:</b>		

<b>Structured Type Constraint</b>		
<b>Constraint Name:</b>	SI3RestOctetPara(pt:B_5; cro:B_6; to:B_3; po:B_2; cbq:B_1)	
<b>Structured Type:</b>	SI3RO	
<b>Derivation Path:</b>		
<b>Comments:</b>	Default value for L 3 testing.	
Element Name	Element Value	Comments
pi	'1'B	
cbq	cbq	
cro	cro	
to	to	
pt	pt	
poi	'1'B	
po	po	
ti	'0'B	
ecsc	'0'B	
spr1	'000'B	
spr2	'00101011'B	
<b>Detailed Comments:</b>		

<b>Structured Type Constraint</b>		
<b>Constraint Name:</b>	SI3RestOctetPara_ti(pt:B_5; cro:B_6; to:B_3; po:B_2)	
<b>Structured Type:</b>	SI3RO	
<b>Derivation Path:</b>		
<b>Comments:</b>	Default value for L 3 testing.	
Element Name	Element Value	Comments
pi	'1'B	
cbq	'0'B	
cro	cro	
to	to	
pt	pt	
poi	'1'B	
po	po	
ti	'1'B	
ecsc	'0'B	
spr1	'000'B	
spr2	'00101011'B	
<b>Detailed Comments:</b>		

Structured Type Constraint		
<b>Constraint Name:</b>	SI4RestOctetDef	
<b>Structured Type:</b>	SI4RO	
<b>Derivation Path:</b>		
<b>Comments:</b>	Default value for L 3 testing.	
Element Name	Element Value	Comments
pi	'0'B	
cbq	'0'B	
cro	'101011'B	
to	'001'B	
pt	'01011'B	
poi	'0'B	
po	'01'B	
spr1	'01011'B	
spr2	'00101011'B	
spr3	'00101011'B	
spr4	'00101011'B	
spr5	'00101011'B	
spr6	'00101011'B	
spr7	'00101011'B	
spr8	'00101011'B	
<b>Detailed Comments:</b>		

Structured Type Constraint		
<b>Constraint Name:</b>	SI4RestOctetPara(pt:B_5; cro:B_6; to:B_3; po:B_2; cbq:B_1)	
<b>Structured Type:</b>	SI4RO	
<b>Derivation Path:</b>		
<b>Comments:</b>	Default value for L 3 testing.	
Element Name	Element Value	Comments
pi	'1'B	
cbq	cbq	
cro	cro	
to	to	
pt	pt	
poi	'1'B	
po	po	
spr1	'00000'B	
spr2	'00101011'B	
spr3	'00101011'B	
spr4	'00101011'B	
spr5	'00101011'B	
spr6	'00101011'B	
spr7	'00101011'B	
spr8	'00101011'B	
<b>Detailed Comments:</b>		

Structured Type Constraint		
<b>Constraint Name:</b>	SI7RestOctetPara(pt:B_5; cro:B_6; to:B_3; po:B_2; cbq:B_1)	
<b>Structured Type:</b>	SI7RO	
<b>Derivation Path:</b>		
<b>Comments:</b>	Default value for L 3 testing.	
Element Name	Element Value	Comments
pi	'1'B	
cbq	cbq	
cro	cro	
to	to	
pt	pt	
poi	'1'B	
po	po	
spr1	'00000'B	
spr2	'00101011'B	
spr3	'00101011'B	
spr4	'00101011'B	
spr5	'00101011'B	
spr6	'00101011'B	
spr7	'00101011'B	
spr8	'00101011'B	
spr9	'00101011'B	
spr10	'00101011'B	
spr11	'00101011'B	
spr12	'00101011'B	
spr13	'00101011'B	
spr14	'00101011'B	
spr15	'00101011'B	
spr16	'00101011'B	
spr17	'00101011'B	
spr18	'00101011'B	
<b>Detailed Comments:</b>		

Structured Type Constraint		
<b>Constraint Name:</b>	FwdChAdvSS_01	
<b>Structured Type:</b>	Component_T	
<b>Derivation Path:</b>		
<b>Comments:</b>	AoC- Charging	
Element Name	Element Value	Comments
comp_part1	'A1270201'O	
invokeld	'00'O	
comp_part2	'02017D3080800172A11881013C820200 8C830164840200FA85010086010087020 2580000'O	
comp_part3	-	
comp_part4	-	
comp_part5	-	
comp_part6	-	
comp_part7	-	
comp_part8	-	
comp_part9	-	
comp_part10	-	
comp_part11	-	
comp_part12	-	
<b>Detailed Comments:</b>		

Structured Type Constraint		
<b>Constraint Name:</b>	FwdChAdvSS_02	
<b>Structured Type:</b>	Component_T	
<b>Derivation Path:</b>		
<b>Comments:</b>	AoC- Charging	
Element Name	Element Value	Comments
comp_part1	'A1250201'O	
invokeld	'00'O	
comp_part2	'02017D3080800172A1168101008201008 30164840203E885010086010087010000 00'O	
comp_part3	-	
comp_part4	-	
comp_part5	-	
comp_part6	-	
comp_part7	-	
comp_part8	-	
comp_part9	-	
comp_part10	-	
comp_part11	-	
comp_part12	-	
<b>Detailed Comments:</b>		

Structured Type Constraint		
<b>Constraint Name:</b>	FwdChAdvSS_03	
<b>Structured Type:</b>	Component_T	
<b>Derivation Path:</b>		
<b>Comments:</b>	AoC- Charging	
Element Name	Element Value	Comments
comp_part1	'A1290201'O	
invokeld	'00'O	
comp_part2	'02017D3080800172A11A810209C48202 00A0830200C8840213888501008601008 70202580000'O	
comp_part3	-	
comp_part4	-	
comp_part5	-	
comp_part6	-	
comp_part7	-	
comp_part8	-	
comp_part9	-	
comp_part10	-	
comp_part11	-	
comp_part12	-	
<b>Detailed Comments:</b>		

Structured Type Constraint		
<b>Constraint Name:</b>	FwdChAdvSS_04	
<b>Structured Type:</b>	Component_T	
<b>Derivation Path:</b>		
<b>Comments:</b>	AoC- Charging	
Element Name	Element Value	Comments
comp_part1	'A1240201'O	
invokeld	'00'O	
comp_part2	'02017D3080800172A11581010A82010A83016484010085016486010A87010A0000'O	
comp_part3	-	
comp_part4	-	
comp_part5	-	
comp_part6	-	
comp_part7	-	
comp_part8	-	
comp_part9	-	
comp_part10	-	
comp_part11	-	
comp_part12	-	
<b>Detailed Comments:</b>		

Structured Type Constraint		
<b>Constraint Name:</b>	FwdChAdvSS_05	
<b>Structured Type:</b>	Component_T	
<b>Derivation Path:</b>		
<b>Comments:</b>	AoC- Charging	
Element Name	Element Value	Comments
comp_part1	'A1270201'O	
invokeld	'00'O	
comp_part2	'02017D3080800172A11881017D8202012C830164840200FA85016486010A8702012C0000'O	
comp_part3	-	
comp_part4	-	
comp_part5	-	
comp_part6	-	
comp_part7	-	
comp_part8	-	
comp_part9	-	
comp_part10	-	
comp_part11	-	
comp_part12	-	
<b>Detailed Comments:</b>		

Structured Type Constraint		
<b>Constraint Name:</b>	FwdChAdvSS_06	
<b>Structured Type:</b>	Component_T	
<b>Derivation Path:</b>		
<b>Comments:</b>	AoC- Charging	
Element Name	Element Value	Comments
comp_part1	'A1240201'O	
invokeld	'00'O	
comp_part2	'02017D3080800172A1158101008201008 301008401008501008601008701000000' O	
comp_part3	-	
comp_part4	-	
comp_part5	-	
comp_part6	-	
comp_part7	-	
comp_part8	-	
comp_part9	-	
comp_part10	-	
comp_part11	-	
comp_part12	-	
<b>Detailed Comments:</b>		

Structured Type Constraint		
<b>Constraint Name:</b>	FwdChAdvSS_07	
<b>Structured Type:</b>	Component_T	
<b>Derivation Path:</b>		
<b>Comments:</b>	AoC- Charging	
Element Name	Element Value	Comments
comp_part1	'A1250201'O	
invokeld	'00'O	
comp_part2	'02017D3080800172A1168101008201008 30164840203E885010086010087010000 00'O	
comp_part3	-	
comp_part4	-	
comp_part5	-	
comp_part6	-	
comp_part7	-	
comp_part8	-	
comp_part9	-	
comp_part10	-	
comp_part11	-	
comp_part12	-	
<b>Detailed Comments:</b>		

Structured Type Constraint		
<b>Constraint Name:</b>	FwdChAdvSS_08	
<b>Structured Type:</b>	Component_T	
<b>Derivation Path:</b>		
<b>Comments:</b>	AoC- Charging	
Element Name	Element Value	Comments
comp_part1	'A1270201'O	
invokeld	'00'O	
comp_part2	'02017D3080800172A11881013C820200 8C830164840200FA85010086010087020 2580000'O	
comp_part3	-	
comp_part4	-	
comp_part5	-	
comp_part6	-	
comp_part7	-	
comp_part8	-	
comp_part9	-	
comp_part10	-	
comp_part11	-	
comp_part12	-	
<b>Detailed Comments:</b>		

Structured Type Constraint		
<b>Constraint Name:</b>	FwdChAdvSS_09	
<b>Structured Type:</b>	Component_T	
<b>Derivation Path:</b>		
<b>Comments:</b>	AoC- Charging	
Element Name	Element Value	Comments
comp_part1	'A1240201'O	
invokeld	'00'O	
comp_part2	'02017D3080800172A11581010A82010A 83016484010085010086010087010A000 0'O	
comp_part3	-	
comp_part4	-	
comp_part5	-	
comp_part6	-	
comp_part7	-	
comp_part8	-	
comp_part9	-	
comp_part10	-	
comp_part11	-	
comp_part12	-	
<b>Detailed Comments:</b>		



Structured Type Constraint		
<b>Constraint Name:</b>	FwdChAdvSS_10	
<b>Structured Type:</b>	Component_T	
<b>Derivation Path:</b>		
<b>Comments:</b>	AoC- Charging	
Element Name	Element Value	Comments
comp_part1	'A1270201'O	
invokeld	'00'O	
comp_part2	'02017D3080800172A11881017D820201 2C830164840200FA85010086010087020 12C0000'O	
comp_part3	-	
comp_part4	-	
comp_part5	-	
comp_part6	-	
comp_part7	-	
comp_part8	-	
comp_part9	-	
comp_part10	-	
comp_part11	-	
comp_part12	-	
<b>Detailed Comments:</b>		

Structured Type Constraint		
<b>Constraint Name:</b>	FwdChAdvSS_11	
<b>Structured Type:</b>	Component_T	
<b>Derivation Path:</b>		
<b>Comments:</b>	AoC- Charging	
Element Name	Element Value	Comments
comp_part1	'A1260201'O	
invokeld	'00'O	
comp_part2	'02017D3080800172A1178101648202011 883016484016485010086010087020258 0000'O	
comp_part3	-	
comp_part4	-	
comp_part5	-	
comp_part6	-	
comp_part7	-	
comp_part8	-	
comp_part9	-	
comp_part10	-	
comp_part11	-	
comp_part12	-	
<b>Detailed Comments:</b>		

Structured Type Constraint		
<b>Constraint Name:</b>	FwdChAdvSS_12	
<b>Structured Type:</b>	Component_T	
<b>Derivation Path:</b>		
<b>Comments:</b>	AoC- Charging	
Element Name	Element Value	Comments
comp_part1	'A1260201'O	
invokeld	'00'O	
comp_part2	'02017D3080800172A1178101648202008 C83016484013285010086010087020258 0000'O	
comp_part3	-	
comp_part4	-	
comp_part5	-	
comp_part6	-	
comp_part7	-	
comp_part8	-	
comp_part9	-	
comp_part10	-	
comp_part11	-	
comp_part12	-	
<b>Detailed Comments:</b>		

Structured Type Constraint		
<b>Constraint Name:</b>	FwdChAdvSS_13	
<b>Structured Type:</b>	Component_T	
<b>Derivation Path:</b>		
<b>Comments:</b>	AoC- Charging	
Element Name	Element Value	Comments
comp_part1	'A1250201'O	
invokeld	'00'O	
comp_part2	'02017D3080800172A1168101648202019 083016484010085010086010087010000 00'O	
comp_part3	-	
comp_part4	-	
comp_part5	-	
comp_part6	-	
comp_part7	-	
comp_part8	-	
comp_part9	-	
comp_part10	-	
comp_part11	-	
comp_part12	-	
<b>Detailed Comments:</b>		

Structured Type Constraint		
<b>Constraint Name:</b>	FwdChAdvSS_14	
<b>Structured Type:</b>	Component_T	
<b>Derivation Path:</b>		
<b>Comments:</b>	AoC- Charging	
Element Name	Element Value	Comments
comp_part1	'A1190201'O	
invokeld	'00'O	
comp_part2	'02017D3011800172A1808101648202019 08301640000'O	
comp_part3	-	
comp_part4	-	
comp_part5	-	
comp_part6	-	
comp_part7	-	
comp_part8	-	
comp_part9	-	
comp_part10	-	
comp_part11	-	
comp_part12	-	
<b>Detailed Comments:</b>		

Structured Type Constraint		
<b>Constraint Name:</b>	FwdChAdvSS_15	
<b>Structured Type:</b>	Component_T	
<b>Derivation Path:</b>		
<b>Comments:</b>	AoC- Charging	
Element Name	Element Value	Comments
comp_part1	'A1250201'O	
invokeld	'00'O	
comp_part2	'02017D3080800172A1168101468202019 083016484010085010086010087010000 00'O	
comp_part3	-	
comp_part4	-	
comp_part5	-	
comp_part6	-	
comp_part7	-	
comp_part8	-	
comp_part9	-	
comp_part10	-	
comp_part11	-	
comp_part12	-	
<b>Detailed Comments:</b>		

Structured Type Constraint		
<b>Constraint Name:</b>	FwdChAdvSS_16	
<b>Structured Type:</b>	Component_T	
<b>Derivation Path:</b>		
<b>Comments:</b>	AoC- Charging	
Element Name	Element Value	Comments
comp_part1	'A1260201'O	
invokeld	'00'O	
comp_part2	'02017D3080800172A1178102008282020 190830164840100850100860100870100 0000'O	
comp_part3	-	
comp_part4	-	
comp_part5	-	
comp_part6	-	
comp_part7	-	
comp_part8	-	
comp_part9	-	
comp_part10	-	
comp_part11	-	
comp_part12	-	
<b>Detailed Comments:</b>		

Structured Type Constraint		
<b>Constraint Name:</b>	FwdChAdvSS_17	
<b>Structured Type:</b>	Component_T	
<b>Derivation Path:</b>		
<b>Comments:</b>	AoC- Charging	
Element Name	Element Value	Comments
comp_part1	'A1260201'O	
invokeld	'00'O	
comp_part2	'02017D3080800172A117810200BE8202 019083016484010085010086010087010 00000'O	
comp_part3	-	
comp_part4	-	
comp_part5	-	
comp_part6	-	
comp_part7	-	
comp_part8	-	
comp_part9	-	
comp_part10	-	
comp_part11	-	
comp_part12	-	
<b>Detailed Comments:</b>		

Structured Type Constraint		
<b>Constraint Name:</b>	FwdChAdvSS_18	
<b>Structured Type:</b>	Component_T	
<b>Derivation Path:</b>		
<b>Comments:</b>	AoC- Charging	
Element Name	Element Value	Comments
comp_part1	'A1260201'O	
invokeld	'00'O	
comp_part2	'02017D3080800172A1178102012282020 190830164840100850100860100870100 0000'O	
comp_part3	-	
comp_part4	-	
comp_part5	-	
comp_part6	-	
comp_part7	-	
comp_part8	-	
comp_part9	-	
comp_part10	-	
comp_part11	-	
comp_part12	-	
<b>Detailed Comments:</b>		

Structured Type Constraint		
<b>Constraint Name:</b>	FwdChAdvSS_19	
<b>Structured Type:</b>	Component_T	
<b>Derivation Path:</b>		
<b>Comments:</b>	AoC- Charging	
Element Name	Element Value	Comments
comp_part1	'A1800201'O	
invokeld	'00'O	
comp_part2	'02017D301B800172A11681016482020 268301648401648501008601008701640 000'O	
comp_part3	-	
comp_part4	-	
comp_part5	-	
comp_part6	-	
comp_part7	-	
comp_part8	-	
comp_part9	-	
comp_part10	-	
comp_part11	-	
comp_part12	-	
<b>Detailed Comments:</b>		

Structured Type Constraint		
<b>Constraint Name:</b>	FwdChAdvSS_20	
<b>Structured Type:</b>	Component_T	
<b>Derivation Path:</b>		
<b>Comments:</b>	AoC- Charging	
Element Name	Element Value	Comments
comp_part1	'A1800201'O	
invokeld	'00'O	
comp_part2	'02017D301B800172A11681010A820201 2C8301648401008501008601008701000 000'O	
comp_part3	-	
comp_part4	-	
comp_part5	-	
comp_part6	-	
comp_part7	-	
comp_part8	-	
comp_part9	-	
comp_part10	-	
comp_part11	-	
comp_part12	-	
<b>Detailed Comments:</b>		

Structured Type Constraint		
<b>Constraint Name:</b>	FwdChAdvSS_21	
<b>Structured Type:</b>	Component_T	
<b>Derivation Path:</b>		
<b>Comments:</b>	AoC- Charging, charging value is 0.	
Element Name	Element Value	Comments
comp_part1	'A1800201'O	
invokeld	'00'O	
comp_part2	'02017D301A800172A115810100820100 830100840100850100860100870100000 0'O	
comp_part3	-	
comp_part4	-	
comp_part5	-	
comp_part6	-	
comp_part7	-	
comp_part8	-	
comp_part9	-	
comp_part10	-	
comp_part11	-	
comp_part12	-	
<b>Detailed Comments:</b>		

Structured Type Constraint		
<b>Constraint Name:</b>	NotificationSS_05	
<b>Structured Type:</b>	Component_T	
<b>Derivation Path:</b>		
<b>Comments:</b>	BI	
Element Name	Element Value	Comments
comp_part1	'A10E0201'O	
invokeld	'00'O	
comp_part2	'0201103006810199840107'O	
comp_part3	-	
comp_part4	-	
comp_part5	-	
comp_part6	-	
comp_part7	-	
comp_part8	-	
comp_part9	-	
comp_part10	-	
comp_part11	-	
comp_part12	-	
<b>Detailed Comments:</b>		

Structured Type Constraint		
<b>Constraint Name:</b>	Rqr1(Rr: BITSTRING; Fn: FN)	
<b>Structured Type:</b>	RQR	
<b>Derivation Path:</b>		
<b>Comments:</b>	not address the MS under test	
Element Name	Element Value	Comments
ra	INT_TO_BIT(( BIT_TO_INT(Rr) + 1), 8)	
fn	OC_FnInc( Fn, 2)	
<b>Detailed Comments:</b>		

Structured Type Constraint		
<b>Constraint Name:</b>	Rqr2(Rr: BITSTRING; Fn: FN)	
<b>Structured Type:</b>	RQR	
<b>Derivation Path:</b>		
<b>Comments:</b>	To address the MS under test	
Element Name	Element Value	Comments
ra	Rr	
fn	Fn	
<b>Detailed Comments:</b>		

Structured Type Constraint		
<b>Constraint Name:</b>	Rqr3	
<b>Structured Type:</b>	RQR	
<b>Derivation Path:</b>		
<b>Comments:</b>	not pertaining to the MS under test	
Element Name	Element Value	Comments
ra	'00000000'B	
fn	Fn_01	
<b>Detailed Comments:</b>		

Structured Type Constraint		
<b>Constraint Name:</b>	Signal_01	
<b>Structured Type:</b>	SIGNAL	
<b>Derivation Path:</b>		
<b>Comments:</b>	signal value is arbitrarily selected.	
Element Name	Element Value	Comments
iei	'00110100'B	
sigv	'00000000'B	
<b>Detailed Comments:</b>		

Structured Type Constraint		
<b>Constraint Name:</b>	Signal_02	
<b>Structured Type:</b>	SIGNAL	
<b>Derivation Path:</b>		
<b>Comments:</b>	Signal IE with value #7 "call waiting tone on"	
Element Name	Element Value	Comments
iei	'00110100'B	
sigv	'00000111'B	
<b>Detailed Comments:</b>		

Structured Type Constraint		
<b>Constraint Name:</b>	StartingTm_01(fn:FN)	
<b>Structured Type:</b>	STRT	
<b>Derivation Path:</b>		
<b>Comments:</b>		
Element Name	Element Value	Comments
iei	'01111100'B	
fn	fn	
<b>Detailed Comments:</b>		

Structured Type Constraint		
<b>Constraint Name:</b>	StartingTm_omit	
<b>Structured Type:</b>	STRT	
<b>Derivation Path:</b>		
<b>Comments:</b>		
Element Name	Element Value	Comments
iei	-	
fn	-	
<b>Detailed Comments:</b>		

Structured Type Constraint		
<b>Constraint Name:</b>	TimingAdv( bits:INTEGER)	
<b>Structured Type:</b>	TA	
<b>Derivation Path:</b>		
<b>Comments:</b>	Time Advance value is parameterized.	
Element Name	Element Value	Comments
iei	-	
sprb	'00'B	
value	INT_TO_BIT(bits, 6)	
<b>Detailed Comments:</b>		



Structured Type Constraint		
<b>Constraint Name:</b>	TimingAdv_iei( bits:INTEGER)	
<b>Structured Type:</b>	TA	
<b>Derivation Path:</b>		
<b>Comments:</b>	0 time advance.	
Element Name	Element Value	Comments
iei	'01111101'B	
sprb	'00'B	
value	INT_TO_BIT(bits, 6)	
<b>Detailed Comments:</b>		

Structured Type Constraint		
<b>Constraint Name:</b>	TimingAdv_inv	
<b>Structured Type:</b>	TA	
<b>Derivation Path:</b>		
<b>Comments:</b>	containing arbitrary spare bits	
Element Name	Element Value	Comments
iei	-	
sprb	'11'B	
value	'000000'B	
<b>Detailed Comments:</b>		

Structured Type Constraint		
<b>Constraint Name:</b>	TimingAdv_omit	
<b>Structured Type:</b>	TA	
<b>Derivation Path:</b>		
<b>Comments:</b>	Time Advance value is parameterized.	
Element Name	Element Value	Comments
iei	-	
sprb	-	
value	-	
<b>Detailed Comments:</b>		

Structured Type Constraint		
<b>Constraint Name:</b>	TI_01	
<b>Structured Type:</b>	TI	
<b>Derivation Path:</b>		
<b>Comments:</b>	used by the MS in the transaction initiated by the test system.	
Element Name	Element Value	Comments
ti_f	'1'B	
ti_v	'000'B	
<b>Detailed Comments:</b>		

Structured Type Constraint		
<b>Constraint Name:</b>	TI_02	
<b>Structured Type:</b>	TI	
<b>Derivation Path:</b>		
<b>Comments:</b>	used in the messages sent to the MS in the transaction initiated by test system.	
Element Name	Element Value	Comments
ti_f	'0'B	
ti_v	'000'B	
<b>Detailed Comments:</b>		

Structured Type Constraint		
<b>Constraint Name:</b>	TI_03	
<b>Structured Type:</b>	TI	
<b>Derivation Path:</b>		
<b>Comments:</b>	used in the messages sent to the MS in the transaction initiated by test system.	
Element Name	Element Value	Comments
ti_f	'0'B	
ti_v	'110'B	
<b>Detailed Comments:</b>		

Structured Type Constraint		
<b>Constraint Name:</b>	TI_04	
<b>Structured Type:</b>	TI	
<b>Derivation Path:</b>		
<b>Comments:</b>	arbitrary value	
Element Name	Element Value	Comments
ti_f	'0'B	
ti_v	'011'B	
<b>Detailed Comments:</b>		

Structured Type Constraint		
<b>Constraint Name:</b>	TI_05	
<b>Structured Type:</b>	TI	
<b>Derivation Path:</b>		
<b>Comments:</b>	used by the MS in the transaction initiated by the test system.	
Element Name	Element Value	Comments
ti_f	'1'B	
ti_v	'110'B	
<b>Detailed Comments:</b>		

Structured Type Constraint		
<b>Constraint Name:</b>	TI_06	
<b>Structured Type:</b>	TI	
<b>Derivation Path:</b>		
<b>Comments:</b>		
Element Name	Element Value	Comments
ti_f	'0'B	
ti_v	'111'B	
<b>Detailed Comments:</b>		

Structured Type Constraint		
<b>Constraint Name:</b>	TI_07(ti :TI_V)	
<b>Structured Type:</b>	TI	
<b>Derivation Path:</b>		
<b>Comments:</b>	used in the messages sent to the MS in the transaction initiated by the MS.	
Element Name	Element Value	Comments
ti_f	'0'B	
ti_v	ti	
<b>Detailed Comments:</b>		

Structured Type Constraint		
<b>Constraint Name:</b>	TI_08(ti:TI_V)	
<b>Structured Type:</b>	TI	
<b>Derivation Path:</b>		
<b>Comments:</b>	used in the messages sent to the MS in the transaction initiated by the system simulator.	
Element Name	Element Value	Comments
ti_f	'1'B	
ti_v	ti	
<b>Detailed Comments:</b>		

Structured Type Constraint		
<b>Constraint Name:</b>	TI_09	
<b>Structured Type:</b>	TI	
<b>Derivation Path:</b>		
<b>Comments:</b>	used by the MS in the transaction initiated by the MS.	
Element Name	Element Value	Comments
ti_f	'0'B	
ti_v	?	
<b>Detailed Comments:</b>		

Structured Type Constraint		
<b>Constraint Name:</b>	Tmsi_01	
<b>Structured Type:</b>	TMSI	
<b>Derivation Path:</b>		
<b>Comments:</b>		
Element Name	Element Value	Comments
iei	-	
tmsi_val	TSPX_TMSI	
<b>Detailed Comments:</b>		

Structured Type Constraint		
<b>Constraint Name:</b>	Tmsi_r01	
<b>Structured Type:</b>	TMSI	
<b>Derivation Path:</b>		
<b>Comments:</b>		
Element Name	Element Value	Comments
iei	-	
tmsi_val	OC_IncTmsi(TSPX_TMSI, '01'O)	
<b>Detailed Comments:</b> Note: the TSPX_TMSI + '01'O shall not be identical to TSPX_TMSI1		

Structured Type Constraint		
<b>Constraint Name:</b>	Tmsi_r03	
<b>Structured Type:</b>	TMSI	
<b>Derivation Path:</b>		
<b>Comments:</b>		
Element Name	Element Value	Comments
iei	-	
tmsi_val	OC_IncTmsi(TSPX_TMSI, '02'O)	
<b>Detailed Comments:</b> Note: the TSPX_TMSI + '02'O shall not be identical to TSPX_TMSI1		

Structured Type Constraint		
<b>Constraint Name:</b>	Tmsi_r04	
<b>Structured Type:</b>	TMSI	
<b>Derivation Path:</b>		
<b>Comments:</b>		
Element Name	Element Value	Comments
iei	-	
tmsi_val	OC_IncTmsi(TSPX_TMSI, '03'O)	
<b>Detailed Comments:</b>	Note: the TSPX_TMSI + '03'O shall not be identical to TSPX_TMSI1	

Structured Type Constraint		
<b>Constraint Name:</b>	Tmsi_r05	
<b>Structured Type:</b>	TMSI	
<b>Derivation Path:</b>		
<b>Comments:</b>		
Element Name	Element Value	Comments
iei	-	
tmsi_val	OC_IncTmsi(TSPX_TMSI, '04'O)	
<b>Detailed Comments:</b>	Note: the TSPX_TMSI + '04'O shall not be identical to TSPX_TMSI1	

Structured Type Constraint		
<b>Constraint Name:</b>	UuInfo_omit	
<b>Structured Type:</b>	UU	
<b>Derivation Path:</b>		
<b>Comments:</b>	Omitted UuInfo.	
Element Name	Element Value	Comments
iei	-	
iel	-	
uupd	-	
uui	-	
<b>Detailed Comments:</b>		

Structured Type Constraint		
<b>Constraint Name:</b>	UuInfo	
<b>Structured Type:</b>	UU	
<b>Derivation Path:</b>		
<b>Comments:</b>	Delete previously submitted short message	
Element Name	Element Value	Comments
iei	'01111110'B	
iel	OC_IntToOct(1+ LENGTH_OF(TSPX_UuInfo), 1)	
uupd	TSPX_Uupd	
uui	TSPX_UuInfo	
<b>Detailed Comments:</b>		

Structured Type Constraint		
<b>Constraint Name:</b>	V22bisOrV26ter	
<b>Structured Type:</b>	MODEMTYPE	
<b>Derivation Path:</b>		
<b>Comments:</b>		
Element Name	Element Value	Comments
V22bisOrV26ter	('00011'B, '00101'B)	
<b>Detailed Comments:</b>		

**ASN1 type constraints**

<b>ASN.1 Type Constraint Declaration</b>	
<b>Constraint Name:</b>	ActivateSS_01
<b>ASN.1 Type:</b>	Component
<b>Derivation Path:</b>	
<b>Comments:</b>	CF all synchronous services
<b>Constraint Value</b>	
<pre> activateSSComponents      activateSS_InvokeComp ? , 12 , {   ss_Code                  '20'H,   basicService      bearerService      '68'H } </pre>	<pre> {   invokeID   localValue   ss_ForBS } </pre>
<b>Detailed Comments:</b>	

<b>ASN.1 Type Constraint Declaration</b>	
<b>Constraint Name:</b>	ActivateSS_02
<b>ASN.1 Type:</b>	Component
<b>Derivation Path:</b>	
<b>Comments:</b>	CFU all basic services
<b>Constraint Value</b>	
<pre> activateSSComponents      activateSS_InvokeComp ? , 12 , {   ss_Code                  '21'H } </pre>	<pre> {   invokeID   localValue   ss_ForBS } </pre>
<b>Detailed Comments:</b>	

<b>ASN.1 Type Constraint Declaration</b>	
<b>Constraint Name:</b>	ActivateSS_03
<b>ASN.1 Type:</b>	Component
<b>Derivation Path:</b>	
<b>Comments:</b>	BAOC all synchronous services
<b>Constraint Value</b>	
activateSSComponents	activateSS_InvokeComp
?,	{
12,	invokeID
	localValue
	ss_ForBS
{	
ss_Code	'92'H,
basicService	bearerService
	'68'H
}	}
<b>Detailed Comments:</b>	

<b>ASN.1 Type Constraint Declaration</b>	
<b>Constraint Name:</b>	ActivateSS_04
<b>ASN.1 Type:</b>	Component
<b>Derivation Path:</b>	
<b>Comments:</b>	BIC-Roam
<b>Constraint Value</b>	
activateSSComponents	activateSS_InvokeComp
?,	{
12,	invokeID
	localValue
	ss_ForBS
{	
ss_Code	'9B'H -- BIC-Roam
}	}
<b>Detailed Comments:</b>	

<b>ASN.1 Type Constraint Declaration</b>	
<b>Constraint Name:</b>	ActivateSS_05
<b>ASN.1 Type:</b>	Component
<b>Derivation Path:</b>	
<b>Comments:</b>	BOIC
<b>Constraint Value</b>	
activateSSComponents	activateSS_InvokeComp
?,	{
12,	invokeID
	localValue
	ss_ForBS
{	
ss_Code	'93'H
}	}
<b>Detailed Comments:</b>	

<b>ASN.1 Type Constraint Declaration</b>	
<b>Constraint Name:</b>	ActivateSS_06
<b>ASN.1 Type:</b>	Component
<b>Derivation Path:</b>	
<b>Comments:</b>	BAIC
<b>Constraint Value</b>	
activateSSComponents	activateSS_InvokeComp
?,	{
12,	invokeID
	localValue
	ss_ForBS
{	
ss_Code	'9A'H
}	}
<b>Detailed Comments:</b>	

<b>ASN.1 Type Constraint Declaration</b>	
<b>Constraint Name:</b>	BldMptySS_01
<b>ASN.1 Type:</b>	Component
<b>Derivation Path:</b>	
<b>Comments:</b>	build multiparty request
<b>Constraint Value</b>	
buildMPTYComponents	buildMPTY_InvokeComp
?,	{
124	invokeID
	localValue
	}
<b>Detailed Comments:</b>	

<b>ASN.1 Type Constraint Declaration</b>	
<b>Constraint Name:</b>	Comps_01( comp:Component)
<b>ASN.1 Type:</b>	Components
<b>Derivation Path:</b>	
<b>Comments:</b>	A received FIE may contain several components, but at least contains "comp".
<b>Constraint Value</b>	
SUPERSET( { comp } )	
<b>Detailed Comments:</b>	

<b>ASN.1 Type Constraint Declaration</b>	
<b>Constraint Name:</b>	DeactivateSS_01
<b>ASN.1 Type:</b>	Component
<b>Derivation Path:</b>	
<b>Comments:</b>	CFC for speech
<b>Constraint Value</b>	
deactivateSSComponents	<pre> deactivateSS_InvokeComp {   invokeID   localValue   ss_ForBS } ? , 13 , {   ss_Code      '28'H,   basicService teleservice '10'H } </pre>
<b>Detailed Comments:</b>	

<b>ASN.1 Type Constraint Declaration</b>	
<b>Constraint Name:</b>	DeactivateSS_02
<b>ASN.1 Type:</b>	Component
<b>Derivation Path:</b>	
<b>Comments:</b>	CFNRc for all facsimile
<b>Constraint Value</b>	
deactivateSSComponents	<pre> deactivateSS_InvokeComp {   invokeID   localValue   ss_ForBS } ? , 13 , {   ss_Code      '2B'H,   basicService teleservice '60'H } </pre>
<b>Detailed Comments:</b>	



<b>ASN.1 Type Constraint Declaration</b>	
<b>Constraint Name:</b>	DeactivateSS_03
<b>ASN.1 Type:</b>	Component
<b>Derivation Path:</b>	
<b>Comments:</b>	deactivation for barring
<b>Constraint Value</b>	
deactivateSSComponents	deactivateSS_InvokeComp
?,	{
13,	invokeID
	localValue
	ss_ForBS
{	
ss_Code       '90'H,	
basicService   teleservice   '10'H	
}	}
<b>Detailed Comments:</b>	

<b>ASN.1 Type Constraint Declaration</b>	
<b>Constraint Name:</b>	DeactivateSS_04
<b>ASN.1 Type:</b>	Component
<b>Derivation Path:</b>	
<b>Comments:</b>	deactivation for barring of outgoing calls
<b>Constraint Value</b>	
deactivateSSComponents	deactivateSS_InvokeComp
?,	{
13,	invokeID
	localValue
	ss_ForBS
{	
ss_Code       '91'H,	
basicService   teleservice   '60'H	
}	}
<b>Detailed Comments:</b>	

<b>ASN.1 Type Constraint Declaration</b>	
<b>Constraint Name:</b>	DeactivateSS_05
<b>ASN.1 Type:</b>	Component
<b>Derivation Path:</b>	
<b>Comments:</b>	deactivation for barring of incoming calls
<b>Constraint Value</b>	
deactivateSSComponents	deactivateSS_InvokeComp
?,	{
13,	invokeID
	localValue
	ss_ForBS
{	
ss_Code       '99'H	
}	}
<b>Detailed Comments:</b>	

<b>ASN.1 Type Constraint Declaration</b>	
<b>Constraint Name:</b>	DeactivateSS_06
<b>ASN.1 Type:</b>	Component
<b>Derivation Path:</b>	
<b>Comments:</b>	deactivation for BOICExHC
<b>Constraint Value</b>	
deactivateSSComponents	deactivateSS_InvokeComp
<pre> ?, 13, { ss_Code      '94'H } </pre>	<pre> {   invokeID   localValue   ss_ForBS } </pre>
<b>Detailed Comments:</b>	

<b>ASN.1 Type Constraint Declaration</b>	
<b>Constraint Name:</b>	EraseSS_01
<b>ASN.1 Type:</b>	Component
<b>Derivation Path:</b>	
<b>Comments:</b>	CFC for all facsimile
<b>Constraint Value</b>	
eraseSSComponents	eraseSS_InvokeComp
<pre> ?, 11, { ss_Code      '28'H, basicService teleservice '60'H } </pre>	<pre> {   invokeID   localValue   ss_ForBS } </pre>
<b>Detailed Comments:</b>	

<b>ASN.1 Type Constraint Declaration</b>	
<b>Constraint Name:</b>	EraseSS_02
<b>ASN.1 Type:</b>	Component
<b>Derivation Path:</b>	
<b>Comments:</b>	CFNRc for all basic services
<b>Constraint Value</b>	
eraseSSComponents	eraseSS_InvokeComp
<pre> ?, 11, { ss_Code      '2B'H } </pre>	<pre> {   invokeID   localValue   ss_ForBS } </pre>
<b>Detailed Comments:</b>	

<b>ASN.1 Type Constraint Declaration</b>	
<b>Constraint Name:</b>	EraseSS_03
<b>ASN.1 Type:</b>	Component
<b>Derivation Path:</b>	
<b>Comments:</b>	CFU for speech
<b>Constraint Value</b>	
eraseSSComponents	eraseSS_InvokeComp
?,	{
11,	invokeID
	localValue
	ss_ForBS
	{
ss_Code '21'H,	
basicService teleservice '10'H	
}	}
<b>Detailed Comments:</b>	

<b>ASN.1 Type Constraint Declaration</b>	
<b>Constraint Name:</b>	EraseSS_04
<b>ASN.1 Type:</b>	Component
<b>Derivation Path:</b>	
<b>Comments:</b>	CFNRy for all facsimile
<b>Constraint Value</b>	
eraseSSComponents	eraseSS_InvokeComp
?,	{
11,	invokeID
	localValue
	ss_ForBS
	{
ss_Code '2A'H,	
basicService teleservice '60'H	
}	}
<b>Detailed Comments:</b>	

<b>ASN.1 Type Constraint Declaration</b>	
<b>Constraint Name:</b>	FwdChAdvRslt_01
<b>ASN.1 Type:</b>	Component
<b>Derivation Path:</b>	
<b>Comments:</b>	
<b>Constraint Value</b>	
forwardChargeAdviceComponents	forwardChargeAdvice_ReturnResultComp
0,	{
*	invokeID
	result
	}
<b>Detailed Comments:</b>	

<b>ASN.1 Type Constraint Declaration</b>	
<b>Constraint Name:</b>	GetPasswdRslt_01
<b>ASN.1 Type:</b>	Component
<b>Derivation Path:</b>	
<b>Comments:</b>	
<b>Constraint Value</b>	
getPasswordComponents	getPassword_ReturnResultComp
0,	{ invokeID
	result {
localValue 18,	
currentPassword "1234"	}
	}
<b>Detailed Comments:</b>	

<b>ASN.1 Type Constraint Declaration</b>	
<b>Constraint Name:</b>	GetPasswdRslt_02
<b>ASN.1 Type:</b>	Component
<b>Derivation Path:</b>	
<b>Comments:</b>	
<b>Constraint Value</b>	
getPasswordComponents	getPassword_ReturnResultComp
0,	{ invokeID
	result {
localValue 18,	
currentPassword "9876"	}
	}
<b>Detailed Comments:</b>	

<b>ASN.1 Type Constraint Declaration</b>	
<b>Constraint Name:</b>	GetPasswdRslt_03
<b>ASN.1 Type:</b>	Component
<b>Derivation Path:</b>	
<b>Comments:</b>	
<b>Constraint Value</b>	
getPasswordComponents	getPassword_ReturnResultComp
0,	{ invokeID
	result {
localValue 18,	
currentPassword "9877"	}
	}
<b>Detailed Comments:</b>	

<b>ASN.1 Type Constraint Declaration</b>	
<b>Constraint Name:</b>	InterrogateSS_01
<b>ASN.1 Type:</b>	Component
<b>Derivation Path:</b>	
<b>Comments:</b>	CFB for all basic services
<b>Constraint Value</b>	
interrogateSSComponents	interrogateSS_InvokeComp { invokeID                    ?, localValue                 14, ss_ForBS                 { ss_Code            '29'H } }
<b>Detailed Comments:</b>	

<b>ASN.1 Type Constraint Declaration</b>	
<b>Constraint Name:</b>	InterrogateSS_02
<b>ASN.1 Type:</b>	Component
<b>Derivation Path:</b>	
<b>Comments:</b>	CFNRy for Speech
<b>Constraint Value</b>	
interrogateSSComponents	interrogateSS_InvokeComp { invokeID localValue ss_ForBS ss_Code            '2A'H, --CNFRy basicService    teleservice   '10'H }
<b>Detailed Comments:</b>	

<b>ASN.1 Type Constraint Declaration</b>	
<b>Constraint Name:</b>	InterrogateSS_03
<b>ASN.1 Type:</b>	Component
<b>Derivation Path:</b>	
<b>Comments:</b>	CFNRc for all basic services
<b>Constraint Value</b>	
interrogateSSComponents	interrogateSS_InvokeComp { invokeID localValue ss_ForBS ss_Code            '2B'H }
<b>Detailed Comments:</b>	

<b>ASN.1 Type Constraint Declaration</b>	
<b>Constraint Name:</b>	InterrogateSS_04
<b>ASN.1 Type:</b>	Component
<b>Derivation Path:</b>	
<b>Comments:</b>	CFB for all facsimile
<b>Constraint Value</b>	
interrogateSSComponents	interrogateSS_InvokeComp
<pre> ?, 14, { ss_Code      '29'H, basicService teleservice '60'H } </pre>	<pre> {   invokeID   localValue   ss_ForBS } </pre>
<b>Detailed Comments:</b>	

<b>ASN.1 Type Constraint Declaration</b>	
<b>Constraint Name:</b>	InterrogateSS_05
<b>ASN.1 Type:</b>	Component
<b>Derivation Path:</b>	
<b>Comments:</b>	BICRoam
<b>Constraint Value</b>	
interrogateSSComponents	interrogateSS_InvokeComp
<pre> ?, 14, { ss_Code      '9B'H } </pre>	<pre> {   invokeID   localValue   ss_ForBS } </pre>
<b>Detailed Comments:</b>	

<b>ASN.1 Type Constraint Declaration</b>	
<b>Constraint Name:</b>	InterrogateSS_06
<b>ASN.1 Type:</b>	Component
<b>Derivation Path:</b>	
<b>Comments:</b>	BOIC
<b>Constraint Value</b>	
interrogateSSComponents	interrogateSS_InvokeComp
<pre> ?, 14, { ss_Code      '93'H } </pre>	<pre> {   invokeID   localValue   ss_ForBS } </pre>
<b>Detailed Comments:</b>	

<b>ASN.1 Type Constraint Declaration</b>	
<b>Constraint Name:</b>	InterrogateSS_07
<b>ASN.1 Type:</b>	Component
<b>Derivation Path:</b>	
<b>Comments:</b>	BAIC
<b>Constraint Value</b>	
interrogateSSComponents	interrogateSS_InvokeComp
?,	{
14,	invokeID
	localValue
	ss_ForBS
{	
ss_Code       '9A'H	
}	}
<b>Detailed Comments:</b>	

<b>ASN.1 Type Constraint Declaration</b>	
<b>Constraint Name:</b>	InterrogateSS_08
<b>ASN.1 Type:</b>	Component
<b>Derivation Path:</b>	
<b>Comments:</b>	BOICExHC
<b>Constraint Value</b>	
interrogateSSComponents	interrogateSS_InvokeComp
?,	{
14,	invokeID
	localValue
	ss_ForBS
{	
ss_Code       '94'H	
}	}
<b>Detailed Comments:</b>	

<b>ASN.1 Type Constraint Declaration</b>	
<b>Constraint Name:</b>	NotificationSS_07(Invkid: OCTETSTRING)
<b>ASN.1 Type:</b>	Component
<b>Derivation Path:</b>	
<b>Comments:</b>	
<b>Constraint Value</b>	
unstructuredSSNotifyComponents	unstructuredSSNotify_ReturnResultComp
OC_OctToInvokeIDType(Invkid),	{
	invokeID
	result
	{
localValue               61	}
	}
	}
<b>Detailed Comments:</b>	

<b>ASN.1 Type Constraint Declaration</b>	
<b>Constraint Name:</b>	NotificationSS_09(Invkid: OCTETSTRING)
<b>ASN.1 Type:</b>	Component
<b>Derivation Path:</b>	
<b>Comments:</b>	
<b>Constraint Value</b>	
unstructuredSSNotifyComponents	unstructuredSSNotify_ReturnErrorComp
	errorCodes
	{
	invokeID
OC_OctToInvokeIDType(Invkid),	errorCode
ussd_Busy	}
<b>Detailed Comments:</b>	

<b>ASN.1 Type Constraint Declaration</b>	
<b>Constraint Name:</b>	RegisterSS_01
<b>ASN.1 Type:</b>	Component
<b>Derivation Path:</b>	
<b>Comments:</b>	CFNRy Speech
<b>Constraint Value</b>	
registerSSComponents	registerSS_InvokeComp {
invokeID	?,
localValue	10,
registerSS_Arg {	
ss_Code	'2A'H,
basicService teleservice	'10'H,
forwardedToNumber	'8100342143'H,
	-- Unknown Number/ISDN telephony + '00431234'
noReplyConditionTime	5
}	
	}
<b>Detailed Comments:</b>	

<b>ASN.1 Type Constraint Declaration</b>	
<b>Constraint Name:</b>	RegisterSS_02
<b>ASN.1 Type:</b>	Component
<b>Derivation Path:</b>	
<b>Comments:</b>	CFU
<b>Constraint Value</b>	
registerSSComponents	registerSS_InvokeComp {
invokeID	?,
localValue	10,
registerSS_Arg {	
ss_Code	'21'H,
basicService teleservice	'60'H,
forwardedToNumber	'8100342143'H
	-- Unknown Number/ISDN telephony + '00431234'
}	
	}
<b>Detailed Comments:</b>	



<b>ASN.1 Type Constraint Declaration</b>	
<b>Constraint Name:</b>	RegisterSS_03
<b>ASN.1 Type:</b>	Component
<b>Derivation Path:</b>	
<b>Comments:</b>	CFB
<b>Constraint Value</b>	
registerSSComponents	registerSS_InvokeComp {
invokeID	?,
localValue	10,
registerSS_Arg	{
ss_Code	'29'H,
basicService	bearerService
	'60'H,
forwardedToNumber	'8100342143'H
	-- Unknown Number/ISDN telephony + '00431234'
	}
	}
<b>Detailed Comments:</b>	

<b>ASN.1 Type Constraint Declaration</b>	
<b>Constraint Name:</b>	RegisterSS_04
<b>ASN.1 Type:</b>	Component
<b>Derivation Path:</b>	
<b>Comments:</b>	CF for all facsimile
<b>Constraint Value</b>	
registerSSComponents	registerSS_InvokeComp {
invokeID	?,
localValue	10,
registerSS_Arg	{
ss_Code	'20'H,
basicService	teleservice
	'60'H,
forwardedToNumber	'8100342143'H
	-- Unknown Number/ISDN telephony + '00431234'
	}
	}
<b>Detailed Comments:</b>	

<b>ASN.1 Type Constraint Declaration</b>	
<b>Constraint Name:</b>	RegPasswdSS_01
<b>ASN.1 Type:</b>	Component
<b>Derivation Path:</b>	
<b>Comments:</b>	All call restriction services.
<b>Constraint Value</b>	
registerPasswordComponents	registerPassword_InvokeComp
	{
invokeID	
localValue	
ss_Code	
}	
<b>Detailed Comments:</b>	

<b>ASN.1 Type Constraint Declaration</b>	
<b>Constraint Name:</b>	ProcessUSSData_01(ussdString: IA5String)
<b>ASN.1 Type:</b>	Component
<b>Derivation Path:</b>	
<b>Comments:</b>	
<b>Constraint Value</b>	
processUnstructuredSSDataComponents	processUnstructuredSSData_InvokeComp
?,	{
19,	invokeID
ussdString	localValue
	ss_UserData
	}
<b>Detailed Comments:</b>	

<b>ASN.1 Type Constraint Declaration</b>	
<b>Constraint Name:</b>	ProcessUSSReq_01(ussdString: IA5String)
<b>ASN.1 Type:</b>	Component
<b>Derivation Path:</b>	
<b>Comments:</b>	
<b>Constraint Value</b>	
processUnstructuredSSRequestComponents	processUnstructuredSSRequest_InvokeComp
?,	{
59,	invokeID
	localValue
	ussd_Arg
{	
ussd_DataCodingScheme 'F0'0,	
ussd_String OC_CodingOfUssdString(ussdString)	
}	}
<b>Detailed Comments:</b>	

<b>ASN.1 Type Constraint Declaration</b>	
<b>Constraint Name:</b>	USSDReq_04( Invkid :OCTETSTRING; ussdString: IA5String)
<b>ASN.1 Type:</b>	Component
<b>Derivation Path:</b>	
<b>Comments:</b>	ReturnResult for Unstructured SS request
<b>Constraint Value</b>	
unstructuredSSRequestComponents	unstructuredSSRequest_ReturnResultComp
OC_OctToInvokeIDType( Invkid) ,	{
localValue 60 ,	invokeID
ussd_Res	result
{	{
ussd_DataCodingScheme 'F0'0,	
ussd_String OC_CodingOfUssdString(ussdString)	
}	}
	}
	}
<b>Detailed Comments:</b>	

<b>ASN.1 Type Constraint Declaration</b>	
<b>Constraint Name:</b>	USSDReq_05( Invkid :OCTETSTRING)
<b>ASN.1 Type:</b>	Component
<b>Derivation Path:</b>	
<b>Comments:</b>	Return Error for UnstructuredSS-Request with the error code USSD Busy
<b>Constraint Value</b>	
unstructuredSSRequestComponents	unstructuredSSRequest_ReturnErrorComp errorCodes
OC_OctToInvokeIDType( Invkid) ,	{ invokeID
ussd_Busy	errorCode }
<b>Detailed Comments:</b>	

**ASP constraint declarations****TTCN ASP constraint declarations**

<b>ASP Constraint Declaration</b>		
<b>Constraint Name:</b>	AlertRcv(pdu: ALERT_PDU)	
<b>ASP Type:</b>	DL_DatInAlert	
<b>Derivation Path:</b>		
<b>Comments:</b>	To receive an ALERTING message	
Parameter Name	Parameter Value	Comments
sapi	C_Sap0	
logic_ch	?	
msg	pdu	
fn	?	
<b>Detailed Comments:</b>		

<b>ASP Constraint Declaration</b>		
<b>Constraint Name:</b>	AlertSnd( ch:LOGICCH; pdu: ALERT_PDU)	
<b>ASP Type:</b>	DL_DatRqAlert	
<b>Derivation Path:</b>		
<b>Comments:</b>	To send an ALERTING message	
Parameter Name	Parameter Value	Comments
sapi	C_Sap0	
logic_ch	ch	
msg	pdu	
<b>Detailed Comments:</b>		

<b>ASP Constraint Declaration</b>		
<b>Constraint Name:</b>	AssCmd(ch:LOGICCH; pdu: ASS_CMD_PDU)	
<b>ASP Type:</b>	DL_DatRqAssCmd	
<b>Derivation Path:</b>		
<b>Comments:</b>	To send an ASSIGNMENT COMMAND message which is assigned in send statement.	
Parameter Name	Parameter Value	Comments
sapi	C_Sap0	
logic_ch	ch	
msg	pdu	
<b>Detailed Comments:</b>		

ASP Constraint Declaration		
<b>Constraint Name:</b>	AssCmp(ch:LOGICCH; pdu:ASS_COM_PDU)	
<b>ASP Type:</b>	DL_DatInAssCom	
<b>Derivation Path:</b>		
<b>Comments:</b>	To match any received ASSIGNMENT COMPLETE message	
Parameter Name	Parameter Value	Comments
sapi	C_Sap0	
logic_ch	ch	
msg	pdu	
fn	?	
<b>Detailed Comments:</b>		

ASP Constraint Declaration		
<b>Constraint Name:</b>	AssFI_02(ch:LOGICCH)	
<b>ASP Type:</b>	DL_DatInAssfl	
<b>Derivation Path:</b>		
<b>Comments:</b>	protocol error undefined	
Parameter Name	Parameter Value	Comments
sapi	C_Sap0	
logic_ch	ch	
msg	AssgnFI_02	
fn	?	
<b>Detailed Comments:</b>		

ASP Constraint Declaration		
<b>Constraint Name:</b>	AssFI_any_cau(ch: LOGICCH)	
<b>ASP Type:</b>	DL_DatInAssfl	
<b>Derivation Path:</b>		
<b>Comments:</b>		
Parameter Name	Parameter Value	Comments
sapi	C_Sap0	
logic_ch	ch	
msg	AssgnFI_01	
fn	?	
<b>Detailed Comments:</b>		

ASP Constraint Declaration		
<b>Constraint Name:</b>	AuthReq(ch: LOGICCH; pdu: AUTH_RQ_PDU)	
<b>ASP Type:</b>	DL_DatRqAuthRq	
<b>Derivation Path:</b>		
<b>Comments:</b>	To send an AUTHENTICATION REQUEST message with default values.	
Parameter Name	Parameter Value	Comments
sapi	C_Sap0	
logic_ch	ch	
msg	pdu	
<b>Detailed Comments:</b>		

ASP Constraint Declaration		
<b>Constraint Name:</b>	AuthRejSnd( ch: LOGICCH; pdu:AUTH_REJ_PDU)	
<b>ASP Type:</b>	DL_DatRqAuthRej	
<b>Derivation Path:</b>		
<b>Comments:</b>	To send an AUTHENTICATION REJECT message with default values.	
Parameter Name	Parameter Value	Comments
sapi	C_Sap0	
logic_ch	ch	
msg	pdu	
<b>Detailed Comments:</b>		

ASP Constraint Declaration		
<b>Constraint Name:</b>	AuthRes(pdu: AUTH_RES_PDU)	
<b>ASP Type:</b>	DL_DatInAuthRes	
<b>Derivation Path:</b>		
<b>Comments:</b>	To match any received AUTHENTICATION RESPONSE message which contains any SRES.	
Parameter Name	Parameter Value	Comments
sapi	C_Sap0	
logic_ch	?	
msg	pdu	
fn	?	
<b>Detailed Comments:</b>		

ASP Constraint Declaration		
<b>Constraint Name:</b>	CallCfm( pdu: CALL_CO_PDU)	
<b>ASP Type:</b>	DL_DatInCallCo	
<b>Derivation Path:</b>		
<b>Comments:</b>	To receive a CC CALL CONFIRMED message.	
Parameter Name	Parameter Value	Comments
sapi	C_Sap0	
logic_ch	?	
msg	pdu	
fn	?	
<b>Detailed Comments:</b>		

ASP Constraint Declaration		
<b>Constraint Name:</b>	CallProc(ch: LOGICCH; pdu: CALL_PROC_PDU)	
<b>ASP Type:</b>	DL_DatRqCallProc	
<b>Derivation Path:</b>		
<b>Comments:</b>	To send a CALL PROCEEDING message.	
Parameter Name	Parameter Value	Comments
sapi	C_Sap0	
logic_ch	ch	
msg	pdu	
<b>Detailed Comments:</b>		

ASP Constraint Declaration		
<b>Constraint Name:</b>	ChmmoAckRcv(ch:LOGICCH; msg:CHMMO_ACK_PDU)	
<b>ASP Type:</b>	DL_DatInChmmoAck	
<b>Derivation Path:</b>		
<b>Comments:</b>		
Parameter Name	Parameter Value	Comments
sapi	C_Sap0	
logic_ch	ch	
msg	msg	
fn	?	
<b>Detailed Comments:</b>		

ASP Constraint Declaration		
<b>Constraint Name:</b>	ChmmoReqSnd(ch:LOGICCH; msg:CHMMO_PDU)	
<b>ASP Type:</b>	DL_DatRqChmmo	
<b>Derivation Path:</b>		
<b>Comments:</b>		
Parameter Name	Parameter Value	Comments
sapi	C_Sap0	
logic_ch	ch	
msg	msg	
<b>Detailed Comments:</b>		

ASP Constraint Declaration		
<b>Constraint Name:</b>	ChRel(ch: LOGICCH; pdu: CH_REL_PDU)	
<b>ASP Type:</b>	DL_DatRqChRel	
<b>Derivation Path:</b>		
<b>Comments:</b>	To send a CHANNEL RELEASE message.	
Parameter Name	Parameter Value	Comments
sapi	C_Sap0	
logic_ch	ch	
msg	pdu	
<b>Detailed Comments:</b>		

ASP Constraint Declaration		
<b>Constraint Name:</b>	ChRel_inv( ch:LOGICCH)	
<b>ASP Type:</b>	DL_DatRqChRelErr	
<b>Derivation Path:</b>		
<b>Comments:</b>	To send a CHANNEL RELEASE message containing additional IE unknown in the RR protocol	
Parameter Name	Parameter Value	Comments
sapi	C_Sap0	
logic_ch	ch	
msg	ChRelease_inv_03	
<b>Detailed Comments:</b> used in TC_26_5_6_3		

ASP Constraint Declaration		
<b>Constraint Name:</b>	ChReq(pdu: CH_RQ_PDU)	
<b>ASP Type:</b>	DL_RaInChRq	
<b>Derivation Path:</b>		
<b>Comments:</b>	To receive a primitive containing a CHANNEL REQUEST message.	
Parameter Name	Parameter Value	Comments
sapi	C_Sap0	
logic_ch	?	
fn	?	
msg	pdu	
<b>Detailed Comments:</b>		

ASP Constraint Declaration		
<b>Constraint Name:</b>	ChReq_01(ch:LOGICCH; pdu:CH_RQ_PDU)	
<b>ASP Type:</b>	DL_RaInChRq	
<b>Derivation Path:</b>		
<b>Comments:</b>	To receive a CHANNEL REQUEST message in cell B	
Parameter Name	Parameter Value	Comments
sapi	C_Sap0	
logic_ch	ch	
fn	?	
msg	pdu	
<b>Detailed Comments:</b>		

ASP Constraint Declaration		
<b>Constraint Name:</b>	CMSerAcp(ch:LOGICCH; pdu: CMS_ACP_PDU)	
<b>ASP Type:</b>	DL_DatRqCmsAcp	
<b>Derivation Path:</b>		
<b>Comments:</b>	To send a CM service accept message.	
Parameter Name	Parameter Value	Comments
sapi	C_Sap0	
logic_ch	ch	
msg	pdu	
<b>Detailed Comments:</b>		

ASP Constraint Declaration		
<b>Constraint Name:</b>	CMSerRej(ch:LOGICCH; pdu: CMS_REJ_PDU)	
<b>ASP Type:</b>	DL_DatRqCmsRej	
<b>Derivation Path:</b>		
<b>Comments:</b>	reject cause = "service or option not available, unspecified"	
Parameter Name	Parameter Value	Comments
sapi	C_Sap0	
logic_ch	ch	
msg	pdu	
<b>Detailed Comments:</b>		

ASP Constraint Declaration		
<b>Constraint Name:</b>	CMSerReq(pdu: CMS_RQ_PDU)	
<b>ASP Type:</b>	DL_EstInCmsRq	
<b>Derivation Path:</b>		
<b>Comments:</b>	To receive a CM SERVICE REQUEST message.	
Parameter Name	Parameter Value	Comments
sapi	C_Sap0	
logic_ch	?	
establish_mode	?	
msg	pdu	
fn	?	
<b>Detailed Comments:</b>		

ASP Constraint Declaration		
<b>Constraint Name:</b>	CMSerDatReq( pdu:CMS_RQ_PDU)	
<b>ASP Type:</b>	DL_DatInCmsRq	
<b>Derivation Path:</b>		
<b>Comments:</b>	To match any received CM SERVICE REQUEST message	
Parameter Name	Parameter Value	Comments
sapi	C_Sap0	
logic_ch	?	
msg	pdu	
fn	?	
<b>Detailed Comments:</b>		

ASP Constraint Declaration		
<b>Constraint Name:</b>	ConnAckRcv(pdu: CONN_ACK_PDU)	
<b>ASP Type:</b>	DL_DatInConnAck	
<b>Derivation Path:</b>		
<b>Comments:</b>	To receive a CONNECT ACKNOWLEDGE message	
Parameter Name	Parameter Value	Comments
sapi	C_Sap0	
logic_ch	?	
msg	pdu	
fn	?	
<b>Detailed Comments:</b>		

ASP Constraint Declaration		
<b>Constraint Name:</b>	ConnAckSnd(ch:LOGICCH; pdu: CONN_ACK_PDU)	
<b>ASP Type:</b>	DL_DatRqConnAck	
<b>Derivation Path:</b>		
<b>Comments:</b>	To send a CONNECT ACKNOWLEDGE message.	
Parameter Name	Parameter Value	Comments
sapi	C_Sap0	
logic_ch	ch	
msg	pdu	
<b>Detailed Comments:</b>		



ASP Constraint Declaration		
<b>Constraint Name:</b>	Conn_invSnd( ch:LOGICCH; pdu:CONN_PDU_ERR)	
<b>ASP Type:</b>	DL_DatRqConnErr	
<b>Derivation Path:</b>		
<b>Comments:</b>	To send a CC CONNECT message containing a mandatory IE coded as comprehension required.	
Parameter Name	Parameter Value	Comments
sapi	C_Sap0	
logic_ch	ch	
msg	pdu	
<b>Detailed Comments:</b>		

ASP Constraint Declaration		
<b>Constraint Name:</b>	ConnRcv(pdu: CONN_PDU)	
<b>ASP Type:</b>	DL_DatInConn	
<b>Derivation Path:</b>		
<b>Comments:</b>	To receive a CC CONNECT message.	
Parameter Name	Parameter Value	Comments
sapi	C_Sap0	
logic_ch	?	
msg	pdu	
fn	?	
<b>Detailed Comments:</b>		

ASP Constraint Declaration		
<b>Constraint Name:</b>	ConnSnd(ch: LOGICCH; pdu: CONN_PDU)	
<b>ASP Type:</b>	DL_DatRqConn	
<b>Derivation Path:</b>		
<b>Comments:</b>	To send a CC CONNECT message.	
Parameter Name	Parameter Value	Comments
sapi	C_Sap0	
logic_ch	ch	
msg	pdu	
<b>Detailed Comments:</b>		

ASP Constraint Declaration		
<b>Constraint Name:</b>	CphCmd(ch: LOGICCH; pdu: CPHM_CMD_PDU)	
<b>ASP Type:</b>	DL_DatRqCphmCmd	
<b>Derivation Path:</b>		
<b>Comments:</b>	To send a CIPHERING MODE COMMAND message.	
Parameter Name	Parameter Value	Comments
sapi	C_Sap0	
logic_ch	ch	
msg	pdu	
<b>Detailed Comments:</b>		

ASP Constraint Declaration		
<b>Constraint Name:</b>	CphCom(pdu: CPHM_COM_PDU)	
<b>ASP Type:</b>	DL_DatInCphmCom	
<b>Derivation Path:</b>		
<b>Comments:</b>	To receive a CIPHERING MODE COMPLETE message.	
Parameter Name	Parameter Value	Comments
sapi	C_Sap0	
logic_ch	?	
msg	pdu	
fn	?	
<b>Detailed Comments:</b>		

ASP Constraint Declaration		
<b>Constraint Name:</b>	Disc_inv(ch: LOGICCH; pdu:DISC_PDU)	
<b>ASP Type:</b>	DL_DatRqDisc	
<b>Derivation Path:</b>		
<b>Comments:</b>	To send a DISCONNECT message containing the transaction ID not refer to the active call.	
Parameter Name	Parameter Value	Comments
sapi	C_Sap0	
logic_ch	ch	
msg	pdu	
<b>Detailed Comments:</b>		

ASP Constraint Declaration		
<b>Constraint Name:</b>	Disc_inv_err(ch:LOGICCH; pdu:DISC_PDU_ERR)	
<b>ASP Type:</b>	DL_DatRqDiscErr	
<b>Derivation Path:</b>		
<b>Comments:</b>	To send a DISCONNECT message containing unknown IEI	
Parameter Name	Parameter Value	Comments
sapi	C_Sap0	
logic_ch	ch	
msg	pdu	
<b>Detailed Comments:</b>		

ASP Constraint Declaration		
<b>Constraint Name:</b>	DiscRcv(ch:LOGICCH; pdu: DISC_PDU)	
<b>ASP Type:</b>	DL_DatInDisc	
<b>Derivation Path:</b>		
<b>Comments:</b>	To match a received DISCONNECT message.	
Parameter Name	Parameter Value	Comments
sapi	C_Sap0	
logic_ch	ch	
msg	pdu	
fn	?	
<b>Detailed Comments:</b>		

<b>ASP Constraint Declaration</b>		
<b>Constraint Name:</b>	DiscSnd(ch:LOGICCH; pdu: DISC_PDU)	
<b>ASP Type:</b>	DL_DatRqDisc	
<b>Derivation Path:</b>		
<b>Comments:</b>	To send a DISCONNECT message.	
Parameter Name	Parameter Value	Comments
sapi	C_Sap0	
logic_ch	ch	
msg	pdu	
<b>Detailed Comments:</b>		

<b>ASP Constraint Declaration</b>		
<b>Constraint Name:</b>	DLEstCo( ch:LOGICCH)	
<b>ASP Type:</b>	DL_EstCo	
<b>Derivation Path:</b>		
<b>Comments:</b>	The ASP is used by the L2 to inform the L3 about the establishment of multiple frame link (L2 -> L3).	
Parameter Name	Parameter Value	Comments
sapi	C_Sap3	
logic_ch	ch	
establish_mode	C_Norm	
<b>Detailed Comments:</b>		

<b>ASP Constraint Declaration</b>		
<b>Constraint Name:</b>	DLEstRq( ch:LOGICCH)	
<b>ASP Type:</b>	DL_EstRq	
<b>Derivation Path:</b>		
<b>Comments:</b>	Request of a layer 2 connection establishment	
Parameter Name	Parameter Value	Comments
sapi	C_Sap3	
logic_ch	ch	
establish_mode	C_Norm	
<b>Detailed Comments:</b>		

<b>ASP Constraint Declaration</b>		
<b>Constraint Name:</b>	DLEstInd(ch :LOGICCH)	
<b>ASP Type:</b>	DL_EstIn	
<b>Derivation Path:</b>		
<b>Comments:</b>	Indication of a layer 2 connection establishment	
Parameter Name	Parameter Value	Comments
sapi	C_Sap0	
logic_ch	ch	
establish_mode	?	
fn	?	
<b>Detailed Comments:</b>		

ASP Constraint Declaration		
<b>Constraint Name:</b>	DLRelInd_01	
<b>ASP Type:</b>	DL_Relln	
<b>Derivation Path:</b>		
<b>Comments:</b>	Layer 2 indication of the layer 2 connection has been released.	
Parameter Name	Parameter Value	Comments
sapi	C_Sap0	
logic_ch	?	
release_mode	?	
outstanding_indicator	?	
fn	?	
<b>Detailed Comments:</b>		

ASP Constraint Declaration		
<b>Constraint Name:</b>	DLRelInd_02	
<b>ASP Type:</b>	DL_Relln	
<b>Derivation Path:</b>		
<b>Comments:</b>	Layer 2 indication of the layer 2 connection has been released.	
Parameter Name	Parameter Value	Comments
sapi	C_Sap0	
logic_ch	?	
release_mode	C_LocEndRel	
outstanding_indicator	?	
fn	?	
<b>Detailed Comments:</b>		

ASP Constraint Declaration		
<b>Constraint Name:</b>	ESetupRcv(pdu: ESETUP_PDU)	
<b>ASP Type:</b>	DL_DatInESetup	
<b>Derivation Path:</b>		
<b>Comments:</b>	To receive an emergency call SETUP message.	
Parameter Name	Parameter Value	Comments
sapi	C_Sap0	
logic_ch	?	
msg	pdu	
fn	?	
<b>Detailed Comments:</b>		

ASP Constraint Declaration		
<b>Constraint Name:</b>	HndOvSnd(ch:LOGICCH; msg:HO_CMD_PDU)	
<b>ASP Type:</b>	DL_DatRqHoCmd	
<b>Derivation Path:</b>		
<b>Comments:</b>	To send a HANDOVER COMMAND indicating a finely synchronised intra cell handover.	
Parameter Name	Parameter Value	Comments
sapi	C_Sap0	
logic_ch	ch	
msg	msg	
<b>Detailed Comments:</b>		

ASP Constraint Declaration		
<b>Constraint Name:</b>	HndOvAcc_01	
<b>ASP Type:</b>	DL_RaInHoacc	
<b>Derivation Path:</b>		
<b>Comments:</b>	To received any HANDOVER ACCESS message.	
Parameter Name	Parameter Value	Comments
sapi	C_Sap0	
logic_ch	?	
msg	HandOverAcc_01	
fn	?	
<b>Detailed Comments:</b>		

ASP Constraint Declaration		
<b>Constraint Name:</b>	HndOvAccRcv(ch: LOGICCH; msg:HOACC_PDU)	
<b>ASP Type:</b>	DL_RaInHoacc	
<b>Derivation Path:</b>		
<b>Comments:</b>	To received any HANDOVER ACCESS message on channel `ch`.	
Parameter Name	Parameter Value	Comments
sapi	C_Sap0	
logic_ch	ch	
msg	msg	
fn	?	
<b>Detailed Comments:</b>		

ASP Constraint Declaration		
<b>Constraint Name:</b>	HndOvFIRcv(ch:LOGICCH; msg :HOFL_PDU)	
<b>ASP Type:</b>	DL_DatInHofl	
<b>Derivation Path:</b>		
<b>Comments:</b>	To match a received HANDOVER FAILURE message containing any RR cause.	
Parameter Name	Parameter Value	Comments
sapi	C_Sap0	
logic_ch	ch	
msg	msg	
fn	?	
<b>Detailed Comments:</b>		

ASP Constraint Declaration		
<b>Constraint Name:</b>	HndOvCmpRcv(ch:LOGICCH; msg:HO_COM_PDU)	
<b>ASP Type:</b>	DL_DatInHoCom	
<b>Derivation Path:</b>		
<b>Comments:</b>	To receive any HANDOVER COMPLETE message on channel ch.	
Parameter Name	Parameter Value	Comments
sapi	C_Sap0	
logic_ch	ch	
msg	msg	
fn	?	
<b>Detailed Comments:</b>		

ASP Constraint Declaration		
<b>Constraint Name:</b>	IDReq(ch:LOGICCH; pdu: ID_RQ_PDU)	
<b>ASP Type:</b>	DL_DatRqldRq	
<b>Derivation Path:</b>		
<b>Comments:</b>	To send IDENTITY REQUEST message	
Parameter Name	Parameter Value	Comments
sapi	C_Sap0	
logic_ch	ch	
msg	pdu	
<b>Detailed Comments:</b>		

ASP Constraint Declaration		
<b>Constraint Name:</b>	IDRes(pdu: ID_RES_PDU)	
<b>ASP Type:</b>	DL_DatInIdRes	
<b>Derivation Path:</b>		
<b>Comments:</b>	To receive a IDENTITY RESPONSE message.	
Parameter Name	Parameter Value	Comments
sapi	C_Sap0	
logic_ch	?	
msg	pdu	
fn	?	
<b>Detailed Comments:</b>		

ASP Constraint Declaration		
<b>Constraint Name:</b>	ImmAss(ch: LOGICCH; pdu: IMMASS_PDU)	
<b>ASP Type:</b>	DL_UdatRqImm	
<b>Derivation Path:</b>		
<b>Comments:</b>	To send an IMMEDIATE ASSIGNMENT message.	
Parameter Name	Parameter Value	Comments
sapi	C_Sap0	
logic_ch	ch	
msg	pdu	
<b>Detailed Comments:</b>		

ASP Constraint Declaration		
<b>Constraint Name:</b>	ImmAssSp(ch:LOGICCH; pgg:PGG; msg:IMMASS_PDU)	
<b>ASP Type:</b>	DL_UdatRqImm_sp	
<b>Derivation Path:</b>		
<b>Comments:</b>	To send an IMMEDIATE ASSIGNMENT message on the MS paging channel.	
Parameter Name	Parameter Value	Comments
sapi	C_Sap0	
logic_ch	ch	
pgg	pgg	
msg	msg	
<b>Detailed Comments:</b>		

ASP Constraint Declaration		
<b>Constraint Name:</b>	ImmAssX( ch:LOGICCH; pdu:IMMASSX_PDU)	
<b>ASP Type:</b>	DL_UdatRqImmssx	
<b>Derivation Path:</b>		
<b>Comments:</b>	To send an IMMEDIATE ASSIGNMENT EXTENDED message which assigns the SDCCH/4 channel for the MS	
Parameter Name	Parameter Value	Comments
sapi	C_Sap0	
logic_ch	ch	
msg	pdu	
<b>Detailed Comments:</b>	The request reference (Rr, Fn) is used for the MS1, whilst (Rr_9, Fn_9) for MS2.	

ASP Constraint Declaration		
<b>Constraint Name:</b>	ImmAssXSp(ch:LOGICCH; pgg:PGG; msg:IMMASSX_PDU)	
<b>ASP Type:</b>	DL_UdatRqImmssx_sp	
<b>Derivation Path:</b>		
<b>Comments:</b>	To send an IMMEDIATE ASSIGNMENT EXTENDED message on the MS paging channel.	
Parameter Name	Parameter Value	Comments
sapi	C_Sap0	
logic_ch	ch	
pgg	pgg	
msg	msg	
<b>Detailed Comments:</b>		

ASP Constraint Declaration		
<b>Constraint Name:</b>	ImmAssRej( ch:LOGICCH; pdu:IMMASS_REJ_PDU)	
<b>ASP Type:</b>	DL_UdatRqImmssRej	
<b>Derivation Path:</b>		
<b>Comments:</b>	To send an IMMEDIATE ASSIGNMENT REJECT message containing normal paging mode and wait indication = 0 seconds.	
Parameter Name	Parameter Value	Comments
sapi	C_Sap0	
logic_ch	ch	
msg	pdu	
<b>Detailed Comments:</b>		

ASP Constraint Declaration		
<b>Constraint Name:</b>	ImmAssRejSp( ch:LOGICCH; pgg:PGG; msg:IMMASS_REJ_PDU)	
<b>ASP Type:</b>	DL_UdatRqImmssRej_sp	
<b>Derivation Path:</b>		
<b>Comments:</b>	To send an IMMEDIATE ASSIGNMENT REJECT message on the MS paging channel.	
Parameter Name	Parameter Value	Comments
sapi	C_Sap0	
logic_ch	ch	
pgg	pgg	
msg	msg	
<b>Detailed Comments:</b>	Only used in TC_26_6_2_4	

ASP Constraint Declaration		
<b>Constraint Name:</b>	ImsiDet( pdu:IMSID_IN_PDU)	
<b>ASP Type:</b>	DL_EstInImsidIn	
<b>Derivation Path:</b>		
<b>Comments:</b>	To match a received IMSI DETACH INDICATION message matching any MS classmark1 value and any mobile identity value	
Parameter Name	Parameter Value	Comments
sapi	C_Sap0	
logic_ch	?	
establish_mode	?	
msg	pdu	
fn	?	
<b>Detailed Comments:</b>		

ASP Constraint Declaration		
<b>Constraint Name:</b>	LocAcp( ch:LOGICCH; pdu:LUP_ACP_PDU)	
<b>ASP Type:</b>	DL_DatRqLupAcp	
<b>Derivation Path:</b>		
<b>Comments:</b>	To send a LOCATION UPDATING ACCEPT message with a new mobile identity TMSI and location area.	
Parameter Name	Parameter Value	Comments
sapi	C_Sap0	
logic_ch	ch	
msg	pdu	
<b>Detailed Comments:</b>		

ASP Constraint Declaration		
<b>Constraint Name:</b>	LocAcp_inv( ch: LOGICCH; mi1, mi2:MI; mcc, mnc, lac:OCTETSTRING)	
<b>ASP Type:</b>	DL_DatRqLupAcpErr	
<b>Derivation Path:</b>		
<b>Comments:</b>	To send a LOCATION UPDATING ACCEPT message with duplicated mobile identities.	
Parameter Name	Parameter Value	Comments
sapi	C_Sap0	
logic_ch	ch	
msg	LocUpdtAcp_inv_01( mi1, mi2, mcc, mnc, lac)	
<b>Detailed Comments:</b>		

ASP Constraint Declaration		
<b>Constraint Name:</b>	LocUp( ch: LOGICCH; pdu:LUP_RQ_PDU)	
<b>ASP Type:</b>	DL_EstInLupRq	
<b>Derivation Path:</b>		
<b>Comments:</b>	To match a received LOCATION UPDATING REQUEST message containing location updating type = IMSI attach.	
Parameter Name	Parameter Value	Comments
sapi	C_Sap0	
logic_ch	ch	
establish_mode	?	
msg	pdu	
fn	?	
<b>Detailed Comments:</b>		



ASP Constraint Declaration		
<b>Constraint Name:</b>	LocRej( ch: LOGICCH; pdu:LUP_REJ_PDU)	
<b>ASP Type:</b>	DL_DatRqLupRej	
<b>Derivation Path:</b>		
<b>Comments:</b>	To send a LOCATION UPDATING REJECT message containing the reject cause IMSI unknown in HLR. Used var's: ch	
Parameter Name	Parameter Value	Comments
sapi	C_Sap0	
logic_ch	ch	
msg	pdu	
<b>Detailed Comments:</b>		

ASP Constraint Declaration		
<b>Constraint Name:</b>	MDLRelReq(ch :LOGICCH)	
<b>ASP Type:</b>	MDL_RelRq	
<b>Derivation Path:</b>		
<b>Comments:</b>		
Parameter Name	Parameter Value	Comments
sapi	C_Sap0	
logic_ch	ch	
release_mode	C_LocEndRel	
<b>Detailed Comments:</b>		

ASP Constraint Declaration		
<b>Constraint Name:</b>	MsrRept( pdu:MSR_RPT_PDU)	
<b>ASP Type:</b>	DL_UdatInMsrRpt	
<b>Derivation Path:</b>		
<b>Comments:</b>	To receive a measurement report without measurement results.	
Parameter Name	Parameter Value	Comments
sapi	C_Sap0	
logic_ch	?	
msg	pdu	
fn	?	
<b>Detailed Comments:</b>		

ASP Constraint Declaration		
<b>Constraint Name:</b>	PgReq1(ch:LOGICCH; pgg:PGG; pg1_req_pdu: PG1_RQ_PDU)	
<b>ASP Type:</b>	DL_UdatRqPg1Rq	
<b>Derivation Path:</b>		
<b>Comments:</b>	To send a PAGING REQUEST TYPE 1 message to the paging group indicated by the parameter pgg which is derived from system parameters. The PAGING REQUEST TYPE1 message requests normal paging mode, any channel and for the MS identity TSPX_TMSI.	
Parameter Name	Parameter Value	Comments
sapi	C_Sap0	
logic_ch	ch	
pgg	pgg	
msg	pg1_req_pdu	
<b>Detailed Comments:</b>		

ASP Constraint Declaration		
<b>Constraint Name:</b>	PgReq2(ch:LOGICCH; pgg:PGG; pg2_req_pdu: PG2_RQ_PDU)	
<b>ASP Type:</b>	DL_UdatRqPg2Rq	
<b>Derivation Path:</b>		
<b>Comments:</b>	To send a PAGING REQUEST TYPE 1 message to the paging group indicated by the parameter pgg which is derived from system parameters. The PAGING REQUEST TYPE1 message requests normal paging mode, any channel and for the MS identity TSPX_TMSI.	
Parameter Name	Parameter Value	Comments
sapi	C_Sap0	
logic_ch	ch	
pgg	pgg	
msg	pg2_req_pdu	
<b>Detailed Comments:</b>		

ASP Constraint Declaration		
<b>Constraint Name:</b>	PgReq3(ch:LOGICCH; pgg:PGG; pg3_req_pdu: PG3_RQ_PDU)	
<b>ASP Type:</b>	DL_UdatRqPg3Rq	
<b>Derivation Path:</b>		
<b>Comments:</b>	To send a PAGING REQUEST TYPE 1 message to the paging group indicated by the parameter pgg which is derived from system parameters. The PAGING REQUEST TYPE1 message requests normal paging mode, any channel and for the MS identity TSPX_TMSI.	
Parameter Name	Parameter Value	Comments
sapi	C_Sap0	
logic_ch	ch	
pgg	pgg	
msg	pg3_req_pdu	
<b>Detailed Comments:</b>		

ASP Constraint Declaration		
<b>Constraint Name:</b>	PagingRes(pdu: PG_RES_PDU)	
<b>ASP Type:</b>	DL_EstInPgRes	
<b>Derivation Path:</b>		
<b>Comments:</b>	To receive a PAGING RESPONSE message.	
Parameter Name	Parameter Value	Comments
sapi	C_Sap0	
logic_ch	?	
establish_mode	?	
msg	pdu	
fn	?	
<b>Detailed Comments:</b>		

ASP Constraint Declaration		
<b>Constraint Name:</b>	PgRes( ch:LOGICCH; pdu:PG_RES_PDU)	
<b>ASP Type:</b>	DL_EstInPgRes	
<b>Derivation Path:</b>		
<b>Comments:</b>	To match any received PAGING RESPONSE message on the channel `ch`.	
Parameter Name	Parameter Value	Comments
sapi	C_Sap0	
logic_ch	ch	
establish_mode	?	
msg	pdu	
fn	?	
<b>Detailed Comments:</b>		

ASP Constraint Declaration		
<b>Constraint Name:</b>	PhyInfo_01(ch: LOGICCH; ta:TA)	
<b>ASP Type:</b>	DL_DatRqPhyinfo	
<b>Derivation Path:</b>		
<b>Comments:</b>		
Parameter Name	Parameter Value	Comments
sapi	C_Sap0	
logic_ch	ch	
msg	Phyinfofor_01(ta)	
<b>Detailed Comments:</b>		

ASP Constraint Declaration		
<b>Constraint Name:</b>	ReleaseRcv(pdu: REL_PDU)	
<b>ASP Type:</b>	DL_DatInRel	
<b>Derivation Path:</b>		
<b>Comments:</b>	To receive a CC RELEASE message.	
Parameter Name	Parameter Value	Comments
sapi	C_Sap0	
logic_ch	?	
msg	pdu	
fn	?	
<b>Detailed Comments:</b>		

ASP Constraint Declaration		
<b>Constraint Name:</b>	ReleaseSnd(ch: LOGICCH; pdu: REL_PDU)	
<b>ASP Type:</b>	DL_DatRqRel	
<b>Derivation Path:</b>		
<b>Comments:</b>	To send a RELEASE message.	
Parameter Name	Parameter Value	Comments
sapi	C_Sap0	
logic_ch	ch	
msg	pdu	
<b>Detailed Comments:</b>		

ASP Constraint Declaration		
<b>Constraint Name:</b>	RelComRcv(pdu: REL_COM_PDU)	
<b>ASP Type:</b>	DL_DatInRelCmp	
<b>Derivation Path:</b>		
<b>Comments:</b>	To receive a RELEASE COMPLETE message.	
Parameter Name	Parameter Value	Comments
sapi	C_Sap0	
logic_ch	?	
msg	pdu	
fn	?	
<b>Detailed Comments:</b>		

ASP Constraint Declaration		
<b>Constraint Name:</b>	RelComSnd(ch:LOGICCH; pdu: REL_COM_PDU)	
<b>ASP Type:</b>	DL_DatRqRelCmp	
<b>Derivation Path:</b>		
<b>Comments:</b>	To send a RELEASE COMPLETE message.	
Parameter Name	Parameter Value	Comments
sapi	C_Sap0	
logic_ch	ch	
msg	pdu	
<b>Detailed Comments:</b>		

ASP Constraint Declaration		
<b>Constraint Name:</b>	SetupRcv(pdu: SETUP_MO_PDU)	
<b>ASP Type:</b>	DL_DatInSetup	
<b>Derivation Path:</b>		
<b>Comments:</b>	To receive a SETUP message.	
Parameter Name	Parameter Value	Comments
sapi	C_Sap0	
logic_ch	?	
msg	pdu	
fn	?	
<b>Detailed Comments:</b>		

ASP Constraint Declaration		
<b>Constraint Name:</b>	SetupSnd(ch: LOGICCH; setup:SETUP_MT_PDU)	
<b>ASP Type:</b>	DL_DatRqSetup	
<b>Derivation Path:</b>		
<b>Comments:</b>	To send a SETUP message which is the input parameter of this ASP.	
Parameter Name	Parameter Value	Comments
sapi	C_Sap0	
logic_ch	ch	
msg	setup	
<b>Detailed Comments:</b>		

ASP Constraint Declaration		
<b>Constraint Name:</b>	SynchInfo(ch:LOGICCH; bcc:BCC; ncc:NCC)	
<b>ASP Type:</b>	DL_UdatRqSchinfo	
<b>Derivation Path:</b>		
<b>Comments:</b>	To send SYNCHRONIZATION INFORMATION message with default parameters.	
Parameter Name	Parameter Value	Comments
sapi	C_Sap0	
logic_ch	ch	
msg	SynchInfor( bcc, ncc)	
<b>Detailed Comments:</b>		

ASP Constraint Declaration		
<b>Constraint Name:</b>	SysInfo1(ch:LOGICCH; cchd:CCHD; maxtx:B_2; txint:B_4; re:B_1)	
<b>ASP Type:</b>	DL_UdatRqSysinfo1	
<b>Derivation Path:</b>		
<b>Comments:</b>	To send SYSTEM INFORMATION TYPE 1 in cell A for RR testing of GSM900.	
Parameter Name	Parameter Value	Comments
sapi	C_Sap0	
logic_ch	ch	
msg	SysInf1(cchd, maxtx, txint, re)	
<b>Detailed Comments:</b>		

ASP Constraint Declaration		
<b>Constraint Name:</b>	SysInfo1_cba(ch:LOGICCH; cchd:CCHD; maxtx:B_2; txint:B_4; re:B_1; cba:B_1; acc:B_5)	
<b>ASP Type:</b>	DL_UdatRqSysinfo1	
<b>Derivation Path:</b>		
<b>Comments:</b>	To send SYSTEM INFORMATION TYPE 1 in cell A for RR testing of GSM900.	
Parameter Name	Parameter Value	Comments
sapi	C_Sap0	
logic_ch	ch	
msg	SysInf1_cba(cchd, maxtx, txint, re, cba, acc)	
<b>Detailed Comments:</b>		

ASP Constraint Declaration		
<b>Constraint Name:</b>	SysInfo1_nh(ch:LOGICCH; ci:CI; mcc, mnc, lac:OCTETSTRING; ccd:CCD; co:CO; crh, mtmc:INTEGER; neci:B_1; maxtx:B_2; txint:B_4; re:B_1)	
<b>ASP Type:</b>	DL_UdatRqSysinfo1_nh	
<b>Derivation Path:</b>		
<b>Comments:</b>		
Parameter Name	Parameter Value	Comments
sapi	C_Sap0	
logic_ch	ch	
msg	SysInf3(ci, mcc, mnc, lac, ccd, co, crh, mtmc, neci, maxtx, txint, re)	
<b>Detailed Comments:</b>		

ASP Constraint Declaration		
<b>Constraint Name:</b>	SysInfo2(ch: LOGICCH; bcchfl: NCD; maxtx:B_2; txint:B_4; re:B_1; nccp:NCCP)	
<b>ASP Type:</b>	DL_UdatRqSysinfo2	
<b>Derivation Path:</b>		
<b>Comments:</b>	To send the default SYSTEM INFORMATION TYPE 2 message containing default neighbour cells description in cell B for GSM900.	
Parameter Name	Parameter Value	Comments
sapi	C_Sap0	
logic_ch	ch	
msg	SysInf2(bcchfl, maxtx, txint, re, nccp)	
<b>Detailed Comments:</b>		

ASP Constraint Declaration		
<b>Constraint Name:</b>	SysInfo2_cba(ch: LOGICCH; bcchfl: NCD; maxtx:B_2; txint:B_4; re:B_1; nccp:NCCP; cba:B_1; acc:B_5)	
<b>ASP Type:</b>	DL_UdatRqSysinfo2	
<b>Derivation Path:</b>		
<b>Comments:</b>	To send the default SYSTEM INFORMATION TYPE 2 message containing default neighbour cells description in cell B for GSM900.	
Parameter Name	Parameter Value	Comments
sapi	C_Sap0	
logic_ch	ch	
msg	SysInf2_cba(bcchfl, maxtx, txint, re, nccp, cba, acc)	
<b>Detailed Comments:</b>		

ASP Constraint Declaration		
<b>Constraint Name:</b>	SysInfo2bis(ch: LOGICCH; bcchflegsm: NCD)	
<b>ASP Type:</b>	DL_UdatRqSysinfo2bis	
<b>Derivation Path:</b>		
<b>Comments:</b>	SYSTEM INFORMATION 2bis in cell A under EGSM with the ARFCN list = {988, 990, 1003}.	
Parameter Name	Parameter Value	Comments
sapi	C_Sap0	
logic_ch	ch	
msg	SysInf2bis(bcchflegsm)	
<b>Detailed Comments:</b>		

ASP Constraint Declaration		
<b>Constraint Name:</b>	SysInfo2bis_egsm(ch: LOGICCH; freqlst:NCD)	
<b>ASP Type:</b>	DL_UdatRqSysinfo2bis	
<b>Derivation Path:</b>		
<b>Comments:</b>	SYSTEM INFORMATION 2bis under EGSM with the ARFCN list = freqlst.	
Parameter Name	Parameter Value	Comments
sapi	C_Sap0	
logic_ch	ch	
msg	SysInf2bis_egsm(freqlst)	
<b>Detailed Comments:</b>		

ASP Constraint Declaration		
<b>Constraint Name:</b>	SysInfo2ter(ch: LOGICCH; fl: NCD2)	
<b>ASP Type:</b>	DL_UdatRqSysinfo2ter	
<b>Derivation Path:</b>		
<b>Comments:</b>	SYSTEM INFORMATION 2ter with ther ARFCN list = fl.	
Parameter Name	Parameter Value	Comments
sapi	C_Sap0	
logic_ch	ch	
msg	SysInf2ter(fl)	
<b>Detailed Comments:</b>		

ASP Constraint Declaration		
<b>Constraint Name:</b>	SysInfo3(ch:LOGICCH; ci:CI; mcc, mnc, lac:OCTETSTRING; ccd:CCD; co:CO; crh, mtmc:INTEGER; neci:B_1; maxtx:B_2; txint:B_4; re:B_1)	
<b>ASP Type:</b>	DL_UdatRqSysinfo3	
<b>Derivation Path:</b>		
<b>Comments:</b>		
Parameter Name	Parameter Value	Comments
sapi	C_Sap0	
logic_ch	ch	
msg	SysInf3(ci, mcc, mnc, lac, ccd, co, crh, mtmc, neci, maxtx, txint, re)	
<b>Detailed Comments:</b>		

ASP Constraint Declaration		
<b>Constraint Name:</b>	SysInfo3_ram_cba(ch:LOGICCH; ci:CI; mcc, mnc, lac:OCTETSTRING; ccd:CCD; co:CO; crh, mtmc:INTEGER; neci:B_1; maxtx:B_2; txint:B_4; re:B_1; ram:B_6; cba, cbq:B_1; acc:B_5)	
<b>ASP Type:</b>	DL_UdatRqSysinfo3	
<b>Derivation Path:</b>		
<b>Comments:</b>		
Parameter Name	Parameter Value	Comments
sapi	C_Sap0	
logic_ch	ch	
msg	SysInf3_ram_cba(ci, mcc, mnc, lac, ccd, co, crh, mtmc, neci, maxtx, txint, re, ram, cba, cbq, acc)	
<b>Detailed Comments:</b>		

ASP Constraint Declaration		
<b>Constraint Name:</b>	SysInfo3_rpct(ch:LOGICCH; ci:CI; mcc, mnc, lac:OCTETSTRING; ccd:CCD; co:CO; crh, mtmc:INTEGER; neci:B_1; maxtx:B_2; txint:B_4; re:B_1; ram:B_6; pt:B_5; cro:B_6; to:B_3)	
<b>ASP Type:</b>	DL_UdatRqSysinfo3	
<b>Derivation Path:</b>		
<b>Comments:</b>		
Parameter Name	Parameter Value	Comments
sapi	C_Sap0	
logic_ch	ch	
msg	SysInf3_rpct(ci, mcc, mnc, lac, ccd, co, crh, mtmc, neci, maxtx, txint, re, ram, pt, cro, to)	
<b>Detailed Comments:</b>		

ASP Constraint Declaration		
<b>Constraint Name:</b>	SysInfo3_ti(ch:LOGICCH; ci:CI; mcc, mnc, lac:OCTETSTRING; ccd:CCD; co:CO; crh, mtmc:INTEGER; neci:B_1; maxtx:B_2; txint:B_4; re:B_1; ram:B_6; pt:B_5; cro:B_6; to:B_3)	
<b>ASP Type:</b>	DL_UdatRqSysinfo3	
<b>Derivation Path:</b>		
<b>Comments:</b>		
Parameter Name	Parameter Value	Comments
sapi	C_Sap0	
logic_ch	ch	
msg	SysInf3_ti(ci, mcc, mnc, lac, ccd, co, crh, mtmc, neci, maxtx, txint, re, ram, pt, cro, to)	
<b>Detailed Comments:</b>		

<b>ASP Constraint Declaration</b>		
<b>Constraint Name:</b>	SysInfo3_rpctp(ch:LOGICCH; ci:CI; mcc, mnc, lac:OCTETSTRING; ccd:CCD; co:CO; crh, mtmc:INTEGER; neci:B_1; maxtx:B_2; txint:B_4; re:B_1; ram:B_6; pt:B_5; cro:B_6; to:B_3; po:B_2)	
<b>ASP Type:</b>	DL_UdatRqSysinfo3	
<b>Derivation Path:</b>		
<b>Comments:</b>		
Parameter Name	Parameter Value	Comments
sapi logic_ch msg	C_Sap0 ch SysInf3_rpctp(ci, mcc, mnc, lac, ccd, co, crh, mtmc, neci, maxtx, txint, re, ram, pt, cro, to, po)	
<b>Detailed Comments:</b>		

<b>ASP Constraint Declaration</b>		
<b>Constraint Name:</b>	SysInfo4(ch:LOGICCH; mcc, mnc, lac:OCTETSTRING; crh, mtmc:INTEGER; neci:B_1; maxtx:B_2; txint:B_4; re:B_1)	
<b>ASP Type:</b>	DL_UdatRqSysinfo4	
<b>Derivation Path:</b>		
<b>Comments:</b>	To send a default SYSTEM INFORMATION TYPE 4 message	
Parameter Name	Parameter Value	Comments
sapi logic_ch msg	C_Sap0 ch SysInf4(mcc, mnc, lac, crh, mtmc, neci, maxtx, txint, re)	
<b>Detailed Comments:</b>		

<b>ASP Constraint Declaration</b>		
<b>Constraint Name:</b>	SysInfo4_bis(ch:LOGICCH; mcc, mnc, lac:OCTETSTRING; crh, mtmc:INTEGER; neci:B_1; maxtx:B_2; txint:B_4; re:B_1; ram:B_6)	
<b>ASP Type:</b>	DL_UdatRqSysinfo4	
<b>Derivation Path:</b>		
<b>Comments:</b>	To send a default SYSTEM INFORMATION TYPE 4 message	
Parameter Name	Parameter Value	Comments
sapi logic_ch msg	C_Sap0 ch SysInf4_bis(mcc, mnc, lac, crh, mtmc, neci, maxtx, txint, re, ram)	
<b>Detailed Comments:</b>		

<b>ASP Constraint Declaration</b>		
<b>Constraint Name:</b>	SysInfo4_CBMS(ch:LOGICCH; mcc, mnc, lac:OCTETSTRING; crh, mtmc:INTEGER; neci:B_1; maxtx:B_2; txint:B_4; re:B_1; cbchd:CHD)	
<b>ASP Type:</b>	DL_UdatRqSysinfo4	
<b>Derivation Path:</b>		
<b>Comments:</b>	To send a SYSTEM INFORMATION TYPE 4 message for SMSCB with the values or GSM 11.10, 34.3	
Parameter Name	Parameter Value	Comments
sapi logic_ch msg	C_Sap0 ch SysInf4_CBMS(mcc, mnc, lac, crh, mtmc, neci, maxtx, txint, re, cbchd)	
<b>Detailed Comments:</b>		



<b>ASP Constraint Declaration</b>		
<b>Constraint Name:</b>	SysInfo4_ram_cba(ch:LOGICCH; mcc, mnc, lac:OCTETSTRING; crh, mtmc:INTEGER; neci:B_1; maxtx:B_2; txint:B_4; re:B_1; ram:B_6; cba, cbq:B_1; acc:B_5)	
<b>ASP Type:</b>	DL_UdatRqSysinfo4	
<b>Derivation Path:</b>		
<b>Comments:</b>	To send a default SYSTEM INFORMATION TYPE 4 message	
Parameter Name	Parameter Value	Comments
sapi	C_Sap0	
logic_ch	ch	
msg	SysInf4_ram_cba(mcc, mnc, lac, crh, mtmc, neci, maxtx, txint, re, ram, cba, cbq, acc)	
<b>Detailed Comments:</b>		

<b>ASP Constraint Declaration</b>		
<b>Constraint Name:</b>	SysInfo4_rpct(ch:LOGICCH; mcc, mnc, lac:OCTETSTRING; crh, mtmc:INTEGER; neci:B_1; maxtx:B_2; txint:B_4; re:B_1; ram:B_6; pt:B_5; cro:B_6; to:B_3)	
<b>ASP Type:</b>	DL_UdatRqSysinfo4	
<b>Derivation Path:</b>		
<b>Comments:</b>	To send a default SYSTEM INFORMATION TYPE 4 message	
Parameter Name	Parameter Value	Comments
sapi	C_Sap0	
logic_ch	ch	
msg	SysInf4_rpct(mcc, mnc, lac, crh, mtmc, neci, maxtx, txint, re, ram, pt, cro, to)	
<b>Detailed Comments:</b>		

<b>ASP Constraint Declaration</b>		
<b>Constraint Name:</b>	SysInfo4_rpctp(ch:LOGICCH; mcc, mnc, lac:OCTETSTRING; crh, mtmc:INTEGER; neci:B_1; maxtx:B_2; txint:B_4; re:B_1; ram:B_6; pt:B_5; cro:B_6; to:B_3; po:B_2)	
<b>ASP Type:</b>	DL_UdatRqSysinfo4	
<b>Derivation Path:</b>		
<b>Comments:</b>	To send a default SYSTEM INFORMATION TYPE 4 message	
Parameter Name	Parameter Value	Comments
sapi	C_Sap0	
logic_ch	ch	
msg	SysInf4_rpctp(mcc, mnc, lac, crh, mtmc, neci, maxtx, txint, re, ram, pt, cro, to, po)	
<b>Detailed Comments:</b>		

<b>ASP Constraint Declaration</b>		
<b>Constraint Name:</b>	SysInfo5(sacch: LOGICCH; sysinfo5_pdu:SYSINFO5_PDU)	
<b>ASP Type:</b>	DL_UdatRqSysinfo5	
<b>Derivation Path:</b>		
<b>Comments:</b>	To send a SYSTEM INFORMATION TYPE 5 message.	
Parameter Name	Parameter Value	Comments
sapi	C_Sap0	
logic_ch	sacch	
msg	sysinfo5_pdu	
<b>Detailed Comments:</b>		

<b>ASP Constraint Declaration</b>		
<b>Constraint Name:</b>	SysInfo5bis(sacch: LOGICCH; sysinfo5bis_pdu:SYSINFO5bis_PDU)	
<b>ASP Type:</b>	DL_UdatRqSysinfo5bis	
<b>Derivation Path:</b>		
<b>Comments:</b>	To send a SYSTEM INFORMATION TYPE 5bis message.	
Parameter Name	Parameter Value	Comments
sapi	C_Sap0	
logic_ch	sacch	
msg	sysinfo5bis_pdu	
<b>Detailed Comments:</b>		

<b>ASP Constraint Declaration</b>		
<b>Constraint Name:</b>	SysInfo5ter(sacch: LOGICCH; sysinfo5ter_pdu:SYSINFO5ter_PDU)	
<b>ASP Type:</b>	DL_UdatRqSysinfo5ter	
<b>Derivation Path:</b>		
<b>Comments:</b>	To send a SYSTEM INFORMATION TYPE 5ter message.	
Parameter Name	Parameter Value	Comments
sapi	C_Sap0	
logic_ch	sacch	
msg	sysinfo5ter_pdu	
<b>Detailed Comments:</b>		

<b>ASP Constraint Declaration</b>		
<b>Constraint Name:</b>	SysInfo6(sacch: LOGICCH; sysinfo6_pdu:SYSINFO6_PDU)	
<b>ASP Type:</b>	DL_UdatRqSysinfo6	
<b>Derivation Path:</b>		
<b>Comments:</b>	To send a SYSTEM INFORMATION TYPE 6 message.	
Parameter Name	Parameter Value	Comments
sapi	C_Sap0	
logic_ch	sacch	
msg	sysinfo6_pdu	
<b>Detailed Comments:</b>		

<b>ASP Constraint Declaration</b>		
<b>Constraint Name:</b>	SysInfo7(ch:LOGICCH; pt:B_5; cro:B_6; to:B_3)	
<b>ASP Type:</b>	DL_UdatRqSysinfo7	
<b>Derivation Path:</b>		
<b>Comments:</b>	To send a default SYSTEM INFORMATION TYPE 7 message	
Parameter Name	Parameter Value	Comments
sapi	C_Sap0	
logic_ch	ch	
msg	SysInf7(pt, cro, to)	
<b>Detailed Comments:</b>		

<b>ASP Constraint Declaration</b>		
<b>Constraint Name:</b>	SysInfo8(ch:LOGICCH; pt:B_5; cro:B_6; to:B_3)	
<b>ASP Type:</b>	DL_UdatRqSysinfo8	
<b>Derivation Path:</b>		
<b>Comments:</b>	To send a default SYSTEM INFORMATION TYPE 8 message	
Parameter Name	Parameter Value	Comments
sapi	C_Sap0	
logic_ch	ch	
msg	SysInf8(pt, cro, to)	
<b>Detailed Comments:</b>		

ASP Constraint Declaration		
<b>Constraint Name:</b>	TmsiReallocSnd( par:MI; ch:LOGICCH; mcc, mnc, lac:OCTETSTRING)	
<b>ASP Type:</b>	DL_DatRqTmsireCmd	
<b>Derivation Path:</b>		
<b>Comments:</b>	To send a TMSI REALLOCATION COMMAND message.	
Parameter Name	Parameter Value	Comments
sapi	C_Sap0	
logic_ch	ch	
msg	TmsiReallocCmd(par, mcc, mnc, lac)	
<b>Detailed Comments:</b>		

ASP Constraint Declaration		
<b>Constraint Name:</b>	TmsiReallocCmp( ch:LOGICCH)	
<b>ASP Type:</b>	DL_DatInTmsireCom	
<b>Derivation Path:</b>		
<b>Comments:</b>	To receive a TMSI REALLOCATION COMPLETE message.	
Parameter Name	Parameter Value	Comments
sapi	C_Sap0	
logic_ch	ch	
msg	TmsiReallocComp	
fn	?	
<b>Detailed Comments:</b>		

#### PDU constraint declarations

#### TTCN PDU constraint declarations

PDU Constraint Declaration		
<b>Constraint Name:</b>	Alerting_01(Ti :TI)	
<b>PDU Type:</b>	ALERT_PDU	
<b>Derivation Path:</b>		
<b>Comments:</b>	An ALERTING message containing mandatory IE's only to be sent to the MS.	
Field Name	Field Value	Comments
ti	Ti	
ccpd	'0011'B	
mt	'00000001'B	
fie	-	
pi	-	
uu	-	
ssvi	-	
<b>Detailed Comments:</b>		

PDU Constraint Declaration		
<b>Constraint Name:</b>	Alerting_04(Ti :TI; fie:FIE)	
<b>PDU Type:</b>	ALERT_PDU	
<b>Derivation Path:</b>		
<b>Comments:</b>	An ALERTING message containing facility IE to be sent to the MS.	
Field Name	Field Value	Comments
ti	Ti	
ccpd	'0011'B	
mt	'00000001'B	
fie	fie	
pi	-	
uu	-	
ssvi	-	
<b>Detailed Comments:</b>		

PDU Constraint Declaration		
<b>Constraint Name:</b>	AlertingInd_01( ti:TI)	
<b>PDU Type:</b>	ALERT_PDU	
<b>Derivation Path:</b>		
<b>Comments:</b>	To match an received ALERTING message	
Field Name	Field Value	Comments
ti	ti	
ccpd	'0011'B	
mt	'0?000001'B	
fie	*	
pi	-	
uu	*	
ssvi	*	
<b>Detailed Comments:</b>		

PDU Constraint Declaration		
<b>Constraint Name:</b>	AlertingInd_02(Ti:TI)	
<b>PDU Type:</b>	ALERT_PDU	
<b>Derivation Path:</b>		
<b>Comments:</b>	To match an received ALERTING message	
Field Name	Field Value	Comments
ti	Ti	
ccpd	'0011'B	
mt	'0?000001'B	
fie	*	
pi	-	
uu	*	
ssvi	*	
<b>Detailed Comments:</b>		

PDU Constraint Declaration		
<b>Constraint Name:</b>	AsgnCmd_nfh( type:CH_TDMA; slot:SN; tsc:TSC; par_pwlvl, arfcn:INTEGER; cchd:CCHD; chmod:CHMOD; strt:STRT; cphms:CPHMS)	
<b>PDU Type:</b>	ASS_CMD_PDU	
<b>Derivation Path:</b>		
<b>Comments:</b>	An ASSIGNMENT COMMAND message. The channel mode and type are specified as parameters.	
Field Name	Field Value	Comments
ski	'0000'B	
rrpd	'0110'B	
mt	'00101110'B	
ch1d_at	ChDescrp_nfh( type, slot, tsc, arfcn)	
pcmd	Pcmd_19(INT_TO_BIT(par_pwlvl, 5))	
frql_at	-	
cchd	cchd	
ch1mod	chmod	
ch2d_at	-	
ch2mod	-	
ma_at	-	
strt	strt	
frql_bt	-	
ch1d_bt	-	
ch2d_bt	-	
frqchs_bt	-	
ma_bt	-	
cphms	cphms	
<b>Detailed Comments:</b> used iin CC testing		

PDU Constraint Declaration		
<b>Constraint Name:</b>	AsgnCmd_inv_01(slot:SN; tsc:TSC)	
<b>PDU Type:</b>	ASS_CMD_PDU	
<b>Derivation Path:</b>		
<b>Comments:</b>	An ASSIGNMENT COMMAND message containing invalid skip identifier	
Field Name	Field Value	Comments
ski	'0100'B	
rrpd	'0110'B	
mt	'00101110'B	
ch1d_at	ChDescrp_nfh( '00001'B, slot, tsc, C_arfcnA)	
pcmd	Pcmd_19('01001'B)	
frql_at	-	
cchd	-	
ch1mod	-	
ch2d_at	-	
ch2mod	-	
ma_at	-	
strt	-	
frql_bt	-	
ch1d_bt	-	
ch2d_bt	-	
frqchs_bt	-	
ma_bt	-	
cphms	-	
<b>Detailed Comments:</b>		

PDU Constraint Declaration		
<b>Constraint Name:</b>	AsgnCmp_02	
<b>PDU Type:</b>	ASS_COM_PDU	
<b>Derivation Path:</b>		
<b>Comments:</b>	An ASSIGNMENT COMPLETE message containing any cause.	
Field Name	Field Value	Comments
ski	'0000'B	
rrpd	'0110'B	
mt	'00101001'B	
rrcau	?	
<b>Detailed Comments:</b>		

PDU Constraint Declaration		
<b>Constraint Name:</b>	AssgnFI_01	
<b>PDU Type:</b>	ASSFL_PDU	
<b>Derivation Path:</b>		
<b>Comments:</b>		
Field Name	Field Value	Comments
ski	'0000'B	
rrpd	'0110'B	
mt	'00101111'B	
rrcau	?	
<b>Detailed Comments:</b>		

PDU Constraint Declaration		
<b>Constraint Name:</b>	AssgnFI_02	
<b>PDU Type:</b>	ASSFL_PDU	
<b>Derivation Path:</b>	AssgnFI_01.	
<b>Comments:</b>	#6F	
Field Name	Field Value	Comments
rrcau	'01101111'B	
<b>Detailed Comments:</b>		

PDU Constraint Declaration		
<b>Constraint Name:</b>	Abortmsg_01(par: REJCAU)	
<b>PDU Type:</b>	ABRT_PDU	
<b>Derivation Path:</b>		
<b>Comments:</b>	An ABORT message with reject cause which should be given as parameter.	
Field Name	Field Value	Comments
ski	'0000'B	
mmpd	'0101'B	
mt	'00101001'B	
rejcau	par	
<b>Detailed Comments:</b>		

PDU Constraint Declaration		
<b>Constraint Name:</b>	AuthRequest(cksn: B_3; rand:RAND)	
<b>PDU Type:</b>	AUTH_RQ_PDU	
<b>Derivation Path:</b>		
<b>Comments:</b>	An AUTHENTICATION REQUEST message containing default ciphering key sequence number and default challenge RAND from PIXIT.	
Field Name	Field Value	Comments
ski	'0000'B	
mmpd	'0101'B	
mt	'00010010'B	
shoct	'0000'B	
cphksn	CphKeySN_07(cksn)	
rand	rand	
<b>Detailed Comments:</b>		

PDU Constraint Declaration		
<b>Constraint Name:</b>	AuthResponse	
<b>PDU Type:</b>	AUTH_RES_PDU	
<b>Derivation Path:</b>		
<b>Comments:</b>	An AUTHENTICATION RESPONSE message matching any SRES.	
Field Name	Field Value	Comments
ski	'0000'B	
mmpd	'0101'B	
mt	'0?010100'B	
sres	?	
<b>Detailed Comments:</b>		

PDU Constraint Declaration		
<b>Constraint Name:</b>	CallProced_01(Ti:TI)	
<b>PDU Type:</b>	CALL_PROC_PDU	
<b>Derivation Path:</b>		
<b>Comments:</b>	An CALL PROCEEDING message with mandatory IE's only.	
Field Name	Field Value	Comments
ti	Ti	
ccpd	'0011'B	
mt	'00000010'B	
bcri	-	
bcap1	-	
bcap2	-	
fie	-	
pi	-	
<b>Detailed Comments:</b>		

PDU Constraint Declaration		
<b>Constraint Name:</b>	CallProced_03	
<b>PDU Type:</b>	CALL_PROC_PDU	
<b>Derivation Path:</b>		
<b>Comments:</b>	An CALL PROCEEDING message templet used for CallProcGen	
Field Name	Field Value	Comments
ti	?	
ccpd	'0011'B	
mt	'00000010'B	
bcri	-	
bcap1	-	
bcap2	-	
fie	-	
pi	-	
<b>Detailed Comments:</b>		

PDU Constraint Declaration		
<b>Constraint Name:</b>	CCStatus_01(Ti:TI)	
<b>PDU Type:</b>	CCST_PDU	
<b>Derivation Path:</b>		
<b>Comments:</b>	A CC STATUS message to match any received CC STATUS.	
Field Name	Field Value	Comments
ti	Ti	
ccpd	'0011'B	
mt	'0?111101'B	
cau	?	
cst	?	
acst	*	
<b>Detailed Comments:</b>		

PDU Constraint Declaration		
<b>Constraint Name:</b>	CCStatus_inv_01( ti:TI)	
<b>PDU Type:</b>	CCST_PDU	
<b>Derivation Path:</b>		
<b>Comments:</b>	A CC STATUS message without mandatory cause IE and call state IE.	
Field Name	Field Value	Comments
ti	ti	
ccpd	'0011'B	
mt	'00111101'B	
cau	-	
cst	-	
acst	-	
<b>Detailed Comments:</b>		

PDU Constraint Declaration		
<b>Constraint Name:</b>	CCStatusEq_01(Ti:TI)	
<b>PDU Type:</b>	CCST_ENQ_PDU	
<b>Derivation Path:</b>		
<b>Comments:</b>	A STATUS ENQUIRY message	
Field Name	Field Value	Comments
ti	Ti	
ccpd	'0011'B	
mt	'00110100'B	
<b>Detailed Comments:</b>		

PDU Constraint Declaration		
<b>Constraint Name:</b>	ChmomoAck_01(chmd:CHMOD; chd: CHD)	
<b>PDU Type:</b>	CHMMO_ACK_PDU	
<b>Derivation Path:</b>		
<b>Comments:</b>		
Field Name	Field Value	Comments
ski	'0000'B	
rrpd	'0110'B	
mt	'00010111'B	
chd	chd	
chmod	chmd	
<b>Detailed Comments:</b>		

PDU Constraint Declaration		
<b>Constraint Name:</b>	ChmomoAck_02(chmd:CHMOD; chd:CHD)	
<b>PDU Type:</b>	CHMMO_ACK_PDU	
<b>Derivation Path:</b>		
<b>Comments:</b>		
Field Name	Field Value	Comments
ski	'0000'B	
rrpd	'0110'B	
mt	'00010111'B	
chd	chd	
chmod	chmd	
<b>Detailed Comments:</b>		



PDU Constraint Declaration		
<b>Constraint Name:</b>	ChmomoReq_01(chmd:CHMOD; chd:CHD)	
<b>PDU Type:</b>	CHMMO_PDU	
<b>Derivation Path:</b>		
<b>Comments:</b>	the channel being modified is default full rate traffic channel.	
Field Name	Field Value	Comments
ski	'0000'B	
rrpd	'0110'B	
mt	'00010000'B	
chd	chd	
chmod	chmd	
<b>Detailed Comments:</b>		

PDU Constraint Declaration		
<b>Constraint Name:</b>	ChmomoReq_02(chmd:CHMOD; chd:CHD)	
<b>PDU Type:</b>	CHMMO_PDU	
<b>Derivation Path:</b>		
<b>Comments:</b>		
Field Name	Field Value	Comments
ski	'0000'B	
rrpd	'0110'B	
mt	'00010000'B	
chd	chd	
chmod	chmd	
<b>Detailed Comments:</b>		

PDU Constraint Declaration		
<b>Constraint Name:</b>	ChRelease_01	
<b>PDU Type:</b>	CH_REL_PDU	
<b>Derivation Path:</b>		
<b>Comments:</b>	A CHANNEL RELEASE message with RR cause = normal event	
Field Name	Field Value	Comments
ski	'0000'B	
rrpd	'0110'B	
mt	'00001101'B	
rrcau	'00000000'B	
<b>Detailed Comments:</b>		

PDU Constraint Declaration		
<b>Constraint Name:</b>	ChRelease_inv_01	
<b>PDU Type:</b>	CH_REL_PDU	
<b>Derivation Path:</b>	ChRelease_01.	
<b>Comments:</b>	An invalid CHANNEL RELEASE message without mandatory IE RR cause	
Field Name	Field Value	Comments
rrcau	-	
<b>Detailed Comments:</b>		

PDU Constraint Declaration		
<b>Constraint Name:</b>	ChRelease_inv_02	
<b>PDU Type:</b>	CH_REL_PDU	
<b>Derivation Path:</b>	ChRelease_01.	
<b>Comments:</b>	A CHANNEL RELEASE message containing incorrect skip indicator 6.	
Field Name	Field Value	Comments
ski	'0110'B	
<b>Detailed Comments:</b>		

PDU Constraint Declaration		
<b>Constraint Name:</b>	ChRelease_inv_03	
<b>PDU Type:</b>	CH_REL_PDU_ERR	
<b>Derivation Path:</b>		
<b>Comments:</b>	A CHANNEL RELEASE message containing additional IE unknown in the RR protocol	
Field Name	Field Value	Comments
ski	'0000'B	
rrpd	'0110'B	
mt	'00001101'B	
rrcau	'00000000'B	
add	'6205AA55EF6701'O	
<b>Detailed Comments:</b>		

PDU Constraint Declaration		
<b>Constraint Name:</b>	ChRequest_01	
<b>PDU Type:</b>	CH_RQ_PDU	
<b>Derivation Path:</b>		
<b>Comments:</b>	A CHANNEL REQUEST message containing establishment cause = answer to paging.	
Field Name	Field Value	Comments
ecau_rrf	'100?????'B	
<b>Detailed Comments:</b>		

PDU Constraint Declaration		
<b>Constraint Name:</b>	ChRequest_02	
<b>PDU Type:</b>	CH_RQ_PDU	
<b>Derivation Path:</b>		
<b>Comments:</b>	To match any received CHANNEL REQUEST message	
Field Name	Field Value	Comments
ecau_rrf	'????????'B	
<b>Detailed Comments:</b>		

PDU Constraint Declaration		
<b>Constraint Name:</b>	ChRequest_03	
<b>PDU Type:</b>	CH_RQ_PDU	
<b>Derivation Path:</b>		
<b>Comments:</b>	To match the received CHANNEL REQUEST message containing establishment cause = '0001'B, "other procedures which can be completed with an SDCCH".	
Field Name	Field Value	Comments
ecau_rrf	'0001????'B	
<b>Detailed Comments:</b>		

PDU Constraint Declaration		
<b>Constraint Name:</b>	ChRequest_04	
<b>PDU Type:</b>	CH_RQ_PDU	
<b>Derivation Path:</b>		
<b>Comments:</b>	To match the received CHANNEL REQUEST message which originates a call (establishment cause = '111'B), "Originating call and TCH/F is needed, or IMSI detach, SMS or SS procedures that can be completed with an SDCCH and NECI set to 0".	
Field Name	Field Value	Comments
ecau_rrf	'111?????'B	
<b>Detailed Comments:</b>		

PDU Constraint Declaration		
<b>Constraint Name:</b>	ChRequest_05	
<b>PDU Type:</b>	CH_RQ_PDU	
<b>Derivation Path:</b>		
<b>Comments:</b>	To match the received CHANNEL REQUEST message containing establishment cause = '0100'B, "Originating speech call from dual-rate mobile station when TCH/H is sufficient and the network sets NECI bit to 1"	
Field Name	Field Value	Comments
ecau_rrf	'0100????'B	
<b>Detailed Comments:</b>		

PDU Constraint Declaration		
<b>Constraint Name:</b>	ChRequest_06	
<b>PDU Type:</b>	CH_RQ_PDU	
<b>Derivation Path:</b>		
<b>Comments:</b>	To match the received CHANNEL REQUEST message which originates a half rate data call (establishment cause = '0101'B).	
Field Name	Field Value	Comments
ecau_rrf	'0101????'B	
<b>Detailed Comments:</b>		

PDU Constraint Declaration		
<b>Constraint Name:</b>	ChRequest_07	
<b>PDU Type:</b>	CH_RQ_PDU	
<b>Derivation Path:</b>		
<b>Comments:</b>	To match the received CHANNEL REQUEST message with establishment cause = '0010'B.	
Field Name	Field Value	Comments
ecau_rrf	'0010????'B	
<b>Detailed Comments:</b>		

PDU Constraint Declaration		
<b>Constraint Name:</b>	ChRequest_08	
<b>PDU Type:</b>	CH_RQ_PDU	
<b>Derivation Path:</b>		
<b>Comments:</b>	To match the received CHANNEL REQUEST message with establishment cause = '0011'B.	
Field Name	Field Value	Comments
ecau_rrf	'0011????'B	
<b>Detailed Comments:</b>		

PDU Constraint Declaration		
<b>Constraint Name:</b>	ChRequest_09	
<b>PDU Type:</b>	CH_RQ_PDU	
<b>Derivation Path:</b>		
<b>Comments:</b>	To match the received CHANNEL REQUEST message with establishment cause = '000'B.	
Field Name	Field Value	Comments
ecau_rrf	'000?????'B	
<b>Detailed Comments:</b>		

PDU Constraint Declaration		
<b>Constraint Name:</b>	ChRequest_10	
<b>PDU Type:</b>	CH_RQ_PDU	
<b>Derivation Path:</b>		
<b>Comments:</b>	A CHANNEL REQUEST message with establishment cause = '110'B.	
Field Name	Field Value	Comments
ecau_rrf	'110?????'B	
<b>Detailed Comments:</b>		

PDU Constraint Declaration		
<b>Constraint Name:</b>	ChRequest_11	
<b>PDU Type:</b>	CH_RQ_PDU	
<b>Derivation Path:</b>		
<b>Comments:</b>	To match the received CHANNEL REQUEST message with establishment cause = '011010'B.	
Field Name	Field Value	Comments
ecau_rrf	'011010???'B	
<b>Detailed Comments:</b>		

PDU Constraint Declaration		
<b>Constraint Name:</b>	ChRequest_12	
<b>PDU Type:</b>	CH_RQ_PDU	
<b>Derivation Path:</b>		
<b>Comments:</b>	To match the received CHANNEL REQUEST message with establishment cause = '100'B.	
Field Name	Field Value	Comments
ecau_rrf	'100?????'B	
<b>Detailed Comments:</b>		

PDU Constraint Declaration		
<b>Constraint Name:</b>	ChRequest_13	
<b>PDU Type:</b>	CH_RQ_PDU	
<b>Derivation Path:</b>		
<b>Comments:</b>	To match the received CHANNEL REQUEST message with establishment cause = '100'B or '0010'B or '0001'B.	
Field Name	Field Value	Comments
ecau_rrf	('100?????'B, '0010?????'B, '0001?????'B)	
<b>Detailed Comments:</b>		

PDU Constraint Declaration		
<b>Constraint Name:</b>	ChRequest_14	
<b>PDU Type:</b>	CH_RQ_PDU	
<b>Derivation Path:</b>		
<b>Comments:</b>	To match the received CHANNEL REQUEST message with establishment cause = '100'B or '0011'B or '0001'B.	
Field Name	Field Value	Comments
ecau_rrf	('100?????'B, '0011?????'B, '0001?????'B)	
<b>Detailed Comments:</b>		

PDU Constraint Declaration		
<b>Constraint Name:</b>	ChRequest_15	
<b>PDU Type:</b>	CH_RQ_PDU	
<b>Derivation Path:</b>		
<b>Comments:</b>	To match the received CHANNEL REQUEST message with establishment cause = '111'B or '0100'B or '0101'B --- initiate outgoing call or SDCCH other procedures.	
Field Name	Field Value	Comments
ecau_rrf	('111?????'B, '0100?????'B, '0101?????'B, '101?????'B, '0001?????'B)	
<b>Detailed Comments:</b>		

PDU Constraint Declaration		
<b>Constraint Name:</b>	ChRequest_16	
<b>PDU Type:</b>	CH_RQ_PDU	
<b>Derivation Path:</b>		
<b>Comments:</b>	To match the received CHANNEL REQUEST message with establishment cause = '101'B for emergency call.	
Field Name	Field Value	Comments
ecau_rrf	'101?????'B	
<b>Detailed Comments:</b>		

PDU Constraint Declaration		
<b>Constraint Name:</b>	ChRequest_17	
<b>PDU Type:</b>	CH_RQ_PDU	
<b>Derivation Path:</b>		
<b>Comments:</b>	A CHANNEL REQUEST message containing establishment cause = 100, 0010, 0011, 0001	
Field Name	Field Value	Comments
ecau_rrf	('100?????'B, '0010?????'B, '0011?????'B, '0001?????'B)	
<b>Detailed Comments:</b>		

PDU Constraint Declaration		
<b>Constraint Name:</b>	ChRequest_18	
<b>PDU Type:</b>	CH_RQ_PDU	
<b>Derivation Path:</b>		
<b>Comments:</b>	To match the received CHANNEL REQUEST message with establishment cause = '0000'B.	
Field Name	Field Value	Comments
ecau_rrf	'0000?????'B	
<b>Detailed Comments:</b>		

PDU Constraint Declaration		
<b>Constraint Name:</b>	ChRequest_19	
<b>PDU Type:</b>	CH_RQ_PDU	
<b>Derivation Path:</b>		
<b>Comments:</b>	To match the received CHANNEL REQUEST message with establishment cause = '111'B or '101'B --- initiate outgoing call	
Field Name	Field Value	Comments
ecau_rrf	('111?????'B, '101?????'B)	
<b>Detailed Comments:</b>		

PDU Constraint Declaration		
<b>Constraint Name:</b>	ClassMarkEnq_01	
<b>PDU Type:</b>	CLM_ENQ_PDU	
<b>Derivation Path:</b>		
<b>Comments:</b>		
Field Name	Field Value	Comments
ski	'0000'B	
rrpd	'0110'B	
mt	'00010011'B	
<b>Detailed Comments:</b>		

PDU Constraint Declaration		
<b>Constraint Name:</b>	CMServiceAcp_01	
<b>PDU Type:</b>	CMS_ACP_PDU	
<b>Derivation Path:</b>		
<b>Comments:</b>	a CM SERVICE ACCEPT message	
Field Name	Field Value	Comments
ski	'0000'B	
mmpd	'0101'B	
mt	'00100001'B	
<b>Detailed Comments:</b>		

PDU Constraint Declaration		
<b>Constraint Name:</b>	CMServiceRej_01	
<b>PDU Type:</b>	CMS_REJ_PDU	
<b>Derivation Path:</b>		
<b>Comments:</b>	reject cause = 'service or option not available, unspecified'	
Field Name	Field Value	Comments
ski	'0000'B	
mmpd	'0101'B	
mt	'00100010'B	
mmcau	'20'O	
<b>Detailed Comments:</b>		

PDU Constraint Declaration		
<b>Constraint Name:</b>	CMServiceRej_02	
<b>PDU Type:</b>	CMS_REJ_PDU	
<b>Derivation Path:</b>		
<b>Comments:</b>	reject cause = "IMEI not accepted"	
Field Name	Field Value	Comments
ski	'0000'B	
mmpd	'0101'B	
mt	'00100010'B	
mmcau	'05'O	
<b>Detailed Comments:</b>		

PDU Constraint Declaration		
<b>Constraint Name:</b>	CMServiceRej_03	
<b>PDU Type:</b>	CMS_REJ_PDU	
<b>Derivation Path:</b>		
<b>Comments:</b>	reject cause = "Service Option not supported"	
Field Name	Field Value	Comments
ski	'0000'B	
mmpd	'0101'B	
mt	'00100010'B	
mmcau	'20'O	
<b>Detailed Comments:</b>		

PDU Constraint Declaration		
<b>Constraint Name:</b>	CMServiceRej_04	
<b>PDU Type:</b>	CMS_REJ_PDU	
<b>Derivation Path:</b>		
<b>Comments:</b>	reject cause = 'network failure'	
Field Name	Field Value	Comments
ski	'0000'B	
mmpd	'0101'B	
mt	'00100010'B	
mmcau	'11'O	
<b>Detailed Comments:</b>		

PDU Constraint Declaration		
<b>Constraint Name:</b>	CMServiceRej_30(par: REJCAU)	
<b>PDU Type:</b>	CMS_REJ_PDU	
<b>Derivation Path:</b>		
<b>Comments:</b>	reject cause = 'service or option not available, unsepcified'	
Field Name	Field Value	Comments
ski	'0000'B	
mmpd	'0101'B	
mt	'00100010'B	
mmcau	par	
<b>Detailed Comments:</b>		

PDU Constraint Declaration		
<b>Constraint Name:</b>	CMServiceReq_01	
<b>PDU Type:</b>	CMS_RQ_PDU	
<b>Derivation Path:</b>		
<b>Comments:</b>	To match any received CM SERVICE REQUEST message	
Field Name	Field Value	Comments
ski	'0000'B	
mmpd	'0101'B	
mt	'0?100100'B	
cphksn	?	
svtype	?	
msclm	?	
mi	?	
<b>Detailed Comments:</b>		

PDU Constraint Declaration		
<b>Constraint Name:</b>	CMServiceReq_04	
<b>PDU Type:</b>	CMS_RQ_PDU	
<b>Derivation Path:</b>	CMServiceReq_01.	
<b>Comments:</b>	To match a received CM SERVICE REQUEST message containing CM service type = "Mobile originating call establishment or packet mode connection establishment" or " emergency call establishment".	
Field Name	Field Value	Comments
svtype	('0001'B, '0010'B)	
<b>Detailed Comments:</b>		

PDU Constraint Declaration		
<b>Constraint Name:</b>	CMServiceReq_05(mi:MI)	
<b>PDU Type:</b>	CMS_RQ_PDU	
<b>Derivation Path:</b>		
<b>Comments:</b>	To match any received CM SERVICE REQUEST message for emergency call with IMEI.	
Field Name	Field Value	Comments
ski	'0000'B	
mmpd	'0101'B	
mt	'0?100100'B	
cphksn	?	
svtype	C_CMServiceTypeE	
msclm	?	
mi	mi	
<b>Detailed Comments:</b>		

PDU Constraint Declaration		
<b>Constraint Name:</b>	CMServiceReq_08	
<b>PDU Type:</b>	CMS_RQ_PDU	
<b>Derivation Path:</b>	CMServiceReq_01.	
<b>Comments:</b>	To match the received CM SERVICE REQUEST message indicating " supplementary service activation"	
Field Name	Field Value	Comments
svtype	'1000'B	
<b>Detailed Comments:</b>		

PDU Constraint Declaration		
<b>Constraint Name:</b>	CMServiceReq_09	
<b>PDU Type:</b>	CMS_RQ_PDU	
<b>Derivation Path:</b>	CMServiceReq_01.	
<b>Comments:</b>	To match the received CM SERVICE REQUEST message indicating " short message transfer"	
Field Name	Field Value	Comments
svtype	'0100'B	
<b>Detailed Comments:</b>		



PDU Constraint Declaration		
<b>Constraint Name:</b>	CMServiceReq_30(parexpected_mi: MI)	
<b>PDU Type:</b>	CMS_RQ_PDU	
<b>Derivation Path:</b>		
<b>Comments:</b>	To match any received CM SERVICE REQUEST message	
Field Name	Field Value	Comments
ski	'0000'B	
mmpd	'0101'B	
mt	'0?100100'B	
cphksn	?	
svtype	?	
msclm	?	
mi	parexpected_mi	
<b>Detailed Comments:</b>		

PDU Constraint Declaration		
<b>Constraint Name:</b>	CMServiceReq_31(parexpected_mi: MI; cksn: BITSTRING)	
<b>PDU Type:</b>	CMS_RQ_PDU	
<b>Derivation Path:</b>		
<b>Comments:</b>	To match any received CM SERVICE REQUEST message	
Field Name	Field Value	Comments
ski	'0000'B	
mmpd	'0101'B	
mt	'0?100100'B	
cphksn	CphKeySN_07(cksn)	
svtype	C_CMServiceTypeE	
msclm	?	
mi	parexpected_mi	
<b>Detailed Comments:</b>		

PDU Constraint Declaration		
<b>Constraint Name:</b>	CMServiceReq_32(parexpected_mi: MI; cksn: BITSTRING)	
<b>PDU Type:</b>	CMS_RQ_PDU	
<b>Derivation Path:</b>		
<b>Comments:</b>	To match any received CM SERVICE REQUEST message	
Field Name	Field Value	Comments
ski	'0000'B	
mmpd	'0101'B	
mt	'0?100100'B	
cphksn	CphKeySN_07(cksn)	
svtype	?	
msclm	?	
mi	parexpected_mi	
<b>Detailed Comments:</b>		

PDU Constraint Declaration		
<b>Constraint Name:</b>	Connect_01( ti:TI)	
<b>PDU Type:</b>	CONN_PDU	
<b>Derivation Path:</b>		
<b>Comments:</b>	CC CONNECT message matching any received value	
Field Name	Field Value	Comments
ti	ti	
ccpd	'0011'B	
mt	'0?000111'B	
fie	*	
pi	-	
cnn	-	
cns	*	
uu	*	
ssvi	*	
<b>Detailed Comments:</b>		

PDU Constraint Declaration		
<b>Constraint Name:</b>	Connect_02(Ti:TI)	
<b>PDU Type:</b>	CONN_PDU	
<b>Derivation Path:</b>		
<b>Comments:</b>	CC CONNECT message containing mandatory IE's only.	
Field Name	Field Value	Comments
ti	Ti	
ccpd	'0011'B	
mt	'00000111'B	
fie	-	
pi	-	
cnn	-	
cns	-	
uu	-	
ssvi	-	
<b>Detailed Comments:</b>		

PDU Constraint Declaration		
<b>Constraint Name:</b>	Connect_05(Ti:TI; fie:FIE)	
<b>PDU Type:</b>	CONN_PDU	
<b>Derivation Path:</b>		
<b>Comments:</b>	CC CONNECT message containing facility IE.	
Field Name	Field Value	Comments
ti	Ti	
ccpd	'0011'B	
mt	'00000111'B	
fie	fie	
pi	-	
cnn	-	
cns	-	
uu	-	
ssvi	-	
<b>Detailed Comments:</b>		

PDU Constraint Declaration		
<b>Constraint Name:</b>	ConnectAck_01( ti:TI)	
<b>PDU Type:</b>	CONN_ACK_PDU	
<b>Derivation Path:</b>		
<b>Comments:</b>	A CONNECT ACKNOWLEDGE message n -> ms	
Field Name	Field Value	Comments
ti	ti	
ccpd	'0011'B	
mt	'00001111'B	
<b>Detailed Comments:</b>		

PDU Constraint Declaration		
<b>Constraint Name:</b>	ConnectAck_02(Ti:TI)	
<b>PDU Type:</b>	CONN_ACK_PDU	
<b>Derivation Path:</b>		
<b>Comments:</b>	A CONNECT ACKNOWLEDGE message	
Field Name	Field Value	Comments
ti	Ti	
ccpd	'0011'B	
mt	'0?001111'B	
<b>Detailed Comments:</b>		

PDU Constraint Declaration		
<b>Constraint Name:</b>	CphModeCmp_01	
<b>PDU Type:</b>	CPHM_COM_PDU	
<b>Derivation Path:</b>		
<b>Comments:</b>	To match any received CIPHERING MODE COMPLETE message	
Field Name	Field Value	Comments
ski	'0000'B	
rrpd	'0110'B	
mt	'00110010'B	
mei	*	
<b>Detailed Comments:</b>		

PDU Constraint Declaration		
<b>Constraint Name:</b>	CphModeCmp_02	
<b>PDU Type:</b>	CPHM_COM_PDU	
<b>Derivation Path:</b>	CphModeCmp_01.	
<b>Comments:</b>	To match a received CIPHERING MODE COMPLETE message without IMEI.	
Field Name	Field Value	Comments
mei	-	
<b>Detailed Comments:</b>		

PDU Constraint Declaration		
<b>Constraint Name:</b>	DisconnS(Ti:TI; cau:CAU; progind:PI; uuinf:UU)	
<b>PDU Type:</b>	DISC_PDU	
<b>Derivation Path:</b>		
<b>Comments:</b>	A DISCONNECT message that contains cause = normal clearing and progress indicator = #8.	
Field Name	Field Value	Comments
ti	Ti	
ccpd	'0011'B	
mt	'00100101'B	
cau	cau	
fi	-	
pi	progind	
uu	uuinf	
ssvi	-	
<b>Detailed Comments:</b>		

PDU Constraint Declaration		
<b>Constraint Name:</b>	DisconnR(Ti:TI; cau:CAU)	
<b>PDU Type:</b>	DISC_PDU	
<b>Derivation Path:</b>		
<b>Comments:</b>	A default DISCONNECT message matching parametrised value ms -> n.	
Field Name	Field Value	Comments
ti	Ti	
ccpd	'0011'B	
mt	'0?100101'B	
cau	cau	
fi	*	
pi	*	
uu	*	
ssvi	*	
<b>Detailed Comments:</b>		

PDU Constraint Declaration		
<b>Constraint Name:</b>	Disconn_inv_02( ti:TI)	
<b>PDU Type:</b>	DISC_PDU	
<b>Derivation Path:</b>		
<b>Comments:</b>	A DISCONNECT message in which the mandatory IE cause is missing. (N -> MS)	
Field Name	Field Value	Comments
ti	ti	
ccpd	'0011'B	
mt	'00100101'B	
cau	-	
fi	-	
pi	-	
uu	-	
ssvi	-	
<b>Detailed Comments:</b>		

PDU Constraint Declaration		
<b>Constraint Name:</b>	FacilityPdu_05(Ti:TI)	
<b>PDU Type:</b>	FAC_PDU	
<b>Derivation Path:</b>		
<b>Comments:</b>	FACILITY message, call dependent, used in TC_11_3, containing any facility information element ms->n.	
Field Name	Field Value	Comments
ti	Ti	
cc_sspd	'0011'B	
mt	'0?111010'B	
fie	?	
ssvi	*	
<b>Detailed Comments:</b>		

PDU Constraint Declaration		
<b>Constraint Name:</b>	FacilityPdu_25(Ti:TI; fie:FIE)	
<b>PDU Type:</b>	FAC_PDU	
<b>Derivation Path:</b>		
<b>Comments:</b>	FACILITY message, call dependent, n -> ms	
Field Name	Field Value	Comments
ti	Ti	
cc_sspd	'0011'B	
mt	'00111010'B	
fie	fie	
ssvi	-	
<b>Detailed Comments:</b>		

PDU Constraint Declaration		
<b>Constraint Name:</b>	FacilityPdu_25_ci(Ti:TI; fie:FIE)	
<b>PDU Type:</b>	FAC_PDU	
<b>Derivation Path:</b>		
<b>Comments:</b>	FACILITY message, call independent, n -> ms	
Field Name	Field Value	Comments
ti	Ti	
cc_sspd	'1011'B	
mt	'00111010'B	
fie	fie	
ssvi	-	
<b>Detailed Comments:</b>		

PDU Constraint Declaration		
<b>Constraint Name:</b>	FacilityPdu_26(Ti:TI; fie:FIE)	
<b>PDU Type:</b>	FAC_PDU	
<b>Derivation Path:</b>		
<b>Comments:</b>	FACILITY message, call dependent ms -> n	
Field Name	Field Value	Comments
ti	Ti	
cc_sspd	'0011'B	
mt	'0?111010'B	
fie	fie	
ssvi	*	
<b>Detailed Comments:</b>		

PDU Constraint Declaration		
<b>Constraint Name:</b>	FacilityPdu_26_ci(Ti:TI; fie:FIE)	
<b>PDU Type:</b>	FAC_PDU	
<b>Derivation Path:</b>		
<b>Comments:</b>	FACILITY message, call independent ms -> n	
Field Name	Field Value	Comments
ti	Ti	
cc_sspd	'1011'B	
mt	'0?111010'B	
fie	fie	
ssvi	*	
<b>Detailed Comments:</b>		

PDU Constraint Declaration		
<b>Constraint Name:</b>	FreqRedef_01(chd:CHD; ma:MA; strt:STRT; cchd:CCHD)	
<b>PDU Type:</b>	FRQRE_PDU	
<b>Derivation Path:</b>		
<b>Comments:</b>		
Field Name	Field Value	Comments
ski	'0000'B	
rrpd	'0110'B	
mt	'00010100'B	
chd	chd	
ma	ma	
strt	strt	
cchd	cchd	
<b>Detailed Comments:</b>		

PDU Constraint Declaration		
<b>Constraint Name:</b>	HandOverAcc_01	
<b>PDU Type:</b>	HOACC_PDU	
<b>Derivation Path:</b>		
<b>Comments:</b>	To match any received HANDOVER ACCESS message	
Field Name	Field Value	Comments
horf	?	
<b>Detailed Comments:</b>		

PDU Constraint Declaration		
<b>Constraint Name:</b>	HandOverAcc_02(horef:HORF)	
<b>PDU Type:</b>	HOACC_PDU	
<b>Derivation Path:</b>		
<b>Comments:</b>	To match a received HANDOVER ACCESS message with handover reference ` horef` .	
Field Name	Field Value	Comments
horf	horef	
<b>Detailed Comments:</b>		

PDU Constraint Declaration		
<b>Constraint Name:</b>	HandOverCmp_01	
<b>PDU Type:</b>	HO_COM_PDU	
<b>Derivation Path:</b>		
<b>Comments:</b>	To match any received HANDOVER COMPLETE message.	
Field Name	Field Value	Comments
ski	'0000'B	
rrpd	'0110'B	
mt	'00101100'B	
rrcau	?	
motdif	*	
<b>Detailed Comments:</b>		

PDU Constraint Declaration		
<b>Constraint Name:</b>	HandOverCmp_03(ta_a, td_b:INTEGER)	
<b>PDU Type:</b>	HO_COM_PDU	
<b>Derivation Path:</b>		
<b>Comments:</b>	To match a received HANDOVER COMPLETE message with mobile time difference = $(2 * td\_b + ta\_a) \bmod 2\ 097\ 152 + - 2$	
Field Name	Field Value	Comments
ski	'0000'B	
rrpd	'0110'B	
mt	'00101100'B	
rrcau	?	
motdif	Mtdif_01( ta_a, td_b)	
<b>Detailed Comments:</b>		

PDU Constraint Declaration		
<b>Constraint Name:</b>	HandOverCmp_20	
<b>PDU Type:</b>	HO_COM_PDU	
<b>Derivation Path:</b>		
<b>Comments:</b>	A basic received constraint for HANDOVER COMPLETE message.	
Field Name	Field Value	Comments
ski	'0000'B	
rrpd	'0110'B	
mt	'00101100'B	
rrcau	'00000000'B	
motdif	*	
<b>Detailed Comments:</b>		

PDU Constraint Declaration		
<b>Constraint Name:</b>	HandOvFail_01	
<b>PDU Type:</b>	HOFL_PDU	
<b>Derivation Path:</b>		
<b>Comments:</b>	A HANDOVER FAILURE message matching any RR cause.	
Field Name	Field Value	Comments
ski	'0000'B	
rrpd	'0110'B	
mt	'00101000'B	
rrcau	?	
<b>Detailed Comments:</b>		

PDU Constraint Declaration		
<b>Constraint Name:</b>	HandOvFail_02	
<b>PDU Type:</b>	HOFL_PDU	
<b>Derivation Path:</b>		
<b>Comments:</b>	A HANDOVER FAILURE message matching any abnormal release RR cause.	
Field Name	Field Value	Comments
ski	'0000'B	
rrpd	'0110'B	
mt	'00101000'B	
rrcau	('00000001'B, '00000010'B, '00000011'B, '00000100'B, '01101111'B)	
<b>Detailed Comments:</b>		

PDU Constraint Declaration		
<b>Constraint Name:</b>	Holdpdu_01(Ti:Ti)	
<b>PDU Type:</b>	HOLD_PDU	
<b>Derivation Path:</b>		
<b>Comments:</b>		
Field Name	Field Value	Comments
ti	Ti	
ccpd	'0011'B	
mt	'0?011000'B	
<b>Detailed Comments:</b>		

PDU Constraint Declaration		
<b>Constraint Name:</b>	HoldAckpdu_01(Ti:Ti)	
<b>PDU Type:</b>	HOLD_ACK_PDU	
<b>Derivation Path:</b>		
<b>Comments:</b>		
Field Name	Field Value	Comments
ti	Ti	
ccpd	'0011'B	
mt	'00011001'B	
<b>Detailed Comments:</b>		

PDU Constraint Declaration		
<b>Constraint Name:</b>	IDResponse_01	
<b>PDU Type:</b>	ID_RES_PDU	
<b>Derivation Path:</b>		
<b>Comments:</b>	An IDENTITY RESPONSE message which matches any mobile identity	
Field Name	Field Value	Comments
ski	'0000'B	
mmpd	'0101'B	
mt	'0?011001'B	
mi	?	
<b>Detailed Comments:</b>		



PDU Constraint Declaration		
<b>Constraint Name:</b>	IDResponse_02	
<b>PDU Type:</b>	ID_RES_PDU	
<b>Derivation Path:</b>	IDResponse_01.	
<b>Comments:</b>	An IDENTITY RESPONSE message which matches TMSI of the MS under test	
Field Name	Field Value	Comments
mi	MiTmsi_01	
<b>Detailed Comments:</b>		

PDU Constraint Declaration		
<b>Constraint Name:</b>	IDResponse_30(par:MI)	
<b>PDU Type:</b>	ID_RES_PDU	
<b>Derivation Path:</b>		
<b>Comments:</b>	An IDENTITY RESPONSE message which matches the given MI of the MS under test.	
Field Name	Field Value	Comments
ski	'0000'B	
mmpd	'0101'B	
mt	'0?011001'B	
mi	par	
<b>Detailed Comments:</b>		

PDU Constraint Declaration		
<b>Constraint Name:</b>	IDRequest_01(type:B_4)	
<b>PDU Type:</b>	ID_RQ_PDU	
<b>Derivation Path:</b>		
<b>Comments:</b>	An IDENTITY REQUEST message with specified identity type.	
Field Name	Field Value	Comments
ski	'0000'B	
mmpd	'0101'B	
mt	'00011000'B	
shoct	'0000'B	
idtype	type	
<b>Detailed Comments:</b>		

PDU Constraint Declaration		
<b>Constraint Name:</b>	IDRequest_inv_01(skip :INTEGER)	
<b>PDU Type:</b>	ID_RQ_PDU	
<b>Derivation Path:</b>		
<b>Comments:</b>	An invalid IDENTITY REQUEST message with incorrect skip indicator.	
Field Name	Field Value	Comments
ski	INT_TO_BIT(skip, 4)	
mmpd	'0101'B	
mt	'00011000'B	
shoct	'0000'B	
idtype	'0001'B	
<b>Detailed Comments:</b>		

PDU Constraint Declaration		
<b>Constraint Name:</b>	IDRequest_inv_02	
<b>PDU Type:</b>	ID_RQ_PDU	
<b>Derivation Path:</b>		
<b>Comments:</b>	An invalid IDENTITY REQUEST message of which the identity type is coded as reserved value	
Field Name	Field Value	Comments
ski	'0000'B	
mmpd	'0101'B	
mt	'00011000'B	
shoct	'0000'B	
idtype	'1111'B	
<b>Detailed Comments:</b>		

PDU Constraint Declaration		
<b>Constraint Name:</b>	IDRequest_inv_03	
<b>PDU Type:</b>	ID_RQ_PDU	
<b>Derivation Path:</b>		
<b>Comments:</b>	An invalid IDENTITY REQUEST message containing arbitrary spare bits	
Field Name	Field Value	Comments
ski	'0000'B	
mmpd	'0101'B	
mt	'00011000'B	
shoct	'1010'B	
idtype	'1100'B	
<b>Detailed Comments:</b>		

PDU Constraint Declaration		
<b>Constraint Name:</b>	ImmAsgn_01Def(Rr: BITSTRING; Fn: FN; sub:B_2; slot:SN; tsc:TSC; par_arfcn:INTEGER; ta:TA)	
<b>PDU Type:</b>	IMMASS_PDU	
<b>Derivation Path:</b>		
<b>Comments:</b>	An IMMEDIATE ASSIGNMENT message to assign SDCCH/4 channel.	
Field Name	Field Value	Comments
l2_pl	'2D'O	
ski	'0000'B	
rrpd	'0110'B	
mt	'00111111'B	
shoct	'0000'B	
pm	Pm( C_normal_paging)	
chd	ChDescrp_nfh( INT_TO_BIT(( 4 + BIT_TO_INT( sub)), 5), slot, tsc, par_arfcn)	
rqr	Rqr2(Rr, Fn)	
ta	ta	
ma	MobIAIlc_01	
strt	-	
iaroct	laRestOct_01	
<b>Detailed Comments:</b>		

PDU Constraint Declaration		
<b>Constraint Name:</b>	ImmAsgn_nfh(Rr: BITSTRING; Fn: FN; type: CH_TDMA; slot:SN; tsc:TSC; ta:TA; arfcn: INTEGER; pgm:B_2)	
<b>PDU Type:</b>	IMMASS_PDU	
<b>Derivation Path:</b>		
<b>Comments:</b>	An IMMEDIATE ASSIGNMENT message to assign TCH/F or TCH/H channel.	
Field Name	Field Value	Comments
l2_pl	'2D'O	
ski	'0000'B	
rrpd	'0110'B	
mt	'00111111'B	
shoct	'0000'B	
pm	Pm( pgm)	
chd	ChDescrp_nfh(type, slot, tsc, arfcn)	
rqr	Rqr2(Rr, Fn)	
ta	ta	
ma	MoblAlc_01	
strt	-	
iaroct	laRestOct_01	
<b>Detailed Comments:</b>		

PDU Constraint Declaration		
<b>Constraint Name:</b>	ImmAsgn_inv_01(Rr :BITSTRING; Fn:FN; slot:SN; tsc:TSC; arfcn:INTEGER; ta:TA)	
<b>PDU Type:</b>	IMMASS_PDU	
<b>Derivation Path:</b>		
<b>Comments:</b>	An invalid IMMEDIATE ASSIGNMENT message with unknown skip indicator ('0001'B)	
Field Name	Field Value	Comments
l2_pl	'2D'O	
ski	'0001'B	
rrpd	'0110'B	
mt	'00111111'B	
shoct	'0000'B	
pm	Pm( C_normal_paging)	
chd	ChDescrp_nfh( INT_TO_BIT(( 4 + BIT_TO_INT( TSPX_SDCCH4SubDef)), 5), slot, tsc, arfcn)	
rqr	Rqr2(Rr, Fn)	
ta	ta	
ma	MoblAlc_01	
strt	-	
iaroct	laRestOct_01	
<b>Detailed Comments:</b>		

PDU Constraint Declaration		
<b>Constraint Name:</b>	ImmAsgn_r(chd:CHD; Rr:BITSTRING; Fn:FN; ta:TA)	
<b>PDU Type:</b>	IMMASS_PDU	
<b>Derivation Path:</b>		
<b>Comments:</b>	An IMMEDIATE ASSIGNMENT message.	
Field Name	Field Value	Comments
l2_pl	'2D'O	
ski	'0000'B	
rrpd	'0110'B	
mt	'00111111'B	
shoct	'0000'B	
pm	Pm( C_normal_paging)	
chd	chd	
rqr	Rqr2(Rr, Fn)	
ta	ta	
ma	MoblAllc_01	
strt	-	
iaroct	laRestOct_01	
<b>Detailed Comments:</b>		

PDU Constraint Declaration		
<b>Constraint Name:</b>	ImmAsgn_r13(Rr: BITSTRING; Fn: FN; chd:CHD; ta:TA)	
<b>PDU Type:</b>	IMMASS_PDU	
<b>Derivation Path:</b>		
<b>Comments:</b>	An IMMEDIATE ASSIGNMENT message to assign TCH/F channel with a time advance of 30 bit periods.	
Field Name	Field Value	Comments
l2_pl	'2D'O	
ski	'0000'B	
rrpd	'0110'B	
mt	'00111111'B	
shoct	'0000'B	
pm	Pm( C_normal_paging)	
chd	chd	
rqr	Rqr2(Rr, Fn)	
ta	ta	
ma	MoblAllc_01	
strt	-	
iaroct	laRestOct_01	
<b>Detailed Comments:</b>		

PDU Constraint Declaration		
<b>Constraint Name:</b>	ImmAsgn_r14(Rr: BITSTRING; Fn: FN; chd:CHD; ta:TA)	
<b>PDU Type:</b>	IMMASS_PDU	
<b>Derivation Path:</b>		
<b>Comments:</b>	An IMMEDIATE ASSIGNMENT message to assign TCH/H channel with a time advance of 30 bit periods.	
Field Name	Field Value	Comments
l2_pl	'2D'O	
ski	'0000'B	
rrpd	'0110'B	
mt	'00111111'B	
shoct	'0000'B	
pm	Pm( C_normal_paging)	
chd	chd	
rqr	Rqr2(Rr, Fn)	
ta	ta	
ma	MoblAlc_01	
strt	-	
iaroct	laRestOct_01	
<b>Detailed Comments:</b>		

PDU Constraint Declaration		
<b>Constraint Name:</b>	ImmAsgnX_r01(Rr: BITSTRING; Fn: FN; Rr_9: BITSTRING; Fn_9: FN; slot:SN; tsc:TSC; ta:TA; arfcn:INTEGER)	
<b>PDU Type:</b>	IMMASSX_PDU	
<b>Derivation Path:</b>		
<b>Comments:</b>	An IMMEDIATE ASSIGNMENT message to assign SDCCH/4 channel.	
Field Name	Field Value	Comments
l2_pl	'49'O	
ski	'0000'B	
rrpd	'0110'B	
mt	'00111001'B	
shoct	'0000'B	
pm	Pm( C_normal_paging)	
chd1	ChDescrp_nfh( INT_TO_BIT(( 4 + BIT_TO_INT( TSPX_SDCCH4SubA)), 5), slot, tsc, arfcn)	
rqr1	Rqr2(Rr, Fn)	
ta1	ta	
chd2	ChDescrp_nfh( INT_TO_BIT(( 4 + BIT_TO_INT( TSPX_SDCCH4SubB)), 5), slot, tsc, arfcn)	
rqr2	Rqr2(Rr_9, Fn_9)	
ta2	ta	
ma	MoblAlc_01	
strt	-	
iaxroct	'2B2B2B2B'O	
<b>Detailed Comments:</b>		

PDU Constraint Declaration		
<b>Constraint Name:</b>	ImmAsgnX_r03(Rr: BITSTRING; Fn: FN; sub1, sub2:B_2; slot:SN; tsc:TSC; ta:TA; arfcn:INTEGER)	
<b>PDU Type:</b>	IMMASSX_PDU	
<b>Derivation Path:</b>		
<b>Comments:</b>	An IMMEDIATE ASSIGNMENT message to assign SDCCH/4 channel.	
Field Name	Field Value	Comments
l2_pl	'49'O	
ski	'0000'B	
rrpd	'0110'B	
mt	'00111001'B	
shoct	'0000'B	
pm	Pm( C_extended_paging)	
chd1	ChDescrp_nfh( INT_TO_BIT(( 4 + BIT_TO_INT( sub1)), 5), slot, tsc, arfcn)	
rqr1	Rqr2(Rr, Fn)	
ta1	ta	
chd2	ChDescrp_nfh( INT_TO_BIT(( 4 + BIT_TO_INT( sub2)), 5), slot, tsc, arfcn)	
rqr2	Rqr2(Rr, Fn)	
ta2	ta	
ma	MoblAllc_01	
strt	-	
iaxroct	'2B2B2B'O	
<b>Detailed Comments:</b>		

PDU Constraint Declaration		
<b>Constraint Name:</b>	ImmAsgnRej_01(Rr: BITSTRING; Fn: FN)	
<b>PDU Type:</b>	IMMASS_REJ_PDU	
<b>Derivation Path:</b>		
<b>Comments:</b>	An IMMEDIATE ASSIGNMENT REJECT message containing normal paging mode.	
Field Name	Field Value	Comments
l2_pl	'4D'O	
ski	'0000'B	
rrpd	'0110'B	
mt	'00111010'B	
shoct	'0000'B	
pm	Pm( C_normal_paging)	
rqr1	Rqr2(Rr, Fn)	
wi1	'00'H	
rqr2	Rqr2(Rr, Fn)	
wi2	'00'H	
rqr3	Rqr2(Rr, Fn)	
wi3	'00'H	
rqr4	Rqr2(Rr, Fn)	
wi4	'00'H	
iarroct	'2B2B2B'O	
<b>Detailed Comments:</b>		

PDU Constraint Declaration		
<b>Constraint Name:</b>	ImmAsgnRej_02(Rr:BITSTRING; Fn: FN)	
<b>PDU Type:</b>	IMMASS_REJ_PDU	
<b>Derivation Path:</b>		
<b>Comments:</b>	An IMMEDIATE ASSIGNMENT REJECT message in which only the third request reference addresses the MS under test.	
Field Name	Field Value	Comments
l2_pl	'4D'O	
ski	'0000'B	
rrpd	'0110'B	
mt	'00111010'B	
shoct	'0000'B	
pm	Pm( C_normal_paging)	
rqr1	Rqr1(Rr, Fn)	
wi1	'02'H	
rqr2	Rqr1(Rr, Fn)	
wi2	'02'H	
rqr3	Rqr2(Rr, Fn)	
wi3	'00'H	
rqr4	Rqr1(Rr, Fn)	
wi4	'02'H	
iarroct	'2B2B2B'O	
<b>Detailed Comments:</b>		

PDU Constraint Declaration		
<b>Constraint Name:</b>	ImmAsgnRej_03(Rr: BITSTRING; Fn: FN)	
<b>PDU Type:</b>	IMMASS_REJ_PDU	
<b>Derivation Path:</b>	ImmAsgnRej_01.	
<b>Comments:</b>	An IMMEDIATE ASSIGNMENT REJECT message containing normal paging mode and wait indication = 5 seconds.	
Field Name	Field Value	Comments
rqr1	Rqr2(Rr, Fn)	
wi1	'05'H	
rqr2	Rqr2(Rr, Fn)	
wi2	'05'H	
rqr3	Rqr2(Rr, Fn)	
wi3	'05'H	
rqr4	Rqr2(Rr, Fn)	
wi4	'05'H	
iarroct	'2B2B2B'O	
<b>Detailed Comments:</b>		

PDU Constraint Declaration		
<b>Constraint Name:</b>	ImmAsgnRej_04(Rr: BITSTRING; Fn: FN)	
<b>PDU Type:</b>	IMMASS_REJ_PDU	
<b>Derivation Path:</b>	ImmAsgnRej_01.	
<b>Comments:</b>	An IMMEDIATE ASSIGNMENT REJECT message containing normal paging mode and wait indication = 6 seconds.	
Field Name	Field Value	Comments
rqr1	Rqr2(Rr, Fn)	
wi1	'06'H	
rqr2	Rqr2(Rr, Fn)	
wi2	'06'H	
rqr3	Rqr2(Rr, Fn)	
wi3	'06'H	
rqr4	Rqr2(Rr, Fn)	
wi4	'06'H	
iarroct	'2B2B2B'O	
<b>Detailed Comments:</b>		

PDU Constraint Declaration		
<b>Constraint Name:</b>	ImmAsgnRej_inv_01(Rr: BITSTRING; Fn: FN)	
<b>PDU Type:</b>	IMMASS_REJ_PDU	
<b>Derivation Path:</b>	ImmAsgnRej_01.	
<b>Comments:</b>	An invalid IMMEDIATE ASSIGNMENT REJECT message with skip indicator = 2, reject time = 255 s.	
Field Name	Field Value	Comments
ski	'0010'B	
rqr1	Rqr2(Rr, Fn)	
wi1	'FF'H	
rqr2	Rqr2(Rr, Fn)	
wi2	'FF'H	
rqr3	Rqr2(Rr, Fn)	
wi3	'FF'H	
rqr4	Rqr2(Rr, Fn)	
wi4	'FF'H	
<b>Detailed Comments:</b>		

PDU Constraint Declaration		
<b>Constraint Name:</b>	ImmAsgnRej_inv_02(Rr: BITSTRING; Fn: FN)	
<b>PDU Type:</b>	IMMASS_REJ_PDU	
<b>Derivation Path:</b>	ImmAsgnRej_01.	
<b>Comments:</b>	An invalid IMMEDIATE ASSIGNMENT REJECT message containing arbitrary spare bits	
Field Name	Field Value	Comments
shoct	'1010'B	
pm	Pm( C_normal_paging)	
rqr1	Rqr2(Rr, Fn)	
rqr2	Rqr2(Rr, Fn)	
wi2	TSPX_T3122	
rqr3	Rqr2(Rr, Fn)	
wi3	TSPX_T3122	
rqr4	Rqr2(Rr, Fn)	
wi4	TSPX_T3122	
iarroct	'010101'O	
<b>Detailed Comments:</b>		

PDU Constraint Declaration		
<b>Constraint Name:</b>	ImmAsgnRej_r01(rqr1, rqr2, rqr3, rqr4: RQR; t1, t2: INTEGER)	
<b>PDU Type:</b>	IMMASS_REJ_PDU	
<b>Derivation Path:</b>		
<b>Comments:</b>	An IMMEDIATE ASSIGNMENT REJECT message in which only the second and the third request reference addresses the MS under test.	
Field Name	Field Value	Comments
l2_pl	'4D'O	
ski	'0000'B	
rrpd	'0110'B	
mt	'00111010'B	
shoct	'0000'B	
pm	Pm( C_normal_paging)	
rqr1	rqr1	
wi1	'00'H	
rqr2	rqr2	
wi2	INT_TO_HEX(t1, 2)	
rqr3	rqr3	
wi3	INT_TO_HEX(t2, 2)	
rqr4	rqr4	
wi4	'00'H	
iarroct	'2B2B2B'O	
<b>Detailed Comments:</b>		



PDU Constraint Declaration		
<b>Constraint Name:</b>	ImmAsgnRej_r02(Rr: BITSTRING; Fn: FN)	
<b>PDU Type:</b>	IMMASS_REJ_PDU	
<b>Derivation Path:</b>		
<b>Comments:</b>	An IMMEDIATE ASSIGNMENT REJECT message containing normal paging mode.	
Field Name	Field Value	Comments
l2_pl	'4D'O	
ski	'0000'B	
rrpd	'0110'B	
mt	'00111010'B	
shoct	'0000'B	
pm	Pm( C_normal_paging)	
rqr1	Rqr2(Rr, Fn)	
wi1	'00'H	
rqr2	Rqr1(Rr, Fn)	
wi2	'00'H	
rqr3	Rqr1(Rr, Fn)	
wi3	'00'H	
rqr4	Rqr1(Rr, Fn)	
wi4	'00'H	
iarrct	'2B2B2B'O	
<b>Detailed Comments:</b>		

PDU Constraint Declaration		
<b>Constraint Name:</b>	ImmAsgnRej_r04	
<b>PDU Type:</b>	IMMASS_REJ_PDU	
<b>Derivation Path:</b>		
<b>Comments:</b>	An IMMEDIATE ASSIGNMENT REJECT message containing paging mode = "extended paging"and wait indication = 0 seconds. The Request References do not pertain to MS under test.	
Field Name	Field Value	Comments
l2_pl	'4D'O	
ski	'0000'B	
rrpd	'0110'B	
mt	'00111010'B	
shoct	'0000'B	
pm	Pm( C_extended_paging)	
rqr1	Rqr3	
wi1	'00'H	
rqr2	Rqr3	
wi2	'00'H	
rqr3	Rqr3	
wi3	'00'H	
rqr4	Rqr3	
wi4	'00'H	
iarrct	'2B2B2B'O	
<b>Detailed Comments:</b>		

PDU Constraint Declaration		
<b>Constraint Name:</b>	ImsiDetach_01	
<b>PDU Type:</b>	IMSID_IN_PDU	
<b>Derivation Path:</b>		
<b>Comments:</b>	IMSI DETACH INDICATION message matching any MS classmark1 value and any mobile identity value	
Field Name	Field Value	Comments
ski	'0000'B	
mmpd	'0101'B	
mt	'0?000001'B	
msclm	?	
mi	?	
<b>Detailed Comments:</b>		

PDU Constraint Declaration		
<b>Constraint Name:</b>	ImsiDetach_30(par:MI)	
<b>PDU Type:</b>	IMSID_IN_PDU	
<b>Derivation Path:</b>		
<b>Comments:</b>	IMSI DETACH INDICATION message matching any MS classmark1 value and given IMSI.	
Field Name	Field Value	Comments
ski	'0000'B	
mmpd	'0101'B	
mt	'0?000001'B	
msclm	?	
mi	par	
<b>Detailed Comments:</b>		

PDU Constraint Declaration		
<b>Constraint Name:</b>	LocUpdtAcp(mcc, mnc, lac:OCTETSTRING)	
<b>PDU Type:</b>	LUP_ACP_PDU	
<b>Derivation Path:</b>		
<b>Comments:</b>	A LOCATION UPDATING ACCEPT message without mobile identity and LAI of PLMN2. LAC set in TCV_lac.	
Field Name	Field Value	Comments
ski	'0000'B	
mmpd	'0101'B	
mt	'00000010'B	
lai	LocAreald(mcc, mnc, lac)	
mi	-	
fop	-	
<b>Detailed Comments:</b>		

PDU Constraint Declaration		
<b>Constraint Name:</b>	LocUpdtAcp_01(newmi: MI; mcc, mnc, lac:OCTETSTRING)	
<b>PDU Type:</b>	LUP_ACP_PDU	
<b>Derivation Path:</b>		
<b>Comments:</b>	To assign a new TMSI with or without mobile identity.	
Field Name	Field Value	Comments
ski	'0000'B	
mmpd	'0101'B	
mt	'00000010'B	
lai	LocAreald(mcc, mnc, lac)	
mi	newmi	
fop	-	
<b>Detailed Comments:</b>		

PDU Constraint Declaration		
<b>Constraint Name:</b>	LocUpdtAcp_02( mcc, mnc, lac:OCTETSTRING)	
<b>PDU Type:</b>	LUP_ACP_PDU	
<b>Derivation Path:</b>		
<b>Comments:</b>	To assign a new TMSI.	
Field Name	Field Value	Comments
ski	'0000'B	
mmpd	'0101'B	
mt	'00000010'B	
lai	LocAreald(mcc, mnc, lac)	
mi	-	
fop	'10100001'B	
<b>Detailed Comments:</b>		

PDU Constraint Declaration		
<b>Constraint Name:</b>	LocUpdtAcp_inv_01(mi1, mi2:MI; mcc, mnc, lac:OCTETSTRING)	
<b>PDU Type:</b>	LUP_ACP_PDU_ERR	
<b>Derivation Path:</b>		
<b>Comments:</b>	Invalid LOCATION UPDATING ACCEPT message containing duplicated mobile identifier.	
Field Name	Field Value	Comments
ski	'0000'B	
mmpd	'0101'B	
mt	'00000010'B	
lai	LocAreald( mcc, mnc, lac)	
mi	mi1	
dupmi	mi2	
<b>Detailed Comments:</b>		

PDU Constraint Declaration		
<b>Constraint Name:</b>	LocUpdtReq_01( locup:B_2)	
<b>PDU Type:</b>	LUP_RQ_PDU	
<b>Derivation Path:</b>		
<b>Comments:</b>	A LOCATION UPDATING REQUEST message containing location updating type.	
Field Name	Field Value	Comments
ski	'0000'B	
mmpd	'0101'B	
mt	'0?001000'B	
cphksn	?	
lutype	LocUpType( locup)	
lai	?	
msclm	?	
mi	?	
<b>Detailed Comments:</b>		

PDU Constraint Declaration		
<b>Constraint Name:</b>	LocUpdtReq_04( locup:B_2; par:MI)	
<b>PDU Type:</b>	LUP_RQ_PDU	
<b>Derivation Path:</b>		
<b>Comments:</b>	LOCATION UPDATING REQUEST message containing TMSI.	
Field Name	Field Value	Comments
ski	'0000'B	
mmpd	'0101'B	
mt	'0?001000'B	
cphksn	?	
lutype	LocUpType(locup)	
lai	?	
msclm	?	
mi	par	
<b>Detailed Comments:</b>		

PDU Constraint Declaration		
<b>Constraint Name:</b>	LocUpdtReq_05	
<b>PDU Type:</b>	LUP_RQ_PDU	
<b>Derivation Path:</b>		
<b>Comments:</b>	to match any LOCATION UPDATING REQUEST message.	
Field Name	Field Value	Comments
ski	'0000'B	
mmpd	'0101'B	
mt	'0?001000'B	
cphksn	?	
lutype	?	
lai	?	
msclm	?	
mi	?	
<b>Detailed Comments:</b>		

PDU Constraint Declaration		
<b>Constraint Name:</b>	LocUpdtReq_31(par:MI; mcc,mnc,lac:OCTETSTRING; locup:B_2; cksn: BITSTRING)	
<b>PDU Type:</b>	LUP_RQ_PDU	
<b>Derivation Path:</b>		
<b>Comments:</b>	A paramterised LOCATION UPDATING REQUEST message	
Field Name	Field Value	Comments
ski	'0000'B	
mmpd	'0101'B	
mt	'0?001000'B	
cphksn	CphKeySN_07(cksn)	
lutype	LocUpType(locup)	
lai	LocAreald(mcc, mnc, lac)	
msclm	ClassMark1	
mi	par	
<b>Detailed Comments:</b>		

PDU Constraint Declaration		
<b>Constraint Name:</b>	LocUpdtRej_01(par:REJCAU)	
<b>PDU Type:</b>	LUP_REJ_PDU	
<b>Derivation Path:</b>		
<b>Comments:</b>	A LOCATION UPDATING REJECT message.	
Field Name	Field Value	Comments
ski	'0000'B	
mmpd	'0101'B	
mt	'00000100'B	
rejcau	par	
<b>Detailed Comments:</b>		

PDU Constraint Declaration		
<b>Constraint Name:</b>	MsrReport_01	
<b>PDU Type:</b>	MSR_RPT_PDU	
<b>Derivation Path:</b>		
<b>Comments:</b>	A measurement report without measurement results	
Field Name	Field Value	Comments
ski	'0000'B	
rrpd	'0110'B	
mt	'00010101'B	
msrr	MsrResult_01	
<b>Detailed Comments:</b>		

PDU Constraint Declaration		
<b>Constraint Name:</b>	MsrReport_02	
<b>PDU Type:</b>	MSR_RPT_PDU	
<b>Derivation Path:</b>		
<b>Comments:</b>	A measurement report match any received MSR_RPT_PDU.	
Field Name	Field Value	Comments
ski	'0000'B	
rrpd	'0110'B	
mt	'00010101'B	
msrr	MsrResult_02	
<b>Detailed Comments:</b>		

PDU Constraint Declaration		
<b>Constraint Name:</b>	MsrReport_03	
<b>PDU Type:</b>	MSR_RPT_PDU	
<b>Derivation Path:</b>		
<b>Comments:</b>	A measurement report containing results for 6 strongest carriers.	
Field Name	Field Value	Comments
ski	'0000'B	
rrpd	'0110'B	
mt	'00010101'B	
msrr	MsrResult_03	
<b>Detailed Comments:</b>		

PDU Constraint Declaration		
<b>Constraint Name:</b>	MsrReport_03e(par_measres: MSRR)	
<b>PDU Type:</b>	MSR_RPT_PDU	
<b>Derivation Path:</b>		
<b>Comments:</b>	A measurement report containing results for 6 strongest carriers.	
Field Name	Field Value	Comments
ski	'0000'B	
rrpd	'0110'B	
mt	'00010101'B	
msrr	par_measres	
<b>Detailed Comments:</b>		

PDU Constraint Declaration		
<b>Constraint Name:</b>	MsrReport_04	
<b>PDU Type:</b>	MSR_RPT_PDU	
<b>Derivation Path:</b>		
<b>Comments:</b>	A measurement report containing 4 strongest carriers.	
Field Name	Field Value	Comments
ski	'0000'B	
rrpd	'0110'B	
mt	'00010101'B	
msrr	MsrResult_04	
<b>Detailed Comments:</b>		

PDU Constraint Declaration		
<b>Constraint Name:</b>	MsrReport_04e	
<b>PDU Type:</b>	MSR_RPT_PDU	
<b>Derivation Path:</b>		
<b>Comments:</b>	A measurement report containing 4 strongest carriers.	
Field Name	Field Value	Comments
ski	'0000'B	
rrpd	'0110'B	
mt	'00010101'B	
msrr	MsrResult_04e	
<b>Detailed Comments:</b>		

PDU Constraint Declaration		
<b>Constraint Name:</b>	MsrReport_05	
<b>PDU Type:</b>	MSR_RPT_PDU	
<b>Derivation Path:</b>		
<b>Comments:</b>	A measurement report containing 6 strongest carriers and DTX was used.	
Field Name	Field Value	Comments
ski	'0000'B	
rrpd	'0110'B	
mt	'00010101'B	
msrr	MsrResult_05	
<b>Detailed Comments:</b>		

PDU Constraint Declaration		
<b>Constraint Name:</b>	MsrReport_06	
<b>PDU Type:</b>	MSR_RPT_PDU	
<b>Derivation Path:</b>		
<b>Comments:</b>	A measurement report containing 6 strongest carriers and DTX is not checked.	
Field Name	Field Value	Comments
ski	'0000'B	
rrpd	'0110'B	
mt	'00010101'B	
msrr	MsrResult_06	
<b>Detailed Comments:</b>		

PDU Constraint Declaration		
<b>Constraint Name:</b>	MsrReport_07	
<b>PDU Type:</b>	MSR_RPT_PDU	
<b>Derivation Path:</b>		
<b>Comments:</b>	A measurement report containing 2 strongest carriers and DTX is not used.	
Field Name	Field Value	Comments
ski	'0000'B	
rrpd	'0110'B	
mt	'00010101'B	
msrr	MsrResult_07	
<b>Detailed Comments:</b>		

PDU Constraint Declaration		
<b>Constraint Name:</b>	PagingRes_01	
<b>PDU Type:</b>	PG_RES_PDU	
<b>Derivation Path:</b>		
<b>Comments:</b>	To match any received PAGING RESPONSE message.	
Field Name	Field Value	Comments
ski	'0000'B	
rrpd	'0110'B	
mt	'00100111'B	
shoct	'0000'B	
cphksn	?	
msclm	?	
mi	?	
<b>Detailed Comments:</b>		

PDU Constraint Declaration		
<b>Constraint Name:</b>	PagingRes_r01	
<b>PDU Type:</b>	PG_RES_PDU	
<b>Derivation Path:</b>	PagingRes_01.	
<b>Comments:</b>	To match any received PAGING RESPONSE message, RR tests.	
Field Name	Field Value	Comments
mi	MiTmsi_01	
<b>Detailed Comments:</b>		







PDU Constraint Declaration		
<b>Constraint Name:</b>	PgReqTp1Norm	
<b>PDU Type:</b>	PG1_RQ_PDU	
<b>Derivation Path:</b>	PgReqTp1_01.	
<b>Comments:</b>	PAGING REQUEST TYPE1 message containing normal paging mode, used as paging filling message.	
Field Name	Field Value	Comments
l2_pl	'15'O	
mi1	Milmsi_02	
p1roct	'2B2B2B2B2B2B2B2B2B2B2B2B2B2B2B2B2B2B'O	
<b>Detailed Comments:</b>		

PDU Constraint Declaration		
<b>Constraint Name:</b>	PgReqTp1Reorg	
<b>PDU Type:</b>	PG1_RQ_PDU	
<b>Derivation Path:</b>	PgReqTp1_01.	
<b>Comments:</b>	PAGING REQUEST TYPE1 message containing paging reorganisation mode, used as paging filling message.	
Field Name	Field Value	Comments
l2_pl	OC_IntToOct(((3 + OC_LengthOf(Milmsi_02)) * 4) + 1, 1)	
pm	Pm( C_reorg_paging)	
mi1	Milmsi_02	
p1roct	OC_SubOctet('2B2B2B2B2B2B2B2B2B2B2B2B2B2B2B2B2B2B'O, 19 - OC_LengthOf(Milmsi_02))	
<b>Detailed Comments:</b>		

PDU Constraint Declaration		
<b>Constraint Name:</b>	PgReqTp1_inv_01(skip:INTEGER)	
<b>PDU Type:</b>	PG1_RQ_PDU	
<b>Derivation Path:</b>		
<b>Comments:</b>	An invalid PAGING REQUEST TYPE 1 message with incorrect skip indicator.	
Field Name	Field Value	Comments
l2_pl	'25'O	
ski	INT_TO_BIT(skip, 4)	
rrpd	'0110'B	
mt	'00100001'B	
chn_m1_2	Chneed_01	
pm	Pm( C_normal_paging)	
mi1	MiTmsi_01	
mi2	-	
p1roct	'2B2B2B2B2B2B2B2B2B2B2B2B2B2B2B2B2B2B'O	
<b>Detailed Comments:</b>		

PDU Constraint Declaration		
<b>Constraint Name:</b>	PgReqTp1_inv_04	
<b>PDU Type:</b>	PG1_RQ_PDU	
<b>Derivation Path:</b>	PgReqTp1_01.	
<b>Comments:</b>	An invalid PAGING REQUEST TYPE1 message containing rest octets which are not all '2B'O	
Field Name	Field Value	Comments
p1roct	'09021234784BFFFF2B2B2B2B'O	
<b>Detailed Comments:</b>	'agressive' rest octet coding for 26.5.7.1.1. The first byte is coded in a manner that indicates comprehension required to a mobile that is incorrectly using the L2 pseudo length. The length of this IE is the octet after '09' and is set to 2. After the two bytes of content is the "next IEI". This is 78 which was the IEI allocated (but never used) in phase 1 to the RACH control parameters. The "RACH Control Parameters" are "set" to indicate that the cell barred and all access classes are prohibited.	

PDU Constraint Declaration		
<b>Constraint Name:</b>	PgReqTp1_r01	
<b>PDU Type:</b>	PG1_RQ_PDU	
<b>Derivation Path:</b>		
<b>Comments:</b>	An PAGING REQUEST TYPE1 message requesting any channel with normal paging mode, the first mobile identity is TMSI, the second is IMSI different from TSPX_IMSI.	
Field Name	Field Value	Comments
l2_pl	'49'O	
ski	'0000'B	
rrpd	'0110'B	
mt	'00100001'B	
chn_m1_2	Chneed_01	
pm	Pm( C_normal_paging)	
mi1	MiTmsi_01	
mi2	Milmsi_r01iei	
p1roct	'2B2B2B2B'O	
<b>Detailed Comments:</b>		

PDU Constraint Declaration		
<b>Constraint Name:</b>	PgReqTp1_r02	
<b>PDU Type:</b>	PG1_RQ_PDU	
<b>Derivation Path:</b>		
<b>Comments:</b>	An PAGING REQUEST TYPE1 message requesting any channel with normal paging mode, the first mobile identity is another TMSI, the second is IMSI of the IUT (TSPX_IMSI).	
Field Name	Field Value	Comments
l2_pl	OC_IntToOct(((9 + OC_LengthOf(Milmsi_01iei)) * 4) + 1, 1)	
ski	'0000'B	
rrpd	'0110'B	
mt	'00100001'B	
chn_m1_2	Chneed_01	
pm	Pm( C_normal_paging)	
mi1	MiTmsi_r01	
mi2	Milmsi_01iei	
p1roct	OC_SubOctet('2B2B2B2B2B2B2B2B2B2B2B'O, 13 - OC_LengthOf(Milmsi_01iei))	
<b>Detailed Comments:</b>		

PDU Constraint Declaration		
<b>Constraint Name:</b>	PgReqTp1_r03	
<b>PDU Type:</b>	PG1_RQ_PDU	
<b>Derivation Path:</b>		
<b>Comments:</b>	An PAGING REQUEST TYPE1 message requesting any channel with normal paging mode, the first mobile identity is an another TMSI differing from different from MiTmsi_01 and _02, the second one is TMSI of the IUT, MiTmsi_01.	
Field Name	Field Value	Comments
l2_pl	'41'O	
ski	'0000'B	
rrpd	'0110'B	
mt	'00100001'B	
chn_m1_2	Chneed_01	
pm	Pm( C_normal_paging)	
mi1	MiTmsi_r01	
mi2	MiTmsi_01iei	
p1roct	'2B2B2B2B2B2B'O	
<b>Detailed Comments:</b>		

PDU Constraint Declaration		
<b>Constraint Name:</b>	PgReqTp1_r04	
<b>PDU Type:</b>	PG1_RQ_PDU	
<b>Derivation Path:</b>	PgReqTp1_01.	
<b>Comments:</b>	An PAGING REQUEST TYPE1 message requesting any channel with normal paging mode, the mobile identity is TMSI, but the identity type is set to 'no identity'.	
Field Name	Field Value	Comments
mi1	MiTmsi_r02	
<b>Detailed Comments:</b>		

PDU Constraint Declaration		
<b>Constraint Name:</b>	PgReqTp2_01	
<b>PDU Type:</b>	PG2_RQ_PDU	
<b>Derivation Path:</b>		
<b>Comments:</b>	An PAGING REQUEST TYPE2 message requesting any channel with normal paging mode, the mobile identity is TMSI of the IUT.	
Field Name	Field Value	Comments
l2_pl	'2D'O	
ski	'0000'B	
rrpd	'0110'B	
mt	'00100010'B	
chn_m1_2	Chneed_01	
pm	Pm( C_normal_paging)	
mi1	Tmsi_01	
mi2	Tmsi_r01	
mi3	-	
p2roct	'2B2B2B2B2B2B2B2B2B2B'O	
<b>Detailed Comments:</b>		

PDU Constraint Declaration		
<b>Constraint Name:</b>	PgReqTp2_02	
<b>PDU Type:</b>	PG2_RQ_PDU	
<b>Derivation Path:</b>		
<b>Comments:</b>	An PAGING REQUEST TYPE2 message requesting any channel with extended paging mode and not addressing the MS under test.	
Field Name	Field Value	Comments
l2_pl	'2D'O	
ski	'0000'B	
rrpd	'0110'B	
mt	'00100010'B	
chn_m1_2	Chneed_01	
pm	Pm( C_extended_paging)	
mi1	Tmsi_r01	
mi2	Tmsi_r03	
mi3	-	
p2roct	'2B2B2B2B2B2B2B2B2B2B'O	
<b>Detailed Comments:</b>		

PDU Constraint Declaration		
<b>Constraint Name:</b>	PgReqTp2_03	
<b>PDU Type:</b>	PG2_RQ_PDU	
<b>Derivation Path:</b>		
<b>Comments:</b>	An PAGING REQUEST TYPE2 message requesting any channel with paging reorganisation mode, the mobile identity is TMSI of the IUT.	
Field Name	Field Value	Comments
l2_pl	'2D'O	
ski	'0000'B	
rrpd	'0110'B	
mt	'00100010'B	
chn_m1_2	Chneed_01	
pm	Pm( C_reorg_paging)	
mi1	Tmsi_01	
mi2	Tmsi_r01	
mi3	-	
p2roct	'2B2B2B2B2B2B2B2B2B2B'O	
<b>Detailed Comments:</b>		

PDU Constraint Declaration		
<b>Constraint Name:</b>	PgReqTp2_04	
<b>PDU Type:</b>	PG2_RQ_PDU	
<b>Derivation Path:</b>		
<b>Comments:</b>	An PAGING REQUEST TYPE2 message requesting any channel with same as before paging mode, the mobile identity is TMSI of the IUT.	
Field Name	Field Value	Comments
l2_pl	'2D'O	
ski	'0000'B	
rrpd	'0110'B	
mt	'00100010'B	
chn_m1_2	Chneed_01	
pm	Pm( C_sab_paging)	
mi1	Tmsi_01	
mi2	Tmsi_r01	
mi3	-	
p2roct	'2B2B2B2B2B2B2B2B2B2B'O	
<b>Detailed Comments:</b>		

PDU Constraint Declaration		
<b>Constraint Name:</b>	PgReqTp2_r01	
<b>PDU Type:</b>	PG2_RQ_PDU	
<b>Derivation Path:</b>		
<b>Comments:</b>	An PAGING REQUEST TYPE2 message requesting any channel with normal paging mode, the 1st mobile identity is TMSI of the IUT. The 2nd one addresses an another MS.	
Field Name	Field Value	Comments
l2_pl	'2D'O	
ski	'0000'B	
rrpd	'0110'B	
mt	'00100010'B	
chn_m1_2	Chneed_01	
pm	Pm( C_normal_paging)	
mi1	Tmsi_01	
mi2	Tmsi_r01	
mi3	-	
p2roct	'2B2B2B2B2B2B2B2B2B2B'O	
<b>Detailed Comments:</b>		

PDU Constraint Declaration		
<b>Constraint Name:</b>	PgReqTp2_r02	
<b>PDU Type:</b>	PG2_RQ_PDU	
<b>Derivation Path:</b>		
<b>Comments:</b>	An PAGING REQUEST TYPE2 message requesting any channel with normal paging mode, the 2nd mobile identity is TMSI of the IUT. The 1st one addresses an another MS.	
Field Name	Field Value	Comments
l2_pl	'2D'O	
ski	'0000'B	
rrpd	'0110'B	
mt	'00100010'B	
chn_m1_2	Chneed_01	
pm	Pm( C_normal_paging)	
mi1	Tmsi_r01	
mi2	Tmsi_01	
mi3	-	
p2roct	'2B2B2B2B2B2B2B2B2B2B'O	
<b>Detailed Comments:</b>		

PDU Constraint Declaration		
<b>Constraint Name:</b>	PgReqTp2_r03	
<b>PDU Type:</b>	PG2_RQ_PDU	
<b>Derivation Path:</b>		
<b>Comments:</b>	An PAGING REQUEST TYPE2 message requesting any channel with normal paging mode, the 3 mobile identity is TMSI of the IUT. The 1st and 2nd one address an another MS.	
Field Name	Field Value	Comments
l2_pl	'49'O	
ski	'0000'B	
rrpd	'0110'B	
mt	'00100010'B	
chn_m1_2	Chneed_01	
pm	Pm( C_normal_paging)	
mi1	Tmsi_r03	
mi2	Tmsi_r01	
mi3	MiTmsi_01iei	
p2roct	'2B2B2B2B'O	
<b>Detailed Comments:</b>		

PDU Constraint Declaration		
<b>Constraint Name:</b>	PgReqTp2_r04	
<b>PDU Type:</b>	PG2_RQ_PDU	
<b>Derivation Path:</b>		
<b>Comments:</b>	An PAGING REQUEST TYPE2 message requesting any channel with normal paging mode, the 1st and 2nd mobile identity addresses an another MS. The 3rd one is IMSI of the IUT. .	
Field Name	Field Value	Comments
l2_pl	OC_IntToOct(((11 +	
ski	OC_LengthOf(Milmsi_01iei)) * 4) + 1, 1)	
rrpd	'0000'B	
mt	'0110'B	
chn_m1_2	'00100010'B	
pm	Chneed_01	
mi1	Pm( C_normal_paging)	
mi2	Tmsi_r03	
mi3	Tmsi_r01	
p2roct	Milmsi_01iei	
	OC_SubOctet('2B2B2B2B2B2B2B2B2B2B'0, 11 - OC_LengthOf(Milmsi_01iei))	
<b>Detailed Comments:</b>		

PDU Constraint Declaration		
<b>Constraint Name:</b>	PgReqTp2_r05	
<b>PDU Type:</b>	PG2_RQ_PDU	
<b>Derivation Path:</b>		
<b>Comments:</b>	An PAGING REQUEST TYPE2 message requesting any channel with normal paging mode, the 3 mobile identity is TMSI of the IUT with the type of no id. The 1st and 2nd one address an another MS.	
Field Name	Field Value	Comments
l2_pl	'49'O	
ski	'0000'B	
rrpd	'0110'B	
mt	'00100010'B	
chn_m1_2	Chneed_01	
pm	Pm( C_normal_paging)	
mi1	Tmsi_r03	
mi2	Tmsi_r01	
mi3	MiTmsi_r02iei	
p2roct	'2B2B2B2B'O	
<b>Detailed Comments:</b>		

PDU Constraint Declaration		
<b>Constraint Name:</b>	PgReqTp2_r06	
<b>PDU Type:</b>	PG2_RQ_PDU	
<b>Derivation Path:</b>		
<b>Comments:</b>	An PAGING REQUEST TYPE2 message requesting any channel with normal paging mode, the 1st and 2nd mobile identity addresses an another MS. The 3rd one is IMSI of the IUT. .	
Field Name	Field Value	Comments
l2_pl	OC_IntToOct(((11 +	
	OC_LengthOf(Milmsi_01iei)) * 4) + 1, 1)	
ski	'0000'B	
rrpd	'0110'B	
mt	'00100010'B	
chn_m1_2	Chneed_01	
pm	Pm( C_extended_paging)	
mi1	Tmsi_r03	
mi2	Tmsi_r01	
mi3	Milmsi_01iei	
p2roct	OC_SubOctet('2B2B2B2B2B2B2B2B2B2B'0, 11 - OC_LengthOf(Milmsi_01iei))	
<b>Detailed Comments:</b>		

PDU Constraint Declaration		
<b>Constraint Name:</b>	PgReqTp3_01	
<b>PDU Type:</b>	PG3_RQ_PDU	
<b>Derivation Path:</b>		
<b>Comments:</b>	An PAGING REQUEST TYPE3 message requesting any channel with extended paging mode and not addressing the MS under test.	
Field Name	Field Value	Comments
l2_pl	'4D'0	
ski	'0000'B	
rrpd	'0110'B	
mt	'00100100'B	
chn_m1_2	Chneed_01	
pm	Pm( C_extended_paging)	
mi1	Tmsi_r05	
mi2	Tmsi_r01	
mi3	Tmsi_r03	
mi4	Tmsi_r04	
p3roct	'2B2B2B'0	
<b>Detailed Comments:</b> Only used in 26_6_2_2 within Pg_Req3_01.		

PDU Constraint Declaration		
<b>Constraint Name:</b>	PgReqTp3_02	
<b>PDU Type:</b>	PG3_RQ_PDU	
<b>Derivation Path:</b>		
<b>Comments:</b>	An PAGING REQUEST TYPE3 message containing paging mode = "same as before".	
Field Name	Field Value	Comments
l2_pl	'4D'0	
ski	'0000'B	
rrpd	'0110'B	
mt	'00100100'B	
chn_m1_2	Chneed_01	
pm	Pm( C_sab_paging)	
mi1	Tmsi_r05	
mi2	Tmsi_r01	
mi3	Tmsi_r03	
mi4	Tmsi_r04	
p3roct	'2B2B2B'0	
<b>Detailed Comments:</b> Only used in TC_26_6_2_4 within Pg_Req3_02		



PDU Constraint Declaration		
<b>Constraint Name:</b>	PgReqTp3_03	
<b>PDU Type:</b>	PG3_RQ_PDU	
<b>Derivation Path:</b>		
<b>Comments:</b>	An PAGING REQUEST TYPE3 message containing paging mode = "normal paging".	
Field Name	Field Value	Comments
l2_pl	'4D'O	
ski	'0000'B	
rrpd	'0110'B	
mt	'00100100'B	
chn_m1_2	Chneed_01	
pm	Pm( C_normal_paging)	
mi1	Tmsi_r05	
mi2	Tmsi_r01	
mi3	Tmsi_r03	
mi4	Tmsi_r04	
p3roct	'2B2B2B'O	
<b>Detailed Comments:</b>		

PDU Constraint Declaration		
<b>Constraint Name:</b>	PgReqTp3_r01	
<b>PDU Type:</b>	PG3_RQ_PDU	
<b>Derivation Path:</b>		
<b>Comments:</b>	An PAGING REQUEST TYPE3 message requesting any channel with normal paging mode, the 1st mobile identity is TMSI of the IUT. The 2nd, 3rd and 4th one address another MSs.	
Field Name	Field Value	Comments
l2_pl	'4D'O	
ski	'0000'B	
rrpd	'0110'B	
mt	'00100100'B	
chn_m1_2	Chneed_01	
pm	Pm( C_normal_paging)	
mi1	Tmsi_01	
mi2	Tmsi_r01	
mi3	Tmsi_r03	
mi4	Tmsi_r04	
p3roct	'2B2B2B'O	
<b>Detailed Comments:</b>		

PDU Constraint Declaration		
<b>Constraint Name:</b>	PgReqTp3_r02	
<b>PDU Type:</b>	PG3_RQ_PDU	
<b>Derivation Path:</b>	PgReqTp3_r01.	
<b>Comments:</b>	An PAGING REQUEST TYPE3 message requesting any channel with normal paging mode, the 2nd mobile identity is TMSI of the IUT. The 1st, 3rd and 4th one address another MSs.	
Field Name	Field Value	Comments
mi1	Tmsi_r01	
mi2	Tmsi_01	
<b>Detailed Comments:</b>		

PDU Constraint Declaration		
<b>Constraint Name:</b>	PgReqTp3_r03	
<b>PDU Type:</b>	PG3_RQ_PDU	
<b>Derivation Path:</b>	PgReqTp3_r01.	
<b>Comments:</b>	An PAGING REQUEST TYPE3 message requesting any channel with normal paging mode, the 3rd mobile identity is TMSI of the IUT. The 1st, 2nd and 4th one address another MSs.	
Field Name	Field Value	Comments
mi1	Tmsi_r03	
mi3	Tmsi_01	
<b>Detailed Comments:</b>		

PDU Constraint Declaration		
<b>Constraint Name:</b>	PgReqTp3_r04	
<b>PDU Type:</b>	PG3_RQ_PDU	
<b>Derivation Path:</b>	PgReqTp3_r01.	
<b>Comments:</b>	An PAGING REQUEST TYPE3 message requesting any channel with normal paging mode, the 4th mobile identity is TMSI of the IUT. The 1st, 2nd and 3rd one address another MSs.	
Field Name	Field Value	Comments
mi1	Tmsi_r04	
mi4	Tmsi_01	
<b>Detailed Comments:</b>		

PDU Constraint Declaration		
<b>Constraint Name:</b>	PgReqTp3_r05	
<b>PDU Type:</b>	PG3_RQ_PDU	
<b>Derivation Path:</b>		
<b>Comments:</b>	An PAGING REQUEST TYPE3 message requesting any channel with normal paging mode, the 1st mobile identity is TMSI of the IUT. The 2nd, 3rd and 4th one address another MSs.	
Field Name	Field Value	Comments
l2_pl	'4D'O	
ski	'0000'B	
rrpd	'0110'B	
mt	'00100100'B	
chn_m1_2	Chneed_01	
pm	Pm( C_extended_paging)	
mi1	Tmsi_01	
mi2	Tmsi_r01	
mi3	Tmsi_r03	
mi4	Tmsi_r04	
p3roct	'2B2B2B'O	
<b>Detailed Comments:</b>		

PDU Constraint Declaration		
<b>Constraint Name:</b>	Phyinform_01(ta:TA)	
<b>PDU Type:</b>	PHYINFO_PDU	
<b>Derivation Path:</b>		
<b>Comments:</b>		
Field Name	Field Value	Comments
ski	'0000'B	
rrpd	'0110'B	
mt	'00101101'B	
ta	ta	
<b>Detailed Comments:</b>		

PDU Constraint Declaration		
<b>Constraint Name:</b>	Release_02	
<b>PDU Type:</b>	REL_PDU	
<b>Derivation Path:</b>		
<b>Comments:</b>	A CC RELEASE message to match any received CC RELEASE message.	
Field Name	Field Value	Comments
ti	?	
ccpd	'0011'B	
mt	'0?101101'B	
cau	*	
cau2	*	
fie	*	
uu	*	
ssvi	*	
<b>Detailed Comments:</b>		

PDU Constraint Declaration		
<b>Constraint Name:</b>	Release_08(Ti:TI)	
<b>PDU Type:</b>	REL_PDU	
<b>Derivation Path:</b>		
<b>Comments:</b>	A CC RELEASE message with mandatory IE's only used in structured procedures test .	
Field Name	Field Value	Comments
ti	Ti	
ccpd	'0011'B	
mt	'00101101'B	
cau	-	
cau2	-	
fie	-	
uu	-	
ssvi	-	
<b>Detailed Comments:</b>		

PDU Constraint Declaration		
<b>Constraint Name:</b>	Release_10(Ti:TI)	
<b>PDU Type:</b>	REL_PDU	
<b>Derivation Path:</b>		
<b>Comments:</b>	A CC RELEASE message used to match any received CC RELEASE message with a controllable TI.	
Field Name	Field Value	Comments
ti	Ti	
ccpd	'0011'B	
mt	'0?101101'B	
cau	*	
cau2	*	
fie	*	
uu	*	
ssvi	*	
<b>Detailed Comments:</b>		

PDU Constraint Declaration		
<b>Constraint Name:</b>	ReleaseCmpRcv(Ti :TI; cau:CAU)	
<b>PDU Type:</b>	REL_COM_PDU	
<b>Derivation Path:</b>		
<b>Comments:</b>	A RELEASE COMPLETE message containing cause value = #81. ms -> n	
Field Name	Field Value	Comments
ti	Ti	
cc_sspd	'0011'B	
mt	'0?101010'B	
cau	cau	
fie	*	
uu	*	
ssvi	*	
<b>Detailed Comments:</b>		

PDU Constraint Declaration		
<b>Constraint Name:</b>	ReleaseCmp_03(Ti:TI)	
<b>PDU Type:</b>	REL_COM_PDU	
<b>Derivation Path:</b>		
<b>Comments:</b>	To match any received RELEASE message.	
Field Name	Field Value	Comments
ti	Ti	
cc_sspd	'0011'B	
mt	'0?101010'B	
cau	*	
fie	*	
uu	*	
ssvi	*	
<b>Detailed Comments:</b>		

PDU Constraint Declaration		
<b>Constraint Name:</b>	ReleaseCmp_08(Ti :TI)	
<b>PDU Type:</b>	REL_COM_PDU	
<b>Derivation Path:</b>		
<b>Comments:</b>	A RELEASE COMPLETE message containing mandatory IEs only. n -> ms	
Field Name	Field Value	Comments
ti	Ti	
cc_sspd	'0011'B	
mt	'00101010'B	
cau	-	
fie	-	
uu	-	
ssvi	-	
<b>Detailed Comments:</b>		

PDU Constraint Declaration		
<b>Constraint Name:</b>	ReleaseCmp_09(Ti:TI; fie:FIE)	
<b>PDU Type:</b>	REL_COM_PDU	
<b>Derivation Path:</b>		
<b>Comments:</b>	A RELEASE COMPLETE message containing facility IE. n -> ms	
Field Name	Field Value	Comments
ti	Ti	
cc_sspd	'1011'B	
mt	'00101010'B	
cau	-	
fie	fie	
uu	-	
ssvi	-	
<b>Detailed Comments:</b>		

PDU Constraint Declaration		
<b>Constraint Name:</b>	ReleaseCmp_47(Ti:TI)	
<b>PDU Type:</b>	REL_COM_PDU	
<b>Derivation Path:</b>		
<b>Comments:</b>	To send a RELEASE COMPLETE message without cause and without FIE	
Field Name	Field Value	Comments
ti	Ti	
cc_sspd	'1011'B	
mt	'00101010'B	
cau	-	
fie	-	
uu	-	
ssvi	-	
<b>Detailed Comments:</b>		

PDU Constraint Declaration		
<b>Constraint Name:</b>	Setup_02( bcap: BCAP)	
<b>PDU Type:</b>	SETUP_MO_PDU	
<b>Derivation Path:</b>		
<b>Comments:</b>	A SETUP message containing speech bearer capability. ms -> n	
Field Name	Field Value	Comments
ti	?	
ccpd	'0011'B	
mt	'0?000101'B	
bcri	-	
bcap1	bcap	
bcap2	-	
fie	*	
cgps	*	
cdpn	?	
cdps	*	
llcri	*	
llcmp1	*	
llcmp2	*	
hlcri	*	
hlcmp1	*	
hlcmp2	*	
uu	*	
ssvi	*	
clirsup	*	
clirinv	*	
cccacp	*	
<b>Detailed Comments:</b>		

PDU Constraint Declaration		
<b>Constraint Name:</b>	Setup_03( ti:TI)	
<b>PDU Type:</b>	SETUP_MT_PDU	
<b>Derivation Path:</b>		
<b>Comments:</b>	A SETUP message with mandatory IE's only. This is default for BIBO testing.	
Field Name	Field Value	Comments
ti	ti	
ccpd	'0011'B	
mt	'00000101'B	
bcri	-	
bcap1	-	
bcap2	-	
fie	-	
pi	-	
sig	-	
cgpn	-	
cgps	-	
cdpn	-	
cdps	-	
llcri	-	
llcmp1	-	
llcmp2	-	
hlcri	-	
hlcmp1	-	
hlcmp2	-	
uu	-	
<b>Detailed Comments:</b>		

PDU Constraint Declaration		
<b>Constraint Name:</b>	Setup_04( bcap: BCAP)	
<b>PDU Type:</b>	ESETUP_PDU	
<b>Derivation Path:</b>		
<b>Comments:</b>	A Emergency call SETUP message with/without speech bearer capability. ms -> n.	
Field Name	Field Value	Comments
ti	?	
ccpd	'0011'B	
mt	'0?001110'B	
bcap	bcap IF_PRESENT	
<b>Detailed Comments:</b>		

PDU Constraint Declaration		
<b>Constraint Name:</b>	Setup_10_UDI(bcap: BCAP; llc1:LLCMP; hlc1:HLCMP)	
<b>PDU Type:</b>	SETUP_MO_PDU	
<b>Derivation Path:</b>		
<b>Comments:</b>	A SETUP message containing bearer capability supported by the mobile station, used for Unrestricted digital information transfer capability. ms -> n.	
Field Name	Field Value	Comments
ti	?	
ccpd	'0011'B	
mt	'0?000101'B	
bcri	-	
bcap1	bcap	
bcap2	-	
fie	*	
cgps	*	
cdpn	?	
cdps	*	
llcri	-	
llcmp1	llc1	
llcmp2	-	
hlcri	-	
hlcmp1	hlc1 IF_PRESENT	
hlcmp2	-	
uu	*	
ssvi	*	
clirsup	*	
clirinv	*	
cccap	CallCntrlCap IF_PRESENT	
<b>Detailed Comments:</b>		

PDU Constraint Declaration		
<b>Constraint Name:</b>	Setup_10_3100(bcap: BCAP; llc1:LLCMP; hlc1:HLCMP)	
<b>PDU Type:</b>	SETUP_MO_PDU	
<b>Derivation Path:</b>		
<b>Comments:</b>	A SETUP message containing bearer capability supported by the mobile station. used for 3.1 kHz audio information transfer capability. ms -> n.	
Field Name	Field Value	Comments
ti	?	
ccpd	'0011'B	
mt	'0?000101'B	
bcri	-	
bcap1	bcap	
bcap2	-	
fie	*	
cgps	*	
cdpn	?	
cdps	*	
llcri	-	
llcmp1	llc1 IF_PRESENT	
llcmp2	-	
hlcri	-	
hlcmp1	hlc1 IF_PRESENT	
hlcmp2	-	
uu	*	
ssvi	*	
clirsup	*	
clirinv	*	
cccap	CallCntrlCap IF_PRESENT	
<b>Detailed Comments:</b>		

PDU Constraint Declaration		
<b>Constraint Name:</b>	Setup_11_3100(bcri1: RPI; bcap, bcap2nd: BCAP; llc1, llc2:LLCMP; llcri1, hlcri1:RPI; hlc1, hlc2:HLCMP)	
<b>PDU Type:</b>	SETUP_MO_PDU	
<b>Derivation Path:</b>		
<b>Comments:</b>	A SETUP message containing two bearer capabilities supported by the mobile station, used for 3.1 kHz audio information transfer capability. ms -> n.	
Field Name	Field Value	Comments
ti	?	
ccpd	'0011'B	
mt	'0?000101'B	
bcri	bcri1	
bcap1	bcap	
bcap2	bcap2nd	
fie	*	
cgps	*	
cdpn	?	
cdps	*	
llcri	llcri1 IF_PRESENT	
llcmp1	llc1 IF_PRESENT	
llcmp2	llc2 IF_PRESENT	
hlcri	hlcri1 IF_PRESENT	
hlcmp1	hlc1 IF_PRESENT	
hlcmp2	hlc2 IF_PRESENT	
uu	*	
ssvi	*	
clirsup	*	
clirinv	*	
cccacp	CallCntrlCap IF_PRESENT	
<b>Detailed Comments:</b>		

PDU Constraint Declaration		
<b>Constraint Name:</b>	Setup_20(par: BCAP; ti:TI)	
<b>PDU Type:</b>	SETUP_MT_PDU	
<b>Derivation Path:</b>		
<b>Comments:</b>	A SETUP message containing bearer capability supported by the mobile station.	
Field Name	Field Value	Comments
ti	ti	
ccpd	'0011'B	
mt	'00000101'B	
bcri	-	
bcap1	par	
bcap2	-	
fie	-	
pi	-	
sig	-	
cgpn	-	
cgps	-	
cdpn	-	
cdps	-	
llcri	-	
llcmp1	-	
llcmp2	-	
hlcri	-	
hlcmp1	-	
hlcmp2	-	
uu	-	
<b>Detailed Comments:</b>		



PDU Constraint Declaration		
<b>Constraint Name:</b>	Setup_21(par1:RPI; par2, par3 :BCAP; ti:T1)	
<b>PDU Type:</b>	SETUP_MT_PDU	
<b>Derivation Path:</b>		
<b>Comments:</b>	A SETUP message containing two bearer capabilities supported by the mobile station.	
Field Name	Field Value	Comments
ti	ti	
ccpd	'0011'B	
mt	'00000101'B	
bcricri	par1	
bcap1	par2	
bcap2	par3	
fi	-	
pi	-	
sig	-	
cgpn	-	
cgps	-	
cdpn	-	
cdps	-	
llcri	-	
llcmp1	-	
llcmp2	-	
hlcri	-	
hlcmp1	-	
hlcmp2	-	
uu	-	
<b>Detailed Comments:</b>		

PDU Constraint Declaration		
<b>Constraint Name:</b>	Synclnfor( bcc:BCC; ncc:NCC)	
<b>PDU Type:</b>	SCHINFO_PDU	
<b>Derivation Path:</b>		
<b>Comments:</b>		
Field Name	Field Value	Comments
ncc	ncc	
bcc	bcc	
t1	?	
t2	?	
t3_	?	
<b>Detailed Comments:</b>		
1. The values of t1, t2 and t3_ shall be correctly set by the L2 simulation module when this message is sent to air on the synchronization channel. It is assumed that there is a set of timebase counters in the L2 module, these counters run continuously and keep the correct timeslot number SN and TDMA frame number FN as long as the test system is poweron , the T1, T2, T3' (values for t1, t2 and t3_ can be derived from these counters.		

PDU Constraint Declaration		
<b>Constraint Name:</b>	Syslnf1(cchd:CCHD; maxtx:B_2; txint:B_4; re:B_1)	
<b>PDU Type:</b>	SYSINFO1_PDU	
<b>Derivation Path:</b>		
<b>Comments:</b>	Default parameters for cell A in RR testing of GSM 900	
Field Name	Field Value	Comments
l2_pl	'55'O	
ski	'0000'B	
rrpd	'0110'B	
mt	'00011001'B	
cchd	cchd	
rachcp	RachCntrlPara(maxtx, txint, re)	
si1roct	'2B'O	
<b>Detailed Comments:</b>		

PDU Constraint Declaration		
<b>Constraint Name:</b>	SysInf1_cba(cchd:CCHD; maxtx:B_2; txint:B_4; re:B_1; cba:B_1; acc:B_5)	
<b>PDU Type:</b>	SYSINFO1_PDU	
<b>Derivation Path:</b>		
<b>Comments:</b>	Default parameters for cell A in RR testing of GSM 900	
Field Name	Field Value	Comments
l2_pl	'55'O	
ski	'0000'B	
rrpd	'0110'B	
mt	'00011001'B	
cchd	cchd	
rachcp	RachCntrlPara_cba(maxtx, txint, re, cba, acc)	
si1roct	'2B'O	
<b>Detailed Comments:</b>		

PDU Constraint Declaration		
<b>Constraint Name:</b>	SysInf2(bcchfl: NCD; maxtx:B_2; txint:B_4; re:B_1; nccp:NCCP)	
<b>PDU Type:</b>	SYSINFO2_PDU	
<b>Derivation Path:</b>		
<b>Comments:</b>	SYSTEM INFORMATION TYPE2 containing default neighbour cells description	
Field Name	Field Value	Comments
l2_pl	'59'O	
ski	'0000'B	
rrpd	'0110'B	
mt	'00011010'B	
bcchfl	bcchfl	
nccp	nccp	
rachcp	RachCntrlPara(maxtx, txint, re)	
<b>Detailed Comments:</b>		

PDU Constraint Declaration		
<b>Constraint Name:</b>	SysInf2_cba(bcchfl: NCD; maxtx:B_2; txint:B_4; re:B_1; nccp:NCCP; cba:B_1; acc:B_5)	
<b>PDU Type:</b>	SYSINFO2_PDU	
<b>Derivation Path:</b>		
<b>Comments:</b>	SYSTEM INFORMATION TYPE2 containing default neighbour cells description	
Field Name	Field Value	Comments
l2_pl	'59'O	
ski	'0000'B	
rrpd	'0110'B	
mt	'00011010'B	
bcchfl	bcchfl	
nccp	nccp	
rachcp	RachCntrlPara_cba(maxtx, txint, re, cba, acc)	
<b>Detailed Comments:</b>		

PDU Constraint Declaration		
<b>Constraint Name:</b>	SysInf2bis(bcchflegsm: NCD)	
<b>PDU Type:</b>	SYSINFO2bis_PDU	
<b>Derivation Path:</b>		
<b>Comments:</b>	SYSTEM INFORMATION 2bis in cell A under EGSM with the ARFCN list = {988, 990, 1003}.	
Field Name	Field Value	Comments
l2_pl	'55'O	
ski	'0000'B	
rrpd	'0110'B	
mt	'00000010'B	
xbcchfl	bcchflegsm	
rachcp	RachCntrlPara_r01	
si2bisroct	'00'O	
<b>Detailed Comments:</b>		

PDU Constraint Declaration		
<b>Constraint Name:</b>	SysInf2bis_egsm(freqlst:NCD)	
<b>PDU Type:</b>	SYSINFO2bis_PDU	
<b>Derivation Path:</b>		
<b>Comments:</b>	SYSTEM INFORMATION 2bis under EGSM with the ARFCN list = {985, 989, 995, 1010, 1014}.	
Field Name	Field Value	Comments
l2_pl	'55'O	
ski	'0000'B	
rrpd	'0110'B	
mt	'00000010'B	
xbcchfl	freqlst	
rachcp	RachCntrlPara_r01	
si2bisroct	'00'O	
<b>Detailed Comments:</b>		

PDU Constraint Declaration		
<b>Constraint Name:</b>	SysInf2ter(fl:NCD2)	
<b>PDU Type:</b>	SYSINFO2ter_PDU	
<b>Derivation Path:</b>		
<b>Comments:</b>	SYSTEM INFORMATION 2ter with the ARFCN list = fl.	
Field Name	Field Value	Comments
l2_pl	'49'O	
ski	'0000'B	
rrpd	'0110'B	
mt	'00000011'B	
xbcchfl	fl	
si2terroct	'00000000'O	
<b>Detailed Comments:</b>		

PDU Constraint Declaration		
<b>Constraint Name:</b>	SysInf3(ci:CI; mcc, mnc, lac:OCTETSTRING; ccd:CCD; co:CO; crh, mtmc:INTEGER; neci:B_1; maxtx:B_2; txint:B_4; re:B_1)	
<b>PDU Type:</b>	SYSINFO3_PDU	
<b>Derivation Path:</b>		
<b>Comments:</b>	CCCH combined or not with SDCCH	
Field Name	Field Value	Comments
l2_pl	'49'O	
ski	'0000'B	
rrpd	'0110'B	
mt	'00011011'B	
ci	ci	
lai	LocAreald(mcc, mnc, lac)	
ccd	ccd	
co	co	
csp	CellSelPara(crh, mtmc, neci)	
rachcp	RachCntrlPara(maxtx, txint, re)	
si3roct	SI3RestOctetPara('00000'B, '000000'B, '000'B, '00'B, '0'B)	
<b>Detailed Comments:</b>		

PDU Constraint Declaration		
<b>Constraint Name:</b>	SysInf3_ram_cba(ci:CI; mcc, mnc, lac:OCTETSTRING; ccd:CCD; co:CO; crh, mtmc:INTEGER; neci:B_1; maxtx:B_2; txint:B_4; re:B_1; ram:B_6; cba, cbq:B_1; acc:B_5)	
<b>PDU Type:</b>	SYSINFO3_PDU	
<b>Derivation Path:</b>		
<b>Comments:</b>	CCCH combined or not with SDCCH	
Field Name	Field Value	Comments
l2_pl	'49'O	
ski	'0000'B	
rrpd	'0110'B	
mt	'00011011'B	
ci	ci	
lai	LocAreald(mcc, mnc, lac)	
ccd	ccd	
co	co	
csp	CellSelPara_ram(crh, mtmc, neci, ram)	
rachcp	RachCntrlPara_cba(maxtx, txint, re, cba, acc)	
si3roct	SI3RestOctetPara('00000'B, '000000'B, '000'B, '00'B, cbq)	
<b>Detailed Comments:</b>		

PDU Constraint Declaration		
<b>Constraint Name:</b>	SysInf3_rpct(ci:CI; mcc, mnc, lac:OCTETSTRING; ccd:CCD; co:CO; crh, mtmc:INTEGER; neci:B_1; maxtx:B_2; txint:B_4; re:B_1; ram:B_6; pt:B_5; cro:B_6; to:B_3)	
<b>PDU Type:</b>	SYSINFO3_PDU	
<b>Derivation Path:</b>		
<b>Comments:</b>	CCCH combined or not with SDCCH	
Field Name	Field Value	Comments
l2_pl	'49'O	
ski	'0000'B	
rrpd	'0110'B	
mt	'00011011'B	
ci	ci	
lai	LocAreald(mcc, mnc, lac)	
ccd	ccd	
co	co	
csp	CellSelPara_ram(crh, mtmc, neci, ram)	
rachcp	RachCntrlPara(maxtx, txint, re)	
si3roct	SI3RestOctetPara(pt, cro, to, '00'B, '0'B)	
<b>Detailed Comments:</b>		

PDU Constraint Declaration		
<b>Constraint Name:</b>	SysInf3_ti(ci:CI; mcc, mnc, lac:OCTETSTRING; ccd:CCD; co:CO; crh, mtmc:INTEGER; neci:B_1; maxtx:B_2; txint:B_4; re:B_1; ram:B_6; pt:B_5; cro:B_6; to:B_3)	
<b>PDU Type:</b>	SYSINFO3_PDU	
<b>Derivation Path:</b>		
<b>Comments:</b>	CCCH combined or not with SDCCH	
Field Name	Field Value	Comments
l2_pl	'49'O	
ski	'0000'B	
rrpd	'0110'B	
mt	'00011011'B	
ci	ci	
lai	LocAreald(mcc, mnc, lac)	
ccd	ccd	
co	co	
csp	CellSelPara_ram(crh, mtmc, neci, ram)	
rachcp	RachCntrlPara(maxtx, txint, re)	
si3roct	SI3RestOctetPara_ti(pt, cro, to, '00'B)	
<b>Detailed Comments:</b>		

PDU Constraint Declaration		
<b>Constraint Name:</b>	SysInf3_rpctp(ci:CI; mcc, mnc, lac:OCTETSTRING; ccd:CCD; co:CO; crh, mtmc:INTEGER; neci:B_1; maxtx:B_2; txint:B_4; re:B_1; ram:B_6; pt:B_5; cro:B_6; to:B_3; po:B_2)	
<b>PDU Type:</b>	SYSINFO3_PDU	
<b>Derivation Path:</b>		
<b>Comments:</b>	CCCH combined or not with SDCCH	
Field Name	Field Value	Comments
l2_pl	'49'O	
ski	'0000'B	
rrpd	'0110'B	
mt	'00011011'B	
ci	ci	
lai	LocAreald(mcc, mnc, lac)	
ccd	ccd	
co	co	
csp	CellSelPara_ram(crh, mtmc, neci, ram)	
rachcp	RachCntrlPara(maxtx, txint, re)	
si3roct	SI3RestOctetPara(pt, cro, to, po, '0'B)	
<b>Detailed Comments:</b>		

PDU Constraint Declaration		
<b>Constraint Name:</b>	SysInf4(mcc, mnc, lac:OCTETSTRING; crh, mtmc:INTEGER; neci:B_1; maxtx:B_2; txint:B_4; re:B_1)	
<b>PDU Type:</b>	SYSINFO4_PDU	
<b>Derivation Path:</b>		
<b>Comments:</b>	A SYSTEM INFORMATION TYPE 4 message containing default values	
Field Name	Field Value	Comments
l2_pl	'31'O	
ski	'0000'B	
rrpd	'0110'B	
mt	'00011100'B	
lai	LocAreaId(mcc, mnc, lac)	
csp	CellSelPara(crh, mtmc, neci)	
rachcp	RachCntrlPara(maxtx, txint, re)	
cbchd	-	
cbchma	-	
si4roct	SI4RestOctetPara('00000'B, '000000'B, '000'B, '00'B, '0'B)	
<b>Detailed Comments:</b>		

PDU Constraint Declaration		
<b>Constraint Name:</b>	SysInf4_bis(mcc, mnc, lac:OCTETSTRING; crh, mtmc:INTEGER; neci:B_1; maxtx:B_2; txint:B_4; re:B_1; ram:B_6)	
<b>PDU Type:</b>	SYSINFO4_PDU	
<b>Derivation Path:</b>		
<b>Comments:</b>	A SYSTEM INFORMATION TYPE 4 message containing default values	
Field Name	Field Value	Comments
l2_pl	'31'O	
ski	'0000'B	
rrpd	'0110'B	
mt	'00011100'B	
lai	LocAreaId(mcc, mnc, lac)	
csp	CellSelPara_bis(crh, mtmc, neci, ram)	
rachcp	RachCntrlPara(maxtx, txint, re)	
cbchd	-	
cbchma	-	
si4roct	SI4RestOctetDef	
<b>Detailed Comments:</b>		

PDU Constraint Declaration		
<b>Constraint Name:</b>	SysInf4_CBMS(mcc, mnc, lac:OCTETSTRING; crh, mtmc:INTEGER; neci:B_1; maxtx:B_2; txint:B_4; re:B_1; cbchd:CHD)	
<b>PDU Type:</b>	SYSINFO4_PDU	
<b>Derivation Path:</b>		
<b>Comments:</b>	To send a SYSTEM INFORMATION TYPE 4 message for SMSCB with the values or GSM 11.10, 34.3	
Field Name	Field Value	Comments
l2_pl	'49'O	
ski	'0000'B	
rrpd	'0110'B	
mt	'00011100'B	
lai	LocAreaId(mcc, mnc, lac)	
csp	CellSelPara(crh, mtmc, neci)	
rachcp	RachCntrlPara(maxtx, txint, re)	
cbchd	cbchd	
cbchma	MobAllc_01iei	
si4roct	SI4RestOctetPara('00000'B, '000000'B, '000'B, '00'B, '0'B)	
<b>Detailed Comments:</b>		

PDU Constraint Declaration		
<b>Constraint Name:</b>	Syslnf4_ram_cba(mcc, mnc, lac:OCTETSTRING; crh, mtmc:INTEGER; neci:B_1; maxtx:B_2; txint:B_4; re:B_1; ram:B_6; cba, cbq:B_1; acc:B_5)	
<b>PDU Type:</b>	SYSINFO4_PDU	
<b>Derivation Path:</b>		
<b>Comments:</b>	A SYSTEM INFORMATION TYPE 4 message containing default values	
Field Name	Field Value	Comments
l2_pl	'31'O	
ski	'0000'B	
rrpd	'0110'B	
mt	'00011100'B	
lai	LocAreald(mcc, mnc, lac)	
csp	CellSelPara_ram(crh, mtmc, neci, ram)	
rachcp	RachCntrlPara_cba(maxtx, txint, re, cba, acc)	
cbchd	-	
cbchma	-	
si4roct	SI4RestOctetPara('00000'B, '000000'B, '000'B, '00'B, cbq)	
<b>Detailed Comments:</b>		

PDU Constraint Declaration		
<b>Constraint Name:</b>	Syslnf4_rpct(mcc, mnc, lac:OCTETSTRING; crh, mtmc:INTEGER; neci:B_1; maxtx:B_2; txint:B_4; re:B_1; ram:B_6; pt:B_5; cro:B_6; to:B_3)	
<b>PDU Type:</b>	SYSINFO4_PDU	
<b>Derivation Path:</b>		
<b>Comments:</b>	A SYSTEM INFORMATION TYPE 4 message containing default values	
Field Name	Field Value	Comments
l2_pl	'31'O	
ski	'0000'B	
rrpd	'0110'B	
mt	'00011100'B	
lai	LocAreald(mcc, mnc, lac)	
csp	CellSelPara_ram(crh, mtmc, neci, ram)	
rachcp	RachCntrlPara(maxtx, txint, re)	
cbchd	-	
cbchma	-	
si4roct	SI4RestOctetPara(pt, cro, to, '00'B, '0'B)	
<b>Detailed Comments:</b>		

PDU Constraint Declaration		
<b>Constraint Name:</b>	Syslnf4_rpctp(mcc, mnc, lac:OCTETSTRING; crh, mtmc:INTEGER; neci:B_1; maxtx:B_2; txint:B_4; re:B_1; ram:B_6; pt:B_5; cro:B_6; to:B_3; po:B_2)	
<b>PDU Type:</b>	SYSINFO4_PDU	
<b>Derivation Path:</b>		
<b>Comments:</b>	A SYSTEM INFORMATION TYPE 4 message containing default values	
Field Name	Field Value	Comments
l2_pl	'31'O	
ski	'0000'B	
rrpd	'0110'B	
mt	'00011100'B	
lai	LocAreald(mcc, mnc, lac)	
csp	CellSelPara_ram(crh, mtmc, neci, ram)	
rachcp	RachCntrlPara(maxtx, txint, re)	
cbchd	-	
cbchma	-	
si4roct	SI4RestOctetPara(pt, cro, to, po, '0'B)	
<b>Detailed Comments:</b>		

PDU Constraint Declaration		
<b>Constraint Name:</b>	SysInf5(bcchfl: NCD)	
<b>PDU Type:</b>	SYSINFO5_PDU	
<b>Derivation Path:</b>		
<b>Comments:</b>	SYSTEM INFORMATION TYPE 5 containing default neighbour cells description for GSM900	
Field Name	Field Value	Comments
ski	'0000'B	
rrpd	'0110'B	
mt	'00011101'B	
bcchfl	bcchfl	
<b>Detailed Comments:</b>		

PDU Constraint Declaration		
<b>Constraint Name:</b>	SysInf5bis(bcchfl: NCD)	
<b>PDU Type:</b>	SYSINFO5bis_PDU	
<b>Derivation Path:</b>		
<b>Comments:</b>	SYSTEM INFORMATION TYPE 5bis containing partial neighbour cells description with 1 frequency for DCS1800.	
Field Name	Field Value	Comments
ski	'0000'B	
rrpd	'0110'B	
mt	'00000101'B	
xbcchfl	bcchfl	
<b>Detailed Comments:</b>		

PDU Constraint Declaration		
<b>Constraint Name:</b>	SysInf5ter(bcchfl: NCD2)	
<b>PDU Type:</b>	SYSINFO5ter_PDU	
<b>Derivation Path:</b>		
<b>Comments:</b>	SYSTEM INFORMATION TYPE 5ter containing partial neighbour cells description.	
Field Name	Field Value	Comments
ski	'0000'B	
rrpd	'0110'B	
mt	'00000110'B	
xbcchfl	bcchfl	
<b>Detailed Comments:</b>		

PDU Constraint Declaration		
<b>Constraint Name:</b>	SysInf6(ci:CI; mcc, mnc, lac:OCTETSTRING; co:CO)	
<b>PDU Type:</b>	SYSINFO6_PDU	
<b>Derivation Path:</b>		
<b>Comments:</b>	A SYSTEM INFORMATION TYPE 6 message containing default parameters for RR testing.	
Field Name	Field Value	Comments
ski	'0000'B	
rrpd	'0110'B	
mt	'00011110'B	
ci	ci	
lai	LocAreald(mcc, mnc, lac)	
co	co	
nccp	'02'O	
<b>Detailed Comments:</b>		



PDU Constraint Declaration		
<b>Constraint Name:</b>	SysInf7(pt:B_5; cro:B_6; to:B_3)	
<b>PDU Type:</b>	SYSINFO7_PDU	
<b>Derivation Path:</b>		
<b>Comments:</b>	A SYSTEM INFORMATION TYPE 7 message containing default values	
Field Name	Field Value	Comments
l2_pl	'01'O	
ski	'0000'B	
rrpd	'0110'B	
mt	'00011111'B	
si7roct	SI7RestOctetPara(pt, cro, to, '00'B, '0'B)	
<b>Detailed Comments:</b>		

PDU Constraint Declaration		
<b>Constraint Name:</b>	SysInf8(pt:B_5; cro:B_6; to:B_3)	
<b>PDU Type:</b>	SYSINFO8_PDU	
<b>Derivation Path:</b>		
<b>Comments:</b>	A SYSTEM INFORMATION TYPE 8 message containing default values	
Field Name	Field Value	Comments
l2_pl	'01'O	
ski	'0000'B	
rrpd	'0110'B	
mt	'00011000'B	
si8roct	SI7RestOctetPara(pt, cro, to, '00'B, '0'B)	
<b>Detailed Comments:</b>		

PDU Constraint Declaration		
<b>Constraint Name:</b>	TmsiReallocCmd(par:MI; mcc, mnc, lac: OCTETSTRING)	
<b>PDU Type:</b>	TMSIRE_CMD_PDU	
<b>Derivation Path:</b>		
<b>Comments:</b>	TMSI REALLOCATION COMMAND message.	
Field Name	Field Value	Comments
ski	'0000'B	
mmpd	'0101'B	
mt	'00011010'B	
lai	LocAreald(mcc, mnc, lac)	
mi	par	
<b>Detailed Comments:</b>		

PDU Constraint Declaration		
<b>Constraint Name:</b>	TmsiReallocComp	
<b>PDU Type:</b>	TMSIRE_COM_PDU	
<b>Derivation Path:</b>		
<b>Comments:</b>	TMSI REALLOCATION COMPLETE message.	
Field Name	Field Value	Comments
ski	'0000'B	
mmpd	'0101'B	
mt	'0?011011'B	
<b>Detailed Comments:</b>		

## Dynamic Part

### Test Cases

#### Test Group CellSelection

Test Case Dynamic Behaviour					
<b>Test Case Name:</b> TC_20_1					
<b>Group:</b> GSM_MS_CS_4210/CellSelection/					
<b>Purpose:</b> 1. To verify that: The MS shall be able to select the correct (forth strongest) cell and be able to respond to paging on that cell within 30 seconds of switch on, when the three strongest cells are not suitable. This assumes that a valid SIM, with PIN disabled and ideal radio conditions; GSM 05.08, 6.1.  2. To verify that: 2.1 The MS does not select a cell of a PLMN which is not the selected PLMN. 2.2 The MS does not select a cell which is "barred". 2.3 The MS does not select a cell with C1<0.  3. To verify that the MS selects suitable cells in descending order of received signal strength.  4. To verify that the MS does not select a cell with C1<0.					
<b>Default:</b> OtherEventsFail					
<b>Comments:</b> This test case achieves the test purpose in one phase rather than the two described in ETS 300-607-2					
Nr	Label	Behaviour Description	CRef	V	Comments
1		START T_guard(600)			
2		+IdleUpdated(C_E_default, C_CellA, C_SCH_A, C_BCCH_A_1, C_Immass, C_S0, C_SlotNU, C_SlotNU, C_SlotNU, C_BCC, C_TxInt_5, C_Max_2, C_NECI_0, C_ATT_0, TimingAdv(0), C_BABR_0, C_cch_1Comb, C_BPM_3, C_T3212_0, C_ci_cellA, C_MCC_1, C_PLMN_1, C_LAC_1111, CellOpt_01, CellChDes_24, CellChDes_24d, C_CellReselectHys4, C_MaxPwrLvlG, C_MaxPwrLvlD, BcchFreqLst_50, BcchFreqLst_Omit, BcchFreqLst_51, BcchFreqLst_Omit, C_Restablishment, C_BCC, C_NCC, C_Start_Tmsi, TSPX_SDCCH4SubDef, TSPX_CKSNDDef, TSPX_RANDDef, C_arfcnA, C_arfcnAd, TSPX_IMSI, C_Test_fh, C_NCCP_2)			
3	body	+MM_PwrOrSimOff(C_SIMIn)			
4		+ltree_StartCarriers			
5		+PageOnCarriers(C_CellA, C_CellB, C_CellC, C_CellD, "dummy", "dummy")			
6		+MM_PwrOrSimOn(C_SIMIn)			
7		START T_dly(33000)			
8	CS_001	?TIMEOUT T_dly		F	
9	CS_002	L?DL_RaInChRq	ChReq_01(C_RACH_A_1, ChRequest_02)	F	
10	CS_003	L?DL_RaInChRq	ChReq_01(C_RACH_B_1, ChRequest_02)	F	
11	CS_004	L?DL_RaInChRq	ChReq_01(C_RACH_C_1, ChRequest_02)	F	
12		L?DL_RaInChRq	ChReq_01(C_RACH_D_1, ChRequest_02)		
13		+MM_PwrOrSimOff(C_SIMIn)			
14		(TCV_Null := OM_StopCell(C_CellB))			
15		+ltree_StartCarrier5			
16		+PageOnCarriers("dummy", "dummy", "dummy", "dummy", C_CellE, "dummy")			
17		+MM_PwrOrSimOn(C_SIMIn)			
18		START T_dly(33000)			
19	Label 1	L?DL_RaInChRq	ChReq_01(C_RACH_D_1, ChRequest_02)		

20		->Label1			
21		L?DL_RaInChRq	ChReq_01(C_RACH_E_1, ChRequest_02)		
22		->Label1			
23	CS_005	L?DL_RaInChRq	ChReq_01(C_RACH_A_1, ChRequest_02)	F	
24	CS_006	L?DL_RaInChRq	ChReq_01(C_RACH_C_1, ChRequest_02)	F	
25	CS_007	?TIMEOUT T_dly		P	
		<b>Itree_StartCarriers</b>			
26		+Itree_StartCarrier1			
27		+Itree_StartCarrier2			
28		+Itree_StartCarrier3			
29		+Itree_StartCarrier4			
		<b>Itree_StartCarrier1</b>			
30		(TCV_sacch := OC_SubchOfSacch4(TSPX_SDCCH4SubDef, C_CellA))			
31		+CombinedBCCH_A(48, C_MaxPwrLvlG, C_MaxPwrLvlD, 3, 512, C_Immass, TCV_slot, TCV_tsc, TimingAdv(0), C_BABR_0, C_cch_1Comb, C_BPM_3)			
32		+SysInfoSending_fh_rcc(C_SCH_A, C_BCCH_A_1, C_TxInt_5, C_Max_2, C_NECl_0, C_ATT_0, C_BABR_0, C_cch_1Comb, C_BPM_3, C_T3212_0, C_ci_cellA, C_MCC_1, C_PLMN_1, C_LAC_1111, CellOpt_01, CellChDes_24, CellChDes_24d, C_CellReselectHys4, C_MaxPwrLvlG, C_MaxPwrLvlD, BcchFreqLst_50, BcchFreqLst_51, BcchFreqLst_52, C_Restablishment, C_BCC, C_NCC, C_NCCP_2, '010100'B, '1'B, '0'B, '00000'B)			
		<b>Itree_StartCarrier2</b>			
33		(TCV_sacch := OC_SubchOfSacch4(TSPX_SDCCH4SubDef, C_CellB))			
34		[TSPC_EGSM]			
35		+CombinedBCCH_A(48, C_MaxPwrLvlG, C_MaxPwrLvlD, 985, 512, C_Immass, TCV_slot, TCV_tsc, TimingAdv(0), C_BABR_0, C_cch_1Comb, C_BPM_3)			
36		+SysInfoSending_fh_rcc(C_SCH_B, C_BCCH_B_1, C_TxInt_5, C_Max_2, C_NECl_0, C_ATT_0, C_BABR_0, C_cch_1Comb, C_BPM_3, C_T3212_0, C_ci_cellB, C_MCC_1, C_PLMN_1, C_LAC_1111, CellOpt_01, CellChDes_24, CellChDes_24d, C_CellReselectHys4, C_MaxPwrLvlG, C_MaxPwrLvlD, BcchFreqLst_50, BcchFreqLst_51, BcchFreqLst_52, C_Restablishment, C_BCC, C_NCC, C_NCCP_2, '0101010'B, '0'B, '0'B, '00000'B)			
37		[NOT TSPC_EGSM]			
38		+CombinedBCCH_B(38, C_MaxPwrLvlG, C_MaxPwrLvlD, 9, 543, C_Immass, TCV_slot, TCV_tsc, TimingAdv(0), C_BABR_0, C_cch_1Comb, C_BPM_3)			
39		+SysInfoSending_fh_rcc(C_SCH_B, C_BCCH_B_1, C_TxInt_5, C_Max_2, C_NECl_0, C_ATT_0, C_BABR_0, C_cch_1Comb, C_BPM_3, C_T3212_0, C_ci_cellB, C_MCC_1, C_PLMN_1, C_LAC_1111, CellOpt_01, CellChDes_24, CellChDes_24d, C_CellReselectHys4, C_MaxPwrLvlG, C_MaxPwrLvlD, BcchFreqLst_50, BcchFreqLst_51, BcchFreqLst_52, C_Restablishment, C_BCC, C_NCC, C_NCCP_2, '0101010'B, '0'B, '0'B, '00000'B)			

40	<b>Itree_StartCarrier3</b> (TCV_sacch := OC_SubchOfSacch4( TSPX_SDCCH4SubDef, C_CellC))		
41	+CombinedBCCH_C(43, C_MaxPwrLvIG, C_MaxPwrLvID, 18, 568, C_Immass, TCV_slot, TCV_tsc, TimingAdv(0), C_BABR_0, C_cch_1Comb, C_BPM_3)		
42	+SysInfoSending_fh_rcc(C_SCH_C, C_BCCH_C_1, C_TxInt_5, C_Max_2, C_NECL_0, C_ATT_0, C_BABR_0, C_cch_1Comb, C_BPM_3, C_T3212_0, C_ci_cellC, C_MCC_2, C_PLMN_1, C_LAC_1111, CellOpt_01, CellChDes_24, CellChDes_24d, C_CellReselectHys4, C_MaxPwrLvIG, C_MaxPwrLvID, BcchFreqLst_50, BcchFreqLst_51, BcchFreqLst_52, C_Restablishment, C_BCC, C_NCC, C_NCCP_2, '010100'B, '0'B, '0'B, '00000'B)		
43	<b>Itree_StartCarrier4</b> (TCV_sacch := OC_SubchOfSacch4( TSPX_SDCCH4SubDef, C_CellID))		
44	[TSPC_EGSM]		
45	+CombinedBCCH_D(33, C_MaxPwrLvIG, C_MaxPwrLvID, 989, 589, C_Immass, TCV_slot, TCV_tsc, TimingAdv(0), C_BABR_0, C_cch_1Comb, C_BPM_3)		
46	+SysInfoSending_fh_rcc(C_SCH_D, C_BCCH_D_1, C_TxInt_5, C_Max_2, C_NECL_0, C_ATT_0, C_BABR_0, C_cch_1Comb, C_BPM_3, C_T3212_0, C_ci_cellID, C_MCC_1, C_PLMN_1, C_LAC_1111, CellOpt_01, CellChDes_24, CellChDes_24d, C_CellReselectHys4, C_MaxPwrLvIG, C_MaxPwrLvID, BcchFreqLst_50, BcchFreqLst_51, BcchFreqLst_52, C_Restablishment, C_BCC, C_NCC, C_NCCP_2, '010110'B, '0'B, '0'B, '00000'B)		
47	[NOT TSPC_EGSM]		
48	+CombinedBCCH_D(33, C_MaxPwrLvIG, C_MaxPwrLvID, 25, 589, C_Immass, TCV_slot, TCV_tsc, TimingAdv(0), C_BABR_0, C_cch_1Comb, C_BPM_3)		
49	+SysInfoSending_fh_rcc(C_SCH_D, C_BCCH_D_1, C_TxInt_5, C_Max_2, C_NECL_0, C_ATT_0, C_BABR_0, C_cch_1Comb, C_BPM_3, C_T3212_0, C_ci_cellID, C_MCC_1, C_PLMN_1, C_LAC_1111, CellOpt_01, CellChDes_24, CellChDes_24d, C_CellReselectHys4, C_MaxPwrLvIG, C_MaxPwrLvID, BcchFreqLst_50, BcchFreqLst_51, BcchFreqLst_52, C_Restablishment, C_BCC, C_NCC, C_NCCP_2, '010110'B, '0'B, '0'B, '00000'B)		
50	<b>Itree_StartCarrier5</b> (TCV_sacch := OC_SubchOfSacch4( TSPX_SDCCH4SubDef, C_CellE))		
51	+CombinedBCCH_E(28, C_MaxPwrLvIG, C_MaxPwrLvID, 41, 602, C_Immass, TCV_slot, TCV_tsc, TimingAdv(0), C_BABR_0, C_cch_1Comb, C_BPM_3)		
52	+SysInfoSending_fh_rcc(C_SCH_E, C_BCCH_E_1, C_TxInt_5, C_Max_2, C_NECL_0, C_ATT_0, C_BABR_0, C_cch_1Comb, C_BPM_3, C_T3212_0, C_ci_cellE, C_MCC_1, C_PLMN_1, C_LAC_1111, CellOpt_01, CellChDes_24, CellChDes_24d, C_CellReselectHys4, C_MaxPwrLvIG, C_MaxPwrLvID, BcchFreqLst_50, BcchFreqLst_51, BcchFreqLst_52,		

		C_Restablishment, C_BCC, C_NCC, C_NCCP_2, '001100'B, '0'B, '0'B, '00000'B)			
<b>Detailed Comments:</b>					

### Test Case Dynamic Behaviour

<b>Test Case Name:</b>	TC_20_2
<b>Group:</b>	GSM_MS_CS_4210/CellSelection/
<b>Purpose:</b>	1. The MS shall: <p style="margin-left: 20px;">1.1 The MS shall search all RF channels in the system, take readings of received RF signal strength on each RF channel, and calculate the received level average for each.</p> <p style="margin-left: 20px;">1.2 The averaging is based on at least five measurement samples per RF carrier spread over Tav (3 to 5 s).</p> <p style="margin-left: 20px;">1.3 The measurement samples from the different RF carriers being spread evenly during this period.</p> <p style="margin-left: 20px;">2. These quantities are termed the "receive level averages", shall be unweighted averages of the received signal strengths measured in dBm.</p>
<b>Default:</b>	OtherEventsFail

Nr	Label	Behaviour Description	CRef	V	Comments
1		START T_guard(600)			
2		+IdleUpdated(C_E_default, C_CellA, C_SCH_A, C_BCCH_A_1, C_Immass, C_S0, C_SlotNU, C_SlotNU, C_SlotNU, C_BCC, C_TxInt_5, C_Max_2, C_NECI_0, C_ATT_0, TimingAdv(0), C_BABR_0, C_cch_1Comb, C_BPM_3, C_T3212_0, C_ci_cellA, C_MCC_1, C_PLMN_1, C_LAC_1111, CellOpt_01, CellChDes_24, CellChDes_24d, C_CellReselectHys4, C_MaxPwrLvlG, C_MaxPwrLvlD, BcchFreqLst_50, BcchFreqLst_Omit, BcchFreqLst_51, BcchFreqLst_Omit, C_Restablishment, C_BCC, C_NCC, C_Start_Tmsi, TSPX_SDCCH4SubDef, TSPX_CKSNDDef, TSPX_RANDDef, C_arfcnA, C_arfcnAd, TSPX_IMSI, C_Test_fh, C_NCCP_2)			
3	body	+MM_PwrOrSimOff(C_SIMIn)			
4		+Itree_StartCarriers			
5		+PageOnCarriers(C_CellA, C_CellB, "dummy", "dummy", "dummy", "dummy")			
6		(TCV_Null := OM_VaryRFOfCell(C_BCCH_B_1, TSPX_bTav, 28, TSPX_aTav, 58))			
7		+MM_PwrOrSimOn(C_SIMIn)			
8		START T_dly(33000)			
9	CS_0008	?TIMEOUT T_dly		F	
10	CS_0009	L?DL_RaInChRq	ChReq_01(C_RACH_A_1, ChRequest_02)	F	
11		L?DL_RaInChRq	ChReq_01(C_RACH_B_1, ChRequest_02)		
12	CS_0010	(TCV_Null := OM_StopVaryRFOfCell(C_BCCH_B_1))		P	
13		<b>Itree_StartCarriers</b> +Itree_StartCarrier1			
14		+Itree_StartCarrier2			
15		<b>Itree_StartCarrier1</b> (TCV_sacch := OC_SubchOfSacch4(TSPX_SDCCH4SubDef, C_CellA))			
16		[TSPC_EGSM]			
17		+CombinedBCCH_A(23, C_MaxPwrLvlG, C_MaxPwrLvlD, 985, 512, C_Immass, TCV_slot, TCV_tsc, TimingAdv(0), C_BABR_0, C_cch_1Comb, C_BPM_3)			
18		+SysInfoSending_fh_rcc(C_SCH_A, C_BCCH_A_1, C_TxInt_5, C_Max_2, C_NECI_0, C_ATT_0, C_BABR_0, C_cch_1Comb, C_BPM_3, C_T3212_0, C_ci_cellA, C_MCC_1, C_PLMN_1, C_LAC_1111, CellOpt_01, CellChDes_24, CellChDes_24d, C_CellReselectHys4,			

19	C_MaxPwrLvlG, C_MaxPwrLvlD, BcchFreqLst_50, BcchFreqLst_51, BcchFreqLst_52, C_Restablishment, C_BCC, C_NCC, C_NCCP_2, '001010'B, '0'B, '0'B, '00000'B)		
20	[NOT TSPC_EGSM] +CombinedBCCH_A(23, C_MaxPwrLvlG, C_MaxPwrLvlD, 3, 512, C_Immass, TCV_slot, TCV_tsc, TimingAdv(0), C_BABR_0, C_cch_1Comb, C_BPM_3)		
21	+SysInfoSending_fh_rcc(C_SCH_A, C_BCCH_A_1, C_TxInt_5, C_Max_2, C_NECL_0, C_ATT_0, C_BABR_0, C_cch_1Comb, C_BPM_3, C_T3212_0, C_ci_cellA, C_MCC_1, C_PLMN_1, C_LAC_1111, CellOpt_01, CellChDes_24, CellChDes_24d, C_CellReselectHys4, C_MaxPwrLvlG, C_MaxPwrLvlD, BcchFreqLst_50, BcchFreqLst_51, BcchFreqLst_52, C_Restablishment, C_BCC, C_NCC, C_NCCP_2, '001010'B, '0'B, '0'B, '00000'B)		
22	<b>Itree_StartCarrier2</b> (TCV_sacch := OC_SubchOfSacch4( TSPX_SDCCH4SubDef, C_CellB))		
23	+CombinedBCCH_B(58, C_MaxPwrLvlG, C_MaxPwrLvlD, 9, 543, C_Immass, TCV_slot, TCV_tsc, TimingAdv(0), C_BABR_0, C_cch_1Comb, C_BPM_3)		
24	+SysInfoSending_fh_rcc(C_SCH_B, C_BCCH_B_1, C_TxInt_5, C_Max_2, C_NECL_0, C_ATT_0, C_BABR_0, C_cch_1Comb, C_BPM_3, C_T3212_0, C_ci_cellB, C_MCC_1, C_PLMN_1, C_LAC_1111, CellOpt_01, CellChDes_24, CellChDes_24d, C_CellReselectHys4, C_MaxPwrLvlG, C_MaxPwrLvlD, BcchFreqLst_50, BcchFreqLst_51, BcchFreqLst_52, C_Restablishment, C_BCC, C_NCC, C_NCCP_2, '001010'B, '0'B, '0'B, '00000'B)		
<b>Detailed Comments:</b>			

Test Case Dynamic Behaviour					
<b>Test Case Name:</b>		TC_20_4			
<b>Group:</b>		GSM_MS_CS_4210/CellSelection/			
<b>Purpose:</b>		1. To verify that the MS shall be able to calculate the path loss criterion parameter C2 used for cell reselection.  2. To verify that the MS can correctly calculate the C2 parameter correctly when the CELL_RESELECT_OFFSET, TEMPORARY_OFFSET and PENALTY_TIME parameters are used.			
<b>Default:</b>		OtherEventsFail			
Nr	Label	Behaviour Description	CRef	V	Comments
1		START T_guard(600)			
2		+IdleUpdated(C_E_default, C_CellA, C_SCH_A, C_BCCH_A_1, C_Immass, C_S0, C_SlotNU, C_SlotNU, C_SlotNU, C_BCC, C_TxInt_5, C_Max_2, C_NECl_0, C_ATT_0, TimingAdv(0), C_BABR_0, C_cch_1Comb, C_BPM_3, C_T3212_0, C_ci_cellA, C_MCC_1, C_PLMN_1, C_LAC_1111, CellOpt_01, CellChDes_24, CellChDes_24d, C_CellReselectHys4, C_MaxPwrLvlG, C_MaxPwrLvlD, BcchFreqLst_50, BcchFreqLst_Omit, BcchFreqLst_51, BcchFreqLst_Omit, C_Restablishment, C_BCC, C_NCC, C_Start_Tmsi, TSPX_SDCCH4SubDef, TSPX_CKSNDDef, TSPX_RANDDef, C_arfcnA, C_arfcnAd, TSPX_IMSI, C_Test_fh, C_NCCP_2)			
3	body	+MM_PwrOrSimOff(C_SIMIn)			
4		(TCV_K := 1)			
5		+Itree_TestReselect			
6		[TSPC_DCS_Class3]			
7		(TCV_K := 2)			
8		+Itree_TestReselect			
		<b>Itree_TestReselect</b>			
9		+Itree_StartCarriers1_and_2			
10		+PageOnCarriers("dummy", C_CellB, "dummy", "dummy", "dummy", "dummy", "dummy")			
11		+MM_PwrOrSimOn(C_SIMIn)			
12		START T_dly(50000)			
13	Label 1	L?DL_RacInChRq	ChReq_01(C_RACH_A_1, ChRequest_02)		
14		->Label1			
15	CS_0 011	L?DL_RacInChRq	ChReq_01(C_RACH_B_1, ChRequest_02)	F	
16		?TIMEOUT T_dly			
17		(TCV_Null := OM_ChangeRFOfCell(C_CellB, 54))			
18		START T_dly(20000)			
19	Label 2	L?DL_RacInChRq	ChReq_01(C_RACH_A_1, ChRequest_01)		
20		->Label2			
21	CS_0 012	?TIMEOUT T_dly		F	
22		L?DL_RacInChRq	ChReq_01(C_RACH_B_1, ChRequest_02)		
23		CANCEL T_dly			
24		(TCV_Null := OM_PgFill(C_CellB, PgReqTp1Norm))			
25		+Pause(20000)			
26		+Itree_StartCarriers3_and_4			
27		+PageOnCarriers("dummy", "dummy", C_CellC, C_CellD, "dummy", "dummy")			
28		START T_dly(38000)			
29	Label 3	L?DL_RacInChRq	ChReq_01(C_RACH_A_1, ChRequest_01)		
30		->Label3			
31		L?DL_RacInChRq	ChReq_01(C_RACH_B_1, ChRequest_01)		
32		->Label3			



33	CS_0 013	L?DL_RaInChRq	ChReq_01(C_RACH_ C_1, ChRequest_02)	F
34	CS_0 014	L?DL_RaInChRq	ChReq_01(C_RACH_ D_1, ChRequest_02)	F
35		?TIMEOUT T_dly		
36		START T_dly(52000)		
37	Label 4	L?DL_RaInChRq	ChReq_01(C_RACH_ A_1, ChRequest_01)	
38		->Label4		
39		L?DL_RaInChRq	ChReq_01(C_RACH_ B_1, ChRequest_01)	
40		->Label4		
41	CS_0 015	?TIMEOUT T_dly		F
42	CS_0 016	L?DL_RaInChRq	ChReq_01(C_RACH_ D_1, ChRequest_02)	F
43	CS_0 017	L?DL_RaInChRq	ChReq_01(C_RACH_ C_1, ChRequest_02)	P
<b>Itree_StartCarriers1_and_2</b>				
44		(TCV_PO := '00'B)		
45		+Itree_StartCarrier1		
46		[TCV_K = 1]		
47		(TCV_PO := '00'B)		
48		+Itree_StartCarrier2		
49		[TCV_K <> 1]		
50		(TCV_PO := '01'B)		
51		+Itree_StartCarrier2		
<b>Itree_StartCarriers3_and_4</b>				
52		[TCV_K = 1]		
53		(TCV_PO := '00'B)		
54		+Itree_StartCarrier3		
55		+Itree_StartCarrier4		
56		[TCV_K <> 1]		
57		(TCV_PO := '11'B)		
58		+Itree_StartCarrier3		
59		+Itree_StartCarrier4		
<b>Itree_StartCarrier1</b>				
60		(TCV_sacch := OC_SubchOfSacch4( TSPX_SDCCH4SubDef, C_CellA))		
61		+CombinedBCCH_A(53, C_MaxPwrLvIG, C_MaxPwrLvID, 3, 512, C_Immass, TCV_slot, TCV_tsc, TimingAdv(0), C_BABR_0, C_cch_1Comb, C_BPM_3)		
62		+SysInfoSending_fh_rpctp(C_SCH_A, C_BCCH_A_1, C_TxInt_5, C_Max_2, C_NECl_0, C_ATT_0, C_BABR_0, C_cch_1Comb, C_BPM_3, C_T3212_0, C_ci_cellA, C_MCC_1, C_PLMN_1, C_LAC_1111, CellOpt_01, CellChDes_24, CellChDes_24d, C_CellReselectHys4, C_MaxPwrLvIG, C_MaxPwrLvID, BcchFreqLst_53, BcchFreqLst_54, BcchFreqLst_55, C_Restablishment, C_BCC, C_NCC, C_NCCP_2, '011110'B, '00000'B, '000000'B, '000'B, TCV_PO)		
<b>Itree_StartCarrier2</b>				
63		(TCV_sacch := OC_SubchOfSacch4( TSPX_SDCCH4SubDef, C_CellB))		
64		+CombinedBCCH_B(43, C_MaxPwrLvIG, C_MaxPwrLvID, 9, 543, C_Immass, TCV_slot, TCV_tsc, TimingAdv(0), C_BABR_0, C_cch_1Comb, C_BPM_3)		
65		+SysInfoSending_fh_rpctp(C_SCH_B, C_BCCH_B_1, C_TxInt_5, C_Max_2, C_NECl_0, C_ATT_0, C_BABR_0, C_cch_1Comb, C_BPM_3, C_T3212_0, C_ci_cellB, C_MCC_1, C_PLMN_1, C_LAC_1111, CellOpt_01,		

	<p>CellChDes_24, CellChDes_24d, C_CellReselectHys4, C_MaxPwrLvlG, C_MaxPwrLvlD, BcchFreqLst_53, BcchFreqLst_54, BcchFreqLst_55, C_Restablishment, C_BCC, C_NCC, C_NCCP_2, '001010'B, '11111'B, '001000'B, '000'B, TCV_PO)</p>		
66	<p><b>Itree_StartCarrier3</b> (TCV_sacch := OC_SubchOfSacch4( TSPX_SDCCH4SubDef, C_CellC))</p>		
67	<p>+CombinedBCCH_C(48, C_MaxPwrLvlG, C_MaxPwrLvlD, 18, 568, C_Immass, TCV_slot, TCV_tsc, TimingAdv(0), C_BABR_0, C_cch_1Comb, C_BPM_3)</p>		
68	<p>+SysInfoSending_fh_rpctp(C_SCH_C, C_BCCH_C_1, C_TxInt_5, C_Max_2, C_NECI_0, C_ATT_0, C_BABR_0, C_cch_1Comb, C_BPM_3, C_T3212_0, C_ci_cellC, C_MCC_1, C_PLMN_1, C_LAC_1111, CellOpt_01, CellChDes_24, CellChDes_24d, C_CellReselectHys4, C_MaxPwrLvlG, C_MaxPwrLvlD, BcchFreqLst_53, BcchFreqLst_54, BcchFreqLst_55, C_Restablishment, C_BCC, C_NCC, C_NCCP_2, '011001'B, '00001'B, '001010'B, '010'B, TCV_PO)</p>		
69	<p><b>Itree_StartCarrier4</b> (TCV_sacch := OC_SubchOfSacch4( TSPX_SDCCH4SubDef, C_CellD))</p>		
70	<p>[TSPC_EGSM]</p>		
71	<p>+CombinedBCCH_D(48, C_MaxPwrLvlG, C_MaxPwrLvlD, 985, 589, C_Immass, TCV_slot, TCV_tsc, TimingAdv(0), C_BABR_0, C_cch_1Comb, C_BPM_3)</p>		
72	<p>+SysInfoSending_fh_rpctp(C_SCH_D, C_BCCH_D_1, C_TxInt_5, C_Max_2, C_NECI_0, C_ATT_0, C_BABR_0, C_cch_1Comb, C_BPM_3, C_T3212_0, C_ci_cellD, C_MCC_1, C_PLMN_1, C_LAC_1111, CellOpt_01, CellChDes_24, CellChDes_24d, C_CellReselectHys4, C_MaxPwrLvlG, C_MaxPwrLvlD, BcchFreqLst_53, BcchFreqLst_54, BcchFreqLst_55, C_Restablishment, C_BCC, C_NCC, C_NCCP_2, '011001'B, '00010'B, '001010'B, '010'B, TCV_PO)</p>		
73	<p>[NOT TSPC_EGSM]</p>		
74	<p>+CombinedBCCH_D(48, C_MaxPwrLvlG, C_MaxPwrLvlD, 25, 589, C_Immass, TCV_slot, TCV_tsc, TimingAdv(0), C_BABR_0, C_cch_1Comb, C_BPM_3)</p>		
75	<p>+SysInfoSending_fh_rpctp(C_SCH_D, C_BCCH_D_1, C_TxInt_5, C_Max_2, C_NECI_0, C_ATT_0, C_BABR_0, C_cch_1Comb, C_BPM_3, C_T3212_0, C_ci_cellD, C_MCC_1, C_PLMN_1, C_LAC_1111, CellOpt_01, CellChDes_24, CellChDes_24d, C_CellReselectHys4, C_MaxPwrLvlG, C_MaxPwrLvlD, BcchFreqLst_53, BcchFreqLst_54, BcchFreqLst_55, C_Restablishment, C_BCC, C_NCC, C_NCCP_2, '011001'B, '00010'B, '001010'B, '010'B, TCV_PO)</p>		
<b>Detailed Comments:</b>			

Test Case Dynamic Behaviour					
<b>Test Case Name:</b>		TC_20_5			
<b>Group:</b>		GSM_MS_CS_4210/CellSelection/			
<b>Purpose:</b>		<p>1. To verify that the MS shall be able to calculate the path loss criterion parameter C2 used for cell reselection.</p> <p>2. Whilst in idle mode, an MS shall continue to monitor all BCCH carriers as indicated by the BCCH allocation.</p> <p>3. Mobile stations shall treat all ARFCNs in the set (0..1023) as valid ARFCN values even if the mobile station is unable to transmit or receive on that ARFCN.</p> <p>4. An E-GSM MS shall correctly decode parameters transmitted in the system information type 2 ter message.</p>			
<b>Default:</b>		OtherEventsFail			
Nr	Label	Behaviour Description	CRef	V	Comments
1		START T_guard(600)			
2		+IdleUpdated(C_E_default, C_CellA, C_SCH_A, C_BCCH_A_1, C_Immass, C_S0, C_SlotNU, C_SlotNU, C_SlotNU, C_BCC, C_TxInt_5, C_Max_2, C_NECI_0, C_ATT_0, TimingAdv(0), C_BABR_1, C_cch_1Comb, C_BPM_2, C_T3212_0, C_ci_cellA, C_MCC_1, C_PLMN_1, C_LAC_1111, CellOpt_01, CellChDes_24, CellChDes_24d, C_CellReselectHys4, C_MaxPwrLvIG, C_MaxPwrLvID, BcchFreqLst_50, BcchFreqLst_Omit, BcchFreqLst_51, BcchFreqLst_Omit, C_Restablishment, C_BCC, C_NCC, C_Start_Tmsi, TSPX_SDCCH4SubDef, TSPX_CKSNDDef, TSPX_RANDDef, C_arfcnA, C_arfcnAd, TSPX_IMSI, C_Test_fh, C_NCCP_2)			
3	body	+MM_PwrOrSimOff(C_SIMIn)			
4		+ltree_StartCarriers			
5		[TSPC_EGSM]			
6		+PageOnCarriers("dummy", C_CellB, C_CellC, "dummy", "dummy", "dummy")			
7		+ltree_continue			
8		[NOT TSPC_EGSM]			
9		+PageOnCarriers("dummy", C_CellB, "dummy", "dummy", "dummy", "dummy")			
10		+ltree_continue			
		<b>ltree_continue</b>			
11		+MM_PwrOrSimOn(C_SIMIn)			
12		START T_dly(50000)			
13	CS_0 018	L?DL_RaInChRq	ChReq_01(C_RACH_B_1, ChRequest_02)	F	
14	CS_0 019	L?DL_RaInChRq	ChReq_01(C_RACH_C_1, ChRequest_02)	F	
15		?TIMEOUT T_dly			
16		(TCV_Null := OM_ChangeRFOfCell(C_CellB, 42))			
17		START T_dly(20000)			
18		L?DL_RaInChRq CANCEL T_dly	ChReq_01(C_RACH_B_1, ChRequest_02)		
19		[TSPC_EGSM]			
20		+Pause(30000)			
21		(TCV_Null := OM_ChangeRFOfCell(C_CellC, 60))			
22		+Pause(20000)			
23	CS_0 020	L?DL_RaInChRq	ChReq_01(C_RACH_B_1, ChRequest_01)	I	
24	CS_0 021	L?DL_RaInChRq	ChReq_01(C_RACH_C_1, ChRequest_02)	P	
25	CS_0 022	[NOT TSPC_EGSM]		P	
		<b>ltree_StartCarriers</b>			
26		+ltree_StartCarrier1			

27	+ltree_StartCarrier2		
28	[TSPC_EGSM]		
29	+ltree_StartCarrier3		
30	[NOT TSPC_EGSM]		
	<b>ltree_StartCarrier1</b>		
31	(TCV_sacch := OC_SubchOfSacch4( TSPX_SDCCH4SubDef, C_CellA))		
32	+CombinedBCCH_A_fn(53, C_MaxPwrLvIG, C_MaxPwrLvID, 3, 512, C_Immass, TCV_slot, TCV_tsc, TimingAdv(0), C_BABR_1, C_cch_1Comb, C_BPM_2, 0)		
33	+SysInfoSending_fh_bisA(C_SCH_A, C_BCCH_A_1, C_TxInt_5, C_Max_2, C_NECl_0, C_ATT_0, C_BABR_1, C_cch_1Comb, C_BPM_2, C_T3212_0, C_ci_cellA, C_MCC_1, C_PLMN_1, C_LAC_1111, CellOpt_01, CellChDes_24, CellChDes_24d, C_CellReselectHys4, C_MaxPwrLvIG, C_MaxPwrLvID, BcchFreqLst_50, BcchFreqLst_51, C_Restablishment, C_BCC, C_NCC, C_NCCP_2, '010100'B, '00000'B, '000000'B, '000'B)		
	<b>ltree_StartCarrier2</b>		
34	(TCV_sacch := OC_SubchOfSacch4( TSPX_SDCCH4SubDef, C_CellB))		
35	+CombinedBCCH_B_fn(32, C_MaxPwrLvIG, C_MaxPwrLvID, 9, 543, C_Immass, TCV_slot, TCV_tsc, TimingAdv(0), C_BABR_1, C_cch_1Comb, C_BPM_2, 27)		
36	+SysInfoSending_fh_bisB(C_SCH_B, C_BCCH_B_1, C_TxInt_5, C_Max_2, C_NECl_0, C_ATT_0, C_BABR_1, C_cch_1Comb, C_BPM_2, C_T3212_0, C_ci_cellB, C_MCC_1, C_PLMN_1, C_LAC_1111, CellOpt_01, CellChDes_24, CellChDes_24d, C_CellReselectHys4, C_MaxPwrLvIG, C_MaxPwrLvID, BcchFreqLst_50, BcchFreqLst_51, C_Restablishment, C_BCC, C_NCC, C_NCCP_2, '010100'B, '00000'B, '001000'B, '000'B)		
	<b>ltree_StartCarrier3</b>		
37	(TCV_sacch := OC_SubchOfSacch4( TSPX_SDCCH4SubDef, C_CellC))		
38	+CombinedBCCH_C(43, C_MaxPwrLvIG, C_MaxPwrLvID, 985, 568, C_Immass, TCV_slot, TCV_tsc, TimingAdv(0), C_BABR_1, C_cch_1Comb, C_BPM_2)		
39	+SysInfoSending_fh_rpct(C_SCH_C, C_BCCH_C_1, C_TxInt_5, C_Max_2, C_NECl_0, C_ATT_0, C_BABR_1, C_cch_1Comb, C_BPM_2, C_T3212_0, C_ci_cellC, C_MCC_1, C_PLMN_1, C_LAC_1111, CellOpt_01, CellChDes_24, CellChDes_24d, C_CellReselectHys4, C_MaxPwrLvIG, C_MaxPwrLvID, BcchFreqLst_50, BcchFreqLst_51, BcchFreqLst_52, C_Restablishment, C_BCC, C_NCC, C_NCCP_2, '011011'B, '00000'B, '000101'B, '000'B)		
<b>Detailed Comments:</b>			

Test Case Dynamic Behaviour					
<b>Test Case Name:</b>		TC_20_6			
<b>Group:</b>		GSM_MS_CS_4210/CellSelection/			
<b>Purpose:</b>		<p>1. At least every 5 s the MS shall calculate the value of C1 and C2 for the serving cell and recalculate C1 and C2 values for non serving cells (if necessary). The MS shall then check whether:</p> <p>1.1 The calculated value of C2 for a non serving suitable cell exceeds the value of C2 for the serving cell for a period of 5 seconds.</p> <p>1.2 Cell reselection shall not take place if there was a cell reselection within the previous 15 seconds.</p> <p>1.3 Cell reselection for any other reason shall take place immediately, but the cell that the MS was camped on shall not be returned to within 5 seconds if another suitable cell can be found.</p>			
<b>Default:</b>		OtherEventsFail			
Nr	Label	Behaviour Description	CRef	V	Comments
1		START T_guard(600)			
2		+IdleUpdated(C_E_default, C_CellA, C_SCH_A, C_BCCH_A_1, C_Immss, C_S0, C_SlotNU, C_SlotNU, C_SlotNU, C_BCC, C_TxInt_5, C_Max_1, C_NECI_0, C_ATT_0, TimingAdv(0), C_BABR_0, C_cch_1Comb, C_BPM_3, C_T3212_0, C_ci_cellA, C_MCC_1, C_PLMN_1, C_LAC_1111, CellOpt_01, CellChDes_24, CellChDes_24d, C_CellReselectHys4, C_MaxPwrLvIG, C_MaxPwrLvID, BcchFreqLst_59, BcchFreqLst_Omit, BcchFreqLst_61, BcchFreqLst_Omit, C_Restabishment, C_BCC, C_NCC, C_Start_Tmsi, TSPX_SDCCH4SubDef, TSPX_CKSNDDef, TSPX_RANDDef, C_arfcnA, C_arfcnAd, TSPX_IMSI, C_Test_fh, C_NCCP_2)			
3	body	+MM_PwrOrSimOff(C_SIMIn)			
4		+ltree_StartCarriers1_and_2			
5		+MM_PwrOrSimOn(C_SIMIn)			
6		+NoReaction(50000)			
7		+PageOnCarriers(C_CellA, C_CellB, "dummy", "dummy", "dummy", "dummy")			
8		START T_dly(20000)			
9		+ltree_ChRq1_and_2			
10		+ltree_continue			
11		+ltree_continue1			
		<b>ltree_continue</b>			
12		(TCV_Null := OM_PgFill(C_CellA, PgReqTp1Norm), TCV_Null := OM_PgFill(C_CellB, PgReqTp1Norm))			
13		START T_dly(20000)			
14	Label 1	L?DL_RacInChRq	ChReq_01(C_RACH_A_1, ChRequest_02)		
15		->Label1			
16		L?DL_RacInChRq	ChReq_01(C_RACH_B_1, ChRequest_02)		
17		->Label1			
18		?TIMEOUT T_dly			
19		(TCV_Null := OM_PgFill(C_CellB, PgReqTp1_01), TCV_Null := OM_ChangeRFOfCell(C_CellB, 61))			
20		START T_dly(4000)			
21	Label 2	L?DL_RacInChRq	ChReq_01(C_RACH_A_1, ChRequest_02)		
22		->Label2			
23	CS_0 023	L?DL_RacInChRq	ChReq_01(C_RACH_B_1, ChRequest_02)	F	
24		?TIMEOUT T_dly			
25		(TCV_Null := OM_ChangeRFOfCell(C_CellB, 41))			
26		START T_dly(30000)			
27	Label 3	L?DL_RacInChRq	ChReq_01(C_RACH_A_1, ChRequest_02)		
28		->Label3			

29	CS_0 024	L?DL_RaInChRq	ChReq_01(C_RACH_ B_1, ChRequest_02)	F	
30		?TIMEOUT T_dly			
31		(TCV_Null := OM_ChangeRFOfCell(C_CellB, 61))			
32		START T_dly(100000)			
33	Label 4	L?DL_RaInChRq	ChReq_01(C_RACH_ A_1, ChRequest_02)		
34		->Label4			
35	CS_0 025	?TIMEOUT T_dly		F	
36		L?DL_RaInChRq READTIMER T_dly(TCV_Time)	ChReq_01(C_RACH_ B_1, ChRequest_02)		
37		CANCEL T_dly			
		<b>ltree_continue1</b>			
38		(TCV_Null := OM_PgFill(C_CellB, PgReqTp1Norm), TCV_Null := OM_ChangeRFOfCell(C_CellB, 41))			
39		START T_dly(20000)			
40	Label 5	L?DL_RaInChRq	ChReq_01(C_RACH_ A_1, ChRequest_02)		
41		->Label5			
42		L?DL_RaInChRq	ChReq_01(C_RACH_ B_1, ChRequest_02)		
43		->Label5			
44		?TIMEOUT T_dly			
45		(TCV_Time := TCV_Time + 2000, TCV_Null := OM_ChangeRFOfCell(C_CellB, 61))			
46		START T_dly(TCV_Time)			
47	Label 6	L?DL_RaInChRq	ChReq_01(C_RACH_ A_1, ChRequest_02)		
48		->Label6			
49		L?DL_RaInChRq	ChReq_01(C_RACH_ B_1, ChRequest_02)		
50		->Label6			
51		?TIMEOUT T_dly			
52		(TCV_Null := OM_PgFill(C_CellA, PgReqTp1_01), TCV_Null := OM_ChangeRFOfCell(C_CellB, 41))			
53		START T_dly(11000)			
54	Label 7	L?DL_RaInChRq	ChReq_01(C_RACH_ B_1, ChRequest_02)		
55		->Label7			
56	CS_0 026	L?DL_RaInChRq	ChReq_01(C_RACH_ A_1, ChRequest_02)	F	
57	CS_0 027	?TIMEOUT T_dly		P	
		<b>ltree_ChRq1_and_2</b>			
58		(TCV_Cnt := 0)			
59	Label 8	(TCV_Cnt := TCV_Cnt)			dummy line to allow label
60	CS_0 028	?TIMEOUT T_dly		F	
61	CS_0 029	L?DL_RaInChRq	ChReq_01(C_RACH_ B_1, ChRequest_01)	F	
62		L?DL_RaInChRq (TCV_Cnt := TCV_Cnt + 1)	ChReq_01(C_RACH_ A_1, ChRequest_02)		
63		[TCV_Cnt = 1]			Rxed 2 RACHs on cell A?
64		->Label8			
65		[TCV_Cnt <> 1]			
66		START T_dly(4500)			
67		(TCV_Cnt := 0)			
68	Label 9	(TCV_Cnt := TCV_Cnt)			dummy line to allow label
69	CS_0 030	?TIMEOUT T_dly		F	
70		?TIMEOUT T_dly1			

71		->Label9			
72		L?DL_RaInChRq READTIMER T_dly1(TCV_Time)	ChReq_01(C_RACH_A_1, ChRequest_02)		
73	CS_0 031	[TCV_Time <> 0]		F	
74		[TCV_Time = 0]			
75		->Label9			
76		L?DL_RaInChRq (TCV_Cnt := TCV_Cnt + 1)	ChReq_01(C_RACH_B_1, ChRequest_02)		
77		[TCV_Cnt = 1]			Rxed 2 RACHs on cell B?
78		->Label9			
79		[TCV_Cnt <> 1]			
80	Label 10	L?DL_RaInChRq READTIMER T_dly1(TCV_Time)	ChReq_01(C_RACH_A_1, ChRequest_01)		
81	CS_0 032	[TCV_Time <> 0]		F	
82		[TCV_Time = 0]			
83		->Label10			
84		L?DL_RaInChRq	ChReq_01(C_RACH_B_1, ChRequest_01)		
85		->Label10			
86		?TIMEOUT T_dly1			
87		->Label10			
88		?TIMEOUT T_dly			
89		CANCEL T_dly1			
		<b>Itree_StartCarriers1_and_2</b>			
90		+Itree_StartCarrier1			
91		+Itree_StartCarrier2			
		<b>Itree_StartCarrier1</b>			
92		(TCV_sacch := OC_SubchOfSacch4( TSPX_SDCCH4SubDef, C_CellA))			
93		[TSPC_EGSM]			
94		+CombinedBCCH_A(51, C_MaxPwrLvlG, C_MaxPwrLvlD, 3, 512, C_Immass, TCV_slot, TCV_tsc, TimingAdv(0), C_BABR_0, C_cch_1Comb, C_BPM_3)			
95		+SysInfoSending_fh_rcc(C_SCH_A, C_BCCH_A_1, C_TxInt_5, C_Max_1, C_NECl_0, C_ATT_0, C_BABR_0, C_cch_1Comb, C_BPM_3, C_T3212_0, C_ci_cellA, C_MCC_1, C_PLMN_1, C_LAC_1111, CellOpt_01, CellChDes_24, CellChDes_24d, C_CellReselectHys4, C_MaxPwrLvlG, C_MaxPwrLvlD, BcchFreqLst_60, BcchFreqLst_61, BcchFreqLst_55, C_Restablishment, C_BCC, C_NCC, C_NCCP_2, '010101'B, '0'B, '0'B, '00000'B)			
96		[NOT TSPC_EGSM]			
97		+CombinedBCCH_A(51, C_MaxPwrLvlG, C_MaxPwrLvlD, 3, 512, C_Immass, TCV_slot, TCV_tsc, TimingAdv(0), C_BABR_0, C_cch_1Comb, C_BPM_3)			
98		+SysInfoSending_fh_rcc(C_SCH_A, C_BCCH_A_1, C_TxInt_5, C_Max_1, C_NECl_0, C_ATT_0, C_BABR_0, C_cch_1Comb, C_BPM_3, C_T3212_0, C_ci_cellA, C_MCC_1, C_PLMN_1, C_LAC_1111, CellOpt_01, CellChDes_24, CellChDes_24d, C_CellReselectHys4, C_MaxPwrLvlG, C_MaxPwrLvlD, BcchFreqLst_59, BcchFreqLst_61, BcchFreqLst_55, C_Restablishment, C_BCC, C_NCC, C_NCCP_2, '010101'B, '0'B, '0'B, '00000'B)			
		<b>Itree_StartCarrier2</b>			
99		(TCV_sacch := OC_SubchOfSacch4( TSPX_SDCCH4SubDef, C_CellB))			

100	[TSPC_EGSM]			
101	+CombinedBCCH_B(41, C_MaxPwrLvlG, C_MaxPwrLvlD, 985, 543, C_Immass, TCV_slot, TCV_tsc, TimingAdv(0), C_BABR_0, C_cch_1Comb, C_BPM_3)			
102	+SysInfoSending_fh_rcc(C_SCH_B, C_BCCH_B_1, C_TxInt_5, C_Max_1, C_NECl_0, C_ATT_0, C_BABR_0, C_cch_1Comb, C_BPM_3, C_T3212_0, C_ci_cellB, C_MCC_1, C_PLMN_1, C_LAC_1111, CellOpt_01, CellChDes_24, CellChDes_24d, C_CellReselectHys4, C_MaxPwrLvlG, C_MaxPwrLvlD, BcchFreqLst_60, BcchFreqLst_61, BcchFreqLst_55, C_Restablishment, C_BCC, C_NCC, C_NCCP_2, '011001'B, '0'B, '0'B, '00000'B)			
103	[NOT TSPC_EGSM]			
104	+CombinedBCCH_B(41, C_MaxPwrLvlG, C_MaxPwrLvlD, 9, 543, C_Immass, TCV_slot, TCV_tsc, TimingAdv(0), C_BABR_0, C_cch_1Comb, C_BPM_3)			
105	+SysInfoSending_fh_rcc(C_SCH_B, C_BCCH_B_1, C_TxInt_5, C_Max_1, C_NECl_0, C_ATT_0, C_BABR_0, C_cch_1Comb, C_BPM_3, C_T3212_0, C_ci_cellB, C_MCC_1, C_PLMN_1, C_LAC_1111, CellOpt_01, CellChDes_24, CellChDes_24d, C_CellReselectHys4, C_MaxPwrLvlG, C_MaxPwrLvlD, BcchFreqLst_59, BcchFreqLst_61, BcchFreqLst_55, C_Restablishment, C_BCC, C_NCC, C_NCCP_2, '011001'B, '0'B, '0'B, '00000'B)			
<b>Detailed Comments:</b>				



### Test Case Dynamic Behaviour

<b>Test Case Name:</b>	TC_20_7
<b>Group:</b>	GSM_MS_CS_4210/CellSelection/
<b>Purpose:</b>	<p>1. To verify that the MS does not select a cell of low priority when a suitable cell of normal priority exists with a lower received signal strength.</p> <p>2. To verify that the MS takes into account CELL_BAR_ACCESS and CELL_BAR_QUALIFY when performing cell selection and reselection.</p> <p>3. To verify that if the following conditions are met:</p> <ul style="list-style-type: none"> <li>- the cell belongs to the MS HPLMN</li> <li>- the MS is in cell test operation mode</li> <li>- the CELL_BAR_ACCESS is set to 1</li> <li>- the CELL_BAR_QUALIFY is set to 0</li> <li>- the Access Control class 15 is barred</li> </ul> <p>then the "Cell Selection priority" and the "Status for cell reselection" shall be set to normal.</p>
<b>Default:</b>	OtherEventsFail

Nr	Label	Behaviour Description	CRef	V	Comments
1		START T_guard(600)			
2		+IdleUpdated(C_E_default, C_CellA, C_SCH_A, C_BCCH_A_1, C_Immss, C_S0, C_SlotNU, C_SlotNU, C_SlotNU, C_BCC, C_TxInt_5, C_Max_2, C_NECI_0, C_ATT_0, TimingAdv(0), C_BABR_0, C_cch_1Comb, C_BPM_3, C_T3212_0, C_ci_cellA, C_MCC_1, C_PLMN_1, C_LAC_1111, CellOpt_01, CellChDes_24, CellChDes_24d, C_CellReselectHys4, C_MaxPwrLvIG, C_MaxPwrLvID, BcchFreqLst_50, BcchFreqLst_Omit, BcchFreqLst_51, BcchFreqLst_Omit, C_Restablishment, C_BCC, C_NCC, C_Start_Tmsi, TSPX_SDCCH4SubDef, TSPX_CKSNDf, TSPX_RANDDef, C_arfcnA, C_arfcnAd, TSPX_IMSI, C_Test_fh, C_NCCP_2)			
3	body	+MM_PwrOrSimOff(C_SIMIn)			
4		+ltree_StartCarriers			
5		+PageOnCarriers(C_CellA, C_CellB, C_CellC, C_CellD, "dummy", "dummy")			
6		+MM_PwrOrSimOn(C_SIMIn)			
7		START T_dly(33000), START T_dly1(50000)			
8	CS_0033	?TIMEOUT T_dly		F	
9	CS_0034	L?DL_RaInChRq	ChReq_01(C_RACH_A_1, ChRequest_02)	F	
10	CS_0035	L?DL_RaInChRq	ChReq_01(C_RACH_B_1, ChRequest_02)	F	
11	CS_0036	L?DL_RaInChRq	ChReq_01(C_RACH_C_1, ChRequest_02)	F	
12		L?DL_RaInChRq	ChReq_01(C_RACH_D_1, ChRequest_02)		
13		CANCEL T_dly			
14	Label 1	L?DL_RaInChRq	ChReq_01(C_RACH_D_1, ChRequest_02)		
15		->Label1			
16	CS_0037	?TIMEOUT T_dly1		F	
17	CS_0038	L?DL_RaInChRq	ChReq_01(C_RACH_B_1, ChRequest_02)	F	
18	CS_0039	L?DL_RaInChRq	ChReq_01(C_RACH_C_1, ChRequest_02)	F	
19		L?DL_RaInChRq	ChReq_01(C_RACH_A_1, ChRequest_02)		
20	Label 2	L?DL_RaInChRq	ChReq_01(C_RACH_A_1, ChRequest_02)		
21		->Label2			
22	CS_0040	L?DL_RaInChRq	ChReq_01(C_RACH_C_1, ChRequest_02)	F	

23	CS_0 041	L?DL_RaInChRq	ChReq_01(C_RACH_ D_1, ChRequest_02)	F
24		L?DL_RaInChRq	ChReq_01(C_RACH_ B_1, ChRequest_02)	
25		+ltree_continue		
26		?TIMEOUT T_dly		
27		+ltree_continue		
		<b>ltree_continue</b>		
28		CANCEL T_dly, CANCEL T_dly1		
29		+MM_PwrOrSimOff(C_SIMIn)		
30		(TCV_Null := OM_StopAllBCCH(C_CellA, C_CellB, C_CellC, C_CellD, "dummy", "dummy", "dummy", "dummy"))		
31		(TCV_Null := OO_SetCellTestMode())		Switch MS to cell test mode
32		+ltree_StartCarriers		
33		+PageOnCarriers(C_CellA, C_CellB, C_CellC, C_CellD, "dummy", "dummy")		
34		+MM_PwrOrSimOn(C_SIMIn)		
35		START T_dly(33000), START T_dly1(50000)		
36	CS_0 042	?TIMEOUT T_dly		F
37	CS_0 043	L?DL_RaInChRq	ChReq_01(C_RACH_ A_1, ChRequest_02)	F
38	CS_0 044	L?DL_RaInChRq	ChReq_01(C_RACH_ B_1, ChRequest_02)	F
39	CS_0 045	L?DL_RaInChRq	ChReq_01(C_RACH_ D_1, ChRequest_02)	F
40		L?DL_RaInChRq	ChReq_01(C_RACH_ C_1, ChRequest_02)	
41		CANCEL T_dly		
42	Label 3	L?DL_RaInChRq	ChReq_01(C_RACH_ C_1, ChRequest_02)	
43		->Label3		
44	CS_0 046	?TIMEOUT T_dly1		F
45	CS_0 047	L?DL_RaInChRq	ChReq_01(C_RACH_ B_1, ChRequest_02)	F
46	CS_0 049	L?DL_RaInChRq	ChReq_01(C_RACH_ D_1, ChRequest_02)	F
47		L?DL_RaInChRq	ChReq_01(C_RACH_ A_1, ChRequest_02)	
48	Label 4	L?DL_RaInChRq	ChReq_01(C_RACH_ A_1, ChRequest_02)	
49		->Label4		
50		L?DL_RaInChRq	ChReq_01(C_RACH_ C_1, ChRequest_02)	
51		->Label4		
52		L?DL_RaInChRq	ChReq_01(C_RACH_ D_1, ChRequest_02)	
53		->Label4		
54	CS_0 050	?TIMEOUT T_dly1		P
55	CS_0 051	L?DL_RaInChRq	ChReq_01(C_RACH_ B_1, ChRequest_02)	P
		<b>ltree_StartCarriers</b>		
56		+ltree_StartCarrier1		
57		+ltree_StartCarrier2		
58		+ltree_StartCarrier3		
59		+ltree_StartCarrier4		
		<b>ltree_StartCarrier1</b>		
60		(TCV_sacch := OC_SubchOfSacch4(TSPX_SDCCH4SubDef, C_CellA))		
61		+CombinedBCCH_A(33, C_MaxPwrLvlG, C_MaxPwrLvlD, 3, 512, C_Immass, TCV_slot,		

62	<pre> TCV_tsc, TimingAdv(0), C_BABR_0, C_cch_1Comb, C_BPM_3) +SysInfoSending_fh_rcc(C_SCH_A, C_BCCH_A_1, C_TxInt_5, C_Max_2, C_NECl_0, C_ATT_0, C_BABR_0, C_cch_1Comb, C_BPM_3, C_T3212_0, C_ci_cellA, C_MCC_1, C_PLMN_1, C_LAC_1111, CellOpt_01, CellChDes_24, CellChDes_24d, C_CellReselectHys4, C_MaxPwrLvlG, C_MaxPwrLvlD, BcchFreqLst_50, BcchFreqLst_51, BcchFreqLst_52, C_Restablishment, C_BCC, C_NCC, C_NCCP_2, '000000'B, '0'B, '1'B, '10000'B) </pre>
63	<pre> <b>Itree_StartCarrier2</b> (TCV_sacch := OC_SubchOfSacch4( TSPX_SDCCH4SubDef, C_CellB)) </pre>
64	<pre> +CombinedBCCH_B(43, C_MaxPwrLvlG, C_MaxPwrLvlD, 9, 543, C_Immass, TCV_slot, TCV_tsc, TimingAdv(0), C_BABR_0, C_cch_1Comb, C_BPM_3) </pre>
65	<pre> +SysInfoSending_fh_rcc(C_SCH_B, C_BCCH_B_1, C_TxInt_5, C_Max_2, C_NECl_0, C_ATT_0, C_BABR_0, C_cch_1Comb, C_BPM_3, C_T3212_0, C_ci_cellB, C_MCC_1, C_PLMN_1, C_LAC_1111, CellOpt_01, CellChDes_24, CellChDes_24d, C_CellReselectHys4, C_MaxPwrLvlG, C_MaxPwrLvlD, BcchFreqLst_50, BcchFreqLst_51, BcchFreqLst_52, C_Restablishment, C_BCC, C_NCC, C_NCCP_2, '010100'B, '1'B, '1'B, '10000'B) </pre>
66	<pre> <b>Itree_StartCarrier3</b> (TCV_sacch := OC_SubchOfSacch4( TSPX_SDCCH4SubDef, C_CellC)) </pre>
67	<pre> +CombinedBCCH_C(33, C_MaxPwrLvlG, C_MaxPwrLvlD, 18, 568, C_Immass, TCV_slot, TCV_tsc, TimingAdv(0), C_BABR_0, C_cch_1Comb, C_BPM_3) </pre>
68	<pre> +SysInfoSending_fh_rcc(C_SCH_C, C_BCCH_C_1, C_TxInt_5, C_Max_2, C_NECl_0, C_ATT_0, C_BABR_0, C_cch_1Comb, C_BPM_3, C_T3212_0, C_ci_cellC, C_MCC_1, C_PLMN_1, C_LAC_1111, CellOpt_01, CellChDes_24, CellChDes_24d, C_CellReselectHys4, C_MaxPwrLvlG, C_MaxPwrLvlD, BcchFreqLst_50, BcchFreqLst_51, BcchFreqLst_52, C_Restablishment, C_BCC, C_NCC, C_NCCP_2, '001010'B, '1'B, '0'B, '10000'B) </pre>
69	<pre> <b>Itree_StartCarrier4</b> (TCV_sacch := OC_SubchOfSacch4( TSPX_SDCCH4SubDef, C_CellD)) </pre>
70	<pre> [TSPC_EGSM] </pre>
71	<pre> +CombinedBCCH_D(23, C_MaxPwrLvlG, C_MaxPwrLvlD, 985, 589, C_Immass, TCV_slot, TCV_tsc, TimingAdv(0), C_BABR_0, C_cch_1Comb, C_BPM_3) </pre>
72	<pre> +SysInfoSending_fh_rcc(C_SCH_D, C_BCCH_D_1, C_TxInt_5, C_Max_2, C_NECl_0, C_ATT_0, C_BABR_0, C_cch_1Comb, C_BPM_3, C_T3212_0, C_ci_cellD, C_MCC_1, C_PLMN_1, C_LAC_1111, CellOpt_01, CellChDes_24, CellChDes_24d, C_CellReselectHys4, C_MaxPwrLvlG, C_MaxPwrLvlD, BcchFreqLst_50, BcchFreqLst_51, BcchFreqLst_52, C_Restablishment, C_BCC, C_NCC, C_NCCP_2, '001010'B, '0'B, '0'B, '10000'B) </pre>
73	<pre> [NOT TSPC_EGSM] </pre>
74	<pre> +CombinedBCCH_D(23, C_MaxPwrLvlG, </pre>

75	C_MaxPwrLvlID, 25, 589, C_Immass, TCV_slot, TCV_tsc, TimingAdv(0), C_BABR_0, C_cch_1Comb, C_BPM_3) +SysInfoSending_fh_rcc(C_SCH_D, C_BCCH_D_1, C_TxInt_5, C_Max_2, C_NECl_0, C_ATT_0, C_BABR_0, C_cch_1Comb, C_BPM_3, C_T3212_0, C_ci_cellID, C_MCC_1, C_PLMN_1, C_LAC_1111, CellOpt_01, CellChDes_24, CellChDes_24d, C_CellReselectHys4, C_MaxPwrLvlG, C_MaxPwrLvlID, BcchFreqLst_50, BcchFreqLst_51, BcchFreqLst_52, C_Restablishment, C_BCC, C_NCC, C_NCCP_2, '001010'B, '0'B, '0'B, '10000'B)			
<b>Detailed Comments:</b>				

Test Case Dynamic Behaviour					
<b>Test Case Name:</b>		TC_20_8			
<b>Group:</b>		GSM_MS_CS_4210/CellSelection/			
<b>Purpose:</b>		<p>1. To verify that at least every 5 s the MS shall calculate the value of C1 and C2 for the serving cell and recalculate the C1 and C2 for non serving cells (if necessary). The MS shall then check whether the path loss criterion (C1) for current serving cell falls below zero for a period of 5 seconds. This indicates that the path loss has become too high.</p> <p>2. To verify that whilst camped on a cell of the selected PLMN, the MS may need to select a different cell. The path loss criterion (C1) for the current serving cell falling below zero triggers cell reselection.</p>			
<b>Default:</b>		OtherEventsFail			
Nr	Label	Behaviour Description	CRef	V	Comments
1		START T_guard(600)			
2		+IdleUpdated(C_E_default, C_CellA, C_SCH_A, C_BCCH_A_1, C_Immass, C_S0, C_SlotNU, C_SlotNU, C_SlotNU, C_BCC, C_TxInt_5, C_Max_2, C_NECI_0, C_ATT_0, TimingAdv(0), C_BABR_0, C_cch_1Comb, C_BPM_3, C_T3212_0, C_ci_cellA, C_MCC_1, C_PLMN_1, C_LAC_1111, CellOpt_01, CellChDes_24, CellChDes_24d, C_CellReselectHys4, C_MaxPwrLvIG, C_MaxPwrLvID, BcchFreqLst_50, BcchFreqLst_Omit, BcchFreqLst_51, BcchFreqLst_Omit, C_Restablishment, C_BCC, C_NCC, C_Start_Tmsi, TSPX_SDCCH4SubDef, TSPX_CKSNDDef, TSPX_RANDDef, C_arfcnA, C_arfcnAd, TSPX_IMSI, C_Test_fh, C_NCCP_2)			
3	body	+MM_PwrOrSimOff(C_SIMIn)			
4		+ltree_StartCarriers			
5		+PageOnCarriers("dummy", C_CellB, "dummy", "dummy", "dummy", "dummy")			
6		+MM_PwrOrSimOn(C_SIMIn)			
7		START T_dly(50000)			
8	CS_0 052	L?DL_RacInChRq	ChReq_01(C_RACH_A_1, ChRequest_02)	F	
9	CS_0 053	L?DL_RacInChRq	ChReq_01(C_RACH_B_1, ChRequest_02)	F	
10		?TIMEOUT T_dly			
11		(TCV_Null := OM_ChangeRFOfCell(C_CellA, 33))			
12		+Pause(4000)			
13		(TCV_Null := OM_ChangeRFOfCell(C_CellA, 63))			
14		START T_dly(30000)			
15	Label 1	L?DL_RacInChRq	ChReq_01(C_RACH_A_1, ChRequest_02)		
16		->Label1			
17	CS_0 054	L?DL_RacInChRq	ChReq_01(C_RACH_B_1, ChRequest_02)	F	
18		?TIMEOUT T_dly			
19		(TCV_Null := OM_ChangeRFOfCell(C_CellA, 33))			
20		START T_dly(20000)			
21	Label 2	L?DL_RacInChRq	ChReq_01(C_RACH_A_1, ChRequest_02)		
22		->Label2			
23	CS_0 055	?TIMEOUT T_dly		F	
24	CS_0 056	L?DL_RacInChRq	ChReq_01(C_RACH_B_1, ChRequest_02)	P	
25		<b>ltree_StartCarriers</b> +ltree_StartCarrier1			
26		+ltree_StartCarrier2			
		<b>ltree_StartCarrier1</b>			

27	(TCV_sacch := OC_SubchOfSacch4( TSPX_SDCCH4SubDef, C_CellA))		
28	+CombinedBCCH_A(63, C_MaxPwrLvlG, C_MaxPwrLvlD, 3, 512, C_Immass, TCV_slot, TCV_tsc, TimingAdv(0), C_BABR_0, C_cch_1Comb, C_BPM_3)		
29	+SysInfoSending_fh_rpct(C_SCH_A, C_BCCH_A_1, C_TxInt_5, C_Max_2, C_NECl_0, C_ATT_0, C_BABR_0, C_cch_1Comb, C_BPM_3, C_T3212_0, C_ci_cellA, C_MCC_1, C_PLMN_1, C_LAC_1111, CellOpt_01, CellChDes_24, CellChDes_24d, C_CellReselectHys4, C_MaxPwrLvlG, C_MaxPwrLvlD, BcchFreqLst_50, BcchFreqLst_51, BcchFreqLst_52, C_Restablishment, C_BCC, C_NCC, C_NCCP_2, '101000'B, '00000'B, '001111'B, '000'B)		
	<b>ltree_StartCarrier2</b>		
30	(TCV_sacch := OC_SubchOfSacch4( TSPX_SDCCH4SubDef, C_CellB))		
31	[TSPC_EGSM]		
32	+CombinedBCCH_B(33, C_MaxPwrLvlG, C_MaxPwrLvlD, 9, 543, C_Immass, TCV_slot, TCV_tsc, TimingAdv(0), C_BABR_0, C_cch_1Comb, C_BPM_3)		
33	+SysInfoSending_fh_rpct(C_SCH_B, C_BCCH_B_1, C_TxInt_5, C_Max_2, C_NECl_0, C_ATT_0, C_BABR_0, C_cch_1Comb, C_BPM_3, C_T3212_0, C_ci_cellB, C_MCC_1, C_PLMN_1, C_LAC_1111, CellOpt_01, CellChDes_24, CellChDes_24d, C_CellReselectHys4, C_MaxPwrLvlG, C_MaxPwrLvlD, BcchFreqLst_50, BcchFreqLst_51, BcchFreqLst_52, C_Restablishment, C_BCC, C_NCC, C_NCCP_2, '010100'B, '00000'B, '000000'B, '000'B)		
34	[NOT TSPC_EGSM]		
35	+CombinedBCCH_B(33, C_MaxPwrLvlG, C_MaxPwrLvlD, 9, 543, C_Immass, TCV_slot, TCV_tsc, TimingAdv(0), C_BABR_0, C_cch_1Comb, C_BPM_3)		
36	+SysInfoSending_fh_rpct(C_SCH_B, C_BCCH_B_1, C_TxInt_5, C_Max_2, C_NECl_0, C_ATT_0, C_BABR_0, C_cch_1Comb, C_BPM_3, C_T3212_0, C_ci_cellB, C_MCC_1, C_PLMN_1, C_LAC_1111, CellOpt_01, CellChDes_24, CellChDes_24d, C_CellReselectHys4, C_MaxPwrLvlG, C_MaxPwrLvlD, BcchFreqLst_50, BcchFreqLst_51, BcchFreqLst_52, C_Restablishment, C_BCC, C_NCC, C_NCCP_2, '010100'B, '00000'B, '000000'B, '000'B)		
<b>Detailed Comments:</b>			

Test Case Dynamic Behaviour					
<b>Test Case Name:</b>		TC_20_9			
<b>Group:</b>		GSM_MS_CS_4210/CellSelection/			
<b>Purpose:</b>		<p>1. To verify that if the MS calculates a received level average (over 5 seconds) for a non-serving suitable cell which results in the value of C2 exceeding the value of C2 for the serving cell, then cell reselection takes place to the non-serving cell.</p> <p>2. To verify that by using suitable varying levels of signal strength for non serving cells, the MS samples on non serving cell BCCH carriers are as far as possible distributed uniformly over each evaluated period.</p>			
<b>Default:</b>		OtherEventsFail			
Nr	Label	Behaviour Description	CRef	V	Comments
1		START T_guard(600)			
2		+IdleUpdated(C_E_default, C_CellA, C_SCH_A, C_BCCH_A_1, C_Immss, C_S0, C_SlotNU, C_SlotNU, C_SlotNU, C_BCC, C_TxInt_5, C_Max_2, C_NECI_0, C_ATT_0, TimingAdv(0), C_BABR_0, C_cch_1Comb, C_BPM_2, C_T3212_0, C_ci_cellA, C_MCC_1, C_PLMN_1, C_LAC_1111, CellOpt_01, CellChDes_24, CellChDes_24d, C_CellReselectHys4, C_MaxPwrLvIG, C_MaxPwrLvID, BcchFreqLst_62, BcchFreqLst_Omit, BcchFreqLst_64, BcchFreqLst_Omit, C_Restablishment, C_BCC, C_NCC, C_Start_Tmsi, TSPX_SDCCH4SubDef, TSPX_CKSNDDef, TSPX_RANDDef, C_arfcnA, C_arfcnAd, TSPX_IMSI, C_Test_fh, C_NCCP_2)			
3	body	+MM_PwrOrSimOff(C_SIMIn)			
4		+ltree_StartCarriers			
5		+PageOnCarriers("dummy", C_CellB, "dummy", "dummy", "dummy", "dummy")			
6		+MM_PwrOrSimOn(C_SIMIn)			
7		START T_dly(50000)			
8	CS_0 057	L?DL_RacInChRq	ChReq_01(C_RACH_A_1, ChRequest_02)	F	
9	CS_0 058	L?DL_RacInChRq	ChReq_01(C_RACH_B_1, ChRequest_02)	F	
10		?TIMEOUT T_dly			
11		(TCV_Null := OM_VaryRFOfCell(C_BCCH_B_1, 2700, 56, 2700, 33))			
12		START T_dly(25000)			
13	CS_0 059	L?DL_RacInChRq	ChReq_01(C_RACH_A_1, ChRequest_02)	F	
14	CS_0 060	L?DL_RacInChRq	ChReq_01(C_RACH_B_1, ChRequest_02)	F	
15		?TIMEOUT T_dly			
16		(TCV_Null := OM_ChangeRFOfCell(C_CellA, 37))			
17		START T_dly(20000)			
18	Label 1	L?DL_RacInChRq	ChReq_01(C_RACH_A_1, ChRequest_02)		
19		->Label1			
20	CS_0 061	?TIMEOUT T_dly		F	
21		L?DL_RacInChRq	ChReq_01(C_RACH_B_1, ChRequest_02)		
22	CS_0 062	(TCV_Null := OM_StopVaryRFOfCell(C_BCCH_B_1))		P	
		<b>ltree_StartCarriers</b>			
23		+ltree_StartCarrier1			
24		+ltree_StartCarrier2			
		<b>ltree_StartCarrier1</b>			
25		(TCV_sacch := OC_SubchOfSacch4(			

	TSPX_SDCCH4SubDef, C_CellA))		
26	[TSPC_EGSM]		
27	+CombinedBCCH_A(53, C_MaxPwrLvlG, C_MaxPwrLvlD, 3, 512, C_Immass, TCV_slot, TCV_tsc, TimingAdv(0), C_BABR_0, C_cch_1Comb, C_BPM_2)		
28	+SysInfoSending_fh_rcc(C_SCH_A, C_BCCH_A_1, C_TxInt_5, C_Max_2, C_NECI_0, C_ATT_0, C_BABR_0, C_cch_1Comb, C_BPM_2, C_T3212_0, C_ci_cellA, C_MCC_1, C_PLMN_1, C_LAC_1111, CellOpt_01, CellChDes_24, CellChDes_24d, C_CellReselectHys4, C_MaxPwrLvlG, C_MaxPwrLvlD, BcchFreqLst_63, BcchFreqLst_64, BcchFreqLst_55, C_Restablishment, C_BCC, C_NCC, C_NCCP_2, '010100'B, '0'B, '0'B, '00000'B)		
29	[NOT TSPC_EGSM]		
30	+CombinedBCCH_A(53, C_MaxPwrLvlG, C_MaxPwrLvlD, 3, 512, C_Immass, TCV_slot, TCV_tsc, TimingAdv(0), C_BABR_0, C_cch_1Comb, C_BPM_2)		
31	+SysInfoSending_fh_rcc(C_SCH_A, C_BCCH_A_1, C_TxInt_5, C_Max_2, C_NECI_0, C_ATT_0, C_BABR_0, C_cch_1Comb, C_BPM_2, C_T3212_0, C_ci_cellA, C_MCC_1, C_PLMN_1, C_LAC_1111, CellOpt_01, CellChDes_24, CellChDes_24d, C_CellReselectHys4, C_MaxPwrLvlG, C_MaxPwrLvlD, BcchFreqLst_62, BcchFreqLst_64, BcchFreqLst_55, C_Restablishment, C_BCC, C_NCC, C_NCCP_2, '010100'B, '0'B, '0'B, '00000'B)		
	<b>Itree_StartCarrier2</b>		
32	(TCV_sacch := OC_SubchOfSacch4( TSPX_SDCCH4SubDef, C_CellB))		
33	[TSPC_EGSM]		
34	+CombinedBCCH_B(33, C_MaxPwrLvlG, C_MaxPwrLvlD, 9, 543, C_Immass, TCV_slot, TCV_tsc, TimingAdv(0), C_BABR_0, C_cch_1Comb, C_BPM_2)		
35	+SysInfoSending_fh_rcc(C_SCH_B, C_BCCH_B_1, C_TxInt_5, C_Max_2, C_NECI_0, C_ATT_0, C_BABR_0, C_cch_1Comb, C_BPM_2, C_T3212_0, C_ci_cellB, C_MCC_1, C_PLMN_1, C_LAC_1111, CellOpt_01, CellChDes_24, CellChDes_24d, C_CellReselectHys4, C_MaxPwrLvlG, C_MaxPwrLvlD, BcchFreqLst_63, BcchFreqLst_64, BcchFreqLst_55, C_Restablishment, C_BCC, C_NCC, C_NCCP_2, '010100'B, '0'B, '0'B, '00000'B)		
36	[NOT TSPC_EGSM]		
37	+CombinedBCCH_B(33, C_MaxPwrLvlG, C_MaxPwrLvlD, 9, 543, C_Immass, TCV_slot, TCV_tsc, TimingAdv(0), C_BABR_0, C_cch_1Comb, C_BPM_2)		
38	+SysInfoSending_fh_rcc(C_SCH_B, C_BCCH_B_1, C_TxInt_5, C_Max_2, C_NECI_0, C_ATT_0, C_BABR_0, C_cch_1Comb, C_BPM_2, C_T3212_0, C_ci_cellB, C_MCC_1, C_PLMN_1, C_LAC_1111, CellOpt_01, CellChDes_24, CellChDes_24d, C_CellReselectHys4, C_MaxPwrLvlG, C_MaxPwrLvlD, BcchFreqLst_62, BcchFreqLst_64, BcchFreqLst_55, C_Restablishment, C_BCC, C_NCC, C_NCCP_2, '010100'B, '0'B, '0'B, '00000'B)		
<b>Detailed Comments:</b>			





Test Case Dynamic Behaviour					
<b>Test Case Name:</b>		TC_20_10			
<b>Group:</b>		GSM_MS_CS_4210/CellSelection/			
<b>Purpose:</b>		1. To verify that by using suitable varying levels of signal strength for the serving cell, the MS performs a running average over 5 consecutive paging blocks.			
<b>Default:</b>		OtherEventsFail			
Nr	Label	Behaviour Description	CRef	V	Comments
1		START T_guard(600)			
2		+IdleUpdated(C_E_default, C_CellA, C_SCH_A, C_BCCH_A_1, C_Immass, C_S0, C_SlotNU, C_SlotNU, C_SlotNU, C_BCC, C_TxInt_5, C_Max_2, C_NECI_0, C_ATT_0, TimingAdv(0), C_BABR_0, C_cch_1Comb, C_BPM_3, C_T3212_0, C_ci_cellA, C_MCC_1, C_PLMN_1, C_LAC_1111, CellOpt_01, CellChDes_24, CellChDes_24d, C_CellReselectHys4, C_MaxPwrLvlG, C_MaxPwrLvlD, BcchFreqLst_50, BcchFreqLst_Omit, BcchFreqLst_51, BcchFreqLst_Omit, C_Restablishment, C_BCC, C_NCC, C_Start_Tmsi, TSPX_SDCCH4SubDef, TSPX_CKSNDf, TSPX_RANDDef, C_arfcnA, C_arfcnAd, TSPX_IMSI, C_Test_fh, C_NCCP_2)			
3	body	+MM_PwrOrSimOff(C_SIMIn)			
4		+Itree_StartCarriers			
5		+PageOnCarriers("dummy", C_CellB, "dummy", "dummy", "dummy", "dummy")			
6		+MM_PwrOrSimOn(C_SIMIn)			
7		START T_dly(50000)			
8	Label 1	L?DL_RaInChRq	ChReq_01(C_RACH_A_1, ChRequest_02)		
9		->Label1			
10		L?DL_RaInChRq	ChReq_01(C_RACH_B_1, ChRequest_02)		
11		->Label1			
12		?TIMEOUT T_dly			
13		(TCV_Null := OM_VaryRFOfCell(C_BCCH_A_1, 3000, 33, 3000, 63))			
14		START T_dly(25000)			
15	Label 2	L?DL_RaInChRq	ChReq_01(C_RACH_A_1, ChRequest_02)		
16		->Label2			
17	CS_0 063	L?DL_RaInChRq	ChReq_01(C_RACH_B_1, ChRequest_02)	F	
18		?TIMEOUT T_dly			
19		(TCV_Null := OM_ChangeRFOfCell(C_CellB, 57))			
20		START T_dly(20000)			
21	Label 3	L?DL_RaInChRq	ChReq_01(C_RACH_A_1, ChRequest_02)		
22		->Label3			
23	CS_0 064	?TIMEOUT T_dly		F	
24		L?DL_RaInChRq	ChReq_01(C_RACH_B_1, ChRequest_02)		
25	CS_0 065	(TCV_Null := OM_StopVaryRFOfCell(C_BCCH_A_1))		P	
26		<b>Itree_StartCarriers</b>			
27		+Itree_StartCarrier1			
28		+Itree_StartCarrier2			
29		<b>Itree_StartCarrier1</b>			
30		(TCV_sacch := OC_SubchOfSacch4(TSPX_SDCCH4SubDef, C_CellA))			
31		+CombinedBCCH_A(63, C_MaxPwrLvlG, C_MaxPwrLvlD, 3, 512, C_Immass, TCV_slot,			

30	TCV_tsc, TimingAdv(0), C_BABR_0, C_cch_1Comb, C_BPM_3) +SysInfoSending_fh_rcc(C_SCH_A, C_BCCH_A_1, C_TxInt_5, C_Max_2, C_NECl_0, C_ATT_0, C_BABR_0, C_cch_1Comb, C_BPM_3, C_T3212_0, C_ci_cellA, C_MCC_1, C_PLMN_1, C_LAC_1111, CellOpt_01, CellChDes_24, CellChDes_24d, C_CellReselectHys4, C_MaxPwrLvIG, C_MaxPwrLvID, BcchFreqLst_50, BcchFreqLst_51, BcchFreqLst_52, C_Restablishment, C_BCC, C_NCC, C_NCCP_2, '010100'B, '0'B, '0'B, '00000'B)			
31	<b>Itree_StartCarrier2</b> (TCV_sacch := OC_SubchOfSacch4( TSPX_SDCCH4SubDef, C_CellB))			
32	[TSPC_EGSM]			
33	+CombinedBCCH_B(39, C_MaxPwrLvIG, C_MaxPwrLvID, 985, 543, C_Immass, TCV_slot, TCV_tsc, TimingAdv(0), C_BABR_0, C_cch_1Comb, C_BPM_3)			
34	+SysInfoSending_fh_rcc(C_SCH_B, C_BCCH_B_1, C_TxInt_5, C_Max_2, C_NECl_0, C_ATT_0, C_BABR_0, C_cch_1Comb, C_BPM_3, C_T3212_0, C_ci_cellB, C_MCC_1, C_PLMN_1, C_LAC_1111, CellOpt_01, CellChDes_24, CellChDes_24d, C_CellReselectHys4, C_MaxPwrLvIG, C_MaxPwrLvID, BcchFreqLst_50, BcchFreqLst_51, BcchFreqLst_52, C_Restablishment, C_BCC, C_NCC, C_NCCP_2, '010100'B, '0'B, '0'B, '00000'B)			
35	[NOT TSPC_EGSM]			
36	+CombinedBCCH_B(39, C_MaxPwrLvIG, C_MaxPwrLvID, 9, 543, C_Immass, TCV_slot, TCV_tsc, TimingAdv(0), C_BABR_0, C_cch_1Comb, C_BPM_3)			
37	+SysInfoSending_fh_rcc(C_SCH_B, C_BCCH_B_1, C_TxInt_5, C_Max_2, C_NECl_0, C_ATT_0, C_BABR_0, C_cch_1Comb, C_BPM_3, C_T3212_0, C_ci_cellB, C_MCC_1, C_PLMN_1, C_LAC_1111, CellOpt_01, CellChDes_24, CellChDes_24d, C_CellReselectHys4, C_MaxPwrLvIG, C_MaxPwrLvID, BcchFreqLst_50, BcchFreqLst_51, BcchFreqLst_52, C_Restablishment, C_BCC, C_NCC, C_NCCP_2, '010100'B, '0'B, '0'B, '00000'B)			
<b>Detailed Comments:</b>				

Test Case Dynamic Behaviour					
<b>Test Case Name:</b> TC_20_12					
<b>Group:</b> GSM_MS_CS_4210/CellSelection/					
<b>Purpose:</b> 1. To verify that the list of the strongest 6 non-serving carriers shall be updated at least as often as the duration of the running average defined for measurements on the BCCH allocation and may be updated more frequently.  2. To verify that when the MS recognizes that a new BCCH carrier has become one of the 6 strongest, and the BCCH data shall be decoded for the new carrier within 30 seconds.					
<b>Default:</b> OtherEventsFail					
Nr	Label	Behaviour Description	CRef	V	Comments
1		START T_guard(600)			
2		+IdleUpdated(C_E_default, C_CellA, C_SCH_A, C_BCCH_A_1, C_Immass, C_S0, C_SlotNU, C_SlotNU, C_SlotNU, C_BCC, C_TxInt_5, C_Max_2, C_NECI_0, C_ATT_0, TimingAdv(0), C_BABR_0, C_cch_1Comb, C_BPM_3, C_T3212_0, C_ci_cellA, C_MCC_1, C_PLMN_1, C_LAC_1111, CellOpt_01, CellChDes_24, CellChDes_24d, C_CellReselectHys4, C_MaxPwrLvlG, C_MaxPwrLvlD, BcchFreqLst_50, BcchFreqLst_Omit, BcchFreqLst_51, BcchFreqLst_Omit, C_Restablishment, C_BCC, C_NCC, C_Start_Tmsi, TSPX_SDCCH4SubDef, TSPX_CKSNDDef, TSPX_RANDDDef, C_arfcnA, C_arfcnAd, TSPX_IMSI, C_Test_fh, C_NCCP_2)			
3	body	+MM_PwrOrSimOff(C_SIMIn)			
4		+Itree_StartCarriers			
5		+PageOnCarriers("dummy", C_CellB, "dummy", "dummy", "dummy", "dummy")			
6		+MM_PwrOrSimOn(C_SIMIn)			
7		START T_dly(50000)			
8	CS_0 066	L?DL_RaInChRq	ChReq_01(C_RACH_A_1, ChRequest_02)	F	
9	CS_0 067	L?DL_RaInChRq	ChReq_01(C_RACH_B_1, ChRequest_02)	F	
10		?TIMEOUT T_dly			
11		+SysInfoSending_fh_rcc(C_SCH_B, C_BCCH_B_1, C_TxInt_5, C_Max_2, C_NECI_0, C_ATT_0, C_BABR_0, C_cch_1Comb, C_BPM_3, C_T3212_0, C_ci_cellB, C_MCC_1, C_PLMN_1, C_LAC_1111, CellOpt_01, CellChDes_24, CellChDes_24d, C_CellReselectHys4, C_MaxPwrLvlG, C_MaxPwrLvlD, BcchFreqLst_50, BcchFreqLst_51, BcchFreqLst_52, C_Restablishment, C_BCC, C_NCC, C_NCCP_2, '001010'B, '0'B, '0'B, '00000'B)			
12		START T_dly(345000)			
13	Label 1	L?DL_RaInChRq	ChReq_01(C_RACH_A_1, ChRequest_02)		
14		->Label1			
15	CS_0 068	?TIMEOUT T_dly		F	
16	CS_0 069	L?DL_RaInChRq	ChReq_01(C_RACH_B_1, ChRequest_02)	P	
17		<b>Itree_StartCarriers</b>			
18		+Itree_StartCarrier1 +Itree_StartCarrier2			
19		<b>Itree_StartCarrier1</b> (TCV_sacch := OC_SubchOfSacch4(TSPX_SDCCH4SubDef, C_CellA))			
20		+CombinedBCCH_A(38, C_MaxPwrLvlG, C_MaxPwrLvlD, 3, 512, C_Immass, TCV_slot, TCV_tsc, TimingAdv(0), C_BABR_0, C_cch_1Comb, C_BPM_3)			

21	+SysInfoSending_fh_rcc(C_SCH_A, C_BCCH_A_1, C_TxInt_5, C_Max_2, C_NECI_0, C_ATT_0, C_BABR_0, C_cch_1Comb, C_BPM_3, C_T3212_0, C_ci_cellA, C_MCC_1, C_PLMN_1, C_LAC_1111, CellOpt_01, CellChDes_24, CellChDes_24d, C_CellReselectHys4, C_MaxPwrLvlG, C_MaxPwrLvlD, BcchFreqLst_50, BcchFreqLst_51, BcchFreqLst_52, C_Restablishment, C_BCC, C_NCC, C_NCCP_2, '010100'B, '0'B, '0'B, '00000'B)			
22	<b>Itree_StartCarrier2</b> (TCV_sacch := OC_SubchOfSacch4( TSPX_SDCCH4SubDef, C_CellB))			
23	[TSPC_EGSM]			
24	+CombinedBCCH_B(33, C_MaxPwrLvlG, C_MaxPwrLvlD, 985, 543, C_Immass, TCV_slot, TCV_tsc, TimingAdv(0), C_BABR_0, C_cch_1Comb, C_BPM_3)			
25	+SysInfoSending_fh_rcc(C_SCH_B, C_BCCH_B_1, C_TxInt_5, C_Max_2, C_NECI_0, C_ATT_0, C_BABR_0, C_cch_1Comb, C_BPM_3, C_T3212_0, C_ci_cellB, C_MCC_1, C_PLMN_1, C_LAC_1111, CellOpt_01, CellChDes_24, CellChDes_24d, C_CellReselectHys4, C_MaxPwrLvlG, C_MaxPwrLvlD, BcchFreqLst_50, BcchFreqLst_51, BcchFreqLst_52, C_Restablishment, C_BCC, C_NCC, C_NCCP_2, '010100'B, '0'B, '0'B, '00000'B)			
26	[NOT TSPC_EGSM]			
27	+CombinedBCCH_B(33, C_MaxPwrLvlG, C_MaxPwrLvlD, 9, 543, C_Immass, TCV_slot, TCV_tsc, TimingAdv(0), C_BABR_0, C_cch_1Comb, C_BPM_3)			
28	+SysInfoSending_fh_rcc(C_SCH_B, C_BCCH_B_1, C_TxInt_5, C_Max_2, C_NECI_0, C_ATT_0, C_BABR_0, C_cch_1Comb, C_BPM_3, C_T3212_0, C_ci_cellB, C_MCC_1, C_PLMN_1, C_LAC_1111, CellOpt_01, CellChDes_24, CellChDes_24d, C_CellReselectHys4, C_MaxPwrLvlG, C_MaxPwrLvlD, BcchFreqLst_50, BcchFreqLst_51, BcchFreqLst_52, C_Restablishment, C_BCC, C_NCC, C_NCCP_2, '010100'B, '0'B, '0'B, '00000'B)			
<b>Detailed Comments:</b>				

Test Case Dynamic Behaviour					
<b>Test Case Name:</b>		TC_20_13			
<b>Group:</b>		GSM_MS_CS_4210/CellSelection/			
<b>Purpose:</b>		1. To verify that the MS will check the BSIC of the non-serving cell, which is in the list of 6 stringest neighbour cells, by changing the BSIC and the BCCH data of the non-serving cell such that the value of C2 for that cell exceeds the value of C2 of the serving cell, and observing that the MS performs cell reselection within the time allowed to check the BSIC, redetermine the BCCH data and perform cell reselection.			
<b>Default:</b>		OtherEventsFail			
Nr	Label	Behaviour Description	CRef	V	Comments
1		START T_guard(600)			
2		+IdleUpdated(C_E_default, C_CellA, C_SCH_A, C_BCCH_A_1, C_Immass, C_S0, C_SlotNU, C_SlotNU, C_SlotNU, C_BCC, C_TxInt_5, C_Max_2, C_NECI_0, C_ATT_0, TimingAdv(0), C_BABR_0, C_cch_1Comb, C_BPM_3, C_T3212_0, C_ci_cellA, C_MCC_1, C_PLMN_1, C_LAC_1111, CellOpt_01, CellChDes_24, CellChDes_24d, C_CellReselectHys4, C_MaxPwrLvlG, C_MaxPwrLvlD, BcchFreqLst_50, BcchFreqLst_Omit, BcchFreqLst_51, BcchFreqLst_Omit, C_Restablishment, C_BCC, C_NCC, C_Start_Tmsi, TSPX_SDCCH4SubDef, TSPX_CKSNDDef, TSPX_RANDDef, C_arfcnA, C_arfcnAd, TSPX_IMSI, C_Test_fh, C_NCCP_2)			
3	body	+MM_PwrOrSimOff(C_SIMIn)			
4		+Itree_StartCarriers			
5		+PageOnCarriers("dummy", C_CellB, "dummy", "dummy", "dummy", "dummy")			
6		+MM_PwrOrSimOn(C_SIMIn)			
7		START T_dly(50000)			
8	CS_0 070	L?DL_RacInChRq	ChReq_01(C_RACH_A_1, ChRequest_02)	F	
9	CS_0 071	L?DL_RacInChRq	ChReq_01(C_RACH_B_1, ChRequest_02)	F	
10		?TIMEOUT T_dly			
11		+SysInfoSending_fh_rcc(C_SCH_B, C_BCCH_B_1, C_TxInt_5, C_Max_2, C_NECI_0, C_ATT_0, C_BABR_0, C_cch_1Comb, C_BPM_3, C_T3212_0, C_ci_cellB, C_MCC_1, C_PLMN_1, C_LAC_1111, CellOpt_01, CellChDes_24, CellChDes_24d, C_CellReselectHys4, C_MaxPwrLvlG, C_MaxPwrLvlD, BcchFreqLst_50, BcchFreqLst_51, BcchFreqLst_52, C_Restablishment, C_BCC_3, C_NCC, C_NCCP_2, '001010'B, '0'B, '0'B, '00000'B)			
12		START T_dly(85000)			
13	Label 1	L?DL_RacInChRq	ChReq_01(C_RACH_A_1, ChRequest_02)		
14		->Label1			
15	CS_0 072	?TIMEOUT T_dly		F	
16	CS_0 073	L?DL_RacInChRq	ChReq_01(C_RACH_B_1, ChRequest_02)	P	
17		<b>Itree_StartCarriers</b>			
18		+Itree_StartCarrier1 +Itree_StartCarrier2			
19		<b>Itree_StartCarrier1</b> (TCV_sacch := OC_SubchOfSacch4(TSPX_SDCCH4SubDef, C_CellA))			
20		+CombinedBCCH_A(38, C_MaxPwrLvlG, C_MaxPwrLvlD, 3, 512, C_Immass, TCV_slot, TCV_tsc, TimingAdv(0), C_BABR_0, C_cch_1Comb, C_BPM_3)			
21		+SysInfoSending_fh_rcc(C_SCH_A,			

		<p>C_BCCH_A_1, C_TxInt_5, C_Max_2, C_NECl_0,  C_ATT_0, C_BABR_0, C_cch_1Comb,  C_BPM_3, C_T3212_0, C_ci_cellA, C_MCC_1,  C_PLMN_1, C_LAC_1111, CellOpt_01,  CellChDes_24, CellChDes_24d,  C_CellReselectHys4, C_MaxPwrLvIG,  C_MaxPwrLvID, BcchFreqLst_50,  BcchFreqLst_51, BcchFreqLst_52,  C_Restablishment, C_BCC, C_NCC, C_NCCP_2,  '010100'B, '0'B, '0'B, '00000'B)</p>		
22		<p><b>Itree_StartCarrier2</b>  (TCV_sacch := OC_SubchOfSacch4(  TSPX_SDCCH4SubDef, C_CellB))</p>		
23		[TSPC_EGSM]		
24		+CombinedBCCH_B(33, C_MaxPwrLvIG, C_MaxPwrLvID, 985, 543, C_Immass, TCV_slot, TCV_tsc, TimingAdv(0), C_BABR_0, C_cch_1Comb, C_BPM_3)		
25		+SysInfoSending_fh_rcc(C_SCH_B, C_BCCH_B_1, C_TxInt_5, C_Max_2, C_NECl_0, C_ATT_0, C_BABR_0, C_cch_1Comb, C_BPM_3, C_T3212_0, C_ci_cellB, C_MCC_1, C_PLMN_1, C_LAC_1111, CellOpt_01, CellChDes_24, CellChDes_24d, C_CellReselectHys4, C_MaxPwrLvIG, C_MaxPwrLvID, BcchFreqLst_50, BcchFreqLst_51, BcchFreqLst_52, C_Restablishment, C_BCC, C_NCC, C_NCCP_2, '010100'B, '0'B, '0'B, '00000'B)		
26		[NOT TSPC_EGSM]		
27		+CombinedBCCH_B(33, C_MaxPwrLvIG, C_MaxPwrLvID, 9, 543, C_Immass, TCV_slot, TCV_tsc, TimingAdv(0), C_BABR_0, C_cch_1Comb, C_BPM_3)		
28		+SysInfoSending_fh_rcc(C_SCH_B, C_BCCH_B_1, C_TxInt_5, C_Max_2, C_NECl_0, C_ATT_0, C_BABR_0, C_cch_1Comb, C_BPM_3, C_T3212_0, C_ci_cellB, C_MCC_1, C_PLMN_1, C_LAC_1111, CellOpt_01, CellChDes_24, CellChDes_24d, C_CellReselectHys4, C_MaxPwrLvIG, C_MaxPwrLvID, BcchFreqLst_50, BcchFreqLst_51, BcchFreqLst_52, C_Restablishment, C_BCC, C_NCC, C_NCCP_2, '010100'B, '0'B, '0'B, '00000'B)		
<b>Detailed Comments:</b>				

### Test Case Dynamic Behaviour

<b>Test Case Name:</b>	TC_20_15
<b>Group:</b>	GSM_MS_CS_4210/CellSelection/
<b>Purpose:</b>	<p>1. To verify that if an LU is rejected with cause "LA not allowed" that the LAI of that cell is written into a forbidden list which prevents the MS from performing LU onto another cell in that LA. This is verified indirectly in test purpose 2, 3 and 4.</p> <p>2. To verify that the MS will not reject a cell for camping on because the cell is part of a LA in the list of "forbidden LAIs for regional provision of service". This is verified indirectly by making the MS attempt an emergency call and checking that the channel request message is transmitted on the correct cell.</p> <p>3. To verify that the MS when receiving an LU reject with cause value "LA not allowed", the MS continues to perform cell-reselection. Cell reselection is triggered if there is a better cell in the same LA, or a much better cell in another LA of the selected PLMN (using the CRH parameter).</p> <p>4. To verify that a new LU attempt will be performed when a new LA (or new PLMN) is entered.</p>
<b>Default:</b>	OtherEventsFail

Nr	Label	Behaviour Description	CRef	V	Comments
1		START T_guard(600)			
2		+IdleUpdated(C_E_default, C_CellA, C_SCH_A, C_BCCH_A_1, C_Imm, C_S0, C_SlotNU, C_SlotNU, C_SlotNU, C_BCC, C_TxInt_5, C_Max_2, C_NECI_0, C_ATT_0, TimingAdv(0), C_BABR_0, C_cch_1Comb, C_BPM_3, C_T3212_0, C_ci_cellA, C_MCC_1, C_PLMN_1, C_LAC_1111, CellOpt_01, CellChDes_24, CellChDes_24d, C_CellReselectHys14, C_MaxPwrLvlG, C_MaxPwrLvlD, BcchFreqLst_50, BcchFreqLst_Omit, BcchFreqLst_51, BcchFreqLst_Omit, C_Restablishment, C_BCC, C_NCC, C_Start_Tmsi, TSPX_SDCCH4SubDef, TSPX_CKSNDDef, TSPX_RANDDef, C_arfcnA, C_arfcnAd, TSPX_IMSI, C_Test_fh, C_NCCP_2)			
3	body	+MM_PwrOrSimOff(C_SIMIn)			
4		+ltree_StartCarriers			
5		+MM_PwrOrSimOn(C_SIMIn)			
6		START T_dly(33000)			
7	Label 1	L?DL_RaInChRq	ChReq_01(C_RACH_B_1, ChRequest_02)		
8		->Label1			
9		L?DL_RaInChRq	ChReq_01(C_RACH_C_1, ChRequest_02)		
10		->Label1			
11	CS_0 074	?TIMEOUT T_dly		F	
12		L?DL_RaInChRq	ChReq_01(C_RACH_A_1, ChRequest_02)		
13		+MM_LupRej(C_rc_LAnotallowed, C_imsi_attach, TimingAdv(0))			
14		START T_dly(30000)			
15	Label 2	L?DL_RaInChRq	ChReq_01(C_RACH_A_1, ChRequest_02)		
16		->Label2			
17		L?DL_RaInChRq	ChReq_01(C_RACH_B_1, ChRequest_02)		
18		->Label2			
19		L?DL_RaInChRq	ChReq_01(C_RACH_C_1, ChRequest_02)		
20		->Label2			
21		?TIMEOUT T_dly			
22		+BasicServiceMO( C_EmgCall, TSPX_EmgCallRate)			
23		(TCV_Null := OO_InitCall(C_EmgCall))			
24		START T_dly(15000)			
25	Label 3	L?DL_RaInChRq	ChReq_01(C_RACH_A_1, ChRequest_02)		
26		->Label3			



27		L?DL_RaInChRq	ChReq_01(C_RACH_B_1, ChRequest_02)	
28		->Label3		
29	CS_0 075	?TIMEOUT T_dly		F
30		L?DL_RaInChRq (TCV_Rr := DL_RaInChRq.msg.ecau_rrf, TCV_Fn := DL_RaInChRq.fn) [TSPC_EGSM] (TCV_chdescr_arfcn := 985) +ltree_continue	ChReq_01(C_RACH_C_1, ChRequest_02)	
31		[TSPC_PGSM] (TCV_chdescr_arfcn := 18) +ltree_continue		
32		[TSPC_DCS] (TCV_chdescr_arfcn := 543) +ltree_continue		
33				
34				
35				
36				
37				
38				
39				
40		<b>ltree_continue</b> L!DL_UdatRqImm	ImmAss( C_AGCH_C_1, ImmAsgn_01Def( TCV_Rr, TCV_Fn, TSPX_SDCCH4SubDef, TCV_slot, TCV_tsc, TCV_chdescr_arfcn, TimingAdv(0)))	
41		L?DL_EstInCmsRq	CMSerReq( CMSerReq_01)	
42		(TCV_ch := OC_SubchOfSdcch4(TSPX_SDCCH4SubDef, C_CellC))		
43		LIDL_DatRqCmsRej	CMSerRej( TCV_ch, CMSerReq_30( C_rc_networkfailure))	
44		+ChanRel(TCV_ch)		
45		START T_dly(10000)		
46	Label 4	L?DL_RaInChRq	ChReq_01(C_RACH_A_1, ChRequest_02)	
47		->Label4		
48		L?DL_RaInChRq	ChReq_01(C_RACH_B_1, ChRequest_02)	
49		->Label4		
50		L?DL_RaInChRq	ChReq_01(C_RACH_C_1, ChRequest_02)	
51		->Label4		
52		?TIMEOUT T_dly		
53		(TCV_Null := OM_ChangeRFOfCell(C_CellB, 65)) START T_dly(20000)		
54		L?DL_RaInChRq	ChReq_01(C_RACH_A_1, ChRequest_02)	
55	Label 5			
56		->Label5		
57		L?DL_RaInChRq	ChReq_01(C_RACH_C_1, ChRequest_02)	
58		->Label5		
59	CS_0 076	?TIMEOUT T_dly		F
60		L?DL_RaInChRq (TCV_Rr := DL_RaInChRq.msg.ecau_rrf, TCV_Fn := DL_RaInChRq.fn) [TSPC_PGSM OR TSPC_EGSM] (TCV_ch := OC_SubchOfSdcch4(TSPX_SD	ChReq_01(C_RACH_B_1, ChRequest_02)	
61				
62				

63		CCH4SubDef, C_CellB), TCV_chdescr_arfcn := 9) +ltree_continue2			
64		[TSPC_DCS]			
65		(TCV_ch := OC_SubchOfSdcch4(TSPX_SD CCH4SubDef, C_CellB), TCV_chdescr_arfcn := 543) +ltree_continue2			
66					
67		<b>ltree_continue2</b> L!DL_UdatRqlmmiss		ImmAss( C_AGCH_B_1, ImmAsgn_01Def( TCV_Rr, TCV_Fn, TSPX_SDCCH4SubD ef, TCV_slot, TCV_tsc, TCV_chdescr_arfcn, TimingAdv(0))) LocUp( TCV_ch, LocUpdtReq_05)	P
68	CS_0 077	L?DL_EstInLupRq			
69		<b>ltree_StartCarriers</b> +ltree_StartCarrier1			
70		+ltree_StartCarrier2			
71		+ltree_StartCarrier3			
72		[TSPC_PGSM OR TSPC_EGSM]			
73		(TCV_chdescr_arfcn:= 3)			
74		[TSPC_DCS]			
75		(TCV_chdescr_arfcn:= 512)			
76		<b>ltree_StartCarrier1</b> (TCV_sacch := OC_SubchOfSacch4( TSPX_SDCCH4SubDef, C_CellA))			
77		+CombinedBCCH_A(63, C_MaxPwrLvIG, C_MaxPwrLvID, 3, 512, C_Immmiss, TCV_slot, TCV_tsc, TimingAdv(0), C_BABR_0, C_cch_1Comb, C_BPM_3)			
78		+SysInfoSending_fh_rcc(C_SCH_A, C_BCCH_A_1, C_TxInt_5, C_Max_2, C_NECl_0, C_ATT_1, C_BABR_0, C_cch_1Comb, C_BPM_3, C_T3212_0, C_ci_cellA, C_MCC_1, C_PLMN_1, C_LAC_1111, CellOpt_01, CellChDes_24, CellChDes_24d, C_CellReselectHys14, C_MaxPwrLvIG, C_MaxPwrLvID, BcchFreqLst_50, BcchFreqLst_51, BcchFreqLst_52, C_Restablishment, C_BCC, C_NCC, C_NCCP_2, '110010'B, '0'B, '0'B, '00000'B)			
79		<b>ltree_StartCarrier2</b> (TCV_sacch := OC_SubchOfSacch4( TSPX_SDCCH4SubDef, C_CellB))			
80		+CombinedBCCH_B(54, C_MaxPwrLvIG, C_MaxPwrLvID, 9, 543, C_Immmiss, TCV_slot, TCV_tsc, TimingAdv(0), C_BABR_0, C_cch_1Comb, C_BPM_3)			
81		+SysInfoSending_fh_rcc(C_SCH_B, C_BCCH_B_1, C_TxInt_5, C_Max_2, C_NECl_0, C_ATT_1, C_BABR_0, C_cch_1Comb, C_BPM_3, C_T3212_0, C_ci_cellB, C_MCC_1, C_PLMN_1, C_LAC_2222, CellOpt_01, CellChDes_24, CellChDes_24d, 0, C_MaxPwrLvIG, C_MaxPwrLvID, BcchFreqLst_50, BcchFreqLst_51, BcchFreqLst_52, C_Restablishment, C_BCC, C_NCC, C_NCCP_2, '100000'B, '0'B, '0'B, '00000'B)			
82		<b>ltree_StartCarrier3</b> (TCV_sacch := OC_SubchOfSacch4( 			

	TSPX_SDCCH4SubDef, C_CellC))		
83	[TSPC_EGSM]		
84	+CombinedBCCH_C(44, C_MaxPwrLvlG, C_MaxPwrLvlD, 985, 543, C_Immass, TCV_slot, TCV_tsc, TimingAdv(0), C_BABR_0, C_cch_1Comb, C_BPM_3)		
85	+SysInfoSending_fh_rcc(C_SCH_C, C_BCCH_C_1, C_TxInt_5, C_Max_2, C_NECI_0, C_ATT_1, C_BABR_0, C_cch_1Comb, C_BPM_3, C_T3212_0, C_ci_cellC, C_MCC_1, C_PLMN_1, C_LAC_1111, CellOpt_01, CellChDes_24, CellChDes_24d, C_CellReselectHys10, C_MaxPwrLvlG, C_MaxPwrLvlD, BcchFreqLst_50, BcchFreqLst_51, BcchFreqLst_52, C_Restablishment, C_BCC, C_NCC, C_NCCP_2, '011010'B, '0'B, '0'B, '00000'B)		
86	[NOT TSPC_EGSM]		
87	+CombinedBCCH_C(44, C_MaxPwrLvlG, C_MaxPwrLvlD, 18, 543, C_Immass, TCV_slot, TCV_tsc, TimingAdv(0), C_BABR_0, C_cch_1Comb, C_BPM_3)		
88	+SysInfoSending_fh_rcc(C_SCH_C, C_BCCH_C_1, C_TxInt_5, C_Max_2, C_NECI_0, C_ATT_1, C_BABR_0, C_cch_1Comb, C_BPM_3, C_T3212_0, C_ci_cellC, C_MCC_1, C_PLMN_1, C_LAC_1111, CellOpt_01, CellChDes_24, CellChDes_24d, C_CellReselectHys10, C_MaxPwrLvlG, C_MaxPwrLvlD, BcchFreqLst_50, BcchFreqLst_51, BcchFreqLst_52, C_Restablishment, C_BCC, C_NCC, C_NCCP_2, '011010'B, '0'B, '0'B, '00000'B)		
<b>Detailed Comments:</b>			

### Test Case Dynamic Behaviour

<b>Test Case Name:</b>	TC_20_16
<b>Group:</b>	GSM_MS_CS_4210/CellSelection/
<b>Purpose:</b>	<p>1. To verify that the MS initializes the DSC counter in accordance with the conformance requirement. This is verified indirectly.</p> <p>2. To verify that whenever the MS successfully decodes a message on paging subchannel, the DSC is increased by 1, (however never beyond the nearest integer to 90/N). This is verified indirectly.</p> <p>3. To verify that whenever the MS can not successfully decode a message on paging subchannel, the DSC is decreased by 4. This is verified indirectly.</p> <p>4. To verify that when the DSC reaches 0, a downlink signalling failure shall be declared and the MS will perform cell reselection.</p>
<b>Default:</b>	OtherEventsFail

Nr	Label	Behaviour Description	CRef	V	Comments
1		START T_guard(600)			
2		+IdleUpdated(C_E_default, C_CellA, C_SCH_A, C_BCCH_A_1, C_Imm, C_S0, C_SlotNU, C_SlotNU, C_SlotNU, C_BCC, C_TxInt_5, C_Max_2, C_NECI_0, C_ATT_0, TimingAdv(0), C_BABR_0, C_cch_1Comb, C_BPM_3, C_T3212_0, C_ci_cellA, C_MCC_1, C_PLMN_1, C_LAC_1111, CellOpt_01, CellChDes_24, CellChDes_24d, C_CellReselectHys4, C_MaxPwrLvlG, C_MaxPwrLvlD, BcchFreqLst_50, BcchFreqLst_Omit, BcchFreqLst_51, BcchFreqLst_Omit, C_Restablishment, C_BCC, C_NCC, C_Start_Tmsi, TSPX_SDCCH4SubDef, TSPX_CKSNDDef, TSPX_RANDDef, C_arfcnA, C_arfcnAd, TSPX_IMSI, C_Test_fh, C_NCCP_2)			
3	body	+MM_PwrOrSimOff(C_SIMIn)			
4		+ltree_StartCarriers			
5		+MM_PwrOrSimOn(C_SIMIn)			
6		+PageOnCarriers("dummy", C_CellB, "dummy", "dummy", "dummy", "dummy")			
7		START T_dly(40000)			
8	Label 1	L?DL_RaInChRq	ChReq_01(C_RACH_A_1, ChRequest_02)		
9		->Label1			
10	CS_0 078	L?DL_RaInChRq	ChReq_01(C_RACH_B_1, ChRequest_02)	F	
11		?TIMEOUT T_dly			
12		+CCCH_group_Paging_group(TCV_Ccd0A, TSPX_IMSI)			
13		+SelectPagingCh(C_CellA)			
14		(TCV_Null := OM_CorruptPgBlks(TCV_PgCh, TCV_Pgg, 4))			
15		START T_dly(30000)			
16	Label 2	L?DL_RaInChRq	ChReq_01(C_RACH_A_1, ChRequest_02)		
17		->Label2			
18	CS_0 079	L?DL_RaInChRq	ChReq_01(C_RACH_B_1, ChRequest_02)	F	
19		?TIMEOUT T_dly			
20		+CCCH_group_Paging_group(TCV_Ccd0A, TSPX_IMSI)			
21		+SelectPagingCh(C_CellA)			
22		(TCV_Null := OM_CorruptPgBlks(TCV_PgCh, TCV_Pgg, 5))			
23		+ltree_continue			
		<b>ltree_continue</b>			
24		START T_dly(15000)			
25	Label	L?DL_RaInChRq	ChReq_01(C_RACH_		

26	3	->Label3	A_1, ChRequest_02)	
27	CS_0 080	?TIMEOUT T_dly		F
28		L?DL_RaInChRq READTIMER T_dly(TCV_Time), CANCEL T_dly	ChReq_01(C_RACH_ B_1, ChRequest_02)	
29		START T_dly1(30000 - TCV_Time)		
30	Label 4	L?DL_RaInChRq	ChReq_01(C_RACH_ A_1, ChRequest_02)	
31		->Label4		
32		L?DL_RaInChRq	ChReq_01(C_RACH_ B_1, ChRequest_02)	
33		->Label4		
34	CS_0 081	?TIMEOUT T_dly1		P
35		<b>Itree_StartCarriers</b>		
36		+Itree_StartCarrier1		
37		+Itree_StartCarrier2		
38		<b>Itree_StartCarrier1</b> (TCV_sacch := OC_SubchOfSacch4( TSPX_SDCCH4SubDef, C_CellA))		
39		+CombinedBCCH_A(43, C_MaxPwrLvlG, C_MaxPwrLvlD, 3, 512, C_Immass, TCV_slot, TCV_tsc, TimingAdv(0), C_BABR_0, C_cch_1Comb, C_BPM_3)		
40		+SysInfoSending_fh_rcc(C_SCH_A, C_BCCH_A_1, C_TxInt_5, C_Max_2, C_NECl_0, C_ATT_0, C_BABR_0, C_cch_1Comb, C_BPM_3, C_T3212_0, C_ci_cellA, C_MCC_1, C_PLMN_1, C_LAC_1111, CellOpt_01, CellChDes_24, CellChDes_24d, C_CellReselectHys4, C_MaxPwrLvlG, C_MaxPwrLvlD, BcchFreqLst_50, BcchFreqLst_51, BcchFreqLst_52, C_Restablishment, C_BCC, C_NCC, C_NCCP_2, '010100'B, '0'B, '0'B, '00000'B)		
41		(TCV_Ccd0A := TCV_Ccd0H)		
42		<b>Itree_StartCarrier2</b> (TCV_sacch := OC_SubchOfSacch4( TSPX_SDCCH4SubDef, C_CellB))		
43		[TSPC_EGSM]		
44		+CombinedBCCH_B(33, C_MaxPwrLvlG, C_MaxPwrLvlD, 985, 543, C_Immass, TCV_slot, TCV_tsc, TimingAdv(0), C_BABR_0, C_cch_1Comb, C_BPM_3)		
45		+SysInfoSending_fh_rcc(C_SCH_B, C_BCCH_B_1, C_TxInt_5, C_Max_2, C_NECl_0, C_ATT_0, C_BABR_0, C_cch_1Comb, C_BPM_3, C_T3212_0, C_ci_cellB, C_MCC_1, C_PLMN_1, C_LAC_1111, CellOpt_01, CellChDes_24, CellChDes_24d, C_CellReselectHys4, C_MaxPwrLvlG, C_MaxPwrLvlD, BcchFreqLst_50, BcchFreqLst_51, BcchFreqLst_52, C_Restablishment, C_BCC, C_NCC, C_NCCP_2, '010100'B, '0'B, '0'B, '00000'B)		
46		(TCV_Ccd0B := TCV_Ccd0H)		
47		[NOT TSPC_EGSM]		
48		+CombinedBCCH_B(33, C_MaxPwrLvlG, C_MaxPwrLvlD, 9, 543, C_Immass, TCV_slot, TCV_tsc, TimingAdv(0), C_BABR_0, C_cch_1Comb, C_BPM_3)		
49		+SysInfoSending_fh_rcc(C_SCH_B, C_BCCH_B_1, C_TxInt_5, C_Max_2, C_NECl_0, C_ATT_0, C_BABR_0, C_cch_1Comb, C_BPM_3, C_T3212_0, C_ci_cellB, C_MCC_1, C_PLMN_1, C_LAC_1111, CellOpt_01, CellChDes_24,		

49		CellChDes_24d, C_CellReselectHys4, C_MaxPwrLvlG, C_MaxPwrLvlD, BcchFreqLst_50, BcchFreqLst_51, BcchFreqLst_52, C_Restablishment, C_BCC, C_NCC, C_NCCP_2, '010100'B, '0'B, '0'B, '00000'B) (TCV_Ccd0B := TCV_Ccd0H)			
<b>Detailed Comments:</b>					

Test Case Dynamic Behaviour					
<b>Test Case Name:</b>		TC_20_17			
<b>Group:</b>		GSM_MS_CS_4210/CellSelection/			
<b>Purpose:</b>		If no suitable cell is found within cell reselection during a 10 second period, then the cell selection algorithm of GSM 03.22 shall be performed, GSM 05.08; 6.6.2.			
<b>Default:</b>		OtherEventsFail			
Nr	Label	Behaviour Description	CRef	V	Comments
1		START T_guard(600)			
2		+IdleUpdated(C_E_default, C_CellA, C_SCH_A, C_BCCH_A_1, C_Immass, C_S0, C_SlotNU, C_SlotNU, C_SlotNU, C_BCC, C_TxInt_5, C_Max_2, C_NECI_0, C_ATT_0, TimingAdv(0), C_BABR_0, C_cch_1Comb, C_BPM_3, C_T3212_0, C_ci_cellA, C_MCC_1, C_PLMN_1, C_LAC_1111, CellOpt_01, CellChDes_24, CellChDes_24d, C_CellReselectHys4, C_MaxPwrLvlG, C_MaxPwrLvlD, BcchFreqLst_50, BcchFreqLst_Omit, BcchFreqLst_51, BcchFreqLst_Omit, C_Restablishment, C_BCC, C_NCC, C_Start_Tmsi, TSPX_SDCCH4SubDef, TSPX_CKSNDf, TSPX_RANDDef, C_arfcnA, C_arfcnAd, TSPX_IMSI, C_Test_fh, C_NCCP_2)			
3	body	+MM_PwrOrSimOff(C_SIMIn)			
4		+Itree_StartCarrier1			
5		+MM_PwrOrSimOn(C_SIMIn)			
6		(TCV_Null := OO_PressKeyWhenInService())			
7		(TCV_Null := OM_ChangeRFOfCell(C_CellA, 13))			
8		+Itree_StartCarrier2			
9		+PageOnCarriers("dummy", C_CellB, "dummy", "dummy", "dummy", "dummy")			
10		START T_dly(60000)			
11	Label 1	L?DL_RacInChRq	ChReq_01(C_RACH_A_1, ChRequest_02)		
12		->Label1			
13	CS_0 082	?TIMEOUT T_dly		F	
14	CS_0 083	L?DL_RacInChRq	ChReq_01(C_RACH_B_1, ChRequest_02)	P	
		<b>Itree_StartCarrier1</b>			
15		(TCV_sacch := OC_SubchOfSacch4(TSPX_SDCCH4SubDef, C_CellA))			
16		+CombinedBCCH_A(43, C_MaxPwrLvlG, C_MaxPwrLvlD, 3, 512, C_Immass, TCV_slot, TCV_tsc, TimingAdv(0), C_BABR_0, C_cch_1Comb, C_BPM_3)			
17		+SysInfoSending_fh_rcc(C_SCH_A, C_BCCH_A_1, C_TxInt_5, C_Max_2, C_NECI_0, C_ATT_0, C_BABR_0, C_cch_1Comb, C_BPM_3, C_T3212_0, C_ci_cellA, C_MCC_1, C_PLMN_1, C_LAC_1111, CellOpt_01, CellChDes_24, CellChDes_24d, C_CellReselectHys4, C_MaxPwrLvlG, C_MaxPwrLvlD, BcchFreqLst_50, BcchFreqLst_51, BcchFreqLst_52, C_Restablishment, C_BCC, C_NCC, C_NCCP_2, '010100'B, '0'B, '0'B, '00000'B)			
		<b>Itree_StartCarrier2</b>			
18		(TCV_sacch := OC_SubchOfSacch4(TSPX_SDCCH4SubDef, C_CellB))			
19		[TSPC_EGSM]			
20		+CombinedBCCH_B(33, C_MaxPwrLvlG, C_MaxPwrLvlD, 1000, 520, C_Immass, TCV_slot, TCV_tsc, TimingAdv(0), C_BABR_0, C_cch_1Comb, C_BPM_3)			uses AFRCN 1000 (not in BcchFreqLst_52 - NCD)
21		+SysInfoSending_fh_rcc(C_SCH_B, C_BCCH_B_1, C_TxInt_5, C_Max_2,			

22	C_NECI_0, C_ATT_0, C_BABR_0, C_cch_1Comb, C_BPM_3, C_T3212_0, C_ci_cellB, C_MCC_1, C_PLMN_1, C_LAC_1111, CellOpt_01, CellChDes_24, CellChDes_24d, C_CellReselectHys4, C_MaxPwrLvlG, C_MaxPwrLvlD, BcchFreqLst_50, BcchFreqLst_51, BcchFreqLst_52, C_Restablishment, C_BCC, C_NCC, C_NCCP_2, '010100'B, '0'B, '0'B, '00000'B)		
23	[NOT TSPC_EGSM] +CombinedBCCH_B(33, C_MaxPwrLvlG, C_MaxPwrLvlD, 10, 520, C_Immass, TCV_slot, TCV_tsc, TimingAdv(0), C_BABR_0, C_cch_1Comb, C_BPM_3)		uses AFRCN 10 (not in BcchFreqLst_50 - NCD)
24	+SysInfoSending_fh_rcc(C_SCH_B, C_BCCH_B_1, C_TxInt_5, C_Max_2, C_NECI_0, C_ATT_0, C_BABR_0, C_cch_1Comb, C_BPM_3, C_T3212_0, C_ci_cellB, C_MCC_1, C_PLMN_1, C_LAC_1111, CellOpt_01, CellChDes_24, CellChDes_24d, C_CellReselectHys4, C_MaxPwrLvlG, C_MaxPwrLvlD, BcchFreqLst_50, BcchFreqLst_51, BcchFreqLst_52, C_Restablishment, C_BCC, C_NCC, C_NCCP_2, '010100'B, '0'B, '0'B, '00000'B)		
<b>Detailed Comments:</b>			

Test Step Library

Test Step Group management

Test Step Dynamic Behaviour					
<b>Test Step Name:</b>		StopAllBCCH			
<b>Group:</b>		GSM_MS_CS_4210/management/			
<b>Objective:</b>		To stop the RF transmission of all BCCH channels in all active cells.			
<b>Default:</b>		OtherEventsFail			
Nr	Label	Behaviour Description	CRef	V	Comments
1		[TSPC_PGSM OR TSPC_EGSM]			
2		(TCV_Null := OM_StopAllBCCH(C_BCCH_A_1, C_BCCH_B_1, C_BCCH_C_1, C_BCCH_D_1, C_BCCH_E_1, C_BCCH_F_1, C_BCCH_G_1, C_BCCH_H_1))			
3		[TSPC_DCS]			
4		(TCV_Null := OM_StopAllBCCH(C_BCCH_A_1, C_BCCH_B_1, C_BCCH_C_1, C_BCCH_D_1, C_BCCH_E_1, C_BCCH_F_1, C_BCCH_G_1, "dummy"))			
<b>Detailed Comments:</b>					



## Test Step Group ChConfig

Test Step Dynamic Behaviour					
<b>Test Step Name:</b>		Config_CBMS_A_1(par_bspwr, par_mspwr:INTEGER; chmod:CHMOD; acttype:BITSTRING; slot:SN; tsc:TSC; rf:FRQPARA; chcmbn:LOGCH; ta:TA; babr, cch_con, bpm:B_3)			
<b>Group:</b>		GSM_MS_CS_4210/management/ChConfig/			
<b>Objective:</b>		To set a physical channel and map FCCH, SCH, BCCH, CCCH, SDCCH4 and CBCH onto the physical channel which represents cell A.			
<b>Default:</b>		OtherEvents			
Nr	Label	Behaviour Description	CRef	V	Comments
1		(TCV_Null := OM_ChConf( par_bspwr, par_mspwr, acttype, chmod, ta, slot, tsc, rf, chcmbn, 0, 0, babr, cch_con, bpm, PgReqTp1Norm, '0'B, '0'B, C_CellA, C_FCCH_A, C_SCH_A, C_BCCH_A_1, C_PCH_A_1, C_AGCH_A_1, C_RACH_A_1, C_SDCCH4_A, C_SACCHC4_A, C_CBCH_A))			
2		(TCV_Null := OM_Assoc( C_SDCCH4_A, C_SDCCH40_A, C_SDCCH41_A, C_SDCCH42_A, C_SDCCH43_A, "dummy", "dummy", "dummy", "dummy", C_SACCHC4_A, C_SACCHC40_A, C_SACCHC41_A, C_SACCHC42_A, C_SACCHC43_A, "dummy", "dummy", "dummy", "dummy"))			
<b>Detailed Comments:</b>					

Test Step Dynamic Behaviour					
<b>Test Step Name:</b>		Config_BCCH_CCCH_A_1(par_bspwr, par_mspwr:INTEGER; chmod:CHMOD; acttype:BITSTRING; slot:SN; tsc:TSC; rf:FRQPARA; chcmbn:LOGCH; ta:TA; babr, cch_con, bpm:B_3)			
<b>Group:</b>		GSM_MS_CS_4210/management/ChConfig/			
<b>Objective:</b>		To set a physical channel and map FCCH, SCH, BCCH and CCCH onto the physical channel which represents cell A.			
<b>Default:</b>		OtherEvents			
Nr	Label	Behaviour Description	CRef	V	Comments
1		(TCV_Null := OM_ChConf( par_bspwr, par_mspwr, acttype, chmod, ta, slot, tsc, rf, chcmbn, 0, 0, babr, cch_con, bpm, PgReqTp1Norm, '0'B, '0'B, C_CellA, C_FCCH_A, C_SCH_A, C_BCCH_A_1, C_PCH_A_1, C_AGCH_A_1, C_RACH_A_1, "dummy", "dummy", "dummy"))			
<b>Detailed Comments:</b>					

Test Step Dynamic Behaviour					
<b>Test Step Name:</b>		Config_BCCH_CCCH_A_2(par_bspwr, par_mspwr:INTEGER; chmod:CHMOD; acttype:BITSTRING; slot:SN; tsc:TSC; rf:FRQPARA; chcmbn:LOGCH; ta:TA; babr, cch_con, bpm:B_3)			
<b>Group:</b>		GSM_MS_CS_4210/management/ChConfig/			
<b>Objective:</b>		To set a physical channel and map the second BCCH, CCCH onto the physical channel which represents cell A.			
<b>Default:</b>		OtherEvents			
Nr	Label	Behaviour Description	CRef	V	Comments
1		(TCV_Null := OM_ChConf( par_bspwr, par_mspwr, acttype, chmod, ta, slot, tsc, rf, chcmbn, 0, 0, babr, cch_con, bpm, PgReqTp1Norm, '0'B, '0'B, C_CellA, "dummy", "dummy", C_BCCH_A_2, C_PCH_A_2, C_AGCH_A_2, C_RACH_A_2, "dummy", "dummy", "dummy"))			
<b>Detailed Comments:</b>					

Test Step Dynamic Behaviour					
<b>Test Step Name:</b>		Config_BCCH_CCCH_A_3(par_bspwr, par_mspwr:INTEGER; chmod:CHMOD; acttype:BITSTRING; slot:SN; tsc:TSC; rf:FRQPARA; chcmbn:LOGCH; ta:TA; babr, cch_con, bpm:B_3)			
<b>Group:</b>		GSM_MS_CS_4210/management/ChConfig/			
<b>Objective:</b>		To set a physical channel and map the third BCCH, CCCH onto the physical channel which represents cell A.			
<b>Default:</b>		OtherEvents			
Nr	Label	Behaviour Description	CRef	V	Comments
1		(TCV_Null := OM_ChConf( par_bspwr, par_mspwr, acttype, chmod, ta, slot, tsc, rf, chcmbn, 0, 0, babr, cch_con, bpm, PgReqTp1Norm, '0'B, '0'B, C_CellA, "dummy", "dummy", C_BCCH_A_3, C_PCH_A_3, C_AGCH_A_3, C_RACH_A_3, "dummy", "dummy", "dummy"))			
<b>Detailed Comments:</b>					

Test Step Dynamic Behaviour					
<b>Test Step Name:</b>		Config_BCCH_CCCH_A_4(par_bspwr, par_mspwr:INTEGER; chmod:CHMOD; acttype:BITSTRING; slot:SN; tsc:TSC; rf:FRQPARA; chcmbn:LOGCH; ta:TA; babr, cch_con, bpm:B_3)			
<b>Group:</b>		GSM_MS_CS_4210/management/ChConfig/			
<b>Objective:</b>		To set a physical channel and map the fourth BCCH, CCCH onto the physical channel which represents cell A.			
<b>Default:</b>		OtherEvents			
Nr	Label	Behaviour Description	CRef	V	Comments
1		(TCV_Null := OM_ChConf( par_bspwr, par_mspwr, acttype, chmod, ta, slot, tsc, rf, chcmbn, 0, 0, babr, cch_con, bpm, PgReqTp1Norm, '0'B, '0'B, C_CellA, "dummy", "dummy", C_BCCH_A_4, C_PCH_A_4, C_AGCH_A_4, C_RACH_A_4, "dummy", "dummy", "dummy"))			
<b>Detailed Comments:</b>					

Test Step Dynamic Behaviour					
<b>Test Step Name:</b>		Config_BCCH_CCCH_B_1(par_bspwr, par_mspwr:INTEGER; chmod:CHMOD; acttype:BITSTRING; slot:SN; tsc:TSC; rf:FRQPARA; chcmbn:LOGCH; ta:TA; babr, cch_con, bpm:B_3)			
<b>Group:</b>		GSM_MS_CS_4210/management/ChConfig/			
<b>Objective:</b>		To set a physical channel and map FCCH, SCH, BCCH and CCCH onto the physical channel which represents cell B.			
<b>Default:</b>		OtherEvents			
Nr	Label	Behaviour Description	CRef	V	Comments
1		(TCV_Null := OM_ChConf( par_bspwr, par_mspwr, acttype, chmod, ta, slot, tsc, rf, chcmbn, 0, 0, babr, cch_con, bpm, PgReqTp1Norm, '0'B, '0'B, C_CellB, C_FCCH_B, C_SCH_B, C_BCCH_B_1, C_PCH_B_1, C_AGCH_B_1, C_RACH_B_1, "dummy", "dummy", "dummy"))			
<b>Detailed Comments:</b>					

Test Step Dynamic Behaviour					
<b>Test Step Name:</b>		Config_SDCCH4_A_1(par_bspwr, par_mspwr:INTEGER; chmod:CHMOD; acttype:BITSTRING; slot:SN; tsc:TSC; rf:FRQPARA; chcmbn:LOGCH; ta:TA; babr, cch_con, bpm:B_3)			
<b>Group:</b>		GSM_MS_CS_4210/management/ChConfig/			
<b>Objective:</b>		To set a physical channel and map FCCH, SCH, BCCH, CCCH and SDCCH4 onto the physical channel which represents cell A.			
<b>Default:</b>		OtherEvents			
Nr	Label	Behaviour Description	CRef	V	Comments
1		(TCV_Null := OM_ChConf( par_bspwr, par_mspwr, acttype, chmod, ta, slot, tsc, rf, chcmbn, 0, 0, babr, cch_con, bpm, PgReqTp1Norm, '0'B, '0'B, C_CellA, C_FCCH_A, C_SCH_A, C_BCCH_A_1, C_PCH_A_1, C_AGCH_A_1, C_RACH_A_1, C_SDCCH4_A, C_SACCHC4_A, "dummy"))			
2		(TCV_Null := OM_Assoc( C_SDCCH4_A, C_SDCCH40_A, C_SDCCH41_A, C_SDCCH42_A, C_SDCCH43_A, "dummy", "dummy", "dummy", "dummy", C_SACCHC4_A, C_SACCHC40_A, C_SACCHC41_A, C_SACCHC42_A, C_SACCHC43_A, "dummy", "dummy", "dummy", "dummy"))			
<b>Detailed Comments:</b>					

Test Step Dynamic Behaviour					
<b>Test Step Name:</b>		Config_SDCCH4_A_1_fn(par_bspwr, par_mspwr:INTEGER; chmod:CHMOD; acttype:BITSTRING; slot:SN; tsc:TSC; rf:FRQPARA; chcmbn:LOGCH; ta:TA; babr, cch_con, bpm:B_3; fn:INTEGER)			
<b>Group:</b>		GSM_MS_CS_4210/management/ChConfig/			
<b>Objective:</b>		To set a physical channel and map FCCH, SCH, BCCH, CCCH and SDCCH4 onto the physical channel which represents cell A.			
<b>Default:</b>		OtherEvents			
Nr	Label	Behaviour Description	CRef	V	Comments
1		(TCV_Null := OM_ChConf( par_bspwr, par_mspwr, acttype, chmod, ta, slot, tsc, rf, chcmbn, 0, fn, babr, cch_con, bpm, PgReqTp1Norm, '0'B, '0'B, C_CellA, C_FCCH_A, C_SCH_A, C_BCCH_A_1, C_PCH_A_1, C_AGCH_A_1, C_RACH_A_1, C_SDCCH4_A, C_SACCHC4_A, "dummy"))			
2		(TCV_Null := OM_Assoc( C_SDCCH4_A, C_SDCCH40_A, C_SDCCH41_A, C_SDCCH42_A, C_SDCCH43_A, "dummy", "dummy", "dummy", "dummy", C_SACCHC4_A, C_SACCHC40_A, C_SACCHC41_A, C_SACCHC42_A, C_SACCHC43_A, "dummy", "dummy", "dummy", "dummy"))			
<b>Detailed Comments:</b>					

Test Step Dynamic Behaviour					
<b>Test Step Name:</b>		Config_SDCCH4_B_1(par_bspwr, par_mspwr:INTEGER; chmod:CHMOD; acttype:BITSTRING; slot:SN; tsc:TSC; rf:FRQPARA; hcmbn:LOGCH; ta:TA; babr, cch_con, bpm:B_3)			
<b>Group:</b>		GSM_MS_CS_4210/management/ChConfig/			
<b>Objective:</b>		To set a physical channel and map FCCH, SCH, BCCH, CCCH and SDCCH4 onto the physical channel which represents cell B.			
<b>Default:</b>		OtherEvents			
Nr	Label	Behaviour Description	CRef	V	Comments
1		(TCV_Null := OM_ChConf( par_bspwr, par_mspwr, acttype, chmod, ta, slot, tsc, rf, hcmbn, 0, 0, babr, cch_con, bpm, PgReqTp1Norm, '0'B, '0'B, C_CellB, C_FCCH_B, C_SCH_B, C_BCCH_B_1, C_PCH_B_1, C_AGCH_B_1, C_RACH_B_1, C_SDCCH4_B, C_SACCHC4_B, "dummy"))			
2		(TCV_Null := OM_Assoc( C_SDCCH4_B, C_SDCCH40_B, C_SDCCH41_B, C_SDCCH42_B, C_SDCCH43_B, "dummy", "dummy", "dummy", "dummy", C_SACCHC4_B, C_SACCHC40_B, C_SACCHC41_B, C_SACCHC42_B, C_SACCHC43_B, "dummy", "dummy", "dummy", "dummy"))			
<b>Detailed Comments:</b>					

Test Step Dynamic Behaviour					
<b>Test Step Name:</b>		Config_SDCCH4_B_1_fn(par_bspwr, par_mspwr:INTEGER; chmod:CHMOD; acttype:BITSTRING; slot:SN; tsc:TSC; rf:FRQPARA; hcmbn:LOGCH; ta:TA; babr, cch_con, bpm:B_3; fn:INTEGER)			
<b>Group:</b>		GSM_MS_CS_4210/management/ChConfig/			
<b>Objective:</b>		To set a physical channel and map FCCH, SCH, BCCH, CCCH and SDCCH4 onto the physical channel which represents cell B.			
<b>Default:</b>		OtherEvents			
Nr	Label	Behaviour Description	CRef	V	Comments
1		(TCV_Null := OM_ChConf( par_bspwr, par_mspwr, acttype, chmod, ta, slot, tsc, rf, hcmbn, 0, fn, babr, cch_con, bpm, PgReqTp1Norm, '0'B, '0'B, C_CellB, C_FCCH_B, C_SCH_B, C_BCCH_B_1, C_PCH_B_1, C_AGCH_B_1, C_RACH_B_1, C_SDCCH4_B, C_SACCHC4_B, "dummy"))			
2		(TCV_Null := OM_Assoc( C_SDCCH4_B, C_SDCCH40_B, C_SDCCH41_B, C_SDCCH42_B, C_SDCCH43_B, "dummy", "dummy", "dummy", "dummy", C_SACCHC4_B, C_SACCHC40_B, C_SACCHC41_B, C_SACCHC42_B, C_SACCHC43_B, "dummy", "dummy", "dummy", "dummy"))			
<b>Detailed Comments:</b>					

Test Step Dynamic Behaviour					
<b>Test Step Name:</b>		Config_SDCCH4_C_1(par_bspwr, par_mspwr:INTEGER; chmod:CHMOD; acttype:BITSTRING; slot:SN; tsc:TSC; rf:FRQPARA; chcmbn:LOGCH; ta:TA; babr, cch_con, bpm:B_3)			
<b>Group:</b>		GSM_MS_CS_4210/management/ChConfig/			
<b>Objective:</b>		To set a physical channel and map FCCH, SCH, BCCH, CCCH and SDCCH4 onto the physical channel which represents cell C.			
<b>Default:</b>		OtherEvents			
Nr	Label	Behaviour Description	CRef	V	Comments
1		(TCV_Null := OM_ChConf( par_bspwr, par_mspwr, acttype, chmod, ta, slot, tsc, rf, chcmbn, 0, 0, babr, cch_con, bpm, PgReqTp1Norm, '0'B, '0'B, C_CellC, C_FCCH_C, C_SCH_C, C_BCCH_C_1, C_PCH_C_1, C_AGCH_C_1, C_RACH_C_1, C_SDCCH4_C, C_SACCHC4_C, "dummy"))			
2		(TCV_Null := OM_Assoc( C_SDCCH4_C, C_SDCCH40_C, C_SDCCH41_C, C_SDCCH42_C, C_SDCCH43_C, "dummy", "dummy", "dummy", "dummy", C_SACCHC4_C, C_SACCHC40_C, C_SACCHC41_C, C_SACCHC42_C, C_SACCHC43_C, "dummy", "dummy", "dummy", "dummy"))			
<b>Detailed Comments:</b>					

Test Step Dynamic Behaviour					
<b>Test Step Name:</b>		Config_SDCCH4_D_1(par_bspwr, par_mspwr:INTEGER; chmod:CHMOD; acttype:BITSTRING; slot:SN; tsc:TSC; rf:FRQPARA; chcmbn:LOGCH; ta:TA; babr, cch_con, bpm:B_3)			
<b>Group:</b>		GSM_MS_CS_4210/management/ChConfig/			
<b>Objective:</b>		To set a physical channel and map FCCH, SCH, BCCH, CCCH and SDCCH4 onto the physical channel which represents cell D			
<b>Default:</b>		OtherEvents			
Nr	Label	Behaviour Description	CRef	V	Comments
1		(TCV_Null := OM_ChConf( par_bspwr, par_mspwr, acttype, chmod, ta, slot, tsc, rf, chcmbn, 0, 0, babr, cch_con, bpm, PgReqTp1Norm, '0'B, '0'B, C_CellD, C_FCCH_D, C_SCH_D, C_BCCH_D_1, C_PCH_D_1, C_AGCH_D_1, C_RACH_D_1, C_SDCCH4_D, C_SACCHC4_D, "dummy"))			
2		(TCV_Null := OM_Assoc( C_SDCCH4_D, C_SDCCH40_D, C_SDCCH41_D, C_SDCCH42_D, C_SDCCH43_D, "dummy", "dummy", "dummy", "dummy", C_SACCHC4_D, C_SACCHC40_D, C_SACCHC41_D, C_SACCHC42_D, C_SACCHC43_D, "dummy", "dummy", "dummy", "dummy"))			
<b>Detailed Comments:</b>					

Test Step Dynamic Behaviour					
<b>Test Step Name:</b>		Config_SDCCH4_E_1(par_bspwr, par_mspwr:INTEGER; chmod:CHMOD; acttype:BITSTRING; slot:SN; tsc:TSC; rf:FRQPARA; chcmbn:LOGCH; ta:TA; babr, cch_con, bpm:B_3)			
<b>Group:</b>		GSM_MS_CS_4210/management/ChConfig/			
<b>Objective:</b>		To set a physical channel and map FCCH, SCH, BCCH, CCCH and SDCCH4 onto the physical channel which represents cell E			
<b>Default:</b>		OtherEvents			
Nr	Label	Behaviour Description	CRef	V	Comments
1		(TCV_Null := OM_ChConf( par_bspwr, par_mspwr, acttype, chmod, ta, slot, tsc, rf, chcmbn, 0, 0, babr, cch_con, bpm, PgReqTp1Norm, '0'B, '0'B, C_Celle, C_FCCH_E, C_SCH_E, C_BCCH_E_1, C_PCH_E_1, C_AGCH_E_1, C_RACH_E_1, C_SDCCH4_E, C_SACCHC4_E, "dummy"))			
2		(TCV_Null := OM_Assoc( C_SDCCH4_E, C_SDCCH40_E, C_SDCCH41_E, C_SDCCH42_E, C_SDCCH43_E, "dummy", "dummy", "dummy", "dummy", C_SACCHC4_E, C_SACCHC40_E, C_SACCHC41_E, C_SACCHC42_E, C_SACCHC43_E, "dummy", "dummy", "dummy", "dummy"))			
<b>Detailed Comments:</b>					

Test Step Dynamic Behaviour					
<b>Test Step Name:</b>		Config_SDCCH8_A_1(par_bspwr, par_mspwr:INTEGER; chmod:CHMOD; acttype:BITSTRING; slot:SN; tsc:TSC; rf:FRQPARA; chcmbn:LOGCH; ta:TA; babr, cch_con, bpm:B_3)			
<b>Group:</b>		GSM_MS_CS_4210/management/ChConfig/			
<b>Objective:</b>		To set one physical channel used as SDCCH8 channel for instance 1 of cell A.			
<b>Default:</b>		OtherEvents			
Nr	Label	Behaviour Description	CRef	V	Comments
1		(TCV_Null := OM_ChConf( par_bspwr, par_mspwr, acttype, chmod, ta, slot, tsc, rf, chcmbn, 0, 0, babr, cch_con, bpm, PgReqTp1Norm, '0'B, '0'B, C_CellA, "dummy", "dummy", "dummy", "dummy", "dummy", "dummy", C_SDCCH8_A_1, C_SACCHC8_A_1, "dummy"))			
2		(TCV_Null := OM_Assoc( C_SDCCH8_A_1, C_SDCCH80_A_1, C_SDCCH81_A_1, C_SDCCH82_A_1, C_SDCCH83_A_1, C_SDCCH84_A_1, C_SDCCH85_A_1, C_SDCCH86_A_1, C_SDCCH87_A_1, C_SACCHC8_A_1, C_SACCHC80_A_1, C_SACCHC81_A_1, C_SACCHC82_A_1, C_SACCHC83_A_1, C_SACCHC84_A_1, C_SACCHC85_A_1, C_SACCHC86_A_1, C_SACCHC87_A_1))			
<b>Detailed Comments:</b>					

Test Step Dynamic Behaviour					
<b>Test Step Name:</b>		Config_SDCCH8_A_2(par_bspwr, par_mspwr:INTEGER; chmod:CHMOD; acttype:BITSTRING; slot:SN; tsc:TSC; rf:FRQPARA; chcmbn:LOGCH; ta:TA; babr, cch_con, bpm:B_3)			
<b>Group:</b>		GSM_MS_CS_4210/management/ChConfig/			
<b>Objective:</b>		To set one physical channel used as SDCCH8 channel for instance 2 of cell A.			
<b>Default:</b>		OtherEvents			
Nr	Label	Behaviour Description	CRef	V	Comments
1		(TCV_Null := OM_ChConf( par_bspwr, par_mspwr, acttype, chmod, ta, slot, tsc, rf, chcmbn, 0, 0, babr, cch_con, bpm, PgReqTp1Norm, '0'B, '0'B, C_CellA, "dummy", "dummy", "dummy", "dummy", "dummy", "dummy", C_SDCCH8_A_2, C_SACCHC8_A_2, "dummy"))			
2		(TCV_Null := OM_Assoc( C_SDCCH8_A_2, C_SDCCH80_A_2, C_SDCCH81_A_2, C_SDCCH82_A_2, C_SDCCH83_A_2, C_SDCCH84_A_2, C_SDCCH85_A_2, C_SDCCH86_A_2, C_SDCCH87_A_2, C_SACCHC8_A_2, C_SACCHC80_A_2, C_SACCHC81_A_2, C_SACCHC82_A_2, C_SACCHC83_A_2, C_SACCHC84_A_2, C_SACCHC85_A_2, C_SACCHC86_A_2, C_SACCHC87_A_2))			
<b>Detailed Comments:</b>					

Test Step Dynamic Behaviour					
<b>Test Step Name:</b>		Config_SDCCH8_B_1(par_bspwr, par_mspwr:INTEGER; chmod:CHMOD; acttype:BITSTRING; slot:SN; tsc:TSC; rf:FRQPARA; chcmbn:LOGCH; ta:TA; babr, cch_con, bpm:B_3)			
<b>Group:</b>		GSM_MS_CS_4210/management/ChConfig/			
<b>Objective:</b>		To set one physical channel used as SDCCH8 channel for instance 1 of cell B.			
<b>Default:</b>		OtherEvents			
Nr	Label	Behaviour Description	CRef	V	Comments
1		(TCV_Null := OM_ChConf( par_bspwr, par_mspwr, acttype, chmod, ta, slot, tsc, rf, chcmbn, 0, 0, babr, cch_con, bpm, PgReqTp1Norm, '0'B, '0'B, C_CellB, "dummy", "dummy", "dummy", "dummy", "dummy", "dummy", C_SDCCH8_B_1, C_SACCHC8_B_1, "dummy"))			
2		(TCV_Null := OM_Assoc( C_SDCCH8_B_1, C_SDCCH80_B_1, C_SDCCH81_B_1, C_SDCCH82_B_1, C_SDCCH83_B_1, C_SDCCH84_B_1, C_SDCCH85_B_1, C_SDCCH86_B_1, C_SDCCH87_B_1, C_SACCHC8_B_1, C_SACCHC80_B_1, C_SACCHC81_B_1, C_SACCHC82_B_1, C_SACCHC83_B_1, C_SACCHC84_B_1, C_SACCHC85_B_1, C_SACCHC86_B_1, C_SACCHC87_B_1))			
<b>Detailed Comments:</b>					

Test Step Dynamic Behaviour					
<b>Test Step Name:</b>		CombinedBCCH_A_CBMS( par_bspwr, mtmcgsm, mtmcdds, arfcn1, arfcn2:INTEGER; acttype:BITSTRING; slot:SN; tsc:TSC; ta:TA; babr, cch_con, bpm:B_3)			
<b>Group:</b>		GSM_MS_CS_4210/management/ChConfig/			
<b>Objective:</b>		To set a physical channel and map FCCH, SCH, BCCH, CCCH and SDCCH4 onto the physical channel which represents cell A.			
<b>Default:</b>		OtherEvents			
<b>Comments:</b>		time slot = 0, ARFCN = 20 (GSM900) or ARFCN = 590 (DCS1800) cell A for RR testing.			
Nr	Label	Behaviour Description	CRef	V	Comments
1		[TSPC_PGSM OR TSPC_EGSM]			1.
2		+Config_CBMS_A_1( par_bspwr,mtmcgsm, ChMod_sign, acttype, slot, tsc, FreqBCCH( arfcn1), C_CBCH_FCCH_SCH_BCCH_CCCH_SDCCH4_S ACCHC4, ta, babr, cch_con, bpm)			
3		[TSPC_DCS]			2.
4		+Config_CBMS_A_1( par_bspwr, mtmcdds, ChMod_sign, acttype, slot, tsc, FreqBCCH( arfcn2), C_CBCH_FCCH_SCH_BCCH_CCCH_SDCCH4_S ACCHC4, ta, babr, cch_con, bpm)			
<b>Detailed Comments:</b>		1. For P-GSM900. 2. For DCS1800.			

Test Step Dynamic Behaviour					
<b>Test Step Name:</b>		CombinedBCCH_A(par_bspwr, mtmcgsm, mtmcdds, arfcn1, arfcn2:INTEGER; acttype:BITSTRING; slot:SN; tsc:TSC; ta:TA; babr, cch_con, bpm:B_3)			
<b>Group:</b>		GSM_MS_CS_4210/management/ChConfig/			
<b>Objective:</b>		To set a physical channel and map FCCH, SCH, BCCH, CCCH and SDCCH4 onto the physical channel which represents cell A.			
<b>Default:</b>		OtherEvents			
Nr	Label	Behaviour Description	CRef	V	Comments
1		[TSPC_PGSM OR TSPC_EGSM]			1.
2		+Config_SDCCH4_A_1(par_bspwr, mtmcgsm, ChMod_sign, acttype, slot, tsc, FreqBCCH( arfcn1), C_FCCH_SCH_BCCH_CCCH_SDCCH4_SACCHC4, ta, babr, cch_con, bpm)			
3		[TSPC_DCS]			2.
4		+Config_SDCCH4_A_1(par_bspwr, mtmcdds, ChMod_sign, acttype, slot, tsc, FreqBCCH( arfcn2), C_FCCH_SCH_BCCH_CCCH_SDCCH4_SACCHC4, ta, babr, cch_con, bpm)			
<b>Detailed Comments:</b>		1. For P-GSM900. 2. For DCS1800.			

Test Step Dynamic Behaviour					
<b>Test Step Name:</b>		CombinedBCCH_A_fn(par_bspwr, mtmcgsm, mtmcdds, arfcn1, arfcn2:INTEGER; acttype:BITSTRING; slot:SN; tsc:TSC; ta:TA; babr, cch_con, bpm:B_3; fn:INTEGER)			
<b>Group:</b>		GSM_MS_CS_4210/management/ChConfig/			
<b>Objective:</b>		To set a physical channel and map FCCH, SCH, BCCH, CCCH and SDCCH4 onto the physical channel which represents cell A.			
<b>Default:</b>		OtherEvents			
Nr	Label	Behaviour Description	CRef	V	Comments
1		[TSPC_PGSM OR TSPC_EGSM]			1.
2		+Config_SDCCH4_A_1_fn(par_bspwr, mtmcgsm, ChMod_sign, acttype, slot, tsc, FreqBCCH( arfcn1), C_FCCH_SCH_BCCH_CCCH_SDCCH4_SACCHC4, ta, babr, cch_con, bpm, fn)			
3		[TSPC_DCS]			2.
4		+Config_SDCCH4_A_1_fn(par_bspwr, mtmcdds, ChMod_sign, acttype, slot, tsc, FreqBCCH( arfcn2), C_FCCH_SCH_BCCH_CCCH_SDCCH4_SACCHC4, ta, babr, cch_con, bpm, fn)			
<b>Detailed Comments:</b>		1. For P-GSM900. 2. For DCS1800.			



Test Step Dynamic Behaviour					
<b>Test Step Name:</b>		CombinedBCCH_B(par_bspwr, mtmcgsm, mtmcdcs, arfcn1, arfcn2:INTEGER; acttype:BITSTRING; slot:SN; tsc:TSC; ta:TA; babr, cch_con, bpm:B_3)			
<b>Group:</b>		GSM_MS_CS_4210/management/ChConfig/			
<b>Objective:</b>		To set a physical channel and map FCCH, SCH, BCCH, CCCH and SDCCH4 onto the physical channel which represents cell B.			
<b>Default:</b>		OtherEvents			
Nr	Label	Behaviour Description	CRef	V	Comments
1		[TSPC_PGSM OR TSPC_EGSM]			1.
2		+Config_SDCCH4_B_1(par_bspwr, mtmcgsm, ChMod_sign, acttype, slot, tsc, FreqBCCH( arfcn1), C_FCCH_SCH_BCCH_CCCH_SDCCH4_SACCHC 4, ta, babr, cch_con, bpm)			
3		[TSPC_DCS]			2.
4		+Config_SDCCH4_B_1(par_bspwr, mtmcdcs, ChMod_sign, acttype, slot, tsc, FreqBCCH( arfcn2), C_FCCH_SCH_BCCH_CCCH_SDCCH4_SACCHC 4, ta, babr, cch_con, bpm)			
<b>Detailed Comments:</b>		1. For P-GSM900. 2. For DCS1800.			

Test Step Dynamic Behaviour					
<b>Test Step Name:</b>		CombinedBCCH_B_fn(par_bspwr, mtmcgsm, mtmcdcs, arfcn1, arfcn2:INTEGER; acttype:BITSTRING; slot:SN; tsc:TSC; ta:TA; babr, cch_con, bpm:B_3; fn:INTEGER)			
<b>Group:</b>		GSM_MS_CS_4210/management/ChConfig/			
<b>Objective:</b>		To set a physical channel and map FCCH, SCH, BCCH, CCCH and SDCCH4 onto the physical channel which represents cell B.			
<b>Default:</b>		OtherEvents			
Nr	Label	Behaviour Description	CRef	V	Comments
1		[TSPC_PGSM OR TSPC_EGSM]			1.
2		+Config_SDCCH4_B_1_fn(par_bspwr, mtmcgsm, ChMod_sign, acttype, slot, tsc, FreqBCCH( arfcn1), C_FCCH_SCH_BCCH_CCCH_SDCCH4_SACCHC 4, ta, babr, cch_con, bpm, fn)			
3		[TSPC_DCS]			2.
4		+Config_SDCCH4_B_1_fn(par_bspwr, mtmcdcs, ChMod_sign, acttype, slot, tsc, FreqBCCH( arfcn2), C_FCCH_SCH_BCCH_CCCH_SDCCH4_SACCHC 4, ta, babr, cch_con, bpm, fn)			
<b>Detailed Comments:</b>		1. For P-GSM900. 2. For DCS1800.			

Test Step Dynamic Behaviour					
<b>Test Step Name:</b>		CombinedBCCH_C(par_bspwr, mtmcgsm, mtmcdcs, arfcn1, arfcn2:INTEGER; acttype:BITSTRING; slot:SN; tsc:TSC; ta:TA; babr, cch_con, bpm:B_3)			
<b>Group:</b>		GSM_MS_CS_4210/management/ChConfig/			
<b>Objective:</b>		To set a physical channel and map FCCH, SCH, BCCH, CCCH and SDCCH4 onto the physical channel which represents cell C.			
<b>Default:</b>		OtherEvents			
Nr	Label	Behaviour Description	CRef	V	Comments
1		[TSPC_PGSM OR TSPC_EGSM]			1.
2		+Config_SDCCH4_C_1(par_bspwr, mtmcgsm, ChMod_sign, acttype, slot, tsc, FreqBCCH( arfcn1), C_FCCH_SCH_BCCH_CCCH_SDCCH4_SACCHC 4, ta, babr, cch_con, bpm)			
3		[TSPC_DCS]			2.
4		+Config_SDCCH4_C_1(par_bspwr, mtmcdcs, ChMod_sign, acttype, slot, tsc, FreqBCCH( arfcn2), C_FCCH_SCH_BCCH_CCCH_SDCCH4_SACCHC 4, ta, babr, cch_con, bpm)			
<b>Detailed Comments:</b>		1. For P-GSM900. 2. For DCS1800.			

Test Step Dynamic Behaviour					
<b>Test Step Name:</b>		CombinedBCCH_D(par_bspwr, mtmcgsm, mtmcdds, arfcn1, arfcn2:INTEGER; acttype:BITSTRING; slot:SN; tsc:TSC; ta:TA; babr, cch_con, bpm:B_3)			
<b>Group:</b>		GSM_MS_CS_4210/management/ChConfig/			
<b>Objective:</b>		To set a physical channel and map FCCH, SCH, BCCH, CCCH and SDCCH4 onto the physical channel which represents cell D.			
<b>Default:</b>		OtherEvents			
Nr	Label	Behaviour Description	CRef	V	Comments
1		[TSPC_PGSM OR TSPC_EGSM]			1.
2		+Config_SDCCH4_D_1(par_bspwr, mtmcgsm, ChMod_sign, acttype, slot, tsc, FreqBCCH( arfcn1), C_FCCH_SCH_BCCH_CCCH_SDCCH4_SACCHC 4, ta, babr, cch_con, bpm)			
3		[TSPC_DCS]			2.
4		+Config_SDCCH4_D_1(par_bspwr, mtmcdds, ChMod_sign, acttype, slot, tsc, FreqBCCH( arfcn2), C_FCCH_SCH_BCCH_CCCH_SDCCH4_SACCHC 4, ta, babr, cch_con, bpm)			
<b>Detailed Comments:</b>		1. For P-GSM900. 2. For DCS1800.			

Test Step Dynamic Behaviour					
<b>Test Step Name:</b>		CombinedBCCH_E(par_bspwr, mtmcgsm, mtmcdds, arfcn1, arfcn2:INTEGER; acttype:BITSTRING; slot:SN; tsc:TSC; ta:TA; babr, cch_con, bpm:B_3)			
<b>Group:</b>		GSM_MS_CS_4210/management/ChConfig/			
<b>Objective:</b>		To set a physical channel and map FCCH, SCH, BCCH, CCCH and SDCCH4 onto the physical channel which represents cell E.			
<b>Default:</b>		OtherEvents			
Nr	Label	Behaviour Description	CRef	V	Comments
1		[TSPC_PGSM OR TSPC_EGSM]			1.
2		+Config_SDCCH4_E_1(par_bspwr, mtmcgsm, ChMod_sign, acttype, slot, tsc, FreqBCCH( arfcn1), C_FCCH_SCH_BCCH_CCCH_SDCCH4_SACCHC 4, ta, babr, cch_con, bpm)			
3		[TSPC_DCS]			2.
4		+Config_SDCCH4_E_1(par_bspwr, mtmcdds, ChMod_sign, acttype, slot, tsc, FreqBCCH( arfcn2), C_FCCH_SCH_BCCH_CCCH_SDCCH4_SACCHC 4, ta, babr, cch_con, bpm)			
<b>Detailed Comments:</b>		1. For P-GSM900. 2. For DCS1800.			

Test Step Dynamic Behaviour					
<b>Test Step Name:</b>		NonCombinedBCCH_A(par_bspwr, mtmcgsm, mtmcdds, arfcn1, arfcn2:INTEGER; acttype:BITSTRING; slot:SN; tsc:TSC; ta:TA; babr, cch_con, bpm:B_3)			
<b>Group:</b>		GSM_MS_CS_4210/management/ChConfig/			
<b>Objective:</b>		To set one physical channel used as FCHH_SCH_BCCH_CCCH for cell A.			
<b>Default:</b>		OtherEvents			
Nr	Label	Behaviour Description	CRef	V	Comments
1		[TSPC_PGSM OR TSPC_EGSM]			1.
2		+Config_BCCH_CCCH_A_1(par_bspwr, mtmcgsm, ChMod_sign, acttype, slot, tsc, FreqBCCH( arfcn1), C_FCCH_SCH_BCCH_CCCH, ta, babr, cch_con, bpm)			
3		[TSPC_DCS]			2.
4		+Config_BCCH_CCCH_A_1(par_bspwr, mtmcdds, ChMod_sign, acttype, slot, tsc, FreqBCCH( arfcn2), C_FCCH_SCH_BCCH_CCCH, ta, babr, cch_con, bpm)			
<b>Detailed Comments:</b>		1. For P-GSM900. 2. For DCS1800.			

Test Step Dynamic Behaviour					
<b>Test Step Name:</b>		NonCombinedBCCH_A_2(acttype:BITSTRING; slot:SN; tsc:TSC; ta:TA; babr, cch_con, bpm:B_3)			
<b>Group:</b>		GSM_MS_CS_4210/management/ChConfig/			
<b>Objective:</b>		To set a physical channel and map the second BCCH, CCCH onto the physical channel which represents cell A.			
<b>Default:</b>		OtherEvents			
Nr	Label	Behaviour Description	CRef	V	Comments
1		[TSPC_PGSM OR TSPC_EGSM]			1.
2		+Config_BCCH_CCCH_A_2(63, 19, ChMod_sign, acttype, slot, tsc, FreqBCCH( C_arfcnA), C_BCCH_CCCH_2, ta, babr, cch_con, bpm)			
3		[TSPC_DCS]			2.
4		+Config_BCCH_CCCH_A_2(63, 15, ChMod_sign, acttype, slot, tsc, FreqBCCH( C_arfcnAd), C_BCCH_CCCH_2, ta, babr, cch_con, bpm)			
<b>Detailed Comments:</b>		1. For P-GSM900. 2. For DCS1800.			

Test Step Dynamic Behaviour					
<b>Test Step Name:</b>		NonCombinedBCCH_A_3(acttype:BITSTRING; slot:SN; tsc:TSC; ta:TA; babr, cch_con, bpm:B_3)			
<b>Group:</b>		GSM_MS_CS_4210/management/ChConfig/			
<b>Objective:</b>		To set a physical channel and map the third BCCH, CCCH onto the physical channel which represents cell A.			
<b>Default:</b>		OtherEvents			
<b>Comments:</b>		time slot = 4, ARFCN = TSPX_BCCHcarrierA			
Nr	Label	Behaviour Description	CRef	V	Comments
1		[TSPC_PGSM OR TSPC_EGSM]			1.
2		+Config_BCCH_CCCH_A_3(63, 19, ChMod_sign, acttype, slot, tsc, FreqBCCH( C_arfcnA), C_BCCH_CCCH_3, ta, babr, cch_con, bpm)			
3		[TSPC_DCS]			2.
4		+Config_BCCH_CCCH_A_3(63, 15, ChMod_sign, acttype, slot, tsc, FreqBCCH( C_arfcnAd), C_BCCH_CCCH_3, ta, babr, cch_con, bpm)			
<b>Detailed Comments:</b>		1. For P-GSM900. 2. For DCS1800.			

Test Step Dynamic Behaviour					
<b>Test Step Name:</b>		NonCombinedBCCH_A_4(acttype:BITSTRING; slot:SN; tsc:TSC; ta:TA; babr, cch_con, bpm:B_3)			
<b>Group:</b>		GSM_MS_CS_4210/management/ChConfig/			
<b>Objective:</b>		To set a physical channel and map the fourth BCCH, CCCH onto the physical channel which represents cell A.			
<b>Default:</b>		OtherEvents			
<b>Comments:</b>		time slot = 6, ARFCN = TSPX_BCCHcarrierA			
Nr	Label	Behaviour Description	CRef	V	Comments
1		[TSPC_PGSM OR TSPC_EGSM]			1.
2		+Config_BCCH_CCCH_A_4(63, 19, ChMod_sign, acttype, slot, tsc, FreqBCCH( C_arfcnA), C_BCCH_CCCH_4, ta, babr, cch_con, bpm)			
3		[TSPC_DCS]			2.
4		+Config_BCCH_CCCH_A_4(63, 15, ChMod_sign, acttype, slot, tsc, FreqBCCH( C_arfcnAd), C_BCCH_CCCH_4, ta, babr, cch_con, bpm)			
<b>Detailed Comments:</b>		1. For P-GSM900. 2. For DCS1800.			

Test Step Dynamic Behaviour					
<b>Test Step Name:</b> NonCombinedBCCH_B(par_bspwr, mtmcgsm, mtmcdcs, arfcn1, arfcn2:INTEGER; acttype:BITSTRING; slot:SN; tsc:TSC; ta:TA; babr, cch_con, bpm:B_3)					
<b>Group:</b> GSM_MS_CS_4210/management/ChConfig/					
<b>Objective:</b> To set a physical channel and map FCCH, SCH, BCCH, CCCH onto the physical channel which represents cell B for RR testing.					
<b>Default:</b> OtherEvents					
Nr	Label	Behaviour Description	CRef	V	Comments
1		[TSPC_PGSM]			1.
2		+Config_BCCH_CCCH_B_1(par_bspwr, mtmcgsm, ChMod_sign, acttype, slot, tsc, FreqBCCH( arfcn1), C_FCCH_SCH_BCCH_CCCH, ta, babr, cch_con, bpm)			
3		[TSPC_DCS]			2.
4		+Config_BCCH_CCCH_B_1(par_bspwr, mtmcdcs, ChMod_sign, acttype, slot, tsc, FreqBCCH( arfcn2), C_FCCH_SCH_BCCH_CCCH, ta, babr, cch_con, bpm)			
<b>Detailed Comments:</b>					
1. For P-GSM900.					
1.1 Frequenz and cell_id for cell B in HO cases					
2. For DCS1800.					
2.1 Frequenz and cell_id for cell B in HO cases					

Test Step Dynamic Behaviour					
<b>Test Step Name:</b> SDCCH8_A_1_nociph(bstring:B_3; acttypeT:BITSTRING; slotT:SN; tscT:TSC; chmod:CHMOD; Freqq,Freqd:FRQPARA; ta:TA; babr, cch_con, bpm:B_3)					
<b>Group:</b> GSM_MS_CS_4210/management/ChConfig/					
<b>Objective:</b> To set one physical channel used as SDCCH8 channel for instance 1 of cell A.					
<b>Default:</b> OtherEvents					
Nr	Label	Behaviour Description	CRef	V	Comments
1		(TCV_ch := OC_SubchOfSdcch8( bstring, C_CellA, 1), TCV_sacch8 := OC_SubchOfSacch8( bstring, C_CellA, 1))			
2		[TSPC_PGSM OR TSPC_EGSM]			
3		+Config_SDCCH8_A_1(63, 19, chmod, acttypeT, slotT, tscT, Freqq, C_SDCCH8_SACCHC8_1, ta, babr, cch_con, bpm)			
4		+SysInfo_SacchSending(TCV_sacch8, TCV_sysinfo5, TCV_sysinfo6)			
5		[TSPC_DCS]			
6		+Config_SDCCH8_A_1(63, 19, chmod, acttypeT, slotT, tscT, Freqd, C_SDCCH8_SACCHC8_1, ta, babr, cch_con, bpm)			
7		+SysInfo_SacchSending(TCV_sacch8, TCV_sysinfo5, TCV_sysinfo6)			
<b>Detailed Comments:</b>					

Test Step Dynamic Behaviour					
<b>Test Step Name:</b>		SDCCH8_A_2_nociph(bstring:B_3; acttypeT:BITSTRING; slotT:SN; tscT:TSC; chmod:CHMOD; Freqg,Freqd:FRQPARA; ta:TA; babr, cch_con, bpm:B_3)			
<b>Group:</b>		GSM_MS_CS_4210/management/ChConfig/			
<b>Objective:</b>		To set one physical channel used as hopping SDCCH8 channel for instance 2 of cell A, for TC_26_6_13_1.			
<b>Default:</b>		OtherEvents			
<b>Comments:</b>		hopping parameters are from PIXIT, used as before time channel.			
Nr	Label	Behaviour Description	CRef	V	Comments
1		(TCV_chTch := OC_SubchOfSdcch8( bstring, C_CellA, 2), TCV_sacchTch := OC_SubchOfSacch8( bstring, C_CellA, 2))			
2		[TSPC_PGSM OR TSPC_EGSM]			
3		+Config_SDCCH8_A_2(63, 19, chmod, acttypeT, slotT, tscT, Freqg, C_SDCCH8_SACCH8_2, ta, babr, cch_con, bpm)			
4		+SysInfo_SacchSending( TCV_sacchTch, TCV_sysinfo5, TCV_sysinfo6)			
5		[TSPC_DCS]			
6		+Config_SDCCH8_A_2(63, 15, chmod, acttypeT, slotT, tscT, Freqd, C_SDCCH8_SACCH8_2, ta, babr, cch_con, bpm)			
7		+SysInfo_SacchSending( TCV_sacchTch, TCV_sysinfo5, TCV_sysinfo6)			
<b>Detailed Comments:</b>					

Test Step Dynamic Behaviour					
<b>Test Step Name:</b>		SDCCH8_B_1_nociph(bstring:B_3; acttypeT:BITSTRING; slotT:SN; tscT:TSC; chmod:CHMOD; Freqg,Freqd:FRQPARA; ta:TA; babr, cch_con, bpm:B_3)			
<b>Group:</b>		GSM_MS_CS_4210/management/ChConfig/			
<b>Objective:</b>		To set one physical channel used as hopping SDCCH8 channel for instance 1 of cell B For TC_26_6_13_5.			
<b>Default:</b>		OtherEvents			
<b>Comments:</b>		hopping parameters are from PIXIT, used by handover command after time channel.			
Nr	Label	Behaviour Description	CRef	V	Comments
1		(TCV_chTch := OC_SubchOfSdcch8( bstring, C_CellB, 1), TCV_sacchTch := OC_SubchOfSacch8( bstring, C_CellB, 1))			
2		[TSPC_PGSM OR TSPC_EGSM]			
3		+Config_SDCCH8_B_1(63, 19, chmod, acttypeT, slotT, tscT, Freqg, C_SDCCH8_SACCH8_1, ta, babr, cch_con, bpm)			
4		+SysInfo_SacchSending( TCV_sacchTch, TCV_sysinfo5_B, TCV_sysinfo6_B)			
5		[TSPC_DCS]			
6		+Config_SDCCH8_B_1(63, 15, chmod, acttypeT, slotT, tscT, Freqd, C_SDCCH8_SACCH8_1, ta, babr, cch_con, bpm)			
7		+SysInfo_SacchSending( TCV_sacchTch, TCV_sysinfo5_B, TCV_sysinfo6_B)			
<b>Detailed Comments:</b>					

## Test Step Group Miscellaneous

Test Step Dynamic Behaviour					
<b>Test Step Name:</b>		Authentication(ch: LOGICCH; cksn: BITSTRING; rand:RAND)			
<b>Group:</b>		GSM_MS_CS_4210/Miscellaneous/			
<b>Objective:</b>					
<b>Default:</b>		OtherEventsFail			
Nr	Label	Behaviour Description	CRef	V	Comments
1		L!DL_DatRqAuthRq	AuthReq( ch, AuthRequest( cksn, rand))		
2		L?DL_DatInAuthRes ( TCV_Sres := DL_DatInAuthRes.msg.sres)	AuthRes( AuthResponse)		
3		(TCV_Res := OC_ChkSRES( TCV_Sres, TSPX_Ki, rand))			
4	CS_0 084	[NOT TCV_Res]		(F)	1)
5	CS_0 085	[TCV_Res]		(P)	
<b>Detailed Comments:</b>		Authentication fails.			

Test Step Dynamic Behaviour					
<b>Test Step Name:</b>		CCCH_group_Paging_group(ccd: CCD; imsi: HEXSTRING)			
<b>Group:</b>		GSM_MS_CS_4210/Miscellaneous/			
<b>Objective:</b>		To calculate the CCCH group and the Paging group from the IMSI and the Control Channel Descriptor according to GSM 05.02, subclause 6.5.2.			
<b>Default:</b>		OtherEvents			
Nr	Label	Behaviour Description	CRef	V	Comments
1		[ccd.ccch_con = '000'B]			
2		(TCV_bs_cc_chans := 1)			
3		+localtree1			
4		[ccd.ccch_con = '001'B]			
5		(TCV_bs_cc_chans := 1)			
6		+localtree1			
7		[ccd.ccch_con = '010'B]			
8		(TCV_bs_cc_chans := 2)			
9		+localtree1			
10		[ccd.ccch_con = '100'B]			
11		(TCV_bs_cc_chans := 3)			
12		+localtree1			
13		[ccd.ccch_con = '110'B]			
14		(TCV_bs_cc_chans := 4)			
15		+localtree1			
<b>localtree1</b>					
16		(TCV_bs_ag_blks_res := BIT_TO_INT(ccd.babr), TCV_bs_pa_mfrms := (2 + BIT_TO_INT(ccd.bpm)))			
17		[ccd.ccch_con = '001'B]			i.e. combined
18	CS_0 086	[(TCV_bs_ag_blks_res < 0) OR(TCV_bs_ag_blks_res > 2)]		I	Stop! A tester error.
19		[(TCV_bs_ag_blks_res >= 0) AND (TCV_bs_ag_blks_res <= 2)]			
20		(TCV_tmp := 3 - TCV_bs_ag_blks_res)			
21		+localtree2			
22		[ccd.ccch_con <> '001'B]			i.e. not combined
23	CS_0 087	[(TCV_bs_ag_blks_res < 0) OR(TCV_bs_ag_blks_res > 7)]		I	Stop! A tester error.
24		[(TCV_bs_ag_blks_res >= 0) AND (TCV_bs_ag_blks_res <= 7)]			
25		(TCV_tmp := 9 - TCV_bs_ag_blks_res)			
26		+localtree2			ini. TCV Pgg
<b>localtree2</b>					
27		(TCV_tmp := TCV_tmp * TCV_bs_pa_mfrms)			
28		(TCV_Pgg := INT_TO_BIT((((OC_BCDtoInt(imsi, 3)) MOD(TCV_bs_cc_chans * TCV_tmp)) MOD TCV_tmp), 8), TCV_Ccchg := ((((OC_BCDtoInt(imsi, 3)) MOD(TCV_bs_cc_chans * TCV_tmp)) / TCV_tmp))			
<b>Detailed Comments:</b>					

Test Step Dynamic Behaviour						
<b>Test Step Name:</b>		ImsiAttach(par_mi:MI; ta:TA; mcc, mnc:OCTETSTRING; sim_rmvd:BOOLEAN)				
<b>Group:</b>		GSM_MS_CS_4210/Miscellaneous/				
<b>Objective:</b>						
<b>Default:</b>		OtherEventsFail				
Nr	Label	Behaviour Description	CRef	V	Comments	
1		[(sim_rmvd) AND(TSPC_SIMRmv) AND(TSPC_DetachOnSIMRmv)]			SIM has been removed during the test.	
2		(TCV_Null := OO_SIMIns())				
3		+ltree_imsiattach				
4		[TSPC_SwitchOnOff]				
5		(TCV_Null := OO_SwitchOn())				
6		+ltree_imsiattach				
7		[TSPC_DetachOnPwrDn]				
8		(TCV_Null := OO_PowerUp())				Restore power source
9		+ltree_imsiattach				
10		(((NOT sim_rmvd) OR(NOT TSPC_SIMRmv) OR(NOT TSPC_DetachOnSIMRmv)) AND(NOT TSPC_SwitchOnOff) AND(NOT TSPC_DetachOnPwrDn))]				Restore power source
11		(TCV_Null := OO_PowerUp())			Restore power source	
		<b>ltree_imsiattach</b>				
12		L?DL_RaInChRq (TCV_Rr := DL_RaInChRq. msg.ecau_rrf, TCV_Fn := DL_RaInChRq.fn)	ChReq( ChRequest_09)		To match ChReq retrans.	
13		ACTIVATE(OtherEventsFail_02)				
14		LIDL_UdatRqImmass	ImmAss( TCV_agch, ImmAsgn_01Def( TCV_Rr, TCV_Fn, TSPX_SDCCCH4SubD ef, TCV_slot, TCV_tsc, TCV_chdescr_arfcn, ta))			
15	CS_0 088	L?DL_EstInLupRq	LocUp( TCV_ch, LocUpdtReq_31( par_mi, mcc, mnc, TCV_lac, C_imsi_attach, TCV_cks))	(P)		
16		ACTIVATE(OtherEventsFail)			Restore Normal default	
17		LIDL_DatRqLupAcp	LocAcp( TCV_ch, LocUpdtAcp( mcc, mnc, TCV_lac))		No MI	
18		+ChanRel(TCV_ch)				

Detailed Comments:



Test Step Dynamic Behaviour						
<b>Test Step Name:</b>		ImsiAttachIni(par_mi:MI; ta:TA; mcc, mnc:OCTETSTRING; sim_rmvd:BOOLEAN)				
<b>Group:</b>		GSM_MS_CS_4210/Miscellaneous/				
<b>Objective:</b>						
<b>Default:</b>		OtherEventsFail				
Nr	Label	Behaviour Description	CRef	V	Comments	
1		[(sim_rmvd) AND(TSPC_SIMRmv) AND(TSPC_DetachOnSIMRmv)]			SIM has been removed during the test.	
2		(TCV_Null := OO_SIMIns())				
3		+ltree_imsiattachIni				
4		[TSPC_SwitchOnOff]				
5		(TCV_Null := OO_SwitchOn())				
6		+ltree_imsiattachIni				
7		[TSPC_DetachOnPwrDn]				
8		(TCV_Null := OO_PowerUp())				Restore power source
9		+ltree_imsiattachIni				
10		[((NOT sim_rmvd) OR(NOT TSPC_SIMRmv) OR(NOT TSPC_DetachOnSIMRmv)) AND(NOT TSPC_SwitchOnOff) AND(NOT TSPC_DetachOnPwrDn)]]				
11		(TCV_Null := OO_PowerUp())				Restore power source
		<b>ltree_imsiattachIni</b>				
12		L?DL_RaInChRq (TCV_Rr := DL_RaInChRq. msg.ecau_rrf, TCV_Fn := DL_RaInChRq.fn) START T_dly(15000)	ChReq( ChRequest_09)		To match ChReq retrans.	
13		ACTIVATE(OtherEventsFail_02)				
14		LIDL_UdatRqImmass	ImmAss( TCV_agch, ImmAsgn_01Def( TCV_Rr, TCV_Fn, TSPX_SDCCCH4SubD ef, TCV_slot, TCV_tsc, TCV_chdescr_arfcn, ta))			
15	CS_0 089	L?DL_EstInLupRq	LocUp( TCV_ch, LocUpdtReq_31( par_mi, mcc, mnc, TCV_lac, C_imsi_attach, TCV_cks))	(P)		
16		ACTIVATE(OtherEventsFail)			Restore Normal default	
<b>Detailed Comments:</b>		The test step is callid in TC_26_7_5_8_1, TC_26_7_5_8_2, TC_26_7_5_8_3.				

<b>Test Step Dynamic Behaviour</b>						
<b>Test Step Name:</b> ImsiAttachNoReaction( par_int: INTEGER; sim_rmvd:BOOLEAN)						
<b>Group:</b> GSM_MS_CS_4210/Miscellaneous/						
<b>Objective:</b>						
<b>Default:</b> OtherEventsFail						
<b>Nr</b>	<b>Label</b>	<b>Behaviour Description</b>	<b>CRef</b>	<b>V</b>	<b>Comments</b>	
1		[(sim_rmvd) AND(TSPC_SIMRmv) AND(TSPC_DetachOnSIMRmv)]			SIM has been removed during the test.	
2		(TCV_Null := OO_SIMIns())				
3		+NoReaction(par_int)				
4		[TSPC_SwitchOnOff]				
5		(TCV_Null := OO_SwitchOn())				
6		+NoReaction(par_int)				
7		[TSPC_DetachOnPwrDn]				
8		(TCV_Null := OO_PowerUp())				Restore power source
9		+NoReaction(par_int)				
10		[[((NOT sim_rmvd) OR(NOT TSPC_SIMRmv) OR((TSPC_SIMRmv) AND(NOT TSPC_DetachOnSIMRmv))) AND(NOT TSPC_SwitchOnOff) AND(NOT TSPC_DetachOnPwrDn)]]				
11		(TCV_Null := OO_PowerUp())			Restore power source	
<b>Detailed Comments:</b>						

Test Step Dynamic Behaviour						
<b>Test Step Name:</b>		ImsiDetach(par_mi:MI; ta:TA; sim_rmvd:BOOLEAN)				
<b>Group:</b>		GSM_MS_CS_4210/Miscellaneous/				
<b>Objective:</b>						
<b>Default:</b>		OtherEventsFail				
Nr	Label	Behaviour Description	CRef	V	Comments	
1		[(sim_rmvd) AND(TSPC_SIMRmv) AND(TSPC_DetachOnSIMRmv)]			SIM needs to be removed.	
2		(TCV_Null :=OO_SIMRmv())				
3		+ltree_imsidetach				
4		[TSPC_SwitchOnOff]				
5		(TCV_Null := OO_SwitchOff())				
6		+ltree_imsidetach				
7		[TSPC_DetachOnPwrDn]				
8		(TCV_Null := OO_PowerDown())				Remove power source
9		+ltree_imsidetach				
10		[((NOT sim_rmvd) OR(NOT TSPC_SIMRmv) OR(NOT TSPC_DetachOnSIMRmv)) AND(NOT TSPC_SwitchOnOff) AND(NOT TSPC_DetachOnPwrDn)]]				
11		(TCV_Null := OO_PowerDown())				Remove power source
		<b>ltree_imsidetach</b>				
12		L?DL_RaInChRq ( TCV_Rr := DL_RaInChRq. msg.ecau_rrf, TCV_Fn := DL_RaInChRq.fn)	ChReq( ChRequest_02)		To match ChReq retrans.	
13		ACTIVATE(OtherEventsFail_02)				
14		LIDL_UdatRqImmss	ImmAss( TCV_agch, ImmAsgn_01Def( TCV_Rr, TCV_Fn, TSPX_SDCCH4SubD ef, TCV_slot, TCV_tsc, TCV_chdescr_arfcn, ta))			
15	CS_0 090	L?DL_EstInImsidIn	ImsiDet( ImsiDetach_30( par_mi))	(P)		
16		ACTIVATE(OtherEventsFail)			Restore normal default	
17		+ChanRel(TCV_ch)				
<b>Detailed Comments:</b>		If IMSI detach procedure has been executed, the channel will be released. If ATT=0 no detach has been executed, the channel is still connected.				

Test Step Dynamic Behaviour						
<b>Test Step Name:</b> ImsiDetachNoReaction(par_int: INTEGER; sim_rmvd:BOOLEAN)						
<b>Group:</b> GSM_MS_CS_4210/Miscellaneous/						
<b>Objective:</b>						
<b>Default:</b> OtherEventsFail						
Nr	Label	Behaviour Description	CRef	V	Comments	
1		[(sim_rmvd) AND(TSPC_SIMRmv) AND(TSPC_DetachOnSIMRmv)]			SIM needs to be removed.	
2		(TCV_Null :=OO_SIMRmv())				
3		+NoReaction(par_int)				
4		[TSPC_SwitchOnOff]				
5		(TCV_Null := OO_SwitchOff())				
6		+NoReaction(par_int)				
7		[TSPC_DetachOnPwrDn]				
8		(TCV_Null := OO_PowerDown())				Remove power source
9		+NoReaction(par_int)				
10		(((NOT sim_rmvd) OR(NOT TSPC_SIMRmv) OR((TSPC_SIMRmv) AND(NOT TSPC_DetachOnSIMRmv))) AND(NOT TSPC_SwitchOnOff) AND(NOT TSPC_DetachOnPwrDn))]				
11		(TCV_Null := OO_PowerDown())			Remove power source	
<b>Detailed Comments:</b>						

Test Step Dynamic Behaviour					
<b>Test Step Name:</b> MM_LupInit2(locup:B_2; ta:TA)					
<b>Group:</b> GSM_MS_CS_4210/Miscellaneous/					
<b>Objective:</b>					
<b>Default:</b> OtherEventsFail					
Nr	Label	Behaviour Description	CRef	V	Comments
1		L?DL_RaInChRq (TCV_Rr := DL_RaInChRq.msg.ecau_rrf, TCV_Fn := DL_RaInChRq.fn)	ChReq(ChRequest_0 9)		To match ChReq retrans.
2		ACTIVATE(OtherEventsFail_02)			
3		LIDL_UdatRqImmass	ImmAss( TCV_agch, ImmAsgn_01Def( TCV_Rr, TCV_Fn, TSPX_SDCCH4SubD ef, TCV_slot, TCV_tsc, TCV_chdescr_arfcn, ta))		
4		L?DL_EstInLupRq	LocUp( TCV_ch, LocUpdtReq_01(locu p))		
5		ACTIVATE(OtherEventsFail)			Restore Normal default
<b>Detailed Comments:</b>					

Test Step Dynamic Behaviour					
<b>Test Step Name:</b> MM_LupRej(par_rej: REJCAU; locup:B_2; ta:TA)					
<b>Group:</b> GSM_MS_CS_4210/Miscellaneous/					
<b>Objective:</b>					
<b>Default:</b> OtherEventsFail					
Nr	Label	Behaviour Description	CRef	V	Comments
1		+MM_LupInit2( locup, ta)			
2	CS_0 091	L!DL_DatRqLupRej	LocRej( TCV_ch, LocUpdtRej_01( par_rej))	(P)	
3		+ChanRel(TCV_ch)			
<b>Detailed Comments:</b>					

Test Step Dynamic Behaviour					
<b>Test Step Name:</b>		MM_PwrOrSimOff(sim_rmvd:BOOLEAN)			
<b>Group:</b>		GSM_MS_CS_4210/Miscellaneous/			
<b>Objective:</b>					
<b>Default:</b>		OtherEventsFail			
Nr	Label	Behaviour Description	CRef	V	Comments
1		[(sim_rmvd) AND(TSPC_SIMRmv)]			SIM needs to be removed.
2		(TCV_Null :=OO_SIMRmv())			
3		[TSPC_SwitchOnOff]			
4		(TCV_Null := OO_SwitchOff())			
5		[(((NOT sim_rmvd) OR(NOT TSPC_SIMRmv)) AND(NOT TSPC_SwitchOnOff))]			
6		(TCV_Null := OO_PowerDown())			
<b>Detailed Comments:</b>					

Test Step Dynamic Behaviour					
<b>Test Step Name:</b>		MM_PwrOrSimOn(sim_rmvd:BOOLEAN)			
<b>Group:</b>		GSM_MS_CS_4210/Miscellaneous/			
<b>Objective:</b>					
<b>Default:</b>		OtherEventsFail			
Nr	Label	Behaviour Description	CRef	V	Comments
1		[(sim_rmvd) AND(TSPC_SIMRmv)]			SIM has been removed
2		(TCV_Null := OO_SIMIns())			
3		[TSPC_SwitchOnOff]			
4		(TCV_Null := OO_SwitchOn())			
5		[(((NOT sim_rmvd) OR(NOT TSPC_SIMRmv)) AND(NOT TSPC_SwitchOnOff))]			
6		(TCV_Null := OO_PowerUp())			
<b>Detailed Comments:</b>					

Test Step Dynamic Behaviour					
<b>Test Step Name:</b>		NoReaction(par_int:INTEGER)			
<b>Group:</b>		GSM_MS_CS_4210/Miscellaneous/			
<b>Objective:</b>					
<b>Default:</b>		OtherEventsFail			
Nr	Label	Behaviour Description	CRef	V	Comments
1		START T_dly(par_int)			
2	CS_0 092	?TIMEOUT T_dly		(P)	
<b>Detailed Comments:</b>					

<b>Test Step Dynamic Behaviour</b>					
<b>Test Step Name:</b>		PageOnCarriers(CellA_Id, CellB_Id, CellC_Id, CellD_Id, CellE_Id, CellF_Id:CellID)			
<b>Group:</b>		GSM_MS_CS_4210/Miscellaneous/			
<b>Objective:</b>					
<b>Default:</b>					
<b>Nr</b>	<b>Label</b>	<b>Behaviour Description</b>	<b>CRef</b>	<b>V</b>	<b>Comments</b>
1		+ltree_A			
2		+ltree_B			
3		+ltree_C			
4		+ltree_D			
5		+ltree_E			
6		+ltree_F			
		<b>ltree_A</b>			
7		[CellA_Id = C_CellA]			
8		(TCV_Null := OM_PgFill(C_CellA, PgReqTp1_01))			Start continuous paging on Cell A
9		[CellA_Id <> C_CellA]			
		<b>ltree_B</b>			
10		[CellB_Id = C_CellB]			
11		(TCV_Null := OM_PgFill(C_CellB, PgReqTp1_01))			Start continuous paging on Cell B
12		[CellB_Id <> C_CellB]			
		<b>ltree_C</b>			
13		[CellC_Id = C_CellC]			
14		(TCV_Null := OM_PgFill(C_CellC, PgReqTp1_01))			Start continuous paging on Cell C
15		[CellC_Id <> C_CellC]			
		<b>ltree_D</b>			
16		[CellD_Id = C_CellD]			
17		(TCV_Null := OM_PgFill(C_CellD, PgReqTp1_01))			Start continuous paging on Cell D
18		[CellD_Id <> C_CellD]			
		<b>ltree_E</b>			
19		[CellE_Id = C_CellE]			
20		(TCV_Null := OM_PgFill(C_CellE, PgReqTp1_01))			Start continuous paging on Cell E
21		[CellE_Id <> C_CellE]			
		<b>ltree_F</b>			
22		[CellF_Id = C_CellF]			
23		(TCV_Null := OM_PgFill(C_CellF, PgReqTp1_01))			Start continuous paging on Cell F
24		[CellF_Id <> C_CellF]			
<b>Detailed Comments:</b>					

Test Step Dynamic Behaviour					
<b>Test Step Name:</b>		Pause(Millisecs:INTEGER)			
<b>Group:</b>		GSM_MS_CS_4210/Miscellaneous/			
<b>Objective:</b>					
<b>Default:</b>					
<b>Comments:</b>		Will wait for specified delay period. Any messages received during this period will be queued and processed later.			
Nr	Label	Behaviour Description	CRef	V	Comments
1		START T_pause(Millisecs)			
2		?TIMEOUT T_pause			
3		?TIMEOUT T_guard			
4	CS_0 093	(TCV_Null := OO_TguardTimeOut())		R	
<b>Detailed Comments:</b>					

Test Step Dynamic Behaviour					
<b>Test Step Name:</b>		SelectPagingCh(cell:CellID)			
<b>Group:</b>		GSM_MS_CS_4210/Miscellaneous/			
<b>Objective:</b>		To assign a paging channel and an access grant channel to the variable TCV_PgCh and TCV_agch respectively, depending on the parameter 'cell' (cell ID)			
<b>Default:</b>		OtherEvents			
Nr	Label	Behaviour Description	CRef	V	Comments
1		[cell = C_CellA]			
2		[TCV_Ccchg=0]			
3		(TCV_PgCh := C_PCH_A_1, TCV_agch := C_AGCH_A_1)			
4		[TCV_Ccchg=1]			
5		(TCV_PgCh := C_PCH_A_2, TCV_agch := C_AGCH_A_2)			
6		[TCV_Ccchg=2]			
7		(TCV_PgCh := C_PCH_A_3, TCV_agch := C_AGCH_A_3)			
8		[TCV_Ccchg=3]			
9		(TCV_PgCh := C_PCH_A_4, TCV_agch := C_AGCH_A_4)			
10		[cell = C_CellB]			
11		[TCV_Ccchg=0]			
12		(TCV_PgCh := C_PCH_B_1, TCV_agch := C_AGCH_B_1)			
13		[TCV_Ccchg=1]			
14		(TCV_PgCh := C_PCH_B_2, TCV_agch := C_AGCH_B_2)			
15		[TCV_Ccchg=2]			
16		(TCV_PgCh := C_PCH_B_3, TCV_agch := C_AGCH_B_3)			
17		[TCV_Ccchg=3]			
18		(TCV_PgCh := C_PCH_B_4, TCV_agch := C_AGCH_B_4)			
19		[cell = C_CellC]			
20		[TCV_Ccchg=0]			
21		(TCV_PgCh := C_PCH_C_1, TCV_agch := C_AGCH_C_1)			
22		[TCV_Ccchg=1]			
23		(TCV_PgCh := C_PCH_C_2, TCV_agch := C_AGCH_C_2)			
24		[TCV_Ccchg=2]			
25		(TCV_PgCh := C_PCH_C_3, TCV_agch := C_AGCH_C_3)			
26		[TCV_Ccchg=3]			
27		(TCV_PgCh := C_PCH_C_4, TCV_agch := C_AGCH_C_4)			
<b>Detailed Comments:</b>					

Test Step Dynamic Behaviour					
<b>Test Step Name:</b> Varinit_fix( activ_cell:CellID; lac:OCTETSTRING; subch:B_2; cksn:B_3; rand:RAND; arfcngsm, arfcdcs:INTEGER; ccd: CCD; imsi:HEXSTRING)					
<b>Group:</b> GSM_MS_CS_4210/Miscellaneous/					
<b>Objective:</b>					
<b>Default:</b> OtherEventsFail					
Nr	Label	Behaviour Description	CRef	V	Comments
1		(TCV_cellid := activ_cell, TCV_ch := OC_SubchOfSdcch4( subch, activ_cell), TCV_sacch := OC_SubchOfSacch4( subch, activ_cell), TCV_ia_ts := '000'B, TCV_lac := lac, TCV_ksn := cksn, TCV_CphKey := OC_CphKeyGen( TSPX_Ki, rand))			
2		+CCCH_group_Paging_group( ccd, imsi)			
3		+SelectPagingCh( activ_cell)			
4		[TSPC_PGSM OR TSPC_EGSM]			
5		(TCV_chdescr_arfcn:= arfcngsm)			
6		[TSPC_DCS]			
7		(TCV_chdescr_arfcn:= arfcdcs)			
<b>Detailed Comments:</b>					

Test Step Dynamic Behaviour					
<b>Test Step Name:</b> Wait(par_int:INTEGER)					
<b>Group:</b> GSM_MS_CS_4210/Miscellaneous/					
<b>Objective:</b>					
<b>Default:</b> OtherEventsFail					
<b>Comments:</b> To check whether MS doesn't initiate any RR connections					
Nr	Label	Behaviour Description	CRef	V	Comments
1		START T_dly(par_int)			
2		?TIMEOUT T_dly			
<b>Detailed Comments:</b> This test step can be used, e.g. for 1s. delay of a PAGING REQUEST message following immediately a CHANNEL RELEASE.					

Test Step Dynamic Behaviour					
<b>Test Step Name:</b> WaitForInService					
<b>Group:</b> GSM_MS_CS_4210/Miscellaneous/					
<b>Objective:</b> To wait until the MS enters the Idle and updated state.					
<b>Default:</b> OtherEvents					
Nr	Label	Behaviour Description	CRef	V	Comments
1		(TCV_Null:=OM_PgFill(TCV_cellid, PgReqTp1Reorg))			
2		START T_dly(5000)			
3		?TIMEOUT T_dly			
4		(TCV_Null:=OM_PgFill(TCV_cellid, PgReqTp1Norm))			
<b>Detailed Comments:</b>					



## Test Step Group SysInfo

Test Step Dynamic Behaviour					
<b>Test Step Name:</b>		SysInfoSending_cbms( sch, bcch:LOGICCH; t, retr, neci, att:INTEGER; babr, cch_con, bpm:B_3; t3212:OCTETSTRING; ci:CI; mcc, mnc, lac:OCTETSTRING; co:CO; crh, mtmcgsm, mtmcdcs:INTEGER; bcchflgsm, bcchfldcs:NCD; Re:B_1; bcc:BCC; ncc:NCC; nccp:NCCP; Sub:B_2)			
<b>Group:</b>		GSM_MS_CS_4210/Miscellaneous/SysInfo/			
<b>Objective:</b>		To send system information messages for the CBMS tests.			
<b>Default:</b>		OtherEvents			
Nr	Label	Behaviour Description	CRef	V	Comments
1		(TCV_Tx := OC_CnvtTx(t), TCV_Max := OC_CnvtMax(retr), TCV_Neci := INT_TO_BIT(neci,1), TCV_Ccd0H := CntrlChDscrp(att, babr, cch_con, bpm, t3212), TCV_Tchtype := INT_TO_BIT((4 + BIT_TO_INT( Sub)), 5))			
2		(TCV_sysinf6 := SysInf6( ci, mcc, mnc, lac, co))			
3		LIDL_UdatRqSschinfo	SyncInfo( sch, bcc, ncc)		
4		+ltree_sysinfo			
		<b>ltree_sysinfo</b>			
5		[TSPC_PGSM OR TSPC_EGSM]			
6		LIDL_UdatRqSysinfo4	SysInfo4_CBMS( bcch, mcc, mnc, lac, crh, mtmcgsm, TCV_Neci, TCV_Max, TCV_Tx, Re, ChDescrp_nfh( TCV_Tchtype, C_S0, C_BCC, C_arfcnA))		
7		LIDL_UdatRqSysinfo2	SysInfo2( bcch, bcchflgsm, TCV_Max, TCV_Tx, Re, nccp)		
8		LIDL_UdatRqSysinfo1_nh	SysInfo1_nh( bcch, ci, mcc, mnc, lac, TCV_Ccd0H, co, crh, mtmcgsm, TCV_Neci, TCV_Max, TCV_Tx, Re)		
9		LIDL_UdatRqSysinfo3	SysInfo3( bcch, ci, mcc, mnc, lac, TCV_Ccd0H, co, crh, mtmcgsm, TCV_Neci, TCV_Max, TCV_Tx, Re)		
10		(TCV_sysinf5 := SysInf5(bcchflgsm))			
11		[TSPC_DCS]			
12		LIDL_UdatRqSysinfo4	SysInfo4_CBMS( bcch, mcc, mnc, lac, crh, mtmcdcs, TCV_Neci, TCV_Max, TCV_Tx, Re, ChDescrp_nfh( TCV_Tchtype, C_S0, C_BCC, C_arfcnAd))		
13		LIDL_UdatRqSysinfo2	SysInfo2( bcch, bcchfldcs, TCV_Max, TCV_Tx, Re, nccp)		
14		LIDL_UdatRqSysinfo1_nh	SysInfo1_nh( bcch, ci, mcc, mnc, lac, TCV_Ccd0H, co, crh, mtmcdcs, TCV_Neci, TCV_Max, TCV_Tx, Re)		
15		LIDL_UdatRqSysinfo3	SysInfo3( bcch, ci, mcc, mnc, lac, TCV_Ccd0H, co, crh, mtmcdcs, TCV_Neci, TCV_Max, TCV_Tx, Re)		
16		(TCV_sysinf5 := SysInf5(bcchfldcs))			

Detailed Comments:

Test Step Dynamic Behaviour					
<b>Test Step Name:</b>		SysInfoSending_fh( sch, bcch:LOGICCH; t, retr, neci, att:INTEGER; babr, cch_con, bpm:B_3; t3212:OCTETSTRING; ci:CI; mcc, mnc, lac:OCTETSTRING; co:CO; cchdgsm, cchddcs:CCHD; crh, mtmcgsm, mtmcdcs:INTEGER; bcchflgsm, bcchfldcs:NCD; Re:B_1; bcc:BCC; ncc:NCC; nccp:NCCP)			
<b>Group:</b>		GSM_MS_CS_4210/Miscellaneous/SysInfo/			
<b>Objective:</b>		To send system information messages for the L3 tests. The following parameters specified by input parameters: - bcch: BCCH - sch: SCH - bcchfl: BCCH frequency list - ci: Cell identity - lai: Location area identification - ccd: Control channel description - csp: Cell selection parameters - cchd: Cell channel description - rachpar: RACH controll paramenterers			
<b>Default:</b>		OtherEvents			
Nr	Label	Behaviour Description	CRef	V	Comments
1		(TCV_Tx := OC_CnvtTx( t), TCV_Max := OC_CnvtMax( retr), TCV_Neci := INT_TO_BIT(neci,1), TCV_Ccd0H := CntrlChDscrp( att, babr, cch_con, bpm, t3212))			
2		(TCV_sysinf6 := SysInf6(ci, mcc, mnc, lac, co))			
3		LIDL_UdatRqSchinfo	SynInfo( sch, bcc, ncc)		
4		+ltree_sysinfo			
5		<b>ltree_sysinfo</b>			
6		[TSPC_PGSM OR TSPC_EGSM] LIDL_UdatRqSysinfo1	SysInfo1( bcch, cchdgsm, TCV_Max, TCV_Tx, Re)		
7		LIDL_UdatRqSysinfo2	SysInfo2( bcch, bcchflgsm, TCV_Max, TCV_Tx, Re, nccp)		
8		LIDL_UdatRqSysinfo3	SysInfo3( bcch, ci, mcc, mnc, lac, TCV_Ccd0H, co, crh, mtmcgsm, TCV_Neci, TCV_Max, TCV_Tx, Re)		
9		LIDL_UdatRqSysinfo4	SysInfo4( bcch, mcc, mnc, lac, crh, mtmcgsm, TCV_Neci, TCV_Max, TCV_Tx, Re)		
10		(TCV_sysinf5 := SysInf5(bcchflgsm))			
11		[TSPC_DCS]			
12		LIDL_UdatRqSysinfo1	SysInfo1( bcch, cchddcs, TCV_Max, TCV_Tx, Re)		
13		LIDL_UdatRqSysinfo2	SysInfo2( bcch, bcchfldcs, TCV_Max, TCV_Tx, Re, nccp)		
14		LIDL_UdatRqSysinfo3	SysInfo3( bcch, ci, mcc, mnc, lac, TCV_Ccd0H, co, crh, mtmcdcs, TCV_Neci, TCV_Max, TCV_Tx, Re)		
15		LIDL_UdatRqSysinfo4	SysInfo4( bcch, mcc, mnc, lac, crh, mtmcdcs, TCV_Neci, TCV_Max, TCV_Tx, Re)		
16		(TCV_sysinf5 := SysInf5(bcchfldcs), TCV_sysinf6.co.pwrc := '1'B)			
<b>Detailed Comments:</b>					

### Test Step Dynamic Behaviour

**Test Step Name:** SysInfoSending\_fh\_bisA( sch, bcch:LOGICCH; t, retr, neci, att:INTEGER; babr, cch\_con, bpm:B\_3; t3212:OCTETSTRING; ci:CI; mcc, mnc, lac:OCTETSTRING; co:CO; cchdgs, cchddcs:CCHD; crh, mtmcgsm, mtmcdcs:INTEGER; bcchflgsm, bcchfldcs:NCD; Re:B\_1; bcc:BCC; ncc:NCC; nccp:NCCP; ram:B\_6; pt:B\_5; cro:B\_6; to:B\_3)

**Group:** GSM\_MS\_CS\_4210/Miscellaneous/SysInfo/

**Objective:** To send system information messages for the L3 tests. The following parameters specified by input parameters:

- bcch: BCCH
- sch: SCH
- bcchfl: BCCH frequency list
- ci: Cell identity
- lai: Location area identification
- ccd: Control channel description
- csp: Cell selection parameters
- cchd: Cell channel description
- rachpar: RACH controll paramenters

**Default:** OtherEvents

Nr	Label	Behaviour Description	CRef	V	Comments
1		(TCV_Tx := OC_CnvtTx( t), TCV_Max := OC_CnvtMax( retr), TCV_Neci := INT_TO_BIT(neci,1), TCV_Ccd0H := CntrlChDscrp( att, babr, cch_con, bpm, t3212))			
2		(TCV_sysinf6 := SysInf6(ci, mcc, mnc, lac, co))			
3		LIDL_UdatRqSchinfo	SyncInfo( sch, bcc, ncc)		
4		+ltree_sysinfo			
		<b>ltree_sysinfo</b>			
5		[TSPC_PGSM OR TSPC_EGSM]			
6		LIDL_UdatRqSysinfo1	SysInfo1( bcch, cchdgs, TCV_Max, TCV_Tx, Re)		
7		LIDL_UdatRqSysinfo2	SysInfo2( bcch, BcchFreqLst_57, TCV_Max, TCV_Tx, Re, nccp)		
8		LIDL_UdatRqSysinfo3	SysInfo3_rpct( bcch, ci, mcc, mnc, lac, TCV_Ccd0H, co, crh, mtmcgsm, TCV_Neci, TCV_Max, TCV_Tx, Re, ram, pt, cro, to)		
9		LIDL_UdatRqSysinfo4	SysInfo4_rpct( bcch, mcc, mnc, lac, crh, mtmcgsm, TCV_Neci, TCV_Max, TCV_Tx, Re, ram, pt, cro, to)		
10		(TCV_sysinf5 := SysInf5(bcchflgsm))			
11		+SysInfo_SacchSending(TCV_sacch, TCV_sysinf5, TCV_sysinf6)			
12		LIDL_UdatRqSysinfo2bis	SysInfo2bis_egsm(bc ch, BcchFreqLst_56)		
13		[TSPC_DCS]			
14		LIDL_UdatRqSysinfo1	SysInfo1( bcch, cchddcs, TCV_Max, TCV_Tx, Re)		
15		LIDL_UdatRqSysinfo2	SysInfo2( bcch, BcchFreqLst_58, TCV_Max, TCV_Tx, Re, nccp)		
16		LIDL_UdatRqSysinfo2bis	SysInfo2bis_egsm(bc ch, BcchFreqLst_56)		
17		LIDL_UdatRqSysinfo3	SysInfo3_rpct( bcch, ci, mcc, mnc, lac, TCV_Ccd0H, co, crh, mtmcdcs, TCV_Neci, TCV_Max, TCV_Tx, Re, ram, pt, cro, to)		
18		LIDL_UdatRqSysinfo4	SysInfo4_rpct( bcch,		

19			mcc, mnc, lac, crh, mtmcdcs, TCV_Neci, TCV_Max, TCV_Tx, Re, ram, pt, cro, to)		
20		(TCV_sysinf5 := SysInf5(bcchfldcs), TCV_sysinf6.co.pwrc := '1'B) +SysInfo_SacchSending(TCV_sacch, TCV_sysinf5, TCV_sysinf6)			
<b>Detailed Comments:</b>					

### Test Step Dynamic Behaviour

**Test Step Name:** SysInfoSending\_fh\_bisB( sch, bcch:LOGICCH; t, retr, neci, att:INTEGER; babr, cch\_con, bpm:B\_3; t3212:OCTETSTRING; ci:CI; mcc, mnc, lac:OCTETSTRING; co:CO; cchdgs, cchddcs:CCHD; crh, mtmcgs, mtmcdds:INTEGER; bcchflgs, bcchfldcs:NCD; Re:B\_1; bcc:BCC; ncc:NCC; nccp:NCCP; ram:B\_6; pt:B\_5; cro:B\_6; to:B\_3)

**Group:** GSM\_MS\_CS\_4210/Miscellaneous/SysInfo/

**Objective:** To send system information messages for the L3 tests. The following parameters specified by input parameters:

- bcch: BCCH
- sch: SCH
- bcchfl: BCCH frequency list
- ci: Cell identity
- lai: Location area identification
- ccd: Control channel description
- csp: Cell selection parameters
- cchd: Cell channel description
- rachcpar: RACH controll paramenterers

**Default:** OtherEvents

Nr	Label	Behaviour Description	CRef	V	Comments
1		(TCV_Tx := OC_CnvtTx( t), TCV_Max := OC_CnvtMax( retr), TCV_Neci := INT_TO_BIT(neci,1), TCV_Ccd0H := CntrlChDscrp( att, babr, cch_con, bpm, t3212))			
2		(TCV_sysinf6 := SysInf6(ci, mcc, mnc, lac, co))			
3		LIDL_UdatRqSchinfo	SyncInfo( sch, bcc, ncc)		
4		+ltree_sysinfo			
5		<b>ltree_sysinfo</b>			
6		[TSPC_PGSM OR TSPC_EGSM]			
7		LIDL_UdatRqSysinfo1	SysInfo1( bcch, cchdgs, TCV_Max, TCV_Tx, Re)		
8		LIDL_UdatRqSysinfo2	SysInfo2( bcch, bcchflgs, TCV_Max, TCV_Tx, Re, nccp)		
9		LIDL_UdatRqSysinfo3	SysInfo3_rpct( bcch, ci, mcc, mnc, lac, TCV_Ccd0H, co, crh, mtmcgs, TCV_Neci, TCV_Max, TCV_Tx, Re, ram, pt, cro, to)		
10		LIDL_UdatRqSysinfo4	SysInfo4_bis( bcch, mcc, mnc, lac, crh, mtmcgs, TCV_Neci, TCV_Max, TCV_Tx, Re, ram)		
11		(TCV_sysinf5 := SysInf5(bcchflgs))			
12		+SysInfo_SacchSending(TCV_sacch, TCV_sysinf5, TCV_sysinf6)			
13		LIDL_UdatRqSysinfo7	SysInfo7( bcch, pt, cro, to)		
14		LIDL_UdatRqSysinfo8	SysInfo8( bcch, pt, cro, to)		
15		[TSPC_EGSM]			
16		LIDL_UdatRqSysinfo2ter	SysInfo2ter(bcch, BcchFreqLst2_65)		
17		[NOT TSPC_EGSM]			
18		[TSPC_DCS]			
19		LIDL_UdatRqSysinfo1	SysInfo1( bcch, cchddcs, TCV_Max, TCV_Tx, Re)		
20		LIDL_UdatRqSysinfo2	SysInfo2( bcch, bcchfldcs, TCV_Max, TCV_Tx, Re, nccp)		
21		LIDL_UdatRqSysinfo3	SysInfo3_rpct( bcch, ci, mcc, mnc, lac, TCV_Ccd0H, co, crh, mtmcdds, TCV_Neci, TCV_Max, TCV_Tx,		

21	L!DL_UdatRqSysinfo4	Re, ram, pt, cro, to) SysInfo4_bis( bcch, mcc, mnc, lac, crh, mtmcdcs, TCV_Neci, TCV_Max, TCV_Tx, Re, ram)
22	(TCV_sysinf5 := SysInf5(bcchfldcs), TCV_sysinf6.co.pwrc := '1'B)	
23	+SysInfo_SacchSending(TCV_sacch, TCV_sysinf5, TCV_sysinf6)	
24	L!DL_UdatRqSysinfo7	SysInfo7( bcch, pt, cro, to)
25	L!DL_UdatRqSysinfo8	SysInfo8( bcch, pt, cro, to)
<b>Detailed Comments:</b>		

### Test Step Dynamic Behaviour

**Test Step Name:** SysInfoSending\_fh\_rcc( sch, bcch:LOGICCH; t, retr, neci, att:INTEGER; babr, cch\_con, bpm:B\_3; t3212:OCTETSTRING; ci:CI; mcc, mnc, lac:OCTETSTRING; co:CO; cchdgs, cchddcs:CCHD; crh, mtmcgs, mtmcdds:INTEGER; bcchflgs, bcchfldcs, bcchflegsm:NCD; Re:B\_1; bcc:BCC; ncc:NCC; nccp:NCCP; ram:B\_6; cba, cbq:B\_1; acc:B\_5)

**Group:** GSM\_MS\_CS\_4210/Miscellaneous/SysInfo/

**Objective:** To send system information messages for the L3 tests. The following parameters specified by input parameters:

- bcch: BCCH
- sch: SCH
- bcchfl: BCCH frequency list
- ci: Cell identity
- lai: Location area identification
- ccd: Control channel description
- csp: Cell selection parameters
- cchd: Cell channel description
- rachcpar: RACH controll paramenters

**Default:** OtherEvents

Nr	Label	Behaviour Description	CRef	V	Comments
1		(TCV_Tx := OC_CnvtTx( t), TCV_Max := OC_CnvtMax( retr), TCV_Neci := INT_TO_BIT(neci,1), TCV_Ccd0H := CntrlChDscrp( att, babr, cch_con, bpm, t3212))			
2		(TCV_sysinf6 := SysInf6(ci, mcc, mnc, lac, co))			
3		LIDL_UdatRqSchinfo	SyncInfo( sch, bcc, ncc)		
4		+ltree_sysinfo			
5		<b>ltree_sysinfo</b>			
6		[TSPC_PGSM OR TSPC_EGSM]			
7		LIDL_UdatRqSysinfo1	SysInfo1_cba( bcch, cchdgs, TCV_Max, TCV_Tx, Re, cba, acc)		
8		LIDL_UdatRqSysinfo2	SysInfo2_cba( bcch, bcchflgs, TCV_Max, TCV_Tx, Re, nccp, cba, acc)		
9		LIDL_UdatRqSysinfo3	SysInfo3_ram_cba( bcch, ci, mcc, mnc, lac, TCV_Ccd0H, co, crh, mtmcgs, TCV_Neci, TCV_Max, TCV_Tx, Re, ram, cba, cbq, acc)		
10		LIDL_UdatRqSysinfo4	SysInfo4_ram_cba( bcch, mcc, mnc, lac, crh, mtmcgs, TCV_Neci, TCV_Max, TCV_Tx, Re, ram, cba, cbq, acc)		
11		(TCV_sysinf5 := SysInf5(bcchflgs))			
12		+SysInfo_SacchSending(TCV_sacch, TCV_sysinf5, TCV_sysinf6)			
13		[TSPC_EGSM]			
14		LIDL_UdatRqSysinfo2bis	SysInfo2bis_egsm(bc ch, bcchflegsm)		
15		[NOT TSPC_EGSM]			
16		[TSPC_DCS]			
17		LIDL_UdatRqSysinfo1	SysInfo1_cba( bcch, cchddcs, TCV_Max, TCV_Tx, Re, cba, acc)		
18		LIDL_UdatRqSysinfo2	SysInfo2_cba( bcch, bcchfldcs, TCV_Max, TCV_Tx, Re, nccp, cba, acc)		
19		LIDL_UdatRqSysinfo3	SysInfo3_ram_cba( bcch, ci, mcc, mnc, lac, TCV_Ccd0H, co,		



19	L!DL_UdatRqSysinfo4	crh, mtmcdcs, TCV_Neci, TCV_Max, TCV_Tx, Re, ram, cba, cbq, acc)	
20	(TCV_sysinf5 := SysInf5(bcchfldcs), TCV_sysinf6.co.pwrc := '1'B)	SysInfo4_ram_cba( bcch, mcc, mnc, lac, crh, mtmcdcs, TCV_Neci, TCV_Max, TCV_Tx, Re, ram, cba, cbq, acc)	
21	+SysInfo_SacchSending(TCV_sacch, TCV_sysinf5, TCV_sysinf6)		
<b>Detailed Comments:</b>			

### Test Step Dynamic Behaviour

**Test Step Name:** SysInfoSending\_fh\_rpct( sch, bcch:LOGICCH; t, retr, neci, att:INTEGER; babr, cch\_con, bpm:B\_3; t3212:OCTETSTRING; ci:CI; mcc, mnc, lac:OCTETSTRING; co:CO; cchdgsm, cchddcs:CCHD; crh, mtmcgsm, mtmcdcs:INTEGER; bcchflgsm, bcchfldcs, bcchflegsm:NCD; Re:B\_1; bcc:BCC; ncc:NCC; nccp:NCCP; ram:B\_6; pt:B\_5; cro:B\_6; to:B\_3)

**Group:** GSM\_MS\_CS\_4210/Miscellaneous/SysInfo/

**Objective:** To send system information messages for the L3 tests. The following parameters specified by input parameters:

- bcch: BCCH
- sch: SCH
- bcchfl: BCCH frequency list
- ci: Cell identity
- lai: Location area identification
- ccd: Control channel description
- csp: Cell selection parameters
- cchd: Cell channel description
- rachcpar: RACH controll paramenters

**Default:** OtherEvents

Nr	Label	Behaviour Description	CRef	V	Comments
1		(TCV_Tx := OC_CnvtTx( t), TCV_Max := OC_CnvtMax( retr), TCV_Neci := INT_TO_BIT(neci,1), TCV_Ccd0H := CntrlChDscrp( att, babr, cch_con, bpm, t3212))			
2		(TCV_sysinf6 := SysInf6(ci, mcc, mnc, lac, co))			
3		LIDL_UdatRqSchinfo	SyncInfo( sch, bcc, ncc)		
4		+ltree_sysinfo			
		<b>ltree_sysinfo</b>			
5		[TSPC_PGSM OR TSPC_EGSM]			
6		LIDL_UdatRqSysinfo1	SysInfo1( bcch, cchdgsm, TCV_Max, TCV_Tx, Re)		
7		LIDL_UdatRqSysinfo2	SysInfo2( bcch, bcchflgsm, TCV_Max, TCV_Tx, Re, nccp)		
8		LIDL_UdatRqSysinfo3	SysInfo3_rpct( bcch, ci, mcc, mnc, lac, TCV_Ccd0H, co, crh, mtmcgsm, TCV_Neci, TCV_Max, TCV_Tx, Re, ram, pt, cro, to)		
9		LIDL_UdatRqSysinfo4	SysInfo4_rpct( bcch, mcc, mnc, lac, crh, mtmcgsm, TCV_Neci, TCV_Max, TCV_Tx, Re, ram, pt, cro, to)		
10		(TCV_sysinf5 := SysInf5(bcchflgsm))			
11		+SysInfo_SacchSending(TCV_sacch, TCV_sysinf5, TCV_sysinf6)			
12		[TSPC_EGSM]			
13		LIDL_UdatRqSysinfo2bis	SysInfo2bis_egsm(bc ch, bcchflegsm)		
14		[NOT TSPC_EGSM]			
15		[TSPC_DCS]			
16		LIDL_UdatRqSysinfo1	SysInfo1( bcch, cchddcs, TCV_Max, TCV_Tx, Re)		
17		LIDL_UdatRqSysinfo2	SysInfo2( bcch, bcchfldcs, TCV_Max, TCV_Tx, Re, nccp)		
18		LIDL_UdatRqSysinfo3	SysInfo3_rpct( bcch, ci, mcc, mnc, lac, TCV_Ccd0H, co, crh, mtmcdcs, TCV_Neci, TCV_Max, TCV_Tx, Re, ram, pt, cro, to)		
19		LIDL_UdatRqSysinfo4	SysInfo4_rpct( bcch, mcc, mnc, lac, crh, mtmcdcs, TCV_Neci,		

20		(TCV_sysinf5 := SysInf5(bcchfldcs), TCV_sysinf6.co.pwrc := '1'B)	TCV_Max, TCV_Tx, Re, ram, pt, cro, to)		
21		+SysInfo_SacchSending(TCV_sacch, TCV_sysinf5, TCV_sysinf6)			
<b>Detailed Comments:</b>					

### Test Step Dynamic Behaviour

**Test Step Name:** SysInfoSending\_fh\_rpctp( sch, bcch:LOGICCH; t, retr, neci, att:INTEGER; babr, cch\_con, bpm:B\_3; t3212:OCTETSTRING; ci:CI; mcc, mnc, lac:OCTETSTRING; co:CO; cchdgsm, cchddcs:CCHD; crh, mtmcgsm, mtmcdcs:INTEGER; bcchflgsm, bcchfldcs, bcchflegsm:NCD; Re:B\_1; bcc:BCC; ncc:NCC; nccp:NCCP; ram:B\_6; pt:B\_5; cro:B\_6; to:B\_3; po:B\_2)

**Group:** GSM\_MS\_CS\_4210/Miscellaneous/SysInfo/

**Objective:** To send system information messages for the L3 tests. The following parameters specified by input parameters:

- bcch: BCCH
- sch: SCH
- bcchfl: BCCH frequency list
- ci: Cell identity
- lai: Location area identification
- ccd: Control channel description
- csp: Cell selection parameters
- cchd: Cell channel description
- rachcpar: RACH controll paramenterers

**Default:** OtherEvents

Nr	Label	Behaviour Description	CRef	V	Comments
1		(TCV_Tx := OC_CnvtTx( t), TCV_Max := OC_CnvtMax( retr), TCV_Neci := INT_TO_BIT(neci,1), TCV_Ccd0H := CntrlChDscrp( att, babr, cch_con, bpm, t3212))			
2		(TCV_sysinf6 := SysInf6(ci, mcc, mnc, lac, co))			
3		LIDL_UdatRqSchinfo	SyncInfo( sch, bcc, ncc)		
4		+ltree_sysinfo			
5		<b>ltree_sysinfo</b>			
6		[TSPC_PGSM OR TSPC_EGSM]			
7		LIDL_UdatRqSysinfo1	SysInfo1( bcch, cchdgsm, TCV_Max, TCV_Tx, Re)		
8		LIDL_UdatRqSysinfo2	SysInfo2( bcch, bcchflgsm, TCV_Max, TCV_Tx, Re, nccp)		
9		LIDL_UdatRqSysinfo3	SysInfo3_rpctp( bcch, ci, mcc, mnc, lac, TCV_Ccd0H, co, crh, mtmcgsm, TCV_Neci, TCV_Max, TCV_Tx, Re, ram, pt, cro, to, po)		
10		LIDL_UdatRqSysinfo4	SysInfo4_rpctp( bcch, mcc, mnc, lac, crh, mtmcgsm, TCV_Neci, TCV_Max, TCV_Tx, Re, ram, pt, cro, to, po)		
11		(TCV_sysinf5 := SysInf5(bcchflgsm))			
12		+SysInfo_SacchSending(TCV_sacch, TCV_sysinf5, TCV_sysinf6)			
13		[TSPC_EGSM]			
14		LIDL_UdatRqSysinfo2bis	SysInfo2bis_egsm(bcch, bcchflegsm)		
15		[NOT TSPC_EGSM]			
16		[TSPC_DCS]			
17		LIDL_UdatRqSysinfo1	SysInfo1( bcch, cchddcs, TCV_Max, TCV_Tx, Re)		
18		LIDL_UdatRqSysinfo2	SysInfo2( bcch, bcchfldcs, TCV_Max, TCV_Tx, Re, nccp)		
19		LIDL_UdatRqSysinfo3	SysInfo3_rpctp( bcch, ci, mcc, mnc, lac, TCV_Ccd0H, co, crh, mtmcdcs, TCV_Neci, TCV_Max, TCV_Tx, Re, ram, pt, cro, to, po)		

19	L!DL_UdatRqSysinfo4	SysInfo4_rpctp( bcch, mcc, mnc, lac, crh, mtmcdcs, TCV_Neci, TCV_Max, TCV_Tx, Re, ram, pt, cro, to, po)	
20	(TCV_sysinf5 := SysInf5(bcchfldcs), TCV_sysinf6.co.pwrc := '1'B)		
21	+SysInfo_SacchSending(TCV_sacch, TCV_sysinf5, TCV_sysinf6)		
<b>Detailed Comments:</b>			

Test Step Dynamic Behaviour					
<b>Test Step Name:</b> SysInfoSending_nfh( sch, bcch:LOGICCH; t, retr, neci, att: INTEGER; babr, cch_con, bpm:B_3; t3212:OCTETSTRING; ci:C; mcc, mnc, lac:OCTETSTRING; co:CO; crh, mtmcgsm, mtmcdcs:INTEGER; bcchflgsm, bcflaltgsm, bcchfldcs, bcflaltcdcs:NCD; Re:B_1; bcc:BCC; ncc:NCC; nccp:NCCP)					
<b>Group:</b> GSM_MS_CS_4210/Miscellaneous/SysInfo/					
<b>Objective:</b> To send system information messages with default parameters defined for the L3 tests for which no special parameters indicated.					
<b>Default:</b> OtherEvents					
Nr	Label	Behaviour Description	CRef	V	Comments
1		(TCV_Tx := OC_CnvtTx(t), TCV_Max := OC_CnvtMax(retr), TCV_Neci := INT_TO_BIT(neci,1), TCV_Ccd0H := CntrlChDscrp(att, babr, cch_con, bpm, t3212))			
2		(TCV_sysinf6 := SysInf6(ci, mcc, mnc, lac, co))			
3		LIDL_UdatRqSchinfo	SyncInfo( sch, bcc, ncc)		
4		+gsmOrDcs			
<b>gsmOrDcs</b>					
5		[TSPC_PGSM OR TSPC_EGSM]			1.
6		LIDL_UdatRqSysinfo4	SysInfo4(bcch, mcc, mnc, lac, crh, mtmcgsm, TCV_Neci, TCV_Max, TCV_Tx, Re)		
7		LIDL_UdatRqSysinfo1_nh	SysInfo1_nh(bcch, ci, mcc, mnc, lac, TCV_Ccd0H, co, crh, mtmcgsm, TCV_Neci, TCV_Max, TCV_Tx, Re)		
8		LIDL_UdatRqSysinfo3	SysInfo3(bcch, ci, mcc, mnc, lac, TCV_Ccd0H, co, crh, mtmcgsm, TCV_Neci, TCV_Max, TCV_Tx, Re)		
9		[NOT TSPX_AltNb]			3.
10		LIDL_UdatRqSysinfo2	SysInfo2(bcch, bcchflgsm, TCV_Max, TCV_Tx, Re, nccp)		
11		(TCV_sysinf5 := SysInf5(bcchflgsm))			
12		[TSPX_AltNb]			4.
13		LIDL_UdatRqSysinfo2	SysInfo2(bcch, bcflaltgsm, TCV_Max, TCV_Tx, Re, nccp)		
14		(TCV_sysinf5 := SysInf5(bcflaltgsm))			
15		[TSPC_DCS]			2.
16		LIDL_UdatRqSysinfo4	SysInfo4(bcch, mcc, mnc, lac, crh, mtmcdcs, TCV_Neci, TCV_Max, TCV_Tx, Re)		
17		LIDL_UdatRqSysinfo1_nh	SysInfo1_nh(bcch, ci, mcc, mnc, lac, TCV_Ccd0H, co, crh, mtmcdcs, TCV_Neci, TCV_Max, TCV_Tx, Re)		
18		LIDL_UdatRqSysinfo3	SysInfo3(bcch, ci, mcc, mnc, lac, TCV_Ccd0H, co, crh, mtmcdcs, TCV_Neci, TCV_Max, TCV_Tx, Re)		
19		[NOT TSPX_AltNb]			3.
20		LIDL_UdatRqSysinfo2	SysInfo2(bcch, bcchfldcs, TCV_Max, TCV_Tx, Re, nccp)		
21		(TCV_sysinf5 := SysInf5(bcchfldcs))			

22		[TSPX_AltNb]			
23		L!DL_UdatRqSysinfo2		SysInfo2(bcch, bcflaltdcs, TCV_Max, TCV_Tx, Re, nccp)	4.
24		(TCV_sysinf5 := SysInf5(bcflaltdcs))			
<b>Detailed Comments:</b>					
1. For GSM900 mobile station testing.					
2. For DCS1800 mobile station testing.					
3. To use alternative neighbour cells description.					
4. To use default neighbour cells description.					

<b>Test Step Dynamic Behaviour</b>					
<b>Test Step Name:</b> SysInfoSending_nfhCb( sch, bcch:LOGICCH; t, retr, neci, att: INTEGER; babr, cch_con, bpm:B_3; t3212:OCTETSTRING; ci:C; mcc, mnc, lac:OCTETSTRING; co:CO; crh, mtmcgsm, mtmcdcs:INTEGER; bcchflgsm, bcflaltgsm, bcchfldcs, bcflaltcdcs:NCD; Re:B_1; bcc:BCC; ncc:NCC; nccp:NCCP)					
<b>Group:</b> GSM_MS_CS_4210/Miscellaneous/SysInfo/					
<b>Objective:</b> To send system information messages with default parameters defined for the L3 tests for which no special parameters indicated.					
<b>Default:</b> OtherEvents					
Nr	Label	Behaviour Description	CRef	V	Comments
1		(TCV_Tx := OC_CnvtTx(t), TCV_Max := OC_CnvtMax(retr), TCV_Neci := INT_TO_BIT(neci,1), TCV_Ccd0H := CntrlChDscrp(att, babr, cch_con, bpm, t3212))			
2		(TCV_sysinf6 := SysInf6(ci, mcc, mnc, lac, co))			
3		LIDL_UdatRqSchinfo	SyncInfo( sch, bcc, ncc)		
4		+gsmOrDcs			
<b>gsmOrDcs</b>					
5		[TSPC_PGSM OR TSPC_EGSM]			1.
6		LIDL_UdatRqSysinfo4 (DL_UdatRqSysinfo4.msg.rachcp.cba := '1'B)	SysInfo4(bcch, mcc, mnc, lac, crh, mtmcgsm, TCV_Neci, TCV_Max, TCV_Tx, Re)		
7		LIDL_UdatRqSysinfo1_nh (DL_UdatRqSysinfo1_nh.msg.rachcp.cba := '1'B)	SysInfo1_nh(bcch, ci, mcc, mnc, lac, TCV_Ccd0H, co, crh, mtmcgsm, TCV_Neci, TCV_Max, TCV_Tx, Re)		
8		LIDL_UdatRqSysinfo3 (DL_UdatRqSysinfo3.msg.rachcp.cba := '1'B)	SysInfo3(bcch, ci, mcc, mnc, lac, TCV_Ccd0H, co, crh, mtmcgsm, TCV_Neci, TCV_Max, TCV_Tx, Re)		
9		[NOT TSPX_AltNb]			3.
10		LIDL_UdatRqSysinfo2 (DL_UdatRqSysinfo2.msg.rachcp.cba := '1'B)	SysInfo2(bcch, bcchflgsm, TCV_Max, TCV_Tx, Re, nccp)		
11		(TCV_sysinf5 := SysInf5(bcchflgsm))			
12		[TSPX_AltNb]			4.
13		LIDL_UdatRqSysinfo2 (DL_UdatRqSysinfo2.msg.rachcp.cba := '1'B)	SysInfo2(bcch, bcflaltgsm, TCV_Max, TCV_Tx, Re, nccp)		
14		(TCV_sysinf5 := SysInf5(bcflaltgsm))			
15		[TSPC_DCS]			2.
16		LIDL_UdatRqSysinfo4 (DL_UdatRqSysinfo4.msg.rachcp.cba := '1'B)	SysInfo4(bcch, mcc, mnc, lac, crh, mtmcdcs, TCV_Neci, TCV_Max, TCV_Tx, Re)		
17		LIDL_UdatRqSysinfo1_nh (DL_UdatRqSysinfo1_nh.msg.rachcp.cba := '1'B)	SysInfo1_nh(bcch, ci, mcc, mnc, lac, TCV_Ccd0H, co, crh, mtmcdcs, TCV_Neci, TCV_Max, TCV_Tx, Re)		
18		LIDL_UdatRqSysinfo3 (DL_UdatRqSysinfo3.msg.rachcp.cba := '1'B)	SysInfo3(bcch, ci, mcc, mnc, lac, TCV_Ccd0H, co, crh, mtmcdcs, TCV_Neci, TCV_Max, TCV_Tx, Re)		
19		[NOT TSPX_AltNb]			3.
20		LIDL_UdatRqSysinfo2 (DL_UdatRqSysinfo2.msg.rachcp.cba := '1'B)	SysInfo2(bcch, bcchfldcs, TCV_Max, TCV_Tx, Re, nccp)		
21		(TCV_sysinf5 := SysInf5(bcchfldcs))			



22	[TSPX_AltNb]			4.
23	L!DL_UdatRqSysinfo2 (DL_UdatRqSysinfo2.msg.rachcp.cba := '1'B)	SysInfo2(bcch, bcflaltdcs, TCV_Max, TCV_Tx, Re, nccp)		
24	(TCV_sysinf5 := SysInf5(bcflaltdcs))			
<b>Detailed Comments:</b>				
1. For GSM900 mobile station testing.				
2. For DCS1800 mobile station testing.				
3. To use alternative neighbour cells description.				
4. To use default neighbour cells description.				

<b>Test Step Dynamic Behaviour</b>					
<b>Test Step Name:</b> SysInfoSending_e( sch, bcch:LOGICCH; t, retr, neci, att:INTEGER; babr, cch_con, bpm:B_3; t3212:OCTETSTRING; ci:CI; mcc, mnc, lac:OCTETSTRING; co:CO; cchdgs: CCHD; crh, mtmcgsm:INTEGER; bcchflgsm, bcchflegsm:NCD; Re:B_1; bcc:BCC; ncc:NCC; nccp:NCCP)					
<b>Group:</b> GSM_MS_CS_4210/Miscellaneous/SysInfo/					
<b>Objective:</b> To send SYNCHRONIZATION CHANNEL INFORMATION and SYSTEM INFORMATION messages with default parameters except CCH_CONF, Tx-integer, Max-Retrans and ATT which are specified by input parameters.					
<b>Default:</b> OtherEvents					
Nr	Label	Behaviour Description	CRef	V	Comments
1		(TCV_Tx := OC_CnvtTx(t), TCV_Max := OC_CnvtMax(retr), TCV_Neci := INT_TO_BIT(neci,1), TCV_Ccd0H := CntrlChDscrp(att, babr, cch_con, bpm, t3212))			
2		L!DL_UdatRqSchinfo	SynInfo( sch, bcc, ncc)		1.
3		(TCV_sysinf6 := SysInf6( ci, mcc, mnc, lac, co))			
4		L!DL_UdatRqSysinfo1	SysInfo1( bcch, cchdgs, TCV_Max, TCV_Tx, Re)		2.
5		L!DL_UdatRqSysinfo2 (DL_UdatRqSysinfo2.msg.bcchfl.extind := '1'B)	SysInfo2( bcch, bcchflgsm, TCV_Max, TCV_Tx, Re, nccp)		
6		L!DL_UdatRqSysinfo2bis	SysInfo2bis( bcch, bcchflegsm)		
7		L!DL_UdatRqSysinfo4	SysInfo4( bcch, mcc, mnc, lac, crh, mtmcgsm, TCV_Neci, TCV_Max, TCV_Tx, Re)		
8		(TCV_sysinf5 := SysInf5( bcchflgsm), TCV_sysinfo5.bcchfl.extind := '1'B)			
9		(TCV_sysinfo5bis := SysInf5bis( bcchflegsm))			
10		L!DL_UdatRqSysinfo3	SysInfo3( bcch, ci, mcc, mnc, lac, TCV_Ccd0H, co, crh, mtmcgsm, TCV_Neci, TCV_Max, TCV_Tx, Re)		
<b>Detailed Comments:</b>					
1. To send SYNCHRONIZATION INFORMATION message with default parameter for cell A.					
2. System Information Type 1 with Cell Channel Description for HO-testin in cell A (GSM900).					

Test Step Dynamic Behaviour					
<b>Test Step Name:</b>		SysInfo_SacchSending(ch:LOGICCH; sysinfo5_pdu:SYSINFO5_PDU; sysinfo6_pdu:SYSINFO6_PDU)			
<b>Group:</b>		GSM_MS_CS_4210/Miscellaneous/SysInfo/			
<b>Objective:</b>		To send SYSTEM INFORMATION 5 and 6 messages defined by parameters 'sysinfo5_pdu' and 'sysinfo6_pdu' in the parametrised 'ch' channel.			
<b>Default:</b>		OtherEvents			
Nr	Label	Behaviour Description	CRef	V	Comments
1		[ch <> "dummy"]			
2		L!DL_UdatRqSysinfo6	SysInfo6(ch, sysinfo6_pdu)		
3		L!DL_UdatRqSysinfo5	SysInfo5(ch, sysinfo5_pdu)		
4	CS_0 094	[ch = "dummy"]		I	
<b>Detailed Comments:</b>					

Test Step Dynamic Behaviour					
<b>Test Step Name:</b>		SysInfo_5bisSending(ch:LOGICCH; sysinfo5bis_pdu:SYSINFO5bis_PDU)			
<b>Group:</b>		GSM_MS_CS_4210/Miscellaneous/SysInfo/			
<b>Objective:</b>		To send SYSTEM INFORMATION 5bis message defined by parameters 'sysinfo5bis_pdu' in the parametrised 'ch' channel.			
<b>Default:</b>		OtherEvents			
Nr	Label	Behaviour Description	CRef	V	Comments
1		[ch <> "dummy"]			
2		L!DL_UdatRqSysinfo5bis	SysInfo5bis(ch, sysinfo5bis_pdu)		
3	CS_0 095	[ch = "dummy"]		I	
<b>Detailed Comments:</b>					

Test Step Dynamic Behaviour					
<b>Test Step Name:</b>		SetNECI(att:INTEGER; babr, cch_con, bpm:B_3; t3212, mcc, mnc, lac:OCTETSTRING)			
<b>Group:</b>		GSM_MS_CS_4210/Miscellaneous/SysInfo/			
<b>Objective:</b>		To set the NECI =1.			
<b>Default:</b>		OtherEvents			
Nr	Label	Behaviour Description	CRef	V	Comments
1		(TCV_Tx := '0010'B, TCV_Max := '11'B, TCV_Neci := '1'B, TCV_Ccd0A := CntrlChDscrp(att, babr, cch_con, bpm, t3212))			
2		[TSPC_PGSM OR TSPC_EGSM]			
3		LIDL_UdatRqSysinfo4	SysInfo4(C_BCCH_A_1, mcc, mnc, lac, C_CellReselectHys12, C_MaxPwrLvlG, TCV_Neci, TCV_Max, TCV_Tx, C_Restablishment)		
4		LIDL_UdatRqSysinfo3	SysInfo3(C_BCCH_A_1, C_ci_cellA, mcc, mnc, lac, TCV_Ccd0A, CellOpt_01, C_CellReselectHys12, C_MaxPwrLvlG, TCV_Neci, TCV_Max, TCV_Tx, C_Restablishment)		
5		[TSPC_DCS]			
6		LIDL_UdatRqSysinfo4	SysInfo4(C_BCCH_A_1, mcc, mnc, lac, C_CellReselectHys12, C_MaxPwrLvlD, TCV_Neci, TCV_Max, TCV_Tx, C_Restablishment)		
7		LIDL_UdatRqSysinfo3	SysInfo3(C_BCCH_A_1, C_ci_cellA, mcc, mnc, lac, TCV_Ccd0A, CellOpt_01, C_CellReselectHys12, C_MaxPwrLvlD, TCV_Neci, TCV_Max, TCV_Tx, C_Restablishment)		
<b>Detailed Comments:</b>					

Test Step Dynamic Behaviour					
<b>Test Step Name:</b>		SetATT(t, retr, att, neci:INTEGER; babr, cch_con, bpm:B_3; t3212, mcc, mnc, lac:OCTETSTRING)			
<b>Group:</b>		GSM_MS_CS_4210/Miscellaneous/SysInfo/			
<b>Objective:</b>		To set the ATT flag to "MS's in the cell should apply IMSI attach and detach procedure"			
<b>Default:</b>		OtherEvents			
Nr	Label	Behaviour Description	CRef	V	Comments
1		(TCV_Tx := OC_CnvtTx(t), TCV_Max := OC_CnvtMax(retr), TCV_Neci := INT_TO_BIT(neci,1), TCV_Ccd0A := CntrlChDscrp(att, babr, cch_con, bpm, t3212))			
2		[TSPC_PGSM OR TSPC_EGSM]			1.
3		LIDL_UdatRqSysinfo1_nh	SysInfo1_nh(C_BCC H_A_1, C_ci_cellA, mcc, mnc, lac, TCV_Ccd0A, CellOpt_01, C_CellReselectHys12, C_MaxPwrLvlG, TCV_Neci, TCV_Max, TCV_Tx, C_Restablishment)		
4		LIDL_UdatRqSysinfo3	SysInfo3(C_BCCH_A_1, C_ci_cellA, mcc, mnc, lac, TCV_Ccd0A, CellOpt_01, C_CellReselectHys12, C_MaxPwrLvlG, TCV_Neci, TCV_Max, TCV_Tx, C_Restablishment)		
5		START T_dly(5000)			
6		?TIMEOUT T_dly			3.
7		[TSPC_DCS]			2.
8		LIDL_UdatRqSysinfo1_nh	SysInfo1_nh(C_BCC H_A_1, C_ci_cellA, mcc, mnc, lac, TCV_Ccd0A, CellOpt_01, C_CellReselectHys12, C_MaxPwrLvlD, TCV_Neci, TCV_Max, TCV_Tx, C_Restablishment)		
9		LIDL_UdatRqSysinfo3	SysInfo3(C_BCCH_A_1, C_ci_cellA, mcc, mnc, lac, TCV_Ccd0A, CellOpt_01, C_CellReselectHys12, C_MaxPwrLvlD, TCV_Neci, TCV_Max, TCV_Tx, C_Restablishment)		
10		START T_dly(5000)			3.
11		?TIMEOUT T_dly			
<b>Detailed Comments:</b>		1. For P-GSM900. 2. For DCS1800. 3. Wait for 5 seconds to allow the MS read BCCH information.			

## Test Step Group OperatorOP

Test Step Dynamic Behaviour					
<b>Test Step Name:</b>		InitCall(srv: SERVICES)			
<b>Group:</b>		GSM_MS_CS_4210/OperatorOP/			
<b>Objective:</b>		To initiate a call of the basic service 'srv'.			
<b>Default:</b>		OtherEvents			
Nr	Label	Behaviour Description	CRef	V	Comments
1		(TCV_Null := OO_InitCall( srv))			
<b>Detailed Comments:</b>					

Test Step Dynamic Behaviour					
<b>Test Step Name:</b>		PLMNsCHK			
<b>Group:</b>		GSM_MS_CS_4210/OperatorOP/			
<b>Objective:</b>		To check whether the MS presents a list of available PLMNs.			
<b>Default:</b>		OtherEvents			
Nr	Label	Behaviour Description	CRef	V	Comments
1		(TCV_Res := OO_PLMNsCHK())			
2	CS_0 096	[TCV_Res]		P	
3	CS_0 097	[NOT TCV_Res]		F	
<b>Detailed Comments:</b>					

## Test Step Group Postambles

Test Step Dynamic Behaviour					
<b>Test Step Name:</b>		PostLinkRelEnd(ch: LOGICCH)			
<b>Group:</b>		GSM_MS_CS_4210/Postambles/			
<b>Objective:</b>		To release the RR connection and bring the MS back to Idle state.			
<b>Default:</b>		OtherEvents			
Nr	Label	Behaviour Description	CRef	V	Comments
1		L!DL_DatRqChRel START T_release	ChRel( ch, ChRelease_01)		
2		L?DL_RelIn	DLRelInd_01		
3	CS_0 098	CANCEL		R	1.
4		?TIMEOUT T_release			
5	CS_0 099	CANCEL		R	1.
<b>Detailed Comments:</b> 1. Cancel of all running timers and final verdict.					

Test Step Dynamic Behaviour					
<b>Test Step Name:</b>		PostMainLinkRel(chnl:LOGICCH)			
<b>Group:</b>		GSM_MS_CS_4210/Postambles/			
<b>Objective:</b>		To release the main signalling link `ch`, and bring the MS back to Idle state.			
<b>Default:</b>		OtherEvents			
Nr	Label	Behaviour Description	CRef	V	Comments
1		L!DL_DatRqChRel START T_release	ChRel( chnl, ChRelease_01)		
2		L?DL_RelIn CANCEL T_release	DLRelInd_01		
3		?TIMEOUT T_release			
<b>Detailed Comments:</b>					

Test Step Dynamic Behaviour					
<b>Test Step Name:</b>		ChanRel(ch: LOGICCH)			
<b>Group:</b>		GSM_MS_CS_4210/Postambles/			
<b>Objective:</b>		To release the RR connection on the channel TCV_ch and bring the MS back to Idle state.			
<b>Default:</b>		OtherEvents			
Nr	Label	Behaviour Description	CRef	V	Comments
1		L!DL_DatRqChRel START T_release	ChRel(ch, ChRelease_01)		
2		L?DL_RelIn CANCEL T_release	DLRelInd_01		
3	CS_0 100	?TIMEOUT T_release		(F)	
<b>Detailed Comments:</b>					

Test Step Dynamic Behaviour					
<b>Test Step Name:</b>		ChanRel_P(ch: LOGICCH)			
<b>Group:</b>		GSM_MS_CS_4210/Postambles/			
<b>Objective:</b>		To release the RR connection on the channel TCV_chmaindcch and bring the MS back to Idle state.			
<b>Default:</b>		OtherEvents			
Nr	Label	Behaviour Description	CRef	V	Comments
1		L!DL_DatRqChRel START T_release	ChRel(ch, ChRelease_01)		
2	CS_0 101	L?DL_RelIn	DLRelInd_01	(P)	
3		?TIMEOUT T_release			
<b>Detailed Comments:</b>					

Test Step Dynamic Behaviour					
<b>Test Step Name:</b>		ChanRel_end(ch: LOGICCH)			
<b>Group:</b>		GSM_MS_CS_4210/Postambles/			
<b>Objective:</b>		To release the RR connection and bring the MS back to Idle state.			
<b>Default:</b>		OtherEvents			
Nr	Label	Behaviour Description	CRef	V	Comments
1		L!DL_DatRqChRel START T_release	ChRel(ch, ChRelease_01)		
2		L?DL_RelIn	DLRelInd_01		
3	CS_0 102	CANCEL		(P)	1.
4		?TIMEOUT T_release			
5	CS_0 103	CANCEL		(F)	1.
<b>Detailed Comments:</b>		1. Cancel of all running timers.			

## Test Step Group Preambles

Test Step Dynamic Behaviour					
<b>Test Step Name:</b>		BasicServiceMO(svc:SERVICES; rate:RATE)			
<b>Group:</b>		GSM_MS_CS_4210/Preambles/			
<b>Objective:</b>		To generate a Bcap, an MO SETUP message and an appropriate channel mode based on the service and rate, as well as on several IXIT parameters, itc, ce, ur, synchronous bit for an MO call.			
<b>Default:</b>		OtherEvents			
<b>Comments:</b>		Used for CC tests			
Nr	Label	Behaviour Description	CRef	V	Comments
1		+local_init			Default values
2		[TCV_Service = C_EmgCall]			
3		[(NOT TSPC_EFR_Speech_v2) AND(NOT TSPC_EFR_Speech_v3)]			
4		(TCV_ChMod.mode := C_ChMod_r, TCV_Esetup := Setup_04(Bcap_Speech_MO(TCV_Rchr)), TCV_Ecall := C_Yes)			Emergency Call - Non EFR Mobile
5		[TSPC_EFR_Speech_v2 OR TSPC_EFR_Speech_v3]			
6		(TCV_ChMod.mode := C_ChMod_r, TCV_Esetup := Setup_04(Bcap_Speech_Efr_MO(TCV_Rchr)), TCV_Ecall := C_Yes)			Emergency Call - EFR Mobile
7		[TCV_Service = C_Telephony]			
8		[(NOT TSPC_EFR_Speech_v2) AND(NOT TSPC_EFR_Speech_v3)]			
9		(TCV_ChMod.mode := C_ChMod_r, TCV_Setup_mo := Setup_02(Bcap_Speech_MO(TCV_Rchr)))			Speech - Non EFR Mobile
10		[TSPC_EFR_Speech_v2 OR TSPC_EFR_Speech_v3]			
11		(TCV_ChMod.mode := C_ChMod_r, TCV_Setup_mo := Setup_02(Bcap_Speech_Efr_MO(TCV_Rchr)))			Speech - EFR Mobile
12		[TCV_Service = C_AltSpchFax]			
13		[rate = C_Full]			
14		+TS61MO( C_AltSpchFax)			Speech/fax
15	CS_0 104	[rate <> C_Full]		I	IXIT error
16		[TCV_Service = C_AutoFax]			
17		[rate = C_Full]			
18		+TS62MO( C_AutoFax)			Auto fax
19	CS_0 105	[rate <> C_Full]		I	IXIT error
20		[TCV_Service = C_Async300]			
21		+BS2xMO( C_Async300, TSPX_BS_21_sacp, TSPX_BS_21_T_NT, TSPX_BS_21_itc1, C_300bs, C_modemt_V21, TSPX_BS_21_ce)			BS21
22		[TCV_Service = C_Async1200]			
23		+BS2xMO( C_Async1200, TSPX_BS_22_sacp, TSPX_BS_22_T_NT, TSPX_BS_22_itc1, C_1200bs, C_modemt_V22, TSPX_BS_22_ce)			BS22
24		[TCV_Service = C_Async120075]			
25		+BS2xMO( C_Async120075, TSPX_BS_23_sacp, TSPX_BS_23_T_NT, TSPX_BS_23_itc, C_120075bs, C_modemt_V23, TSPX_BS_23_ce)			BS23
26		[TCV_Service = C_Async2400]			
27		+BS2xMO( C_Async2400, TSPX_BS_24_sacp, TSPX_BS_24_T_NT, TSPX_BS_24_itc1, C_2400bs, TCV_MODEM.V22bisOrV26ter, TSPX_BS_24_ce)			BS24
28		[TCV_Service = C_Async4800]			
29		+BS2xMO( C_Async4800, TSPX_BS_25_sacp, TSPX_BS_25_T_NT, TSPX_BS_25_itc1, C_4800bs, C_modemt_V32, TSPX_BS_25_ce)			BS25
30		[TCV_Service = C_Async9600]			
31		+BS2xMO( C_Async9600, TSPX_BS_26_sacp, TSPX_BS_26_T_NT, TSPX_BS_26_itc1,			BS26

32	C_9600bs, C_modemt_V32, TSPX_BS_26_ce)		
33	[TCV_Service = C_Sync1200] +BS3xMO( C_Sync1200, FALSE, TSPX_BS_31_itc1, TSPX_BS_31_sacp1, C_1200bs, C_transparent, C_modemt_V22)		BS31
34	[TCV_Service = C_Sync2400]		
35	+BS3xMO( C_Sync2400, TSPX_BS_32_X32_T_NT, TSPX_BS_32_itc1, TSPX_BS_32_sacp1, C_2400bs, TSPX_BS_32_X32_ce, TCV_MODEM.V22bisOrV26ter)		BS32
36	[TCV_Service = C_Sync4800]		
37	+BS3xMO( C_Sync4800, TSPX_BS_33_X32_T_NT, TSPX_BS_33_itc1, TSPX_BS_33_sacp1, C_4800bs, TSPX_BS_33_X32_ce, C_modemt_V32)		BS33
38	[TCV_Service = C_Sync9600]		
39	+BS3xMO( C_Sync9600, TSPX_BS_34_X32_T_NT, TSPX_BS_34_itc1, TSPX_BS_34_sacp1, C_9600bs, TSPX_BS_34_X32_ce, C_modemt_V32)		BS34
40	[TCV_Service = C_PAD300]		
41	+BS4xMO( C_PAD300, C_300bs, TSPX_BS_41_ce, TSPX_BS_41_T_NT)		BS41
42	[TCV_Service = C_PAD1200]		
43	+BS4xMO( C_PAD1200, C_1200bs, TSPX_BS_42_ce, TSPX_BS_42_T_NT)		BS42
44	[TCV_Service = C_PAD120075]		
45	+BS4xMO( C_PAD120075, C_120075bs, TSPX_BS_43_ce, TSPX_BS_43_T_NT)		BS43
46	[TCV_Service = C_PAD2400]		
47	+BS4xMO( C_PAD2400, C_2400bs, TSPX_BS_44_ce, TSPX_BS_44_T_NT)		BS44
48	[TCV_Service = C_PAD4800]		
49	+BS4xMO( C_PAD4800, C_4800bs, TSPX_BS_45_ce, TSPX_BS_45_T_NT)		BS45
50	[TCV_Service = C_PAD9600]		
51	+BS4xMO( C_PAD9600, C_9600bs, TSPX_BS_46_ce, TSPX_BS_46_T_NT)		BS46
52	[TCV_Service = C_Packet2400]		
53	+BS5xMO( C_Packet2400, C_2400bs)		BS51
54	[TCV_Service = C_Packet4800]		
55	+BS5xMO( C_Packet4800, C_4800bs)		BS52
56	[TCV_Service = C_Packet9600]		
57	+BS5xMO( C_Packet9600, C_9600bs)		BS53
58	[TCV_Service = C_AltSpchData]		
59	+BS61or81MO( C_AltSpchData, TSPX_BS_61_A, TSPX_BS_61_A_ur1_T_NT, TSPX_BS_61_A_ur1, TSPX_BS_61_A_ur1_ce, TSPX_BS_61_S, TSPX_BS_61_S_ur1, C_RI_alternate)		BS61
60	[TCV_Service = C_SpchData]		
61	+BS61or81MO( C_SpchData, TSPX_BS_81_A, TSPX_BS_81_A_ur1_T_NT, TSPX_BS_81_A_ur1, TSPX_BS_81_A_ur1_ce, TSPX_BS_81_S, TSPX_BS_81_S_ur1, C_RI_follow)		BS81
62	CS_0 106 [C_Yes]	I	IXIT error
63	<b>local_init</b> (TCV_Service := svc, TCV_Rchr := C_Rchr_Full, TCV_Ecall := C_No, TCV_ChRate :=rate, TCV_ChMod.iei := '01100011'B, TCV_ChMod.mode := C_ChMod_12k, TCV_ChModb.iei := '01100011'B, TCV_ChModb.mode := C_ChMod_12k, TCV_MODEM := V22bisOrV26ter)		
64	[TSPC_DualRate]		
65	(TCV_Rchr := C_Rchr_DualForDualH0)		
66	[NOT TSPC_DualRate]		



**Detailed Comments:**

This test step is called in the preamble of test cases where an MO call is established in the test body.

Test Step Dynamic Behaviour					
<b>Test Step Name:</b>		BS2xMO( srv:SERVICES; sacc: B_3; both:BOOLEAN; itc1:B_3; ur:B_4; modem:B_5; ce:B_2)			
<b>Group:</b>		GSM_MS_CS_4210/Preambles/			
<b>Objective:</b>		To generate an MO SETUP message with appropriate Bcap and LLC for BS2x service.			
<b>Default:</b>		OtherEvents			
Nr	Label	Behaviour Description	CRef	V	Comments
1		(TCV_srv := srv, TCV_ur := ur, TCV_CE := NT_BothT_BothNTorT_BothT_BothNT, TCV_ir := C_ir_16kbs)			
2		+local_pixitvaluechk			validate IXIT values
3		+local_selectCe			select a connection element
4		+local_bcap			generate BC
5		+local_setupmsg			generate SETUP
6		+Chmod(TCV_ChRate, TCV_ce, ur, srv)			initiate channel mode variables
7		(TCV_Null := OO_IFsetup_BS2xorBS3x_MO(TCV_srv, itc1, sacc, TCV_ce, TCV_ChRate))			ask test operator to configure the MS
		<b>local_bcap</b>			
8		[NOT both]			
9		[TCV_ce = C_nottransparent]			
10		[itc1 = C_UDI]			
11		+local_BS2x_UDI_NT(C_nottransparent, sacc)			
12		[itc1 = C_3100Hz]			
13		+local_BS2x_3100_NT(C_nottransparent, sacc)			
14		[TCV_ce = C_transparent]			CE:T only MS
15		[itc1 = C_UDI]			
16		+local_BS2x_UDI_T(sacc)			
17		[itc1 = C_3100Hz]			
18		+local_BS2x_3100_T(sacc)			
19		[both]			
20		[TCV_ce = C_transparent]			
21		[itc1 = C_UDI]			
22		+local_BS2x_UDI_Tboth(TCV_CE.TorBothTorBothNT,sacc)			
23		[itc1 = C_3100Hz]			3.1kHz
24		+local_BS2x_3100_Tboth(TCV_CE.TorBothTorBothNT, sacc)			
25		[(TCV_ce = C_nottransparent)]			
26		[itc1 = C_UDI]			
27		+local_BS2x_UDI_NT(TCV_CE.NTorBothTorBothNT,sacc)			
28		[itc1 = C_3100Hz]			3.1kHz
29		+local_BS2x_3100_NT(TCV_CE.NTorBothTorBothNT, sacc)			
		<b>local_BS2x_3100_NT(ce: B_2; sacc:B_3)</b>			
30		(TCV_BcapMO1 := BcapX_MO(TCV_Rchr, C_3100Hz, C_SDUintegrity, C_nirr_dontcare, C_no_rate_adaption, sacc, C_Asynchronous, C_stopbit_dontcare, C_databit_dontcare, ur, C_ir_16kbs, C_parity_dontcare, cel, modem, C_uil2p_dontcare))			11.8.2.1.1.2
		<b>local_BS2x_UDI_NT(ce: B_2; sacc:B_3)</b>			
31		(TCV_BcapMO1 := BcapX_MO(TCV_Rchr, C_UDI, C_SDUintegrity, C_nirr_dontcare, C_rate_adaption_V110, sacc, C_Asynchronous, C_stopbit_dontcare, C_databit_dontcare, ur, C_ir_16kbs, C_parity_dontcare, cel, C_modemt_none, C_uil2p_dontcare))			11.8.2.1.1.4
		<b>local_BS2x_3100_T(sacc:B_3)</b>			
32		[ur = C_9600bs]			
33		(TCV_BcapMO1 := Bcap_MO(TCV_Rchr,			11.8.2.1.1.1

	C_3100Hz, C_Unstructured, C_nirr_nomeaning, C_no_rate_adaption, sacp, C_Asynchronous, C_stopbit_dontcare, C_databit_dontcare, ur, C_ir_16kbs, C_parity_dontcare, C_transparent, modem))	
34	[[ ur = C_300bs) OR (ur = C_1200bs) OR (ur = C_120075bs) OR (ur = C_2400bs) OR (ur = C_4800bs)]	
35	(TCV_BcapMO1 := Bcap_MO(TCV_Rchr, C_3100Hz, C_Unstructured, C_nirr_nomeaning, C_no_rate_adaption, sacp, C_Asynchronous, C_stopbit_dontcare, C_databit_dontcare, ur, C_ir_8kbs, C_parity_dontcare, C_transparent, modem), TCV_ir := C_ir_8kbs)	11.8.2.1.1.1
	<b>local_BS2x_UDI_T(sacp:B_3)</b>	
36	[ur = C_9600bs]	
37	(TCV_BcapMO1 := Bcap_MO(TCV_Rchr, C_UDI, C_Unstructured, C_nirr_nomeaning, C_rate_adaption_V110, sacp, C_Asynchronous, C_stopbit_dontcare, C_databit_dontcare, ur, C_ir_16kbs, C_parity_dontcare, C_transparent, C_modemt_none))	11.8.2.1.1.3
38	[[ ur = C_300bs) OR (ur = C_1200bs) OR (ur = C_120075bs) OR (ur = C_2400bs) OR (ur = C_4800bs)]	
39	(TCV_BcapMO1 := Bcap_MO(TCV_Rchr, C_UDI, C_Unstructured, C_nirr_nomeaning, C_rate_adaption_V110, sacp, C_Asynchronous, C_stopbit_dontcare, C_databit_dontcare, ur, C_ir_8kbs, C_parity_dontcare, C_transparent, C_modemt_none), TCV_ir := C_ir_8kbs)	11.8.2.1.1.3
	<b>local_BS2x_3100_Tboth(ce: B_2; sacp:B_3)</b>	
40	[ur <> C_9600bs]	
41	(TCV_BcapMO1 := BcapX_MO(TCV_Rchr, C_3100Hz, C_struct_dontchk, C_nirr_dontcare, C_no_rate_adaption, sacp, C_Asynchronous, C_stopbit_dontcare, C_databit_dontcare, ur, C_ir_8or16kbs, C_parity_dontcare, cel, modem, C_uil2p_dontcare))	11.8.2.1.1.1 conbinrd with 11.8.2.1.1.2 , CE and structure without exact match
42	[ur = C_9600bs]	
43	(TCV_BcapMO1 := BcapX_MO(TCV_Rchr, C_3100Hz, C_struct_dontchk, C_nirr_nomeaning, C_no_rate_adaption, sacp, C_Asynchronous, C_stopbit_dontcare, C_databit_dontcare, ur, C_ir_8or16kbs, C_parity_dontcare, cel, modem, C_uil2p_dontcare))	11.8.2.1.1.1 conbinrd with 11.8.2.1.1.2 , CE and structure without exact match
	<b>local_BS2x_UDI_Tboth(ce: B_2; sacp:B_3)</b>	
44	[ur = C_9600bs]	
45	(TCV_BcapMO1 := BcapX_MO(TCV_Rchr, C_UDI, C_struct_dontchk, C_nirr_nomeaning, C_rate_adaption_V110, sacp, C_Asynchronous, C_stopbit_dontcare, C_databit_dontcare, ur, C_ir_8or16kbs, C_parity_dontcare, cel, C_modemt_none, C_uil2p_dontcare))	11.8.2.1.1.3 combined with 11.8.2.1.1.4, CE and structure without exact match
46	[ur <> C_9600bs]	
47	(TCV_BcapMO1 := BcapX_MO(TCV_Rchr, C_UDI, C_struct_dontchk, C_nirr_dontcare, C_rate_adaption_V110, sacp, C_Asynchronous, C_stopbit_dontcare, C_databit_dontcare, ur, C_ir_8or16kbs, C_parity_dontcare, cel, C_modemt_none, C_uil2p_dontcare))	11.8.2.1.1.3 combined with 11.8.2.1.1.4, CE and structure without exact match
	<b>local_setupmsg</b>	
48	[itc1 = C_UDI]	
49	(TCV_Setup_mo := Setup_10_UDI(TCV_BcapMO1, Llcmp_BS2xOrBS4x_UDI, Hlcmp_AnyOrOmit))	
50	[itc1 = C_3100Hz]	
51	(TCV_Setup_mo := Setup_10_3100(TCV_BcapMO1,	

		Llcmp_BS2xOrBS61aOrBS81a_3100, Hlcmp_AnyOrOmit))		
		<b>local_selectCe</b>		
52		[both]		
53		[(ur = C_300bs) OR (ur = C_120075bs) OR ( ur = C_4800bs)]		
54		(TCV_ce := C_nottransparent)		
55		[(ur = C_1200bs) OR (ur = C_2400bs) OR ( ur = C_9600bs)]		
56		(TCV_ce := C_transparent)		
57		[NOT both]		
58		(TCV_ce := ce)		
		<b>local_pixitvaluechk</b>		
59	CS_0	[(ce <> C_transparent) AND( ce <> C_nottransparent)	I	IXIT error
107		AND(NOT both)]		
60	CS_0	[(itc1 <> C_UDI) AND(itc1 <> C_3100Hz)]	I	IXIT error
108				
61	CS_0	[(sacp <> C_I440_450) AND(sacp <> C_X28_nond)]	I	IXIT error
109				
62		[C_Yes]		IXIT values OK

**Detailed Comments:**

The BS2x Bearer Capabilities and SETUP messages for MO is constructed according to section 11.8.2.1.1.1, section 11.8.2.1.1.2, section 11.8.2.1.1.3 and section 11.8.2.1.1.4 of GSM 11.10 and section B.1.2.1, section B.1.2.2, section B.1.2.1 and section B.2.2.2 of GSM 07.01.

The algorithm for selecting parameters:

```
IF (TSPX_BS_2x_T_NT)
    TCV_ce := C_nottransparent
ELSE
    TCV_ce := TSPX_BS_2x_ce
```

use (TCV\_ce, TSPX\_BS\_2x\_itc1, TSPX\_BS\_2x\_sacp1, svc) for OO\_IFsetup\_BS2xorBS3x\_MO

Test Step Dynamic Behaviour					
<b>Test Step Name:</b>		BS3xMO( srv:SERVICES; both:BOOLEAN; itc1, sacp1:B_3; ur:B_4; ce:B_2; modem:B_5)			
<b>Group:</b>		GSM_MS_CS_4210/Preambles/			
<b>Objective:</b>		To generate an MO SETUP message with appropriate Bcap and LLC for BS3x service.			
<b>Default:</b>		OtherEvents			
Nr	Label	Behaviour Description	CRef	V	Comments
1		(TCV_srv := srv, TCV_ur := ur, TCV_CE := NT_BothT_BothNTorT_BothT_BothNT, TCV_ir := C_ir_16kbs, TCV_uil1p := C_no_rate_adaption)			
2		+local_pixitvaluechk			2.
3		+local_selectCe			select a CE
4		+local_bcap			generate BC
5		+local_setupmsg			3.
6		+Chmod(TCV_ChRate, TCV_ce, ur, srv)			initiate channel mode variables
7		(TCV_Null := OO_IFsetup_BS2xorBS3x_MO(TCV_srv, itc1, sacp1, TCV_ce, TCV_ChRate))			ask test operator to configure the MS
		<b>local_bcap</b>			
8		[NOT both]			
9		[TCV_ce = C_nottransparent]			
10		[itc1 = C_UDI]			
11		[sacp1 = C_X32]			
12		+local_BS3x_UDI_X32_NT			
13	CS_0 110	[sacp1 <> C_X32]		I	5.
14		[itc1 = C_3100Hz]			
15	CS_0 111	[sacp1 <> C_X32]		I	6.
16		[sacp1 = C_X32]			
17		+local_BS3x_3100_X32_NT(C_nottransparent)			
18		[TCV_ce = C_transparent]			CE:T only MS
19		[itc1 = C_UDI]			
20	CS_0 112	[sacp1 = C_X32]		I	7.
21		[sacp1<> C_X32]			
22		+local_BS3x_UDI_T(sacp1)			
23		[itc1 = C_3100Hz]			
24	CS_0 113	[sacp1 = C_X21]		I	8.
25		[sacp1 = C_I440_450]			
26		+local_BS3x_3100_T			
27		[sacp1 = C_X32]			
28		+local_BS3x_3100_X32_T			
29		[both]			
30		[TCV_ce = C_transparent]			
31		[itc1 = C_UDI]			
32	CS_0 114	[sacp1 = C_X32]		I	7.
33		[sacp1<> C_X32]			
34		+local_BS3x_UDI_T(sacp1)			
35		[itc1 = C_3100Hz]			3.1kHz
36	CS_0 115	[sacp1 = C_X21]		I	8.
37		[sacp1 = C_I440_450]			
38		+local_BS3x_3100_T			
39		[sacp1 = C_X32]			
40		+local_BS3x_3100_X32_NT(TCV_CE.TorBothTorBothNT)			
41		[(TCV_ce = C_nottransparent)]			
42		[itc1 = C_UDI]			
43		[sacp1 = C_X32]			
44		+local_BS3x_UDI_X32_NT			
45	CS_0	[sacp1 <> C_X32]		I	5.

46	116	[itc1 = C_3100Hz]		3.1kHz
47	CS_0	[sacp1 <> C_X32]	I	6.
48	117	[sacp1 = C_X32]		
49		+local_BS3x_3100_X32_Tboth(TCV_CE.NTo rBothTorBothNT)		
		<b>local_setupmsg</b>		
50		[itc1 = C_UDI]		
51		(TCV_Setup_mo := Setup_10_UDI( TCV_BcapMO1, Llcmp_BS3x_UDI, Hlcmp_AnyOrOmit))		
52		[itc1 = C_3100Hz]		
53		(TCV_Setup_mo := Setup_10_3100( TCV_BcapMO1, Llcmp_BS3xOrBS61sOrBS81s_3100, Hlcmp_AnyOrOmit))		
		<b>local_BS3x_3100_T</b>		
54		[ur = C_9600bs]		
55		(TCV_BcapMO1 := Bcap_MO(TCV_Rchr, C_3100Hz, C_Unstructured, C_nirr_nomeaning, C_no_rate_adaption, C_I440_450, C_Synchronous, C_stopbit_NA, C_databit_NA, ur, C_ir_16kbs, C_parity_NA, C_transparent, modem))		11.8.2.2.1.1
56		[ur <> C_9600bs]		
57		(TCV_BcapMO1 := Bcap_MO(TCV_Rchr, C_3100Hz, C_Unstructured, C_nirr_nomeaning, C_no_rate_adaption, C_I440_450, C_Synchronous, C_stopbit_NA, C_databit_NA, ur, C_ir_8kbs, C_parity_NA, C_transparent, modem))		11.8.2.2.1.1
		<b>local_BS3x_UDI_T(sacp:B_3)</b>		
58		[ur = C_9600bs]		
59		(TCV_BcapMO1 := Bcap_MO(TCV_Rchr, C_UDI, C_Unstructured, C_nirr_nomeaning, C_rate_adaption_V110, sacp, C_Synchronous, C_stopbit_NA, C_databit_NA, ur, C_ir_16kbs, C_parity_NA, C_transparent, C_modemt_none), TCV_uil1p := C_rate_adaption_V110)		11.8.2.2.1.2
60		[NOT (ur = C_9600bs)]		
61		(TCV_BcapMO1 := Bcap_MO(TCV_Rchr, C_UDI, C_Unstructured, C_nirr_nomeaning, C_rate_adaption_V110, sacp, C_Synchronous, C_stopbit_NA, C_databit_NA, ur, C_ir_8kbs, C_parity_NA, C_transparent, C_modemt_none), TCV_ir := C_ir_8kbs, TCV_uil1p := C_rate_adaption_V110)		11.8.2.2.1.2
		<b>local_BS3x_3100_X32_T</b>		
62		[ur = C_9600bs]		
63		(TCV_BcapMO1 := Bcap_MO(TCV_Rchr, C_3100Hz, C_Unstructured, C_nirr_nomeaning, C_no_rate_adaption, C_X32, C_Synchronous, C_stopbit_NA, C_databit_NA, ur, C_ir_16kbs, C_parity_NA, C_transparent, modem))		11.8.2.2.1.3
64		[ur <> C_9600bs]		
65		(TCV_BcapMO1 := Bcap_MO(TCV_Rchr, C_3100Hz, C_Unstructured, C_nirr_nomeaning, C_no_rate_adaption, C_X32, C_Synchronous, C_stopbit_NA, C_databit_NA, ur, C_ir_8kbs, C_parity_NA, C_transparent, modem))		11.8.2.2.1.3
		<b>local_BS3x_3100_X32_NT(ce2:B_2)</b>		
66		(TCV_BcapMO1 := BcapX_MO(TCV_Rchr, C_3100Hz, C_SDUIegrity, C_nirr_dontcare, C_no_rate_adaption, C_X32, C_Synchronous, C_stopbit_NA, C_databit_NA, ur, C_ir_16kbs, C_parity_NA, ce2, modem, C_X25_fct))		11.8.2.2.1.4

67		<b>local_BS3x_UDI_X32_NT</b> (TCV_BcapMO1 := BcapX_MO(TCV_Rchr, C_UDI, C_SDUIegrity, C_nirr_dontcare, C_rate_adaption_X31, C_X32, C_Synchronous, C_stopbit_NA, C_databit_NA, ur, C_ir_16kbs, C_parity_NA, C_nottransparent, C_modemt_none, C_X25_flct), TCV_uil1p := C_rate_adaption_X31)			11.8.2.2.1.5
68		<b>local_BS3x_3100_X32_Tboth(ce2:B_2)</b> [ur = C_9600bs]			
69		(TCV_BcapMO1 := BcapX_MO( TCV_Rchr, C_3100Hz, C_struct_dontchk, C_nirr_nomeaning, C_no_rate_adaption, C_X32, C_Synchronous, C_stopbit_NA, C_databit_NA, ur, C_ir_16kbs, C_parity_NA, ce2, modem, C_X25_flct))			11.8.2.2.1.3 combined with 11.8.2.2.1.4, CE and structure without exact match
70		[ur <> C_9600bs]			
71		(TCV_BcapMO1 := BcapX_MO( TCV_Rchr, C_3100Hz, C_struct_dontchk, C_nirr_dontcare, C_no_rate_adaption, C_X32, C_Synchronous, C_stopbit_NA, C_databit_NA, ur, C_ir_8or16kbs, C_parity_NA, ce2, modem, C_X25_flct))			11.8.2.2.1.3 combined with 11.8.2.2.1.4, CE, IR and structure without exact match
72		<b>local_selectCe</b> [both]			
73		[(ur = C_300bs) OR (ur = C_120075bs) OR ( ur = C_4800bs)]			
74		(TCV_ce := C_transparent)			
75		[(ur = C_1200bs) OR (ur = C_2400bs) OR ( ur = C_9600bs)]			
76		(TCV_ce := C_nottransparent)			
77		[NOT both]			
78		(TCV_ce := ce)			
79	CS_0 118	<b>local_pixitvaluechk</b> [(ce <> C_transparent) AND( ce <> C_nottransparent) AND(NOT both)]		I	IXIT error
80	CS_0 119	[(itc1 <> C_UDI) AND(itc1 <> C_3100Hz)]		I	IXIT error
81	CS_0 120	[(sacp1 <> C_I440_450) AND(sacp1 <> C_X21) AND(sacp1 <>C_X32)]		I	IXIT error
82	CS_0 121	[(ur = C_1200bs) AND (sacp1 = C_X32)]		I	4.
83		[C_Yes]			IXIT values OK, but combination not checked yet

**Detailed Comments:**

- The BS3x Bearer Capabilities and SETUP messages for MO is constructed according to section 11.8.2.2.1.1, section 11.8.2.2.1.2, section 11.8.2.2.1.3, section 11.8.2.2.1.4 and section 11.8.2.2.1.5 of GSM 11.10 and section B.1.3.1.1, section B.1.3.1.2, section B.1.3.2.1, section B.1.3.2.2, section B.2.3.1 and section B.2.3.2 of GSM 07.01.
- validate IXIT values.
- generate SETUP.
- IXIT error, BS31 does not support X32.
- IXIT error, UDI non-X32 case has no non transparent mode.
- IXIT error, 3.1kHz non-X32 case has no non transparent mode.
- IXIT error, UDI X32 case has no transparent mode.
- IXIT error, 3.1kHz case has no X21 signalling access protocol.

The algorithm for selecting parameters:

```
IF (TSPX_BS_3x_T_NT)
    TCV_ce := C_nottransparent
ELSE
    TCV_ce := TSPX_BS_3x_ce
```

use (TCV\_ce, TSPX\_BS\_3x\_itc1, TSPX\_BS\_3x\_sacp1, svc) for OO\_IFsetup\_BS2xorBS3x\_MO

Test Step Dynamic Behaviour					
<b>Test Step Name:</b>		BS4xMO( srv:SERVICES; ur:B_4; ce:B_2; both:BOOLEAN)			
<b>Group:</b>		GSM_MS_CS_4210/Preambles/			
<b>Objective:</b>		To generate an MO SETUP message with appropriate Bcap and LLC for BS4x service.			
<b>Default:</b>		OtherEvents			
Nr	Label	Behaviour Description	CRef	V	Comments
1		(TCV_srv := srv, TCV_ur := ur, TCV_CE := NT_BothT_BothNTorT_BothT_BothNT, TCV_ir := C_ir_16kbs)			
2		+local_pixitvaluechk			validate IXIT values
3		+local_selectCe			select a CE
4		+local_bcap			generate BC
5		(TCV_Setup_mo := Setup_10_UDI(TCV_BcapMO1, Llcmp_BS2xOrBS4x_UDI, Hlcmp_AnyOrOmit))			generate SETUP
6		+Chmod(TCV_ChRate, TCV_ce, ur, srv)			initiate channel mode variables
7		(TCV_Null := OO_IFsetup_BS4x_MO(TCV_srv, TCV_ce, TCV_ChRate))			ask test operator to set up the MS
8		<b>local_bcap</b>			
9		[NOT both]			
10		[TCV_ce = C_nottransparent]			
11		+local_BS4x_UDI_NT(C_nottransparent)			
12		[TCV_ce = C_transparent]			CE:T only MS
13		[ur = C_9600bs]			
14		+local_BS4x_UDI_T(C_ir_16kbs)			
15		[(ur = C_300bs) OR (ur = C_1200bs) OR (ur = C_120075bs) OR (ur = C_2400bs) OR (ur = C_4800bs)]			
16		+local_BS4x_UDI_T(C_ir_8kbs)			
17		[both]			
18		[TCV_ce = C_transparent]			
19		+local_BS4x_UDI_Tboth(TCV_CE.TorBothTorBothNT)			
20		[(TCV_ce = C_nottransparent)]			
21		+local_BS4x_UDI_NT(TCV_CE.NTorBothTorBothNT)			
22		<b>local_BS4x_UDI_T(ir:B_2)</b>			
23		(TCV_BcapMO1 := Bcap_MO(TCV_Rchr, C_UDI, C_Unstructured, C_nirr_nomeaning, C_rate_adaption_V110, C_X28_unui, C_Asynchronous, C_stopbit_dontcare, C_databit_dontcare, ur, ir, C_parity_dontcare, C_transparent, C_modemt_none), TCV_ir := ir)			11.8.2.3.1.1
24		<b>local_BS4x_UDI_NT(ce1:B_2)</b>			
25		[(ur = C_300bs) OR (ur = C_1200bs) OR (ur = C_120075bs) OR (ur = C_2400bs) OR (ur = C_4800bs)]			
26		(TCV_BcapMO1 := BcapX_MO(TCV_Rchr, C_UDI, C_SDUintegrity, C_nirr_dontcare, C_rate_adaption_V110, C_X28_unui, C_Asynchronous, C_stopbit_dontcare, C_databit_dontcare, ur, C_ir_16kbs, C_parity_dontcare, ce1, C_modemt_none, C_uil2p_dontcare))			11.8.2.3.1.2
27		[ur = C_9600bs]			
28		(TCV_BcapMO1 := BcapX_MO(TCV_Rchr, C_UDI, C_SDUintegrity, C_nirr_nomeaning, C_rate_adaption_V110, C_X28_unui, C_Asynchronous, C_stopbit_dontcare, C_databit_dontcare, ur, C_ir_16kbs, C_parity_dontcare, ce1, C_modemt_none, C_uil2p_dontcare))			11.8.2.3.1.2
29		<b>local_BS4x_UDI_Tboth(ce1:B_2)</b>			



26		[( ur = C_300bs) OR (ur = C_1200bs) OR (ur = C_120075bs) OR (ur = C_2400bs) OR (ur = C_4800bs)]		
27		(TCV_BcapMO1 := BcapX_MO(TCV_Rchr, C_UDI, C_struct_dontchk, C_nirr_dontcare, C_rate_adaption_V110, C_X28_unui, C_Asynchronous, C_stopbit_dontcare, C_databit_dontcare, ur, C_ir_8or16kbs, C_parity_dontcare, ce1, C_modemt_none, C_uil2p_dontcare))		11.8.2.3.1.2 combined with 11.8.2.3.1.1, CE, IR and structure without exact match
28		[ur = C_9600bs]		
29		(TCV_BcapMO1 := BcapX_MO(TCV_Rchr, C_UDI, C_struct_dontchk, C_nirr_nomeaning, C_rate_adaption_V110, C_X28_unui, C_Asynchronous, C_stopbit_dontcare, C_databit_dontcare, ur, C_ir_8or16kbs, C_parity_dontcare, ce1, C_modemt_none, C_uil2p_dontcare))		11.8.2.3.1.2 combined with 11.8.2.3.1.1, CE, IR and structure without exact match
30	CS_0 122	<b>local_pixitvaluechk</b> [(ce <> C_transparent) AND( ce <> C_nottransparent) AND(NOT both)]	I	IXIT error
31		[C_Yes]		IXIT values OK
32		<b>local_selectCe</b> [both]		
33		[(ur = C_300bs) OR (ur = C_120075bs) OR ( ur = C_4800bs)]		
34		(TCV_ce := C_nottransparent)		
35		[(ur = C_1200bs) OR (ur = C_2400bs) OR ( ur = C_9600bs)]		
36		(TCV_ce := C_transparent)		
37		[NOT both]		
38		(TCV_ce := ce)		
<b>Detailed Comments:</b>		The BS4x Bearer Capabilities and SETUP messages for MO is constructed according to section 11.8.2.3.1.1 and section 11.8.2.3.1.2 of GSM 11.10 and section B.1.4 and section B.2.2.1 of GSM 07.01.		
		The algorithm for selecting parameters: IF (TSPX_BS_4x_T_NT) IF (user rate is one of the C_300bs, C_120075bs, C_4800bs) TCV_ce := C_nottransparent ELSE /* user rate is one of C_1200bs, C_2400bs, C_9600bs \		

Test Step Dynamic Behaviour					
<b>Test Step Name:</b> BS5xMO( srv:SERVICES; ur:B_4)					
<b>Group:</b> GSM_MS_CS_4210/Preambles/					
<b>Objective:</b> To generate an MO SETUP message with appropriate Bcap for BS5x service.					
<b>Default:</b> OtherEvents					
Nr	Label	Behaviour Description	CRef	V	Comments
1		(TCV_srv := srv, TCV_ur := ur)			
2		(TCV_BcapMO1 := BcapX_MO( TCV_Rchr, C_UDI, C_SDUintegrity, C_nirr_nomeaning, C_rate_adaption_X31, C_X32, C_Synchronous, C_stopbit_NA, C_databit_NA, ur, C_ir_16kbs, C_parity_NA, C_nottransparent, C_modemt_none, C_X25_fct))			11.8.2.4.1
3		(TCV_Setup_mo := Setup_10_UDI( TCV_BcapMO1, Llcmp_BS5x, Hlcmp_AnyOrOmit))			
4		+Chmod(TCV_ChRate, C_nottransparent, ur, srv)			channel mode
5		(TCV_Null := OO_IFsetup_BS5x_MO(TCV_srv, TCV_ur, TCV_ChRate))			
<b>Detailed Comments:</b>					
1. Bearer Caoability is coded according to section 11.8.2.4.1 of GSM 11.10 ver 4.16					
2. low layer compatibility is coded according to section B.2.5 of GSM 07.01 ver 4.90					

Test Step Dynamic Behaviour					
<b>Test Step Name:</b>		BS61or81MO( srv:SERVICES; async, both: BOOLEAN; a_ur1: B_4; ce:B_2; sync:BOOLEAN; s_ur1: B_4; ri:B_8)			
<b>Group:</b>		GSM_MS_CS_4210/Preambles/			
<b>Objective:</b>		To get a MO SETUP message with right BC IE and LLC for BS61 or BS81 service.			
<b>Default:</b>		OtherEvents			
Nr	Label	Behaviour Description	CRef	V	Comments
1		(TCV_srv := srv, TCV_CE := NT_BothT_BothNTorT_BothT_BothNT, TCV_ir := C_ir_8kbs, TCV_MODEM := V22bisOrV26ter)			
2		+local_pixitvaluechk			1.
3		+local_selectSaAndCe			2.
4		+local_bcap			generate BC
5		+local_setupmsg			generate SETUP
6		+Chmod(TCV_ChRate, TCV_ce, TCV_ur, srv)			
7		(TCV_Null := OO_IFsetup_BS61orBS81_MO(TCV_srv, TCV_ur, TCV_sa, TCV_ce, TCV_ChRate))			
		<b>local_bcap</b>			
8		[TCV_sa = C_Synchronous]			
9		[TCV_ur = C_1200bs]			
10		+local_BS61or81_S_T( C_ir_8kbs, C_1200bs, C_modemt_V22)			
11		[TCV_ur = C_2400bs]			
12		+local_BS61or81_S_T( C_ir_8kbs, C_2400bs, TCV_MODEM.V22bisOrV26ter)			
13		[TCV_ur = C_4800bs]			
14		+local_BS61or81_S_T( C_ir_8kbs, C_4800bs, C_modemt_V32)			
15		[TCV_ur = C_9600bs]			
16		+local_BS61or81_S_T( C_ir_16kbs, C_9600bs, C_modemt_V32)			
17		(TCV_ir := C_ir_16kbs)			
18		[TCV_sa = C_Asynchronous]			
19		[(TCV_ce = C_transparent) AND(NOT both)]			CE:T only MS
20		+local_BS61or81_A_T(TCV_ur)			
21		[(TCV_ce = C_nottransparent) AND(NOT both)]			CE:NT only MS
22		+local_BS61or81_A_NT(TCV_ur, C_nottransparent, C_SDUIegrity, C_nirr_dontcare, C_ir_16kbs)			
23		[(TCV_ce = C_nottransparent) AND both]			
24		+local_BS61or81_A_NT(TCV_ur, TCV_CE.NTorBothTorBothNT, C_SDUIegrity, C_nirr_dontcare, C_ir_16kbs)			
25		[(TCV_ce = C_transparent) AND both]			
26		+local_BS61or81_A_NT( TCV_ur, TCV_CE.TorBothTorBothNT, C_struct_dontchk, C_nirr_dontcare, C_ir_8or16kbs)			
		<b>local_BS61or81_A_T(ur:B_4)</b>			
27		[ur = C_300bs]			
28		(TCV_BcapMO1 := Bcap_MO( TCV_Rchr, C_3100Hz, C_Unstructured, C_nirr_nomeaning, C_no_rate_adaption, C_I440_450, C_Asynchronous, C_stopbit_dontcare, C_databit_dontcare, ur, C_ir_8kbs, C_parity_dontcare, C_transparent, C_modemt_V21), TCV_modemt := C_modemt_V21)			11.8.2.5.1
29		[ur = C_1200bs]			
30		(TCV_BcapMO1 := Bcap_MO( TCV_Rchr, C_3100Hz, C_Unstructured, C_nirr_nomeaning, C_no_rate_adaption, C_I440_450, C_Asynchronous, C_stopbit_dontcare, C_databit_dontcare, ur, C_ir_8kbs, C_parity_dontcare, C_transparent,			11.8.2.5.1

	C_modemt_V22), TCV_modemt := C_modemt_V22)	
31	[ur = C_120075bs]	
32	(TCV_BcapMO1 := Bcap_MO( TCV_Rchr, C_3100Hz, C_Unstructured, C_nirr_nomeaning, C_no_rate_adaption, C_I440_450, C_Asynchronous, C_stopbit_dontcare, C_databit_dontcare, ur, C_ir_8kbs, C_parity_dontcare, C_transparent, C_modemt_V23), TCV_modemt := C_modemt_V23)	11.8.2.5.1
33	[ur = C_2400bs]	
34	(TCV_BcapMO1 := Bcap_MO( TCV_Rchr, C_3100Hz, C_Unstructured, C_nirr_nomeaning, C_no_rate_adaption, C_I440_450, C_Asynchronous, C_stopbit_dontcare, C_databit_dontcare, ur, C_ir_8kbs, C_parity_dontcare, C_transparent, TCV_MODEM.V22bisOrV26ter), TCV_modemt := TCV_MODEM.V22bisOrV26ter)	11.8.2.5.1
35	[ur = C_4800bs]	
36	(TCV_BcapMO1 := Bcap_MO( TCV_Rchr, C_3100Hz, C_Unstructured, C_nirr_nomeaning, C_no_rate_adaption, C_I440_450, C_Asynchronous, C_stopbit_dontcare, C_databit_dontcare, ur, C_ir_8kbs, C_parity_dontcare, C_transparent, C_modemt_V32), TCV_modemt := C_modemt_V32)	11.8.2.5.1
37	[ur = C_9600bs]	
38	(TCV_BcapMO1 := Bcap_MO( TCV_Rchr, C_3100Hz, C_Unstructured, C_nirr_nomeaning, C_no_rate_adaption, C_I440_450, C_Asynchronous, C_stopbit_dontcare, C_databit_dontcare, ur, C_ir_16kbs, C_parity_dontcare, C_transparent, C_modemt_V32), TCV_modemt := C_modemt_V32)	11.8.2.5.1
39	(TCV_ir := C_ir_16kbs)	
	<b>local_BS61or81_A_NT(ur:B_4; ce:B_2; struc:B_2; nirr :B_1; ir:B_2)</b>	
40	(TCV_ir := C_ir_16kbs)	
41	[ur = C_300bs]	
42	(TCV_BcapMO1 := BcapX_MO(TCV_Rchr, C_3100Hz, struc, nirr, C_no_rate_adaption, C_I440_450, C_Asynchronous, C_stopbit_dontcare, C_databit_dontcare, ur, ir, C_parity_dontcare, ce, C_modemt_V21, C_uil2p_dontcare), TCV_modemt := C_modemt_V21)	11.8.2.5.2
43	[ur = C_1200bs]	
44	(TCV_BcapMO1 := BcapX_MO(TCV_Rchr, C_3100Hz, struc, nirr, C_no_rate_adaption, C_I440_450, C_Asynchronous, C_stopbit_dontcare, C_databit_dontcare, ur, ir, C_parity_dontcare, ce, C_modemt_V22, C_uil2p_dontcare), TCV_modemt := C_modemt_V22)	11.8.2.5.2
45	[ur = C_120075bs]	
46	(TCV_BcapMO1 := BcapX_MO(TCV_Rchr, C_3100Hz, struc, nirr, C_no_rate_adaption, C_I440_450, C_Asynchronous, C_stopbit_dontcare, C_databit_dontcare, ur, ir, C_parity_dontcare, ce, C_modemt_V23, C_uil2p_dontcare), TCV_modemt := C_modemt_V23)	11.8.2.5.2
47	[ur = C_2400bs]	
48	(TCV_BcapMO1 := BcapX_MO(TCV_Rchr, C_3100Hz, struc, nirr, C_no_rate_adaption, C_I440_450, C_Asynchronous, C_stopbit_dontcare, C_databit_dontcare, ur, ir, C_parity_dontcare, ce, TCV_MODEM.V22bisOrV26ter,	11.8.2.5.2

		C_uil2p_dontcare), TCV_modemt := TCV_MODEM.V22bisOrV26ter)		
49		[ur = C_4800bs]		
50		(TCV_BcapMO1 := BcapX_MO(TCV_Rchr, C_3100Hz, struc, nirr, C_no_rate_adaption, C_I440_450, C_Asynchronous, C_stopbit_dontcare, C_databit_dontcare, ur, ir, C_parity_dontcare, ce, C_modemt_V32, C_uil2p_dontcare), TCV_modemt := C_modemt_V32)		11.8.2.5.2
51		[ur = C_9600bs]		
52		(TCV_BcapMO1 := BcapX_MO(TCV_Rchr, C_3100Hz, struc, C_nirr_nomeaning, C_no_rate_adaption, C_I440_450, C_Asynchronous, C_stopbit_dontcare, C_databit_dontcare, ur, C_ir_16kbs, C_parity_dontcare, ce, C_modemt_V32, C_uil2p_dontcare), TCV_modemt := C_modemt_V32)		11.8.2.5.2
		<b>local_BS61or81_S_T(ir:B_2; ur: B_4; modemt:B_5)</b>		
53		(TCV_BcapMO1 := Bcap_MO(TCV_Rchr, C_3100Hz, C_Unstructured, C_nirr_nomeaning, C_no_rate_adaption, C_I440_450, C_Synchronous, C_stopbit_NA, C_databit_NA, ur, ir, C_parity_NA, C_transparent, modemt), TCV_modemt := modemt)		11.8.2.5.3
		<b>local_pixitvaluechk</b>		
54	CS_0 123	[(ce <> C_transparent) AND( ce <> C_nottransparent) AND(NOT both) AND async]	I	IXIT error
55	CS_0 124	[(a_ur1 <> C_300bs) AND(a_ur1 <> C_1200bs) AND(a_ur1 <> C_2400bs) AND(a_ur1 <> C_4800bs) AND(a_ur1 <> C_9600bs) AND(a_ur1 <> C_120075bs) AND async]	I	IXIT error
56	CS_0 125	[(s_ur1 <> C_1200bs) AND(s_ur1 <> C_2400bs) AND(s_ur1 <> C_4800bs) AND(s_ur1 <> C_9600bs) AND sync]	I	IXIT error
57		[C_Yes]		IXIT values OK
		<b>local_selectSaAndCe</b>		
58		[async]		3.
59		(TCV_sa := C_Asynchronous, TCV_ur := a_ur1)		
60		[both]		
61		[(a_ur1 = C_300bs) OR (a_ur1 = C_120075bs) OR ( a_ur1 = C_4800bs)]		
62		(TCV_ce := C_nottransparent)		
63		[(a_ur1 = C_1200bs) OR (a_ur1 = C_2400bs) OR ( a_ur1 = C_9600bs)]		
64		(TCV_ce := C_transparent)		
65		[NOT both]		
66		(TCV_ce := ce)		
67		[sync]		
68		(TCV_sa := C_Synchronous, TCV_ce := C_transparent, TCV_ur := s_ur1)		
		<b>local_setupmsg</b>		
69		[TCV_sa = C_Asynchronous]		
70		[(NOT TSPC_EFR_Speech_v2) AND(NOT TSPC_EFR_Speech_v3)]		
71		(TCV_Setup_mo := Setup_11_3100( ri, Bcap_Speech_MO(C_Rchr_dontcare), TCV_BcapMO1, Llcmp_NotApplicable, Llcmp_BS2xOrBS61aOrBS81a_3100, ri, ri, Hlcmp_NotApplicable, Hlcmp_AnyOrOmit))		Non EFR Mobile
72		[TSPC_EFR_Speech_v2 OR TSPC_EFR_Speech_v3]		
73		(TCV_Setup_mo := Setup_11_3100( ri, Bcap_Speech_Efr_MO(C_Rchr_dontcare), TCV_BcapMO1, Llcmp_NotApplicable, Llcmp_BS2xOrBS61aOrBS81a_3100, ri, ri,		EFR Mobile

74	Hlcmp_NotApplicable, Hlcmp_AnyOrOmit)) [TCV_sa = C_Synchronous]		
75	[(NOT TSPC_EFR_Speech_v2) AND(NOT TSPC_EFR_Speech_v3)]		
76	(TCV_Setup_mo := Setup_11_3100( ri, Bcap_Speech_MO(C_Rchr_dontcare), TCV_BcapMO1, Llcmp_NotApplicable, Llcmp_BS3xOrBS61sOrBS81s_3100, ri, ri, Hlcmp_NotApplicable, Hlcmp_AnyOrOmit))		Non EFR Mobile
77	[TSPC_EFR_Speech_v2 OR TSPC_EFR_Speech_v3]		
78	(TCV_Setup_mo := Setup_11_3100( ri, Bcap_Speech_Efr_MO(C_Rchr_dontcare), TCV_BcapMO1, Llcmp_NotApplicable, Llcmp_BS3xOrBS61sOrBS81s_3100, ri, ri, Hlcmp_NotApplicable, Hlcmp_AnyOrOmit))		EFR Mobile

**Detailed Comments:**

1. validate IXIT values
2. select sync or async mode and corresponding CE
3. If the MS supports both synchronous and asynchronous mode, selete the asynchronous mode
4. The BS61 or BS81 Bearer Capabilities and SETUP messages for MO is constructed according to section 11.8.2.5.1, section 11.8.2.5.2 and section 11.8.2.5.3 of GSM 11.10 and section B.1.6.1, section B.1.6.2.1, section B.1.6.2.2, section B.2.2.2 and section B.2.3.2 of GSM 07.01.

The algorithm for selecting parameters for BS61 basice service:

```

IF (TSPX_BS_61_A)
    TCV_sa := C_Asynchronous
    IF (TSPX_BS_61_A_ur1_T_NT)
        TCV_ce := C_nottransparent
    ELSE
        TCV_ce := TSPX_BS_61_A_ur1_ce
    use (TCV_sa, TCV_ce, TSPX_BS_61_A_ur1, svc) for OO_IFsetup_BS61orBS81_MO
ELSE
    TCV_sa := C_Synchronous
    use (TCV_sa, C_transparent, TSPX_BS_61_S_ur1, svc) for
OO_IFsetup_BS61orBS81_MO

```

The algorithm for selecting parameters for BS61 basice service is the same as above except using corresponding IXIT parameters.

Test Step Dynamic Behaviour					
<b>Test Step Name:</b>		Chmod(rate:RATE; ce:B_2; ur:B_4; svc:SERVICES)			
<b>Group:</b>		GSM_MS_CS_4210/Preambles/			
<b>Objective:</b>		To assign correct values to the test case variables TCV_ChMod and TCV_ChModb.			
<b>Default:</b>		OtherEvents			
<b>Comments:</b>		The rules for assignment are in Table 10-1 of GSM 11.10 section 10.3. If the value for ce is "BothT", the rule for transparent is used. If the value for ce is "BothNT", the rule for non transparent is used. That means the preferred value will be used in test configuration.			
Nr	Label	Behaviour Description	CRef	V	Comments
1		+local_tree			
2		[(svc = C_AltSpchData) OR (svc = C_SpchData) OR ( svc = C_AltSpchFax)]			dual mode call
3		(TCV_ChMod.mode := C_ChMod_r)			
4		[(svc<> C_AltSpchData) AND(svc <> C_SpchData) AND( svc <> C_AltSpchFax)]			
		<b>local_tree</b>			
5		[((ce = C_nottransparent) OR (ce = C_BothNT)) AND (rate = C_Full)]			
6		(TCV_ChMod.mode := C_ChMod_12k, TCV_ChModb.mode := C_ChMod_12k)			
7		[((ce = C_nottransparent) OR (ce = C_BothNT)) AND (rate = C_Half)]			
8		[ur <> C_9600bs]			
9		(TCV_ChMod.mode := C_ChMod_6k, TCV_ChModb.mode := C_ChMod_6k)			
10	CS_0 126	[ur = C_9600bs]		I	not applicable
11		[(ce = C_transparent) OR ( ce = C_BothT)]			
12		[(ur = C_9600bs) AND (rate = C_Full)]			
13		(TCV_ChMod.mode := C_ChMod_12k, TCV_ChModb.mode := C_ChMod_12k)			
14		[ur = C_4800bs]			
15		(TCV_ChMod.mode := C_ChMod_6k, TCV_ChModb.mode := C_ChMod_6k)			
16		[(ur <> C_4800bs) AND(ur <> C_9600bs)]			
17		(TCV_ChMod.mode := C_ChMod_3k, TCV_ChModb.mode := C_ChMod_3k)			
18	CS_0 127	[(ur = C_9600bs) AND (rate = C_Half)]		I	not applicable
<b>Detailed Comments:</b>					

Test Step Dynamic Behaviour					
Nr	Label	Behaviour Description	CRef	V	Comments
<b>Test Step Name:</b> IdleUpdated( par_bspwr:INTEGER; activ_cell:CellID; sch, bcch:LOGICCH; acttype:BITSTRING; slot, slot2, slot3, slot4:SN; tsc:TSC; t, retr, neci, att:INTEGER; ta:TA; babr, cch_con, bpm:B_3; t3212:OCTETSTRING; ci:CI; mcc, mnc, lac:OCTETSTRING; co:CO; cchdgs, cchddcs:CCHD; crh, mtmcgsm, mtmcdds:INTEGER; bcchflgsm, bcfaltgsm, bcchfldcs, bcfaltdds:NCD; Re:B_1; bcc:BCC; ncc:NCC; StartType:INTEGER; subch:B_2; cksn:B_3; rand:RAND; arfcngsm, arfcndcs:INTEGER; imsi:HEXSTRING; sysinfonb:INTEGER; nccp:NCCP)					
<b>Group:</b> GSM_MS_CS_4210/Preambles/					
<b>Objective:</b> To ensure that the SIM is either updated to the initial conditions and the MS with CKSN valid, TMSI valid and idle updated in cell A, B or C; or idle updated without TMSI; or totally not updated and all LAI information deleted.					
<b>Default:</b> OtherEvents					
Nr	Label	Behaviour Description	CRef	V	Comments
1		(TCV_slot := slot, TCV_tsc := tsc, TCV_Ccd0H := CntrlChDscrp( att, babr, C_cch_1Comb, bpm, t3212))			
2		+MM_PwrOrSimOff( C_SIMneedRmv)			
3		+Varinit_fix( activ_cell, lac, subch, cksn, rand, arfcngsm, arfcndcs, TCV_Ccd0H, imsi)			
4		+ltree_chconf( C_cch_1Comb)			Config LT
5		+localtree1			
<b>localtree1</b>					
6		+ltree_sysinfo( 1, C_cch_1Comb)			ATT= '1'B
7		+MM_PwrOrSimOn( C_SIMneedRmv)			
8		+localtree_Lup_Auth			
<b>localtree_Lup_Auth</b>					
9		START T_dly( C_T_Wait1stChReq)			
10		L?DL_RaInChRq( TCV_Rr := DL_RaInChRq, msg.eau_rrf, TCV_Fn := DL_RaInChRq.fn)	ChReq( ChRequest_02)		Any channel request PDU
11		CANCEL T_dly			
11		ACTIVATE(OtherEvents_02)			To match ChReq retrans.
12		LIDL_UdatRqImmss	ImmAss( TCV_agch, ImmAsgn_01Def( TCV_Rr, TCV_Fn, subch, slot, tsc, TCV_chdescr_arfcn, ta))		
13		L?DL_EstInLupRq	LocUp( TCV_ch, LocUpdtReq_01( C_norm_period_attach))		Any location update type
14		ACTIVATE(OtherEvents)			Restore Normal default
15		[StartType = C_Start_Rej]			
16		LIDL_DatRqLupRej	LocRej( TCV_ch, LocUpdtRej_01( C_rc_LAnotallowed))		Delete LAI, tmsi, cksn
17		+PostMainLinkRel(TCV_ch)			Release Ch
18		+MM_PwrOrSimOff( C_SIMneedRmv)			
19		+localtree2			
20		[StartType = C_Start_Imsi]			
21		+Authentication( TCV_ch, cksn, rand)			
22		LIDL_DatRqLupAcp	LocAcp( TCV_ch, LocUpdtAcp_01( MiImsi_01iei, mcc, mnc, TCV_lac))		Location Accept with IMSI
23		+PostMainLinkRel(TCV_ch)			Release Ch
24		+localtree2			
25		[(StartType = C_Start_Tmsi) OR (StartType = C_Start_TmsiOff)]			
26		+Authentication( TCV_ch, cksn, rand)			
27		LIDL_DatRqLupAcp	LocAcp( TCV_ch, LocUpdtAcp_01( MiTmsi_01iei, mcc, mnc, TCV_lac))		Location Accept with TMSI
28		L?DL_DatInTmsireCom	TmsiReallocCmp( TCV_ch)		
29		+PostMainLinkRel(TCV_ch)			Release Ch



30		+localtree2		
31		[StartType = C_Start_PLMNnot]		
32		L!DL_DatRqLupRej	LocRej( TCV_ch, LocUpdtRej_01( C_rc_plmn_not))	Delete LAI, tmsi, cksn
33		+PostMainLinkRel(TCV_ch)		Release Ch
34		+localtree2		
35	CS_0 128	[(StartType <> C_Start_Rej) AND(StartType <> C_Start_Tmsi) AND(StartType <> C_Start_TmsiOff) AND(StartType <> C_Start_Imsi) AND(StartType <> C_Start_PLMNnot)]		I
36		?TIMEOUT T_dly		
37		+ltree_rmvPLMNfbdnlist		
		<b>localtree2</b>		
38		[(att = 1) AND(StartType <> C_Start_TmsiOff)]		ATT no change
39		[cch_con <> C_cch_1Comb]		If non combined
40		+localtree3		
41		+ltree_PgReorg		
42		[cch_con = C_cch_1Comb]		If combined
43		[(att = 1) AND (StartType = C_Start_TmsiOff)]		
44		+ImsiDetach(MiTmsi_01, ta, C_SIMneedRmv)		Switch off, detach
45		[cch_con <> C_cch_1Comb]		If non combined
46		+localtree3		
47		[cch_con = C_cch_1Comb]		If combined
48		[att = 0]		
49		[cch_con = C_cch_1Comb]		If combined
50		+ltree_sysinfo( 0, C_cch_1Comb)		ATT=0
51		+ltree_PgReorg		
52		[cch_con <> C_cch_1Comb]		If non combined
53		+localtree3		
54		+ltree_PgReorg		
		<b>localtree3</b>		
55		(TCV_Ccd0H := CntrlChDscrp( att, babr, cch_con, bpm, t3212))		
56		+Varinit_fix( activ_cell, lac, subch, cksn, rand, arfcngsm, arfcndcs, TCV_Ccd0H, imsi)		
57		+ltree_chconf( cch_con)		Config LT
58		+ltree_sysinfo( att, cch_con)		
		<b>ltree_PgReorg</b>		
59		(TCV_Null:=OM_PgFill( activ_cell, PgReqTp1Reorg))		
60		START T_dly(5000)		
61		?TIMEOUT T_dly		
62		(TCV_Null:=OM_PgFill( activ_cell, PgReqTp1Norm))		
		<b>ltree_sysinfo( attach:INTEGER; con_ch:B_3)</b>		
63		[activ_cell = C_CellA]		
64		+SysInfoSending( attach, con_ch)		SI1-4, cellA
65		(TCV_Ccd0A := TCV_Ccd0H, TCV_sysinfo5 := TCV_sysinfo5, TCV_sysinfo6 := TCV_sysinfo6)		
66		[con_ch = C_cch_1Comb]		If combined
67		+SysInfo_SacchSending( TCV_sacch, TCV_sysinfo5, TCV_sysinfo6)		SI5, 6 on SACCH/C4, cell A
68		[con_ch <> C_cch_1Comb]		
69		+ltree_sysinfo_other( attach)		More SIs, cellA
70		[activ_cell = C_CellB]		
71		+SysInfoSending( attach, con_ch)		SI1-4, cellB
72		(TCV_Ccd0B := TCV_Ccd0H, TCV_sacch_B := TCV_sacch, TCV_sysinfo5_B := TCV_sysinfo5, TCV_sysinfo6_B := TCV_sysinfo6)		SI5, 6 on SACCH/C4, cell B
73		[con_ch = C_cch_1Comb]		If combined
74		+SysInfo_SacchSending( TCV_sacch_B, TCV_sysinfo5_B, TCV_sysinfo6_B)		SI5, 6 on SACCH/C4, cell A

75	[con_ch <> C_cch_1Comb]	No more SIs, cell B
76	[activ_cell = C_CellC]	
77	+SysInfoSending( attach, con_ch)	S11-4, cellC
78	(TCV_Ccd0C := TCV_Ccd0H, TCV_sacch_C := TCV_sacch, TCV_sysinfo5_C := TCV_sysinfo5, TCV_sysinfo6_C := TCV_sysinfo6)	
79	[con_ch = C_cch_1Comb]	If combined
80	+SysInfo_SacchSending( TCV_sacch_C, TCV_sysinfo5_C, TCV_sysinfo6_C)	S15, 6 on SACCH/C4, cell C
81	[con_ch <> C_cch_1Comb]	No more SIs, cell C
<b>SysInfoSending(attachb:INTEGER; con_chs:B_3)</b>		
82	[sysinfonb = C_Test_fh]	Hopping
83	+SysInfoSending_fh( sch, bcch, t, retr, neci, attachb, babr, con_chs, bpm, t3212, ci, mcc, mnc, lac, co, cchdgsm, cchddcs, crh, mtmcgsm, mtmcdcs, bcchflgsm, bcchfldcs, Re, bcc, ncc, nccp)	
84	[sysinfonb = C_Test_nfh]	Non hopping
85	+SysInfoSending_nfh( sch, bcch, t, retr, neci, attachb, babr, con_chs, bpm, t3212, ci, mcc, mnc, lac, co, crh, mtmcgsm, mtmcdcs, bcchflgsm, bcflaltgsm, bcchfldcs, bcflaltdcs, Re, bcc, ncc, nccp)	
86	[sysinfonb = C_Test_egsm]	EGSM
87	+SysInfoSending_e( sch, bcch, t, retr, neci, attachb, babr, con_chs, bpm, t3212, ci, mcc, mnc, lac, co, cchdgsm, crh, mtmcgsm, bcchflgsm, bcchfldcs, Re, bcc, ncc, nccp)	
88	[sysinfonb = C_Test_cbms]	CBMS
89	+SysInfoSending_cbms( sch, bcch, t, retr, neci, attachb, babr, con_chs, bpm, t3212, ci, mcc, mnc, lac, co, crh, mtmcgsm, mtmcdcs, bcchflgsm, bcchfldcs, Re, bcc, ncc, nccp, subch)	
<b>ltree_chconf( conf:B_3)</b>		
90	[activ_cell = C_CellA]	
91	+ltree_chconf_A( conf)	Config LT
92	[activ_cell = C_CellB]	
93	+ltree_chconf_B( conf)	Config LT
94	[activ_cell = C_CellC]	
95	+ltree_chconf_C( conf)	Config LT
<b>ltree_chconf_A( conf_a:B_3)</b>		
96	[conf_a = C_cch_1nonComb]	
97	+NonCombinedBCCH_A( par_bspwr, mtmcgsm, mtmcdcs, arfcngsm, arfcndcs, acttype, slot, tsc, ta, babr, conf_a, bpm)	1 non combined CCCH, cell A
98	(TCV_Upd := C_NotCombined)	
99	[conf_a = C_cch_1Comb]	
100	[sysinfonb <> C_Test_cbms]	
101	+CombinedBCCH_A( par_bspwr, mtmcgsm, mtmcdcs, arfcngsm, arfcndcs, acttype, slot, tsc, ta, babr, conf_a, bpm)	1 combined CCCH, cell A
102	(TCV_Upd := C_Combined)	
103	[sysinfonb = C_Test_cbms]	
104	+CombinedBCCH_A_CBMS( par_bspwr, mtmcgsm, mtmcdcs, arfcngsm, arfcndcs, acttype, slot, tsc, ta, babr, conf_a, bpm)	1 combined CCCH + CBMS, cell A
105	(TCV_Upd := C_Combined)	
106	[conf_a = C_cch_2nonComb]	2 CCCHs
107	+NonCombinedBCCH_A( par_bspwr, mtmcgsm, mtmcdcs, arfcngsm, arfcndcs, acttype, slot, tsc, ta, babr, conf_a, bpm)	1st non combined CCCH, cell A
108	+NonCombinedBCCH_A_2( acttype, slot2, tsc, ta, babr, conf_a, bpm)	2nd non combined CCCH, cell A
109	(TCV_Upd := C_NotCombined)	
110	[conf_a = C_cch_3nonComb]	
111	+NonCombinedBCCH_A( par_bspwr, mtmcgsm, mtmcdcs, arfcngsm, arfcndcs, acttype, slot, tsc, ta,	1st non combined CCCH, cell A

112		babr, conf_a, bpm) +NonCombinedBCCH_A_2( acttype, slot2, tsc, ta, babr, conf_a, bpm)		2nd non combined CCCH, cell A
113		+NonCombinedBCCH_A_3( acttype, slot3, tsc, ta, babr, conf_a, bpm)		3rd non combined CCCH, cell A
114		(TCV_Upd := C_NotCombined)		
115		[conf_a = C_cch_4nonComb]		
116		+NonCombinedBCCH_A( par_bspwr, mtmcgsm, mtmcdcs, arfcngsm, arfcndcs, acttype, slot, tsc, ta, babr, conf_a, bpm)		1st non combined CCCH, cell A
117		+NonCombinedBCCH_A_2( acttype,slot2, tsc, ta, babr, conf_a, bpm)		2nd non combined CCCH, cell A
118		+NonCombinedBCCH_A_3( acttype, slot3, tsc, ta, babr, conf_a, bpm)		3rd non combined CCCH, cell A
119		+NonCombinedBCCH_A_4( acttype, slot4, tsc, ta, babr, conf_a, bpm)		4th non combined CCCH, cell A
120		(TCV_Upd := C_NotCombined)		
121	CS_0 129	[(conf_a <> C_cch_1nonComb) AND(conf_a <> C_cch_2nonComb) AND(conf_a <> C_cch_3nonComb) AND(conf_a <> C_cch_4nonComb) AND(conf_a <> C_cch_1Comb)]	I	A wrong CCCH-CONF value, cell A
122		<b>ltree_chconf_B( conf_b:B_3)</b> [conf_b = C_cch_1nonComb]		
123		+NonCombinedBCCH_B( par_bspwr, mtmcgsm, mtmcdcs, arfcngsm, arfcndcs, acttype,slot,tsc, ta, babr, conf_b, bpm)		1 non combined CCCH, cell B
124		(TCV_Upd := C_NotCombined)		
125		[conf_b = C_cch_1Comb]		
126		+CombinedBCCH_B( par_bspwr, mtmcgsm, mtmcdcs, arfcngsm, arfcndcs, acttype, slot, tsc, ta, babr, conf_b, bpm)		1 combined CCCH, cell B
127		(TCV_Upd := C_Combined)		
128	CS_0 130	[(conf_b <> C_cch_1nonComb) AND(conf_b <> C_cch_1Comb)]	I	A wrong CCCH-CONF value, cell B
129		<b>ltree_chconf_C( conf_c:B_3)</b> [conf_c = C_cch_1Comb]		
130		+CombinedBCCH_C( par_bspwr, mtmcgsm, mtmcdcs, arfcngsm, arfcndcs, acttype, slot, tsc, ta, babr, conf_c, bpm)		1 combined CCCH, cell C
131		(TCV_Upd := C_Combined)		
132	CS_0 131	[conf_c <> C_cch_1Comb]	I	
133		<b>ltree_sysinfo_other( attach:INTEGER)</b> [(cch_con = C_cch_1nonComb) OR (cch_con = C_cch_1Comb)]		
134		[cch_con = C_cch_2nonComb]		
135		+SysInfoSending_fh( sch, C_BCCH_A_2, t, retr, neci, attach, babr, cch_con, bpm, t3212, ci, mcc, mnc, lac, co, CellChDes_02, CellChDes_03, crh, mtmcgsm, mtmcdcs, BcchFreqLst_01, BcchFreqLst_48, Re, bcc, ncc, nccp)		SIs on 2nd CCCH
136		[cch_con = C_cch_3nonComb]		
137		+SysInfoSending_fh( sch, C_BCCH_A_2, t, retr, neci, attach, babr, cch_con, bpm, t3212, ci, mcc, mnc, lac, co, CellChDes_02, CellChDes_03, crh, mtmcgsm, mtmcdcs, BcchFreqLst_01, BcchFreqLst_48, Re, bcc, ncc, nccp)		SIs on 2nd CCCH
138		+SysInfoSending_fh( sch, C_BCCH_A_3, t, retr, neci, attach, babr, cch_con, bpm, t3212, ci, mcc, mnc, lac, co, CellChDes_02, CellChDes_03, crh, mtmcgsm, mtmcdcs, BcchFreqLst_01, BcchFreqLst_48, Re, bcc, ncc, nccp)		SIs on 3rd CCCH
139		[cch_con = C_cch_4nonComb]		
140		+SysInfoSending_fh( sch, C_BCCH_A_2, t, retr, neci, attach, babr, cch_con, bpm, t3212, ci, mcc, mnc, lac, co, CellChDes_02, CellChDes_03, crh, mtmcgsm, mtmcdcs, BcchFreqLst_01, BcchFreqLst_48, Re, bcc, ncc, nccp)		SIs on 2nd CCCH

141		+SysInfoSending_fh( sch, C_BCCH_A_3, t, retr, neci, attach, babr, cch_con, bpm, t3212, ci, mcc, mnc, lac, co, CellChDes_02, CellChDes_03, crh, mtmcgsm, mtmcdcs, BcchFreqLst_01, BcchFreqLst_48, Re, bcc, ncc, nccp)		SlIs on 3rd CCCH
142		+SysInfoSending_fh( sch, C_BCCH_A_4, t, retr, neci, attach, babr, cch_con, bpm, t3212, ci, mcc, mnc, lac, co, CellChDes_02, CellChDes_03, crh, mtmcgsm, mtmcdcs, BcchFreqLst_01, BcchFreqLst_48, Re, bcc, ncc, nccp)		SlIs on 4th CCCH
143		<b>Itree_rmvPLMNfbdnlist</b> (TCV_Null := OO_PLMNselModeMan())		
144		(TCV_Null := OO_SelPLMN( mnc))		
145		L?DL_RaInChRq (TCV_Rr := DL_RaInChRq.msg.ecau_rrf, TCV_Fn := DL_RaInChRq.fn) CANCEL T_dly	ChReq( ChRequest_02)	Any channel request PDU
146		ACTIVATE(OtherEvents_02)		To match ChReq retrans.
147		LIDL_UdatRqImmash	ImmAss( TCV_agch, ImmAsgn_01Def( TCV_Rr, TCV_Fn, subch, slot, tsc, TCV_chdescr_arfcn, ta))	
148		L?DL_EstInLupRq	LocUp( TCV_ch, LocUpdtReq_01( C_norm_period_attach))	Any location update type
149		ACTIVATE( OtherEvents)		Restore Normal default
150		[StartType = C_Start_PLMNnot]		The PLMN is already in forbidden list on short SIM
151		LIDL_DatRqLupRej	LocRej( TCV_ch, LocUpdtRej_01( C_rc_plmn_not))	Delete LAI, tmsi, cksn, PLMN still in list
152		+PostMainLinkRel( TCV_ch)		Release Ch
153		(TCV_Null := OO_PLMNselModeAuto())		
154		[StartType <> C_Start_PLMNnot]		
155		LIDL_DatRqLupAcp	LocAcp( TCV_ch, LocUpdtAcp_01( MiTmsi_r02iei, mcc, mnc, TCV_lac))	Location Accept with no TMSI
156		+PostMainLinkRel( TCV_ch)		Release Ch
157	CS_0 132	(TCV_Null := OO_PLMNselModeAuto())		I No ChReq received: Inconclusive

Detailed Comments:		Formal Parameter Type	Comments & Explanations	Possible values
	par_bspwr	INTEGER	Base station power level	C_E_default, C_E_suitable
	activ_cell	CellID	Activated cell identity	C_CellA, C_CellB, C_CellC
	sch	LOGICCH	Sync. channel identity	
			If formal para activ_cell = C_CellA,	C_SCH_A
			If formal para activ_cell = C_CellB,	C_SCH_B
			If formal para activ_cell = C_CellC,	C_SCH_C
	bcch	LOGICCH	1st broadcast channel id	
			If formal para activ_cell = C_CellA,	C_BCCH_A_1
			If formal para activ_cell = C_CellB,	C_BCCH_B_1
			If formal para activ_cell = C_CellC,	C_BCCH_C_1
	acttype	BITSTRING	Type for activation of a channel	C_Immash
	slot	SN	Slot number for the 1st slot	C_S0
	slot2	SN	Slot number for the 2nd slot	
			In case of 2 or 3 or 4 non combined CCCH	C_S2

		Otherwise (1 combined or 1 non combined)	C_SlotNU	
slot3	SN	Slot number for the 3rd slot		
		In case of 3 or 4 non combined CCCH	C_S4	
		Otherwise (1 combined or 1, 2 non combined)	C_SlotNU	
slot4	SN	Slot number for the 4th slot		
		In case of 4 non combined CCCH channels	C_S6	
		Otherwise (1 combined, 1, 2, 3 non combined)	C_SlotNU	
tsc	TSC	Training Sequence code	C_BCC	
t	INTEGER	Rach Control Parameter field, Tx-Integer		
		for SysInfo1, SysInfo2, SysInfo3, SysInfo4	C_TxInt_5,	
			C_TxInt_7,	C_TxInt_10
retr	INTEGER	Rach Control Parameter field, Max-Retrans		
		for SysInfo1, SysInfo2, SysInfo3, SysInfo4	C_Max_1,	
			C_Max_2,	C_Max_7
neci	INTEGER	Requested value f. NECI bit in test case	C_NECI_0,	
			C_NECI_1	
att	INTEGER	Requested value f. ATTACH bit in test case	C_ATT_0,	
			C_ATT_1	
ta	TA	Requested Timing Advance value		
babr	B_3	Number of blocks reserved for acces grant		
		If arbitrary	TSPX_AGBLKsX	
		If fixed	C_BABR_0, C_BABR_1, C_BABR_2	
cch_con	B_3	Type of CCCH channel.		
		If arbitrary	TSPX_CcchConfX	
		1 combined CCCH channel	C_cch_1Comb	
		1 non combined CCCH channel	C_cch_1nonComb	
		2 non combined CCCH channels	C_cch_2nonComb	
		3 non combined CCCH channels	C_cch_3nonComb	
		4 non combined CCCH channels	C_cch_4nonComb	
bpm	B_3	Number of multiframes for transmission		
		of PAGING REQUEST messages to the same		
		paging subgroup		
		If arbitrary	TSPX_PAMFRMSx	
		If fixed (2, 4, 5, 9 multiframes)	C_BPM_0, C_BPM_2,	
			C_BPM_3, C_BPM_7	
t3212	OCTETSTR.	Requested value for T3212 in test case		(Periodic
		Location Update Value)		
		infinite	C_T3212_0	
		6 mn / 1 deci hours	C_T3212_1	
		12 mn / 2 deci hours	C_T3212_2	
		30 mn / 5 deci hours	C_T3212_5	
ci	CI	Cell Identity		
		If formal para activ_cell = C_CellA	C_ci_CellA	
		If formal para activ_cell = C_CellB	C_ci_CellB	
		If formal para activ_cell = C_CellC	C_ci_CellC	
mcc	OCTETSTR.	Mobile Contry Code for the LAI	C_MCC, C_MCC_x	
mnc	OCTETSTR.	Mobile Network Code for the LAI	C_PLMN_Home, C_PLMN_x	
lac	OCTETSTR.	Local Area Code for the LAI	C_LAC_x	

co	CO	Cell Options	CellOpt_xx
cchdgsm	CCHD	Cell Channels Description (GSM) If formal para sysinfonb=C_Test_nfh CellChDes_omit If formal para sysinfonb=C_Test_cbms CellChDes_omit If formal para sysinfonb=C_Test_fh GSM CellChDes_xx	
cchddcs	CCHD	Cell Channels Description (DCS) If formal para sysinfonb=C_Test_nfh CellChDes_omit If formal para sysinfonb=C_Test_cbms CellChDes_omit If formal para sysinfonb=C_Test_fh DCS CellChDes_xx	
crh	INTEGER	Cell Reselection Hysteresis	C_CellReselectHys12, C_CellReselectHys4
mtmcgsm	INTEGER	Requested maximum power level for GSM MS	C_MaxPwrLvIG
mtmcdcs	INTEGER	Requested maximum power level for DCS MS	C_MaxPwrLvID
bcchflgsm	NCD	Neighbour Cells Description for GSM	BcchFreqLst_xx
bcflaltgsm	NCD	Alternative Neighbour Cells Description for GSM. If sysinfonb = C_Test_nfh Alternat.GSM BcchFreqLst_xx Otherwise: BcchFreqLst_Omit	
bcchfldcs	NCD	Neighbour Cells Description for DCS	BcchFreqLst_xx
bcflaltdcs	NCD	Alternative Neighbour Cells Description for DCS If sysinfonb = C_Test_nfh Alternat.DCS BcchFreqLst_xx Otherwise: BcchFreqLst_Omit	
Re	B_1	Rach Control Parameter field, Re-establishment bit for SysInfo1, SysInfo2, SysInfo3, SysInfo4	C_Restablishment, C_noRestablishmen
bcc	BCC	Base station Color Code	C_BCC
ncc	NCC	Network Color Code	C_NCC
StartType	INTEGER	Initial conditions for MS Starting without TMSI Starting with Tmsi_01 Starting with Tmsi_01, MS deactivated Starting with LAI deleted, MS deactivated Starting with PLMN not allowed	C_Start_Imsi C_Start_Tmsi C_Start_TmsiOff C_Start_Rej C_Start_PLMNnot
subch	BITSTRING	Selected sub-channel If Formal para cch_con = C_cch_1Comb, TSPX_SDCCH4SubDef TSPX_SDCCH4SubA, SubB, SubC	
cksn	BITSTRING	Ciphering Key Sequence for authentication TSPX_CKSNDf, C	Number used TSPX_CKSNA, B, C
rand	BITSTRING	Random Number for authentication TSPX_RANDDef, TSPX_RANDA, B, C	
arfcngsm	INTEGER	BCCH channel ARFCN (GSM) If sysinfonb = C_Test_fh Otherwise:	C_Noarfcn C_arfcnA_x C_arfcnB_x C_arfcnC_x
arfcndcs	INTEGER	BCCH channel ARFCN (DCS) If sysinfonb = C_Test_fh	C_Noarfcn

	Otherwise:	If activ_cell = C_CellB	If activ_cell = C_CellA	
C_arfcnAd_x		C_arfcnCd_x	C_arfcnBd_x	If
activ_cell = C_CellC				
imsi	HEXSTRING	The expected IMSI	TSPX_IMSI	
	In TC_26_7_3_2		C_shortIMSI	
sysinfofb	INTEGER	Type of sysinfo sending		
	Frequency Hopping		C_Test_fh	
	Non Frequency hopping		C_Test_nfh	
	EGSM sequence		C_Test_egsm	
	CBMS sequence		C_Test_cbms	
nccp	NCCP	Network Country Code Permitted		
	in SysInfo2		C_NCCP_2, C_NCCP_5	

### Test Step Dynamic Behaviour

**Test Step Name:** PreEstRRConn(slot:SN; tsc:TSC; ta:TA)  
**Group:** GSM\_MS\_CS\_4210/Preambles/  
**Objective:** To establish a RR connection on SDCCH subchannel defined by TSPX\_SDCCH4SubDef in cell A  
**Default:** OtherEvents  
**Comments:** The calling tree shall prepare variable for the step: TCV\_ch for the SDCCH4 subchannel TSPX\_SDCCH4SubDef. This test step is used for non RR testing.

Nr	Label	Behaviour Description	CRef	V	Comments
1		L!DL_UdatRqPg1Rq	PgReq1(TCV_PgCh, TCV_Pgg, PgReqTp1_01)		To match ChReq retrans.
2		L?DL_RacInChRq ( TCV_Rr := DL_RacInChRq.msg.ecau_rrf, TCV_Fn := DL_RacInChRq.fn)	ChReq(ChRequest_17)		
3		ACTIVATE( OtherEvents_02)			
4		L!DL_UdatRqImm	ImmAss( TCV_agch, ImmAsgn_01Def( TCV_Rr, TCV_Fn, TSPX_SDCCH4SubDef, slot, tsc, TCV_chdescr_arfcn, ta))		
5		L?DL_EstInPgRes	PagingRes(PagingRes_01)		Restore Normal default
6		ACTIVATE(OtherEvents)			

**Detailed Comments:**

<b>Test Step Dynamic Behaviour</b>					
<b>Test Step Name:</b> PreEstRRC_MM( par_mi:MI; cksn:BITSTRING; ta:TA)					
<b>Group:</b> GSM_MS_CS_4210/Preambles/					
<b>Objective:</b> To establish a RR connection on C_SDCCH4_A_1					
<b>Default:</b> OtherEvents					
<b>Comments:</b> used var's: TCV_Rr, TCV_Fn, TCV_Pgch, TCV_ia_ts, TCV_chdescr_arfcn					
<b>Nr</b>	<b>Label</b>	<b>Behaviour Description</b>	<b>CRef</b>	<b>V</b>	<b>Comments</b>
1		LIDL_UdatRqPg1Rq	PgReq1(TCV_PgCh, TCV_Pgg, PgReqTp1_30(par_mi )		
2		L?DL_RaInChRq ( TCV_Rr := DL_RaInChRq. msg.ecau_rrf, TCV_Fn := DL_RaInChRq.fn)	ChReq( ChRequest_17)		To match ChReq retrans.
3		ACTIVATE( OtherEvents_02)			
4		LIDL_UdatRqImm	ImmAss( TCV_agch, ImmAsgn_01Def( TCV_Rr, TCV_Fn, TSPX_SDCCH4SubD ef, TCV_slot, TCV_tsc, TCV_chdescr_arfcn, ta))		
5	CS_0 133	L?DL_EstInPgRes	PagingRes( PagingRes_30( par_mi, cksn))	(P)	
6		ACTIVATE( OtherEvents)			Restore Normal default
<b>Detailed Comments:</b>					



Test Step Dynamic Behaviour					
<b>Test Step Name:</b>		TS61MO( srv:SERVICES)			
<b>Group:</b>		GSM_MS_CS_4210/Preambles/			
<b>Objective:</b>		To generate an MO SETUP message with appropriate Bcap for TS61 service.			
<b>Default:</b>		OtherEvents			
Nr	Label	Behaviour Description	CRef	V	Comments
1		(TCV_srv := srv, TCV_ur := TSPX_TS_61_ur1, TCV_CE := NT_BothT_BothNTorT_BothT_BothNT)			
2		+local_selectCe			
3		+local_bcap			get the right BC
4		[(NOT TSPC_EFR_Speech_v2) AND(NOT TSPC_EFR_Speech_v3)]			
5		(TCV_Setup_mo := Setup_11_3100(C_RI_alternate, Bcap_Speech_MO(C_Rchr_dontcare), TCV_BcapMO1, Llcmp_NotApplicable, Llcmp_AnyOrOmit, C_RI_alternate, C_RI_alternate, Hlcmp_NotApplicable, Hlcmp_TS61))			Non EFR Mobile - generate SETUP
6		+Chmod(TCV_ChRate, TCV_ce, TCV_ur, srv)			initiate channel mode variables
7		(TCV_Null := OO_IFsetup_TS6x_MO(TCV_srv, TCV_ur, TCV_ce, TCV_ChRate))			ask operator to configure the MS
8		[TSPC_EFR_Speech_v2 OR TSPC_EFR_Speech_v3]			
9		(TCV_Setup_mo := Setup_11_3100(C_RI_alternate, Bcap_Speech_Efr_MO(C_Rchr_dontcare), TCV_BcapMO1, Llcmp_NotApplicable, Llcmp_AnyOrOmit, C_RI_alternate, C_RI_alternate, Hlcmp_NotApplicable, Hlcmp_TS61))			EFR Mobile - generate SETUP
10		+Chmod(TCV_ChRate, TCV_ce, TCV_ur, srv)			initiate channel mode variables
11		(TCV_Null := OO_IFsetup_TS6x_MO(TCV_srv, TCV_ur, TCV_ce, TCV_ChRate))			ask operator to configure the MS
		<b>local_bcap</b>			
12		[TCV_ce = C_transparent]			
13		[TCV_ur = C_9600bs]			
14		+local_TS61_FAX3_T(C_9600bs, C_ir_16kbs)			
15		[(TCV_ur = C_4800bs) OR (TCV_ur = C_2400bs)]			
16		+local_TS61_FAX3_T(TCV_ur, C_ir_8kbs)			
17	CS_0 134	[(TCV_ur <> C_4800bs) AND(TCV_ur <> C_2400bs) AND(TCV_ur <> C_9600bs)]		I	IXIT parameter error
18		[TCV_ce = C_nottransparent]			
19		+local_TS61_FAX3_NT(TCV_ur)			
		<b>local_TS61_FAX3_T(ur:B_4; ir:B_2)</b>			
20		(TCV_BcapMO1 := Bcap_MO(TCV_Rchr, C_FAX3, C_Unstructured, C_nirr_nomeaning, C_no_rate_adaption, C_sacp_NA, C_Synchronous, C_stopbit_NA, C_databit_NA, ur, ir, C_parity_NA, C_transparent, C_modemt_none))			11.8.2.7.1
		<b>local_TS61_FAX3_NT(ur:B_4)</b>			
21		[ur=C_9600bs]			
22		(TCV_BcapMO1 := BcapX_MO(TCV_Rchr, C_FAX3, C_SDUIegrity, C_nirr_nomeaning, C_no_rate_adaption, C_sacp_NA, C_Synchronous, C_stopbit_NA, C_databit_NA, ur, C_ir_16kbs, C_parity_NA, TCV_CE.NTorBothTorBothNT, C_modemt_none, C_X25_flct))			11.8.2.7.2
23		[(ur=C_2400bs) OR (ur = C_4800bs)]			
24		(TCV_BcapMO1 := BcapX_MO(TCV_Rchr, C_FAX3, C_SDUIegrity, C_nirr_dontcare, C_no_rate_adaption, C_sacp_NA,			11.8.2.7.2

		C_Synchronous, C_stopbit_NA, C_databit_NA, ur, C_ir_16kbs, C_parity_NA, TCV_CE.NTorBothTorBothNT, C_modemt_none, C_X25_fct)			
25	CS_0 135	[(ur <> C_2400bs) AND(ur <> C_4800bs) AND(ur <> C_9600bs)]		I	IXIT parameter error
26		<b>local_selectCe</b> [TSPX_TS_61_T_NT]			
27		(TCV_ce := C_nottransparent)			
28		[NOT TSPX_TS_61_T_NT]			
29		(TCV_ce := TSPX_TS_61_ce)			

**Detailed Comments:** The TS61 Bearer Capabilities and SETUP messages for MO is constructed according to section 11.8.2.7.1 and section 11.8.2.7.2 of GSM 11.10 and section B.1.10.2 and section B.2.10 of GSM 07.01.

The algorithm for selecting parameters:  
 IF (TSPX\_BS\_61\_T\_NT)  
     TCV\_ce := C\_nottransparent  
 ELSE  
     TCV\_ce := TSPX\_BS\_61\_ce

use (TCV\_ce, TSPX\_BS\_61\_ur1, svc) for OO\_IFsetup\_TS6x\_MO

Test Step Dynamic Behaviour					
<b>Test Step Name:</b>		TS62MO( srv:SERVICES)			
<b>Group:</b>		GSM_MS_CS_4210/Preambles/			
<b>Objective:</b>		To generate an MO SETUP message with appropriate Bcap for TS62 service.			
<b>Default:</b>		OtherEvents			
Nr	Label	Behaviour Description	CRef	V	Comments
1		(TCV_srv := srv, TCV_ur := TSPX_TS_62_ur1, TCV_CE := NT_BothT_BothNTorT_BothT_BothNT)			variables used in InitCall
2		+local_selectCe			
3		+local_bcap			get the right BC
4		(TCV_Setup_mo := Setup_10_3100( TCV_BcapMO1, Llcmp_AnyOrOmit, Hlcmp_TS62))			
5		+Chmod(TCV_ChRate, TCV_ce, TCV_ur, srv)			
6		(TCV_Null := OO_IFsetup_TS6x_MO(TCV_srv, TCV_ur, TCV_ce, TCV_ChRate))			
		<b>local_bcap</b>			
7		[TCV_ce = C_transparent]			
8		[TCV_ur = C_9600bs]			
9		+local_TS62_FAX3_T(C_9600bs, C_ir_16kbs)			
10		[(TCV_ur = C_4800bs) OR (TCV_ur = C_2400bs)]			
11		+local_TS62_FAX3_T(TCV_ur, C_ir_8kbs)			
12	CS_0 136	[(TCV_ur <> C_4800bs) AND(TCV_ur <> C_2400bs) AND(TCV_ur <> C_9600bs)]		I	IXIT parameter error
13		[TCV_ce = C_nottransparent]			
14		+local_TS62_FAX3_NT(TCV_ur)			
		<b>local_TS62_FAX3_T(ur:B_4; ir:B_2)</b>			
15		(TCV_BcapMO1 := Bcap_MO(C_Rchr_dontcare, C_FAX3, C_Unstructured, C_nirr_nomeaning, C_no_rate_adaption, C_sacp_NA, C_Synchronous, C_stopbit_NA, C_databit_NA, ur, ir, C_parity_NA, C_transparent, C_modemt_none))			11.8.2.7.1
		<b>local_TS62_FAX3_NT(ur:B_4)</b>			
16		[ur = C_9600bs]			
17		(TCV_BcapMO1 := BcapX_MO(C_Rchr_dontcare, C_FAX3, C_SDUIntegrity, C_nirr_nomeaning, C_no_rate_adaption, C_sacp_NA, C_Synchronous, C_stopbit_NA, C_databit_NA, ur, C_ir_16kbs, C_parity_NA, TCV_CE.NTorBothTorBothNT, C_modemt_none, C_X25_flct))			11.8.2.7.2
18		[(ur = C_2400bs) OR (ur = C_4800bs)]			
19		(TCV_BcapMO1 := BcapX_MO(C_Rchr_dontcare, C_FAX3, C_SDUIntegrity, C_nirr_dontcare, C_no_rate_adaption, C_sacp_NA, C_Synchronous, C_stopbit_NA, C_databit_NA, ur, C_ir_16kbs, C_parity_NA, TCV_CE.NTorBothTorBothNT, C_modemt_none, C_X25_flct))			11.8.2.7.2
20	CS_0 137	[(ur <> C_2400bs) AND(ur <> C_4800bs) AND(ur <> C_9600bs)]		I	IXIT parameter error
		<b>local_selectCe</b>			
21		[TSPX_TS_62_T_NT]			
22		(TCV_ce := C_nottransparent)			
23		[NOT TSPX_TS_62_T_NT]			
24		(TCV_ce := TSPX_TS_62_ce)			
<b>Detailed Comments:</b>		The TS62 Bearer Capabilities and SETUP messages for MO is constructed according to section 11.8.2.7.1 and section 11.8.2.7.2 of GSM 11.10 and section B.1.10.2 and section B.2.11 of GSM 07.01.			
		The algorithm for selecting parameters: IF (TSPX_BS_62_T_NT)			

```
TCV_ce := C_nottransparent
ELSE
TCV_ce := TSPX_BS_62_ce

use (TCV_ce, TSPX_BS_62_ur1, svc) for OO_IFsetup_TS6x_MO
```

## Defaults Library

Default Dynamic Behaviour					
<b>Default Name:</b>		OtherEvents			
<b>Group:</b>		GSM_MS_CS_4210/			
<b>Objective:</b>		To match unexpected events and sign final verdict for preambles.			
<b>Comments:</b>		used in preambles.			
Nr	Label	Behaviour Description	CRef	V	Comments
1		L?DL_Relln	DLRelInd_02		4.
2		RETURN			
3		?TIMEOUT T_guard			1.
4		+ltree_SDCCH1_release			
5		+ltree_SDCCH2_release			
6		+ltree_TCH1_release			
7		+ltree_TCH2_release			
8		(TCV_Null := OO_TguardTimeOut())			
9	CS_0 138	CANCEL		I	3.
10		L?OTHERWISE			2.
11		+ltree_SDCCH1_release			
12		+ltree_SDCCH2_release			
13		+ltree_TCH1_release			
14		+ltree_TCH2_release			
15		L?DL_Relln	DLRelInd_01		
16	CS_0 139	CANCEL		I	3.
17		?TIMEOUT T_guard			1.
18	CS_0 140	CANCEL		I	3.
19		<b>ltree_SDCCH1_release</b> [TCV_ch <> "dummy"]			
20		L!DL_DatRqChRel	ChRel(TCV_ch, ChRelease_01)		
21		[TCV_ch = "dummy"]			
22		<b>ltree_SDCCH2_release</b> [TCV_ch1 <> "dummy"]			
23		L!DL_DatRqChRel	ChRel(TCV_ch1, ChRelease_01)		
24		[TCV_ch1 = "dummy"]			
25		<b>ltree_TCH1_release</b> [TCV_chTch <> "dummy"]			
26		L!DL_DatRqChRel	ChRel(TCV_chTch, ChRelease_01)		
27		[TCV_chTch = "dummy"]			
28		<b>ltree_TCH2_release</b> [TCV_chTch1 <> "dummy"]			
29		L!DL_DatRqChRel	ChRel(TCV_chTch1, ChRelease_01)		
30		[TCV_chTch1 = "dummy"]			
<b>Detailed Comments:</b>		1. The guard timer times out, inconclusive. 2. Unexpected events, inconclusive. 3. Cancel of all running timers. 4. Local end termination request allowed.			

Default Dynamic Behaviour					
<b>Default Name:</b>		OtherEventsFail			
<b>Group:</b>		GSM_MS_CS_4210/			
<b>Objective:</b>		To match unexpected events and fail the test case.			
Nr	Label	Behaviour Description	CRef	V	Comments
1		L?DL_Relln	DLRelInd_02		
2		RETURN			
3		?TIMEOUT T_guard			1.
4		+ltree_SDCCH1_release			
5		+ltree_SDCCH2_release			
6		+ltree_TCH1_release			
7		+ltree_TCH2_release			
8		(TCV_Null := OO_TguardTimeOut())			
9	CS_0 141	CANCEL		I	3.
10		L?OTHERWISE			2.
11		+ltree_SDCCH1_release			
12		+ltree_SDCCH2_release			
13		+ltree_TCH1_release			
14		+ltree_TCH2_release			
15		L?DL_Relln	DLRelInd_01		
16	CS_0 142	CANCEL		F	3.
17		?TIMEOUT T_guard			
18	CS_0 143	CANCEL		F	3.
19		<b>ltree_SDCCH1_release</b> [TCV_ch <> "dummy"]			
20		L!DL_DatRqChRel	ChRel(TCV_ch, ChRelease_01)		
21		[TCV_ch = "dummy"]			
22		<b>ltree_SDCCH2_release</b> [TCV_ch1 <> "dummy"]			
23		L!DL_DatRqChRel	ChRel(TCV_ch1, ChRelease_01)		
24		[TCV_ch1 = "dummy"]			
25		<b>ltree_TCH1_release</b> [TCV_chTch <> "dummy"]			
26		L!DL_DatRqChRel	ChRel(TCV_chTch, ChRelease_01)		
27		[TCV_chTch = "dummy"]			
28		<b>ltree_TCH2_release</b> [TCV_chTch1 <> "dummy"]			
29		L!DL_DatRqChRel	ChRel(TCV_chTch1, ChRelease_01)		
30		[TCV_chTch1 = "dummy"]			
<b>Detailed Comments:</b>		1. The guard timer times out, inconclusive. 2. Unexpected events, fail. 3. Cancel of all running timers.			

Default Dynamic Behaviour					
<b>Default Name:</b>		OtherEventsFail_01			
<b>Group:</b>		GSM_MS_CS_4210/			
<b>Objective:</b>		To match irrelevant CHANNEL REQUEST msg and MEASUREMENT REPORT msg and return or match other unexpected events and fail the test case.			
Nr	Label	Behaviour Description	CRef	V	Comments
1		L?DL_Relln	DLRelInd_01		6.
2		RETURN			
3		?TIMEOUT T_guard			1.
4		+ltree_SDCCH1_release			
5		+ltree_SDCCH2_release			
6		+ltree_TCH1_release			
7		+ltree_TCH2_release			
8		(TCV_Null := OO_TguardTimeOut())			
9	CS_0 144	CANCEL		I	5.
10		L?DL_RaInChRq	ChReq(ChRequest_0 2)		2.
11		RETURN			
12		L?DL_UdatInMsrRpt	MsrRept( MsrReport_02)		3.
13		RETURN			
14		L?OTHERWISE			4.
15		+ltree_SDCCH1_release			
16		+ltree_SDCCH2_release			
17		+ltree_TCH1_release			
18		+ltree_TCH2_release			
19		L?DL_Relln	DLRelInd_01		
20	CS_0 145	CANCEL		F	5.
21		?TIMEOUT T_guard			
22	CS_0 146	CANCEL		F	5.
23		<b>ltree_SDCCH1_release</b> [TCV_ch <> "dummy"]			
24		LIDL_DatRqChRel	ChRel(TCV_ch, ChRelease_01)		
25		[TCV_ch = "dummy"]			
26		<b>ltree_SDCCH2_release</b> [TCV_ch1 <> "dummy"]			
27		LIDL_DatRqChRel	ChRel(TCV_ch1, ChRelease_01)		
28		[TCV_ch1 = "dummy"]			
29		<b>ltree_TCH1_release</b> [TCV_chTch <> "dummy"]			
30		LIDL_DatRqChRel	ChRel(TCV_chTch, ChRelease_01)		
31		[TCV_chTch = "dummy"]			
32		<b>ltree_TCH2_release</b> [TCV_chTch1 <> "dummy"]			
33		LIDL_DatRqChRel	ChRel(TCV_chTch1, ChRelease_01)		
34		[TCV_chTch1 = "dummy"]			
<b>Detailed Comments:</b>		<ol style="list-style-type: none"> <li>1. The guard timer times out, inconclusive.</li> <li>2. To throw away any irrelevant channel request.</li> <li>3. To throw away any measurement report.</li> <li>4. Other unexpected events, fail.</li> <li>5. Cancel of all running timers.</li> <li>6. Cover also DLRelInd_02 for local end termination.</li> </ol>			

Default Dynamic Behaviour					
<b>Default Name:</b>		OtherEventsFail_02			
<b>Group:</b>		GSM_MS_CS_4210/			
<b>Objective:</b>		To match unexpected events and fail the test case but ignore channel request messages that are sent before the lower tester has sent (and the MS received) the Immediate Assignment message.			
Nr	Label	Behaviour Description	CRef	V	Comments
1		L?DL_RelIn	DLRelInd_02		
2		RETURN			
3		L?DL_RaInChRq	ChReq(ChRequest_02)		1.
4		RETURN			
5		?TIMEOUT T_guard			2.
6		+ltree_SDCCH1_release			
7		+ltree_SDCCH2_release			
8		+ltree_TCH1_release			
9		+ltree_TCH2_release			
10		(TCV_Null := OO_TguardTimeOut())			
11	CS_0 147	CANCEL		I	4.
12		L?OTHERWISE			3.
13		+ltree_SDCCH1_release			
14		+ltree_SDCCH2_release			
15		+ltree_TCH1_release			
16		+ltree_TCH2_release			
17		L?DL_RelIn	DLRelInd_01		
18	CS_0 148	CANCEL		F	4.
19		?TIMEOUT T_guard			
20	CS_0 149	CANCEL		F	4.
21		<b>ltree_SDCCH1_release</b> [TCV_ch <> "dummy"]			
22		L!DL_DatRqChRel	ChRel(TCV_ch, ChRelease_01)		
23		[TCV_ch = "dummy"]			
24		<b>ltree_SDCCH2_release</b> [TCV_ch1 <> "dummy"]			
25		L!DL_DatRqChRel	ChRel(TCV_ch1, ChRelease_01)		
26		[TCV_ch1 = "dummy"]			
27		<b>ltree_TCH1_release</b> [TCV_chTch <> "dummy"]			
28		L!DL_DatRqChRel	ChRel(TCV_chTch, ChRelease_01)		
29		[TCV_chTch = "dummy"]			
30		<b>ltree_TCH2_release</b> [TCV_chTch1 <> "dummy"]			
31		L!DL_DatRqChRel	ChRel(TCV_chTch1, ChRelease_01)		
32		[TCV_chTch1 = "dummy"]			
<b>Detailed Comments:</b>		<ol style="list-style-type: none"> <li>1. To throw away any irrelevant channel request.</li> <li>2. The guard timer times out, inconclusive.</li> <li>3. Unexpected events, fail.</li> <li>4. Cancel of all running timers.</li> </ol>			



Default Dynamic Behaviour					
<b>Default Name:</b>		OtherEvents_01			
<b>Group:</b>		GSM_MS_CS_4210/			
<b>Objective:</b>		To match irrelevant messages and return			
Nr	Label	Behaviour Description	CRef	V	Comments
1		L?OTHERWISE			1.
2		RETURN			
<b>Detailed Comments:</b>		1. Cover also DLRelInd_02 for local end termination.			

Default Dynamic Behaviour					
<b>Default Name:</b>		OtherEvents_02			
<b>Group:</b>		GSM_MS_CS_4210/			
<b>Objective:</b>		To match unexpected events and sign final verdict for preambles but ignore channel request messages that are sent before the lower tester has sent (and the MS received) the Immediate Assignment message.			
<b>Comments:</b>		used in preambles.			
Nr	Label	Behaviour Description	CRef	V	Comments
1		L?DL_RelIn	DLRelInd_02		
2		RETURN			
3		L?DL_RaInChRq	ChReq(ChRequest_0 2)		1.
4		RETURN			
5		?TIMEOUT T_guard			2.
6		+ltree_SDCCH1_release			
7		+ltree_SDCCH2_release			
8		+ltree_TCH1_release			
9		+ltree_TCH2_release			
10		(TCV_Null := OO_TguardTimeOut())			
11	CS_0 150	CANCEL		I	4.
12		L?OTHERWISE			3.
13		+ltree_SDCCH1_release			
14		+ltree_SDCCH2_release			
15		+ltree_TCH1_release			
16		+ltree_TCH2_release			
17		L?DL_RelIn	DLRelInd_01		
18	CS_0 151	CANCEL		I	4.
19		?TIMEOUT T_guard			2.
20	CS_0 152	CANCEL		I	4.
<b>ltree_SDCCH1_release</b>					
21		[TCV_ch <> "dummy"]			
22		L!DL_DatRqChRel	ChRel(TCV_ch, ChRelease_01)		
23		[TCV_ch = "dummy"]			
<b>ltree_SDCCH2_release</b>					
24		[TCV_ch1 <> "dummy"]			
25		L!DL_DatRqChRel	ChRel(TCV_ch1, ChRelease_01)		
26		[TCV_ch1 = "dummy"]			
<b>ltree_TCH1_release</b>					
27		[TCV_chTch <> "dummy"]			
28		L!DL_DatRqChRel	ChRel(TCV_chTch, ChRelease_01)		
29		[TCV_chTch = "dummy"]			
<b>ltree_TCH2_release</b>					
30		[TCV_chTch1 <> "dummy"]			
31		L!DL_DatRqChRel	ChRel(TCV_chTch1, ChRelease_01)		
32		[TCV_chTch1 = "dummy"]			
<b>Detailed Comments:</b>		<ol style="list-style-type: none"> <li>1. To throw away any irrelevant channel request.</li> <li>2. The guard timer times out, inconclusive.</li> <li>3. Unexpected events, inconclusive.</li> <li>4. Cancel of all running timers.</li> </ol>			

**History**

<b>Document history</b>			
December 1995	Public Enquiry	PE 97:	1995-12-04 to 1996-03-29
May 1996	Vote	V 103:	1996-05-20 to 1996-08-23
September 1996	First Edition		
December 1995	Public Enquiry (Second Edition)	PE 97:	1995-12-04 to 1996-03-29
May 1996	Vote (Second Edition)	V 103:	1996-05-20 to 1996-07-26
August 1996	Unified Approval Procedure (Second Edition)	UAP 52	1996-08-19 to 1996-12-13
November 1996	Unified Approval Procedure (Third Edition)	UAP 58	1996-11-18 to 1997-03-14
January 1997	Second Edition		
April 1997	One-step Approval Procedure (Fourth Edition)	OAP 9731:	1997-04-04 to 1997-08-01
May 1997	Third Edition		
August 1997	One-step Approval Procedure (Fifth Edition)	OAP 9748:	1997-08-01 to 1997-11-28
September 1997	Fourth Edition		
November 1997	One-step Approval Procedure (Sixth Edition)	OAP 9813:	1997-11-28 to 1998-03-27
January 1997	Fifth Edition		
March 1998	One-step Approval Procedure (Seventh Edition)	OAP 9829:	1998-03-20 to 1998-07-17
April 1998	Sixth Edition		
May 1998	One-step Approval Procedure (Eighth Edition)	OAP 9841:	1998-05-20 To 1998-10-16
August 1998	One-step Approval Procedure (Ninth Edition)	OAP 9850:	1998-08-14 to 1998-12-11
August 1998	Seventh Edition		